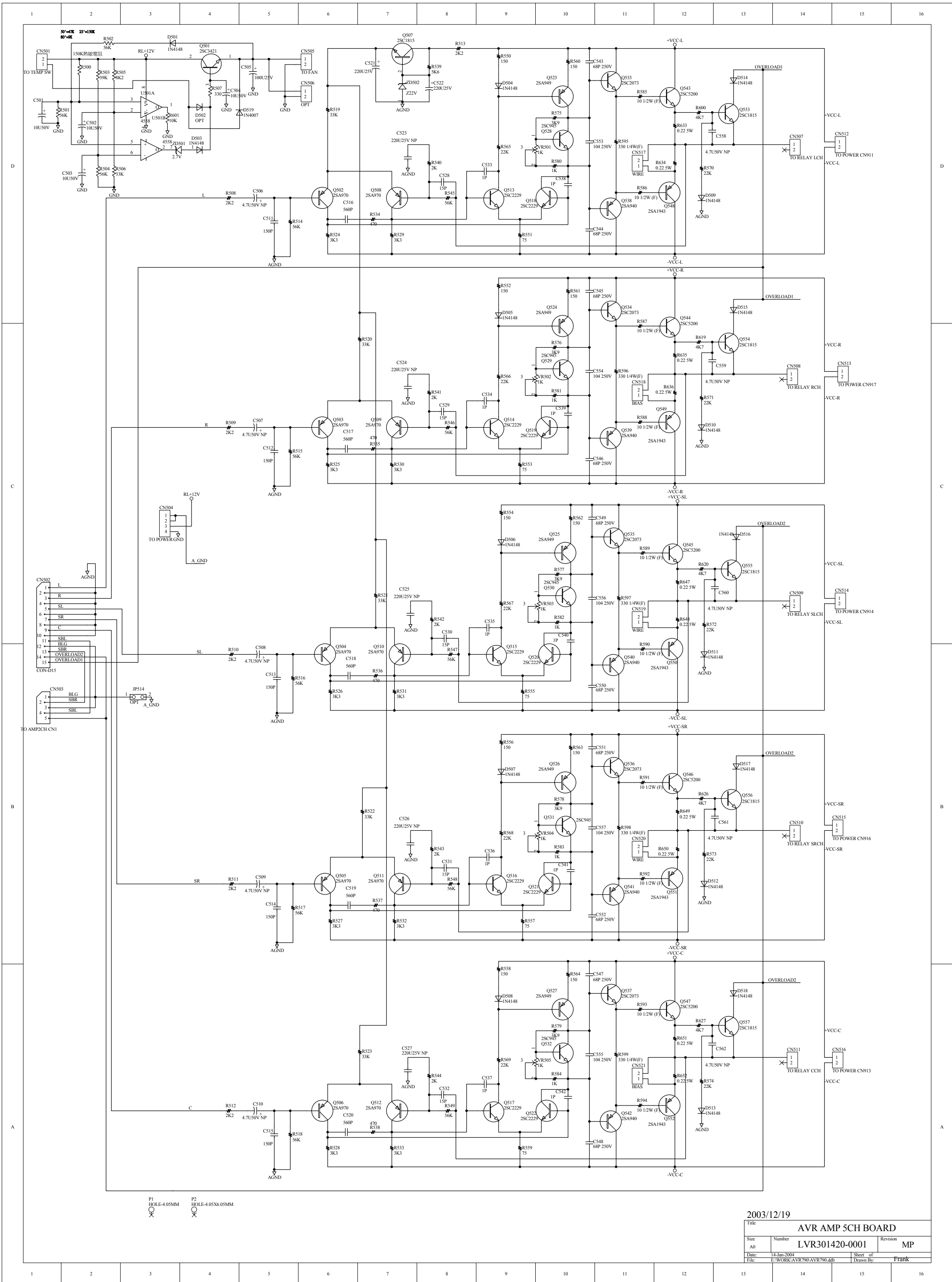


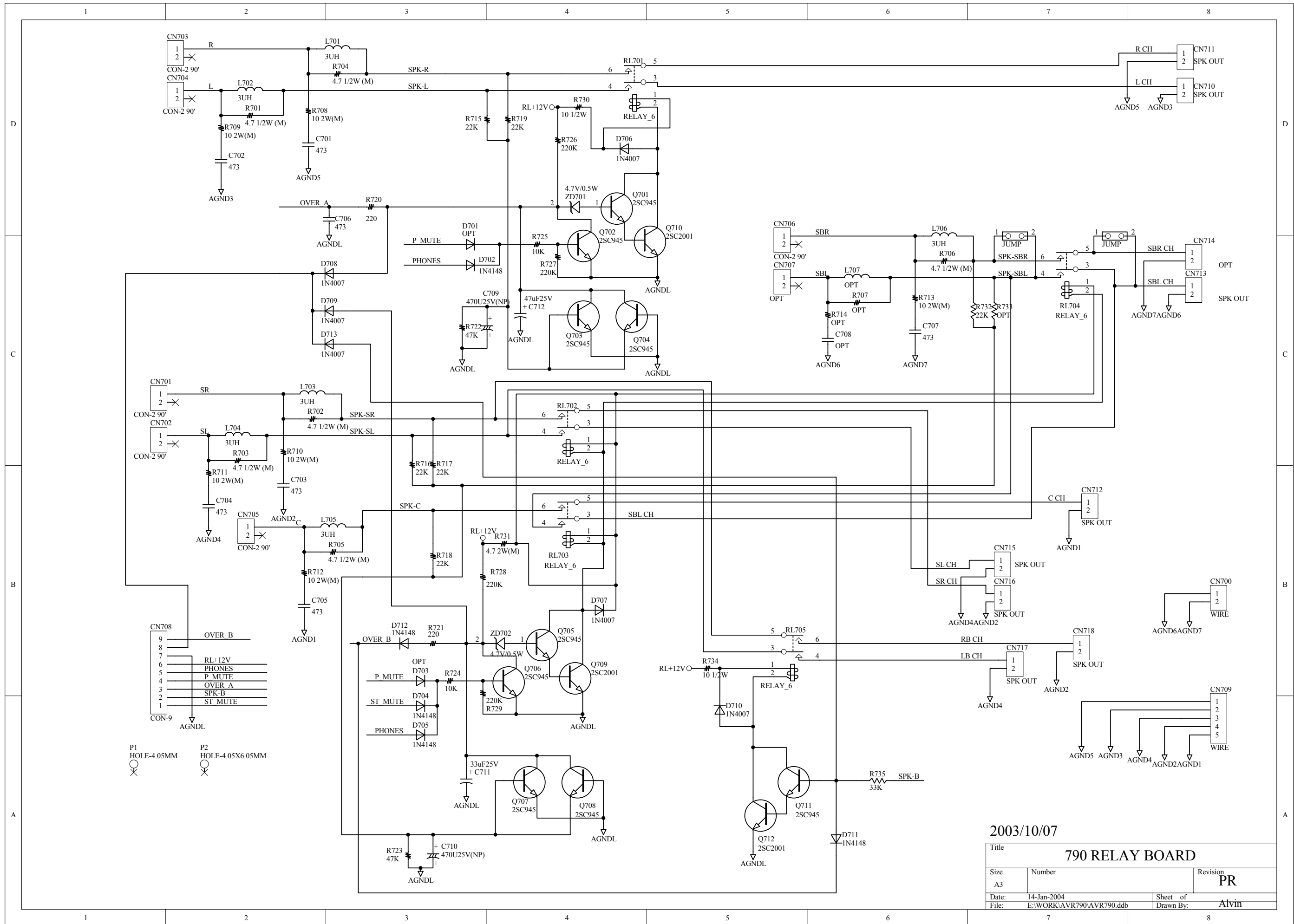
2003/12/17

Title			AVR AMP 2CH BOARD		
Size	Number	Revision			
A3	LVR301410-0401	MP			
Date:	14-Jan-2004	Sheet of			
File:	E:\WORK\AVR790\AVR790.ddb	Drawn By:	Frank		



2003/12/19

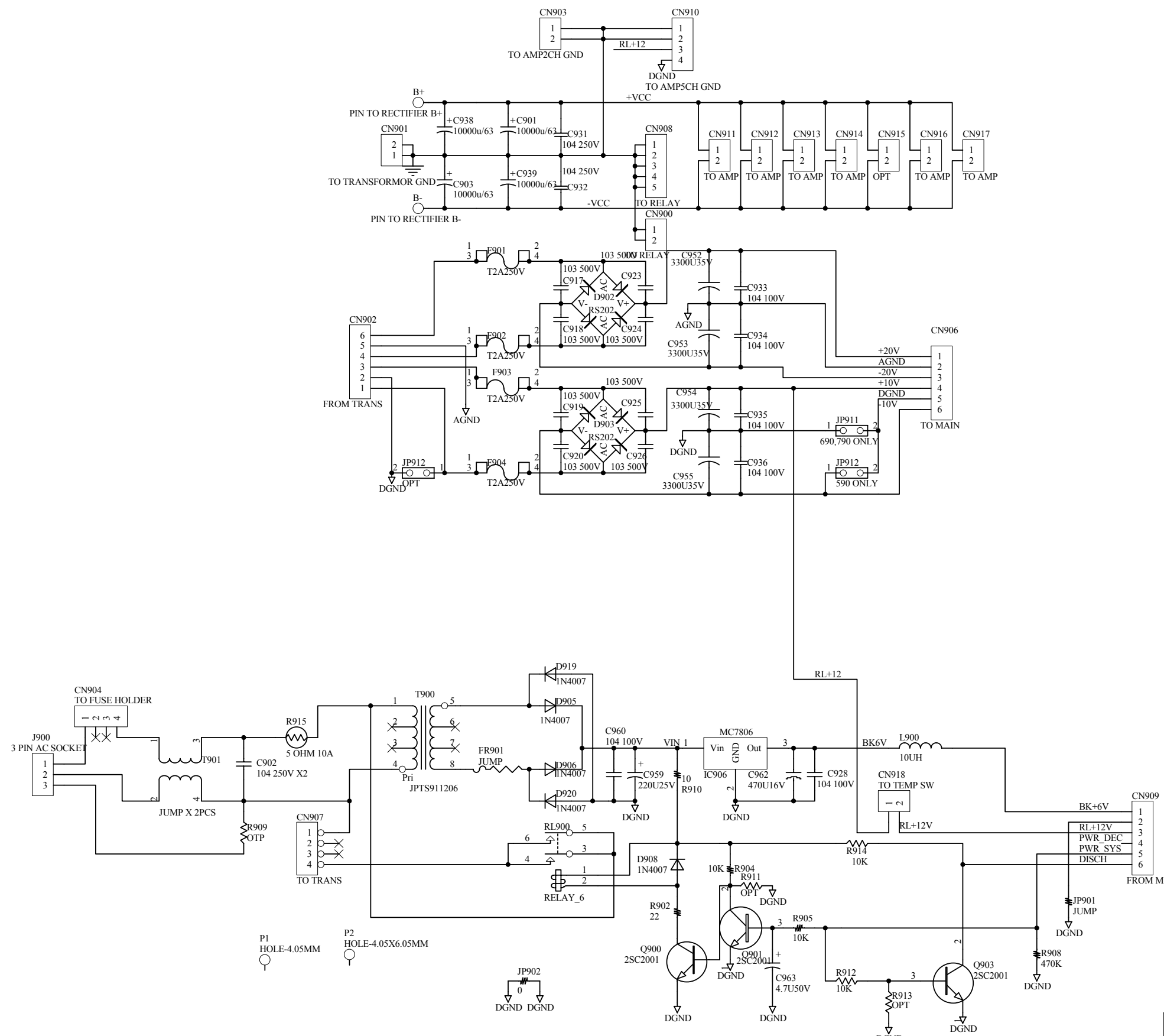
Title			AVR AMP 5CH BOARD		
Size	Number	Revision			
A0	LVR301420-0001	MP			
Date:	14-Jan-2004	Sheet of			
File:	E:\WORK\AVR90\AVR790.dtb	Drawn By:	Frank		



P1 HOLE-4.05MM
 P2 HOLE-4.05X6.05MM

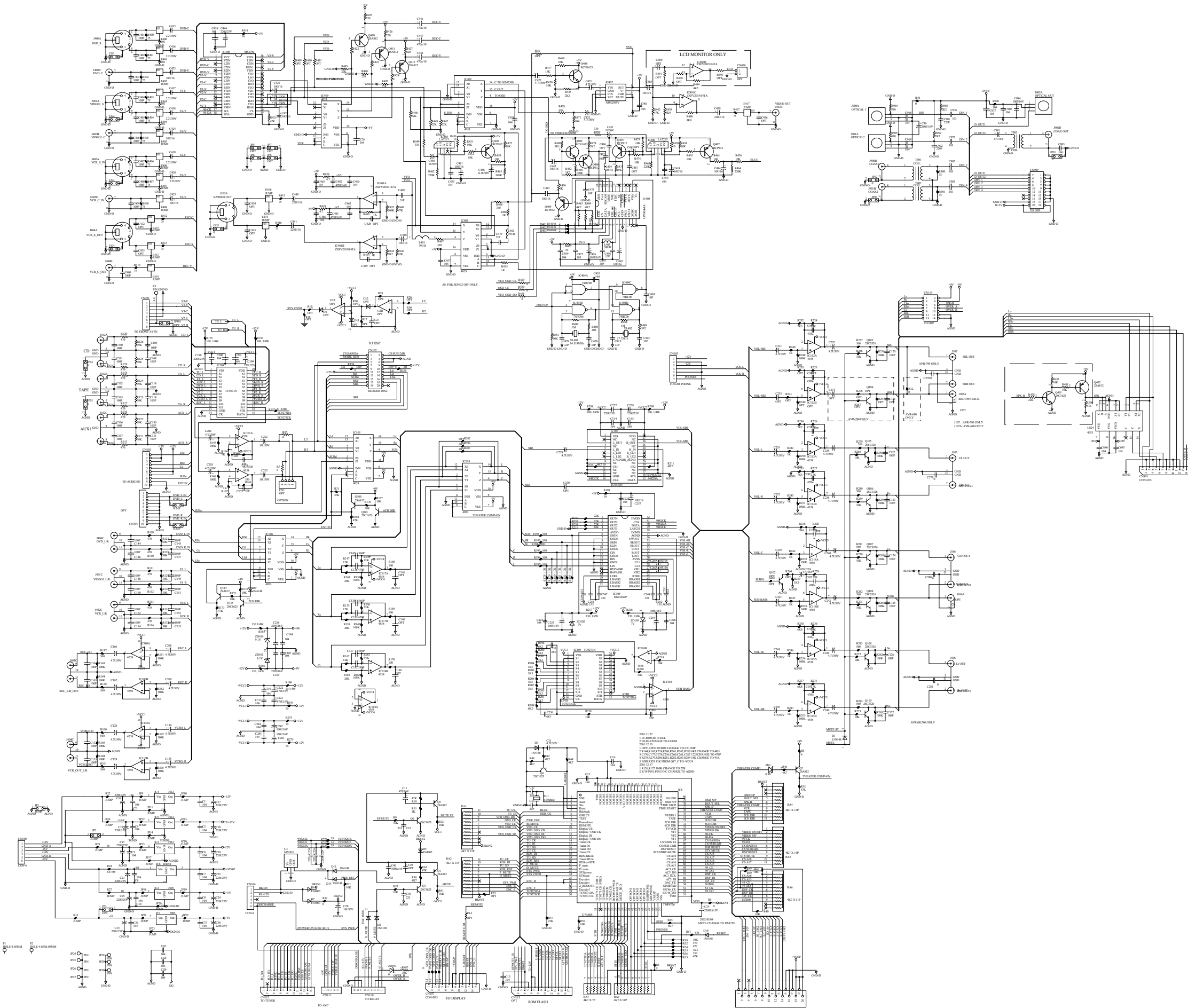
2003/10/07

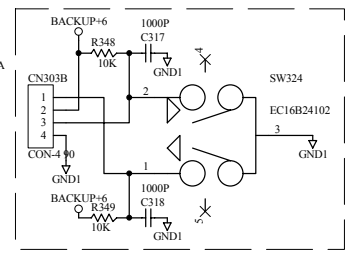
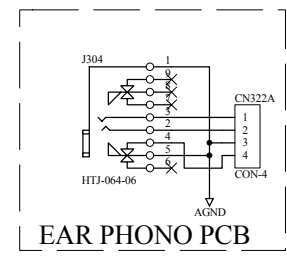
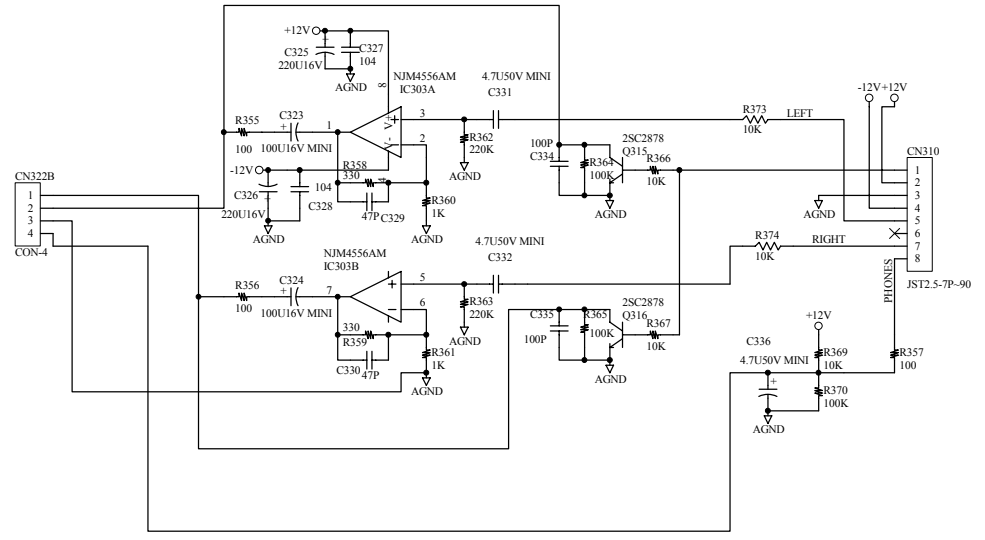
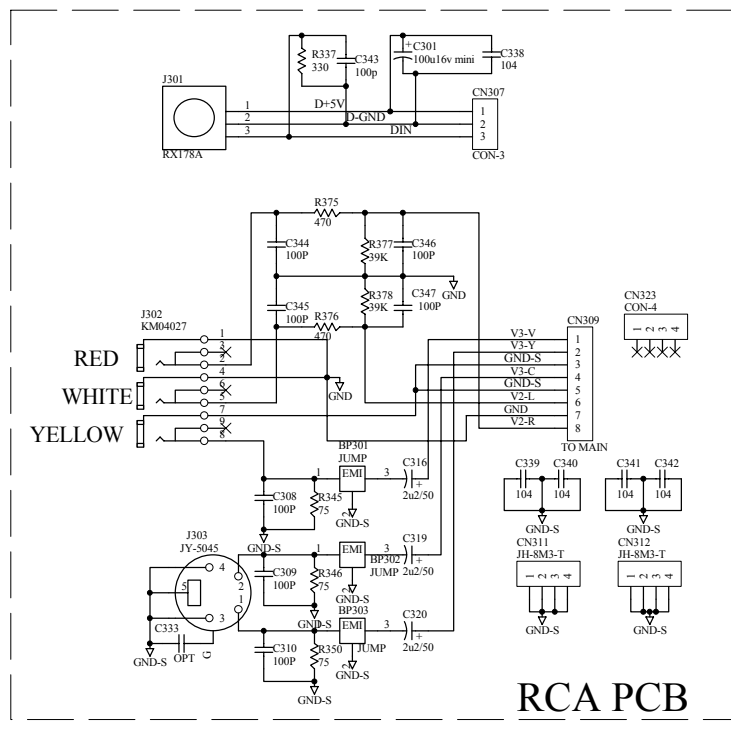
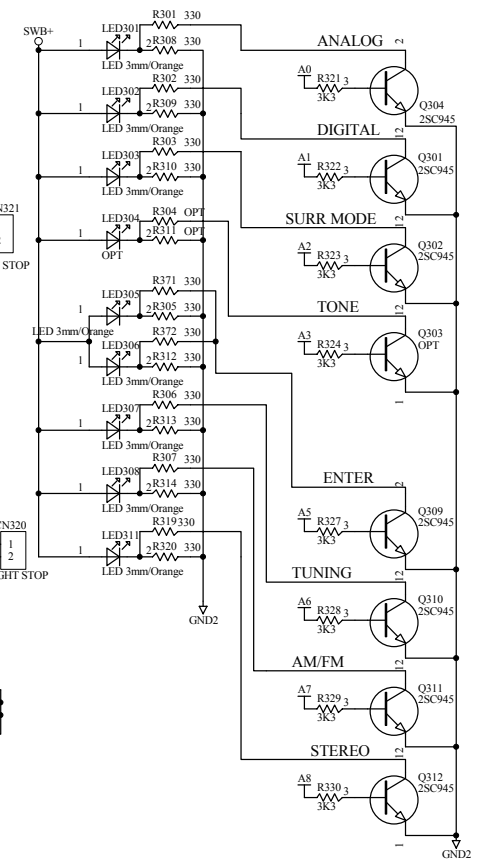
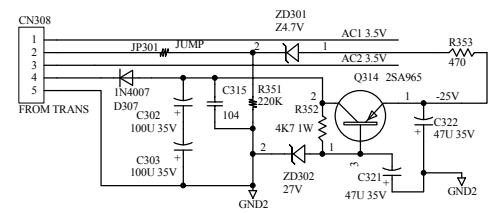
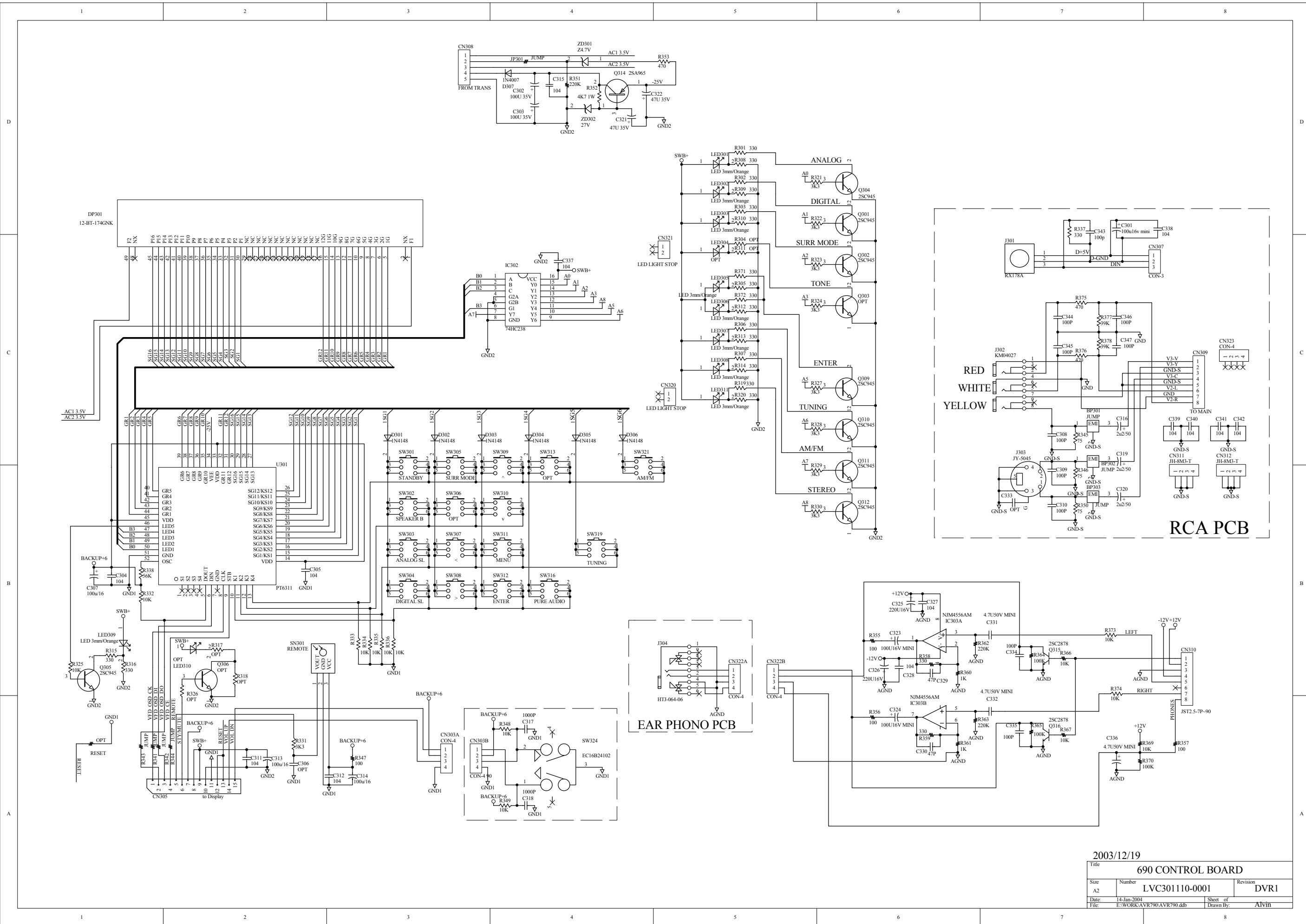
Title			790 RELAY BOARD		
Size	Number	Revision		PR	
A3					
Date:	14-Jan-2004	Sheet of			
File:	E:\WORK\AVR790\AVR790.ddb	Drawn By:	Alvin		



2003/11/06

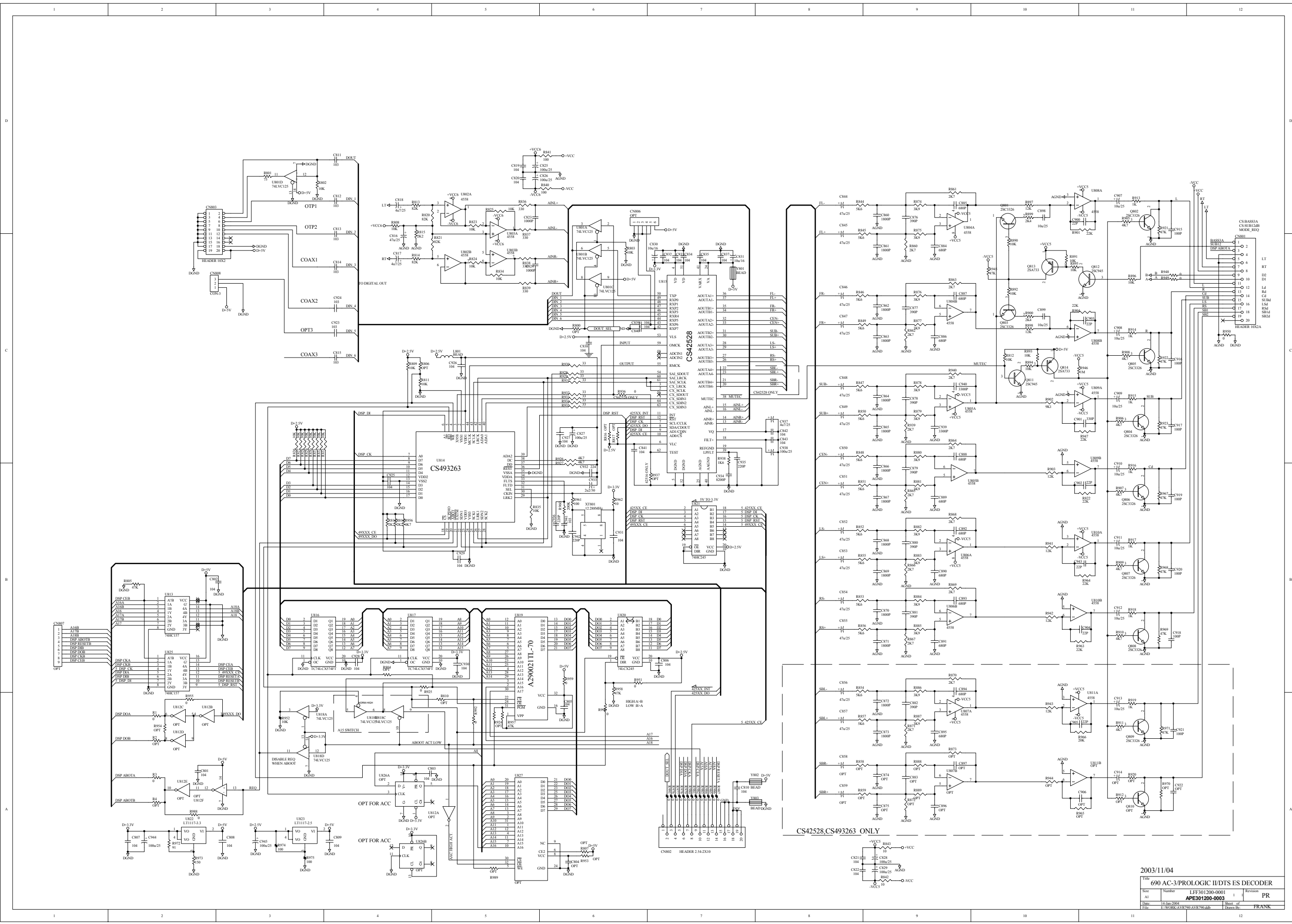
Title			AVR POWER BOARD		
Size	Number	LVP301400-0001		Revision	PR
A3		APE301400-0003			
Date:	14-Jan-2004	Sheet of			
File:	E:\WORK\AVR790\AVR790.ddb	Drawn By:	FRANK		





2003/12/19

Title			690 CONTROL BOARD		
Size	Number	Revision			
A2	LVC301110-0001	DVR1			
Date:	14-Jan-2004	Sheet of			
File:	E:\WORK\AVR790\AVR790.ddb	Drawn By:	Alvin		



CS42528, CS493263 ONLY

2003/11/04	
690 AC-3/PROLOGIC II/DTS ES DECODER	
Doc No	LFF301200-0001
Alt	APE301200-0003
Rev	1
PR	
File	F:\WORK\AVE\90AVE750.dwg
Drawn By	FRANK

1

2

3

4

D

D

C

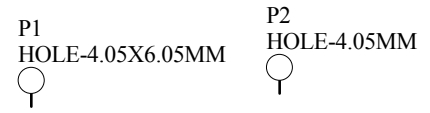
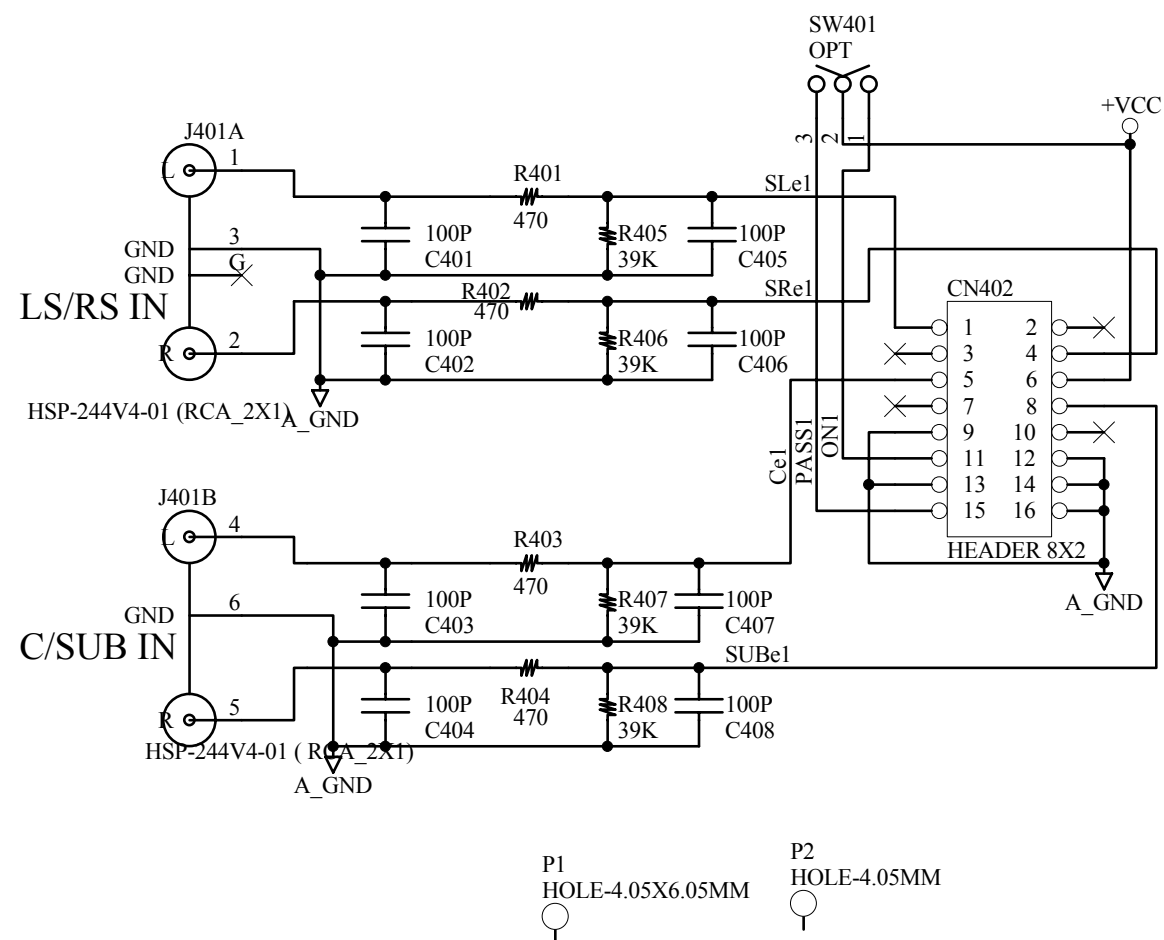
C

B

B

A

A



2003.11.05

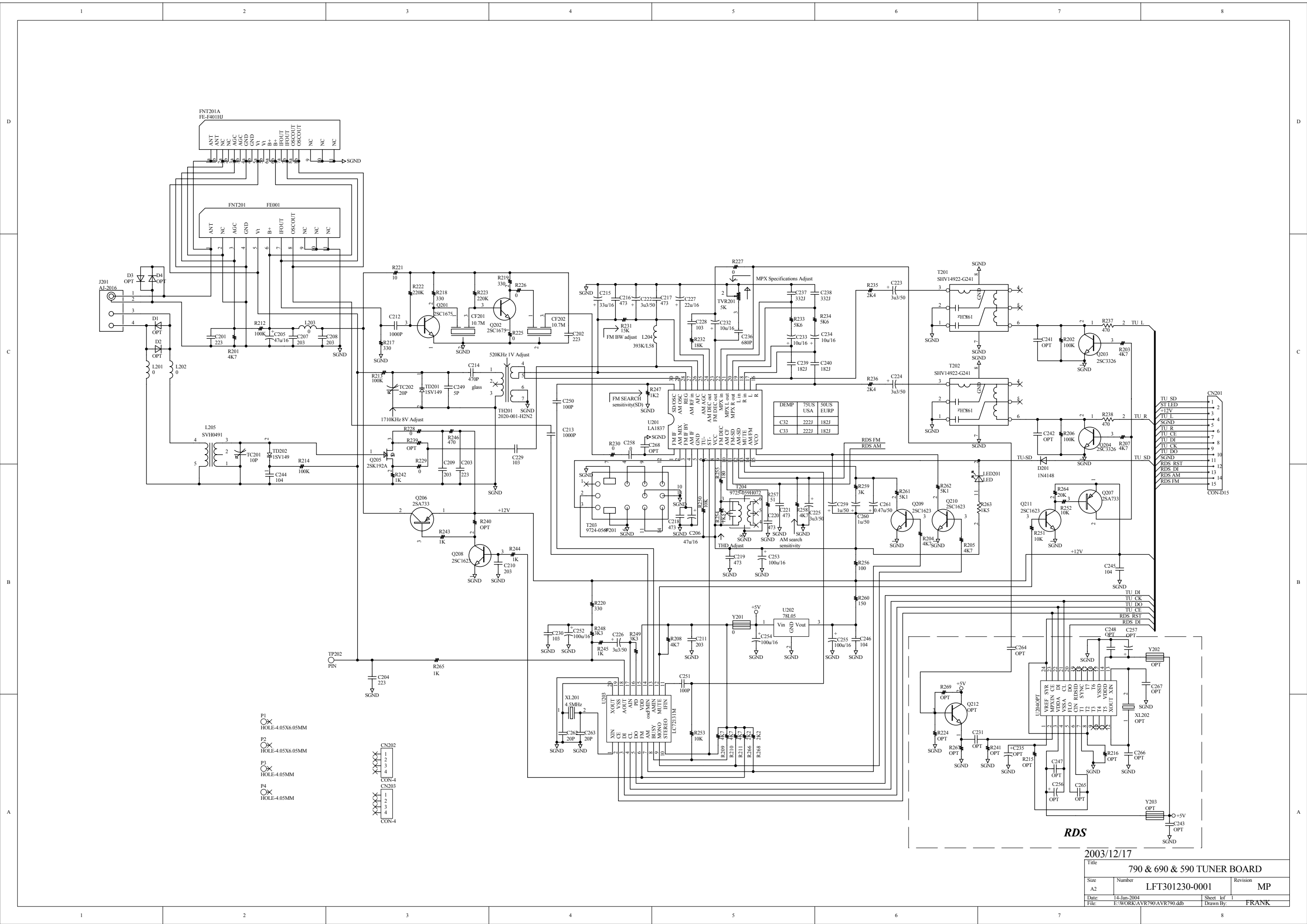
Title			AVR-690 AUDIO-IN BOARD		
Size	Number	Revision			
A4	APE301520-0002 LVA301520-0002	MP			
Date:	14-Jan-2004	Sheet of			
File:	E:\WORK\AVR790\AVR790.ddb	Drawn By:	FRANK		

1

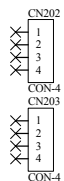
2

3

4



- P1 HOLE-4.05X6.05MM
- P2 HOLE-4.05X6.05MM
- P3 HOLE-4.05MM
- P4 HOLE-4.05MM



RDS

2003/12/17

Title			
790 & 690 & 590 TUNER BOARD			
Size	Number	Revision	MP
A2	LFT301230-0001	1	
Date:	14-Jun-2004	Sheet	1 of 1
File:	E:\WORK\AVR790\AVR790.ddb	Drawn By:	FRANK