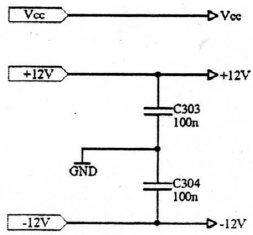
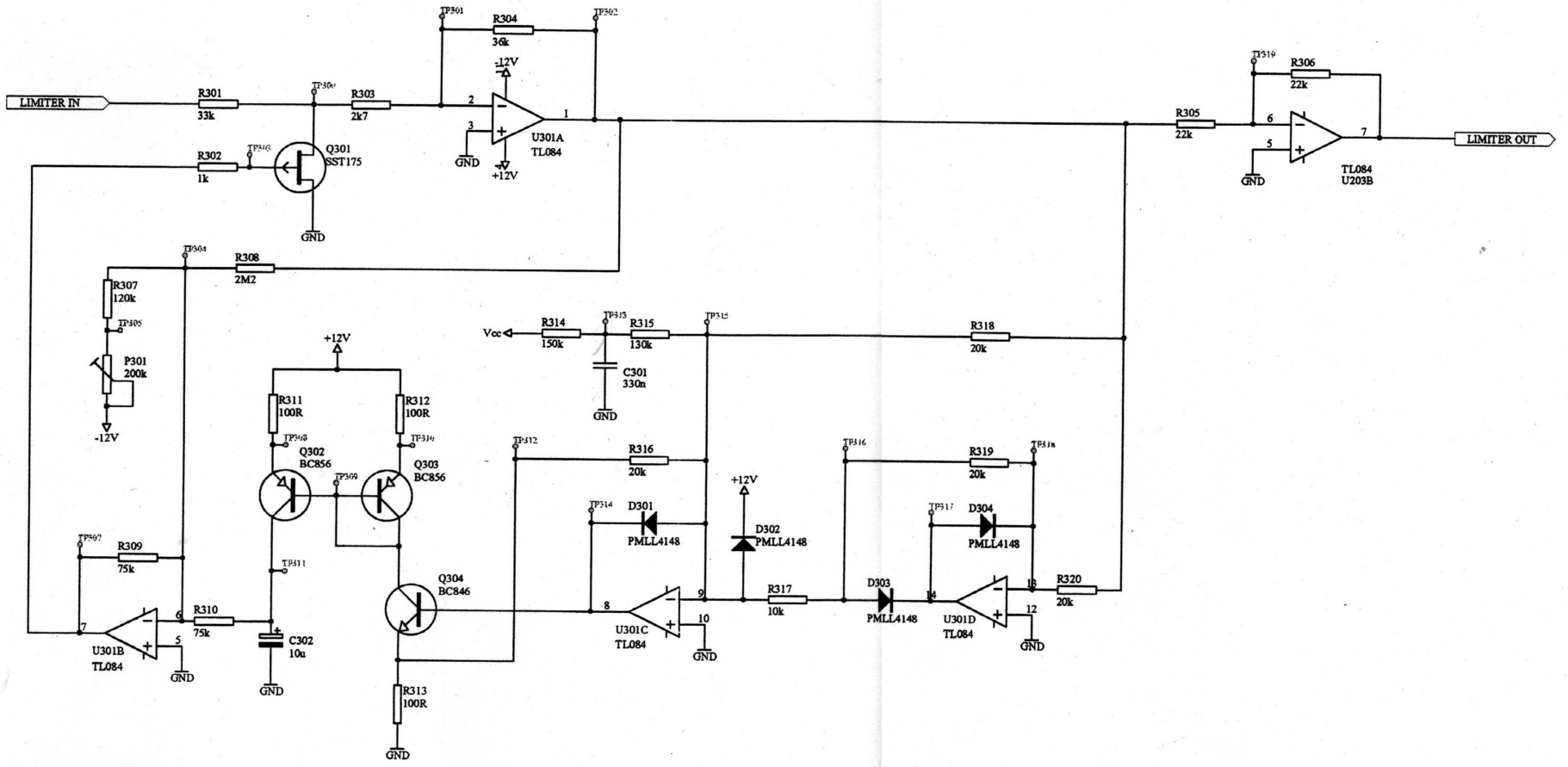
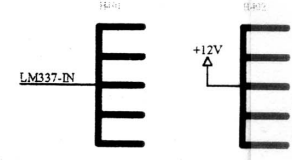
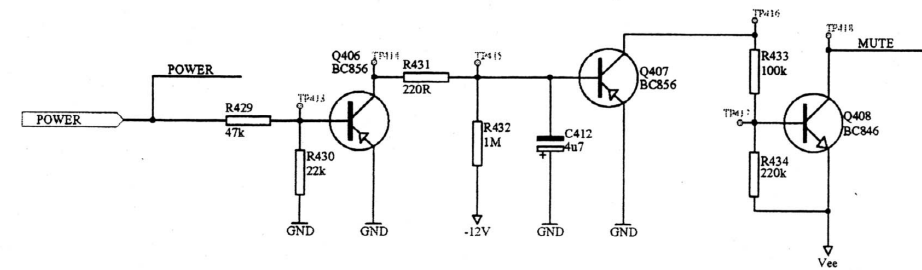
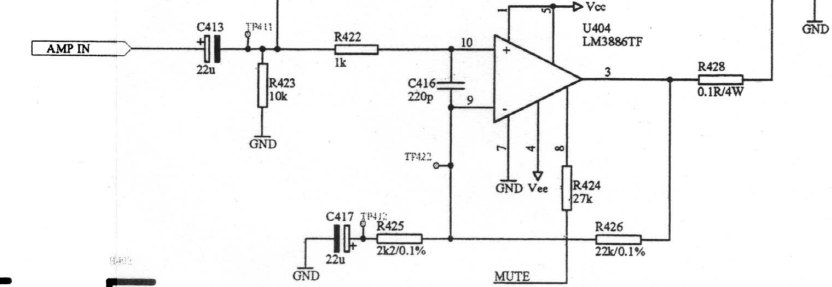
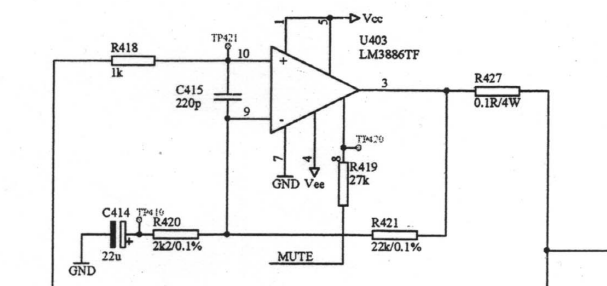
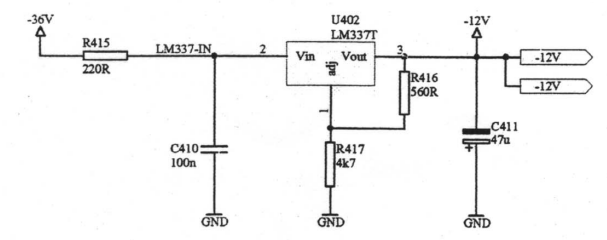
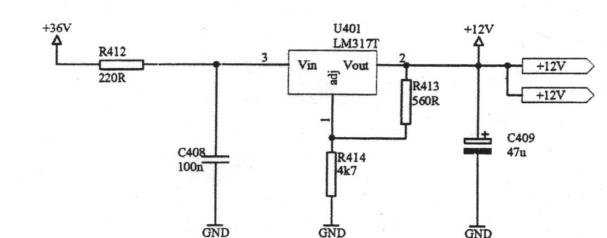
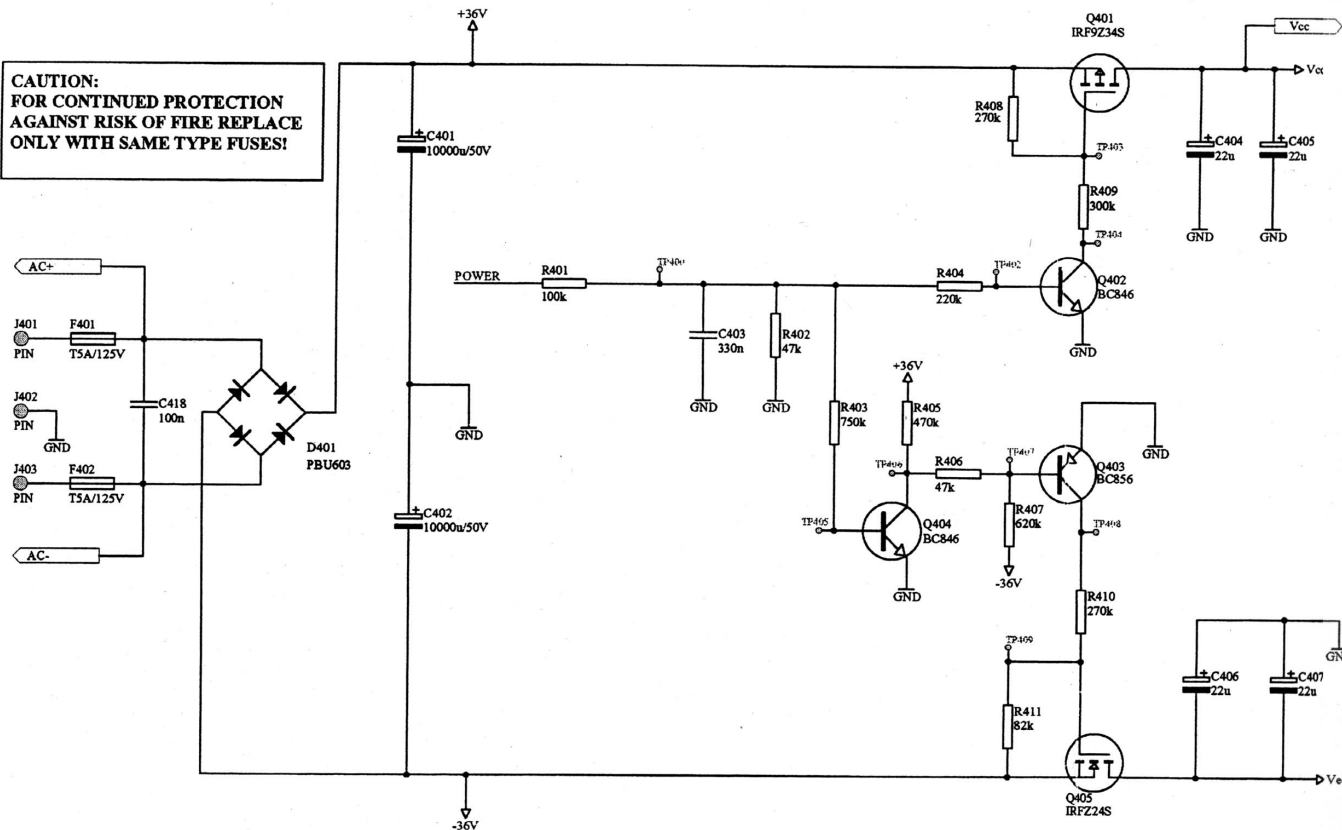


Title: Equalizer, Auto on/off		Item no: 2000003	
Project: E 8SUB		Revision: E	
		Date / Time: 13-Nov-2000 / 12:46:27	
		Sheet size: B	
Jamo A/S Elmvej 8, Glyngøre DK-7870 Roslev, Denmark Phone: +45 98767676 Fax: +45 98767600		Drawn by: H.L.A.	
File: P:\WORK\8SUB\SCH4200003\EQUALIZER.SCH		Sheet 2 of 4	



Title: Limiter		Item no: 2000003	
Project: E 8SUB		Revision: E	
		Date / Time: 13-Nov-2000 / 12:46:35	
		Sheet size: B	
		Drawn by: HLA	
File: P:\WORKE 8SUB\SCH\2000003\LIMITER.SCH			
			Sheet 3 of 4

**CAUTION:
FOR CONTINUED PROTECTION
AGAINST RISK OF FIRE REPLACE
ONLY WITH SAME TYPE FUSES!**



Title: Power supply, Amplifier		
Project: E 8SUB		
Jamo		
Jamo AS Elmvej 8, Glyngøre DK-7870 Fcsløv, Denmark Phone +45 99767876 Fax +45 99767800	Item no: 2000003 Revision: E Date / Time: 13-Nov-2000 / 12:48:18 Sheet size: B Drawn by: HLA	File: P:\WORK\E 8SUB\SCH2\200003\PS-AMP_SCH
Sheet 4 of 4		