

6

5

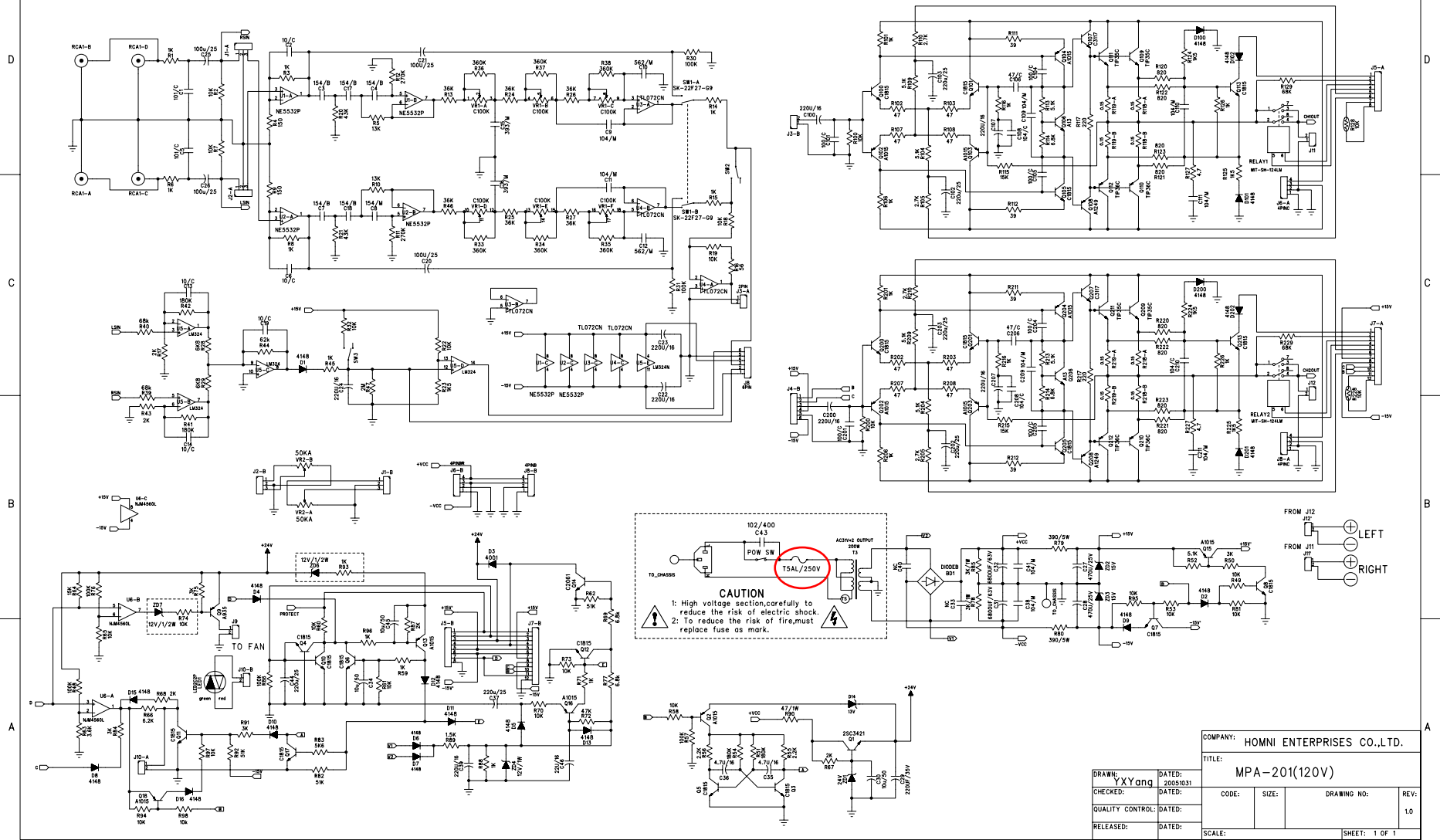
4

3

2

1

REVISION RECORD		
LTR	ECO NO.	APPROVED: DATE



CAUTION
 1: High voltage section, carefully to reduce the risk of electric shock.
 2: To reduce the risk of fire, must replace fuse as mark.

DRAWN: XYang		DATED: 20051031	
CHECKED:		DATED:	
QUALITY CONTROL:		DATED:	
RELEASED:		DATED:	
COMPANY: HOMNI ENTERPRISES CO.,LTD.		TITLE: MPA-201(120V)	
CODE:	SIZE:	DRAWING NO:	REV: 1.0
SCALE:		SHEET: 1 OF 1	