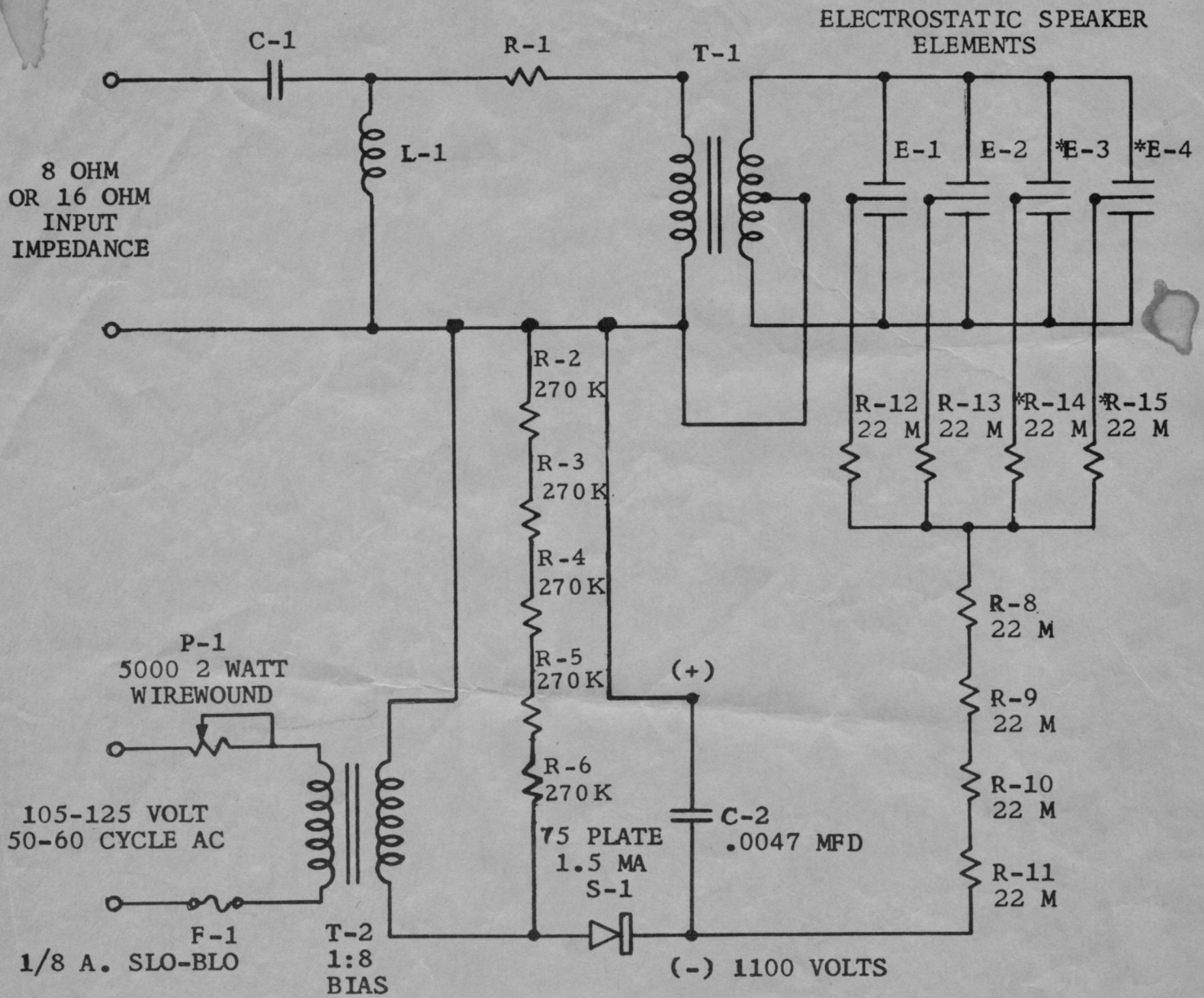


SCHEMATIC FOR JANSZEN MODELS 65 & 130 ELECTROSTATIC TWEETERS
SERIAL NO. 8253 AND HIGHER



PART #	DESCRIPTION	8 OHM	16 OHM
C-1	CAPACITOR, NON-POLARIZED	40 MFD	20 MFD
L-1	CHOKE	1.5 MH	3.0 MH
R-1	RESISTOR, 5 WATT	1 OHM	2 OHM
T-1	TRANSFORMER, AUDIO STEP-UP	8 OHM	16 OHM

*Used Only On Model 130
*E-3
*E-4
*R-14
*R-15

NESHAMINY ELECTRONIC CORPORATION

NESHAMINY, Pennsylvania