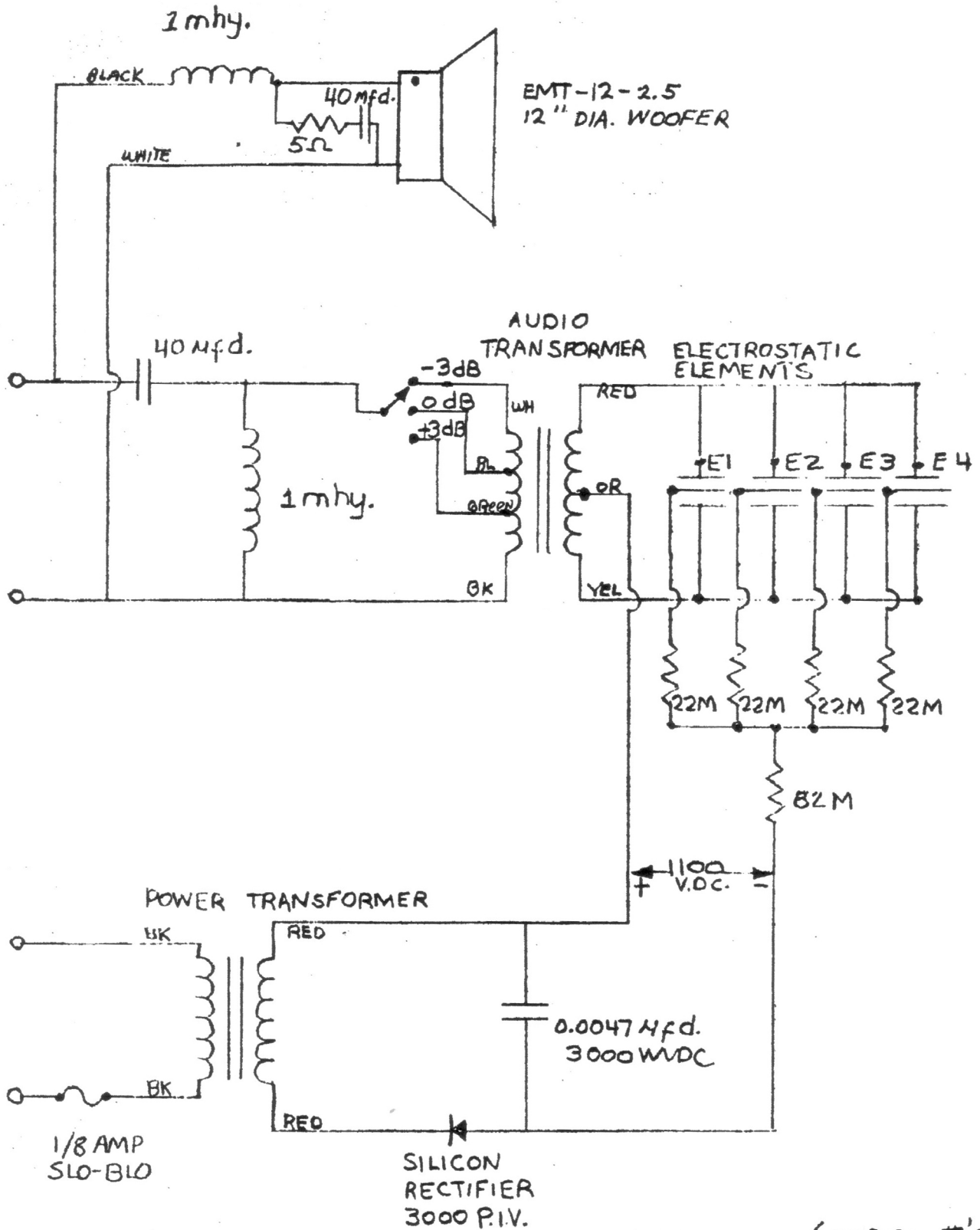


1.

2-412 H.P. 27F1001 THRU 37F1836



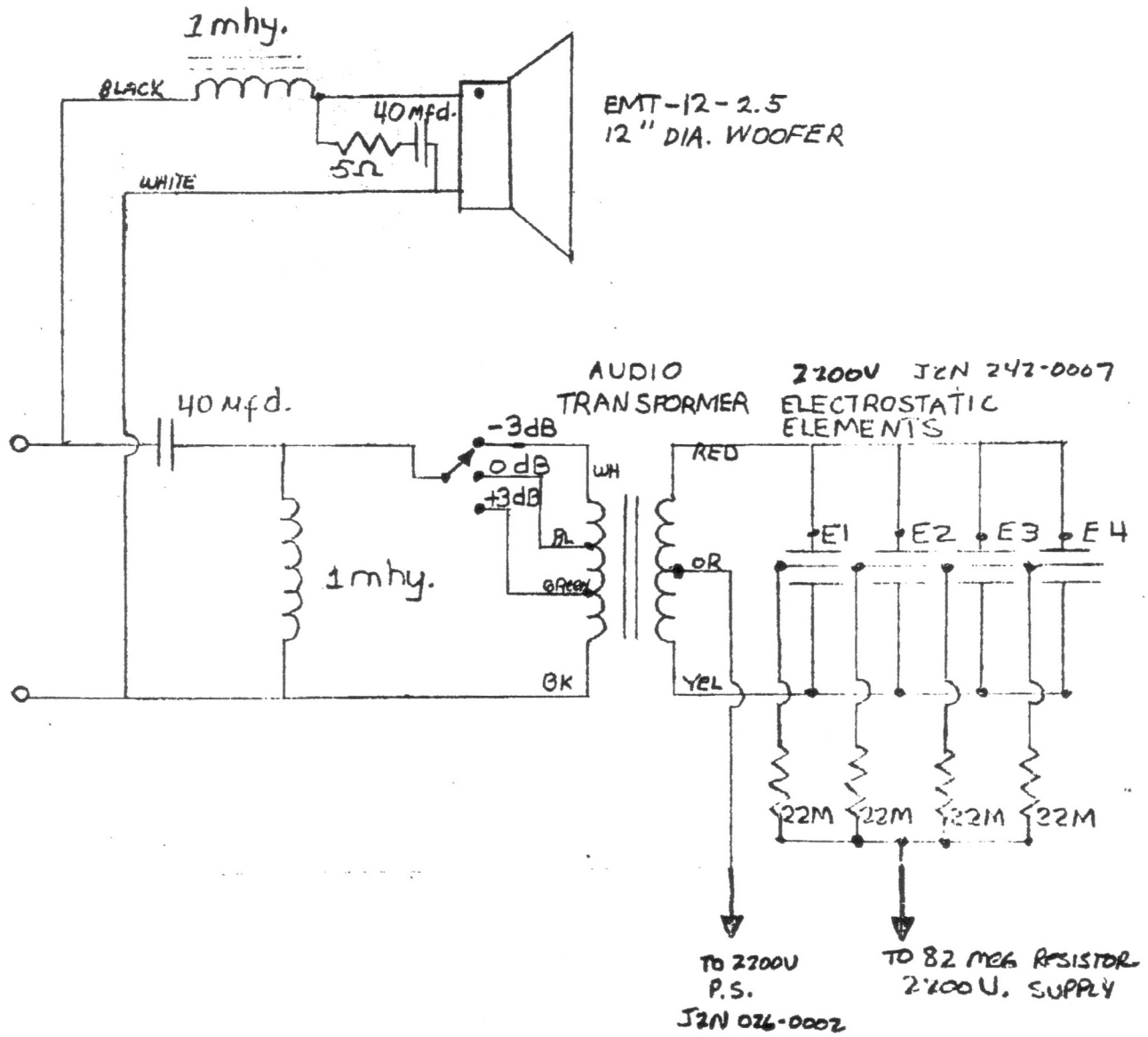
SCHMATIC FOR JANSZEN MODEL Z-412 SPEAKER

ELECTRONIC INDUSTRIES, INC.
MINNEAPOLIS, MINN

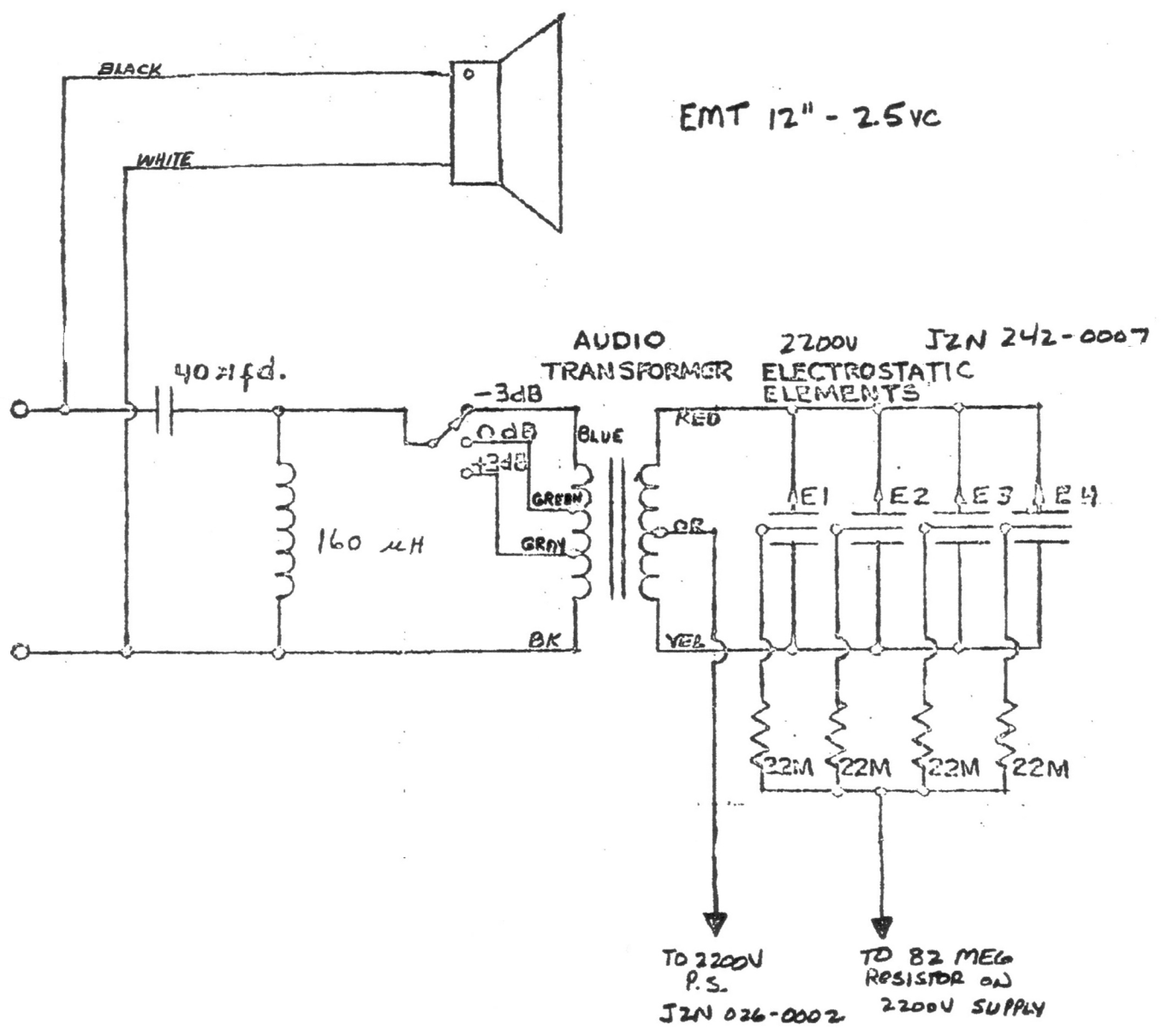
H.P.

(SERIAL #'S
27F1001-
37F1836)

2

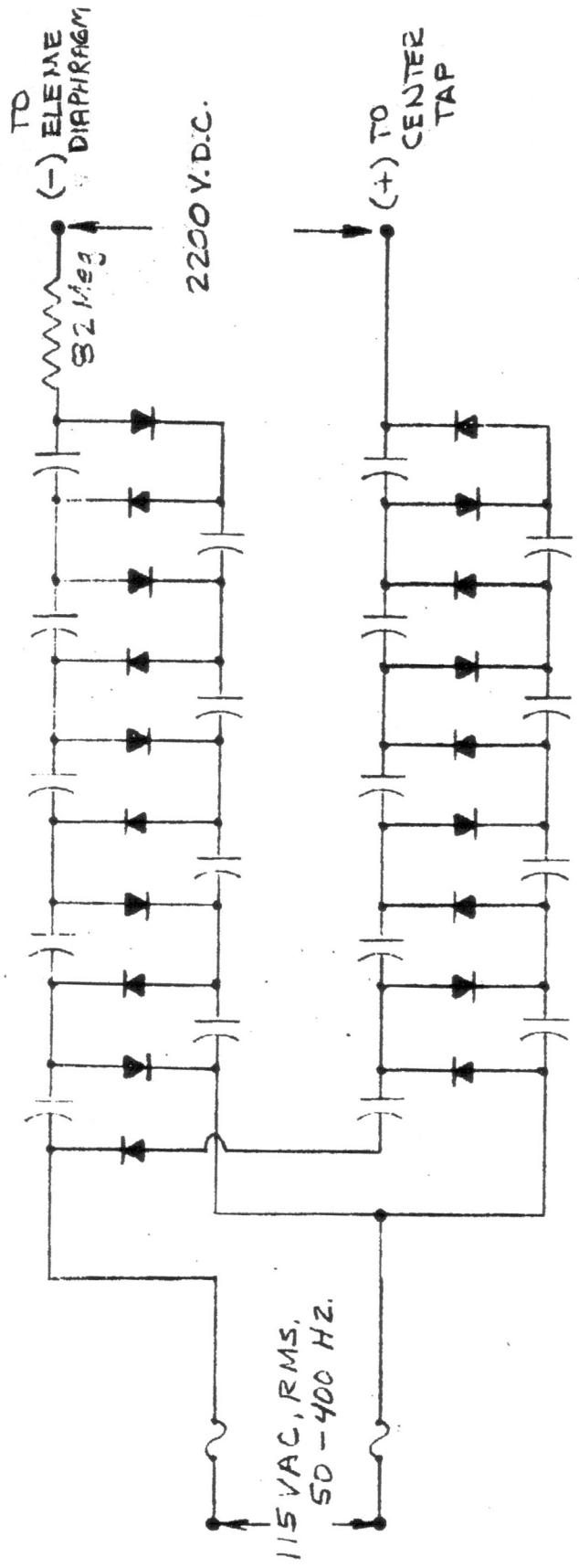


3.



2,3

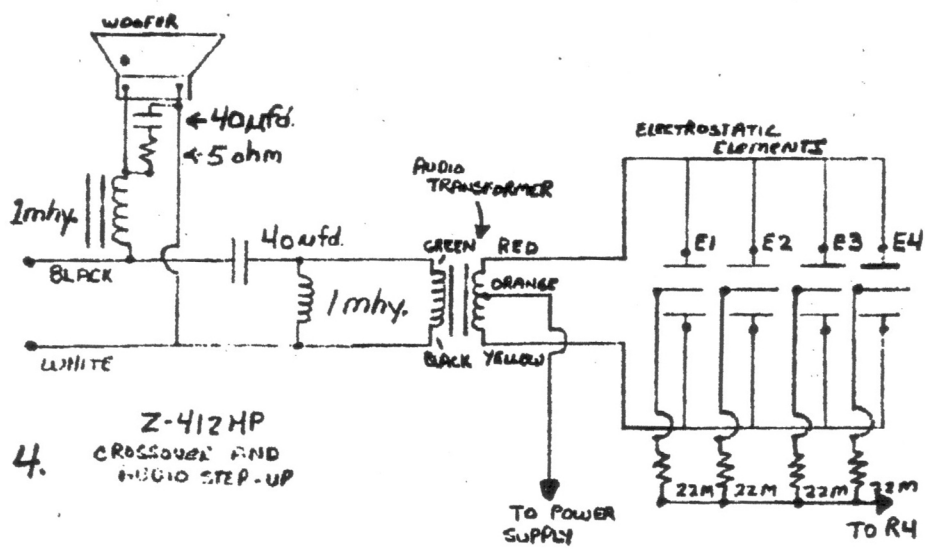
2,3



ALL CAPACITORS: 0.02 μ F, 500 V.D.C.
 ALL DIODES: SILICON, 1 AMP (OR LESS)
 400 P.I.V.
 FUSES: 1 AMP, FAST.

2200 VOLT D.C. POWER SUPPLY JZN 026-0002
 R. WEST Z-412HP 37F 1837-37F 21SI
 4-2-73

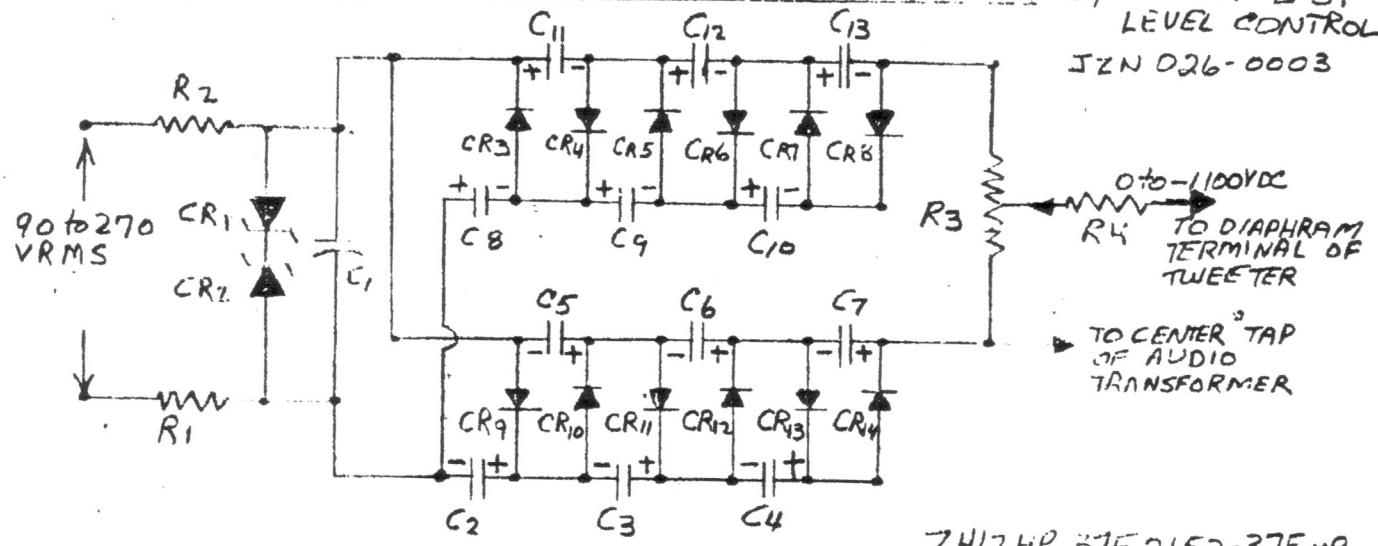
4.



4. Z-412HP CROSSOVER AND AUDIO STEP-UP

TRANSFORMERLESS, REGULATED, UNIVERSAL, HIGH-VOLTAGE POWER SUPPLY

W/ HI-POT EST LEVEL CONTROL
JZN 026-0003



Z412HP 37F0150-37FUP
Z412A 37J1542-37JUP

- C1: 0.1µfd, 400VDC ±20%
- C2-13: 10µfd, 250WVDC, -10 to +50%
- CR1,2: 120 Volt, 3Watt, 5% Zener diodes.
- CR3-14: 400 Volt P.I.V., 1amp (or less) Silicon Rectifiers
- R1,2: 5K, 10%, 10Watt fixed power Resistor
- R3: 20MΩ, 2Watt, ±30%, 3500 Volt Hi-pot, Potentiometer
- R4: 82MΩ 1/2 watt, 20%