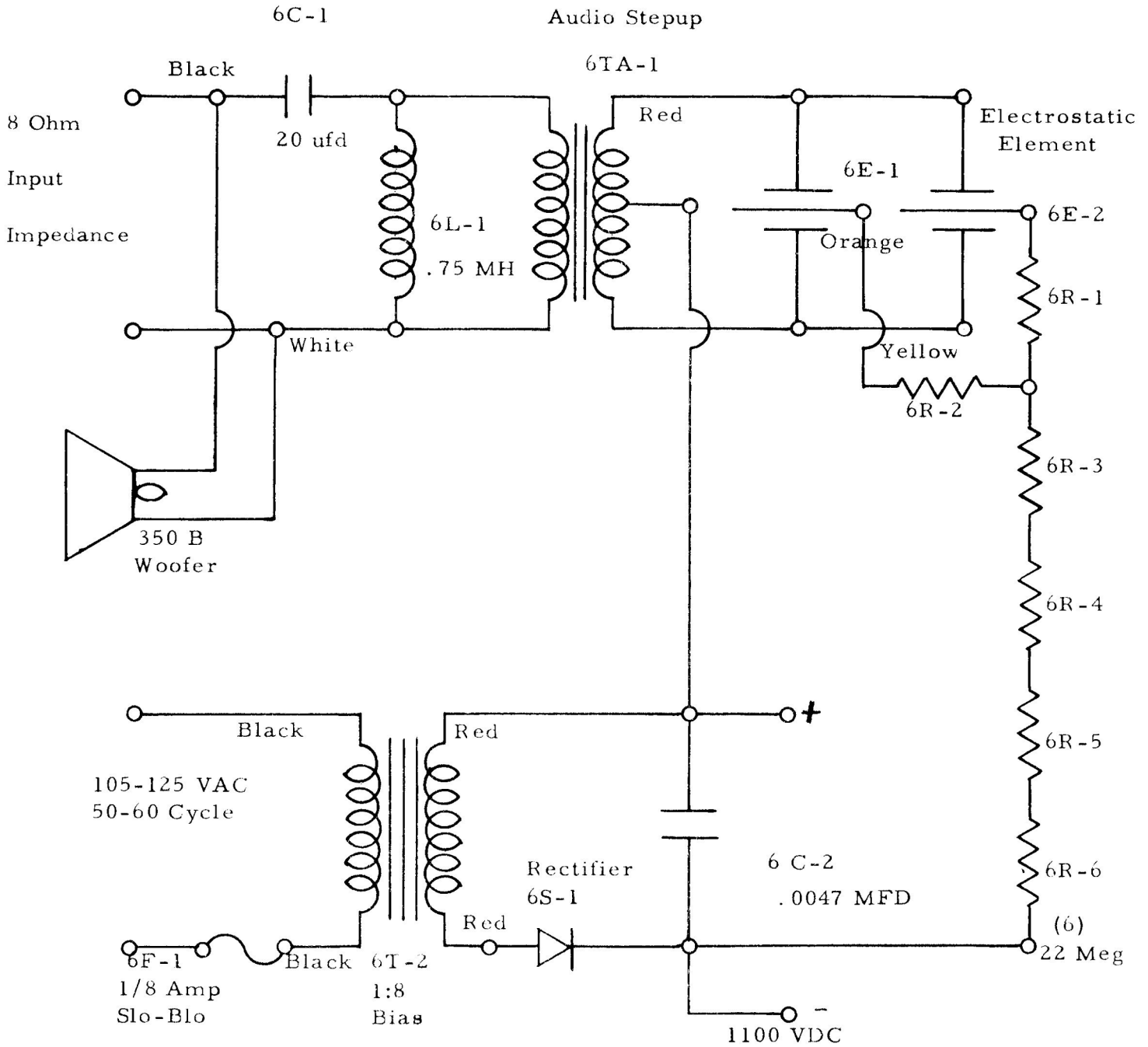


SCHEMATIC FOR JANSZEN* MODEL Z-600 SPEAKER

*+
Jan Koryl*



*Includes designs by Arthur Janszen
U. S. Patent # 2,631,196

NESHAMINY ELECTRONIC CORP.

FURLONG, PENNA.

10/24/63