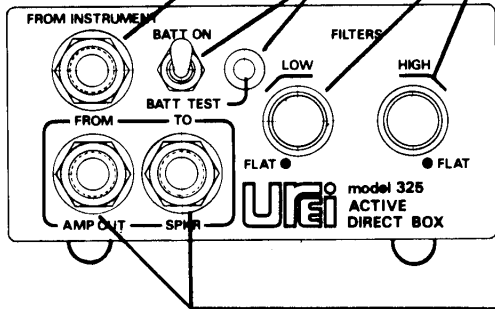


model 325

CONTROLS AND CONNECTIONS

FRONT



INSTRUMENT INPUT. Use when connecting the Direct Box between the instrument and it's amplifier. (See ISOLATED OUTPUT below).

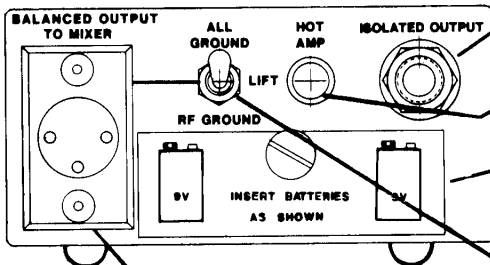
POWER SWITCH, TEST LAMP.

Position	Function
Up	: Batteries on.
Center	: Batteries off, 48 V Phantom Powered.
Down	: Battery test - good batteries light the lamp.

FILTERS. Operate on the BALANCED OUTPUT TO MIXER signal.

AMP/SPEAKER JACKS. Use when connecting the Direct Box between the instrument amplifier and speaker.

REAR



ISOLATED OUTPUT. Connect to the amplifier input when using the Direct Box between the instrument and amplifier.

HOT AMP LAMP. Warns of dangerous voltages between the mixer and instrument grounds.

BATTERY COVER. Remove for battery access. The batteries will not work if incorrectly installed, however no damage will occur. OK to Phantom Power with or without batteries installed.

GROUND SWITCH.

Position	Name	Function
UP	All Ground	Instrument and mixer grounds connected
Center	Ground Lift	Opens ground connection.
Down	RF Ground	Grounded only at Radio Frequencies

Note: The INPUT JACK ground is tied to the Direct Box chassis. Pin #1 of the BALANCED OUTPUT connector goes to the chassis through the GROUND LIFT SWITCH. For proper operation of the ground lift switch do not connect Pin #1 to the shell of the BALANCED OUTPUT cable connector.

BALANCED OUTPUT TO MIXER. Low level signal to PA or recording mixer microphone input. Signal between Pins #2 and #3. Shield Pin #1.



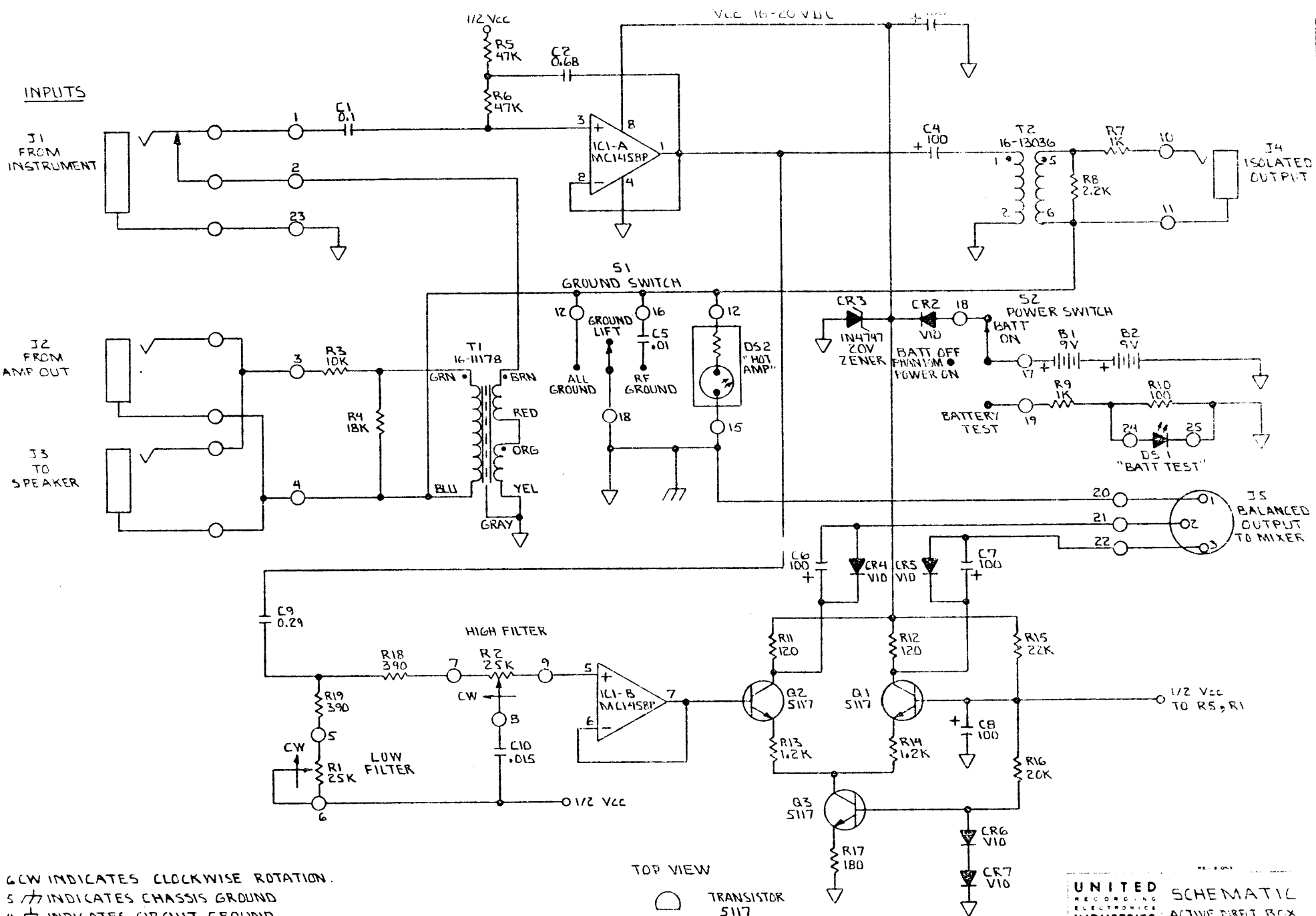
UNITED RECORDING ELECTRONICS INDUSTRIES

8460 SAN FERNANDO RD., SUN VALLEY, CALIFORNIA 91352
TELEX 65-1389 UREI SNVY

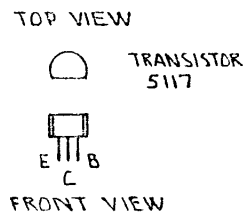
(213) 767-1000



MODEL
325



- NOTES:
1. RESISTOR VALUES ARE IN OHMS ± 5% 1/2W
 2. CAPACITOR VALUES ARE IN MICROFARADS.
 3. ○ INDICATES WIRE CONNECTIONS TO P.C. BOARD
 4. ▽ INDICATES CIRCUIT GROUND.
 5. ⚡ INDICATES CHASSIS GROUND.
 6. CW INDICATES CLOCKWISE ROTATION.



UNITED RECORDING ELECTRONICS INDUSTRIES		SCHEMATIC ACTIVE DIRECT BOX	
MODEL 325	DATE 7-9-81	ISSUE	
DEPARTMENT	CHECKED	APPROVED	
LOS ANGELES CALIFORNIA	R.P. MARIN	C13660	