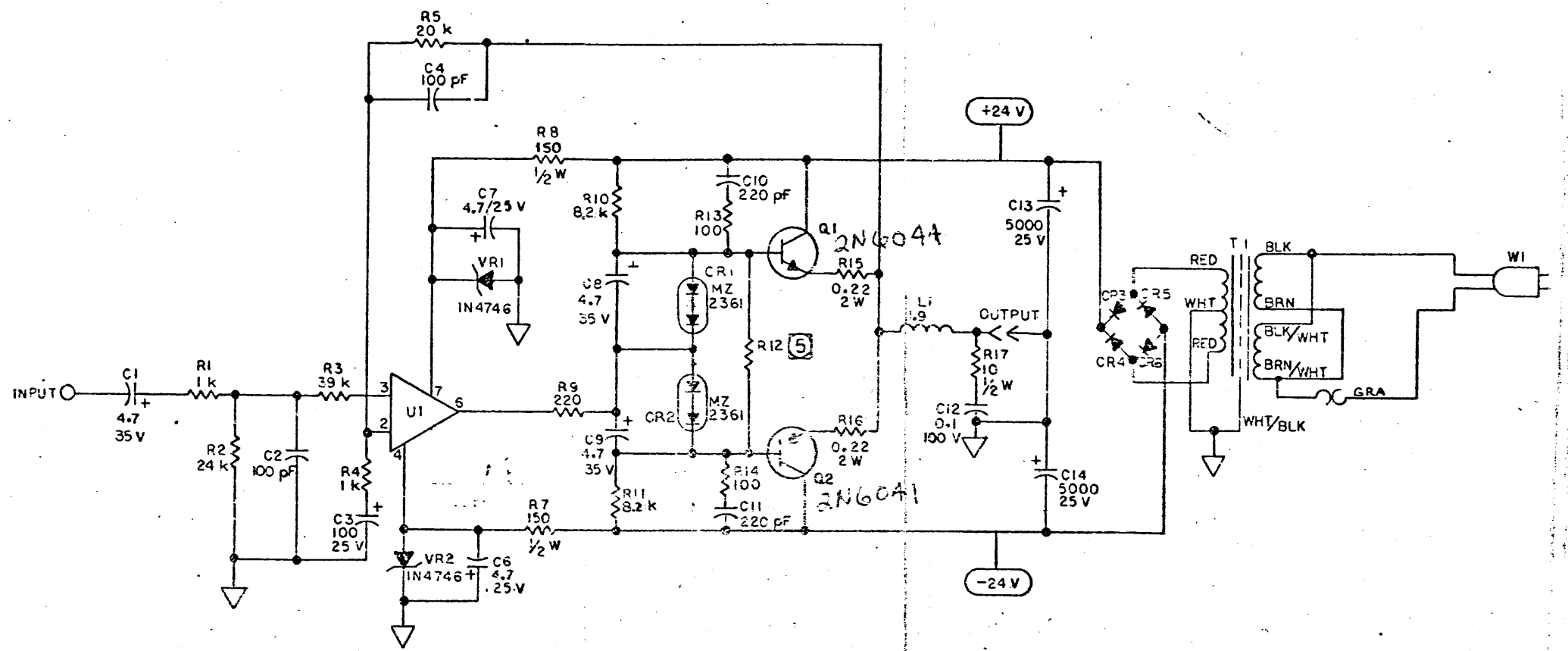


NOTICE
 THE FOLLOWING
 WORK IS
 OUTSTANDING
 AGAINST THIS
 DRAWING.



REF DESIG.	
LAST USED	NOT USED
C14	C5
CR6	
F1	
L1	
Q2	
R17	R6
T1	
VR2	
W1	

RESISTOR VALUES IN OHMS, 1/4 W, 5%.
 CAPACITOR VALUES IN MICROFARADS.
 INDUCTOR VALUES IN MICROHENRYS.
 UNLESS OTHERWISE SPECIFIED DIMENSIONS ARE IN INCHES.
 BREAK SHARP EDGES 010.

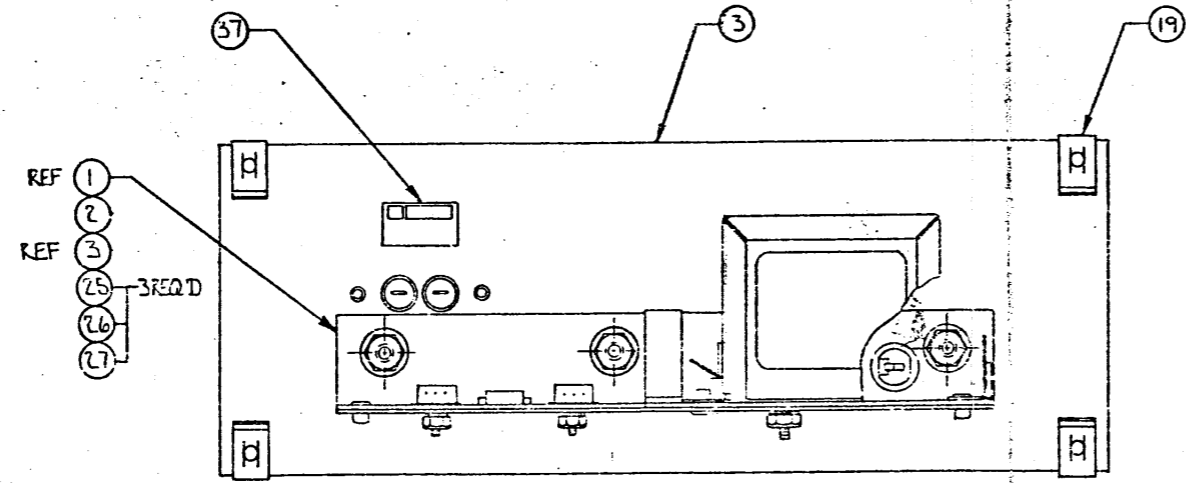
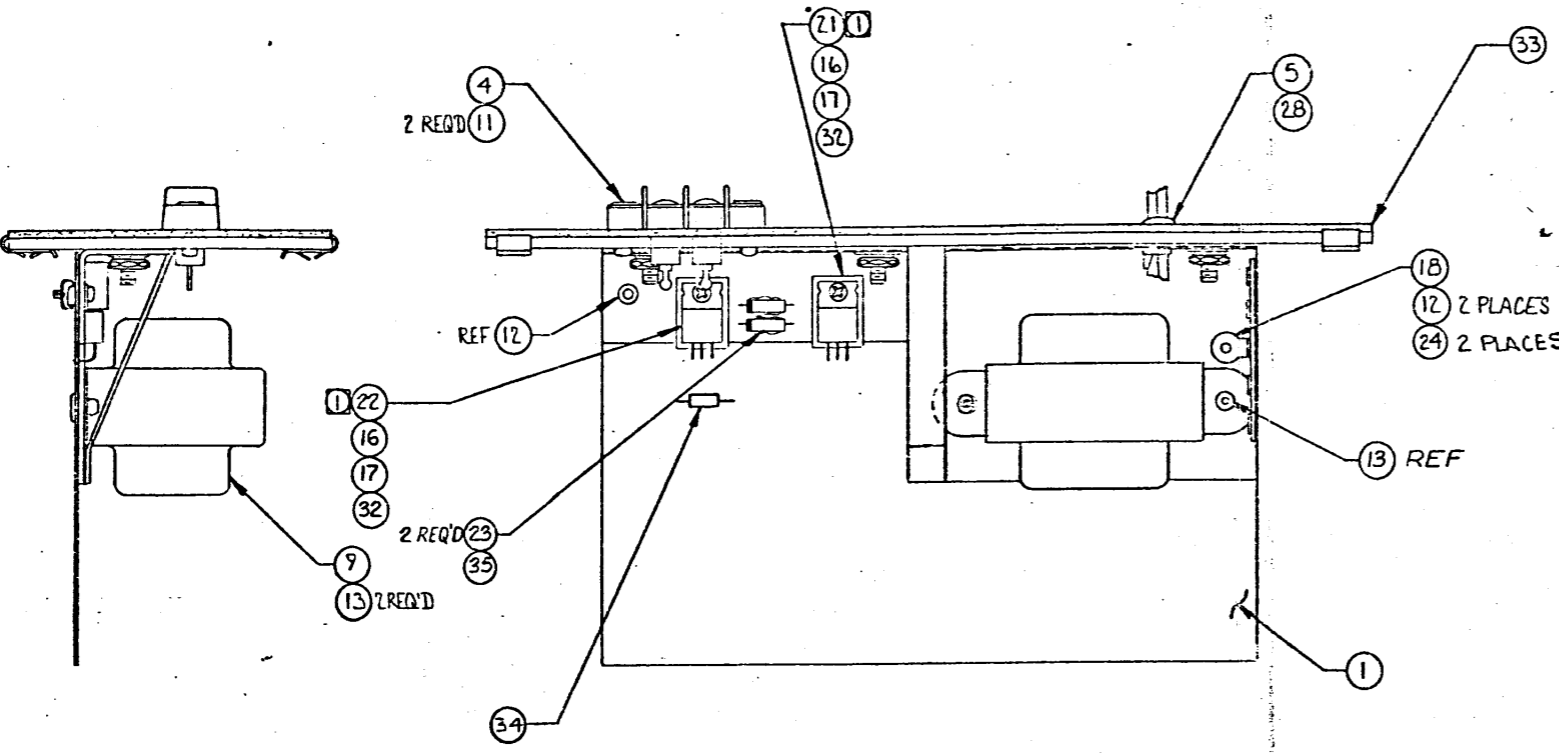
VOLTAGES MEASURED WITH 120 V AC LINE
 AND NO SIGNAL INPUT.
 UNLESS OTHERWISE SPECIFIED DIMENSIONS ARE IN INCHES.
 BREAK SHARP EDGES 010.

REV	DATE	BY	APP	DESCRIPTION	UNLESS OTHERWISE SPECIFIED DIMENSIONS ARE IN INCHES BREAK SHARP EDGES 010	SCALE	WEIGHT	SHEET	OF
1				DELETED C5 & R6	DECIMALS X/1000 FRACTIONS X/X=1/32 ANGULAR				
2				REV PER DCN	TIT				
3				REV PER D.C.A.	MATERIAL				
4				REV FOR PRODUCTION	TREATMENT				
5				REV PROTOTYPE RUN #1 12-14-76	MACHINE FINISH				
6					DO NOT SCALE DRAWING				

SCHEMATIC AMPLIFIER
 SIZE C
 DRAWING NUMBER 56051
 REV F

THESE DRAWINGS AND SPECIFICATIONS ARE THE PROPERTY OF JAMES S. LIPSON, INC. THEY ARE ISSUED IN STRICT CONFIDENCE AND SHALL NOT BE REPRODUCED, COPIED, OR USED AS THE BASIS FOR MANUFACTURE OR SALE OF APPARATUS WITHOUT PERMISSION.

NOTICE
THE FOLLOWING
COMMENTS ARE
OUTSTANDING
AGAINST THIS
DRAWING.



ITEM NO.	PART NO.	DESCRIPTION	QTY	REMARKS
37	57350	FOILCAL - SERIAL	1	
36				
35	55454 S	THERMAL EPOXY	A/R	
34		RESISTOR, 1/4 W, 5 %	1	36409; R12 SELECTED PER NOTE ①
33	58394	GASKET, 6001	1	
32	12854 S	THERMAL COMPOUND	A/R	
31	54602	WIRE . 22 AWG. , RED	A/R	4" NOM 54300
30	54610	WIRE . 22 AWG. , BLK	A/R	4" " " "
29				
28	56066	STRAIN RELIEF	1	
27	21954	NUT, HEX, #10-32	3	
26	31113	WASHER, SPLIT LOCK, #10	3	
25	89937	WASHER, FLAT, #10 I.D.	3	
24	11635	WASHER, FLAT, # 6	2	
23	58565	DIODE, MZ 2361	2	CR1, CR2
22	55414	TRANSISTOR, RCA B203B/2N6041	1	Q2
21	55413	TRANSISTOR, 2N638B/2N6044	1	Q1
20				
19	57307	SPEED NUT, NO. 10	4	
18	59469	TERMINAL STRIP 4 CONTACT	1	TB 2
17	48514	NUT, KEPS, #4-40	2	
16	10044	SCREW, #4-40 X 3/8, PAN HD	2	
15				
14				
13	57076	RIVET, 3/16, DOME HD.	2	
12	39201	RIVET, 1/8	2	
11	56366	RIVET, 1/8, DOME HD.	2	
10				
9	59467	TRANSFORMER, POWER	1	T1
8				
7				
6				
5	56264	CORD, POWER 8' WITH PLUG	1	W1
4	56064	TERMINAL BLOCK 2 POS	1	TB1
3	56068	PANEL, FRONT	1	
2	56053	BRACKET	1	
1	56050	P.C. BOARD ASSY	1	A1

5. FOR ENG. SPECIFICATION SEE DWG# 57944.

① R12 SELECTED FOR STABLE IDLE VOLTAGE ACROSS R15 OF 2-5 mV (120 V PRIMARY a.c.)
1000.Ω, 1/4W, TYPICAL

3. SEE WIRING DIAGRAM NO. 57258 AND SCHEMATIC 56051.

APPLY ITEM 32 TO BOTH SIDES OF ALL MICA WASHERS AND BETWEEN:

- A) ITEM 2 AND ITEM 3.
- B) ITEM 2 AND ITEM 5.
- C) ITEM 5 AND ITEM 25.

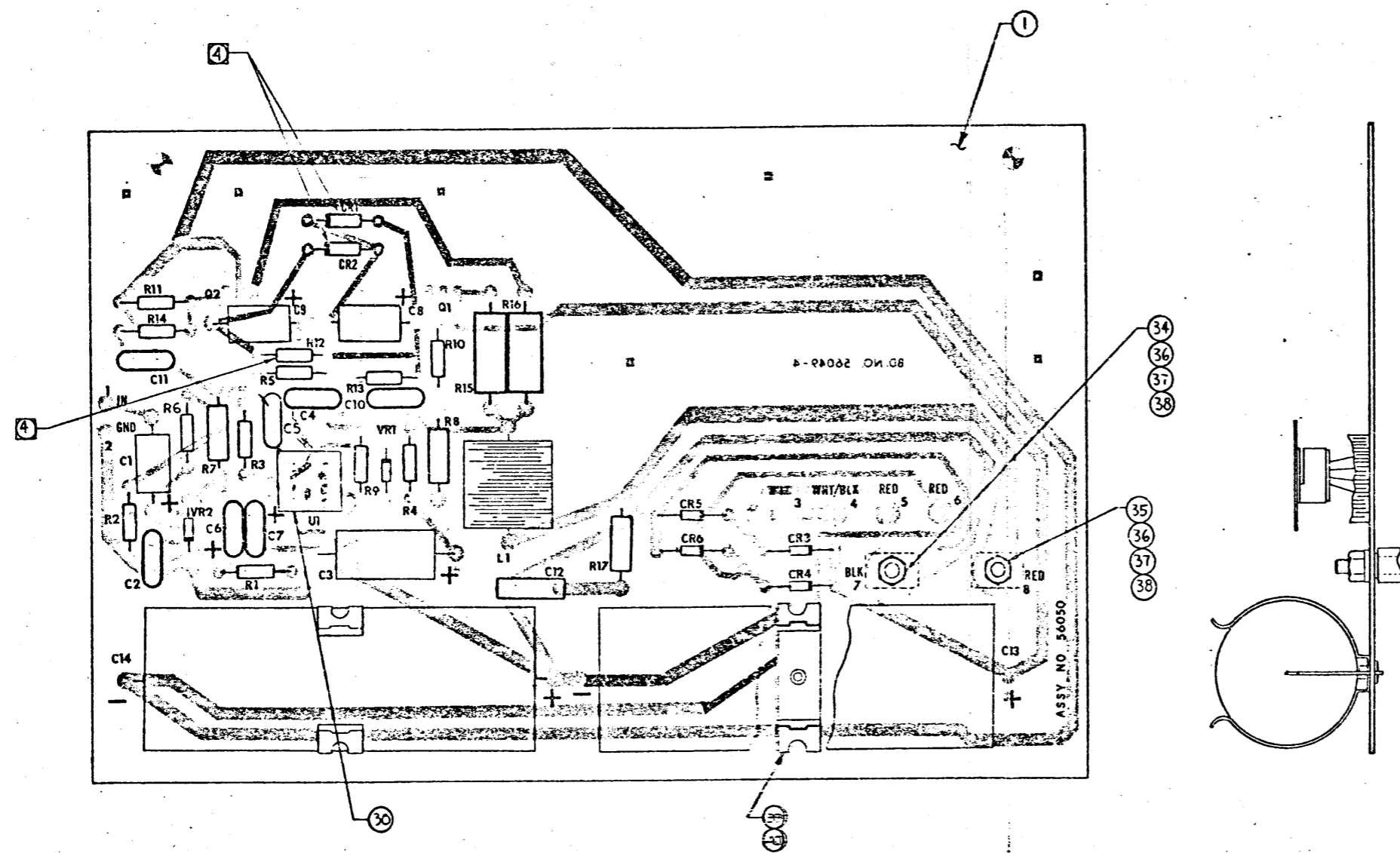
② MICA WASHER AND SHOULDER WASHER ALSO USED AND SUPPLIED WITH DEVICE.

NOTES (UNLESS OTHERWISE SPECIFIED)

BILL OF MATERIAL

REV PER DCN	DATE	BY	DRG	DATE	BY
1	11/27/77	WJ			
2					
3					
4					
5					
6					
7					
8					
9					
10					
11					
12					
13					
14					
15					
16					
17					
18					
19					
20					
21					
22					
23					
24					
25					
26					
27					
28					
29					
30					
31					
32					
33					
34					
35					
36					
37					

NOTICE
THE FOLLOWING
NOTES ARE
STANDING
ON THIS
DRAWING.



ITEM	PART NO.	DESCRIPTION	QTY	REMARKS
40	39201	RIVET	2	
39	59226	BRACKET	2	
38	89508	NUT, 6-32 KEPS	2	
37	10811	SCREW, 6-32 x 3/8 FN HD	2	
36	10049	WASHER #6 EXTERNAL TOOTH	2	
35	50591	TERMINAL, FEMALE	1	
34	50525	TERMINAL, MALE	1	
33				
32				
31				
30	60499	I.C. LF357N	1	U1
29	52573	INDUCTOR, AIR CORE	1	L1
28				
27	52225	ZENER IN4746	2	VR1, VR2
26	39069	DIODE, IN4003	4	CR3, 4, 5 & 6
25				
24				
23	57910	CAPACITOR, 4.7 μF @ 25 V TANTALUM	2	C6, C7
22	56263	CAPACITOR, 5000 μF @ 25 V	2	C13, C14
21	54998	CAPACITOR, 0.1 μF @ ∞ V	1	MRD 48417, C12
20	48459	CAPACITOR, 220 pF MICA	2	MRD 48418, C10, C11
19				
18	48504	CAPACITOR, 100 μF @ 25 V	1	C3
17	48451	CAPACITOR, 100 pF MICA	2	MRD 48418, C2, C4
16	47795	CAPACITOR, 4.7 μF @ 35 V	3	C1, C8, C9
15				
14	12600	RESISTOR, 10 Ω, 1/2 W, 5 %	1	MRD 36476, R17
13	56249	RESISTOR, 0.22 Ω, 2 W, 10 %	2	MRD 36864, R15, R16
12	35549	RESISTOR, 100 Ω, 1/4 W, 5 %	2	MRD 36409, R13, R14
11				
10				
9	36550	RESISTOR, 8.2 kΩ, 1/4 W, 5 %	2	MRD 36409, R10, R11
8	36441	RESISTOR, 220 Ω, 1/4 W, 5 %	1	MRD 36409, R9
7	35704	RESISTOR, 150 Ω, 1/2 W, 5 %	2	MRD 35676, R7, R8
6				
5	36488	RESISTOR, 20 kΩ, 1/4 W, 5 %	1	MRD 36409, R5
4	36495	RESISTOR, 39 kΩ, 1/4 W, 5 %	1	MRD 36409, R3
3	36490	RESISTOR, 24 kΩ, 1/4 W, 5 %	1	MRD 36409, R2
2	36457	RESISTOR, 1 kΩ, 1/4 W, 5 %	2	MRD 36409, R1, R4
1	56049	P.C. BOARD	1	

④ CR1, CR2 & R12 INSTALLED AT MANUFACTURED ITEM LEVEL
SEE DWG 57940 FOR CR1, CR2 & R12 VALUE.
CR1, CR2 & R12 SHOWN FOR REFERENCE ONLY.

② FOR WIRING DIAGRAM SEE DWG 57528.
① FOR SCHEMATIC SEE DWG 56051.
①, MOUNT C13 & C14 TO ITEM 1 WITH ITEMS 39 & 40.

NOTES: (UNLESS OTHERWISE SPECIFIED)

UNLESS OTHERWISE SPECIFIED DIMENSIONS ARE IN INCHES		DECIMALS		FRACTIONS		ANGULAR	
1	1	1	1	1	1	1	1
2	2	2	2	2	2	2	2
3	3	3	3	3	3	3	3
4	4	4	4	4	4	4	4
5	5	5	5	5	5	5	5
6	6	6	6	6	6	6	6
7	7	7	7	7	7	7	7
8	8	8	8	8	8	8	8
9	9	9	9	9	9	9	9
10	10	10	10	10	10	10	10
11	11	11	11	11	11	11	11
12	12	12	12	12	12	12	12
13	13	13	13	13	13	13	13
14	14	14	14	14	14	14	14
15	15	15	15	15	15	15	15
16	16	16	16	16	16	16	16
17	17	17	17	17	17	17	17
18	18	18	18	18	18	18	18
19	19	19	19	19	19	19	19
20	20	20	20	20	20	20	20
21	21	21	21	21	21	21	21
22	22	22	22	22	22	22	22
23	23	23	23	23	23	23	23
24	24	24	24	24	24	24	24
25	25	25	25	25	25	25	25
26	26	26	26	26	26	26	26
27	27	27	27	27	27	27	27
28	28	28	28	28	28	28	28
29	29	29	29	29	29	29	29
30	30	30	30	30	30	30	30
31	31	31	31	31	31	31	31
32	32	32	32	32	32	32	32
33	33	33	33	33	33	33	33
34	34	34	34	34	34	34	34
35	35	35	35	35	35	35	35
36	36	36	36	36	36	36	36
37	37	37	37	37	37	37	37
38	38	38	38	38	38	38	38
39	39	39	39	39	39	39	39
40	40	40	40	40	40	40	40

P.C. BOARD ASSY

DRAWING NUMBER
56050

SHEET 1 OF 1