

DRAWING NUMBER ISSUE

S-B260CS-04

**BSS** HARMAN INTERNATIONAL INDUSTRIES LIMITED  
 CRANBORNE HOUSE  
 CRANBORNE ROAD  
 POTTERS BAR  
 HERTS  
 EN6 3JN  
 BSS Audio. Tel 01707 660667  
 Fax 01707 660755

TITLE: JBL C260 SIGNAL PROCESSOR

SHEET 1

FILENAME: S-B260CS-04.SCH

DRAWN: MGW

DATE: 2/6/99

CHECKED:

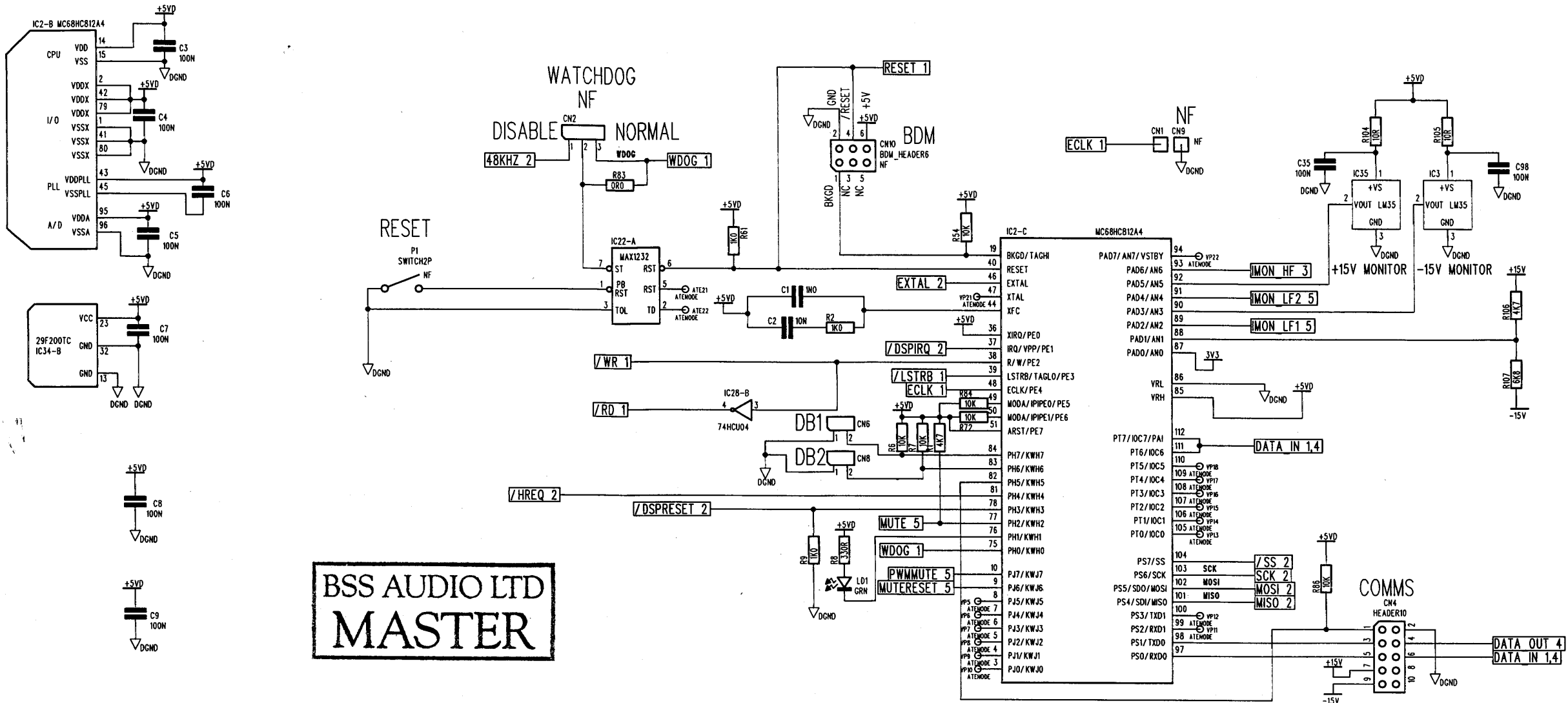
MATERIAL:

FINISH:

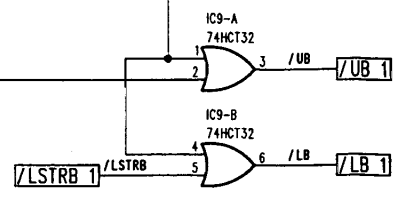
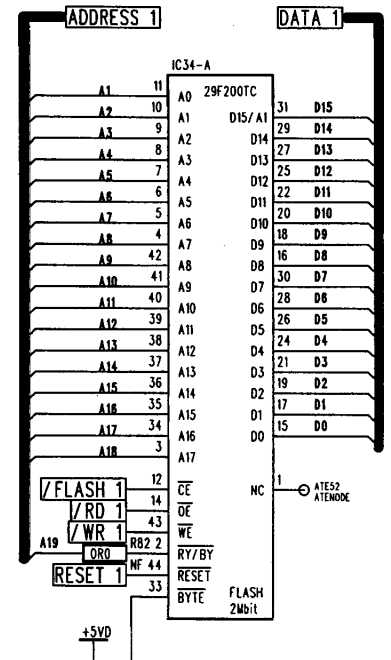
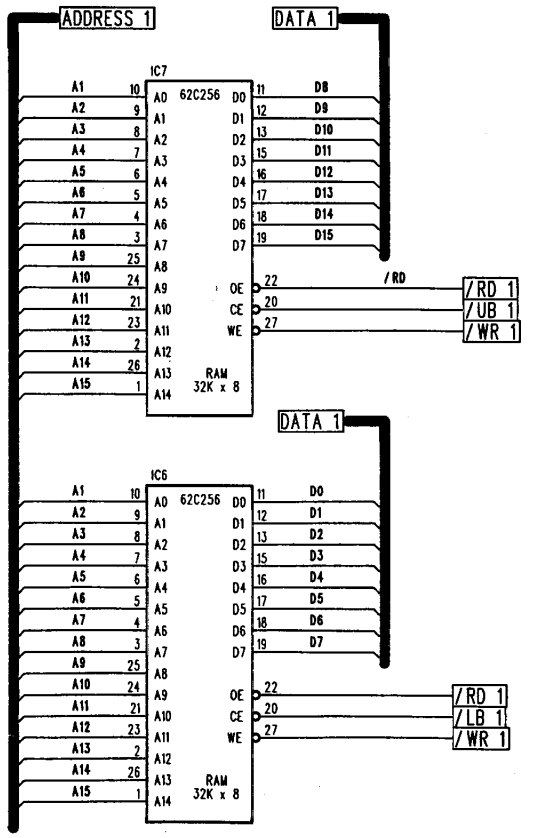
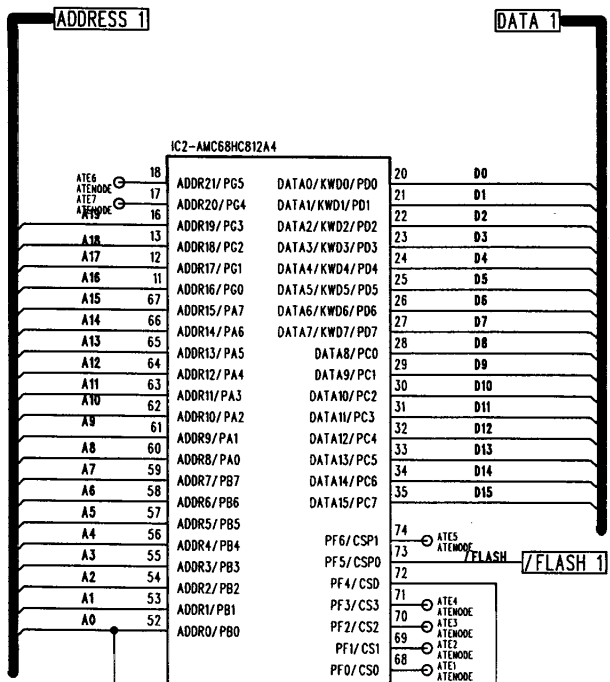
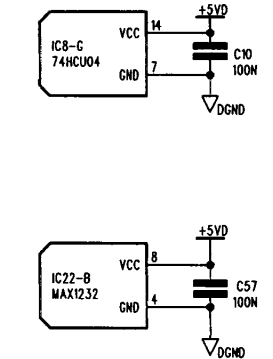
ISSUE COMMENTS:

1. PRODUCTION RELEASE
2. ECN0341 26/04/00
3. ECN0366 05/09/00
4. ECN0380 06/10/00

THIS DRAWING IS THE COPYRIGHT OF BSS Audio Ltd. ALL REPRODUCTION AND COPYING, OTHER THAN THAT FOR LICENCED MANUFACTURERS OWN INTERNAL USE, OR DISCLOSURE OF PART OR WHOLE TO A THIRD PARTY WITHOUT PRIOR WRITTEN AUTHORISATION IS IN VIOLATION OF THE COPYRIGHT.  
 © BSS Audio Ltd 1994



**BSS AUDIO LTD**  
**MASTER**



DRAWING NUMBER ISSUE

S-B260CS-04

HARMAN INTERNATIONAL INDUSTRIES LIMITED  
CRANBORNE HOUSE  
CRANBORNE ROAD  
POTTERS BAR  
HERTS  
EN6 3JN

BSS Audio. Tel 01707 660667 Fax 01707 660755

TITLE: JBL C260 SIGNAL PROCESSOR  
SHEET 2

FILENAME: S-B260CS-04.SCH

DRAWN: MGW

DATE: 2/6/99

CHECKED: *[Signature]*

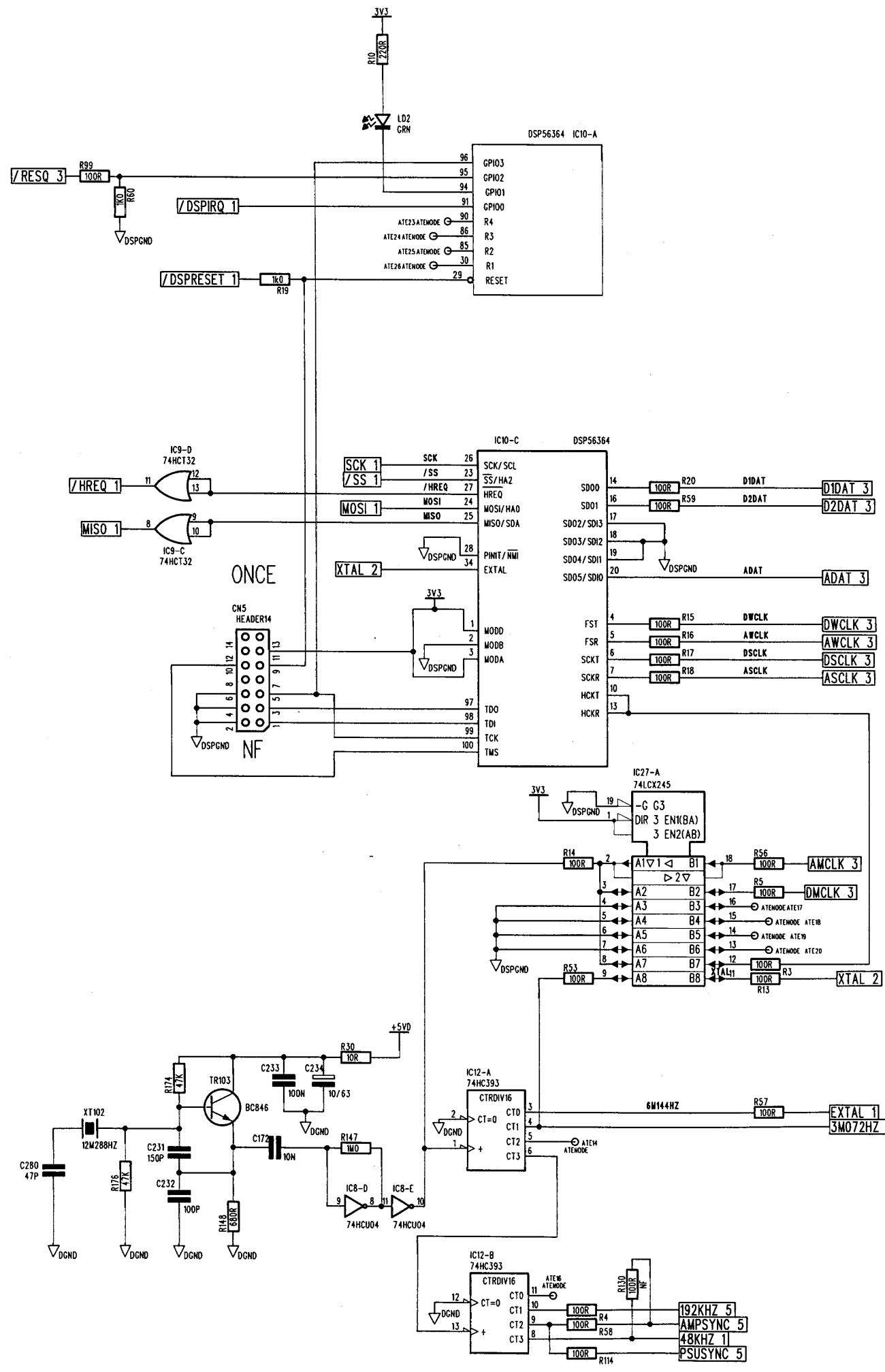
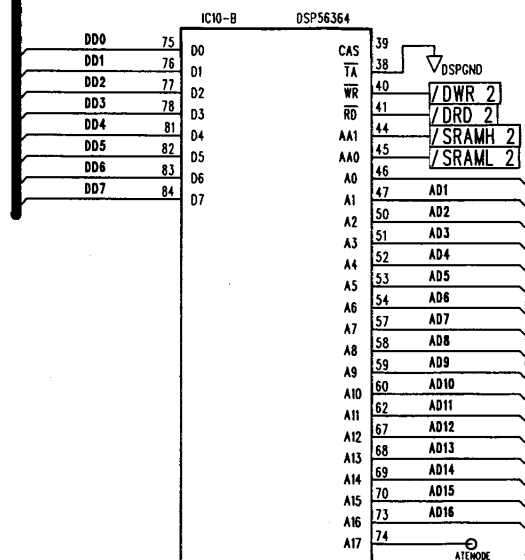
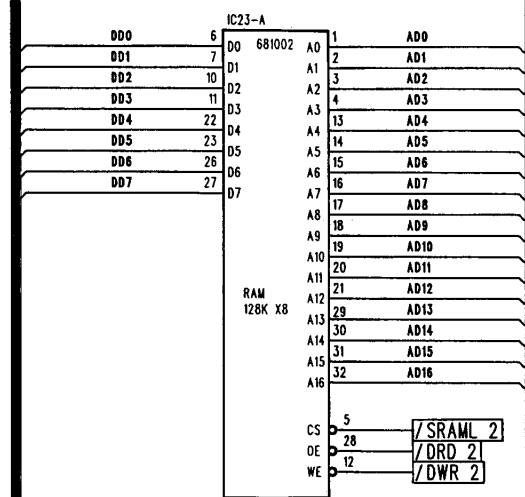
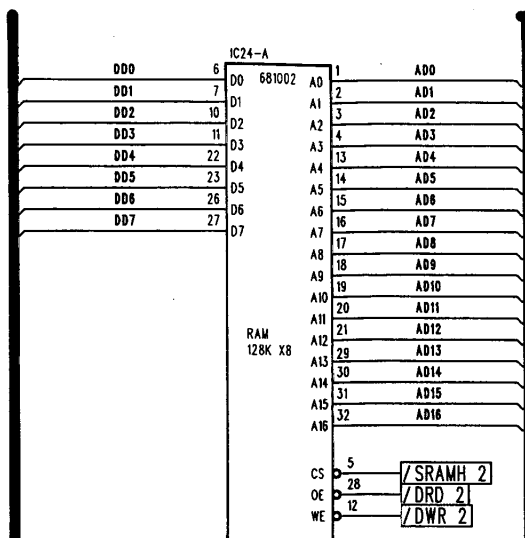
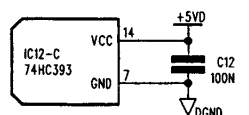
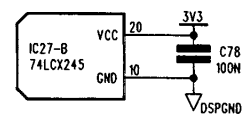
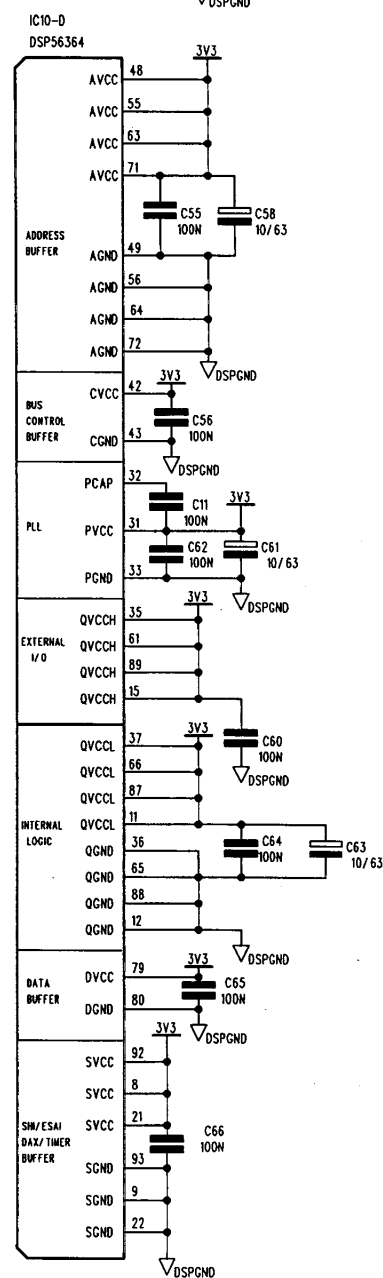
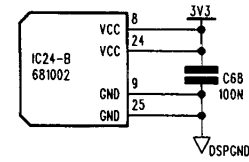
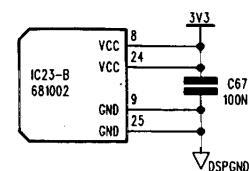
MATERIAL:

FINISH:

ISSUE COMMENTS:

BSS AUDIO LTD  
MASTER

THIS DRAWING IS THE COPYRIGHT OF BSS Audio Ltd. ALL REPRODUCTION AND COPYING, OTHER THAN THAT FOR LICENCED MANUFACTURERS OWN INTERNAL USE, OR DISCLOSURE OF PART OR WHOLE TO A THIRD PARTY WITHOUT PRIOR WRITTEN AUTHORISATION IS IN VIOLATION OF THE COPYRIGHT. © BSS Audio Ltd 1994



DRAWING NUMBER ISSUE

S-B260CS-04



HARMAN INTERNATIONAL  
INDUSTRIES LIMITED  
CRANBORNE HOUSE  
CRANBORNE ROAD  
POTTERS BAR  
HERTS  
EN6 3JN  
Tel 01707 660667  
Fax 01707 660755

BSS Audio.

TITLE:  
JBL C260 SIGNAL PROCESSOR  
SHEET 3

FILENAME: S-B260CS-04.SCH

DRAWN: MGW

DATE: 2/6/99

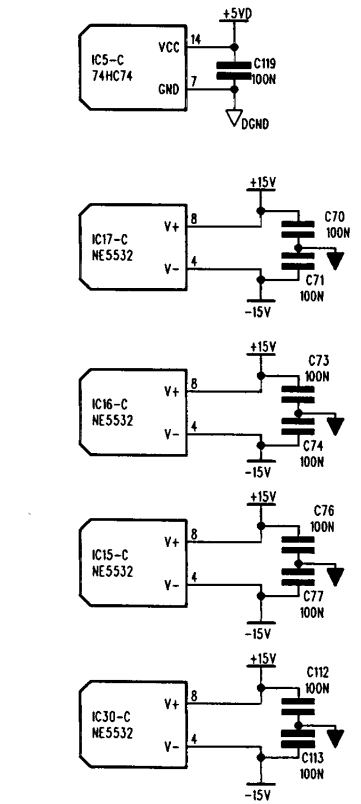
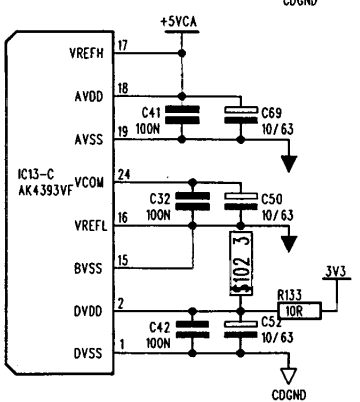
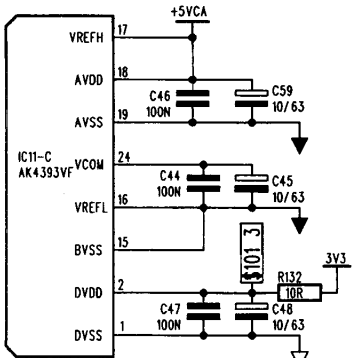
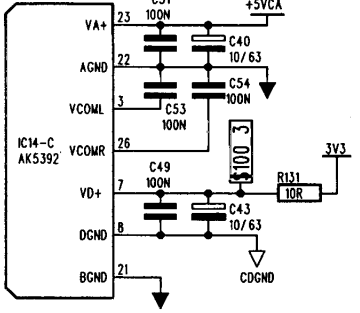
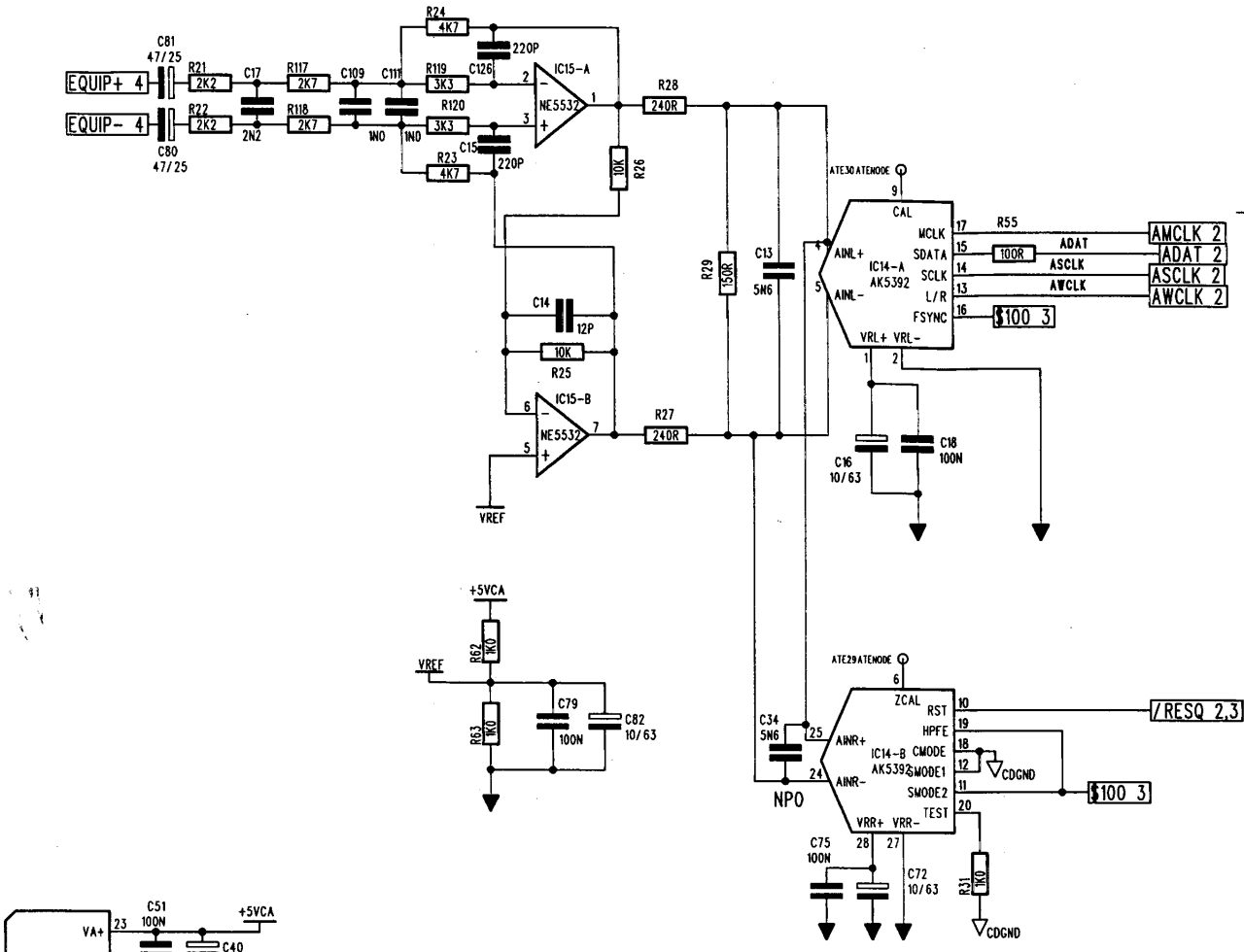
CHECKED: 

MATERIAL:

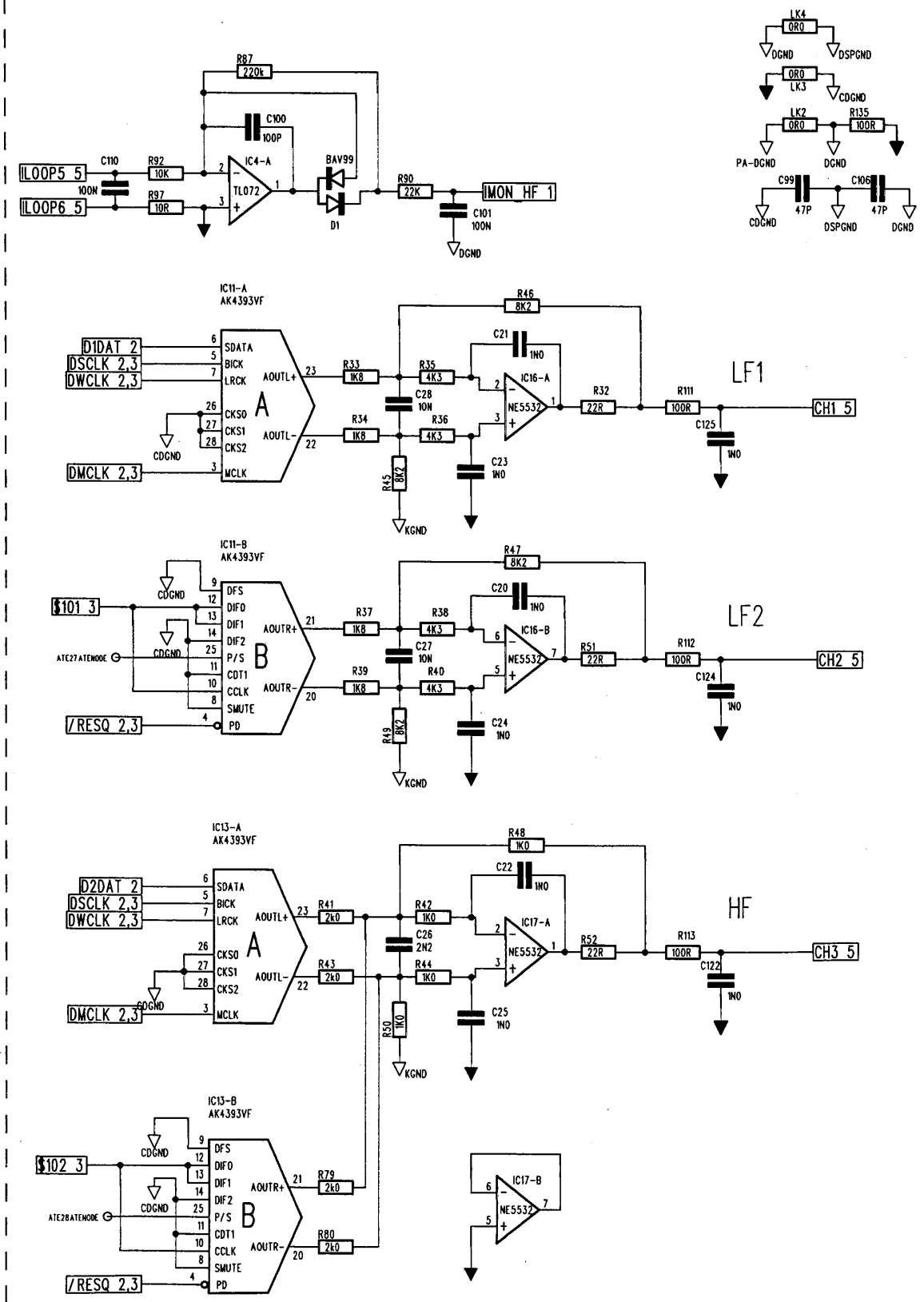
FINISH:

ISSUE COMMENTS:

THIS DRAWING IS THE COPYRIGHT OF BSS Audio Ltd. ALL REPRODUCTION AND COPYING, OTHER THAN THAT FOR LICENCED MANUFACTURERS OWN INTERNAL USE, OR DISCLOSURE OF PART OR WHOLE TO A THIRD PARTY WITHOUT PRIOR WRITTEN AUTHORISATION IS IN VIOLATION OF THE COPYRIGHT.  
© BSS Audio Ltd 1994



BSS AUDIO LTD  
MASTER



SIGNAL PROCESSOR

# S-B260CS-04

**BSS** HARMAN INTERNATIONAL INDUSTRIES LIMITED  
 CRANBORNE HOUSE  
 CRANBORNE ROAD  
 POTTERS BAR  
 HERTS  
 EN6 3JN  
 Tel 01707 660667  
 Fax 01707 660755

TITLE: JBL B260 SIGNAL PROCESSOR

FILENAME: S-B260SC-04.SCH

DRAWN BY: MGW

DATE: 2/6/99

CHECKED: *[Signature]*

LAYERS: SHEET 4

ISSUE DETAILS

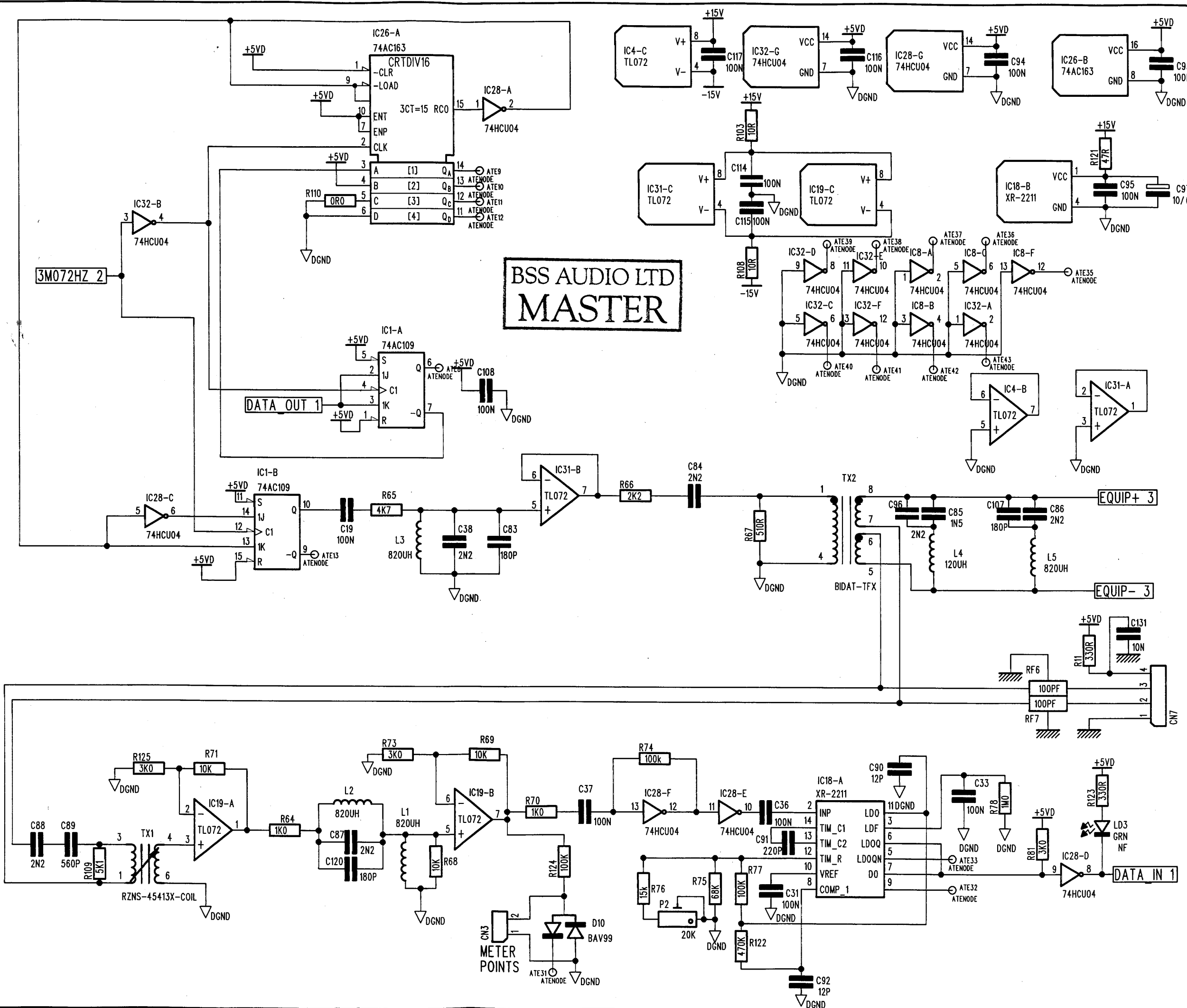
DIMENSIONS:

MATERIALS:

FINISH:

ARTWORK:

NOTES



**BSS AUDIO LTD  
 MASTER**

DRAWING NUMBER ISSUE  
**S-B260CS-04**

**BSS** HARMAN INTERNATIONAL INDUSTRIES LIMITED  
 CRANBORNE HOUSE  
 CRANBORNE ROAD  
 POTTERS BAR  
 HERTS  
 EN6 3JN  
 BSS Audio Tel 01707 660667  
 Fax 01707 660755

TITLE:  
**JBL C260 SIGNAL PROCESSOR**  
 SHEET 5

FILENAME: **S-B260CS-04.SCH**

DRAWN: **MGW**

DATE: **2/6/99**

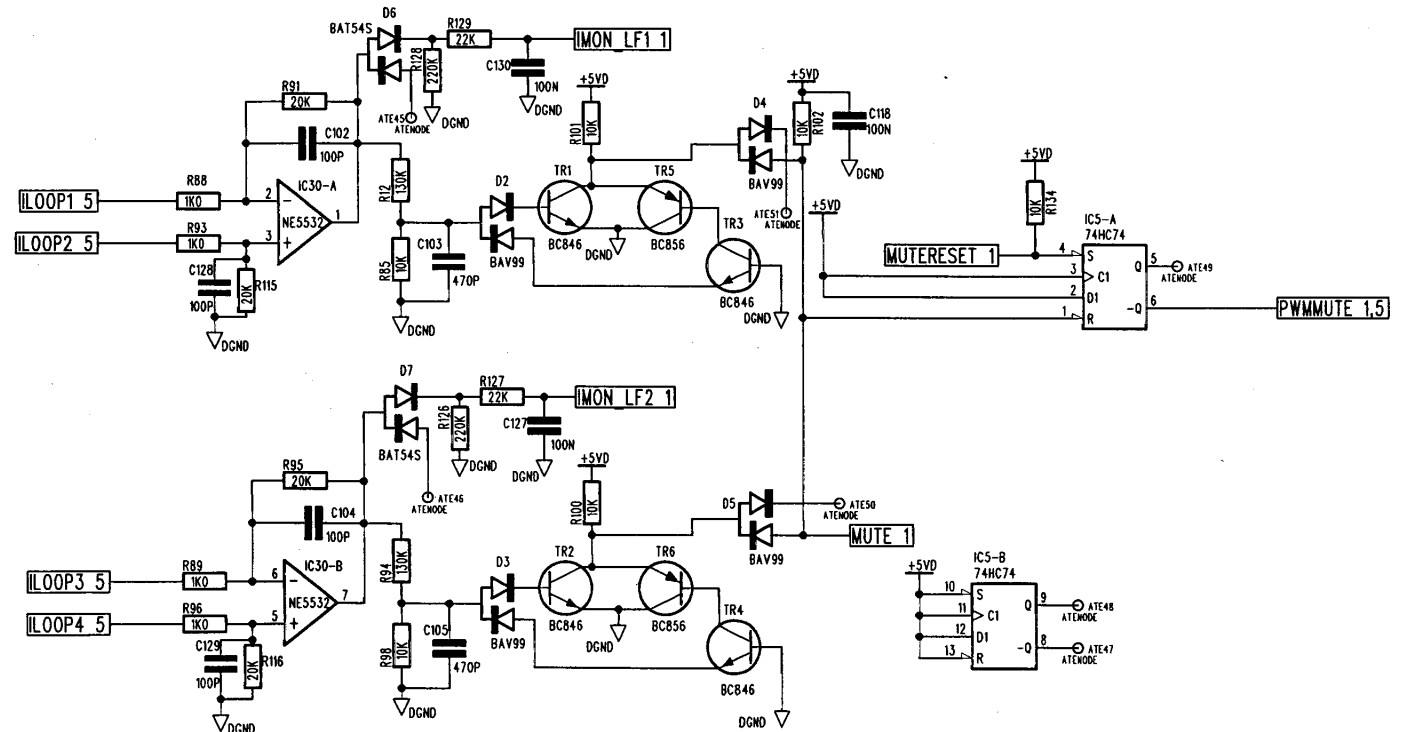
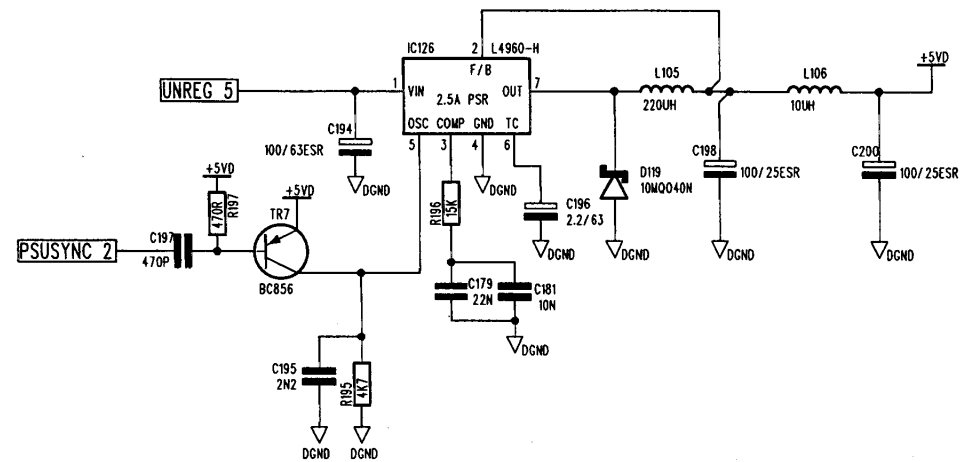
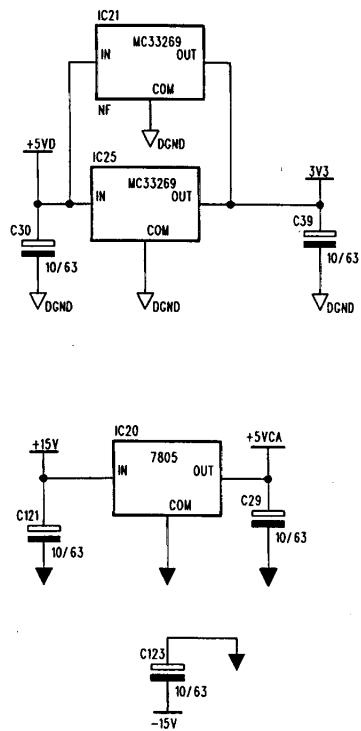
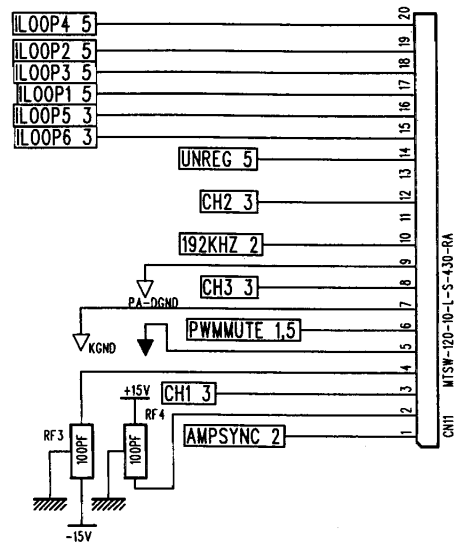
CHECKED: *[Signature]*

MATERIAL:

FINISH:

ISSUE COMMENTS:

TO POWER AMP BOARD



**BSS AUDIO LTD**  
**MASTER**