

**JBL**

# DSC 500

## Service Manual



### **SPECIFICATIONS:**

#### **Source Unit Section**

- Signal Format System: NTSC/PAL
- Video Signal-to-Noise Ratio (DVD) : 60 dB
- Audio Frequency Response DVD (PCM) : 20Hz - 20 kHz ( $\pm 1$  dB)
- Audio Frequency Response CD : 20Hz - 20 kHz ( $\pm 1$  dB)
- Signal-to-Noise Ratio: >80 dB
- Total Harmonic Distortion: 0,0001
- Dynamic Range: DVD (PCM): >85 dB
- Dynamic Range: CD: >85 dB

#### **Audio Section**

- Surround Formats: Dolby Digital - DTS - Dolby Pro Logic
- Frequency Response at 1W (+0dB, -3dB): 45Hz - 20 kHz
- Signal-to-Noise Ratio (IHF-A): 80 dB

#### **Satellite Section**

- Frequency Response (-6db): 120 Hz-20 kHz
- Sensitivity (2.83V @ 1m): 84 dB
- Nominal Impedance: 4 Ohms
- Recommended Amplifier Power: 35 Watts RMS
- Titanium Laminate HF: 12 mm
- Paper Cone Midrange : 75 mm
- Dimensions (H x W x D): 111 x 81 x 92 mm
- Weight: 0.5 kg
- Finish: silvergray

#### **Center Section**

- Frequency Response (-6db): 120 Hz-20 kHz
- Sensitivity (2.83V @ 1m): 86 dB
- Nominal Impedance: 4 Ohms
- Recommended Amplifier Power: 35 Watts RMS (in sub)
- Titanium Laminate HF: 12 mm
- Paper Cone Midrange : dual 75 mm
- Dimensions (H x W x D): 83 x 194 x 95 mm
- Weight: 0.8 kg
- Finish: silvergray

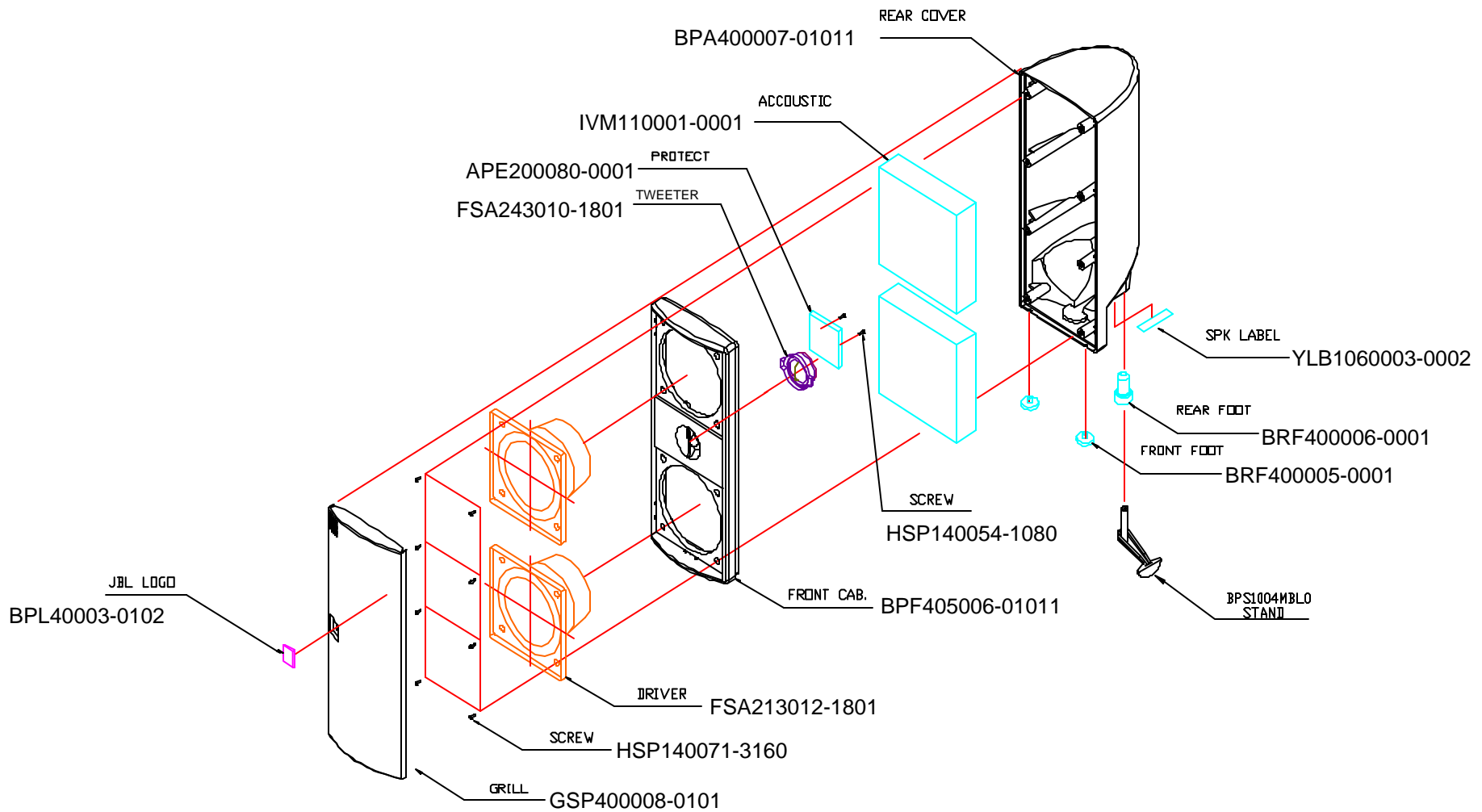
#### **Subwoofer Section**

- Low Frequency Cut-off: 35 Hz
- High Frequency Cut-off: 160 Hz
- Built-in Power Amplifier (RMS): 35 Watts x 5 + 100 Watts
- Paper Cone Long Throw Driver : 200 mm
- Dimensions (H x W x D): 450 x 250 x 360 mm
- Weight: 13.6 kg
- Finish: beech

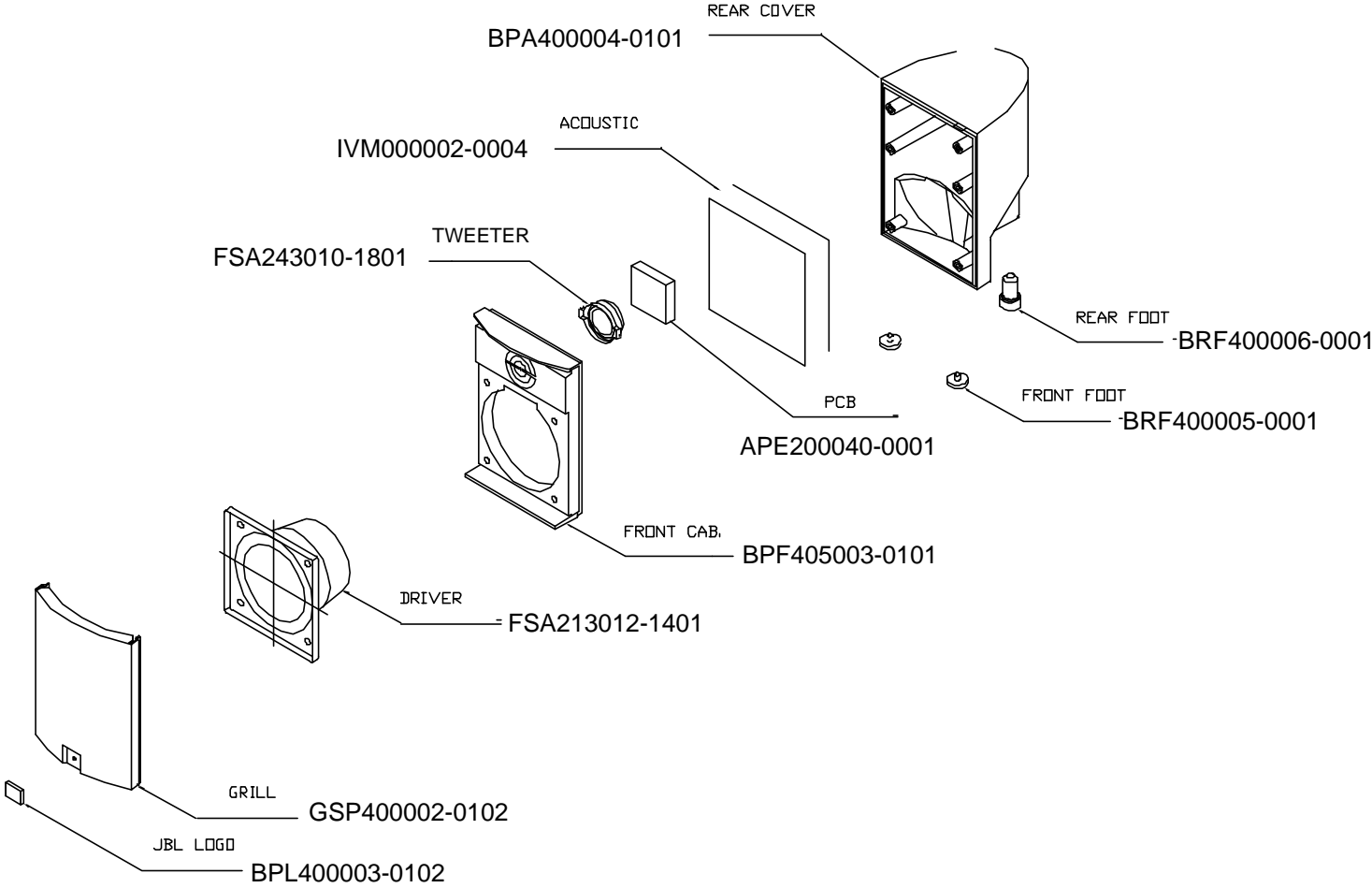
#### **General Section**

- Power Requirement: 230V/50-60Hz
- Power Consumption: 100 Watts
- Dimensions (H x W x D): 75 x 431 x 352 mm
- Weight: 7.9 kg

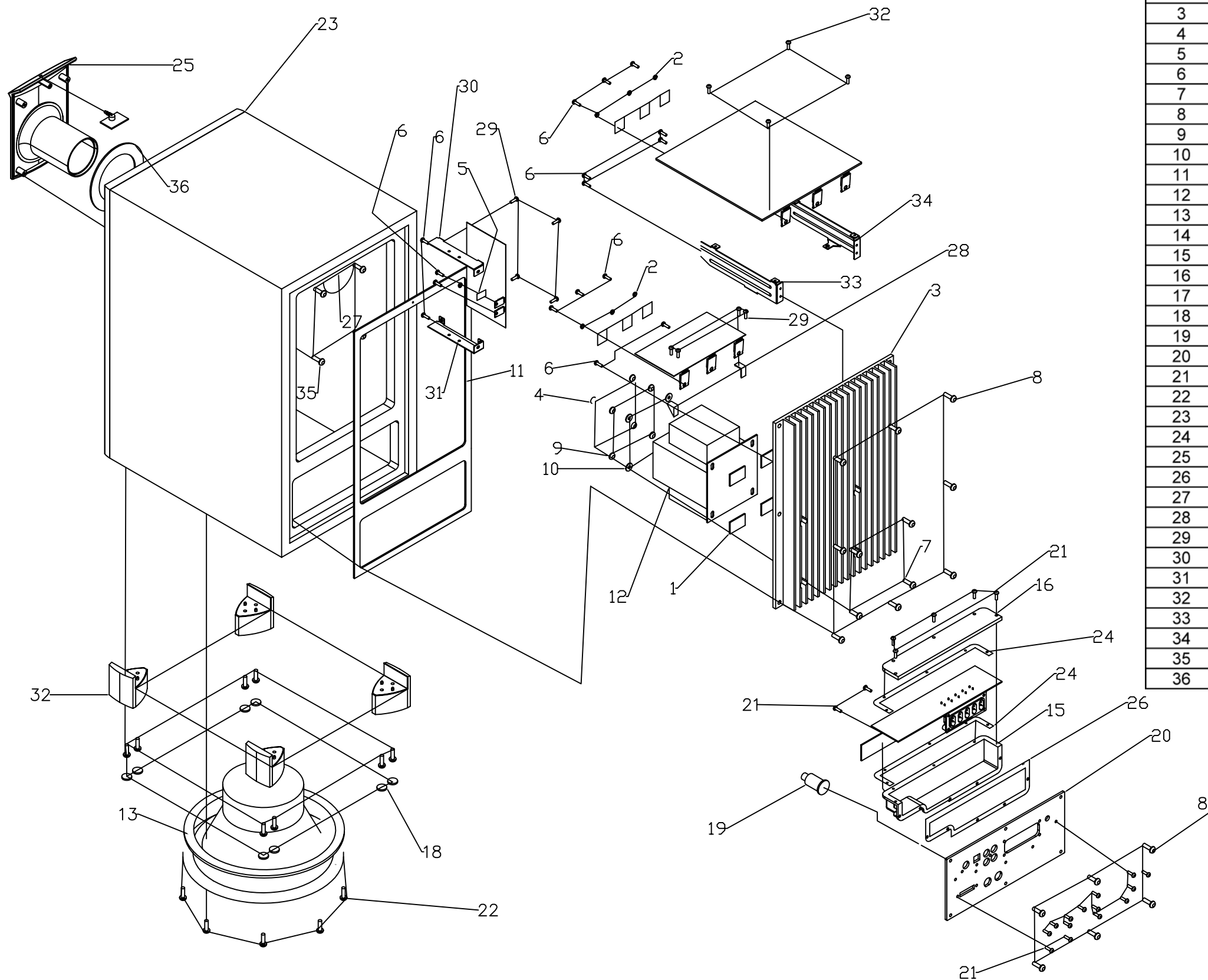
# DSC500 CENTER SPEAKER : AFK200003-0001



# DSC500 SATELLITE : AFK200002-0001







1	ICH080007-0001	RUBBER	4
2	DHU201001-0001	WASHER	7
3	GAL200014-0001	HEAT SINK	1
4	HNT140700-1300	NUT	4
5	HIS000001-0001	SI RUBBER	1
6	HSW140054-3080	SCREW	16
7	HSD143103-3200	SCREW	4
8	HSP140091-3200	SCREW	16
9	HWT168543-1060	WASHER	4
10	HWS11G045-1100	WASHER	4
11	IVE000246-005	SPONGE	1
12	TTL023010-0050	PWR TRNS	1
13	IVE000041-0001	SPONGE	1
14	FSA026080-0402	WOOFER	1
15	BPA400010-0101	PCB CVR	1
16	BPA400011-0101	PCB CVR	1
17	HST140071-3140	SCREW	8
18	BRF200001-0001	RUBBER	8
19	CFC21001-1001	FUSE-HOLDER	1
20	GSE400074-0102	JACK PLATE	1
21	HSP14054-3100	SCREW	17
22	HSP140091-3160	SCREW	8
23	EVM000063-0001	WOODBBOX	1
24	IVE000246-0002	SPONGE	1
25	BPR410009-0101	FRONT PORT	1
26	IVE000246-0001	SPONGE	1
27	BPR000020-0001	PORT EDGE	1
28	GSE200007-0001	JACK BKT	7
29	HSW140054-3060	SCREW	10
30	GSE200010-0001	BKT R	1
31	GSE200011-0001	BKT L	1
32	BPE400005-0001	FOOT	4
33	GSE000254-0001	BKT L	1
34	GSE000253-0001	BKT R	1
35	HST140051-3200	SCREW	4
36	IVE000246-0004	SPONGE	1

## JBL DSC500 230V

Head unit - Main board			
Installation Point	Description	Material No.	Qty.
	MAIN PCB ASSY	APE101700-0001	1
CN901	CONNECTOR B12B-XH-A 12 PIN	CCN250000-0112	1
CN103	CONNECTOR 20x2 PIN PLUG BASE	CCN254020-0440	1
CN101 CN201	CONNECTOR 15 PIN PITCH=2.0mm	CCN200000-0115	2
JK101	RCA+DIN JK 4P DIN+2RCA W/GND	CJC010001-3010	1
JK401	RCA JACK 6P REDx3/WHTx3 STAND 2 RCA HOLE	CJR006601-0010	1
JK201	SCART SOCK 21PIN PITCH=3.81mm	CSS021001-1030	1
JK203	RCA JACK 1P BLACK W/GEND PIN	CJR001301-0010	1
XL101	CRYSTAL 27 MHZ HC-49US 30ppm	JQC023101-2760	1
C071 C072 C1001 C1102 C4001 C4003	COND ELECT 100uF 16V 20%	PRE039540-1010	25
C534	COND ELECT 220 uF 16V 20%	PRE039540-2210	1
C1000 C1009 C1010 C1012 C1015 C1016	COND ELECT 10 uF 50V 20%	PRE039570-1000	51
C603	COND ELECT 1uF 50V 20%	PRE039570-1090	1
C163	COND ELECT 3.3 uF 50V 20%	PRE039570-3390	1
C453 C456	COND MYLAR 0.015 uF 100V 5%	PRM0373A0-1530	2
C454 C457	COND METAL 0.47uF 100V 5%	PRN0263A0-4740	2
C452 C455	COND MYLAR 0.0082 uF 100V 5%	PRM0373A0-8220	2
Q008 Q010 Q506 Q102 Q103	XISTR NPN 2SC945P	RAN200945-0001	5
Q401 Q402	XISTR NPN 2SC2878-A (TE2,.M)	RAN202878-0001	2
Q009 Q011 Q403	XISTR PNP 2SA733Q,P NEC	RAP200733-0001	3
R540	RESISTOR 10K OHM 1/6W 5% CF	QAF065000-1030	1
R542	RESISTOR 100K OHM 1/6W 5% CF	QAF065000-1040	1
R462 R463 R496 R497	RESISTOR 150 OHM 1/6W 5% CF	QAF065000-1510	4
R543	RESISTOR 6.8K OHM 1/6W 5% CF	QAF065000-6820	1
D102 D505 D506 D507 D509	DIODE SW; 1N4148	RAD114148-0010	16
ZD101 ZD102 ZD104 ZD105 ZD106 ZD107 ZD108 ZD109 ZD103 ZD401 ZD402 ZD403	DIODE ZENR 6.9-7.2V 0.5W	RAZ005007-0020	13
L101 L102 L103 L108	CHOKE 10 uH 10%	SAN001600-1000	4
L602 L603	INDUCTOR 100 uH 10%	SAN001600-1010	2
L104 L105 L106 L107	INDUCTOR 2.4 uH 10%	SHN001600-2490	4
L601 L605	FIXED (COLOUR) INDUC70R 0.68uH 10%	SAN001600-6880	2
FB101 FB102 FB108 FB109	BEAD FERIT DIA3.5x6mm	SFB001001-0030	4
J001 J003	WIRE BARE 22 GA TINNED	XJP220000-0001	2
C1104 C401 C402 C403 C404 C405 C406	CHIP CAP 100 pF 50V 5%	PYL410370-1010	7
C135 EMC101 EMC102 EMC103	CHIP CAP 1000 pF 50V 5%	PYL410370-1020	4
C216 C217 C218 C219 C220 C221 C222 C223 C224 C225	CHIP CAP 15 pF 50V 5%	PYL410370-1500	10
C133 C134 C419 C421	CHIP CAP 22 pF 50V 5%	PYL410370-2200	4
C168 C173 C178 C183 C188	CHIP CAP 150 pF 50V 5%	PYL410370-1510	5
C1017 C1018 C1105 C1106 C1107 C230 C416 C413	CHIP CAP 47 pF 50V 5%	PYL410370-4700	8
C601 C610 C612 C615	CHIP CAP 56 pF 50V 5%	PYL410370-5600	4
C492 C1 C2 C3 C4 C5 C6 C4119 C4117	CHIP CAP 560 pF 50V 5%	PYL410370-5610	9
C4113	CHIP CAP 4700 pF 50V 20%	PYL439570-4720	1
C193	CHIP CAP 3300 pF 50V 20%	PYL439570-3320	1

C101 C102 C1020 C1021 C1022	CHIP CAP 0.1 uF 50V 5%	PYL456370-1040	66
C191 C192	CHIP CAP 0.0056 uF 50V 5%	PYL456370-5620	2
C1005 C1006 C1007 C1008 C1011 C4010	CHIP CAP 0.1 uF 50V 10%	PYL456470-1040	25
R111 R170	CHIP RES. 0 OHM JUMP WIRE	QCF015020-0000	2
R109	CHIP RES. 10 OHM 1/10W 5%	QCF015020-1000	1
R236 R451 R452 R453 R454 R455 R456 R179 R115 R116 R117 R118	CHIP RES. 100 OHM 1/10W 5%	QCF015020-1010	12
R121 R124 R125 R128	CHIP RES. 1K OHM 1/10W 5%	QCF015020-1020	32
R168 R4001 R4002 R4003 R4004 R4005	CHIP RES. 10K OHM 1/10W 5%	QCF015020-1030	50
R419 R420 R171 R052	CHIP RES. 100K OHM 1/10W 5%	QCF015020-1040	4
R422 R424 R449 R4120 R4116 R4121 R4101	CHIP RES. 12K OHM 1/10W 5%	QCF015020-1230	7
R152	CHIP RES. 18K OHM 1/10W 5%	QCF015020-1830	1
R235	CHIP RES. 200 OHM 1/10W 5%	QCF015020-2010	1
R054 R058 R457 R458 R459 R460	CHIP RES. 22K OHM 1/10W 5%	QCF015020-2230	17
R114	CHIP RES. 270 OHM 1/10W 5%	QCF015020-2710	1
R106 R107 R151 R155	CHIP RES. 33 OHM 1/10W 5%	QCF015020-3300	18
R427 R428	CHIP RES. 150K OHM 1/10W 5%	QCF015020-1540	2
R053 R055 R057 R101	CHIP RES. 4.7K OHM 1/10W 5%	QCF015020-4720	20
R056 R406 R425 R429	CHIP RES. 47K OHM 1/10W 5%	QCF015020-4730	15
R4117	CHIP RES. 24K OHM 1/10W 5%	QCF015020-2430	1
R153	CHIP RES. 560 OHM 1/10W 5%	QCF015020-5610	1
R143 R147 R148 R149 R150 R471 R477 R483 R489 R495	CHIP RES. 5.6K OHM 1/10W 5%	QCF015020-5620	10
R108 R4118	CHIP RES. 56K OHM 1/10W 5%	QCF015020-5630	2
R411 R412 R413 R414 R417 R418	CHIP RES. 6.8K OHM 1/10W 5%	QCF015020-6820	6
R426 R435 R436 R437	CHIP RES. 68K OHM 1/10W 5%	QCF015020-6830	4
R177 R605 R607	CHIP RES. 75 OHM 1/10W 5%	QCF015020-7500	3
R401 R402 R403 R404 R409 R410 R448	CHIP RES. 8.2K OHM 1/10W 5%	QCF015020-8220	7
RA112 RA113 RA114	RES ARRAY 10 OHMx4 1/10W 5%	QCP015081-1000	3
RA101 RA102 RA103 RA104 RA105 RA106	RES ARRAY 33 OHMx4 1/10W 5%	QCP015081-3300	12
RA117 RA118	RES ARRAY 4x4.7K 1/10W 5%	QCP015081-4720	2
IC108	IC 54 PIN 4MX16 Y3V TW StarRam	RCI400160-0001	1
IC107	IC 8 PIN AT24C02N-10SI-2.7 TI	RCI024002-0002	1
IC101	IC 40 PIN MX29F080TC-90CE	RCI290080-0002	1
IC401	IC 16 PIN TC4052BFN CHIP	RCI004052-0001	1
IC408	IC 16 PIN TC4053BFN TOSHIBA	RCI004053-0001	1
IC116	IC 28 PIN AK4112BVF	RCI004112-0001	1
IC110 IC111 IC112 IC402 IC403 IC409 IC411 IC412 IC413 IC414 IC415 IC416 IC417 IC419 IC420 IC421	IC 8 PIN JRC4558M JRC	RCI004558-0001	16
IC103	IC 208 PIN ES6018	RCI006018-0001	1
IC410	IC 42 PIN M62446FP MITSUBISHI	RCI062446-0001	1
IC104	IC 14 PIN TC74HC04AFN TOSHIBA	RCI740004-0001	1
IC117 IC118	IC 20 PIN SN74HCT244DW T.I	RCI740244-0001	2
IC105 IC106 IC119	IC 20 PIN 74HC374	RCI740374-0002	3
IC115	IC 20 PIN WM8739 2CH A/D	RCI008739-0001	1
IC109	IC 28 PIN WM8746 6CH D/A	RCI008746-0001	1
IC113	IC 3 PIN RT9164-33CLR	RCI916433-0001	1

FB103 FB104 FB105 FB106 FB107 FB201 FB202 FB203 FB204 FB205 FB206 FB207 FB208	CHIP BEAD 600 OHM AT 100MHZ	SCB008050-6010	13
C147 C148 C150 C151	CHIP CAP 470 pF 50V 5%	PYL410370-4710	8
C152 C153 C154 C149			
R4006 R4016 R4026 R4056 R4066 R4046	CHIP RES. 5.1K OHM 1/10W 5%	QCF015020-5120	6
R4100 R470 R476 R482 R488 R494	CHIP RES. 1.5K OHM 1/10W 5%	QCF015020-1520	6
IC120	IC 3 PIN IMP809 SOT23 RESETVOL 2.93V	RCI000809-0003	1
R447	CHIP RES. 3K OHM 1/10W 5%	QCF015020-3020	1
C466 C471 C476 C481 C486	CHIP CAP 330 pF 50V 5%	PYL410370-3310	5
C166 C167 C171 C181 C186 C182 C177 C172 C176 C187	CHIP CAP 0.01 uF 50V 5%	PYL456370-1030	10
IC121	IC 4 PIN B1117N-2.85 SOT-223 1A	RCI011170-0001	1
R178	CHIP RES. 120 OHM 1/10W 5%	QCF015020-1210	1
IC601	IC 25PIN BH7860FP VIDEO SIGNAL PROCESSOR	RCI007860-0001	1
R4112	CHIP RES. 1.2K OHM 1/10W 5%	QCF015020-1220	1
R415 R416	CHIP RES. 390 OHM 1/10W 5%	QCF015020-3910	2
R180	CHIP RES. 3.9K OHM 1/10W 5%	QCF015020-3920	1
L606 L604	INDUCTOR 2.7uH	SAN201601-2790	2
R4230	RESISTOR 150 OHM 1/4W 5% CF	QAF045000-1510	1
ZD405	DIODE ZENR 6.0-6.3V 0.5W	RAZ005006-0030	1
R541	RESISTOR 39K OHM 1/6W 5% CF	QAF065000-3930	1
EMCD01	DIODE 1N5392 1.5A 100V	RAD115392-0010	1
C616	COND ELECT 22uF 50V 20%	PRE039570-2200	1
C498 C499 C495 C496 C497 C494	COND ELECT 4.7 uF 50V 20%	PRE039570-4790	6
EMC001 EMC004 EMC005 EMC010	COND DISC 0.1 uF 50V +80-20%	PRD249670-1040	4
EMC006 EMC008 EMC007 EMC009 EMC102	COND DISC 0.001 uF 50V +80-20%	PRD249670-1020	5
	12P 200mm 2468#26 RAINBOW A=2.5 B=2512V	VFLC01312-2000	1
CN401	D-SUB JACK 15P D-SUB 90* CGIC RC	CJF015001-2002	1
	WIRE 26 GA 90 mm BLACK 4-4	VWR0151BB-0090	1
	COND DISC 0.1 uF 50V +80-20%	PRD249670-1040	2
	WIRE 26 GA 60 mm BLACK 4-4	VWR0151BB-0060	1

### Head unit - Control board (Front board)

Installation Point	Description	Material No.	Qty.
	CONTROL PCB ASSY	APE200100-0001	1
XL201	CRYSTAL 4.5000 MHZ HC-49/S	JQC023101-4550	1
CN203	CONNECTOR 3 PIN PITCH=2.0mm	CCN200000-0103	1
IC201	IC 18 PIN CTM8B56EN(MCU1226)	RHI008056-0001	1
C216	COND DISC 4700 pF 50V 10%	PRD235470-4720	1
C201	COND ELECT 10uF 16V 20%	PRE039540-1000	1
C208 C209 C210 C214	COND DISC 15 pF 50V 5%	PRD113370-1500	4
C204 C205	COND DISC 22 pF 50V 5%	PRD113370-2200	2
C220 C221	COND DISC 100 pF 50V 5%	PRD113370-1010	2
C202 C206 C211	COND ELECT 100uF 16V 20%	PRE039540-1010	3
C203 C207 C212	COND DISC 0.1 uF 50V +80-20%	PRD249670-1040	3
C226	COND DISC 220 pF 50V 10%	PRD235470-2210	1
C218	COND MULTI 0.33UF 10% 50V X7R	PRL156470-3340	1
C215	COND DISC 820 pF 50V 10%	PRD235470-8210	1



Q204	XISTR NPN 2SC945P	RAN200945-0001	1
R225	RESISTOR 1K OHM 1/6W 5% CF	QAF065000-1020	1
D201 D202 D203 D204 D208	DIODE SW; 1N4148	RAD114148-0010	5
R224	RESISTOR 68K OHM 1/6W 5% CF	QAF065000-6830	1
R207 R211 R212 R213 R226	RESISTOR 100 OHM 1/6W 5% CF	QAF065000-1010	5
R206 R208	RESISTOR 100K OHM 1/6W 5% CF	QAF065000-1040	2
R209	RESISTOR 560 OHM 1/6W 5% CF	QAF065000-5610	1
R230 R231 R201 R202 R203 R204 R205 R210 R215	RESISTOR 10K OHM 1/6W 5% CF	QAF065000-1030	9
R219	RESISTOR 56K OHM 1/6W 5% CF	QAF065000-5630	1
TA210 TA209 TA208 TA202 TA203 TA204 TA201 TA207	AI TACT SW SKHVBE3520	MAW060001-0010	8
R227	RESISTOR 2K OHM 1/6W 5% CF	QAF065000-2020	1
JW201 JW202 JW203 JW204 JW205 JW206 JW207 JW208 JW209 JW210 JW211 JW212 JW213 JW214 JW215 JW216 JW217	WIRE BARE 22 GA TINNED	XJP220000-0001	17
R233	RESISTOR 6.8 OHM 1/4W 5% CF	QAF045000-6890	1
Q205 Q206	XISTR PNP 2SA733Q,P NEC	RAP200733-0001	2
	SPONGE L10 X W10 X T13.5mm	IVE200009-0001	1
SN201	IRT SENSOR RPM6938-V4	RHO693804-2001	1
	LCD FILTER L110xW27xT0.27mm PVC WHITE	BFT211001-0001	1
	LCD HOLDER ABS	BPH200002-0001	1
	LCD TOP ABS	BPH210002-0001	1
	COND FLAT CABLE 15P 250mm 2468#26 A=2mm	VFLF01246-2500	1
D207	LED HI-BRIG 2x4.6mm BLUE	KED600052-0010	1
POT2	R-ENCODER ;EC16B24204 ALPS	MSW005007-0010	1
	3P 190mm 2468#26 RAINBOW	VFL301245-1900	1
CN2	CONNECTOR 4 PIN PITCH=2.0mm	CCN200000-0104	1
IC202	IC 80 PIN PT6583 LCD DRIVER	RCI006583-0001	1
IC201	DISPLAY IC DTE102251AIP KEYMOS	KLD000052-0010	1
	FILTER LENS PMMA	BPN200003-0001	1

Head unit - Power board (power supply)			
Installation Point	Description	Material No.	Qty.
	POWER PCB ASSY	APE200090-0001	1
IC7	IC 3 PIN 7812 12V 1A	RHI007812-0001	1
IC6	IC 3 PIN 7912	RHI007912-0001	1
CN902 CN907	CONNECTOR 4 PIN P=3.96mm	CCN396021-0104	2
IC2	IC 3 PIN TL431	RHI004310-0001	1
T901	PWR TRANS 230V 50Hz EI28 AXIAL	TTA123011-0010	1
RL001	RELAY GJ-SH-112DM	MRL012004-0011	1
PH	IC 4 PIN PC817A	RHI008170-0001	1
IC1	IC 8 PIN DIP NCP1002P DIP FOR CNTL	RHI001002-0001	1
IC5	IC 3 PIN; LM317 POS ADJ REG.	RHI003170-0001	1
C3 C4 C11	COND SAFTY 0.0022uF 400V 20%	PVY1705K0-2222	3
C5	COND ELECT 68 uF 400V 20%	PVE0395K0-6800	1
C54	COND SAFTY 0.01uF 250V 20%	PVY2705F0-1031	1
C15 C18	COND ELECT 1000 uF 10V 20%	PME039530-1020	2
Q3 Q4	XISTR NPN 2N3904 FAIRCHILD	RAN203904-0001	2
C1 C2	COND SAFETY 0.22uF 275V X2P 20%	PVX2705G0-2240	2

C9 C17 C21 C29 C35 C37 C39 C42 C44 C46 C47 C19 C28	COND DISC 0.1 uF 50V +80-20%	PRD249670-1040	13
C10 C12 C48	COND ELECT 1uF 50V 20%	PRE039570-1090	3
C6	COND ELECT 2.2 uF 50V 20%	PRE039570-2290	1
C24	COND ELECT 4.7 uF 50V 20%	PRE039570-4790	1
C51 C52	COND ELECT 10 uF 50V 20%	PRE039570-1000	2
C8	COND ELECT 100uF 50V 20%	PRE039570-1010	1
C53	COND ELECT 220 uF 50V 20%	PME039570-2210	1
q5 q6	XISTR NPN 2SC945P	RAN200945-0001	2
C33 C34 C36 C40 C41 C43 C30 C45 C38 C31 C32	COND ELECT 330uF 25V 20%	PRE039550-3310	11
C20	COND ELECT 470uF 16V 20%	PRE039540-4710	1
R34 R35	RESISTOR 1.0 OHM 1/4W 5% CF	QAF045000-1090	2
R4 R6 R23	RESISTOR 1.0K OHM 1/4W 5% CF	QAF045000-1020	3
R1	RESISTOR 1.0M OHM 1/4W 5% CF	QAF045000-1050	1
D22 D23 D20 D21	DIODE;RECTIFIER 1N4001	RAD114001-0010	4
D1 D2 D3 D4	DIODE 1N4007	RAD114007-0010	4
D6	DIODE SW; 1N4148	RAD114148-0010	1
R19	RESISTOR 4.7K OHM 1/4W 5% CF	QAF045000-4720	1
ZD14	DIODE ZENR 5.6-5.9V 0.5W	RAZ005006-0020	1
R33	RESISTOR 10 OHM 1/6W 5% CF	QAF065000-1000	1
R16 R30 R31 R32	RESISTOR 10K OHM 1/6W 5% CF	QAF065000-1030	4
R5	RESISTOR 22 OHM 1/6W 5% CF	QAF065000-2200	1
R15	RESISTOR 24K OHM 1/6W 5% CF	QAF065000-2430	1
R14	RESISTOR 33K OHM 1/6W 5% CF	QAF065000-3330	1
R7	RESISTOR 68 OHM 1/4W 5P% CF	QAF045000-6800	1
R18	RESISTOR 47K OHM 1/6W 5% CF	QAF065000-4730	1
R10	RESISTOR 2.7K OHM 1/6W 5% CF	QAF065000-2720	1
R9	RESISTOR 3K OHM 1/6W 5% CF	QAF065000-3020	1
R17 R21 R22	RESISTOR 3K OHM 1/6W 5% CF	QAF065000-3020	3
D7 D8 D9 D11	MBR 1100 1A 100V SHOTTKY BARRIER	RAD101100-0010	4
D5	DIODE MUR160E 1A 800V	RAD100160-0010	1
R8	RESISTOR 100 OHM 1/4W 5% CF	QAF045000-1010	1
D13	DIODE ZENR 11.9-12.4V 0.5W	RAZ005012-0010	1
JW3 JW4 JW5 JW6	WIRE BARE 22 GA TINNED	XJP220000-0001	4
R3	RESISTOR 22K 2W 5% W/O KINK HI-AXIAL CF	QHF205000-2230	1
D12	MBR1045 10A 45V MOT DRIVER W/KEY I/P FUN	RHD101045-0010	1
	FUSE CLIP DIA5xL20mm FUSE	CFC011000-1001	2
	TIN PLATE L26.5xW25xT0.8mm BRACKET	GTP200002-0001	1
CONA	12P 200mm 2468#26 RAINBOW A=2.5 B=2512V	VFLC01312-2000	1
L1	LINE FILTER 22mH D0.37x110TS	JFT001003-0010	1
TR	ER-29/32 230V 600uH PWR TRANS	TSB023001-0010	1
L2 L3 L4 L5	COIL 3.3uH/3A VERTICAL PITCH 7mm	SIL206001-3390	4
RV	SURGE ABSORBER 10N471K	RHU100471-2001	1
C7	CAP 0.01uF 1KV +80%-20% Y5	PLD3336Q0-1030	1
	TIN PLATE BRACKET T=0.8mm	GTP200003-0001	1
CONB	CONNECTOR B4B-XH-A 4 PIN	CCN250000-0104	1
C50	COND ELECT 220 uF 50V 20%	PME039570-2210	1
RT	NTC 5 OHM 5A DIA=13 mm	RNT005130-5090	1

	WIRE 22 GA 80 mm RED 14-14 mm	VWR0333GG-0080	1
	WIRE 22 GA 90mm RED 4-4	VWR0333BB-0090	1
	SCREW T3.0xL6xP1.06mm	HSP140054-1060	4
C13	COND SAFTY 0.01uF 250V 20%	PLY2705F0-1030	1
FU	FUSE 3.15A 250V SLOW(WALTER TSD)	KSA020315-0120	1
	FUSE COVER;ID19.6xW11xH5.5mm UL	DCR030001-0001	1

Head unit - mechanics parts			
Installation Point	Description	Material No.	Qty.
IC5 IC7 IC8 IC6	HEAT SINK 10.5x15x24mm AL	GAL100040-0002	4
	FRONT PANEL HIPS	BPF200002-0001	1
	FUNCTION KEY ABS	BPK202001-0001	1
	POWER KEY ABS	BPK212001-0001	1
	VOLUME KNOB ABS	BPK222001-0001	1
	DVD DOOR HIPS PAINT PMS877C	BPD200003-0001	1
	DOOR LENS PMMA	BPN200002-0001	1
	WINDOW LENS PMMA	BPN210002-0001	1
	LOGO PLATE JBL ABS	BPL200001-0001	1
	DVD HOLDER HIPS	BPD210003-0001	1
	FRONT PANEL AL	GAL200002-0001	1
	BOTTOM CAB. SECC T=0.8mm	GSE200003-0001	1
	BACK PANEL SECC T=0.8mm	GSE200004-0001	1
	TOP COVER SECC T=0.6mm	GSE200005-0001	1
	TOP BRACKET SECC T=1.0mm	GSE200006-0001	1
	SCREW T3.0xL8xP1.06mm	HSP140054-1080	8
	SCREW M3.0xP0.5x8	HST143084-1080	3
	SCREW T3.0x1.06PxL8mm	HST140054-1080	11
	SCREW M3.0xP0.5x6	HST143084-1060	13
	BUSHING AC LINE BUSHING	DBU001005-0010	1
	WIRE TIE GT-90M 90mm	DWT000001-0900	3
	SPACER A=8.0mm B=1.3-1.7 PINGOOD SCB-8	DSS100022-0004	5
	SPACER A=15.6 B=1.2-1.6	DSS100026-0001	2
	SPONGE L100 x W8 x T1.5mm	IVE200008-0001	1
	SPONGE L10 X W10 X T13.5mm	IVE200009-0001	1
	RUBBER FOOT 19.5 x 2.5 MM	BRF200004-0001	2
	SCREW M3.0 X 0.5P TYPE TRIANGLE	HSF143084-1080	6
	LINE CORD 2P 1980mm BLK VDE W/3.96VH 4P	VPE003252-0010	1
Mecha	DVD LOADER DSL-710A DVS ATRAPI	WVD100002-0006	1

Head unit - Tuner			
Installation Point	Description	Material No.	Qty.
	TUNER PCB ASSY	APE200230-0001	1
CF103	CER FILTER 450 KHZ	JFT005001-0030	1
CF101	CER FILTER 10.7 MHZ	JFT005002-0020	1
CF102	CER FILTER 10.7 MHZ	JFT005002-0040	1
XL152	CRYSTAL 4.5000 MHZ HC-49/U	JQC013101-4550	1
TC001	COND TRIM 3 - 10 PF NP0	MVC001001-0010	1
TC002	COND TRIM 4.2 - 20 PF N450	MVC001002-0010	1
C166	COND ELECT 3.3 uF 16V 20%	PVE939540-3390	1
C117 C171	COND ELECT 47 uF 16V 20%	PVE939540-4700	2

C014	COND POLY 560pF 50V 5%	PVP026370-5610	1
VD001 VD002	DIODE TUNG AM TOSHIBA 1SV149B	RHV100149-0001	2
L103	COIL 39 mH 10% D6xH11xP5mm	SIL106003-3930	1
T102	AM IFT 455KHz Q=130	SIF010001-0040	1
T105	FM IFT 10.7MHz Q=60 MIN	SIF020001-0050	1
T002	ANT OSC AM 4-6:10T 1-3:86T	SIL013009-0011	1
T101	BIAS COIL 78 KHz	SIL016001-0010	1
T103 T104	BIAS COIL 16 KHz	SIL016001-0020	2
T003	OSC COIL 108uH (796 KHz) COIL	SIL013010-0012	1
T001	OSC FM SUMIDA S-8N	SIL013012-0010	1
	SHLD CALBE 160mm BLACK 75 OHM	VSW243BB2-0160	1
	ANT JACK 2P+ANT PLUG BLK-BLK	CJA005001-1010	1
C113	COND ELECT 47 uF 16V 20%	PVE939540-4700	1
C107	COND ELECT 22 uF 16V 20%	PVE939540-2200	1
EF001	TUNER PACK KWANGSUN KST-F404VA2	WTP000011-0001	1
XL151	CRYSTAL 4.332 MHZ HC-49/U	JQC013101-4351	1
C104 C106	COND ELECT 33 uF 10V 20%	PRE939530-3300	2
C109 C125 C126 C151	COND ELECT 10 uF 16V 20%	PRE939540-1000	4
C012 C143 C163 C156 C157	COND ELECT 47 uF 16V 20%	PRE939540-4700	5
C139 C140	COND ELECT 4.7 uF 16V 20%	PRE939540-4790	2
C118 C123 C127	COND ELECT 1 uF 50V 20%	PRE939570-1090	3
C124	COND ELECT 0.47 uF 50V 20%	PRE939570-4780	1
C005	COND DISC 5 pF 50V +-0.25pF	PRD113870-5090	1
C007	COND DISC 0.1 uF 50V +80-20%	PRD339670-1040	1
C015 C101 C164 C167	COND DISC 0.022 uF 50V +80-20%	PRD249670-2230	4
Q001	FET 2SK192A-Y/GR	RAM200192-1001	1
Q104 Q105	XISTR NPN 2SC945P	RAN200945-0001	2
Q101 Q102	XISTR NPN 2SC1675L NEC	RAN201675-0001	2
Q103	XISTR PNP 2SA733Q,P NEC	RAP200733-0001	1
R105	RESISTOR 100 OHM 1/6W 5% CF	QAF065000-1010	1
R155	RESISTOR 1K OHM 1/6W 5% CF	QAF065000-1020	1
R007	RESISTOR 100K OHM 1/6W 5% CF	QAF065000-1040	1
R005 R104	RESISTOR 330 OHM 1/6W 5% CF	QAF065000-3310	2
R110	RESISTOR 47 OHM 1/6W 5% CF	QAF065000-4700	1
R123	RESISTOR 4.7K OHM 1/6W 5% CF	QAF065000-4720	1
D001 D002 D003 D004 D101	DIODE SW; 1N4148	RAD114148-0010	5
L102 L104 L153 L154 L151 L152	CHOKE 10 uH 10%	SAN001600-1000	6
J101 J102 J103 J104	WIRE BARE 22 GA TINNED	XJP220000-0001	20
C165	CHIP CAP 1000 pF 50V 5%	PYL410370-1020	1
C110	CHIP CAP 200 pF 50V 5%	PYL410370-2010	1
C120 C154 C155 C173 C174	CHIP CAP 22 pF 50V 5%	PYL410370-2200	5
C111	CHIP CAP 30 pF 50V 5%	PYL410370-3000	1
C001	CHIP CAP 33 pF 50V 5%	PYL410370-3300	1
C013	CHIP CAP 8 pF 50V 5%	PYL410370-8090	1
C003 C009 C010 C105 C116 C122 C133	CHIP CAP 0.022 uF 50V 20%	PYL439570-2230	13
C134 C144 C145 C169 C170 C011			
C112 C114 C115	CHIP CAP 0.047 uF 50V 20%	PYL439570-4730	3
C016 C006 C108 C161	CHIP CAP 0.1 uF 50V 10%	PYL456470-1040	4
C135 C136 C119	CHIP CAP 1500 pF 50V 10%	PYL456470-1520	3

C137 C138	CHIP CAP 0.015 uF 50V 10%	PYL456470-1530	2
C008 C129 C130 C141 C142	CHIP CAP 0.0022uF 50V 10%	PYL456470-2220	5
C131 C132	CHIP CAP 0.0047 uF 50V 10%	PYL456470-4720	2
R107	CHIP RES. 10 OHM 1/10W 5%	QCF015020-1000	1
R006 R138	CHIP RES. 100 OHM 1/10W 5%	QCF015020-1010	2
R004 R009 R116 R125 R157 R135 R136	CHIP RES. 1K OHM 1/10W 5%	QCF015020-1020	7
R002 R003 R109	CHIP RES. 100K OHM 1/10W 5%	QCF015020-1040	3
R154 R151	CHIP RES. 1M OHM 1/10W 5%	QCF015020-1050	2
R117	CHIP RES. 180K OHM 1/10W 5%	QCF015020-1840	1
R139	CHIP RES. 220 OHM 1/10W 5%	QCF015020-2210	1
R133 R134	CHIP RES. 2.2K OHM 1/10W 5%	QCF015020-2220	2
R167 R168	CHIP RES. 22K OHM 1/10W 5%	QCF015020-2230	2
R137	CHIP RES. 2.7K OHM 1/10W 5%	QCF015020-2720	1
R101 R106	CHIP RES. 270K OHM 1/10W 5%	QCF015020-2740	2
R124	CHIP RES. 3K OHM 1/10W 5%	QCF015020-3020	1
R103 R114	CHIP RES. 330 OHM 1/10W 5%	QCF015020-3310	2
R112 R115 R156 R158	CHIP RES. 3.3K OHM 1/10W 5%	QCF015020-3320	4
R122 VR102	CHIP RES. 3.9K OHM 1/10W 5%	QCF015020-3920	2
R102 R118	CHIP RES. 47 OHM 1/10W 5%	QCF015020-4700	2
R129 R130 R159 R160 R161 R162 R163 R165 R152 R153	CHIP RES. 4.7K OHM 1/10W 5%	QCF015020-4720	10
R126	CHIP RES. 47K OHM 1/10W 5%	QCF015020-4730	1
R119	CHIP RES. 51 OHM 1/10W 5%	QCF015020-5100	1
R001 R131 R132	CHIP RES. 6.8K OHM 1/10W 5%	QCF015020-6820	3
IC101	OIC 30 PIN LA1837 SANYO	RCI001837-0001	1
IC152	IC 20 PIN LC72131M SANYO	RCI072131-0001	1
R108	CHIP RES. 10K OHM 1/10W 5%	QCF015020-1030	1
C152	CHIP CAP 560 pF 50V 5%	PYL410370-5610	1
IC151	IC 24 PIN LC72720NM	RCI072720-0002	1
C153	CHIP CAP 330 pF 50V 5%	PYL410370-3310	1
R008	RESISTOR 10 OHM 1/6W 5% CF	QAF065000-1000	1
	HOLDER FM HOLDER	BPH100025-0000	1
	SCREW M3.0xL6.0 mm x P0.5	HSP143084-1060	1
	CON/WIRE 15P 110mm 2547#28/2468#26	VVA200098-0001	1
	PAN HEAD SCREW STEEL T3.5x1.41PxL24	HSP140074-1240	2
	SUPPORT ABS PCB SUPPORT TOP	BPS101020-0001	2
	SUPPORT ABS PCB SUPPORT BTM	BPS101021-0001	2
	FOOT CHROME 50X9mm	BPE100018-0002	2
	T=2.0 OD=39.8mm, ID=16.2mm	BRB200002-0001	2
	SCREW M3.0x4 NICKLE	HSP143084-1040	2
	TUBING SRK DIA=8 L=20 mm BLACK	DTB008000-0200	2
	CON/WIRE 4P 120mm 1617#18x2P	VVA310013-0011	1
	BEAD FERIT DIA25x15x10 mm	SFB001001-0200	4
	CON/WIRE 4P 220mm 1007#22 RD-BK-BK-YL	VVA330040-0001	1
	ATAPI CABL 40P 220mm 2551#28	VVA410001-0011	1
	ROCKER SWITCH(TV-2) W/O MARK	MSW008003-0020	1
	BRACKET SECC T=0.8mm	GSE200035-0001	1
	FLAT HEAD SCREW STEEL M3x0.5PxL12	HSF143084-1120	4
	SCREW T3xL16xP1.06mm	HSP140054-1160	2

	LED PCB ASSY	APE200330-0001	1
CP2	CON/WIRE 4P 140mm UL2468#26 BLK A=2.0mm	VFL41124B-1400	1
D211 D212 D213 D214 D215 D217 D218	CHIP LED WHITE SMD0805	KCD900805-0010	7
R235 R236 R237 R238 R239 R240 R241	CHIP RES. 75 OHM 1/10W 5%	QCF015020-7500	7
	SCREW STEEL SCREW M3xP0.5xL6mm FLAT HEAD	HSF143084-1060	5
	NUT M3.0xOD5.5xT2.5mm	HNT130550-1230	1
<b>Head unit - Packing</b>			
<b>Installation Point</b>	<b>Description</b>	<b>Material No.</b>	<b>Qty.</b>
	POLY BAG L80xW220mm	IVA000001-0019	1
	POLY BAG L610xW540mm	IVA000001-0061	1
	SOLDER LUG/WIRE180mm UL1007#22 BLK	CSL507035-0200	1
	SPONGE L25xW15xT21mm FIREPROOF	IVE110002-0001	1
	SPONGE L10 X W10 X T13.5mm	IVE200009-0001	1
	SPONGE L20xW10xT0.5mm	IVE100157-0001	2
	SCREW M3x10x0.5P	HST143084-1100	1
	WASHER FIB OD8.0xID3.5xT1.0 mm	HWF118035-6100	1
	PLYFOAM BOTTON	ITF200012-0001	1
	PLYFOAM TOP	ITF200013-0001	1
	MASTER CARTON	ICC200004-0001	1
	OWNER'S MANUAL	YOM200001-0001	1
<b>Satellites speaker</b>			
<b>Installation Point</b>	<b>Description</b>	<b>Material No.</b>	<b>Qty.</b>
	SATE. SPK ASSY JBL	AFK200002-0001	1
	SPK REAR ABS BLK	BPA400004-0101	4
	SPK FRONT ABS BLK	BPF405003-0101	4
	LOGO PLATE L12xW10xT2mm	BPL400003-0102	4
	RUBBER FOOT OD12.5xID6xT2.5mm	BRF400005-0001	8
	RUBBER FOOT OD12.5xID6.2xT6.8mm	BRF400006-0001	4
	SPK GRILLE L80xW100xT0.6mm	GSP400002-0102	4
	ACCOUSTIC L80xW80xT30mm FIBER W/UL	IVM000002-0004	4
	SPK DRIVER D22.4mm 30W TWEETER	FSA243010-1801	4
	SPK DRIVER 70x70mm 4OHM 30W FOR SATE.	FSA213012-1401	4
	PROTECT PCB ASSY FOR REAR/SATE.	APE200040-0001	4
R1	RESISTOR#6 OHM 10W 5% HI	QVEA05000-6090	4
R2	RESISTOR ESC360	QVE505000-1890	4
C1	COND ELECT 100 uF 50V 20% NON-POLAR	PRE399570-1010	4
C2	COND ELEC 1.5uF 100V VON-POLAR 5% BP	PRE3993A0-1590	4
RB3	SPK WIRE 100mm 2P 2468#22 RD-BLK	VWS331000-0100	4
PTC1	PTC 0.5Ax60x050 MEXICO	RPT005001-0020	4
RB1	CON/WIRE AY 2P 130mm 2468#20 RD-BK	VWA350013-0001	4
RB2	TEM WIRE 130mm 2468#20 RD-BLK A+6.4/-3.7	VWT130431-0130	4
	SCREW T3.0xL8xP1.06mm	HSP140054-1080	8
	SCREW T3.5xL8xP1.41mm	HSF140074-3120	8
	SCREW T3.5xP1.41x16mm	HSP140071-3160	16
	ACOUSTIC ABSORB L80xW80xT10 FIBER WHT	IVM110001-0001	4
<b>Center spaeker</b>			
<b>Installation Point</b>	<b>Description</b>	<b>Material No.</b>	<b>Qty.</b>
	CENTER SPK ASSY JBL	AFK200003-0001	1
	SPK REAR ;ABS BLK (JBL)	BPA400007-0101	1

	SPK FRONT ABS BLK	BPF405006-0101	1
	LOGO PLATE L12xW10xT2mm	BPL400003-0102	1
	RUBBER FOOT OD12.5xD6xT2.5mm	BRF400005-0001	1
	RUBBER FOOT OD12.5xD6.2xT6.8mm	BRF400006-0001	1
	SPK DRIVER D22.4mm 30W TWEETER	FSA243010-1801	1
	SPK DRIVER 70x70mm 8OHM 30W FOR CENTER	FSA213012-1801	2
	SPK GRILLE L187xW74xH13.5mm	GSP400008-0101	1
	PROTECT PCB ASSY FOR CENTER	APE200080-0001	1
	PROTECT PCB CEM-1 45x 40mm	LCG200080-0401	1
C1	COND ELECT 100 uF 50V 20% NON-POLAR	PRE399570-1010	1
C2	COND ELEC 1.5uF 100V VON-POLAR 5% BP	PRE3993A0-1590	1
R1 R1A	RESISTOR ESC360	QVE505000-1200	2
PTC1	PTC 0.5Ax72x050 MEXICO	RPT005001-0010	1
RB3	SPK WIRE 80mm RD-BLK 2468#22	VWS331000-0080	1
RI1	CON/WIRE AY 2P 130mm 2468#20 RD-BK	VWA350013-0001	1
RO1 RO2	TEM.WIRE 2P 140mm 2468#20 RD-BLK JBL	VWT130431-0140	2
R2	WIRE BARE 22 GA TINNED	XJP220000-0001	1
	SCREW T3.0xL8xP1.06mm	HSP140054-1080	2
	SCREW T3.5xP1.41x16mm	HSP140071-3160	8
	ACOUSTIC ABSORB L80xW80xT10 FIBER WHT	IVM110001-0001	2

<b>Speaker accessories</b>			
<b>Installation Point</b>	<b>Description</b>	<b>Material No.</b>	<b>Qty.</b>
	WALL BRACKET	BPH200003-0001	4
	BRACKET	BPH200004-0001	4
	WIRE ASSY L=12240mm BLK P=5mm	VWP010003-0040	1
	D-SUB 15P CABLE 4000mm BLK	VWP000010-0010	1
	WIRE ASSY L=3040mm BLK P=5mm	VWP010003-0030	1
	POLY BAG L260xW180mm PO	IVA000001-0134	5
	RUBBER FOOT NR3 BLACK 13.5xT2.0mm W/ADHE	BRF200001-0001	2
	POLYFORM BTM FOR SPK ASSY JBL DSC500	ITF130261-0001	1
	POLYFORM TOP EPS FOR SPK ASSY JBL DSC500	ITF130260-0001	1
	SILICA GEL 3 g	DOT040001-0003	2
	POLY BAG L300x W180xT0.03mm W/RECYCLE	IVA102014-0010	1
	POLY BAG L240xW180mmxT0.03mm W/RECYCLE	IVA000001-0088	5
	POLY BAG L100xW130xT0.03mm W/RECYCLE	IVA102015-0010	17
	SCART CABL SC/G-SC/G,1000mm	VSC000002-0010	1
	SPEAKER LABEL L40xW10mm 135SISSAT	YLB106003-0001	4
	CERTRE SPK LABEL L40mmxW10mm 500CC	YLB106003-0002	1

<b>SUB - main board</b>			
<b>Installation Point</b>	<b>Description</b>	<b>Material No.</b>	<b>Qty.</b>
	MAIN PCB ASSY	APE200051-0001	1
J14	CONNECTOR B7B-XH-A 7 PIN	CCN250000-0107	1
J15	CONNECTOR B3B-XH-A 3 PIN	CCN250000-0103	1
J20	CONNECTOR 4 PIN CL3962WVO	CCN396020-0104	1
J21	ON/WIRE 6P 500mm 1007#18W/BEA	VWA310006-0007	1
J12	CON/WIRE 13P 500mm 1007#26FLAT	VWA200097-0002	1
U1 U2 U5	IC 11 PIN LM3886T	RHI003886-0001	3
IC8	IC 8 PIN JRC4558D JRC	RHI004558-0001	1
	SOLDR WIRE TIN 60/40% D1.2mm	XSD106040-1200	1

	THINER FLX UNION SOLTEK T22	XTN000022-0001	1
RL1 RL2 RL5	INDUCTOR 0.4uH 1 OHM 2W 5%	SHN002501-4080	3
JP13	CON/WIRE 6P 100/80/120 1533#28	VVA020011-0001	1
JP7	CON/WIRE 2P 150mm 26AWG	VFL21131B-1500	1
JP8	CON/WIRE 2P 500mm BLK	VFL21131B-5000	1
C153 C253 C553	COND DISC 560 pF 50V 10%	PRD235470-5610	3
C192 C292 C293 C592 C593 C193	COND DISC 0.1 uF 50V +80-20%	PRD339670-1040	6
C151 C251 C31 C551	COND MYLAR 0.1 uF 100V 5%	PRM0373A0-1040	4
QA01 QA02	XISTR NPN 2SC945P	RAN200945-0001	2
Q4	XISTR NPN 2SC2001L NEC	RAN202001-0001	1
Q5 Q6	XISTR NPN 2SC2878-A (TE2,.M)	RAN202878-0001	2
Q3	XISTR PNP 2SA733Q,P NEC	RAP200733-0001	1
CA02	COND ELECT 10uF 16V 20%	PRE039540-1000	1
C1 C10 C11 C12 C2 C3 C4 C5 C6 C7 C8 C9	COND ELECT 100uF 25V 20%	PRE039550-1010	12
C601	COND ELECT 47uF 25V 20%	PRE039550-4700	1
C190 C191 C290 C590 C591 C291	COND ELECT 100uF 50V 20%	PRE039570-1010	6
C101 C112 C201 C212 C301 C312 C401 C412 C501 C512	COND ELECT 1uF 50V 20%	PRE039570-1090	10
C609	COND ELECT 2.2 uF 50V 20%	PRE039570-2290	1
CA04	COND ELECT 4.7 uF 50V 20%	PRE039570-4790	1
CA03	COND ELECT 10 uF 16V 20%	PRE339540-1000	1
R155 R255 R555	RESISTOR 4.7 OHM 1/2W 5% CF	QAF025000-4790	3
R1 R10 R11 R12 R2 R3 R4 R5 R6 R7 R8 R9	RESISTOR 100 OHM 1/6W 5% CF	QAF065000-1010	12
R152 R154 R252 R254 R552 R554	RESISTOR 1K OHM 1/6W 5% CF	QAF065000-1020	6
R151 R251 R551	RESISTOR 10K OHM 1/6W 5% CF	QAF065000-1030	3
R33	RESISTOR 100K OHM 1/6W 5% CF	QAF065000-1040	1
R153 R253 R553	RESISTOR 20K OHM 1/6W 5% CF	QAF065000-2030	3
R34	RESISTOR 2.2K OHM 1/6W 5% CF	QAF065000-2220	1
R35	RESISTOR 22K OHM 1/6W 5% CF	QAF065000-2230	1
R30 R32	RESISTOR 270K OHM 1/6W 5% CF	QAF065000-2740	2
R36	RESISTOR 470K OHM 1/6W 5% CF	QAF065000-4740	1
R31	RESISTOR 5.6K OHM 1/6W 5% CF	QAF065000-5620	1
D4	DIODE SW; 1N4148	RAD114148-0010	1
	WIRE BARE 22 GA TINNED	XJP220000-0001	57
C610	CHIP CAP 47 pF 50V 5%	PYL410370-4700	1
C608	CHIP CAP 0.022 uF 50V 5%	PYL456370-2230	1
R607 RA02 RA03	CHIP RES. 1K OHM 1/10W 5%	QCF015020-1020	3
R100 R103 R200 R203	CHIP RES. 10K OHM 1/10W 5%	QCF015020-1030	52
RA08	CHIP RES. 1M OHM 1/10W 5%	QCF015020-1050	1
R102 R202 R302 R402 R502	CHIP RES. 5.6K OHM 1/10W 5%	QCF015020-5620	5
RA05	CHIP RES. 2.2K OHM 1/10W 5%	QCF015020-2220	1
R603 R604 R610 RA04	CHIP RES. 22K OHM 1/10W 5%	QCF015020-2230	4
R101 R201 R301 R401 R501 R601	CHIP RES. 27K OHM 1/10W 5%	QCF015020-2730	6
R611	CHIP RES. 36K OHM 1/10W 5%	QCF015020-3630	1
RA01 R113 R213 R313 R413 R513 R612	CHIP RES. 3.9K OHM 1/10W 5%	QCF015020-3920	7
RA10	CHIP RES. 470K OHM 1/10W 5%	QCF015020-4740	1
RA07	CHIP RES. 56K OHM 1/10W 5%	QCF015020-5630	1
R123 R122 R121 R120	CHIP RES. 6.8K OHM 1/10W 5%	QCF015020-6820	29
R606	CHIP RES. 68K OHM 1/10W 5%	QCF015020-6830	1



R605	CHIP RES. 8.2K OHM 1/10W 5%	QCF015020-8220	1
DA01 DA02	CHIP DIODE LL4148 TELEFUNKEN	RCD104148-0010	2
IC1 IC2 IC3 IC4 IC5 IC6	IC 14 PIN TL074CD	RCI000740-0001	6
IC101 IC201 IC301 IC401 IC501 IC601 IC7B	IC 8 PIN TL072CD	RCI000720-0001	7
CA05	CHIP CAP 1000 pF 50V 5%	PYL410370-1020	1
C103 C203 C303 C403 C503 C120 C220 C320 C420 C520 C620	CHIP CAP 220 pF 50V 5%	PYL410370-2210	11
C15 C16 C17 C18 C19	CHIP CAP 0.1 uF 50V 5%	PYL456370-1040	38
C602 C603	CHIP CAP 0.018 uF 50V 10%	PYL456470-1830	2
C607	CHIP CAP 0.068 uF 50V 10%	PYL456470-6830	1
R106 R107 R206 R207 R307 R406 R407 R506 R507 R603A R604A R605A C502 C102 C202 C302 C402 R306	CHIP RES. 0 OHM JUMP WIRE	QCF015020-0000	18
C604	CHIP CAP 0.027 uF 50V 5%	PYL456370-2730	1
R104 R304 R404 R504 R204	CHIP RES. 12K OHM 1/10W 5%	QCF015020-1230	5
C110 C210 C310 C410 C510 C111 C211 C311 C411 C511	CHIP CAP 0.0022 uF 50V 5%	PYL456370-2220	10
R111 R211 R311 R411 R511 R112 R212 R312 R412 R512	CHIP RES. 150K OHM 1/10W 5%	QCF015020-1540	10
R114 R314 R414 R514	CHIP RES. 1.2K OHM 1/10W 5%	QCF015020-1220	4
R613	CHIP RES. 4.7K OHM 1/10W 5%	QCF015020-4720	1
R214	CHIP RES. 750 OHM 1/10W 5%	QCF015020-7510	1
R609	CHIP RES. 220K OHM 1/10W 5%	QCF015020-2240	1
R602	CHIP RES. 30K OHM 1/10W 5%	QCF015020-3030	1
C152 C552 C252	COND ELECT 22 uF 25V 20%	PRE039550-2200	3
C32	COND ELECT 22uF 50V 20%	PRE039570-2200	1

<b>SUB - Amp board</b>			
<b>Installation Point</b>	<b>Description</b>	<b>Material No.</b>	<b>Qty.</b>
	AMP PCB ASSY	APE200052-0001	1
GSE0215-001 TO PCB	SCREW ;T3.0x1.06PxL6mm	HSW050054-3060	4
J10	CONNECTOR B2B-XH-A 2 PIN	CCN250000-0102	1
J7	CONNECTOR 2 PIN LEOCO 3951	CCN396020-0102	1
J22	CONNECTOR 6 PIN CL3962WVO	CCN396020-0106	1
U3 U4 U6	IC 11 PIN LM3886T	RHI003886-0001	3
RL3 RL4 RL6	INDUCTOR 0.4uH 1 OHM 2W 5%	SHN002501-4080	3
JP3 JP4 JP6	CON/WIRE 7P 200nn 1533x2&2547	VVA010032-0001	3
C353 C453 C653	COND DISC 560 pF 50V 10%	PRD235470-5610	3
C392 C393 C492 C493 C692 C693	COND DISC 0.1 uF 50V +80-20%	PRD339670-1040	6
C390 C391 C490 C491 C690 C691	COND ELECT 100uF 50V 20%	PRE039570-1010	6
C352 C452 C652	COND ELECT 22 uF 25V 20%	PRE039550-2200	3
C351 C451 C651	COND MYLAR 0.1 uF 100V 5%	PRM0373A0-1040	3
R455 R655 R355	RESISTOR 4.7 OHM 1/2W 5% CF	QAF025000-4790	3
R352 R354 R452 R454 R652 R654	RESISTOR 1K OHM 1/6W 5% CF	QAF065000-1020	6
R351 R451 R651	RESISTOR 10K OHM 1/6W 5% CF	QAF065000-1030	3
R453 R353 R653	RESISTOR 20K OHM 1/6W 5% CF	QAF065000-2030	3
JW40 JW41 JW42 JW43 JW44 JW45 JW46 JW47 JW48	WIRE BARE 22 GA TINNED	XJP220000-0001	9
	HEAT SINK AL ANODIZING	GAL200014-0001	1

**SUB - Jack board (input board)**

<b>Installation Point</b>	<b>Description</b>	<b>Material No.</b>	<b>Qty.</b>
	JACK PCB ASSY	APE200053-0001	1
L501 L502 L503 L504 L505	RF COIL 1 uH MDEC T40818-08	SIL001003-1090	5
JK501	TERMINAL JACK ASSY 5 SLOT ABS BLK	COT080005-0001	1
JP16 TO J93	FLAT CABLE 3P 100mm 2468#26 A=2.5mm	VFL31131B-1000	1
CN401B	D-SUB JACK 15P D-SUB 90* CGIC RC	CJF015001-2002	1
C515 C516 C517 C518 C519	COND DISC 1000 pF 50V 10%	PRD235470-1020	5
J23	CON/WIRE 4P 450mm 1007#18/BEA	VWA310006-0003	1
JP23	CONNECTOR 4 PIN CL3962WVO	CCN396020-0104	1
JP21	CONNECTOR 6 PIN CL3962WVO	CCN396020-0106	1
CON2	CONNECTOR 13 PIN PITCH=2.0mm	CCN200000-0113	1
	WIRE BARE 22 GA TINNED	XJP220000-0001	1
	FUSE 4A 250V SLOW (WALTER TSD)	KSA020400-0121	1
<b>SUB - Control board</b>			
<b>Installation Point</b>	<b>Description</b>	<b>Material No.</b>	<b>Qty.</b>
	CNTL LED PCB ASSY	APE200054-0001	1
LD1	LED 2.94DIA BLUE ROUND 2P P=2.54mm	KED600003-0040	1
LED TO FRONT CAB	LED HOLDER 2P H5.0xOD4.2mm LED3-5	DLH010007-0005	1
JP30	CON/WIRE 2 P 500mm P=2.0 BLK	VFL21124B-5000	1
	CHIP CAP 0.1 uF 50V 10%	PXL456470-1040	1
<b>SUB - mechanics parts</b>			
<b>Installation Point</b>	<b>Description</b>	<b>Material No.</b>	<b>Qty.</b>
	MICA SHEET;L22xW26xT0.1mm	HIM000001-0007	6
	SI RUBBER W13xH18xT0.3 mm	HIS000001-0001	2
	FOOT METALLIC GREY-SILVER	BPE400005-0102	4
	FRONT PORT METALLIC GREY-SILVER	BPR410009-0101	1
	RUBBER FOOT NR3 BLACK 13.5xT2.0mm W/ADHE	BRF200001-0001	8
	SILICA GEL 3 g	DOT040001-0003	2
	Woofer SPK DRIVER 60W 4 OHM	FSA026080-0402	1
	SONW PAD L340x W148 xH55mm EPS	ICF000058-0005	2
	SPONGE L7xW5xT7mm BLACK	IVE000032-0007	1
	DRIVER SPONGE OD210xID184xT1.0mm	IVE000041-0001	1
	SPONGE OD97xID67xT5mm BLK EVA	IVE000246-0004	1
	SPONGE L190 xW15xT1mm BLK	IVE000246-0006	1
	SOFT SHEET L100xW80mm	IVH002001-0006	1
<b>SUB - Power board (power supply 2/3)</b>			
<b>Installation Point</b>	<b>Description</b>	<b>Material No.</b>	<b>Qty.</b>
	POWER PCB ASSY	APE200200-0001	1
	DC POWER PCB ASSY	APE200201-0001	1
F1 F2	FUSE 4A 250V SLOW (WALTER TSD)	KSA020400-0121	2
F3 F4	FUSE 8A 250V SLOW	KSA020800-0130	2
F5 F6	FUSE 1A 250V SLOW (WALTER TSD)	KSA020100-0120	2
J95	CONNECTOR 3 PIN CL3962WVO	CCN396020-0103	1
J96 J97	CONNECTOR 6 PIN CL3962WVO	CCN396020-0106	2
J25	CONNECTOR 2 PIN PITCH=2.0mm	CCN200000-0102	1

F1 F2 F3 F4 F5 F6	FUSE CLIP DIA5xL20mm FUSE	CFC011000-1001	6
D1 D2	SLEEVING OD3xID2.5xL10mm	DSL001001-0100	2
C17 C18	COND ELECT 2200 uF 35V 20%	PVE039560-2220	2
C13 C14	COND ELECT 3300 uF 50V 20%	PVE039570-3320	2
C15 C16	COND ELECT 4700 uF 50V 20%	PVE039570-4720	2
	CON/WIRE 3P 300mm 2877#26 BLK	VFL31131B-3000	1
	CON/WIRE 4P 300mm 1015#18	VWA310007-0001	1
U1	IC 3 PIN 7815 15V 1A	RHI007815-0001	1
U2	IC 3 PIN AN7915T SAMSUNG	RHI007915-0001	1
D2	BRIDGE KBU808 8A 800V UL	RHD208080-0010	1
D1	BRIDGE RECTIFIER;RS402L 4A 100V UL	RHD204010-0010	1
D3	BRIDGE RS202L 2A 100V UL	RHD202010-0010	1
C19	COND DISC 0.22 uF 50V +80-20%	PRD249670-2240	1
C1 C10 C11 C12 C2 C20 C3 C4 C5 C6 C7 C8 C9	COND DISC 0.1 uF 50V +80-20%	PRD249670-1040	13
C22	COND ELECT 1uF 50V 20%	PRE039570-1090	1
C21	COND ELECT 2.2 uF 50V 20%	PRE039570-2290	1
JW90 JW91 JW92 JW93 JW94 JW95 JW96 JW97 JW98	WIRE BARE 22 GA TINNED	XJP220000-0001	9
R3	RESISTOR 22K OHM 1/4W 5% CF	QAF045000-2230	1
D4	DIODE;RECTIFIER 1N4001	RAD114001-0010	1

### SUB - AC Power board (power supply 1/3)

<u>Installation Point</u>	<u>Description</u>	<u>Material No.</u>	<u>Qty.</u>
	AC POWER PCB ASSY	APE200202-0001	1
J94	CONNECTOR B2B-XH-A 2 PIN	CCN250000-0102	1
J93	CONNECTOR B3B-XH-A 3 PIN	CCN250000-0103	1
J91 J92	CONNECTOR 4 PIN CL3962WVO	CCN396022-0104	2
CX1	COND SAFTY 0.01uF 250V 20%	PLY2705F0-1030	1
K1	RELAY 6V 250V AC/5A	MRL006001-0010	1
C25	COND DISC 0.1 uF 50V +80-20%	PRD249670-1040	1
R1	RESISTOR 10K OHM 1/6W 5% CF	QAF065000-1030	1
R2	RESISTOR 18 OHM 1/6W 5% CF	QAF065000-1800	1
	WIRE TIE GT-90M 90mm	DWT000001-0900	1
	PCB BRACKET-R SECC	GSE000253-0001	1
	PCB BRACKET-L SECC	GSE000254-0001	1
	FUSE HOLDR FUSE HOLDER FH-B02	CFC021001-1001	1
	SLEEVING OD2xID1xL18mm	DSL001002-0180	2
	BUSHING AC LINE BUSHING	DBU001001-0010	1
	TUBING; DIA=4 L=20mm BLACK	DTB004000-0200	2
	LINE CORD 2P 1980mm BLK VDE	VPE003012-0020	1
	PCB CVR F ABS	BPA400010-0101	1
	PCB CVR B ABS	BPA400011-0101	1
	WIRE TIE GT-90M 90mm	DWT000001-0900	4
	JACK PLATE SECC 218 x 98x3mm	GSE400074-0102	1
	EVA SPONGE L192xW49.6 xT1mmBLK	IVE000246-0001	1
	SCREW T3.0xL10xP1.06mm	HSP140054-3100	17
	EVA SPONGE L192xW34xT1mm BLK	IVE000246-0002	2
	SPONGE L216xW97.5xT2mmBLK	IVE000246-0005	1

	BEAD FERIT OD25.0xID15xH12.0	SFB001001-0060	1
	CON/WIRE 4P 120mm 1617#18x2P	VVA310013-0011	1
	SPONGE L100xW30xT2mm	IVE000085-0001	1
	GSB BKT R SECC T=1.0mm	GSE200010-0001	1
	PCB BKT L SECC T=1.0mm	GSE200011-0001	1
	AC CONNTOR AC CONNTECOR (HW-C3) (J3615)	COT010002-0001	1
	POWER TRANSFORMER 230V EI-105	TTL023010-0050	1
	CON/WIRE 6P 250mm 1015#18	VVA310002-0008	1
	CON/WIRE AY 2 COND 430mm	VVT503221-0430	1
	FUSE 4A 250V SLOW (WALTER TSD)	KSA020400-0121	1
	SCREW M4.0xP0.7xL20 mm	HSD143103-3200	4
	WASHER OD8.5xID4.3xT0.6 mm	HWT168543-1060	4
	WASHER OD16 ID4.5 T1.0	HWS11G045-1100	4
	NUT M4.0xOD7.0xT3.0mm	HNT140700-1300	4
	SCREW T4xL20xP1.59mm	HSP140091-3200	16
	SCREW T3.0xL8xP1.06mm	HSW140054-3080	18
	WASHER OD14xID3.2xT1.0mm	HWS11E032-4100	1
	SCREW TRUSS HEAD TYPE ABT3.0XP1.06XL20mm	HST140051-3200	4
	SCREW T4.0x1.59PxL16mm	HSP140091-3160	8
	PORT EDGE ABS W/SPRAY MA4810	BPR000020-0001	1
	SCREW T3.5xP1.41x14mm	HST140071-3140	8
	TUBE SHKNG DIA=20 L=50 T=0.4 UL	DTB020000-0500	1
	TUBE SHKNG DIA=12 L=60mm BLACK	DTB012000-0600	1
	RUBBER PAD DIA14.5mm	ICH080007-0001	4
	WASHER OD6xID3xH2.5mm 602S-V0	DHU201001-0001	7

### SUB - accessories

<u>Installation Point</u>	<u>Description</u>	<u>Material No.</u>	<u>Qty.</u>
	D-SUB 15P CABLE 4000mm BLK	VWP000010-0010	1
	SOFT BAG L550xW150xT0.5mm	IVY001012-0001	1
	SOFT SHEET L100xW80mm	IVH002001-0006	1
	POLY BAG L240xW355mm	IVA000001-0048	1
	POLY BAG L80xW220mm	IVA000001-0019	1
	POLY BAG L600xW850xD100mm	IVA000001-0026	1
	POLY BAG L240xW180mmxT0.03mm W/RECYCLE	IVA000001-0088	1
	POLY FOAM FOR SUBWOOFER	ITF200021-0001	2
	BATTERY D10x44mm UM-4 1.5V	FBY006415-0003	2
	ANT ASS'Y INCL.VTA9300-009&021	ASL100034-0003	1
	LOOP ANT SHINTA PS-100	VTA100001-0020	1
	FM ANTENNA 1500 mm 75 OHM MALE	VTA400001-0030	1
	ZONE LABEL L12xW12mm (EARTH 2)	YLB424013-0001	3
	SAFETY MANUAL L210xH297mm	YOM100183-1001	1
	SCREW T3.0xP1.06x8mm	HST140054-3080	8
	SPONGE L120xW80xT2.0mm	IVE100270-0003	1

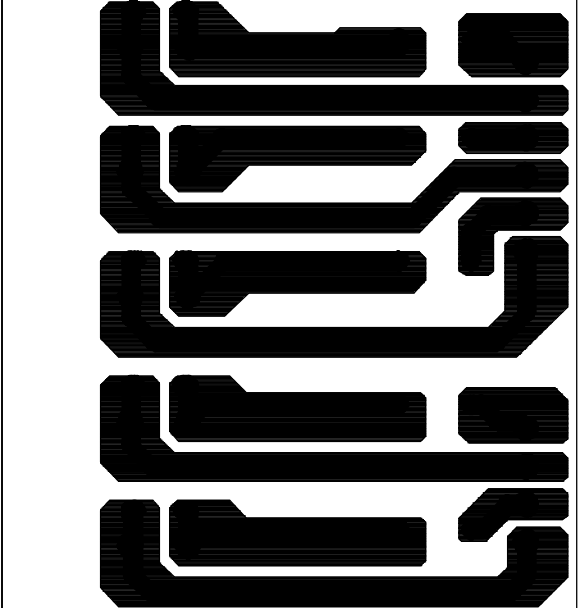
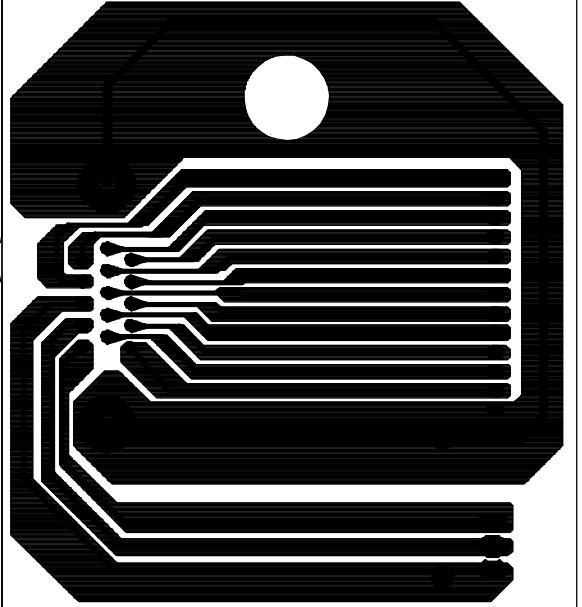
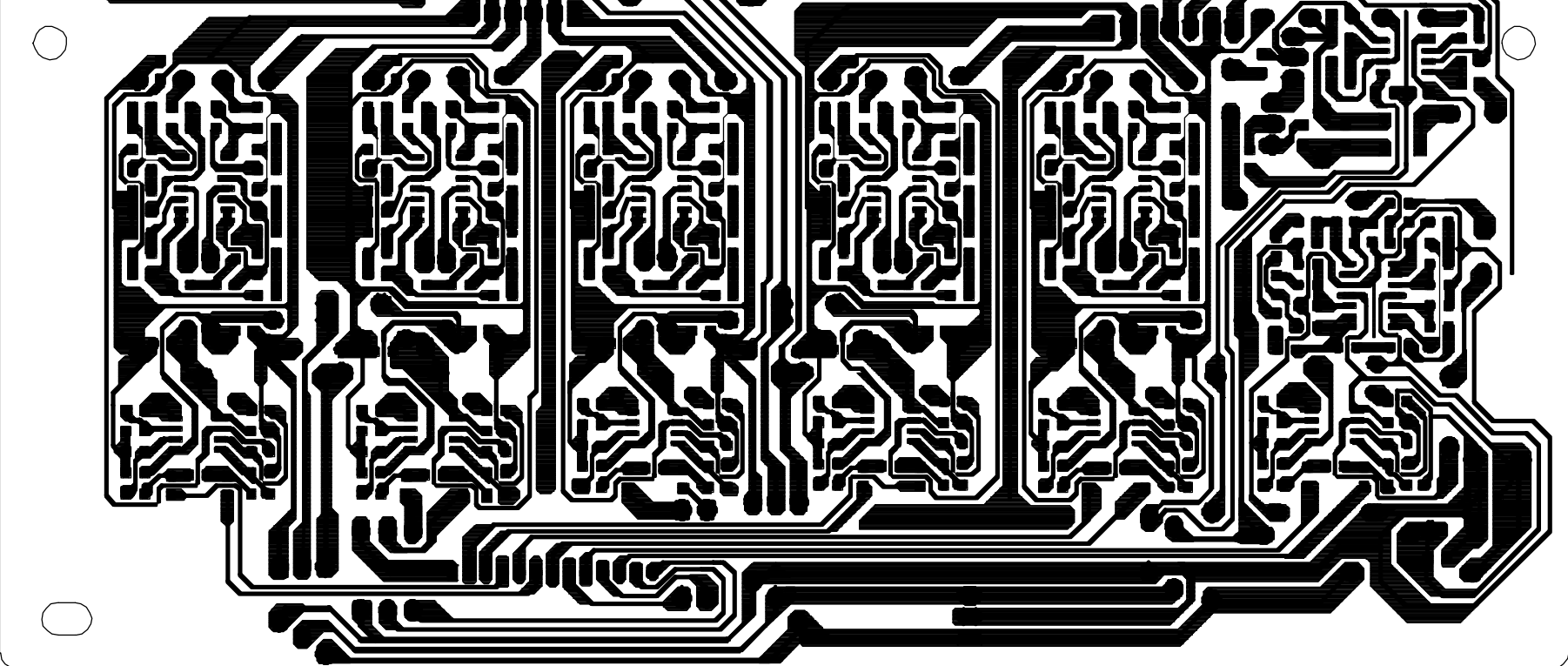
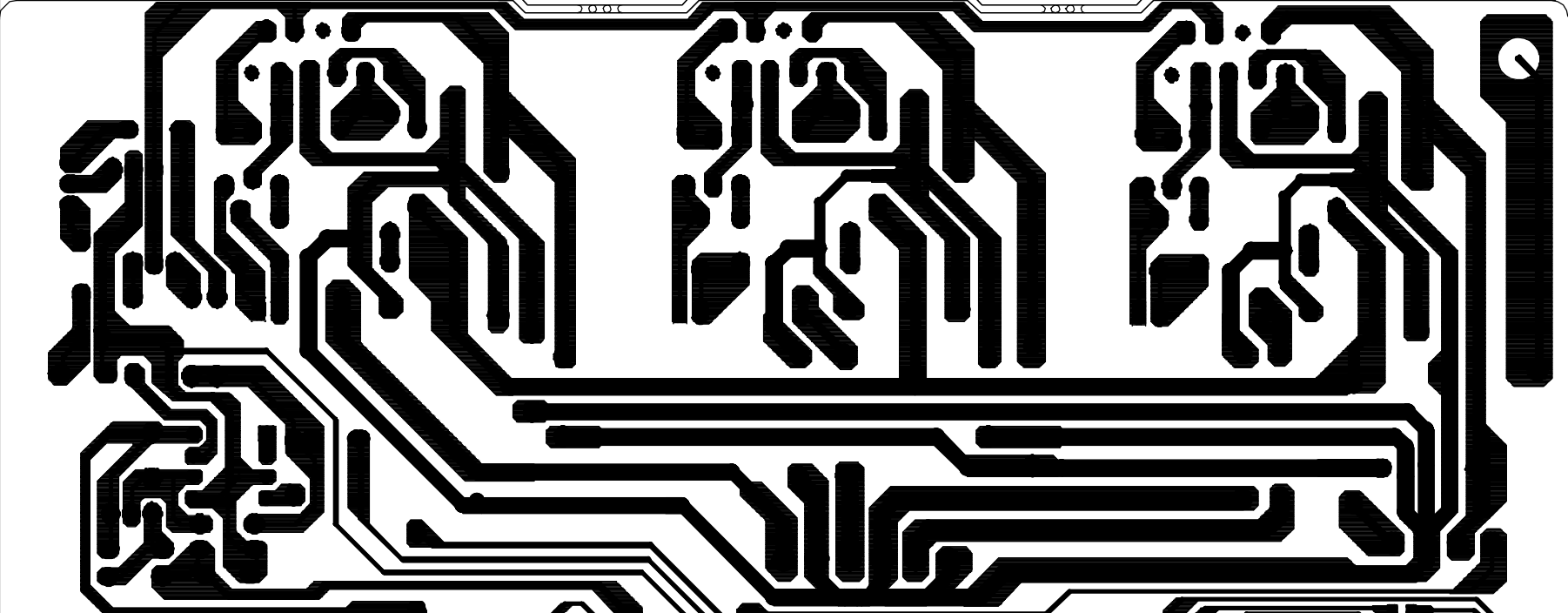
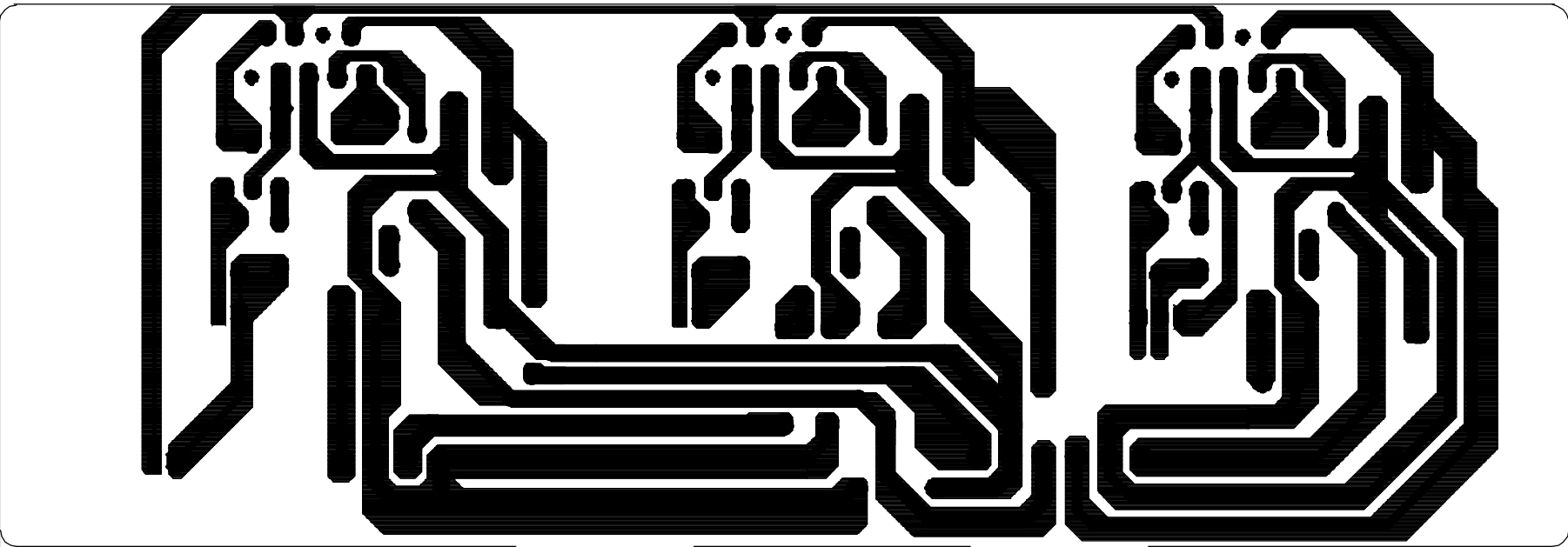
### Remote control

<u>Installation Point</u>	<u>Description</u>	<u>Material No.</u>	<u>Qty.</u>
	X'MITT ASSY 50 KEY	AIR250001-4301	1
	FRONT PANEL ABS R/C	BPI200001-0001	1
	BACK CAB. FOR R/C ABS	BPI200002-0001	1
	BATTERY COVER	BPI200003-0001	1

	INLAY 50 KEY PVC	BNI250001-0001	1
	SPRING(+ -)	DSP201002-0001	1
	SPRING(+)	DSP201003-0001	1
	SPRING(-)	DSP201001-0001	1
	KEY PAD 54 KEY RUBBER	BRK201054-0001	1
	X'MITT PCB ASSY	APE200150-0001	1
R3	CHIP RES. 1 OHM 1/10W 5%	QCF015020-1090	1
D3	CHIP DIODE LL4148 TELEFUNKEN	RCD104148-0010	1
R2	CHIP RES. 4.7K OHM 1/10W 5%	QCF015020-4720	1
C3	COND ELECT 4.7 uF 50V 20%	PRE039570-4790	1
C1 C2	CHIP CAP 200 pF 50V 5%	PYL410370-2010	2
XL1	RESONATOR MURATA CSB 455EB	JRN002001-0010	1
Q1	XISTR NPN SMT (2SC945)	RCN200945-0001	1
D1	DIODE IRT LTE-5208AC	RHO005208-2001	1
IC1	IC 24 PIN PT2222-001 PTC	RCI002222-0001	1
	X'MITT PCB HB 210x56 MM	LHI200150-0301	1
	SCREW T2.2xP0.79xL8.0mm	HSP140034-3080	1

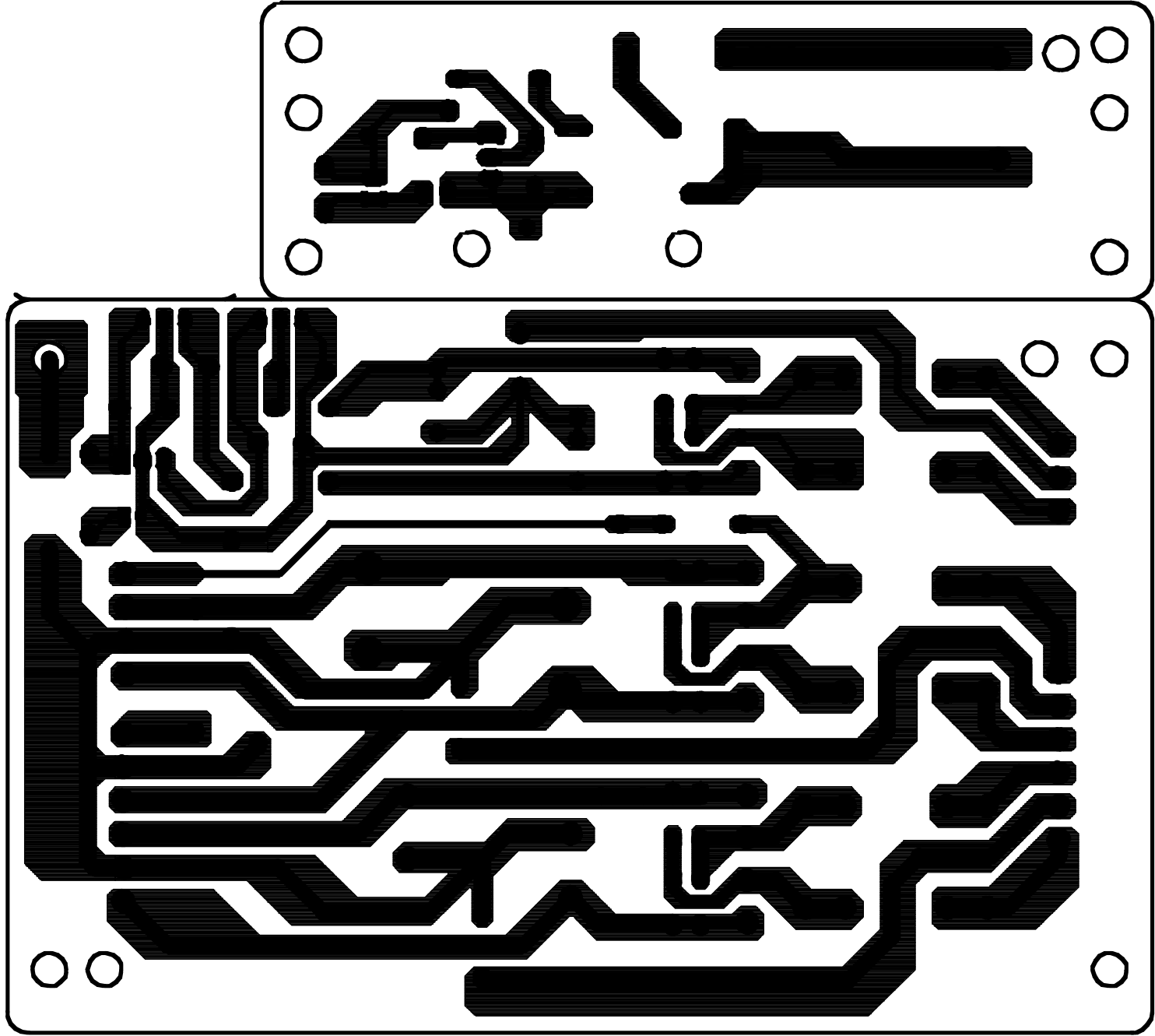
DSC500 SUB

Main and  
Amp layout

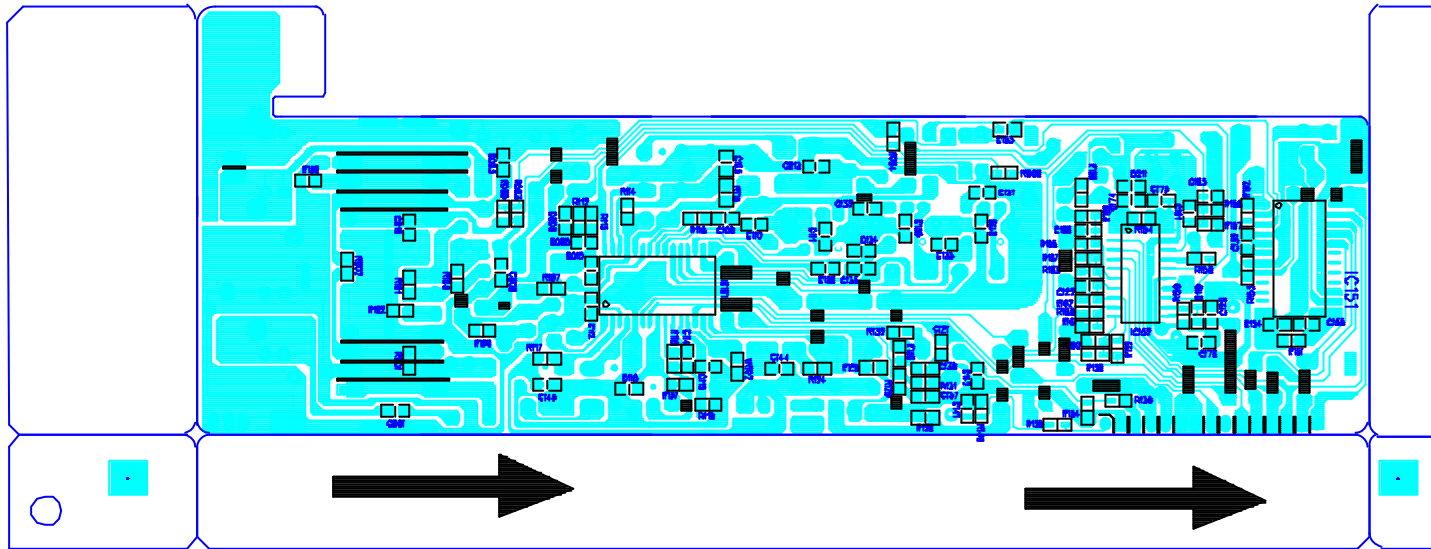


DSC 500 SUB  
Power supply layout

COPPER LAYER

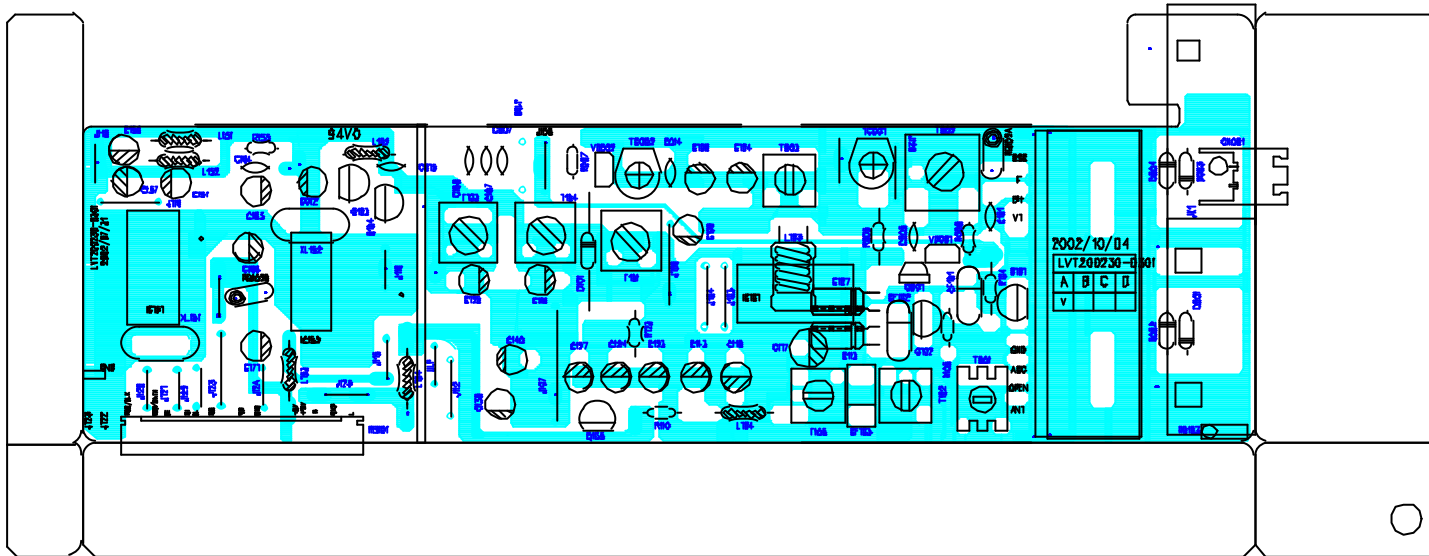


Tuner

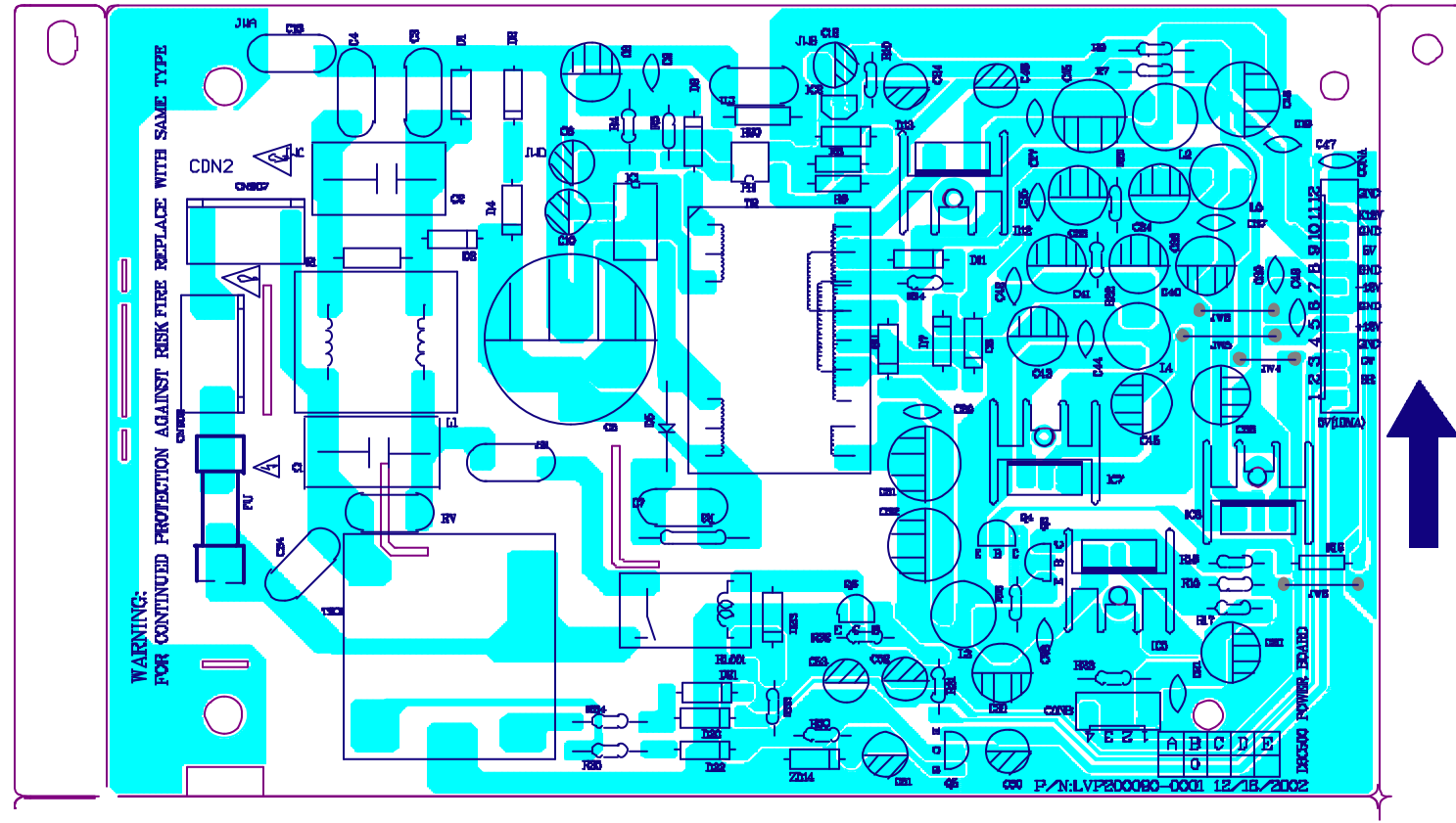




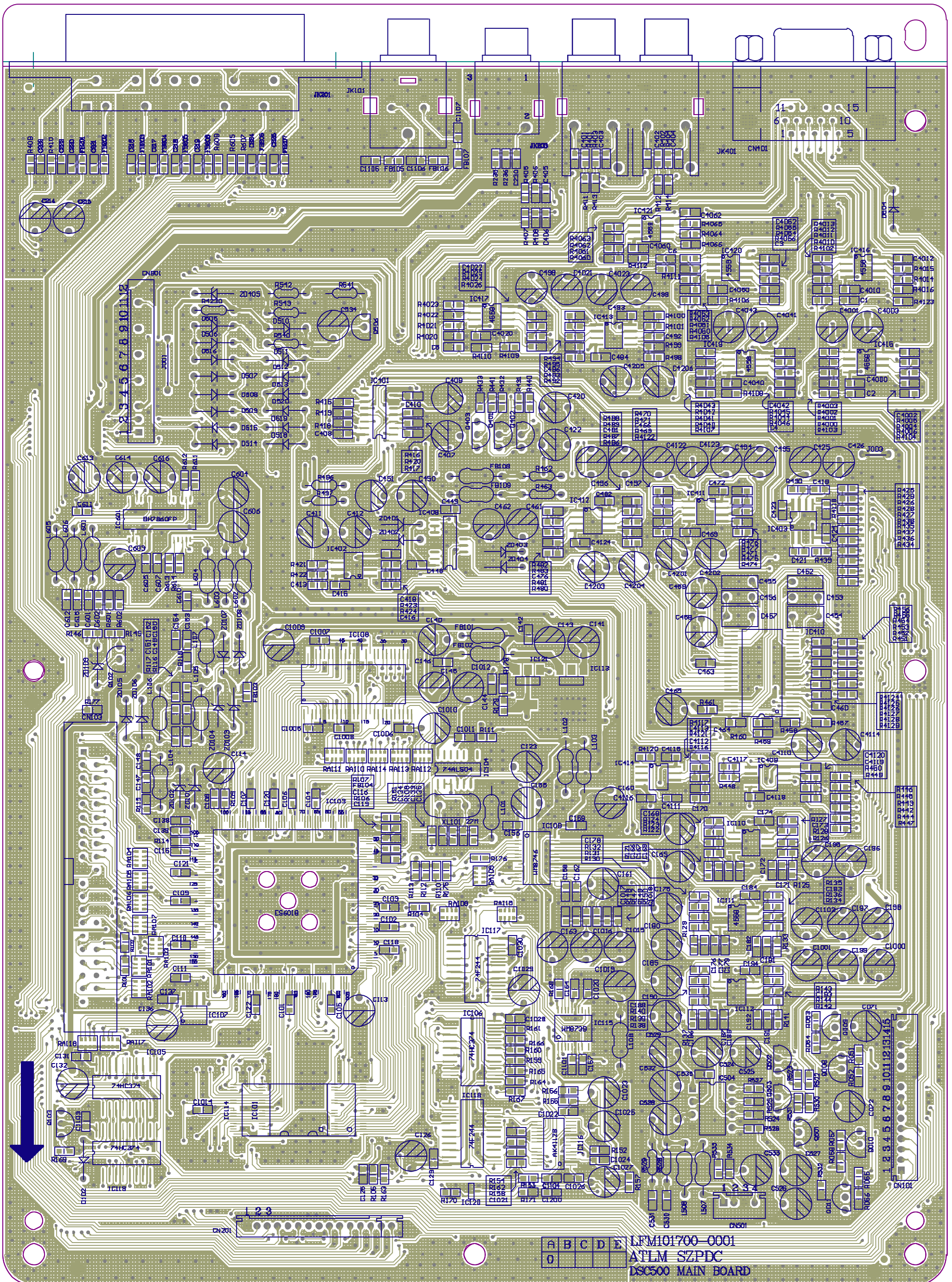
# Tuner



Source unit  
power supply



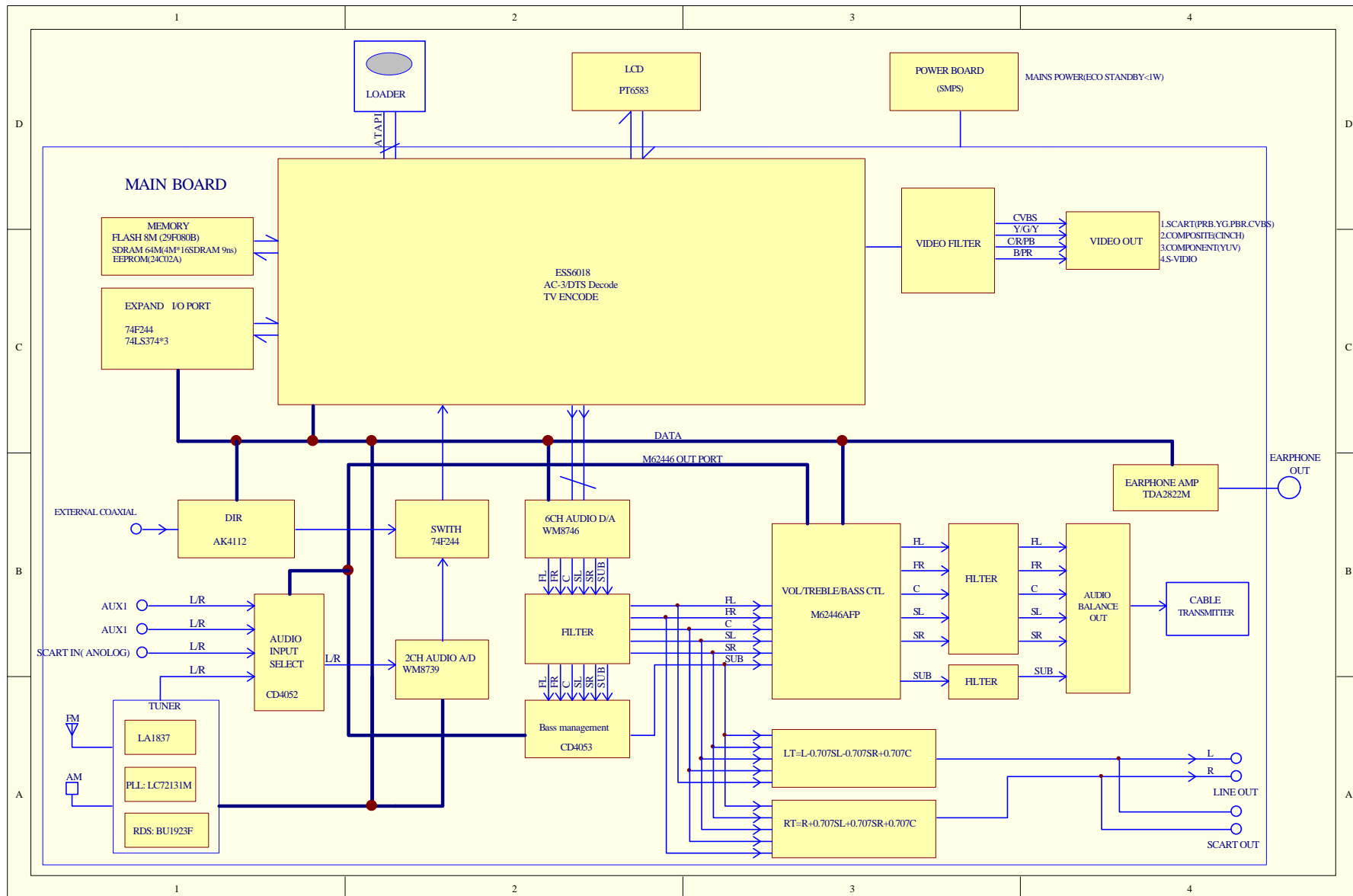
Source unit  
main



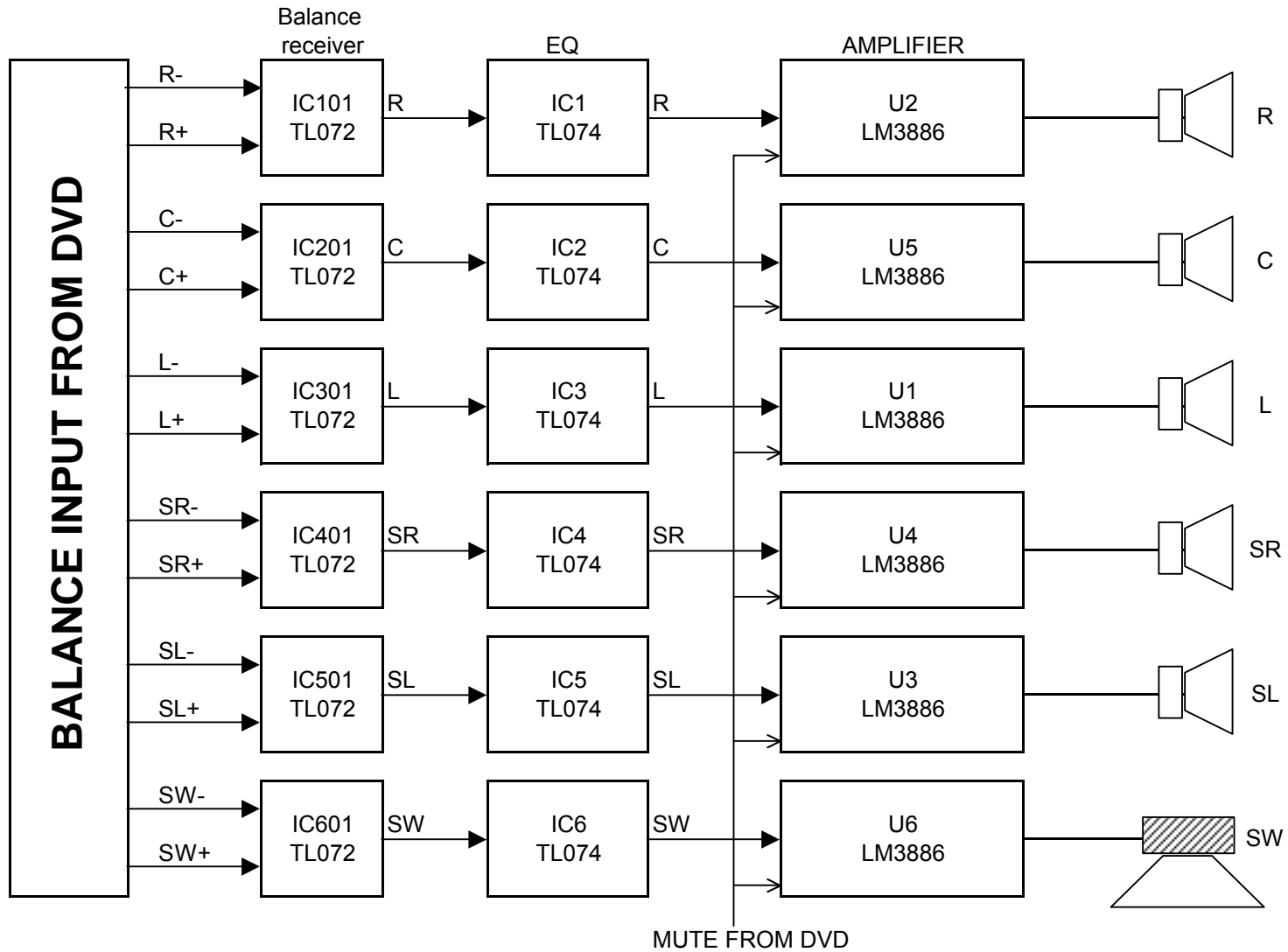
A	B	C	D	E
0				

LFM101700-0001  
ATLM SZPDC  
DSC500 MAIN BOARD

Source unit   
 Block diagram



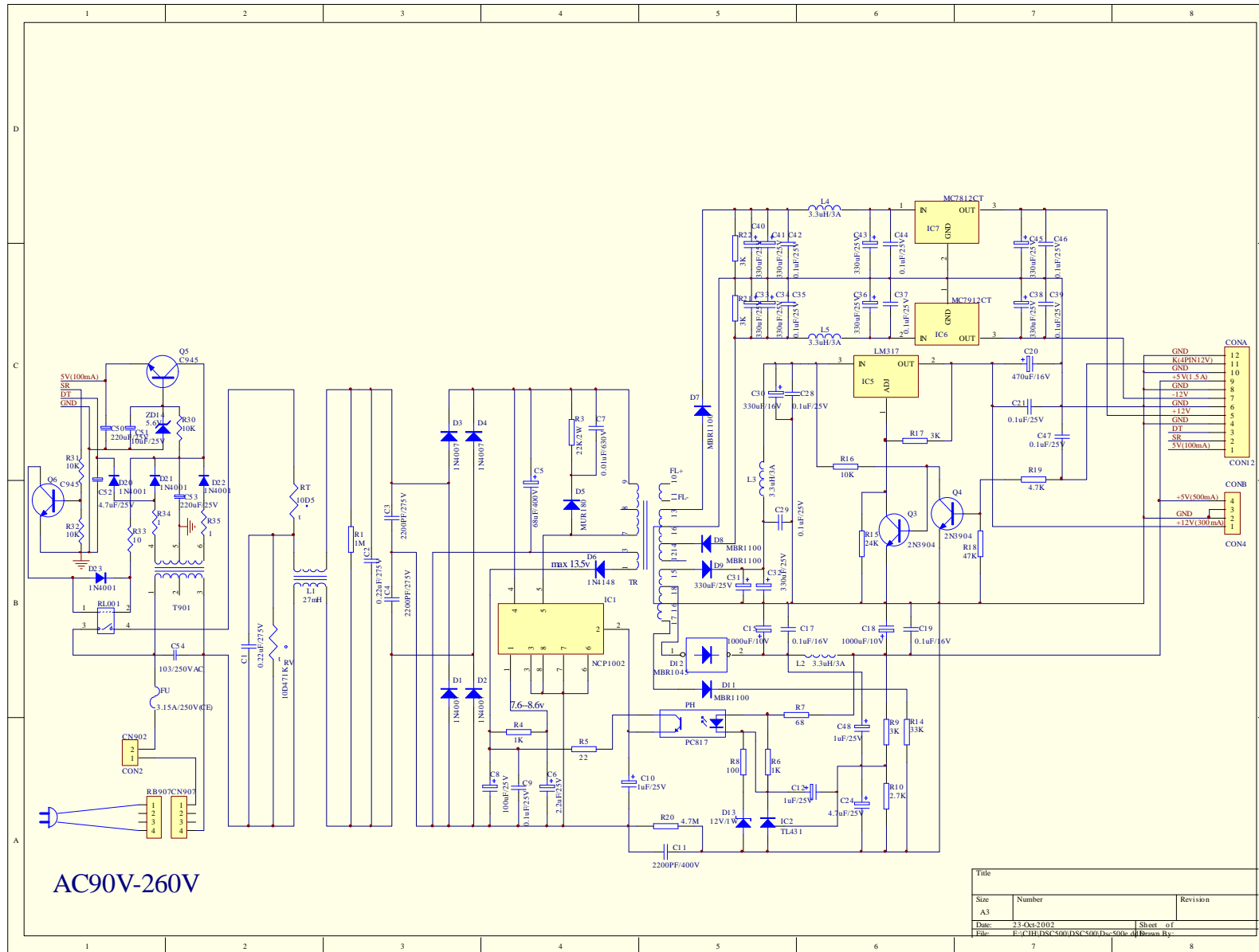
# DSC500SUB BLOCK DIAGRAM





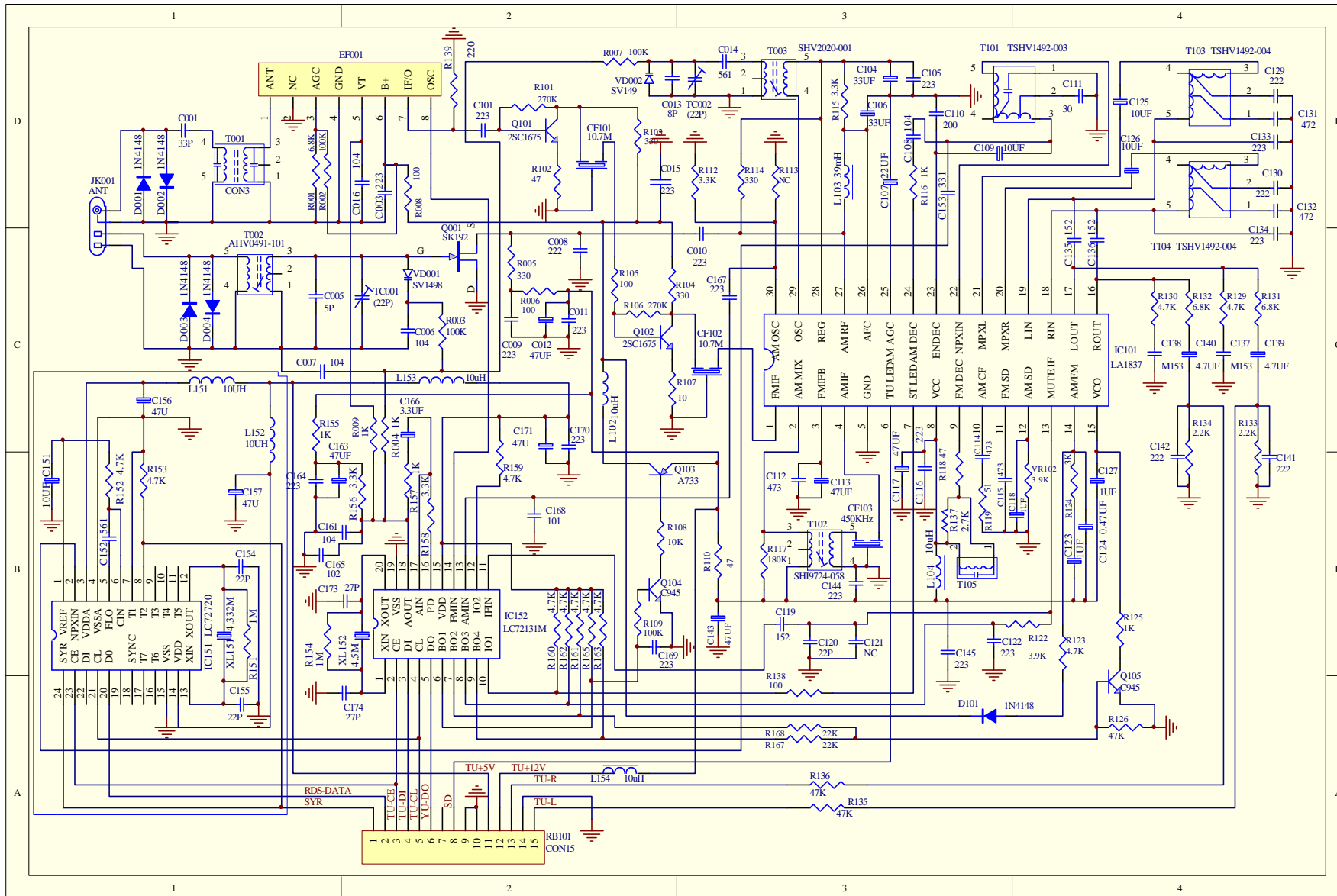


Source unit □  
Power supply SCH

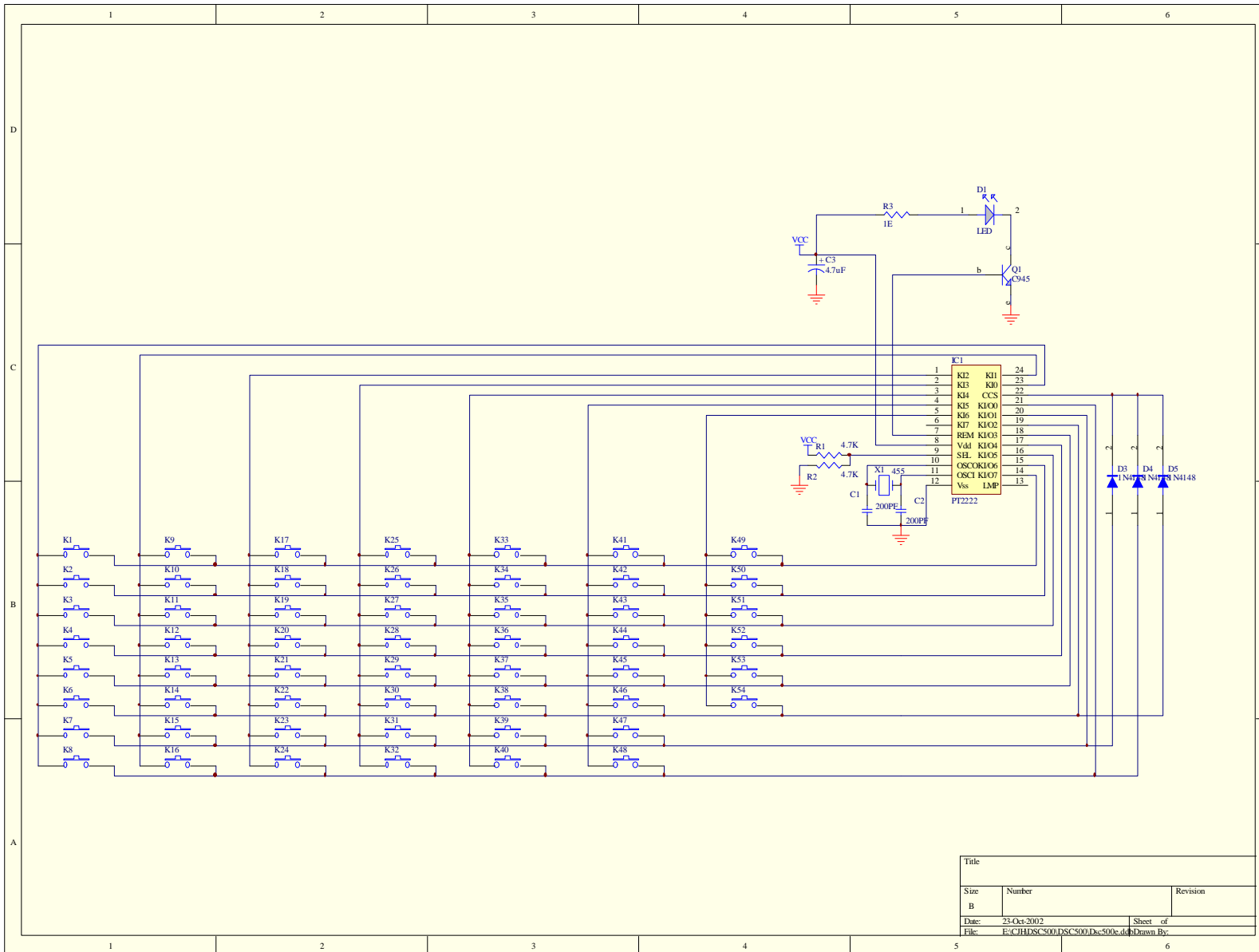




# Source unit Tuner SCH

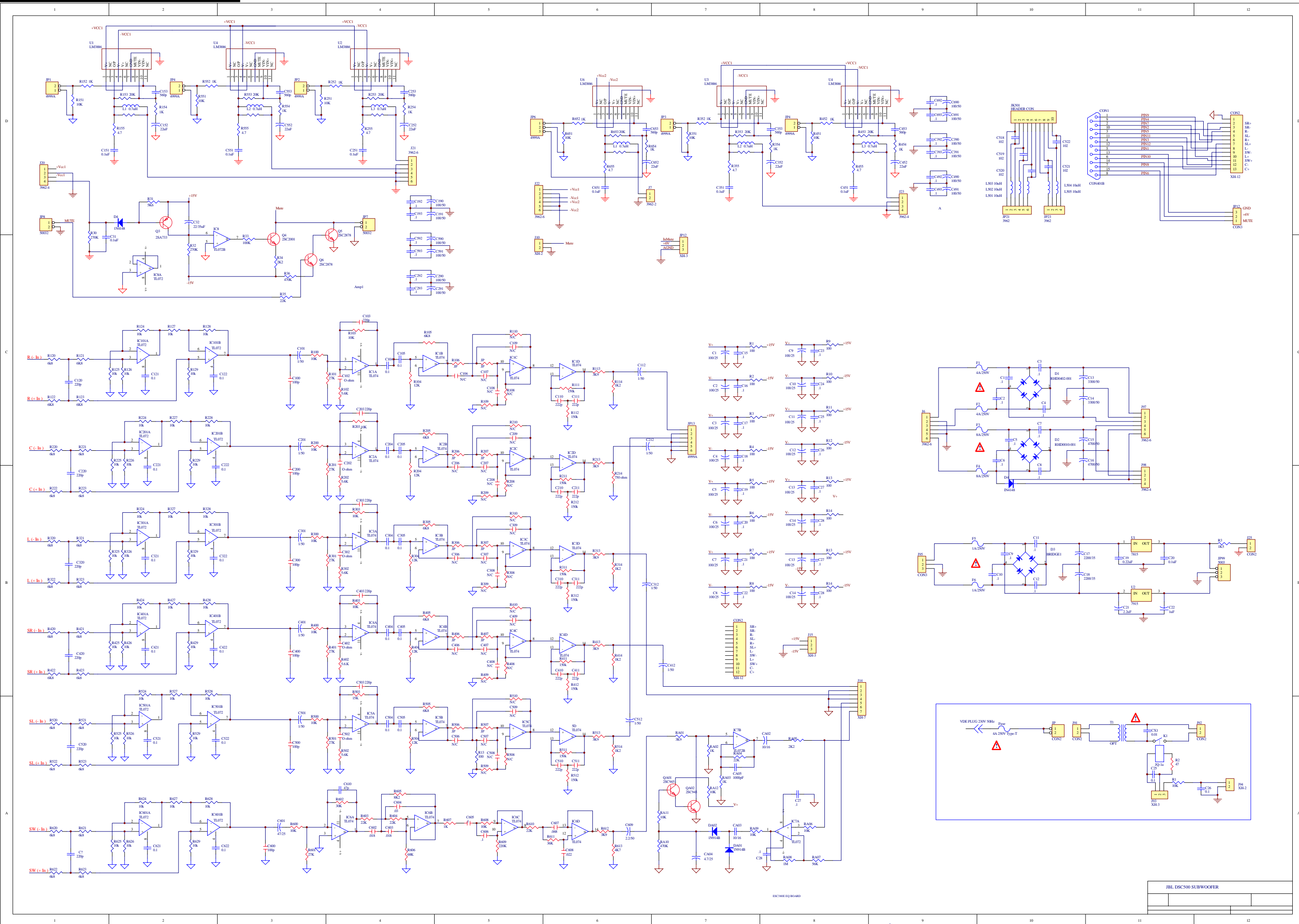


Source unit   
 Remote control SCH



Title		
Size	Number	Revision
B		
Date:	23-Oct-2002	Sheet of
File:	E:\CHDSC500\JSC500\Doc500c.doc	Drawn By:

# DSC500 Subwoofer Schematic



JBL DSC500 SUBWOOFER