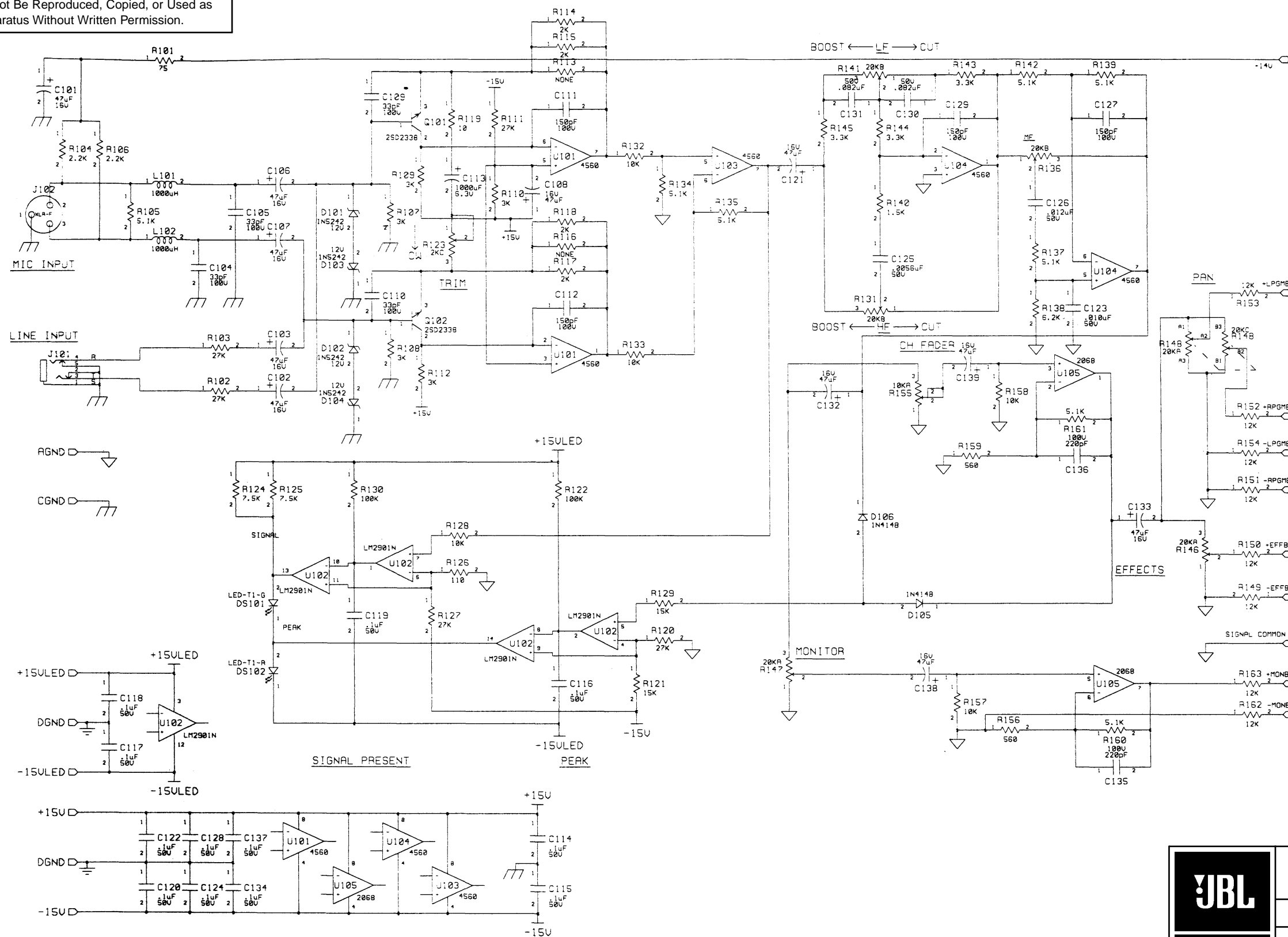


Schematic Microphone Input Channel EON MusicMix10

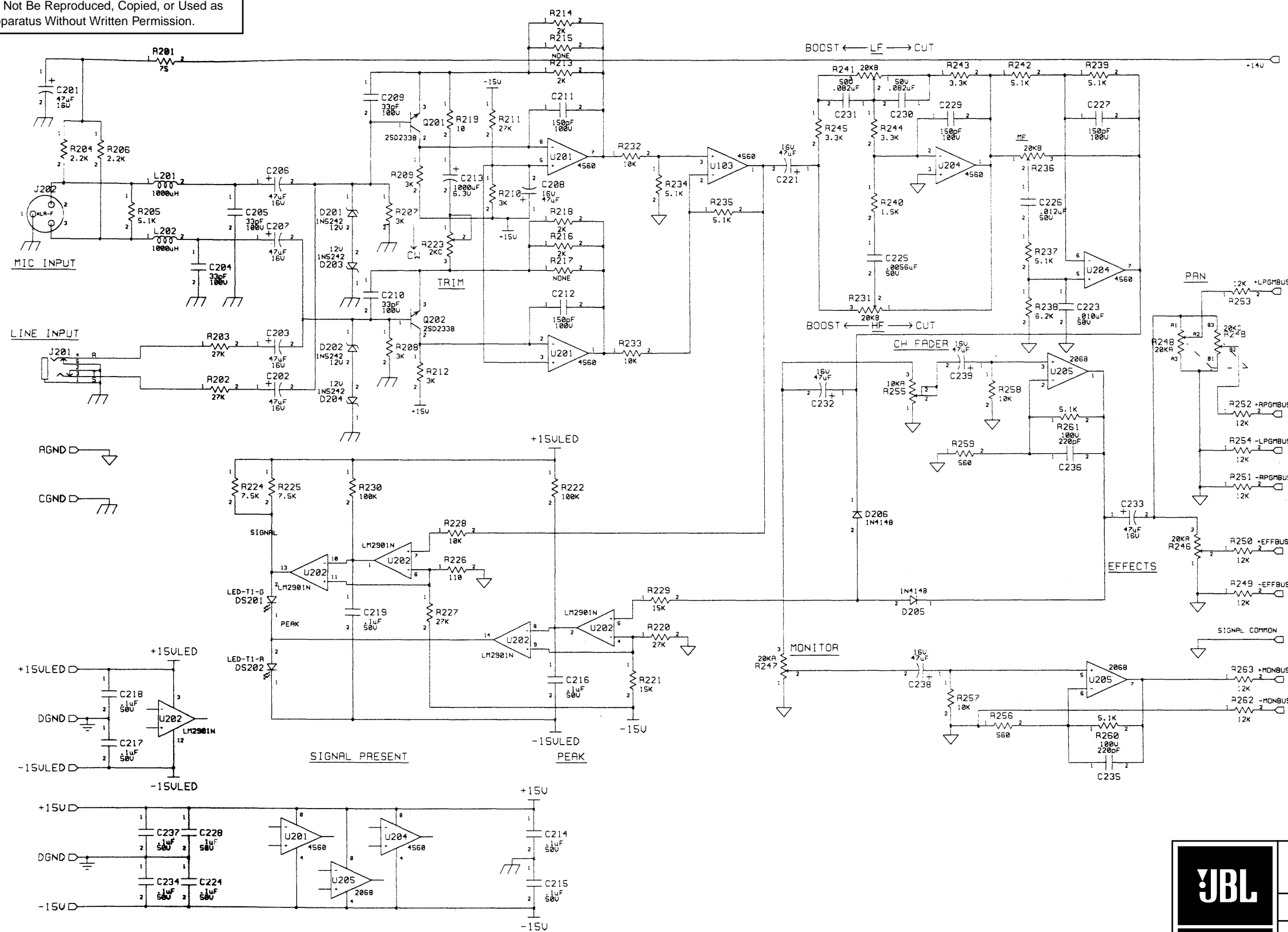
These Drawings and Specifications are the Property of JBL Professional Inc. They are Issued in Strict Confidence and Shall Not Be Reproduced, Copied, or Used as the Basis for Manufacturing or Sale of Apparatus Without Written Permission.




	JBL Professional A Harman International Company Northridge, California 91329, USA	
	MI MICROPHONE INPUT CHANNEL	
	500-00004 / 1of 11	REV B

Schematic Microphone Input Channel EON MusicMix10

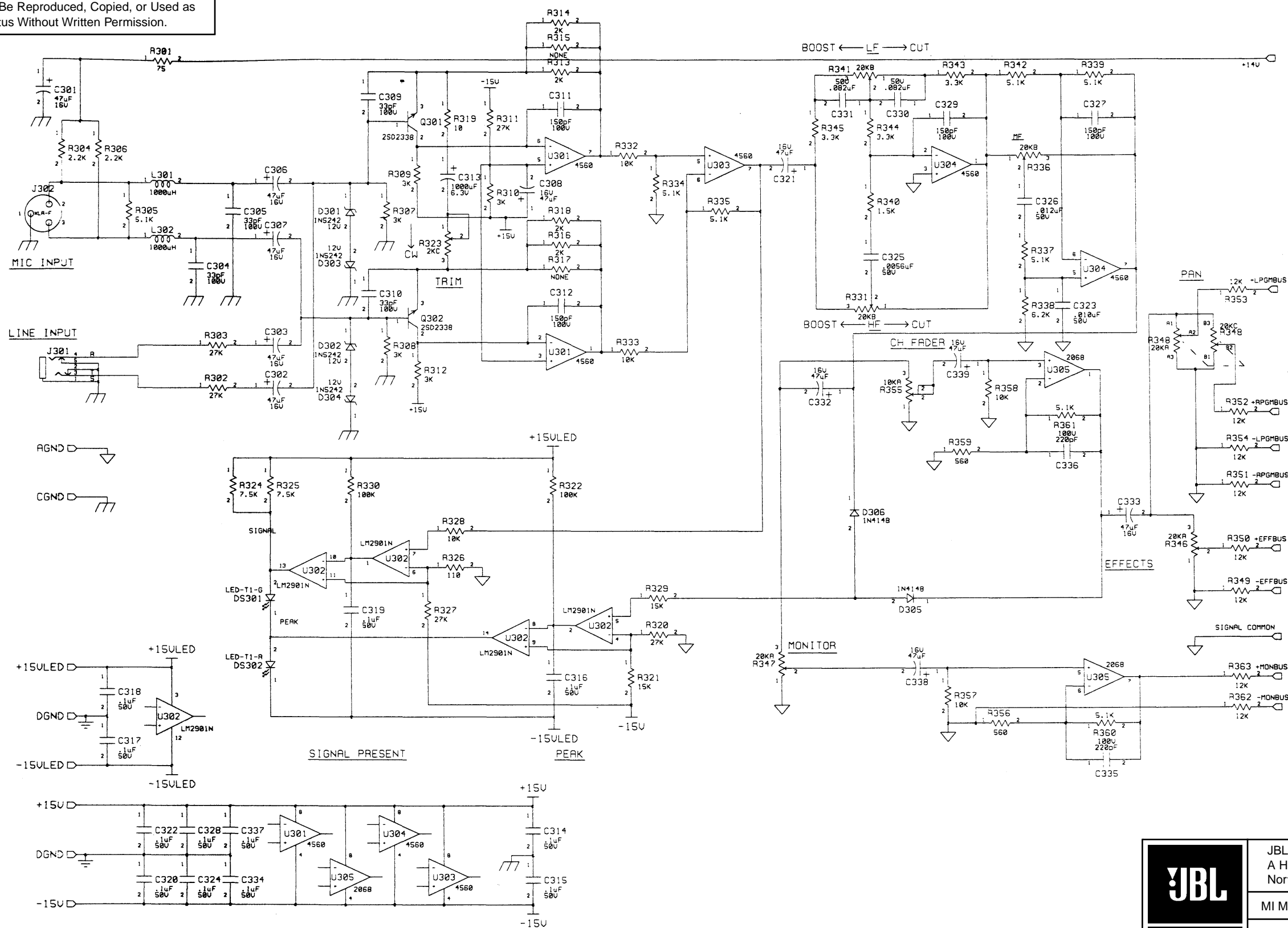
These Drawings and Specifications are the Property of JBL Professional Inc. They are Issued in Strict Confidence and Shall Not Be Reproduced, Copied, or Used as the Basis for Manufacturing or Sale of Apparatus Without Written Permission.



	JBL Professional A Harman International Company Northridge, California 91329, USA	
	MI MICROPHONE INPUT CHANNEL	
	500-00004 / 2 of 11	REV B

Schematic Microphone Input Channel EON MusicMix10

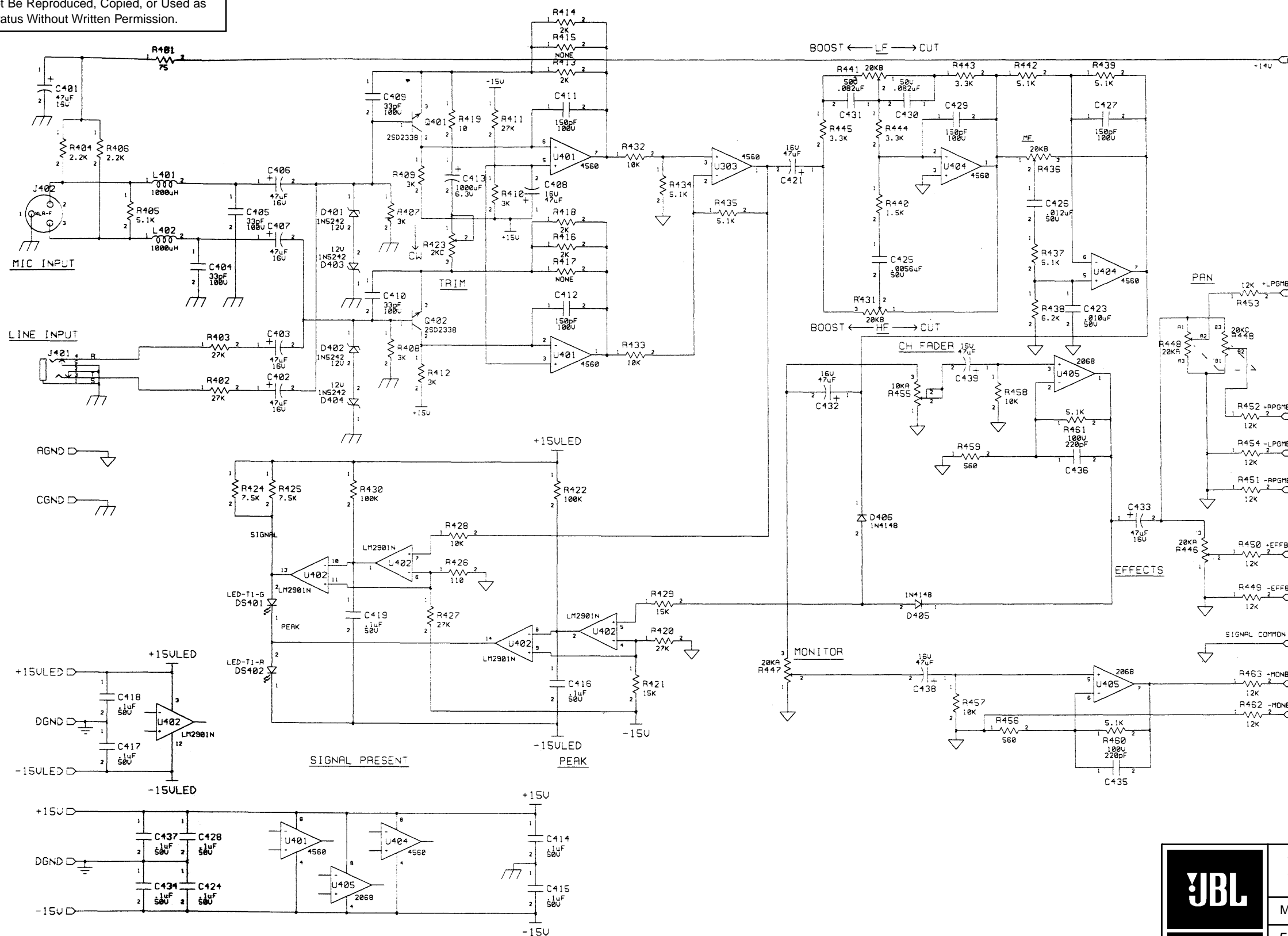
These Drawings and Specifications are the Property of JBL Professional Inc. They are Issued in Strict Confidence and Shall Not Be Reproduced, Copied, or Used as the Basis for Manufacturing or Sale of Apparatus Without Written Permission.



	JBL Professional A Harman International Company Northridge, California 91329, USA	
	MI MICROPHONE INPUT CHANNEL	
	500-00004 / 3 of 11	REV B

Schematic Microphone Input Channel EON MusicMix10

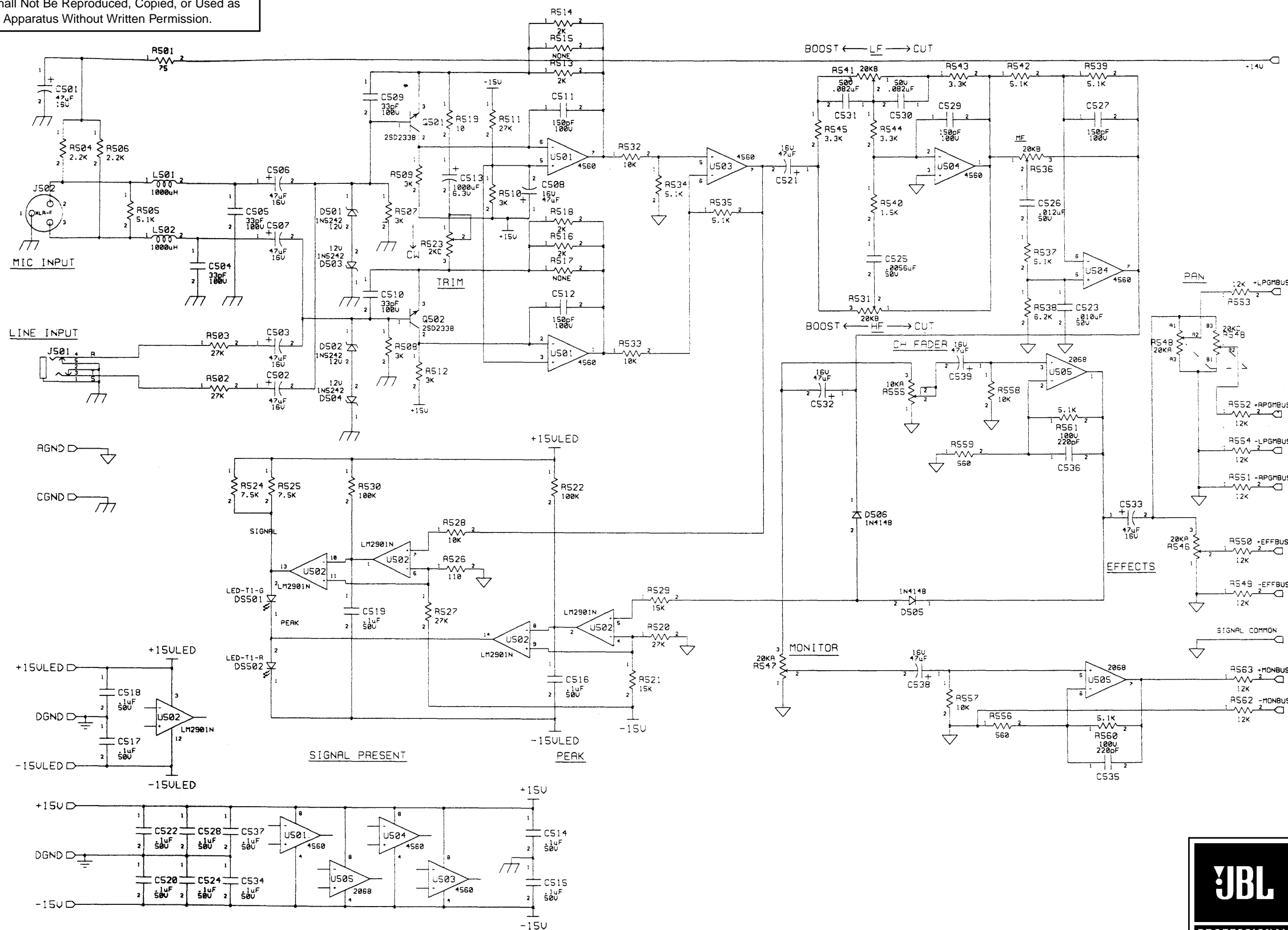
These Drawings and Specifications are the Property of JBL Professional Inc. They are Issued in Strict Confidence and Shall Not Be Reproduced, Copied, or Used as the Basis for Manufacturing or Sale of Apparatus Without Written Permission.




	JBL Professional A Harman International Company Northridge, California 91329, USA	
	MI MICROPHONE INPUT CHANNEL	
	500-00004 / 4 of 11	REV B

Schematic Microphone Input Channel EON MusicMix10

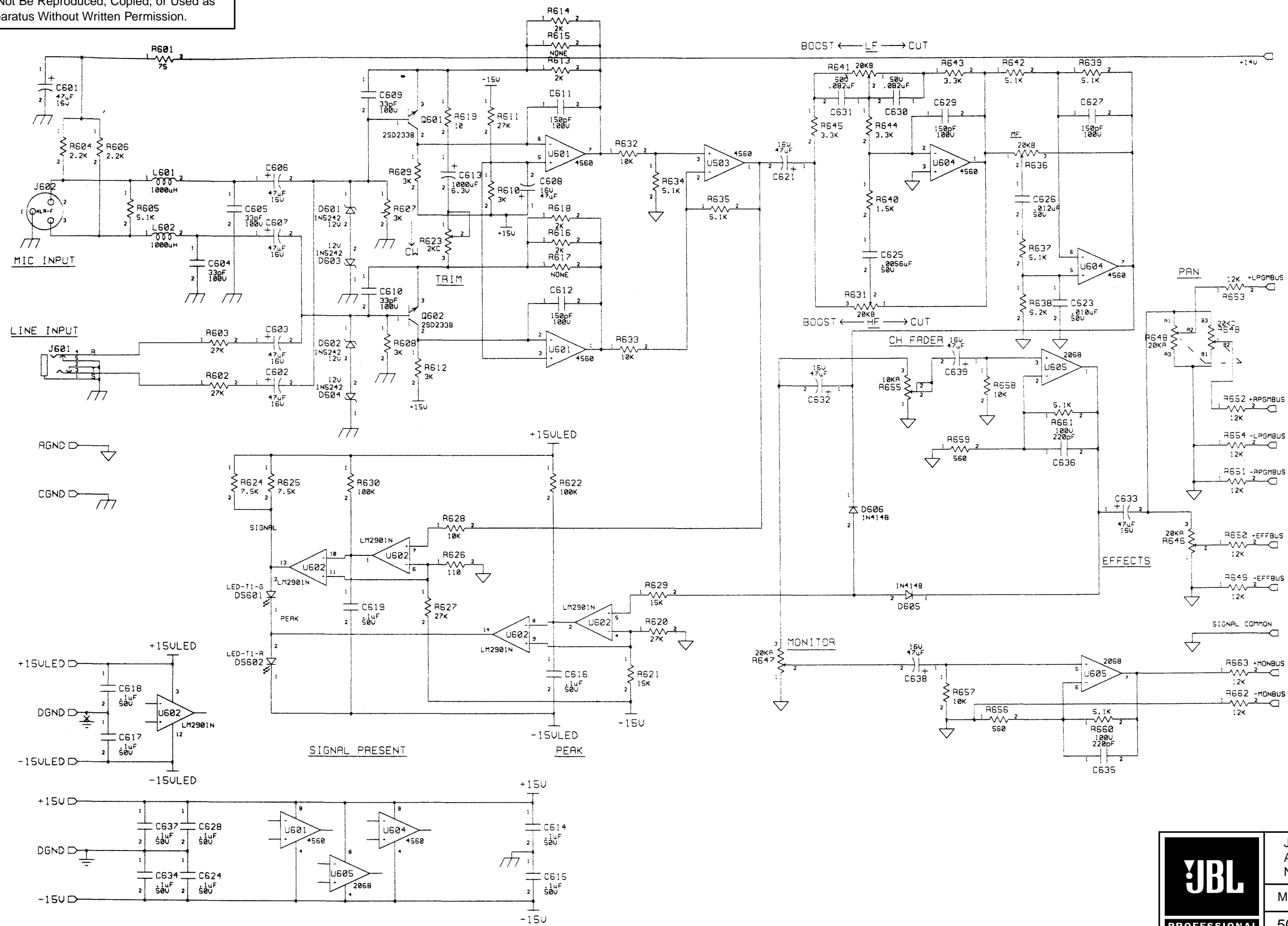
These Drawings and Specifications are the Property of JBL Professional Inc. They are Issued in Strict Confidence and Shall Not Be Reproduced, Copied, or Used as the Basis for Manufacturing or Sale of Apparatus Without Written Permission.



	JBL Professional A Harman International Company Northridge, California 91329, USA	
	MI MICROPHONE INPUT CHANNEL	
	500-00004 / 5 of 11	REV B

Schematic Microphone Input Channel EON MusicMix10

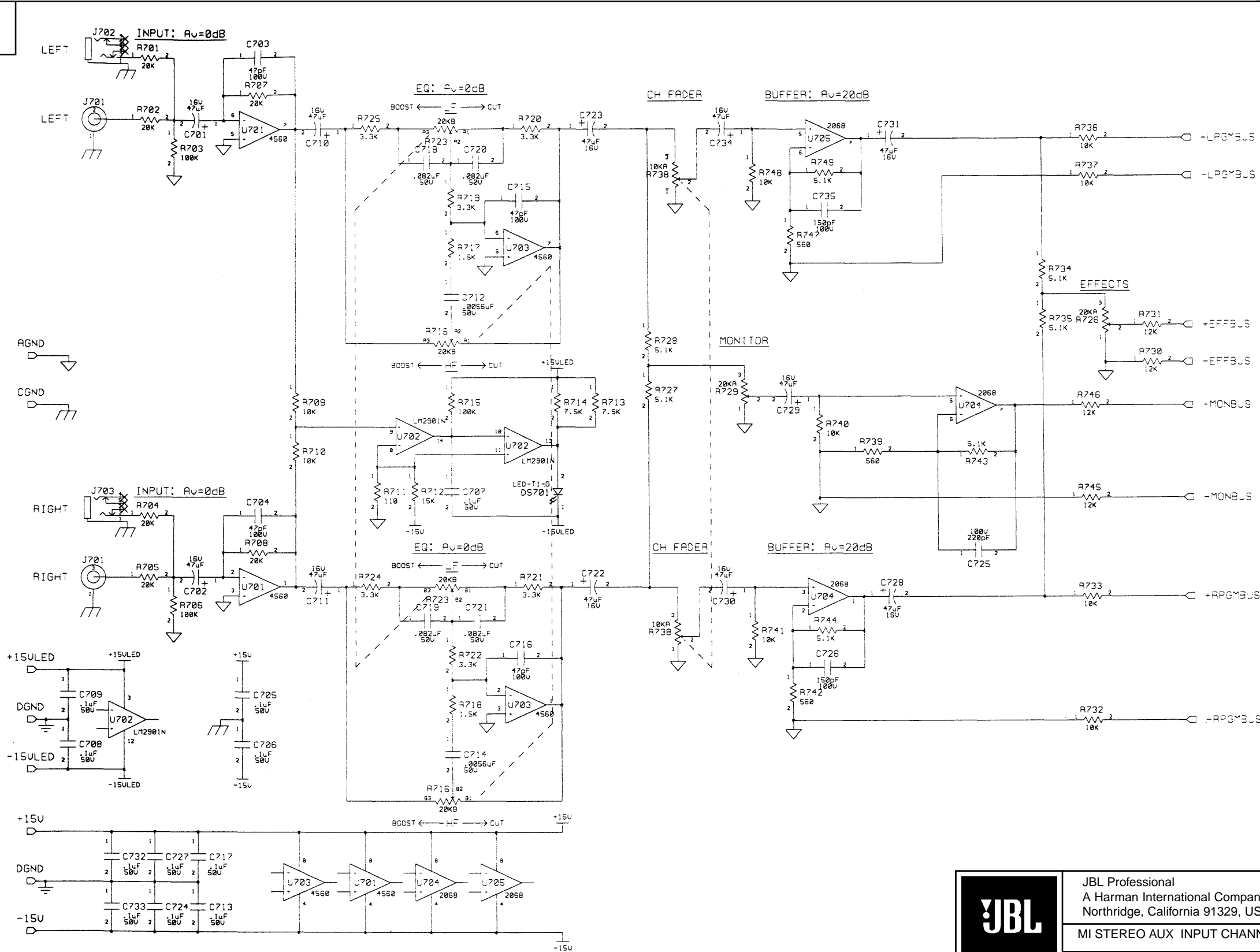
These Drawings and Specifications are the Property of JBL Professional Inc. They are Issued in Strict Confidence and Shall Not Be Reproduced, Copied, or Used as the Basis for Manufacturing or Sale of Apparatus Without Written Permission.



	JBL Professional A Harman International Company Northridge, California 91329, USA	
	MI MICROPHONE INPUT CHANNEL	
	500-00004 / 6 of 11	REV B

Schematic Stereo Aux Input Channel EON MusicMix10

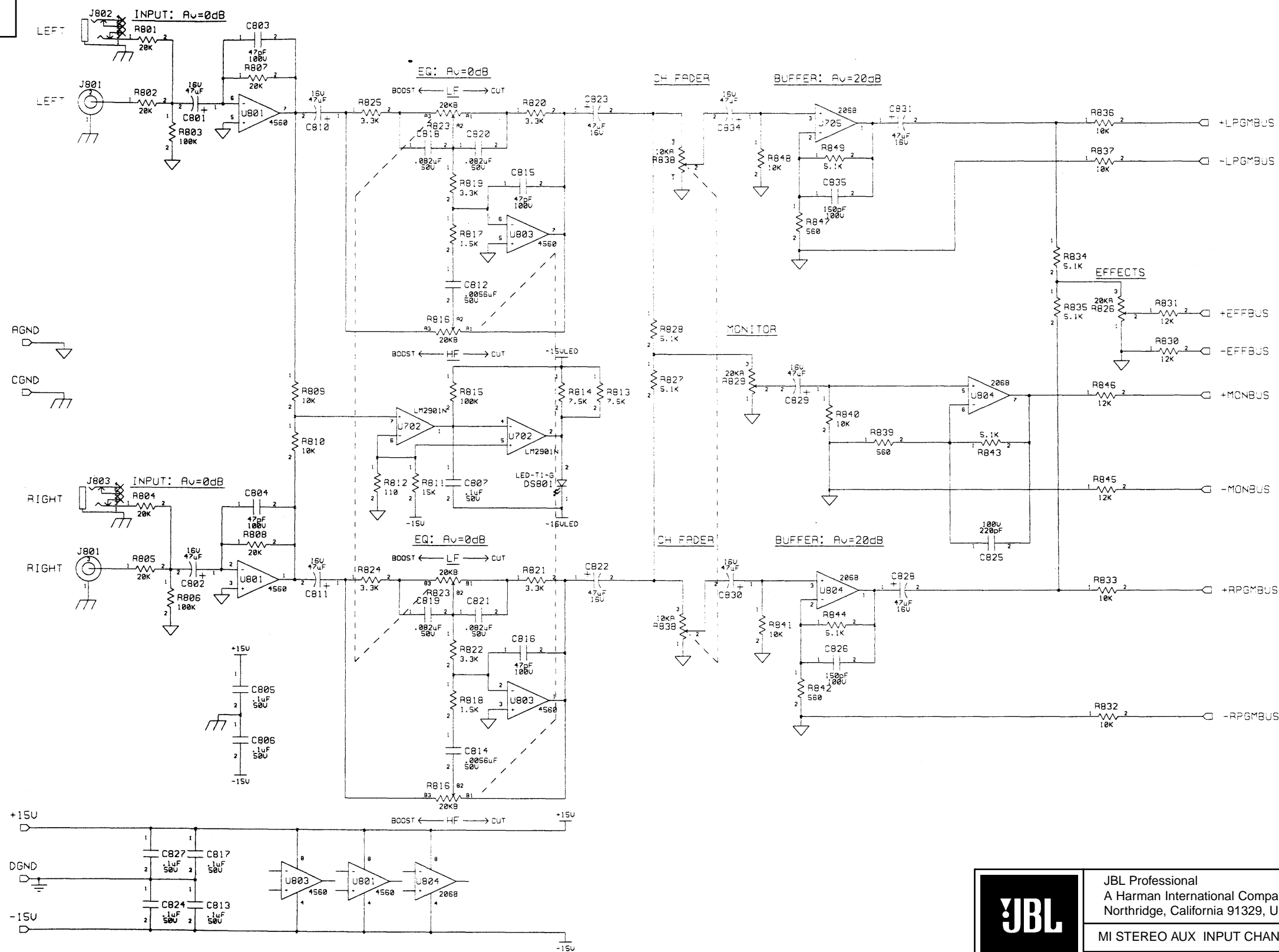
These Drawings and Specifications are the Property of JBL Professional Inc. They are Issued in Strict Confidence and Shall Not Be Reproduced, Copied, or Used as the Basis for Manufacturing or Sale of Apparatus Without Written Permission.



	JBL Professional A Harman International Company Northridge, California 91329, USA	
	MI STEREO AUX INPUT CHANNEL	
	500-00004 / 7 of 11	REV B

Schematic Stereo Aux Input Channel EON MusicMix10

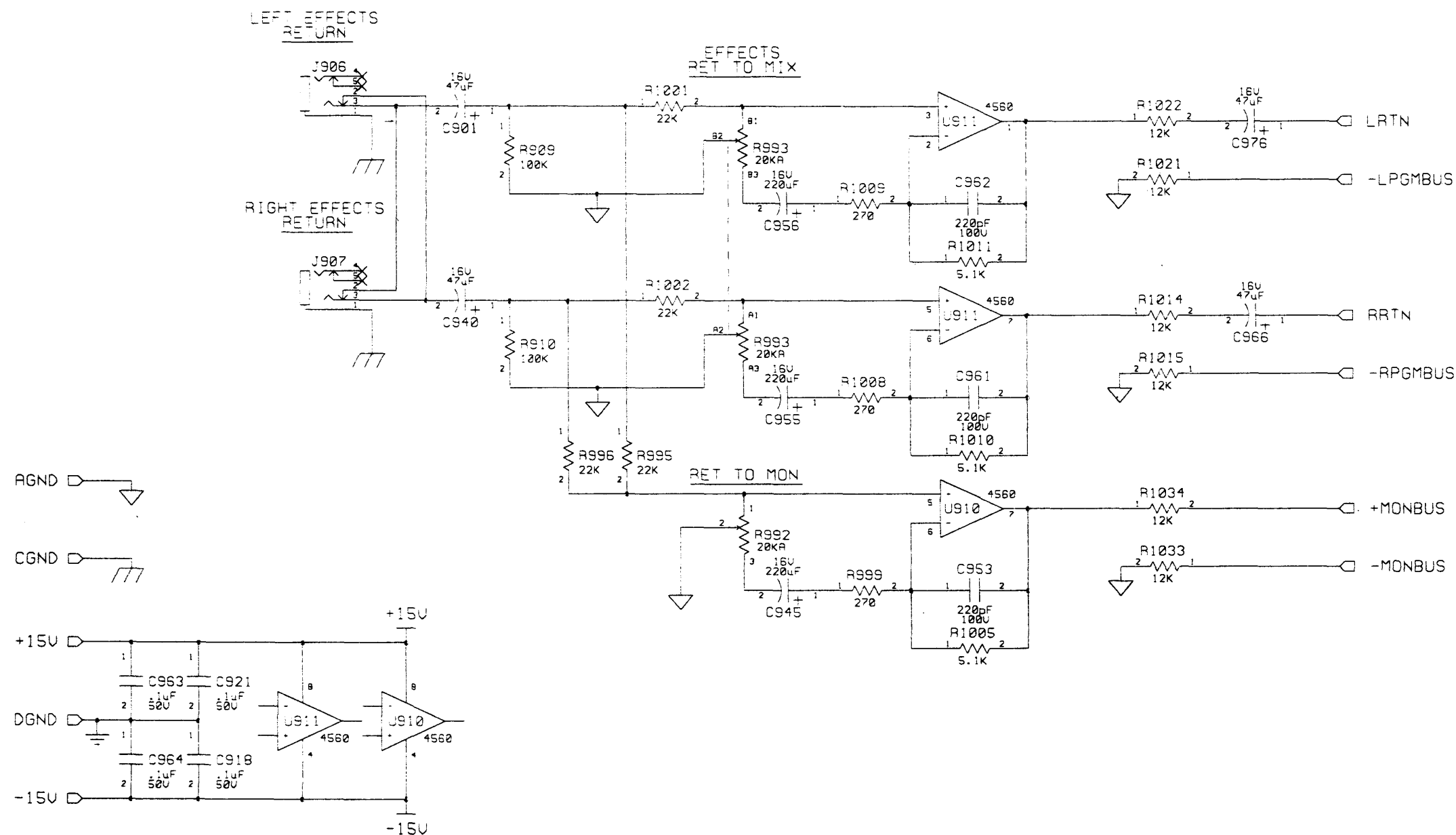
These Drawings and Specifications are the Property of JBL Professional Inc. They are Issued in Strict Confidence and Shall Not Be Reproduced, Copied, or Used as the Basis for Manufacturing or Sale of Apparatus Without Written Permission.



	JBL Professional A Harman International Company Northridge, California 91329, USA	
	MI STEREO AUX INPUT CHANNEL	
	500-00004 / 8 of 11	REV B

Schematic Effects Return EON MusicMix10

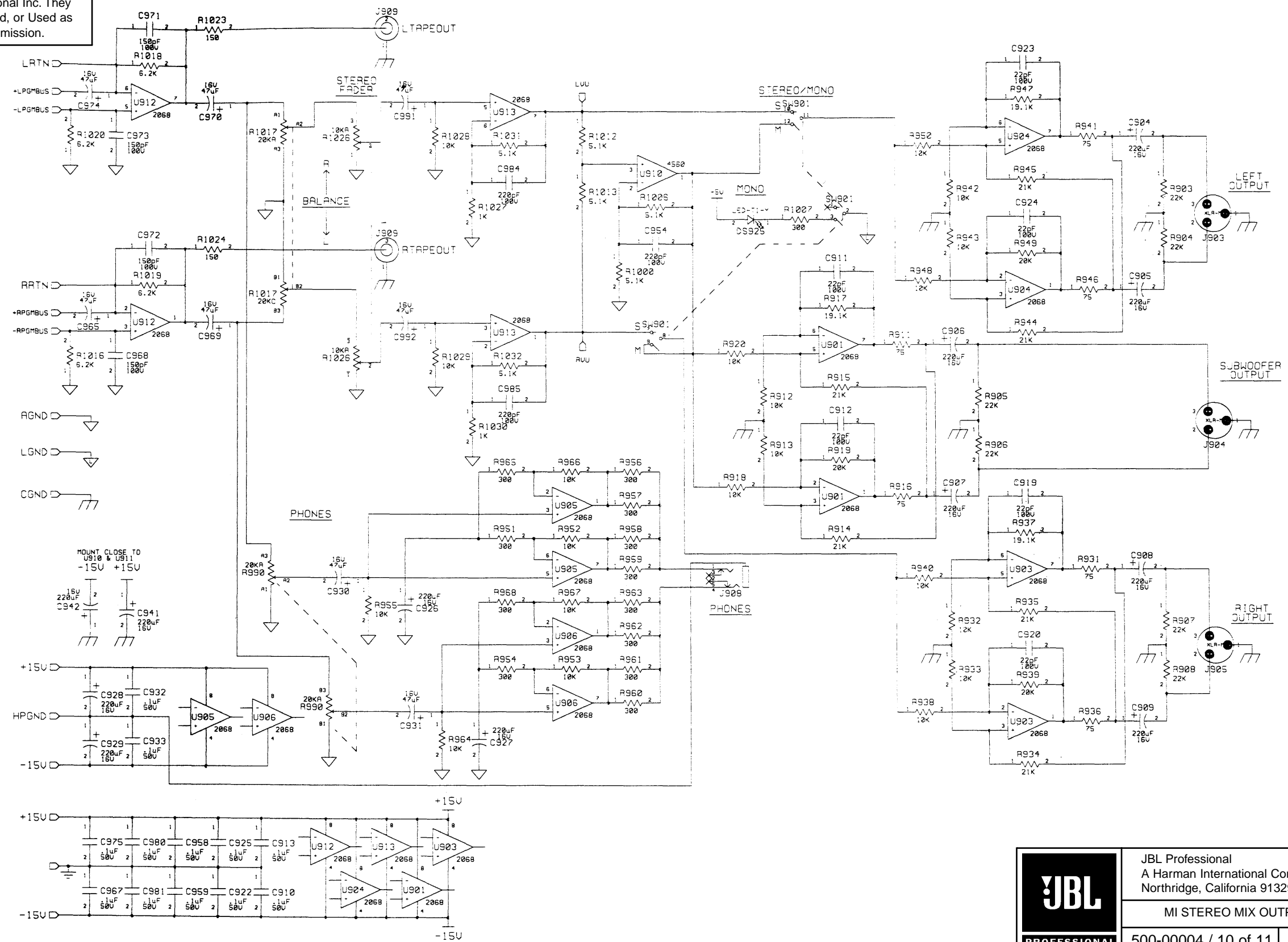
These Drawings and Specifications are the Property of JBL Professional Inc. They are Issued in Strict Confidence and Shall Not Be Reproduced, Copied, or Used as the Basis for Manufacturing or Sale of Apparatus Without Written Permission.



	JBL Professional A Harman International Company Northridge, California 91329, USA	
	MI EFFECTS RETURN	
	500-00004 / 9 of 11	REV B

Schematic Stereo Mix Output EON MusicMix10

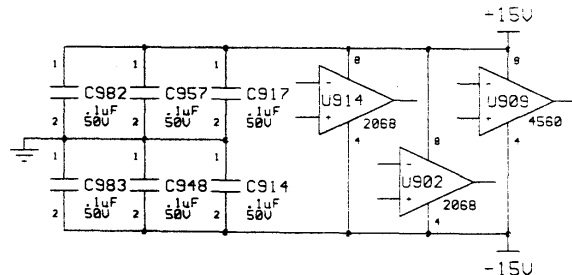
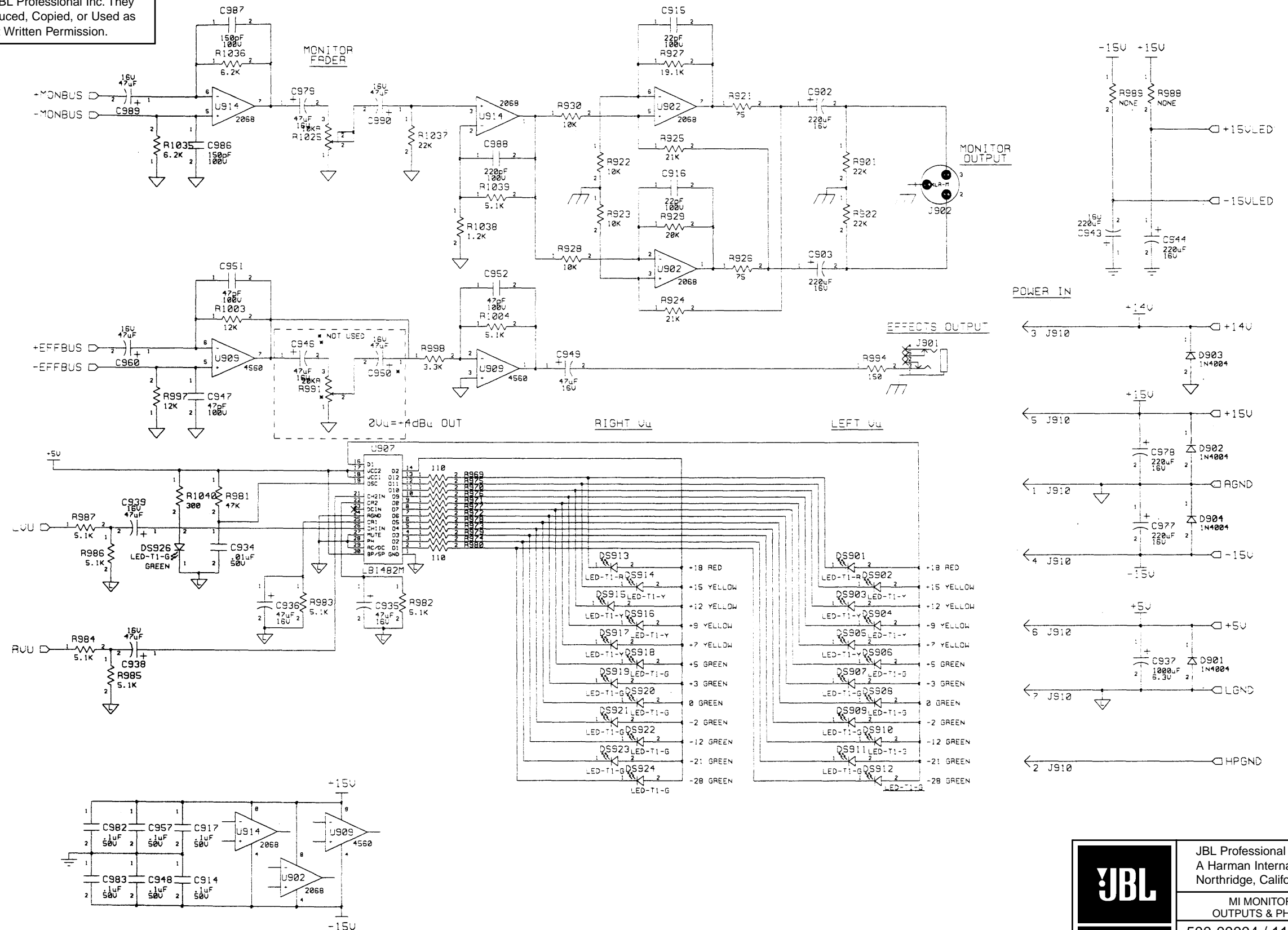
These Drawings and Specifications are the Property of JBL Professional Inc. They are Issued in Strict Confidence and Shall Not Be Reproduced, Copied, or Used as the Basis for Manufacturing or Sale of Apparatus Without Written Permission.



	JBL Professional A Harman International Company Northridge, California 91329, USA	
	MI STEREO MIX OUTPUT	
	500-0004 / 10 of 11	REV B

Schematic Monitor & Effects Output Phantom Power EON MusicMix10

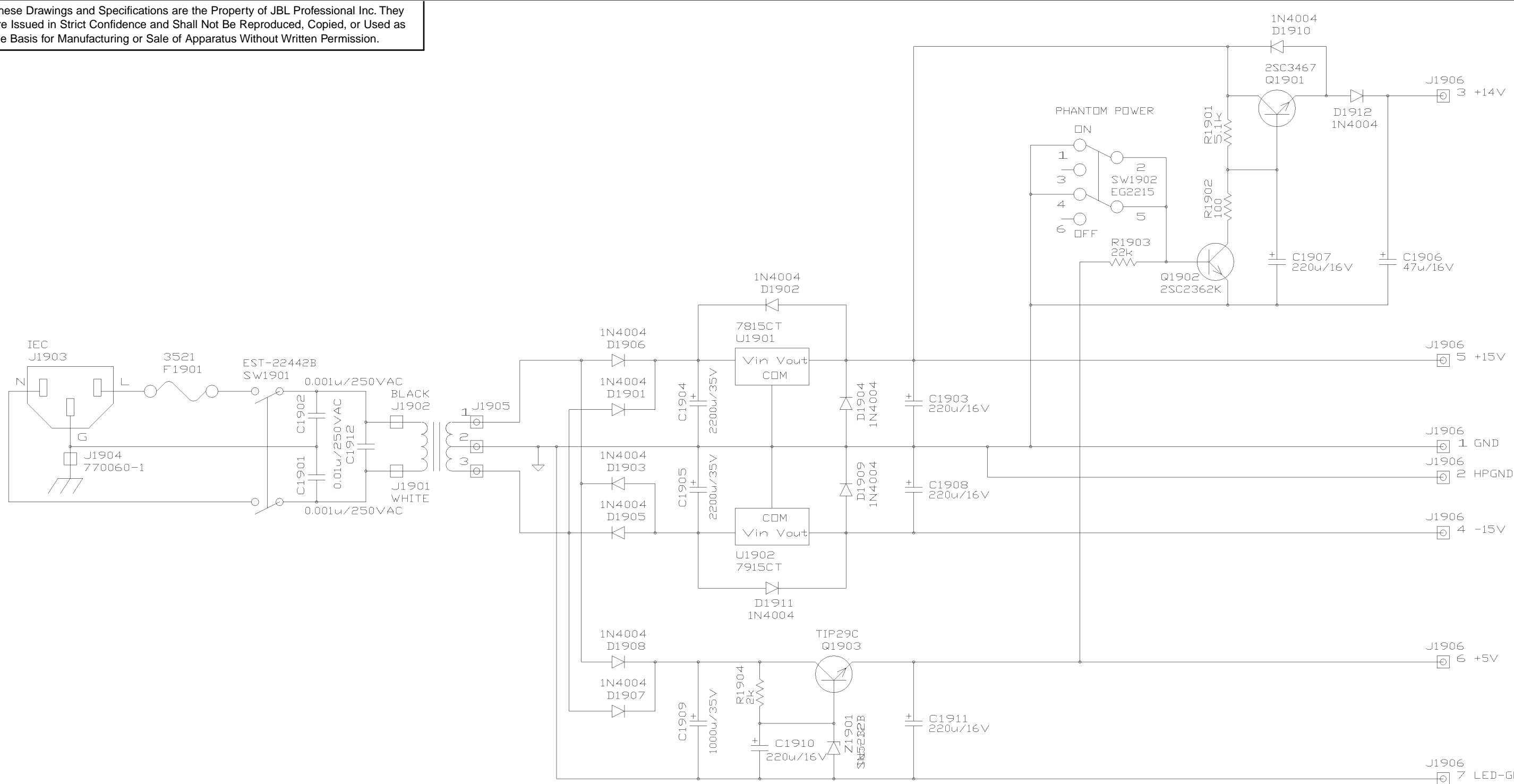
These Drawings and Specifications are the Property of JBL Professional Inc. They are Issued in Strict Confidence and Shall Not Be Reproduced, Copied, or Used as the Basis for Manufacturing or Sale of Apparatus Without Written Permission.



	JBL Professional A Harman International Company Northridge, California 91329, USA	
	MI MONITOR & EFFECTS OUTPUTS & PHANTOM POWER	
	500-0004 / 11 of 11	REV B

Schematic AC Input Assembly EON MusicMix10

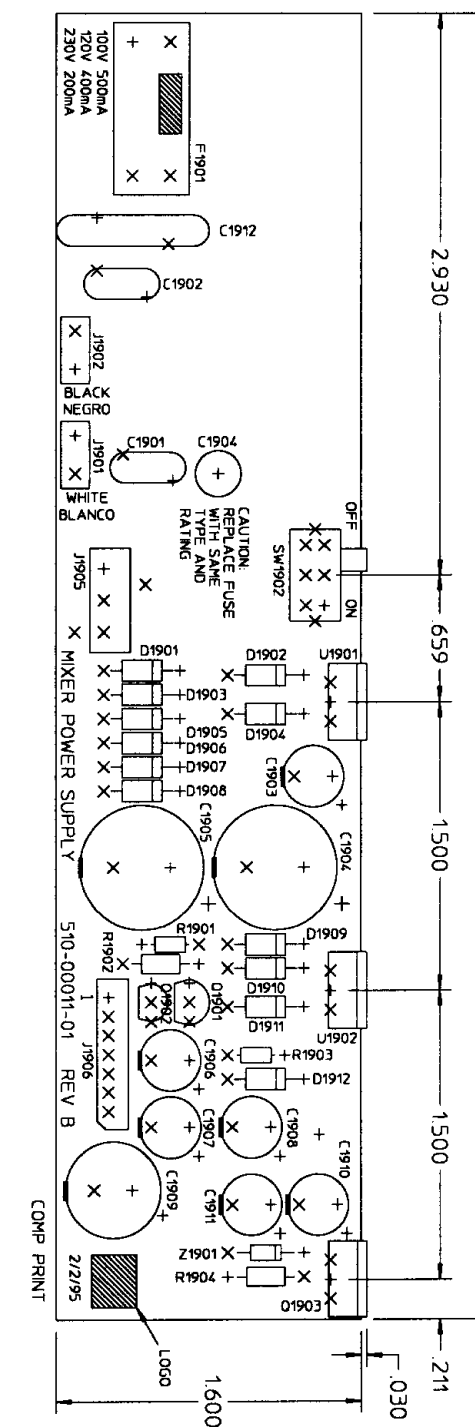
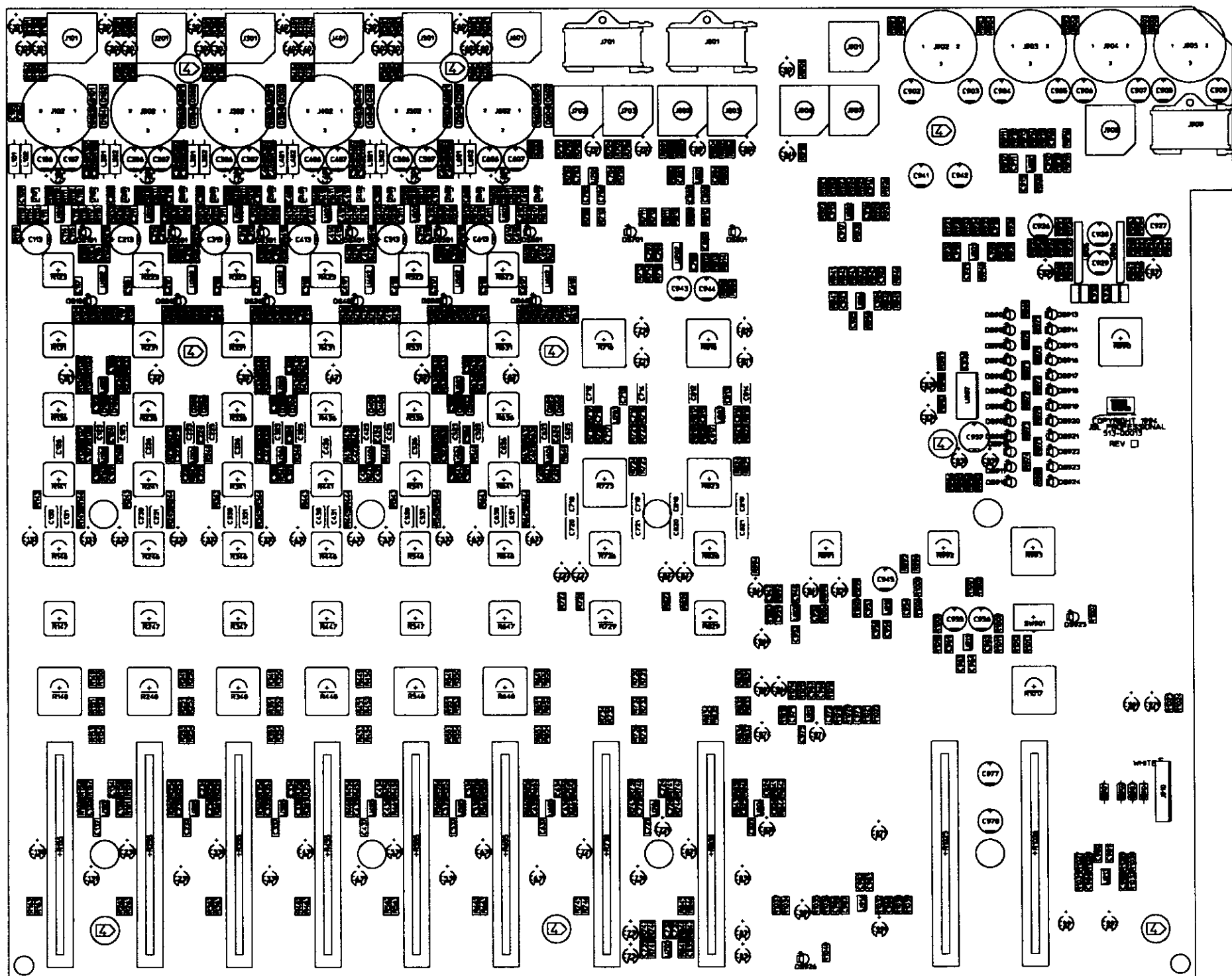
These Drawings and Specifications are the Property of JBL Professional Inc. They are Issued in Strict Confidence and Shall Not Be Reproduced, Copied, or Used as the Basis for Manufacturing or Sale of Apparatus Without Written Permission.



JBL PROFESSIONAL	JBL Professional A Harman International Company Northridge, California 91329, USA	
	SCHEMATIC, AC INPUT	
	500-00003	REV A

PCB Amp and AC Input Assemblies EON MusicMix10

These Drawings and Specifications are the Property of JBL Professional Inc. They are Issued in Strict Confidence and Shall Not Be Reproduced, Copied, or Used as the Basis for Manufacturing or Sale of Apparatus Without Written Permission.



JBL PROFESSIONAL	JBL Professional A Harman International Company Northridge, California 91329, USA	
	513-00013	REV A
	513-00011	REV G