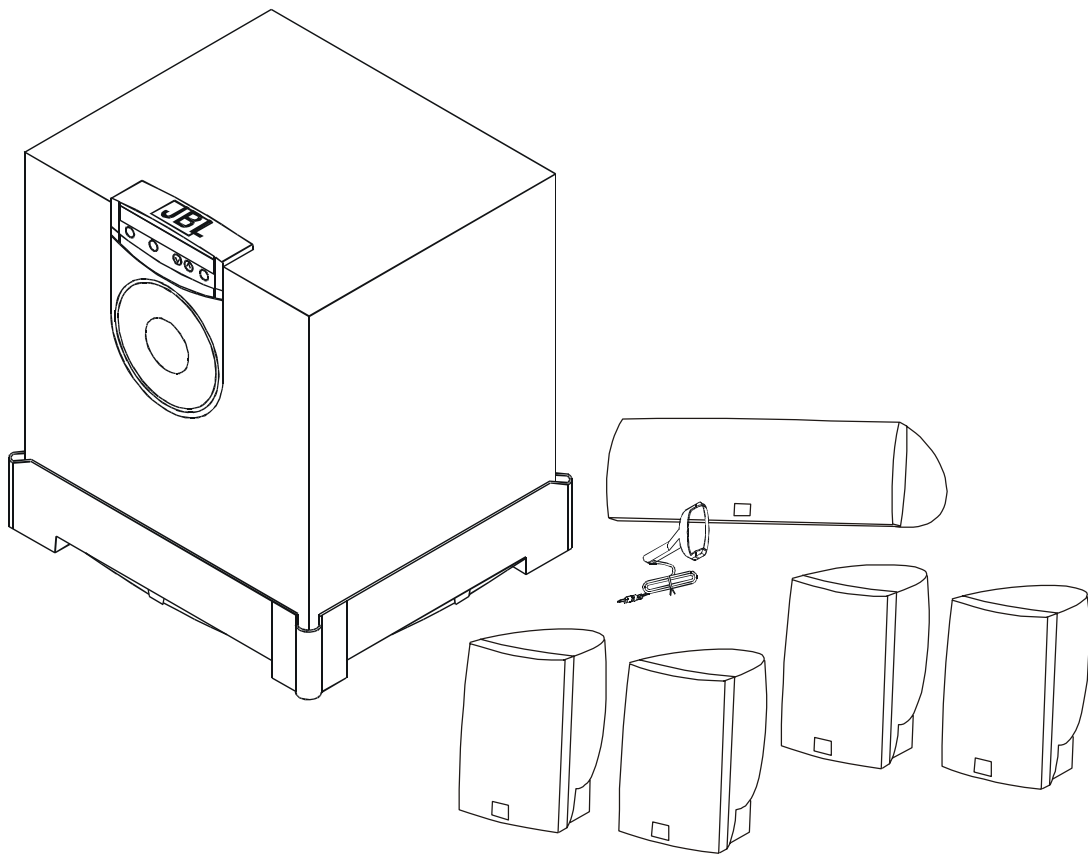


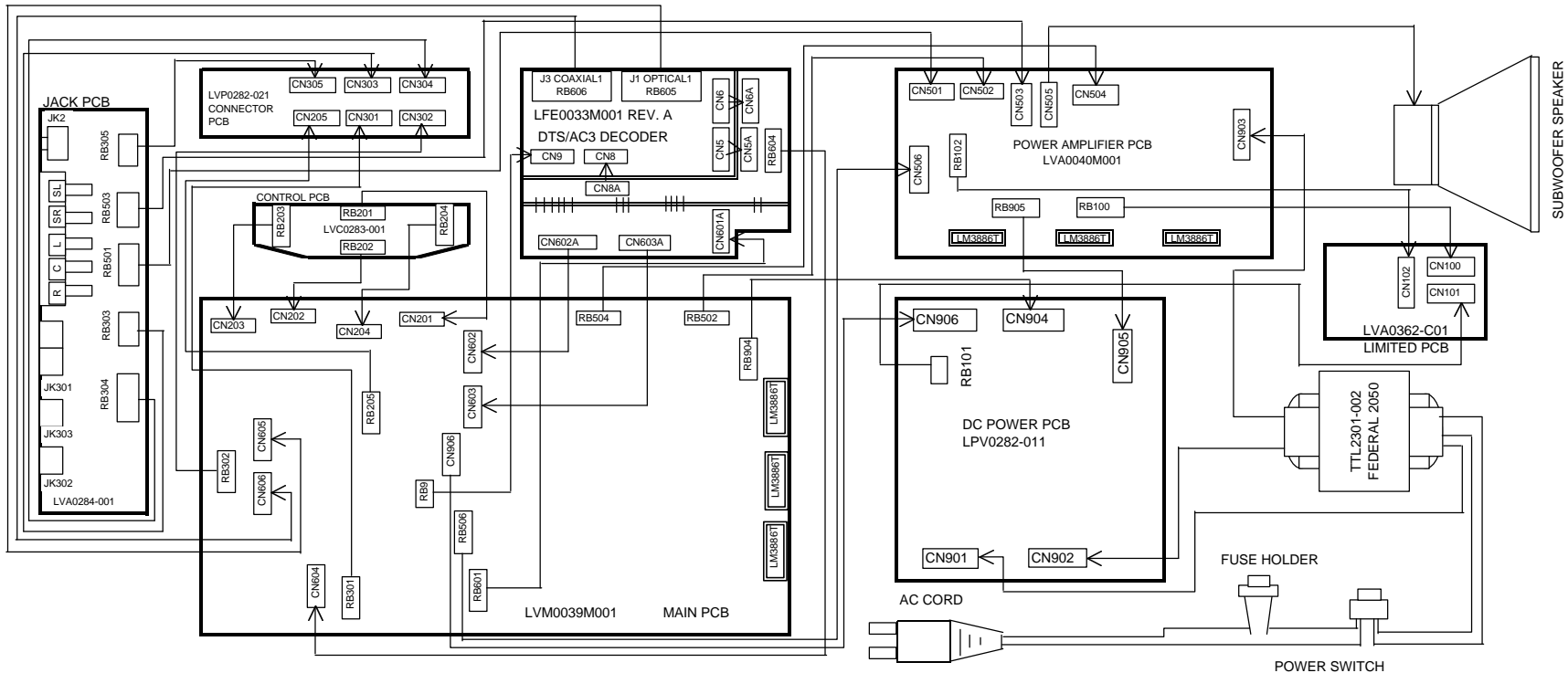
*Simply Cinema*TM

ESC340

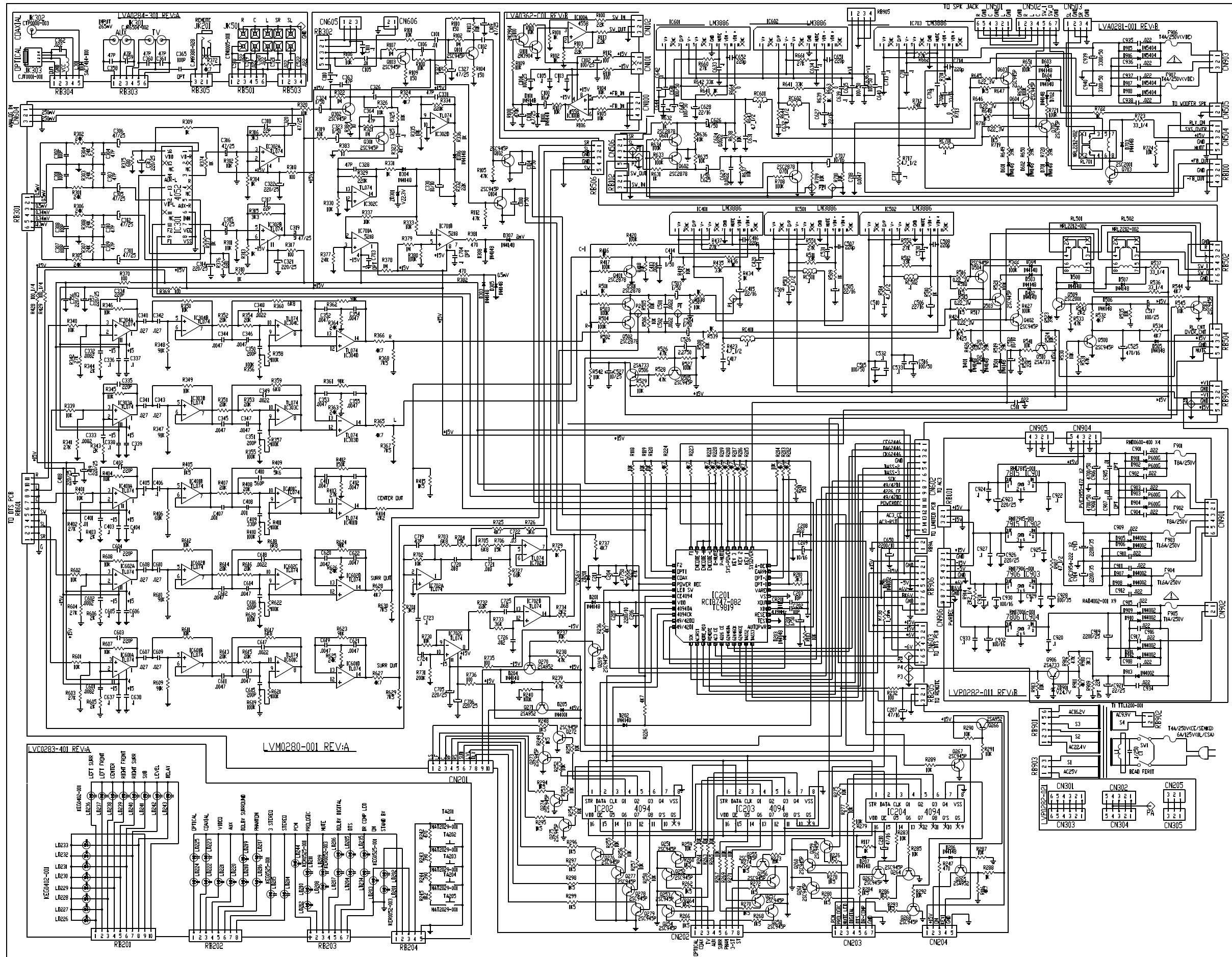
The Subwoofer with 5 Speakers



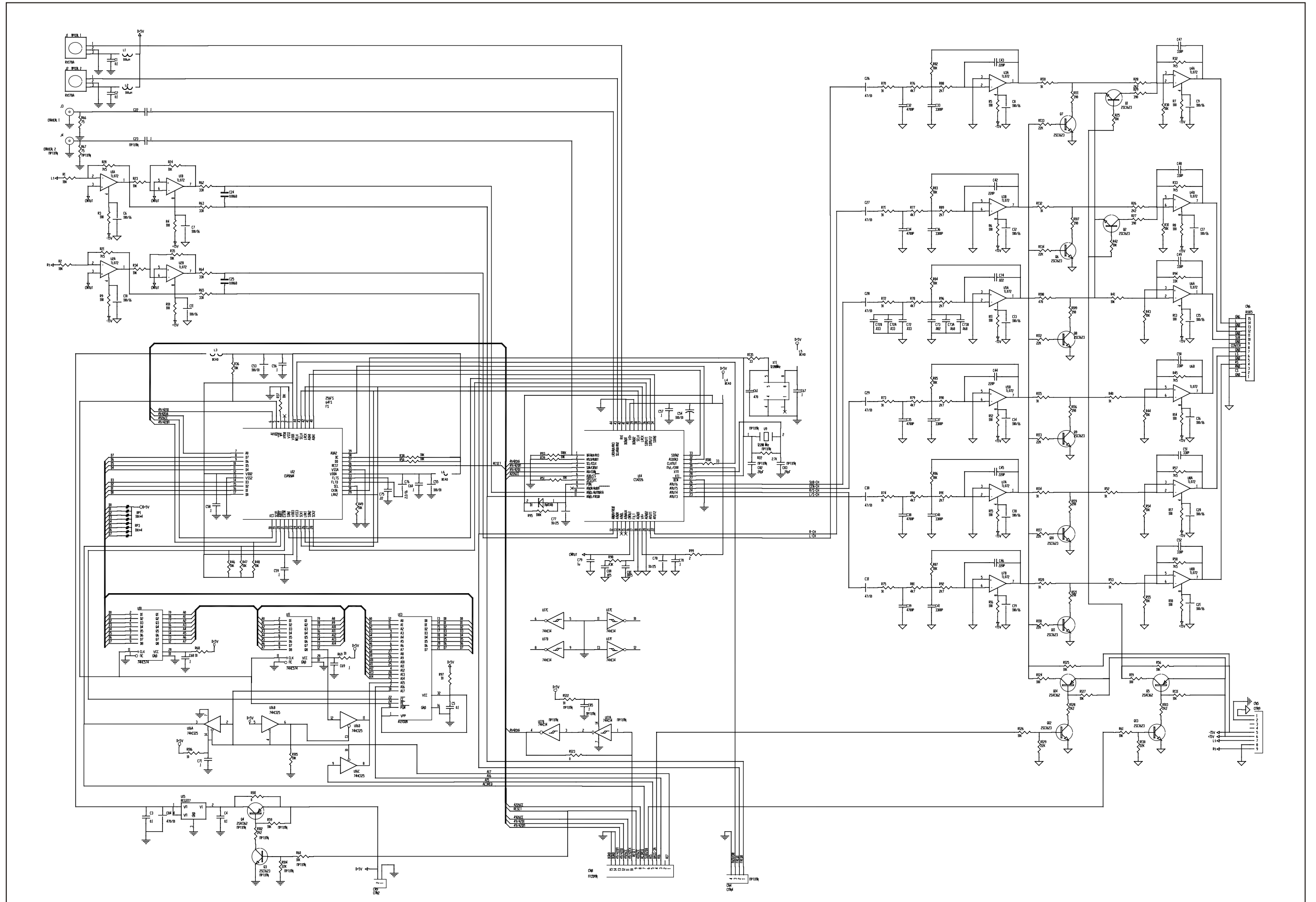
Service Manual



SCHEMATIC DIAGRAM -- MAIN UNIT



SCHEMATIC DIAGRAM -- AC3 DTS DECODER



AC3 DTS/DSP DECODER PCB PARTS LIST

REF. NO.	DESCRIPTION	SUPPLIER PART NO.	REM
CAPACITORS			
C1	Chip Cap 0.1 uF 50V +-20%	PCW3955-104	
C10~C19	Cond Elect 100 uF 16V +-20%	PRE3952-101	
C2	Chip Cap 0.1 uF 50V +-20%	PCW3955-104	
C20, C21	Cond Elect 100 uF 16V +-20%	PRE3952-101	
C22	Chip Cap 0.1 uF 50V +-20%	PCW3955-104	
C24, C25	Chip Cap 0.0068 uF 50V +-5%	PCW5635-682	
C26~C29	Cond Elect 47 uF 10V +-20%	PRE3951-470	
C3	Chip Cap 0.1 uF 50V +-20%	PCW3955-104	
C30, C31	Cond Elect 47 uF 10V +-20%	PRE3951-470	
C32	Chip Cap 0.0047 uF 50V +-5%	PCW5635-472	
C33	Chip Cap 0.0033 uF 50V +-5%	PCW5635-332	
C34, C35	Chip Cap 0.0047 uF 50V +-5%	PCW5635-472	
C36, C37	Chip Cap 0.0033 uF 50V +-5%	PCW5635-332	
C38, C39	Chip Cap 0.0047 uF 50V +-5%	PCW5635-472	
C4	Chip Cap 0.1 uF 50V +-20%	PCW3955-104	
C40, C41	Chip Cap 0.0033 uF 50V +-5%	PCW5635-332	
C42~C46	Chip Cap 220 pF 50V +-5%	PCW1035-221	
C47~C49	Chip Cap 330 pF 50V +-5%	PCW1035-331	
C5	Chip Cap 0.1 uF 50V +-20%	PCW3955-104	
C50~C52	Chip Cap 330 pF 50V +-5%	PCW1035-331	
C53~C55	Cond Elect 100 uF 16V +-20%	PRE3952-101	
C56~C59	Chip Cap 0.1 uF 50V +-20%	PCW3955-104	
C6	Cond Elect 100 uF 16V +-20%	PRE3952-101	
C60	Chip Cap 0.1 uF 50V +-20%	PCW3955-104	
C61	Chip Cap 470 pF 50V +-5%	PCW1035-471	
C67~C69	Chip Cap 0.1 uF 50V +-20%	PCW3955-104	
C7	Cond Elect 100 uF 16V +-20%	PRE3952-101	
C70, C71	Chip Cap 0.1 uF 50V +-20%	PCW3955-104	
C72	Chip Cap 0.033 uF 50V +-10%	PCW5645-333	
C72A, C72B	Chip Cap 0.033 uF 50V +-10%	PCW5645-333	
C73	Chip Cap 0.082 uF 50V +-10%	PCW5645-823	
C73A,C73B	Chip Cap 0.068 uF 25V +-80-20%	PCW3963-683	
C74	Chip Cap 0.022 uF 50V +-5%	PCW5635-223	
C75	Chip Cap 0.22 uF 25V +-10%	PCW5643-224	
C76	Cond Elect 2.2 uF 50V +-20%	PRE3955-229	
C77, C78	Cond Elect 10 uF 25V +-20%	PRE3953-100	
C79	Cond Elect 1 uF 50V +-20%	PRE3955-109	
C8	Cond Elect 100 uF 16V +-20%	PRE3952-101	
C80	Chip Cap 0.015 uF 50V +-5%	PCW5635-153	
C81	Chip Cap 0.0015 uF 50V +-5%	PCW5635-152	
C84	Cond Elect 470 uF 10V +-20%	PRE3951-471	
C9	Cond Elect 100 uF 16V +-20%	PRE3952-101	
CONNECTORS			
CN5	09 Pin JST 09R-1.25FJP=1.25mm	CCN0125-009	
CN6	15 Pin JST 15R-1.25FJP=1.25mm	CCN0125-015	
CN8	15 Pin TOC-B15X-B1 Top Base P=1.0mm	CCN1233-015	
CN9	02 Pin S2B-XH-A 2 Pin Top Base P=2.5	CCN1500-042	

AC3 DTS/DSP DECODER PCB PARTS LIST

REF. NO.	DESCRIPTION	SUPPLIER PART NO.	REM
ICS			
U1~U8	TL072CD	08 Pin	RCI0720-001
U10, U11	TC74HC574AFW	20 Pin	RCI7457-001
U12	CS492604	44 Pin	RCI4926-001
U13	SST27SF020-90-3C-NH	32 Pin	RCI2000-002
U14	CS4226	44 Pin	RCI4226-001
U15	REG1117	03 Pin	RCI1117-001
U16	TC74HC125AFN	14 Pin	RCI7412-002
RESISTORS			
R1	18K Ohm 1/8W 5%	0805 SMT Type	QCF0852-183
R10	100 Ohm 1/8W 5%	0805 SMT Type	QCF0852-101
R100	33 Ohm 1/8W 5%	0805 SMT Type	QCF0852-330
R101	0 Ohm Jump Wire	0805 SMT Type	QCF0852-000
R103	2.2K Ohm 1/8W 5%	0805 SMT Type	QCF0852-222
R105	10K Ohm 1/8W 5%	0805 SMT Type	QCF0852-103
R106	10 Ohm 1/8W 5%	0805 SMT Type	QCF0852-100
R107	390 Ohm 1/8W 5%	0805 SMT Type	QCF0852-391
R108	470 Ohm 1/8W 5%	0805 SMT Type	QCF0852-471
R109	390 Ohm 1/8W 5%	0805 SMT Type	QCF0852-391
R11	100 Ohm 1/8W 5%	0805 SMT Type	QCF0852-101
R110	1K Ohm 1/8W 5%	0805 SMT Type	QCF0852-102
R111	390 Ohm 1/8W 5%	0805 SMT Type	QCF0852-391
R112, R113	22K Ohm 1/8W 5%	0805 SMT Type	QCF0852-223
R114, R115	1K Ohm 1/8W 5%	0805 SMT Type	QCF0852-102
R116	390 Ohm 1/8W 5%	0805 SMT Type	QCF0852-391
R117, R118	22K Ohm 1/8W 5%	0805 SMT Type	QCF0852-223
R119	390 Ohm 1/8W 5%	0805 SMT Type	QCF0852-391
R12	100 Ohm 1/8W 5%	0805 SMT Type	QCF0852-101
R120	1K Ohm 1/8W 5%	0805 SMT Type	QCF0852-102
R121	390 Ohm 1/8W 5%	0805 SMT Type	QCF0852-391
R123	0 Ohm Jump Wire	0805 SMT Type	QCF0852-000
R124	100 Ohm 1/8W 5%	0805 SMT Type	QCF0852-101
R125~R127	10K Ohm 1/8W 5%	0805 SMT Type	QCF0852-103
R128	2.2K Ohm 1/8W 5%	0805 SMT Type	QCF0852-222
R129	22K Ohm 1/8W 5%	0805 SMT Type	QCF0852-223
R13	100 Ohm 1/8W 5%	0805 SMT Type	QCF0852-101
R130	22K Ohm 1/8W 5%	0805 SMT Type	QCF0852-223
R131	10K Ohm 1/8W 5%	0805 SMT Type	QCF0852-103
R132	1K Ohm 1/8W 5%	0805 SMT Type	QCF0852-102
R133, R134	22K Ohm 1/8W 5%	0805 SMT Type	QCF0852-223
R135	33 Ohm 1/8W 5%	0805 SMT Type	QCF0852-330
R14~R19	100 Ohm 1/8W 5%	0805 SMT Type	QCF0852-101
R2	18K Ohm 1/8W 5%	0805 SMT Type	QCF0852-183
R20, R21	7.5K Ohm 1/8W 5%	0805 SMT Type	QCF0852-752
R23~R25	10K Ohm 1/8W 5%	0805 SMT Type	QCF0852-103
R26	2.2K Ohm 1/8W 5%	0805 SMT Type	QCF0852-222
R27	390 Ohm 1/8W 5%	0805 SMT Type	QCF0852-391
R28	2.2K Ohm 1/8W 5%	0805 SMT Type	QCF0852-222
R29	390 Ohm 1/8W 5%	0805 SMT Type	QCF0852-391
R3	100 Ohm 1/8W 5%	0805 SMT Type	QCF0852-101

AC3 DTS/DSP DECODER PCB PARTS LIST

REF. NO.	DESCRIPTION	SUPPLIER PART NO.	REM
RESISTORS			
R30, R31	10K Ohm 1/8W 5% 0805 SMT Type	QCF0852-103	
R32, R33	7.5K Ohm 1/8W 5% 0805 SMT Type	QCF0852-752	
R34~R39	10K Ohm Jump Wire 0805 SMT Type	QCF0852-103	
R4	100 Ohm 1/8W 5% 0805 SMT Type	QCF0852-101	
R40	1K Ohm 1/8W 5% 0805 SMT Type	QCF0852-102	
R41~R44	10K Ohm 1/8W 5% 0805 SMT Type	QCF0852-103	
R45	7.5K Ohm 1/8W 5% 0805 SMT Type	QCF0852-752	
R46~R49	10K Ohm 1/8W 5% 0805 SMT Type	QCF0852-103	
R5	100 Ohm 1/8W 5% 0805 SMT Type	QCF0852-101	
R50, R51	10K Ohm 1/8W 5% 0805 SMT Type	QCF0852-103	
R52, R53	1K Ohm 1/8W 5% 0805 SMT Type	QCF0852-102	
R54~R56	10K Ohm 1/8W 5% 0805 SMT Type	QCF0852-103	
R57, R58	7.5K Ohm 1/8W 5% 0805 SMT Type	QCF0852-752	
R6	100 Ohm 1/8W 5% 0805 SMT Type	QCF0852-101	
R61	10K Ohm 1/8W 5% 0805 SMT Type	QCF0852-103	
R62~R65	330 Ohm 1/8W 5% 0805 SMT Type	QCF0852-331	
R66	75 Ohm 1/8W 5% 0805 SMT Type	QCF0852-750	
R68, R69	10 Ohm 1/8W 5% 0805 SMT Type	QCF0852-100	
R7	100 Ohm 1/8W 5% 0805 SMT Type	QCF0852-101	
R70~R75	1K Ohm 1/8W 5% 0805 SMT Type	QCF0852-102	
R76~R79	4.7K Ohm 1/8W 5% 0805 SMT Type	QCF0852-472	
R8	100 Ohm 1/8W 5% 0805 SMT Type	QCF0852-101	
R80, R81	4.7K Ohm 1/8W 5% 0805 SMT Type	QCF0852-472	
R82~R87	18K Ohm 1/8W 5% 0805 SMT Type	QCF0852-183	
R88, R89	2.7K Ohm 1/8W 5% 0805 SMT Type	QCF0852-272	
R9	100 Ohm 1/8W 5% 0805 SMT Type	QCF0852-101	
R90~R92	2.7K Ohm 1/8W 5% 0805 SMT Type	QCF0852-272	
R93	100K Ohm 1/8W 5% 0805 SMT Type	QCF0852-104	
R94	33K Ohm 1/10W 5% 0805 SMT Type	QCF0152-333	
R95	100K Ohm 1/8W 5% 0805 SMT Type	QCF0852-104	
R96	2.7K Ohm 1/8W 5% 0805 SMT Type	QCF0852-272	
R97	10 Ohm 1/8W 5% 0805 SMT Type	QCF0852-100	
R98	43K Ohm 1/8W 5% 0805 SMT Type	QCF0852-433	
R99	2 Ohm 1/8W 5% 0805 SMT Type	QCF0852-209	
RP1	10K Ohm 1/8W 5% Resistor Array	QVP0859-103	
TRANSISTORS			
Q1	NPN SMT Type (2SC945)	RCN1623-001	
Q10~Q13	NPN SMT Type (2SC945)	RCN1623-001	
Q14	PNP SMT Type (2SA733)	RCP0812-001	
Q2	NPN SMT Type (2SC945)	RCN1623-001	
Q5	PNP SMT Type (2SA733)	RCP0812-001	
Q6~Q9	NPN SMT Type (2SC945)	RCN1623-001	
MISCELLANEOUS			
D1	Diode Switch	LL4148 SMT Type	RCD4148-001
J1	Cond Wire	3P 410mm Gray	50024DA2200
J3	Cond Wire	2P 430mm Brown	5002EDC1200
L1, L2	Choke	100uH 0603 SMT	SCC0603-101
L3~L6	Bead Ferit	500+/-25% Ohm	SCF0805-501
XT1	Osclator	4P H=5mm	JOC0005-122

CONNECTOR PCB PARTS LIST

REF. NO.	DESCRIPTION	SUPPLIER PART NO.	REM
MISCELLANEOUS			
CN205	03 Pin B3B-XH-A Top Base P=2.5	CCN1500-023	
CN301	06 Pin B6B-XH-A Top Base P=2.5	CCN1500-024	
CN302	05 Pin B5B-XH-A Top Base P=2.5	CCN1500-016	
CN303	06 Pin B6B-XH-A Top Base P=2.5	CCN1500-024	
CN304	05 Pin B5B-XH-A Top Base P=2.5	CCN1500-016	
CN305	03 Pin B3B-XH-A Top Base P=2.5	CCN1500-023	
To Tin Foil	Sol. Lug OD7.0XID3.5XT0.3mm Nickel	CSL6521-002	
PA to Sol. Lug	Wire 22 GA 160mm Black 4-4	20565-160BB	

CONTROL PCB PARTS LIST

REF. NO.	DESCRIPTION	SUPPLIER PART NO.	REM
LEDS			
LD201, LD202	2X5mm Red Hi-Light	KER0052-003	
LD203	2X4mm Green Bright	KEG0402-001	
LD204~LD207	2.5X5mm Green Bright	KEG0525-001	
LD208, LD209	2X5mm Red Hi-Light	KER0052-003	
LD210~LD212	2.5X5mm Green Bright	KEG0525-001	
LD214~LD225	2.5X5mm Green Bright	KEG0525-001	
LD226~LD233	2X4mm Green Bright	KEG0402-001	
LD234, LD235	2.5X5mm Green Bright	KEG0525-001	
LD236~LD243	2X4mm Green Bright	KEG0402-001	
LD244	2.5X5mm Green Bright	KEG0525-001	
WIRES			
RB201	Con/Wire 10 Cond P=2.0mm 320mm	4999A-523	
RB202	Con/Wire 08 P 300mm	4999A-524	
RB203	Con/Wire 07 Cond P=2.0mm 300mm	4999A-511	
RB204	Con/Wire 05 Cond P=2.0mm 300mm	4999A-525	
MISCELLANEOUS			
R242	Resistor 470 Ohm 1/6W 5% Carbon Film	QAF0650-471	
R243, R244	Resistor 390 Ohm 1/6W 5% Carbon Film	QAF0650-391	
R245	Resistor 1.2K Ohm 1/6W 5% Carbon Film	QAF0650-122	
TA201~TA205	Al Tact Switch 5mm 160gf	MAT2029-001	

DC PCB PARTS LIST

REF. NO.	DESCRIPTION	SUPPLIER PART NO.	REM
CAPACITORS			
C901~C904	Cond Disc 0.022 uF 50V +80-20%	PRD4965-223	
C906, C908	Cond Elect 4700 uF 50V +-20%	PVE3955-472	
C909~C912	Cond Disc 0.022 uF 50V +80-20%	PRD4965-223	
C913, C914	Cond Elect 2200 uF 35V +-20%	PVE3954-222	
C915~C918	Cond Disc 0.022 uF 50V +80-20%	PRD4965-223	
C919	Cond Elect 2200 uF 25V +-20%	PVE3953-222	
C920	Cond Disc 0.1 uF 50V +80-20%	PRD3965-104	
C921	Cond Elect 22 uF 25V +-20%	PRE3953-220	
C922	Cond Disc 0.1 uF 50V +80-20%	PRD3965-104	
C923	Cond Elect 220 uF 25V +-20%	PRE3953-221	
C924, C925	Cond Disc 0.1 uF 50V +80-20%	PRD3965-104	
C926	Cond Elect 220 uF 25V +-20%	PRE3953-221	
C927	Cond Disc 0.1 uF 50V +80-20%	PRD3965-104	
C928	Cond Elect 100 uF 35V +-20%	PRE3954-101	
C929	Cond Disc 0.1 uF 50V +80-20%	PRD3965-104	
C930	Cond Elect 100 uF 16V +-20%	PRE3952-101	
C931	Cond Disc 0.1 uF 50V +80-20%	PRD3965-104	
C932	Cond Elect 100 uF 16V +-20%	PRE3952-101	
C933	Cond Disc 0.1 uF 50V +80-20%	PRD3965-104	
C934	Cond Disc 0.022 uF 50V +80-20%	PRD4965-223	
CONNECTORS			
CN901	06 Pin CL3962WVO Top Base P=3.96	CCN3962-006	
CN902	02 Pin CL3962WVO Top Base P=3.96	CCN3962-002	
CN904	05 Pin CL3962WVO Top Base P=3.96	CCN3962-005	
CN905	04 Pin CL3962WVO Top Base P=3.96	CCN3962-004	
CN906	09 Pin B9B-XH-A Top Base P=2.5	CCN1500-033	
DIODES			
D901~D904	Rectifier 6A 400V P600G	RHD0600-400	
D905~D913	Rectifier 1A 70Vrms 1N4002	RAD4002-001	
ZD901	Zener 4.7~4.9V 0.5W	RAZ0859-067	
FUSES			
F901, F902	8A 250V 5X20mm	KSA2800-001	
F903, F904	1.6A 250V 5X20mm	KSA2160-003	
F905	2A 250V 5X20mm	KSA2200-104	
F901~F905	Fuse Clip D5XL20mm (Fuse)	CFC2557-001	
F905	Fuse Label 250V T2A 15X4mm	YLB0003-004	
ICS			
IC901	7815 15V 1A 03 Pin	RHI7815-001	
IC902	7915 03 Pin	RHI7915-001	
IC903	7906 03 Pin	RHI7906-001	
IC904	MC7806ACT 03 Pin	RHI7806-001	

DC PCB PARTS LIST

REF. NO.	DESCRIPTION	SUPPLIER PART NO.	REM
RESISTORS			
R907	47 Ohm 1/2W 5% Carbon Film	QAF0250-470	
R910	3.3K Ohm 1/6W 5% Carbon Film	QAF0650-332	
R911	4.7K Ohm 1/6W 5% Carbon Film	QAF0650-472	
R912	47K Ohm 1/6W 5% Carbon Film	QAF0650-473	
R913	10K Ohm 1/6W 5% Carbon Film	QAF0650-103	
R914	2.2K Ohm 1/4W 5% Carbon Film	QAF0450-222	
MISCELLANEOUS			
DC Pcb-1	Pcb Bracket (R)	GSE0256-001	
DC Pcb-1	Pcb Bracket (L)	GSE0257-001	
Pcb Bkt to	Screw T3.0X0.5PXL6mm	H120301-306	
DC Pcb-4			
RB101	Cond Wlre 3 Cond 150mm	500331501B6	
Q906	Transistor PNP 2SA733Q, P	RAP0733-001	

JACK PCB PARTS LIST

REF. NO.	DESCRIPTION	SUPPLIER PART NO.	REM
CAPACITORS			
C358~C361	Cond Disc 47 pF 50V +-10%	PRD3545-470	
C362	Cond Disc 0.022 uF 50V +80-20%	PRD4965-223	
C518~C522	Cond Disc 0.022 uF 50V +80-20%	PRD4965-223	
JACKS			
JK201	Phone Jack D3.5	CJM9380-028	
JK301	RCA Jack 4P Red-Red/Wht-Wht	CJR6504-002	
JK302	RCA Jack 1P Green	CTP0008-003	
JK303	Toslink Jack	CJT0001-001	
JK501	Terminal	CTM0005-001	
To Jack Plate	Solder Lug OD7XID3.5XT0.3mm	CSL6521-002	
WIRES			
RB303	Con/Wire Ay 6 Cond 150mm	4999A-527	
RB304	Con/Wire Ay 5 Cond 150mm	4999A-528	
RB305	Con/Wire Ay 3 Cond 250mm	4999A-520	
RB501	Con/Wire 6 P 300mm	4999A-516A	
RB503	Con/Wire 4 P 400mm	4999A-514A	
MISCELLANEOUS			
GND to Sol. Lug	Wire 22 GA 80mm Brn 4-4	20565-081BB	
L301	Choke 10uH	SAC7414-100	
R372	Resistor 4.7K Ohm 1/6W 5% CF	QAF0650-472	

LIMITED PCB PARTS LIST

REF. NO.	DESCRIPTION	SUPPLIER PART NO.	REM
CAPACITORS			
C100	Cond Elect 10 uF 16V +-20%	PRN3952-100	
C101	Cond Elect 4.7 uF 25V +-20%	PRE3953-479	
C102	Cond Elect 100 uF 25V +-20%	PRE3953-101	
C103	Cond Disc 0.1 uF 50V +80-20%	PRD3965-104	
C104	Cond Elect 100 uF 25V +-20%	PRE3953-101	
C105	Cond Disc 0.1 uF 50V +80-20%	PRD3965-104	
RESISTORS			
R100	22K Ohm 1/6W 5% Carbon Film	QAF0650-223	
R101, R102	1K Ohm 1/6W 5% Carbon Film	QAF0650-102	
R103	22K Ohm 1/6W 5% Carbon Film	QAF0650-223	
R104, R105	10K Ohm 1/6W 5% Carbon Film	QAF0650-103	
R106	1.0M Ohm 1/6W 5% Carbon Film	QAF0650-106	
R107	10K Ohm 1/6W 5% Carbon Film	QAF0650-103	
R108	470K Ohm 1/6W 5% Carbon Film	QAF0650-474	
R109, R110	10K Ohm 1/6W 5% Carbon Film	QAF0650-103	
R111, R112	100 Ohm 1/6W 5% Carbon Film	QAF0650-101	
R113	2.2K Ohm 1/6W 5% Carbon Film	QAF0650-222	
MISCELLANEOUS			
CN100	Connector	B4B-XH-A 04 Pin	CCN1500-015
CN101,CN102	Connector	B3B-XH-A 03 Pin	CCN1500-023
D100, D101	Diode Switch	1N914B	066X0070001
IC100	JRC4558D	08 Pin	RHI4558-001
Q100, Q101	Transistor	NPN 2N3904	086X0113501
To limited Pcb-2	Spacer	OD5XID3.1XH5mm	DSS0002-006

MAIN PCB PARTS LIST

REF. NO.	DESCRIPTION	SUPPLIER PART NO.	REM
CAPACITORS			
C101	Cond Disc 0.01 uF 50V +80-20%	PRD4965-103	
C102	Cond Disc 0.1 uF 50V +80-20%	PRD3965-104	
C104	Cond Elect 1.0 uF 50V +-20%	PRE3955-109	
C105	Cond Disc 0.01 uF 50V +80-20%	PRD4965-103	
C106	Cond Disc 0.1 uF 50V +80-20%	PRD3965-104	
C108	Cond Elect 1.0 uF 50V +-20%	PRE3955-109	
C109	Cond Elect 47 uF 25V +-20%	PRE3953-470	
C110, C111	Cond Disc 0.1 uF 50V +80-20%	PRD3965-104	
C201	Cond Elect 1.0 uF 50V +-20%	PRE3955-109	
C202, C203	Cond Disc 18 pF 50V +-5%	PRD1335-180	
C204	Cond Elect 0.47 uF 50V +-20%	PRE3955-478	
C205	Cond Elect 2200 uF 10V +-20%	PVE3951-222	
C206	Cond Disc 0.1 uF 50V +80-20%	PRD3965-104	
C207	Cond Elect 47 uF 16V +-20%	PRE3952-470	
C208	Cond Disc 0.022 uF 50V +80-20%	PRD4965-223	
C209	Cond Elect 10 uF 16V +-20%	PRE3952-100	
C210	Cond Elect 47 uF 16V +-20%	PRE3952-470	
C211	Cond Disc 0.1 uF 50V +80-20%	PRD3965-104	
C301, C302	Cond Disc 100 pF 50V +-10%	PRD3545-101	
C303, C304	Cond Disc 47 pF 50V +-5%	PRD1335-470	
C305, C306	Cond Elect 47 uF 25V +-20%	PRE3953-470	
C307, C308	Cond Disc 100 pF 50V +-10%	PRD3545-101	
C309, C310	Cond Disc 47 pF 50V +-5%	PRD1335-470	
C311, C312	Cond Elect 47 uF 25V +-20%	PRE3953-470	
C313, C314	Cond Elect 220 uF 25V +-20%	PRE3953-221	
C315, C316	Cond Elect 47 uF 25V +-20%	PRE3953-470	
C317, C318	Cond Disc 22 pF 50V +-5%	PRD1335-220	
C319, C320	Cond Elect 47 uF 25V +-20%	PRE3953-470	
C321, C322	Cond Elect 220 uF 25V +-20%	PRE3953-221	
C323, C324	Cond Elect 1.0 uF 50V +-20%	PRE3955-109	
C325, C326	Cond Disc 0.1 uF 50V +80-20%	PRD3965-104	
C327	Cond Elect 47 uF 25V +-20%	PRE3953-470	
C328	Cond Disc 47 pF 50V +-5%	PRD1335-470	
C330	Cond Elect 47 uF 10V +-20%	PRE3951-471	
C331	Cond Disc 47 pF 50V +-5%	PRD1335-470	
C332, C333	Cond Mylar 0.0082 uF 100V +-5%	PRM3737-822	
C334, C335	Cond Disc 220 pF 50V +-10%	PRD3545-221	
C336~C339	Cond Disc 0.1 uF 50V +80-20%	PRD3965-104	
C340~C343	Cond Mylar 0.1 uF 100V +-5%	PRM3737-104	
C344~C347	Cond Disc 470 pF 50V +-10%	PRD3545-471	
C348, C349	Cond Disc 560 pF 50V +-10%	PRD3545-561	
C350, C351	Cond Disc 100 uF 50V +-10%	PRD3545-101	
C352~C355	Cond Mylar 0.0047 pF 100V +-5%	PRM3737-472	
C356, C357	Cond Elect 220 uF 25V +-20%	PRE3953-221	
C363, C364	Cond Disc 47 uF 50V +-5%	PDR1335-470	
C401	Cond Mylar 0.01 uF 100V +-5%	PRM3737-103	
C402	Cond Disc 220 uF 50V +-10%	PRD3545-221	
C403, C404	Cond Disc 0.1 pF 50V +80-20%	PRD3965-104	
C405, C406	Cond Mylar 0.1 uF 100V +-5%	PRM3737-104	
C407, C408	Cond Disc 680 pF 50V +-10%	PRD3545-681	

MAIN PCB PARTS LIST

REF. NO.	DESCRIPTION	SUPPLIER PART NO.	REM
CAPACITORS			
C409	Cond Disc 220 pF 50V +10%	PRD3545-221	
C410	Cond Disc 560 pF 50V +10%	PRD3545-561	
C411, C412	Cond Mylar 0.0047 uF 100V +5%	PRM3737-472	
C413	Cond Mylar 0.0022 uF 100V +5%	PRM3737-222	
C414	Cond Elect 1.0 uF 50V +20%	PRE3955-109	
C415	Cond Elect 22 uF 16V +20%	PRE3952-220	
C416	Cond Disc 220 pF 50V +10%	PRD3545-221	
C417	Cond Mylar 0.1 uF 100 +5%	PRM3737-104	
C418, C419	Cond Elect 220 uF 25V +20%	PRE3953-221	
C453, C454	Cond Elect 47 uF 50V +20%	PRE3955-470	
C501, C502	Cond Mylar 0.0022 uF 100V +5%	PRM3737-222	
C503, C504	Cond Elect 1.0 uF 50V +20%	PRE3955-109	
C505, C506	Cond Elect 22 uF 16V +20%	PRE3952-220	
C507, C508	Cond Disc 220 pF 50V +10%	PRD3545-221	
C509, C510	Cond Mylar 0.1 uF 100V +5%	PRM3737-104	
C511	Cond Disc 0.022 uF 50V +80-20%	PRD4965-223	
C512	Cond Elect 10 uF 10V +20%	PRE3951-100	
C515, C516	Cond Elect 100 uF 50V +20%	PRE3955-101	
C517	Cond Elect 100 uF 25V +20%	PRE3953-101	
C523, C524	Cond Elect 47 uF 35V +20%	PRE3954-470	
C525	Cond Elect 470 uF 16V +20%	PRE3952-471	
C526	Cond Elect 2.2 uF 50V +20%	PRE3955-229	
C527	Cond Elect 10 uF 25V +20%	PRE3953-100	
C537, C538	Cond Elect 47 uF 50V +20%	PRE3955-470	
C601, C602	Cond Mylar 0.0082 uF 100V +5%	PRM3737-822	
C603, C604	Cond Disc 220 pF 50V +10%	PRD3545-221	
C605, C606	Cond Disc 0.1 uF 50V +80-20%	PRD3965-104	
C607~C610	Cond Mylar 0.1 uF 100V +5%	PRM3737-104	
C611~C614	Cond Disc 470 pF 50V +10%	PRD3545-471	
C615, C616	Cond Disc 100 pF 50V +10%	PRD3545-101	
C617, C618	Cond Disc 560 pF 50V +10%	PRD3545-561	
C619~C622	Cond Mylar 0.0047 uF 100V +5%	PRM3737-472	
C637, C638	Cond Disc 0.1 uF 50V +80-20%	PRD3965-104	
C650	Cond Elect 2200 uF 10V +20%	PLE3951-222	
C705, C706	Cond Elect 220 uF 25V +20%	PRE3953-221	
C719	Cond Disc 47 pF 50V +5%	PRD1335-470	
C720, C721	Cond Mylar 0.018 uF 100V +5%	PRM3737-183	
C722	Cond Mylar 0.03 uF 100V +5%	PRM3737-303	
C723, C724	Cond Mylar 0.1 uF 100V +5%	PRM3737-104	
C725	Cond Mylar 0.068 uF 100V +5%	PRM3737-683	
C726	Cond Mylar 0.012 uF 100V +5%	PRM3737-123	
CONNECTORS			
CN201	10 Pin B10B-PH-K Top Base P:2.0mm	CCN7879-030	
CN202	8 Pin B8B-PH-K Top Base P:2.0mm	CCN7879-028	
CN203	7 Pin B7B-PH-K Top Base P:2.0mm	CCN7879-027	
CN204	5 Pin B5B-PH-K Top Base P:2.0mm	CCN7879-025	
CN602	TUC-P15P-B1 Top Base P:2.0mm	CCN2032-015	
CN603	TUC-P7P-B1 Top Base P:2.0mm	CCN2032-007	
CN604	3 Pin B3B-PH-K Top Base P:2.0mm	CCN7879-023	
CN605	3 Pin B3B-XH-A Top Base P:2.5mm	CCN1500-023	
CN606	2 Pin B2B-XH-A Top Base P:2.5mm	CCN1500-018	

MAIN PCB PARTS LIST

REF. NO.	DESCRIPTION	SUPPLIER PART NO.	REM
DIODES			
D201~D204	Switch 1N4148	RAD4148-001	
D205	Rectifier 1N4001 1A 35VRMS	RAD4001-001	
D206, D207	Switch 1N4148	RAD4148-001	
D303~D308	Switch 1N4148	RAD4148-001	
D401, D402	Switch 1N4148	RAD4148-001	
D501~D508	Switch 1N4148	RAD4148-001	
D650	Rectifier 1N4001 1A 35VRMS	RAD4001-001	
ZD201	Zener 5.6~5.9V 0.5W	RAZ0859-070	
ZD301	Zener 2.3~2.5V 0.5W	RAZ0859-059	
ICS			
IC201	44 Pin TC9819	RCI8747-982	
IC202~IC204	16 Pin TC4094BP	RHI4094-001	
IC301	16 Pin TC4052BP	RHI4052-001	
IC302~IC304	14 Pin TL074CN	RHI0740-001	
IC401	14 Pin TL074CN	RHI0740-001	
IC421	11 Pin LM3886T 68W	RHI3886-001	
IC501, IC502	11 Pin LM3886T 68W	RHI3886-001	
IC601, IC602	14 Pin TL074CN	RHI0740-001	
IC701	8 Pin RHI5218-002	RHI5218-002	
IC702	14 Pin TL074CN	RHI0740-001	
RESISTORS			
R101	10K Ohm 1/6W 5% Carbon Film	QAF0650-103	
R102	1.0M Ohm 1/6W 5% Carbon Film	QAF0650-105	
R103	10K Ohm 1/6W 5% Carbon Film	QAF0650-103	
R104	150 Ohm 1/6W 5% Carbon Film	QAF0650-151	
R105	47K Ohm 1/6W 5% Carbon Film	QAF0650-473	
R106	10K Ohm 1/6W 5% Carbon Film	QAF0650-103	
R107	1.0M Ohm 1/6W 5% Carbon Film	QAF0650-105	
R108	10K Ohm 1/6W 5% Carbon Film	QAF0650-103	
R109, R110	150 Ohm 1/6W 5% Carbon Film	QAF0650-151	
R112	47K Ohm 1/6W 5% Carbon Film	QAF0650-473	
R113	10K Ohm 1/6W 5% Carbon Film	QAF0650-103	
R116	4.7K Ohm 1/6W 5% Carbon Film	QAF0650-472	
R117	1K Ohm 1/6W 5% Carbon Film	QAF0650-102	
R118~R120	10K Ohm 1/6W 5% Carbon Film	QAF0650-103	
R210	3.3K Ohm 1/6W 5% Carbon Film	QAF0650-332	
R211	1.8K Ohm 1/6W 5% Carbon Film	QAF0650-182	
R212, R213	4.7K Ohm 1/6W 5% Carbon Film	QAF0650-472	
R214	10K Ohm 1/6W 5% Carbon Film	QAF0650-103	
R215~R219	4.7K Ohm 1/6W 5% Carbon Film	QAF0650-472	
R221	4.7K Ohm 1/6W 5% Carbon Film	QAF0650-472	
R223, R224	4.7K Ohm 1/6W 5% Carbon Film	QAF0650-472	
R225	47K Ohm 1/6W 5% Carbon Film	QAF0650-473	
R226	4.7K Ohm 1/6W 5% Carbon Film	QAF0650-472	
R232	100 Ohm 1/6W 5% Carbon Film	QAF0650-101	
R236	4.7K Ohm 1/6W 5% Carbon Film	QAF0650-472	
R237	10K Ohm 1/6W 5% Carbon Film	QAF0650-103	
R238, R239	47K Ohm 1/6W 5% Carbon Film	QAF0650-473	

MAIN PCB PARTS LIST

REF. NO.	DESCRIPTION	SUPPLIER PART NO.	REM
RESISTORS			
R240	100KOhm 1/6W 5% Carbon Film	QAF0650-104	
R247	470 Ohm 1/6W 5% Carbon Film	QAF0650-471	
R248, R249	1.5K Ohm 1/6W 5% Carbon Film	QAF0650-152	
R251~R259	10K Ohm 1/6W 5% Carbon Film	QAF0650-103	
R260	1.5K Ohm 1/6W 5% Carbon Film	QAF0650-152	
R261	10K Ohm 1/6W 5% Carbon Film	QAF0650-103	
R262	1.5K Ohm 1/6W 5% Carbon Film	QAF0650-152	
R263	10K Ohm 1/6W 5% Carbon Film	QAF0650-103	
R264	1.5K Ohm 1/6W 5% Carbon Film	QAF0650-152	
R265	10K Ohm 1/6W 5% Carbon Film	QAF0650-103	
R266	1.5K Ohm 1/6W 5% Carbon Film	QAF0650-152	
R267	10K Ohm 1/6W 5% Carbon Film	QAF0650-103	
R268	1.5K Ohm 1/6W 5% Carbon Film	QAF0650-152	
R269	10K Ohm 1/6W 5% Carbon Film	QAF0650-103	
R270	1.5K Ohm 1/6W 5% Carbon Film	QAF0650-152	
R271	10K Ohm 1/6W 5% Carbon Film	QAF0650-103	
R272	1.5K Ohm 1/6W 5% Carbon Film	QAF0650-152	
R273	10K Ohm 1/6W 5% Carbon Film	QAF0650-103	
R274	1.5K Ohm 1/6W 5% Carbon Film	QAF0650-152	
R275	10K Ohm 1/6W 5% Carbon Film	QAF0650-103	
R276	1.5K Ohm 1/6W 5% Carbon Film	QAF0650-152	
R277	10K Ohm 1/6W 5% Carbon Film	QAF0650-103	
R278	1.5K Ohm 1/6W 5% Carbon Film	QAF0650-152	
R279	10K Ohm 1/6W 5% Carbon Film	QAF0650-103	
R280	1.5K Ohm 1/6W 5% Carbon Film	QAF0650-152	
R283	10K Ohm 1/6W 5% Carbon Film	QAF0650-103	
R284	1.5K Ohm 1/6W 5% Carbon Film	QAF0650-152	
R285	10K Ohm 1/6W 5% Carbon Film	QAF0650-103	
R286	1.5K Ohm 1/6W 5% Carbon Film	QAF0650-152	
R287	10K Ohm 1/6W 5% Carbon Film	QAF0650-103	
R288	1K Ohm 1/6W 5% Carbon Film	QAF0650-102	
R289~R292	10K Ohm 1/6W 5% Carbon Film	QAF0650-103	
R293~R299	1.5K Ohm 1/6W 5% Carbon Film	QAF0650-152	
R301~R308	24K Ohm 1/6W 5% Carbon Film	QAF0650-243	
R309, R310	1K Ohm 1/6W 5% Carbon Film	QAF0650-102	
R311, R312	10K Ohm 1/6W 5% Carbon Film	QAF0650-103	
R313, R314	1K Ohm 1/6W 5% Carbon Film	QAF0650-102	
R315, R316	3.3K Ohm 1/6W 5% Carbon Film	QAF0650-332	
R317, R318	100 Ohm 1/6W 5% Carbon Film	QAF0650-101	
R319, R320	10K Ohm 1/6W 5% Carbon Film	QAF0650-103	
R321, R322	1.0M Ohm 1/6W 5% Carbon Film	QAF0650-105	
R323, R324	4.7K Ohm 1/6W 5% Carbon Film	QAF0650-472	
R325, R326	10K Ohm 1/6W 5% Carbon Film	QAF0650-103	
R327	150 Ohm 1/6W 5% Carbon Film	QAF0650-151	
R329	220KOhm 1/6W 5% Carbon Film	QAF0650-224	
R330	10K Ohm 1/6W 5% Carbon Film	QAF0650-103	
R331	1K Ohm 1/6W 5% Carbon Film	QAF0650-102	
R332	22K Ohm 1/6W 5% Carbon Film	QAF0650-223	
R333	10K Ohm 1/6W 5% Carbon Film	QAF0650-103	
R334	220KOhm 1/6W 5% Carbon Film	QAF0650-224	

MAIN PCB PARTS LIST

REF. NO.	DESCRIPTION	SUPPLIER PART NO.	REM
RESISTORS			
R335, R337	10K Ohm 1/6W 5% Carbon Film	QAF0650-103	
R339, R340	10K Ohm 1/6W 5% Carbon Film	QAF0650-103	
R341, R342	27K Ohm 1/6W 5% Carbon Film	QAF0650-273	
R343, R344	2K Ohm 1/6W 5% Carbon Film	QAF0650-202	
R345, R346	10K Ohm 1/6W 5% Carbon Film	QAF0650-103	
R347, R348	160K Ohm 1/6W 5% Carbon Film	QAF0650-164	
R349, R350	1.1K Ohm 1/6W 5% Carbon Film	QAF0650-112	
R351~R354	27K Ohm 1/6W 5% Carbon Film	QAF0650-273	
R355~R358	100K Ohm 1/6W 5% Carbon Film	QAF0650-104	
R359, R360	15K Ohm 1/6W 5% Carbon Film	QAF0650-153	
R361, R362	150K Ohm 1/6W 5% Carbon Film	QAF0650-154	
R363, R364	20K Ohm 1/6W 5% Carbon Film	QAF0650-203	
R365~R368	2.2K Ohm 1/6W 5% Carbon Film	QAF0650-222	
R369, R370	100 Ohm 1/6W 5% Carbon Film	QAF0650-101	
R373, R374	1K Ohm 1/6W 5% Carbon Film	QAF0650-102	
R375, R376	680 Ohm 1/6W 5% Carbon Film	QAF0650-681	
R377	24K Ohm 1/6W 5% Carbon Film	QAF0650-243	
R378, R379	1.0M Ohm 1/6W 5% Carbon Film	QAF0650-105	
R380	100K Ohm 1/6W 5% Carbon Film	QAF0650-104	
R381, R382	470 Ohm 1/6W 5% Carbon Film	QAF0650-471	
R383, R384	10 Ohm 1/6W 5% Carbon Film	QAF0650-100	
R401	10K Ohm 1/6W 5% Carbon Film	QAF0650-103	
R402	27K Ohm 1/6W 5% Carbon Film	QAF0650-273	
R403	1.5K Ohm 1/6W 5% Carbon Film	QAF0650-152	
R404	15K Ohm 1/6W 5% Carbon Film	QAF0650-153	
R405	1.5K Ohm 1/6W 5% Carbon Film	QAF0650-152	
R406	68K Ohm 1/6W 5% Carbon Film	QAF0650-683	
R407, R408	27K Ohm 1/6W 5% Carbon Film	QAF0650-273	
R409	10K Ohm 1/6W 5% Carbon Film	QAF0650-103	
R410, R411	100K Ohm 1/6W 5% Carbon Film	QAF0650-104	
R412	150K Ohm 1/6W 5% Carbon Film	QAF0650-153	
R413	27K Ohm 1/6W 5% Carbon Film	QAF0650-273	
R414	2.2K Ohm 1/6W 5% Carbon Film	QAF0650-222	
R415	1.2K Ohm 1/6W 5% Carbon Film	QAF0650-122	
R416	1K Ohm 1/6W 5% Carbon Film	QAF0650-102	
R417	100K Ohm 1/6W 5% Carbon Film	QAF0650-104	
R418, R419	10K Ohm 1/6W 5% Carbon Film	QAF0650-103	
R420	100K Ohm 1/6W 5% Carbon Film	QAF0650-104	
R421	56K Ohm 1/6W 5% Carbon Film	QAF0650-563	
R422	1.5K Ohm 1/6W 5% Carbon Film	QAF0650-152	
R423	4.7 Ohm 1/2W 5% Carbon Film	QAF0250-479	
R424	0.22 Ohm 3W 5% Hicement Fixed Radial	QVE3050-228	
R425	1.5K Ohm 1/6W 5% Carbon Film	QAF0650-152	
R426	39K Ohm 1/6W 5% Carbon Film	QAF0650-393	
R427	100K Ohm 1/6W 5% Carbon Film	QAF0650-104	
R428, R429	100 Ohm 1/4W 5% Carbon Film	QAF0450-101	
R434	1K Ohm 1/6W 5% Carbon Film	QAF0650-102	
R435	33K Ohm 1/6W 5% Carbon Film	QAF0650-333	
R437	27K Ohm 1/6W 5% Carbon Film	QAF0650-273	
R501, R502	1K Ohm 1/6W 5% Carbon Film	QAF0650-102	

MAIN PCB PARTS LIST

REF. NO.	DESCRIPTION	SUPPLIER PART NO.	REM
RESISTORS			
R503, R504	100K Ohm 1/6W 5% Carbon Film	QAF0650-104	
R505~R508	10K Ohm 1/6W 5% Carbon Film	QAF0650-103	
R509, R510	1.5K Ohm 1/6W 5% Carbon Film	QAF0650-152	
R511, R512	56K Ohm 1/6W 5% Carbon Film	QAF0650-563	
R513, R514	4.7 Ohm 1/6W 5% Carbon Film	QAF0650-479	
R515, R516	0.22 Ohm 3W 5% Hicement Fixed Radial	QVE3050-228	
R517, R518	1.5K Ohm 1/6W 5% Carbon Film	QAF0650-152	
R519, R520	39K Ohm 1/6W 5% Carbon Film	QAF0650-393	
R521, R522	100K Ohm 1/6W 5% Carbon Film	QAF0650-104	
R523	39K Ohm 1/6W 5% Carbon Film	QAF0650-393	
R524	10K Ohm 1/6W 5% Carbon Film	QAF0650-103	
R525	22K Ohm 1/6W 5% Carbon Film	QAF0650-223	
R526	47K Ohm 1/6W 5% Carbon Film	QAF0650-473	
R527	100K Ohm 1/6W 5% Carbon Film	QAF0650-104	
R528	47K Ohm 1/6W 5% Carbon Film	QAF0650-473	
R529, R530	10K Ohm 1/6W 5% Carbon Film	QAF0650-103	
R531	47K Ohm 1/6W 5% Carbon Film	QAF0650-473	
R532	4.7K Ohm 1/6W 5% Carbon Film	QAF0650-471	
R533	47K Ohm 1/6W 5% Carbon Film	QAF0650-473	
R534	4.7K Ohm 1/6W 5% Carbon Film	QAF0650-471	
R535	10K Ohm 1/6W 5% Carbon Film	QAF0650-103	
R536, R537	33 Ohm 1/4W 5% CF340X2330934	QAF0450-330	
R538	10K Ohm 1/6W 5% Carbon Film	QAF0650-103	
R539, R540	1.5K Ohm 1/6W 5% Carbon Film	QAF0650-152	
R541, R542	10K Ohm 1/6W 5% Carbon Film	QAF0650-103	
R543	2.2K Ohm 1/6W 5% Carbon Film	QAF0650-222	
R544	4.7K Ohm 1/6W 5% Carbon Film	QAF0650-472	
R545	10K Ohm 1/6W 5% Carbon Film	QAF0650-103	
R551, R552	27K Ohm 1/6W 5% Carbon Film	QAF0650-273	
R601, R602	10K Ohm 1/6W 5% Carbon Film	QAF0650-103	
R603, R604	27K Ohm 1/6W 5% Carbon Film	QAF0650-273	
R605, R606	2K Ohm 1/6W 5% Carbon Film	QAF0650-202	
R607, R608	10K Ohm 1/6W 5% Carbon Film	QAF0650-103	
R609, R610	160K Ohm 1/6W 5% Carbon Film	QAF0650-164	
R611, R612	1.1K Ohm 1/6W 5% Carbon Film	QAF0650-112	
R613~R616	27K Ohm 1/6W 5% Carbon Film	QAF0650-273	
R617, R618	15K Ohm 1/6W 5% Carbon Film	QAF0650-153	
R619~R622	100K Ohm 1/6W 5% Carbon Film	QAF0650-104	
R623, R624	150K Ohm 1/6W 5% Carbon Film	QAF0650-154	
R625, R626	20K Ohm 1/6W 5% Carbon Film	QAF0650-203	
R627~R630	2.2K Ohm 1/6W 5% Carbon Film	QAF0650-222	
R701	3.3K Ohm 1/6W 5% Carbon Film	QAF0650-332	
R702	10K Ohm 1/6W 5% Carbon Film	QAF0650-103	
R703	6.8K Ohm 1/6W 5% Carbon Film	QAF0650-682	
R704	15K Ohm 1/6W 5% Carbon Film	QAF0650-153	
R705	6.8K Ohm 1/6W 5% Carbon Film	QAF0650-682	
R706	15K Ohm 1/6W 5% Carbon Film	QAF0650-153	
R725	4.7K Ohm 1/6W 5% Carbon Film	QAF0650-472	
R726	3.6K Ohm 1/6W 5% Carbon Film	QAF0650-362	
R727	68K Ohm 1/6W 5% Carbon Film	QAF0650-683	

MAIN PCB PARTS LIST

REF. NO.	DESCRIPTION	SUPPLIER PART NO.	REM
RESISTORS			
R729	1K Ohm 1/6W 5% Carbon Film	QAF0650-102	
R730	10K Ohm 1/6W 5% Carbon Film	QAF0650-103	
R731	200K Ohm 1/6W 5% Carbon Film	QAF0650-204	
R732	22K Ohm 1/6W 5% Carbon Film	QAF0650-223	
R733	36K Ohm 1/6W 5% Carbon Film	QAF0650-363	
R734	2.2K Ohm 1/6W 5% Carbon Film	QAF0650-222	
R735, R736	100 Ohm 1/6W 5% Carbon Film	QAF0650-101	
R737	4.7K Ohm 1/6W 5% Carbon Film	QAF0650-472	
TRANSISTORS			
Q101~Q104	NPN 2SC945P	RAN1945-001	
Q251~Q261	NPN 2SC945P	RAN0945-001	
Q263, Q264	NPN 2SC945P	RAN0945-001	
Q265, Q266	PNP 2SA952	RAP0952-001	
Q267~Q269	NPN 2SC945P	RAN0945-001	
Q270, Q271	PNP 2SA952	RAP0952-001	
Q272~Q279	NPN 2SC945P	RAN0945-001	
Q301, Q302	NPN 2SC945P	RAN0945-001	
Q401	NPN 2SC2878-A	RAN2878-001	
Q402	NPN 2SC945P	RAN0945-001	
Q501, Q502	NPN 2SC2878-A	RAN2878-001	
Q503~Q505	NPN 2SC945P	RAN0945-001	
Q506	PNP 2SA733Q, P	RAP0733-001	
Q508	NPN 2SC945P	RAN0945-001	
Q509	NPN 2SC2001L	RAN2001-001	
Q510	PNP 2SA733Q, P	RAP0733-001	
Q511	NPN 2SC2001L	RAN2001-001	
Q512	PNP 2SA952	RAP0952-001	
Q513	NPN 2SC945P	RAN0945-001	
WIRES			
RB205	Connector Wire 03 Cond 400mm	4999A-518	
RB301	Connector Wire 06 Cond 450mm	4999A-517	
RB302	Connector Wire 05 P 400mm	4999A-526	
RB502	Connector Wire 07 Cond 300mm	4999A-515	
RB504	Connector Wire 05 Cond 180mm	500351801B0	
RB506	Connector Wire 05 Cond 200mm	4999A-521	
RB601	Connector Wire 11Cond 70mm	4999A-542	
RB904	Connector Wire 05 Cond 400mm	4999A-512	
RB906	Connector Wire 09 Cond 300mm	500393001B0	
RB9A to CN9	Connector Wire 02 Cond 150mm	500321501B0	
P3 to AC3	Wire 22 GA 60mm Black 4-4	20565-060BB	
CPB JW20			
P1-P1'	Wire 22 GA 130mm Black 4-4	20565-130BB	
P2 to P2'	Wire 22 GA 150mm Black 4-4	20565-150BB	
P4 to P4'	Wire 22 GA 260mm Black 4-4	20565-260BB	
P5-JW12	Wire 22 GA 60mm Black 4-4	20565-060BB	

MAIN PCB PARTS LIST

REF. NO.	DESCRIPTION	SUPPLIER PART NO.	REM
MISCELLANEOUS			
CR201	Crystal	4.194304 MHz HC-49/U	JQC6070-419
L401	Choke	RF Coil 1uH MDEC T40818-08	SHR6619-001
L501, L502	Choke	RF Coil 1uH MDEC T40818-08	SHR6619-001
RL501, RL502	Relay	MI-SH-212LM 12V DC	MRL2212-002
Main Pcb-1	Bracket	Bracket -Right	GSE0253-001
Main Pcb-1	Bracket	Bracket -Left	GSE0254-001
Main Pcb-1	Bracket	Heat Sink Bracket	GSE0093-001
RC401	Inductor	0.4uH 1 Ohm 2W 5%	SHN2050-109
RC501, C502	Inductor	0.4uH 1 Ohm 2W 5%	SHN2050-109

PROTECT PCB PARTS LIST

MISCELLANEOUS				
C1	Capacitor	CE	100 50V uF +20%	PLN1055-101
R01, R02	Wire Term	R/Blk	120mm	VWT23A3-012
R1	Resistor	CFR	10W 5% 06 Ohm	QVEA050-609
R1, R2	Resistor	HFD	05W 5% 12 Ohm	QVE5050-120
RB1	Wire Term	R/Blk	120mm	VWT23A3-012
RB2	Cond Wire	2P	130mm	4999A-727
RiL	Cond Wire	2P	130mm	4999A-727
050	Poly Switch	0.5A		MSO0002-001

SENSOR PCB PARTS LIST

MISCELLANEOUS				
C951	Capacitor	CE	100 uF 16V +20%	PMA3952-101
R951	Resistor	1/6W	5% CF 100 Ohm	QAF0650-101
SN951	IRT Sensor			RHO0638-010
Blu to J1, Shld To J2, Blk to J3	Cable Wire	Mic	Cable L=6000	VMC0001-025

POWER AMPLIFIER PCB PARTS LIST

REF. NO.	DESCRIPTION	SUPPLIER PART NO.	REM
CAPACITORS			
C623, C624	Cond Mylar 0.0022 uF 100V +5%	PRM3737-222	
C625, C626	Cond Elect 1.0 uF 50V +20%	PRE3955-109	
C627, C628	Cond Elect 22 uF 16V +20%	PRE3952-220	
C631, C632	Cond Mylar 0.1 uF 100V +5%	PRM3737-104	
C633, C634	Cond Disc 0.1 uF 50V +80-20%	PRD4965-104	
C635, C636	Cond Elect 100 uF 50V +20%	PRE3955-101	
C639, C640	Cond Disc 0.1 uF 50V +80-20%	PRD4965-104	
C641	Cond Elect 100 uF 50V +20%	PRE3955-101	
C642	Cond Disc 0.1 uF 50V +80-20%	PRD4965-104	
C643	Cond Elect 100 uF 50V +20%	PRE3955-101	
C644	Cond Disc 0.1 uF 50V +80-20%	PRD4965-104	
C651, C652	Cond Elect 220 pF 50V +-10%	PRD3545-221	
C707	Cond Elect 10 uF 16V +20%	PRE3952-100	
C708	Cond Elect 33 uF 16V +20%	PRE3952-330	
C711~C713	Cond Disc 0.1 uF 50V +80-20%	PRD4965-104	
C714	Cond Disc 220 pF 50V +10%	PRD3545-221	
C715, C716	Cond Elect 100 uF 50V +20%	PRE3955-101	
C717	Cond Mylar 0.1 uF 100V +5%	PRM3737-104	
C718	Cond Mylar 0.0047 uF 100V +5%	PRM3737-472	
C935~C938	Cond Disc 0.022 uF 50V +80-20%	PRD4965-223	
C939, C940	Cond Elect 4700 uF 50V +20%	PVE3955-472	
CONNECTORS			
CN501	6 Pin Top Base P:3.96mm	CCN3962-006	
CN502	7 Pin Top Base P:3.96mm	CCN3962-007	
CN503	4 Pin Top Base P:2.5mm	CCN3962-004	
CN504	5 Pin B5B-XH-A Top Base P:2.5mm	CCN1500-016	
CN505	2 Pin Top Base P:3.96mm	CCN3962-002	
CN506	5 Pin B5B-XH-A Top Base P:2.5mm	CCN1500-016	
CN903	3 Pin Top Base P:3.96mm	CCN3962-003	
DIODES			
D601~D604	Switch 1N4148	RAD4148-001	
D701~D703	Switch 1N4148	RAD4148-001	
D915~D918	Rectifier 1N5404 3A 280Vrms	RHD5404-001	
ICS			
IC601, IC602	11 Pin LM3886T 68W	RHI3886-001	
IC603	15 Pin STK407-040	RHI0407-050	
IC703	11 Pin LM3886T 68W	RHI3886-001	
RESISTORS			
R631, R632	1K Ohm 1/6W 5% Carbon Film	QAF0650-102	
R633, R634	100K Ohm 1/6W 5% Carbon Film	QAF0650-104	
R635~R638	10K Ohm 1/6W 5% Carbon Film	QAF0650-103	
R639, R640	1.5K Ohm 1/6W 5% Carbon Film	QAF0650-152	
R641, R642	56K Ohm 1/6W 5% Carbon Film	QAF0650-563	
R643, R644	4.7 Ohm 1/2W 5% Carbon Film	QAF0250-479	
R645, R646	0.22 Ohm 3W 5% Hicement Fixed Radial	QVE3050-228	
R647, R648	1.5K Ohm 1/6W 5% Carbon Film	QAF0650-152	

POWER AMPLIFIER PCB PARTS LIST

REF. NO.	DESCRIPTION	SUPPLIER PART NO.	REM
RESISTORS			
R649, R650	39K Ohm 1/6W 5% Carbon Film	QAF0650-393	
R651, R652	100KOhm 1/6W 5% Carbon Film	QAF0650-104	
R653, R654	1.5K Ohm 1/6W 5% Carbon Film	QAF0650-152	
R655	10K Ohm 1/6W 5% Carbon Film	QAF0650-103	
R660~R662	27K Ohm 1/6W 5% Carbon Film	QAF0650-273	
R708	100KOhm 1/6W 5% Carbon Film	QAF0650-104	
R709, R710	10K Ohm 1/6W 5% Carbon Film	QAF0650-103	
R711	1K Ohm 1/6W 5% Carbon Film	QAF0650-102	
R712	24K Ohm 1/6W 5% Carbon Film	QAF0650-243	
R717	4.7 Ohm 1/2W 5% Carbon Film	QAF0250-479	
R718	0.22 Ohm 3W 5% Hicement Fixed Radial	QVE3050-228	
R719	1.5K Ohm 1/6W 5% Carbon Film	QAF0650-152	
R720	39K Ohm 1/6W 5% Carbon Film	QAF0650-393	
R721	100KOhm 1/6W 5% Carbon Film	QAF0650-104	
R722	1K Ohm 1/6W 5% Carbon Film	QAF0650-102	
R723	33 Ohm 1/4W 5% CF340X2330934	QAF0450-330	
R724	10K Ohm 1/6W 5% Carbon Film	QAF0650-103	
TRANSISTORS			
Q601, Q602	NPN 2SC2878-A	RAN2878-001	
Q603, Q604	NPN 2SC945P	RAN0945-001	
Q701	NPN 2SC2878-A	RAN2878-001	
Q702	NPN 2SC945P	RAN0945-001	
Q703	NPN 2SC2001L	RAN2001-001	
WIRES			
CN505	Connector Wire 2 Cond 310mm	4999A-425	
RB100	Connector Wire 4 Cond 250mm	4999A-632	
RB102	Connector Wire 3 Cond 150mm	50024AE1BMM	
RB905	Connector Wire 4 Cond 250mm	4999A-513A	
MISCELLANEOUS			
F906, F907	Fuse Clip DIA5xL20mm	CFC2557-001	
F906, F907	Fuse 4A 250V	KSA2400-104	
L601, L602	RF Coil 1 uH T40818-08	SHR6619-001	
L701	RF Coil 1 uH T40818-08	SHR6619-001	
RL701	Relay MI-SH-212LM 12V	MRL2212-002	
RC601, C602	Inductor 0.4uH 1 Ohm 2W 5%	SHN2050-109	
RC701	Inductor 0.4uH 1 Ohm 2W 5%	SHN2050-109	
P1 to P1'	Wire 22 GA 130mm Black 4-4	20565-130BB	
P2 to P2'	Wire 22 GA 80mm Brown 4-4	20565-081BB	
P4-P4A	Wire 22 GA 90mm Yellow 4-4	20565-094BB	
Power PCB-1	Bracket Pcb Bracket (R)	GSE0256-001	
Power PCB-1	Bracket Pcb Bracket (L)	GSE0257-001	
Pcb Bkt to Pwr	Screw M3.0x0.5PxL6.0mm	H120302-306	
Pcb-1			
Pcb Bkt to Pwr	Screw T3.0x0.5PxL6.0mm	H120301-306	
Pcb-3			

VOLUME PCB PARTS LIST

REF. NO.	DESCRIPTION	SUPPLIER PART NO.	REM
CAPACITORS			
C701	Cond Elect 4.7 uF 16V +-20%	PMA3952-479	
C702	Cond Elect 47 uF 10V +-20%	PMA3951-470	
C703~C706	Cond Elect 4.7 uF 16V +-20%	PMA3952-479	
C752, C753	Cond Elect 47 uF 10V +-20%	PMA3951-470	
C755	Cond Elect 47 uF 10V +-20%	PMA3951-470	
C765	Cond Elect 100 uF 10V +-20%	PMA3951-101	
C766, C767	Cond Elect 47 uF 10V +-20%	PMA3951-470	
C768	Cond Elect 100 uF 10V +-20%	PMA3952-101	
C769	Chip Cap 47 pF 50V +-5%	PCW1035-470	
C770	Cond Mylar 0.82 uF 63V +-5%	PEP2636-824	
C771	Cond Mylar 0.0056 uF 100V +-5%	PRM3737-562	
C772	Cond Mylar 0.0047 uF 100V +-5%	PRM3737-472	
C773	Chip Cap 47 pF 50V +-5%	PCW1035-470	
C774	Cond Mylar 0.0047 uF 100V +-5%	PRM3737-472	
C775	Cond Mylar 0.0056 uF 100V +-5%	PRM3737-562	
C776	Chip Cap 0.82 uF 63V +-5%	PEP2636-824	
C777	Chip Cap 47 pF 50V +-5%	PCW1035-470	
C780~C782	Chip Cap 47 pF 50V +-5%	PCW1035-470	
C783, C784	Cond Elect 47 uF 10V +-20%	PMA3951-470	
C785	Cond Elect 100 uF 10V +-20%	PMA3951-101	
C786~C788	Cond Elect 47 uF 10V +-20%	PMA3951-470	
C789, C795	Cond Elect 100 uF 25V +-20%	PMA3953-101	
C809~C812	Cond Elect 100 uF 25V +-20%	PMA3953-101	
C813, C814	Cond Elect 3.3 uF 50V +-20%	PMA3955-339	
C815, C816	Cond Elect 100 uF 25V +-20%	PMA3953-101	
CONNECTORS			
CN5A	09 Pin JST 09P-1.25FJP=1.25mm	CCN0125-109	
CN6A	15 Pin JST 15P-1.25FJP=1.25mm	CCN0125-115	
CN601A	11 Pin B11B-PH-K Top Base P=2.0mm	CCN7879-031	
CN602A	TUCP15X-B1 P=2.0mm	CCN2032-L15	
CN603A	TUCP07X-B1 P=2.0mm	CCN2032-L07	
CN604	Cond Wire 3 Con 180mm Brown	50024AH8900	
CN8A	15 Pin TOC-B15X-B1 Top Base P=1.0mm	CCN1233-015	
RESISTORS			
R801	220K Ohm 1/10W 5% 0805 SMT Type	QCF0152-224	
R803~R806	220K Ohm 1/10W 5% 0805 SMT Type	QCF0152-224	
R810~R812	22K Ohm 1/6W 5% Carbon Film	QAF0650-223	
R816	220K Ohm 1/10W 5% 0805 SMT Type	QCF0152-224	
R817~R819	3.6K Ohm 1/10W 5% 0805 SMT Type	QCF0152-362	
R821	10K Ohm 1/10W 5% 0805 SMT Type	QCF0152-103	
R822, R827	2.4K Ohm 1/10W 5% 0805 SMT Type	QCF0152-242	
R828, R829	3.6K Ohm 1/10W 5% 0805 SMT Type	QCF0152-362	
R830	8.2K Ohm 1/10W 5% 0805 SMT Type	QCF0152-822	
R832	0 Ohm Jump Wire 0805 SMT Type	QCF0152-000	
R833, R834	8.2K Ohm 1/10W 5% 0805 SMT Type	QCF0152-822	
R835	100 Ohm 1/10W 5% 0805 SMT Type	QCF0152-101	
R836, R837	8.2K Ohm 1/10W 5% 0805 SMT Type	QCF0152-822	

VOLUME PCB PARTS LIST

REF. NO.	DESCRIPTION	SUPPLIER PART NO.	REM
RESISTORS			
R842~R845	8.2K Ohm 1/10W 5% 0805 SMT Type	QCF0152-822	
R846	1K Ohm 1/10W 5% 0805 SMT Type	QCF0152-102	
R862, R863	2.7K Ohm 1/10W 5% 0805 SMT Type	QCF0152-272	
R864, R865	1K Ohm 1/10W 5% 0805 SMT Type	QCF0152-102	
R866, R867	2.7K Ohm 1/10W 5% 0805 SMT Type	QCF0152-272	
R868, R869	1K Ohm 1/10W 5% 0805 SMT Type	QCF0152-102	
R873, R874	2.7K Ohm 1/10W 5% 0805 SMT Type	QCF0152-272	
R875	1K Ohm 1/10W 5% 0805 SMT Type	QCF0152-102	
R876~R881	100 Ohm 1/10W 5% 0805 SMT Type	QCF0152-101	
R885~R886	150 Ohm 1W 5% MFHI	QHM1050-151	
MISCELLANEOUS			
D601	Diode Switch	LL4148	RCD4148-001
ZD601, ZD602	Diode Zener	6.9-7.2V 0.5W	RAZ0859-073
IC620	IC 42 Pin	M62446FP	RCI6244-001
IC621~IC623	IC 08 Pin	TL072CD	RCI0720-001
L604, L605	Choke	10 uH	SAC7414-100