



# ESC 360

## Service Manual



### **SPECIFICATIONS:**

#### **Audio Section**

- Surround Formats: Dolby Digital - DTS - Dolby Pro Logic
- Frequency Response at 1W (+0dB, -3dB): 55Hz - 20 kHz
- Signal-to-Noise Ratio (IHF-A): 80 dB

#### **Satellite Section**

- Frequency Response (-6db): 120 Hz-20 kHz
- Sensitivity (2.83V @ 1m): 84 dB
- Nominal Impedance: 4 Ohms
- Recommended Amplifier Power: 25 Watts RMS (in sub)
- Titanium Laminate HF: 12 mm
- Paper Cone Midrange : 75 mm
- Dimensions (H x W x D): 111 x 81 x 92 mm
- Weight: 0.5 kg
- Finish: silvergray

#### **Center Section**

- Frequency Response (-6db): 120 Hz-20 kHz
- Sensitivity (2.83V @ 1m): 86 dB
- Nominal Impedance: 4 Ohms
- Recommended Amplifier Power: 25 Watts RMS (in sub)
- Titanium Laminate HF: 12 mm
- Paper Cone Midrange : dual 75 mm
- Dimensions (H x W x D): 83 x 194 x 95 mm
- Weight: 0.8 kg
- Finish: silvergray

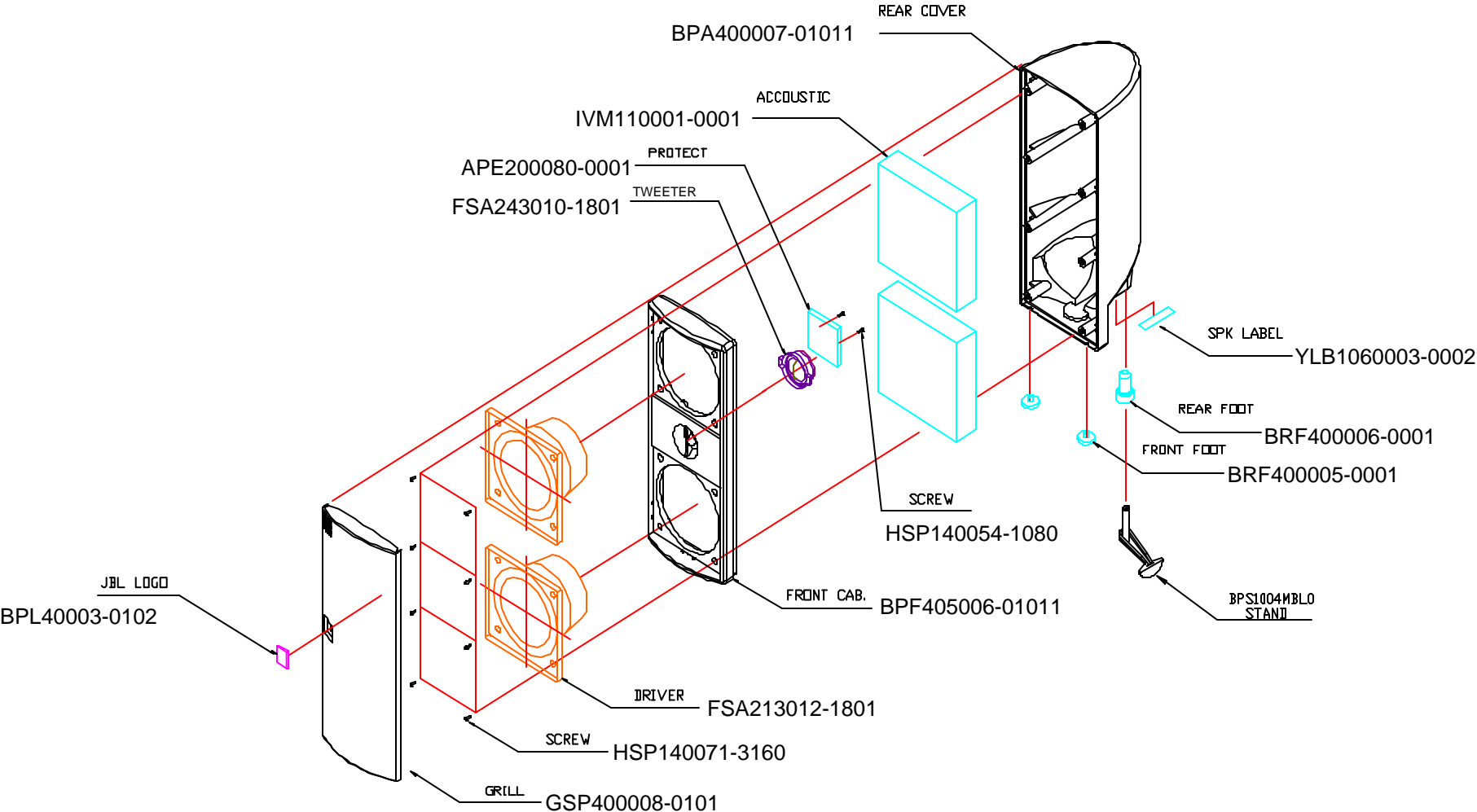
#### **Subwoofer Section**

- Low Frequency Cut-off: 40 Hz
- High Frequency Cut-off: 160 Hz
- Built-in Power Amplifier (RMS): 25 Watts x 5 + 60 Watts
- Paper Cone Long Throw Driver : 165 mm
- Dimensions (H x W x D): 315 x 300 x 310
- Weight: 7.2 kg
- Finish: silvergray

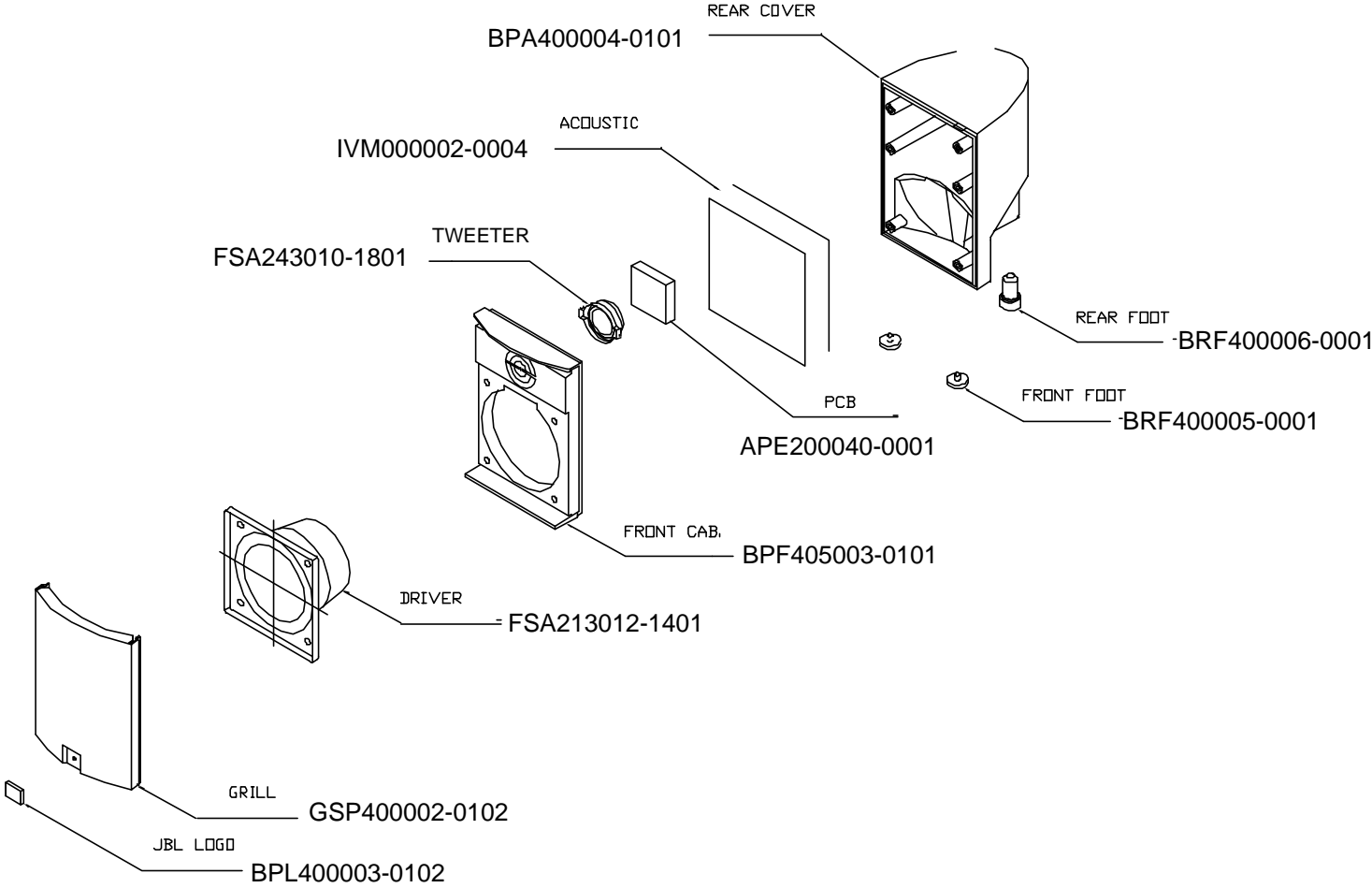
#### **General Section**

- Power Requirement: 230V/50-60Hz
- Power Consumption: 80 Watts

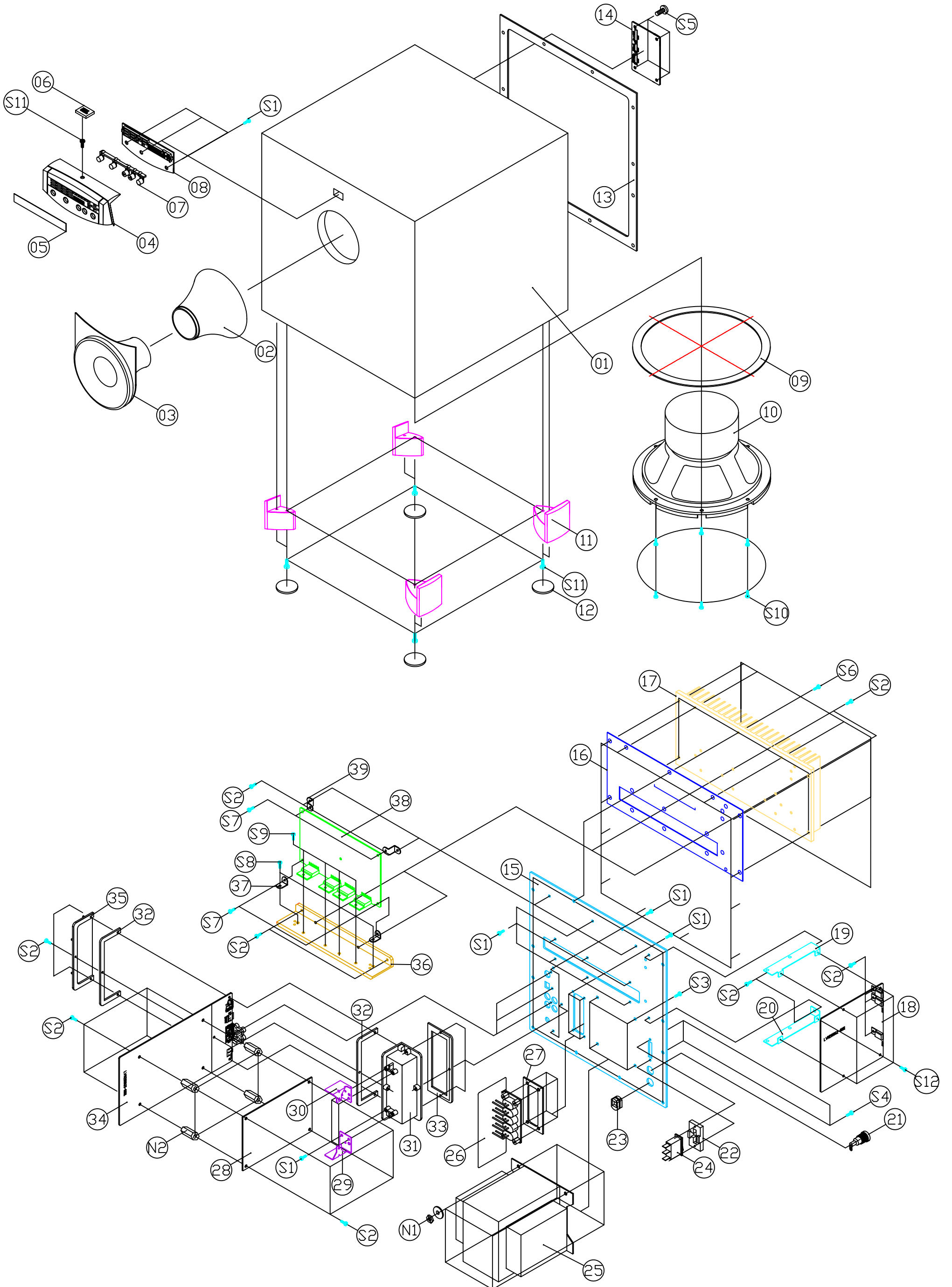
# ESC 360 CENTER SPEAKER : AFK200003-0001



# ESC360 SATELLITE : AFK200002-0001



# EXPLODED VIEW JBL ESC 360



## ESC360 PART LIST

ITEM	PART NUMBER	MATERIAL DESCRIPTION	
1	EVM200002-0001	WOOD BOX W300xH300xD300mm	
2	BPR000020-0001	PORT EDGE ABS W/SPRAY MA4810	
3	BPR000042-0BA0	PORT (F) ABS MA4810	
4	BPF005056-0AY1	CNTL PANEL METALIC LIGHT GREY SILVER	
5	BFP211001-0001	PVC PLATE	
6	BPL000013-0001	LOGO PLATE 22.5xW18mm JBL	
7	BPK005031-0000	CONTROL KNOB W/SPRAY MA4810	
8	APE200140-4001	CNTL PCB ASSY (HI)	
9	IVE200001-0001	SPONGE OD165xD143xT1.0mm	
10	FSA226061-1401	SPK DRIVER 6.5" 4OHM 60W	
11	BPE000005-0002	FOOT D25xL25 LIGHT GREY W/MA4810 SPRAY	
12	BRF200001-0001	RUBBER FOOT NR3 BLACK 13.5xT2.0mm W/ADHE	
13	IVE200002-0001	SPONGE L268xW268xT2.0mm	
14	APE200065-4001	LED INTERFACE PCB ASSY HI	
15	GSE200008-0001	REAR PANEL SECC T=2.0mm CEDCOATING BLK	
16	ICH209001-0001	SPONGE FIBER T0.5mm 268x120mm	
17	GAL200004-0001	HEAT SINK L AL W/ANODIZING BLK	
18	APE200063-5001	DC PCB ASSY CHASSIS	
19	GSE200010-0001	PCB BKT R SECC T=1.0mm	
20	GSE200011-0001	PCB BKT L SECC T=1.0mm	
21	CFC021001-1001	FUSE HOLDR FUSE HOLDER FH-B02	
22	BRB200001-0001	RUBBER BUSHING BLACK W/UL	
23	DBU001002-0011	BUSHING AC LINE BUSHING	HEAVY POWER 4K-4
24	MSW008004-0010	SW ROCKER 5A AC 250V TV-5	
25	TTK223001-0001	PWR TRANS EI-96 230V	
26	APE200064-5001	SPK JACK ASSY CHASSIS	
27	IVE200010-0001	SPONGE A EVA	
28	APE004710-4004	DECODER PCB ASSY AC3 DTS/DSP HI	
29	GSE200020-0001	PCB BKT L SECC T=1.0mm	
30	GSE200021-0001	PCB BKT R SECC T=1.0mm	
31	BPC200001-0001	PCB COVER A ABS LIGHT GREY	
32	IVE200004-0001	SPONGE B EVA	
33	IVE200003-0001	SPONGE A EVA	
34	APE200061-5001	MAIN PCB ASSY CHASSIS	
35	BPC210001-0001	PCB COVER B ABS LIGHT GREY	
36	GAL200003-0001	HEAT SINK AL W238xH32mm W/ANODIZING BLK	
37	GSE200009-0001	PCB BKT L T=1.0mm	
38	APE200062-5001	AMP. PCB ASSY CHASSIS	
39	GSE200012-0001	PCB BKT Z SECC T=1.0mm	
S1	HSP140054-3080	SCREW T3.0xL8xP1.06mm	BLACK OXIDE
S2	HST140054-3100	SCREW T3.0xL10xP1.06mm	BLACK OXIDE
S3	HSD143103-3200	SCREW M4.0xP0.7xL20 mm	C
S4	HSP143083-3140	SCREW ;M3.0xP0.5xL14mm	PAN HEAD BLACK
S5	HST140051-3220	SCREW T3xL22xP1.06mm	BLACK OXIDE
S6	HSP140091-3200	SCREW T4xL20xP1.59mm	BLACK OXIDE
S7	HST140054-3060	SCREW T3xL6xP1.06mm	BLACK OXIDE
S8	HSP140074-3080	SCREW T3.5xL8xP1.41mm	BLACK OXIDE
S9	HSP140054-3100	SCREW T3.0xL10xP1.06mm	BLACK OXIDE
S10	HSP140091-3160	SCREW T4.0x1.59PxL16mm	BLACK PAN HEAD
S11	HST140071-3140	SCREW T3.5xP1.41x14mm	BLACK OXIDE
S12	HSP140054-3060	SCREW T3.0xL6xP1.06mm	BLACK OXIDE
N1	HNT140700-1300	NUT M4.0xOD7.0xT3.0mm	NICKEL
N2	HOT002006-0003	CU-SPACER M3.0xP0.5xL20mm HEXAGO	

## Main

Installation Point	Qty.	Description	Material No.
	1	MAIN PCB ASSY HI	APE200061-4001
IC302	1	IC 14 PIN TL074CD	RCI000740-0001
IC621 IC622 IC623 IC701	4	IC 8 PIN TL072CD	RCI000720-0001
IC620	1	IC 42 PIN M62446FP MITSUBISHI	RCI062446-0001
IC301	1	IC 16 PIN TC4052BFN CHIP	RCI004052-0001
IC201	1	IC 44 PIN TC9819 U-CON V2 MASK	RCI870047-0082
Q101 Q102 Q103 Q104 Q301 Q302 Q505	7	XISTR NPN SMT (2SC945)	RCN200945-0001
Q506	1	XISTR PNP 2SA812 hfe:200~400	RCP200733-0001
ZD601 ZD602	2	DIODE ZENR 6.9-7.2V 0.5W	RAZ005007-0020
D201 D202 D203 D303 D304 D305 D306 D307 D308 D601 D208	11	CHIP DIODE LL4148 TELEFUNKEN	RCD104148-0010
D650	1	DIODE;RECTIFIER 1N4002	RAD114001-0010
ZD301	1	DIODE ZENR 2.3-2.5V 0.5W	RAZ005002-0020
ZD201	1	DIODE ZENR 5.6-5.9V 0.5W	RAZ005006-0020
R832 JP01 R738	3	CHIP RES. 0 OHM JUMP WIRE	QCF015020-0000
R383 R384	2	CHIP RES. 10 OHM 1/10W 5%	QCF015020-1000
R880 R317 R318 R835 R876 R877 R878 R879 R881	9	CHIP RES. 100 OHM 1/10W 5%	QCF015020-1010
R309 R310 R313 R314 R331 R373 R374 R846 R864 R865 R868 R869 R875 R336	14	CHIP RES. 1K OHM 1/10W 5%	QCF015020-1020
R101 R103 R106 R108 R113 R214 R311 R312 R319 R320 R325 R326 R330 R333 R335 R337 R529 R542 R821 R101A R118 R119 R120	23	CHIP RES. 10K OHM 1/10W 5%	QCF015020-1030
R380 R527	2	CHIP RES. 100K OHM 1/10W 5%	QCF015020-1040
R107 R321 R322 R378 R379	5	CHIP RES. 1M OHM 1/10W 5%	QCF015020-1050
R104 R109 R110 R327 R327A	5	CHIP RES. 150 OHM 1/10W 5%	QCF015020-1510
R211	1	CHIP RES. 1.8K OHM 1/10W 5%	QCF015020-1820
R833 R834	2	CHIP RES. 2.4K OHM 1/10W 5%	QCF015020-2420
R332	1	CHIP RES. 22K OHM 1/10W 5%	QCF015020-2230
R329 R334 R801 R803 R804 R805 R816 R802	8	CHIP RES. 220K OHM 1/10W 5%	QCF015020-2240
R301 R302 R303 R304 R305 R306 R307 R308 R377	9	CHIP RES. 24K OHM 1/10W 5%	QCF015020-2430
R862 R863 R866 R867 R873 R874	6	CHIP RES. 2.7K OHM 1/10W 5%	QCF015020-2720
R210 R315 R316	3	CHIP RES. 3.3K OHM 1/10W 5%	QCF015020-3320
R817 R818 R819 R828 R829	5	CHIP RES. 3.6K OHM 1/10W 5%	QCF015020-3620
R381 R382	2	CHIP RES. 470 OHM 1/10W 5%	QCF015020-4710
R212 R213 R226 R236 R323 R324 R215 R216 R217 R218 R220 R221 R223 R224 R219	15	CHIP RES. 4.7K OHM 1/10W 5%	QCF015020-4720
R105 R112 R225 R526 R528	5	CHIP RES. 47K OHM 1/10W 5%	QCF015020-4730
R885 R886	2	RESISTOR 150 OHM 1W 5% MF HI	QHM105000-1510
R375 R376	2	CHIP RES. 680 OHM 1/10W 5%	QCF015020-6810
R830 R822 R827 R836 R837 R842 R843 R844 R845	9	CHIP RES. 8.2K OHM 1/10W 5%	QCF015020-8220
R102	1	CHIP RES. 5.1K OHM 1/10W 5%	QCF015020-5120
R372	1	RESISTOR 4.7K OHM 1/6W 5% CF	QAF065000-4720
R810 R811 R812	3	RESISTOR 22K OHM 1/6W 5% CF	QAF065000-2230
L301	1	CHOKE 10 uH 10%	SAN001600-1000
R232	1	RESISTOR 100 OHM 1/6W 5% CF	QAF065000-1010
C202 C203	2	CHIP CAP 18 pF 50V 5%	PYL410370-1800
C317 C318	2	CHIP CAP 22 pF 50V 5%	PYL410370-2200
C303 C304 C309 C310 C328 C331 C363 C364 C769 C773 C777 C780 C781 C782 C358 C359 C360 C361	18	CHIP CAP 47 pF 50V 5%	PYL410370-4700
C301 C302 C307 C308	4	CHIP CAP 100 pF 50V 5%	PYL410370-1010
C102 C106 C110 C111 C206 C211 C325 C326 C703 C704 C321A C322A C110A	13	CHIP CAP 0.1 uF 50V 5%	PYL456370-1040
C101 C105	2	CHIP CAP 0.01 uF 50V 5%	PYL456370-1030
C208 C362	2	CHIP CAP 0.022 uF 50V 5%	PYL456370-2230
C702A C752 C753 C755 C766 C767 C783 C784 C786 C787 C788	11	COND ELECT 47uF 10V 20%	PRE039530-4700
C207	1	COND ELECT 47uF 16V 20%	PRE039540-4700

C109 C305 C306 C311 C312 C315 C316 C319 C320 C327	10	COND ELECT 47uF 25V 20%	PRE039550-4700
C209 C527 C330	3	COND ELECT 10 uF 50V 20%	PRE039570-1000
C104 C108 C201 C323 C324	5	COND ELECT 1uF 50V 20%	PRE039570-1090
C765 C785	2	COND ELECT 100uF 10V 20%	PRE039530-1010
C768	1	COND ELECT 100uF 16V 20%	PRE039540-1010
C789 C795 C809 C811 c810 c812 c815 c816	8	COND ELECT 100uF 25V 20%	PRE039550-1010
C313 C314 C321 C322	4	COND ELECT 220uF 25V 20%	PRE039550-2210
C526	1	COND ELECT 2.2 uF 50V 20%	PRE039570-2290
C204	1	COND ELECT 0.47 uF 50V 20%	PRE039570-4780
C701A C703A C704A C705A C706A	5	COND ELECT 4.7 uF 50V 20%	PRE039570-4790
C813 C814	2	COND ELECT 3.3 uF 50V 20%	PRE039570-3390
C770 C776	2	COND METAL 0.82uF 63V 5% MINI SIZE	PRN126380-8240
C772 C774	2	COND MYLAR 0.0047 uF 100V 5%	PRM0373A0-4720
C771 C775	2	COND MYLAR 0.0056 uF 100V 5%	PRM0373A0-5620
C205 C650	2	COND ELECT 2200 uF 10V 20% 85°C	PVE039530-2220
JP400~JP466 L604 L605 JP467 JP468 JP469(NEAR L604)	71	WIRE BARE 22 GA TINNED	XJP220000-0001
CN206	1	CONNECTOR 10 PIN PITCH=2.0mm	CCN200000-0110
CON2	1	CONNECTOR B2B-XH-A 2 PIN	CCN250000-0102
JK201	1	PHONE JACK D3.5 3 PIN BLK	CJM035001-3010
CR201	1	CRYSTAL 4.194304 MHZ HC-49/U	JQC013100-4151
CN8A	1	CONNECTOR 15 PIN TO2-3100-1150	CCH100060-0215
CN5A	1	CONNECTOR 9 PIN P1.25x2.5mm 180' FPC	CCH125060-0209
CN6A	1	FPC CONNECTOR 15PIN P1.25x2.5mm 180'	CCH125060-0215
JK301	1	RCA JACK 4P RED-RED/WHT-WHT	CJR004101-0020
JK303	1	OPTICAL RECEIVER DLR1111	CJT200001-0005
JK302	1	RCA JACK 1P GREEN RJ-1081-05-0300A	CJR001101-0030
CN601A	1	CON/WIRE 11P 250mm 2547&1007 A=2mm	VVA200047-0005
RB1	1	SHIELD CABLE 3P L=70mm 2547#26 A=2.5mm	VSW323122-0070
RB3	1	SHIELD CABLE 2P 120mm 1533#26 A=2.5mm	VSW223122-0120
RB102B	1	CON/WIRE 7P 120mm 2547&1007 A=2mm	VVA200047-0006
RB9A	1	CON/WIRE 2P 60mm A=2.5mm B=2512V	VVA010091-0001
RB100	1	CON/WIRE 4P 290mm 1007#26 AWG FLAT A=2mm	VVA200097-0001
RB906	1	FLAT WIRE 9P 380mm 1007#26 A=2.5mm	VVA010091-0002
CN6A	1	FFC CABLE 15P 50mm 2896 P=1.25mm	VFC150530-0500
CN5A	1	FFC CABLE 9P L=50mm 2896 P=1.25mm A=2.5	VFC090530-0500
CN8A	1	FFC CABLE 15P L=50mm 2896 P=1.0mm	VFC150520-0500
RB102	1	CON/WIRE 3P 350mm 1007#26 FLAT	VVA010090-0002
<b>Amplifier</b>			
<b>Installation Point</b>	<b>Qty.</b>	<b>Description</b>	<b>Material No.</b>
	1	AMP. PCB ASSY (HI)	APE200062-4001
IC421 IC501 IC502	3	IC 11 PIN TDA7265 SGS THOMSON	RHI007265-0001
IC703	1	IC 11 PIN LM3886T	RHI003886-0001
IC800 IC626	2	IC 8 PIN TL072CD	RCI000720-0001
IC303 IC304 IC401 IC601 IC602 IC702	6	IC 14 PIN TL074CD	RCI000740-0001
Q508 Q509	2	XISTR NPN 2SC2001L NEC	RAN202001-0001
Q401 Q501 Q502 Q601 Q701 Q602	6	XISTR NPN 2SC2878-A (TE2.,M)	RAN202878-0001
Q800 Q801 Q402	3	XISTR NPN 2SC945P	RAN200945-0001
Q510	1	XISTR PNP 2SA733Q,P NEC	RAP200733-0001
ZD501	1	DIODE ZENR 5.6-5.9V 0.5W	RAZ005006-0020
D603 D800 D801	3	CHIP DIODE LL4148 TELEFUNKEN	RCD104148-0010
CN100	1	CONNECTOR 4 PIN PITCH=2.0mm	CCN200000-0104
CN505	1	CONNECTOR 2 PIN LEOCO 3951	CCN396020-0102
CN503	1	CONNECTOR 4 PIN CL3962WVO	CCN396020-0104
CN501	1	CONNECTOR 6 PIN CL3962WVO	CCN396020-0106
CN601	1	CONNECTOR 11 PIN PITCH=2.0mm	CCN200000-0111
CN102	1	CONNECTOR B3B-XH-A 3 PIN	CCN250000-0103
CN505	1	WIRE TERM 2P 340mm 1015#18 A=3.96VH	VWT503221-0340
L701	1	RF COIL 1 uH MDEC T40818-08	SIL001003-1090
C336 C337 C338 C339 C403 C404 C530 C531 C532 C533 C606 C637 C638 C605 C340 C342 C341 C343 C405 C406 C607 C608 C609 C610	24	CHIP CAP 0.1 uF 50V 5%	PYL456370-1040
C652 C714 C651 C334 C335 C402 c604 C416 C507 C508 C603	11	CHIP CAP 220 pF 50V 5%	PYL410370-2210
C633 C634 C642 C644 C723 C724 C418A C419A C803 C804	10	CHIP CAP 0.1 uF 50V 5%	PYL456370-1040

C623 C624	2	CHIP CAP 0.0022 uF 50V 5%	PYL456370-2220
C719 C507A C508A C416A C651A C652A	6	CHIP CAP 47 pF 50V 5%	PYL410370-4700
C726	1	CHIP CAP 0.022 uF 50V 5%	PYL456370-2230
C413 C501 C502 C352 C354 C353 C355 C411 C412 C620 C622 C619 C621	13	CHIP CAP 0.0022 uF 50V 5%	PYL456370-2220
C722	1	CHIP CAP 0.027 uF 50V 5%	PYL456370-2730
R713 R538 R436 R539 R663 R664 C401 J1 J2 J3 J4 J5 J6 J7 R536 R537 R530 R545 R351 R352 R613 R614 R407 R353 R354 R408 R615 R616 C601 C602 C332 C333 J8 J9	34	CHIP RES. 0 OHM JUMP WIRE	QCF015020-0000
R631 R632 R711 R701 R416 R501 R502 R729 R02 R03	10	CHIP RES. 1K OHM 1/10W 5%	QCF015020-1020
R635 R636 R637 R709 R710 R638 R524 R339 R340 R345 R346 R401 R535 R418 R419 R505 R506 R507 R508 R601 R602 R607 R608 R730 R06 R12 R07 R08 R10 R541 R633A R634	32	CHIP RES. 10K OHM 1/10W 5%	QCF015020-1030
R404 R704 R706 R517 R518	5	CHIP RES. 15K OHM 1/10W 5%	QCF015020-1530
R633 R634 R708 R420 R417 R503 R520 R504	8	CHIP RES. 100K OHM 1/10W 5%	QCF015020-1040
R09 R660	2	CHIP RES. 1M OHM 1/10W 5%	QCF015020-1050
R365 R366 R414 R627 R628 R05	6	CHIP RES. 2.2K OHM 1/10W 5%	QCF015020-2220
R01 R04 R732 R525 R610 R609 R348 R347 R406	9	CHIP RES. 22K OHM 1/10W 5%	QCF015020-2230
R341 R402 R342 R603 R604	5	CHIP RES. 27K OHM 1/10W 5%	QCF015020-2730
R726	1	CHIP RES. 3.6K OHM 1/10W 5%	QCF015020-3620
R733	1	CHIP RES. 36K OHM 1/10W 5%	QCF015020-3630
R737 R725	2	CHIP RES. 4.7K OHM 1/10W 5%	QCF015020-4720
R11	1	CHIP RES. 470K OHM 1/10W 5%	QCF015020-4740
R639 R434 R509 R510 R640	5	CHIP RES. 560 OHM 1/10W 5%	QCF015020-5610
R343 R344 R605 R606 R367 R368 R629 R630 R403	9	CHIP RES. 5.6K OHM 1/10W 5%	QCF015020-5620
R703 R705 R349 R350 R405 R611 R612	7	CHIP RES. 6.8K OHM 1/10W 5%	QCF015020-6820
R727	1	CHIP RES. 68K OHM 1/10W 5%	QCF015020-6830
R724 R731	2	CHIP RES. 220K OHM 1/10W 5%	QCF015020-2240
R427	1	CHIP RES. 56K OHM 1/10W 5%	QCF015020-5630
R543	1	CHIP RES. 2.7K OHM 1/10W 5%	QCF015020-2720
R519 R540 R544	3	CHIP RES. 47K OHM 1/10W 5%	QCF015020-4730
R702	1	CHIP RES. 12K OHM 1/10W 5%	QCF015020-1230
R362 R364 R361 R363 R412 R413 R624 R626 R623 R625	10	CHIP RES. 150K OHM 1/10W 5%	QCF015020-1540
R415 R734	2	CHIP RES. 1.2K OHM 1/10W 5%	QCF015020-1220
C725	1	CHIP CAP 0.068 uF 50V 10%	PYL456470-6830
C720 C721	2	CHIP CAP 0.018 uF 50V 10%	PYL456470-1830
R717	1	RESISTOR 4.7 OHM 1/2W 5% CF	QAF025000-4790
R641 R642 R435 R511 R512	5	RESISTOR 18K OHM 1/6W 5% CF	QAF065000-1830
R712	1	RESISTOR 24K OHM 1/6W 5% CF	QAF065000-2430
R428 R429	2	RESISTOR 10 OHM 1/4W 5% CF	QAF045000-1000
C717	1	COND MYLAR 0.1 uF 100V 5%	PRM0373A0-1040
C707	1	COND ELECT 10 uF 50V 20%	PRE039570-1000
C708	1	COND ELECT 33uF 16V 20%	PRE039540-3300
C715 C716 C515 C516	4	COND ELECT 100uF 50V 20%	PRE039570-1010
C625 C626 C414 C503 C504	5	COND ELECT 1uF 50V 20%	PRE039570-1090
C418 C419	2	COND ELECT 220uF 25V 20%	PRE039550-2210
C801	1	COND ELECT 4.7 uF 50V 20%	PRE039570-4790
C800	1	COND ELECT 10uF 50V 20.%	PRE339570-1000
C711 C712 C713	3	COND DISC 0.1 uF 50V +80-20%	PRD339670-1040
RB101	1	CON/WIRE 3P 130mm 1007#26 FLAT	VVA010090-0001
RB905	1	CON/WIRE 5P 270mm 1007#18 A=3.96VH	VVA310006-0011
RB904	1	CON/WIRE 4P 180mm 1007#18 AWG A=3.96VH	VVA310006-0009
	2	PCB BKT Z SECC T=1.0mm	GSE200012-0001
	49	WIRE BARE 22 GA TINNED JP300 - JP348	XJP220000-0001
	2	BRACKET SECC T=0.8mm	GSE100054-0001

**DC PCB**

Installation Point	Qty.	Description	Material No.
	1	DC PCB ASSY HI	APE200063-4001
	1	PWR TRANS EI-96 230V	TTK223001-0001
IC904	1	IC 3 PIN AN7806 MATSUSHITA	RHI007806-0001



IC901	1	IC 3 PIN 7815 15V 1A	RHI007815-0001
IC902	1	IC 3 PIN AN7915T SAMSUNG	RHI007915-0001
Q906	1	XISTR PNP 2SA733Q,P NEC	RAP200733-0001
D913	1	DIODE 1N4002 1A 70VRMS	RAD114002-0010
BD904	1	BRIDGE RECTIFIER;RS402L 4A 100V UL	RHD204010-0010
BD901	1	BRIDGE KBU808 8A 800V UL	RHD208080-0010
BD902 BD903	2	BRIDGE RS202L 2A 100V UL	RHD202010-0010
ZD901	1	DIODE ZENR 4.7-4.9V 0.5W	RAZ005005-0020
CN101	1	CONNECTOR B3B-XH-A 3 PIN	CCN250000-0103
CN906	1	CONNECTOR B9B-XH-A 9 PIN	CCN250000-0109
CN902	1	CONNECTOR 2 PIN LEOCO 3951	CCN396020-0102
CN904	1	CONNECTOR 4 PIN CL3962WVO	CCN396020-0104
CN905	1	CONNECTOR 5 PIN CL3962WVO	CCN396020-0105
CN901	1	CONNECTOR 6 PIN CL3962WVO	CCN396020-0106
CN903	1	CONNECTOR 3 PIN CL3962WVO	CCN396020-0103
F901 F902 F903 F904 F905 F906 F907	14	FUSE CLIP DIA5xL20mm FUSE	CFC011000-1001
C919	1	COND ELECT 2200 uF 25V 20% 85°C	PVE039550-2220
C913 C914	2	COND ELECT 2200 uF 35V 20%	PVE039560-2220
C906 C908	2	COND ELECT 4700 uF 50V 20%	PVE039570-4720
C939 C940	2	COND ELECT 3300 uF 50V 20%	PVE039570-3320
R913	1	RESISTOR 10K OHM 1/6W 5% CF	QAF065000-1030
R910	1	RESISTOR 3.3K OHM 1/6W 5% CF	QAF065000-3320
R911	1	RESISTOR 4.7K OHM 1/6W 5% CF	QAF065000-4720
R912	1	RESISTOR 47K OHM 1/6W 5% CF	QAF065000-4730
C920 C922 C924 C925 C927 C933	6	COND DISC 0.1 uF 50V +80-20%	PRD339670-1040
C901 C902 C903 C904 C909 C910 C911 C912 C915 C916 C917 C918 C934 C935 C936 C937 C938	17	COND DISC 0.022 uF 50V +80-20%	PRD249670-2230
C932	1	COND ELECT 100uF 16V 20%	PRE039540-1010
C921	1	COND ELECT 22 uF 25V 20%	PRE039550-2200
C923 C926	2	COND ELECT 220uF 25V 20%	PRE039550-2210
F903 F904	2	FUSE 1.6A 250V SLOW 5x20mm UL/CSA/T-MARK	KSA020160-0010
F901 F902	2	FUSE 8A 250V SLOW	KSA020800-0130
Main	1	FUSE ;4A 250V SLOW 5ST BEL	KSA020400-0110
F906 F907	2	FUSE ;4A 250V SLOW 5ST BEL	KSA020400-0110
F905	1	FUSH 2A 250V SLOW BLOW RUL/VDE/CSA5x20mm	KSA020200-0120
	2	SLEEVING FOR BD903 BD902 OD2xID1xL15mm	DSL001002-0150
	7	WASHER FOR POWER PCB OD6xID3xH2.5mm 602S-V0	DHU201001-0001
	1	WIRE BARE 22 GA TINNED JP200 TO JP217	XJP220000-0001
	4	SCREW DC PCB BKT TO PCB-4. T3.0xL6xP1.06mm	HSP140054-3060

### Jack pcb

Installation Point	Qty.	Description	Material No.
	1	SPK JACK ASSY HI	APE200064-4001
RB503	1	CON/WIRE 4P 220mm 1007#18 A=3.96VH	VVA310006-0008
RB501	1	CON/WIRE 6P 220mm 1007#18 AWG A=3.96VH	VVA310006-0010
L401 L501 L502 L601 L602	5	RF COIL 1 uH MDEC T40818-08	SIL001003-1090
JK501	1	TERMINAL IACK ASSY 5 SLOT ABS BLK	COT080005-0001
C631 C632 C417 C509 C510	5	COND MYLAR 0.1 uF 100V 5%	PRM0373A0-1040
C518 C519 C520 C521 C522	5	COND DISC 0.022 uF 50V +80-20%	PRD249670-2230
R423 R513 R514 R643 R644	5	RESISTOR 4.7 OHM 1/2W 5% CF	QAF025000-4790

### Control pcb

Installation Point	Qty.	Description	Material No.
	1	CNTL PCB ASSY (HI)	APE200140-4001
RB203	1	CON/WIRE 7P 300mm 1095#28 A=2mm B=2012V	VVA200041-0002
RB201	1	CON/WIRE AY 10 COND 320mm P=2.0mm	VVA200041-0003
RB202	1	CON/WIRE 8P 320mm 1095#28 A=2mm	VVA200041-0004
RB204	1	CON/WIRE 5P 300mm 1095#28 A=2mm B=2512V	VVA200041-0005
LD203 LD226 LD228 LD229 LD230 LD231 LD232 LD233 LD236 LD237 LD238 LD239 LD240 LD241 LD242 LD243 LD227	17	LED Green	KED500042-0010
LD204 LD205 LD206 LD207 LD210 LD211 LD212 LD214 LD215 LD216 LD217 LD218 LD219 LD220 LD221 LD222 LD223 LD224 LD225 LD234 LD235 LD244	22	LED Red	KED500525-0010
LD201 LD202 LD208 LD209	4	LED; 2x5mm RED HI-LIGHT St-by , Mute	KED200052-0030
R245	1	RESISTOR 1.2K OHM 1/6W 5% CF	QAF065000-1220

R243 R244	2	RESISTOR 390 OHM 1/6W 5% CF	QAF065000-3910
R242	1	RESISTOR 470 OHM 1/6W 5% CF	QAF065000-4710
TA201 TA202 TA203 TA204 TA205	5	AI TACT SW SKHVBE3520	MAW060001-0010
	1	LED HOLDER	BPH000054-0000
<b>LED interface pcb</b>			
<b>Installation Point</b>	<b>Qty.</b>	<b>Description</b>	<b>Material No.</b>
	1	LED INTERFACE PCB ASSY HI	APE200065-4001
IC202 IC203 IC204	3	IC 16 PIN TC4094BFN TOSHIBA	RCI004094-0001
Q251 Q252 Q253 Q254 Q255 Q256 Q257 Q258 Q259 Q260 Q261 Q263 Q264 Q267 Q268 Q269 Q272 Q273 Q274 Q275 Q276 Q277 Q278 Q279	24	XISTR NPN SMT (2SC945)	RCN200945-0001
Q265 Q266 Q270 Q271	4	XISTR PNP 2SA812 hfe:200~400	RCP200733-0001
D204 D206 D207	3	CHIP DIODE LL4148 TELEFUNKEN	RCD104148-0010
D205	1	DIODE;RECTIFIER 1N4001	RAD114001-0010
RB206	1	CON/WIRE 10P 380mm 1007#26 FLAT A=2mm	VWA200097-0003
CN204	1	CONNECTOR 5 PIN PITCH=2.0mm	CCN200000-0105
CN203	1	CONNECTOR 7 PIN PITCH=2.0mm	CCN200000-0107
CN202	1	CONNECTOR 8 PIN PITCH=2.0mm	CCN200000-0108
CN201	1	CONNECTOR 10 PIN PITCH=2.0mm	CCN200000-0110
C210	1	COND ELECT 47uF 16V 20%	PRE039540-4700
R237 R251 R253 R254 R255 R256 R257 R258 R259 R261 R263 R265 R267 R269 R271 R273 R275 R277 R279 R283 R285 R287 R289 R290 R291 R292 R252	27	CHIP RES. 10K OHM 1/10W 5%	QCF015020-1030
R117 R288	2	CHIP RES. 1K OHM 1/10W 5%	QCF015020-1020
R240	1	CHIP RES. 100K OHM 1/10W 5%	QCF015020-1040
R248 R249 R260 R262 R264 R266 R268 R270 R272 R274 R276 R278 R280 R284 R286 R293 R294 R295 R296 R297 R298 R299	22	CHIP RES. 1.5K OHM 1/10W 5%	QCF015020-1520
R247	1	CHIP RES. 470 OHM 1/10W 5%	QCF015020-4710
R116	1	CHIP RES. 4.7K OHM 1/10W 5%	QCF015020-4720
R238 R239	2	CHIP RES. 47K OHM 1/10W 5%	QCF015020-4730
JP1 JP2 JP3 JP4 JP5	5	CHIP RES. 0 OHM JUMP WIRE	QCF015020-0000
JP101 JP102 JP103 JP104 JP105 JP106 JP107 JP108 JP109 JP110	10	WIRE BARE 22 GA TINNED	XJP220000-0001
<b>Decoder</b>			
<b>Installation Point</b>	<b>Qty.</b>	<b>Description</b>	<b>Material No.</b>
	1	DECODER PCB ASSY AC3 DTS/DSP HI	APE004710-4004
XT1	1	OSCILLATOR 12.288MHZ 4 PIN	JOC223100-1261
U1 U2 U3 U4 U5 U6 U7 U8	8	IC 8 PIN TL072CD	RCI000720-0001
U15	1	IC 3 PIN REG1117 3.3V BUR-BRN	RCI001117-0330
U13	1	IC 32 PIN SST27SF020-70-3C-NH	RCI200000-0002
U14	1	IC 44 PIN CS4226 6 CH CODEC	RCI004226-0001
U12	1	IC 44 PIN CS492604 AC3 DTS/DSP	RCI492604-0001
U16	1	IC 14 PIN TC74HC125AFN TOSHIE QUAD BUS	RCI740125-0002
U10 U11	2	IC 20 PIN TC74HC574AFW OCTAL D-TYPE F-F	RCI740574-0001
Q14 Q5	2	XISTR PNP 2SA812 hfe:200~400	RCP200733-0001
Q1 Q2 Q6 Q7 Q8 Q9 Q10 Q11 Q12 Q13	10	XISTR NPN SMT (2SC945)	RCN200945-0001
D1	1	CHIP DIODE LL4148 TELEFUNKEN	RCD104148-0010
CN8	1	CONNECTOR 15 PIN P=1x2mm	CCH100040-1415
CN9	1	CONNECTOR S2B-XH-A 2 PIN	CCN250000-0502
CN5	1	CONNECTOR 9 PIN P:1.25x2.5mm	CCH125030-0209
CN6	1	CONNECTOR 15 PIN P:1.25x2.5mm	CCH125030-0215
J3	1	CONNECTOR B2B-XH-A 2 PIN	CCN250000-0102
J1	1	CONNECTOR B3B-XH-A 3 PIN	CCN250000-0103
J4	1	CON/WIRE 2P 60mm A=2.5mm B=2512V	VWA010091-0001
L3 L4 L5 L6 L1 L2	6	CHIP BEAD 500 OHM 25% 0805	SCB008050-5010
C73A C73B	2	CHIP CAP 0.068 uF 50V 10%	PYL456470-6830
C33 C36 C37 C40 C41	5	CHIP CAP 3300 pF 50V 20%	PYL439570-3320
C72 C72A C72B	3	CHIP CAP 0.033 uF 50V 10%	PYL456470-3330
C81	1	CHIP CAP 1500 pF 50V 10%	PYL456470-1520

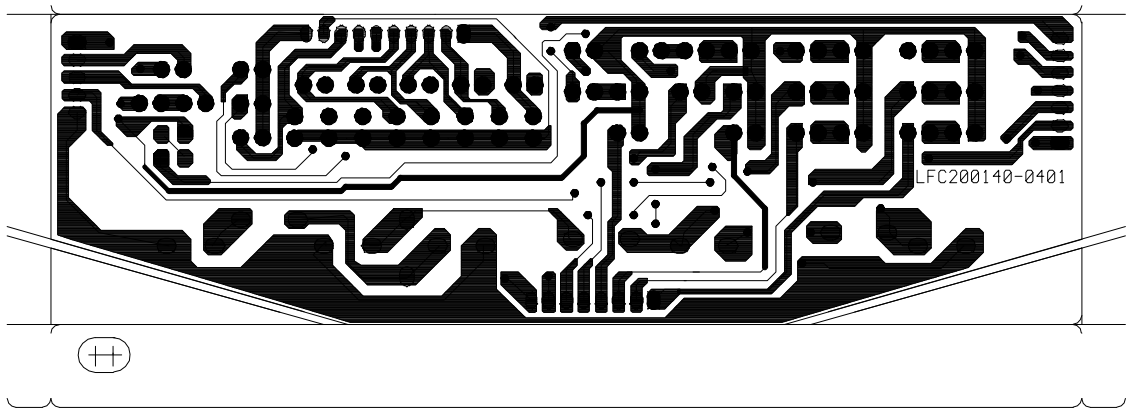
C24 C25	2	CHIP CAP 0.0068 uF 50V 10%	PYL456470-6820
C77 C78	2	COND ELECT 10uF 25V 20%	PRE039550-1000
C79	1	COND ELECT 1uF 50V 20%	PRE039570-1090
C76	1	COND ELECT 2.2 uF 50V 20%	PRE039570-2290
C42 C43 C44 C45 C46	5	CHIP CAP 220 pF 50V 5%	PYL410370-2210
C47 C48 C49 C50 C51 C52	6	CHIP CAP 330 pF 50V 5%	PYL410370-3310
C61	1	CHIP CAP 470 pF 50V 5%	PYL410370-4710
C1 C2 C22 C3 C4 C5 C56 C57 C58 C59 C60 C67 C68 C69 C70 C71	16	CHIP CAP 0.1 uF 50V 5%	PYL456370-1040
C80	1	CHIP CAP 0.015 uF 50V 5%	PYL456370-1530
C74	1	CHIP CAP 0.022 uF 50V 5%	PYL456370-2230
C32 C34 C35 C38 C39	5	CHIP CAP 0.0047 uF 50V 5%	PYL456370-4720
C75	1	CHIP CAP 0.22 uF 50V 5%	PYL456370-2240
C73	1	CHIP CAP 0.082uF 50V 5%	PYL456370-8230
C84	1	COND ELECT 470uF 10V 20%	PRE039530-4710
C26 C27 C28 C29 C30 C31	6	COND ELECT 47uF 10V 20%	PRE039530-4700
C10 C11 C12 C13 C14 C15 C16 C17 C18 C19 C20 C21 C53 C54 C55 C6 C7 C8 C9	19	COND ELECT 100uF 16V 20%	PRE039540-1010
R99	1	CHIP RES 2 OHM 1/10W 5%	QCF015020-2090
R98	1	CHIP RES 43K OHM 1/10W 5% 0805 SMT TYPE	QCF015020-4330
RP1	1	RES ARRAY 10k X 4	QVP085090-1030
R94	1	CHIP RES. 33K OHM 1/10W 5%	QCF015020-3330
R101 R123	2	CHIP RES. 0 OHM JUMP WIRE	QCF015020-0000
R106 R68 R69 R97	4	CHIP RES. 10 OHM 1/10W 5%	QCF015020-1000
R10 R11 R12 R124 R13 R14 R15 R16 R17 R18 R19 R3 R4 R5 R6 R7 R8 R9	18	CHIP RES. 100 OHM 1/10W 5%	QCF015020-1010
R110 R114 R115 R120 R132 R40 R52 R53 R70 R71 R72 R73 R74 R75	14	CHIP RES. 1K OHM 1/10W 5%	QCF015020-1020
R105 R125 R126 R127 R131 R23 R24 R25 R30 R31 R34 R35 R36 R37 R38 R39 R41 R42 R43 R44 R46 R47 R48 R49 R50 R51 R54 R55 R56 R61	30	CHIP RES. 10K OHM 1/10W 5%	QCF015020-1030
R93 R95	2	CHIP RES. 100K OHM 1/10W 5%	QCF015020-1040
R1 R2 R82 R83 R84 R85 R86 R87	8	CHIP RES. 18K OHM 1/10W 5%	QCF015020-1830
R103 R128 R26 R28	4	CHIP RES. 2.2K OHM 1/10W 5%	QCF015020-2220
R112 R113 R117 R118 R129 R130 R133 R134	8	CHIP RES. 22K OHM 1/10W 5%	QCF015020-2230
R88 R89 R90 R91 R92 R96	6	CHIP RES. 2.7K OHM 1/10W 5%	QCF015020-2720
R100 R135	2	CHIP RES. 33 OHM 1/10W 5%	QCF015020-3300
R62 R63 R64 R65	4	CHIP RES. 330 OHM 1/10W 5%	QCF015020-3310
R107 R109 R111 R116 R119 R121 R27 R29	8	CHIP RES. 390 OHM 1/10W 5%	QCF015020-3910
R108	1	CHIP RES. 470 OHM 1/10W 5%	QCF015020-4710
R76 R77 R78 R79 R80 R81	6	CHIP RES. 4.7K OHM 1/10W 5%	QCF015020-4720
R66	1	CHIP RES. 75 OHM 1/10W 5%	QCF015020-7500
R20 R21 R32 R33 R45 R57 R58	7	CHIP RES. 7.5K OHM 1/10W 5%	QCF015020-7520

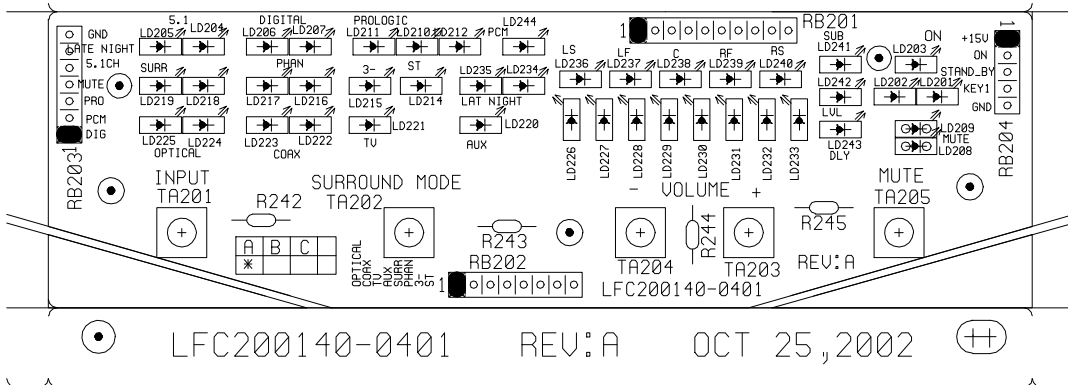
**mech and accessories**

Installation Point	Qty.	Description	Material No.
	1	CARTON L439xW439xH596mm	ICC200001-0001
	1	OWN MANUAL 148x210mm	missing part number
	1	SAFETY MANUAL L210xH297mm	YOM100183-1001
	1	SPK DRIVER 6.5" 4OHM 60W woofer	FSA226061-1401
	1	LINE CORD 2P 1980mm BLK VDE	VPE003012-0020
	1	CONTROL KNOB W/SPRAY MA4810	BPK005031-0000
	1	SW ROCKER 5A AC 250V TV-5	MSW008004-0010
	1	COND SAFETY X2 CAP 0.1uF 250V L=20mm TO POWER SW	PLX2705G0-1040
	4	FOOT METALLIC GREY-SILVER FOR FOOT	BPE400005-0102
	8	RUBBER FOOT NR3 BLACK 13.5xT2.0mm W/ADHE FOR FEET	BRF200001-0001
	1	POLYFOAM TOP 430x430xH100mm	ITF200008-0001
	1	POLYFOAM BOTTOM 430x430xH100mm	ITF200009-0001
	1	POLY BAG FOR RCA WIRE L240xW355mm	IVA000001-0048
	1	SOFT SHEETFOR AC CORD PLUG L100xW80mm	IVH002001-0006
	1	POLY BAG FOR MAIN UNIT L600xW850xD100mm	IVA000001-0026
	1	POLY BAG L240xW355mm	IVA000001-0048
	1	POLY BAG L80xW220mm	IVA000001-0019
	1	POLY BAG L240xW180mm	IVA000001-0088

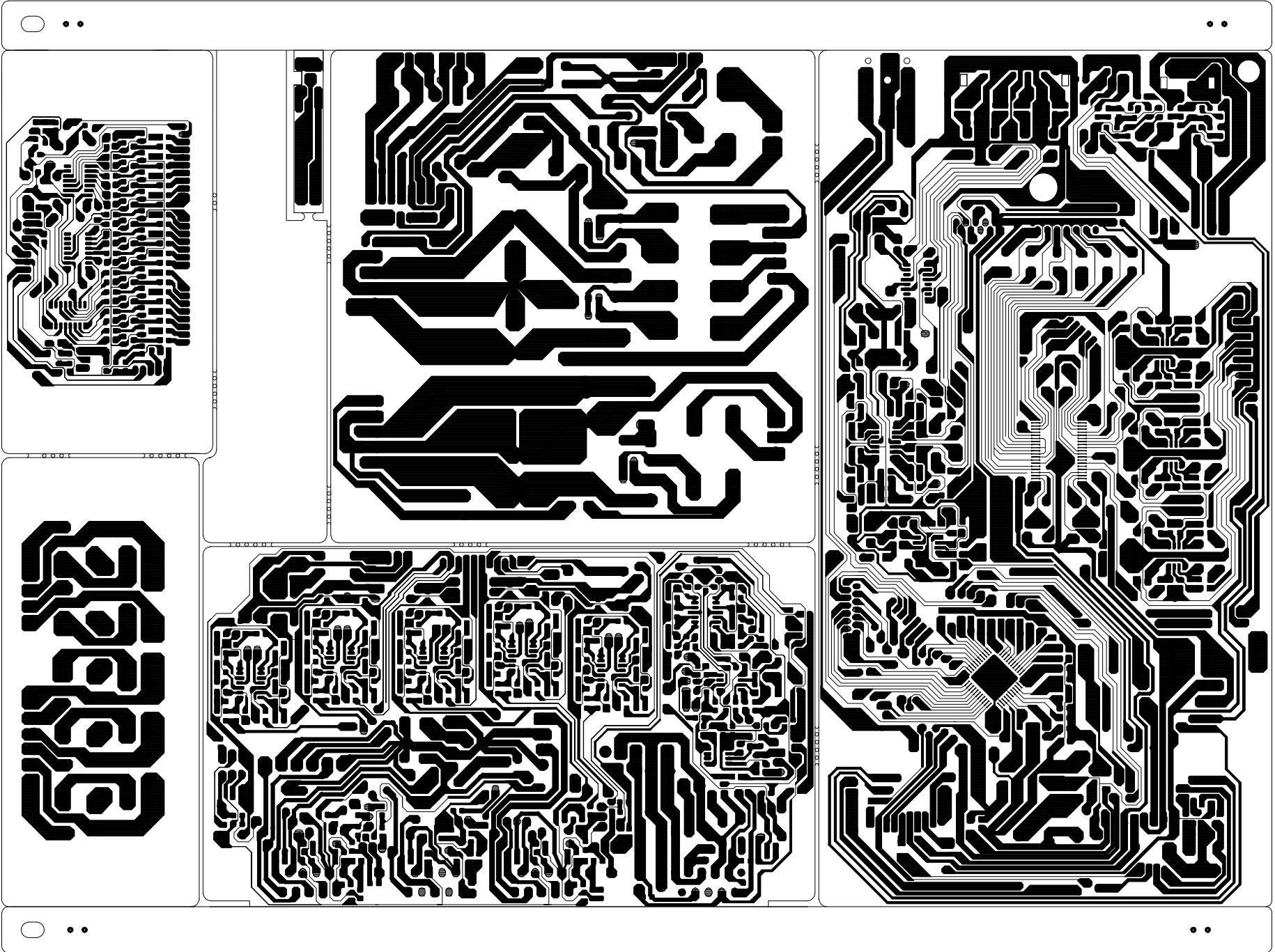
	1	LOGO PLATE 22.5xW18mm JBL	BPL000013-0001
	1	PORT EDGE ABS W/SPRAY MA4810	BPR000020-0001
	1	PORT (F) ABS MA4810	BPR000042-0BA0
	1	BUSHING AC LINE BUSHING FOR BLACK FOR POWER WIRE	DBU001002-0011
	2	WIRE 22 GA 90mm RED 4-4 FOR POWER SW-2	VWR0333BB-0090
	6	TUBING SRK DIA=6 L=20mm BLACK POWER SW TO POWER FUSE HOLDR	DTB006000-0200
	4	SCREW DRIVER TO WOOD BOX-4. T4.0x1.59PxL16mm	HSP140091-3160
	4	WASHER X'FORMER TO REAR PLT-4. OD8.5xID4.3xT0.6 mm	HWT168543-1060
	4	WASHER X'FORMER TO REAR PLT-4 OD16 ID4.5 T1.0	HWS11G045-1100
	2	SPONGE L100xW30xT2mm	IVE000085-0001
	9	SCREW FOOT TO WOOD BOX-8,LOGO TO WOOD BOX-1. T3.5xP1.41x14mm	HST140071-3140
	4	RUBBER PAD DIA14.5mm	ICH080007-0001
	4	CU-SPACER M3.0xP0.5xL20mm HEXAGO	HOT002006-0003
	1	SPONGE T=2.0mm 26x78mm W/ADHESIVE	IVE200010-0001
	1	PCB BKT L SECC T=1.0mm	GSE200020-0001
	1	PCB BKT R SECC T=1.0mm	GSE200021-0001
	4	DIVIDER L250xW250mm EDGE SUPP.	ICD000079-0001
	1	SERIAL+BAR LABEL FOR SUB WOOFER. L42xW5mm MP (DVD UNIT)	YLB118004-0001
	1	SERIAL+BAR LABEL L85xW108mm MP(DVD UNIT) FOR GIFT BOX.	YLB118002-0003
	1	RUBBER PAD 23x8x12.8mm	ICH080016-0001
	1	SILICA GEL 3 g	DOT040001-0003
	2	WASHER FIB BETWEEN SCREW & AC3 PCB-1, TONE VOLUME 8.3x3.5 DIA .5 MM	HWF118335-6050
	1	PVC PLATE	BFP211001-0001
	20	SCREW CNTL PCB TO CNTL PANEL-3,REAR PLT TO T3.0xL8xP1.06mm	HSP140054-3080
	18	SCREW POWER PCB TO IC-3, T3.0xL10xP1.06mm	HST140054-3100
	4	NUT X'FORMER TO REAR PLT-4 M4.0xOD7.0xT3.0mm	HNT140700-1300
	4	SCREW X'FORMER TO H/SINK-4 M4.0xP0.7xL20 mm	HSD143103-3200
	2	SCREW SW ROCKER TO JACK PLT ;M3.0xP0.5xL14mm	HSP143083-3140
	4	SCREW TNFOIL PLT & WOOD BOX-4 T3xL22xP1.06mm	HST140051-3220
	12	SCREW REAR PLT TO WOOD BOX-12. T4xL20xP1.59mm	HSP140091-3200
	1	CNTL PANEL METALIC LIGHT GREY SILVER	BPF005056-0AY1
	1	PCB COVER A ABS LIGHT GREY	BPC200001-0001
	1	PCB COVER B ABS LIGHT GREY	BPC210001-0001
	1	SPONGE A EVA JACK ASS'Y-1	IVE200003-0001
	2	SPONGE B EVA COVER-A,COVER-B	IVE200004-0001
	1	SPONGE FIBER FOR HEAT SINK T0.5mm 268x120mm	ICH209001-0001
	4	SPACER PINGOOD SRS3-8	DSS100020-0002
	1	TUBE SHKNG DIA30xL70xT0.4mm UL BLACK TO POWER SW	DTB130000-0700
	1	TUBE SHKNG DIA=20 L=50 T=0.4 UL POWER SW TO POWER FUSE HOLDR	DTB020000-0500
	2	AC CONNNTOR AC CONNTECOR (HW-C3)	COT010002-0001
	5	WIRE TIE GT-90M 90mm	DWT000001-0900
	1	SPONGE OD165xID143xT1.0mm FOR WOOD Box	IVE200001-0001
	1	REAR PANEL SECC T=2.0mm CEDCOATting BLK	GSE200008-0001
	1	RUBBER BUSHING BLACK W/UL	BRB200001-0001
	1	FUSE HOLDR FUSE HOLDER FH-B02 TO FUSE	CFC021001-1001
	2	SLEEVING OD2xID1xL18mm	DSL001002-0180
	1	HEAT SINK AL W238xH32mm W/ANODIZING BLK	GAL200003-0001
	3	SI RUBBER W13xH18xT0.3 mm FOR IC902	HIS000001-0001
	1	BEAD FERIT OD25.0xID15xH12.0 ADD TO POWER WIRE	SFB001001-0060
	4	WASHER OD6xID3xH2.5mm 602S-V0 FOR IC	DHU201001-0001
	4	SCREW T3xL6xP1.06mm AMP PCB BKT TO AMP PCB-4.	HST140054-3060
	2	SCREW T3.5xL8xP1.41mm AMP PCB BKT TO HEAT SINK-2.	HSP140074-3080
	4	MICA SHEET;L22xW26xT0.1mm (IC421 IC501 IC502 IC703)-1.	HIM000001-0007
	1	L-EXTRUSION AL W/ANODIZING BLK	GAL200004-0001
	4	SCREW T3.0xL10xP1.06mm FOR IC421 IC501 IC502 IC703-4.	HSP140054-3100
	1	GSB BKT R SECC T=1.0mm DC PCB	GSE200010-0001
	1	PCB BKT L SECC T=1.0mm DC PCB	GSE200011-0001
	1	FUSE LABEL T 2A 250V	YLB003000-0004

COPPER SIDE



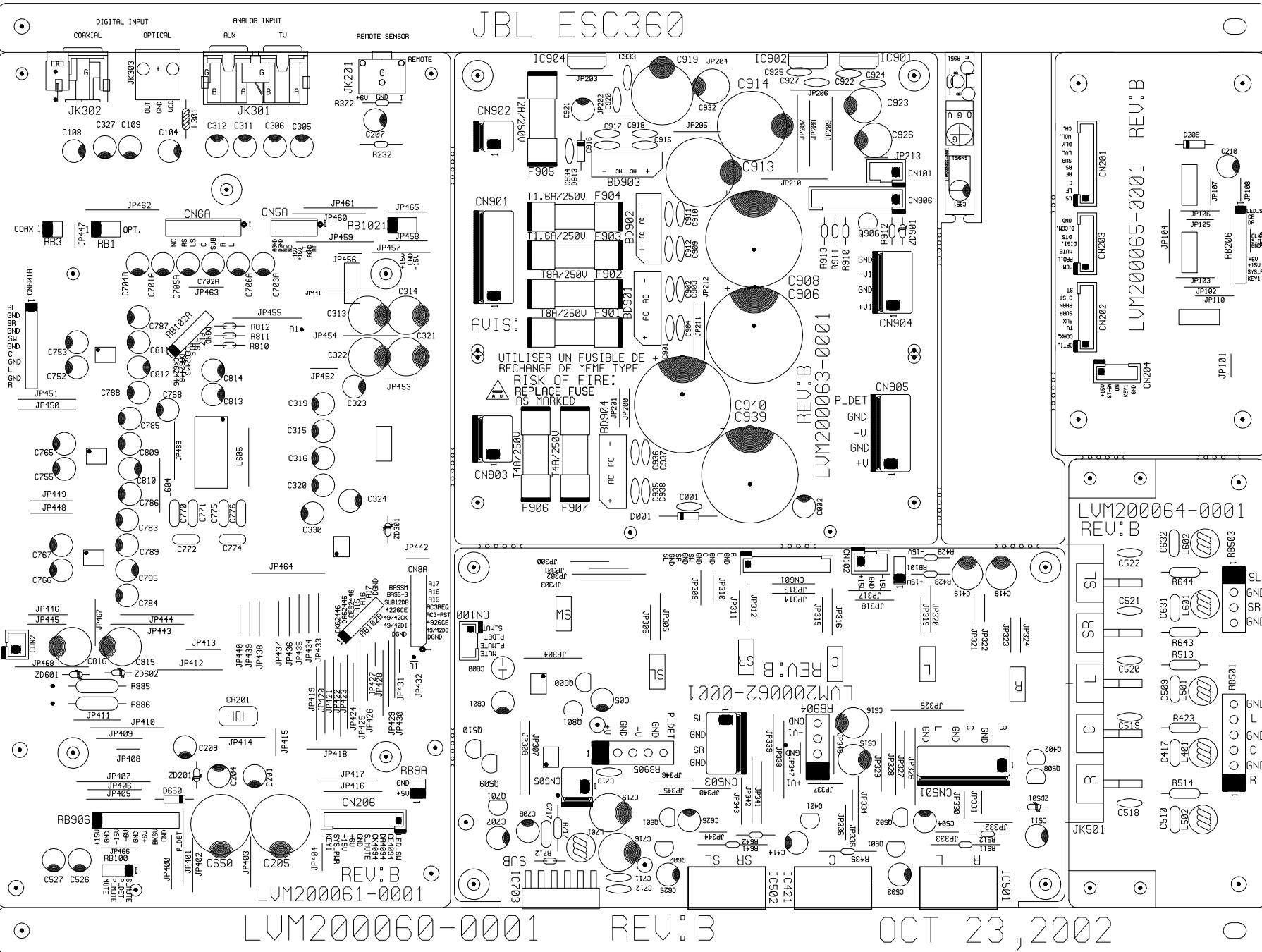


SILKSCREEN COMPONENT SIDE



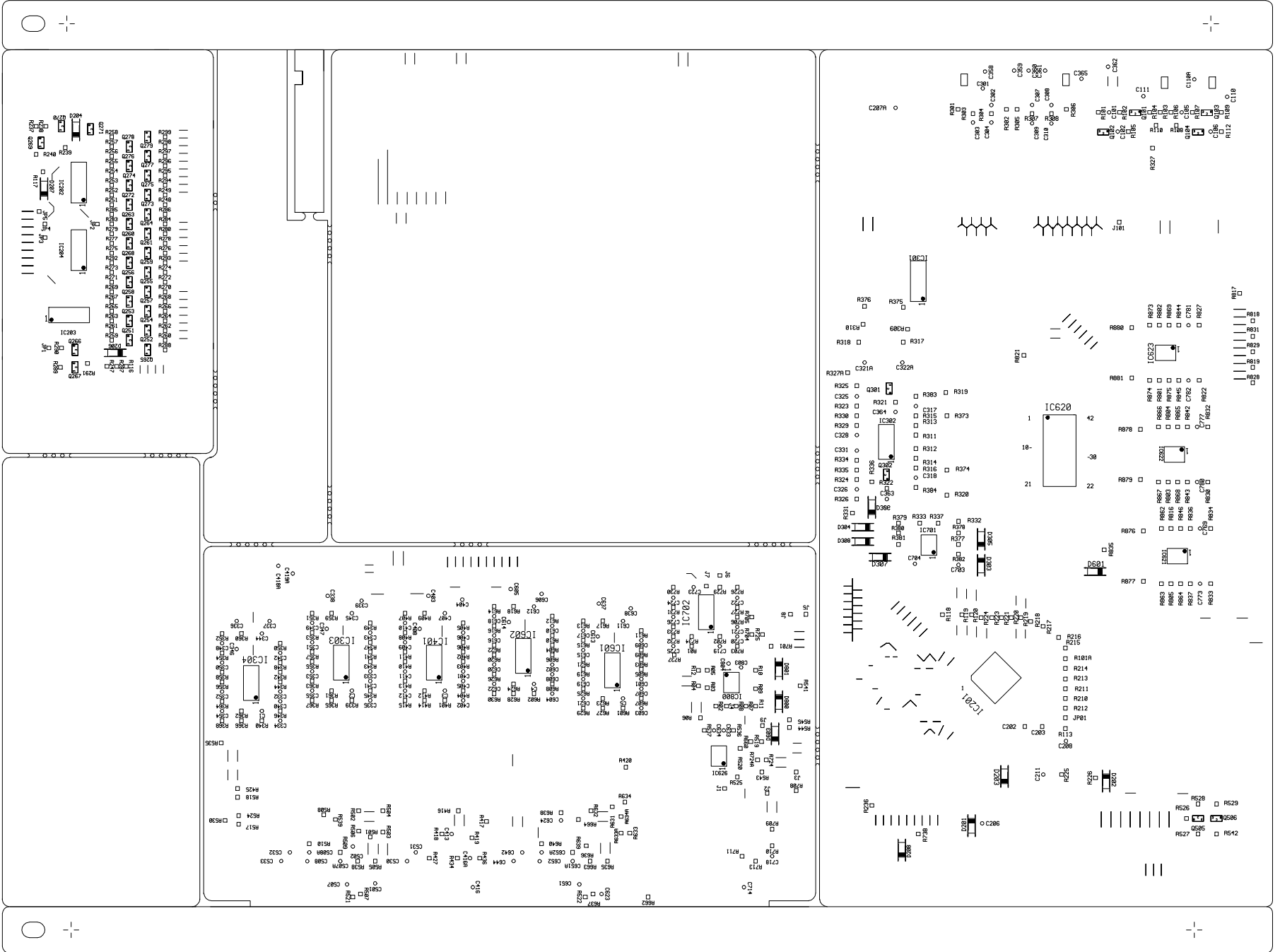
COPPER SIDE

# JBL ESC360

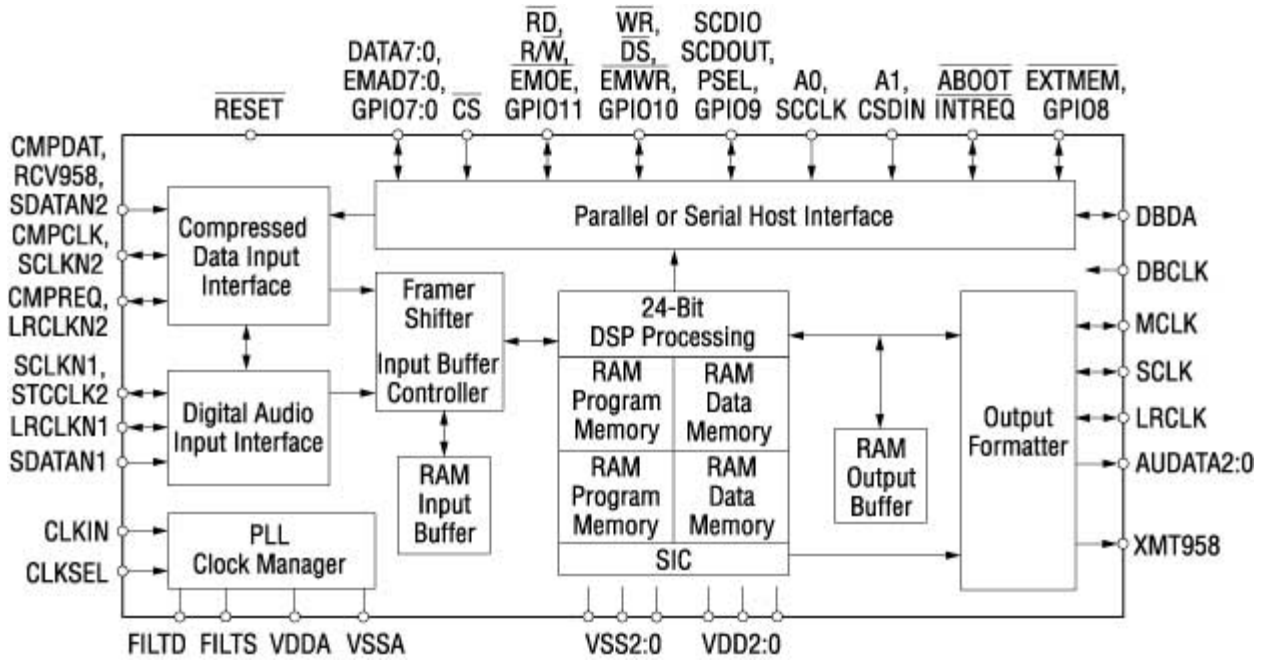




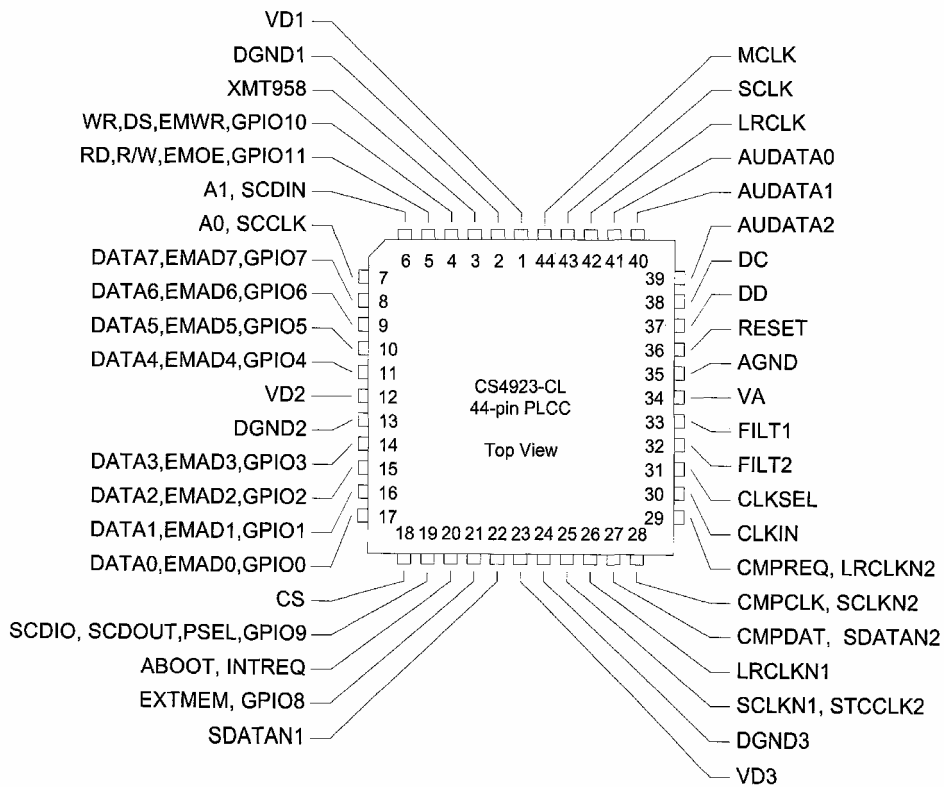
SILKSCREEN COPPER SIDE



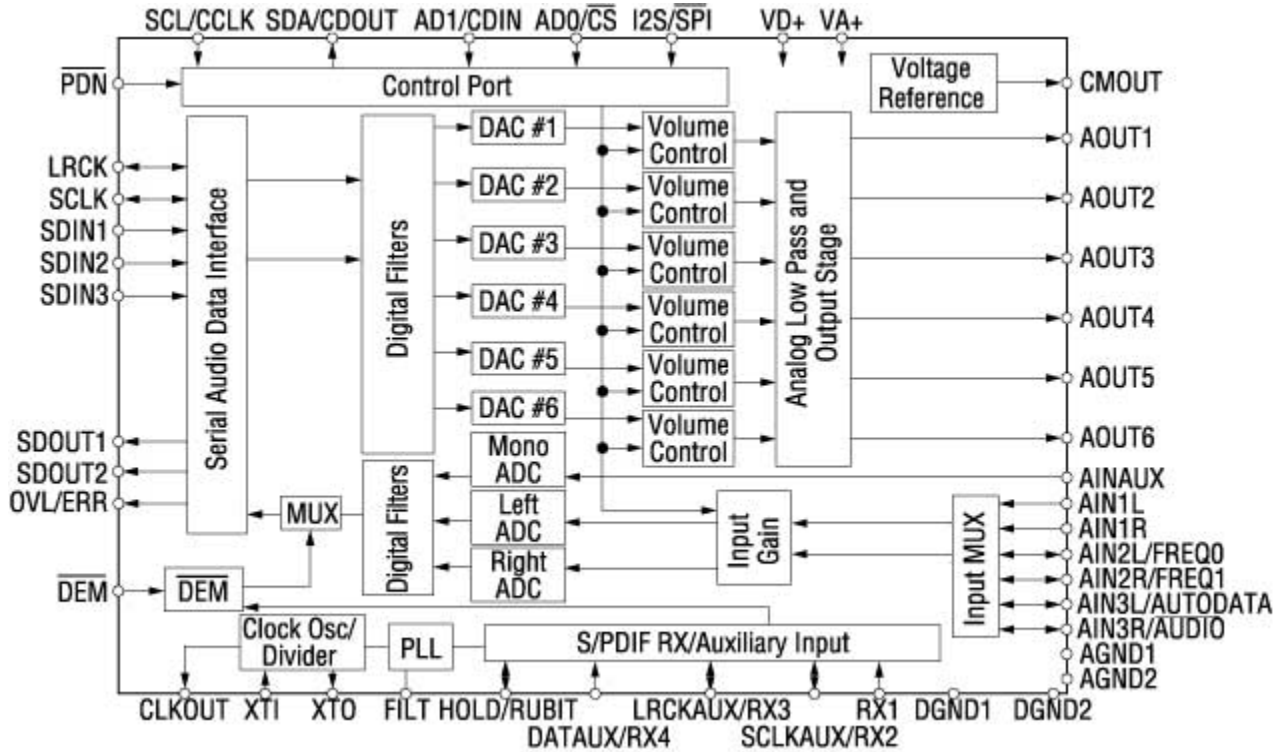
# U 12 CS4926



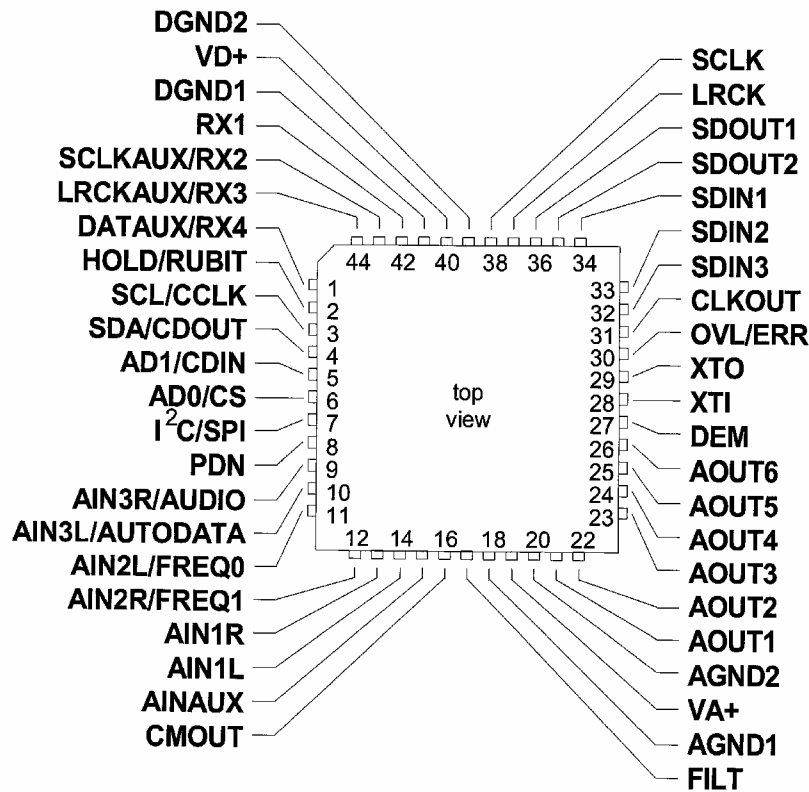
## PIN DESCRIPTIONS



# U14 CS4226

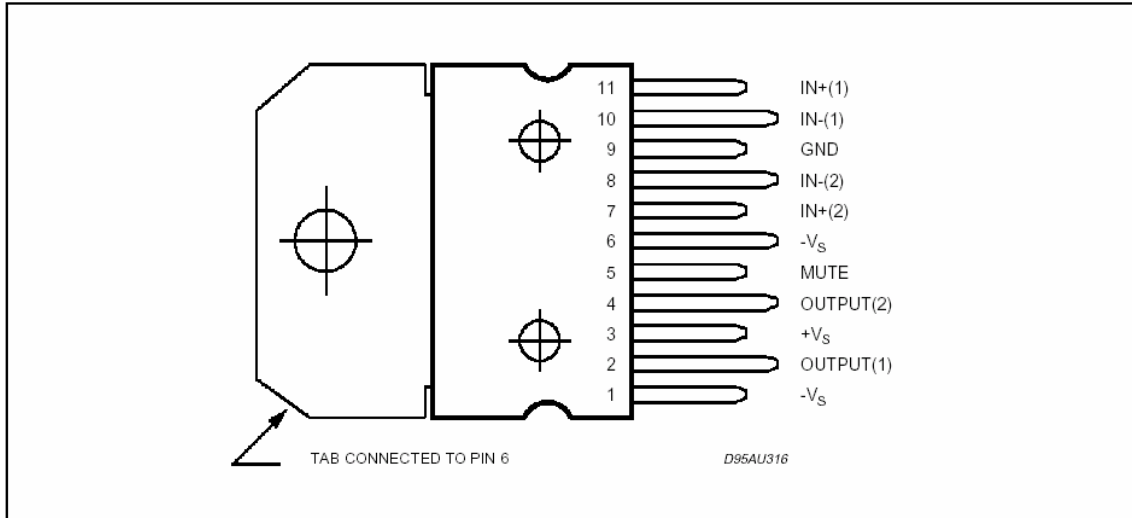


## PIN DESCRIPTION



# TDA7265A

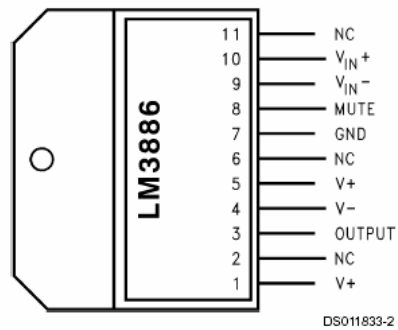
## PIN CONNECTION (Top view)



# LM3886

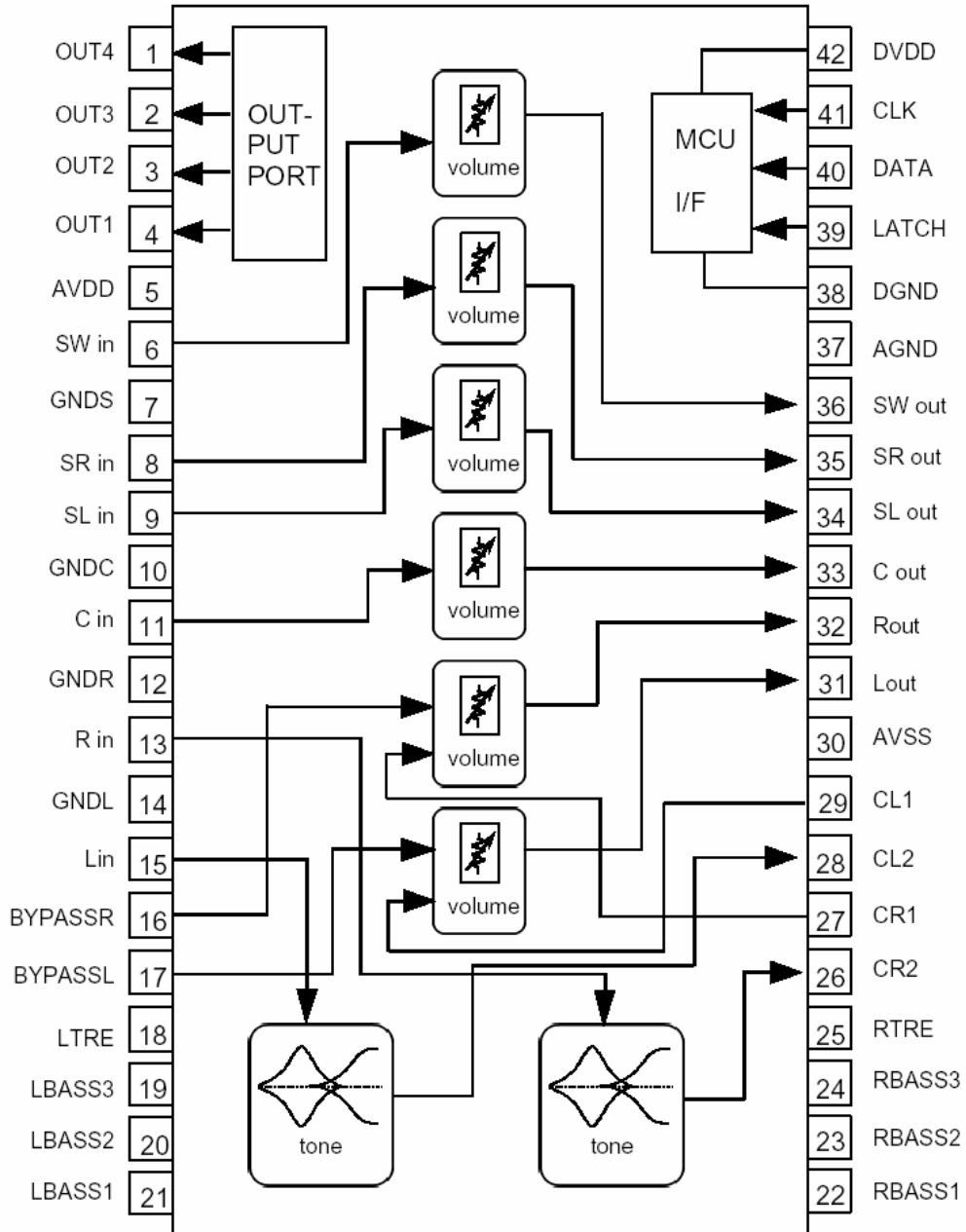
## Connection Diagram

### Plastic Package (Note 12)

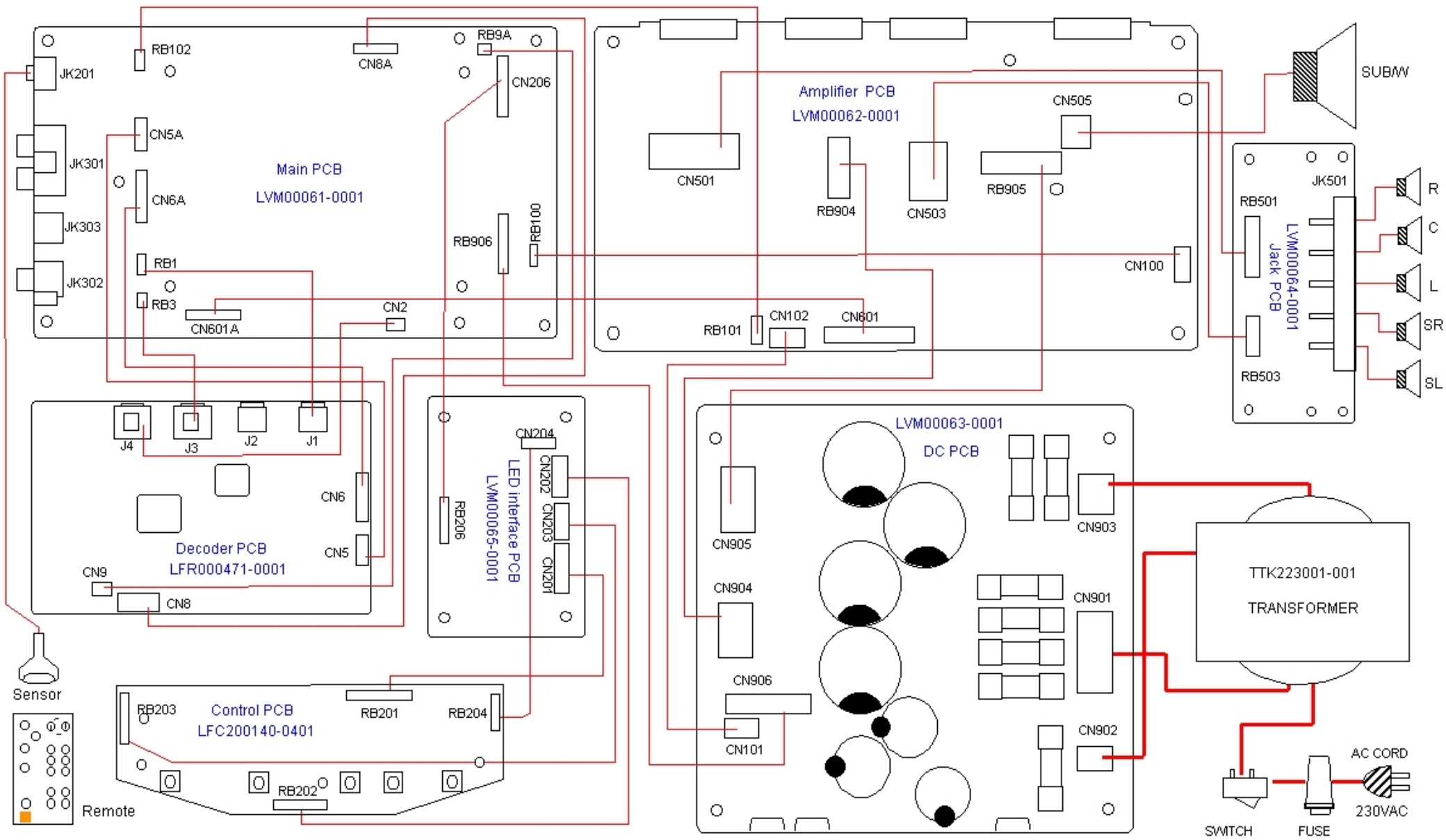


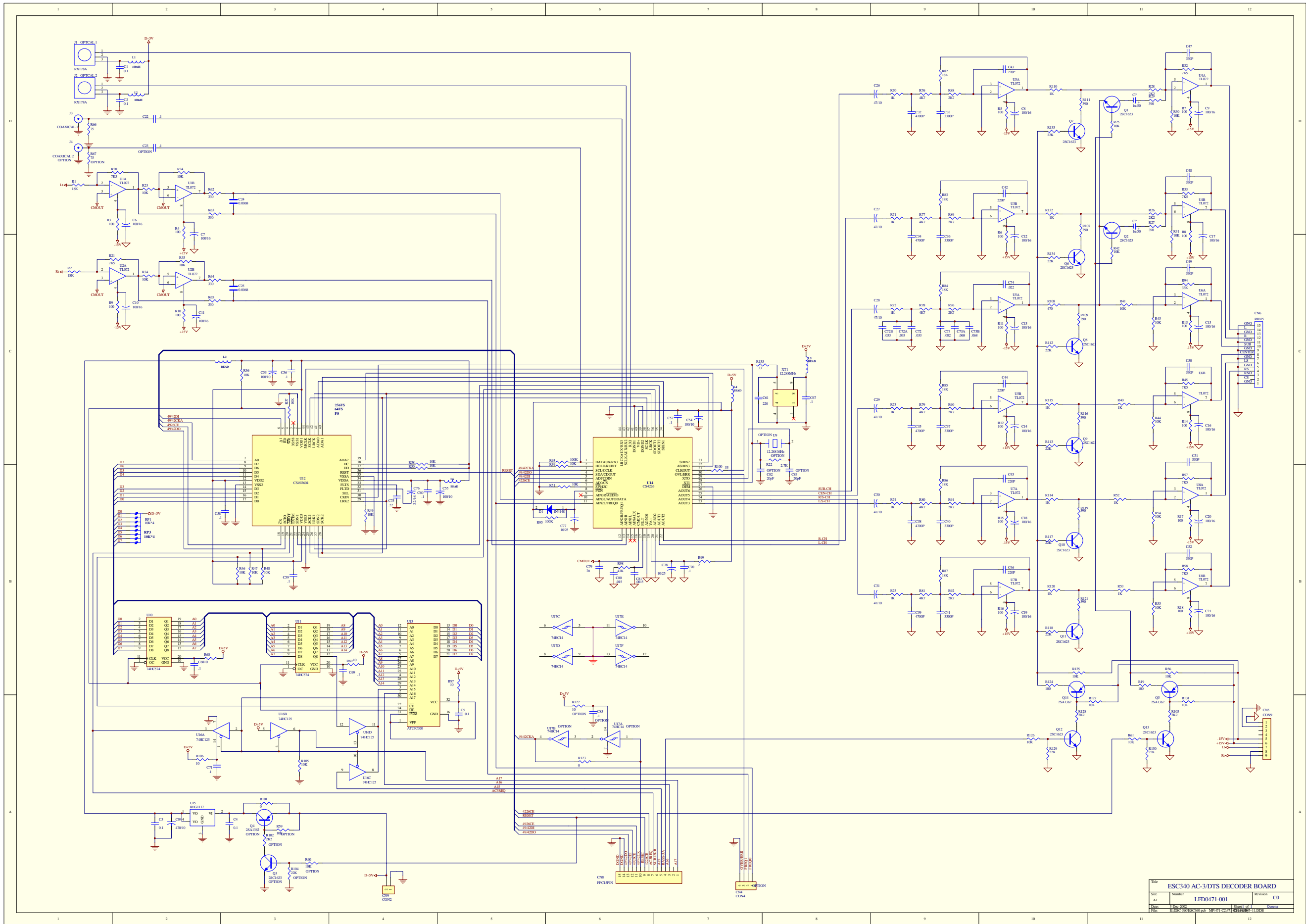
6CH ELECTRONIC VOLUME WITH TONE CONTROL

PIN CONFIGURATION AND BLOCK DIAGRAM



# ESC360 WIRING DIAGRAM





Title			ESC340 AC-3/DTS DECODER BOARD
Rev	Number	Revision	C0
A1	LFD0471-001		
Drawn	L. J. J.	Sheet 1 of 1	Quantity
File	ESC340-001.dwg	VP-011-C-01	11/08

PART NAME :	MODEL :
MODEL SCHEMATIC	ESC360
DESIGN BY : YK LIM	DWG. DATE : 27-09-2002
CHECK BY : YK LIM	APP. DATE :
APPROVED BY : MC FONG	DWG. SIZE :
	REVISION : A

