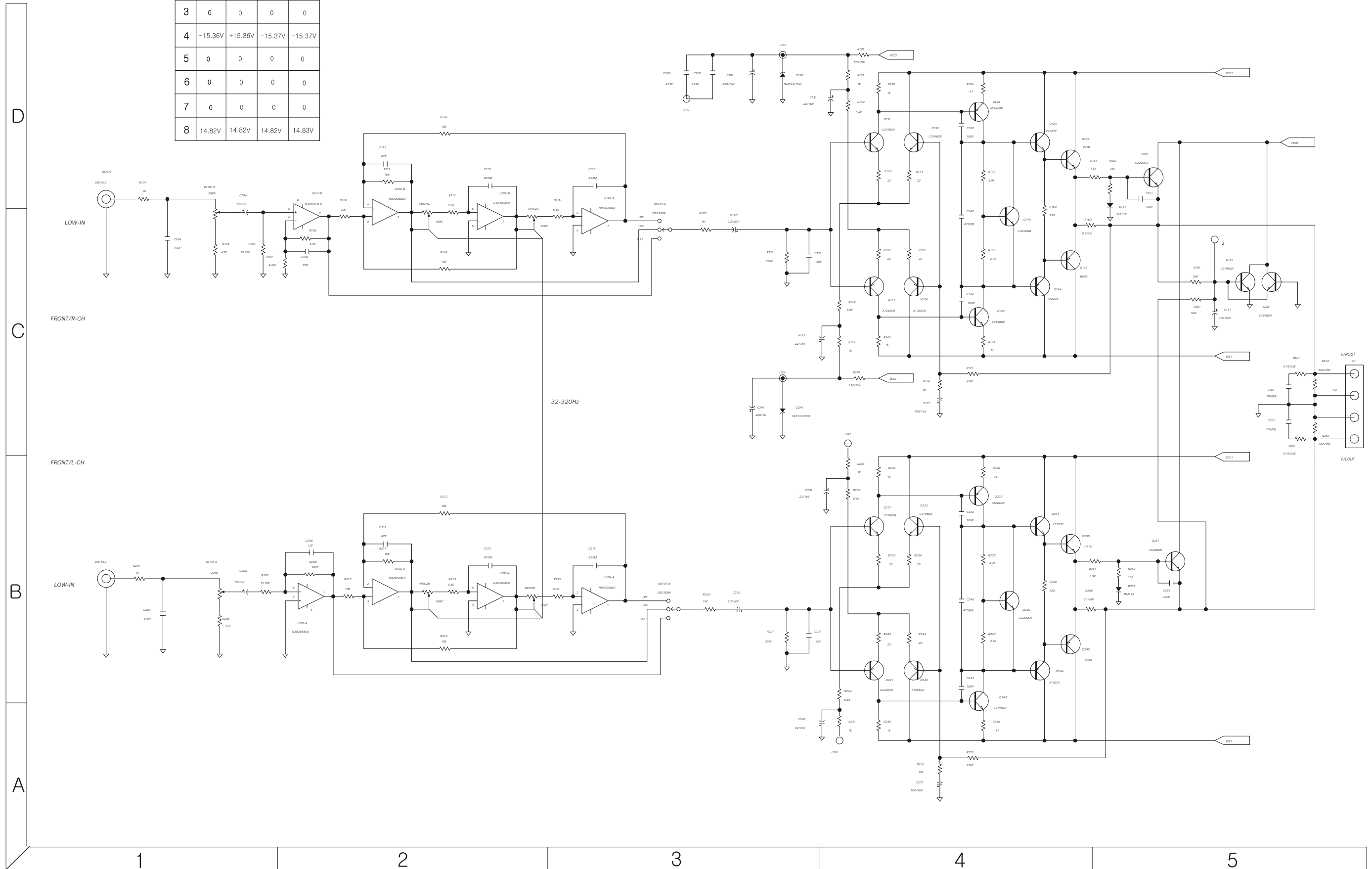
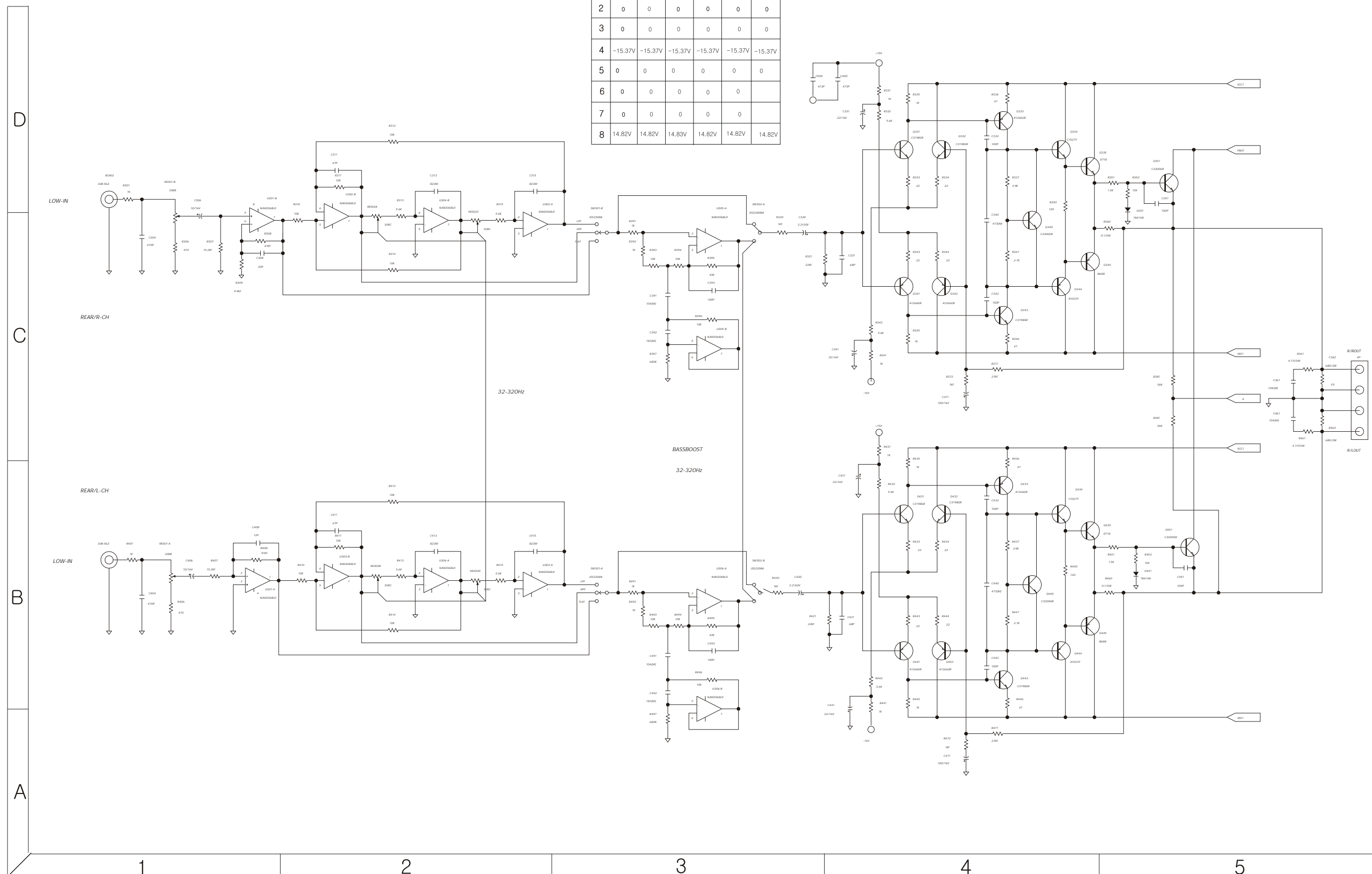


(IC VOLTAGE)

| PN | U101 | U102 | U103 | U104 |
|----|---------|---------|---------|---------|
| 1 | 0 | 0 | 0 | 0 |
| 2 | 0 | 0 | 0 | 0 |
| 3 | 0 | 0 | 0 | 0 |
| 4 | -15.36V | +15.36V | -15.37V | -15.37V |
| 5 | 0 | 0 | 0 | 0 |
| 6 | 0 | 0 | 0 | 0 |
| 7 | 0 | 0 | 0 | 0 |
| 8 | 14.82V | 14.82V | 14.82V | 14.83V |



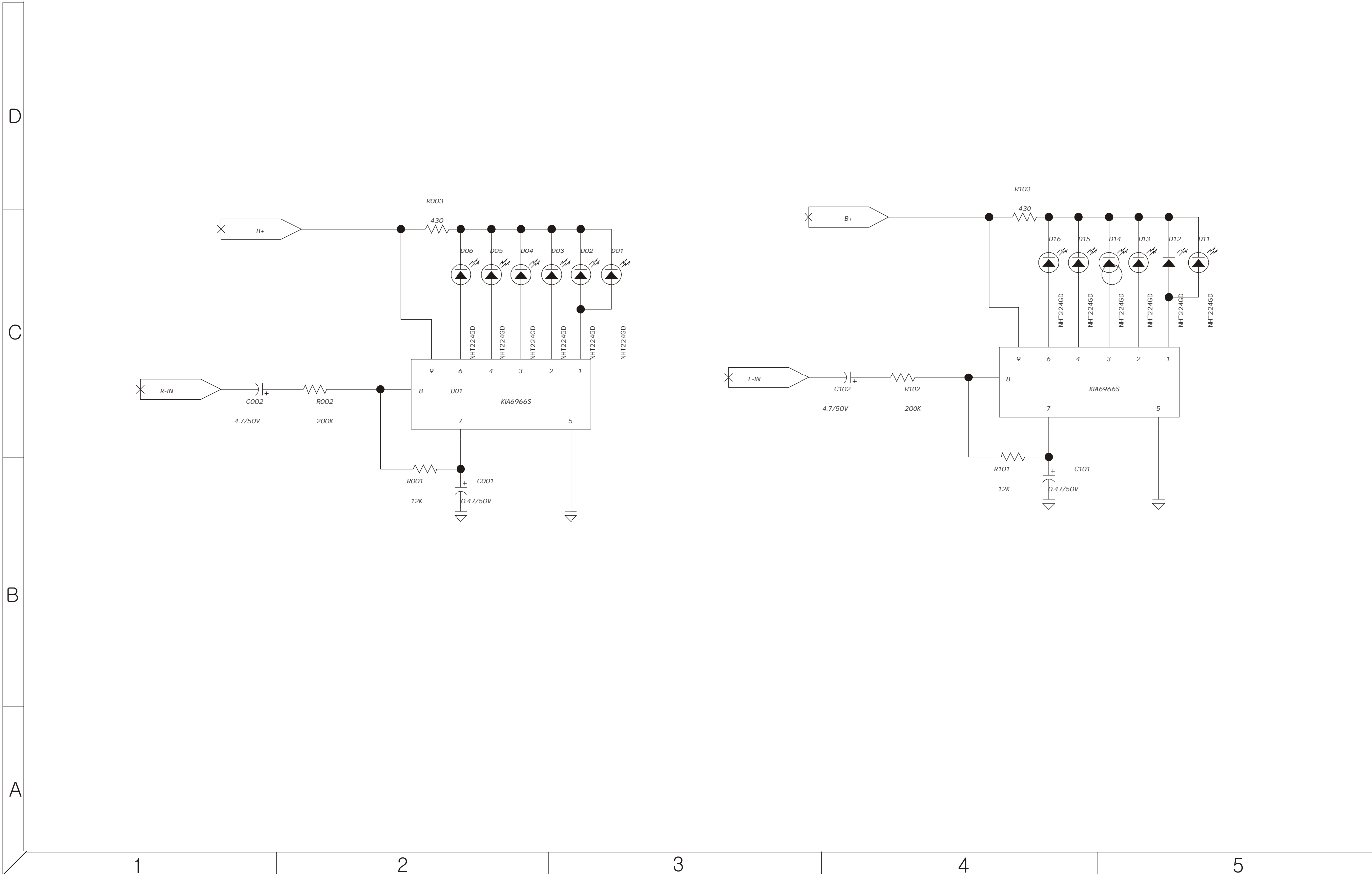


(IC VOLTAGE)

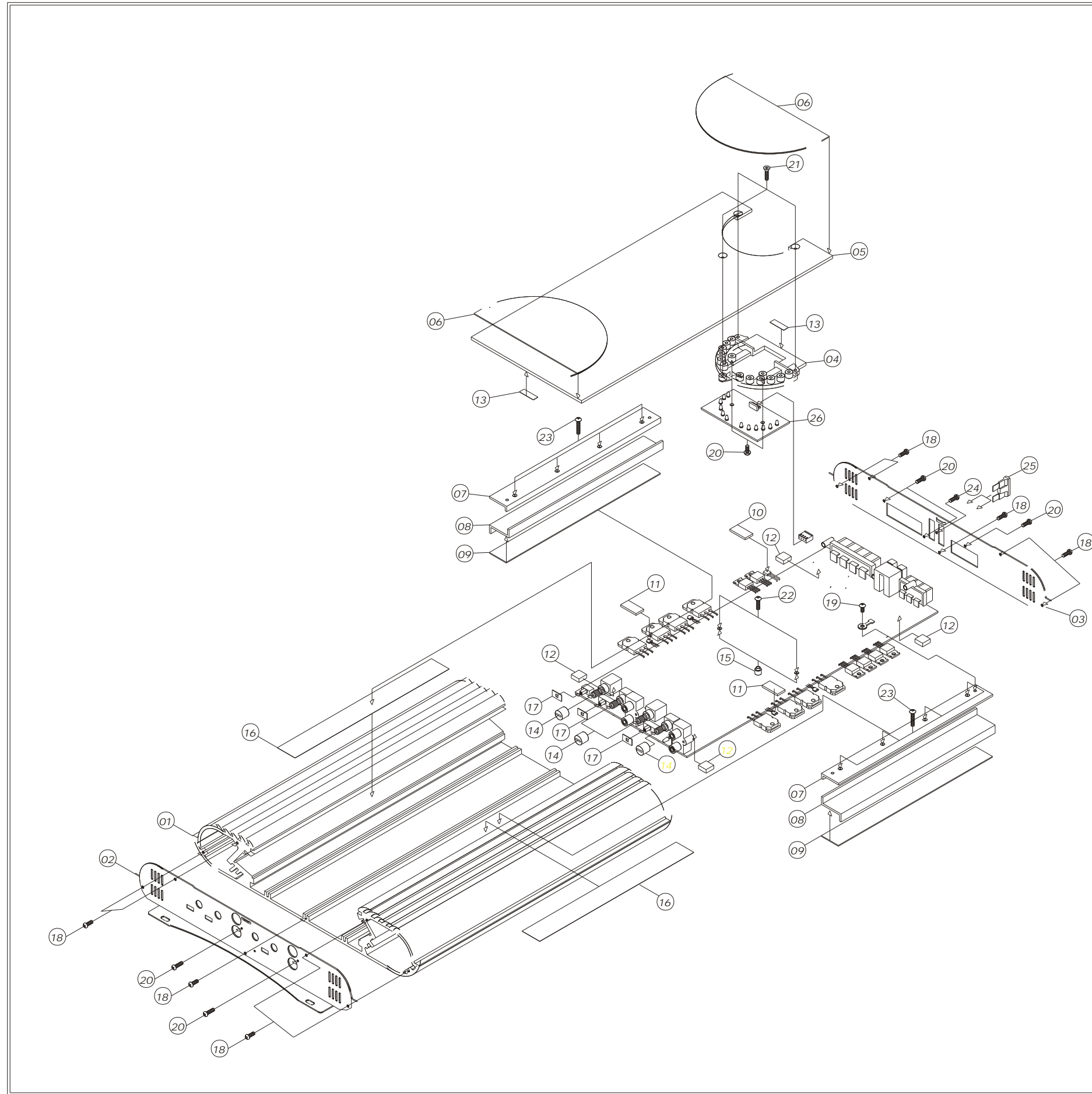
| IC PIN | U301 | U302 | U303 | U304 | U305 | U306 |
|--------|---------|---------|---------|---------|---------|---------|
| 1 | 0 | 0 | 0 | 0 | 0 | 0 |
| 2 | 0 | 0 | 0 | 0 | 0 | 0 |
| 3 | 0 | 0 | 0 | 0 | 0 | 0 |
| 4 | -15.37V | -15.37V | -15.37V | -15.37V | -15.37V | -15.37V |
| 5 | 0 | 0 | 0 | 0 | 0 | 0 |
| 6 | 0 | 0 | 0 | 0 | 0 | |
| 7 | 0 | 0 | 0 | 0 | 0 | |
| 8 | 14.82V | 14.82V | 14.83V | 14.82V | 14.82V | 14.82V |

D
C
B
A

1 2 3 4 5



Gto4000 Mechanical Exploded View



| NO | PART NAME | DESCRUDING | MFR PARTS | Q'TY |
|----|-------------------|------------------|--------------------------|-------|
| 01 | MAIN HEAT SINK | MA-HS-HC-1230-0 | AL/EXTRUDEING.L=326.0m/m | 1 |
| 02 | FRONT PANEL | MA-FP-HC-7313-0 | EGI 1.2t | 1 |
| 03 | REAR PANEL | MA-RP-HC-7316-1 | EGI 1.2t | 1 |
| 04 | LED GUIDE | MA-LG-01-7319-3 | HEATPROOF ABS(GRAY) | 1 |
| 05 | TOP COVER | MA-TC-04-7320-2 | ACRYLIC,3.0t(ORANGE) | 1 |
| 06 | TOP PLATE | MA-NP-HC-7322-0 | PC, 1.0t(CLEAR) | 2 |
| 07 | TR BRACKET (A) | MA-BR-03-4124-0 | SBHG,200.0x22.5x2.0t | 2 |
| 08 | TR BRACKET (B) | MA-BR-03-4125-0 | SBHG,200.0x25.5x2.0t | 2 |
| 09 | TR BRK/CUSHION(A) | MO-CU-02-4869-1 | FIBER,200.0x22.0x1.0t | 2 |
| 10 | RUBBER CUSHION(A) | MO-CU-01-4133-0 | RUBBER, 10.0x20.0x1.6t | 1 |
| 11 | RUBBER CUSHION(C) | MO-CU-01-1949-0 | RUBBER, 10.0x20.0x2.0t | 2 |
| 12 | RUBBER CUSHION(D) | MO-CU-01-4099-0 | RUBBER, 10.0x10.0x4.0t | 4 |
| 13 | CUSHION | MO-CU-03-8456-0 | FELT,18.0x6.0x0.3t | 2 |
| 14 | VOLUME KNOB | MA-KB-01-4209-0 | ABS/BK | 2 |
| 15 | PCB SUPPORT | MA-SU-05-8434-1 | BSBM,ø | 2 |
| 16 | SILICON PAD | MA-SP-02-1901-0 | (SP1000)23x0.3t | 260mm |
| 17 | SWITCH DECAL | MO-SD-03-4017-0 | FELT, 12.0x7.0x0.3t | 2 |
| 18 | SCREW | MB-SC-04-2-30-06 | STT2 BH 3x6 BK | 10 |
| 19 | SCREW | MN-SC-04-2-30-05 | STT2 BH 3x5 NI-P | 1 |
| 20 | SCREW | MB-SC-04-2-30-08 | STT2 BH 3x8 BK | 5 |
| 21 | SCREW | MB-SC-04-8-30-10 | STT2 FH 3x10 BK | 3 |
| 22 | SCREW | MB-SC-04-2-30-10 | STT2 BH 3x10 BK | 2 |
| 23 | SCREW | MN-SC-00-3-40-14 | SMP 4x14 NI-P | 6 |
| 24 | SCREW | MN-SC-04-3-30-08 | STT2 PH 3x8 BK | 1 |
| 25 | FUSE | | 25A | 2 |
| 26 | LED PCB | | | |

| NO | PART'S NAME | MATERIAL | Q'TY | SPECIFICATION | REMARK | | | | |
|--------------------|-------------|----------|------|---------------|-------------|-------|------|---------------|----------|
| 1-10 | A | B | C | THRD | UNIT | SCALE | DATE | MODEL | GTO-4000 |
| 1-10 | ANGLE | MM | NS | 2002.05.14 | REL. DRW NO | | | | |
| 100 | 0.1 | 0.2 | 0.3 | DRW | CHECK | APPRO | NAME | EXPLODED VIEW | |
| 100 | 0.2 | 0.3 | 0.5 | D.W.SEO | | | | | |
| 100 | 0.3 | 0.5 | 1.5 | | | | | | |
| CHUNG LAM CO.,LTD. | | | | | | | | CODE NO | ISSUE |