



LX 2000 SUB

Service Manual



SPECIFICATIONS:

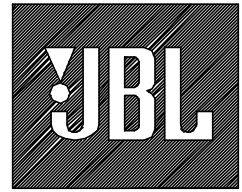
General Section

•	Amplifier Power: 150 Watts RMS (<0,5% THD, 4 Ohm)
•	Bass Driver: 250mm (10") Laminated Paper Driver with 50mm (2") high power voice coil
•	Inputs: Line Level -> Left and Right, LFE (No low pass crossover) High Level -> 5-way speaker binding posts
•	Outputs: High Level -> 5-way speaker binding posts
•	Low-Pass Frequency: Continuously variable from 75Hz to 100Hz
•	High-Pass Frequency: 38Hz when using high level output
•	Frequency Response: 38Hz (-3 dB) to low pass crossover setting
•	Dimensions (H x W x D): 500 x 300 x 370 mm
•	Weight: 20kg
•	Grille Material and Finish: Dark Grey
•	Finish: Beech, Black Ash, Brown Cherry

24/06/02

Technical Manual

LX-2000 SUB



SPECIFICATIONS

ACOUSTIC & ELECTRICAL SPECIFICATIONS:

- * Low-freq. Cut off 75 Hz - 100 Hz
- * High-freq. Cut-off 38 Hz
- * Built in Power amp. 150 Watts RMS

PHYSICAL SPECIFICATIONS:

- * Enclosure Dimensions (H.W.D): 500x300x370mm
(19.7x11.8x14.6 inch.)
- * Net Weight: 47.4 lbs. (21,5 kg.)

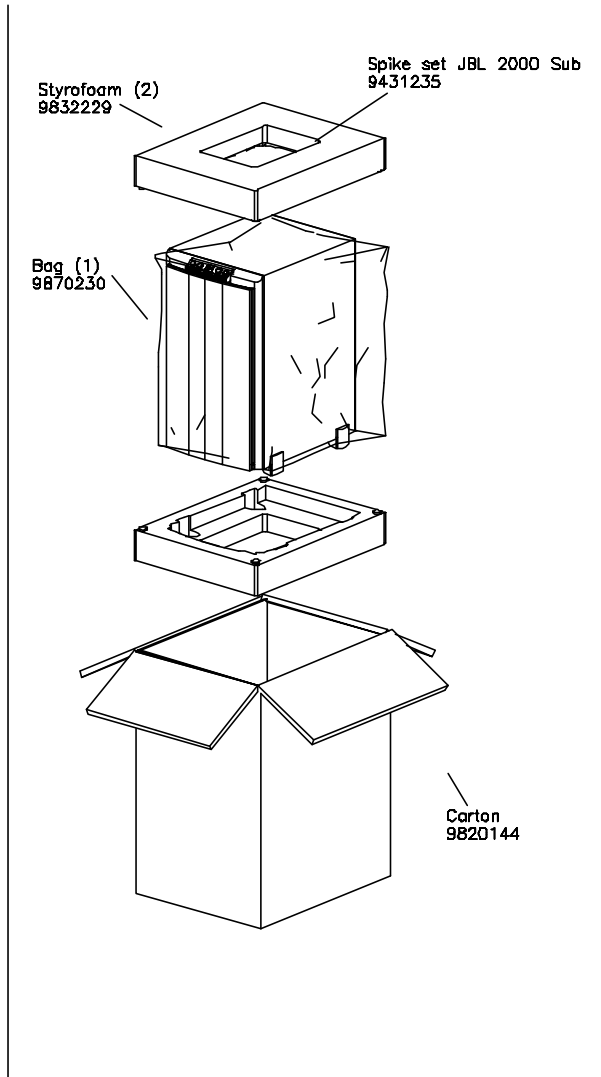
SYSTEM COMPONENTS:

- * Cabinet CLX-2000 SUB (Not for sale)
 - * Grille: GLX-2000 SUB (2404610)
 - * Woofer SB2210A 250mm Woofer
Laminated Paper Drive,
50mm high power voice coil
- DC Resistance: 2.92 Ohm

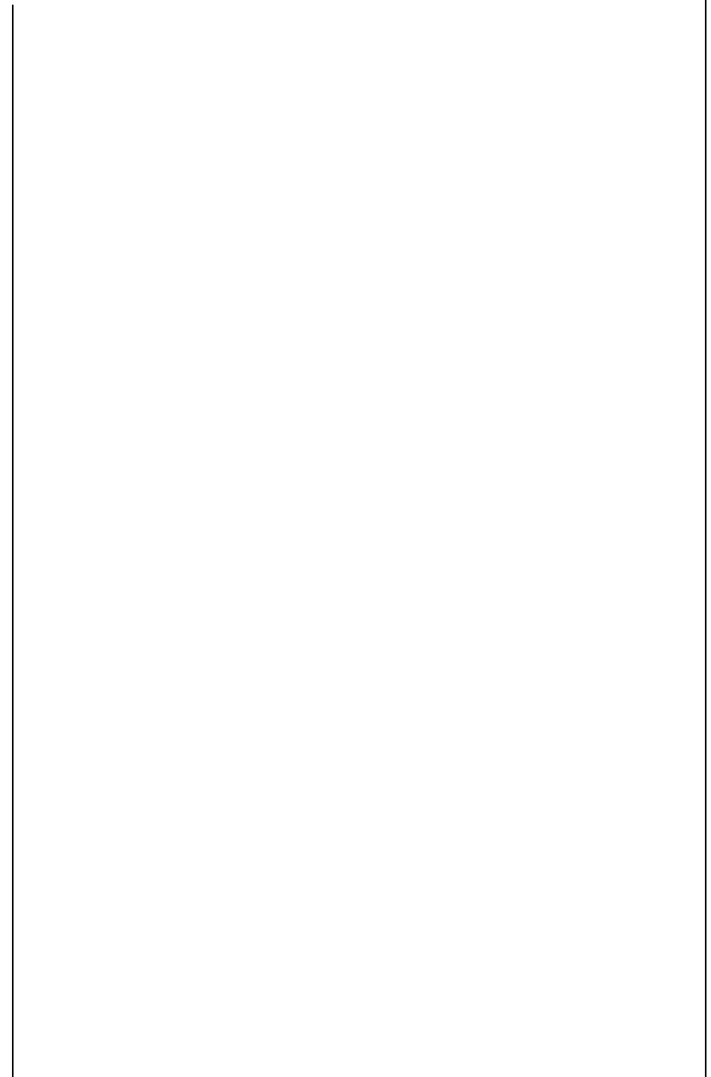
WARRANTY INFORMATION:

- * Refer to the Warranty Statement packed with each product

PACKAGE



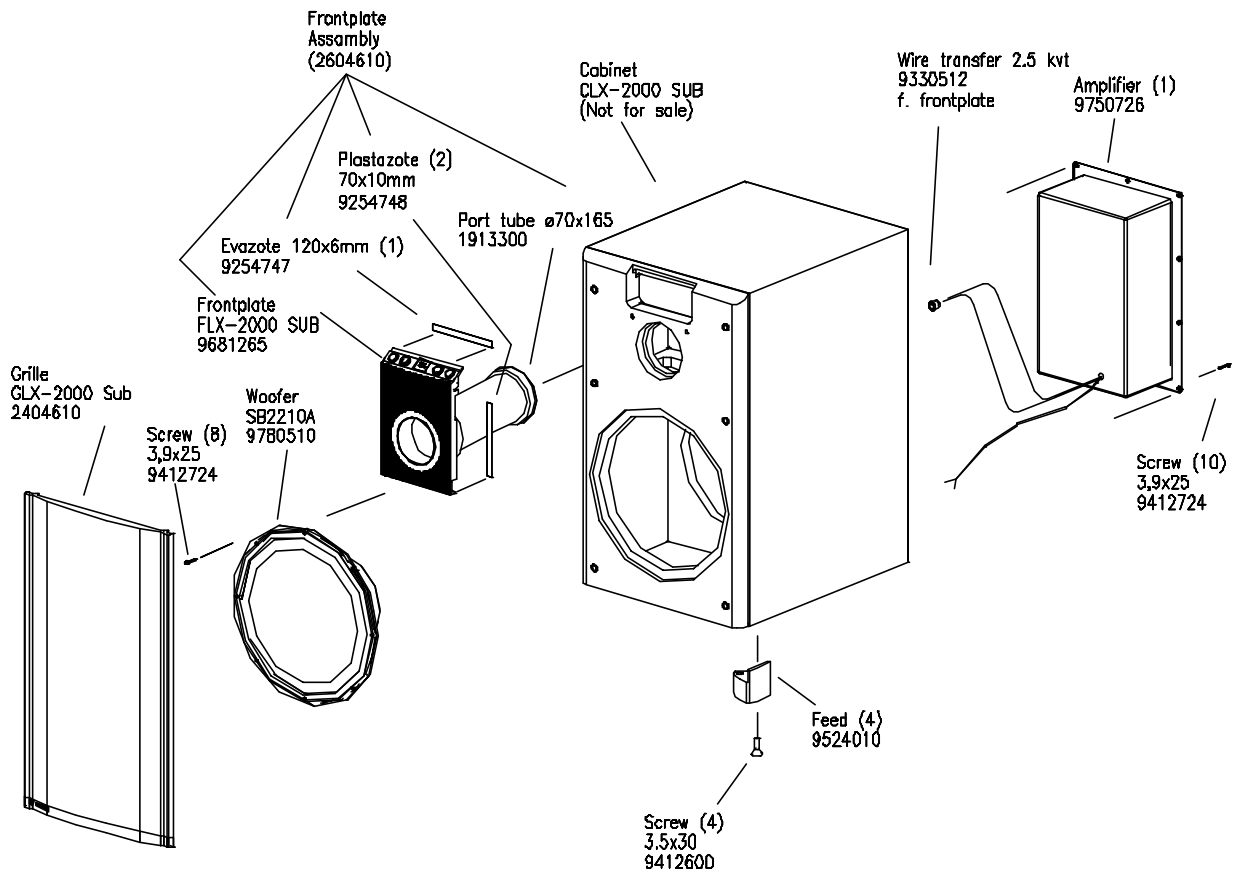
SCHEMATIC



LX-2000 SUB

LX-2000 Sub

COMPONENT EXPLODED VIEW



LX-2000 Sub

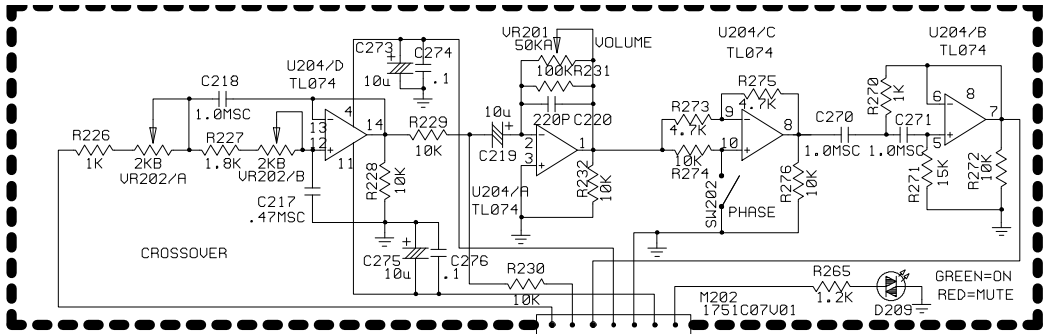
LX2000

	REFERENCE	PART NO.	DESCRIPTION	QTY
1		106LX200	AMP ASS'Y 200W	1
2		101LF03-4	LF03 ASS'Y	1
3		104lf0300	PCB	1
4		12211332m401	inductor 3.3mH	1
5		132104kb70	Mylar Capacitor 0.1U 275V	1
6		101ODS300D	AMP PCB ASS'Y 300W CLASS D	1
7		101OLX200	PCB ASS'Y	1
8		101ALX200	AI PCB ASS'Y	1
9		104lx20000	PCB	1
10	R201,2	11012472j52	Resistor 4.7K 1/2W ±5% CF	2
11	R503,4,10	11014103j26	Resistor 10K 1/4W ±5% CF	3
12	R511	11014222j26	Resistor 2.2K 1/4W ±5% CF	1
13	R506	11014432j26	Resistor 4.3K 1/4W ±5% CF	1
14	R505	11014472j26	Resistor 4.7K 1/4W ±5% CF	1
15	R153,213,4,5,54	11016102j26	Resistor 1K 1/6W ±5% CF	5
16	R128,30,49,50,209,12,6,7 20,1,2,5,6,8,9,30,2,5,40	11016103j26	Resistor 10K 1/6W ±5% CF	33
17	R122,6,231,63,6,307	11016104j26	Resistor 100K 1/6W ±5% CF	6
18	R259	11016105j26	Resistor 1M 1/6W ±5% CF	1
19	R265	11016122j26	Resistor 1.2K 1/6W ±5% CF	1
20	R253	11016151j26	Resistor 150 1/6W ±5% CF	1
21	R107,234	11016153j26	Resistor 15K 1/6W ±5% CF	2
22	R233,52,71	11016154j26	Resistor 150K 1/6W ±5% CF	3
23	R145	11016182j26	Resistor 1.8K 1/6W ±5% CF	1
24	R227,62	11016183j26	Resistor 18K 1/6W ±5% CF	2
25	R309	11016203j26	Resistor 20K 1/6W ±5% CF	1
26	R257	11016205j26	Resistor 2.0M 1/6W ±5% CF	1
27	R144	11016221j26	Resistor 220 1/6W ±5% CF	1
28	R102	11016222j26	Resistor 2.2K 1/6W ±5% CF	1
29	R238,55,316,8	11016223j26	Resistor 22K 1/6W ±5% CF	4
30	R223,37	11016273j26	Resistor 27K 1/6W ±5% CF	2
31	R310	11016333j26	Resistor 33K 1/6W ±5% CF	1

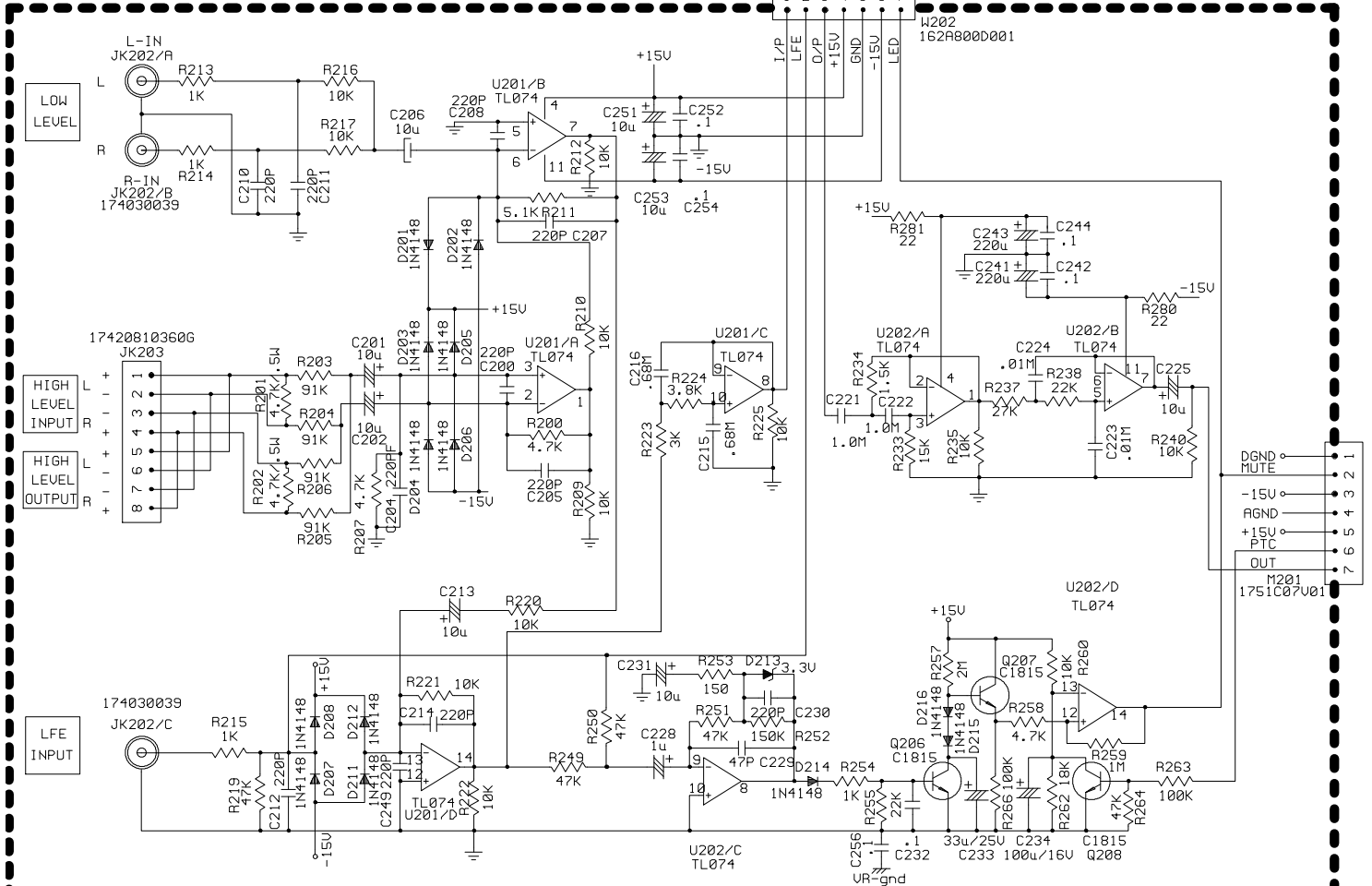
32	R317	11016391j26	Resistor 390 1/6W ±5% CF	1
33	R151	11016393j26	Resistor 39K 1/6W ±5% CF	1
34	R200,7,58,73,5	11016472j26	Resistor 4.7K 1/6W ±5% CF	5
35	R106,29,219,49,50 1,64	11016473j26	Resistor 47K 1/6W ±5% CF	7
36	R127,312	11016474j26	Resistor 470K 1/6W ±5% CF	2
37	R210,11	11016512j26	Resistor 5.1K 1/6W ±5% CF	2
38	R224	11016513j26	Resistor 51K 1/6W ±5% CF	1
39	R152	11016562j26	Resistor 5.6K 1/6W ±5% CF	1
40	R160	11016621j26	Resistor 620 1/6W ±5% CF	1
41	R315	11016751j26	Resistor 750 1/6W ±5% CF	1
42	R313	11016755j26	Resistor 7.5M 1/6W ±5% CF	1
43	R203,4,5,6	11016913j26	Resistor 91K 1/6W ±5% CF	4
44	C218,70,1	129a104j633	Metallize Cap. 0.1U 63V ±5%	3
45	C217	129a473j633	Metallize Cap. 0.047U 63V ±5%	1
46	C302,3,6	1302b101k503	Disc Capacitor 100P 50V ±10%	3
47	C103,4	1302b103ka03	Disc Capacitor 0.01U 100V ±10%	2
48	C200,4,5,7,8,10 1.2.4.20.30.49	1302b221k503	Disc Capacitor 220P 50V ±10%	12
49	C229	1302b470k503	Disc Capacitor 47P 50V ±10%	1
50	C107,17,22,44 232,42,44,52,4 6,74,6,320,2	1302f104z503	Disc Capacitor 0.1U 50V +80/-20%	14
51	C223,4,305,17	132103j503	Mylar Capacitor 0.01U 50V ±5%	4
52	C123,221,2,503,4	132104j503	Mylar Capacitor 0.1U 50V ±5%	5
53	C215	132223j503	Mylar Capacitor 0.022U 50V ±5%	1
54	C143	132273ja03	Mylar Capacitor 0.027U 100V ±5%	1
55	C216	132473j503	Mylar Capacitor 0.047U 50V ±5%	1
56	C228	1353105m50	Electrolytic Cap. 1U 50V ±20%	1
57	C201,2,6,13,9,25 31,41,3,51,3,73 5,319,21	1353106m50	Electrolytic Cap. 10U 50V ±20%	15
58	C114,5	1353107m10	Electrolytic Cap. 100U 10V ±20%	2
59	C234	1353107m16	Electrolytic Cap. 100uF 16V ±20%	1
60	C507,8	1353107m35	Electrolytic Cap. 100U 35V ±20%	2
61	C509	1353225m50	Electrolytic Cap. 2.2U 50V ±20%	1
62	C304	1353226m16	Electrolytic Cap. 22U 16V ±20%	1
63	C505,6	1353226m50	Electrolytic Cap. 22U 50V ±20%	2

64	C118	1353227m16	Electrolytic Cap. 220U 16V ±20%	1
65	C233	1353336m25	Electrolytic Cap. 33U 25V ±20%	1
66	C318	1353476m16	Electrolytic Cap. 47U 16V ±20%	1
67	Q108,9,13,206 7,8,301,2	192027c1815gr	Transistor 2SC1815GR	8
68	Q111	192027c2235y	Transistor 2SC2235Y	1
69	Q101,7,12	192028a1015gr	Transistor 2SA1015GR	3
70	Q114,5	1921672n5551	Transistor 2N5551	2
71	Q503	1921682n5401	Transistor 2N5401 AI-PNP 350V 500mA	1
72	D102,3,4,5,43,201 2,3,4,5,6,7,8,11,2 4,5,6,301,2	197131n4148	Diode 1N4148	20
73	D213	19915000335	Zener Diode 3.3V 1/2W	1
74	D101	19915000625	Zener Diode 6.2V 1/2W	1
75	D502	19915001505	Zener Diode 15V 1/2W	1
76	TH1	1091ttc802j0	Thermistor TTC-802(JS) NTC	1
77	R134	11020332jk3	Resistor 3.3K 2W ±5%	1
78	R148	11120102jk3	Metal Film Resistor 1K 2W ±5%	1
79	R501,2	11130471jk2	Metal Film Resistor 470 3W ±5%	2
80	R147	11350s68j00	Cement Resistor 0.068 5W	1
81	VR202	115h203b201	Variable Resistor 20KB/2	1
82	VR201	115h503a102	Variable Resistor RV16AE-20B2-15K-A54-1	1
83	FB1,2	1201000003	Inductor 10W AI YT-C3104-005 1CRHW3	2
84	C500	132103kb00	Mylar Capacitor 0.01U 200V ±10%	1
85	C501,2	1385478m80	Electrolytic Cap. 4700U 80V ±20%	2
86	RL1	171urwh124d	Relay RWH-SH-124D (1600 ohm)	1
87	JK202	1740300390g	JACK	1
88	JK203(B)	1742psz406g1	JACK S-8071	1
89	JK203(A)	1742psz406g2	SPK JK 4PIN S-8072	1
90	SW202	180p9an02218	Switch PS-9AN-022-18	1
91	U201,2,4,301	19016tl074cn	I.C. TL074CN ST	4
92	Q501	192161tip31c	Transistor TIP31C SGS	1
93	Q502	192162tip32c	Transistor TIP32C SGS	1
94	D209	19510204hgw	LED 204HGW	1
95	D501	19700kbu606g	Display 6A 800V KBU606G	1
96	D110,504	197101n4004	Diode 1n4004	2
97		150r1107003	Power Transformer	1

98		152v402005a	Line Cord 4.0FT #110 FLAG TERMINAL	1
99		152v602026	Line Cord SP-021A 6FT VDE	1
100	F501	154v25006t0	Fuse 2.5A 250V 20mm VDE	1
101	F501	155620001	Fuse Holder HTB -32M UL/CSA/VDE	1
102	SW501	180pp1221	Switch P12-21	1

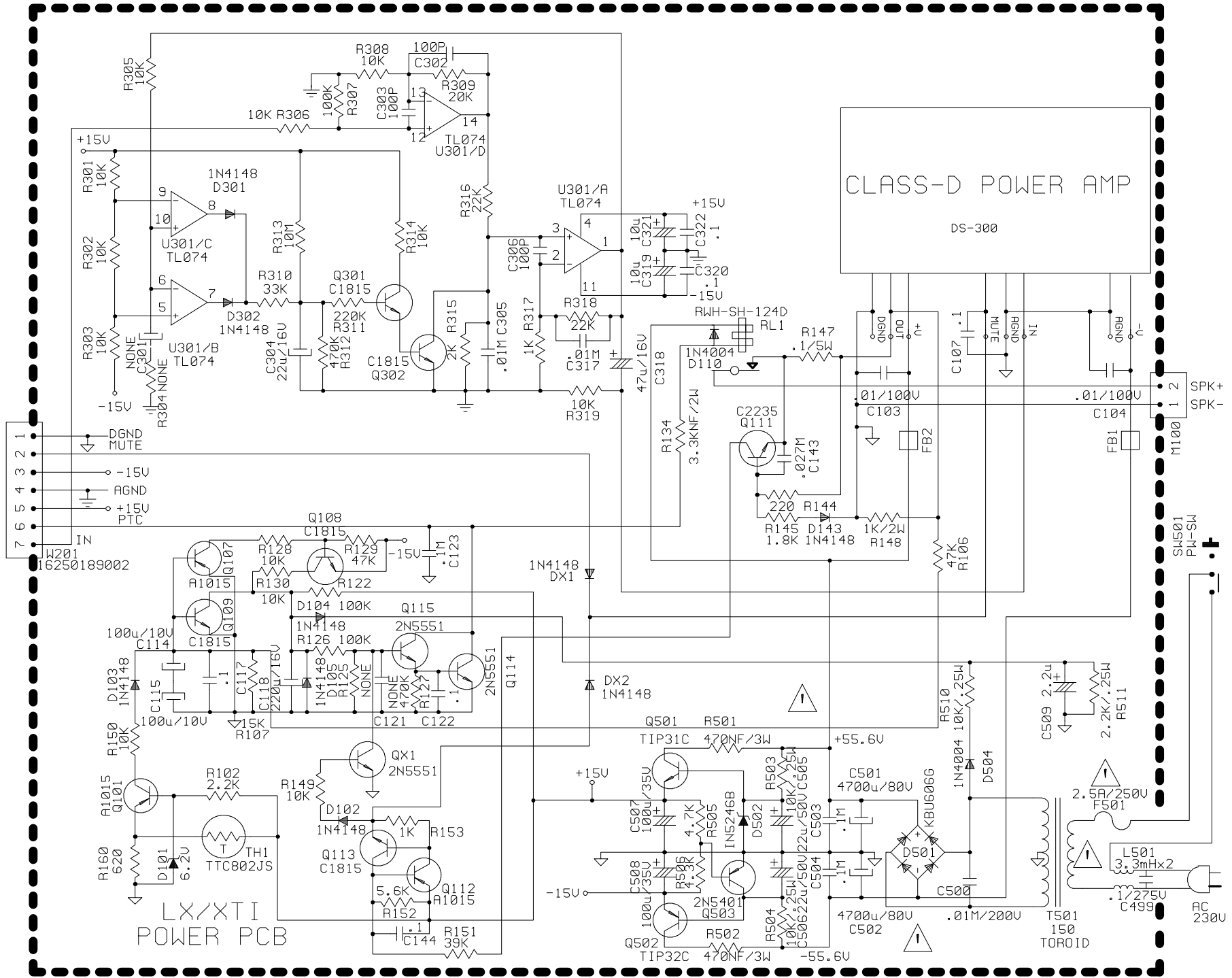


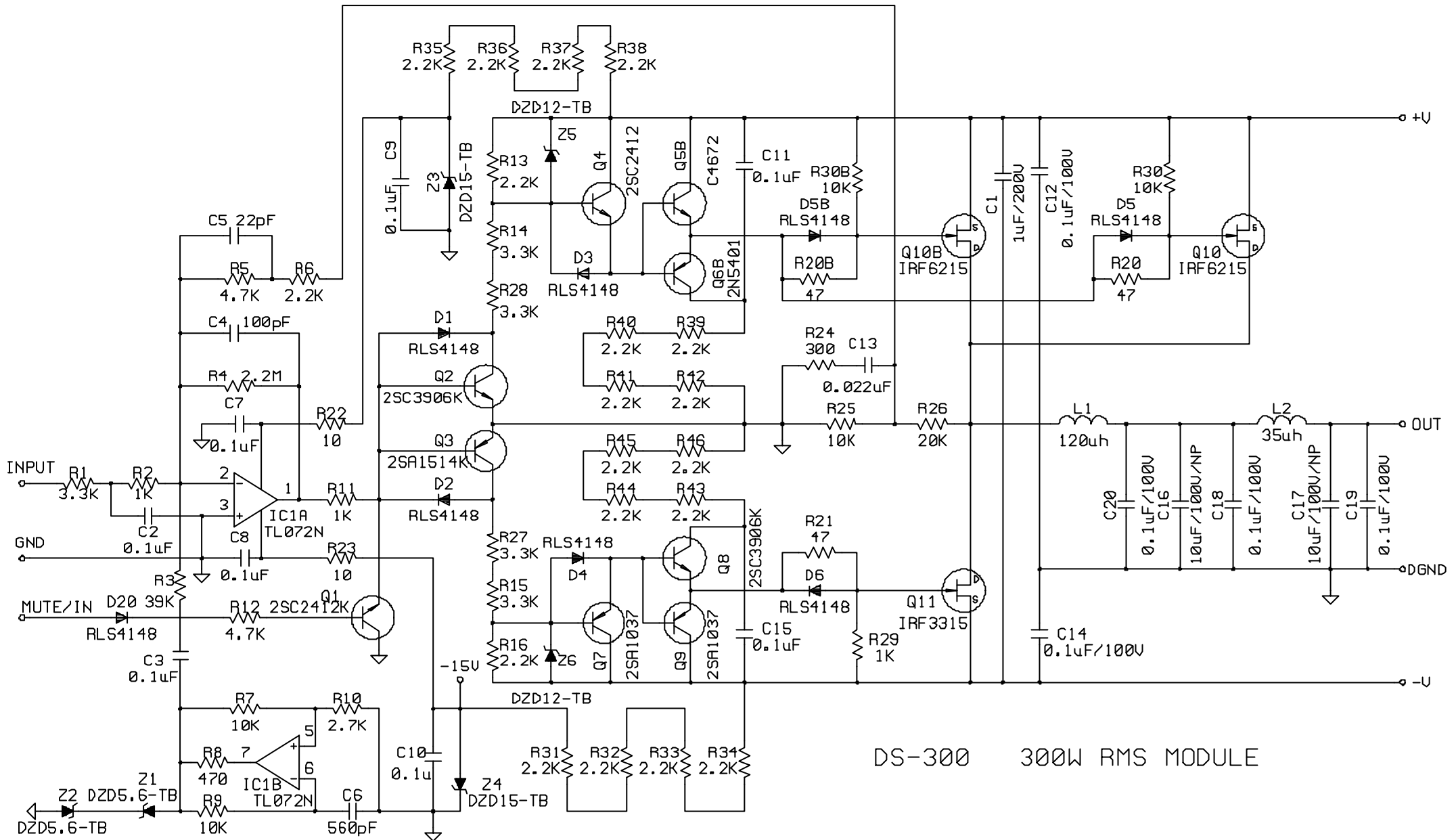
6+1 shield cable



LX/XTI : JACK PANEL PCB

JAN-07-2002





DS-300 300W RMS MODULE

