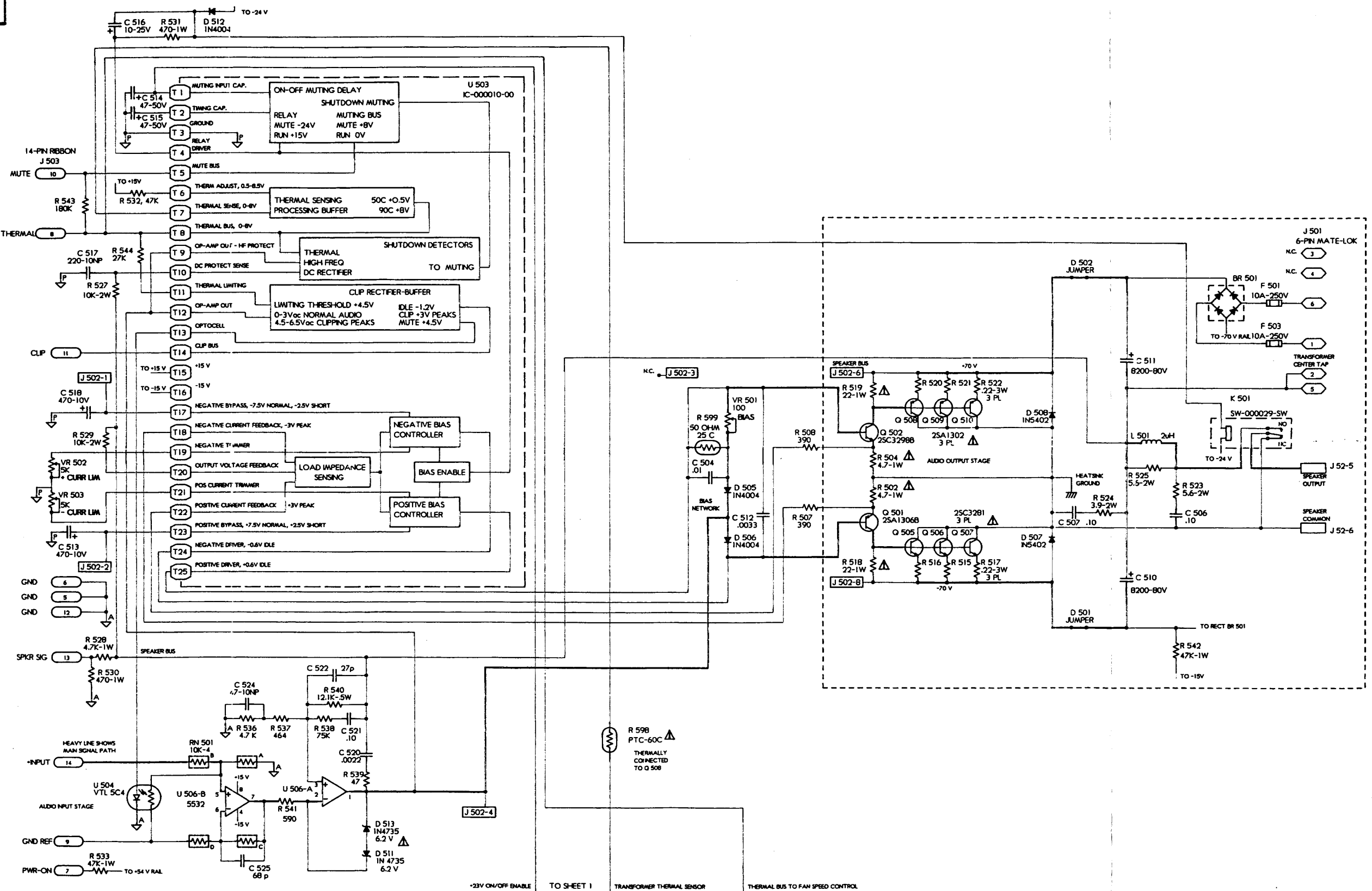


SCHEMATIC, MPA 275, SHEET 2, AMPLIFIER CHANNEL A

THESE DRAWINGS AND SPECIFICATIONS ARE THE PROPERTY OF JBL PROFESSIONAL PRODUCTS. THEY ARE ISSUED IN STRICT CONFIDENCE AND SHALL NOT BE REPRODUCED, COPIED, OR USED AS THE BASIS FOR MANUFACTURE OR SALE OF APPARATUS WITHOUT WRITTEN PERMISSION.

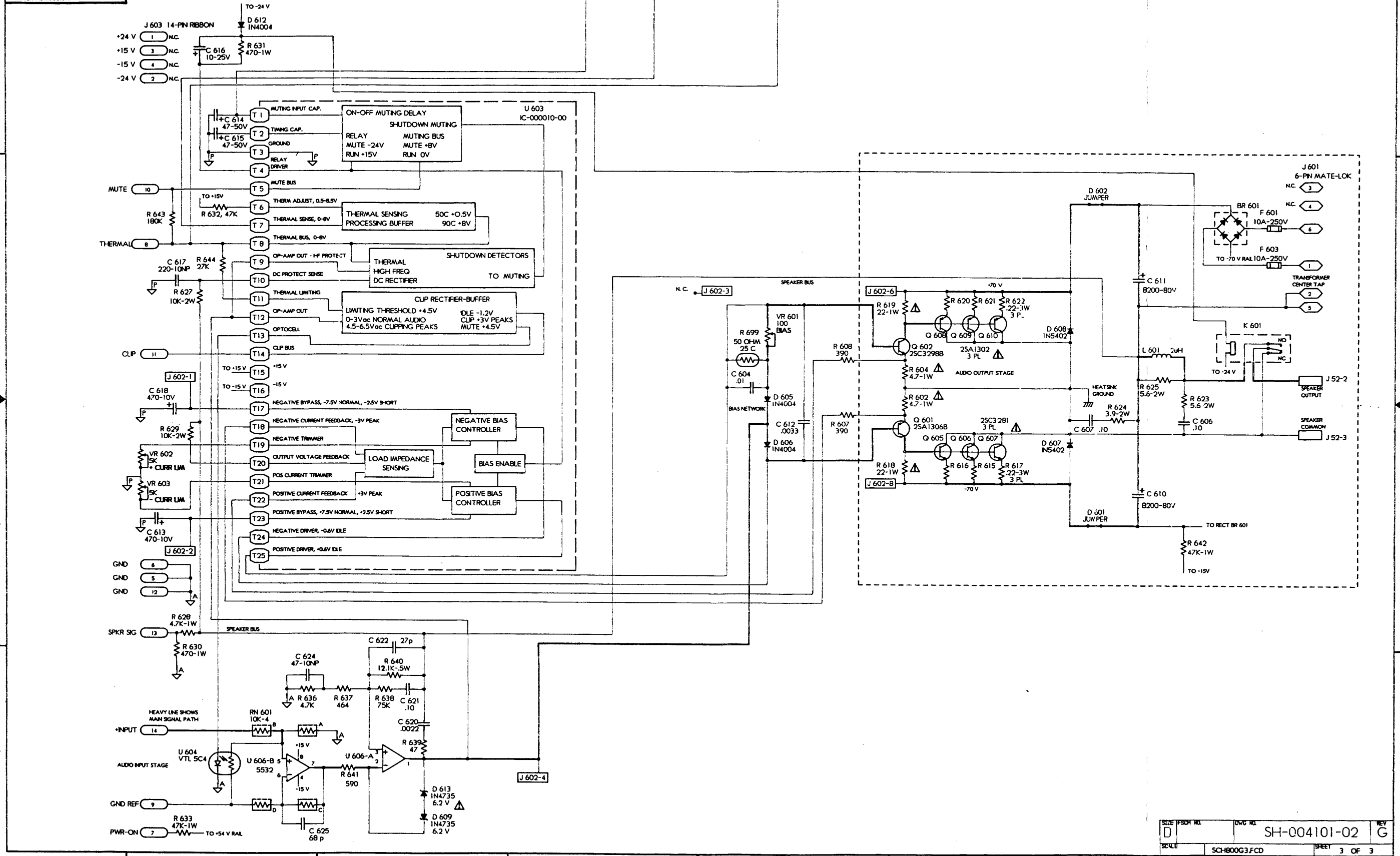


SCHEMATIC MPA 275 DRAWING SHEET 2 OF 3

THESE DRAWINGS AND SPECIFICATIONS ARE THE PROPERTY OF JBL. PROFESSIONAL PRODUCTS. THEY ARE ISSUED IN STRICT CONFIDENCE AND SHALL NOT BE REPRODUCED, COPIED, OR USED AS THE BASIS FOR MANUFACTURE OR SALE OF APPARATUS WITHOUT WRITTEN PERMISSION.

SCHEMATIC MPA 275, SHEET 3, AMPLIFIER CHANNEL B

SH-004101-02 3 REV G



SIZE (FSH) NO.	DWG. NO.	REV.
D	SH-004101-02	G
SCALE	SCH-800G3.FCD	SHEET 3 OF 3

SHEET 3 OF 3