

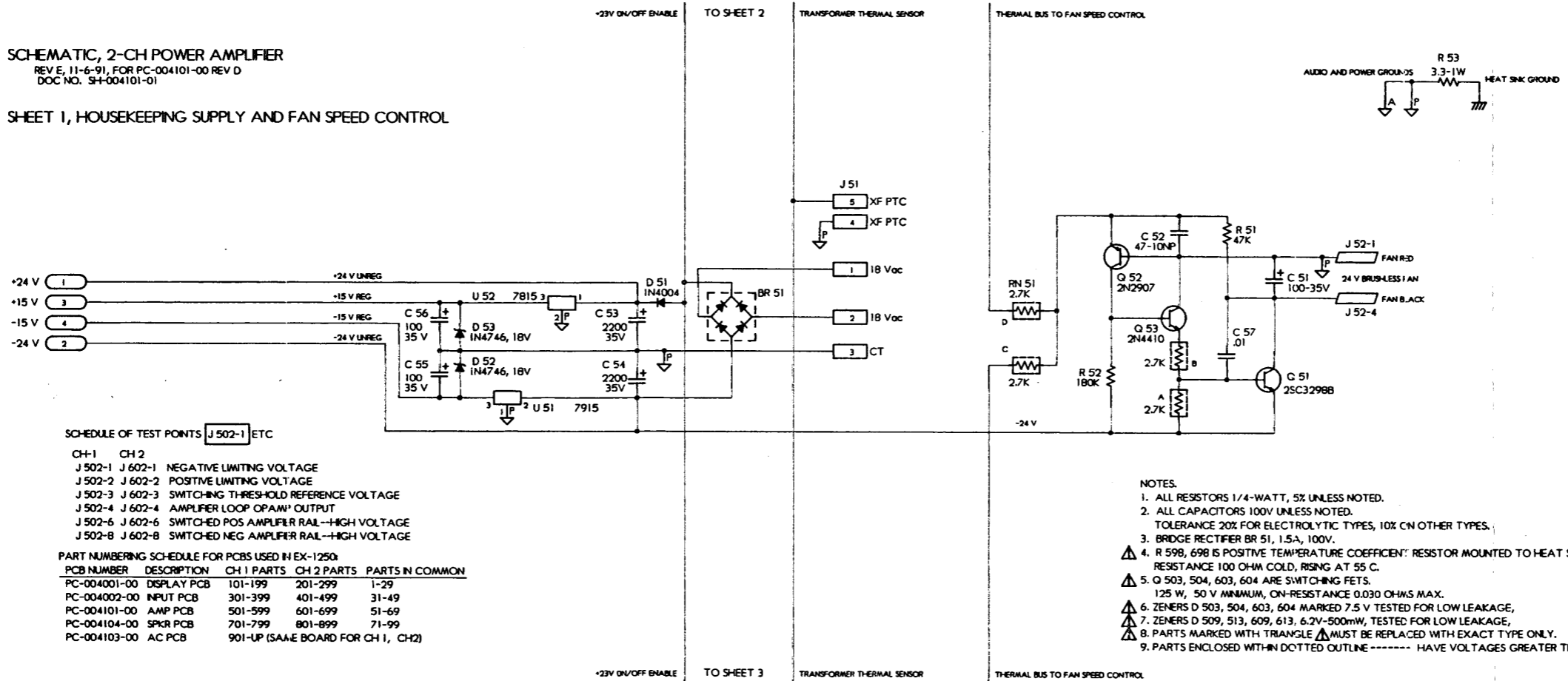
THESE DRAWINGS AND SPECIFICATIONS ARE THE PROPERTY OF JBL PROFESSIONAL PRODUCTS. THEY ARE ISSUED IN STRICT CONFIDENCE AND SHALL NOT BE REPRODUCED, COPIED, OR USED AS THE BASIS FOR MANUFACTURE OR SALE OF APPARATUS WITHOUT WRITTEN PERMISSION.

DWG NO. SH-004101-01 REV G

ZONE	REV	DESCRIPTION	DATE	APPROVED
B		PROD RELEASE PER ECO 1107 GLF	5-29-91	SGM
C		REVISED PER ECO 1127 RDS	7-12-91	SGM
D		REVISED PER ECO 1262 LG	10-9-91	SGM
E		REVISED PER ECO 1289 PHQ	11-6-91	SGM
F		REVISED PER ECO 1508 SGM	6-10-92	SGM
G		REVISED PER ECO 1602 WR	10-21-92	SGM

SCHEMATIC, 2-CH POWER AMPLIFIER
REV E, 11-6-91, FOR PC-004101-00 REV D
DOC NO. SH-004101-01

SHEET 1, HOUSEKEEPING SUPPLY AND FAN SPEED CONTROL



SCHEDULE OF TEST POINTS J 502-1 ETC

- | | |
|---------|---------|
| CH-1 | CH-2 |
| J 502-1 | J 602-1 |
| J 502-2 | J 602-2 |
| J 502-3 | J 602-3 |
| J 502-4 | J 602-4 |
| J 502-5 | J 602-5 |
| J 502-6 | J 602-6 |
| J 502-7 | J 602-7 |
| J 502-8 | J 602-8 |

PART NUMBERING SCHEDULE FOR PCBs USED IN EX-1250:

PCB NUMBER	DESCRIPTION	CH 1 PARTS	CH 2 PARTS	PARTS IN COMMON
PC-004001-00	DISPLAY PCB	101-199	201-299	1-29
PC-004002-00	INPUT PCB	301-399	401-499	31-49
PC-004101-00	AMP PCB	501-599	601-699	51-69
PC-004104-00	SPKR PCB	701-799	801-899	71-99
PC-004103-00	AC PCB	901-UP (SAME BOARD FOR CH 1, CH2)		

LAST USED REF. DESIGN.

- BR 502, 602, BR 51
- C51 - 57, C526, 626
- D51 - 53, D513, 613
- F504, 604
- J51, 52, J503, 603
- K501, 601
- L501, 601
- Q51 - 53, Q510, 610
- R51 - 53, R544, 644, R598, 698, R599, 699
- RN51, RN502, 602
- U51, 52, U506, 606
- VR503, 603

NOTES.

- ALL RESISTORS 1/4-WATT, 5% UNLESS NOTED.
- ALL CAPACITORS 100V UNLESS NOTED. TOLERANCE 20% FOR ELECTROLYTIC TYPES, 10% ON OTHER TYPES.
- BRIDGE RECTIFIER BR 51, 1.5A, 100V.
- R 598, 698 IS POSITIVE TEMPERATURE COEFFICIENT RESISTOR MOUNTED TO HEAT SINK. RESISTANCE 100 OHM COLD, RISING AT 55 C.
- Q 503, 504, 603, 604 ARE SWITCHING FETS. 125 W, 50 V MINIMUM, ON-RESISTANCE 0.030 OHMS MAX.
- ZENERS D 503, 504, 603, 604 MARKED 7.5 V TESTED FOR LOW LEAKAGE.
- ZENERS D 509, 513, 609, 613, 6.2V-500mW, TESTED FOR LOW LEAKAGE.
- PARTS MARKED WITH TRIANGLE Δ MUST BE REPLACED WITH EXACT TYPE ONLY.
- PARTS ENCLOSED WITHIN DOTTED OUTLINE ----- HAVE VOLTAGES GREATER THAN 42V.

JAN 15 1993

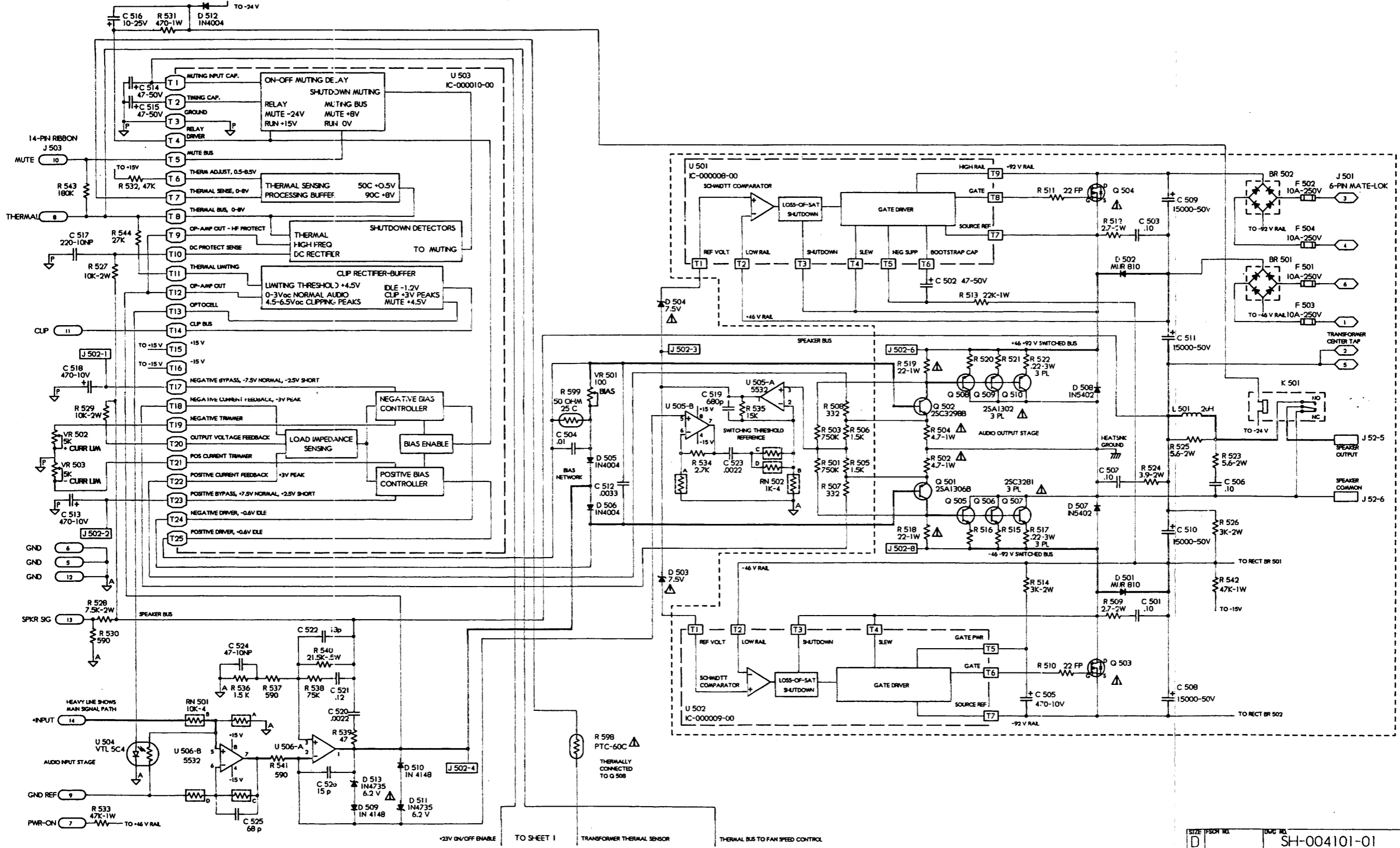
PARTS LIST

UNLESS OTHERWISE SPECIFIED DIMENSIONS ARE IN INCHES TOLERANCES ARE:		CONTRACT NO.		JBL Professional Products Northridge, California	
FRACTIONS	DECIMALS	ANGLES	APPROVALS	DATE	SIZE
±/-	.XX ±/-	±/-		15-15-91	D
	.XXX ±/-		CHECKED		D
			ISSUED		D
WP-004101-10	MPA 400	FINISH			D
NEXT ASSY	USED ON				D
APPLICATION	DO NOT SCALE DRAWING	SH1250F1.FCD			D

SH-004101-01 REV G SCHEMATIC MPA 400 DRAWING SHEET 1 OF 3

THESE DRAWINGS AND SPECIFICATIONS ARE THE PROPERTY OF JBL PROFESSIONAL PRODUCTS. THEY ARE ISSUED IN STRICT CONFIDENCE AND SHALL NOT BE REPRODUCED, COPIED, OR USED AS THE BASIS FOR MANUFACTURE OR SALE OF APPARATUS WITHOUT WRITTEN PERMISSION.

SCHEMATIC, MPA 400, SHEET 2, AMPLIFIER CHANNEL A

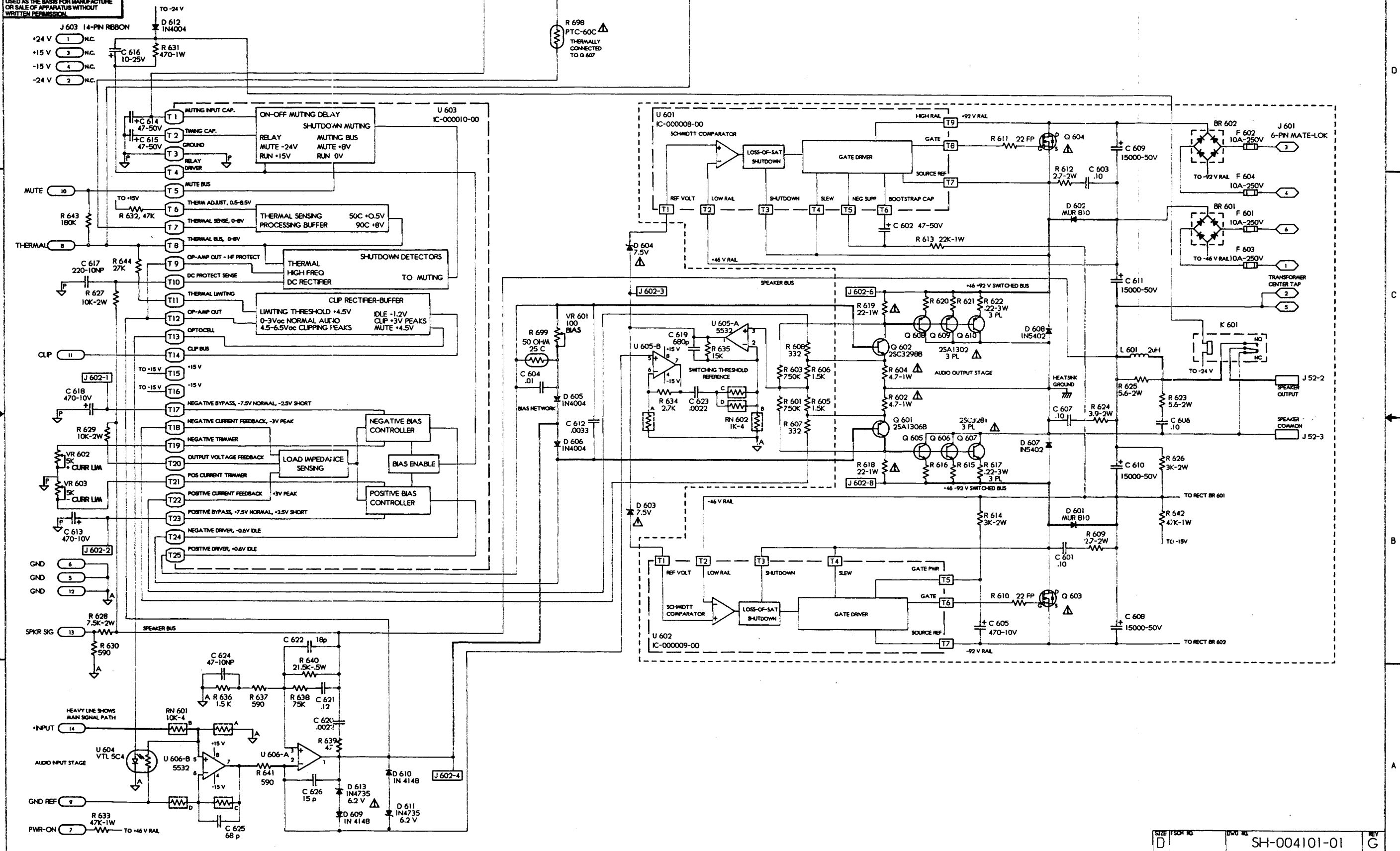


SH-004101-01 REV G
 SCHEMATIC MPAPRODRAWING
 SHEET 2 OF 3

SIZE (PCH NO.)	DWG NO.	REV
D	SH-004101-01	G
SCALE	SH1250G2.FCD	SHEET 2 OF 3

THESE DRAWINGS AND SPECIFICATIONS ARE THE PROPERTY OF JBL PROFESSIONAL PRODUCTS. THEY ARE ISSUED IN STRICT CONFIDENCE AND SHALL NOT BE REPRODUCED, COPIED, OR USED AS THE BASIS FOR MANUFACTURE OR SALE OF APPARATUS WITHOUT WRITTEN PERMISSION.

SCHEMATIC, MPA 400, SHEET 3, AMPLIFIER CHANNEL B



SCHEMATIC MPA 400 DRAWING SHEET 3 OF 3

SIZE	FORM NO.	DWG NO.	REV
D		SH-004101-01	G
SCALE		SH1250G3.FCD	SHEET 3 OF 3