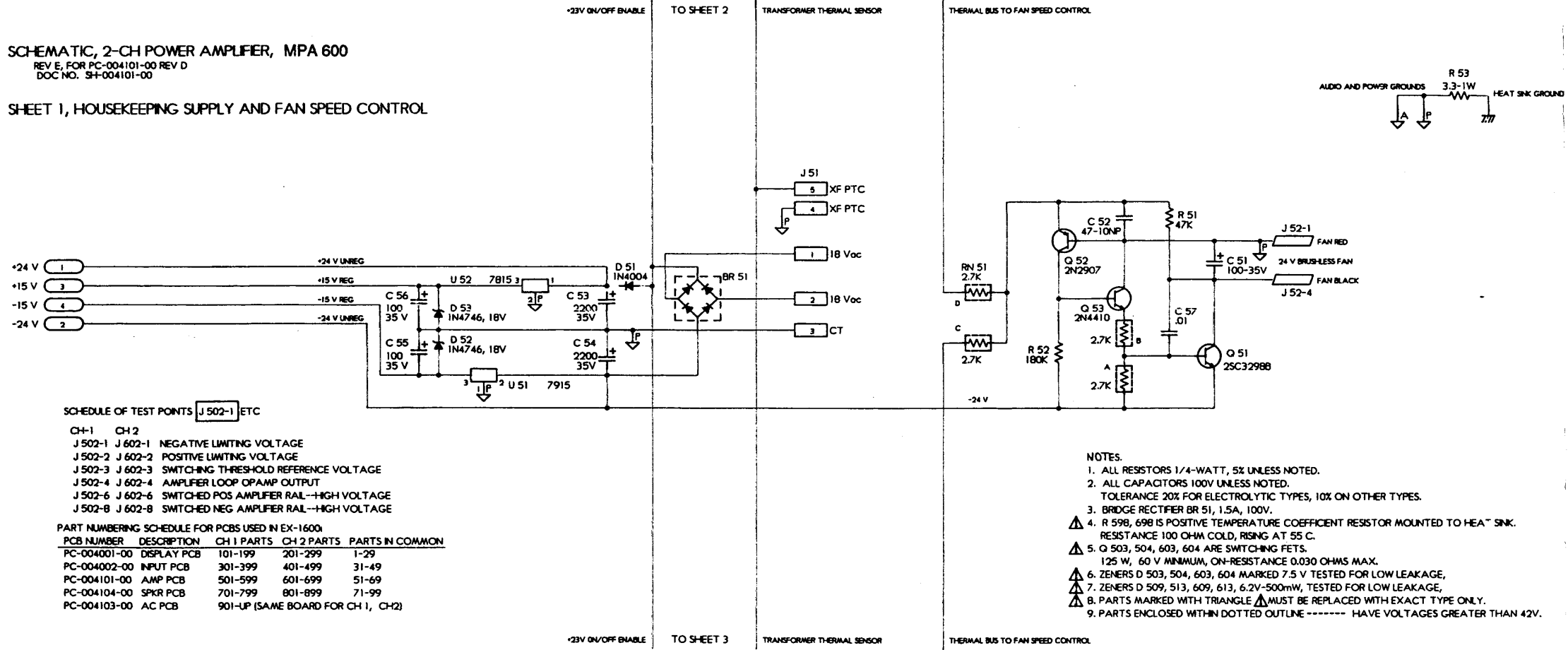


THESE DRAWINGS AND SPECIFICATIONS ARE THE PROPERTY OF JBL PROFESSIONAL PRODUCTS. THEY ARE ISSUED IN STRICT CONFIDENCE AND SHALL NOT BE REPRODUCED, COPIED, OR USED AS THE BASIS FOR MANUFACTURE OR SALE OF APPARATUS WITHOUT WRITTEN PERMISSION.

2	REV	DESCRIPTION	DATE	APPROVED
B		PROD RELEASE PER ECO 1107 GLF	5-29-91	SGM
C		REVISED PER ECO 1126 RDS	7-26-91	SGM
D		REVISED PER ECO 1262 LG	10-9-91	SGM
E		REVISED PER ECO 1289 PHQ	11-6-91	SGM
F		REVISED PER ECO 1508 SGM	6-10-92	SGM
G		REVISED PER ECO 1602 WR	6-10-92	SGM

**SCHEMATIC, 2-CH POWER AMPLIFIER, MPA 600**  
REV E, FOR PC-004101-00 REV D  
DOC NO. SH-004101-00

**SHEET 1, HOUSEKEEPING SUPPLY AND FAN SPEED CONTROL**



- SCHEDULE OF TEST POINTS J 502-1 ETC**
- CH-1 CH-2
  - J 502-1 J 602-1 NEGATIVE LIMITING VOLTAGE
  - J 502-2 J 602-2 POSITIVE LIMITING VOLTAGE
  - J 502-3 J 602-3 SWITCHING THRESHOLD REFERENCE VOLTAGE
  - J 502-4 J 602-4 AMPLIFIER LOOP OPA/AMP OUTPUT
  - J 502-6 J 602-6 SWITCHED POS AMPLIFIER RAIL--HIGH VOLTAGE
  - J 502-8 J 602-8 SWITCHED NEG AMPLIFIER RAIL--HIGH VOLTAGE

**PART NUMBERING SCHEDULE FOR PCBs USED IN EX-1600:**

PCB NUMBER	DESCRIPTION	CH 1 PARTS	CH 2 PARTS	PARTS IN COMMON
PC-004001-00	DISPLAY PCB	101-199	201-299	1-29
PC-004002-00	INPUT PCB	301-399	401-499	31-49
PC-004101-00	AMP PCB	501-599	601-699	51-69
PC-004104-00	SPKR PCB	701-799	801-899	71-99
PC-004103-00	AC PCB	901-UP (SAME BOARD FOR CH 1, CH2)		

**LAST USED REF. DESIGN.**

- BR 502, 602, BR 51
- C51 - 57, C526, 626
- D51 - 53, D513, 613
- F504, 604
- J51, 52, J503, 603
- K501, 601
- L501, 601
- Q51 - 53, Q510, 610
- R51 - 53, R544, 644, R598, 698, R599, 699
- RN51, RN502, 602
- U51, 52, U506, 606
- VR503, 603

- NOTES.**
- ALL RESISTORS 1/4-WATT, 5% UNLESS NOTED.
  - ALL CAPACITORS 100V UNLESS NOTED. TOLERANCE 20% FOR ELECTROLYTIC TYPES, 10% ON OTHER TYPES.
  - BRIDGE RECTIFIER BR 51, 1.5A, 100V.
  - R 598, 698 IS POSITIVE TEMPERATURE COEFFICIENT RESISTOR MOUNTED TO HEAT SINK. RESISTANCE 100 OHM COLD, RISING AT 55 C.
  - Q 503, 504, 603, 604 ARE SWITCHING FETS. 125 W, 60 V MINIMUM, ON-RESISTANCE 0.030 OHMS MAX.
  - ZENERS D 503, 504, 603, 604 MARKED 7.5 V TESTED FOR LOW LEAKAGE.
  - ZENERS D 509, 513, 609, 613, 6.2V-500mW, TESTED FOR LOW LEAKAGE.
  - PARTS MARKED WITH TRIANGLE  $\Delta$  MUST BE REPLACED WITH EXACT TYPE ONLY.
  - PARTS ENCLOSED WITHIN DOTTED OUTLINE ----- HAVE VOLTAGES GREATER THAN 42V.

JAN 15 1993

UNLESS OTHERWISE SPECIFIED DIMENSIONS ARE IN INCHES TOLERANCES ARE:		CONTRACT NO.		APPROVALS		DATE	
FRACTIONS	DECIMALS	ANGLES		DRAWN	PHQ	5-15-91	
±	.XX	∠		CHECKED	SGM	5-29-91	
±	.XXX	∠		ISSUED			
MP-004101-00	MI O	FRESH		SIZE (PSCH NO.)		DWG NO.	SH-004101-00
NEXT ASSY	USED ON			SCALE		FILE NO.	SH1600G1.FCD
APPLICATION	DO NOT SCALE DRAWING			SHEET	1 OF 3		

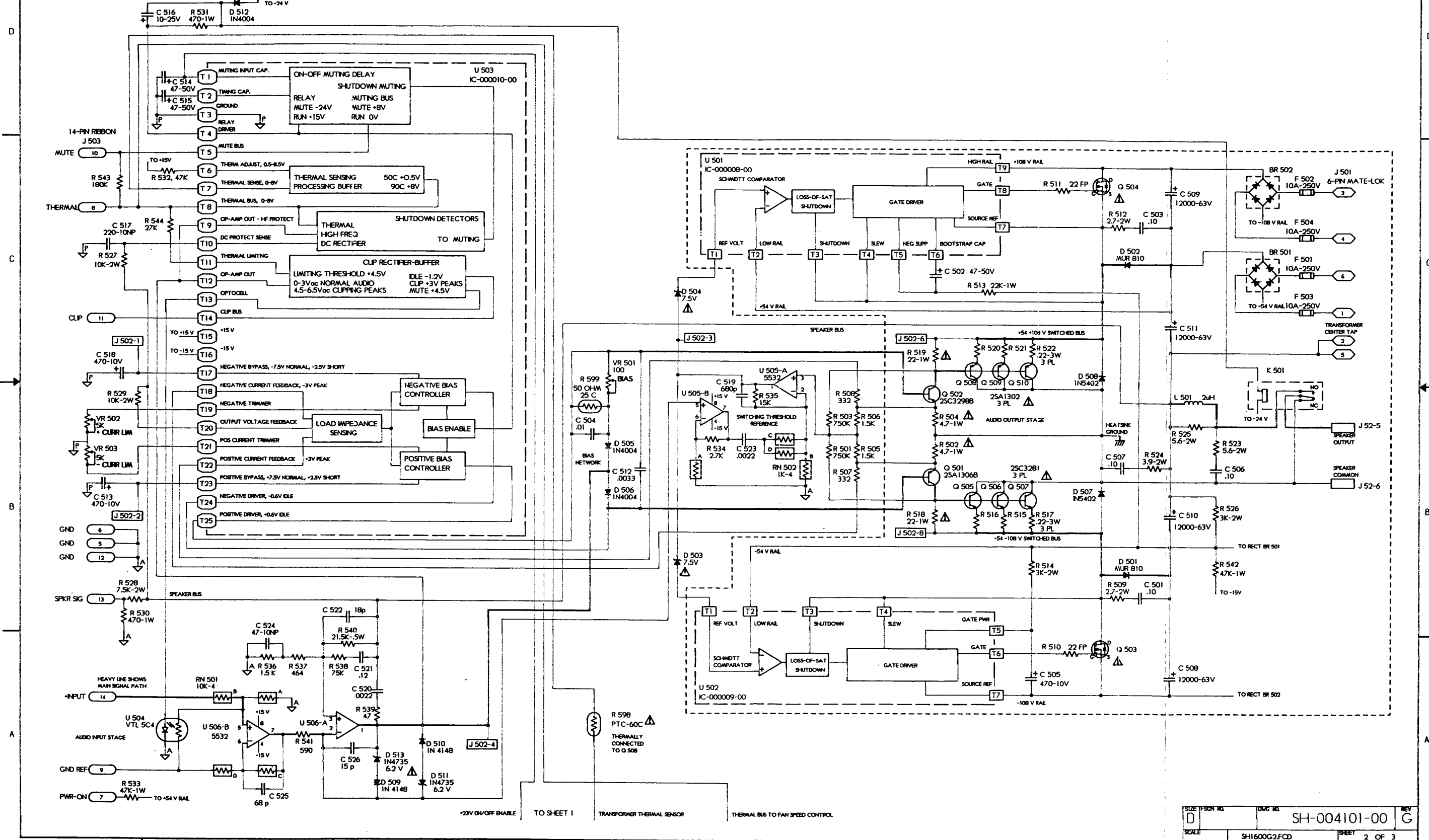
**JBL Professional Products**  
Northridge, California

**SCHEMATIC MPA - 600**  
DRAWING

SHEET 1 OF 3

THESE DRAWINGS AND SPECIFICATIONS ARE THE PROPERTY OF JBL PROFESSIONAL PRODUCTS. THEY ARE ISSUED IN STRICT CONFIDENCE AND SHALL NOT BE REPRODUCED, COPIED, OR USED AS THE BASIS FOR MANUFACTURE OR SALE OF APPARATUS WITHOUT WRITTEN PERMISSION.

SCHEMATIC, 1600, SHEET 2, AMPLIFIER CHANNEL A

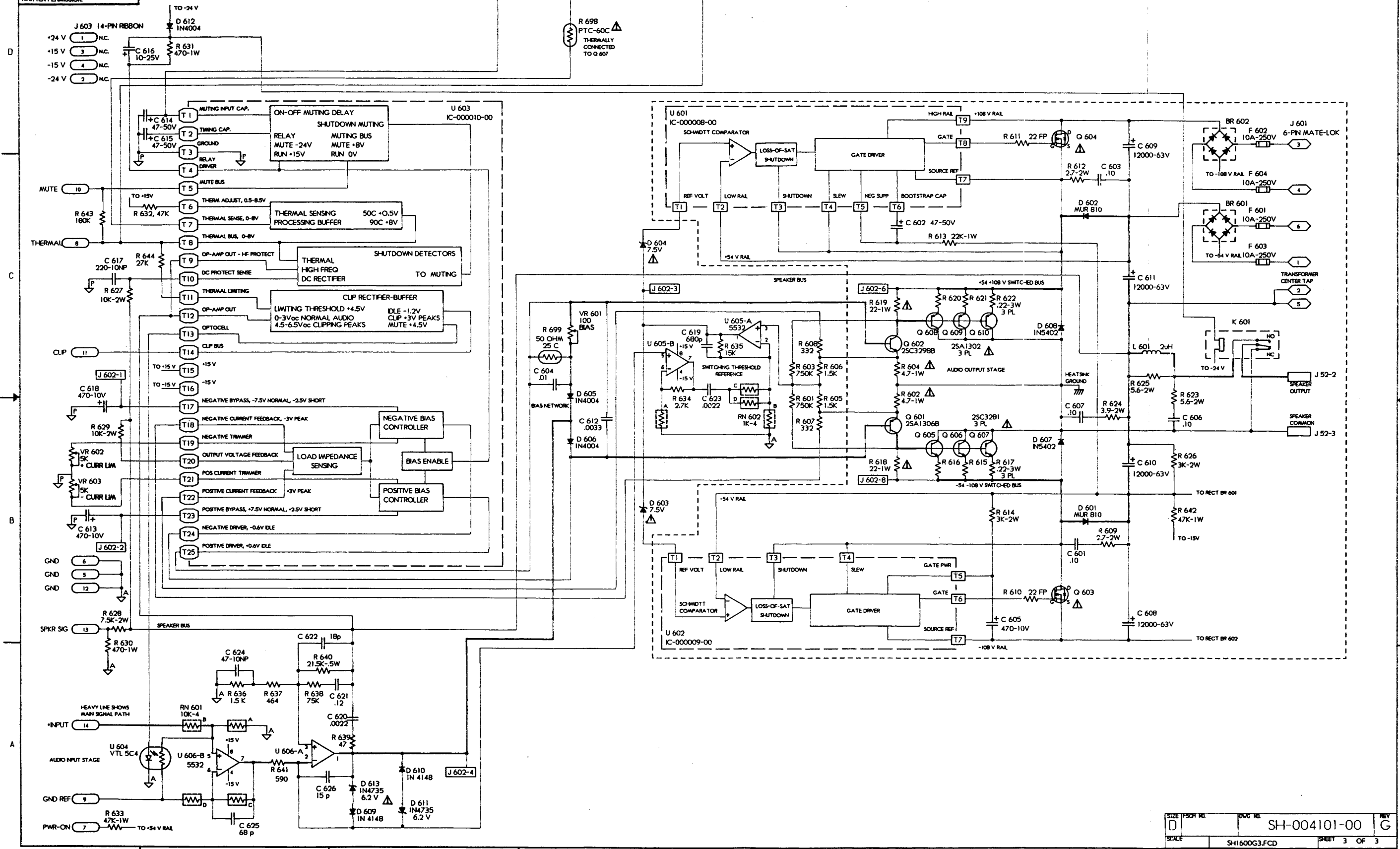


SHEET 2 OF 3

SCHEMATIC, M 500, SHEET 3, AMPLIFIER CHANNEL B

THESE DRAWINGS AND SPECIFICATIONS ARE THE PROPERTY OF JBL PROFESSIONAL PRODUCTS. THEY ARE ISSUED IN STRICT CONFIDENCE AND SHALL NOT BE REPRODUCED, COPIED, OR USED AS THE BASIS FOR MANUFACTURE OR SALE OF APPARATUS WITHOUT WRITTEN PERMISSION.

+23V DV OFF ENABLE TO SHEET 1 TRANSFORMER THERMAL SENSOR THERMAL BUS TO FAN SPEED CONTROL



SIZE	PSOR NO.	DWG NO.	REV
D		SH-004101-00	G
SCALE	SH1600G3.FCD		SHEET 3 OF 3

SHEET 3 OF 3