

THESE DRAWINGS AND SPECIFICATIONS ARE THE PROPERTY OF HARMAN ELECTRONICS. THEY ARE ISSUED IN STRICT CONFIDENCE AND SHALL NOT BE REPRODUCED, COPIED, OR USED AS THE BASIS FOR MANUFACTURE OR SALE OF APPARATUS WITHOUT WRITTEN PERMISSION.

Dwg. No. 307948		SH	REV. A
REVISIONS			
REV	DESCRIPTION	DATE	APPROVED
15048	A	RELEASE FOR PRODUCTION	8/21/94

FIG 1A

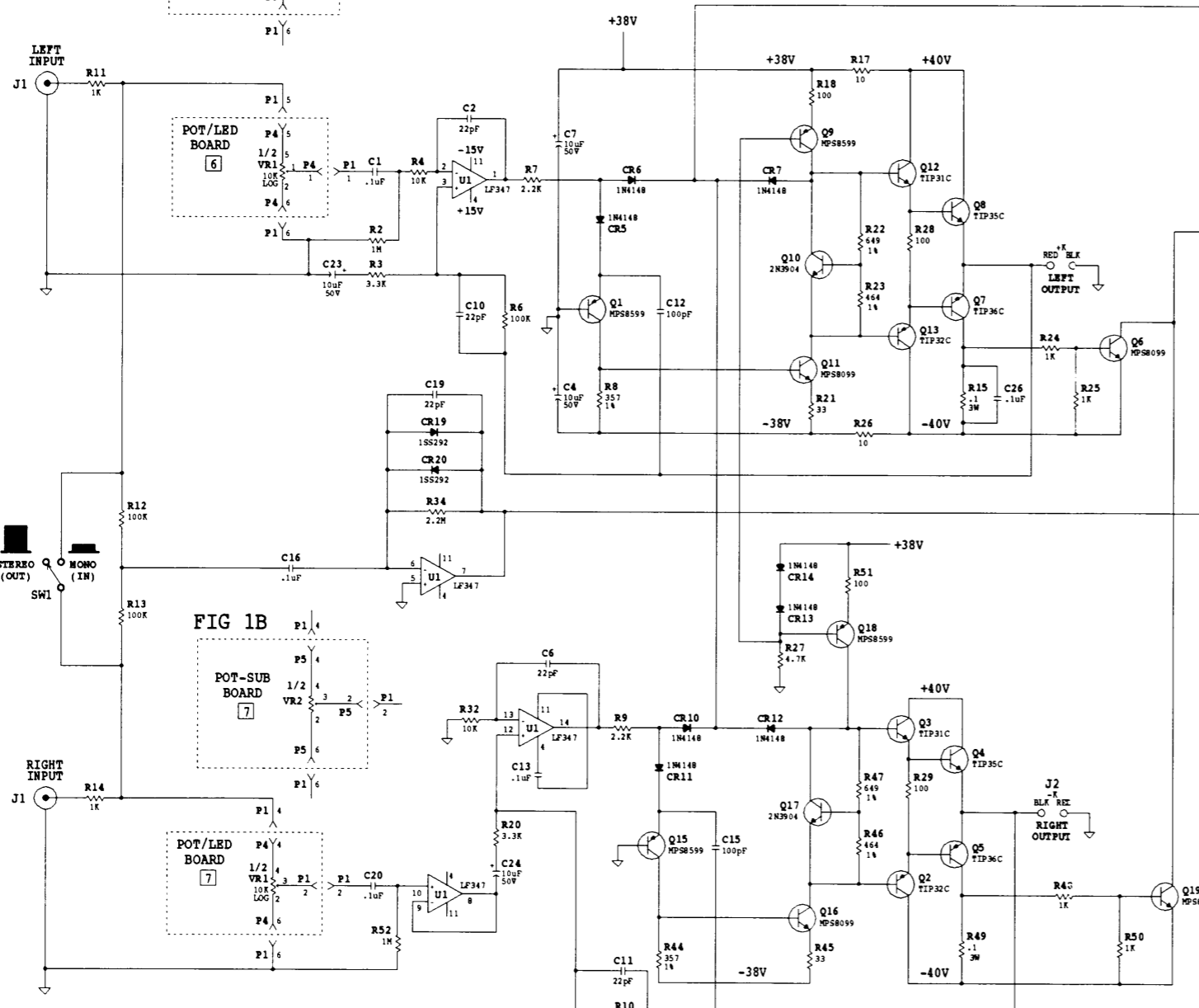
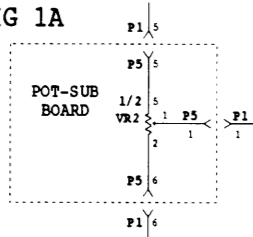


FIG 1B

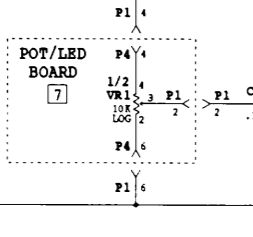
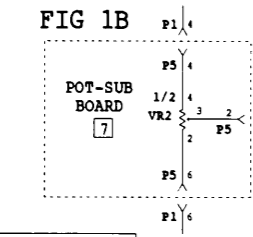
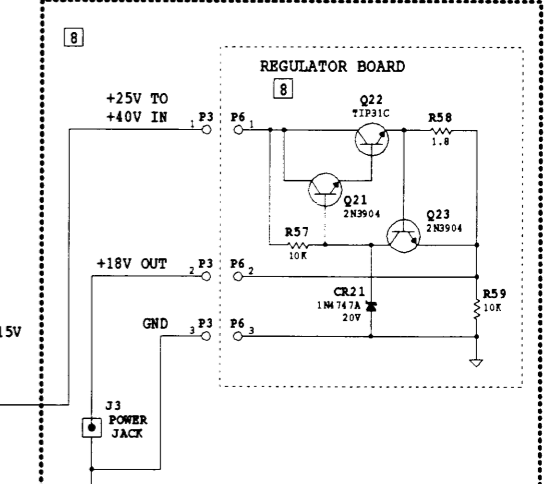
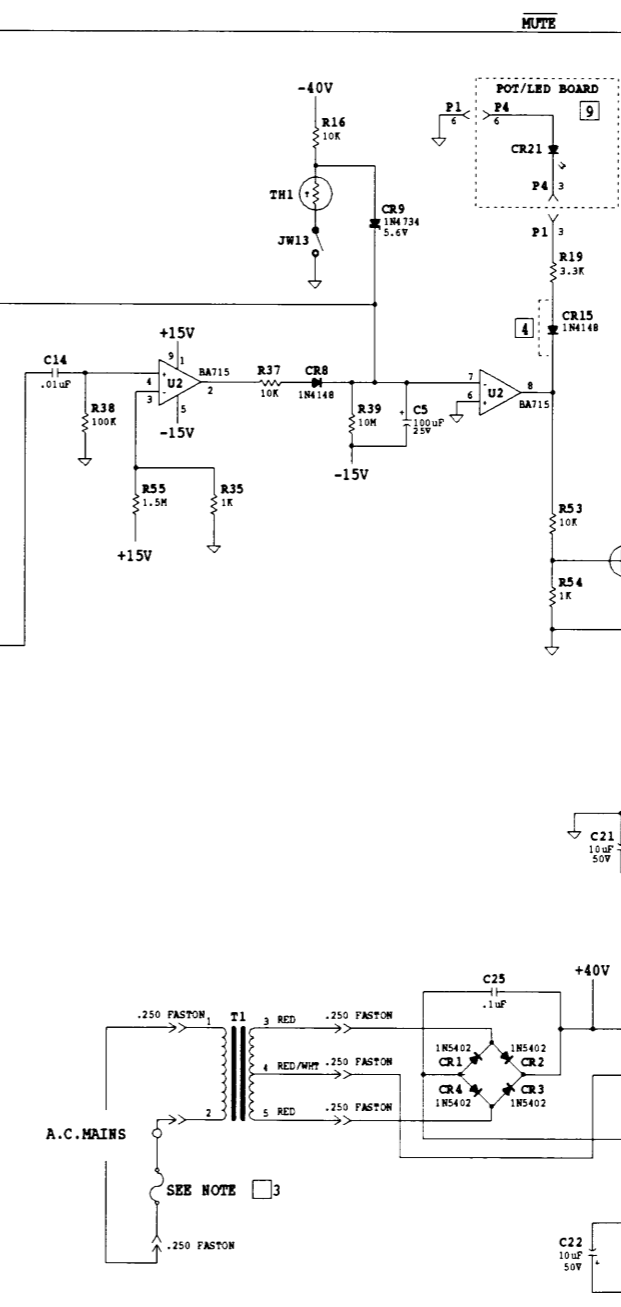
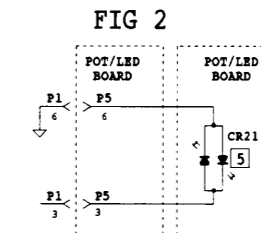


FIG 2



- 8. THIS PORTION OF CIRCUIT FOR -002 (230V) VERSION ONLY. NOT USED FOR -001, -003 VERSION AMPS.
- 7. THIS PORTION OF CIRCUIT FOR -001 (120V) AND 100V (-003) VERSION AMPS ONLY. FOR -002 (230V) AMP SEE FIG 1B.
- 6. THIS PORTION OF CIRCUIT FOR -001 (120V) AND 100V (-003) VERSION AMPS ONLY. FOR -002 (230V) AMP SEE FIG 1A.
- 5. BI-COLOR LED USED ON 230V VERSION (-002). RED=MUTE GREEN=UNMUTE
- 4. CR15 IS REPLACED BY 22GA JUMPER ON 230V VERSION (-002).
- 3. 120V DOMESTIC VERSIONS (-001,-004) : USE 3AMP SLO-BLO FUSE
230V EUROPEAN VERSION (-002) : USE 1.6AMP 20mm SLO-BLO FUSE
100V ASIAN VERSION (-003) : USE 3.15AMP 20mm SLO-BLO FUSE
- 2. RESISTORS ARE 1/8W, 5% TOLERANCE.
- 1. SUPPLY VOLTAGES SHOWN ARE FOR UNLOADED CIRCUIT.

- 9. THIS PORTION OF CIRCUIT FOR -001 (120V) AND 100V (-003) VERSION AMPS ONLY. FOR -002 (230V) AMP SEE FIG 2.

NOTES: UNLESS OTHERWISE SPECIFIED

DOCUPLEX

UNLESS OTHERWISE SPECIFIED DIMENSIONS ARE IN INCHES TOLERANCES ARE:		APPROVAL	DATE	harman electronics A Harman International Company Northridge, California 91329, U.S.A.
FRACTIONS	DECIMALS	ANGLES	8/21/94	
± X	.XX ± X	± X		TITLE
	.XX ± X	± X		SCHEMATIC, STEREO, 2X50W, SFX
MATERIAL				SIZE
				D
FINISH				DRAWING NO.
	SFX 2 X 50W			307948
				REV
				A
NEXT ASSY	USED ON	ENGINEERING		SCALE
				NONE
				SHEET
				1 OF 1