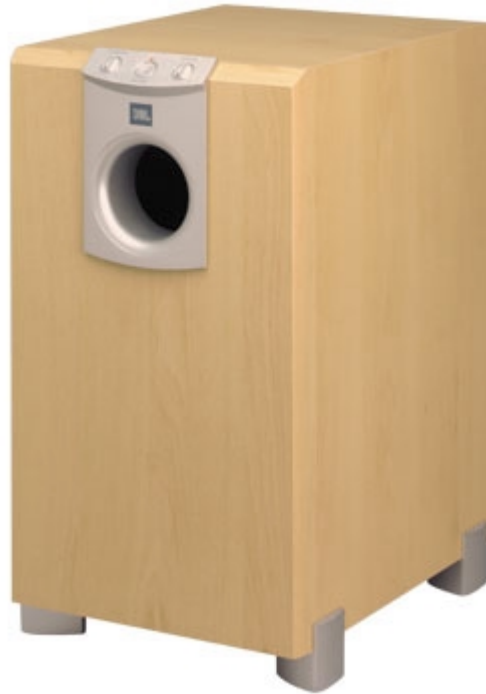


SIMPLY CINEMA - SCS 138-178 Subwoofer

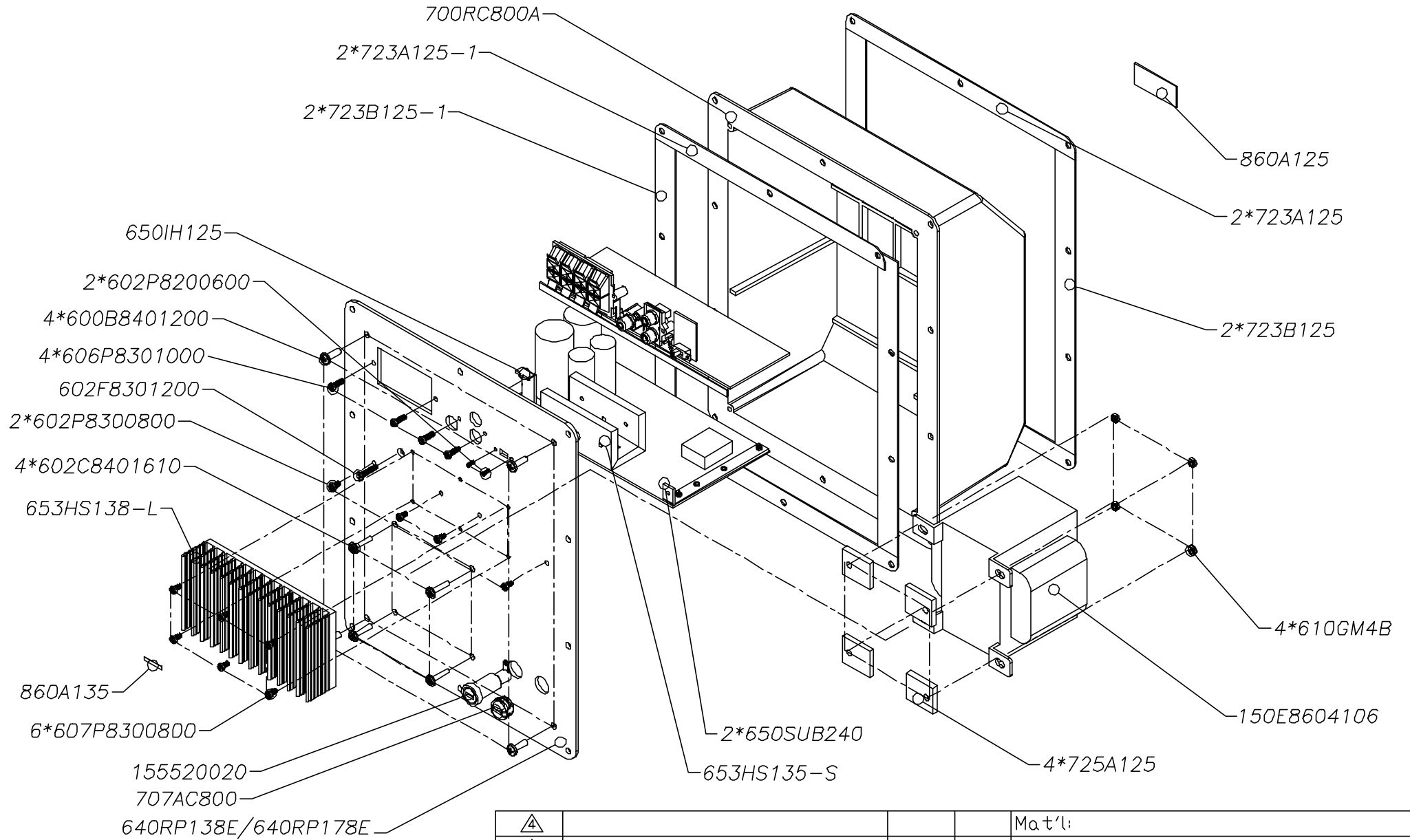
Service manual V2 (CE)



SPECIFICATIONS:

Active Subwoofer Section

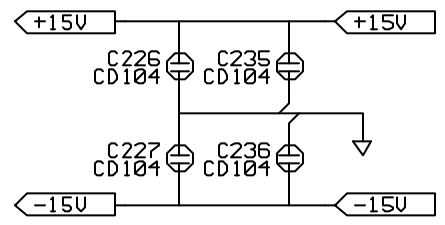
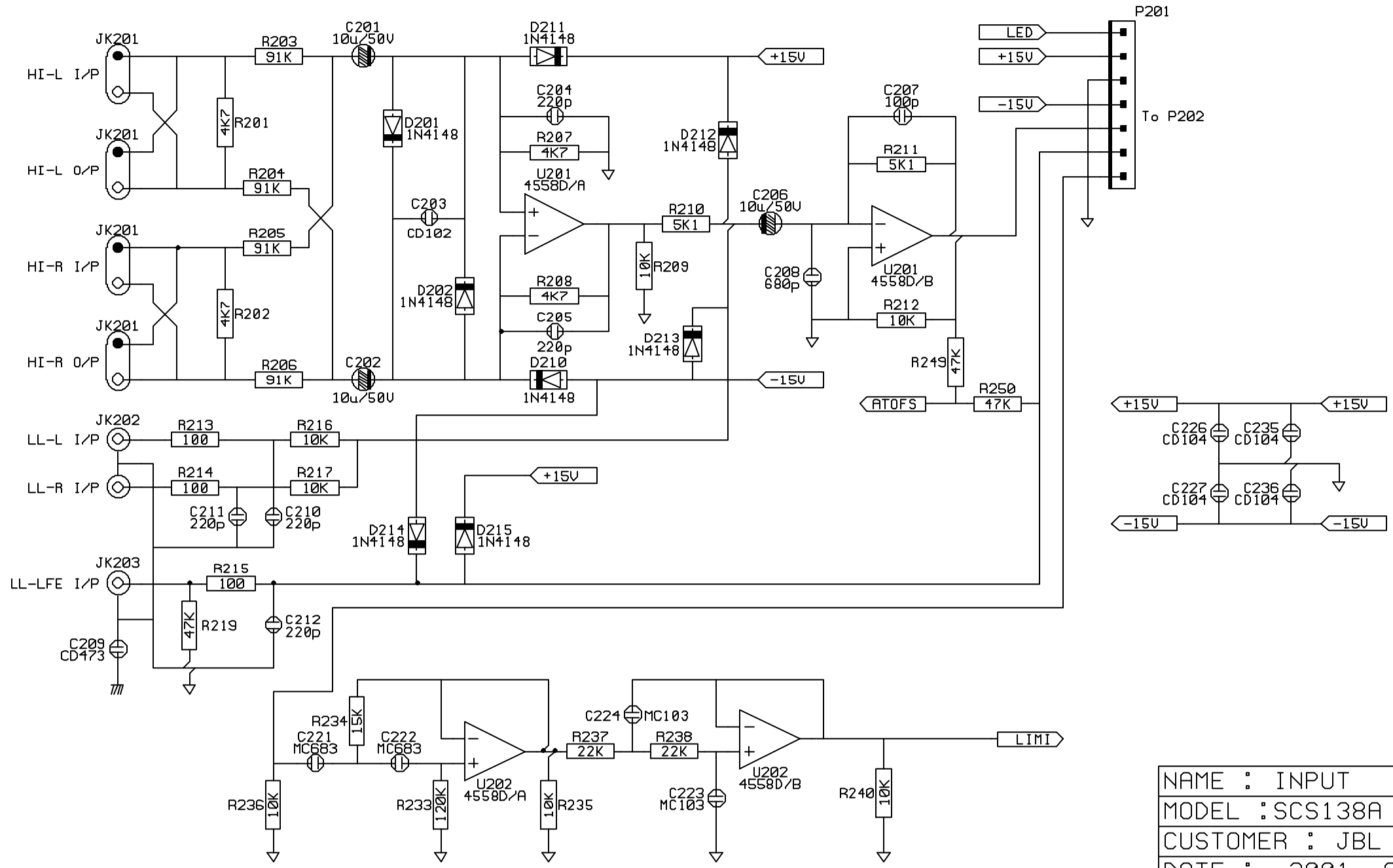
- **Low Frequency Cut-off: 35Hz**
 - **High Frequency Cut-off: 40Hz - 120Hz Variable**
 - **Built-In Amplifier Power: 100 Watts RMS**
 - **Drive Units: 200mm Paper Cone Long Throw Driver**
- ### **Bass Reflex Enclosure**
- **Dimensions (H x W x D): 450mm x 250mm x 360 mm**
 - **Weight: 13.6kg**



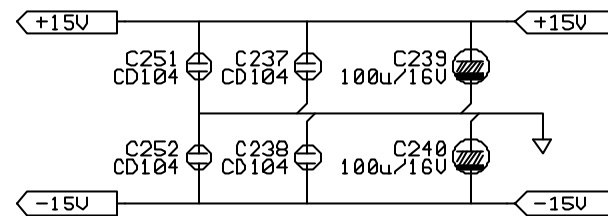
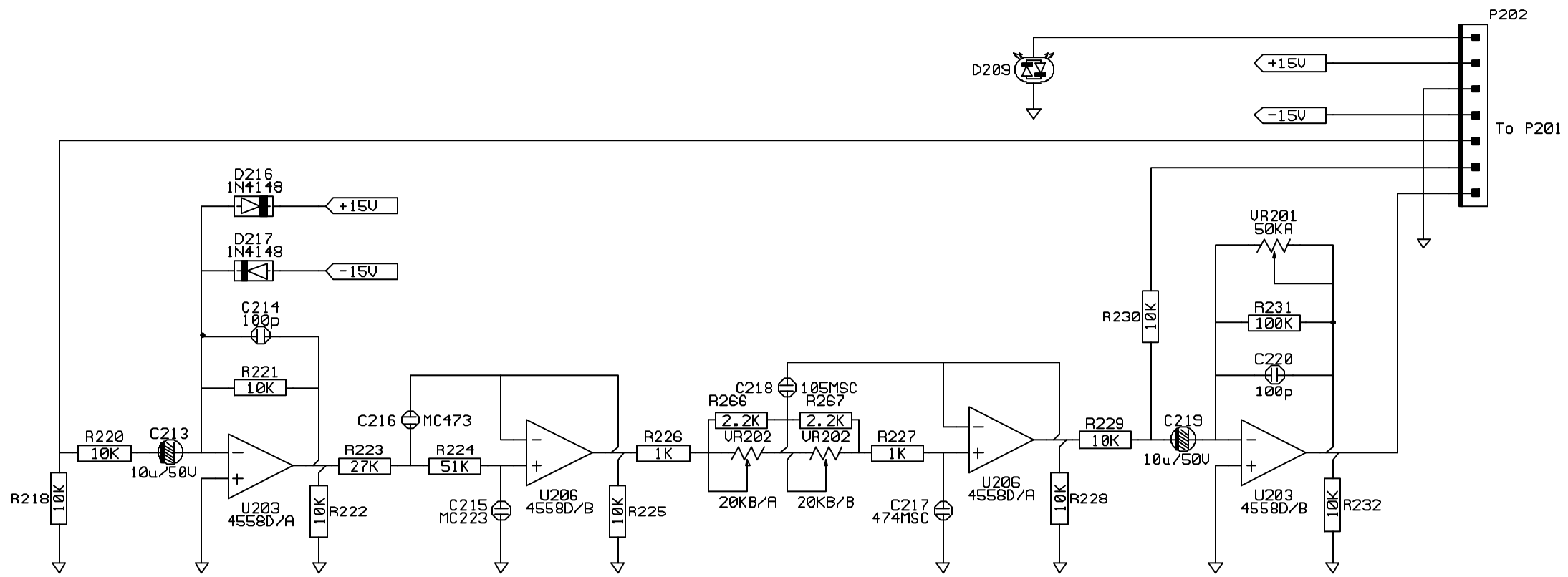
△				Mat'l:
△				FINISH(COLOR):
△				SCALE: 1:1 UNIT:
				DATE: 2001-8-02 M.M. 3rd Angle
ISSUE	REVISIONS	DATE	NAME	TITLE \M+2C37A\M+2ACB5\M+2B9CF
MEILUON INDUSTRIAL CO., LTD. TEL: 0769 7911366				PART No.: 106SUB138E//106SUB178E

DRAW.	\M+2A973\M+2B077\M+2A075	DSN	AP.D.
SCALE PLOT:	FREE	MAKER:	\M+2A8D1\M+2C0B3\M+2B0D3

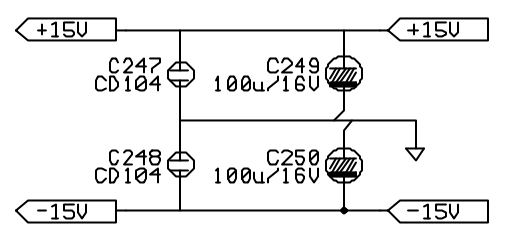
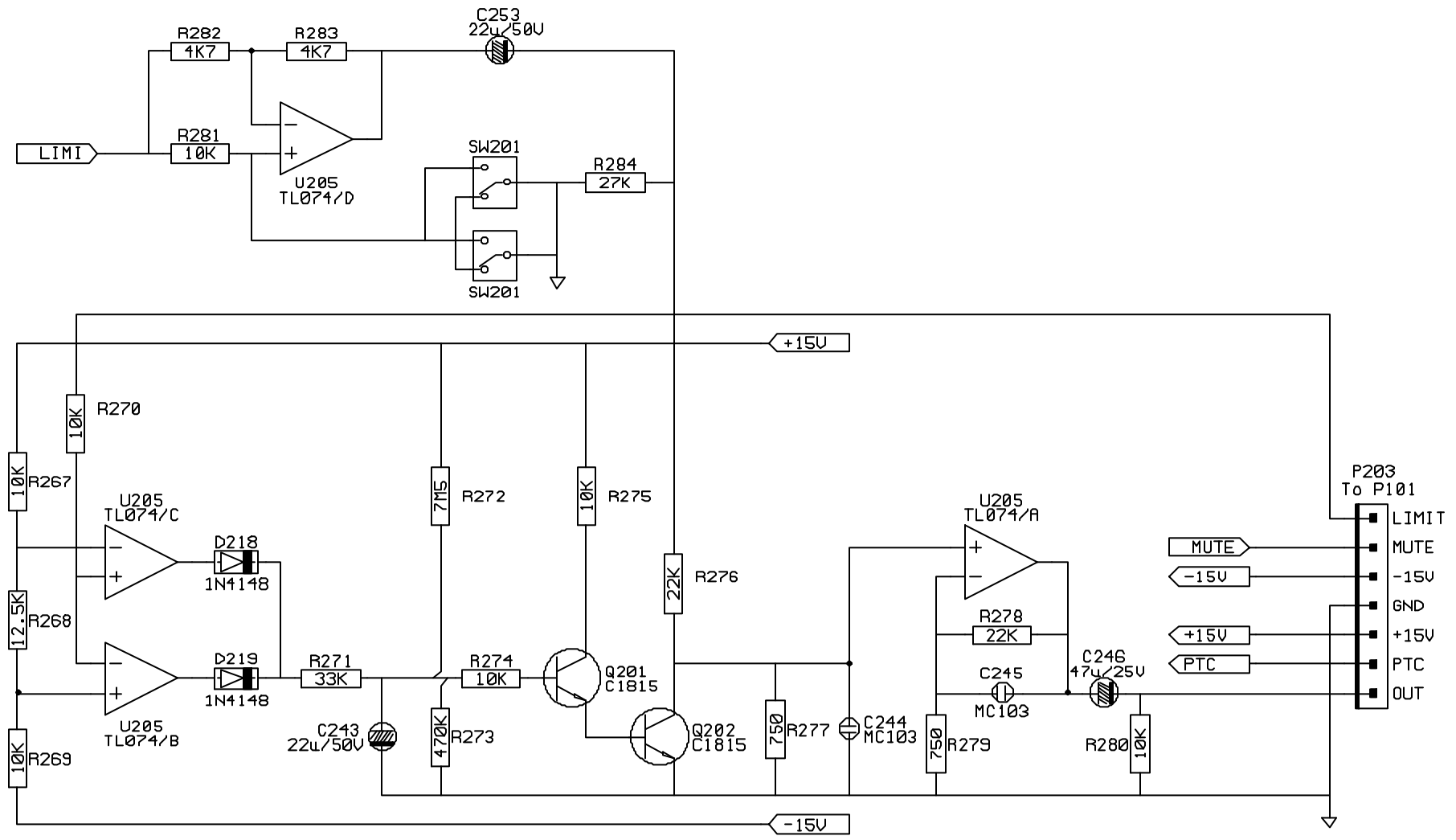
Part list for exploded view SCS138-178		
material No	material description	quantity
1010SUB138CE	PCB ASS'Y AMP	1
1010SUB138E01	PCB AMP ASS'Y	1
1302g472md00	capacitor	1
150e8604106	transformer	1
152v60202601	power cable SP=021B 6FT VDE	1
154v12506t0	fuse TSD 1.25A 250v VDE	1
155520020	fuse bracket R3-11	1
156h040015	shrinkable tube 1*20mm	2
156h040015	shrinkable tube 4*15mm	2
156h100040	shrinkable tube 10*40mm	1
16250502005	2 pin 500mm red\black awg18 t187 t110*0.8t	1
162a0900002	wires	1
16311009	plastic binding wire transparent 100mm	3
176wjcel	closed edge terminal	2
180psdd1d1	power switch SDDL1-A1-D-!	1
1932m1813	piezo sheet To-220 18*13mm	2
600b8401200	wood screw	4
602c8401610	mechanic screw	4
602f8301200	mechanic screw	1
602p8200600	mechanic screw	2
602p8300800	mechanic screw	8
606p8301000	P type self screw	6
607p8300600	B type self screw	2
607p8300800	B type self screw	8
610gm4b	M4 nut	4
640rp138e-1	aluminum plate 215*270*2.5t	1
644a138	aluminum foil 95*50*t0.2	1
644b138	aluminum foil 135*25*0.2	1
650ih125	IC holder	1
650sh138	switch bracket 72*21.5*T1.2mm	1
650sub240	PCB bracket L type t=1.6mm S.P.C.C	2
653hs138-1	heat sink 117.5*60*25 anodization white	1
700fp138	plastic porttube parts	1
700pb138	power key	1
700rc138	rear housing 268*213*102 A.B.S UL	1
700vk138	volume key	2
7075p-4	power cable knob 5P-4	1
707ac800	power cable knob 4K-4 NO-BB	2
723a125	EVA gasket width 213*153*2.0mm	2
723a125-1	EVA gasket width 213*15*1.0t	2.333
723a138	EVA	1
723b125	EVA gasket length 238*15*2.0mm	2
723b125-1	EVA gasket length 238*15*1.0t	2
723d125	EVA gasket 170*5*1t	1
723j125	gasket EVA length 225*15*1t UL	1
725a125	rubber gasket 25*21*4t	4
860a125	sticker "4 ohm speaker"	1
860a135	sticker "made in China"	1



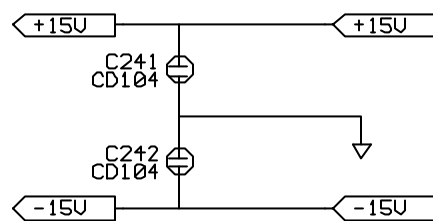
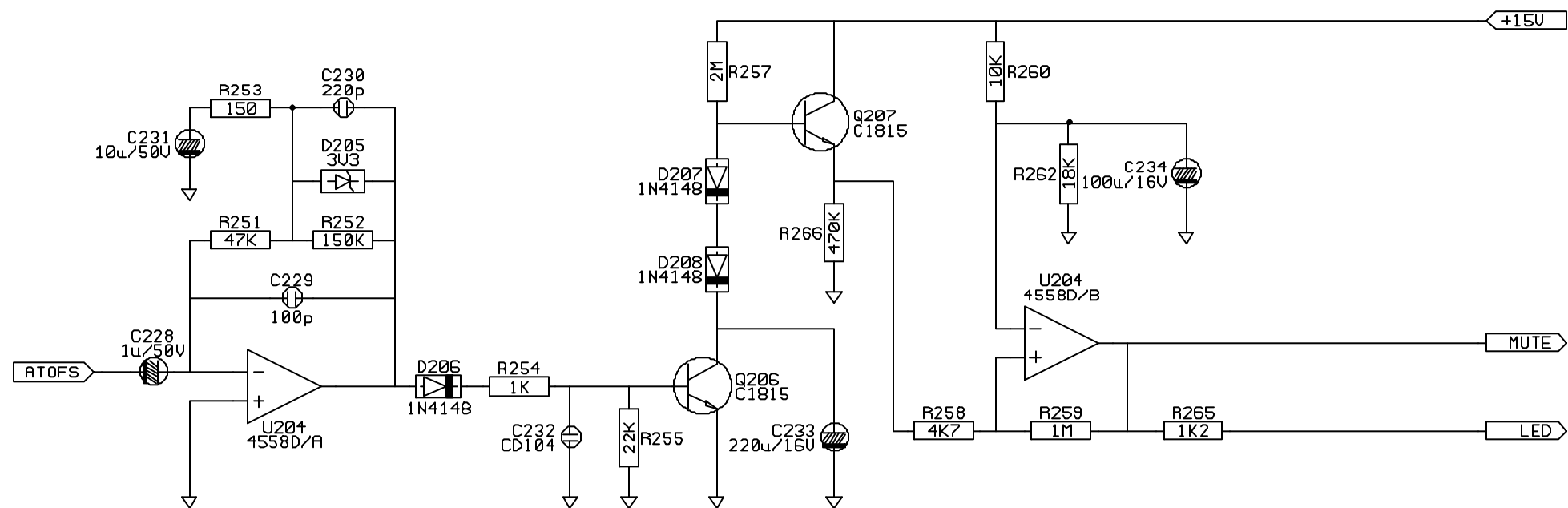
NAME : INPUT	1/4
MODEL : SCS138A	REV: A
CUSTOMER : JBL	
DATE : 2001- 9-27	
APPROVE BY	CHECK BY
DRAWING BY	



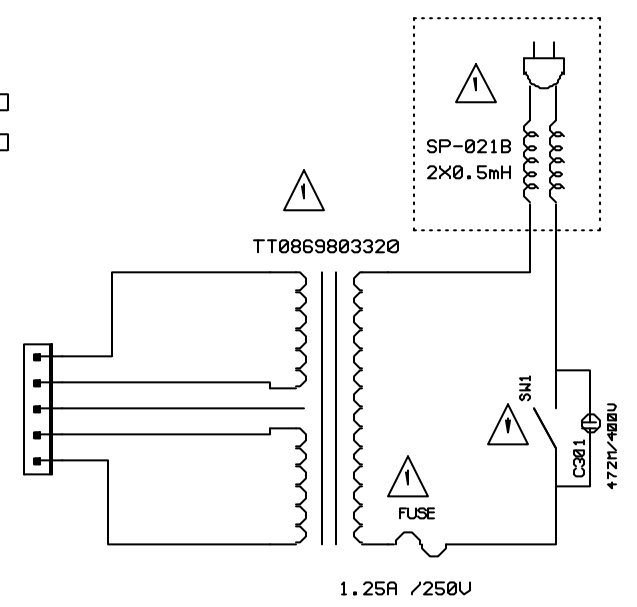
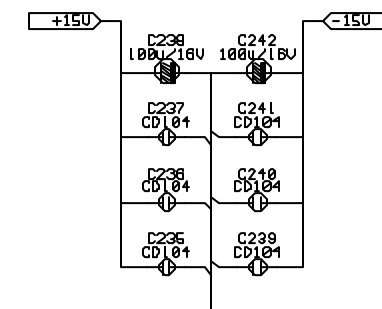
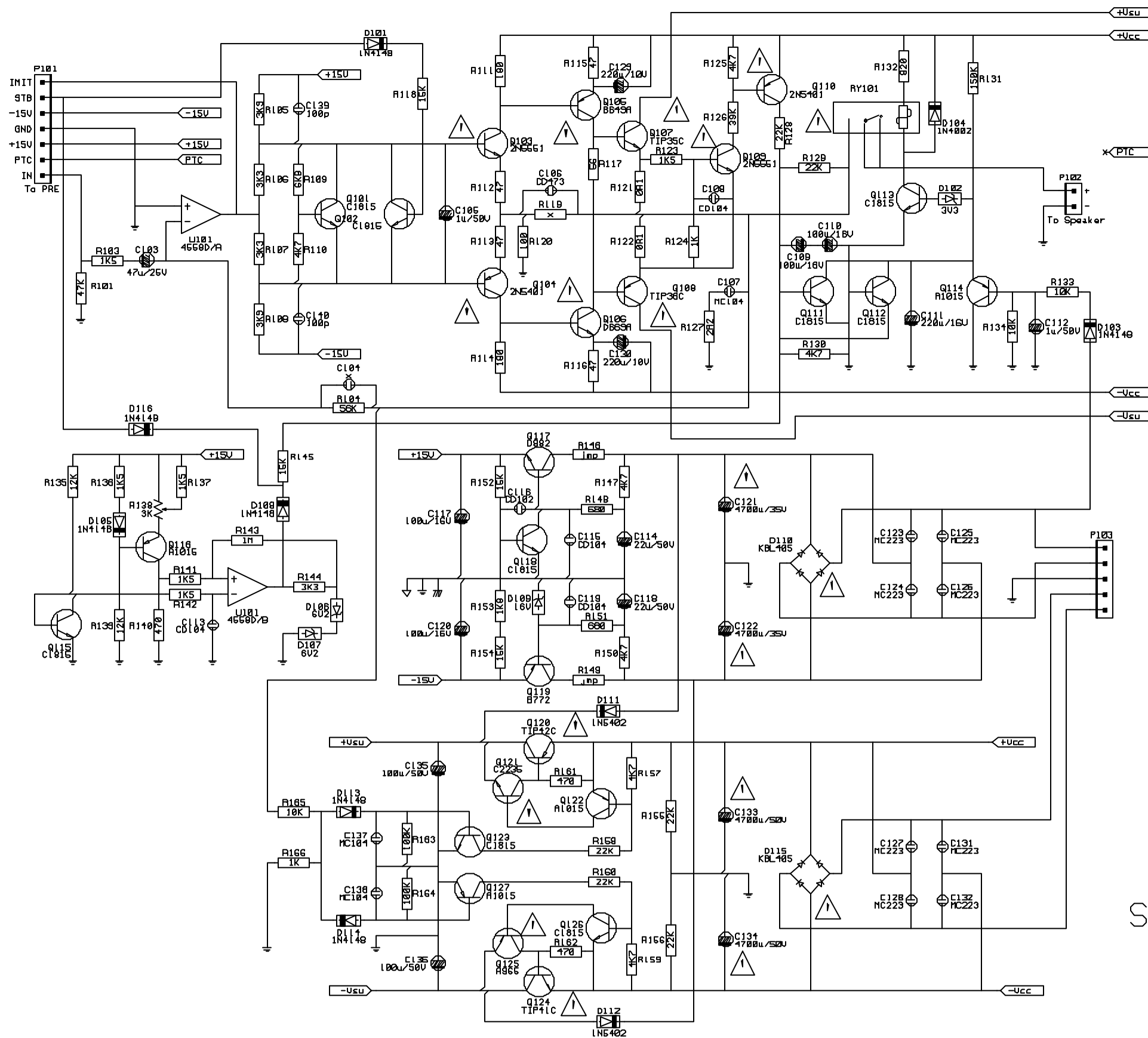
NAME :: Control		3/4
MODELL :: SCS138A		RELU: A
CUSTOMER :: JBL		
DATE :: 2001- 9-27		
APPROVE BY	CHECK BY	DRAWING BY



NAME : Limiter		4/4
MODEL : SCS138A		REV: A
CUSTOMER : JBL		
DATE : 2001- 9-27		
APPROVE BY	CHECK BY	DRAWING BY



NAME :Auto ON/OFF	2 / 4
MODEL :SCS138A	REV:A
CUSTOMER : JBL	
DATE : 2001 - 9 -27	
APPROVE BY	CHECK BY
DRAWING BY	



SCS178.SCH
 SCS138 . SCH
 SEP-30-2001

**Part list for
SCS 138-178 V2
/106SUB138CE**

	PART NO.	DESCRIPTION	QTY	REFERENCE
1	1010SUB138CE	PCB ASS'Y AMP	1	
2	101ASUB138CE	AI PCB ASS'Y AMP OF SUB138	1	
3	104sub138e00	PCB OF SUB138CE	1	
4	11014122j26	Resistor 1.2K 1/4W ±5% CF	1	R265
5	11014472j26	Resistor 4.7K 1/4W ±5% CF	2	R201,2
6	11014560j26	Resistor 56 1/4W ±5% CF	1	R117
7	11016101j26	Resistor 100 1/6W ±5% CF	4	R120,213,4,5
8	11016102j26	Resistor1K 1/6W ±5% CF	3	R124,66,254
9	11016103j26	Resistor 10K 1/6W ±5% CF	17	R133,4,209,12,6,7,235 .6.40.60.7.9.4.5.80.1
10	11016104j26	Resistor100K 1/6W ±5% CF	2	R163,4
11	11016105j26	Resistor1M 1/6W ±5% CF	2	R143,259
12	11016123j26	Resistor 12K 1/6W ±5% CF	3	R135,9,65
13	11016124j26	Resistor 120K 1/6W ±5% CF	1	R233
14	11016151j26	Resistor 150 1/6W ±5% CF	1	R253
15	11016152j26	Resistor 1.5K 1/6W ±5% CF	7	R103,23,36,7,41,2,53
16	11016153j26	Resistor15K 1/6W ±5% CF	5	R118,45,52,4,234
17	11016154j26	Resistor 150K 1/6W ±5% CF	2	R131,252
18	11016181j26	Resistor180 1/6W ±5% CF	2	R111,4
19	11016205j26	Resistor2.0M 1/6W ±5% CF	1	R257
20	11016223j26	Resistor22K 1/6W ±5% CF	12	R128,9,55,6,8,60,237 .8,55.62.76,8
21	11016273j26	Resistor27K 1/6W ±5% CF	1	R284
22	11016332j26	Resistor 3.3K 1/6W ±5% CF	3	R106,7,44
23	11016333j26	Resistor 33K 1/6W ±5% CF	1	R271
24	11016392j26	Resistor 3.9K 1/6W ±5% CF	2	R105,8

25	11016393j26	Resistor39K 1/6W ±5% CF	1	R126
26	11016470j26	Resistor47 1/6W ±5% CF	4	R112,3,5,6
27	11016471j26	Resistor470 1/6W ±5% CF	3	R140,61,2
28	11016472j26	Resistor 4.7K 1/6W ±5% CF	12	R110,25,30,47,50,7,9 .207,8,58,82,3
29	11016473j26	Resistor47K 1/6W ±5% CF	5	R101,219,49,50,1
30	11016474j26	Resistor 470K 1/6W ±5% CF	2	R266,73
31	11016512j26	Resistor 5.1K 1/6W ±5% CF	2	R210,1
32	11016563j26	Resistor 56K 1/6W ±5% CF	1	R104
33	11016681j26	Resistor680 1/6W ±5% CF	2	R148,51
34	11016682j26	Resistor6.8K 1/6W ±5% CF	1	R109
35	11016751j26	Resistor750 1/6W ±5% CF	2	R277,9
36	11016755j26	Resistor 7.5M 1/6W ±5% CF	1	R272
37	11016913j26	Resistor 91K 1/6W ±5% CF	4	R203,4,5,6
38	116161252f26	Resistor 12.5K 1/6W ±1% MF	1	R268
39	1302b101k503	Disc Capacitor 100P 50V ±10%	3	C139,40,207
40	1302b102k503	Disc Capacitor 1000P 50V ±10%	3	C116,41,203
41	1302b221k503	Disc Capacitor 220P 50V ±10%	6	C204,5,10,1,2,30
42	1302b681k503	Disc Capacitor 680P 50V ±10%	1	C208
43	1302f104z503	Disc Capacitor 0.1U 50V +80/-20%	15	C108,13,5,9,37,8,226 .7,32,5,6,41,2,7,8
44	1303f473m503	Disc Capacitor 0.047U 50V ±20%	2	C106,209
45	130sl470k503	Disc Capacitor 47P 50V +350/-1000 ±10%	1	C229
46	132103j503	Mylar Capacitor 0.01U 50V ±5%	4	C223,4,44,5
47	132104j503	Mylar Capacitor 0.1U 50V ±5%	3	C107,221,2
48	132223ja03	Mylar Capacitor 0.022uF 100V ±5%	8	C123,4,5,6,7,8,31,2
49	1353105m50	Electrolytic Cap. 1U 50V ±20%	3	C105,12,228
50	1353106m50	Electrolytic Cap. 10U 50V ±20%	4	C201,2,6,31
51	1353107m16	Electrolytic Cap. 100uF 16V ±20%	7	C109,10,17,20,234 .49,50
52	1353107m50	Electrolytic Cap. 100U 50V ±20%	1	C136
53	1353226m50	Electrolytic Cap. 22U 50V ±20%	5	C114,8,225,43,53

54	1353227m10	Electrolytic Cap. 220U 10V ±20%	2	C129,30
55	1353227m16	Electrolytic Cap. 220U 16V ±20%	1	C111
56	1353336m16	Electrolytic Cap. 33U 16V ±20%	1	C233
57	1353476m25	Electrolytic Cap. 47U 25V ±20%	2	C103,246
58	192027c1815gr	Transistor 2SC1815GR	11	Q102,11,2,3,8,23 .6,201,2,6,7
59	192027c2235y	Transistor 2SC2235Y	1	Q121
60	192028a1015gr	Transistor 2SA1015GR	3	Q114,6,27
61	192028a965y	Transistor 2SA965Y	1	Q125
62	1921672n5551	Transistor 2N5551	2	Q103,9
63	1921682n5401	Transistor 2N5401 AI-PNP	2	Q104,10
64	197131n4148	Diode 1N4148	20	D101,3,5,8,13,4,6,201 .2,6,7,8,10,1,2,3,4,5,8,9
65	19915000335	Zener Diode 3.3V 1/2W	2	D102,205
66	19915000625	Zener Diode 6.2V 1/2W	2	D106,7
67	19915001605	Zener Diode 16V 1/2W	1	D109
68	11010821jk1	Resistor 820 1W ±5%	1	R132
69	110122r2j15	Resistor 2.2 1/2W ±5%	1	R127
70	11016472j26	Resistor 4.7K 1/6W ±5% CF	1	R157
71	113500r1j10	Cement Resistor 0.1 5W	2	R121,2
72	11403302m0	Semi-fixed Resistor 3K 0.3W ±20%	1	R138
73	1353107m50	Electrolytic Cap. 100U 50V ±20%	1	C135
74	1354478m35	Electrolytic Cap. 4700U 35V ±20%	2	C121,2
75	1354478m50	Electrolytic Cap. 4700U 50V ±20%	2	C133,4
76	171udhss124d	Relay 5A 24V UDH-SS124D	1	RY101
77	1740rcb202v	RCA JACK RCB-202V	1	JK202
78	1740rcb242v1	JACK RCA RCB-242V-1	1	JK203
79	1742rsp108v	8 PIN SPK JACK RSP-108V	1	JK201
80	180tms7210v	SWITCH SLIDE 6PIN MS7210V	1	SW201
81	19006m4558d	I.C. OPA 4558D	4	U101,201,2,4
82	19016tl074cn	I.C. TL074CN ST	1	U205

83	192021c1815gr	Transistor 2SC1815GR	2	Q101,15
84	192021tip35c	Transistor TIP35C	1	Q107
85	192022tip36c	Transistor TIP36C	1	Q108
86	192028a1015gr	Transistor 2SA1015GR	1	Q122
87	192161tip41c	Transistor TIP41C NPN SGS	1	Q001
88	192162tip42c	Transistor TIP42C PNP SGS	1	Q120
89	192201d882y	Transistor KSD882Y	1	Q117
90	192202b772y	Transistor KSB772Y	1	Q119
91	192991d669a	Transistor HSD669A	1	Q106
92	192992b649a	Transistor HSB649A	1	Q105
93	19700kbl405	Diode 4A 500V KBL405	2	D110,5
94	197101n4002	Diode 1N4002	1	D104
95	197101n5402	Diode 1N5402	2	D111,2
96	101OSUB138E01	PCB AMP ASS'Y	1	
97	101ASUB138E01	AI PCB ASS'Y	1	
98	104sub138e01	PCB	1	
99	11016102j26	Resistor1K 1/6W \pm 5% CF	2	R226,7
100	11016103j26	Resistor 10K 1/6W \pm 5% CF	9	R218,20,1,2,25,8,9,30,2
101	11016104j26	Resistor100K 1/6W \pm 5% CF	1	R231
102	11016222j26	Resistor2.2K 1/6W \pm 5% CF	2	R266,7
103	11016273j26	Resistor27K 1/6W \pm 5% CF	1	R223
104	11016513j26	Resistor 51K 1/6W \pm 5% CF	1	R224
105	1302b101k503	Disc Capacitor 100P 50V \pm 10%	2	C214,20
106	1302b102k503	Disc Capacitor 1000P 50V \pm 10%	2	C1,2
107	1302f104z503	Disc Capacitor 0.1U 50V +80/-20%	4	C237,8,51,2
108	132223ja03	Mylar Capacitor 0.022uF 100V \pm 5%	1	C215
109	132473ja03	Mylar Capacitor 0.047uF 100V \pm 5%	1	C216
110	1353106m50	Electrolytic Cap. 10U 50V \pm 20%	2	C213,9
111	1353107m16	Electrolytic Cap. 100uF 16V \pm 20%	2	C239,40
112	197131n4148	Diode 1N4148	2	D216,7

113	115h203b206	Variable Resistor B20K H:12.5mm	1	VR202
114	115h503a105	Variable Resistor A50K H:12.5mm	1	VR201
115	129a105j633	Metallize Cap. 1uF 63V ±5%	1	C218
116	129a474j633	Metallize Cap. 0.47U 63V ±5%	1	C217
117	19006m4558d	I.C. OPA 4558D	2	U203,6
118	19510204hgw	LED 204HGW	1	LED1
119	1302g472md00	Disc Capacitor 4700P 400V ±20%	1	
120	150e8604106	Power Transformer EI-86 230V/50Hz	1	
121	152v60202601	Line Cord SP-021B 6FT VDE	1	
122	154v12506t0	FUSE TSD 1.25A 250V VDE	1	
123	155520020	Fuse holder R3-11	1	
124	180psddld1	Switch SDDL1-A1-D-1	1	