



Simply Cinema™

SCS200.5/SCS200.6/SCS260.5/SCS260.6 SERVICE MANUAL





Simply Cinema™

Advanced Product Information

Provisional Specifications

SCS 260 Satellite

Frequency Response: 100Hz – 20kHz
 Sensitivity(2.83V@1m): 88dB
 Nominal Impedance: 8 Ohm
 Maximum Recommended Amplifier Power¹: 100 Watt RMS
 Power Handling (Continuous/Peak): 50W/200W
 High Frequency Driver: ½" (13mm) Titanium laminate dome with JBL EOS™ waveguide
 Low Frequency Driver: Dual 3" (75mm) PolyPlas™
 Magnetic Shielding: Yes
 Dimensions*: 11½" x 4" x 3½"
 292mm x 101mm x 89mm
 Weight per Speaker: 1.36kg (3 lb)

*excludes shelf stand



SCS 260 Center

Frequency Response: 100Hz – 20kHz
 Sensitivity(2.83V@1m): 88dB
 Nominal Impedance: 8 Ohm
 Maximum Recommended Amplifier Power¹: 100 Watt RMS
 Power Handling (Continuous/Peak): 50W/200W
 High Frequency Driver: ½" (13mm) Titanium laminate dome with JBL EOS™ waveguide
 Low Frequency Driver: Dual 3" (75mm) PolyPlas™
 Magnetic Shielding: Yes
 Dimensions*: 4" x 11½" x 3½"
 101mm x 292mm x 89mm
 Weight per Speaker: 1.36kg (3 lb)

*excludes shelf stand



SCS 260 Subwoofer

Low Frequency Cut-off: 35Hz
 High Frequency Cut-off: 160Hz
 Built-in Power Amplifier: 100 Watt RMS
 Inputs: Line Level: LFE + Left and Right RCA Phono
 Inputs: High Level: Left and Right speaker terminals
 Outputs High Level: Left and Right speaker terminals
 Auto-on Mode: Yes
 Driver: 8" (200mm) Long Throw Cellulose Fiber
 Port: FreeFlow™ flared
 Magnetic Shielding: No
 Dimensions*: 16¼" x 11" x 13¾"
 413mm x 280mm x 349mm
 Weight per Speaker: 12.7kg (28 lb)

*including feet



PRO SOUND COMES HOME!™

JBL Consumer Products, Harman Consumer International, 2, Route de Tours, 72500 Château du Loir, France. Tel: + 33 (0)2 43 38 43 00, Fax: + 33 (0)2 43 44 93 83
www.jbl.com



Simply Cinema™

Advanced Product Information

Provisional Specifications

SCS 200 Satellite

Frequency Response: 110Hz – 20kHz
 Sensitivity(2.83V@1m): 86dB
 Nominal Impedance: 8 Ohm
 Maximum Recommended Amplifier Power¹: 75 Watt RMS
 Power Handling (Continuous/Peak): 40W/160W
 High Frequency Driver: ½" (13mm) Titanium laminate dome with JBL EOS™ waveguide
 Low Frequency Driver: 3" (75mm) PolyPlas™
 Magnetic Shielding: Yes
 Dimensions*: 7¼" x 4" 3½"
 184mm x 101mm x 89mm
 Weight per Speaker: 0.79kg (1.75 lb)

*excludes shelf stand



SCS 200 Center

Frequency Response: 100Hz – 20kHz
 Sensitivity(2.83V@1m): 88dB
 Nominal Impedance: 8 Ohm
 Maximum Recommended Amplifier Power¹: 100 Watt RMS
 Power Handling (Continuous/Peak): 50W/200W
 High Frequency Driver: ½" (13mm) Titanium laminate dome with JBL EOS™ waveguide
 Low Frequency Driver: Dual 3" (75mm) PolyPlas™
 Magnetic Shielding: Yes
 Dimensions*: 4" x 11½" x 3½"
 101mm x 292mm x 89mm
 Weight per Speaker: 1.36kg (3 lb)

*excludes shelf stand



SCS 200 Subwoofer

Low Frequency Cut-off: 35Hz
 High Frequency Cut-off: 160Hz
 Built-in Power Amplifier: 100 Watt RMS
 Inputs: Line Level: LFE + Left and Right RCA Phono
 Inputs: High Level: Left and Right speaker terminals
 Outputs High Level: Left and Right speaker terminals
 Auto-on Mode: Yes
 Driver: 8" (200mm) Long Throw Cellulose Fiber
 Port: FreeFlow™ flared
 Magnetic Shielding: No
 Dimensions*: 16¼ x 11" x 13¾"
 413mm x 280mm x 349mm
 Weight per Speaker: 12.7kg (28 lb)

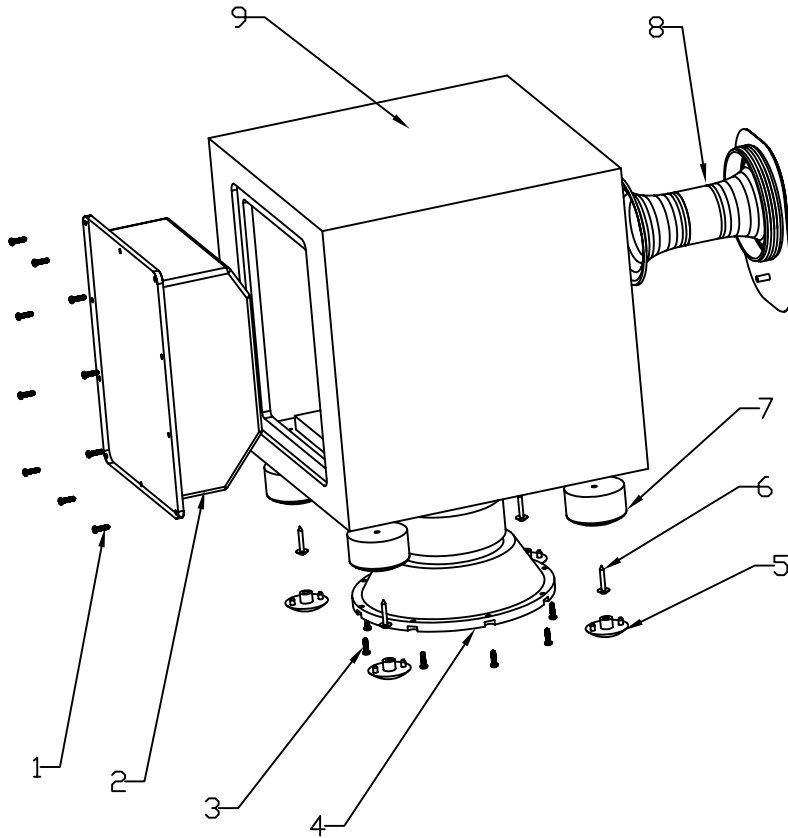
*including feet



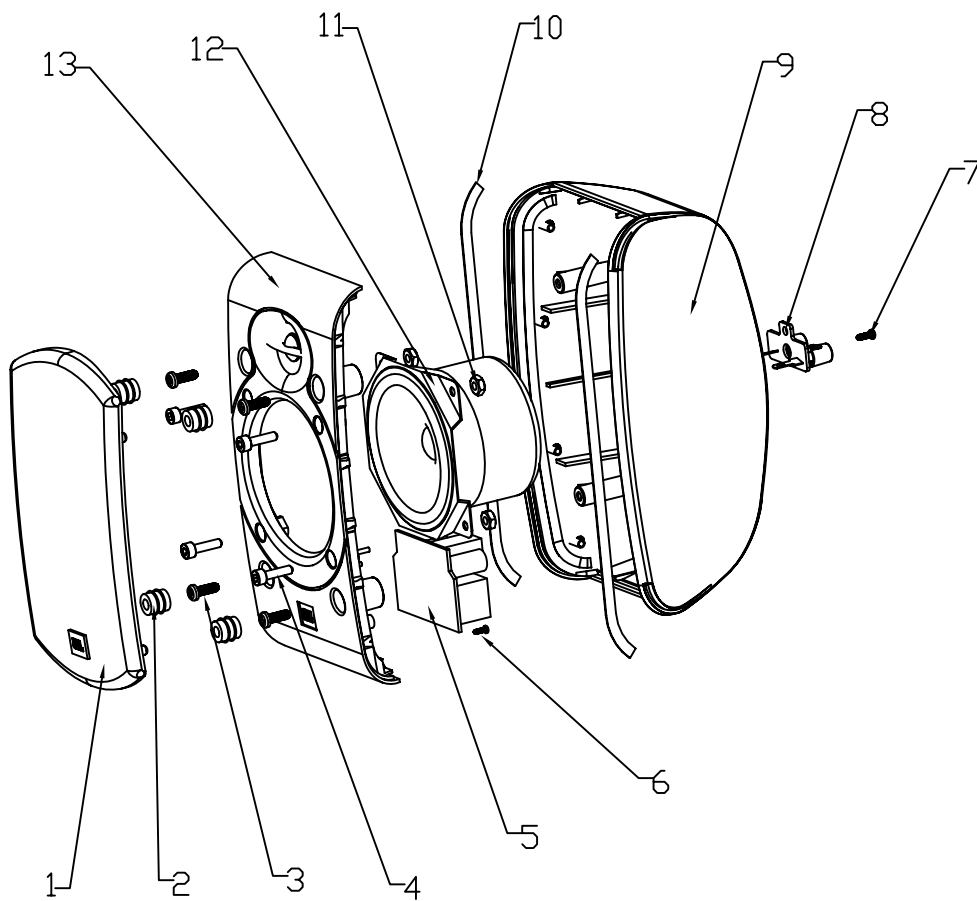
PRO SOUND COMES HOME!™

JBL Consumer Products, Harman Consumer International, 2, Route de Tours, 72500 Château du Loir, France. Tel: + 33 (0)2 43 38 43 00, Fax: + 33 (0)2 43 44 93 83
www.jbl.com

SCS200SUB / SCS260SUB



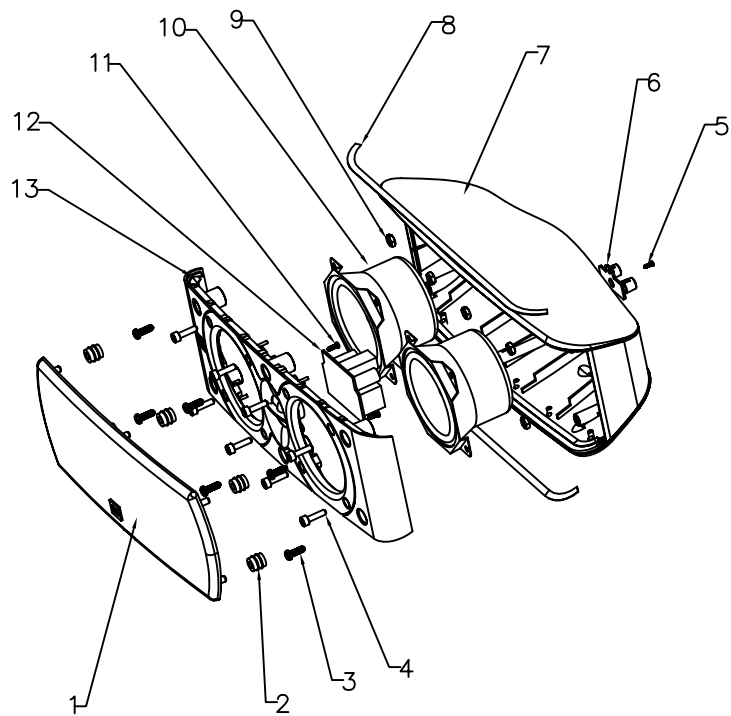
ITEM	PART NAME	PART NO.	QTY,
9	BODY	241-100-00605	1
8	TUBE-CUSTOMO	249-ABS-00174	1
7	FOOT	321-ABS-00008	4
6	SCREW	352-HM04030D50#	
5	RUB-BASE	321-ABS-00009	4
4	8"DRTVER	20MF10DAG-DW04	1
3	SCREW	352-FM04020D60#	
2	AMP	010-7610-00420	1
1	SCREW	352-AM04020D2100	



ITEM	PART NAME	PART NO.	QTY,
13	SAT-TOP	19DM13NJ-DT01	1
12	DRIVER	32PF55JZF-FW01	1
11	NUT	354-HM04703	4
10	EVA	336-EVA-00295	2
9	SAT-DOWN	306-HIPS-00726	1
8	TERMINAL	215-000-00827	1
7	SCREW	352-CM03509D439	1
6	SCREW	352-AM03008D035	2
5	CROSSOVER	013-7600-00827	1
4	SCREW	351-KM04015A321	4
3	SCREW	352-FM04014D602	4
2	plug	327-010-00118	4
1	GRILLE	244-030-00305	1

SCS200SAT

SCS260 CENTER / SCS200 CENTER



ITEM	PART NAME	PART NO.	QTY,
13	CENTRE-TOP	28DM13NI-DT01	1
12	CROSSOVER	28DM13NH-DT01	1
11	SCREW	352-AM03008D035	2
10	DRIVER	32PF55JZL-LW01	2
9	NUT	354-HM04703	6
8	EVA	336-EVA-00297	2
7	CENTRE-DOWN	306-HIPS-00724	1
6	TERMINAL	215-000-00827	1
5	SCREW	352-CM03509D439	1
4	SCREW	351-KM04015A321	6
3	SCREW	352-FM04014D602	6
2	plug	327-010-00118	6
1	GRILLE	244-030-00307	1

Model name: SCS 300/260 SAT

No	Part number	Description	Q'ty
01	306-HIPS-00725	Plastic cover 287.89*97.2*86.4H black	1PC
02	28DM13NH-DT01	13mm DOME TWEETER 4 OHM	1PC
03	32PF55JZL-LW01	Woofer 3 1/4" 19mm 12ohm (2.3+2.1)oz	2PCS
04	351-KM04015A321	Screw	8PCS
05	354-HM04703	Screw	8PCS
06	352-FM04014D602	Screw	6PCS
07	013-7600-00827	Crossover of CEN	1PC
08	352-AM03008D035	Screw	2PCS
09	327-010-00118	Grille cup 10* φ 11.2 black	6PCS
10	215-000-00827	Terminal	1PC
11	352-CM03509D439	Screw	1PC
12	244-030-00306	Grille 255.99*92.78*19.88H black	1PC
13	336-EVA-00297	EVA 330*5.5*0.5T black	2PCS
14	424-000-05002	PO bag SCS200.7;300.7	1PC

SAT200/260/300
Wall bracket
326-ABS-05010

Model name: SCS 200/300 CEN

No	Part number	Description	Q'ty
01	306-HIPS-00724	HIPS plastic cover 287.89*97.2*86.4H black	1PC
02	28DM13NI-DT01	Tweeter	2PCS
03	32PF55JZL-LW01	Woofer	1PC
04	351-KM04015A321	Screw	8PCS
05	354-HM04703	Screw	8PCS
06	352-FM04014D602	Screw	6PCS
07	013-7600-00827	X-over	1PC
08	352-AM03008D035	Screw	2PCS
09	327-010-00118	Grille cup	6PCS
10	215-000-00827	Terminal	1PC
11	352-CM03509D439	Screw	1PC
12	244-030-00307	HIPS grille 255.99*92.78*19.88H black	1PC
13	336-EVA-00297	EVA 330*5.5*0.5T black	2PCS
14	424-000-05002	PO bag SCS200.7;300.7	1PC

Model name: SCS 200 SAT

No	Part number	Description	Q'ty
01	306-HIPS-00726	HIPS plastic cover 185.93*96.9*84.7H black	1PC
02	19DM13NJ-DT01	Tweeter	1PC
03	32PF55JZF-FW01	Woofer 3 1/4"	1PC
04	351-KM04015A321	Screw	4PCS
05	354-HM04703	Screw	4PCS
06	352-FM04014D602	Screw	4PCS
07	013-7600-00828	X-over	1PC
08	352-AM03008D035	Screw	2PCS
09	327-010-00118	Grille cup	4PCS
10	215-000-00827	Terminal	1PC
11	352-CM03509D439	Screw	1PC
12	244-030-00305	HIPS grille 156.24*92.46*17.9H black	1PC
13	336-EVA-00295	EVA 220*5.5*0.5T black	1PC
14	424-000-05001	PO bag SCS200.7 SAT	1PC

Model name: SCS200/260 6

No.	Part number	Description	Reference	Q'ty
01	051-A00374A	PCB ASS'Y amp		1PC
02	351-AM03008A079	Screw M3*8		6PCS
03	351-BM03012A088	Screw M3*12		1PC
04	351-HM04016A218	Screw M4*16		4PCS
05	354-GM04002	Screw sheet M4		4PCS
06	352-AM03008D040	Screw ϕ 3*8 Type B		8PCS
07	352-AM03010D065	Screw ϕ 3*10 Type P		4PCS
08	350-EM04012D024	Screw 4 ϕ *12		4PCS
09	150-e8604106	Transformer EI-86 230V/50Hz		1PC
10	152-v602026	Power wire SP-021A 6FT VDE		1PC
11	154-v12506t0	Fuse TSD 1.25A 250V VDE		1PC
12	155-520020	Fuse connector R3-11		1PC
13	162-10082007	WIRE RED 18AWG 80mm		1PC
14	162-a040d001	Speaker wire #1015 400mm		1PC
15	163-11009	Mini tighen wire 100mm		2PCS
16	176-wjce1	Terminal CE-1		1PC
17	180-prf1003s	Power switch RF-1003-BB2-OHA	SW101	1PC
18	193-2m1813	PiezoTO-220 18*13mm	Q120,Q124	2PCS
19	306-ABS-00714	Plastic cover with metal spray 268*213*102		1PC
20	361-FE-00004	IC HOLDER 26.9*12*1.4T		1PC
21	323-AL-00019	HEAT SINK 117.5*60*25		1PC
22	311-ABS-00028	Plastic knob 46077-W P.V.C.		1PC
23	302-AL-00226-0BF	Alu. Panel 215*270*2.5t SCS140		1PC
23	302-AL-00226-0BG	Alu. Panel 215*270*2.5t SCS146		1PC
24	335-NYL-00002	Wire lock 4K-4 NO-BB		2PCS
25	333-EVA-00096	EVA gasket wide side 213*15*2.0mm		2PCS
26	333-EVA-00097	EVA gasket wide side 213*15*1.0t		2PCS
27	333-EVA-00132	EVA gasket long side 238*15*2.0mm		2PCS
28	333-EVA-00133	EVA gasket long side 238*15*1.0t		2PCS
29	333-EVA-00220	EVA gasket long side 225*15*1t UL		1PC
30	320-RUB-00033	Rubber gasket 25*21*4t		4PCS
31	413-000-00188	SPEAKER label 4 OHM 45*8mm		1PC
32	413-000-00540	Label, MADE IN CHINA		1PC
33	333-EVA-00188	EVA gasket 170x5x1t		1PC
34	362-FE-00013	PCB Gasket L TYPE t=1.6mm S.P.C.C 89*9*1.6T		2PCS

Electric parts

No.	Part number	Description	Reference	Q'ty
02	351-AM03014A094	Screw M3*14		1PC
03	352-AM03008D040	Screw ϕ 3*8 Type B		4PCS
04	110-10821jk2	Resistor 820 Ω 1W \pm 5% 10mm	R132	1PC
05	110-122r2j15	Resistor 2.2 Ω 1/2W \pm 5% 15mm	R127	1PC
06	113-500r1j10	Cement resistor 0.1 Ω 5W \pm 5%	R121,R122	2PCS
07	114-03302m0	Semi-fixed resistor 3K 0.3W \pm 20%	R138	1PC
08	115-h503a101	Variable resistor D16 50K/1 A	VR201	1PC
09	135-4478m35	Electrolytic cap 4700uF 35V \pm 20%	C121,C122	2PCS
10	135-4478m50	Electrolytic cap 4700uF 50V \pm 20%	C133,C134	2PCS
11	156-h010010	Tube 1 ψ *10mm	Q101,Q115	2PCS
12	162-10202001	Wire 26AWG 1007 200mm RED		1PC
13	171-udhss124d	Relay 5A 24V UDH-SS124D	RY101	1PC
14	174-0rcb202v	Jack RCA JACK RCB-202V	JK202	1PC
15	174-0rca108nb	RCA JACK RCA108NB 1P	JK203	1PC
16	174-2rsp108v	Speaker terminal 8 PIN RSP-108V	JK201	1PC
17	175-1c07v01	Connector 7PIN PITCH=2.5mm	P101	1PC
18	175-1d02v01	Connector 2PIN PITCH=3.96mm	P102	1PC
19	175-1d05v01	Connector 5PIN 3.96mm	P103	1PC
20	180-tms7210v	SWITCH SLIDE 6PIN MS7210V	SW201	1PC
21	190-06m4558d	I.C. OPA 4558D	U101,U203	2PCS
22	190-16tl074cn	I.C TL074CN ST	U201,U202	2PCS
23	192-021c1815gr	Transistor 2SC1815GR	Q101,Q115	2PCS
24	192-991d669a	TransistorHI-SINCERITY HSD669A	Q106	1PC
25	192-021tip35c	Transistor TIP35C	Q107	1PC
26	192-992b649t	Transistor HSB649T	Q105	1PC
27	192-022tip36c	Transistor TIP36C	Q108	1PC
28	192-161tip41c	Transistor TIP41C NPN SGS	Q124	1PC
29	192-162tip42c	Transistor TIP42C PNP SGS	Q120	1PC
30	192-201d882y	Transistor KSD882Y	Q117	1PC
31	192-202b772y	Transistor KSB772Y	Q119	1PC
32	193-3m2520	Piezo TO-3P 25x20mm	Q107,Q108	2PCS
33	195-10204hgw	LED 204HGW 3 ϕ	D209	1PC
34	197-00kbl405	Bridge rectifier 4A 500V KBL40	D110,D115	2PCS
35	197-101n4002	Diode 1N4002	D104	1PC
36	197-101n5402	Diode 1N5402	D111,D112	2PCS
37	361-FE-00051	Transistor holder 14.2*8.0*5.2 t=1.6mm		1PC
38	323-AL-00020	HEAT SINK 65*32*31		1PC
39	361-NYL-00054	Transistor isolated sheet		2PCS
01	104-sub135e00	PCB OF SUB135E		1PC
02	110-14122j26	Resistor 1.2K 1/4W \pm 5% CF 26mm TAP	R265	1PC
03	110-14472j26	Resistor 4.7K 1/4W \pm 5% CF 26mm TAP	R201,R202	2PCS
04	110-14560j26	Resistor 56 Ω 1/4W \pm 5% CF 26mm TAP	R117	1PC
05	110-16101j26	Resistor 100 Ω 1/6W \pm 5% CF 26mm TAP	R120,R213,R214,R215	4PCS
06	110-16102j26	Resistor 1K 1/6W \pm 5% CF 26mm TAP	R124,R166,R254,R264	4PCS
07	110-16103j26	Resistor 10K 1/6W \pm 5% CF 26mm TAP	R133,R134,R209,R212,R216,R217,R220,R221,R222,R225,R226,R228,R229,R230,R232,R235,R240,R260	18PCS
08	110-16104j26	Resistor 100K 1/6W \pm 5% CF 26mm TAP	R163,R164,R231	3PCS
09	110-16105j26	Resistor 1M 1/6W \pm 5% CF 26mm TAP	R143,R259	2PCS
10	110-16123j26	Resistor 12K 1/6W \pm 5% CF 26mm TAP	R135,R139,R165	3PCS
11	110-16124j26	Resistor 120K 1/6W \pm 5% CF 26mm TAP	R233	1PC
12	110-16151j26	Resistor 150 Ω 1/6W \pm 5% CF 26mm TAP	R253	1PC
13	110-16152j26	Resistor 1.5K 1/6W \pm 5% CF 26mm TAP	R103,R123,R136,R137,R141,R142,R153	7PCS
14	110-16153j26	Resistor 15K 1/6W \pm 5% CF 26mm TAP	R118,R145,R152,R154,R234	5PCS
15	110-16154j26	Resistor 150K 1/6W \pm 5% CF 26mm TAP	R131,R252	2PCS
16	110-16181j26	Resistor 180 Ω 1/6W \pm 5% CF 26mm TAP	R111,R114	2PCS

Electric parts

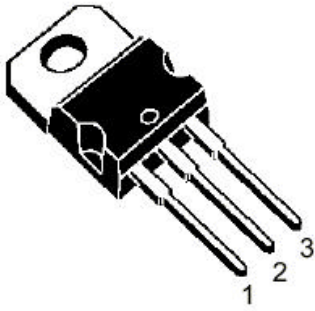
No.	Part number	Description	Reference	Q'ty
17	110-16183j26	Resistor 18K 1/6W ±5% CF 26mm TAP	R227	1PC
18	110-16223j26	Resistor 22K 1/6W ±5% CF 26mm TAP	0,R237,R238,R255,R256,R262,R263	12PCS
19	110-16273j26	Resistor 27K 1/6W ±5% CF 26mm TAP	R223	1PC
20	110-16205j26	Resistor 2M 1/6W ±5% CF 26mm TAP	R257	1PC
21	110-16332j26	Resistor 3.3K 1/6W ±5% CF 26mm TAP	R106,R107,R144,R236,R258	5PCS
22	110-16392j26	Resistor 3.9K 1/6W ±5% CF 26mm TAP	R105,R108	2PCS
23	110-16393j26	Resistor 39K 1/6W ±5% CF 26mm TAP	R126	1PC
24	110-16470j26	Resistor 47Ω 1/6W ±5% CF 26mm TAP	R112,R113,R115,R116	4PCS
25	110-16471j26	Resistor 470Ω 1/6W ±5% CF 26mm TAP	R140,R161,R162	3PCS
26	110-16472j26	Resistor 4.7K 1/6W ±5% CF 26mm TAP	R110,R125,R130,R147,R150,R157,R159,R207,R208	9PCS
27	110-16473j26	Resistor 47K 1/6W ±5% CF 26mm TAP	R101,R219,R249,R250,R251	5PCS
28	110-16512j26	Resistor 5.1K 1/6W ±5% CF 26mm TAP	R210,R211	2PCS
29	110-16513j26	Resistor 51K 1/6W ±5% CF 26mm TAP	R224	1PC
30	110-16563j26	Resistor 56K 1/6W ±5% CF 26mm TAP	R104	1PC
31	110-16681j26	Resistor 680Ω 1/6W ±5% CF 26mm TAP	R148,R151	2PCS
32	110-16682j26	Resistor 6.8K 1/6W ±5% CF 26mm TAP	R109	1PC
33	110-16913j26	Resistor 91K 1/6W ±5% CF 26mm TAP	R203,R204,R205,R206	4PCS
34	130-sl101k503	Disc capacitor 100P 50V SL ±10% TAP		5PCS
35	130-2b102k503	Disc capacitor 1000P 50V ±10% TAP	C116,C141,C203	3PCS
36	130-2b221k503	Disc capacitor 220P 50V ±10% TAP	C204,C205,C210,C211,C212,C230	6PCS
37	130-2b681k503	Disc capacitor 680P 50V ±10% TAP	C208	1PC
38	130-2f104z503	Disc capacitor 0.1U 50V +80/-20% TAP	C108,C113,C115,C119,C137,C138,C232,C235,C236,C237,C239,C240,C241	13PCS
39	130-3f473m503	Disc capacitor 0.047U 50V ±20% TAP	C106,C209	2PCS
40	130-sl470k503	Disc capacitor 47P 50V ±10% TAP	C229	1PC
41	132-103j503	Mylar capacitor 0.01U 50V ±5% TAP	C223,C224	2PCS
42	132-104j503	Mylar capacitor 0.1U 50V ±5% TAP	C107,C218,C221,C222	4PCS
43	132-223ja03	Mylar capacitor 0.022uF 100V ±5% TAP	C123,C124,C125,C126,C127,C128,C131,C132,C215	9PCS
44	132-473j503	Mylar capacitor 0.047U 50V ±5% TAP	C216,C217	2PCS
45	135-3105m50	Electrolytic cap 1U 50V ±20% TAP	C105,C112,C228	3PCS
46	135-3106m50	Electrolytic cap 10uF 50V ±20% TAP	C201,C202,C206,C213,C219,C231	6PCS
47	135-3107m16	Electrolytic cap 100uF 16V ±20% TAP	C109,C110,C117,C120,C234,C238,C242	7PCS
48	135-3107m50	Electrolytic cap 100U 50V ±20% TAP	C135,C136	2PCS
49	135-3226m50	Electrolytic cap 22U 50V ±20% TAP	C114,C118,C225	3PCS
50	135-3227m10	Electrolytic cap 220U 10V ±20% TAP	C129,C130	2PCS
51	135-3227m16	Electrolytic cap 220U 16V ±20% TAP	C111,C233	2PCS
52	135-3476m25	Electrolytic cap 47U 25V ±20% TAP	C103	1PC
53	192-027c1815gr	Transistor 2SC1815GR TAP	Q102,Q111,Q112,Q113,Q118,Q123,Q126,Q206,Q207,Q208	10PCS
54	192-027c2235y	Transistor 2SC2235Y TAP	Q121	1PC
55	192-028a1015gr	Transistor 2SA1015GR TAP	Q114,Q116,Q122,Q127	4PCS
56	192-028a965y	Transistor 2SA965Y TAP	Q125	1PC
57	192-1672n5551	Transistor 2N5551 TAP	Q103,Q109	2PCS
58	192-1682n5401	Transistor 2N5401 AI-PNP 350V 500mA	Q104,Q110	2PCS

Electric parts

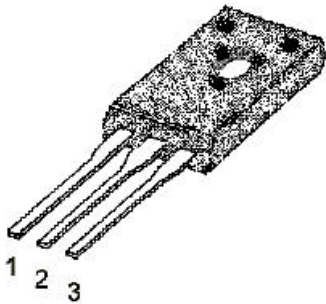
No.	Part number	Description	Reference	Q'ty
59	197-131n4148	Diode 1N4148 26mm TAP	4,D201,D202,D206,D207,D208,D2	19PCS
60	199-15000335	Zener Diode 3.3V 1/2W 52mm TAP	D102,D205	2PCS
61	199-15000625	Zener Diode 6.2V 1/2W 52mm TAP	D106,D107	2PCS
62	199-15001605	Zener Diode 16V 1/2W 52mm TAP	D109	1PC
63	161-506520	JUMPER WIRE 26mm TAP		68PCS

No.	Part number	Description	Reference	Q'ty
40	051-A00014B	PCB ASS'Y OF SCS135 LIMITER		1PC
02	162-50129001	CABLE ASS'Y 120mm AWG28 WHT	P302	1PC
03	175-9f40hr2	HR2*40		0.15PC
04	190-16tl074cn	I.C TL074CN ST	U301	1PC
05	162-10059001	Single wire 50mm WHITE UL1007		1PC
02	110-16103j26	Resistor 10K 1/6W ±5% CF 26mm TAP	4	6PCS
03	110-16223j26	Resistor 22K 1/6W ±5% CF 26mm TAP	R310,R312	2PCS
04	110-16333j26	Resistor 33K 1/6W ±5% CF 26mm TAP	R305	1PC
05	110-16474j26	Resistor 470K 1/6W ±5% CF 26mm TAP	R307	1PC
06	110-16751j26	Resistor 750Ω 1/6W ±5% CF 26mm TAP	R311,R313	2PCS
07	110-16755j26	Resistor 7.5M 1/6W ±5% CF 26mm TAP	R306	1PC
08	130-2f104z503	Disc capacitor 0.1U 50V +80/-20% TAP	C305,C306	2PCS
09	132-103j503	Mylar capacitor 0.01U 50V ±5% TAP	C302,C303	2PCS
10	135-3226m50	Electrolytic cap 22U 50V ±20% TAP	C301	1PC
11	135-3476m25	Electrolytic cap 47U 25V ±20% TAP	C304	1PC
12	192-027c1815gr	Transistor 2SC1815GR TAP	Q301,Q302	2PCS
13	197-131n4148	Diode 1N4148 26mm TAP	D301,D302	2PCS
14	161-506520	JUMPER WIRE 26mm TAP		6PCS
15	110-16153j26	Resistor 15K 1/6W ±5% CF 26mm TAP	R302	1PC

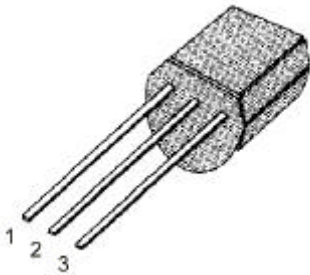
SUB200/260 TRANSISTOR PINOUTS



PARTS NAME	PINOUTS		
	1	2	3
TIP35C	Emitter	Collector	base
TIP36C	Emitter	Collector	base



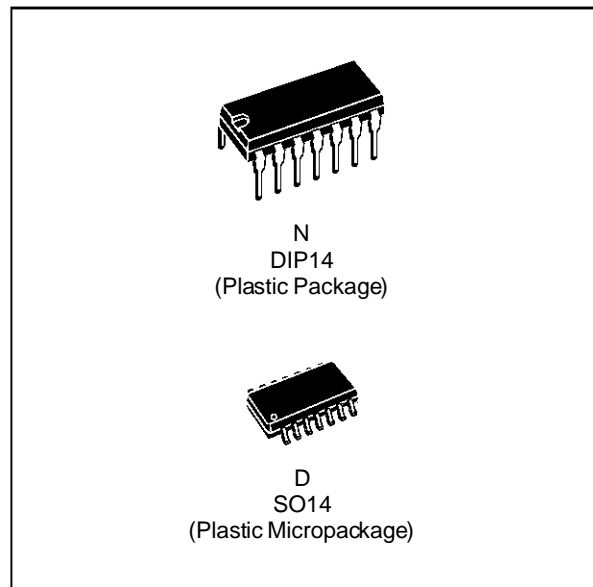
PARTS NAME	PINOUTS		
	1	2	3
2SB649A	Emitter	Collector	base
2SB772	Emitter	Collector	base
2SD669A	Emitter	Collector	base
2SD882	Emitter	Collector	base



PARTS NAME	PINOUTS		
	1	2	3
2SA1015	Emitter	Collector	base
2N5401	Emitter	base	Collector
2SC1815	Emitter	Collector	base
2N5551	Emitter	base	Collector

LOW NOISE J-FET QUAD OPERATIONAL AMPLIFIERS

- WIDE COMMON-MODE (UP TO V_{CC}^+) AND DIFFERENTIAL VOLTAGE RANGE
- LOW INPUT BIAS AND OFFSET CURRENT
- LOW NOISE $e_n = 15nV/\sqrt{Hz}$ (typ)
- OUTPUT SHORT-CIRCUIT PROTECTION
- HIGH INPUT IMPEDANCE J-FET INPUT STAGE
- LOW HARMONIC DISTORTION : 0.01% (typ)
- INTERNAL FREQUENCY COMPENSATION
- LATCH UP FREE OPERATION
- HIGH SLEW RATE : $13V/\mu s$ (typ)



DESCRIPTION

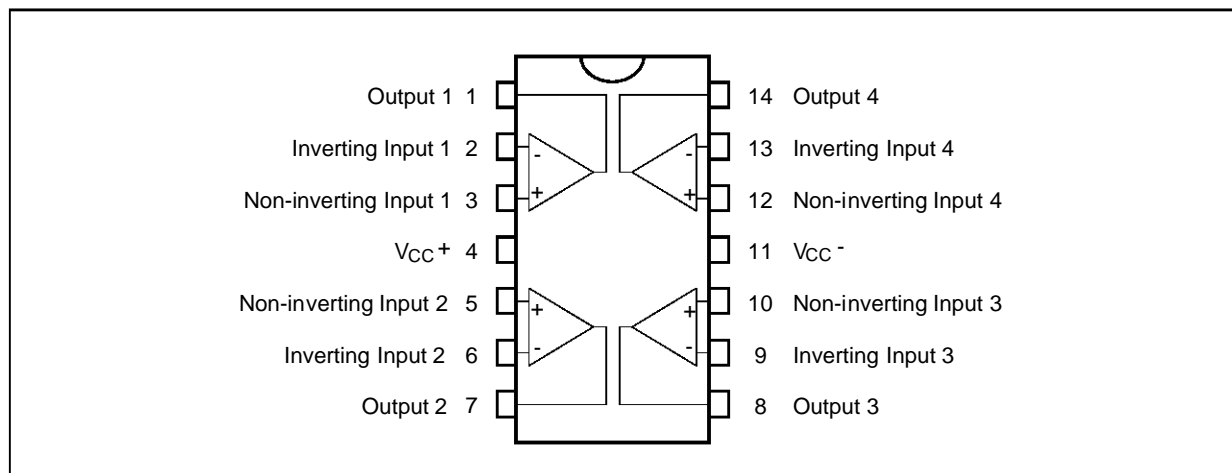
The TL074, TL074A and TL074B are high speed J-FET input quad operational amplifiers incorporating well matched, high voltage J-FET and bipolar transistors in a monolithic integrated circuit.

The devices feature high slew rates, low input bias and offset currents, and low offset voltage temperature coefficient.

ORDER CODES

Part Number	Temperature Range	Package	
		N	D
TL074M/AM/BM	-55°C, +125°C	•	•
TL074I/AI/BI	-40°C, +105°C	•	•
TL074C/AC/BC	0°C, +70°C	•	•
Example : TL074IN			

PIN CONNECTIONS (top view)





DUAL OPERATIONAL AMPLIFIER

■ GENERAL DESCRIPTION

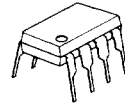
The NJM4558/4559 integrated circuit are a dual high-gain operational amplifier internally compensated and constructed on a single silicon chip using an advanced epitaxial process.

Combining the features of the NJM741 with the close parameter matching and tracking of a dual device on a monolithic chip results in unique performance characteristics. Excellent channel separation allow the use of the dual device in single NJM741 operational amplifier applications providing density. It is especially well suited for applications in differential-in, differential-out as well as in potentiometric amplifiers and where gain and phase matched channels are mandatory.

■ FEATURES

- Operating Voltage (±4V ~ ±18V)
- High Voltage Gain (100dB typ.)
- High Input Resistance (5MΩ typ.)
- Package Outline DIP8, DMP8, SIP8, SSOP8
- Bipolar Technology

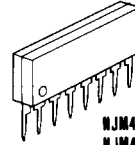
■ PACKAGE OUTLINE



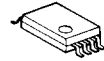
NJM4558D
NJM4559D



NJM4558M
NJM4559M

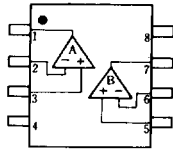


NJM4558L
NJM4559L

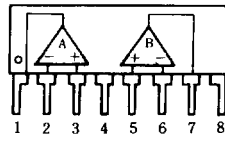


NJM4558V
NJM4559V

■ PIN CONFIGURATION



NJM4558D, NJM4558M, NJM4558V
NJM4559D, NJM4559M, NJM4559V

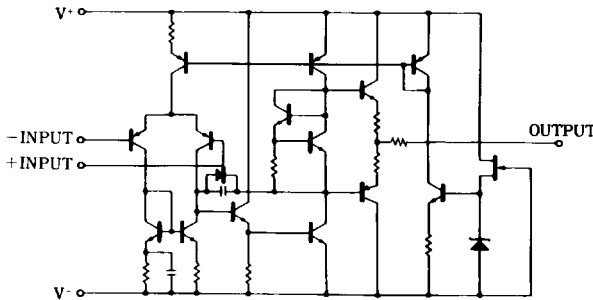


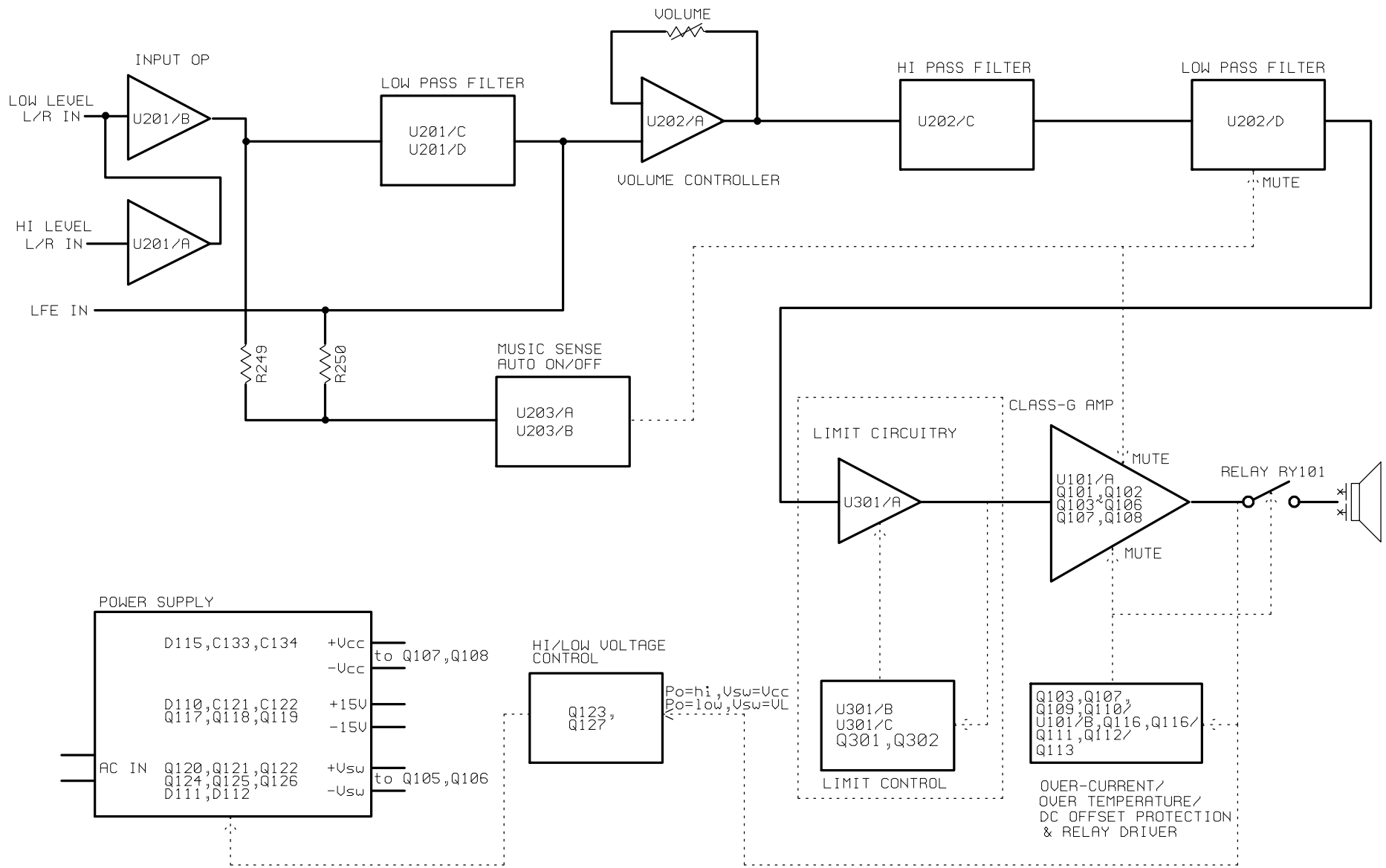
NJM4558L
NJM4559L

PIN FUNCTION

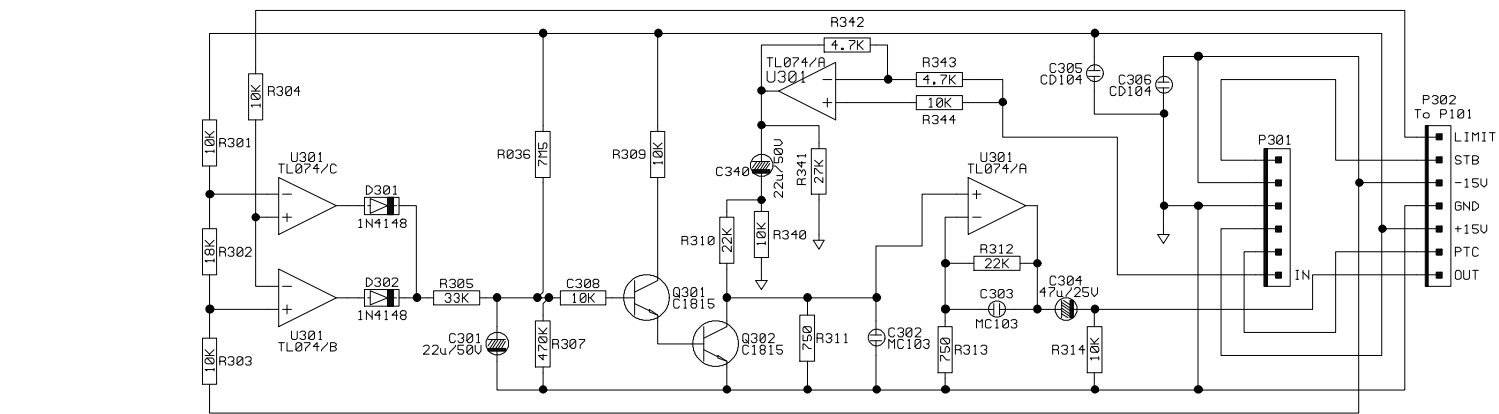
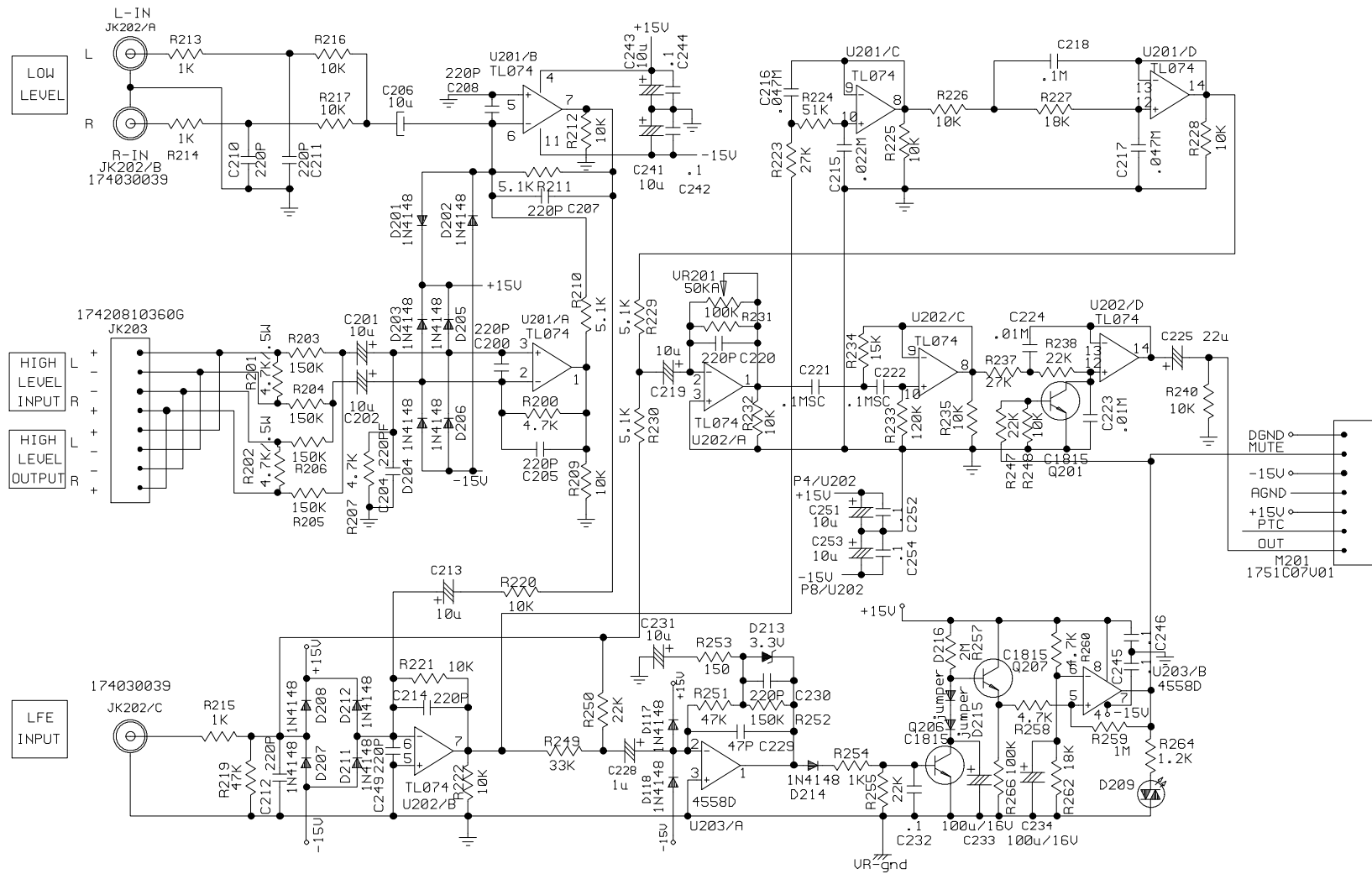
1. A OUTPUT
2. A- INPUT
3. A+ INPUT
4. V-
5. B+ INPUT
6. B- INPUT
7. B OUTPUT
8. V+

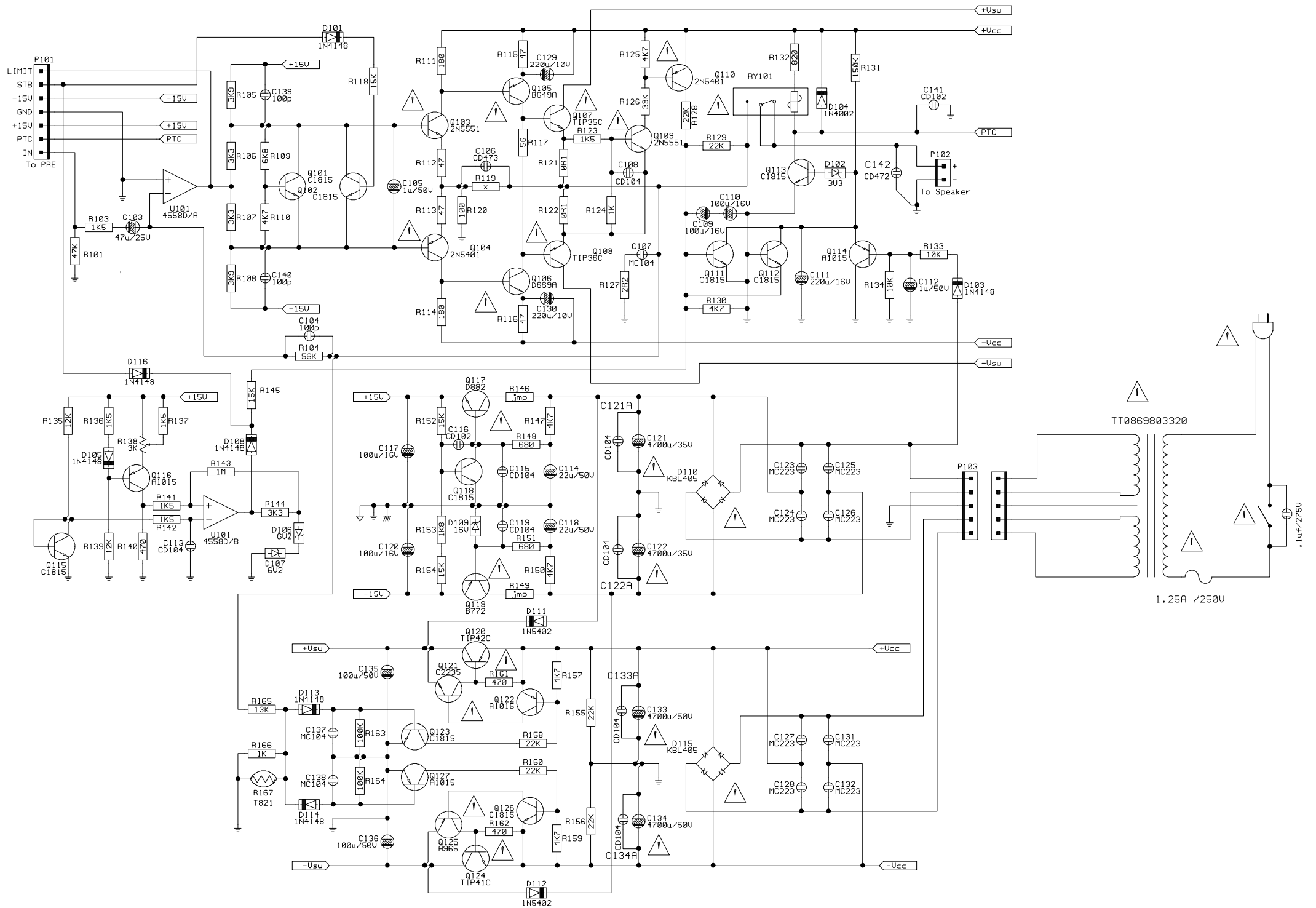
■ EQUIVALENT CIRCUIT (1/2 Shown)

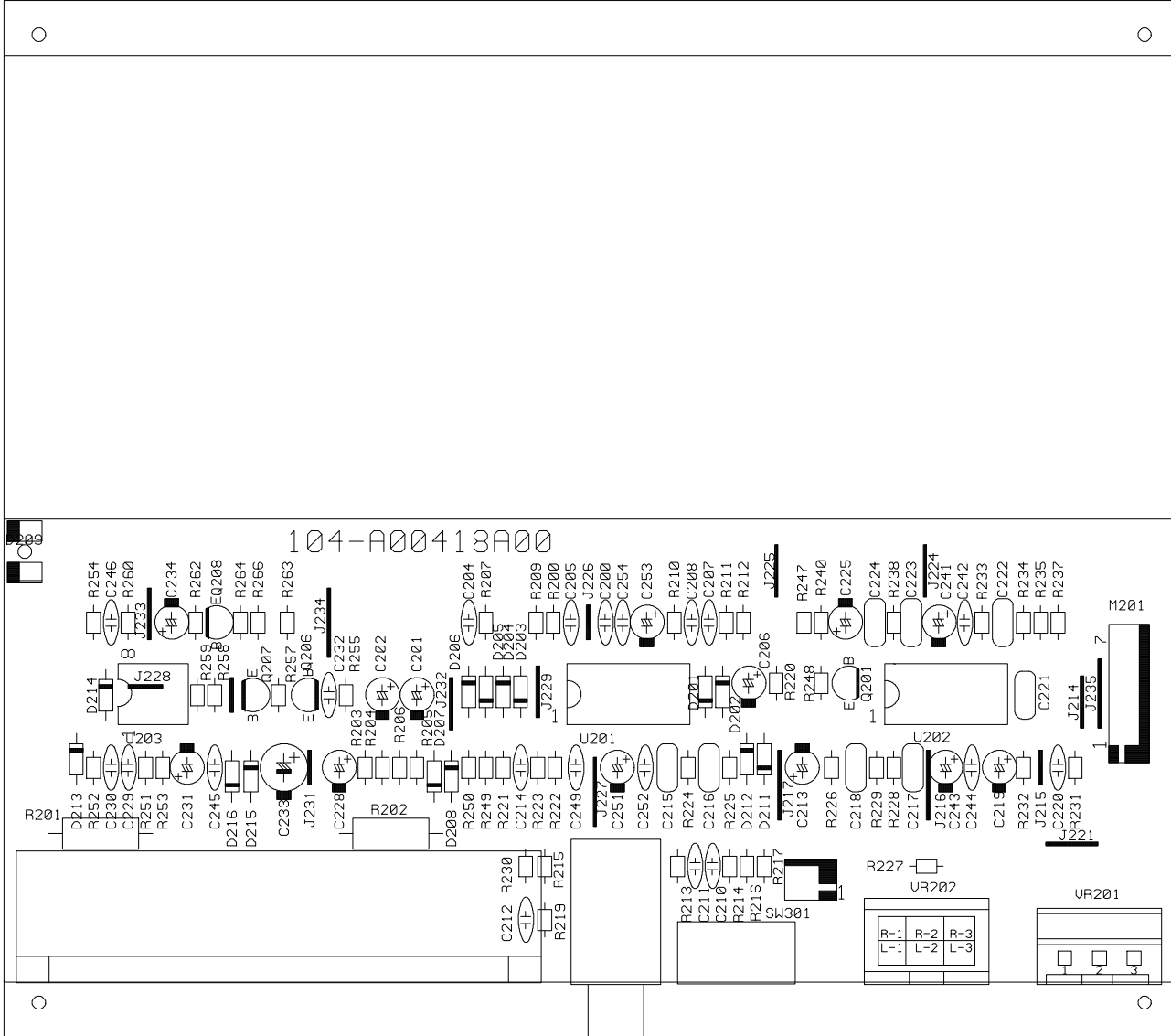




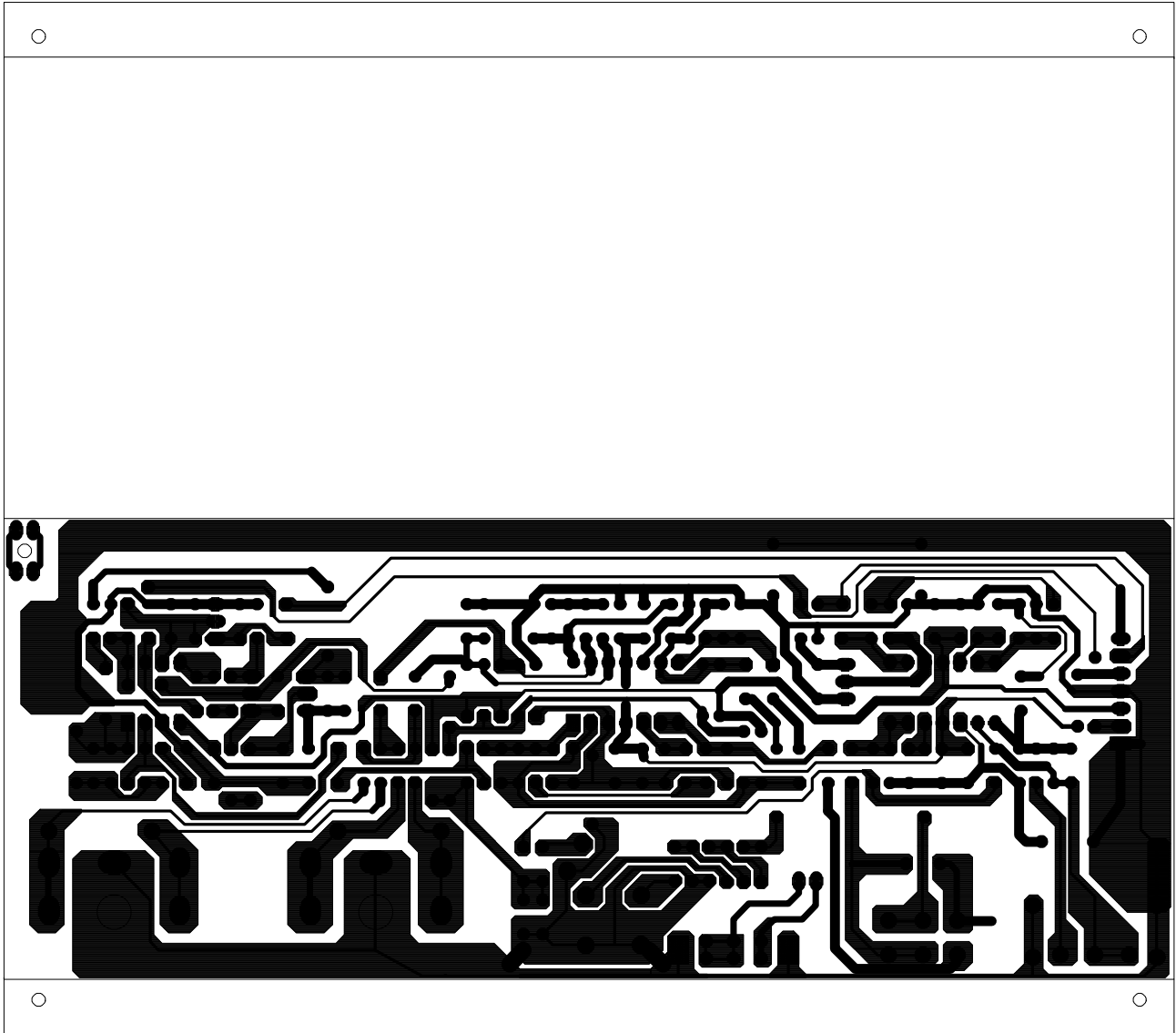
BLOK DIAGRAM



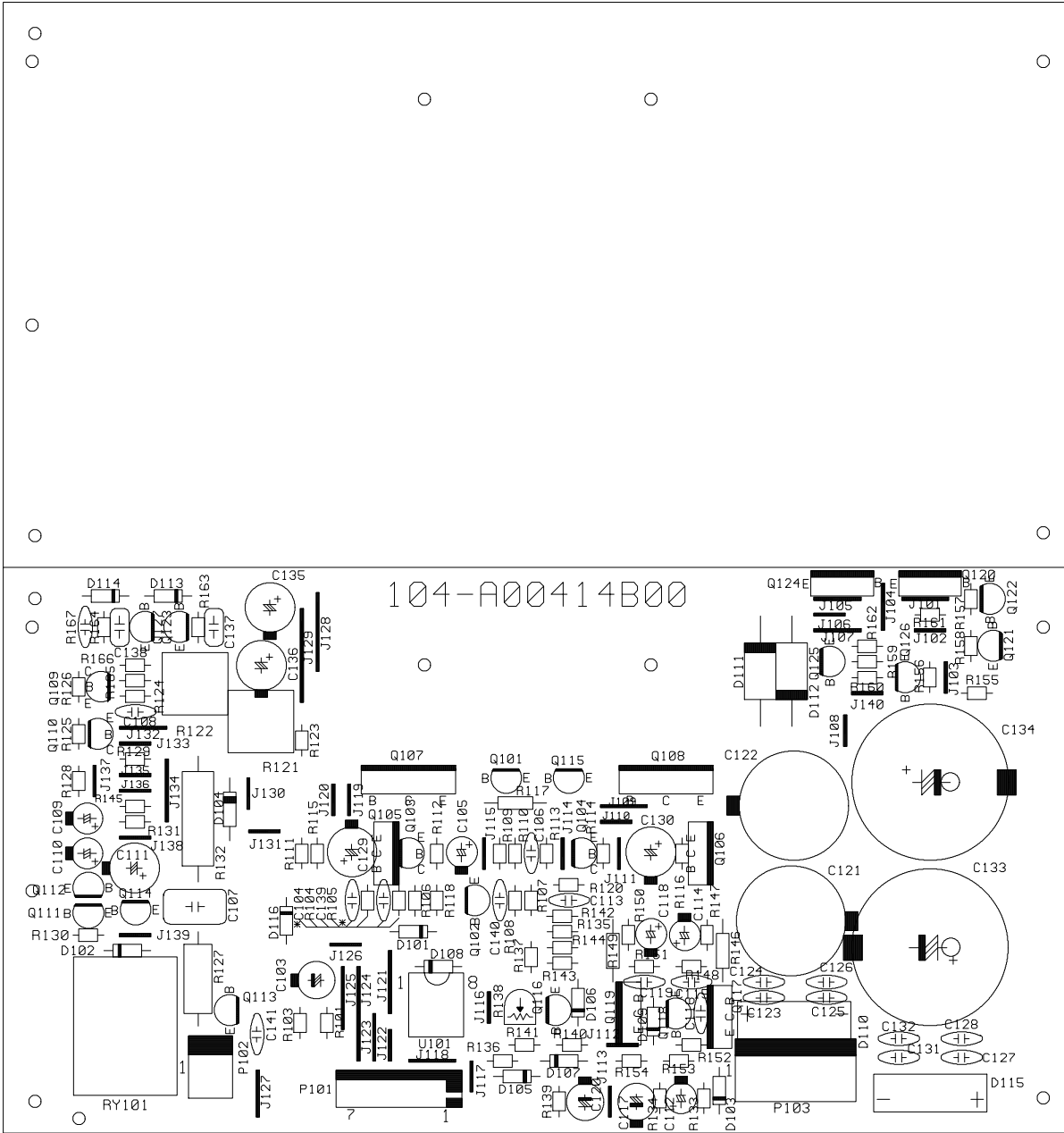




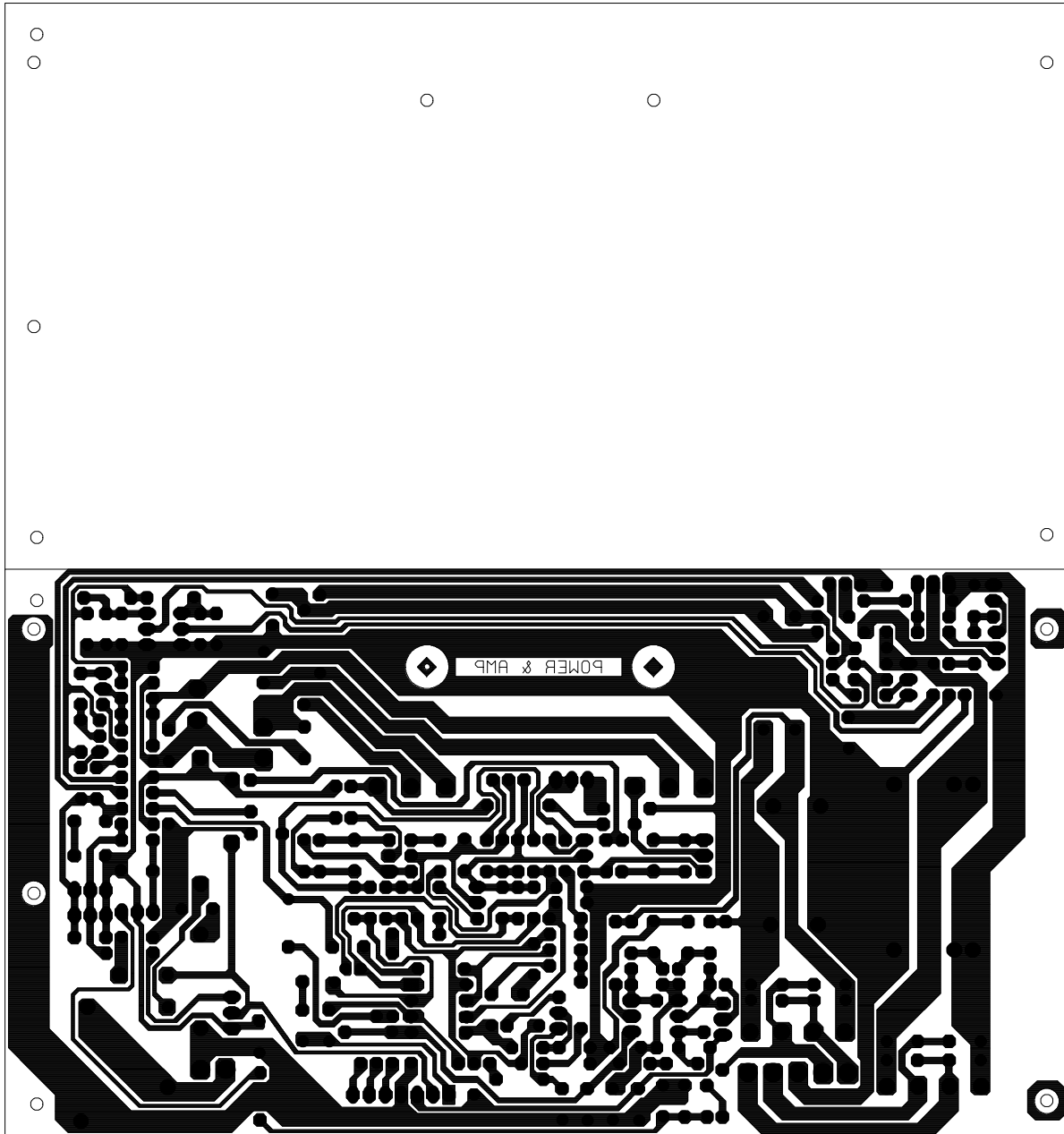
		FILENAME :SUB200PR.PCB	REVISION:
DRAW.		MODEL NO.104-A00418A00	1
DSGN.		MATERIAL :94U0 1.6T (FR-1)	2
APUD.		LAYER SILK SCREEN	3



				FILENAME :SUB200PR.PCB	REVISION:	
	DRAW.			MODEL NO.104-A00418A00	1	
		DSGN.		MATERIAL :94V0 1.6T(FR-1)	2	
			APUD.	LAYER SOLDER PATTERN	3	

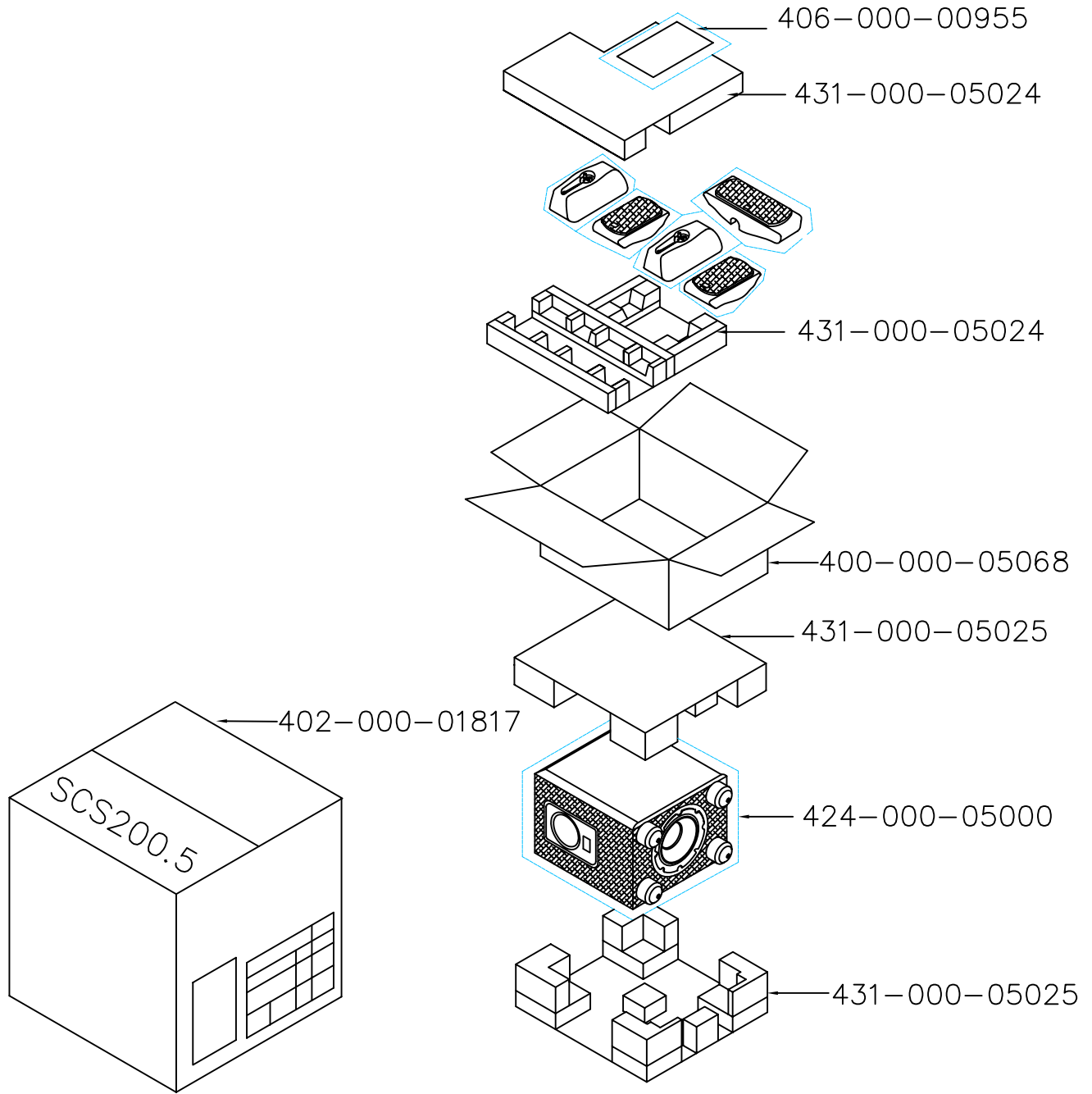


		FILENAME : HKTS7E.PCB	REVISION: 0
DRAW.		MODEL NO. 104-A00414B00	1
DSGN.		MATERIAL : 94V0 (FR-1)	2
APUD.		LAYER SILK SCREEN	3

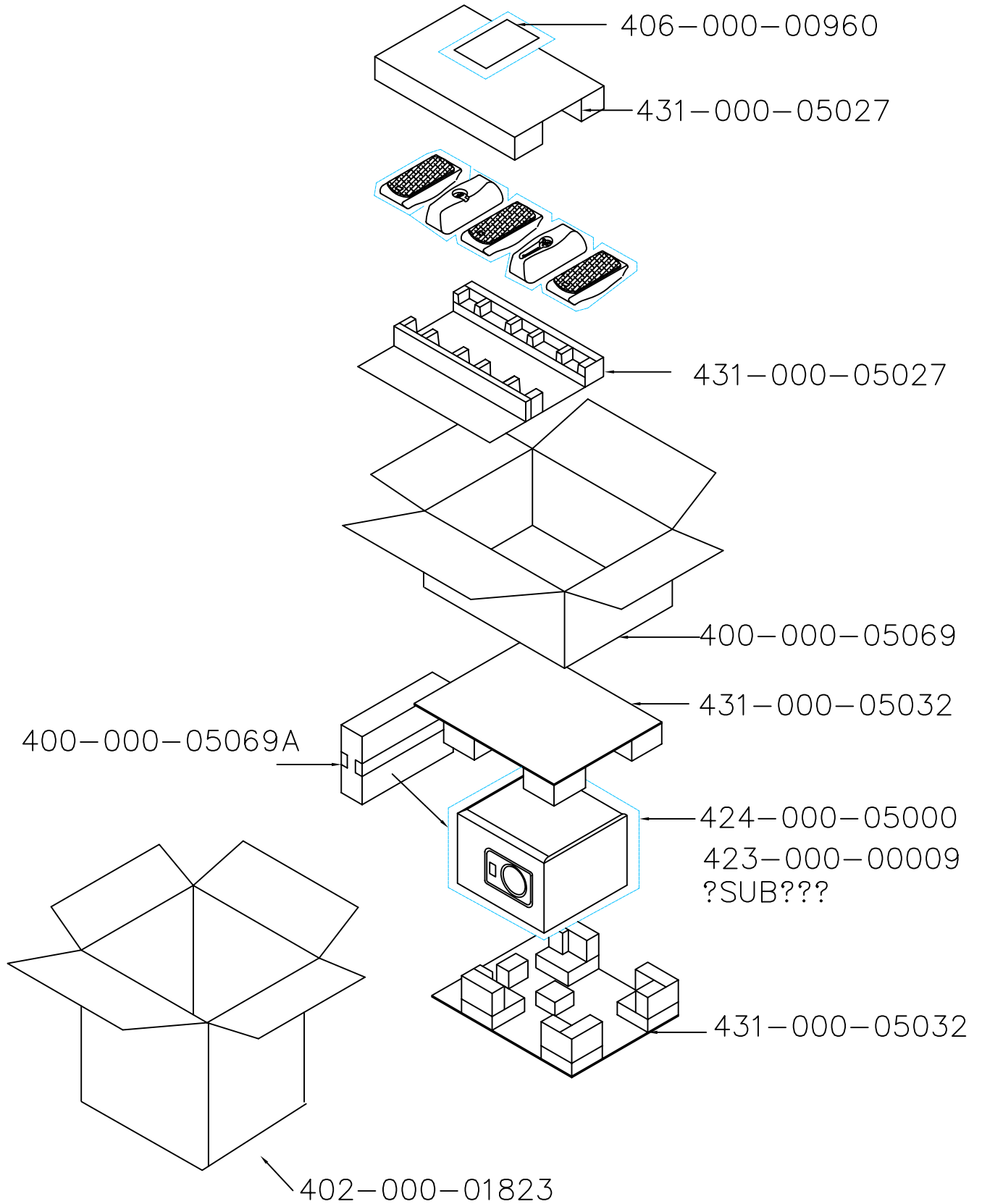


				FILENAME : HKTS7E.PCB	REVISION: 0
	DRAW.			MODEL NO. 104-A00414B00	1
		DSGN.		MATERIAL : 94V0 (FR-1)	2
			APVD.	LAYER SOLDER PATTERN	3

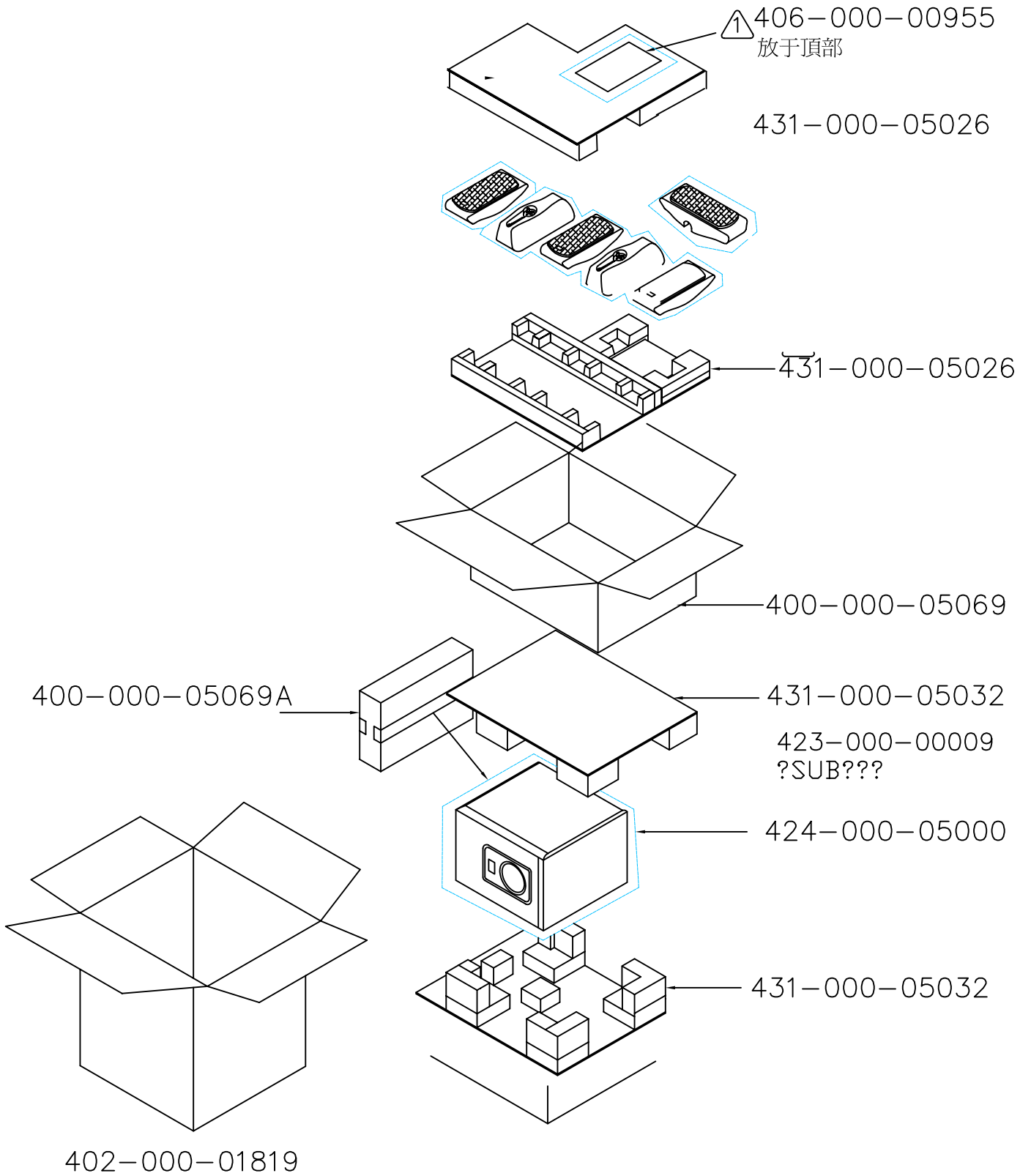
SCS200.5/230



SCS260.5/230



SCS200.6/230



SCS260.6/230

