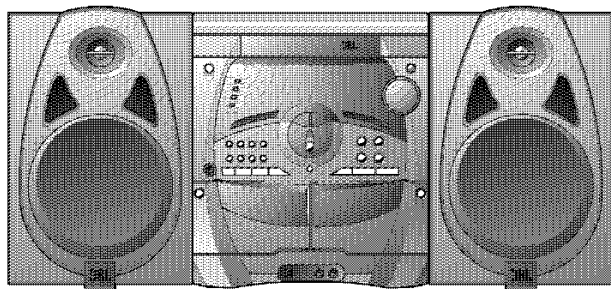


JBL Soundgear Series

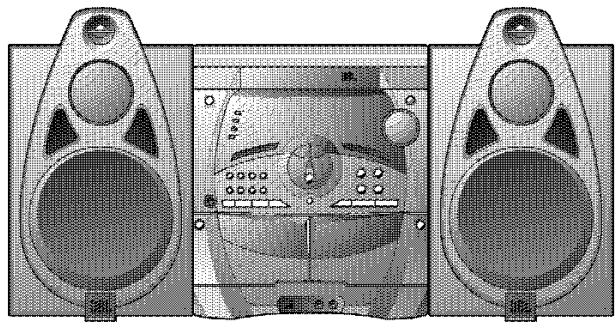
SG2020 SG3030

3 CD Changer Hi-Fi System

PRELIMINARY SERVICE MANUAL



(SG2020)



(SG3030)

JBL Incorporated, Inc.
250 Crossways Park Dr.
Woodbury, New York 11797

CONTENTS

SERVICING PRECAUTIONS	3
ESD PRECAUTIONS	5
SPECIFICATIONS	6
ADJUSTMENTS	7
TROUBLESHOOTING GUIDE.....	9
WAVEFORMS OF MAJOR CHECK POINTS	14
WIRING DIAGRAM (SG2020).....	15
WIRING DIAGRAM (SG3030).....	16
BLOCK DIAGRAM (SG2020).....	17
BLOCK DIAGRAM (SG3030).....	18
SCHEMATIC DIAGRAMS (SG2020/3030).....	19
PCB BOARDS	35
PACKAGE PARTS LIST (SG2020).....	40
MECHANICAL PARTS LIST (SG2020).....	40
ELECTRICAL PARTS LIST (SG2020).....	43
PACKAGE PARTS LIST (SG3030).....	54
MECHANICAL PARTS LIST (SG3030).....	54
ELECTRICAL PARTS LIST (SG3030).....	57

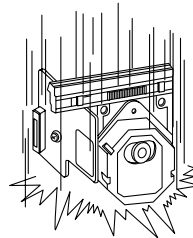
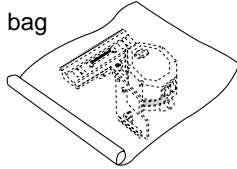
SERVICING PRECAUTIONS

NOTES REGARDING HANDLING OF THE PICK-UP

1. Notes for transport and storage

- 1) The pick-up should always be left in its conductive bag until immediately prior to use.
- 2) The pick-up should never be subjected to external pressure or impact.

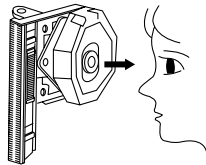
Storage in conductive bag



Drop impact

2. Repair notes

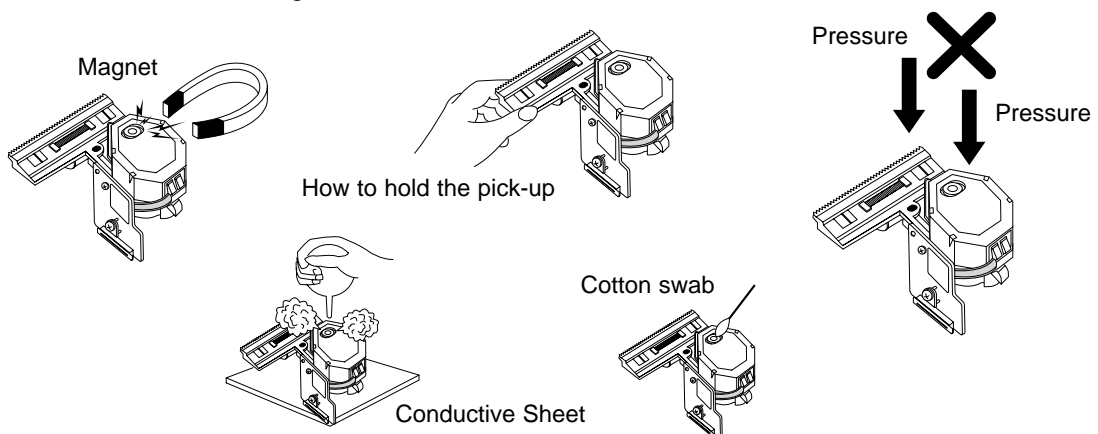
- 1) The pick-up incorporates a strong magnet, and so should never be brought close to magnetic materials.
- 2) The pick-up should always be handled correctly and carefully, taking care to avoid external pressure and impact. If it is subjected to strong pressure or impact, the result may be an operational malfunction and/or damage to the printed-circuit board.
- 3) Each and every pick-up is already individually adjusted to a high degree of precision, and for that reason the adjustment point and installation screws should absolutely never be touched.
- 4) Laser beams may damage the eyes!
Absolutely never permit laser beams to enter the eyes!
Also NEVER switch ON the power to the laser output part (lens, etc.) of the pick-up if it is damaged.



NEVER look directly at the laser beam, and don't let contact fingers or other exposed skin.

5) Cleaning the lens surface

If there is dust on the lens surface, the dust should be cleaned away by using an air bush (such as used for camera lens). The lens is held by a delicate spring. When cleaning the lens surface, therefore, a cotton swab should be used, taking care not to distort this.



6) Never attempt to disassemble the pick-up.

Spring by excess pressure. If the lens is extremely dirty, apply isopropyl alcohol to the cotton swab. (Do not use any other liquid cleaners, because they will damage the lens.) Take care not to use too much of this alcohol on the swab, and do not allow the alcohol to get inside the pick-up.

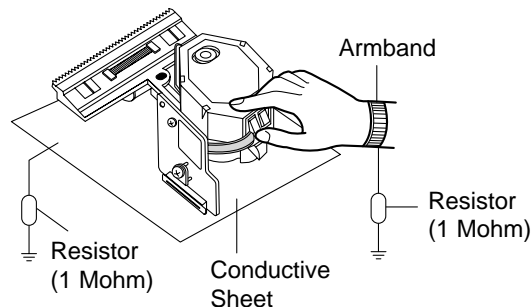
NOTES REGARDING COMPACT DISC PLAYER REPAIRS

1. Preparations

- 1) Compact disc players incorporate a great many ICs as well as the pick-up (laser diode). These components are sensitive to, and easily affected by, static electricity. If such static electricity is high voltage, components can be damaged, and for that reason components should be handled with care.
- 2) The pick-up is composed of many optical components and other high-precision components. Care must be taken, therefore, to avoid repair or storage where the temperature or humidity is high, where strong magnetism is present, or where there is excessive dust.

2. Notes for repair

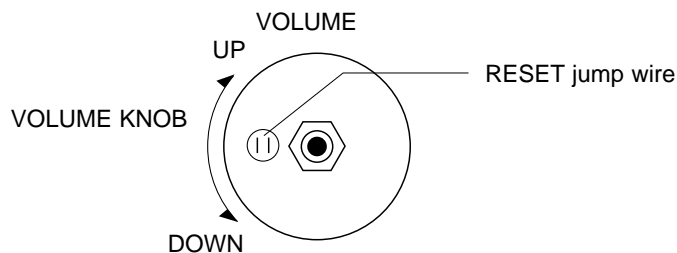
- 1) Before replacing a component part, first disconnect the power supply lead wire from the unit
- 2) All equipment, measuring instruments and tools must be grounded.
- 3) The workbench should be covered with a conductive sheet and grounded.
When removing the laser pick-up from its conductive bag, do not place the pick-up on the bag. (This is because there is the possibility of damage by static electricity.)
- 4) To prevent AC leakage, the metal part of the soldering iron should be grounded.
- 5) Workers should be grounded by an armband (1M Ω)
- 6) Care should be taken not to permit the laser pick-up to come in contact with clothing, in order to prevent static electricity changes in the clothing to escape from the armband.
- 7) The laser beam from the pick-up should NEVER be directly facing the eyes or bare skin.



CLEARING MALFUNCTION

You can reset your unit to initial status if malfunction occur (button malfunction, display, etc.). Using a pointed good conductor (such as driver), simply short the RESET jump wire on the inside of the volume knob for more than 3 seconds. If you reset your unit, you must reenter all its settings (stations, clock, timer)

- NOTE:** 1. To operate the RESET jump wire, pull the volume rotary knob and release it.
2. If you wish to operate the RESET jump wire, it is necessary to unplug the power cord.



ESD PRECAUTIONS

Electrostatically Sensitive Devices (ESD)

Some semiconductor (solid state) devices can be damaged easily by static electricity. Such components commonly are called Electrostatically Sensitive Devices (ESD). Examples of typical ESD devices are integrated circuits and some field-effect transistors and semiconductor chip components. The following techniques should be used to help reduce the incidence of component damage caused by static electricity.

1. Immediately before handling any semiconductor component or semiconductor-equipped assembly, drain off any electrostatic charge on your body by touching a known earth ground. Alternatively, obtain and wear a commercially available discharging wrist strap device, which should be removed for potential shock reasons prior to applying power to the unit under test.
2. After removing an electrical assembly equipped with ESD devices, place the assembly on a conductive surface such as aluminum foil, to prevent electrostatic charge buildup or exposure of the assembly.
3. Use only a grounded-tip soldering iron to solder or unsolder ESD devices.
4. Use only an anti-static solder removal device. Some solder removal devices not classified as "anti-static" can generate electrical charges sufficient to damage ESD devices.
5. Do not use freon-propelled chemicals. These can generate electrical charges sufficient to damage ESD devices.
6. Do not remove a replacement ESD device from its protective package until immediately before you are ready to install it. (Most replacement ESD devices are packaged with leads electrically shorted together by conductive foam, aluminum foil or comparable conductive materials).
7. Immediately before removing the protective material from the leads of a replacement ESD device, touch the protective material to the chassis or circuit assembly into which the device will be installed.

CAUTION : BE SURE NO POWER IS APPLIED TO THE CHASSIS OR CIRCUIT, AND OBSERVE ALL OTHER SAFETY PRECAUTIONS.

8. Minimize bodily motions when handling unpackaged replacement ESD devices. (Otherwise harmless motion such as the brushing together of your clothes fabric or the lifting of your foot from a carpeted floor can generate static electricity sufficient to damage an ESD device).

SPECIFICATIONS

SECTION	SG2020	SG3030
AMP		
Output Power	65W+65W (6Ω, 2ch, T.H.D 10%)	30W+30W (6Ω, 2ch, T.H.D 10%)
Woofer		60W+60W (6Ω, 2ch, T.H.D 10%)
Frequency Response(MAIN)	40~25,000 Hz	200~25,000 Hz
Frequency Response(Woofer)		45~120 Hz
Signal-to-Noise Ratio	83dB	83dB
Tuner		
FM		
Tuning Range(OPTICAL)	87.5 ~ 108 MHz	87.5 ~ 108 MHz
Intermediate Frequency	10.7 MHz	10.7 MHz
Signal-to-Noise Ratio (Mono/Stereo, 98MHz)	61/58 dBA	61/58 dBA
Frequency Response	60~10,000 Hz	200~10,000 Hz
AM(MW)		
Range(OPTICAL)	522~1,611 kHz or 530~1,720 kHz	522~1,611 kHz or 530~1,720 kHz
Intermediate Frequency	450 kHz	450 kHz
Frequency Response	100~2,000 Hz	200~2,000 Hz
SW(OPTICAL)		
Tuning Range	5.8~18.0 MHz	5.8~18.0 MHz
Intermediate Frequency	450 kHz	450 kHz
Signal-to-Noise Ratio(11MHz)	35 dB	35 dB 3
LW(OPTICAL)		
Tuning Range	153~281 kHz	153~281 kHz
Intermediate Frequency	450 kHz	450 kHz
Signal-to-Noise Ratio(11MHz)	28 dB	28 dB
CASSETTE DECK		
FF, REW Time (C-60)	120 sec.	120 sec.
Frequency Response	125~8,000 Hz	250~18,000 Hz
Signal-to-Noise Ratio	43dB(P/B), 43dB(R/P)	43dB(P/B), 43dB(R/P)
Channel Separation	50dB(P/B), 45dB(R/P)	50dB(P/B), 45dB(R/P)
CD		
Frequency Response	40~18,000 Hz	200~8,000 Hz
Signal-to-Noise Ratio	70 dB	70 dB
GENERAL		
Power Requirements	Refer to the back panel of the unit.	Refer to the back panel of the unit.
Net Dimensions(WxHxD)	273 x 326 x 344 mm	273 x 326 x 344 mm
Net Weight	? kg	? kg
Speaker System		
Type	Bass Reflex 2 Way 3 Speaker System	Bi AMP (Main Speaker, Super Woofer) 3 Speaker System
Impedance	6Ω	6Ω
Frequency Response(MAIN)	60~20,000 Hz	140~20,000 Hz
Sound Pressure Level(MAIN)	85 dB/W(1m)	90 dB/W(1m)
Rated Input Power(MAIN)	65 W	30 W
Rated Input Power(SUPER WOOFER)		60 W
Max. Input Power(MAIN)	130W	60 W
Max. Input Power(SUPER WOOFER)		120 W
Net Dimensions(WxHxD)	220 x 326 x 252 mm	220 x 372 x 252 mm
Net Weight	? kg	? kg

 : EUROPE
 : UL

NOTE: Designs and specification are subject to change without notice for improvement.

ADJUSTMENTS

This set has been aligned at the factory and normally will not require further adjustment. As a result, it is not recommended that any attempt is made to modificate any circuit. If any parts are replaced or if anyone tamper with the adjustment, realignment may be necessary.

IMPORTANT

1. Check Power-source voltage.
2. Set the function switch to band being aligned.
3. Turn volume control to minimum unless otherwise noted.
4. Connect low side of signal source and output indicator to chassis ground unless otherwise specified.
5. Keep the signal input as low as possible to avoid AGC and AC action.

TAPE DECK ADJUSTMENT

1. AZIMUTH ADJUSTMENT

Deck Mode	Test Tape	Test Point	Adjustment	Adjust for
A Deck Playback	MTT-114	Speaker Out	DECK Screw Azimuth Screw	Maximum
B Deck Playback	MTT-114	Speaker Out	Azimuth Screw	Maximum

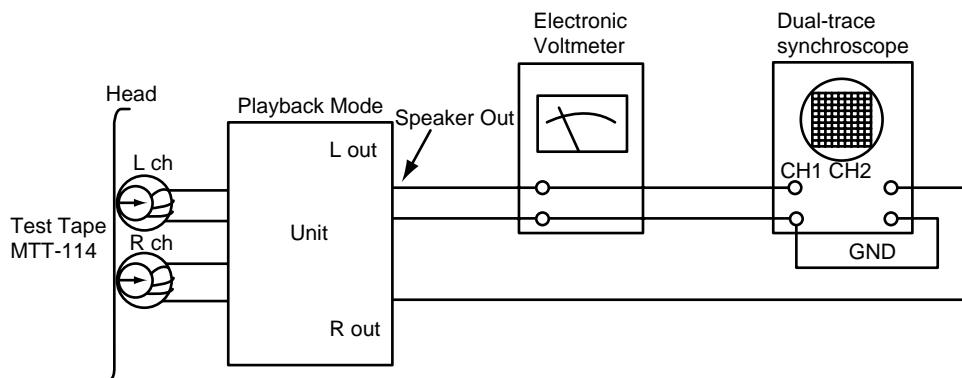


Figure 1. Azimuth Adjustment Connection Diagram

2. NORMAL SPEED ADJUSTMENT

Deck Mode	Test Tape	Test Point	Adjustment	Adjust for	Remark
Normal Speed	MTT-111	Speaker Out	VR201	3kHz \pm 1%	A Deck
Hi-Speed	MTT-111	Speaker Out	more than 5.4kHz		Hi-Speed Dubbing Mode

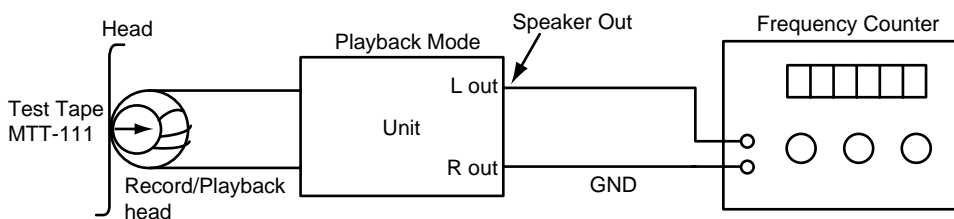


Figure 2. Normal Speed Adjustment Connection Diagram

3. RECORD BIAS ADJUSTMENT

Deck Mode	Test Tape	Test Point	Adjustment	Adjust for
Rec/Pause	MTT-5511	ERASE HEAD WIRE(PN402)	L201	60kHz±5kHz (Auto-stop) 85kHz±5kHz (Auto-Reverse)

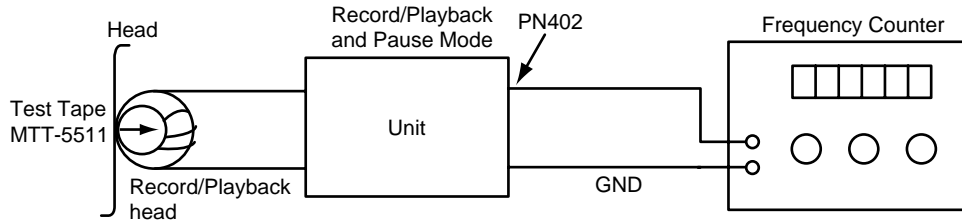


Figure 3. Record Bias Adjustment Connection Diagram

4. TUNER ADJUSTMENT

Item	Test Point	Adjustment	Adjust for
DC Voltage	Checker Pin	TP101, 102	0V±50mV

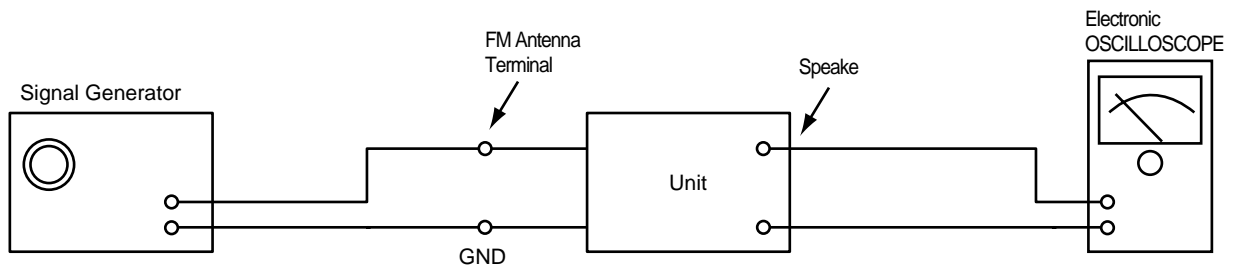
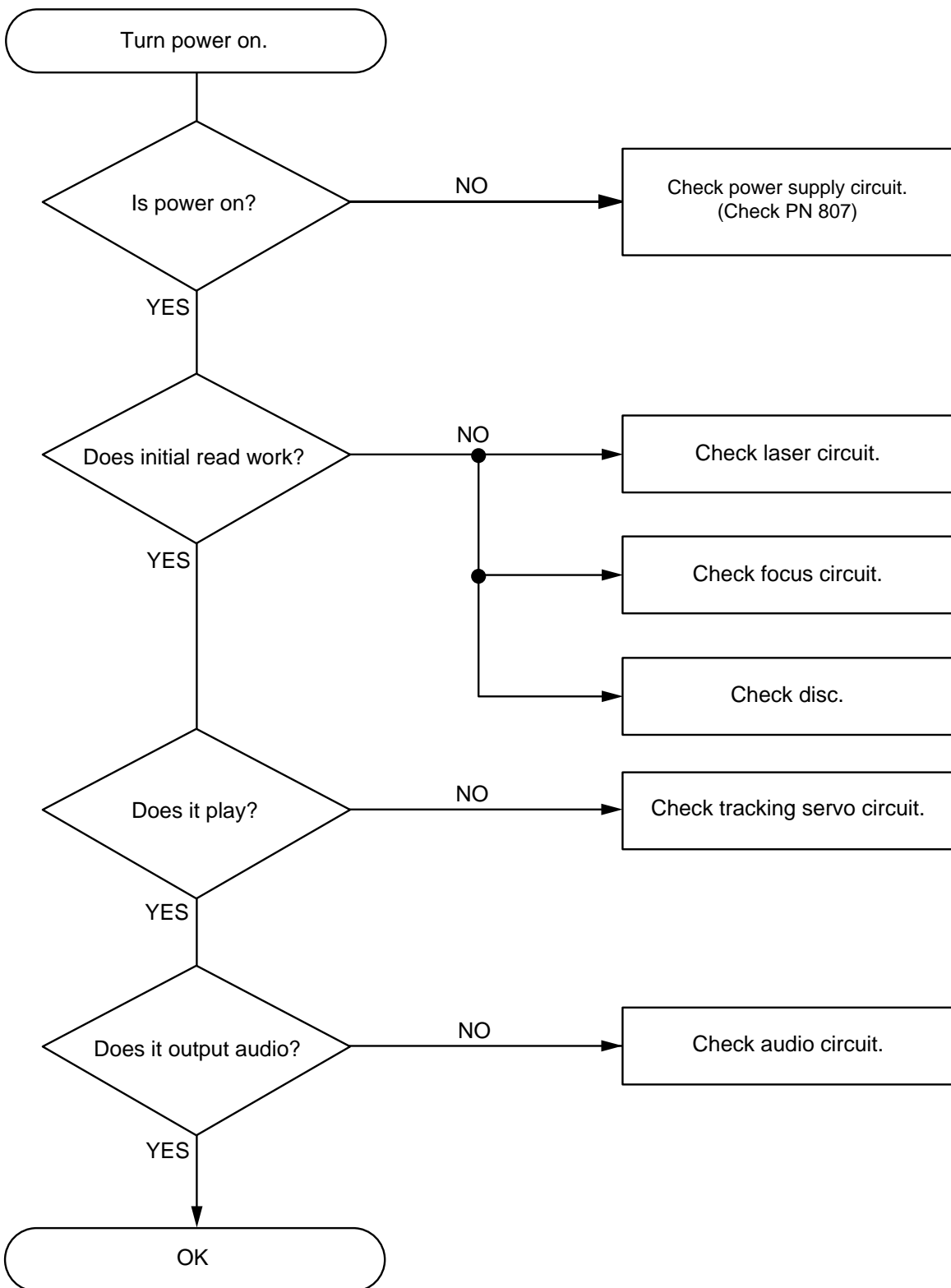
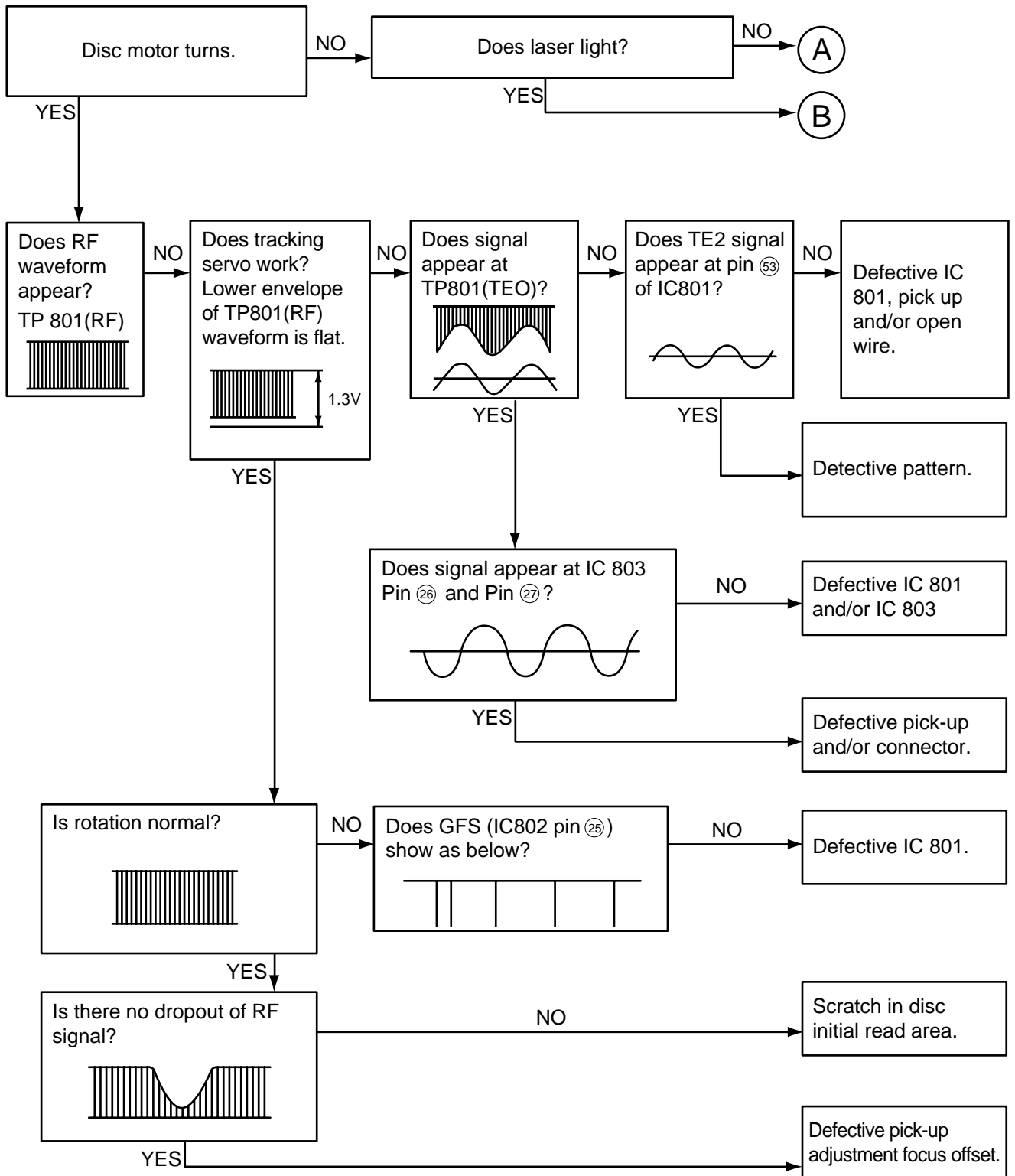


Figure 4. Tuner(S curve) Adjustment Connection Diagram

TROUBLESHOOTING GUIDE

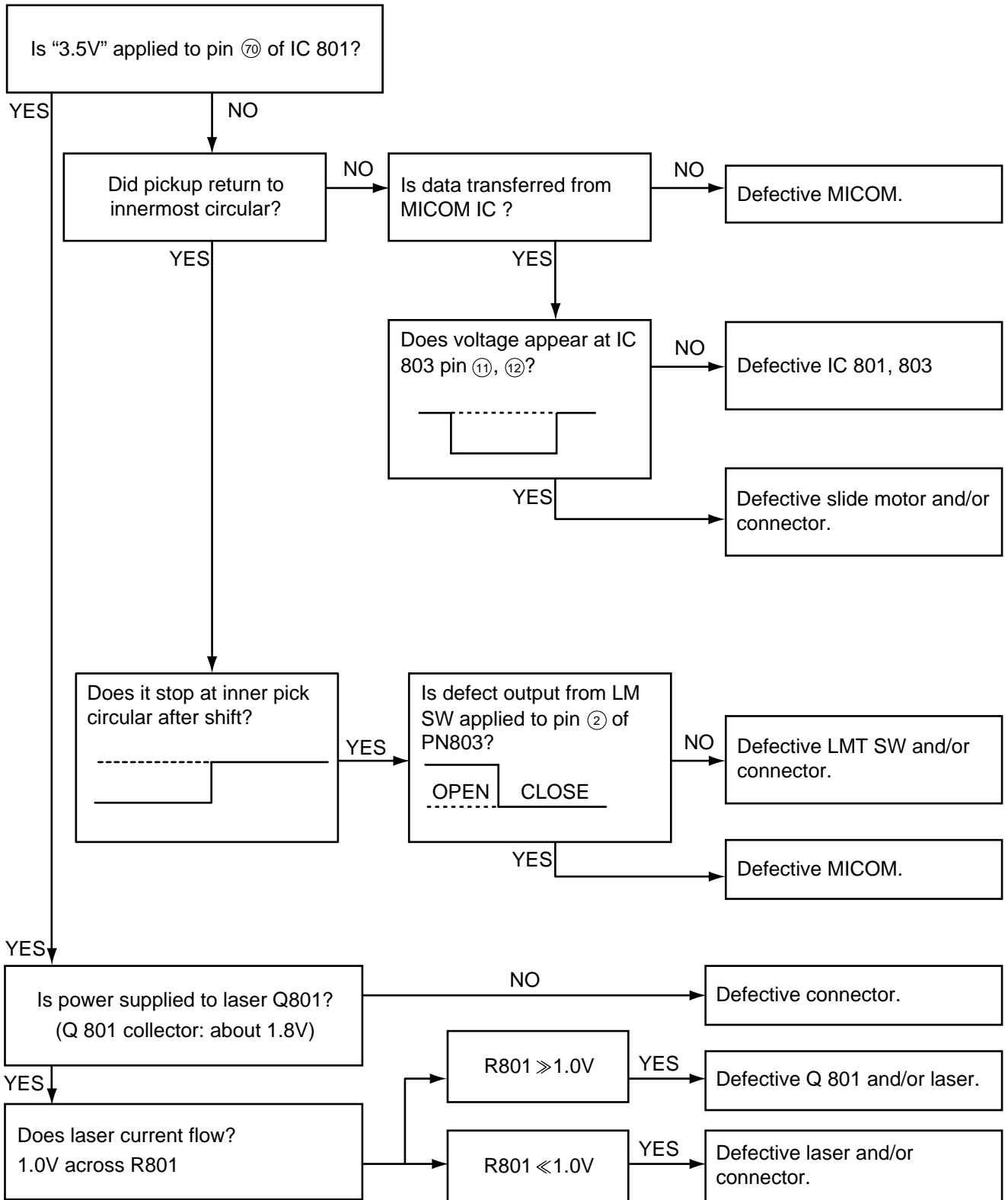


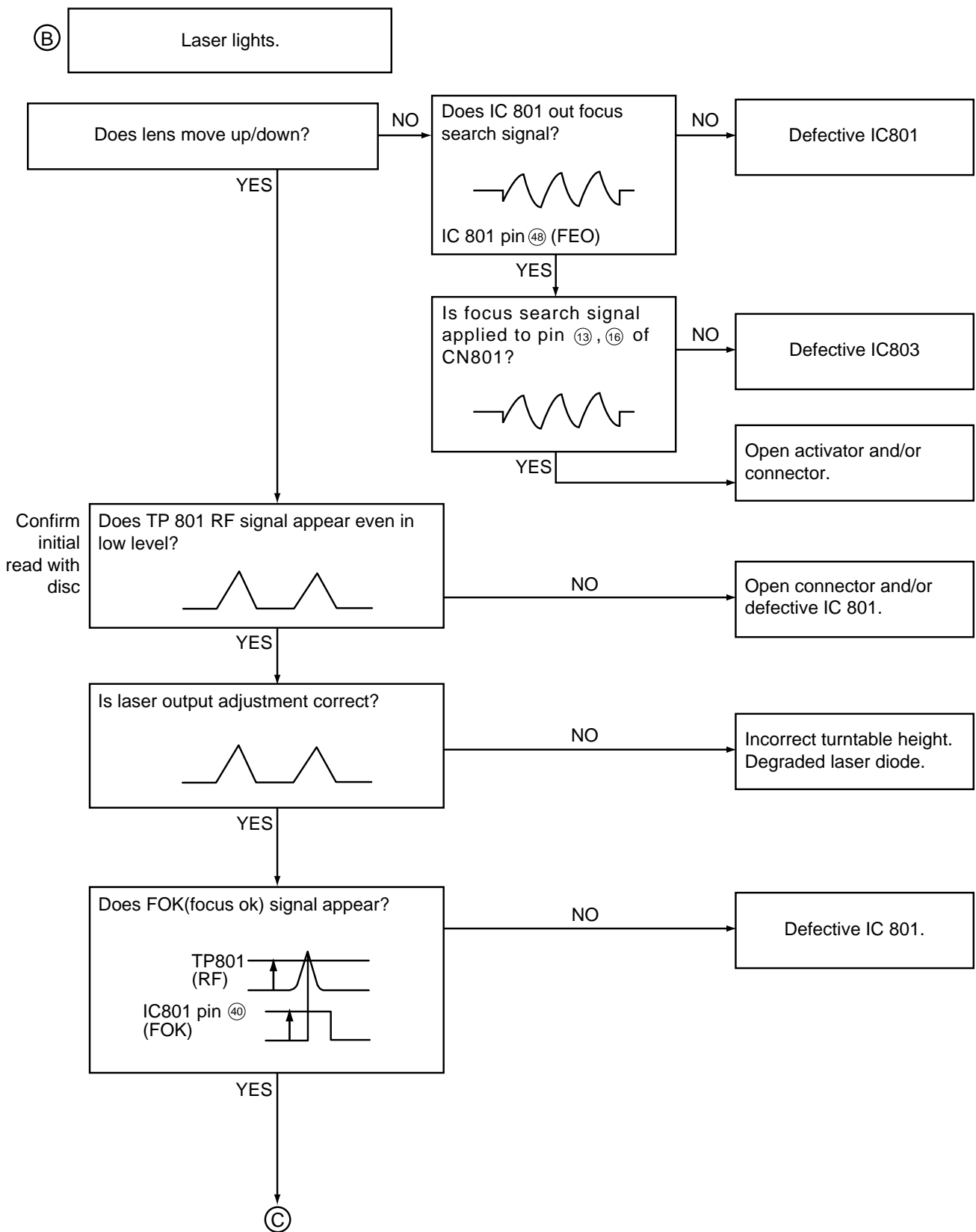
Fails to initial read

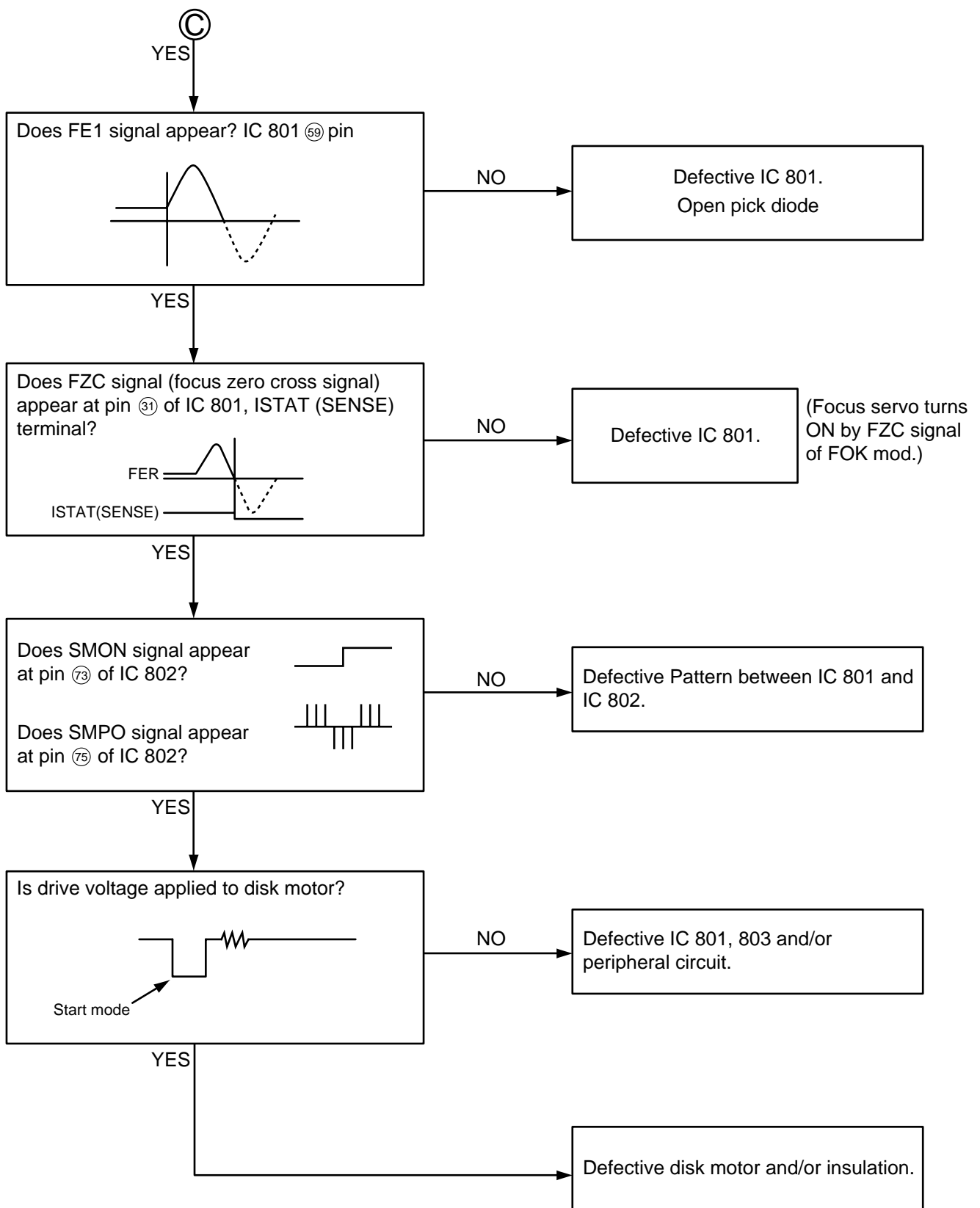


Ⓐ

Laser does not light.

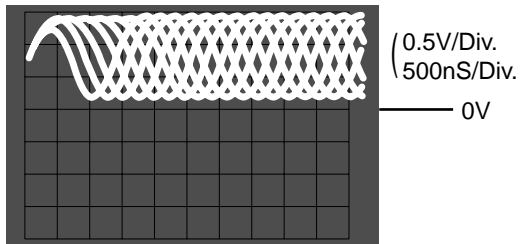




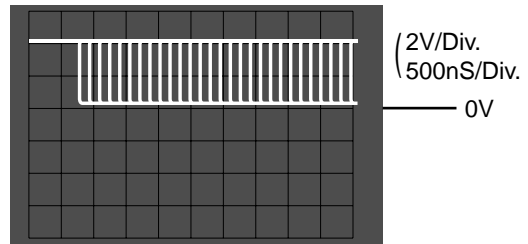


WAVEFORMS OF MAJOR CHECK POINT

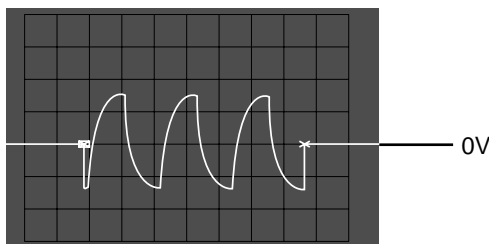
1. HF signal (RF signal) waveform
(Test Point TP801) during normal play



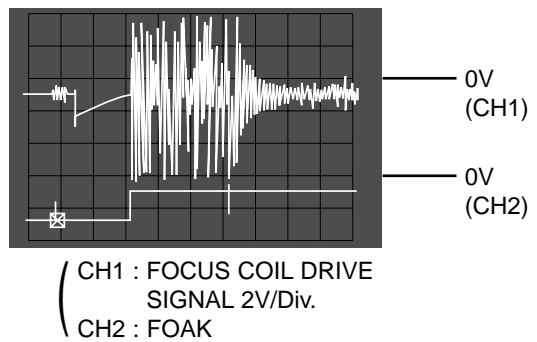
2. EFM signal (pin IC 801) waveform
during Normal Play



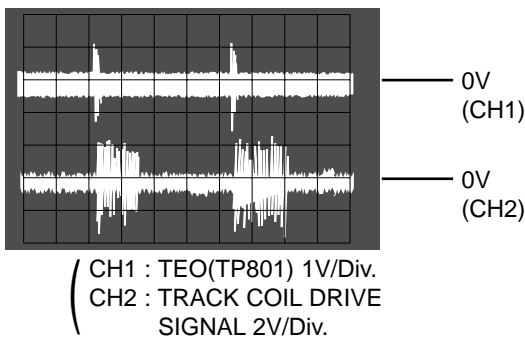
3. Focus coil drive waveform (Pin NO 1, 2 of IC 803)
• When focus search failed or there is no disc on the tray



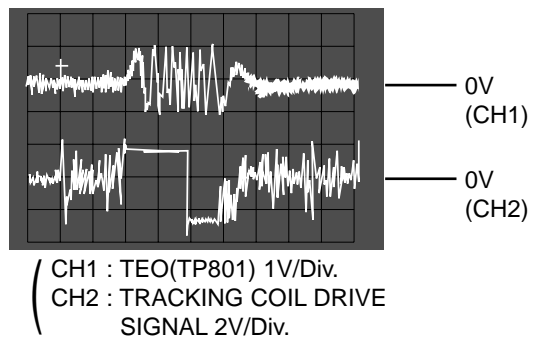
- Focus coil drive waveform (pin NO 1, 2 of IC803) and FOK (pin NO 40 of IC 801) when focus search is accomplished



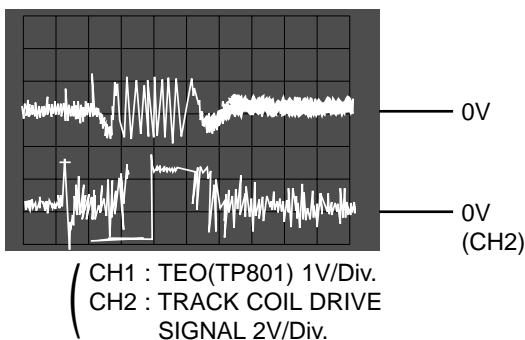
4. Tracking coil drive waveform (pin NO 26, 27 of IC 803) and TEO during track traverse
(1) When time division is 20nS/div



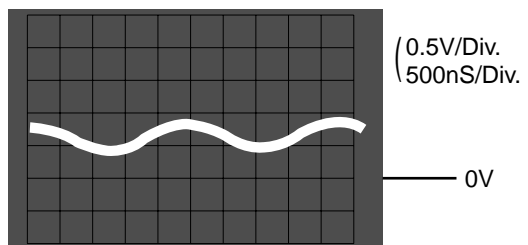
- (2) When time division 0.5nS/div.
(During forward track traverse)



- (3) When time division is 0.5nS/div.
(During backward Track Traverse)

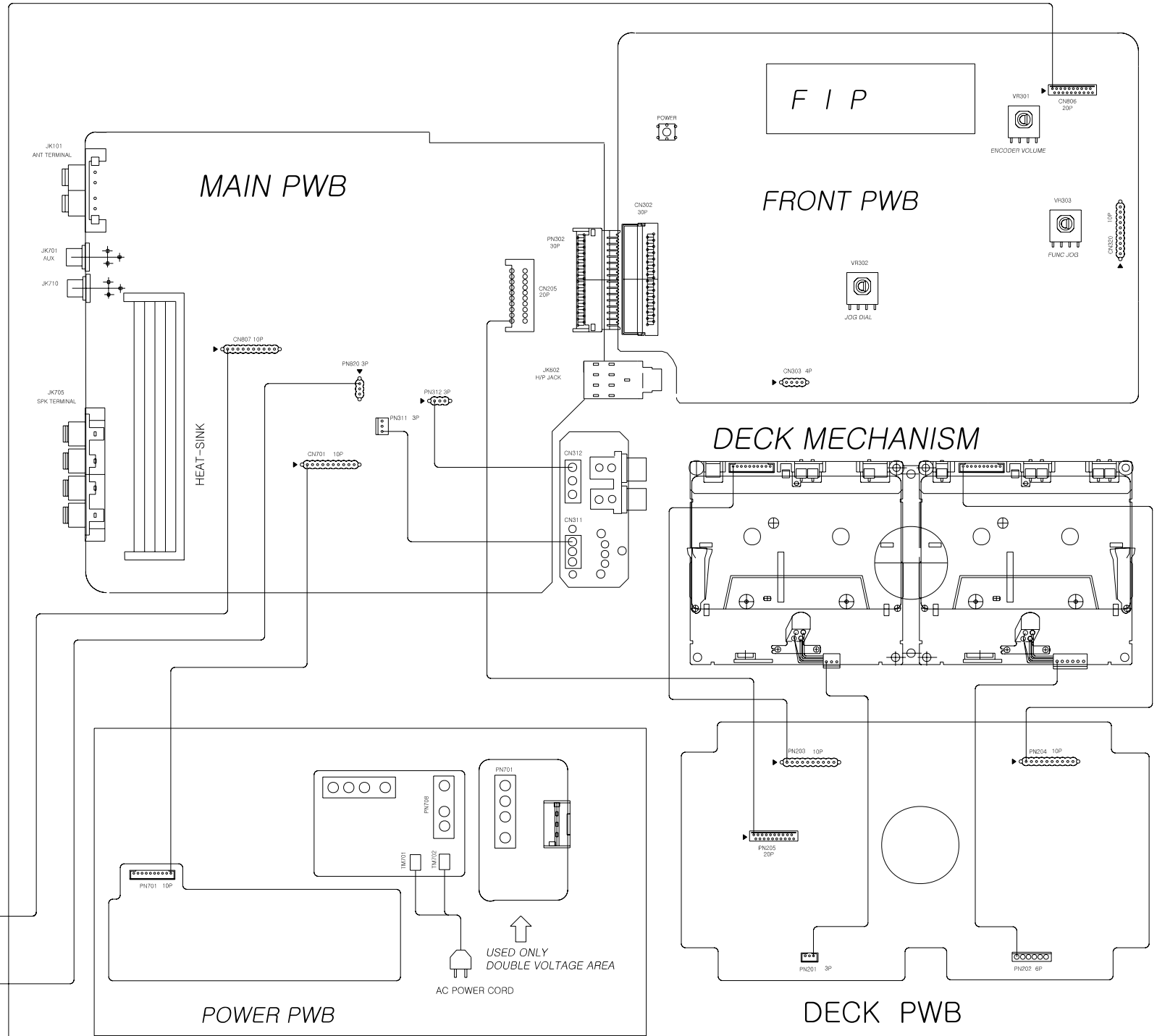
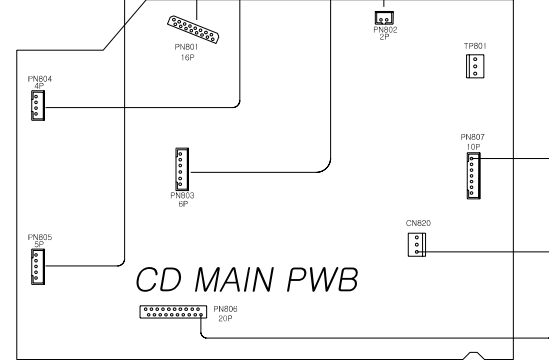
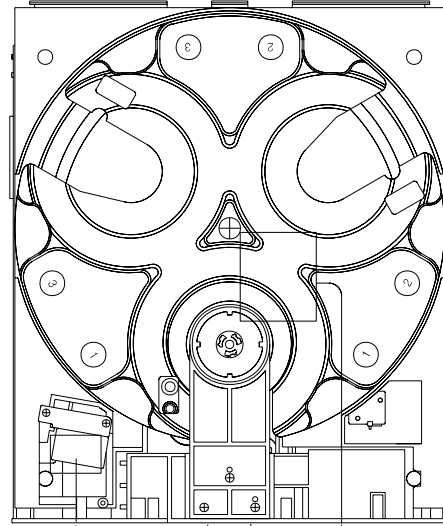


5. Feed motor drive waveform (pin NO 11, 12 of IC 803) During normal play



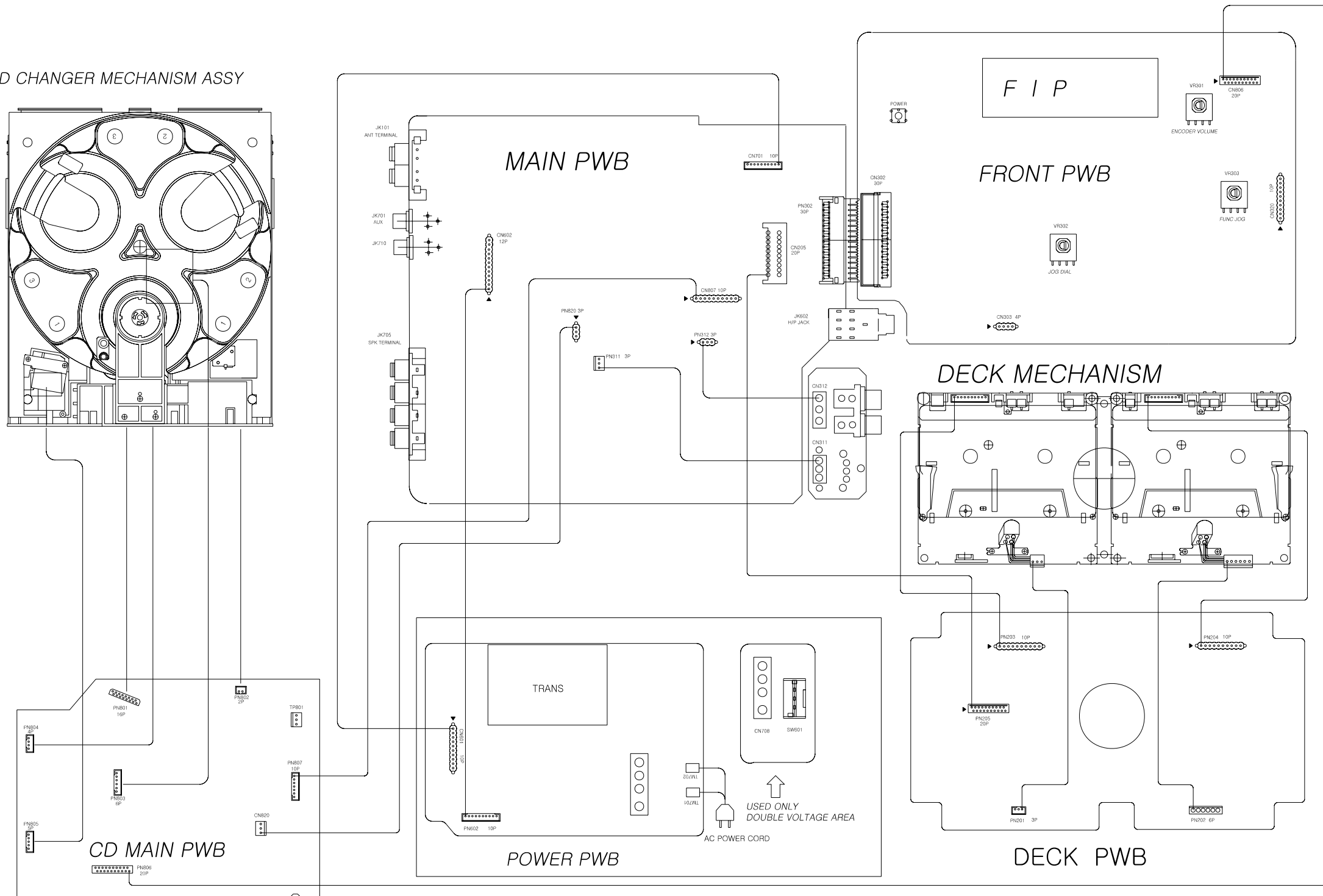
WIRING DIAGRAM (MODEL : SG2020)

3CD CHANGER MECHANISM ASSY

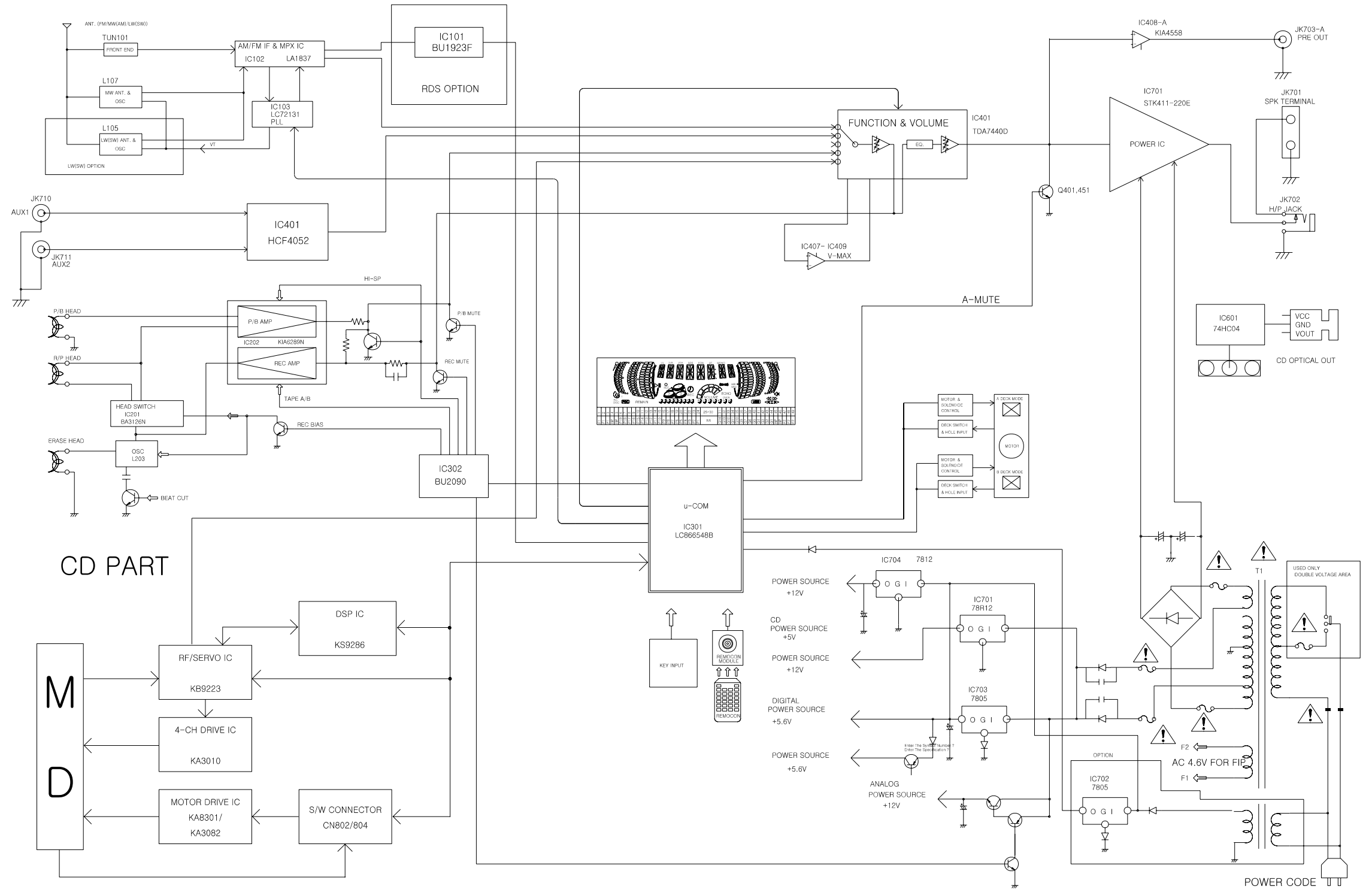


WIRING DIAGRAM (MODEL : SG3030)

3CD CHANGER MECHANISM ASSY

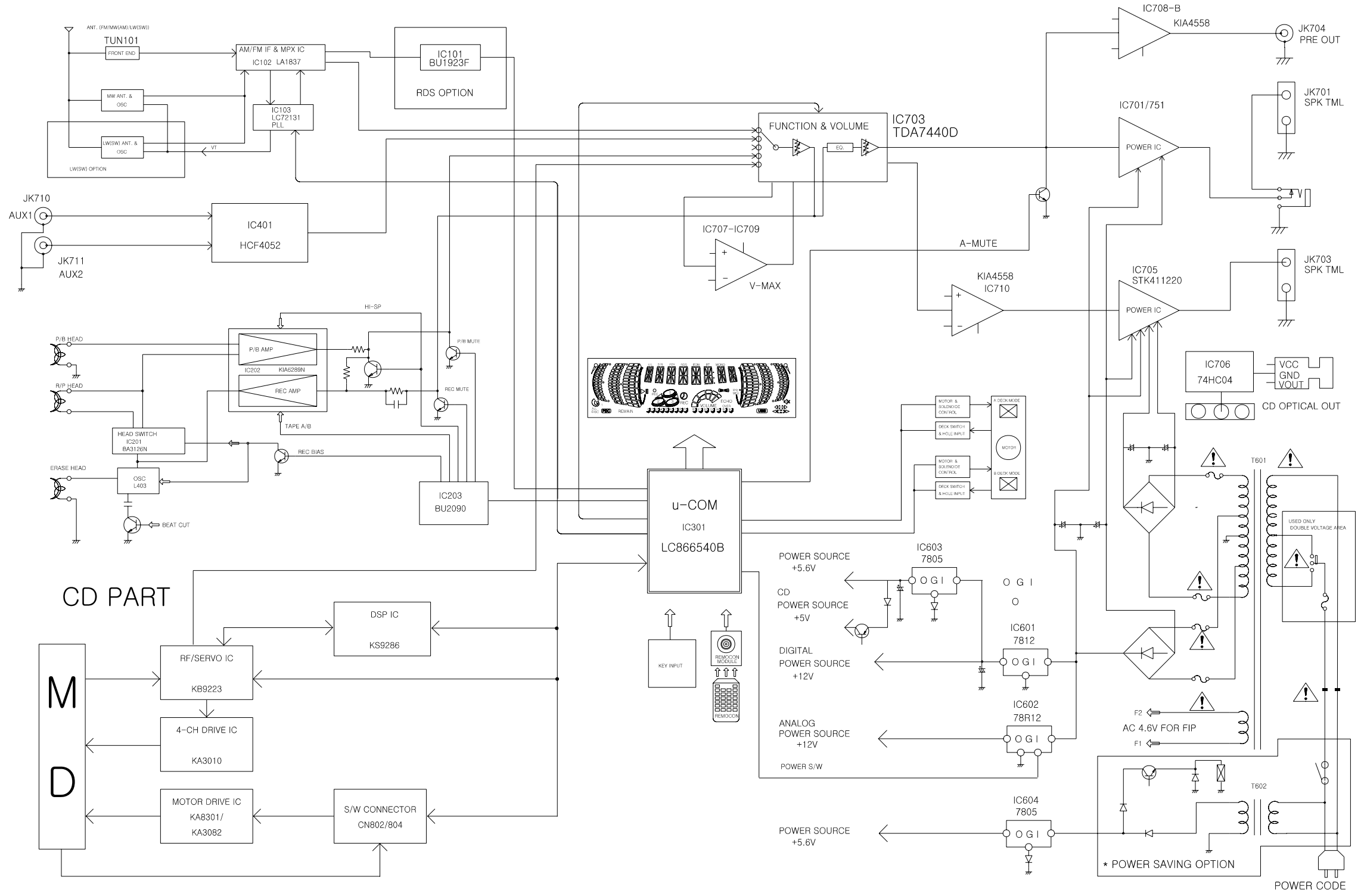


BLOCK DIAGRAM (MODEL : SG2020)



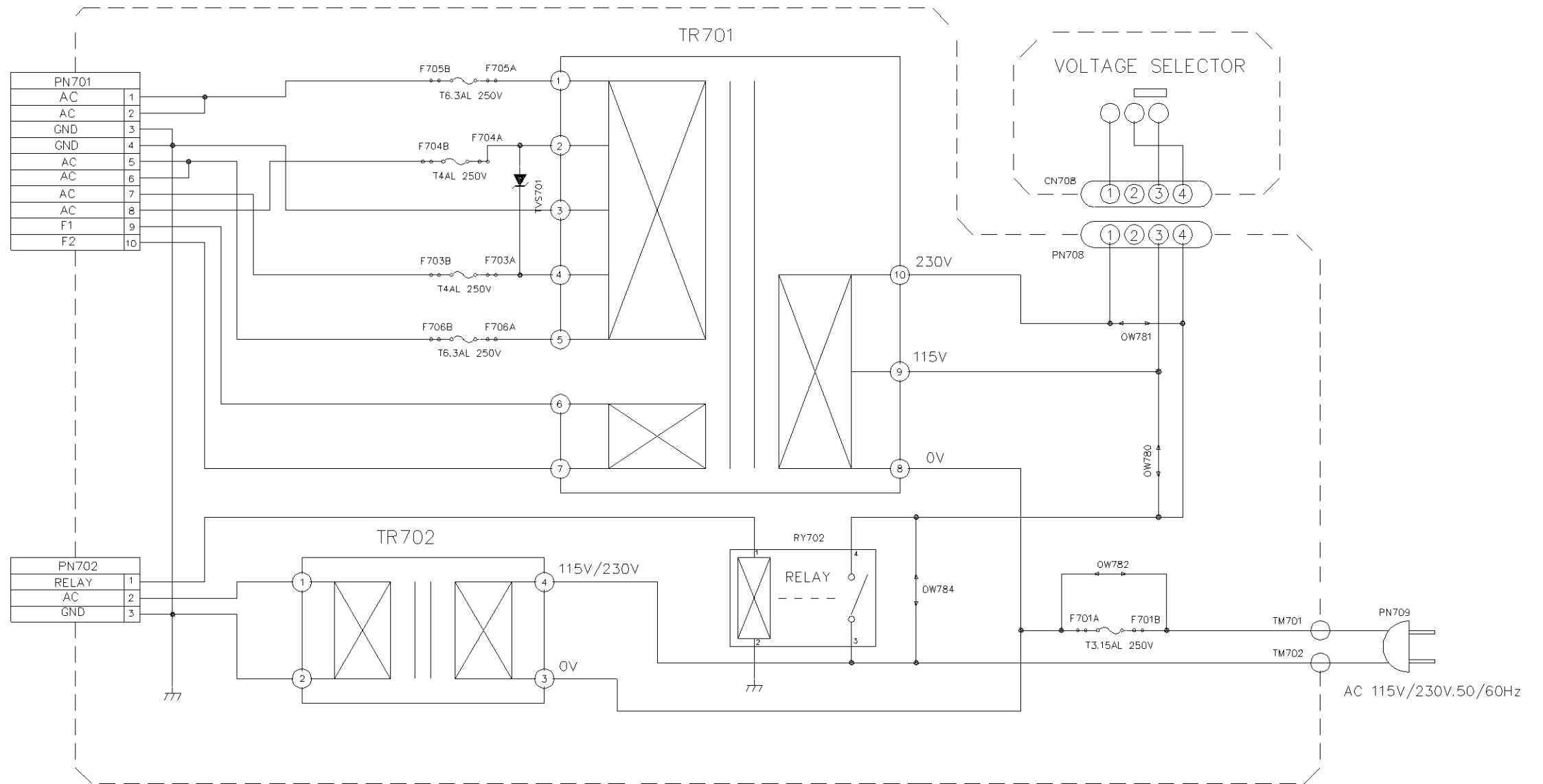
BLOCK DIAGRAM

(MODEL : SG3030)



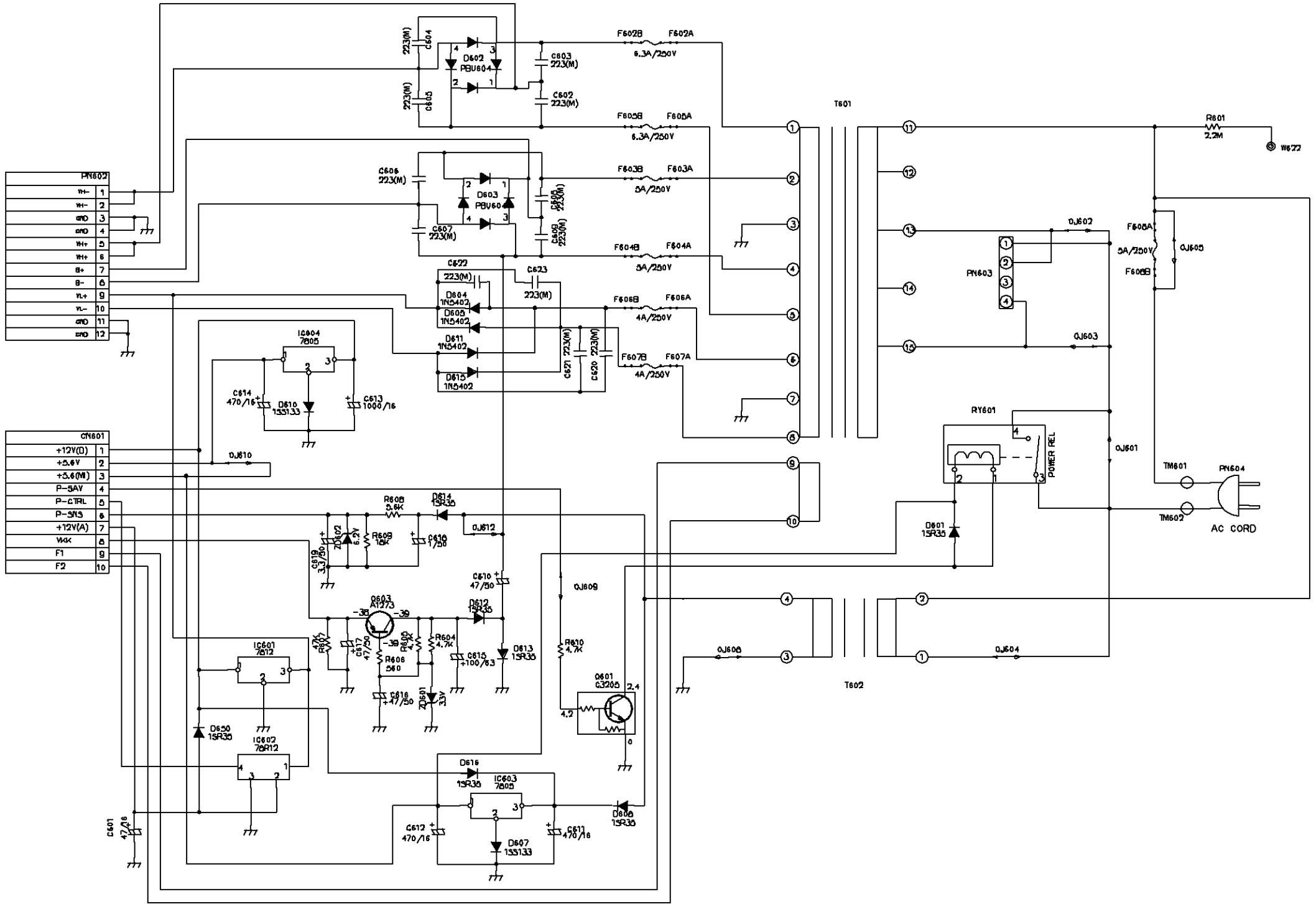
SCHEMATIC DIAGRAM

• POWER 1 (SG2020(M))



'00 10.25 SI2574
 D.SCHEMATIC POWER
 SG2020(M)

• POWER 2 (SG3030(M))

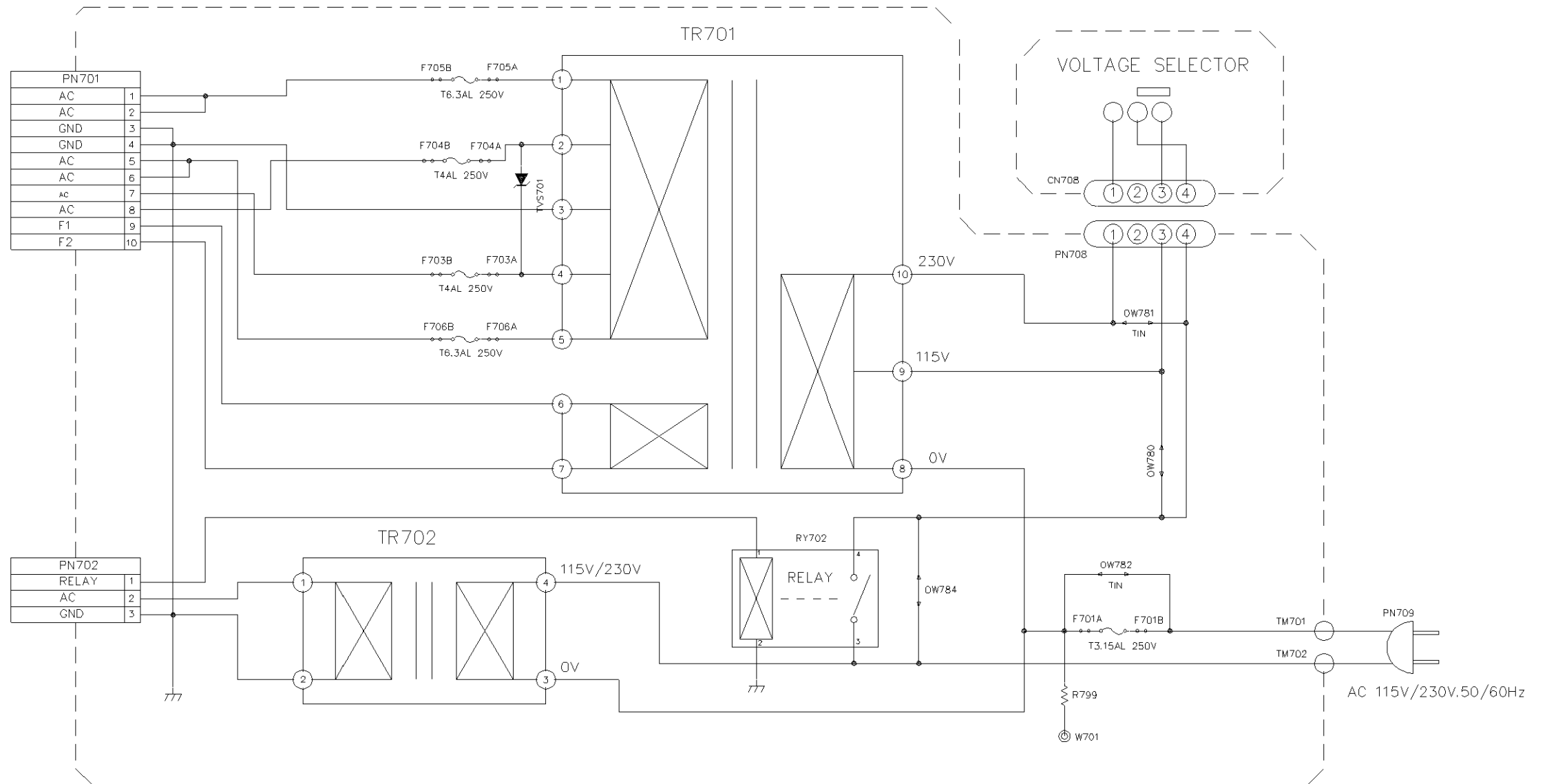


PN602	1
W-	2
W-	3
W+	4
W+	5
B+	6
B-	7
VL+	8
VL-	9
W+	10
W-	11
END	12

CN601	1
+12V(D)	2
+5.6V	3
+5.6(M)	4
P-SAV	5
P-CTRL	6
P-SNS	7
+12V(A)	8
Wx	9
F1	10
F2	11

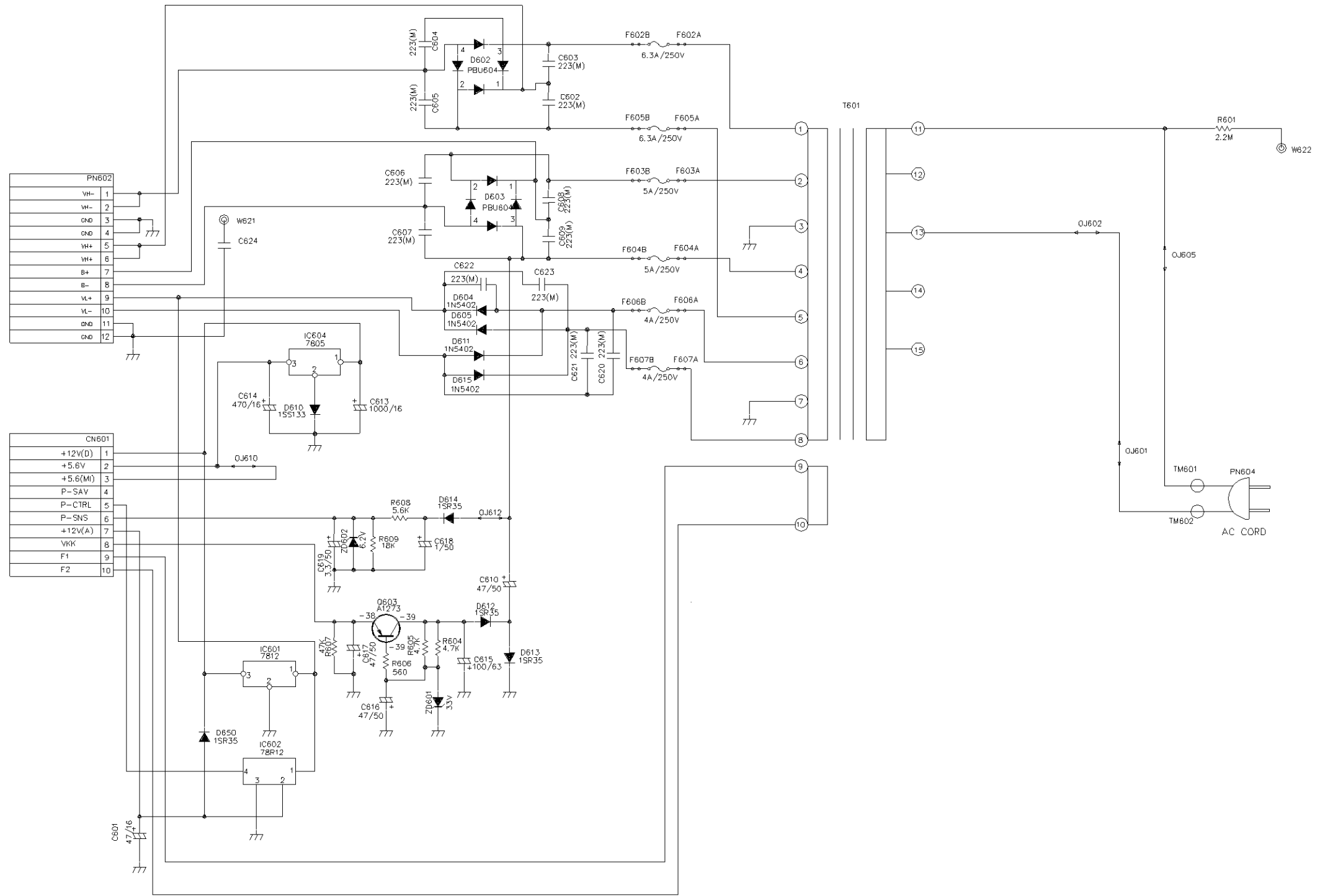
A B C D E F G H I J K

• POWER 3 (SG2020(M)UL)



'00 10.25 SI2669
D.SCHEMATIC POWER
SG2020(M)

• POWER 4 (SG3030(M)UL)



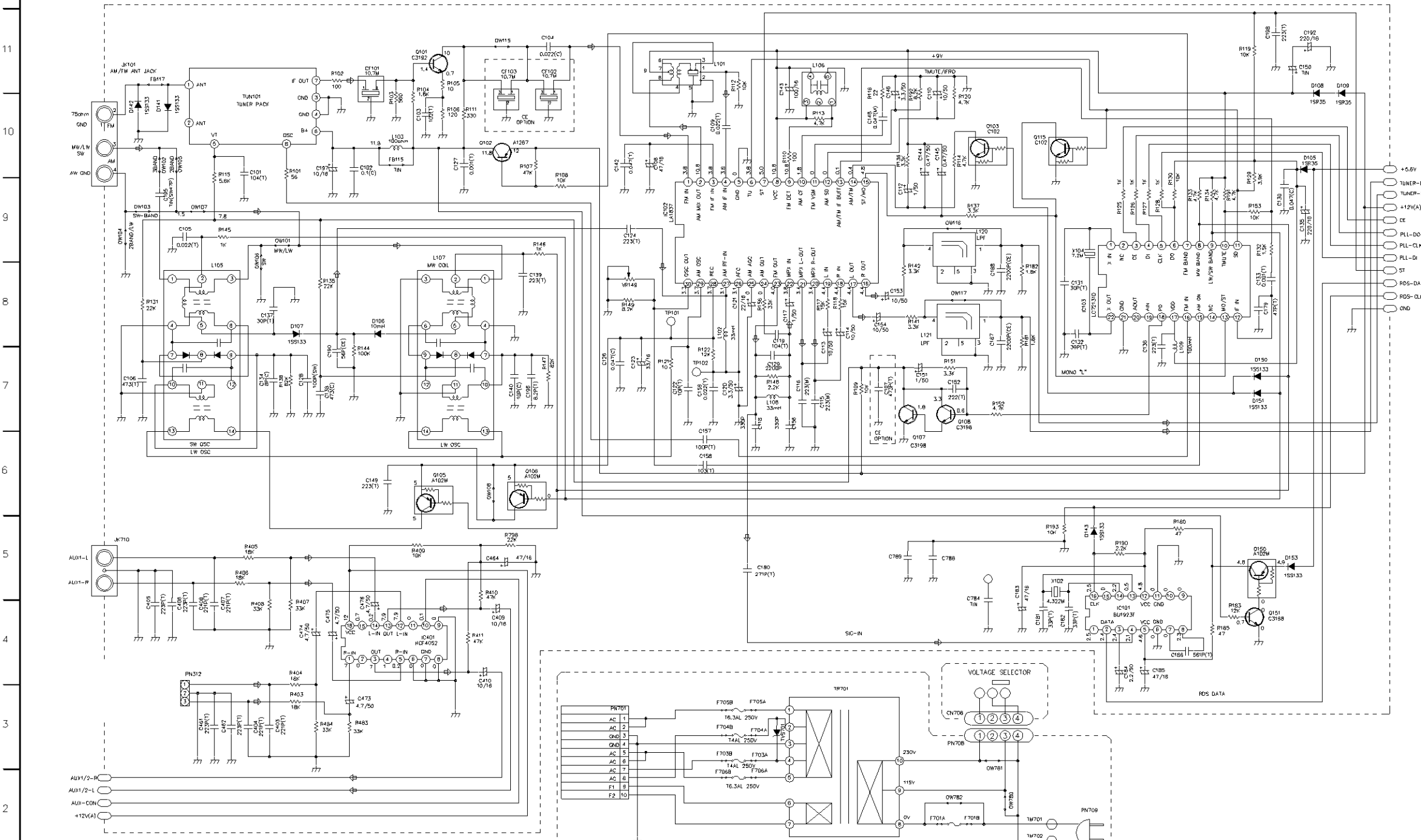
PN602	
VH-	1
VH-	2
CND	3
CND	4
VH+	5
VH+	6
B+	7
B-	8
VL+	9
VL-	10
CND	11
CND	12

CN601	
+12V(D)	1
+5.6V	2
+5.6(M)	3
P-SAV	4
P-CTRL	5
P-SNS	6
+12V(A)	7
VKK	8
F1	9
F2	10

'00 10.25 SI2670
D.SCHEMATIC POWER
SG3030(M) UL

• TUNER 1 (SG2020(M))

LOCATION GUIDE



C101	C10	D106	E8	R128	N9
C102	E10	D107	D8	R129	O9
C103	E10	D108	F11	R130	N9
C104	C11	D109	P11	R131	B8
C105	B9	D141	B10	R132	O9
C106	B7	D142	B10	R133	N9
C107	K7	D143	M5	R134	O9
C108	H10	D150	O7	R135	D8
C109	I10	D151	O7	R136	K10
C110	K10	D153	O5	R137	L9
C112	K9	F701A	K2	R138	D7
C113	J7	F701B	L2	R141	K8
C114	J8	F703A	I3	R142	K8
C115	J7	F703B	I3	R144	O7
C116	J7	F704A	I3	R145	C9
C117	J8	F704B	I3	R146	O9
C118	I7	F705A	I3	R147	O7
C119	I8	F705B	I3	R148	I7
C120	I7	F706A	I2	R149	H8
C121	I8	F706B	I2	R151	I7
C122	H7	FB115	E10	R152	L7
C123	H7	FB117	B11	R153	O9
C124	H9	GND	O8	R156	I8
C126	O7	IC101	M4	R180	N5
C127	F10	IC102	H9	R181	L8
C128	O7	IC103	M8	R182	L6
C129	I7	IC104	E4	R183	O4
C130	O9	JK101	B11	R185	O4
C131	M8	JK710	B5	R190	M5
C132	M8	L101	I11	R191	O9
C133	O8	L102	I8	R192	K10
C134	O7	L103	E10	R193	M5
C135	P9	L105	C8	R403	D3
C136	N7	L106	J11	R404	D4
C137	O8	L107	O9	R405	C5
C138	D7	L109	N7	R406	C5
C139	O8	L120	L9	R407	O4
C140	F7	L121	K8	R408	C4
C142	H10	OW101	D9	R409	E5
C143	J10	OW102	B10	R410	F5
C144	K10	OW103	B9	R411	F4
C145	K10	OW104	B9	R483	D3
C146	K10	OW105	B10	R484	D3
C148	K10	OW106	C8	R798	F5
C149	E6	OW107	C9	RDS-CLK08	
C150	P11	OW108	F6	RDS-DA108	
C151	K7	OW115	F11	ST	O8
C152	K7	OW116	K9	TM701	L2
C153	K8	OW117	L8	TM702	L2
C154	K8	OW780	L2	TR701	J3
C156	I7	OW781	L2	TUN101	C10
C157	I6	OW782	K2	TUNER-L09	
C158	I6	PLL-CLK09		TUNER-R09	
C159	I7	PLL-DI	O9	TVS701	J3
C179	O8	PLL-DO	O9	VR149	H8
C180	I5	PN312	B4	X102	M5
C181	M4	PN701	G3	X104	M9
C182	M4	PN708	K3		
C183	L5	PN709	M2		
C184	N4	O101	E11		
C185	N4	O102	F10		
C186	N4	O103	L10		
C187	L8	O105	E6		
C188	L8	O106	F6		
C190	D7	O107	K6		
C192	P11	O108	L7		
C195	B9	O115	L10		
C196	C7	O150	O5		
C197	D10	O151	O4		
C198	O11	R101	D10		
C403	D3	R102	D11		
C404	C3	R103	E10		
C405	B4	R104	E11		
C406	B4	R105	F11		
C407	C4	R106	F10		
C408	C4	R107	F10		
C409	F4	R108	G10		
C410	F4	R109	J7		
C461	C3	R110	J10		
C462	C3	R111	F10		
C464	F5	R112	I11		
C473	E3	R113	J10		
C474	D4	R114	L10		
C475	D4	R115	C10		
C476	E4	R116	K10		
C784	L5	R117	J8		
C788	K5	R118	J8		
C789	K5	R119	O11		
CE	O9	R120	L10		
CF101	E11	R121	H7		
CF102	C11	R122	I7		
CF103	F11	R125	N9		
CN708	K3	R126	N9		
D105	P10	R127	N9		

50Ω AREA
 C115,116: 333(M)→222(M)
 R156: 4.7K→33K
 R117,118: 33K→15K
 R149: 4.7K→8.2K
 ADD: C187,188: 222(T)

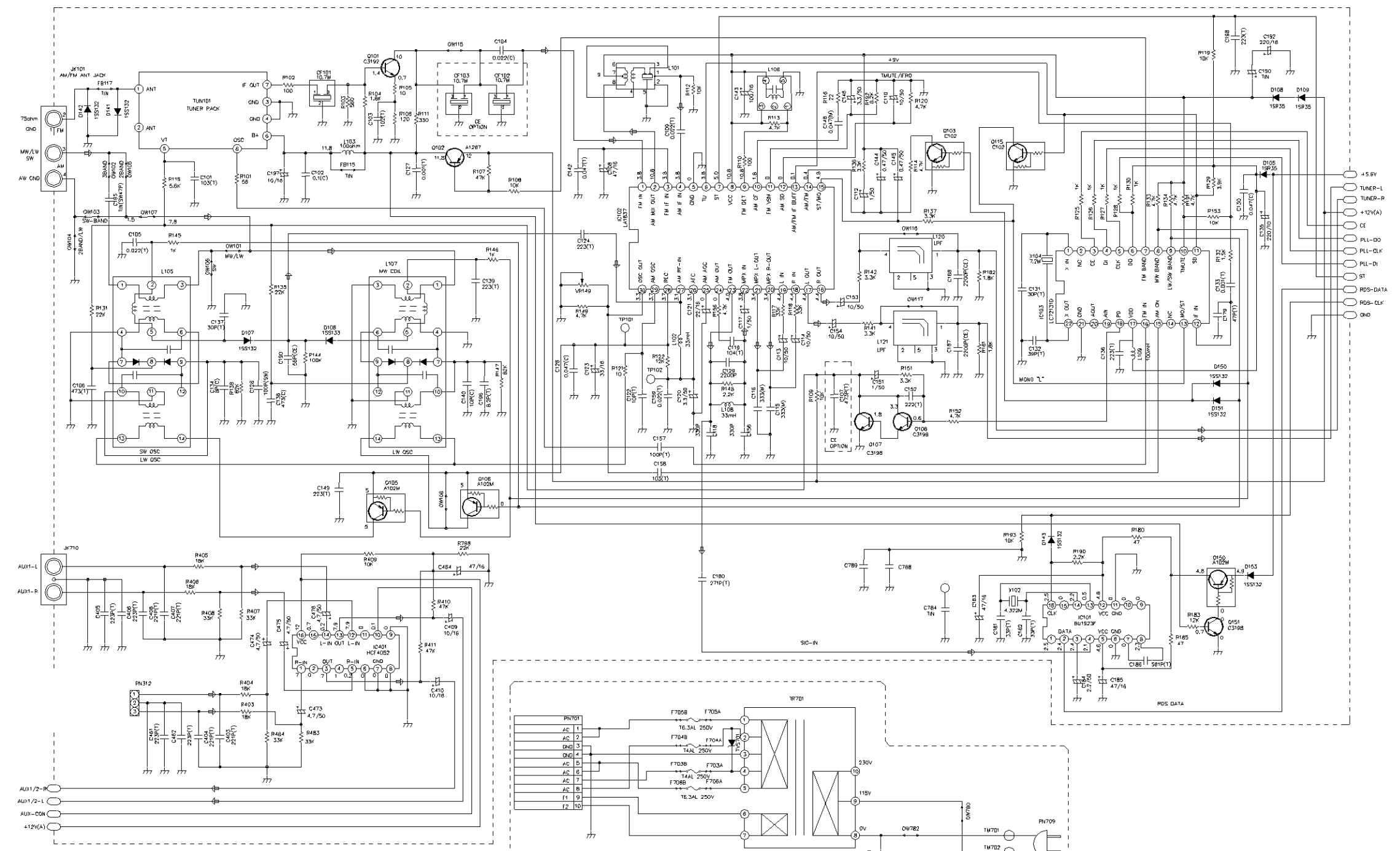
'00 10.25 SI2580
 D.SCHEMATIC TUNER
 SG2020(M)

A B C D E F G H I J K L M N O P Q

TUNER 3 (SG2020(M)UL)

LOCATION GUIDE

11
10
9
8
7
6
5
4
3
2
1



C101	C10	F704A	I3	R185	O4
C102	E10	F704B	I3	R190	M5
C103	E10	F705A	I3	R191	O9
C104	G11	F705B	I3	R192	K10
C105	B9	F706A	I2	R193	M5
C106	B7	F706B	I2	R403	D3
C107	K7	FBI15	E10	R404	D4
C108	H10	FBI17	B11	R405	C5
C109	I10	GND	O8	R406	C5
C110	K10	IC101	H4	R407	D4
C111	J7	IC103	M8	R408	C4
C112	K9	IC102	H9	R409	E5
C113	J7	IC101	N4	R410	F5
C114	J8	IC401	E4	R411	F5
C115	J7	JK101	B7	R411	F4
C116	J7	JK170	B5	R415	D3
C117	J8	L101	I11	R484	D3
C118	I7	L102	I8	R798	F5
C119	I8	L103	E10	R799	K2
C120	I7	L105	C8	RDS-CLK	O8
C121	I8	L106	E11	RDS-DATA	O8
C122	H7	L107	J9	ST	O8
C123	H7	L109	M7	TM701	L2
C124	H9	L120	L8	TM702	L2
C125	G7	L121	K9	TR701	J3
C126	F10	OW101	D9	TUN101	C10
C127	D7	OW102	B10	TUNER-L	O9
C128	D7	OW103	B9	TUNER-L	O9
C129	D7	OW104	B9	TUNER-L	O9
C130	O9	OW105	B10	TUNER-L	O9
C131	O9	OW106	B9	TUNER-L	O9
C132	O8	OW107	C9	TUNER-L	O9
C133	O8	OW108	F6	TUNER-L	O9
C134	C7	OW109	F6	TUNER-L	O9
C135	P9	OW110	F11	TUNER-L	O9
C136	N7	OW111	K8	TUNER-L	O9
C137	C8	OW112	L9	TUNER-L	O9
C138	D7	OW113	L2	TUNER-L	O9
C139	O8	OW114	K2	TUNER-L	O9
C140	F7	PLL-CLK	O9	TUNER-L	O9
C141	H10	PLL-DI	O9	TUNER-L	O9
C142	J10	PLL-DO	O9	TUNER-L	O9
C143	K10	PN312	B4	TUNER-L	O9
C144	K10	PN701	G3	TUNER-L	O9
C145	K10	PN709	M2	TUNER-L	O9
C146	K10	PN709	M2	TUNER-L	O9
C147	K10	PN709	M2	TUNER-L	O9
C148	E6	O102	F10	TUNER-L	O9
C149	E6	O103	L10	TUNER-L	O9
C150	P11	O105	E6	TUNER-L	O9
C151	K7	O106	F6	TUNER-L	O9
C152	K7	O107	K6	TUNER-L	O9
C153	K8	O108	L7	TUNER-L	O9
C154	K8	O109	L7	TUNER-L	O9
C155	L10	O110	L7	TUNER-L	O9
C156	I8	O150	O5	TUNER-L	O9
C157	I6	O151	O4	TUNER-L	O9
C158	I6	O152	D10	TUNER-L	O9
C159	I7	R101	D11	TUNER-L	O9
C160	O8	R102	E10	TUNER-L	O9
C161	I5	R103	E10	TUNER-L	O9
C162	M4	R104	E11	TUNER-L	O9
C163	M4	R105	M11	TUNER-L	O9
C164	L5	R106	F10	TUNER-L	O9
C165	N4	R107	F10	TUNER-L	O9
C166	N4	R108	G10	TUNER-L	O9
C167	L8	R109	J7	TUNER-L	O9
C168	L8	R110	J10	TUNER-L	O9
C169	L8	R111	F10	TUNER-L	O9
C170	D7	R112	I11	TUNER-L	O9
C171	D11	R113	J10	TUNER-L	O9
C172	B9	R114	L10	TUNER-L	O9
C173	C7	R115	C10	TUNER-L	O9
C174	D10	R116	K10	TUNER-L	O9
C175	O11	R117	J8	TUNER-L	O9
C176	D3	R118	J8	TUNER-L	O9
C177	C3	R119	O11	TUNER-L	O9
C178	C3	R120	O11	TUNER-L	O9
C179	B4	R121	H7	TUNER-L	O9
C180	C4	R122	I7	TUNER-L	O9
C181	C4	R123	N9	TUNER-L	O9
C182	F4	R124	N9	TUNER-L	O9
C183	F4	R125	N9	TUNER-L	O9
C184	F4	R126	N9	TUNER-L	O9
C185	F4	R127	N9	TUNER-L	O9
C186	C3	R128	N9	TUNER-L	O9
C187	C3	R129	O9	TUNER-L	O9
C188	F5	R130	N9	TUNER-L	O9
C189	E3	R131	B8	TUNER-L	O9
C190	D4	R132	O9	TUNER-L	O9
C191	D4	R133	O9	TUNER-L	O9
C192	E4	R134	O9	TUNER-L	O9
C193	L5	R135	D8	TUNER-L	O9
C194	K3	R136	K10	TUNER-L	O9
C195	K3	R137	O9	TUNER-L	O9
C196	O9	R138	D7	TUNER-L	O9
C197	E11	R141	K8	TUNER-L	O9
C198	C11	R142	K8	TUNER-L	O9
C199	F11	R144	D7	TUNER-L	O9
C200	P10	R145	C9	TUNER-L	O9
C201	E8	R146	O9	TUNER-L	O9
C202	D8	R147	O7	TUNER-L	O9
C203	P11	R148	I7	TUNER-L	O9
C204	P11	R149	H8	TUNER-L	O9
C205	B10	R151	K7	TUNER-L	O9
C206	B10	R152	L7	TUNER-L	O9
C207	M5	R153	O9	TUNER-L	O9
C208	O7	R156	I8	TUNER-L	O9
C209	C7	R180	N5	TUNER-L	O9
C210	O5	R181	L8	TUNER-L	O9
C211	I3	R182	L8	TUNER-L	O9
C212	I3	R183	O4	TUNER-L	O9

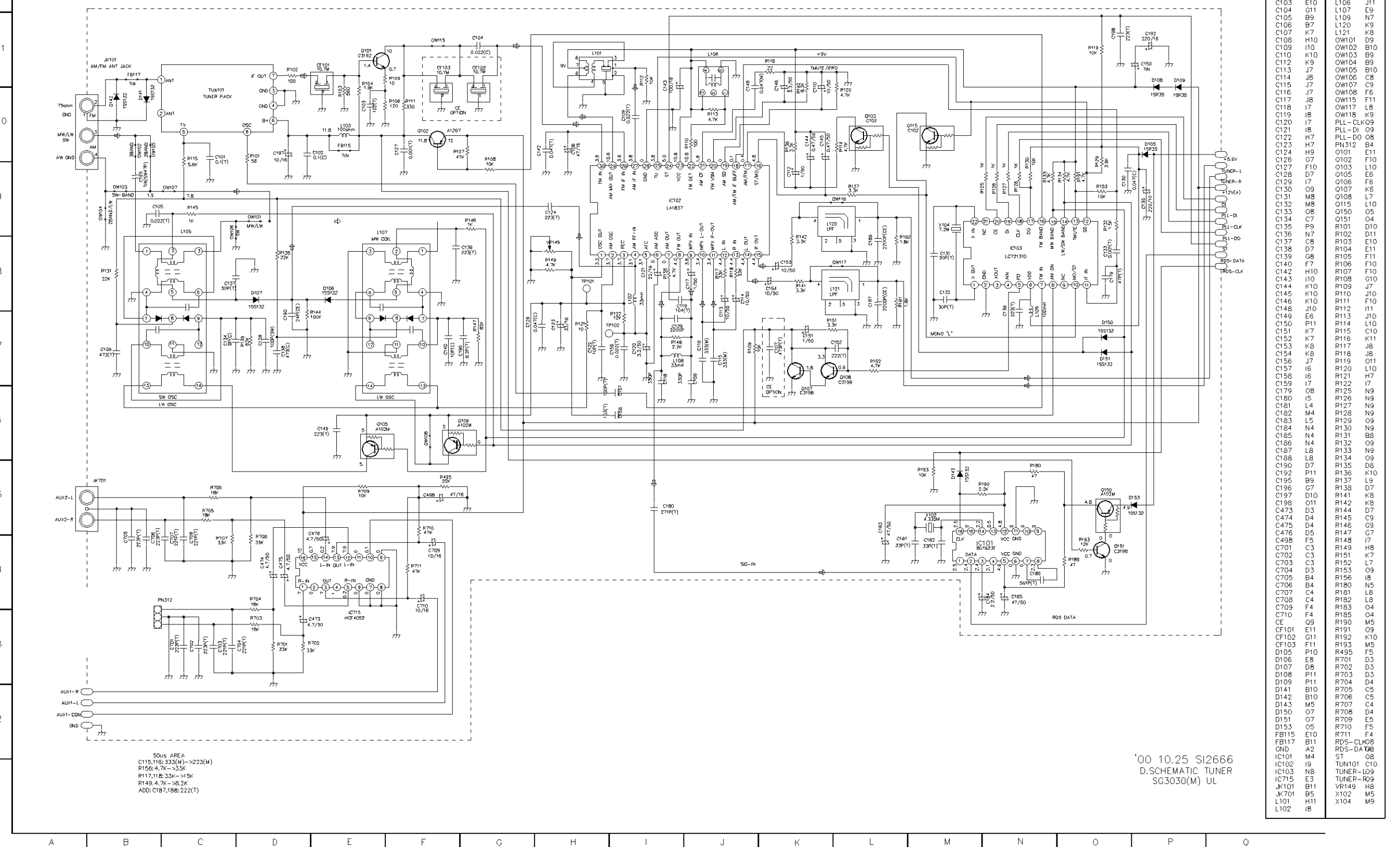
50us AREA
C115,116: 333(M)→223(M)
R156: 4.7K→33K
R117,118: 33K→15K
R149: 4.7K→38.2K
ADD: C187,188: 222(T)

*10 25 SI2665
D.SCHEMATIC TUNER
SG2020(M) UL

A B C D E F G H I J K L M N O P Q

• TUNER 4 (SG3030(M)UL)

LOCATION GUIDE



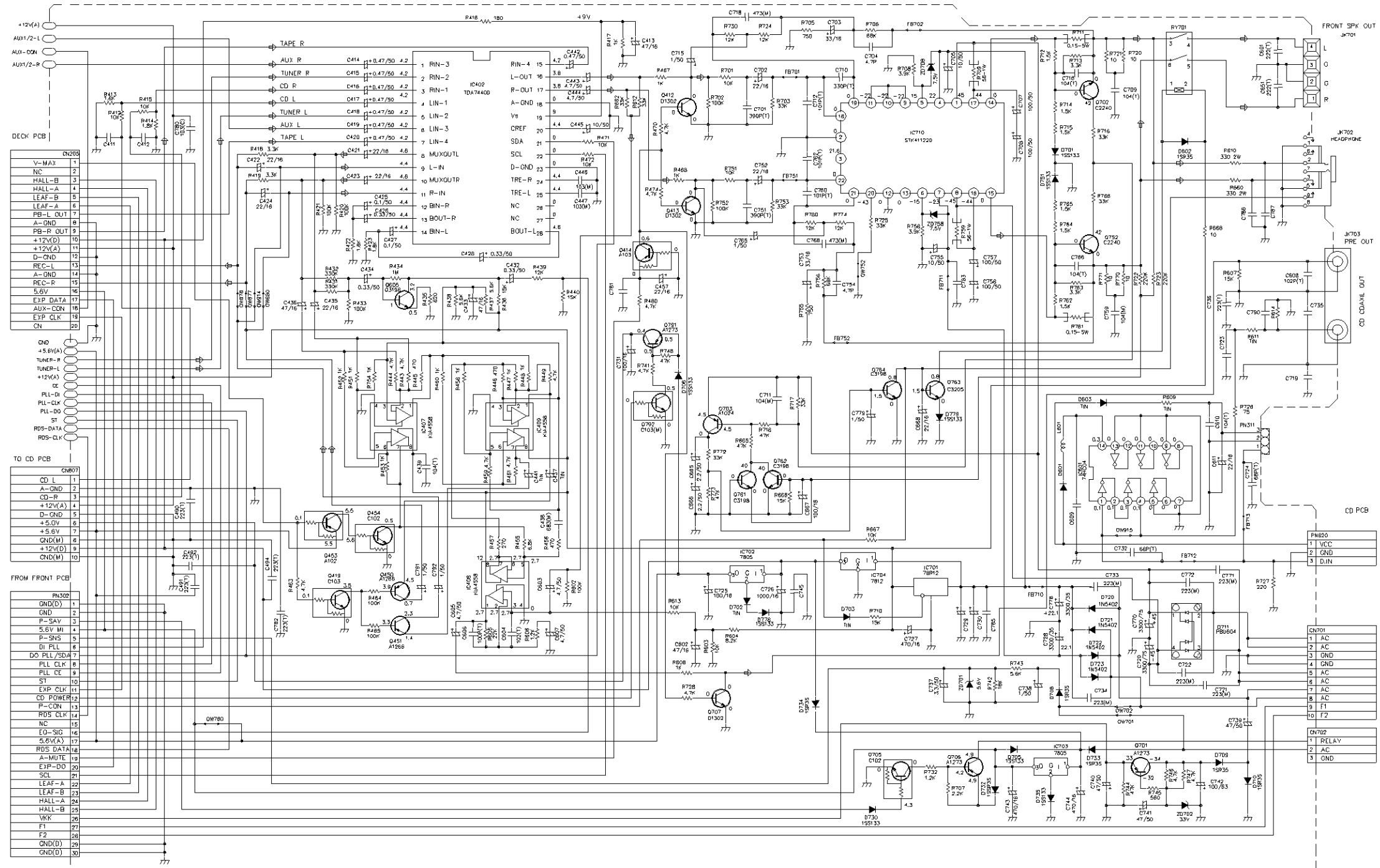
50us AREA
 C115,118; 333(M) -> 223(M)
 R158; 4.7K -> 3.3K
 R117,118; 33K -> 15K
 R149; 4.7K -> 8.2K
 ADD: C187,188; 222(T)

'00 10.25 SI2666
 D.SCHEMATIC TUNER
 SG3030(M) UL

C101	C10	L103	E10
C102	E10	L105	C9
C103	E10	L106	J11
C104	G11	L107	E9
C105	B9	L109	N7
C106	B7	L120	K9
C107	K7	L121	K8
C108	H10	OW101	D8
C109	H10	OW102	B10
C110	K10	OW103	B9
C112	K9	OW104	B9
C113	J7	OW105	B10
C114	J8	OW106	C8
C115	J7	OW107	C9
C116	J7	OW108	F6
C117	J8	OW109	F11
C118	I7	OW110	F8
C119	I8	OW111	K9
C120	I7	PLL-CLK09	
C121	I8	PLL-DI 09	
C122	H7	PLL-DO 08	
C123	H7	PN312 B4	
C124	H9	O101 E11	
C126	G7	O102 F10	
C127	F10	O103 L10	
C128	D7	O105 E8	
C129	I7	O106 F6	
C130	O9	O107 K6	
C131	M8	O108 L7	
C132	M8	O110 L5	
C133	O8	O115 O10	
C134	C7	O151 O4	
C135	F9	R101 D10	
C136	N7	R102 D11	
C137	O8	R103 E10	
C138	O7	R104 E11	
C139	O8	R105 F11	
C140	F7	R106 F10	
C142	H10	R107 F10	
C143	I10	R108 G10	
C144	K10	R109 J7	
C145	K10	R110 J10	
C146	K10	R111 F10	
C148	J10	R112 J11	
C149	I10	R113 J10	
C150	P11	R114 L10	
C151	K7	R115 K11	
C152	K7	R116 K11	
C153	K8	R117 J8	
C154	K8	R118 J8	
C156	J7	R119 O11	
C157	I6	R120 H10	
C158	I6	R121 L7	
C159	I7	R122 I7	
C179	O8	R125 N9	
C180	I5	R126 N9	
C181	L4	R127 N9	
C182	M4	R128 N9	
C183	L5	R129 O9	
C184	N4	R130 N9	
C185	N4	R131 B8	
C186	N4	R132 O9	
C187	L8	R133 N9	
C188	L8	R134 O9	
C190	D7	R135 D8	
C192	P11	R136 K10	
C195	B9	R137 L9	
C196	G7	R138 D7	
C197	D10	R141 K8	
C198	O11	R142 K8	
C473	D3	R144 O7	
C474	D4	R145 O9	
C475	D4	R146 O9	
C476	D5	R147 O7	
C498	F5	R148 I7	
C701	C3	R149 H8	
C702	C3	R151 K7	
C703	C3	R152 L7	
C704	D3	R153 O9	
C705	B4	R156 I8	
C706	B4	R180 N5	
C707	C4	R181 L6	
C708	C4	R182 L8	
C709	F4	R183 O4	
C710	F4	R185 O4	
CE	O9	R190 M5	
CF101	E11	R191 O9	
CF102	G11	R192 K10	
CF103	F11	R193 M5	
D105	F10	R495 F5	
D106	E8	R701 D3	
D107	D8	R702 D3	
D108	P11	R703 D3	
D109	P11	R704 D4	
D141	B10	R705 C5	
D142	B10	R706 C5	
D143	M5	R707 C4	
D150	O7	R708 D4	
D151	O7	R709 E5	
D153	O5	R710 F5	
FB115	E10	R711 F4	
FB117	B11	RDS-CLK08	
GND	A2	RDS-DATA8	
IC101	M4	ST	O8
IC102	I9	TUN101	C10
IC103	N8	TUNER-LO9	
IC175	E3	TUNER-RO9	
JK101	B11	VR149	H8
JK701	B5	X102	M5
L101	H11	X104	M9
L102	I8		

• MAIN 1 (SG2020(M))

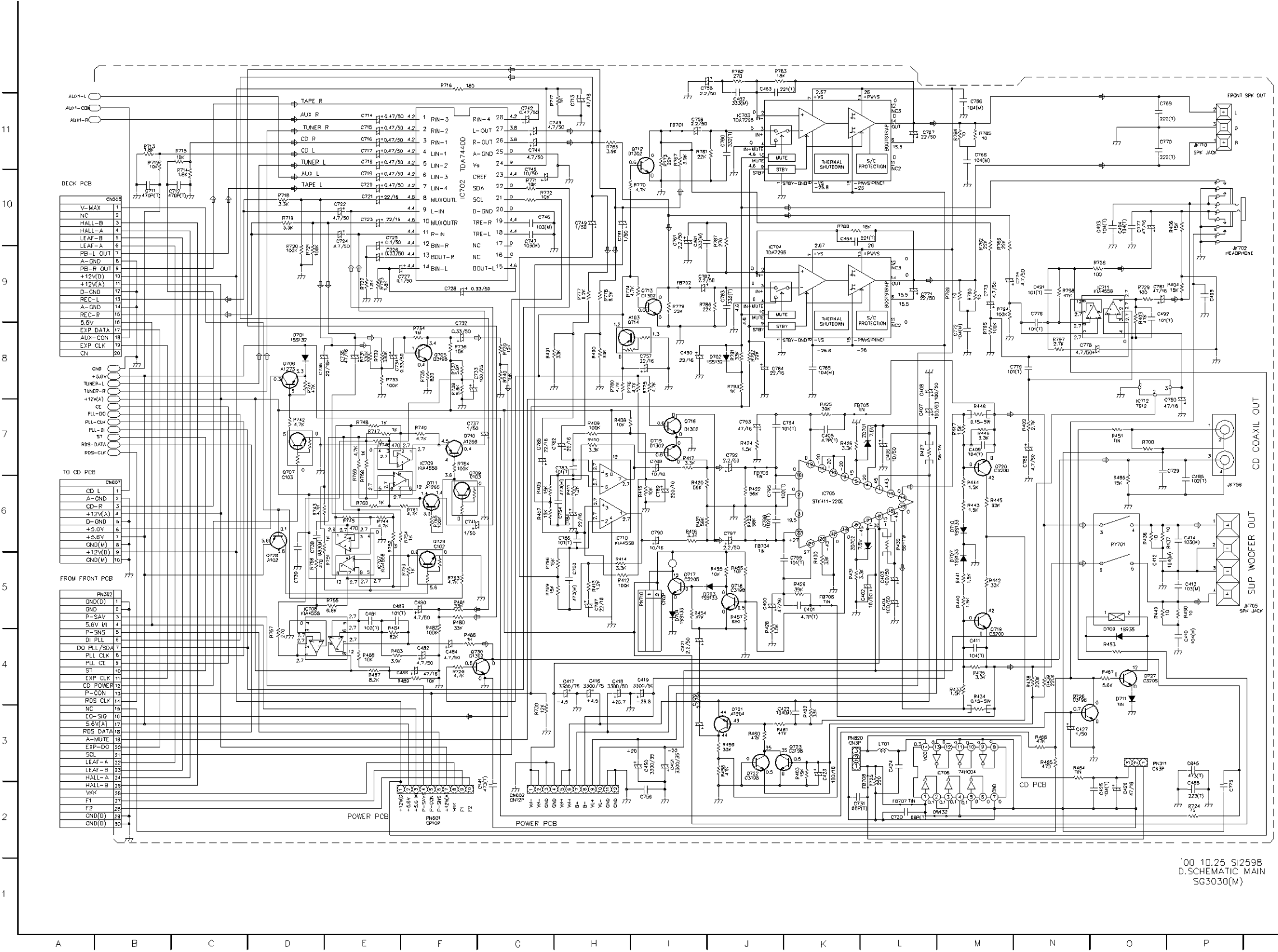
LOCATION GUIDE



'00 10.25 SI2573
D. SCHEMATIC MAIN
SG2020(M)

C411	B10	C765	J9	O791	I8	R748	I8
C412	C10	C766	M9	O792	H7	R751	I10
C413	H11	C767	J9	R412	B11	R752	I10
C414	E11	C770	N5	R413	B11	R753	J10
C415	E11	C771	O5	R414	C10	R754	E7
C416	E11	C772	O5	R415	C11	R755	J8
C417	E11	C778	M5	R416	F12	R756	K9
C418	E11	C779	K7	R417	H11	R758	L9
C419	E10	C780	C10	R418	D10	R759	L9
C420	E10	C781	H8	R419	D10	R761	M8
C421	E10	C782	D5	R420	E9	R762	M8
C422	D10	C783	L9	R421	E9	R763	M9
C423	E10	C785	M5	R422	E9	R764	M9
C424	D10	C786	O9	R423	E9	R765	M10
C425	E10	C787	P9	R431	E9	R766	M10
C426	E9	C790	O8	R432	E9	R770	N9
C427	E9	C791	F5	R433	E9	R771	N9
C428	F9	C792	F5	R434	E9	R772	I7
C432	O9	CE	B7	R435	F8	R773	I6
C433	F8	CN205	B10	R436	O8	R774	K9
C434	E9	CN701	P5	R437	O8	R780	J1
C435	E8	CN702	P3	R438	F8	R789	O12
C436	O8	CN807	O6	R439	G9	S1	E7
C437	O8	D601	M6	R443	F9	R791	N9
C438	O6	D602	B10	R449	O7	ZD701	L4
C439	F8	D603	N7	R444	F7	ZD702	O2
C441	O6	D701	M10	R445	F7	ZD708	L11
C442	H11	D702	I5	R446	G7	ZD758	L9
C443	H11	D703	K5	R447	G7		
C444	H11	D705	M3	R448	G7		
C447	H10	D706	M4	R449	G7		
C448	H10	D708	M4	R451	F7		
C449	H10	D709	O3	R452	E7		
C457	I9	D710	P3	R453	E6		
C490	C6	D711	O5	R455	G6		
C491	C5	D720	N5	R456	G5		
C492	C5	D721	N5	R457	G6		
C494	D5	D722	N4	R458	F7		
C601	P11	D723	N4	R459	O6		
C602	I4	D730	K2	R460	F7		
C603	C5	D732	L3	R461	G6		
C604	O4	D733	N3	R463	D5		
C605	F5	D734	J4	R464	E5		
C606	F4	D735	M3	R465	E5		
C607	O4	D751	M10	R466	I11		
C608	P9	D758	J5	R468	I10		
C609	M6	D779	L7	R470	I10		
C610	O7	FB701	J11	R471	H10		
C611	O6	FB702	L12	R472	H10		
C651	P11	FB710	M5	R474	H10		
C655	I6	FB711	L9	R480	H8		
C666	I6	FB712	O5	R602	H5		
C667	I6	FB713	P6	R603	I4		
C668	L7	FB751	J10	R604	I4		
C701	J11	FB752	K8	R605	G4		
C702	J11	GND	A8	R606	G4		
C703	K12	IC402	F11	R607	O9		
C704	K11	IC407	F7	R608	I4		
C705	L11	IC408	F5	R609	O7		
C706	M11	IC409	O7	R610	M10		
C708	M10	IC601	N6	R611	P8		
C709	N11	IC701	L5	R612	H11		
C710	K11	IC702	J5	R613	I5		
C711	J7	IC703	M3	R614	P8		
C712	J11	IC704	K5	R660	O10		
C715	I11	IC710	L10	R662	H11		
C716	M11	JK701	O1	R665	O1		
C718	I12	JK702	O10	R666	J6		
C719	P7	JK703	O9	R667	K6		
C720	N4	L601	M7	R668	O9		
C721	O4	OW701	N3	R701	I11		
C722	O4	OW702	N4	R702	I11		
C723	O8	OW752	K9	R703	J11		
C724	P6	OW760	C3	R705	J12		
C725	I5	OW877	D8	R706	K12		
C726	J5	OW878	D8	R707	L3		
C727	K4	OW880	D8	R708	K11		
C728	M4	OW914	D8	R709	L11		
C729	L5	OW915	N6	R710	K5		
C730	L5	PLL-CLK A7		R711	M12		
C731	H8	PLL-DI A7		R712	M11		
C732	N5	PLL-DO A7		R713	M11		
C733	N5	PN302	B5	R714	M11		
C734	N4	PN311	O7	R715	M10		
C735	P8	PN820	P6	R716	N10		
C736	O8	O412	I11	R717	J7		
C737	L4	O413	I9	R718	J7		
C738	M4	O414	H9	R720	N11		
C739	O3	O419	E5	R721	N11		
C740	N3	O450	E5	R722	N9		
C741	N2	O451	E4	R723	N9		
C742	O3	O453	E5	R724	J12		
C743	M2	O454	E6	R725	K9		
C744	M2	O605	E9	R726	K9		
C745	J5	O701	N3	R727	P5		
C751	J9	O702	N11	R728	I4		
C752	J10	O703	I7	R730	I2		
C753	J9	O705	K3	R732	L3		
C754	K9	O706	L3	R741	H8		
C755	L9	O707	I4	R742	M4		
C757	L9	O752	N9	R743	M4		
C758	L9	O761	H5	R744	N3		
C759	N8	O762	J6	R745	N3		
C760	J10	O763	L7	R746	O3		
C762	J10	O764	K8	R747	O3		

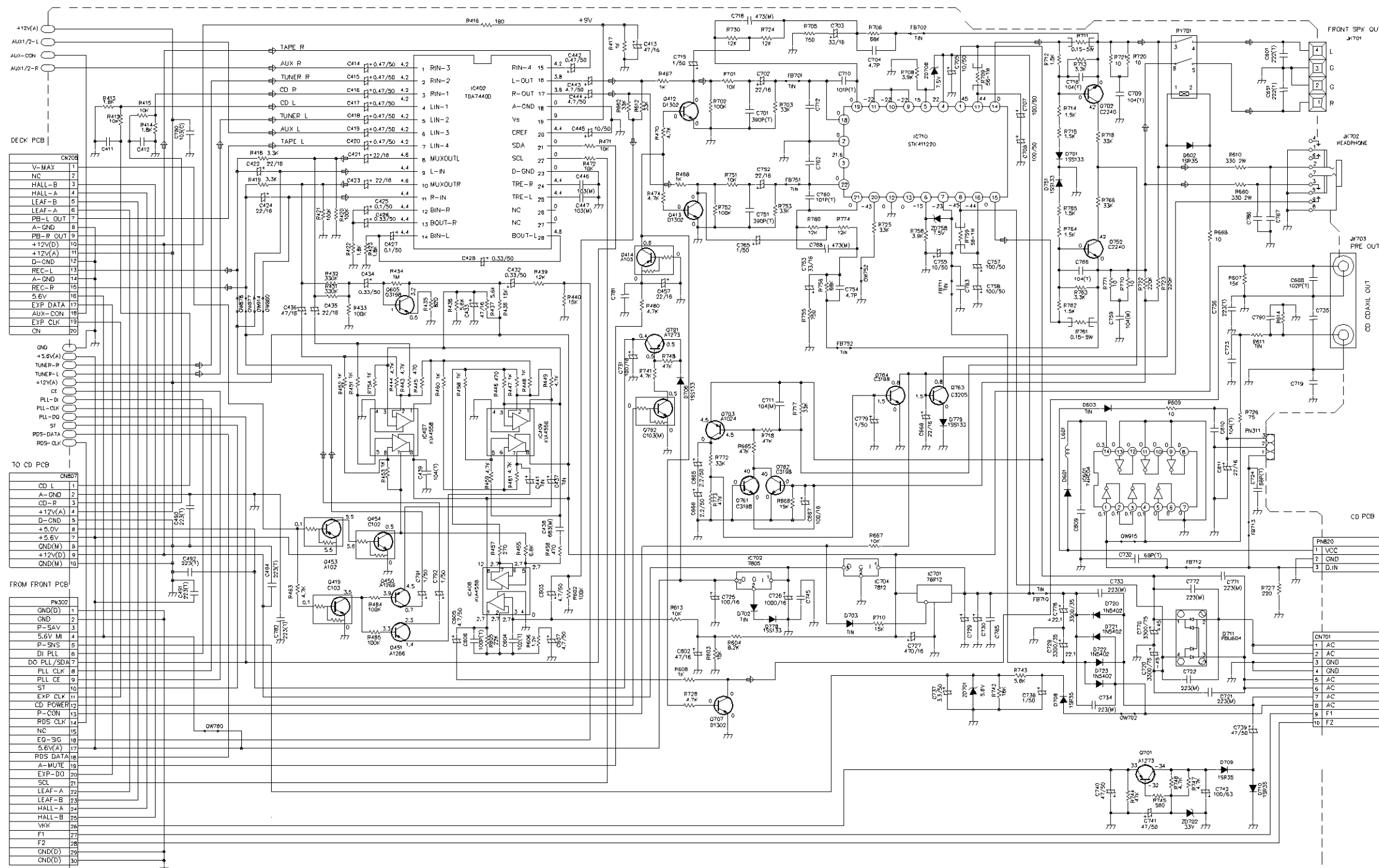
LOCATION GUIDE



C141	G2	C775	P2	R420	I6	R762	M9
C400	K5	C778	Ø80	R421	I6	R763	F5
C401	K5	C778	N8	R422	J6	R764	F7
C402	L5	C780	M8	R423	J6	R765	F6
C403	L5	C780	M7	R424	J7	R766	M9
C404	L5	C781	O9	R425	K7	R767	I11
C405	K7	C782	H7	R426	K7	R768	H11
C406	L7	C783	H7	R427	L7	R769	G5
C407	L7	C784	H6	R428	J4	R770	I10
C408	L8	C785	G7	R429	K5	R771	G10
C409	M7	C786	H6	R430	K5	R772	G10
C410	P4	C787	15	R431	K5	R773	I11
C411	M4	C788	I7	R432	L6	R774	H9
C412	O5	C789	I6	R433	M4	R775	I8
C413	P5	C790	I8	R434	M4	R776	I8
C414	P6	C792	J7	R435	M4	R777	H9
C416	H4	C793	J7	R436	O6	R778	H9
C417	H4	C794	J7	R437	P6	R779	I9
C418	H4	C795	J6	R438	N4	R780	H8
C419	I4	C797	J6	R439	N4	R781	I11
C420	I3	C798	J6	R440	M5	R782	J12
C421	I4	C799	K5	R441	M5	R783	J12
C422	K3	C845	P3	R442	M5	R784	M11
C423	J3	CE	B7	R443	M6	R785	M11
C424	J3	CE	B7	R444	M5	R786	I9
C425	O2	CN205	B10	R445	M6	R787	J9
C426	O2	CN807	B6	R446	M7	R788	K10
C427	N3	D701	D8	R447	M7	R789	M9
C430	I8	D702	J8	R448	M7	R790	M9
C450	I3	D703	I5	R449	O5	R791	J8
C451	I3	D704	I5	R450	P5	R792	J8
C452	I3	D707	M5	R451	O7	R793	J8
C462	J11	D709	O4	R453	O4	R794	M9
C463	J12	D710	M6	R454	I5	R795	M8
C464	K10	D711	O4	R455	J5	R796	G5
C480	F5	FB701	I11	R456	J5	R797	N8
C481	E5	FB702	I9	R457	J5	R798	N8
C482	F4	FB703	J7	R458	F4	R799	O6
C484	F4	FB705	K7	R460	J3	R800	J3
C485	P6	FB706	K5	R461	J3	R801	M9
C486	E4	FB707	L2	R462	K3	R802	K6
C488	P2	FB708	L2	R463	K3	R803	K3
C491	N9	GND	A8	R464	N3	R804	N3
C492	O9	IC702	F10	R465	N3	R805	N3
C493	O10	IC703	J11	R466	O10	R806	O10
C494	O10	IC704	J9	R467	O4	R807	F5
C495	P9	IC705	K6	R468	O5	R808	F4
C711	B10	IC706	M3	R469	F4	R809	F4
C712	B10	IC707	E5	R470	F4	R810	F4
C713	H11	IC708	D5	R471	E4	R811	E4
C714	E11	IC709	F7	R472	F7	R812	F7
C715	E11	IC710	H6	R473	O6	R813	O6
C716	E11	IC711	O9	R474	F4	R814	F4
C717	E11	IC712	O7	R475	F4	R815	F4
C718	E11	JK702	P9	R476	E4	R816	E4
C719	E10	JK705	O5	R477	E4	R817	E4
C720	E10	JK710	P11	R478	H8	R818	H8
C721	E10	JK758	B6	R479	G8	R819	G8
C722	E10	L701	L3	R480	L3	R820	L3
C723	E10	ØW132	L2	R481	B11	R821	B11
C724	E10	PLL-CLKA7	L2	R482	B11	R822	B11
C725	E10	PLL-DI	A7	R483	C10	R823	C10
C726	E9	PLL-DO A7	A7	R484	C10	R824	C10
C727	E9	PN302	B5	R485	E6	R825	E6
C728	E9	PN317	G3	R486	G3	R826	G3
C729	P7	PN801	F2	R487	D10	R827	D10
C730	L2	PN710	I5	R488	D10	R828	D10
C731	K2	PN820	K3	R489	D9	R829	D9
C732	F8	Ø705	F8	R490	D9	R830	D9
C733	G8	Ø706	D8	R491	D8	R831	D8
C734	E8	Ø707	D7	R492	D8	R832	D8
C735	E8	Ø709	F7	R493	P2	R833	P2
C736	D8	Ø710	F7	R494	L2	R834	L2
C737	F7	Ø711	F6	R495	F6	R835	F6
C738	D5	Ø712	I11	R496	O9	R836	O9
C739	D5	Ø713	I9	R497	O9	R837	O9
C741	F8	Ø714	H8	R498	G3	R838	G3
C742	G11	Ø715	I7	R499	E8	R839	E8
C743	G11	Ø716	I7	R500	E8	R840	E8
C744	G11	Ø717	I5	R501	E8	R841	E8
C745	G10	Ø718	J5	R502	F8	R842	F8
C746	G10	Ø719	M4	R503	F8	R843	F8
C747	G10	Ø720	M7	R504	F8	R844	F8
C749	H10	Ø721	J3	R505	F8	R845	F8
C750	O7	Ø722	J3	R506	F8	R846	F8
C751	H10	Ø723	K3	R507	G8	R847	G8
C753	H5	Ø726	N4	R508	G8	R848	G8
C754	H6	Ø727	O4	R509	D8	R849	D8
C756	I2	Ø728	D5	R510	D7	R850	D7
C757	I8	Ø729	F6	R511	D6	R851	D6
C758	I12	Ø730	F4	R512	E6	R852	E6
C759	I11	Ø731	H7	R513	E6	R853	E6
C760	I11	R403	O8	R514	E7	R854	E7
C761	I10	R404	P8	R515	E7	R855	E7
C762	I9	R405	G6	R516	E7	R856	E7
C763	J9	R406	P10	R517	F7	R857	F7
C764	J8	R407	G6	R518	E6	R858	E6
C765	K8	R408	H7	R519	E6	R859	E6
C766	I11	R409	H7	R520	E6	R860	E6
C767	I11	R410	H7	R521	E6	R861	E6
C768	M11	R411	H6	R522	E5	R862	E5
C769	O11	R412	H5	R523	D5	R863	D5
C770	O11	R413	H5	R524	D4	R864	D4
C771	L9	R414	H5	R525	E6	R865	E6
C772	L8	R415	I6	R526	E6	R866	E6
C773	M9	R416	M9	R527	E6	R867	E6
C774	N8	R417	I7	R528	F6	R868	F6

'00 10.25 SI2598
D. SCHEMATIC MAIN
SG3030(M)

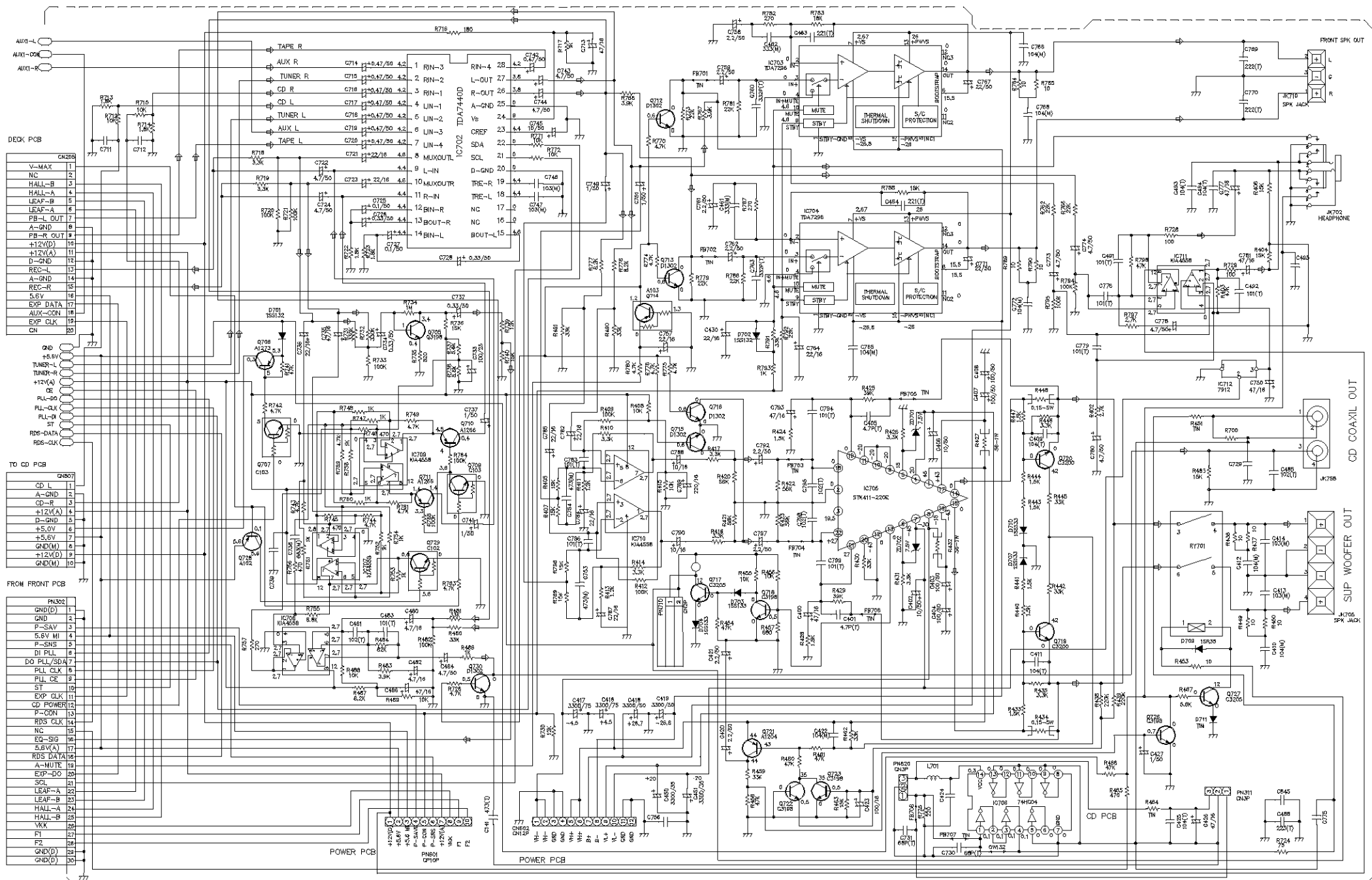
LOCATION GUIDE



C411	B10	C779	K7	R440	H8
C412	C10	C780	C10	R443	F7
C413	H11	C781	H8	R445	F7
C414	E11	C782	D5	R446	G7
C415	E11	C783	L9	R447	G7
C416	E11	C785	M5	R448	G7
C417	E11	C786	O9	R449	G7
C418	E11	C787	F9	R451	E7
C419	E10	C790	O8	R452	E7
C420	E10	C791	F5	R453	E6
C421	D10	C792	F5	R455	O6
C422	D10	CE	B7	R456	O5
C423	E10	CN205	B10	R457	O6
C424	D10	CN701	P5	R458	F7
C425	E10	CN807	B6	R459	O6
C426	E9	D601	M6	R460	F7
C427	E9	D602	O10	R461	O6
C428	F9	D603	N7	R463	D5
C432	O9	D701	M10	R464	E5
C433	F8	D702	J5	R465	E5
C434	E9	D703	K5	R467	I11
C435	E8	D706	I7	R468	I10
C436	D8	D708	M4	R470	H10
C437	O6	D709	O3	R471	H10
C438	O6	D710	P3	R472	H10
C439	F6	D711	O5	R474	H10
C441	O6	D720	N5	R480	H8
C442	H11	D721	N5	R621	H5
C443	H11	D722	N4	R603	I4
C444	H11	D723	H4	R464	O4
C445	H10	D751	M10	R605	C4
C446	H10	D778	J5	R606	G4
C447	H10	D779	L7	R607	O9
C457	I9	FB701	J11	R608	I4
C490	O6	FB702	L12	R609	O7
C491	C5	FB710	M5	R610	O10
C492	C5	FB711	L9	R611	O8
C494	D5	FB712	O5	R612	H11
C601	P11	FB713	P6	R613	I5
C602	I4	FB751	J10	R614	P8
C603	O5	FB752	K8	R660	O10
C604	O4	GND	A8	R682	H11
C605	F5	IC402	F11	R685	J7
C606	F7	IC407	F11	R686	J6
C607	G4	IC408	F5	R687	K7
C608	P9	IC409	G7	R688	O9
C609	M6	IC601	N6	R701	I11
C610	O7	IC701	L5	R702	I11
C611	O6	IC702	J5	R703	J11
C651	P11	IC704	K5	R705	J12
C655	I8	IC710	L10	R706	K12
C666	I6	JK701	Q11	R708	K11
C667	J6	JK702	Q10	R709	L11
C668	L7	JK703	O9	R710	K5
C701	J11	L601	M7	R711	M12
C702	J11	OW702	N4	R712	M11
C703	K12	OW752	K9	R713	M11
C704	K11	OW760	C3	R714	M11
C705	L11	OW877	D8	R715	M10
C707	M11	OW878	D8	R716	N10
C708	M10	OW880	D8	R717	J7
C709	N11	OW914	D8	R718	J7
C710	K11	OW915	N6	R720	N11
C711	J7	PLL-CLKA7	A7	R721	N11
C712	I11	PLL-DI	A7	R722	J11
C715	J11	PLL-DO	A7	R723	N9
C716	M11	PN302	B5	R724	J12
C718	I12	PN311	O7	R725	K9
C719	P7	PN820	P6	R726	O7
C720	N4	0412	I11	R727	P5
C721	O4	0413	I9	R728	I4
C722	O4	0414	H9	R730	I12
C723	O8	0419	E5	R741	H8
C724	P6	0450	E5	R742	M4
C725	I5	0451	E4	R743	M4
C726	J5	0453	E5	R744	N3
C727	K4	0454	E6	R745	N3
C728	M4	0605	E9	R746	O3
C729	L5	0701	N3	R747	O3
C730	L5	0702	N11	R748	I8
C731	H8	0703	I7	R751	I10
C732	N5	0707	I4	R752	I10
C733	N5	0752	N9	R753	J10
C734	N4	0761	I6	R754	E7
C735	F8	0762	J6	R755	J8
C736	O8	0763	L7	R756	K9
C737	L4	0764	K8	R758	L9
C738	M4	0791	I8	R759	L9
C739	O3	0792	H7	R761	M8
C740	N3	R412	B11	R762	M8
C741	N2	R413	B11	R763	M9
C742	O3	R414	C10	R764	M9
C743	J5	R415	J5	R765	M10
C744	J9	R416	F12	R766	N10
C752	J10	R417	H11	R770	N9
C753	J9	R418	D10	R771	N9
C754	K9	R419	D10	R772	I7
C755	L9	R420	E9	R773	I6
C757	L9	R421	E9	R774	K9
C758	L9	R422	E9	R780	J9
C759	N8	R423	E9	RDS-CLKA7	
C760	J10	R431	E9	RDS-DATA7	
C762	J10	R432	E9	RY701	O12
C765	J9	R433	E8	ST	B7
C766	M9	R434	E9	TUNER-LAB	
C768	J9	R435	F8	TUNER-RAB	
C770	J5	R436	O8	ZD701	L4
C771	O5	R437	O8	ZD702	O2
C772	O5	R438	F8	ZD708	L11
C778	M5	R439	G9	ZD758	L9

'00 10.25 SI2663
D.SCHEMATIC MAIN
SG2020(M) UL

LOCATION GUIDE

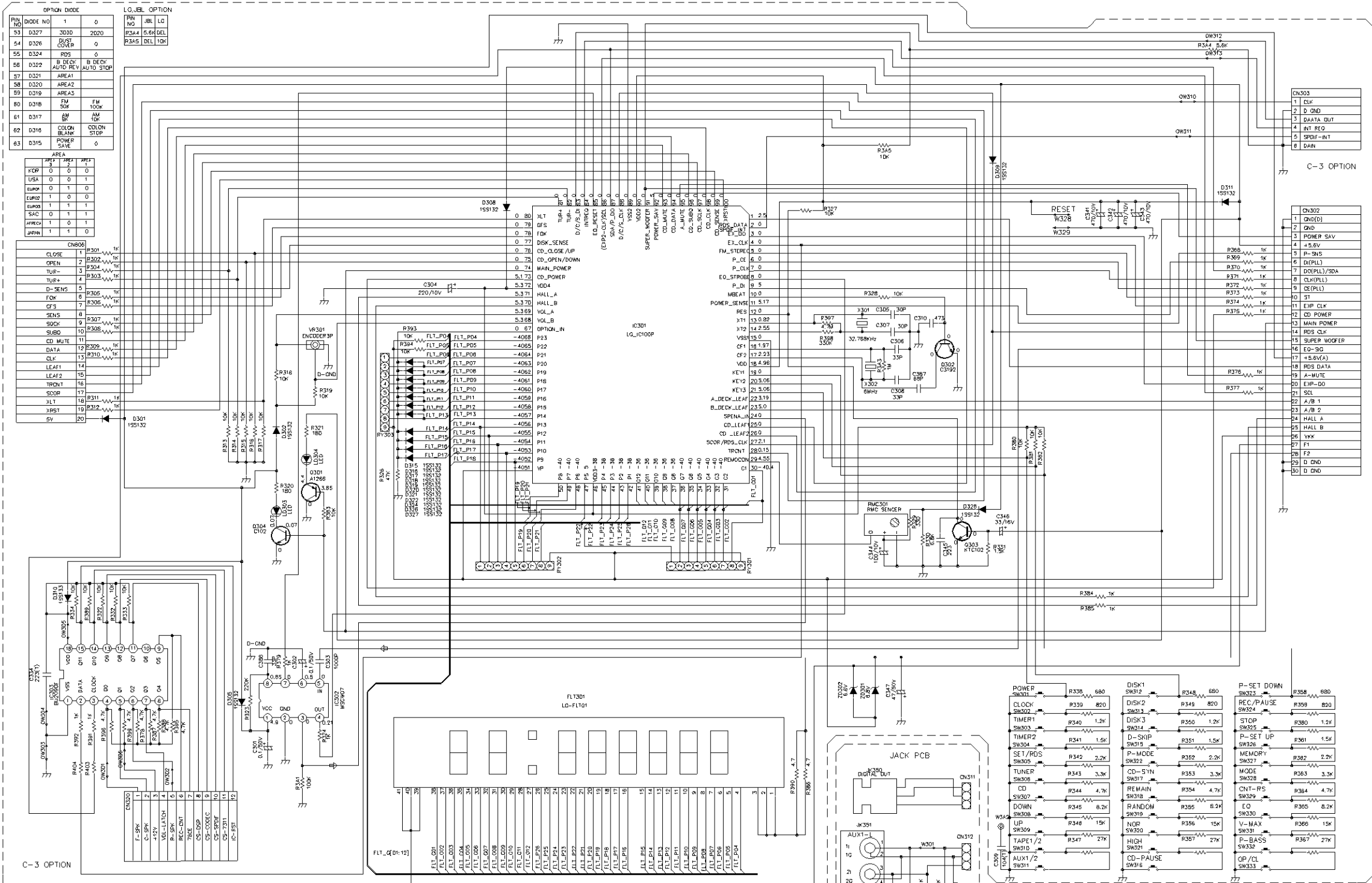


C141	G2	C778	N8	R425	K7	R771	G10
C400	J5	C779	M8	R426	K7	R772	G10
C401	K5	C780	N7	R427	L7	R773	I11
C402	L5	C781	O9	R428	K4	R774	H9
C403	L5	C782	H7	R429	K5	R775	I8
C404	L5	C783	H7	R430	J5	R776	I8
C405	K7	C784	H6	R431	K5	R777	H9
C406	L7	C785	C7	R432	L6	R778	H9
C407	L7	C786	H6	R433	M4	R779	I9
C408	L8	C787	H5	R434	M4	R780	H8
C409	M7	C788	I7	R435	M4	R781	I11
C410	P4	C789	I6	R436	O6	R782	J12
C411	M4	C790	I6	R437	P6	R783	J12
C412	O5	C792	J7	R438	N4	R784	M11
C413	P5	C793	J7	R439	N4	R785	M11
C414	P6	C794	J7	R440	M5	R786	I9
C416	H4	C795	J6	R441	M5	R787	J9
C417	H4	C797	J6	R442	M5	R788	K10
C418	H4	C798	J6	R443	M6	R789	M9
C419	I4	C799	K5	R444	M6	R790	M9
C420	I5	C845	P3	R445	M6	R791	J8
C421	I4	CE	B7	R446	M7	R792	J8
C422	J3	CN205	B10	R447	M7	R793	J8
C423	K3	CN602	G2	R448	M7	R794	M9
C424	L3	CN807	B6	R449	O5	R795	M8
C425	O2	D701	D8	R450	P5	R796	G5
C426	O2	D702	J8	R451	O7	R797	N8
C427	N3	F706	K5	R452	O4	R798	O4
C430	I8	D704	I5	R454	I5	RDS-CLKA7	
C450	I3	D707	M5	R455	J5	RDS-DATA7	
C451	I3	D709	O4	R456	J5	RY701	O6
C461	I9	D710	M6	R457	J5	ST	B7
C462	I11	D711	O4	R458	J11	TUNER-LA8	
C463	J12	FB701	I11	R459	J3	TUNER-RB8	
C464	K10	FB702	I9	R460	J3	ZD701	L7
C480	F5	FB703	J7	R461	J3	ZD702	K6
C481	E5	FB704	J6	R462	K3		
C482	F4	FB705	K7	R463	K3		
C483	F4	FB706	K2	R464	N3		
C484	F4	FB707	L2	R465	N3		
C485	P6	FB708	L2	R466	N3		
C486	E4	GND	A8	R467	O4		
C488	P2	IC702	F10	R480	F5		
C489	N9	IC703	J11	R481	F5		
C492	O9	IC704	J8	R482	F4		
C493	O10	IC705	K6	R483	E4		
C494	O10	IC706	M3	R484	E4		
C495	P9	IC707	E5	R485	O6		
C711	B10	IC708	D5	R486	F4		
C712	O10	IC709	F7	R487	E4		
C713	O11	IC710	H6	R488	E4		
C714	E11	IC711	O9	R489	E4		
C715	E11	IC712	O7	R490	H8		
C716	E11	JK702	P9	R491	GB		
C717	E11	JK705	Q5	R700	O7		
C718	E11	JK710	P11	R710	B11		
C719	E10	JK728	Q6	R713	B11		
C720	E10	L701	L3	R714	C10		
C721	E10	OW132	L2	R715	C10		
C722	E10	PLL-CLKA7	A7	R716	F12		
C723	E10	PLL-CLKA7	A7	R717	G11		
C724	E10	PLL-DO	A7	R718	D10		
C725	E10	PN302	B5	R719	D10		
C726	E9	PN311	O3	R720	D9		
C727	E9	PN601	F2	R721	D9		
C728	F9	PN710	I5	R722	E9		
C729	O7	PN820	K3	R723	E9		
C730	F8	Q704	D2	R724	F8		
C731	K2	Q706	KB	R725	L2		
C732	F8	Q707	D7	R726	F4		
C733	GB	Q709	F7	R728	N9		
C734	E8	Q710	F7	R729	O9		
C735	E8	Q711	G3	R730	G3		
C736	O8	Q712	I11	R731	E8		
C737	F7	Q713	I9	R732	E8		
C738	D5	Q714	H8	R733	E8		
C739	D5	Q715	I7	R734	F8		
C741	F6	Q716	I7	R735	F8		
C742	O11	Q717	I5	R736	F8		
C743	O11	Q718	I5	R737	F8		
C744	G11	Q719	M4	R738	F8		
C745	G10	Q720	M7	R739	GB		
C746	G10	Q721	J3	R740	GB		
C747	O10	Q722	J3	R741	D8		
C749	H10	Q723	K3	R742	D7		
C750	O7	Q726	N4	R743	D6		
C751	H10	Q727	O4	R744	E6		
C753	H5	Q728	D5	R745	E6		
C754	H6	Q729	F6	R746	E7		
C755	H2	Q730	F7	R747	E7		
C757	I8	R402	N7	R748	E7		
C758	I12	R403	O8	R749	F7		
C759	I11	R404	P9	R751	E5		
C760	J11	R405	GB	R752	E6		
C761	I10	R406	G10	R753	F5		
C762	I9	R407	C6	R754	F6		
C763	J9	R408	H7	R755	E5		
C764	J8	R409	H7	R756	D5		
C765	K6	R410	H7	R757	D4		
C766	M11	R411	H6	R758	E8		
C767	L11	R412	H5	R759	E8		
C768	O11	R413	H5	R760	E8		
C769	O11	R414	H5	R761	F6		
C770	O11	R415	I6	R762	M9		
C771	L9	R416	I6	R763	F5		
C772	M8	R417	I7	R764	F7		
C773	M8	R420	I6	R765	F8		
C774	M8	R421	I6	R766	M9		
C775	P2	R422	J6	R767	I11		
C776	N9	R423	J6	R768	H11		
C777	O10	R424	J7	R769	G5		
				R770	I10		

'00 10.25 SI2664
D.SCHEMATIC MAIN
SG3030(M) UL

FRONT 1 (SG2020(M)/SG3030(M))

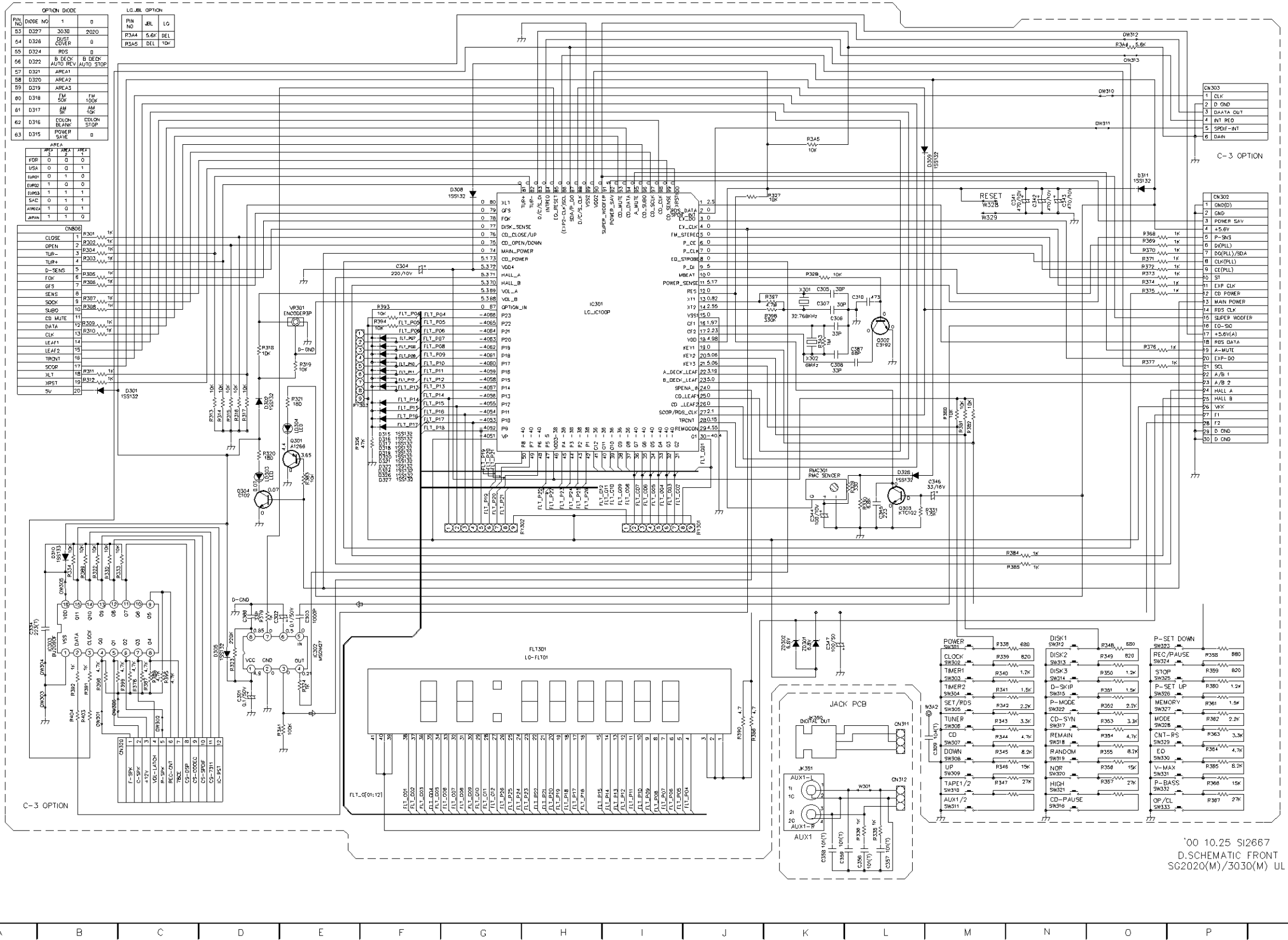
LOCATION GUIDE



C301	D3	R341	M3
C302	D4	R342	M3
C303	E4	R343	M3
C304	F9	R344	M3
C305	K8	R345	M3
C306	K8	R346	M2
C307	K8	R347	M2
C308	K8	R348	O4
C309	M2	R349	O4
C310	L8	R350	O4
C311	A4	R351	O3
C312	N9	R352	O3
C313	N9	R353	O3
C314	K5	R354	O3
C315	K5	R355	O3
C316	L6	R356	O2
C317	M6	R357	O2
C318	K4	R358	P4
C319	L1	R359	P4
C320	L1	R360	P4
C321	K1	R361	P3
C322	N9	R362	P3
C323	L8	R363	P3
C324	L8	R364	P3
C325	P9	R365	P3
C326	P11	R366	P2
C327	L3	R367	P2
C328	L2	R368	O9
C329	O3	R369	O9
C330	B9	R370	O9
C331	C7	R371	O9
C332	D7	R372	O9
C333	D4	R373	O9
C334	M10	R374	O8
C335	G10	R375	O8
C336	B5	R376	O8
C337	O10	R377	O7
C338	F7	R378	C3
C339	F6	R379	O4
C340	F6	R380	M7
C341	F6	R381	M7
C342	F6	R382	M7
C343	F6	R383	E6
C344	F6	R384	N5
C345	F6	R385	N5
C346	F6	R386	J3
C347	F6	R387	C3
C348	F6	R388	C3
C349	L6	R389	B5
C350	H8	R390	J3
C351	E4	R391	B3
C352	K4	R392	B3
C353	B3	R393	F8
C354	K2	R394	F8
C355	D6	R395	C3
C356	D6	R396	B3
C357	E7	R397	K8
C358	C3	R398	K8
C359	B3	R399	C3
C360	B4	R341	E3
C361	B5	R342	K8
C362	B5	R343	O11
C363	B5	R344	K10
C364	O10	R345	B3
C365	O11	R346	B3
C366	O11	R347	B3
C367	O11	R348	B3
C368	O11	R349	B3
C369	O11	R350	B3
C370	O11	R351	B3
C371	O11	R352	B3
C372	O11	R353	B3
C373	O11	R354	B3
C374	O11	R355	B3
C375	O11	R356	B3
C376	O11	R357	B3
C377	O11	R358	B3
C378	O11	R359	B3
C379	O11	R360	B3
C380	O11	R361	B3
C381	O11	R362	B3
C382	O11	R363	B3
C383	O11	R364	B3
C384	O11	R365	B3
C385	O11	R366	B3
C386	O11	R367	B3
C387	O11	R368	B3
C388	O11	R369	B3
C389	O11	R370	B3
C390	O11	R371	B3
C391	O11	R372	B3
C392	O11	R373	B3
C393	O11	R374	B3
C394	O11	R375	B3
C395	O11	R376	B3
C396	O11	R377	B3
C397	O11	R378	B3
C398	O11	R379	B3
C399	O11	R380	B3
C400	O11	R381	B3
C401	O11	R382	B3
C402	O11	R383	B3
C403	O11	R384	B3
C404	O11	R385	B3
C405	O11	R386	B3
C406	O11	R387	B3
C407	O11	R388	B3
C408	O11	R389	B3
C409	O11	R390	B3
C410	O11	R391	B3
C411	O11	R392	B3
C412	O11	R393	B3
C413	O11	R394	B3
C414	O11	R395	B3
C415	O11	R396	B3
C416	O11	R397	B3
C417	O11	R398	B3
C418	O11	R399	B3
C419	O11	R400	B3
C420	O11	R401	B3
C421	O11	R402	B3
C422	O11	R403	B3
C423	O11	R404	B3
C424	O11	R405	B3
C425	O11	R406	B3
C426	O11	R407	B3
C427	O11	R408	B3
C428	O11	R409	B3
C429	O11	R410	B3
C430	O11	R411	B3
C431	O11	R412	B3
C432	O11	R413	B3
C433	O11	R414	B3
C434	O11	R415	B3
C435	O11	R416	B3
C436	O11	R417	B3
C437	O11	R418	B3
C438	O11	R419	B3
C439	O11	R420	B3
C440	O11	R421	B3
C441	O11	R422	B3
C442	O11	R423	B3
C443	O11	R424	B3
C444	O11	R425	B3
C445	O11	R426	B3
C446	O11	R427	B3
C447	O11	R428	B3
C448	O11	R429	B3
C449	O11	R430	B3
C450	O11	R431	B3
C451	O11	R432	B3
C452	O11	R433	B3
C453	O11	R434	B3
C454	O11	R435	B3
C455	O11	R436	B3
C456	O11	R437	B3
C457	O11	R438	B3
C458	O11	R439	B3
C459	O11	R440	B3
C460	O11	R441	B3
C461	O11	R442	B3
C462	O11	R443	B3
C463	O11	R444	B3
C464	O11	R445	B3
C465	O11	R446	B3
C466	O11	R447	B3
C467	O11	R448	B3
C468	O11	R449	B3
C469	O11	R450	B3
C470	O11	R451	B3
C471	O11	R452	B3
C472	O11	R453	B3
C473	O11	R454	B3
C474	O11	R455	B3
C475	O11	R456	B3
C476	O11	R457	B3
C477	O11	R458	B3
C478	O11	R459	B3
C479	O11	R460	B3
C480	O11	R461	B3
C481	O11	R462	B3
C482	O11	R463	B3
C483	O11	R464	B3
C484	O11	R465	B3
C485	O11	R466	B3
C486	O11	R467	B3
C487	O11	R468	B3
C488	O11	R469	B3
C489	O11	R470	B3
C490	O11	R471	B3
C491	O11	R472	B3
C492	O11	R473	B3
C493	O11	R474	B3
C494	O11	R475	B3
C495	O11	R476	B3
C496	O11	R477	B3
C497	O11	R478	B3
C498	O11	R479	B3
C499	O11	R480	B3
C500	O11	R481	B3
C501	O11	R482	B3
C502	O11	R483	B3
C503	O11	R484	B3
C504	O11	R485	B3
C505	O11	R486	B3
C506	O11	R487	B3
C507	O11	R488	B3
C508	O11	R489	B3
C509	O11	R490	B3
C510	O11	R491	B3
C511	O11	R492	B3
C512	O11	R493	B3
C513	O11	R494	B3
C514	O11	R495	B3
C515	O11	R496	B3
C516	O11	R497	B3
C517	O11	R498	B3
C518	O11	R499	B3
C519	O11	R500	B3
C520	O11	R501	B3
C521	O11	R502	B3
C522	O11	R503	B3
C523	O11	R504	B3
C524	O11	R505	B3
C525	O11	R506	B3
C526	O11	R507	B3
C527	O11	R508	B3
C528	O11	R509	B3
C529	O11	R510	B3
C530	O11	R511	B3
C531	O11	R512	B3
C532	O11	R513	B3
C533	O11	R514	B3
C534	O11	R515	B3
C535	O11	R516	B3
C536	O11	R517	B3
C537	O11	R518	B3
C538	O11	R519	B3
C539	O11	R520	B3
C540	O11	R521	B3
C541	O11	R522	B3
C542	O11	R523	B3
C543	O11	R524	B3
C544	O11	R525	B3
C545	O11	R526	B3
C546	O11	R527	B3
C547	O11	R528	B3
C548	O11	R529	B3
C549	O11	R530	B3
C550	O11	R531	B3
C551	O11	R532	B3
C552	O11	R533	B3
C553	O11	R534	B3
C554	O11	R535	B3
C555	O11	R536	B3
C556	O11	R537	B3
C557	O11	R538	B3
C558	O11	R539	B3
C559	O11	R540	B3
C560	O11	R541	B3
C561	O11	R542	B3
C562	O11	R543	B3
C563	O11	R544	B3
C564	O11	R545	B3
C565	O11	R546	B3
C566	O11	R547	B3
C567	O11	R548	B3
C568	O11	R549	B3
C569	O11	R550	B3
C570	O11	R551	B3
C571	O11	R552	B3
C572	O11	R553	B3
C573	O11	R554	B3
C574	O11	R555	B3
C575	O11	R556	B3
C576	O11	R557	B3
C577	O11	R558	B3
C578	O11	R559	B3
C579	O11	R560	B3
C580	O11	R561	B3
C581	O11	R562	B3
C582	O11	R563	B3
C583	O11	R564	B3
C584	O11	R565	B3
C585	O11	R566	B3
C586	O11	R567	B3
C587	O11	R568	B3
C588	O11	R569	B3
C589	O11	R570	B3
C590	O11	R571	B3
C591	O11	R572	B3
C592	O11	R573	B3
C593	O11	R574	B3
C594	O11	R575	B3
C595	O11	R576	B3
C596	O11	R577	B3
C597	O11	R578	B3
C598	O11	R579	B3
C599	O11	R580	B3
C600	O11	R581	B3
C601	O11	R582	B3
C602	O11	R583	B3
C603	O11	R584	B3
C604	O11	R585	B3
C605	O11	R586	B3
C606	O11	R587	B3
C607	O11	R588	B3
C608	O11	R589	B3
C609	O11	R590	B3
C610	O11	R591	B3
C611	O11	R592	B3
C612	O11	R593	B3
C613	O11	R594	B3
C614	O11	R595	B3
C615	O11	R596	B3
C616	O11	R597	B3
C617	O11	R598	B3
C618	O11	R599	B3
C619	O11	R600	B3
C620	O11	R601	B3
C621	O11	R602	B3
C622	O11	R603	B3
C623	O11	R604	B3
C624	O11	R605	B3
C625	O11	R606	B3
C626	O11	R607	B3
C627	O11	R608	B3
C628	O11	R609	B3
C629	O11	R610	B3
C630	O11	R611	B3
C631	O11	R612	B3
C632	O11	R613	B3
C633	O11	R614	B3
C634	O11	R615	B3
C635	O11	R616	B3
C636	O11	R617	B3
C637	O11	R618	B3
C638	O11	R619	B3
C639	O11	R620	B3
C640	O11	R621	B3
C641	O11	R622	B3
C642	O11	R623	B3
C643	O11	R624	B3
C644	O11	R625	B3
C645	O11	R626	B3
C646	O11	R627	B3
C647	O11	R628	B3
C648	O11	R629	B3
C649	O11	R630	B3
C650	O11	R631	B3
C651	O11	R632	B3
C652	O11	R633	B3
C653	O11	R634	B3
C654	O11	R635	B3
C655	O11	R636	B3
C656	O11	R637	B3
C657	O11	R638	B3
C658			

• FRONT 2 (SG2020(M)UL/SG3030(M)UL)

LOCATION GUIDE

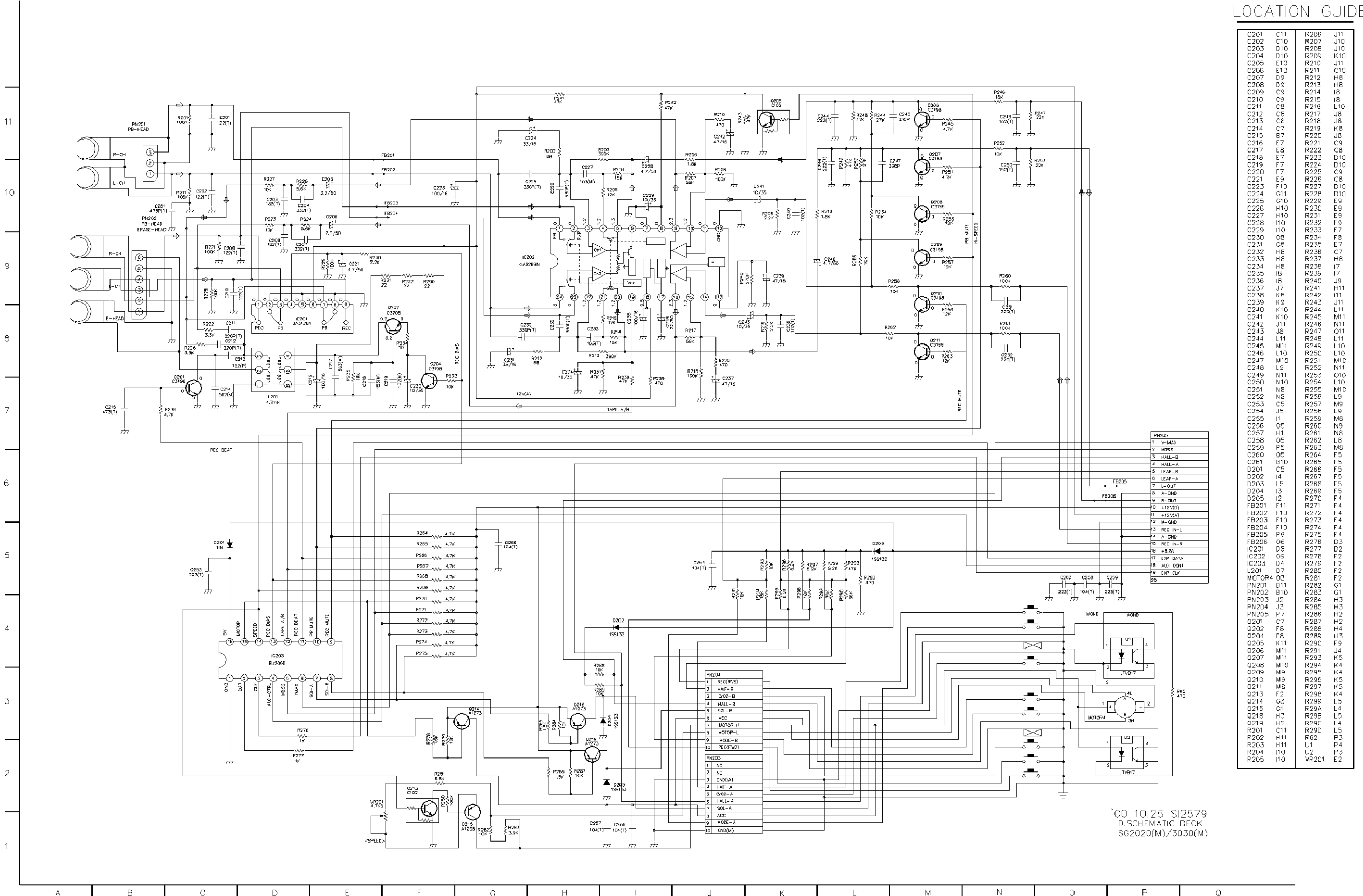


C301	D3	R340	M4
C302	D4	R341	M3
C303	E4	R342	M3
C304	F9	R343	M3
C305	K8	R344	M3
C306	K8	R345	M3
C307	K8	R346	M2
C308	K7	R347	M2
C309	M3	R348	O4
C310	L8	R349	O4
C334	A4	R350	O4
C341	N9	R351	O3
C342	N9	R352	O3
C343	N9	R353	O3
C344	K5	R354	O3
C345	L6	R355	O3
C346	M6	R356	O2
C347	K4	R357	O2
C356	L1	R358	P4
C357	L1	R359	P4
C358	K1	R360	P3
C359	K1	R361	P3
C366	D4	R362	P3
C367	L8	R363	P3
C368	P9	R364	P3
CN302	P9	R365	P2
CN303	P11	R366	P2
CN311	L3	R367	P2
CN312	L2	R367	P2
CN320	C3	R368	O9
CN806	B9	R369	O9
D301	C7	R370	O9
D307	O7	R371	O9
D305	D4	R372	O9
D308	G10	R373	O9
D309	M10	R374	O8
D310	B5	R375	O8
D311	O10	R376	O8
D315	F7	R377	O7
D316	F6	R378	C3
D317	F6	R379	D4
D318	F6	R380	M7
D319	F6	R381	M7
D320	F6	R382	M7
D321	F6	R383	E6
D322	F6	R384	N5
D324	F6	R385	N5
D326	F6	R386	J3
D327	F6	R387	C3
D328	L6	R388	C3
FLT301	H4	R389	B5
IC301	H8	R390	J1
IC302	E4	R391	B3
IC303	B4	R392	B3
JK350	K3	R393	F8
JK351	K2	R394	F8
LD303	D6	R395	C3
LD304	E7	R396	B3
OW301	C3	R397	K8
OW302	C3	R398	K8
OW303	B3	R399	C3
OW304	B4	R3A1	E3
OW305	B5	R3A3	K8
OW306	B3	R3A4	O11
OW310	O11	R3A5	K10
OW311	O10	R403	B3
OW312	O11	R404	B3
OW313	O11	RM301	K6
O301	E6	RY301	J5
O302	L8	RY302	H5
O303	L6	RY303	E7
O304	D6	SW301	M4
R301	B9	SW302	M4
R302	B9	SW303	M4
R303	B9	SW304	M3
R304	B9	SW305	M3
R305	B9	SW306	M3
R306	B8	SW307	M3
R307	B8	SW308	M3
R308	B8	SW309	M2
R309	B8	SW310	M2
R310	B8	SW311	M2
R311	B7	SW312	N4
R312	B7	SW313	N4
R313	D7	SW314	N4
R314	D7	SW315	N3
R315	D7	SW316	N2
R316	D7	SW317	N3
R317	D7	SW318	N3
R318	D8	SW319	N3
R319	D8	SW320	N2
R320	D6	SW321	N2
R321	E7	SW322	N3
R322	B5	SW323	O4
R323	D4	SW324	O4
R324	E3	SW325	O4
R326	E6	SW326	O3
R327	E6	SW326	O3
R328	K9	SW329	O3
R329	L6	SW330	O3
R330	L6	SW331	O2
R331	M6	SW332	O2
R332	B5	SW333	O2
R333	C5	VR301	E8
R334	B5	W3A2	M3
R335	L2	X301	K8
R336	L2	X302	K7
R338	M4	ZD301	K4
R339	M4	ZD302	K4

'00 10.25 SI2667
D. SCHEMATIC FRONT
SG2020(M)/3030(M) UL

• DECK 1 (SG2020(M)/SG3030(M))

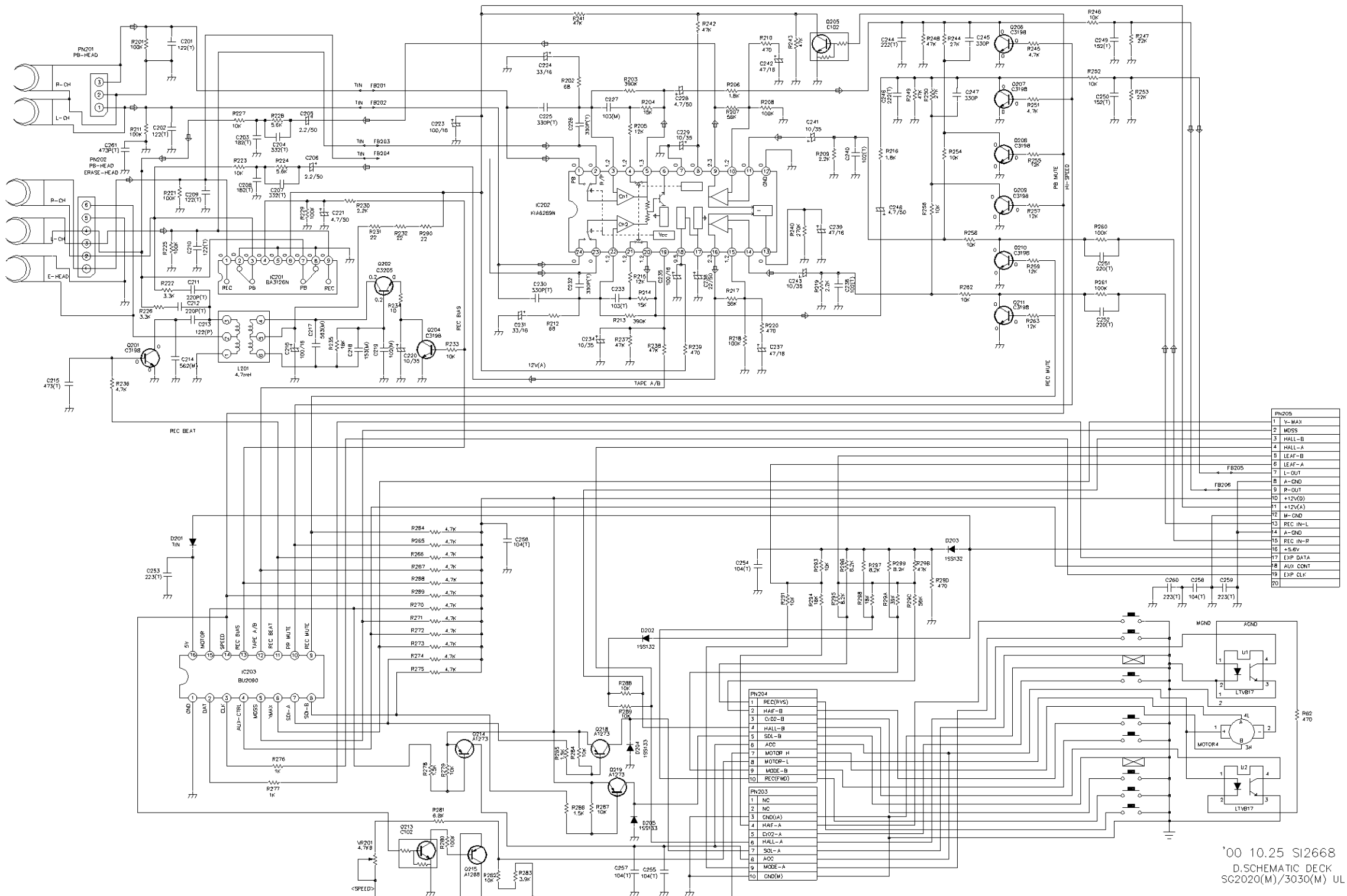
LOCATION GUIDE



C201	C11	R206	J11
C202	C10	R207	J10
C203	D10	R208	K10
C204	D10	R209	K10
C205	E10	R210	J11
C206	E10	R211	C10
C207	D9	R212	H8
C208	D9	R213	H8
C209	C9	R214	I8
C210	C9	R215	I8
C211	C8	R216	L10
C212	C8	R217	J8
C213	C8	R218	J8
C214	C7	R219	K8
C215	B7	R220	J8
C216	E7	R221	C9
C217	E8	R222	C8
C218	E7	R223	D10
C219	F7	R224	D10
C220	F7	R225	C9
C221	E9	R226	C8
C222	F10	R227	D10
C223	C11	R228	D10
C224	C11	R229	D10
C225	G10	R230	E9
C226	H10	R231	E9
C227	H10	R232	F9
C228	H10	R233	F7
C229	F9	R234	F8
C230	C8	R235	E7
C231	C8	R236	C7
C232	H8	R237	H8
C233	H8	R238	I7
C234	H8	R239	I7
C235	I8	R240	J8
C236	I8	R241	H11
C237	J7	R242	I11
C238	K8	R243	J11
C239	K9	R244	K10
C240	K10	R245	M11
C241	K10	R246	N11
C242	J11	R247	O11
C243	J11	R248	L11
C244	L11	R249	L10
C245	M11	R250	L10
C246	L10	R251	M10
C247	M10	R252	N11
C248	L9	R253	O10
C249	N11	R254	L10
C250	N10	R255	M10
C251	N8	R256	L9
C252	N8	R257	M9
C253	C5	R258	L9
C254	J5	R259	M8
C255	I1	R260	N9
C256	C5	R261	N8
C257	H1	R262	O5
C258	O5	R263	M8
C259	P5	R264	F5
C260	O5	R265	F5
D201	C5	R266	F5
D202	I4	R267	F5
D203	L5	R268	F5
D204	I3	R269	F5
D205	I2	R270	F4
FB201	F11	R271	F4
FB202	F10	R272	F4
FB203	F10	R273	F4
FB204	F10	R274	F4
FB205	P6	R275	F4
FB206	O6	R276	D3
IC201	D8	R277	D2
IC202	C9	R278	F2
IC203	D4	R279	F2
L201	D7	R280	F2
MOTOR4	O3	R281	F2
PN201	B11	R282	G1
PN202	B10	R283	G1
PN203	J2	R284	H3
PN204	J3	R285	H3
PN205	P7	R286	H2
Q201	C7	R287	H2
Q202	F8	R288	H4
Q204	F8	R289	H3
Q205	K11	R290	F9
Q206	M11	R291	J4
Q207	M11	R292	K5
Q208	M10	R293	K4
Q209	M9	R294	K4
Q210	M9	R295	K5
Q211	M8	R296	K5
Q213	F2	R297	K4
Q214	C3	R298	L5
Q215	C1	R299	L5
Q218	H3	R300	L5
Q219	H2	R301	L4
R201	C11	R302	L5
R202	H11	R303	P3
R203	H11	R304	P4
R204	I10	R305	P3
R205	I10	VR201	E2

'00 10.25 SI2579
D.SCHEMATIC DECK
SG2020(M)/3030(M)

11
10
9
8
7
6
5
4
3
2
1



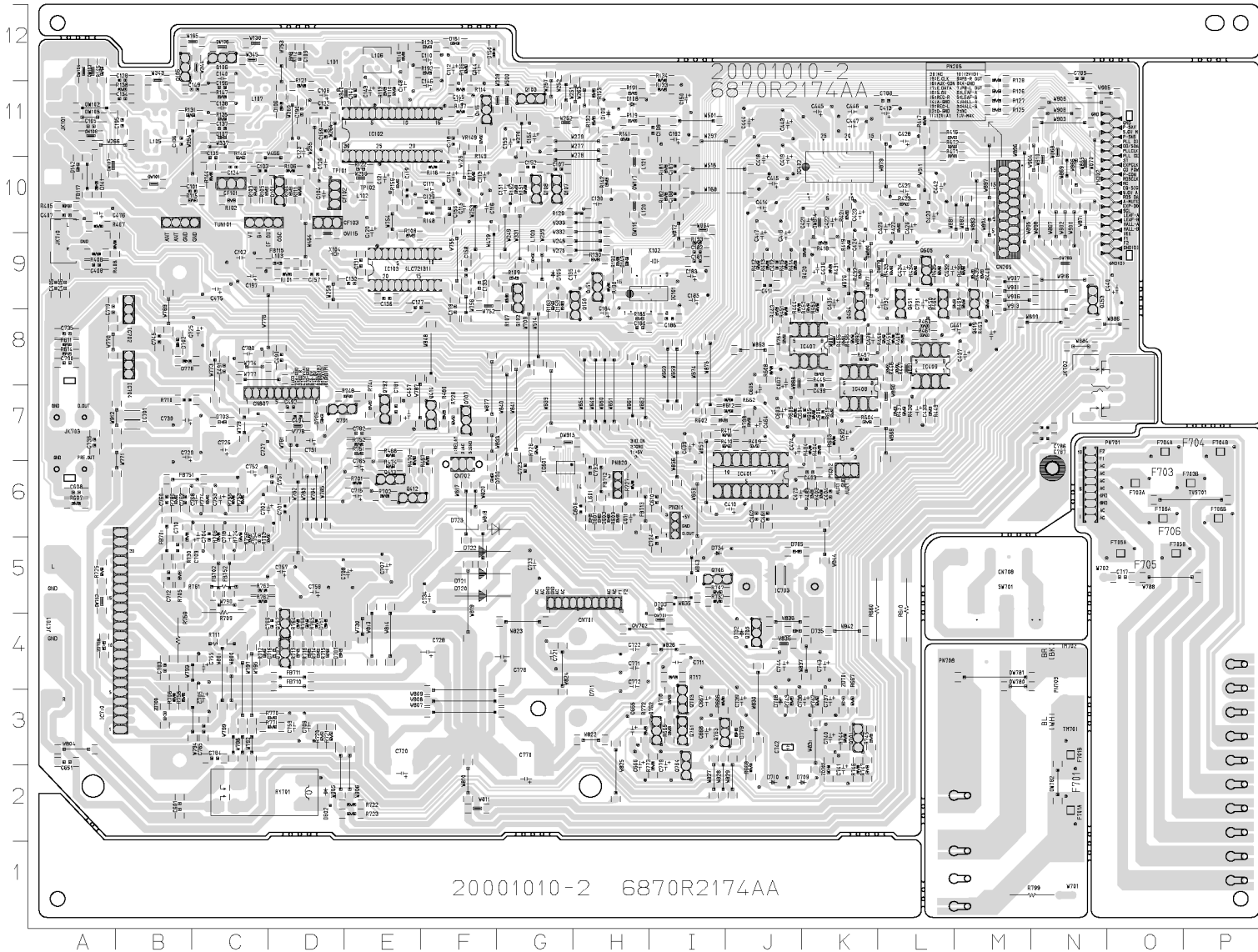
C201	C11	R206	J11
C202	C10	R207	J10
C203	D10	R208	J10
C204	D10	R209	K10
C205	E10	R210	J11
C206	E10	R211	C10
C207	D9	R212	H8
C208	D9	R213	H8
C209	C9	R214	I8
C210	C9	R215	I8
C211	C8	R216	L10
C212	C8	R217	J8
C213	C8	R218	J8
C214	C7	R219	K8
C215	B7	R220	J8
C216	E7	R221	C8
C217	E8	R222	C8
C218	E7	R223	D10
C219	F7	R224	D10
C220	F7	R225	C8
C221	E9	R226	C9
C222	F10	R227	D10
C223	C11	R228	D10
C224	C10	R229	E9
C225	C10	R230	E9
C226	H10	R231	E9
C227	H10	R232	F9
C228	I10	R233	F7
C229	I10	R234	F8
C230	G8	R235	E7
C231	G8	R236	C7
C232	H8	R237	H8
C233	H8	R238	I7
C234	H8	R239	I7
C235	I8	R240	J9
C236	I8	R241	H11
C237	J7	R242	I11
C238	K8	R243	J11
C239	K9	R244	L11
C240	K10	R245	M11
C241	K10	R246	M11
C242	J8	R247	O11
C243	J8	R248	L11
C244	L11	R249	L10
C245	M11	R250	L10
C246	L10	R251	M10
C247	M10	R252	N11
C248	L9	R253	O10
C249	N11	R254	N10
C250	N10	R255	M10
C251	N8	R256	N9
C252	N8	R257	M9
C253	C5	R258	L9
C254	J5	R259	M8
C255	I1	R260	N9
C256	G5	R261	N8
C257	H1	R262	L8
C258	O5	R263	M8
C259	F5	R264	F5
C260	O5	R265	F5
D201	C5	R266	F5
D202	I4	R267	F5
D203	L5	R268	F5
D204	I3	R269	F5
D205	I2	R270	F4
FB201	F11	R271	F4
FB202	F10	R272	F4
FB203	F10	R273	F4
FB204	F10	R274	F4
FB205	P6	R275	F4
FB206	O6	R276	D3
IC201	D8	R277	D2
IC202	G9	R278	F2
IC203	D4	R279	F2
L201	D7	R280	F2
MOTOR4	O3	R281	F2
PN201	B11	R282	G1
PN202	B10	R283	G1
PN203	J2	R284	H3
PN204	J3	R285	H3
PN205	P7	R286	H2
Q201	C7	R287	H2
Q202	F8	R288	H4
Q204	F8	R289	H3
Q205	K11	R290	F9
Q208	M11	R291	J4
Q207	M11	R293	K5
Q208	M10	R294	K4
Q209	M9	R295	K4
Q210	M9	R296	K5
Q211	M8	R297	K5
Q213	F2	R298	K4
Q214	G3	R299	L5
Q215	C1	R29A	L4
Q218	H3	R29B	L5
Q219	H2	R29C	L4
R201	C11	R29D	L5
R202	H11	R26	P3
R203	H11	U1	P4
R204	I10	U2	P3
R205	I10	VR201	E2

'00 10.25 SI2668
D. SCHEMATIC DECK
SG2020(M)/3030(M) UL

A B C D E F G H I J K L M N O P Q

PCB BOARD

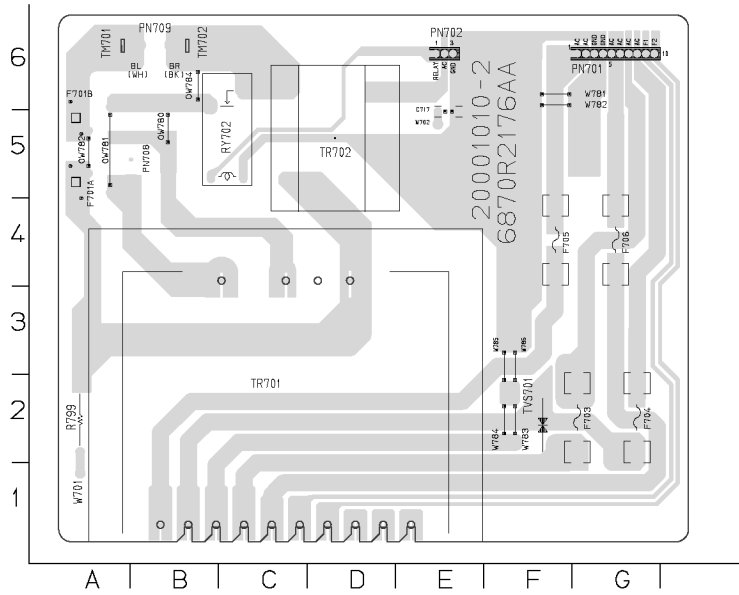
1. MAIN BOARD 1 (SG2020)



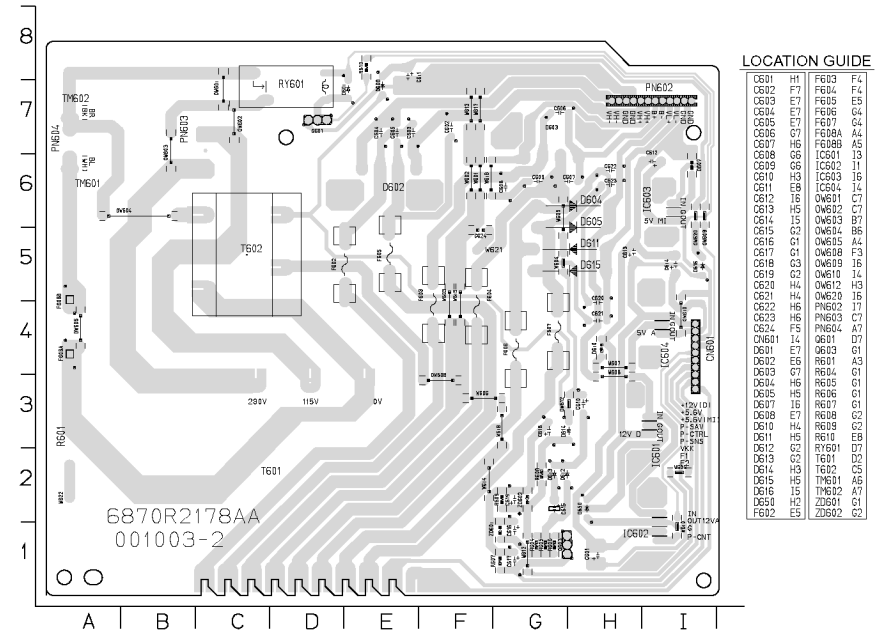
LOCATION GUIDE

C101	C10	C415	J10	C728	F4	D722	F5	PN701	N7	R153	H11	R613	K7
C102	C9	C416	J9	C729	B7	D723	F6	PN708	N4	R156	E10	R614	A8
C103	C10	C417	J9	C730	B7	D730	F6	PN709	N4	R180	H9	R660	K5
C104	D10	C418	J10	C731	D7	D732	J4	PN820	H6	R181	I10	R662	J7
C105	A11	C419	J10	C732	H6	D732	I5	O101	D10	R182	I10	R665	I3
C106	B11	C420	L10	C733	G5	D734	I5	Q102	G9	R183	G9	R666	I3
C107	G10	C421	L10	C734	F5	D735	J4	Q103	G11	R185	H8	R667	K3
C108	H11	C422	K10	C735	A8	D751	D4	Q105	B12	R190	H9	R668	J2
C109	D12	C423	K10	C736	A7	D778	B8	Q106	C12	R191	H11	R701	E6
C110	F12	C424	K9	C737	K3	D779	J3	Q107	G10	R192	F12	R702	E6
C112	F12	C425	L10	C738	K3	F701A	N2	Q108	G10	R193	I9	R703	D5
C113	F10	C426	L10	C739	J3	F701B	N3	Q115	F11	R403	K6	R705	B5
C114	F10	C427	L10	C740	K3	F703A	O6	Q150	H9	R404	K7	R706	C6
C115	F10	C428	L11	C741	K2	F703B	P6	Q151	H9	R405	A10	R707	I5
C116	F10	C432	L9	C742	J3	F704A	O7	Q412	E6	R406	A9	R708	B3
C117	F10	C433	L7	C743	K4	F704B	P7	Q413	E6	R407	A10	R709	C5
C118	F11	C434	L9	C744	J4	F705A	O5	Q414	F7	R408	A9	R710	B7
C119	E10	C435	K9	C745	B8	F705B	O5	Q419	M9	R409	J7	R711	C4
C120	E10	C436	K9	C751	D6	F706A	O6	Q450	L9	R410	J7	R712	C4
C121	E10	C437	M8	C752	C6	F706B	P6	Q451	L9	R411	J7	R713	D4
C122	D11	C438	K8	C753	C6	FB15	D9	Q453	N9	R412	J9	R714	D4
C123	D11	C439	K7	C754	C5	FB17	A5	Q454	K9	R413	J9	R715	D4
C124	C10	C440	O9	C755	C5	FB701	B5	Q605	L9	R414	J9	R716	D4
C126	D10	C441	M8	C757	D5	FB702	C5	Q701	K3	R415	J9	R717	I4
C127	E9	C442	L10	C758	D5	FB710	D4	Q702	D4	R416	L11	R718	I3
C128	B12	C443	J11	C759	D3	FB711	D4	Q703	I3	R417	L11	R720	D3
C129	F10	C444	J11	C760	B6	FB712	H6	Q705	J4	R418	K9	R721	O3
C130	H10	C445	K11	C762	B6	FB713	H6	Q706	I5	R419	K9	R722	E2
C131	E9	C446	K11	C763	E6	FB751	B6	Q707	F7	R420	K9	R723	E2
C132	E9	C447	K11	C766	D4	FB752	C5	Q752	D4	R421	K10	R724	O6
C133	F9	C457	E7	C768	C6	IC102	E11	Q761	I3	R422	L10	R725	A5
C134	B11	C461	J6	C770	G2	IC103	E9	Q762	I3	R423	L10	R726	O7
C135	H9	C462	J6	C771	H4	IC401	J6	Q763	I3	R431	K9	R727	H6
C136	E9	C464	J7	C772	H4	IC701	B7	Q764	I2	R432	K9	R728	F1
C137	C11	C473	J6	C778	G4	IC408	K7	Q791	D7	R433	L9	R730	B6
C138	C11	C474	J7	C779	I2	IC409	L8	Q792	E7	R434	L9	R732	I5
C139	C10	C475	C9	C780	C8	IC701	B7	Q101	D9	R435	L9	R741	E7
C140	C12	C476	A10	C781	E7	IC702	B8	Q102	C10	R436	M9	R742	K3
C142	E11	C490	D8	C782	E7	IC703	J5	Q103	C10	R437	L7	R743	J3
C143	E11	C491	D8	C783	B4	IC704	B8	Q104	D10	R438	L7	R744	K3
C144	F12	C492	D7	C784	C3	IC710	B4	Q105	C10	R439	M9	R745	K3
C145	F11	C494	D7	C785	C3	JK101	A11	Q106	D10	R440	M9	R746	K2
C146	F11	C501	B2	C786	N7	JK701	A4	Q107	G9	R443	J8	R747	K2
C148	E11	C502	K7	C787	N7	JK702	O7	Q108	E9	R444	J9	R748	E7
C149	C11	C503	J7	C788	L11	JK703	A7	Q109	G9	R445	K8	R751	E7
C150	I11	C504	K7	C789	M2	JK710	A9	Q110	E11	R446	L9	R752	E7
C151	G10	C505	J7	C790	A8	L101	D12	M11	D10	R447	L8	R753	O6
C152	G10	C506	K7	C791	L9	L102	E10	R112	D12	R448	L8	R754	J8
C153	G11	C507	J8	C792	L9	L103	D9	R113	E11	R449	L7	R755	O6
C154	G11	C508	A6	CF101	C10	L105	B11	R114	F11	R451	H9	R756	C5
C156	F10	C509	H6	CF102	D10	L106	E12	R115	C10	R452	K9	R758	B3
C162	E9	C569	J3	CF103	D10	L107	C11	R116	E12	R453	K9	R759	B4
C158	F9	C511	H6	QN205	M10	L109	G9	R117	F10	R455	K8	R761	C5
C159	D11	C551	A3	QN701	G5	L120	I10	R118	F10	R456	K8	R762	C5
C179	F8	C655	H3	QN702	F6	L121	I10	R119	H11	R457	K8	R763	C5
C180	H8	C666	H2	QN708	M5	L201	H6	R120	F12	R458	L8	R764	D4
C181	E9	C667	I3	QN807	C7	QW101	B10	R121	D11	R459	L8	R765	D4
C182	E9	C668	J3	QW102	A11	R122	E10	R460	L8	R460	L8	R766	B6
C183	E9	C701	D6	D106	D11	QW103	A12	R125	M11	R461	L8	R770	D3
C184	H8	C702	D6	D107	C11	QW104	A12	R126	M11	R463	M9	R771	D3
C185	E9	C703	C6	D108	H11	QW105	A11	R127	M11	R464	M9	R772	H9
C186	E9	C704	C6	D109	H11	QW106	A11	R128	M12	R465	M9	R773	I2
C187	I10	C705	C3	D141	A10	QW107	A10	R129	H10	R467	F6	R774	O6
C188	I10	C707	E5	D142	A10	QW108	C12	R130	H9	R468	E7	R780	B6
C190	D11	C708	E5	D143	H9	QW109	O9	R131	B11	R470	E6	R788	I7
C192	I11	C709	D3	D150	F12	QW116	H10	R132	H11	R471	L11	R799	N1
C195	B11	C710	B5	D151	F12	QW117	H10	R133	I11	R472	L11	SW701	C2
C196	C11	C711	I4	D153	G9	QW701	I4	R134	I12	R474	E6	SW701	M5
C197	C9	C712	B5	D601	H6	QW702	H4	R135	C11	R480	F7	TP101	N3
C198	I10	C713	E5	D602	D2	QW703	A5	R136	F12	R483	F6	TP102	N4
C403	K6	C716	D4	D603	H6	QW760	N9	R137	F11	R484	K7	TP101	D10
C404	K6	C717	O5	D701	D4	QW780	M4	R138	B11	R602	I7	TP102	E10
C405	A9	C718	C6	D702	B8	QW781	M4	R141	H11	R603	K7	TUN101	C10
C406	A9	C719	A8	D703	C7	QW782	N2	R142	H10	R604	K7	TV5701	P6
C407	A10	C720	E3	D705	J5	QW877	K9	R144	C10	R605	K7	VR143	F11
C408	A9	C721	G4	D706	D7	QW878	L9	R145	A12	R606	K7	VR143	F11
C409	I7	C722	H4	D708	J3	QW880	G9	R146	C10	R607	A6	X104	D9
C410	J6	C723	G6	D709	K2	QW914	K10	R147	C11	R608	J8	ZD701	K3
C411	J9	C724	I5	D710	J2	QW915	F7	R148	F10	R609	H6	ZD702	K2
C412	J9	C725	C8	D711	H4	PN302	O10	R149	F11	R610	L5	ZD708	B3
C413	L11	C726	C7	D720	F5	PN311	K6	R151	G10	R611	A8	ZD758	A4
C414	J10	C727	C7	D721	F5	PN312	K6	R152	G10	R612	J7		

2. POWER BOARD 1 (SG2020)



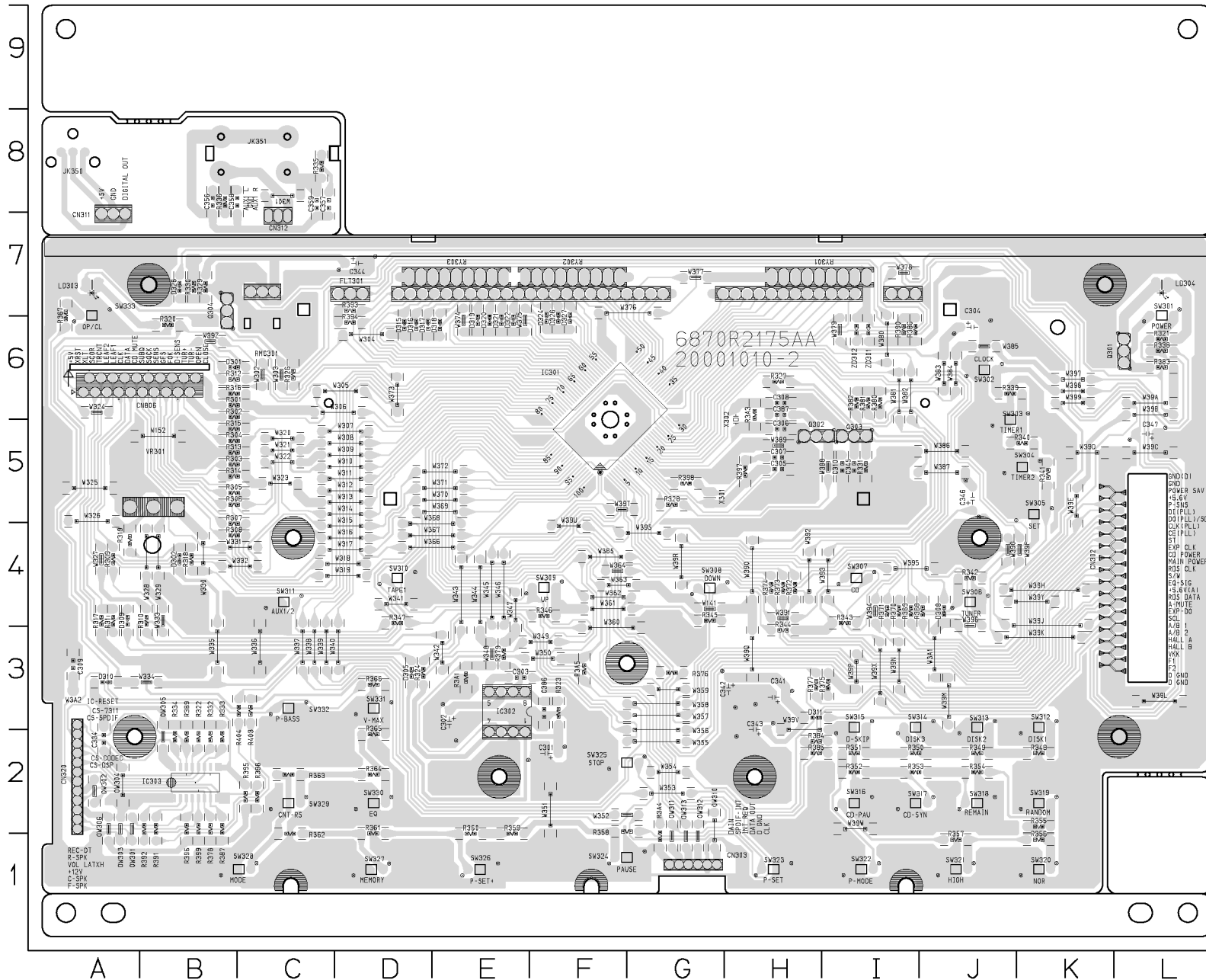
2. POWER BOARD 2 (SG3030)



LOCATION GUIDE

CE01	H1	FE03	F4
CE02	F7	FE04	F4
CE03	E7	FE05	E5
CE04	E7	FE06	G4
CE05	E7	FE07	G4
CE06	C7	FE08A	A4
CE07	H6	FE08B	A5
CE08	G6	CE01	J3
CE09	G6	CE02	I1
CE10	H3	CE03	I6
CE11	E8	CE04	I4
CE12	I5	OW01	C7
CE13	H5	OW02	C7
CE14	I5	OW03	B7
CE15	C2	OW04	B8
CE16	C1	OW05	A4
CE17	C1	OW06	F3
CE18	C3	OW09	I6
CE19	C2	OW10	I4
CE20	H4	OW12	H3
CE21	H4	OW20	I6
CE22	H6	PN602	I1
CE23	H6	PN603	C7
CE24	F5	PN604	A7
OW601	I4	GE01	D7
DE01	E7	GE03	G1
DE02	E5	RE01	A3
DE03	G7	RE04	G1
DE04	H6	RE05	G1
DE05	H5	RE06	G1
DE07	I6	RE07	G1
DE08	E7	RE08	G2
DE10	H4	RE09	G2
DE11	H5	RE10	E8
DE12	G2	RY601	D7
DE13	G2	TE01	D2
DE14	H3	TE02	C3
DE15	H5	TM601	A6
DE16	I5	TM602	A7
DE50	H2	ZD01	G1
FE02	E5	ZD02	G2

3. FRONT BOARD



LOCATION GUIDE

C301	F2	LD304	L7	R342	J4	R396	B2
C302	E3	0W301	A2	R343	I4	R397	H5
C303	E3	0W302	A2	R344	H3	R398	G5
C304	J6	0W303	A2	R345	G4	R399	B2
C305	H5	0W304	A2	R346	F4	R3A1	E3
C306	H5	0W305	B2	R347	D4	R3A3	H6
C307	H5	0W306	A2	R348	K2	R3A4	G1
C308	H6	0W310	G2	R349	J2	R3A5	F3
C309	A3	0W311	G1	R350	I2	R403	C3
C310	I5	0W312	G1	R351	I2	R404	C3
C334	A2	0W313	G1	R352	I2	RMC301	C6
C341	H3	Q301	L6	R353	I2	RY301	H7
C342	H3	Q302	H5	R354	J2	RY302	E7
C343	H2	Q303	I5	R355	K2	RY303	D7
C344	D7	Q304	B7	R356	K1	SW301	L7
C345	I5	R301	B6	R357	J1	SW302	J6
C346	J5	R302	B6	R358	F2	SW303	J5
C347	L5	R303	B5	R359	E1	SW304	K5
C356	B8	R304	B5	R360	E1	SW305	K5
C357	C8	R305	B5	R361	D1	SW306	J4
C358	C8	R306	B5	R362	C1	SW307	I4
C359	C8	R307	B4	R363	C2	SW308	G4
C386	F3	R308	B4	R364	D2	SW309	F4
C387	H6	R309	A4	R365	D2	SW310	D4
CN302	L4	R310	B4	R366	D3	SW311	C4
CN303	G1	R311	A4	R367	A7	SW312	K3
CN311	A7	R312	B6	R368	J4	SW313	J3
CN312	C7	R313	B5	R369	I4	SW314	I3
CN320	A2	R314	B5	R370	I4	SW315	I3
CN806	A6	R315	B5	R371	I4	SW316	I2
D301	A6	R316	R6	R372	H4	SW317	I2
D302	B4	R317	A4	R373	H4	SW318	J2
D305	D3	R318	B4	R374	H4	SW319	K2
D308	J4	R319	A4	R375	I3	SW320	K1
D309	A4	R320	B6	R376	G3	SW321	J1
D310	A3	R321	L6	R377	H3	SW322	I1
D311	H3	R322	B2	R378	B2	SW323	H1
D315	D6	R323	F3	R379	E3	SW324	F1
D316	D6	R324	D3	R380	I6	SW325	F2
D317	D6	R326	C6	R381	I6	SW326	E1
D318	E6	R327	H6	R382	I6	SW327	D1
D319	E6	R328	G5	R383	L6	SW328	C1
D320	E6	R329	B7	R384	H2	SW329	C2
D321	E6	R330	B7	R385	H2	SW330	D2
D322	E6	R331	I5	R386	I6	SW331	D3
D324	F6	R332	B2	R387	B2	SW332	C3
D326	F6	R333	B2	R388	C2	SW333	A7
D327	F6	R334	B2	R389	B2	VR301	B5
D328	B7	R335	C8	R390	I6	X301	G5
FLT301	D7	R336	B8	R391	B2	X302	H5
IC302	E2	R338	L6	R392	B2	ZD301	I6
JK350	A8	R339	J6	R393	D7	ZD302	I6
JK351	C8	R340	K5	R394	D6		
LD303	A7	R341	K5	R395	C2		

SG2020 PARTS LISTS

PART#	QTY	DESCRIPTION	LOCATION/REF. DESIGNATOR
-------	-----	-------------	-----------------------------

PACKAGE

694-005I	1	BAG SOFT	FFH-272(E.PS+HDPE)
926-0016	0	TAPE ADHESIVE VINYL	OPP TAPE(60WX50H)
951-001A	1	DECK AND OTHER PARTS	DRY CARAT (3G)
6710R-XC01A	1	REMOTE CONTROLLER	HANGO 32KEY JBL A/C
3829RAT001A	1	MANUAL ASSY	FFH-2020/3030 JBL USA
3828RCD029A	1	MANUAL,OWNERS	CSG2020A ENGLISH JBL
3840RGW001A	1	CARD	JBL WARRANTY(USA)
292-004P	1	BAG PE	P.E BAG (25X35)
3840RGR001A	1	CARD	JBL REGITRATION (USA)
3890RCA024A	1	BOX	CSG2020A JBL-USA 4 FLX
3920RCE003A	1	PACKING	JBL 0.02 15 EPS 4 155 324
3721RCF009A	1	PANEL ASSY	FRONT (JBL)
632N218E	1	COIL,ANTENNA	KS951212-01 KWANGSUNG LOOP
5010SCT001A	1	ANTENNA	533-010K SESHIN FM T LGEHZ
328-190B	1	BAND NYLON	BAND TIE

MECHANICAL

6410SCH201A	1	POWER CORD	(HIFI)SPT-2 60C 2X18AWG
3720RCM008E	2	PANEL,AUDIO	SIDE(JBL MINI COMPO)
3580RCA004A	1	DOOR	CST -L(JBL)
3580RCA004B	1	DOOR	CST -R(JBL)
3580RCC002A	1	DOOR	CD (FFH-2020A UL)
3790RCP016A	1	WINDOW	FL(JBL)
3790RCZ005A	1	WINDOW	CST-L(JBL)
3790RCZ005B	1	WINDOW	CST-R(JBL)
4930RC0005A	1	HOLDER	CST DOOR(JBL)
3300RCP001A	3	PLATE	BADGE JBL
4940RCT007A	1	KNOB	POWER(JBL)
4940RCT008A	1	KNOB	OPEN/CLOS
4940RCT009A	1	KNOB	CLOCK(JBL)
4940RCT012A	1	KNOB	TUNING(JBL)
4940RCT013A	1	KNOB	STOP(JBL)
4940RCT014A	1	KNOB	#12(JBL)
4940RCT015A	1	KNOB	#7(JBL)
4940RCV004A	1	KNOB	VOLUME(JBL)
4901SK0001C	2	DAMPER ASSY	GEAR DAMPER AY(WH+WH G331)
3140RC0001A	1	CHASSIS	MAIN(MINI COMPO)
841N0015	2	BATTERY	R03G=0012 NO MERC HI- WATT 1
3720RCF004A	1	PANEL	FRONT -A(JBL)
3610RC0001A	2	FOOT	MOLD FOR JBL
442-085E	2	SPRING	SPRING-DOOR (F-101)50D L=35
384-535A	2	GUIDE	EJECT AY(FK-535 BD1)DUAL

PART#	QTY	DESCRIPTION	LOCATION/REF. DESIGNATOR
4930S-0536A	1	HOLDER	HOLDER GUIDE(FK-535 BD1)DUAL A28
442-780A	1	SPRING	SPRG SPIRAL(FJ-676)EJECT A29
384-014AAAA	1	GUIDE	GUIDE EJECTOR(FJ-676) A30
3720RCZ008A	1	PANEL	BACK JBL(A MODEL)UL
3090RCM001G	1	CABINET	TOP (JBL MINI COMPO)
353-025C	70	SCREW	TAPTITE 3X10 FBK
353-025T	6	SCREW,	TAPTITE 3X10.5 FZMY
1TRL0402418	4	BRAIZ HEAD TA SCREW + 2 CUT	D 4.0 L 8.0 MSWR3/FZY ##CHAS+TRANS
4405SCE002A	1	MECHANISM ASSY	CDM-H1303 SHIN HEUNG CD CHANGE
563-801D	1	CONNECTOR ASSY	P=2.0 GIL-S06X2 1571#28 250
4405SBE001A	1	MECHANISM ASSY	CDM-H1303 SHIN HEUNG CD CHANGE
4404SBA001A	1	MECHANISM	MAIN ASSY(CDM-H1303)
4860SB0002A	1	CLAMP	CLAMP ASSY 701
4860SB0001A	1	CLAMP	DISC(CDM-H1303)
3550SB0001A	1	COVER	MAGNET(CDM-H1303)
524-012AAAA	1	COVER	CLAMP MAGNET (030X018X5T)
3040SB0004A	1	BASE	PU ASSY(CDM-H1303)
4405SCB001A	1	MECHANISM ASSY	KSM-213CCM SONY HI-FI FRONT LO
6756S-O001A	1	CD MECHANISM PARTS	KSM-213CDM MOTOR,GEAR 4
6756S-T001A	1	CD MECHANISM PARTS	KSM-213CDM LEAD IN 2
6756S-G001A	1	CD MECHANISM PARTS	KSM-213CDM FEED GEAR 1
6756S-X001A	1	CD MECHANISM PARTS	SONY KSS-213C 3
3040SB0003A	1	BASE	PU(CDM-H1303)
4900SB0001A	4	DAMPER	DAMPER RUBBER
88H-0002	2	CD MECHA PARTS	3X9X12FZMY
6756SBX001A	4	CD MECHANISM PARTS	SCREW 2.6X10X10XFZMY CDM- H813
4680SBP001A	1	MOTOR(MECH)	PULLEY ASSY (CDM-H1303) 711
414-044A	1	MOTOR	RF500TB-14415 (MABUCHI) K
4560SB0001A	1	PULLEY	MOTOR (CDM-H1303)
353S353F	2	SCREW	#NAME? MOTOR
3040SB0002A	1	BASE	MAIN(CDM-H1303) 712
4974SB0001A	1	GUIDE	CAM (CDM-H1303) 713
4970SBN002A	1	SPRING	CAM (CDM-H1303) 714
4400SB0001A	1	BELT	MAIN(CDM-H1303) 715
4471SB0001A	1	GEAR ASSY	GEAR CAM ASSY 716
4470SB0001A	1	GEAR	CAM UP(CDM-H1303)
4470SB0002A	1	GEAR	CAM DOWN(CDM-H1303)
4470SB0005A	1	GEAR	MAIN (CDM-H1303) 717
4470SB0003A	1	GEAR	PULLEY (CDM-H1303) 718
4470SB0004A	1	GEAR	LOADING (CDM-H1303) 719
4470SB0007A	1	GEAR	PU UP-A (CDM-H1303) 720
4470SB0008A	1	GEAR	PU UP-B (CDM-H1303) 721
4470SB0006A	1	GEAR	PU DOWN (CDM-H1303) 722
88H-0002	1	CD MECHA PARTS	3X9X12FZMY
88H-0002	1	CD MECHA PARTS	3X9X12FZMY 709
88H-0002	1	CD MECHA PARTS	3X9X12FZMY GEAR
88H-0003	1	CD MECHA PARTS	3X12X10FZMY
88H-0003	1	CD MECHA PARTS	3X12X10FZMY 723

PART#	QTY	DESCRIPTION	LOCATION/REF. DESIGNATOR
88H-0003	1	CD MECHA PARTS	CAM
6871SD21RAD	1	PWB(PCB) ASSY	724
556-624B	1	SWITCH LEVER	K
353-028H	1	SCREW	PCB
6870SD21RAB	1	PWB(PCB)	
6631SBE001B	1	CONNECTOR ASSY	
6871SB21RAD	1	PWB(PCB) ASSY	725
558-024E	1	SWITCH SPECIAL	K
6870SB21RAB	1	PWB(PCB)	34
6631SBE001A	1	CONNECTOR ASSY	
6871SC21RAD	1	PWB(PCB) ASSY	726
556-624B	1	SWITCH LEVER	K
353-028H	1	SCREW	PCB
672-001AAAA	2	WIREW SHIELD	
6870SC21RAB	1	PWB(PCB)	
4404SBA002A	1	MECHANISM	
4371SB0002A	1	SHAFT ASSY	31
4470SB0009A	1	GEAR	
4370SB0019A	1	SHAFT	
4560SB0002A	1	PULLEY	
3390SB0001A	1	TRAY	33
3390SB0002A	1	TRAY	36
4974SB0003A	1	GUIDE	29
4400SB0001B	1	BELT	32
4470SB0010A	1	GEAR	37
4470SB0011A	1	GEAR	38
88H-0004	1	CD MECHA PARTS	16
88H-0002	2	CD MECHA PARTS	1
6871SF21RAD	1	PWB(PCB) ASSY	30
6870SF21RAB	1	PWB(PCB)	
653-902B	1	LED	K
353-025BAAA	1	SCREW	PCB
6631SBE001C	1	CONNECTOR ASSY	
4680SBP002A	1	MOTOR(MECH)	35
414-044A	1	MOTOR	K
4560SB0001A	1	PULLEY	
6870SE21RAB	1	PWB(PCB)	
88H-0008	2	CD MECHA PARTS	
892-0001	0	SOLDER LEAD-WIRE	
3850S-S022A	1	LABEL	
3300R-M061A	1	PLATE	
3508SC0001C	1	DECORATION	
3508SC0001D	1	DECORATION	
1TRL0302016	2	SCREW TAPPING,BRIZER HEAD	
472-190K	2	FELT	
6871RM2174B	1	PWB(PCB) ASSY,MAIN(AUDIO)	
353-025C	4	SCREW	

PART#	QTY	DESCRIPTION	LOCATION/REF. DESIGNATOR ##IC HYBRID
353-025HAAA	2	SCREW	TAPTITE 3X16 FZMY
4810S-0901A	1	BRACKET	IC(FM-95M)
4920S-E007A	1	HEAT SINK	MAIN(F-680V/390V)

ELECTRICAL

6872RM2174B	1	PWB(PCB) ASSY,MAIN(AUD	FFH2020 CE MAIN
0CE1076L630	1	CAPACITOR,ELCTYTC	100M SMS 63V M FM(5) C742
0CE338CJ650	2	CAPACITOR,ELCTYTC	3300UF SHL 35V M FM7.5 C728,778
0CE338H96A0	2	CAPACITOR,AL.ELCTYTC	BULK 3300UF DL 75V M VNSN BULK C720,770
0DR154020AA	4	DIODE,RECTIFIER	1N5402-10C BK GULF D720,721,722,723
0DR610000AA	1	DIODE,RECTIFIER	KBU6G-10C BK GULF D711
0IHA405200A	1	IC,HARRIS	CD4052B 16P DIP DIFF-4-CH IC401
0IKE455800A	3	IC,KEC	MUX KIA4558P 8DIP LIN OP-AMP IC407,408,409
0IKE780500Q	1	IC,KEC	KIA7805API 3P TO-220 ST IC702
0IKE781200P	1	IC,KEC	REGULA KIA7812API TO220 ST 3P 12V IC704
0IKE781200R	1	IC,KEC	REG KIA78R12PI 4P TO-220-4 ST IC701
0ISA183700A	1	IC,SANYO	SW R LA1837 30P DIP BK AM/FM IF IC102
0ISA411220A	1	IC,SANYO	MPX STK411-220E 22P SIP BK PWR IC710
0ISA721310A	1	IC,SANYO	AMP LC72131D 22P DIP BK PLL IC103
0ISG744000A	1	IC,SGS-THOMSON	FOR TU TDA7440D 28P SOP BK IC402
614-013C	1	RESTR	FUNCTION RCR50,2.2M,J,M15 R799
0RM0150N764	2	RESTR,CEMENT	0.15 OHM 5 W 10% B RSR R711,761
0RN0562J634	2	RESTR FIX METAL FILM	56 1W 5 MF15 R709,759
0RS3300K665	2	RESTR,FIX METL FILM OX	330 2W 5 SF20 R610,660
255-717A	1	HEAT SINK	DIODE(GSA-PA10/FA-5000) ##FOR D711
353-025G	2	SCREW	TAPTITE 3X10 FZMY
561-100D	1	CONNECTOR	SP-026B PARK ELEC. SPK JK701
561-101B	1	CONNECTOR	SP-024B2 PARK ELEC. SPK JK101
561-640J	2	CONNECTOR	GL200-10P-TS P=2.0 HOLDER CN701,807
561-643J	1	CONNECTOR	GSC 52151-1010 K-MOLEX 10PIN PN701
561-644C	1	CONNECTOR	2.0MM 52147-0310 K-MOLEX 3PIN PN312
561-686T	1	CONNECTOR	2.0MM 00-8370-201-000-800 ELCO PN205
561-715C	1	CONNECTOR	KOREA GIL-G-03P-S3T2-E LG CABLE PN311
561-910C	2	CONNECTOR	3PIN TERMINAL SEMKO PCB- TM701,702
563-638D	1	CONNECTOR ASSY	ROCKING MINA #24,1007GN 3.25O 150 W701
572-559F	1	JACK 6.4	HTJ064-04B KUNMING 9PIN JK702
576-002I	1	JACK RCA	MOLD S-436*-2P (RD/WH) PARK JK710
			ELEC H

PART#	QTY	DESCRIPTION	LOCATION/REF. DESIGNATOR
586-001C	8	FUSE HOLDER	PIN-T 5X20 KS (S)
586-001C	5	FUSE HOLDER	PIN-T 5X20 KS (S) F703A,703B,704A,704B,705A
586-001C	3	FUSE HOLDER	PIN-T 5X20 KS (S) F705B,706A,706B
6140SCB001D	1	COIL,RF	RF,MW TUNING UNIT(634-700E) CE L107
6140SCD001A	1	COIL,IFT	KSNT-105I KWANGSUNG IFT BULK L101
6140SCJ004A	1	COIL,OSCILLATOR	KSZ-73C KWANG SUNG OSC BULK FF L106
616-008B	1	FILTER(CIRC),CER	SFE10.7MS2(RD) MURATA 10700000 CF101
637N009A	1	INDUCTOR	33MH C/CORE (=N008A) L102
6612R-C007D	1	JACK,RCA	RCA-206-04 YUQIU 2PIN (BK-OR) JK703
6630S-BC044	1	CONNECTOR (CIRC)	TKC-V30X-A1 TAIKO DENKI 30PIN PN302
6700SCF001A	1	TUNER	KST-F401VA-2 KWANGSUNG FM 3GAN TUN101
6873RM2174B	1	(PCB) ASSY,MAIN(AU	FFH2020 CE MAIN
OCC1000K015	1	CAP,CER(TEMP COMP)	10P 50V C NP0 TS C140
OCE1046K618	2	CAPACITOR,ELCTYTC	0.1M SMS 50V M FL TP(5) C425,427
OCE1056K618	9	CAPACITOR,ELCTYTC	1.0M SMS 50V M FL TP(5)
OCE1056K618	5	CAPACITOR,ELCTYTC	1.0M SMS 50V M FL TP(5) C112,117,151,715,738
OCE1056K618	4	CAPACITOR,ELCTYTC	1.0M SMS 50V M FL TP(5) C765,779,791,792
OCE1066F618	3	CAPACITOR,ELCTYTC	10UF SMS 16V M FL TP5 C197,409,410
OCE1066K618	8	CAPACITOR,ELCTYTC	10M SMS 50V M FM5 TP(5)
OCE1066K618	5	CAPACITOR,ELCTYTC	10M SMS 50V M FM5 TP(5) C110,113,114,153,154
OCE1066K618	3	CAPACITOR,ELCTYTC	10M SMS 50V M FM5 TP(5) C445,705,755
OCE1076F618	4	CAPACITOR,ELCTYTC	100M SMS 16V M FM5 TP(5) C143,667,725,731
OCE1076K618	4	CAPACITOR,ELCTYTC	100UF SMS 50V M FL TP5 C707,708,757,758
OCE2256K618	3	CAPACITOR,ELCTYTC	2.2M SMS 50V M FL TP(5) C184,665,666
OCE2266F618	11	CAPACITOR,ELCTYTC	22M SMS 16V M FM5 TP(5)
OCE2266F618	5	CAPACITOR,ELCTYTC	22M SMS 16V M FM5 TP(5) C121,421,422,423,424
OCE2266F618	5	CAPACITOR,ELCTYTC	22M SMS 16V M FM5 TP(5) C436,457,611,668,702
OCE2266F618	1	CAPACITOR,ELCTYTC	22M SMS 16V M FM5 TP(5) C752
OCE2276F618	1	CAPACITOR,ELCTYTC	220M SMS 16V M FM5 TP(5) C192
OCE3346K618	4	CAPACITOR,ELCTYTC	0.33M SMS 50V M FL TP(5) C426,428,432,434
OCE3356K618	3	CAPACITOR,ELCTYTC	3.3M SMS 50V M FL TP(5) C120,146,737
OCE3366F618	3	CAPACITOR,ELCTYTC	33M SMS 16V M FL TP(5) C123,703,753
OCE4746K618	10	CAPACITOR,ELCTYTC	0.47M SMS 50V M FL TP(5)
OCE4746K618	5	CAPACITOR,ELCTYTC	0.47M SMS 50V M FL TP(5) C144,145,414,415,416
OCE4746K618	5	CAPACITOR,ELCTYTC	0.47M SMS 50V M FL TP(5) C417,418,419,420,442
OCE4756K618	9	CAPACITOR,ELCTYTC	4.7M SMS 50V M FL TP(5)
OCE4756K618	5	CAPACITOR,ELCTYTC	4.7M SMS 50V M FL TP(5) C443,444,473,474,475
OCE4756K618	4	CAPACITOR,ELCTYTC	4.7M SMS 50V M FL TP(5) C476,603,605,607
OCE4766F618	8	CAPACITOR,ELCTYTC	47M SMS 16V M FL TP(5)
OCE4766F618	5	CAPACITOR,ELCTYTC	47M SMS 16V M FL TP(5) C108,183,185,413,433
OCE4766F618	3	CAPACITOR,ELCTYTC	47M SMS 16V M FL TP(5) C435,464,602
OCE4766K618	3	CAPACITOR,ELCTYTC	47M SMS 50V M FM5 TP(5) C739,740,741
OCE4776F618	1	CAPACITOR,ELCTYTC	470UF SMS 16V M FL TP5 C727
OCK1040K945	1	CAPACITOR,CER (HIGH DIELEC	0.1M 50V Z F TS C102
OCK2230K945	1	CAPCTR CER(HIGH DIEL)	0.022M 50V Z F TS C104

PART#	QTY	DESCRIPTION	LOCATION/REF.
0CK4730K945	3	CAPCTR,CER (HIGH DIELC	0.047UF 50V Z F TR C126,130,138
0CN1010K519	4	CAPCTR TUB(HIGH DIELC)	100P 50V K B TA52 C157,606,710,760
0CN1020K519	5	CAPCTR TUB(HIGH DIELC)	1000P 50V K B TA52 C103,127,133,604,608
0CN1030F679	1	CAPCTR TUB(HIGH DIELC)	10000P 16V M Y TA52 C158
0CN1040K949	6	CAPCTR,TUB(HIGH DIELC)	0.1M 50V Z F TA52
0CN1040K949	5	CAPCTR,TUB(HIGH DIELC)	0.1M 50V Z F TA52 C101,119,439,610,716
0CN1040K949	1	CAPCTR,TUB(HIGH DIELC)	0.1M 50V Z F TA52 C766
0CN2210K519	4	CAPCTR TUB(HIGH DIELC)	220P 50V K B TA52 C403,404,407,408
0CN2220F669	2	CAPCTR TUB(HIGH DIELC)	2200P 16V M X TA52 C129,152
0CN2230H949	13	CAPCTR TUB(HIGH DIELC)	22000P 25V Z FTA52
0CN2230H949	5	CAPCTR TUB(HIGH DIELC)	22000P 25V Z FTA52 C109,124,136,139,149
0CN2230H949	5	CAPCTR TUB(HIGH DIELC)	22000P 25V Z FTA52 C159,198,405,406,461
0CN2230H949	3	CAPCTR TUB(HIGH DIELC)	22000P 25V Z FTA52 C462,490,782
0CN2710K519	1	CAPCTR TUB(HIGH DIELC)	270P 50V K B TA52 C180
0CN3310K519	2	CAPCTR TUB(HIGH DIELC)	330P 50V K B TA52 C118,156
0CN4730K949	2	CAPCTR,TUB(HIGH DIELC)	0.047UF 50V Z F TA52 C142,719
0CN5610K519	1	CAPCTR TUB(HIGH DIELE)	560P 50V K B TA52 C186
0CQ1031N409	2	CAPACITOR POLY(MYLAR)	0.01UF 100V J PE TP C446,447
0CQ1041N409	3	CAPACITOR POLY(MYLAR)	0.1U 100V J POLY TP C709,711,759
0CQ2231N409	6	CAPACITOR,POLY(MYLAR)	0.022U 100V J POLY TP
0CQ2231N409	5	CAPACITOR,POLY(MYLAR)	0.022U 100V J POLY TP C721,722,733,734,771
0CQ2231N409	1	CAPACITOR,POLY(MYLAR)	0.022U 100V J POLY TP C772
0CQ3331N409	2	CAPACITOR POLY(MYLAR)	0.033U 100V J POLY TP C115,116
0CQ4731N409	3	CAPACITOR POLY(MYLAR)	0.047U 100V J POLY TP C148,718,768
0CQ6831N409	1	CAPACITOR POLY(MYLAR)	0.068U 100V J POLY TP C438
0CX1000K409	1	CAPACITOR TUB(T.C)	10P 50V J SL TA52 C122
0CX3000K409	1	CAPACITOR TUB(T.C)	30P 50V J SL TA52 C131
0CX3300K409	2	CAPACITOR TUB(T.C)	33P 50V J SL TA52 C181,182
0CX4R70K519	2	CAPACITOR,TUB(T.C)	4.7PF 50V K NP0 TA52 C704,754
0CX8R20K519	1	CAPACITOR,TUB(T.C)	8.2PF 50V K NP0 TA52 C196
0DD133009AB	12	DIODE,SWITCHING	
0DD133009AB	5	DIODE,SWITCHING	D106,141,142,143,150
0DD133009AB	5	DIODE,SWITCHING	D151,153,701,706,751
0DD133009AB	2	DIODE,SWITCHING	D778,779
0DR102109AA	7	DIODE,RECTIFIER	RL102-10C TP GULF
0DR102109AA	5	DIODE,RECTIFIER	RL102-10C TP GULF D105,108,109,602,708
0DR102109AA	2	DIODE,RECTIFIER	RL102-10C TP GULF D709,710
0DZ330009AR	1	DIODE,ZENER	GDZJ33D TP DO-34 500MW ZD702
0DZ560009AG	1	DIODE,ZENER	GDZJ5.6B TP DO-34 500MW ZD701
0DZ750009AE	2	DIODE,ZENER	GDZJ7.5C TP DO-34 500MW ZD708,758
0LA1000K019	1	INDUCTOR AXIAL LEAD	100M K 2.3X3.4 L5 TP(52M/M) L109
0RD0102F609	8	RESTR,FIXED CRBN FLM	10 1/6W 5 TA52
0RD0102F609	5	RESTR,FIXED CRBN FLM	10 1/6W 5 TA52 R105,121,609,668,720
0RD0102F609	3	RESTR,FIXED CRBN FLM	10 1/6W 5 TA52 R721,770,771
0RD0222F609	1	RESTR,FIXED CRBN FLM	22 1/6W 5 TA52 R116
0RD0472F609	2	RESTR,FIXED CRBN FLM	47 1/6W 5 TA52 R180,185
0RD0562F609	1	RESTR,FIXED CRBN FLM	56 1/6W 5 TA52 R101
0RD1000F609	2	RESTR,FIXED CRBN FLM	100 1/6W 5 TA52 R102,110
0RD1001F609	17	RESTR,FIXED CRBN FLM	1.0K 1/6W 5 TA52
0RD1001F609	5	RESTR,FIXED CRBN FLM	1.0K 1/6W 5 TA52 R125,126,127,128,146
0RD1001F609	5	RESTR,FIXED CRBN FLM	1.0K 1/6W 5 TA52 R417,447,448,451,452
0RD1001F609	5	RESTR,FIXED CRBN FLM	1.0K 1/6W 5 TA52 R453,458,460,467,468
0RD1001F609	2	RESTR,FIXED CRBN FLM	1.0K 1/6W 5 TA52 R608,754

PART#	QTY	DESCRIPTION	LOCATION/REF. DESIGNATOR
ORD1002F609	17	RESTR, FIXED CRBN FLM 10K 1/6W 5 TA52	
ORD1002F609	5	RESTR, FIXED CRBN FLM 10K 1/6W 5 TA52	R108,109,112,119,130
ORD1002F609	5	RESTR, FIXED CRBN FLM 10K 1/6W 5 TA52	R153,193,409,412,415
ORD1002F609	5	RESTR, FIXED CRBN FLM 10K 1/6W 5 TA52	R471,472,603,613,667
ORD1002F609	2	RESTR, FIXED CRBN FLM 10K 1/6W 5 TA52	R701,751
ORD1003F609	9	RESTR, FIXED CRBN FLM 100K 1/6W 5 TA52	
ORD1003F609	5	RESTR, FIXED CRBN FLM 100K 1/6W 5 TA52	R144,420,421,433,464
ORD1003F609	4	RESTR, FIXED CRBN FLM 100K 1/6W 5 TA52	R465,602,702,752
ORD1004F609	1	RESTR, FIXED CRBN FLM 1.0M 1/6W 5 TA52	R434
ORD1200F609	1	RESTR, FIXED CRBN FLM 120 1/6W 5 TA52	R106
ORD1201F609	1	RESTR, FIXED CRBN FLM 1.2K 1/6W 5 TA52	R606
ORD1202F609	7	RESTR, FIXED CRBN FLM 12K 1/6W 5 TA52	
ORD1202F609	5	RESTR, FIXED CRBN FLM 12K 1/6W 5 TA52	R122,183,439,724,730
ORD1202F609	2	RESTR, FIXED CRBN FLM 12K 1/6W 5 TA52	R774,780
ORD1501F609	7	RESTR, FIXED CRBN FLM 1.5K 1/6W 5 TA52	
ORD1501F609	5	RESTR, FIXED CRBN FLM 1.5K 1/6W 5 TA52	R132,712,714,715,762
ORD1501F609	2	RESTR, FIXED CRBN FLM 1.5K 1/6W 5 TA52	R764,765
ORD1502F609	5	RESTR, FIXED CRBN FLM 15K 1/6W 5 TA52	R436,440,607,666,710
ORD1800F609	1	RESTR, FIXED CRBN FLM 180 1/6W 5 TA52	R416
ORD1801F609	7	RESTR, FIXED CRBN FLM 1.8K 1/6W 5 TA52	
ORD1801F609	5	RESTR, FIXED CRBN FLM 1.8K 1/6W 5 TA52	R104,181,182,413,414
ORD1801F609	2	RESTR, FIXED CRBN FLM 1.8K 1/6W 5 TA52	R422,423
ORD1802F609	5	RESTR, FIXED CRBN FLM 18K 1/6W 5 TA52	R403,404,405,406,742
ORD2201F609	2	RESTR, FIXED CRBN FLM 2.2K 1/6W 5 TA52	R148,190
ORD2202F609	3	RESTR, FIXED CRBN FLM 22K 1/6W 5 TA52	R135,605,798
ORD2203F609	2	RESTR, FIXED CRBN FLM 220K 1/6W 5 TA52	R722,723
ORD2700F609	1	RESTR, FIXED CRBN FLM 270 1/6W 5 TA52	R457
ORD3300F609	1	RESTR, FIXED CRBN FLM 330 1/6W 5 TA52	R111
ORD3301F609	9	RESTR, FIXED CRBN FLM 3.3K 1/6W 5 TA52	
ORD3301F609	5	RESTR, FIXED CRBN FLM 3.3K 1/6W 5 TA52	R136,137,141,142,151
ORD3301F609	4	RESTR, FIXED CRBN FLM 3.3K 1/6W 5 TA52	R418,419,713,763
ORD3302F609	15	RESTR, FIXED CRBN FLM 33K 1/6W 5 TA52	
ORD3302F609	5	RESTR, FIXED CRBN FLM 33K 1/6W 5 TA52	R117,118,407,408,483
ORD3302F609	5	RESTR, FIXED CRBN FLM 33K 1/6W 5 TA52	R484,612,662,703,716
ORD3302F609	5	RESTR, FIXED CRBN FLM 33K 1/6W 5 TA52	R717,725,753,766,772
ORD3303F609	2	RESTR, FIXED CRBN FLM 330K 1/6W 5 TA52	R431,432
ORD3901F609	3	RESTR, FIXED CRBN FLM 3.9K 1/6W 5 TA52	R129,708,758
ORD4700F609	3	RESTR, FIXED CRBN FLM 470 1/6W 5 TA52	R445,446,456
ORD4701F609	22	RESTR, FIXED CRBN FLM 4.7K 1/6W 5 TA52	
ORD4701F609	5	RESTR, FIXED CRBN FLM 4.7K 1/6W 5 TA52	R113,114,120,133,134
ORD4701F609	5	RESTR, FIXED CRBN FLM 4.7K 1/6W 5 TA52	R149,152,156,191,443
ORD4701F609	5	RESTR, FIXED CRBN FLM 4.7K 1/6W 5 TA52	R444,449,459,461,463
ORD4701F609	5	RESTR, FIXED CRBN FLM 4.7K 1/6W 5 TA52	R470,474,480,728,741
ORD4701F609	2	RESTR, FIXED CRBN FLM 4.7K 1/6W 5 TA52	R746,747
ORD4702F609	8	RESTR, FIXED CRBN FLM 47K 1/6W 5 TA52	
ORD4702F609	5	RESTR, FIXED CRBN FLM 47K 1/6W 5 TA52	R107,410,411,665,718
ORD4702F609	3	RESTR, FIXED CRBN FLM 47K 1/6W 5 TA52	R744,748,773
ORD5600F609	2	RESTR, FIXED CRBN FLM 560 1/6W 5 TA52	R103,745
ORD5601F609	4	RESTR, FIXED CRBN FLM 5.6K 1/6W 5 TA52	R115,437,438,743
ORD6801F609	1	RESTR, FIXED CRBN FLM 6.8K 1/6W 5 TA52	R455
ORD8200F609	1	RESTR, FIXED CRBN FLM 820 1/6W 5 TA52	R435
ORD8201F609	2	RESTR, FIXED CRBN FLM 8.2K 1/6W 5 TA52	R192,604
ORD8202F609	1	RESTR, FIXED CRBN FLM 82K 1/6W 5 TA52	R147

PART#	QTY	DESCRIPTION	LOCATION/REF. DESIGNATOR
0TR102009AE	2	TRANSISTOR	KRA102M (KRA2202) TP Q150,453
0TR102009AF	3	TRANSISTOR	KRC102M,(KRC1202) TP Q103,115,454
0TR103009AE	2	TRANSISTOR	KRC103M-TP (KRC1203) KEC Q419,792
0TR103009AF	1	TRANSISTOR	KRA103M-TP (KRA2203) KEC Q414
0TR126609AA	2	TRANSISTOR	KTA1266-TP-Y (KTA1015) KEC Q450,451
0TR126709AB	1	TRANSISTOR	KTA1267-O MINI TP KEC Q102
0TR127309AA	2	TRANSISTOR	KTA1273-TP-Y (KTA966A)KEC Q701,791
0TR130209AA	3	TRANSISTOR	KTD1302 MUTING TP Q412,413,707
0TR319209AA	1	TRANSISTOR	KTC3192-O(KTC380TM) Q101
0TR319809AB	7	TRANSISTOR	KTC3198-TP-GR (KTC1815)
0TR319809AB	5	TRANSISTOR	KTC3198-TP-GR (KTC1815) Q107,108,151,605,761
0TR319809AB	2	TRANSISTOR	KTC3198-TP-GR (KTC1815) Q762,764
0TR320009AA	2	TRANSISTOR	KTC3200-GR (KTC2240) TP Q702,752
0TR320509AB	1	TRANSISTOR	KTC3205-TP-Y (KTC2236A) Q763
0TR949009AA	1	TRANSISTOR	KTA949-Y(A1024) TP KEC Q703
617T602D	1	CRYSTAL	HC-49/U A720005008 KONY X104
			RADIAL
6202S-AJ02A	1	CRYSTAL	HC-49/U KONY RADIAL X102
			4332000HZ
672-001AAAA	0	WIREW SHIELD	TIN WIRE
672-001AAAA	0	WIREW SHIELD	TIN WIRE C150,441,784
672-001AAAA	0	WIREW SHIELD	TIN WIRE C437
672-001AAAA	0	WIREW SHIELD	TIN WIRE D603,702,703
672-001AAAA	0	WIREW SHIELD	TIN WIRE FB115,117,701,702,710
672-001AAAA	0	WIREW SHIELD	TIN WIRE FB711,751,752
672-001AAAA	0	WIREW SHIELD	TIN WIRE OW104,105,107,108,115
672-001AAAA	0	WIREW SHIELD	TIN WIRE OW116,117,702,752,760
672-001AAAA	0	WIREW SHIELD	TIN WIRE OW780,782,880,914,915
672-001AAAA	0	WIREW SHIELD	TIN WIRE R611
6870R2174AA	1	PWB(PCB)	JBL A MAIN PHEN FR-1 1LAY ##MAIN PWB
0CE2276D618	1	CAPACITOR,ELCTYTC	220UF SMS 10V M FL TP5 C135
ORD0752F609	1	RESTR,FIXED CRBN FLM	75 1/6W 5 TA52 R726
ORD7500F609	2	RESTR,FIXED CRBN FLM	750 1/6W 5 TA52 R705,755
OCX6800K409	2	CAPACITOR TUB(T.C)	68P 50V J SL TA52 C724,732
ORD2200F609	1	RESTR,FIXED CRBN FLM	220 1/6W 5 TA52 R727
631T603R	2	FILTER(CIRC),EMI	BFS2545A0F(52MM TP) FB712,713
			SAMHWA AX
0CN4710K519	4	CAPACITOR TUB(HIGH DIELE)	470P 50V K B TA52 C411,412,701,751
0CK1030K945	1	CAPACITOR,CER(HIGH DIELE)	0.01UF 50V Z F TR C780
0CX3900K409	1	CAPACITOR,TUB(T.C)	39P 50V J SL TA52 C132
ORD6802F609	2	RESTR,FIXED CRBN FLM	68K 1/6W 5 TA52 R706,756
6920SC0001A	1	RELAY	0MI-SS-212LM ORIGNAL 12V RY701
			0.044
GAC+002J	1	*CONNECTOR ASSY GS	C,AY GSIL-G03/IL-J03 (I)280(S) PN820
L82+J24S	1	LEAD SET	P=2.0 UL2877#26 SA-SC 10 ##FOR CN701
			240 S
L82+J30S	1	LEAD SET	P=2.0 UL2877#26 SA-SC 10 ##FOR CN807
			300 S
6170RCM04ZD	1	TRANSFORMER,POWER	115/230V 5/60HZ 85.8X50 TR701
			DONGYA
0IRH192300A	1	IC,ROHM	BU1923F 16P SOP ST RDS IC101
			DEMODUL

PART#	QTY	DESCRIPTION	LOCATION/REF. DESIGNATOR
0CE1086F630	1	CAPACITOR,AL.ELCTYTC	1000M SMS 16V M FM5 C726
6871RF2175B	1	(PCB) ASSY,FRONT(AUDIO)	FFH2020 CE FNT
6872RF2175B	1	(PCB) ASSY,FRONT(AU	FFH2020 CE FRONT
0IMY700000A	1	IC,MSI	MSGEQ7 8P DIP BK 7 BAND IC302
0IRH693840A	1	IC,ROHM	GRAPHI RPM6938-V4 3P BK REMOCON RM301
4930RC0004A	1	HOLDER	MODUL FIP(JBL)
561-640C	1	CONNECTOR	GL200-03P-TS P=2.0 HOLDER CN312
561-707T	1	WAFER	GSC 52492-2020 J-MOLEX 29PIN CN806
6110S-ET01A	1	VOLUME,ROTARY	1.25M EC16B242040M J-ALPS D=16 VR301
616-020PAAA	1	RESONATOR,CER	V 24 CSA6.00MGU MURATA 6MHZ XT302
617-602F	1	CRYSTAL	BK SKS941215-01 CITIZEN X301
6302R-V107A	1	DIGITRON	WATCH RAD BJ797GNK FUTABA FLT301
6612R-C007C	1	JACK,RCA	UNIVERSAL JBL RCA-206-03 YUQIU 2P WH-RD JK351
6620S-L001A	1	SOCKET (CIRC),FIBER OPTIC	GP1F32T SHARP OPTICAL "H" JK350
6630S-BC034	1	CONNECTOR (CIRC)	TKC-V30P-A1 TAIKO DENKI CN302
6873RF2175B	1	PWB(PCB) ASSY,FRONT(A	30PIN FFH2020 CE FRONT
0CE1046K618	2	CAPACITOR,ELCTYTC	0.1M SMS 50V M FL TP(5) C301,302
0CE1076D618	1	CAPACITOR,ELCTYTC	100M SMS 10V M FM5 TP(5) C344
0CE2276D618	1	CAPACITOR,ELCTYTC	220UF SMS 10V M FL TP5 C304
0CE3366F618	1	CAPACITOR,ELCTYTC	33M SMS 16V M FL TP(5) C346
0CE4776D618	3	CAPACITOR,ELCTYTC	470M SMS 10V M FL TP(5) C341,342,343
0CN1020K519	1	CAPACITOR TUB(HIGH DIELE)	1000P 50V K B TA52 C303
0CN2230H949	1	CAPACITOR TUB(HIGH DIELE)	22000P 25V Z FTA52 C345
0CX3000K409	2	CAPACITOR TUB(T.C)	30P 50V J SL TA52 C305,307
0CX3300K409	3	CAPACITOR TUB(T.C)	33P 50V J SL TA52 C306,308,386
0CX6800K409	1	CAPACITOR TUB(T.C)	68P 50V J SL TA52 C387
0DD133009AB	11	DIODE,SWITCHING	
0DD133009AB	5	DIODE,SWITCHING	D301,302,305,308,309
0DD133009AB	5	DIODE,SWITCHING	D311,317,321,322,324
0DD133009AB	1	DIODE,SWITCHING	D328
0DL307119EA	2	LED	LTL-307KE-112A TP LITEON LD303,304
0DZ680009AL	2	DIODE,ZENER	GREEN GDZJ6.8B TP DO-34 500MW ZD301,302
ORD0471F609	2	RESTR,FIXED CRBN FLM	4.7 1/6W 5 TA52 R386,390
ORD1001F609	26	RESTR,FIXED CRBN FLM	1.0K 1/6W 5 TA52
ORD1001F609	5	RESTR,FIXED CRBN FLM	1.0K 1/6W 5 TA52 R301,302,303,304,305
ORD1001F609	5	RESTR,FIXED CRBN FLM	1.0K 1/6W 5 TA52 R306,307,308,309,310
ORD1001F609	5	RESTR,FIXED CRBN FLM	1.0K 1/6W 5 TA52 R311,312,324,368,369
ORD1001F609	5	RESTR,FIXED CRBN FLM	1.0K 1/6W 5 TA52 R370,371,372,373,374
ORD1001F609	5	RESTR,FIXED CRBN FLM	1.0K 1/6W 5 TA52 R375,376,377,379,384
ORD1001F609	1	RESTR,FIXED CRBN FLM	1.0K 1/6W 5 TA52 R385
ORD1002F609	15	RESTR,FIXED CRBN FLM	10K 1/6W 5 TA52
ORD1002F609	5	RESTR,FIXED CRBN FLM	10K 1/6W 5 TA52 R313,314,315,316,317

PART#	QTY	DESCRIPTION	LOCATION/REF.
ORD1002F609	5	RESTR, FIXED CRBN FLM 10K 1/6W 5 TA52	R318,319,327,328,380
ORD1002F609	5	RESTR, FIXED CRBN FLM 10K 1/6W 5 TA52	R381,382,383,393,394
ORD1201F609	3	RESTR, FIXED CRBN FLM 1.2K 1/6W 5 TA52	R340,350,360
ORD1501F609	4	RESTR, FIXED CRBN FLM 1.5K 1/6W 5 TA52	R331,341,351,361
ORD1502F609	3	RESTR, FIXED CRBN FLM 15K 1/6W 5 TA52	R346,356,366
ORD1800F609	2	RESTR, FIXED CRBN FLM 180 1/6W 5 TA52	R320,321
ORD2201F609	3	RESTR, FIXED CRBN FLM 2.2K 1/6W 5 TA52	R342,352,362
ORD2203F609	1	RESTR, FIXED CRBN FLM 220K 1/6W 5 TA52	R323
ORD2702F609	3	RESTR, FIXED CRBN FLM 27K 1/6W 5 TA52	R347,357,367
ORD3300F609	1	RESTR, FIXED CRBN FLM 330 1/6W 5 TA52	R329
ORD3301F609	3	RESTR, FIXED CRBN FLM 3.3K 1/6W 5 TA52	R343,353,363
ORD3303F609	1	RESTR, FIXED CRBN FLM 330K 1/6W 5 TA52	R398
ORD4701F609	3	RESTR, FIXED CRBN FLM 4.7K 1/6W 5 TA52	R344,354,364
ORD4702F609	1	RESTR, FIXED CRBN FLM 47K 1/6W 5 TA52	R326
ORD4704F609	1	RESTR, FIXED CRBN FLM 4.7M 1/6W 5 TA52	R397
ORD6800F609	3	RESTR, FIXED CRBN FLM 680 1/6W 5 TA52	R338,348,358
ORD6801F609	1	RESTR, FIXED CRBN FLM 6.8K 1/6W 5 TA52	R330
ORD8200F609	3	RESTR, FIXED CRBN FLM 820 1/6W 5 TA52	R339,349,359
ORD8201F609	3	RESTR, FIXED CRBN FLM 8.2K 1/6W 5 TA52	R345,355,365
OTR102009AF	2	TRANSISTOR KRC102M,(KRC1202) TP KEC TO92	Q303,304
OTR126609AA	1	TRANSISTOR KTA1266-TP-Y (KTA1015) KEC	Q301
OTR319209AA	1	TRANSISTOR KTC3192-O(KTC380TM) TP KEC TO9	Q302
556-219B	33	SWITCH,TACT THVV502GAA PT NON 12V 5A	
556-219B	5	SWITCH,TACT THVV502GAA PT NON 12V 5A	SW301,302,303,304, 305
556-219B	5	SWITCH,TACT THVV502GAA PT NON 12V 5A	SW306,307,308,309, 310
556-219B	5	SWITCH,TACT THVV502GAA PT NON 12V 5A	SW311,312,313,314, 315
556-219B	5	SWITCH,TACT THVV502GAA PT NON 12V 5A	SW316,317,318,319, 320
556-219B	5	SWITCH,TACT THVV502GAA PT NON 12V 5A	SW321,322,323,324, 325
556-219B	5	SWITCH,TACT THVV502GAA PT NON 12V 5A	SW326,327,328,329, 330
556-219B	3	SWITCH,TACT THVV502GAA PT NON 12V 5A	SW331,332,333
6870R2175AA	1	PWB(PCB) JBL A,C,C-3 FRONT PHEN FR-1 1L	##FRONT PCB
ORD1003F609	1	RESTR, FIXED CRBN FLM 100K 1/6W 5 TA52	R3A1
ORD1004F609	1	RESTR, FIXED CRBN FLM 1.0M 1/6W 5 TA52	R3A3
OCE1076K618	1	CAPACITOR, ELCTYTC 100UF SMS 50V M FL TP5	C347
OCN1040K949	1	CAPACITOR, TUB(HIGH DIELEC) 0.1M 50V Z F TA52	C309
OCN4730K949	1	CAPACITOR, TUB(HIGH DIELEC) 0.047UF 50V Z F TA52	C310
GAC+002J	1	*CONNECTOR ASSY GS C,AY GSIL-G03/IL-J03 (I)280(S)	CN311
L82+C30S	1	LEAD SET P=2.0 UL2877#26 SA-SC 3 300 S/	##FOR CN312,PN312
OICTMSA001A	1	IC,CUSTOMIZED LC866548V-5T09(866548Y-5T09)	IC301
563-638D	1	CONNECTOR ASSY MINA #24,1007GN 3.25O 150	W3A2
6871RG2182B	1	(PCB) ASSY, DECK(AUDIO) JBL A,C,C-3 DECK	
6872RG2182B	1	(PCB) ASSY, DECK(AUD JBL A,C,C-3 DECK	
OIKE628900A	1	IC,KEC KIA6289N (=OIKE818900A)NDIP-24	IC202
OIRH209000A	1	IC,ROHM BU2090F 16PIN SOP BK EXPANDER	IC203
OIRH312600A	1	IC,ROHM BA3126N . BK HI VOL. HEAD	IC201

PART#	QTY	DESCRIPTION	LOCATION/REF. DESIGNATOR
0RV1472D230	1	VR RESTR,CRBN FLM	4.7K 6 ST P3 L2.5 5 VR201
561-686T	1	CONNECTOR	00-8370-201-000-800 ELCO PN205
			KOREA
6140SCR001A	1	COIL,OSCILLATOR	LKS75M00-X000291-0 KWANG L201
			SUNG
6630R-BF03C	1	CONCTR (CIRC),PCB TO PCB	JE121-03 JAE EUN 3PIN PN201
			2.54MM B
6630R-BF03F	1	CONCTR (CIRC),PCB TO PCB	JE121-06 JAE EUN 6PIN PN202
			2.54MM B
6630R-BF03J	2	CONCTR (CIRC),PCB TO PCB	JE121-10 JAE EUN 10PIN PN203,204
			2.54MM
6873RG2182B	1	PWB(PCB) ASSY,DECK(AU	JBL A,C,C-3 DECK
0CE1066J618	5	CAPACITOR,ELCTYTC	10M SMS 35V M FL TP(5) C220,229,234,241,243
0CE1076F618	3	CAPACITOR,ELCTYTC	100M SMS 16V M FM5 TP(5) C216,223,235
0CE2256K618	3	CAPACITOR,ELCTYTC	2.2M SMS 50V M FL TP(5) C205,206,236
0CE4756K618	3	CAPACITOR,ELCTYTC	4.7M SMS 50V M FL TP(5) C221,228,248
0CE4766F618	3	CAPACITOR,ELCTYTC	47M SMS 16V M FL TP(5) C237,239,242
0CN1020K519	2	CAPCTR TUB(HIGH DIELE)	1000P 50V K B TA52 C238,240
0CN1040K949	5	CAPCTR,TUB(HIGH DIELC)	0.1M 50V Z F TA52 C254,255,256,257,258
0CN1220F669	5	CAPCTR TUB(HIGH DIELE)	1200P 16V M X TA52 C201,202,209,210,213
0CN1520F569	2	CAPCTR,TUB(HIGH DIELC)	1500PF 16V K X TA52 C249,250
0CN1820F669	2	CAPCTR TUB(HIGH DIELE)	1800P 16V M X TA52 C203,208
0CN2210K519	4	CAPCTR TUB(HIGH DIELE)	220P 50V K B TA52 C211,212,251,252
0CN2220F669	2	CAPCTR TUB(HIGH DIELE)	2200P 16V M X TA52 C244,246
0CN2230H949	3	CAPCTR TUB(HIGH DIELE)	22000P 25V Z FTA52 C253,259,260
0CN3310K519	6	CAPCTR TUB(HIGH DIELE)	330P 50V K B TA52
0CN3310K519	5	CAPCTR TUB(HIGH DIELE)	330P 50V K B TA52 C225,226,230,232,245
0CN3310K519	1	CAPCTR TUB(HIGH DIELE)	330P 50V K B TA52 C247
0CN3320F669	2	CAPCTR,TUB(HIGH DIELC)	3300PF 16V M X TA52 C204,207
0CN4730K949	2	CAPCTR,TUB(HIGH DIELC)	0.047UF 50V Z F TA52 C215,261
0CQ1021N409	1	CAPACITOR,POLY(MYLAR)	0.001U 100V J POLY TP C219
0CQ1031N409	2	CAPACITOR POLY(MYLAR)	0.01UF 100V J PE TP C227,233
0CQ1531N409	1	CAPACITOR POLY(MYLAR)	0.015U 100V J POLY TP C218
0CQ5621N409	1	CAPACITOR POLY(MYLAR)	0.0056U 100V J POLY TP C214
0CQ5631N409	1	CAPACITOR,POLY(MYLAR)	0.056U 100V J POLY TP C217
0DD133009AB	4	DIODE,SWITCHING	D202,203,204,205
0RD0102F609	1	RESTR,FIXED CRBN FLM	10 1/6W 5 TA52 R234
0RD0222F609	3	RESTR,FIXED CRBN FLM	22 1/6W 5 TA52 R231,232,290
0RD0682F609	2	RESTR,FIXED CRBN FLM	68 1/6W 5 TA52 R202,212
0RD1001F609	2	RESTR,FIXED CRBN FLM	1.0K 1/6W 5 TA52 R276,277
0RD1002F609	17	RESTR,FIXED CRBN FLM	10K 1/6W 5 TA52
0RD1002F609	5	RESTR,FIXED CRBN FLM	10K 1/6W 5 TA52 R223,227,233,246,252
0RD1002F609	5	RESTR,FIXED CRBN FLM	10K 1/6W 5 TA52 R254,256,258,262,279
0RD1002F609	5	RESTR,FIXED CRBN FLM	10K 1/6W 5 TA52 R282,284,287,288,289
0RD1002F609	2	RESTR,FIXED CRBN FLM	10K 1/6W 5 TA52 R291,293
0RD1003F609	10	RESTR,FIXED CRBN FLM	100K 1/6W 5 TA52
0RD1003F609	5	RESTR,FIXED CRBN FLM	100K 1/6W 5 TA52 R201,208,211,218,221
0RD1003F609	5	RESTR,FIXED CRBN FLM	100K 1/6W 5 TA52 R225,229,260,261,280
0RD1202F609	6	RESTR,FIXED CRBN FLM	12K 1/6W 5 TA52
0RD1202F609	5	RESTR,FIXED CRBN FLM	12K 1/6W 5 TA52 R205,215,255,257,259
0RD1202F609	1	RESTR,FIXED CRBN FLM	12K 1/6W 5 TA52 R263
0RD1501F609	3	RESTR,FIXED CRBN FLM	1.5K 1/6W 5 TA52 R278,285,286
0RD1502F609	2	RESTR,FIXED CRBN FLM	15K 1/6W 5 TA52 R204,214
0RD1801F609	2	RESTR,FIXED CRBN FLM	1.8K 1/6W 5 TA52 R206,216

PART#	QTY	DESCRIPTION	LOCATION/REF.
ORD1802F609	3	RESTR, FIXED CRBN FLM 18K 1/6W 5 TA52	R235,294,298
ORD2201F609	3	RESTR, FIXED CRBN FLM 2.2K 1/6W 5 TA52	R209,219,230
ORD2202F609	2	RESTR, FIXED CRBN FLM 22K 1/6W 5 TA52	R247,253
ORD2703F609	1	RESTR, FIXED CRBN FLM 270K 1/6W 5 TA52	R240
ORD3902F609	1	RESTR, FIXED CRBN FLM 39K 1/6W 5 TA52	R29A
ORD3903F609	2	RESTR, FIXED CRBN FLM 390K 1/6W 5 TA52	R203,213
ORD4700F609	2	RESTR, FIXED CRBN FLM 470 1/6W 5 TA52	R239,29D
ORD4701F609	13	RESTR, FIXED CRBN FLM 4.7K 1/6W 5 TA52	
ORD4701F609	5	RESTR, FIXED CRBN FLM 4.7K 1/6W 5 TA52	R236,245,251,264,265
ORD4701F609	5	RESTR, FIXED CRBN FLM 4.7K 1/6W 5 TA52	R266,267,268,269,271
ORD4701F609	3	RESTR, FIXED CRBN FLM 4.7K 1/6W 5 TA52	R272,273,283
ORD4702F609	8	RESTR, FIXED CRBN FLM 47K 1/6W 5 TA52	
ORD4702F609	5	RESTR, FIXED CRBN FLM 47K 1/6W 5 TA52	R237,238,241,242,243
ORD4702F609	3	RESTR, FIXED CRBN FLM 47K 1/6W 5 TA52	R248,249,29B
ORD5600F609	2	RESTR, FIXED CRBN FLM 560 1/6W 5 TA52	R210,220
ORD5601F609	3	RESTR, FIXED CRBN FLM 5.6K 1/6W 5 TA52	R224,228,281
ORD5602F609	3	RESTR, FIXED CRBN FLM 56K 1/6W 5 TA52	R207,217,29C
ORD8201F609	4	RESTR, FIXED CRBN FLM 8.2K 1/6W 5 TA52	R295,296,297,299
0TR102009AF	2	TRANSISTOR KRC102M,(KRC1202) TP	Q205,213
0TR126609AA	1	TRANSISTOR KTA1266-TP-Y (KTA1015) KEC	Q215
0TR127309AA	3	TRANSISTOR KTA1273-TP-Y (KTA966A)KEC	Q214,218,219
0TR319809AB	8	TRANSISTOR KTC3198-TP-GR (KTC1815)	
0TR319809AB	5	TRANSISTOR KTC3198-TP-GR (KTC1815)	Q201,204,206,207,208
0TR319809AB	3	TRANSISTOR KTC3198-TP-GR (KTC1815)	Q209,210,211
0TR320509AB	1	TRANSISTOR KTC3205-TP-Y (KTC2236A)	Q202
672-001AAAA	5	WIREW SHIELD TIN WIRE	
672-001AAAA	0	WIREW SHIELD TIN WIRE	D201
672-001AAAA	0	WIREW SHIELD TIN WIRE	FB201,202,203,204
6870R2182AA	1	PWB(PCB) JBL A,C,C-3 DECK PHEN FR-1 1LA	
631T603R	2	FILTER(CIRC),EMI BFS2545A0F(52MM TP) SAMHWA AX	FB205,206
ORD3301F609	2	RESTR, FIXED CRBN FLM 3.3K 1/6W 5 TA52	R222,226
OCE3366F618	2	CAPACITOR,ELCTYTC 33M SMS 16V M FL TP(5)	C224,231
ORD2702F609	2	RESTR, FIXED CRBN FLM 27K 1/6W 5 TA52	R244,250
0WR0806N092	1	LEAD WIRE 1007 22 SIN 60 BN 7-7 NA	W278
6871S-38KAG	1	PWB(PCB) ASSY,TOTAL JBL 3CD MAIN ASSY (OPTICAL)	
6872S-38KAG	1	H&A INS PWB(PCB) ASSY,TOTAL JBL 3CD MAIN ASSY (OPTICAL)	
0ISS922300A	1	IC,SAMSUNG KB9223 80P QFP BK CD ASP	IC801
0ISS928600B	1	IC,SAMSUNG KS9286B 80P QFP BK DSP FOR CD	IC802
0ISS925800A	1	IC,SAMSUNG KA9258D-T1 4CH DRIVER,S/S	IC803
0ISS830100B	1	IC,SAMSUNG KA8301 10PIN SIP BK CD MOTOR D	IC804
0ISS308200A	1	IC,SAMSUNG KA3082 10-SIP BK MOTOR DRIVE	IC805
617T602E	1	CRYSTAL HC49/U B169346008 KONY RADIAL	X801
6630S-FB07P	1	CONNECTOR (CIRC),FFC/FPC 00-6232-016-008-800 ELCO KOREA	PN801
561-711BAAA	1	CONNECTOR *WAFER,G/S GIL-S-02P-S2T2- EF	PN802

PART#	QTY	DESCRIPTION	LOCATION/REF. DESIGNATOR
561-711F	1	CONNECTOR	*WAFER,G/S GIL-S-06P-S2T2- EF PN803
561-711DAAA	1	CONNECTOR	GIL-S-04P-S2T2-EF LG CABLE 4PI PN804
561-711EAAA	1	CONNECTOR	*WAFER,G/S GIL-S-05P-S2T2- EF PN805
561-686T	1	CONNECTOR	00-8370-201-000-800 ELCO KOREA PN806
561-644J	1	CONNECTOR	52147-1010 K-MOLEX 10PIN 2.0MM PN807
561-716C	1	CONNECTOR	GIL-G-03P-S3L2-E LG CABLE 3PIN TP801
4810S-7829A	2	BRACKET	CD MOTOR(0.3T)NEW-MD BK801,802
6873S-38KAG	1	PWB(PCB) ASSY,TOTAL	JBL 3CD MAIN ASSY (OPTICAL)
6870S-38KAA	1	PWB(PCB),TOTAL	PCB(3 CD MAIN, S/S) ##CD PCB
0TR126609AB	1	TRANSISTOR	KTA1266-GR Q801 TP,KEC(KTA1015GR)
0DD133009AB	1	DIODE,SWITCHING	12 D801
0DZ390009AC	1	DIODE,ZENER	GDZJ3.9B TP DO-34 500MW ZD801
0DZ510009AH	1	DIODE,ZENER	GDZJ5.1B TP DO-34 500MW ZD803
ORD0182F609	1	RESTR,FIXED CRBN FLM	18 1/6W 5 TA52 R848
ORD0222F609	1	RESTR,FIXED CRBN FLM	22 1/6W 5 TA52 R801
ORD1000F609	2	RESTR,FIXED CRBN FLM	100 1/6W 5 TA52 R863,864
ORD2200F609	2	RESTR,FIXED CRBN FLM	220 1/6W 5 TA52 R865,899
ORD1001F609	13	RESTR,FIXED CRBN FLM	1.0K 1/6W 5 TA52
ORD1001F609	5	RESTR,FIXED CRBN FLM	1.0K 1/6W 5 TA52 R824,850,851,852,853
ORD1001F609	5	RESTR,FIXED CRBN FLM	1.0K 1/6W 5 TA52 R854,855,856,857,858
ORD1001F609	3	RESTR,FIXED CRBN FLM	1.0K 1/6W 5 TA52 R859,877,878
ORD3301F609	2	RESTR,FIXED CRBN FLM	3.3K 1/6W 5 TA52 R845,847
ORD5601F609	7	RESTR,FIXED CRBN FLM	5.6K 1/6W 5 TA52
ORD5601F609	5	RESTR,FIXED CRBN FLM	5.6K 1/6W 5 TA52 R849,882,883,884,892
ORD5601F609	2	RESTR,FIXED CRBN FLM	5.6K 1/6W 5 TA52 R893,894
ORD8201F609	6	RESTR,FIXED CRBN FLM	8.2K 1/6W 5 TA52
ORD8201F609	5	RESTR,FIXED CRBN FLM	8.2K 1/6W 5 TA52 R837,844,867,871,874
ORD8201F609	1	RESTR,FIXED CRBN FLM	8.2K 1/6W 5 TA52 R876
ORD1002F609	5	RESTR,FIXED CRBN FLM	10K 1/6W 5 TA52 R834,836,841,870,872
ORD1502F609	4	RESTR,FIXED CRBN FLM	15K 1/6W 5 TA52 R808,820,831,835
ORD1802F609	3	RESTR,FIXED CRBN FLM	18K 1/6W 5 TA52 R821,873,875
ORD2702F609	5	RESTR,FIXED CRBN FLM	27K 1/6W 5 TA52 R846,880,881,890,891
ORD3902F609	1	RESTR,FIXED CRBN FLM	39K 1/6W 5 TA52 R868
ORD5602F609	1	RESTR,FIXED CRBN FLM	56K 1/6W 5 TA52 R827
ORD4702F609	3	RESTR,FIXED CRBN FLM	47K 1/6W 5 TA52 R829,832,869
ORD6802F609	5	RESTR,FIXED CRBN FLM	68K 1/6W 5 TA52 R802,803,805,806,866
ORD8202F609	3	RESTR,FIXED CRBN FLM	82K 1/6W 5 TA52 R804,807,833
ORD1003F609	5	RESTR,FIXED CRBN FLM	100K 1/6W 5 TA52 R823,828,842,885,895
ORD1503F609	4	RESTR,FIXED CRBN FLM	150K 1/6W 5 TA52 R822,825,830,840
ORD1803F609	1	RESTR,FIXED CRBN FLM	180K 1/6W 5 TA52 R814
ORD4703F609	1	RESTR,FIXED CRBN FLM	470K 1/6W 5 TA52 R813
ORD1004F609	1	RESTR,FIXED CRBN FLM	1.0M 1/6W 5 TA52 R843
ORD2204F609	1	RESTR,FIXED CRBN FLM	2.2M 1/6W 5 TA52 R812
OCX2R20K419	1	CAPACITOR,TUB(T.C)	2.2PF 50V J NP0 TA52 C805
OCX4700K409	2	CAPACITOR TUB(T.C)	47P 50V J SL TA52 C851,852
OCN1010K519	1	CAPCTR TUB(HIGH DIELE)	100P 50V K B TA52 C831
OCN1510K519	2	CAPCTR,TUB(HIGH DIELC)	150P 50V K B TA52 C881,891

PART#	QTY	DESCRIPTION	LOCATION/REF. DESIGNATOR
0CN3310K519	2	CAPCTR TUB(HIGH DIELE) 330P 50V K B TA52	C883,893
0CN5610K519	1	CAPCTR TUB(HIGH DIELE) 560P 50V K B TA52	C823
0CN1020K519	8	CAPCTR TUB(HIGH DIELE) 1000P 50V K B TA52	
0CN1020K519	5	CAPCTR TUB(HIGH DIELE) 1000P 50V K B TA52	C802,827,836,867,868
0CN1020K519	3	CAPCTR TUB(HIGH DIELE) 1000P 50V K B TA52	C887,889,897
0CN1520F569	4	CAPCTR,TUB(HIGH DIELC) 1500PF 16V K X TA52	C810,850,882,892
0CN2220F669	1	CAPCTR TUB(HIGH DIELE) 2200P 16V M X TA52	C828
0CN4720F669	4	CAPCTR TUB(HIGH DIELE) 4700P 16V M X TA52	C806,830,885,895
0CN6820F669	1	CAPCTR TUB(HIGH DIELE) 6800P 16V M X TA(52)	C837
0CN1030F679	10	CAPCTR TUB(HIGH DIELE) 10000P 16V M Y TA52	
0CN1030F679	5	CAPCTR TUB(HIGH DIELE) 10000P 16V M Y TA52	C807,811,814,825,826
0CN1030F679	5	CAPCTR TUB(HIGH DIELE) 10000P 16V M Y TA52	C832,846,849,855,862
0CN2230H949	2	CAPCTR TUB(HIGH DIELE) 22000P 25V Z FTA52	C840,854
0CN4730K949	1	CAPCTR,TUB(HIGH DIELC) 0.047UF 50V Z F TA52	C848
0CN1040K949	9	CAPCTR,TUB(HIGH DIEEC) 0.1M 50V Z F TA52	
0CN1040K949	5	CAPCTR,TUB(HIGH DIELC) 0.1M 50V Z F TA52	C822,824,841,842,857
0CN1040K949	4	CAPCTR,TUB(HIGH DIELC) 0.1M 50V Z F TA52	C860,861,864,866
0CQ3331N409	3	CAPACITOR POLY(MYLAR) 0.033U 100V J POLY TP	C815,821,843
0CQ6831N409	1	CAPACITOR POLY(MYLAR) 0.068U 100V J POLY TP	C833
0CK1020K945	1	CAPCTR,CER(HIGH DIELE) 1000PF 50V Z F TR	C856
0CE4746K618	2	CAPACITOR,ELCTYTC 0.47M SMS 50V M FL TP(5)	C844,845
0CE1056K618	2	CAPACITOR,ELCTYTC 1.0M SMS 50V M FL TP(5)	C808,888
0CE4756K618	6	CAPACITOR,ELCTYTC 4.7M SMS 50V M FL TP(5)	
0CE4756K618	5	CAPACITOR,ELCTYTC 4.7M SMS 50V M FL TP(5)	C812,817,880,884,890
0CE4756K618	1	CAPACITOR,ELCTYTC 4.7M SMS 50V M FL TP(5)	C894
0CE1066J618	1	CAPACITOR,ELCTYTC 10M SMS 35V M FL TP(5)	C834
0CE4766F618	3	CAPACITOR,ELCTYTC 47M SMS 16V M FL TP(5)	C803,809,813
0CE1076D618	4	CAPACITOR,ELCTYTC 100M SMS 10V M FM5 TP(5)	C801,816,847,859
0CE4776D618	2	CAPACITOR,ELCTYTC 470M SMS 10V M FL TP(5)	C835,853
0CE4776F618	1	CAPACITOR,ELCTYTC 470UF SMS 16V M FL TP5	C865
0DZ470009AD	1	DIODE,ZENER GDZJ4.7B TP DO34 500MW	ZD804
ORD1202F609	1	RESTR,FIXED CRBN FLM 12K 1/6W 5 TA52	R809
561-715C	1	CONNECTOR GIL-G-03P-S3T2-E LG CABLE 3PIN	CN820
6730S-G005E	1	DECK MECHANISM ADR244AMW3 SAM L-DOUBLE A/	
447-938K	1	CUSHION CUSHION RUBBER(MTR-400/500)	
6850RCHT24A	2	CABLE,FLAT P=1.25 FFC UL2896(0.05X0.8) 20	
6630R-BF06J	2	CONNR (CIRC),PCB TO JE11T-D15T-10 JAE EUN 10PIN ##FOR DECK 2.	
0FT4001B510	2	FUSE,TIME LAG 4000MA 250 V 5.2X20 CY/GL ECT	F703,704
0FT4001B512	2	FUSE,TIME LAG 4A 250V 5.2X20 CY/GL UL/CSA	
0FT6301B510	2	FUSE,TIME LAG 6300MA 250 V 5.2X20 CY/GL	F705,706
0FT6301B512	2	FUSE,TIME LAG 6300MA 250 V 5.2X20 CY/GL	
3300SCF002K	1	PLATE JBL20/30(PAD ONE PACKING)	
6850RCGP24A	1	CABLE,FLAT P1.0 FFC UL2896(0.05X0.65)	CH8001
563-648D	1	CONNECTOR ASSY ECTOR AY 150 CODE A UL	
3850RCZ004A	1	LABEL JBL ORIGIN(BOX)	#FOR BOX

SG3030 PARTS LISTS

PART#	QTY	DESCRIPTION	LOCATION/REF. DESIGNATOR	
PACKAGE				
694-005I	1	BAG SOFT	FFH-272(E.PS+HDPE)	
926-0016	0	TAPE ADHESIVE VINYL	OPP TAPE(60WX50H)	
951-001A	1	DECK AND OTHER PARTS	DRY CARAT (3G)	
6710R-XC01A	1	REMOTE CONTROLLER	HANGO 32KEY HANGO JBL A/C	
3829RAT001A	1	MANUAL ASSY	FFH-2020/3030 JBL USA	
3828RCD029A	1	MANUAL,OWNERS	CSG2020A ENGLISH JBL	
3840RGW001A	1	CARD	JBL WARRANTY(USA)	
292-004P	1	BAG PE	P.E BAG (25X35)	
3840RGR001A	1	CARD	JBL REGITRATION (USA)	
3890RCA024B	1	BOX	CSG3030A JBL-USA WHD 4 FLX	
3920RCE003A	1	PACKING	JBL 0.02 15 EPS 4 155 324	
MECHANICAL				
3721RCF010A	1	PANEL ASSY	FRONT(JBL C)	
3720RCF004A	1	PANEL	FRONT -A(JBL)	
3580RCA004A	1	DOOR	CST -L(JBL)	
3580RCA004B	1	DOOR	CST -R(JBL)	
3580RCC002C	1	DOOR	CD (FFH-3030A UL)	
3790RCP016A	1	WINDOW	FL(JBL)	
3790RCZ005A	1	WINDOW	CST-L(JBL)	
3790RCZ005B	1	WINDOW	CST-R(JBL)	
4930RC0005A	1	HOLDER	CST DOOR(JBL)	
3300RCP001A	3	PLATE	BADGE JBL	
4940RCT007A	1	KNOB	POWER(JBL)	
4940RCT008A	1	KNOB	OPEN/CLOS	
4940RCT009A	1	KNOB	CLOCK(JBL)	
4940RCT012A	1	KNOB	TUNING(JBL)	
4940RCT013A	1	KNOB	STOP(JBL)	
4940RCT014A	1	KNOB	#12(JBL)	
4940RCT015A	1	KNOB	#7(JBL)	
4940RCV004A	1	KNOB	VOLUME(JBL)	
4901SK0001C	2	DAMPER ASSY	GEAR DAMPER AY(WH+WH G331)	
3140RC0001A	1	CHASSIS	MAIN(MINI COMPO)	
841N0015	2	BATTERY	R03G=0012 NO MERCURY HI-WATT 1	
3610RC0001A	2	FOOT	MOLD FOR JBL	
442-085E	2	SPRING	SPRING-DOOR (F-101)50D L=35	
384-535A	2	GUIDE	EJECT AY(FK-535 BD1)DUAL	
4930S-0536A	1	HOLDER	HLDR GUIDE(FK-535 BD1)DUAL	A28
442-780A	1	SPRING	SPRING SPIRAL(FJ-676)EJECT	A29
384-014AAAA	1	GUIDE	GUIDE EJECTOR(FJ-676)	A30
353-025C	68	SCREW	TAPTITE 3X10 FBK	
353-025T	7	SCREW,	TAPTITE 3X10.5 FZMY	##PANEL+CHAS/PANEL+MD

PART#	QTY	DESCRIPTION	LOCATION/REF. DESIGNATOR	
1TRL0402418	4	BRZR HEAD TA SCREW + 2 CUT	D 4.0 L 8.0 MSWR3/FZY ##CHAS+TRANS	
4405SCE002A	1	MECHANISM ASSY	CDM-H1303 SHIN HEUNG CD CHANGE	
563-801D	1	CNCTR ASSY	P=2.0 GIL-S06X2 1571#28 250	
4405SBE001A	1	MECHANISM ASSY	CDM-H1303 SHIN HEUNG CD CHANGE	
4404SBA001A	1	MECHANISM	MAIN ASSY(CDM-H1303)	
4860SB0002A	1	CLAMP	CLAMP ASSY	701
4860SB0001A	1	CLAMP	DISC(CDM-H1303)	
3550SB0001A	1	COVER	MAGNET(CDM-H1303)	
524-012AAAA	1	COVER	CLAMP MAGNET (030X018X5T)	
3040SB0004A	1	BASE	PU ASSY(CDM-H1303)	
4405SCB001A	1	MECHANISM ASSY	KSM-213CCM SONY HI-FI FRONT LO	
6756S-O001A	1	CD MECHANISM PARTS	KSM-213CDM MOTOR,GEAR	4
6756S-T001A	1	CD MECHANISM PARTS	KSM-213CDM LEAD IN	2
6756S-G001A	1	CD MECHANISM PARTS	KSM-213CDM FEED GEAR	1
6756S-X001A	1	CD MECHANISM PARTS	SONY KSS-213C	3
3040SB0003A	1	BASE	PU(CDM-H1303)	
4900SB0001A	4	DAMPER	DAMPER RUBBER	
88H-0002	2	CD MECHA PARTS	3X9X12FZMY	
6756SBX001A	4	CD MECHANISM PARTS		
4680SBP001A	1	MOTOR(MECH)	PULLEY ASSY (CDM-H1303)	711
414-044A	1	MOTOR	RF500TB-14415 (MABUCHI)	K
4560SB0001A	1	PULLEY	MOTOR (CDM-H1303)	
353S353F	2	SCREW		MOTOR
3040SB0002A	1	BASE	MAIN(CDM-H1303)	712
4974SB0001A	1	GUIDE	CAM (CDM-H1303)	713
4970SBN002A	1	SPRING	CAM (CDM-H1303)	714
4400SB0001A	1	BELT	MAIN(CDM-H1303)	715
4471SB0001A	1	GEAR ASSY	GEAR CAM ASSY	716
4470SB0001A	1	GEAR	CAM UP(CDM-H1303)	
4470SB0002A	1	GEAR	CAM DOWN(CDM-H1303)	
4470SB0005A	1	GEAR	MAIN (CDM-H1303)	717
4470SB0003A	1	GEAR	PULLEY (CDM-H1303)	718
4470SB0004A	1	GEAR	LOADING (CDM-H1303)	719
4470SB0007A	1	GEAR	PU UP-A (CDM-H1303)	720
4470SB0008A	1	GEAR	PU UP-B (CDM-H1303)	721
4470SB0006A	1	GEAR	PU DOWN (CDM-H1303)	722
88H-0002	1	CD MECHA PARTS	3X9X12FZMY	
88H-0002	1	CD MECHA PARTS	3X9X12FZMY	709
88H-0002	1	CD MECHA PARTS	3X9X12FZMY	GEAR
88H-0003	1	CD MECHA PARTS	3X12X10FZMY	
88H-0003	1	CD MECHA PARTS	3X12X10FZMY	723
88H-0003	1	CD MECHA PARTS	3X12X10FZMY	CAM
6871SD21RAD	1	PWB(PCB) ASSY	3CH M/D CAM PWB ASSY	724
556-624B	1	SWITCH LEVER	SSCF21002A J-ALPS NON DC12V	K
353-028H	1	SCREW		PCB
6870SD21RAB	1	PWB(PCB)	3CH M/D CAM PWB ASSY	
6631SBE001B	1	CNCTR ASSY	P=2.0 ,GIL-S04/S04 UL 1571	

PART#	QTY	DESCRIPTION	LOCATION/REF. DESIGNATOR
6871SB21RAD	1	PWB(PCB) ASSY	3CH M/D U/D/O/C PWB ASSY 725
558-024E	1	SWITCH SPECIAL	SPPB61114A J-ALPS K
6870SB21RAB	1	PWB(PCB)	3CH M/D U/D/O/C PWB ASS'Y 34
6631SBE001A	1	CNCTR ASSY	P=2.0 , GIL-S02/S02 UL1571
6871SC21RAD	1	PWB(PCB) ASSY	3CH M/D OPEN PWB ASSY 726
556-624B	1	SWITCH LEVER	SSCF21002A J-ALPS NON DC12V 10 K
353-028H	1	SCREW	PCB
672-001AAAA	2	WIREW SHIELD	TIN WIRE
6870SC21RAB	1	PWB(PCB)	3CH M/D OPEN PWB
4404SBA002A	1	MECHANISM	MECHANISM TRAY(CDMH1303)
4371SB0002A	1	SHAFT ASSY	TRAY (CDM-H1303) 31
4470SB0009A	1	GEAR	WORM (CDM-H1303)
4370SB0019A	1	SHAFT	TRAY (CDM-H1303)
4560SB0002A	1	PULLEY	TRAY (CDM-H1303)
3390SB0001A	1	TRAY	LOADING (CDM-H1303) 33
3390SB0002A	1	TRAY	DISC (CDM-H1303) 36
4974SB0003A	1	GUIDE	WORM (CDM-H1303) 29
4400SB0001B	1	BELT	TRAY(CDM-H1303) 32
4470SB0010A	1	GEAR	TRAY A (CDM-H1303) 37
4470SB0011A	1	GEAR	TRAY B (CDM-H1303) 38
88H-0004	1	CD MECHA PARTS	3X12X12FNM 16
88H-0002	2	CD MECHA PARTS	3X9X12FZMY 1
6871SF21RAD	1	PWB(PCB) ASSY	3CH M/D SENSOR PWB ASSY 30
6870SF21RAB	1	PWB(PCB)	3CH M/D SENSOR PWB ASSY
653-902B	1	LED	GP1S53 PHOTO SENSOR BK SHARP K G
353-025BAAA	1	SCREW	PCB
6631SBE001C	1	CNCTR ASSY	P=2.0 ,GIL-S05/S05 UL1571
4680SBP002A	1	MOTOR(MECH)	ASSY TRAY 35
414-044A	1	MOTOR	RF500TB-14415 (MABUCHI) K
4560SB0001A	1	PULLEY	MOTOR (CDM-H1303)
6870SE21RAB	1	PWB(PCB)	3CH M/D TRAY PWB ASSY
88H-0008	2	CD MECHA PARTS	(LEN315FL)
892-0001	0	SOLDER LEAD-WIRE	SOLDER-LEAD-WIRE RH-50 1.6
6730S-G005E	1	DECK MECHANISM	ADR244AMW3 SAMSUNG L-DOUBLE A/
3090RCM001G	1	CABINET	TOP (JBL MINI COMPO)
632N218E	1	COIL,ANTENNA	KS951212-01 KWANGSUNG LOOP
5010SCT001A	1	ANTENNA	533-010K SESHIN FM T LGEHZ
328-190B	2	BAND NYLON	BAND TIE
6410SCH201A	1	POWER CORD	(HIFI)SPT-2 60C 2X18AWG VW-1 H
3720RCZ009A	1	PANEL	BACK JBL(C MODEL)JUL
3720RCM008E	2	PANEL,AUDIO	SIDE(JBL MINI COMPO)
447-938K	1	CUSHION	CUSHION RUBBER(MTR-400/500)
3300R-M061B	1	PLATE	DECO JBL (3030)
3850RCZ001A	1	LABEL	ORIGIN MARK(MADE IN CHINA)
3850S-S022A	1	LABEL	FUSE UL 244-190N
1TRL0302016	2	SCREW TAPPING,BRIZER HEAD	D 3.0 L 6.0 MSWR3/(BK)

PART#	QTY	DESCRIPTION	LOCATION/REF. DESIGNATOR	
472-190K	2	FELT	11X3.2T BLACK JBL	
447-938U	3	CUSHION	EVA (20X20X15) JBL	
6871RM2177B	1	(PCB) ASSY,MAIN(AUDIO)	FFH3030 CE MAIN	
353-022M	5	SCREW	TAPTITE 3X6 FZMY PAN S-TYPE	##HS BKT+CHAS
353-025C	15	SCREW	TAPTITE 3X10 FBK	
353-025C	2	SCREW	TAPTITE 3X10 FBK	A
353-025C	4	SCREW	TAPTITE 3X10 FBK	B
353-025C	2	SCREW	TAPTITE 3X10 FBK	C
353-025C	7	SCREW	TAPTITE 3X10 FBK	D
353-025HAAA	2	SCREW	TAPTITE 3X16 FZMY	##IC HYBRIDE
353-025R	4	SCREW	TAPTITE 3X20 FZMY	##FAN
4810RC0002A	1	BRACKET	H/S (F-969)	
4810S-0257A	1	BRACKET	HEATSINK-L	
4810S-0901A	1	BRACKET	IC(FM-95M)	
4920RCE003A	1	HEAT SINK	AL EX 170 JBL	

ELECTRICAL

6872RM2177B	1	PWB(PCB) ASSY,MAIN(AUD)	FFH3030 CE MAIN	
0CE338CJ650	4	CAPCTR,ELTROLYC	3300UF SHL 35V M FM7.5 BULK	C418,419,450,451
0CE338H96A0	2	CAPCTR,AL.ELTROLYC	3300UF DL 75V M VNSN BULK	C416,417
0IHA405200A	1	IC,HARRIS	CD4052B 16P DIP DIFF-4-CH MUX	IC715
0IKE455800A	5	IC,KEC	KIA4558P 8DIP LIN OP-AMP	IC707,708,709,710,711
0ISA183700A	1	IC,SANYO	LA1837 30P DIP BK AM/FM IF MPX	IC102
0ISA411220A	1	IC,SANYO	STK411-220E 22P SIP BK PWR AMP	IC705
0ISA721310A	1	IC,SANYO	LC72131D 22P DIP BK PLL	IC103
0IPMGSG001B	2	IC,POWER MANAGEMENT	TDA7295S SGS-THOMSON 15P MULTI	IC703,704
0ISG744000A	1	IC,SGS-THOMSON	TDA7440D 28P SOP BK FUNCTION	IC702
0RM0150N764	2	RESITR,CEMENT	0.15 OHM 5 W 10% B RSR	R434,448
0RN0562J634	2	RESITR FIX METAL FILM	56 1W 5 MF15	R427,432
353-025G	2	SCREW	TAPTITE 3X10 FZMY	A
561-100D	1	CNCTR	SP-026B PARK ELEC. SPK	JK705
561-101B	1	CNCTR	SP-024B2 PARK ELEC. SPK	JK101
561-640J	1	CNCTR	GL200-10P-TS P=2.0 HLDR GSC	CN807
561-640L	1	CNCTR	GL200-12P-TS P=2.0 HLDR GSC	CN602
561-644C	1	CNCTR	52147-0310 K-MOLEX 3PIN 2.0MM	PN312
561-644J	1	CNCTR	52147-1010 K-MOLEX 10PIN 2.0MM	PN601
561-661B	1	CNCTR	5267-02A K-MOLEX 2PIN 2.54MM S	PN710
561-686T	1	CNCTR	00-8370-201-000-800 ELCO	CN205
561-715C	1	CNCTR	GIL-G-03P-S3T2-E LG CABLE 3PIN	PN311
572-559F	1	JACK 6.4	HTJ064-04B KUNMING 9PIN MOLD	JK702
576-002I	1	JACK RCA	S-436*-2P (RD/WH) PARK ELEC H	JK701
5900R-D001A	1	FAN	2406KL-04W-B20-T06 NMB	FAN1
6140SCB001D	1	COIL,RF	RF,MW TUNING UNIT(634-700E)	L107
6140SCD001A	1	COIL,IFT	KSNT-105I KWANGSUNG IFT BULK	L101
6140SCJ004A	1	COIL,OSCILLATOR	KSZ-73C KWANGSUNG OSC BULK	L106
616-008B	1	FILTER(CIRC),CERMC	SFE10.7MS2(RD) MURATA 10700000	CF101
637N009A	1	INDUCTOR	33MH C/CORE (=N008A)	L102

PART#	QTY	DESCRIPTION	LOCATION/REF. DESIGNATOR
6612R-C007D	1	JACK,RCA	RCA-206-04 YUQIU 2PIN (BK-OR) JK758
6630S-BC044	1	CNCTR (CIRC)	TKC-V30X-A1 TAIKO DENKI 30PIN PN302
6700SCF001A	1	TUNER	KST-F401VA-2 KWANGSUNG FM TUN101 3GAN
6873RM2177B	1	PWB(PCB) ASSY,MAIN(AU)	FFH3030 CE MAIN
0CC1000K015	1	CAPCTR,CMC(TEMP COMP)	10P 50V C NP0 TS C140
0CE1046K618	3	CAPCTR,ELTROLYC	0.1M SMS 50V M FL TP(5) C488,725,727
0CE1056K618	8	CAPCTR,ELTROLYC	1.0M SMS 50V M FL TP(5)
0CE1056K618	5	CAPCTR,ELTROLYC	1.0M SMS 50V M FL TP(5) C112,117,151,427,737
0CE1056K618	3	CAPCTR,ELTROLYC	1.0M SMS 50V M FL TP(5) C741,749,751
0CE1066F618	5	CAPCTR,ELTROLYC	10UF SMS 16V M FL TP5 C197,709,710,788,790
0CE1066K618	8	CAPCTR,ELTROLYC	10M SMS 50V M FM5 TP(5)
0CE1066K618	5	CAPCTR,ELTROLYC	10M SMS 50V M FM5 TP(5) C110,113,114,153,154
0CE1066K618	3	CAPCTR,ELTROLYC	10M SMS 50V M FM5 TP(5) C402,406,745
0CE1076F618	2	CAPCTR,ELTROLYC	100M SMS 16V M FM5 TP(5) C143,423
0CE1076H618	1	CAPCTR,ELTROLYC	100M SMS 25V M FM5 TP(5) C733
0CE1076K618	4	CAPCTR,ELTROLYC	100UF SMS 50V M FL TP5 C403,404,407,408
0CE2256K618	9	CAPCTR,ELTROLYC	2.2M SMS 50V M FL TP(5)
0CE2256K618	5	CAPCTR,ELTROLYC	2.2M SMS 50V M FL TP(5) C184,420,421,758,759
0CE2256K618	4	CAPCTR,ELTROLYC	2.2M SMS 50V M FL TP(5) C761,762,792,797
0CE2266F618	10	CAPCTR,ELTROLYC	22M SMS 16V M FM5 TP(5)
0CE2266F618	5	CAPCTR,ELTROLYC	22M SMS 16V M FM5 TP(5) C121,430,721,723,736
0CE2266F618	5	CAPCTR,ELTROLYC	22M SMS 16V M FM5 TP(5) C757,782,784,785,787
0CE2266K618	2	CAPCTR,ELTROLYC	22M SMS 50V M FM5 TP(5) C767,771
0CE2276D618	1	CAPCTR,ELTROLYC	220UF SMS 10V M FL TP5 C789
0CE2276F618	2	CAPCTR,ELTROLYC	220M SMS 16V M FM5 TP(5) C135,192
0CE3346K618	4	CAPCTR,ELTROLYC	0.33M SMS 50V M FL TP(5) C726,728,732,734
0CE3356K618	2	CAPCTR,ELTROLYC	3.3M SMS 50V M FL TP(5) C120,146
0CE3366F618	1	CAPCTR,ELTROLYC	33M SMS 16V M FL TP(5) C123
0CE4746K618	10	CAPCTR,ELTROLYC	0.47M SMS 50V M FL TP(5)
0CE4746K618	5	CAPCTR,ELTROLYC	0.47M SMS 50V M FL TP(5) C144,145,714,715,716
0CE4746K618	5	CAPCTR,ELTROLYC	0.47M SMS 50V M FL TP(5) C717,718,719,720,742
0CE4756K618	15	CAPCTR,ELTROLYC	4.7M SMS 50V M FL TP(5)
0CE4756K618	5	CAPCTR,ELTROLYC	4.7M SMS 50V M FL TP(5) C473,474,475,476,480
0CE4756K618	5	CAPCTR,ELTROLYC	4.7M SMS 50V M FL TP(5) C482,484,722,724,743
0CE4756K618	5	CAPCTR,ELTROLYC	4.7M SMS 50V M FL TP(5) C744,773,774,778,780
0CE4766F618	11	CAPCTR,ELTROLYC	47M SMS 16V M FL TP(5)
0CE4766F618	5	CAPCTR,ELTROLYC	47M SMS 16V M FL TP(5) C108,400,426,486,498
0CE4766F618	5	CAPCTR,ELTROLYC	47M SMS 16V M FL TP(5) C713,735,750,777,781
0CE4766F618	1	CAPCTR,ELTROLYC	47M SMS 16V M FL TP(5) C793
0CE4766K618	2	CAPCTR,ELTROLYC	47M SMS 50V M FM5 TP(5) C183,185
0CK1040K945	1	CAPCTR,CERMC (HIGH DIE	0.1M 50V Z F TS C102
0CK2230K945	1	CAP CERMC(HIGH DIE+C255)	0.022M 50V Z F TS C104
0CK4730K945	3	CAPCTR,CERMC (HIGH DIE	0.047UF 50V Z F TR C126,130,138
0CN1010K519	10	CAPCTR TUB(HIGH DIELE)	100P 50V K B TA52
0CN1010K519	5	CAPCTR TUB(HIGH DIELE)	100P 50V K B TA52 C157,483,491,492,776
0CN1010K519	5	CAPCTR TUB(HIGH DIELE)	100P 50V K B TA52 C779,783,786,794,799
0CN1020K519	7	CAPCTR TUB(HIGH DIELE)	1000P 50V K B TA52
0CN1020K519	5	CAPCTR TUB(HIGH DIELE)	1000P 50V K B TA52 C103,127,133,481,485
0CN1020K519	2	CAPCTR TUB(HIGH DIELE)	1000P 50V K B TA52 C795,798

PART#	QTY	DESCRIPTION	LOCATION/REF. DESIGNATOR
0CN1030F679	1	CAPCTR TUB(HIGH DIELE)	10000P 16V M Y TA52 C158
0CN1040K949	9	CAPCTR,TUB(HIGH DIE)	0.1M 50V Z F TA52
0CN1040K949	5	CAPCTR,TUB(HIGH DIE)	0.1M 50V Z F TA52 C101,119,409,411,425
0CN1040K949	4	CAPCTR,TUB(HIGH DIE)	0.1M 50V Z F TA52 C493,494,739,764
0CN3920F669	2	CAPCTR TUB(HIGH DIELE)	3900P 16V M X TA(52) C760,763
0CN2210K519	6	CAPCTR TUB(HIGH DIELE)	220P 50V K B TA52
0CN2210K519	5	CAPCTR TUB(HIGH DIELE)	220P 50V K B TA52 C463,464,703,704,707
0CN2210K519	1	CAPCTR TUB(HIGH DIELE)	220P 50V K B TA52 C708
0CN2220F669	2	CAPCTR TUB(HIGH DIELE)	2200P 16V M X TA52 C129,152
0CN2230H949	11	CAPCTR TUB(HIGH DIELE)	22000P 25V Z FTA52
0CN2230H949	5	CAPCTR TUB(HIGH DIELE)	22000P 25V Z FTA52 C109,124,136,139,149
0CN2230H949	5	CAPCTR TUB(HIGH DIELE)	22000P 25V Z FTA52 C159,198,701,702,705
0CN2230H949	1	CAPCTR TUB(HIGH DIELE)	22000P 25V Z FTA52 C706
0CN2710K519	1	CAPCTR TUB(HIGH DIELE)	270P 50V K B TA52 C180
0CN3310K519	2	CAPCTR TUB(HIGH DIELE)	330P 50V K B TA52 C118,156
0CN4730K949	3	CAPCTR,TUB(HIGH DIE)	0.047UF 50V Z F TA52 C141,142,729
0CN5610K519	1	CAPCTR TUB(HIGH DIELE)	560P 50V K B TA52 C186
0CQ1031N409	4	CAPCTR POLY(MYLAR)	0.01UF 100V J PE TP C413,414,746,747
0CQ1041N409	7	CAPCTR POLY(MYLAR)	0.1U 100V J POLY TP
0CQ1041N409	5	CAPCTR POLY(MYLAR)	0.1U 100V J POLY TP C410,412,422,765,766
0CQ1041N409	2	CAPCTR POLY(MYLAR)	0.1U 100V J POLY TP C768,772
0CQ2221N409	2	CAPCTR POLY(MYLAR)	0.0022U 100V J POLY TP C769,770
0CQ3331N409	4	CAPCTR POLY(MYLAR)	0.033U 100V J POLY TP C115,116,461,462
0CQ4731N409	3	CAPCTR POLY(MYLAR)	0.047U 100V J POLY TP C148,753,754
0CQ6831N409	1	CAPCTR POLY(MYLAR)	0.068U 100V J POLY TP C738
0CX1000K419	1	CAPCTR,TUB(T.C)	10PF 50V J NP0 TA52 C122
0CX3000K409	2	CAPCTR TUB(T.C)	30P 50V J SL TA52 C131,132
0CX3300K409	2	CAPCTR TUB(T.C)	33P 50V J SL TA52 C181,182
0CX4R70K519	2	CAPCTR,TUB(T.C)	4.7PF 50V K NP0 TA52 C401,405
0CX8R20K519	1	CAPCTR,TUB(T.C)	8.2PF 50V K NP0 TA52 C196
0DD133009AB	12	DIODE,SWITCHING	12
0DD133009AB	5	DIODE,SWITCHING	12 D106,141,142,143,150
0DD133009AB	5	DIODE,SWITCHING	12 D151,701,702,703,704
0DD133009AB	2	DIODE,SWITCHING	12 D707,710
0DR102109AA	5	DIODE,RECTIFIER	RL102-10C TP GULF D105,108,109,153,709
0DZ510009AH	2	DIODE,ZENER	GDZJ5.1B TP DO-34 500MW ZD701,702
0LA1000K019	1	INDUCTOR AXIAL LEAD	100M K 2.3X3.4 L5 TP(52M/M) L109
0RD0102F609	12	RESITR,FIXED CARB FILM	10 1/6W 5 TA52
0RD0102F609	5	RESITR,FIXED CARB FILM	10 1/6W 5 TA52 R105,121,436,437,449
0RD0102F609	5	RESITR,FIXED CARB FILM	10 1/6W 5 TA52 R450,453,464,784,785
0RD0102F609	2	RESITR,FIXED CARB FILM	10 1/6W 5 TA52 R789,790
0RD0222F609	1	RESITR,FIXED CARB FILM	22 1/6W 5 TA52 R116
0RD0472F609	2	RESITR,FIXED CARB FILM	47 1/6W 5 TA52 R180,185
0RD0562F609	1	RESITR,FIXED CARB FILM	56 1/6W 5 TA52 R101
0RD0752F609	1	RESITR,FIXED CARB FILM	75 1/6W 5 TA52 R724
0RD1000F609	4	RESITR,FIXED CARB FILM	100 1/6W 5 TA52 R102,110,728,729
0RD1001F609	16	RESITR,FIXED CARB FILM	1.0K 1/6W 5 TA52
0RD1001F609	5	RESITR,FIXED CARB FILM	1.0K 1/6W 5 TA52 R125,126,127,128,146
0RD1001F609	5	RESITR,FIXED CARB FILM	1.0K 1/6W 5 TA52 R486,717,747,748,751
0RD1001F609	5	RESITR,FIXED CARB FILM	1.0K 1/6W 5 TA52 R752,753,754,758,760

PART#	QTY	DESCRIPTION	LOCATION/REF. DESIGNATOR
ORD1001F609	1	RESITR, FIXED CARB FILM	1.0K 1/6W 5 TA52 R793
ORD1002F609	18	RESITR, FIXED CARB FILM	10K 1/6W 5 TA52
ORD1002F609	5	RESITR, FIXED CARB FILM	10K 1/6W 5 TA52 R108,109,112,119,130
ORD1002F609	5	RESITR, FIXED CARB FILM	10K 1/6W 5 TA52 R153,193,408,415,455
ORD1002F609	5	RESITR, FIXED CARB FILM	10K 1/6W 5 TA52 R456,488,489,709,712
ORD1002F609	3	RESITR, FIXED CARB FILM	10K 1/6W 5 TA52 R715,771,772
ORD1003F609	11	RESITR, FIXED CARB FILM	100K 1/6W 5 TA52
ORD1003F609	5	RESITR, FIXED CARB FILM	100K 1/6W 5 TA52 R144,409,412,482,720
ORD1003F609	5	RESITR, FIXED CARB FILM	100K 1/6W 5 TA52 R721,733,764,765,794
ORD1003F609	1	RESITR, FIXED CARB FILM	100K 1/6W 5 TA52 R795
ORD1004F609	1	RESITR, FIXED CARB FILM	1.0M 1/6W 5 TA52 R734
ORD1200F609	1	RESITR, FIXED CARB FILM	120 1/6W 5 TA52 R106
ORD1201F609	2	RESITR, FIXED CARB FILM	1.2K 1/6W 5 TA52 R411,413
ORD1202F609	4	RESITR, FIXED CARB FILM	12K 1/6W 5 TA52 R122,183,730,739
ORD1501F609	9	RESITR, FIXED CARB FILM	1.5K 1/6W 5 TA52
ORD1501F609	5	RESITR, FIXED CARB FILM	1.5K 1/6W 5 TA52 R132,424,428,433,440
ORD1501F609	4	RESITR, FIXED CARB FILM	1.5K 1/6W 5 TA52 R441,443,444,447
ORD1502F609	10	RESITR, FIXED CARB FILM	15K 1/6W 5 TA52
ORD1502F609	5	RESITR, FIXED CARB FILM	15K 1/6W 5 TA52 R404,405,406,407,463
ORD1502F609	5	RESITR, FIXED CARB FILM	15K 1/6W 5 TA52 R485,736,740,769,796
ORD1800F609	1	RESITR, FIXED CARB FILM	180 1/6W 5 TA52 R716
ORD1801F609	7	RESITR, FIXED CARB FILM	1.8K 1/6W 5 TA52
ORD1801F609	5	RESITR, FIXED CARB FILM	1.8K 1/6W 5 TA52 R104,181,182,713,714
ORD1801F609	2	RESITR, FIXED CARB FILM	1.8K 1/6W 5 TA52 R722,723
ORD1802F609	6	RESITR, FIXED CARB FILM	18K 1/6W 5 TA52
ORD1802F609	5	RESITR, FIXED CARB FILM	18K 1/6W 5 TA52 R703,704,705,706,783
ORD1802F609	1	RESITR, FIXED CARB FILM	18K 1/6W 5 TA52 R788
ORD2201F609	2	RESITR, FIXED CARB FILM	2.2K 1/6W 5 TA52 R148,190
ORD2202F609	9	RESITR, FIXED CARB FILM	22K 1/6W 5 TA52
ORD2202F609	5	RESITR, FIXED CARB FILM	22K 1/6W 5 TA52 R135,495,762,766,773
ORD2202F609	4	RESITR, FIXED CARB FILM	22K 1/6W 5 TA52 R779,781,786,792
ORD2203F609	2	RESITR, FIXED CARB FILM	220K 1/6W 5 TA52 R438,439
ORD2700F609	3	RESITR, FIXED CARB FILM	270 1/6W 5 TA52 R757,782,787
ORD3300F609	1	RESITR, FIXED CARB FILM	330 1/6W 5 TA52 R111
ORD3301F609	15	RESITR, FIXED CARB FILM	3.3K 1/6W 5 TA52
ORD3301F609	5	RESITR, FIXED CARB FILM	3.3K 1/6W 5 TA52 R136,137,141,142,151
ORD3301F609	5	RESITR, FIXED CARB FILM	3.3K 1/6W 5 TA52 R410,414,416,417,426
ORD3301F609	5	RESITR, FIXED CARB FILM	3.3K 1/6W 5 TA52 R431,435,446,718,719
ORD3302F609	16	RESITR, FIXED CARB FILM	33K 1/6W 5 TA52
ORD3302F609	5	RESITR, FIXED CARB FILM	33K 1/6W 5 TA52 R117,118,430,442,445
ORD3302F609	5	RESITR, FIXED CARB FILM	33K 1/6W 5 TA52 R459,462,480,481,490
ORD3302F609	5	RESITR, FIXED CARB FILM	33K 1/6W 5 TA52 R491,701,702,707,708
ORD3302F609	1	RESITR, FIXED CARB FILM	33K 1/6W 5 TA52 R791
ORD3303F609	2	RESITR, FIXED CARB FILM	330K 1/6W 5 TA52 R731,732
ORD3901F609	4	RESITR, FIXED CARB FILM	3.9K 1/6W 5 TA52 R129,483,767,768
ORD4700F609	4	RESITR, FIXED CARB FILM	470 1/6W 5 TA52 R465,745,746,756
ORD4701F609	22	RESITR, FIXED CARB FILM	4.7K 1/6W 5 TA52
ORD4701F609	5	RESITR, FIXED CARB FILM	4.7K 1/6W 5 TA52 R113,114,120,133,134
ORD4701F609	5	RESITR, FIXED CARB FILM	4.7K 1/6W 5 TA52 R149,152,156,191,726
ORD4701F609	5	RESITR, FIXED CARB FILM	4.7K 1/6W 5 TA52 R742,743,744,749,759

PART#	QTY	DESCRIPTION	LOCATION/REF. DESIGNATOR
ORD4701F609	5	RESITR, FIXED CARB FILM 4.7K 1/6W 5 TA52	R761,763,770,774,775
ORD4701F609	2	RESITR, FIXED CARB FILM 4.7K 1/6W 5 TA52	R776,780
ORD4702F609	11	RESITR, FIXED CARB FILM 47K 1/6W 5 TA52	
ORD4702F609	5	RESITR, FIXED CARB FILM 47K 1/6W 5 TA52	R107,403,454,458,460
ORD4702F609	5	RESITR, FIXED CARB FILM 47K 1/6W 5 TA52	R461,466,710,711,741
ORD4702F609	1	RESITR, FIXED CARB FILM 47K 1/6W 5 TA52	R798
ORD5600F609	1	RESITR, FIXED CARB FILM 560 1/6W 5 TA52	R103
ORD5601F609	4	RESITR, FIXED CARB FILM 5.6K 1/6W 5 TA52	R115,467,737,738
ORD5602F609	4	RESITR, FIXED CARB FILM 56K 1/6W 5 TA52	R420,421,422,423
ORD6800F609	1	RESITR, FIXED CARB FILM 680 1/6W 5 TA52	R457
ORD6801F609	1	RESITR, FIXED CARB FILM 6.8K 1/6W 5 TA52	R755
ORD8200F609	1	RESITR, FIXED CARB FILM 820 1/6W 5 TA52	R735
ORD8201F609	4	RESITR, FIXED CARB FILM 8.2K 1/6W 5 TA52	R192,487,777,778
ORD8202F609	2	RESITR, FIXED CARB FILM 82K 1/6W 5 TA52	R147,484
0TR102009AE	2	TRANSISTOR KRA102M (KRA2202) TP KEC	Q150,728
0TR102009AF	3	TRANSISTOR KRC102M,(KRC1202) TP KEC	Q103,115,729
0TR103009AE	2	TRANSISTOR KRC103M-TP (KRC1203) KEC	Q707,709
0TR103009AF	1	TRANSISTOR KRA103M-TP (KRA2203) KEC	Q714
0TR126609AA	2	TRANSISTOR KTA1266-TP-Y (KTA1015) KEC	Q710,711
0TR126709AB	1	TRANSISTOR KTA1267-O MINI TP KEC	Q102
0TR127309AA	1	TRANSISTOR KTA1273-TP-Y (KTA966A)KEC	Q706
0TR130209AA	5	TRANSISTOR KTD1302 MUTING TP KEC TO92	Q712,713,715,716,730
0TR319209AA	1	TRANSISTOR KTC3192-O(KTC380TM) TP	Q101
0TR319809AB	8	TRANSISTOR KTC3198-TP-GR (KTC1815) KEC	
0TR319809AB	5	TRANSISTOR KTC3198-TP-GR (KTC1815)	Q107,108,151,705,718
0TR319809AB	3	TRANSISTOR KTC3198-TP-GR (KTC1815)	Q722,723,726
0TR320009AA	2	TRANSISTOR KTC3200-GR (KTC2240) TP	Q719,720
0TR320509AB	2	TRANSISTOR KTC3205-TP-Y (KTC2236A)KEC	Q717,727
0TR949009AA	1	TRANSISTOR KTA949-Y(A1024) TP KEC TO-92L	Q721
617T602D	1	CRYSTAL HC-49/U A720005008 RADIAL	X104
6202S-AJ02A	1	CRYSTAL HC-49/U RADIAL 4332000HZ	X102
672-001AAAA	0	WIREW SHIELD TIN WIRE	
672-001AAAA	0	WIREW SHIELD TIN WIRE	C150
672-001AAAA	0	WIREW SHIELD TIN WIRE	D711
672-001AAAA	0	WIREW SHIELD TIN WIRE	FB115,117,701,702,703
672-001AAAA	0	WIREW SHIELD TIN WIRE	FB704,705,706
672-001AAAA	0	WIREW SHIELD TIN WIRE	OW104,105,107,108,115
672-001AAAA	0	WIREW SHIELD TIN WIRE	OW117,118,132
672-001AAAA	0	WIREW SHIELD TIN WIRE	R451
6870R2177AA	1	PWB(PCB) JBL C MAIN PHEN FR-1 1LAY	
0CX6800K409	2	CAPCTR TUB(T.C) 68P 50V J SL TA52	C730,731
ORD2200F609	1	RESITR, FIXED CARB FILM 220 1/6W 5 TA52	R725
631T603R	2	FILTER(CIRC),EMI BFS2545A0F(52MM TP) SAMHWA AX	FB707,708
ORD3902F609	2	RESITR, FIXED CARB FILM 39K 1/6W 5 TA52	R425,429
0CN4710K519	2	CAPCTR TUB(HIGH DIELE) 470P 50V K B TA52	C711,712
ORD2701F609	2	RESITR, FIXED CARB FILM 2.7K 1/6W 5 TA52	R402,797
6920SC0001A	1	RELAY 0MI-SS-212LM ORIGNL 12V 0.044	RY701
GAC+002J	1	*CNCTR ASSY GS C,AY GSIL-G03/IL-J03 (I)280(S)	PN820
L82+J30S	1	LEAD SET 2.0 UL2877#26 SA-SC 10 300 S	##FOR CN807
L82+L30S	1	LEAD SET 2.0 UL2877#26 SA-SC 12 300 S	##FOR CN602

PART#	QTY	DESCRIPTION	LOCATION/REF. DESIGNATOR
0IRH192300A	1	IC,ROHM	BU1923F 16P SOP ST RDS DEMODUL IC101
576-002V	1	JACK,RCA	S-436*-2P(YL/YL) PARK ELEC . JK710
0ISS791200A	1	IC,SAMSUNG C415	KA7912 ST REGULATOR IC IC712
0WR0806N092	1	LEAD WIRE	1007 22 SIN 60 BN 7-7 NA W775
796-003C	2	CAPCTR,MICA	MICA(25X30) ##FOR IC704, IC703
6871R-2175B	1	PWB(PCB) ASSY,TOTAL	FFH3030 CE FRONT
6872R-2175B	1	PWB(PCB) ASSY,TOTAL	FFH3030 CE FRONT
0IMY700000A	1	IC,MSI	MSGEQ7 8P DIP BK 7 BAND GRAPHI IC302
0IRH693840A	1	IC,ROHM	RPM6938-V4 3P BK REMOCON RM301 MODUL
4930RC0004A	1	HOLDER	FIP(JBL)
561-640C	1	CNCTR	GL200-03P-TS P=2.0 CN312
561-707T	1	WAFER	52492-2020 J-MOLEX 29PIN 1.25M CN806
6110S-ET01A	1	VOLUME,ROTARY	EC16B242040M J-ALPS D16 V 24 VR301
616-020PAAA	1	RESONATOR,CERMC	CSA6.00MGU MURATA 6MHZ BK XT302
617-602F	1	CRYSTAL	SKS941215-01 CTZN WTCH RAD X301
6302R-V107A	1	DIGITRON	BJ797GNK FUTABA UNVRSL JBL FLT301
6612R-C007C	1	JACK,RCA	RCA-206-03 YUQUIU 2P WH-RD JK351
6620S-L001A	1	SCKT (CIRC),FIBER OPTIC	GP1F32T SHARP OPTICAL "H" JK350
6630S-BC034	1	CNCTR (CIRC)	TKC-V30P-A1 TAIKO DENKI 30PIN CN302
6873R-2175B	1	PWB(PCB) ASSY,TOTAL	FFH3030 CE FRONT
0CE1046K618	2	CAPCTR,ELTROLYC	0.1M SMS 50V M FL TP(5) C301,302
0CE1076D618	1	CAPCTR,ELTROLYC	100M SMS 10V M FM5 TP(5) C344
0CE2276D618	1	CAPCTR,ELTROLYC	220UF SMS 10V M FL TP5 C304
0CE3366F618	1	CAPCTR,ELTROLYC	33M SMS 16V M FL TP(5) C346
0CE4776D618	3	CAPCTR,ELTROLYC	470M SMS 10V M FL TP(5) C341,342,343
0CN1020K519	1	CAPCTR TUB(HIGH DIELE)	1000P 50V K B TA52 C303
0CN2230H949	1	CAPCTR TUB(HIGH DIELE)	22000P 25V Z FTA52 C345
0CX3000K409	2	CAPCTR TUB(T.C)	30P 50V J SL TA52 C305,307
0CX3300K409	3	CAPCTR TUB(T.C)	33P 50V J SL TA52 C306,308,386
0CX6800K409	1	CAPCTR TUB(T.C)	68P 50V J SL TA52 C387
0DD133009AB	12	DIODE,SWITCHING	
0DD133009AB	5	DIODE,SWITCHING	D301,302,305,308,309
0DD133009AB	5	DIODE,SWITCHING	D311,317,321,322,324
0DD133009AB	2	DIODE,SWITCHING	D327,328
0DL307119EA	2	LED	LTL-307KE-112A TP GREEN LD303,304
0DZ680009AL	2	DIODE,ZENER	GDZJ6.8B TP DO-34 500MW ZD301,302
0RD0471F609	2	RESITR,FIXED CARB FILM	4.7 1/6W 5 TA52 R386,390
0RD1001F609	26	RESITR,FIXED CARB FILM	1.0K 1/6W 5 TA52
0RD1001F609	5	RESITR,FIXED CARB FILM	1.0K 1/6W 5 TA52 R301,302,303,304,305
0RD1001F609	5	RESITR,FIXED CARB FILM	1.0K 1/6W 5 TA52 R306,307,308,309,310
0RD1001F609	5	RESITR,FIXED CARB FILM	1.0K 1/6W 5 TA52 R311,312,324,368,369
0RD1001F609	5	RESITR,FIXED CARB FILM	1.0K 1/6W 5 TA52 R370,371,372,373,374
0RD1001F609	5	RESITR,FIXED CARB FILM	1.0K 1/6W 5 TA52 R375,376,377,379,384
0RD1001F609	1	RESITR,FIXED CARB FILM	1.0K 1/6W 5 TA52 R385
0RD1002F609	15	RESITR,FIXED CARB FILM	10K 1/6W 5 TA52
0RD1002F609	5	RESITR,FIXED CARB FILM	10K 1/6W 5 TA52 R313,314,315,316,317
0RD1002F609	5	RESITR,FIXED CARB FILM	10K 1/6W 5 TA52 R318,319,327,328,380
0RD1002F609	5	RESITR,FIXED CARB FILM	10K 1/6W 5 TA52 R381,382,383,393,394

PART#	QTY	DESCRIPTION	LOCATION/REF. DESIGNATOR
ORD1201F609	3	RESITR, FIXED CARB FILM	1.2K 1/6W 5 TA52 R340,350,360
ORD1501F609	4	RESITR, FIXED CARB FILM	1.5K 1/6W 5 TA52 R331,341,351,361
ORD1502F609	3	RESITR, FIXED CARB FILM	15K 1/6W 5 TA52 R346,356,366
ORD1800F609	2	RESITR, FIXED CARB FILM	180 1/6W 5 TA52 R320,321
ORD2201F609	3	RESITR, FIXED CARB FILM	2.2K 1/6W 5 TA52 R342,352,362
ORD2203F609	1	RESITR, FIXED CARB FILM	220K 1/6W 5 TA52 R323
ORD2702F609	3	RESITR, FIXED CARB FILM	27K 1/6W 5 TA52 R347,357,367
ORD3300F609	1	RESITR, FIXED CARB FILM	330 1/6W 5 TA52 R329
ORD3301F609	3	RESITR, FIXED CARB FILM	3.3K 1/6W 5 TA52 R343,353,363
ORD3303F609	1	RESITR, FIXED CARB FILM	330K 1/6W 5 TA52 R398
ORD4701F609	3	RESITR, FIXED CARB FILM	4.7K 1/6W 5 TA52 R344,354,364
ORD4702F609	1	RESITR, FIXED CARB FILM	47K 1/6W 5 TA52 R326
ORD4704F609	1	RESITR, FIXED CARB FILM	4.7M 1/6W 5 TA52 R397
ORD6800F609	3	RESITR, FIXED CARB FILM	680 1/6W 5 TA52 R338,348,358
ORD6801F609	1	RESITR, FIXED CARB FILM	6.8K 1/6W 5 TA52 R330
ORD8200F609	3	RESITR, FIXED CARB FILM	820 1/6W 5 TA52 R339,349,359
ORD8201F609	3	RESITR, FIXED CARB FILM	8.2K 1/6W 5 TA52 R345,355,365
0TR102009AF	2	TRANSISTOR	KRC102M,(KRC1202) TP Q303,304
0TR126609AA	1	TRANSISTOR	KTA1266-TP-Y (KTA1015) KEC Q301
0TR319209AA	1	TRANSISTOR	KTC3192-O(KTC380TM) TP Q302
556-219B	33	SWITCH, TACT	THVV502GAA PSTCH NON 12V 5A
556-219B	5	SWITCH, TACT	THVV502GAA PSTCH NON 12V 5A SW301,302,303,304,305
556-219B	5	SWITCH, TACT	THVV502GAA PSTCH NON 12V 5A SW306,307,308,309,310
556-219B	5	SWITCH, TACT	THVV502GAA PSTCH NON 12V 5A SW311,312,313,314,315
556-219B	5	SWITCH, TACT	THVV502GAA PSTCH NON 12V 5A SW316,317,318,319,320
556-219B	5	SWITCH, TACT	THVV502GAA PSTCH NON 12V 5A SW321,322,323,324,325
556-219B	5	SWITCH, TACT	THVV502GAA PSTCH NON 12V 5A SW326,327,328,329,330
556-219B	3	SWITCH, TACT	THVV502GAA PSTCH NON 12V 5A SW331,332,333
6870R2175AA	1	PWB(PCB)	JBL A,C,C-3 FRONT PHN FR-1 1L ##FRONT PCB
ORD1003F609	1	RESITR, FIXED CARB FILM	100K 1/6W 5 TA52 R3A1
ORD1004F609	1	RESITR, FIXED CARB FILM	1.0M 1/6W 5 TA52 R3A3
0CE1076K618	1	CAPCTR, ELTROYC	100UF SMS 50V M FL TP5 C347
0CN1040K949	1	CAPCTR, TUB(HIGH DIE)	0.1M 50V Z F TA52 C309
0CN4730K949	1	CAPCTR, TUB(HIGH DIE)	0.047UF 50V Z F TA52 C310
GAC+004F	1	CNCTR ASSY	*C,AY GS IL-G03/IL-J03 (I) 400 CN311
L82+C30S	1	LEAD SET	P=2.0 UL2877#26 SA-SC 3 300 S/ ##FOR CN312,PN312
0ICTMSA001A	1	IC,CUSTOMIZED	LC866548V-5T09(866548Y-5T09) IC301
563-638D	1	CNCTR ASSY	MINA #24,1007GN 3.25O 150 W3A2
6871RP2178B	1	(PCB) ASSY, POWER(MULTI)	FFH3030 CE POWER
6872RP2178B	1	(PCB) ASSY, POWER(MU	FFH3030 CE POWER
0CE1076L630	1	CAPCTR, ELTROYC	100M SMS 63V M FM(5) C615
0DR154020AA	4	DIODE, RECTIFIER	1N5402-10C BK GULF D469 D604,605,611,615
0DR610000AA	2	DIODE, RECTIFIER	KBU6G-10C BK GULF D602,603
0IKE780500Q	1	IC, KEC	KIA7805API 3P TO-220 ST REGULA IC604
0IKE781200P	1	IC, KEC	KIA7812API TO220 ST 3P 12V REG IC601
0IKE781200R	1	IC, KEC	KIA78R12PI 4P TO-220-4 ST SW R IC602
614-013C	1	RESITR	RCR50,2.2M,J,M15 R601
255-561E	2	HEAT SINK	H=45 X=20(FR-505) ##FOR IC602,IC604
255-717A	2	HEAT SINK	DIODE(GSA-PA10/FA-5000) ##FOR D602,D603
353-025C	3	SCREW	TAPTITE 3X10 FBK ##FOR D612,D613.IC602

PART#	QTY	DESCRIPTION	LOCATION/REF. DESIGNATOR
561-640J	1	CNCTR	GL200-10P-TS P=2.0 HOLDER CN601
561-643L	1	CNCTR	52151-1210 K-MOLEX 12PIN 2.0MM PN602
561-910C	2	CNCTR	TERMINAL SEMKO PCB-ROCKING TM601,602
586-001C	12	FUSE HOLDER	PIN-T 5X20 KS (S)
586-001C	5	FUSE HOLDER	PIN-T 5X20 KS (S) F602A,602B,603A,603B,604A
586-001C	5	FUSE HOLDER	PIN-T 5X20 KS (S) F604B,605A,605B,606A,606B
586-001C	2	FUSE HOLDER	PIN-T 5X20 KS (S) F607A,607B
6170RCM05ZD	1	TRANSFORMER,POWER	115/230V 5/60HZ 85.8X50 DONGYA T601
6873RP2178B	1	(PCB) ASSY,POWER(M	FFH3030 CE POWER
0CE1056K618	1	CAPCTR,ELTROLYC	1.0M SMS 50V M FL TP(5) C618
0CE3356K618	1	CAPCTR,ELTROLYC	3.3M SMS 50V M FL TP(5) C619
0CE4766F618	1	CAPCTR,ELTROLYC	47M SMS 16V M FL TP(5) C601
0CE4766K618	3	CAPCTR,ELTROLYC	47M SMS 50V M FM5 TP(5) C610,616,617
0CE4776F618	1	CAPCTR,ELTROLYC	470UF SMS 16V M FL TP5 C614
0CQ2231N409	12	CAPCTR,POLY(MYLAR)	0.022U 100V J POLY TP
0CQ2231N409	5	CAPCTR,POLY(MYLAR)	0.022U 100V J POLY TP C602,603,604,605,606
0CQ2231N409	5	CAPCTR,POLY(MYLAR)	0.022U 100V J POLY TP C607,608,609,620,621
0CQ2231N409	2	CAPCTR,POLY(MYLAR)	0.022U 100V J POLY TP C622,623
0DD133009AB	1	DIODE,SWITCHING	D610
0DR102109AA	4	DIODE,RECTIFIER	RL102-10C TP GULF D612,613,614,650
0DZ330009AR	1	DIODE,ZENER	GDZJ33D TP DO-34 500MW ZD601
0DZ620009AF	1	DIODE,ZENER	GDZJ6.2B TP DO-34 500MW ZD602
0RD1802F609	1	RESITR,FIXED CARB FILM	18K 1/6W 5 TA52 R609
0RD5601F609	1	RESITR,FIXED CARB FILM	5.6K 1/6W 5 TA52 R608
0RD4701F609	2	RESITR,FIXED CARB FILM	4.7K 1/6W 5 TA52 R604,605
0RD4702F609	1	RESITR,FIXED CARB FILM	47K 1/6W 5 TA52 R607
0RD5600F609	1	RESITR,FIXED CARB FILM	560 1/6W 5 TA52 R606
0TR127309AA	1	TRANSISTOR	KTA1273-TP-Y (KTA966A)KEC Q603
672-001AAAA	0	WIREW SHIELD	TIN WIRE OW601,602,605,610,612
6870R2178AA	1	PWB(PCB)	JBL C POWER PHEN FR-1 1LAY
L82+J30S	1	LEAD SET	P=2.0 UL2877#26 SA-SC 10 300 S ##FOR CN601
563-638D	1	CNCTR ASSY	MINA #24,1007GN 3.25O 150 W622
255-561H	1	HEAT SINK	AL EX H=65 X=20 ##FOR IC601
0CE1086F630	1	CAPCTR,AL.ELTROLYC	1000M SMS 16V M FM5 C613
6871RG2182B	1	ASSY,DECK(AUDIO)	JBL A,C,C-3 DECK
6872RG2182B	1	PWB(PCB) ASSY,DECK(AUD	JBL A,C,C-3 DECK
0IKE628900A	1	IC,KEC	KIA6289N (=0IKE818900A)NDIP-24 IC202
0IRH209000A	1	IC,ROHM	BU2090F 16PIN SOP BK EXPANDER IC203
0IRH312600A	1	IC,ROHM	BA3126N . BK HI VOL. HEAD IC201
0RV1472D230	1	VR RESITR,CARB FILM	4.7K 6 ST P3 L2.5 5 VR201
561-686T	1	CNCTR	00-8370-201-000-800 ELCO PN205
6140SCR001A	1	COIL,OSCILLATOR	LKS75M00-X000291-0 KWANG L201
6630R-BF03C	1	CNCTR (CIRC),PCB TO PCB	JE121-03 JAE EUN 3PIN 2.54MM B PN201
6630R-BF03F	1	CNCTR (CIRC),PCB TO PCB	JE121-06 JAE EUN 6PIN 2.54MM B PN202
6630R-BF03J	2	CNCTR (CIRC),PCB TO PCB	JE121-10 JAE EUN 10PIN 2.54MM PN203,204
6873RG2182B	1	PWB(PCB) ASSY,DECK(AU	JBL A,C,C-3 DECK
0CE1066J618	5	CAPCTR,ELTROLYC	10M SMS 35V M FL TP(5) C220,229,234,241,243
0CE1076F618	3	CAPCTR,ELTROLYC	100M SMS 16V M FM5 TP(5) C216,223,235

PART#	QTY	DESCRIPTION	LOCATION/REF.
0CE2256K618	3	CAPCTR,ELTROLYC	DESIGNATOR C205,206,236
0CE4756K618	3	CAPCTR,ELTROLYC	C221,228,248
0CE4766F618	3	CAPCTR,ELTROLYC	C237,239,242
0CN1020K519	2	CAPCTR TUB(HIGH DIELE)	C238,240
0CN1040K949	5	CAPCTR,TUB(HIGH DIE)	C254,255,256,257,258
0CN1220F669	5	CAPCTR TUB(HIGH DIELE)	C201,202,209,210,213
0CN1520F569	2	CAPCTR,TUB(HIGH DIE)	C249,250
0CN1820F669	2	CAPCTR TUB(HIGH DIELE)	C203,208
0CN2210K519	4	CAPCTR TUB(HIGH DIELE)	C211,212,251,252
0CN2220F669	2	CAPCTR TUB(HIGH DIELE)	C244,246
0CN2230H949	3	CAPCTR TUB(HIGH DIELE)	C253,259,260
0CN3310K519	6	CAPCTR TUB(HIGH DIELE)	
0CN3310K519	5	CAPCTR TUB(HIGH DIELE)	C225,226,230,232,245
0CN3310K519	1	CAPCTR TUB(HIGH DIELE)	C247
0CN3320F669	2	CAPCTR,TUB(HIGH DIE)	C204,207
0CN4730K949	2	CAPCTR,TUB(HIGH DIE)	C215,261
0CQ1021N409	1	CAPCTR,POLY(MYLAR)	C219
0CQ1031N409	2	CAPCTR POLY(MYLAR)	C227,233
0CQ1531N409	1	CAPCTR POLY(MYLAR)	C218
0CQ5621N409	1	CAPCTR POLY(MYLAR)	C214
0CQ5631N409	1	CAPCTR,POLY(MYLAR)	C217
0DD133009AB	4	DIODE,SWITCHING	D202,203,204,205
0RD0102F609	1	RESITR,FIXED CARB FILM	R234
0RD0222F609	3	RESITR,FIXED CARB FILM	R231,232,290
0RD0682F609	2	RESITR,FIXED CARB FILM	R202,212
0RD1001F609	2	RESITR,FIXED CARB FILM	R276,277
0RD1002F609	17	RESITR,FIXED CARB FILM	
0RD1002F609	5	RESITR,FIXED CARB FILM	R223,227,233,246,252
0RD1002F609	5	RESITR,FIXED CARB FILM	R254,256,258,262,279
0RD1002F609	5	RESITR,FIXED CARB FILM	R282,284,287,288,289
0RD1002F609	2	RESITR,FIXED CARB FILM	R291,293
0RD1003F609	10	RESITR,FIXED CARB FILM	
0RD1003F609	5	RESITR,FIXED CARB FILM	R201,208,211,218,221
0RD1003F609	5	RESITR,FIXED CARB FILM	R225,229,260,261,280
0RD1202F609	6	RESITR,FIXED CARB FILM	
0RD1202F609	5	RESITR,FIXED CARB FILM	R205,215,255,257,259
0RD1202F609	1	RESITR,FIXED CARB FILM	R263
0RD1501F609	3	RESITR,FIXED CARB FILM	R278,285,286
0RD1502F609	2	RESITR,FIXED CARB FILM	R204,214
0RD1801F609	2	RESITR,FIXED CARB FILM	R206,216
0RD1802F609	3	RESITR,FIXED CARB FILM	R235,294,298
0RD2201F609	3	RESITR,FIXED CARB FILM	R209,219,230
0RD2202F609	2	RESITR,FIXED CARB FILM	R247,253
0RD2703F609	1	RESITR,FIXED CARB FILM	R240
0RD3902F609	1	RESITR,FIXED CARB FILM	R29A
0RD3903F609	2	RESITR,FIXED CARB FILM	R203,213
0RD4700F609	2	RESITR,FIXED CARB FILM	R239,29D
0RD4701F609	13	RESITR,FIXED CARB FILM	
0RD4701F609	5	RESITR,FIXED CARB FILM	R236,245,251,264,265
0RD4701F609	5	RESITR,FIXED CARB FILM	R266,267,268,269,271

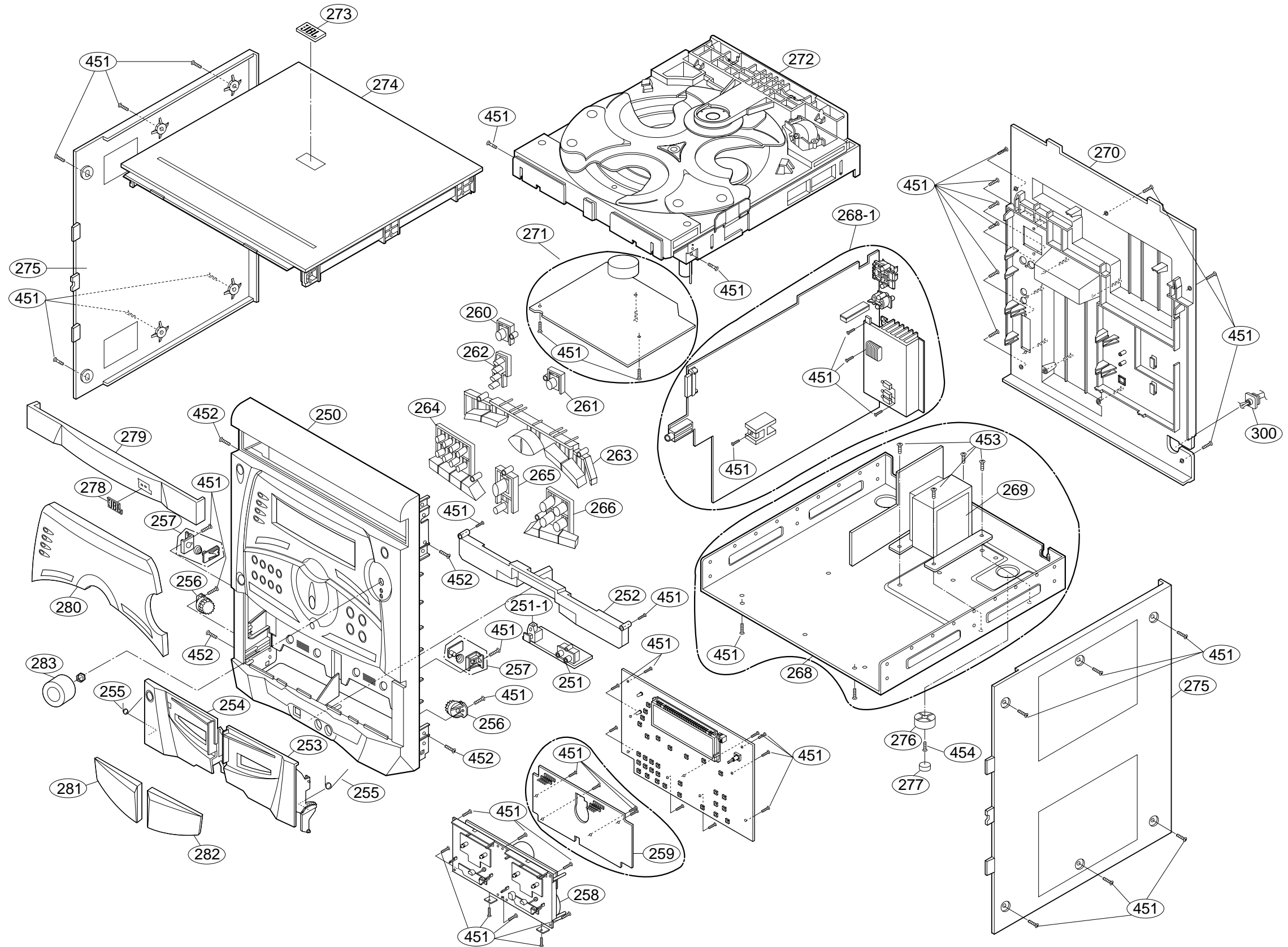
PART#	QTY	DESCRIPTION	LOCATION/REF. DESIGNATOR
ORD4701F609	3	RESITR, FIXED CARB FILM 4.7K 1/6W 5 TA52	R272,273,283
ORD4702F609	8	RESITR, FIXED CARB FILM 47K 1/6W 5 TA52	
ORD4702F609	5	RESITR, FIXED CARB FILM 47K 1/6W 5 TA52	R237,238,241,242,243
ORD4702F609	3	RESITR, FIXED CARB FILM 47K 1/6W 5 TA52	R248,249,29B
ORD5600F609	2	RESITR, FIXED CARB FILM 560 1/6W 5 TA52	R210,220
ORD5601F609	3	RESITR, FIXED CARB FILM 5.6K 1/6W 5 TA52	R224,228,281
ORD5602F609	3	RESITR, FIXED CARB FILM 56K 1/6W 5 TA52	R207,217,29C
ORD8201F609	4	RESITR, FIXED CARB FILM 8.2K 1/6W 5 TA52	R295,296,297,299
OTR102009AF	2	TRANSISTOR KRC102M,(KRC1202) TP	Q205,213
OTR126609AA	1	TRANSISTOR KTA1266-TP-Y (KTA1015) KEC	Q215
OTR127309AA	3	TRANSISTOR KTA1273-TP-Y (KTA966A)KEC	Q214,218,219
OTR319809AB	8	TRANSISTOR KTC3198-TP-GR (KTC1815) KEC	
OTR319809AB	5	TRANSISTOR KTC3198-TP-GR (KTC1815) KEC	Q201,204,206,207,208
OTR319809AB	3	TRANSISTOR KTC3198-TP-GR (KTC1815) KEC	Q209,210,211
OTR320509AB	1	TRANSISTOR KTC3205-TP-Y (KTC2236A)KEC	Q202
672-001AAAA	5	WIREW SHIELD TIN WIRE	
672-001AAAA	0	WIREW SHIELD TIN WIRE	D201
672-001AAAA	0	WIREW SHIELD TIN WIRE	FB201,202,203,204
6870R2182AA	1	PWB(PCB) JBL A,C,C-3 DECK PHEN FR-1 1LA	
631T603R	2	FILTER(CIRC),EMI BFS2545A0F(52MM) SAMHWA AX	FB205,206
ORD3301F609	2	RESITR, FIXED CARB FILM 3.3K 1/6W 5 TA52	R222,226
OCE3366F618	2	CAPCTR,ELTROLYC 33M SMS 16V M FL TP(5)	C224,231
ORD2702F609	2	RESITR, FIXED CARB FILM 27K 1/6W 5 TA52	R244,250
OWR0806N092	1	LEAD WIRE 1007 22 SIN 60 BN 7-7 NA	W278
6871S-38KAG	1	PWB(PCB) ASSY,TOTAL JBL 3CD MAIN ASSY (OPTICAL)	
6872S-38KAG	1	PWB(PCB) ASSY,TOTAL JBL 3CD MAIN ASSY (OPTICAL)	
0ISS922300A	1	IC,SAMSUNG KB9223 80P QFP BK CD ASP	IC801
0ISS928600B	1	IC,SAMSUNG KS9286B 80P QFP BK DSP	IC802
0ISS925800A	1	IC,SAMSUNG KA9258D-T1 4CH DRIVER,S/S	IC803
0ISS830100B	1	IC,SAMSUNG KA8301 10PIN SIP BK CD MOTOR	IC804
0ISS308200A	1	IC,SAMSUNG KA3082 10-SIP BK MOTOR DRIVE	IC805
617T602E	1	CRYSTAL HC49/U B169346008 KNY RADIAL	X801
6630S-FB07P	1	CNCTR (CIRC),FFC/FPC 00-6232-016-008-800 ELCO	PN801
561-711BAAA	1	CNCTR *WAFER,G/S GIL-S-02P-S2T2-EF	PN802
561-711F	1	CNCTR *WAFER,G/S GIL-S-06P-S2T2-EF	PN803
561-711DAAA	1	CNCTR GIL-S-04P-S2T2-EF LG CABLE 4PI	PN804
561-711EAAA	1	CNCTR *WAFER,G/S GIL-S-05P-S2T2-EF	PN805
561-686T	1	CNCTR 00-8370-201-000-800 ELCO	PN806
561-644J	1	CNCTR 52147-1010 K-MOLEX 10PN 2.0MM	PN807
561-716C	1	CNCTR GIL-G-03P-S3L2-E LG CABLE 3PIN	TP801
4810S-7829A	2	BRACKET CD MOTOR(0.3T)NEW-MD	BK801,802
6873S-38KAG	1	PWB(PCB) ASSY,TOTAL JBL 3CD MAIN ASSY (OPTICAL)	
6870S-38KAA	1	PWB(PCB),TOTAL PCB(3 CD MAIN, S/S)	##CD PCB
OTR126609AB	1	TRANSISTOR KTA1266-GR TP,KEC(KTA1015GR)	Q801
0DD133009AB	1	DIODE,SWITCHING	D801
0DZ390009AC	1	DIODE,ZENER GDZJ3.9B TP DO-34 500MW	ZD801
0DZ510009AH	1	DIODE,ZENER GDZJ5.1B TP DO-34 500MW	ZD803
ORD0182F609	1	RESITR, FIXED CARB FILM 18 1/6W 5 TA52	R848
ORD0222F609	1	RESITR, FIXED CARB FILM 22 1/6W 5 TA52	R801
ORD1000F609	2	RESITR, FIXED CARB FILM 100 1/6W 5 TA52	R863,864

PART#	QTY	DESCRIPTION	LOCATION/REF. DESIGNATOR
ORD2200F609	2	RESITR, FIXED CARB FILM	220 1/6W 5 TA52 R865,899
ORD1001F609	13	RESITR, FIXED CARB FILM	1.0K 1/6W 5 TA52
ORD1001F609	5	RESITR, FIXED CARB FILM	1.0K 1/6W 5 TA52 R824,850,851,852,853
ORD1001F609	5	RESITR, FIXED CARB FILM	1.0K 1/6W 5 TA52 R854,855,856,857,858
ORD1001F609	3	RESITR, FIXED CARB FILM	1.0K 1/6W 5 TA52 R859,877,878
ORD3301F609	2	RESITR, FIXED CARB FILM	3.3K 1/6W 5 TA52 R845,847
ORD5601F609	7	RESITR, FIXED CARB FILM	5.6K 1/6W 5 TA52
ORD5601F609	5	RESITR, FIXED CARB FILM	5.6K 1/6W 5 TA52 R849,882,883,884,892
ORD5601F609	2	RESITR, FIXED CARB FILM	5.6K 1/6W 5 TA52 R893,894
ORD8201F609	6	RESITR, FIXED CARB FILM	8.2K 1/6W 5 TA52
ORD8201F609	5	RESITR, FIXED CARB FILM	8.2K 1/6W 5 TA52 R837,844,867,871,874
ORD8201F609	1	RESITR, FIXED CARB FILM	8.2K 1/6W 5 TA52 R876
ORD1002F609	5	RESITR, FIXED CARB FILM	10K 1/6W 5 TA52 R834,836,841,870,872
ORD1502F609	4	RESITR, FIXED CARB FILM	15K 1/6W 5 TA52 R808,820,831,835
ORD1802F609	3	RESITR, FIXED CARB FILM	18K 1/6W 5 TA52 R821,873,875
ORD2702F609	5	RESITR, FIXED CARB FILM	27K 1/6W 5 TA52 R846,880,881,890,891
ORD3902F609	1	RESITR, FIXED CARB FILM	39K 1/6W 5 TA52 R868
ORD5602F609	1	RESITR, FIXED CARB FILM	56K 1/6W 5 TA52 R827
ORD4702F609	3	RESITR, FIXED CARB FILM	47K 1/6W 5 TA52 R829,832,869
ORD6802F609	5	RESITR, FIXED CARB FILM	68K 1/6W 5 TA52 R802,803,805,806,866
ORD8202F609	3	RESITR, FIXED CARB FILM	82K 1/6W 5 TA52 R804,807,833
ORD1003F609	5	RESITR, FIXED CARB FILM	100K 1/6W 5 TA52 R823,828,842,885,895
ORD1503F609	4	RESITR, FIXED CARB FILM	150K 1/6W 5 TA52 R822,825,830,840
ORD1803F609	1	RESITR, FIXED CARB FILM	180K 1/6W 5 TA52 R814
ORD4703F609	1	RESITR, FIXED CARB FILM	470K 1/6W 5 TA52 R813
ORD1004F609	1	RESITR, FIXED CARB FILM	1.0M 1/6W 5 TA52 R843
ORD2204F609	1	RESITR, FIXED CARB FILM	2.2M 1/6W 5 TA52 R812
0CX2R20K419	1	CAPCTR, TUB(T.C)	2.2PF 50V J NP0 TA52 C805
0CX4700K409	2	CAPCTR TUB(T.C)	47P 50V J SL TA52 C851,852
0CN1010K519	1	CAPCTR TUB(HIGH DIELE)	100P 50V K B TA52 C831
0CN1510K519	2	CAPCTR, TUB(HIGH DIE)	150P 50V K B TA52 C881,891
0CN3310K519	2	CAPCTR TUB(HIGH DIELE)	330P 50V K B TA52 C883,893
0CN5610K519	1	CAPCTR TUB(HIGH DIELE)	560P 50V K B TA52 C823
0CN1020K519	8	CAPCTR TUB(HIGH DIELE)	1000P 50V K B TA52
0CN1020K519	5	CAPCTR TUB(HIGH DIELE)	1000P 50V K B TA52 C802,827,836,867,868
0CN1020K519	3	CAPCTR TUB(HIGH DIELE)	1000P 50V K B TA52 C887,889,897
0CN1520F569	4	CAPCTR, TUB(HIGH DIE)	1500PF 16V K X TA52 C810,850,882,892
0CN2220F669	1	CAPCTR TUB(HIGH DIELE)	2200P 16V M X TA52 C828
0CN4720F669	4	CAPCTR TUB(HIGH DIELE)	4700P 16V M X TA52 C806,830,885,895
0CN6820F669	1	CAPCTR TUB(HIGH DIELE)	6800P 16V M X TA(52) C837
0CN1030F679	10	CAPCTR TUB(HIGH DIELE)	10000P 16V M Y TA52
0CN1030F679	5	CAPCTR TUB(HIGH DIELE)	10000P 16V M Y TA52 C807,811,814,825,826
0CN1030F679	5	CAPCTR TUB(HIGH DIELE)	10000P 16V M Y TA52 C832,846,849,855,862
0CN2230H949	2	CAPCTR TUB(HIGH DIELE)	22000P 25V Z FTA52 C840,854
0CN4730K949	1	CAPCTR, TUB(HIGH DIE)	0.047UF 50V Z F TA52 C848
0CN1040K949	9	CAPCTR, TUB(HIGH DIE)	0.1M 50V Z F TA52
0CN1040K949	5	CAPCTR, TUB(HIGH DIE)	0.1M 50V Z F TA52 C822,824,841,842,857
0CN1040K949	4	CAPCTR, TUB(HIGH DIE)	0.1M 50V Z F TA52 C860,861,864,866
0CQ3331N409	3	CAPCTR POLY(MYLAR)	0.033U 100V J POLY TP C815,821,843
0CQ6831N409	1	CAPCTR POLY(MYLAR)	0.068U 100V J POLY TP C833

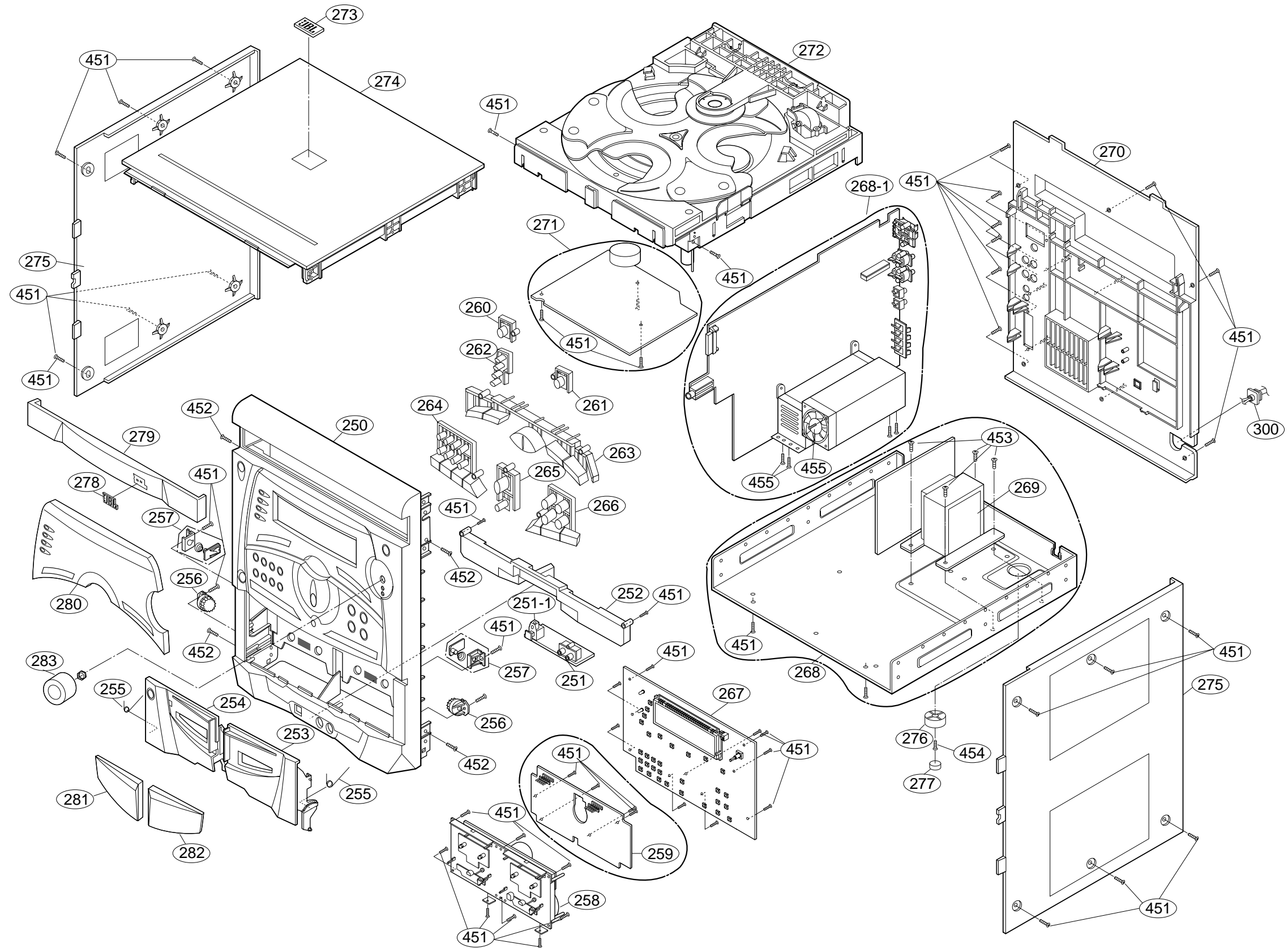
PART#	QTY	DESCRIPTION	LOCATION/REF. DESIGNATOR
0CK1020K945	1	CAP,CERMC(HIGH DIELE)	1000PF 50V Z F TR C856
0CE4746K618	2	CAPCTR,ELTROLYC	0.47M SMS 50V M FL TP(5) C844,845
0CE1056K618	2	CAPCTR,ELTROLYC	1.0M SMS 50V M FL TP(5) C808,888
0CE4756K618	6	CAPCTR,ELTROLYC	4.7M SMS 50V M FL TP(5)
0CE4756K618	5	CAPCTR,ELTROLYC	4.7M SMS 50V M FL TP(5) C812,817,880,884,890
0CE4756K618	1	CAPCTR,ELTROLYC	4.7M SMS 50V M FL TP(5) C894
0CE1066J618	1	CAPCTR,ELTROLYC	10M SMS 35V M FL TP(5) C834
0CE4766F618	3	CAPCTR,ELTROLYC	47M SMS 16V M FL TP(5) C803,809,813
0CE1076D618	4	CAPCTR,ELTROLYC	100M SMS 10V M FM5 TP(5) C801,816,847,859
0CE4776D618	2	CAPCTR,ELTROLYC	470M SMS 10V M FL TP(5) C835,853
0CE4776F618	1	CAPCTR,ELTROLYC	470UF SMS 16V M FL TP5 C865
0DZ470009AD	1	DIODE,ZENER	GDZJ4.7B TP DO34 500MW ZD804
0RD1202F609	1	RESITR,FIXED CARB FILM	12K 1/6W 5 TA52 R809
561-715C	1	CNCTR	GIL-G-03P-S3T2-E LG CABLE 3PIN CN820
3300SCF002L	1	PLATE	JBL30(PAD ONE PACKING)
0FT4001B510	2	FUSE,TIME LAG	4000MA 250 V 5.2X20 CY/GL ECT F606,607
0FT4001B512	2	FUSE,TIME LAG	4A 250V 5.2X20 CY/GL UL/CSA
0FT5001B510	2	FUSE,TIME LAG	5000MA 250 V 5.2X20 CY/GL ECT F603,604
0FT5001B512	2	FUSE,TIME LAG	5A 250V 5.2X20 CY/GL UL/CSA
0FT6301B510	2	FUSE,TIME LAG	6300MA 250 V 5.2X20 CY/GL ECT F602,605
0FT6301B512	2	FUSE,TIME LAG	6300MA 250 V 5.2X20 CY/GL UL /
6630R-BF06J	2	CNCTR (CIRC),PCB TO PCB	JE11T-D15T-10 JAE EUN 10PIN 2. ##FOR DECK
6850RCHT24A	2	CABLE,FLAT	P=1.25 FFC UL2896(0.05X0.8) 20 ##FOR CD TO FNT & MAIN TO DECK
3300RCE001B	1	PLATE	EPS (JBL SG3030 TOP) ##EPS FON ONE-PACKING
563-648D	1	CNCTR ASSY	ECTOR AY 150 CODE A UL
6850RCGP24A	1	CABLE,FLAT	P=1.0 FFC UL2896(0.05X0.65) 16 CN801

EXPLODED VIEWS

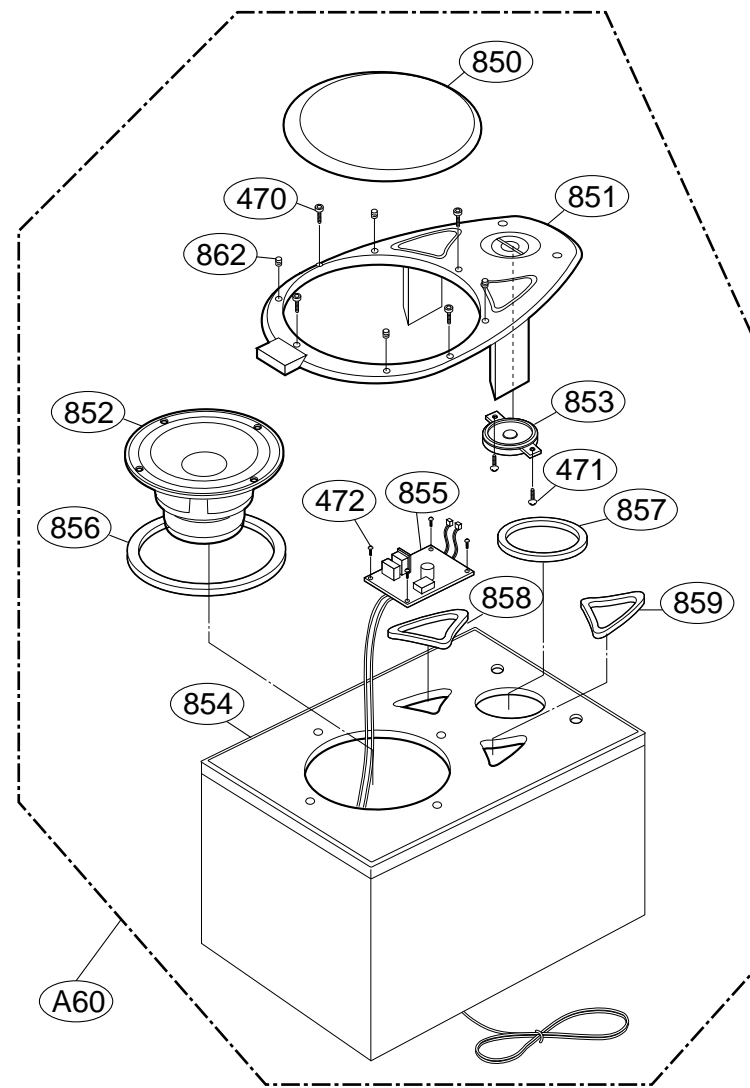
1. CABINET (MODEL : SG2020)



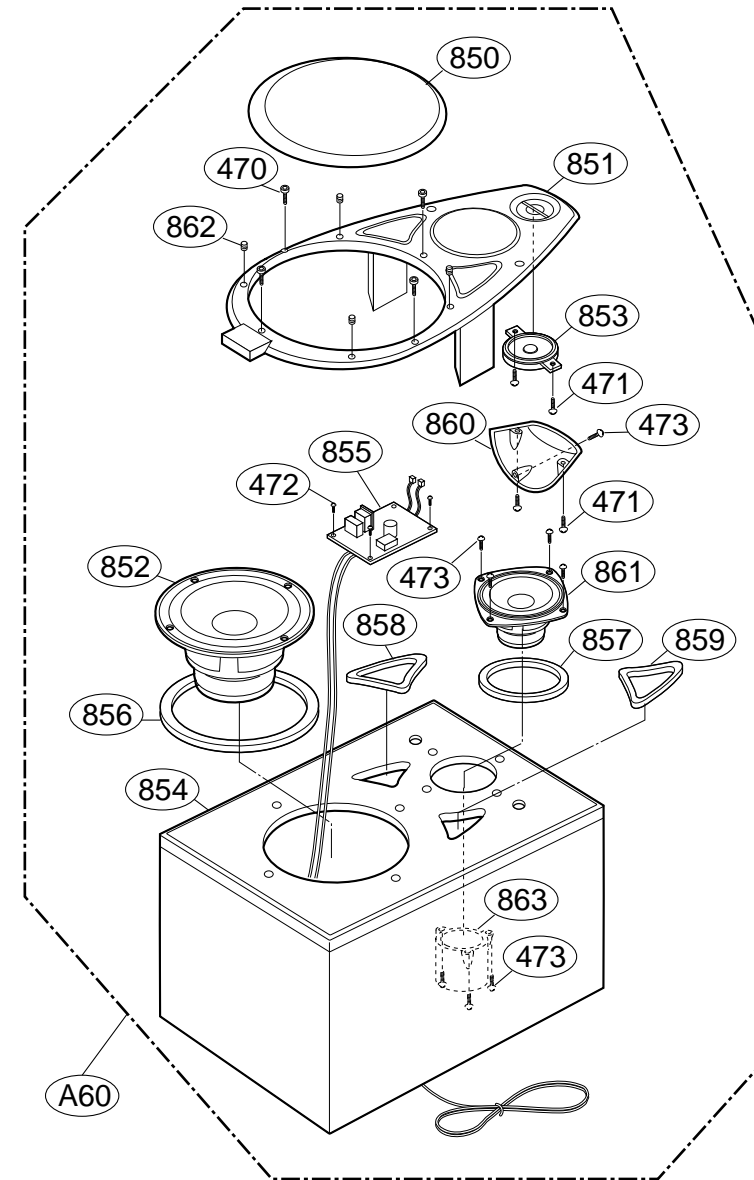
2. CABINET (MODEL : SG3030)



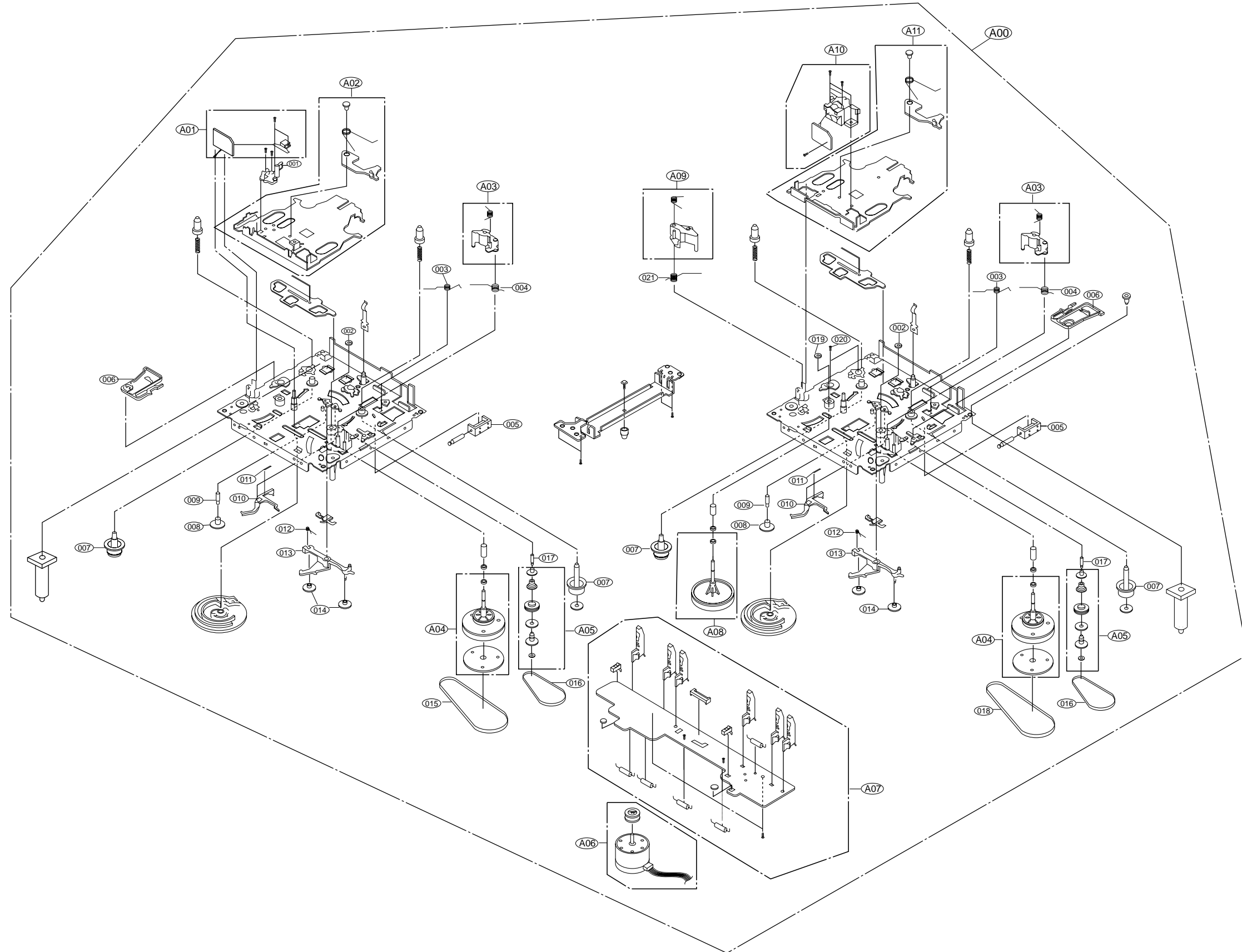
3. SPEAKER (MODEL : SG2020)



4. SPEAKER (MODEL : SG3030)



5. DECK



6. CD DECK MECHANISM

