

Technical Manual

JBL/UREI SR6615 POWER AMPLIFIER

SPECIFICATIONS



| | 2 Ohm/Ch | 4 Ohm/Ch | 8 Ohm/Ch | 8 Ohm Bridge | 16 Ohm Bridge |
|-----------------------|----------|----------|----------|--------------|---------------|
| Rated Power: | — | 150 W | 90 W | 300 W | 180 W |
| Midband Power: | 250 W | 175 W | 110 W | — | — |

Rated Power: is minimum continuous sine wave output per channel, with both channels driving their rated load over a power bandwidth of 20 Hz to 20 kHz. Maximum total harmonic or intermodulation distortion measured at any power level from 250 milliwatts to rated power is less than 0.1%. Maximum Transient Intermodulation Distortion is less than 0.05%.

Midband Power: is maximum output power at onset of clipping, both channels driven with 1 kHz sine wave, THD 1%.

Frequency Response: +0 dB, -1 dB, 20 Hz to 20 kHz, at any level up to rated power.

Noise: At least 100 dB below rated output (15.7 kHz noise bandwidth).

Input: Balanced bridging differential amplifier.

Input impedance: Line: 40 k ohms used as balanced input; 20 k ohms used as unbalanced (single-ended) input.

Maximum Input Level: +20 dB (7.75 V rms).

Input Sensitivity: 1.1 V for rated output into 8 ohm load.

Damping Factor: Greater than 200 at any frequency from 20 Hz to 1 kHz into 8 ohm load.

AC Power: Power Consumption: At idle (approx.): 50 W. At rated output (4 ohms both channels): 700 W.

Polarity: Positive-going signal on pin 3 of XL or tip of phone jack gives positive-going signal at + output terminal.

Connectors: Input connectors are Female XL style 3 pin and 3-conductor phone jack wired in parallel. Output connectors are 5-way binding posts on 19mm (¾ inch) centers.

Controls: Channel Gain (2), Power, Stereo/Bridge Mono/Dual Mono Switch, Ground Lift Switch.

Indicators: Power, Signal Present (2), Clip (2), Standby.

Dimensions: 19 inch Rack Mounting: 88mm (3.5 in.) high by 368mm (14.5 in.) deep to rear panel. 406mm (16 in.) depth to rear of Rear rack mounting ears.

Net Weight: To be determined.

Rear Panel: Input Connectors: XLR, Phone Jacks, Ground Lift Switch, Mode Switch: Stereo/Dual, Mono/Bridge, Mono. Output Connections—Domestic (USA and Mexico): 5-Way Binding Posts In Line on 19mm (¾ inch) Centers Locations to attach rack supports at rear panel. Circuit Breakers.

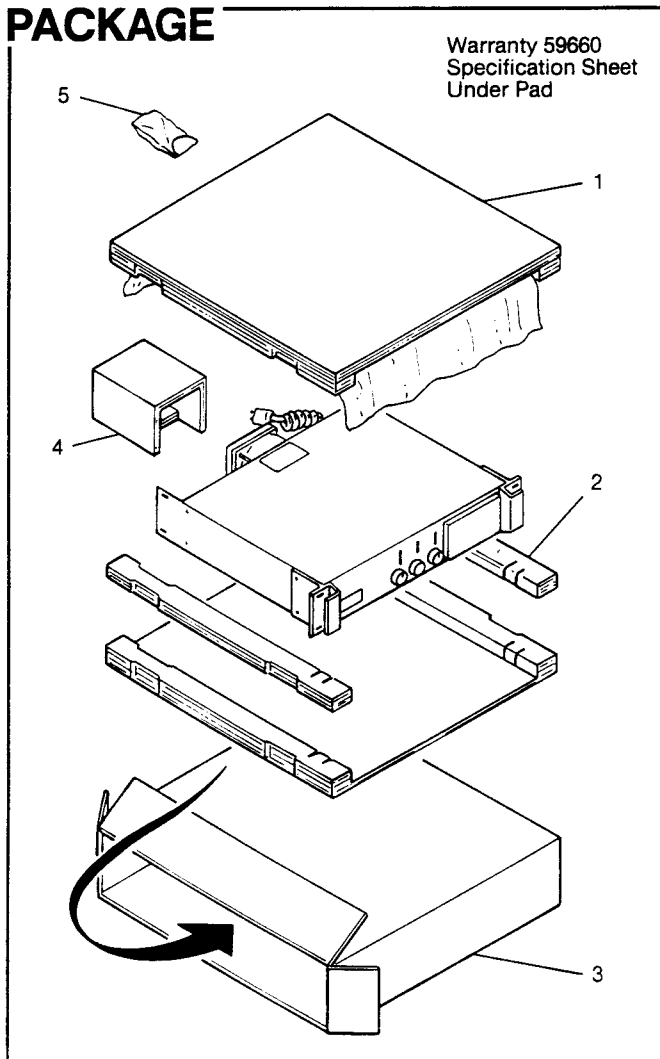
Front Panel: Power Switch, Stepped Input Level Controls, Rack Handles, LED Display: Power, Input Signal Present (2), Output Clip (2), Protect.

Other: Fan cooled (air flow is back-to-front).

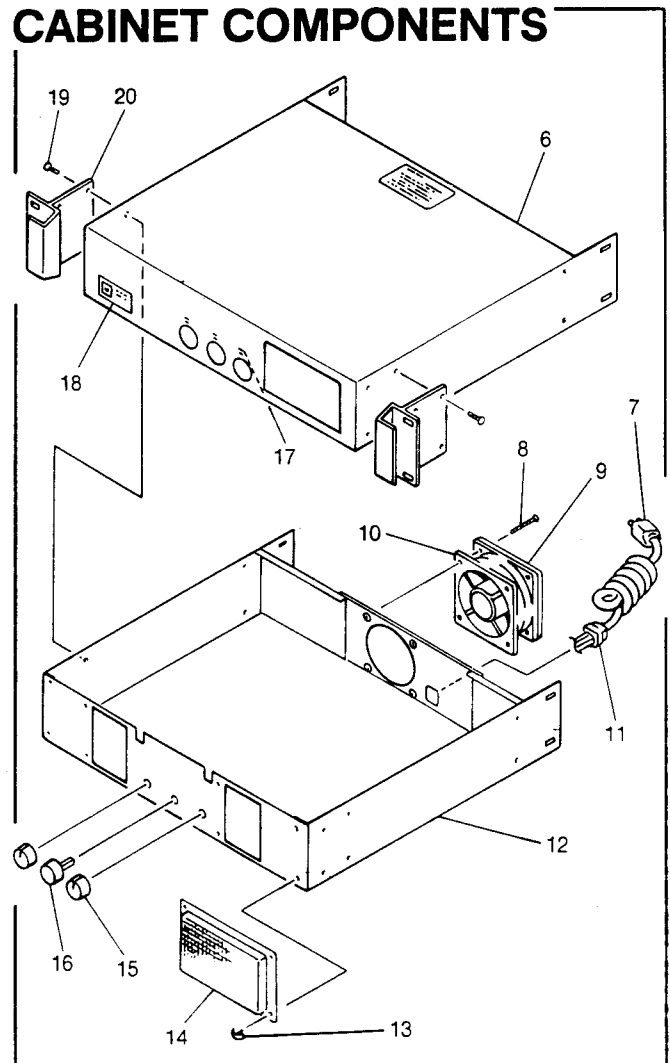
Warranty Information: Refer to the Warranty Statement packed with each product.

PACKAGE

Warranty 59660
Specification Sheet
Under Pad



CABINET COMPONENTS



JBL/UREI SR6615 REV A

JBL/UREI SR6615

COMPONENTS PARTS LIST

| ITEM | PART NO. | QTY | DESCRIPTION |
|------|----------|-----|------------------------------|
| 1 | 33-0415 | 2 | INSRT |
| 2 | 33-0425 | 2 | INSRT DIE CUT ES/SR |
| 3 | 33-0414 | 1 | SHIPPING CARTON SR |
| 4 | 33-0419 | 2 | INSRT, REAR (FAN)-2 PCS/PACK |
| 5 | 10-16524 | 1 | KIT, RACK, SCR-SR |
| 6 | 25-16423 | 1 | COVER CHASSIS, SR6615 |
| 7 | 36-0330 | 1 | CORD PW 14/3 5.5' SJT |
| 8 | 30-0322 | 4 | SCR, 6-32x1-3/4 PFH |
| 9 | 45-0118 | 1 | FAN GUARD SOMM (NO SCREEN) |
| 10 | 45-0116 | 1 | FAN DC TB AXL 12V |
| 11 | 36-0333 | 1 | STRAIN RELIEF AC CRD |
| 12 | 25-16665 | 1 | CHASSIS, MAIN, FAB, SR |
| 13 | 27-0567 | 4 | CONN, TAB .187" FASTON |
| 14 | 25-16445 | 1 | GRILL, FLTR, GRY, WO-LOGO |
| 15 | 24-16500 | 2 | KNOB, INP, STRL, SR, AMP |
| 16 | 24-16443 | 1 | PWR BUTTON ES |
| 17 | 25-16504 | 3 | LENS, LED 2 WINDOWS |
| 18 | 25-16476 | 1 | PL, LOGO, SR-AMP |
| 19 | 30-0333 | 12 | SCR, 10-32x1/2, PPH, ZN |
| 20 | 25-16487 | 2 | RACK EAR 2 RACK SPACE |
| 21 | 36-0531 | 4 | BUTTON MTG |
| 22 | 15-14286 | 2 | SW, 2, POLE, 3POS |
| 23 | 30-0327 | 2 | SCR, 3x5MM PPH |
| 24 | 30-0234 | 5 | SCR, 6-32x1/4 PPH SEMS |
| 25 | 16-16428 | 1 | XFMR, PWR, 120V-ES300 |
| 26 | 30-0332 | 4 | SCR, 8-32x2 PPH |
| 27 | 28-0038 | 4 | WSHR, #8 FBR SHLDR |
| 28 | 30-0230 | 4 | SCR, 8-32x3/8 PPH |
| 29 | 29-0048 | 1 | NUT 6-32 HEX KEPS |
| 30 | 13-0281 | 1 | RECT BRDG 25A 200V |
| 31 | 30-0293 | 1 | SCR, 6-32x3/4 PPH |
| 32 | 15-0470 | 1 | CIRCUIT BREAKER 8A |
| 33 | 27-0222 | 2 | BIND, POST-BLK |
| 34 | 27-0221 | 2 | BIND, POST-RED |
| 35 | 30-0234 | 1 | SCR, 6-32x1/4 PPH SEMS |
| 36 | 42-0034 | 1 | LUG, #6 MTG |
| 37 | 25-16745 | 1 | CHASSIS PWR SUPP 6615/150 |

| ITEM | PART NO. | QTY | DESCRIPTION |
|------|----------|-----|----------------------------|
| 38 | 36-0325 | 1 | BUMPER, RUBBER |
| 39 | 25-16620 | 1 | HEATSINK, FAB ES/SR |
| 40 | 25-16413 | 15 | CLIP, HEATSINK ES/SR |
| 41 | 25-16748 | 1 | BAFFLE, AIR-FLOW, EMI, SHD |
| 42 | 15-0463 | 1 | SW, PWR, SPST, 15A |
| 43 | | | |
| 44 | | | |
| 45 | | | |
| 46 | | | |
| 47 | | | |
| 48 | | | |
| 49 | | | |
| 50 | | | |

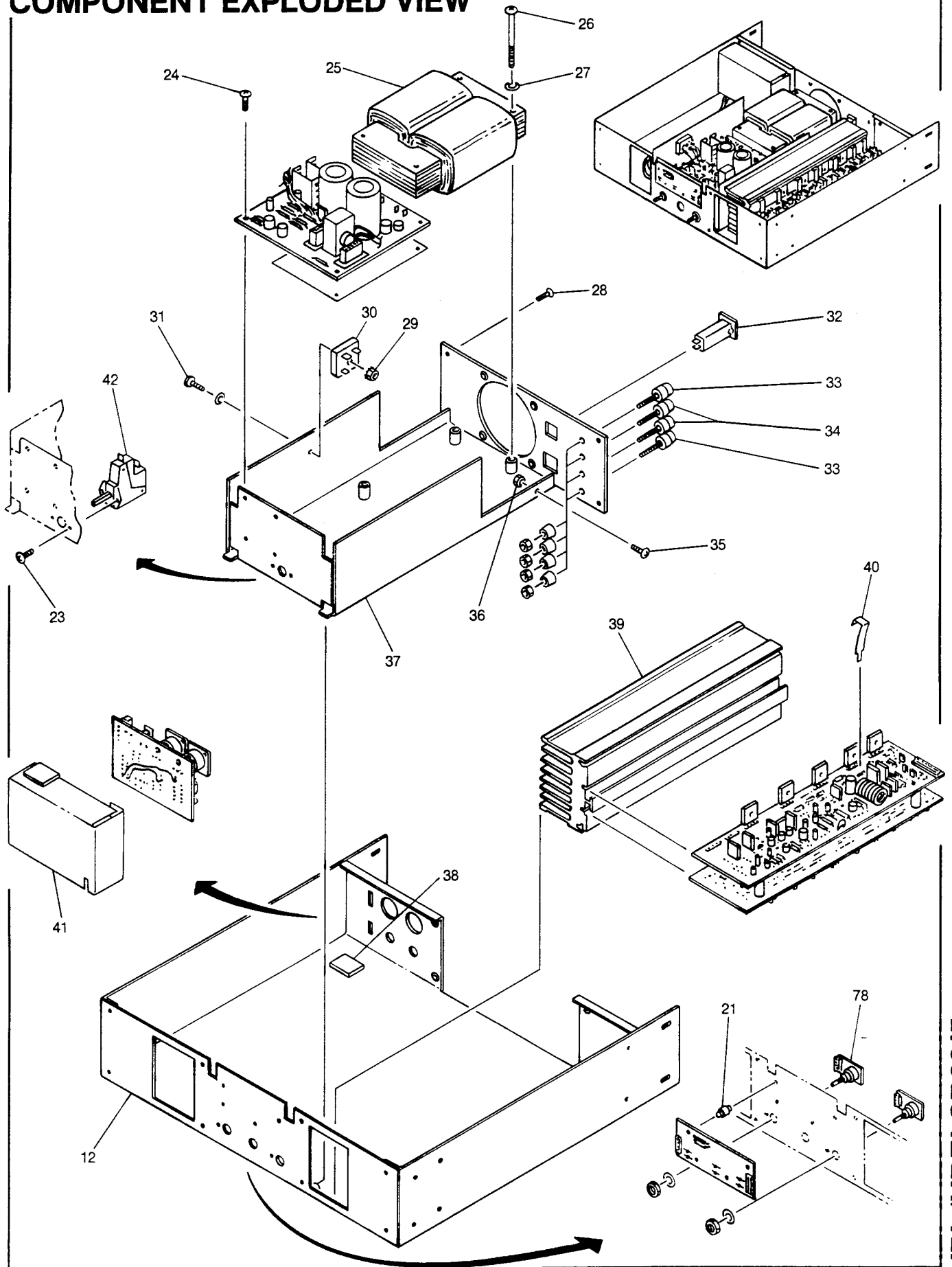
CIRCUIT BOARDS

| | | | |
|----|--------------|----|--------------------------|
| 51 | 13-0276 | 5 | IC, NE5532AF |
| 52 | 13-0315 | 1 | IC, NE5534N, OP-AMP |
| 53 | 13-0424 | 3 | XSTR, 2N6728, PNP, 60V |
| 54 | 13-0543 | 4 | XSTR, 2SA1386, PNP |
| 55 | 13-0542 | 2 | XSTR, 2SC2837 |
| 56 | 13-0541 | 2 | XSTR, 2SA1186 |
| 57 | 13-0544 | 4 | XSTR, 2SC3519 |
| 58 | 13-0280 | 2 | OPTOISOLATOR HIIAI |
| 59 | 16-14573 | 2 | COIL, AIR, CORE, 2.2UH |
| 60 | 13-0545 | 10 | XSTR, 2SA1208S |
| 61 | 13-0546 | 12 | XSTR, 2SC2910S |
| 62 | 13-0423 | 5 | XSTR, 2N6716, NPN, 60V |
| 63 | 13-0547 | 2 | XSTR, 2SA1011E, PNP |
| 64 | 13-0548 | 2 | XSTR, 2SC2344E, NPN |
| 65 | 189-00004-00 | 1 | THERMISTOR ASSY |
| 66 | 13-0586 | 3 | LED, RED SUB-MINI |
| 67 | 13-0587 | 3 | LED, GRN SUB-MINI |
| 68 | 15-0389 | 1 | RELAY DPDT 24V |
| 69 | 36-0403 | 2 | CERAMIC BASE MAGNET |
| 70 | 13-0390 | 2 | RECT, BRDG, 200V, 1.5A |
| 71 | 13-0383 | 1 | REG, E. POS, 5V, K, T092 |
| 72 | 36-0446 | 2 | HEATSINK |
| 73 | 13-0195 | 1 | IC, 7915, RGLTR, T0-220 |

JBL/UREI SR6615

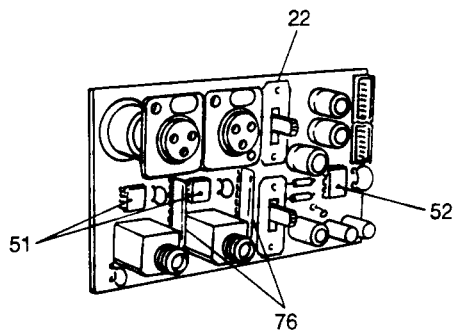
JBL/UREI SR6615

COMPONENT EXPLODED VIEW

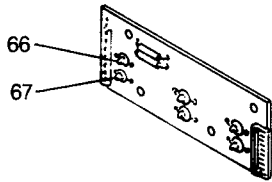
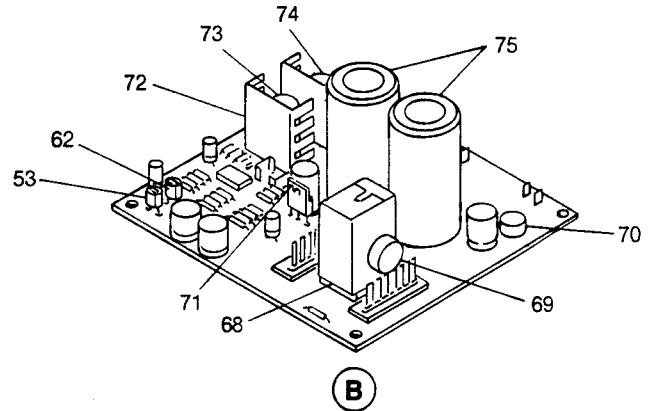
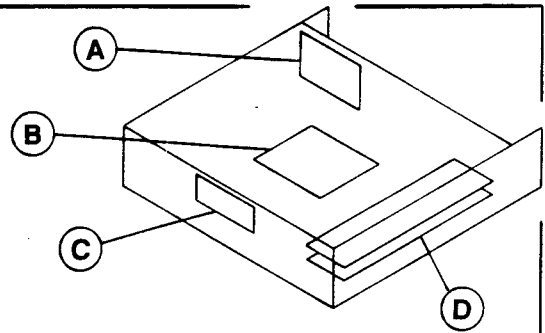


JBL/UREI SR6615

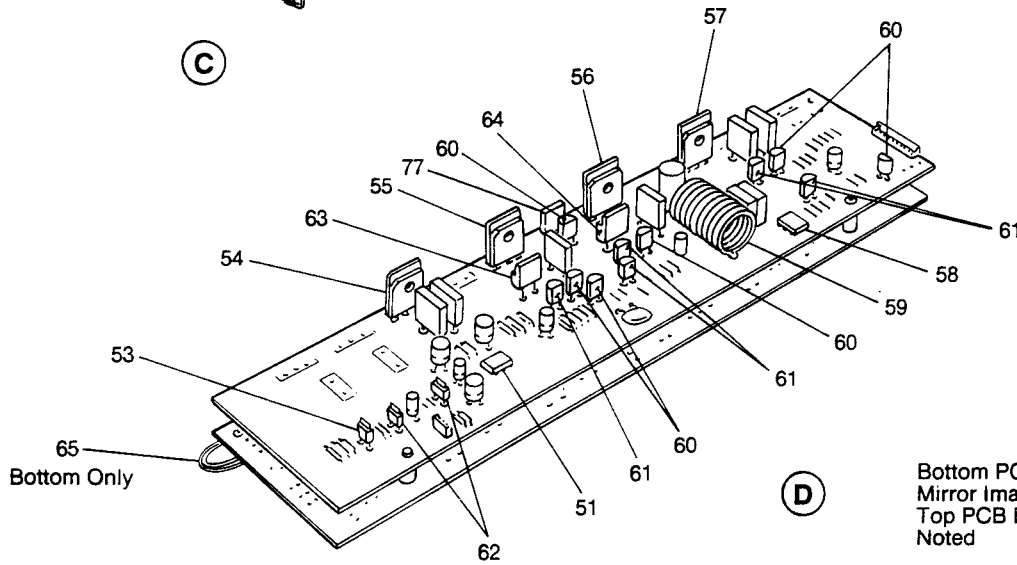
CIRCUIT BOARDS



(A) ROTATED 90°



(C)



Bottom Only

(D)

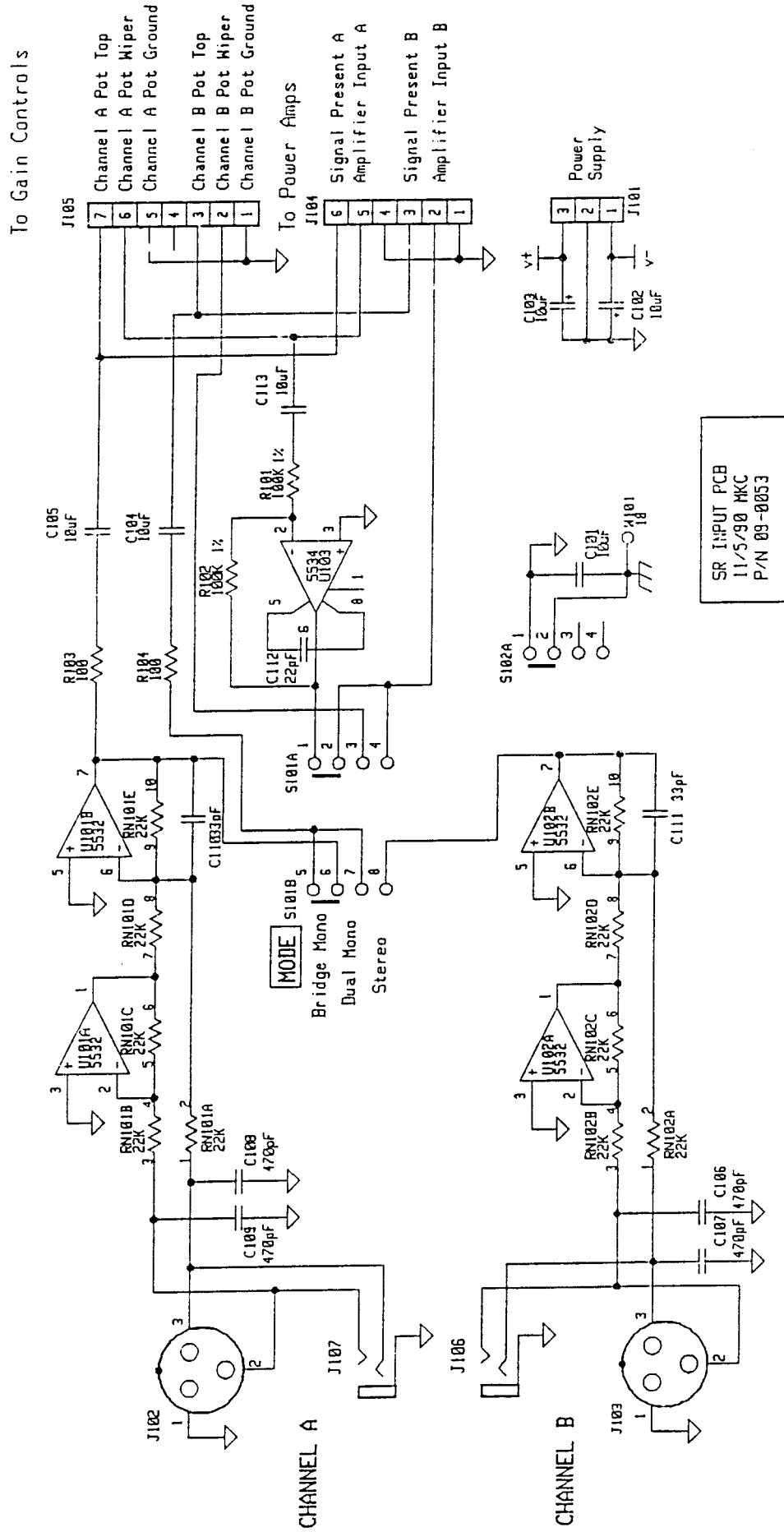
Bottom PCB Is Mirror Image Of Top PCB Except As Noted

JBL/UREI SR6615

| ITEM | PART NO. | QTY | DESCRIPTION |
|------|----------|-----|--------------------------|
| 74 | 13-0194 | 2 | IC, 7815, RGLTR, TO-220 |
| 75 | 14-0791 | 2 | CAP-SF, .018MF, 5%, 100V |
| 76 | 13-0369 | 2 | RES, NTWK, SIP, 22K, 10P |
| 77 | 13-0676 | 2 | XSTR, 2SA1360, PNP, 150V |
| 78 | 15-16415 | 2 | POT, 10K, AUDIO, 31POS |
| 79 | | | |
| 80 | | | |
| 81 | | | |
| 82 | | | |

| ITEM | PART NO. | QTY | DESCRIPTION |
|------|----------|-----|-------------|
| 83 | | | |
| 84 | | | |
| 85 | | | |
| 86 | | | |
| 87 | | | |
| 88 | | | |
| 89 | | | |
| 90 | | | |
| 91 | | | |

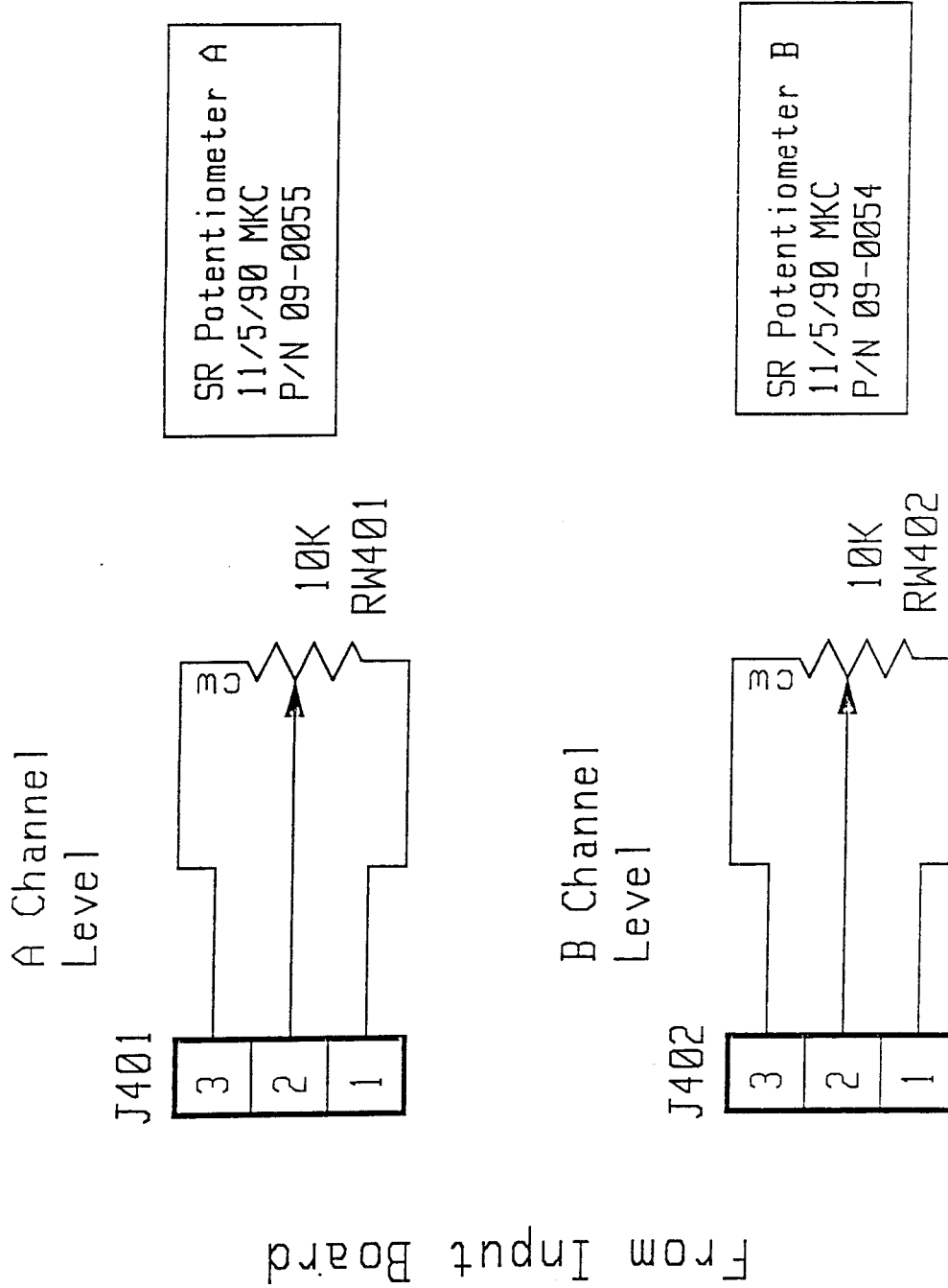
SCHEMATIC, INP, PCB, SR-A (05-17019)



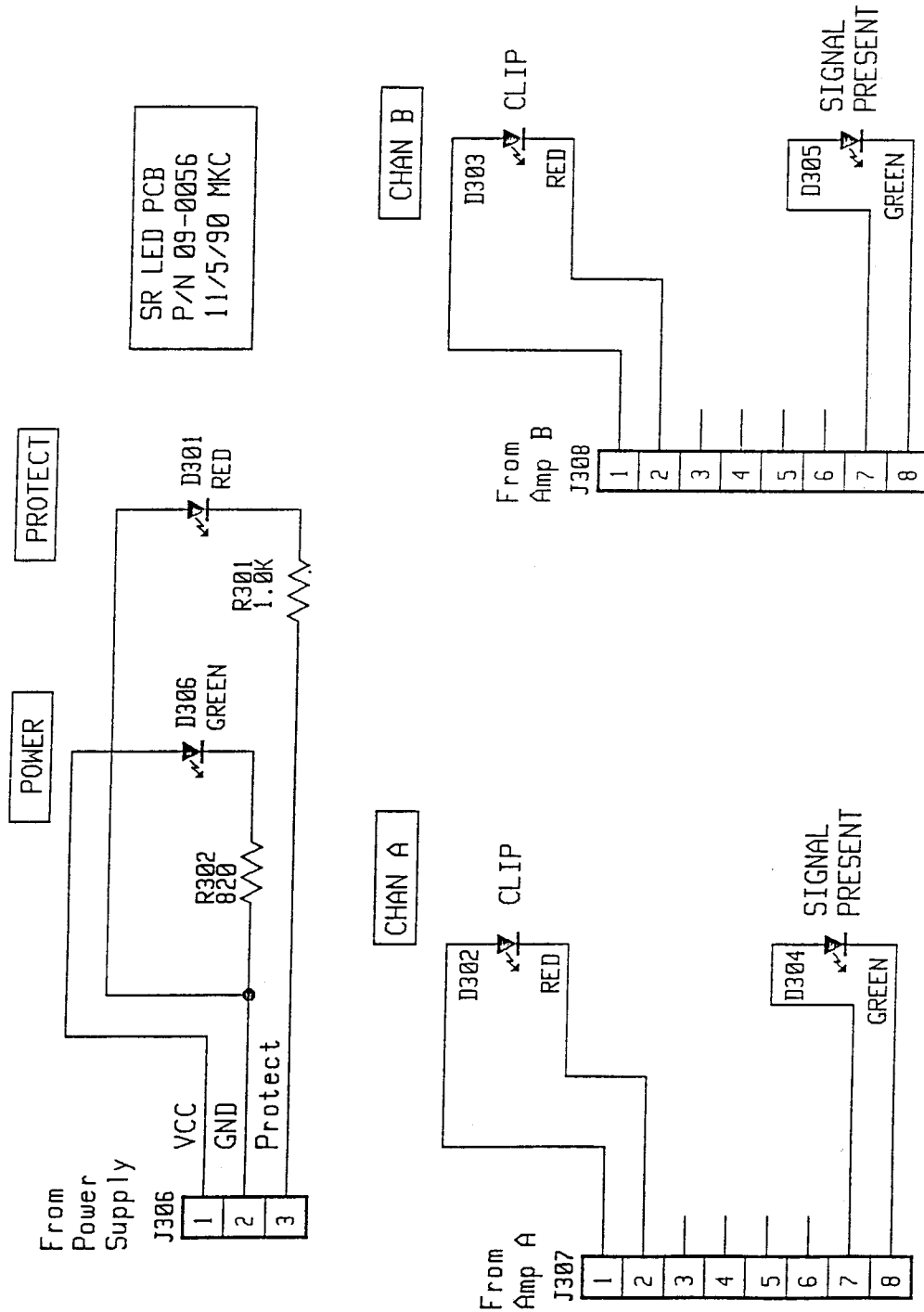
SR INPUT PCB
11/5/750 MKC
P/N 09-0053

JBL/UREI SR6615, SR6630

SCHEMATIC, LVL, CONT, SR-A (05-17020)

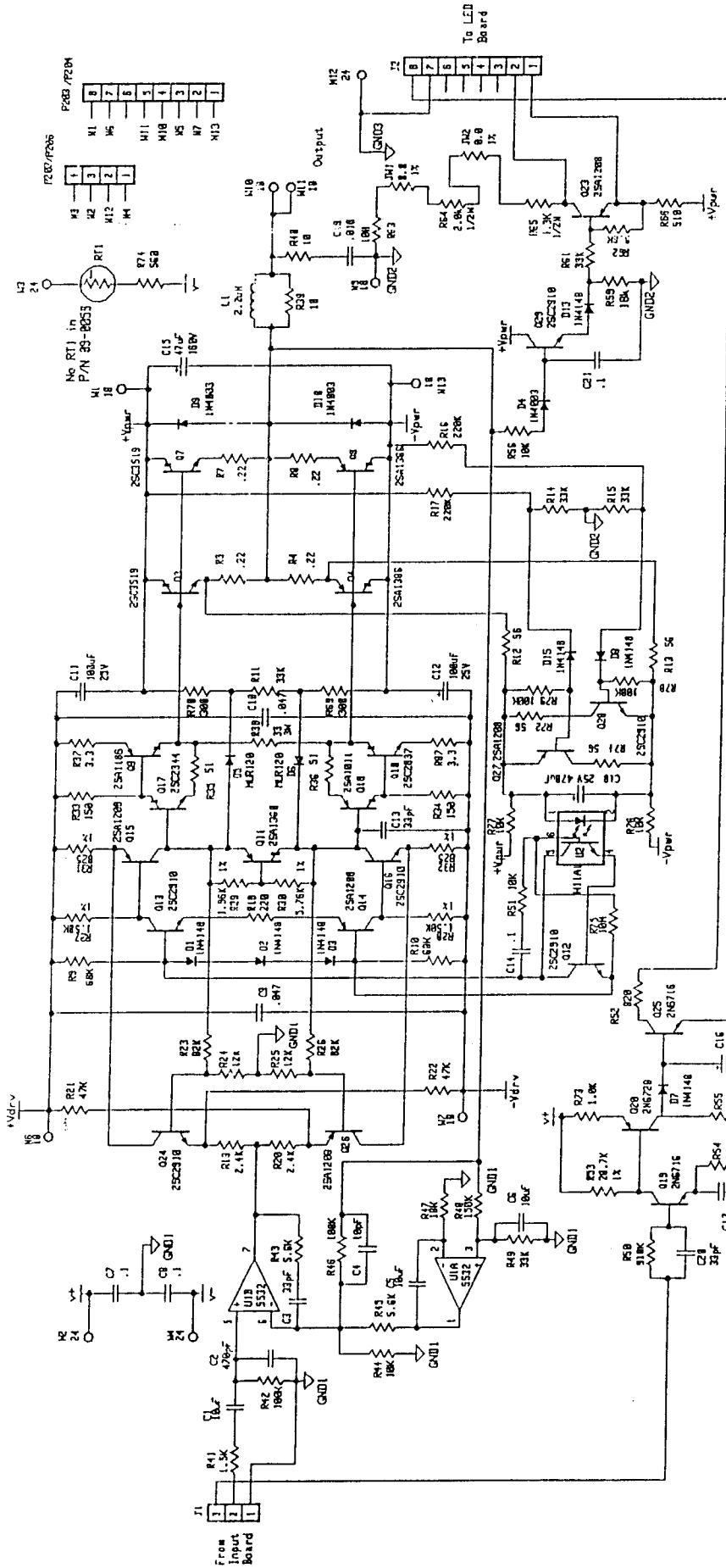


SCHEMATIC, DSPL, SR-A (05-17023)



JBL/UREI SR6615, SR6630

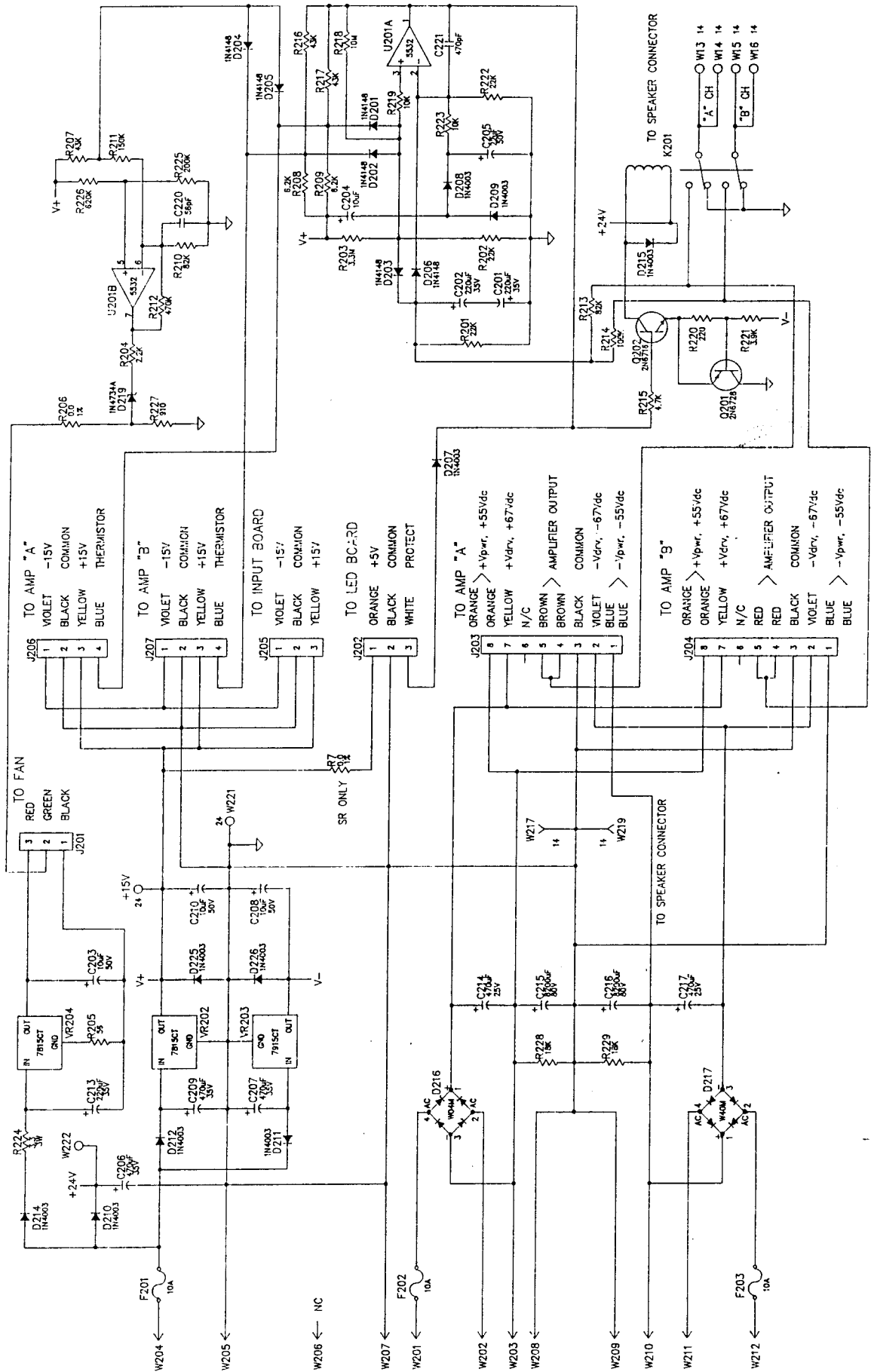
SCHEMATIC, AMP-PWR, SR6615A (05-17027)



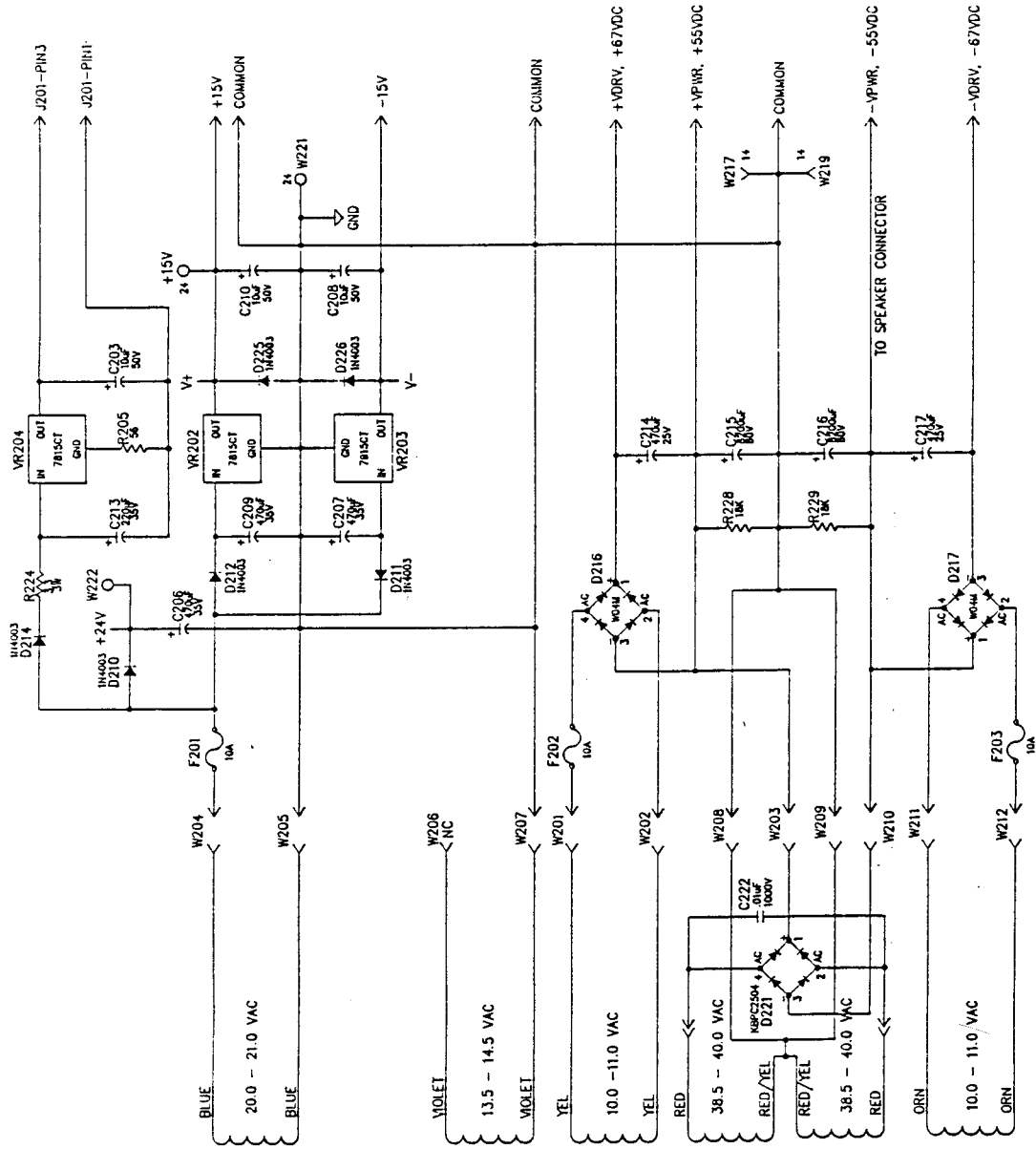
P/N 89-8053 / P/N 89-8038
 SR6615 Amplifier A / SR6615 Amplifier B
 Rev 11/27/98 HMC

JBL/UREI SR6615

SCHEMATIC, PWR-SPLY, SR6615 (05-17033)



SCHEMATIC, SR6615, XFMR, WIRING (05-17069)



T1

| TRANSFORMER (T1) P/N | LINE VOLTAGE | LINE FREQUENCY | PRIMARY WIRING NUMBER/COLOR |
|----------------------|--------------|----------------|-----------------------------|
| 16-16428 | 120VAC | 60Hz | 1/WHT, 2/BLK |
| 16-16429 | 100VAC | 50/60Hz | 1/WHT, 2/BLK |
| 16-16430 | 230VAC | 50/60Hz | 1/WHT, 2/BLK |
| 16-16430 | 240VAC | 50/60Hz | 1/WHT, 15/BRN |

NOTE: 120VAC 60Hz WIRING SHOWN

