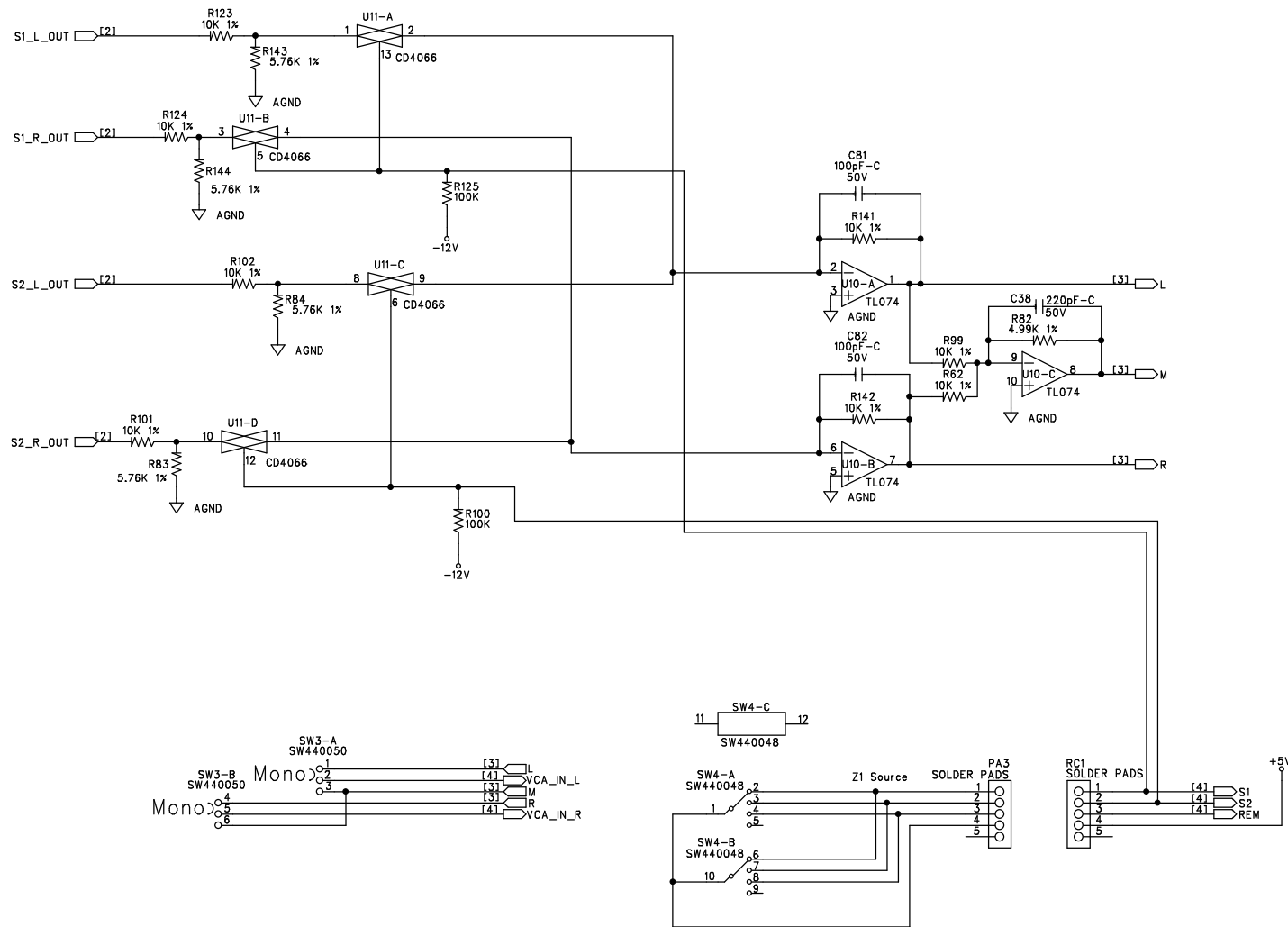
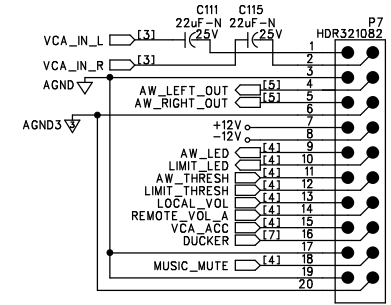
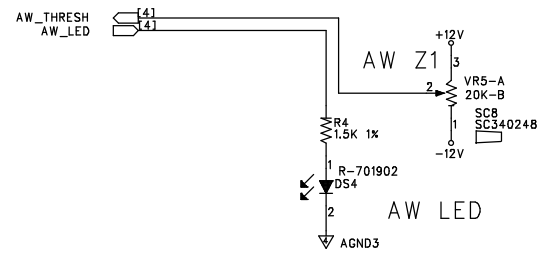
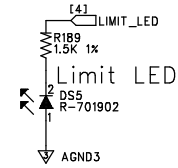
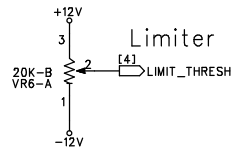
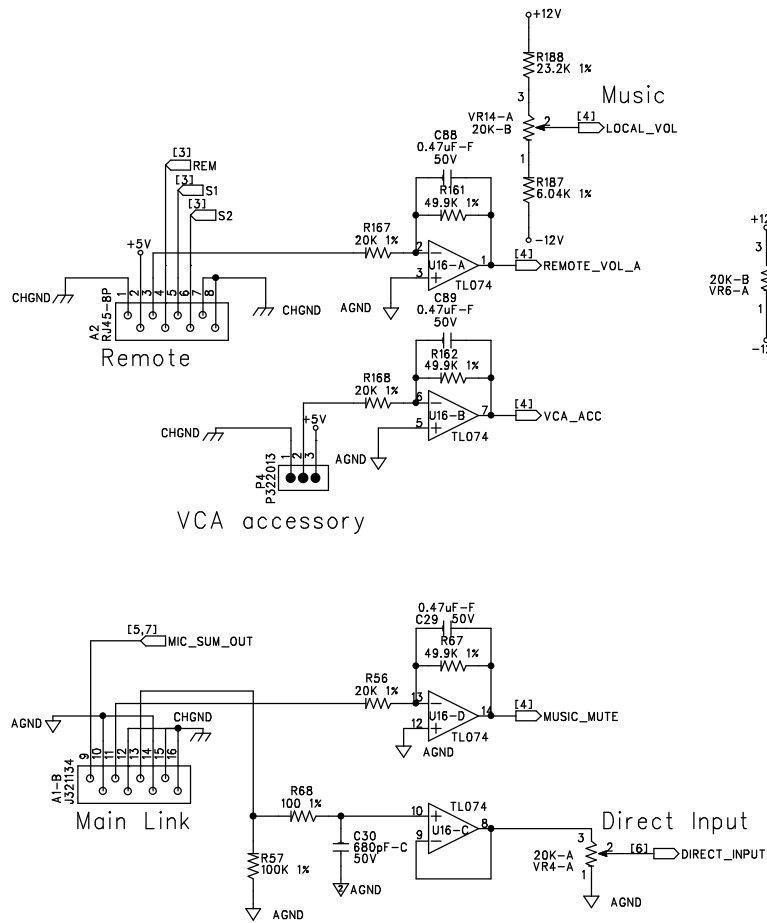


Source Link

SIZE: A	SHEET TITLE: AUDIO IN	REVISION: A1
DATE: 7-27-00	DRAWING NO: 05-6364	SHEET: 2 OF 8

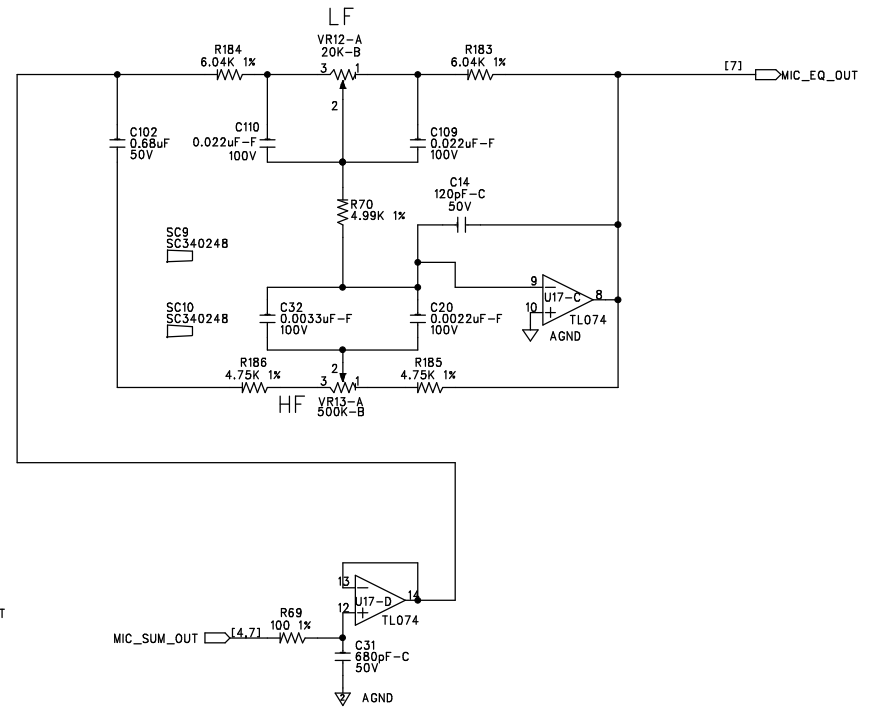
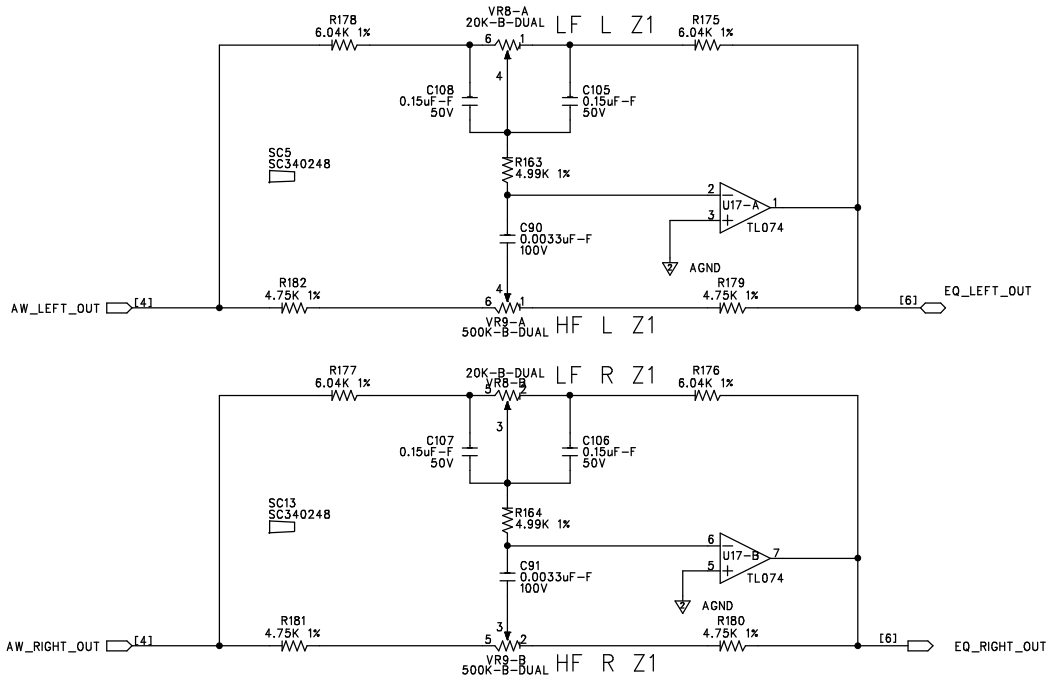


SIZE: A	SHEET TITLE: SOURCE SELECT	REVISION A1
DATE: 7-27-00	DRAWING NO: 05-6364	SHEET: 3 OF 8

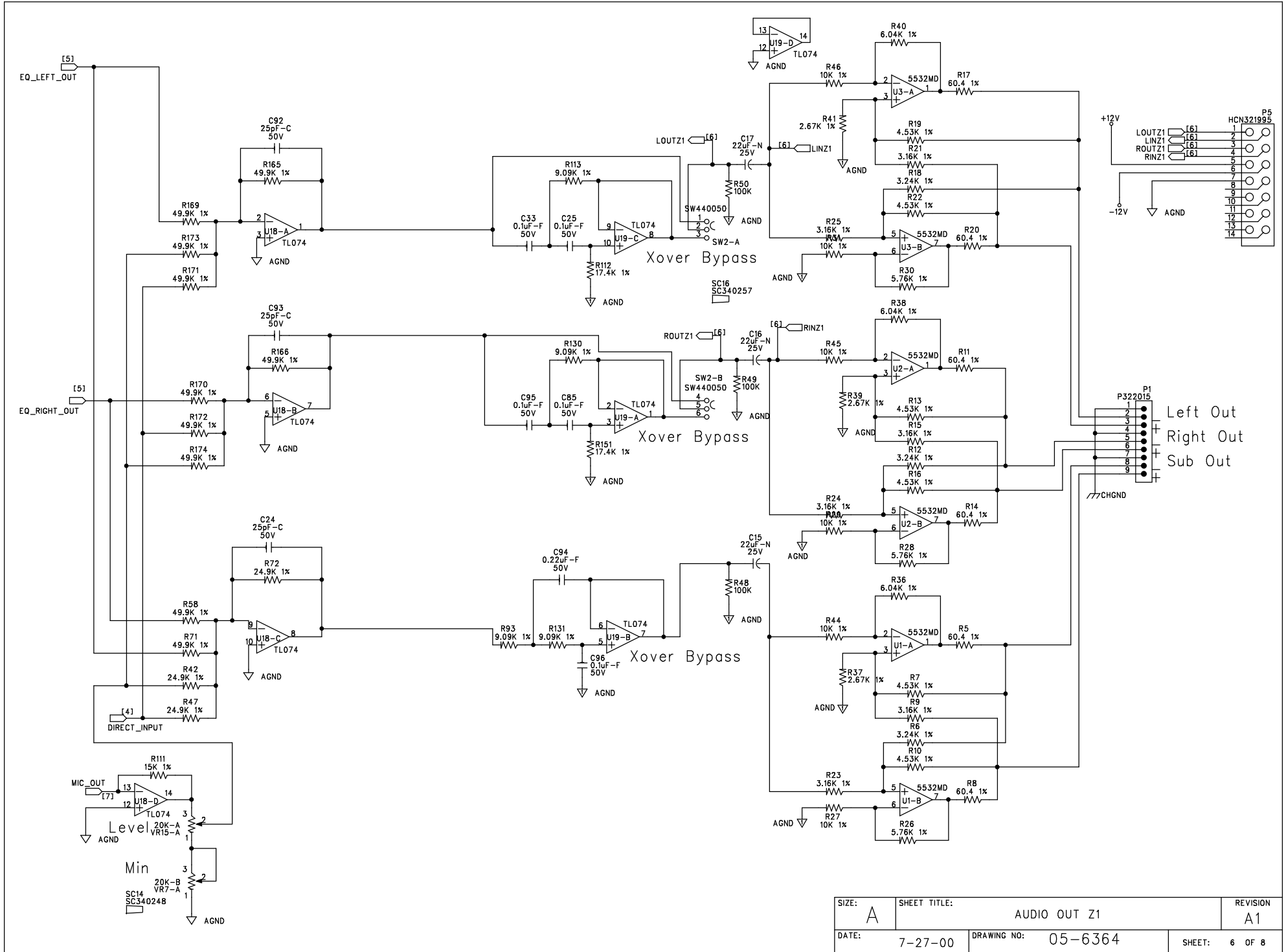


Daughter

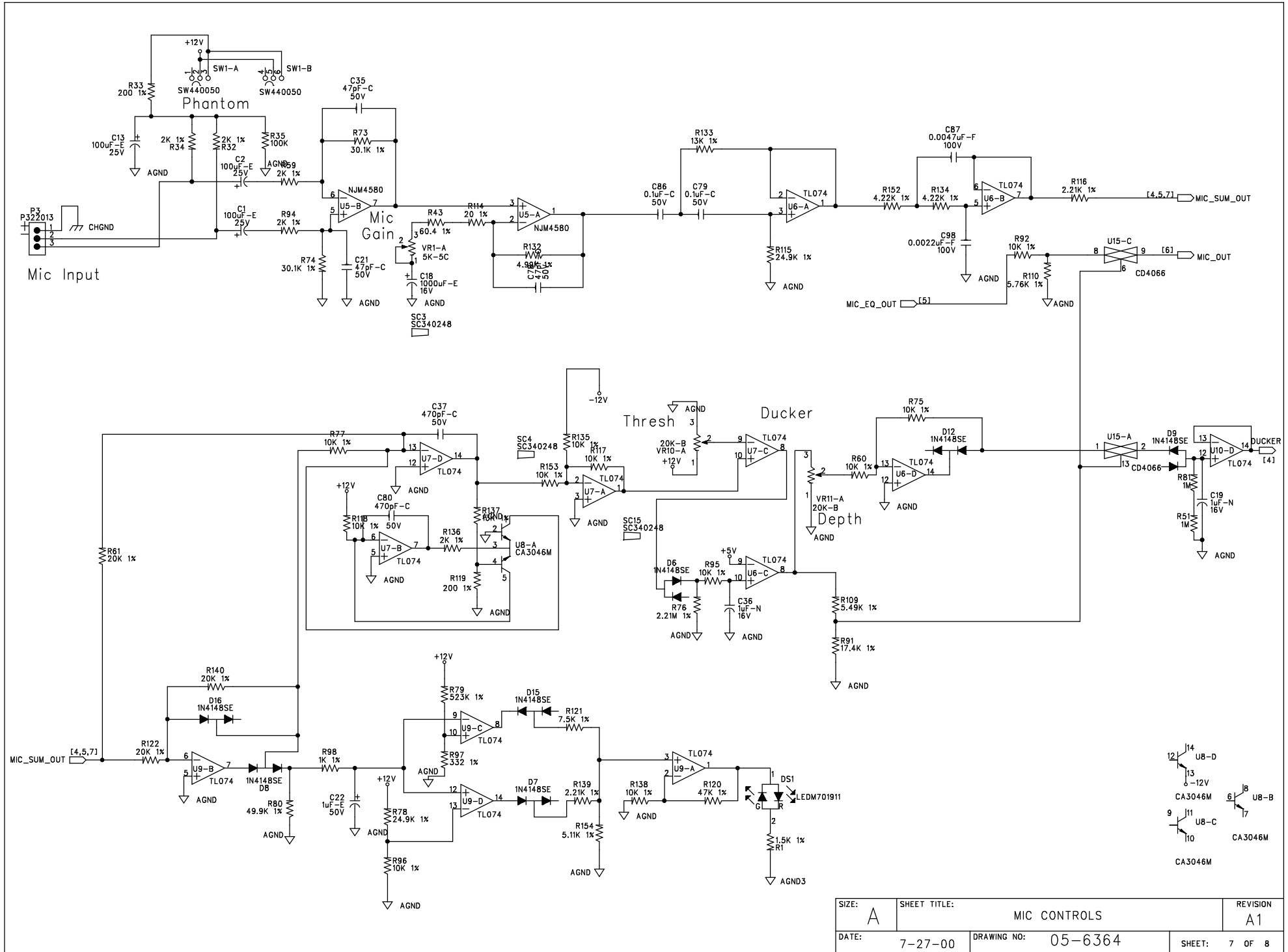
SIZE: A	SHEET TITLE: EXTERNAL CONTROLS	REVISION: A1
DATE: 7-27-00	DRAWING NO: 05-6364	SHEET: 4 OF 8



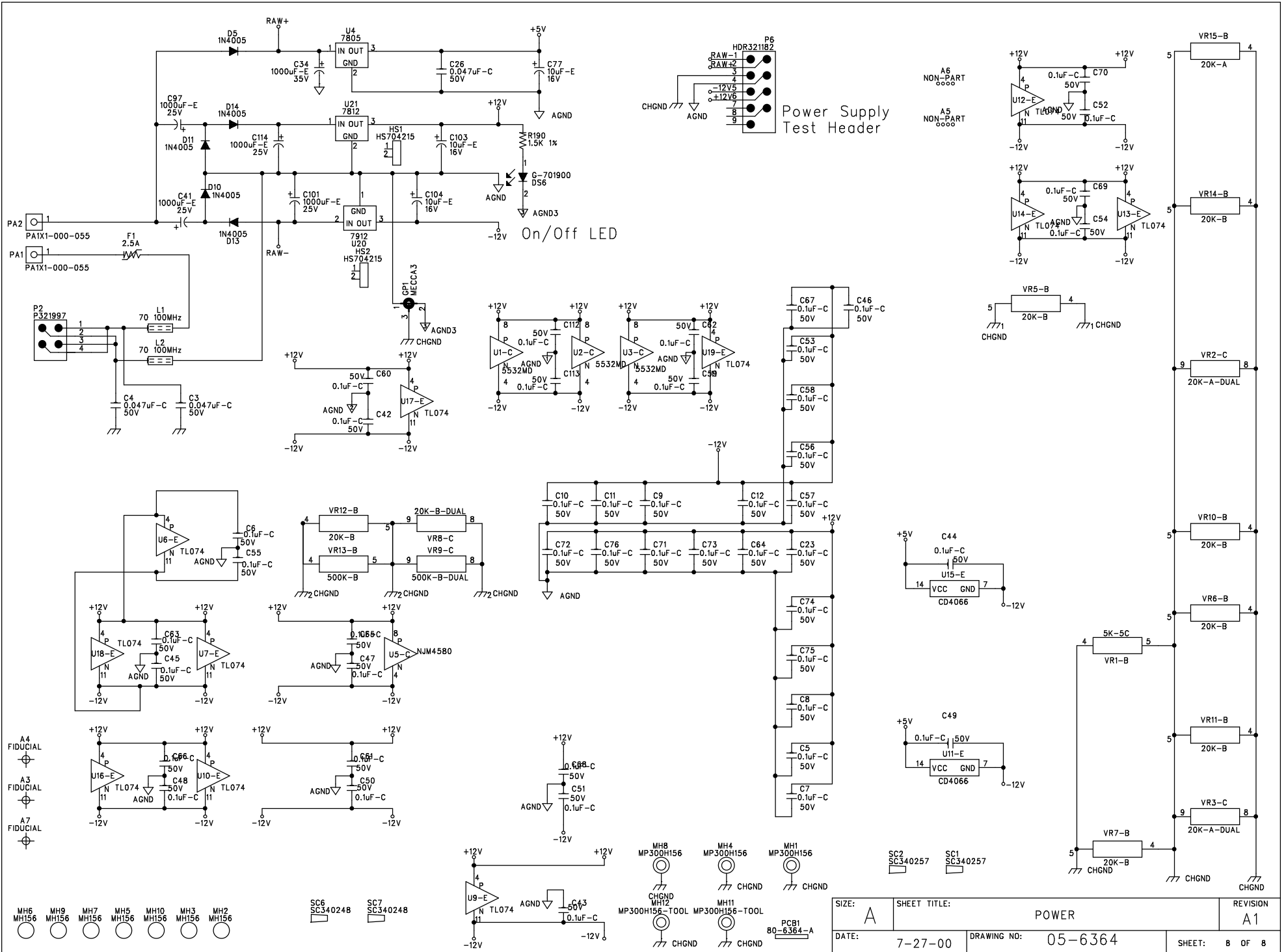
SIZE: A	SHEET TITLE: MUSIC EQ	REVISION: A1
DATE: 7-27-00	DRAWING NO: 05-6364	SHEET: 5 OF 8



SIZE: A	SHEET TITLE: AUDIO OUT Z1	REVISION: A1
DATE: 7-27-00	DRAWING NO: 05-6364	SHEET: 6 OF 8



SIZE: A	SHEET TITLE: MIC CONTROLS	REVISION: A1
DATE: 7-27-00	DRAWING NO: 05-6364	SHEET: 7 OF 8



SIZE: A	SHEET TITLE: POWER	REVISION: A1
DATE: 7-27-00	DRAWING NO: 05-6364	SHEET: 8 OF 8



Bill Of Materials for 056364A1.sch on Thu Jul 27 09:10:06 2000

Qty	Reference	HMG#	Description	Audit	Schematic Part	PCB Decal
1	PCB1	80-6364-A	PCB 80-6364-A JBL Z21S BOARD	PT1046	80XXXXXX	PCBNULL
2	A5-6	NON-PART	NON-PART, PCB ONLY, BREAKOFF PART	PT1481	BRKOFF	BRKOFF
2	C20 C98	56-0002	CAP, 0.0022uF, FILM, 100V, 5%, RFCC200, AMMO	PT1001	C0.0022UF100JR	RFCC200
3	C32 C90-91	56-0003	CAP, 0.0033uF, FILM, 100V, 5%, RFCC200, AMMO	PT1103	C0.0033UF100JR	RFCC200
1	C87	56-0004	CAP, 0.0047uF, FILM, 100V, 5%, RFED200, AMMO	PT1201	C0.0047UF100JR	RFDC200
2	C109-110	56-0008	CAP, 0.022uF, FILM, 100V, 5%, RFED200, AMMO	PT1399	C0.022UF100JR	RFED200
3	C3-4 C26	62-3129	CAP, 0.047uF, CER, 50V, 20%, 0805, T&R	PT1202	C0.047UC50M0805	0805
4	C105-108	56-0013	CAP, 0.15uF, FILM, 50V, 5%, RFEC200, AMMO	PT1199	C0.15UF50JR	RFEC200
48	C5-12 C23 C42-76 C79 C86 C112-113	62-3139	CAP, 0.1uF, CER, 50V, 20%, 0805, T&R	PT1087	C0.1UC50M0805	0805
5	C25 C33 C85 C95-96	56-0012	CAP, 0.1uF, FILM, 50V, 5%, RFEC200, AMMO	PT1200	C0.1UF50JR	RFEC200
1	C94	56-0014	CAP, 0.22uF, FILM, 50V, 5%, RFED200, AMMO	PT1077	C0.22UF50JR	RFED200
3	C29 C88-89	56-0016	CAP, 0.47uF, FILM, 50V, 5%, RFEF200, AMMO	PT1308	C0.47UF50JR	RFEF200
1	C102	56-0017	CAP, 0.68uF, FILM, 50V, 5%, RFEH200, AMMO	PT1360	C0.68UF50JR	RFEH200
1	C18	60-0064	CAP, 1000uF, ELEC, 16V, 20%, LEAD LENGTH 5mm, REM200P, BULK	PT1334	C1000UE16MR	REM200P
4	C41 C97 C101 C114	60-0070	CAP, 1000uF, ELEC, 25V, 20%, CUT 5mm, REQ200OP, BULK	PT1633	C1000UE25MR	REQ200P
1	C34	60-1073	CAP 1000uF ELEC 35V 20% 105C 13 X 25 BULK	PT1971	C1000UE35MR1	REQ200P
4	C81-82 C99-100	62-3503	CAP, 100pF, CER, 50V, 5%, COG, 0805, T&R	PT1786	C100PC50J0805	0805
3	C1-2 C13	60-0055	CAP, 100uF, ELEC, 25V, 20%, REG200P, AMMO	PT1407	C100UE25MR	REG200P
3	C77 C103-104	60-0049-01	CAP 10uF ELEC 16V 20% 5x7 0.2"LS TA	PT1080	C10UE16MR	RED200P
1	C14	62-3135	CAP, 120pF, CER, 50V, 5%, 0805, T&R	PT1440	C120PC50J0805	0805
3	C22 C27-28	60-0044-01	CAP, 1uF, ELEC, 50V, 20%, RED200P, AMMO	PT1079	C1UE50MR	RED200P
2	C19 C36	60-0046-01	CAP, 1uF, ELEC-NP, 16V, 20%, REE200, AMMO	PT1447	C1UN16MR	REE200
1	C38	62-3138	CAP, 220pF, CER, 50V, 10%, 0805, T&R	PT1286	C220PC50K0805	0805
5	C15-17 C111 C115	60-0402	CAP, 22uF, ELEC, NON-POL, 25V, 20%, REG200, AMMO	PT1084	C22UN25MR	REG200
3	C24 C92-93	62-0001	CAP, 25pF, CER, 50V, 5%, RCAC200, AMMO	PT1768	C25PC50JR	RCAC200
2	C37 C80	62-3133	CAP, 470pF, CER, 50V, 10%, 0805, T&R	PT1086	C470PC50K0805	0805
7	C21 C35 C39-40 C78 C83-84	62-3132	CAP, 47pF, CER, 50V, 5%, 0805, T&R	PT1085	C47PC50J0805	0805
2	C30-31	62-3141	CAP, 680pF, CER, 50V, 5%, 0805, T&R	PT1756	C680PC50J0805	0805
5	D5 D10-11 D13-14	70-0017	DIO, 1N4005, 600V, 1 AMP, RDB200, AMMO	PT1455	D1N4005-R	RDB200
15	D1-4 D6-9 D12 D15-20	70-0113	DIO, MMBD4148SE, DUAL DIODE, 75V, 600mA, SOT-23, T&R	PT1326	D1N4148SE-S	SOT-23
1	F1	32-0024	FUSE, 2.5A, RESETTABLE FUSE, POLYSWITCH, BULK	PT1600	F2.5A320024	FUSE2
3	A3-4 A7	NON-PART	NON-PART, FIDUCIAL, TARGET FOR AUTO INSERTION	PT1271	FIDUCIAL	FIDUCIAL
1	P5	32-1995	HCN CONN 14 PIN FEM VRT MNT	PT2172	HCN321995	HC72
1	P7	32-1082	HDR 20 PIN 0.1" SPC 2 X 10 VERT MALE	PT2211	HDR321082	HC102
1	P6	32-1182	HDR, 9 PIN, 0.1" SPC, 1 X 5, PIN 10 MISSING, VERT, MALE	PT1120	HDR321182	HDR321182
2	HS1-2	70-4215	HEATSINK, TO-220, VERT	PT1339	HS704215	HS704215
1	A1	32-1134	CON JACK RJ45 DUAL 8 PIN RA PCB MOUNT	PT1911	J321134	JR45_8P_DUAL
2	J1-2	32-3224	CON JACK RCA DUAL PCB MOUNT RED-WHITE	PT1953	J323224	J320110
1	A2	32-3301	JACK RJ45 SINGLE PORT 8 PIN R/A PCB MNT	PT2037	J323301	JR45_8P-LONG
1	DS6	70-1900	LED GRN R/A ANTI-TIP HOUSING	PT2043	LEDG701900	D701900
3	DS1-3	70-1911	LED MULTI-COLOR RED/GRN R/A ANTI-TIP	PT2049	LEDM701911	D701902
2	DS4-5	70-1902	LED, RED, R/A, ANTI-TIP HOUSING	PT1133	LEDR701902	D701902
2	L1-2	26-0215	IND, FERRITE BEAD, 70 OHM @ 100MHZ, RIC200, AMMO	PT1262	LFB260215	RIC200
1	GP1	NON-PART	NON-PART, MECCA GND/PWR TIE POINT, 3 POS	PT1303	MECCA3	MECCA3
7	MH2-3 MH5-7 MH9-10	NON-PART	NON-PART, MOUNTING HOLE, 0.156" NON-PLATED, #6	PT1044	MH156	MH156
3	MH1 MH4 MH8	NON-PART	NON-PART, MECHANICAL PLATED HOLE, 300 PAD, 156 HOLE, #6	PT1045	MP300H156	MP300H156
2	MH11-12	NON-PART	NON-PART, TOOLING PIN HOLE, PLATED, 156MIL HOLE, 300MIL PAD	PT1417	MP300H156-TOOL	MP300H156-TOOL
1	P2	32-1997	CON PLUG 4 PIN 3MM SPC 2 X 2 R/A MALE	PT1983	P321997	HC22H118LSPM
2	P3-4	32-2013	CON PLUG EURO 1 X 3 .200 R/A MALE	PT1935	P322013	EURO1X3R200
1	P1	32-2015	CON PLUG EURO 1 X 9 3.5mm R/A MALE	PT1933	P322015	EURO1X9R138
2	PA1-2	NON-PART	NON-PART, PAD ARRAY, 1 PIN, 0.055" HOLE	PT1536	PA1X1-000-055	PA1X1-000-055
2	PA3 RC1	NON-PART	NON-PART SOLDER PADS FOR BREAKOFF BOARD	PT2178	PA1X5-100-000	PA1X5-100-000
6	R1-4 R189-190	52-3208	RES 1.5K 1% 1/10W SM 0805 TA	PT1733	R1.5KC1-0805	0805
2	R68-69	52-3235	RES 100 1% 1/10W SM 0805 TA	PT1706	R100-C1-0805	0805
1	R57	52-1010	RES 100K 1% 1/10W SM 0805 TA	PT2014	R100KC1-0805	0805
6	R35 R48-50 R100 R125	50-1504	RES 100K 5% 1/10W SM 0805 TA	PT1096	R100KC5-0805	0805

37	R27 R29 R31 R44-46 R53 R55 R60 R62-66 R75 R77 R85-86 R89-90 R92 R95-96 R99 R101-102 R117-118 R123-124 R135 R138 R141-142 R153 R157-158	52-4500	RES 10K 1% 1/10W SM 0805 TA	PT1034 R10KC1-0805	0805
2	R133 R137	52-4530	RES 13K 1% 1/10W SM 0805 TA	PT1526 R13KC1-0805	0805
1	R111	52-3233	RES 15K 1% 1/10W SM 0805 TA	PT1708 R15KC1-0805	0805
3	R91 R112 R151	52-3237	RES 17.4K 1% 1/10W SM 0805 TA	PT1705 R17.4KC1-0805	0805
5	R98 R105 R108 R146 R150	52-4505	RES 1K 1% 1/10W SM 0805 TA	PT1037 R1KC1-0805	0805
2	R51 R81	50-1506	RES 1M 5% 1/10W SM 0805 TA	PT1011 R1MC5-0805	0805
2	R116 R139	52-3230	RES 2.21K 1% 1/10W SM 0805 TA	PT1711 R2.21KC1-0805	0805
1	R76	52-3221	RES 2.21M 1% 1/10W SM 0805 TA	PT1720 R2.21MC1-0805	0805
5	R37 R39 R41 R52 R54	52-4507	RES 2.67K 1% 1/10W SM 0805 TA	PT1039 R2.67KC1-0805	0805
1	R114	52-3240	RES 20 1% 1/10W SM 0805 TA	PT1694 R20-C1-0805	0805
2	R33 R119	52-3224	RES 200 1% 1/10W SM 0805 TA	PT1717 R200-C1-0805	0805
12	R56 R61 R122 R126 R128 R140 R145 R149 R155 R159 R167-168	52-4501	RES 20K 1% 1/10W SM 0805 TA	PT1035 R20KC1-0805	0805
1	R188	52-0318	RES 23.2K 1% 1/10W SM 0805 TA	PT2069 R23.2KC1-0805	0805
5	R42 R47 R72 R78 R115	52-3222	RES 24.9K 1% 1/10W SM 0805 TA	PT1719 R24.9KC1-0805	0805
5	R32 R34 R59 R94 R136	52-4506	RES 2K 1% 1/10W SM 0805 TA	PT1038 R2KC1-0805	0805
6	R9 R15 R21 R23-25	52-4508	RES 3.16K 1% 1/10W SM 0805 TA	PT1129 R3.16KC1-0805	0805
3	R6 R12 R18	52-4509	RES 3.24K 1% 1/10W SM 0805 TA	PT1040 R3.24KC1-0805	0805
2	R73-74	52-3220	RES 30.1K 1% 1/10W SM 0805 TA	PT1721 R30.1KC1-0805	0805
1	R97	52-3232	RES 332 1% 1/10W SM 0805 TA	PT1709 R332-C1-0805	0805
2	R134 R152	52-3203	RES 4.22K 1% 1/10W SM 0805 TA	PT1738 R4.22KC1-0805	0805
6	R7 R10 R13 R16 R19 R22	52-4510	RES 4.53K 1% 1/10W SM 0805 TA	PT1130 R4.53KC1-0805	0805
6	R179-182 R185-186	52-4529	RES 4.75K 1% 1/10W SM 0805 TA	PT2087 R4.75KC1-0805	0805
5	R70 R82 R132 R163-164	52-4511	RES 4.99K 1% 1/10W SM 0805 TA	PT1041 R4.99KC1-0805	0805
2	R127 R129	52-3214	RES 475K 1% 1/10W SM 0805 TA	PT1961 R475KC1-0805	0805
3	R103 R106 R120	52-3207	RES 47K 1% 1/10W SM 0805 TA	PT1734 R47KC1-0805	0805
20	R58 R67 R71 R80 R87-88 R147-148 R156 R160-162 R165-166 R169-174	52-4567	RES 49.9K 1% 1/10W SM 0805 TA	PT2012 R49.9KC1-0805	0805
1	R154	52-3206	RES 5.11K 1% 1/10W SM 0805 TA	PT1735 R5.11KC1-0805	0805
1	R109	52-3204	RES 5.49K 1% 1/10W SM 0805 TA	PT1737 R5.49KC1-0805	0805
10	R26 R28 R30 R83-84 R104 R107 R110 R143-144	52-4512	RES 5.76K 1% 1/10W SM 0805 TA	PT1131 R5.76KC1-0805	0805
1	R79	52-3246	RES 523K 1% 1/10W SM 0805 TA	PT1699 R523KC1-0805	0805
10	R36 R38 R40 R175-178 R183-184 R187	52-4513	RES 6.04K 1% 1/10W SM 0805 TA	PT1132 R6.04KC1-0805	0805
7	R5 R8 R11 R14 R17 R20 R43	52-4503	RES 60.4 1% 1/10W SM 0805 TA	PT1128 R60.4-C1-0805	0805
1	R121	52-4517	RES 7.5K 1% 1/10W SM 0805 TA	PT1790 R7.5KC1-0805	0805
4	R93 R113 R130-131	52-4558	RES 9.09K 1% 1/10W SM 0805 TA	PT1806 R9.09KC1-0805	0805
13	SC3-15	34-0248	SWITCH CAP TWEAKER JBL Z32S	PT2180 SC340248	SC340248
3	SC1-2 SC16	34-0257	SWITCH CAP .195 SQUARE .355 LENGTH	PT2177 SC340257	SC340257
1	SW4	44-0048	SWITCH ROT DP3T 20MM D-SHAFT VERT MOUNT	PT2175 SW440048	SW440048
3	SW1-3	44-0050	SWITCH DPDT MINI IN-OUT 6 PIN E-SWITCH	PT1256 SW440050	SW440050
1	U4	70-4014	V-REG, 7805, +5V, 1.5 AMP, TO-220	PT1591 U7805	TO220(IGO)-V
1	U21	70-4013	V-REG, 7812, +12V, 1 AMP, TO-220	PT1646 U7812	TO220(IGO)-V
1	U20	70-4017	V-REG, 7912, -12V, 1 AMP, TO-220	PT1654 U7912	TO220(GIO)-V
3	U1-3	72-1439	IC, 5532MD, DUAL BIPOLAR OPAMP, SO8-200	PT1306 U5532MD-S	SO8-200

## 05-6364-A1 JBL Z21S

1	U8	72-4331	IC, CA3046M, NPN TRANSISTOR ARRAY, SO14, T&R	PT1051 UCA3046M-S	SO14
2	U11 U15	72-5438	IC CD4066 QUAD BILATERAL SWITCH SO14	PT1947 UCD4066BCM-S	SO14
1	U5	72-1480	IC, NJM4580, DUAL OP-AMP, SO8	PT1374 UNJM4580-S	SO8
11	U6-7 U9-10 U12-14 U16-19	72-1450	IC, TL074, OP-AMP, QUAD, JFET, -INPUT, SO14, T&R	PT1049 UTL074-S	SO14
2	VR2-3	40-2161	POT 20K A DUAL 14mm ROT 25mm D-SHAFT	PT2007 VR20K402161	VR14-25DH
1	VR8	40-2162	POT 20K B DUAL 14mm ROT 25mm D-SHAFT	PT2008 VR20K402162	VR14-25DH
7	VR5-7 VR10-12 VR14	40-2164	POT 20K B 9mm ROT 25mm D-SHAFT	PT1986 VR20K402164	VR9-25DH
2	VR4 VR15	40-2165	POT 20K A 9mm ROT 25mm D-SHAFT	PT1992 VR20K402165	VR9-25DH
1	VR13	40-2159	POT 500K B 9mm ROT 25mm D-SHAFT	PT2009 VR500K402159	VR9-25DH
1	VR9	40-2163	POT 500K B DUAL 14mm ROT 25mm D-SHAFT	PT2010 VR500K402163	VR14-25DH
1	VR1	40-2157	POT 5K 5C 9mm ROT 25mm D-SHAFT	PT2011 VR5K402157	VR9-25DH