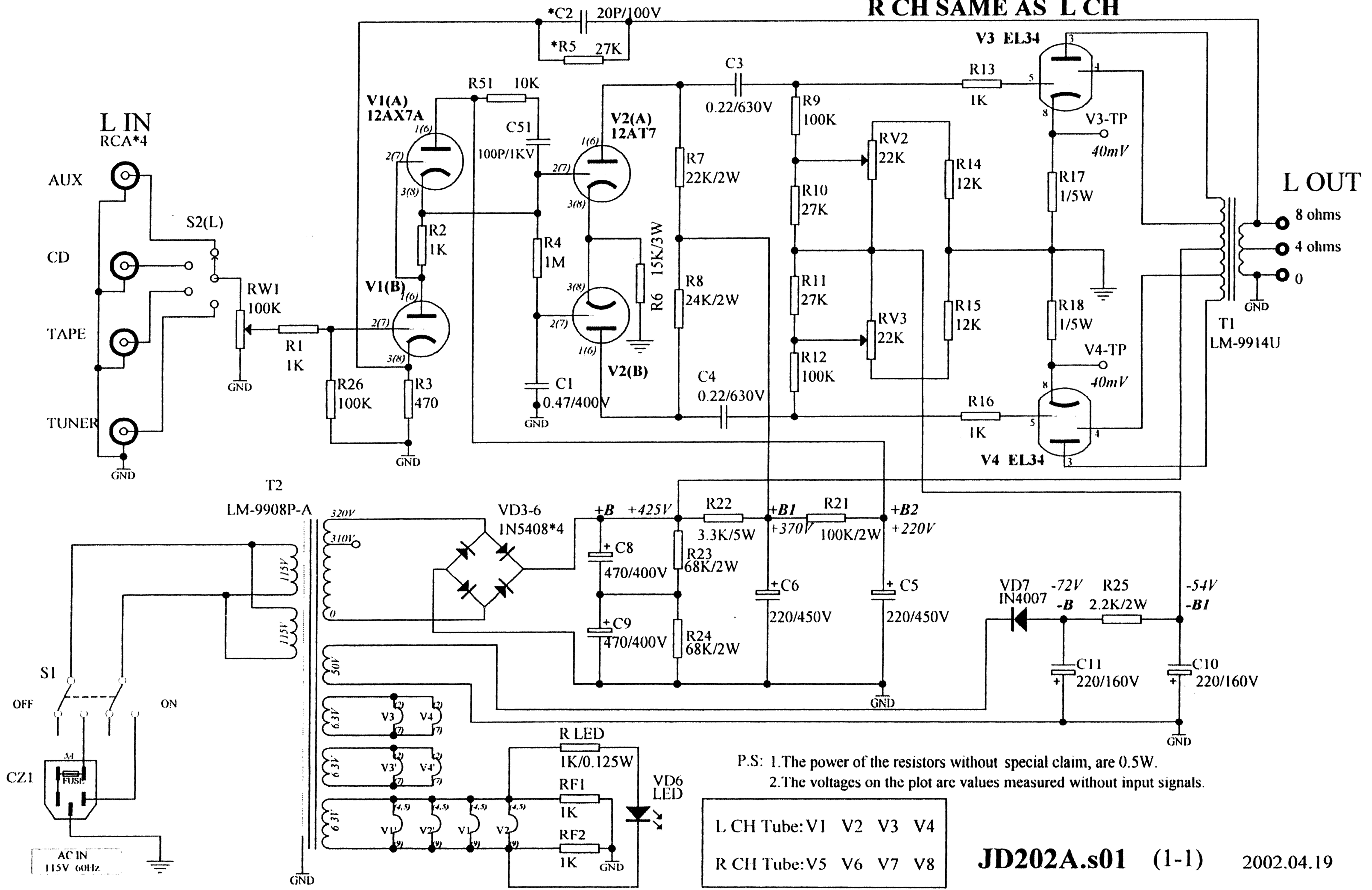


R CH SAME AS L CH



P.S: 1.The power of the resistors without special claim, are 0.5W.  
 2.The voltages on the plot are values measured without input signals.

L CH Tube:	V1	V2	V3	V4
R CH Tube:	V5	V6	V7	V8