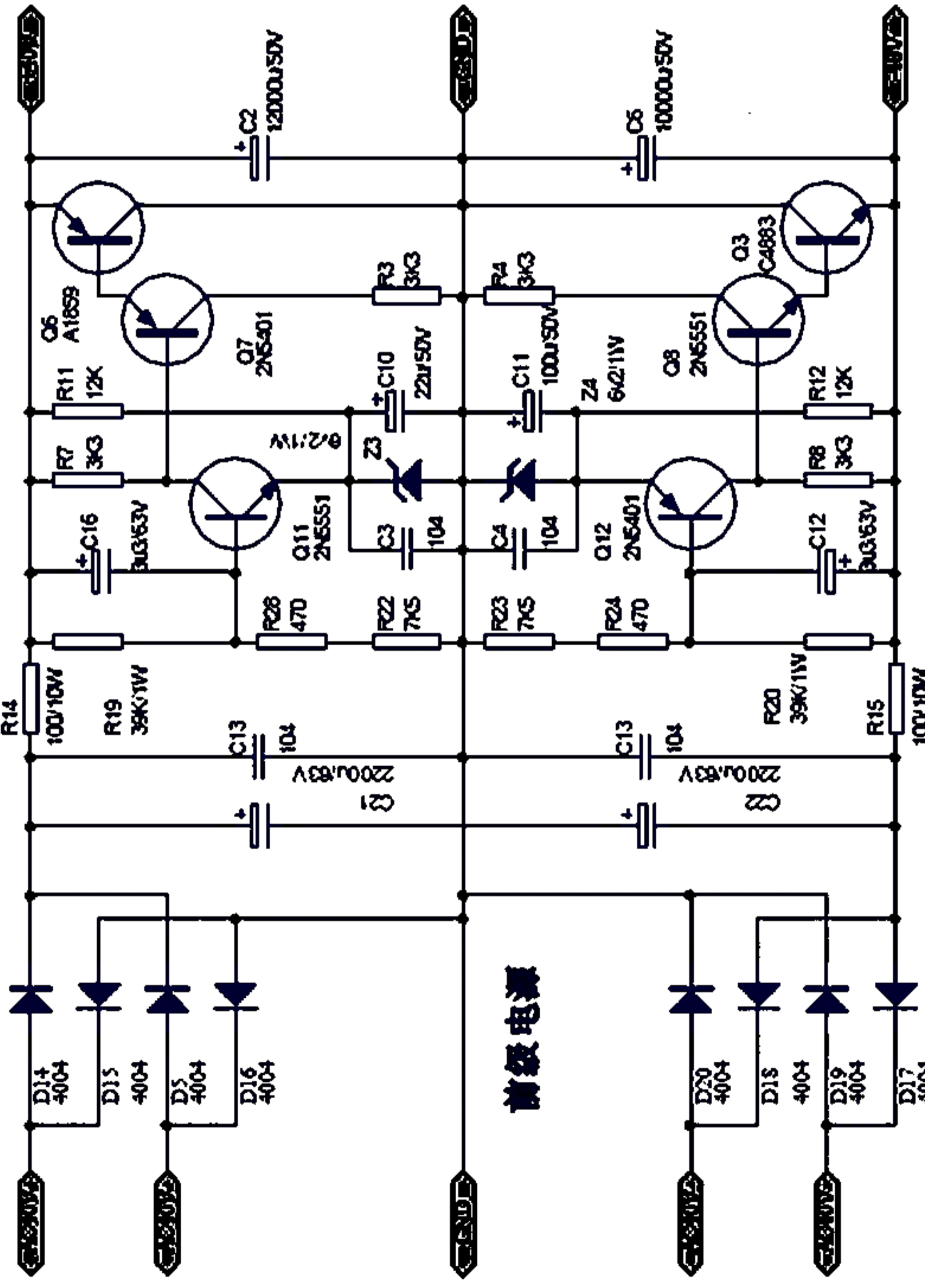


| Comment | Description | Designator | Footprint | LibRef | Quantity |
|-----------|-------------|------------------------------------|-----------|---------------|----------|
| 10R/2W | | | | 205886 | 1 |
| CON31 | Connector | 3P | | CON3 | 1 |
| CON38 | Connector | 4P | | CON4 | 1 |
| CON30 | Connector | 6P | | CON6 | 1 |
| 4.7uF/50V | | C134, C137, C141, C142 | | CAP | 4 |
| 220uF/50V | | C135, C136 | | ELECTRO1 | 2 |
| 4.7u/25V | | C140 | | ELECTRO1 | 1 |
| 0.1uF | | C143, C144, C145, C146, C149, C150 | | CAP | 6 |
| 10uF/50V | | C147, C148 | | ELECTRO1 | 2 |
| IN4148 | | D29, D30, D32, D34, D36 | | 379062, DIODE | 5 |
| IN4004 | | D31 | | DIODE | 1 |
| G4W-2212 | | JK36 | | 歐姆龙G4W | 1 |
| 1.5uH | | LR3, LR4 | | INDUCTOR1 | 2 |
| C4883 | | Q59, Q89, Q90, Q98 | | 5601090 | 4 |
| 2SC5200 | | Q91, Q92, Q93, Q94 | | 5601090 | 4 |
| A1859 | | Q96, Q97 | | 4622052 | 2 |
| C8050 | | Q99, Q100 | | NPN | 2 |
| BC546 | | Q101, Q102, Q109, Q112 | | 5601090 | 4 |
| BC556 | | Q103, Q104, Q110, Q111 | | 4622052 | 4 |
| 2SA1943 | | Q105, Q106, Q107, Q108 | | 4622052 | 4 |
| *R | | R269, R270 | AXIAL0.4 | 205886 | 2 |
| 150R/2W | | R272, R291 | AXIAL0.4 | 205886 | 2 |
| 15K/2W | | R273, R276, R278, R292 | AXIAL0.4 | 205886 | 4 |
| 1K | | R274, R279, R280, R290 | AXIAL0.4 | 205886 | 4 |
| 330K | | R275, R277 | AXIAL0.4 | 205886 | 2 |
| 3K3 | | R281 | | RES2 | 1 |
| 10K | | R282, R285, R286, R300 | | RES2 | 4 |
| 47K | | R283 | | RES2 | 1 |
| 1K | | R284 | | RES2 | 1 |
| 4K7 | | R287 | | RES2 | 1 |
| 33K | | R288, R289 | | RES2 | 2 |
| 0.25/5W×2 | | R295, R296, R297, R298 | | RES5 | 4 |
| 7K5 | | R299 | | RES2 | 1 |
| 330R | | R301 | | RES2 | 1 |
| 2K2 | | R302, R306, R307, R315 | AXIAL0.4 | 205886 | 4 |
| 510R | | R303, R305, R308, R314 | AXIAL0.4 | 205886 | 4 |
| 750R | | R304, R309, R311, R313 | AXIAL0.4 | 205886 | 4 |
| 47K | | R310, R312 | AXIAL0.4 | 205886 | 2 |
| 18K | | R316, R317, R318, R319 | AXIAL0.4 | 205886 | 4 |
| 10R/2W | | R320, R321 | AXIAL0.4 | 205886 | 2 |
| 100K | | R322, R327 | AXIAL0.4 | 205886 | 2 |
| 330R | | R323, R326 | AXIAL0.4 | 205886 | 2 |
| 100R | | R324, R325 | AXIAL0.4 | 205886 | 2 |
| 2K | | RW3, RW4 | | 269739 | 2 |

39.5V~40.5V
=0.3V



±0.3V

