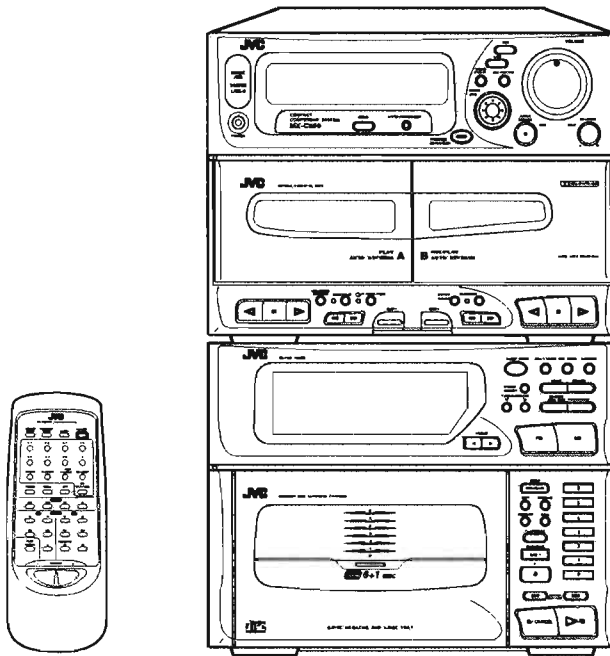


JVC

SERVICE MANUAL

COMPACT COMPONENT SYSTEM

CA-C550



Pick up	OPTIMA-6
CD signal processor	MN662720RB

Area Suffix

C	Canada
J	the U.S.A.
US	Singapore
UT	Taiwan
U	Other Area

COMPACT
disc
DIGITAL AUDIO

DX--C550 is needed for power supply when servicing the not provided with the power (mains) cord.

Contents

<i>Safety Precautions</i>	1-2	<i>Parts List</i>	
<i>Important for Laser Products</i>	1-3	<i>DX-C550</i>	4-1
<i>Changer mech. Technical Explanation</i>	1-4	<i>XT-C550</i>	5-1
<i>Instruction Book</i>	1-9	<i>Accessories List and Packing Materials</i>	6-1
<i>DX-C550</i>	2-1		
<i>XT-C550</i>	3-1		

Safety Precautions

1. The design of this product contains special hardware and many circuits and components specially for safety purposes. For continued protection, no changes should be made to the original design unless authorized in writing by the manufacturer. Replacement parts must be identical to those used in the original circuits. Services should be performed by qualified personnel only.
2. Alterations of the design or circuitry of the product should not be made. Any design alterations of the product should not be made. Any design alterations or additions will void the manufacturer's warranty and will further relieve the manufacture of responsibility for personal injury or property damage resulting therefrom.
3. Many electrical and mechanical parts in the products have special safety-related characteristics. These characteristics are often not evident from visual inspection nor can the protection afforded by them necessarily be obtained by using replacement components rated for higher voltage, wattage, etc. Replacement parts which have these special safety characteristics are identified in the Parts List of Service Manual. Electrical components having such features are identified by shading on the schematics and by (Δ) on the Parts List in the Service Manual. The use of a substitute replacement which does not have the same safety characteristics as the recommended replacement parts shown in the Parts List of Service Manual may create shock, fire, or other hazards.
4. The leads in the products are routed and dressed with ties, clamps, tubings, barriers and the like to be separated from live parts, high temperature parts, moving parts and/or sharp edges for the prevention of electric shock and fire hazard. When service is required, the original lead routing and dress should be observed, and it should be confirmed that they have been returned to normal, after re-assembling.

5. Leakage current check (Electrical shock hazard testing)

After re-assembling the product, always perform an isolation check on the exposed metal parts of the product (antenna terminals, knobs, metal cabinet, screw heads, headphone jack, control shafts, etc.) to be sure the product is safe to operate without danger of electrical shock.

Do not use a line isolation transformer during this check.

- Plug the AC line cord directly into the AC outlet. Using a "Leakage Current Tester", measure the leakage current from each exposed metal parts of the cabinet, particularly any exposed metal part having a return path to the chassis, to a known good earth ground. Any leakage current must not exceed 0.5mA AC (r.m.s.).

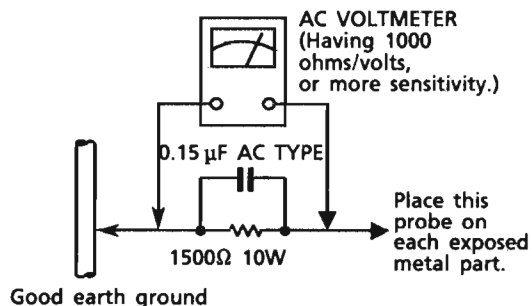
● Alternate check method

Plug the AC line cord directly into the AC outlet. Use an AC voltmeter having, 1,000 ohms per volt or more sensitivity in the following manner. Connect a 1,500 Ω 10 W resistor paralleled by a 0.15 μ F AC-type capacitor between an exposed metal part and a known good earth ground.

Measure the AC voltage across the resistor with the AC voltmeter.

Move the resistor connection to each exposed metal part, particularly any exposed metal part having a return path to the chassis, and measure the AC voltage across the resistor.

Now, reverse the plug in the AC outlet and repeat each measurement. Any voltage measured must not exceed 0.75 V AC (r.m.s.). This corresponds to 0.5 mA AC (r.m.s.).



Warning

1. This equipment has been designed and manufactured to meet international safety standards.
2. It is the legal responsibility of the repairer to ensure that these safety standards are maintained.
3. Repairs must be made in accordance with the relevant safety standards.
4. It is essential that safety critical components are replaced by approved parts.
5. If mains voltage selector is provided, check setting for local voltage.

Important for Laser Products

1. **CLASS 1 LASER PRODUCT**
2. **DANGER** : Invisible laser radiation when open and interlock failed or defeated. Avoid direct exposure to beam.
3. **CAUTION** : There are no serviceable parts inside the Laser Unit. Do not disassemble the Laser Unit. Replace the complete Laser Unit if it malfunctions.
4. **CAUTION** : The compact disc player uses invisible laser radiation and is equipped with safety switches which prevent emission of radiation when the drawer is open and the safety interlocks have failed or are defeated. It is dangerous to defeat the safety switches.
5. **CAUTION** : If safety switches malfunction, the laser is able to function.
6. **CAUTION** : Use of controls, adjustments or performance of procedures other than those specified herein may result in hazardous radiation exposure.

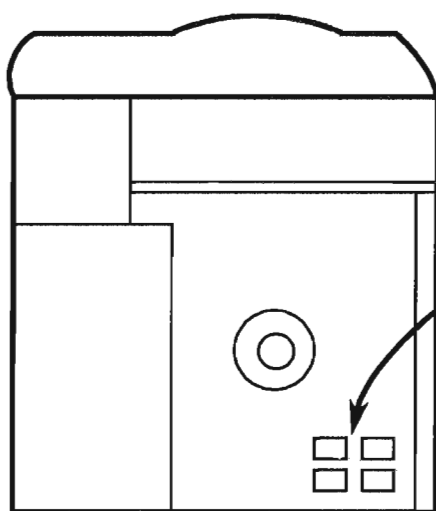
VARNING : Osynlig laserstrålning när denna del är öppen och spärren är urkopplad. Betrakta ej strålen.

VARO : Avattaessa ja suojalukitus ohitettaessa olet alttiina näkymättömälle lasersäteilylle. Älä katso säteeseen.

ADVARSEL : Usynlig laserstrålning ved åbning, når sikkerhedsafbrydere er ude af funktion. Undgå udsættelse for stråling.

ADVARSEL : Usynlig laserstrålning ved åbning, når sikkerhedsbryteren er avslott. unngå utsettelse for stråling.

REPRODUCTION AND POSITION OF LABELS



WARNING LABEL (Except for the U. S. A.)

DANGER: Invisible laser radiation when open and interlock failed or defeated. AVOID DIRECT EXPOSURE TO BEAM. (e)

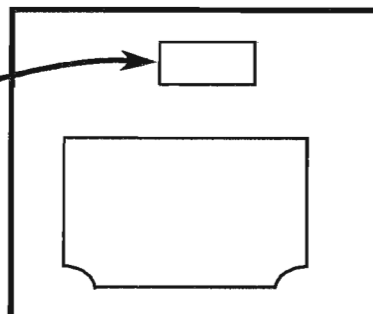
VARNING: Osynlig laserstrålning när denna del är öppen och spärren är urkopplad. Betrakta ej strålen. (s)

ADVARSEL: Usynlig laserstrålning ved åbning, når sikkerhedsafbrydere er ude af funktion. Undgå udsættelse for stråling. (d)

VARO: Avattaessa ja suojalukitus ohitettaessa olet alttiina näkymättömälle lasersäteilylle. Älä katso säteeseen. (f)

**CLASS 1
LASER PRODUCT**

CLASSIFICATION LABEL
(Except for the U. S. A. and Canada)



■ CHANGER MECH. (ELM-C600) Technical Explanation

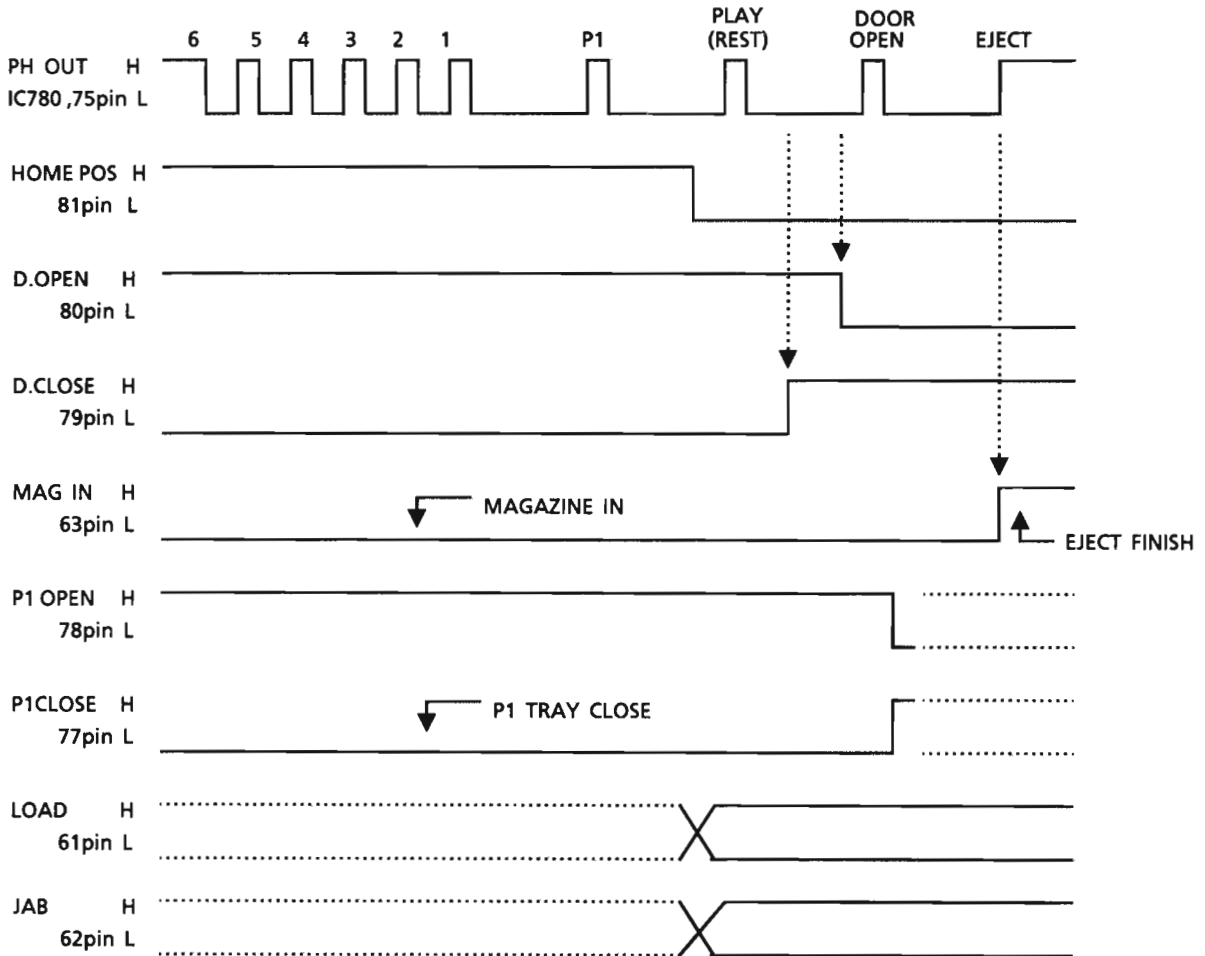
ELM-C600 has been simplified as keeping functions which current changer mech.s have so that every units can be easily assembled.

The followings show its operational specifications.

1. Basic operation

- ① Execute JAB(UNLOAD) after turning the power on.
- ② The elevator should be at PLAY(rest) position when P1 tray is opened or closed.
- ③ The elevator should be at PLAY(rest) position when magazine is ejected.
- ④ The tray should be returned to magazine when the tray is loaded from the magazine.
- ⑤ The Plus-1 tray is opned after returning a disc if the P1 OPEN button is processed while the tray is being loaded.
- ⑥ Photo interrupter only detects lift cam position (includes PLAY position).
- ⑦ For "HOME POS'SW", signal is read in case of retrying and mech. initializing.
- ⑧ Signal is read twice every 5 msec. to judge switch's on and off.
- ⑨ It takes 50 msec. after finishing one operation to start next one (switching motor rotation).
- ⑩ The door is closed once and opned again if a disc on the P-1 tray is reproduced without taking a magazine out though it is ejected.

(1) Timing for each switches



..... : Range which H.Motor can rotate.
(That is, the range which magazine can be loaded or unloaded or Plus-1 tray can be opened or closed.)

[NOTE] Door OPEN/CLOSE switch may sometimes follow the above chart because it is half linked. (Door is opened manually and the switch is linked to the door.)

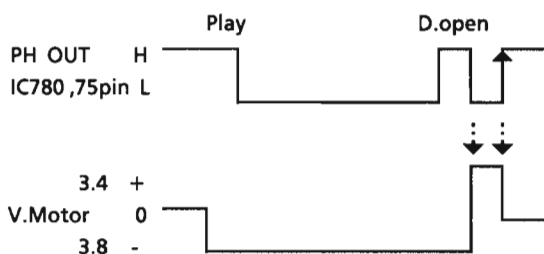
(2) Returning a disc in power failure

EEPROM memorizes step where the tray is pulled out it will be returned to its original step when power is supplied again.

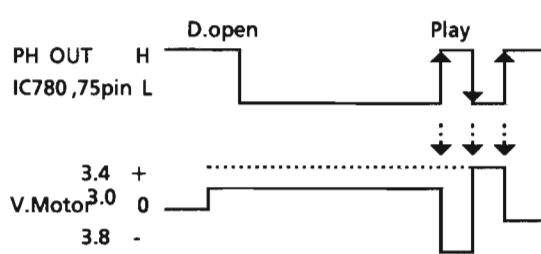
2. Moving lift cam

- 1) Signal of photo interrupter (PH OUT) is read twice every 5 msec..
- 2) Elevator is once lowered and start to rise to select a tray.
- 3) When the lift cam is moved, "PH OUT" is not detected during 50msec. which are set for masking.
- (The lift cam should stop within limited slit. The above masking prevent miscounting caused by the lift cam passing the limit.)
- 4) P1 tray is closed before changing elevator height when "HOME POS" switch is on.
- 5) Voltage is reduced only when the door is closed.

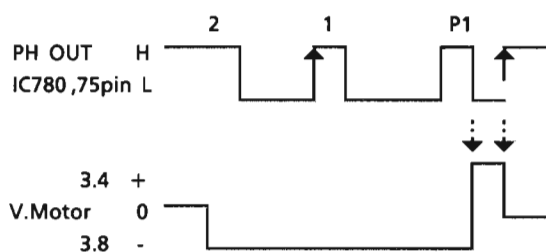
① Door open



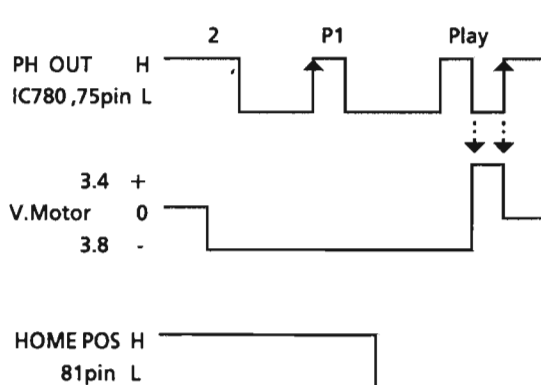
② Door close



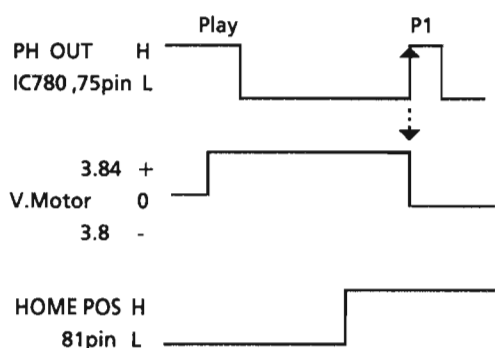
③ Elevator Down(DISC 2→P1)



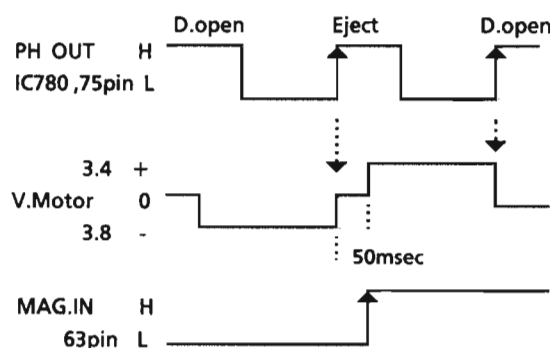
④ Elevator Down(DISC 2→P1)



⑤ Elevator Up(PLAY→P1)



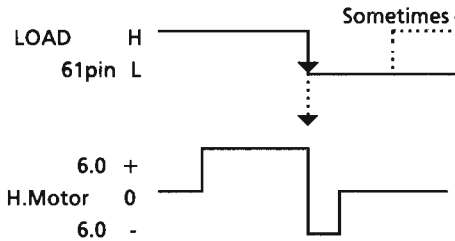
⑥ Eject



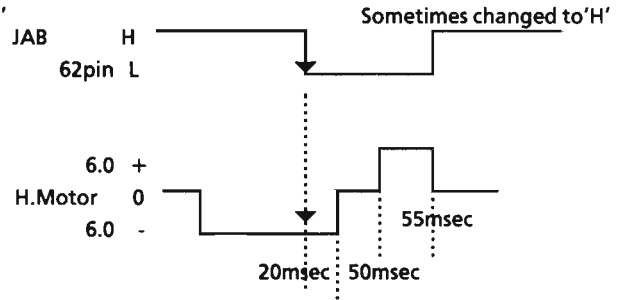
3. Tray LOAD/UNLOAD

- 1) The motor is rotated reversely for 20 msec. after LOAD switch is turned on.
- 2) The motor is rotated for 20 msec. in loading direction when "HOME SW" switch is off and "LOAD" switch is on after turning the power on.
- 3) JAB switch may sometimes be turned off after the operation.
- 4) LOAD switch may sometimes be turned off when the elevator is up to return a tray.

① Tray LOAD



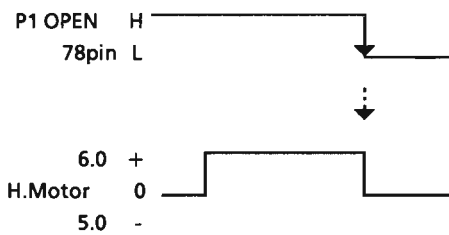
② Tray UNLOAD



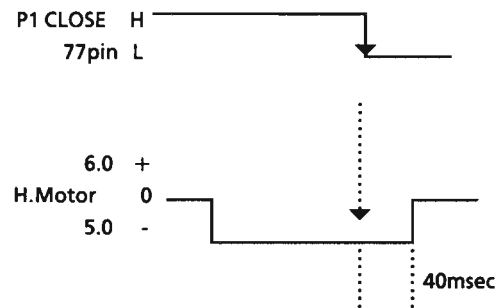
4. P-1 Tray OPEN/CLOSE

- 1) Closing the P-1 tray decrease voltage.
- 2) The tray starts the opening operation when 5 sec. timeout is finished after closing the tray.
- 3) The motor keeps its situation for 40 msec. after detecting P1 CLOSE switch on after closing the tray.

① P1 open



① P1 close



5. Magazine eject

Magazine is ejected slower than the cam's movement. 'MAG. IN' switch is turned off a certain period later after the cam is moved to "EJECT" position. For retrying, the cam is returned to DOOR OPEN position and starts ejecting.

6. Door OPEN/CLOSE

- 1) The door is opened before the operation of opening P-1 tray or ejecting magazine.
- 2) The door can be closed manually while it is being opened.

7. Mech. reset

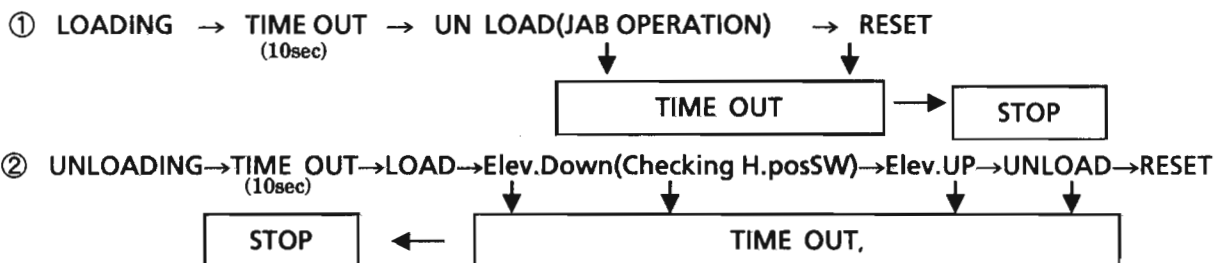
The followings show modes for each witches while the mech. is reset (mech. initialization).

SW Name	Symble	SW Mode	IC780 Pin No	Out put (IC780)
P1 OPEN/CLOSE	S005	CLOSE side	77pin	L
LOAD/JAB	S003	NOT SELECTED	61/62pin	---
D.OPEN/CLOSE	S731	CLOSE側	79pin	L
HOME POS	S002	ON	81pin	L
PHOTO SENSER	PH001	ON	75pin	L

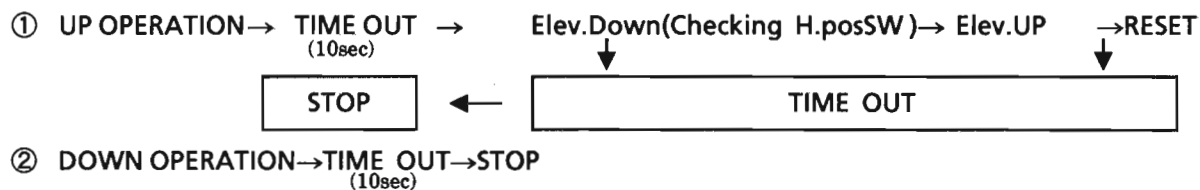
8. Retrying operation at time out.

Retrying operation starts after timeout processing if operation time exceeds previously set time due to abnormality during its operation.

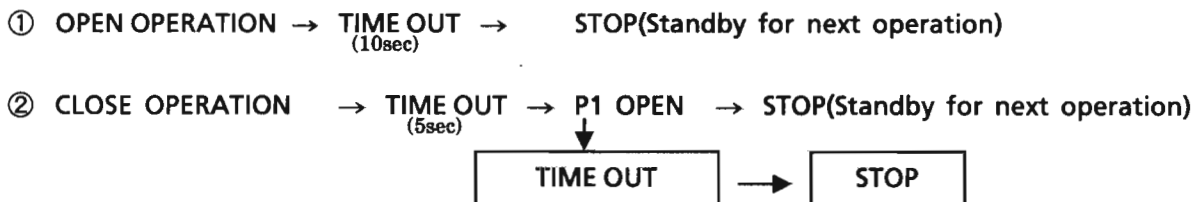
1) TRAY LOAD/UNLOAD



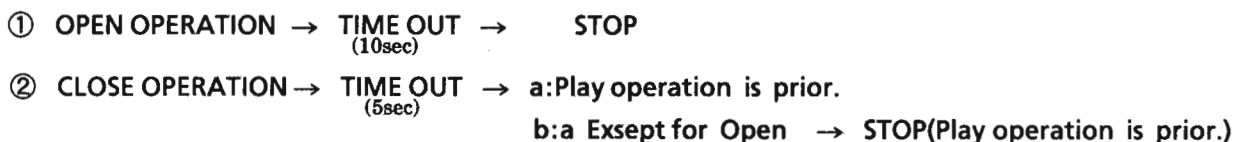
2) ELEVATOR UP/DOWN



3) P1 OPEN/CLOSE



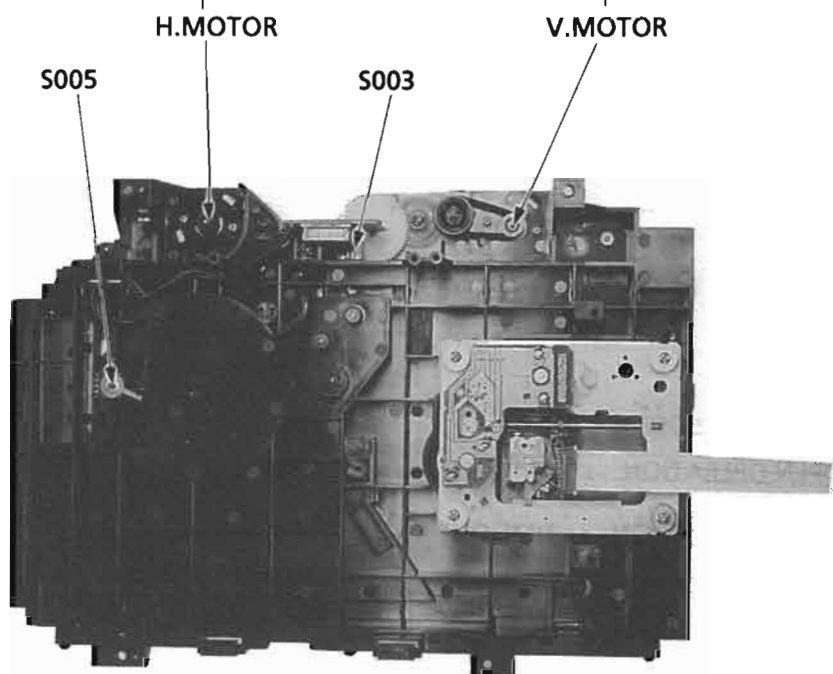
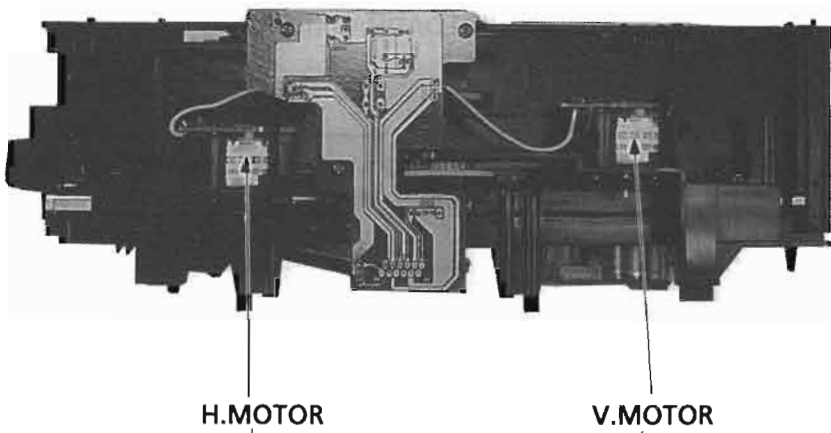
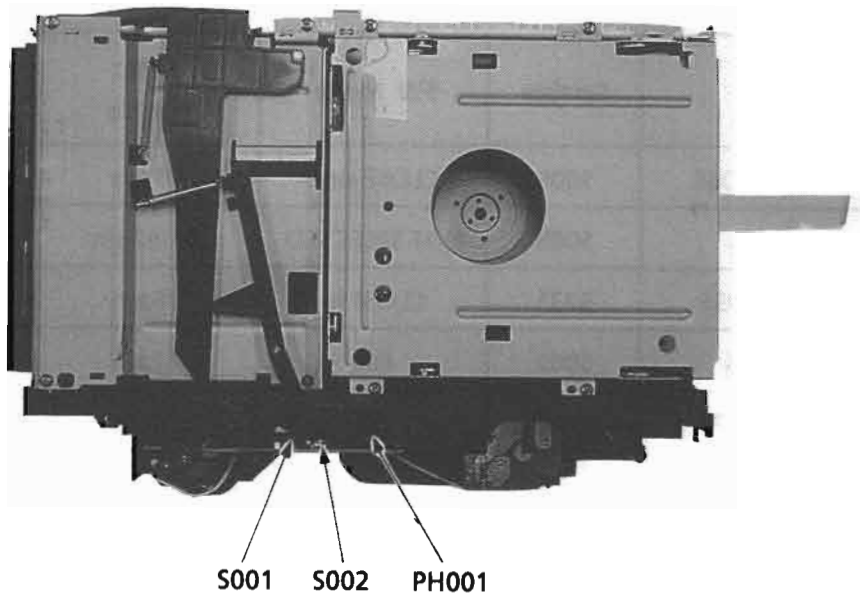
4) DOOR OPEN/CLOSE



5) EJECT

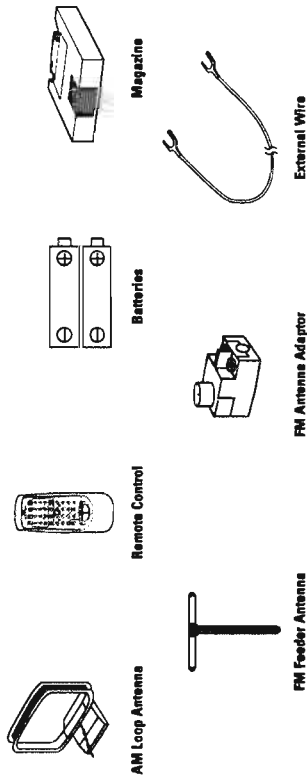
WITHOUT RETRAY

■ Position of switch and motor



Getting Started

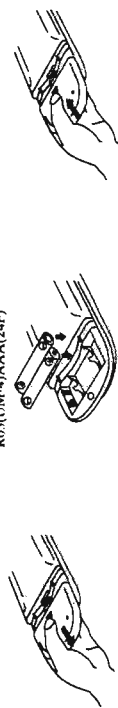
Check to be sure you have all of the following things, which are supplied with the system.



If any are missing, contact your dealer immediately.

How to Put Batteries in the Remote Control

Match the polarity (+ and -) on the batteries with the + and - markings in the battery compartment.



- CAUTION:** Observe Proper Handling of Batteries.
- To avoid battery leakage or explosion:
 - Remove batteries when the Remote Control will not be used for a long time.
 - When you need to replace the batteries, replace both batteries at the same time with new ones.
 - Don't use an old battery with a new one.
 - Don't use different types of batteries together.

Connecting the Speakers

Please refer to instructions for speakers as well when you connect speakers.)

- Open each terminal.
- Insert the end of the speaker wire as shown (be sure to remove the insulation at the end of each wire first).
- Take your finger off the catch to close the terminal.
- Connect the red (+) and black (-) terminals of the right side speaker to the red (+) and black (-) terminals marked RIGHT on the CA-C550. Connect the red (+) and black (-) terminals of the left side speaker to the red (+) and black (-) terminals marked LEFT on the CA-C550.

IMPORTANT: Use speakers with the correct impedance only. The correct impedance is indicated on the back panel.

CAUTION: If a TV is installed near speakers, the TV may display irregular colors. In this case, set the speakers away from the TV.

Features

Great sound

Here are some of the things that make your CA-C550 powerful and easy to use.

- To get such great sound from such a compact package the CA-C550 has:
 - Pre-programmed live surround effects like **D. CLUB (Dance Club)**, **HALL**, **STADIUM** as well as SEA effects like **ROCK**, **POPS**, **CLASSIC** so you don't have to be a sound engineer to get great effects.
- The controls and operations have been redesigned to make them very easy to use so you can spend your time listening to music.
 - With the One Touch Operation feature of JVC's **COMPUPLAY** you can turn on the CA-C550 and start the radio, the cassette deck, or the CD player with a single touch.
 - The three timers, **REC (Recording)** Timer, **DAILY** Timer, and **SLEEP** Timer are extremely easy to set.
 - The Displays are large and clear. They are organized so you can tell at a glance what's happening because functions light up as you use them and blink to tell you they are ready. In this manual, the display on the amplifier is referred to as the amp display and that on the tuner as the CD/Tuner display. The CD/Tuner display gives you some important messages like "NO DISC", and some others.
 - Auto Edit** figures out how to arrange CD tracks on a tape. When you are recording a tape from a CD, the selections aren't cut off if the tape ends before the selection does.
 - Program Edit** allows you to arrange CD tracks on a tape in your desired order.

Easy operation



How This Manual Is Organized

- In this manual, we have incorporated some special features:
- Basic information that is the same for many different functions is grouped in one place, and not repeated in each procedure. For instance, in the section on playing a CD, we do not repeat the information about setting the volume and the sound conditioning, which are talked about in the Using the Amplifier section.
 - Name of buttons and controls are written in all capital letters like this: **POWER**.
 - When we are talking about the Function, rather than the **BUTTON** or **DISPLAY**, only the first letter is capitalized.
 - The column on the left of the page is a special place to make it easier to find just what you want to know about, with little headlines announcing what each part of the page is about. Sometimes illustrations and helpful hints are placed here also.

The manual has a table of contents to help you easily look up what you want to know. We've enjoyed making this manual for you, and hope you will use it to enjoy the sound and many features built into your system.

IMPORTANT CAUTIONS

- Installation of the Unit**
 - Select a place which is level, dry and neither too hot nor too cold (Between 5°C and 35°C or 41°F - 95°F).
 - Leave sufficient distance between the Unit and your TV.
 - Do not use the Unit in a place subject to vibrations.
- Power cord**
 - Do not handle the power cord with wet hands!
 - A small amount of the power (12 watts) is always consumed as long as the power cord is connected to the wall outlet.
 - When unplugging from the wall outlet, always pull the plug, not the power cord.
- Malfunctions, etc.**
 - There are no user serviceable parts inside. If anything goes wrong, unplug the power cord and consult your dealer.
 - Do not insert any metallic object into the Unit.

Connecting the FM and AM Antennas

FM Antenna Connections

A. Using the Supplied Feeder Antenna

- Attach the feeder antenna to the FM connector as shown in the figure.
- Connect the FM connector to the FM 75-ohm COAXIAL terminal.

B. Using an FM 75-ohm antenna Cable (Not Supplied)

- Open the claws at both sides and remove the cover.
- Move the conductor wire from ① to ② using tweezers or a similar instrument (only when using coaxial cable).
- Fix the coaxial cable and its core.
- Put on the cover.
- Connect the FM connector on the FM 75-ohm COAXIAL terminal.

Note: Make sure the antenna conductors do not touch any other terminals, connecting cords or power cord in the system. This could cause poor reception.

FM Feeder Antenna

Unfold the loops of the supplied dipole FM feeder antenna and extend them as shown. Install them in the position and location which gives you the best FM reception.

If reception is poor, connect the outside antenna.

Outside FM Antenna Wire

How to Strip the 75-ohm Coaxial Cable

1. Strip back the outside covering of the 75 ohm coaxial cable to expose the braided metallic mesh.
2. Pull the mesh back over the cable as shown.
3. Strip the insulation about 10 mm back from the central wire.
4. Attach to the supplied antenna adaptor, as shown in the diagram above.

CAUTION: To avoid noise, keep antennas away from metallic parts of the CA-C550, connecting cords and the AC power cord.

AM Antenna Connections

AM Antenna Wire

If reception is poor, connect the outside antenna.

AM Loop Antenna

Note: Even when connecting an outside AM antenna, keep the indoor AM loop connected.

Snap the tabs on the loop into the slots of the base to attach the AM loop.

Turn the loop until you have the best reception.

Connecting the System Control Cords and Connecting Auxiliary Equipment

Connect the components exactly as illustrated below.

CAUTION: Make all connections before plugging the Unit into an AC power outlet.

White line →

When you plug in the system connector, make sure that the white line of the system-connecting cords is on the left.

Press the middle of the connector unit until it clicks into the male connector.

Pull the connector out. Never pull on the cords themselves.

Video disc player or other equipment

To listen to these sources, press the AUX button.

AUDIO OUT

To listen to these sources, press the VIDEO button.

Laying Out the System

Layout-1 1cm (7/16") 1cm (7/16") 1cm (7/16")

Layout-2 1cm (7/16") 1cm (7/16") 1cm (7/16")

There are two ways to lay out the system, as shown above:

- Leave a space of at least 1 cm on both sides of the amplifier and at least 10 cm at the back, for ventilation.
- If the system does not work or needs repairing, please take all the components with you to the nearest agent.

Connecting the External Wire

CAUTION: To prevent malfunction, connect the supplied wire as illustrated below.

Layout-1

Cassette deck/Amplifier

External wire

CD/Tuner

Layout-2

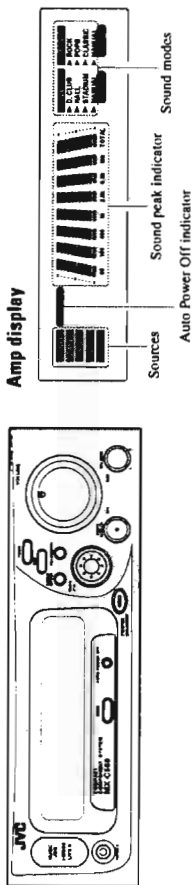
CD/Tuner

Cassette deck/Amplifier

External wire

Now you can plug the AC power cord into the wall outlet, and the CA-C550 is at your command!

Using the Amplifier



The Magic of

COMPUPLAY

COMPUPLAY

COMPUPLAY is IVC's feature that lets you control the most used functions of the CA-C550 with a single touch. One Touch Operation starts playing a CD, turns on the radio, plays a tape, etc. with a single press of the play button for that function. What One Touch Operation does for you is to turn the power on, then start the function you have specified. If the Unit is not ready, such as no CD or tape in place, the Unit still powers on so you can put in a CD or tape. How One Touch Operation works in each case is explained in the section dealing with that function.

Turning the CA-C550 On

Press the **POWER** button.

- The displays come on and the red indicator on the **POWER** button light gives out.
- The CA-C550 comes on ready to do whatever it was doing when the power was last shut off. If the last thing you were doing was listening to a tape in Deck B, you are now ready to listen to a tape again in Deck B, or you can change to another source.
- If you were listening to the radio last, the radio comes on playing the station it was last set to.



Turning the CA-C550 Off

Press the **POWER** button again.

- The red indicator on the **POWER** button lights up and the displays blank, except for the clock display.
- A little power (12 watts) is always consumed even though power is turned off (this is called standby mode).
- To switch off the Unit completely, unplug the AC power cord from the AC outlet. When you unplug the AC power cord, the clock will reset to 12:00 AM right away, while the preset tuner stations will be erased after a few days.

Adjusting the Volume Controls

Volume Control

Turn the **VOLUME** control to adjust the volume level of the speakers or headphones.

CAUTION: Always set the **VOLUME** control to **MIN** before turning on a connected source such as a VCR, or starting any of the other sound sources such as the radio, tape, CD player. Otherwise, if the **VOLUME** control is set too loud the sudden blast of sound can permanently damage your hearing and/or ruin your speakers.

Caution:
Too LOUD!



Balance

Turn the **BALANCE** control to adjust the left-and-right sound balance in the speakers or headphones.

Active Bass Extension

This feature is designed and incorporated to reinforce the bass sound, depending on the volume level to maintain the richness and fullness of the bass. You cannot control it manually. Press the **ACTIVE BASS EX.** button to light the indicator. If you want to use the Active Bass Extension function. To cancel this function, press the **ACTIVE BASS EX.** button again. The indicator will go off.

Listening with Headphones

A standard pair of headphones can be connected to the **PHONES** jack on the front panel. No sound can then be heard from the speakers. Be sure to turn down the volume before connecting or pulling on headphones, as high volume can damage both the headphones and your hearing.



Sound Effect Modes

The CA-C550 has some preset sound effects that give you control of the way your music sounds, so you can tailor it for your room and for the quality of the source. We can give you some idea of how each one affects the music, but the only way to really tell is to try them yourself!

You can use only one effect at a time, selecting from the **LIVE SURROUND** or **S.E.A.** effects. Feel free to experiment!

LIVE SURROUND effects

With these effects, the sound coming from only two speakers approaches the quality of sound from four speakers.

- D. CLUB** Increases resonance and bass. Adds depth and brilliance to the sound, like in a concert hall.
- HALL** Adds clarity and spreads the sound, like in an outdoor stadium.
- STADIUM**

Preset S.E.A. (Sound Effect Amplifier) effects

Adjustments of frequency range levels have been preset as three S.E.A. effects.

- ROCK** Boosts low and high frequencies. Good for vocal music.
- POPS** Set for wide and dynamic sound stereo systems.
- CLASSIC**

To choose an effect, turn the **MUSIC JOG**.

If you select the Live Surround effects, "LIVE-S" appears the amp display. If you select the S.E.A. effects, "SEA" appears on the amp display.

After the equalizing pattern of the Sound Effect mode you selected flickers for a few seconds, each frequency level and total level appear on the amp display.

To cancel the effect, press the **SOUND EFFECT** button; the "LIVE-S" or "SEA" display goes off.

- When the "LIVE-S" or "SEA" display is off, press the **SOUND EFFECT** button, to turn Sound Effect on. To select a mode, turn the **MUSIC JOG**.

Sound Effect Demonstration

You may sometimes be unable to decide which sound effect to use for the music you are listening to. In this case, you can use a very helpful function — Sound Effect Demonstration.

To choose this function, press the **DEMO** button while playing music; the sound effect demonstration is performed for a few seconds in each mode in the following order.



- "MANUAL" expresses the sound variation generated by increasing and decreasing the frequency levels in the low and high ranges only at demonstration. The CA-C550 does not play in the S.E.A. pattern you preset.

To cancel this function, press the **DEMO** button again, or turn the **MUSIC JOG**.

Controlling Sound with the S.E.A. Function

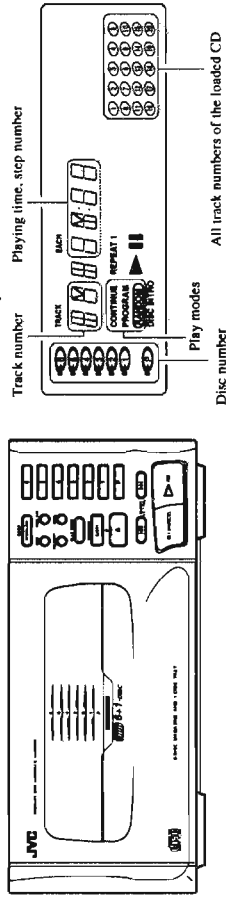
You can store both the S.E.A. pattern with Live Surround effect and that without Live Surround effect in memory.

- Turn the **MUSIC JOG** and select the Sound Effect mode you prefer. When creating a pattern with Live Surround effect, select a mode with "LIVE-S" displayed. When creating a pattern without Live Surround effect, select a mode with "SEA" displayed.

Note: The Live Surround effect is set for a specified effect regardless of the mode you selected.

- Press the **SEA CONTROL** button.
 - "MANUAL" in "LIVE-S" or "SEA" is selected. "LOW" indicator lights up, and the low frequency range blinks on the amp display.
- While the low frequency range is blinking, turn the **MUSIC JOG** to increase or decrease the level.
 - If the thinking stops, press the **SEA CONTROL** button again and turn the **MUSIC JOG**.

Using the CD player



Here are the basic things you need to know to play a CD and locate the different selections on it. Each selection is called a track, so when we are talking about locating a track, we are also talking about how you find a certain song or performance. This CD player is an automatic changer, which can play 6 discs in the supplied magazine and one on the ordinary single tray, called the PLUS 1 tray.

Basics of Using the CD Player

The quickest way to start a CD is with the One Touch Operation:

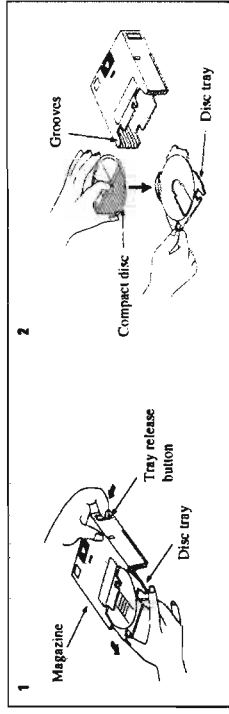
- Press the disc button (1 to 6 and P).
- If no magazine is inserted, the Unit turns on and the CD door opens.
- Press the \rightarrow/M button (or the \rightarrow button on the Remote Control) on the CD player.
 - If a CD is already loaded in the inserted magazine or on the PLUS 1 tray, the Unit automatically turns on and starts to play it, from Track 1.
 - If no CD is loaded, the Unit automatically turns on and the PLUS 1 tray slides out. This is the same as what happens if you press the P \blacktriangle button instead of the \rightarrow/M button.

To Prepare Discs

The discs are first loaded into the trays, which are then inserted into the magazine. The magazine is then put into the changer. You can also place a disc on the PLUS 1 tray.

To install discs into the magazine

1. To remove the disc tray from the magazine, slide the disc tray out while holding down the tray release button.
2. Place a disc on the disc tray with its label side up.
3. Line up the disc tray with the grooves in the magazine and push the disc tray right in.
 - It is not necessary to press the tray release button when inserting the disc tray.



- When inserting or removing a disc tray:
 - Never bend the disc tray or force it into the magazine. A disc tray inserted on an angle may cause a malfunction.
 - The magazine should be held horizontally.
 - The openings in the disc trays are for passage of the laser signal. These openings leave a part of the shiny surface of the disc exposed. Do not touch this shiny surface.
 - It is impossible to play a disc if it is upside-down.
 - Never place a disc directly in the magazine without using the disc tray.

4. Press the SEA CONTROL button.
 - "HIGH" indicator lights up and the high frequency range blinks.
 - While the high frequency range is blinking, turn the MUSIC JOG to increase or decrease the level.
 - If the blinking stops, press the SEA CONTROL button twice and turn the MUSIC JOG.
6. Press the SEA CONTROL button.
 - The frequency range from low sound to high sound flickers. The pattern you created has now been stored in memory.

□ To change the MANUAL pattern, repeat the procedure above.

To choose this effect, turn the MUSIC JOG and select each MANUAL.

Listening to Optional Equipment

By playing the sound from a VCR or Auxiliary equipment through the CA-C550, you can gain control over how the music or program sounds. Once the connected equipment is playing through the CA-C550, you can apply the sound effects, make recordings, or listen with the headphones.

- First make sure that the optional equipment is properly connected to the CA-C550.

1. Set the VOLUME control to MIN.
2. Press the VIDEO button or the AUX button.
 - The Unit automatically turns on. "VIDEO" or "AUX" lights up on the amp display.
3. Start playing the selected equipment.
4. Adjust the VOLUME control to the desired listening level.
5. Select a sound effect mode, if you wish.

To cancel the setting

Change the source by starting any one of the CA-C550's built-in sound sources, such as the radio or CD player.

Auto Power Off

When playing either a tape or a CD, Auto Power Off will shut the Unit off when the tape or CD comes to the end. Although Auto Power Off is very useful for shutting off the CA-C550 at night, you can also use it if you think you might forget to turn the Unit off when leaving the house or your room at other times of the day.

To use Auto Power Off

Press the AUTO POWER OFF button so that the "AUTO OFF" indicator lights up on the amp display.

To cancel Auto Power Off

Press the AUTO POWER OFF button again so that the "AUTO OFF" indicator disappears from the display.

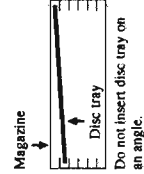
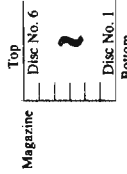
Important information on using Auto Power Off

- The end of CD musical performance varies depending on the play mode of the CD player. If the Play Mode is "CONTINUE" or "RANDOM", when all tracks on the disc set in the CD player end, the power is automatically turned off. If the Play Mode is "PROGRAM", when the last track you programmed ends, the power is automatically turned off.
- Auto Power Off will still work even though you press the REPEAT button.
 - Repeat Mode ("REPEAT" indicator lights up on the CD/tuner display): After all tracks on the disc set in the CD player end, the power is automatically turned off.
 - Repeat 1 Mode ("REPEAT 1" indicator lights up on the CD/tuner display): After the current track ends, the power is automatically turned off.
- If you press the AUTO POWER OFF button while the tape is playing:
 - If Reverse Mode is off (the REVERSE MODE indicator is not lit), the Unit turns off when the current side finishes.
 - If Reverse Mode is on (the REVERSE MODE indicator light up), the Unit plays the current side, reverses and plays the other side, then shuts off.



How to use the CD player: basic to advanced

In the magazine, the disc numbers are as follows:



Do not insert disc tray on an angle.



Advantages of connecting optional equipment





To insert the magazine

1. Press the DOOR OPEN/CLOSE button to open the door.
2. Insert the magazine, with disc loaded, into the changer and push it in gently until it clicks into place.
3. The **▶** mark on the magazine must be facing up.
3. Press the DOOR OPEN/CLOSE button again to close the door.

To remove the magazine. Press the MAGAZINE EJECT button.

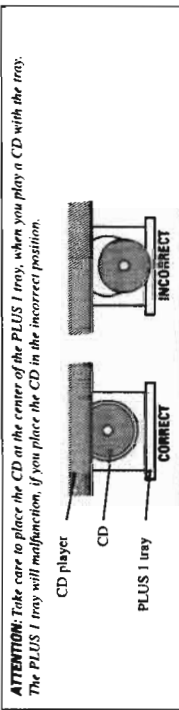
CAUTION: The CD player may be damaged if the magazine is pushed in with too much force.

To load a CD on the PLUS 1 tray

1. Press the **▶** button.
2. The door opens and the PLUS 1 tray slides out automatically.
3. Put a CD, with its label side up, into the tray.
3. To close the tray, press the **▶** button or the DOOR OPEN/CLOSE button.
 - It is not necessary to press the **▶** button to close the tray. If you press the **▶** button to start play, the tray closes automatically.

Notes:

- Remove any objects in front of the door when opening it.
- Do not use your hand to open or close the door.
- When you close the PLUS 1 tray, make sure the magazine is inserted completely.
- Do not operate the Unit while the door is opening or closing.
- When the door is open, do not press the disc button (1 to 6 and P) or change the source.
- When inserting or removing the magazine, do not operate a CD on the PLUS 1 tray. Likewise, when placing a CD on or removing a CD from the PLUS 1 tray, do not operate a CD in the magazine.



To remove a CD from the PLUS 1 tray, press the **▶** button again.

To Play a CD

1. Load the disc(s).
 2. Press the **▶** button (or the **▶** button on the Remote Control).
- The Unit plays the first track on the disc in the PLUS 1 tray. (The current disc number is indicated by the arrow on the CD/Tuner display.) If no disc is loaded on the PLUS 1 tray, the Unit automatically skips the empty tray, and finds and plays the discs you have put in the magazine, from bottom (Disc 1) to top (Disc 6). The indicators for any skipped trays go out. The Unit memorizes these empty trays and will keep skipping them, until the magazine is ejected.

To stop the CD, press the **■** button (or the **■** button on the Remote Control).

To pause, press the **⏸** button while the CD is playing.

To Change Discs While Playing

To change discs in the magazine while playing a CD in the PLUS 1 tray.

1. Press the MAGAZINE EJECT button.
2. The door opens and the magazine comes out.
3. Change the discs in the magazine.
3. Push the magazine back in.
4. Press the DOOR OPEN/CLOSE button to close the door.

How to find a track



Searching the contents of CDs



To change the disc in the PLUS 1 tray while playing a CD in the magazine.

1. Press the **▶** button.
2. The door opens and the PLUS 1 tray slides out.
3. Change the disc.
3. Press the **▶** button again or the DOOR OPEN/CLOSE button.
3. The tray slides shut.
- While playing a CD, keep the door closed except when changing discs.

To Select the Disc, Track or Passage within a Track

- By using the Unit**
1. If the disc with the track you want is not playing, enter the number of disc you want using the disc buttons (1 to 6 and P) on the far right of the CD player.
 - Example: For the third disc (from the bottom) in the magazine, press 3.
 2. Select the number of the track you want, using the SEARCH/EDIT TIME: **⏮** or **⏭** button. The track changes by one.
 - Each time you briefly press and release the SEARCH/EDIT TIME: **⏮** or **⏭** button, the track changes by one. Press and release the SEARCH/EDIT TIME: **⏮** or **⏭** button to go ahead one track at a time.
 - Holding down the SEARCH/EDIT TIME: **⏮** or **⏭** button will fast forward or fast reverse the CD so you can quickly find a particular passage in the selection you are listening to.

By using the Remote Control

1. If the disc with the track you want is not playing, first press the CD/CHANGER button, then enter the number of the disc you want, using the numeric keys (1 to 6 and P).
 - Example: For the third disc (from the bottom) in the magazine, press 3.
2. Press the CD JOKEY button.
3. Enter the number of the track you want using the numeric keys.
 - The selected track starts playing.
 - Example: For track 5, press 5. For track 15, press +10 then 5. For track 20, press +10, then 10.
 - You can also use the **⏮** or **⏭** button to change tracks. However, you cannot fast forward or reverse forward to locate a particular passage using the Remote Control.

Intro Scan

You can use two types of Intro Scan functions (Disc Intro Scan and Track Intro Scan) to search for a desired disc or track.

1. Make sure that the CD is not playing and that "CONTINUE" appears on the CD/Tuner display. If not, stop the CD player and press the PLAY MODE button on the Unit (or the Remote Control), press the CD CHANGER button, then press the PLAY MODE button until the CD/Tuner display reads "CONTINUE".
2. Press the CD CHANGER button on the Remote Control.
3. Press the INTRO button on the Remote Control.



4. Press the **▶** button (or the **▶** button on the Remote Control).
- Disc Intro Scan (when "DISC INTRO" lights up):**
Plays the beginning of the first track of each CD for about 1.5 seconds starting with the disc on the PLUS 1 tray and then Disc 1 through Disc 6 in the magazine.
- Track Intro Scan (when only "INTRO" lights up):**
Plays the beginning of each track of each CD for about 1.5 seconds starting with the disc on the PLUS 1 tray and then Disc 1 through Disc 6 in the magazine.
5. Press the SEARCH/EDIT TIME: **⏮** button (or the **⏮** button on the Remote Control) when the desired track is reached.
- Intro scan is canceled and normal playback starts from the selected track.
- If you press the following buttons instead of the SEARCH/EDIT TIME: **⏮** button (or the **⏮** button on the Remote Control), Intro Scan is also canceled, and:
 - If you press the SEARCH/EDIT TIME: **⏭** button (or the **⏭** button on the Remote Control): Continuous Play starts from the next track.
 - Disc buttons (1 to 6 and P (PLUS 1)): Continuous Play starts from the first track of the selected disc.

To stop playing, press the **■** button (or the **■** button on the Remote Control).

To exit Intro Scan mode, press the INTRO button so that neither "DISC INTRO" nor "INTRO" appears on the display.

With programming, you can play back tracks in any order



Programming Hints



Programming the Playing Order of the Tracks

In addition to the high quality sound which makes the CD such a good way to listen to music, you can change the order in which the tracks play.

Random Play

The tracks will play in no special order when you use this mode. Before starting a CD, press the PLAY MODE button repeatedly until "RANDOM" lights up on the CD/Tuner display. When all of the tracks have been played, the CD stops.

To stop playing, press the **MCANCEL** button (or the **STOP** button on the Remote Control).
To exit random mode, press the PLAY MODE button until "RANDOM" no longer appears on the CD/Tuner display (the Unit must be in stop mode).

Program Play

You can change the order in which the discs and tracks play, and select only the discs and tracks you want from among those loaded in the magazine and the PLUS 1 tray.

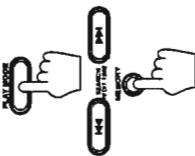
- You can program from either the Unit or the Remote Control, or a combination of both.
- You can program up to 32 steps in any desired order from among the discs in the player. Since a step can be either a single track or an entire disc with many tracks, the total number of selections which will actually play can be much larger than 32.

Programming Procedure:

You can only make or change a program when the CD player is stopped.

By using the Unit

1. Press the PLAY MODE button repeatedly until "PROGRAM" appears on the CD/Tuner display.
2. Select a disc with the disc buttons (1 to 6 and P). As soon as a disc is selected, it is memorized and "AL" lights up on the CD/Tuner display. If you want all the tracks on that disc to play as part of the program, skip steps 3 and 4.
3. To select individual tracks from the selected disc (its number is indicated by the arrow on the display), press the SEARCH/EDIT TIME **←** or **→** button.
4. Press the MEMORY button on the CD player.
5. Repeat steps 2 - 4 until you have entered all the tracks you want to program.
6. Press the **STOP** button.



By using the Remote Control

1. Press the CD CHANGER button.
 2. Press the PLAY MODE button repeatedly until "PROGRAM" appears on the CD/Tuner display.
 3. Select a disc with the numeric keys (1 to 6 and P).
 4. To select individual tracks from the selected disc: enter each number by pressing the CD 10 KEY button and using the numeric keys (1 to 10 and +10).
 - Example: for track 5, press 5. For track 15, press +10 and 5. For track 20, press +10 and 10.
- You can also use the **←** or **→** button to select tracks. If you use the **←** or **→** button to select tracks, press the MEMORY button on the CD player after selecting tracks you like.
5. Repeat 1 and 3 - 4 until you have entered all the tracks you want to program.
 6. Press the **STOP** button.

The Unit plays the tracks in the order you have programmed them.

To stop playing, press the **MCANCEL** button (or the **STOP** button on the Remote Control) once.

To delete the program and exit program mode, press the **MCANCEL** button on the Unit repeatedly until all the program steps are deleted, and then press the PLAY MODE button until "CONTINUE" appears on the display.

- You can skip to a particular program step by pressing the SEARCH/EDIT TIME **←** or **→** button (or the **←** or **→** button on the Remote Control) during program play.
- To play the programmed tracks over and over, press the REPEAT button on the Remote Control. "REPEAT" lights up on the display.

A few Hints to Make Programming Easier

To check the program contents (the Unit must be in stop mode)

- Each time you press the CALL button on the Unit, the program contents are shown on the CD/Tuner display in the programmed order.

To change the program contents

- Press the CALL button on the Unit until the CD/Tuner display shows the program step to correct and use the Remote Control to enter the new disc number and/or track number, which will replace the one originally showing.
- To delete a program step, press the CALL button until the CD/Tuner display shows the program step to delete, then press the **MCANCEL** button.
- You can use both of these ways to change program steps during programming as well as later.

Repeating a Selection or the Discs

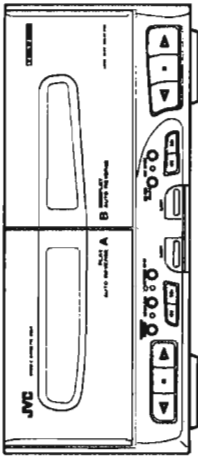
You can have all the discs, the program or the individual selection currently playing repeat as many times as you like by pressing the REPEAT button on the Remote Control.

1. Press the CD CHANGER button on the Remote Control.
 2. Press the REPEAT button on the Remote controller.
- Each time you press the REPEAT button, it cycles from function-off, which turns "REPEAT" out on the CD/Tuner display, to "REPEAT" which will repeat all the tracks in order or according to the program you have set, and then to "REPEAT 1" which will repeat the currently playing track.

To exit repeat mode, press the REPEAT button so that neither "REPEAT" or "REPEAT 1" appears on the display.

- Press the REPEAT button before or during random play to instruct the CA-C550 to continue with a different random track selection after the last selection of the last disc is played.

Using the Cassette Deck



Listening to a tape:
How to use your cassette deck

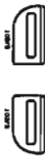
- The cassette deck allows you to play, record and dub audio tapes.
- Most tapes are now recorded with the Dolby NR system, so first check which type of the Dolby NR system has been used on the tape. Only the Dolby B NR is incorporated into the CA-C550.
- With Automatic Tape Detection, you can listen to type I or II tapes without changing any settings.



One Touch Play

By pressing either the **▶** or **◀** button (or the **◀** or **▶** button on the Remote Control) on either Deck A or B, the Unit will come on, and if a tape is in the deck, it will start to play. If no tape is loaded, the Unit will come on and wait for you to insert a tape, or select another function.

Playback procedure



Regular Play

When the power is already on, you can use this basic procedure:

1. Press the EJECT button for the deck you want to use.
2. When the cassette carrier opens, put the cassette in, with the exposed part of the tape down, toward the base of the CA-C550.
3. If the cassette carrier does not open, turn the Unit off, then back on and press the EJECT button again.
4. Close the carrier gently.
5. Press the **▶** button to play the front side, or the **◀** button to play the reverse side. The arrow indicator on the pressed button flashes and the tape starts playing.

To remove the tape, press the **■** button.

Fast Left and Fast Right

- While the tape is stopped, press the **◀◀** button and the tape will wind rapidly onto the left side of the cassette without playing.
- While the tape is stopped, press the **▶▶** button and the tape will wind rapidly onto the right side of the cassette without playing.

Finding the piece you want: Music Scan

Music Scan

To find the beginning of a music track during play, use the Music Scan function. Music Scan searches for blank portions that usually separate tracks, then plays the next song.

Warning: If you use Music Scan on Deck A while recording on Deck B, recording will stop.

Scan back

To find the beginning of the current song

- Press the **◀◀** or **▶▶** button during play.
- Make sure that you press the **◀◀** or **▶▶** button in the opposite direction the tape is playing. Searching stops at the beginning of the current song, and the current song starts automatically.

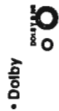
Scan forward

To find the beginning of the next song

- Press the **◀◀** or **▶▶** button during play.
- Make sure that you press the **◀◀** or **▶▶** button in the same direction the tape is playing. Searching stops at the beginning of the next song, and the next song starts automatically.

More useful things to know:

- Reverse Mode
- Continuous Play



• Dolby



Other Useful Features of the Cassette Deck

- Use **Reverse Mode** to make the tape automatically reverse at the end of a side and start playing the other side. Press the REVERSE MODE button to change from Reverse Mode on the indicator is lit) to Reverse Mode off, or from off to on.
- Continuous Play:** With the Reverse Mode LED on, when a tape finishes playing the Unit always checks to see if a tape is in the other deck. If there is, it automatically starts playing. This Continuous Play function works regardless of which deck starts first.
- Press the DOLBY B NR button to switch Dolby B Noise Reduction on (the indicator lights up) or off (the indicator goes off). If a tape is recorded with the Dolby B NR system, playing it back with the Dolby NR on will reduce tape noise and improve the clarity of the sound.

Dolby noise reduction manufactured under license from Dolby Laboratories Licensing Corporation. "DOLBY" and the double-D symbol are trademarks of Dolby Laboratories Licensing Corporation.

Recording

Recording onto a cassette from any of the sound sources is simple. Just place a tape in deck B, have the source ready, make one or two settings, and you're ready to record. For each source the procedure is a little different and now we'll explain just what to do for each one. If you forget, just come back to the section which has the specific procedures you need. But first, here are a few things to make your recordings better.

Things to Know Before You Start recording

- It may be unlawful to record or playback copyrighted material without the consent of the copyright owner.
- Press the DOLBY B NR button — the indicator lights up — to reduce tape hiss, except when dubbing tapes, since Dolby NR is inactive in dubbing mode regardless of the setting of DOLBY B NR. The dubbed tape automatically contains the same processing as the source tape.
- The recording level, which is the volume at which the new tape is being made, is automatically set correctly, so it is not affected by the VOLUME control on the CA-C550. Thus, during recording you can adjust the sound you are actually listening to without affecting the recording level.
- Two small tabs on the back, one for side A and one for side B, can be removed to prevent accidental erasure or re-recording. To record on a cassette with the tabs removed, you must cover the holes with adhesive tape first. However, when a type II tape is used, only cover part of the hole as shown, since the other part of the hole is used to detect the tape type.
- When recording, you can use the sound effect modes to condition the music as it is recorded. But when recording using CD Direct, Auto Edit or Program Edit, once recording has started, these settings cannot be changed. When recording from cassette Deck A to Deck B, the sound effects cannot be used, because the signal doesn't go through the amplifier. This method gives you the highest quality dubbed tapes.
- Type I and Type II tapes can be used for recording.



CAUTION: If recordings you have made have excessive noise or static, the Unit may be too close to a TV which was on during the recording. Either turn off the TV or increase the distance between the TV and the CA-C550.

**Standard recording:
Any source to tape**

This is the basic method for recording any source. The CA-C550 also has special ways for recording CD to tape, and tape to tape, which save you time and effort, as well as give you some special effects. However, when you need to add a selection to a tape you have made, or are combining selections from several sources on one tape, use the method described below; just substitute the source you want, such as tape in Deck A, or CD, or radio in this procedure. You can also record from an auxiliary source with this procedure.

To Record Any Sound Source to Tape

- Follow these steps to record from any sound source onto a tape in deck B.
1. Insert a blank or crasable tape into deck B.
 2. Press the REC PAUSE button.
 3. Press the REVERSE MODE button if you want to record on both sides of the tape.
 4. The REVERSE MODE indicator lights up.
 5. Prepare the source, for example, tuning in a radio station, loading CDs, turning on connected equipment.
 6. On Deck B, press either the \triangleright button to record on the front side, or the \triangleleft button to record on the reverse side.

To pause at any time during the recording process

Press the REC PAUSE button again. Then press either the \triangleright or \triangleleft button on deck B to restart recording.

To stop at any time during recording process

Press the \blacksquare button on Deck B.

CAUTION: During recording, DO NOT change the source or change discs. Otherwise, recording will be interrupted.

CD to Tape Recording

There are four ways to record from CD to tape:

- Standard Recording** — Described above.
- CD Direct Recording** — Everything on the CD goes onto the tape in the order it is on the CD, or according to an order you have set in a program.
- Auto Edit Recording** — Your CA-C550 figures out which selections to put on which side of the tape, so a selection isn't cut off before it's finished when the tape runs out.
- Program Edit Recording** — First you select tracks to record by using the programming method described on page 12, and then start play and recording simultaneously.

CD Direct Recording

1. Prepare CDs. (See page 9.)
2. Set the sound effect mode if you want.
3. Insert a cassette in Deck B to record on.
4. If you want to record on both sides of the tapes, press the REVERSE MODE button on the cassette deck so that the REVERSE MODE indicator lights up.
5. The Unit plays the CDs (from the disc on the PLUS 1 tray then the discs in the magazine) and starts recording.

At the end of the tape, the CA-C550 automatically goes back to the beginning of the last selection and re-records it, this time gently fading out at the end. If you selected the Reverse Mode, the reverse side starts with the last selection on the front side and will be faded out at the end again. (A 10-second blank is created at the beginning of the reverse side.)

When the tape is finished, the Unit stops the CD and the cassette deck.

To stop at any time during the recording process

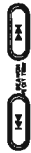
Press the \blacksquare button on Deck B.

For CD Direct Recording using more than one disc, use a blank tape. If you use a pre-recorded tape, pre-recorded sound may not be erased between newly-recorded tracks.

**Source to tape:
Step by step**



1. Press the REC PAUSE button if you want to record on both sides of the tape.
2. The REVERSE MODE indicator lights up.
3. Press the REVERSE MODE button if you want to record on both sides of the tape.
4. The REVERSE MODE indicator lights up.
5. Prepare the source, for example, tuning in a radio station, loading CDs, turning on connected equipment.
6. On Deck B, press either the \triangleright button to record on the front side, or the \triangleleft button to record on the reverse side.



**Auto Edit Recording:
Step by step**



5. Press the SIDE A/B button.



6. Select a disc with the disc buttons (1 to 6 and P).



7. Insert a blank or crasable cassette in Deck B.



8. Press the CD REC START button on the cassette deck.



The Unit will automatically rewind the tape to the beginning of the front side, create a 10-second blank, turn on the CD and start recording. (A 10-second blank is also created on the beginning of the reverse side.)

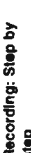
Program Edit Recording: Step by step



1. Prepare CDs. (See page 9.)



2. Set the sound effect mode if you want.



3. Insert a cassette in Deck B to record on.



4. If you want to record on both sides of the tapes, press the REVERSE MODE button on the cassette deck so that the REVERSE MODE indicator lights up.



5. The Unit plays the CDs (from the disc on the PLUS 1 tray then the discs in the magazine) and starts recording.



At the end of the tape, the CA-C550 automatically goes back to the beginning of the last selection and re-records it, this time gently fading out at the end. If you selected the Reverse Mode, the reverse side starts with the last selection on the front side and will be faded out at the end again. (A 10-second blank is created at the beginning of the reverse side.)

When the tape is finished, the Unit stops the CD and the cassette deck.

To stop at any time during the recording process

Press the \blacksquare button on Deck B.

For CD Direct Recording using more than one disc, use a blank tape. If you use a pre-recorded tape, pre-recorded sound may not be erased between newly-recorded tracks.

Auto Edit Recording

Using Auto Edit, you can record the CD tracks to fit the tape, so a selection isn't cut off. Auto Edit is one of the best ways to copy all of a CD onto a tape.

Auto Edit programs the CD tracks in numerical order. To prevent the end of the last track on the front side from being cut off, the last track on the front side is selected to fit on the remaining tape length.

1. Prepare CDs. (See page 9.)
2. Set the sound effect mode if you want.
3. Press the EDIT button on the CD player repeatedly until "A. EDIT" lights up on the CD/Tuner display.
4. Press the SEARCH/EDIT TIME \triangleleft or \triangleright button repeatedly to set the tape length. You can select a different length of tape from ten possibilities programmed into the CA-C550: 40, 46, 50, 54, 60, 64, 70, 74, 80, 84, 90. Cycle through these choices using the SEARCH/EDIT TIME \triangleleft or \triangleright button. (You cannot use the \triangleleft or \triangleright button on the Remote Control to select the tape length.)

TAPE 146



48 → 50 → 54 → 60 → 64
40 → 90 → 84 → 80 → 74 → 70

5. Press the SIDE A/B button.

6. Select a disc with the disc buttons (1 to 6 and P).

The display shows which tracks will go on the front side (A) and which on the reverse side (B). Each time you press the SIDE A/B button, the display switches between A and B.

7. Insert a blank or crasable cassette in Deck B.

8. If you want to record on both sides of the tapes, press the REVERSE MODE button on the cassette deck so that the REVERSE MODE indicator lights up.

9. Press the CD REC START button on the cassette deck.

The Unit will automatically rewind the tape to the beginning of the front side, create a 10-second blank, turn on the CD and start recording. (A 10-second blank is also created on the beginning of the reverse side.)

10. After the recording is finished, press the PLAY MODE button repeatedly until "CONTINUE" lights up on the CD/Tuner display.

To stop at any time during the recording process

Press the \blacksquare button on Deck B or \blacksquare CANCEL button on the CD player.

To exit edit mode and delete the program

Press the PLAY MODE button so "A. EDIT" is no longer lighted on the CD/Tuner display (the Unit must be in stop mode.)

Using Auto Edit, you can program up to 16 tracks for each side of the tape. Also you can only program disc track number up to 31.

Program Edit Recording

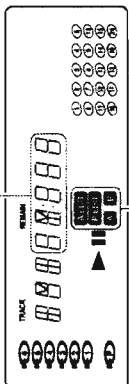
Using Program Edit, you can record only the CD tracks you want, and fit them onto the tape. Program Edit is one of the best ways to make a tape of your favourite songs.

1. Prepare CDs. (See page 9.)
2. Set the sound effect mode if you want.
3. Press the EDIT button on the CD player repeatedly until "P. EDIT" appears on the CD/Tuner display.
4. Press the SEARCH/EDIT TIME \triangleleft or \triangleright button repeatedly to set the tape length. You can select a different length of tape from ten possibilities programmed into the CA-C550: 40, 46, 50, 54, 60, 64, 70, 74, 80, 84, 90. Cycle through these choices using the SEARCH/EDIT TIME \triangleleft or \triangleright button. (You cannot use the \triangleleft or \triangleright button on the Remote Control to select the tape length.)

TAPE 146



48 → 50 → 54 → 60 → 64
40 → 90 → 84 → 80 → 74 → 70



CD/Tuner display

Tape length, remaining time, step number, etc.

Edit modes



5. Press the **SIDE A/B** button and select the tracks you want to record on the front side (A). (See: "Program Play" on page 12. For Program Edit, however, it is impossible to program all the tracks on a disc in one program step.)
The display shows which tracks will go on the front side (A).
 - If the total playing time for the front side (A) exceeds the tape length for this side, the excess playing time is displayed, blinking. During recording, the last track on this side will be recorded fading out at the end of the tape.
6. Press the **SIDE A/B** button and select the tracks you want to record on the reverse side (B). (See: "Program Play" on page 12. For Program Edit, however, it is impossible to program all the tracks on a disc in one program step.)
The display shows which tracks will go on the reverse side (B).
 - If the total playing time for the reverse side (B) exceeds the tape length for this side, the excess playing time is displayed, blinking. During recording, the last track on this side will be recorded fading out at the end of the tape.
7. Insert a blank or erasable cassette in Deck B.
 - If you want to record on both sides of the tape, press the **REVERSE MODE** button on the cassette deck so that the **REVERSE MODE** indicator lights up.
8. Press the **CD REC START** button on the cassette deck.
The Unit will automatically rewind the tape to the beginning of the front side, create a 10 second blank, turn on the CD and start recording. (A 10 second blank is also created on the beginning of the reverse side.)
- After the recording is finished, press the **PLAY MODE** button repeatedly until "CONTINUE" lights up on the CD/Tuner display.



To stop at any time during the recording process
Press the **■** button on Deck B or **■**CANCEL button on the CD player.

To exit edit mode and delete the program
Press the **PLAY MODE** button so "P. EDIT" is no longer lighted on the CD/Tuner display (the Unit must be in stop mode.)

- If you choose the wrong tracks during programming, press the **■**CANCEL button on the CD player. Each time you press the button, the last-chosen track is deleted from the program.
- Using Program Edit, you can program up to 16 tracks for each side of the tape. Also you can only program disc track numbers up to 31.
- If you want to make changes in a program while the front side is recording, make sure that the display shows the tracks for the front side (A) when you restart recording. If not, press the **SIDE A/B** button.

Tape to tape dubbing: Introduction

Tape to Tape Recording (Dubbing)

Recording from one tape to another is called dubbing. You can dub at regular speed for the best possible quality, or with a slight loss in sound quality you can dub at high speed. With high speed it takes only about one-half the time to copy a tape.

- To dub both sides of a tape, start from side A for both Deck A and Deck B, and press the **REVERSE MODE** so that the **REVERSE MODE** indicator lights up.
- It is preferable that the type of tape (Type I or Type II) you record from be the same as the type you record onto.

Regular speed dubbing: Step by step

Regular Speed Dubbing

1. Insert a source cassette you want to copy from into Deck A for playback.
 2. Insert a blank or erasable cassette you want to copy onto into Deck B for recording.
 3. Press the **REC PAUSE** button on Deck B.
 4. Press the **▷** button (or the **◁** button) on Deck B.
Recording starts.
 - * To advance the leader tape (the beginning of the tape on which you cannot record), start recording first and wait about 10 seconds before starting Deck A.
 5. Press the **▷** button (or the **◁** button) on Deck A.
Deck A starts playing.
- To stop at any time during the dubbing process**
Press the **■** button on both Deck A and Deck B.

High speed dubbing: Step by step



- High Speed Dubbing**
Although the quality of the dubbed tape is a little less, high speed dubbing is a very convenient way to record from one tape to another.
1. Insert a source cassette you want to copy from into Deck A, and a blank or erasable cassette to be copied onto in Deck B.
 - * To change the side, press the **◁** or **▷** button and then quickly press the **■** button on the same deck.
 2. The tape will travel in the direction of the lit arrow indicator on the **◁** or **▷** button for each deck.
Press the **HIGH SPEED DUBBING** button on the cassette deck.
 3. Both decks start, Deck A playing and Deck B recording.
 - * The sound you hear is strange because it is much faster than usual, and you may not want to listen to it. Turn it down with the **VOLUME** control, or press the **FADE MUTING** on the Remote controller.
 - * You can listen to another source, such as the radio or the CD player, just as if you weren't dubbing.

To stop at any time during the dubbing process
Press the **■** button on Deck B.

To record selections from several different tapes during high speed dubbing.

When you want to take selections from several different tapes and combine them on one tape during high speed dubbing, follow these steps:

1. Press the **■** button on Deck A.
 - * This causes Deck A to stop, so you can change tapes, and Deck B makes a few seconds blank and pauses.
 - * If you don't want to make a few seconds blank, press the **REC PAUSE** button before pressing the **■** button on Deck A.
2. Change the tape in Deck A.
3. Press the **HIGH SPEED DUBBING** button to start Deck A playing and Deck B recording again.

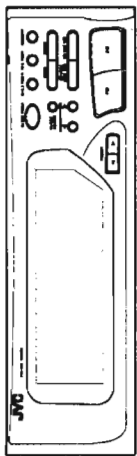
- Dolby NR is inactive in dubbing mode regardless of the setting of **DOLBY B NR**. The dubbed tape automatically contains the same processing as the source tape.
- You cannot dub using the sound effect modes, such as **D. CLUB, HALL, STADIUM** etc.

Recording with the Timer

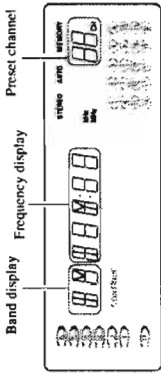
The Cassette Deck can be set to record a tape automatically. This is especially useful for recording broadcasts when you are not at home, or late at night when you are asleep.

1. Insert a cassette for recording into Deck B.
2. Set the **REC. Timer**, by following the steps in "Setting the REC (Recording) Timer". (Page 22).

Using the Tuner



CD/Tuner display



Listening to the Radio

- You can listen to both FM and AM stations. Stations can be tuned in manually, automatically, or from preset memory storage.
- Before listening to the radio:
 - Check that both the FM and AM antennas are firmly connected.

One Touch Radio

Just press the FM button to turn on the Unit and start playing the most recent FM station tuned in, or press the AM button to listen to the most recent AM station tuned in.

- You can switch from any other sound source to the radio by pressing either the FM or AM button.



Tuning in a Station

Press the FM or AM button to turn on the radio. The CD/Tuner display shows the station frequency tuned to.

Three ways to select a station

- Press the TUNING/DIMMER < or > button repeatedly to move from frequency to frequency until you find the one you want.
 - OR
 - Hold down the TUNING/DIMMER < or > button, the frequency starts changing on the CD/Tuner display. When a station is tuned in, "TUNED" lights up on the display and the frequency stops changing.
 - OR
 - (Possible only after presetting stations.) Press once and release the PRESET < or > button to go to the next preset station, or hold the PRESET < or > button in cycle through the preset stations; release the button when the preset station you want shows on the CD/Tuner display.
- You can also use the Remote controller to tune in preset channels:**
1. Press the TUNER button so that you can receive the most recent station tuned in.
 2. Select the station by entering the preset number in the numeric keys of the Remote controller.



Three ways to tune in a station



How to preset FM and AM radio stations



- Presetting Stations**
- You can store up to 40 of your favorite radio stations (FM and AM) in memory, giving you quick, easy access to these stations.
1. Select a band by pressing either the FM or AM button.
 2. Press the TUNING/DIMMER < or > button to tune in a station.
 3. Press the MEMORY button on the Tuner. On the CD/Tuner display, "MEMORY" will blink for 5 seconds.
 - During these 5 seconds while "MEMORY" is blinking you can assign a channel number to the station and enter it into the memory.
 4. Select a channel number by pressing the PRESET < or > button until you find the channel number you want.
 5. Press the MEMORY button and the station will be assigned to the channel number showing on the CD/Tuner display.
 - If a station has been previously stored using the same channel number, this will be erased and the newly selected station will be stored.
 - If "MEMORY" in the CD/Tuner display goes off, start again from step 3.
 6. Repeat steps 1 - 5 for each station you want to store in memory with a preset number.

Caution! If the Unit is unplugged or if a power failure occurs, the preset stations stored in memory may be lost.

Receiving in Stereo or Mono

The CA-C550 can receive FM broadcasts in either stereo or mono. When "AUTO" lights up on the CD/Tuner display, the Unit automatically receives broadcasts in the mode they are transmitted. (When a stereo broadcast is received, "STEREO" lights up on the display.) Furthermore, you won't hear noise while tuning in stations. Usually, leaving the Unit in Auto Mode, with "AUTO" lit, gives you the best reception.

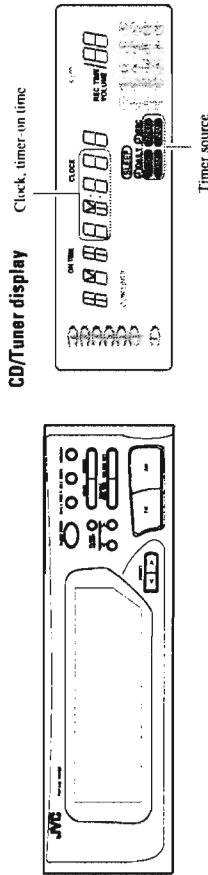
When an FM stereo broadcast is reception is poor:

Press the FM MODE/MUTE button of the Remote Control, the "AUTO" indicator goes off. The Unit switches to mono reception only, but sound quality improves.

To restore stereo effect, press the FM MODE/MUTE button again so that "AUTO" appears on the display.



Using the Timers



The timers let you control recording and listening functions automatically.

Three types of timers are available:

- REC (Recording) Timer** — Unattended recording of radio broadcasts. You can set the starting time and length of the recording.
- DAILY Timer** — Wake up to music from any source.
- SLEEP Timer** — Fall asleep and have your CA-C550 turn off automatically after a certain length of time.

Clock Setting

The timers depend on the clock; the clock must be right for the timers to work as you expect.

Special Notice: The clock must be set, or the timers cannot be set!

So, set the clock first.

1. Press the **CLOCK ADJUST** button.
2. Set the hour by pressing the **HOUR** button. Each time you press it, the hour advances by one. Hold the button down, and the hour displayed will advance continuously, until you release the button.
3. Set the minutes by pressing the **MINUTE** button. Each time you press it, the minutes advance by one. Hold the button down, and the minutes advance in ten minute increments, until you release the button.
4. Press the **CLOCK ADJUST** button again and the clock is set for the hour and minute you have selected, starting from zero seconds.

Caution! If there is a power failure, the clock loses its setting. The display shows "AM 12:00", and the clock must be reset.

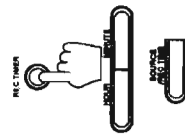
Setting the REC (Recording) Timer

With the Recording Timer you can make a tape of a radio broadcast automatically whether or not you are home. For the timer to work correctly, you need to make sure of the following in addition to setting the time for the radio and tape recorder to come on:

- You can set the Recording Timer whether the Unit is on or off.
- The tape you want to record onto must be in Deck B.
- The radio station whose program you want to tape must be the last one played before timer comes on.

Procedure for setting the Recording Timer:

1. Press the **REC** button so that "REC" blinks on the CD/Tuner display. As long as it is blinking, you can continue with the setting process.
2. If you wait too long, and it stops before you are done, just press the **REC** button twice and start over.
3. Press the **HOUR** button to set the hour and the **MINUTE** button to set the minute. Press the **SOURCE/REC** button to set the length of time for the recording. Each time you press this button, the duration increases by one minute. If you hold the button down, it will advance in ten minute increments up to 120 minutes, which is the maximum time you can set.
4. At the end of the set length of time the radio and Deck B will shut off.
 - If you set no time, but leave the display showing "----", the CA-C550 will not shut off, but keep recording/playing until you shut it off.



4. Press the **REC** button again, or wait eight seconds. The set contents are displayed for a few seconds and the "REC" indicator lights up. The Unit will memorize the setting. When the set time comes, the CA-C550 turns the power on, reduces the volume to 0, and records the broadcasting station you selected last, before turning the power off.
 - If you press any button while the Recording Timer is being activated, the recording will stop.

Before the set time comes

- Check that tape direction is correct. This is important especially when Reverse Mode is off.
- Set Reverse mode on if you want to record on both sides of the tape.
- Select the Sound mode if you want to record with one of the Sound mode (D. CLUB, HALL, STADIUM, etc.).

It is very easy, and can be very disappointing, to forget to put in a tape, or to accidentally leave a tape in Deck B you don't want recorded over. Although this happens to almost everyone at one time or another, we hope it won't happen to you!

To Change the Recording Timer setting

Press the **REC** button twice ("REC" reappears) and make any changes you want.

To cancel the Recording Timer setting
Press the **REC** button again so that "REC" goes off on the CD/Tuner display.

Setting the DAILY Timer

With this timer you can wake up to music from a CD, tape or your favourite radio program.

- You can set the **DAILY** Timer whether the Unit is on or off.

Procedure for setting the DAILY Timer:

1. Press the **DAILY** button so that "DAILY" blinks on the CD/Tuner display.
2. Set the time you want the Unit to turn on:
 - Press the **HOUR** button to set the hour and the **MINUTE** button to set the minute.
 - 3. Press the **SOURCE/REC** button to set the source. Each time you press this button, the display shows one of the four possible sources: CD, TAPE, FM or AM.
 - 4. Select one:
 - If you select **FM** or **AM** as the source, the last played station is the one which comes up at the set time.
 - If the **CD** is the source, when the set time comes, CA-C550 plays in the Play Mode you set before turning the power off.

Press the **VOLUME SET** button to set the volume level.

Each time you press this button, the Unit gives you one of the following settings:

- Display What it means**
- VOLUME --** — Volume set to level used before the power was shut off
 - VOLUME 1** — Volume barely on
 - VOLUME 2** — Volume at about a 1/4 turn of the volume control
 - VOLUME 3** — Volume at about a 3/8 turn of the volume control

5. Press the **DAILY** button again, or wait eight seconds. The set contents are displayed for a few seconds and the "DAILY" indicator lights up.

The Unit will memorize the setting.

6. Turn the power off. When the set time comes, the CA-C550 turns on ("DAILY 60" appears on the CD/Tuner display), plays the source you have selected for 60 minutes, and then the Unit turns off.

- If you press any button while the **DAILY** Timer is being activated, the Unit will not turn off automatically after 60 minutes.

Before turning off the Unit

- If the source is tape:
 - Check that the tape direction is correct. This is important especially when Reverse Mode is off.
 - Deck B has priority, so if tapes are in both decks, the tape in Deck B plays first.
 - Set Reverse Mode on if you want to play both sides of the tape.
 - If you're not home at the designated time, be sure to set the volume level to minimum.

To change the DAILY Timer setting

Press the **DAILY** button twice ("DAILY" reappears) and make any changes you want.

To cancel the DAILY Timer setting

Press the **DAILY** button again so that "DAILY" goes off on the CD/Tuner display.

Setting the SLEEP Timer

Use the sleep timer to turn the Unit off after a certain number of minutes when it is playing. Setting this timer, you can fall asleep to music and know your Unit will turn off by itself rather than play all night.

- You can only set the Sleep Timer when the Unit is on and a source is playing.

To set the SLEEP Timer, follow this procedure:

- With the CA-C550 on and a source playing, press the SLEEP TIMER button. The "SLEEP" indicator on the CD/Tuner display will start blinking.
- SLEEP 10
SLEEP
- Set the length of time you want the source to play before shutting off.
 - Each time you press this button while the "SLEEP" indicator is blinking, it changes the number of minutes shown on the display in this sequence:
 → 10 → 20 → 30 → 60 → 90 → 120 → Sleep timer off → (back to the beginning)

When the number of minutes you want shows on the display, just wait 5 seconds until the indicator stops blinking, but remains lit.

The Unit is now set to turn off after the number of minutes you set.

To change the SLEEP Timer setting

Press the SLEEP TIMER button until the number of minutes you want appears on the display.

To cancel the SLEEP Timer setting

Press the SLEEP TIMER button until the "SLEEP" indicator goes off on the display.

Turning off the Unit also cancels the SLEEP Timer.

Timer Priority

Since each timer can be set independently, you may wonder what happens if the settings overlap. Here are the priorities for each timer:

- If another timer is set to come on during a time the Recording Timer is operating, the other timer just won't come on at all, so you will always get the entire program on tape.
- If the Recording Timer is set to come on while another timer is being activated, the other timer will shut off 10 seconds before the Recording Timer is set to turn on, and the Recording Timer will then take over.
- The SLEEP Timer has priority over the DAILY Timer. This is important because if you set the SLEEP Timer to start before and then end after the DAILY Timer would start, the DAILY Timer doesn't come on. So if you want your alarm to go off as scheduled, be sure the SLEEP Timer shuts off before the DAILY Timer is set to turn on the Unit.

Adjusting the Brightness of the Display

In stand-by mode, you can adjust the brightness of the clock display.

Press the TUNING/DIMMER > button makes the display brighter.

Press the TUNING/DIMMER < button makes the display dimmer.



Using the Remote Control

How to Use the Remote Control

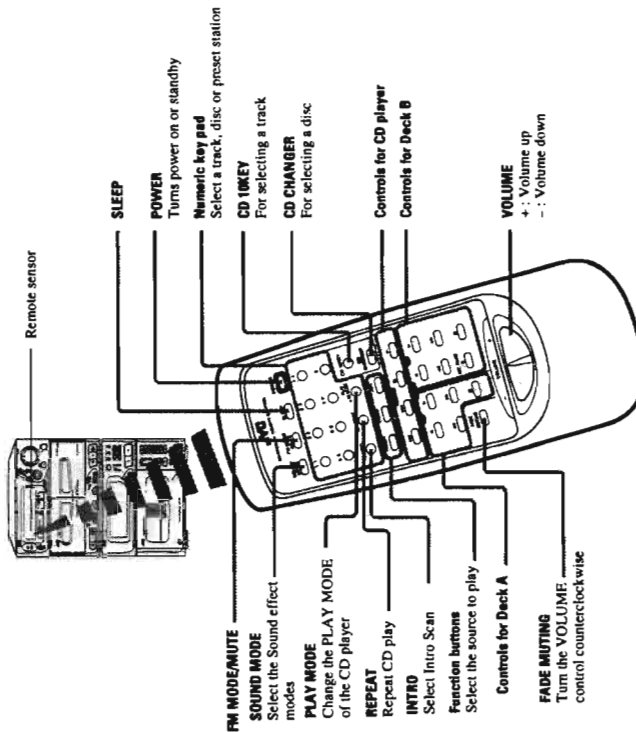
The Remote Control makes it easy to use many of the functions of the CA-C550 from a distance of up to 23 feet away. You do not need to point the remote sensor at the CA-C550 front panel.

- Most of the buttons on the Remote Control do just what the ones on the CA-C550 do.
- A few functions are available only by using the Remote Control, as described below.

Using the Numeric Key Pad

The numeric key pad is used to specify a CD, a CD track or the number you have assigned to a preset radio station. To enter a number using the numeric key pad, follow these steps:

- Before using the numeric key pad, check to see whether the numeric key pad is functioning to operate the CD player or tuner. This depends on which button on the Remote Control you have pressed before using the numeric key pad. For example, if you press the TUNER button before the numeric key pad, it can select a preset station. Pressing the CD CHANGER button enables you to select a CD and also to operate the INTRO, REPEAT, and PLAY MODE buttons. If you press the CD TUNEY button, it can select a CD track.
- For numbers between 1 and 10, just press the button with the number you want.
- For numbers from 11 to 20, first press the +10 key, then the one digit of the number you want → to get 15, first press +10, then 5. For 20, press +10 and 10.
- For numbers from 21 to 30, press the +10 key twice; then press the one digit → to get 25, press +10 +10 and 5. For 30, +10 +10 and 10.
- For number from 31 to 40, press the +10 key three times, then the one digit of the number you want → to get 32, first press +10 +10 +10 and 2. For 40, press +10 +10 +10 and 10.



Care and Maintenance — General Notes

Compact Discs

Handle your compact discs, cassette tapes, and cassette deck carefully, and they will last a long time.



- Remove the CD from the case by holding it at the edges while pressing the center hole lightly.
- Do not touch the shiny surface of the CD, or bend the CD.



- Put the CD back in its case after use to prevent warping.
- Be careful not to scratch the surface of the CD when placing it back in the case.
- Avoid exposure to direct sunlight, temperature extremes, and moisture.



- A dirty CD may not play correctly. If a CD does become dirty, wipe it with a soft cloth in a straight line, from center to edge.

CAUTION: Do not use any solvent (for example, conventional record cleaner, spray thinner, benzine, etc.) to clean a CD.

Cassette Tapes



- If the tape is loose in its cassette, take up the slack by inserting a pencil in one of the reels and rotating.
- If the tape is loose, it may get stretched, cut, or caught in the cassette.



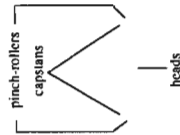
- Do not touch the tape surface.



- Do not store the tape:
 - In dusty places
 - In direct sunlight or heat
 - In moist areas
 - On a TV or speaker
 - Near a magnet

Cassette Deck

- If the heads, capstans, and pinch-rollers of the cassette deck become dirty, the following will occur:
 - Loss of sound quality
 - Discontinuous sound
 - Fading
 - Incomplete erasure
 - Difficultly recording
- Clean the heads, capstans, and pinch-rollers using a cotton swab moistened with alcohol.



- If the heads become magnetized, the Unit will produce noise or lose high frequencies.
- To demagnetize the heads, turn off the Unit, and use a head demagnetizer (available at electronics and record shops).

Troubleshooting

- If you are having a problem with your CA-C550, check this list for a possible solution before calling for service.
- If you cannot solve the problem from the hints given here, or the Unit has been physically damaged, call a qualified person, such as your dealer, for service.

Symptom	Possible Cause	Action
No sound is heard.	Connections are incorrect, or loose.	Check all connections and make corrections. (See pages 3 - 5)
Unable to record.	Cassette record protect tabs are removed.	Cover holes on back edge of cassette with tape.
Poor radio reception.	The antenna is disconnected. The AM loop antenna is too close to the Unit. The FM wire antenna is not properly extended and positioned.	Re-connect the antenna securely. Change the position and direction of the AM loop antenna. Extend FM wire antenna to the best reception position.
The CD skips.	The CD is dirty or scratched.	Clean or replace the CD.
Unable to operate the Remote Control.	The path between the Remote Control and the sensor on the Unit is blocked. The batteries have lost their charge.	Remove the obstruction. Replace the batteries.
The CD tray cannot be operated.	The main AC power cord is not plugged in.	Plug in the AC power plug.
The CD does not play.	The CD is upside down.	Put the CD in with the label side up.
Operations are disabled.	The built-in microprocessor has malfunctioned due to external electrical interference.	Unplug the Unit then plug it back in.
The cassette door cannot be opened.	During tape playing, the power cord is unplugged.	Plug in the power cord and press the EJECT button.

Specifications

Amplifier/Cassette Deck Section

Output Power
40 watts per channel, min. RMS, both channels driven, into 8 ohms from 40 Hz to 20 kHz, with no more than 0.9% total harmonic distortion.

Input Sensitivity/Impedance (1 kHz)
VIDEO 300 mV/47 kohms
AUX 300 mV/47 kohms

Cassette Deck
Frequency response
Type II (CRO): 30 - 16,000 Hz
Type I (NORMAL): 30 - 15,000 Hz
Woo and flutter 0.09% (WRMS)
Dimensions 245 x 183 x 344 mm (W/H/D)
(9-11/16 x 7-1/4 x 13-9/16 inches)
Weight 5.9 kg (13.0 lbs)

CD Automatic Changer/Tuner Section

CD Automatic Changer
CD capacity 7 discs
Dynamic Range 96 dB
Signal-to-Noise Ratio 102 dB
Wow and Flutter Unmeasurable

Tuner
FM Tuner 87.5 - 108.0 MHz
Tuning Range 530 - 1,710 kHz
AM Tuner 245 x 183 x 344 mm (W/H/D)
(9-11/16 x 7-1/4 x 13-9/16 inches)
Dimensions 3.7 kg (8.2 lbs)
Weight AC 120 V ~, 60 Hz
Power Requirements 120 watts
Power Consumption

Design and specifications are subject to change without notice.

Moisture Condensation

Moisture may condense on the lens inside the Unit in the following cases:

- After starting the heating in the room.
- In a damp room.
- If the unit is brought directly from a cold to a warm place.

Should this occur, the Unit may malfunction. In this case, leave the Unit turned on for a few hours until the moisture evaporates, unplug the AC power cord, and then plug it in again.

In general, you will have the best performance by keeping your tapes, CDs, and the mechanism clean.

- Store tapes and CDs in their cases, and keep them in cabinets or on shelves.
- Keep the cassette deck tape doors and the CD tray closed when not in use.

DX-C550

— Contents —

Description of Major LSIs	2-2
Internal Connections of FL Display	2-7
Disassembly Procedures	2-8
Adjustment Procedures	2-14
Block Diagram	2-17
Schematic Diagrams/Printed Circuit Boards	2-19

Description of Major LSIs

■ MN171202J5T (IC950) : System controller

Terminal Layout

VDD	1	64	OSC1
S1	2	63	OSC2
S2	3	62	VSS
S3	4	61	X2
S4	5	60	X1
S5	6	59	
S6	7	58	
S7	8	57	JOG IN2
S8	9	56	JOG IN1
S9	10	55	ACO
10	11	54	SPK
S11	12	53	TU.RST
S12	13	52	D.RST
S13	14	51	STBY IND
S14	15	50	S.MUTE
S15	16	49	D.INH
VOL DOWN	17	48	DCS OUT
VPP	18	47	DCS IN
VOL UP	19	46	INH
1G KO0	20	45	RM IN
2G KO1	21	44	PRT IN
3G KO2	22	43	RST
3G KO3	23	42	S.OUT
5G	24	41	S.STB
6G	25	40	SCK
7G	26	39	LATCH
8G	27	38	DTAO
9G	28	37	DTAI
10G	29	36	DSTB
11G	30	35	CSB
ABX IND	31	34	K11
VOL IND	32	33	K10

Key matrix

	KEY IN 0 (Pin33)	KEY IN 1 (Pin34)
SW OUT 1 (Pin20)	AUTO P.OFF	VOCAL MASKING
SW OUT 2 (Pin21)	ABX	STANDBY
KEY OUT 1 (Pin22)	SOUND EFFECT	SEA CONTROL
KEY OUT 2 (Pin23)	VIDEO	AUX

Terminal Description

Pin NO.	Symbol	I/O	Function	Pin NO.	Symbol	I/O	Function
1	VDD	--	Power supply	33	K10	O	Key matrix input
2	S1	O	FL segment control output	34	K11	O	Key matrix input
3	S2	O	FL segment control output	35	CSB	O	Chip serect output to IC861(SPI BPF & D/A)
4	S3	O	FL segment control output	36	DSTB	O	Storoe output to IC861(SPI BPF & D/A)
5	S4	O	FL segment control output	37	DTAI	I	Data input from IC461(SPI B.P.F & D/A)
6	S5	O	FL segment control output	38	DTAO	O	Data output to IC461(SPI B.P.F & D/A)
7	S6	O	FL segment control output	39	LATCH	I	Storove signal to IC802
8	S7	O	FL segment control output	40	SCK	O	Clock output tosource select(IC801)
9	S8	O	FL segment control output	41	S.STB	O	Storoe output to source select(IC801)
10	S9	O	FL segment control output	42	S.OUT	O	Data output to source select(IC801)
11	S10	O	FL segment control output	43	RST	I	Reset signal input
12	S11	O	FL segment control output	44	PRT IN	I	Detection for protector
13	S12	O	FL segment control output	45	RM IN	I	Remort control signal input
14	S13	O	FL segment control output	46	INH	O	Inhibit signal for tuner controller
15	S14	O	FL segment control output	47	DCS IN	I	Compulink Signal input
16	S15	O	FL segment control output	48	DCS OUT	O	Compulink Signal out put
17	VOL DOWN	O	Main volume control	49	D.INH	O	Inhibit output to deck controller
18	VPP	--	-Power supply for FL display.	50	S.MUTE	O	Source muting
19	VOL UP	--	Main volume control	51	STBY IND	O	Indication control
20	1G KO0	O	Key matrix output/FL grid control output	52	D.RST	O	Reset signal to deck controller
21	2G KO1	O	Key matrix output/FL grid control output	53	TU.RST	O	Reset signal to tuner controller
22	3G KO2	O	Key matrix output/FL grid control output	54	SPK	O	Speaker relay control signal
23	4G KO3	O	Key matrix output/FL grid control output	55	ACO	O	Power supply control signal
24	5G	O	FL grid control output	56	JOG IN1	I	Music Jog pulse to input 1
25	6G	O	FL grid control output	57	JOG IN2	I	Music Jog pulse to input 2
26	7G	O	FL grid control output	58		--	Connected to GND
27	8G	O	FL grid control output	59		--	Connected to GND
28	9G	O	FL grid control output	60	X1	--	Connected to GND
29	10G	O	FL grid control output	61	X2	--	Not used
30	11G	O	FL grid control output	62	VSS	O	Connected to GND
31	ABX IND	O	Indication control	63	OSC1	O	Clock oscillation terminal
32	VOL IND	O	Indication control	64	OSC2	O	Clock oscillation terminal

■ HD614081SE39 (IC203) : Deck controller

Terminal Layout

NR LED	1	64	A.FWD LED
NR LED (C)	2	63	A.REV LED
A.SPEED UP	3	62	B.FWD LED
B.SPEED UP	4	61	B.REV LED
MUSIC IN	5	60	REC LED
B.FWD REEL MOTOR	6	59	REV MODE
B.REV REEL MOTOR	7	58	BIAS
B.REV CAM MOTOR	8	57	NR OFF
B.FWD CAM MOTOR	9	56	REC MUTE
A.CAM SW 2	10	55	DCS IN
A.CAM SW 1	11	54	DCS OUT
A.CAM SW 0	12	53	GND
A.PULSE IN	13	52	OSC IN
B.CAM SW 2	14	51	OSC OUT
B.CAM SW 1	15	50	TO VCC
B.CAM SW 0	16	49	RESET IN
B.PULSE IN	17	48	KEY&SW IN 4
POWER OFF IN	18	47	KEY&SW IN 3
GND	19	46	KEY&SW IN 2
A.FWD REEL MOTOR	20	45	KEY&SW IN 1
A.REV REEL MOTOR	21	44	KEY OUT 4
A.REV CAM MOTOR	22	43	KEY OUT 3
A.FWD CAM MOTOR	23	42	KEY OUT 2
NR REC	24	41	KEY OUT 1
A MUTE	25	40	SW OUT 2
B MUTE	26	39	SW OUT 1
PLAY MUTE	27	38	HI-SPEED DUBBING
CAPSTAN MOTOR ON	28	37	HS CrO ₂
REC	29	36	HS METAL
FADE CONTROL	30	35	HS NORMAL
BEQ	31	34	CrO ₂
+5V	32	33	METAL

Key matrix

	KEY IN 1 (Pin45)	KEY IN 2 (Pin46)	KEY IN 3 (Pin47)	KEY IN 4 (Pin48)
SW OUT 1 (Pin39)	—	B CrO ₂	METAL	—
SW OUT 2 (Pin40)	BPACK	REV REC	FWD REC	APACK
KEY OUT 1 (Pin41)	A◀	A◀◀	▶▶	A▶
KEY OUT 2 (Pin42)	B◀	B◀◀	▶▶	B▶
KEY OUT 3 (Pin43)	A■	B■	REC PAUSE	—
KEY OUT 4 (Pin44)	▶▶B	DOLBY	REV. MODE	CD REC

Terminal Description

Pin NO.	Symbol	I/O	Function	Pin NO.	Symbol	I/O	Function
1	NR LED	O	Indication control for NR	33	METAL	O	Metal tape , normal speed record
2	NR LED(C)	O	Not used	34	CrO ₂	O	CrO ₂ tape , normal speed record
3	A S UP	O	Reel speed up control (Deck A)	35	HS NORM	O	Normal tape , high speed record
4	B S UP	O	Reel speed up control (Deck B)	36	HS METAL	O	Metal tape , high speed record
5	MUSIC IN	I	Music scan signal input	37	HS CrO2	O	CrO2 tape , high speed record
6	B F R M	O	Reel control signal for forward (Deck B)	38	/HI DUB	O	It is "L" when high speed dubbing
7	B R R M	O	Reel control signal for reverse (Deck B)	39	/SW O1	O	Keymatrix output for leaf switch
8	B R C M	O	Cam control signal for reverse (Deck B)	40	/SW O2	O	Keymatrix output for leaf switch
9	B F C M	O	Cam control signal for forward (Deck B)	41	/KEY O1	O	Key matrix output
10	/A C SW2	I	Cam data input	42	/KEY O2	O	Key matrix output
11	/A C SW1	I	Cam data input	43	/KEY O3	O	Key matrix output
12	/A C SW0	I	Cam data input	44	/KEY O4	O	Key matrix output
13	A.PULS IN	I	Reel pulse input from deck A	45	KEY/SW I1	I	Key matrix input
14	/B C SW2	I	Cam data input	46	KEY/SW I2	I	Key matrix input
15	/B C SW1	I	Cam data input	47	KEY/SW I3	I	Key matrix input
16	/B C SW0	I	Cam data input	48	/KEY/SW I4	I	Key matrix input
17	B.PULSE IN	I	Reel pulse input from deck B	49	RESET	I	Reset input
18	/P.CONT	I	Inhibit input from system controller	50	TO VCC	—	Connected to VCC
19	GND	--	GND	51	OSC	—	Oscillation terminal
20	A F R M	O	Reel control signal for forward (Deck A)	52	OSC	—	Oscillation terminal
21	A R R M	O	Reel control signal for reverse (Deck A)	53	GND	—	GND
22	A R C M	O	Cam control signal for reverse (Deck A)	54	/DCS OUT	O	Compulink output
23	A F C M	O	Cam control signal for forward (Deck A)	55	/DCS IN	I	Compulink input
24	NR REC	O	It is "H" when recording with NR on	56	REC MUTE	O	Recording mute control
25	A MUTE	O	It is "H" when deck A is not playing	57	NR OFF	O	NR on/off control
26	B MUTE	O	It is "H" when deck B is not playing	58	BIAS	O	Bias on/off control
27	PLAY MU	O	Deck mute	59	REV MODE	O	Indication control for reverse mode
28	/CAP CONT	O	Capstan on/off control	60	REC LED	O	Indication control for record
29	REC	O	It is "H" when recording	61	BREV LED	O	Indication control for reverse playback
30	FADE CON	O	It is "H" when recording with fade	62	BFWD LED	O	Indication control for forward playback
31	/BEQ	O	It is "L" when CrO2 tape is in deck B	63	AREV LED	O	Indication control for reverse playback
32	+5V	--	Power supply	64	AFWD LED	O	Indication control for forward playback

■ HA12171NT (IC304) : DOLBY NR & RECORD EQUALIZER

1. Outline

- Dolby B type NR
- Reccoed equalizer
- Interval detection

2. Terminal Layout

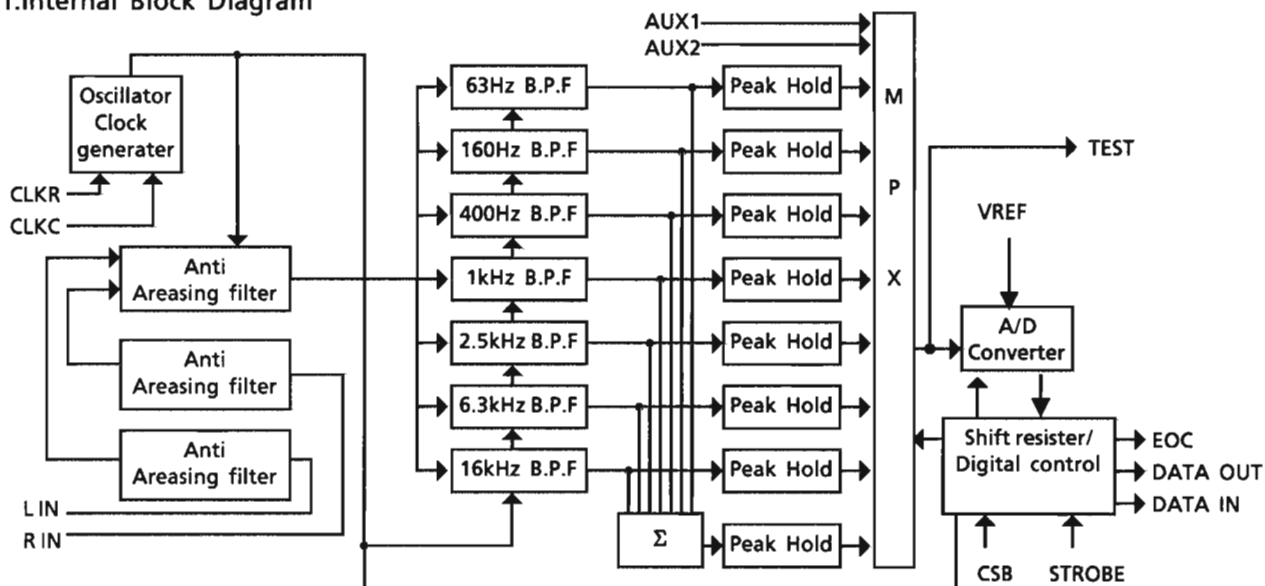
GND	1	○	56	GND
AIN(R)	2		55	AIN(L)
BIN(R)	3		54	BIN(L)
ABO(R)	4		53	ABO(L)
CIN(R)	5		52	CIN(L)
RIN(R)	6		51	RIN(L)
BIAS	7		50	RIP
PBOUT(R)	8		49	PBOUT(L)
DET(R)	9		48	DET(L)
RECOUT(R)	10		47	RECOUT(L)
EQIN(R)	11		46	EQIN(L)
BOOST(R)	12		45	BOOST(L)
EQOUT(R)	13		44	EQOUT(L)
PB A/B	14		43	BIAS(N)
A 120/70	15		42	BIAS(C)
PAS/DOL	16		41	BIAS(M)
NORM/HIGH	17		40	BIASOUT
B 120/70	18		39	VREF
CROM/METAL	19		38	NOI
BIAS ON/OFF	20		37	FFI
RM ON/OFF	21		36	MS-GND
NR ON/OFF	22		35	MAOUT
MS GAIN R/S	23		34	MSIN
REC/PB	24		33	MSDET
LM ON/OFF	25		32	MS-VCC
IREF	26		31	MSOUT
GPCAL	27		30	D-GND
RECCAL	28		29	VCC

3. Terminal Description

Pin No	Symbol	I/O	Function	Pin No	Symbol	I/O	Function
1	GND	--	Ground	29	VCC	--	Power supply
2	AIN(R)	I	Deck A playback input (Rch)	30	D-GND	--	Digital GND
3	BIN(R)	I	Deck B playback input (Rch)	31	MSOUT	O	Blunk scanning signal output
4	ABO(R)	O	Playback buffer out (Rch)	32	MS-VCC	--	Power supply
5	CIN(R)	I	70 μ Buffer input (Rch)	33	MSDET	I	Time constance setting for music scan
6	RIN(R)	I	Recording input(Rch)	34	MSIN	I	Input for music scan
7	BIAS	I	Connected to GND	35	MAOUT	O	Buffer AMP for music scan
8	PBOUT(R)	O	Playback output (Rch)	36	MS-GND	--	GND
9	DET (R)	I	NR time constance (Rch)	37	FFI	I	Feedback input for MS(FF,REW)
10	RECOUT(R)	O	Recording output (Rch)	38	NOI	I	Feedback input for MS
11	EQIN(R)	I	Input for recording equalizer (Rch)	39	VREF	--	Refference for music scan
12	BOOST(R)	I	Time constance for low boost (Rch)	40	BIASOUT	O	Recording bias control
13	EQOUT(R)	O	Equalizer output (Rch)	41	BIAS(M)	I	Bias current input for metal tape
14	PB A/B	I	Deck A/B select	42	BIAS(C)	I	Bias current input for CrO2 tape
15	A 120/70	I	Deck A playback EQ select	43	BIAS(N)	I	Bias current input for normal tape
16	PASS/DOL	I	Dolby signal path select(Through/pass)	44	EQOUT(L)	O	Equalizer output (Lch)
17	NORM/HIGH	I	Dubbing mode select	45	BOOST(L)	I	Time constance for low boost (Lch)
18	B 120/70	I	Deck B playback EQ select	46	EQIN(L)	I	Input for recording equalizer (Lch)
19	CROM/METAL	I	Tape select	47	RECOUT(L)	O	/Recording output (Lch)
20	BIAS ON/OFF	I	Bias ON/OFF control	48	DET(L)	I	NR time constance (Lch)
21	RM ON/OFF	I	Recording mute ON/OFF control	49	PBOUT(L)	O	Playback output(Lch)
22	NR ON/OFF	I	NR ON/OFF control	50	RIP	I	Ripple filter
23	MS GAIN R/S	I	Gain for music scan control	51	RIN(L)	I	Recording input (Lch)
24	REC/PB	I	Recording/Playback control	52	CIN(L)	--	70 μ buffer input (Lch)
25	LM ON/OFF	I	Playback mute ON/OFF control	53	ABO(L)	O	Playback buffer out (Lch)
26	IREF	I	Reference current input	54	BIN(L)	I	Deck B playback input (Lch)
27	GPCAL	I	GP calibration	55	AIN(L)	I	Deck A playback input (Lch)
28	RECCAL	I	Recording gain calibration	56	GND	--	GND

■ XR1099(IC461) : 7-channel graphic equalizer filter with A/D converter

1. Internal Block Diagram



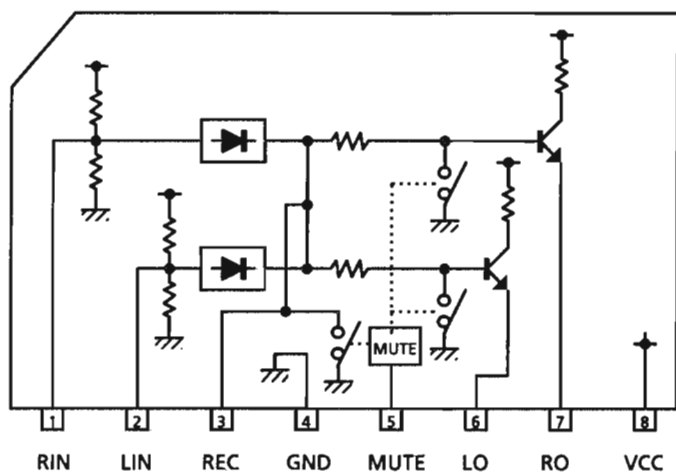
2. Terminal Layout

CSB	1	16	VDD
STB	2	15	CLKR
DATAI	3	14	CLKC
DATAO	4	13	GND
EOC	5	12	LIN
VREF	6	11	RIN
AUX2	7	10	VSS
AUX1	8	9	TEST

3. Terminal Description

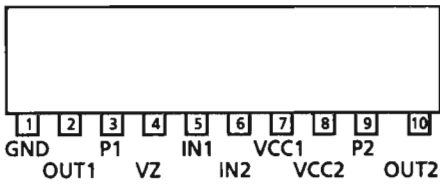
Pin No	Symbol	I/O	Function	Pin No	Symbol	I/O	Function
1	CSB	I	Chip select	9	TEST	--	TEST Terminal
2	STB	I	Strobe signal	10	VSS	I	-5V
3	DATAI	I	Data input	11	RIN	I	Sound signal input
4	DATAO	O	Data output	12	LIN	I	Non connection
5	EOC	O	End of conversion	13	GND	--	GND
6	VREF	I	A/D converter reference voltage	14	CLKC	--	A capacitor is connected
7	AUX2	I	Non connection	15	CLKR	--	A resister is connected
8	AUX1	I	Non connection	16	VDD	--	+5V

■ BA8221AN (IC202) : ALC



DX-C550

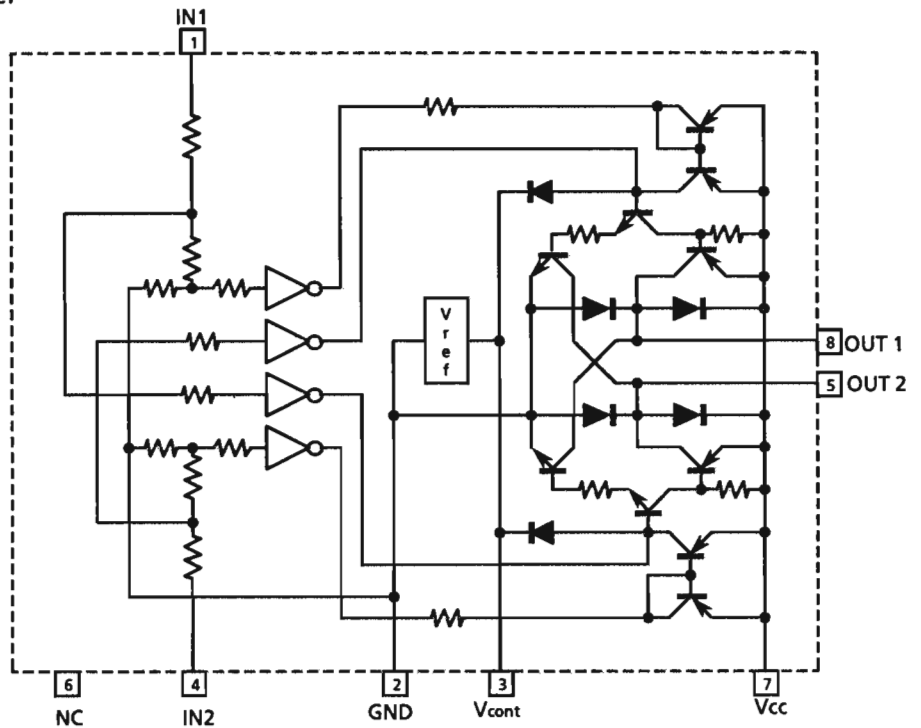
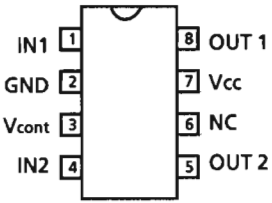
■ LB1641 (IC204~207) : DC Motor Driver



Input		Output		Mode
IN1	IN2	OUT1	OUT2	
0	0	0	0	Brake
1	0	1	0	CLOCKWISE
0	1	0	1	COUNTER-CLOCKWISE
1	1	0	0	Brake

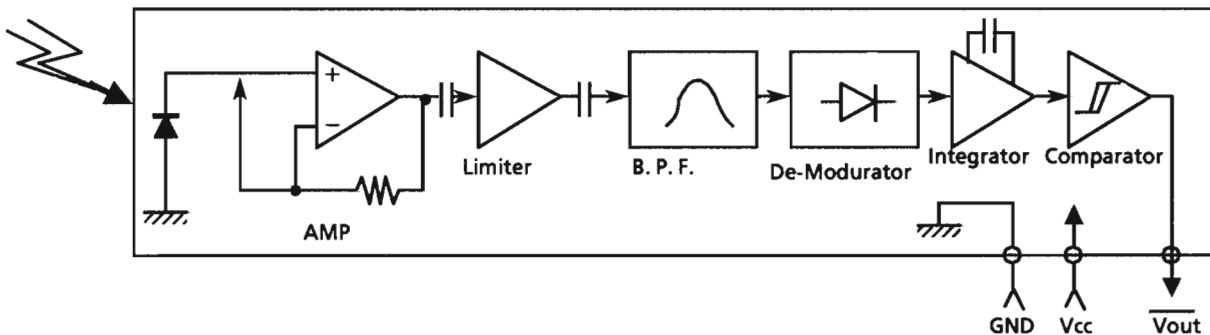
∞ : Hi impedance

■ LB1639-CV (IC803) : Motor Driver



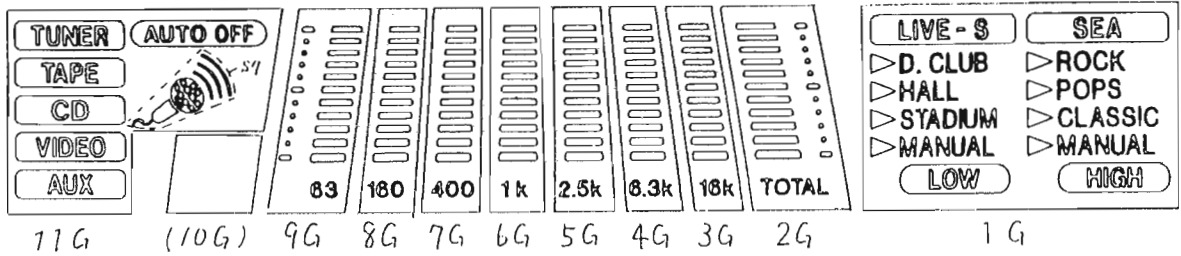
IN 1	IN 2	OUT 1	OUT 2	MOTOR
H	L	H	L	CLOCKWISE
L	H	L	H	COUNTER-CLOCKWISE
H	H	OFF	OFF	WAITING
L	L	OFF	OFF	WAITING

■ SPS-420-1 (IC902) : Remocon Module IC



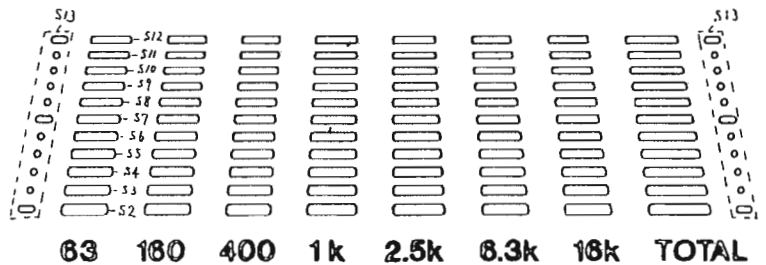
Internal Connections of the FL Display

■ ELU0001-194 : FL950



Anode Connection

	1G	2G	3G	4G	5G	6G	7G	8G	9G	10G	11G
S1	-	TOTAL	16k	6.3k	2.5k	1k	400	160	63	-	AUX
S2	▷(MANUAL R)	S2	S2	S2	S2	S2	S2	S2	S2	-	VIDEO
S3	▷(CLASSIC)	S3	S3	S3	S3	S3	S3	S3	S3	-	CD
S4	▷(POPS)	S4	S4	S4	S4	S4	S4	S4	S4	-	TAPE
S5	▷(ROCK)	S5	S5	S5	S5	S5	S5	S5	S5	-	TUNER
S6	-	S6	S6	S6	S6	S6	S6	S6	S6	-	AUTO OFF
S7	▷(MANUAL L)	S7	S7	S7	S7	S7	S7	S7	S7	-	S7
S8	▷(STADIUM)	S8	S8	S8	S8	S8	S8	S8	S8	-	-
S9	▷(HALL)	S9	S9	S9	S9	S9	S9	S9	S9	-	-
S10	▷(D. CLUB)	S10	S10	S10	S10	S10	S10	S10	S10	-	-
S11	SEA	S11	S11	S11	S11	S11	S11	S11	S11	-	-
S12	LIVE-S	S12	S12	S12	S12	S12	S12	S12	S12	-	-
S13	D. CLUB, HALL, STADIUM, MANUAL, ROCK, POPS, CLASSIC, MANUAL	S13	-	-	-	-	-	-	S13	-	-
S14	LOW	-	-	-	-	-	-	-	-	-	-
S15	HIGH	-	-	-	-	-	-	-	-	-	-



Pin Connection

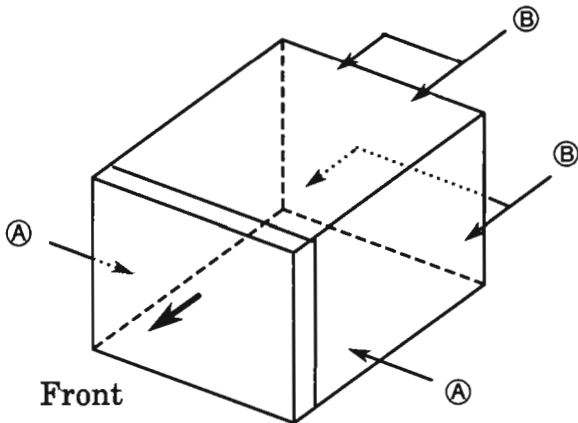
TERMINAL NO.	1	2	3	4	5	6	7	8	9	10	11									
ELECTRODE	F	F	F	NP	NP	11G	NC	9G	8G	7G	6G									
TERMINAL NO.	12	13	14	15	16	17	18	19	20	21	22	23	24	25	26	27	28	29	30	31
ELECTRODE	5G	4G	3G	2G	1G	NP	NP	NP	NP	NP	P	P	P	P	P	P	P	P	P	P
TERMINAL NO.											32	33	34	35	36	37	38	39	40	41
ELECTRODE											P	P	P	P	P	NP	NP	F	F	F

Notes F: Filament NP: No Pin
G: Grid NC: No Connection Pin
P: Anode

Disassembly Procedures

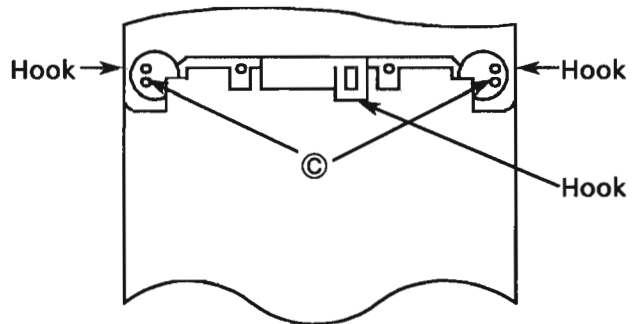
(1) Removing the top cover

1. Remove 6 screws (A) and (B) fastening the rear and sides of the top cover to remove the cover.



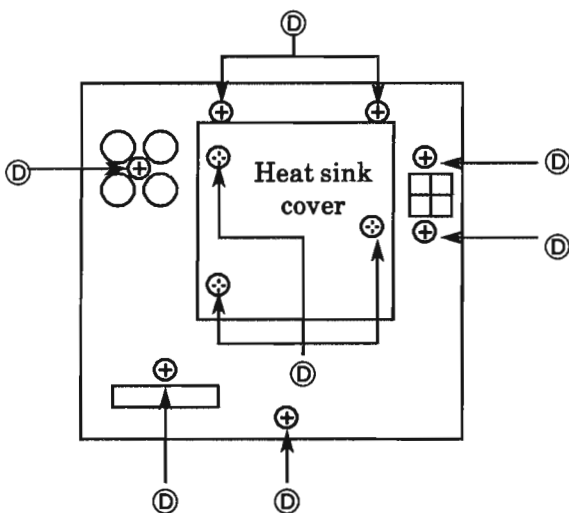
(2) Removing the Front panel assembly

1. Remove the top cover. (Refer to Item 1)
2. Pull out the main volume knob and remove the nut fixing the main volume.
3. Disconnect the connectors JB951, JB221, P901 and J511.
4. Remove 2 screws (C) and 3 hooks fastening the assembly with chassis to remove the assembly.



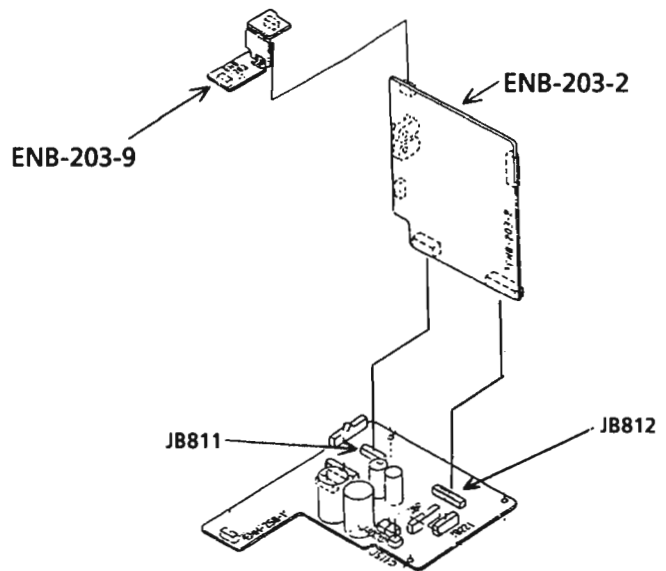
(3) Removing the rear panel

1. Remove the top cover. (Refer to Item 1)
2. Remove 2 screws (D) to remove the heat sink cover.
3. Remove the heat sink cover.
4. Remove 8 screws (D) fixing the rear panel to remove it.



(4) Removing External input circuit board. (ENB-203-2)

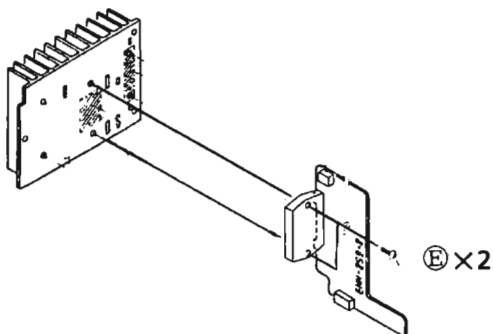
1. Remove the front panel assembly and rear panel. (Refer to Item 2 and 3)
2. Remove the junction circuit board (ENB-203-9).
3. Disconnect the connectors JB811 and JB812 to disassemble External input circuit board.



(A) .. SD5G3006M (B) ... GBSG3008CC (C) ... SBST3008M (D) ... E73273-003

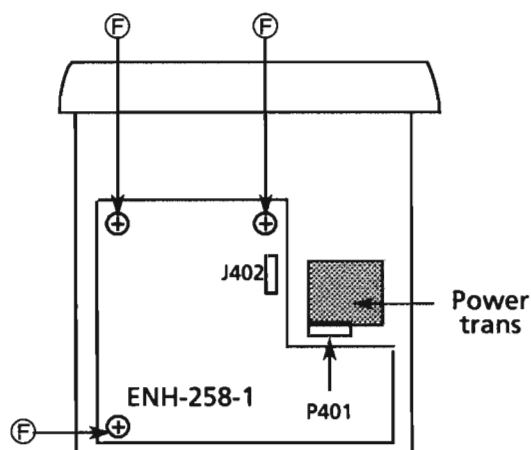
(5) Removing the Power IC

1. Remove the External input circuit board. (Refer to Item 4)
2. Remove the power amp circuit board (ENB-258-2, ENH-258-3) and regulator circuit board (ENH-258-1) with the heat sink.
3. Remove the each 2 screws (E) fixing the power amp. ic.
4. Unsolder it.



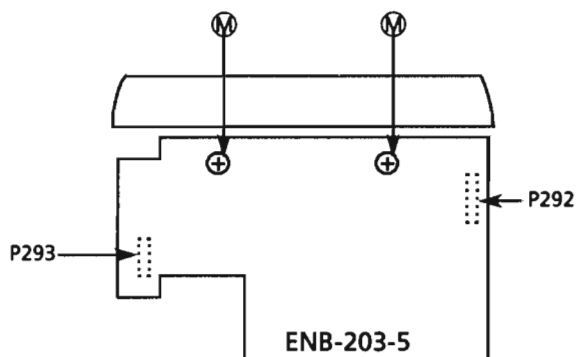
(6) Removing the Main circuit board (ENH-258-1)

1. Remove the power IC. (Refer to Item 5)
2. Remove the Speaker terminal circuit board (ENB-204-4).
3. Disconnect the connectors J402 and P401
4. Remove 3 screws (F) fixing the circuit board.
5. Remove the Main circuit board.



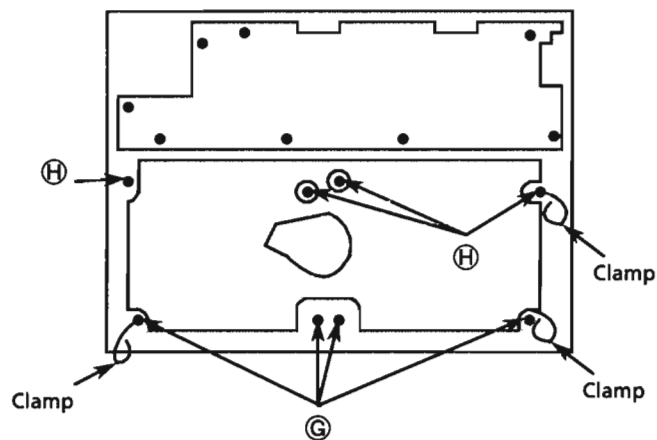
(7) Removing the Deck control circuit board (ENB-203-5)

1. Remove the main volume assembly.
2. Disconnect the connectors P292 and P293.
3. Remove the 2 screws (M) fixing the circuit board.
4. Remove the Deck control circuit board.



(8) Removing the mechanism assembly

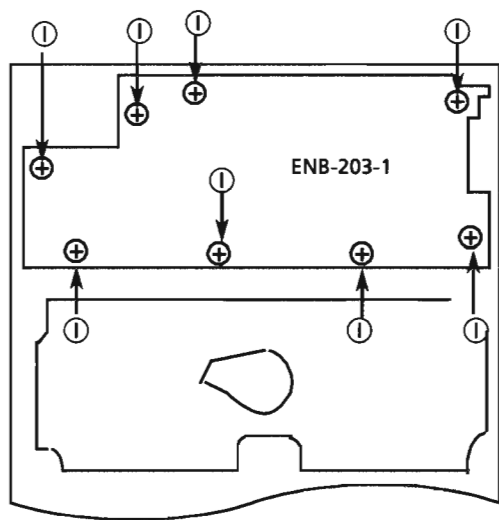
1. Remove the Deck control circuit board. (Refer to Item 7)
2. Remove the 8 screws (G) and (H) to remove the assembly.



(E) SBSG3014CC (F) GBSG3008CC (G) SBST3006Z (H) SBSF3008Z (M) SPST2004Z

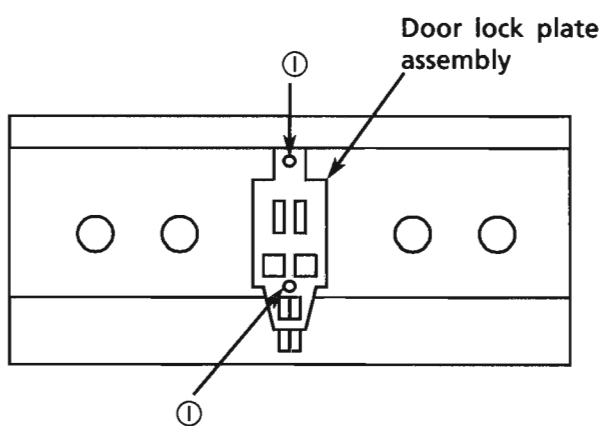
(9) Removing the front circuit board (ENB-203-1)

1. Remove the jog volume knob, music jog knob and balance knob.
2. Remove 8 screws ① to remove the front circuit board.



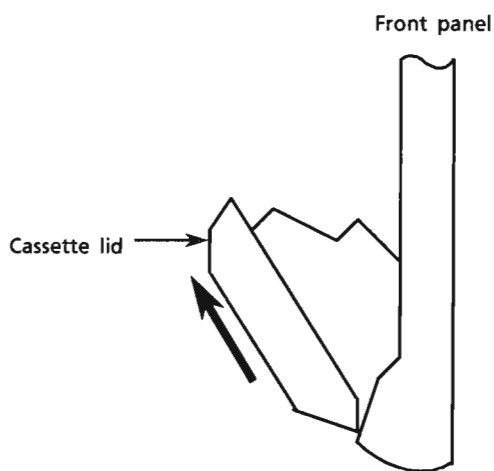
(10) Removing the door lock plate assembly

1. Remove the mechanism assembly. (Refer to Item 8)
2. Remove the 2 screws ① fixing the assembly.
3. Open the cassette doors to remove the assembly.



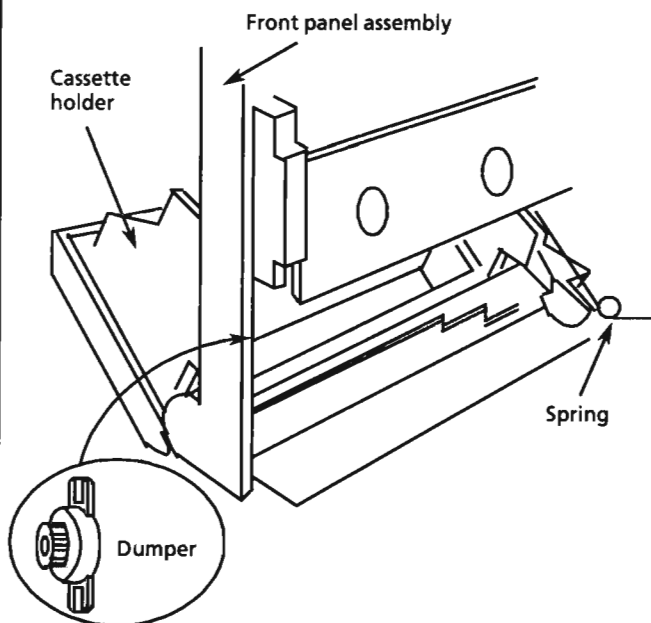
(11) Removing the cassette lids

1. Push the eject button to open the cassette doors.
2. Slide the lids up to remove them.



(12) Removing the Cassette holder

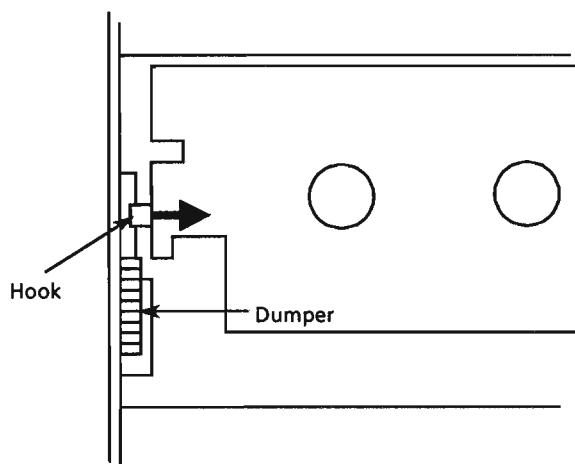
1. Remove the mechanism assembly. (Refer to Item 8)
2. Open the cassette door.
3. Remove the spring.
4. Remove the cassette holder.



① .. SDSF2608Z

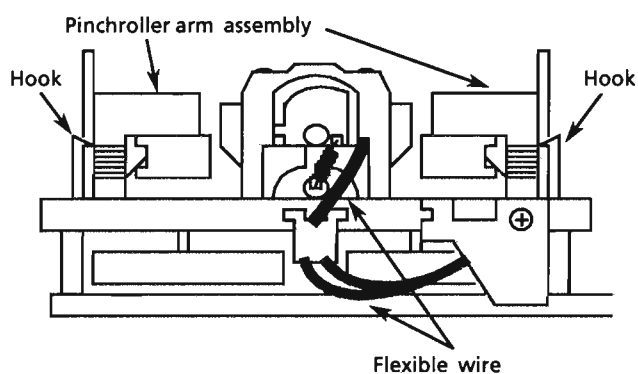
(13) Removing the dumpers

1. Remove the mechanism assembly. (Refer to Item 8)
2. Remove the cassette holder. (Refer to Item 12)
3. Press the hook and release it to remove the dumper. (See an arrow)



(15) Removing the pinchroller arm assembly

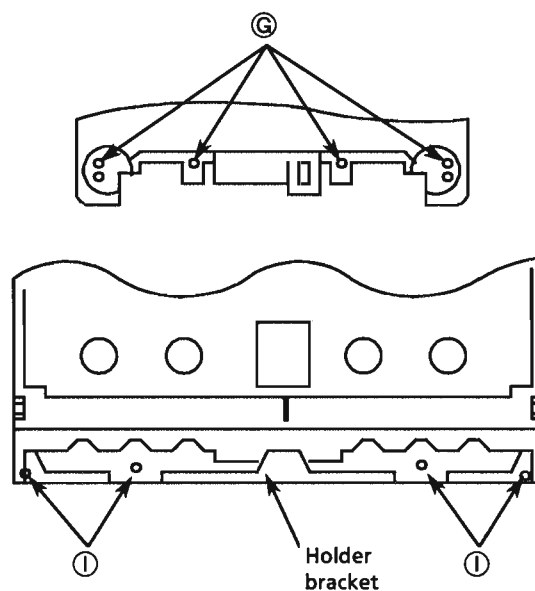
1. Remove the mechanism assembly. (Refer to Item 8)
2. Release the hook holding the assembly to remove it.



Bottom view of the mechanism

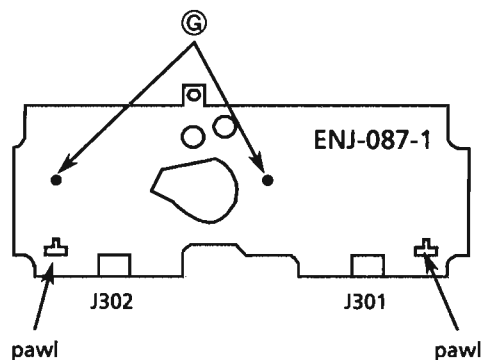
(14) Removing the Front SW circuit board (ENB-204-6)

1. Remove the cassette holders. (Refer to Item 12)
2. Remove the door lock plate assembly. (Refer to Item 10)
3. Remove the 4 screws ③ to remove the holder bracket fixing the SW circuit board.
4. Remove 4 screws ① to remove the circuit board.



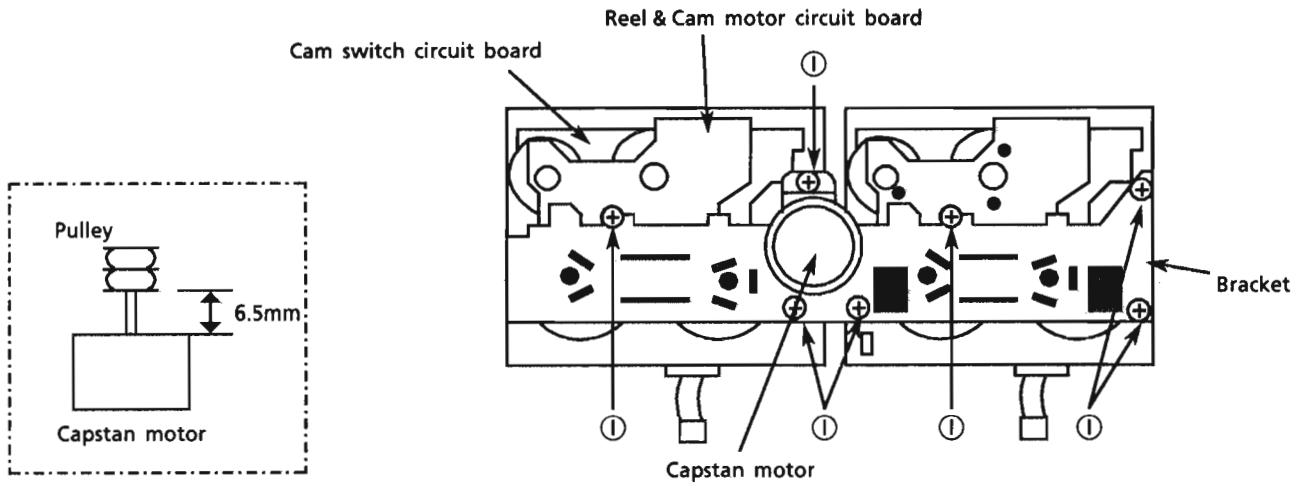
(16) Removing the deck audio circuit board (ENJ-087-1)

1. Remove mechanism assembly. (Refer to Item 8)
2. Disconnect J301 and J302.
3. Remove the 2 screws ③ to remove the circuit board. (Pay attention to the pawls.)



(17) Removing the capstan motor

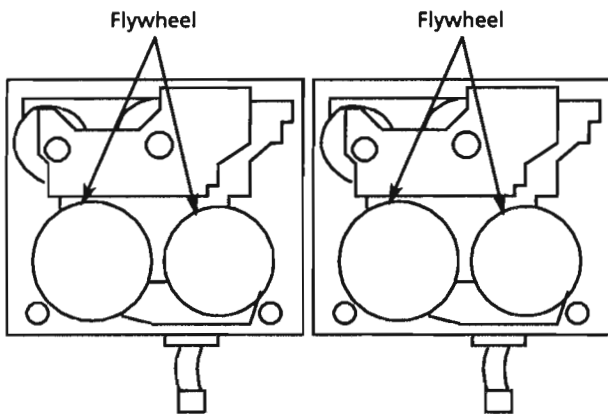
1. Remove the deck audio circuit board. (Refer to Item 16)
2. Remove the 7 screws ① fixing the bracket.
3. Release the hooks holding the bracket to remove the bracket with the capstan motor.
4. Remove the 2 screws fixing the motor to remove it.



Behind of the mechanism

(18) Removing the Flywheels

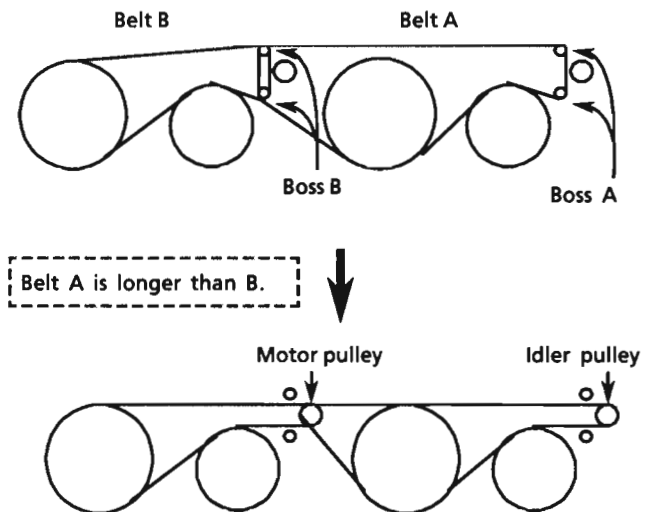
1. Remove the deck audio circuit board. (Refer to Item 16)
2. Remove the 7 screws ① and release the hooks holding the bracket to remove the bracket with the capstan motor.
3. Remove the flywheel.



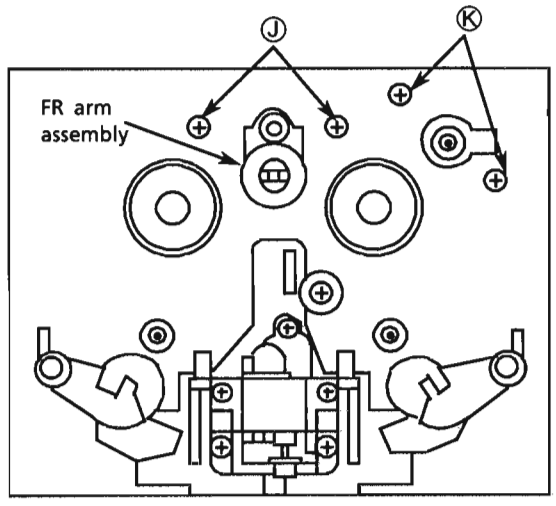
Behind of the mechanism

(19) How to install the belts

1. Install the belts as shown in the figure below.
When putting the belts, put the belt B first.
2. Install the bracket with the capstan motor to put the belts on the pulleys.

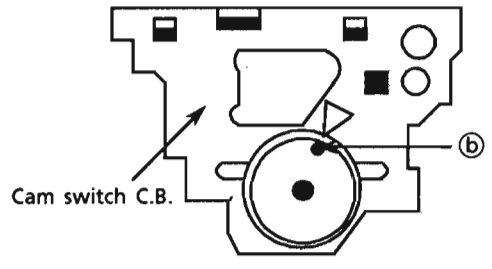
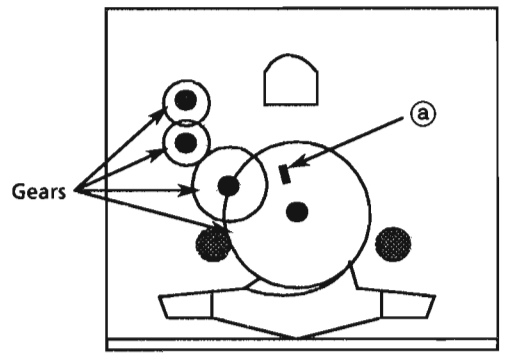


- (20) Removing the reel & cam motor
1. Remove the flywheel.
(Refer to Item 18)
 2. Remove the screws ① and ② fixing the motors to remove the reel & cam motor circuit board.
 3. Unsolder the motors to remove them.

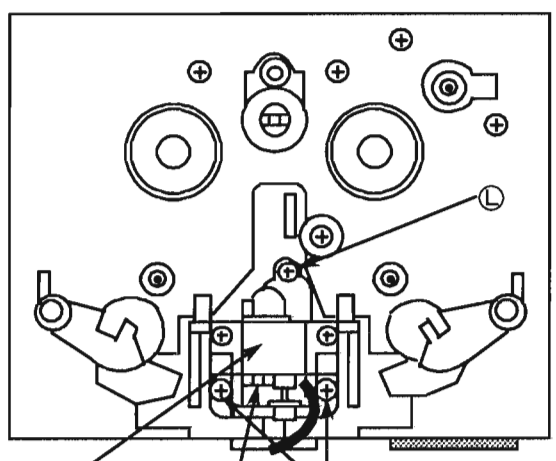


Front view of the mechanism

- (21) Removing the cam switch circuit board
1. Remove the flywheel.
(Refer to Item 18)
 2. Remove the reel & cam motor circuit board.
 3. Release the hook holding the cam switch circuit board and remove the screw to remove it.
- ※ When installing the cam switch circuit board, assemble the circuit board so that the part ③ meets part ④.

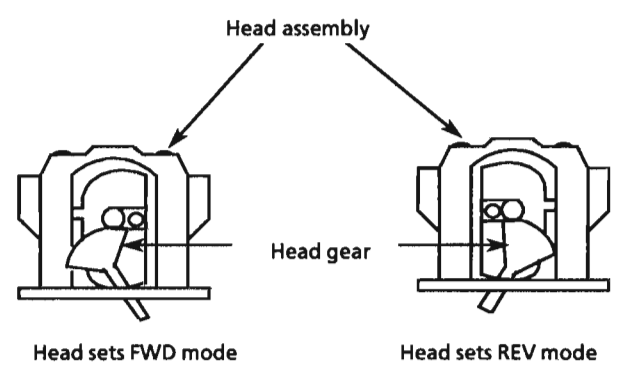


- (22) Removing the head assembly
1. Remove the mechanism assembly.
(Refer to Item 8)
 2. Disconnect the connector P331 or P333 on the deck audio circuit board. (Refer to Item 16)
 3. Remove the 3 screws ⑤ fixing the head assembly to remove it.



Front view of the mechanism

- (23) Installing the head assembly
- The direction of the head is changed with the head gear. When servicing, install the head gear according to the direction of the head.



① ... VKZ4705-001 ② ... VKZ4705-002 ⑤ ... SDST2004Z

Adjustment Procedures

Deck adjustment point

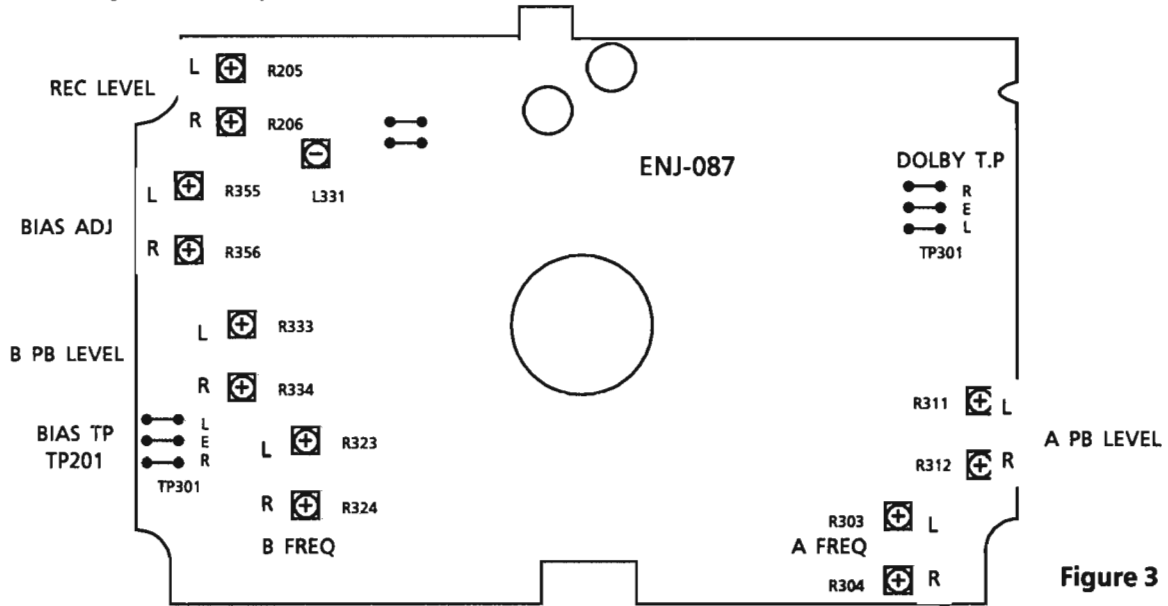


Figure 3

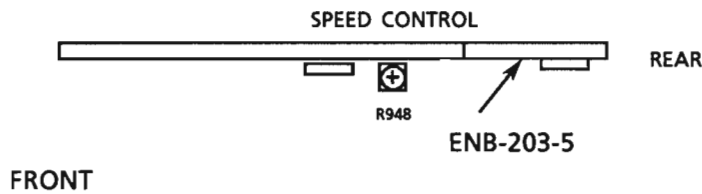


Figure 4

1. Measuring instruments

- Audio frequency signal generator (0dbs output at the 600 ohm output terminal from 50Hz to 20KHz)
- Electronic voltmeter
- Frequency counter
- Wow & Flutter meter
- Distortion Meter with band pass filter
- Attenuator (600 ohm impedance)
- A resistor with 600Ω

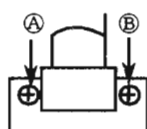
Standard Tape

0dbs=0.775V

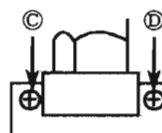
Tape No.	Frequency	Level (Wow & Flutter)	Purpose
VTT-703L	10kHz	- 10dBs	Head azimuth , Frequency Response
VTT-712	3000Hz	0dBs 0.025%WRMS	Tape Speed , Wow & Flutter
VTT-724	1kHz	- 4dBs	Standard Level
TMT-6447	—	—	Blunk Skip
TMT-6247 , TMT-6237	—	—	Music Scan
TS-8	—	—	Recording standard Normal : UR
TS-11	—	—	Recording standard METAL : MA
TS-10	—	—	Recording standard CrO ₂ : SA
GTG-N (CT-100M)	—	—	Forward / reverse play torque measuring
TW-2231	—	—	Feed forward / rewind torque measuring
C-120 Tape	—	—	Confirming the tape running

2. Adjustment and repairing the mechanism

Item	Adjustment method	Standard value	Remarks
Head azimuth	Deck A 1. Connect an electronic voltmeter to the DOLBY TP (figure 1) to playback VTT-703L. 2. Adjust screw (A) so that the indication of the voltmeter becomes maximum when PLAY (▶) is pressed. 3. Adjust screw (B) so that the indication of the voltmeter becomes maximum when PLAY (◀) is pressed. Deck B 4. Adjust screw (C) so that the indication of the voltmeter becomes maximum when PLAY (▶) is pressed. 5. Adjust screw (D) so that the indication of the voltmeter becomes maximum when PLAY (◀) is pressed. 6. After making the adjustment, apply screw lock to prevent screws (A), (B), (C) and (D) coming loose.	Maximum	1. Refer to figure 5. 2. When the specified characteristic cannot be obtained because of head wear, excessive magnetization, etc., replace the head assembly and adjust the head azimuth. Also, perform the electric adjustment. 3. When there is the difference of more than 3 ~ 4 dB between left and right output levels, replace the head assembly to avoid complaints.
Playback torque	1. Measure the torque in the playback mode by the torqu meter.	26 ~ 62 g-cm	When the standard torque cannot be obtained, replace the FR arm assembly or motor.
Fast forward torque	1. Measure the torque in the fast forward mode by the torqu meter.	80 ~ 170 g-cm	When the standard torque cannot be obtained, replace the FR arm assembly or motor.
Wow & flutter	1. Connect the wow & flutter meter to the DOLBY TP (figure 1) and play back VTT-712. 2. Its reading should be within 0.2% (WRMS).	Less than 0.2%	As a complaint may occur if the wow & flutter fluctuates by 0.1% even though it is allowed in the standard, repairing is required.
Auto stop			



Deck A



Deck B

Figure 5

3. Electrical Adjustments (Make the following adjustments after adjusting the head azimuth.)

In principle, the adjustments should be made in the following sequence.

Set the NR switch to OFF and the BEAT CUT switch to "1".

Adjustments marked with an asterisk (*) should always be made after the head is replaced

0dBs = 0.775V

Item	Adjustment Method	Adjustment Location	Standard Value	Remarks
1 Tape Speed	1. Connect a frequency counter to the DOLBY TP (figure 1) and play back VTT-712. 2. Normal speed Adjustment 1) Mechanism B Play back deck B to adjust the semi-fixed resistor R948. 2) Mechanism A Play back deck A to confirm that the difference between deck A and deck B is within $\pm 51\text{Hz}$.	R948	3,000 Hz $\pm 10\text{Hz}$	1) Adjust the normal speed first, and perform the high speed adjustment.

Item	Adjustment Method	Adjustment Location	Standard Value	Remarks
* 2 Standard level (Playback Level)	1. Connect an electronic voltmeter to the DOLBY TP (figure 1). Play back VTT-724 (1 kHz : -4dBs) to adjust the semi-fixed resistors.	Deck A L: R311 R: R312 Deck B L: R333 R: R334	-5.5dBs (411mV) ±1dB	1) The playback level varies when the head is replaced so should be adjusted. Use an electronic voltmeter with an impedance of 100 kΩ or more.
* 3 Playback Frequency Response	1. Connect an electronic voltmeter to the DOLBY TP (figure 1). 2. Play VTT-703L (10kHz : -10dBs) and adjust semi-fixed resistors to obtain the standard values.	Deck A L: R303 R: R304 Deck B L: R323 R: R324	-11.5dBs (206mV) ±3dB	—
* 4 Recording Bias Frequency	1. Connect a frequency counter to the BIAS TP (figure 1), and perform a recording to adjust bias frequency.	L331	100 kHz +10kHz -5kHz	—
* 5 Record / Play Frequency Response (Bias current)	1. Supply 1kHz and 12.5kHz with 30mV signals to PHONO/AUX terminals respectively to record them. 2. Connect an electronic voltmeter to the DOLBY TP (figure 1) to confirm the recorded values. 3. If the values are not satisfied, adjust the semi-fixed resistors and record the signal again to confirm the recorded values.	L: R355 R: R356	0±2 dB with 1 kHz as the standard.	Refer to figure 6 below. 1) The recording and playback frequency response of a cassette deck are adjusted by adjusting the bias. 2) Perform the adjustment with normal tape and confirm that the values are within the range for metal tape.
* 6 Record / Playback Sensitivity	1. Input a 1 kHz (-8.2dBs: 300mV) signal to PHONO / AUX terminals and record it on the left and right channels. 2. Connect an electronic voltmeter to the DOLBY TP (figure 1) to confirm the recorded values. 3. If the values are not satisfied, adjust the semi-fixed resistors and record the signal again to confirm the recorded values.	L: R205 R: R206	-5.5dBs (411mV) ±1dB	Adjust with normal tape and make sure that the left / right level difference is 1.0dB or less
* 7 Erase ratio check	1. Record a music source using the Metal tape. 2. Rewind and erase the recorded section. 3. Confirm nothing can be heard.	—	—	—
* 8 Music Scan	1. Make sure not to work the music scanning operation at the start of tape wind using TMT-6237. 2. Make sure to work the music scanning operation at the end of tape wind using TMT-6247.	—	—	—

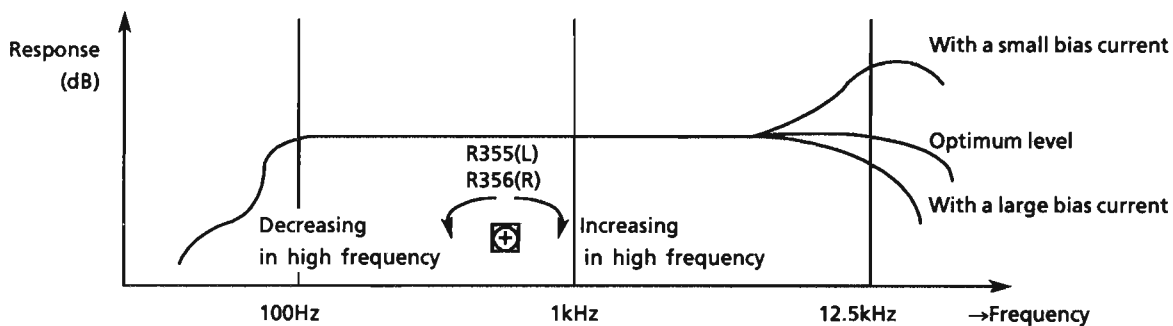
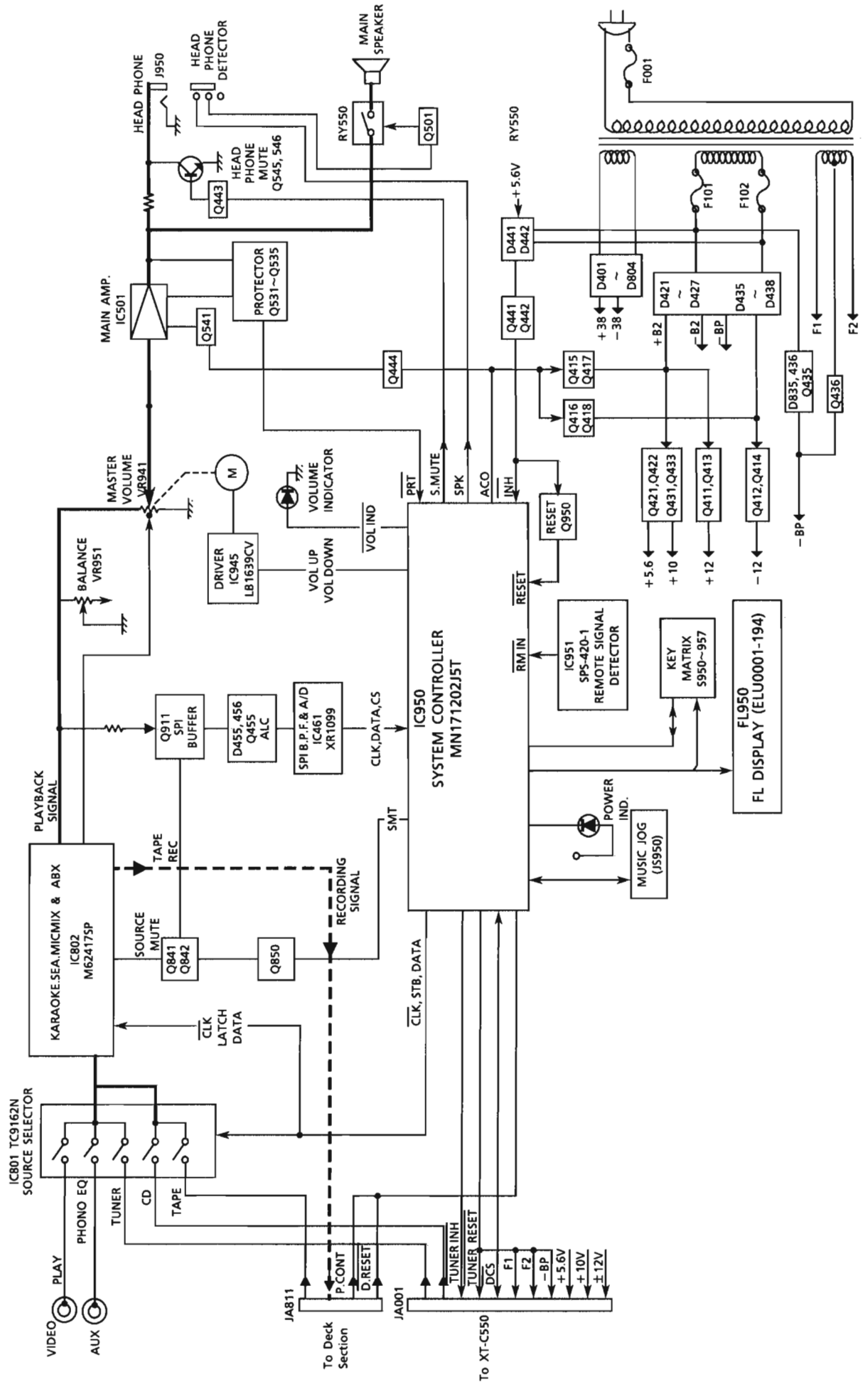
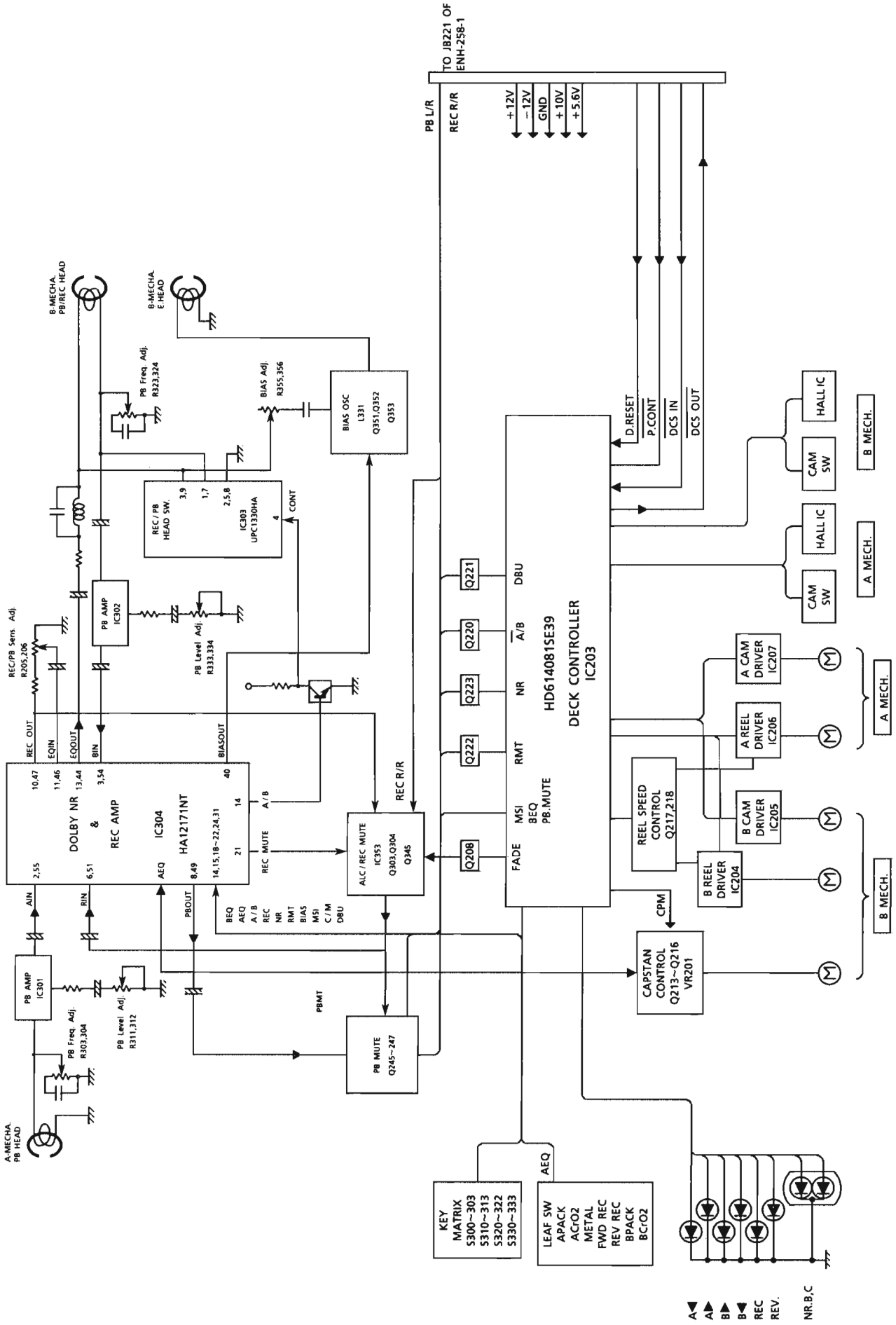


Figure 6

System Control Section

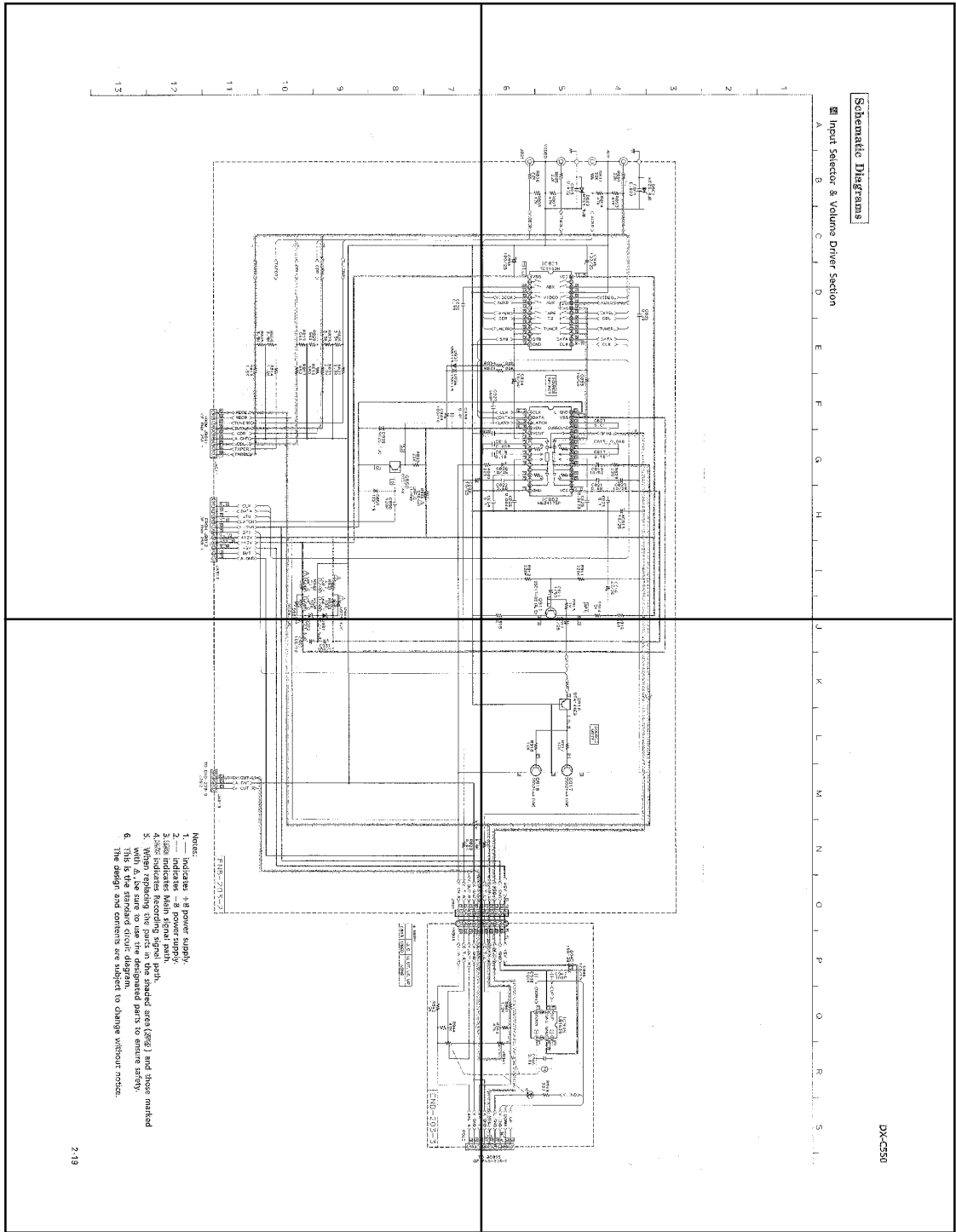




A ←
 A →
 B ←
 B →
 REC
 REV.
 NR,B,C

TO JB221 OF
 ENH-258-1

P2-19-a

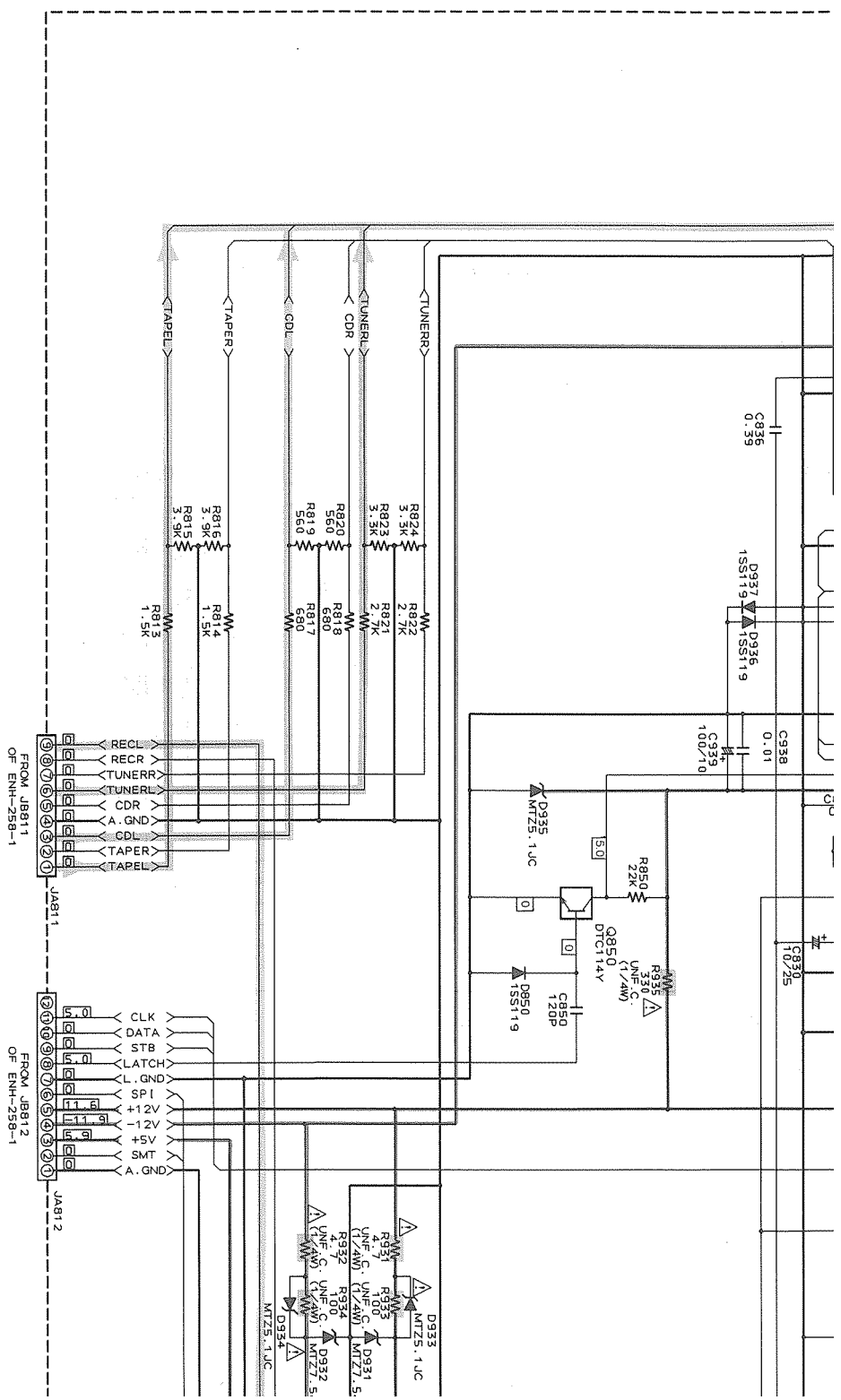


P2-19-b

P2-19-c

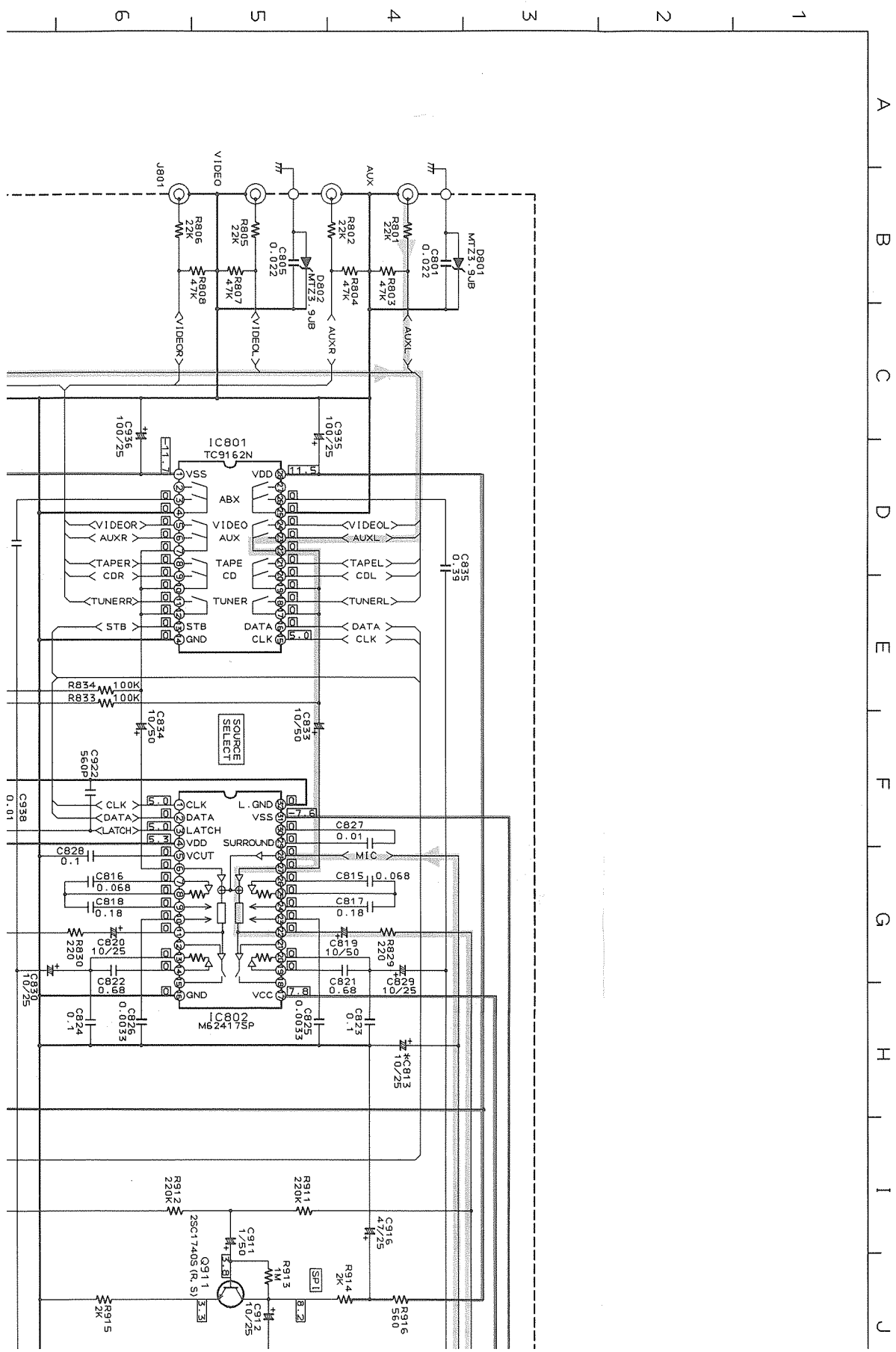
P2-19-d

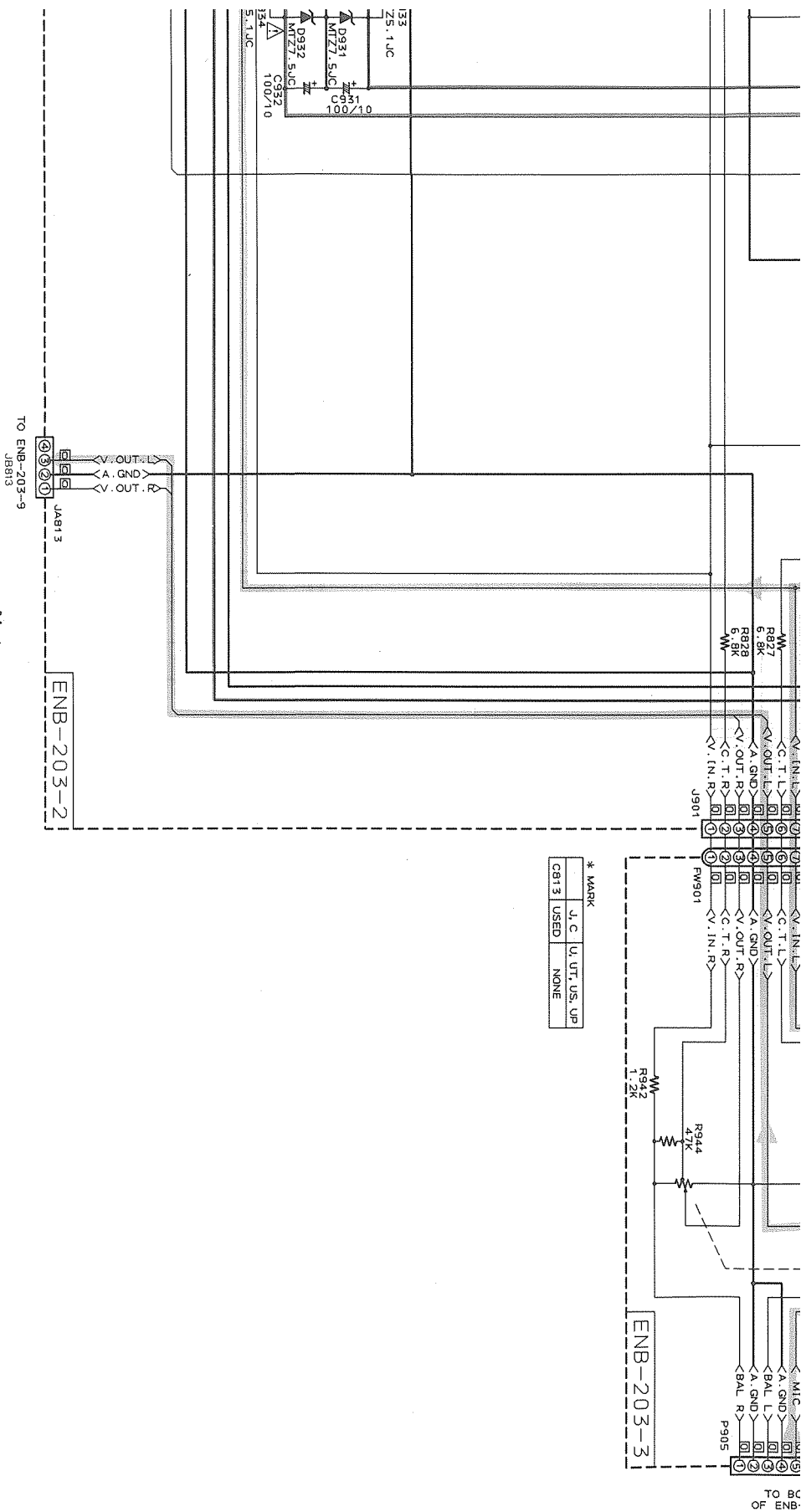
7
8
9
10
11
12
13



Schematic Diagrams

Input Selector & Volume Driver Section

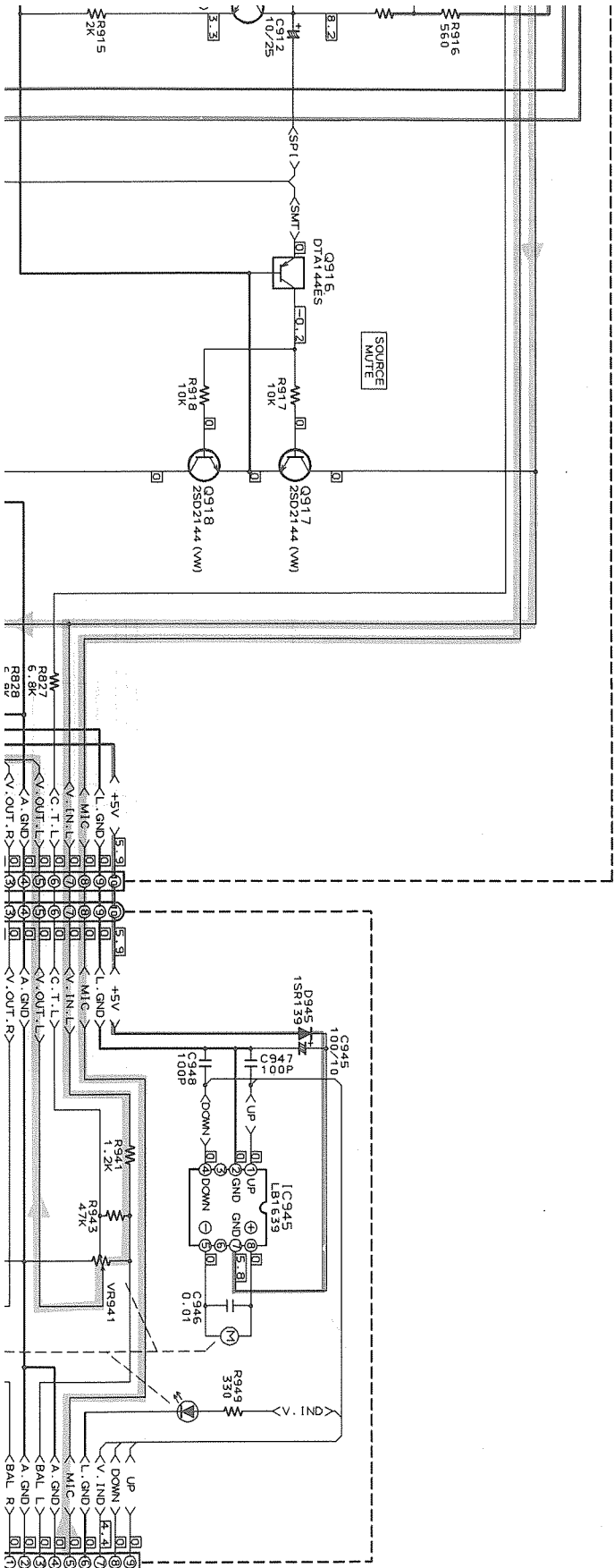




Notes:

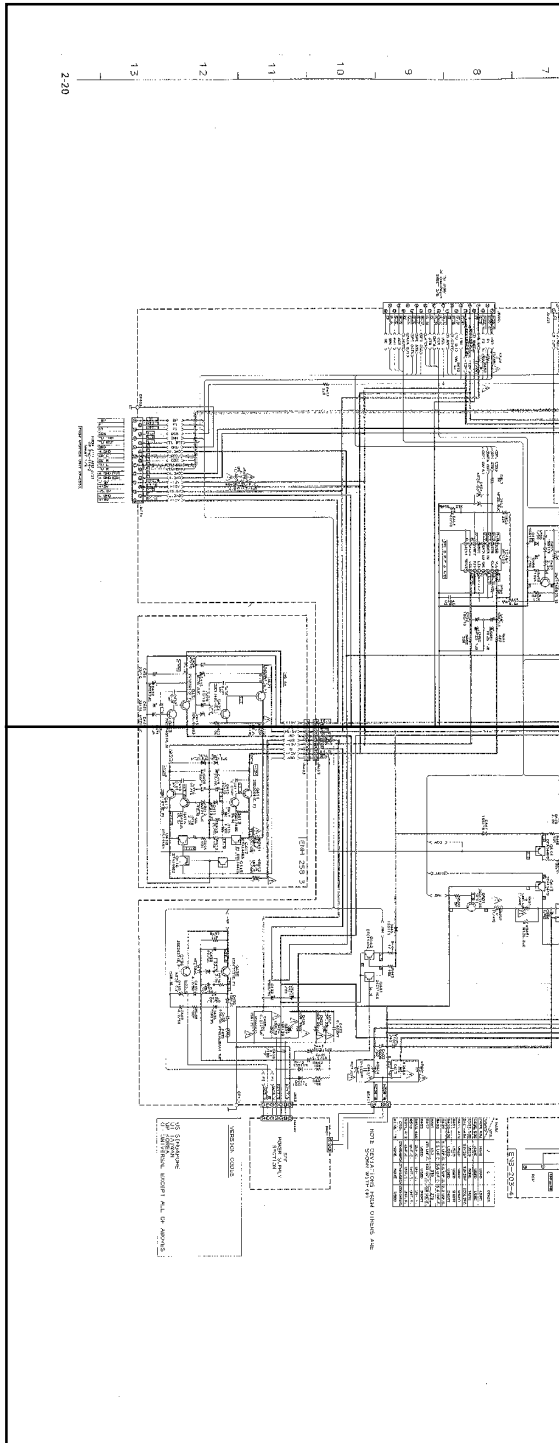
1. — indicates +B power supply.
2. — indicates -B power supply.
3. ■ indicates Main signal path.
4. ■ indicates Recording signal path.
5. When replacing the parts in the shaded area (■) and those marked with Δ, be sure to use the designated parts to ensure safety.
6. This is the standard circuit diagram. The design and contents are subject to change without notice.

J K L M N O P Q R S

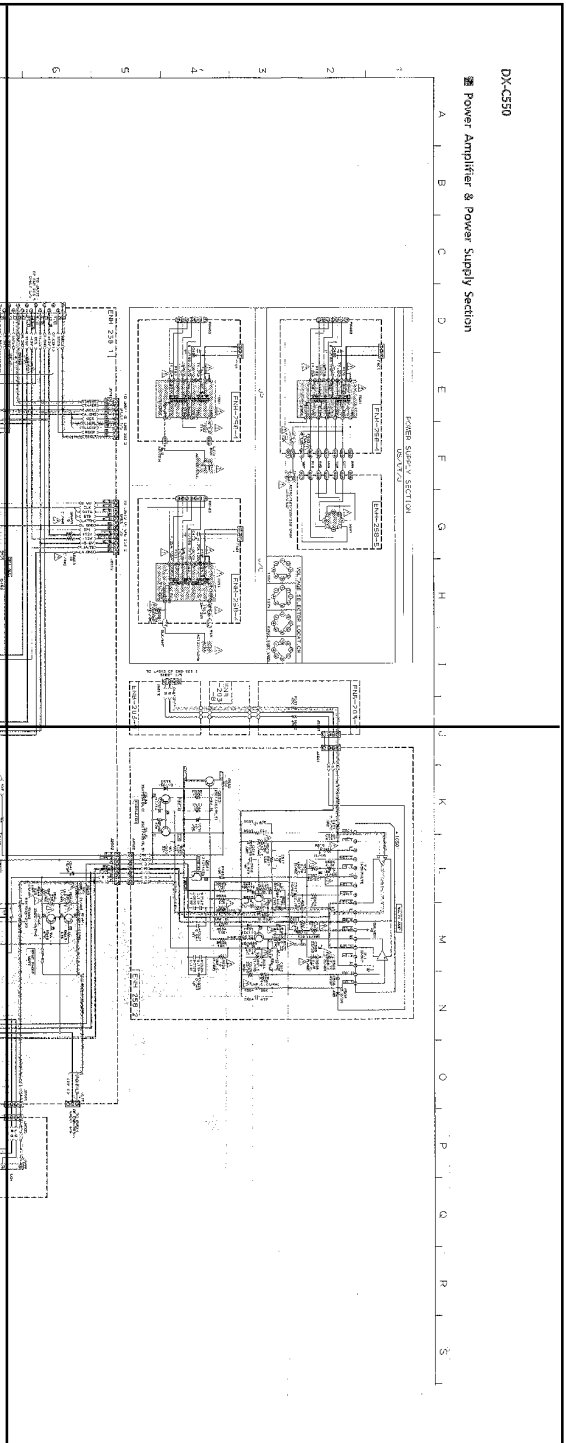


TO BC905
OF ENB-203-1

P2-20-a



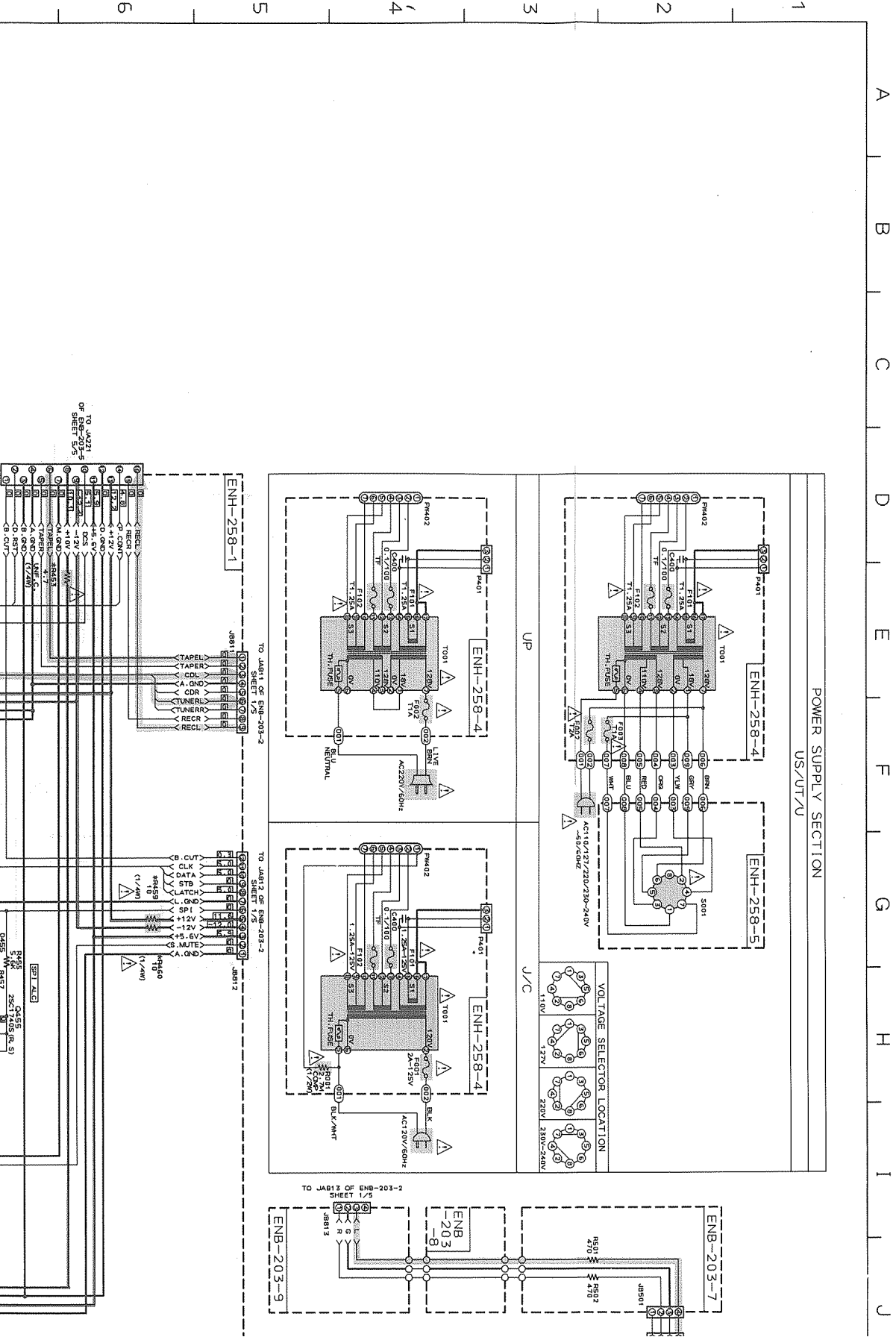
P2-20-b

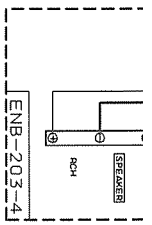
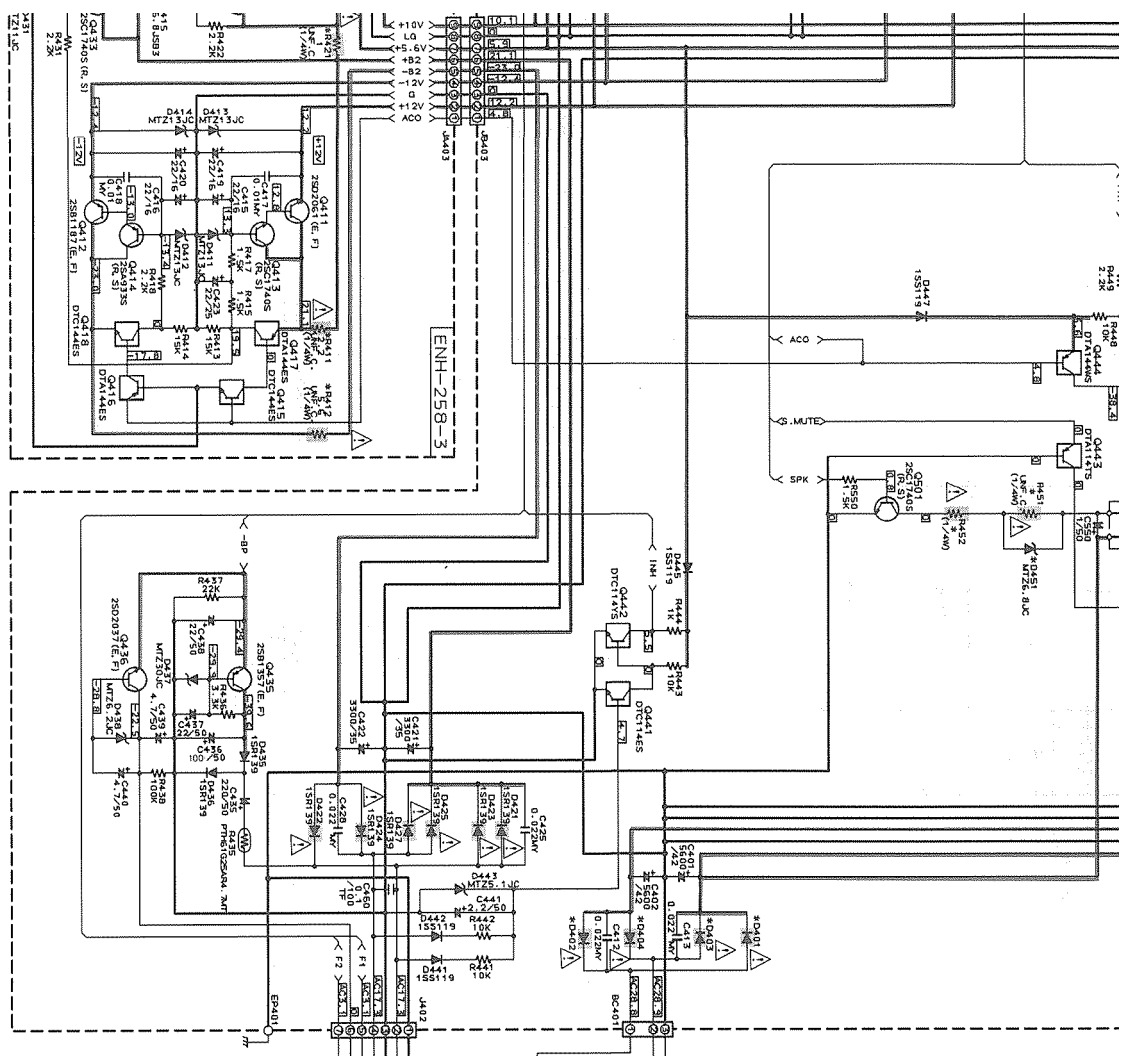


P2-20-c

P2-20-d

Power Amplifier & Power Supply Section



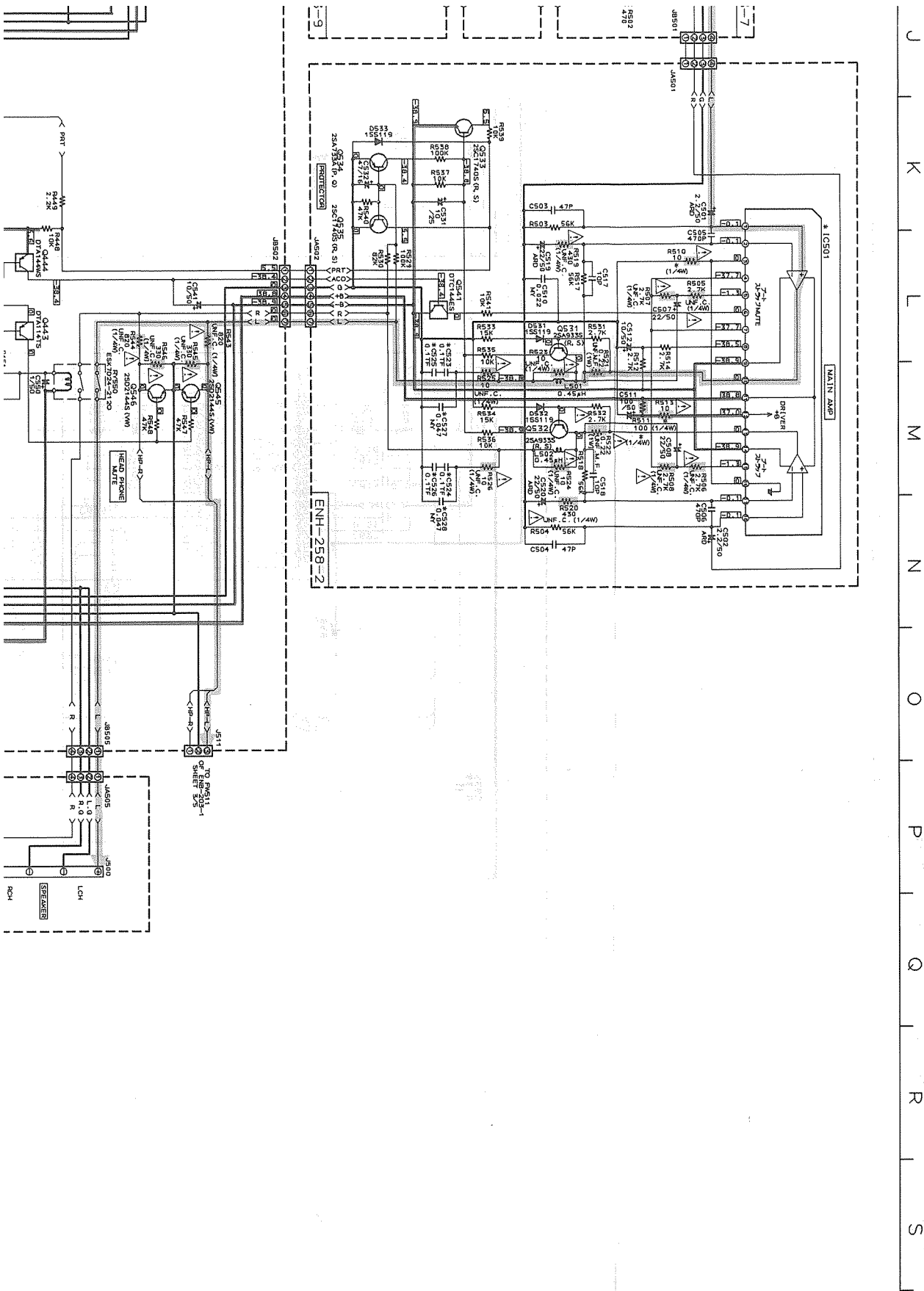


VER.	J	C	OTHER
S580-524	NONE	USED	USED
S525-525	USED	USED	USED
S525-526	USED	USED	USED
S525-527	USED	USED	USED
D411-414	S3V20E	S3V20E	300.25C
R421-412	USED	USED	SHORT
R425-426	USED	USED	SHORT
R429	5.6 UHF.C.	5.6 UHF.C.	2.2 UHF.C.
R430	5.6 UHF.C.	5.6 UHF.C.	5.6 UHF.F.
R431	330	330	270
R432	470	470	270
R433	470	470	270
R434	470	470	270
R435	470	470	270
R436	470	470	270
R437	470	470	270
R438	470	470	270
R439	470	470	270
R440	470	470	270
R441	470	470	270
R442	470	470	270
R443	470	470	270
R444	470	470	270
R445	470	470	270
R446	470	470	270
R447	470	470	270
R448	470	470	270
R449	470	470	270
R450	470	470	270
R451	470	470	270
R452	470	470	270
R453	470	470	270
R454	470	470	270
R455	470	470	270
R456	470	470	270
R457	470	470	270
R458	470	470	270
R459	470	470	270
R460	470	470	270
R461	470	470	270
R462	470	470	270
R463	470	470	270
R464	470	470	270
R465	470	470	270
R466	470	470	270
R467	470	470	270
R468	470	470	270
R469	470	470	270
R470	470	470	270
R471	470	470	270
R472	470	470	270
R473	470	470	270
R474	470	470	270
R475	470	470	270
R476	470	470	270
R477	470	470	270
R478	470	470	270
R479	470	470	270
R480	470	470	270
R481	470	470	270
R482	470	470	270
R483	470	470	270
R484	470	470	270
R485	470	470	270
R486	470	470	270
R487	470	470	270
R488	470	470	270
R489	470	470	270
R490	470	470	270
R491	470	470	270
R492	470	470	270
R493	470	470	270
R494	470	470	270
R495	470	470	270
R496	470	470	270
R497	470	470	270
R498	470	470	270
R499	470	470	270
R500	470	470	270

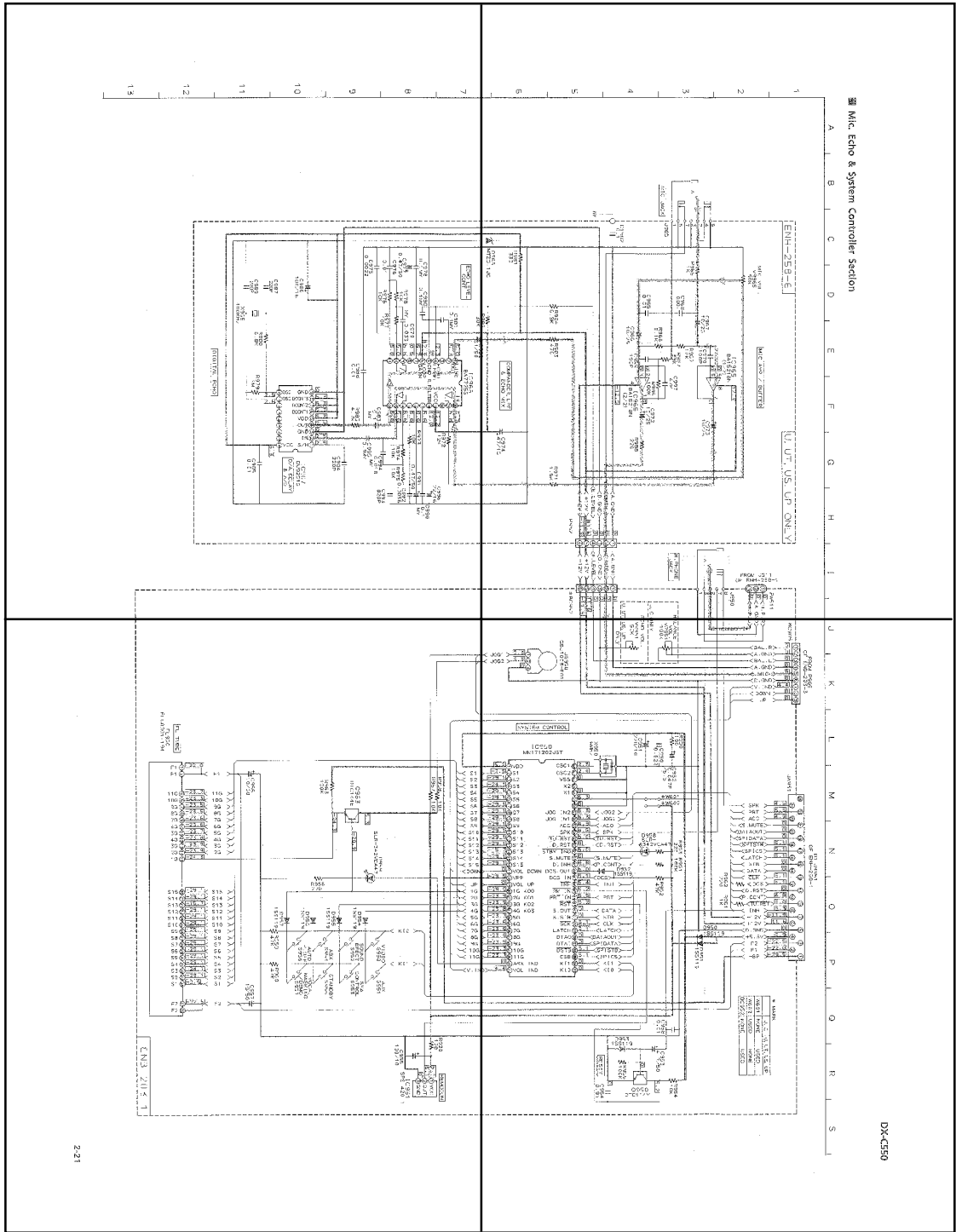
NOTE: DEVIATIONS FROM OTHERS ARE SHOWN WITH (*)

SEE POWER SUPPLY SECTION

VERSION CODES
 US : SINGAPORE
 UT : TAIWAN
 UP : KOREA
 U : UNIVERSAL EXCEPT ALL OF ABOVE



P2-21-a

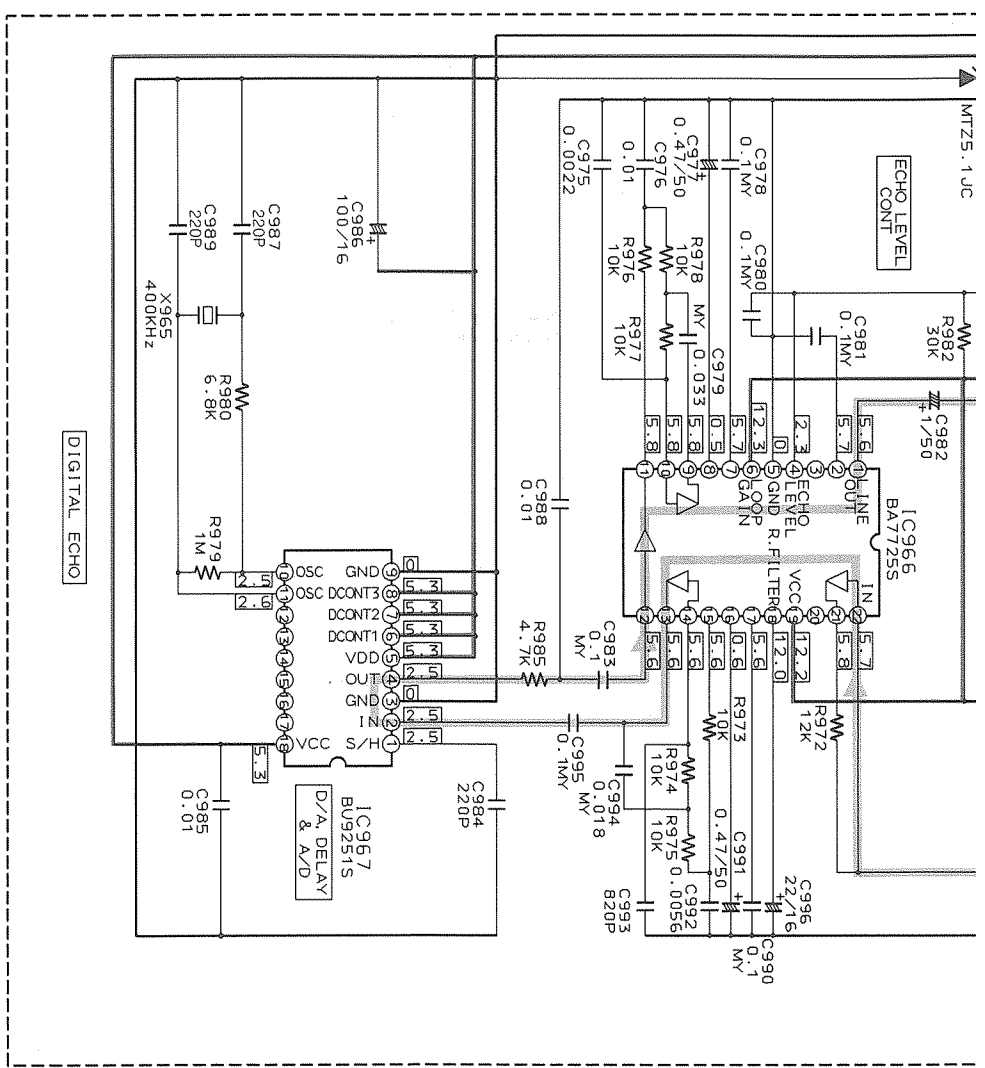


P2-21-b

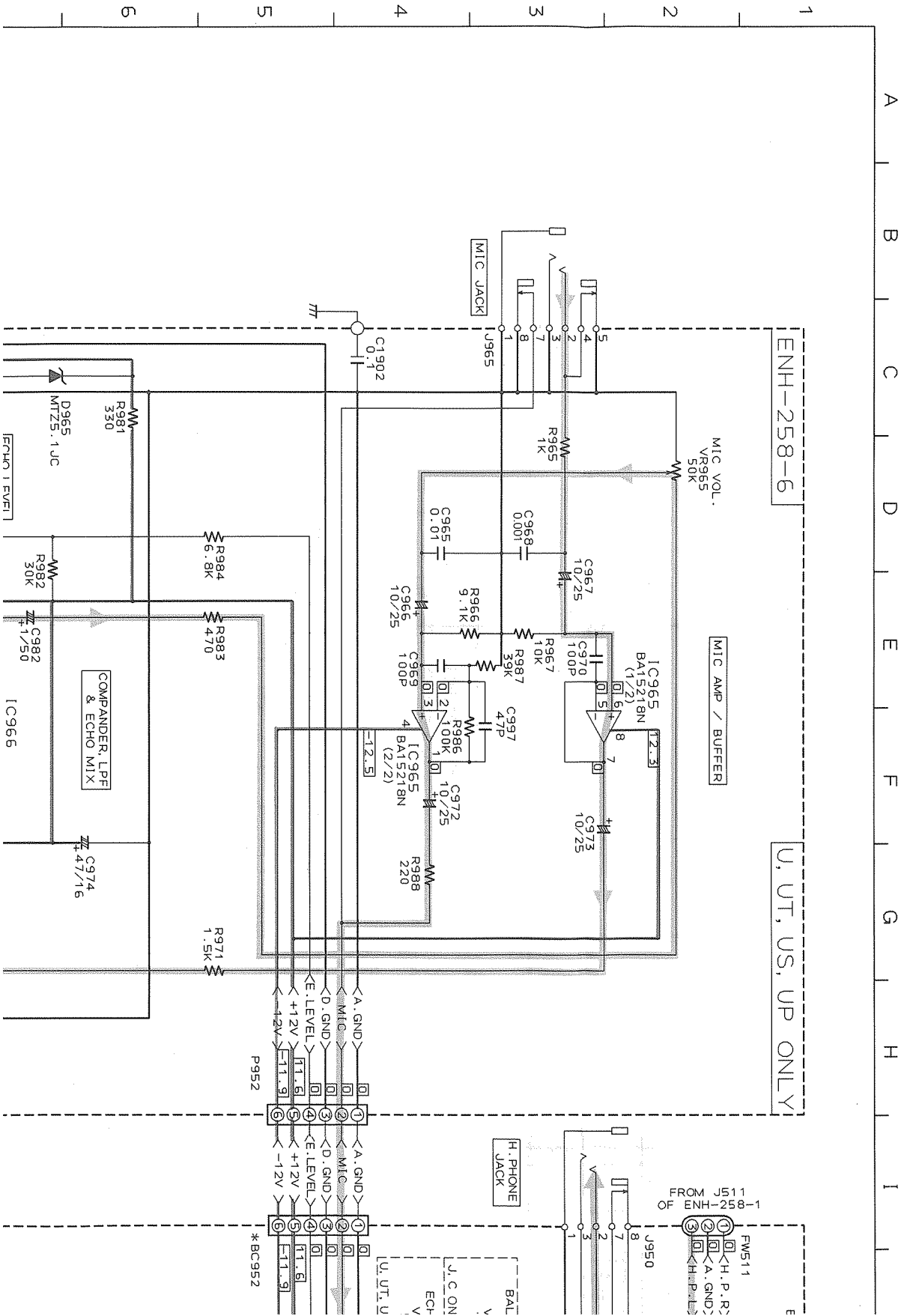
P2-21-c

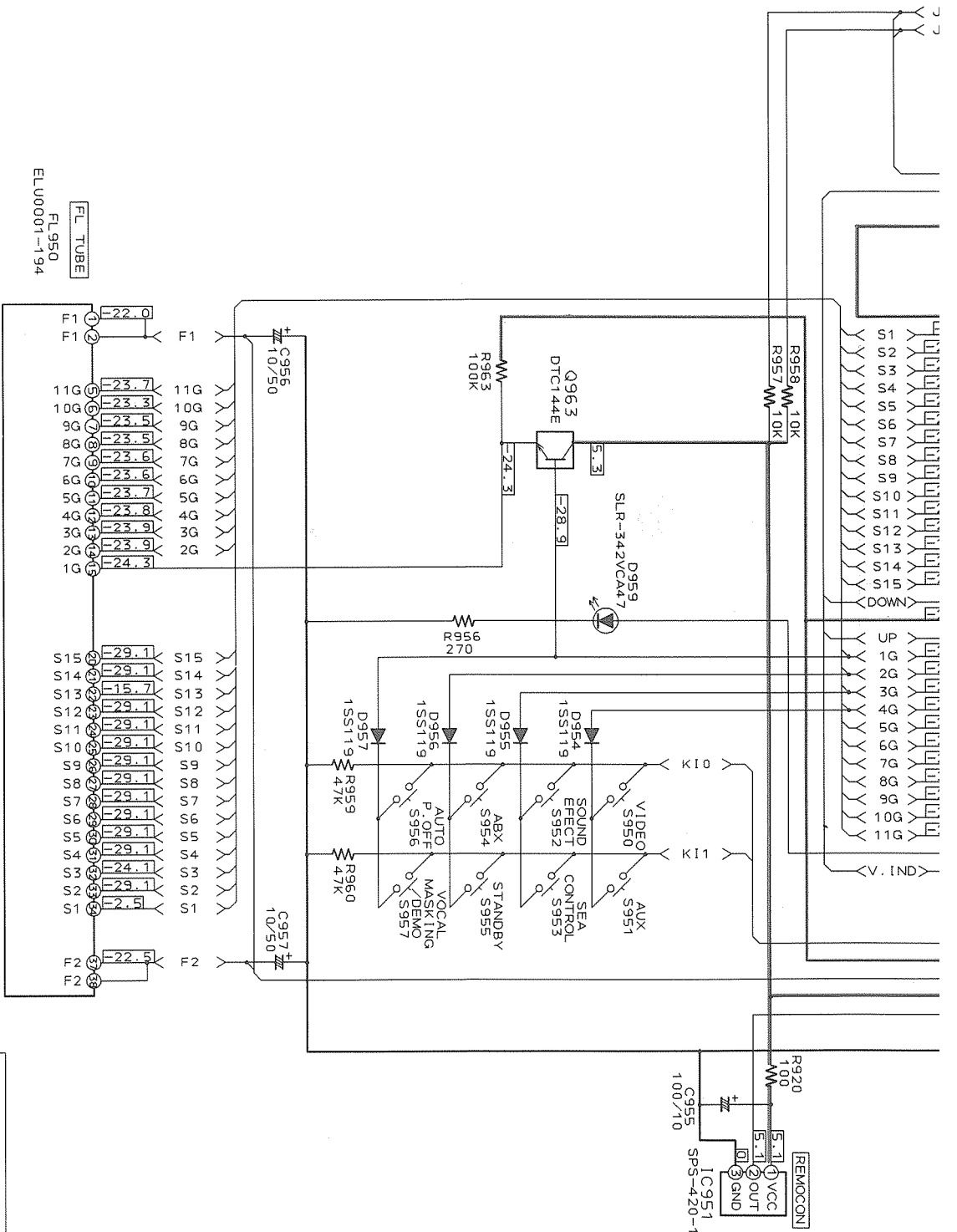
P2-21-d

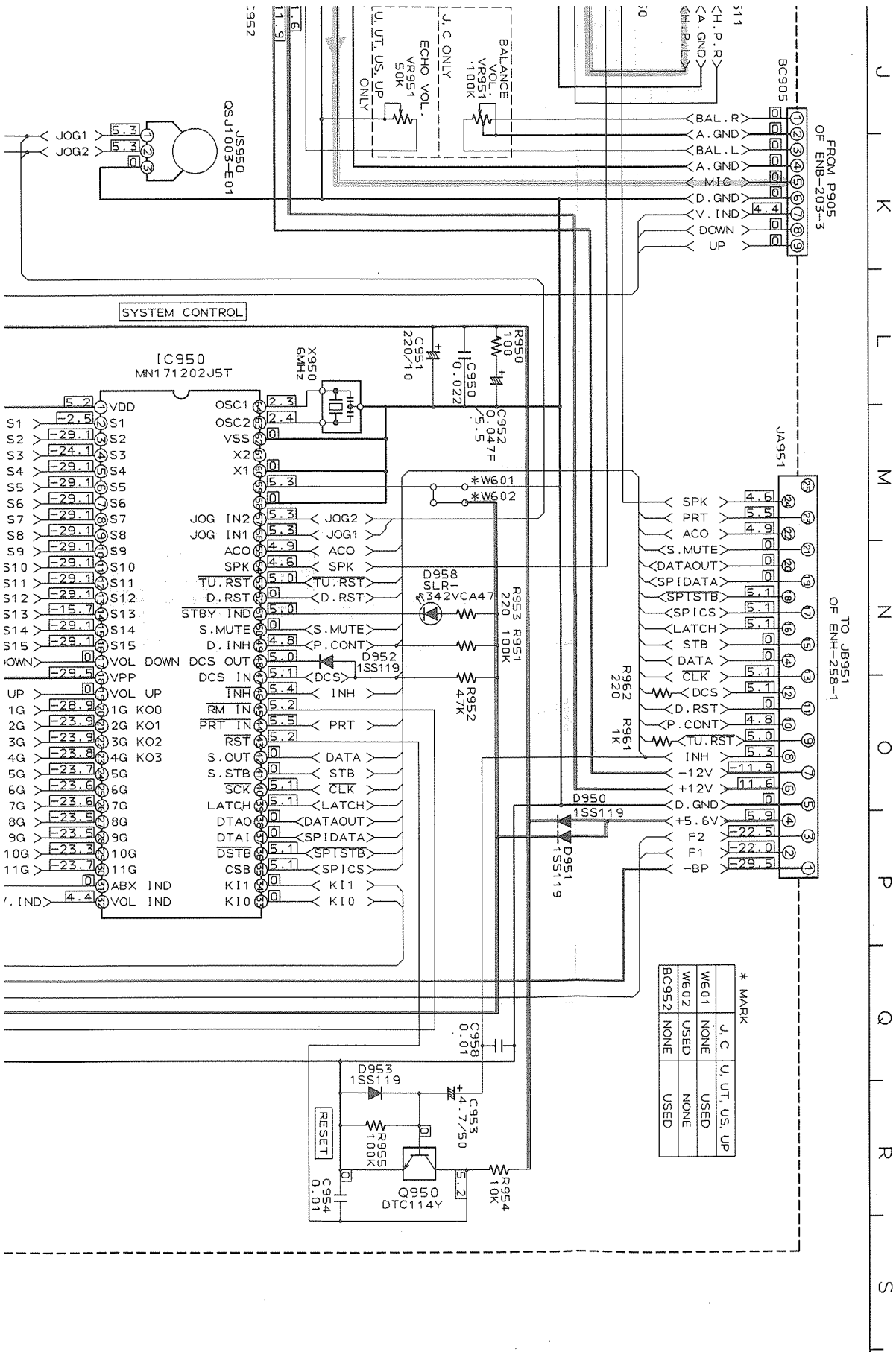
7
8
9
10
11
12
13



Mic. Echo & System Controller Section





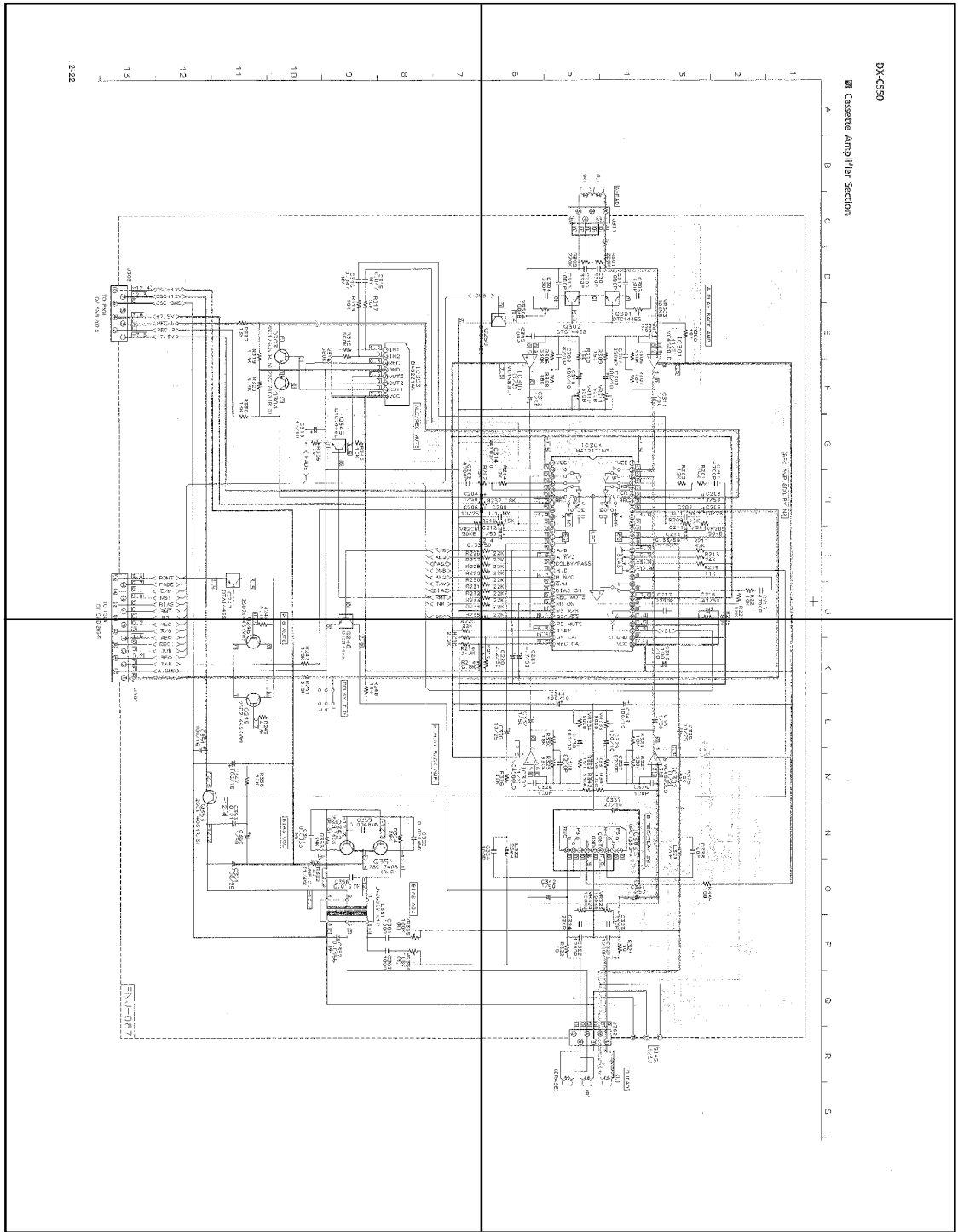


* MARK

W601	J. C	USED
W602	U. UT. US. UP	USED
BC952	NONE	NONE
	USED	USED

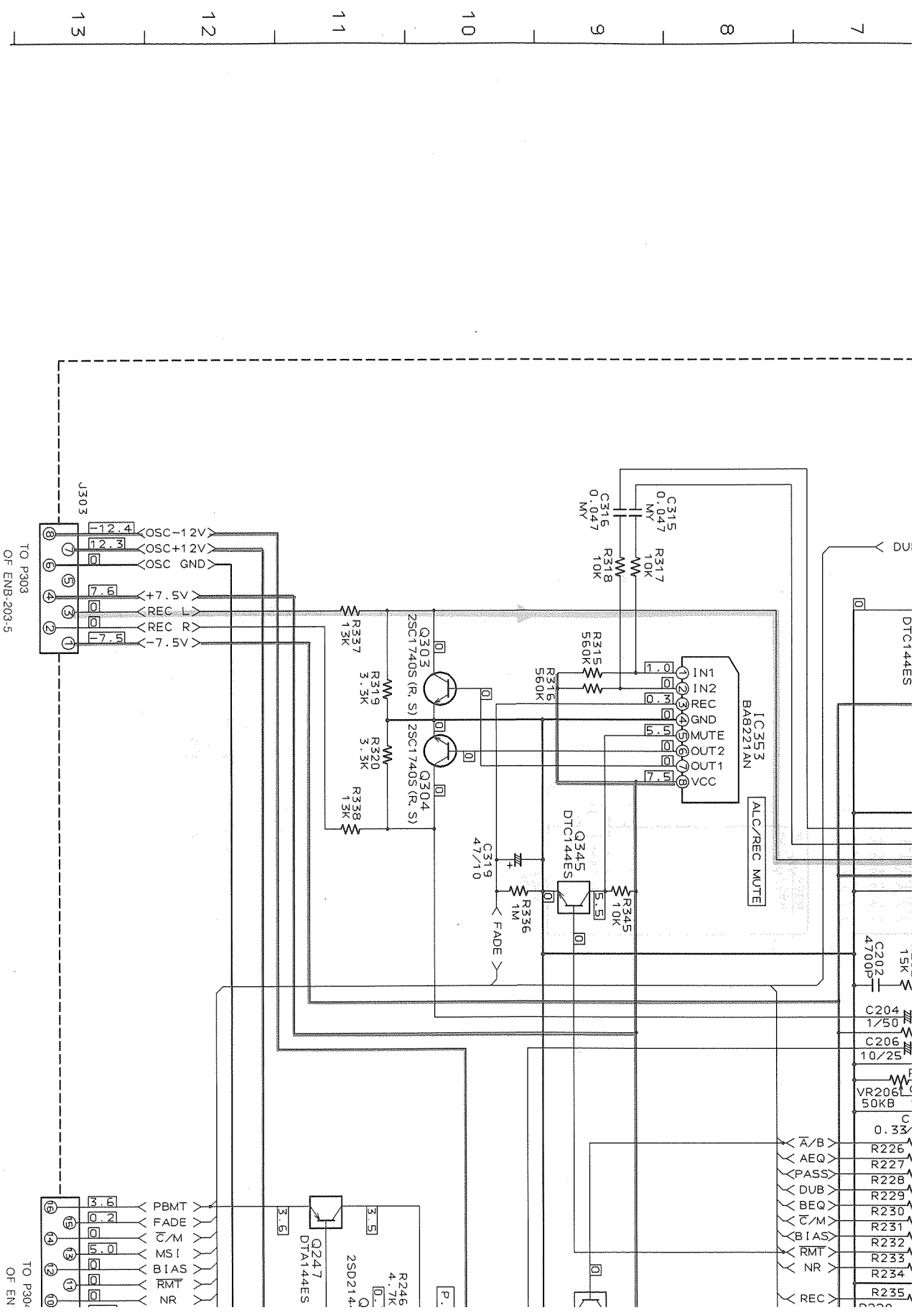
P2-22-a

P2-22-b



P2-22-c

P2-22-d



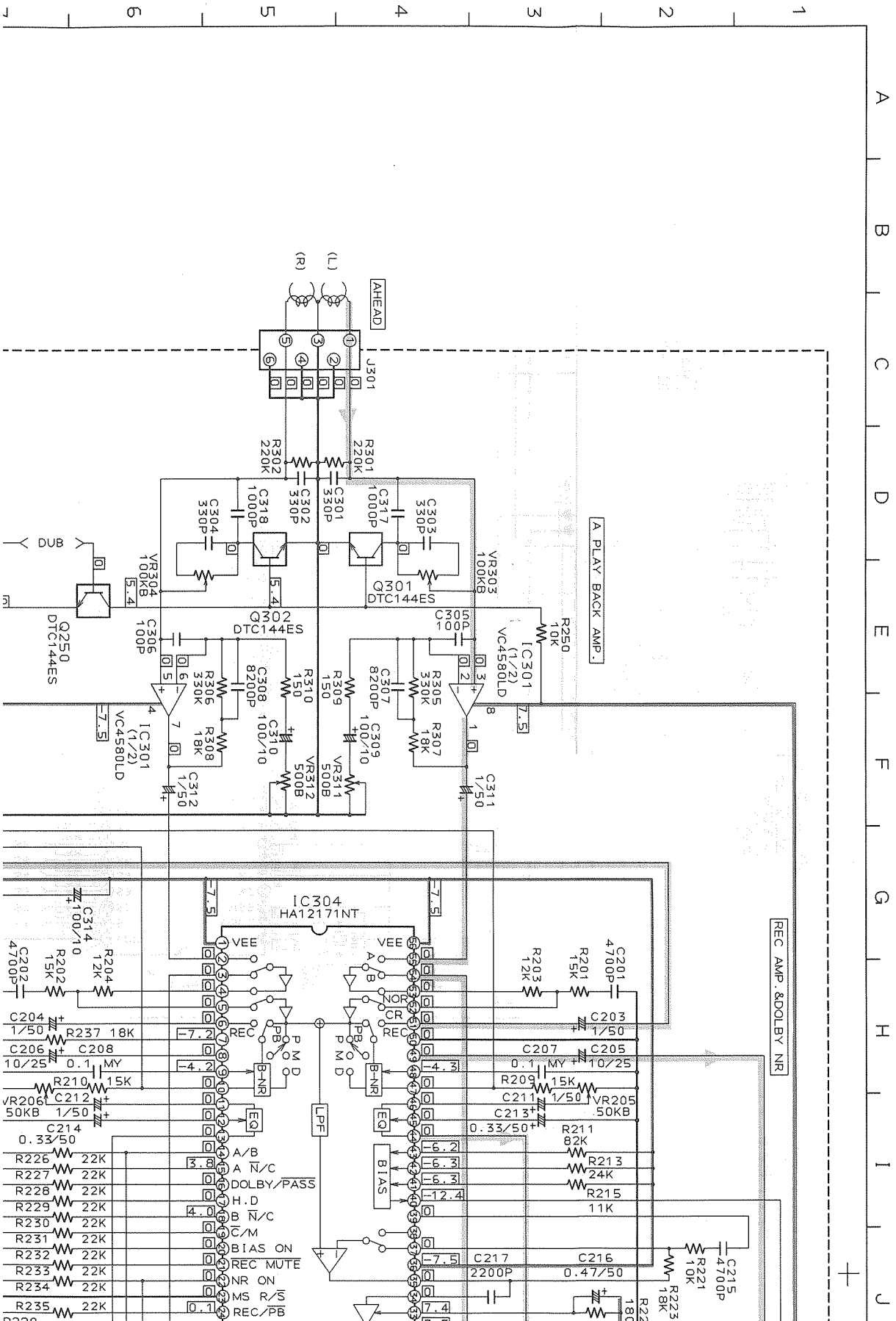
J303
TO P303
OF ENB-203-5

TO P304
OF EN

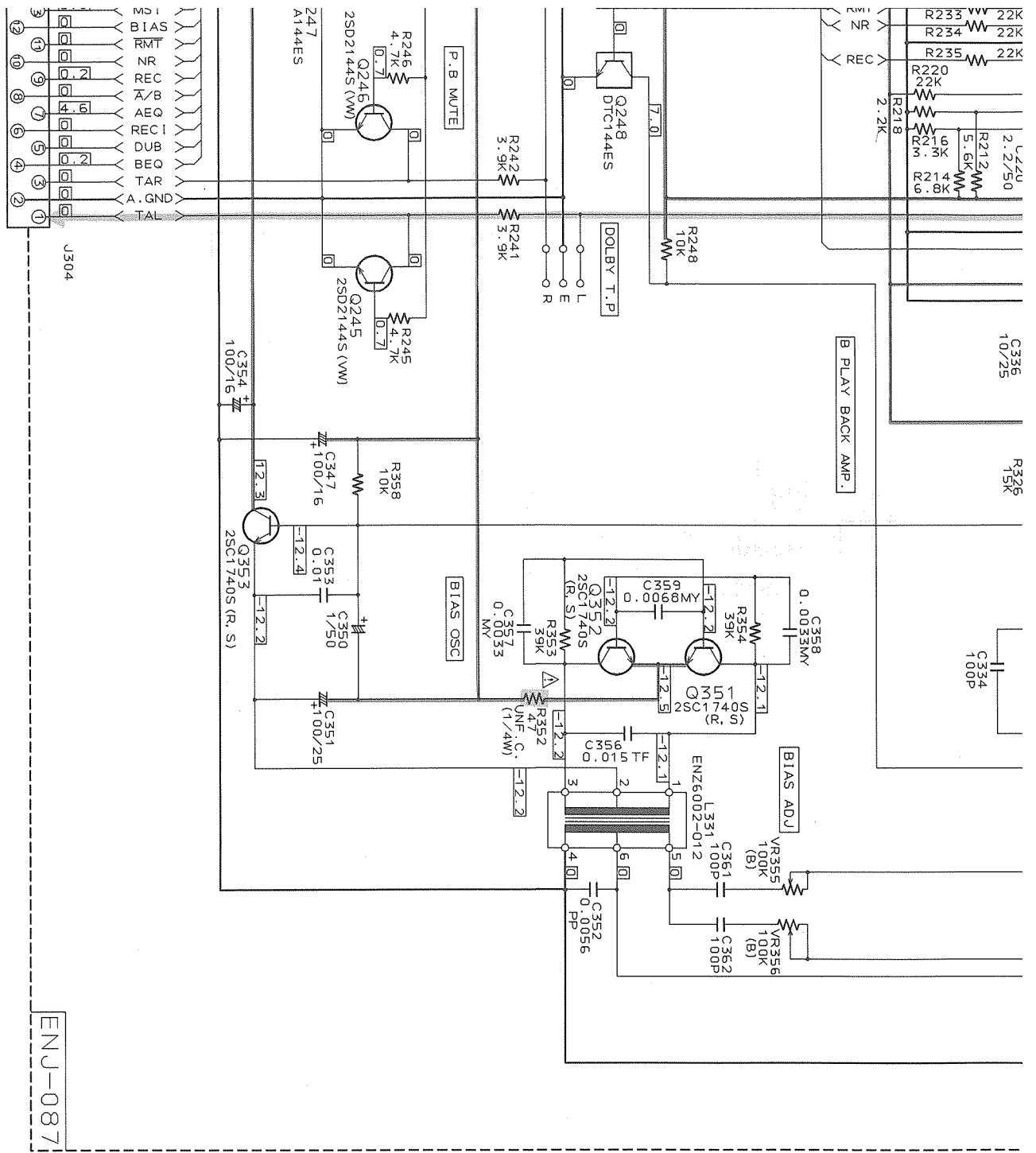
- DTIC144ES
- 15K
- C202 4700P
- C204 1/50
- C206 10/25
- VR206 50KB
- 0.33
- A/B R226
- AEQ R227
- PASS R228
- DUB R229
- BEQ R230
- C/M R231
- BIAS R232
- RMT R233
- NR R234
- REC R235

7
8
9
10
11
12
13

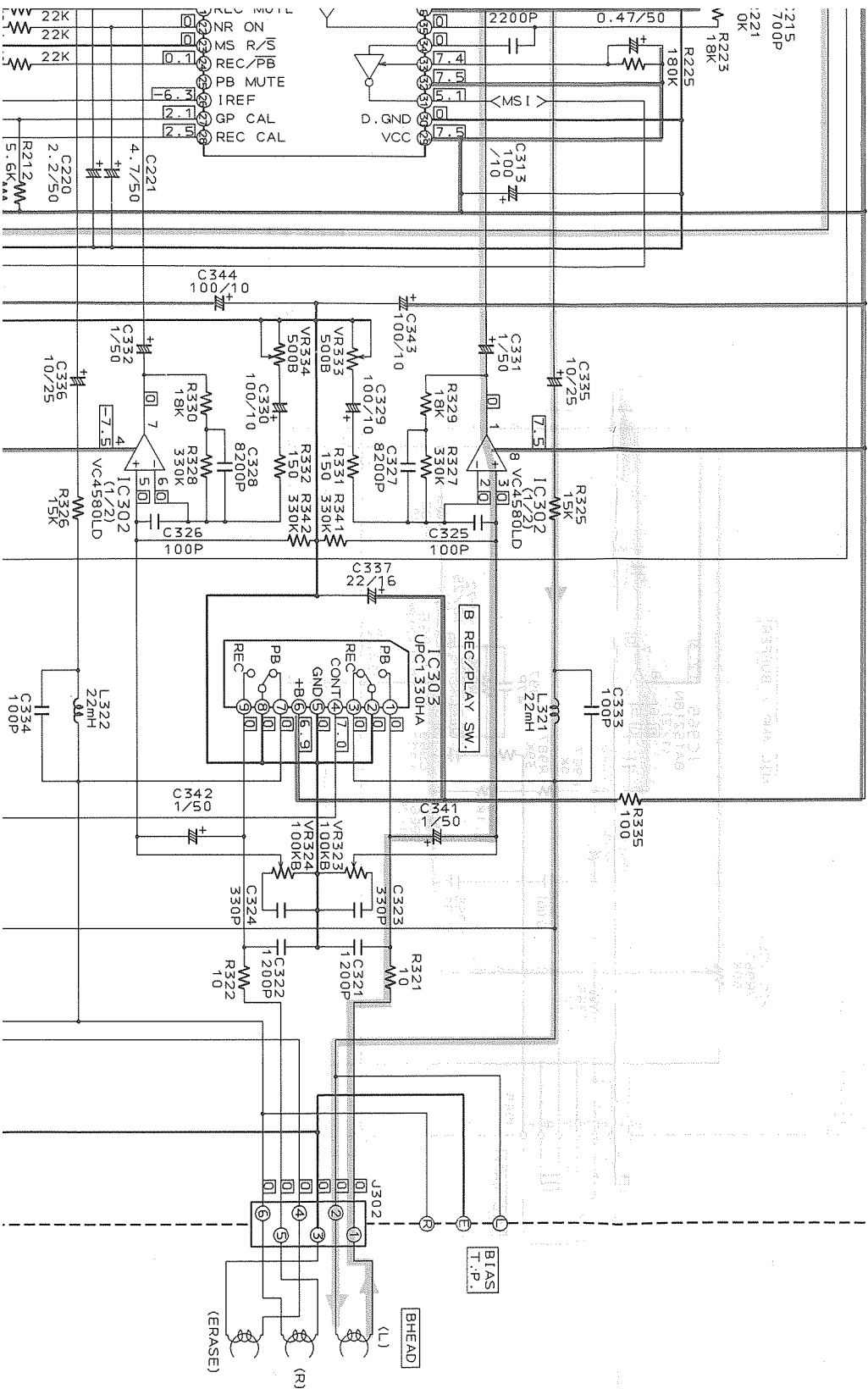
■ Cassette Amplifier Section



TO P304
OF ENB-203-5



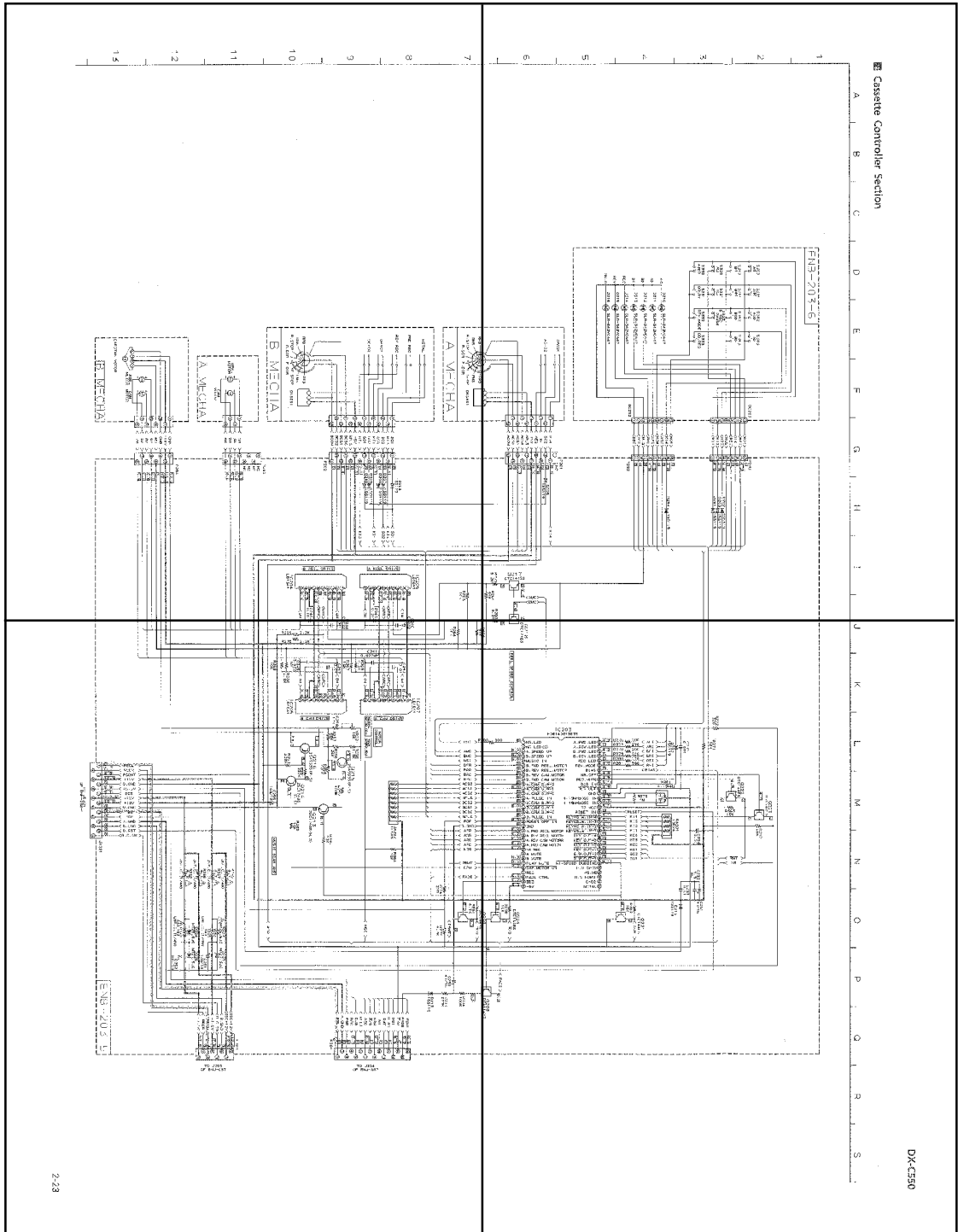
ENJ-087



J K L M N O P Q R S

P2-23-a

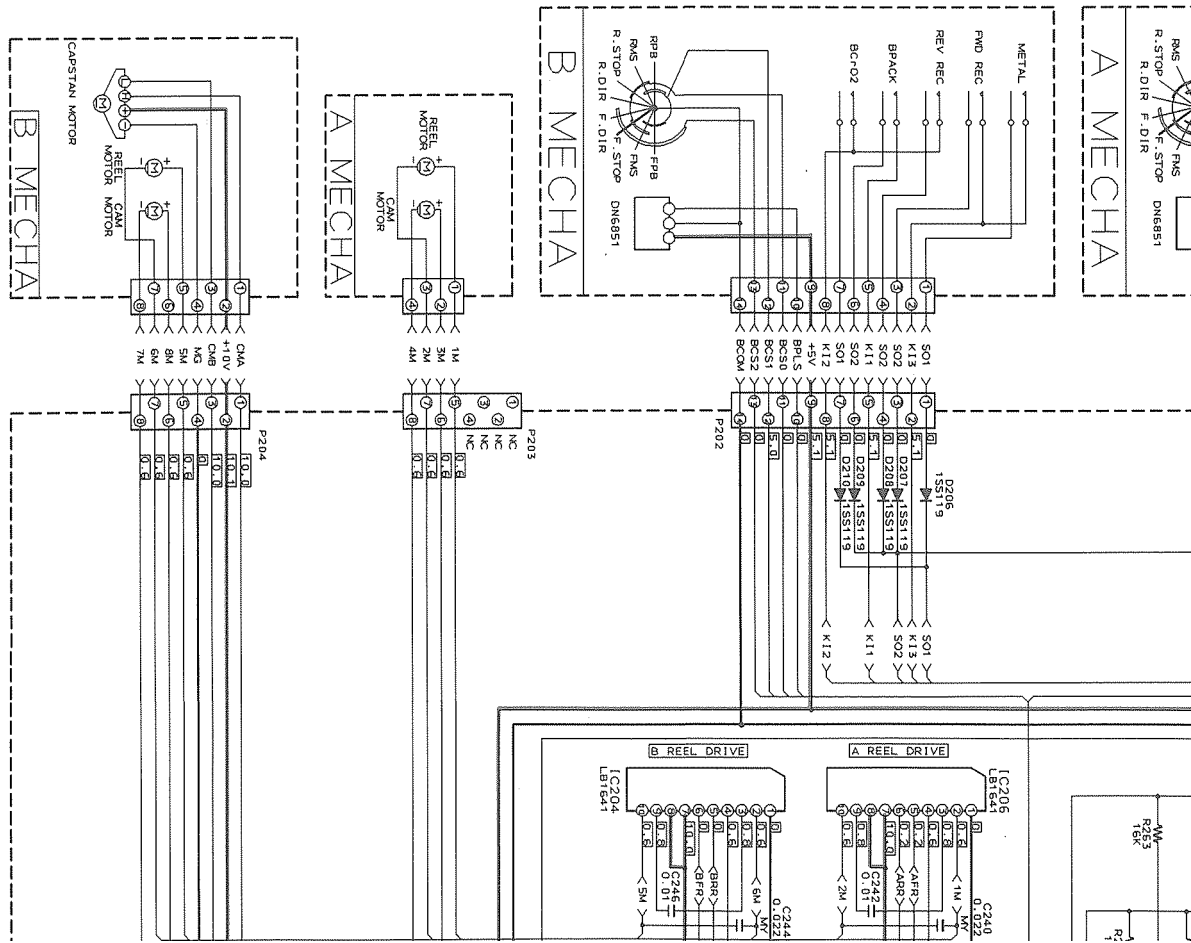
P2-23-b



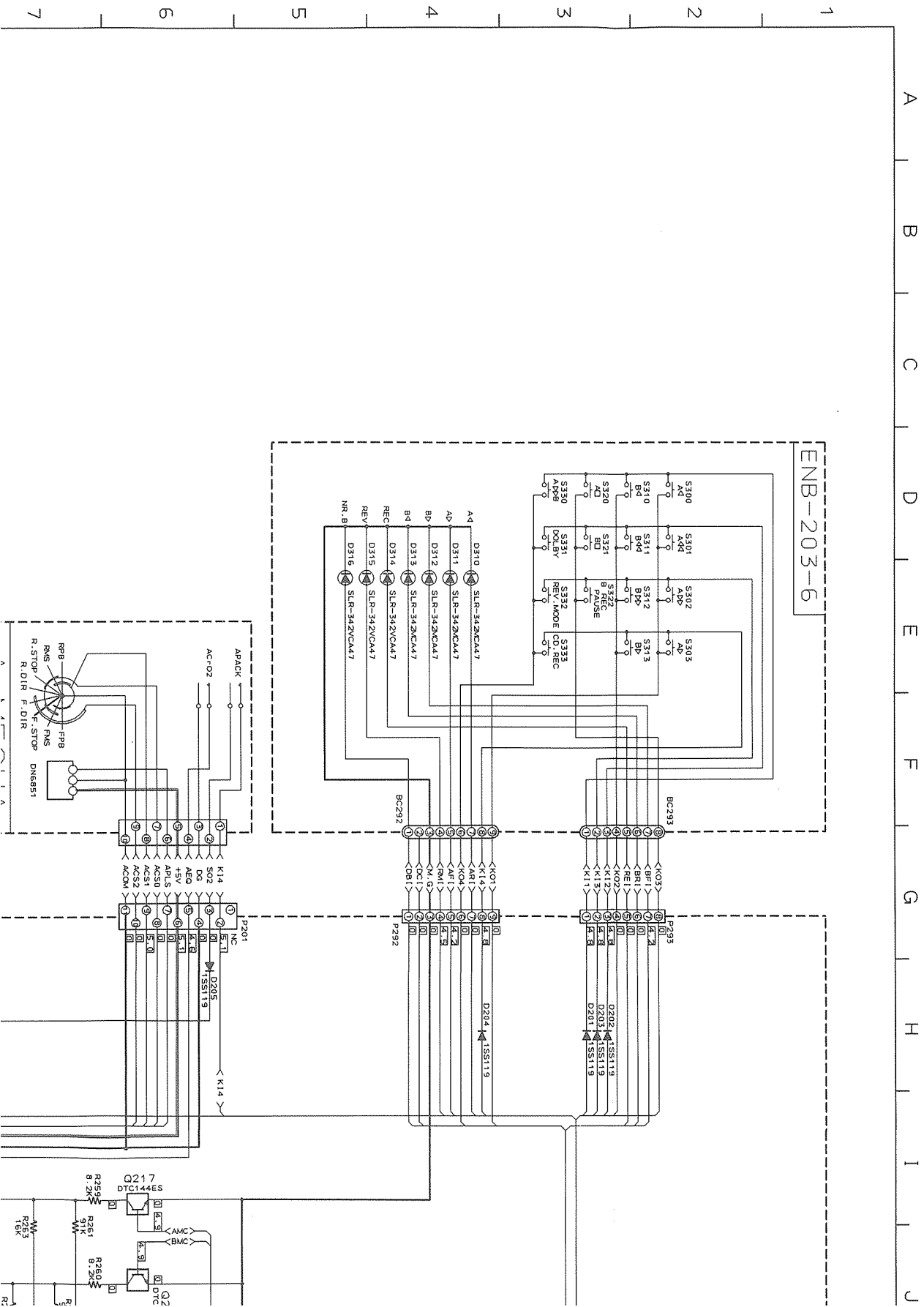
P2-23-c

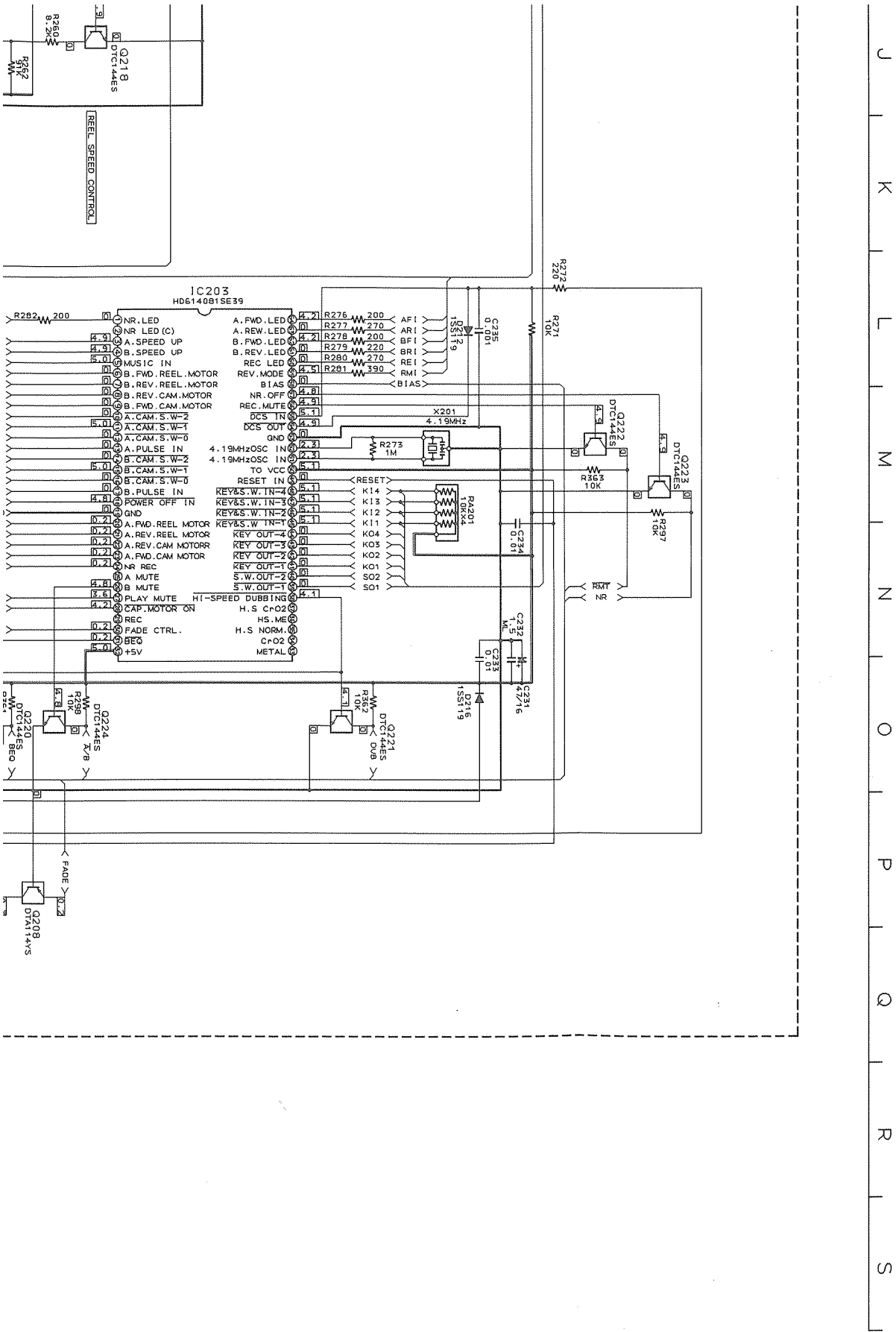
P2-23-d

7
8
9
10
11
12
13



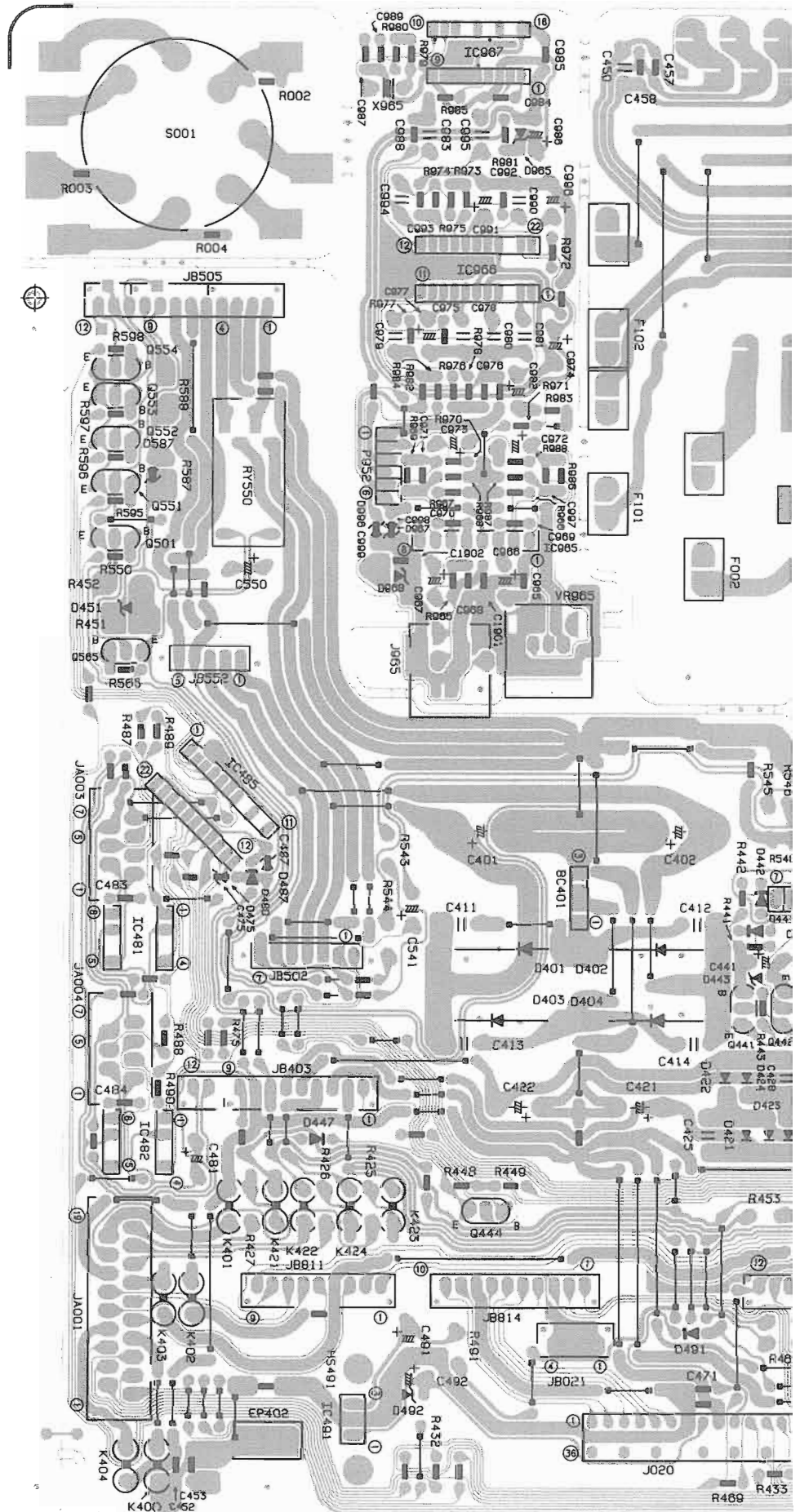
Cassette Controller Section

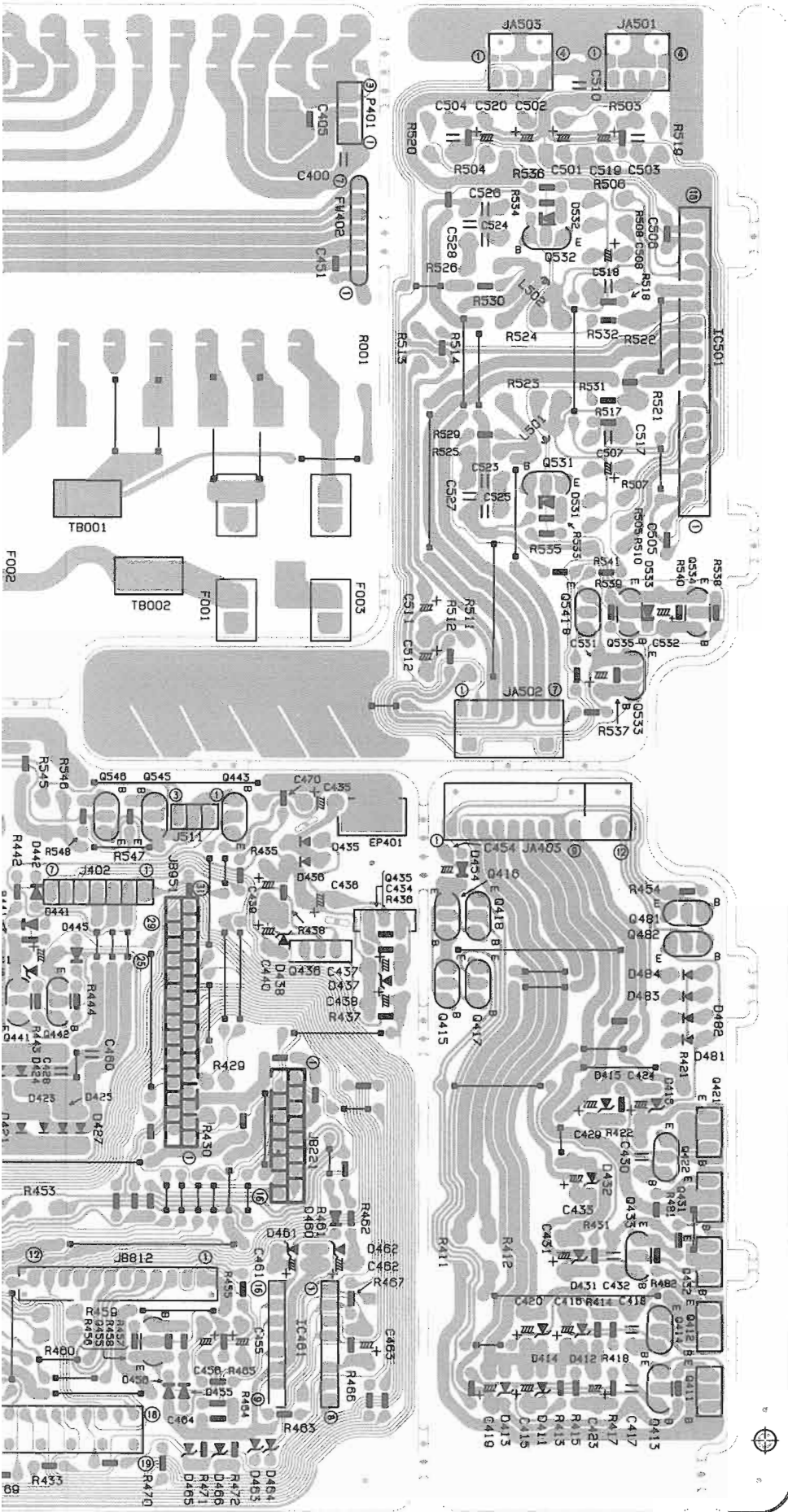




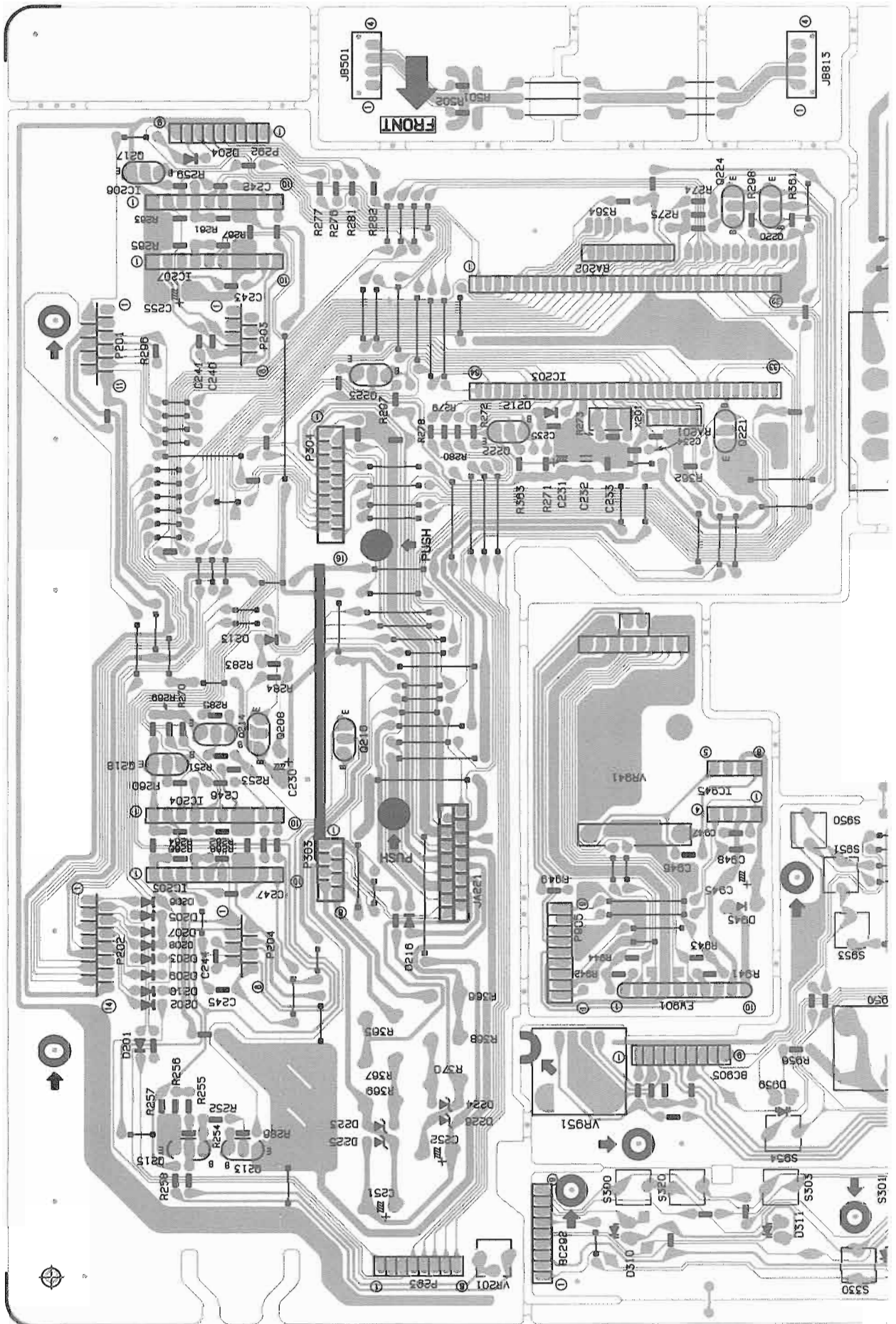
Printed Circuit Boards

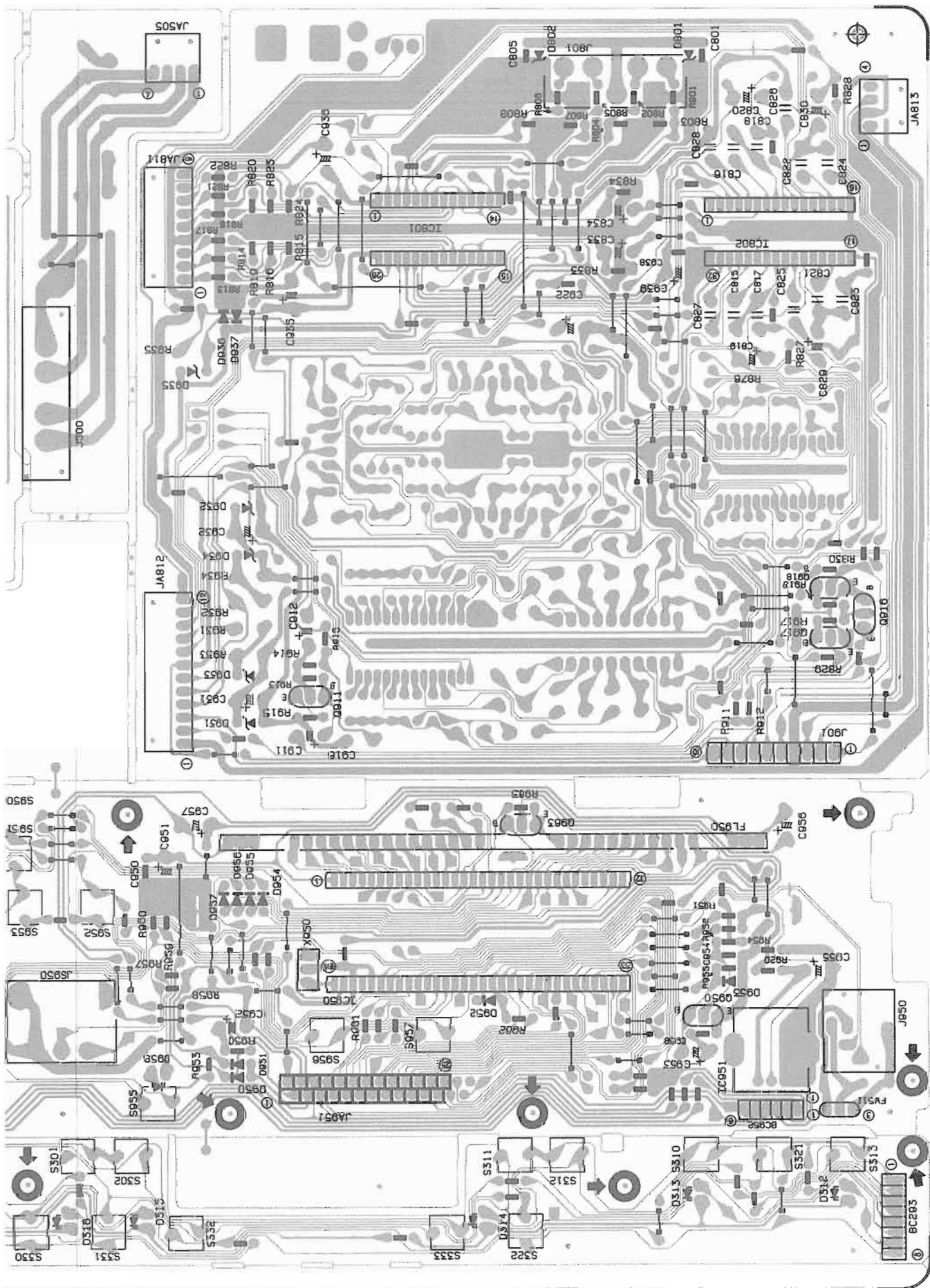
■ Power amp & Power supply P.C. Board (ENH-258)



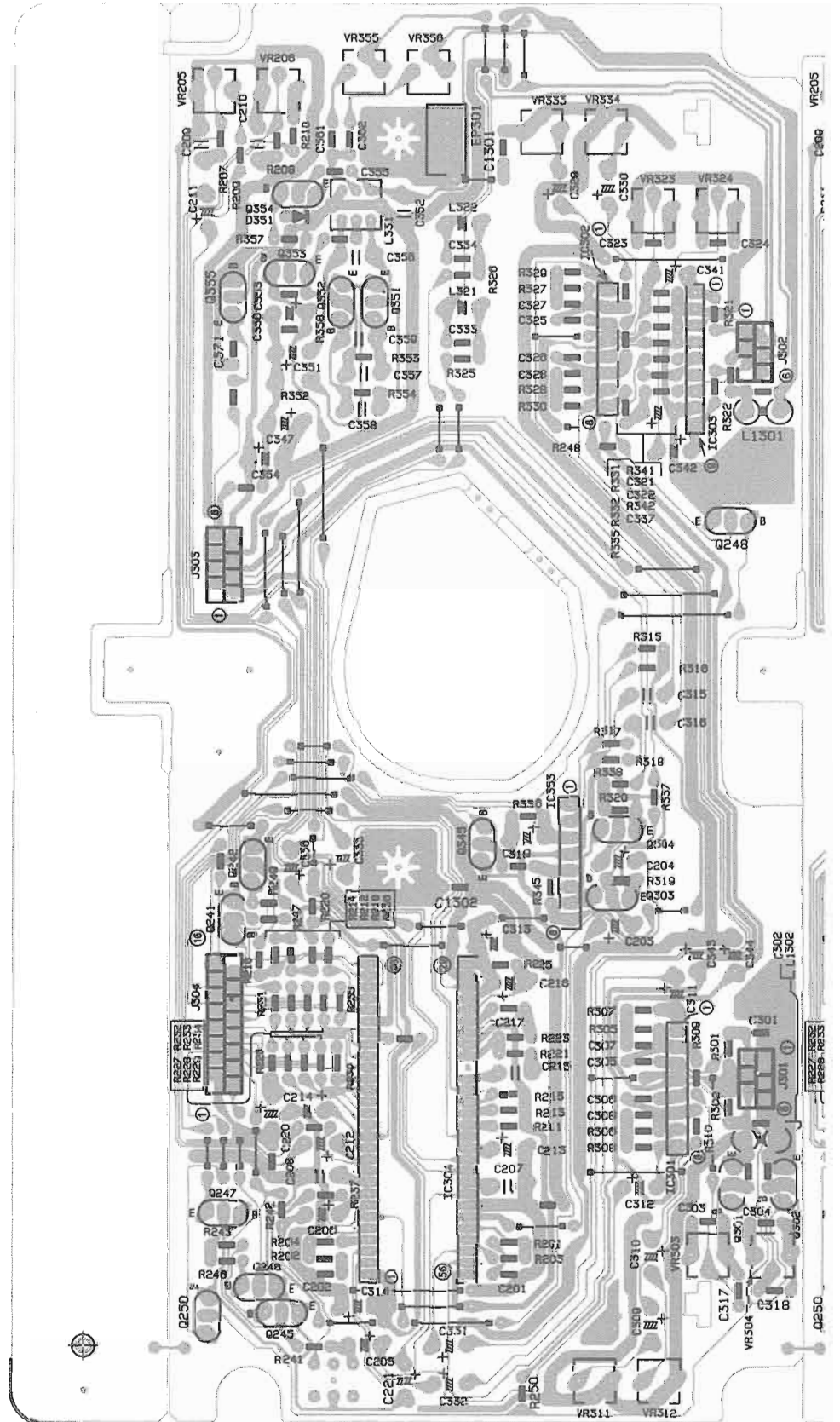


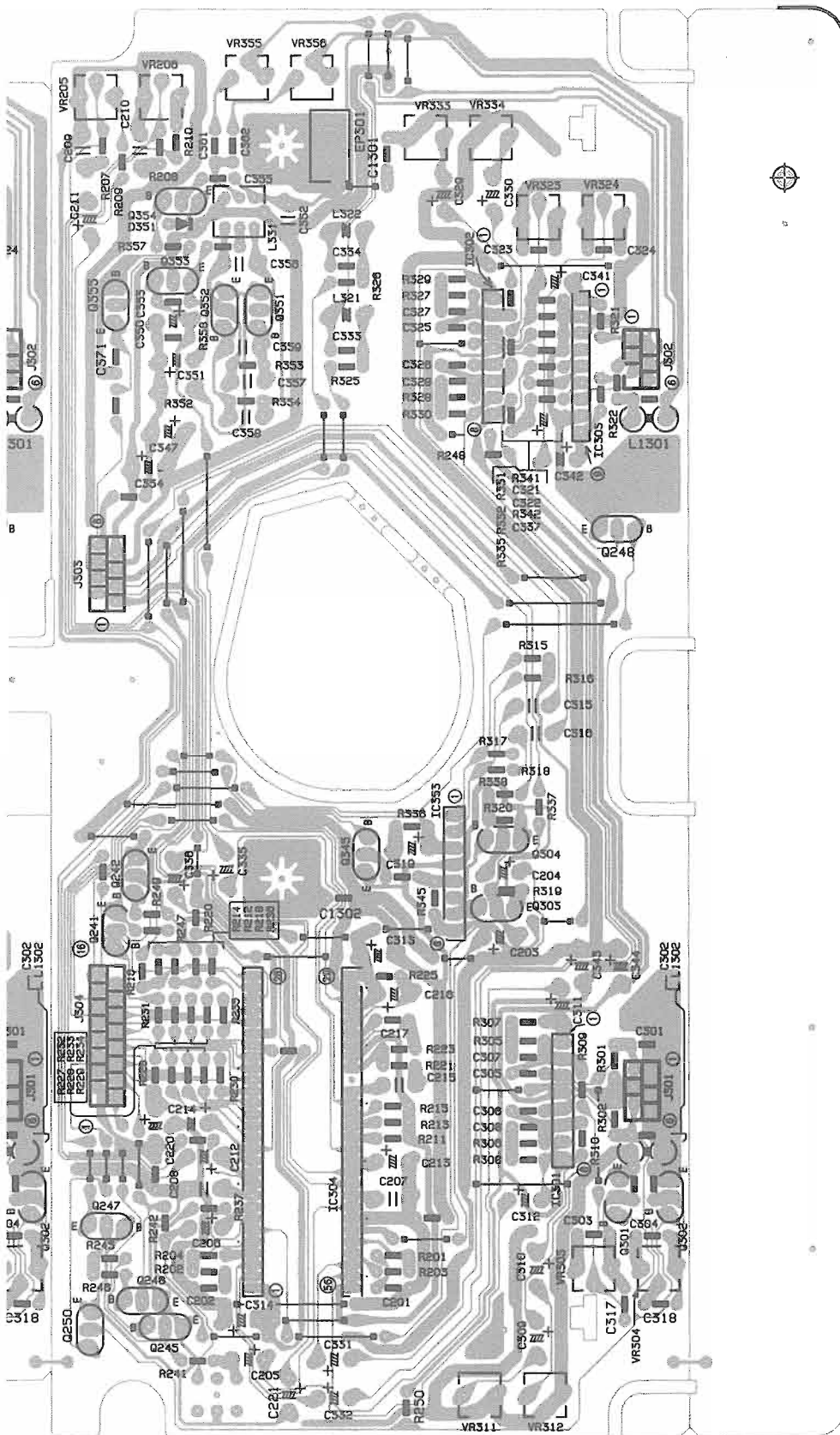
■ Mech control, Source select & Front P.C. Board (ENB-203)





■ Cassette amp P.C. Board (ENJ-087)





XT-C550

— Contents —

Discription of Major LSIs	3-2
Internal Connections of FL Display	3-13
Disassembly Procedures	3-14
Adjustment Procedures	3-20
Self - diagnosis for pickup	3-20
Flow of Functional Operation the FL Display Tube	3-22
Maintenance of Laser Pickup / Replacement of Laser Pickup	3-24
Troubleshooting	3-25
Block Diagram	3-30
Schematic Diagrams/Printed Circuit Boards	3-33

Description of Major LSIs

■ MN171602J5R (IC790) : TUNER SYSTEM CONTROLLER

1. Terminal Layout



2. Key Matrix

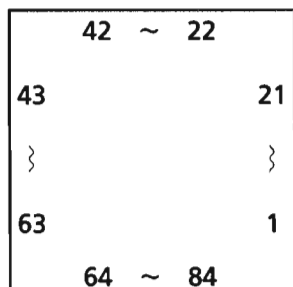
	KEY IN 0	KEY IN 1	KEY IN2	KEY IN3
KEY OUT 0	—	DAILY	REC	SLEEP
KEY OUT 1	HOUR	MINUTE	CLOCK ADJ	MEMORY
KEY OUT 2	UP	DOWN	PRESET UP	PRESET DOWN
KEY OUT 3	FM	AM	VOLUME POSITON	SOURCE /RECTIME

3. Description

Pin No.	symbol	I/O	Description	Pin No.	symbol	I/O	Description
1	VDD	--	Power supply	33	KO1	O	Key matrix output
2	S20	O	FL segment control output	34	KO2	O	Key matrix output
3	S19	O	FL segment control output	35	KO3	O	Key matrix output
4	S18	O	FL segment control output	36	KI0	I	Key matrix input
5	S17	O	FL segment control output	37	KI1	I	Key matrix input
6	S16	O	FL segment control output	38	KI2	I	Key matrix input
7	S15	O	FL segment control output	39	KI3	I	Key matrix input
8	S14	O	FL segment control output	40	/COMCLK	O	Communication clock to CD μ-com
9	S13	O	FL segment control output	41	/COMDATA	O	Communication data to CD μ-com
10	S12	O	FL segment control output	42	/COMRDY	O	Communication ready to CD μ-com
11	S11	O	FL segment control output	43	/RST	I	Reset signal input
12	S10	O	FL segment control output	44	/INH	I	Inhibit signal for tuner controller
13	S9	O	FL segment control output	45	/STEREO	I	For the indication "STEREO"
14	S8	O	FL segment control output	46	/TUNED	I	For the indication "TUNED"
15	S7	O	FL segment control output	47	IF DATA	I	Data from PLL synthesizer
16	S6	O	FL segment control output	48	TU DATA	O	Data for PLL synthesizer
17	S5	O	FL segment control output	49	CK	O	Clock for PLL synthesizer
18	-BP	--	Power supply for FL display	50	CE	O	Chip enable signal for PLL synthesizer
19	S4	O	FL segment control output	51	MUTE	O	Muting tuner sound
20	S3	O	FL segment control output	52	/DCS IN	I	Compulink signal input
21	S2	O	FL segment control output	53	/DCS OUT	O	Compulink signal output
22	S1	O	FL segment control output	54	f out	O	Clock frequency
23	G9	O	FL grid control output	55	TEST	--	Test mode terminal
24	G8	O	FL grid control output	56	CS0	I	Chip select. L: , H:
25	G7	O	FL grid control output	57	CS1	I	Chip select. L: , H:
26	G6	O	FL grid control output	58	CS2	I	Chip select. L:10k, H:9k
27	G5	O	FL grid control output	59	CS3	I	Chip select. L:24H, H:12H
28	G4	O	FL grid control output	60	X1	--	Connected to GND
29	G3	O	FL grid control output	61	X2	--	Not used
30	G2	O	FL grid control output	62	VSS	--	GND
31	G1	O	FL grid control output	63	OSC2	I/O	Clock oscillation terminal
32	KO0	O	Key matrix output	64	OSC1	I/O	Clock oscillation terminal

■ MN172412J5N2 (IC780) : CD SYSTEM CONTROLLER

1. Terminal Layout



2. Key Matrix

	KEY IN 0	KEY IN 1	KEY IN2	KEY IN3
KEY OUT 1	1	2	3	4
KEY OUT 2	5	6	7	8
KEY OUT 3	9	10	+10	—
KEY OUT 4	DOORO/C	D5	D6	—
KEY OUT 5	EDIT	INTRO	CALL	P.MODE
KEY OUT 6	—	—	SIDE A/B	■/CANCEL
KEY OUT 7	D1	D2	P1	▶/II
KEY OUT 8	D4	EJECT	P1 O/C	D3

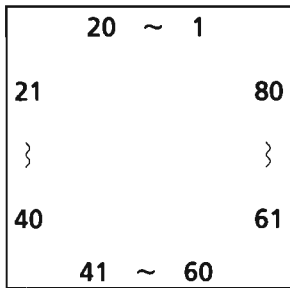
3. Description

Pin No.	symbol	I/O	Description	Pin No.	symbol	I/O	Description
1	KEY OUT3	O	Key matrix output	43	MDATA	O	μ-com command data output
2	KEY OUT4	O	Key matrix output	44	P.OFF	O	CD+5V CONTROL H : power off, L : power on.
3	KEY OUT5	O	Key matrix output	45	SQCK	O	80-bit Sub Q and 16-bit PCM Peak Level Data
4	KEY OUT6	O	Key matrix output	46	SUBQ	I	Sub-code Q-code input
5	KEY OUT7	O	Key matrix output	47	MLD	O	μ-com command load signal output
6	KEY OUT8	O	Key matrix output	48	STATUS	I	Status signal input
7		--	Connected to GND	49	/TLOCK	I	Lock signal for Tracking
8		--	Connected to GND	50	/FLOCK	I	Lock signal for Focus
9	DGT13	--	Connected to GND	51	TCIA	--	Connected to GND
10	TEST	I	Connected to GND	52	IRQ2	I	Communication ready from TUNER μ-com
11	KEY IN0	I	Key matrix input	53	COM CLK	I	Communication clock from TUNER μ-com
12	KEY IN1	I	Key matrix input	54	TBLO	I	Communication data from TUNER μ-com
13	KEY IN2	I	Key matrix input	55	DCS IN	I	Compulink signal input
14	KEY IN3	I	Key matrix input	56	DCS OUT	O	Compulink signal output
15	PLAY LED	--	Not used	57	OPEN/LOAD	O	P1 Open or Load
16	P1 LED	O	P1 indicator signal output	58	CLOSE/UNLOAD	O	P1 Close or Unload driving control signal
17	D1 LED	O	DISC1 indicator signal output	59	SD	O	Load drive speed down output
18	D2 LED	O	DISC2 indicator signal output	60	/PU REST	I	Pick up rest switch input
19	D3 LED	O	DISC3 indicator signal output	61	/LOAD SW	I	Disc load detect signal
20	D4 LED	O	DISC4 indicator signal output	62	/JAB SW	I	JAB switch signal
21	D5 LED	O	DISC5 indicator signal output	63	/MAG IN SW	I	Magazine in signal
22	D6 LED	O	DISC6 indicator signal output	64	UP	O	Lifter driving control signal
23		--	Connected to GND	65	DOWN	O	Lifter driving control signal
24		--	Connected to GND	66	SCL	I	Serial clock input
25		--	Connected to GND	67	SDA	I	Serial data input
26		--	Connected to GND	68	RESET	I	Reset signal input
27		--	Connected to GND	69	X1	--	Connected to GND
28		--	Connected to GND	70	X2	--	Not used
29		--	Connected to GND	71	VSS	--	GND
30		--	Connected to GND	72	OSC2	O	Clock oscillation output
31		--	Connected to GND	73	OSC1	I	Clock oscillation input
32		--	Connected to GND	74	VDD	--	Power supply
33		--	Connected to GND	75	PHOTO SW	I	Photo diode switch
34		--	Connected to GND	76		--	Connected to GND
35		--	Connected to GND	77	/CLOSE SW	I	"L" with tray closed
36		--	Connected to GND	78	/OPEN SW	I	"L" with tray opened
37	MS0	I	Mode select	79	/FD CLOSE SW	I	"L" with Front Door closed
38	MS1	I	Mode select	80	/FD OPEN SW	I	"L" with Front Door opened
39	SED15	--	Connected to GND	81	DGT25/HOME.pos	I	Reset signal input
40	/RST	O	System Reset signal output	82	DGT24	--	Connected to GND
41	MCLK	O	μ-com command clock signal output	83	KEY OUT1	O	Key matrix output
42	SENSE	I	SENSE signal input	84	KEY OUT2	O	Key matrix output

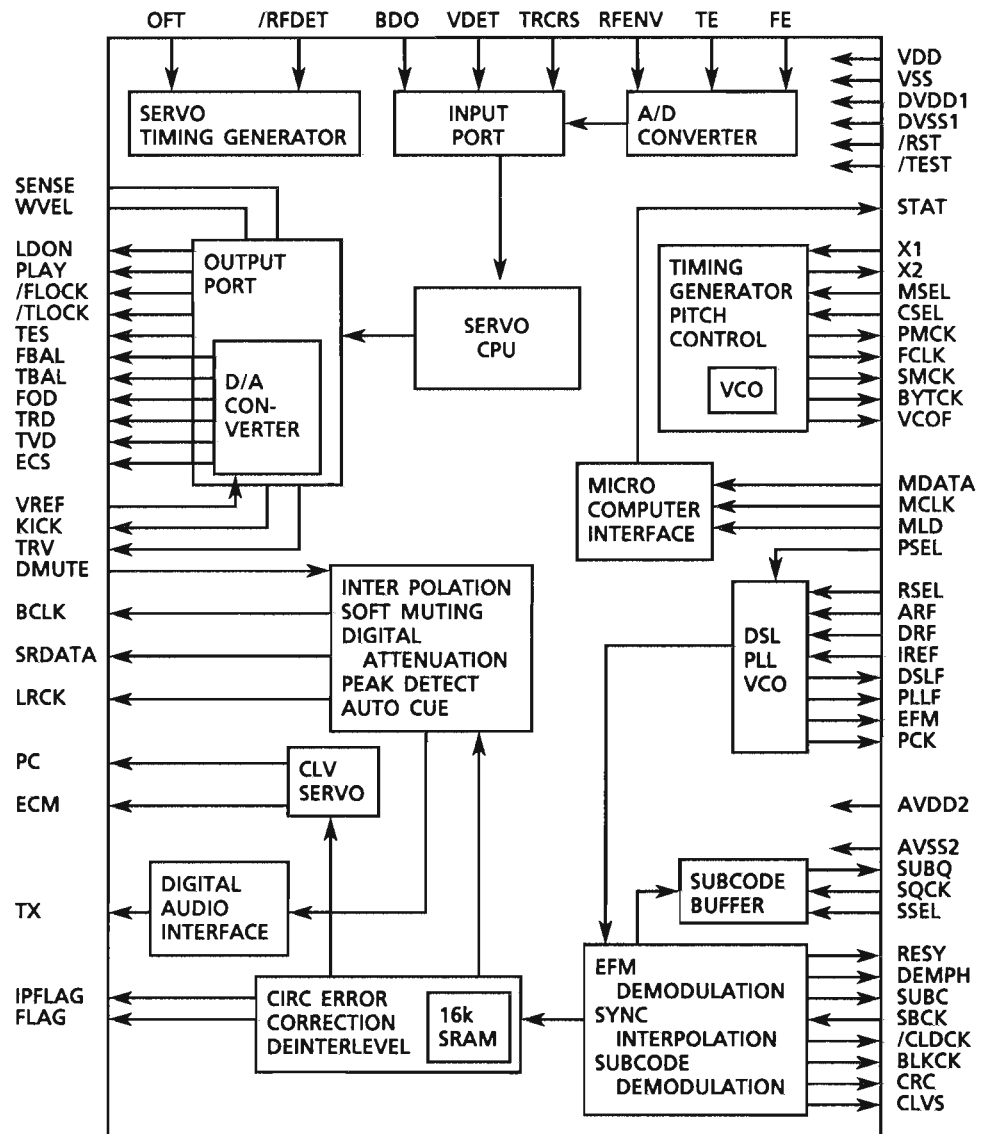
XT-C550

■ MN662720RB (IC650) : DIGITAL SERVO & DIGITAL SIGNAL PROCESSER

1. Terminal Layout



2. Block Diagram



3. Description

Pin No.	symbol	I/O	Description	Pin No.	symbol	I/O	Description
1	BCLK	O	Bit clock output pin for SRDATA	41	TES	—	Not used
2	LRCK	O	L/R distinction signal	42	PLAY	—	Not used
3	SRDATA	O	Serial data output	43	WVEL	—	Not used
4	DVDD1	—	Power supply	44	ARF	I	RF signal input
5	DVSS1	—	Connected to GND	45	IREF	I	Reference current input pin
6	TX	O	Digital audio interface signal	46	DRF	I	Bias adjustment pin for DSL
7	MCLK	I	μ-com command clock signal input	47	DSLFB	I/O	Loop filter pin for DSL
8	MDATA	I	μ-com command data input	48	PLLFB	I/O	Loop filter pin for PLL
9	MLD	I	μ-com command load signal input	49	VCOF	—	Not used
10	SENSE	O	Sense signal output	50	AVDD2	—	Power supply
11	FLOCK	O	Lock signal for Tracking	51	AVSS2	—	Connected to GND
12	TLOCK	O	Lock signal for Focus	52	EFM	—	Not used
13	BLKCK	—	Not used	53	PCK	—	Not used
14	SQCK	I	Clock for sub-code Q resister	54	PDO	—	Not used
15	SUBQ	O	Sub-code Q-code output	55	SUBC	—	Not used
16	DMUTE	I	Muting input (H : MUTE)	56	SBCK	—	Not used
17	STATUS	O	Status signal	57	VSS	—	Connected to GND
18	/RST	I	Reset signal input (L:Reset)	58	X1	I	Input of 16.9344MHz X'tal oscillation circuit
19	SMCK	—	Not used	59	X2	—	Not used
20	PMCK	—	Not used	60	VDD	—	Power supply
21	TRV	O	Traverse enforced output	61	BYTCK	—	Not used
22	TVD	O	Traverse drive output	62	CLDCK	—	Not used
23	PC	—	Not used	63	FCLK	—	Not used
24	ECM	O	Spindle motor drive signal (Enforced output) 3-State	64	IPPLAG	—	Not used
25	ECS	O	Spindle motor drive signal (Servo signal)	65	FLAG	—	Not used
26	KICK	O	Kick pulse output	66	CLVS	—	Not used
27	TRD	O	Tracking drive output	67	CRC	—	Not used
28	FOD	O	Focus drive output	68	DEMPPH	O	De-emphasis ON signal (H : ON)
29	VREF	I	Reference voltage input pin	69	RESY	—	Not used
30	FBAL	O	Focus Balance adjust signal output	70	NC1	—	Connected to GND
31	TBAL	O	Tracking Balance adjust signal output	71	/TEST	—	Pull up (+5V)
32	FE	I	Focus error signal input	72	AVDD1	—	Power supply
33	TE	I	Tracking error signal input	73	NC2	—	Not used
34	RFENV	I	RF envelope signal input	74	AVSS1	—	Connected to GND
35	VDET	I	Vibration detect signal input	75	NC2	—	Not used
36	OFT	I	Off track signal input	76	RSEL	—	Pull up (+5V)
37	TRCRS	I	Track cross signal input	77	CSEL	—	Connected to GND
38	/RFDET	I	RF detect signal input	78	PSEL	—	Connected to GND
39	BDO	I	BDO input pin	79	MSEL	—	Connected to GND
40	LDON	O	Laser ON signal output	80	SSEL	—	Pull up (+5V)

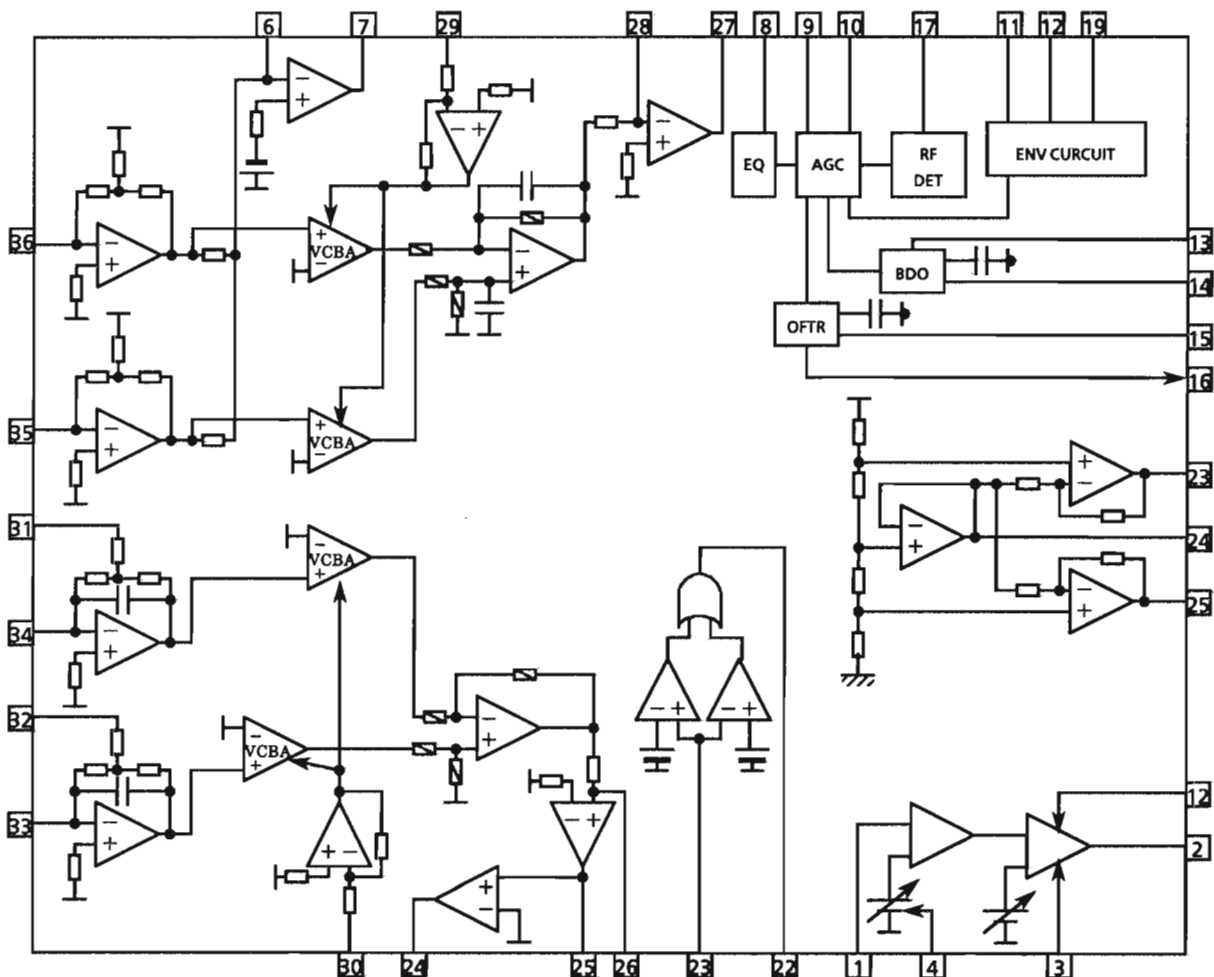
XT-C550

■ AN8806SB (IC600) : RF & SERVO AMP

1. Terminal Layout

PD	1	36 PDAC
LD	2	35 PDBD
LDON	3	34 PDE
LDP	4	33 PDF
VCC	5	32 PDER
RF-	6	31 PDFR
RF OUT	7	30 TBAL
RF IN	8	29 FBAL
C.AGC	9	28 FE-
ARF	10	27 FE OUT
C.ENV	11	26 TE-
C.EA	12	25 TE OUT
CS BDO	13	24 CROSS
BDO	14	23 TE BPF
CS BRT	15	22 VDET
OFTR	16	21 LD OFF
/NRFDET	17	20 VREF
GND	18	19 ENV

2. Block Diagram



3. Description

Pin No.	Symbol	I/O	Description
1	PD	I	APC amp input pin
2	LD	O	APC amp input pin
3	LD ON	I	APC ON/OFF control pin
4	LDP	--	Connected to GND
5	VCC	--	Power supply
6	RF-	I	Inverse input pin for RF amp
7	RF OUT	O	RF amp output pin
8	RF IN	I	AGC input pin
9	C.AGC	I/O	Connecting pin of AGC loop filter
10	ARF	O	AGC output pin
11	C.ENV	I/O	A capacitor is connected to this terminal to detect the envelope of RF signal
12	C.EA	I/O	A capacitor is connected to this terminal to detect the envelope of RF signal
13	CS BDO	I/O	A capacitor is connected to detect the lower envelope of the RF signal
14	BDO	O	BDO output pin
15	CS BRT	I/O	A capacitor is connected to detect the lower envelope of the RF signal
16	OFTR	O	Of-track status signal output pin
17	/NRFDDET	O	RF detection signal output pin
18	GND	--	GND
19	ENV	O	Envelope output
20	VREF	O	Reference voltage output pin
21	LD OFF	--	Connect to GND
22	VDET	O	Vibration detection signal output pin
23	TE BPF	I	Input pin of tracking error through BPF
24	CROSS	O	Tracking error cross output pin
25	TE OUT	O	Tracking error signal output pin
26	TE-	I	Inverse input pin for tracking error amp
27	FE OUT	O	Output pin of focus error
28	FE-	I	Inverse input pin for focus error amp
29	FBAL	I	Focus balance control pin
30	TBAL	I	Tracking balance control pin
31	PDFR	I/O	E and E I-V amp gain control pin
32	PDER	I/O	F and E I-V amp gain control pin
33	PDF	I	I-V amp input pin
34	PDE	I	I-V amp input pin
35	PD BD	I	I-V amp input pin
36	PD AC	I	I-V amp input pin

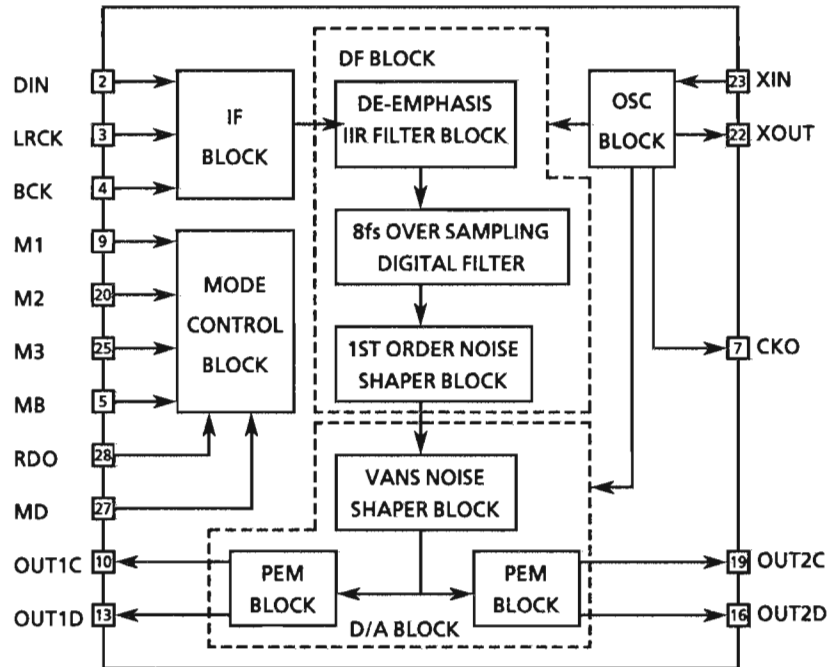
XT-C550

■ MN35503 (IC750) : D / A CONVERTER

1. Terminal Layout

MA	1	28	RDO
DIN	2	27	MD
LRCK	3	26	MC
BCK	4	25	M3
MB	5	24	DVDD1
DVDD2	6	23	XIN
CKO	7	22	XOUT
DVSS2	8	21	DVSS1
M1	9	20	M2
OUT1C	10	19	OUT2C
NC	11	18	NC
AVDD1	12	17	AVDD2
OUT1D	13	16	OUT2D
AVSS1	14	15	AVSS2

2. Block Diagram

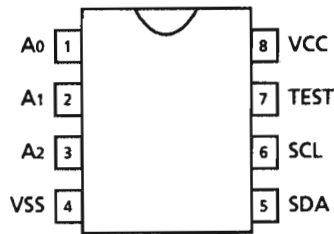


3. Description

Pin No	Symbol	I/O	Description	Pin No	Symbol	I/O	Description
1	MA	--	Connected to ground	15	AVSS2	--	Analog ground 2
2	DIN	I	Data input	16	OUT2D	O	2D PEM output
3	LRCK	I	LR clock input	17	AVDD2	--	Analog power supply 2
4	BCK	I	Bit clock input	18	NC	--	Non connection
5	MB	I	De-emphasis ON signal	19	OUT2C	O	2C PEM output
6	DVDD2	--	Digital power supply 2	20	M2	--	Connected to ground
7	CKO	I	Clock output	21	DVSS1	--	Digital ground pin 1
8	DVSS2	--	Digital ground 2	22	XOUT	O	Crystal oscillator output
9	M1	--	Connected to ground	23	XIN	I	Crystal oscillator input
10	OUT1C	O	1C PEM output	24	DVDD1	--	Digital power supply 1
11	NC	--	Non connection	25	M3	--	Connected to ground
12	AVDD1	--	Analog power supply 1	26	MC	--	Connected to ground
13	OUT1D	O	1D PEM output	27	MD	I	Reset signal / Digital Att. control signal input
14	AVSS1	--	Analog ground 1	28	RDO	--	Not used

■ AT24C01A-10PC (IC782) : Serial Eeprom

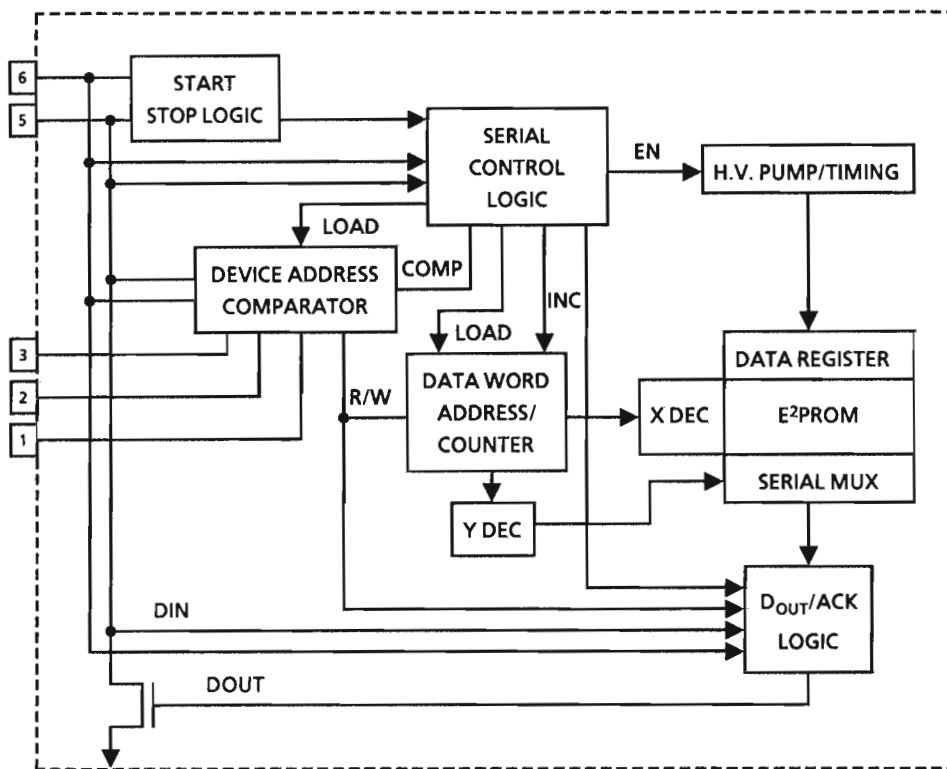
1. Terminal Layout



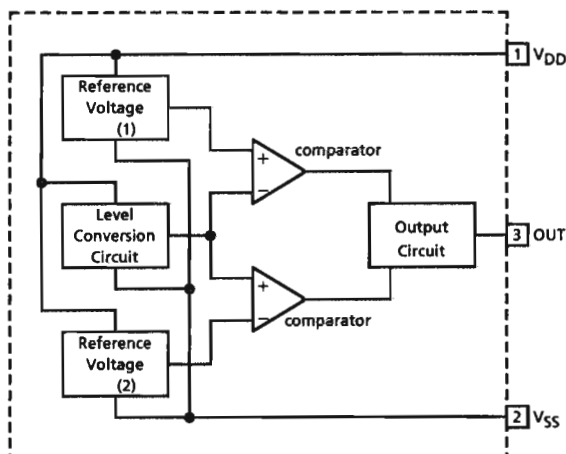
2. Terminal Functions

Pin No.	Symbol	Functions
1~3	A0~A2	ADDRESS INPUT (NOT USED)
4	VSS	GND
5	SDA	SERIAL DATA
6	SCL	SERIAL CLOCK
7	TEST	TEST PIN (CONNECTED TO GND)
8	VCC	POWER SUPPLY

3. Block Diagram



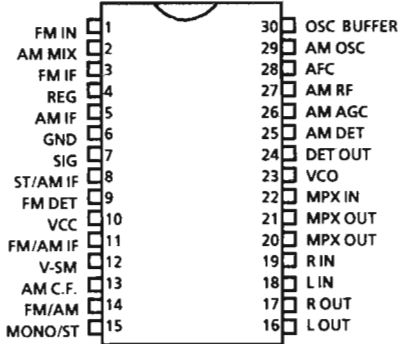
■ MN1281 (P.Q). : IC781 RESET IC



Pin No.	Pin Name	Functions
1	V _{DD}	Power supply
2	V _{SS}	Ground
3	OUT	Reset signal output : Low level is output when resetting : High level is output when cancelling the reset.

■ LA1836M (IC102) : FM MPX decoder

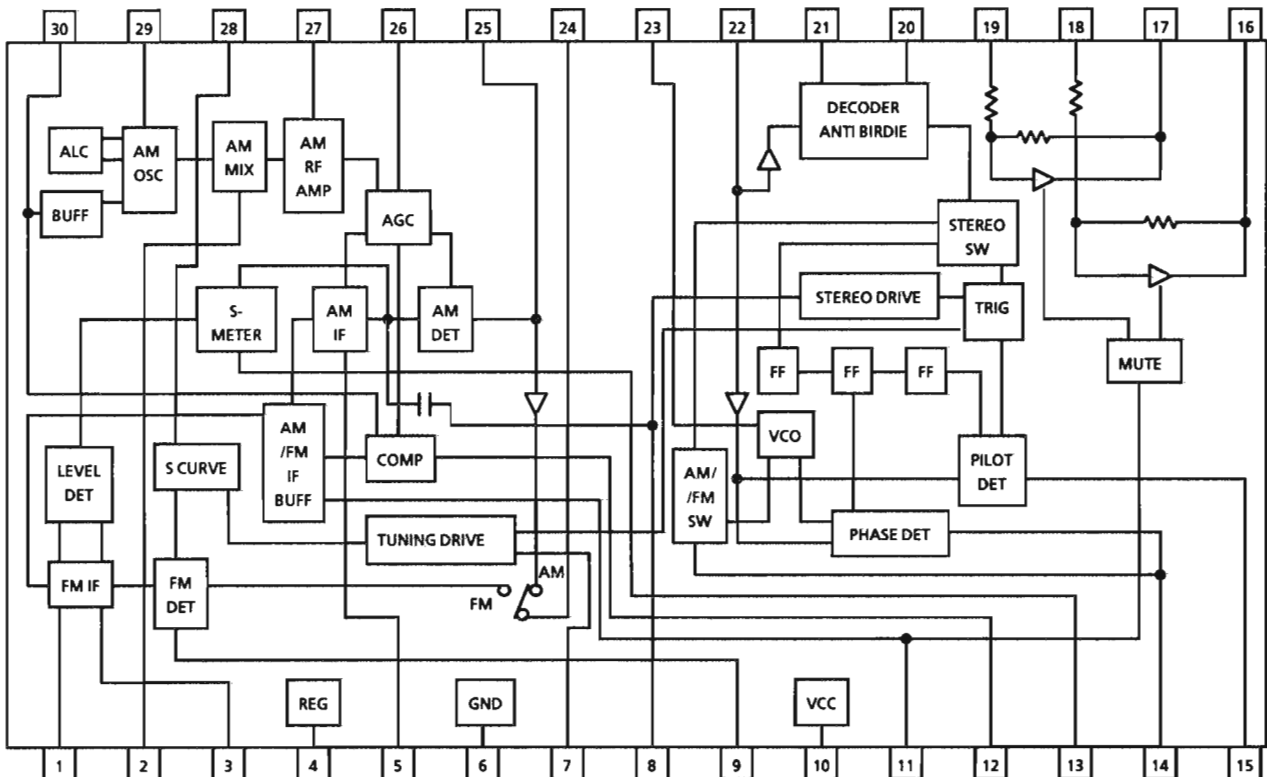
1. Terminal Layout



3. Pin Function

Pin No.	Symbol	I/O	Function
1	FM IN	I	This is an input terminal of FM IF Signal.
2	AM MIX	O	This is an output terminal for AM mixer.
3	FM IF	I	Bypass of FM IF
4	REG	—	Register value between pin4 and pin28 desides the frequency width of the input signal.
5	AM IF	I	Input of AM IF Signal.
6	GND	—	This is the device ground terminal.
7	SIG	O	When the set is tuning, this terminal becomes "L".
8	ST/AM IF	O	Stereo indicator output. Stereo : "L", Mono : "H"
9	FM DET	—	FM detect transformer.
10	VCC	—	This is the power supply terminal.
11	FM/AM IF MUTE	O / I	When the signal of IF REQ of IC121(LC7218) appear, the signal of FM/AM IF output.
12	VSM	O	S Meter output and adjust AM SD sensitivity.
13	AM C.F.	O	This is a terminal of AM ceramic filter.
14	FM/AM	I	Change over the FM / AM input. "H" : FM, "L" : AM
15	MONO/ST	O	Stereo : "H", Mono : "L"
16	LOUT	O	Left channel signal output.
17	ROUT	O	Right channel signal output
18	L IN	I	Input terminal of the Left channel post AMP.
19	R IN	I	Input terminal of the Right channel post AMP.
20	MPX L OUT	O	Mpx Left channel signal output.
21	MPX R OUT	O	Mpx Right channel signal output.
22	MPX IN	I	Mpx input terminal.
23	VCO	I	Voltage controlled oscillator terminal.
24	DET OUT	O	AM/FM detection output.
25	AM DET	—	AM low cut adjustment.
26	AM AGC	I	This is an AGC voltage input terminal for AM.
27	AM RF	I	This is an input terminal for AM RF signal.
28	AFC	—	This is an output terminal of voltage for FM-AFC.
29	AM OSC	—	This is a terminal of AM Local oscillation circuit.
30	OSC BUFFER	O	AM Local oscillation Signal output.

2. Block Diagram

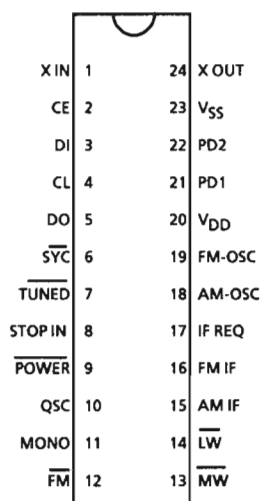


■ LC7218JM (IC121) : PLL Synthesizer

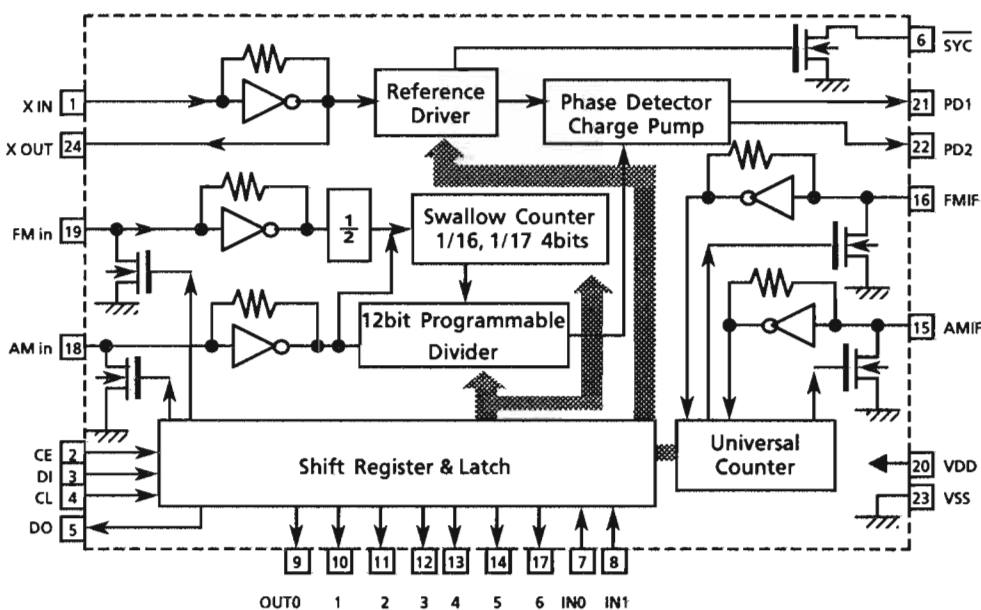
1. The main function descriptions

- (1) It makes the local oscillation frequency by the control data from IC901.
- (2) Decode the control signal and transmit the signal for receiving conditions.
- (3) For the best tuning, count the internal-frequency and transmit the data to IC901.

2. Terminal Layout



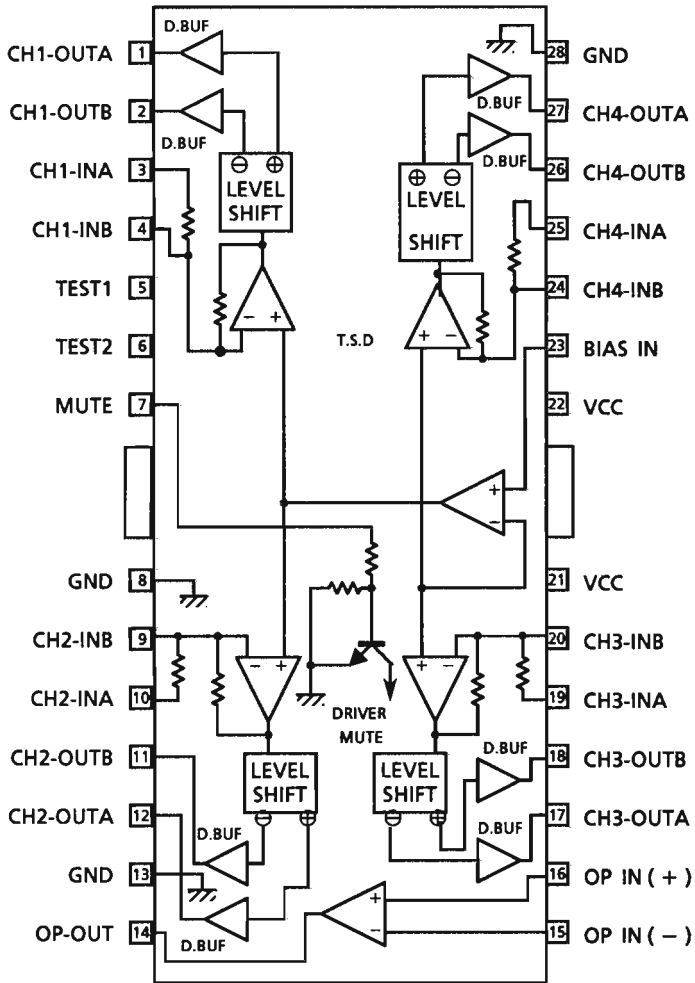
3. Block Diagram



4. Pin Functions

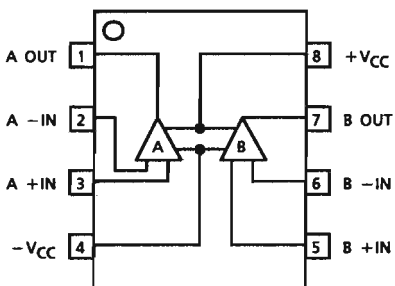
Pin No.	Symbol	I/O	Functions
1,24	X in , X out	I/O	Crystal oscillator (7.2MHz).
2	CE	I	Fix the chip enable to "H" when inputting (DI) and outputting (DO) the serial data.
3	DI	I	Receive the control data from the controller (IC801).
4	CL	I	This clock is used to synchronize data when transmitting the data of DI and DO.
5	DO	O	Transmit the data from LC7218JM to the controller which is synchronized with CL.
6	SYC	—	Not used.
7	TUNED	I	Receive the tuned signal from IC102 (LA1836MA).
8	STOP IN	—	Connected to GND
9	POWER	—	Not used.
10	QSC	—	Not used.
11	MONO	O	It is "H" on FM-monaural, "L" on FM-Stereo.
12	FM	O	It is "L" on FM mode.
13	MW	O	It is "L" on MW mode.
14	LW	O	It is "L" on LW mode.
15	AM-IF	I	Universal counter input for AM-IF from IC102 (LA1836M).
16	FM-IF	I	Universal counter input for FM-IF from IC102(LA1836M).
17	IF REQ	O	Output the "IF-signal request" to IC102 when the pin-7 (tuned in) goes to "H".
18	AM OSC	I	Input the local oscillator signal of AM.
19	FM OSC	I	Input the local oscillator signal of FM.
20	V _{DD}	—	This is a terminal of power supply.
21	PD1	O	PLL charge pump output : When the local oscillator signal frequency is higher than the reference frequency high level signals will output. When it is lower than the reference frequency, low level signals will output. When it is same as reference frequency signals, it will be floating.
22	PD2	—	Not used.
23	V _{SS}	—	Connected to GND

■ BA6398FP(IC700) : 4 CHANNEL DRIVER



T.S.D : THERMAL SHUT DOWN
D.BUF : DRIVER BUFFER

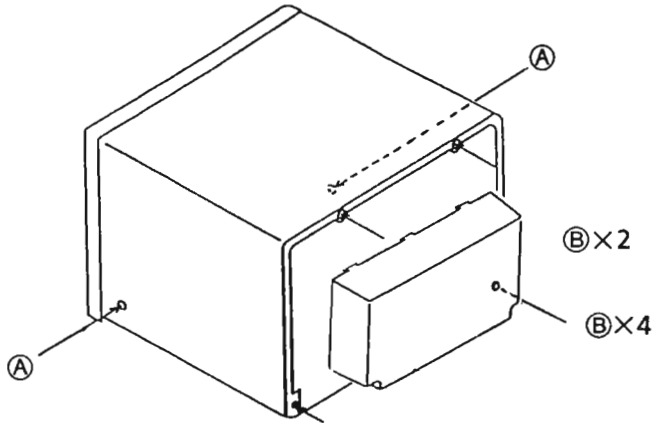
■ VC4580L(IC720), VC4580D(IC751)
... Dual OP Amp.



Disassembly Procedures

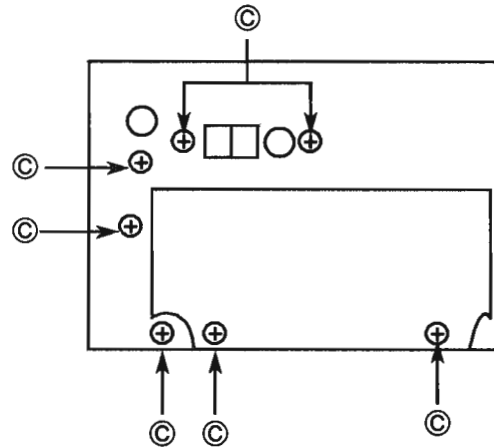
(1) Removing the top cover

1. Remove 2 screws **A** fixing both sides of the top cover, and 4 screws **B** fixing rear sides.
2. Remove the top cover.



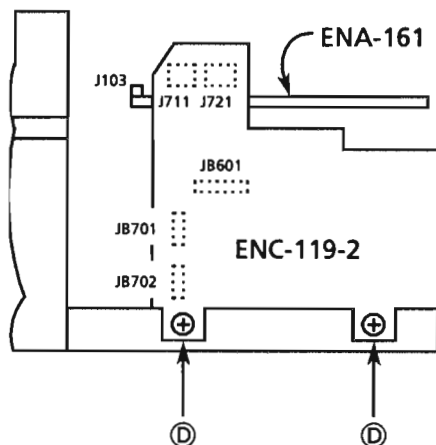
(2) Removing the Rear panel

1. Remove the top cover.
2. Remove 2 screws **C** fixing the changer mech. cover.
3. Remove 5 screws **C** fixing the rear panel.
4. Remove the rear panel.



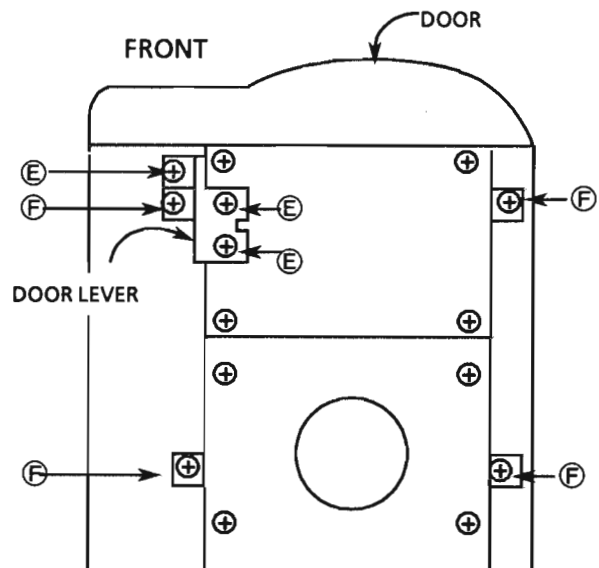
(3) Removing the CD control circuit board (ENC-119-2) and Tuner circuit board (ENA-161)

1. Remove the rear panel.
2. Disconnect the connectors. (J711, J721, JB701, JB702, J103, JB601, J731)
3. Remove 2 screws **D** fixing the CD control circuit board with the tuner circuit board.



(4) Removing the Changer mech. assembly

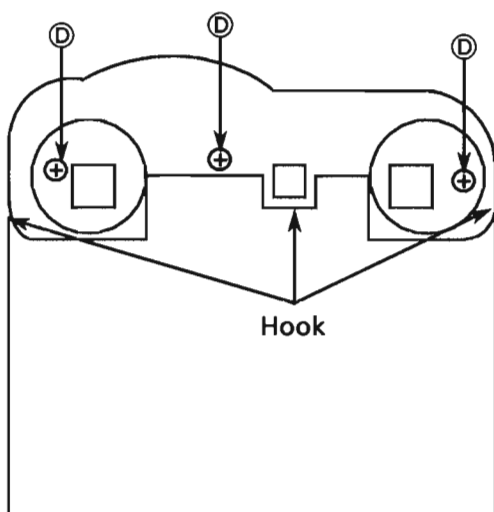
1. Remove the CD control circuit board and tuner circuit board.
2. Remove 3 screws **E** which fix the door lever and open the door halfway to remove the lever.
3. Remove 4 screws **F** which fix the changer mech. assembly and lift its rear side slightly to disassemble the mech. assembly.



ASDSG3006M **B**GBSG3008CC **C**E73273-003 **D**SBSG3008CC **E**SBSF3008Z **F**GBSG3008CC

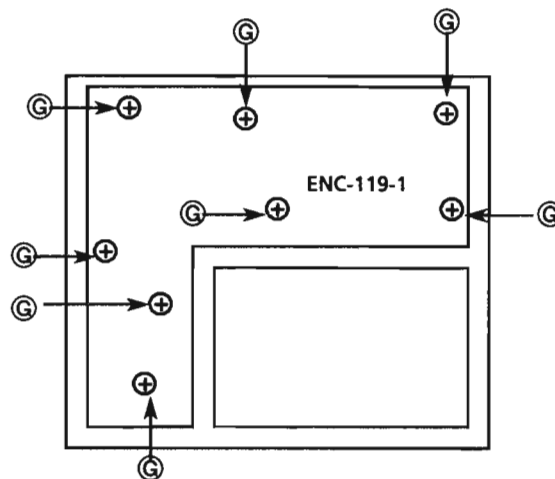
(5) Removing the Front panel assembly

1. Remove 3 screws ⑤ fixing door lever to remove it. (Refer to Item (4))
2. Remove 3 screws ④ fixing bottom of the front panel assembly.
3. Remove 3 hooks fixing the front panel assembly to remove it.



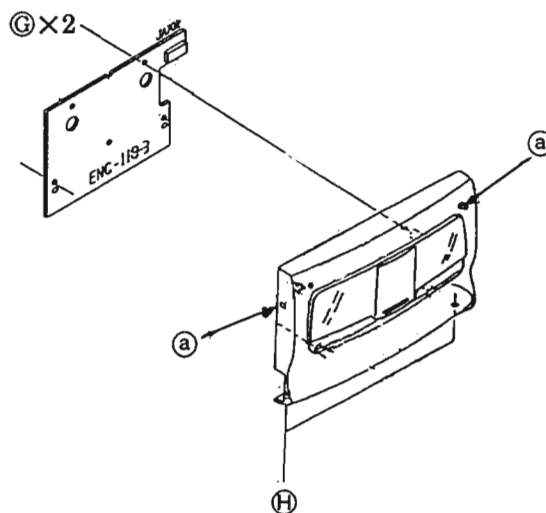
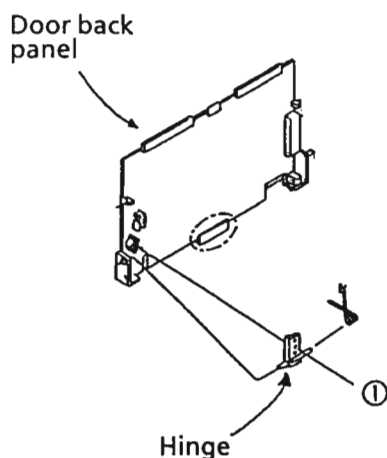
(6) Removing the Front circuit board (ENC-119-1)

1. Remove the front panel assembly.
2. Remove the 8 screws ③ fixing front circuit board.
3. Remove the front circuit board.



(7) Removing the Front door circuit board (ENC-119-3) and Door back panel

1. Remove the front panel assembly.
2. Remove the 2 screws ⑥.
3. Remove the hook by inserting a thin driver from ① hole.
4. Remove a flatwire (JA702) from LED circuit board, which is secured with the door.
5. Remove the 2 screws ③ fixing the front door indicator circuit board.
6. Remove the front door indicator circuit board.
7. Remove the screw ① fixing the hinge of back panel.
8. Remove the door back panel.



④ .. SBSG3008CC ③ ... SDSF2608Z ⑥ ... SSSF2606M ① ... SDSF2606Z

(8) Removing the CD circuit board (ENN-435)

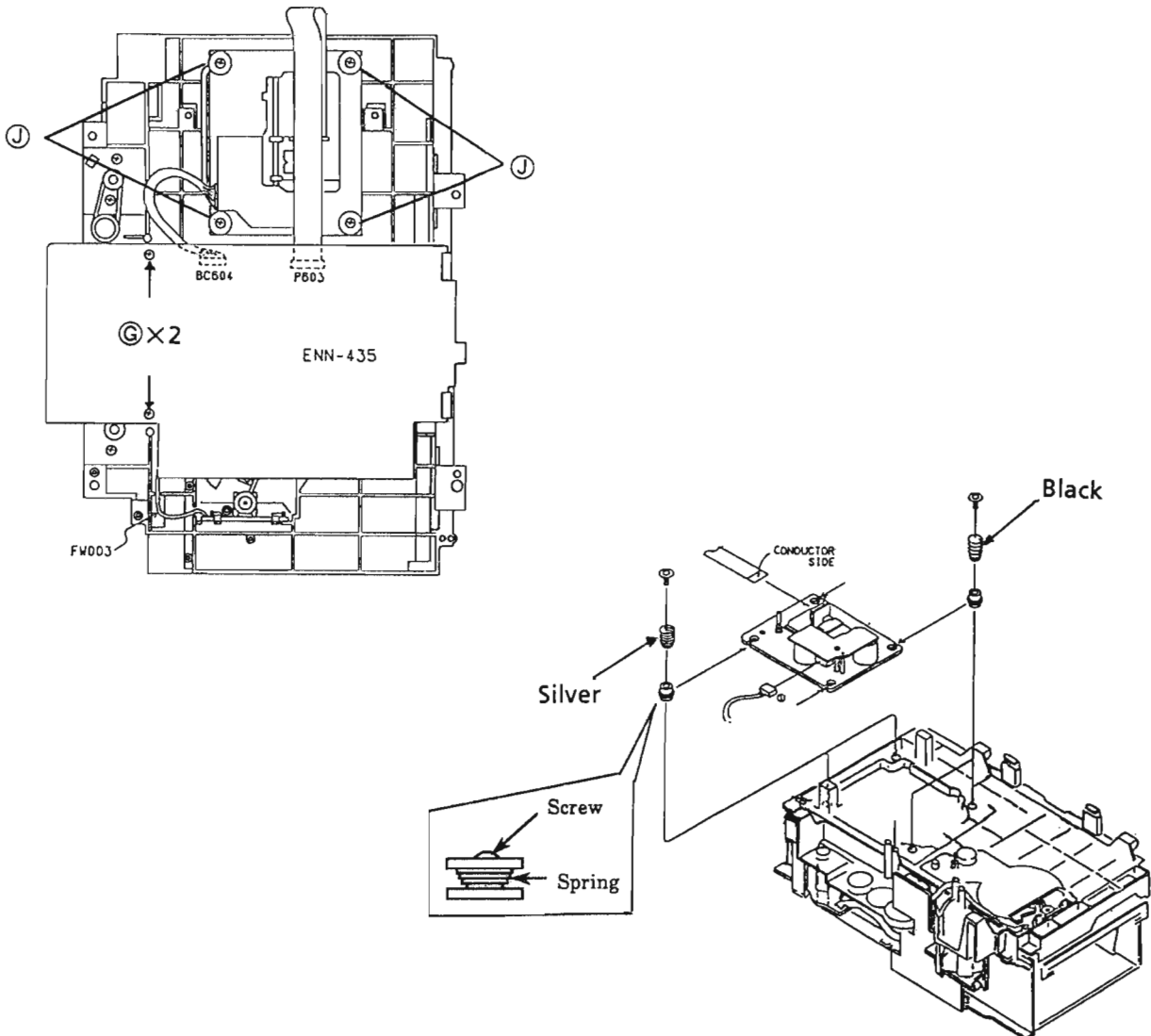
1. Remove the changer mech. assembly.
2. Remove the 2 screws ③.
3. Disconnect the connectors (P603,BC604) to the traverse mech.
4. Remove the CD circuit board (ENN-435).

(9) Removing the Traverse mech.

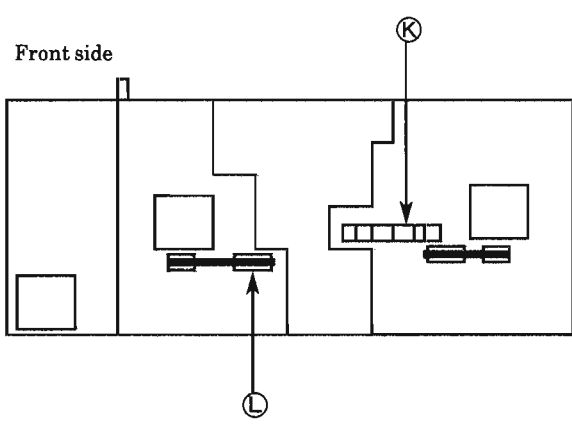
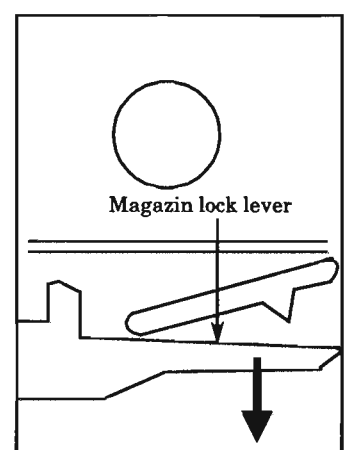
1. Remove the CD mech. assembly.
2. Remove the CD circuit board.
3. Remove the 4 screws ④.
4. Remove the traverse mech. assembly.

(10) Assembling traverse mech. assembly

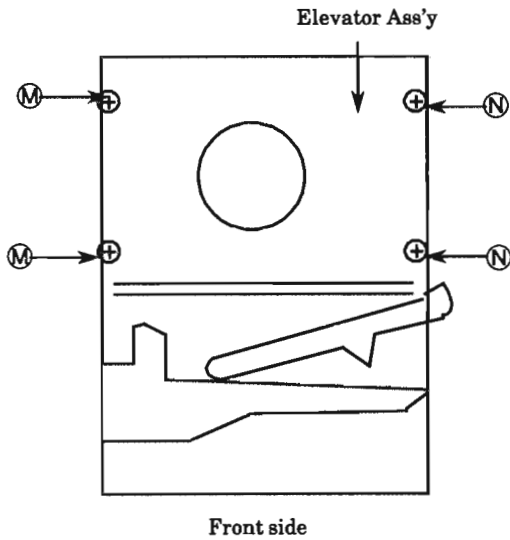
1. Put insulators' grooves certainly into cuttings on the traverse mech..
2. Insert springs into the insulators.
3. Secure screws to fix them.



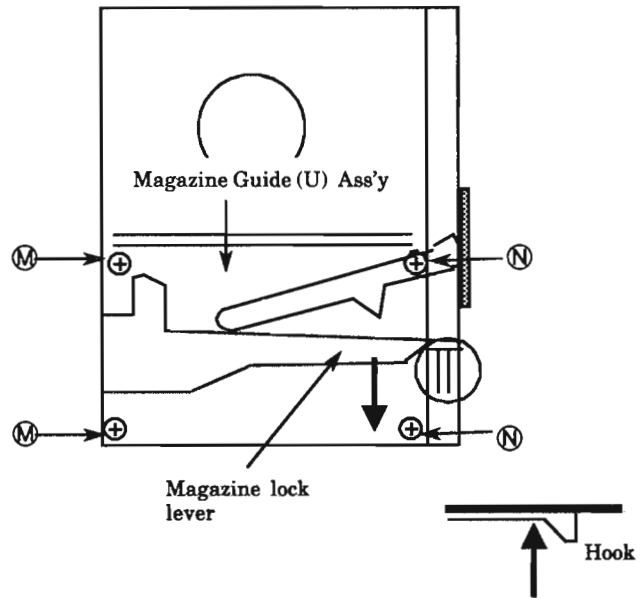
■ EJECTION OF DISC AND MAGAZINE IN POWER-OFF MODE

<p>(11) Disc</p> <ol style="list-style-type: none"> 1. Rotate gear ① to move the elevator to the disc's position inside the unit. 2. Turn the idler pulley ② to return the disc on the tray. 3. Lower the elevator to the bottom and rotate pulley ③ to eject the P1 tray. 	<p>(12) Magazine</p> <ol style="list-style-type: none"> 1. Return a disc into the magazine. (See the above (11).) 2. Lower the elevator to the bottom. 3. Pull a magazine lock lever which is on the changer mech. toward the front side to release the magazine lock and eject the magazine. (See an arrow in the figure.)
<p>Front side</p> 	 <p>Front side</p>

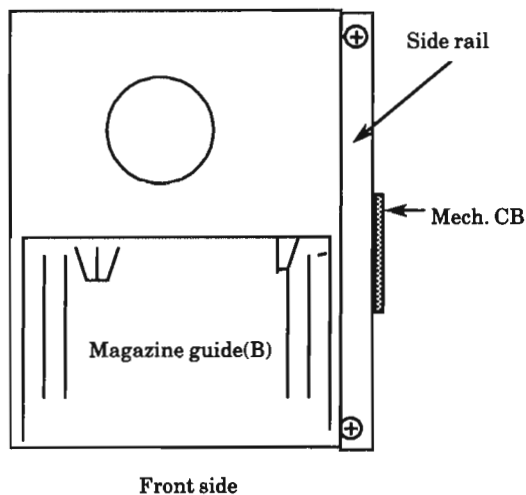
- (13) Removing the Elevator assembly**
1. Move the elevator assembly up side.
 2. Remove the 2 screws **M** and 2 screws **N**.
 3. Remove the elevator assembly.



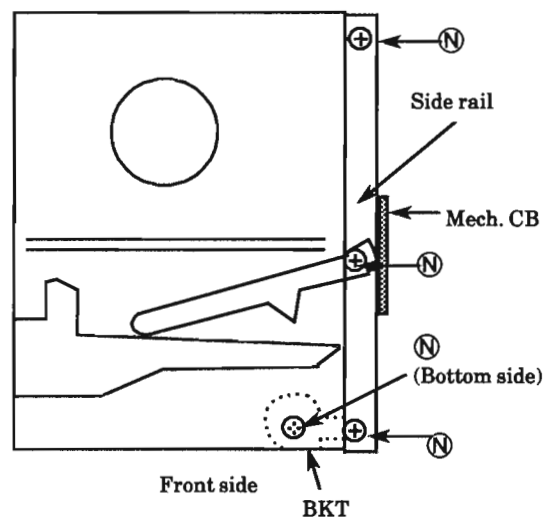
- (14) Removing the Magazine guide(U)**
1. Remove the 2 screws **M** and 2 screws **N**.
 2. Push the hook up and pull the magazine lock lever toward front side to remove the magazine guide(U) from the hook. (See an arrow in the figure.)
 3. Remove the magazine guide(U) assembly.



- (15) Removing the Magazine guide(B)**
1. Remove the magazine guide(U) assembly.
 2. Lifting the magazine guide(B) makes it release.

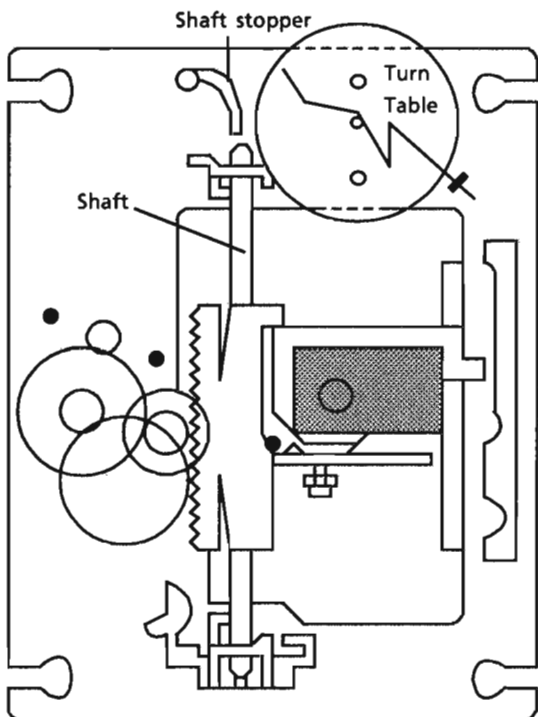


- (16) Removing the Right side rail**
1. Remove the elevator assembly and magazine guide(U) assembly.
 2. Rotate gear **K** to move the cam plate to the front side.
 3. Remove the mech. circuit board of the side position.
 4. Remove the 4 screws **N** holding the side rail and bracket.
 5. Remove the side rail.

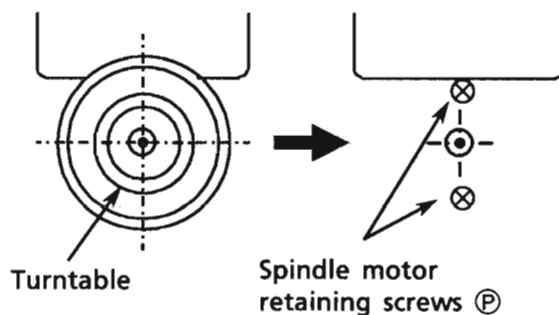


M .. SDST2606Z **N** ... SBSF2608Z

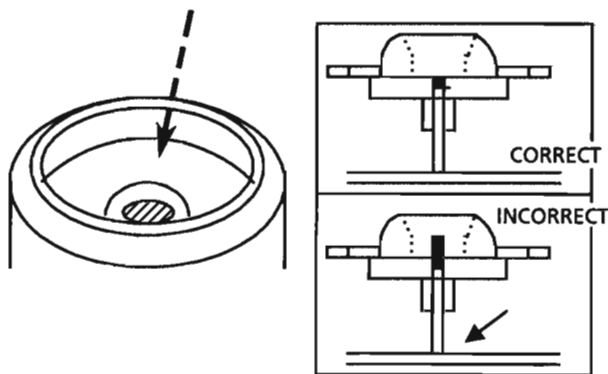
- (17) Removing the Pickup
 1. Remove the CD mech. assembly.
 2. Release the shaft to remove the pickup .



- (18) Removing the Spindle motor
 1. Remove the CD mech. assembly.
 2. Remove the turntable, and remove the two screws retaining the spindle motor.
 3. Remove the 2 screws (P) retaining the spindle and feed motor circuit board and unsolder it.



- (20) After inserting the turntable, bond the motor shaft and turntable together (at the section marked by an arrow in fig 20 on the left below).



- (19) Spindle motor installation
 1. Tighten the 2 screws to the same torque.
 2. Fasten the spindle and feed motor P.C. board with the screw and solder.
 3. Install the turntable. When installing, press straight down at the center of the turntable until the distance from the surface of the mech. base to the turntable is exactly $19.4 \pm 0.1\text{mm}$.

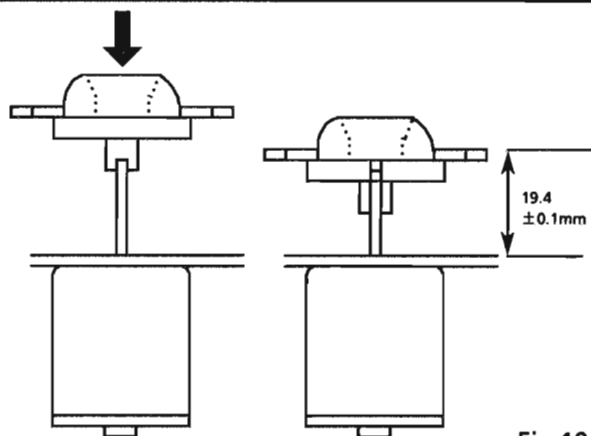


Fig 19

- (21) Use "LOCKTITE" #460 bonding agent, and apply as little as possible .
 Take care not to allow any excess bonding agent to get onto the turntable .
 Be extremely careful not to allow bonding agent to adhere to the motor bearing (the section marked by an allow in fig 20 on the right).

Adjustment Procedures

■ Tuner section

(1) Tuning voltage

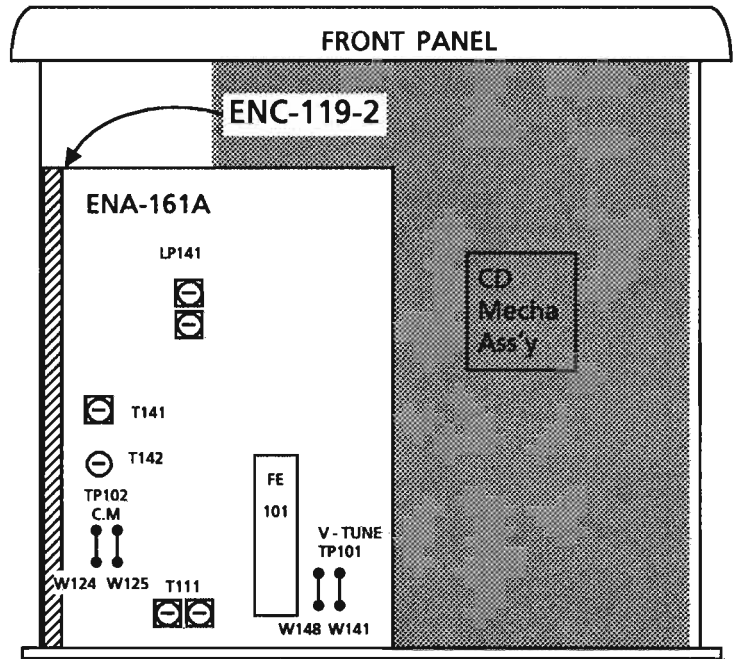
Confirm the voltages in the table below at TP101.

FM Tuning voltage (Unit : V)

Area	Frequency	
	87.5MHz	108MHz
U.S.A. , Canada,	$1.6 \pm 1.0 (V)$	$8.0 \pm 2.0 (V)$

AM Tuning voltage (Unit : V)

Area	Frequency (MW)	
	531KHz	1710KHz
U.S.A. , Canada	$1.0 > 0.8$	$8.0 > 8.8$



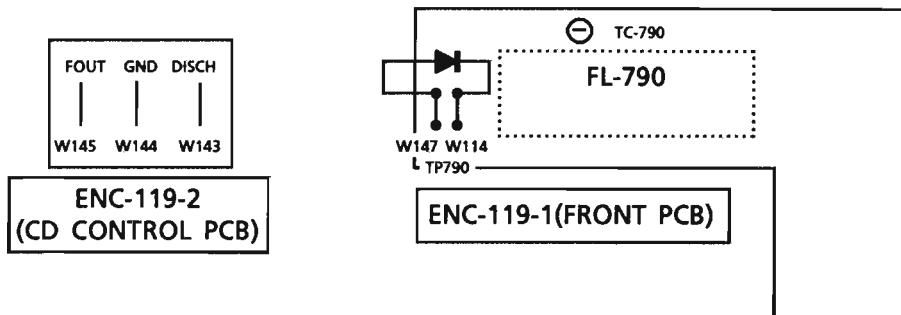
(2) FM center meter

Receive a broadcast by using the function of 'AUTO STOP'.

Adjust T105 (detector coil) so that the voltage at TP102 becomes $0 \pm 1.5mV$.

(3) Clock Adjustment

1. After putting a diode between W114 and W147 connect ac power cord into ac outlet.
2. Confirm that the display is off and remove the wire.
3. Connect a frequency counter to TP10 (W145).
4. Adjust TC791 so that the frequency becomes $50000.00 \pm 0.29Hz$.



(NOTE) Adjustment is not necessary for CD section.

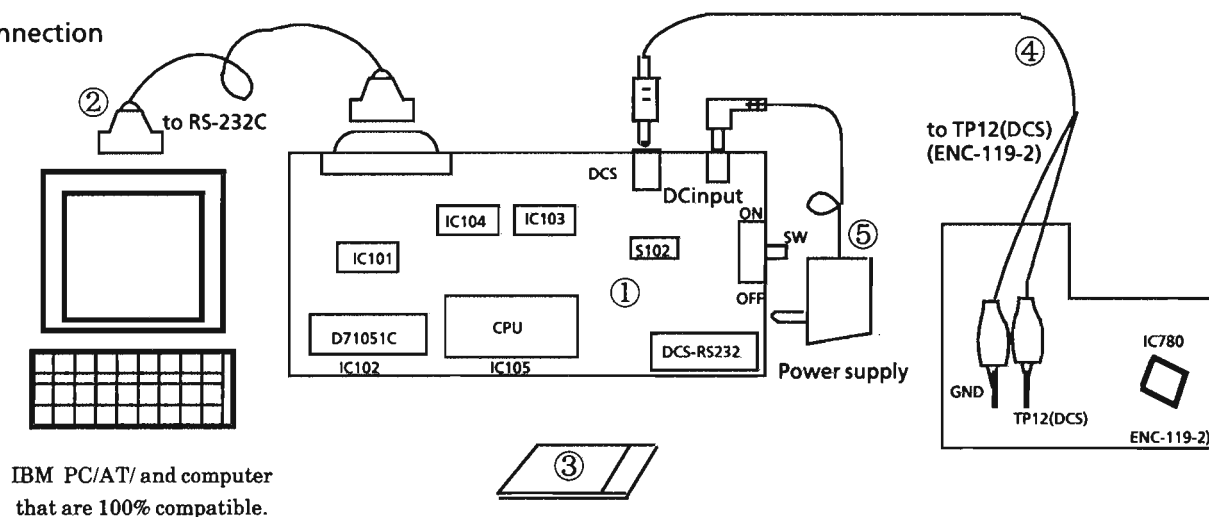
Self-diagnosis for pickup

From DCS output, this model reads automatically adjusted data for CD so that the pickup can be judged defective or not. Following shows its details.

1. Necessary items

- ① DCS → 232C Converting board(No.EBSJ1019)
- ② 232C cord (straight)
- ③ Floppy disc for self-diagnosis (No.EBSJ1021)
- ④ DCS cord
- ⑤ Power supply DC 6.3V (AA-SV11J--America/Canada) (AA-SV11Bs--the UK)
(AA-SV11G--Germany) (AA-SV11EF--Continental Europe) (AA-SV11U--the Other aria)
- ⑥ CD (without scratches or damage)

2. Connection



For this diagnosis, a device driver for RS232C cord (straght type) is necessary.

(Ex.) C:\DOS MODE COM 1 : 9600, N 8 1

↗ adapter number(1or2) ↘ band rate ↗ parity ↘ data bit ↗ stop bit

3. Procedure

- ① Turn the converting board's switch on after connecting between CA-S550 and the above necessary items
Set S102(switching DCS positive from/to negative logic) so that LED can emit GREEN(positive logic).
- ② Put a disc on the + 1 tray and press the play button.
Do not
- ③ Input "AUTO 01" on personal computer's keyboard and the CD's automatic adjustment value and judgment for the pickup are displayed on the screen.

4. Judgment

To judge whether pickup is defective or not, firstly process of automatic adjustment is checked by automatic adjustment flag. And, the value(automatic adjustment value for focus gain) displayed on the screen is used for its final judgment.

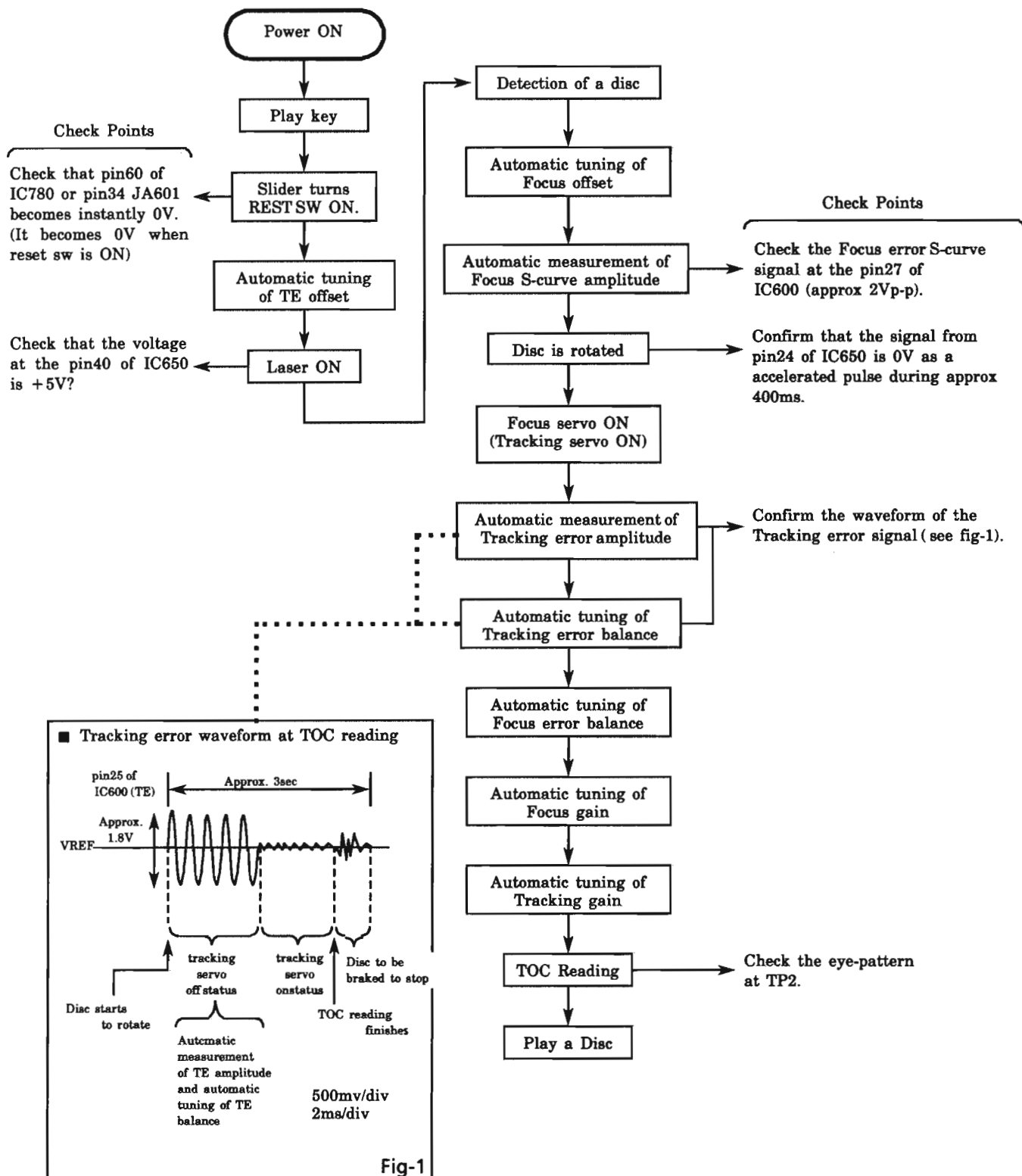
It is supposed that the pickup is defective or the signal path is faulty if the Flag1 or Flag0 indicates not "F" but a figure.

(See the following example.)

Flag1	Flag0	Details	Supposed cause
0	0	Automatic adjustment for tracking offset is failed.	The automatic adjustment is not completed. (Trouble in circuit.)
0	1	Automatic adjustment for focus offset is failed. (Disc does not rotate.)	The lens does not move. (Power supply is not turned on. Wire is cut.)
0	3	Automatic rough adjustment for focus gain is failed.	
0	7	Automatic rough adjustment for tracking gain is failed. (The focus and tracking gain are not locked though the disc rotates.)	Laser deterioration (low RF signal output). Offset beam.
0	F	Disc rotates, focus and tracking gain are locked and automatic rough adjustment for tracking gain is also completed though automatic adjustment for tracking balance is failed.	Laser deterioration (low RF signal output). Offset beam.
1	F	Automatic adjustment for focus balance is failed. (TOC is not read though the disc rotates.)	RF signal output is low. Tracking loop is not turned on. RF jitter is too much.
3	F	Automatic rough adjustment for focus gain is failed.	
7	F	Automatic rough adjustment for tracking gain is failed.	
F	F	All automatic adjustments are completed.	

The pickup is judged defective though the Flag0 and Flag1 indicate "F" and those adjustments are completed if the adjustment value exceeds 19dB.

Flow of Functional Operation Until TOC is Read



Maintenance of Laser Pickup

(1) Cleaning the pick up lens

Before you replace the pick up, please try to clean the lens with an alcohol soaked cotton swab.

(2) Life of the laser diode (Fig.1)

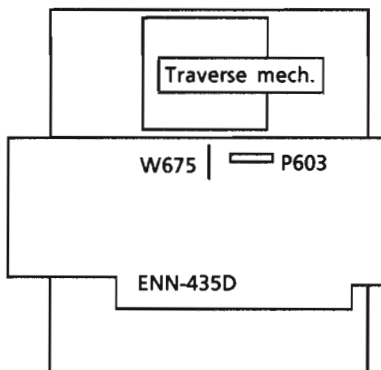
When the life of the laser diode has expired, the following symptoms will appear.

- (1) The level of RF output (EFM output: amplitude of eye pattern) will be low.
- (2) The drive current required by the laser diode will be increased. In such a case, check the life of the laser diode following the flowchart below.

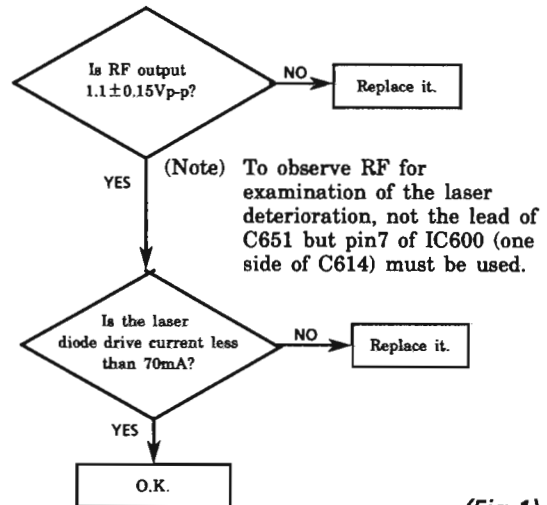
(3) Measurement of laser diode drive current (Fig.2)

Cut the jump wire (W675) and add a 1Ω resistor. (See the following Fig.2)

Measure the voltage across the resistor (1Ω) with a milli-voltmeter. When the voltage is more than 70mV, it shows that the life of the laser diode has expired.



(Fig.2)



(Fig.1)

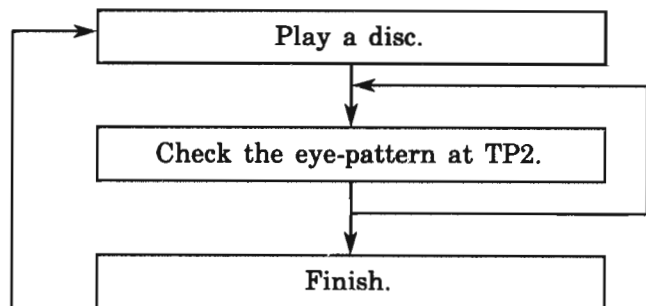
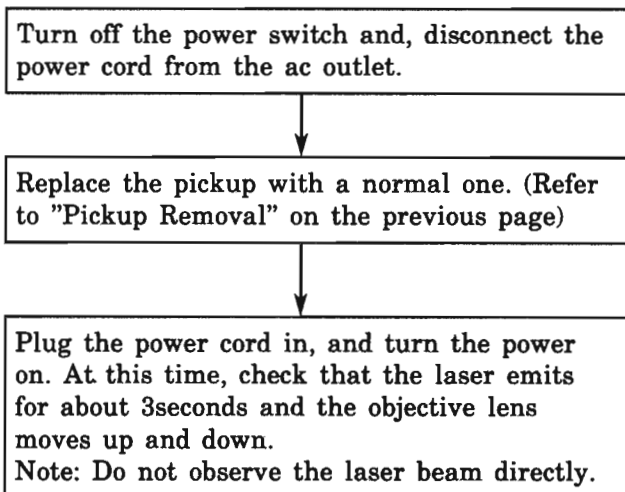
(4) Semi-fixed resistor on the APC PC board

The semi-fixed resistor on the APC printed circuit board which is attached to the pickup is used to adjust the laser power. Since this adjustment should be performed to match the characteristics of the whole optical block, do not touch the semi-fixed resistor.

If the laser power is lower than the specified value, the laser diode is almost worn out, and the laser pickup should be replaced.

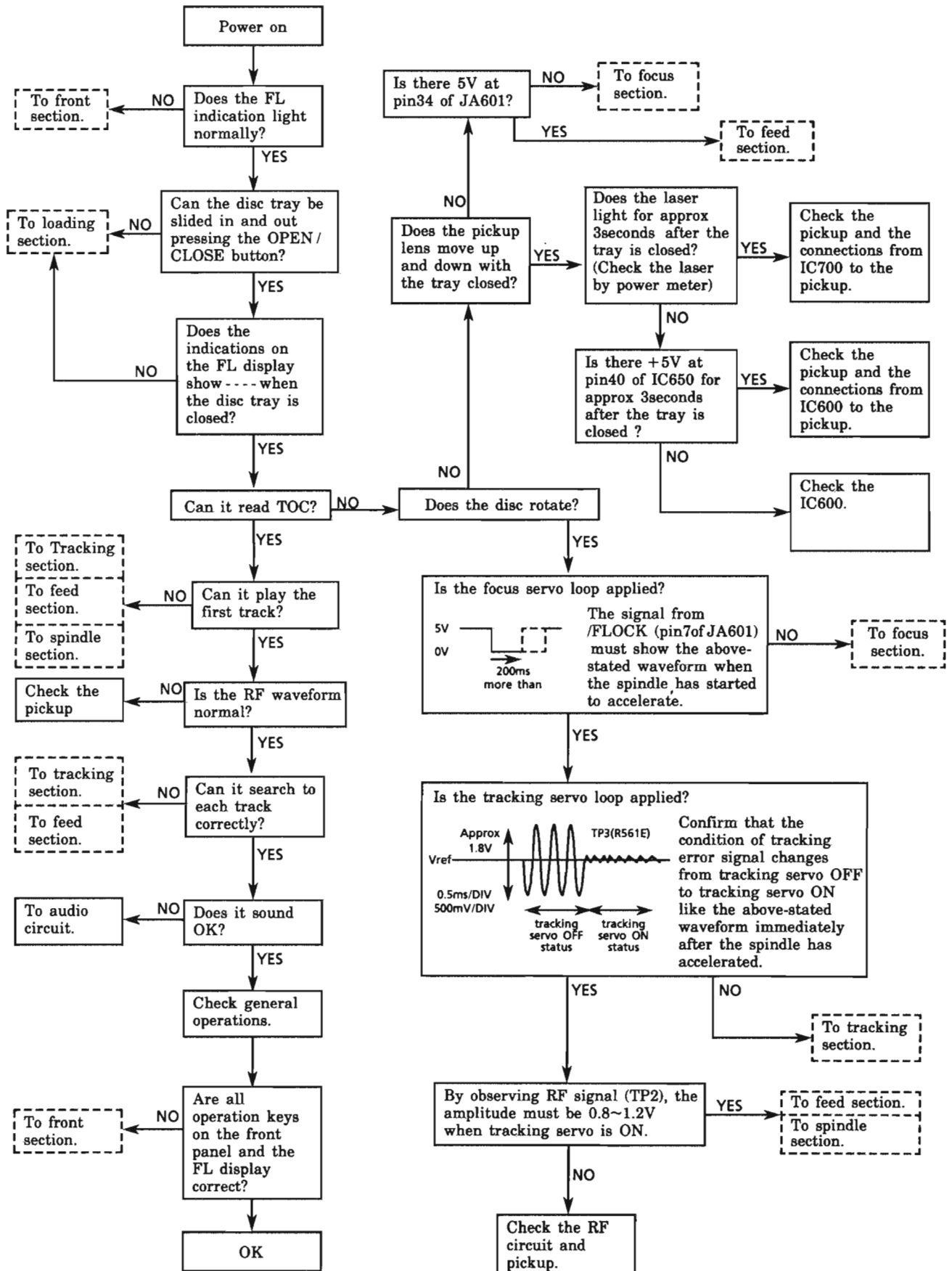
If the semi-fixed resistor is adjusted while the pickup is functioning normally, the laser pickup may be damaged due to excessive current.

Replacement of Laser Pickup

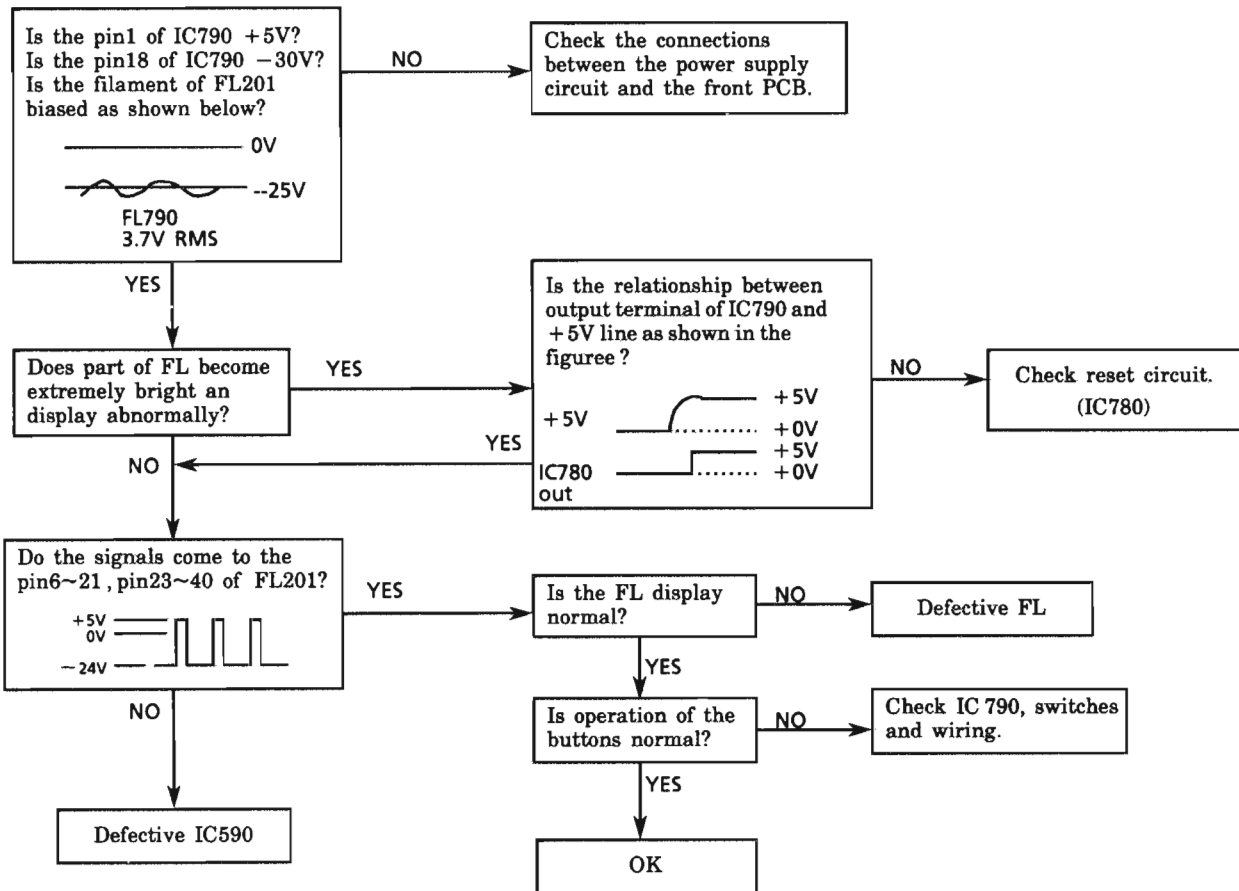


Troubleshooting

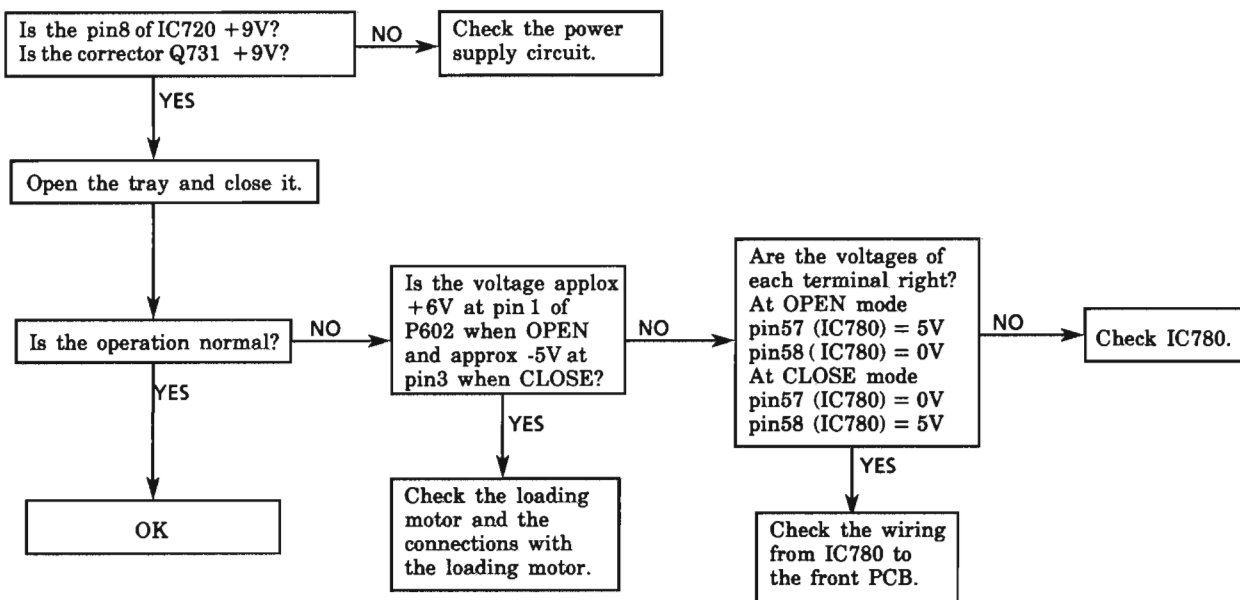
The following shows the status of the various circuits from turning on the power to the start of disc play.



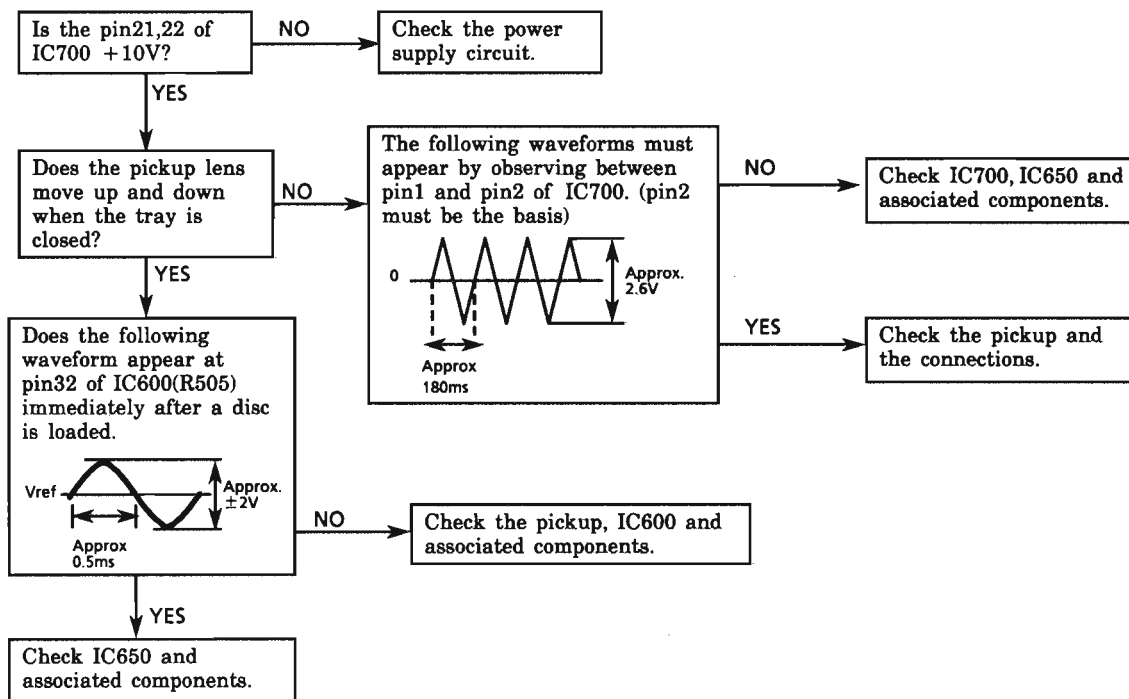
Front Section



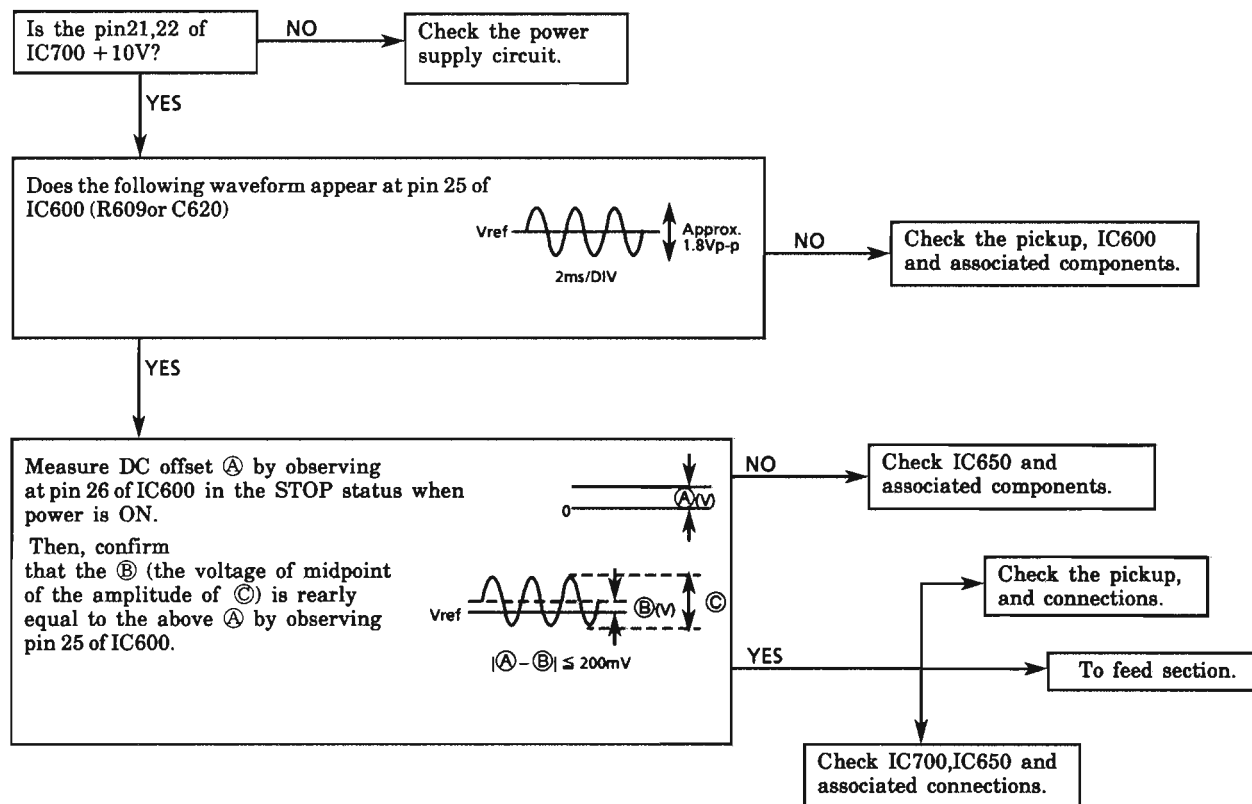
Loading section



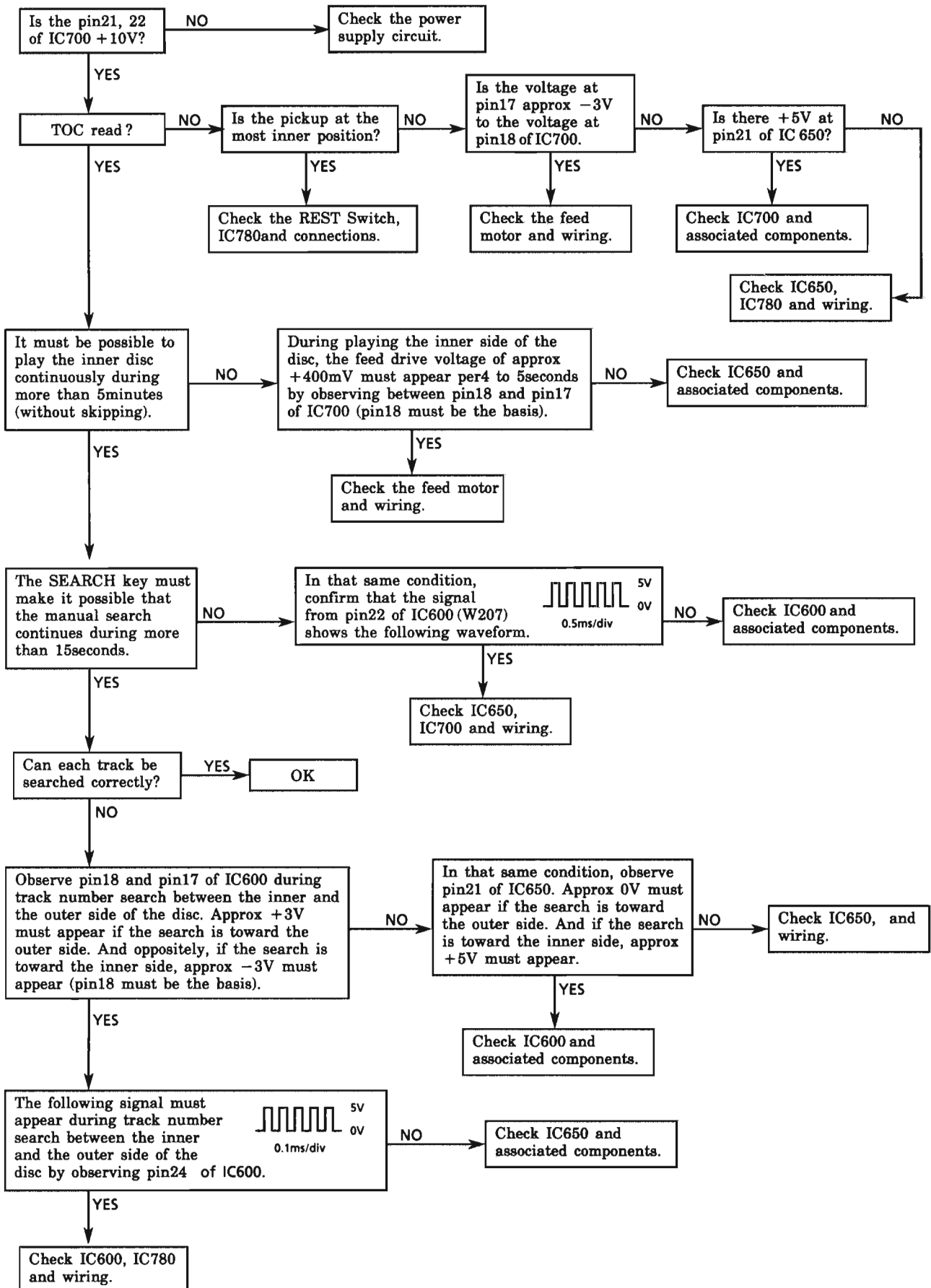
Focus section



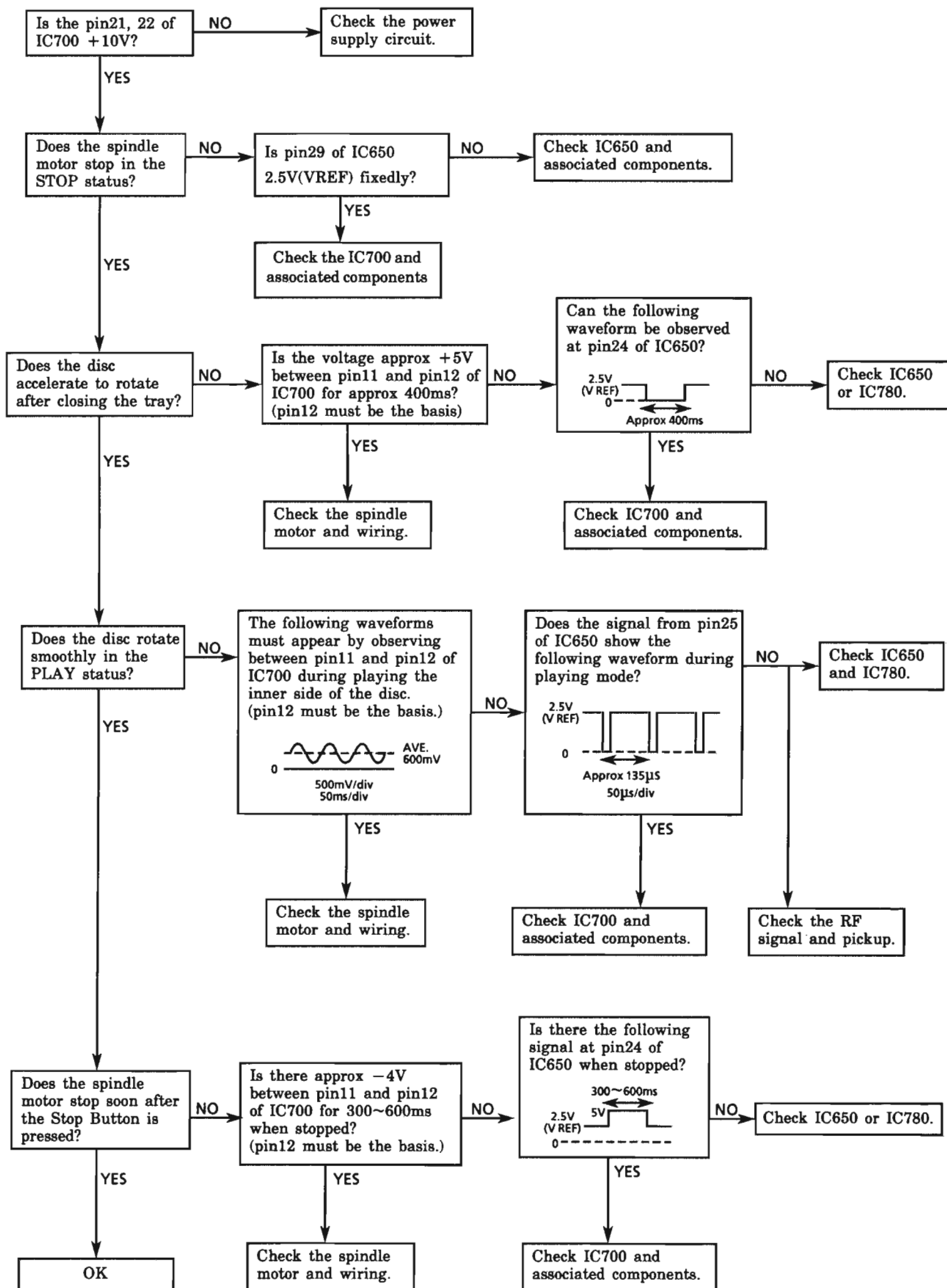
Tracking section

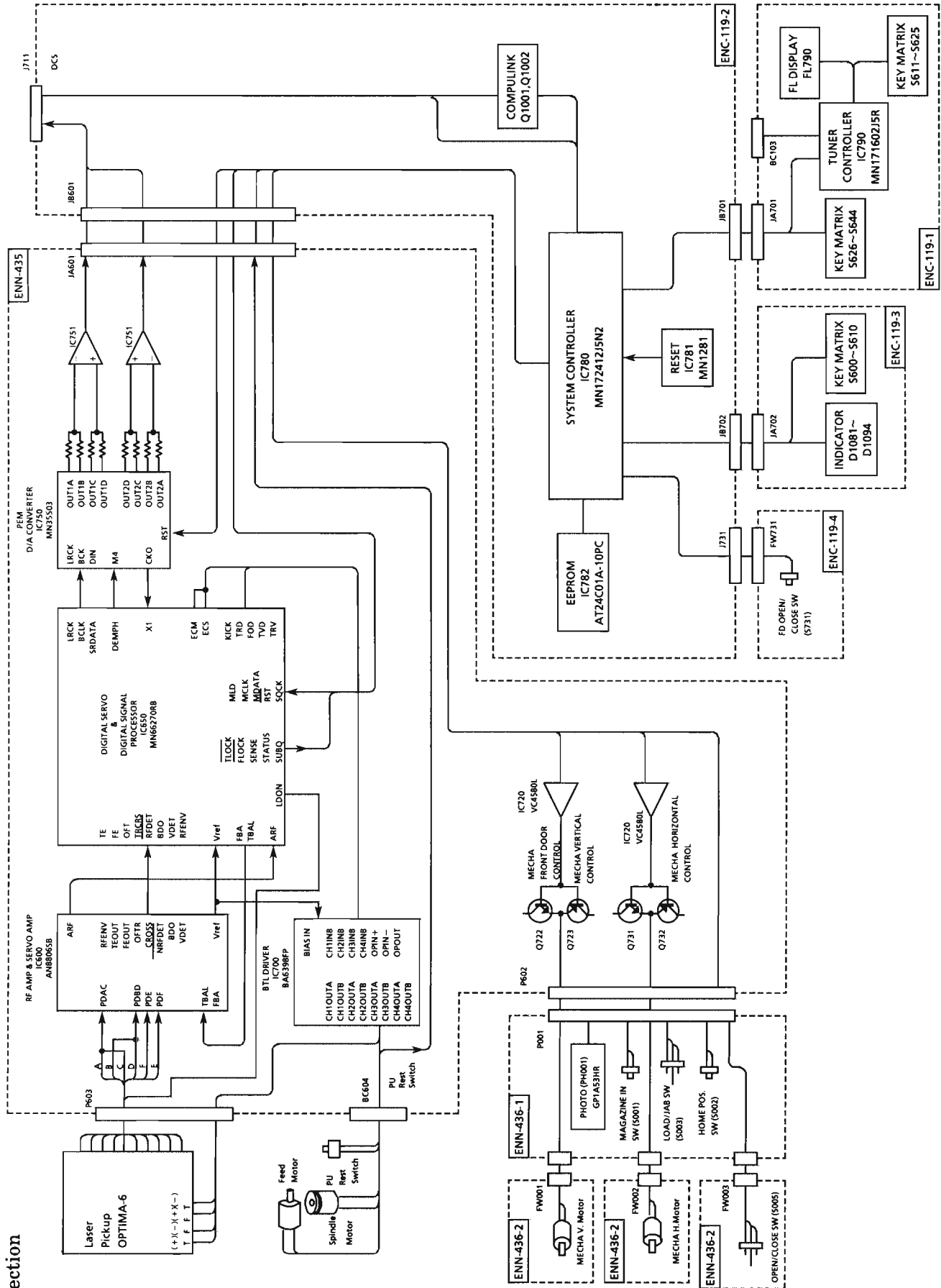


Feed section

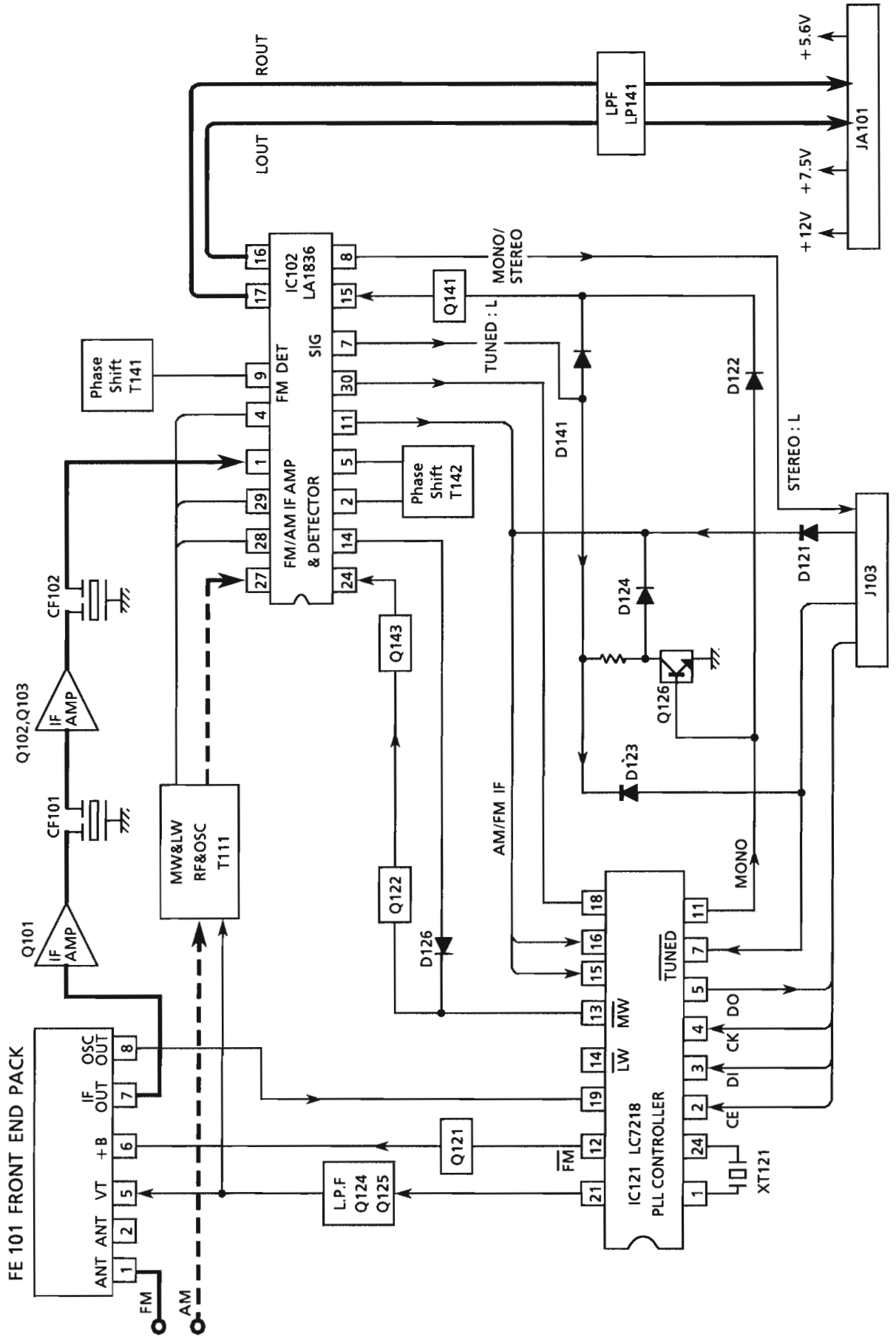


Spindle section



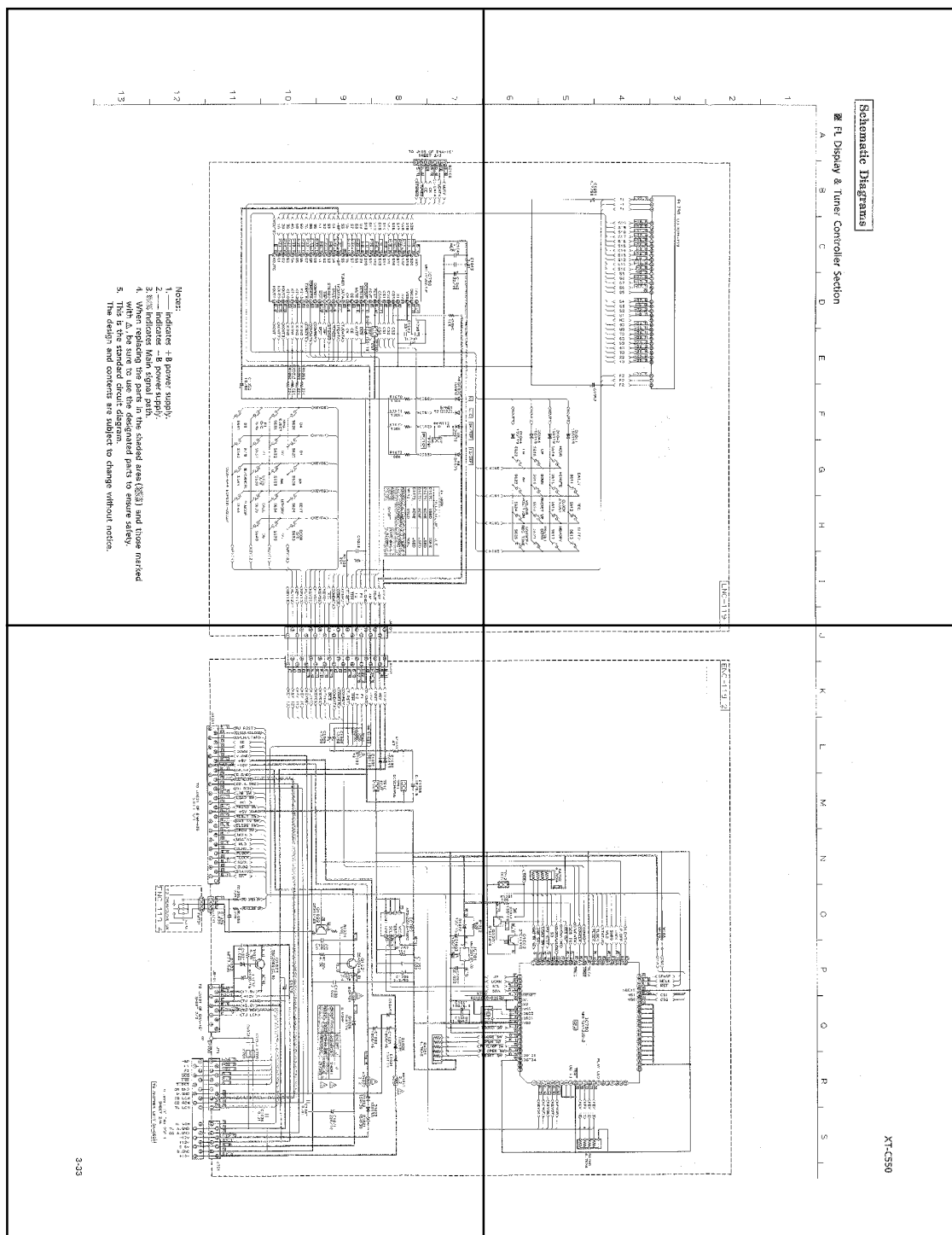


■ Tuner Section



P3-33-b

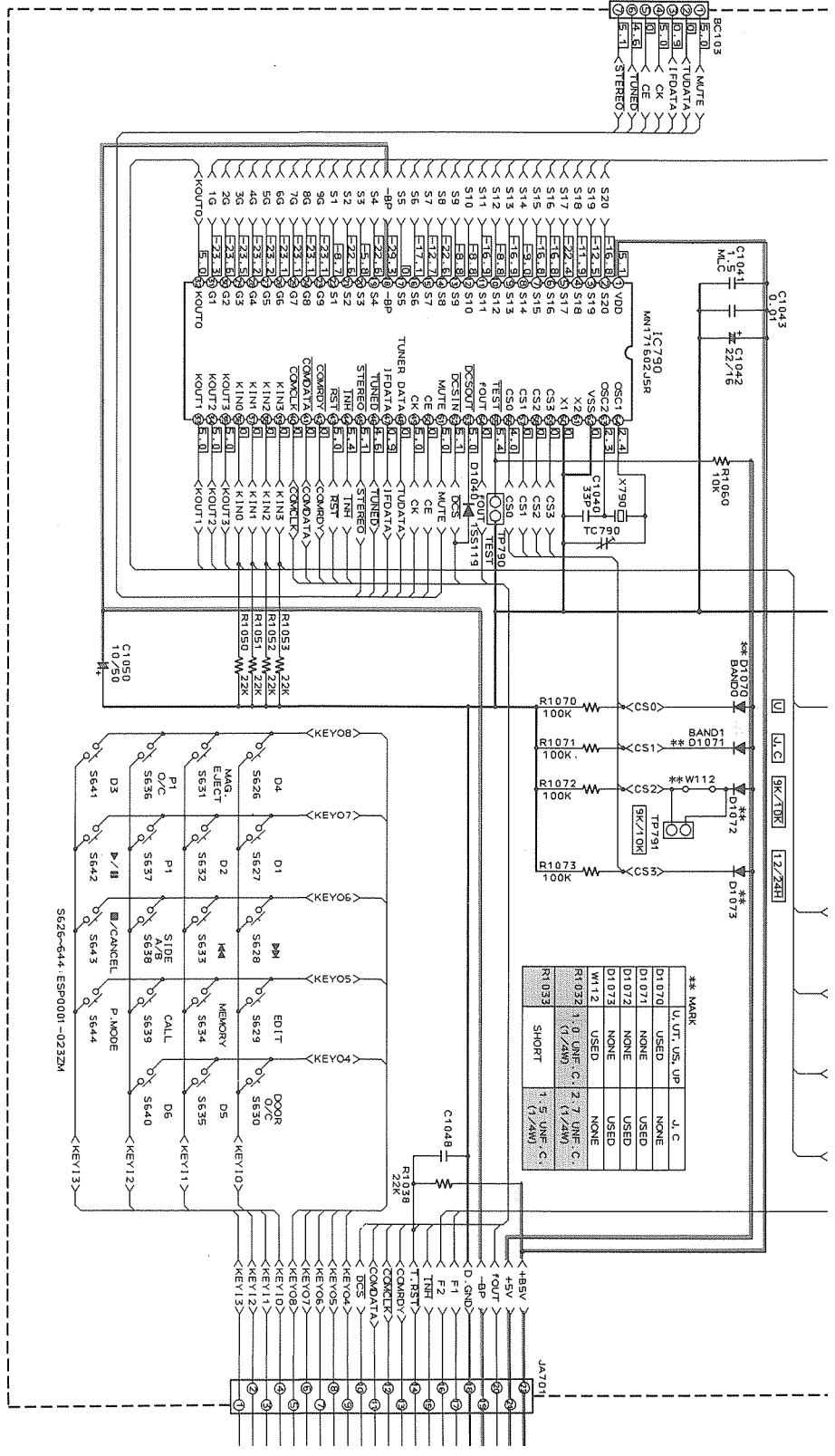
P3-33-a



P3-33-d

P3-33-c

TO J103 OF ENA-161
SHEET 2/3

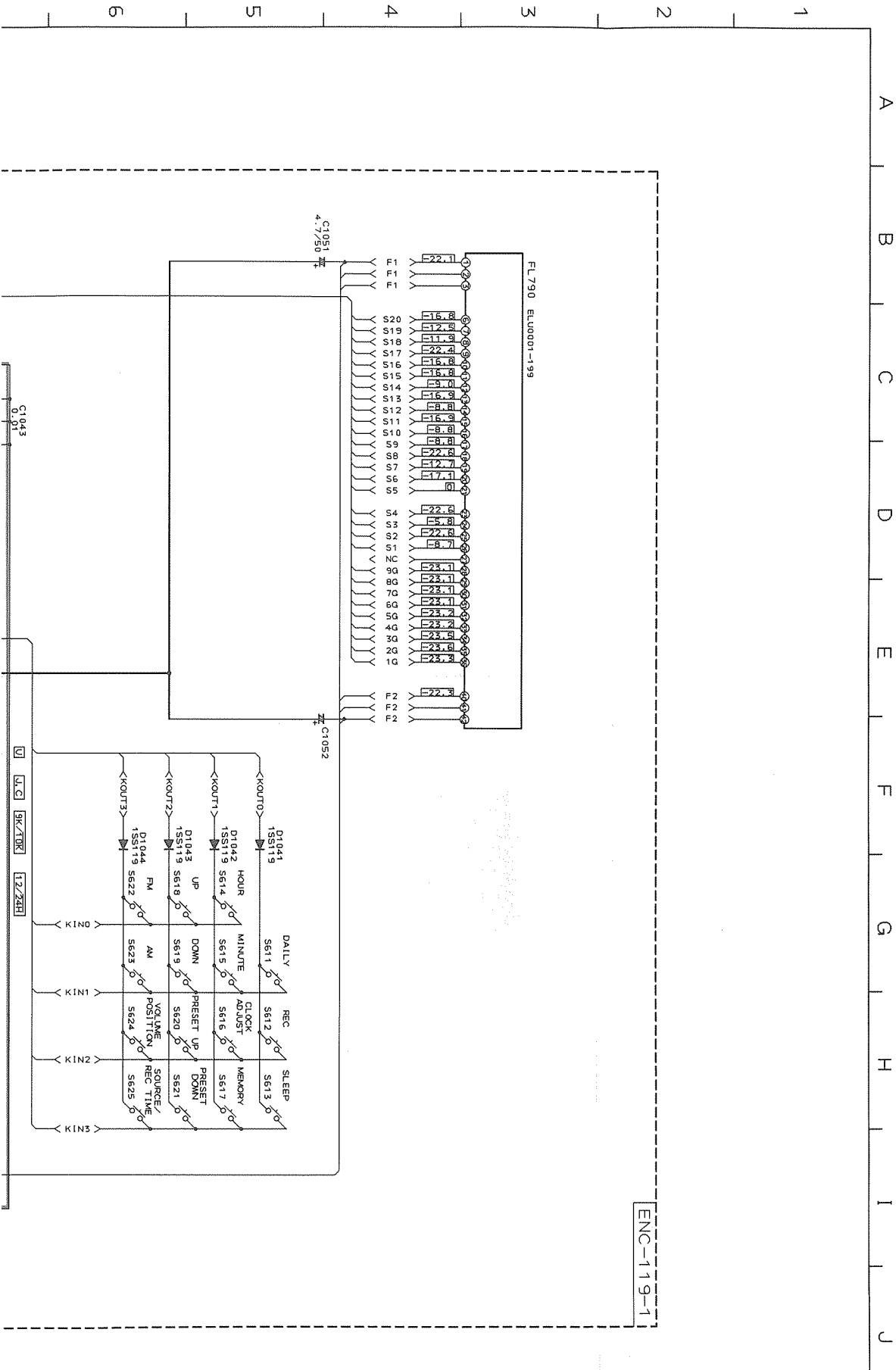


Notes:

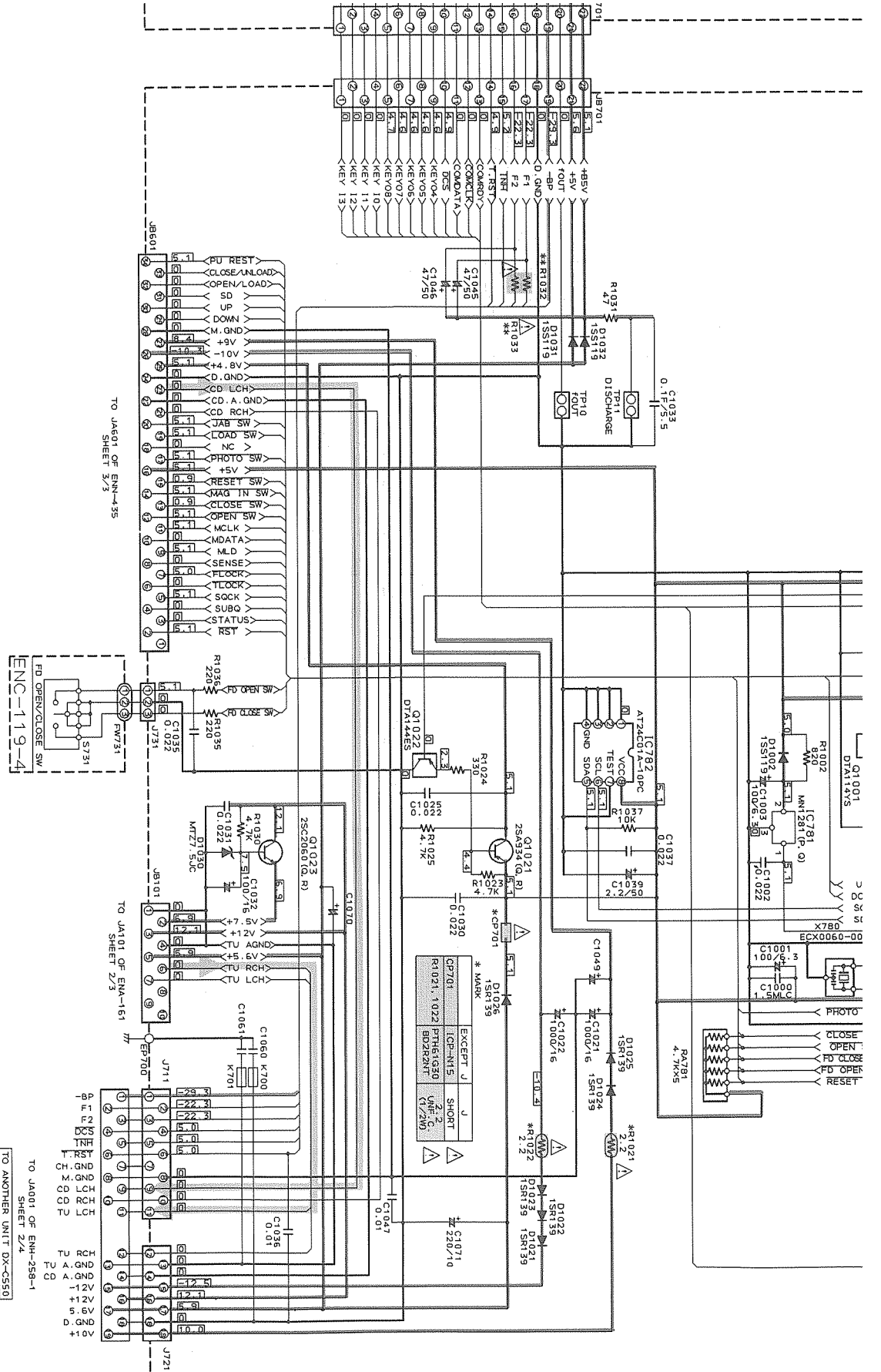
1. — indicates +B power supply.
 2. — indicates -B power supply.
 3. ■ indicates Main signal path.
 4. When replacing the parts in the shaded area (■) and those marked with Δ, be sure to use the designated parts to ensure safety.
 5. This is the standard circuit diagram.
- The design and contents are subject to change without notice.

Schematic Diagrams

FL Display & Tuner Controller Section

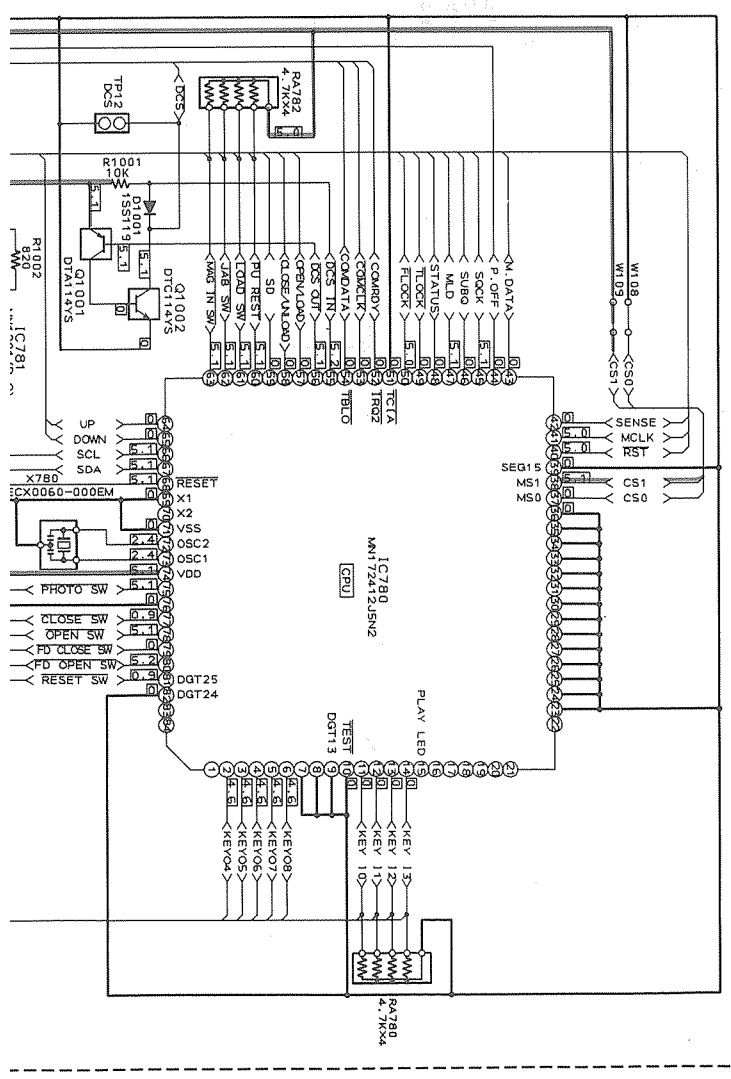


ENC-119-1



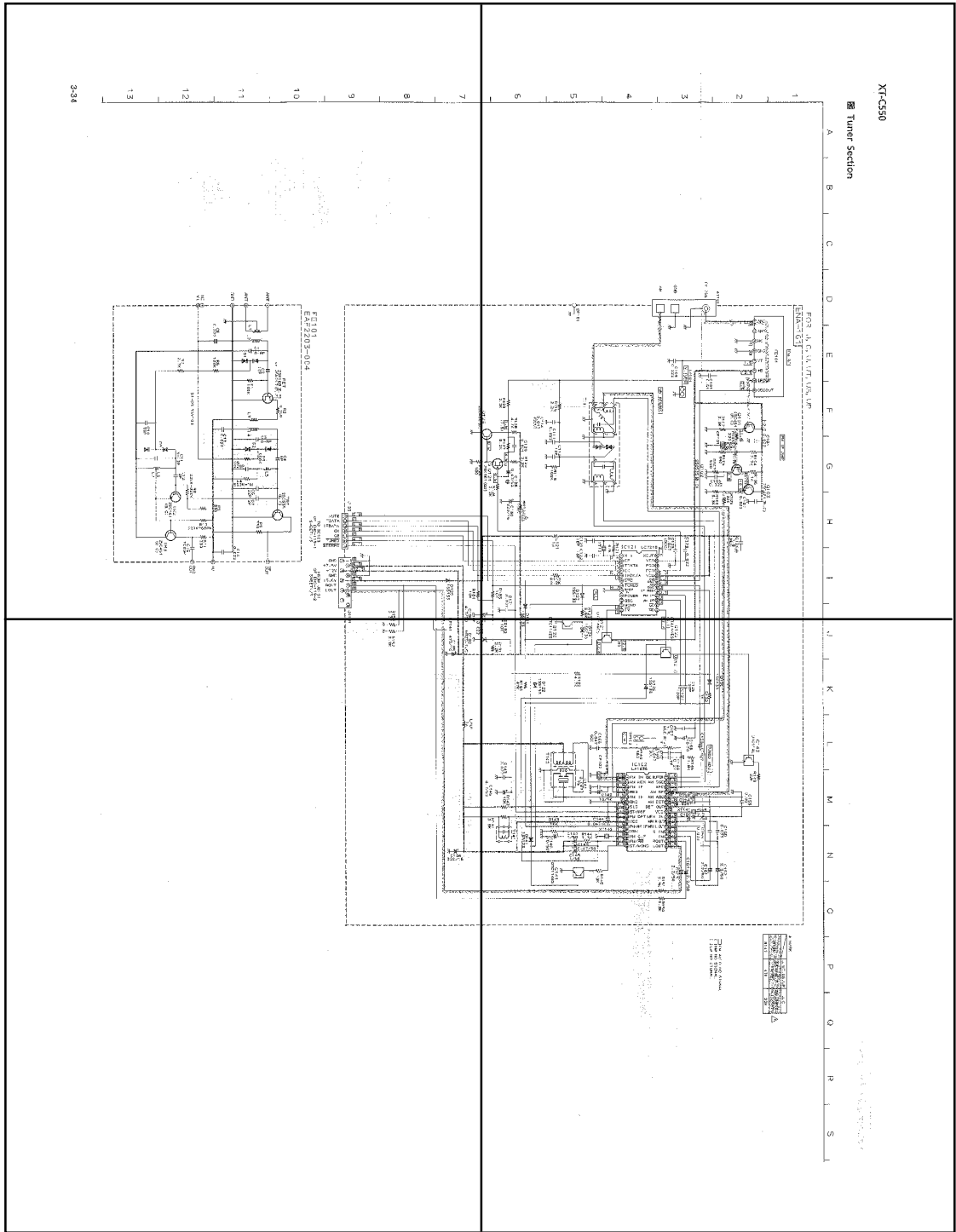
J K L M N O P Q R S

ENC-119-2



P3-34-a

P3-34-b

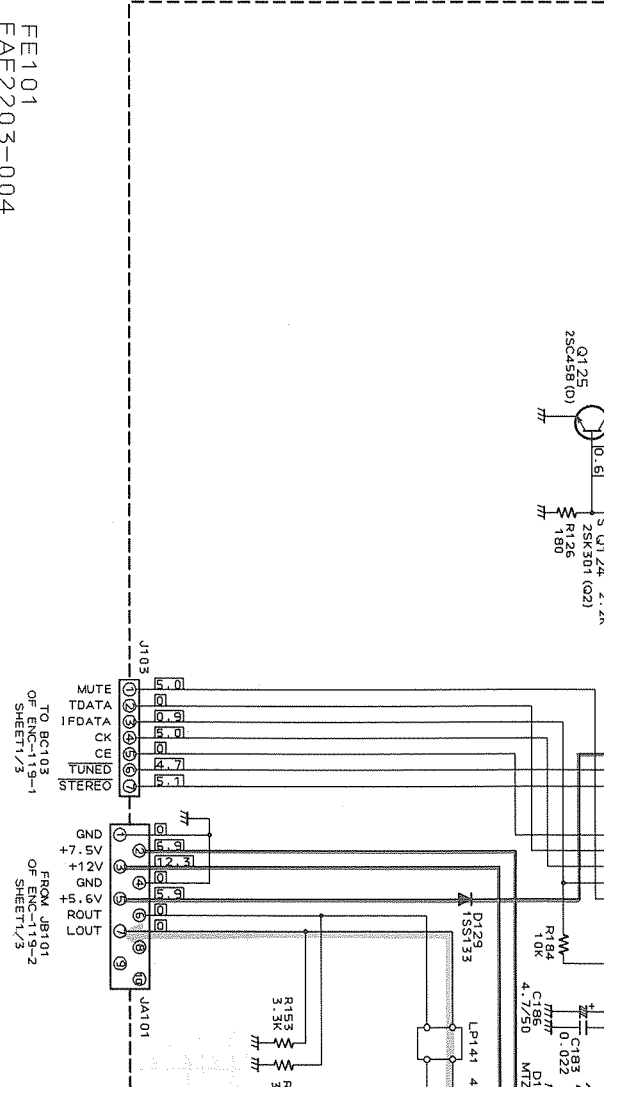
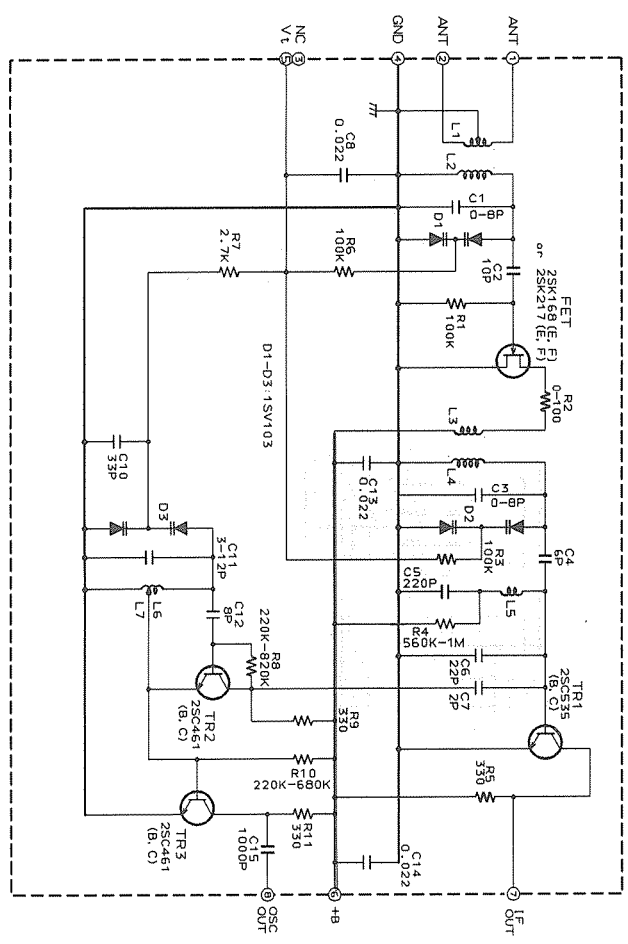


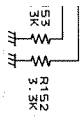
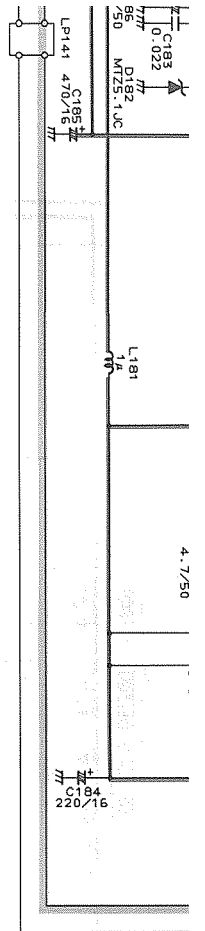
P3-34-c

P3-34-d

7
8
9
10
11
12
13

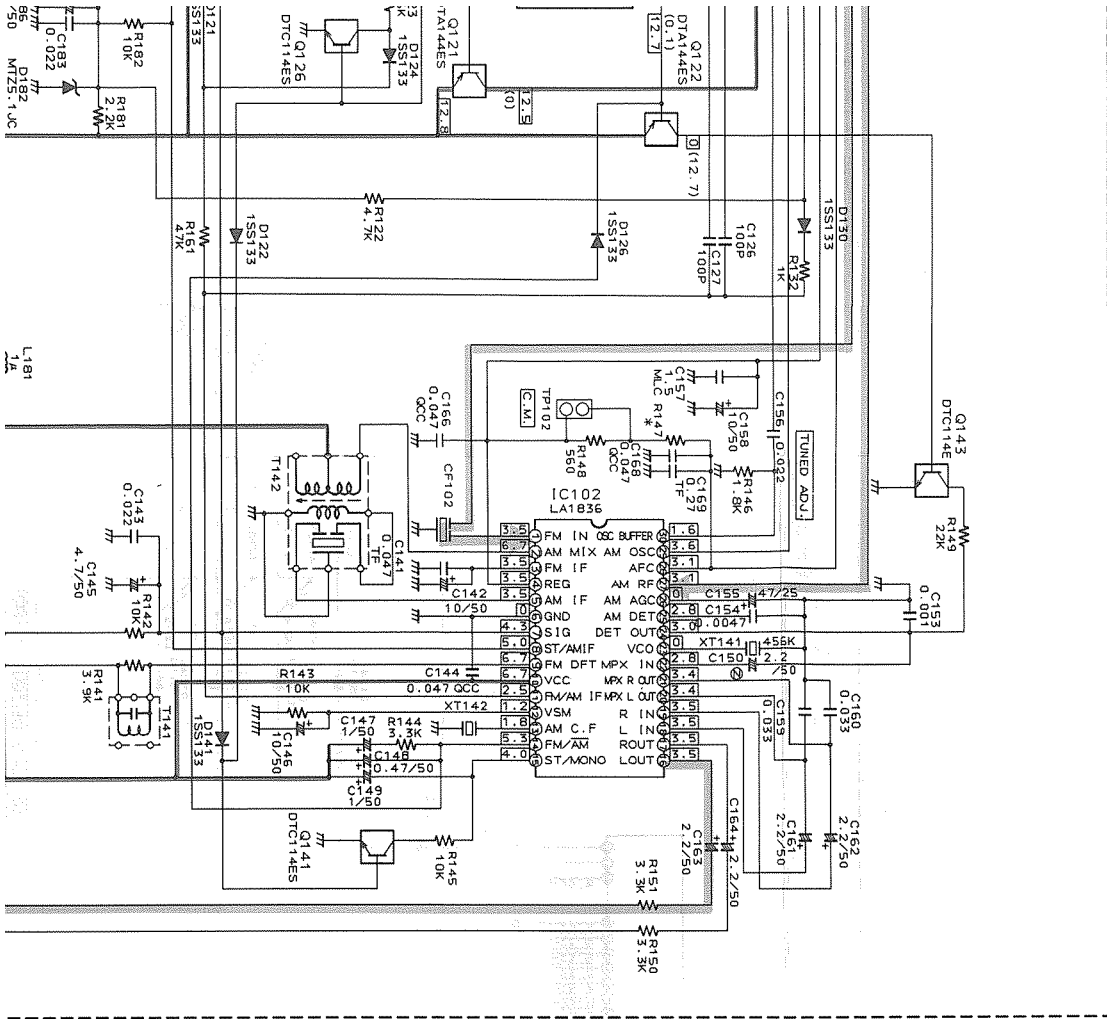
3-34





V101

J K L M N O P Q R S



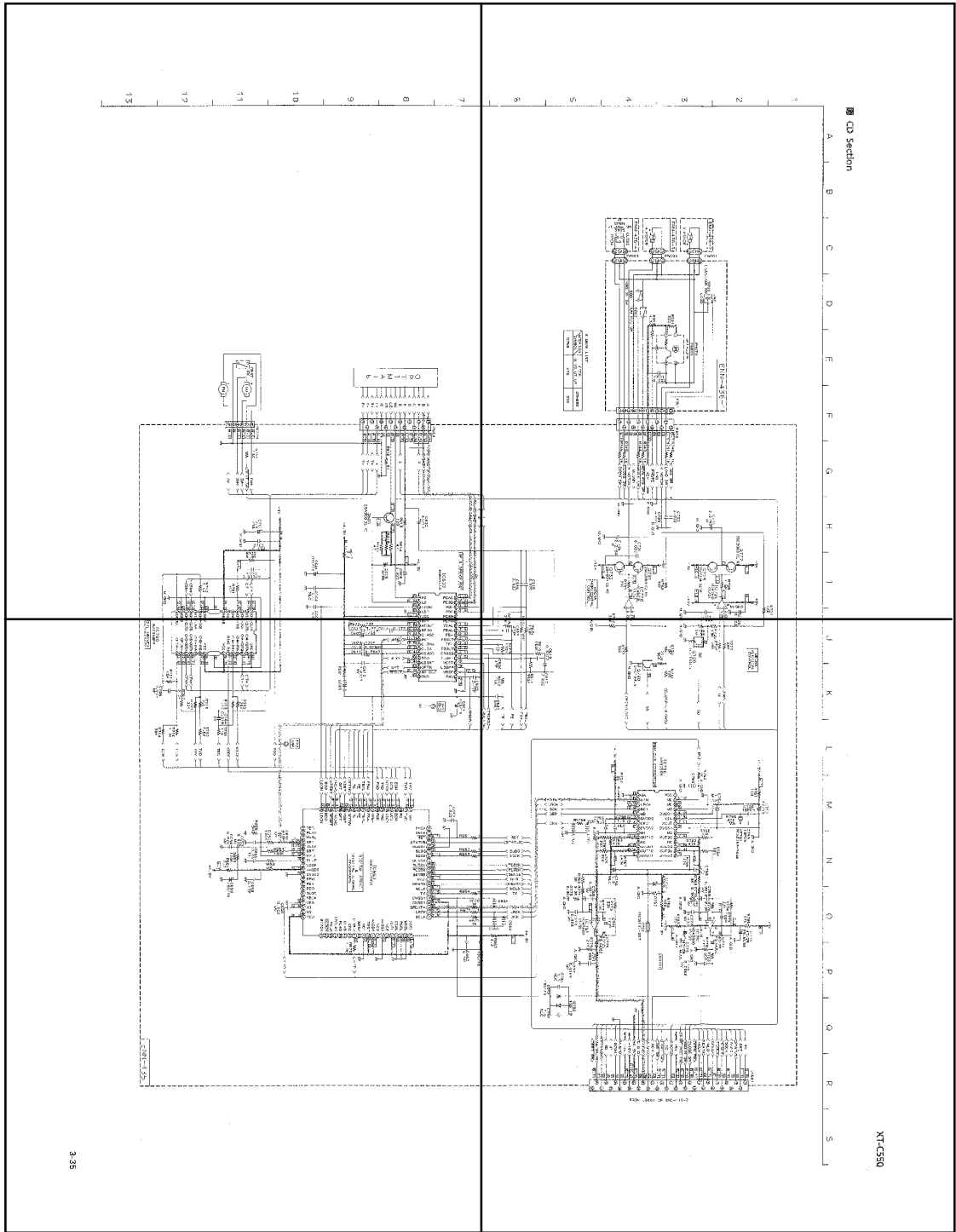
* MARK

U	UT .US .UP	J	C
R130	68 UNF-F (1/4W)	68 UNF-C (1/4W)	
R147	47K	22K	

□ FM AUTO NO SIGNAL
 () FM NO SIGNAL
 [] LW NO SIGNAL

P3-35-a

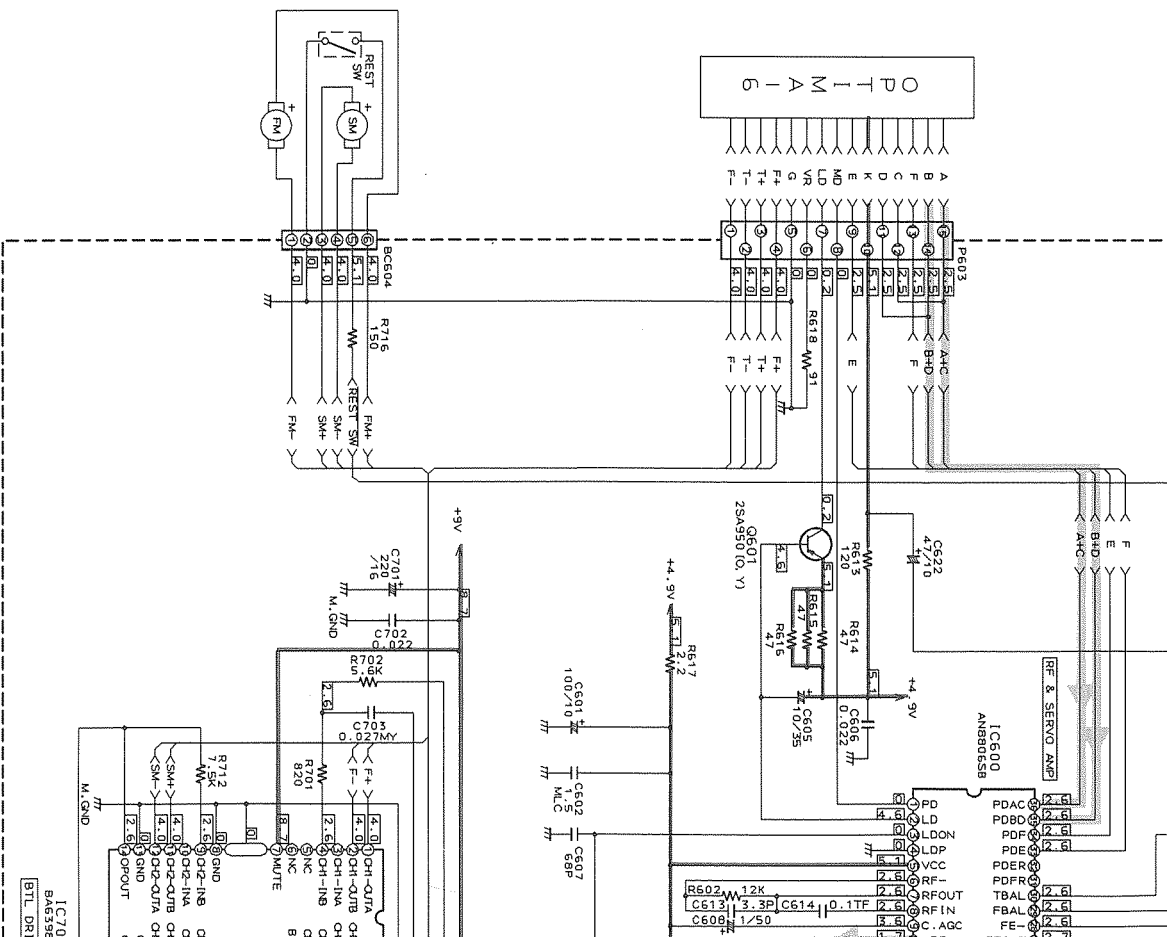
P3-35-b



P3-35-c

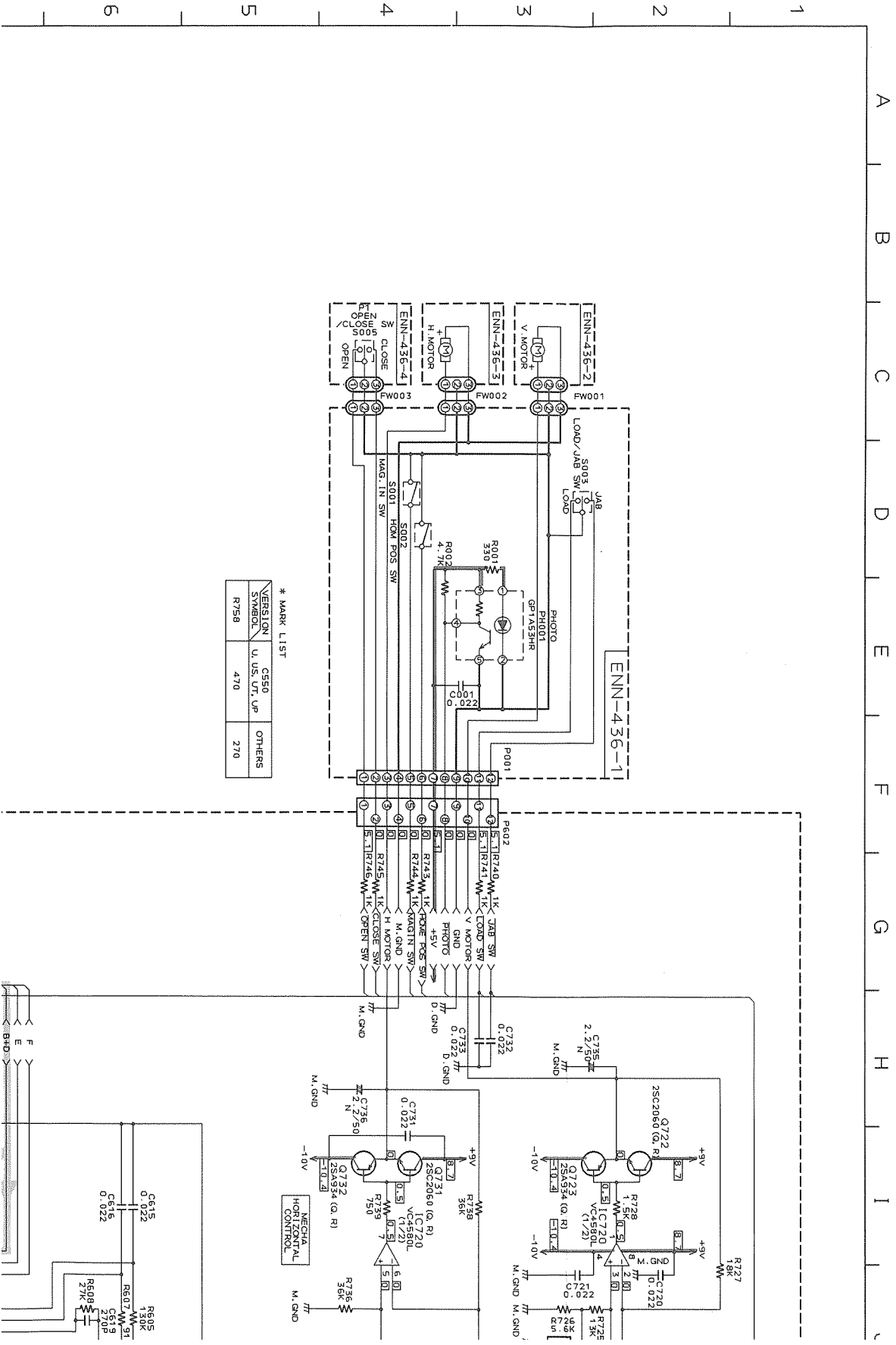
P3-35-d

7
8
9
10
11
12
13



IC70
BA639E
[BTL DR]

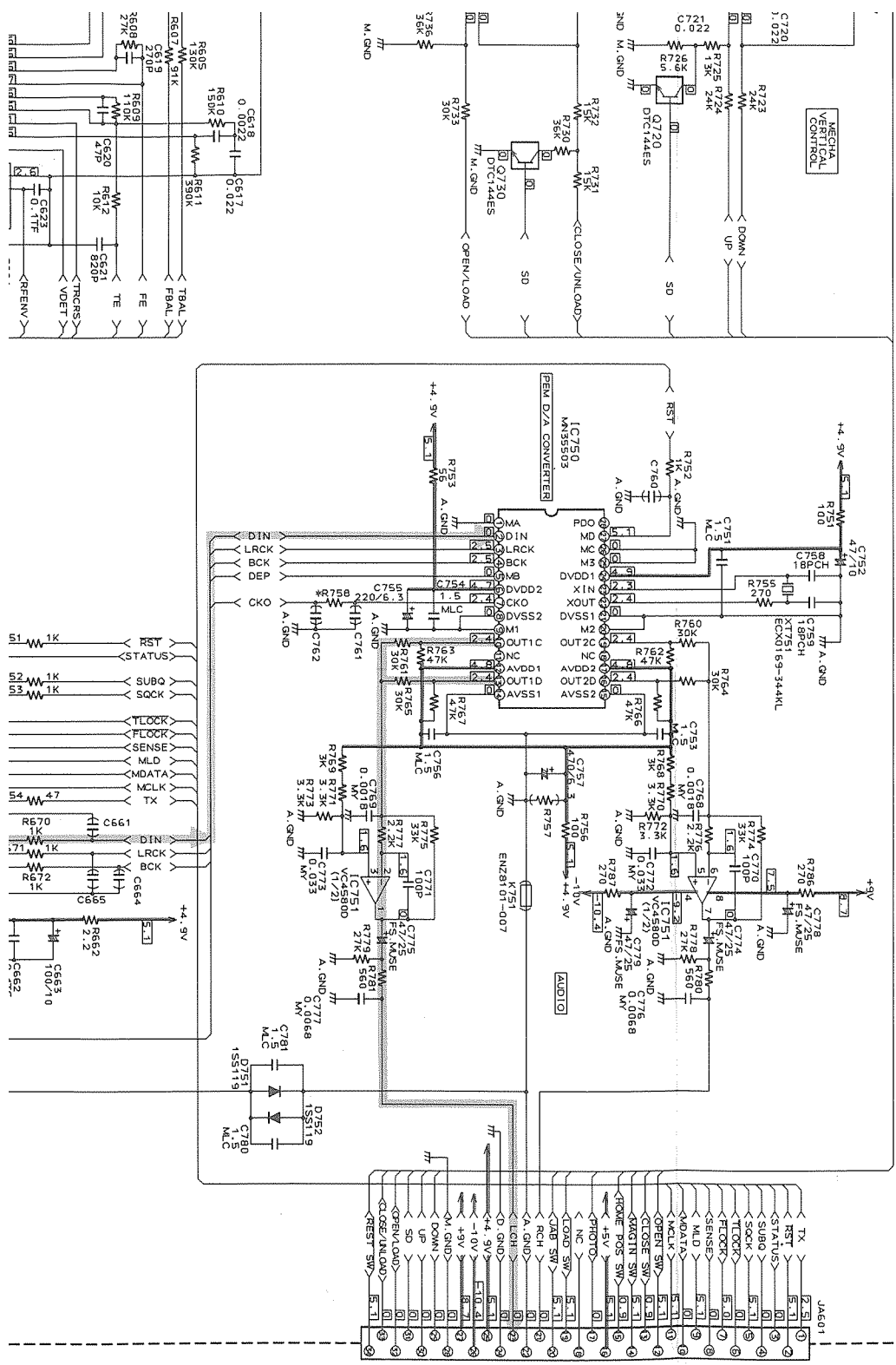
CD Section



* MARK LIST

SYMBOL	QTY	OTHERS
VERELOC	U.S. OPT. UP	270
SWABDL	470	
R758	270	

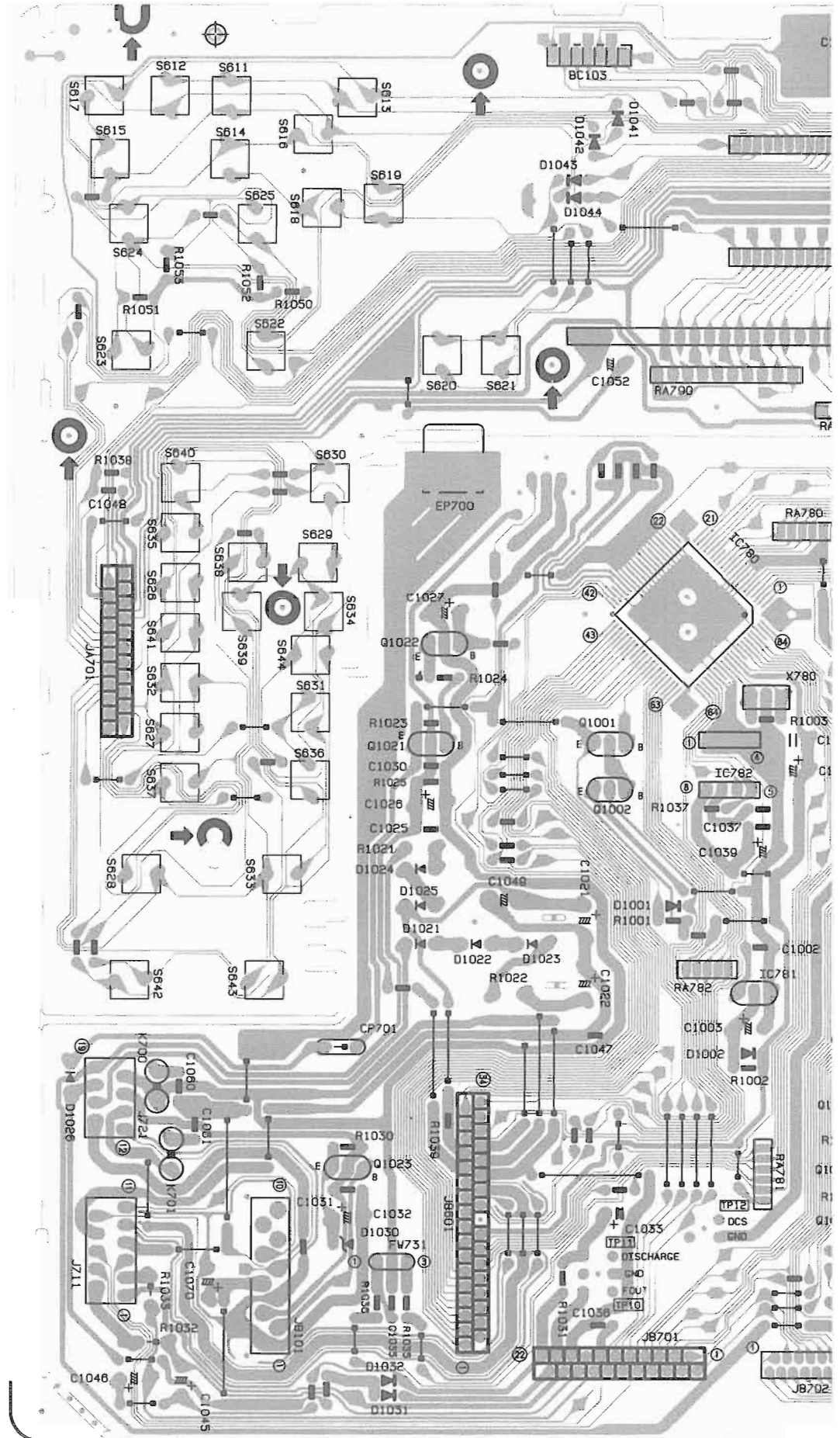
J K L M N O P Q R S

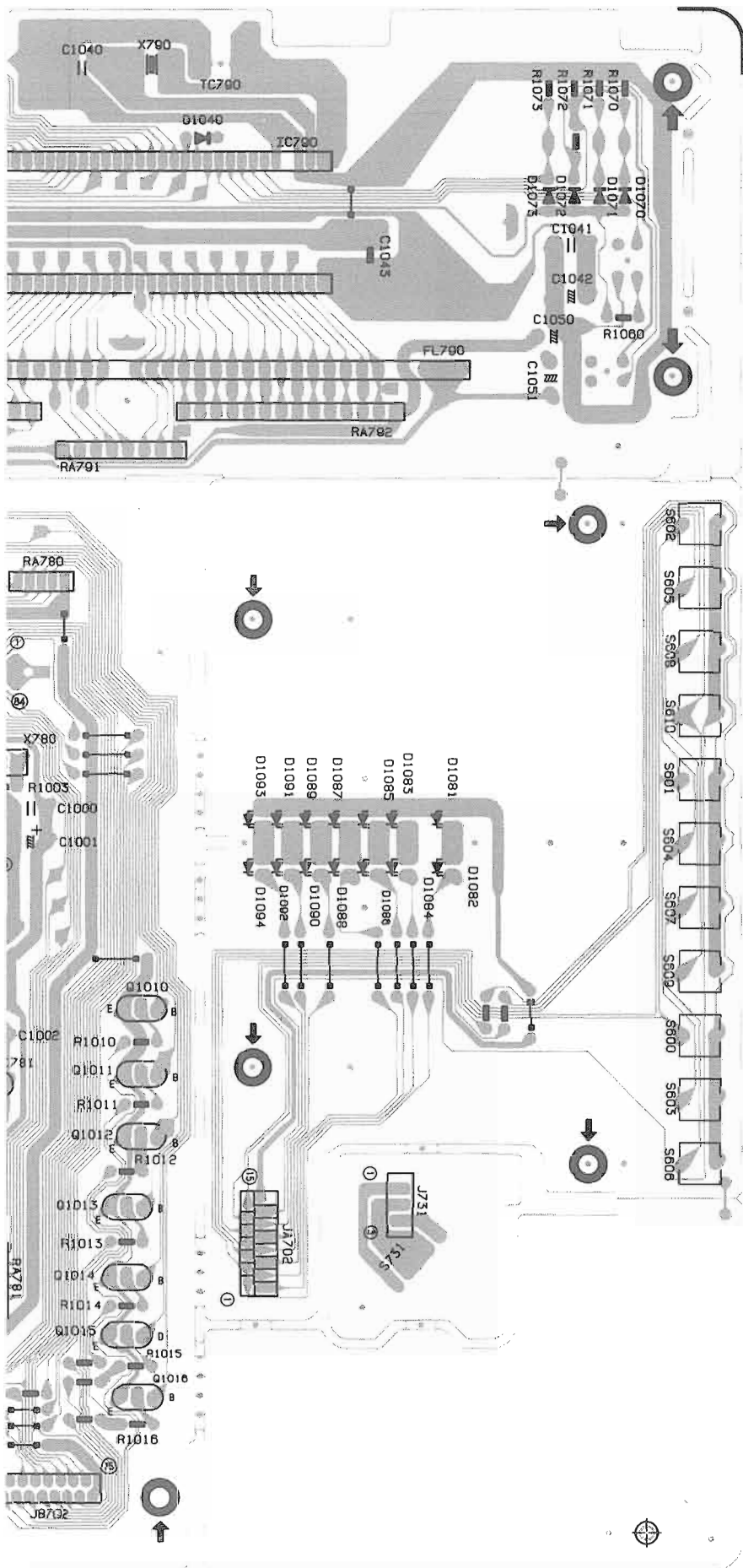


XT-C550

Printed Circuit Boards

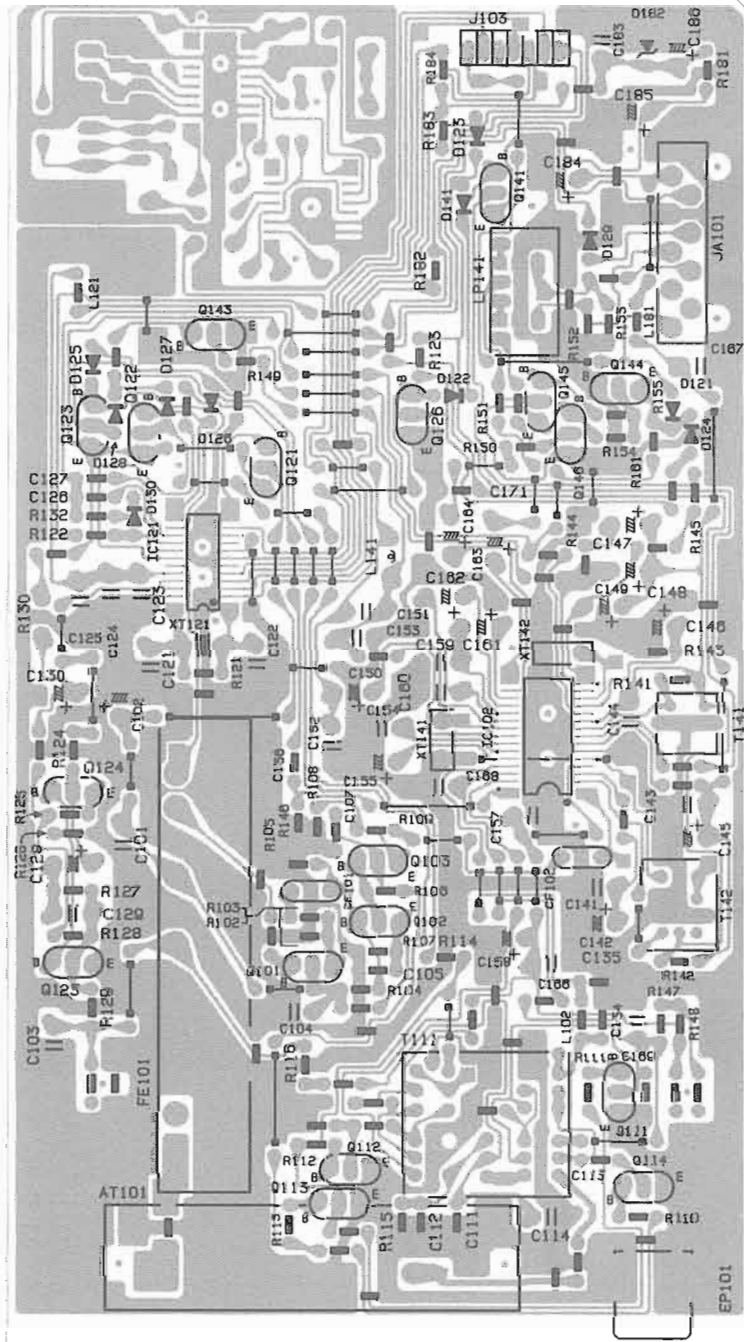
■ Display & Tuner control P.C. Board (ENC-119)



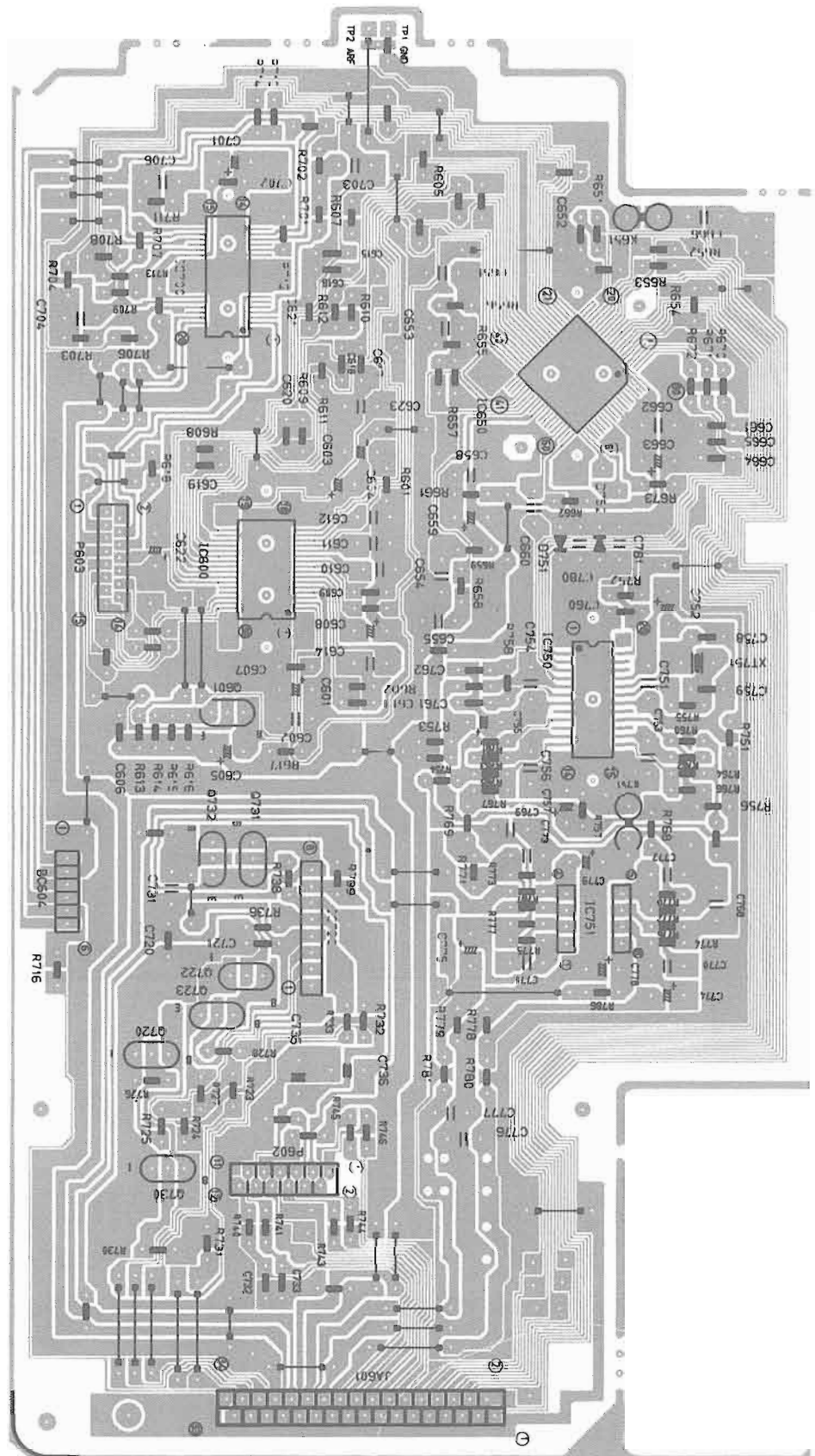


XT-S550

■ Tuner P.C. Board (ENA-161)



■ CD control P.C. Board (ENN-435)



DX-C550

<PARTS LIST>

※ All printed circuit boards and its assemblies are not available as service parts.

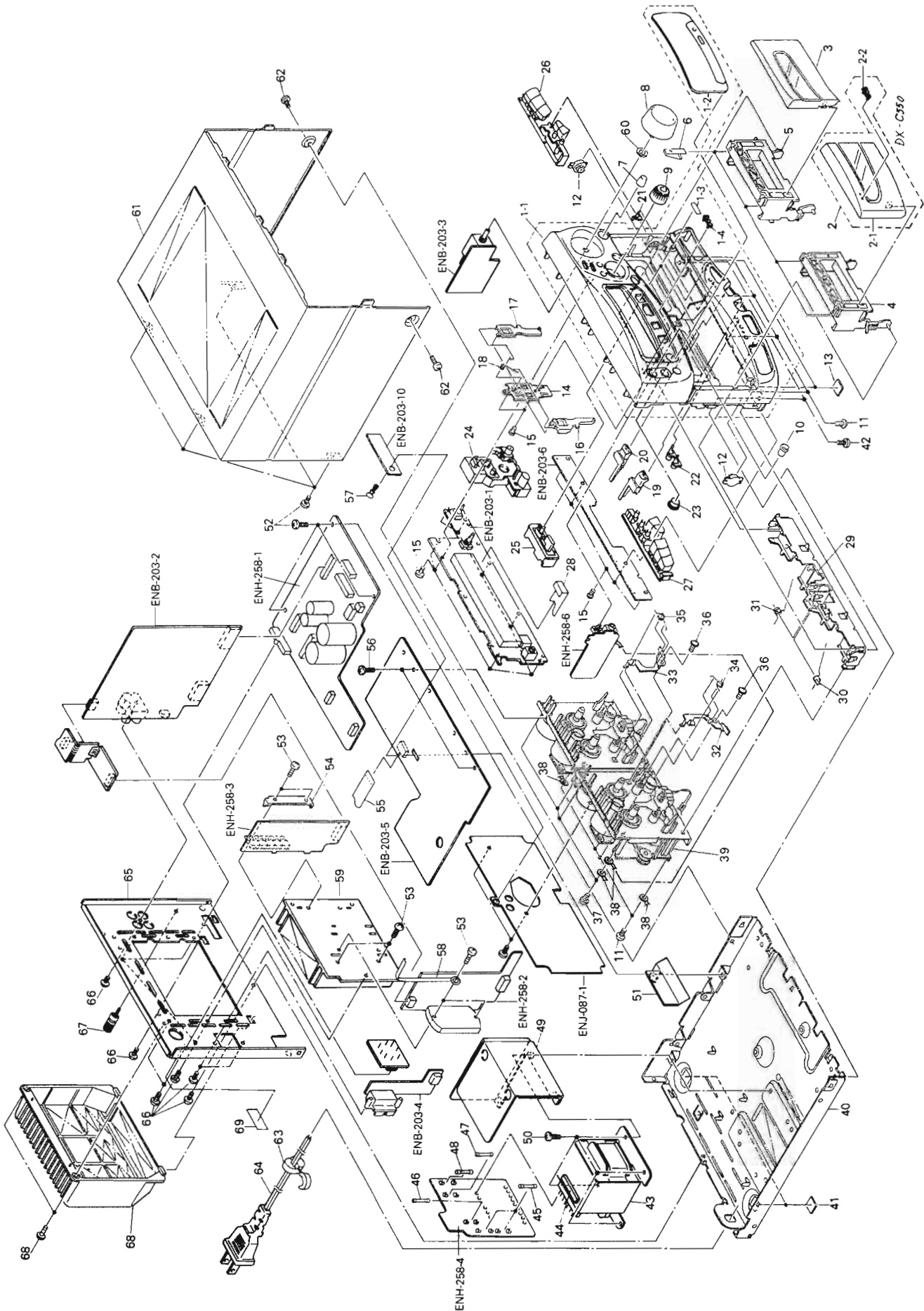
Contents

General Exploded View and Parts List	4-2
Cassette Mechanism Ass'y and Parts List	4-5
■ Grease Point	4-5
Printed Circuit Board Ass'y and Parts List	4-8
■ ENH-258 □ Power amp & Power Supply PC Board Ass'y	4-8
■ ENB-203 □ Mecha Control, Source Select PC Board Ass'y	4-13
■ ENJ-087 □ Cassette amp PC Board Ass'y	4-16

General Exploded View and Parts List

Symbol No.

M	1	M	M
---	---	---	---
















Symbol No.

M	1	M	M
---	---	---	---

Parts List

Item	Part Number	Part Name	Q'ty	Description	Area
1	EFP-DXC550J(S)	FRONT PANEL ASSY	1		C,J
1	EFP-DXC550U(S)	FRONT PANEL ASSY	1		U,US,UT
1-1	E102975-006SM	FRONT PANEL	1		U,US,UT
1-1	E102975-007SM	FRONT PANEL	1		C,J
1-2	E309277-004SM	WINDOW SCREEN	1	AMP	C,J
1-3	E69777-003	REFLECTION PLATE	2		
	E309277-005SM	WINDOW SCREEN	1	AMP	U,US,UT
1-4	E406971-221	JVC MARK	1		
2	FSJT2003-001SA	CASSETTE LID ASSY	1		
2-1	FSJT2003-001	CASSETTE LID	1		
2-2	E406971-221	JVC MARK	1		
3	FSJT2004-001	CASSETTE LID	1		
4	E207972-334SM	CASSETTE HOLDER	1	(A)	
5	E207973-334SM	CASSETTE HOLDER	1	(B)	
6	E406713-221SS	CASSETE SPRING	4		
7	E75737-013	BALANCE KNOB	1		
8	E309083-003SS	VOLUME KNOB	1		
9	FSXP3016-001	SELECT KNOB	1	MUSIC JOG	
10	E407233-007	MIC KNOB	1		U,US,UT
11	SBST3006Z	TAPPING SCREW	10		
12	E304434-005	DAMPER ASSY	2		
13	E75896-001	SPACER	2	Front foot	
14	E308683-002	EJECT GUIDE	1		
15	SDSF2608Z	SCREW	14		
16	E308681-002SS	EJECT LEVER	1		
17	E308682-002SS	EJECT LEVER	1		
18	E407798-002	SPRING	1		
19	E309081-002SS	EJECT BUTTON	1		
20	E309082-002SS	EJECT BUTTON	1		
21	E408306-001	INDICATOR	1	REC	
22	E408305-001	INDICATOR	1	DOLBY	
23	E408733-001SM	REMOTE LENS	1		
24	E208421-002SM	PUSH BUTTON ASSY	1	POWER	
25	E309281-001SM	PUSH BUTTON	1		
26	E208426-004SM	PUSH BUTTON ASSY	1	DECK B	
27	E208423-004SM	PUSH BUTTON ASSY	1	DECK A	
28	VWF1225-30TTB	FFC CABLE	1	FC951	
29	E207974-003SS	HOLDER BRACKET	1		
30	E408058-001	HOLDER SPRING	1	(A)	
31	E408122-001	HOLDER SPRING	1	(B)	
32	E407799-001	EJECT SAFETY	1		
33	E407800-001	EJECT SAFETY	1		
34	E407801-002	SPRING	1		
35	E407802-002	SPRING	1		
36	SBSF3006Z	TAPPING SCREW	2		
37	SBSF3008Z	TAPPING SCREW	4		
38	PU49485-3	WIRE CLAMP	3		J,C
	PU49485-3	WIRE CLAMP	2		U,US,UT
39	-----	CASSETTE MECHANISM ASSY	1	See page 4-6	
40	E102616-226SM	CHASSIS BASE	1		
41	E75896-006	FELT SPACER	2	Rear foot	
42	SBST3008M	TAPPING SCREW	2		
43	ETP1100-57FAJ	POWER TRANSFORMER	1		U,US,UT
43	ETP1100-59JAJ	POWER TRANSFORMER	1		C,J
44	E306805-145	SPACER	1	FS001	

DX-C550

	Item	Part Number	Part Name	Q'ty	Description	Area
	45	QMF0007-1R25J1	FUSE	1	F101,102	C,J
		QMF51E2-1R25	FUSE	2	F101.102	U,US,UT
	46	QMF51E2-1R0	FUSE	1	F002	U,US,UT
	47	QMF0007-2R0J1	FUSE	1	F001	C,J
		QMF51E2-2R0J1	FUSE	1		U,US,UT
	48	QMF51E2-1R0J1	FUSE	1	F003	U,US,UT
	49	E408630-001SM	SHIELD PLATE	1		
	50	E65389-004	SPECIAL SCREW	4		
	51	E408678-001SM	SHIELD PLATE	1		
	52	GBSG3008CC	TAPPING SCREW	7		
	53	SBSG3014CC	SCREW	4		
		SBSG3014CC	SCREW	6		J
	54	E406969-001SM	LEAF SPRING	1		
	55	VWF1216-14TTB	FFC CABLE	1	FC221	
	56	SPST2604Z	TAPPING SCREW	2		
	57	E48729-021	PLASTIC RIVET	1		
	58	EWT021-048	TERMINAL WIRE ASSY	1		
	59	E309285-003SM	HEAT SINK	1		
	60	E71862-003	VOLUME NUT	1		
	61	E207787-010SM	METAL COVER	1		
	62	SDSG3006M	TAPPING SCREW	2		
	63	QHS3876-162	CORD STOPPER	1		
	64	QMP1D00-200H	POWER CORD	1		C,J
		QMP3900-200	POWER CORD	1		US
		QMP7000-200	POWER CORD	1		
	65	QMP7520-200	POWER CORD	1		U,UT
		E208431-023SM	REAR PANEL	1		J
		E208431-024SM	REAR PANEL	1		C
		E208431-025SM	REAR PANEL	1		U,US,UT
	66	E73273-003	SPECIAL SCREW	10		
		E73273-003	SPECIAL SCREW	12		U,US,UT
	67	E408091-001	GND TERMINAL	1		
	68	E207356-001SM	REAR COVER	1		U,US,UT
		E207356-002SM	REAR COVER	1		C,J
	69	E75803-001	CAUTION LABEL	1		J
		E75804-001	CAUTION LABEL	1		C
	-	E309384-006	RATING LABEL	1		UT
	-	E61029-005	NUMBER LABEL	1		
	-	E75139-003	Z LABEL	1		U,UT

 : Safety Parts

The Marks for Designated Areas

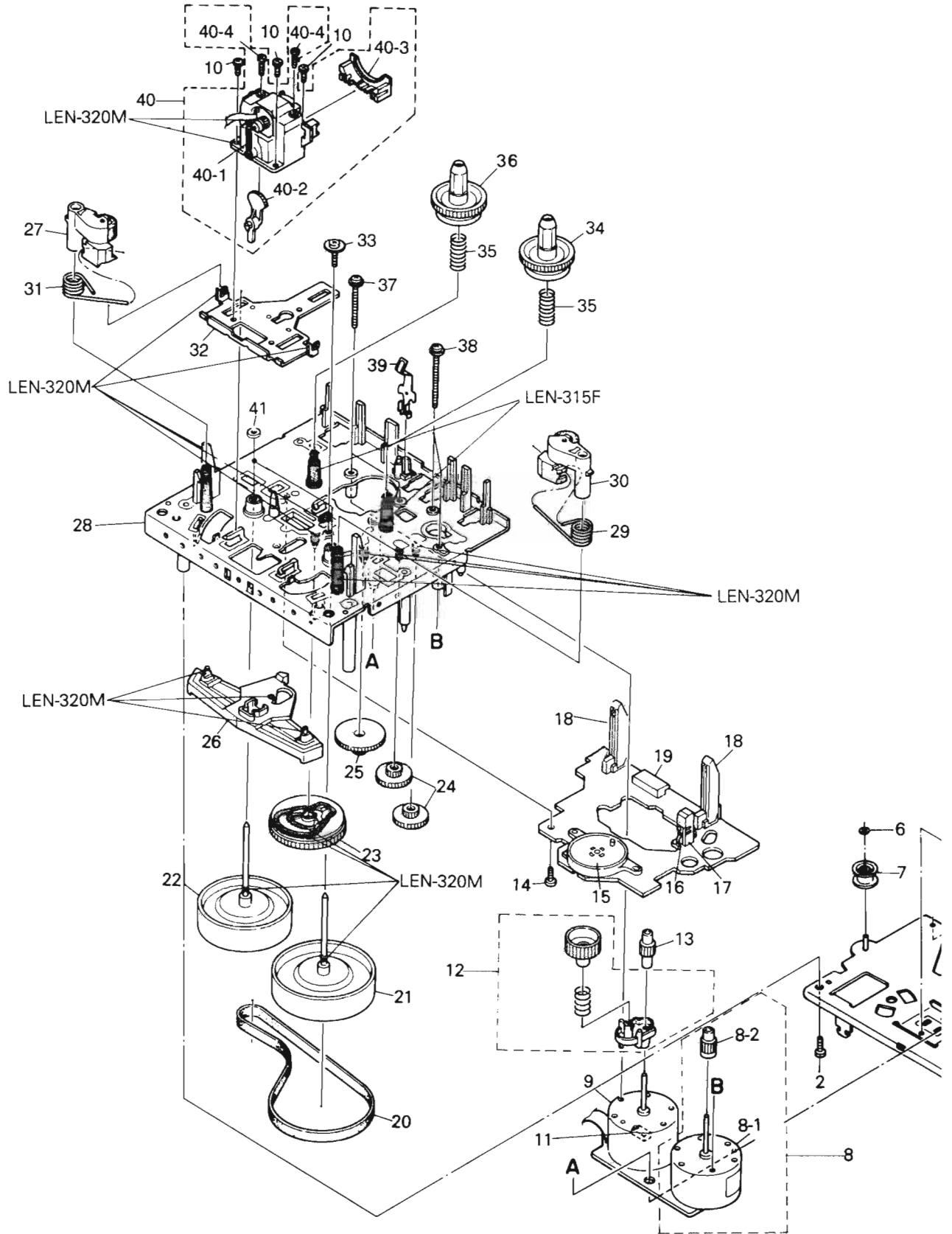
C Canada J the U.S.A. U Universal Type
 US ... Singapore UT ... Taiwan No mark indicates all area.

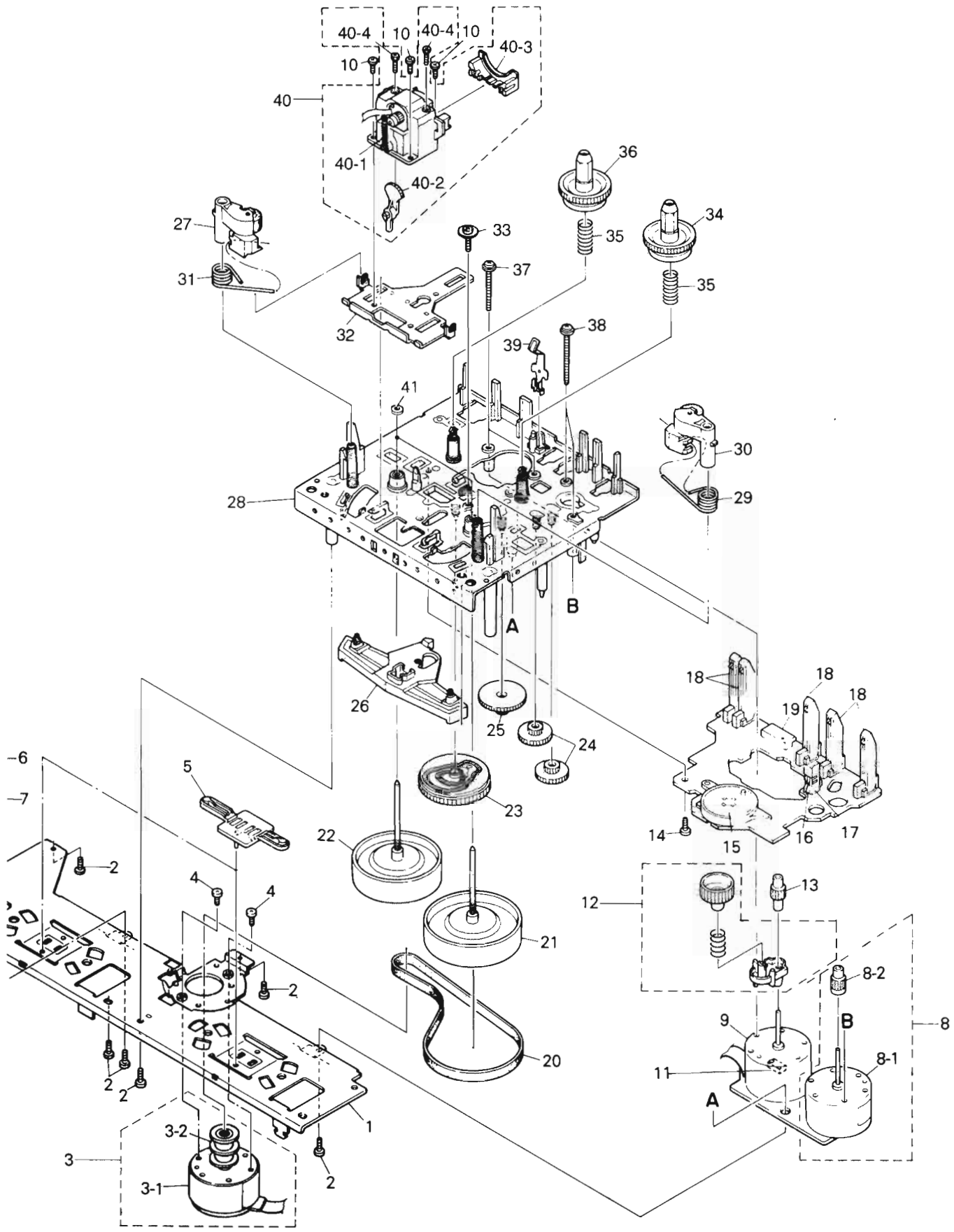
Cassette Mechanism Ass'y and Parts List

Symbol No.

M	2	M	M
---	---	---	---

■ Grease Point





Symbol No.

M	2	M	M
---	---	---	---

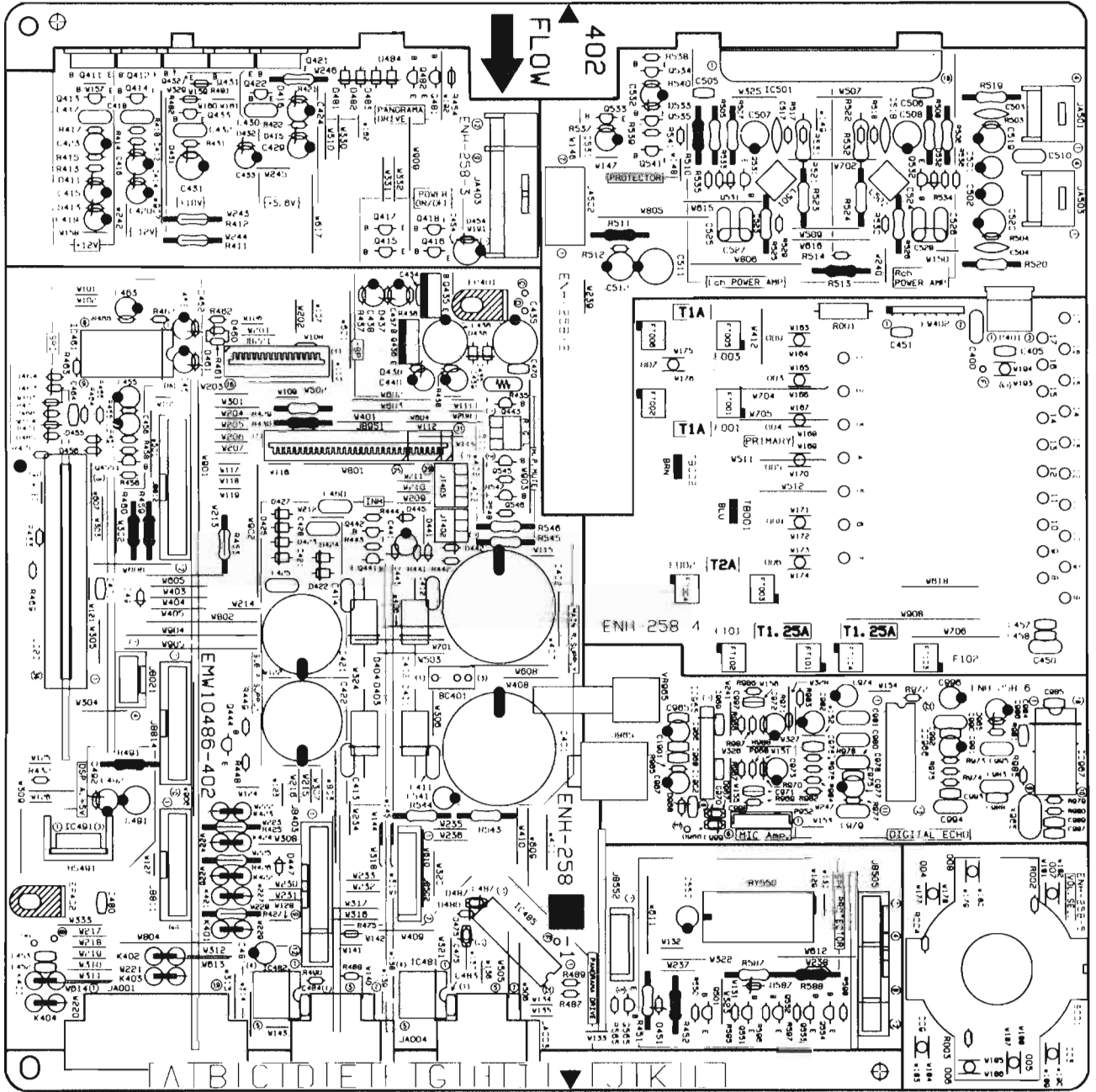
Parts List (Cassette Mechanism Ass'y)

Item	Part Number	Part Name	Q'ty	Description	Area
1	VKM3775-00AMM	FM BRACKET	1		
2	SDSF2608Z	SCREW	7		
3	MSISU2LWA-SA1	DC MOTOR	1		
3-1	MSI-5U2LWA	DC MOTOR	2		
3-2	VKR4632-004MM	MOTOR PULLEY	2		
4	SPSP2603Z	SCREW	2		
5	VKS5327--005M	PLATE	2		
6	WDL163525-4	WASHER	1		
7	VKR4631-005MM	IDLER PULLY	1		
8	MSN5D257A-SA1	DC MOTOR ASSY	2		
8-1	MSN-5D257A	DC MOTOR	2		
8-2	VKS5433-001	ACTUATOR MOTOR GEAR	2		
9	MMN-6F4RA38	DC MOTOR	2		
10	SDST2004Z	SCREW	6		
11	VMC0234-R08	CONNECT TERMINAL	2		
12	VKS5430-00CMM	F.F/REW.ARM	2		
13	VKS5432-001	REEL MOTOR GEAR	2		
14	SDST2612Z	SCREW	1		
15	VKS3616-00A	CAM SWITCH	1		
16	DN6851-HI	I.C(M)	1		
17	VKS3630-001MM	I.C.PROTECTOR	1		
18	VSH1170-001	LEAF SWITCH	1		
19	VMC0234-R11	CONNECT TERMINAL	1	A MECHA	
	VMC0234-R14	CONNECT TERMINAL	1	B MECHA	
20	VKB3001-064	DRIVE BELT	1	AMECHA	
	VKB3001-065	DRIVE BELT	1	B MECHA	
21	VKF3284-00H	FLY WHEEL	2		
22	VKF3186-00H	FLY WHEEL	2		
23	VKS2224-002	CONTROL CAM	2		
24	VKS5454-001	ACTUATER GEAR	4		
25	VKS5455-001	ACTUATER GEAR	2		
26	VKS3627-001	PINCH LEVER	2		
27	VKP4229-00B	PINCH ROLLER	2		
28	VKS2229-00C	CHASSIS BASE	2		
29	VKW5045-003	PINCH ROLLER SPRING	2		
30	VKP4227-00B	PINCH ROLLER	1		
31	VKW5046-003	PINCH ROLLER SPRING	2		
32	VKM3632-001	HEAD BASE	2		
33	VKZ4708-001	SPECIAL SCREW	2		
34	VKS5428-00B	REEL DISK	2		
35	VKW5043-001	TENSION SPRING	4		
36	VKS3617-002	REEL DISK	3		
37	VKZ4705-001	SPECIAL SCREW	4		
38	VKZ4705-002	SPECIAL SCREW	4		
39	VKY4670-001	SPRING	2		
40	VKS3626-00E	HEAD MOUNT	1	A MECHA	
	VKS3629-00E	HEAD MOUNT	1	B MECHA	
40-1	MKW5063-003	HEAD SPRING	2		
40-2	VKS3614-001	TURN GEAR	2	A MECHA	
40-3	VKS3654-001	HEAD MOUNT COVER	2		
40-4	VKZ4629-003	SCREW	4		

Printed Circuit Board Ass'y and Parts List

■ ENH-258 □ Power amp & Power Supply PC Board Ass'y

Note : ENH-258 □ varies according to the areas employd. See note (1) when placing an order.



Note (1)

PC Board Ass'y	Version	Designated Areas
ENH-258 [A]	J	the U.S.A.
ENH-258 [B]	C	Canada
ENH-258 [C]	U	Universal Type
	US	Singapore
	UT	Taiwan
ENH-258 [D]	UP	Korea

Transistors

ITEM	PART NUMBER	DESCRIPTION	AREA
Q411	2SD2061(F,G)	SI. TRANSIST ROHM	
Q412	2SB1187(F,G)	SI. TRANSIST ROHM	
Q413	2SC1740S(R,S)	SI. TRANSIST ROHM	
Q414	2SA933S(RS)	SI. TRANSIST	
Q415	DTC144ES	DIGITAL TRA ROHM	
Q416	DTA144ES	DIGITAL TRA ROHM	
Q417	DTA144ES	DIGITAL TRA ROHM	
Q418	DTC144ES	DIGITAL TRA ROHM	
Q421	2SD2061(F,G)	SI. TRANSIST ROHM	
Q422	2SC1740S(R,S)	SI. TRANSIST ROHM	
Q431	2SD2061(F,G)	SI. TRANSIST ROHM	
Q433	2SC1740S(R,S)	SI. TRANSIST ROHM	
Q435	2SB1357(E,F)	SI. TRANSIST ROHM	
Q436	2SD2037(E,F)	SI. TRANSIST ROHM	
Q441	DTC114ES	DIGITAL TRA ROHM	

▲ : SAFETY PARTS

Transistors

ITEM	PART NUMBER	DESCRIPTION	AREA
Q442	DTC114YS	DIGITAL TRA ROHM	
Q443	DTA114TS	DIGITAL TRA ROHM	
Q444	DTA144WS	DIGITAL TRA ROHM	
Q455	2SC1740S(R,S)	SI.TRANSIST ROHM	
Q501	2SC1740S(R,S)	SI.TRANSIST ROHM	
Q531	2SA933S(RS)	SI.TRANSIST	
Q532	2SA933S(RS)	SI.TRANSIST	
Q533	2SC1740S(R,S)	SI.TRANSIST ROHM	
Q534	2SA733A(P,K)	SI.TRANSIST NEC	
Q535	2SC1740S(R,S)	SI.TRANSIST ROHM	
Q541	DTC144ES	DIGITAL TRA ROHM	
Q545	2SD2144S(VW)	SI.TRANSIST ROHM	
Q546	2SD2144S(VW)	SI.TRANSIST ROHM	

△ : SAFETY PARTS

I.C.s

ITEM	PART NUMBER	DESCRIPTION	AREA
IC461	XR1099CP	I.C(MONO-AN EXAR JAPAN	
IC501	STK4141MK5	I.C(HYBRID) SANYO	U
IC501	STK4141MK5	I.C(HYBRID) SANYO	UP
IC501	STK4141MK5	I.C(HYBRID) SANYO	US
IC501	STK4141MK5	I.C(HYBRID) SANYO	UT
IC501	STK4161MK5V	I.C(HYBRID) SANYO	C
IC501	STK4161MK5V	I.C(HYBRID) SANYO	J
IC965	BA15218N	I.C(MONO-AN ROHM	U
IC965	BA15218N	I.C(MONO-AN ROHM	UP
IC965	BA15218N	I.C(MONO-AN ROHM	US
IC965	BA15218N	I.C(MONO-AN ROHM	UT
IC966	BA7725S	I.C(MONO-AN ROHM	U
IC966	BA7725S	I.C(MONO-AN ROHM	UP
IC966	BA7725S	I.C(MONO-AN ROHM	US
IC966	BA7725S	I.C(MONO-AN ROHM	UT
IC967	BU9251S	I.C(M) ROHM	U
IC967	BU9251S	I.C(M) ROHM	UP
IC967	BU9251S	I.C(M) ROHM	US
IC967	BU9251S	I.C(M) ROHM	UT

△ : SAFETY PARTS

Diodes

ITEM	PART NUMBER	DESCRIPTION	AREA
D401	S3V20F	SI.DIODE SINDENGEN	C
D401	S3V20F	SI.DIODE SINDENGEN	J
△ D401	30DL2FC	SI.DIODE NISHONINTER	U
△ D401	30DL2FC	SI.DIODE NISHONINTER	UP
△ D401	30DL2FC	SI.DIODE NISHONINTER	US
△ D401	30DL2FC	SI.DIODE NISHONINTER	UT
D402	S3V20F	SI.DIODE SINDENGEN	C
D402	S3V20F	SI.DIODE SINDENGEN	J
△ D402	30DL2FC	SI.DIODE NISHONINTER	U
△ D402	30DL2FC	SI.DIODE NISHONINTER	UP
△ D402	30DL2FC	SI.DIODE NISHONINTER	US
△ D402	30DL2FC	SI.DIODE NISHONINTER	UT
D403	S3V20F	SI.DIODE SINDENGEN	C
D403	S3V20F	SI.DIODE SINDENGEN	J
△ D403	30DL2FC	SI.DIODE NISHONINTER	U
△ D403	30DL2FC	SI.DIODE NISHONINTER	UP
△ D403	30DL2FC	SI.DIODE NISHONINTER	US
△ D403	30DL2FC	SI.DIODE NISHONINTER	UT
D404	S3V20F	SI.DIODE SINDENGEN	C
D404	S3V20F	SI.DIODE SINDENGEN	J
△ D404	30DL2FC	SI.DIODE NISHONINTER	U
△ D404	30DL2FC	SI.DIODE NISHONINTER	UP
△ D404	30DL2FC	SI.DIODE NISHONINTER	US
△ D404	30DL2FC	SI.DIODE NISHONINTER	UT
D411	MTZ13JC	ZENER DIODE ROHM	
D412	MTZ13JC	ZENER DIODE ROHM	
D413	MTZ13JC	ZENER DIODE ROHM	
D414	MTZ13JC	ZENER DIODE ROHM	
D415	RD6.8JSB3	ZENER DIODE NEC	
D416	MTZ6.8JC	ZENER DIODE ROHM	
D421	1SR139-200	SI.DIODE ROHM	
D422	1SR139-200	SI.DIODE ROHM	
D423	1SR139-200	SI.DIODE ROHM	
D424	1SR139-200	SI.DIODE ROHM	
D425	1SR139-200	SI.DIODE ROHM	
D427	1SR139-200	SI.DIODE ROHM	
D431	MTZ11JC	ZENER DIODE ROHM	
D432	MTZ12JC	ZENER DIODE ROHM	
D435	1SR139-200	SI.DIODE ROHM	
D436	1SR139-200	SI.DIODE ROHM	
D437	MTZ30JC	ZENER DIODE ROHM	
D438	MTZ6.2JC	ZENER DIODE ROHM	
D441	1SS119	SI.DIODE	
D442	1SS119	SI.DIODE	
D443	MTZ5.1JC	ZENER DIODE ROHM	

△ : SAFETY PARTS

Diodes

ITEM	PART NUMBER	DESCRIPTION	AREA
D445	1SS119	SI.DIODE	
D447	1SS119	SI.DIODE	
D451	MTZ6.8JC	ZENER DIODE ROHM	U
D451	MTZ6.8JC	ZENER DIODE ROHM	UP
D451	MTZ6.8JC	ZENER DIODE ROHM	US
D451	MTZ6.8JC	ZENER DIODE ROHM	UT
D455	1SS119	SI.DIODE	
D456	1SS119	SI.DIODE	
D461	MTZ5.1JB	ZENER DIODE ROHM	
D462	MTZ5.1JB	ZENER DIODE ROHM	
D463	MTZ6.8JC	ZENER DIODE ROHM	
D464	MTZ6.8JC	ZENER DIODE ROHM	
D531	1SS119	SI.DIODE	
D532	1SS119	SI.DIODE	
D533	1SS119	SI.DIODE	
D965	MTZ5.1JC	ZENER DIODE ROHM	U
D965	MTZ5.1JC	ZENER DIODE ROHM	UP
D965	MTZ5.1JC	ZENER DIODE ROHM	US
D965	MTZ5.1JC	ZENER DIODE ROHM	UT

△ : SAFETY PARTS

Capacitors

ITEM	PART NUMBER	DESCRIPTION	AREA
C400	QFV82AJ-104	0.1MF 100V THIN FILM	
C401	EEW4208-568E	5600MF E.CAPACITO	
C402	EEW4208-568E	5600MF E.CAPACITO	
C412	QFLB1HJ-223	0.022MF 50V MYLAR CAPA	
C413	QFLB1HJ-223	0.022MF 50V MYLAR CAPA	
C415	QETB1CM-226	22MF 16V E.CAPACITO	
C416	QETB1CM-226	22MF 16V E.CAPACITO	
C417	QFLB1HJ-103	0.01MF 50V MYLAR CAPA	
C418	QFLB1HJ-103	0.01MF 50V MYLAR CAPA	
C419	QETB1CM-226	22MF 16V E.CAPACITO	
C420	QETB1CM-226	22MF 16V E.CAPACITO	
C421	QETB1VM-338	3300MF 35V AL E.CAPAC	
C422	QETB1VM-338	3300MF 35V AL E.CAPAC	
C423	QETB1EM-226N	22MF 25V E.CAPACITO	
C424	QETB1AM-476	47MF 10V E.CAPACITO	
C425	QFLB1HJ-223	0.022MF 50V MYLAR CAPA	
C428	QFLB1HJ-223	0.022MF 50V MYLAR CAPA	
C429	QETB1AM-476	47MF 10V E.CAPACITO	
C430	QFLB1HJ-103	0.01MF 50V MYLAR CAPA	
C431	QETB1CM-226	22MF 16V E.CAPACITO	
C432	QFLB1HJ-103	0.01MF 50V MYLAR CAPA	
C433	QETB1CM-226	22MF 16V E.CAPACITO	
C435	QETB1HM-227	220MF 50V E.CAPACITO	
C436	QETB1HM-107	100MF 50V E.CAPACITO	
C437	QETB1HM-226E	22MF 50V E.CAPACITO	
C438	QETB1HM-226E	22MF 50V E.CAPACITO	
C439	QETB1HM-475E	4.7MF 50V E.CAPACITO	
C440	QETB1HM-475E	4.7MF 50V E.CAPACITO	
C441	QETB1HM-225	2.2MF 50V AL E.CAPAC	
C455	QETB1HM-105	1MF 50V AL E.CAPAC	
C456	QETB1HM-105	1MF 50V AL E.CAPAC	
C460	QFV82AJ-104	0.1MF 100V THIN FILM	
C461	QETB1AM-107	100MF 10V AL E.CAPAC	
C462	QETB1AM-107	100MF 10V AL E.CAPAC	
C463	QETB1AM-476	47MF 10V E.CAPACITO	
C464	QCB81HK-102Y	1000PF 50V CER.CAPACI	
C501	EET5010-225ZE	2.2MF E.CAPACITO	
C502	EET5010-225ZE	2.2MF E.CAPACITO	
C503	QCS21HJ-470	47PF 50V CER.CAPACI	
C504	QCS21HJ-470	47PF 50V CER.CAPACI	
C505	QCS81HK-471Y	470PF 50V CER.CAPACI	
C506	QCS81HK-471Y	470PF 50V CER.CAPACI	
C507	QETB1HM-226E	22MF 50V E.CAPACITO	
C508	QETB1HM-226E	22MF 50V E.CAPACITO	
C510	QFLB1HJ-223	0.022MF 50V MYLAR CAPA	
C511	QETB1HM-107	100MF 50V E.CAPACITO	
C512	QETB1HM-106	10MF 50V E.CAPACITO	
C517	QCS21HJ-100	10PF 50V CER.CAPACI	
C518	QCS21HJ-100	10PF 50V CER.CAPACI	
C519	EET5010-226ZE	22MF E.CAPACITO	
C520	EET5010-226ZE	22MF E.CAPACITO	
C523	QFV81HJ-104	0.1MF 50V THIN FILM	C
C523	QFV81HJ-104	0.1MF 50V THIN FILM	U
C523	QFV81HJ-104	0.1MF 50V THIN FILM	UP
C523	QFV81HJ-104	0.1MF 50V THIN FILM	US
C523	QFV81HJ-104	0.1MF 50V THIN FILM	UT
C524	QFV81HJ-104	0.1MF 50V THIN FILM	C
C524	QFV81HJ-104	0.1MF 50V THIN FILM	U
C524	QFV81HJ-104	0.1MF 50V THIN FILM	UP
C524	QFV81HJ-104	0.1MF 50V THIN FILM	US
C524	QFV81HJ-104	0.1MF 50V THIN FILM	UT
C525	QFV81HJ-104	0.1MF 50V THIN FILM	C
C525	QFV81HJ-104	0.1MF 50V THIN FILM	U
C525	QFV81HJ-104	0.1MF 50V THIN FILM	UP
C525	QFV81HJ-104	0.1MF 50V THIN FILM	US

△ : SAFETY PARTS

Capacitors

Δ	ITEM	PART NUMBER	DESCRIPTION		AREA
	C525	QFV81HJ-104	0.1MF	50V THIN FILM	UT
	C526	QFV81HJ-104	0.1MF	50V THIN FILM	C
	C526	QFV81HJ-104	0.1MF	50V THIN FILM	U
	C526	QFV81HJ-104	0.1MF	50V THIN FILM	UP
	C526	QFV81HJ-104	0.1MF	50V THIN FILM	US
	C526	QFV81HJ-104	0.1MF	50V THIN FILM	UT
	C527	QFLB1HJ-473	0.047MF	50V MYLAR CAPA	J
	C528	QFLB1HJ-473	0.047MF	50V MYLAR CAPA	J
	C531	QETB1EM-106	10MF	25V AL E.CAPAC	U
	C532	QETB1CM-476	47MF	16V AL E.CAPAC	UP
	C541	QETB1HM-106	10MF	50V E.CAPACITO	U
	C550	QETB1HM-105	1MF	50V AL E.CAPAC	U
	C965	QCVB1CM-103Y	0.01MF	16V CER.CAPACI	UP
	C965	QCVB1CM-103Y	0.01MF	16V CER.CAPACI	US
	C965	QCVB1CM-103Y	0.01MF	16V CER.CAPACI	UT
	C965	QCVB1CM-103Y	0.01MF	16V CER.CAPACI	UP
	C965	QCVB1CM-103Y	0.01MF	16V CER.CAPACI	US
	C966	QETB1EM-106	10MF	25V AL E.CAPAC	U
	C966	QETB1EM-106	10MF	25V AL E.CAPAC	UP
	C966	QETB1EM-106	10MF	25V AL E.CAPAC	US
	C966	QETB1EM-106	10MF	25V AL E.CAPAC	UT
	C966	QETB1EM-106	10MF	25V AL E.CAPAC	UP
	C967	QETB1EM-106	10MF	25V AL E.CAPAC	U
	C967	QETB1EM-106	10MF	25V AL E.CAPAC	UP
	C967	QETB1EM-106	10MF	25V AL E.CAPAC	US
	C967	QETB1EM-106	10MF	25V AL E.CAPAC	UT
	C967	QETB1EM-106	10MF	25V AL E.CAPAC	UP
	C968	QCBB1HK-102Y	1000PF	50V CER.CAPACI	U
	C968	QCBB1HK-102Y	1000PF	50V CER.CAPACI	UP
	C968	QCBB1HK-102Y	1000PF	50V CER.CAPACI	US
	C968	QCBB1HK-102Y	1000PF	50V CER.CAPACI	UT
	C969	QCBB1HK-101Y	100PF	50V CER.CAPACI	U
	C969	QCBB1HK-101Y	100PF	50V CER.CAPACI	UP
	C969	QCBB1HK-101Y	100PF	50V CER.CAPACI	US
	C969	QCBB1HK-101Y	100PF	50V CER.CAPACI	UT
	C969	QCBB1HK-101Y	100PF	50V CER.CAPACI	UP
	C970	QCBB1HK-101Y	100PF	50V CER.CAPACI	U
	C970	QCBB1HK-101Y	100PF	50V CER.CAPACI	UP
	C970	QCBB1HK-101Y	100PF	50V CER.CAPACI	US
	C970	QCBB1HK-101Y	100PF	50V CER.CAPACI	UT
	C970	QCBB1HK-101Y	100PF	50V CER.CAPACI	UP
	C972	QETB1EM-106	10MF	25V AL E.CAPAC	U
	C972	QETB1EM-106	10MF	25V AL E.CAPAC	UP
	C972	QETB1EM-106	10MF	25V AL E.CAPAC	US
	C972	QETB1EM-106	10MF	25V AL E.CAPAC	UT
	C973	QETB1EM-106	10MF	25V AL E.CAPAC	U
	C973	QETB1EM-106	10MF	25V AL E.CAPAC	UP
	C973	QETB1EM-106	10MF	25V AL E.CAPAC	US
	C973	QETB1EM-106	10MF	25V AL E.CAPAC	UT
	C973	QETB1EM-106	10MF	25V AL E.CAPAC	UP
	C974	QETB1CM-476	47MF	16V AL E.CAPAC	U
	C974	QETB1CM-476	47MF	16V AL E.CAPAC	UP
	C974	QETB1CM-476	47MF	16V AL E.CAPAC	US
	C974	QETB1CM-476	47MF	16V AL E.CAPAC	UT
	C974	QETB1CM-476	47MF	16V AL E.CAPAC	UP
	C975	QCXB1CM-222Y	2200PF	16V CER.CAPACI	U
	C975	QCXB1CM-222Y	2200PF	16V CER.CAPACI	UP
	C975	QCXB1CM-222Y	2200PF	16V CER.CAPACI	US
	C975	QCXB1CM-222Y	2200PF	16V CER.CAPACI	UT
	C975	QCXB1CM-222Y	2200PF	16V CER.CAPACI	UP
	C976	QCVB1CM-103Y	0.01MF	16V CER.CAPACI	U
	C976	QCVB1CM-103Y	0.01MF	16V CER.CAPACI	UP
	C976	QCVB1CM-103Y	0.01MF	16V CER.CAPACI	US
	C976	QCVB1CM-103Y	0.01MF	16V CER.CAPACI	UT
	C976	QCVB1CM-103Y	0.01MF	16V CER.CAPACI	UP
	C977	QETB1HM-474	0.47MF	50V ELECTRO	U
	C977	QETB1HM-474	0.47MF	50V ELECTRO	UP
	C977	QETB1HM-474	0.47MF	50V ELECTRO	US
	C977	QETB1HM-474	0.47MF	50V ELECTRO	UT
	C977	QETB1HM-474	0.47MF	50V ELECTRO	UP
	C978	QFLB1HJ-104	0.1MF	50V MYLAR CAPA	U
	C978	QFLB1HJ-104	0.1MF	50V MYLAR CAPA	UP
	C978	QFLB1HJ-104	0.1MF	50V MYLAR CAPA	US
	C978	QFLB1HJ-104	0.1MF	50V MYLAR CAPA	UT
	C978	QFLB1HJ-104	0.1MF	50V MYLAR CAPA	UP
	C979	QFLB1HJ-333	0.033MF	50V MYLAR CAPA	U
	C979	QFLB1HJ-333	0.033MF	50V MYLAR CAPA	UP
	C979	QFLB1HJ-333	0.033MF	50V MYLAR CAPA	US
	C979	QFLB1HJ-333	0.033MF	50V MYLAR CAPA	UT
	C979	QFLB1HJ-333	0.033MF	50V MYLAR CAPA	UP
	C980	QFLB1HJ-104	0.1MF	50V MYLAR CAPA	U
	C980	QFLB1HJ-104	0.1MF	50V MYLAR CAPA	UP
	C980	QFLB1HJ-104	0.1MF	50V MYLAR CAPA	US
	C980	QFLB1HJ-104	0.1MF	50V MYLAR CAPA	UT
	C980	QFLB1HJ-104	0.1MF	50V MYLAR CAPA	UP
	C981	QFLB1HJ-104	0.1MF	50V MYLAR CAPA	U
	C981	QFLB1HJ-104	0.1MF	50V MYLAR CAPA	UP
	C981	QFLB1HJ-104	0.1MF	50V MYLAR CAPA	US
	C981	QFLB1HJ-104	0.1MF	50V MYLAR CAPA	UT
	C981	QFLB1HJ-104	0.1MF	50V MYLAR CAPA	UP
	C982	QETB1HM-105	1MF	50V AL E.CAPAC	U
	C982	QETB1HM-105	1MF	50V AL E.CAPAC	UP
	C982	QETB1HM-105	1MF	50V AL E.CAPAC	US
	C982	QETB1HM-105	1MF	50V AL E.CAPAC	UT
	C982	QETB1HM-105	1MF	50V AL E.CAPAC	UP
	C983	QFLB1HJ-104	0.1MF	50V MYLAR CAPA	U
	C983	QFLB1HJ-104	0.1MF	50V MYLAR CAPA	UP
	C983	QFLB1HJ-104	0.1MF	50V MYLAR CAPA	US
	C983	QFLB1HJ-104	0.1MF	50V MYLAR CAPA	UT
	C983	QFLB1HJ-104	0.1MF	50V MYLAR CAPA	UP
	C984	QCBB1HK-221Y	220PF	50V CER.CAPACI	U
	C984	QCBB1HK-221Y	220PF	50V CER.CAPACI	UP
	C984	QCBB1HK-221Y	220PF	50V CER.CAPACI	US
	C984	QCBB1HK-221Y	220PF	50V CER.CAPACI	UT
	C984	QCBB1HK-221Y	220PF	50V CER.CAPACI	UP
	C985	QCVB1CM-103Y	0.01MF	16V CER.CAPACI	U
	C985	QCVB1CM-103Y	0.01MF	16V CER.CAPACI	UP
	C985	QCVB1CM-103Y	0.01MF	16V CER.CAPACI	US
	C985	QCVB1CM-103Y	0.01MF	16V CER.CAPACI	UT
	C985	QCVB1CM-103Y	0.01MF	16V CER.CAPACI	UP
	C986	QETB1CM-107	100MF	16V AL E.CAPAC	U
	C986	QETB1CM-107	100MF	16V AL E.CAPAC	UP
	C986	QETB1CM-107	100MF	16V AL E.CAPAC	US
	C986	QETB1CM-107	100MF	16V AL E.CAPAC	UT
	C986	QETB1CM-107	100MF	16V AL E.CAPAC	UP

Δ : SAFETY PARTS

Capacitors

Δ	ITEM	PART NUMBER	DESCRIPTION		AREA
	C986	QETB1CM-107	100MF	16V AL E.CAPAC	UT
	C987	QCBB1HK-221Y	220PF	50V CER.CAPACI	U
	C987	QCBB1HK-221Y	220PF	50V CER.CAPACI	UP
	C987	QCBB1HK-221Y	220PF	50V CER.CAPACI	US
	C987	QCBB1HK-221Y	220PF	50V CER.CAPACI	UT
	C987	QCBB1HK-221Y	220PF	50V CER.CAPACI	UP
	C988	QCVB1CM-103Y	0.01MF	16V CER.CAPACI	U
	C988	QCVB1CM-103Y	0.01MF	16V CER.CAPACI	UP
	C988	QCVB1CM-103Y	0.01MF	16V CER.CAPACI	US
	C988	QCVB1CM-103Y	0.01MF	16V CER.CAPACI	UT
	C988	QCVB1CM-103Y	0.01MF	16V CER.CAPACI	UP
	C989	QCBB1HK-221Y	220PF	50V CER.CAPACI	U
	C989	QCBB1HK-221Y	220PF	50V CER.CAPACI	UP
	C989	QCBB1HK-221Y	220PF	50V CER.CAPACI	US
	C989	QCBB1HK-221Y	220PF	50V CER.CAPACI	UT
	C989	QCBB1HK-221Y	220PF	50V CER.CAPACI	UP
	C990	QFLB1HJ-104	0.1MF	50V MYLAR CAPA	U
	C990	QFLB1HJ-104	0.1MF	50V MYLAR CAPA	UP
	C990	QFLB1HJ-104	0.1MF	50V MYLAR CAPA	US
	C990	QFLB1HJ-104	0.1MF	50V MYLAR CAPA	UT
	C990	QFLB1HJ-104	0.1MF	50V MYLAR CAPA	UP
	C991	QETB1HM-474	0.47MF	50V ELECTRO	U
	C991	QETB1HM-474	0.47MF	50V ELECTRO	UP
	C991	QETB1HM-474	0.47MF	50V ELECTRO	US
	C991	QETB1HM-474	0.47MF	50V ELECTRO	UT
	C991	QETB1HM-474	0.47MF	50V ELECTRO	UP
	C992	QCXB1CM-562Y	5600PF	16V CER.CAPACI	U
	C992	QCXB1CM-562Y	5600PF	16V CER.CAPACI	UP
	C992	QCXB1CM-562Y	5600PF	16V CER.CAPACI	US
	C992	QCXB1CM-562Y	5600PF	16V CER.CAPACI	UT
	C992	QCXB1CM-562Y	5600PF	16V CER.CAPACI	UP
	C993	QCBB1HK-821Y	820PF	50V CER.CAPACI	U
	C993	QCBB1HK-821Y	820PF	50V CER.CAPACI	UP
	C993	QCBB1HK-821Y	820PF	50V CER.CAPACI	US
	C993	QCBB1HK-821Y	820PF	50V CER.CAPACI	UT
	C993	QCBB1HK-821Y	820PF	50V CER.CAPACI	UP
	C994	QFLB1HJ-183	0.018MF	50V MYLAR CAPA	U
	C994	QFLB1HJ-183	0.018MF	50V MYLAR CAPA	UP
	C994	QFLB1HJ-183	0.018MF	50V MYLAR CAPA	US
	C994	QFLB1HJ-183	0.018MF	50V MYLAR CAPA	UT
	C994	QFLB1HJ-183	0.018MF	50V MYLAR CAPA	UP
	C995	QFLB1HJ-104	0.1MF	50V MYLAR CAPA	U
	C995	QFLB1HJ-104	0.1MF	50V MYLAR CAPA	UP
	C995	QFLB1HJ-104	0.1MF	50V MYLAR CAPA	US
	C995	QFLB1HJ-104	0.1MF	50V MYLAR CAPA	UT
	C995	QFLB1HJ-104	0.1MF	50V MYLAR CAPA	UP
	C996	QETB1CM-226	22MF	16V E.CAPACITO	U
	C996	QETB1CM-226	22MF	16V E.CAPACITO	UP
	C996	QETB1CM-226	22MF	16V E.CAPACITO	US
	C996	QETB1CM-226	22MF	16V E.CAPACITO	UT
	C996	QETB1CM-226	22MF	16V E.CAPACITO	UP
	C997	QCSB1HJ-470	47PF	50V CER.CAPACI	U
	C997	QCSB1HJ-470	47PF	50V CER.CAPACI	UP
	C997	QCSB1HJ-470	47PF	50V CER.CAPACI	US
	C997	QCSB1HJ-470	47PF	50V CER.CAPACI	UT
	C997	QCSB1HJ-470	47PF	50V CER.CAPACI	UP
	C1902	QCFB1HZ-104Y	0.1MF	50V CER.CAPACI	U
	C1902	QCFB1HZ-104Y	0.1MF	50V CER.CAPACI	UP
	C1902	QCFB1HZ-104Y	0.1MF	50V CER.CAPACI	US
	C1902	QCFB1HZ-104Y	0.1MF	50V CER.CAPACI	UT
	C1902	QCFB1HZ-104Y	0.1MF	50V CER.CAPACI	UP

Δ : SAFETY PARTS

Resistors

Δ	ITEM	PART NUMBER	DESCRIPTION		AREA
	R001	QRC128K-275EM	2.7M	1/2W COMPOSITIO	C
	R001	QRC128K-275EM	2.7M	1/2W COMPOSITIO	J
	R002	QRD161J-105	1M	1/6W CARBON RES	U
	R002	QRD161J-105	1M	1/6W CARBON RES	US
	R002	QRD161J-105	1M	1/6W CARBON RES	UT
	R003	QRD161J-105	1M	1/6W CARBON RES	U
	R003	QRD161J-105	1M	1/6W CARBON RES	US
	R003	QRD161J-105	1M	1/6W CARBON RES	UT
	R004	QRD161J-105	1M	1/6W CARBON RES	U
	R004	QRD161J-105	1M	1/6W CARBON RES	US
	R004	QRD161J-105	1M	1/6W CARBON RES	UT
	R411	QRD14CJ-2R2SX	2.2	1/4W UNF. CARBON	C
	R411	QRD14CJ-2R2SX	2.2	1/4W UNF. CARBON	J
	R412	QRD14CJ-5R6SX	5.6	1/4W UNF. CARBON	C
	R412	QRD14CJ-5R6SX	5.6	1/4W UNF. CARBON	J
	R413	QRD167J-153	15K	1/6W CARBON RES	U
	R414	QRD167J-153	15K	1/6W CARBON RES	US
	R415	QRD167J-152	1.5K	1/6W CARBON RES	U
	R417	QRD167J-152	1.5K	1/6W CARBON RES	US
	R418	QRD161J-222	2.2K	1/6W CARBON RES	U
	R421	QRD14CJ-1R0SX	1	1/4W UNF. CARBON	C
	R421	QRD14CJ-1R0SX	1	1/4W UNF. CARBON	J
	R422	QRD161J-222	2.2K	1/6W CARBON RES	U
	R425	QRD14CJ-3R9S	3.9	1/4W UNF. CARBON	C

Resistors

Δ	ITEM	PART NUMBER	DESCRIPTION			AREA
	R430	QRZ0077-5R6X	5.6	1/4W	FUSIBLE RE	U
	R430	QRZ0077-5R6X	5.6	1/4W	FUSIBLE RE	UP
	R430	QRZ0077-5R6X	5.6	1/4W	FUSIBLE RE	US
	R430	QRZ0077-5R6X	5.6	1/4W	FUSIBLE RE	UT
	R431	QRD161J-222	2.2K	1/6W	CARBON RES	
	R432	QRD161J-102	1K	1/6W	CARBON RES	
	R433	QRD161J-221	220	1/6W	CARBON RES	
Δ	R435	PTH61G25AR4R7M			POSITIVE T	
	R436	QRD167J-332	3.3K	1/6W	CARBON RES	
	R437	QRD167J-223	22K	1/6W	CARBON RES	
	R438	QRD161J-104	100K	1/6W	CARBON RES	
	R441	QRD161J-103	10K	1/6W	CARBON RES	
	R442	QRD161J-103	10K	1/6W	CARBON RES	
	R443	QRD161J-103	10K	1/6W	CARBON RES	
	R444	QRD161J-102	1K	1/6W	CARBON RES	
	R448	QRD161J-103	10K	1/6W	CARBON RES	
	R449	QRD161J-222	2.2K	1/6W	CARBON RES	
Δ	R451	QRD14CJ-271S	270	1/4W	UNF. CARBON	U
Δ	R451	QRD14CJ-271S	270	1/4W	UNF. CARBON	UP
Δ	R451	QRD14CJ-271S	270	1/4W	UNF. CARBON	US
Δ	R451	QRD14CJ-271S	270	1/4W	UNF. CARBON	UT
Δ	R451	QRD14CJ-331SX	330	1/4W	UNF. CARBON	C
Δ	R451	QRD14CJ-331SX	330	1/4W	UNF. CARBON	J
Δ	R452	QRD14CJ-471SX	470	1/4W	UNF. CARBON	C
Δ	R452	QRD14CJ-471SX	470	1/4W	UNF. CARBON	J
Δ	R452	QRZ0077-271	270	1/4W	FUSIBLE RE	U
Δ	R452	QRZ0077-271	270	1/4W	FUSIBLE RE	UP
Δ	R452	QRZ0077-271	270	1/4W	FUSIBLE RE	US
Δ	R452	QRZ0077-271	270	1/4W	FUSIBLE RE	UT
Δ	R453	QRD14CJ-4R7S	4.7	1/4W	UNF. CARBON	C
Δ	R453	QRD14CJ-4R7S	4.7	1/4W	UNF. CARBON	J
	R455	QRD167J-562	5.6K	1/6W	CARBON RES	
	R456	QRD161J-103	10K	1/6W	CARBON RES	
	R457	QRD161J-222	2.2K	1/6W	CARBON RES	
	R458	QRD161J-104	100K	1/6W	CARBON RES	
Δ	R459	QRD14CJ-100SX	10	1/4W	UNF. CARBON	C
Δ	R459	QRD14CJ-100SX	10	1/4W	UNF. CARBON	J
Δ	R459	QRZ0077-100	10	1/4W	FUSIBLE RE	U
Δ	R459	QRZ0077-100	10	1/4W	FUSIBLE RE	UP
Δ	R459	QRZ0077-100	10	1/4W	FUSIBLE RE	US
Δ	R459	QRZ0077-100	10	1/4W	FUSIBLE RE	UT
Δ	R460	QRD14CJ-100SX	10	1/4W	UNF. CARBON	C
Δ	R460	QRD14CJ-100SX	10	1/4W	UNF. CARBON	J
Δ	R460	QRZ0077-100	10	1/4W	FUSIBLE RE	U
Δ	R460	QRZ0077-100	10	1/4W	FUSIBLE RE	UP
Δ	R460	QRZ0077-100	10	1/4W	FUSIBLE RE	US
Δ	R460	QRZ0077-100	10	1/4W	FUSIBLE RE	UT
	R461	QRD161J-331	330	1/6W	CARBON RES	
	R462	QRD161J-331	330	1/6W	CARBON RES	
	R463	QRD167J-223	22K	1/6W	CARBON RES	
	R464	QRD167J-152	1.5K	1/6W	CARBON RES	
	R465	QRD167J-562	5.6K	1/6W	CARBON RES	
	R466	QRD167J-223	22K	1/6W	CARBON RES	
	R467	QRD161J-102	1K	1/6W	CARBON RES	
	R503	QRD161J-563	56K	1/6W	CARBON RES	
	R504	QRD161J-563	56K	1/6W	CARBON RES	
Δ	R505	QRD14CJ-272S	2.7K	1/4W	UNF. CARBON	U
Δ	R506	QRD14CJ-272S	2.7K	1/4W	UNF. CARBON	UP
Δ	R507	QRD14CJ-272S	2.7K	1/4W	UNF. CARBON	US
Δ	R508	QRD14CJ-272S	2.7K	1/4W	UNF. CARBON	UT
Δ	R510	QRD14CJ-100SX	10	1/4W	UNF. CARBON	C
Δ	R510	QRD14CJ-100SX	10	1/4W	UNF. CARBON	J
Δ	R510	QRZ0077-100	10	1/4W	FUSIBLE RE	U
Δ	R510	QRZ0077-100	10	1/4W	FUSIBLE RE	UP
Δ	R510	QRZ0077-100	10	1/4W	FUSIBLE RE	US
Δ	R510	QRZ0077-100	10	1/4W	FUSIBLE RE	UT
Δ	R511	QRD14CJ-101S	100	1/4W	UNF. CARBON	C
Δ	R511	QRD14CJ-101S	100	1/4W	UNF. CARBON	J
Δ	R511	QRZ0077-101	100	1/4W	FUSIBLE RE	U
Δ	R511	QRZ0077-101	100	1/4W	FUSIBLE RE	UP
Δ	R511	QRZ0077-101	100	1/4W	FUSIBLE RE	US
Δ	R511	QRZ0077-101	100	1/4W	FUSIBLE RE	UT
Δ	R512	QRD167J-272	2.7K	1/6W	CARBON RES	
Δ	R513	QRD14CJ-100SX	10	1/4W	UNF. CARBON	C
Δ	R513	QRD14CJ-100SX	10	1/4W	UNF. CARBON	J
Δ	R513	QRZ0077-100	10	1/4W	FUSIBLE RE	U
Δ	R513	QRZ0077-100	10	1/4W	FUSIBLE RE	UP
Δ	R513	QRZ0077-100	10	1/4W	FUSIBLE RE	US
Δ	R513	QRZ0077-100	10	1/4W	FUSIBLE RE	UT
Δ	R514	QRD167J-272	2.7K	1/6W	CARBON RES	
	R517	QRD161J-563	56K	1/6W	CARBON RES	
	R518	QRD161J-563	56K	1/6W	CARBON RES	
	R519	QRD14CJ-431SX	430	1/4W	CARBON RES	
	R520	QRD14CJ-431SX	430	1/4W	CARBON RES	
Δ	R521	QRX012J-R22AM	0.22	1W	METAL FILM	
Δ	R522	QRX012J-R22AM	0.22	1W	METAL FILM	
Δ	R525	QRD14CJ-100SX	10	1/4W	UNF. CARBON	C
Δ	R526	QRD14CJ-100SX	10	1/4W	UNF. CARBON	J
Δ	R529	QRD161J-104	100K	1/6W	CARBON RES	
	R530	QRD161J-823	82K	1/6W	CARBON RES	
	R531	QRD167J-272	2.7K	1/6W	CARBON RES	
	R532	QRD167J-272	2.7K	1/6W	CARBON RES	
	R533	QRD167J-153	15K	1/6W	CARBON RES	
	R534	QRD167J-153	15K	1/6W	CARBON RES	
	R535	QRD161J-103	10K	1/6W	CARBON RES	

Δ SAFETY PARTS

Resistors

Δ	ITEM	PART NUMBER	DESCRIPTION			AREA
	R536	QRD161J-103	10K	1/6W	CARBON RES	
	R537	QRD161J-103	10K	1/6W	CARBON RES	
	R538	QRD161J-104	100K	1/6W	CARBON RES	
	R539	QRD161J-103	10K	1/6W	CARBON RES	
	R540	QRD161J-473	47K	1/6W	CARBON RES	
	R541	QRD161J-103	10K	1/6W	CARBON RES	
	R543	QRD14CJ-821SX	820	1/4W	CARBON RES	
	R544	QRD14CJ-821SX	820	1/4W	CARBON RES	
	R545	QRD14CJ-331SX	330	1/4W	UNF. CARBON	
	R546	QRD14CJ-331SX	330	1/4W	UNF. CARBON	
	R547	QRD161J-473	47K	1/6W	CARBON RES	
	R548	QRD161J-473	47K	1/6W	CARBON RES	
	R550	QRD167J-152	1.5K	1/6W	CARBON RES	
	R965	QRD161J-102	1K	1/6W	CARBON RES	U
	R965	QRD161J-102	1K	1/6W	CARBON RES	UP
	R965	QRD161J-102	1K	1/6W	CARBON RES	US
	R965	QRD161J-102	1K	1/6W	CARBON RES	UT
	R966	QRD161J-912	9.1K	1/6W	CARBON RES	U
	R966	QRD161J-912	9.1K	1/6W	CARBON RES	UP
	R966	QRD161J-912	9.1K	1/6W	CARBON RES	US
	R966	QRD161J-912	9.1K	1/6W	CARBON RES	UT
	R967	QRD161J-103	10K	1/6W	CARBON RES	U
	R967	QRD161J-103	10K	1/6W	CARBON RES	UP
	R967	QRD161J-103	10K	1/6W	CARBON RES	US
	R967	QRD161J-103	10K	1/6W	CARBON RES	UT
	R971	QRD167J-152	1.5K	1/6W	CARBON RES	U
	R971	QRD167J-152	1.5K	1/6W	CARBON RES	UP
	R971	QRD167J-152	1.5K	1/6W	CARBON RES	US
	R971	QRD167J-152	1.5K	1/6W	CARBON RES	UT
	R972	QRD161J-123	12K	1/6W	CARBON RES	U
	R972	QRD161J-123	12K	1/6W	CARBON RES	UP
	R972	QRD161J-123	12K	1/6W	CARBON RES	US
	R972	QRD161J-123	12K	1/6W	CARBON RES	UT
	R973	QRD161J-103	10K	1/6W	CARBON RES	U
	R973	QRD161J-103	10K	1/6W	CARBON RES	UP
	R974	QRD161J-103	10K	1/6W	CARBON RES	U
	R974	QRD161J-103	10K	1/6W	CARBON RES	UP
	R974	QRD161J-103	10K	1/6W	CARBON RES	US
	R974	QRD161J-103	10K	1/6W	CARBON RES	UT
	R974	QRD161J-103	10K	1/6W	CARBON RES	U
	R975	QRD161J-103	10K	1/6W	CARBON RES	U
	R975	QRD161J-103	10K	1/6W	CARBON RES	UP
	R975	QRD161J-103	10K	1/6W	CARBON RES	US
	R975	QRD161J-103	10K	1/6W	CARBON RES	UT
	R976	QRD161J-103	10K	1/6W	CARBON RES	U
	R976	QRD161J-103	10K	1/6W	CARBON RES	UP
	R976	QRD161J-103	10K	1/6W	CARBON RES	US
	R976	QRD161J-103	10K	1/6W	CARBON RES	UT
	R977	QRD161J-103	10K	1/6W	CARBON RES	U
	R977	QRD161J-103	10K	1/6W	CARBON RES	UP
	R977	QRD161J-103	10K	1/6W	CARBON RES	US
	R977	QRD161J-103	10K	1/6W	CARBON RES	UT
	R978	QRD161J-103	10K	1/6W	CARBON RES	U
	R978	QRD161J-103	10K	1/6W	CARBON RES	UP
	R978	QRD161J-103	10K	1/6W	CARBON RES	US
	R978	QRD161J-103	10K	1/6W	CARBON RES	UT
	R979	QRD161J-105	1M	1/6W	CARBON RES	U
	R979	QRD161J-105	1M	1/6W	CARBON RES	UP
	R979	QRD161J-105	1M	1/6W	CARBON RES	US
	R979	QRD161J-105	1M	1/6W	CARBON RES	UT
	R980	QRD167J-682	6.8K	1/6W	CARBON RES	U
	R980	QRD167J-682	6.8K	1/6W	CARBON RES	UP
	R980	QRD167J-682	6.8K	1/6W	CARBON RES	US
	R980	QRD167J-682	6.8K	1/6W	CARBON RES	UT
	R981	QRD161J-331	330	1/6W	CARBON RES	U
	R981	QRD161J-331	330	1/6W	CARBON RES	UP
	R981	QRD161J-331	330	1/6W	CARBON RES	US
	R981	QRD161J-331	330	1/6W	CARBON RES	UT
	R982	QRD161J-303Y	30K	1/6W	CARBON RES	U
	R982	QRD161J-303Y	30K	1/6W	CARBON RES	UP
	R982	QRD161J-303Y	30K	1/6W	CARBON RES	US
	R982	QRD161J-303Y	30K	1/6W	CARBON RES	UT
	R983	QRD161J-471	470	1/6W	CARBON RES	U
	R983	QRD161J-471	470	1/6W	CARBON RES	UP
	R983	QRD161J-471	470	1/6W	CARBON RES	US
	R983	QRD161J-471	470	1/6W	CARBON RES	UT
	R984	QRD167J-682	6.8K	1/6W	CARBON RES	U
	R984	QRD167J-682	6.8K	1/6W	CARBON RES	UP
	R984	QRD167J-682	6.8K	1/6W	CARBON RES	US
	R984	QRD167J-682	6.8K	1/6W	CARBON RES	UT
	R985	QRD161J-472	4.7K	1/6W	CARBON RES	U
	R985	QRD161J-472	4.7K	1/6W	CARBON RES	UP
	R985	QRD161J-472	4.7K	1/6W	CARBON RES	US
	R985	QRD161J-472	4.7K	1/6W	CARBON RES	UT
	R986	QRD161J-104	100K	1/6W	CARBON RES	U
	R986	QRD161J-104	100K	1/6W	CARBON RES	UP
	R986	QRD161J-104	100K	1/6W	CARBON RES	US
	R986	QRD161J-104	100K	1/6W	CARBON RES	UT
	R987	QRD161J-393	39K	1/6W	CARBON RES	U
	R987	QRD161J-393	39K	1/6W	CARBON RES	UP
	R987	QRD161J-393	39K	1/6W	CARBON RES	US
	R987	QRD161J-393	39K	1/6W	CARBON RES	UT
	R988	QRD161J-221	220	1/6W	CARBON RES	U
	R988	QRD161J-221	220	1/6W	CARBON RES	UP

DX-C550

Resistors

Δ	ITEM	PART NUMBER	DESCRIPTION	AREA
	R988	QRD161J-221	220 1/6W CARBON RES	US
	R988	QRD161J-221	220 1/6W CARBON RES	UT
	VR965	QVAA80B-E54C	50K VARIABLE R	U
	VR965	QVAA80B-E54C	50K VARIABLE R	UP
	VR965	QVAA80B-E54C	50K VARIABLE R	US
	VR965	QVAA80B-E54C	50K VARIABLE R	UT

Δ : SAFETY PARTS

Others

Δ	ITEM	PART NUMBER	DESCRIPTION	AREA
		EMW10486-302	PRINTED BOA	C
		EMW10486-302	PRINTED BOA	J
		EMW10486-402	PRINTED BOA	U
		EMW10486-402	PRINTED BOA	UP
		EMW10486-402	PRINTED BOA	US
		EMW10486-402	PRINTED BOA	UT
		EWT011-124	TERMINAL WI	U
		EWT011-124	TERMINAL WI	UP
		EWT011-124	TERMINAL WI	US
		EWT011-124	TERMINAL WI	UT
		E61380-034	FUSE LABEL	UP
		E61380-036	FUSE LABEL	UP
		QWE881-22RR	VINYL WIRE	U
		QWE881-22RR	VINYL WIRE	US
		QWE881-22RR	VINYL WIRE	UT
		QWE882-22RR	VINYL WIRE	U
		QWE882-22RR	VINYL WIRE	US
		QWE882-22RR	VINYL WIRE	UT
		QWE883-20RR	VINYL WIRE	U
		QWE883-20RR	VINYL WIRE	US
		QWE883-20RR	VINYL WIRE	UT
		QWE884-24RR	VINYL WIRE	U
		QWE884-24RR	VINYL WIRE	US
		QWE884-24RR	VINYL WIRE	UT
		QWE886-20RR	VINYL WIRE	U
		QWE886-20RR	VINYL WIRE	US
		QWE886-20RR	VINYL WIRE	UT
		QWE887-08RR	VINYL WIRE	UP
		QWE888-22RR	VINYL WIRE	U
		QWE888-22RR	VINYL WIRE	US
		QWE888-22RR	VINYL WIRE	UT
		QWE889-20RR	VINYL WIRE	U
		QWE889-20RR	VINYL WIRE	US
		QWE889-20RR	VINYL WIRE	UT
	J511	EMV7145-003Z	SOCKET ASSY	
	J965	QMS3L60-E40G	HEADPHONE J	U
	J965	QMS3L60-E40G	HEADPHONE J	UP
	J965	QMS3L60-E40G	HEADPHONE J	US
	J965	QMS3L60-E40G	HEADPHONE J	UT
	L501	EQL0011-R45J1	INDUCTOR	
	L502	EQL0011-R45J1	INDUCTOR	
	P401	EMV5133-003KR	CONNECT TER	
	P952	EMV5142-906	CONNECT TER	U
	P952	EMV5142-906	CONNECT TER	UP
	P952	EMV5142-906	CONNECT TER	US
	P952	EMV5142-906	CONNECT TER	UT
	S001	QSR8001-E01U	ROTARY SWIT	U
	S001	QSR8001-E01U	ROTARY SWIT	US
	S001	QSR8001-E01U	ROTARY SWIT	UT
	X965	ECX0000-400KS	CERAMIC RES	U
	X965	ECX0000-400KS	CERAMIC RES	UP
	X965	ECX0000-400KS	CERAMIC RES	US
	X965	ECX0000-400KS	CERAMIC RES	UT
	BC401	EWS243-074	SOCKET WIRE	
	EP401	EMZ4002-001Z	EARTH PLATE	
	EP402	EMZ4002-001Z	EARTH PLATE	
	FT001	VMZ0087-001Z	FUSE HOLDER	C
	FT001	VMZ0087-001Z	FUSE HOLDER	J
	FT002	VMZ0087-001Z	FUSE HOLDER	C
	FT002	VMZ0087-001Z	FUSE HOLDER	J
	FT003	VMZ0087-001Z	FUSE HOLDER	U
	FT003	VMZ0087-001Z	FUSE HOLDER	UP
	FT003	VMZ0087-001Z	FUSE HOLDER	US
	FT003	VMZ0087-001Z	FUSE HOLDER	UT
	FT004	VMZ0087-001Z	FUSE HOLDER	U
	FT004	VMZ0087-001Z	FUSE HOLDER	UP
	FT004	VMZ0087-001Z	FUSE HOLDER	US
	FT004	VMZ0087-001Z	FUSE HOLDER	UT
	FT005	VMZ0087-001Z	FUSE HOLDER	U
	FT005	VMZ0087-001Z	FUSE HOLDER	US
	FT005	VMZ0087-001Z	FUSE HOLDER	UT
	FT006	VMZ0087-001Z	FUSE HOLDER	U
	FT006	VMZ0087-001Z	FUSE HOLDER	US
	FT006	VMZ0087-001Z	FUSE HOLDER	UT
	FT101	VMZ0087-001Z	FUSE HOLDER	

Δ : SAFETY PARTS

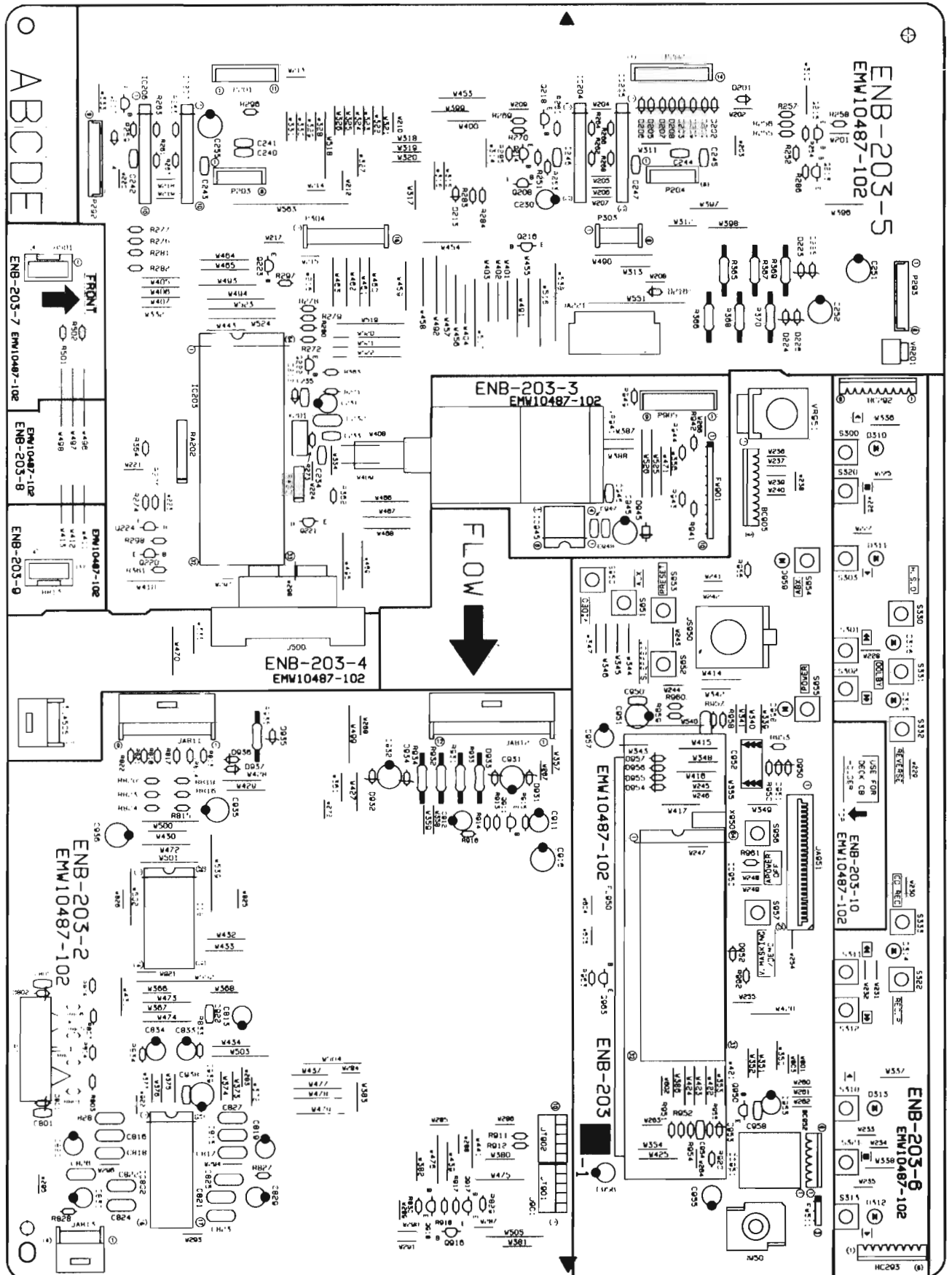
Others

Δ	ITEM	PART NUMBER	DESCRIPTION	AREA
	FT102	VMZ0087-001Z	FUSE HOLDER	
	FT103	VMZ0087-001Z	FUSE HOLDER	
	FT104	VMZ0087-001Z	FUSE HOLDER	
	FW402	EWR370-13LS	CORD	
	JA001	EMV7127-019	CONNECT TER	
	JA403	EMV5163-009R	CONNECT TER	
	JA501	EMV5163-004R	CONNECT TER	
	JA502	EMV7125-007R	CONNECT TER	
	JB221	VMC0161-016	CONNECT TER	
	JB403	EMV7163-009	CONNECT TER	
	JB502	EMV5125-007	MALE CONNec	
	JB505	EMV7163-004	CONNECT TER	
	JB811	EMV7163-009	CONNECT TER	
	JB812	EMV7163-012	CONNECT TER	
	JB951	VMC0161-025	CONNECT TER	
	JT402	EMV7145-003Z	SOCKET ASSY	
	JT403	EMV7145-004Z	SOCKET ASSY	
	RY550	ESK7D24-2120	RELAY	
	TB001	EMZ4001-001	TAB	
	TB002	EMZ4001-001	TAB	

Δ : SAFETY PARTS

■ ENB-203 □ Mecha Control, Source Select PC Board Ass'y

Note : ENB-203 □ varies according to the areas employd. See note (1) when placing an order.



Note (1)

PC Board Ass'y	Version	Designated Areas
ENB-203 A	J	the U.S.A.
ENB-203 B	C	Canada
ENB-203 C	U US UT	Universal Type Singapore Taiwan
ENB-203 D	UP	Korea

Diodes

ITEM	PART NUMBER	DESCRIPTION	AREA
D934	MTZ5.1JC	ZENER DIODE ROHM	
D935	MTZ5.1JC	ZENER DIODE ROHM	
D936	1SS119	SI.DIODE	
D937	1SS119	SI.DIODE	
D945	1SR139-200	SI.DIODE ROHM	
D950	1SS119	SI.DIODE	
D951	1SS119	SI.DIODE	
D952	1SS119	SI.DIODE	
D953	1SS119	SI.DIODE	
D954	1SS119	SI.DIODE	
D955	1SS119	SI.DIODE	
D956	1SS119	SI.DIODE	
D957	1SS119	SI.DIODE	
D958	SLR-342VC3F	L.E.D. ROHM	
D959	SLR-342VC3F	L.E.D. ROHM	

Δ : SAFETY PARTS

Transistors

ITEM	PART NUMBER	DESCRIPTION	AREA
Q208	DTA1144S	DIGITAL TRA ROHM	
Q213	2SC1740S(R,S)	SI.TRANSIST ROHM	
Q214	2SC1740S(R,S)	SI.TRANSIST ROHM	
Q215	2SA933S(RS)	SI.TRANSIST	
Q216	2SA933S(RS)	SI.TRANSIST	
Q217	DTC144ES	DIGITAL TRA ROHM	
Q218	DTC144ES	DIGITAL TRA ROHM	
Q220	DTC144ES	DIGITAL TRA ROHM	
Q221	DTC144ES	DIGITAL TRA ROHM	
Q222	DTC144ES	DIGITAL TRA ROHM	
Q223	DTC144ES	DIGITAL TRA ROHM	
Q224	DTC144ES	DIGITAL TRA ROHM	
Q850	DTC1144S	DIGITAL TRA ROHM	
Q911	2SC1740S(R,S)	SI.TRANSIST ROHM	
Q916	DTA144ES	DIGITAL TRA ROHM	
Q917	2SD2144S(VW)	SI.TRANSIST ROHM	
Q918	2SD2144S(VW)	SI.TRANSIST ROHM	
Q950	DTC1144S	DIGITAL TRA ROHM	
Q963	DTC144ES	DIGITAL TRA ROHM	

Δ : SAFETY PARTS

Capacitors

ITEM	PART NUMBER	DESCRIPTION	AREA
C230	QETB1CM-476	47MF 16V AL E.CAPAC	
C231	QETB1CM-476	47MF 16V AL E.CAPAC	
C232	QCZ0202-155	1.5MF 25V CER.RESIST	
C233	QCVB1CM-103Y	0.01MF 16V CER.CAPACI	
C234	QCVB1CM-103Y	0.01MF 16V CER.CAPACI	
C235	QCBB1HK-102Y	1000PF 50V CER.CAPACI	
C240	QCHB1EZ-223	0.022MF 25V CER.CAPACI	
C241	QCHB1EZ-223	0.022MF 25V CER.CAPACI	
C242	QCVB1CM-103Y	0.01MF 16V CER.CAPACI	
C243	QCVB1CM-103Y	0.01MF 16V CER.CAPACI	
C244	QCHB1EZ-223	0.022MF 25V CER.CAPACI	
C245	QCHB1EZ-223	0.022MF 25V CER.CAPACI	
C246	QCVB1CM-103Y	0.01MF 16V CER.CAPACI	
C247	QCVB1CM-103Y	0.01MF 16V CER.CAPACI	
C251	QETB1AM-107	100MF 10V AL E.CAPAC	
C252	QETB1AM-107	100MF 10V AL E.CAPAC	
C255	QETB1CM-107	100MF 16V AL E.CAPAC	
C801	QCHB1EZ-223	0.022MF 25V CER.CAPACI	
C805	QCHB1EZ-223	0.022MF 25V CER.CAPACI	
C813	QETB1EM-106	10MF 25V AL E.CAPAC	C
C815	QETB1EM-106	10MF 25V AL E.CAPAC	J
C816	QFV71HJ-683ZM	0.068MF 50V THIN FILM	
C817	QFV71HJ-683ZM	0.068MF 50V THIN FILM	
C818	QFV71HJ-184ZM	0.18MF 50V CAPACITOR	
C819	QFV71HJ-184ZM	0.18MF 50V CAPACITOR	
C820	QETB1EM-106	10MF 25V AL E.CAPAC	
C821	QFV81HJ-684	0.68MF 50V THIN FILM	
C822	QFV81HJ-684	0.68MF 50V THIN FILM	
C823	QFV81HJ-104	0.1MF 50V THIN FILM	
C824	QFV81HJ-104	0.1MF 50V THIN FILM	
C825	QFL31HJ-332	3300PF 50V MYLAR CAPA	
C826	QFL31HJ-332	3300PF 50V MYLAR CAPA	
C827	QFLB1HJ-103	0.01MF 50V MYLAR CAPA	
C828	QFLB1HJ-104	0.1MF 50V MYLAR CAPA	
C829	QETB1EM-106	10MF 25V AL E.CAPAC	
C830	QETB1EM-106	10MF 25V AL E.CAPAC	
C833	QETB1HM-106	10MF 50V E.CAPACITO	
C834	QETB1HM-106	10MF 50V E.CAPACITO	
C835	QFV71HJ-394ZM	0.39MF 50V THIN FILM	
C836	QFV71HJ-394ZM	0.39MF 50V THIN FILM	
C850	QCBB1HK-121Y	120PF 50V CER.CAPACI	
C911	QETB1HM-105	1MF 50V AL E.CAPAC	
C912	QETB1EM-106	10MF 25V AL E.CAPAC	
C916	QETB1EM-476	47MF 25V AL E.CAPAC	
C922	QCBB1HK-561Y	560PF 50V CER.CAPACI	
C931	QETB1AM-107	100MF 10V AL E.CAPAC	
C932	QETB1AM-107	100MF 10V AL E.CAPAC	
C935	QETB1EM-107	100MF 25V AL E.CAPAC	
C936	QETB1EM-107	100MF 25V AL E.CAPAC	
C938	QCVB1CM-103Y	0.01MF 16V CER.CAPACI	
C939	QETB1AM-107	100MF 10V AL E.CAPAC	
C945	QETB1AM-107	100MF 10V AL E.CAPAC	
C946	QCVB1CM-103Y	0.01MF 16V CER.CAPACI	
C947	QCBB1HK-101Y	100PF 50V CER.CAPACI	
C948	QCBB1HK-101Y	100PF 50V CER.CAPACI	
C950	QCHB1EZ-223	0.022MF 25V CER.CAPACI	
C951	QETB1AM-227	220MF 10V E.CAPACITO	
C952	QEAD0HZ-479A	47000MF E.CAPACITO	
C953	QERS1HM-475	4.7MF 50V AL E.CAPAC	
C954	QCVB1CM-103Y	0.01MF 16V CER.CAPACI	
C955	QEK51CM-107	100MF 16V E.CAPACITO	
C956	QETB1HM-106	10MF 50V E.CAPACITO	
C957	QETB1HM-106	10MF 50V E.CAPACITO	
C958	QCVB1CM-103Y	0.01MF 16V CER.CAPACI	

Δ : SAFETY PARTS

I.C.s

ITEM	PART NUMBER	DESCRIPTION	AREA
IC203	HD614081SE39	I.C.(MICRO-C HITACHI	
IC204	LB1641	I.C.(DIGI-OT SANYO	
IC205	LB1641	I.C.(DIGI-OT SANYO	
IC206	LB1641	I.C.(DIGI-OT SANYO	
IC207	LB1641	I.C.(DIGI-OT SANYO	
IC801	TC9162N	I.C.(DIGI-MO TOSHIBA	
IC802	M62417SP	I.C.(M) MITSUBISHI	
IC945	LB1639-CV	I.C.(DIGI-OT SANYO	
IC950	MN171202J5T1	I.C.(MICRO-C MATSUSHITA	
IC951	SPS-420-1	INFRARED DE SANYO	

Δ : SAFETY PARTS

Diodes

ITEM	PART NUMBER	DESCRIPTION	AREA
D201	1SS119	SI.DIODE	
D202	1SS119	SI.DIODE	
D203	1SS119	SI.DIODE	
D204	1SS119	SI.DIODE	
D205	1SS119	SI.DIODE	
D206	1SS119	SI.DIODE	
D207	1SS119	SI.DIODE	
D208	1SS119	SI.DIODE	
D209	1SS119	SI.DIODE	
D210	1SS119	SI.DIODE	
D212	1SS119	SI.DIODE	
D213	1SS119	SI.DIODE	
D216	1SS119	SI.DIODE	
D223	MTZ5.6JC	ZENER DIODE ROHM	
D224	MTZ5.6JC	ZENER DIODE ROHM	
D225	MTZ7.5JC	ZENER DIODE ROHM	
D226	MTZ7.5JC	ZENER DIODE ROHM	
D310	SLR-342MCA47	L.E.D. ROHM	
D311	SLR-342MCA47	L.E.D. ROHM	
D312	SLR-342MCA47	L.E.D. ROHM	
D315	SLR-342MCA47	L.E.D. ROHM	
D314	SLR-342VC3F	L.E.D. ROHM	
D315	SLR-342VC3F	L.E.D. ROHM	
D316	SLR-342VC3F	L.E.D. ROHM	
D801	MTZ3.9JB	ZENER DIODE ROHM	
D802	MTZ3.9JB	ZENER DIODE ROHM	
D850	1SS119	SI.DIODE	
D931	MTZ7.5JC	ZENER DIODE ROHM	
D932	MTZ7.5JC	ZENER DIODE ROHM	
D933	MTZ5.1JC	ZENER DIODE ROHM	

Δ : SAFETY PARTS

Resistors

Δ	ITEM	PART NUMBER	DESCRIPTION			AREA
	R251	QRD161J-224	220K	1/6W	CARBON RES	
	R252	QRD161J-184	180K	1/6W	CARBON RES	
	R253	QRD161J-224	220K	1/6W	CARBON RES	
	R254	QRD161J-224	220K	1/6W	CARBON RES	
	R255	QRD161J-132	1.3K	1/6W	CARBON RES	
	R256	QRD161J-243	24K	1/6W	CARBON RES	
	R257	QRD161J-683	68K	1/6W	CARBON RES	
	R258	QRD161J-133Y	13K	1/6W	CARBON RES	
	R259	QRD167J-822	8.2K	1/6W	CARBON RES	
	R260	QRD167J-822	8.2K	1/6W	CARBON RES	
	R261	QRD161J-913	91K	1/6W	CARBON RES	
	R262	QRD161J-913	91K	1/6W	CARBON RES	
	R263	QRD161J-163	16K	1/6W	CARBON RES	
	R264	QRD161J-163	16K	1/6W	CARBON RES	
	R265	QRD161J-432	4.3K	1/6W	CARBON RES	
	R266	QRD161J-432	4.3K	1/6W	CARBON RES	
	R267	QRD161J-103	10K	1/6W	CARBON RES	
	R268	QRD161J-103	10K	1/6W	CARBON RES	
	R269	QRD161J-222	2.2K	1/6W	CARBON RES	
	R270	QRD161J-222	2.2K	1/6W	CARBON RES	
	R271	QRD161J-103	10K	1/6W	CARBON RES	
	R272	QRD161J-221	220	1/6W	CARBON RES	
	R273	QRD161J-105	1M	1/6W	CARBON RES	
	R274	QRD161J-221	220	1/6W	CARBON RES	
	R275	QRD161J-472	4.7K	1/6W	CARBON RES	
	R276	QRD161J-201	200	1/6W	CARBON RES	
	R277	QRD161J-271	270	1/6W	CARBON RES	
	R278	QRD161J-201	200	1/6W	CARBON RES	
	R279	QRD161J-221	220	1/6W	CARBON RES	
	R280	QRD161J-271	270	1/6W	CARBON RES	
	R281	QRD161J-391	390	1/6W	CARBON RES	
	R282	QRD161J-201	200	1/6W	CARBON RES	
	R283	QRD161J-274	270K	1/6W	CARBON RES	
	R284	QRD161J-104	100K	1/6W	CARBON RES	
	R285	QRD161J-103	10K	1/6W	CARBON RES	
	R286	QRD161J-103	10K	1/6W	CARBON RES	
	R296	QRD161J-103	10K	1/6W	CARBON RES	
	R297	QRD161J-103	10K	1/6W	CARBON RES	
	R298	QRD161J-103	10K	1/6W	CARBON RES	
	R361	QRD161J-472	4.7K	1/6W	CARBON RES	
	R362	QRD161J-103	10K	1/6W	CARBON RES	
	R363	QRD161J-103	10K	1/6W	CARBON RES	
	R364	QRD161J-103	10K	1/6W	CARBON RES	
	R365	QRD14CJ-4R7S	4.7	1/4W	UNF. CARBON	
	R366	QRD14CJ-4R7S	4.7	1/4W	UNF. CARBON	
	R367	QRD14CJ-4R7S	4.7	1/4W	UNF. CARBON	
	R368	QRD14CJ-4R7S	4.7	1/4W	UNF. CARBON	
	R369	QRD14CJ-101S	100	1/4W	UNF. CARBON	
	R370	QRD14CJ-101S	100	1/4W	UNF. CARBON	
	R501	QRD161J-472	470	1/6W	CARBON RES	
	R502	QRD161J-472	470	1/6W	CARBON RES	
	R801	QRD167J-223	22K	1/6W	CARBON RES	
	R802	QRD167J-223	22K	1/6W	CARBON RES	
	R803	QRD161J-473	47K	1/6W	CARBON RES	
	R804	QRD161J-473	47K	1/6W	CARBON RES	
	R805	QRD167J-223	22K	1/6W	CARBON RES	
	R806	QRD167J-223	22K	1/6W	CARBON RES	
	R807	QRD161J-473	47K	1/6W	CARBON RES	
	R808	QRD161J-473	47K	1/6W	CARBON RES	
	R813	QRD167J-152	1.5K	1/6W	CARBON RES	
	R814	QRD167J-152	1.5K	1/6W	CARBON RES	
	R815	QRD161J-392	3.9K	1/6W	CARBON RES	
	R816	QRD161J-392	3.9K	1/6W	CARBON RES	
	R817	QRD161J-681	680	1/6W	CARBON RES	
	R818	QRD161J-681	680	1/6W	CARBON RES	
	R819	QRD161J-561	560	1/6W	CARBON RES	
	R820	QRD161J-561	560	1/6W	CARBON RES	
	R821	QRD167J-272	2.7K	1/6W	CARBON RES	
	R822	QRD167J-272	2.7K	1/6W	CARBON RES	
	R823	QRD167J-332	3.3K	1/6W	CARBON RES	
	R824	QRD167J-332	3.3K	1/6W	CARBON RES	
	R827	QRD167J-682	6.8K	1/6W	CARBON RES	
	R828	QRD167J-682	6.8K	1/6W	CARBON RES	
	R829	QRD161J-221	220	1/6W	CARBON RES	
	R830	QRD161J-221	220	1/6W	CARBON RES	
	R833	QRD161J-104	100K	1/6W	CARBON RES	
	R834	QRD161J-104	100K	1/6W	CARBON RES	
	R850	QRD167J-223	22K	1/6W	CARBON RES	
	R911	QRD161J-224	220K	1/6W	CARBON RES	
	R912	QRD161J-224	220K	1/6W	CARBON RES	
	R913	QRD161J-105	1M	1/6W	CARBON RES	
	R914	QRD161J-202	2K	1/6W	CARBON RES	
	R915	QRD161J-202	2K	1/6W	CARBON RES	
	R916	QRD161J-561	560	1/6W	CARBON RES	
	R917	QRD161J-103	10K	1/6W	CARBON RES	
	R918	QRD161J-103	10K	1/6W	CARBON RES	
	R920	QRD161J-101	100	1/6W	CARBON RES	
	R931	QRD14CJ-4R7S	4.7	1/4W	UNF. CARBON	
	R932	QRD14CJ-4R7S	4.7	1/4W	UNF. CARBON	
	R933	QRD14CJ-101S	100	1/4W	UNF. CARBON	
	R934	QRD14CJ-101S	100	1/4W	UNF. CARBON	
	R935	QRD14CJ-331SX	330	1/4W	UNF. CARBON	
	R941	QRD161J-122	1.2K	1/6W	CARBON RES	
	R942	QRD161J-122	1.2K	1/6W	CARBON RES	
	R943	QRD161J-473	47K	1/6W	CARBON RES	

Δ : SAFETY PARTS

Resistors

Δ	ITEM	PART NUMBER	DESCRIPTION			AREA
	R944	QRD161J-473	47K	1/6W	CARBON RES	
	R949	QRD161J-331	330	1/6W	CARBON RES	
	R950	QRD161J-101	100	1/6W	CARBON RES	
	R951	QRD161J-104	100K	1/6W	CARBON RES	
	R952	QRD161J-473	47K	1/6W	CARBON RES	
	R953	QRD161J-221	220	1/6W	CARBON RES	
	R954	QRD161J-103	10K	1/6W	CARBON RES	
	R955	QRD161J-104	100K	1/6W	CARBON RES	
	R956	QRD161J-271	270	1/6W	CARBON RES	
	R957	QRD161J-103	10K	1/6W	CARBON RES	
	R958	QRD161J-103	10K	1/6W	CARBON RES	
	R959	QRD161J-473	47K	1/6W	CARBON RES	
	R960	QRD161J-473	47K	1/6W	CARBON RES	
	R961	QRD161J-102	1K	1/6W	CARBON RES	
	R962	QRD161J-221	220	1/6W	CARBON RES	
	R963	QRD161J-104	100K	1/6W	CARBON RES	
	RA201	QR8049J-103	10K	1/10W	RESISTOR	
	RA202	QR8089J-103	10K	1/10W	NETWORK RE	
	VR201	QVPA603-103A	10K		TRIMMER RE	
	VR941	QVDB71B-E15CJ5	100K		VARIABLE R	
	VR951	QVGA81B-E54EJ5	50K		VARIABLE R	U
	VR951	QVGA81B-E54EJ5	50K		VARIABLE R	US
	VR951	QVGA81B-E54EJ5	50K		VARIABLE R	UT
	VR951	QVGA81W-E15B	100K		VARIABLE R	C
	VR951	QVGA81W-E15B	100K		VARIABLE R	J

Δ : SAFETY PARTS

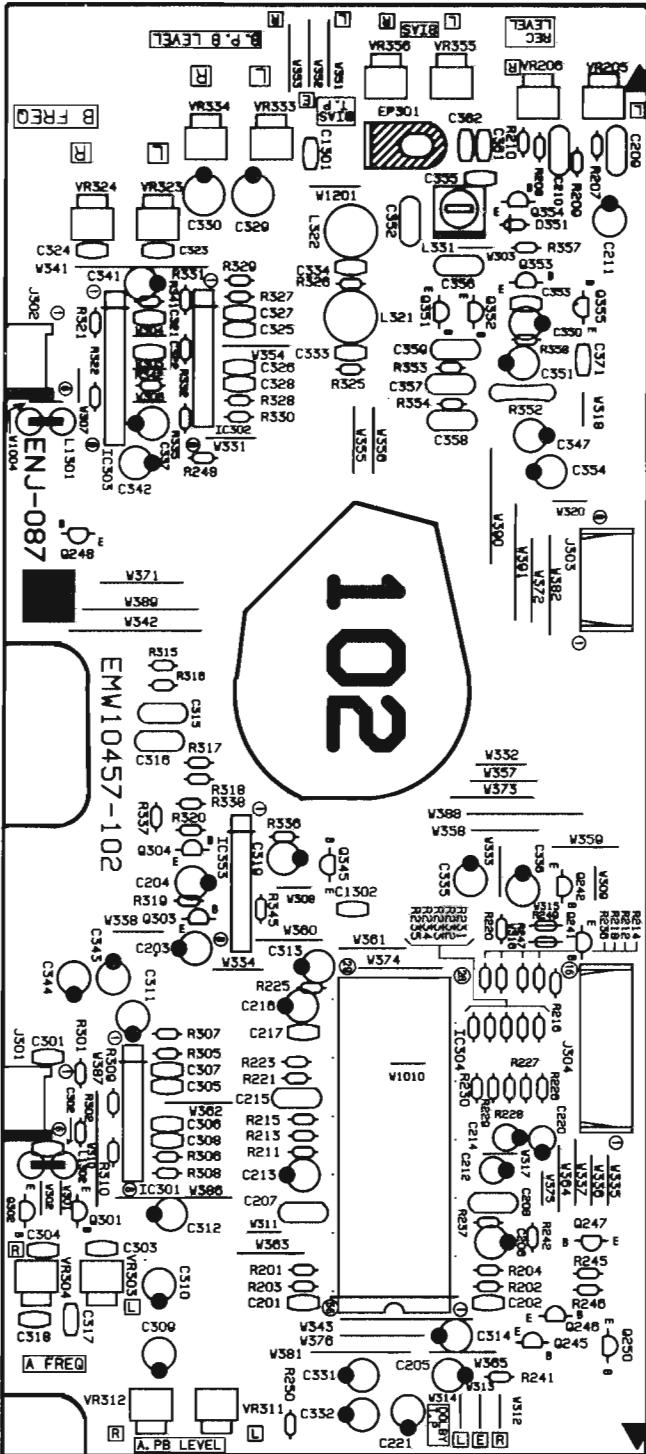
Others

Δ	ITEM	PART NUMBER	DESCRIPTION			AREA
		EMW10487-102	PRINTED BOA			
		SC-12N	CEMENT			
	J500	EM810TV-401AJ3	SPEAKER TER			
	J801	EMN00TV-414AJ2	4P PIN JACK			
	J950	QMS3P8-EE0S	HEADPHONE J			
	P201	VMC0234-P11	CONNECT TER			
	P202	VMC0234-P14	CONNECT TER			
	P203	VMC0234-P08	CONNECT TER			
	P204	VMC0234-P08	CONNECT TER			
	P292	EMV5142-909	CONNECT TER			
	P293	EMV5142-908	CONNECT TER			
	P303	VMC0314-S08	CONNECT TER			
	P304	VMC0314-S16	CONNECT TER			
	P905	EMV5142-909	CONNECT TER			
	S300	ESP0001-023M	TACT SWITCH ▶ (DECK B)			
	S301	ESP0001-023M	TACT SWITCH ▶▶ (DECK B)			
	S302	ESP0001-023M	TACT SWITCH ◀ (DECK B)			
	S303	ESP0001-023M	TACT SWITCH ◀◀ (DECK B)			
	S310	ESP0001-023M	TACT SWITCH ▶ (DECK A)			
	S311	ESP0001-023M	TACT SWITCH ▶▶ (DECK A)			
	S312	ESP0001-023M	TACT SWITCH ◀ (DECK A)			
	S313	ESP0001-023M	TACT SWITCH ◀◀ (DECK A)			
	S320	ESP0001-023M	TACT SWITCH ■ (DECK B)			
	S321	ESP0001-023M	TACT SWITCH ■ (DECK A)			
	S322	ESP0001-023M	TACT SWITCH REC. POUSE			
	S330	ESP0001-023M	TACT SWITCH H.S.D.			
	S331	ESP0001-023M	TACT SWITCH DOUBLY			
	S332	ESP0001-023M	TACT SWITCH REVERSE			
	S333	ESP0001-023M	TACT SWITCH CD REC			
	S950	ESP0001-023M	TACT SWITCH VIDEO			
	S951	ESP0001-023M	TACT SWITCH AUX			
	S952	ESP0001-023M	TACT SWITCH S.EFFECT			
	S953	ESP0001-023M	TACT SWITCH PRESET			
	S954	ESP0001-023M	TACT SWITCH ABX			
	S955	ESP0001-023M	TACT SWITCH POWER			
	S956	ESP0001-023M	TACT SWITCH A.POWER OFF			
	S957	ESP0001-023M	TACT SWITCH V.MASKING/DEMO			
	X201	ECX0004-194KM	CERAMIC RES			
	X950	ECX26R0-0012A	CRYSTAL			
	BC292	EWS329-A919J	SOCKET WIRE			
	BC293	EWS328-A924J	SOCKET WIRE			
	BC905	EWS329-A913J	SOCKET WIRE			
	BC952	EWS326-A913	SOCKET WIRE			U
	BC952	EWS326-A913	SOCKET WIRE			UP
	BC952	EWS326-A913	SOCKET WIRE			US
	BC952	EWS326-A913	SOCKET WIRE			UT
	BK950	E309283-001SM	FL HOLDER			
	FL950	ELU0001-194	FLUORESCENT			
	FS950	E306805-014	FELT SPACER			
	FW511	FWR330-30LS	FLAT WIRE A			
	FW901	FWR3AD-13LS	FLAT WIRE A			
	JA221	VMC0163-R16	CONNECT TER			
	JA505	EMV5163-004R	CONNECT TER			
	JAB11	EMV5163-009R	CONNECT TER			
	JAB12	EMV5163-012R	CONNECT TER			
	JAB13	EMV5163-004R	CONNECT TER			
	JA951	VMC0161-025	CONNECT TER			
	JB501	EMV7163-004	CONNECT TER			
	JB813	EMV7163-004	CONNECT TER			
	JS950	QSU1003-E01	PUSH SWITCH			
	JT901	EMV7145-005Z	SOCKET ASSY			
	JT902	EMV7145-005Z	SOCKET ASSY			
	JWB50	QWE350-054K4K	WIRE			
	JWB51	QWE351-104K4K	WIRE			
	JWB52	QWE352-058B	WIRE			
	JWB53	QWE353-048B	WIRE			

Δ : SAFETY PARTS

■ ENJ-087 □ Cassette Amp PC Board Ass'y

Note : ENJ-087 □ varies according to the areas employd. See note (1) when placing an order.



Note (1)

PC Board Ass'y	Version	Designated Areas
ENJ-087 A	U UP US UT	Universal Type Korea Singapore Taiwan
ENJ-087 C	J	the U.S.A.
ENJ-087 D	C	Canada

Transistors

ITEM	PART NUMBER	DESCRIPTION	AREA
Q245	2S92144S(VW)	SI.TRANSIST ROHM	
Q246	2SD2144S(VW)	SI.TRANSIST ROHM	
Q247	DTA144ES	DIGITAL TRA ROHM	
Q248	DTC144ES	DIGITAL TRA ROHM	
Q250	DTC144ES	DIGITAL TRA ROHM	
Q301	DTC144ES	DIGITAL TRA ROHM	
Q302	DTC144ES	DIGITAL TRA ROHM	
Q303	2SC1740S(R,S)	SI.TRANSIST ROHM	
Q304	2SC1740S(R,S)	SI.TRANSIST ROHM	
Q345	DTC144ES	DIGITAL TRA ROHM	
Q351	2SC1740S(R,S)	SI.TRANSIST ROHM	
Q352	2SC1740S(R,S)	SI.TRANSIST ROHM	
Q353	2SC1740S(R,S)	SI.TRANSIST ROHM	

△ : SAFETY PARTS

I.C.s

ITEM	PART NUMBER	DESCRIPTION	AREA
IC301	VC4580LD	I.C.(MONO-AN DAINICHI	
IC302	VC4580LD	I.C.(MONO-AN DAINICHI	
IC303	UPC1330HA	I.C.(MONO-AN NEC	
IC304	HA12171NT	I.C.(MONO-AN HITACHI	
IC353	BA8221AN	I.C.(MONO-AN ROHM	

△ : SAFETY PARTS

Capacitors

ITEM	PART NUMBER	DESCRIPTION	AREA
C201	QCXB1CM-472Y	4700PF 16V CER.CAPACI	
C202	QCXB1CM-472Y	4700PF 16V CER.CAPACI	
C203	QETB1HM-105	1MF 50V AL E.CAPAC	
C204	QETB1HM-105	1MF 50V AL E.CAPAC	
C205	QETB1EM-106	10MF 25V AL E.CAPAC	
C206	QETB1EM-106	10MF 25V AL E.CAPAC	
C207	QFV81HJ-104	0.1MF 50V THIN FILM	
C208	QFV81HJ-104	0.1MF 50V THIN FILM	
C211	QETB1HM-105	1MF 50V AL E.CAPAC	
C212	QEK51HM-105G	1MF 50V AL E.CAPAC	
C213	QER61HM-334Z	0.33MF 50V AL E.CAPAC	
C214	QER61HM-334Z	0.33MF 50V AL E.CAPAC	
C215	QFLB1HJ-472	4700PF 50V MYLAR CAPA	
C216	QETB1HM-474	0.47MF 50V ELECTRO	
C217	QCXB1CM-222Y	2200PF 16V CER.CAPACI	
C220	QEK51HM-225G	2.2MF 50V AL E.CAPAC	
C221	QETB1HM-475E	4.7MF 50V E.CAPACITO	
C301	QCB81HK-331Y	330PF 50V CER.CAPACI	
C302	QCB81HK-331Y	330PF 50V CER.CAPACI	
C303	QCB81HK-331Y	330PF 50V CER.CAPACI	
C304	QCB81HK-331Y	330PF 50V CER.CAPACI	
C305	QCB81HK-101Y	100PF 50V CER.CAPACI	
C306	QCB81HK-101Y	100PF 50V CER.CAPACI	
C307	QCVB1CM-822Y	8200PF 16V CER.CAPACI	
C308	QCVB1CM-822Y	8200PF 16V CER.CAPACI	
C309	QETB1AM-107	100MF 10V AL E.CAPAC	
C310	QETB1AM-107	100MF 10V AL E.CAPAC	
C311	QETB1HM-105	1MF 50V AL E.CAPAC	
C312	QETB1HM-105	1MF 50V AL E.CAPAC	
C313	QETB1AM-107	100MF 10V AL E.CAPAC	
C314	QETB1AM-107	100MF 10V AL E.CAPAC	
C315	QFV81HJ-473	0.047MF 50V THIN FILM	
C316	QFV81HJ-473	0.047MF 50V THIN FILM	
C317	QCB81HK-102Y	1000PF 50V CER.CAPACI	
C318	QCB81HK-102Y	1000PF 50V CER.CAPACI	

△ : SAFETY PARTS

Capacitors

Δ	ITEM	PART NUMBER	DESCRIPTION			AREA
	C319	QETB1AM-476	47MF	10V	E.CAPACITO	
	C321	QCXB1CM-122	1200PF	16V	POLYPROPY.	
	C322	QCXB1CM-122	1200PF	16V	POLYPROPY.	
	C323	QCB1HK-331Y	330PF	50V	CER.CAPACI	
	C324	QCB1HK-331Y	330PF	50V	CER.CAPACI	
	C325	QCB1HK-101Y	100PF	50V	CER.CAPACI	
	C326	QCB1HK-101Y	100PF	50V	CER.CAPACI	
	C327	QCVB1CM-822Y	8200PF	16V	CER.CAPACI	
	C328	QCVB1CM-822Y	8200PF	16V	CER.CAPACI	
	C329	QEK51CM-107	100MF	16V	E.CAPACITO	
	C330	QEK51CM-107	100MF	16V	E.CAPACITO	
	C331	QETB1HM-105	1MF	50V	AL E.CAPAC	
	C332	QETB1HM-105	1MF	50V	AL E.CAPAC	
	C333	QCB1HK-101Y	100PF	50V	CER.CAPACI	
	C334	QCB1HK-101Y	100PF	50V	CER.CAPACI	
	C335	QETB1EM-106	10MF	25V	AL E.CAPAC	
	C336	QETB1EM-106	10MF	25V	AL E.CAPAC	
	C337	QEK51CM-226	22MF	16V	AL E.CAPAC	
	C341	QER51HM-105G	1MF	50V	AL E.CAPAC	
	C342	QER51HM-105G	1MF	50V	AL E.CAPAC	
	C343	QETB1AM-107	100MF	10V	AL E.CAPAC	
	C344	QETB1AM-107	100MF	10V	AL E.CAPAC	
	C347	QETB1CM-226	22MF	16V	E.CAPACITO	
	C350	QETB1HM-105	1MF	50V	AL E.CAPAC	
	C351	QETB1EM-476	47MF	25V	AL E.CAPAC	
	C352	QFP31HG-562	5600PF	50V	POLYPROPY.	
	C353	QCVB1CM-103Y	0.01MF	16V	CER.CAPACI	
	C354	QETB1CM-226	22MF	16V	E.CAPACITO	
	C356	QFLB1HJ-153	0.015MF	50V	MYLAR CAPA	
	C357	QFLB1HJ-332	3300PF	50V	MYLAR CAPA	
	C358	QFLB1HJ-332	3300PF	50V	MYLAR CAPA	
	C359	QFLB1HJ-682	6800PF	50V	MYLAR CAPA	
	C361	QCB1HK-101Y	100PF	50V	CER.CAPACI	
	C362	QCB1HK-101Y	100PF	50V	CER.CAPACI	

Δ : SAFETY PARTS

Resistors

Δ	ITEM	PART NUMBER	DESCRIPTION			AREA
	R201	QRD167J-153	15K	1/6W	CARBON RES	
	R202	QRD167J-153	15K	1/6W	CARBON RES	
	R203	QRD161J-123	12K	1/6W	CARBON RES	
	R204	QRD161J-123	12K	1/6W	CARBON RES	
	R209	QRD167J-153	15K	1/6W	CARBON RES	
	R210	QRD167J-153	15K	1/6W	CARBON RES	
	R211	QRD161J-823	82K	1/6W	CARBON RES	
	R212	QRD167J-562	5.6K	1/6W	CARBON RES	
	R213	QRD161J-243	24K	1/6W	CARBON RES	
	R214	QRD167J-682	6.8K	1/6W	CARBON RES	
	R215	QRD167J-113	11K	1/6W	CARBON RES	
	R216	QRD167J-332	3.3K	1/6W	CARBON RES	
	R218	QRD161J-222	2.2K	1/6W	CARBON RES	
	R220	QRD167J-223	22K	1/6W	CARBON RES	
	R221	QRD161J-103	10K	1/6W	CARBON RES	
	R223	QRD161J-183	18K	1/6W	CARBON RES	
	R225	QRD161J-184	180K	1/6W	CARBON RES	
	R226	QRD167J-223	22K	1/6W	CARBON RES	
	R227	QRD167J-223	22K	1/6W	CARBON RES	
	R228	QRD167J-223	22K	1/6W	CARBON RES	
	R229	QRD167J-223	22K	1/6W	CARBON RES	
	R230	QRD167J-223	22K	1/6W	CARBON RES	
	R231	QRD167J-223	22K	1/6W	CARBON RES	
	R232	QRD167J-223	22K	1/6W	CARBON RES	
	R233	QRD167J-223	22K	1/6W	CARBON RES	
	R234	QRD167J-223	22K	1/6W	CARBON RES	
	R235	QRD167J-223	22K	1/6W	CARBON RES	
	R237	QRD161J-183	18K	1/6W	CARBON RES	
	R241	QRD161J-392	3.9K	1/6W	CARBON RES	
	R242	QRD161J-392	3.9K	1/6W	CARBON RES	
	R245	QRD161J-472	4.7K	1/6W	CARBON RES	
	R246	QRD161J-472	4.7K	1/6W	CARBON RES	
	R248	QRD161J-103	10K	1/6W	CARBON RES	
	R250	QRD161J-103	10K	1/6W	CARBON RES	
	R301	QRD161J-224	220K	1/6W	CARBON RES	
	R302	QRD161J-224	220K	1/6W	CARBON RES	
	R305	QRD167J-334	330K	1/6W	CARBON RES	
	R306	QRD167J-334	330K	1/6W	CARBON RES	
	R307	QRD161J-183	18K	1/6W	CARBON RES	
	R308	QRD161J-183	18K	1/6W	CARBON RES	
	R309	QRD167J-151	150	1/6W	CARBON RES	
	R310	QRD167J-151	150	1/6W	CARBON RES	
	R315	QRD161J-564	560K	1/6W	CARBON RES	
	R316	QRD161J-564	560K	1/6W	CARBON RES	
	R317	QRD161J-103	10K	1/6W	CARBON RES	
	R318	QRD161J-103	10K	1/6W	CARBON RES	
	R319	QRD167J-332	3.3K	1/6W	CARBON RES	
	R320	QRD167J-332	3.3K	1/6W	CARBON RES	
	R321	QRD161J-100	10	1/6W	CARBON RES	
	R322	QRD161J-100	10	1/6W	CARBON RES	
	R325	QRD167J-153	15K	1/6W	CARBON RES	
	R326	QRD167J-153	15K	1/6W	CARBON RES	
	R327	QRD167J-334	330K	1/6W	CARBON RES	
	R328	QRD167J-334	330K	1/6W	CARBON RES	
	R329	QRD161J-183	18K	1/6W	CARBON RES	

Δ : SAFETY PARTS

Resistors

Δ	ITEM	PART NUMBER	DESCRIPTION			AREA
	R330	QRD161J-183	18K	1/6W	CARBON RES	
	R331	QRD167J-151	150	1/6W	CARBON RES	
	R332	QRD167J-151	150	1/6W	CARBON RES	
	R335	QRD161J-101	100	1/6W	CARBON RES	
	R336	QRD161J-105	1M	1/6W	CARBON RES	
	R337	QRD161J-133Y	13K	1/6W	CARBON RES	
	R338	QRD161J-133Y	13K	1/6W	CARBON RES	
	R341	QRD167J-334	330K	1/6W	CARBON RES	
	R342	QRD167J-334	330K	1/6W	CARBON RES	
	R345	QRD161J-103	10K	1/6W	CARBON RES	
	R352	QRD161J-470SX	47	1/4W	UNF. CARBON	
	R353	QRD161J-393	39K	1/6W	CARBON RES	
	R354	QRD161J-393	39K	1/6W	CARBON RES	
	R358	QRD161J-103	10K	1/6W	CARBON RES	
	VR205	QVPA603-503A	50K		VARIABLE R	
	VR206	QVPA603-503A	50K		VARIABLE R	
	VR303	QVPA603-104A	100K		TRIMMER RE	
	VR304	QVPA603-104A	100K		TRIMMER RE	
	VR311	QVPA603-504A	500		TRIMMER RE	
	VR312	QVPA603-504A	500		TRIMMER RE	
	VR323	QVPA603-104A	100K		TRIMMER RE	
	VR324	QVPA603-104A	100K		TRIMMER RE	
	VR333	QVPA603-501A	500		TRIMMER RE	
	VR334	QVPA603-501A	500		TRIMMER RE	
	VR355	QVPA603-104A	100K		TRIMMER RE	
	VR356	QVPA603-104A	100K		TRIMMER RE	

Δ : SAFETY PARTS

Others

Δ	ITEM	PART NUMBER	DESCRIPTION			AREA
	J301	EMW10457-102	PRINTED BOA			
	J302	EMV7155-106R	CONNECT TER			
	J303	EMV7155-106R	CONNECT TER			
	J304	EMV5132-008R	CONNECT TER			
	J304	EMV5132-016R	CONNECT TER			
	L321	EGL2106-223	INDUCTOR			
	L322	EGL2106-223	INDUCTOR			
	L331	ENZ6002-012	OSCILLATOR			

Δ : SAFETY PARTS

— MEMO —

XT-C550

< PARTS LIST >

Note : All printed circuit boards and its assemblies are not available as service parts.

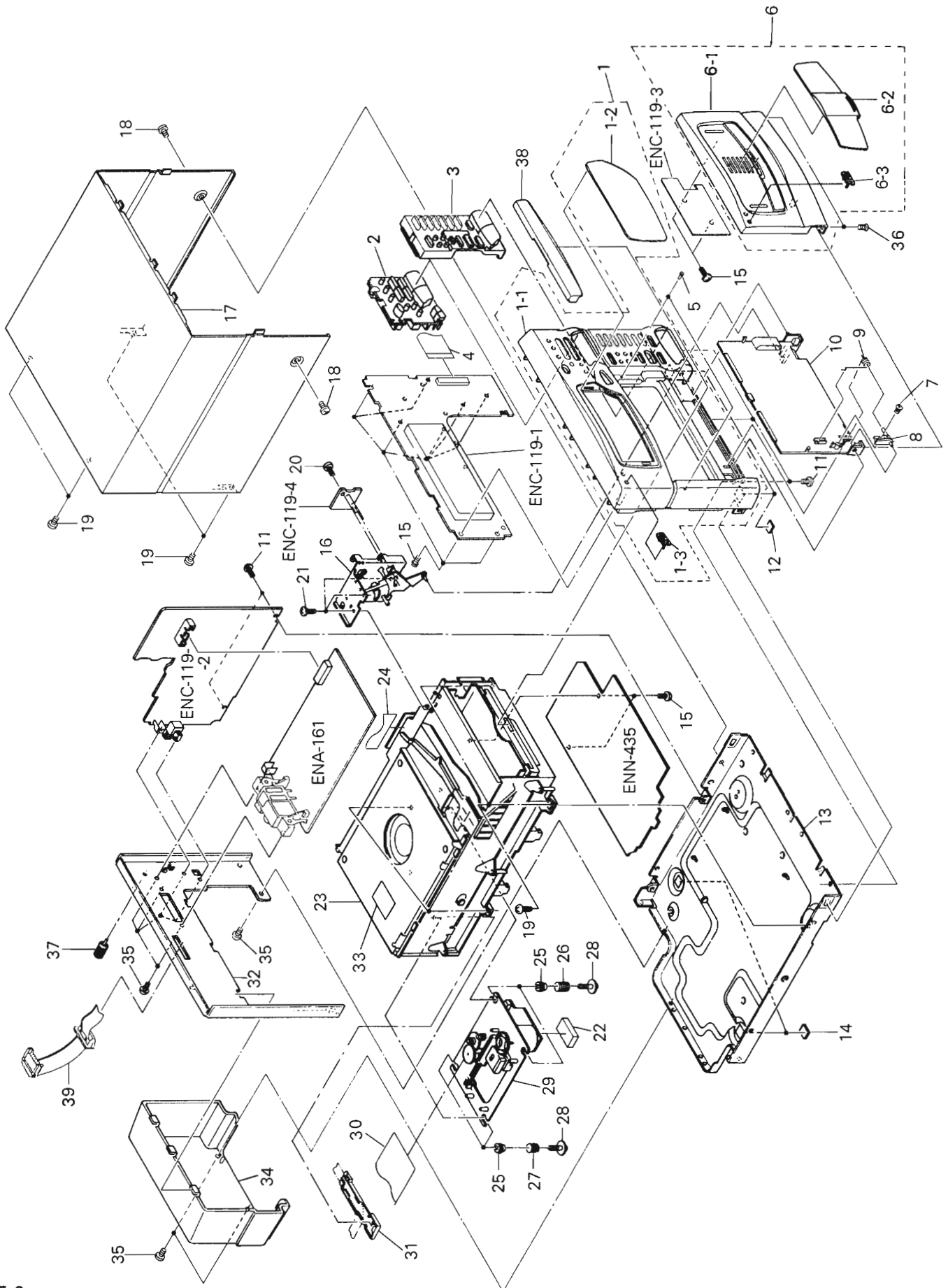
Contents

General Exploded View and Parts List	5 - 2
CD Changer Mechanism Ass'y and Parts List	5 - 4
CD Mechanism Ass'y and Parts List	5 - 6
Printed Circuit Board Ass'y and Parts List	5 - 7
■ ENC-119 □ Display & KEY Matrix PC Board Ass'y	5 - 7
■ ENN-435 □ CD PC Board Ass'y	5 - 9
■ ENA-161 □ Tuner PC Board Ass'y	5 - 11
■ ENN-436 Ⓐ CD Changer PC Board Ass'y	5 - 13

General Exploded View and Parts List

Symbol No.

M	3	M	M
---	---	---	---



■ PARTS LIST

△	Item	Part Number	Part Name	Q'ty	Description	Area
	1	EFP-XTC550U(S)	FRONT PANEL ASS'Y	1		
	1-1	E102967-002SM	FRONT PANEL	1		
	1-2	E208394-001SM	WINDOW SCREEN	1	TUNER	
	1-3	E406971-221	JVC MARK	1		
	2	E208396-002SM	PUSH BUTTON	1	TUNER	
	3	E208398-002SM	PUSH BUTTON	1	CD	
	4	VWF1222-12TTBX	FFC CABLE	1	FC201	
	5	E69897-002	RUBBER CUSHION	2		
	6	E102969-003SA	SUB PANEL ASS'Y	1		
	6-1	E102969-003SM	SUB PANEL	1		
	6-2	E208400-002SM	WINDOW SCREEN	1	CD	
	6-3	E406971-221	JVC MARK	1		
	7	SDSF2606Z	SCREW	1		
	8	E309272-001SM	DOOR HINGE	1		
	9	E408501-001SM	SPRING	1		
	10	E208402-002SM	BACK PANEL	1		
	11	SBSG3008CC	TAPPING SCREW	5		
	12	E75896-001	SPACER	2	FRONT FOOT	
	13	E102971-001SM	CHASSIS BASE	1		
	14	E75896-006	FELT SPACER	2	REAR FOOT	
	15	SDSF2608Z	SCREW	12		
	16	E309186-001SM	DOOR MECHA ASSY	1		
	17	E207787-011	METAL COVER	1		
	18	SDSG3006M	TAPPING SCREW	2		
	19	GBSG3008CC	TAPPING SCREW	8		
	20	SDST3006Z	TAPPING SCREW	1		
	21	SBSF3008Z	TAPPING SCREW	3		
	22	E306805-163	SPACER	1		
	23	-----	CHANGER MECHA	1	SEE PAGE 5-4	
	24	VWF1234-16TTB	FFC CABLE	1	FC204	
	25	E407153-001SS	INSULATOR	4		
	26	E408373-001	SPRING(BLACK)	2		
	27	E408373-002	SPRING	2		
	28	E408361-001	SCREW	4		
	29	-----	CD MECHA	1	SEE PAGE 5-6	
	30	VWF1015-16PPA	FFC CABLE	1	FC203	
	31	E308181-001	FFC HOLDER	1		
	32	E208404-010SM	REAR PANEL	1		J
		E208404-011SM	REAR PANEL	1		C
		E208404-012SM	REAR PANEL	1		U,US,UT
	33	E406507-001	CAUTION LABEL	1		C,U,US,UT
	34	E208406-001SM	REAR COVER	1		
	35	E73273-003	SPECIAL SCREW	7		
	36	SSSF2606M	TAPPING SCREW	2		
	37	E408091-001	GND TERMINAL	1		
	38	E208403-001SM	CD FITTING	1		
	39	EWP902-046	FLAT WIRE ASSY	1	SC001	
	-	E70891-001	CLASS 1 LABEL	1		U,US,UT

The Marks for Designated Areas

J the U.S.A.

C Canada

U Universal Type UT Taiwan

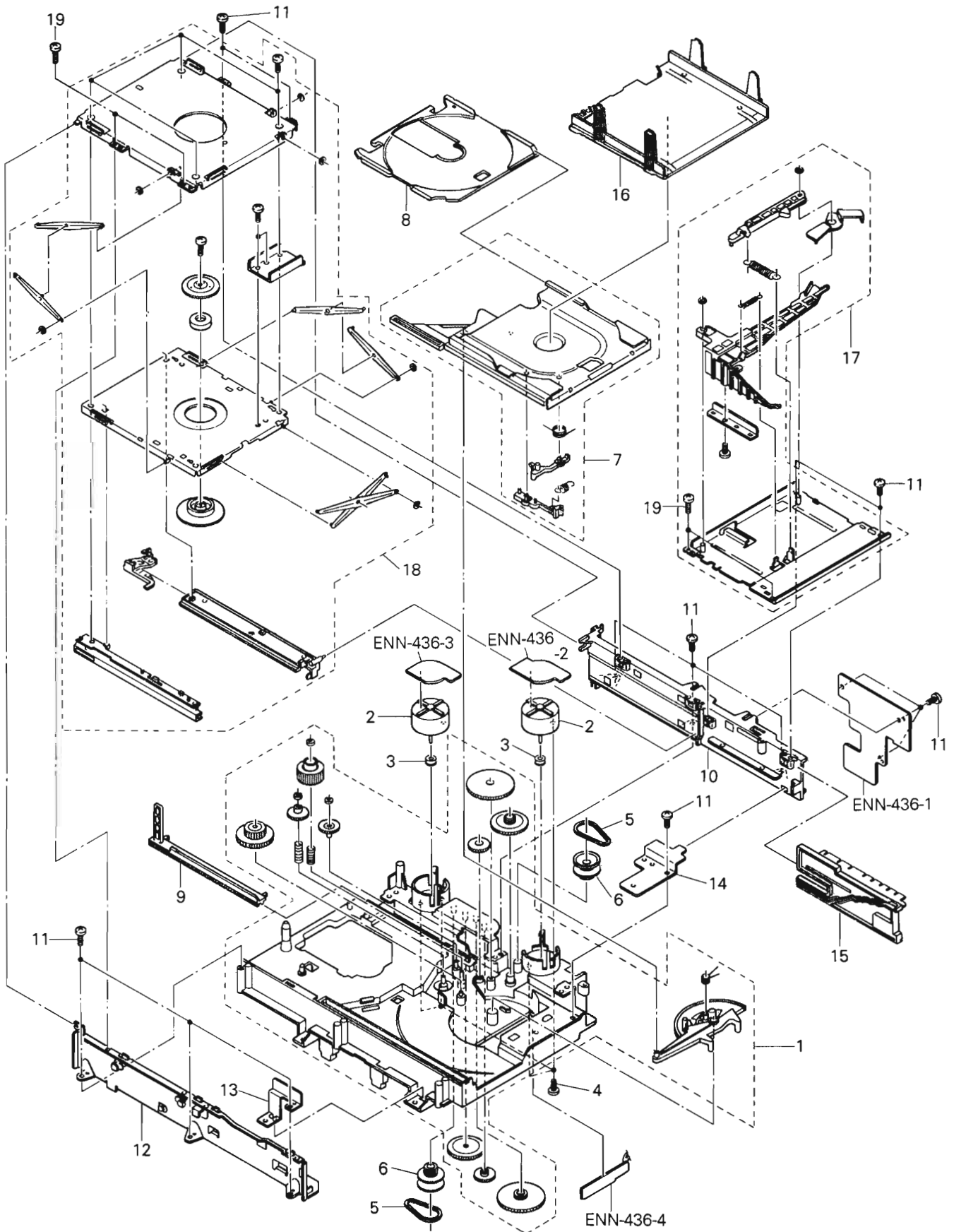
US Singapore

No mark indicates all area.

CD Changer Mechanism Ass'y and Parts List

Symbol No.

M	4	M	M
---	---	---	---



Parts List (CD Changer Mechanism Ass'y)

Symbol No.

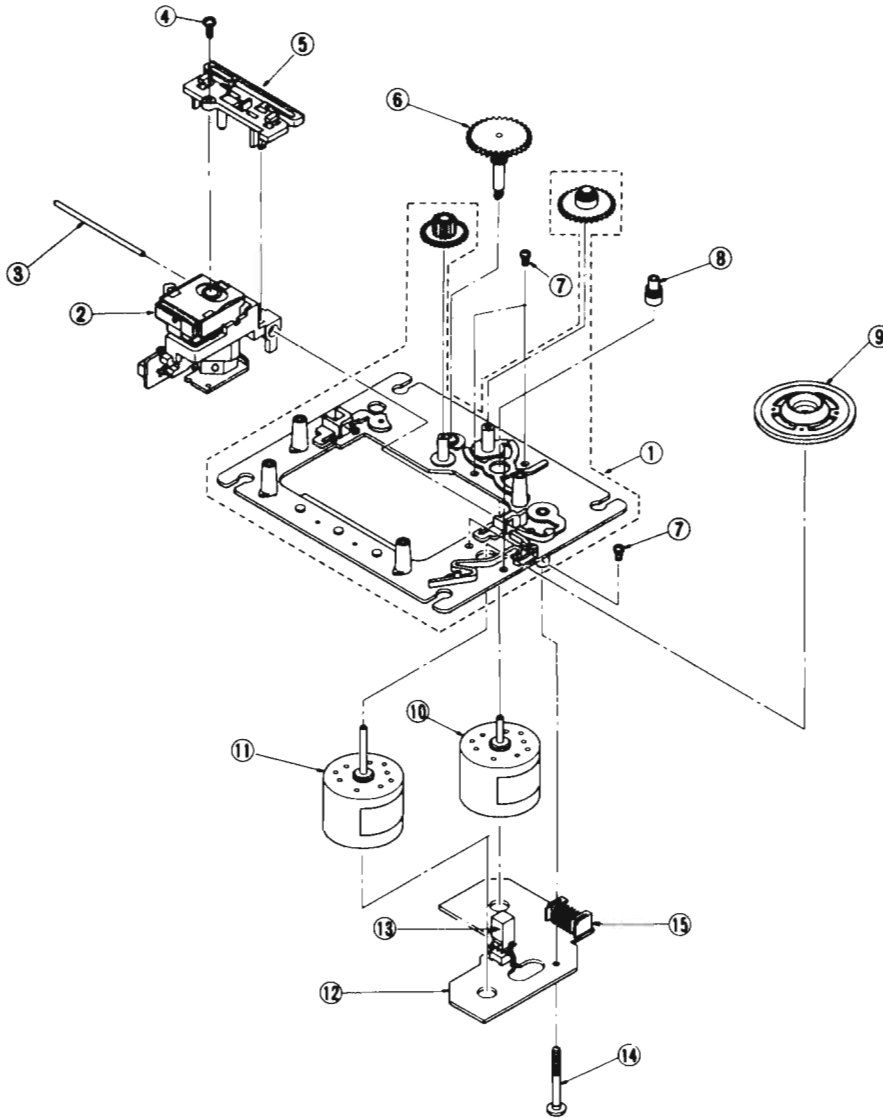
M	4	M	M
---	---	---	---

Item	Part Number	Part Name	Q'ty	Description	Area
1	E208436-001SM	MECHA BASE ASSY	1		
2	RF-500TB-14415	DC MOTOR	2		
3	E75984-2225S	MOTOR PULLEY	2		
4	SPSP2604Z	SCREW	4		
5	E75950-002	REEL BELT	2		
6	E75985-2225S	GEAR(1)	2		
7	E208456-001SM	TRAY BASE ASSY	1		
8	E26554-004	CD TRAY	1		
9	E309148-002SM	HOOK GUIDE	1		
10	E102925-001SM	SIDE BRACKET	1		
11	SBSF2608Z	TAPPING SCREW	14		
12	E208305-001SM	SIDE BRACKET	1		
13	E408514-001SM	EARTH PLATE	1		
14	E408517-001SM	BRACKET PLATE	1		
15	E208303-001SM	ELEVATOR CAM	1		
16	E208302-002SM	MAGAZIN GUIDE	1		
17	E208458-002SM	SAFETY LEVER ASSY	1		
18	E102922-001SM	ELEVATOR ASSY	1		
19	SDST2606Z	TAPPING SCREW	4		

CD Mechanism Ass'y and Parts List

Symbol No.

M	5	M	M
---	---	---	---



■ Parts List (CD Mechanism Ass'y)

Symbol No.

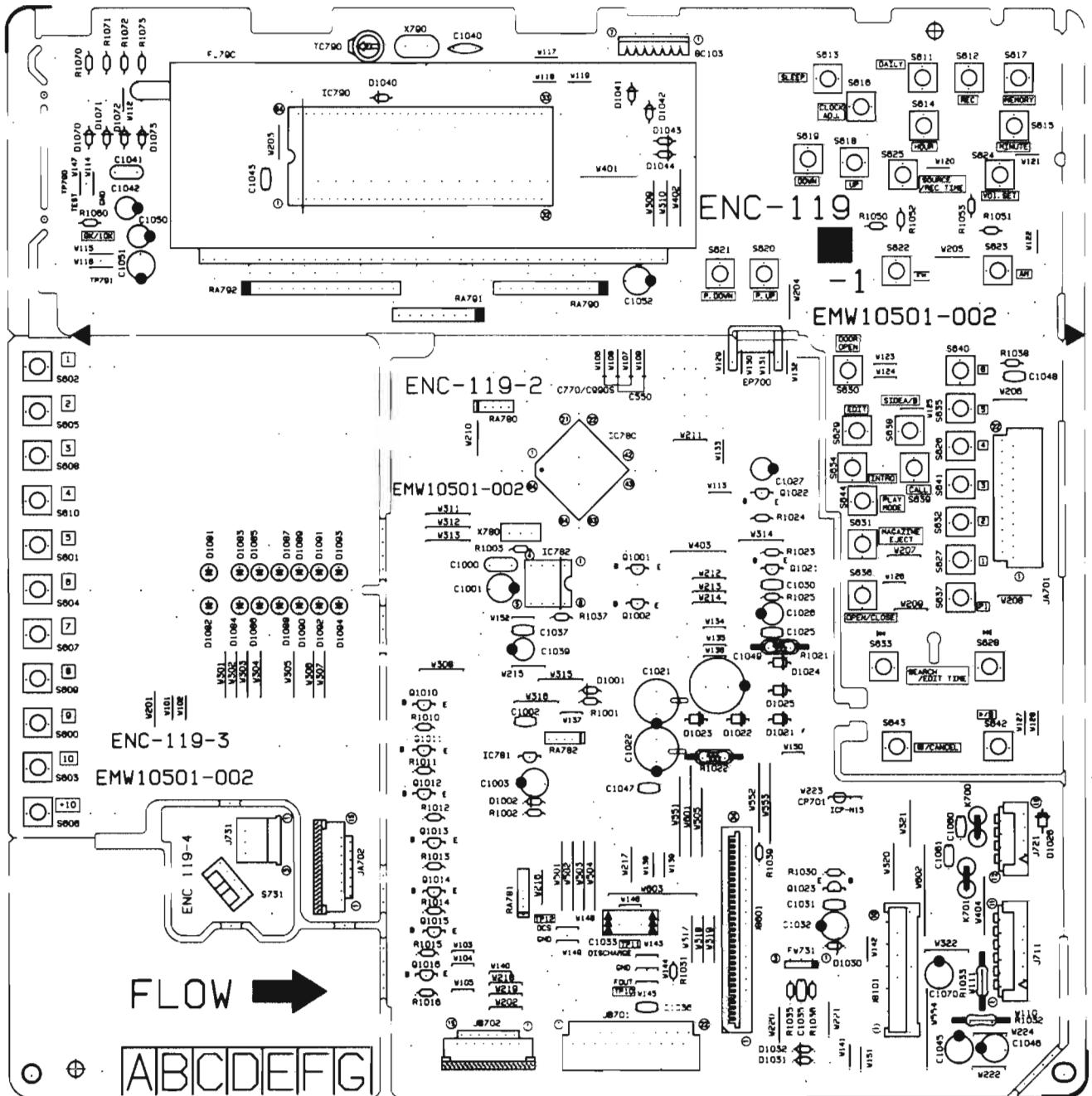
M	5	M	M
---	---	---	---

Item	Part Number	Part Name	Q'ty	Description	Area
1	EPB-002A	CD MECHA BASE A	1		
2	OPTIMA-6S	OPTICAL PICK-UP	1		
3	E406777-001	C.D SHAFT	1		
4	SDSF2006Z	SCREW	1		
5	E307746-332SF	C.D RACK	1		
6	E307745-221SS	CAM GEAR	1		
7	SDSP2003N	SCREW	4		
8	E406750-221SS	PINION GEAR	1		
9	EPB309173A	TURNTABLE	1		
10	E406784-001	DC MOTOR	1		
11	E406783-001	DC MOTOR	1		
12	EMW10190-001(S)	PRINTED BOARD	1		
13	ESB1100-005	LEAF SWITCH	1		
14	E75832-221SS	SPECIAL SCREW	1		
15	EMV5109-006B	CONNECT TERMINAL	1		

Printed Circuit Board Ass'y and Parts List

■ ENC-119 □ Display & KEY Matrix PC Board Ass'y

Note : ENC-119 □ varies according to the areas employed. See note (1) when placing an order.



Note (1)

PC Board Ass'y	Version	Designated Areas
ENN-119 B	C	Canada
ENN-119 A	J	the U.S.A.
ENN-119 C	U	Universal Type
	UT	Taiwan
	US	Singapore

Transistors

ITEM	PART NUMBER	DESCRIPTION	AREA
Q1001	DTA114YS	DIGITAL TRA ROHM	
Q1002	DTC114YS	DIGITAL TRA ROHM	
Q1021	2SA934(Q,R)	SI. TRANSIST ROHM	
Q1022	DTA144ES	DIGITAL TRA ROHM	
Q1023	2SC2060(Q,R)	SI. TRANSIST ROHM	

△ : SAFETY PARTS

I.C.s

ITEM	PART NUMBER	DESCRIPTION	AREA
IC780	MN172412J5N2	I.C(MICRO-C MATSUSHITA	C
IC780	MN172412J5N2	I.C(MICRO-C MATSUSHITA	J
IC780	MN172412J5N2	I.C(MICRO-C MATSUSHITA	U
IC780	MN172412J5N2	I.C(MICRO-C MATSUSHITA	US
IC780	MN172412J5N2	I.C(MICRO-C MATSUSHITA	UT

△ : SAFETY PARTS

XT-C550

I.C.s

ITEM	PART NUMBER	DESCRIPTION	AREA
IC781	MN1281(P,Q)	I.C.(DIGI-MO MATSUSHITA	
IC782	AT24C01A-10PC	I.C.(EP-ROM) MITSUBISHI	
IC790	MN171602J5R	I.C.(MICRO-C MATSUSHITA	

△ : SAFETY PARTS

Diodes

ITEM	PART NUMBER	DESCRIPTION	AREA
D1001	1SS119	SI.DIODE	
D1002	1SS119	SI.DIODE	
D1021	1SR139-200	SI.DIODE ROHM	
D1022	1SR139-200	SI.DIODE ROHM	
D1023	1SR139-200	SI.DIODE ROHM	
D1024	1SR139-200	SI.DIODE ROHM	
D1025	1SR139-200	SI.DIODE ROHM	
D1026	1SR139-200	SI.DIODE ROHM	
D1030	MTZ7.5JC	ZENER DIODE ROHM	
D1031	1SS119	SI.DIODE	
D1032	1SS119	SI.DIODE	
D1040	1SS119	SI.DIODE	
D1041	1SS119	SI.DIODE	
D1042	1SS119	SI.DIODE	
D1043	1SS119	SI.DIODE	
D1044	1SS119	SI.DIODE	
D1070	1SS119	SI.DIODE	U
D1070	1SS119	SI.DIODE	US
D1070	1SS119	SI.DIODE	UT
D1071	1SS119	SI.DIODE	C
D1071	1SS119	SI.DIODE	J
D1072	1SS119	SI.DIODE	C
D1072	1SS119	SI.DIODE	J
D1073	1SS119	SI.DIODE	C
D1073	1SS119	SI.DIODE	J

△ : SAFETY PARTS

Capacitors

ITEM	PART NUMBER	DESCRIPTION	AREA
C1000	QCZ0205-155	1.5MF 25V C.CAPACITO	
C1001	QETB0JM-107	100MF 6.3V AL E.CAPAC	
C1002	QCHB1EZ-223	0.022MF 25V CER.CAPACI	
C1003	QETB0JM-107	100MF 6.3V AL E.CAPAC	
C1021	QETB1CM-108	1000MF 16V AL E.CAPAC	
C1022	QETB1CM-108	1000MF 16V AL E.CAPAC	
C1025	QCHB1EZ-223	0.022MF 25V CER.CAPACI	
C1030	QCHB1EZ-223	0.022MF 25V CER.CAPACI	
C1031	QCHB1EZ-223	0.022MF 25V CER.CAPACI	
C1032	QETB1CM-107	100MF 16V AL E.CAPAC	
C1033	QEAD0HZ-10AZM	AL E.CAPAC	
C1035	QCHB1EZ-223	0.022MF 25V CER.CAPACI	
C1036	QCVB1CM-103Y	0.01MF 16V CER.CAPACI	
C1037	QCHB1EZ-223	0.022MF 25V CER.CAPACI	
C1039	QETB1HM-225	2.2MF 50V AL E.CAPAC	
C1040	QCT26CH-330	33PF 50V CER.CAPACI	
C1041	QCZ0205-155	1.5MF 25V C.CAPACITO	
C1042	QETB1CM-226	22MF 16V E.CAPACITO	
C1043	QCVB1CM-103Y	0.01MF 16V CER.CAPACI	
C1045	QETB1HM-476	47MF 50V E.CAPACITO	
C1046	QETB1HM-476	47MF 50V E.CAPACITO	
C1047	QCVB1CM-103Y	0.01MF 16V CER.CAPACI	
C1050	QETB1HM-106	10MF 50V E.CAPACITO	
C1051	QETB1HM-475E	4.7MF 50V E.CAPACITO	
TC790	ENZ1003-015	0.1MF TRIMMER CA	

△ : SAFETY PARTS

Resistors

ITEM	PART NUMBER	DESCRIPTION	AREA
RA780	QRB049J-472	4.7K 1/10W NETWORK RE	
RA781	QRB059J-472	4.7K 1/10W NETWORK RE	
RA782	QRB049J-472	4.7K 1/10W NETWORK RE	
R1001	QRD161J-103	10K 1/6W CARBON RES	
R1002	QRD161J-821	820 1/6W CARBON RES	
△ R1021	PTH61G30BD2R2N	FUSIBLE RE	C
△ R1021	PTH61G30BD2R2N	FUSIBLE RE	U
△ R1021	PTH61G30BD2R2N	FUSIBLE RE	US
△ R1021	PTH61G30BD2R2N	FUSIBLE RE	UT
△ R1021	QRD12CJ-2R2SX	2.2 1/2W CARBON RES	J
△ R1022	PTH61G30BD2R2N	FUSIBLE RE	C
△ R1022	PTH61G30BD2R2N	FUSIBLE RE	U
△ R1022	PTH61G30BD2R2N	FUSIBLE RE	US
△ R1022	PTH61G30BD2R2N	FUSIBLE RE	UT
△ R1022	QRD12CJ-2R2SX	2.2 1/2W CARBON RES	J
R1023	QRD161J-472	4.7K 1/6W CARBON RES	
R1024	QRD161J-331	330 1/6W CARBON RES	
R1025	QRD161J-472	4.7K 1/6W CARBON RES	
R1030	QRD161J-472	4.7K 1/6W CARBON RES	
R1031	QRD161J-470	47 1/6W CARBON RES	

△ : SAFETY PARTS

Resistors

ITEM	PART NUMBER	DESCRIPTION	AREA
△ R1032	QRD14CJ-1R0SX	1 1/4W UNF.CARBON	U
△ R1032	QRD14CJ-1R0SX	1 1/4W UNF.CARBON	US
△ R1032	QRD14CJ-1R0SX	1 1/4W UNF.CARBON	UT
△ R1032	QRD14CJ-2R7S	2.7 1/4W UNF.CARBON	C
△ R1032	QRD14CJ-2R7S	2.7 1/4W UNF.CARBON	J
△ R1033	QRD14CJ-1R5SX	1.5 1/4W UNF.CARBON	C
△ R1033	QRD14CJ-1R5SX	1.5 1/4W UNF.CARBON	J
R1035	QRD161J-221	220 1/6W CARBON RES	
R1036	QRD161J-221	220 1/6W CARBON RES	
R1037	QRD161J-103	10K 1/6W CARBON RES	
R1038	QRD167J-223	22K 1/6W CARBON RES	
R1039	QRD161J-221	220 1/6W CARBON RES	
R1050	QRD167J-223	22K 1/6W CARBON RES	
R1051	QRD167J-223	22K 1/6W CARBON RES	
R1052	QRD167J-223	22K 1/6W CARBON RES	
R1053	QRD167J-223	22K 1/6W CARBON RES	
R1060	QRD161J-103	10K 1/6W CARBON RES	
R1070	QRD161J-104	100K 1/6W CARBON RES	
R1071	QRD161J-104	100K 1/6W CARBON RES	
R1072	QRD161J-104	100K 1/6W CARBON RES	
R1073	QRD161J-104	100K 1/6W CARBON RES	

△ : SAFETY PARTS

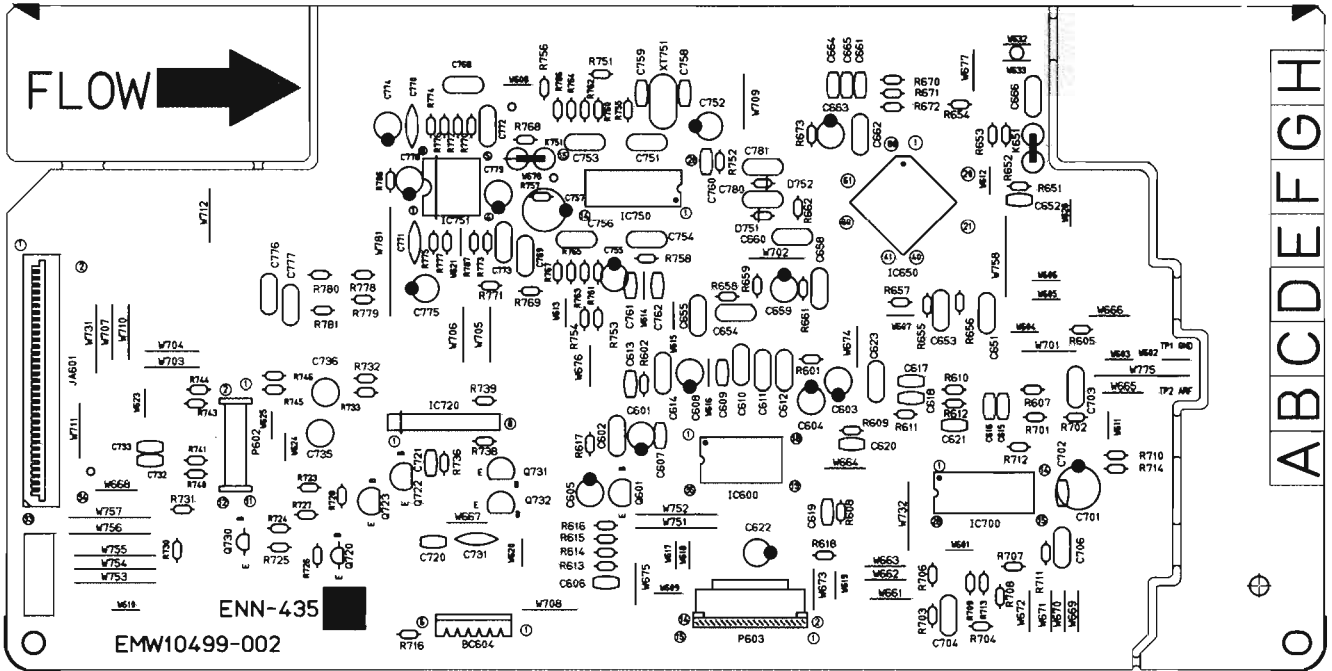
Others

ITEM	PART NUMBER	DESCRIPTION	AREA
J711	EMW10501-002	PRINTED BOA	
J721	EMV7141-011M	FLAT WIRE A	
J731	VMC0107-R03	CONNECT TER	
S611	ESP0001-023M	TACT SWITCH DAILY	
S612	ESP0001-023M	TACT SWITCH REC	
S613	ESP0001-023M	TACT SWITCH SLEEP	
S614	ESP0001-023M	TACT SWITCH HOUR	
S615	ESP0001-023M	TACT SWITCH MINUTE	
S616	ESP0001-023M	TACT SWITCH CLOCK ADJUST	
S617	ESP0001-023M	TACT SWITCH MEMORY	
S618	ESP0001-023M	TACT SWITCH UP	
S619	ESP0001-023M	TACT SWITCH DOWN	
S620	ESP0001-023M	TACT SWITCH PRESET UP	
S621	ESP0001-023M	TACT SWITCH PRESET DOWN	
S622	ESP0001-023M	TACT SWITCH FM	
S623	ESP0001-023M	TACT SWITCH AM	
S624	ESP0001-023M	TACT SWITCH VOLUME POSITION	
S625	ESP0001-023M	TACT SWITCH SOURCE/REC TIME	
S626	ESP0001-023M	TACT SWITCH D4	
S627	ESP0001-023M	TACT SWITCH D1	
S628	ESP0001-023M	TACT SWITCH M	
S629	ESP0001-023M	TACT SWITCH EDIT	
S630	ESP0001-023M	TACT SWITCH DOOR OPEN/CLOSE	
S631	ESP0001-023M	TACT SWITCH MAG.EJECT	
S632	ESP0001-023M	TACT SWITCH D2	
S633	ESP0001-023M	TACT SWITCH M	
S634	ESP0001-023M	TACT SWITCH INTRO	
S635	ESP0001-023M	TACT SWITCH D5	
S636	ESP0001-023M	TACT SWITCH P1 OPEN/CLOSE	
S637	ESP0001-023M	TACT SWITCH P1	
S638	ESP0001-023M	TACT SWITCH SIDE A/B	
S639	ESR0001-023M	TACT SWITCH CALL	
S640	ESP0001-023M	TACT SWITCH D6	
S641	ESP0001-023M	TACT SWITCH D3	
S642	ESP0001-023M	TACT SWITCH ► / ■	
S643	ESP0001-023M	TACT SWITCH ■ / CANCEL	
S644	ESP0001-023M	TACT SWITCH P.MODE	
S731	ESS1200-002	LEVER SWITC	
X780	ECXP6R0-001ZA	CRYSTAL	
X790	ECX0006-000XNJ	CRYSTAL	
BC103	EWS267-A415J	SOCKET WIRE	
BK790	E309287-0025M	FL HOLDER	
△ CP701	ICP-N15	I.C.PROTECT	C
△ CP701	ICP-N15	I.C.PROTECT	U
△ CP701	ICP-N15	I.C.PROTECT	US
△ CP701	ICP-N15	I.C.PROTECT	UT
EP700	E70225-001	EARTH PLATE	
FL790	ELU0001-199	FLUORESCENT	
FS790	E306805-014	FELT SPACER	
FW731	EWR330-16LS	FLAT WIRE A	
F1080	E3400-431	FELT SPACER	
JA701	VMC0163-R22	CONNECT TER	C
JA701	VMC0163-R22	CONNECT TER	J
JA701	VMC0163-R22	CONNECT TER	U
JA701	VMC0163-R22	CONNECT TER	US
JA701	VMC0163-R22	CONNECT TER	UT
JB101	EMV5140-010	VOLUME SOCK	
JB601	VMC0163-034	CONNECT TER	C
JB601	VMC0163-034	CONNECT TER	J
JB601	VMC0163-034	CONNECT TER	U
JB601	VMC0163-034	CONNECT TER	US
JB601	VMC0163-034	CONNECT TER	UT
JB701	VMC0163-R22	CONNECT TER	C
JB701	VMC0163-R22	CONNECT TER	J
JB701	VMC0163-R22	CONNECT TER	U
JB701	VMC0163-R22	CONNECT TER	US
JB701	VMC0163-R22	CONNECT TER	UT

△ : SAFETY PARTS

■ ENN-435 □ CD PC Board Ass'y

Note : ENN435 □ varies according to the areas employed. See note (2) when placing an order.



Note (2)

PC Board Ass'y	Version	Designated Areas
ENN-435 A	C J	Canada the U.S.A.
ENN-435 B	U UT US	Universal Type Taiwan Singapore

Transistors

ITEM	PART NUMBER	DESCRIPTION	AREA
Q601	2SA950(Q,Y)	SI.TRANSIST TOSHIBA	
Q720	DTC144ES	DIGITAL TRA ROHM	
Q722	2SC2060(Q,R)	SI.TRANSIST ROHM	
Q723	2SA934(Q,R)	SI.TRANSIST ROHM	
Q730	DTC144ES	DIGITAL TRA ROHM	
Q731	2SC2060(Q,R)	SI.TRANSIST ROHM	
Q732	2SA934(Q,R)	SI.TRANSIST ROHM	

△ : SAFETY PARTS

I.C.s

ITEM	PART NUMBER	DESCRIPTION	AREA
IC600	AN8806SB	I.C(M) MATSUSHITA	
IC650	MN662720RB	I.C(DIGI-MO MATSUSHITA	
IC700	BA6398FP	I.C(MONO-AN ROHM	
IC720	VC4580L	I.C(MONO-AN DAINICHI	
IC750	MN35503	I.C(DIGI-MO MATSUSHITA	
IC751	NJM4580DD	I.C(MONO-AN DAINICHI	

△ : SAFETY PARTS

Diodes

ITEM	PART NUMBER	DESCRIPTION	AREA
D751	1SS119	SI.DIODE	
D752	1SS119	SI.DIODE	

△ : SAFETY PARTS

Capacitors

ITEM	PART NUMBER	DESCRIPTION	AREA
C601	QETB1AM-107	100MF 10V AL E.CAPAC	
C602	QCZO202-155	1.5MF 25V CER.RESIST	
C604	QETB1AM-107	100MF 10V AL E.CAPAC	
C605	QER51VM-106	10MF 35V AL E.CAPAC	
C606	QCHB1EZ-223	0.022MF 25V CER.CAPACI	
C607	QCSB1HJ-680	68PF 50V CER.CAPACI	
C608	QETB1HM-105	1MF 50V AL E.CAPAC	
C609	QCBB1HK-10-Y	100PF 50V CER.CAPACI	
C610	QFLB1HJ-273	0.027MF 50V MYLAR CAPA	
C611	QFLS1HJ-472	4700PF 50V MYLAR CAPA	
C612	QFLB1HJ-332	3300PF 50V MYLAR CAPA	
C613	QCT30CH-3R3Y	3.3PF 50V CER.CAPACI	
C614	QFV81HJ-104	0.1MF 50V THIN FILM	
C615	QCHB1EZ-223	0.022MF 25V CER.CAPACI	
C616	QCHB1EZ-223	0.022MF 25V CER.CAPACI	
C617	QCHB1EZ-223	0.022MF 25V CER.CAPACI	
C618	QCX31CM-222Y	2200PF 16V CER.CAPACI	
C619	QCBB1HK-271Y	270PF 50V CER.CAPACI	
C620	QCSB1HJ-470	47PF 50V CER.CAPACI	
C621	QCBB1HK-82-Y	820PF 50V CER.CAPACI	
C622	QETB1AM-476	47MF 10V E.CAPACITO	
C623	QFV81HJ-104	0.1MF 50V THIN FILM	
C651	QFLB1HJ-471	470PF 50V MYLAR CAPA	
C652	QCHB1EZ-223	0.022MF 25V CER.CAPACI	
C653	QFLB1HJ-223	0.022MF 50V MYLAR CAPA	
C654	QFLB1HJ-223	0.022MF 50V MYLAR CAPA	
C655	QFV81HJ-334	0.33MF 50V TP.CAPACIT	
C658	QFV81HJ-104	0.1MF 50V THIN FILM	
C659	QETB1AM-107	100MF 10V AL E.CAPAC	
C660	QFLB1HJ-223	0.022MF 50V MYLAR CAPA	
C662	QFV81HJ-104	0.1MF 50V THIN FILM	
C663	QETB1AM-107	100MF 10V AL E.CAPAC	
C701	QETB1CM-227	220MF 16V AL E.CAPAC	
C702	QCHB1EZ-223	0.022MF 25V CER.CAPACI	
C703	QFLB1HJ-273	0.027MF 50V MYLAR CAPA	
C704	QFLB1HJ-183	0.018MF 50V MYLAR CAPA	
C706	QFLB1HJ-273	0.027MF 50V MYLAR CAPA	
C720	QCHB1EZ-223	0.022MF 25V CER.CAPACI	
C721	QCHB1EZ-223	0.022MF 25V CER.CAPACI	
C722	QCS21HJ-101A	100PF 50V CER.CAPACI	C

△ : SAFETY PARTS

Capacitors

Δ	ITEM	PART NUMBER	DESCRIPTION			AREA
	C722	QCS21HJ-101A	100PF	50V	CER.CAPACI	J
	C722	QCS21HJ-101A	100PF	50V	CER.CAPACI	U
	C722	QCS21HJ-101A	100PF	50V	CER.CAPACI	US
	C722	QCS21HJ-101A	100PF	50V	CER.CAPACI	UT
	C731	QCF21HP-223A	0.022MF	50V	CER.CAPACI	
	C732	QCHB1EZ-223	0.022MF	25V	CER.CAPACI	
	C733	QCHB1EZ-223	0.022MF	25V	CER.CAPACI	
	C735	QETC1HM-225ZN	2.2MF	50V	AL E.CAPAC	
	C736	QETC1HM-225ZN	2.2MF	50V	AL E.CAPAC	
	C751	QCZ0202-155	1.5MF	25V	CER.RESIST	
	C752	QETB1AM-476	47MF	10V	E.CAPACITO	
	C753	QCZ0202-155	1.5MF	25V	CER.RESIST	
	C754	QCZ0202-155	1.5MF	25V	CER.RESIST	
	C755	QETB0JM-227	220MF	6.3V	E.CAPACITO	
	C756	QCZ0202-155	1.5MF	25V	CER.RESIST	
	C757	EETB0JM-477E	470MF	6.3V	E.CAPACITO	
	C758	QCT30CH-180Y	18PF	50V	CER.CAPACI	
	C759	QCT30CH-180Y	18PF	50V	CER.CAPACI	
	C768	QFLB1HJ-182	1800PF	50V	MYLAR CAPA	
	C769	QFLB1HJ-182	1800PF	50V	MYLAR CAPA	
	C770	QCS21HJ-101A	100PF	50V	CER.CAPACI	
	C771	QCS21HJ-101A	100PF	50V	CER.CAPACI	
	C772	QFLB1HJ-333	0.033MF	50V	MYLAR CAPA	
	C773	QFLB1HJ-333	0.033MF	50V	MYLAR CAPA	
	C774	EEZ2505-476	47MF		AL E.CAPAC	
	C775	EEZ2505-476	47MF		AL E.CAPAC	
	C776	QFLB1HJ-682	6800PF	50V	MYLAR CAPA	
	C777	QFLB1HJ-682	6800PF	50V	MYLAR CAPA	
	C778	EEZ2505-476	47MF		AL E.CAPAC	
	C779	EEZ2505-476	47MF		AL E.CAPAC	
	C780	QCZ0202-155	1.5MF	25V	CER.RESIST	
	C781	QCZ0202-155	1.5MF	25V	CER.RESIST	

Δ : SAFETY PARTS

Resistors

Δ	ITEM	PART NUMBER	DESCRIPTION			AREA
	R602	QRD161J-123	12K	1/6W	CARBON RES	
	R605	QRD167J-134	130K	1/6W	CARBON RES	
	R607	QRD161J-913	91K	1/6W	CARBON RES	
	R608	QRD161J-273	27K	1/6W	CARBON RES	
	R609	QRD161J-114	110K	1/6W	CARBON RES	
	R610	QRD167J-154	150K	1/6W	CARBON RES	
	R611	QRD161J-394	390K	1/6W	CARBON RES	
	R612	QRD161J-103	10K	1/6W	CARBON RES	
	R613	QRD167J-121	120	1/6W	CARBON RES	
	R614	QRD167J-470	47	1/6W	CARBON RES	
	R615	QRD167J-470	47	1/6W	CARBON RES	
	R616	QRD167J-470	47	1/6W	CARBON RES	
	R617	QRD161J-2R2	2.2	1/6W	CARBON RES	
	R618	QRD161J-910Y	91	1/6W	CARBON RES	
	R651	QRD161J-102	1K	1/6W	CARBON RES	
	R652	QRD161J-102	1K	1/6W	CARBON RES	
	R653	QRD161J-102	1K	1/6W	CARBON RES	
	R654	QRD161J-470	47	1/6W	CARBON RES	
	R655	QRD167J-155	1.5M	1/6W	CARBON RES	
	R656	QRD161J-104	100K	1/6W	CARBON RES	
	R657	QRD161J-104	100K	1/6W	CARBON RES	
	R658	QRD161J-681	680	1/6W	CARBON RES	
	R659	QRD161J-124	120K	1/6W	CARBON RES	
	R661	QRD161J-2R2	2.2	1/6W	CARBON RES	
	R662	QRD161J-2R2	2.2	1/6W	CARBON RES	
	R670	QRD161J-102	1K	1/6W	CARBON RES	
	R671	QRD161J-102	1K	1/6W	CARBON RES	
	R672	QRD161J-102	1K	1/6W	CARBON RES	
	R673	QRD161J-472	4.7K	1/6W	CARBON RES	
	R701	QRD161J-821	820	1/6W	CARBON RES	
	R702	QRD167J-562	5.6K	1/6W	CARBON RES	
	R703	QRD161J-112	1.1K	1/6W	CARBON RES	
	R704	QRD167J-113	11K	1/6W	CARBON RES	
	R706	QRD161J-124	120K	1/6W	CARBON RES	
	R707	QRD167J-332	3.3K	1/6W	CARBON RES	
	R708	QRD161J-752	7.5K	1/6W	CARBON RES	
	R709	QRD167J-223	22K	1/6W	CARBON RES	
	R710	QRD161J-392	3.9K	1/6W	CARBON RES	
	R711	QRD167J-153	15K	1/6W	CARBON RES	
	R712	QRD161J-752	7.5K	1/6W	CARBON RES	
	R713	QRD167J-751	750	1/6W	CARBON RES	
	R714	QRD161J-363	36K	1/6W	CARBON RES	
	R716	QRD167J-151	150	1/6W	CARBON RES	
	R723	QRD161J-243	24K	1/6W	CARBON RES	
	R724	QRD161J-303Y	30K	1/6W	CARBON RES	C
	R724	QRD161J-303Y	30K	1/6W	CARBON RES	J
	R724	QRD161J-303Y	30K	1/6W	CARBON RES	U
	R724	QRD161J-303Y	30K	1/6W	CARBON RES	US
	R724	QRD161J-303Y	30K	1/6W	CARBON RES	UT
	R725	QRD161J-133Y	13K	1/6W	CARBON RES	
	R726	QRD167J-562	5.6K	1/6W	CARBON RES	
	R727	QRD161J-183	18K	1/6W	CARBON RES	
	R728	QRD161J-221	220	1/6W	CARBON RES	C
	R728	QRD161J-221	220	1/6W	CARBON RES	J
	R728	QRD161J-221	220	1/6W	CARBON RES	U

Δ : SAFETY PARTS

Resistors

Δ	ITEM	PART NUMBER	DESCRIPTION			AREA
	R728	QRD161J-221	220	1/6W	CARBON RES	US
	R728	QRD161J-221	220	1/6W	CARBON RES	UT
	R730	QRD161J-363	36K	1/6W	CARBON RES	
	R731	QRD167J-153	15K	1/6W	CARBON RES	
	R732	QRD167J-153	15K	1/6W	CARBON RES	
	R733	QRD161J-303Y	30K	1/6W	CARBON RES	
	R736	QRD161J-363	36K	1/6W	CARBON RES	
	R738	QRD161J-363	36K	1/6W	CARBON RES	
	R739	QRD167J-751	750	1/6W	CARBON RES	
	R740	QRD161J-102	1K	1/6W	CARBON RES	
	R741	QRD161J-102	1K	1/6W	CARBON RES	
	R743	QRD161J-102	1K	1/6W	CARBON RES	
	R744	QRD161J-102	1K	1/6W	CARBON RES	
	R745	QRD161J-102	1K	1/6W	CARBON RES	
	R746	QRD161J-102	1K	1/6W	CARBON RES	
	R751	QRD161J-101	100	1/6W	CARBON RES	
	R752	QRD161J-102	1K	1/6W	CARBON RES	
	R753	QRD167J-560	56	1/6W	CARBON RES	
	R755	QRD161J-271	270	1/6W	CARBON RES	
	R756	QRD161J-101	100	1/6W	CARBON RES	
	R758	QRD161J-271	270	1/6W	CARBON RES	C
	R758	QRD161J-271	270	1/6W	CARBON RES	J
	R758	QRD161J-471	470	1/6W	CARBON RES	U
	R758	QRD161J-471	470	1/6W	CARBON RES	US
	R758	QRD161J-471	470	1/6W	CARBON RES	UT
	R760	QRD161J-303Y	30K	1/6W	CARBON RES	
	R761	QRD161J-303Y	30K	1/6W	CARBON RES	
	R762	QRD161J-473	47K	1/6W	CARBON RES	
	R763	QRD161J-473	47K	1/6W	CARBON RES	
	R764	QRD161J-303Y	30K	1/6W	CARBON RES	
	R765	QRD161J-303Y	30K	1/6W	CARBON RES	
	R766	QRD161J-473	47K	1/6W	CARBON RES	
	R767	QRD161J-473	47K	1/6W	CARBON RES	
	R768	QRD161J-302	3K	1/6W	CARBON RES	
	R769	QRD161J-302	3K	1/6W	CARBON RES	
	R770	QRD167J-332	3.3K	1/6W	CARBON RES	
	R771	QRD167J-332	3.3K	1/6W	CARBON RES	
	R772	QRD167J-332	3.3K	1/6W	CARBON RES	
	R773	QRD167J-332	3.3K	1/6W	CARBON RES	
	R774	QRD161J-333	33K	1/6W	CARBON RES	
	R775	QRD161J-333	33K	1/6W	CARBON RES	
	R776	QRD161J-222	2.2K	1/6W	CARBON RES	
	R777	QRD161J-222	2.2K	1/6W	CARBON RES	
	R778	QRD161J-273	27K	1/6W	CARBON RES	
	R779	QRD161J-273	27K	1/6W	CARBON RES	
	R780	QRD161J-561	560	1/6W	CARBON RES	
	R781	QRD161J-561	560	1/6W	CARBON RES	
	R786	QRD161J-271	270	1/6W	CARBON RES	
	R787	QRD161J-271	270	1/6W	CARBON RES	

Δ : SAFETY PARTS

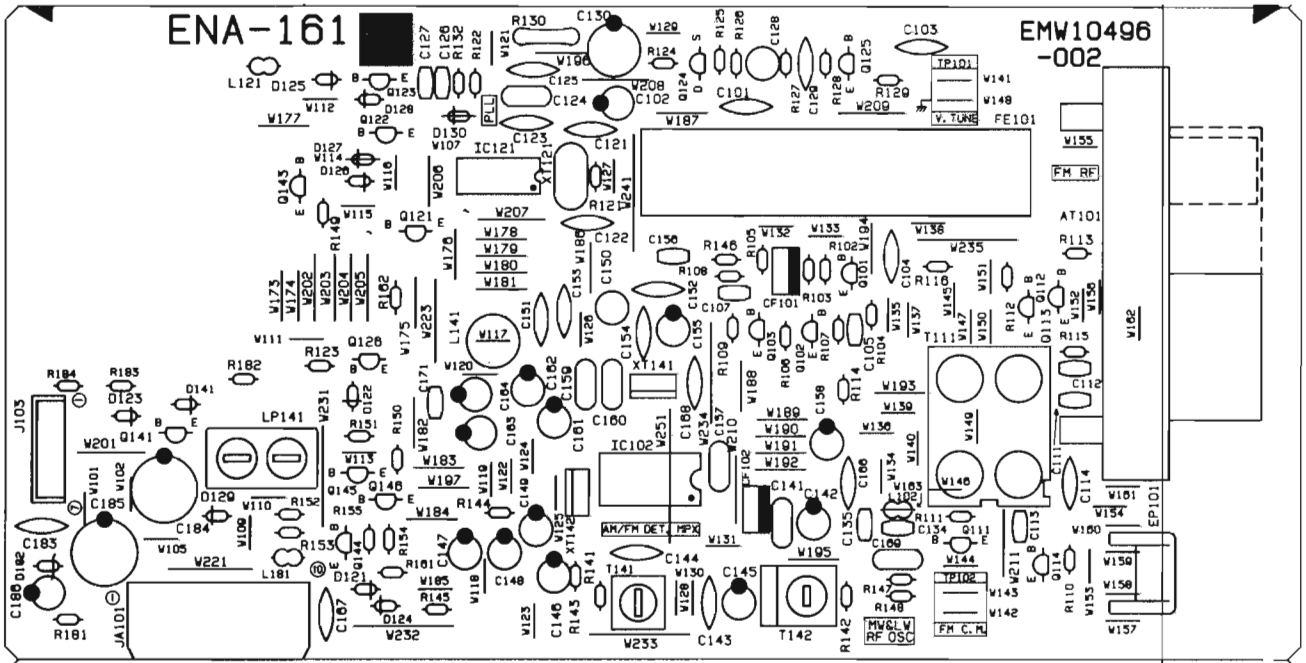
Others

Δ	ITEM	PART NUMBER	DESCRIPTION			AREA
	K751	EMW10499-002A	CIR. BOARD			
	P602	ENZ8101-007	INDUCTOR			
	P603	VMC0314-S12	CONNECT TER			
	P603	EMV7144-015R	CONNECT TER			
	BC604	EWS266-A408J	FLAT WIRE A			
	FS720	E3400-431	FELT SPACER			C
	FS720	E3400-431	FELT SPACER			J
	FS720	E3400-431	FELT SPACER			U
	FS720	E3400-431	FELT SPACER			US
	FS720	E3400-431	FELT SPACER			UT
	JA601	EMV7123-034	CONNECT TER			
	XT751	ECX0169-344KL	CRYSTAL			

Δ : SAFETY PARTS

■ ENA-161 □ Tuner PC Board Ass'y

Note : ENA-161 □ varies according to the areas employed. See note (3) when placing an order.



Note (3)

PC Board Ass'y	Version	Designated Areas
ENA-161 A	C J	Canada the U.S.A.
ENA-161 G	U UT US	Universal Type Taiwan Singapore

Diodes

ITEM	PART NUMBER	DESCRIPTION	AREA
D129	1SS133	SI. DIODE ROHM	
D130	1SS133	SI. DIODE ROHM	
D141	1SS133	SI. DIODE ROHM	
D182	MTZ5.1JC	ZENER DIODE ROHM	

△ : SAFETY PARTS

Capacitors

ITEM	PART NUMBER	DESCRIPTION	AREA
C101	QCF21HP-103A	0.01MF 50V CER. CAPACI	
C103	QCF21HP-223A	0.022MF 50V CER. CAPACI	
C104	QCF21HP-223A	0.022MF 50V CER. CAPACI	
C105	QCHB1EZ-223	0.022MF 25V CER. CAPACI	
C107	QCHB1EZ-223	0.022MF 25V CER. CAPACI	
C111	QCHB1EZ-223	0.022MF 25V CER. CAPACI	
C112	QCT30CH-120Y	12PF 50V CER. CAPACI	
C114	QCC21EM-473	0.047MF 25V CER. CAPACI	
C121	QCS21HJ-180A	18PF 50V CER. CAPACI	
C122	QCS21HJ-180A	18PF 50V CER. CAPACI	
C123	QCC21EM-473	0.047MF 25V CER. CAPACI	
C124	QCZO202-155	1.5MF 25V CER. RESIST	
C125	QCF21HP-223A	0.022MF 50V CER. CAPACI	
C126	QCBB1HK-101Y	100PF 50V CER. CAPACI	
C127	QCSB1HK-101Y	100PF 50V CER. CAPACI	
C128	QENB1HM-474	0.47MF 50V NP E. CAPAC	
C129	QCY31HK-102Z	1000PF 50V CER. CAPACI	
C130	QETB1CM-227	220MF 16V AL E. CAPAC	
C141	QFLB1HJ-473	0.047MF 50V MYLAR CAPA	
C142	QETB1HM-106	10MF 50V E. CAPACITO	
C143	QCF21HP-223A	0.022MF 50V CER. CAPACI	
C144	QCC21EM-473	0.047MF 25V CER. CAPACI	
C145	QETB1HM-475E	4.7MF 50V E. CAPACITO	
C146	QETB1HM-106	10MF 50V E. CAPACITO	
C147	QETB1HM-105	1MF 50V AL E. CAPAC	
C148	QETB1HM-474	0.47MF 50V ELECTRO	
C149	QETB1HM-105	1MF 50V AL E. CAPAC	
C150	QETC1HM-225Z	2.2MF 50V AL E. CAPAC	
C153	QCY31HK-102Z	1000PF 50V CER. CAPACI	C
C153	QCY31HK-102Z	1000PF 50V CER. CAPACI	J
C153	QCY31HK-102Z	1000PF 50V CER. CAPACI	U
C153	QCY31HK-102Z	1000PF 50V CER. CAPACI	US
C153	QCY31HK-102Z	1000PF 50V CER. CAPACI	UT
C154	QCY31HK-472Z	4700PF 50V CER. CAPACI	
C155	QETB1EM-476	47MF 25V AL E. CAPAC	
C156	QCHB1EZ-223	0.022MF 25V CER. CAPACI	
C157	QCZO202-155	1.5MF 25V CER. RESIST	
C158	QETB1HM-106	10MF 50V E. CAPACITO	
C159	QFLB1HJ-333	0.033MF 50V MYLAR CAPA	C
C159	QFLB1HJ-333	0.033MF 50V MYLAR CAPA	J

△ : SAFETY PARTS

Transistors

ITEM	PART NUMBER	DESCRIPTION	AREA
Q101	2SC461	SI. TRANSIST	
Q102	2SC535	SI. TRANSIST HITACHI	
Q103	2SC461	SI. TRANSIST	
Q121	DTA144ES	DIGITAL TRA ROHM	
Q122	DTA144ES	DIGITAL TRA ROHM	
Q124	2SK301(P,Q)	F.E.T.	
Q125	2SC458(C,D)	SI. TRANSIST HITACHI	
Q126	DTC114ES	DIGITAL TRA ROHM	
Q141	DTC114ES	DIGITAL TRA ROHM	
Q143	DTC114ES	DIGITAL TRA ROHM	

△ : SAFETY PARTS

I.C.s

ITEM	PART NUMBER	DESCRIPTION	AREA
IC102	LA1836M	I.C.(MONO-AN SANYO	
IC121	LC7218MX	I.C.(DIGI-MO SANYO	

△ : SAFETY PARTS

Diodes

ITEM	PART NUMBER	DESCRIPTION	AREA
D121	1SS133	SI. DIODE ROHM	
D122	1SS133	SI. DIODE ROHM	
D123	1SS133	SI. DIODE ROHM	
D124	1SS133	SI. DIODE ROHM	
D126	1SS133	SI. DIODE ROHM	

△ : SAFETY PARTS

XT-C550

Capacitors

ITEM	PART NUMBER	DESCRIPTION	AREA
C159	QFLB1HJ-333	0.033MF 50V MYLAR CAPA	U
C159	QFLB1HJ-333	0.033MF 50V MYLAR CAPA	J
C159	QFLB1HJ-333	0.033MF 50V MYLAR CAPA	UT
C160	QFLB1HJ-333	0.033MF 50V MYLAR CAPA	C
C160	QFLB1HJ-333	0.033MF 50V MYLAR CAPA	J
C160	QFLB1HJ-333	0.033MF 50V MYLAR CAPA	U
C160	QFLB1HJ-333	0.033MF 50V MYLAR CAPA	US
C160	QFLB1HJ-333	0.033MF 50V MYLAR CAPA	UT
C161	QETB1HM-225	2.2MF 50V AL E.CAPAC	
C162	QETB1HM-225	2.2MF 50V AL E.CAPAC	
C163	QETB1HM-225	2.2MF 50V AL E.CAPAC	
C164	QETB1HM-225	2.2MF 50V AL E.CAPAC	
C166	QCC21EM-473	0.047MF 25V CER.CAPACI	
C168	QCC21EM-473	0.047MF 25V CER.CAPACI	
C169	QFV81HJ-274	0.27MF 50V T.FILM CAP	
C171	QCBB1HK-102Y	1000PF 50V CER.CAPACI	
C183	QCF21HP-223A	0.022MF 50V CER.CAPACI	
C184	QETB1CM-227	220MF 16V AL E.CAPAC	
C185	QETB1CM-477M	4.70MF 16V E.CAPACITO	
C186	QETB1HM-475E	4.7MF 50V E.CAPACITO	

Δ : SAFETY PARTS

Resistors

ITEM	PART NUMBER	DESCRIPTION	AREA
R102	QRD167J-332	3.3K 1/6W CARBON RES	
R103	QRD161J-221	220 1/6W CARBON RES	
R104	QRD167J-272	2.7K 1/6W CARBON RES	
R105	QRD161J-391	390 1/6W CARBON RES	
R106	QRD161J-102	1K 1/6W CARBON RES	
R107	QRD161J-681	680 1/6W CARBON RES	
R108	QRD167J-332	3.3K 1/6W CARBON RES	
R109	QRD161J-221	220 1/6W CARBON RES	
R114	QRD161J-103	10K 1/6W CARBON RES	
R115	QRD161J-104	100K 1/6W CARBON RES	
R116	QRD161J-222	2.2K 1/6W CARBON RES	
R121	QRD161J-473	47K 1/6W CARBON RES	
R122	QRD161J-472	4.7K 1/6W CARBON RES	
R123	QRD167J-562	5.6K 1/6W CARBON RES	
R124	QRD161J-222	2.2K 1/6W CARBON RES	
R125	QRD161J-222	2.2K 1/6W CARBON RES	
R126	QRD161J-181	180 1/6W CARBON RES	
R127	QRD167J-822	8.2K 1/6W CARBON RES	
R128	QRD161J-472	4.7K 1/6W CARBON RES	
R129	QRD161J-222	2.2K 1/6W CARBON RES	
Δ R130	QRD14CJ-680SX	68 1/4W UNF.CARBON	C
Δ R130	QRD14CJ-680SX	68 1/4W UNF.CARBON	J
Δ R130	QRZ0077-680	68 1/4W FUSIBLE RE	U
Δ R130	QRZ0077-680	68 1/4W FUSIBLE RE	US
Δ R130	QRZ0077-680	68 1/4W FUSIBLE RE	UT
R132	QRD161J-102	1K 1/6W CARBON RES	
R141	QRD161J-392	3.9K 1/6W CARBON RES	
R142	QRD161J-103	10K 1/6W CARBON RES	
R143	QRD161J-103	10K 1/6W CARBON RES	
R144	QRD167J-332	3.3K 1/6W CARBON RES	
R145	QRD161J-103	10K 1/6W CARBON RES	
R146	QRD161J-222	2.2K 1/6W CARBON RES	C
R146	QRD161J-222	2.2K 1/6W CARBON RES	J
R146	QRD161J-222	2.2K 1/6W CARBON RES	U
R146	QRD161J-222	2.2K 1/6W CARBON RES	US
R146	QRD161J-222	2.2K 1/6W CARBON RES	UT
R147	QRD161J-473	47K 1/6W CARBON RES	U
R147	QRD161J-473	47K 1/6W CARBON RES	US
R147	QRD161J-473	47K 1/6W CARBON RES	UT
R147	QRD167J-223	22K 1/6W CARBON RES	C
R147	QRD167J-223	22K 1/6W CARBON RES	J
R148	QRD161J-561	560 1/6W CARBON RES	
R149	QRD167J-223	22K 1/6W CARBON RES	C
R149	QRD167J-223	22K 1/6W CARBON RES	J
R149	QRD167J-223	22K 1/6W CARBON RES	U
R149	QRD167J-223	22K 1/6W CARBON RES	US
R149	QRD167J-223	22K 1/6W CARBON RES	UT
R150	QRD167J-332	3.3K 1/6W CARBON RES	
R151	QRD167J-332	3.3K 1/6W CARBON RES	
R152	QRD167J-332	3.3K 1/6W CARBON RES	C
R152	QRD167J-332	3.3K 1/6W CARBON RES	J
R152	QRD167J-332	3.3K 1/6W CARBON RES	U
R152	QRD167J-332	3.3K 1/6W CARBON RES	US
R152	QRD167J-332	3.3K 1/6W CARBON RES	UT
R153	QRD167J-332	3.3K 1/6W CARBON RES	C
R153	QRD167J-332	3.3K 1/6W CARBON RES	J
R153	QRD167J-332	3.3K 1/6W CARBON RES	U
R153	QRD167J-332	3.3K 1/6W CARBON RES	US
R153	QRD167J-332	3.3K 1/6W CARBON RES	UT
R161	QRD161J-473	47K 1/6W CARBON RES	
R162	QRD161J-222	2.2K 1/6W CARBON RES	
R181	QRD161J-222	2.2K 1/6W CARBON RES	
R182	QRD161J-103	10K 1/6W CARBON RES	
R183	QRD161J-103	10K 1/6W CARBON RES	
R184	QRD161J-103	10K 1/6W CARBON RES	

Δ : SAFETY PARTS

Resistors

ITEM	PART NUMBER	DESCRIPTION	AREA
R184	QRD161J-473	47K 1/6W CARBON RES	C
R184	QRD161J-473	47K 1/6W CARBON RES	J
R184	QRD161J-473	47K 1/6W CARBON RES	U
R184	QRD161J-473	47K 1/6W CARBON RES	US
R184	QRD161J-473	47K 1/6W CARBON RES	UT

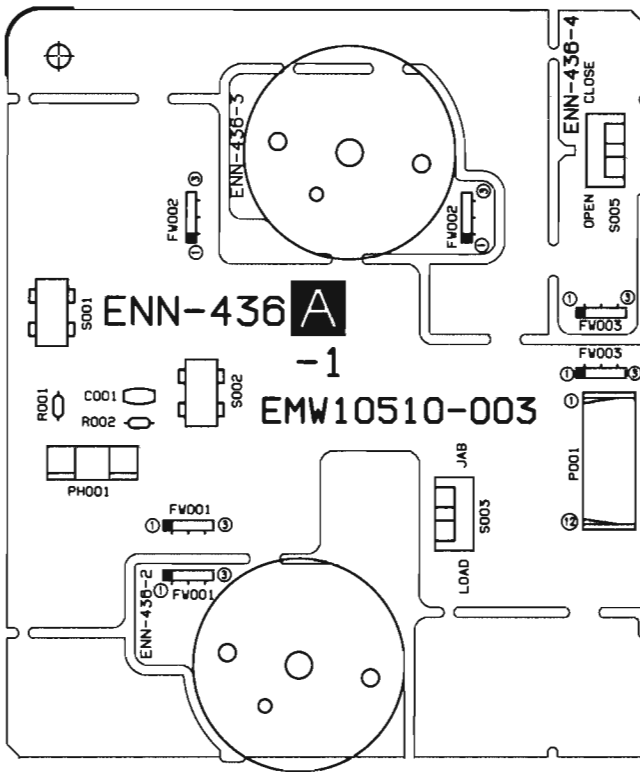
Δ : SAFETY PARTS

Others

ITEM	PART NUMBER	DESCRIPTION	AREA
	EMW10496-002A	CIR.BOARD	C
	EMW10496-002A	CIR.BOARD	J
	EMW10496-002A	CIR.BOARD	U
	EMW10496-002A	CIR.BOARD	US
	EMW10496-002A	CIR.BOARD	UT
	E308963-001	SHIELD BRAC	
J103	EMV5109-007A	MALE CONNEC	
L121	EQL4004-1R0	INDUCTOR	
L181	EQL4004-1R0	INDUCTOR	
T111	EQR7121-004	RF COIL	C
T111	EQR7121-004	RF COIL	J
T111	EQR7121-004	RF COIL	U
T111	EQR7121-004	RF COIL	US
T111	EQR7121-004	RF COIL	UT
T141	EQT2140-021	I.F.TRANSFO	
T142	ECB1560-010	CERAMIC FIL	
AT101	EMB41YV-302K	ANTENNA TER	
CF101	ECB2123-006R	CERAMIC FIL	C
CF101	ECB2123-006R	CERAMIC FIL	J
CF101	ECB2123-006R	CERAMIC FIL	U
CF101	ECB2123-006R	CERAMIC FIL	US
CF101	ECB2123-006R	CERAMIC FIL	UT
CF102	ECB2123-006R	CERAMIC FIL	C
CF102	ECB2123-006R	CERAMIC FIL	J
CF102	ECB2123-006R	CERAMIC FIL	U
CF102	ECB2123-006R	CERAMIC FIL	US
CF102	ECB2123-006R	CERAMIC FIL	UT
EP101	E70225-001	EARTH PLATE	
FE101	EAF2203-004	FRONT END	C
FE101	EAF2203-004	FRONT END	J
FE101	EAF2203-004	FRONT END	U
FE101	EAF2203-004	FRONT END	US
FE101	EAF2203-004	FRONT END	UT
JA101	EMV7140-L10R	PIN CONNECT	
LP141	EQF0101-002	LOWPASS FIL	
XT121	ECX0007-200KWJ1	CRYSTAL	
XT141	ECXPR46-001A	CRYSTAL	
XT142	ECB1001-002	CERAMIC FIL	

Δ : SAFETY PARTS

■ ENN-436 A CD Changer PC Board Ass'y



Capacitor

ITEM	PART NUMBER	DESCRIPTION	AREA
C001	QCH81EZ-223	0.022MF 25V CER.CAPACI	

△ : SAFETY PARTS

Resistors

ITEM	PART NUMBER	DESCRIPTION	AREA
R001	QRD161J-331	330 1/6W CARBON RES	
R002	QRD161J-472	4.7K 1/6W CARBON RES	

△ : SAFETY PARTS

Others

ITEM	PART NUMBER	DESCRIPTION	AREA
P001	EMW10510-002A	CIR.BOARD	
S001	EMVS132-012R	CONNECT TER	
S002	QSEC001-E03	LEVER SWITC MAG. IN SW	
S003	QSEC001-E03	LEVER SWITC HOM. POJ. SW	
S003	ESS1200-002	LEVER SWITC LOAD/JAB SW	
S005	ESS1200-002	LEVER SWITC OPEN/CLOSE SW	
FW001	EWR33B-08SST	FLAT WIRE A	
FW002	EWR33B-08SST	FLAT WIRE A	
FW003	EWR33B-13SST	FLAT WIRE A	
PH001	GP1A53HR	I.C(PHOTO-I	

△ : SAFETY PARTS

XT-C550

— MEMO —

Accessories List

 Symbol No.

M	6	M	M
---	---	---	---

⚠	Item	Part Number	Part Name	Q'ty	Description	Area
	1	E30580-2223A	INSTRUCTION BOOK	1		J
		E30580-2224A	INSTRUCTION BOOK	1		C
		E30580-2225A	INSTRUCTION BOOK	1		U,US,UT
	2	E43486-519A	CAUTION SHEET	1		
	3	BT-51006-1	WARRANTY CARD	1		J
		BT-20025M	WARRANTY CARD	1		C
	4	BT-20044G	SAFETY INST	1		J
	5	BT-20071B	SVC CENTER LIST	1		C
⚠	6	ENZ2202-001	SIEMENS PLUG	1		US
⚠		ENZ2203-001	SIEMENS PLUG	1		U,UT
	7	QPGA025-03505	ENVELOPE	1		Except BS
		QPGA025-03505	ENVELOPE	1		BS
	8	EWPZ01-005	GND WIRE	1		
	9	EQB4001-015J2	AM LOOP ANTENNA	1		
	10	E03614-004	B.IN ANTENNA	1		
	11	EMZ2001-014	ADAPTER	1		
	12	R03BPA-2STSA	BATTERY	1		
	13	RM-SEC550U	WIRELESS REMOTE CONTROLLER	1		
	14	E26072-020	MAGAZINE UNIT	1		

⚠ : Safety Parts

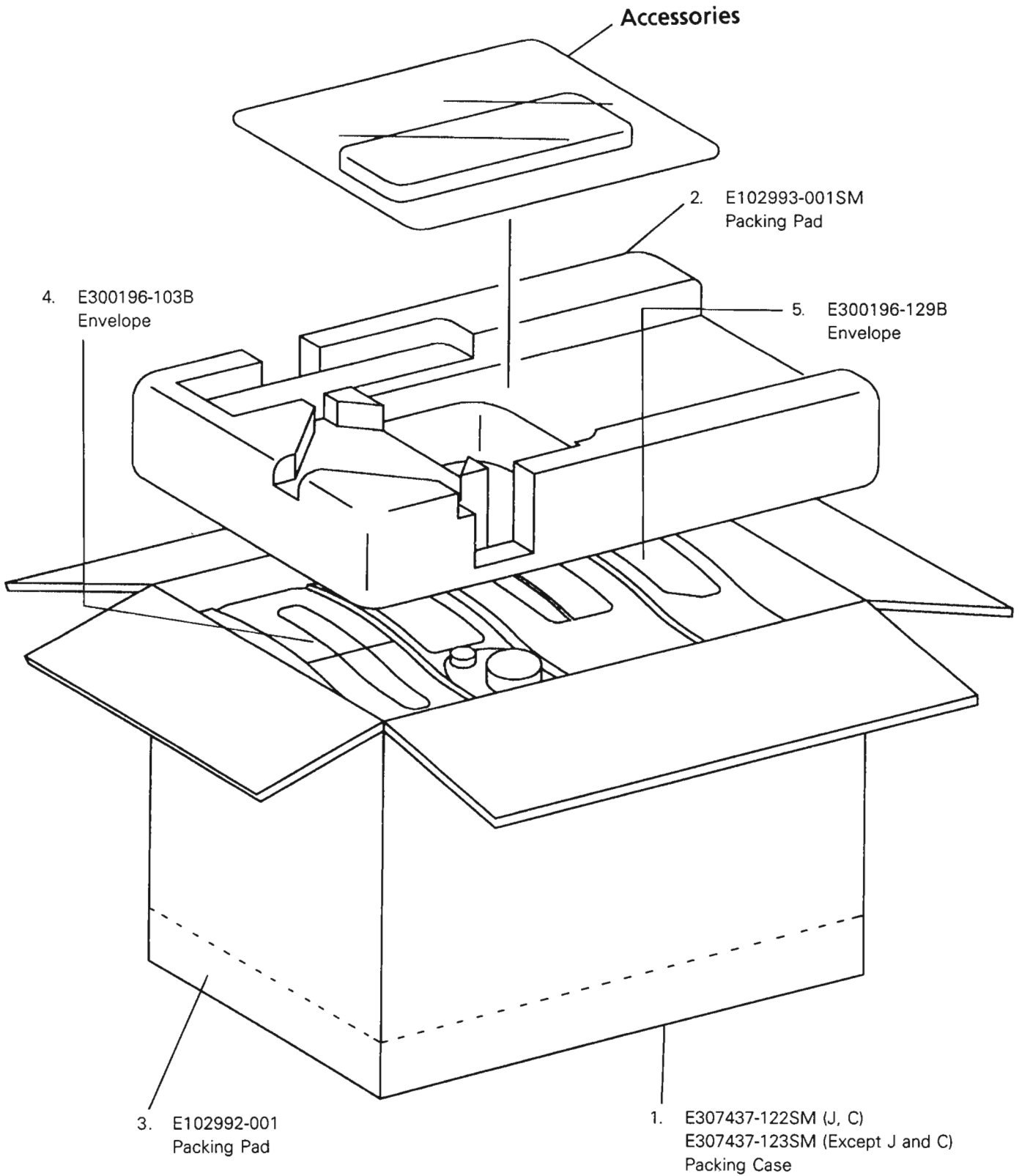
The Marks for Designated Areas

C Canada	J the U.S.A.	U Universal Type	
US Singapore	UT Taiwan	No mark indicates all area.	

Packing Materials and Part Numbers

Symbol No.

M	7	M	M
---	---	---	---



JVC

VICTOR COMPANY OF JAPAN, LIMITED

AUDIO DIVISION, YAMATO PLANT, 1644, SHIMOTSURUMA, YAMATO-SHI, KANAGAWA-KEN, 242, JAPAN

