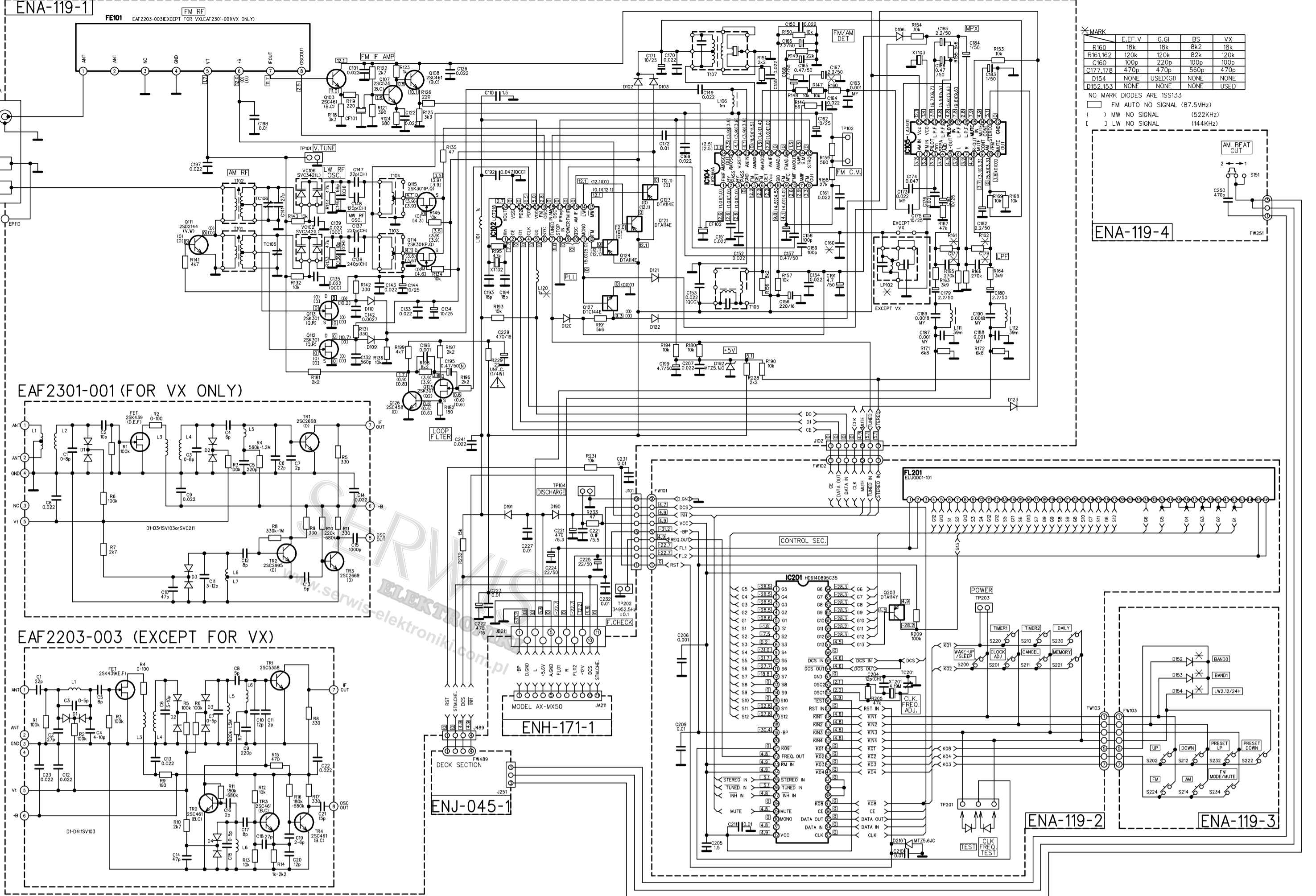
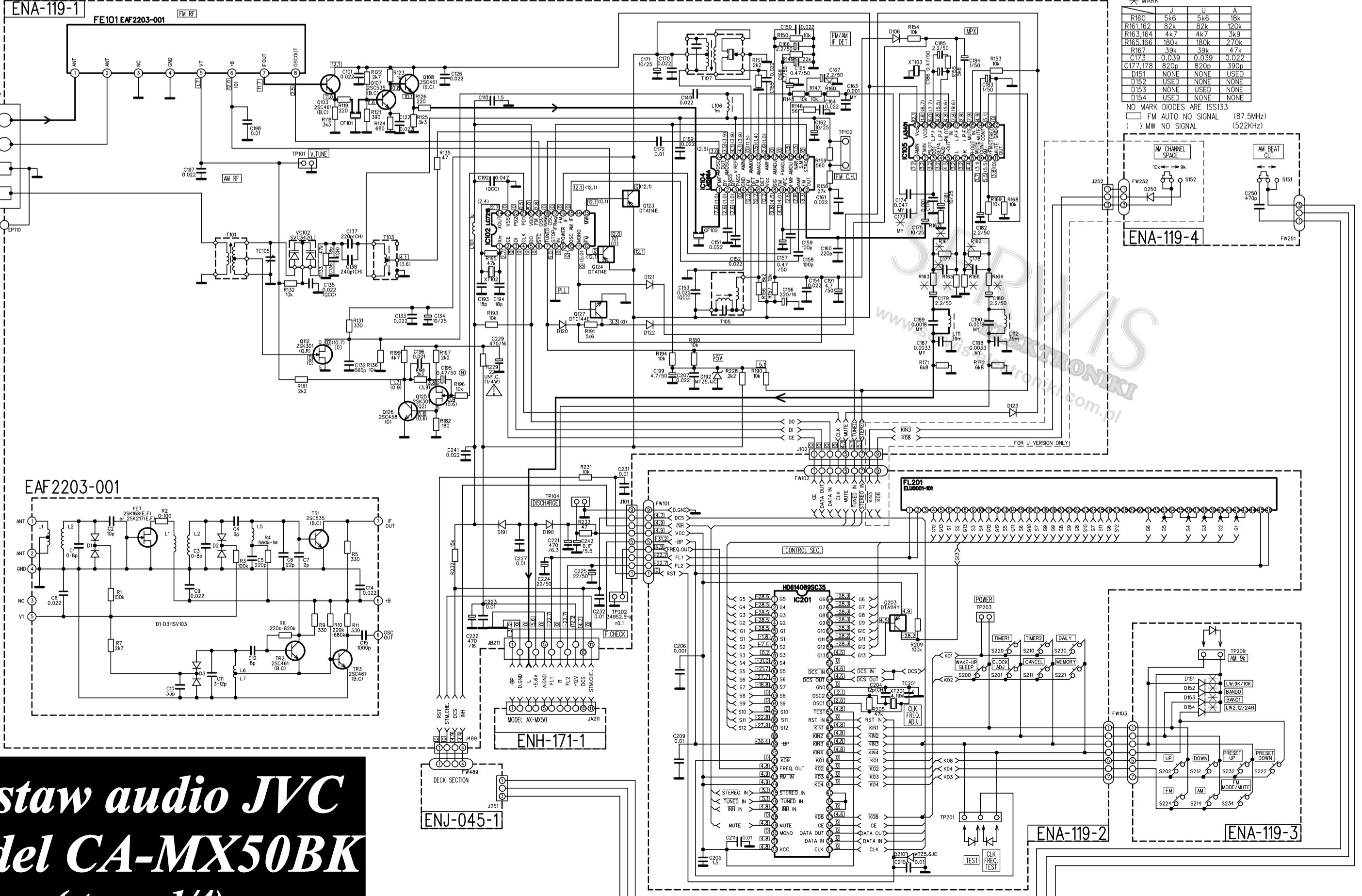


Tuner Section  
DR-MX50(FOR E,EF,BS,V,G,GI,VX)



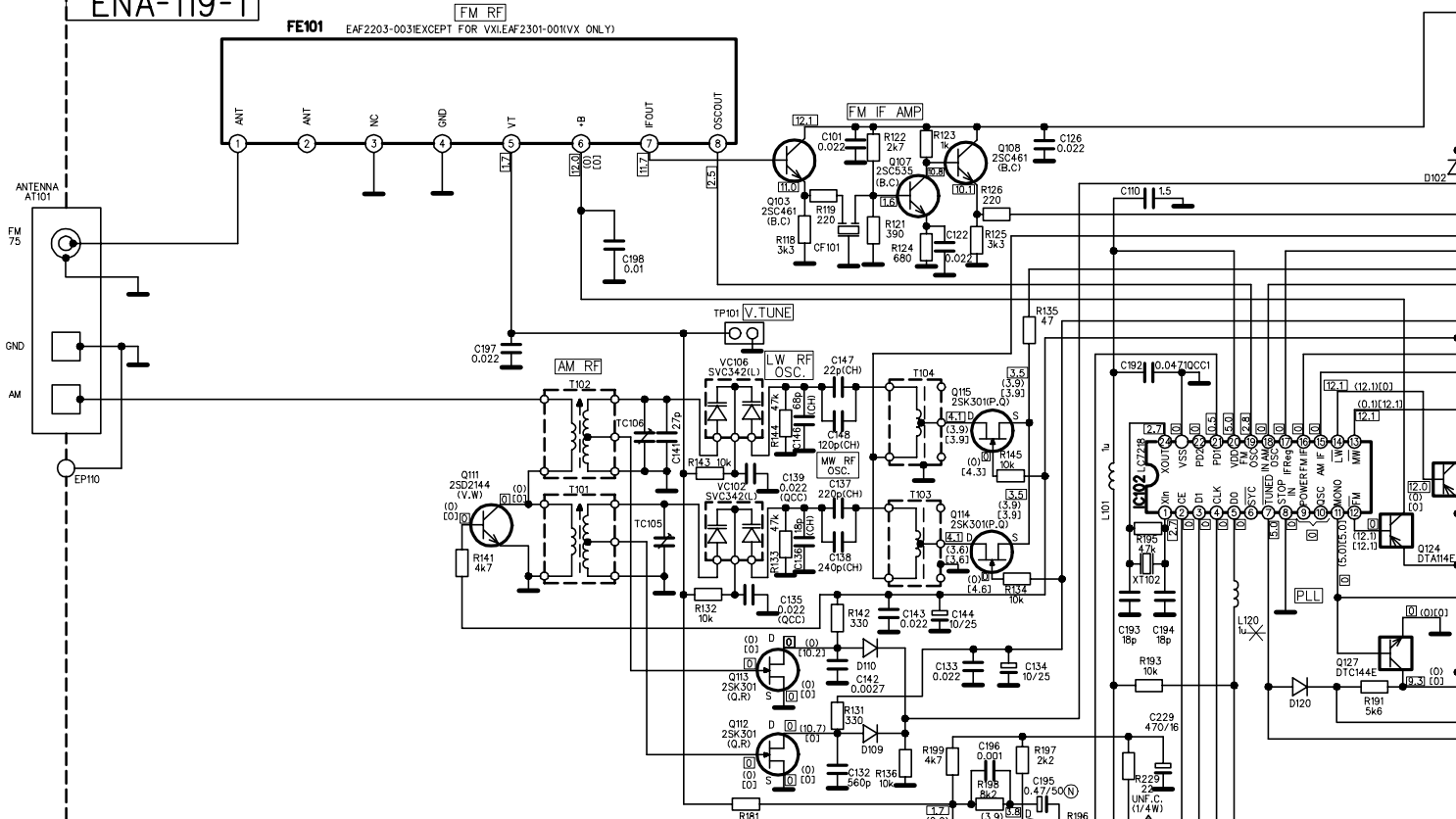
Tuner Section  
DR-MX50 (FOR J,U,A)



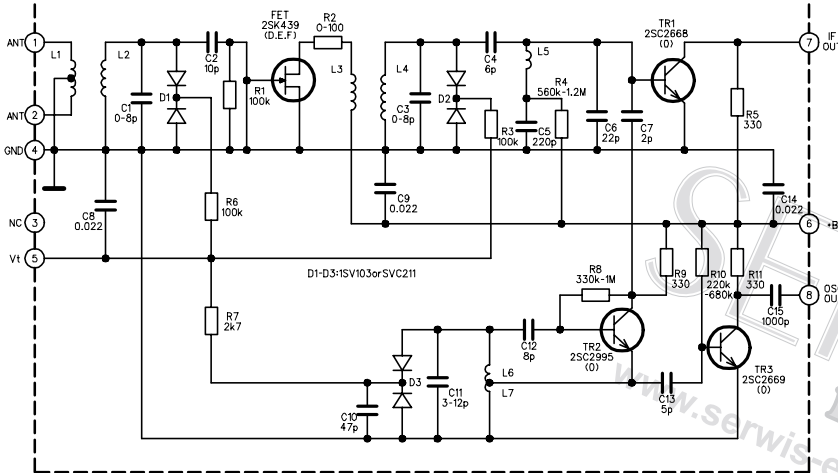
**Zestaw audio JVC**  
**model CA-MX50BK**  
 (strona 1/4)

# Tuner Section DR-MX50(FOR E,EF,BS,V,G,GI,VX)

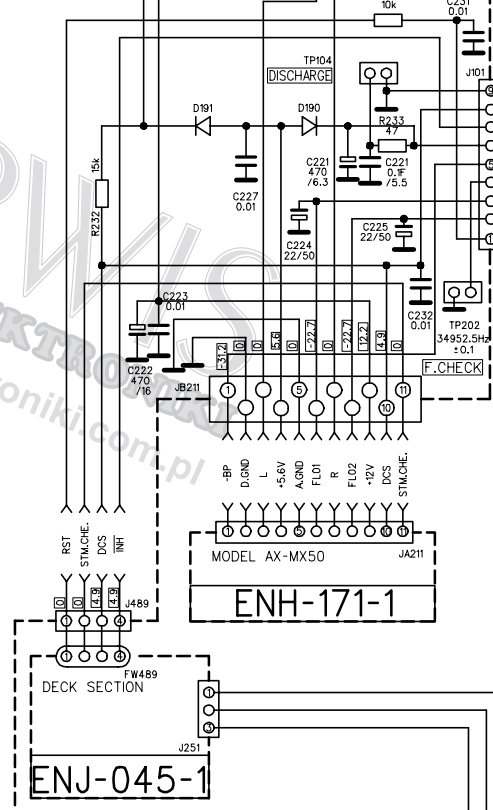
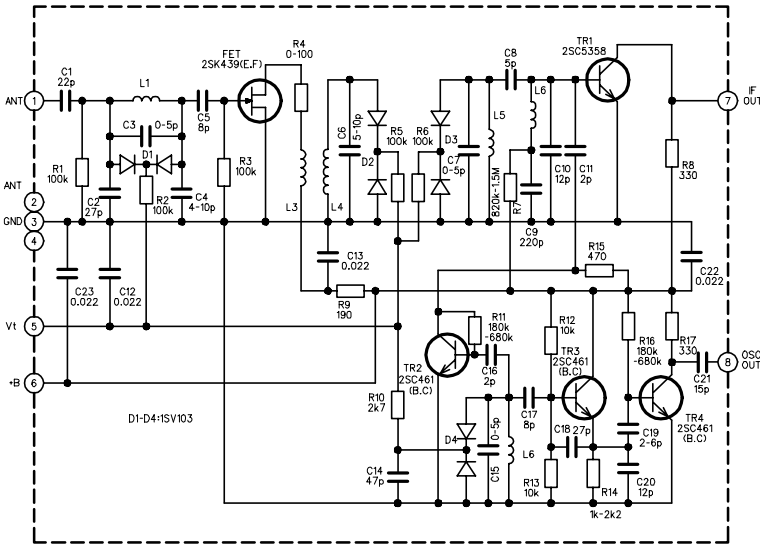
## ENA-119-1

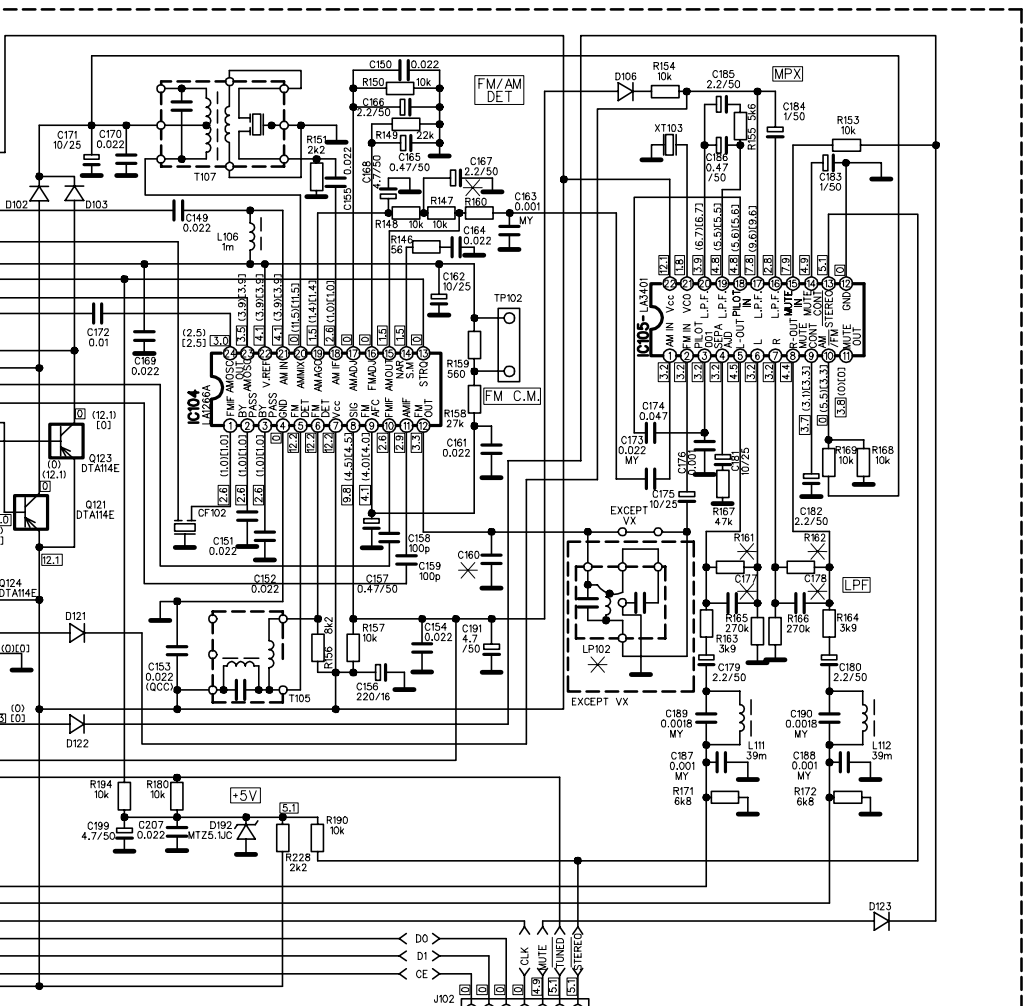


## EAF2301-001 (FOR VX ONLY)



## EAF2203-003 (EXCEPT FOR VX)

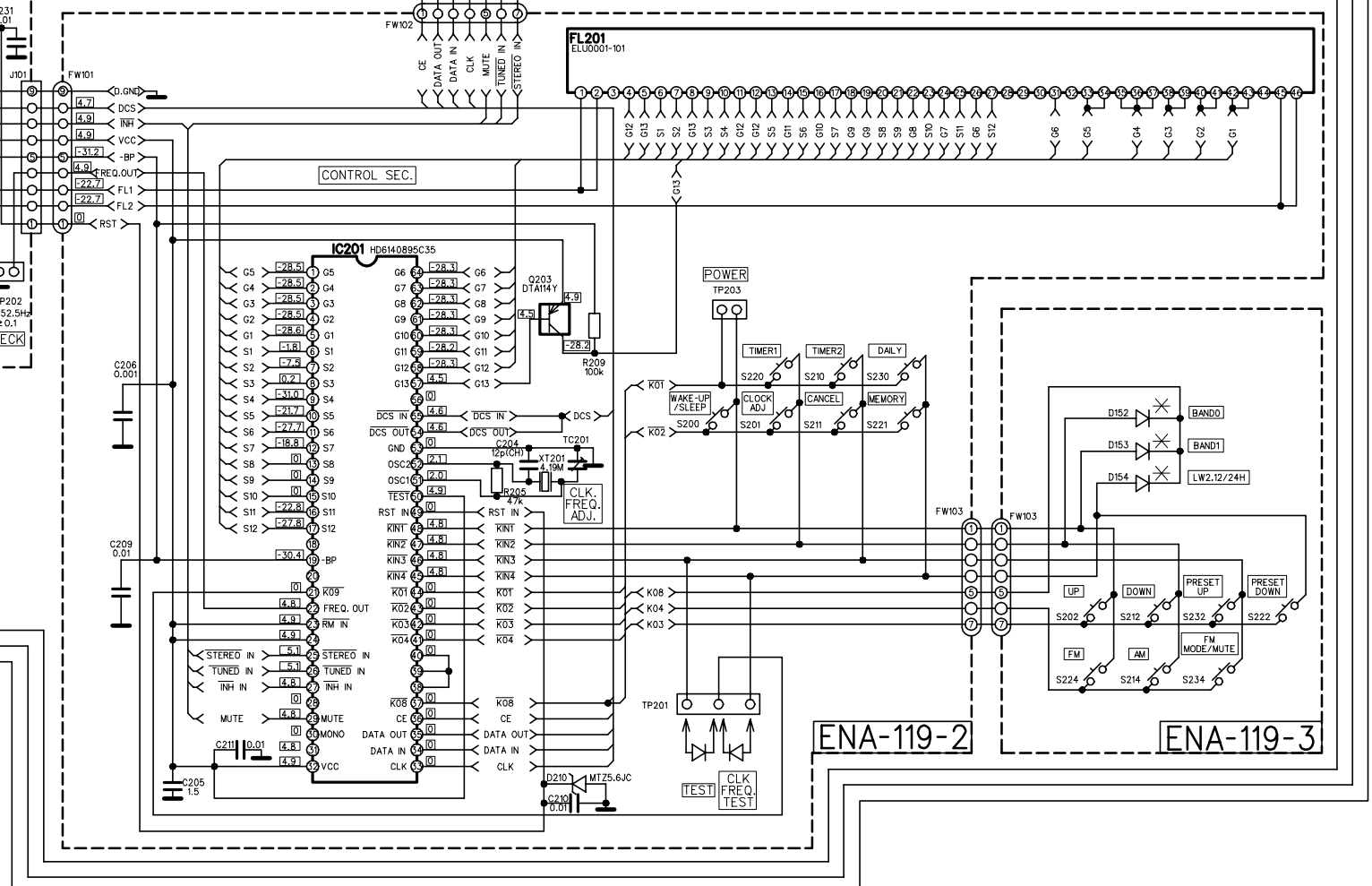
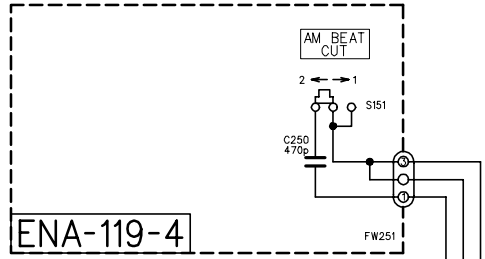




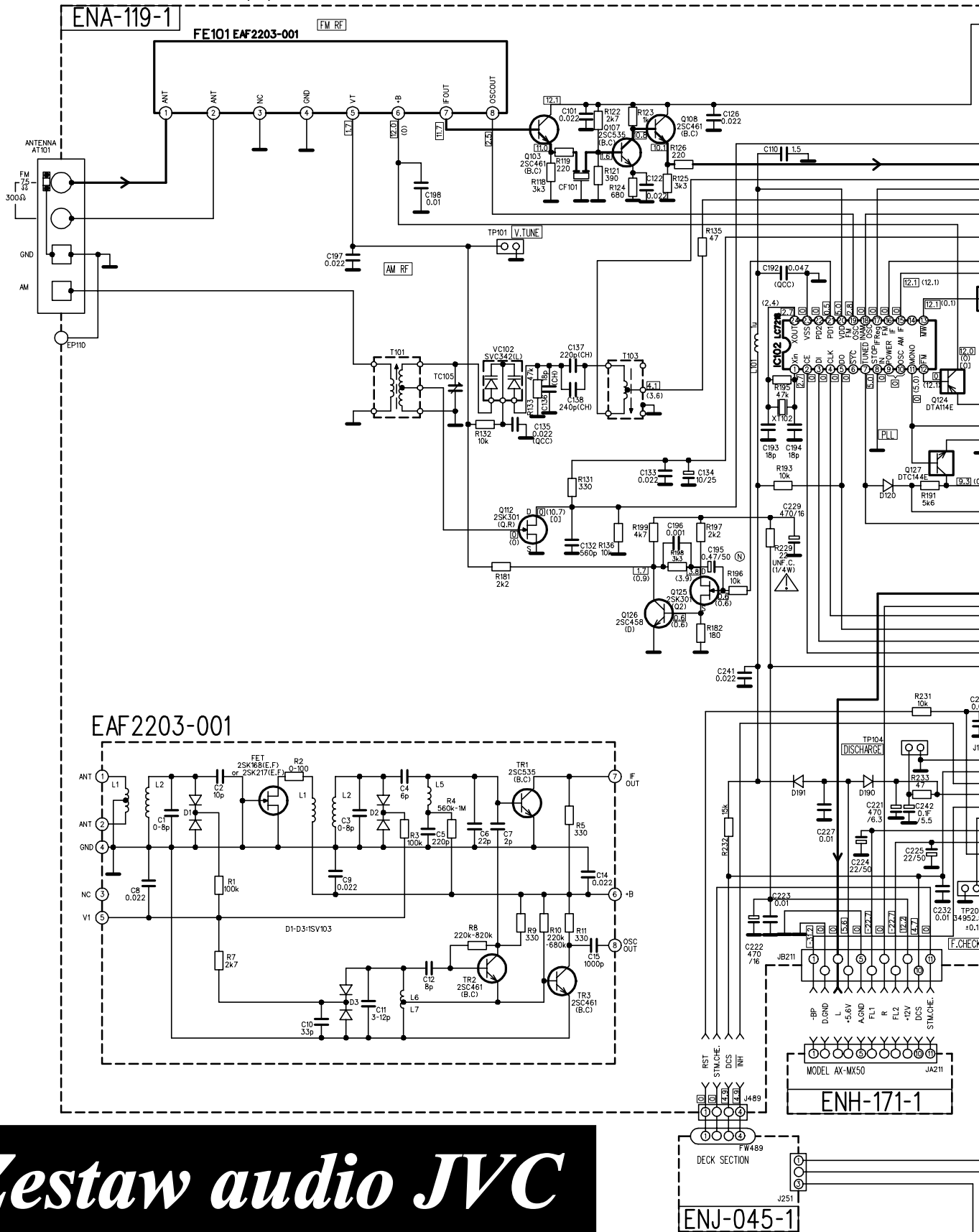
× MARK

	E,EF,V	G,G1	BS	VX
R160	18k	18k	8k2	18k
R161,162	120k	120k	82k	120k
C160	100p	220p	100p	100p
C177,178	470p	470p	560p	470p
D154	NONE	USED(G1)	NONE	NONE
D152,153	NONE	NONE	NONE	USED

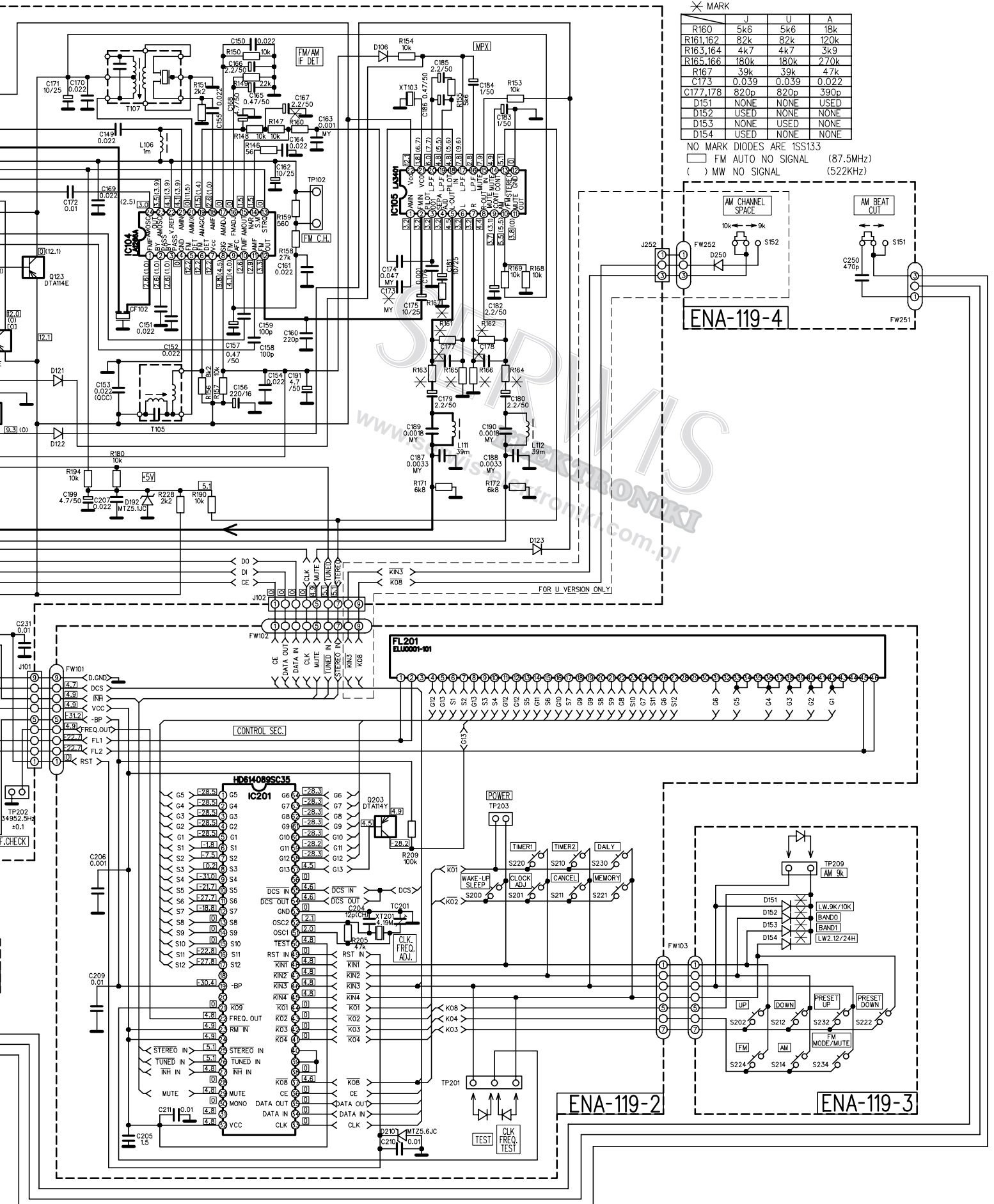
NO MARK DIODES ARE 1S133  
 □ FM AUTO NO SIGNAL (87.5MHz)  
 ( ) MW NO SIGNAL (522KHz)  
 [ ] LW NO SIGNAL (144KHz)



Tuner Section  
DR-MX50 (FOR J,U,A)



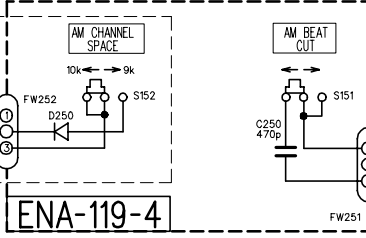
**Zestaw audio JVC**  
**model CA-MX50BK**  
**(strona 1/4)**



✱ MARK

	J	U	A
R160	5k6	5k6	18k
R161,162	82k	82k	120k
R163,164	4k7	4k7	3k9
R165,166	180k	180k	270k
R167	39k	39k	47k
C173	0.039	0.039	0.022
C177,178	820p	820p	390p
D151	NONE	NONE	USED
D152	USED	NONE	NONE
D153	NONE	USED	NONE
D154	USED	NONE	NONE

NO MARK DIODES ARE ISS133  
 □ FM AUTO NO SIGNAL (87.5MHz)  
 ( ) MW NO SIGNAL (522KHz)

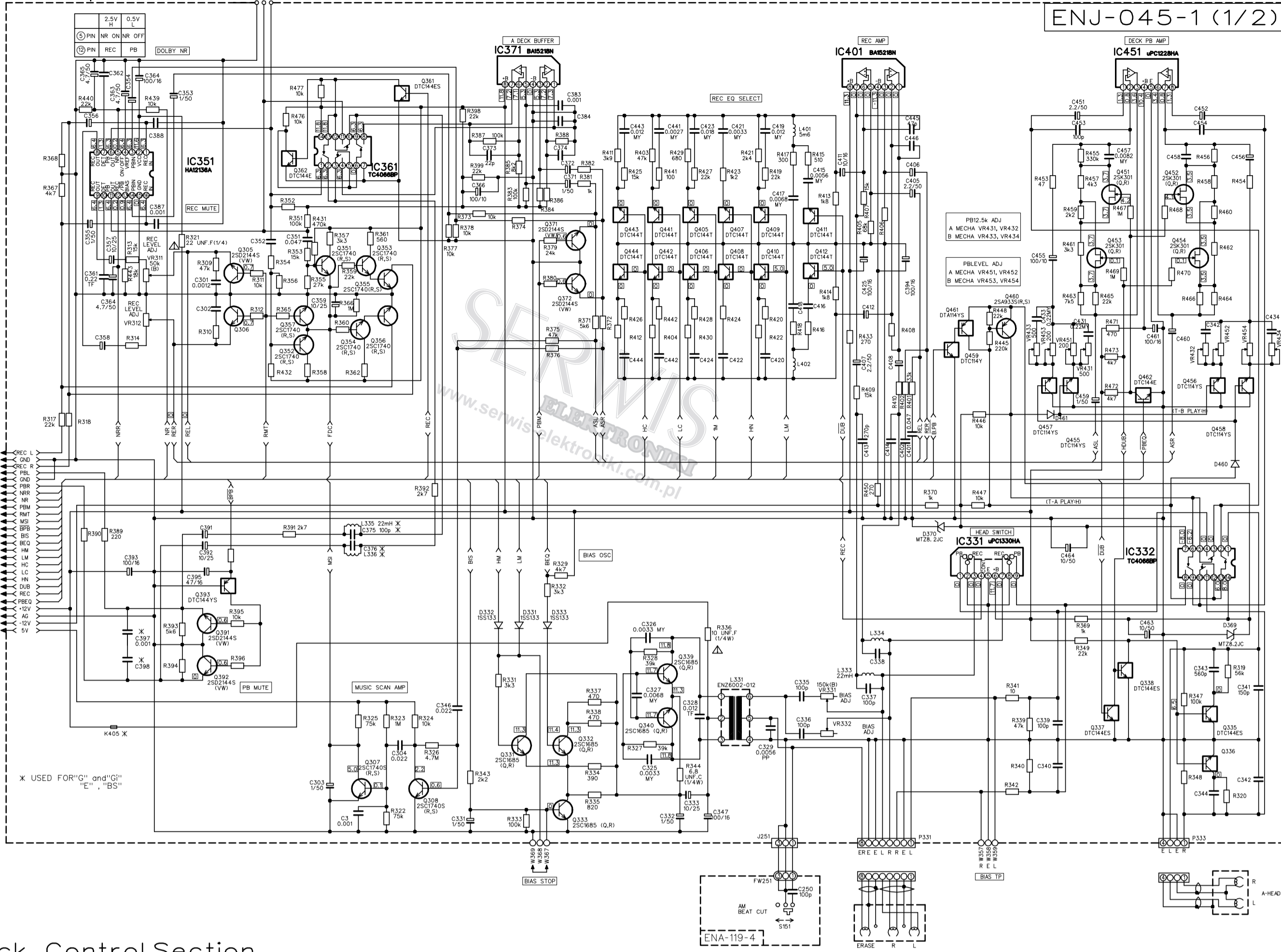


ENA-119-2

ENA-119-3

Cassette Amp Section

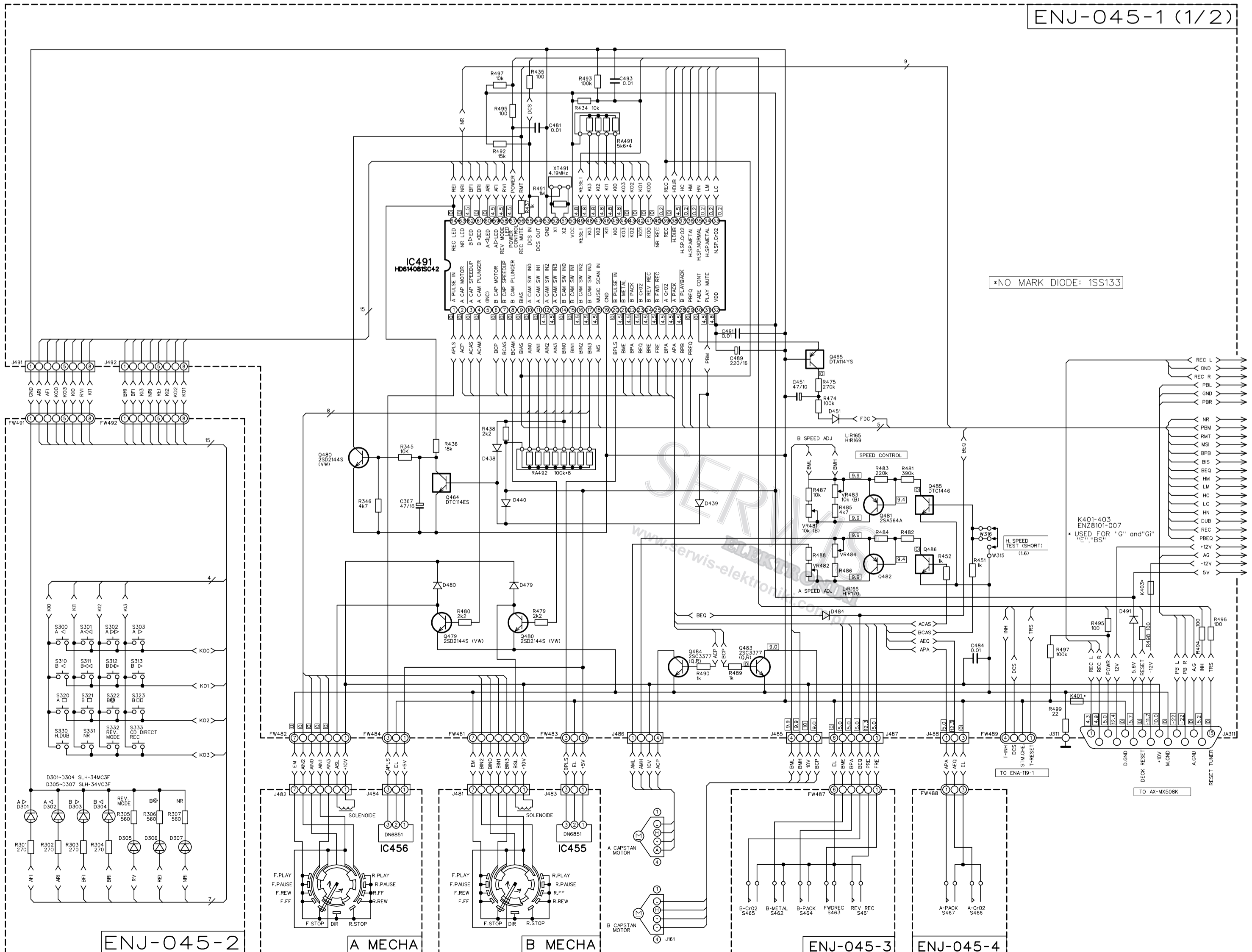
ENJ-045-1 (1/2)



**Zestaw audio JVC model CA-MX50BK**  
 (strona 2/4)

Deck Control Section

ENJ-045-1 (1/2)



ENJ-045-2

A MECHA

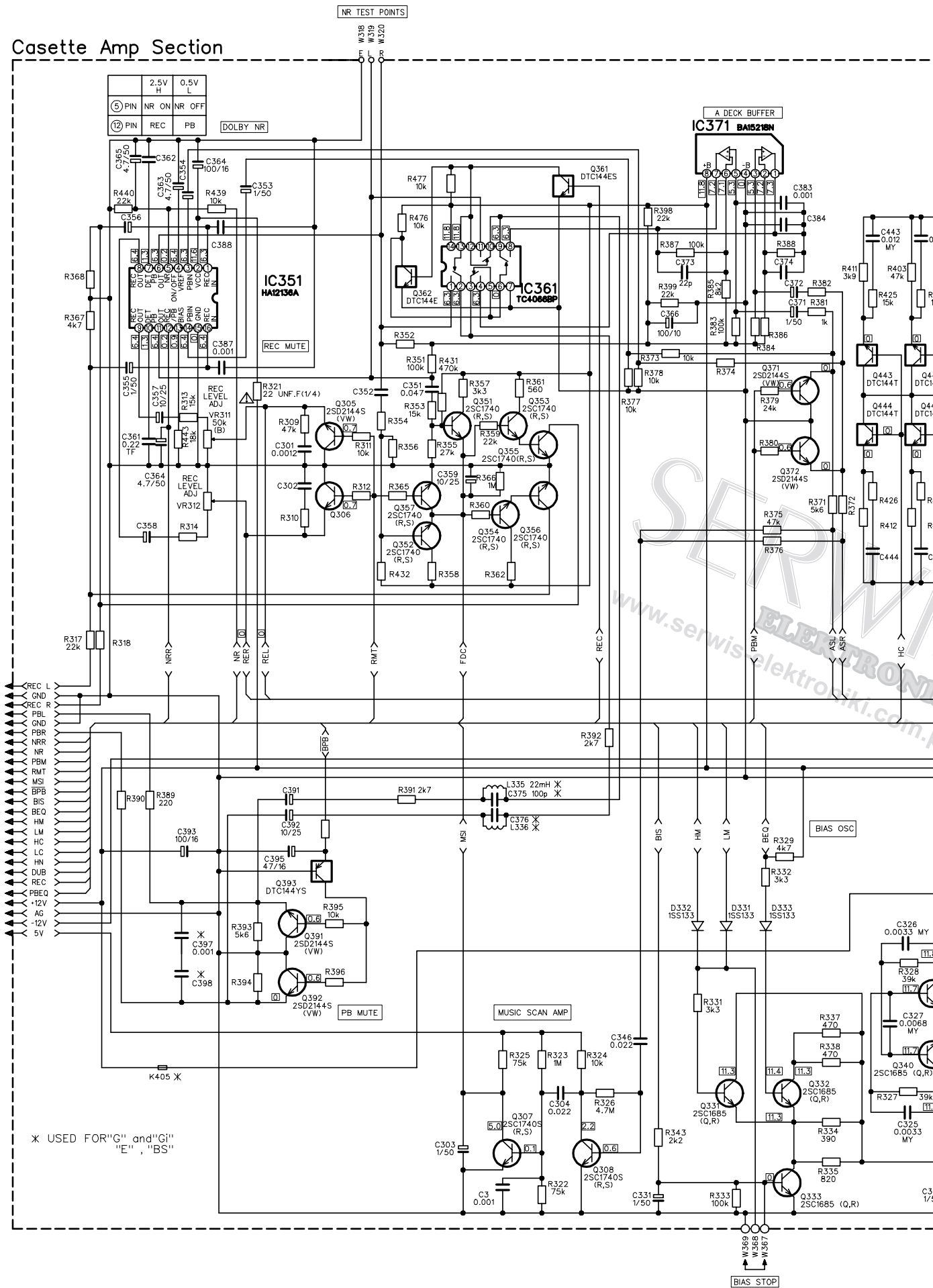
B MECHA

ENJ-045-3

ENJ-045-4

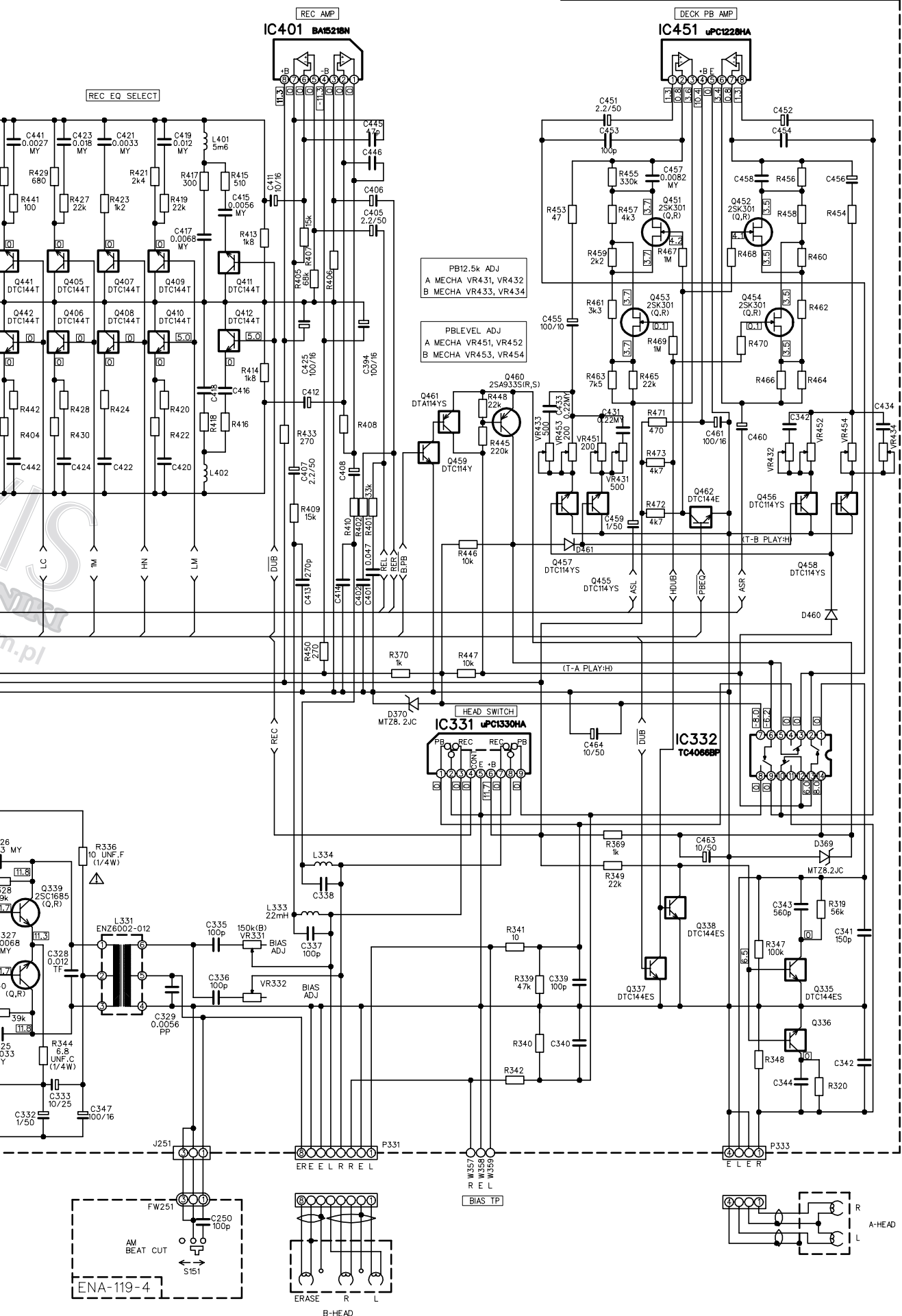
TO ENJ-045-1 (2/2)

# Cassette Amp Section



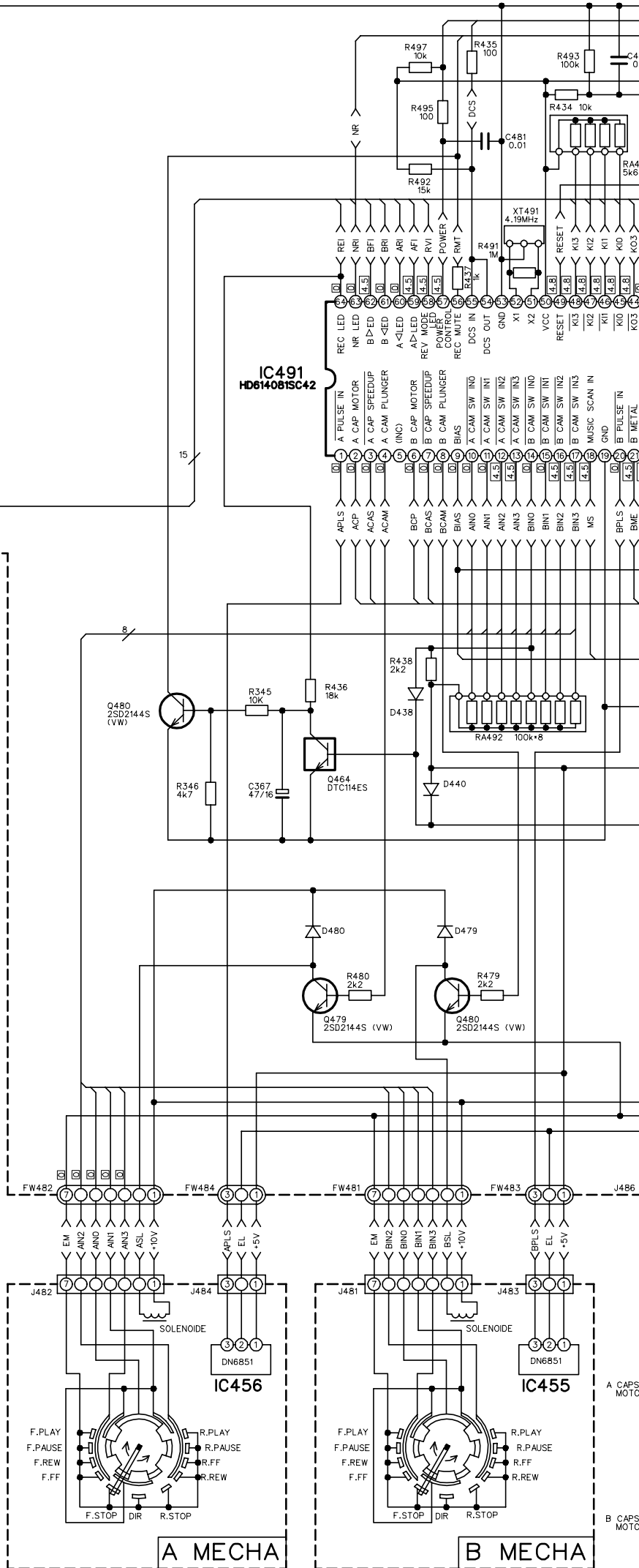
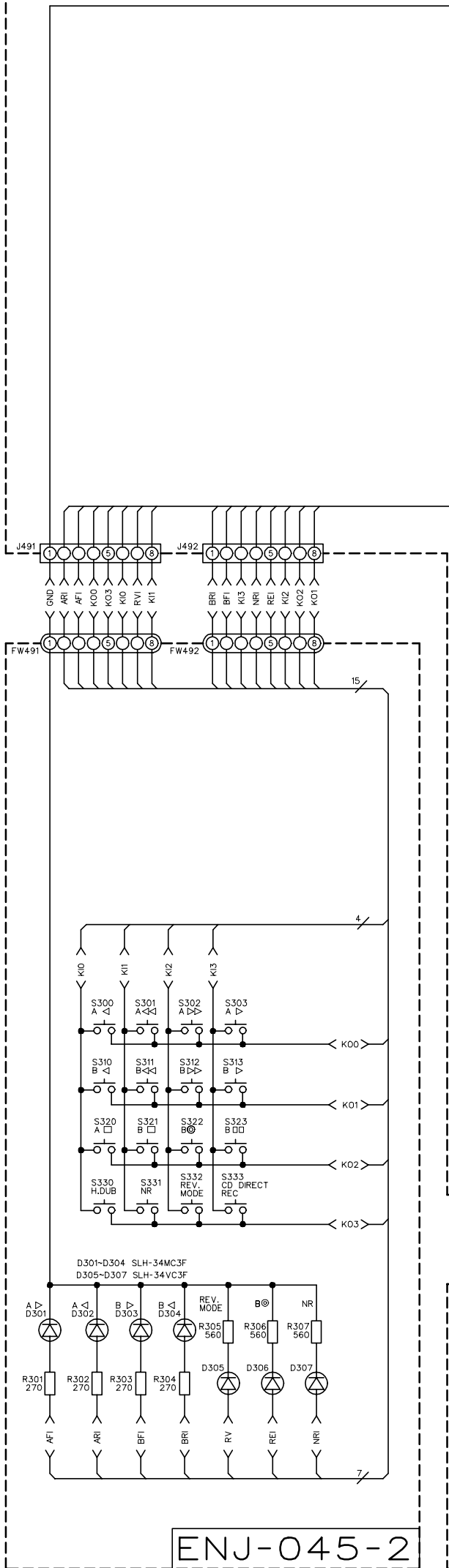
# Deck Control Section

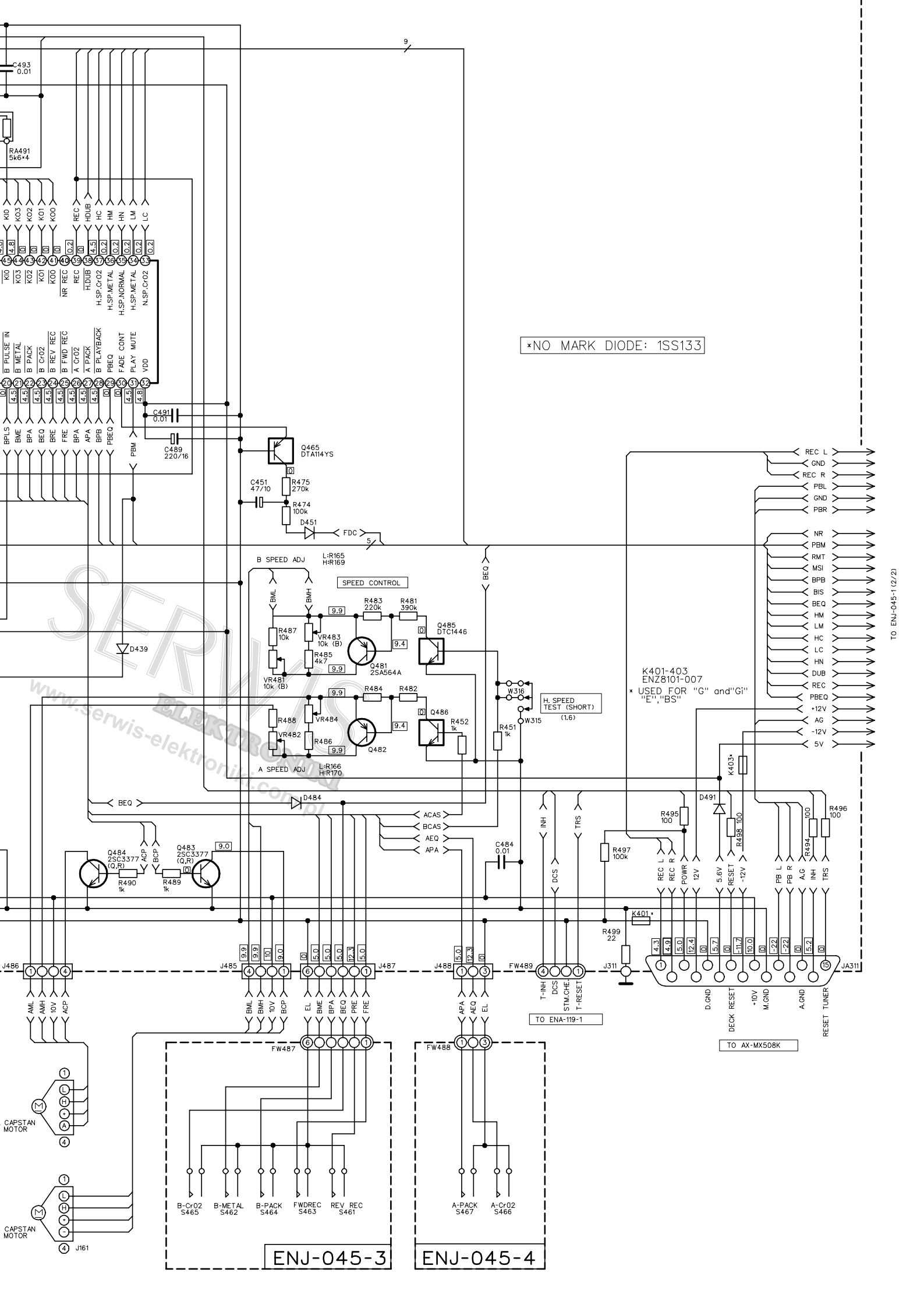




Zestaw audio JVC model CA-MX50BK  
(strona 2/4)







\*NO MARK DIODE: 1SS133

K401-403  
ENZ8101-007  
\* USED FOR "G" and "G1"  
"E", "BS"

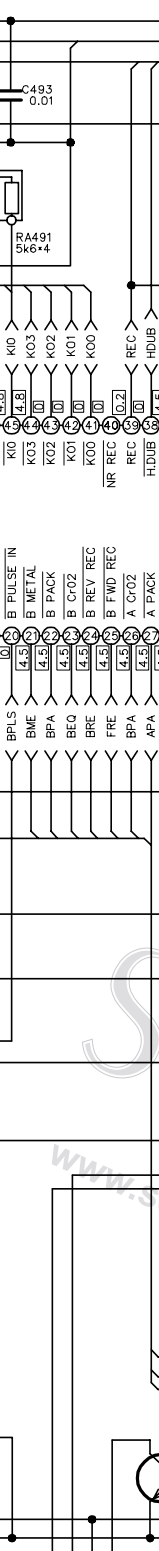
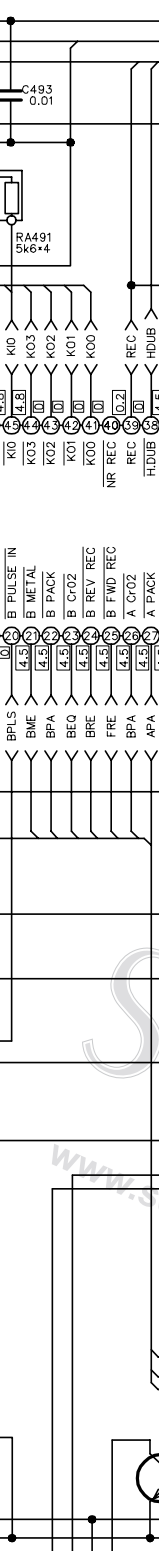
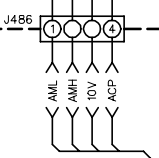
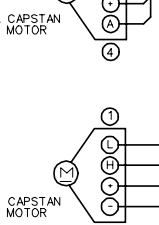
TO ENJ-045-1 (2/2)

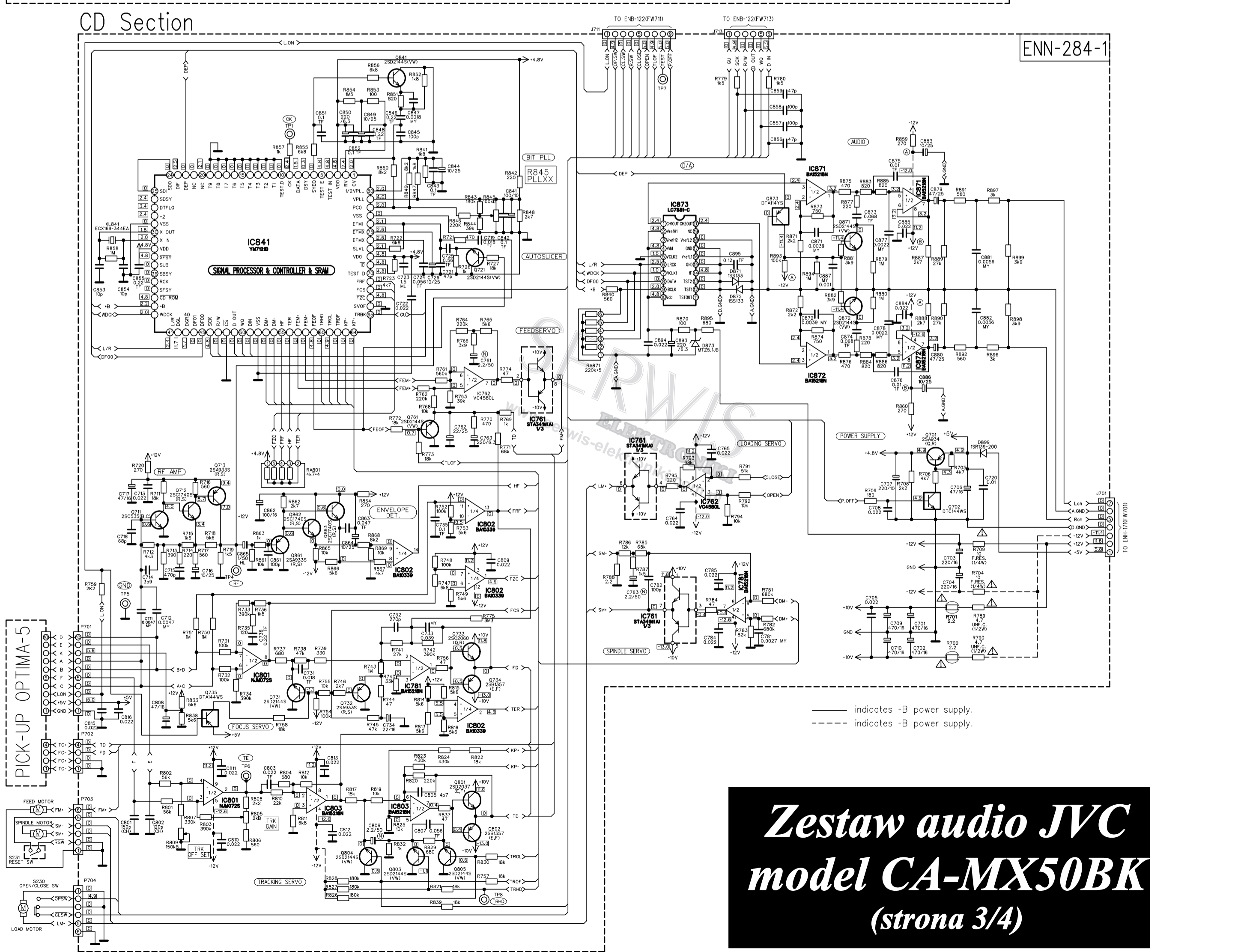
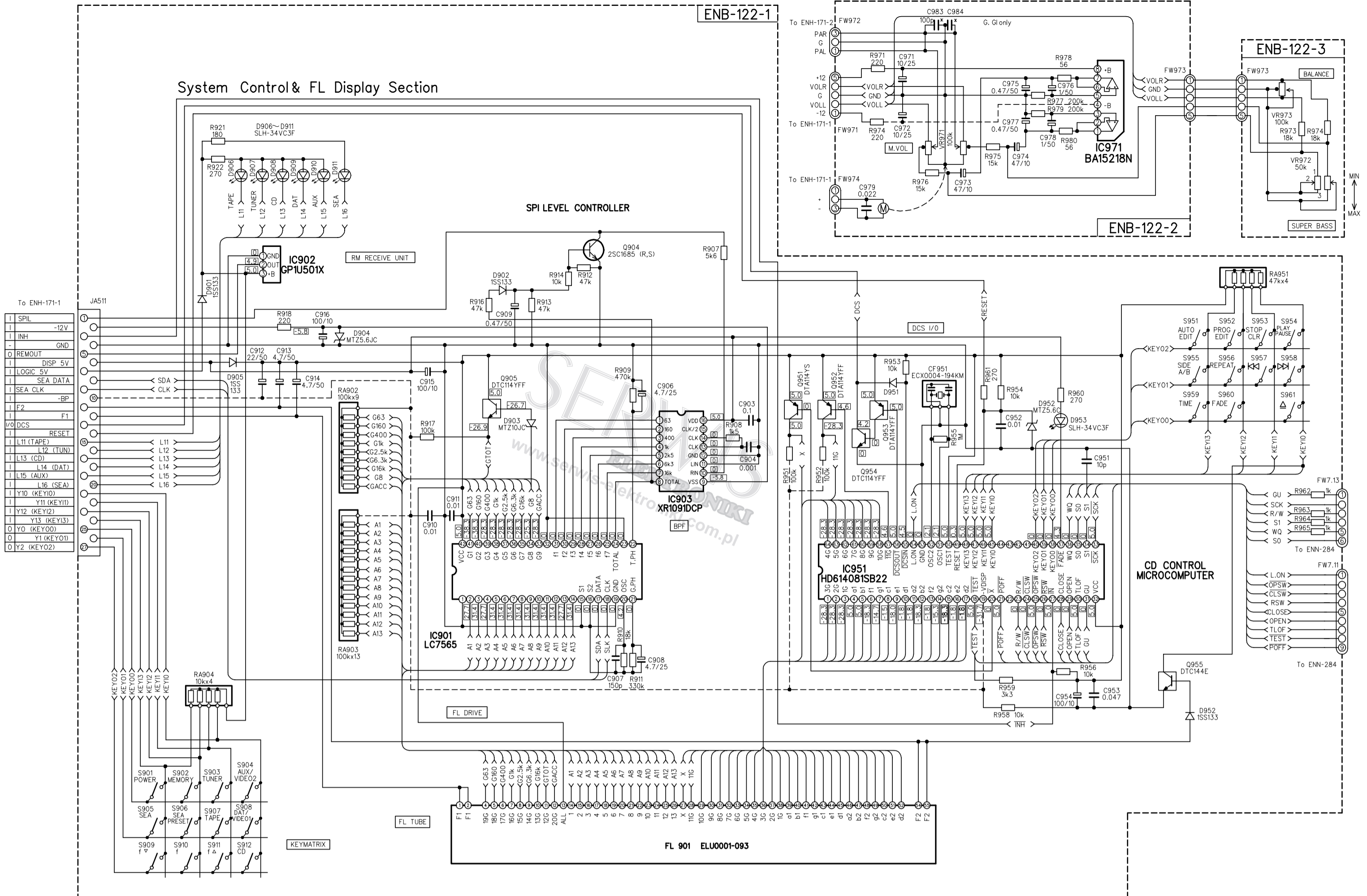
ENJ-045-3

ENJ-045-4

TO AX-MX508K

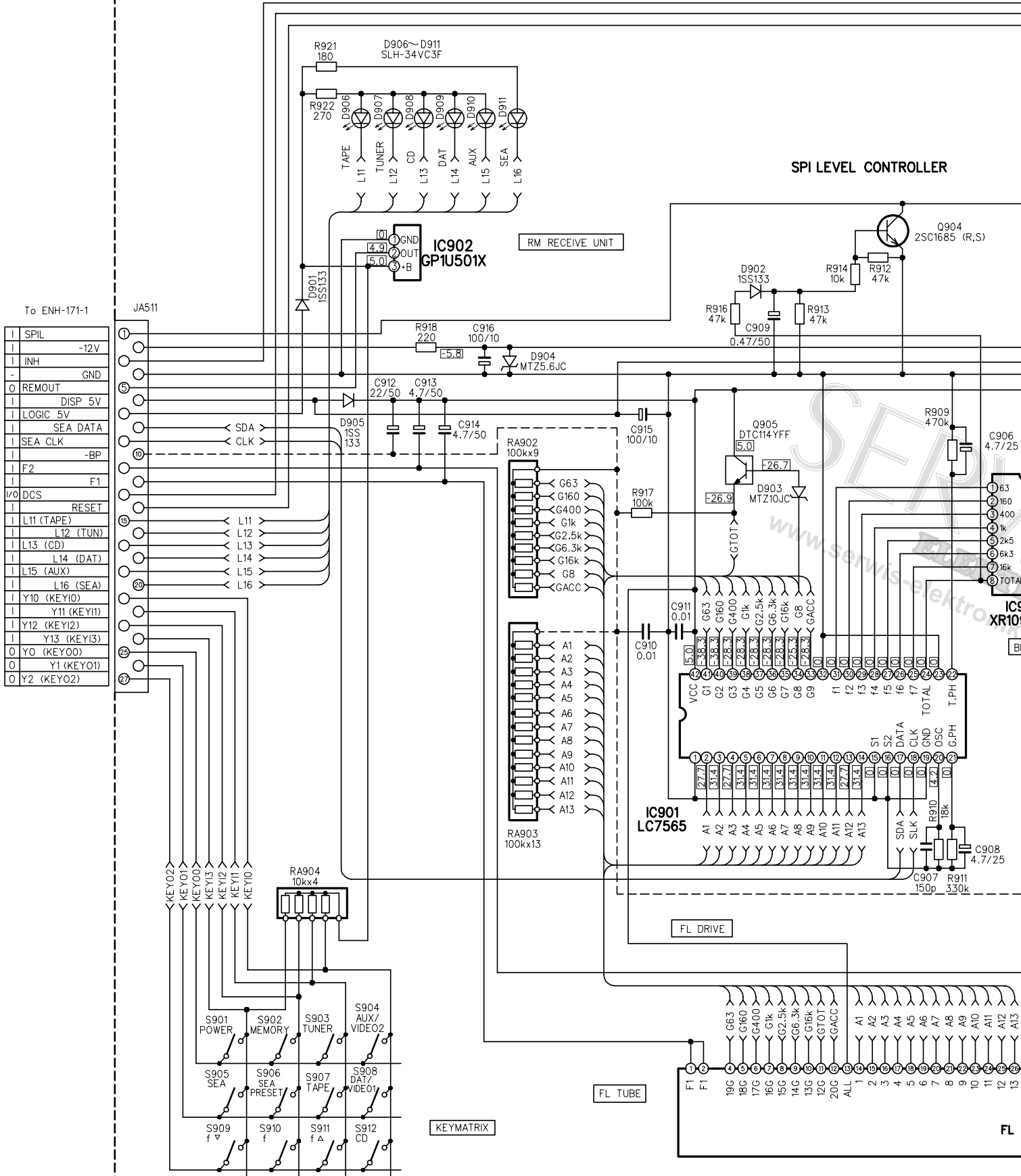
TO ENA-119-1





**Zestaw audio JVC**  
**model CA-MX50BK**  
 (strona 3/4)

# System Control & FL Display Section



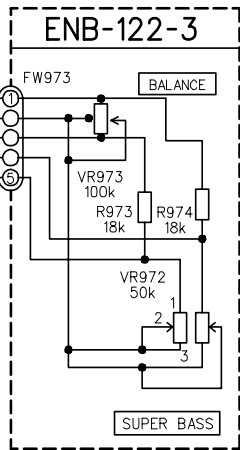
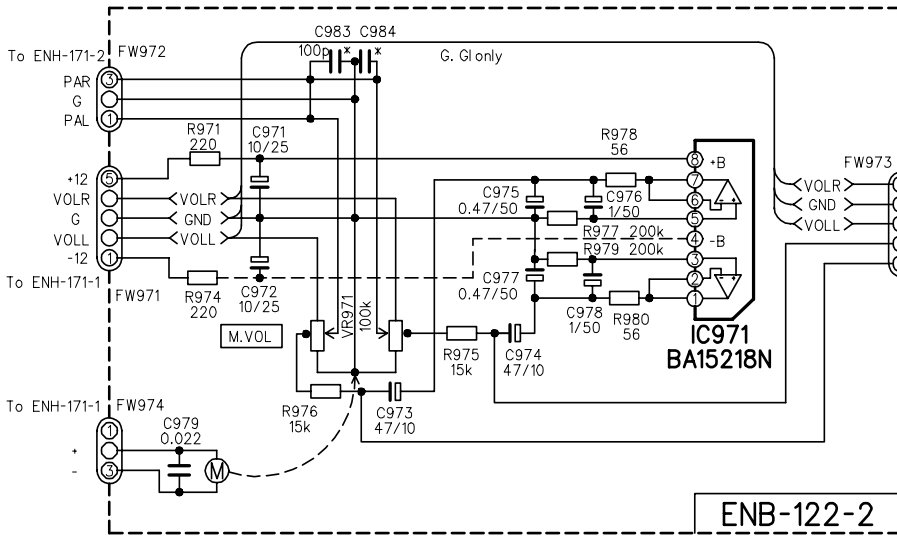
To ENH-171-1

1	SPIL
1	-12V
1	INH
-	GND
0	REMOUT
1	DISP 5V
1	LOGIC 5V
1	SEA DATA
1	SEA CLK
1	-BP
1	F2
1	F1
I/O	DCS
1	RESET
1	L11 (TAPE)
1	L12 (TUN)
1	L13 (CD)
1	L14 (DAT)
1	L15 (AUX)
1	L16 (SEA)
1	Y10 (KEY10)
1	Y11 (KEY11)
1	Y12 (KEY12)
1	Y13 (KEY13)
0	Y0 (KEY00)
0	Y1 (KEY01)
0	Y2 (KEY02)

## CD Section

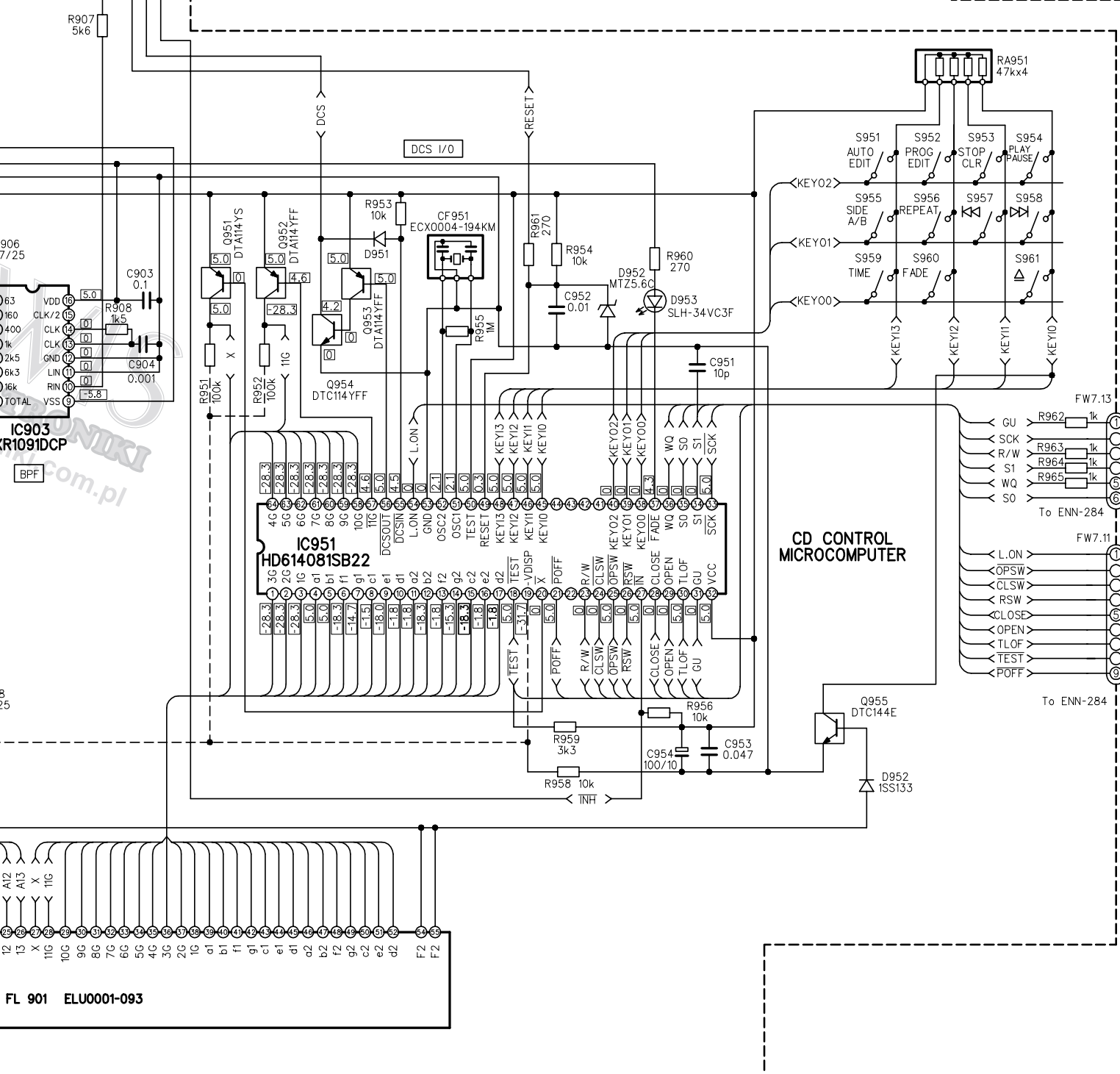
L.ON

ENB-122-1



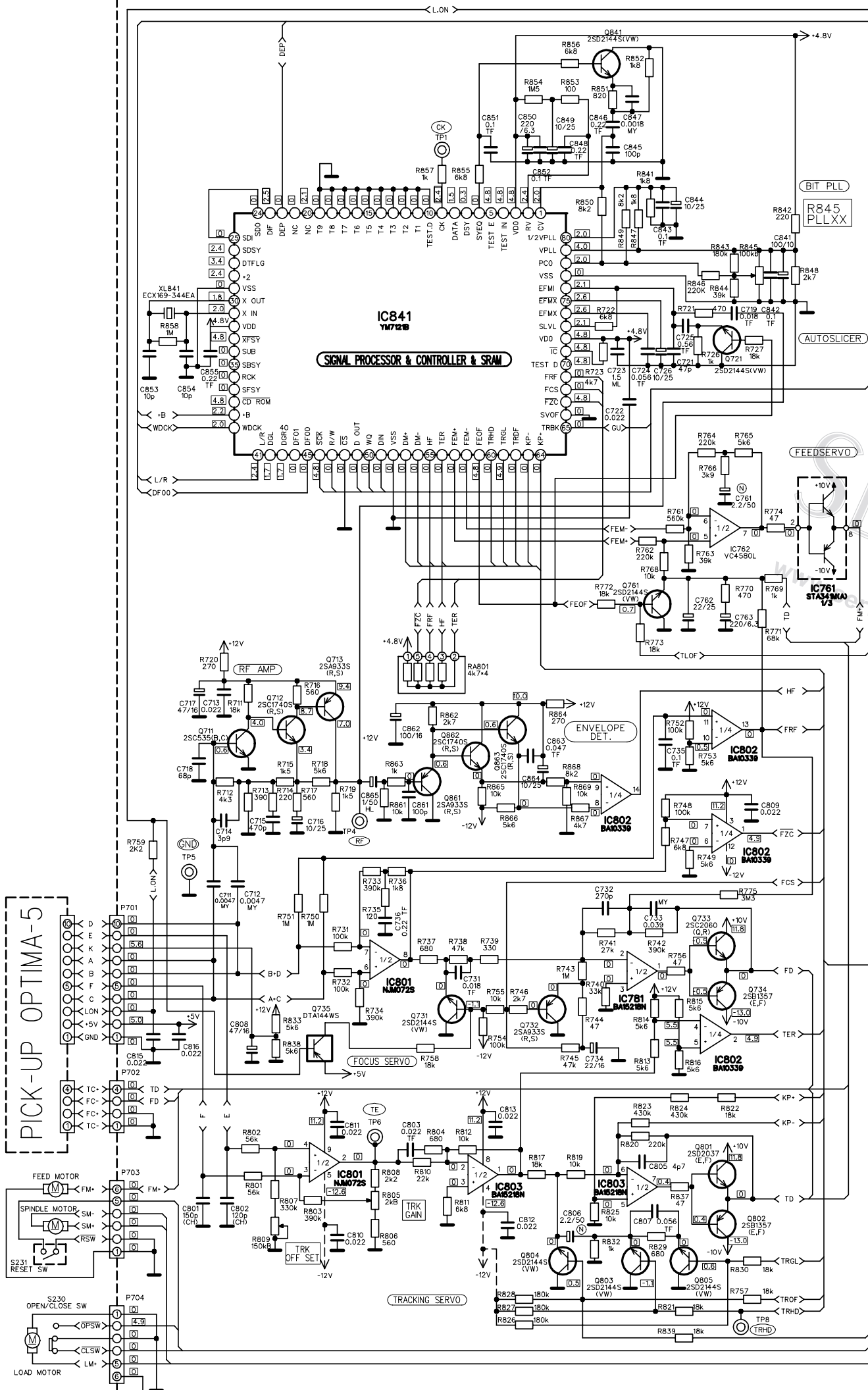
ENB-122-2

ENB-122-3



FL 901 ELU0001-093

ENB-122-4



PICK-UP OPTIMA-5

IC841  
YM712B  
SIGNAL PROCESSOR & CONTROLLER & SRAM

BIT PLL  
R845  
PLLXX

AUTOSLICER

FEEDSERVO

IC761  
ST4581A 1/3

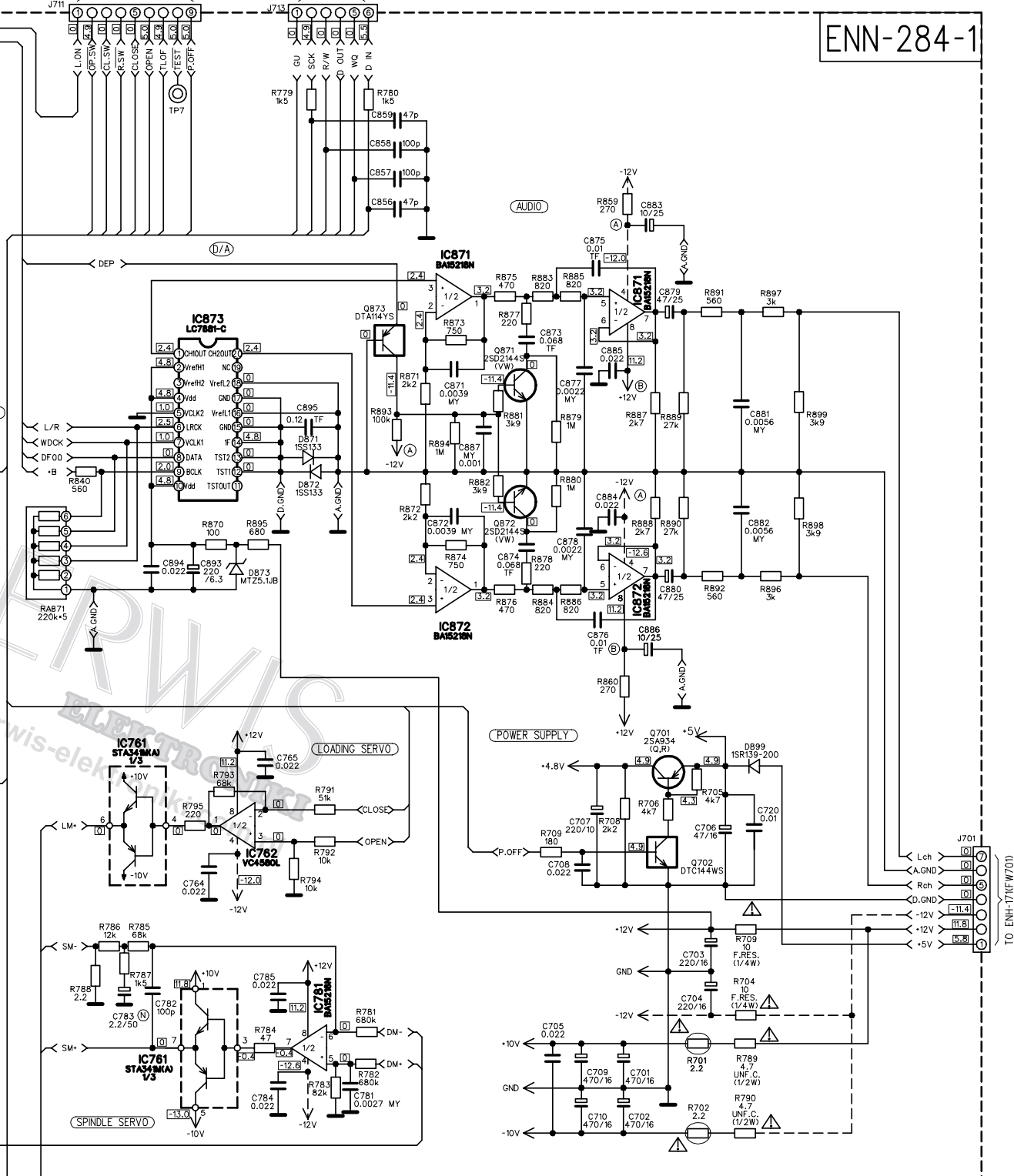
ENVELOPE DET.

IC802  
BA6336

FOCUS SERVO

TRACKING SERVO

FEED MOTOR  
SPINDLE MOTOR  
S231 RESET SW  
S230 OPEN/CLOSE SW  
LOAD MOTOR

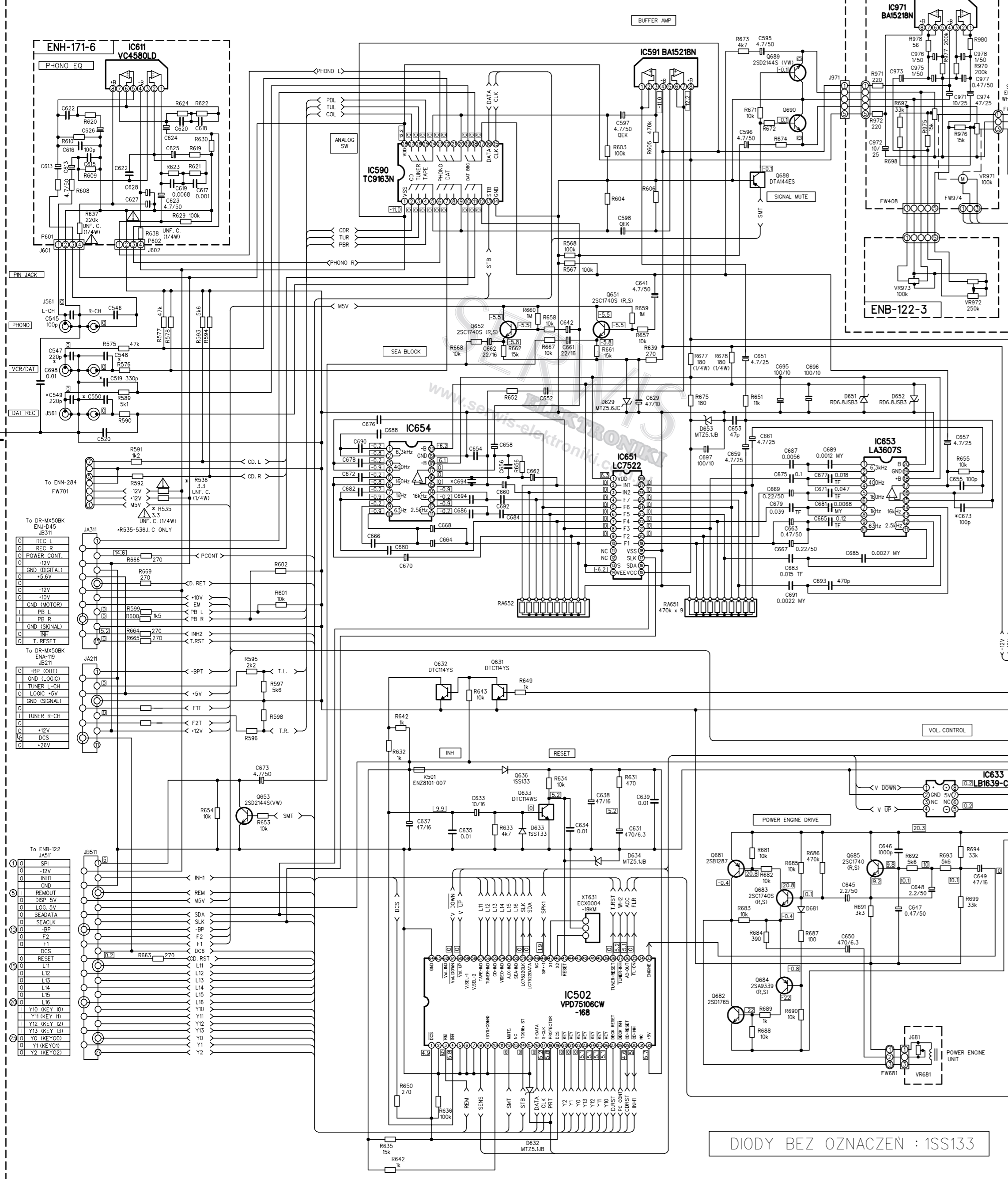


— indicates +B power supply.  
 - - - indicates -B power supply.

**Zestaw audio JVC  
 model CA-MX50BK  
 (strona 3/4)**

System Control & Power Amplifier Section

ENH-171-1

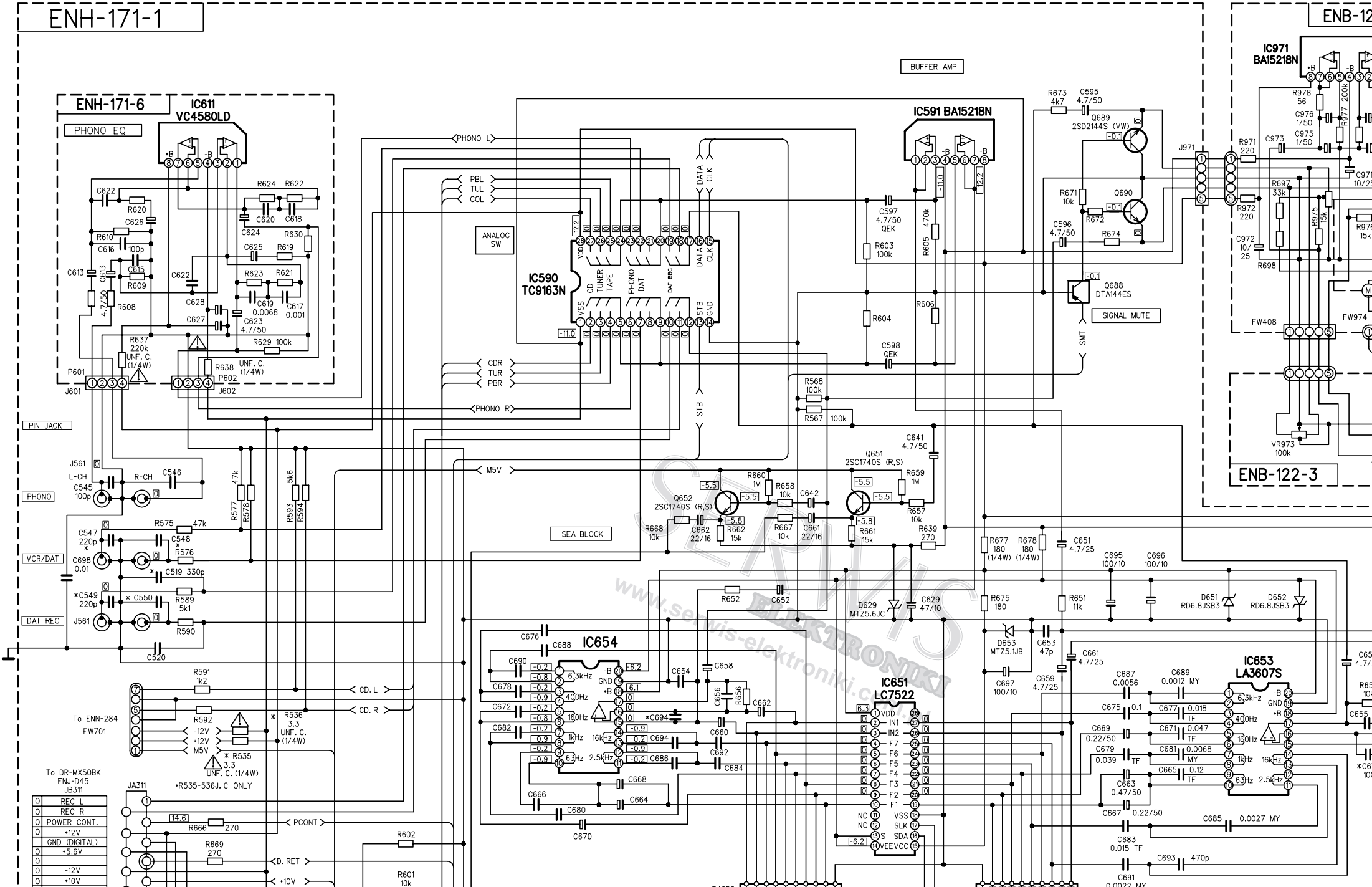


ENH-171-3 VER.	A	B, F	C, DBS	E	Q GI
Symbol No	J, C	U, A	E, EF, V Vx, BS		
F003, F004	1.6A 125V (J, C)	T1.25A	T1.25A		T1.25A
D551-D554	S3V20F	S3V20 (A) 300L2FC ( )	S3V20F		S300L2FC
C059	1.5	0.01	0.01		0.01
R527-528	3.3 UNF.C	NONE	NONE		NONE
R500	180	220	220		220
R517, R518	UNF.C	F. RES	F. RES		F. RES
R541, R566	UNF.C	F. RES	F. RES		F. RES
C051, C052	NONE	NONE	USED		USED
C053, C054	USED	USED	USED		USED
C0519, C0520	NONE	NONE	USED		USED
C537, C538	NONE	NONE	USED		USED
C539	NONE	NONE	USED		USED
C547, C550	NONE	NONE	USED		USED
C590	NONE	NONE	USED		USED
R535-536	3.3 UNF.C	NONE	NONE		NONE



# System Control & Power Amplifier Section

ENH-171-1



ENB-12

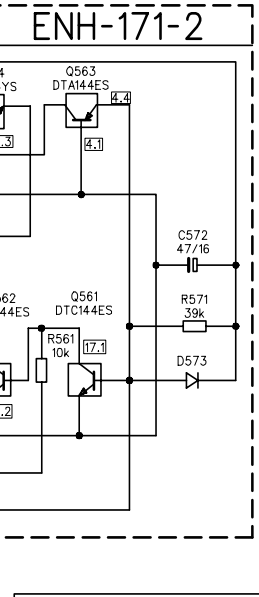
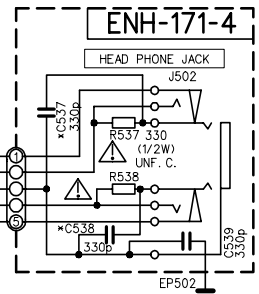
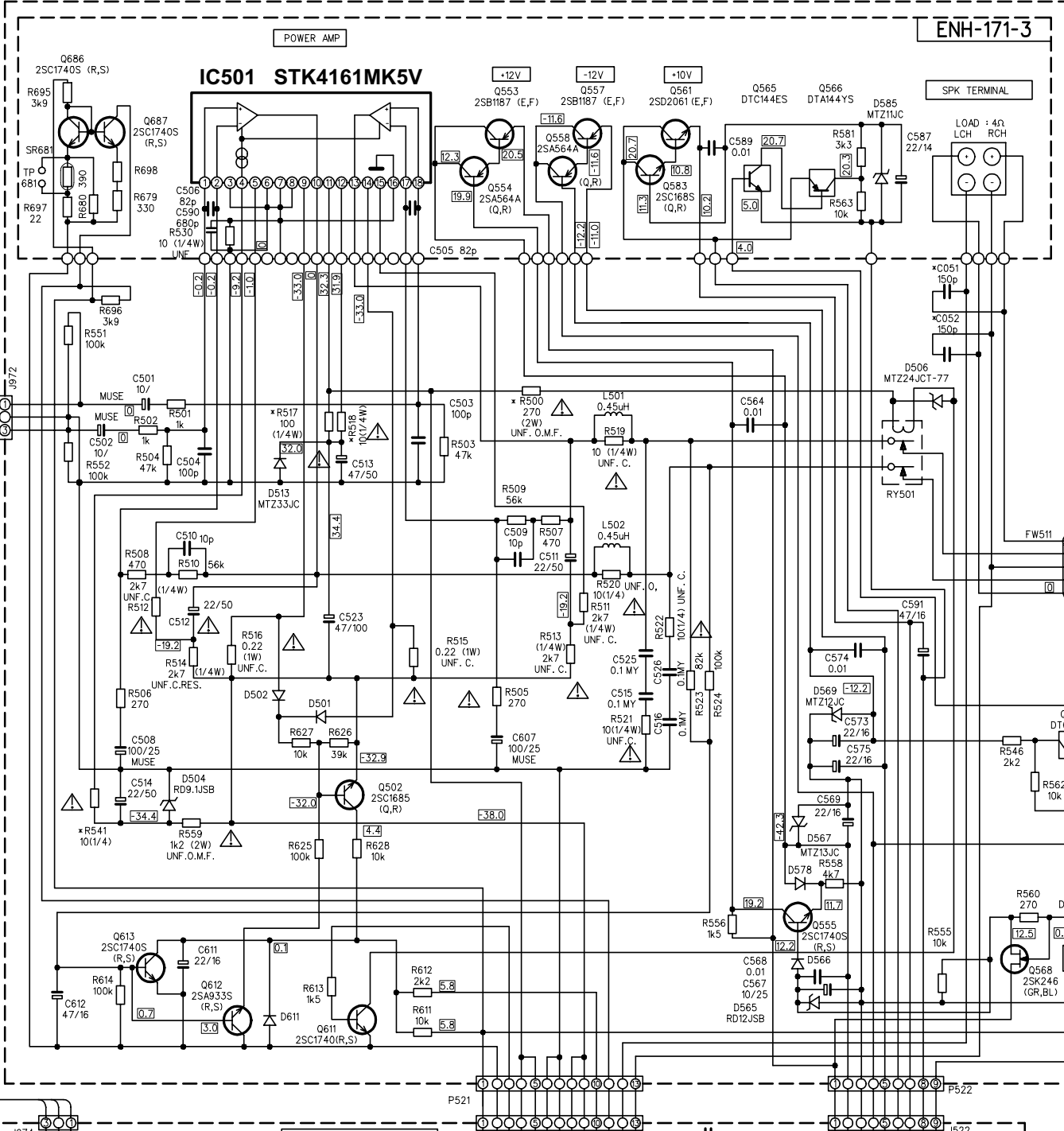
IC971 BA15218N

ENB-122-3

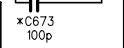
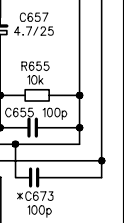
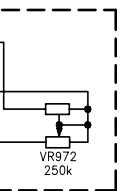
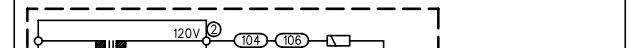
3-122-2

ENH-171-3

ENH-171 VER.	A	B, F	C, DBS	E
VER	J, C	U, A	E, EF, V VX, BS	Q GI
Symbol No	F003, F004	T1.25A	T1.25A	T1.25A
D551-D554	S3V20F (J, C)	T1.25A	S3V20F (A) S30DL2FC ( )	S30DL2FC
C059	1.5	0.01	0.01	0.01
R527-528	3.3 UNF.C	NONE	NONE	NONE
R500	180	220	220	220
R517, R518	UNF.C	F. RES	F. RES	F. RES
R541, R566	UNF.C	F. RES	F. RES	F. RES
C051, C052	NONE	NONE	USED	USED
C503, C504	USED	USED	USED	USED
C519, C520	NONE	NONE	USED	USED
C537, C538	NONE	NONE	USED	USED
C539	NONE	NONE	USED	USED
C547, C550	NONE	NONE	USED	USED
C590	NONE	NONE	USED	USED
R535-536	3.3 UNF.C	NONE	NONE	NONE



(J), (C) FOR U.S.A. /CANADA AC 120V/60Hz



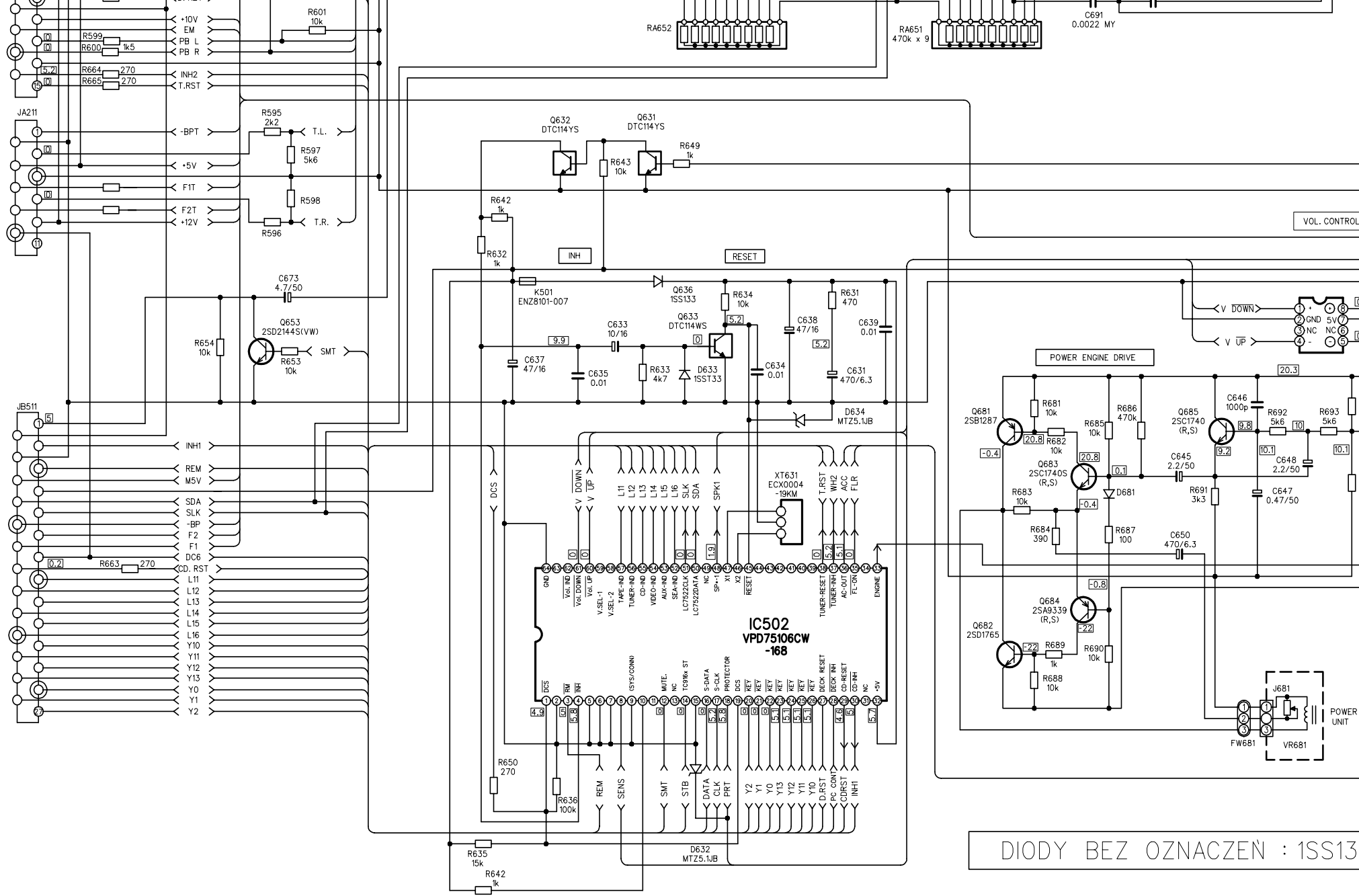
0	-12V
0	+10V
0	GND (MOTOR)
1	PB L
1	PB R
0	GND (SIGNAL)
0	INH
0	T. RESET

To DR-MX50BK  
ENA-119  
JB211

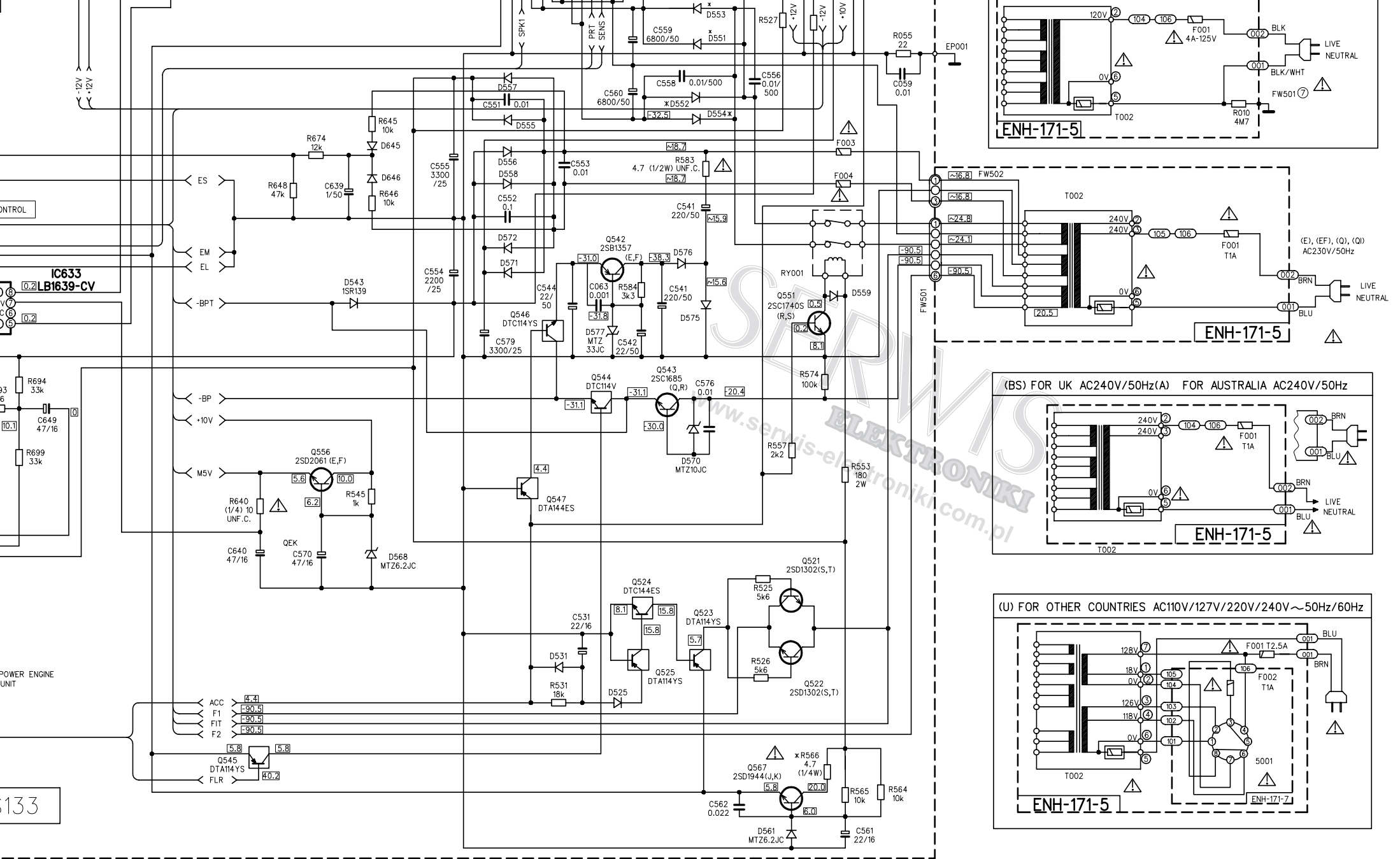
0	-BP (OUT)
0	GND (LOGIC)
1	TUNER L-CH
0	LOGIC +5V
0	GND (SIGNAL)
1	TUNER R-CH
0	+12V
6	DCS
0	+26V

To ENB-122  
JA511

1	SPI
0	-12V
0	INH1
0	GND
5	REMOUT
0	DISP. 5V
0	LOG. 5V
0	SEADATA
0	SEACLK
0	-BP
0	F2
0	F1
0	DCS
0	RESET
15	L11
0	L12
0	L13
0	L14
0	L15
0	L16
24	Y10 (KEY I0)
1	Y11 (KEY I1)
1	Y12 (KEY I2)
1	Y13 (KEY I3)
0	Y0 (KEYO0)
0	Y1 (KEYO1)
0	Y2 (KEYO2)



DIODY BEZ OZNACZEN : 1SS13



**Zestaw audio JVC model CA-MX50BK**  
*(strona 4/4)*