

JVC

SERVICE MANUAL

COMPACT COMPONENT SYSTEM

CA-MX66BK

(UNIT No. AX-MX66BK)



* For instruction manual, please refer to the CA-MX66BK (S.M. No.20338).

Contents

Safety Precautions	1-2	Flow of Functional Operation	
Important for Laser Products	1-3	Until TOC is Read	1-16
Description of Major LSIs	1-4	Maintenance of Laser Pickup	1-17
Internal Block Diagrams		Replacement of Laser Pickup	1-17
of Other ICs	1-9	Troubleshooting	1-18
Internal Connection		Block Diagrams	Insertion
for the FL Display Tube ...	1-10	Schematic Diagrams	Insertion
Application Points for Grease	1-11	Printed Circuit Boards	Insertion
Disassembly Procedures	1-12	Parts List	Separate-volume Insertion
Adjustment Procedures	1-15		

Safety Precautions

1. The design of this product contains special hardware and many circuits and components specially for safety purposes. For continued protection, no changes should be made to the original design unless authorized in writing by the manufacturer. Replacement parts must be identical to those used in the original circuits. Services should be performed by qualified personnel only.
2. Alterations of the design or circuitry of the product should not be made. Any design alterations of the product should not be made. Any design alterations or additions will void the manufacturer's warranty and will further relieve the manufacture of responsibility for personal injury or property damage resulting therefrom.
3. Many electrical and mechanical parts in the products have special safety-related characteristics. These characteristics are often not evident from visual inspection nor can the protection afforded by them necessarily be obtained by using replacement components rated for higher voltage, wattage, etc. Replacement parts which have these special safety characteristics are identified in the Parts List of Service Manual. Electrical components having such features are identified by shading on the schematics and by (Δ) on the Parts List in the Service Manual. The use of a substitute replacement which does not have the same safety characteristics as the recommended replacement parts shown in the Parts List of Service Manual may create shock, fire, or other hazards.
4. The leads in the products are routed and dressed with ties, clamps, tubings, barriers and the like to be separated from live parts, high temperature parts, moving parts and/or sharp edges for the prevention of electric shock and fire hazard. When service is required, the original lead routing and dress should be observed, and it should be confirmed that they have been returned to normal, after re-assembling.
5. Leakage current check (Electrical shock hazard testing)
After re-assembling the product, always perform an isolation check on the exposed metal parts of the product (antenna terminals, knobs, metal cabinet, screw heads, headphone jack, control shafts, etc.) to be sure the product is safe to operate without danger of electrical shock.
Do not use a line isolation transformer during this check.

- Plug the AC line cord directly into the AC outlet. Using a "Leakage Current Tester", measure the leakage current from each exposed metal parts of the cabinet, particularly any exposed metal part having a return path to the chassis, to a known good earth ground. Any leakage current must not exceed 0.5mA AC (r.m.s.).

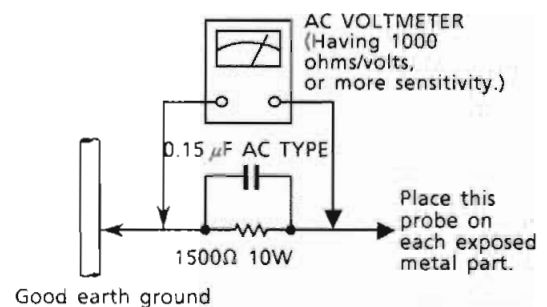
- Alternate check method

Plug the AC line cord directly into the AC outlet. Use an AC voltmeter having, 1,000 ohms per volt or more sensitivity in the following manner. Connect a 1,500 Ω 10 W resistor paralleled by a 0.15 μ F AC-type capacitor between an exposed metal part and a known good earth ground.

Measure the AC voltage across the resistor with the AC voltmeter.

Move the resistor connection to each exposed metal part, particularly any exposed metal part having a return path to the chassis, and measure the AC voltage across the resistor.

Now, reverse the plug in the AC outlet and repeat each measurement. Any voltage measured must not exceed 0.75 V AC (r.m.s.). This corresponds to 0.5 mA AC (r.m.s.).



Warning

1. This equipment has been designed and manufactured to meet international safety standards.
2. It is the legal responsibility of the repairer to ensure that these safety standards are maintained.
3. Repairs must be made in accordance with the relevant safety standards.
4. It is essential that safety critical components are replaced by approved parts.
5. If mains voltage selector is provided, check setting for local voltage.

Important for Laser Products

1. **CLASS 1 LASER PRODUCT**
2. **DANGER** : Invisible laser radiation will cause when open and interlock failed or defeated. Avoid direct exposure to beam.
3. **CAUTION** : There are no serviceable parts inside the Laser Unit. Do not disassemble the Laser Unit. Replace the complete Laser Unit if it malfunctions.
4. **CAUTION** : The compact disc player uses invisible laser radiation and is equipped with safety switches which prevent emission of radiation when the drawer is open and the safety interlocks have failed or are defeated. It is dangerous to defeat the safety switches.
5. **CAUTION** : If safety switches malfunction, the laser is able to function.
6. **CAUTION** : Use of controls, adjustments or performance of procedures other than those specified herein may result in hazardous radiation exposure.
7. **CAUTION** : The compact disc player provides a laser diode of wavelength 760-800nm and optical output power typical 3mW at the laser diode.

VARNING : Osynlig laserstrålning när denna del är öppnad och spärren är urkopplad. Betrakta ej strålen.

VARO : Avattaessa ja suojalukitus ohitettaessa olet alttiina näkymättömälle lasersäteilylle. Älä katso säteeseen.

ADVARSEL : Usynlig laserstrålning ved åbning, når sikkerhedsafbrydere er ude af funktion. Undgå udsættelse for stråling.

ADVARSEL : Usynlig laserstrålning ved åbning, når sikkerhedsbryteren er avslott. unngå utsettelse for stråling.

REPRODUCTION AND POSITION OF LABELS

WARNING LABEL

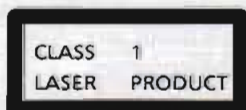
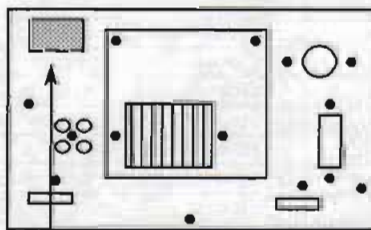
(Except for the U. S. A.)

DANGER: invisible laser radiation when open and interlock failed or defeated. AVOID DIRECT EXPOSURE TO BEAM. (e)

VARNING: Osynlig laserstrålning när denna del är öppnad och spärren är urkopplad. Betrakta ej strålen. (s)

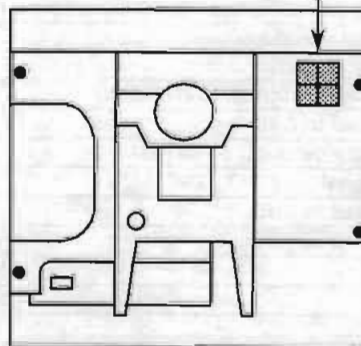
ADVARSEL: Usynlig laserstrålning ved åbning, når sikkerhedsafbrydere er ude af funktion. Undgå udsættelse for stråling. (d)

VARO: Avattaessa ja suojalukitus ohitettaessa olet alttiina näkymättömälle lasersäteilylle. Älä katso säteeseen. (f)



CLASSIFICATION LABEL

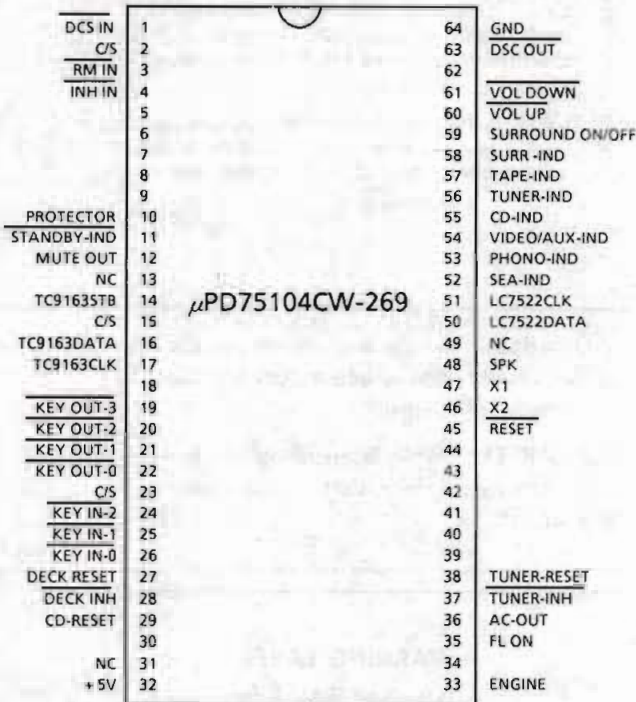
(Except for the U. S. A. and Canada)



Description of Major LSIs

■ μ PD75104CW-269(IC502) : System controller

1. Terminal Layout



2. KEY matrix

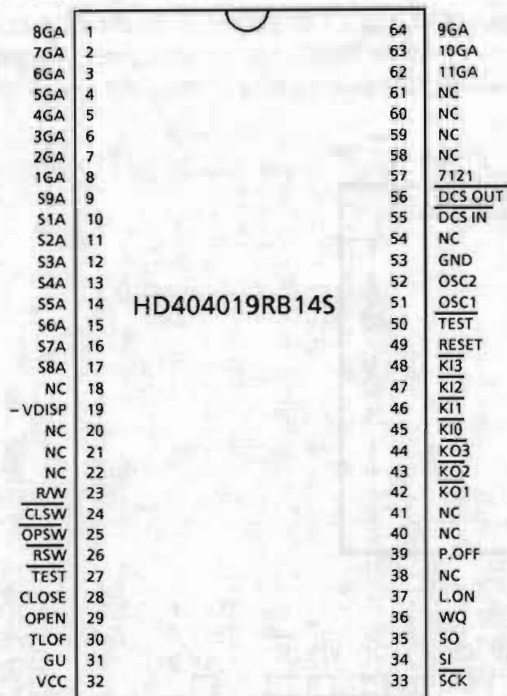
	KEY IN 0	KEY IN 1	KEY IN 2
KEY OUT 0	SOURCE ▶	f ▶	SEA LEVEL ▼
KEY OUT 1	SOURCE ◀	f ◀	SEA LEVEL ▲
KEY OUT 2	POWER	SEA ON/OFF	SEA PRESET
KEY OUT 3	-	-	MEMORY

3. Pin functions

Pin NO.	Symbol	I/O	Function	Pin NO.	Symbol	I/O	Function
1	DCS IN	I	Compulink signal input	33	ENGINE	--	Non connection
2	C/S	--	Connected to GND	34	--	--	Non connection
3	RM IN	I	Remote control signal input	35	FL ON	O	FL ON signal output
4	INH IN	I	System inhibit signal input	36	AC-OUT	O	Power primary OFF signal
5	--	--	Connected to GND	37	TUNER INH	O	Tuner inhibit signal output
6	--	--	/"	38	TUNER RESET	O	Tuner reset signal output
7	--	--	/"	39	--	--	Non connection
8	--	--	/"	40	--	--	/"
9	--	--	/"	41	--	--	/"
10	PROTECTOR	I	Protector detection signal	42	--	--	/"
11	STANDBY IND	O	Indication signal for standby/remote cont.	43	--	--	/"
12	MUTE OUT	O	Mute signal output	44	--	--	/"
13	NC	--	Non connection	45	RESET	I	System reset signal input
14	TC9163STB	O	Strobe signal output (To TN9163N)	46	X2	O	Clock oscillation output
15	C/S	--	Connected to GND	47	X1	I	Clock oscillation input
16	TC9163DATA	O	Serial data output (To TN9163N)	48	SPK	O	Speaker relay on signal output
17	TC9163CLK	O	Clock signal output (To TN9163N)	49	NC	--	Non connection
18	--	--	Connected to GND	50	LC7522DATA	O	Serial data output (To LC7522)
19	KEY OUT 3	O	Key matrix output	51	LC7522CLK	O	Clock signal output (To LC7522)
20	KEY OUT 2	O	/"	52	SEA-IND	O	SEA indicator signal output
21	KEY OUT 1	O	/"	53	PHONO-IND	O	PHONO indicator signal output
22	KEY OUT 0	O	/"	54	V/A -IND	O	VIDEO / AUX indicator signal output
23	C/S	--	Connected to GND	55	CD-IND	O	CD indicator signal output
24	KEY IN 2	I	Key matrix input	56	TUNER-IND	O	TUNER indicator signal output
25	KEY IN 1	I	/"	57	TAPE-IND	O	TAPE indicator signal output
26	KEY IN 0	I	/"	58	SURR.IND	--	Non connection
27	DECK RESET	O	Deck reset signal output	59	SURR.ON/OFF	--	Non connection
28	DECK INH	O	Deck inhibit signal output	60	VOL UP	O	Volume up signal output
29	CD RESET	O	CD reset signal output	61	VOL DOWN	O	Volume down signal output
30	--	--	Connected to GND	62	--	--	Non connection
31	NC	--	Non connect	63	DCS OUT	--	Compulink signal output
32	Vcc	--	Power supply voltage (+ 5V)	64	GND	--	Ground

■ HD404019RB14S(IC931) : CD system controller

1. Terminal Layout



2. Key Matrix

	KEY IN 0 (PIN45)	KEY IN 1 (PIN46)	KEY IN2 (PIN47)	KEY IN3 (PIN48)
KEY OUT 1 (PIN42)	STOP /CLEAR	▶▶	PLAY PAUSE	OPEN /CLOSE
KEY OUT 2 (PIN43)	DISPLAY	A. EDIT	◀◀	FADE
KEY OUT 3 (PIN44)	REPEAT	SIDE A/B	—	RANDOM

3. Pin functions

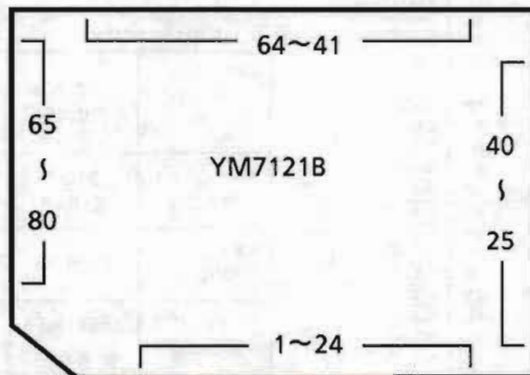
Pin NO.	Symbol	I/O	Function	Pin NO.	Symbol	I/O	Function
1	8GA	--	Non connection	33	SCK	O	Clock output
2	7GA	O	FL segment control output	34	SI	O	Serial data output
3	6GA	O	∕	35	SO	I	Serial data input
4	5GA	O	∕	36	WQ	I/O	Write request input
5	4GA	O	∕	37	L.ON	O	Laser ON signal
6	3GA	O	∕	38	NC	--	Non connection
7	2GA	O	∕	39	P.OFF	O	CD power off signal
8	1GA	O	∕	40	NC	--	Non connection
9	S9A	O	∕	41	NC	--	∕
10	S1A	O	∕	42	KO1	O	Key matrix output
11	S2A	O	∕	43	KO2	O	∕
12	S3A	O	∕	44	KO3	O	∕
13	S4A	O	∕	45	KI0	I	Key matrix input
14	S5A	O	∕	46	KI1	I	∕
15	S6A	O	∕	47	KI2	I	∕
16	S7A	O	∕	48	KI3	I	∕
17	S8A	O	∕	49	RESET	I	Reset signal input
18	NC	--	Non connection	50	TEST	--	PULL UP (+ 5V)
19	-VDISP	I	Power supply for FL display	51	OSC 1	I	Clock oscillation input
20	NC	--	Non connection	52	OSC 2	O	Clock oscillation output
21	NC	--	∕	53	GND	--	Ground
22	NC	--	∕	54	NC	--	Non connection
23	R / W	O	Read / write signal output	55	DCS IN	I	Compulink signal input
24	CLSW	I	"L" with tray closed	56	DCS OUT	O	Compulink signal output
25	OPSW	I	"L" with tray opened	57	7121	--	Pull up(+ 5V)
26	RSW	I	"L" with pickup rest position	58	NC	--	Non connection
27	TEST	--	TEST mode terminal	59	NC	--	∕
28	CLOSE	O	"CLOSE" signal output	60	NC	--	∕
29	OPEN	O	"OPEN" signal output	61	NC	--	∕
30	TLOF	O	Turns off tracking servo	62	11GA	O	FL grid control output
31	GU	O	Increases tracking gain	63	10GA	O	∕
32	VCC	--	Power supply voltage (+ 5V)	64	9GA	O	∕

■ YM7121B(IC841) : Servo controller

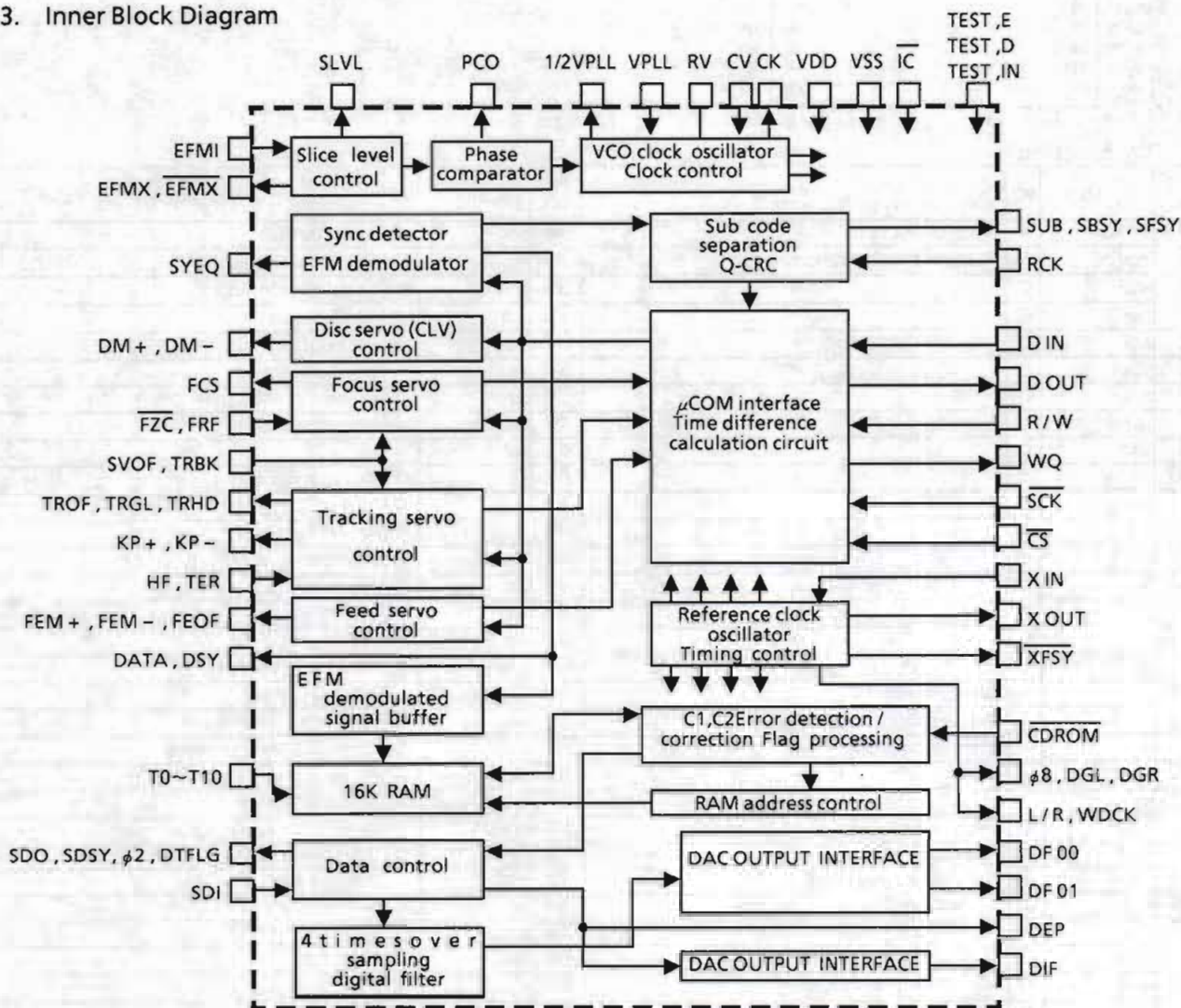
1. Outline

YM7121 is a C-MOS LSI for signal processing and servo control (SVC) in a CD player. It is used for the demodulation of the EFM signal from the laser pick up, detection / correction of the error signal, signal processing in digital filtering, etc. and for various servo controls (focusing, disc, tracking and feed servos).

2. Top View



3. Inner Block Diagram



4. Terminal Description

Pin No.	Symbol	I/O	Function and Operation
1	CV	—	Adequate time constant is added to this terminal and input the PCO output. This makes the structure of clock reproduce circuit by inner VCO circuit.
2	RV	—	RV terminal is standard voltage terminal of inner VCO. And capacity for stabilizing is added to this terminal.
3,32,72	VDD	—	These are +5V power supply terminals.
4 5 70	TEST. IN TEST. E TEST. D	 	These terminals are for test. (Not used)
6	SYEQ	o	This is the check output terminal, it becomes high when flame synchronizing signal detected from EFM pattern coincides frame synchronizing signal from internal counter.
7	DSY	o	DSY is synchronizing signal which becomes high when first signal of data output comes in. This terminal is the check terminal. (Not used)
8	DATA	o	This terminal is for checks. The DATA is a serial signal of CK bit rate and it contains 8 bit EFM demodulation signal and 5 bit data control signal in 17 bit. (Not used)
9	CK	o	CK has 4.3218 MHz clock.
10~19	T0~T9		These terminals are internal RAM test terminals, and connected GND.
22	DEP	o	De-emphasis is necessary when this terminal is high.
23	DIF	o	DIF is digital audio interface format output matched EIAJ standards. (Not used)
24	SDO	o	SDO is a serial signal output of $\phi 2$ bit rate. (The MSB puts in at first.)
25	SDI		SDI is the input terminal of 4 times over sampling digital filter. It is usually connected with SDO.
26	SDSY	o	This terminal changes the Lch/Rch by LSB of the SDO. (Not used)
27	DTFLG	o	Not used.
28	$\phi 2$	o	$\phi 2$ is 2.1168 MHz crystal clock. (Not used)
29,52,77	VSS	—	GND
30	XOUT	o	Not used.
31	XIN		Input from crystal clock.
33~38	—	o	Not used.
39	$\phi 8$	o	
40	WDCK	o	Synchronizing signal
41	L/R	o	Synchronizing signal
42,43	DGL,,DGR	—	Not used.
44,45	DF00,DF01	o	Serial signal with $\phi 8$ bit rate (DF00: Left channel, DF01: Right channel)
46	SCK		This terminal is connected to μ COM. It is an input terminal that carries the clock signal for data transfers.
47	R/W		This connects with microcomputer and it is an output terminal for switching data transmission mode. it enables to transmit data from SVC to microcomputer when R/W is "L" and from microcomputer to SVC when R/W is "H".
48	CS		This is chip select terminal for YM7121.
49	DOUT	o	This terminal is the data output terminal connected to μ COM. When R/W is low, data is transferred from YM7121 to μ COM, according to the SCK clock input.
51	DIN		This is a data input terminal connected to μ COM. When R/W is high, the data is transferred from μ COM to YM7121 according to the SCK clock input.
53 54	DM + DM -	o o	These terminals output the PWM to control the speed of spindle motor. The speed of the motor goes up when DM + is high, and slows down when DM - is high: both terminals can not become high simultaneously.
55 56 60 61 62 63 64	HF TER TRHD TRGL TROF KP - KP +	 o o o o o	When tracks are being crossed during serches, the amplitude variation of the generated HF signal is sampled at the zero - cross point of the tracking error signal TER and the TROF signal is output. The level variations of this signal turn the servo on and off, greatly facilitaitng track acquisition. KP + or KP - is output to conduct tracking, and TRHD is output during tracking to cause generation of the tracking error signal. The TRGL signal is for increasing the tracking gain after tracking is completed.
57,58,59	FEM +, FEM -, FEOF	o	The FEM + and FEM - are output as high speed feed signals, and FEOF signal is output for cutting the feed servo during high speed feed.
65	TRBK		TRBK is input to apply tracking brake from outside. TRGL becomes low with high input and inner control signal TBKE becomes high.
66	SVOF		When the signal inputs to SVOF, tracking and feed servo set to OFF. TROF and FEOF become "H" with high input, and TRHD, KP +, KP - become low.
67 58 59	FZC FCS FRF	 o 	These terminals are used for controlling the focus servo. The FCS is for a leading signal of focusing; the signal, generated when the focus point is achieved, stops the focusing operation, and FCO which is internal flag is dropped internally by FRF signal generated when reflected light is detected.
71	IC		YM7121 needs initializing when power supply turn on. IC will be low more than 400 μ s since XIN is input clock with VDD standard.
73 74 75	SLVL EFMX EFMX	o o o	Amplitude limited, mutually anti-phased signals are output from EFMX and EMFX. Slice level is controlled by these signals and external amplifier. SLVL is output amplitude alteration component of both terminals. When integral circuit is connected to external. YM7121 easily can control slice level.
76	EFMI		This terminal input EFM signal. (1~2 Vpp)
78	PCO	o	This terminal outputs the phase difference when the polarity of the clock and the EFM pattern changes.
79	VPLL		This terminal is input D.C. voltage matched VCO free run frequency. (17.2872 MHz)
80	1/2 VPLL	o	This terminal outputs a half of VPLL input, and capacity for stabilizing is added to this terminal.

■ JCE4501(IC873) : D / A converter

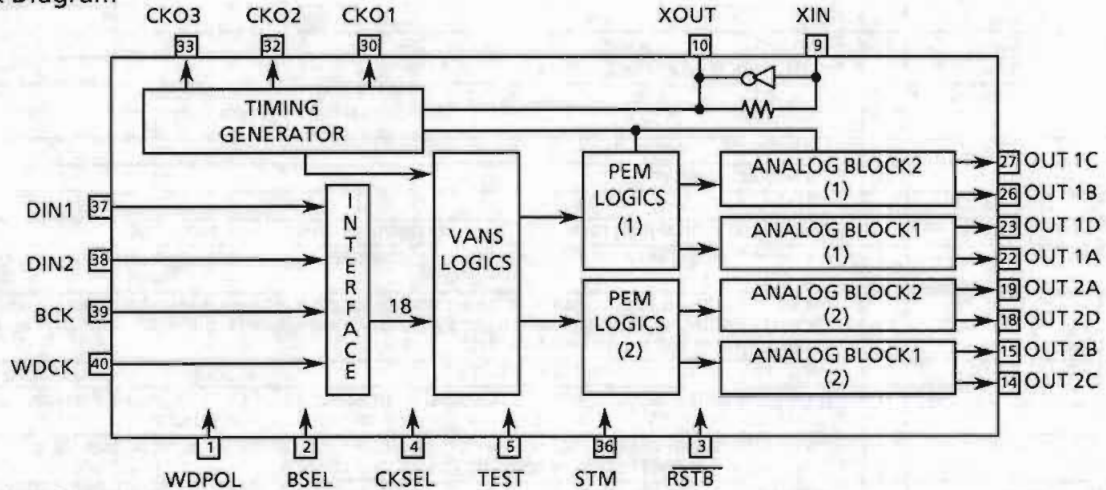
1. Outline

The JCE4501 is a CMOS digital-analog converter with independent left and right channels. It was developed for PCM digital audio equipment. It features pulse edge modulation (PEM) and Victor advanced noise shaping (VANS) for resolution equipment to 20 bits(0-20kHz) and a low distortion ratio. At JVC, this type of digital-analog converter is called a DD converter.

2. Terminal Layout

WDPOL	1	40	WDCK
BSEL	2	39	BCK
RSTB	3	38	DIN2
CLKSEL	4	37	DIN1
TEST	5	36	STM
COM	6	35	NC
NSUB	7	34	DVDD2
DVDD1	8	33	CKO3
XIN	9	32	CKO2
XOUT	10	31	DVSS2
DVSS1	11	30	CKO1
NC	12	29	NC
AVSS1	13	28	AVSS4
OUT2C	14	27	OUT1C
OUT2B	15	26	OUT1B
AVDD1	16	25	AVDD4
AVDD2	17	24	AVDD3
OUT2D	18	23	OUT1D
OUT2A	19	22	OUT1A
AVSS2	20	21	AVSS3

3. Block Diagram

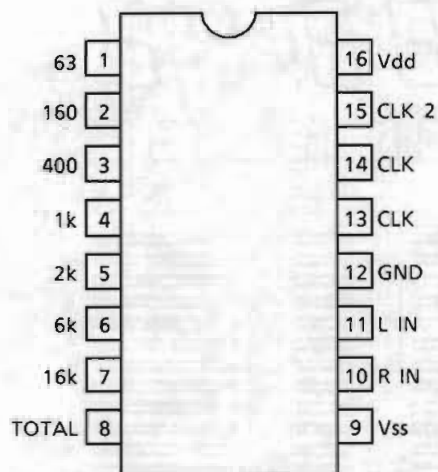


4. Pin functions

Pin No	Symbol	I/O	Function	Pin No	Symbol	I/O	Function
1	WDPOL	I	Word data polarity switching pin	21	AVSS3	--	Analog ground pin 3
2	BSEL	I	H: CDX2554P format, L: YM7121 format	22	OUT1A	O	1A PEM output pin
3	RSTB	I	Reset pin (low active)	23	OUT1D	O	1D PEM output pin
4	CLKSEL	I	H: 256Fs mode, L: 384Fs mode	24	AVDD3	--	Analog power supply pin 3
5	TEST	I	Test mode switching pin	25	AVDD4	--	Analog power supply pin 4
6	COM	I	COM board voltage fastening pin	26	OUT1B	O	1B PEM output pin
7	NSUB	I	Silicon board voltage fastening pin	27	OUT1C	O	1C PEM output pin
8	DVDD1	--	Digital power supply pin 1	28	AVSS4	--	Analog ground pin 4
9	XIN	I	Crystal oscillator input pin	29	NC	--	To ground
10	XOUT	O	Crystal oscillator output pin	30	CKO1	O	Clock output pin 1(384Fs output)
11	DVSS1	--	Digital ground pin 1	31	DVSS2	--	Digital ground pin 2
12	NC	--	To ground	32	CKO2	O	Clock output pin 2(192Fs output)
13	AVSS1	--	Analog ground pin 1	33	CKO3	O	Clock output pin 3(128Fs output)
14	OUT2C	O	2C PEM output pin	34	DVDD2	--	Digital power supply pin 2
15	OUT2B	O	2B PEM output pin	35	NC	--	Non connection
16	AVDD1	--	Analog power supply pin 1	36	STM	I	Stereo/monaural switching pin. H: stereo, L: left channel, reversed polarity left channel
17	AVDD2	--	Analog power supply pin 2	37	DIN1	I	Left channel 18-bits 8Fs serial data input
18	OUT2D	O	2D PEM output pin	38	DIN2	I	Right channel 18-bits 8Fs serial data input
19	OUT2A	O	2A PEM output pin	39	BCK	I	Bit clock input pin
20	AVSS2	--	Analog ground pin 2	40	WDCK	I	Word clock input pin

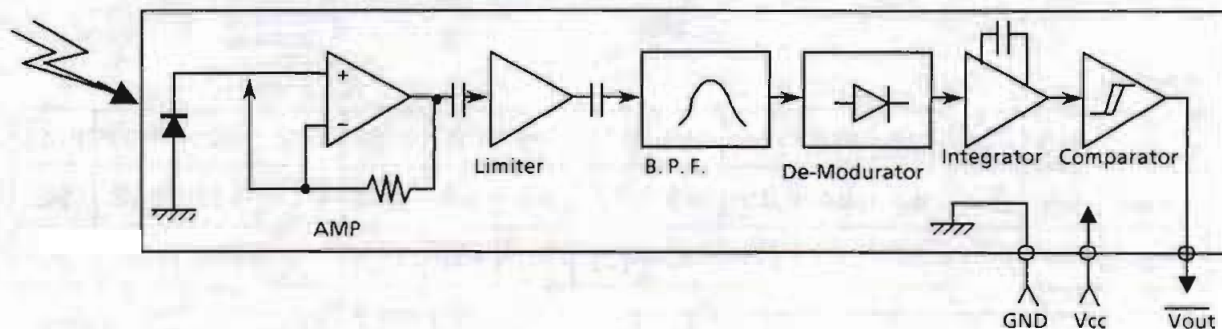
Internal Block Diagrams of Other ICs

■ XR1091ECP (IC902) : Display Filter

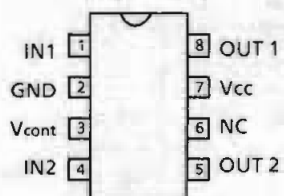


Pin No.	Symbol	Descriptions
1	63	Peak hold output of 63Hz band-pass filter
2	160	Peak hold output of 160Hz band-pass filter
3	400	Peak hold output of 400Hz band-pass filter
4	1k	Peak hold output of 1kHz band-pass filter
5	2k	Peak hold output of 2kHz band-pass filter
6	6k	Peak hold output of 6kHz band-pass filter
7	16k	Peak hold output of 16Hz band-pass filter
8	TOTAL	Total frequency output (peak hold)
9	Vss	Power supply (-6V)
10	R IN	Right channel input
11	L IN	Left channel input : Connecting to ground
12	GND	Ground terminal
13	CLK	Connecting capacitor for clock
14	CLK	Connecting resistor to pin 13 for clock
15	CLK / 2	1/2 clock output
16	Vdd	Power supply (+6V)

■ SPS-420-1 (IC903) : Remocon Module IC



■ LB1639-CV (IC633) : Motor Driver



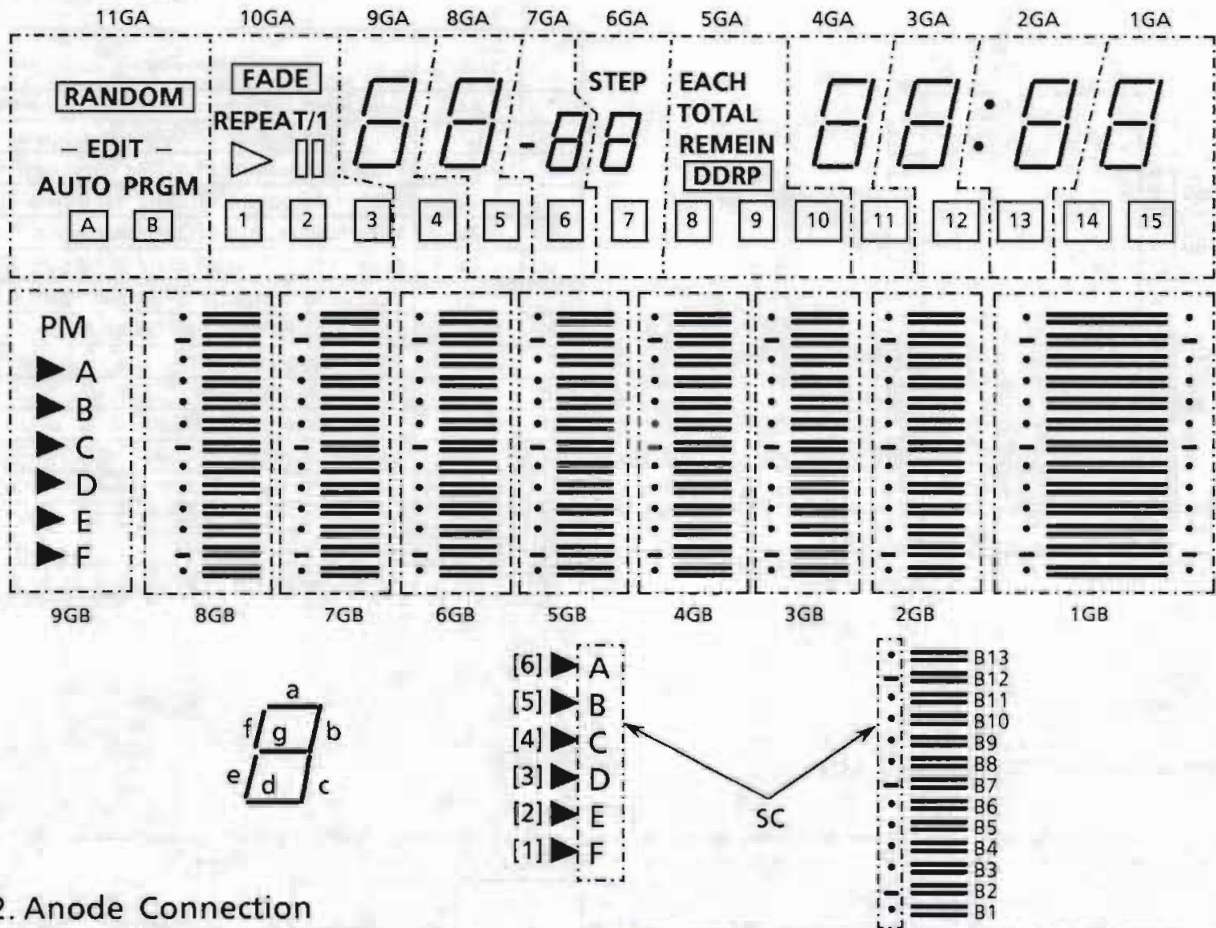
FUNCTION TABLE

IN 1	IN 2	OUT 1	OUT 2	MOTOR
H	L	H	L	CLOCKWISE
L	H	L	H	COUNTER-CLOCKWISE
H	H	OFF	OFF	WAITING
L	L	OFF	OFF	WAITING

Internal Connection for the FL Display Tube

■ ELU0001-134 (FL901) : FL display

1. Grid Assignment



2. Anode Connection

	P1B	P2B	P3B	P4B	P5B	P6B	P7B	P8B	P9B	P10B	P11B	P12B	P13B	P14B
1GB~8GB	B1	B2	B3	B4	B5	B6	B7	B8	B9	B10	B11	B12	B13	SC
9GB	-	-	M	P	[1]	[2]	[3]	[4]	[5]	[6]	-	-	-	SC

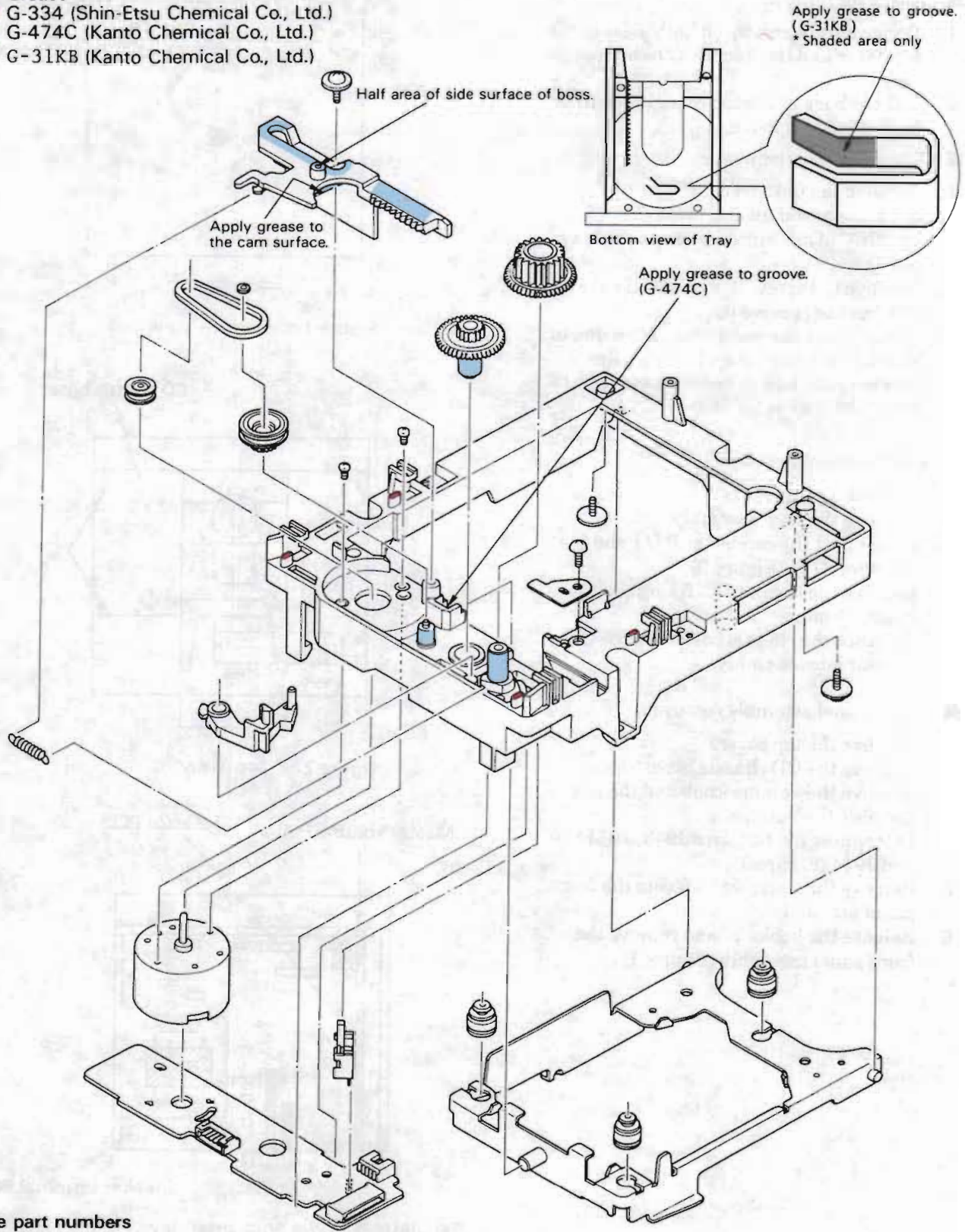
	11GA	10GA	9GA	8GA	7GA	6GA	5GA	4GA	3GA	2GA	1GA
P1A	— EDIT —	II	a	a	a	a	EACH	a	a	a	a
P2A	AUTO	FADE	b	b	b	b	TOTAL	b	b	b	b
P3A	A	1	c	c	c	c	10	c	c	c	c
P4A		2	d	d	d	d	8	d	d	d	d
P5A	RANDOM	1	e	e	e	e	9	e	e	e	e
P6A	PRGM		f	f	f	f	REMAIN	f	f	f	f
P7A	B	REPEAT	g	g	g	g		g	g	g	g
P8A		3	4	5	6	7		11	12	13	14
P9A		▶				STEP				◦	15

Notes
G: Grid
P: Anode

Application points for Grease

Grease used

- G-334 (Shin-Etsu Chemical Co., Ltd.)
- G-474C (Kanto Chemical Co., Ltd.)
- G-31KB (Kanto Chemical Co., Ltd.)



Grease part numbers

- G-334: EBS0006-009B
- G-474C: EBS0006-019B
- G-31KB: EBS0006-013B

Disassembly Procedures

■ Top cover removal

1. Remove the 4 screws on both sides of the top cover and the 2 screws on the rear panel.
2. Lift the back of the top cover spreading both sides to remove.

■ Tray assembly removal

1. Remove the top cover.
2. Turn the power on and press the OPEN/CLOSE button to move the tray out.
3. Remove the screw ① and pull the tray the front to remove it.
4. If the power can not be turned on due to any malfunction, insert a long filips driver to the hall ② to turn the screw to move the tray out (Figure 1).

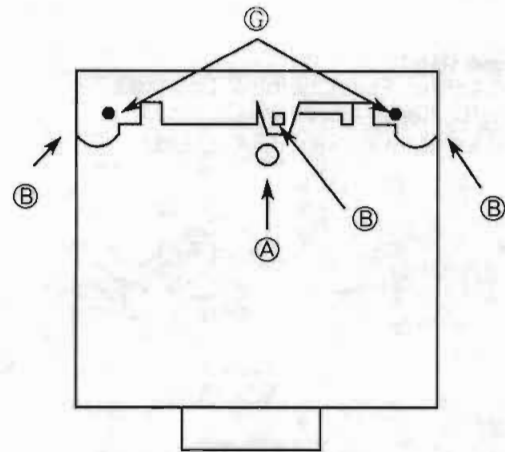


Figure 1 Bottom view

■ CD chassis base removal

1. Remove the top cover.
2. Remove the tray assembly.
3. Disconnect the connector P711 and the flat wire J701 (Figure 2).
4. Remove the 4 screws ③ fixing the chassis base.
5. Take out the chassis base with the CD mechanism assembly.

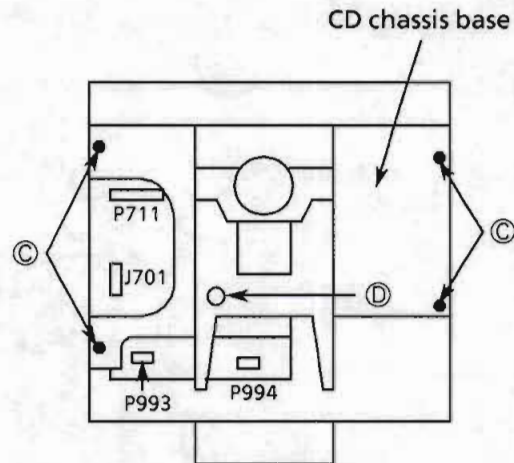


Figure 2 Top view

■ Front panel assembly removal

1. Remove the top cover.
2. Remove the CD chassis base.
3. Remove the volume knob and the nut fastning the volume.
4. Disconnect the flat wire J943, JB511 and J944 (Figure 3).
5. Remove the 2 screws ④ fixing the front panel assembly.
6. Release the hooks ⑤ and remove the front panel assembly (Figure 1).

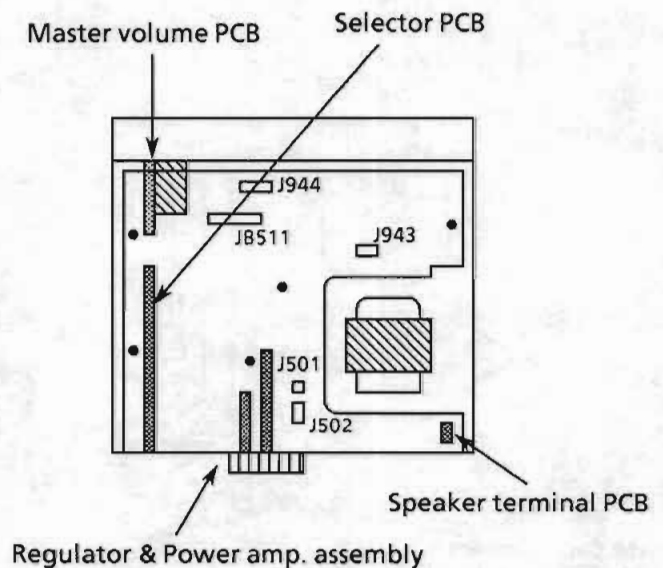


Figure 3 Top view of the unit without the CD chassis base

■ Front PCB removal

1. Remove the front panel assembly.
2. Remove all the knobs.
3. Remove the 12 screws fixing the PCB (Figure 4).
4. Remove the front PCB.

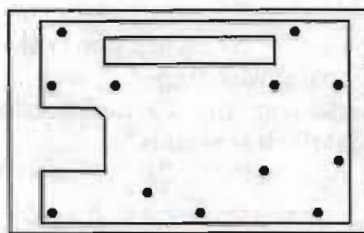


Figure 4 Rear view of the front panel assembly

■ Rear panel removal

1. Remove the 2 screws fastening the heat sink cover and the cover.
2. Remove the screws (E) and (F) (Figure 5).
3. Remove the rear panel.

■ Main PCB removal

1. Remove the top cover.
2. Remove the CD chassis base.
3. Remove the front panel assembly.
4. Remove the rear panel.
5. Remove the master volume PCB, selector PCB, speaker terminal PCB & Regulator & Power amp. assembly (Figure 3).
6. Disconnect the flat wire J501,502 (Figure 3).
7. Remove the 5 screws, then take out the main PCB.

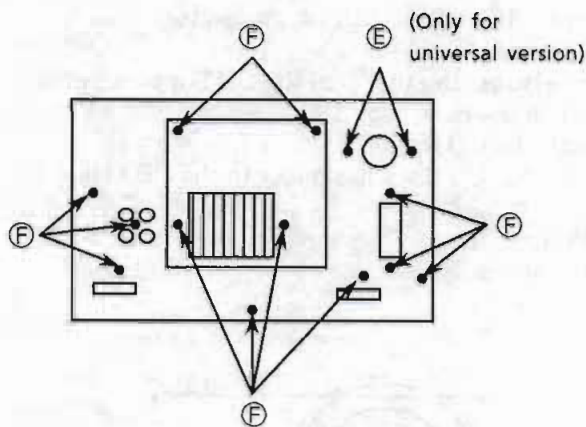


Figure 5 Rear view

■ Mechanism assembly removal

1. Remove the top cover, tray assembly and clamp.
2. Remove the 3 screws fixing the mechanism assembly.
3. Disconnect connector P994 and flat wire P993 (Figure 2).
4. Remove the mechanism assembly.

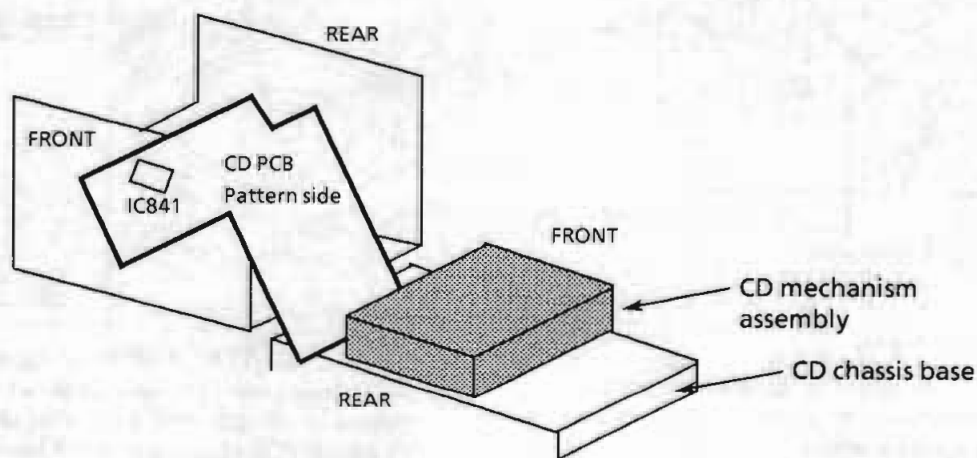


Figure 6 How to check the CD PCB

AX-MX66BK

■ Laser Pickup removal

1. Remove the top cover, tray assembly and the clamp.
2. Move the Pickup unit from rest position to the center pushing ⑤ point with finger.
3. Remove the screw ② from the CD Rack assembly, and remove the CD Rack assembly.
4. Remove the screws ① from the CD mechanism base assembly.
5. Remove the CD Holder fastening the shaft from the CD mechanism base assembly. (Release the hook ⑥)
6. Remove the CD Pick Unit with the shaft.

■ CD Pick Unit installation

1. Connect two wires with the connectors of APC P.C.Board.
2. While installing the ③ in the CD Support, set the shaft on the base hook ④.
3. Install the CD Holder.
4. Install the CD Rack assembly in the CD Pick Unit.
 - 1) Fit end ⑦
 - 2) Fix screw ②.

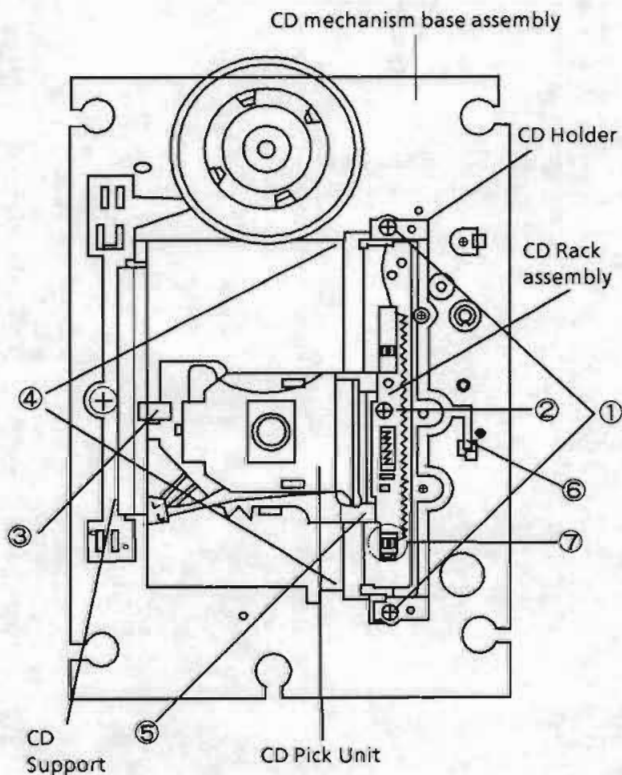


Figure 7

■ Spindle motor removal

1. Remove the CD mechanism base assembly.
2. Remove the turntable, and remove the two screws retaining the spindle motor.
3. Remove the screws retaining the Spindle and Feed Motor P.C. Board and unsolder it.

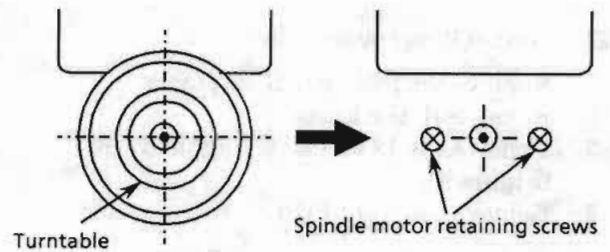


Figure 8

■ Spindle motor installation

1. Tighten the 2 screws to the same torque.
2. Fasten the Spindle and Feed Motor P.C. Board with the screw and solder.
3. Install the turntable. When installing, press straight down at the center of the turntable until the distance from the surface of the mechanism base to the top of the turntable is exactly $12.0 \pm 0.1\text{mm}$.

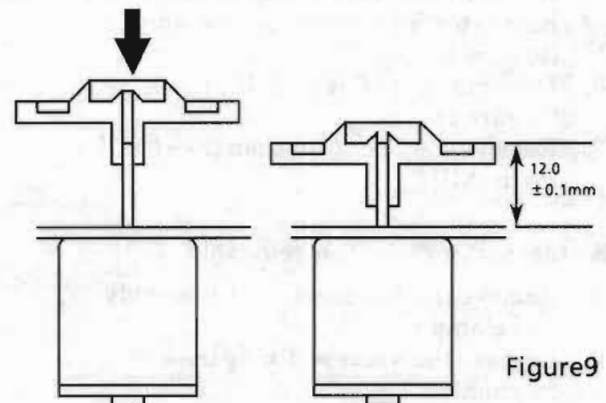


Figure 9

4. After insertion is complete, bond the motor shaft and turntable together (at the section marked by an arrow in the figure 10 on the left below).

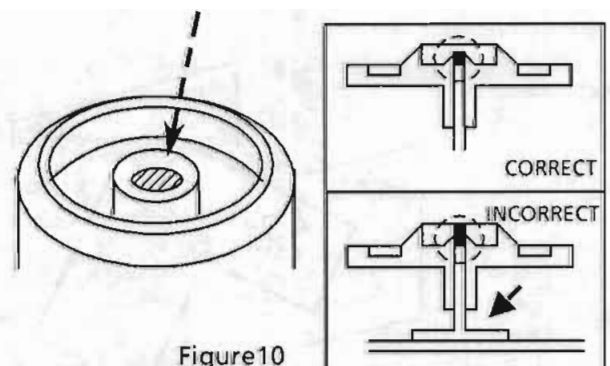
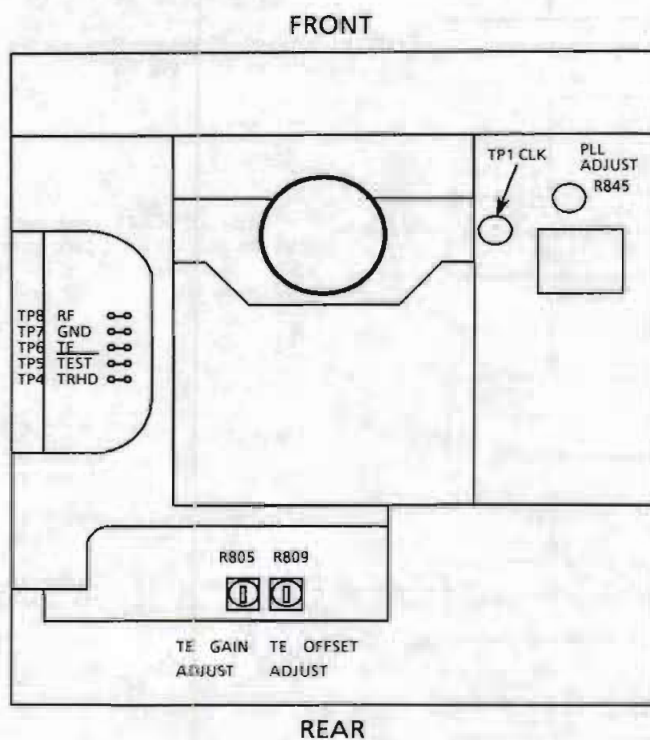


Figure 10

5. Use "LOCTITE" #460 bonding agent, and apply as little as possible. Take care not to allow any excess bonding agent to get onto the turntable. Be extremely careful not to allow bonding agent to adhere to the motor bearings (the section marked by an allow in the figure 10 on the right).

Adjustment Procedures



(1) PLL free-running adjustment

- a. Measuring instrument
Frequency counter
- b. Adjusting procedure
 1. Set the player to stop mode.
 2. Connect a frequency counter with TP1 (CK) and GND on the main PC board.
 3. Adjust R845 for setting the counter's value becomes $4.310 \pm 0.002\text{MHz}$.
 4. Perform this adjustment immediately after the power is turned on.

(2) Tracking gain adjustment

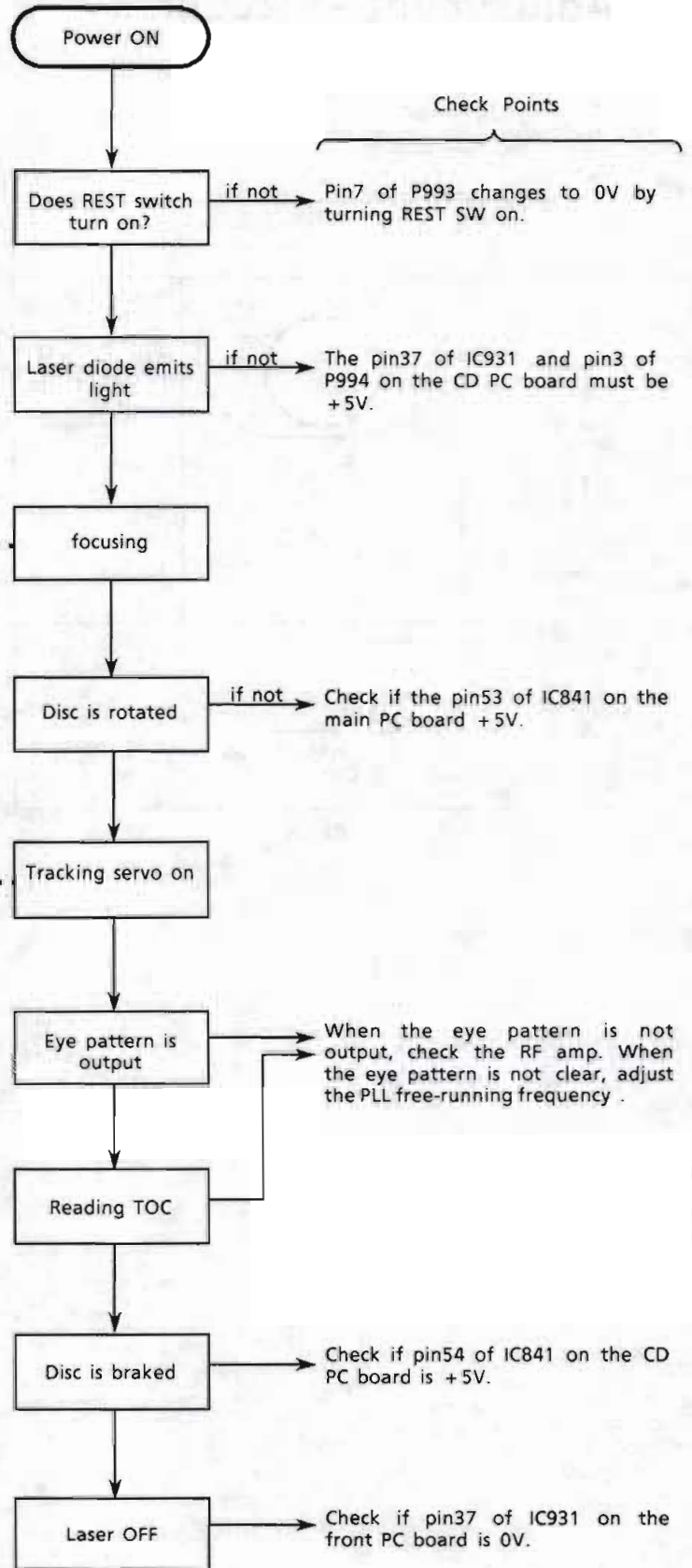
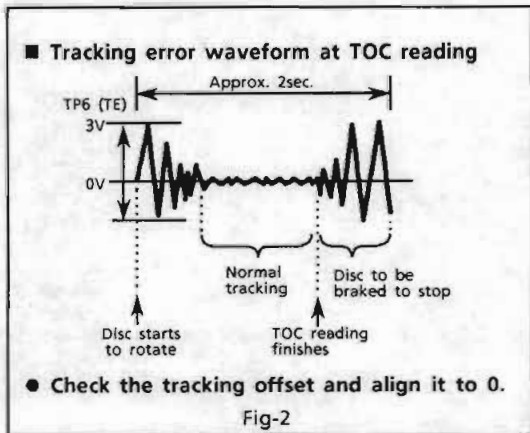
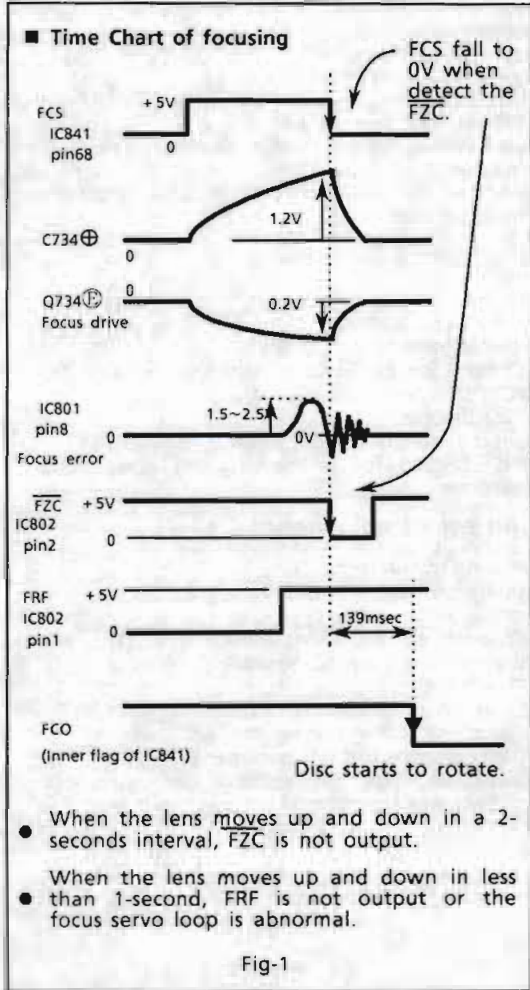
- a. Measuring instruments
Oscilloscope, Normal disc
- b. Adjusting procedure
 1. Connect an oscilloscope with TP6 (TE) and TP7 (GND) on the main PC board.
 2. Play the disc.
 3. Short circuit TP5 (TEST) to GND.
 4. Adjust R805 for setting tracking error signal becomes $2.0 V_{p,p}$.

(3) Tracking offset adjustment

- a. Measuring instruments
Oscilloscope, Normal disc
- b. Adjusting procedure
 1. Connect an oscilloscope with TP6 (TE) and GND on the main PC board.
 2. Play the disc.
 3. Short circuit TP5 (TEST) to GND.
 4. Adjust R809 for setting the DC level of the tracking error (offset) becomes 0.

Note: Adjust R809 for setting the waveform becomes symmetrical around the 0 level.

Flow of Functional Operation Until TOC is Read

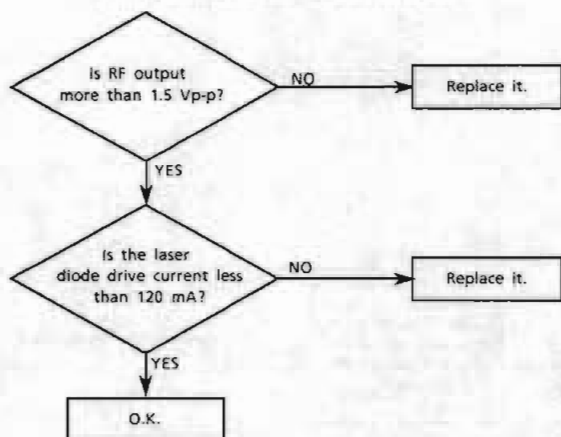


Maintenance of Laser Pickup

(1) Life of the laser diode

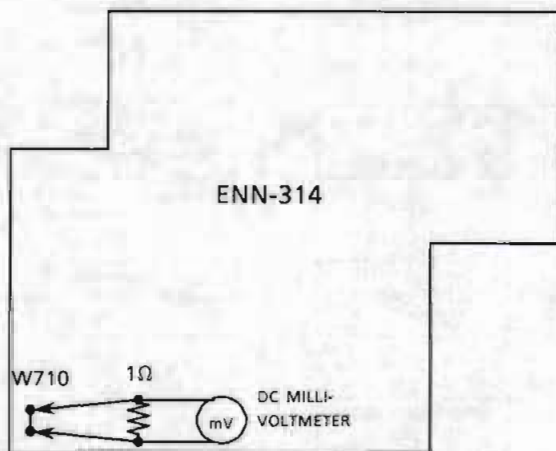
When the life of the laser diode has expired, the following symptoms will appear.

1. The level of RF output (EFM output: amplitude of eye pattern) will be low.
 2. The drive current required by the laser diode will be increased.
- In such a case, check the life of the laser diode following the flowchart below



(2) Measurement of laser diode drive current

Replace W710 to a resistor (1Ω). Measure the voltage across the resistor with a milli-voltmeter. When the voltage is more than 180mV, it shows that the life of the laser diode has expired



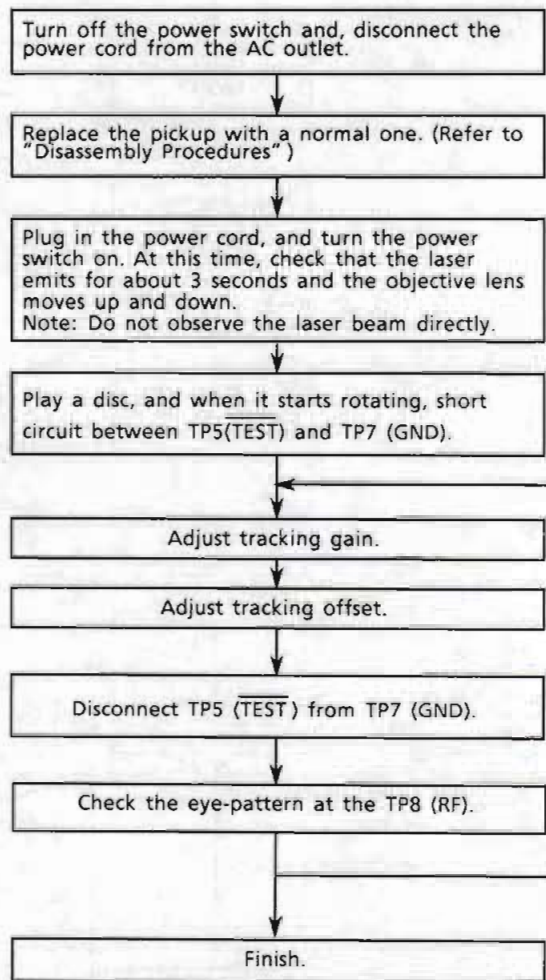
(3) Semi-fixed resistor on the APC PC board

The semi-fixed resistor on the APC printed circuit board which is attached to the pickup is used to adjust the laser power. Since this adjustment should be performed to match the characteristics of the whole optical block, do not touch the semi-fixed resistor.

If the laser power is lower than the specified value, the laser diode is almost worn out, and the laser pickup should be replaced.

If the semi-fixed resistor is adjusted while the pickup is functioning normally, the laser pickup may be damaged due to excessive current.

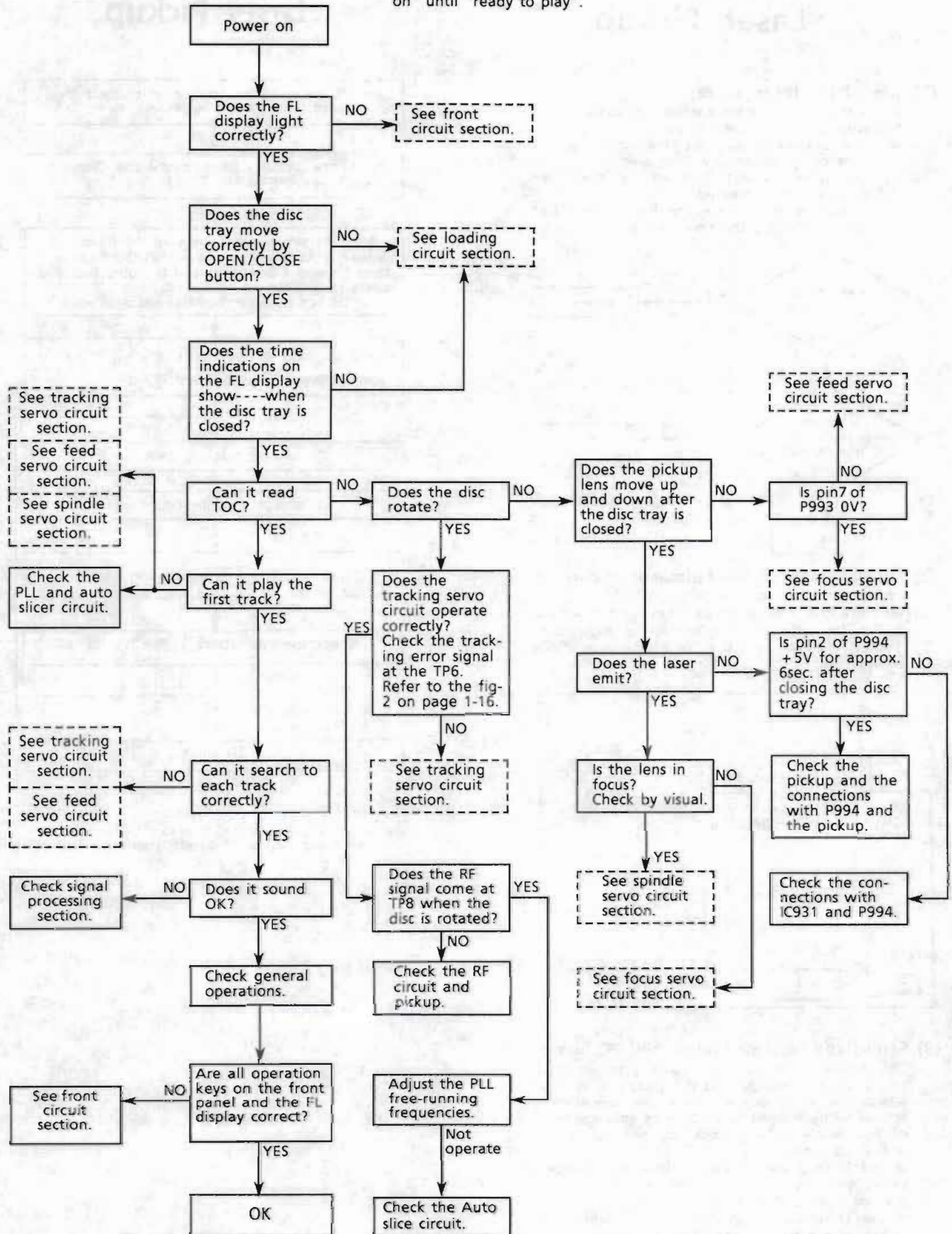
Replacement of Laser Pickup



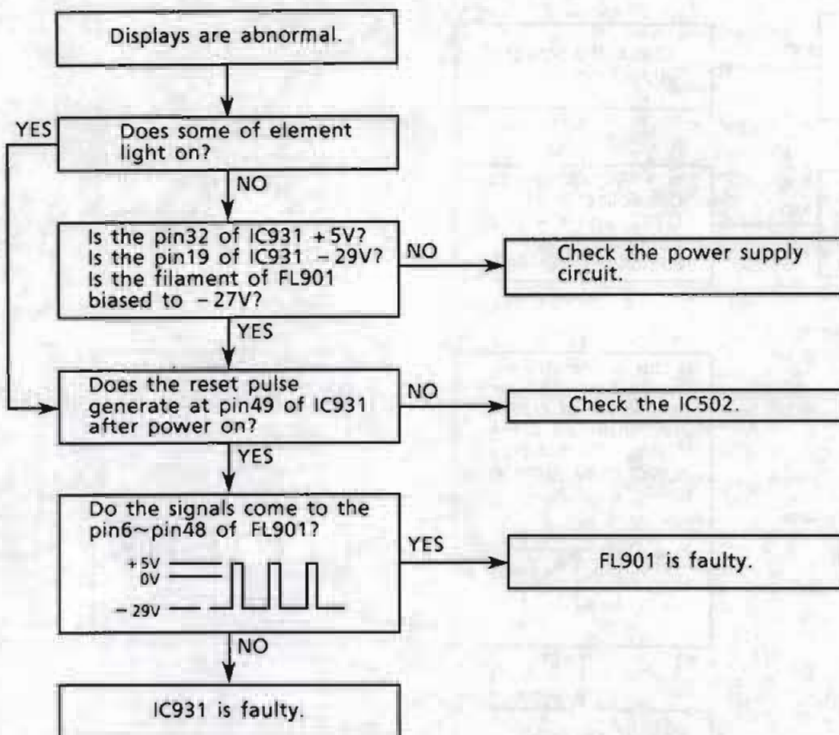
Note: Since one adjustment may affect other settings, repeat these adjustments a few times.

Troubleshooting

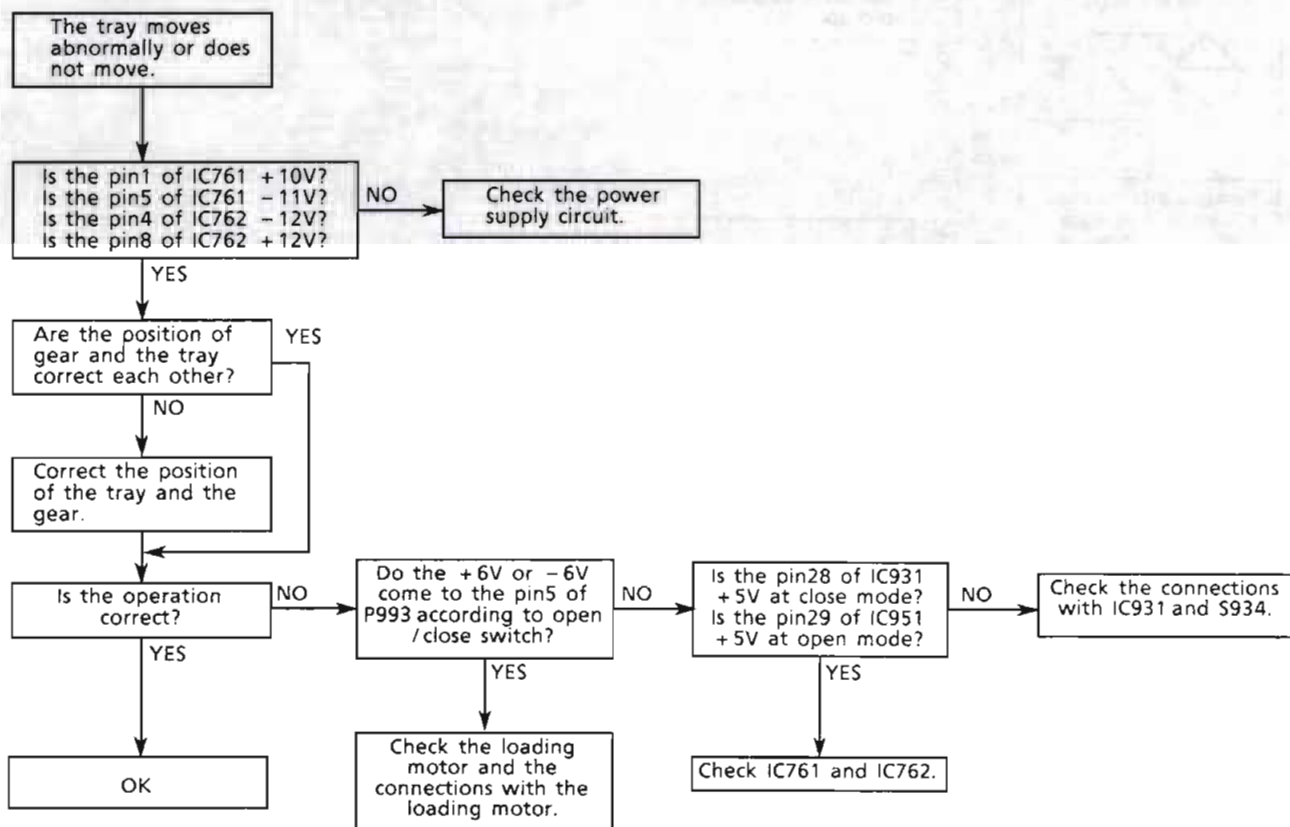
The following flowchart shows each circuit's condition about from "power on" until "ready to play".



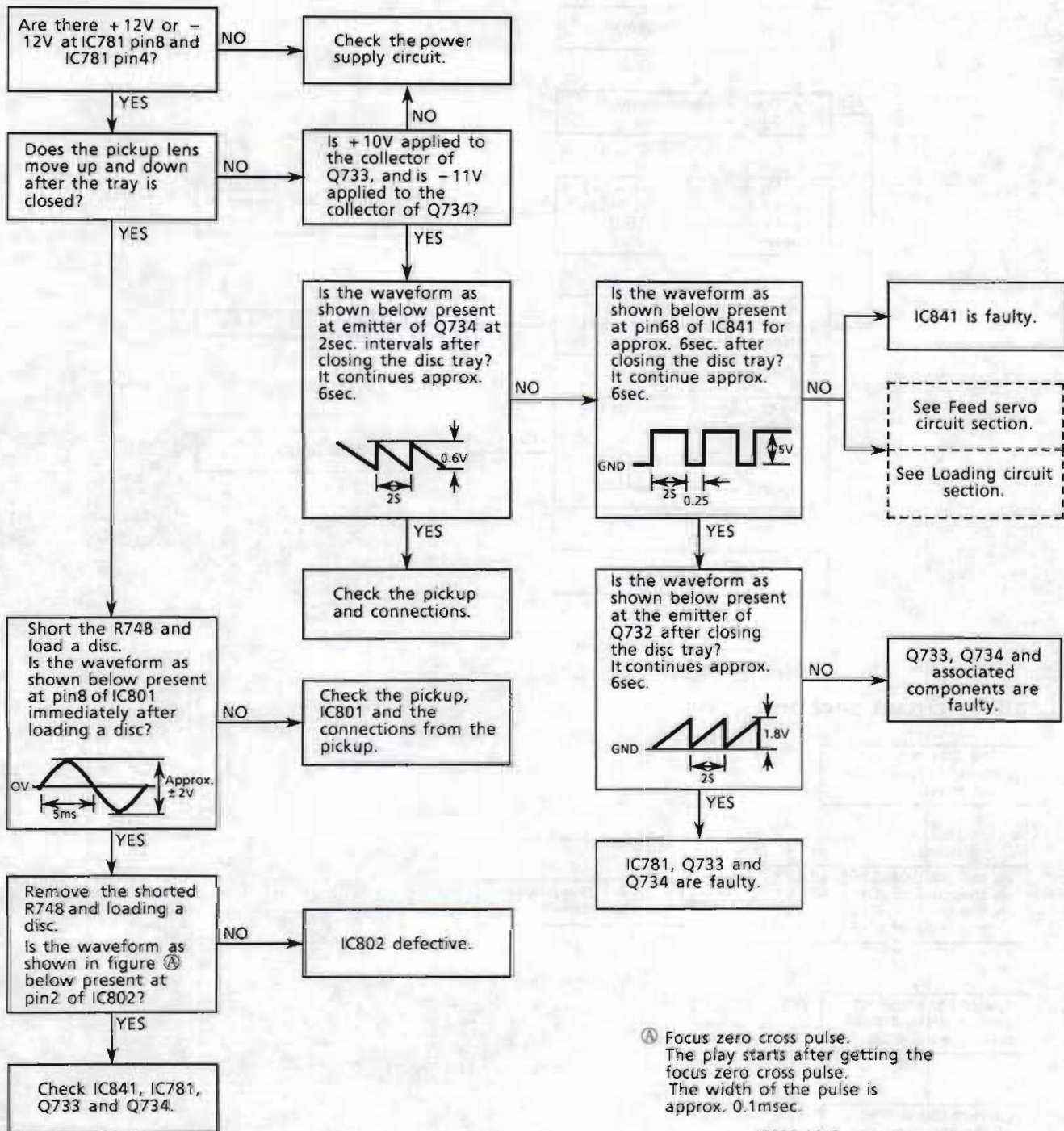
Front circuit Section



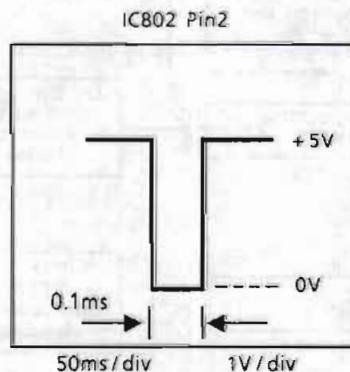
Loading circuit section



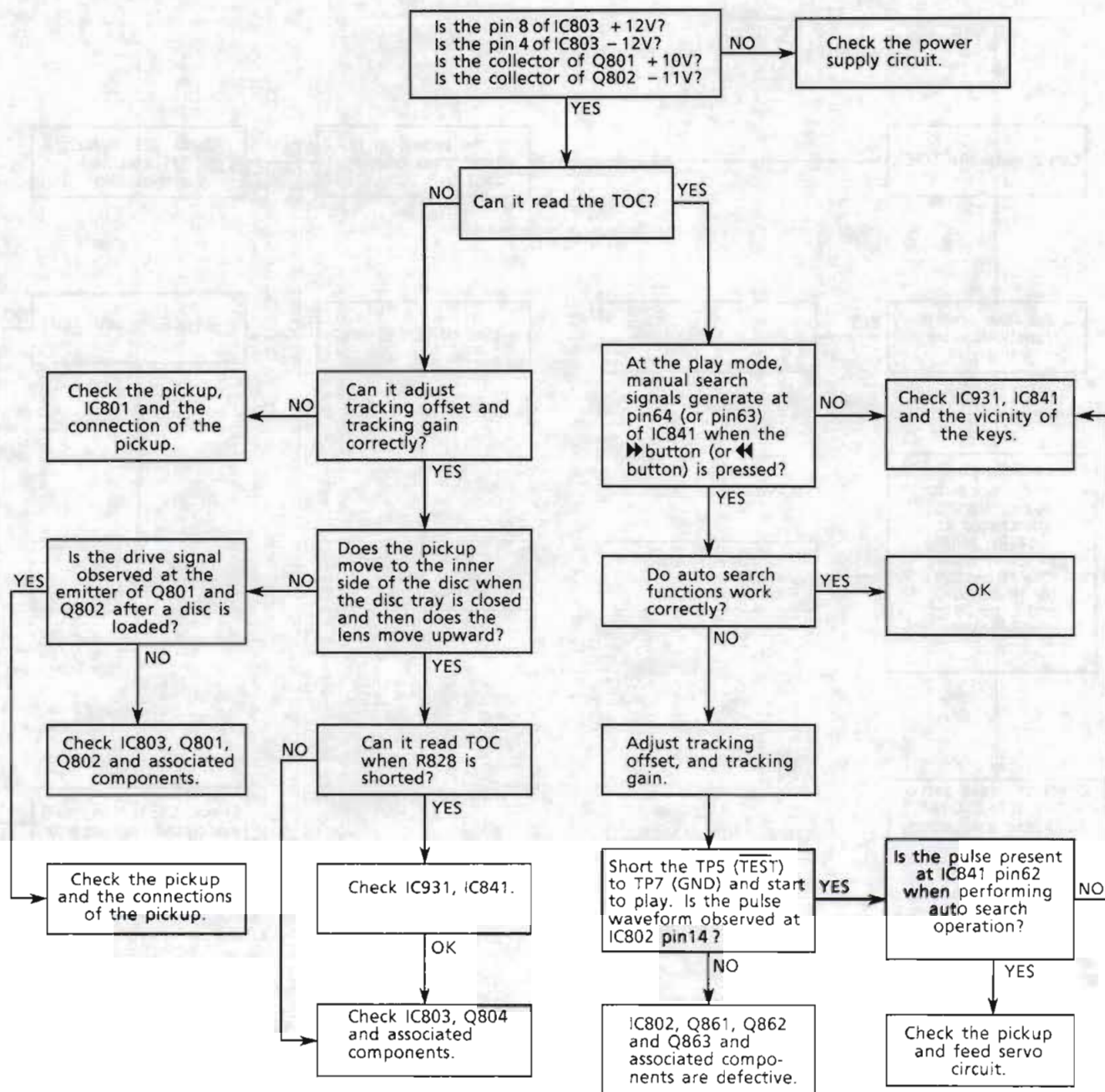
Focus servo circuit section



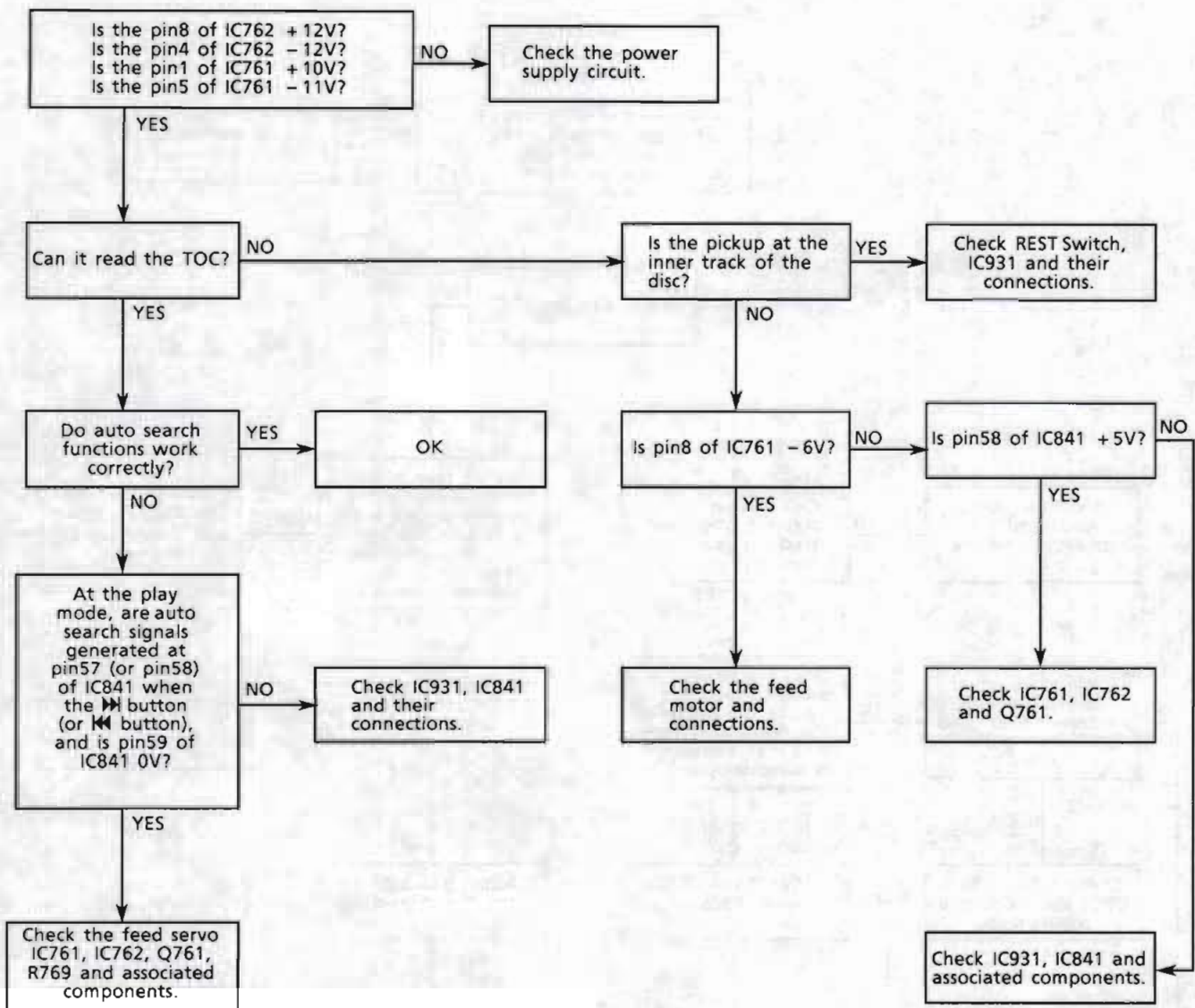
Ⓐ Focus zero cross pulse. The play starts after getting the focus zero cross pulse. The width of the pulse is approx. 0.1msec.



Tracking servo circuit section

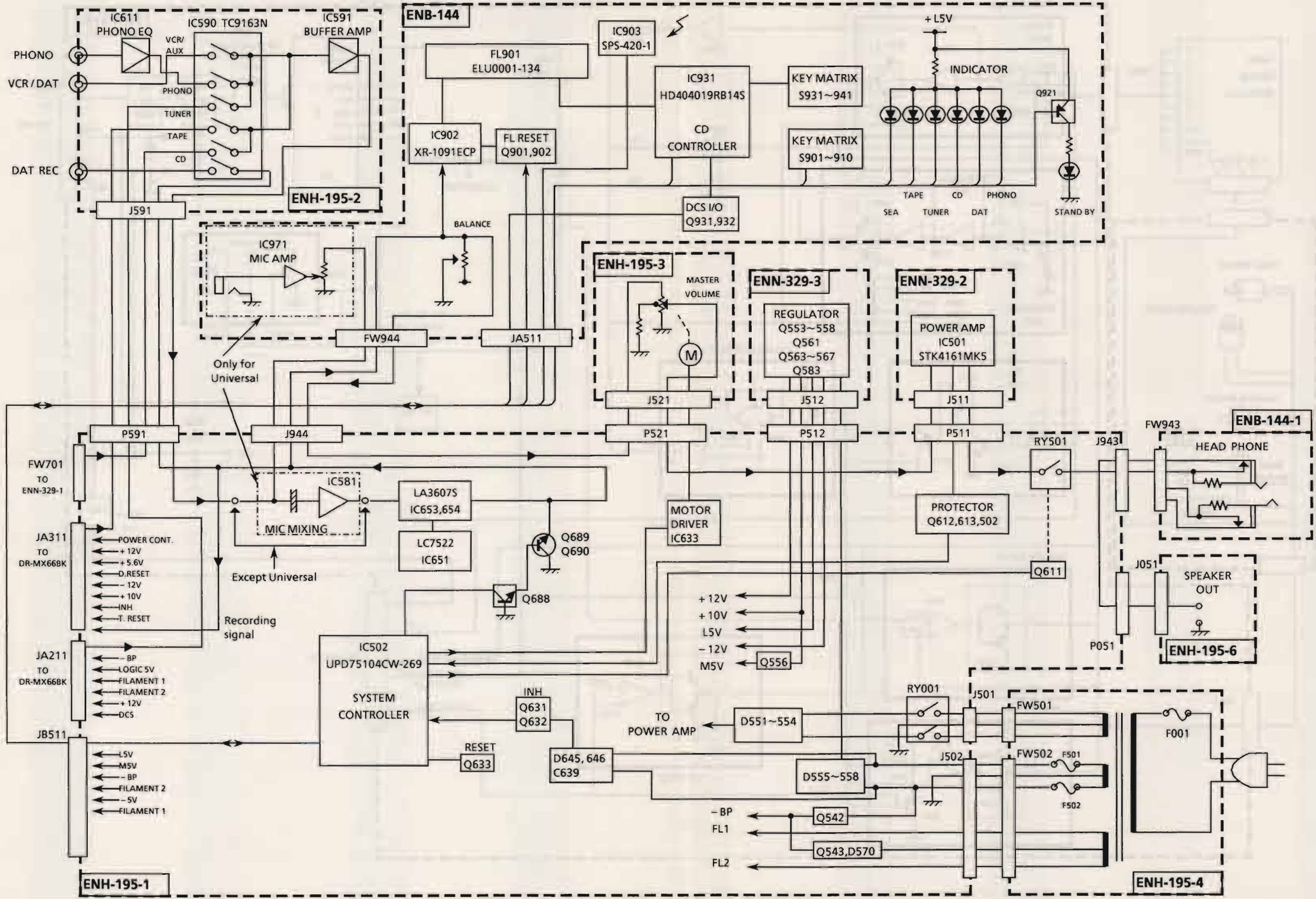


Feed servo circuit section

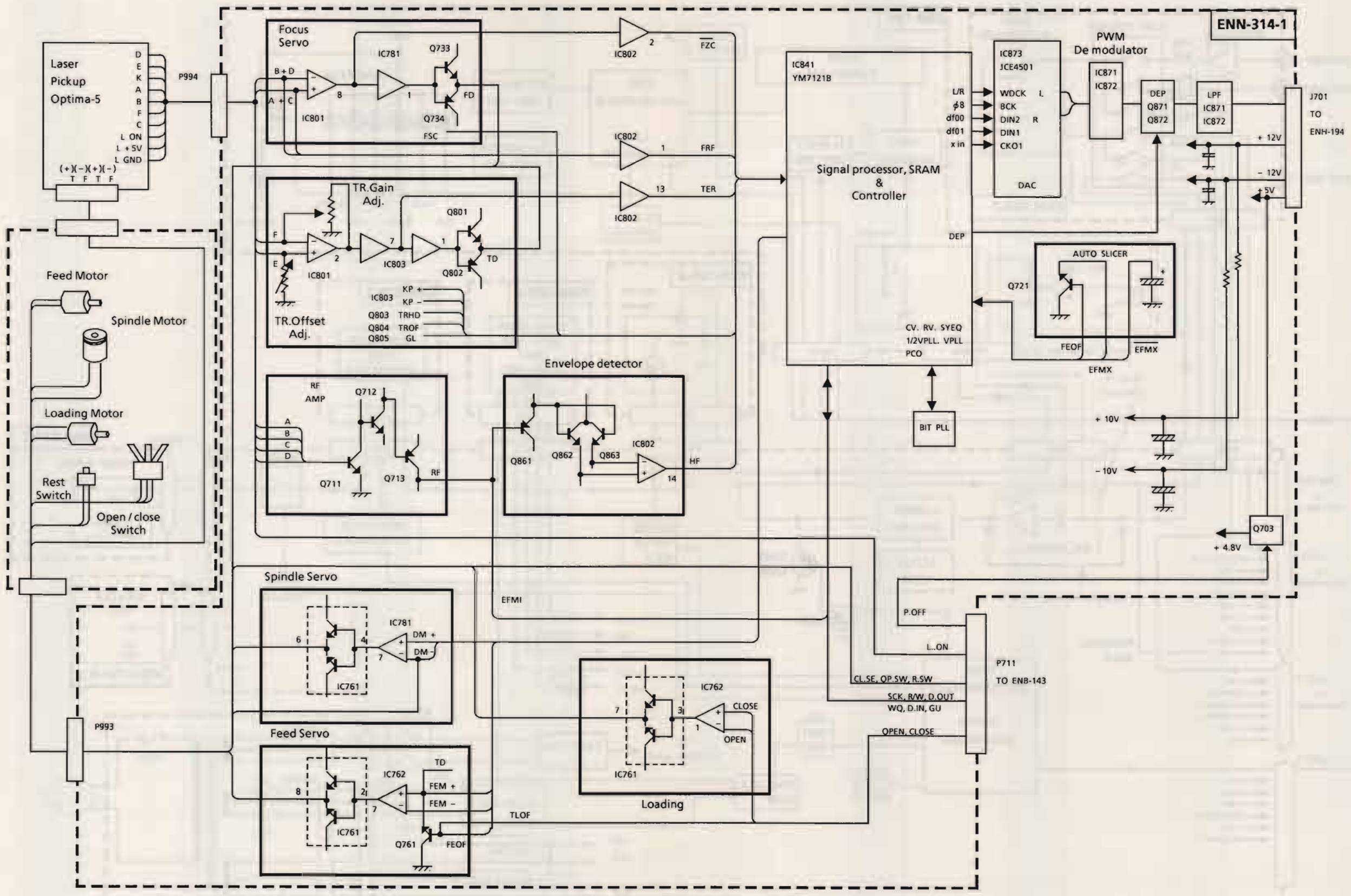


Block Diagrams

■ Signal Flow, Front, Power Supply Section



CD Section



Schematic Diagrams

A B C D E F G H I J K L M N O P Q R S

Source Select & Power Amplifier Section

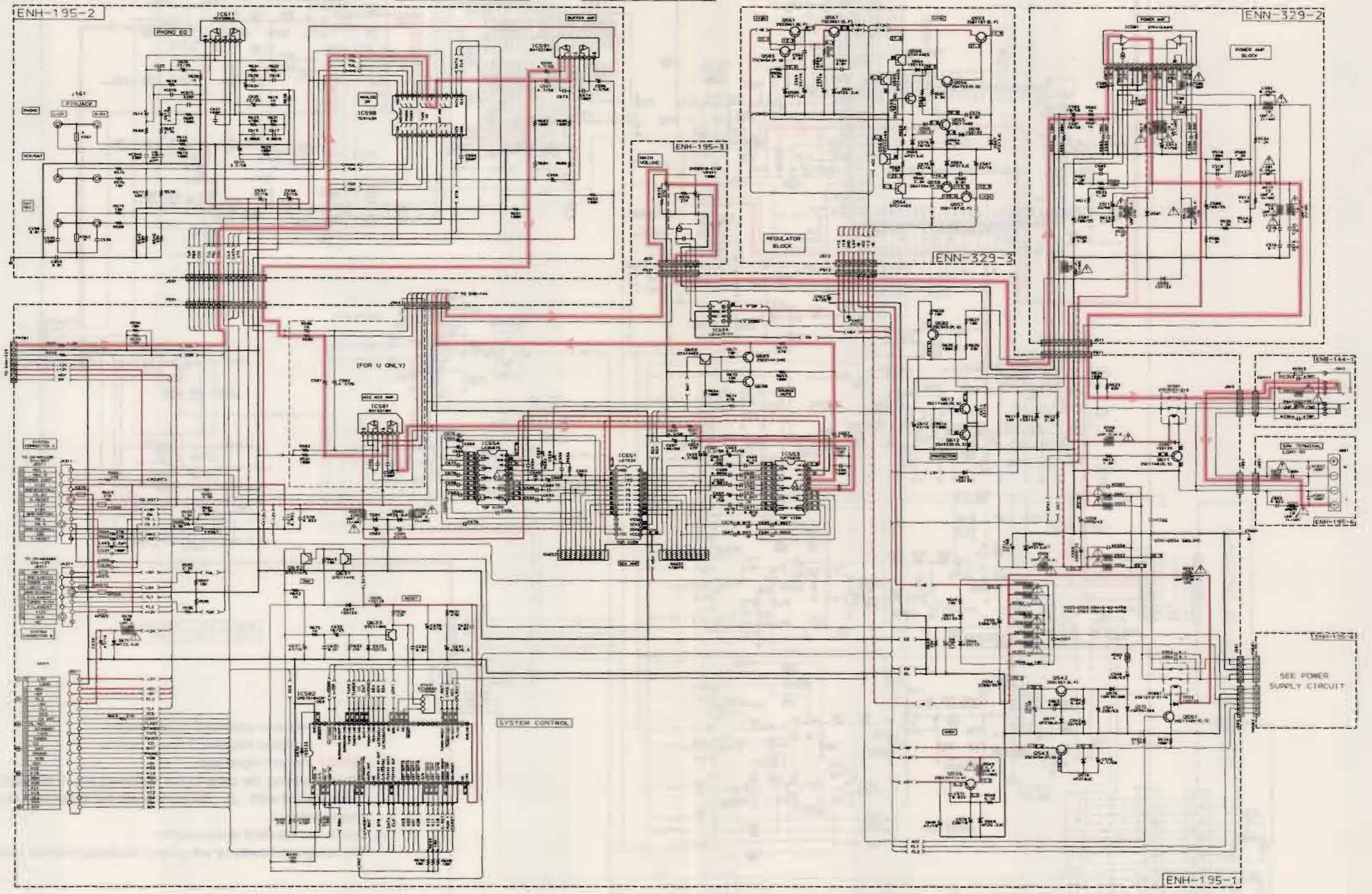
*LIST

SYMBOL	U. A.	E. EF. G. G1 V. VX. BS
C545, C546	NONE	USED
C811, C852	NONE	USED
R811, R812	NONE	USED
C883, C884	NONE	USED
C813, C878	NONE	USED
C537, C538	NONE	USED
K539	NONE	USED

SYMBOL	U. A.	E. EF. G. G1 V. VX. BS
R519	UNF. F.	UNF. F.
C938	NONE	USED
R527, R528	SHORT	SHORT
C556, C557, C558	0.01/100	0.1/100
C551, C552, C553	0.01/100	0.1/100
C567, C568	0.1/100/100	0.1/100/100
R566	UNF. F.	UNF. F.
C545, C546	NONE	USED

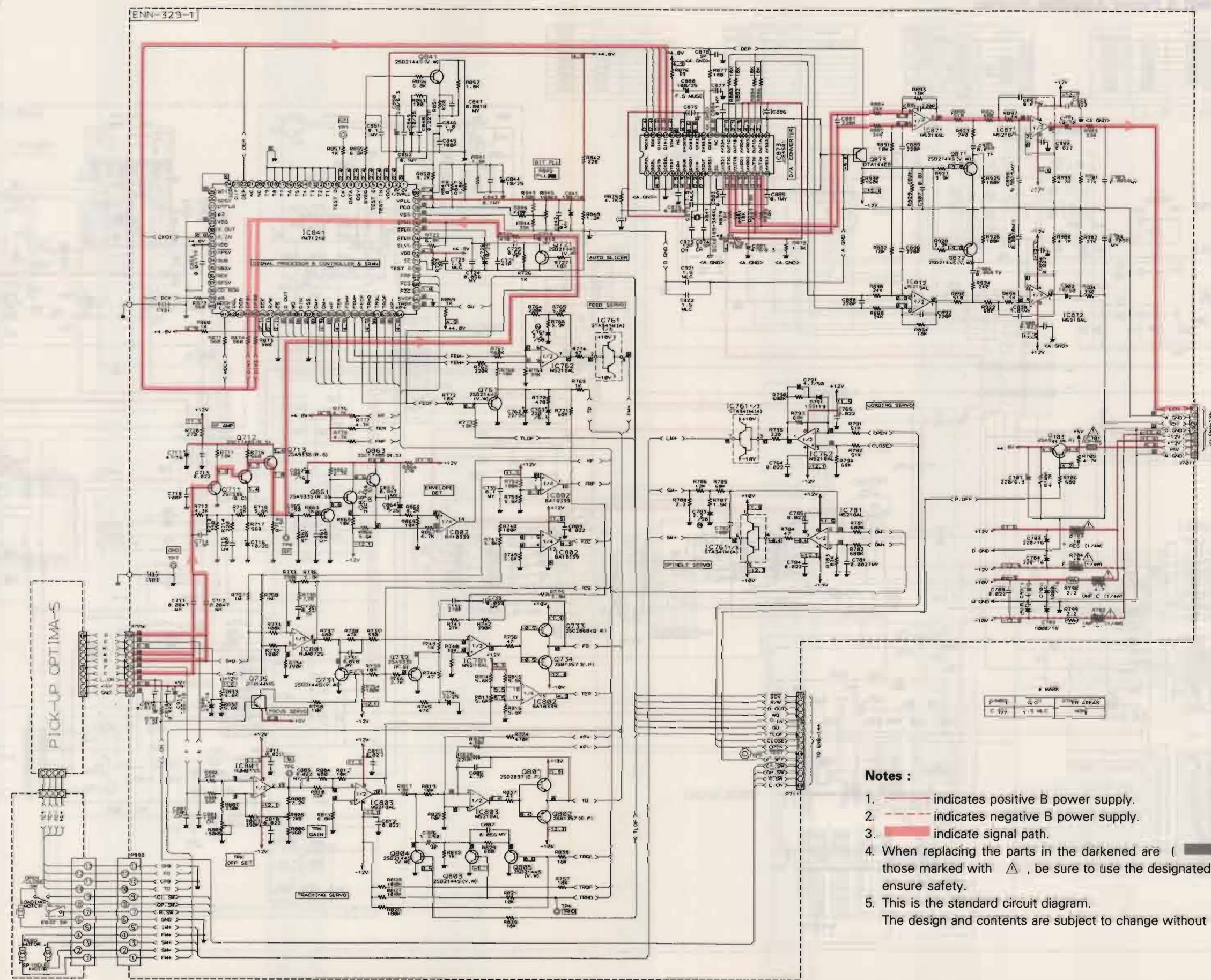
SYMBOL	U. A.	E. EF. G. G1 V. VX. BS
C815, C816	100P	220P

SYMBOL	G. G1	EXCEPT G. G1
K561	USED	SHORT
K562	USED	SHORT
K565	USED	SHORT
K568	USED	SHORT
K569	USED	SHORT
K570	USED	SHORT
K572	USED	SHORT



CD Section

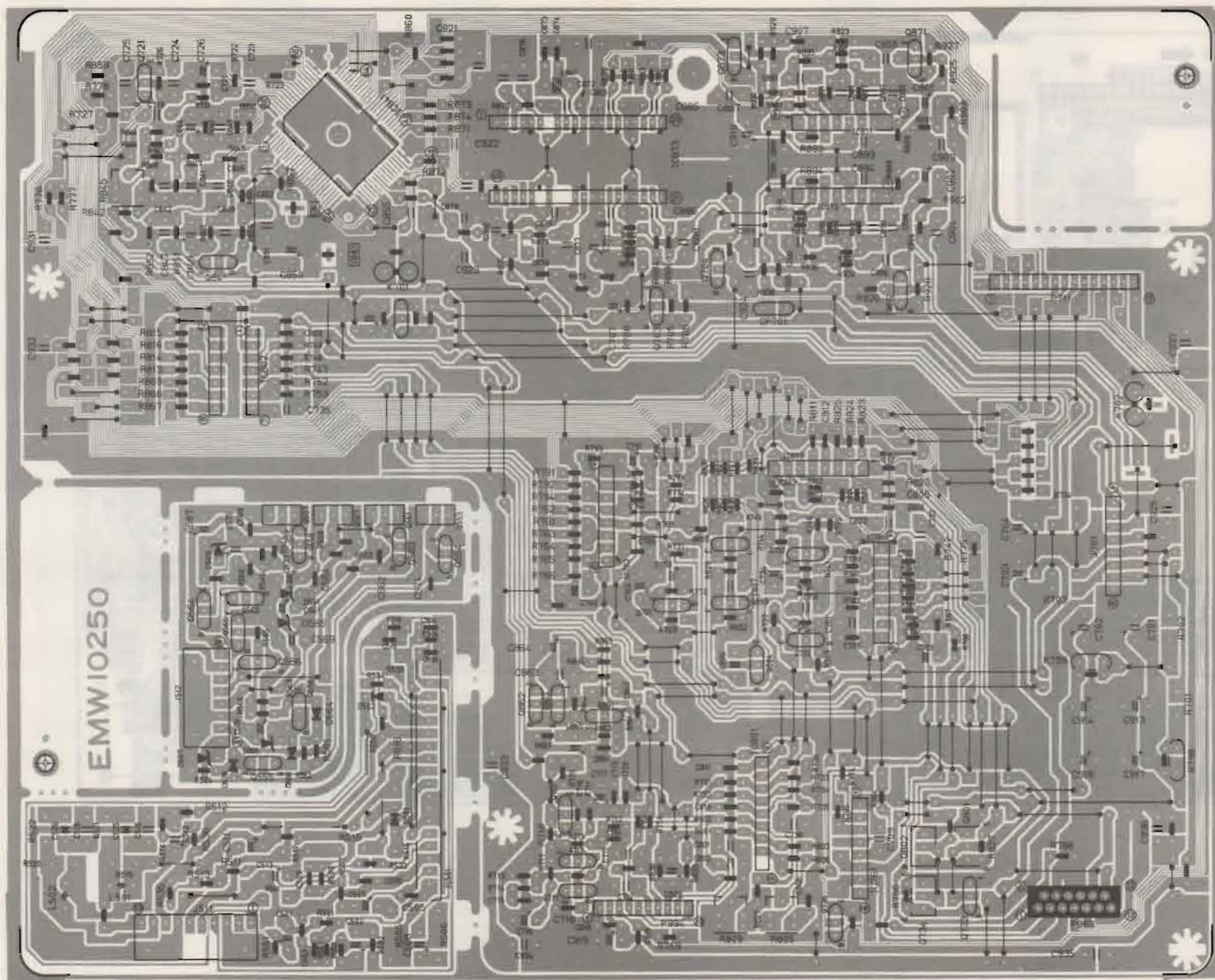
1
2
3
4
5
6
7
8
9
10
11
12
13
14



MARK		
□	MARK	OTHER AREAS
○	TO SERVO	TO SERVO

- Notes :**
- indicates positive B power supply.
 - - - indicates negative B power supply.
 - indicate signal path.
 - When replacing the parts in the darkened are (■) and those marked with △, be sure to use the designated parts to ensure safety.
 - This is the standard circuit diagram.
The design and contents are subject to change without notice.

■ Main Amp., Regulator & CD Main (ENN-329)

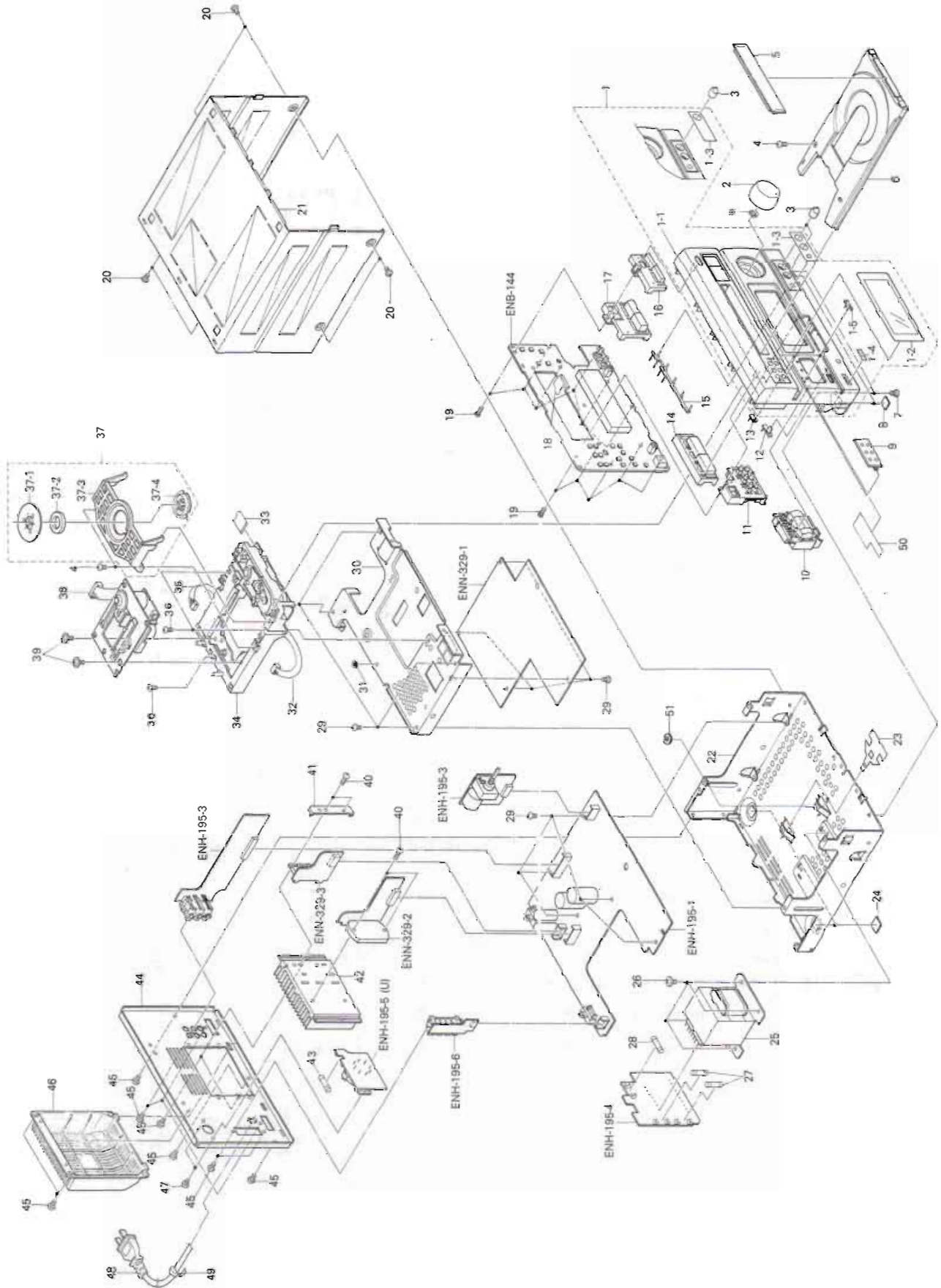


PARTS LIST

Contents

General Exploded View and Parts List	2 - 2
CD Mechanism Ass'y and Parts List	2 - 5
Printed Circuit Board Ass'y and Parts List	2 - 7
■ ENH-195 <input type="checkbox"/> System Control & Source Select PC Board Ass'y	2 - 7
■ ENB-144 <input type="checkbox"/> CD Control & FL Display PC Board Ass'y	2-10
■ ENN-329 <input type="checkbox"/> Main Amplifier, Regulator & CD Main PC Board Ass'y	2-12

General Exploded View and Parts List



* mark indicates attached part.

■ Parts List

⚠	Item	Part Number	Part Name	Q'ty	Description	Areas
	1	EFP-AXMX66BKE (S	Front Panel Ass'y	1		Except U U
	1-1	EFP-AXMX66BKU (S	Front Panel Ass'y	1		
	1-2	E102529-002SS	Front Panel	1		
	1-3	E307911-001SS	Window Screen	1		
	1-4	E406939-221SS	Plate	1		
	1-4	E406939-222SS	Plate	1		U
	1-5	E406943-222SS	Remote Plate	1		
	2	E406971-001	JVC Mark	2		
	3	E306549-001SS	Volume Knob	1		
	3	E406691-003	Knob	1	BALANCE	
	4	E406691-003	Knob	2	BALANCE, MIC	U
	5	SBSF3008M	Screw	3		
	6	E307906-221SS	Fitting	1		
	7	E12289-222SS	Tray	1		
	7	SBSG3008M	Screw	2		
	8	E406855-006SS	Spacer	2	Front Foot	
	9	E307610-004	Ornament	1		
	10	E207352-001SS	Push Button	1	SEA	
	11	E307898-002SS	Push Button	1		
	12	E406938-001	Indicator	1		
	13	E406673-001	Indicator	1		
	14	E307904-001SS	Push Button	1	SOURCE	
	15	E307910-001	Indicator	1		
	16	E307902-001SS	Push Button	1	CD FF	
	17	E307900-001SS	Push Button	1	CD PLAY	
	18	EWR127G-15TT	Flat Cable	1	FC511	
	19	SDSF2610Z	Screw	12		
	20	SDSG3006M	Screw	6	for Metal Cover	
	21	E207357-007	Metal Cover	1		
	22	E102532-002SM	Chassis Base	1	AMP	
	23	E407010-003SS	Protect Cover	2		U Except U, BS BS
	24	E406855-007SS	Spacer	2	Rear Foot	
	25	ETP1100-44FAJ	Power Transformer	1	T002	
	25	ETP1100-44EAJ	Power Transformer	1	T002	
	25	ETP1100-44EAJBS	Power Transformer	1	T002	
	26	E65389-004	Special Screw	4		Except BS BS U Except U, BS
	27	QMF51E2-1R25J1	Fuse	2	F003, F004 (T1.25A/250V)	
	27	QMF51E2-1R2J1BS	Fuse	2	F003, F004 (T1.25A/250V)	
	28	QMF51E2-2R0J1	Fuse	1	F001 (T2.0A/250V)	
	28	QMF51E2-1R0J1	Fuse	1	F001 (T1.0A/250V)	
	29	QMF51E2-1R0J1BS	Fuse	1	F001 (T1.0A/250V)	BS
	30	SBSG3008CC	Screw	13		
	31	E102531-001SM	Chassis Base	1	CD	
	32	E73967-002	Spacer	1		
	32	EWS256-B102	Socket Wire Ass'y	1	6Pin	
	33	EWR1DE-23TT	Flat Cable	1	13Pin	
	34	_____	CD Mechanism Unit Ass'y	1	See page 2-5	
	35	EWS254-B103	Socket Wire Ass'y	1	4Pin	
	36	SBST3006Z	Screw	3		
	37	E306837-003	Clamper Base Ass'y	1		
	37-1	E306836-003	Yoke	1		
	37-2	E74897-002	Magnet	1		
	37-3	E26756-001	Clamper Base	1		
	37-4	E306835-001	Clamper	1		
	38	EWS26A-B414	Socket Wire Ass'y	1	10Pin	
	39	E75871-003	Special Screw	2		
	40	SBSG3014CC	Screw	4		
	41	E406969-221	Leaf Spring	1		
	42	E307908-001SS	Heat Sink	1		
	43	QMF51E2-1R0J1	Fuse	1	F002 (T1.0A/250V)	

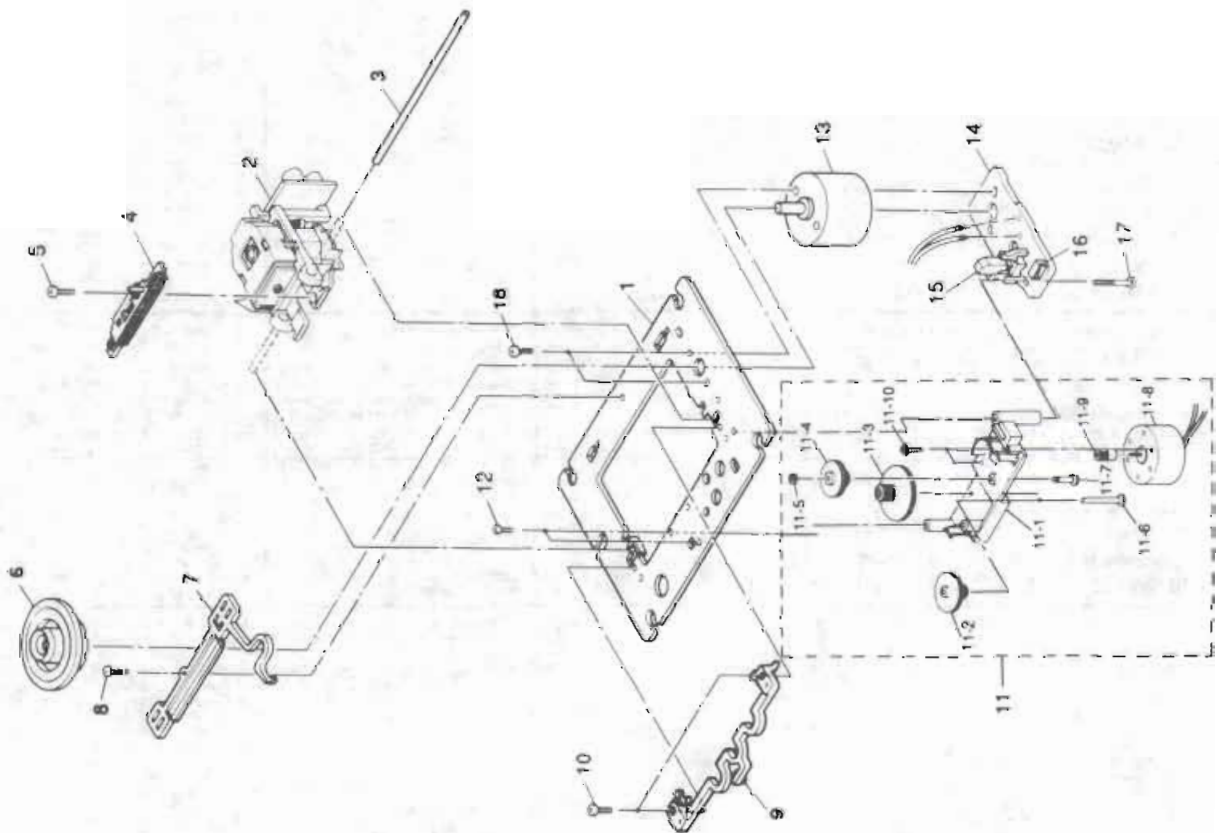
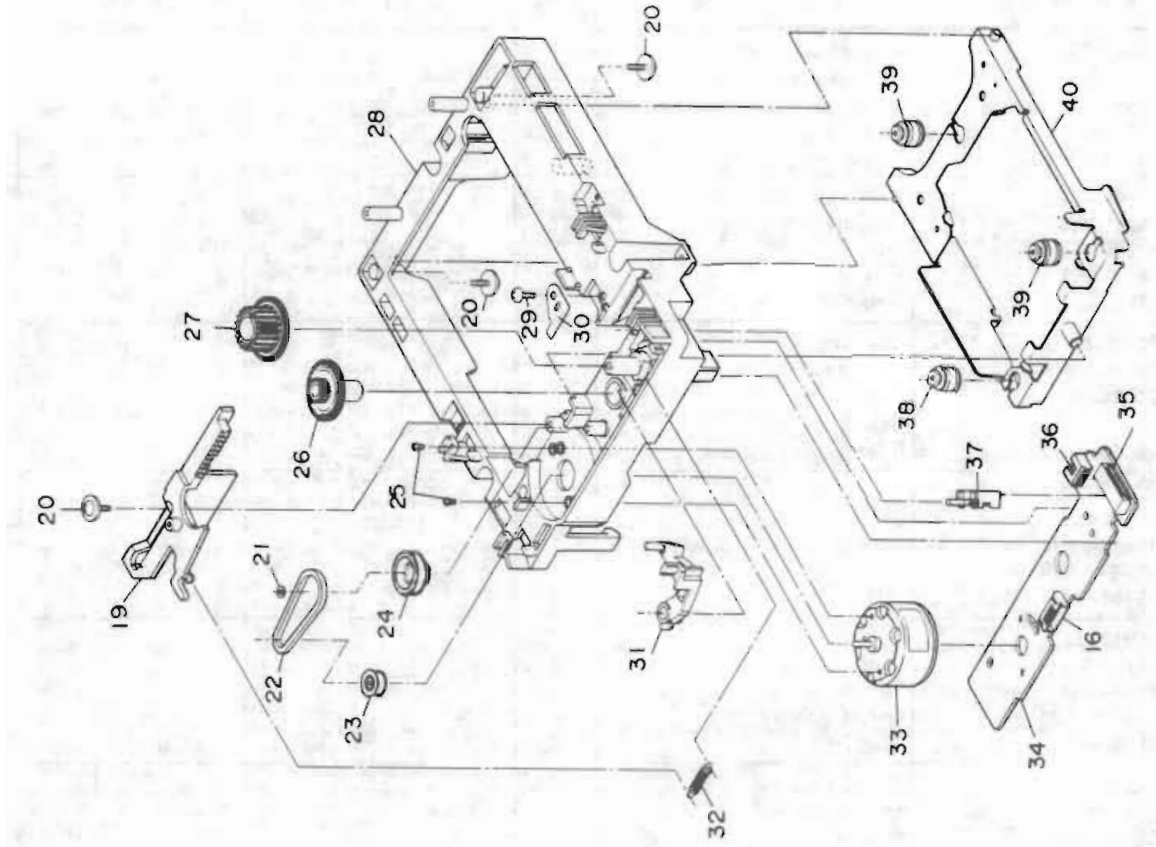
△	Item	Part Number	Part Name	Q'ty	Description	Areas
	44	E207354-002SM	Rear Panel	1		A, BS
		E207354-003SM	Rear Panel	1		EN, EF, G, GI
		E207354-009SM	Rear Panel	1		VX
		E207354-013SM	Rear Panel	1		U
	45	E73273-003	Special Screw	12		
	46	E207356-223	Rear Cover	1		U
△	47	SBST3006CC	Screw	2		A
△	48	QMP2560-244	Power Cord	1		Except A, U, BS
△		QMP3900-200	Power Cord	1		U
△		QMP7520-200	Power Cord	1		
△		QMP9017-008BS	Power Cord	1		BS
△	49	QHS3876-162	Cord Stopper	1		Except BS
△		QHS3876-162BS	Cord Stopper	1		BS
	50	E407172-001	Shield Plate	1		
	51	E407182-001	Spacer	1		
	—	E61029-009	Number Label	1		
	—	E70891-001	Class 1 Label	1		
	—	E406507-001	Caution Label	1		EN
	—	E70028-001	Approval Label	1		G
	—	E407091-055	FTZ Label	1		

The Marks for Designated Areas

△ Safety Parts

A.....Australia
 EN.....Scandinavia
 EF.....Continental Europe
 G.....Germany
 GI.....Italy
 BS.....the U.K.
 VX.....Eastern Europe
 U.....Universal Type
No mark indicates all areas.

CD Mechanism Ass'y and Parts List



■ Parts List

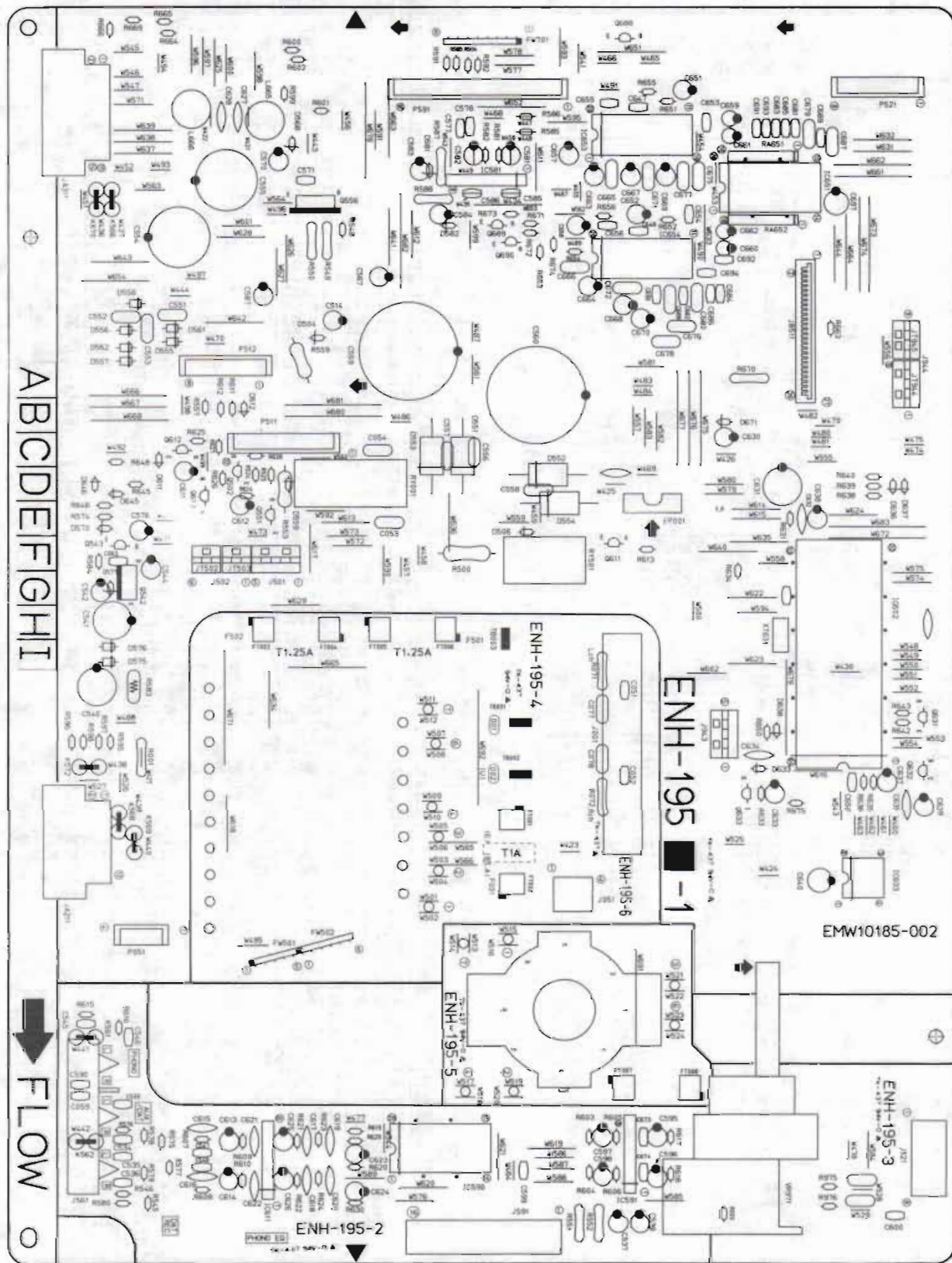
Item	Part Number	Part Name	Q'ty	Description	Areas
1	E26487-003	Mechanism Base	1		
2	OPTIMA-55	Pick up Ass'y	1		
3	E74930-003	Shaft	1		
4	E306282-001	Rack Ass'y	1		
5	SPSH2050M	Screw	1		
6	E406064-002	Turn Table Ass'y	1		
7	E306275-003	Support	1		
8	SDST2005Z	Screw	1		
9	E306277-001	Holder	1		
10	SDST2004Z	Screw	2		
11	SE10351-11	Gear Ass'y	1		
11-1	E306276-001	Gear Base	1		
11-2	E75444-001	Gear	1		
11-3	E75443-001	Gear	1		
11-4	E75445-001	Gear	1		
11-5	WDM163550	Slit Washer	1		
11-6	E75494-003	Shaft	2		
11-7	E75494-002	Shaft	1		
11-8	HKN-3A6RDNV	Feed Motor	1		
11-9	E75493-001	Pinion Gear	1		
11-10	LPSH1735Z	Screw	2		
12	E72713-001	Special Screw	2		
13	E74539-001B	Spindle Motor	1		
14	E12114-005 (S)	Circuit Board	1		
15	ESB1100-005	Leaf Switch	1	S001	
16	EMV5109-006B	6P Plug Ass'y	2	P011	
17	E75832-001	Special Screw	1		
18	SDSP2003N	Screw	2		
19	E306834-001	Cam	1		
20	E65923-003	Special Screw	3		
21	E72024-001	Speed Nut	1		
22	E75950-002	Belt	1		
23	E75984-001	Motor Pulley	1		
24	E75985-001	Gear (1)	1		
25	SPSK2640Z	Screw	2		
26	E75986-002	Gear (2)	1		
27	E75987-001	Gear (3)	1		
28	E12288-002	Loading Base	1		
29	SBSF3008Z	Screw	1		
30	E75988-001	Plate	1		
31	E306833-001	Lever	1		
32	E75989-001	Spring	1		
33	MMN-6F1LB8Q	Loading Motor	1		
34	EMW10060-002 (S)	Circuit Board	1		
35	EMV7123-013R	Connector	1	13Pin	
36	EMV5109-004B	Plug Ass'y	1	4Pin	
37	ESS1200-002	Switch	1		
38	E75609-002	Insulator	1		
39	E75609-001	Insulator	2		
40	E307087-001	Elevator Base Ass'y	1		

Printed Circuit Board Ass'y and Parts List

■ ENH-195 □ System Control & Source Select PC Board Ass'y

Note : ENH-195 □ varies according to the areas employed. See note (1) when placing an order.

BLOCK NO. 011



Note (1)

PC Board Ass'y	Designated Areas
ENH-195 C	Universal Type
ENH-195 D	Australia
ENH-195 E	Scandinavia Continental Europe Eastern Europe
ENH-195 F BS	the U.K.
ENH-195 G	Germany, Italy

Transistors

BLOCK NO. **01**

Δ	ITEM	PART NUMBER	DESCRIPTION	AREA
	Q502	2SC1740S(R,S)	SILICON ROHM	
	Q542	2SB1357(E,F)	SILICON ROHM	
	Q543	2SC945A(P,Q)	SILICON NEC	
	Q551	2SC1740S(R,S)	SILICON ROHM	
	Q556	2SD1944(J,K)	SILICON ROHM	
	Q611	2SC1740S(R,S)	SILICON ROHM	
	Q612	2SA933S(R,S)	SILICON ROHM	
	Q613	2SC1740S(R,S)	SILICON ROHM	
	Q631	DTC114YS	SILICON ROHM	
	Q632	DTC114YS	SILICON ROHM	
	Q633	DTC114WS	SILICON SOO1	
	Q688	DTA144ES	SILICON ROHM	
	Q689	2SD2144S(CVW)	SILICON ROHM	
	Q690	2SD2144S(CVW)	SILICON ROHM	

Δ : SAFETY PARTS

I.C.s

Δ	ITEM	PART NUMBER	DESCRIPTION	AREA
	IC502	UP075104CW-269	I.C. NEC	
	IC581	BA15218N	I.C. ROHM	C
	IC590	TC9163N	I.C. TOSHIBA	
	IC591	BA15218N	I.C. ROHM	
	IC611	VC4580LD	I.C. DAINICHI	
	IC633	LB1639-CV	I.C. SANYO	
	IC651	LC7522	I.C. SANYO	
	IC653	LA3607S	I.C. SANYO	
	IC654	LA3607S	I.C. SANYO	

Δ : SAFETY PARTS

Diodes

Δ	ITEM	PART NUMBER	DESCRIPTION	AREA
	D504	MTZ12JC	ZENER ROHM	
	D506	MTZ24JC	ZENER ROHM	
Δ	D551	30DL2FC	SILICON NIKONINTER	
Δ	D552	30DL2FC	SILICON NIKONINTER	
Δ	D553	30DL2FC	SILICON NIKONINTER	
Δ	D554	30DL2FC	SILICON NIKONINTER	
Δ	D555	ERA15-02L19	SILICON KYOUDOU	
Δ	D556	ERA15-02L19	SILICON KYOUDOU	
Δ	D557	ERA15-02L19	SILICON KYOUDOU	
Δ	D558	ERA15-02L19	SILICON KYOUDOU	
Δ	D559	MTZ12JC	ZENER ROHM	
Δ	D561	ERA15-02L19	SILICON KYOUDOU	
Δ	D562	ERA15-02L19	SILICON KYOUDOU	
	D568	MTZ5.6JC	ZENER ROHM	
	D570	MTZ10JC	ZENER ROHM	
	D575	1SR139-200	SILICON ROHM	
	D576	1SR139-200	SILICON ROHM	
	D577	MTZ30JC	ZENER ROHM	
	D581	MTZ6.8JC	ZENER ROHM	
	D582	MTZ6.8JC	ZENER ROHM	
	D611	1SS133	SILICON ROHM	
	D612	1SS133	SILICON ROHM	
	D633	1SS133	SILICON ROHM	
	D636	1SS133	SILICON ROHM	
	D637	1SS133	SILICON ROHM	
	D638	1SS133	SILICON ROHM	
	D645	1SS133	SILICON ROHM	
	D646	1SS133	SILICON ROHM	
	D671	MTZ5.1JB	ZENER ROHM	

Δ : SAFETY PARTS

Capacitors

BLOCK NO. **01**

Δ	ITEM	PART NUMBER	DESCRIPTION	AREA
	C051	QCBB1HK-331	330PF 50V CERAMIC	G
	C052	QCBB1HK-331	330PF 50V CERAMIC	G
	C053	QFLB1HJ-104	0.1MF 50V MYLAR	
	C054	QFLB1HJ-104	0.1MF 50V MYLAR	
	C059	QCVB1CM-103	0.01MF 16V CERAMIC	
	C063	QCGB1HK-102	1000PF 50V CERAMIC	
	C077	QFLB1HJ-103	0.01MF 50V MYLAR	G
	C078	QFLB1HJ-103	0.01MF 50V MYLAR	G
	C514	QETB1HM-226	22MF 50V ELECTRO	
	C535	QCBB1HK-221	220PF 50V CERAMIC	
	C536	QCBB1HK-221	220PF 50V CERAMIC	
	C537	QETB1CM-226	22MF 16V ELECTRO	
	C538	QETB1CM-226	22MF 16V ELECTRO	
	C540	QETB1JM-227	220MF 63V ELECTRO	
	C541	QETB1JM-227	220MF 63V ELECTRO	
	C542	QETB1HM-226	22MF 50V ELECTRO	
	C544	QETB1HM-226	22MF 50V ELECTRO	
	C545	QCBB1HK-331	330PF 50V CERAMIC	D
	C545	QCBB1HK-331	330PF 50V CERAMIC	E
	C545	QCBB1HK-331	330PF 50V CERAMIC	FBS
	C545	QCBB1HK-331	330PF 50V CERAMIC	G
	C546	QCBB1HK-331	330PF 50V CERAMIC	D
	C546	QCBB1HK-331	330PF 50V CERAMIC	E
	C546	QCBB1HK-331	330PF 50V CERAMIC	FBS
	C546	QCBB1HK-331	330PF 50V CERAMIC	G
	C547	QCVB1CM-103	0.01MF 16V CERAMIC	G
	C548	QCVB1CM-103	0.01MF 16V CERAMIC	G
	C551	QFLB2AJ-103	0.01MF 100V MYLAR	C
	C551	QFVB2AJ-104	0.1MF 100V T.FILM	D
	C551	QFVB2AJ-104	0.1MF 100V T.FILM	E
	C551	QFVB2AJ-104	0.1MF 100V T.FILM	FBS
	C551	QFVB2AJ-104	0.1MF 100V T.FILM	G
	C552	QFLB2AJ-103	0.01MF 100V MYLAR	C
	C552	QFVB2AJ-104	0.1MF 100V T.FILM	D
	C552	QFVB2AJ-104	0.1MF 100V T.FILM	E
	C552	QFVB2AJ-104	0.1MF 100V T.FILM	FBS
	C552	QFVB2AJ-104	0.1MF 100V T.FILM	G
	C553	QFLB2AJ-103	0.01MF 100V MYLAR	C
	C553	QFVB2AJ-104	0.1MF 100V T.FILM	D
	C553	QFVB2AJ-104	0.1MF 100V T.FILM	E
	C553	QFVB2AJ-104	0.1MF 100V T.FILM	FBS
	C554	QETB1VM-228N	2200MF 35V ELECTRO	G
	C555	QETB1VM-338	3300MF 35V ELECTRO	
	C556	QFLB2AJ-103	0.01MF 100V MYLAR	C
	C556	QFVB2AJ-104	0.1MF 100V T.FILM	D
	C556	QFVB2AJ-104	0.1MF 100V T.FILM	E
	C556	QFVB2AJ-104	0.1MF 100V T.FILM	FBS
	C556	QFVB2AJ-104	0.1MF 100V T.FILM	G
	C557	QFLB2AJ-103	0.01MF 100V MYLAR	C
	C557	QFVB2AJ-104	0.1MF 100V T.FILM	D
	C557	QFVB2AJ-104	0.1MF 100V T.FILM	E
	C557	QFVB2AJ-104	0.1MF 100V T.FILM	FBS
	C557	QFVB2AJ-104	0.1MF 100V T.FILM	G
	C558	QFLB2AJ-103	0.01MF 100V MYLAR	C
	C558	QFVB2AJ-104	0.1MF 100V T.FILM	D
	C558	QFVB2AJ-104	0.1MF 100V T.FILM	E
	C558	QFVB2AJ-104	0.1MF 100V T.FILM	FBS
	C558	QFVB2AJ-104	0.1MF 100V T.FILM	G
	C559	EEW4207-688T	6800MF ELECTRO	
	C560	EEW4207-688T	6800MF ELECTRO	
	C567	QETB1EM-106	10MF 25V ELECTRO	
	C570	QETB1AM-227	220MF 10V ELECTRO	
	C571	QCVB1CM-103	0.01MF 16V CERAMIC	
	C576	QETB1HM-475	4.7MF 50V ELECTRO	
	C577	QCHB1EZ-223	0.022MF 25V CERAMIC	C
	C578	QCHB1EZ-223	0.022MF 25V CERAMIC	C
	C581	QEK51EM-475G	4.7MF 25V ELECTRO	C
	C582	QEK51EM-475G	4.7MF 25V ELECTRO	C
	C583	QETB1CM-226	22MF 16V ELECTRO	
	C584	QETB1CM-226	22MF 16V ELECTRO	
	C585	QCBB1HK-101	100PF 50V CERAMIC	C
	C586	QCBB1HK-101	100PF 50V CERAMIC	C
	C587	QETB1CM-476	47MF 16V ELECTRO	
	C590	QCVB1CM-103	0.01MF 16V CERAMIC	
	C595	EEZ5009-106	10MF ELECTRO	
	C596	EEZ5009-106	10MF ELECTRO	
	C597	QETB1HM-475	4.7MF 50V ELECTRO	
	C598	QETB1HM-475	4.7MF 50V ELECTRO	
	C599	QCBB1HK-561	560PF 50V CERAMIC	
	C600	QCVB1CM-103	0.01MF 16V CERAMIC	
	C611	QETB1CM-226	22MF 16V ELECTRO	
	C612	QETB1CM-476	47MF 16V ELECTRO	
	C613	QETB1HM-225	2.2MF 50V ELECTRO	
	C614	QETB1HM-225	2.2MF 50V ELECTRO	
	C615	QCS21HJ-101	100PF 50V CERAMIC	C
	C615	QCS21HJ-221	220PF 50V CERAMIC	D
	C615	QCS21HJ-221	220PF 50V CERAMIC	E
	C615	QCS21HJ-221	220PF 50V CERAMIC	FBS
	C615	QCS21HJ-221	220PF 50V CERAMIC	G

Δ : SAFETY PARTS

Capacitors

BLOCK NO. 01

Δ	ITEM	PART NUMBER	DESCRIPTION			AREA
	C616	QCS21HJ-101	100PF	50V	CERAMIC	C D E FBS G
	C616	QCS21HJ-221	220PF	50V	CERAMIC	
	C616	QCS21HJ-221	220PF	50V	CERAMIC	
	C616	QCS21HJ-221	220PF	50V	CERAMIC	
	C616	QCS21HJ-221	220PF	50V	CERAMIC	
	C617	QCY21HK-182	1800PF	50V	CERAMIC	
	C618	QCY21HK-182	1800PF	50V	CERAMIC	
	C619	QCY21HK-682	6800PF	50V	CERAMIC	
	C620	QCY21HK-682	6800PF	50V	CERAMIC	
	C621	QCS21HJ-101	100PF	50V	CERAMIC	
	C622	QCS21HJ-101	100PF	50V	CERAMIC	
	C623	QETB1HM-225	2.2MF	50V	ELECTRO	
	C624	QETB1HM-225	2.2MF	50V	ELECTRO	
	C625	QETB1EM-226	22MF	25V	ELECTRO	
	C626	QETB1EM-226	22MF	25V	ELECTRO	
	C627	QCS21HJ-101	100PF	50V	CERAMIC	
	C628	QCS21HJ-101	100PF	50V	CERAMIC	
	C630	QETB1CM-476	47MF	16V	ELECTRO	
	C631	QETB0JM-477	470MF	6.3V	ELECTRO	
	C632	QCF21HP-103	0.01HF	50V	CERAMIC	
	C633	QETB1EM-106	10MF	25V	ELECTRO	
	C634	QCF21HP-103	0.01MF	50V	CERAMIC	
	C635	QCF21HP-103	0.01MF	50V	CERAMIC	
	C637	QETB1CM-476	47MF	16V	ELECTRO	
	C638	QETB1CM-476	47MF	16V	ELECTRO	
	C639	QETB1HM-225	2.2MF	50V	ELECTRO	
	C640	QETB1AM-476	47MF	10V	ELECTRO	
	C647	QCSB1HJ-470	47PF	50V	CERAMIC	
	C648	QCSB1HJ-470	47PF	50V	CERAMIC	
	C650	QCSB1HJ-470	47PF	50V	CERAMIC	
	C650	QCB1HK-471	470PF	50V	CERAMIC	
	C651	QETB1HM-475	4.7MF	50V	ELECTRO	
	C652	QETB1HM-475	4.7MF	50V	ELECTRO	
	C653	QCSB1HJ-470	47PF	50V	CERAMIC	
	C654	QCSB1HJ-470	47PF	50V	CERAMIC	
	C655	QCB1HK-101	100PF	50V	CERAMIC	
	C656	QCB1HK-101	100PF	50V	CERAMIC	
	C657	QETB1HM-226	22MF	50V	ELECTRO	
	C658	QETB1HM-226	22MF	50V	ELECTRO	
	C659	QEK51EM-475G	4.7MF	25V	ELECTRO	
	C660	QEK51EM-475G	4.7MF	25V	ELECTRO	
	C661	QEK51HM-225G	2.2MF	50V	ELECTRO	
	C662	QEK51HM-225G	2.2MF	50V	ELECTRO	
	C663	QEK51HM-474G	0.47MF	50V	ELECTRO	
	C664	QEK51HM-474G	0.47MF	50V	ELECTRO	
	C665	QFV81HJ-124	0.12MF	50V	T.FILM	
	C666	QFV81HJ-124	0.12MF	50V	T.FILM	
	C667	QEK51HM-224G	0.22MF	50V	ELECTRO	
	C668	QEK51HM-224G	0.22MF	50V	ELECTRO	
	C669	QEK51HM-224G	0.22MF	50V	ELECTRO	
	C670	QEK51HM-224G	0.22MF	50V	ELECTRO	
	C671	QFLB1HJ-473	0.047MF	50V	MYLAR	
	C672	QFLB1HJ-473	0.047MF	50V	MYLAR	
	C673	QCB1HK-101	100PF	50V	CERAMIC	
	C674	QCB1HK-101	100PF	50V	CERAMIC	
	C675	QFLB1HJ-104	0.1MF	50V	MYLAR	
	C676	QFLB1HJ-104	0.1MF	50V	MYLAR	
	C677	QFLB1HJ-183	0.018MF	50V	MYLAR	
	C678	QFLB1HJ-183	0.018MF	50V	MYLAR	
	C679	QFLB1HJ-153	0.015MF	50V	MYLAR	
	C680	QFLB1HJ-153	0.015MF	50V	MYLAR	
	C681	QCXB1CM-272	2700PF	16V	CERAMIC	
	C682	QCXB1CM-272	2700PF	16V	CERAMIC	
	C683	QCXB1CM-562	5600PF	16V	CERAMIC	
	C684	QCXB1CM-562	5600PF	16V	CERAMIC	
	C685	QCXB1CM-122	1200PF	16V	CERAMIC	
	C686	QCXB1CM-122	1200PF	16V	CERAMIC	
	C687	QFLB1HJ-393	0.039MF	50V	MYLAR	
	C688	QFLB1HJ-393	0.039MF	50V	MYLAR	
	C689	QCXB1CM-682	6800PF	16V	CERAMIC	
	C690	QCXB1CM-682	6800PF	16V	CERAMIC	
	C691	QCXB1CM-222	2200PF	16V	CERAMIC	
	C692	QCXB1CM-222	2200PF	16V	CERAMIC	
	C693	QCB1HK-471	470PF	50V	CERAMIC	
	C694	QCB1HK-471	470PF	50V	CERAMIC	
	C697	QETB1HM-226	22MF	50V	ELECTRO	

Δ :: SAFETY PARTS

Resistors

Δ	ITEM	PART NUMBER	DESCRIPTION			AREA
	R	QRD167J-273	27K	1/6W	CARBON	
Δ	R071	QRD14CJ-100S	10	1/4W	UNF. CARBON	G
Δ	R072	QRD14CJ-100S	10	1/4W	UNF. CARBON	G
Δ	R500	QRG022J-391AM	390	2W	D.M.FILM	C
Δ	R500	QRG022J-391AM	390	2W	D.M.FILM	D
Δ	R500	QRG022J-391AM	390	2W	D.M.FILM	E
Δ	R500	QRG022J-391AM	390	2W	D.M.FILM	FBS
Δ	R523	QRD167J-823	82K	1/6W	CARBON	G
Δ	R524	QRD167J-104	100K	1/6W	CARBON	

Δ :: SAFETY PARTS

Resistors

BLOCK NO. 01

Δ	ITEM	PART NUMBER	DESCRIPTION			AREA
	R545	QRD167J-104	100K	1/6W	CARBON	
	R546	QRD167J-104	100K	1/6W	CARBON	
	R548	QRD167J-512	5.1K	1/6W	CARBON	
Δ	R549	QRZ0077-100	10	1/4W	FUSIBLE	
Δ	R550	QRZ0077-100	10	1/4W	FUSIBLE	
Δ	R551	QRD14CJ-100S	10	1/4W	UNF. CARBON	
Δ	R552	QRD14CJ-100S	10	1/4W	UNF. CARBON	
Δ	R553	QRG022J-221AM	220	2W	D.M.FILM	
Δ	R557	QRD167J-222	2.2K	1/6W	CARBON	
Δ	R559	QRG012J-222AM	2.2K	1W	D.M.FILM	
	R574	QRD167J-104	100K	1/6W	CARBON	
	R575	QRD167J-183	18K	1/6W	CARBON	
	R576	QRD167J-183	18K	1/6W	CARBON	
	R577	QRD167J-683	68K	1/6W	CARBON	
	R578	QRD167J-683	68K	1/6W	CARBON	
	R579	QRD167J-222	2.2K	1/6W	CARBON	
	R580	QRD167J-222	2.2K	1/6W	CARBON	
	R581	QRD167J-104	100K	1/6W	CARBON	C
	R582	QRD167J-104	100K	1/6W	CARBON	C
Δ	R583	PTH61G25AR4R7M			FUSIBLE RESISTOR	SI
	R584	QRD167J-562	5.6K	1/6W	CARBON	
	R585	QRD167J-332	3.3K	1/6W	CARBON	C
	R586	QRD167J-332	3.3K	1/6W	CARBON	C
Δ	R587	QRD14CJ-221S	220	1/4W	UNF. CARBON	
Δ	R588	QRD14CJ-221S	220	1/4W	UNF. CARBON	
	R595	QRD167J-222	2.2K	1/6W	CARBON	
	R596	QRD167J-222	2.2K	1/6W	CARBON	
	R597	QRD167J-103	10K	1/6W	CARBON	
	R598	QRD167J-103	10K	1/6W	CARBON	
	R599	QRD167J-152	1.5K	1/6W	CARBON	
	R600	QRD167J-152	1.5K	1/6W	CARBON	
	R601	QRD167J-103	10K	1/6W	CARBON	
	R602	QRD167J-103	10K	1/6W	CARBON	
	R603	QRD167J-104	100K	1/6W	CARBON	
	R604	QRD167J-104	100K	1/6W	CARBON	
	R605	QRD167J-104	100K	1/6W	CARBON	
	R606	QRD167J-104	100K	1/6W	CARBON	
	R607	QRD167J-272	2.7K	1/6W	CARBON	
	R608	QRD167J-272	2.7K	1/6W	CARBON	
	R609	QRD167J-104	100K	1/6W	CARBON	
	R610	QRD167J-104	100K	1/6W	CARBON	
	R611	QRD167J-103	10K	1/6W	CARBON	
	R612	QRD167J-222	2.2K	1/6W	CARBON	
	R613	QRD167J-152	1.5K	1/6W	CARBON	
	R614	QRD167J-104	100K	1/6W	CARBON	
	R615	QRD167J-104	100K	1/6W	CARBON	
	R616	QRD167J-104	100K	1/6W	CARBON	
	R617	QRD167J-104	100K	1/6W	CARBON	
	R618	QRD167J-104	100K	1/6W	CARBON	
	R619	QRD167J-751	750	1/6W	CARBON	
	R620	QRD167J-751	750	1/6W	CARBON	
	R621	QRD167J-393	39K	1/6W	CARBON	
	R622	QRD167J-393	39K	1/6W	CARBON	
	R623	QRD167J-474	470K	1/6W	CARBON	
	R624	QRD167J-474	470K	1/6W	CARBON	
	R625	QRD167J-104	100K	1/6W	CARBON	
	R626	QRD167J-103	10K	1/6W	CARBON	
	R627	QRD167J-103	10K	1/6W	CARBON	
	R628	QRD167J-333	33K	1/6W	CARBON	
	R629	QRD167J-104	100K	1/6W	CARBON	
	R630	QRD167J-104	100K	1/6W	CARBON	
	R631	QRD167J-471	470	1/6W	CARBON	
	R633	QRD167J-473	47K	1/6W	CARBON	
	R634	QRD167J-223	22K	1/6W	CARBON	
	R635	QRD167J-153	15K	1/6W	CARBON	
	R636	QRD167J-104	100K	1/6W	CARBON	
	R638	QRD167J-103	10K	1/6W	CARBON	
	R639	QRD167J-103	10K	1/6W	CARBON	
	R640	QRD167J-103	10K	1/6W	CARBON	
	R642	QRD167J-102	1K	1/6W	CARBON	
	R643	QRD167J-103	10K	1/6W	CARBON	
	R645	QRD167J-103	10K	1/6W	CARBON	
	R646	QRD167J-103	10K	1/6W	CARBON	
	R648	QRD167J-223	22K	1/6W	CARBON	
	R650	QRD167J-271	270	1/6W	CARBON	
	R651	QRD167J-123	12K	1/6W	CARBON	
	R652	QRD167J-123	12K	1/6W	CARBON	
	R653	QRD167J-104	100K	1/6W	CARBON	C
	R654	QRD167J-104	100K	1/6W	CARBON	C
	R655	QRD167J-113	11K	1/6W	CARBON	
	R656	QRD167J-113	11K	1/6W	CARBON	
	R663	QRD167J-271	270	1/6W	CARBON	
	R664	QRD167J-271	270	1/6W	CARBON	
	R665	QRD167J-271	270	1/6W	CARBON	
	R666	QRD167J-271	270	1/6W	CARBON	
	R669	QRD167J-271	270	1/6W	CARBON	
Δ	R670	QRD14CJ-331S	330	1/4W	UNF. CARBON	
	R671	QRD167J-103	10K	1/6W	CARBON	
	R672	QRD167J-103	10K	1/6W	CARBON	
	R673	QRD167J-471	470	1/6W	CARBON	

Δ :: SAFETY PARTS

Resistors

BLOCK NO. 01

ITEM	PART NUMBER	DESCRIPTION	AREA
R674	QRD167J-471	470 1/6W CARBON	
R975	QRD167J-273	27K 1/6W CARBON	
R976	QRD167J-273	27K 1/6W CARBON	
RA651	QRB099J-474	470K 1/10W R.NETWORK	
RA652	QRB099J-474	470K 1/10W R.NETWORK	
VR971	QVDB91B-E15F	100K VARIABLE	

▲ : SAFETY PARTS

Others

ITEM	PART NUMBER	DESCRIPTION	AREA
	EMW10185-001	CIRCUIT BOARD	C
	EMW10185-001	CIRCUIT BOARD	D
	EMW10185-001	CIRCUIT BOARD	E
	EMW10185-0018S	CIRCUIT BOARD	FBS
	EMW10185-001	CIRCUIT BOARD	G
J001	EMB90YV-401A	SPEAKER TERMINAL	
J051	EMV7125-004R	CONNECTOR (4PIN)	
J501	EMV7122-005	CONNECTOR (5PIN)	
J521	EMV7125-00BR	CONNECTOR (8PIN)	
J561	EMN00TV-604A	6P PIN JACK	
J591	EMV7125-016R	CONNECTOR (16PIN)	
J943	EMV7122-005	CONNECTOR (5PIN)	
K561	ENZ8101-008	INDUCTOR	G
K562	ENZ8101-008	INDUCTOR	G
K566	ENZ8101-007	INDUCTOR	G
K56B	ENZ8101-007	INDUCTOR	G
K569	ENZ8101-007	INDUCTOR	G
K570	ENZ8101-007	INDUCTOR	G
K572	ENZ8101-007	INDUCTOR	G
L665	EQL2103-223	INDUCTOR	

▲ : SAFETY PARTS

Others

BLOCK NO. 01

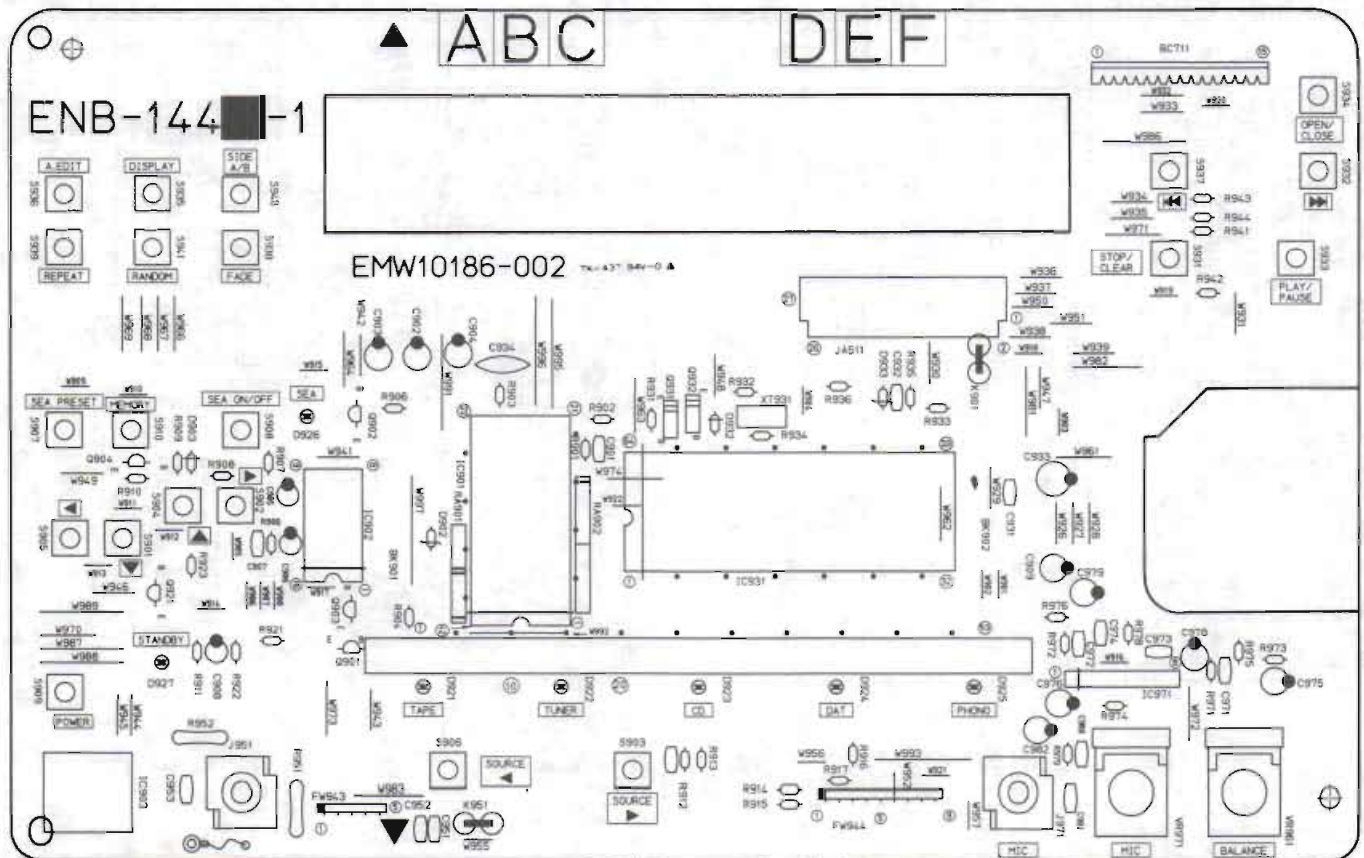
ITEM	PART NUMBER	DESCRIPTION	AREA
L666	EQL2103-223	INDUCTOR	
P051	EMV5125-004	PLUG ASSY (4PIN)	
P511	EMV5125-010	PLUG ASSY (10PIN)	
P512	EMV5125-008	PLUG ASSY (8PIN)	
P521	EMV5125-008	PLUG ASSY (8PIN)	
P591	EMV5125-016	PLUG ASSY (16PIN)	
S001	QSR0085-018	VOLTAGE SELECTOR	C
EP001	E70859-001	EARTH PLATE	
FT001	VMZ0087-001	FUSE CLIP	
FT002	VMZ0087-001	FUSE CLIP	
FT003	VMZ0087-001	FUSE CLIP	
FT004	VMZ0087-001	FUSE CLIP	
FT005	VMZ0087-001	FUSE CLIP	
FT006	VMZ0087-001	FUSE CLIP	
FT007	VMZ0087-001	FUSE CLIP	C
FT008	VMZ0087-001	FUSE CLIP	C
FW501	EW358-10LST	FLAT WIRE	
FW502	EW368-10LST	FLAT WIRE	
FW701	EW388-16LST	FLAT WIRE	
JA211	EMV7127-011	CONNECTOR (11PIN)	
JA311	EMV7127-015	CONNECTOR (13PIN)	
JB511	VMC0161-027	PIN CONNECTOR (27PIN)	
JT502	EMV7122-103	CONNECTOR (3PIN)	
JT503	EMV7122-103	CONNECTOR (3PIN)	
JT944	EMV7122-005	CONNECTOR (5PIN)	
JT945	EMV7122-004	CONNECTOR (4PIN)	
LB001	E67132-T2R0	FUSE LABEL	C
RY001	ESK1012-211M	RELAY	C
RY501	ESK9D24-212	RELAY	
TB001	EM24001-001	TAB	
TB002	EM24001-001	TAB	
TB003	EM24001-001	TAB	
XT631	ECX0004-194KM	RESONATOR	

▲ : SAFETY PARTS

■ ENB-144 □ CD Control & FL Display PC Board Ass'y

Note : ENB-144 □ varies according to the areas employed. See note (1) when placing an order.

BLOCK NO. 02



Note (1)

PC Board Ass'y	Designated Areas
ENB-144 B	Scandinavia, Australia Continental Europe Eastern Europe
ENB-144 C	Germany, Italy
ENB-144 D	the U.K.
ENB-144 E	Universal Type

Transistors

BLOCK NO. 02

ITEM	PART NUMBER	DESCRIPTION	AREA
Q901	2SA933S(R,S)	SILICON ROHM	
Q902	DTC114ES	SILICON ROHM	
Q903	DTC114ES	SILICON ROHM	
Q904	2SC1740S(R,S)	SILICON ROHM	
Q921	DTA114WS	SILICON ROHM	
Q931	DTA114YFF	SILICON ROHM	
Q932	DTC114YFF	SILICON ROHM	

△ : SAFETY PARTS

I.C.s

ITEM	PART NUMBER	DESCRIPTION	AREA
IC901	LC7565	I.C. SANYO	
IC902	XR1091ECP	I.C. EXAR JAPAN	
IC903	SPS-420-1	I.C. SANYO	
IC931	HD404019RB14S	I.C. HITACHI	
IC971	BA15218N	I.C. ROHM	E

△ : SAFETY PARTS

Diodes

ITEM	PART NUMBER	DESCRIPTION	AREA
D902	MT210JC	ZENER ROHM	
D903	1SS133	SILICON ROHM	
D921	SLR-34VC3F	L.E.D. ROHM	
D922	SLR-34VC3F	L.E.D. ROHM	
D923	SLR-34VC3F	L.E.D. ROHM	
D924	SLR-34VC3F	L.E.D. ROHM	
D925	SLR-34VC3F	L.E.D. ROHM	
D926	SLR-34VC3F	L.E.D. ROHM	
D927	SLR-34VC3F	L.E.D. ROHM	
D932	1SS133	SILICON ROHM	
D933	MT25.6JC	ZENER ROHM	

△ : SAFETY PARTS

Capacitors

ITEM	PART NUMBER	DESCRIPTION	AREA
C901	QCBB1HK-151	150PF 50V CERAMIC	
C902	QEK51HM-475	4.7MF 50V ELECTRO	
C903	QEK51HM-475	4.7MF 50V ELECTRO	
C904	QEK51HM-225G	2.2MF 50V ELECTRO	
C905	QEK51CM-106G	10MF 16V ELECTRO	
C906	QEK51CM-106G	10MF 16V ELECTRO	
C907	QCGB1HK-102	1000PF 50V CERAMIC	
C908	QEK51HM-474G	0.47MF 50V ELECTRO	
C909	QEK51HM-225G	2.2MF 50V ELECTRO	
C931	QCSB1HJ-100	10PF 50V CERAMIC	
C932	QCVB1CM-103	0.01MF 16V CERAMIC	
C933	QEK51CM-107	100MF 16V ELECTRO	
C934	QCF21HP-473	0.047MF 50V CERAMIC	
C951	QCBB1HK-471	470PF 50V CERAMIC	C
C952	QCBB1HK-471	470PF 50V CERAMIC	C
C953	QCSB1HJ-220	22PF 50V CERAMIC	C
C971	QCBB1HK-101	100PF 50V CERAMIC	E
C972	QCBB1HK-101	100PF 50V CERAMIC	E
C973	QCBB1HK-101	100PF 50V CERAMIC	E
C974	QCBB1HK-101	100PF 50V CERAMIC	E
C975	QEK51HM-475	4.7MF 50V ELECTRO	E
C976	QEK51HM-475	4.7MF 50V ELECTRO	E
C978	QEK51HM-105G	1MF 50V ELECTRO	E
C979	QEK51HM-105G	1MF 50V ELECTRO	E
C980	QCGB1HK-102	1000PF 50V CERAMIC	E
C981	QCGB1HK-102	1000PF 50V CERAMIC	E
C982	QEK51CM-106G	10MF 16V ELECTRO	E

△ : SAFETY PARTS

Resistors

ITEM	PART NUMBER	DESCRIPTION	AREA
R901	QRD167J-183	18K 1/6W CARBON	
R902	QRD167J-334	330K 1/6W CARBON	
R903	QRD167J-474	470K 1/6W CARBON	
R904	QRD167J-104	100K 1/6W CARBON	
R905	QRD167J-103	10K 1/6W CARBON	
R906	QRD167J-152	1.5K 1/6W CARBON	
R907	QRD167J-562	5.6K 1/6W CARBON	
R908	QRD167J-473	47K 1/6W CARBON	
R909	QRD167J-473	47K 1/6W CARBON	
R910	QRD167J-103	10K 1/6W CARBON	
R911	QRD167J-473	47K 1/6W CARBON	
R912	QRD167J-562	5.6K 1/6W CARBON	
R913	QRD167J-273	27K 1/6W CARBON	
R914	QRD167J-104	100K 1/6W CARBON	
R915	QRD167J-104	100K 1/6W CARBON	
R916	QRD167J-332	3.3K 1/6W CARBON	
R917	QRD167J-332	3.3K 1/6W CARBON	
R921	QRD167J-271	270 1/6W CARBON	
R922	QRD167J-271	270 1/6W CARBON	
R923	QRD167J-121	120 1/6W CARBON	
R931	QRD167J-103	10K 1/6W CARBON	
R932	QRD167J-103	10K 1/6W CARBON	
R933	QRD167J-103	10K 1/6W CARBON	
R934	QRD167J-105	1M 1/6W CARBON	
R935	QRD167J-271	270 1/6W CARBON	
R936	QRD167J-103	10K 1/6W CARBON	
R941	QRD167J-223	22K 1/6W CARBON	
R942	QRD167J-223	22K 1/6W CARBON	
R943	QRD167J-223	22K 1/6W CARBON	
R944	QRD167J-223	22K 1/6W CARBON	
R951	QRD12CJ-331S	330 1/2W R.NETWORK	
R952	QRD12CJ-331S	330 1/2W R.NETWORK	
R971	QRD167J-683	68K 1/6W CARBON	E
R972	QRD167J-683	68K 1/6W CARBON	E
R973	QRD167J-102	1K 1/6W CARBON	E
R974	QRD167J-102	1K 1/6W CARBON	E
R975	QRD167J-681	680 1/6W CARBON	E
R976	QRD167J-681	680 1/6W CARBON	E
R978	QRD167J-103	10K 1/6W CARBON	E
R979	QRD167J-102	1K 1/6W CARBON	E
R995	QRD161J-102	1K 1/6W CARBON	
R996	QRD161J-102	1K 1/6W CARBON	
RA901	QRB099J-104	100K 1/10W R.NETWORK	
RA902	QRB139J-104	100K 1/10W R.NETWORK	
VR961	QVJAB4W-E15B	100K VARIABLE	
VR971	QVJBB4B-E54B	50K VARIABLE	E

△ : SAFETY PARTS

Others

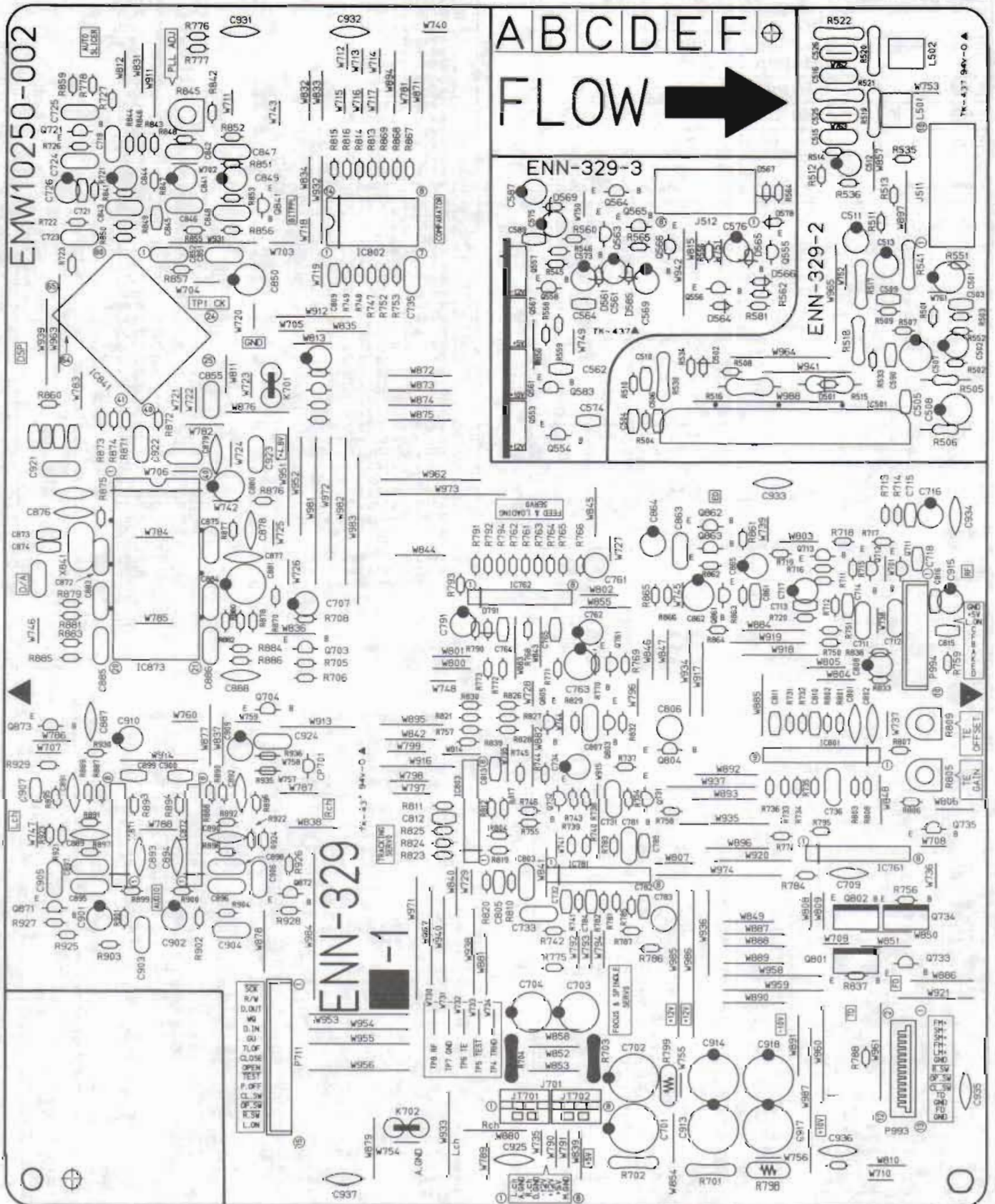
ITEM	PART NUMBER	DESCRIPTION	AREA
J951	EMW10186-001	CIRCUIT BOARD	
J971	QMS3R10-E40S	MINI JACK(HEADPHONE)	
K901	ENZ8101-008	MINI JACK(MIC)	E
K951	ENZ8101-008	INDUCTOR	C
S901	ESP0001-023M	INDUCTOR	C
S902	ESP0001-023M	TACT SWITCH (SEA LEVEL ▽)	
S903	ESP0001-023M	TACT SWITCH (FREQUENCY ▽)	
S904	ESP0001-023M	TACT SWITCH (SOURCE ▽)	
S905	ESP0001-023M	TACT SWITCH (SEA LEVEL ▲)	
S906	ESP0001-023M	TACT SWITCH (FREQUENCY ▲)	
S907	ESP0001-023M	TACT SWITCH (SOURCE ▲)	
S908	ESP0001-023M	TACT SWITCH (SEA PRESET)	
S909	ESP0001-023M	TACT SWITCH (SEA ON/OFF)	
S910	ESP0001-023M	TACT SWITCH (POWER)	
S931	ESP0001-023M	TACT SWITCH (MEMORY)	
S932	ESP0001-023M	TACT SWITCH (STOP/CLEAR)	
S933	ESP0001-023M	TACT SWITCH (STOP)	
S934	ESP0001-023M	TACT SWITCH (PLAY/PAUSE)	
S935	ESP0001-023M	TACT SWITCH (OPEN/CLOSE)	
S936	ESP0001-023M	TACT SWITCH (DISPLAY)	
S937	ESP0001-023M	TACT SWITCH (A.EDH)	
S938	ESP0001-023M	TACT SWITCH (A.EDH)	
S939	ESP0001-023M	TACT SWITCH (FADE)	
S940	ESP0001-023M	TACT SWITCH (REPEAT)	
S941	ESP0001-023M	TACT SWITCH (SIDE A/B)	
S942	ESP0001-023M	TACT SWITCH (RANDOM)	
BC711	EWS26F-6416J2	TACT SWITCH (MEMORY)	
BK901	E307913-221	SOCKET WIRE (15)	
BK902	E307913-222	FL HOLDER	
BK903	E307913-221	FL HOLDER	
FL901	ELU0001-134	FL TUBE	
FS901	E3400-444	FL HOLDER	
FS902	E3400-444	FELT SPACER	
FW943	EWR35B-13LST	FELT SPACER	
FW944	EWR35B-13LST	FLAT WIRE (5PIN)	B
FW945	EWR35B-13LST	FLAT WIRE (5PIN)	C
FW946	EWR35B-13LST	FLAT WIRE (5PIN)	D
FW947	EWR35B-13LST	FLAT WIRE (5PIN)	E
JA511	VMC0161-R27	FLAT WIRE (9PIN)	
RW953	EWT011-104	PIN CONNECTOR (27PIN)	
XT931	ECX0004-194KM	TERMINAL WIRE	C
		RESONATOR	

△ : SAFETY PARTS

■ ENN-329 □ Main Amplifier, Regulator & CD Main PC Board Ass'y

Note: ENN-329 □ varies according to the areas employed. See note (1) when placing an order.

BLOCK NO. 03



Note (1)

PC Board Ass'y	Designated Areas
ENN-329 A	Australia, the U.K. Scandinavia Continental Europe Eastern Europe Universal Type
ENN-329 B	Germany, Italy

Transistors

BLOCK NO. **03**

Δ	ITEM	PART NUMBER	DESCRIPTION	AREA
	Q553	2SB1187(E,F)	SILICON ROHM	
	Q554	2SA733A(P,Q)	SILICON NEC	
	Q555	2SC1740S(R,S)	SILICON ROHM	
	Q556	2SK301(Q,R)	F.E.T MATSUSHITA	
	Q557	2SB1187(E,F)	SILICON ROHM	
	Q558	2SA733A(P,Q)	SILICON NEC	
	Q561	2SD2061(E,F)	SILICON ROHM	
	Q563	DTA144ES	SILICON ROHM	
	Q564	DTC144ES	SILICON ROHM	
	Q565	DTC144ES	SILICON ROHM	
	Q566	DTA144ES	SILICON ROHM	
	Q567	2SD2061(E,F)	SILICON ROHM	
	Q583	2SC945A(P,Q)	SILICON NEC	
	Q703	2SA934(Q,R)	SILICON ROHM	
	Q711	2SC535(B,C)	SILICON HITACHI	
	Q712	2SC1740S(R,S)	SILICON ROHM	
	Q713	2SA933S(R,S)	SILICON ROHM	
	Q721	2SD2144S(VW)	SILICON ROHM	
	Q731	2SD2144S(VW)	SILICON ROHM	
	Q732	2SA933S(R,S)	SILICON ROHM	
	Q733	2SC2060(Q,R)	SILICON ROHM	
	Q734	2SB1357(E,F)	SILICON ROHM	
	Q735	DTA144WS	SILICON ROHM	
	Q761	2SD2144S(VW)	SILICON ROHM	
	Q801	2SD2037(E,F)	SILICON ROHM	
	Q802	2SB1357(E,F)	SILICON ROHM	
	Q803	2SD2144S(VW)	SILICON ROHM	
	Q804	2SD2144S(VW)	SILICON ROHM	
	Q805	2SD2144S(VW)	SILICON ROHM	
	Q841	2SD2144S(VW)	SILICON ROHM	
	Q861	2SA933S(R,S)	SILICON ROHM	
	Q862	2SC1740S(R,S)	SILICON ROHM	
	Q863	2SC1740S(R,S)	SILICON ROHM	
	Q871	2SD2144S(VW)	SILICON ROHM	
	Q872	2SD2144S(VW)	SILICON ROHM	
	Q873	DTA144ES	SILICON ROHM	

Δ : SAFETY PARTS

I.C.s

Δ	ITEM	PART NUMBER	DESCRIPTION	AREA
	IC901	STK4161MK5V	I.C. SANYO	
	IC761	STA341M(A)	I.C. SANKEN	
	IC762	M5218AL	I.C. MITSUBISHI	
	IC781	M5218AL	I.C. MITSUBISHI	
	IC801	NJM072S	I.C. DAINICHI	
	IC802	BA10339	I.C. ROHM	
	IC803	M5218AL	I.C. MITSUBISHI	
	IC841	YM7121B	I.C. YAMAHA	
	IC871	M5218AL	I.C. MITSUBISHI	
	IC872	M5218AL	I.C. MITSUBISHI	
	IC873	JCE4501	I.C. MATSUSHITA	

Δ : SAFETY PARTS

Diodes

Δ	ITEM	PART NUMBER	DESCRIPTION	AREA
	D501	1SS133	SILICON ROHM	
	D502	1SS133	SILICON ROHM	
	D561	MTZ6.2JC	ZENER ROHM	
	D564	1SS133	SILICON ROHM	
	D565	MTZ13JC	ZENER ROHM	
	D566	1SS133	SILICON ROHM	
	D567	MTZ13JC	ZENER ROHM	
	D569	MTZ13JC	ZENER ROHM	
	D578	1SS133	SILICON ROHM	
	D585	MTZ10JC	ZENER ROHM	
	D791	1SS133	SILICON ROHM	

Δ : SAFETY PARTS

Capacitors

BLOCK NO. **03**

Δ	ITEM	PART NUMBER	DESCRIPTION	AREA
	C501	EEZ5009-106	10MF ELECTRO	
	C502	EEZ5009-106	10MF ELECTRO	
	C503	QCBB1HK-221	220PF 50V CERAMIC	
	C504	QCBB1HK-221	220PF 50V CERAMIC	
	C505	QCBB1HK-101	100PF 50V CERAMIC	
	C506	QCBB1HK-101	100PF 50V CERAMIC	
	C507	QETB1EM-107	100MF 25V ELECTRO	
	C508	QETB1EM-107	100MF 25V ELECTRO	
	C509	QCSB1HK-4R7	4.7PF 50V CERAMIC	
	C510	QCSB1HK-4R7	4.7PF 50V CERAMIC	
	C511	QETB1HM-226	22MF 50V ELECTRO	
	C512	QETB1HM-226	22MF 50V ELECTRO	
	C513	QETB1HM-476	47MF 50V ELECTRO	
	C515	QFLB1HJ-104	0.1MF 50V MYLAR	
	C516	QFLB1HJ-104	0.1MF 50V MYLAR	
	C525	QFLB1HJ-104	0.1MF 50V MYLAR	
	C526	QFLB1HJ-104	0.1MF 50V MYLAR	
	C561	QETB1AM-476	47MF 10V ELECTRO	
	C562	QCVB1CM-103	0.01MF 16V CERAMIC	
	C564	QCVB1CM-103	0.01MF 16V CERAMIC	
	C569	QETB1CM-226	22MF 16V ELECTRO	
	C574	QCVB1CM-103	0.01MF 16V CERAMIC	
	C575	QETB1CM-226	22MF 16V ELECTRO	
	C576	QETB1CM-226	22MF 16V ELECTRO	
	C587	QETB1CM-226	22MF 16V ELECTRO	
	C589	QCVB1CM-103	0.01MF 16V CERAMIC	
	C590	QCBB1HK-101	100PF 50V CERAMIC	
	C701	QETB1CM-108	1000MF 16V ELECTRO	
	C702	QETB1CM-108	1000MF 16V ELECTRO	
	C703	QETB1CM-227	220MF 16V ELECTRO	
	C704	QETB1CM-227	220MF 16V ELECTRO	
	C707	QETB0JM-227	220MF 6.3V ELECTRO	
	C709	QCF21HP-223	0.022MF 50V CERAMIC	
	C711	QFLB1HJ-472	4700PF 50V MYLAR	
	C712	QFLB1HJ-472	4700PF 50V MYLAR	
	C713	QCHB1EZ-223	0.022MF 25V CERAMIC	
	C714	QCSB1HK-3R9	3.9PF 50V CERAMIC	
	C715	QCBB1HK-471	470PF 50V CERAMIC	
	C716	QETB1EM-106	10MF 25V ELECTRO	
	C717	QETB1CM-476	47MF 16V ELECTRO	
	C718	QCBB1HK-101	100PF 50V CERAMIC	
	C719	QFLB1HJ-183	0.018MF 50V MYLAR	
	C721	QCSB1HJ-470	47PF 50V CERAMIC	
	C723	QCZ0202-155	1.5MF 25V CERAMIC	
	C724	QFLB1HJ-563	0.056MF 50V MYLAR	
	C725	QFVB1HJ-564	0.56MF 50V T.FILM	
	C726	QETB1EM-106	10MF 25V ELECTRO	
	C731	QFLB1HJ-183	0.018MF 50V MYLAR	
	C732	QCBB1HK-271	270PF 50V CERAMIC	
	C733	QFLB1HJ-393	0.039MF 50V MYLAR	
	C734	QETB1EM-226	22MF 25V ELECTRO	
	C735	QFLB1HJ-104	0.1MF 50V MYLAR	
	C736	QFVB1HJ-224	0.22MF 50V T.FILM	
	C761	QEN51HM-225	2.2MF 50V NON POLE	
	C762	QETB1EM-226	22MF 25V ELECTRO	
	C763	QETB0JM-227	220MF 6.3V ELECTRO	
	C764	QCHB1EZ-223	0.022MF 25V CERAMIC	
	C765	QCHB1EZ-223	0.022MF 25V CERAMIC	
	C781	QFLB1HJ-272	2700PF 50V MYLAR	
	C782	QCBB1HK-101	100PF 50V CERAMIC	
	C783	QEN51HM-225	2.2MF 50V NON POLE	
	C784	QCHB1EZ-223	0.022MF 25V CERAMIC	
	C785	QCHB1EZ-223	0.022MF 25V CERAMIC	
	C791	QETB1HM-475	47MF 50V ELECTRO	
	C801	QCT26CH-151	150PF 50V CERAMIC	
	C802	QCT26CH-121	120PF 50V CERAMIC	
	C803	QFLB1HJ-223	0.022MF 50V MYLAR	
	C805	QCSB1HK-4R7	4.7PF 50V CERAMIC	
	C806	QEN51HM-225	2.2MF 50V NON POLE	
	C807	QFLB1HJ-563	0.056MF 50V MYLAR	
	C808	QETB1CM-476	47MF 16V ELECTRO	
	C809	QCHB1EZ-223	0.022MF 25V CERAMIC	
	C810	QCHB1EZ-223	0.022MF 25V CERAMIC	
	C811	QCHB1EZ-223	0.022MF 25V CERAMIC	
	C812	QCHB1EZ-223	0.022MF 25V CERAMIC	
	C813	QCHB1EZ-223	0.022MF 25V CERAMIC	
	C815	QCHB1EZ-223	0.022MF 25V CERAMIC	
	C816	QCHB1EZ-223	0.022MF 25V CERAMIC	
	C841	QETB1AM-107	100MF 10V ELECTRO	
	C842	QFLB1HJ-104	0.1MF 50V MYLAR	
	C843	QFLB1HJ-104	0.1MF 50V MYLAR	
	C844	QETB1EM-106	10MF 25V ELECTRO	
	C845	QCBB1HK-101	100PF 50V CERAMIC	
	C846	QFVB1HJ-105	1MF 50V T.FILM	
	C847	QFLB1HJ-182	1800PF 50V MYLAR	
	C848	QFVB1HJ-224	0.22MF 50V T.FILM	
	C849	QETB1EM-106	10MF 25V ELECTRO	
	C850	QETB0JM-227	220MF 6.3V ELECTRO	
	C851	QFLB1HJ-104	0.1MF 50V MYLAR	
	C852	QFLB1HJ-104	0.1MF 50V MYLAR	

Δ : SAFETY PARTS

Capacitors

BLOCK NO. 03

Δ	ITEM	PART NUMBER	DESCRIPTION		AREA
	C855	QFLB1HJ-473	0.047MF	50V MYLAR	
	C861	QCBB1HK-101	100PF	50V CERAMIC	
	C862	QETB1CM-107	100MF	16V ELECTRO	
	C863	QFLB1HJ-473	0.047MF	50V MYLAR	
	C864	QETB1EM-106	10MF	25V ELECTRO	
	C865	QETB1HM-105	1MF	50V ELECTRO	
	C872	QCZ0202-155	1.5MF	25V CERAMIC	
	C873	QCT30CH-120	12PF	50V CERAMIC	
	C874	QCT30CH-3R9	3.9PF	50V CERAMIC	
	C876	QCY21HK-392	3900PF	50V CERAMIC	
	C878	QCS21HJ-SR0	5PF	50V CERAMIC	
	C880	EEZ2505-107	100MF	ELECTRO	
	C881	QETB0JM-477	470MF	6.3V ELECTRO	
	C883	QFLB1HJ-104	0.1MF	50V MYLAR	
	C884	QFLB1HJ-104	0.1MF	50V MYLAR	
	C885	QFLB1HJ-104	0.1MF	50V MYLAR	
	C887	QCS21HJ-221	220PF	50V CERAMIC	
	C888	QCS21HJ-221	220PF	50V CERAMIC	
	C889	QCS21HJ-221	220PF	50V CERAMIC	
	C890	QCS21HJ-221	220PF	50V CERAMIC	
	C891	QCS21HJ-221	220PF	50V CERAMIC	
	C892	QCS21HJ-221	220PF	50V CERAMIC	
	C893	QCF21HP-223	0.022MF	50V CERAMIC	
	C894	QCF21HP-223	0.022MF	50V CERAMIC	
	C895	QFLB1HJ-182	1800PF	50V MYLAR	
	C896	QFLB1HJ-182	1800PF	50V MYLAR	
	C897	QFLB1HJ-103	0.01MF	50V MYLAR	
	C898	QFLB1HJ-103	0.01MF	50V MYLAR	
	C899	QCHB1EZ-223	0.022MF	25V CERAMIC	
	C900	QCHB1EZ-223	0.022MF	25V CERAMIC	
	C901	QETB1HM-106	10MF	50V ELECTRO	
	C902	QETB1HM-106	10MF	50V ELECTRO	
	C903	QFLB1HJ-562	5600PF	50V MYLAR	
	C904	QFLB1HJ-562	5600PF	50V MYLAR	
	C905	QFLB1HJ-683	0.068MF	50V MYLAR	
	C906	QFLB1HJ-683	0.068MF	50V MYLAR	
	C907	QCVB1CM-103	0.01MF	16V CERAMIC	
	C915	QETB1AM-107	100MF	10V ELECTRO	
	C921	QCZ0202-155	1.5MF	25V CERAMIC	
	C922	QCZ0202-155	1.5MF	25V CERAMIC	

Δ: SAFETY PARTS.

Resistors

BLOCK NO. 03

Δ	ITEM	PART NUMBER	DESCRIPTION		AREA
	R706	QRD167J-681	680	1/6W CARBON	
	R708	QRD167J-472	4.7K	1/6W CARBON	
	R711	QRD167J-183	18K	1/6W CARBON	
	R712	QRD167J-432	4.3K	1/6W CARBON	
	R713	QRD167J-391	390	1/6W CARBON	
	R714	QRD167J-221	220	1/6W CARBON	
	R715	QRD167J-152	1.5K	1/6W CARBON	
	R716	QRD167J-561	560	1/6W CARBON	
	R717	QRD167J-561	560	1/6W CARBON	
	R718	QRD167J-562	5.6K	1/6W CARBON	
	R719	QRD167J-152	1.5K	1/6W CARBON	
	R720	QRD167J-271	270	1/6W CARBON	
	R721	QRD167J-471	470	1/6W CARBON	
	R722	QRD167J-682	6.8K	1/6W CARBON	
	R723	QRD167J-103	10K	1/6W CARBON	
	R726	QRD167J-102	1K	1/6W CARBON	
	R727	QRD167J-183	18K	1/6W CARBON	
	R731	QRD167J-104	100K	1/6W CARBON	
	R732	QRD167J-104	100K	1/6W CARBON	
	R733	QRD167J-394	390K	1/6W CARBON	
	R734	QRD167J-394	390K	1/6W CARBON	
	R735	QRD167J-121	120	1/6W CARBON	
	R736	QRD167J-182	1.8K	1/6W CARBON	
	R737	QRD167J-681	680	1/6W CARBON	
	R738	QRD167J-473	47K	1/6W CARBON	
	R739	QRD167J-331	330	1/6W CARBON	
	R740	QRD167J-333	33K	1/6W CARBON	
	R741	QRD167J-273	27K	1/6W CARBON	
	R742	QRD167J-394	390K	1/6W CARBON	
	R743	QRD167J-105	1M	1/6W CARBON	
	R744	QRD167J-470	47	1/6W CARBON	
	R745	QRD167J-473	47K	1/6W CARBON	
	R746	QRD167J-272	2.7K	1/6W CARBON	
	R747	QRD167J-682	6.8K	1/6W CARBON	
	R748	QRD167J-104	100K	1/6W CARBON	
	R749	QRD167J-562	5.6K	1/6W CARBON	
	R750	QRD167J-103	1M	1/6W CARBON	
	R751	QRD167J-105	1M	1/6W CARBON	
	R752	QRD167J-104	100K	1/6W CARBON	
	R753	QRD167J-562	5.6K	1/6W CARBON	
	R754	QRD167J-104	100K	1/6W CARBON	
	R755	QRD167J-103	10K	1/6W CARBON	
	R756	QRD167J-470	47	1/6W CARBON	
	R757	QRD167J-183	18K	1/6W CARBON	
	R758	QRD167J-183	18K	1/6W CARBON	
	R759	QRD167J-222	2.2K	1/6W CARBON	
	R761	QRD167J-564	560K	1/6W CARBON	
	R762	QRD167J-224	220K	1/6W CARBON	
	R763	QRD167J-393	39K	1/6W CARBON	
	R764	QRD167J-224	220K	1/6W CARBON	
	R765	QRD167J-562	5.6K	1/6W CARBON	
	R766	QRD167J-392	3.9K	1/6W CARBON	
	R768	QRD167J-103	10K	1/6W CARBON	
	R769	QRD167J-102	1K	1/6W CARBON	
	R770	QRD167J-471	470	1/6W CARBON	
	R771	QRD167J-683	68K	1/6W CARBON	
	R772	QRD167J-183	18K	1/6W CARBON	
	R773	QRD167J-183	18K	1/6W CARBON	
	R774	QRD167J-470	47	1/6W CARBON	
	R775	QRD167J-335	3.3M	1/6W CARBON	
	R776	QRD167J-472	4.7K	1/6W CARBON	
	R777	QRD167J-472	4.7K	1/6W CARBON	
	R778	QRD167J-472	4.7K	1/6W CARBON	
	R781	QRD167J-684	680K	1/6W CARBON	
	R782	QRD167J-684	680K	1/6W CARBON	
	R783	QRD167J-823	82K	1/6W CARBON	
	R784	QRD167J-470	47	1/6W CARBON	
	R785	QRD167J-683	68K	1/6W CARBON	
	R786	QRD167J-123	12K	1/6W CARBON	
	R787	QRD167J-152	1.5K	1/6W CARBON	
	R788	QRD167J-2R2	2.2	1/6W CARBON	
	R790	QRD167J-684	680K	1/6W CARBON	
	R791	QRD167J-513	51K	1/6W CARBON	
	R792	QRD167J-513	51K	1/6W CARBON	
	R793	QRD167J-683	68K	1/6W CARBON	
	R794	QRD167J-683	68K	1/6W CARBON	
	R795	QRD167J-221	220	1/6W CARBON	
	R798	PTH61G30BD2R2N		FUSIBLE RE SI	
	R799	PTH61G30BD2R2N		FUSIBLE RE SI	
	R801	QRD167J-563	56K	1/6W CARBON	
	R802	QRD167J-563	56K	1/6W CARBON	
	R803	QRD167J-394	390K	1/6W CARBON	
	R804	QRD167J-681	680	1/6W CARBON	
	R805	QVPA601-202A	2K	VARIABLE	
	R806	QRD167J-561	560	1/6W CARBON	
	R807	QRD167J-334	330K	1/6W CARBON	
	R808	QRD167J-222	2.2K	1/6W CARBON	
	R809	QVPA601-154A	150K	VARIABLE	
	R810	QRD167J-223	22K	1/6W CARBON	
	R811	QRD167J-682	6.8K	1/6W CARBON	

Δ: SAFETY PARTS.

Resistors

Δ	ITEM	PART NUMBER	DESCRIPTION		AREA
	R501	QRD167J-102	1K	1/6W CARBON	
	R502	QRD167J-102	1K	1/6W CARBON	
	R503	QRD167J-104	100K	1/6W CARBON	
	R504	QRD167J-104	100K	1/6W CARBON	
	R505	QRD167J-681	680	1/6W CARBON	
	R506	QRD167J-681	680	1/6W CARBON	
	R507	QRD167J-681	680	1/6W CARBON	
	R508	QRD167J-681	680	1/6W CARBON	
	R509	QRD167J-104	100K	1/6W CARBON	
	R510	QRD167J-104	100K	1/6W CARBON	
	R511	QRD167J-122	1.2K	1/6W CARBON	
	R512	QRD167J-122	1.2K	1/6W CARBON	
	R513	QRD167J-122	1.2K	1/6W CARBON	
	R514	QRD167J-122	1.2K	1/6W CARBON	
	R515	QRX012J-R22AM	0.22	1W M.FILM	
	R516	QRX012J-R22AM	0.22	1W M.FILM	
	R517	QRZ0077-101	100	1/4W FUSIBLE	
	R518	QRZ0077-100	10	1/4W FUSIBLE	
	R519	QRD14CJ-100S	10	1/4W UNF. CARBON	
	R520	QRD14CJ-100S	10	1/4W UNF. CARBON	
	R521	QRD14CJ-100S	10	1/4W UNF. CARBON	
	R522	QRD14CJ-100S	10	1/4W UNF. CARBON	
	R530	QRZ0077-100	10	1/4W FUSIBLE	
	R533	QRD167J-122	1.2K	1/6W CARBON	
	R534	QRD167J-122	1.2K	1/6W CARBON	
	R535	QRD167J-122	1.2K	1/6W CARBON	
	R536	QRD167J-122	1.2K	1/6W CARBON	
	R541	QRZ0077-100	10	1/4W FUSIBLE	
	R545	QRD167J-222	2.2K	1/6W CARBON	
	R546	QRD167J-222	2.2K	1/6W CARBON	
	R551	QRD167J-104	100K	1/6W CARBON	
	R552	QRD167J-104	100K	1/6W CARBON	
	R556	QRD167J-332	3.3K	1/6W CARBON	
	R558	QRD167J-272	2.7K	1/6W CARBON	
	R559	QRD167J-272	2.7K	1/6W CARBON	
	R560	QRD167J-472	4.7K	1/6W CARBON	
	R562	QRD167J-332	3.3K	1/6W CARBON	
	R564	QRD167J-472	4.7K	1/6W CARBON	
	R565	QRD167J-472	4.7K	1/6W CARBON	
	R581	QRD167J-332	3.3K	1/6W CARBON	
	R701	QRD14CJ-4R7S	4.7	1/4W UNF. CARBON	
	R702	QRD14CJ-4R7S	4.7	1/4W UNF. CARBON	
	R703	QRZ0077-100	10	1/4W FUSIBLE	
	R704	QRZ0077-100	10	1/4W FUSIBLE	
	R705	QRD167J-472	4.7K	1/6W CARBON	

Δ: SAFETY PARTS.

Resistors

BLOCK NO. 03

ITEM	PART NUMBER	DESCRIPTION	AREA
R812	QRD167J-103	10K 1/6W CARBON	
R813	QRD167J-562	5.6K 1/6W CARBON	
R814	QRD167J-562	5.6K 1/6W CARBON	
R815	QRD167J-562	5.6K 1/6W CARBON	
R816	QRD167J-562	5.6K 1/6W CARBON	
R817	QRD167J-183	18K 1/6W CARBON	
R819	QRD167J-103	10K 1/6W CARBON	
R820	QRD167J-224	220K 1/6W CARBON	
R821	QRD167J-103	10K 1/6W CARBON	
R823	QRD167J-434	430K 1/6W CARBON	
R824	QRD167J-474	470K 1/6W CARBON	
R825	QRD167J-103	10K 1/6W CARBON	
R826	QRD167J-184	180K 1/6W CARBON	
R827	QRD167J-104	100K 1/6W CARBON	
R828	QRD167J-104	100K 1/6W CARBON	
R829	QRD167J-681	680 1/6W CARBON	
R830	QRD167J-183	18K 1/6W CARBON	
R832	QRD167J-102	1K 1/6W CARBON	
R833	QRD167J-562	5.6K 1/6W CARBON	
R837	QRD167J-470	47 1/6W CARBON	
R838	QRD167J-562	5.6K 1/6W CARBON	
R839	QRD167J-183	18K 1/6W CARBON	
R841	QRD167J-182	1.8K 1/6W CARBON	
R842	QRD167J-221	220 1/6W CARBON	
R843	QRD167J-184	180K 1/6W CARBON	
R844	QRD167J-393	39K 1/6W CARBON	
R845	QVPA601-104A	100K VARIABLE	
R846	QRD167J-224	220K 1/6W CARBON	
R847	QRD167J-182	1.8K 1/6W CARBON	
R848	QRD167J-122	1.2K 1/6W CARBON	
R849	QRD167J-822	8.2K 1/6W CARBON	
R850	QRD167J-822	8.2K 1/6W CARBON	
R851	QRD167J-821	820 1/6W CARBON	
R852	QRD167J-182	1.8K 1/6W CARBON	
R853	QRD167J-101	100 1/6W CARBON	
R855	QRD167J-682	6.8K 1/6W CARBON	
R856	QRD167J-682	6.8K 1/6W CARBON	
R857	QRD167J-102	1K 1/6W CARBON	
R859	QRD167J-102	1K 1/6W CARBON	
R860	QRD167J-102	1K 1/6W CARBON	
R861	QRD167J-103	10K 1/6W CARBON	
R862	QRD167J-272	2.7K 1/6W CARBON	
R863	QRD167J-102	1K 1/6W CARBON	
R864	QRD167J-271	270 1/6W CARBON	
R865	QRD167J-103	10K 1/6W CARBON	
R866	QRD167J-562	5.6K 1/6W CARBON	
R867	QRD167J-472	4.7K 1/6W CARBON	
R868	QRD167J-822	8.2K 1/6W CARBON	
R869	QRD167J-103	10K 1/6W CARBON	
R870	QRD167J-132	1.3K 1/6W CARBON	
R871	QRD167J-561	560 1/6W CARBON	
R872	QRD167J-561	560 1/6W CARBON	
R873	QRD167J-561	560 1/6W CARBON	
R874	QRD167J-561	560 1/6W CARBON	
R875	QRD167J-472	4.7K 1/6W CARBON	
R876	QRD167J-390	39 1/6W CARBON	
R877	QRD167J-181	180 1/6W CARBON	
R878	QRD167J-101	100 1/6W CARBON	
R879	QRD167J-183	18K 1/6W CARBON	
R880	QRD167J-183	18K 1/6W CARBON	
R881	QRD167J-183	18K 1/6W CARBON	
R882	QRD167J-183	18K 1/6W CARBON	
R883	QRD167J-183	18K 1/6W CARBON	
R884	QRD167J-183	18K 1/6W CARBON	
R885	QRD167J-183	18K 1/6W CARBON	
R886	QRD167J-183	18K 1/6W CARBON	
R887	QRD167J-243	24K 1/6W CARBON	
R888	QRD167J-243	24K 1/6W CARBON	
R889	QRD167J-243	24K 1/6W CARBON	
R890	QRD167J-243	24K 1/6W CARBON	
R891	QRD167J-183	18K 1/6W CARBON	
R892	QRD167J-183	18K 1/6W CARBON	
R893	QRD167J-183	18K 1/6W CARBON	
R894	QRD167J-183	18K 1/6W CARBON	
R895	QRD167J-511	510 1/6W CARBON	
R896	QRD167J-511	510 1/6W CARBON	
R897	QRD167J-112	1.1K 1/6W CARBON	
R898	QRD167J-112	1.1K 1/6W CARBON	
R899	QRD167J-472	4.7K 1/6W CARBON	
R900	QRD167J-472	4.7K 1/6W CARBON	
R901	QRD167J-273	27K 1/6W CARBON	
R902	QRD167J-273	27K 1/6W CARBON	
R903	QRD167J-331	330 1/6W CARBON	
R904	QRD167J-331	330 1/6W CARBON	
R921	QRD167J-681	680 1/6W CARBON	
R922	QRD167J-681	680 1/6W CARBON	
R923	QRD167J-241	240 1/6W CARBON	
R924	QRD167J-241	240 1/6W CARBON	
R925	QRD167J-104	100K 1/6W CARBON	
R926	QRD167J-104	100K 1/6W CARBON	
R927	QRD167J-392	3.9K 1/6W CARBON	
R928	QRD167J-392	3.9K 1/6W CARBON	
R929	QRD167J-684	680K 1/6W CARBON	
R930	QRD167J-154	150K 1/6W CARBON	

△ : SAFETY PARTS

Others

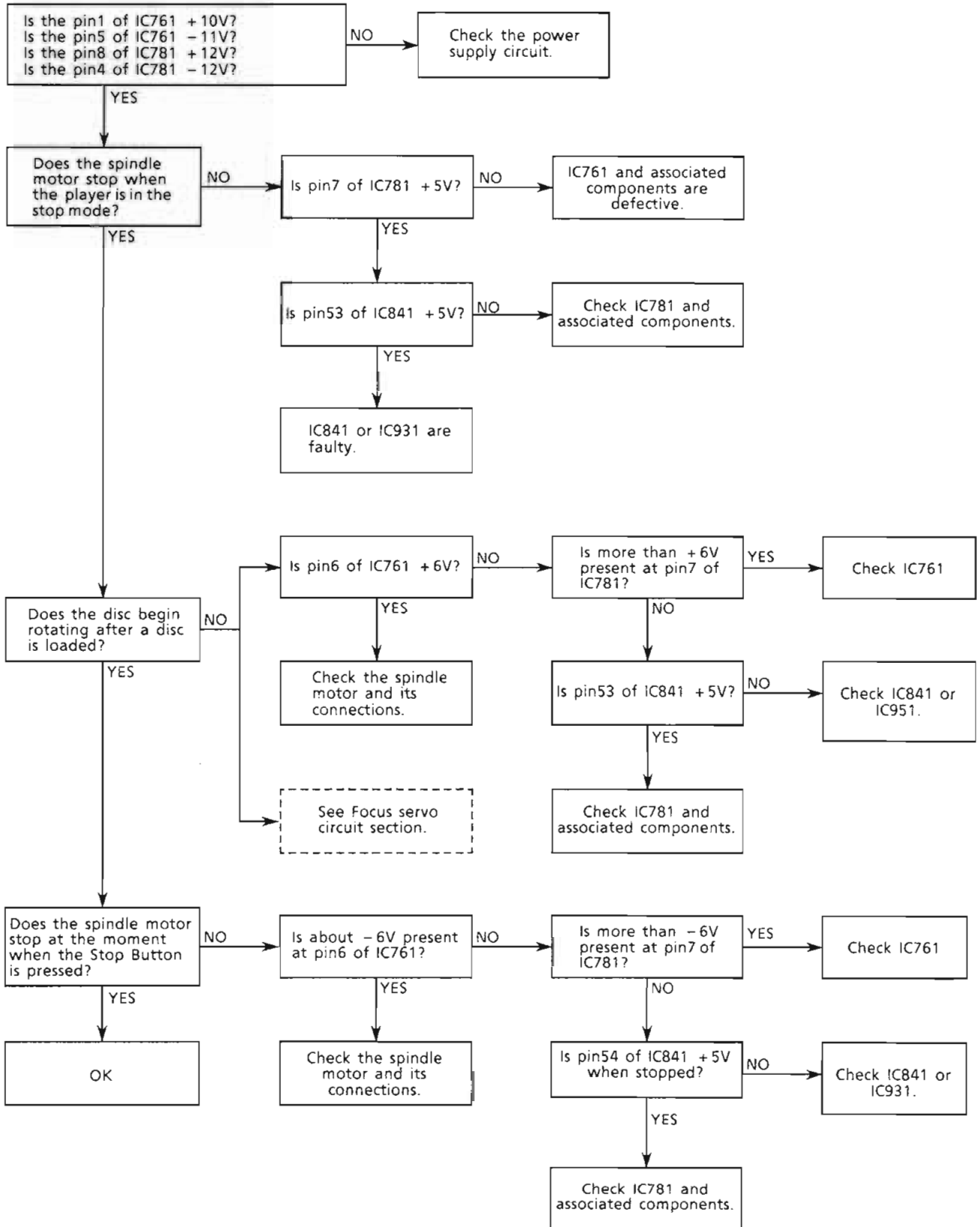
BLOCK NO. 03

ITEM	PART NUMBER	DESCRIPTION	AREA
J511	EMW10250-001	CIRCUIT BOARD	
J512	EMV7125-010R	CONNECTOR(10PIN)	
L501	EMV7125-008R	CONNECTOR(8PIN)	
L502	EQL0001-R45	INDUCTOR	
P711	EQL0001-R45	INDUCTOR	
P993	EMV5109-015A	PLUG ASSY(15PIN)	
P994	VMC0161-013	MALE CONNECTOR(13PIN)	
X841	EMV5109-010A	PLUG ASSY(10PIN)	
CP701	ECX0169-344KL	RESONATOR	
JT701	ICP-N5	I.C. PROTECTOR	
JT702	EMV7122-004	CONNECTOR(4PIN)	
JT702	EMV7122-004	CONNECTOR(4PIN)	

△ : SAFETY PARTS

— MEMO —

Spindle servo circuit section



JVC

VICTOR COMPANY OF JAPAN, LIMITED

AUDIO PRODUCTS DIVISION, 1644, SHIMOTSURUMA, YAMATO-SHI, KANAGAWA-KEN, 242, JAPAN