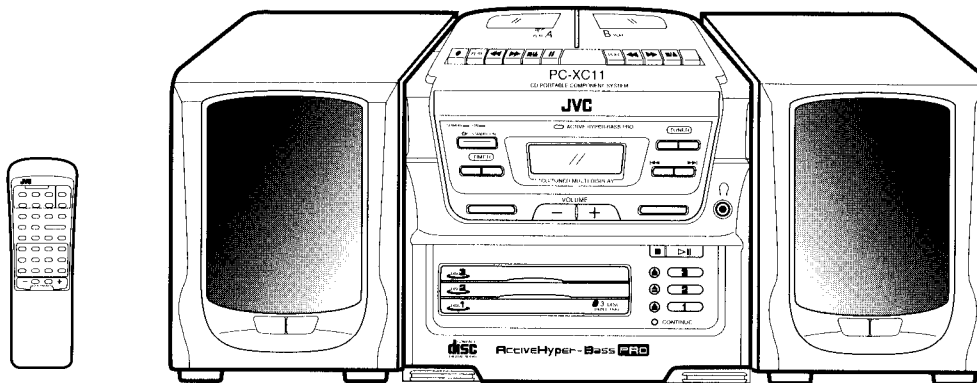


JVC

SERVICE MANUAL

CD PORTABLE COMPONENT SYSTEM

CA-PCXC11BK



COMPACT
disc
DIGITAL AUDIO

Area Suffix
South Africa

Contents

■ Safety Precautions.....	2	6.Wiring Connections.....	59
■ Instructions.....	5	7.Standard Schematic Diagrams.....	60
1.Location of Main Parts.....	25	8.Location of P.C. Board Parts and Parts List.....	66
2.Removal of Main parts.....	30	9.Exploded View of Enclosure Assembly.....	79
3.Main Adjustment.....	41	10.Exploded View of Mechanism Assembly.....	84
4.Troubleshooting.....	46	11.Illustration of Packing and Parts List	89
5.Block Diagrams.....	53		

Safety Precautions

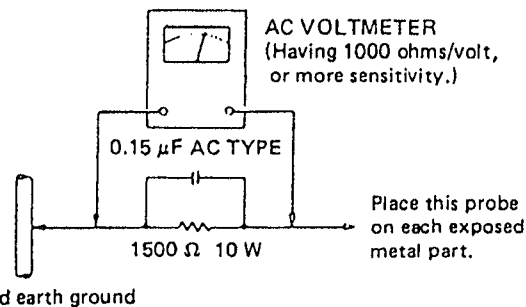
1. The design this product contains special hardware and many circuits and components specially for safety purposes. For continued protection, no changes should be made to the original design unless authorized in writing by the manufacturer. Replacement parts must be identical to those used in the original circuits. Service should be performed by qualified personnel only.
2. Alterations of the design or circuitry of the product should not be made. Any design alterations of the product should not be made. Any design alterations or additions will void the manufacture's warranty and will further relieve the manufacture of responsibility for personal injury or property damage resulting therefrom.
3. Many electrical and mechanical parts in the product have special safety — related characteristics. These characteristics are often not evident from visual inspection nor can the protection afforded by them necessarily be obtained by using replacement components rated for higher voltage, wattage, etc. Replacement parts which have these special safety characteristics are identified in the parts list of service manual. Electrical components having such features are identified by shading (■) and (▲) on the schematic diagram and parts list in the service manual. The use of a substitute replacement which does not have the same safety characteristics as the recommended replacement part shown in the parts list of service manual may create shock, fire, or other hazards.
4. The leads in the products are routed and dressed with ties, clamps, tubings, barriers and the like to be separated from live parts, high temperature parts, moving parts and or sharp edges for the prevention of electric shock and fire hazard. When service is required, the original lead routing and dress should be observed, and it should be confirmed that they have been returned to normal, after reassembling.
5. Leakage current check (Electrical shock hazard testing)

After re — assembling the product, always perform an isolation check on the exposed metal parts of the product (antenna terminals, knobs, metal cabinet, screw heads, headphone jack, control shafts, etc.) to be sure the product is safe to operate without danger of electrical shock. Do not use a line isolation transformer during this check.

- Plug the AC line cord directly into the AC outlet. using a "Leakage current tester", measure the leakage current from each exposed metal part of the cabinet, particularly any exposed metal part having a return path to the chassis, to a known good earth ground. Any leakage current must not exceed 0.5mA AC(r.m.s.)

- Alternate check method

Plug the AC line cord directly into the AC outlet. Use an AC voltmeter having 1,000 ohms per volt or more sensitivity in the following manner. Connect a 1,500 ohms 10W resistor paralleled by a 0.15 μ F AC type capacitor between an exposed metal part and a known good earth ground. Measure the AC voltage across the resistor with the AC voltmeter. Move the resistor connection to each exposed metal part, particularly any exposed metal part having a return path to the chassis, and measure the AC voltage across the resistor. Now, reverse the plug in the AC outlet and repeat each measurement. Any voltage measured must not exceed 0.75V AC(r.m.s.). This corresponds to 0.5mA AC(r.m.s.).

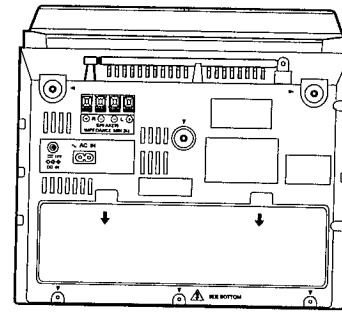


Warning (UK ONLY)

1. This equipment has been designed and manufactured to meet international safety standards.
2. It is the legal responsibility of the repairer to ensure that these safety standards are maintained.
3. Repairs must be made in accordance with the relevant safety standards.
4. It is essential that safety critical components are replaced by approved parts.
5. If mains voltage selector is provided, check setting for local voltage.

Important for Laser Products

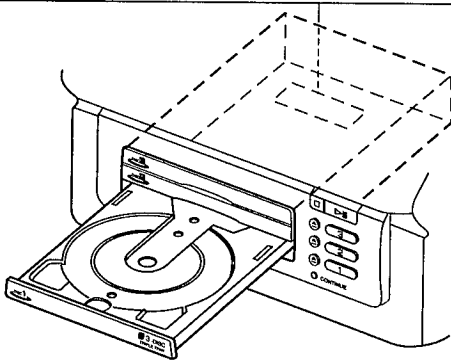
1. CLASS 1 LASER PRODUCT
2. DANGER: Invisible laser radiation when open and interlock failed or defeated. Avoid direct exposure to beam.
3. CAUTION: Do not open the bottom cover. There are no user serviceable parts inside the unit; leave all servicing to qualified service personnel.
4. CAUTION: The compact disc player uses invisible laser radiation and is equipped with safety switches which prevent emission of radiation when unloading cartridge and the safety interlocks have failed or are defeated. It is dangerous to defeat the safety switches.
5. CAUTION: Use of controls or adjustments or performance of procedures other than those specified herein may result in hazardous radiation exposure.



CLASS 1 LASER PRODUCT
 KLASSE 1 LASER PRODUKT
 LUOKAN 1 LASER LAITE
 KLASS 1 LASER APPARAT

REPRODUCTION OF LABELS AND THEIR LOCATION

DANGER: Invisible laser radiation when open and interlock failed or defeated. AVOID DIRECT EXPOSURE TO BEAM. (e)	ADVARSEL: Usynlig laserstråling ved åbning, når sikkerhedsafbrydere er ude af funktion. Undgå udsættelse for stråling. (d)	VARNING: Osynlig laserstråling når denna del är öppnad och spärren är urkopplad. Betrakta ej strålen. (s)	VARO: Avattaessa ja suojalukitus ohitettaessa olet alltiina näkymättömälle lasersäteilylle. Älä katso säteeseen. (f)
---	---	--	---



ADVERSEL: Usynlig laserstråling ved åbning, når sikkerhedsafbrydere er ude af funktion. Undgå udsættelse for stråling.

VAROITUS: Varmuuskytikimen oliessa pois päältä kun laite avataan, siellä kehittyvä näkymätöntä lasersäteilyä. Älä pane itseäsi säteilyn alttiiksi.

VARNING: Osynlig laserstråling uppstår vid komponentens öppning när säkerhetsbrytaren är frånslagen.

ADVARSEL: Usynlig laserstråling ved åbning når sikkerhedsbryteren er ude af funktion. Undgå udsættelse for stråling.

Caution:

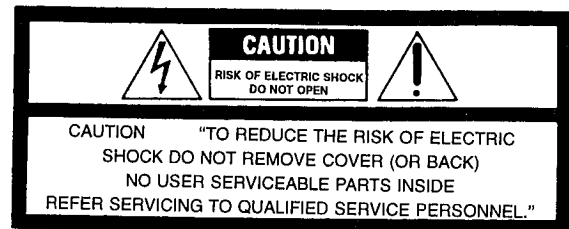
This production contains a laser component of higher laser class than Class 1.

Attenzione:

Questo prodotto contiene un laser di classe superiore alla 1.

Precaución:

Este producto contiene un componente láser de clase superior a la Clase 1.



WARNING:
 TO REDUCE THE RISK OF FIRE OR ELECTRIC SHOCK, DO NOT EXPOSE THIS APPLIANCE TO RAIN OR MOISTURE.



The lightning flash with arrowhead symbol, within an equilateral triangle, is intended to alert the user to the presence of uninsulated "dangerous voltage" within the product's enclosure that may be of sufficient magnitude to constitute a risk of electric shock to persons.



The exclamation point within an equilateral triangle is intended to alert the user to the presence of important operating and maintenance (servicing) instructions in the literature accompanying the appliance.

Caution

Pay careful attention to burrs left on the chassis as they were borne by press and machine work.

When servicing, carefully handle the chassis not to get injured by burrs on it.

■ Important control point concerning safety

1. Check the power transformer marking, and check that the power transformer is securely installed.

Parts number: VTP57J2-12B

2. Check the power cord marking, and check that the power cord is not externally damaged.

E/G/GI/EN version

Cord mark: ◀ VDE ▶
 Attachment plug: KS-419C
 Connect plug: KS-15F

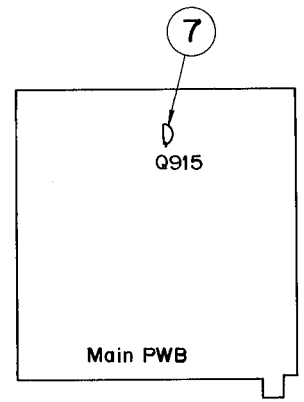
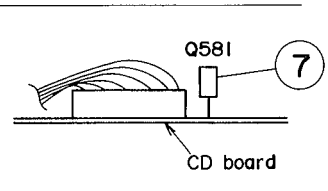
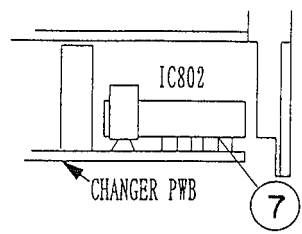
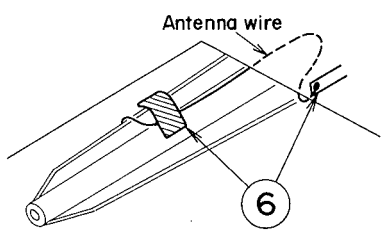
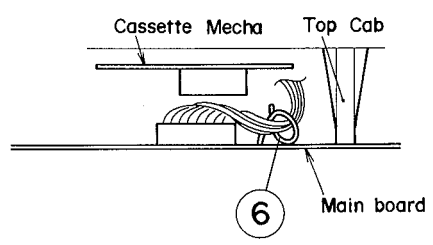
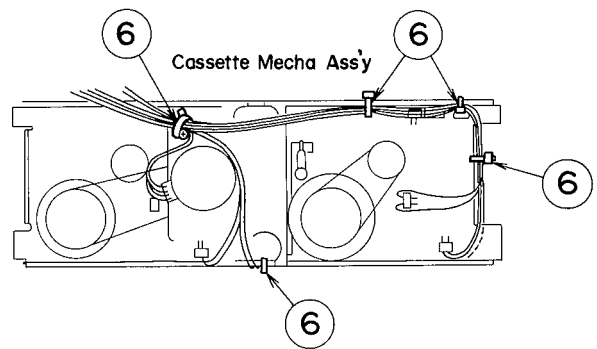
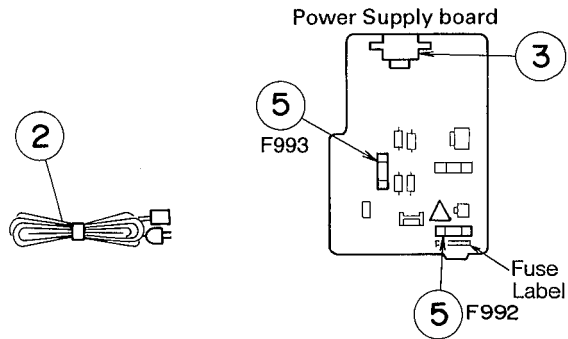
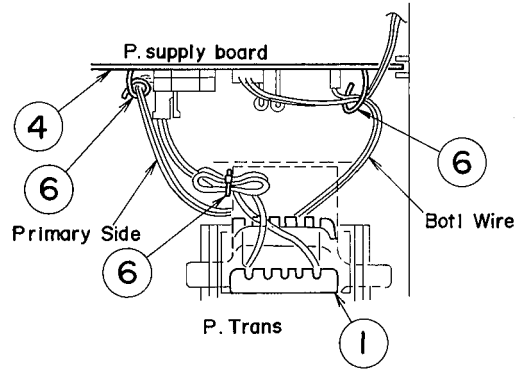
3. Check the AC socket marking, and check that the AC socket is tightly fixed in the P.C.board when installed.
 HSC1466

4. Check that there is sufficient space for the primary and adjacent secondary terminal parts on the P.C.board (There should be no protrusions of solder or terminal wires.)

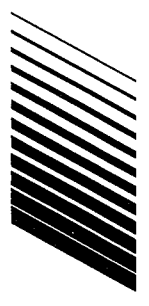
5. Check the rated fuse display, and check that the fuse is secure in the fuse holder. F992: T2.5A/250 V
 F993: T2.5A/250 V

6. Check that the wires are neatly arranged so that they do not interfere with sections involving power, moving parts, heat generation, or those with sharp-edged parts.

7. The following parts are important for safety in such operations as those involved with heat generation. Use the specified parts and check original shape. Heat generating parts should be suspended above the P.C.board not fallen down. Parts marked with are safety control parts.
 IC502, IC304, Q581, Q915, Q931, Q901, R929, Q903, IC802.



Instructions

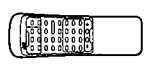
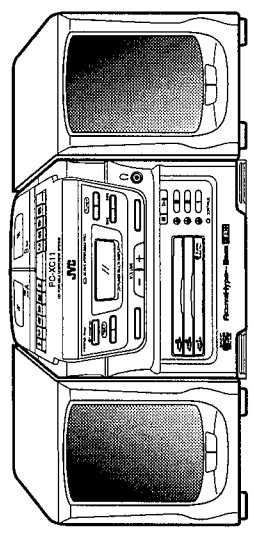


JVC

CD PORTABLE COMPONENT SYSTEM
SISTEMA PORTATIL DE COMPONENTES DE CD
SISTEMA A COMPONENTI CON CD PORTATILE

PC-XC11 E

PC-XC11E CD PORTABLE COMPONENT SYSTEM
SISTEMA PORTATIL DE COMPONENTES DE CD
SISTEMA A COMPONENTI CON CD PORTATILE

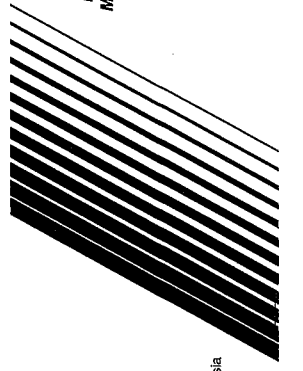


JVC
VICTOR COMPANY OF JAPAN, LIMITED

**COMPACT
disc**
DIGITAL AUDIO

INSTRUCTIONS

INSTRUCCIONES
MANUALE DI ISTRUZIONI



Printed in Malaysia
VNN7078-251M

ENGLISH

Thank you for purchasing this JVC product. Please read these instructions carefully before starting operation to be sure to obtain optimum performance and a longer service life from the unit.



CONTENTS

Features 3
 Safety precautions 3
 Handling precautions 5
 Attaching/detaching the speakers 6
 Connections 7
 Power supply 8
 Names of parts and their functions 10
 Remote control unit 13
 Switching the power on/off 15
 Volume, tone and other controls 17
 Handling CDs 18
 Playing cassette tapes 19
 Cassette playback 26
 Relay playback (From Deck B to Deck A) 27
 Radio reception 28
 Recording 31
 Tape dubbing (Synchro start dubbing) 33
 Wake up timer operations 34
 Sleep timer operations 36
 Maintenance 37
 Troubleshooting 38
 Specifications 39

WARNING:
 TO REDUCE THE RISK OF FIRE OR ELECTRIC SHOCK, DO NOT EXPOSE THIS APPLIANCE TO RAIN OR MOISTURE.

CAUTION:
 TO PREVENT THE RISK OF ELECTRIC SHOCK, DO NOT REMOVE COVER OR SERVICEABLE PARTS INSIDE.
 REFER TO SERVICE TO OBTAIN SERVICE PERSONNEL.

IMPORTANT FOR LASER PRODUCTS

1. CLASS 1 LASER PRODUCT
2. DANGER: Invisible laser radiation when open and Interlock failed or defeated. Avoid eye exposure to beam.
3. CAUTION: No user serviceable parts inside the unit; leave all servicing to qualified service personnel.
4. CAUTION: Use of controls for adjustments and the performance of procedures other than those specified herein may result in exposure to hazardous radiation.

ESPAÑOL

Le agradecemos la adquisición de este producto de JVC. Por favor lea detenidamente las instrucciones antes de comenzar la operación para obtener de esta unidad un rendimiento óptimo y una vida de servicio más larga.

INDICE

Características 3
 Precauciones de seguridad 3
 Precauciones de manipulación 5
 Fijación/retiro de los altavoces 6
 Conexiones 7
 Alimentación 8
 Nombres de las partes y sus funciones 10
 Unidad de control remoto 13
 Conexión/desconexión de la alimentación 15
 Volumen, tono y otros controles 17
 Manipulación de CD 18
 Reproducción de CD 19
 Manipulación de cassettes de cinta 26
 Reproducción de cassettes 26
 Reproducción por relevo (De la platina B a la platina A) 27
 Radiorecepción 28
 Grabación 31
 Copia de cinta (Copia con inicio sincronizado) 33
 Operaciones del temporizador despertador 34
 Operación del temporizador de desconexión 36
 Mantenimiento 37
 Detección de problemas 38
 Especificaciones 39

ADVERTENCIA:
 PARA REDUCIR EL RIESGO DE INCENDIO O DE CHOCOS ELÉCTRICOS, NO EXPONGA ESTE APPLIANCE A LA LLUVIA O A LA HUMEDAD.

The lightning flash with arrowhead symbol, within an equilateral triangle, is intended to alert the user to the presence of uninsulated "dangerous voltage" within the product's enclosure that may be of sufficient magnitude to constitute a risk of electric shock to persons.
 The exclamation point within an equilateral triangle is intended to alert the user to the presence of important instructions and warnings concerning proper use and maintenance (including instructions in the literature accompanying the equipment).

IMPORTANTE PARA PRODUCTOS LASER

1. PRODUCTO LASER CLASE 1
2. PELIGRO: Radiación láser invisible cuando se abre, falla o se desactiva el encerramiento.
3. PRECAUCIÓN: No hay partes reparables dentro de la unidad; no hay componentes que el usuario pueda reparar; deje toda reparación al personal de servicio cualificado.
4. PRECAUCIÓN: La utilización de los controles de ajuste y de procedimientos que no estén especificados aquí, puede resultar en exposición a radiación peligrosa.

ITALIANO

Grazie per avere acquistato questo prodotto JVC. Si favor lea attentamente le istruzioni prima dell'uso per essere certi di ottenere prestazioni ottimali ed una lunga durata dell'unità.

INDICE

Caratteristiche 3
 Precauzioni per la sicurezza 3
 Precauzioni per l'uso 5
 Applicazione/rimozione dei diffusori 6
 Collegamenti 7
 Alimentazione 8
 Nomi e funzioni delle parti 10
 Unità di telecomando 13
 Accensione e spegnimento 15
 Volume, toni ed altri comandi 17
 Maneggio dei CD 18
 Riproduzione di CD 19
 Maneggio dei nastri a cassetta 26
 Riproduzione di cassette 26
 Riproduzione continua (dal Deck B al Deck A) 27
 Ricezione con la radio 28
 Registrazione 31
 Operazioni col timer per la duplicazione di un nastro (duplicazione con avvio sincronizzato) 33
 Operazioni col timer per la sveglia 34
 Operazioni col timer per lo spegnimento automatico 36
 Manutenzione 37
 Diagnosi 38
 Dati tecnici 39

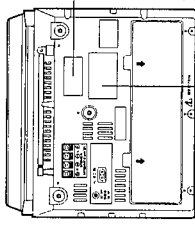
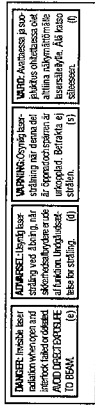
AVVERTENZA:
 NON ESPORRE L'APPARECCHIO A PIOGGIA O UMIDITÀ O ONDE RIDURRE I RISCHI DI FIAMME O SCOSSE ELETTRICHE.

Per l'itella: "Si dichiara che il questo prodotto di marca JVC è conforme alle prescrizioni del Decreto Ministeriale n.548 del 28/08/95 pubblicato sulla Gazzetta Ufficiale della Repubblica Italiana n.301 del 12/9/95".

IMPORTANTI PRECAUZIONI PER PRODOTTI LASER

1. PRODOTTO LASER DI CLASSE 1
2. PERICOLO: Quando l'apparecchio è aperto ed i dispositivi di sicurezza non funzionano o sono stati disattivati, vengono prodotte irradiazioni laser. Evitare l'esposizione diretta al raggio.
3. ATTENZIONE: Non aprire la copertura posteriore. All'interno dell'unità non vi sono parti che possono interessare l'utente; fare eseguire qualsiasi intervento a personale di assistenza qualificato.
4. ATTENZIONE: L'uso di comandi e procedure diversi da quanto specificato a procedure risultare nell'esposizione a radiazioni pericolose.

REPRODUCTION OF LABELS AND THEIR LOCATION



Caution:

This production contains a laser component of higher laser class than Class 1.

Attenzione:

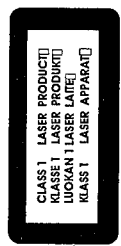
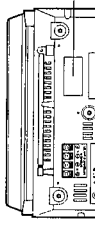
Questo prodotto contiene un laser di classe superiore alla 1.

Precaución:

Este producto contiene un componente láser de clase superior a la Clase 1.

Nome/etiquetta della Pila/ de nomenclatura/ especificaciones/ Platinilla nombre/ características

REPRODUCTION DE ETIQUETAS Y SU UBICACION



Caution:

This production contains a laser component of higher laser class than Class 1.

Attenzione:

Questo prodotto contiene un laser di classe superiore alla 1.

Precaución:

Este producto contiene un componente láser de clase superior a la Clase 1.

Nome/etiquetta della Pila/ de nomenclatura/ especificaciones/ Platinilla nombre/ características

ETICHETTE E LORO POSIZIONE

FEATURES

- Multi-function 3-CD changer
- Active Hyper-Bass PRO circuit for low-frequency sound reproduction
- Sound mode control
- One-touch operation (COMPU PLAY) when CA power is used
- 33-key remote control unit
- Direct Disc Select/Skip Play/Search Play/Continuous Play/Repeat Play/Random Play
- Programmed play of up to 20 tracks
- Double-cassette mechanism (Deck A for recording and playback, Deck B for playback)
- 2-band digital synthesizer-tuner with 30-station preset tuning
- Sleep timer setting
- Wake up timer can be set for up to 12 hours in advance
- Sleep timer can be set for up to 120 minutes

CARACTERISTICAS

- Cambiador de 3 CD con múltiples funciones
- Circuito Active Hyper-Bass PRO para reproducción sonidos de baja frecuencia
- Control de modo de sonido
- Operación de un solo toque (COMPU PLAY) para uso con CA exclusivamente
- Unidad de control remoto con 33 teclas
- Selección directa de disco/reproducción de salto/reproducción con búsqueda/reproducción continua/repetición de reproducción/reproducción aleatoria
- Mecanismo para dos cassettes (platina A para grabación y reproducción, platina B para reproducción)
- Sintonizador sintetizador digital de 2 bandas para grabación y reproducción de 30 estaciones (15 de FM y 15 de AM)
- Sintonización búsqueda/manual
- Sintonización programada automática
- El temporizador despertador puede ser ajustado 12 horas antes
- El temporizador despertador puede ser programado hasta un máximo de 120 minutos

CARATTERISTICHE

- Lettore compatiscopi multifunzione a 3 CD
- Circuito Active Hyper-Bass PRO per una concezione per la riproduzione delle basse frequenze
- Comando modo suono
- Funzionamento ad un tocco (COMPU PLAY) (solo quando viene utilizzata l'alimentazione CA)
- Unità di telecomando a 33 tasti
- Selezione diretta dischi/riproduzione con evitamento/riproduzione con ricerca/riproduzione continua/riproduzione ripetuta/riproduzione casuale
- Riproduzione programmata di fino a 20 brani
- Doppia meccanica (Deck A per registrazione e riproduzione, Deck B solo per riproduzione)
- Sintonizzatore a sintonizzazione digitale a 2 bande con (15 FM e 15 AM)
- Sintonizzazione con ricerca/manuale
- Sintonizzazione con preselezione automatica
- Il timer per la sveglia può essere impostato fino a 12 ore in anticipo
- Il timer per lo spegnimento automatico può essere impostato per fino a 120 minuti

SAFETY PRECAUTIONS



Prevention of Electric Shocks, Fire Hazards and Damage when the ϕ V1 button is set to STANDBY is set to standby will flow to the unit for an extended period of time, disconnect the power cord from the household AC outlet.

1. Do not handle the power cord with wet hands
2. When unplugging from the wall outlet, always grasp and pull the plug, not the power cord.
3. Consult your nearest dealer when damage, disconnection, or contact failure affects the cord.
4. Do not bend the cord severely, or pull or twist it.
5. Do not modify the power cord in any manner.
6. To avoid accidents, do not remove screws to disassemble the unit and do not touch anything inside the unit.

PRECAUCIONES DE SEGURIDAD

Prevenición de choques eléctricos, peligro de incendio y daños

1. Aunque el botón de alimentación ϕ V1 esté colocado en espera STANDBY, fluye una corriente continua a flujos. Por respaldar el riesgo de choques eléctricos, desconecte el cable de esta unidad durante un periodo de tiempo prolongado.
2. No manipule el cordón eléctrico con las manos mojadas.
3. Cuando lo desenchufa del tomacorriente de la pared, sujételo siempre por el enchufe, nunca por el cordón.
4. En caso de que el cordón sea afectado por daños, desconexión, o falso contacto, consulte a un agente más cercano.
5. No doble en ángulo agudo el cordón, no jale del mismo ni lo retuerza.
6. No modifique el cordón eléctrico de ninguna manera.
7. Para evitar accidentes, no extraiga los tornillos de desarmar la unidad y no toque nada dentro de la misma.

PRECAUZIONI PER LA SICUREZZA

Prevenzione di scosse elettriche, fiamme e danni

1. Anche quando l'interruttore ϕ V1 si trova sulla posizione STANDBY, una piccola quantità di corrente continua a fluito. Per risparmiare il rischio di scosse elettriche, scollegare il cavo di questa unità durante un periodo di tempo prolungato.
2. Non maneggiare il cavo di alimentazione con le mani bagnate.
3. Per scollegarsi dalla presa di rete, afferrare sempre la spina e non il cavo dell'alimentazione.
4. Consultare il rivenditore più vicino quando il cavo è danneggiato, scollegato o con contatti scaldati.
5. Non piegare eccessivamente il cavo, non tirarlo e non torcerlo.
6. Non modificare il cavo di alimentazione in alcun modo.
7. Per evitare incidenti, non rimuovere viti per smontare l'unità e non toccare alcun componente interno.

HANDLING PRECAUTIONS

PRECAUCIONES DE MANIPULACION

PRECAUZIONI PER L'USO



Do not use this unit in direct sunlight or leave the unit in closed automobiles (or yachts, etc.) where it would be exposed to high temperatures above 40°C (104°F).

When abnormal operation occurs.
Unplug the AC power cord from the AC outlet and remove all the batteries. Then reload the batteries after a few minutes, reconnect the AC power cord and switch the \odot /I button to ON.

When the AC power cord is unplugged, never close the open tray by hand. To close it, plug the power cord in again and press the \odot /I button. Otherwise it may cause damage to the unit.

1. Avoid installing in the following places
Where it could be subjected to vibrations.
Where it is excessively humid, such as in a bathroom.
Where it could be magnetized by a magnet or speaker.

2. Pay attention to dust
Be sure to close the CD holder or CD tray so that dust does not collect on the lens.

3. Condensation
In the following cases, condensation may occur in the unit, in which case the unit may not operate correctly.
When the unit is moved from a cold to a warm room.
In a place where there is smoke or high humidity.

4. Volume setting
In these cases, set the \odot /I button to STANDBY and wait 1 or 2 hours before use.

5. Do not place cassette tapes, etc. near the speakers
Since there are magnets in the speakers, do not place tapes or magnetic cassettes on them as recorded data could be erased.

6. Keep this unit away from your TV
When this unit is used near a TV, the TV picture could be distorted. If this happens, move this unit away from the TV. If this does not correct the situation, avoid using this unit when the TV is turned on.

8. Non inserire alcun oggetto metallico nell'unità.
Scollegare il cavo di alimentazione durante temporali con fulmini.

9. Scollegare il cavo di alimentazione durante temporali con fulmini.
Se dell'acqua dovesse penetrare all'interno dell'unità, scollegare il cavo dell'alimentazione dalla presa di rete e consultare il rivenditore.

10. Se dell'acqua dovesse penetrare all'interno dell'unità, scollegare il cavo dell'alimentazione dalla presa di rete e consultare il rivenditore.

11. Non bloccare i fori per la ventilazione dell'unità che permettono la dissipazione del calore.
Non bloccare il flusso d'aria che esce dalla ventilazione scade.

12. Dato che i diffusori di questa unità sono amovibili, accertarsi che ciascun diffusore sia ben collegato all'unità principale quando la si trasporta ed evitare di sottoporre l'unità stessa ad urti, cadute o simili.

Testo POWER
Quando il cavo di alimentazione viene collegato ad una presa di rete CA, l'indicatore dell'alimentazione si illumina in rosso indicando il modo STANDBY (questo modo non si illumina quando l'unità viene alimentata con CC). Quando il tasto \odot /I viene premuto, l'indicatore rosso diviene verde per indicare che l'alimentazione è attivata (l'indicazione verde si illumina sia con l'alimentazione CA che con CC).

Quando questa unità è collegata ad una presa di corrente CA, essa consuma una piccola quantità di energia per alimentare il circuito di telecomando del timer o per il mantenimento della memoria del microprocessore anche quando il tasto \odot /I è impostato su STANDBY.

8. No inserte ningún objeto metallico dentro de la unidad.
Desenchufar el cordón eléctrico cuando haya posibilidad de caída de rayos.

9. Desenchufar el cordón eléctrico cuando haya posibilidad de caída de rayos.
Si se introduce agua dentro de la unidad, desenchufar el cordón eléctrico del tomacorriente y consultar a su agente de ventas.

10. Si se introduce agua dentro de la unidad, desenchufar el cordón eléctrico del tomacorriente y consultar a su agente de ventas.

11. No bloquear el flujo de aire que sale de la ventilación de la unidad.
No instalar la unidad en un lugar mal ventilado.

12. Como esta unidad utiliza un portadisco o una bandeja de CD motorizada, asegúrese de que su mano u otro objeto no obstruya el movimiento del mismo.

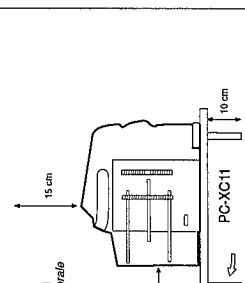
13. Como los altavoces de esta unidad pueden ser extraídos, asegúrese de que cada altavoz esté firmemente conectado a la unidad principal y evitar dejarlos caer, golpearlos o cualquier otra forma de impacto, cuando los transporta.

Botón POWER
Cuando se conecta el cordón eléctrico al tomacorriente de CA, el indicador de alimentación se ilumina en rojo indicando el modo STANDBY (este modo no se ilumina cuando la unidad viene alimentada con CC). Cuando se presiona el botón \odot /I el indicador rojo vuelve verde indicando que la alimentación está conectada (este indicador verde se ilumina con el suministro de CA y con el de CC).

Esta unidad consume una pequeña corriente cuando se la conecta a un tomacorriente de CA, para hacer funcionar el controlador remoto y el temporizador, o para apoyo de la memoria del microprocesador, aun cuando se haya colocado el botón \odot /I en STANDBY.

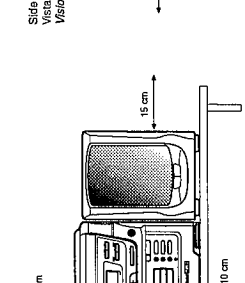
Atención: Ventilación correcta
Para evitar riesgos de sobrecalentamiento e incendio y prevenir posibles daños, instale el equipo en un lugar que cumpla los siguientes requisitos:

- Parte frontal: Sin obstrucciones, espacio abierto.
- Lados/Parte superior/Parte posterior: No debe haber ningún obstáculo que obstruya el flujo de aire, por las dimensiones de la siguiente figura.
- Parte inferior: Sitúe el equipo sobre una superficie nivelada. Mantenga un espacio adecuado para permitir el paso del aire y una correcta ventilación; situando el equipo sobre una mesa de 10 o más cm de altura.



Precaución: Ventilación correcta
Para evitar el riesgo de descargas eléctricas e incendio y prevenir posibles daños, instale el equipo en un lugar que cumpla los siguientes requisitos:

- Parte frontal: Sin obstrucciones, espacio abierto.
- Lados/Parte superior/Parte posterior: No debe haber ningún obstáculo que obstruya el flujo de aire, por las dimensiones de la siguiente figura.
- Parte inferior: Sitúe el equipo sobre una superficie nivelada. Mantenga un espacio adecuado para permitir el paso del aire y una correcta ventilación; situando el equipo sobre una mesa de 10 o más cm de altura.



8. Do not insert any metallic objects into the unit.
Unplug the power cord when there is a possibility of lightning.

9. Unplug the power cord when there is a possibility of lightning.
If water gets inside the unit, unplug the power cord from the outlet and consult your dealer.

10. If water gets inside the unit, unplug the power cord from the outlet and consult your dealer.

11. Do not block the unit's ventilation holes that allow heat to escape.
Do not install the unit in a badly ventilated place.

12. Since this unit uses a motor-driven CD holder or CD tray, make sure that your hand or other object does not obstruct holder or tray movement.

13. Since the speaker sections of this unit are detachable, be sure that each speaker is firmly connected to the main unit when carrying the unit and avoid dropping or striking it, and other forms of impact.

POWER button
When the power cord is connected to a household AC outlet, the power indicator lights in red indicating STANDBY mode (this indicator does not light when DC power is supplied). When the \odot /I button is pressed, the red indicator turns green showing that the power is on (this green indicator lights with either AC or DC power supply).

When this unit is plugged into an AC outlet, it consumes a small current to operate the remote control and timer, or to back up the memory of the microprocessor, even when the \odot /I button is set to STANDBY.



No utilice esta unidad bajo la luz directa del sol ni la deje en automóviles cerrados (o yates, etc.), donde podría quedar expuesta a temperaturas elevadas superiores a 40°C.

• Cuando ocurre una falla de funcionamiento.
Desenchufe el cordón de CA del tomacorriente y extraiga todas las pilas. Luego recoloque las pilas después de transcurrido unos pocos minutos; reconecte el cordón de CA y conecte el botón \odot /I en ON.

Quando se desenchufa el cordón de alimentación CA, nunca cierre el portadisco con la mano. Para cerrarlo, conecte el cordón de alimentación y presione el botón \odot /I. De lo contrario podrá dañar la unidad.

1. Evite instalar en los siguientes lugares
Donde pueda ser sujeta a vibraciones.
Donde haya humedad excesiva, tal como en un cuarto de baño.
Donde pueda ser magnetizada por un imán o altavoz.

2. Preste atención al polvo
Asegúrese de cerrar el portadisco o compartimento de CD para que el polvo no se deposita sobre la lente.

3. Condensación
En los siguientes casos, puede producirse condensación en el interior de la unidad y ésta puede funcionar correctamente.
En una sala donde haya un calentador encendido.
En un lugar donde haya humo o gran humedad.

4. Ajuste del volumen
Los productos de CD producen muy poco ruido, comparados con las fuentes analógicas. Si ajusta el nivel de volumen para estas fuentes, es posible que los altavoces produzcan un ruido excesivo.

5. No coloque cassettes de cinta, etc., próximos a los altavoces
Como hay imanes en los altavoces, no coloque cintas o tarjetas magnéticas sobre los mismos, ya que los datos grabados pueden ser borrados.

6. Mantenga esta unidad lejos de su TV
Cuando se usa esta unidad próxima a un TV, la imagen de éste puede ser distorsionada. Si ello ocurre, mueva esta unidad lejos del TV. Si esto no corrige el problema, evite usar esta unidad cuando el TV está encendido.



Non utilizzare questa unità nella luce solare diretta e non lasciarla in automobili (o imbarcazioni, ecc.) chiuse dove può essere esposta a temperature elevate superiori ai 40°C.

• In caso di funzionamento anomalo
Staccare il cavo di alimentazione dalla presa di corrente alternata di rete e togliere tutte le batterie. Attendere alcuni minuti, reistallare le batterie, ricollegare il cavo di alimentazione alla presa di corrente di rete e riportare l'interruttore il tasto \odot /I su ON.

Se il cavo di alimentazione viene scollegato, non ricliudere i piatti portadisco con la mano. Per chiudere il vano di alimentazione premere il tasto \odot /I. Altrimenti si può danneggiare l'apparecchio.

1. Evitare l'installazione nei luoghi seguenti
In luoghi dove l'unità può essere soggetta a vibrazioni.
In luoghi dove l'umidità è eccessiva, come una stanza da bagno.
In luoghi dove l'unità può essere magnetizzata da un magnete o da un imán o altoparlante.

2. Fare attenzione alla polvere
Accertarsi di chiudere il piatto o caricatore di CD in modo che la polvere non si raccolga sulla lente del pickup.

3. Nei casi seguenti della condensazione si potrebbe formare nell'unità impedendo il funzionamento corretto di CD in questa.
In una stanza in cui il riscaldamento è appena stato acceso.
In un luogo fumoso o con elevata umidità.

4. Impostazione del volume
I CD producono un volume estremamente basso se confrontati con fonti analogiche. Se si regola il volume in base al volume per tali fonti, i diffusori potrebbero produrre un suono eccessivo.

5. Non pesare nastri a cassetta, ecc., in prossimità dei diffusori
Dato che i diffusori incorporano dei magneti, non pesare nastri registrati o schede magnetiche su di essi in quanto i materiali registrati potrebbero venire cancellati.

6. Tenere l'unità lontana dal televisore
Quando questa unità viene utilizzata in prossimità di un televisore, l'immagine TV potrebbe venire distorta. Se ciò dovesse accadere, allontanare l'unità dal televisore. Se ciò non fosse sufficiente ad eliminare le interferenze, evitare di utilizzare questa unità quando il televisore è acceso.

7. Cleaning the cabinet.
If the cabinet gets dirty, wipe it with a soft, dry cloth. Never use benzine or thinner as these could damage the surface finish.

8. When listening with headphones
Do not listen at high volumes as it could damage your hearing.

9. Carrying handle
Do not raise or lower the carrying handle with the telescopic antenna extended, to avoid damaging the antenna. Place the carrying handle so that it does not interfere with operation.

10. When this unit is carried, switch the power OFF if possible
Otherwise a malfunction may occur in the unit.

11. Pay attention to the following
Do not place the unit on an inclination.
Do not apply shock to the unit.
Press the CD tray open/close (A) button to close the CD tray. (Do not close it by hand.)
It is recommended to remove CDs from the CD tray when you transport the unit.

7. Limpieza del gabinete

Si el gabinete se ensucia límpielo con un paño suave y seco. Nunca utilice bencina o solventes ya que estos pueden dañar la terminación de la superficie.

8. Cuando escucha con audífonos
No escuche con volumen alto ya que esto puede dañar sus oídos.
Puede dañar su audífono si conduce mientras escucha con audífonos.

9. Manija para transporte
No levante ni baje la manija para transporte con la antena telescópica extendida para evitar daños de la misma. Coloque la manija para transporte de tal manera que no interfiera con la operación.

10. Cuando se transporta esta unidad, desconecte OFF la alimentación siempre que sea posible, de lo contrario pueden ocurrir fallos.

11. Preste atención a lo siguiente
No coloque la unidad en un lugar inclinado.
No la golpee.
Presione el botón (A) de apertura/cierre de la bandeja de CD para cerrar la bandeja de CD. (No la cierre contaminando.)
Se recomienda extraer los CD de la bandeja de CD para transportar la unidad.

7. Pulizia dell'esterno dell'unità

Se l'esterno dell'unità fosse sporco, strofinare con un panno morbido ed asciutto. Non usare mai benzina o diluente in quanto essi possono danneggiare la finitura delle superfici.

8. Ascolto con le cuffie
Non ascoltare musica ad alto volume in quanto ciò può causare danni all'udito.
Può danneggiare le cuffie se si ascoltano con le cuffie.

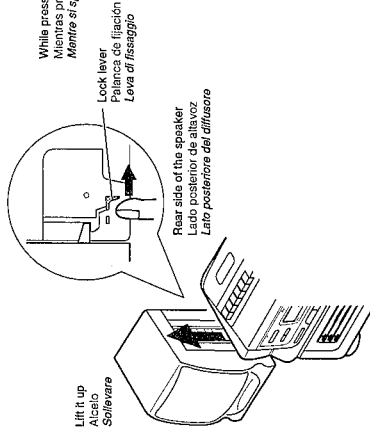
9. Maniglia per il trasporto
Non sollevare ed abbassare la maniglia con l'antenna telescopica estesa onde evitare danni all'antenna stessa. Sistemare la maniglia in modo che non interferisca col funzionamento.

10. Prima di trasportare l'apparecchio ricordarsi di spegnerlo
In caso contrario potrebbero verificarsi delle distinzioni.

11. Fare attenzione a quanto segue
Non porre l'unità su di una superficie inclinata.
Non sottoporre l'unità a forti urti.
Premere il tasto di apertura/chiusura del piatto portadischi (A) per far richiudere il piatto portadischi stesso. (Non richiudere il piatto portadischi con le mani.)
Prima di trasportare l'unità, si raccomanda di togliere i CD dal piatto portadischi.

When using the speakers detached from the main unit

While pressing the lock lever at the rear bottom of speaker in the direction of the arrow, lift the speaker up to detach from the main unit.



While pressing the lock lever...
Mientras presiona la palanca de fijación...
Mentre si spinge la leva di fissaggio...

Quando utilizza los altavoces separados de la unidad principal
Premiere, nella direzione della freccia, sulla leva di bloccaggio ubicata sulla parte inferiore dell'altoparlante, e far scorrere l'altoparlante verso l'alto per staccarlo dall'apparecchio principale.

Note:
Since the speakers sound differently according to where they are placed carefully place them for optimal effect within the length of the provided speaker cords. It is recommended that the left and right speakers be placed symmetrically in relation to the main unit.

Note:
Como los altavoces suenan diferente de acuerdo a dónde sean colocados, ubíquelos con precaución para obtener un efecto óptimo dentro de la longitud de los cordones para altavoz suministrados. Se recomienda colocar los altavoces izquierdo y derecho simétricamente en relación a la unidad principal.

Note:
Dato che i diffusori suonano in modo diverso a seconda della loro posizione, posizionali con attenzione per ottenere un effetto ottimale entro il campo permesso dalla lunghezza dei cavi. Si raccomanda di posizionare i diffusori sinistro e destro simmetricamente rispetto all'unità.

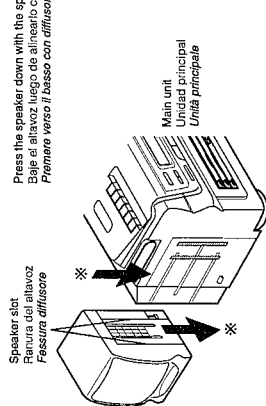
APPLICAZIONE/RIMOZIONE DEI DIFFUSORI

Quando si utilizza l'unità con i diffusori applicati
Allineare il lato inferiore dell'altoparlante con il lato superiore dell'apparecchio principale e premere sull'altoparlante per inserirlo.

FIJACION/RETIRO DE LOS ALTAVOCES

Quando utilizza los altavoces colocados en la unidad principal
Alinea la parte inferior del altavoz con la parte superior de la unidad principal y presione el altavoz hacia abajo para colocarlo.

When using the speakers attached to the main unit
Align the bottom of the speaker against the top of the main unit and press down on the speaker to attach it.



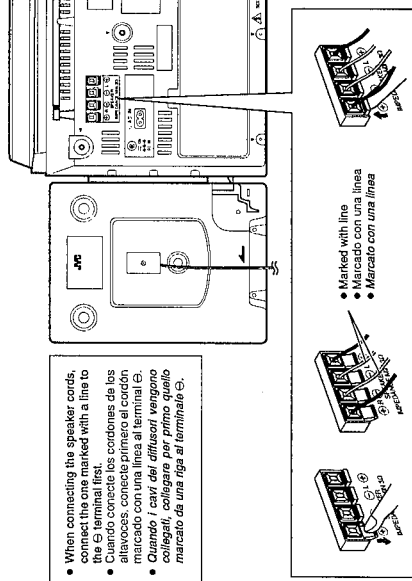
Speaker slot
Fianura del altavoz
Fessura diffusore

Press the speaker down with the speaker and main unit aligned.
Baje el altavoz luego de alinearlo con la unidad principal.
Premiere verso il basso con diffusore ed unità allineati.

CONEXIONES

Do not switch the power on until all connections are completed.

Non attivare l'alimentazione prima del completamento dei collegamenti.



When connecting the speaker cords, connect the one marked with a line to the B terminal first.
When connecting the speaker cords, connect the one marked with a line to the B terminal first.
When connecting the speaker cords, connect the one marked with a line to the B terminal first.
When connecting the speaker cords, connect the one marked with a line to the B terminal first.

Marked with line
Marcado con una línea
Marcato con una linea

Space for speaker cords
Espacio para los cordones de los altavoces
Spazio per i cavi dei diffusori

After connecting the speaker cords, bundle any slack into the space for the speaker cords in the rear panel.
Después de conectar los cordones de los altavoces, arrolle el sobrante dentro del espacio para los cordones de los altavoces, ubicado en el panel trasero.
Dopo aver collegato i cavi dei diffusori, riporre la parte che avanza nello spazio apposto nel pannello posteriore.

COLLEGAMENTI

Do not switch the power on until all connections are completed.

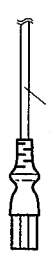
Non attivare l'alimentazione prima del completamento dei collegamenti.

POWER SUPPLY

A. Operation on household AC
 • Connect the AC power cord after all other connections have been made.



A. Operación con CA en el hogar
 • Conecte el cordón de CA después de haber terminado todas las conexiones.



ALIMENTACION

A. Funcionamiento con alimentación de red CA
 • Conectar el cable de alimentación CA después de haber terminado todos los cableados.



ALIMENTAZIONE

A. Funzionamento con alimentazione di rete CA
 • Collegare il cavo di alimentazione CA dopo aver eseguito tutti gli altri collegamenti.

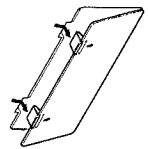


CAUTIONS:
 1. ONLY USE WITH JVC POWER CORD PROVIDED WITH THIS UNIT TO AVOID MALFUNCTION OR DAMAGE TO THE UNIT. REMOVE BATTERIES WHEN USING THE POWER CORD.
 2. BE SURE TO UNPLUG THE POWER CORD FROM THE OUTLET WHEN GOING OUT OR WHEN THE UNIT IS NOT IN USE FOR AN EXTENDED PERIOD OF TIME.

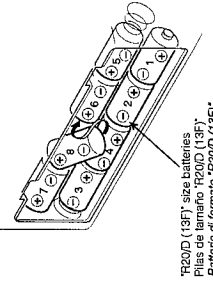
PRECAUZIONI:
 1. PARA EVITAR FALLAS O DAÑOS EN LA UNIDAD UTILICE EL CORDON DE ALIMENTACION DE JVC SUMINISTRADO CON ESTA UNIDAD. PARA UTILIZAR EL CORDON DE ALIMENTACION EXTRAIGA LAS PILAS.
 2. ASEGURESE DE DESENCHUFAR EL CORDON DE ALIMENTACION DEL TOMACORRIENTES CUANDO SALGA O CUANDO NO VAYA A UTILIZAR LA UNIDAD POR UN LARGO PERIODO.

PRECAUZIONI:
 1. UTILIZZARE SOLO IL CAVO DI ALIMENTAZIONE JVC FORNITO IN DOTAZIONE A QUESTA UNITA'. PER EVITARE MALFUNZIONI O DANNI ALL'UNITA', STESSA, RIMUOVERE LE BATTERIE QUANDO SI UTILIZZA IL CAVO DI ALIMENTAZIONE.
 2. ACCERTARSI DI SCOLLEGARE IL CAVO DI ALIMENTAZIONE DALLA PRESA DI RETE QUANDO SI ESCE O QUANDO SI PREVEDE DI NON UTILIZZARE L'UNITA' PER UN PERIODO PROLUNGATO.

B. Operation on batteries
 • Leading batteries
 1. Open the battery cover by pulling it toward you while pressing the sections marked by the arrows. *R20D (13F) size batteries as they are inserted.
 • Be careful to insert the batteries with the + and - terminals positioned correctly.
 3. Replace the cover.



B. Operación con pilas
 • Colocación de las pilas
 1. Abra la tapa del compartimiento de las pilas jalándola hacia usted mientras presiona las secciones marcadas con las flechas. *Inserte ocho pilas de tamaño R20D (13F). *No se muestra en el diagrama.
 • Preste atención para insertar las pilas con los terminales + y - en posición correcta.
 3. Coloque la tapa.



B. Funzionamento con batterie
 • Inserimento batterie
 1. Aprire il coperchio del vano batterie tirando mentre si preme sulla sezione marcata dalle frecce.
 2. Inserire otto batterie di formato R20D (13F) come indicato in figura.
 * Accertarsi di inserire le batterie con le + e - terminali in posizione corretta.
 3. Chiudere il coperchio del vano batterie.

Battery replacement
 When the battery (B) indicator lights during battery operation, the batteries are nearly exhausted and should be replaced. (When the battery indicator stays lit for approx. one minute, the unit may be operated for a short time. With no sound output recording, use new batteries (preferably alkaline batteries with a longer service life) to avoid any possible failure.
For better battery usage
 Continuous operation of the unit causes the battery power to be consumed quicker than noncontinuous operation.
 Operation of the unit in a cold place causes the battery power to be consumed more quickly than in a warm place.
 • For power supply, the use of household AC is recommended, when continuous operation of the unit is required over a longer period of time.

Reemplazo de las pilas
 Cuando se enciende la indicación de las pilas (B) durante el funcionamiento con pilas, las mismas están casi agotadas y deben ser reemplazadas. (Cuando el indicador de las pilas permanece encendido por aproxim. un minuto, se puede utilizar la unidad de forma intermitente.)
 Para evitar cualquier posible falla, utilice pilas nuevas (preferiblemente pilas alcalinas que tienen una vida de servicio más larga), para evitar cualquier falla posible.
Para una mejor utilización de las pilas
 Si este aparato se utiliza continuamente, las pilas se gastarán más rápido que si se utiliza de vez en cuando.
 Si se utiliza en un lugar frío, las pilas se consumirán más rápidamente que si se utiliza en un lugar cálido.
 • Para el suministro de energía se recomienda utilizar CA del hogar, cuando se desea operar la unidad continuamente durante un largo periodo.

Sostituzione batterie
 Quando l'indicatore (B) si illumina durante il funzionamento a batterie, le batterie sono quasi scariche e devono essere sostituite. (Quando l'indicatore delle pile rimane illuminato per un minuto circa, l'unità può essere utilizzata in modo intermittente.)
 Quando si sceglie una sostituzione, importante, utilizzare batterie nuove (preferibilmente batterie alcaline di maggiore durata) per evitare qualsiasi problema.
Per un migliore utilizzo delle batterie
 L'uso continuo dell'unità causa un consumo più rapido delle batterie che l'uso discontinuo. L'uso dell'unità al freddo causa un consumo più rapido delle batterie che l'uso al caldo.
 • Quando l'unità viene utilizzata continuamente per un lungo periodo, come fonte di alimentazione.

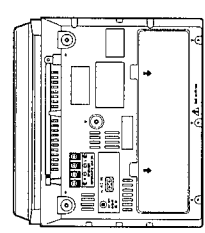
PRECAUCIONES:
 • SI NO VA A UTILIZAR LA UNIDAD DURANTE LARGO TIEMPO (MAS DE DOS SEMANAS), O CUANDO UTILICE CA DEL HOGAR, EXTRAIGA LAS PILAS PARA EVITAR FALLAS DE FUNCIONAMIENTO O DAÑOS A LA UNIDAD.
 • CUANDO SE CONECTA EL CORDON DE ALIMENTACION DE JVC DE ESTA UNIDAD, LA ALIMENTACION COMIENZA AUTOMATICAMENTE CUANDO LAS PILAS CA AUN SIN EMBAJAR RECOMENDAMOS QUE EXTRAIGA LAS PILAS CUANDO UTILIZA EL CORDON DE ALIMENTACION.

PRECAUCIONES PARA EL USO DE LAS PILAS
 Las pilas son incorrectamente usadas, esto puede resultar en fugas de productos químicos de las mismas o pueden explotar. Es necesario tomar las siguientes precauciones:
 • Verifique que los terminales + y negativos - de las pilas estén correctamente colocados de acuerdo al diagrama.
 • No mezcle pilas nuevas y viejas, ni mezcle diferentes tipos de pilas.
 • No intente recargar las pilas que no sean recargables.
 • Extraiga las pilas cuando no vaya a utilizar la unidad durante un largo periodo.
 Si los productos químicos provenientes de las pilas entran en contacto con su piel, los ojos o cualquier otra parte del cuerpo, productos químicos, sean sobre esta unidad, límpiela completamente.

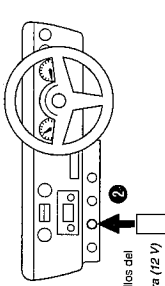
CAUTIONS WHEN USING BATTERIES
 When batteries are incorrectly used, they may result in the leakage of chemicals or the batteries may explode. The following precautions should be taken:
 • Check that the positive + and negative terminals of the batteries are positioned correctly and load them as shown in the diagram.
 • Do not mix new and old batteries together, or mix different types of batteries.
 • Do not try to recharge non-rechargeable batteries.
 • Remove the batteries when the unit is not to be used for an extended period of time.
 If chemicals from the batteries come in contact with your skin, eyes, or any other part of your body, clean the area with water. If chemicals get onto the unit, clean the unit completely.

PRECAUZIONI PER L'USO DELLE BATTERIE
 Quando le batterie vengono utilizzate in modo scorretto, possono verificarsi perdite di prodotti chimici e possono esplodere. Prestare attenzione a quanto indicato di seguito:
 • Controllare che le polarità + e - delle batterie siano orientate in modo corretto ed inserirle come indicato in figura.
 • Non mescolare batterie vecchie e nuove o batterie di tipi diversi.
 • Non tentare di ricaricare batterie non ricaricabili.
 • Rimuovere le batterie quando si prevede di non utilizzare l'unità per un periodo prolungato.
 Se prodotti chimici fuoriscioliti dalle batterie entrano in contatto con la pelle, lavare immediatamente con acqua. Se i prodotti chimici entrano in contatto con gli occhi, lavare con abbondante acqua. Se i prodotti chimici entrano in contatto con qualsiasi altra parte del corpo, lavare con acqua pulita.

C. Operation on car battery (DC 12 V)



C. Funcionamiento con la batería del automóvil (CC 12 V)



• Primero conecte el adaptador para automóvil en el jack DC IN 12V no conecte el enchufe para el encendedor de cigarrillos porque el corto del enchufe del automóvil puede hacer que se quemé un fusible. Además, tome precauciones para hacer un cortocircuito entre enchufes.
 • Cuando utiliza la batería del automóvil asegúrese de utilizar el adaptador especificado para el vehículo (modelo CA-R120E de JVC), para evitar fallas o errores de polaridad.

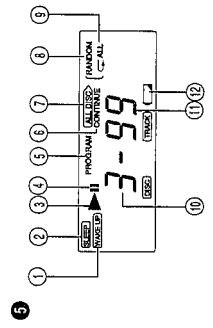
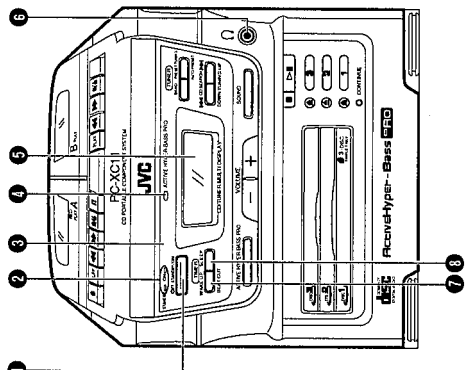
C. Funzionamento con la batteria dell'automobile (12 V CC)
 • Collegare prima l'adattatore per vettura alla presa DC IN 12V non alla presa dell'accendisigari. In quanto un cortocircuito degli spinotti sulla vettura potrebbe far saltare il fusibile. Inoltre, fare attenzione a non mettere in cortocircuito gli spinotti.
 • Quando si utilizza la batteria di una vettura, accertarsi di utilizzare l'adattatore specificato (JVC modello CA-R120E) per evitare problemi o danni risultanti da un disegno con polarità differenti.

NAMES OF PARTS AND THEIR FUNCTIONS

NOMI E FUNZIONI DELLE PARTI

CD changer/General section

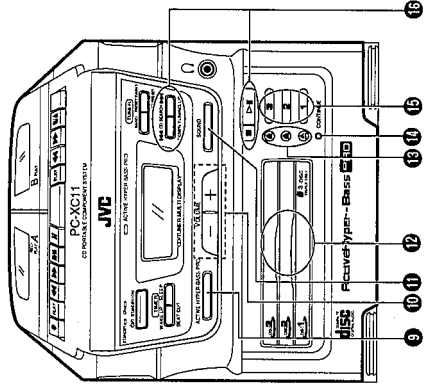
Sección del cambiador de CD/general



- 1 STANDBY/ON (⊘/I) button
- 2 STANDBY/ON indicators
- 3 Section sensor remote
- 4 ACTIVE HYPER-BASS PRO indicator
- 5 Display window
- 6 WAKE UP indicator
- 7 SLEEP indicator
- 8 Playback indicator (▶)
- 9 Pause indicator (⏸)
- 10 CONTINUE play indicator
- 11 ALL DISC indicator
- 12 Repeat play indicator (≡ ALL)
- 13 Disc number display
- 14 Track number display
- 15 Wake up/sleep time display
- 16 Battery indicator (⊖)
- 17 Headphones jack (1) (3.5 mm dia. stereo mini)
- 18 Connect headphones (impedance 16 Ω to 1 kΩ) to this jack. Speaker sound is automatically switched off when the headphones are connected.
- 19 WAKE UP HYPER button
- 20 SLEEP/TIMER button

- 1 Botón STANDBY/ON (⊘/I)
- 2 Indicaciones STANDBY/ON
- 3 Sección sensor remoto
- 4 Indicador ACTIVE HYPER-BASS PRO
- 5 Ventana de visualización
- 6 Indicador WAKE UP
- 7 Indicador SLEEP
- 8 Indicador (▶) de reproducción
- 9 Indicador (⏸) de pausa
- 10 Indicador del modo de programa (PROGRAM)
- 11 Indicador de reproducción continuada (CONTINUE)
- 12 Indicador de todos los discos (ALL DISC)
- 13 Indicador de reproducción aleatoria (RANDOM)
- 14 Indicador de repetición de reproducción total (≡ ALL)
- 15 Indicación del número de disco
- 16 Indicación del número de pista
- 17 Indicación de hora despertador/desconexión
- 18 Indicador de pilas (⊖)
- 19 Jack de audífonos (1) (mini estéreo dia. 3,5 mm)
- 20 Conecte los audífonos (impedancia de 16 Ω a 1 kΩ) a este jack. El sonido de los altavoces se apaga automáticamente cuando se conectan los audífonos.
- 21 Botón WAKE UP HYPER
- 22 Botón SLEEP/TIMER

Sección lectora cambiadischi/general



- 1 Botón de hiper grave activo profesional (ACTIVE HYPER-BASS PRO)
- 2 Botones de volumen (VOLUME) (+, -)
- 3 Botón SOUND
- 4 Portadiscos de CD (DISC 1-DISC 3)
- 5 Botones (▲), de abertura/cierre del portadiscos de CD (DISC 1-DISC 3)
- 6 Botón de reproducción continuada (CONTINUE)
- 7 Botón de control de 3CD (CD CONTROL) (DISC 1-DISC 3)
- 8 Botones para operación del CD
- 9 Botones (◀▶) de búsqueda del CD
- 10 Botón (■) de parada/borrado
- 11 Botón (⏸) de reproducción/pausa
- 12 Botón (▶) de reproducción/pausa
- 13 Botón (≡) de reproducción/pausa
- 14 Botón (▶) de reproducción/pausa
- 15 Botón (▶) de reproducción/pausa
- 16 Botón (▶) de reproducción/pausa

- 1 Botón de hiper grave activo profesional (ACTIVE HYPER-BASS PRO)
- 2 Botones de volumen (VOLUME) (+, -)
- 3 Botón SOUND
- 4 Portadiscos de CD (DISC 1-DISC 3)
- 5 Botones (▲), de abertura/cierre del portadiscos de CD (DISC 1-DISC 3)
- 6 Botón de reproducción continuada (CONTINUE)
- 7 Botón de control de 3CD (CD CONTROL) (DISC 1-DISC 3)
- 8 Botones para operación del CD
- 9 Botones (◀▶) de búsqueda del CD
- 10 Botón (■) de parada/borrado
- 11 Botón (⏸) de reproducción/pausa
- 12 Botón (▶) de reproducción/pausa
- 13 Botón (≡) de reproducción/pausa
- 14 Botón (▶) de reproducción/pausa
- 15 Botón (▶) de reproducción/pausa
- 16 Botón (▶) de reproducción/pausa

- 1 Botón de hiper grave activo profesional (ACTIVE HYPER-BASS PRO)
- 2 Botones de volumen (VOLUME) (+, -)
- 3 Botón SOUND
- 4 Portadiscos de CD (DISC 1-DISC 3)
- 5 Botones (▲), de abertura/cierre del portadiscos de CD (DISC 1-DISC 3)
- 6 Botón de reproducción continuada (CONTINUE)
- 7 Botón de control de 3CD (CD CONTROL) (DISC 1-DISC 3)
- 8 Botones para operación del CD
- 9 Botones (◀▶) de búsqueda del CD
- 10 Botón (■) de parada/borrado
- 11 Botón (⏸) de reproducción/pausa
- 12 Botón (▶) de reproducción/pausa
- 13 Botón (≡) de reproducción/pausa
- 14 Botón (▶) de reproducción/pausa
- 15 Botón (▶) de reproducción/pausa
- 16 Botón (▶) de reproducción/pausa

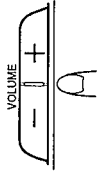
VOLUME, TONE AND OTHER CONTROLS

VOLUME button
 + : Use to increase the volume.
 - : Use to decrease the volume.
 (Control range from VOL 0 to VOL 25.)

Botón VOLUME
 + : Usado para aumentar el volumen.
 - : Usado para reducir el volumen.
 (Los límites de control van de VOL 0 a VOL 25.)

VOLUME, TONI ED ALTRI COMANDI

Tasto VOLUME
 + : Per aumentare il volume.
 - : Per diminuire il volume.
 (Gamma controllo volume da VOL 0 a VOL 25.)



ACTIVE HYPER-BASS PRO button
 ON : The ACTIVE HYPER-BASS PRO indicator lights up. Set to this position to activate ACTIVE HYPER-BASS PRO sound.
 OFF: The ACTIVE HYPER-BASS PRO indicator goes out. Set to this position when ACTIVE HYPER-BASS PRO sound is not required.

Tasio ACTIVE HYPER-BASS PRO ON : L'indicatore ACTIVE HYPER-BASS PRO si illumina. Selezionare questa impostazione per attivare la funzione Active Hyper Bass Pro.
OFF: L'indicatore ACTIVE HYPER-BASS PRO si spegne. Selezionare questa impostazione per disattivare la funzione Active Hyper Bass Pro.



Sound mode button
 Sound modes can be selected to enhance the type of music being played.
 • Press the SOUND button to select the sound mode.
 • Each time the SOUND button is pressed the sound mode changes as follows:

Tasto modo suono
 I modi suono possono essere selezionati per potenziare il tipo di musica riprodotta.
 • Premere il tasto SOUND per selezionare il modo desiderato.
 • Ogni volta che il tasto SOUND viene premuto, il modo cambia come indicato di seguito;



Sound mode selection
FLAT (No sound effect (flat characteristics)):
 Set to this position when listening to classical music.
BEAT:
 Set to this position for music with a heavy beat, such as rock or disco music.
POP:
 Set to this position for light music including popular and vocal music.
CLEAR:
 Set to this position for crisp and clear sounding music with transparent highs.

Selección de modo de sonido
FLAT (Sin efecto de sonido (característica plana)):
 Colóquelo en esta posición para escuchar música clásica.
BEAT:
 Colóquelo en esta posición para música con ritmo sincopado, tal como rock o música de discoteca.
POP:
 Colóquelo en esta posición para música leve, incluyendo música popular y vocal.
CLEAR:
 Colóquelo en esta posición para música con sonido claro y contrastado con altos transparentes.

Note:
 The sound modes only affect the sound output from the speakers or headphones. They do not affect the sound when recording.

Nota:
 I modi del suono influenzano solo il suono emesso dai diffusori o dalle cuffie, ma non la registrazione del suono stesso.

COMPU PLAY (only when AC power is used)

Quando la alimentazione está colocada en STANDBY, el presionar el botón mostrado abajo conecta la alimentación y selecciona la fuente de la potencia and selects the source.

COMPU PLAY (solo con alimentación CA)

Anche se l'unità si trova nel modo STANDBY, premendo uno dei tasti indicati di seguito essa si accende e una sorgente di segnale viene attivata.

Funzione moda Modo de función Modo di funzionamento	Operazioni Operaciones Operazioni
 CD	When this button is pressed with a CD loaded, CD playback begins. Cuando se presiona este botón con una cñita colocada, comienza la reproducción del mismo. Se questo tasto viene premuto a lettore CD carico, la riproduzione del CD ha immediatamente inizio.
 TAPE	When this button is pressed with a tape loaded, tape playback begins. Cuando se presiona este botón habiendo una cinta colocada, comienza la reproducción de la misma. Se questo tasto viene premuto a registratore a cassette carico, la riproduzione della cassetta ha immediatamente inizio.
 TUNER	When this button is pressed, the tuner is engaged. Cuando se presiona este botón, se activa el sintonizador. Se questo tasto viene premuto, il sintonizzatore si accende.

When wake up timer is engaged, this unit's power is supplied on the main unit when the deck's ► PLAY button is pressed.

El temporizador despertador es activado y la alimentación de la unidad no se conecta hasta que se presione el botón ► PLAY de la pñina.

Quando il timer per la sveglia è attivato, l'alimentazione dell'unità non viene attivata fino a che si preme il tasto ► PLAY del registratore viene premuto.

Notes:
 • When switching off the power, be sure to press the </> button.
 • The COMPU PLAY function on the remote control has the same function as that on the main unit.

Notes:
 • Per disconnetter la alimentazione asegúrese de presionar el botón </>.
 • La función COMPU PLAY del controlador remoto tiene la misma función que el de la unidad principal.

Note:
 • Spegnere l'unità solo premendo il tasto </>.
 • Il funzionamento COMPU PLAY del telecomando possiede le stesse funzioni di quello ormainito dell'unità principale.

HANDLING CDS

Since dirty, damaged and warped CDs may damage the unit, take care regarding the following:

- Usable CDs**
Use CDs with the mark shown.
 - Notes on handling CDs**
 - Do not touch the reflective recorded surface.
 - Do not stick or write anything on the label side.
 - Do not bend CDs.
 - Storage**
 - After removing a CD from the unit, be sure to put it back in its case.
 - Do not expose CDs to direct sunlight, high temperatures from a heater, etc., high humidity, or dust.
 - Cleaning CDs**
 - Before loading a CD, wipe off any dust, dirt or fingerprints with a soft cloth. CDs should be cleaned by wiping radially from the center to the edge.
- Never use thinner, benzine, record cleaner or antistatic spray.

MANIPULACION DE CD

Como los CD sucios, dañados o aborados pueden dañar la unidad, tome precauciones en relación a lo siguiente:

- CD utilizables**
Utilice CD con la marca indicada.
 - Notas sobre manipulación de CD**
 - No toque la superficie grabada (reflejante).
 - No adhiera ni escriba nada sobre el lado de la etiqueta.
 - No doble los CD.
 - Almacenamiento**
 - Después de extraer un CD de la unidad, asegúrese de colocarlo otra vez en su caja.
 - No exponga los CD a la luz directa del sol, altas temperaturas provenientes de un calentador, etc., alta humedad, o polvo.
 - Limpieza de CD**
 - Antes de colocar un CD, limpie el polvo, suciedad o huellas digitales, con un paño suave. Los CD deben ser limpiados radialmente desde el centro hacia el borde.
- Nunca utilice solvente, bencina, limpiador de discos o aerosol antiestático.

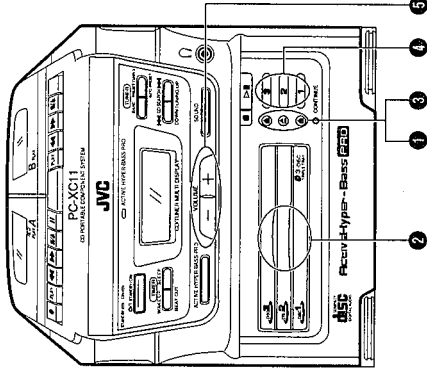
MANEGGIO DEI CD

Dato che CD sporchi, danneggiati o deformati possono danneggiare l'unità, fare attenzione a quanto segue:

- CD utilizzabili**
Utilizzare solo CD recanti il marchio indicato.
 - Note sul maneggio dei CD**
 - Non toccare la superficie registrata (riflettente).
 - Non incollare o scrivere alcunché sul lato etichettato.
 - Non piegare i CD.
 - Conservazione**
 - Dopo aver rimosso un CD dall'unità, accertarsi di riporlo nella sua custodia.
 - Non esporre i CD alla luce solare diretta, a temperature elevate, ad umidità elevata o a polvere.
 - Pulizia CD**
 - Prima di inserire un CD, pulire il polvere, sporco o impronte digitali con un panno morbido. I CD devono essere puliti srotolamento radialmente, dal centro verso il bordo.
- Non utilizzare mai diluente, benzina, liquido pulente per dischi o spray antistatici.

PLAYING CDS

(Example: When playing back a CD loaded in the DISC 1 tray)
Operate in the order shown

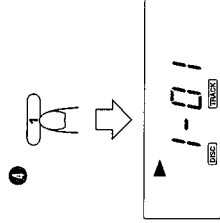


(Ejemplo: Cuando reproduce un CD colocado en el portadisco DISC 1)
Opere en el orden mostrado

REPRODUCCION DE CD

RIPRODUZIONE DI CD

(Esempio: Quando si riproduce il CD inserito nel piatto DISC 1)
Eseguire le operazioni nell'ordine indicato



- Press the required CD tray open/close button (A) (DISC 1 to DISC 3). The CD tray opens. (The power is switched on when AC power is supplied.)
 - When battery power is used, switch on the \odot /I button first, then perform operations.
- Load a CD with the label side facing up.
- Press the CD tray open/close button (A) to close the CD tray.
 - Repeat the above procedures to load the other CDs.
- Press the required CD CONTROL button (DISC 1 to DISC 3), necessary for starting reproduction.
- Adjust.
 - When the mode is changed or the power button (I) is pressed, the power button (A) must be pressed again. Press the appropriate CD CONTROL buttons (DISC 1 to DISC 3).
 - During CD playback, other CDs can be exchanged by opening their trays with the appropriate CD tray open/close buttons (A).
 - 8-cm (3") CDs can be used in this unit without an adaptor.

- Presione el botón (A) de abertura/cierre del portadisco de CD deseado (DISC 1 a DISC 3). El portadisco de CD se abrirá. (La alimentación de energía se conecta cuando se suministra CA.)
 - Cuando se usa la pila, primero conecte el botón \odot /I y después realice las operaciones.
- Coloque un CD con la etiqueta apuntando hacia arriba.
- Presione el botón (A) de abertura/cierre del portadisco de CD para cerrarlo.
 - Replia los procedimientos de arriba para colocar otros CD.
- Presione el botón CD CONTROL (DISC 1 a DISC 3), necesario para iniciar la reproducción.
- Ajuste.
 - Cuando se cambia el modo o cuando se desconecta la alimentación, presione el botón \odot /I y después presione los botones CD CONTROL apropiados (DISC 1 a DISC 3).
 - Durante la reproducción de CD, otros CD pueden ser intercambiados abriendo los portadiscos con los botones (A) de abertura/cierre del portadisco de CD apropiado.
 - Los CD de 8-cm, pueden ser usados con esta unidad sin necesidad de adaptador.

- Premere il tasto di apertura/chiusura (A) del piatto del CD desiderato (da DISC 1 a DISC 3). Il piatto del CD si apre. (Nel caso di alimentazione CA, l'alimentazione viene attivata.)
 - Quando si utilizza l'alimentazione a batterie, attivare prima l'alimentazione col tasto \odot /I e quindi eseguire le operazioni.
- Inserire un CD col lato etichettato rivolto in alto.
- Premere il tasto di apertura/chiusura del piatto portadisco (A) per far chiudere il piatto stesso.
 - Ripetere la procedura per caricare gli altri CD.
- Premere il tasto CD CONTROL, richiesto (da DISC 1 a DISC 3) per iniziare la riproduzione.
- Regolare.
 - Quando il modo viene cambiato o l'alimentazione viene disattivata, premere il tasto di espulsione (A) per tornare a quello di alimentazione a batterie e quindi premere il tasto \odot /I e i botones CD CONTROL appropriati (da DISC 1 a DISC 3).
 - Durante la riproduzione di un CD, gli altri due possono venire cambiati aprendone il piatto col tasto di apertura/chiusura (A) corrispondente.
 - La riproduzione di CD da 8 cm non richiede l'uso di alcun adattatore.

Notes:
• When the TAPE or TUNER is selected, or another mode (TAPE or TUNER) is selected, the CD will be played. The CD will be switched on again and the \odot /I button is pressed.
• When a CD tray is open, pressing any of \odot /I, \odot or the CD CONTROL buttons (DISC 1 to DISC 3), and the tray will close.
• The CD tray will also close when the function mode is changed to TAPE or TUNER.

Notes:
• Al colocar el botón \odot /I en STANDBY, o en otro modo (TAPE o TUNER) se activa, y el mismo CD reproducido es almacenado en memoria. El mismo CD será reproducido cuando se cambia la alimentación otra vez y se presione el botón \odot /I.
• Cuando un portadisco de CD está abierto, presione cualquiera de los botones \odot /I, \odot o CD CONTROL (DISC 1 a DISC 3), para cerrar el portadisco.
• El portadisco de CD también se cerrará cuando se activa el modo TAPE o TUNER.

Note:
• Quando il tasto \odot /I viene portato su STANDBY oppure viene selezionato un altro modo (TAPE o TUNER), l'ultimo CD riprodotto viene memorizzato. Lo stesso CD viene riprodotto quando si cambia l'alimentazione e si preme il tasto \odot /I.
• Quando un piatto del CD è aperto, premere uno dei tasti \odot /I, \odot o CD CONTROL (da DISC 1 a DISC 3) per chiuderlo.
• Il piatto del CD si chiude anche quando il modo viene commutato su TAPE o TUNER.

COMPACT DISC DIGITAL AUDIO

Correct
Corretto
Corretto

Incorrect
Incorretto
Scorretto

Handling

- Manipolazione
- Maneggio

Cleaning

- Limpieza
- Pulizia

Removing the CD from its storage case and loading it.
Extracción del CD de su caja y colocación del mismo.
Rimozione del CD dalla sua custodia e suo caricamento nel lettore.

• Press the center and lift out.
• Presione el centro y levante.
• Premere il centro e sollevare.

• Press to secure the CD.
• Presione para sujetar el CD.
• Premere per fissare il CD.

Note:
CDs shaped like a heart, flower, etc. (especially shaped CDs) can not be used with this unit. If this type of CD is loaded, it will cause a trouble.

Note:
Los CD con forma de corazón, flor, etc. (CD con forma especial) no se pueden utilizar con esta unidad. Si coloca tipos de CD, se producirá una falla.

Note:
I compact disc a forma di cuore, fiori o altro (CD con particolari forme) non possono utilizzare con questo apparecchio. Il loro eventuale uso può causare disfunzioni.

When the AC power cord is unplugged, never close the open tray by hand. To close it, plug the power cord in again and press the **Δ** button. Otherwise it may cause damage to the unit.

- To stop in the middle of a CD During play, press the stop/clear (■) button to stop play.



CD number
Número de disco
Número CD
The total number of tracks
El número total de pistas
Viene visualizado el número total de brani

- To stop a CD temporarily Press the **▷||** button to stop play temporarily. When pressed again, play resumes from the point where it was paused.

Notes:

- The following indication may appear when a CD is left unattended, or when the CD is loaded upside down. In such a case, check the CD and insert again after cleaning the CD or turning it over. When the CD **▷||** or DISC 1 through 3 buttons are pressed with no CDs loaded in the trays, "00" is displayed.



- Do not use the unit at excessively high or low temperatures. The recommended temperature range is from 5°C (41°F) to 35°C (95°F).
- After playback, unload CDs and close the CD trays.
- If mistaking occurs during play, lower the volume.
- Mistaking may occur if a strong shock is applied to the unit or if it is used in a place subject to vibrations (i.e. in a car travelling on a rough road).

Skip play

- During play, it is possible to skip forward to the beginning of the next track or back to the beginning of the track being played or the previous track; when the beginning of the required track has been located, play starts automatically.

To listen to the next track... Press the **▶** button once to skip to the beginning of the next track.

To listen to the previous track... Press the **◀** button to skip to the beginning of the track being played. Press twice quickly to skip to the beginning of the previous track.

Cuando se desenchufa el cordón de alimentación CA, nunca cierre el portadisco con la mano. Para cerrar, enchufe otra vez el cordón de alimentación y presione el botón **Δ**. De lo contrario podría dañar la unidad.

- Para detener la reproducción de un CD en la mitad de la misma Presione el botón **■** de parada/borrado para detener la reproducción.



CD number
Número de disco
Número CD
The total number of tracks
El número total de pistas
Viene visualizado el número total de brani

- Para detener un CD temporalmente Para detener la reproducción temporalmente presione el botón **▷||**. Si lo presiona otra vez, la reproducción continuada en el punto en que la detuvo.

Notes:

- La siguiente indicación puede aparecer cuando el CD está suelto o arañado, o cuando se carga el disco al revés. En tal caso, revise el CD y colóquelo otra vez después de limpiarlo o de colocarlo correctamente. Cuando presiona los botones **▷||** o DISC 1 a 3 y no hay CD colocado en los portadiscos, se visualizará "00".

- No utilice la unidad en temperaturas excesivamente altas o bajas. Los límites de temperatura recomendados van de 5°C a 35°C.
- Después de reproducir, extraiga los CD y cierre los portadiscos.
- Si hay una falla de seguimiento durante la reproducción, reduzca el volumen.
- Los errores de seguimiento pueden ocurrir si la unidad recibe un choque fuerte o si se la usa en un lugar sujeto a vibración (i.e., un automóvil en marcha en una carretera irregular).

Reproducción con salto

- Durante la reproducción es posible saltar hacia adelante hasta el principio de la próxima pista o hacia atrás hasta el principio de la pista que está siendo reproducida o de la pista anterior; cuando haya localizado el principio de la pista deseada, la reproducción se inicia automáticamente.

Para escuchar la próxima pista... Presione una vez el botón **▶** para saltar al principio de la próxima pista.

Para escuchar la pista anterior... Presione el botón **◀** para saltar al principio de la pista que está siendo reproducida. Presiónelo dos veces rápidamente para saltar al principio de la pista anterior.

Se il cavo di alimentazione viene scollegato, non richiudere i piatti portadisco a mano. Per farlo ricongiungere il cavo di alimentazione e premere il tasto **Δ**. Altrimenti si può danneggiare l'apparecchio.

- Per l'interruzione nel mezzo di un CD Premere il tasto **▷||** per interrompere l'interruzione della riproduzione.

- Per interrompere temporaneamente la riproduzione di un CD Premere il tasto **▷||** per interrompere temporaneamente la riproduzione di un CD. Quando il tasto viene premuto nuovamente, la riproduzione riprende dal punto in cui è stata interrotta.

Notes:

- L'indicazione seguente potrebbe apparire quando il CD è sporco o graffiato oppure quando il CD è inserito al contrario. In tali casi, controllate il CD e reinseritelo dopo averlo pulito o girato. Quando i tasti **▷||** o **DISC 1 a 3** vengono premuti senza CD nei piatti, viene visualizzata l'indicazione "00".

- Non utilizzare l'unità a temperature eccessivamente basse o alte. La gamma raccomandata per la temperatura va da 5°C a 35°C.
- Dopo la riproduzione, rimuovete i CD e chiudete i piatti.
- Se la riproduzione dovesse saltare, abbassare il volume.
- La riproduzione può saltare se l'unità viene urtata con forza oppure se viene utilizzata in luoghi soggetti a forti vibrazioni (per esempio in una vettura che marcia su fondo stradale dissestato).

Riproduzione con salto

- Durante la riproduzione è possibile saltare all'inizio del brano successivo oppure all'inizio del brano in corso di riproduzione o di un brano precedente; la riproduzione inizia automaticamente quando l'inizio del brano desiderato viene raggiunto.

Per ascoltare il brano successivo... Premere una volta il tasto **▶** per saltare all'inizio del brano successivo.

Per ascoltare il brano precedente... Premere il tasto **◀** per saltare all'inizio del brano in corso di riproduzione. Premere due volte in rapida successione per saltare all'inizio del brano precedente.

Search play (to locate the required position on the CD)

- The required position can be located using fast-forward or reverse search while playing a CD.

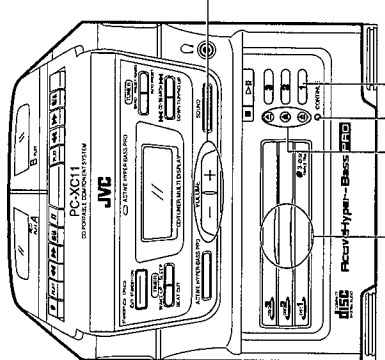


Keep pressing for fast-reverse search.
Mantenga presionado para la búsqueda regresiva rápida.
Tenere premuto per la ricerca rapida all'indietro.

- Hold down the button, search play starts slowly and then gradually increases in speed. Since low-volume sound (at about one quarter of the normal level) can be heard in the search mode, monitor the sound and release the button when the required position is located.

Continuous play

- How to play all tracks Operate in the order shown



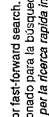
- Load a CD in each tray (DISC 1+DISC 3).
- Press the CD CONTROL button (DISC 1) to start play.
- Press the CONTINUE button to set continuous play mode.
- Adjust.

- CD play starts from DISC 1 and continues to the last track of the last CD in the CD changer.
- When a CD is loaded in each tray, continuous play can be started by pressing the CD CONTROL button (DISC 1 to DISC 3). Continuous play ends with the last track of the CD loaded in the DISC 3 tray.

Notes: During CD play, continuous play will not function if another CD tray is open. While CDs are being changed in the CD changer, there will be a short delay after pressing the **▶** button until the CD tray opens.

Reproducción con búsqueda (para localizar la posición deseada en el CD)

- La posición deseada puede ser ubicada utilizando la búsqueda de avance rápido o invertida mientras reproduce un CD.

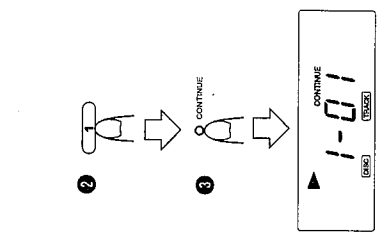


Keep pressing for fast-forward search.
Mantenga presionado para la búsqueda progresiva rápida.
Tenere premuto per la ricerca rapida in avanti.

- Mantenga presionado el botón; la búsqueda con reproducción se inicia lentamente y luego aumenta gradualmente la velocidad. Como en el modo de búsqueda es posible escuchar el sonido a bajo volumen (aproximadamente a un cuarto del nivel normal), monitoree el sonido y suelte el botón cuando haya localizado la posición deseada.

Reproducción continuada

- Reproducción de todas las pistas Opere en el orden mostrado



- Coloque un CD en cada portadisco (DISC 1-DISC 3).
- Presione el botón CD CONTROL (DISC 1) para iniciar la reproducción.
- Presione el botón CONTINUE para activar el modo de reproducción continua.
- Ajuste.

- La reproducción del CD comienza por el DISC 1 y continúa hasta la última pista del último CD en el cambiador.
- Cuando se coloca un CD en cada portadisco, la reproducción continua puede ser activada presionando cualquier de los botones CD CONTROL (DISC 1 a DISC 3). La reproducción continuada termina con la última pista del CD colocado en el portadisco DISC 3.

Notes: Durante la reproducción de CD, la reproducción continuada no funciona si otro portadisco de CD está abierto. Mientras se están cambiando los CD en el cambiador, habrá un breve retraso después de presionar el botón **▶** hasta que se abra el portadisco de CD.

Riproduzione con ricerca (per localizzare una determinata posizione sul CD)

- La posizione desiderata può essere localizzata utilizzando la ricerca rapida in avanti o all'indietro durante la riproduzione di un CD.



Keep pressing for fast-forward search.
Mantenga presionado para la búsqueda progresiva rápida.
Tenere premuto per la ricerca rapida in avanti.

- Tenere premuto il tasto; la riproduzione con ricerca inizia lentamente e quindi aumenta gradualmente la velocità. Dato che il suono può essere udito a basso volume (circa un quarto del livello normale) nel modo di ricerca, ascoltare e rilasciare il tasto quando la posizione desiderata viene raggiunta.

Riproduzione continuata

- Come riprodurre tutti i brani Eseguire le operazioni nell'ordine indicato



- Caricare un CD in ciascun piatto (DISC 1-DISC 3).
- Premere il tasto CD CONTROL (DISC 1) per dare inizio alla riproduzione.
- Premere il tasto CONTINUE per impostare il modo di riproduzione continua.
- Regolare.

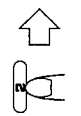
- La riproduzione del CD inizia dal disco DISC 1 e continua sino all'ultimo brano dell'ultimo CD del lettore cambiadischi.
- Quando un CD è presente in ciascun piatto, la riproduzione continuata può essere iniziata premendo qualsiasi dei botones CD CONTROL (da DISC 1 a DISC 3). La riproduzione termina con l'ultimo brano del CD del piatto DISC 3.

Notes: Durante la riproduzione di un CD, la riproduzione continua non ha luogo se un altro piatto portadisco è aperto. Mentre i CD vengono cambiati nel lettore cambiadischi, dopo che il tasto **▶** viene premuto, il piatto portadisco si apre con un certo ritardo.

DISC CONTROL button

• **Direct Disc Selection**
Press the CD CONTROL button (DISC 1 to DISC 3) corresponding to the No. of the required CD.

Example: To designate Disc 2



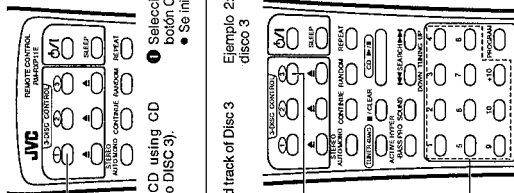
The tracks on the designated CD are played in sequence.

Note:

- When "PROGRAM" is shown in the display and the direct select operation is performed, the CD cannot be played.

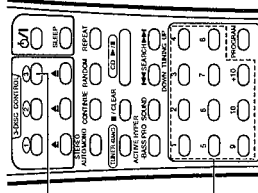
Direct access play (using the remote control unit)

Example 1: To designate Disc 1



- 1 Designate the required CD using CD CONTROL button (DISC 1 to DISC 3).
- CD play starts.

Example 2: To designate the 3rd track of Disc 3



- 1 Designate the required CD using the CD CONTROL buttons (DISC 1 to DISC 3).
- 2 The track number is displayed and the required track number is selected using the track button.
- CD play starts.

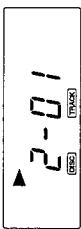
- To designate track numbers 1 to 10, press the track number button corresponding to the track number.
- To designate track number 11 or higher, press the +10 button the required number of times, then a track number button. (Example: To designate the 20th track, press the +10 button once, then press track number button 10.)

- +10 button:
Each time this button is pressed, the number increases by 10. First press this button to set the "10's" digit, then press the track number button to set the 1's digit.

Tasto DISC CONTROL

• **Selezione diretta del CD**
Premere il tasto CD CONTROL (DISC 1 - DISC 3) corrispondente al numero del CD richiesto.

Esempio: Per designare il disco 2



La unità riproduce in sequenzia le piste del CD designato.

Note:

- Quando l'indicazione "PROGRAM" viene visualizzata e si esegue l'operazione di selezione diretta, il CD non può essere riprodotto.

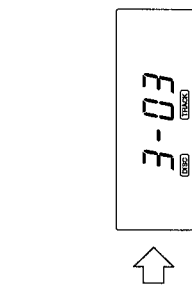
Riproduzione ad accesso diretto (utilizzando l'unità di telecomando)

Esempio 1: Per designare il disco 1



- 1 Designare con il tasto CD CONTROL (DISC 1 - DISC 3).
- La riproduzione del CD ha inizio.

Esempio 2: Per designare il terzo brano del disco 3



- 1 Designare con i tasti CD CONTROL (DISC 1 - DISC 3).
- 2 Viene visualizzato un numero di brano ed il numero di brano richiesto può venire scelto con il tasto apposito.
- La riproduzione del CD ha inizio.

- Per designare i numeri di brano da 1 a 10, premere il tasto numerico corrispondente al numero del brano.
- Per designare il numero 11 o un numero maggiore, premere il tasto +10 per il numero di volte necessario e quindi un tasto numerico. (Esempio: Per indicare il 20° brano, premere una volta il tasto +10 e quindi il tasto di numero di brano 10.)

- Tasto +10:
Ogni volta che questo tasto viene premuto, il numero aumenta di 10. Premere questo tasto per impostare le decine e quindi premere un tasto numerico per impostare la unità.

Repeat play (Using the remote control unit)

Press the REPEAT button before or during play. It is possible to perform repeat play of a single track, all tracks on one CD, or all tracks on all CDs in the CD changer.

Each time the REPEAT button is pressed, the mode will change in the order from a single track (⇐), to all tracks (⇐ ALL), to clear mode.



- **Single track repeat (⇐)**
The current or specified track will be played repeatedly.

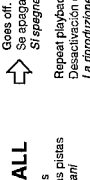
- **All tracks of one CD repeat (⇐ ALL)**
All tracks on the current or specified CD will be played repeatedly.

- **All tracks of all CDs repeat (ALL DISC, CONTINUE, ⇐ ALL)**
When the CONTINUE button is pressed in the "⇐ ALL" mode, CD play starts from the current or specified track, then all tracks on all CDs will be played repeatedly.

Repetición de reproducción (remoto)

Presione el botón REPEAT antes o durante la reproducción. Es posible efectuar la repetición de reproducción de una sola pista, todas las pistas de un CD o todas las pistas de todos los CD en el cambiador.

Cada vez que presione el botón REPEAT el modo cambiará en el siguiente orden: de una sola pista (⇐) a todas las pistas (⇐ ALL), al modo de borrado.



- **Repetición de una sola pista (⇐)**
La pista actual o la especificada será reproducida repetidamente.

- **Repetición de todas las pistas de un CD (⇐ ALL)**
Todas las pistas del CD actual o del especificado serán reproducidas repetidamente.

- **Repetición de todas las pistas de todos los CD (ALL DISC, CONTINUE, ⇐ ALL)**
Cuando se presiona el botón CONTINUE estando el modo "⇐ ALL", activado, la unidad inicia la reproducción del CD desde la pista actual o desde la especificada, y luego de todas las pistas de todos los CD son reproducidas repetidamente.

Reproducción aleatoria (remoto)

Presione el botón RANDOM antes o durante la reproducción. Es posible ejecutar la reproducción aleatoria de uno o de todos los CD.

- **Un disco aleatorio (RANDOM)**
Presione el botón RANDOM para reproducir aleatoriamente las pistas del CD colocado o de uno especificado, excepto cuando el modo de reproducción continua esté activado.

- **Todos los discos aleatoriamente (ALL DISC, CONTINUE, RANDOM)**
Presione el botón RANDOM en el modo de reproducción continua para seleccionar aleatoriamente y reproducir las pistas de todos los CD en el cambiador.

Notes:

- Que cierta pista sea reproducida varias veces durante la reproducción aleatoria no es una falla.
- La reproducción aleatoria de todos los discos no funciona cuando hay un portadisco de CD abierto que no sea el que se está reproduciendo.

Riproduzione ripetuta (Utilizzando l'unità di telecomando)

Premere il tasto REPEAT prima o durante la riproduzione. E' possibile ripetere la riproduzione di un brano, di un CD o di tutti i CD contenuti nel lettore multiplo.

Ad ogni pressione del tasto REPEAT, il modo di riproduzione cambia da quello di un singolo brano (⇐), a quello di tutti i brani (⇐ ALL) a quello di cancellazione.



- **Ripetizione di un singolo brano (⇐)**
Il brano attuale o da voi indicato viene riprodotto ripetutamente.

- **Ripetizione di tutto il CD (⇐ ALL)**
Tutti i brani del CD attuale o programmato vengono riprodotti ripetutamente.

- **Ripetizione di tutti i CD (ALL DISC, CONTINUE, ⇐ ALL)**
Se il tasto CONTINUE viene premuto nel modo "⇐ ALL", la riproduzione del CD inizia dal brano attualmente in riproduzione o da un brano specificato, quindi tutti i brani del CD vengono riprodotti più volte.

Riproduzione casuale (Utilizzando l'unità di telecomando)

Premere il tasto RANDOM prima o durante la riproduzione. E' possibile eseguire la riproduzione casuale di uno o di tutti i CD.

- **Riproduzione casuale di un solo CD (RANDOM)**
Premere il tasto RANDOM per riprodurre in ordine casuale i brani del CD al momento riprodotto o programmato, salvo nel modo di riproduzione continua.

- **Riproduzione casuale di tutti i CD (ALL DISC, CONTINUE, RANDOM)**
Premere il tasto RANDOM nel corso del modo di riproduzione continua per riprodurre in ordine casuale i brani del CD caricati nel lettore multiplo.

Note:

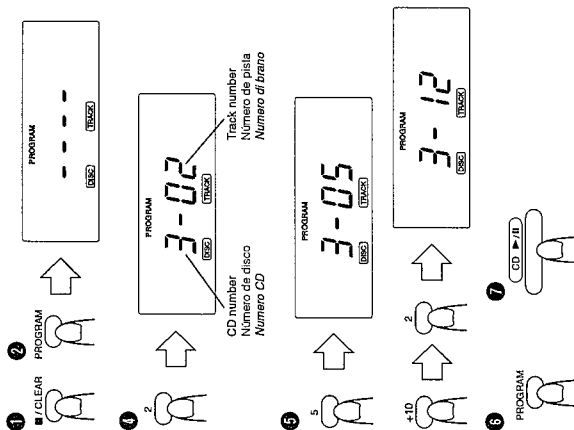
- Può accadere che nel corso della riproduzione casuale un brano venga riprodotto più volte.
- Se viene aperto un piatto portadisco diverso da quello, al momento in riproduzione, la riproduzione casuale di tutti i CD non funziona.

Programmed play (using the remote control unit)

- Up to 20 tracks can be programmed to be played in any required order from one CD or all CDs in the CD changer.

Example: (CD containing more than 12 tracks)

Example 1: Programming tracks from disc 3 (tracks 2, 5, and 12).

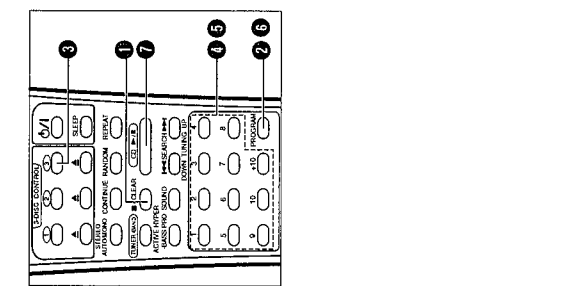


Reproducción programada (utilizando la unidad de control remoto)

- Es posible programar un máximo de 20 pistas para reproducirlas en cualquier orden deseado, de un CD o de todos los CD en el cambiador.

Ejemplo: (CD conteniendo más de 12 pistas)

Ejemplo 1: Programación de pistas del disco 3 (pistas 2, 5, y 12).

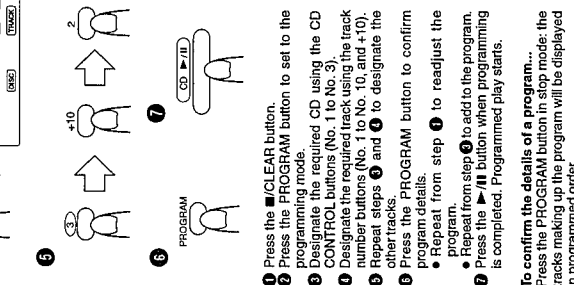


Riproduzione programmata (utilizzando l'unità di telecomando)

- Si possono programare sino a 20 brani presi da uno o più CD e da riprodurre in qualsiasi ordine.

Esempio: (CD contenente più di 12 brani)

Esempio 1: Programmazione di brani dal disco 3 (brani 2, 5, e 12).

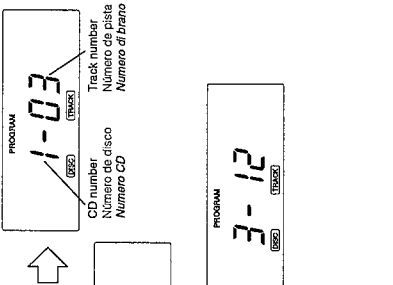


Example 2: Programming tracks from 2 or more CDs in the following order: disc 1 (track 6), and disc 3 (track 12).

- La programación es posible aunque haya un portadisco de CD abierto. (Las pistas del CD pueden ser confirmadas en las etiquetas visibles.)
- Las pistas programadas no se borran si se abre el portadisco de CD.
- Durante la reproducción programada de más de 2 CD, si hay un portadisco de CD abierto, la reproducción programada no funcionará.

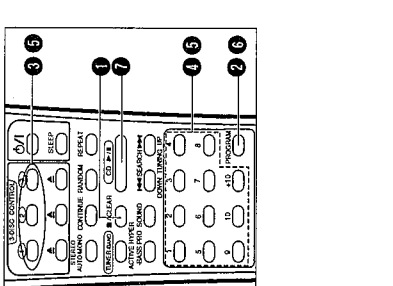
Ejemplo 2: Programación de pistas de 2 o más CD en el siguiente orden: disco 1 (pista 3), disco 1 (pista 6), y disco 3 (pista 12).

- La programación es posible aunque haya un portadisco de CD abierto. (Las pistas del CD pueden ser confirmadas en las etiquetas visibles.)
- Las pistas programadas no se borran si se abre el portadisco de CD.
- Durante la reproducción programada de más de 2 CD, si hay un portadisco de CD abierto, la reproducción programada no funcionará.



Esempio 2: Programmazione di brani da 2 o più CD nell'ordine CD 1 (brano 3), CD 1 (brano 6) e CD 3 (brano 12).

- La programmazione è possibile solo se un piatto portadisco è aperto (i brani del CD possono venire controllati guardando l'etichetta che è visibile).
- I brani programmati non vengono cancellati dalla memoria neppure aprendo un piatto portadisco.
- Durante la riproduzione programmata da 2 CD o più, se il piatto portadisco viene aperto la riproduzione programmata non ha luogo.



- 1 Press the CLEAR button.
- 2 Press the PROGRAM button to set to the programming mode.
- 3 Designate the required CD using the CD CONTROL buttons (No. 1 to No. 3).
- 4 Designate the required track using the track number buttons (No. 1 to No. 10, +10).
- 5 Repeat steps 3 and 4 to designate the other tracks.
- 6 Press the PROGRAM button to confirm program details.
 - Repeat from step 1 to readjust the program.
 - Repeat from step 2 to add to the program.
- 7 Press the CD > II button when programming is completed. Programmed play starts.

- 1 Presione el botón CLEAR.
- 2 Para activar el modo de programación, presione el botón PROGRAM.
- 3 Seleccione el CD deseado utilizando los botones (No. 1 a No. 3) de CD CONTROL.
- 4 Seleccione la pista deseada utilizando los botones (No. 1 a No. 10, +10) de número de pista.
- 5 Repita los pasos 3 y 4 para seleccionar otras pistas.
- 6 Presione el botón PROGRAM para confirmar los detalles del programa.
 - Repita desde el paso 1 para reajustar el programa.
 - Repita desde el paso 2 para agregar al programa.
- 7 Cuando termine la programación presione el botón > II. Se inicia la reproducción programada.

- 1 Premere il tasto CLEAR.
- 2 Premere il tasto PROGRAM per impostare il modo di programmazione.
- 3 Premere il tasto No. 3 CD CONTROL.
- 4 Designare il numero di brano desiderato con i tasti numerici.
- 5 Designare le piste rimanenti premendo i botones de numero de pista.
- 6 Premere el botón PROGRAM para confirmar los detalles del programa.
 - Repetir desde el paso 1 para reajustar el programa.
 - Repetir desde el paso 2 para agregar al programa.
- 7 Premere il tasto > II quando la riproduzione programmata si avvia.

- 1 Presione el botón CLEAR.
- 2 Para activar el modo de programación, presione el botón PROGRAM.
- 3 Seleccione el CD deseado utilizando los botones (No. 1 a No. 3) de CD CONTROL.
- 4 Seleccione la pista deseada utilizando los botones (No. 1 a No. 10, +10) de número de pista.
- 5 Repita los pasos 3 y 4 para seleccionar otras pistas.
- 6 Presione el botón PROGRAM para confirmar los detalles del programa.
 - Repita desde el paso 1 para reajustar el programa.
 - Repita desde el paso 2 para agregar al programa.
- 7 Cuando termine la programación presione el botón > II. Se inicia la reproducción programada.

- 1 Premere il tasto CLEAR.
- 2 Premere il tasto PROGRAM per impostare il modo di programmazione.
- 3 Indicare il CD desiderato con i tasti CD CONTROL (dal No. 1 al No. 3).
- 4 Selezionare il brano desiderato utilizzando i tasti numerici (da 1 a 10 e +10).
- 5 Ripetere le fasi 3 e 4 per selezionare gli altri brani.
- 6 Premere il tasto PROGRAM per controllare i dettagli del programma.
 - Ripetere dalla fase 1 per reimpostare il modo di programmazione.
 - Ripetere dalla fase 2 per eseguire aggiunte al programma.
- 7 Premere il tasto > II quando la riproduzione programmata si avvia.

To confirm the details of a program...
 Press the PROGRAM button in stop mode: the tracks making up the program will be displayed in programmed order.
To clear the programmed tracks ...
 Press the CLEAR button before playing a CD. During programmed play, press this button twice.

Notes:
 • Programming is possible even when a CD tray is open. (The tracks on the CD can be confirmed as the labels are visible).
 • CD trays and tracks are not cleared even if the CD tray is open.
 • During programmed play from more than 2 CDs, if a CD tray is open, programmed play will not function.

Para confirmar los detalles de un programa ...
 Presione el botón PROGRAM en el modo de parada: las pistas que componen el programa aparecerán indicadas en el orden programado.
Para borrar las pistas programadas...
 Presione el botón CLEAR antes de reproducir el CD. Durante la reproducción programada presione este botón dos veces.

Notes:
 • La programación es posible aunque haya un portadisco de CD abierto. (Las pistas del CD pueden ser confirmadas en las etiquetas visibles.)
 • Las pistas programadas no se borran si se abre el portadisco de CD.
 • Durante la reproducción programada de más de 2 CD, si hay un portadisco de CD abierto, la reproducción programada no funcionará.

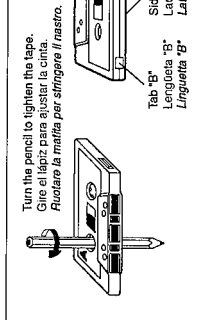
Para confirmar los detalles de un programa ...
 Presione el botón PROGRAM en el modo de parada: las pistas que componen el programa aparecerán indicadas en el orden programado.
Para borrar las pistas programadas...
 Presione el botón CLEAR antes de reproducir el CD. Durante la reproducción programada presione este botón dos veces.

Note:
 • La programmazione è possibile solo se un piatto portadisco è aperto (i brani del CD possono venire controllati guardando l'etichetta che è visibile).
 • I brani programmati non vengono cancellati dalla memoria neppure aprendo un piatto portadisco.
 • Durante la riproduzione programmata da 2 CD o più, se il piatto portadisco viene aperto la riproduzione programmata non ha luogo.

HANDLING CASSETTE TAPES

- Cassette tapes**
- Loose tape may cause trouble. Using a pencil or like object, gently tighten the tape as shown.
 - To prevent recordings from being erased accidentally, remove the tab(s) with a screwdriver, etc. Reseal the slots after adhesive tape to erase and re-record after the tabs have been removed.
 - C-120 cassettes are not recommended because they are prone to malfunction.

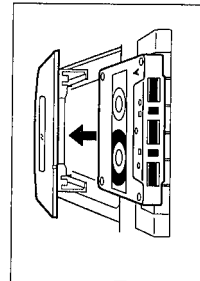
- Cassette loading**
- Press the **STOP/EJECT** button to open the cassette holder.
 - Load a cassette as shown.
 - Close the cassette holder by pressing it gently. Listen for the click indicating that the holder is securely shut.



MANIPULACION DE CASSETTES DE CINTA

- Cassettes de cinta**
- La cinta floja puede causar problemas. Utilice un lápiz u otro objeto similar y tense suavemente la cinta tal como se muestra.
 - Para evitar borros grabaciones accidentales, quite las lengüetas con un destornillador, etc. Para borrar la cinta después de haber extraído las lengüetas, selle las ranuras con cinta adhesiva.
 - No se recomienda el uso de cassettes C-120 porque tienen tendencia a fallar.

- Colocación de cassettes**
- Presione el botón **STOP/EJECT** para abrir el portacassette.
 - Extraiga el cassette como se muestra.
 - Cierre el portacassette presionándolo suavemente. Cuando oiga un "click" ello indica que el portacassette está correctamente cerrado.



MANEGGIO DEI NASTRI A CASSETTA

- Nastri a cassetta**
- Nastri allentati possono causare problemi. Effettuare l'allentamento del nastro come illustrato, utilizzando un lapis o di un oggetto simile.
 - Per evitare la cancellazione accidentale di registrazioni, rimuovere le linguette con un cacciavite o un oggetto simile. Per cancellare o registrare nuovamente il nastro, coprire i fori con nastro adesivo.
 - Si raccomanda di non utilizzare cassette C-120 in quanto queste possono causare problemi.

- Inserimento cassette**
- Premere il tasto **STOP/EJECT** per aprire il vano portacassetta.
 - Inserire una cassetta come indicato.
 - Chiudere il vano portacassetta premendo gentilmente su di esso. Accertarsi di udire lo scatto che indica la sua chiusura.

CASSETTE PLAYBACK

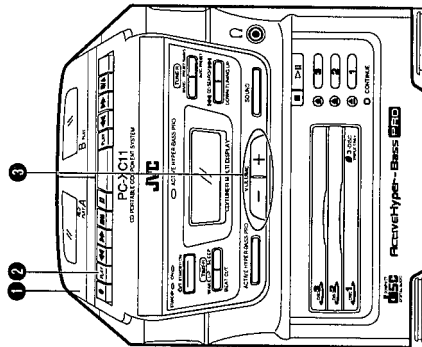
Operate in the order shown

REPRODUCCION DE CASSETTES

Operate en el orden mostrado

RIPRODUZIONE DI CASSETTE

Eseguire le operazioni nell'ordine indicato



- Load a cassette tape with side A facing up.
- Press to start playback. (The power is switched on and the TAPE mode is engaged to start tape playback.)
- When battery power is used, switch on the **OV/1** button first, then perform operations. Adjust.

- Coloque un cassette con la cara A apuntando hacia arriba.
- Presione el botón **PLAY** para iniciar la reproducción. (Se conecta la alimentación y se activa el modo TAPE para iniciar la reproducción de la cinta.)
- Cuando se utiliza la alimentación de la pila, primero conecte **ON** el botón **OV/1** y efectúe las operaciones después. Ajuste.

- Inserire una cassetta col lato A in alto.
- Premere il tasto di riproduzione. (L'unità si attiva e il modo TAPE viene impostato.)
- Quando si utilizza la batteria, portare prima il tasto **OV/1** su **ON** e quindi eseguire le operazioni. Regolare.

Note:

- Cuando se conecta la alimentación y la cinta está siendo transportada, los botones de operación del cassette que fueron presionados no vuelven a sus posiciones originales. Presione el botón **STOP/EJECT** para detener la cinta antes de desconectar la alimentación.

Note:

- Quando l'alimentazione viene disattivata mentre il nastro sta scorrendo, i tasti di funzionamento del registratore a cassette che sono stati premuti non ritornano nella loro posizione originale. Premere il tasto **STOP/EJECT** per interrompere lo scorrimento del nastro prima di disattivare l'alimentazione.

RELAY PLAYBACK (FROM DECK B TO DECK A)

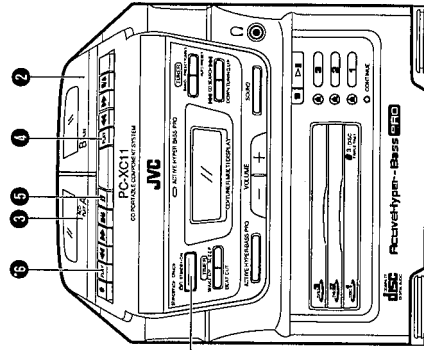


Operate in the order shown

REPRODUCCION POR RELEVO (DE LA PLATINA B A LA PLATINA A)

RIPRODUZIONE CONTINUA (DAL DECK B AL DECK A)

Agire nell'ordine seguente.



- Set the **OV/1** button to **ON**.
- Load a cassette.
- Load another cassette.
- Press the **PLAY** button on Deck B.
- Press the **PAUSE** button.
- Press the **PLAY** button on Deck A.

- When Deck B stops, Deck A's pause mode will be released and it will start playback. When Deck A stops automatically, relay playback will be released.

- Coloque el botón **OV/1** en **ON**.
- Coloque una cassette.
- Coloque otra cassette.
- Presione el botón **PLAY** en la platina B.
- Presione el botón **PAUSE**.
- Presione el botón **PLAY** en la platina A.

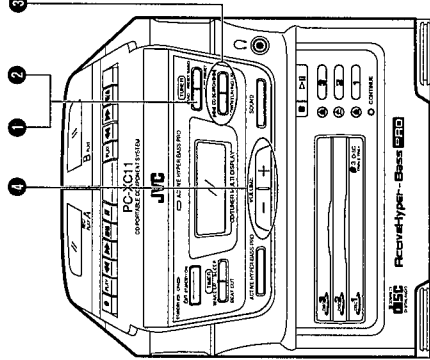
- Cuando la platina B para, el modo de pausa de la platina A es desactivado y se inicia la reproducción. Cuando la Platina A para automáticamente, se desactiva la reproducción alternada.

- Portare il tasto **OV/1** su **ON**.
- Inserire una cassetta.
- Inserire un'altra cassetta.
- Premere il tasto **PLAY** del Deck B.
- Premere il tasto **PAUSE**.
- Premere il tasto **PLAY** del Deck A.

- Quando il Deck B si arresta, la modalità di pausa del Deck A viene disattivata e il deck inizia la riproduzione. Quando il Deck A si arresta automaticamente, la riproduzione continua ha termine.

RADIO RECEPTION

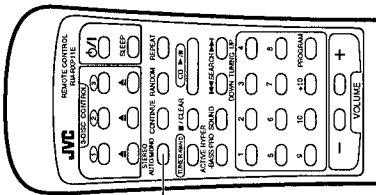
Operate in the order shown



Operare in el orden mostrardo

RADIORRECEPCION

Eseguire le operazioni nell'ordine indicato



STEREO AUTO/MONO button
Botón STEREO AUTOMONO
Tasto STEREO AUTOMONO

- 1 Press the TUNER BAND button.
- 2 The unit switches to the selected band and radio frequency will be shown in the display.
- 3 When battery power is used, switch on the ON/OFF button first, then perform operations.
- 4 Select the band.
- 5 Tune to the required station.
- 6 Adjust.

- 1 Presione el botón TUNER BAND.
- 2 Si se conecta la alimentación y aparecen los números de la frecuencia de la estación de radio.
- 3 Cuando se utiliza la alimentación de la pila, primero conecte ON el botón ON/OFF, efectúe las operaciones después.
- 4 Seleccione la banda.
- 5 Sintonice la estación deseada.
- 6 Ajuste.

- 1 Premere il tasto TUNER BAND.
- 2 Il sistema si accende e sul display viene mostrata la frequenza della stazione radio.
- 3 Quando si utilizza la alimentazione della pila, prima il tasto ON/OFF su ON e quindi eseguire le operazioni.
- 4 Selezionare la banda.
- 5 Sintonizzare la stazione desiderata.
- 6 Regolare.

STEREO AUTO/MONO button (using the remote control unit)

Auto mode:
Set to this position when listening to or recording an FM stereo broadcast. The STEREO indicator lights when the FM stereo broadcast is received.

MONO:
Set to this position when FM stereo reception is noisy.
When another station is tuned to in the MONO mode, the unit automatically enters Auto mode.

Seek tuning

Press the UP or DOWN button for one second or more. The unit enters the seek tuning mode to tune in the nearest station automatically, so the broadcast can be heard.

Botón STEREO AUTOMONO (utilizando la unidad de control remoto)

Modo automático:
Colóquelo en esta posición cuando escucha o graba una radiodifusión estéreo de FM. El indicador STEREO se enciende cuando se recibe una radiodifusión estéreo de FM.

MONO:
Colóquelo en esta posición cuando la recepción estéreo de FM tenga ruido. Si se sintoniza otra estación en el modo MONO, la unidad ingresa automáticamente en el modo automático.

Búsqueda de sintonía

Presione el botón UP o DOWN durante un segundo o más. La unidad ingresa en el modo de búsqueda de sintonía automáticamente a la estación más próxima y por eso se escucha la radiodifusión.

Tasto STEREO AUTOMONO (utilizzando l'unità di telecomando)

Modo auto:
Impostare questa posizione quando si ascolta o si registra una trasmissione FM stereo. L'Indicatore del modo STEREO si accende quando la trasmissione ricevuta è in stereo.

MONO:
Impostare questa posizione quando la ricezione FM è disturbata.
Quando un'altra stazione viene sintonizzata nel modo MONO, l'unità entra automaticamente nel modo automatico.

Sintonizzazione con ricerca

Premere il tasto UP o DOWN per un secondo o più. L'unità entra nel modo di sintonizzazione con ricerca per sintonizzarsi automaticamente sulla stazione più vicina in modo da poter udire la trasmissione.

Sintonización manual

Cada vez que se presiona el botón UP o DOWN, la unidad pasa a través de la banda de frecuencia actual. La sintonización es efectuada en pasos de 50 kHz para FM y de 9 kHz para AM.



Press to move to higher frequencies.
Presione para aumentar la frecuencia.
Premere per aumentare la frequenza.

Sintonizzazione manuale

Ogni volta che il tasto UP o DOWN viene premuto, la frequenza cambia all'interno della banda corrente. La sintonizzazione viene eseguita in passi di 50 kHz in FM e 9 kHz in AM.

Notes:

- Cuando la búsqueda de sintonía de la estación deseada no es posible porque la señal de radiodifusión es demasiado débil, presione el botón UP o DOWN por un momento para efectuar la sintonización manual.
- Cuando se coloca la alimentación en STANDBY, u otro modo (TAPE o CD), la última frecuencia sintonizada queda almacenada en memoria. Cuando conecta el TUNER BAND, la unidad sintoniza la misma estación.
- Después de conmutar al modo TUNER mientras el cambiador de CD cambia el CD durante la reproducción, hay un retardo momentáneo hasta que se escucha la radio.
- El presionar el botón de aberturachisura (A) del portadisco de CD mientras escucha la radio, activa el modo de CD en la unidad.

Notes:

- When seek tuning to the required station is not possible because the broadcast signal is too weak, press the UP or DOWN button momentarily to perform manual tuning.
- When the power is set to STANDBY, or another mode (TAPE or CD) is selected, the last tuned frequency is stored in memory. When the power is switched on again and TUNER BAND button is pressed, the same station will be tuned.
- After switching the mode to TUNER while the CD changer changes the CD during CD playback, there is a momentary delay until the radio can be heard.
- While listening to the radio, pressing one of the CD tray open/close buttons (A) changes the unit to the CD mode.

Auto preset tuning

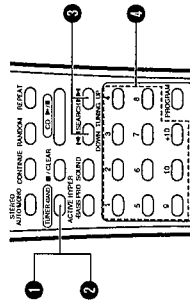
This function scans the current band, detecting frequencies used to broadcast signals, and stores the first 15 frequencies in memory automatically.

- Press the AUTO PRESET button for more than 2 seconds. The frequencies of stations broadcasting signals can be stored in memory automatically in the order of increasing frequency. (15 stations in each band.)

Presetting stations (using the remote control unit)

15 stations in each band can be preset as follows:

- Example: (Presetting an FM station broadcasting on 103.5 MHz to preset button "15")



- 1 Press the TUNER BAND button.
- 2 Select the FM band using the TUNER BAND button.
- 3 Tune to the required station.
- 4 Press preset button "15", then "5" for more than 2 sec.
- 5 When "15" blinks in the preset station display, the station has been stored.

Sintonización programada automática

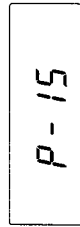
Esta función busca la banda actual, detectando frecuencias usadas para señales de radiodifusión y almacena automáticamente en memoria las primeras 15 frecuencias.

- Presione el botón AUTO PRESET durante más de 2 segundos. Las frecuencias de las emisoras emitiendo señales de radiodifusión pueden ser almacenadas en memoria automáticamente en orden de frecuencia creciente. (15 estaciones en cada banda.)

Presintonización de estaciones (utilizando la unidad de control remoto)

Es posible presintonizar 15 estaciones en cada banda de la siguiente forma:

- Ejemplo: (Presintonización de la radiodifusión de una estación de FM en 103.5 MHz en el botón "15" de presintonización)



- 1 Presione el botón TUNER BAND.
- 2 Seleccione la banda de FM utilizando el botón TUNER BAND.
- 3 Sintonice la estación deseada.
- 4 Presione el botón "15" de presintonización y luego el "5" durante más de 2 segundos. (Cuando el "15" parpadea en la indicación de estación presintonizada, ésta ha sido registrada.)

Sintonizzazione con preselezione automatica

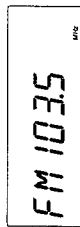
Questa funzione esegue la ricerca nella banda utilizzata rilevando le frequenze utilizzate per le trasmissioni e quindi memorizza automaticamente le prime 15 frequenze.

- Premere il tasto AUTO PRESET per più di 2 secondi. Le frequenze delle stazioni che trasmettono segnali possono essere memorizzate automaticamente nell'ordine di frequenza crescente. (15 stazioni per banda.)

Presetelezione delle stazioni (utilizzando l'unità di telecomando)

15 stazioni per ciascuna banda possono essere preselezionate nel modo seguente:

- Esempio: (Per preselezionare una stazione FM che trasmette sul 103.5 MHz nel tasto di preselezione numero "15")



- 1 Premere il tasto TUNER BAND.
- 2 Selezionare la banda FM utilizzando il tasto TUNER BAND.
- 3 Sintonizzare la stazione desiderata.
- 4 Premere il tasto di preselezione "+10" e quindi quello "5" per oltre 2 secondi. (Quando la cifra "15" lampeggia sul display di preselezione, la stazione è preselezionata.)

REGISTRACION

GRABACION

RECORDING



- Repetere la procedura sopraindicata per ciascuna stazione desiderata utilizzando ogni volta un nastro di preselezione diverso.
- Ripetere la procedura sopraindicata per l'altra banda.
- Per cambiare le stazioni preselezionate Eseguire la fase 4 dopo aver sintonizzato la nuova stazione desiderata.

Note:

- Quando si memorizza una nuova stazione, la stazione memorizzata in precedenza viene cancellata in quanto la frequenza della nuova stazione sostituisce quella memorizzata. In caso di cancellazione di una trasmissione AM, si possono udire dei disturbi se viene utilizzato il telecomando.

- Tutte le stazioni preselezionate vengono cancellate se il cavo di alimentazione viene cancellato oppure se si verifica un'interruzione di corrente per più di 24 ore. In tali casi eseguire nuovamente la memorizzazione delle stazioni.

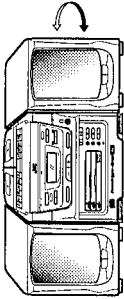
Sintonizzazione stazioni preselezionate

- Le stazioni devono essere preselezionate prima di poter eseguire questa operazione.

- (Uso dell'unità principale)**
- 1 Premere il tasto TUNER/BAND.
 - 2 Scegliere la banda di frequenza col tasto TUNER/BAND.
 - 3 Premere il tasto PRESET TUNING per scegliere la stazione preselezionata desiderata.

- (Utilizzando l'unità di telecomando)**
- 1 Premere il tasto TUNER/BAND.
 - 2 Selezionare la banda utilizzando il tasto TUNER/BAND.
 - 3 Premere il tasto della stazione preselezionata desiderata (No. 1 - No. 10 y +10).
- Il numero della stazione preselezionata e la frequenza corrispondenti al tasto premuto vengono visualizzati.

Uso delle antenne



Note:
L'antenna in ferrite incorporata può raccogliere interferenze da televisioni vicini con conseguenti disturbi nella ricezione AM.

- Ripete el procedimiento de arriba para cada una de las otras estaciones, utilizando un botón de preselección diferente para cada estación.
- Repita el procedimiento de arriba para la otra banda.
- Cambio de estaciones preseleccionadas Ejecute el paso 4 de arriba después de sintonizar la estación deseada.

Note:

- La estación previamente almacenada se borra cuando se almacena otra estación, ya que la frecuencia de la nueva estación sustituye a la frecuencia anterior almacenada. En caso de cancelación de una transmisión AM, es posible que se escuchen ruidos si se utiliza la unidad de control remoto.

- Todas las estaciones preseleccionadas se borran cuando se desconecta el cable de alimentación u ocurre un corte de energía de más de 24 horas. En tales casos almacenar las estaciones otra vez.

- All preset stations will be erased when the power cord is disconnected or a power failure occurs for more than 24 hours. In such cases, store the stations again.

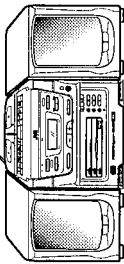
Presintonización

- Las estaciones deben ser presintonizadas antes de que se pueda ejecutar esta operación.

- (Utilizando la unidad principal)**
- 1 Presione el botón TUNER/BAND.
 - 2 Seleccione la banda utilizando el botón TUNER/BAND.
 - 3 Presione el botón PRESET TUNING para seleccionar la estación presintonizada deseada.

- (Utilizando la unidad de control remoto)**
- 1 Presione el botón TUNER/BAND.
 - 2 Seleccione la banda utilizando el botón TUNER/BAND.
 - 3 Presione los botones (No. 1 - No. 10 y +10) de la estación presintonizada deseada.
- En el visor aparecen el número de estación preseleccionada y la frecuencia correspondiente al botón presionado.

Utilización de antenas



Note:
El núcleo incorporado de la antena de ferrita puede captar interferencia de receptores de televisión de TV vecindad y disturbando la recepción de AM.

- Repeat the above procedure for each of the other stations, using a different preset button each time.
- Repeat the above procedure for the other band.
- To change preset stations Perform step 4 above after tuning to the required station.

Note:

- The previous stored station is erased when a station is stored, because the new station frequency replaces the previous frequency. In case of cancellation of an AM broadcast, noise may be heard if the remote control unit is used.

- All preset stations will be erased when the power cord is disconnected or a power failure occurs for more than 24 hours. In such cases, store the stations again.

- All preset stations will be erased when the power cord is disconnected or a power failure occurs for more than 24 hours. In such cases, store the stations again.

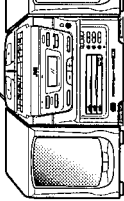
Preset tuning

- The stations must be preset before this operation can be performed.

- (Using the main unit)**
- 1 Press the TUNER/BAND button.
 - 2 Select the band using the TUNER/BAND button.
 - 3 Press the PRESET TUNING button to select the required preset station.

- (Using the remote control unit)**
- 1 Press the TUNER/BAND button.
 - 2 Select the band using the TUNER/BAND button.
 - 3 Press the required preset station buttons (No. 1 - No. 10 and +10).
- The preset station number and frequency corresponding to the button pressed are shown.

Using the antennas



Note:
The built-in ferrite core antenna can pick up interference from television receivers in the neighborhood and thereby disturb AM reception.

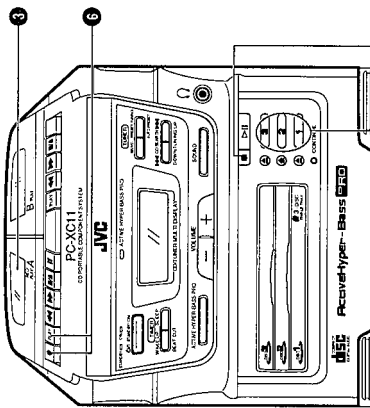
- Durante la grabación, el circuito ALC (control automático de nivel), optimiza automáticamente el nivel de grabación, haciendo necesario el ajuste manual del nivel de grabación.
- Verifique que la lengüeta de seguridad del cassette de cinta no esté rota.

Note:
Esta unidad tiene características de grabación/reproducción adecuadas para cintas normales. Las cintas normales tienen diferentes características que las cintas de CrO₂ y de metal.

Grabación sincronizada con el reproductor de CD

- En este sistema el reproductor de CD inicia la reproducción cuando la platina de cassette ingresa en el modo de grabación.

Operar en el orden mostrado



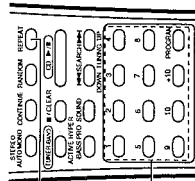
- 1 Presione el botón CD CONTROL correspondiente al CD que va a grabar.
- 2 Presione el botón para activar el modo de parada.
- 3 Coloque un cassette con el lado A apuntando hacia arriba. (Antes de iniciar la grabación, bobine la cinta hasta el fin del segmento que no puede ser grabado.)
- 4 Cuando desee la reproducción programada, programe las pistas deseadas utilizando el controlador remoto. (Ver página 24.)
- 5 Seleccione las pistas con un tiempo total de reproducción que no exceda la longitud de la cinta (refiérase a las notas en la envoltura).
- 6 Cuando graba un CD en el modo de grabación con repetida, ajuste como sea necesario el botón REC y el botón PLAY; se iniciará la grabación sincronizada (Se enciende la luz indicadora de grabación.)

- 1 Premere il tasto CD CONTROL corrispondente al CD da registrare.
- 2 Premere il tasto per impostare il modo di arresto.
- 3 Inserire una cassetta col lato A rivolto verso l'alto. (Avvolgere il nastro oltre la porzione guida prima di avviare la registrazione.)
- 4 Per la riproduzione programmata, programmare i brani richiesti col telecomando. (Consultare a proposito pag. 24.)
- 5 La durata complessiva dei brani scelti non deve superare quella del nastro. (Consultare in proposito la copertina del CD.)
- 6 Per registrare un CD nel modo di ripetizione della riproduzione seguire queste istruzioni. Premere il tasto REC ed il tasto PLAY; la registrazione sincronizzata inizia. (L'indicazione di registrazione si illumina.)

Registrazione sincronizzata col lettore CD

- In questo modo di funzionamento, il lettore CD inizia a riprodurre quando il registratore entra nel modo di registrazione.

Eseguire le operazioni nell'ordine indicato



- 1 Presione el botón CD CONTROL correspondiente al CD que va a grabar.
- 2 Presione el botón para activar el modo de parada.
- 3 Coloque un cassette con el lado A apuntando hacia arriba. (Antes de iniciar la grabación, bobine la cinta hasta el fin del segmento que no puede ser grabado.)
- 4 Cuando desee la reproducción programada, programe las pistas deseadas utilizando el controlador remoto. (Ver página 24.)
- 5 Seleccione las pistas con un tiempo total de reproducción que no exceda la longitud de la cinta (refiérase a las notas en la envoltura).
- 6 Cuando graba un CD en el modo de grabación con repetida, ajuste como sea necesario el botón REC y el botón PLAY; se iniciará la grabación sincronizada (Se enciende la luz indicadora de grabación.)

- 1 Premere il tasto CD CONTROL corrispondente al CD da registrare.
- 2 Premere il tasto per impostare il modo di arresto.
- 3 Inserire una cassetta col lato A rivolto verso l'alto. (Avvolgere il nastro oltre la porzione guida prima di avviare la registrazione.)
- 4 Per la riproduzione programmata, programmare i brani richiesti col telecomando. (Consultare a proposito pag. 24.)
- 5 La durata complessiva dei brani scelti non deve superare quella del nastro. (Consultare in proposito la copertina del CD.)
- 6 Per registrare un CD nel modo di ripetizione della riproduzione seguire queste istruzioni. Premere il tasto REC ed il tasto PLAY; la registrazione sincronizzata inizia. (L'indicazione di registrazione si illumina.)

- Non-recorded sections of approx. 4 seconds are automatically left between tunes.
- When the tape reaches the end first, the CD player stops automatically, when the CD player stops first, the tape continues running. In this case, press the **STOP/EJECT** button to stop the tape.
- Before CD synchro recording of CD continuous play, press the **CONTINUE** button. (See page 21.)

Notes:

- During CD synchro recording, the **▶▶** and **◀◀** buttons do not function.
- When CD synchro recording is performed using more than one CD, there will be a little blank space while the CDs change.

When non-recorded section between tunes is not required...
Perform the following after finishing the previous operation (1 to 6).

- 1 Press the **▶▶** button of the CD player twice. The CD player enters the pause mode.
- 2 Press the **REC** and **▶** PLAY buttons. Now, the CD player starts play simultaneously.

Note:

- Depending on the CD used, non-recorded sections of different lengths may be left between tunes.

Recording from the radio
Operate in the order shown

- En la cinta quedan automáticamente sin grabar secciones de 4 segundos aprox.
- Cuando la cinta llega al fin, el reproductor de CD para automáticamente; cuando el reproductor de CD para primero, la cinta continúa girando. En este caso, presione el botón **STOP/EJECT** para detener la cinta.
- Antes de la grabación sincronizada de CD con reproducción continuada de CD, presione el botón **CONTINUE**. (Ver página 21.)

Notes:

- Durante la grabación sincronizada de CD los botones **▶▶** (**▶▶**) y **◀◀** (**◀◀**) no funcionan.
- Cuando la grabación de CD se sincroniza con CD, habrá un pequeño espacio sin grabar mientras los CD cambian.

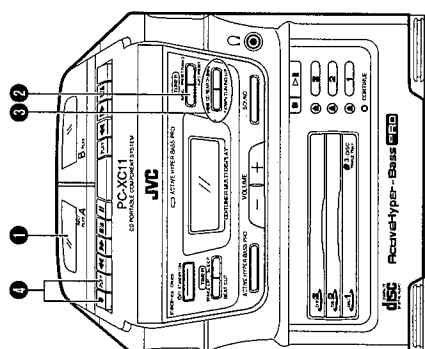
Cuando no es necesario dejar espacios sin grabar entre músicas...
Efectúe lo siguiente después de terminar la operación anterior (1 a 6).

- 1 Presione dos veces el botón **▶▶** del reproductor de CD. El reproductor ingresa en el modo de pausa.
- 2 Presione los botones **REC** y **▶** PLAY. Ahora el reproductor de CD inicia la reproducción simultáneamente.

Note:

- Dependiendo del CD utilizado es posible dejar entre músicas secciones sin grabar de diferentes longitudes.

Grabación desde la radio
Operate in the order shown



- 1 Coloque un cassette.
 - 2 Presione el botón **TUNER/BAND**.
 - 3 Sintonice la estación deseada.
 - 4 Presione el botón **REC** conjuntamente con el botón **▶** PLAY.
- Para para la grabación temporalmente, presione el botón **▶▶** PAUSE. Para continuar la grabación, presione otra vez el botón **▶▶** PAUSE.

- Degli spazi non registrati da circa 4 secondi vengono creati automaticamente tra i brani.
- Quando la fine del nastro viene raggiunta per prima, il lettore CD si ferma automaticamente; quando viene raggiunta per prima la fine del CD, il nastro continua a scorrere. In questo caso, premere il tasto **STOP/EJECT** per fermare il nastro.
- Per registrare con la registrazione sincronizzata più CD riprodotti di seguito, premere il tasto **CONTINUE**. (Consigliare a proposito pag. 21.)

Note:

- Durante la registrazione sincronizzata di CD, i tasti **▶▶** (**▶▶**) e **◀◀** (**◀◀**) non funzionano.
- Quando la registrazione sincronizzata di CD viene raggiunta per prima, il nastro continua a scorrere utilizzando più di due CD, ci sarà un breve spazio non registrato durante il cambio del CD.

Cuando uno espacio no registrado tra i brani non è necessario...
Eseguire quanto indicato dopo aver completato le operazioni precedenti (da 1 a 6).

- 1 Premere due volte il tasto **▶▶** del lettore CD. Il lettore CD entra nel modo di pausa.
- 2 Premere i tasti **REC** e **▶** PLAY. Il lettore CD inizia la riproduzione sincronizzata.

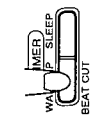
Note:

- A seconda del CD utilizzato, degli spazi non registrati di lunghezza diversa possono essere lasciati tra i brani.

Registrazione dalla radio
Eseguire le operazioni nell'ordine indicato

BEAT CUT button

When recording an AM broadcast, beats may be produced which are not heard when listening to the broadcast. In this case, press this button after the deck is set to the recording mode so that beats are not recorded. This button should normally be set to "CUT-1".



Botón BEAT CUT

Cuando graba una radiodifusión AM, puede producirse balido inaudible cuando escucha la radiodifusión. En este caso, presione este botón después de activar el modo de grabación en la platina, de tal manera de eliminar los balidos. Este botón debe estar normalmente colocado en "CUT-1".

Tasto BEAT CUT

Durante la registrazione di una trasmissione AM, si possono verificare dei battimenti che non si sentono mentre si ascolta la trasmissione stessa. In tali casi, premere questo tasto dopo aver impostato il modo di registrazione in modo da eliminare i battimenti, impostare normalmente questo tasto su "CUT-1".

TAPE DUBBING (SYNCHRO START DUBBING)

Normal-speed dubbing from Deck B to Deck A can be performed.

Operate in the order shown

COPIA DE CINTA (COPIA CON INICIO SINCRONIZADO)

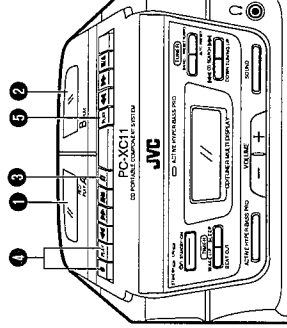
Es posible copiar de la platina B a la platina A a velocidad normal.

Opere en el orden mostrado

DUPLICAZIONE DI UN NASTRO (DUPLICAZIONE DI UN NASTRO SINCRONIZZATO)

Si può effettuare la duplicazione a velocità normale dal Deck B al Deck A.

Agire nell'ordine seguente.



BEAT CUT button

When recording an AM broadcast, beats may be produced which are not heard when listening to the broadcast. In this case, press this button after the deck is set to the recording mode so that beats are not recorded. This button should normally be set to "CUT-1".

- 1 Load a cassette for recording. (Refer to the notes on page 31.)
- 2 Load a recorded cassette.
- 3 Lightly press the **▶** PLAY button to set to the TAPE mode. (The button should not be locked.)
- 4 Press the **▶▶** PAUSE button.
- 5 Press the **REC** and **▶** PLAY buttons together. (Record-pause mode.)
- 6 Press the **▶** PLAY button. (Synchronized dubbing will start.)

Note:

- With DECK A in the record-pause mode, the **▶▶** PAUSE button is released when Deck B enters the stop mode.

Erasing

A recorded tape can be erased by recording new material over the previous material.

To erase a tape without making a new recording...
Press the **▶** PLAY button of the deck to set to the TAPE mode and press the **REC** and **▶** PLAY buttons together after pressing the stop button.

It may be unlawful to record or reproduce copyrighted material without the consent of the copyright owner.

- 1 Coloque un cassette para grabación. (Referirse a la nota en la página 31.)
- 2 Coloque un cassette grabado.
- 3 Presione levemente el botón **▶** PLAY para activar el modo cinta (TAPE). (El botón no debe quedar bloqueado.)
- 4 Presione el botón **▶▶** PAUSE.
- 5 Presione conjuntamente los botones **REC** y **▶** PLAY. (Modo de pausa de grabación.)
- 6 Presione el botón **▶** PLAY. (Se iniciará la copia sincronizada.)

Note:

- Cuando la platina A está en el modo de pausa de grabación y la platina B entra en el modo de parada, el botón **▶▶** PAUSE se desactiva.

Borrado

La cinta grabada puede ser borrada grabando otro material sobre el material anterior.

Para borrar la cinta sin efectuar una nueva grabación...
Presione el botón **▶** PLAY de la platina para activar el modo TAPE y presione conjuntamente los botones **REC** y **▶** PLAY después de presionar el botón de parada.

Puede ser ilegal el grabar o reproducir material con derechos de autor sin el consentimiento del dueño de los mismos.

- 1 Inserire la cassetta sulla quale si vuole registrare. (Vedere in proposito la nota a pag. 31.)
- 2 Inserire la cassetta che si vuole duplicare.
- 3 Premere leggermente il tasto **▶** PLAY per portare l'apparecchio in modalità TAPE. (Il tasto non deve bloccarsi.)
- 4 Premere il tasto **▶▶** PAUSE.
- 5 Premere contemporaneamente i tasti **REC** e **▶** PLAY per attivare la modalità di attesa della registrazione.
- 6 Premendo poi il tasto **▶** PLAY la duplicazione in sincronizzazione si avvia.

Nota:

- Con il Deck A in modalità di pausa della registrazione, il tasto **▶▶** PAUSE viene disattivato quando il Deck B si arresta.

Cancellazione

Un nastro registrato può essere cancellando altro materiale su una nuova registrazione sopra a quella precedente.

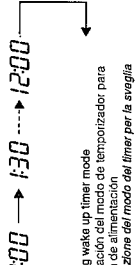
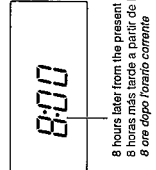
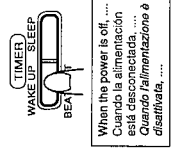
Per cancellare un nastro senza eseguire una nuova registrazione...
Premere il tasto **▶** PLAY del registratore per impostare il modo TAPE e quindi premere il tasto **REC** assieme al tasto **▶** PLAY dopo aver premuto il tasto di arresto.

Nota: che la registrazione o la riproduzione di materiali protetti da diritti d'autore senza il permesso del proprietario di tali diritti potrebbe essere contro la legge.

WAKE UP TIMER OPERATIONS

Wake up timer can be set up to 12 hours in advance, starting timer playback of a CD, tape or broadcast at any 30-minute interval within the 12 hours.

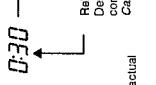
Setting the wake up timer (Example: When the present time is 22:00 and you want to set the timer for 6:00 next morning (about 8 hours later))



OPERACIONES DEL TEMPORIZADOR DESPERTADOR

El temporizador despertador puede ser ajustados 12 horas antes para activar la reproducción de un CD, cinta o recepción de radiodifusión, en cualquier intervalo de 30 minutos dentro de las 12 horas mencionadas.

Ajuste del temporizador despertador (Ejemplo: Cuando la hora real es 22:00 y usted desea ajustar el temporizador a las 6:00 de la mañana siguiente (aproximadamente 8 horas después))



OPERAZIONI COL TIMER PER LA SVEGLIA

Il timer per la sveglia può essere impostato fino a 12 ore in anticipo avviando la riproduzione col timer di un CD, una trasmissione o di un nastro ad un qualsiasi intervallo da 30 minuti all'interno delle 12 ore.

Impostazione del timer per la sveglia (Esempio: quando sono le 22:00 e si desidera impostare il timer alle 6:00 della mattina successiva (circa 8 ore dopo))

Timer playback

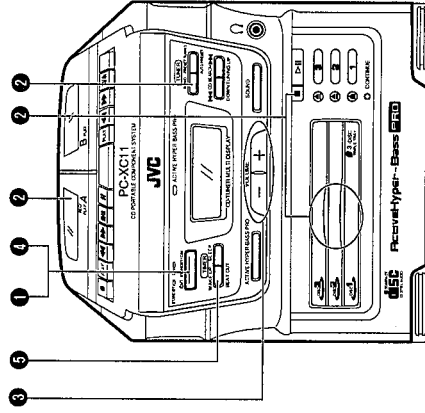
• Timer playback of tapes, broadcasts and CDs is possible.

Reproducción por temporizador

• La reproducción por temporizador de cintas, radiodifusiones, y CD es posible.

Riproduzione col timer

• E' possibile eseguire la riproduzione col timer di nastri, trasmissioni e CD.



Operations

- 1 Set the Δ/I button to ON.
2 Select the source sound.

- 1 Operazioni
2 Selezione la fonte di suono.

Table with 3 columns: Source sound / Fonte sonora, Timer mode / Modo di funzionamento, and Operations / Operazioni. Rows include CD play, Tape playback, Radio broadcast, and Tuner.

Timer playback of a CD is possible in any order.

- 1 Adjust the volume.
2 Set the Δ/I button to STANDBY.
3 Press the deck's PLAY button for timer playback of a tape.

La riproduzione de un CD por temporizador es posible en el orden programado.

- 1 Ajuste el volumen.
2 Coloque el botón Δ/I en STANDBY.
3 Presione el botón PLAY de la pila para la reproducción por temporizador de una cinta.

La riproduzione col timer di un CD può essere eseguita in un ordine programmato.

- 1 Regolare il volume.
2 Impostare il tasto Δ/I su STANDBY.
3 Premere il tasto PLAY del registratore per la produzione col timer di un nastro.

Timer playback will start at wake up time and the power will be switched off 2 hours later.

La reproducción por temporizador se iniciará a la hora de despertar y la alimentación se desconectará 2 horas más tarde.

La riproduzione col timer inizia all'orario impostato per la sveglia e l'alimentazione viene quindi disattivata dopo due ore.

MAINTENANCE

MANTENIMIENTO

MANUTENZIONE



Cleaning is important!

When the tape is running, magnetic powder and dust naturally accumulate on the heads, capstan and pinch roller. When they become too dirty...

Cleaning the heads, capstan and pinch roller. Clean the heads, pinch roller and capstan. For more cleaning, use a cleaning kit available from the dealer.

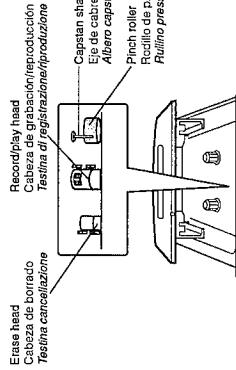
¡La limpieza es importante!

Cuando la cinta está girando, el polvo magnético y el polvo se acumulan naturalmente en las cabezas, cabrestante y rodillo de presión. Cuando están muy sucios...

Limpieza de las cabezas, cabrestante y rodillo de presión. Limpie las cabezas, rodillo de presión y cabrestante. Para una limpieza efectiva, utilice un conjunto de limpieza disponible en cualquier tienda de audio.

La pulizia è estremamente importante! Quando il nastro scorre, polvere magnetica e sporco si accumulano sulle testine, sul capstan e sui rullini. Quando essi sono troppo sporchi...

Pulizia di testine, capstan e rullini pressori. Aprire il vano della cassetta. Pulire testine, rullini pressori e capstan. Per pulire in modo efficace, utilizzare un concesso kit di pulizia disponibile presso i negozi specializzati.



Cautions:

- 1. Keep magnets and metallic objects away from the head. If the head becomes magnetized, noise will increase and the sound will deteriorate.

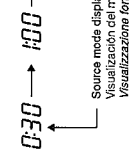
Precauzioni:

- 1. Mantenga los imanes y los objetos metálicos lejos de la cabeza. Si la cabeza se magnetiza, el ruido aumentará y el sonido se deteriorará.

OPERAZIONI COL TIMER PER LO SPEGNIMENTO AUTOMATICO

Utilizzare questa funzione quando si desidera addormentarsi mentre si ascolta un nastro, una trasmissione radio o un CD.

- 1. Impostare la fonte desiderata e la sintonizzazione (trasmissione) o la riproduzione (CD o nastro).

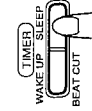


Source mode display (Releasing the sleep mode) Visualización del modo de fuente (Cancelación del modo de desconexión) Visualizzazione fonte (Abbandono del modo di spegnimento tempo)

SLEEP TIMER OPERATIONS

Use this when you want to fall asleep while listening to a tape, broadcast or CD.

- 1. Set to the required source and tune (broadcast) or play back (CD or tape).



SLEEP is shown in the display. When the SLEEP button is pressed, the SLEEP indicator will be lit. The indicator will disappear when the sleep time ends.

After cleaning, be sure that the cleaning fluid has dried completely before loading a cassette.

Checking the sleep time

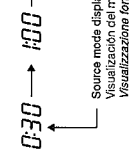
When the SLEEP button is pressed, the remaining sleep time is displayed. If it is pressed again, a new sleep time can be set.

To cancel the sleep timer operation Press the 0/1 button to switch the power off or press the SLEEP button until the sleep time indicator disappears.

OPERACIONES DEL TEMPORIZADOR DE DESCONEXION

Utilice este modo cuando desea dormirse desahogado mientras escucha un CD, radio o música (radio-difusión) deseada, o en reproducción (CD o cinta).

- 1. Presione el botón SLEEP para ajustar la hora de desconexión.



Source mode display (Releasing the sleep mode) Visualización del modo de fuente (Cancelación del modo de desconexión) Visualizzazione fonte (Abbandono del modo di spegnimento tempo)

Después de transcurrido el tiempo especificado se activa el temporizador de desconexión y la alimentación es desconectada (modos de sintonizador y CD). La alimentación no se desconecta después de la hora especificada durante la operación de la cinta, pero se desconectará cuando la cinta termine.

Verificación del tiempo para dormir

Cuando presiona el botón SLEEP, aparece la indicación del tiempo restante. Si lo presiona otra vez, es posible establecer un nuevo período para dormir.

Cancelación del temporizador de desconexión Presione el botón 0/1 para desconectar la alimentación o presione el botón SLEEP hasta que el indicador del tiempo para dormir desaparezca.

MAINTENANCE

Cleaning is important!

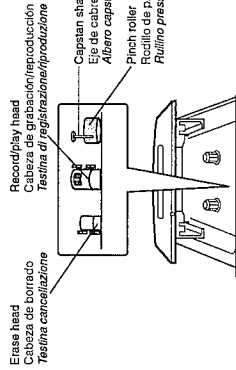
When the tape is running, magnetic powder and dust naturally accumulate on the heads, capstan and pinch roller. When they become too dirty...

Cleaning the heads, capstan and pinch roller. Clean the heads, pinch roller and capstan. For more cleaning, use a cleaning kit available from the dealer.

¡La limpieza es importante!

Cuando la cinta está girando, el polvo magnético y el polvo se acumulan naturalmente en las cabezas, cabrestante y rodillo de presión. Cuando están muy sucios...

Limpieza de las cabezas, cabrestante y rodillo de presión. Limpie las cabezas, rodillo de presión y cabrestante. Para una limpieza efectiva, utilice un conjunto de limpieza disponible en cualquier tienda de audio.



Cautions:

- 1. Keep magnets and metallic objects away from the head. If the head becomes magnetized, noise will increase and the sound will deteriorate.

Precauzioni:

- 1. Mantenga los imanes y los objetos metálicos lejos de la cabeza. Si la cabeza se magnetiza, el ruido aumentará y el sonido se deteriorará.

TRUBLESHOOTING



What appears to be trouble is not always serious. First make sure....
• When abnormal operation occurs.
• Power cannot be turned on.
• No sound from the speakers.

(CD Player Section)
• The CD player does not play.
• The CD tray drops down?
• A certain portion of the CD does not play correctly.
• The CD scratches?
• CD playback is not performed when the CD CONTROL button is pressed.

(Cassette Deck Section)
• Playback sound is at a very low level.
• The REC button does not function.
• Have the safety tabs of the cassette been broken off?
(Tuner Section)
• Reception is noisy.
• Try adjusting the antenna.
(Timer Section)
• Timer operation does not start.
• Is the wake up timer mode (ON/STANDBY) displayed?
(Remote Control)
• Remote control is impossible.
• Are the batteries in the remote control exhausted?
• Is the remote sensor section exposed to bright light (direct sunlight, etc.)?

Note:
Before making an important recording, be sure to make a test recording first to check that the deck, etc. is working correctly.

DETECCION DE PROBLEMAS

Lo que parece ser un problema no siempre es grave. Primero asegúrese....
• Cuando ocurre una falla de funcionamiento.
• Cuando aparece un problema de alimentación CA del tomacorriente de CA.
• No sale sonido de los altavoces.
• ¿Están los audífonos conectados?

(Sección del reproductor de CD)
• El reproductor de CD no funciona.
• ¿Está el CD suelto?
• ¿Está el CD sucio?
• ¿Está el CD rayado?
• La reproducción del CD no se realiza cuando el botón CD CONTROL está presionado.
• ¿Está el modo de programa activado?
• Cuando la operación para...
• Desconecte la alimentación STANDBY y conecte la ON otra vez.
(Sección de la pletina de cassette)
• El sonido de reproducción tiene un nivel muy bajo.
• ¿Está la cabeza sucia?
• ¿Están las lengüetas de seguridad del cassette rotas?

(Sección del sintonizador)
• La recepción es ruidosa.
• Intente ajustar la antena.
(Sección del temporizador)
• El temporizador no se activa.
• ¿Está indicado el modo de temporizador desactivado (OFF/STANDBY)?
(Controlador remoto)
• La operación a distancia es imposible.
• ¿Están las pilas del mando a distancia expuestas?
• ¿Está la sección de control remoto expuesta a una luz brillante (luz directa del sol, etc.)?

Note:
Antes de efectuar una grabación importante, asegúrese de hacer una grabación de prueba para verificar que la platina, etc. esté funcionando correctamente.

DIAGNOSTICA

Quando sembra essere un problema prima non è nulla di serio. Accertarsi prima di tutto...
• Quando il funzionamento è anormale.
• Scollegare il cavo di alimentazione alla presa di corrente, quindi ricollegarlo e impostare il fuso C/I su ON.
• L'alimentazione non può essere attivata.
• Il cavo di alimentazione è scollegato?
• I diffusori non producono alcun suono.
• Le cinghie sono collegate?

(Sezione lettore CD)
• Il lettore CD non riproduce.
• Il CD è sporco?
• Il CD è rotto?
• Una parte del CD non viene riprodotta correttamente.
• Il CD è graffiato?
• La riproduzione di CD non ha luogo dopo che il tasto CD CONTROL viene premuto.
• Il modo di programmazione è attivato?
• Se l'unità si ferma.
• Spiegneria (STANDBY) e riacenderla (ON).
(Sezione registratore a cassette)
• Il livello del suono riprodotto è molto basso.
• La pletina è sporca?
• Il tasto REC funziona.
• Le linguette di protezione della registrazione della cassetta sono state rimosse?
(Sezione sintonizzatore)
• La ricezione è disturbata.
• Provare ad orientare l'antenna.

(Sezione timer)
• Il funzionamento col timer non viene attivato.
• L'indicazione del modo del timer per la sveglia (ON/STANDBY) viene visualizzata?
(Telecomando)
• Il comando a distanza è impossibile.
• Le batterie del telecomando sono scariche?
• La luce del telecomando è esposta ad una forte illuminazione (dalla solare diretta, ecc.)?
Note:
Prima di eseguire registrazioni importanti, accertarsi di eseguire una registrazione di prova per essere certi che il funzionamento del registratore, ecc. sia corretto.

SPECIFICATIONS

CD player section
Type : Compact disc player
System : Non-contact optical pickup
Number of channels : 2 channels
Frequency response : 20 Hz - 20,000 Hz
Signal-to-noise ratio : 90 dB
Wow & flutter : Less than measurable limit
Radio section
Frequency range : FM 87.5-108 MHz
Antennas : Telescopic antenna for FM
Tape deck section
Track system : 4-track 2-channel stereo
Motor : Electronic governor DC
Heads : Deck A: Hard permalloy
Magnetic head for recording/playback
Deck B: Hard permalloy
ESB 150 playback
Frequency response : 20 Hz - 20,000 Hz
Wow & flutter : 0.15% (WRMS)
Fast wind time : Approx. 120 sec (C-60 cassette)

Speaker Section (each unit)
Impedance : 16 Ohm x 1
Dimensions : 180 (W) x 242 (H) x 212 (D) mm
Weight : Approx. 1.4 kg
Power output : 15.4 W (7.7 W + 7.7 W) at 10 W (5 W + 5 W) at 3 Ω (10% THD)
Output terminals : PHONES x 1 (Output level: 0-6 mW/ohm, 0-1.1 W/8 ohm, 0-16 W/16 ohm)
Speaker x 2 (Matching impedance 3 Ω - 16 Ω)
Power requirements : AC 230 V, 50 Hz
Dimensions : DC12V (R20D) (19FT batteries x 6) (car battery via optional CA-R120E car adapter)
Power consumption : 14 W (with C/I SW ON) 4.0 W (with C/I SW OFF) 662 (M) 272 (H) x 330 (D) mm, including knobs
Weight : 8.8 kg (with batteries)
Accessories provided : Remote control unit (RM-R60A) (15FT) batteries x 2 (for the remote control)

Design and specifications are subject to change without notice.

ESPECIFICACIONES

Sección del reproductor de CD
Tipo : Reproductor de discos compactos
Sistema de reproducción : Sistema de captación óptica sin contacto
Número de canales : 2 canales
Respuesta de frecuencia : 20 Hz - 20,000 Hz
Relación señal-ruido : 90 dB
Fluctuación y temblor : Menor que el límite medible
Sección de la radio
Límites de frecuencia : FM 87.5-108 MHz
Antenas : Antena telescópica para FM para C/I.
Sección de la pletina de cinta
Sistema de pistas : 4 pistas 2 canales estéreo
Motor : Motor de CC controlado electrónicamente para el cabezal de grabación/reproducción
Cabezas : Platina A: Cabeza de aleación dura "permalloy" para grabación/ reproducción, cabeza magnética para grabación/reproducción
Platina B: Hard permalloy para reproducción
ESB 150 para reproducción
Respuesta de frecuencia : 20 Hz - 20,000 Hz
Fluctuación y temblor : 0.15% (WRMS)
Tiempo de bobinado rápido : 120 seg. aprox. (cassette C-60)

Respuesta de frecuencia : 20 Hz - 20,000 Hz
Fluctuación y temblor : 0.15% (WRMS)
Tiempo de bobinado rápido : 120 seg. aprox. (cassette C-60)
Sección de altavoces (cada unidad)
Impedancia : 16 Ohm x 1
Dimensiones : 180 (A) x 242 (Al) x 212 (P) mm
Peso : Aprox. 1.4 kg
Características
Salida de potencia : 15.4 W (7.7 W + 7.7 W) a 3 Ω (máx.) 10 W (5 W + 5 W) a 3 Ω (10% de distorsión armónica total)
Terminales de salida : PHONES x 1 (nivel de salida: 0-1.1 W/8 Ohm, 0-16 W/16 Ohm)
Impedancia de adaptación : 3 Ω - 16 Ω (1 kΩ)
Consumo : 14 W (con C/I ON), 4.0 W (con C/I OFF)
Requisitos de alimentación : 230 V CA, 50 Hz
Dimensiones : 12 V CC (pilas "R20D" (13FT) x 6)
Consumo de energía : 14 W (con C/I en ON)
Potencia para adaptador opcional para automóviles CA-R120E : 4.0 W (con C/I en ON)
Dimensiones : 662 (A) x 272 (Al) x 330 (P) mm, incluyendo las pilas
Peso : 8.8 kg (con pilas)
Accesorios suministrados : Cordon de CA x 1 Unidad de control remoto RM-R60A (15FT) x 2 (para el controlador remoto)

Design and specifications are subject to change without notice.

DATI TECNICI

Sezione lettore CD
Tipo : Lettore di CD
Sistema di riproduzione : Riproduzione ottica senza contatto
Numero canali : 2 canali
Risposta di frequenza : 20 Hz - 20,000 Hz
Rapporto segnale/rumore : 90 dB
Wow e flutter : Meno del limite misurabile
Sezione radio
Gamma di frequenze : FM 87.5-108 MHz
Antenne : Antenna telescopica FM per MW
Sezione registratore
Sistema di registrazione : 4 piste, 2 canali stereo
Motore : Motore a corrente continua controllato elettronicamente per il cabezal
Testine : Platina A: Testina in permalloy duro per registrazione/riproduzione; Platina B: Testina di cancellazione
Cassette : Platina A: Casseta di aleazione dura "permalloy" per la riproduzione in permalloy duro
Risposta in frequenza : 20-20,000 Hz
Fluctuazione e sfarfallio : 0.15% (WRMS)
Tempo avvolgimento rapido : Circa 120 secondi (cassetta C-60)

Sezione diffusori (per ciascun diffusore)
Impedanza : 16 Ohm x 1
Dimensioni : 180 (L) x 242 (A) x 212 (P) mm
Peso : Circa 1.4 kg
Generali
Potenza in uscita : 15.4 W (7.7 W + 7.7 W) a 3 Ω (Mass.) 10 W (5 W + 5 W) a 3 Ω (10% THD)
Terminali in uscita : PHONES x 1 (livello in uscita: 0-1.1 mW/ohm, 0-1.1 W/8 Ohm, 0-16 W/16 Ohm)
Diffusori x 2 (impedenza: 3 Ω - 16 Ω)
Alimentazione : 230 V CA, 50 Hz
Consumo : 14 W (con C/I ON), 4.0 W (con C/I OFF)
Dimensioni : 662 (L) x 272 (A) x 330 (P) mm
Peso : 8.8 kg (con batteria)
Accessori in dotazione : Cavo alimentazione CA x 1 Unità di telecomando (RM-R60A) (15FT) x 2 (per telecomando)
Disegno e dati tecnici soggetti a cambiamenti senza preavviso.

Design and specifications are subject to change without notice.

1. Location of Main Parts

■ Front cabinet inside

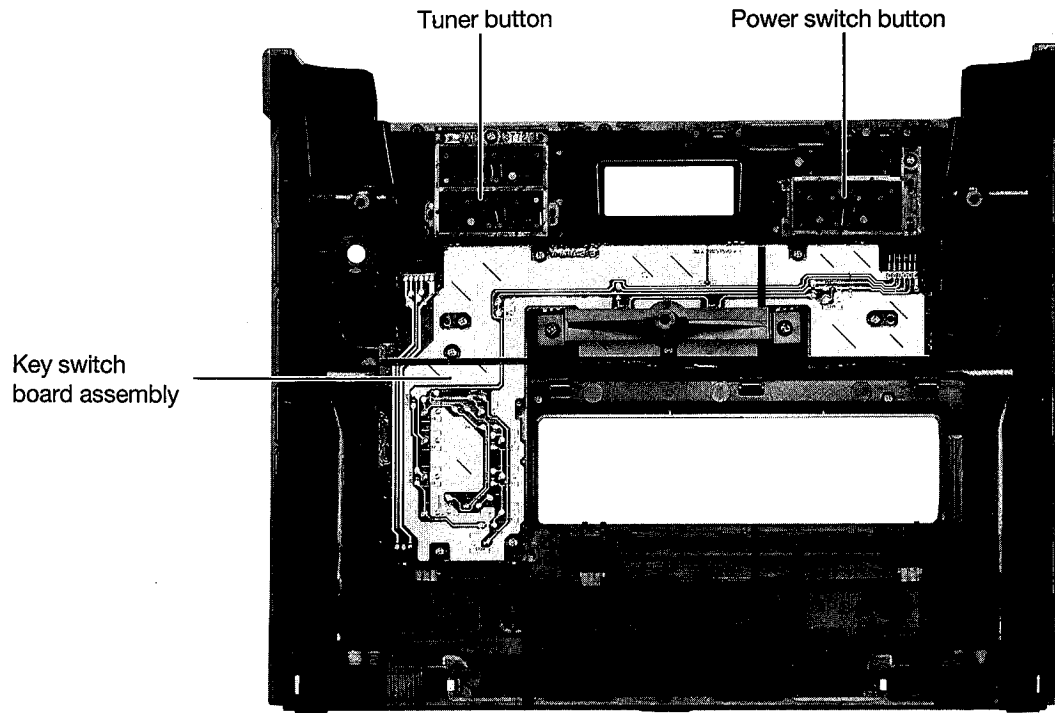


Fig. 1 - 1

■ Front cabinet front view

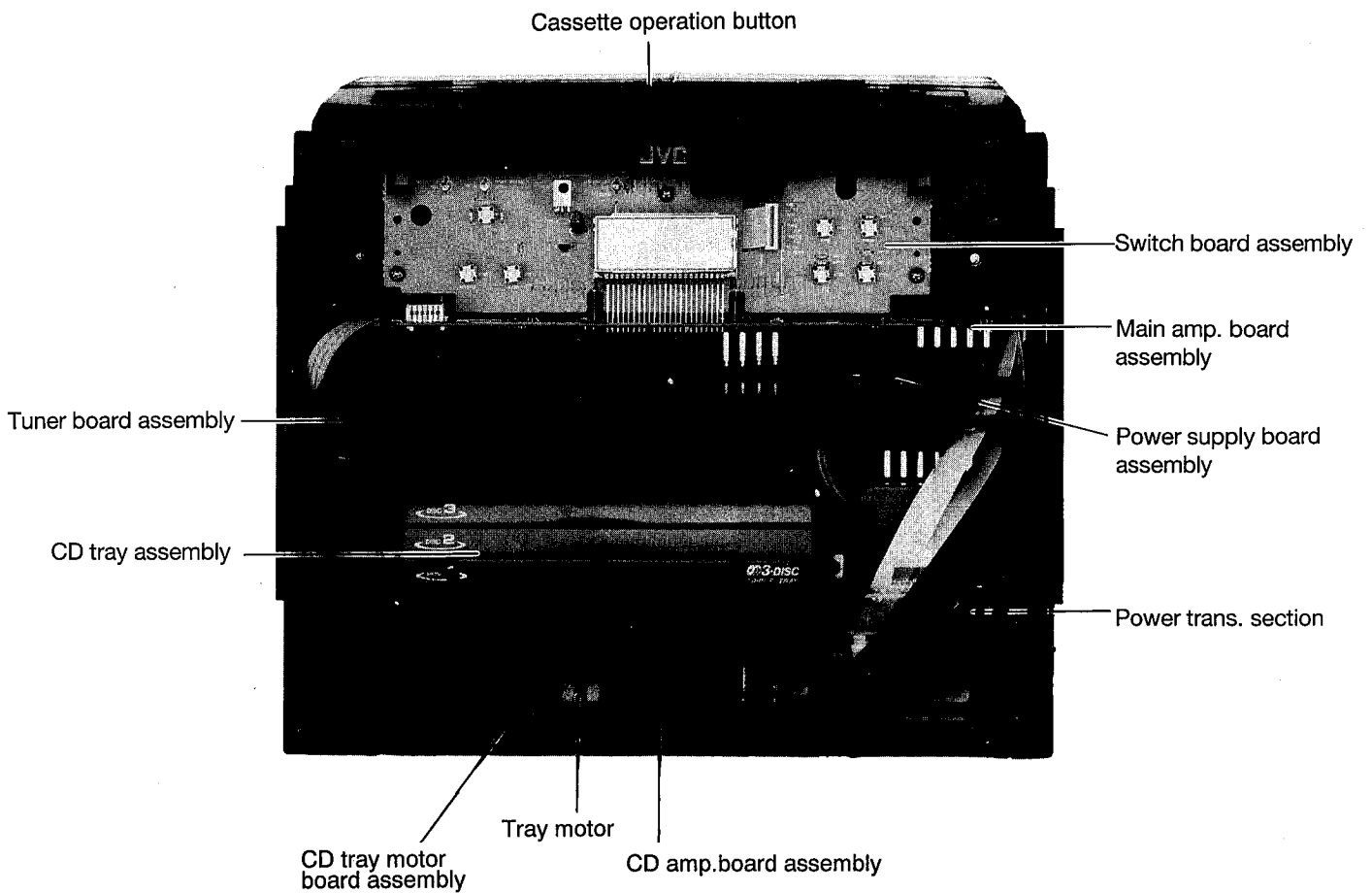


Fig.1-2

■ CD unit (Top side)

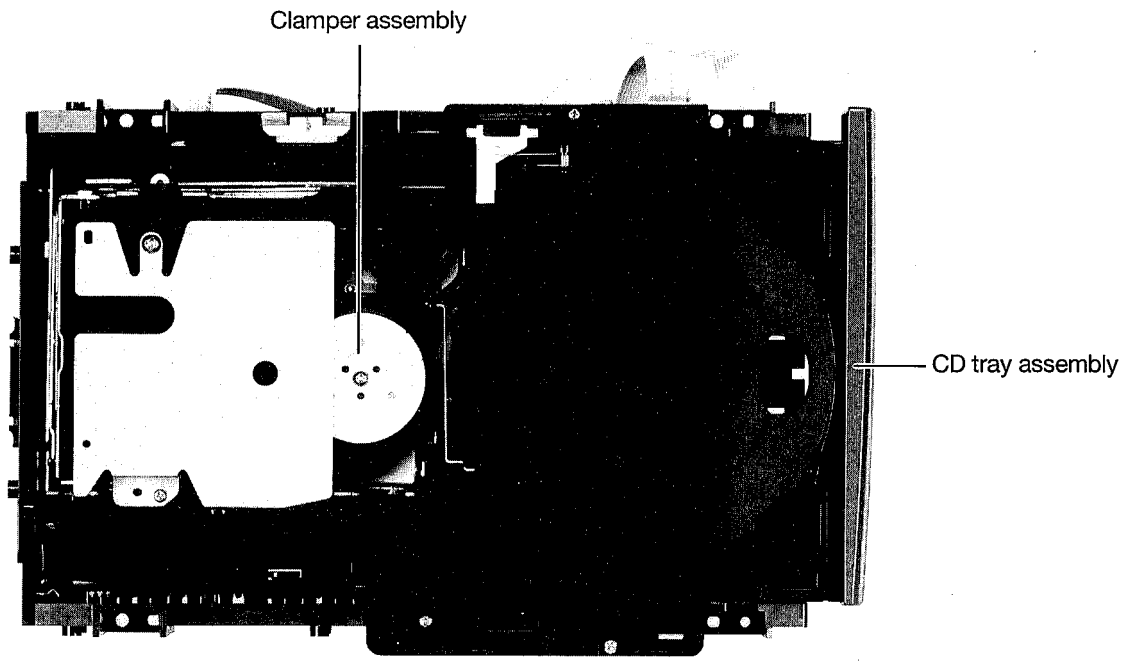


Fig. 1 - 3

■ CD unit (Bottom side)

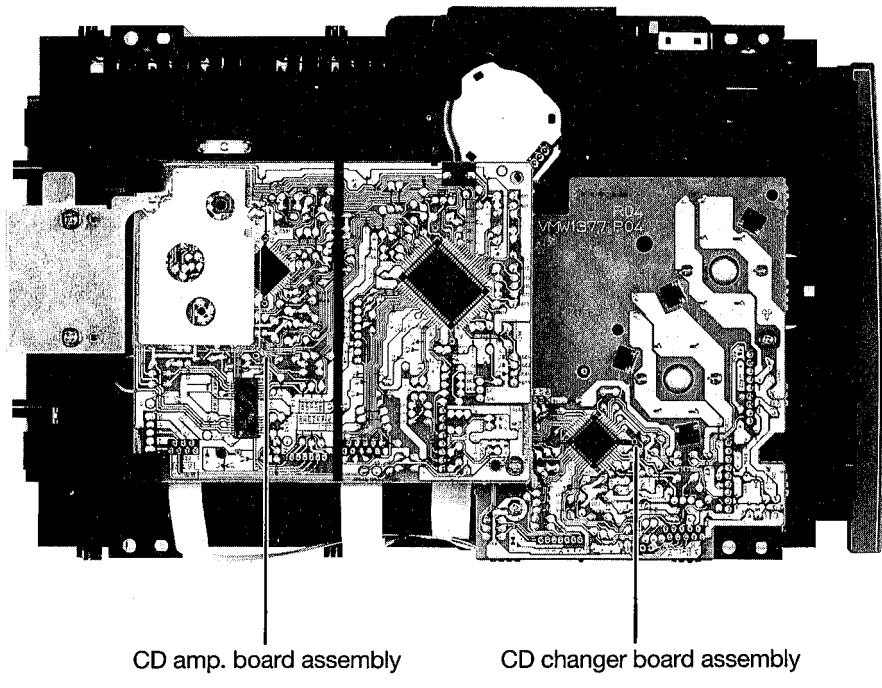


Fig. 1 - 4

■ Top cabinet unit (Top side)

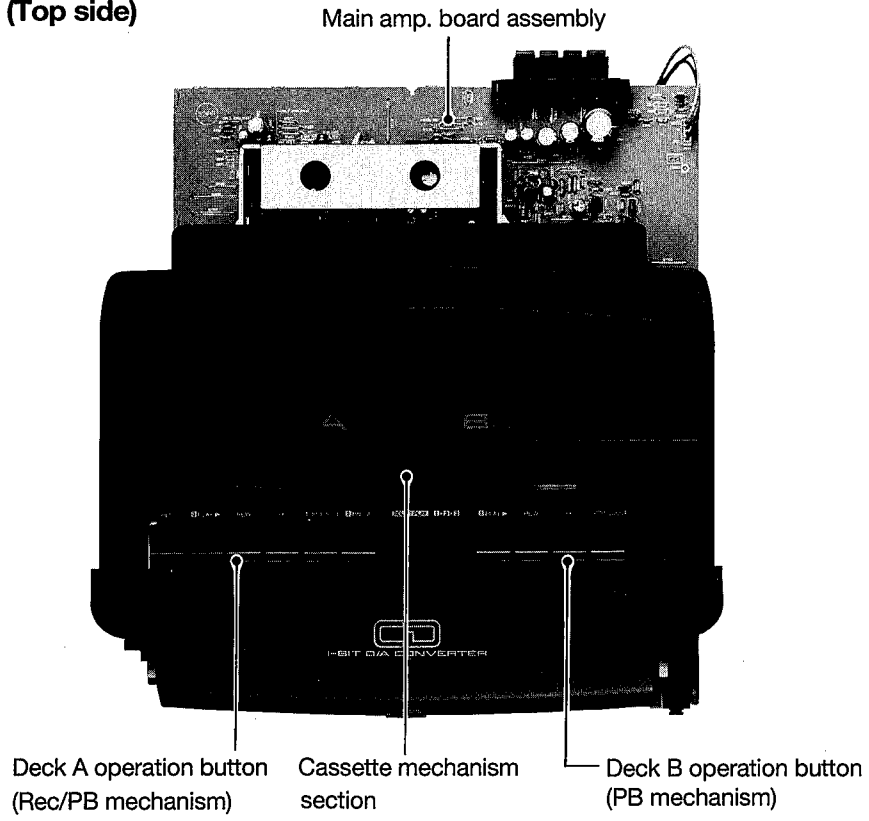


Fig. 1 - 5

■ Top cabinet unit (Bottom side)

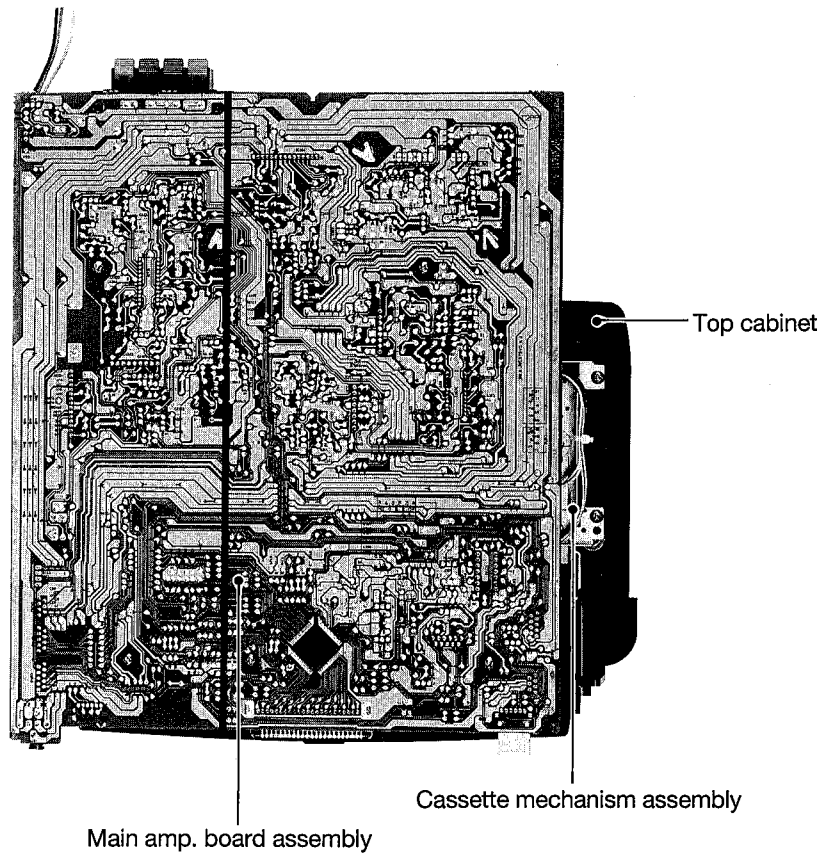


Fig. 1 - 6

■ Top cabinet bottom side

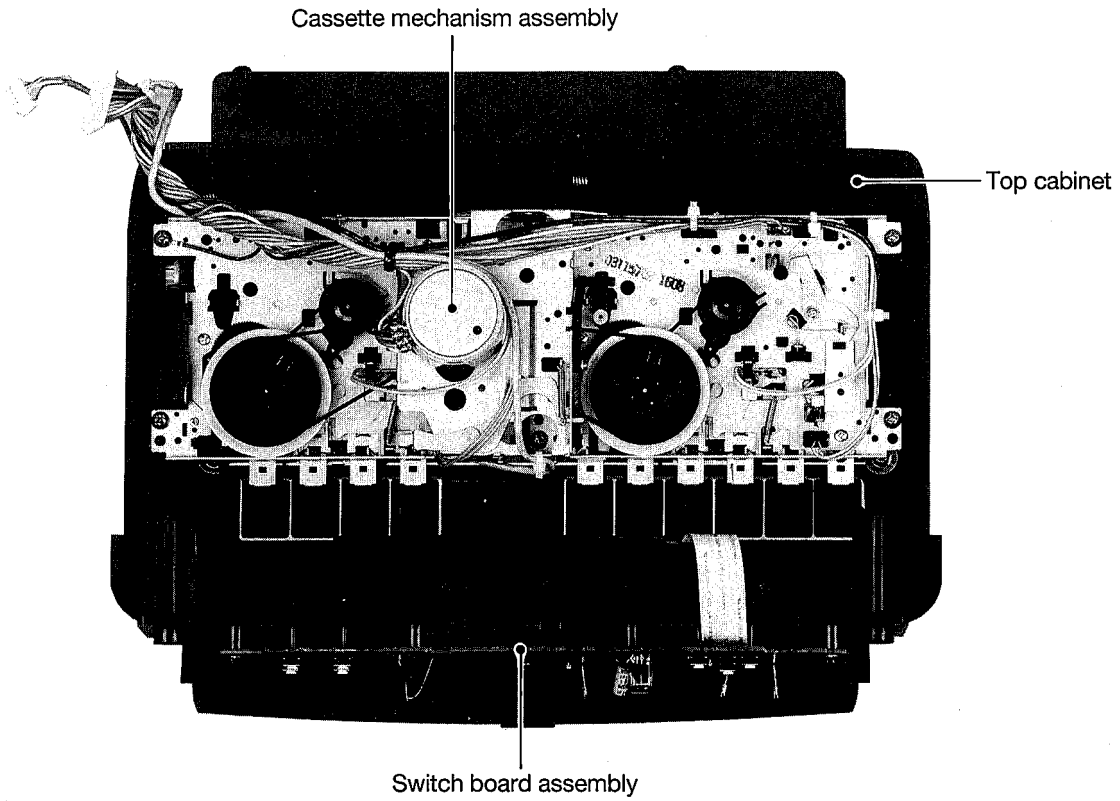


Fig. 1 - 7

■ Main board (Top side)

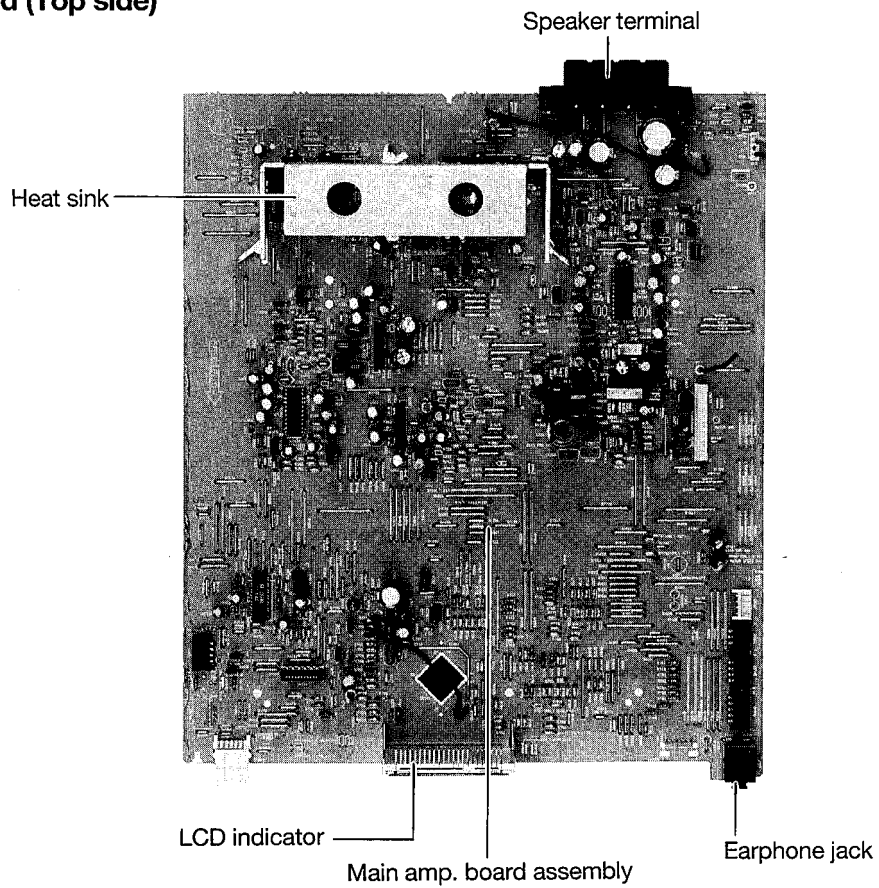


Fig. 1 - 8

■ Rear cabinet inside view

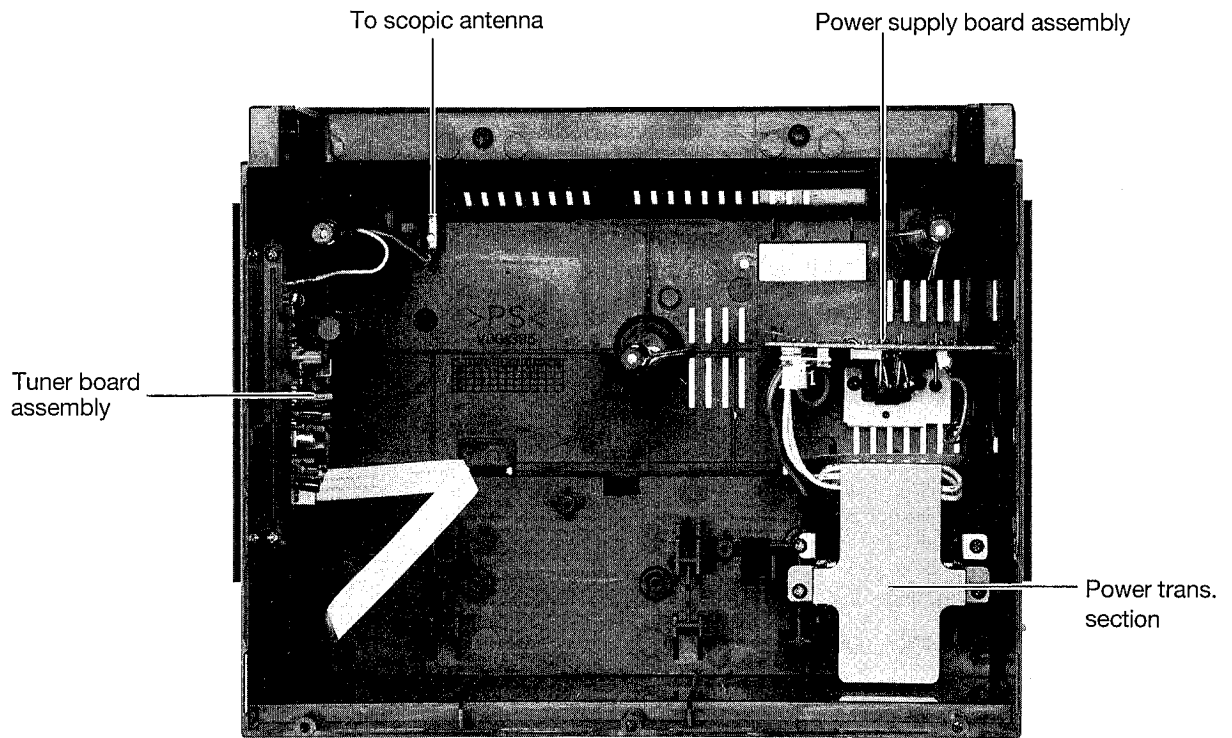


Fig. 1 - 9

2. Removal of Main Parts

■ Enclosure section

◆ Front cabinet (Fig.2-1~Fig. 2-2)

1. Remove the six screws ① retaining the front cabinet from the rear and bottom. (Use a screwdriver with a shank length of 22 cm or more.)
2. Remove the two screws ② retaining the front cabinet from both sides.
3. The front cabinet can be removed if pulled towards the front.

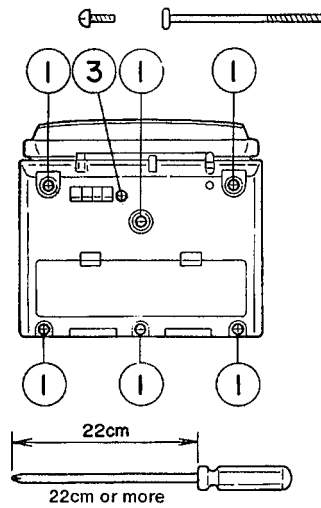


Fig. 2 - 1

◆ CD player unit (Fig. 2-3)

1. Disconnect the three flat wires connected to the CD player from main PC board connectors CN718, CN716, and CN302.
2. The CD player unit can be removed from the rear cabinet if pulled towards the front.

(※ At this time, you can replace the fuse mounted on the power PC board in the back right corner of the rear cabinet.)

◆ Cassette mechanism and main amplifier board assembly unit (Fig. 2-1, Fig. 2-3)

1. Remove the screw ③ securing the speaker terminal from the rear of the rear cabinet. (See Fig. 1.)
2. From the front, disconnect the flat wire to the tuner PC board from main PC board connector CN711.
3. Pull out the cassette mechanism and main PC board ass'y from the rear cabinet, then disconnect the wire connector (W991) on the main PC board from power PC board ass'y connector CN991 located in the back right corner of the rear cabinet.

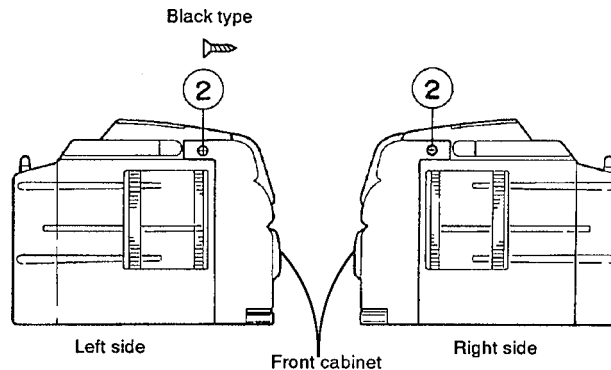


Fig. 2 - 2

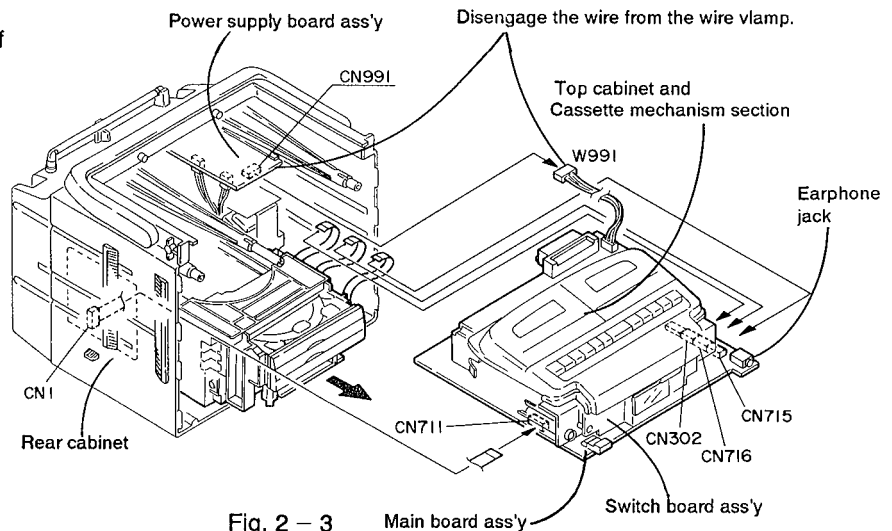


Fig. 2 - 3

◆ Power transformer and power supply board assembly (Fig. 2-4)

1. Install the AC jack of the power PC board assembly onto the rear cabinet, then remove the two screws ④.
2. Disengage the tab on the battery PC board, then remove the PC board together with the power PC board. If necessary, disconnect the connector to the power transformer.
3. Remove the two screws ⑤ retaining the shield plate and power transformer.
4. Remove the two screws ⑥ retaining the power transformer.

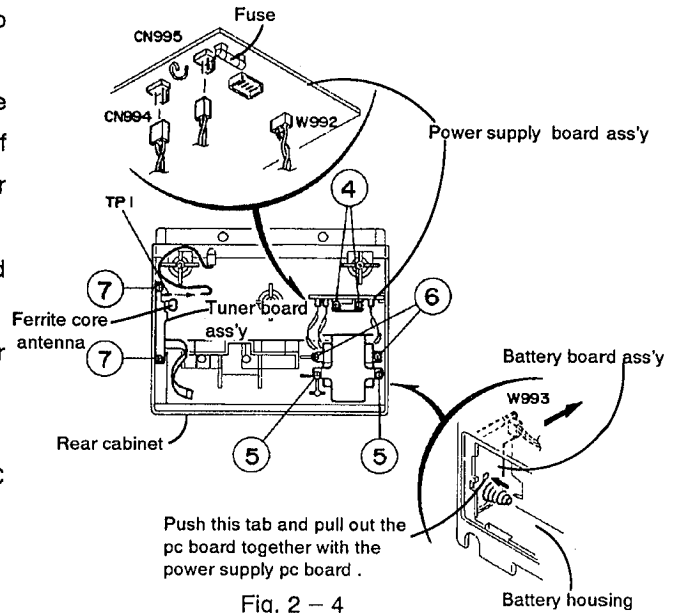


Fig. 2 - 4

◆ Tuner board ass'y (Fig. 2-4)

1. Disconnect the antenna wire from TP1 on the tuner PC board.
2. Remove the screw ⑦ retaining the PC board holder.
3. Pull out the PC board assembly from the rear cabinet.

◆ Internal parts of the front cabinet (Fig. 2-5)

1. Remove the front cabinet.
2. Remove the screw ⑧ retaining the power switch button.
3. Remove the screw ⑨ retaining the function switch button.
4. Remove the two screws ⑩ retaining the holder.
5. Remove the eight screws ⑪ retaining the switch PC board.

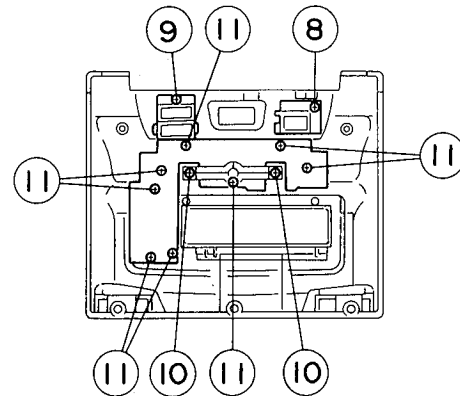


Fig. 2 - 5

◆ Main board ass'y and cassette mechanism ass'y

(Fig. 2-6~Fig. 2-7)

1. Remove the front cabinet.
2. Remove the cassette mechanism assembly and main board assembly unit from the rear cabinet.
3. Turn the unit upside down so that the top cabinet faces down.
4. Remove the five screws ⑫ retaining the main board ass'y.
5. Slightly lift the main PC board, then disconnect the parallel wires coming from the switch PC board assembly from CN701 on the main PC board assembly.
6. Turn the main PC board assembly upside down (the parts side will face up). Disconnect the wire holder PP11 on the PC board, then disconnect the A mechanism head wire CNA32 (5 pins), the B mechanism head wire CNA31 (3 pins), and the mechanism drive connector CNA33 (15 pins).
7. Remove the three screws ⑬ retaining the switch board ass'y. (When removing the switch PC board holder with the switch PC board mounted on it, remove the two screws ①.)
8. Remove the six screws ⑭ retaining the mechanism.
9. Open the cassette door, then remove the cassette mechanism unit from the top cabinet.

◆ Removing the cassette door (Fig. 2-8)

- a. Remove the cassette mechanism ass'y, push the cassette door left arm inward, disengage the door shaft and remove it from the top cabinet. Make sure to hold the edge while performing this step or the door spring may fly out, possibly causing injury.
 - b. When reattaching, start with the door spring side, then push the opposite side in.
 - c. Fit the door spring into the slit.
- (※ Although cassette door removal is possible with the mechanism assembly mounted, removing the mechanism assembly beforehand will make it easier and ensure correctness.)

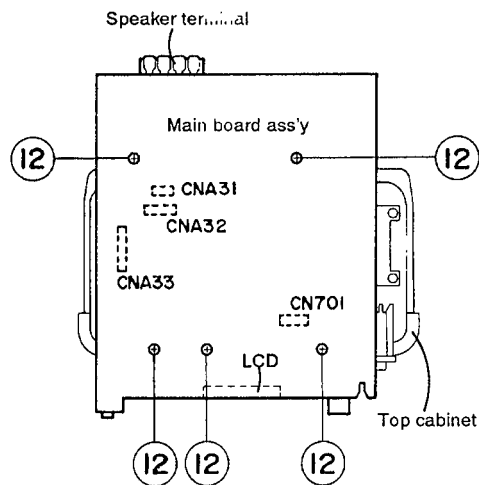


Fig. 2 - 6

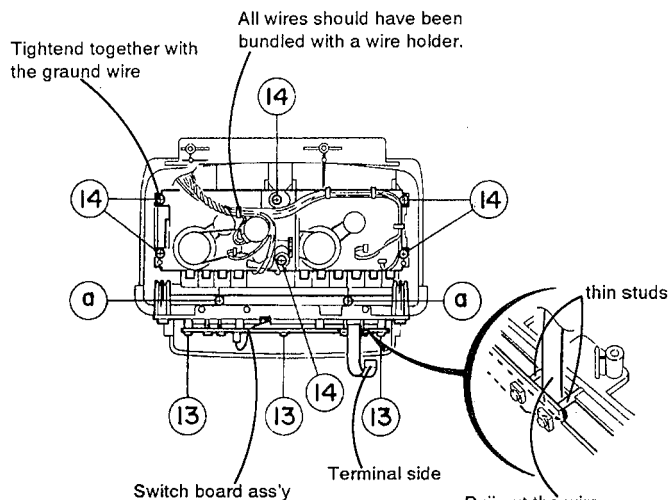


Fig. 2 - 7

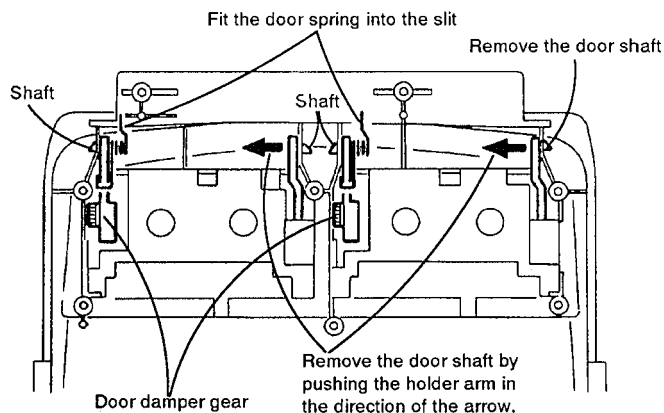


Fig. 2 - 8

■ CD Unit section

■ Removing the CD tray assembly

(See Figs. 2-9 to 2-15)

1. Remove the front panel assembly.
2. Remove the CD changer assembly.
3. Remove the CD amplifier board.
4. From the T. bracket section (A) and clamber base section (B), remove both of the edges fixing the rod (See Figs. 2-9 and 2-10).
5. Remove the three screws ① retaining the T. bracket (See Fig. 2-9)
6. From the left side face of the chassis assembly, remove the one screw ④ retaining both of the return spring and lock lever.
7. By removing the pawl at the section (D) fixing the return spring, dismount the return spring (See Fig. 2-11).
8. Remove the three lock levers (See 2-11).

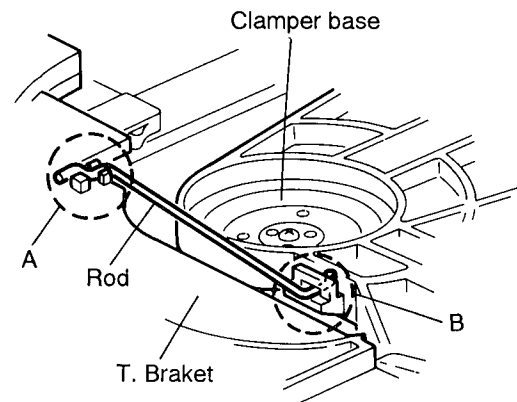


Fig. 2 - 9

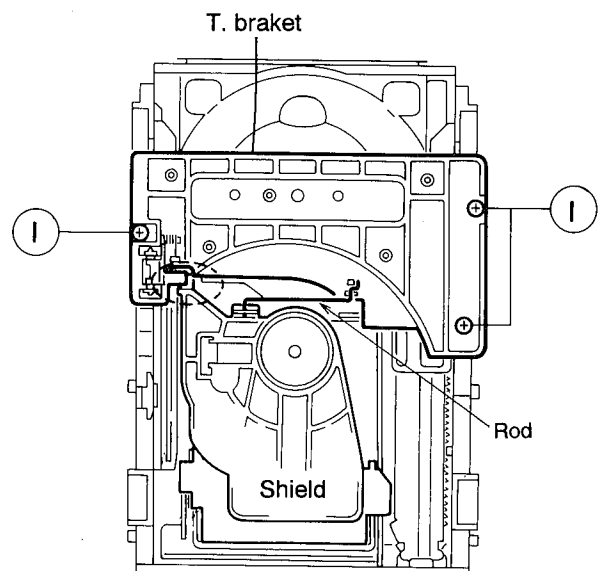


Fig. 2 - 10

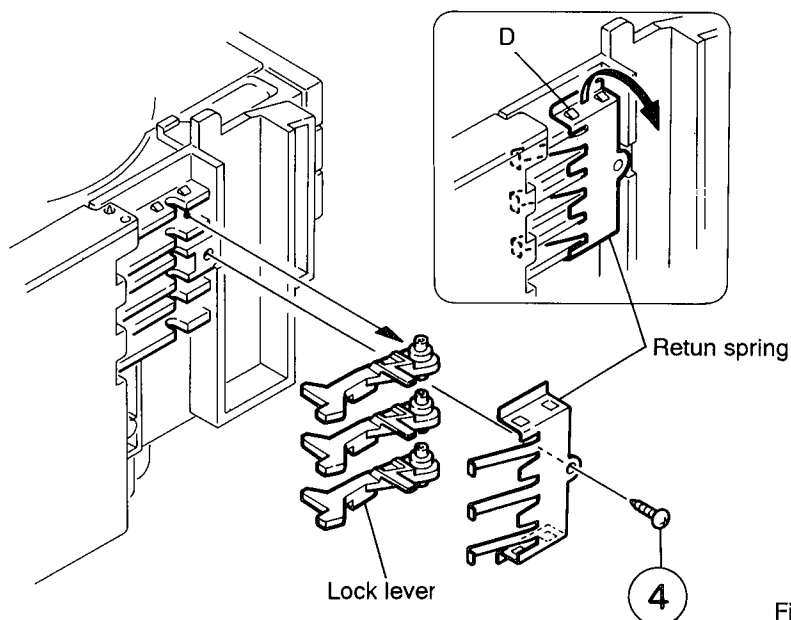
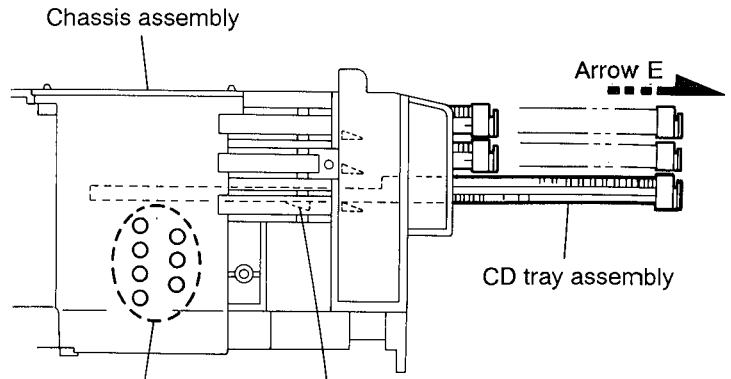


Fig. 2 - 11

11. Check whether the lifter unit stopper has been caught into the hole at the section (F) of CD tray assembly as shown in Fig. 2-13.
 12. Make sure that the driver unit elevator is positioned as shown in Fig. 2-13a from to the second or fifth hole on the left side face of the CD changer mechanism.
- [Caution]** In case the driver unit elevator is not at the above position, set the elevator to the position as shown in Fig. 2-13a by manually turning the pulley gear as shown in Fig. 2-14.
13. Manually turn the motor pulley in the clockwise direction until the lifter unit stopper is lowered from the section (F) of CD tray assembly (See Fig. 2-13).
 14. Pull out all of the three stages of CD tray assembly in the arrow direction (E) until these stages stop (See Fig. 2-12).
 15. At the position where the CD tray assembly has stopped, pull out the CD tray assembly while pressing (H) the two pawls (G) on the back side of CD tray assembly (See Fig. 2-15). In this case, it is easy to pull out the assembly when it is pulled out first from the stage CD tray assembly.



Refer to Fig. 2-13a Pawl G (See Fig. 2-15)
Fig. 2 - 12

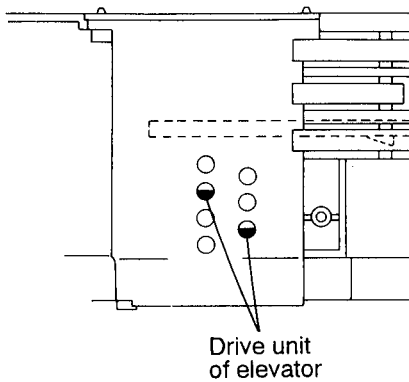


Fig. 2 - 13a

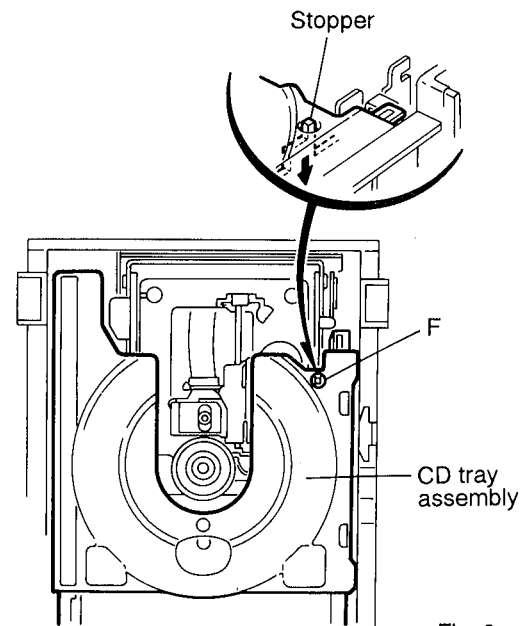


Fig. 2 - 13

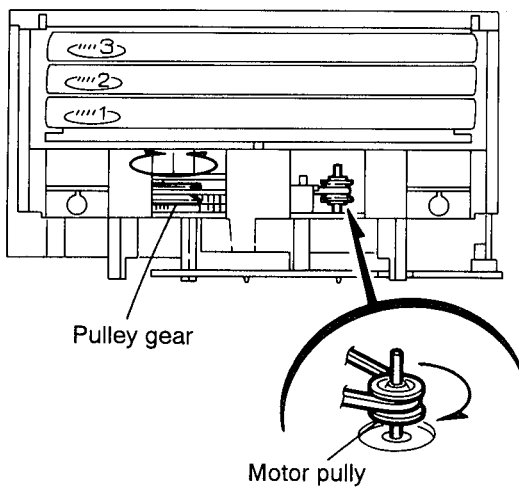


Fig. 2 - 14

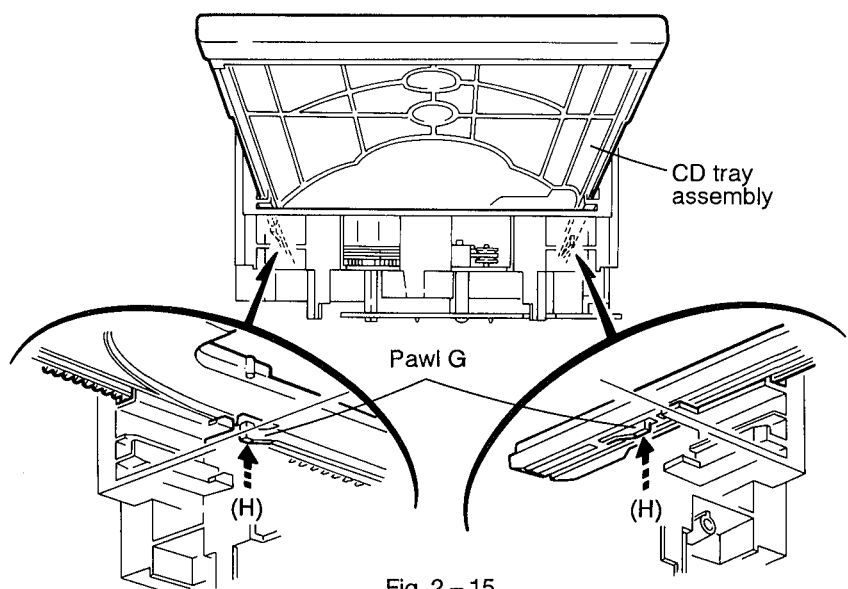


Fig. 2 - 15

■ Removing the CD mechanism assembly (See Fig. 2-16)

1. While turning the cams R1 and R2 assembly in the arrow direction (I), align the shaft (J) of the CD mechanism assembly to the position shown in Fig. 2-16.
2. Remove the four screws (5) retaining the CD mechanism assembly (See Fig. 2-16).

■ Removing the CD mechanism (See Figs. 2-17 and 2-18)

1. For dismounting only the CD mechanism without removing the CD mechanism assembly, align the shaft (L) of the CD mechanism assembly to the position shown in Fig. 2-17 while turning the cam R1 and R2 assembly in the arrow direction (K).
2. By raising the CD mechanism assembly in the arrow direction (M), remove the assembly from the lifter unit (Fig. 2-18).

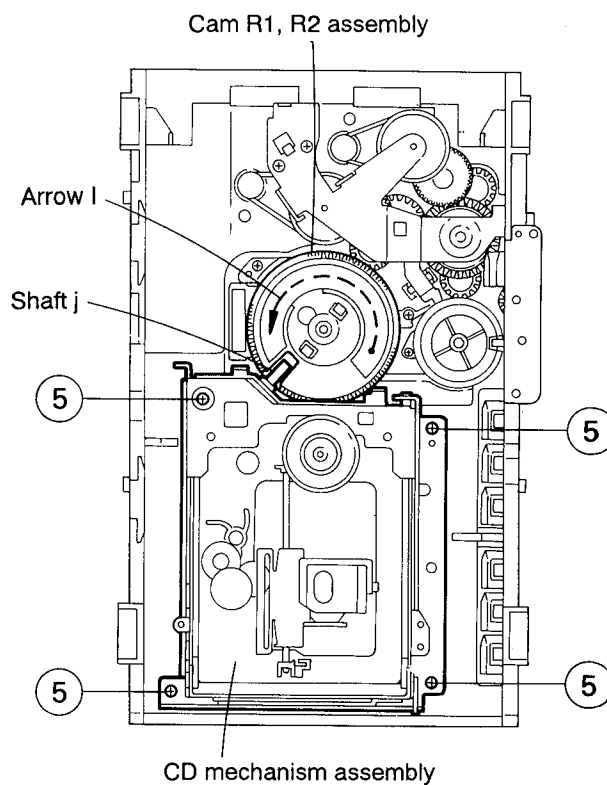


Fig. 2 - 16

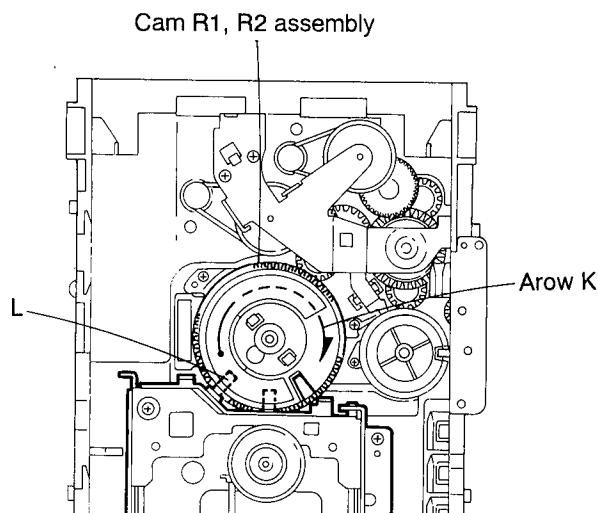


Fig. 2 - 17

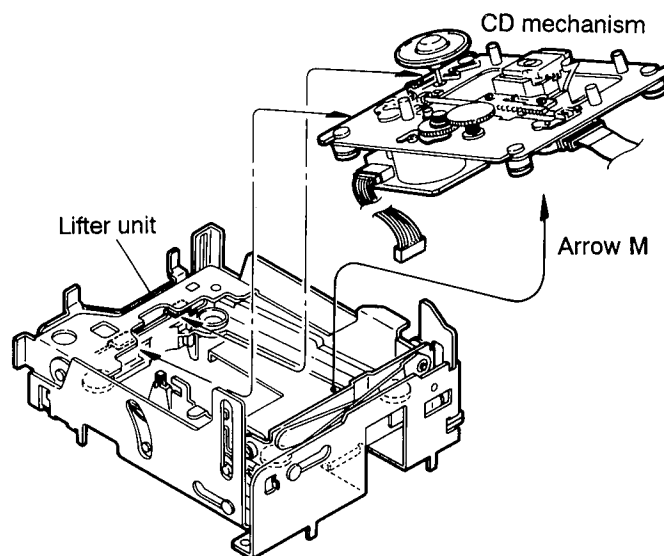


Fig. 2 - 18

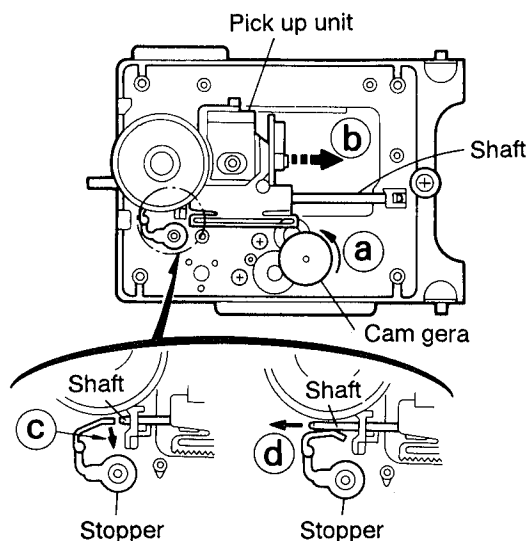


Fig. 2 - 19

■ Removing the CD pickup unit (See Fig. 2-19)

1. Move the cam gear in the arrow direction (a). Then, the CD pickup unit will be moved in the arrow direction (b).
2. According to the above step, shift the CD pickup unit to the center position (Fig. 2-19).
3. While pressing the stopper retaining the shaft in the arrow direction (c), pull out the shaft in the arrow direction (d) (See Fig. 2-19).
4. After dismounting the shaft from the CD pickup unit, remove the CD pickup unit.

■ Removing the actuator motor board

(See Figs. 2-20 and 2-21)

1. Absorb the four soldered positions (M) of the right and left motors with a soldering absorber (See Fig. 2-20).
2. Remove the two screws (6) retaining the actuator motor board (See Fig. 2-21).
3. Remove the two screws (11) retaining the bracket (See Fig. 2-21).
4. Remove the two screws (7) retaining the tray select switch board (See Fig. 2-21).

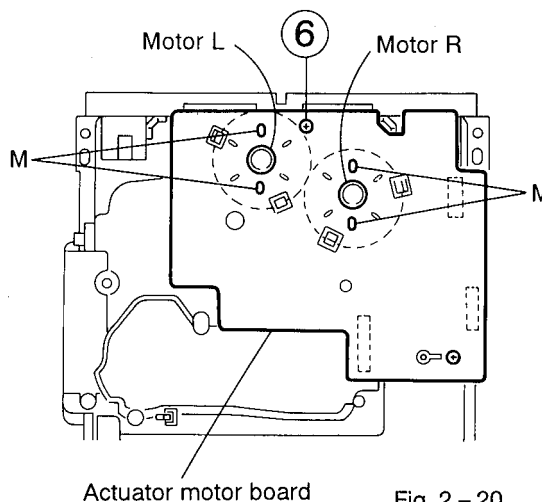


Fig. 2 - 20

■ Removing the cam unit

(See Figs. 2-22 and 2-24)

1. Remove the CD mechanism assembly.
2. While turning the cam gear L, align the pawl (N) position of the drive unit to the notch position (Fig. 2-22) on the cam gear L.
3. Pull out the drive unit and cylinder gear (See Fig. 2 - 23).
4. While turning the cam gear L, align the pawl (O) position of the select lever to the notch position (Fig. 2-24) on the cam gear L.
5. Remove the four screws (8) retaining the cam unit (cam gear L and cams R1/R2 assembly) (See Fig. 2-24).

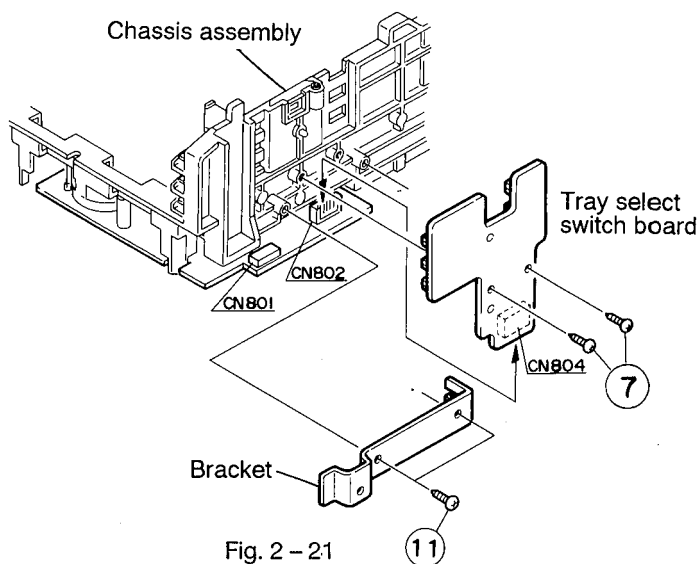


Fig. 2 - 21

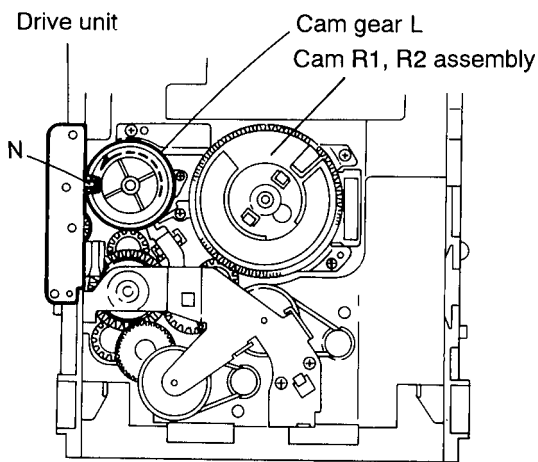


Fig. 2 - 22

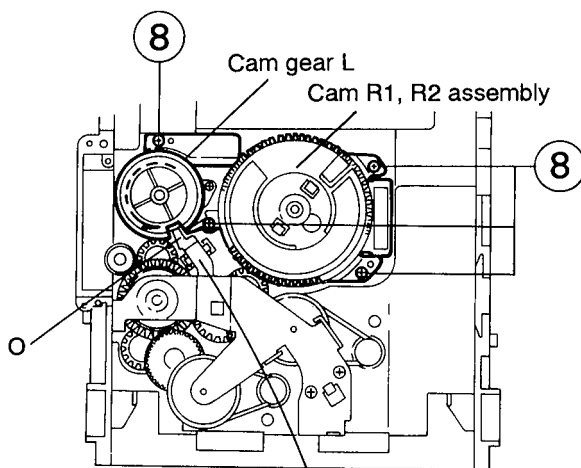


Fig. 2 - 24

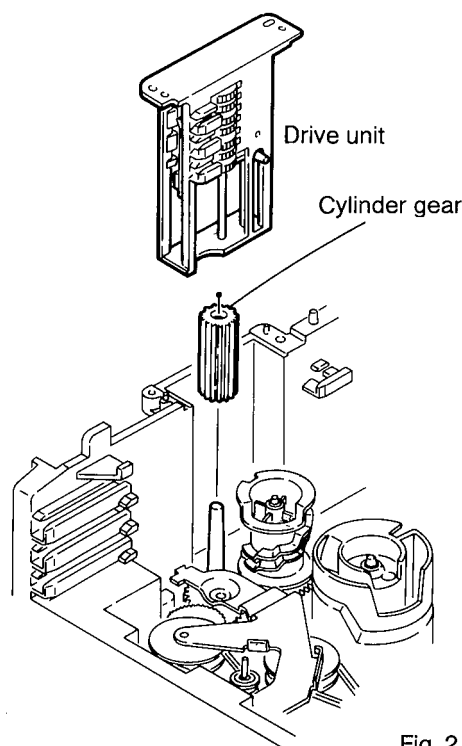


Fig. 2 - 23

Removing the actuator motor and belt

(See Figs. 2-25 to 2-28)

1. Remove the two screws (9) retaining the gear bracket (See Fig. 2-25).
2. While pressing the pawl (P) fixing the gear bracket in the arrow direction, remove the gear bracket (See Fig. 2-25).
3. From the notch (Q section) on the chassis assembly fixing the edge of gear bracket, remove and take out the gear bracket (See Fig. 2-26)
4. Remove the belts respectively from the right and left actuator motor pulleys and pulley gears (See Fig. 2-28).
5. After turning over the chassis assembly, remove the actuator motor while spreading the four pawls (R) fixing the right and left actuator motors in the arrow direction (See Fig. 2-27).

[Note] When the chassis assembly is turned over under the conditions wherein the gear bracket and belt have been removed, then the pulley gear as well as the gear, etc. constituting the gear unit can possibly be separated to pieces. In such a case, assemble these parts by referring to the assembly and configuration diagram in Fig. 2-28.

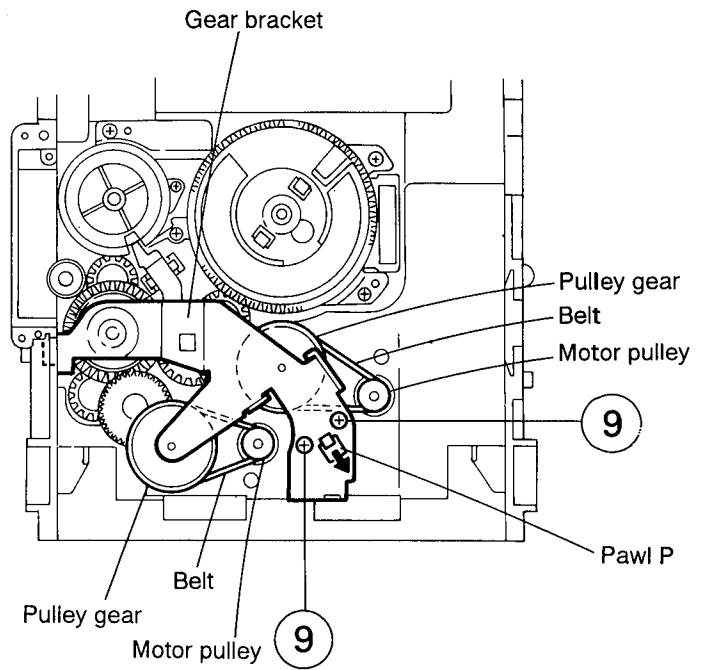


Fig. 2 - 25

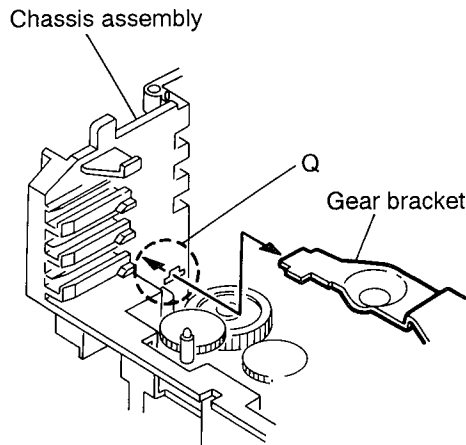


Fig. 2 - 26

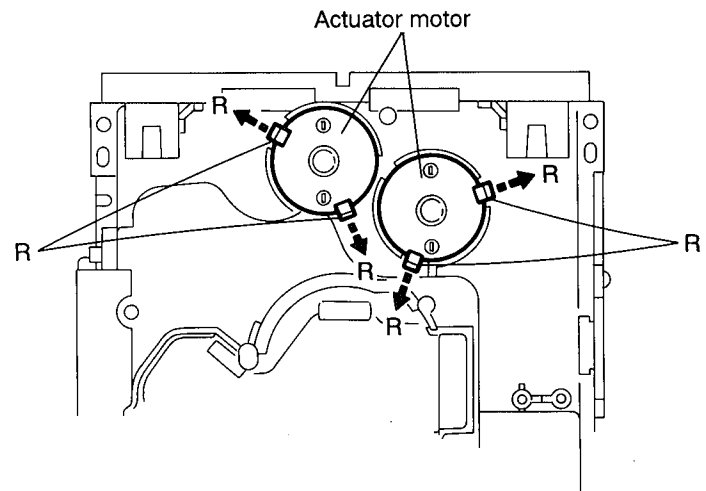


Fig. 2 - 27

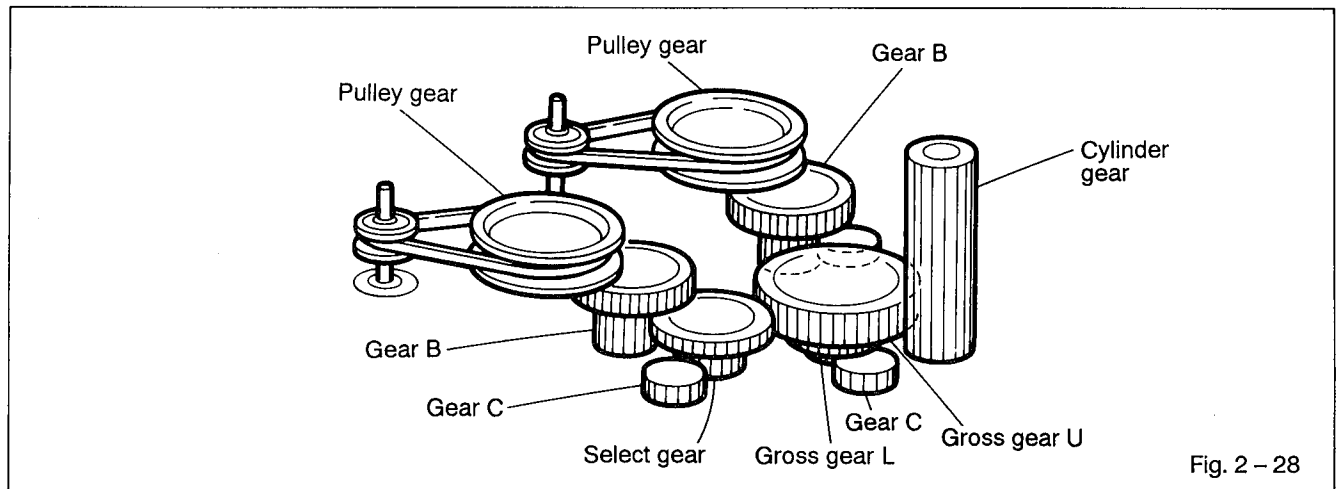


Fig. 2 - 28

Removing the cams R1/R2 assembly and cam gear L (See Fig. 2-29)

- 1. Remove the slit washer fixing the cams R1 and R2 assembly.
- 2. By removing the two pawls (S) fixing the cam R1, separate R2 from R1.
- 3. Remove the slit washer fixing the cam gear L.
- 4. Pull out the cam gear L from the C.G. base assembly.

Removing the C.G. base assembly
(See Figs. 2-29 and 2-30)

Remove the three screws ⑩ retaining the C.G. base assembly.

[Caution] To reassemble the cylinder gear, etc. with the cam unit (cam gear and cams R1/R2 assembly), gear unit and drive unit, align the position of the pawl (N) on the drive unit to that of the notch on the cam gear L. Then, make sure that the gear unit is engaged by turning the cam gear L.

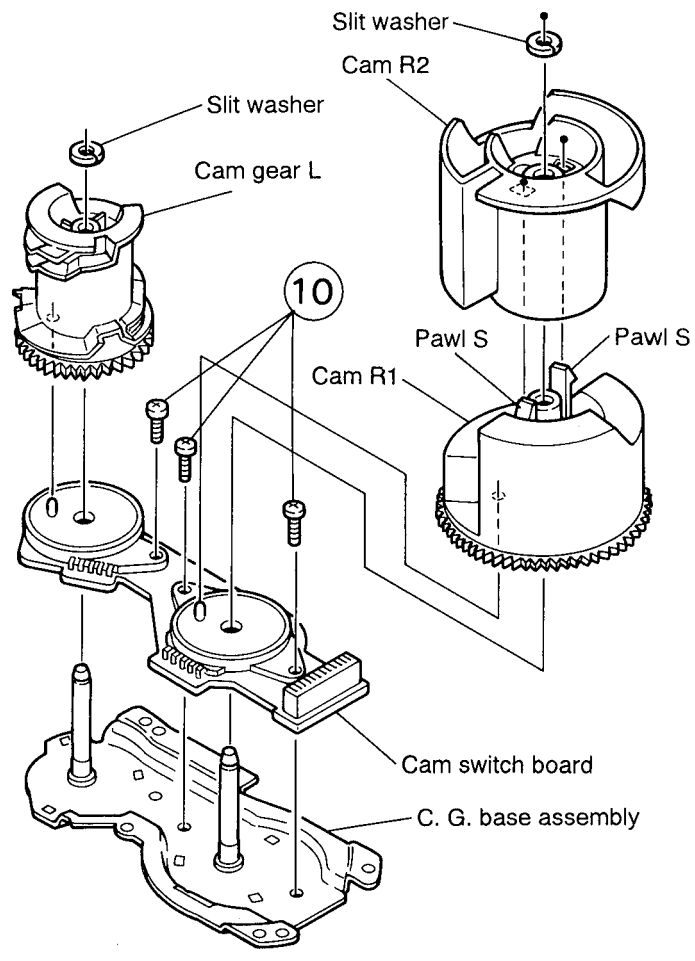


Fig. 2 - 29

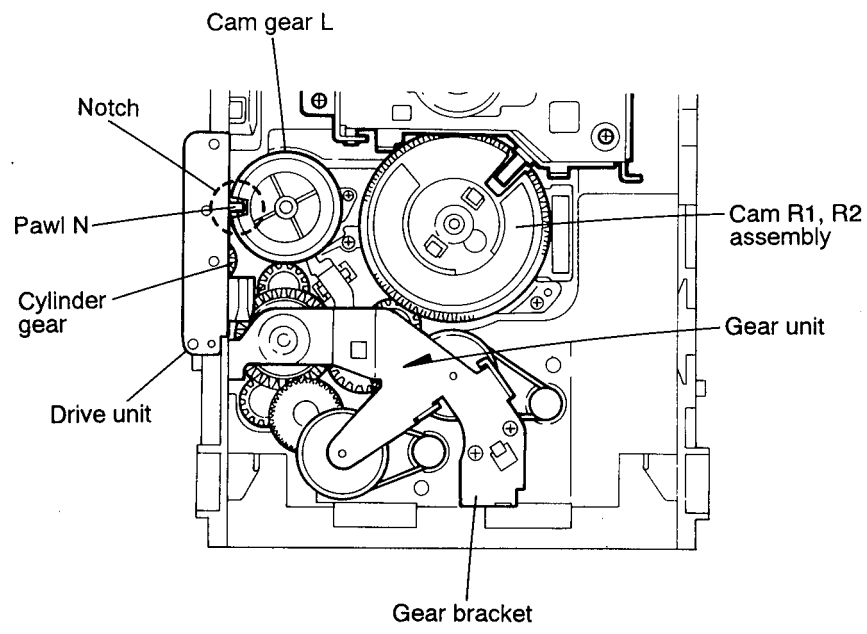


Fig. 2 - 30

■ Cassette and amplifier section

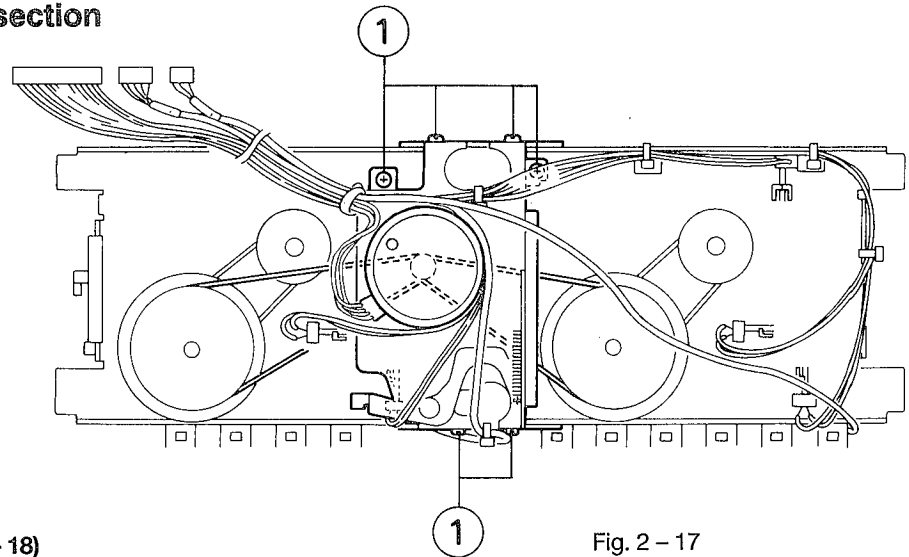


Fig. 2-17

■ Capstan motor (Fig. 2-17, Fig. 2-18)

1. Remove the Front panel assembly.(Refer to the article“Front panel assembly”appearing on a previous page)
2. Remove the Cassette mechanism assembly.(Refer to the article“Cassette mechanism assembly” appearing on a previous page)
3. Remove the Main board(Refer to the article “Main board” appearing on a previous page.)
4. Remove the Cassette mechanism. (Refer to the article“ Cassette mechanism”appearing on a previous page.)
5. Remove six screws ① retaining the motor bracket from the back of the cassette mechanism.
6. Take out the main belt from the flywheel assembly of mechanism A and B.
7. Remove six screws ② retaining the Capstan motor from the back of the cassette mechanism.

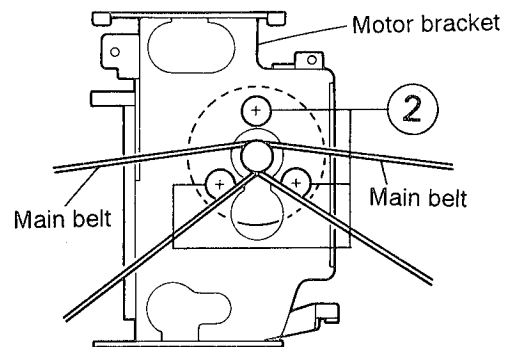


Fig. 2-18

■ Eject slide lever (Fig. 2-19)

1. Place the cassette mechanism back side frontward and disengage the stopper arm ⑥ of the Eject slide lever by pressing it inwards through the opening of the chassis with a small screwdriver as shown in Fig. 2-19.
2. Disengage the Eject slide lever in the direction of arrow ③.

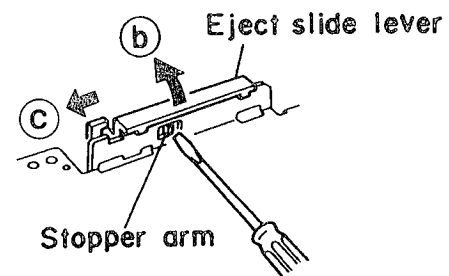


Fig. 2-19

■ Leaf switch (Fig. 2-20)

Press the leaf switch in the direction of the arrow ④ and then remove it in the direction of the arrow ⑤ referring to Fig. 2-20.

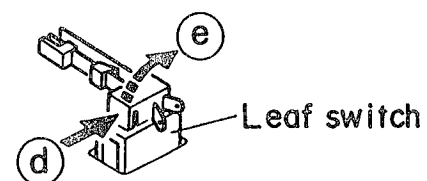


Fig. 2-20

■ Pinch roller assembly (Fig. 2 - 21)

1. Pull out the stopper protruding from the base assembly in the direction of the arrow ① to remove it from the pinch roller assembly.
2. Then, pull out the pinch roller assembly in the direction of the arrow ②.

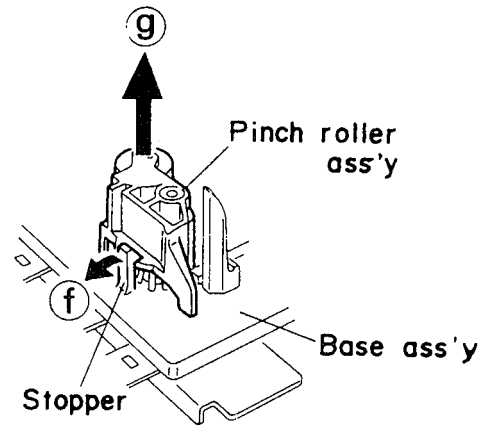


Fig. 2 - 21

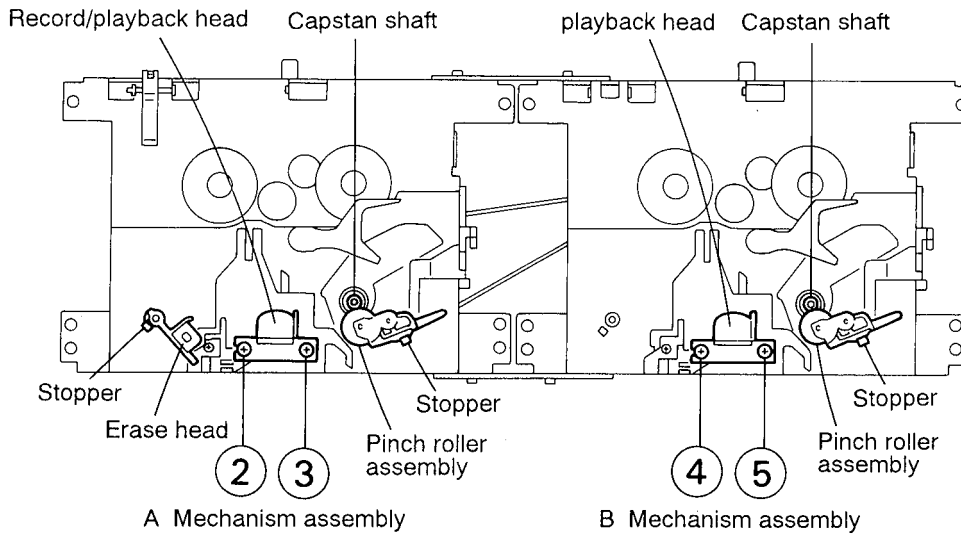


Fig. 2 - 22

■ Record/Playback head & Erase head

(Fig. 2 - 22, Fig. 2 - 23)

1. Remove two screws ② and ③ retaining the Record/Playback head of mechanism A.
2. Remove two screws ④ and ⑤ retaining the Playback head of mechanism B.
3. Pull out the stopper of the Erase head in the direction of the arrow ③.
4. Pull out the Erase head in the direction of the arrow ④.

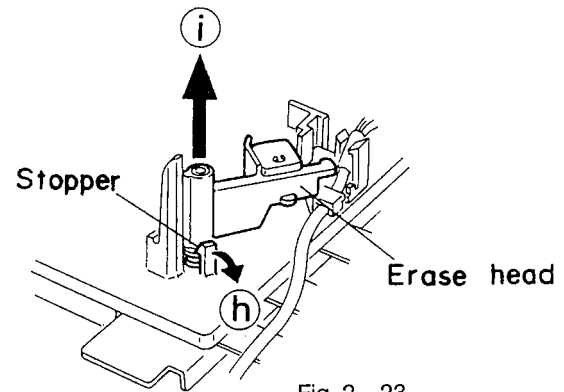


Fig. 2 - 23

■ Flywheel assembly (Fig. 2 - 24)

1. E. washer retaining the flywheel assembly in the direction of arrow ④.
2. Pull the flywheel assembly out of the back side of the cassette mechanism in the direction of the arrow ⑤.

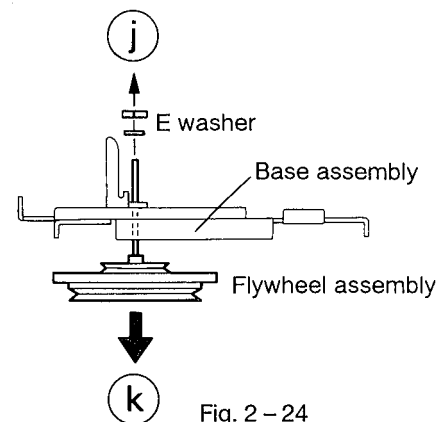


Fig. 2 - 24

3.Main Adjustment

■ Test Instruments required for adjustment

1. Low frequency oscillator
(oscillation frequency: 50Hz to 20kHz)
(Output : 0 dBs with 60 Ω terminator)
2. Attenuator(Impedance : 600 Ω)
3. Test Tapes
VT712 (VTT712)..... For tape speed,wow and flutter measurement
VT724 (VTT724)..... For play back output level
VT739 (VTT739)..... For playback frequency response check
VT703 (VTT703).... For head azimuth measurement
4. Electronic voltmeter, Distortion meter
5. Resistor...600 Ω for attenuator matching
6. Torque gauge..... Cassette type for CTG – N mechanism adjustment
7. Wow and Flutter meter , Frequency counter
8. Blank tape..... Normal:UR,Chrome: AC225

■ Measuring conditions (Amplifier section)

Supply voltage AC230V(50Hz)
Reference output : Speaker 0 dBs (0.775V) / 3 Ω
(Volume Level: 19)
: Headphone · – 10 dBs (0.245V)/ 32 Ω

● Standard position of functionswitches

Function switch TAPE
Mode switch..... STEREO

● Standard position of volume control

Sound Flat position
AHB PRO..... OFF
Main volume adjust 0 dBs Speaker out(Vol.19)
Headphone out(Vol.20)
Beat cut switch Cut1
Standard test frequency.....1 kHz

; unless otherwise specified.

Reference input level TP(CN301) : – 20dBs
Input for REC/PB, Check &measuring CN301
: –20 dBs

● Test remarks

1. Negative side of the input and output on the testing set, that ought to be separately to each other, and then bear in mind there connection the testing set with 2 channeles Electronic voltmeter, the negative side never connect commonly.
2. Replaced output load with a dummy and that lead wire to be used as big as possible.
3. Attach top cover when measuring and connect filter shown below Fig. 1 to V. meter.

■ Measuring condition (Radio section)

Refer to rating sourceTuner+B : DC 5.7V
Reference output Speaker : 20mW(0.245 V) / 3 Ω
Headphone : 0.11 mW (0.06 V)/32 Ω
AM frequency400Hz modulation 30%
FM frequency400Hz modulation
frequency deviation 22.5kHz

● Standard position of switches and controllers

Function.....RADIO
Mode STEREO

● Careful points for adjustment

1. Connect 30 pF capacitor and 33 k Ω resistor to the output side of the IF sweeper in series while 0.082 μ F capacitor and 100k Ω resistor to the input side in series.
- 2.Set output level of the IF sweeper as minimum as adjustable.
3. RF Alignment order
Procedure of the steps of tracking should be kept.

◎ Test point : CN301 (Top view)

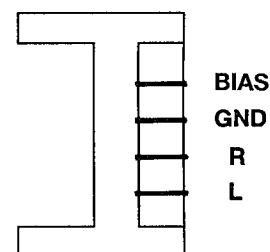


Fig. 3 – 1

■ **Cassette mechanism**

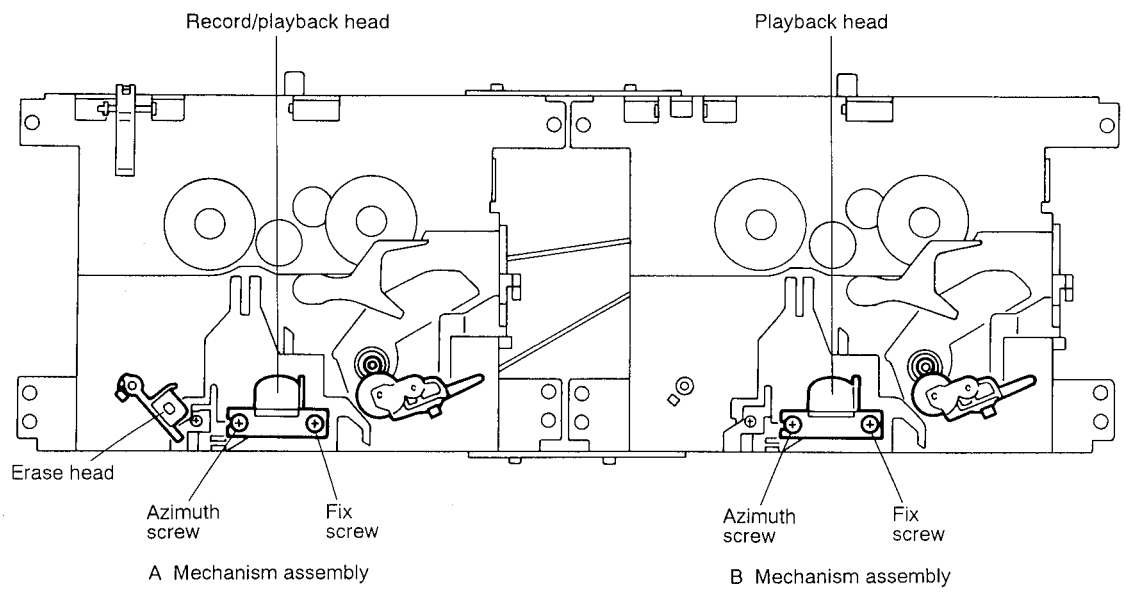


Fig. 3 - 2

■ **Tuner board**

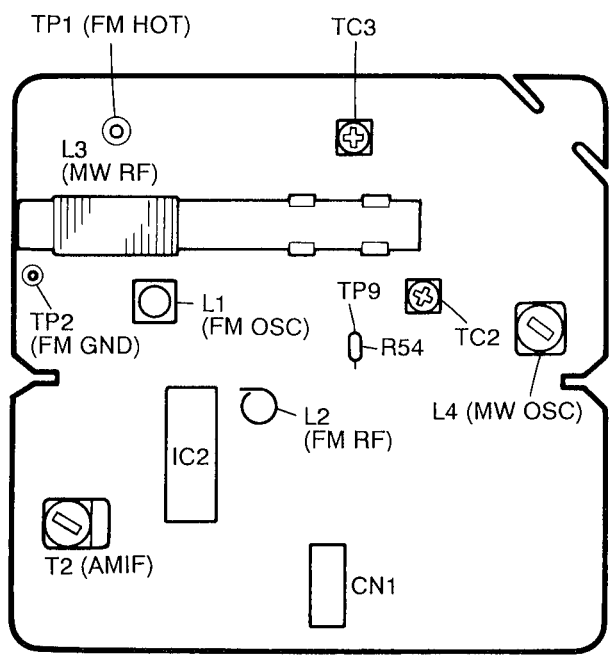


Fig. 3 - 3

■ **Main board**

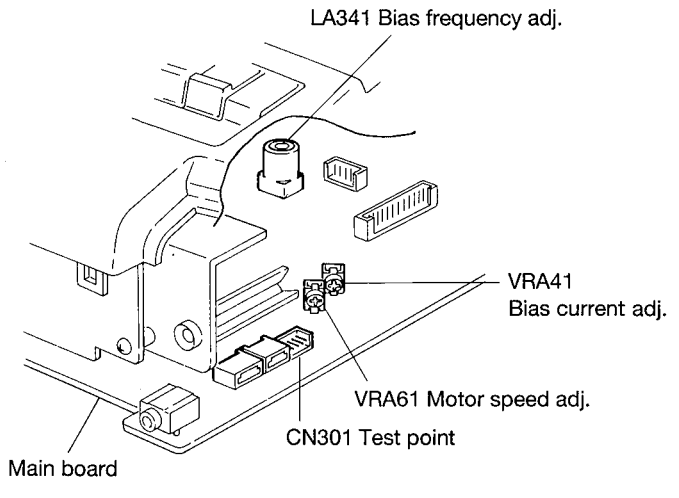


Fig. 3 - 4

■ Cassette mechanism section

Item	Conditions	Adjustment & Confirmation Methods	Stand. values	Adjust
Head azimuth adjustment (A, B mechanism)	<ul style="list-style-type: none"> • Test tape : VT703 (10kHz) • Output terminal for measurement : Headphone • Input terminal for measurement : CN301 	<p>* Adjust the head azimuth screw only when the head is replaced.</p> <p>① Playback test tape VT703 (10kHz).</p> <p>② Adjust the head azimuth so that the phase difference is minimum (Within 2dB of the peak level of play output.) After adjustment apply the screw locking adhesive to the head azimuth screw more than a half around the screw head.</p>	<p>Within 2dB of the peak level</p> <p>Minimum phase difference</p>	Head azimuth adjusting screw
Tape speed adjustment and wow &Flutter checking (A, B mechanism)	<ul style="list-style-type: none"> • Test tape : VT712 (3kHz) • Output terminal for measurement : Headphone 	<p>① When playing test tape VT712 (3kHz).</p> <p>② Adjust VRA61 so that the frequency counter reading is 2990Hz ~3010Hz .</p> <p>③ Wow &Flutter should be less than 0.38%(JIS UNWTD)</p>	<ul style="list-style-type: none"> • Tape speed : 2990Hz ~3010Hz Wow &Flutter : Less than 0.38%(JIS UNWTD) 	VRA61
Play back output level checking (A, B mechanism)	<ul style="list-style-type: none"> • Test tape : VT724 (1kHz) • Output terminal for measurement : Headphone 	<p>① When Playback the test tape VT724 (1kHz), the output level at headphone is $-24\text{dB} \pm 3\text{dB}$ at 1kHz.</p> <p>② Deviation L and R : less than 3dB</p>	$-24\text{dB} \pm 3\text{dB}$	
Playback frequency response checking (A, B mechanism)	<ul style="list-style-type: none"> • Test tape : VT739 • Output terminal for measurement : Headphone 	When playback the test tape VT739, response should be $-3\text{dB} \pm 4\text{dB}$ at 63Hz and 1kHz, $\pm 0\text{dB} \pm 4\text{dB}$ at 10kHz and 1kHz with respect to 1kHz.	<p>63Hz and 1kHz : $-3\text{dB} \pm 4\text{dB}$</p> <p>10kHz and 1kHz : $\pm 0\text{dB} \pm 4\text{dB}$</p>	
Record / playback frequency response adjustment (A mechanism)	<ul style="list-style-type: none"> • Reference frequency : 1kHz, 10kHz (Ref. -20dB) • Test tape : AC225 • Output terminal for measurement : CN301 	<p>① Record and playback the 1kHz reference frequency and 10kHz signal and check at terminal CN301.</p> <p>② Adjust the VRA41 so that record and playback frequency response with 1kHz and 10kHz at CN301 is $\pm 0\text{dB} \pm 1\text{dB}$</p> <p>③ Confirm that the frequency counter reading is $86\text{kHz} \pm 1\text{kHz}$. If the reading is out of this range, adjust LA341.</p>	<p>$+1\text{dB} \pm 1\text{dB}$</p> <p>$86\text{kHz} \pm 1\text{kHz}$</p>	VRA41 LA341
Record / playback sensitivity check	<ul style="list-style-type: none"> • Test tape : VT724, AC225 	While recording / playing back an input signal of the reference level (REC level), confirm that difference between the REC / PB level of the input signal and PB level of the VT724 test tape is within $0 \pm 3\text{dB}$.	$0 \pm 3\text{dB}$	

■ Tuner section

Item	Conditions	Adjustment & Confirmation Methods	Stand. values	Adjust
FM, AM IF adjustment		☆ Since a solid IF is being used, no adjustment is required.		
MPX adjustment		☆ Since a ceramic resonator is being used, no adjustment is required.		
FM tracking adjustment		☆ Since a fixed coil is being used, no adjustment is required.		
AM tracking adjustment	<ul style="list-style-type: none"> • Band : AM • Signal input Standard loop antenna • Test point : TP1(Positive) : TP2(Negative) : TP9 • Signal output : CN1 	<ol style="list-style-type: none"> ① Confirm so that the CN1 output is maximum when 522kHz(preset 1) is received from AM signal generator. ② In case voltage at TP9 is more than 5.0V. adjust L4 to obtain $5.0 \pm 0.1V$ at TP9. ③ Adjust L3 so that the CN1 output is maximum when 603kHz(preset 3) is received from the AM signal generator. ④ Adjust TC2 so that the CN1 output is maximum when 1404kHz(preset 4) is received from the AM signal generator. ⑤ Repeat the item ④, ⑤, adjust for no further improvement. 	Output level : Maximum $5.0 \pm 0.1V$ at TP9. Output level : Maximum Output level : Maximum	 L4 L3 TC2 L3, TC2

● Adjusting position of CD amplifier board

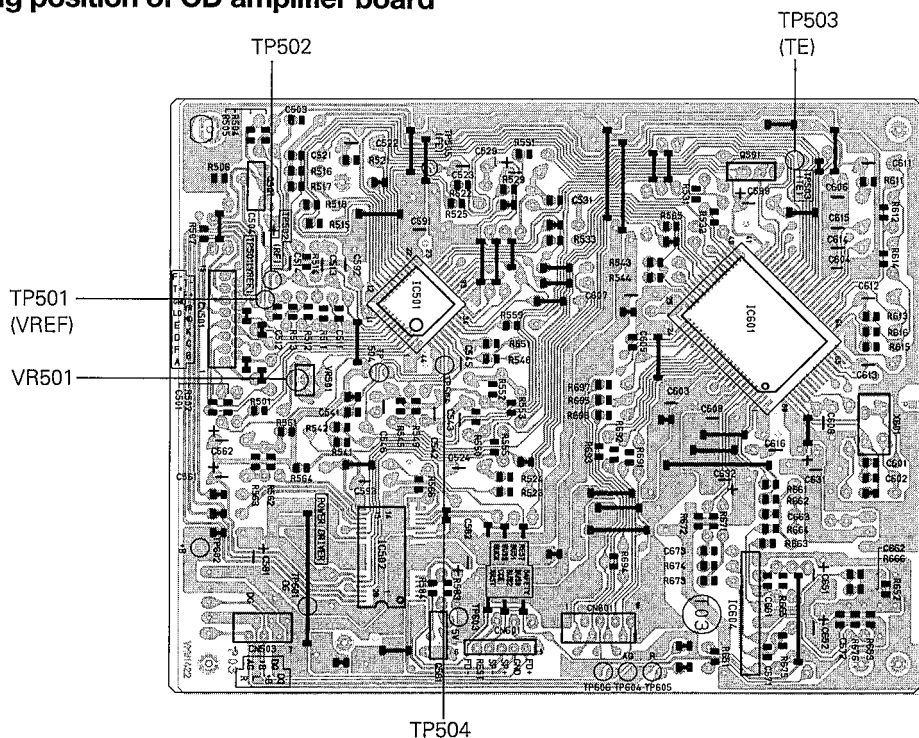
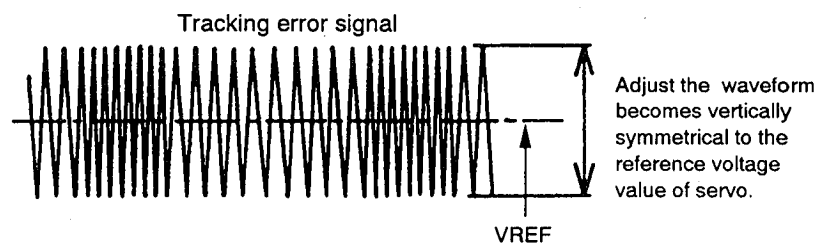


Fig. 3 - 5

■ CD player section

Item	Conditions	Adjustment & Confirmation Methods	Stand. values	Adjust
Tracking offset adjustment	Test disc :CTS1000 Oscilloscope Note 1 Adjust VR501 so that the waveform becomes vertically symmetrical to the reference voltage value of servo. Note 2 The oscilloscope input should be DC – coupled. Note 3 VREF: Ground level on the oscilloscope.	<ol style="list-style-type: none"> ① Connect TP503 (TE) and TP501 (VREF) respectively to the hot and ground sides of the oscilloscope. ② Replay the test disc CTS1000. ③ When TP504 and TP501 have been connected (Shorted) during replay, a tracking error signal will be emitted for about 3 sec. (Since the tracking error signal will be emitted at all times when the model with a test mode function is shifted to TEST mode, the adjustment can be performed more easily). ④ Since the waveform of tracking error signal displayed by the oscilloscope goes up and down when VR501 has been adjusted, adjust VR501 so that the center of the waveform amplitude becomes a reference voltage value of servo(VREF). ⑤ Repeat the steps ② ~ ④ until the center of the waveform amplitude of tracking error signal becomes the reference voltage value of servo (This step is not necessary in the case of the model with test mode function). 	Adjust the center of waveform amplitude to the reference voltage value of servo (VREF).	VR501



4. Troubleshooting

■ Pickup maintenance

(1) Checking the service life of laser diode

If a laser diode reaches the end of its service life, the following phenomena will show up. Similar symptoms may also appear when the pickup lens becomes too dirty. In this case, clean the lens.

1) The RF output (between TP502(RF) and TP501(VREF))

2) The driving current, necessary for the laser diode to emit lights, increases. (Calculate from the voltage level at both ends of the R505 at 10 Ω .)

◆ Following the flow chart shown below, check the service life.

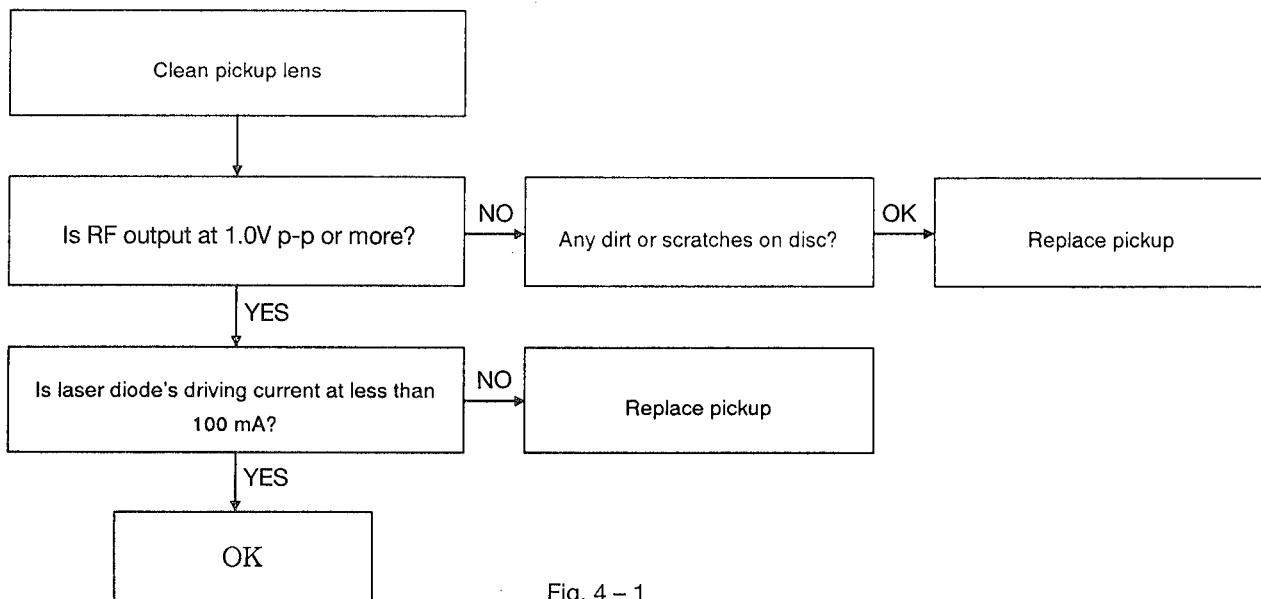


Fig. 4 – 1

◆ How to measure laser diode's driving current

After connecting a voltmeter at both ends of the R505(10 Ω), measure the voltage during playback. If the voltage level is at 1.0 V or more, the service life of the laser diode has expired.

Laser diode's driving current (A)

= Voltage level at both ends of R505 (V)/10 (Ω)

When voltage level is at 1.0 V:

1.0 V/10 Ω = 0.1 A = 100 mA

Note:

The laser diode easily breaks down. Be sure to turn the power off before connecting a voltmeter.

■ Self – Diagnosis Functoin of CD

1. Purpose

This function is designed to display an error to readily clarify the cause of such an error should any trouble occur in CD.

2. How to Use the Function

- (1) Turn the microcomputer action of the set to [TEST] mode.
- (2) Press **POWER** + **[] /CLEAR** on the remote control same time. Confirm that all of the LCDs have been turned on when set to the [TEST] mode subsequent to the step in item (2).
- (3) Whe the CD trouble has occurred after starting CD, an error code will be displayed on the display section of LCD, etc.

3. Error code and location in trouble

(See Fig. 4-2 — 4-6)

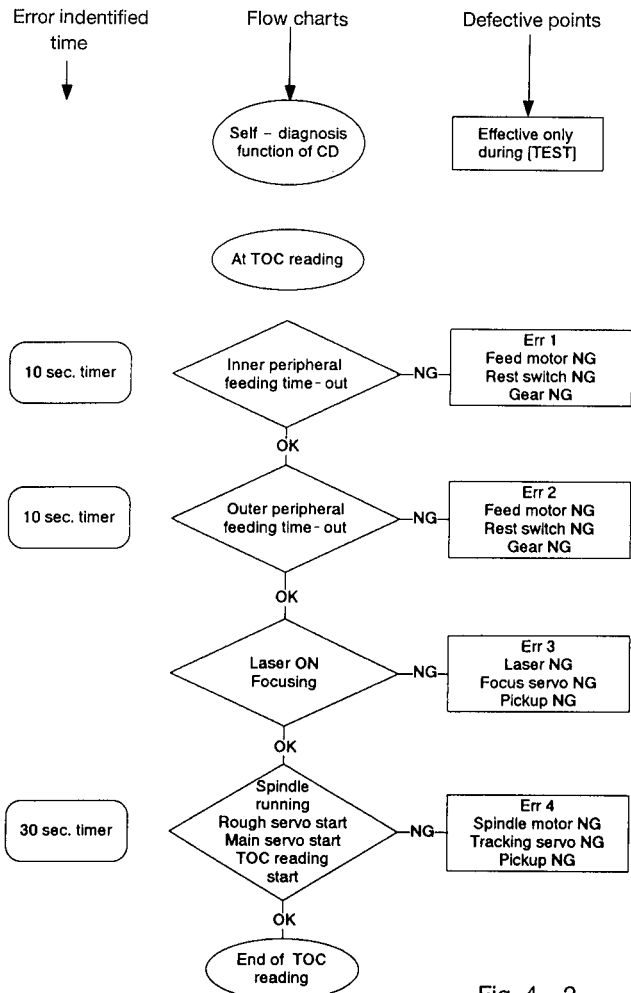


Fig. 4 - 2

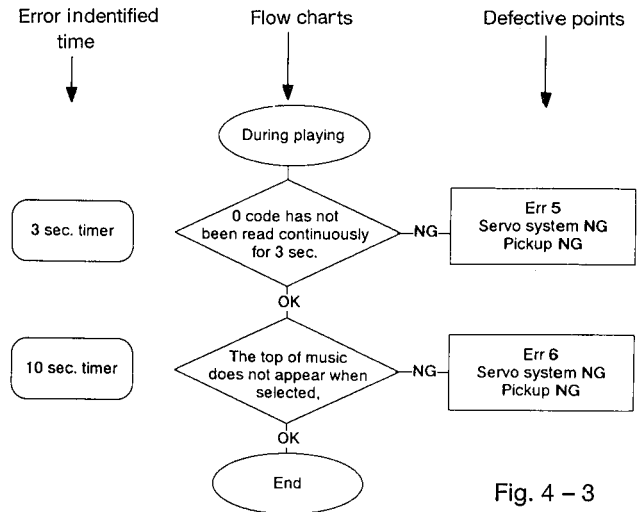


Fig. 4 - 3

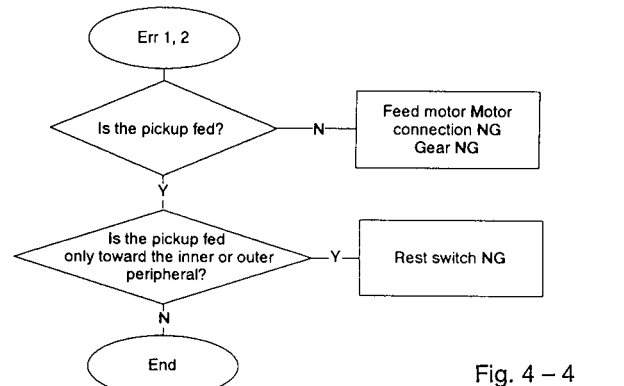


Fig. 4 - 4

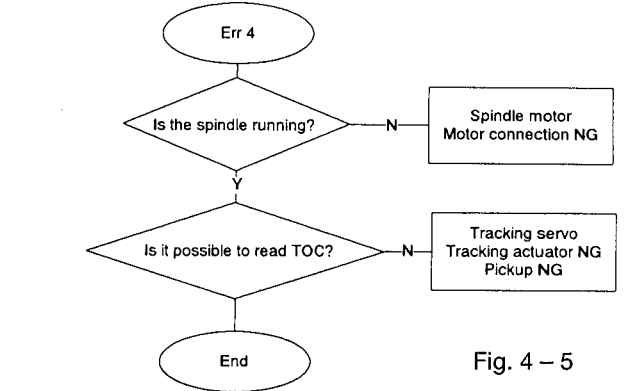


Fig. 4 - 5

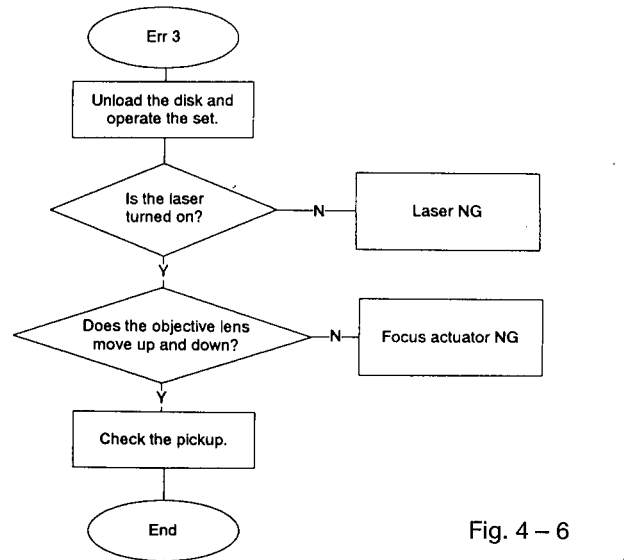


Fig. 4 - 6

General descriptions of TOC (Table of Contents) readings

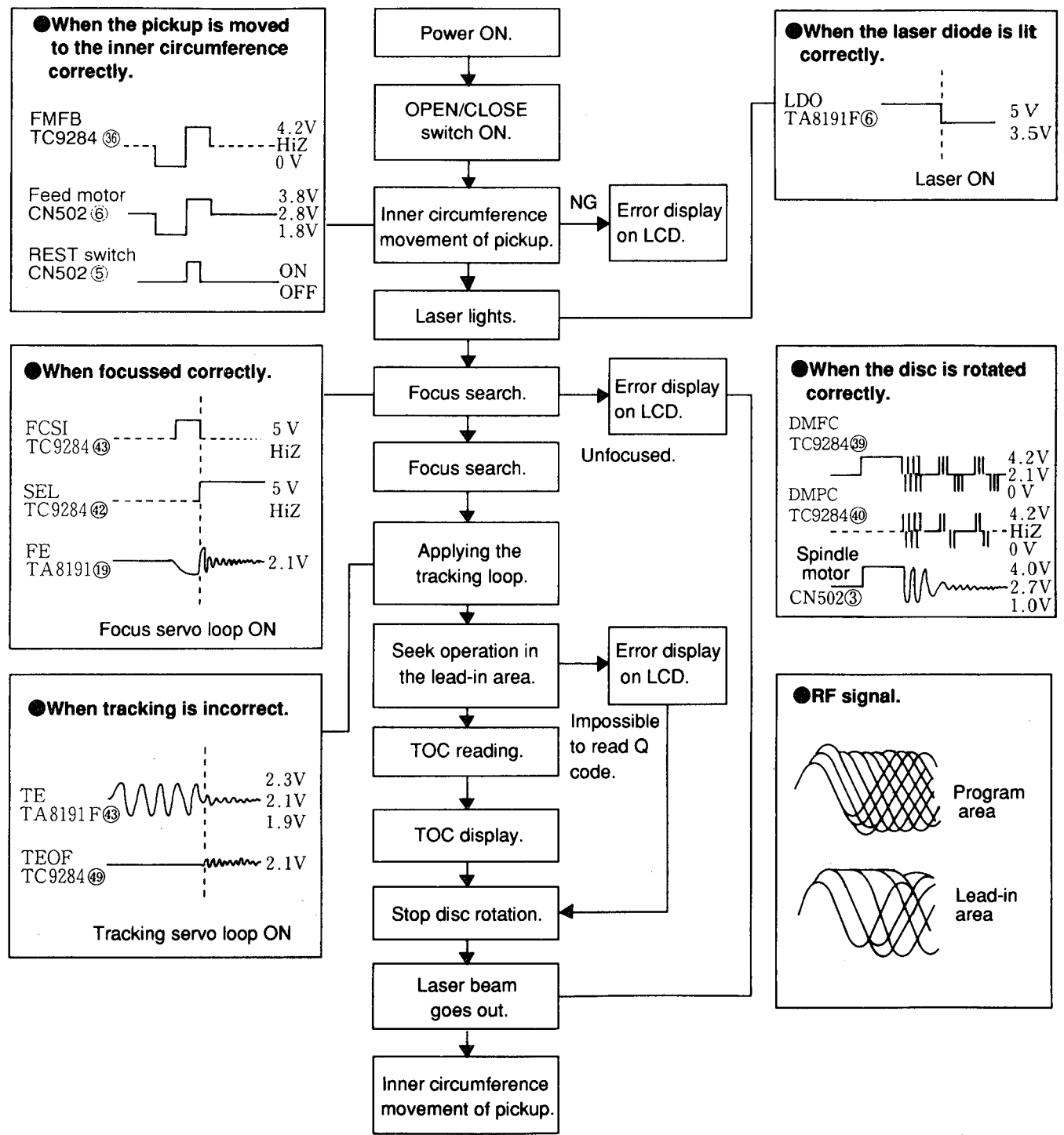


Fig. 4 - 7

■ General section

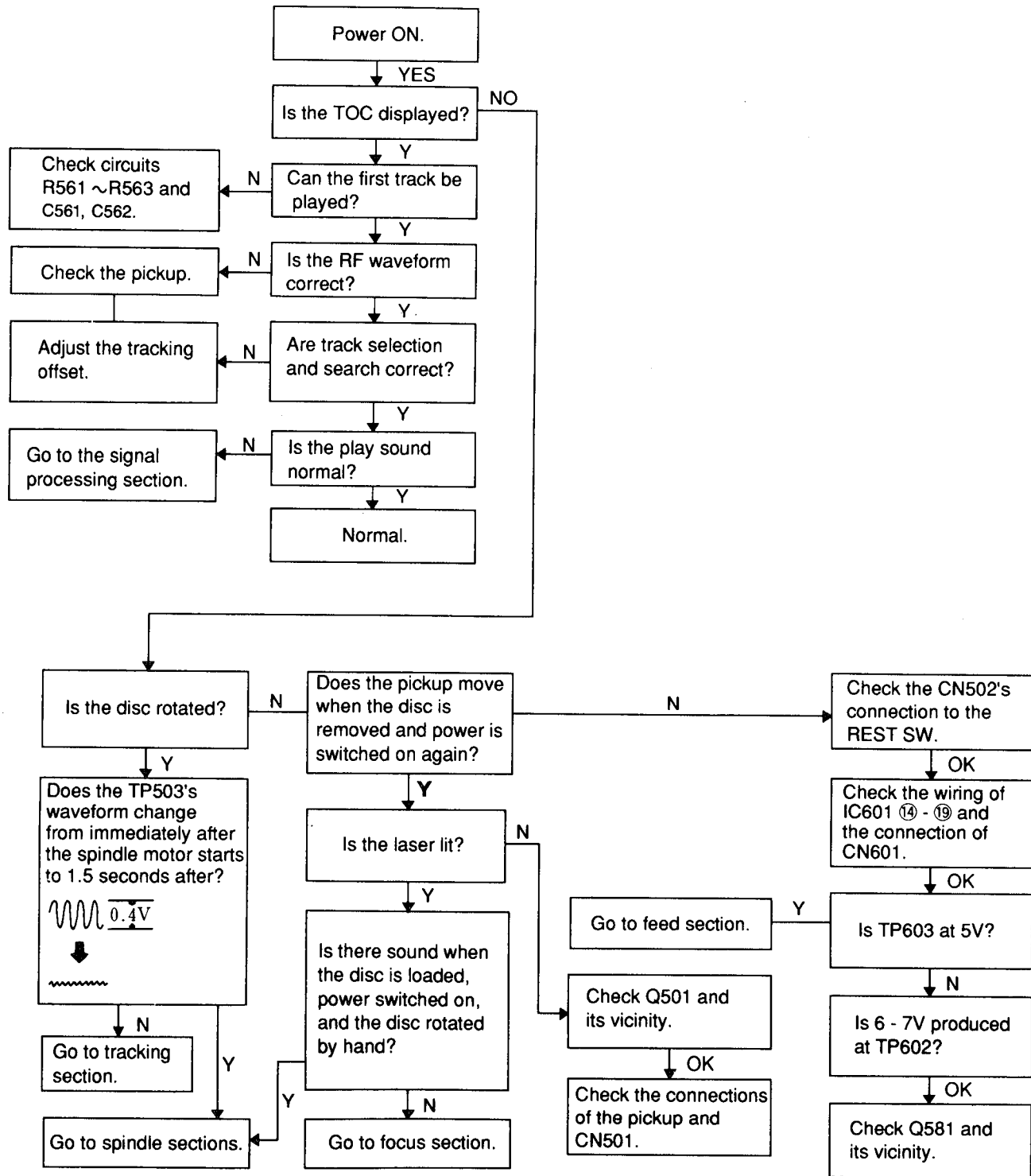


Fig. 4 - 8

■ Feed section

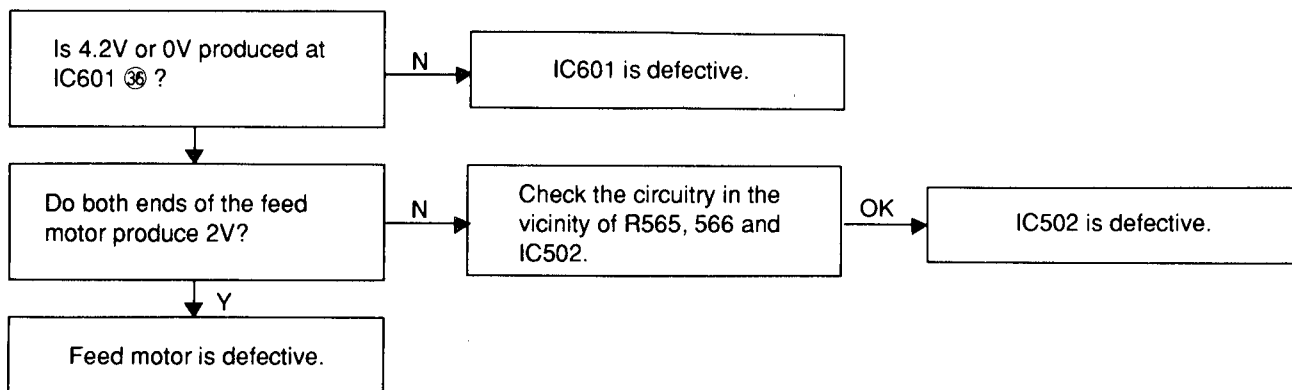


Fig. 4 - 9

■ Focus section

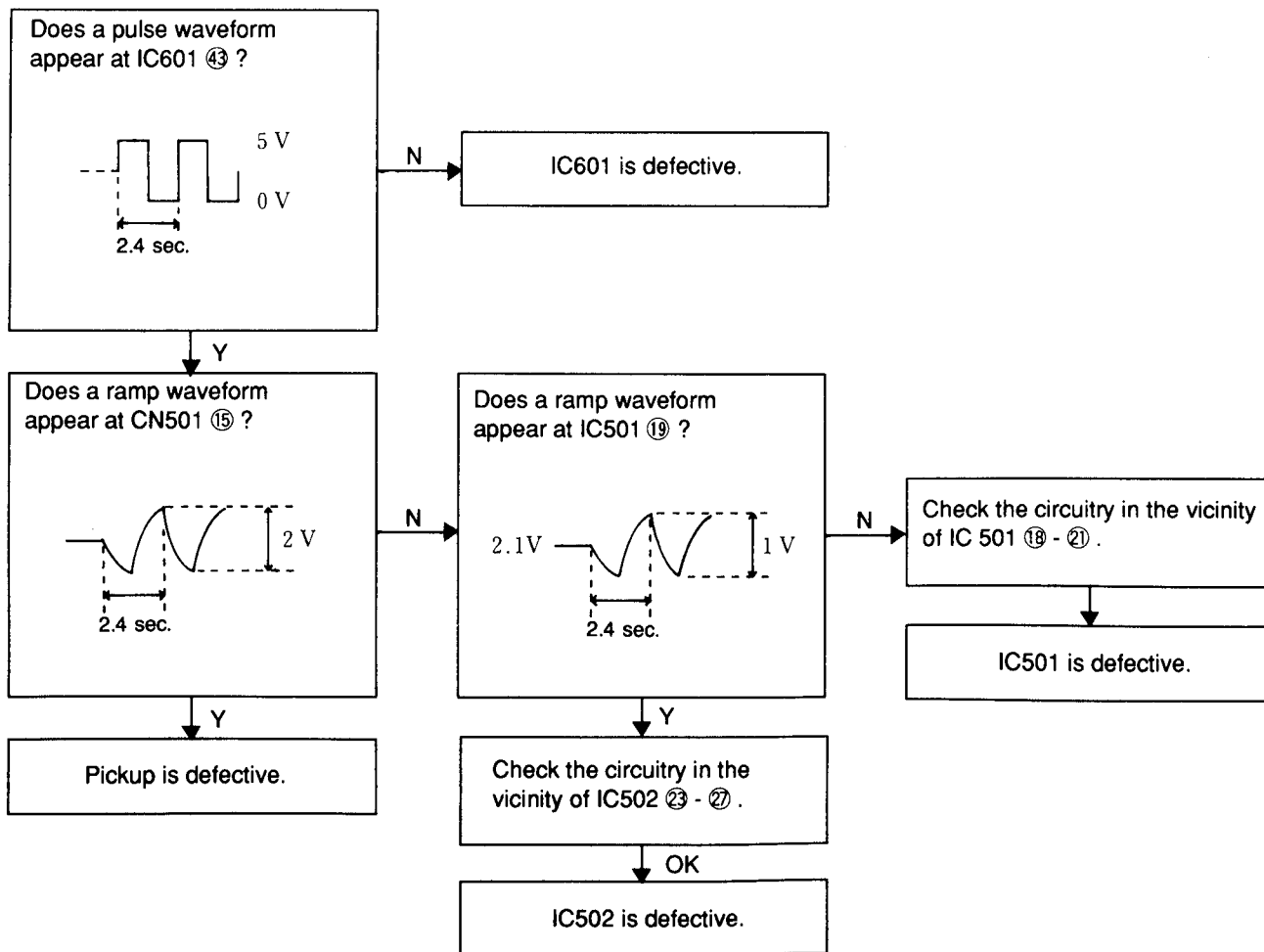


Fig. 4 - 10

■ Spindle motor section

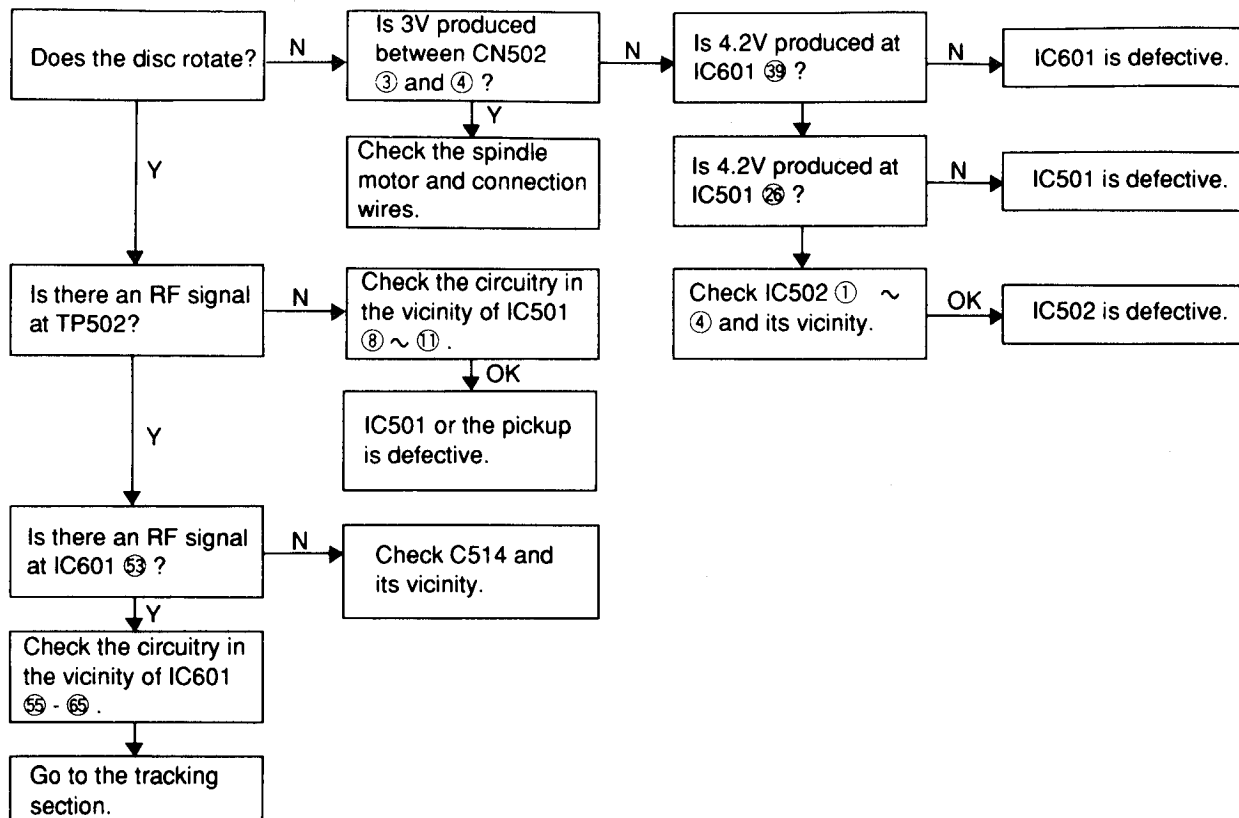


Fig. 4 - 11

■ Signal processing section

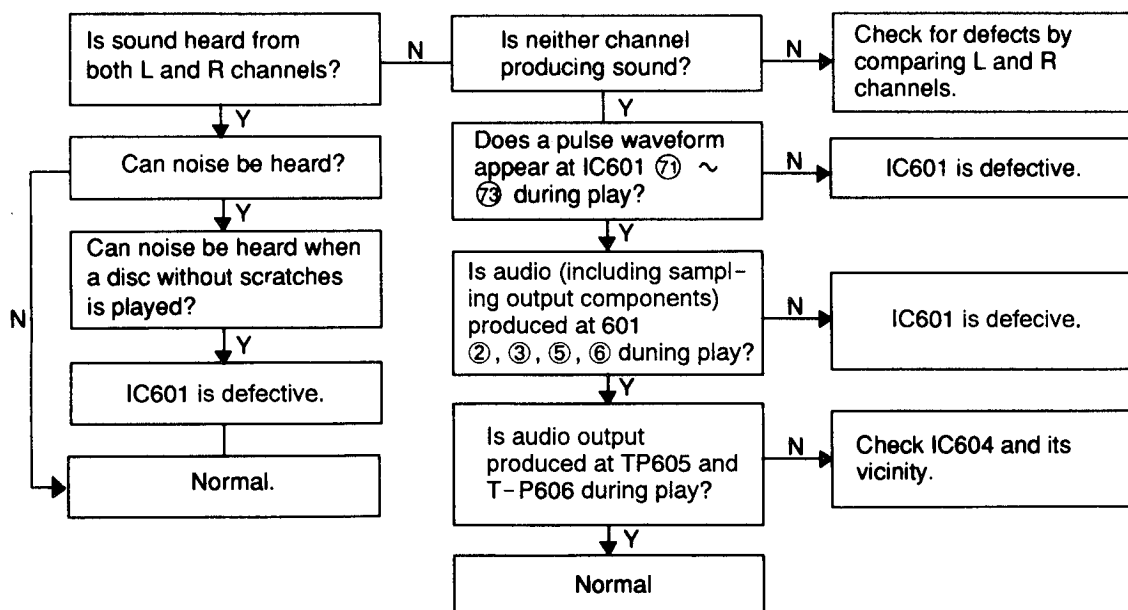


Fig. 4 - 12

■ Tracking section

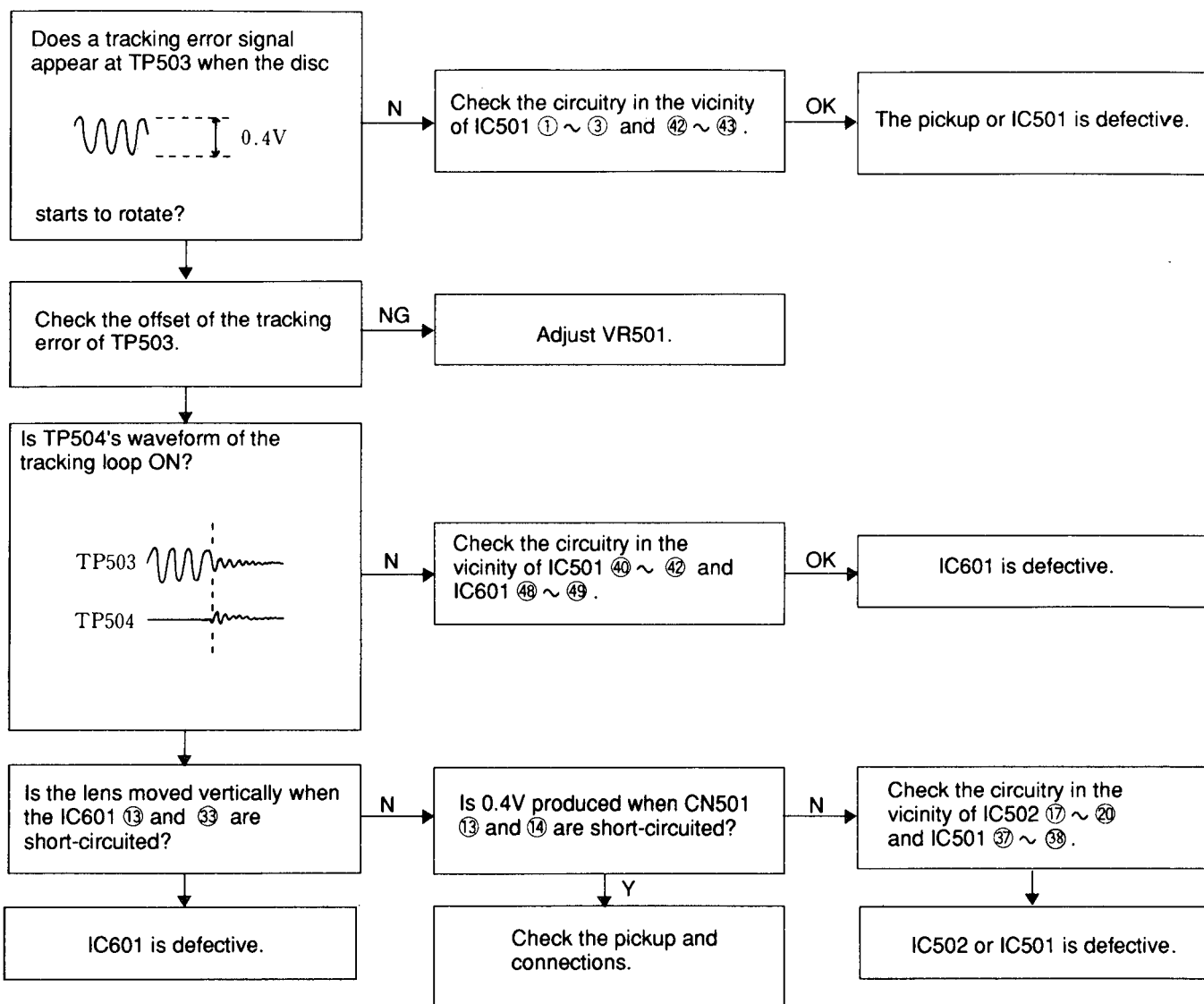
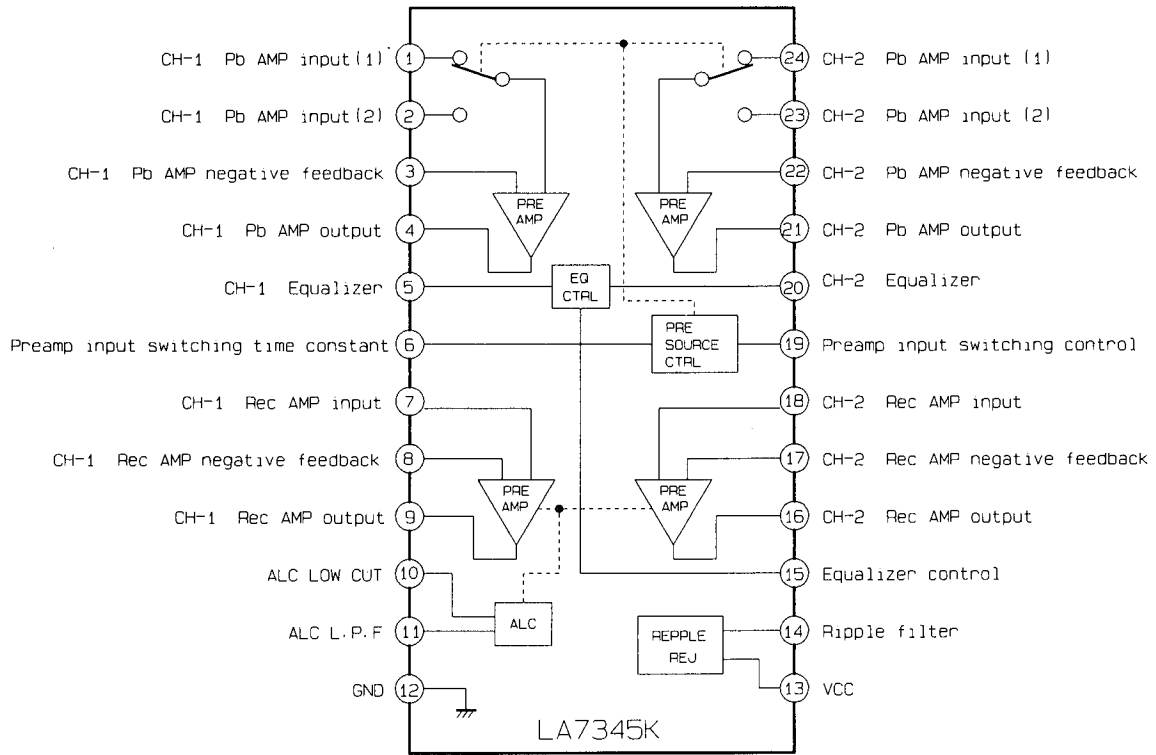


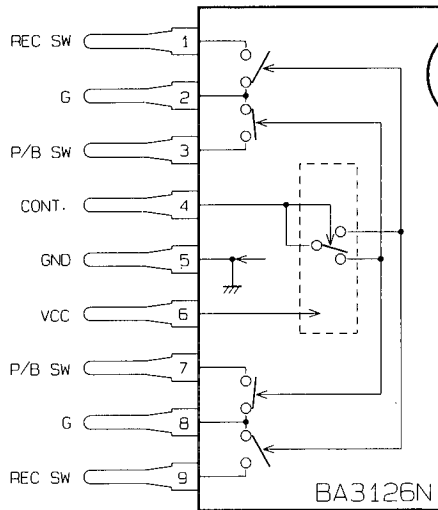
Fig. 4 - 13

5. Block Diagram

■ ICA31 (AN7345K) PB/REC EQ. amp.

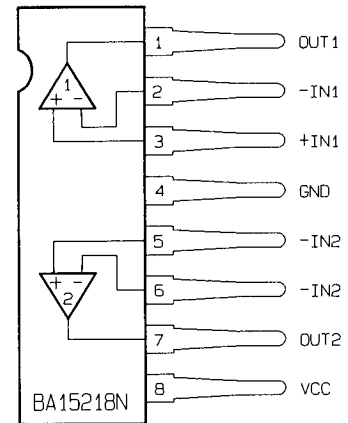


■ ICA33 (BA3126N) head switch

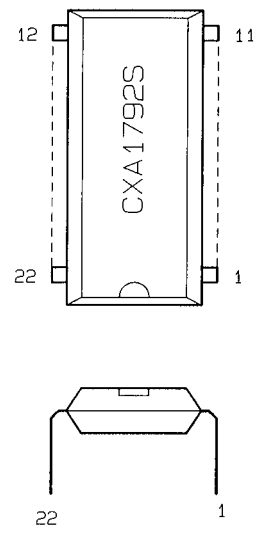
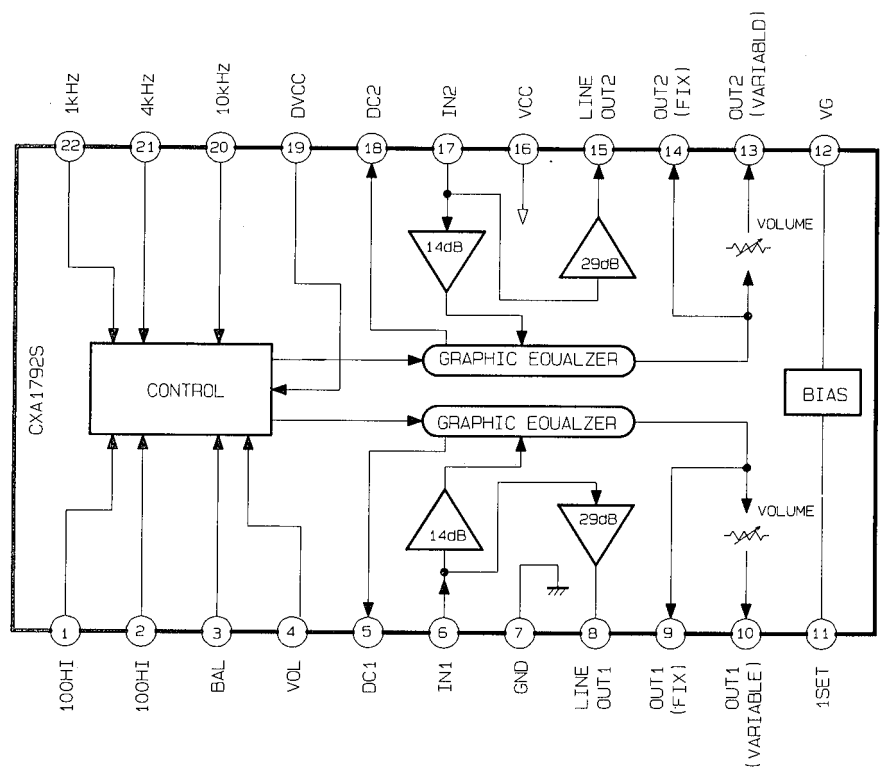


■ IC301/IC121 (BA15218N)

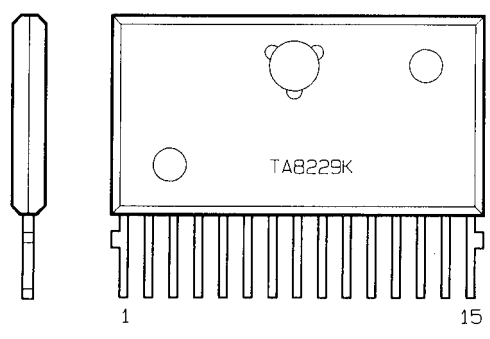
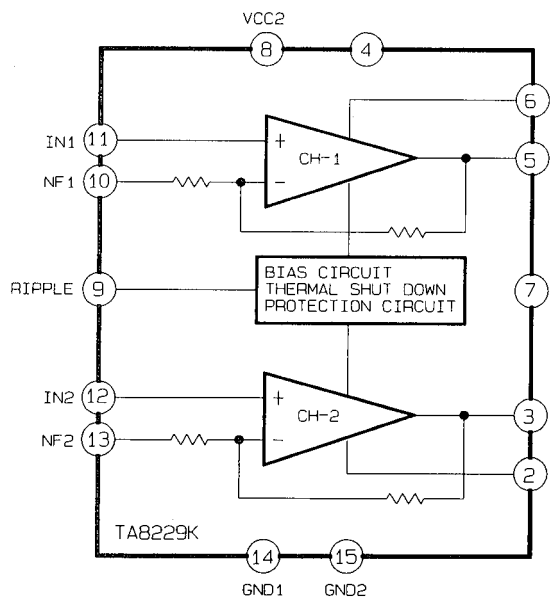
Function/bass boost



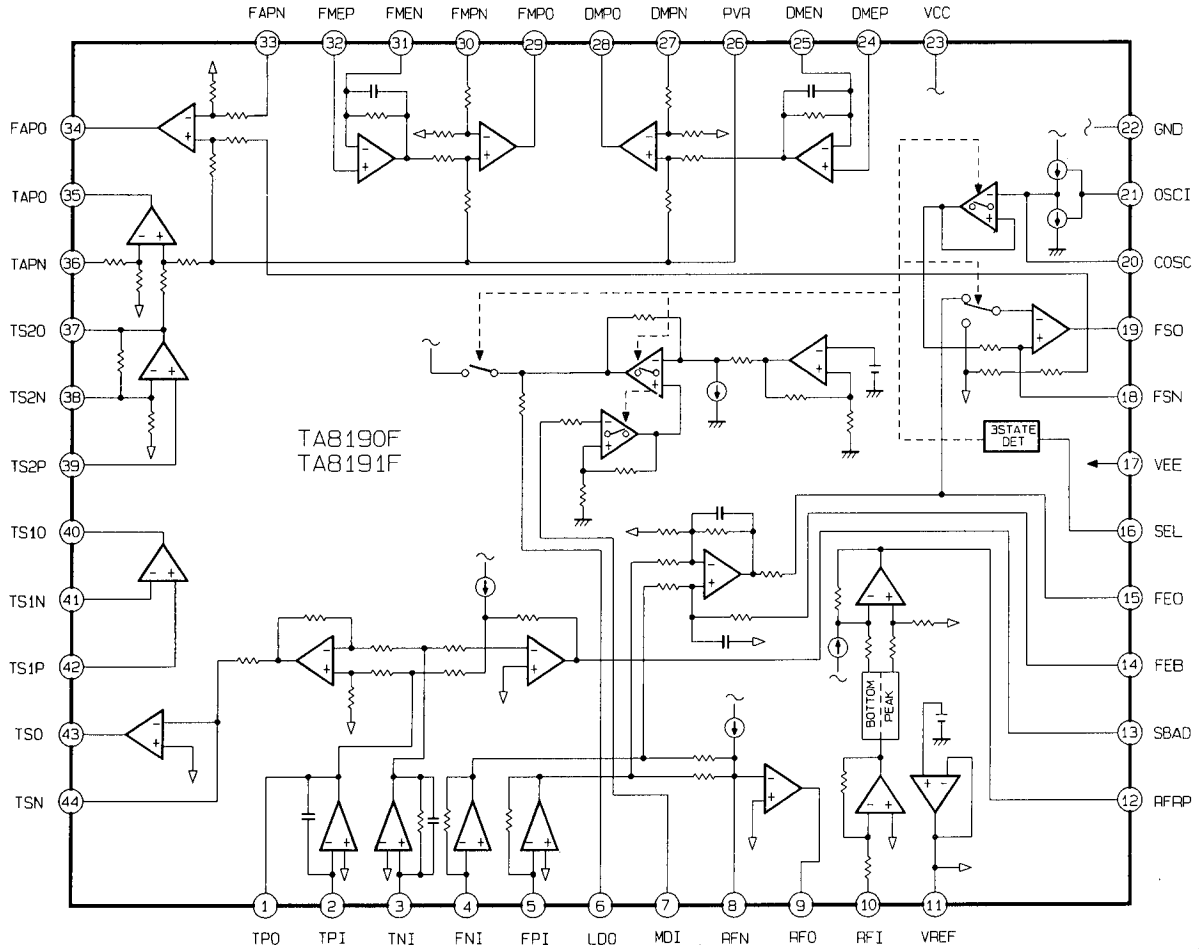
■ IC302 (CXA1792S) tone volume



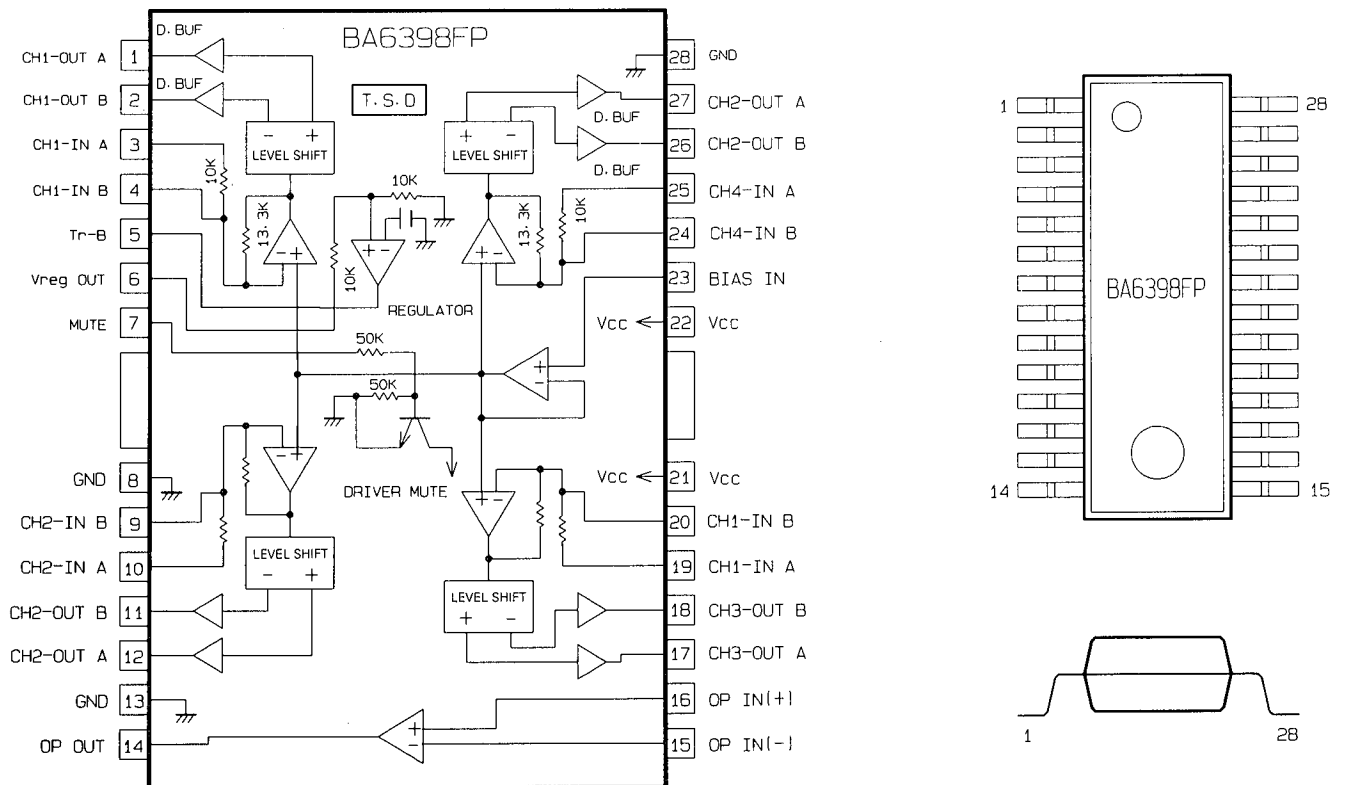
■ IC304 (TA8229K) power amp.



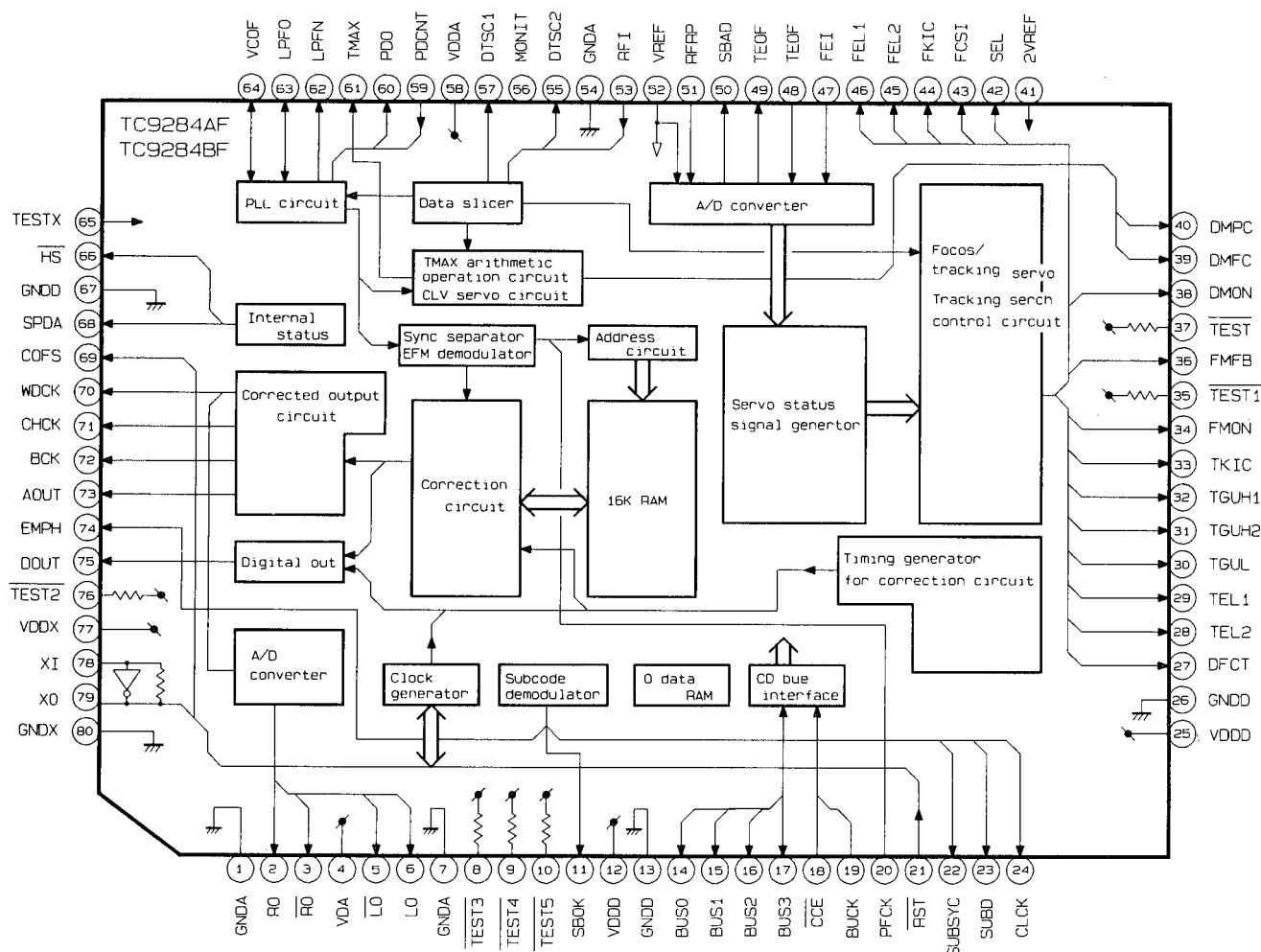
■ IC501 (TA8191F) servo



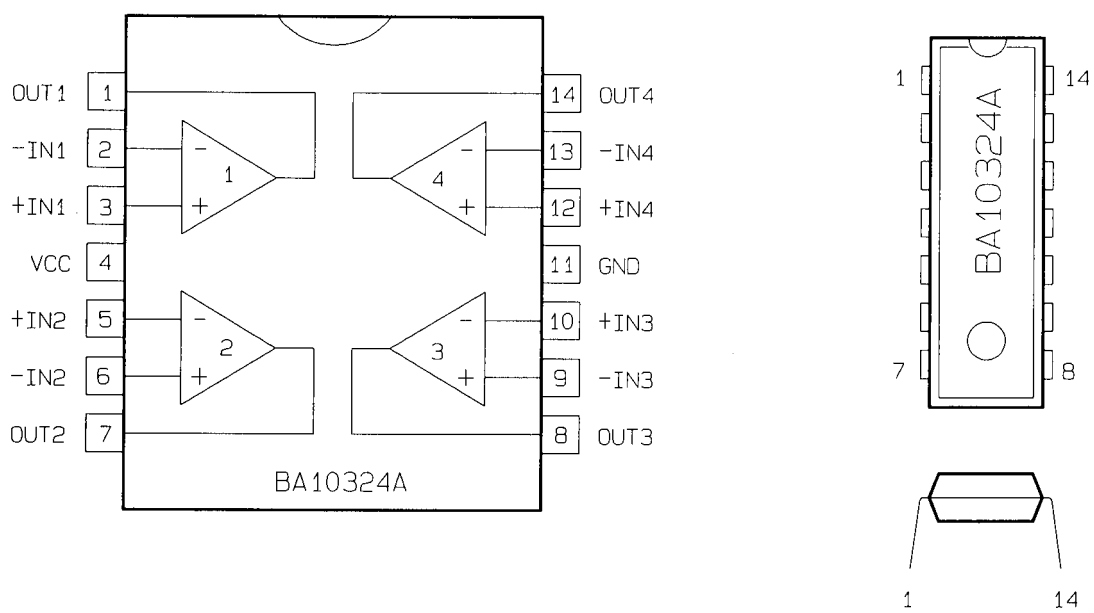
■ IC502 (BA6398FP) power driver



■ IC601 (TC9284BF) processor



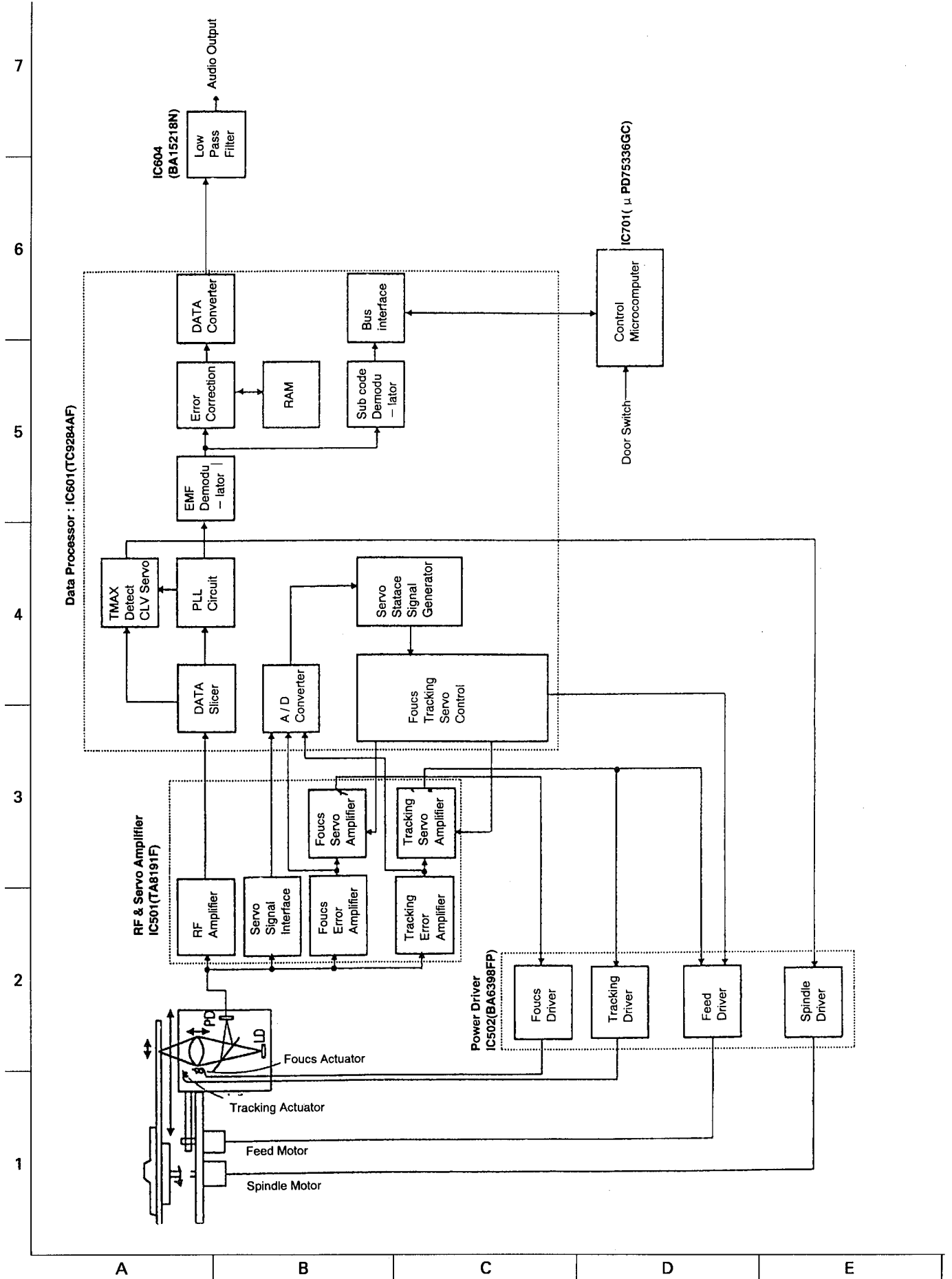
■ IC702 (BA10324A) E. volume



■ IC701 (UPD75336GC) system micloprocessor

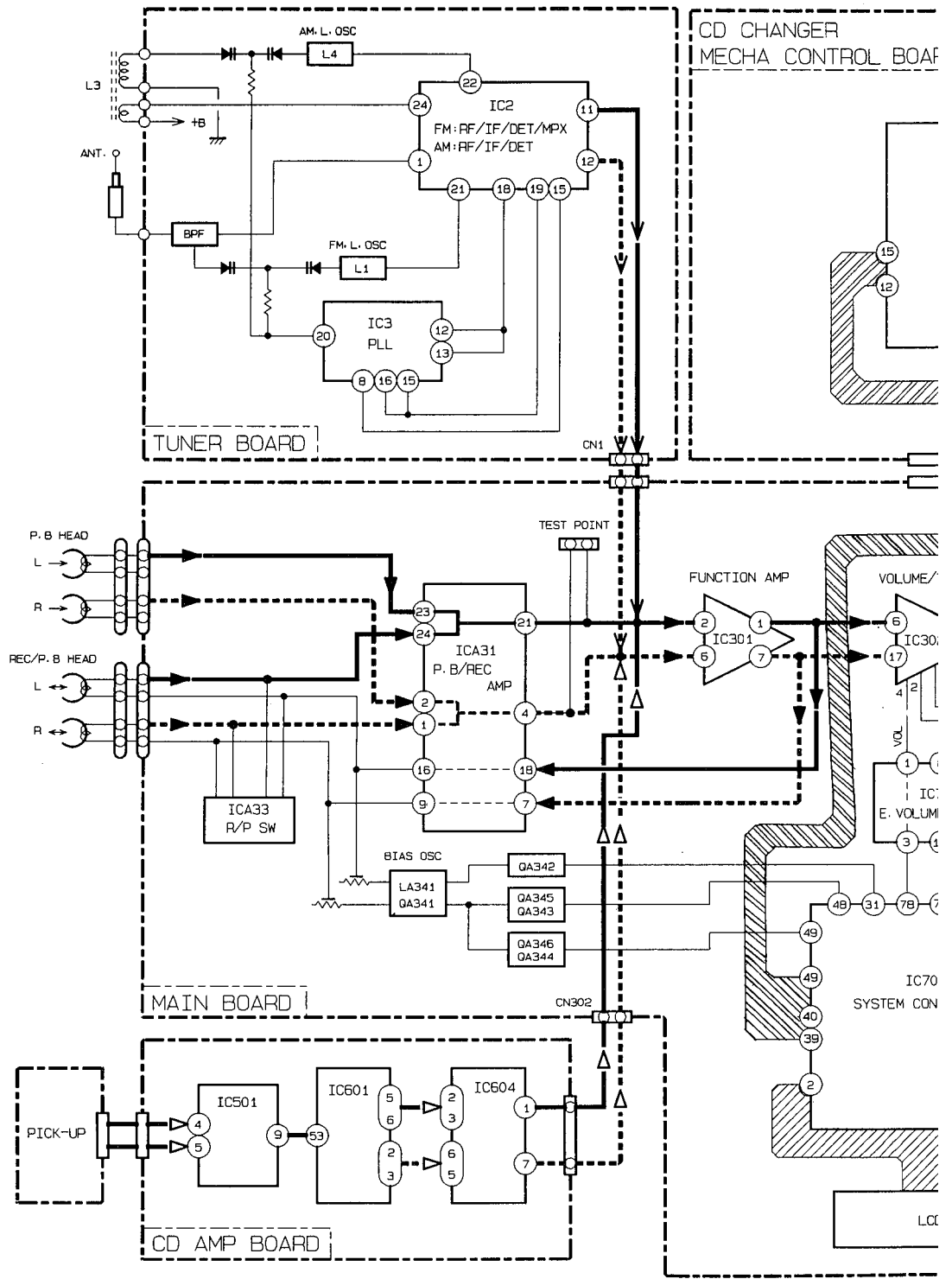
No.	Signal name	I/O	Explanation for this signal	ACT
1		O	LCD SEGMENT	
2	S18 BUSA(01)	O	LCD SEGMENT	
3	S17 BUSA(02)	O	LCD SEGMENT	
4	S16 BUSA(03)	O	LCD SEGMENT	
5	S15 BUSA(04)	O	LCD SEGMENT	
6	S14 BUSA(05)	O	LCD SEGMENT	
7	S13 BUSA(06)	O	LCD SEGMENT	
8	S12 BUSA(07)	O	LCD SEGMENT	
9	S11 BUSA(08)	O	LCD SEGMENT	
10	S10 BUSA(09)	O	LCD SEGMENT	
11	S9 BUSA(10)	O	LCD SEGMENT	
12	S8 BUSA(11)	O	LCD SEGMENT	
13	S7 BUSA(12)	O	LCD SEGMENT	
14	S6 BUSA(13)	O	LCD SEGMENT	
15	S5 BUSA(14)	O	LCD SEGMENT	
16	S4 BUSA(15)	O	LCD SEGMENT	
17	S3 BUSA(16)	O	LCD SEGMENT	
18	S2 BUSA(17)	O	LCD SEGMENT	
19	S1 BUSA(18)	O	LCD SEGMENT	
20	BUSA(19)	O	LCD SEGMENT	
21	COM 0 BUSA(20)	O	LCD COMMON	
22	COM 1 BUSA(21)	O	LCD COMMON	
23	COM 2 BUSA(22)	O	LCD COMMON	
24	COM 3 BUSA(23)	O	LCD COMMON	
25	LCDB	O	LCD BIAS	
26	VLC 0	-		
27	VLC 1	-		
28	VLC 2	-		
29	MT 0	O	CD TRAY MOTOR CONTROL 0	
30	MT 1	O	CD TRAY MOTOR CONTROL 1	
31	RECB	O	REC BIAS SWITCH	H
32	R/P	O	REC CTL SWITCH	H
33	Vss	-	GND	
34	FTU	O	FUNCTION TUNER SWITCH	L
35	PBM	O	PLAYBACK MUTE	H
36	SMUTE	O	SYSTEM MUTE	L
37	FCD	O	FUNCTION CD SWITCH	L
38	PIN	I	[POWER]KEY INPUT	L
39	SCK	O	SERIAL CLOCK	
40	SDATA	I/O	SERIAL DATA	
41	REC L	I	(REC)SW IN	
42	REM	I	REMOCON IN	
43	WAKE UP	I	WAKW UP SWITCH	L
44	AC/DC	I	AC/DC	L
45	MPX	I	TUNER MPX	L
46	TUST	O	TUNER STROBE	H
47	A/B	O	TAPE A/B CONTROL	H
48	BIAS 1	O	REC BIAS CONTROL 1	H
49	BIAS 2	O	REC BIAS CONTROL 2	H
50	SCD	O	CD SAFETY	H
51	XRST	O	CD LSI RESET	L
52	BUCK	O	CD BUS CLOCK	
53	CCE	O	CD DATA CCE	L
54	BUS 0	I/O	CD DATA BUS 0	
55	BUS 1	I/O	CD DATA BUS 1	
56	BUS 2	I/O	CD DATA BUS 2	
57	BUS 3	I/O	CD DATA BUS 3	
58	BATT	I	BATTERY	
59	SAFETY	I	CD REG SAFETY	
60	DOOR SW	I	CD OPEN / CLOSE / REST SWITCH	
61	KEY 3	I	A PLAY / B PLAY SWITCH	
62	KEY 1	I	TACT KEY 1 / VERSION	
63	KEY 2	I	TACT KEY 2 / VERSION	
64	AVss	-	A GND	
65	AVref	-	A Vdd	
66	Vdd	-	Vdd	
67	XT 1	I	SUB SYSTEM CLOCK	
68	XT 2	O	SUB SYSTEM CLOCK	
69	VDD	-	CONNECT Vdd	
70	OSC 2	I	SYSTEM CLOCK	
71	OSC 1	O	SYSTEM CLOCK	
72	RESET	I	RESET	
73	BEAT	O	MAIN CLOCK SHIFT	L
74	+BCTL	O	A Vref SWITCH	H
75	B.UP	I	BACK UP	
76	TRE	O	PWM	
77	BASS	O	PWM	
78	VOL	O	PWM	
79	MBH	O	BASS SWITCH	H
80	POUT	O	POWER SWITCH	H

CD player diagram

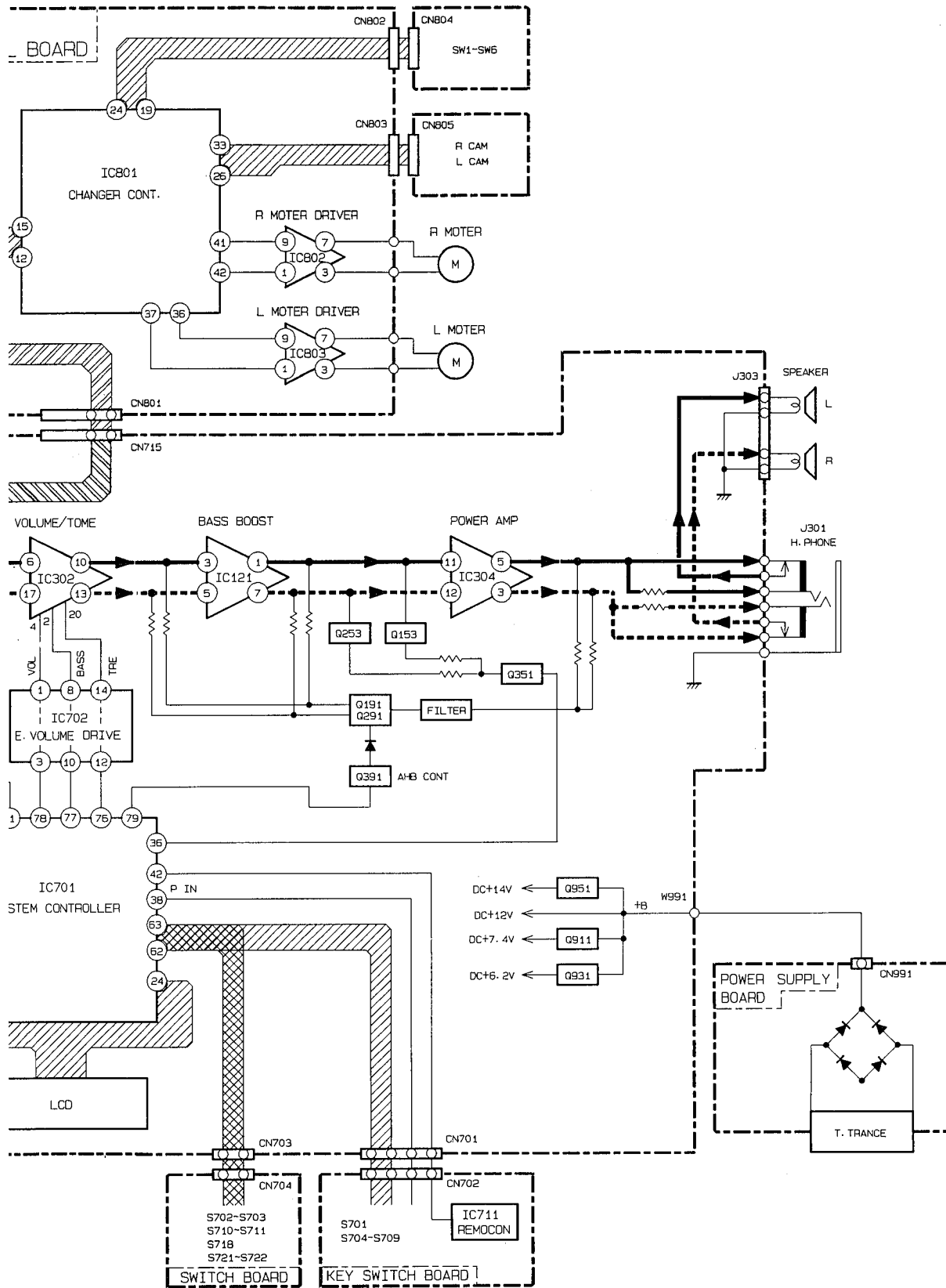


Unit signal diagram

7
6
5
4
3
2
1



A B C D E



F

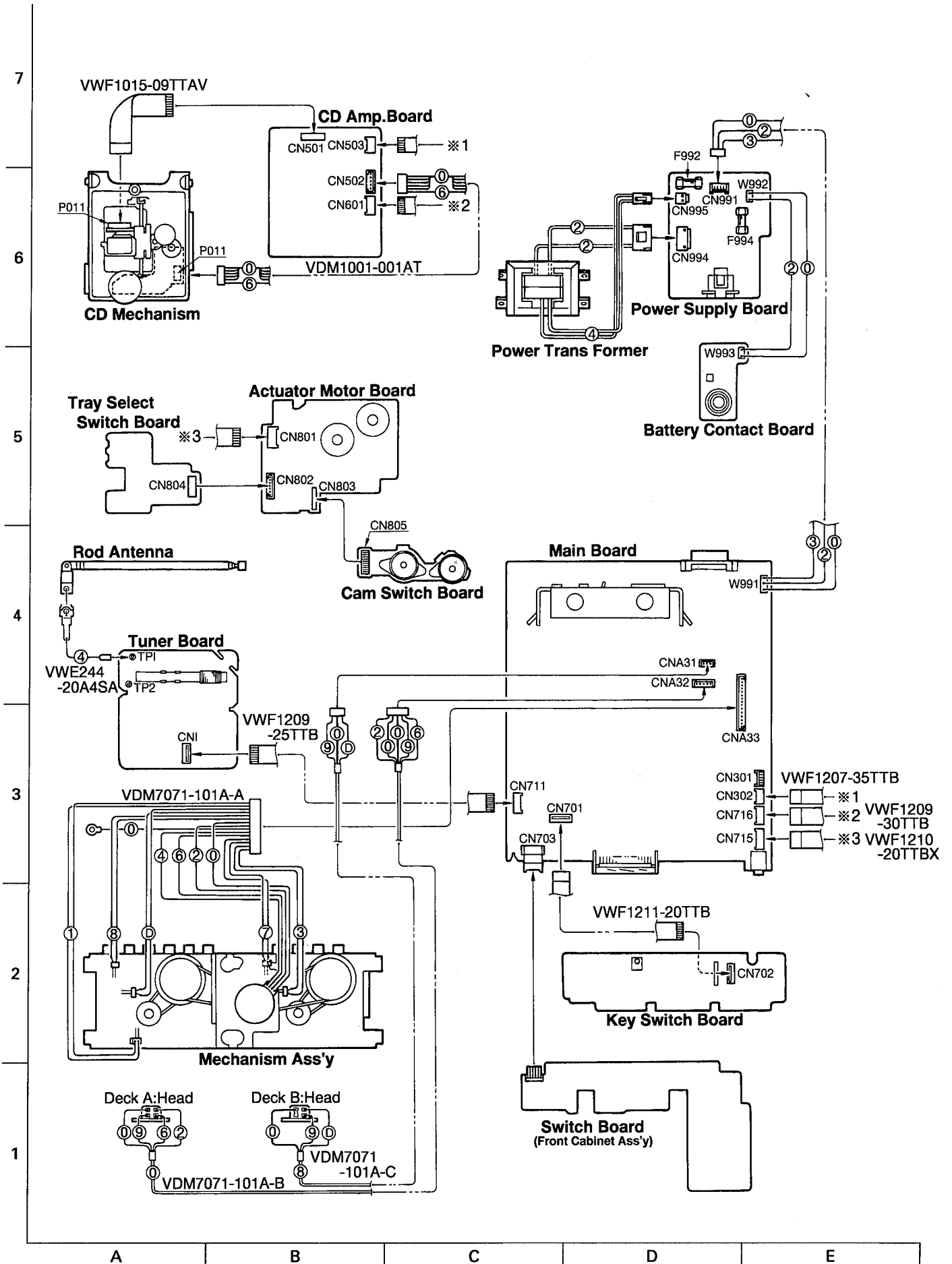
G

H

I

J

6. Wiring Connections



7. Standard Schematic Diagrams

CD Traverse mechanism control circuit

7

6

5

4

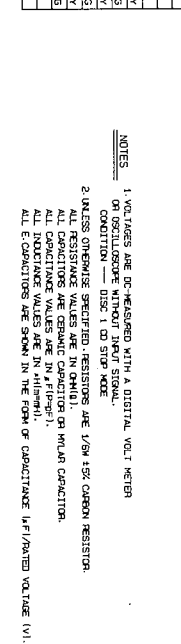
3

2

1

TABLE 1 CAM PATTERN LIST

CAM NO.	LCAM	PCAM	POSITION
MAIN TRAVEL	01111	4567	EMERGENCY
SUB TRAVEL	01111	01111	TRAVEL STOP/REV
CAM 1 TRAVEL	01111	01111	TRAVEL STOP/REV
CAM 2 TRAVEL	01111	01111	TRAVEL STOP/REV
CAM 3 TRAVEL	01111	01111	TRAVEL STOP/REV
CAM 4 TRAVEL	01111	01111	TRAVEL STOP/REV
CAM 5 TRAVEL	01111	01111	TRAVEL STOP/REV
CAM 6 TRAVEL	01111	01111	TRAVEL STOP/REV
CAM 7 TRAVEL	01111	01111	TRAVEL STOP/REV
CAM 8 TRAVEL	01111	01111	TRAVEL STOP/REV
CAM 9 TRAVEL	01111	01111	TRAVEL STOP/REV
CAM 10 TRAVEL	01111	01111	TRAVEL STOP/REV
CAM 11 TRAVEL	01111	01111	TRAVEL STOP/REV
CAM 12 TRAVEL	01111	01111	TRAVEL STOP/REV
CAM 13 TRAVEL	01111	01111	TRAVEL STOP/REV
CAM 14 TRAVEL	01111	01111	TRAVEL STOP/REV
CAM 15 TRAVEL	01111	01111	TRAVEL STOP/REV
CAM 16 TRAVEL	01111	01111	TRAVEL STOP/REV
CAM 17 TRAVEL	01111	01111	TRAVEL STOP/REV
CAM 18 TRAVEL	01111	01111	TRAVEL STOP/REV
CAM 19 TRAVEL	01111	01111	TRAVEL STOP/REV
CAM 20 TRAVEL	01111	01111	TRAVEL STOP/REV
CAM 21 TRAVEL	01111	01111	TRAVEL STOP/REV
CAM 22 TRAVEL	01111	01111	TRAVEL STOP/REV
CAM 23 TRAVEL	01111	01111	TRAVEL STOP/REV
CAM 24 TRAVEL	01111	01111	TRAVEL STOP/REV
CAM 25 TRAVEL	01111	01111	TRAVEL STOP/REV
CAM 26 TRAVEL	01111	01111	TRAVEL STOP/REV
CAM 27 TRAVEL	01111	01111	TRAVEL STOP/REV
CAM 28 TRAVEL	01111	01111	TRAVEL STOP/REV
CAM 29 TRAVEL	01111	01111	TRAVEL STOP/REV
CAM 30 TRAVEL	01111	01111	TRAVEL STOP/REV
CAM 31 TRAVEL	01111	01111	TRAVEL STOP/REV
CAM 32 TRAVEL	01111	01111	TRAVEL STOP/REV
CAM 33 TRAVEL	01111	01111	TRAVEL STOP/REV
CAM 34 TRAVEL	01111	01111	TRAVEL STOP/REV
CAM 35 TRAVEL	01111	01111	TRAVEL STOP/REV
CAM 36 TRAVEL	01111	01111	TRAVEL STOP/REV
CAM 37 TRAVEL	01111	01111	TRAVEL STOP/REV
CAM 38 TRAVEL	01111	01111	TRAVEL STOP/REV
CAM 39 TRAVEL	01111	01111	TRAVEL STOP/REV
CAM 40 TRAVEL	01111	01111	TRAVEL STOP/REV
CAM 41 TRAVEL	01111	01111	TRAVEL STOP/REV
CAM 42 TRAVEL	01111	01111	TRAVEL STOP/REV
CAM 43 TRAVEL	01111	01111	TRAVEL STOP/REV
CAM 44 TRAVEL	01111	01111	TRAVEL STOP/REV
CAM 45 TRAVEL	01111	01111	TRAVEL STOP/REV
CAM 46 TRAVEL	01111	01111	TRAVEL STOP/REV
CAM 47 TRAVEL	01111	01111	TRAVEL STOP/REV
CAM 48 TRAVEL	01111	01111	TRAVEL STOP/REV
CAM 49 TRAVEL	01111	01111	TRAVEL STOP/REV
CAM 50 TRAVEL	01111	01111	TRAVEL STOP/REV
CAM 51 TRAVEL	01111	01111	TRAVEL STOP/REV
CAM 52 TRAVEL	01111	01111	TRAVEL STOP/REV
CAM 53 TRAVEL	01111	01111	TRAVEL STOP/REV
CAM 54 TRAVEL	01111	01111	TRAVEL STOP/REV
CAM 55 TRAVEL	01111	01111	TRAVEL STOP/REV
CAM 56 TRAVEL	01111	01111	TRAVEL STOP/REV
CAM 57 TRAVEL	01111	01111	TRAVEL STOP/REV
CAM 58 TRAVEL	01111	01111	TRAVEL STOP/REV
CAM 59 TRAVEL	01111	01111	TRAVEL STOP/REV
CAM 60 TRAVEL	01111	01111	TRAVEL STOP/REV
CAM 61 TRAVEL	01111	01111	TRAVEL STOP/REV
CAM 62 TRAVEL	01111	01111	TRAVEL STOP/REV
CAM 63 TRAVEL	01111	01111	TRAVEL STOP/REV
CAM 64 TRAVEL	01111	01111	TRAVEL STOP/REV
CAM 65 TRAVEL	01111	01111	TRAVEL STOP/REV
CAM 66 TRAVEL	01111	01111	TRAVEL STOP/REV
CAM 67 TRAVEL	01111	01111	TRAVEL STOP/REV
CAM 68 TRAVEL	01111	01111	TRAVEL STOP/REV
CAM 69 TRAVEL	01111	01111	TRAVEL STOP/REV
CAM 70 TRAVEL	01111	01111	TRAVEL STOP/REV
CAM 71 TRAVEL	01111	01111	TRAVEL STOP/REV
CAM 72 TRAVEL	01111	01111	TRAVEL STOP/REV
CAM 73 TRAVEL	01111	01111	TRAVEL STOP/REV
CAM 74 TRAVEL	01111	01111	TRAVEL STOP/REV
CAM 75 TRAVEL	01111	01111	TRAVEL STOP/REV
CAM 76 TRAVEL	01111	01111	TRAVEL STOP/REV
CAM 77 TRAVEL	01111	01111	TRAVEL STOP/REV
CAM 78 TRAVEL	01111	01111	TRAVEL STOP/REV
CAM 79 TRAVEL	01111	01111	TRAVEL STOP/REV
CAM 80 TRAVEL	01111	01111	TRAVEL STOP/REV
CAM 81 TRAVEL	01111	01111	TRAVEL STOP/REV
CAM 82 TRAVEL	01111	01111	TRAVEL STOP/REV
CAM 83 TRAVEL	01111	01111	TRAVEL STOP/REV
CAM 84 TRAVEL	01111	01111	TRAVEL STOP/REV
CAM 85 TRAVEL	01111	01111	TRAVEL STOP/REV
CAM 86 TRAVEL	01111	01111	TRAVEL STOP/REV
CAM 87 TRAVEL	01111	01111	TRAVEL STOP/REV
CAM 88 TRAVEL	01111	01111	TRAVEL STOP/REV
CAM 89 TRAVEL	01111	01111	TRAVEL STOP/REV
CAM 90 TRAVEL	01111	01111	TRAVEL STOP/REV
CAM 91 TRAVEL	01111	01111	TRAVEL STOP/REV
CAM 92 TRAVEL	01111	01111	TRAVEL STOP/REV
CAM 93 TRAVEL	01111	01111	TRAVEL STOP/REV
CAM 94 TRAVEL	01111	01111	TRAVEL STOP/REV
CAM 95 TRAVEL	01111	01111	TRAVEL STOP/REV
CAM 96 TRAVEL	01111	01111	TRAVEL STOP/REV
CAM 97 TRAVEL	01111	01111	TRAVEL STOP/REV
CAM 98 TRAVEL	01111	01111	TRAVEL STOP/REV
CAM 99 TRAVEL	01111	01111	TRAVEL STOP/REV
CAM 100 TRAVEL	01111	01111	TRAVEL STOP/REV



- NOTES:
1. VOLTAGES ARE DC-MEASURED WITH A DIGITAL VOLT METER OR OSCILLOSCOPE WITHOUT INPUT SIGNAL.
 2. VALUES OF RESISTANCE CAPACITANCE RESISTORS ARE 1/8W 1/4W CARBON RESISTOR.
 3. ALL RESISTANCE VALUES ARE IN OHMS.
 4. ALL CAPACITANCE VALUES ARE IN MICROFARADS.
 5. ALL CAPACITORS ARE 50V IN THE FORM OF CAPACITANCE (P/P)/RATED VOLTAGE (V).

TABLE 2 PARTS LIST

REF. NO.	MODEL	VERSION
*MAB	PC-XC10	E/EN/VA/6/1
*MAB	PC-XC20	E/EN/VA/6/1

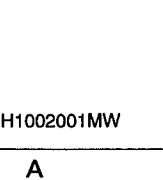


Fig. 7-1

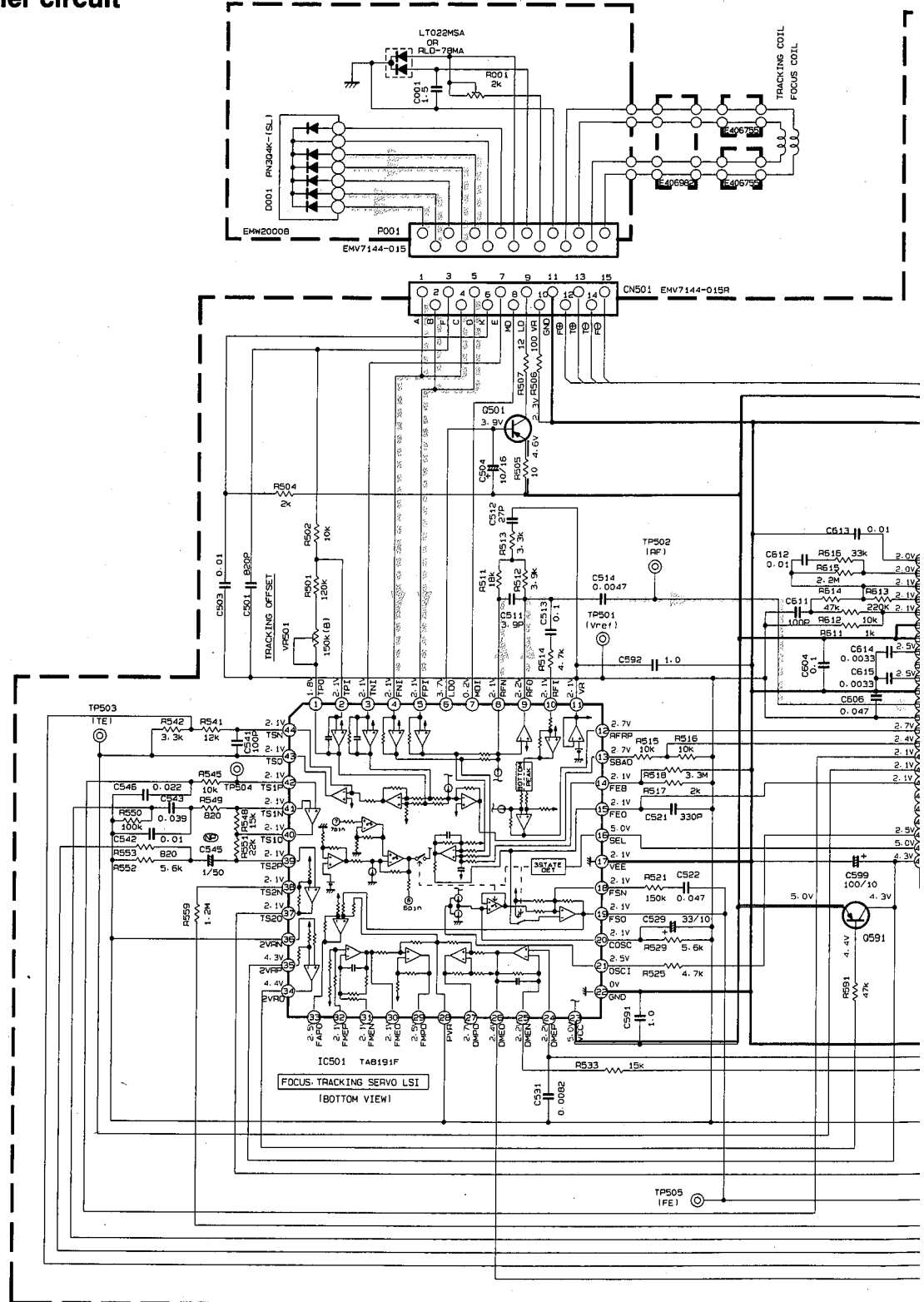
To A-2 on page 62

Note:VDH1002001MW

A B C D E

CD amplifier circuit

7
6
5
4
3
2
1



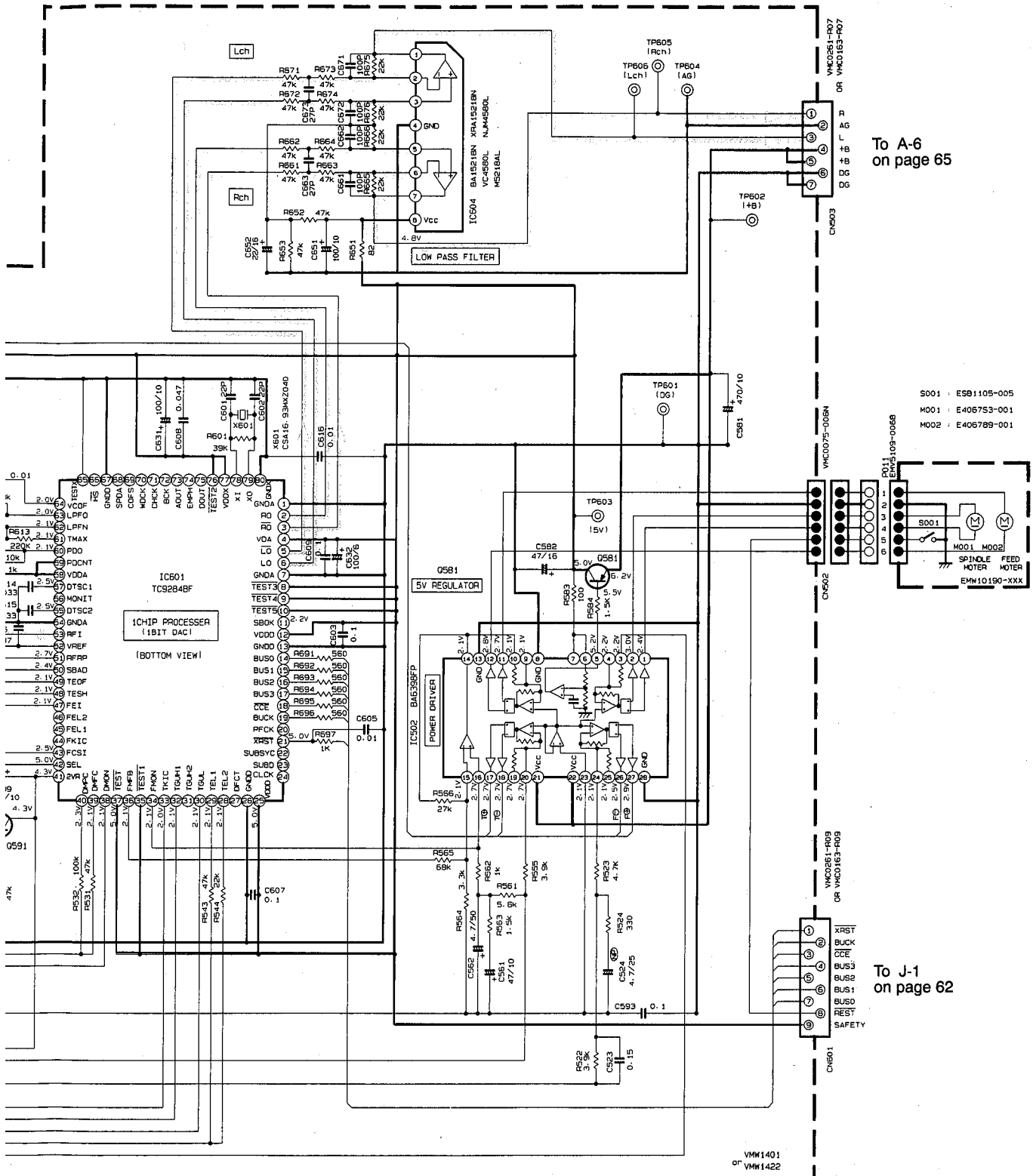
- NOTES**
1. VOLTAGES ARE DC-MEASURED WITH A DIGITAL VOLT METER IN PLAYBACK
 2. UNLESS OTHERWISE SPECIFIED, RESISTORS ARE 1/8W ±5% CARBON RESISTOR. ALL RESISTANCE VALUES ARE IN OHM(Ω).
 - ALL CAPACITORS ARE CERAMIC CAPACITOR OR MYLAR CAPACITOR. ALL CAPACITANCE VALUES ARE IN μF(MPF).
 - ALL INDUCTANCE VALUES ARE IN μH(MPH).
 - ALL E-CAPACITORS ARE SHOWN IN THE FORM OF CAPACITANCE (μF)/RATED VOLTAGE (V).

- Ⓛ UNFLAMMABLE CARBON RESISTOR
- Ⓜ METAL FILM RESISTOR
- Ⓞ OXIDE METAL FILM RESISTOR
- Ⓟ 20% LOW LEAK CURRENT ELECTROLYTIC CAPACITOR
- Ⓠ NON-POLARISED ELECTROLYTIC CAPACITOR
- Ⓡ POLYPROPYLENE CAPACITOR
- Ⓢ POLYSTYROL CAPACITOR

0501	2SA952(L, K)
0581	
0591	2SA1309(R, S) OR 2SA1175(HFE) OR 2SA9335(RS)

Note:VDH1005001CV

A B C D E



To A-6 on page 65

To J-1 on page 62

- S001 : E581105-005
- M001 : E406753-001
- M002 : E406789-001

L CD Anologe signal line
 R CD Digital signal line
 +B Line

Fig. 7-2

F G H I J

System microprocessor circuit

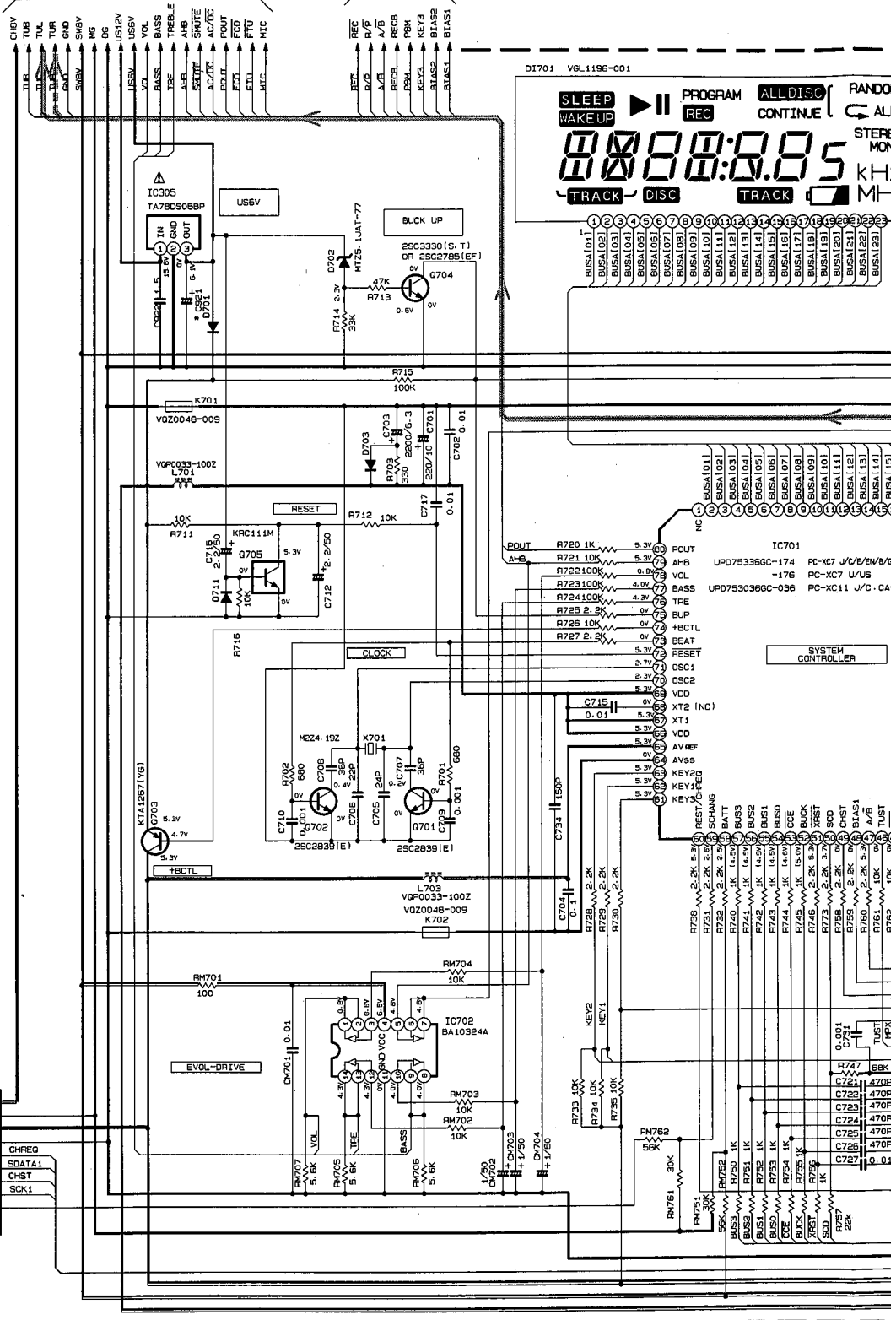
To C-1 on page 65

To C-7 on page 64

VDH7070-007AV (U/US)
VDH7070-006AV (J/C/EN/B/G/S1)
TO AMP

VDH7070-006RW
TO DECK

7
6
5
4
3
2
1



To E-2 on page 60

NOTES

- VOLTAGES ARE DC-MEASURED WITH A DIGITAL VOLT METER OR OSCILLOSCOPE WITHOUT INPUT SIGNAL. CONDITION --- CD MODE-VOL7, SOUND BEAT.
- UNLESS OTHERWISE SPECIFIED, RESISTORS ARE 1/5W ±5% CARBON RESISTOR. ALL RESISTANCE VALUES ARE IN OHM(Ω). ALL CAPACITORS ARE CERAMIC CAPACITOR OR NYLAR CAPACITOR. ALL CAPACITANCE VALUES ARE IN μF(μF). ALL INDUCTANCE VALUES ARE IN mH(mH). ALL E-CAPACITORS ARE SHOWN IN THE FORM OF CAPACITANCE (μF)/RATED VOLTAGE (V). ALL DIODES ARE 1SS254T OR HSS1041J.
- BRACKETS INSIDE VOLTS REFERENCE DATA.

LOCATION	VERSION	PC-XC7 E/B/G/G1	PC-XC7 U/US-9
*18-F	RM733	68K	△ OPEN
*18-B	DM722	SLR-34MCF25	↑
*18-B	RM722	330	↑
*4-D	CB21	47/10	↑

Note:VDH7070006SV

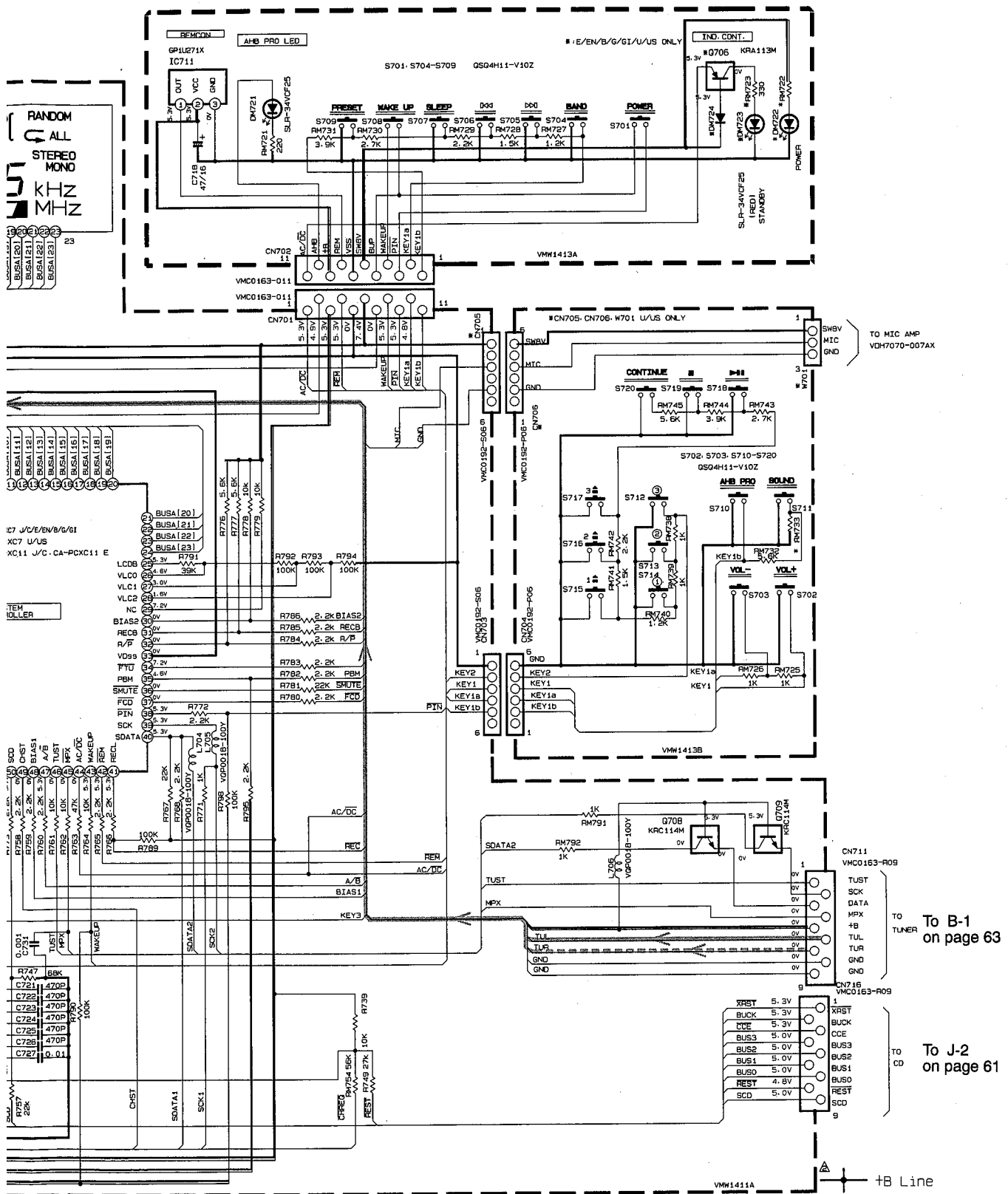
A

B

C

D

E



GT	PC-XC7 U/US-9K	PC-XC7 U/US-10K	PC-XC7 J/C	PC-XC11 J/C	CA-PCXC11 E
CF25	OPEN	10K	OPEN	27K	SLR-34VCF25 560
					330
					10/25
					47/10

R1/R2	22K/-	10K/-	
R1	DTA124TS	DTC114TS	DTC144TS
R2			

Fig. 7-3

L Radio signal line

To B-1 on page 63

To J-2 on page 61

Cassette amplifier circuit

- NOTES**
1. VOLTAGES ARE DC-REGULATED WITH A DIGITAL VOLT METER OR OSCILLOSCOPE WITHOUT INPUT SIGNAL. CONDITION : TAKE MECA A HEAD PB. CONNECTION : INTERMEDIATE IN 1
 2. UNLESS OTHERWISE SPECIFIED, RESISTORS ARE 1/16W 45% TOLERANCE RESISTOR. ALL RESISTANCE VALUES ARE IN OHMS. ALL CAPACITORS ARE GENERAL PURPOSE POLYMER CAPACITORS UNLESS OTHERWISE SPECIFIED. ALL INDUCTIVE VALUES ARE IN HENRI. ALL CAPACITIVE VALUES ARE IN FARAD. ALL CAPACITORS ARE SPEC IN THE FORM OF CAPACITANCE (P/F)/RATED VOLTAGE (V). ALL TRANSISTORS ARE SPECIFIED IN THE FORM OF TYPE OR PART NUMBER (P/N) ON SCHEMATIC. POLYPROPYLENE CAPACITOR

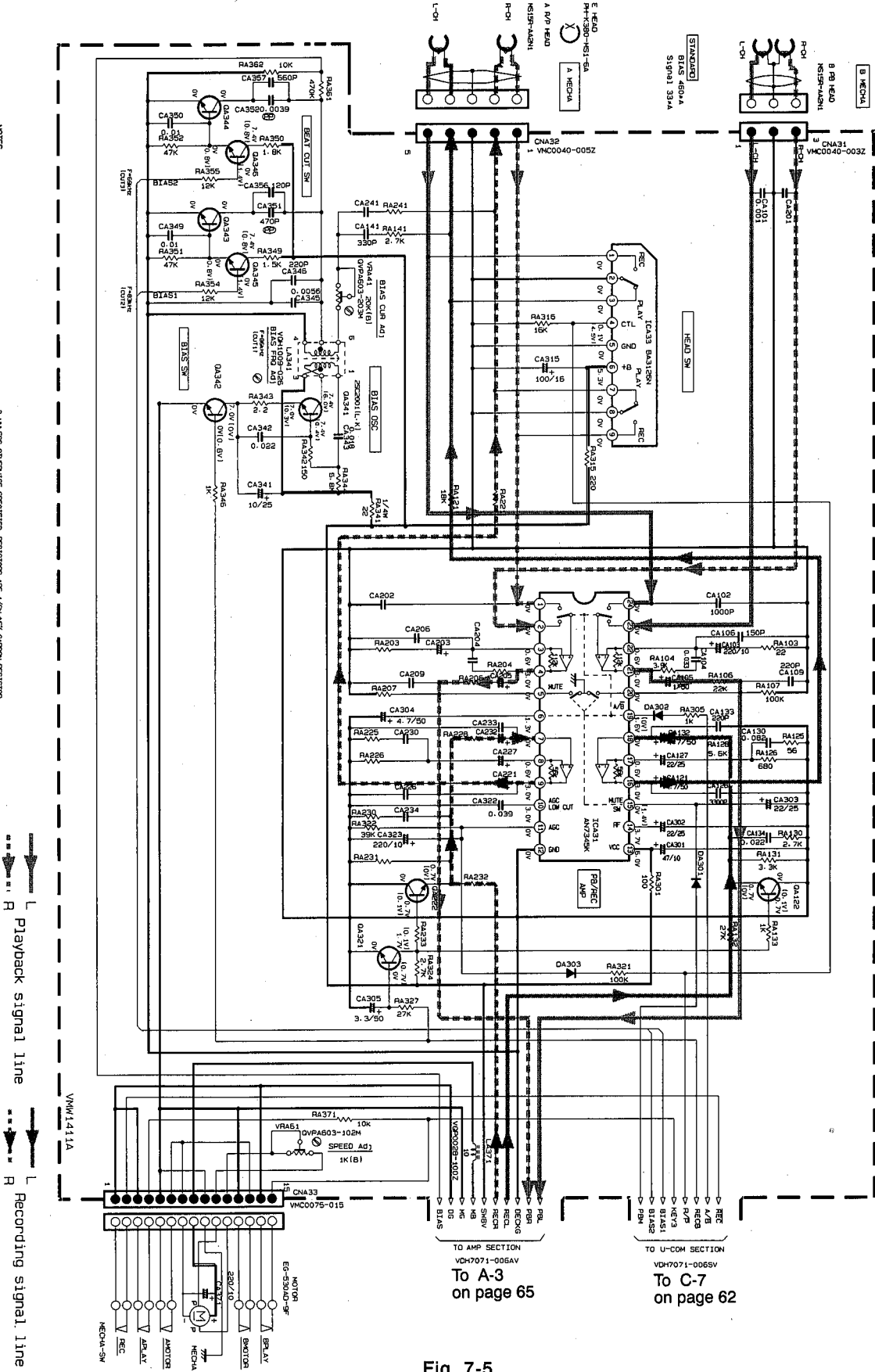


Fig. 7-5

Note:VDH7071006RW

A B C D E

Amplifier circuit

7

6

5

4

3

2

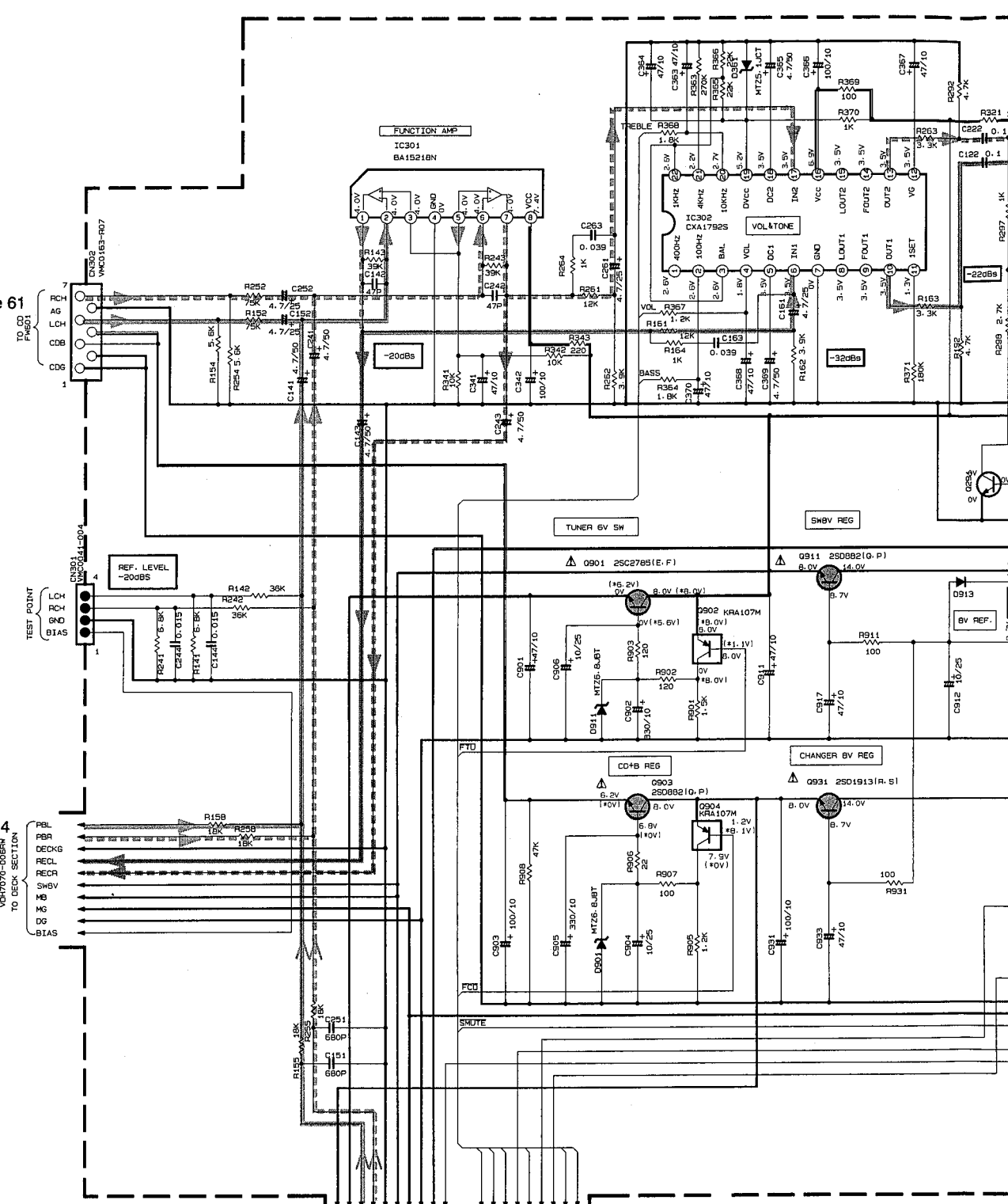
1

To I-7
on page 61

To C-1
on page 64

NOTES
1. VOLTAGES ARE DC-MEASURED WITH A DIGITAL VOLT METER OR OSCILLOSCOPE WITHOUT INPUT SIGNAL.
CONDITION --- CD STOP MODE AT AC SUPPLY
() IS INVERT MODE VOL.15 SOUND MODE FLAT AHS PROION TO *COM SECTION VDH7070-0065V
2. UNLESS OTHERWISE SPECIFIED, RESISTORS ARE 1/8W ±5% CARBON RESISTOR.
ALL RESISTANCE VALUES ARE IN OHM(Ω).
ALL CAPACITORS ARE CERAMIC CAPACITOR OR MYLAR CAPACITOR.
ALL CAPACITANCE VALUES ARE IN pF(pF).
ALL INDUCTANCE VALUES ARE IN mH(mH).
ALL ELECTROLYTIC CAPACITORS ARE SHOWN IN THE FORM OF CAPACITANCE (μF)/RATED VOLTAGE (V).
ALL DIODES ARE 1SS254T OR HSS104TJ.
ALL NPN TRANSISTORS ARE 2SC2785(F, E) OR 2SC3301(S, T).

Note:VDH7078006AV



To B-7
on page 62

PARTS	DevN	REF
	DTA114ES	Q391
	DTA114ES	Q351
	DTA114YS	Q902 Q932

	AC IN	J991	T95
PC-XC11J/C	120V	DMC8251-V01	VTP57
CA-PCXC11E	230V	DMC0263-004	VTP57
	50Hz		

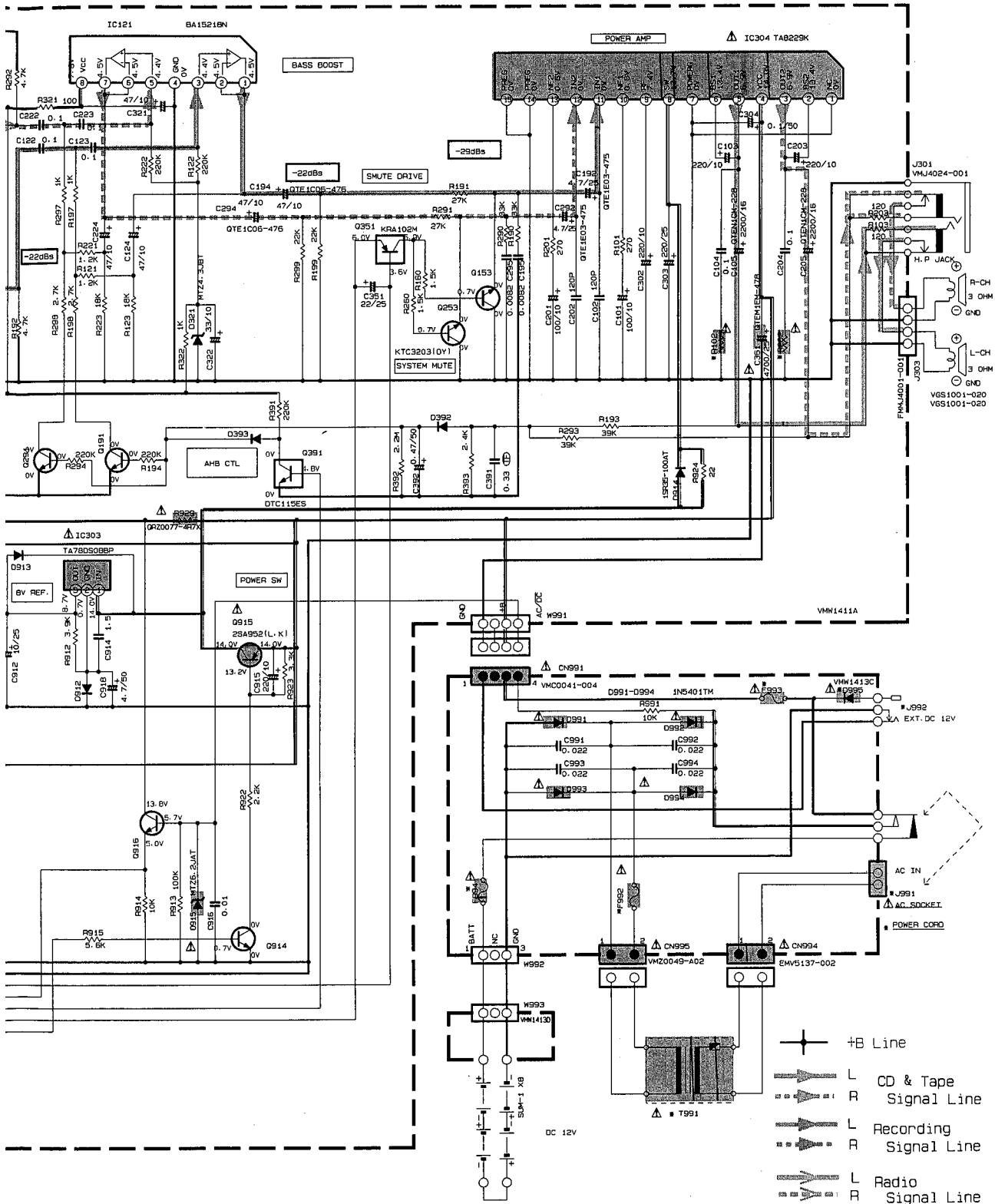
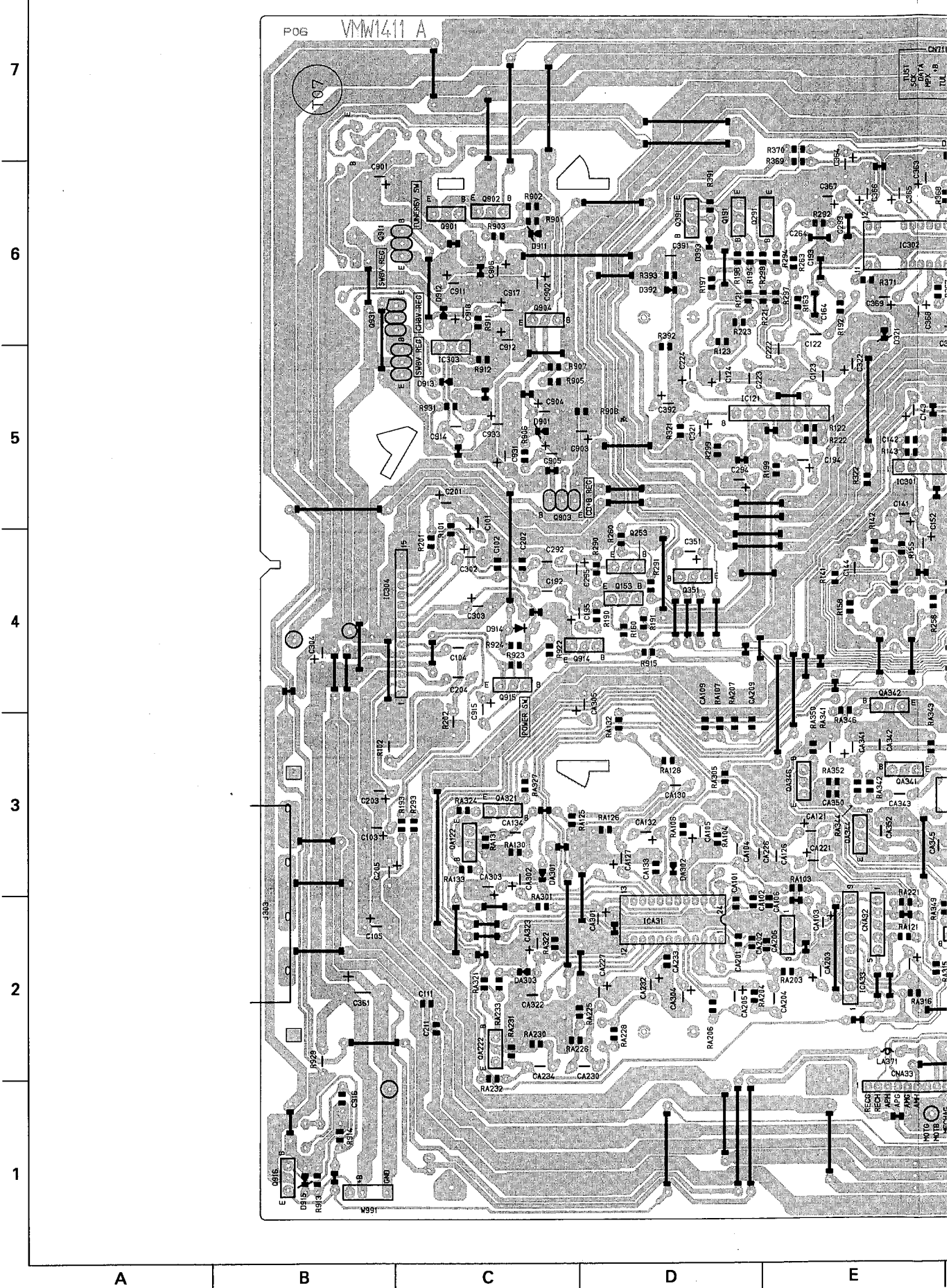


Fig. 7-6

F G H I J

8. Location of P.C. Board Parts and Parts List



● Main board parts list

BLOCK NO. 01

REF.	PARTS NO.	PARTS NAME	REMARKS	SUFFIX
C 391	QFV71HJ-3342M	FILM CAPACITOR	.33MF 5% 50V	
C 392	QET41HM-474	E. CAPACITOR	.47MF 20% 50V	
C 701	QET41AM-227	E. CAPACITOR	220MF 20% 10V	
C 702	QCVB1CM-103Y	E. CAPACITOR	.010MF 20% 16V	
C 703	QETM0JM-228	E. CAPACITOR	2200MF 20% 6.3V	
C 704	QFLC1HJ-1042M	M. CAPACITOR	.10MF 5% 50V	
C 705	QCS11HJ-220	C. CAPACITOR	CLOCK	
C 706	QCS11HJ-220	C. CAPACITOR	CLOCK	
C 707	QCS11HJ-360	C. CAPACITOR	CLOCK	
C 708	QCS11HJ-360	C. CAPACITOR	CLOCK	
C 709	QCBBIHK-102Y	C. CAPACITOR	CLOCK	
C 710	QCBBIHK-102Y	C. CAPACITOR	CLOCK	
C 712	QETC1HM-2252N	E. CAPACITOR	2.2MF 20% 50V	
C 715	QCVB1CM-103Y	E. CAPACITOR	XT2	
C 716	QETC1HM-2252N	E. CAPACITOR	RESET	
C 717	QCVB1CM-103Y	E. CAPACITOR	RESET	
C 721	QCBBIHK-471Y	C. CAPACITOR	470PF 10% 50V	
C 722	QCBBIHK-471Y	C. CAPACITOR	470PF 10% 50V	
C 723	QCBBIHK-471Y	C. CAPACITOR	470PF 10% 50V	
C 724	QCBBIHK-471Y	C. CAPACITOR	470PF 10% 50V	
C 725	QCBBIHK-471Y	C. CAPACITOR	470PF 10% 50V	
C 726	QCBBIHK-471Y	C. CAPACITOR	470PF 10% 50V	
C 727	QCVB1CM-103Y	E. CAPACITOR	.010MF 20% 16V	
C 731	QCBBIHK-102Y	C. CAPACITOR	1000PF 10% 50V	
C 734	QCBBIHK-151Y	C. CAPACITOR	150PF 10% 50V	
C 741	QCBBIHK-102Y	C. CAPACITOR	1000PF 10% 50V	
C 901	QET41AM-476	E. CAPACITOR	47MF 20% 10V	
C 902	QETC1AM-3372N	E. CAPACITOR	330MF 20% 10V	
C 903	QET41AM-107	E. CAPACITOR	C903	
C 904	QET41EM-106	E. CAPACITOR	C904	
C 905	QETC1AM-3372N	E. CAPACITOR	C905	
C 906	QET41EM-106	E. CAPACITOR	10MF 20% 25V	
C 911	QET41AM-476	E. CAPACITOR	47MF 20% 10V	
C 912	QET41EM-106	E. CAPACITOR	DECAP	
C 914	QC20205-155	ML. C. CAPACITOR	PULSE	
C 915	QET41AM-227	E. CAPACITOR	P. SW	
C 916	QCVB1CM-103Y	E. CAPACITOR	.010MF 20% 16V	
C 917	QET41AM-476	E. CAPACITOR	47MF 20% 10V	
C 918	QET41HM-475	E. CAPACITOR	ONLY XC7 USE	
C 921	QET41AM-476	E. CAPACITOR	47MF 20% 10V	
C 922	QC20205-155	ML. C. CAPACITOR	1.5MF	
C 931	QET41AM-107	E. CAPACITOR	100MF 20% 10V	
C 933	QET41AM-476	E. CAPACITOR	NOISE C933	
CA101	QCBBIHK-102Y	C. CAPACITOR	1000PF 10% 50V	
CA102	QCBBIHK-102Y	C. CAPACITOR	1000PF 10% 50V	
CA103	QET41AM-227	E. CAPACITOR	220MF 20% 10V	
CA104	QFLC1HJ-3332M	M. CAPACITOR	.033MF 5% 50V	
CA105	QET41HM-105	E. CAPACITOR	1.0MF 20% 50V	
CA106	QCBBIHK-151Y	C. CAPACITOR	150PF 10% 50V	
CA109	QCBBIHK-221Y	E. CAPACITOR	220PF 10% 50V	
CA121	QET41HM-475	E. CAPACITOR	4.7MF 20% 50V	
CA126	QCY41HK-332	C. CAPACITOR	3300PF 10% 50V	
CA130	QETC1EM-2262N	E. CAPACITOR	22MF 20% 25V	
CA137	QFLC1HJ-8232M	M. CAPACITOR	.082MF 5% 50V	
CA132	QET41HM-475	E. CAPACITOR	4.7MF 20% 50V	

BLOCK NO. 02

REF.	PARTS NO.	PARTS NAME	REMARKS	SUFFIX
C 101	QET41AM-107	E. CAPACITOR	100MF 20% 10V	
C 102	QCBBIHK-121Y	E. CAPACITOR	120PF 10% 50V	
C 103	QET41AM-227	E. CAPACITOR	BS	
C 104	QFLC1HJ-1042M	M. CAPACITOR	.10MF 5% 50V	
C 105	QETM1CM-228	E. CAPACITOR	OUT CUP	
C 122	QFLC1HJ-1042M	M. CAPACITOR	.10MF 5% 50V	
C 123	QFLC1HJ-1042M	M. CAPACITOR	.10MF 5% 50V	
C 124	QET41AM-476	E. CAPACITOR	OPAMP	
C 141	QET41HM-475	E. CAPACITOR	4.7MF 20% 50V	
C 142	QCS11HJ-470	C. CAPACITOR	47PF 5% 50V	
C 143	QET41HM-475	E. CAPACITOR	4.7MF 20% 50V	
C 144	QFLC1HJ-1532M	M. CAPACITOR	.015MF 5% 50V	
C 151	QCBBIHK-681Y	C. CAPACITOR	680PF 10% 50V	
C 152	QER41EM-475VM	E. CAPACITOR	4.7MF 20% 25V	
C 161	QER41EM-475VM	E. CAPACITOR	4.7MF 20% 25V	
C 163	QFLC1HJ-3932M	M. CAPACITOR	.039MF 5% 50V	
C 192	QTE1E03-475Z	E. CAPACITOR		
C 194	QTE1C06-476Z	E. CAPACITOR		
C 195	QFLB1HJ-822	M. CAPACITOR	8200PF 5% 50V	
C 201	QET41AM-107	E. CAPACITOR	100MF 20% 10V	
C 202	QCBBIHK-121Y	C. CAPACITOR	120PF 10% 50V	
C 203	QET41AM-227	E. CAPACITOR	BS	
C 204	QFLC1HJ-1042M	M. CAPACITOR	.10MF 5% 50V	
C 205	QETM1CM-228	E. CAPACITOR	OUT CUP	
C 222	QFLC1HJ-1042M	M. CAPACITOR	.10MF 5% 50V	
C 223	QFLC1HJ-1042M	M. CAPACITOR	.10MF 5% 50V	
C 224	QET41AM-476	E. CAPACITOR	OPAMP	
C 241	QET41HM-475	E. CAPACITOR	4.7MF 20% 50V	
C 242	QCS11HJ-470	C. CAPACITOR	47PF 5% 50V	
C 243	QET41HM-475	E. CAPACITOR	4.7MF 20% 50V	
C 244	QFLC1HJ-1532M	M. CAPACITOR	.015MF 5% 50V	
C 251	QCBBIHK-681Y	C. CAPACITOR	680PF 10% 50V	
C 252	QER41EM-475VM	E. CAPACITOR	4.7MF 20% 25V	
C 261	QER41EM-475VM	E. CAPACITOR	4.7MF 20% 25V	
C 263	QFLC1HJ-3932M	M. CAPACITOR	.039MF 5% 50V	
C 292	QTE1E03-475Z	E. CAPACITOR		
C 294	QTE1C06-476Z	E. CAPACITOR		
C 295	QFLB1HJ-822	M. CAPACITOR	8200PF 5% 50V	
C 302	QET41AM-227	E. CAPACITOR	RF	
C 303	QET41EM-227	E. CAPACITOR	SW	
C 304	QETC1HM-104Z	E. CAPACITOR	.10MF 20% 50V	
C 321	QET41AM-476	E. CAPACITOR	OPAMP	
C 322	QETC1AM-3362M	E. CAPACITOR	33MF 20% 10V	
C 341	QET41AM-476	E. CAPACITOR	47MF 20% 10V	
C 342	QET41AM-107	E. CAPACITOR	100MF 20% 10V	
C 351	QETC1EM-2262N	E. CAPACITOR	22MF 20% 25V	
C 361	QETM1EM-478	E. CAPACITOR	DECUP	
C 363	QET41AM-476	E. CAPACITOR	47MF 20% 10V	
C 364	QET41AM-476	E. CAPACITOR	47MF 20% 10V	
C 365	QET41HM-475	E. CAPACITOR	4.7MF 20% 50V	
C 366	QET41AM-107	E. CAPACITOR	VCC	
C 367	QET41AM-476	E. CAPACITOR	VG	
C 368	QET41AM-476	E. CAPACITOR	VOL	
C 369	QET41HM-475	E. CAPACITOR	4.7MF 20% 50V	
C 370	QET41AM-476	E. CAPACITOR	100HZ	

BLOCK NO. 01111111

REF.	PARTS NO.	PARTS NAME	REMARKS	SUFFIX
CA133	QCBBIHK-221Y	C-CAPACITOR	220PF 10% 50V	
CA134	QFLC1HJ-223ZM	M-CAPACITOR	.022MF 5% 50V	
CA141	QCS11HJ-331	C-CAPACITOR	330PF 5% 50V	
CA201	QCBBIHK-102Y	C-CAPACITOR	1000PF 10% 50V	
CA202	QCBBIHK-102Y	C-CAPACITOR	1000PF 10% 50V	
CA203	QET41AM-227	E-CAPACITOR	220MF 20% 10V	
CA204	QFLC1HJ-333ZM	M-CAPACITOR	.033MF 5% 50V	
CA205	QET41HM-105	E-CAPACITOR	1.0MF 20% 50V	
CA206	QCBBIHK-151Y	C-CAPACITOR	150PF 10% 50V	
CA209	QCBBIHK-221Y	C-CAPACITOR	220PF 10% 50V	
CA221	QET41HM-475	E-CAPACITOR	4.7MF 20% 50V	
CA226	QCY41HK-352	C-CAPACITOR	3300PF 10% 50V	
CA227	QETC1EM-226ZN	E-CAPACITOR	22MF 20% 25V	
CA230	QFLC1HJ-823ZM	M-CAPACITOR	.082MF 5% 50V	
CA232	QET41HM-475	E-CAPACITOR	4.7MF 20% 50V	
CA233	QCBBIHK-221Y	C-CAPACITOR	220PF 10% 50V	
CA234	QFLC1HJ-223ZM	M-CAPACITOR	.022MF 5% 50V	
CA241	QCS11HJ-331	C-CAPACITOR	330PF 5% 50V	
CA301	QET41AM-476	E-CAPACITOR	47MF 20% 10V	
CA302	QETC1EM-226ZN	E-CAPACITOR	22MF 20% 25V	
CA303	QETC1EM-226ZN	E-CAPACITOR	22MF 20% 25V	
CA304	QET41HM-475	E-CAPACITOR	4.7MF 20% 50V	
CA305	QETC1HM-352	E-CAPACITOR	3.5MF 20% 50V	
CA315	QET41CM-107	M-CAPACITOR	100MF 20% 16V	
CA322	QFLC1HJ-393ZM	M-CAPACITOR	.039MF 5% 50V	
CA323	QET41AM-227	E-CAPACITOR	220MF 20% 10V	
CA341	QET41EM-106	C-CAPACITOR	10MF 20% 25V	
CA342	QFLC1HJ-223ZM	M-CAPACITOR	.022MF 5% 50V	
CA343	QFLC1HJ-183ZM	M-CAPACITOR	.018MF 5% 50V	
CA345	QFP81HJ-562	P-P-CAPACITOR	BIAS0	
CA349	QCVB1CM-103Y	C-CAPACITOR	.010MF 20% 16V	
CA350	QCVB1CM-103Y	C-CAPACITOR	.010MF 20% 16V	
CA351	QCS11HJ-561	C-CAPACITOR	BIAS1	
CA352	QFP81HJ-392	PP-CAPACITOR	BIAS2	
CA701	QCVB1CM-103Y	C-CAPACITOR	.010MF 20% 16V	
CA702	QET41HM-105	E-CAPACITOR	1.0MF 20% 50V	
CA703	QET41HM-105	E-CAPACITOR	1.0MF 20% 50V	
CA704	QET41HM-105	E-CAPACITOR	1.0MF 20% 50V	
CA731	VMC0040-003	CONNECTOR	TO P HEAD	
CA732	VMC0040-005Z	CONNECTOR	TO R/P HEAD	
CA733	VMC0075-015N	CONNECTOR	TO MECHA SW	
CA734	VMC0041-004	CONNECTOR	TEST POINT	
CA735	VMC0163-R07	CONNECTOR	CD	
CA736	VMC0163-011	CONNECTOR	MICOM-CONT	
CA737	VMC0192-S06	CONNECTOR	MICOM-CONT	
CA738	VMC0165-R09	CONNECTOR	TO TUNER	
CA739	VMC0163-R10	CONNECTOR	TO CHANGER	
CA740	VMC0163-R09	CONNECTOR	TO CD	
D 321	MTZ4-3JB	ZENER DIODE		
D 361	MTZ5-1JC	ZENER DIODE		
D 392	1SS133	SI DIODE		
D 393	1SS133	SI DIODE		
D 701	1SS133	SI DIODE		
D 702	MTZ5.1JAT-77	ZENER DIODE		
D 703	1SS133	SI DIODE		

BLOCK NO. 01111111

REF.	PARTS NO.	PARTS NAME	REMARKS	SUFFIX
D 711	1SS133	SI DIODE		
D 901	MTZ6.8JB	ZENER DIODE	D901	
D 911	MTZ6.8JB	ZENER DIODE		
D 912	1SS133	SI DIODE		
D 913	1SS133	SI DIODE		
D 914	1SR35-100	SI DIODE		
D 915	MTZ6.2JAT-77	ZENER DIODE		
DA301	1SS133	SI DIODE		
DA302	1SS133	SI DIODE		
DA303	1SS133	SI DIODE		
DI701	VGL1196-001	LCD		
ICA31	AN7345K	IC	PB/REC AMP	
ICA33	BA3126N	IC	HEAD SW	
IC121	NJM4580L	IC	BASS BOOST	
IC301	NJM4580L	IC		
IC302	CXA1792S	IC	IC	
IC303	TA78DS08BP	IC	IC	
IC304	TA8229K	IC	IC	
IC305	TA78DS06BP	IC	IC	
IC701	UPD753036GC-036	IC	IC	
IC702	BA10324	IC	IC	
J 301	VMJ4024-001	JACK	HP JACK	
J 303	FMJ4001-001	SPK TERMINAL	SPK TERM.	
K 701	VQZ0048-009	INDUCTOR		
K 702	VQZ0048-009	INDUCTOR		
L 701	VQP0033-100Z	INDUCTOR		
L 703	VQP0033-100Z	INDUCTOR		
L 704	VQP0018-100	INDUCTOR		
L 705	VQP0018-100	INDUCTOR		
L 706	VQP0018-221	INDUCTOR		
LA341	VQH1009-026	OSC COIL		
LA371	VQP0028-100Z	INDUCTOR		
PP 11	VMZ0015-005	POST PIN		
Q 153	KTC3203(OY)-T	TRANSISTOR		
Q 191	2SC2785	TRANSISTOR		
Q 253	KTC3203(OY)-T	TRANSISTOR		
Q 291	2SC2785	TRANSISTOR		
Q 351	KRA102M-T	TRANSISTOR		
Q 391	DTC115ES	TRANSISTOR		
Q 701	2SC2839	TRANSISTOR		
Q 702	2SC2839	TRANSISTOR		
Q 703	KTA1267(YG)-T	TRANSISTOR		
Q 704	2SC2785	TRANSISTOR		
Q 705	KRC111M-T	TRANSISTOR		
Q 708	KRC111M-T	TRANSISTOR		
Q 709	KRC111M-T	TRANSISTOR		
Q 901	2SC2785	TRANSISTOR		
Q 902	KRA107M-T	TRANSISTOR		
Q 903	2SD882(P,Q)	TRANSISTOR		
Q 904	KRA107M-T	TRANSISTOR		
Q 914	2SD882(P,Q)	TRANSISTOR		
Q 915	2SC2785	TRANSISTOR		
Q 916	2SC2785	TRANSISTOR		
Q 931	2SD1913(R,S)	TRANSISTOR		

BLOCK NO. 01111111

REF.	PARTS NO.	PARTS NAME	REMARKS	SUFFIX
QA122	2SC2785	TRANSISTOR	REC MUTE	
QA222	2SC2785	TRANSISTOR	REC MUTE	
QA321	2SC2785	TRANSISTOR	R MUTE DRIVE	
QA341	2SC2001(L,K)	TRANSISTOR		
QA342	2SC2785	TRANSISTOR		
QA343	2SC2785	TRANSISTOR		
QA344	2SC2785	TRANSISTOR		
QA345	2SC2785	TRANSISTOR		
QA346	2SC2785	TRANSISTOR		
R 101	QRD161J-271	CARBON RESISTOR	270 5% 1/6W	
R 102	QRD161K-2R2	FUSI.RESISTOR	2.2 10% 1/6W	
R 103	QRD161J-121	CARBON RESISTOR	HP LEVEL	
R 121	QRD161J-122	CARBON RESISTOR	1.2K 5% 1/6W	
R 122	QRD161J-224	CARBON RESISTOR	220K 5% 1/6W	
R 123	QRD161J-183	CARBON RESISTOR	OPAMP	
R 141	QRD167J-682	CARBON RESISTOR	6.8K 5% 1/6W	
R 142	QRD161J-363	CARBON RESISTOR	36K 5% 1/6W	
R 143	QRD161J-393	CARBON RESISTOR	39K 5% 1/6W	
R 152	QRD161J-753	CARBON RESISTOR	75K 5% 1/6W	
R 154	QRD161J-562	CARBON RESISTOR	5.6K 5% 1/6W	
R 155	QRD161J-183	CARBON RESISTOR	18K 5% 1/6W	
R 158	QRD161J-183	CARBON RESISTOR	18K 5% 1/6W	
R 160	QRD161J-152	CARBON RESISTOR	1.5K 5% 1/6W	
R 161	QRD161J-123	CARBON RESISTOR	12K 5% 1/6W	
R 162	QRD161J-392	CARBON RESISTOR	3.9K 5% 1/6W	
R 163	QRD167J-332	CARBON RESISTOR	3.3K 5% 1/6W	
R 165	QRD161J-153	CARBON RESISTOR	15K 5% 1/6W	
R 190	QRD161J-333	CARBON RESISTOR	33K 5% 1/6W	
R 191	QRD161J-273	CARBON RESISTOR	27K 5% 1/6W	
R 192	QRD161J-472	CARBON RESISTOR	4.7K 5% 1/6W	
R 193	QRD161J-103	CARBON RESISTOR	10K 5% 1/6W	
R 194	QRD161J-224	CARBON RESISTOR	220K 5% 1/6W	
R 197	QRD161J-102	CARBON RESISTOR	1.0K 5% 1/6W	
R 198	QRD161J-272	CARBON RESISTOR	2.7K 5% 1/6W	
R 199	QRD161J-223	CARBON RESISTOR	22K 5% 1/6W	
R 201	QRD161J-271	CARBON RESISTOR	270 5% 1/6W	
R 202	GRH161K-2R2	FUSI.RESISTOR	2.2 10% 1/6W	
R 203	QRD161J-121	CARBON RESISTOR	HP LEVEL	
R 221	QRD161J-122	CARBON RESISTOR	1.2K 5% 1/6W	
R 222	QRD161J-224	CARBON RESISTOR	220K 5% 1/6W	
R 223	QRD161J-183	CARBON RESISTOR	OPAMP	
R 241	QRD167J-682	CARBON RESISTOR	6.8K 5% 1/6W	
R 242	QRD161J-363	CARBON RESISTOR	36K 5% 1/6W	
R 243	QRD161J-393	CARBON RESISTOR	39K 5% 1/6W	
R 252	QRD161J-753	CARBON RESISTOR	75K 5% 1/6W	
R 254	QRD161J-562	CARBON RESISTOR	5.6K 5% 1/6W	
R 255	QRD161J-183	CARBON RESISTOR	18K 5% 1/6W	
R 258	QRD161J-183	CARBON RESISTOR	18K 5% 1/6W	
R 260	QRD161J-152	CARBON RESISTOR	1.5K 5% 1/6W	
R 261	QRD161J-123	CARBON RESISTOR	12K 5% 1/6W	
R 262	QRD161J-392	CARBON RESISTOR	3.9K 5% 1/6W	
R 263	QRD167J-332	CARBON RESISTOR	4.7K 5% 1/6W	
R 265	QRD161J-153	CARBON RESISTOR	15K 5% 1/6W	
R 290	QRD161J-333	CARBON RESISTOR	33K 5% 1/6W	
R 291	QRD161J-273	CARBON RESISTOR	27K 5% 1/6W	
R 292	QRD161J-472	CARBON RESISTOR	4.7K 5% 1/6W	
R 293	QRD161J-103	CARBON RESISTOR	10K 5% 1/6W	
R 294	QRD161J-224	CARBON RESISTOR	220K 5% 1/6W	
R 297	QRD161J-102	CARBON RESISTOR	1.0K 5% 1/6W	
R 298	QRD161J-272	CARBON RESISTOR	2.7K 5% 1/6W	

BLOCK NO. 01111111

REF.	PARTS NO.	PARTS NAME	REMARKS	SUFFIX
R 299	QRD161J-223	CARBON RESISTOR	22K 5% 1/6W	
R 321	QRD161J-101	CARBON RESISTOR	OPAMP	
R 322	QRD161J-102	CARBON RESISTOR	1.0K 5% 1/6W	
R 341	QRD161J-103	CARBON RESISTOR	10K 5% 1/6W	
R 342	QRD161J-103	CARBON RESISTOR	10K 5% 1/6W	
R 343	QRD161J-221	CARBON RESISTOR	220 5% 1/6W	
R 363	QRD161J-274	CARBON RESISTOR	270K 5% 1/6W	
R 364	QRD161J-182	CARBON RESISTOR	1.8K 5% 1/6W	
R 365	QRD161J-223	CARBON RESISTOR	22K 5% 1/6W	
R 366	QRD161J-223	CARBON RESISTOR	22K 5% 1/6W	
R 367	QRD161J-122	CARBON RESISTOR	1.2K 5% 1/6W	
R 368	QRD161J-182	CARBON RESISTOR	1.8K 5% 1/6W	
R 369	QRD161J-101	CARBON RESISTOR	100 5% 1/6W	
R 370	QRD161J-102	CARBON RESISTOR	1.0K 5% 1/6W	
R 371	QRD161J-184	CARBON RESISTOR	180K 5% 1/6W	
R 391	QRD161J-224	CARBON RESISTOR	220K 5% 1/6W	
R 392	QRD161J-225	CARBON RESISTOR	2.2M 5% 1/6W	
R 393	QRD161J-242	CARBON RESISTOR	2.4K 5% 1/6W	
R 701	QRD161J-681	CARBON RESISTOR	CLOCK	
R 702	QRD161J-681	CARBON RESISTOR	CLOCK	
R 703	QRD161J-331	CARBON RESISTOR	BUZ	
R 711	QRD161J-103	CARBON RESISTOR	RESET	
R 712	QRD161J-103	CARBON RESISTOR	RESET	
R 713	QRD161J-473	CARBON RESISTOR	BUZ	
R 714	QRD161J-333	CARBON RESISTOR	BUZ	
R 715	QRD161J-104	CARBON RESISTOR	BUZ	
R 716	QRD161J-103	CARBON RESISTOR	10K 5% 1/6W	
R 720	QRD161J-102	CARBON RESISTOR	BEAT	
R 721	QRD161J-103	CARBON RESISTOR	MBH	
R 722	QRD161J-104	CARBON RESISTOR	VOL	
R 723	QRD161J-104	CARBON RESISTOR	BASS	
R 724	QRD161J-104	CARBON RESISTOR	TRE	
R 725	QRD161J-222	CARBON RESISTOR	BUZ	
R 726	QRD161J-103	CARBON RESISTOR	+BCTL	
R 727	QRD161J-222	CARBON RESISTOR	BEAT	
R 728	QRD161J-222	CARBON RESISTOR	KEY2	
R 729	QRD161J-222	CARBON RESISTOR	KEY1	
R 730	QRD161J-222	CARBON RESISTOR	KEY3 (AP/BP)	
R 731	QRD161J-222	CARBON RESISTOR	MICJ	
R 732	QRD161J-222	CARBON RESISTOR	BATT	
R 733	QRD161J-103	CARBON RESISTOR	KEY2	
R 734	QRD161J-103	CARBON RESISTOR	KEY1	
R 735	QRD161J-103	CARBON RESISTOR	KEY3 (AP/BP)	
R 738	QRD161J-222	CARBON RESISTOR	DOOR SW	
R 739	QRD161J-103	CARBON RESISTOR	DOOR SW	
R 740	QRD161J-102	CARBON RESISTOR	BUS3	
R 741	QRD161J-102	CARBON RESISTOR	BUS2	
R 742	QRD161J-102	CARBON RESISTOR	BUS1	
R 743	QRD161J-102	CARBON RESISTOR	BUS0	
R 744	QRD161J-102	CARBON RESISTOR	CCE	
R 745	QRD161J-102	CARBON RESISTOR	BUCK	
R 746	QRD161J-222	CARBON RESISTOR	XRST	
R 747	QRD161J-683	CARBON RESISTOR	S CD	
R 749	QRD161J-273	CARBON RESISTOR	REST	
R 750	QRD161J-102	CARBON RESISTOR	BUS3	
R 751	QRD161J-102	CARBON RESISTOR	BUS2	
R 752	QRD161J-102	CARBON RESISTOR	BUS1	
R 753	QRD161J-102	CARBON RESISTOR	BUS0	
R 754	QRD161J-102	CARBON RESISTOR	CCE	
R 755	QRD161J-102	CARBON RESISTOR	BUCK	

BLOCK NO. 01111111

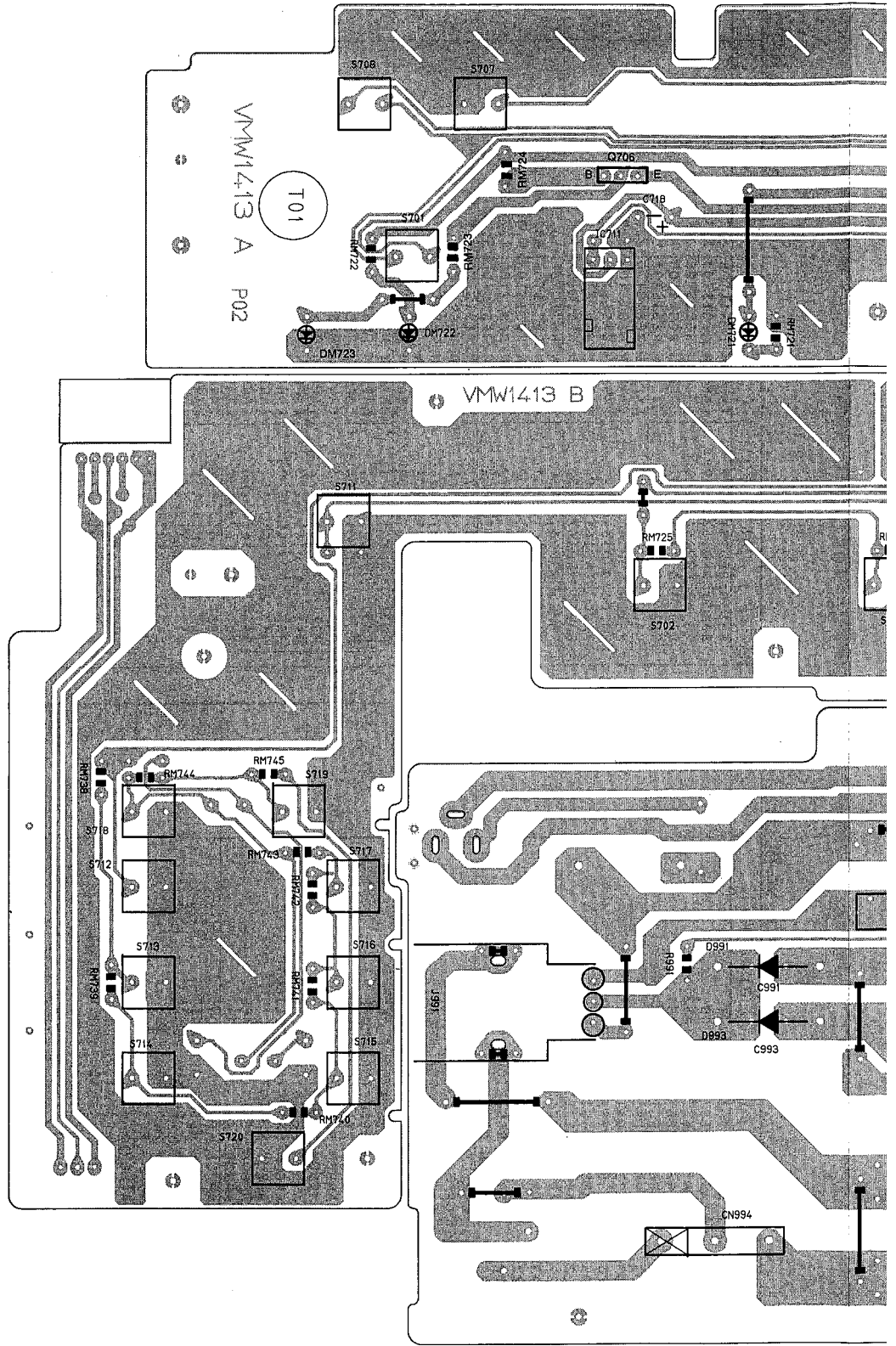
REF.	PARTS NO.	PARTS NAME	REMARKS	SUFFIX
R 756	QRD161J-102	CARBON RESISTOR	XRST	
R 757	QRD161J-223	CARBON RESISTOR	S CD	
R 758	QRD161J-222	CARBON RESISTOR	BIAS2	
R 759	QRD161J-222	CARBON RESISTOR	BIAS1	
R 760	QRD161J-222	CARBON RESISTOR	F. TUNER	
R 761	QRD161J-103	CARBON RESISTOR	TUST	
R 762	QRD161J-103	CARBON RESISTOR	MPX	
R 763	QRD161J-473	CARBON RESISTOR	AC/DC	
R 764	QRD161J-103	CARBON RESISTOR	WAKEUP	
R 765	QRD161J-222	CARBON RESISTOR	REMCON	
R 766	QRD161J-222	CARBON RESISTOR	RECL	
R 767	QRD161J-223	CARBON RESISTOR	SDATA	
R 768	QRD161J-222	CARBON RESISTOR	SDATA1(XC7)	
R 771	QRD161J-102	CARBON RESISTOR	SK1(XC7)	
R 772	QRD161J-222	CARBON RESISTOR	PIN	
R 773	QRD161J-222	CARBON RESISTOR	A/B	
R 776	QRD161J-562	CARBON RESISTOR	RECH	
R 777	QRD161J-562	CARBON RESISTOR	RECB	
R 778	QRD161J-103	CARBON RESISTOR	MT1	
R 779	QRD161J-103	CARBON RESISTOR	MT0	
R 780	QRD161J-222	CARBON RESISTOR	F CD	
R 781	QRD161J-223	CARBON RESISTOR	SMUTE	
R 782	QRD161J-222	CARBON RESISTOR	PBM	
R 783	QRD161J-222	CARBON RESISTOR	A/B	
R 784	QRD161J-222	CARBON RESISTOR	REC H	
R 785	QRD161J-222	CARBON RESISTOR	REC B	
R 786	QRD161J-222	CARBON RESISTOR	MT1(CD)BIS2(XC)	
R 789	QRD161J-104	CARBON RESISTOR	REC L	
R 790	QRD161J-104	CARBON RESISTOR	WAKEUP	
R 791	QRD161J-393	CARBON RESISTOR	LCDB	
R 792	QRD161J-104	CARBON RESISTOR	VLC0	
R 793	QRD161J-104	CARBON RESISTOR	VLC1	
R 794	QRD161J-104	CARBON RESISTOR	VLC2	
R 795	QRD161J-222	CARBON RESISTOR	PBM	
R 798	QRD161J-104	CARBON RESISTOR	100K	
R 901	QRD161J-152	CARBON RESISTOR	1.5K 5% 1/6W	
R 902	QRD161J-121	CARBON RESISTOR	120 5% 1/6W	
R 903	QRD161J-121	CARBON RESISTOR	120 5% 1/6W	
R 905	QRD161J-122	CARBON RESISTOR	R905	
R 906	QRD161J-220	CARBON RESISTOR	R906	
R 907	QRD161J-101	CARBON RESISTOR	R907	
R 908	QRD161J-473	CARBON RESISTOR	R908	
R 911	QRD161J-101	CARBON RESISTOR	100 5% 1/6W	
R 912	QRD161J-392	CARBON RESISTOR	3.9K 5% 1/6W	
R 913	QRD161J-104	CARBON RESISTOR	100K 5% 1/6W	
R 914	QRD161J-103	CARBON RESISTOR	10K 5% 1/6W	
R 915	QRD161J-562	CARBON RESISTOR	5.6K 5% 1/6W	
R 922	QRD161J-222	CARBON RESISTOR	2.2K 5% 1/6W	
R 923	QRD161J-332	CARBON RESISTOR	3.3K 5% 1/6W	
R 924	QRD161J-220	CARBON RESISTOR	2.2 5% 1/6W	
R 929	QRD077-4R7X	FUSE RESISTOR	4.7 1/0W	
R 931	QRD161J-101	CARBON RESISTOR	100 5% 1/6W	
RA103	QRD161J-220	CARBON RESISTOR	22 5% 1/6W	
RA104	QRD161J-392	CARBON RESISTOR	3.9K 5% 1/6W	
RA106	QRD161J-223	CARBON RESISTOR	22K 5% 1/6W	
RA107	QRD161J-104	CARBON RESISTOR	100K 5% 1/6W	
RA121	QRD161J-183	CARBON RESISTOR	18K 5% 1/6W	
RA125	QRD161J-560	CARBON RESISTOR	56 5% 1/6W	
RA126	QRD161J-681	CARBON RESISTOR	680 5% 1/6W	
RA128	QRD161J-562	CARBON RESISTOR	5.6K 5% 1/6W	

BLOCK NO. 01111111

REF.	PARTS NO.	PARTS NAME	REMARKS	SUFFIX
RA130	QRD161J-272	CARBON RESISTOR	2.7K 5% 1/6W	
RA131	QRD161J-332	CARBON RESISTOR	3.3K 5% 1/6W	
RA132	QRD161J-273	CARBON RESISTOR	27K 5% 1/6W	
RA133	QRD161J-102	CARBON RESISTOR	1.0K 5% 1/6W	
RA141	QRD161J-272	CARBON RESISTOR	2.7K 5% 1/6W	
RA203	QRD161J-220	CARBON RESISTOR	22 5% 1/6W	
RA204	QRD161J-392	CARBON RESISTOR	3.9K 5% 1/6W	
RA206	QRD161J-223	CARBON RESISTOR	22K 5% 1/6W	
RA207	QRD161J-104	CARBON RESISTOR	100K 5% 1/6W	
RA221	QRD161J-183	CARBON RESISTOR	18K 5% 1/6W	
RA225	QRD161J-560	CARBON RESISTOR	56 5% 1/6W	
RA226	QRD161J-681	CARBON RESISTOR	680 5% 1/6W	
RA228	QRD161J-562	CARBON RESISTOR	5.6K 5% 1/6W	
RA230	QRD161J-272	CARBON RESISTOR	2.7K 5% 1/6W	
RA231	QRD161J-332	CARBON RESISTOR	3.3K 5% 1/6W	
RA232	QRD161J-273	CARBON RESISTOR	27K 5% 1/6W	
RA233	QRD161J-102	CARBON RESISTOR	1.0K 5% 1/6W	
RA241	QRD161J-272	CARBON RESISTOR	2.7K 5% 1/6W	
RA301	QRD161J-101	CARBON RESISTOR	100 5% 1/6W	
RA305	QRD161J-102	CARBON RESISTOR	1.0K 5% 1/6W	
RA315	QRD161J-221	CARBON RESISTOR	220 5% 1/6W	
RA316	QRD161J-163	CARBON RESISTOR	16K 5% 1/6W	
RA321	QRD161J-104	CARBON RESISTOR	100K 5% 1/6W	
RA322	QRD161J-393	CARBON RESISTOR	39K 5% 1/6W	
RA324	QRD161J-272	CARBON RESISTOR	2.7K 5% 1/6W	
RA327	QRD161J-270S	CARBON RESISTOR	27K 5% 1/6W	
RA341	QRD14CJ-220S	CARBON RESISTOR	22 5% 1/4W	
RA342	QRD161J-151	CARBON RESISTOR	150 5% 1/6W	
RA343	QRD161J-2R2	CARBON RESISTOR	2.2 5% 1/6W	
RA344	QRD161J-682	CARBON RESISTOR	6.8K 5% 1/6W	
RA346	QRD161J-102	CARBON RESISTOR	1.0K 5% 1/6W	
RA349	QRD161J-152	CARBON RESISTOR	1.5K 5% 1/6W	
RA350	QRD161J-182	CARBON RESISTOR	1.8K 5% 1/6W	
RA351	QRD161J-473	CARBON RESISTOR	47K 5% 1/6W	
RA352	QRD161J-473	CARBON RESISTOR	47K 5% 1/6W	
RA354	QRD161J-123	CARBON RESISTOR	12K 5% 1/6W	
RA355	QRD161J-123	CARBON RESISTOR	12K 5% 1/6W	
RA361	QRD161J-474	CARBON RESISTOR	470K 5% 1/6W	
RA362	QRD161J-103	CARBON RESISTOR	10K 5% 1/6W	
RA371	QRD161J-103	CARBON RESISTOR	10K 5% 1/6W	
RM701	QRD161J-101	CARBON RESISTOR	100 5% 1/6W	
RM702	QRD161J-103	CARBON RESISTOR	10K 5% 1/6W	
RM703	QRD161J-103	CARBON RESISTOR	10K 5% 1/6W	
RM704	QRD161J-103	CARBON RESISTOR	10K 5% 1/6W	
RM705	QRD161J-562	CARBON RESISTOR	5.6K 5% 1/6W	
RM706	QRD161J-562	CARBON RESISTOR	5.6K 5% 1/6W	
RM707	QRD161J-562	CARBON RESISTOR	5.6K 5% 1/6W	
RM751	QRD161J-303Y	CARBON RESISTOR	BATT-	
RM752	QRD161J-563	CARBON RESISTOR	BATT+	
RM754	QRD161J-563	CARBON RESISTOR	CHANGER REST	
RM751	QRD161J-303Y	CARBON RESISTOR	30K 5% 1/6W	
RM762	QRD161J-565	CARBON RESISTOR	VER.SAFETY	
RM791	QRD161J-102	CARBON RESISTOR	SCK2	
RM792	QRD161J-102	CARBON RESISTOR	SDATA2	
VRA41	QVPA603-203M	SEMI.V.RESISTOR	BIAS ADJ	
VRA61	QVPA603-10AZA	SEMI.V.RESISTOR	SPEED ADJ	
X 701	M2Z4.49	CERA LOCK		

■ Switch board

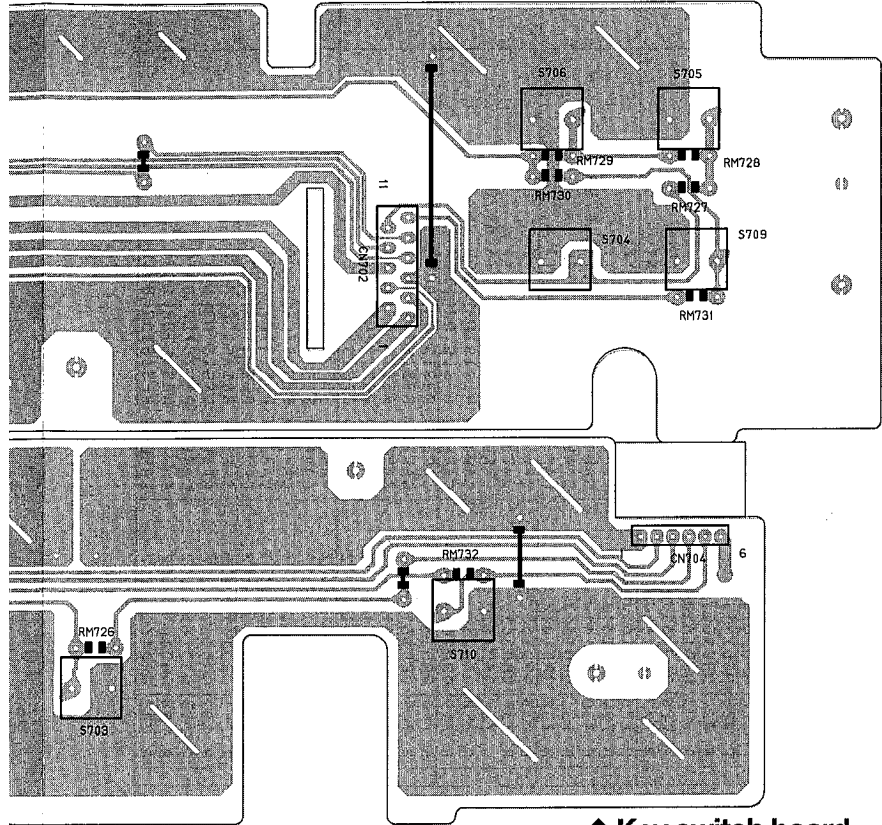
7
6
5
4
3
2
1



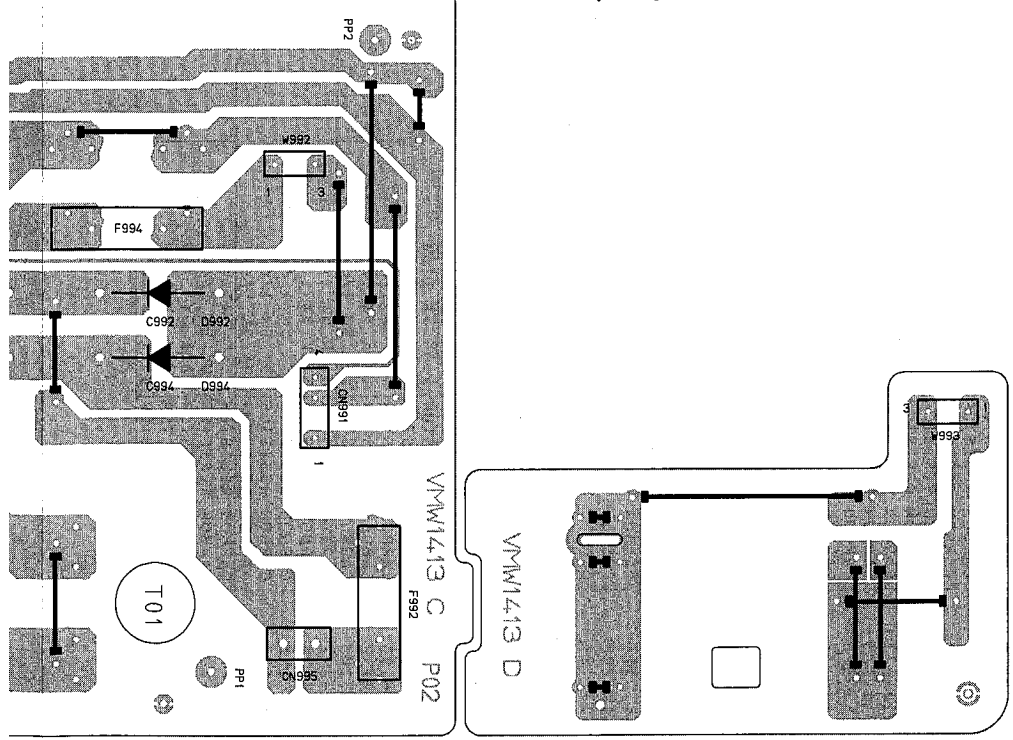
◆ Power supply board

A B C D E

◆ Switch board



◆ Key switch board



◆ Battery board

Fig. 8-2

● Switch board parts list

BLOCK NO. 02

REF.	PARTS NO.	PARTS NAME	REMARKS	SUFFIX
S 710	QS04H11-V10Z	TACT SWITCH	MBH	
S 711	QS04H11-V10Z	TACT SWITCH	SOUND	
S 712	QS04H11-V10Z	TACT SWITCH	DISC3 PLAY(3CD)	
S 713	QS04H11-V10Z	TACT SWITCH	DISC2 PLAY(3CD)	
S 714	QS04H11-V10Z	TACT SWITCH	DISC1 PLAY(3CD)	
S 715	QS04H11-V10Z	TACT SWITCH	DISC1 EJECT(3CD)	
S 716	QS04H11-V10Z	TACT SWITCH	DISC2 EJECT(3CD)	
S 717	QS04H11-V10Z	TACT SWITCH	DISC3 EJECT(3CD)	
S 718	QS04H11-V10Z	TACT SWITCH	EJCT(1CD)PLY(3C	
S 719	QS04H11-V10Z	TACT SWITCH	CD_STOP_CLER(3C	
S 720	QS04H11-V10Z	TACT SWITCH	CONTINUE(3CD)	

BLOCK NO. 02

REF.	PARTS NO.	PARTS NAME	REMARKS	SUFFIX
C 718	QET41CM-476	E-CAPACITOR	47MF 20% 16V	
C 991	QCF11HP-223	C-CAPACITOR	.022MF +100:-0%	
C 992	QCF11HP-223	C-CAPACITOR	.022MF +100:-0%	
C 993	QCF11HP-223	C-CAPACITOR	.022MF +100:-0%	
C 994	QCF11HP-223	C-CAPACITOR	.022MF +100:-0%	
CN702	VMC0163-011	CONNECTOR	MICOM-CONT	
CN704	VMC0192-P06	CONNECTOR	MICOM-CONT	
CN991	VMC0041-004	CONNECTOR	SUPPLY-MAIN	
CN994	EMV5137-002	CONNECTOR	PRI	
CN995	VM20049-A02	CONNECTOR	SEC	
D 991	1N5401TM	SI DIODE		
D 992	1N5401TM	SI DIODE		
D 993	1N5401TM	SI DIODE		
D 994	1N5401TM	SI DIODE		
D 995	1N5401TM	SI DIODE		
DM721	SLR-342VCTE7	LED	MBH(RED)	
DM722	SLR-342MC-T12	LED	POWER(RED)	
DM723	SLR-342VCTE7	LED		
DM724	ISS133	SI DIODE	REMCON	
IC711	GPIU271X	RM RECEIVER		
J 991	QMC0263-004BS	AC SOCKET		
J 992	QMA431B-V01	FILM CAPACITOR		
PP 1	VMZ0015-005	POST PIN		
PP 2	VMZ0015-005	POST PIN		
Q 706	KRA113M-T	TRANSISTOR		
R 991	QRD161J-103	CARBON RESISTOR	AC IN	
RM721	QRD161J-221	CARBON RESISTOR	MBH	
RM722	QRD161J-331	CARBON RESISTOR	POWER	
RM723	QRD161J-331	CARBON RESISTOR	330 5% 1/6W	
RM725	QRD161J-102	CARBON RESISTOR	1.0K 5% 1/6W	
RM726	QRD161J-102	CARBON RESISTOR	1.0K 5% 1/6W	
RM727	QRD161J-122	CARBON RESISTOR	1.2K 5% 1/6W	
RM728	QRD161J-152	CARBON RESISTOR	1.5K 5% 1/6W	
RM729	QRD161J-222	CARBON RESISTOR	2.2K 5% 1/6W	
RM730	QRD161J-272	CARBON RESISTOR	2.7K 5% 1/6W	
RM731	QRD161J-392	CARBON RESISTOR	3.9K 5% 1/6W	
RM732	QRD161J-562	CARBON RESISTOR	5.6K 5% 1/6W	
RM733	QRD161J-275	CARBON RESISTOR	27K 5% 1/6W	
RM738	QRD161J-102	CARBON RESISTOR	1.0K 5% 1/6W	
RM739	QRD161J-102	CARBON RESISTOR	1.0K 5% 1/6W	
RM740	QRD161J-122	CARBON RESISTOR	1.2K 5% 1/6W	
RM741	QRD161J-152	CARBON RESISTOR	1.5K 5% 1/6W	
RM742	QRD161J-222	CARBON RESISTOR	2.2K 5% 1/6W	
RM743	QRD161J-272	CARBON RESISTOR	RUDDER	
RM744	QRD161J-392	CARBON RESISTOR	3.9K 5% 1/6W	
RM745	QRD161J-562	CARBON RESISTOR	CONT	
S 701	QS04H11-V10Z	TACT SWITCH	POWER	
S 702	QS04H11-V10Z	TACT SWITCH	VOL+	
S 703	QS04H11-V10Z	TACT SWITCH	VOL-	
S 704	QS04H11-V10Z	TACT SWITCH	BAND	
S 705	QS04H11-V10Z	TACT SWITCH	REV.SKIP	
S 706	QS04H11-V10Z	TACT SWITCH	FOW.SKIP	
S 707	QS04H11-V10Z	TACT SWITCH	SLEEP	
S 708	QS04H11-V10Z	TACT SWITCH	WAKE UP	
S 709	QS04H11-V10Z	TACT SWITCH	PRESET	

■ Tuner board

7
6
5
4
3
2
1

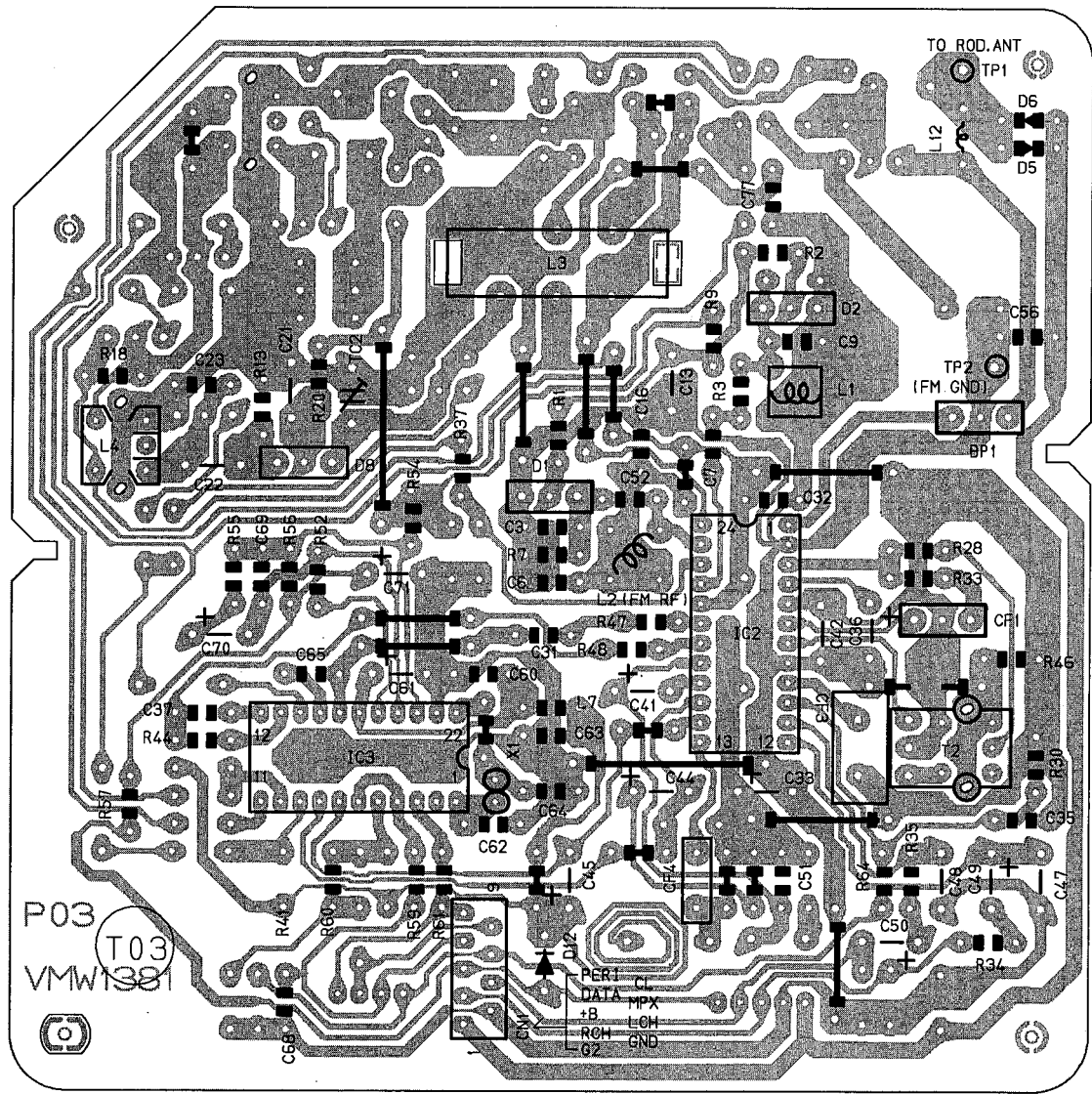


Fig. 8-3

A B C D E

● Tuner board parts list

BLOCK NO. 02

BLOCK NO. 03

REF.	PARTS NO.	PARTS NAME	REMARKS	SUFFIX
L 4	VQM7U02-404	OSC COIL(MW)	MW OSC	
L 7	VQP0018-221	INDUCTOR		
L 12	V03047-16	RF COIL		
R 1	QRD161J-104	CARBON RESISTOR	100K 5% 1/6W	
R 2	QRD161J-473	CARBON RESISTOR	47K 5% 1/6W	
R 3	QRD161J-100	CARBON RESISTOR	10 5% 1/6W	
R 7	QRD161J-104	CARBON RESISTOR	100K 5% 1/6W	
R 9	QRD161J-102	CARBON RESISTOR	1.0K 5% 1/6W	
R 13	QRD161J-104	CARBON RESISTOR	100K 5% 1/6W	
R 18	QRD161J-102	CARBON RESISTOR	1.0K 5% 1/6W	
R 20	QRD161J-102	CARBON RESISTOR	1.0K 5% 1/6W	
R 28	QRD161J-512	CARBON RESISTOR	5.1K 5% 1/6W	
R 30	QRD161J-104	CARBON RESISTOR	100K 5% 1/6W	
R 31	QRD161J-123	CARBON RESISTOR	12K 5% 1/6W	
R 32	QRD161J-223	CARBON RESISTOR	=B121	
R 33	QRD161J-101	CARBON RESISTOR	100 5% 1/6W	
R 34	QRD161J-183	CARBON RESISTOR	18K 5% 1/6W	
R 35	QRD161J-183	CARBON RESISTOR	18K 5% 1/6W	
R 37	QRD161J-560	CARBON RESISTOR	56 5% 1/6W	
R 44	QRD161J-222	CARBON RESISTOR	2.2K 5% 1/6W	
R 46	QRD161J-103	CARBON RESISTOR	10K 5% 1/6W	
R 47	QRD161J-471	CARBON RESISTOR	470 5% 1/6W	
R 48	QRD161J-102	CARBON RESISTOR	1.0K 5% 1/6W	
R 52	QRD161J-472	CARBON RESISTOR	4.7K 5% 1/6W	
R 54	QRD161J-222	CARBON RESISTOR	2.2K 5% 1/6W	
R 55	QRD161J-222	CARBON RESISTOR	2.2K 5% 1/6W	
R 56	QRD161J-332	CARBON RESISTOR	3.3K 5% 1/6W	
R 57	QRD161J-102	CARBON RESISTOR	1.0K 5% 1/6W	
R 59	QRD161J-102	CARBON RESISTOR	=B113	
R 60	QRD161J-102	CARBON RESISTOR	=B114	
R 61	QRD161J-102	CARBON RESISTOR	=B108	
R 64	QRD161J-102	CARBON RESISTOR	1.0K 5% 1/6W	
T 2	VGT7A21-112	IFT		
TC 2	QAT3722-200ZM	T CAPACITOR	MW RF	
TP 1	VNZ0015-002	POST PIN	TO ROD ANT	
TP 2	VNZ0015-002	POST PIN	GND	
X 1	VCX5044-001	CRYSTAL		

REF.	PARTS NO.	PARTS NAME	REMARKS	SUFFIX
BP 1	VBP4M3B-007Z	P FILTER	BPF	
C 3	QCSB1HK-5R6Y	C.CAPACITOR	5.6PF 10% 50V	
C 6	QCVB1CN-103Y	C.CAPACITOR	.010MF 30% 16V	
C 7	QCS11HJ-200	C.CAPACITOR	20PF 5% 50V	
C 9	QCS11HJ-120	C.CAPACITOR	12PF 5% 50V	
C 13	QCC11EM-223V	C.CAPACITOR	.022MF 20% 25V	
C 16	QCVB1CN-103Y	C.CAPACITOR	.010MF 30% 16V	
C 21	QCC11EM-473V	C.CAPACITOR	.047MF 20% 25V	
C 22	QCF41HJ-431	PP.CAPACITOR	430PF 5% 50V	
C 23	QCT30CH-120Y	C.CAPACITOR	12PF 5% 50V	
C 31	QCB1HK-102Y	C.CAPACITOR	1000PF 10% 50V	
C 32	QCVB1CN-103Y	C.CAPACITOR	.010MF 30% 16V	
C 33	QET41AM-107	E.CAPACITOR	100MF 20% 10V	
C 35	QCVB1CN-103Y	C.CAPACITOR	.010MF 30% 16V	
C 36	QET41HM-475	E.CAPACITOR	=R19	
C 37	QCB1HK-102Y	C.CAPACITOR	1000PF 10% 50V	
C 40	QET41HM-105	E.CAPACITOR	1.0MF 20% 50V	
C 41	QET41CM-106	E.CAPACITOR	10MF 20% 16V	
C 42	QCC11EM-473V	C.CAPACITOR	.047MF 20% 25V	
C 43	QCVB1CN-103Y	C.CAPACITOR	.010MF 30% 16V	
C 44	QETC1HM-104Z	E.CAPACITOR	.10MF 20% 50V	
C 45	QET41HM-474	E.CAPACITOR	.47MF 20% 50V	
C 47	QCC11EM-123V	C.CAPACITOR	.012MF 20% 25V	
C 48	QCC11EM-123V	C.CAPACITOR	.012MF 20% 25V	
C 49	QETC1HM-104Z	E.CAPACITOR	.10MF 20% 50V	
C 50	QETC1HM-104Z	E.CAPACITOR	.10MF 20% 50V	
C 51	QCB1HK-681Y	C.CAPACITOR	680PF 10% 50V	
C 52	QCB1HK-102Y	C.CAPACITOR	1000PF 10% 50V	
C 56	QCB1HK-102Y	C.CAPACITOR	1000PF 10% 50V	
C 60	QCB1HK-102Y	C.CAPACITOR	1000PF 10% 50V	
C 61	QET41AM-107	E.CAPACITOR	100MF 20% 10V	
C 62	QCT30CH-120Y	C.CAPACITOR	12PF 5% 50V	
C 63	QCB1HK-102Y	C.CAPACITOR	1000PF 10% 50V	
C 64	QCT30CH-120Y	C.CAPACITOR	12PF 5% 50V	
C 65	QCB1HK-102Y	C.CAPACITOR	1000PF 10% 50V	
C 68	QCB1HK-151Y	C.CAPACITOR	1500PF 10% 50V	
C 69	QCVB1CN-222Y	C.CAPACITOR	2200PF 20% 16V	
C 70	QETC1HM-2257M	E.CAPACITOR	2.2MF 20% 50V	
C 71	QETC1HM-335Z	E.CAPACITOR	3.3MF 20% 50V	
C 77	QCB1HK-102Y	C.CAPACITOR	1000PF 10% 50V	
CF 1	VCF2M3B-106	C FILTER		
CF 3	VCF12Z-117Z	C FILTER		
CF 4	CMU2-456A05	CERA LOCK		
CN 1	VMC0163-009	CONNECTOR	TO MAIN	
D 1	SVC203SPA-AB-AL	VARI CAP		
D 2	SVC203SPA-AB-AL	VARI CAP		
D 5	1SS133	SI DIODE		
D 6	1SS133	SI DIODE		
D 8	SVC344-AA	VARI CAP		
D 12	DSK10C-E	DIODE		
IC 2	TAZ008AN	IC		
IC 3	LC72136N	IC		
L 1	VQF1B20-019	OSC COIL	FM OSC	
L 2	VQC1505-002T	RF COIL	FM RF	
L 3	VQB008N-504	BAR ANTENA	MW RF	

■ CD amplifier board

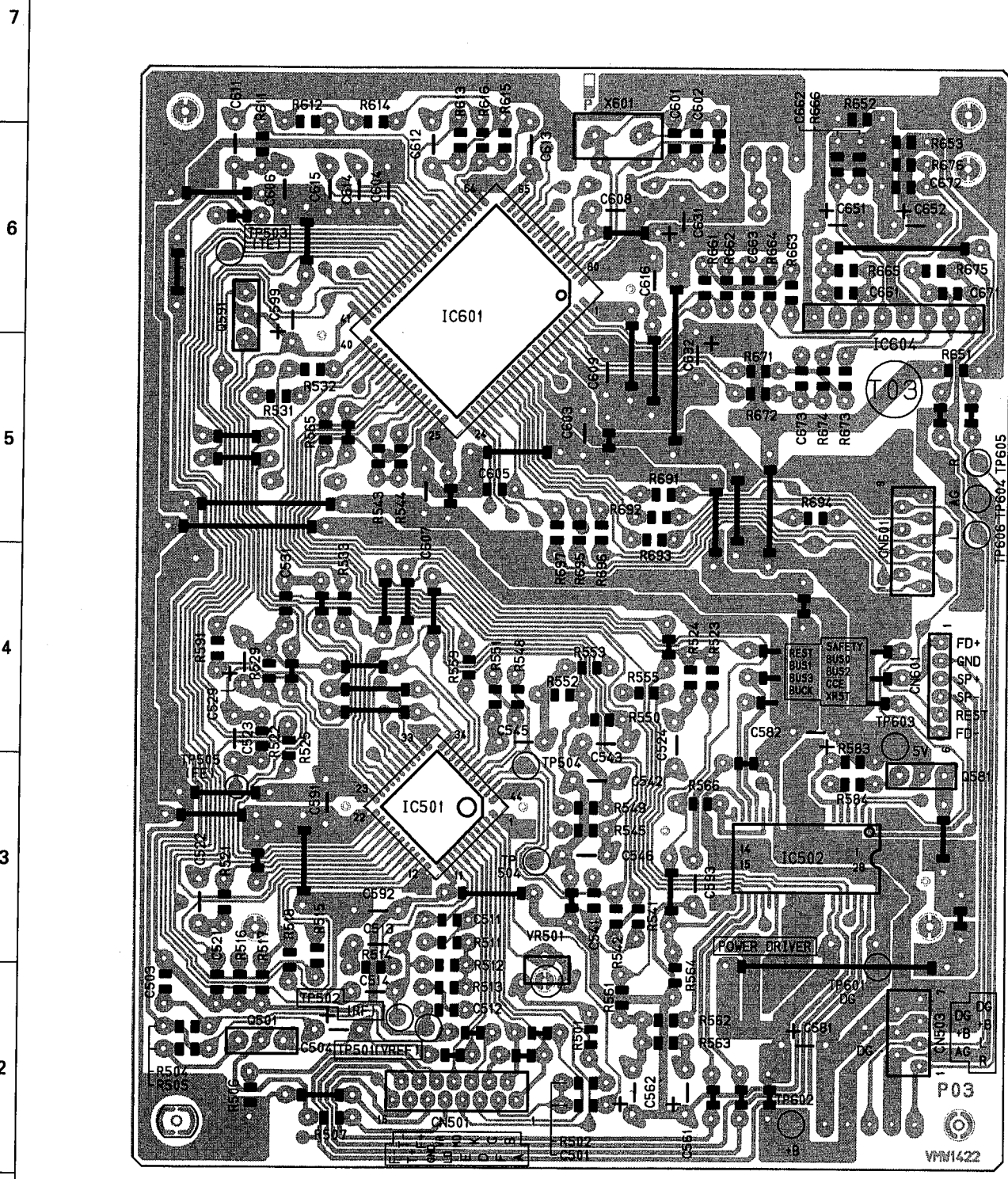


Fig. 8-4

CD amplifier board parts list

BLOCK NO. 04

A	REF.	PARTS NO.	PARTS NAME	REMARKS	SUFFIX
	IC501	TA8191F	IC	SERVO LSI	
	IC502	BA6897FPW	IC	POWER DRIVER	
	IC601	TC9284BF	IC	1 CHIP PROCESSE	
	IC604	NJM580L	IC	L.P.F	
	Q 501	2SA952(L,K)	TRANSISTOR	LASER APC	
	Q 581	2SA952(L,K)	TRANSISTOR	5V REGULATOR	
	Q 591	2SA933(SRS)	TRANSISTOR	2VREF	
	R 501	QRD161J-124	CARBON RESISTOR	120K 5% 1/6W	
	R 502	QRD161J-103	CARBON RESISTOR	10K 5% 1/6W	
	R 504	QRD161J-202	CARBON RESISTOR	2.0K 5% 1/6W	
	R 505	QRD161J-100	CARBON RESISTOR	10 5% 1/6W	
	R 506	QRD161J-101	CARBON RESISTOR	100 5% 1/6W	
	R 507	QRD161J-120	CARBON RESISTOR	12 5% 1/6W	
	R 511	QRD161J-183	CARBON RESISTOR	18K 5% 1/6W	
	R 512	QRD161J-392	CARBON RESISTOR	3.9K 5% 1/6W	
	R 513	QRD161J-332	CARBON RESISTOR	3.3K 5% 1/6W	
	R 514	QRD161J-472	CARBON RESISTOR	4.7K 5% 1/6W	
	R 515	QRD161J-103	CARBON RESISTOR	10K 5% 1/6W	
	R 516	QRD161J-103	CARBON RESISTOR	10K 5% 1/6W	
	R 517	QRD161J-202	CARBON RESISTOR	2.0K 5% 1/6W	
	R 518	QRD161J-335YT	CARBON RESISTOR	3.3M 5% 1/6W	
	R 521	QRD161J-154	CARBON RESISTOR	150K 5% 1/6W	
	R 522	QRD161J-392	CARBON RESISTOR	3.9K 5% 1/6W	
	R 523	QRD161J-472	CARBON RESISTOR	4.7K 5% 1/6W	
	R 524	QRD161J-331	CARBON RESISTOR	330 5% 1/6W	
	R 525	QRD161J-472	CARBON RESISTOR	4.7K 5% 1/6W	
	R 529	QRD161J-562	CARBON RESISTOR	5.6K 5% 1/6W	
	R 531	QRD161J-473	CARBON RESISTOR	47K 5% 1/6W	
	R 532	QRD161J-104	CARBON RESISTOR	100K 5% 1/6W	
	R 533	QRD161J-153	CARBON RESISTOR	15K 5% 1/6W	
	R 541	QRD161J-123	CARBON RESISTOR	12K 5% 1/6W	
	R 542	QRD161J-332	CARBON RESISTOR	3.3K 5% 1/6W	
	R 543	QRD161J-473	CARBON RESISTOR	47K 5% 1/6W	
	R 544	QRD161J-223	CARBON RESISTOR	22K 5% 1/6W	
	R 545	QRD161J-103	CARBON RESISTOR	10K 5% 1/6W	
	R 548	QRD161J-153	CARBON RESISTOR	15K 5% 1/6W	
	R 549	QRD161J-821	CARBON RESISTOR	820 5% 1/6W	
	R 550	QRD161J-104	CARBON RESISTOR	100K 5% 1/6W	
	R 551	QRD161J-223	CARBON RESISTOR	22K 5% 1/6W	
	R 552	QRD161J-562	CARBON RESISTOR	5.6K 5% 1/6W	
	R 553	QRD161J-821	CARBON RESISTOR	820 5% 1/6W	
	R 559	QRD161J-392	CARBON RESISTOR	3.9K 5% 1/6W	
	R 559	QRD161J-125	CARBON RESISTOR	1.2M 5% 1/6W	
	R 561	QRD161J-562	CARBON RESISTOR	5.6K 5% 1/6W	
	R 562	QRD161J-102	CARBON RESISTOR	1.0K 5% 1/6W	
	R 563	QRD161J-152	CARBON RESISTOR	1.5K 5% 1/6W	
	R 564	QRD161J-332	CARBON RESISTOR	3.3K 5% 1/6W	
	R 565	QRD161J-683	CARBON RESISTOR	68K 5% 1/6W	
	R 566	QRD161J-273	CARBON RESISTOR	27K 5% 1/6W	
	R 583	QRD161J-101	CARBON RESISTOR	100 5% 1/6W	
	R 584	QRD161J-331	CARBON RESISTOR	330 5% 1/6W	
	R 591	QRD161J-473	CARBON RESISTOR	47K 5% 1/6W	
	R 611	QRD161J-103	CARBON RESISTOR	1.0K 5% 1/6W	
	R 612	QRD161J-103	CARBON RESISTOR	10K 5% 1/6W	
	R 613	QRD161J-224	CARBON RESISTOR	220K 5% 1/6W	

BLOCK NO. 04

A	REF.	PARTS NO.	PARTS NAME	REMARKS	SUFFIX
	C 501	QCBBIHK-821Y	C-CAPACITOR	820PF 10% 50V	
	C 503	QCVB1CN-103Y	C-CAPACITOR	.010MF 30% 16V	
	C 504	QET41CM-106	E-CAPACITOR	10MF 20% 16V	
	C 511	QCSB1HJ-389	C-CAPACITOR	3.9PF 10% 50V	
	C 512	QCS31HJ-270Z	C-CAPACITOR	27PF 5% 50V	
	C 513	QFLC1HJ-104ZM	M-CAPACITOR	.10MF 5% 50V	
	C 521	QFLC1HJ-472ZM	M-CAPACITOR	4700PF 5% 50V	
	C 521	QCBBIHK-331Y	C-CAPACITOR	330PF 10% 50V	
	C 522	QFLC1HJ-473ZM	M-CAPACITOR	.047MF 5% 50V	
	C 523	QFV81HJ-154	FILM CAPACITOR	.15MF 5% 50V	
	C 524	QEPC1EM-475ZM	NP-E-CAPACITOR	4.7MF 20% 25V	
	C 529	QETC1AM-336ZM	E-CAPACITOR	33MF 20% 10V	
	C 531	QCVB1CN-822Y	C-CAPACITOR	8200PF 20% 16V	
	C 541	QCBBIHK-101Y	C-CAPACITOR	100PF 10% 50V	
	C 542	QFLC1HJ-103ZM	M-CAPACITOR	.010MF 5% 50V	
	C 543	QFLC1HJ-393ZM	M-CAPACITOR	.039MF 5% 50V	
	C 545	QEN61HM-105Z	NP-E-CAPACITOR	1.0MF 20% 50V	
	C 546	QFLC1HJ-223ZM	M-CAPACITOR	.022MF 5% 50V	
	C 561	QET41AM-476	E-CAPACITOR	47MF 20% 10V	
	C 562	QET41HM-475	E-CAPACITOR	4.7MF 20% 50V	
	C 581	QET41AM-477	E-CAPACITOR	470MF 20% 10V	
	C 582	QEK41CM-476	E-CAPACITOR	47MF 20% 16V	
	C 591	VCPO012-105Z	C-CAPACITOR		
	C 592	VCPO012-105Z	C-CAPACITOR		
	C 593	QCC11EM-104V	C-CAPACITOR	.10MF 20% 25V	
	C 599	QEK61AM-107Z	E-CAPACITOR	100MF 20% 10V	
	C 601	QCS11HJ-220	C-CAPACITOR	FOR CERA LOCK	
	C 602	QCS11HJ-220	C-CAPACITOR	FOR CERA LOCK	
	C 603	QFV41HJ-104ZM	FILM CAPACITOR	.10MF 5% 50V	
	C 604	QCC11EM-104V	C-CAPACITOR	.10MF 20% 25V	
	C 605	QCVB1CN-103Y	C-CAPACITOR	.010MF 30% 16V	
	C 606	QCC11EM-473V	C-CAPACITOR	.047MF 20% 25V	
	C 607	QFV41HJ-104ZM	FILM CAPACITOR	.10MF 5% 50V	
	C 608	QCC11EM-473V	C-CAPACITOR	.047MF 20% 25V	
	C 609	QFV41HJ-104ZM	FILM CAPACITOR	.10MF 5% 50V	
	C 611	QCS11HJ-101	C-CAPACITOR	100PF 5% 50V	
	C 612	QFLC1HJ-103ZM	M-CAPACITOR	.010MF 5% 50V	
	C 613	QFLC1HJ-103ZM	M-CAPACITOR	.010MF 5% 50V	
	C 614	QFLB1HJ-332	M-CAPACITOR	3300PF 5% 50V	
	C 615	QFLB1HJ-332	M-CAPACITOR	3300PF 5% 50V	
	C 616	QCC11EM-103V	C-CAPACITOR	FOR EMC	
	C 631	QEK61AM-107Z	E-CAPACITOR	100MF 20% 10V	
	C 632	QEK61AM-107Z	E-CAPACITOR	100MF 20% 6.3V	
	C 651	QEK61AM-107Z	E-CAPACITOR	100MF 20% 10V	
	C 652	QEK41CM-226	E-CAPACITOR	22MF 20% 16V	
	C 661	QCBBIHK-101Y	C-CAPACITOR	100PF 10% 50V	
	C 662	QCBBIHK-101Y	C-CAPACITOR	100PF 10% 50V	
	C 663	QCS31HJ-270Z	C-CAPACITOR	27PF 5% 50V	
	C 671	QCBBIHK-101Y	C-CAPACITOR	100PF 10% 50V	
	C 672	QCBBIHK-101Y	C-CAPACITOR	100PF 10% 50V	
	C 673	QCS31HJ-270Z	C-CAPACITOR	27PF 5% 50V	
	CN501	GGF1008F1-15	15PIN CONNECTOR	TO PICK UP	
	CN502	VMCO075-006	CONNECTOR	TO MECHA	
	CN503	VMCO163-R07	CONNECTOR	TO AMP	
	CN601	VMCO163-R09	CONNECTOR	TO MICOM	

BLOCK NO. 04

REF.	PARTS NO.	PARTS NAME	REMARKS	SUFFIX
R 614	QRD161J-473	CARBON RESISTOR	47K 5% 1/6W	
R 615	QRD161J-225	CARBON RESISTOR	2.2K 5% 1/6W	
R 616	QRD161J-333	CARBON RESISTOR	33K 5% 1/6W	
R 651	QRD161J-820	CARBON RESISTOR	82 5% 1/6W	
R 652	QRD161J-473	CARBON RESISTOR	47K 5% 1/6W	
R 653	QRD161J-473	CARBON RESISTOR	47K 5% 1/6W	
R 661	QRD161J-473	CARBON RESISTOR	47K 5% 1/6W	
R 662	QRD161J-473	CARBON RESISTOR	47K 5% 1/6W	
R 663	QRD161J-473	CARBON RESISTOR	47K 5% 1/6W	
R 664	QRD161J-473	CARBON RESISTOR	47K 5% 1/6W	
R 665	QRD161J-223	CARBON RESISTOR	22K 5% 1/6W	
R 666	QRD161J-223	CARBON RESISTOR	22K 5% 1/6W	
R 671	QRD161J-473	CARBON RESISTOR	47K 5% 1/6W	
R 672	QRD161J-473	CARBON RESISTOR	47K 5% 1/6W	
R 673	QRD161J-473	CARBON RESISTOR	47K 5% 1/6W	
R 674	QRD161J-473	CARBON RESISTOR	47K 5% 1/6W	
R 675	QRD161J-223	CARBON RESISTOR	22K 5% 1/6W	
R 676	QRD161J-223	CARBON RESISTOR	22K 5% 1/6W	
R 691	QRD161J-561	CARBON RESISTOR	560 5% 1/6W	
R 692	QRD161J-561	CARBON RESISTOR	560 5% 1/6W	
R 693	QRD161J-561	CARBON RESISTOR	560 5% 1/6W	
R 694	QRD161J-561	CARBON RESISTOR	560 5% 1/6W	
R 695	QRD161J-561	CARBON RESISTOR	560 5% 1/6W	
R 696	QRD161J-561	CARBON RESISTOR	560 5% 1/6W	
R 697	QRD161J-561	CARBON RESISTOR	560 5% 1/6W	
VR501	QVZ3523-154AZ	V.RESISTOR	TE OFFSET ADJ	
X 601	CSA16.93MX2040T	CERA LOCK	16.93MHZ	

■ CD mechanism control board

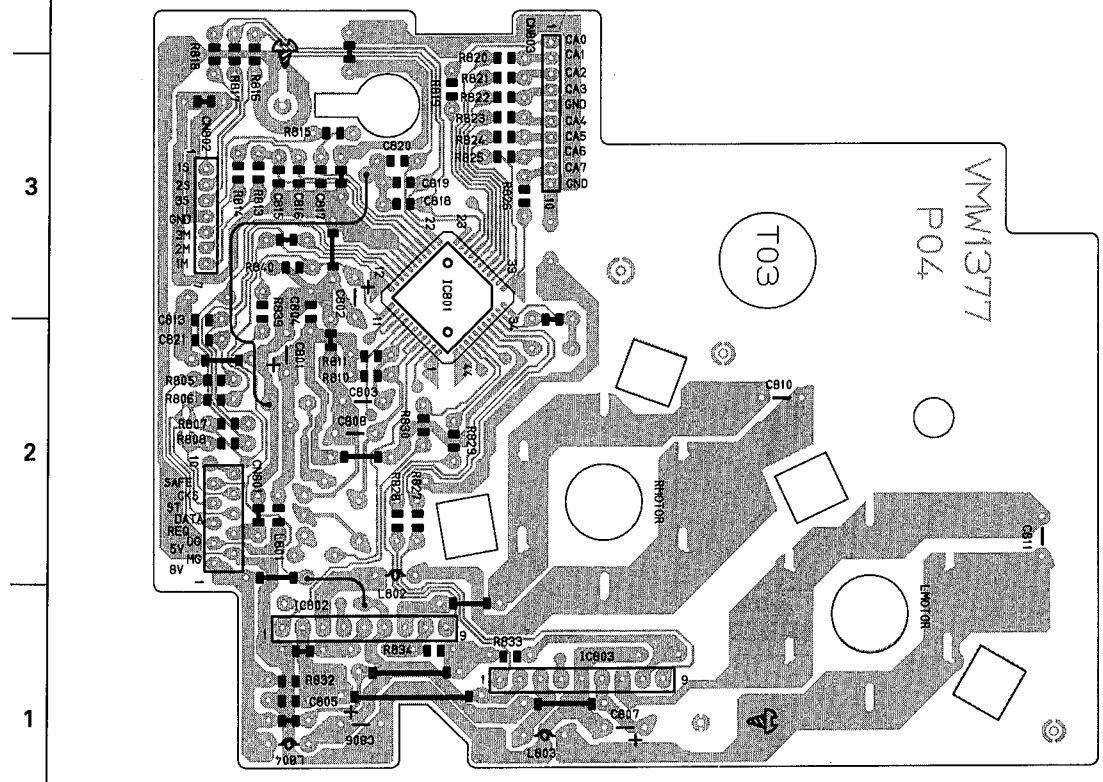


Fig. 8 - 5

● CD mechanism control board parts list

REF.	PARTS NO.	PARTS NAME	REMARKS	SUFFIX
C 801	QEK61AM-107Z	E. CAPACITOR	100MF 20% 10V	
C 802	QEK61EM-475Z	E. CAPACITOR	4.7MF 20% 25V	
C 803	QFLB1HJ-102	M. CAPACITOR	1000PF 5% 50V	
C 804	QCFB1HZ-104Y	C. CAPACITOR	.10MF +80% -20%	
C 805	QCVB1CN-103Y	C. CAPACITOR	.010MF 20% 16V	
C 806	QEK61CN-476Z	E. CAPACITOR	47MF 20% 16V	
C 807	QEK61CN-476Z	E. CAPACITOR	47MF 20% 16V	
C 808	QFLB1HJ-102	M. CAPACITOR	1000PF 5% 50V	
C 810	QC70205-155	ML.C. CAPACITOR	1.5MF	
C 811	QC70205-155	ML.C. CAPACITOR	1.5MF	
C 813	QCVB1CN-103Y	C. CAPACITOR	.010MF 20% 16V	
C 821	QCB1HK-102Y	C. CAPACITOR	1000PF 10% 50V	
CN801	VMC0163-R10	CONNECTOR	TO MICON	
CN802	VMC0289-P07	CONNECTOR	TO SWITCH PWB	
CN803	VMC0324-12310	CONNECTOR	TO CAM SW PWB	
IC801	UPD65612GB-208	IC		
IC802	TAB409S	IC		
IC803	TAB409S	IC		
L 801	VQP0018-100	INDUCTOR		
L 802	VQP0033-100Z	INDUCTOR		
L 803	VQP0033-100Z	INDUCTOR		
L 804	VQP0033-100Z	INDUCTOR		
R 805	QRD161J-102	CARBON RESISTOR	1.0K 5% 1/6W	
R 806	QRD161J-471	CARBON RESISTOR	470 5% 1/6W	
R 807	QRD161J-471	CARBON RESISTOR	470 5% 1/6W	
R 808	QRD161J-102	CARBON RESISTOR	1.0K 5% 1/6W	
R 810	QRD161J-684	CARBON RESISTOR	680K 5% 1/6W	
R 811	QRD161J-105	CARBON RESISTOR	1.0K 5% 1/6W	
R 813	QRD161J-102	CARBON RESISTOR	1.0K 5% 1/6W	
R 814	QRD161J-102	CARBON RESISTOR	1.0K 5% 1/6W	
R 815	QRD161J-102	CARBON RESISTOR	1.0K 5% 1/6W	
R 816	QRD161J-102	CARBON RESISTOR	1.0K 5% 1/6W	
R 817	QRD161J-102	CARBON RESISTOR	1.0K 5% 1/6W	
R 818	QRD161J-102	CARBON RESISTOR	1.0K 5% 1/6W	
R 819	QRD161J-102	CARBON RESISTOR	1.0K 5% 1/6W	
R 820	QRD161J-102	CARBON RESISTOR	1.0K 5% 1/6W	
R 821	QRD161J-102	CARBON RESISTOR	1.0K 5% 1/6W	
R 822	QRD161J-102	CARBON RESISTOR	1.0K 5% 1/6W	
R 823	QRD161J-102	CARBON RESISTOR	1.0K 5% 1/6W	
R 824	QRD161J-102	CARBON RESISTOR	1.0K 5% 1/6W	
R 825	QRD161J-102	CARBON RESISTOR	1.0K 5% 1/6W	
R 826	QRD161J-102	CARBON RESISTOR	1.0K 5% 1/6W	
R 827	QRD161J-102	CARBON RESISTOR	1.0K 5% 1/6W	
R 828	QRD161J-102	CARBON RESISTOR	1.0K 5% 1/6W	
R 829	QRD161J-102	CARBON RESISTOR	1.0K 5% 1/6W	
R 830	QRD161J-102	CARBON RESISTOR	1.0K 5% 1/6W	
R 832	QRD161J-181	CARBON RESISTOR	180 5% 1/6W	
R 833	QRD161J-102	CARBON RESISTOR	1.0K 5% 1/6W	
R 834	QRD161J-102	CARBON RESISTOR	1.0K 5% 1/6W	
R 839	QRD161J-332	CARBON RESISTOR	3.3K 5% 1/6W	
R 840	QRD161J-562	CARBON RESISTOR	5.6K 5% 1/6W	

■ CD tray select switch board

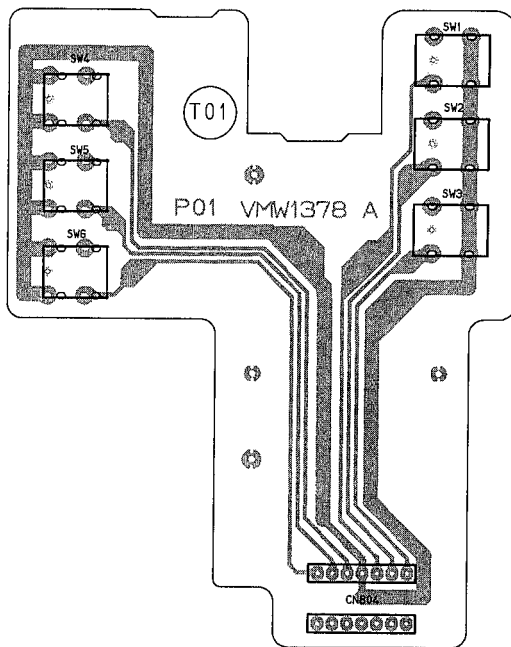


Fig. 8 - 6

● CD tray select switch board parts list

BLOCK NO. 06

REF.	PARTS NO.	PARTS NAME	REMARKS	SUFFIX
△ CN804	VMC0289-S07	CONNECTOR		
SW 1	QSEC001-E03	LEVER SWITCH		
SW 2	QSEC001-E03	LEVER SWITCH		
SW 3	QSEC001-E03	LEVER SWITCH		
SW 4	QSEC001-E03	LEVER SWITCH		
SW 5	QSEC001-E03	LEVER SWITCH		
SW 6	QSEC001-E03	LEVER SWITCH		

■ Cam switch board

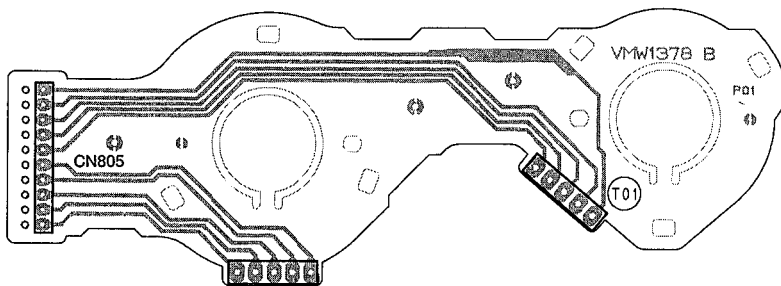


Fig. 8 - 7

● Cam switch board parts list

BLOCK NO. 07

REF.	PARTS NO.	PARTS NAME	REMARKS	SUFFIX
△ CN805	VMC0325-010	CONNECTOR		

9.Exploded View of Enclosure Assembly

■ Speaker section

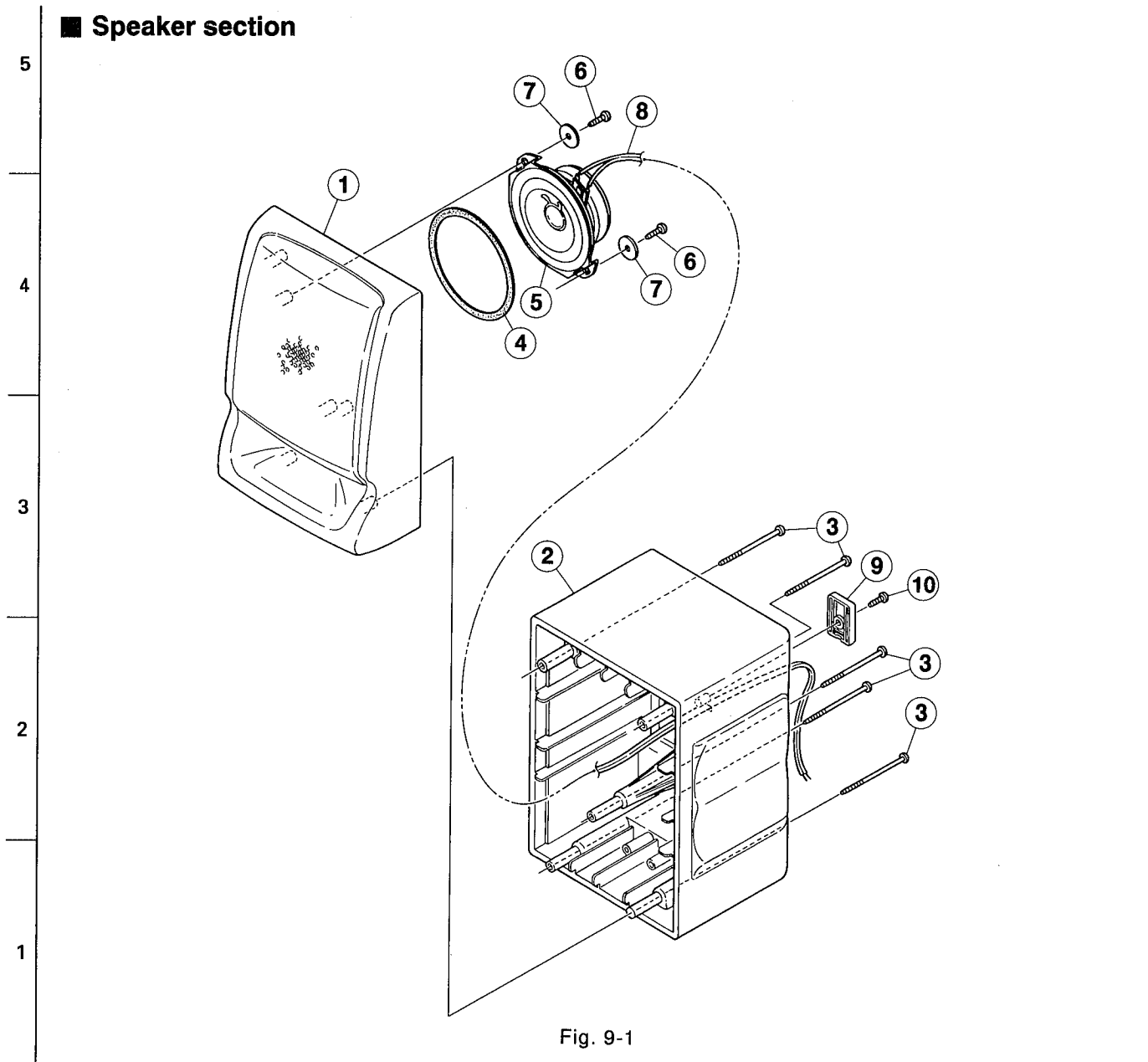


Fig. 9-1

● Speaker section parts list

BLOCK NO. MSMM

△	REF.	PARTS NO.	PARTS NAME	REMARKS	QTY	SUFFIX	CLR
S	1	VJC2556-00C	SP F.ASS'Y(L)		1		
		VJC2556-00D	SP F.ASS'Y(R)		1		
S	2	VJG1388-002	SP.R.CABINET(R)		1		
		VJG1387-002	SP R.CABINET(L)		1		
S	3	SBSF3050Z	SCREW	FRONT+REAR	5		
S	4	VYSH202-022	SPACER	SP.F.CABINET	1		
S	5	VGS1001-020	SPEAKER		1		
S	6	SBSF3010Z	SCREW	SPEAKER	2		
S	7	VYH8069-001	WASHER	SPEAKER	2		
S	8	VMP0132-001	SPK CORD		1		
S	9	VJD5470-001	CORD HOLDER		1		
S	10	SBSF3010Z	SCREW		1		

Enclosure section No. 1

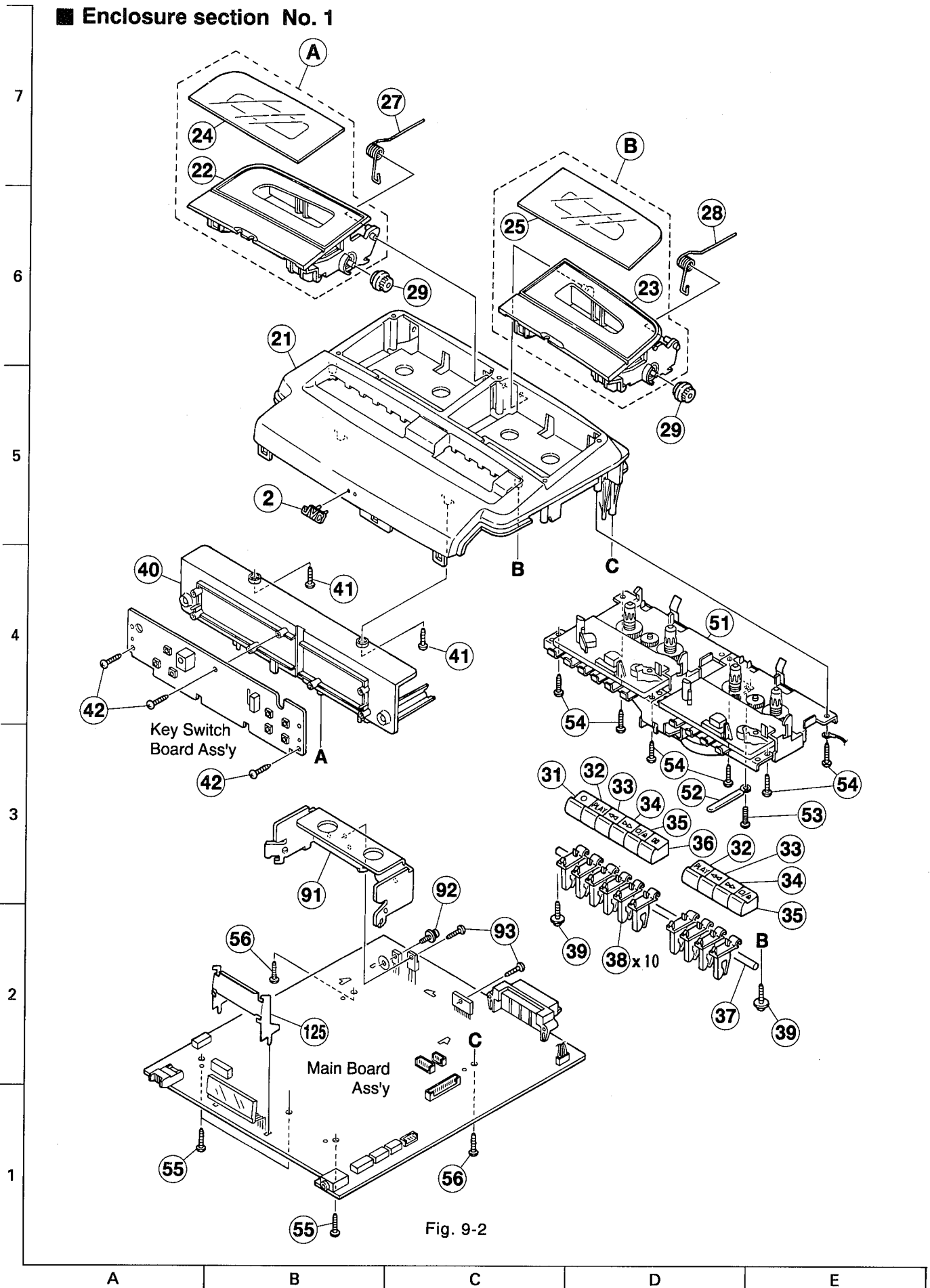


Fig. 9-2

● No.1 enclosure parts list

BLOCK NO.

△	REF.	PARTS NO.	PARTS NAME	REMARKS	QTY	SUFFIX	CLR
	A	ZCPRXC11K-CBA	CASSETTE DOOR A	NO.22,24	1		
	B	ZCPRXC11K-CBB	CASSETTE DOOR A	NO.23,25	1		
	2	PQ45130-1-1	JVC MARK		1		
	21	VJG1400-004KP	TOP COVER		1		
	22	VJT2370-001	CASSETTE DOOR L		1		
	23	VJT2370-002	CASSETTE DOOR R		1		
	24	VJT4232-002	DOOR LENS L		1		
	25	VJT4233-002	DOOR LENS R		1		
	27	VKW5218-001	DOOR SPRING (L)		1		
	28	VKW5230-001	DOOR SPRING (R)		1		
	29	VYH7366-001MM	GEAR		2		
	31	VXP2116-001	MECHA BUTTON	REC	1		
	32	VXP2116-002	MECHA BUTTON	PLAY	2		
	33	VXP2116-003	MECHA BUTTON	REW	2		
	34	VXP2116-004	MECHA BUTTON	FF	2		
	35	VXP2116-005	MECHA BUTTON	STOP/EJECT	2		
	36	VXP2116-006	MECHA BUTTON	PAUSE	1		
	37	VYH7877-001	SHAFT		1		
	38	VYH7883-002	BUTTON LEVER		10		
	39	E65923-001	T.SCREW		2		
	40	VYH2316-001	CHASSIS		1		
	41	SBSF3010Z	SCREW	TOP+CHASSIS	2		
	42	SBSF3010Z	SCREW	CHASSIS+SW PWB	3		
	51	-----	CASSETTE MECHA		1		
	52	VKZ4001-110	WIRE HOLDER		1		
	53	SBST3006Z	SCREW		1		
	54	SBSF3010Z	SCREW	TOP+MECHA	6		
	55	SBSF3010Z	SCREW	CHASSIS+MAIN PW	3		
	56	SBSF3010Z	SCREW	TOP+ MAIN PWB	2		
△	91	VYH3919-001	HEAT SINK		1		
	92	DPSP3010Z	SCREW	IC	1		
	93	SBSF3010Z	SCREW	POWER TRANSISTA	2		
	125	VYH3911-001	LCD HOLDER		1		

■ Enclosure section No. 2

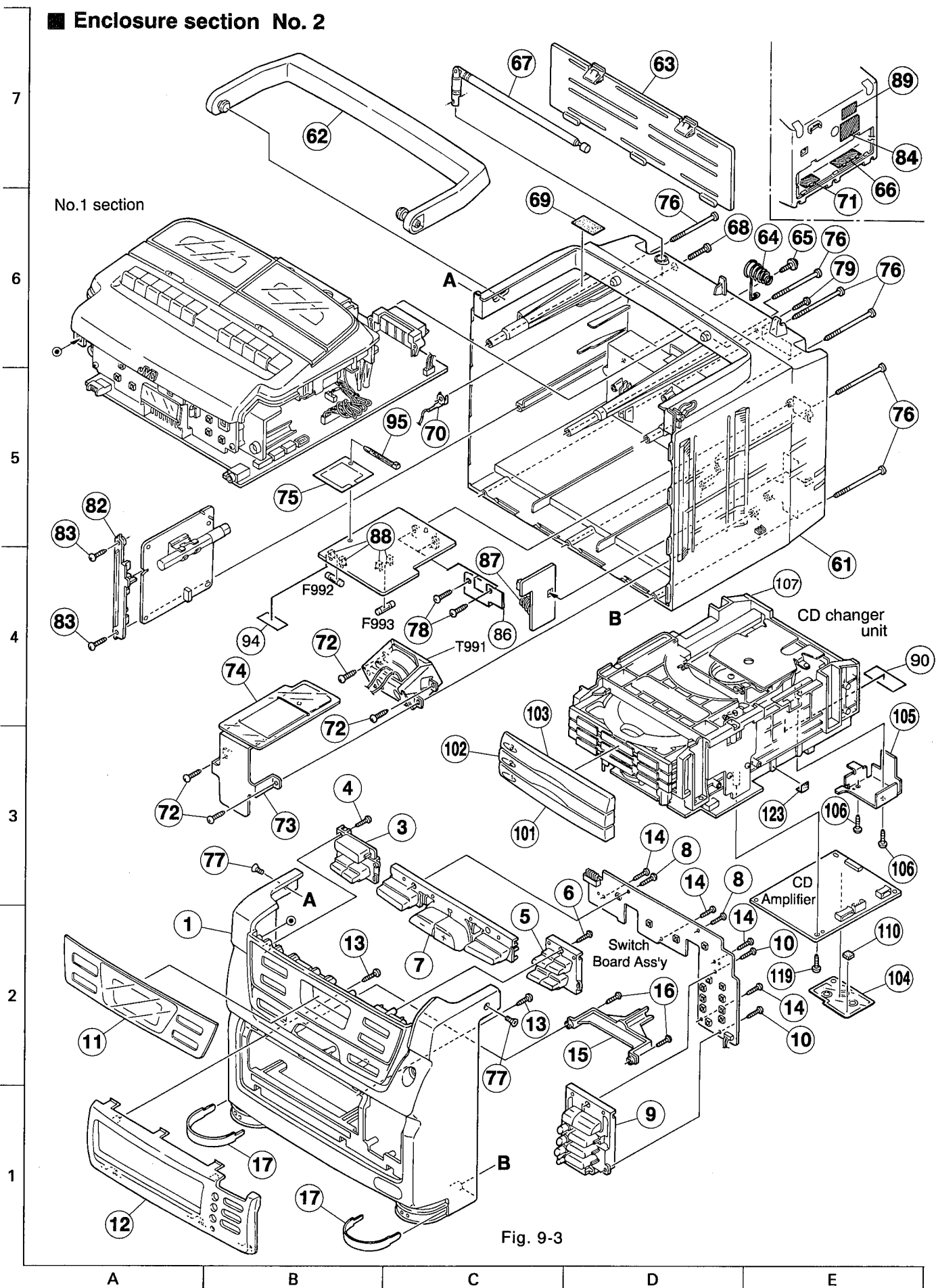


Fig. 9-3

● No.2 enclosure parts list

BLOCK NO. MMMM

△	REF.	PARTS NO.	PARTS NAME	REMARKS	QTY	SUFFIX	CLR
	1	VJG1384-002	FRONT CABINET		1		
	3	VXP3771-001	PUSH BUTTON(A)	POWER	1		
	4	SBSF2610Z	SCREW	F.CAB+BUTTON(A)	1		
	5	VXP3772-001	PUSH BUTTON(B)	BAND SEARCH	1		
	6	SBSF2610Z	SCREW	F.CAB+BUTTON(B)	1		
	7	VXP3757-001	PUSH BUTTON(C)	VOLUME	1		
	8	SBSF2610Z	SCREW	F.CAB+BUTTON(C)	2		
	9	VXP3758-002	PUSH BUTTON(D)	DISC 1.2.3	1		
	10	SBSF2610Z	SCREW	F.CAB+BUTTON(D)	2		
	11	VJD3991-003KP	LCD LENS		1		
	12	VJD2465-002	FRONT COVER		1		
	13	SBSF2610Z	SCREW	F.CAB+F.COVER	2		
	14	SBSF2610Z	SCREW	F.CAB+SW PWB	4		
	15	VYH3916-001	HOLDER		1		
	16	SBSF3010Z	SCREW	F.CAB+HOLDER	2		
	17	VJD5483-002	FOOT PLATE		2		
	61	VJG1385-002	REAR CABINET		1		
	62	VJH2016-002	HANDLE		1		
	63	VJC2555-001	BATTERY COVER		1		
	64	VYH5657-002	BATTERY SPRING		1		
	65	E65923-004	T SCREW	BATT SPRING	1		
	66	VYH8075-001	PROTECTOR SHEET	FOR BATTERY	1		
△	67	FMJA3001-00A(D)	ROD ANT ASS'Y	JSC VJA3001-A(C	1		
	68	SDSP3016N	SCREW	ANT	1		
	69	VYSA1R4-056	SPACER		1		
	70	VYH5012-005SS	TERMINAL LUG	FOR ANT	1		
	71	VYH8095-001	PROTECTOR SHEET	FOR BATTERY	1		
	72	SBSF3010Z	SCREW	TRANS	4		
	73	VYH3933-001	SHIELD		1		
	74	VMA4685-001	BARRIER		1		
	75	VMA4695-001	SHIELD		1		
	76	SBSF3065Z	SCREW	FRONT+REAR	6		
	77	SSSF3010M	SCREW	FRONT+HANDLE	2		
	78	SBSF3010Z	SCREW	REAR+AC SOKET	2		
	79	SBSF3010Z	SCREW	SP TERMINAL	1		
	82	VYH8050-001	TUNER HOLDER		1		
	83	SBSF3014Z	SCREW	FOR T.HOLDER	2		
△	84	VYN7078-M005T	NAME PLATE		1		
	86	VYH8066-001	AC BRACKET		1		
	87	VYH5483-101	SPRING	FOR UM-1	1		
	88	VMZ0125-001Z	FUSE CLIP	FOR F992,F993	4		
	89	E70891-001	CLASS 1 LABEL		1		
	90	E406709-001	LASER CAUTION		1		
△	94	VND4003-071	FUSE LABEL	FOR F992 T2.5A	1		
	95	QHX2075-001	WIRE CLAMP		1		
	101	VJD3992-004	TRAY FITTING(A)		1		
	102	VJD3992-005	TRAY FITTING(B)		1		
	103	VJD3992-006	TRAY FITTING(C)		1		
	104	VMA4620-001	SHIELD	FOR CD PWB	1		
	105	VMA4658-001	SHIELD CASE		1		
	106	SBSF3010Z	SCREW	FOR SHIELD CASE	2		
	107	-----	3CD CHANGER M A		1		
	110	VYSH101-009	SPACER		1		
	119	SBSF3010Z	TAPPING SCREW		1		
	123	VYSA1R4-056	SPACER		1		
△	F 992	QMF51E2-2R5J1	FUSE	2ND	1		
△	F 993	QMF51E2-2R5J1	FUSE	FOR DC	1		
△	T 991	VTP57J2-12B	POWER TRANS		1		

10.Exploded View of Mechanism Assembly

■ Cassette mechanism section

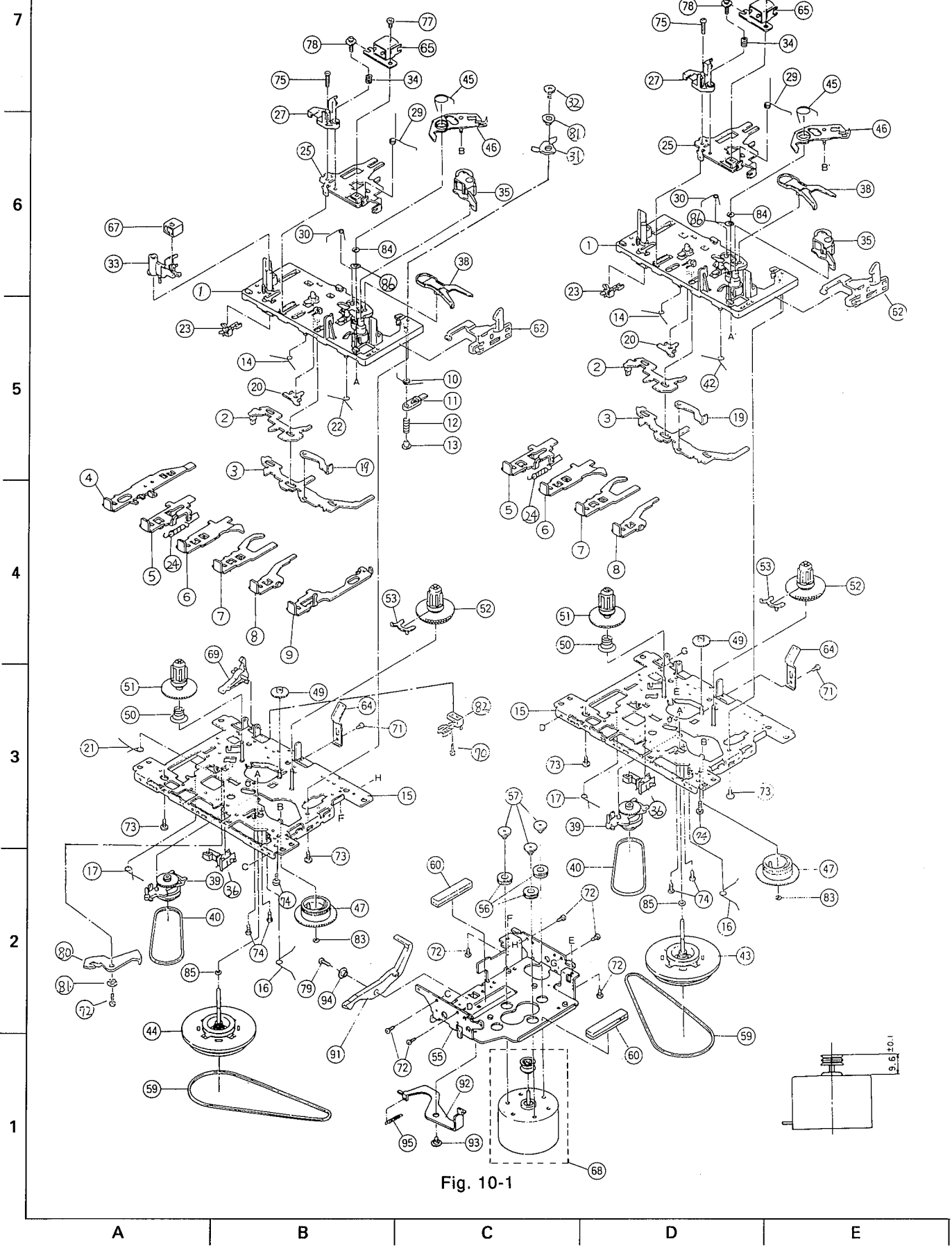


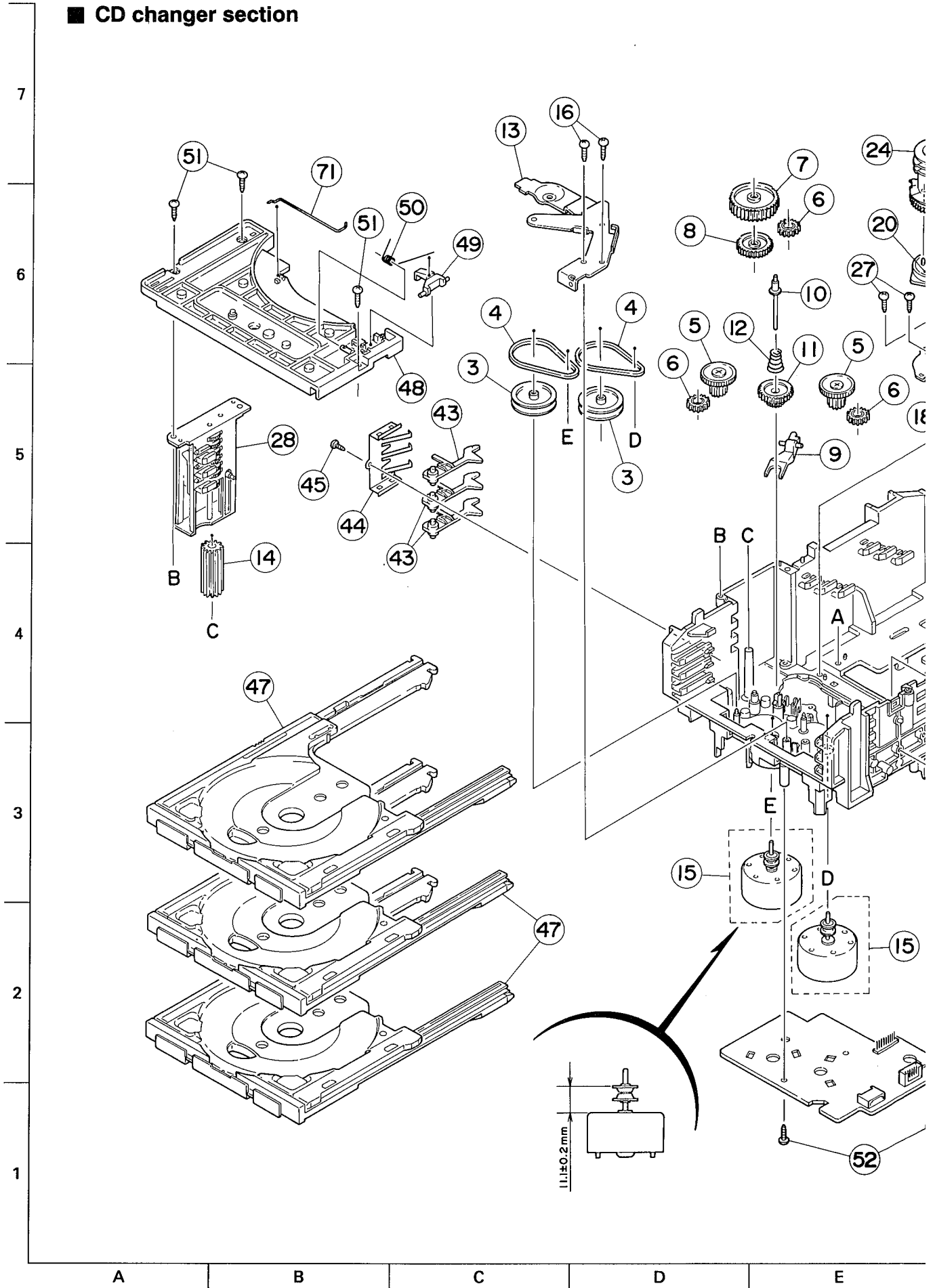
Fig. 10-1

● Cassette mechanism parts list

BLOCK NO. M3MM

△	REF.	PARTS NO.	PARTS NAME	REMARKS	QTY	SUFFIX	CLR	△
	1	192114301ZT	BASE ASS'Y		2			
	2	19211409T	SWITCH ACTUATOR		2			
	3	19211408T	LOCK CAM		2			
	4	19211422T	BUTTON LEVER	REC BUTTON	1			
	5	19211484T	BUTTON LEVER	PLAY BUTTON	2			
	6	19211424T	BUTTON LEVER	REW BUTTON	2			
	7	19211425T	BUTTON LEVER	FF BUTTON	2			
	8	19211426T	BUTTON LEVER	STOP BUTTON	2			
	9	19211461T	BUTTON LEVER	PAUSE BUTTON	1			
	10	19211413AT	P CONT. SPRING		1			
	11	19211455T	PAUSE LEVER (E)		1			
	12	19211412T	SPRING	PAUSE LEVER	1			
	13	19211411T	PAUSE STOPPER		1			
	14	19211414T	TORSION SPRING	BUTTON LEVER	2			
	15	192101501T	CHASSIS ASS'Y		2			
	16	19211416T	TORSION SPRING	E.ACTUATER	2			
	17	19211417T	TORSION SPRING	P.S.LEVER	2			
	19	182101159T	E.KICK LEVER		2			
	20	19211420T	STOPPER		2			
	21	19211421T	TORSION SPRING	REC BUTTON	1			
	22	19211415T	TORSION SPRING	BUTTON LEVER(C)	1			
	23	MSW-1541T	LEAF SWITCH	640101149T	2			
	24	18210150T	LEVER SPRING		2			
	25	19210311T	HEAD PANEL		2			
	27	19210304AT	HEAD BASE		2			
	29	19210309T	PANEL P SPRING		2			
	30	19211418AT	SPRING	M CONTROL	2			
	31	19211434T	P.ROLLER ARM		1			
	32	99992041T	SPECIAL SCREW	M 2 X 3	1			
	33	19210305T	MAGNET HEAD ARM		1			
	34	18210307T	AZIMUTH SPRING		2			
	35	192104309T	P.ROLL. ARM ASY		2			
	36	640101161T	LEAF SWITCH	MSW-17820MVDO	2			
	38	19212604TT	SENSING LEVER		2			
	39	192107308T	RF CLUTCH ASS'Y		2			
	40	18210711T	RF.BELT		2			
	42	19211433T	TORSION SPRING		1			
	43	192109304ZT	FLYWHEEL ASS'Y	PB MECHA.(B)	1			
	44	192109303ZT	FLYWHEEL ASS'Y	REC/PB MECHA.(A)	1			
	45	19212605T	TORSION SPRING	GEAR PLATE	2			
	46	192126502ZT	GEAR PLATE ASSY		2			
	47	19212602T	CAM GEAR		2			
	49	18211070T	F.FORWARD GEAR		2			
	50	18211099T	BACK TENSION SP		2			
	51	192105304T	S. REEL ASS'Y	SUPPLY	2			
	52	192105303T	T. REEL ASS'Y	TAKE-UP	2			
	53	19210506T	SENSOR		2			
	55	19211211T	MOTOR BRACKET		1			
	56	18211266T	MOTOR RUBBER		3			
	57	18511418T	COLLAR SCREW		3			
	59	19210924T	MAIN BELT		2			
	60	19211212T	MAT		2			
	62	19211301T	EJ. SLIDE LEVER	EJECT	2			
	64	18291001T	PACK SPRING		2			

■ CD changer section



● CD changer parts list

BLOCK NO. M2MM

REF.	PARTS NO.	PARTS NAME	REMARKS	QTY	SUFFIX	CLR
A	VKS3703-00FMM	CLAMPER ASS'Y	NO.64,65,67-69	1		
1	VKS1144-003	CHASSIS		1		
2	VKS3698-003	TRAY GUIDE		2		
3	VKS5532-003	PULLEY GEAR		2		
4	VKB3000-164	BELT		2		
5	VKS5505-003	GEAR B		2		
6	VKS5506-002	GEAR C		3		
7	VKS5507-002	CROSS GEAR U		1		
8	VKS5508-002	CROSS GEAR L		1		
9	VKS5510-003	SELECT LEVER		1		
10	VKH5769-001	S.G.SHAFT		1		
11	VKS5511-002	SELECT GEAR		1		
12	VKW5155-003	COMP.SPRING	FOR SELECT GEAR	1		
13	VKM3846-002	GEAR BRACKET		1		
14	VKS5509-002MM	CYLINDER GEAR		1		
15	MSN5D257A-SA2	D.C.MOTOR		2		
16	DPSP2616Z	SCREW	FOR MOTOR	2		
18	VKM3825-00AMM	C.G.BASE ASS'Y		1		
19	VKZ3172-00A	CAM SW. R ASS'Y		1		
20	VKZ3173-00ASS	CAM SW. L ASS'Y		1		
21	SPST2606Z	SCREW	FOR CAM SW.	3		
22	VKS2263-002MM	CAM R1		1		
23	VKS2264-002MM	CAM R2		1		
24	VKS2265-002MM	CAM GEAR L		1		
25	WDL316050	SLIT WASHER	FOR CAM GEAR L	1		
26	WDL316050	SLIT WASHER		1		
27	SBSF2608Z	SCREW	FOR C.GEAR BASE	4		
28	VKS3702-00FMM	DRIVE UNIT		1		
29	VKS2247-004	MECHA HOLDER A		1		
30	VKL7767-00B	BRACKET ASS'Y		1		
31	SBSF2606Z	SCREW	FOR BRACKET	2		
32	VKM3860-00A	M.HOLDER B AS'Y		1		
33	VKL7802-00C	M.HOLDER C AS'Y		1		
34	SDST2604Z	SCREW	FOR M.HOLDER C	2		
35	VKL7810-00A	LIFTER ASS'Y R		1		
36	VKL7811-00A	LIFTER ASS'Y L		1		
37	VKL7812-00A	LIFTER ASS'Y H		1		
38	VKL2732-002	LIFTER BASE		1		
39	VKM3823-001	LIFTER BRACKET		1		
40	SDST2604Z	SCREW		1		
41	WDL266035-2	SLIT WASHER		1		
42	SBSF2608Z	SCREW		4		
43	VKS5514-002MM	LOCK LEVER		3		
44	VKY3133-002MM	RETURN SPRING		1		
45	SBSF2608Z	SCREW	FOR RETURN SP.	1		
46	VKY3134-003MM	CLICK SPRING		1		
47	VKS2252-00DMM	TRAY ASS'Y		3		
48	VKS2250-003	TOP BRACKET		1		
49	VKS5515-002	S.TRAY STOPPER		1		
50	VKW5156-004	TORSION SPRING		1		
51	SBSF2608Z	SCREW		3		
52	SBSF2608Z	SCREW		4		
62	FMYH4003-002	INSULATOR		2		
63	FMYH4003-001	INSULATOR		2		
64	VKS3703-00DMM	CLAMPER BASE		1		
65	VKS3697-001	CLAMPER		1		
67	VYH7313-003	MAGNET		1		
68	VKL7757-001	YOKE		1		
69	SBSF2606Z	SCREW		1		
70	SPST2606Z	SCREW		1		
71	VKW5187-001	ROD		1		
72	VYH3897-001	SHIELD		1		
73	SBSF3010Z	SCREW		1		
74	-----	CD MECHA ASS'Y		1		

■ CD mechanism section

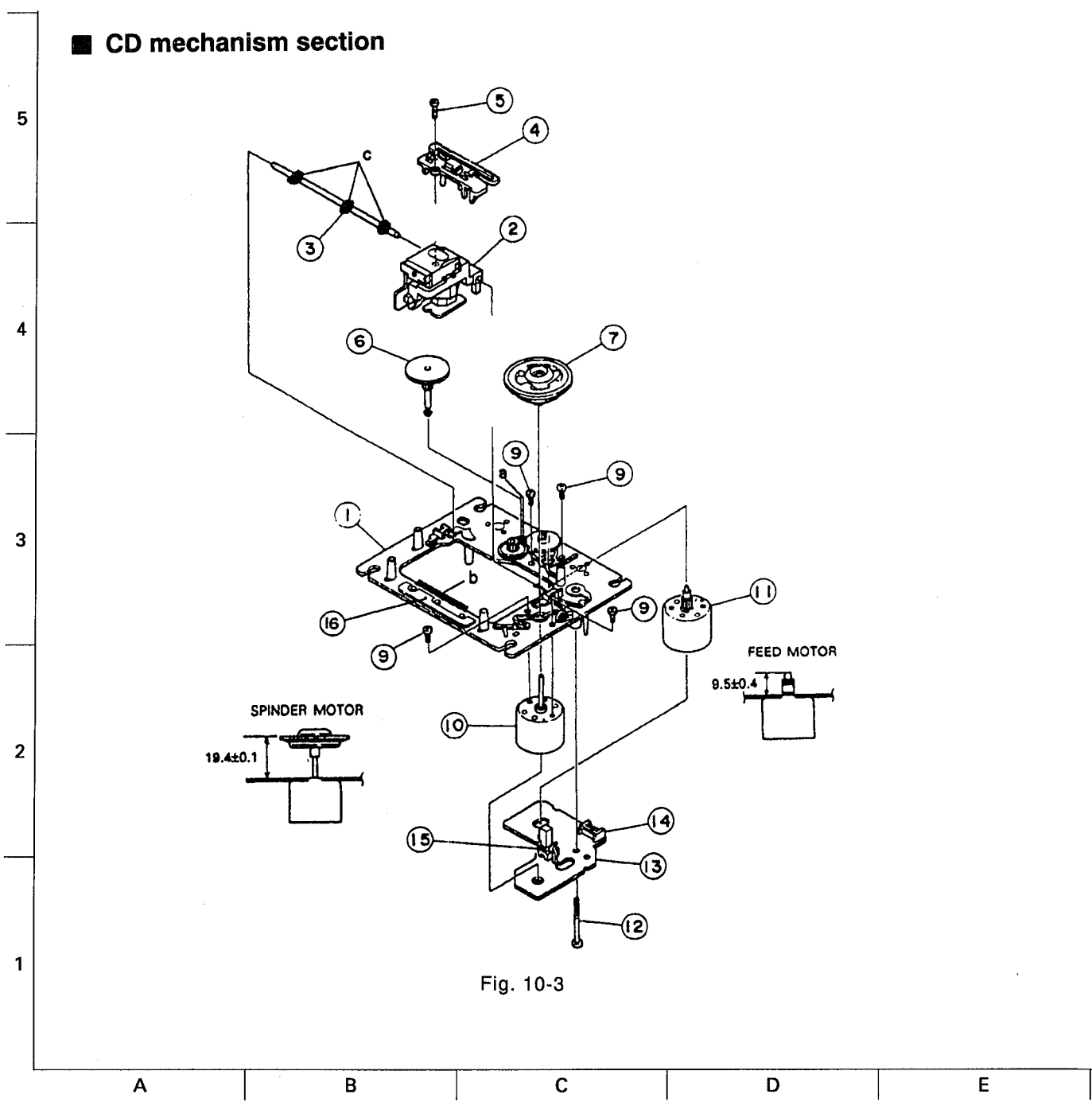


Fig. 10-3

● CD mechanism section parts list

BLOCK NO.

△	REF.	PARTS NO.	PARTS NAME	REMARKS	QTY	SUFFIX	CLR
	1	EPB-002A	MECHA BASE ASSY		1		
	2	OPTIMA-150S	OPTICAL PICK UP		1		
	3	E406777-001	GUIDE SHAFT		1		
	4	E307746-001	CD RACK		1		
	5	SDSF2006Z	SCREW		1		
	6	EPB-003A	MECHA GEAR		1		
	7	E75807-301	TURN TABLE		1		
	9	SDSP2003N	SCREW		4		
	10	E406783-001	DC MOTOR		1		
	11	E406784-001SA	DC MOTOR		1		
	12	E75832-001	SPECIAL SCREW		1		
	13	EMW10190-001	PRINTED BOARD		1		
	14	EMV5109-006B	CONN. TERMINAL		1		
	15	ESB1100-005	LEAF SWITCH		1		
	16	E407212-001	DAMPER		1		

11. Illustration of Packing and parts list

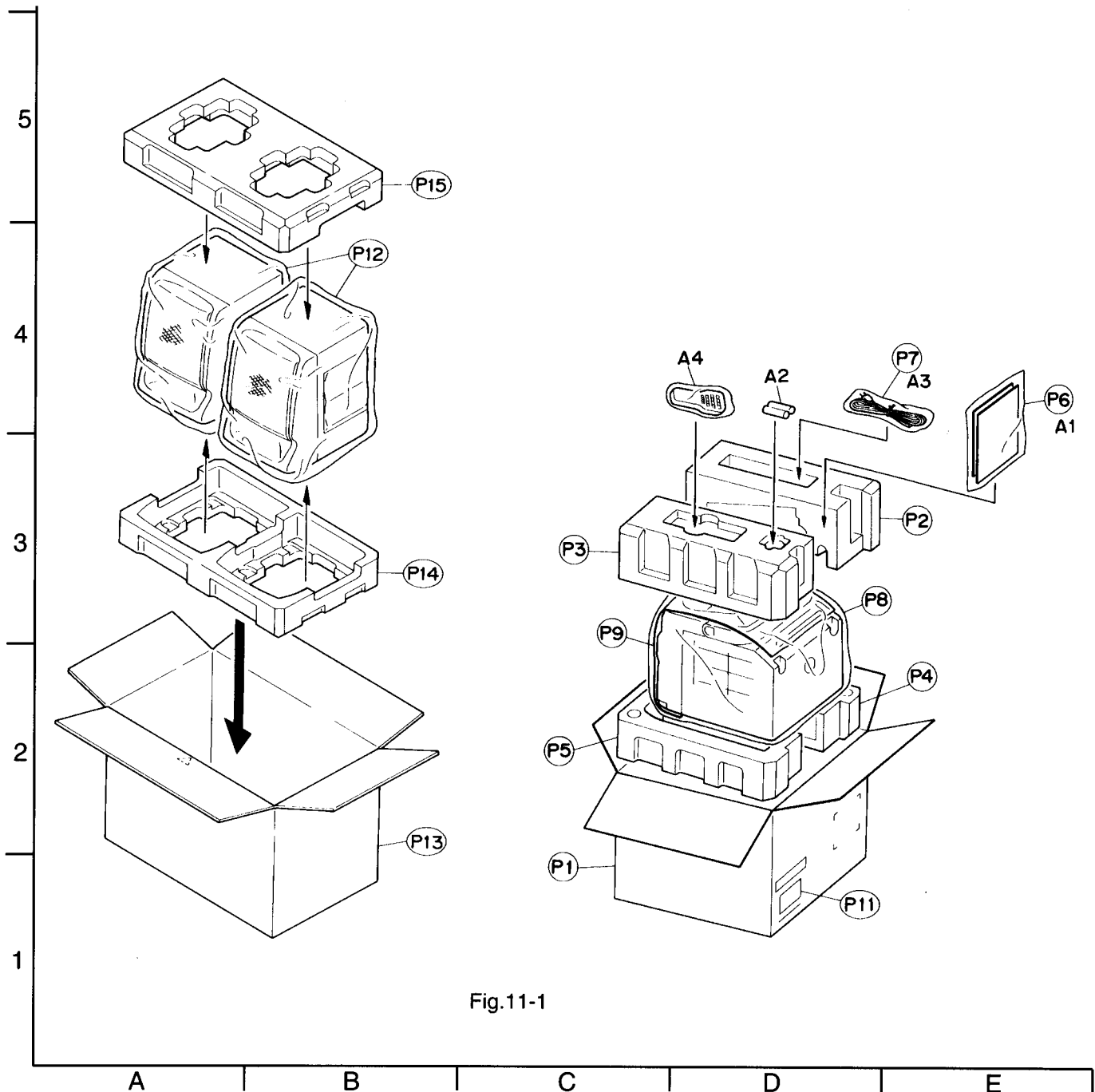


Fig.11-1

● Packing parts list

BLOCK NO. M3MM

△ REF.	PARTS NO.	PARTS NAME	REMARKS	QTY	SUFFIX	CLR
P 1	VPC7078-M101	CARTON		1		
P 2	VPH1714-001	CUSHION(UPPER)		1		
P 3	VPH1714-002	CUSHION(UPPER)		1		
P 4	VPH1714-003	CUSHION(BTM-L)		1		
P 5	VPH1714-004	CUSHION(BTM-R)		1		
P 6	VPE3005-007	POLY BAG	INSTRUCTION	1		
P 7	QPGA012-02505	POLY BAG		1		
P 8	VPE3026-005	E309758-017	FOR SET	1		
P 9	VPK4002-025	SHEET	FOR SET	1		
P 11	-----	CARTON LABEL		1		
P 12	VPE3026-006	POLY BAG	SPEAKER	2		
P 13	VPC7078-M102	CARTON	SPEAKER	1		
P 14	VPH1715-001	CUSHION	SP.BOTTOM	1		
P 15	VPH1715-002	CUSHION	SP.UPPER	1		

● **Accessories**

BLOCK NO. **M7MM**

△	REF.	PARTS NO.	PARTS NAME	REMARKS	QTY	SUFFIX	CLR
△	A 1	VNN7078-251M	INSTRUCTION		1		
	A 2	R6PRPA-2STSA	BATTERY		1		
△	A 3	QMP39F0-183E	POWER CORD		1		
	A 4	VGR0042-701KP	REMO-CON UNIT	RM-RXP11E	1		



VICTOR COMPANY OF JAPAN LIMITED
 AUDIO DIVISION 10-1, 1-chome, Ohwatari-machi, Maebashi-city, Japan