

# JVC

## SERVICE MANUAL

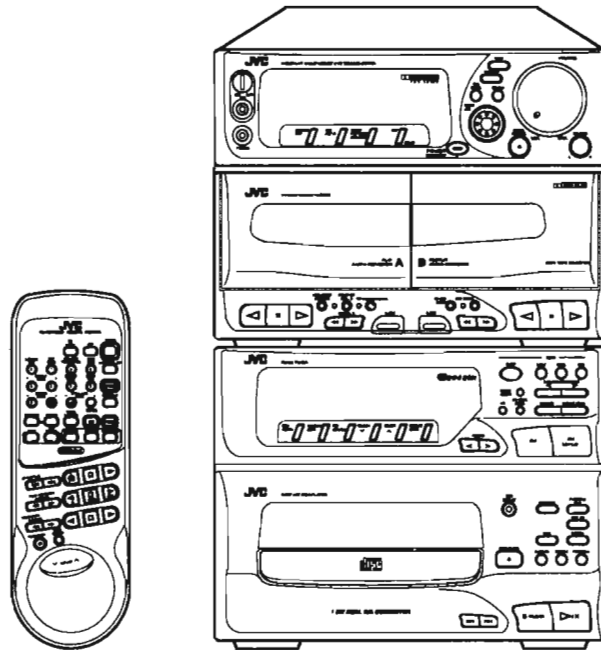
### COMPACT COMPONENT SYSTEM

# CA-S700R

Pick up	OPTIMA-6
CD signal processor	MN66271RAM

#### Area Suffix

BS .....the U.K.  
 E .....Continental Europe  
 G .....Germany  
 GI .....Italy



COMPACT  
**disc**  
 DIGITAL AUDIO

## Contents

Safety Precautions .....	1-2	Parts List	
Important for Laser Products .....	1-3	DX-S700R .....	4-1
Technical Explanation .....	1-4	XT-S700R .....	5-1
Instruction Book .....	1-5	Accessories List and Packing Materials .....	6-1
DX-S700R .....	2-1		
XT-S700R .....	3-1		

## Safety Precautions

1. The design of this product contains special hardware and many circuits and components specially for safety purposes. For continued protection, no changes should be made to the original design unless authorized in writing by the manufacturer. Replacement parts must be identical to those used in the original circuits. Services should be performed by qualified personnel only.
2. Alterations of the design or circuitry of the product should not be made. Any design alterations of the product should not be made. Any design alterations or additions will void the manufacturer's warranty and will further relieve the manufacture of responsibility for personal injury or property damage resulting therefrom.
3. Many electrical and mechanical parts in the products have special safety-related characteristics. These characteristics are often not evident from visual inspection nor can the protection afforded by them necessarily be obtained by using replacement components rated for higher voltage, wattage, etc. Replacement parts which have these special safety characteristics are identified in the Parts List of Service Manual. Electrical components having such features are identified by shading on the schematics and by ( $\Delta$ ) on the Parts List in the Service Manual. The use of a substitute replacement which does not have the same safety characteristics as the recommended replacement parts shown in the Parts List of Service Manual may create shock, fire, or other hazards.
4. The leads in the products are routed and dressed with ties, clamps, tubings, barriers and the like to be separated from live parts, high temperature parts, moving parts and/or sharp edges for the prevention of electric shock and fire hazard. When service is required, the original lead routing and dress should be observed, and it should be confirmed that they have been returned to normal, after re-assembling.
5. Leakage current check (Electrical shock hazard testing)  
After re-assembling the product, always perform an isolation check on the exposed metal parts of the product (antenna terminals, knobs, metal cabinet, screw heads, headphone jack, control shafts, etc.) to be sure the product is safe to operate without danger of electrical shock.  
Do not use a line isolation transformer during this check.

- Plug the AC line cord directly into the AC outlet. Using a "Leakage Current Tester", measure the leakage current from each exposed metal parts of the cabinet, particularly any exposed metal part having a return path to the chassis, to a known good earth ground. Any leakage current must not exceed 0.5mA AC (r.m.s.).

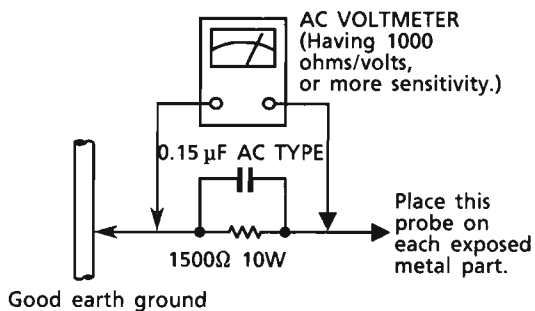
- Alternate check method

Plug the AC line cord directly into the AC outlet. Use an AC voltmeter having, 1,000 ohms per volt or more sensitivity in the following manner. Connect a 1,500 $\Omega$  10 W resistor paralleled by a 0.15  $\mu$ F AC-type capacitor between an exposed metal part and a known good earth ground.

Measure the AC voltage across the resistor with the AC voltmeter.

Move the resistor connection to each exposed metal part, particularly any exposed metal part having a return path to the chassis, and measure the AC voltage across the resistor.

Now, reverse the plug in the AC outlet and repeat each measurement. Any voltage measured must not exceed 0.75 V AC (r.m.s.). This corresponds to 0.5 mA AC (r.m.s.).



## Warning

1. This equipment has been designed and manufactured to meet international safety standards.
2. It is the legal responsibility of the repairer to ensure that these safety standards are maintained.
3. Repairs must be made in accordance with the relevant safety standards.
4. It is essential that safety critical components are replaced by approved parts.
5. If mains voltage selector is provided, check setting for local voltage.

## Important for Laser Products

1. **CLASS 1 LASER PRODUCT**
2. **DANGER** : Invisible laser radiation when open and interlock failed or defeated. Avoid direct exposure to beam.
3. **CAUTION** : There are no serviceable parts inside the Laser Unit. Do not disassemble the Laser Unit. Replace the complete Laser Unit if it malfunctions.
4. **CAUTION** : The compact disc player uses invisible laser radiation and is equipped with safety switches which prevent emission of radiation when the drawer is open and the safety interlocks have failed or are defeated. It is dangerous to defeat the safety switches.
5. **CAUTION** : If safety switches malfunction, the laser is able to function.
6. **CAUTION** : Use of controls, adjustments or performance of procedures other than those specified herein may result in hazardous radiation exposure.

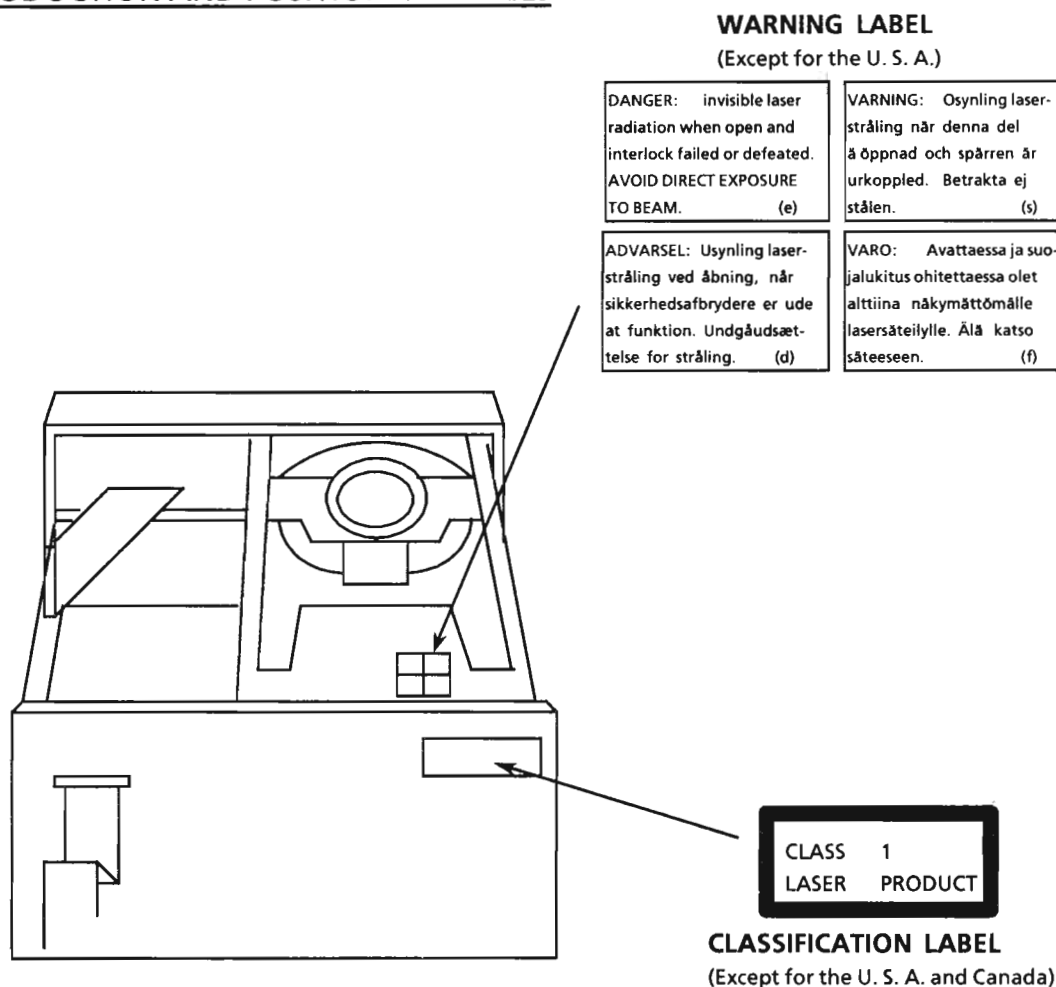
**VARNING** : Osynlig laserstrålning när denna del är öppnad och spärren är urkopplad. Betrakta ej strålen.

**VARO** : Avattaessa ja suojalukitus ohitettaessa olet alttiina näkymättömälle lasersäteilylle. Älä katso säteeseen.

**ADVARSEL** : Usynlig laserstrålning ved åbning, når sikkerhedsafbrydere er ude af funktion. Undgå udsættelse for stråling.

**ADVARSEL** : Usynlig laserstrålning ved åbning, når sikkerhedsbryteren er avslott. unngå utsettelse for stråling.

### REPRODUCTION AND POSITION OF LABELS



# Technical Explanation

## 1. Outline

RDS (Radio Data System) means the system to transmit control signal such as frequency information for tuning, traffic information and so on.

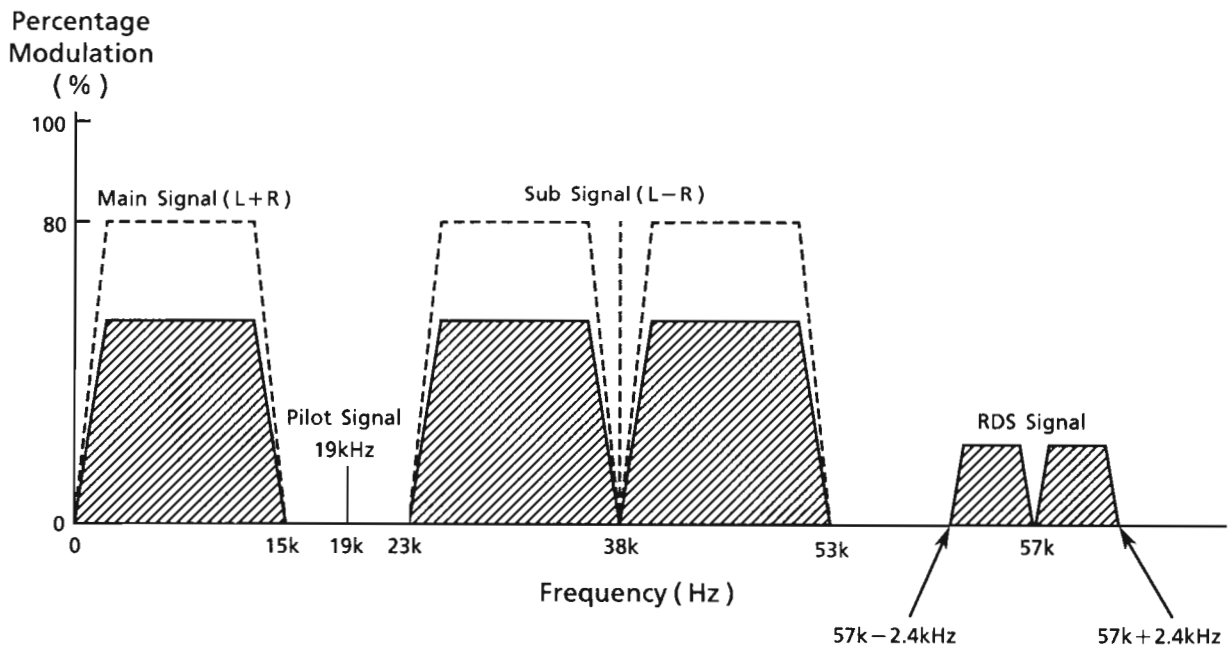
RDS signal which is DSB(Double Side Band) modulated at sub carrier frequency of 57kHz is FM modulated into main carrier signal.

Table-1 shows the details for RDS signal.

Figure 1 shows the frequency spectrum at RDS signal and stereo modulated ( composite ) signal.

[Table-1] RDS signal's Specification

	Item	Specification
Modulation Form	Sub Carrier Frequency	57kHz
	Sub Carrier Modulation Form	Duble Sideband Carrier Suppression Amplitude Modulation
	Frequency Deviation	RDS only : $\pm 2\text{kHz}$ TRI: $\pm 1.2\text{kHz}$
	Data Modulation Form	Two Phase PSK ( Phase Shift Keying )
	Data Coding Form	Differential Coding
	Occupied Bandwidth	$57\text{kHz} \pm 2.4\text{kHz}$ ( $\sqrt{100\%}$ cosine roll off Characteristic)
Data Form	Bit late	1,187.5bit/s
	Error correcting	(26,16) Reduction Cyclic Code
	1 Block	26bit
	1 Group	104bit ( 4 block )
	Synchronism Form	Offset ward



[ Fig. 1 ] Frequency Spectrum at RDS signal & Stereo modulated Signal



# Table of Contents

Control Panel and Remote—Illustrations .....	G-3
Features .....	G-3
How This Manual Is Organized .....	2
Getting Started Right .....	3
Unpacking .....	3
Location .....	3
Set Up .....	3
1. Connect the AM (MW/LW) and FM Antennas .....	4
2. Connect the Speakers .....	4
3. Connect the System Connecting Cord and Auxiliary Equipment .....	5
4. Put Batteries in the Remote Control .....	7
Displays .....	7
Common Operations .....	8
COMPULAY .....	8
Turning the CA-5700R On .....	8
Turning the CA-5700R Off .....	8
Controlling the Sound .....	8
Volume Control .....	8
Speaker Balance Control .....	8
Active Bass Extension .....	8
Listening with Headphones .....	8
Adjusting the Brightness of the Clock Indication .....	8
Listening to the Radio .....	9
One Touch Radio .....	9
Tuning in a Station .....	9
Presetting Stations .....	9
Scanning through Preset Stations .....	10
Receiving in Stereo or Monaural .....	10
Using the RDS (Radio Data System) to Receive FM Stations ..	10
What Information Can RDS Provide? .....	10
Searching the Program by PTY Codes .....	11
Switching to a Broadcast Program of Your Choice Temporarily .....	12
Listening to a Compact Disc .....	13
Basics of Using the CD Player .....	13
To Load, Play, and Stop a CD .....	13
Checking the Playing Time and the Remaining Time .....	13
How to Find the Track or a Particular Point You Want ..	14
Locating a Track with the Remote Directly .....	14
Programming the Playing Order of the Tracks .....	14
Random Play .....	14
Programmed Play .....	14
Repeating a Selection or the Entire Disc .....	15
Listening to a Tape .....	15
One Touch Play .....	15
Regular Play .....	15
Fast Left and Fast Right .....	15
Music Scan .....	16
Scan Forward .....	16
Scan Back .....	16
Listening to a VCR or Turntable through your CA-5700R .....	16
Using the Preset Sound Modes .....	17
Using the Preset SEA (Sound Effect Amplifier) Modes .....	17
What Is Surround? .....	17
Using the DAP (Digital Acoustic Processor) Modes .....	18
Using the Theater DAP Modes and the Dolby Surround Modes .....	19
Preparing for the Theater DAP Modes and the Dolby Surround Modes .....	20
Turning on and off the Theater DAP Modes and the Dolby Surround Modes .....	21
Finding the Suitable Sound Mode—Demo Mode .....	21
Recording .....	22
Things to Know before You Start Recording .....	22
Standard Recording .....	22
Recording any Sound Source to Tape .....	23
CD to Tape Recording .....	23
CD Direct Recording .....	23
Recording a CD onto a Tape Using Auto Edit .....	23
Recording a CD onto a Tape Using Programmed Edit .....	24
Tape to Tape Recording (Dubbing) .....	25
How to Copy a Tape With Regular-Speed Dubbing .....	25
High-Speed Dubbing .....	25
How to Use the Timers and Set the Clock .....	26
Clock Setting .....	26
Setting the Recording Timer .....	26
Setting the Once/Daily Timers .....	27
Sleep Timer .....	27
Turning off the CA-5700R Automatically .....	28
Timer Priority .....	28
Singing Along .....	29
How to Sing Along with Vocal Masking .....	29
Recording Your Singing-Along .....	29
Recording from the Microphone .....	30
Mixing .....	30
Regular Microphone Recording .....	30
How to Use the Remote Control .....	31
Using the 10 Key Pad .....	31
Care and Maintenance—General Notes .....	32
Compact Discs .....	32
Moisture Condensation .....	32
Cassette Tapes .....	32
Cassette Deck .....	32
Troubleshooting .....	33
Specifications .....	34

# Features

Here are some of the things that make your CA-5700R powerful and easy to use.

- To get such great sound from such a compact package the CA-5700R has preprogrammed sound effects like SEA (Sound Effect Amplifier), DAP (Digital Acoustic Processor), and Dolby Surround so you don't have to be a sound engineer to get great effects. ACTIVE BASS EX. (extension) works to maintain the richness and fullness of the sound when the volume level is getting lower.
- The controls and operations have been redesigned to make them very easy to use so you can spend your time listening to music.
- With the One Touch Operation feature of JVC's COMPULAY, you can turn on the CA-5700R and start the radio, the cassette deck, or the CD player with a single touch.
- Four timers, Daily, Once, REC (Recording), and Sleep Timers are extremely easy to set so you can really use them.
- The Display area is large and clear. It's organized so you can tell at a glance what's happening because functions light up as you use them, and blink to tell you they are ready.
- Auto Edit figures out how to arrange CD tracks on a tape. When you are recording a tape from a CD, the selections aren't cut off if the tape ends before the selection does.
- Programmed Edit allows you to arrange CD tracks on a tape in your desired order.
- A home-use RDS tuner offers most of the RDS services. These services include the display of station names and program types, and scanning stations by programming.
- Now use conventional tapes and CDs for Singing-Along with the voice canceller system. With an optional microphone, you can replace the lead singer's voice on your favourite songs with your own.

## Great Sound

## Easy Operation



## IMPORTANT! Special features for a special Manual.

### How This Manual Is Organized

This is a special manual, designed to accommodate several languages. To keep the size from becoming too great, you still give you a top quality instruction manual, we have incorporated some special features:

- The manual mainly explains operations using the buttons and controls on the main Unit. If operation using the buttons and controls on the Remote is different from that using the main Unit, it is then explained.
- Basic information that is the same for many different functions is grouped in one place, and not repeated in each procedure. For instance, in the section on playing a CD, we do not repeat the information about setting the volume and the sound conditioning, which are talked about in the Common Operations section.
- Names of buttons, controls and functions that light up on the display panel are written in all Capital letters like this: POWER.
- The column on the left of the page is a special place to make it easier to find just what you want to know about, with little headlines announcing what each part of the page is about. Sometimes illustrations and helpful hints are placed here also.

### IMPORTANT! CAUTIONS

1. **Installation of the Unit**
  - Select a place which is level, dry and neither too hot nor too cold (between 5°C and 35°C).
  - Leave sufficient distance between the Unit and your TV.
  - Keep the speakers away from TV to avoid interference with TV.
  - Do not use the Unit in a place subject to vibrations.
2. **Power cord**
  - Do not handle the power cord with wet hands!
  - The small amount of the power (1.5 watts) is always consumed as long as the power cord is connected to the wall outlet.
  - When unplugging from the wall outlet, always pull the plug, not the power cord.
3. **Malfunctions, etc.**
  - There are no user serviceable parts inside. If anything goes wrong, unplug the power cord and consult your dealer.
  - Do not insert any metallic object into the Unit.

Inside the packing box...

### Getting Started Right

#### Unpacking

Of course you have already opened your CA-S700R carton, since you are reading this manual. Although the Unit is quite sturdy, you may want to save the packing to re-pack your CA-S700R in case you are moving it some distance.

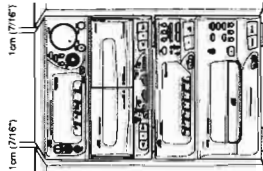
Check to be sure you have all of the following things, which are supplied with the CA-S700R:

- FM Wire Antenna (only for Germany) (1)
- FM Feeder Antenna (except for Germany) (1)
- AM (MW/LW) Loop Antenna (1)
- Remote Control (1)
- Batteries (2)
- Antenna Adaptor (except for Germany) (1)
- Speaker Control Cords (2)
- External Wire (1)

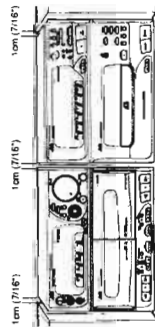
If any are missing, contact your dealer immediately.

#### Where can you put it?

**Location**  
You can place the CA-S700R in many different kinds of locations to suit your needs; just observe the cautions on page 2: keep away from moisture and heat; leave some space between the Unit and its surroundings, more than 1 cm at the sides of the console and 10 cm at the back.



NEVER place the tuner/CD section on the amp/cassette deck section. If you do, the ventilation holes of the amp/cassette deck section will not work.



NEVER place the tuner/CD section to the left of the amp/cassette deck section, either. If you do, noise may occur when playing back or recording tapes.

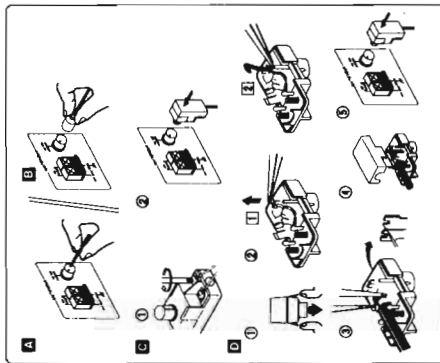
#### Set Up

You will need to do the following 4 things to get your CA-S700R ready to use.

**Very little assembly required**

### I. Connect the AM (MW/LW) and FM Antennas

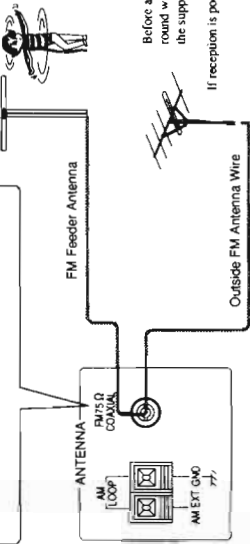
#### FM Antenna Connections



- For Germany**
- 1 Using the Supplied Wire Antenna  
The FM wire antenna provided can be connected to a FM 75-ohm COAXIAL as a temporary measure.  
Extend the supplied wire antenna horizontally.
  - 2 Using the Coaxial Type Connector (Not Supplied)  
A 75-ohm antenna with coaxial type connector (DIN-45332) should be connected to the FM 75-ohm COAXIAL terminal.
- For Other Countries**
- 1 Using the Supplied Feeder Antenna  
Attach the feeder antenna to the Antenna Adaptor as shown in the figure.
  - 2 Connect the Antenna Adaptor to the FM 75-ohm COAXIAL terminal.
  - 3 Using FM 75-ohm Antenna Cable (Not Supplied)  
Open the clips at both sides and remove the cover.
  - 4 Move the conductor wire from 1 to 2, using tweezers or similar tool (only when using coaxial cable).
  - 5 Fix the coaxial cable and its core.
  - 6 Put on the cover.
  - 7 Connect the Antenna Adaptor on the FM 75-ohm COAXIAL terminal.

**Note:**  
Make sure the antenna conductors do not touch any other terminals, connecting cords and power cord on the system. This could cause poor reception.

**For Other Countries**  
Unfold the loops of the supplied dipole FM feeder antenna and extend them as shown. Fasten them up in the position which gives you the best FM reception.



Before attaching a 75 ohm coaxial lead (the kind of round wire going to an outside antenna), disconnect the supplied dipole indoor antenna.

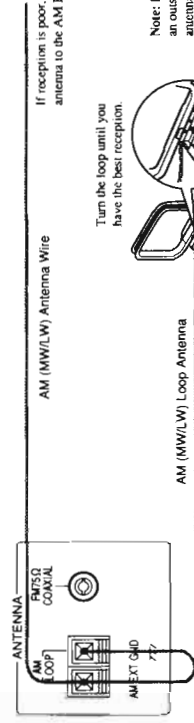
If reception is poor, connect the outside antenna.

#### How to Strip the 75-ohm Coaxial Cable

- 1 Strip back the outside covering of the 75 ohm coaxial cable to expose the braided metallic mesh.
- 2 Pull the mesh back over the cable as shown.
- 3 Strip the insulation about 10 mm back from the central wire.
- 4 Attach to the supplied Antenna Adaptor, as shown in the diagram above.

**CAUTION:** To avoid noise, keep antennas away from metallic parts of the CA-S700R, connecting cords and the AC power cord.

#### AM (MW/LW) Antenna Connections



If reception is poor, connect the outside antenna to the AM EXT terminal.

Turn the loop until you have the best reception.



**Note:** Even when connecting an outside AM (MW/LW) antenna, keep the indoor AM (MW/LW) loop connected.

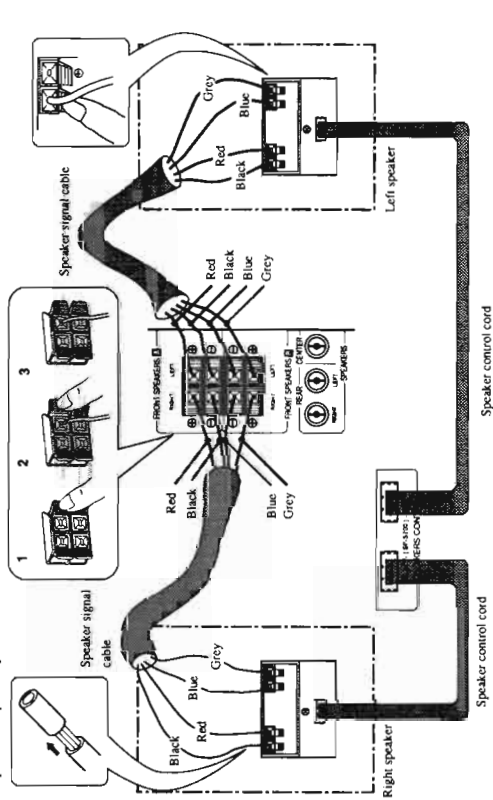
Stop the tabs on the loop into the slots of the base to assemble the AM (MW/LW) loop.

## 2. Connect the Speakers

### When you use the panoramic shifting speakers SP-S700 as the front speakers

For each speaker connect one end of the speaker signal cable to the speaker terminals on the back of the CA-S700R and one end to the speaker. On the back panel:

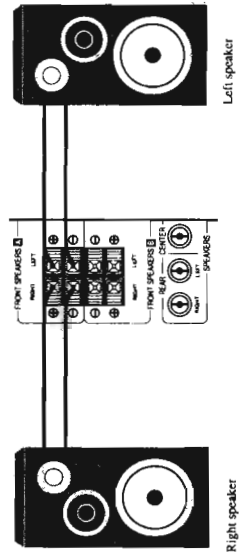
1. Press down the clamping of the terminal.
2. Insert the end of the speaker signal cable as shown (be sure to remove the insulation at the end of each wire first).
3. Release your finger from the clamping.
4. Connect the red (+), black (-), blue (-), grey (+), blue (-) terminals of the right side speaker to the red (+), black (-), blue (-) terminals marked FRONT SPEAKERS **A**, **B** RIGHT on the CA-S700R.
5. Connect the red (+), black (-), grey (+), blue (-) terminals of the left side speaker to the red (+), black (-), grey (+), blue (-) terminals marked FRONT SPEAKERS **A**, **B** LEFT on the CA-S700R.



### When you use the conventional front speakers

Use only FRONT SPEAKERS **A** terminals.

1. Connect the red (+), black (-) terminals of the right side speaker to the red (+), black (-) terminals marked FRONT SPEAKERS **A** RIGHT on the CA-S700R.
2. Connect the red (+), black (-) terminals of the left side speaker to the red (+), black (-) terminals marked FRONT SPEAKERS **A** LEFT on the CA-S700R.



### CAUTIONS:

- Use speakers with the same speaker impedance indicated by the speaker terminals on the back of this Unit.
- If the TV is installed near speakers, irregular colors may result. In this case, set the TV away from the speakers.

### When you connect the optional rear speakers and center speaker

You can enjoy a more realistic sound with the CA-S700R, by adding the optional rear speakers and the optional center speaker.

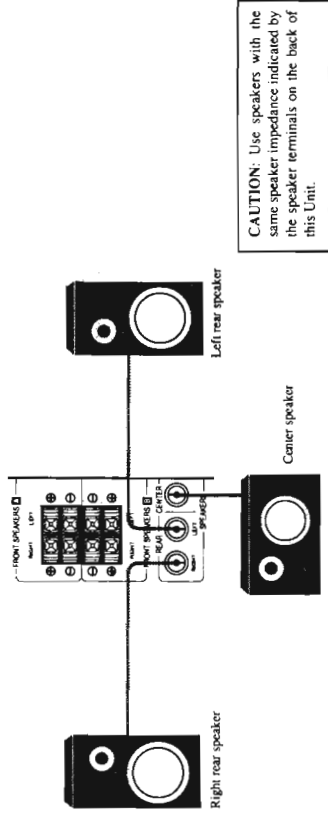
**To connect the rear speakers:**

It is recommended to use JVC'S SP-ES7 as the rear speakers. When you use the rear speakers, connect both the left and right speakers. If you connect only one rear speaker, no sound comes out of the connected rear speaker.

1. Connect the right rear speaker to the terminal marked REAR RIGHT on the CA-S700R.
2. Connect the left rear speaker to the terminal marked REAR LEFT on the CA-S700R.

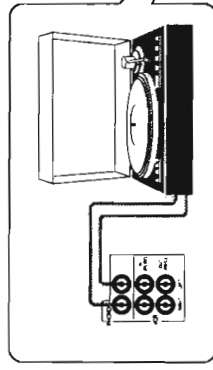
**To connect the center speaker:**

1. Connect the center speaker to the terminal marked CENTER on the CA-S700R.



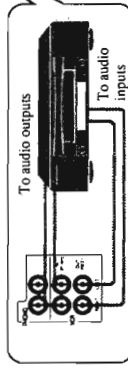
## 3. Connect the System Connecting Cord and Auxiliary Equipment

### Turntable

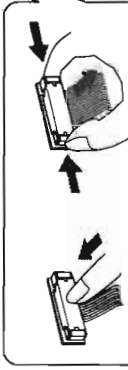


- Use an MM cartridge type turntable only.
- If the turntable has a ground wire, connect it to the GND terminal below where the supplied external wire is connected.

### VCR



### System Cord



- To connect**  
Press the middle of the connector unit until it clicks out. Never pull on the cords themselves.
- To disconnect**  
Pull the connector out. Never pull on the cords themselves.

**CAUTION:** First, make all connections before plugging the Unit into any AC power outlet.

Now you can plug the AC power cord into the wall outlet, and your CA-S700R is at your command!

**Common Operations**

Here are the things that apply to all the functions of your CA-S700R. If something in a later procedure is unclear to you, check back here.

**COMPUPLAY**

COMPUPLAY is JVC's feature that lets you control the most used functions of the CA-S700R with a single touch. This One Touch Operation starts playing a CD, turns on the radio or plays a tape with a single press of the play button for that function. What One Touch Operation does for you is to turn the power on, then start the function you have called for. If the Unit is not ready, such as no CD or tape in place, the Unit still comes on and then pauses so you can put in a CD or tape.

How One Touch Operation works in each case is explained in the section about that function.

**Turning the CA-S700R On**

Press POWER: the ON/STANDBY indicator goes out.

- The CA-S700R comes on ready to do whatever it was doing when the power was last shut off. So if the last thing you were doing was listening to a tape in deck B, you now are ready to listen to a tape again in deck B, or you can change to another source.
- If you were listening to the radio last, the radio comes on playing that last station.

**Turning the CA-S700R Off**

Press POWER again; the ON/STANDBY indicator lights up and the display blanks, except for the clock indication.

- The small amount of the power (1.5 watts) is always consumed even in the stand-by mode.
- To switch off the Unit completely, unplug the AC power cord from the AC outlet. When you unplug the AC power cord, the preset stations of the Tuner will be erased in a couple of days.

**Controlling the Sound**

The same set of buttons and knobs control the sound, no matter which function is producing it.

**Volume Control**

Rotate clockwise to increase loudness, counterclockwise to reduce loudness.

**CAUTION:** Always set the VOLUME control to MIN before turning on a connected source such as a VCR or other equipment, or starting any other of the sound sources such as the radio, tape, or CD player. Otherwise, if the VOLUME control is turned up, the sudden blast of sound energy can permanently damage your hearing and/or ruin your speakers.

**Speaker Balance Control**

If the sounds you hear from the right and left speakers are not well-balanced, you can adjust the speaker output balance with the BALANCE control.

**Active Bass Extension**

This feature is designed and incorporated to reinforce the bass sound, depending on the volume level to maintain the richness and fullness of the bass. It works only when the volume level is low.

- Press ACTIVE BASS EX. (extension) to use this effect so that the LED lights up. To cancel it, press the button again.

**Listening with Headphones**

A standard pair of headphones can be connected at the PHONES jack on the front panel. No sound can be heard from the speakers. Be sure to turn down the volume before connecting or putting on headphones, as high volume can damage both the headphones and your hearing.

- When headphones are connected, the panoramic shifting speakers will not shift the angle even if you select a DAP mode or surround mode. On the other hand, if you connect headphones while one of the DAP or surround mode is used, the panoramic shifting speaker will shift the angle and face directly forward.

**Adjusting the Brightness of the Clock Indication**

In the stand-by mode (while the Unit is off), you can adjust the brightness of the clock indication. Pressing TUNING/TIMER/DIMMER > makes the clock indication brighter. Pressing TUNING/TIMER/DIMMER < makes the clock indication dimmer.

To adjust the clock, see page 26.

The Magic of



Making it sound the way you want it to:

•Volume  
Caution:  
Too LOUD!



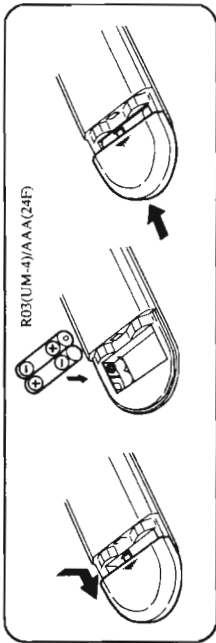
•Balance

Active Bass Extension

Clock Indication

**4. Put Batteries in the Remote Control**

Match the polarity (+ and -) on the batteries with the + and - markings on the battery compartment.



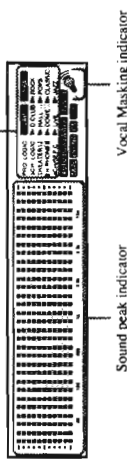
**CAUTION: Observe Proper Handling of Batteries.**

To avoid battery leakage or explosion:

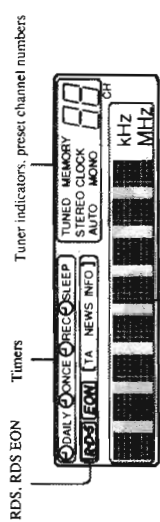
- Remove batteries when the Remote will not be used for a long time.
- When you need to replace the batteries, replace both batteries at the same time with new ones.
- Don't use an old battery together with a new one.
- Don't use different types of batteries together.
- Don't expose batteries to heat or flame.

**Displays**

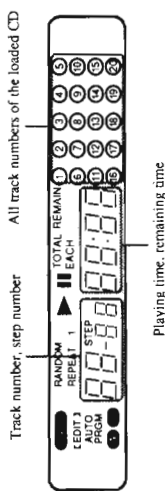
• Amp Display



• Tuner Display



• CD Display



## Listening to the Radio

The controls for the radio are located in the Tuner section. With these controls you can browse through all the stations or use the preset function to go immediately to a particular station.

- To record from the radio, see "Recording any Sound Source to Tape," page 23.

First we'll explain how to tune in stations, and then how to preset the ones you listen to often.

### One Touch Radio

Just press AM (MW/LW) or FM to turn on the Unit and start playing the most recent AM (MW/LW) station tuned in, or press FM to start the most recent FM station playing. If you press TUNER on the Remote instead, you can start playing the most recent station tuned in.

- You can switch from any other sound source to the radio by pressing either AM (MW/LW) or FM.

### Tuning in a Station

Press AM (MW/LW) or FM to turn on the radio. The tuner display shows the frequency of the station tuned to (and the frequency indication changes, to the PS indication if the station tuned is an RDS FM station).

You have three ways to select a station:

1. Press and release TUNING/TIMER/DIMMER < or > to move from station to station until you find the one you want.
- OR
2. Hold down TUNING/TIMER/DIMMER < or > the frequency starts changing on the display. When a station is tuned in, the TUNED indicator lights up on the display and the frequency stops changing.
- OR
3. Press once and release PRESET < or > to go to the next preset station, or hold PRESET < or > to cycle through the preset stations; release the button when the preset station you want shows on the display. (This method is possible after presetting stations by yourself.)

You can also use the Remote to tune in preset stations:

- To tune preset stations with the Remote:
  1. Press TUNER so that you can receive the most recent station tuned in.
  2. Select the station by entering the preset channel number in the 10 key pad of the Remote. The display shows the channel number and frequency.

### Presetting Stations

Once a station is assigned to a channel number, the station can be quickly tuned either from the Remote using the 10 key pad or the CA-S700R itself using PRESET <, >, or +10 to call up the channel number.

- You can preset a total of 40 stations, either AM (MW/LW) or FM.
- Preset stations may be erased when power is cut off to the Unit, as when it is unplugged from the AC outlet or a power failure occurs. If the preset stations are lost, simply set the stations again using the following procedure.

To preset radio stations:

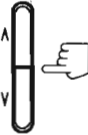
1. Tune in the station you want to set.
2. Press MEMORY.
  - On the tuner display, the MEMORY indicator lights up and "..." will blink for 5 seconds. During these 5 seconds while "..." is blinking you can assign a channel number to the station and enter it into the memory.
3. Select a channel number by pressing PRESET <, > or +10 until you find the channel number you want. When you press +10, the ten's digit will increase. For example, to select 21, press +10 twice and PRESET > twice. To select 19, press +10 twice and PRESET < once.
4. Press MEMORY again.
  - "MEMORY" appears in the display and the station is assigned to the channel number.

To cancel the preset stations:

Storing a new station on a used number erases the previously stored one.



### Three ways to tune in a station



### How to preset AM (MW/LW) and FM radio stations



### Scanning through Preset Stations

You can scan through your preset radio stations, stopping at any station you want to listen to.

1. Press PRESET SCAN.
  - The Unit scans your preset stations, starting with the frequency being received, and moving upward. Each preset station is received for a few seconds, with the channel number blinking. If you want to listen to one of the preset stations, press PRESET SCAN again while the channel number is blinking.
2. If you do not stop at any station, the Unit will scan through the preset stations once, then return to the station tuned before scanning started.



### Receiving in Stereo or Monaural

When an FM stereo broadcast is hard to receive or noisy:

- Press FM MODE/MUTE so that the MONO indicator lights up on the tuner display. Reception will improve, although you will lose the stereo effect. In this state, you will hear some noise while tuning into a station.
- To restore stereo effect, press FM MODE/MUTE again so that the AUTO indicator lights up on the display. In this state, when a program is broadcast in stereo, you will hear stereo sound; when in monaural, you will hear monaural sound. Furthermore, in this state, you won't hear noise while tuning into stations.



### Using the RDS (Radio Data System) to Receive FM Stations

RDS allows FM stations to send additional signals along with their regular program signals. For example, the stations send their station names, and information about what type of program they broadcast, such as sports or music, etc.

When tuned to an FM station which provides the RDS service, the RDS indicator lights up.

With the CA-S700R, you can receive the following types of RDS signals.

- PS (Program Service): shows station names commonly known
- PTY (Program Type): shows types of broadcast programs
- RT (Radio Text): shows text messages the station sends

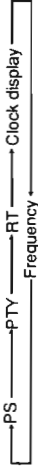
### What Information Can RDS Provide?

You can see the RDS signals the station sends on the display.

To show the RDS signals on the display:

Press DISPLAY MODE while listening to an FM station.

Each time you press the button, the display changes to show you the following information:



PS (Program Service):

While searching, "PS" appears and then the station names will be displayed. "NO PS" appears if no signal is sent.

PTY (Program Type):

While searching, "PTY" appears and then the type of the broadcast program will be displayed. "NO PTY" appears if no signal is sent.

RT (Radio Text):

While searching, "RT" appears and then text messages the station sends will be displayed. "NO RT" appears if no signal is sent.

Clock display:

Current time shown in hours, minutes and seconds (non-RDS service.)

Station Frequency:

Station frequency (non-RDS service.)

Notes:

- If searching finishes at once, "PS", "PTY", and "RT" will not appear on the display.
- If you press DISPLAY MODE while listening to an AM (MW/LW) station, the display only shows station frequency and the current time.
- RDS is not available in AM (MW/LW) broadcasts.

**Searching the Program by PTY Codes**

One of the advantages of the RDS service is that you can locate a particular kind of program by specifying the PTY codes.

To search a program using the PTY codes:

1. Press PTY SEARCH.
2. The display alternates between "PTY" and "SELECT."
3. Press SELECT  $\blacktriangledown$  or  $\blacktriangle$  (or PTY SELECT on the Remote) within 4 seconds to select a PTY code. The display gives you the PTY codes described below.
4. Press PTY SEARCH within 4 seconds again.
  - While searching, the display alternates between "SEARCH" and the selected PTY code.
  - The CA-S700R searches 40 preset channels, stops when it finds the one you have selected, and tunes in that station.

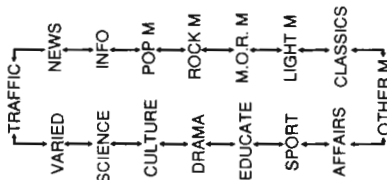


To continue searching after the first stop, press PTY SEARCH again while the indications on the display blink. If no program is found, "NOT FOUND" appears for a while and then the previous indications will resume in the display.

To stop searching any time during the process

Using any tuner operating buttons and controls will stop searching.

- Descriptions of the PTY codes**
- TRAFFIC: Traffic information
  - NEWS: News
  - INFO: Programs on medical service, weather forecast, etc.
  - POP M: Pop music
  - ROCK M: Rock music
  - M.O.R. M: Middle-of-the-road music (usually called "easy listening")
  - LIGHT M: Light music
  - CLASSICS: Classics
  - OTHER M: Other music
  - AFFAIRS: Topical program expanding on the current news or affairs
  - SPORT: Sports events
  - EDUCATE: Educational programs
  - DRAMA: Radio plays
  - CULTURE: Programs on national or regional culture
  - SCIENCE: Programs on natural sciences and technology
  - VARIED: Other programs like comedies or ceremonies
  - NONE: Undefined (this cannot be searched.)



When an emergency broadcast (ALARM signal) is sent from an FM station

- The CA-S700R automatically tunes in the station except in the following cases:
- When you are listening to the source other than FM.
  - When the power to the CA-S700R is turned off.
  - While receiving an emergency broadcast, "ALARM" appears on the display.

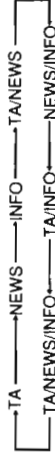
**Switching to a Broadcast Program of Your Choice Temporarily**

Another convenient RDS service is called "EON (Enhanced Other Network)." This allows the CA-S700R to switch temporarily to a broadcast program of your choice *except the following cases*:

- When you are listening to non-RDS FM stations.
- When the power to the CA-S700R is turned off.

To select the program type  
Press TA/NEWS/INFO.

Each time you press the button, the display changes to show the following:



- TA: Traffic Announcement
- NEWS: News
- INFO: Programs on medical service, weather forecast, etc.

To use the EON function

Press EON ON/OFF.  
The EON indicator lights up on the display, and the CA-S700R enters EON standby mode.



**CASE 1** If there is no station broadcasting the program you have selected

The CA-S700R keeps the current station tuned in.

When a station starts broadcasting the program you have selected (while searching the station, "WAITING" appears on the display), the CA-S700R automatically switches to the station. The EON indicator starts blinking.

When the program is over, the CA-S700R goes back to the currently selected station, but still remains in EON standby mode.

**CASE 2** If there is a station broadcasting the program you have selected

The CA-S700R tunes in the program (while searching the station, "WAITING" appears on the display). The EON indicator starts blinking.

When the program is over, the CA-S700R goes back to the currently selected station, but still remains in EON standby mode.

To stop listening to the program selected by EON

Press EON ON/OFF again so that the EON indicator goes off on the display. The CA-S700R enters EON off mode and goes back to the currently selected station.

Each time you press the button, the EON mode alternates between standby mode and off mode.

Notes:

- In EON standby mode, if you change the source other than FM, EON standby mode is canceled temporarily. The CA-S700R goes back to EON standby mode again when you change the source to FM.
- While listening to a program tuned in by the EON function, you can only use POWER, EON ON/OFF, and DISPLAY MODE.
- When the CA-S700R is turned off, the EON function is also turned off.
- When a timer starts operating while the EON function is operating, the EON function is canceled, and the source selected by the timer will be played.

**CAUTION:** When the FM station alternates intermittently between the one tuned in by the EON function and the currently selected one ("WAITING" and "NOT FOUND" appear alternately on the display), press EON ON/OFF to cancel the EON function (the EON indicator goes off from the display). This is not the malfunction of the CA-S700R.

## Listening to a Compact Disc

Here are the basic things you need to know to play a CD and locate the different selections on it. Each selection is called a track, so when we are talking about locating a track, we are also talking about how you find a certain song or performance.

### Basics of Using the CD Player

The quickest way to start a CD is with One Touch Operation:

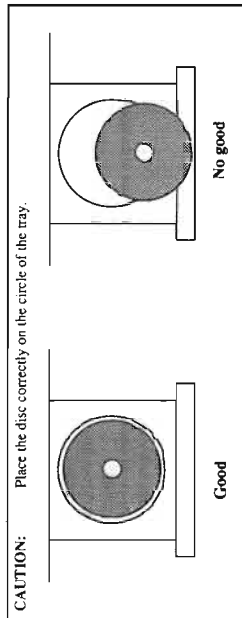
- Press Play/Pause  $\blacktriangleright/\blacksquare$  on the CD player or Play  $\blacktriangleright$  in CD CONTROL on the Remote.
- If a CD is already loaded, the Unit automatically turns on and starts to play it from track 1.
- If no CD is loaded, the CD tray opens, and you can put in a CD. Printed side up, press Play/Pause  $\blacktriangleright/\blacksquare$  and the tray closes and the CD starts playing.
- If you press  $\blacktriangle$  OPEN/CLOSE, the Unit automatically turns on and the CD tray comes out.

### To Load, Play, and Stop a CD

1. Press  $\blacktriangle$  OPEN/CLOSE.
2. Put a CD, printed side up, into the tray.
- When using an 8 cm CD, place it on the inner circle of the tray.

#### CAUTION:

Place the disc correctly on the circle of the tray.



3. If you want to listen to the CD now, press Play/Pause  $\blacktriangleright/\blacksquare$ .

- The CD tray closes automatically.
- The CD display shows the track being played and the length of time since it started.
- 4. To stop the CD, press  $\blacksquare$ /CLEAR. When you start again, the CD begins with track 1.
- 5. To pause the play, press Play/Pause  $\blacktriangleright/\blacksquare$  while the CD is playing so when you press Play/Pause  $\blacktriangleright/\blacksquare$  again the CD starts just where you left off.
- 6. To remove a CD, press  $\blacktriangle$  OPEN/CLOSE, take the CD out, and press  $\blacktriangle$  OPEN/CLOSE again to close the tray. Keep the tray closed except during loading and unloading to protect the mechanism from dust and damage.

### CD display information



#### Checking the Playing Time and the Remaining Time

When you close the tray with a CD on it by pressing  $\blacktriangle$  OPEN/CLOSE, the CD display shows the total playing time of the CD. When you start playing, then, the display shows the elapsed playing time.

If you want to change the information on the CD display, press TIME DISPLAY.

- Each time you press TIME DISPLAY, the display changes to show the following:

$\blacktriangleright$  EACH  $\rightarrow$  EACH REMAIN  $\rightarrow$  TOTAL  $\rightarrow$  TOTAL REMAIN  $\rightarrow$

#### EACH:

Elapsed time of the currently playing track

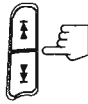
EACH REMAIN: Remaining time of the currently playing track

TOTAL: Total playing time of the disc

TOTAL REMAIN: Remaining time of the disc

### CD

#### Find track



#### How to Find the Track or a Particular Point You Want

- Each time you press briefly and release  $\blacktriangle$  or  $\blacktriangleright$  on the Unit the track changes by one.

- Press and release  $\blacktriangleright$  to go ahead one track at a time.
- Press and release  $\blacktriangle$  to go back one track at a time.
- Holding down  $\blacktriangle$  or  $\blacktriangleright$  on the Unit will fast forward or fast reverse the CD so you can quickly find the particular part of a track you want to listen to.
- Holding down  $\blacktriangle$  or  $\blacktriangleright$  on the CD CONTROL section of the Remote allows you to change tracks continuously.

#### Using the Remote to find a track

#### Locating a Track with the Remote Directly

Using the 10 key pad on the Remote allows you to go directly to the beginning of any track.

1. Press CD 10KEY.
2. Enter the number of the track you want using the 10 key pad.
  - Example: for track 5, press 5. For track 15, press + 10 then 5. For track 20, press + 10, then 10.
3. As long as a CD is loaded and the Unit is on, as soon as you enter the number of the track you want, it will start to play.

#### With programming, you can play back tracks in any order

#### Programming the Playing Order of the Tracks

In addition to the high quality sound which makes the CD such a good way to listen to music, you can change the order in which the tracks play.

#### Random Play

Press RANDOM on the CD player before you start playing.

- The tracks will play in no special order.
- When all of the tracks have been played, the CD stops.
- Press REPEAT before or during random play to instruct the CA-S700R to continue with a different random track selection after the last selection is played.
- To cancel random play, press  $\blacksquare$ /CLEAR.

#### Program with the Remote

#### Programmed Play

You can arrange the tracks to play in any order you like with the Program function. The Remote is very useful for this because you can select tracks by number with the 10 key pad. See "How to Use the Remote Control," page 31, if you need more information about its use. You can also use the main Unit.

- The PROGRAM button does not function in the following cases:
  - While the total playing time is displayed after closing the tray.
  - During high speed dubbing.

#### How to program: just 5 easy steps

To program the CD track order from the Remote, follow this procedure:

1. Press PROGRAM.
2. Press CD 10KEY.
3. Press the number of the first track you want to hear, then the number of the second track, and so on until you have entered all the track numbers you want to play.
  - Refer to the section "How to Use the Remote Control" on page 31 if you have questions about how to enter numbers above 10.

- Your program can include up to 32 tracks, and you can repeat tracks if you wish.
- 4. Press Play/Pause  $\blacktriangleright/\blacksquare$  to start the program—the first track you programmed will start to play, followed by the next one you entered, until all the selected tracks are played.

- 5. To stop the CD during Programmed Play, press Stop  $\blacksquare$ . To cancel the program, press PROGRAM.

To program the CD from the main Unit, follow this procedure

1. Press PROGRAM.
2. Press  $\blacktriangle$  or  $\blacktriangleright$  to locate the track you want to start with.
3. Press PROGRAM to store the selected track.
4. Repeat steps 2 and 3 until you have entered all the tracks you want to program.
5. Press Play/Pause  $\blacktriangleright/\blacksquare$  and the Unit will begin playing the tracks in the order you programmed them.
6. To stop the CD during Programmed Play, press  $\blacksquare$ /CLEAR. To cancel the program, press  $\blacksquare$ /CLEAR again.

#### Programming from the front panel



**Programming Hints**



**A few hints to make programming easier**  
Before you start playing, you can do the following:

- If you want to change the entire program, press **CLEAR** on the main Unit or **PROGRAM** on the Remote, and then you can start over.
- If you want to erase the last selection, press **CANCEL**. Each time you press **CANCEL**, the last selection in the program will be erased.
- To erase a particular selection in the program, press **CALL** repeatedly until the selection you want to erase is displayed, and starts blinking, and then press **CANCEL**.
- To view the order of the tracks in your program, press **CALL** repeatedly to display the order of the tracks. Each time you press **CALL**, the next selection in your program is displayed.
- To add a track to your program, just press **CD**, **LUKEY** and the number you want to add using the Remote. (This is also possible during play.)

**Repeat a selection or the whole CD**



**Repeating a Selection or the Entire Disc**  
You can have either the program or the individual selection currently playing repeat as many times as you like by pressing **REPEAT**.

- Each time you press **REPEAT**, it cycles from Off, which turns the **REPEAT** indication out on the display, to **REPEAT**, which will repeat all tracks in order or according to the program you have set, and **REPEAT** 1 which will repeat the currently playing track. To cancel Repeat, just press **REPEAT** until the **REPEAT** or **REPEAT 1** indicator on the display goes off.
- Repeat Play will not be able to work if Auto Power Off is on.

**Listening to a Tape**

The cassette deck allows you to play, record and dub audio tapes.

- To record or dub, see Recording page 22.
- With Automatic Tape Type Detection, you can listen to type I, II and IV tapes without changing any settings.
- Most tape are now recorded with the Dolby NR system (B or C), so first check which type of the Dolby NR system is used on the tape.

**Listen to a tape: How to use your cassette deck**



**Playback Procedure**

1. Press **EJECT** for the deck you want to use.
2. When the cassette carrier opens, put the cassette in, with the exposed part of the tape down toward the base of the CA-S700R.
3.  If the cassette carrier does not open, turn the Unit off, then back on again and press **EJECT**.
3. Close the carrier gently.
4. Press **DOLBY NR** repeatedly to set the same Dolby NR system as was used for recording the tape.
  - Each time you press the button, the LED next to the button lights red, green and then off.
    - Red: Dolby B NR
    - Green: Dolby C NR
    - Off: Dolby NR is off
5. Press **Play Forward**  $\blacktriangleright$  to play the front side, or **Play Reverse**  $\blacktriangleleft$  to play the reverse side.
6. To stop playing, press **Stop**  $\blacksquare$ . To remove the tape, press **EJECT**.

• Dolby noise reduction manufactured under license from Dolby Laboratories Licensing Corporation. "DOLBY" and the double-D symbol are trademarks of Dolby Laboratories Licensing Corporation.

**Fast Left and Fast Right**

- While the tape is stopped, press **Fast Left**  $\blacktriangleleft$  and the tape will wind rapidly onto the left side of the cassette without playing.
- While the tape is stopped, press **Fast Right**  $\blacktriangleright$  and the tape will wind rapidly onto the right side of the cassette without playing.

**CAUTION:** The use of C-120 (120 minutes turn around) or thinner tape is not recommended, since characteristic deterioration may occur and these tape easily jam in the pinch and the capstan.

**Finding the place you want:**

**Music Scan**

- To use the Scan function, you need to understand one basic idea, which might just make you a Master of Tape Control!
- When the power is on, the glowing LED shows the direction the tape was last moving. When the LED is blinking slowly, the tape is playing in the direction of the arrow. Now comes the tricky part: when the LED is blinking rapidly, the tape can be moving either the direction the arrow points, or the opposite direction, depending on whether you pushed **Fast Right**  $\blacktriangleright$  or **Fast Left**  $\blacktriangleleft$ . The tape will be going at high speed in the direction of the arrows of the button you pushed. The direction of the arrow with the rapidly blinking LED shows which way the tape will start playing when the fast search is done. Put in a tape and try it out.
  - The Scan function works by detecting a 4 second blank at the beginning of each selection, so it won't work well if your tape has:
    - No blank at the beginning of a track.
    - Noise (often caused by much use or poor quality dubbing) which fills the blank with.
    - Long very soft passages or pauses in a selection. The scan will detect these instead of the 4 second blanks. If this happens, just go ahead and scan again until you reach the selection you want.
  - Music scan only works on one tape at a time.
  - If you use Music Scan on deck A while dubbing on deck B, recording will stop.

**Scan Forward.....**

- Scan Forward**  
With the tape playing, to find the beginning of the next selection, press **Fast Right**  $\blacktriangleright$  or **Fast Left**  $\blacktriangleleft$  pointing the same direction as the arrow with the slowly blinking LED.
- The tape will fast forward to the next selection and begin playing it.

**.....Scan Back**

- Scan Back**  
With the tape playing, to find the beginning of the selection now playing, press **Fast Right**  $\blacktriangleright$  or **Fast Left**  $\blacktriangleleft$  pointing the opposite direction to the arrow with the slowly blinking LED.
- The tape will fast reverse to the beginning of the piece and start playing it again.

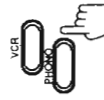
**More Useful Things to Know:**

- **Reverse Mode**
  - **Continuous Play**
  - **Dolby NR**
- Useful hints and features to know about when using your cassette deck**
- Use **Reverse Mode** to make the tape automatically reverse at the end of a side and start playing the other side. Press **REVERSE MODE** to change from **Reverse Mode** on (the LED is lit) to **Reverse Mode** off, or from off, to on.
  - Continuous Play:** When the reverse side of a tape finishes playing with the **Reverse Mode** LED on, the Unit always checks to see if a tape is in the other deck. If one is there, it automatically starts playing it. This **Continuous Play** happens regardless of which deck starts first.
  - Dolby Noise Reduction:** If a tape is recorded with Dolby NR system (B or C), playing it back with the same Dolby NR system on will reduce tape noise and improve the clarity of the sound.

**Listening to a VCR or Turntable through your CA-S700R**

By playing the sound from a VCR or turntable through the CA-S700R, you can often dramatically improve the quality, and gain control over how the music or program sounds. Once the connected equipment is playing through the CA-S700R, you can apply the sound effects, make recordings, or listen with the headphones. Here are the steps to take:

**Advantages in Connecting a VCR or Turntable**



1. Make a connection between the VCR or turntable as shown on page 6.
2. Press **VCR** or **PHONO** either on the Unit or Remote.
  - The Unit is turned on and **VCR** or **PHONO** lights up on the amp display.
3. Switch on the connected equipment and start it playing.
4. Set the Unit's volume to its lowest setting. Use **FADE MUTING** on the Remote, or turn the **VOLUME** control all the way counterclockwise.
5. To cancel the VCR or PHONO setting, change the source by starting any one of the CA-S700R's built-in sound sources, such as the radio or CD player.



## Using the Preset Sound Modes

The CA-S700R has some preset sound effect modes that give you control of the way your music sounds, so you can tailor it for your room and for the quality of the source. By connecting the panoramic shifting speakers SP-S700, the angle of the speakers will shift in accordance with the respective DAP and Dolby Surround modes.

### Sound Mode — Preset SEA

You can select one of the four preset SEA modes — ROCK, POPS, CLASSIC, and JAZZ — and also select the effect level from among 10 levels.

- You can apply the preset SEA modes when you record.
- You cannot apply the preset SEA modes when you dub tapes.
- You can use the preset SEA mode and the DAP mode at the same time.

To use the preset SEA modes, follow the procedures below:

1. Turn the MUSIC JOG dial to select one of the following sound modes.
  - The SEA indicator lights up and the SEA mode you have selected is pointed with the cursor (▶) in the amp display.

**ROCK:** Increases both treble and bass sounds.

**POPS:** Increases the richness and fullness of the vocal sound.

**CLASSIC:** Adds depth and brilliance to the sound.

**JAZZ:** Gives a feeling of a live atmosphere. Good for acoustic music.

2. Press PRESET.

- Now, you can select the effect level.

3. Turn the MUSIC JOG dial to select the effect level while equalizer curve is blinking on the display.
  - The effect level you have selected comes into effect.

4. Press PRESET again or wait for about 10 seconds until the equalizer curve stops blinking.
5. To cancel the preset SEA mode, press SEA MODE on the main Unit so that the SEA indicator goes off from the display.

When using the Remote to select the preset SEA modes

1. Press SEA MODE on the Remote repeatedly until the desired preset SEA mode is pointed with the cursor (▶) in the display.
  - Each time you press the button, the preset SEA modes change as follows:

▶ ROCK → POPS → CLASSIC → JAZZ → Off

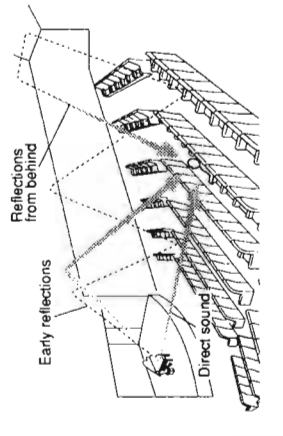
Off: No effect and the SEA indicator goes off.

2. Press PRESET repeatedly.
  - Each time you press the button, the effect level changes.

### Surround modes

#### What Is Surround?

The built-in surround processor provides several types of surround modes. JVC's DAP modes and the Dolby Surround modes.



The sound heard in a concert hall or a movie theater consists of direct sound and indirect sound: early reflections and reflections from behind. The reflected sounds are always delayed by the distances of the ceiling and walls from the listener. These reflections are some of the most important elements of the acoustic surround.

### Sound Mode — DAP

#### Using the DAP (Digital Acoustic Processor) Modes

The CA-S700R has several preset DAP modes — D. (dance), CLUB, HALL, DOME, LIVE, H. (PHONE) and THEATER 1, and THEATER 2. With these modes and the panoramic shifting speakers, the sound field can be enlarged to give a more realistic sound.

Among these DAP modes, the H. (PHONE) mode is very special and newly developed by JVC. It can create the same stereo sound as you can listen to from the speakers through air. So, when you listen to a source using headphones, you can feel as if you were not using headphones.

To use the H. (PHONE), THEATER 1, and 2, modes, see page 19.

- You can apply the DAP modes except the THEATER 1 and THEATER 2 modes when you record.
- To record the DAP modes except the H. (PHONE) mode, press 4CH/SEP.C to turn on the 4CH/SEP.C mode. (For the H. (PHONE) mode, it is not necessary.)
- You cannot apply the DAP modes when you dub tapes.
- You can use the preset SEA mode and the DAP mode at the same time.

To use the DAP modes (except the H. (PHONE) mode), use the Remote so that you can also adjust the effect level.

When pressing DAP repeatedly on the main Unit, you can select the DAP modes but cannot adjust the effect level.

1. Press DSP on the Remote.
2. Press DAP MODE repeatedly until the desired DAP mode is pointed with the cursor (▶) in the display.

- The DAP indicator lights up in the amp display.
- Each time you press the button, the DAP modes change as follows:

▶ D. CLUB → HALL → DOME → LIVE → Off

D. CLUB: Gives a throbbing bass beat.

HALL: Gives clear vocals and the feeling of a recital hall.

DOME: Gives the spacious feeling of a domed stadium.

LIVE: Gives the feeling of a live stage.

Off: No effect and the DAP indicator goes off.

- Panoramic shifting speakers inside the speaker cabinet of SP-S700 change the angle corresponding to the respective DAP mode. Normally, the speakers face directly forward.

3. Press EFFECT LEVEL +/- repeatedly to adjust the effect level in 2 dB step (-8 dB to +6 dB).

- Each time you press the button, the effect level changes.

When you have connected the rear speakers, you can enhance the effect of these four DAP modes. Press 4CH/SEP.C (4 channels/Separate Center speaker) so that the 4CH/SEP.C indicator lights up in the amp display.

In this case, the panoramic shifting speakers always face directly forward.

To cancel the 4CH/SEP.C mode, press 4CH/SEP.C again so that the 4CH/SEP.C indicator goes off.

When you listen with the DAP modes using headphones, turn the 4CH/SEP.C mode on (the 4CH/SEP.C indicator is lit).

To record with these four DAP modes

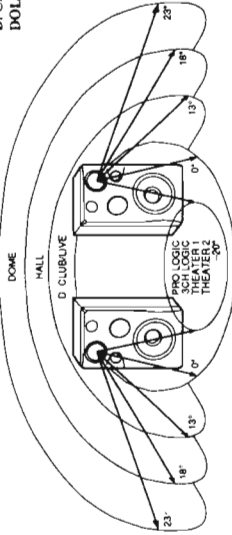
- You can also use the 4CH/SEP.C button.
  - Press 4CH/SEP.C (4 channels/Separate Center speaker) so that the 4CH/SEP.C indicator lights up in the amp display.

In this case, the panoramic shifting speakers always face directly forward.

To cancel this mode, press 4CH/SEP.C again so that the 4CH/SEP.C indicator goes off.

- DOME** will shift outward 23°
- HALL** will shift outward 18°
- D. CLUB/LIVE** will shift outward 13°
- DOLBY SURROUND, and THEATER 1 and 2** will shift inward 20°

(When the center mode is PHANTOM or OFF, the panoramic shifting speakers will face directly forward.)



Sound Mode  
H.PHONE



- To use the H.PHONE mode, press H.PHONE repeatedly. If you use this mode for speaker output sounds, you cannot get enough effect.
- The DAP indicator lights up in the amp display.
- Each time you press the button, the H.PHONE mode changes as follows:  
H.PHONE 1 → H.PHONE 2 → Off
- Both H.PHONE 1 or H.PHONE 2 creates a spacious sound field in front of you. H.PHONE 2 can give you a relatively larger room than H.PHONE 1 can.
- Off: No effect and the DAP indicator goes off.
- Panoramic shifting speakers always face directly forward.

Notes:

- When you select the H.PHONE mode while another DAP mode is used, the previously selected mode is canceled.
- When you select another DAP mode while the H.PHONE mode is used, the H.PHONE mode is canceled.
- When you select the H.PHONE mode, the 4CH/SEP.C mode is canceled temporarily.

The speaker angle



- To change the speaker angle
1. Press VCR/SPEAKER on the Remote
  2. Press IN, OUT or AUTO on the Remote to change the angle (0°, 8°, 13°, 18° and 23°) regardless of the sound mode selected. The indicators on the panoramic shifting speakers blink to indicate the movement.
    - Press IN on the Remote to shift the speakers inward.
    - Press OUT on the Remote to shift the speakers outward.
    - Press AUTO on the Remote to get back the speaker angle in accordance with the DAP mode selected.
    - If the Remote is used to shift the speaker angle in the following cases, the previously selected DAP mode (D. CLUB, HALL, DOME, or LIVE) comes on.
      - When H.PHONE 1 or 2 is used
      - When THEATER 1 or 2 is used
      - When DOLBY PRO LOGIC or 3CH LOGIC is used
      - When no DAP mode is used
  - When headphones are connected, the panoramic shifting speakers always face directly forward.

Using the Theater DAP Modes and the Dolby Surround Modes

- Once you have set this adjustment you can use the same adjustments every time you want to enjoy these modes.
- You cannot apply the Theater DAP modes and the Dolby Surround modes on monaural sources.
  - You cannot apply the Theater DAP modes and the Dolby Surround modes when you record.

Dolby Surround  
Pro Logic  
3ch Logic

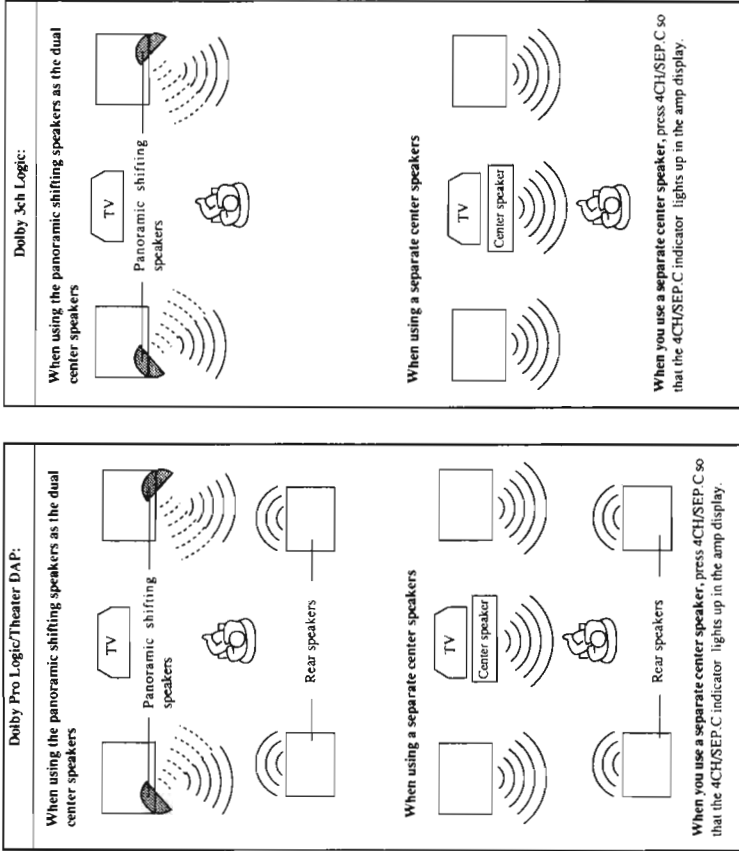
**On Dolby Surround**  
The Dolby Surround has been also developed to reproduce the important elements of the acoustic surround at home.  
To watch the soundtracks of video software bearing the mark \* which includes the same encoded surround information as found in Dolby Stereo films, the CA-S700R can provide you with 2. Dolby Surround programs (Dolby Pro Logic and Dolby 3ch Logic).

**Dolby Pro Logic:** Select this mode when the optional rear speakers are connected.  
**Dolby 3ch Logic:** Select this mode when no rear speakers are connected.  
Both modes can be used either with or without a separate center speaker.

JVC's Theater DAP

**On JVC's Theater DAP**  
In order to reproduce a more realistic sound field in your listening room while playing the soundtracks of video software bearing the mark JVC's Theater DAP has been designed to give you clearer vocals and to create the feeling of being there. The sound can be reproduced through the front speakers, rear speakers and center speakers (the panoramic speakers inside the SP-S700 can work as the dual center speakers if an optional center speaker is not connected.)

\* Manufactured under license from Dolby Laboratories Licensing Corporation.  
DOLBY and the double-D symbol are trademarks of Dolby Laboratories Licensing Corporation.



Setting the surround mode



Preparing for the Theater DAP Modes and the Dolby Surround Modes

The CA-S700R memorizes settings of surround adjustments.

You can only use the Remote to adjust these setting.

1. Press DSP on the Remote.
2. Press PRO LOGIC/THEATER MODE repeatedly.
  - Each time you press the button, the surround mode changes as follows:  
PRO LOGIC → 3CH LOGIC → THEATER 1 → THEATER 2 → Off

**PRO LOGIC:** Use this mode to watch a video tape with Dolby Surround when you have connected the rear speakers.

**3CH LOGIC:** Use this mode to watch a video tape with Dolby Surround when you have connected no rear speakers.

**THEATER 1:** Use this mode to watch a video tape with Dolby Surround when you have connected the rear speakers.  
This mode gives you the feeling of a small movie theater with a seating capacity of 100.

**THEATER 2:** Use this mode to watch a video tape with Dolby Surround when you have connected the rear speakers.  
This mode gives you the feeling of a large movie theater with a seating capacity of 1000.

Off:  
No effect.





3. Press CENTER MODE

- Each time you press the button, the center modes change as follows:

PHANTOM → NORMAL → WIDE → OFF

**PHANTOM:** Select this mode when you don't use a separate center speaker.

**NORMAL:** Select this mode when the size of the separate center speaker is smaller than that of the front speakers or when you use the panoramic shifting speakers as the dual center speakers.

**WIDE:** Select this mode when the size of the separate center speaker is the same as that of the front speakers.

**OFF:** Select this mode to shut off the output of the center channel signal.

- When you have selected 3CH LOGIC in Step 2 above, you cannot select PHANTOM.
- The center mode is memorized for both the 4CH/SEP C-on mode and the 4CH/SEP C-off mode.

4. Press DELAY TIME to set the delay time of the delayed sound.

- Each time you press the button, the delay time changes among 4 levels.

15ms → 20ms → 25ms → 30ms

**15ms:** When your distance to the rear speakers is greater than that to the front speakers.

**20ms:** When your distance to the rear speakers is almost equal to that to the front speakers.

**25ms:** When your distance to the rear speakers is a little less than that to the front speakers.

**30ms:** When your distance to the rear speakers is much less than that to the front speakers.

- When you have selected 3CH LOGIC in Step 2 above, you cannot adjust the delay time.



5. Press TEST TONE.

- Test tone comes out from each speaker as follows:

Front (left) → Center → Front (right) → Rear (both)

6. Press SURROUND LEVEL +/- to adjust the sound level of the rear speakers in 1 dB step (-∞, -10 dB to +10 dB).

Press CENTER LEVEL +/- to adjust the sound level of the center speaker(s) in 1 dB step (-∞, -10 dB to +10 dB).

Set the level from the center speaker(s) and that from the rear speakers to the same level.

When you have selected 3CH LOGIC in Step 2 above, you cannot adjust the rear speaker level.

When you have selected PHANTOM or OFF in Step 3 above, you cannot adjust the center speaker level.

The center level is memorized for both the 4CH/SEP C-on mode and the 4CH/SEP C-off mode.

Press TEST TONE again.

Test tone stops and adjustment is completed.

Only for THEATER 1 and 2:

Press EFFECT LEVEL +/- repeatedly to adjust the effect level in 2 dB step (-8 dB to +6 dB).

Each time you press the button, the effect level changes.

Press SURROUND LEVEL +/- repeatedly until the desired surround mode indicator lights up in the amp display.

When using the Remote, press DSP before pressing PRO LOGIC/THEATER MODE.

To cancel the surround modes, press DOLBY PRO LOGIC/THEATER repeatedly so that no surround mode indicator is lit in the display.

Selecting other DAP modes also cancel the surround modes.

Turning on and off the Theater DAP modes and the Dolby Surround modes

Once you have set these adjustment you can use the same adjustments every time you want to enjoy the these modes.

Press DOLBY PRO LOGIC/THEATER button repeatedly until the desired surround mode indicator lights up in the amp display.

When using the Remote, press DSP before pressing PRO LOGIC/THEATER MODE.

To cancel the surround modes, press DOLBY PRO LOGIC/THEATER repeatedly so that no surround mode indicator is lit in the display.

Selecting other DAP modes also cancel the surround modes.

Press TEST TONE again.

Test tone stops and adjustment is completed.

Only for THEATER 1 and 2:

Press EFFECT LEVEL +/- repeatedly to adjust the effect level in 2 dB step (-8 dB to +6 dB).

Each time you press the button, the effect level changes.

Press SURROUND LEVEL +/- repeatedly until the desired surround mode indicator lights up in the amp display.

When using the Remote, press DSP before pressing PRO LOGIC/THEATER MODE.

To cancel the surround modes, press DOLBY PRO LOGIC/THEATER repeatedly so that no surround mode indicator is lit in the display.

Selecting other DAP modes also cancel the surround modes.

Turning on and off the Theater DAP modes and the Dolby Surround modes

Once you have set these adjustment you can use the same adjustments every time you want to enjoy the these modes.

Press DOLBY PRO LOGIC/THEATER button repeatedly until the desired surround mode indicator lights up in the amp display.

When using the Remote, press DSP before pressing PRO LOGIC/THEATER MODE.

To cancel the surround modes, press DOLBY PRO LOGIC/THEATER repeatedly so that no surround mode indicator is lit in the display.

Selecting other DAP modes also cancel the surround modes.

Sound Mode Demonstration



Recording

Recording onto cassette tape from any of the sound sources is easy and the CA-S700R does most of the work. Just have a tape in deck B, have the source ready, make one or two settings, and you're ready to record.

For each source the procedure is a little different and now we'll explain just what to do for each one. If you forget, just come back to the section which has the specific procedures you need. But first, here are a few things to make your recordings better.

Things to Know before You Start Recording

It may be unlawful to record or playback copyrighted material without the consent of the copyright owner.

Press DOLBY NR (noise reduction) to reduce tape hiss. This Unit can use one of two types of the Dolby NR system. Dolby C NR is more effective than Dolby B NR. However, some cassette decks have only Dolby B NR. So, if you may possibly play the tape on other decks, it is better to use Dolby B NR.

The recording level, which is the volume at which the new tape is being made, is automatically set correctly, so it is not affected by the VOLUME control on the CA-S700R. Thus, you can adjust the sound you are actually listening to without changing the recording. If you don't want to listen to the sound, you can turn the VOLUME control all the way down, or press FADE MUTING on the Remote.

Cassettes have a special feature so you won't accidentally record over a tape you want to save. Two small tabs on the back, one for side A and one for side B, can be removed to prevent erasure or re-recording. To record on a cassette with the tabs removed, you must cover the holes with tape first. However, when a Type II tape is used, only cover part of the hole as shown below, since the other part of the hole is used to detect the tape type.



When recording, you can use the sound modes to condition the music as it is recorded. But when recording using Auto Edit or Programmed Edit, once recording has started, these settings cannot be changed. When recording from tape deck A to deck B, the sound modes cannot be used, because the signal doesn't go through the amplifier first. This method gives you the highest quality dubbed tapes.

Type I, II and IV tapes can be used for recording.

CAUTION: If recordings you make have excessive noise or static, the Unit may be too close to a TV which was on during the recording. Either turn off the TV or increase the distance between the TV and the CA-S700R.

Standard Recording

This is the basic method for recording any source. The CA-S700R also has special ways for recording CD to tape, and tape to tape, which save you time and effort, as well as give you some special effects. However, when you need to add a selection to a tape you have made, or are combining selections from several sources on one tape, use the method we describe here; just substitute the source you want, such as a tape in deck A, or CD, or radio in this procedure.

Standard Recording: Any Source to Tape

**Recording any Sound Source to Tape**

- Follow these steps to record from any sound source onto a tape in deck B.
1. Press **POWER** so the LED on the VOLUME control glows.
    - When you want to record on both sides of the tape, press **REVERSE MODE** to on and be sure to start recording from the front side (A). If you start recording from the reverse side (B), the deck stops after recording the reverse side (B) without going to the front side (A), even if the **Reverse Mode** is on.
  2. Put the cassette you are making into deck B.
  3. Press **RECEIVE PAUSE**.
  4. The LED lights up.
    - The LED lights up.
  5. Prepare the source, for example, tuning in a radio station, loading a CD, turning on a connected VCR, etc.
    - When you want to start recording, press either **Play Forward**  $\blacktriangleright$  to record on the front side (A), or **Play Reverse**  $\blacktriangleleft$  to record on the reverse side (B).
    - To pause recording any time during the process, press **REC PAUSE** again, then press **Play Forward**  $\blacktriangleright$  or **Play Reverse**  $\blacktriangleleft$  to start recording again.
    - To stop recording any time during the process, press **Stop**  $\blacksquare$  on deck B.



**CD to Tape Recording**

- There are three ways except the standard method to record from CD to tape.
- CD Direct**—Everything on the CD goes onto the tape in the order it is on the CD or according to an order you have set in a program.
  - Auto Edit**—Your CA-S700R figures out which selections to put on which side of the tape, so a selection isn't cut off before it's finished when the tape runs out.
  - Programmed Edit**—You can decide the selections to be recorded in your desired order.

**CD to Tape, Introduction**

**CD Direct Recording, Step by Step**

- This is the easiest way of recording a CD. Everything on the CD goes onto the tape in the order it is on the CD or according to an order you have set in a program. To make a program, see page 14.
1. Put the cassette in deck B.
    - Press **REVERSE MODE** so that the LED next to it lights up if you want to record on both sides of the cassette.
  2. Load the CD into the CD Player.
    - If the CD is already loaded, be sure the power is on.
  3. Set the sound modes you want now, since the sound environment cannot be changed once recording starts.
  4. Now press **CD REC START** on the cassette deck. The FADE indicator lights up on the CD display, automatically goes back to the beginning of the last selection and re-records it, this time gently fading out at the end. If you select the **Reverse Mode**, the reverse side (B) starts with the last selection on the front side (A) and will be faded out at the end again. (A 10 second blank is created on the beginning of the reverse side (B).)
    - To stop recording any time during the process, press either **Stop**  $\blacksquare$  on deck B or **W/CLEAR** (when you press **W/CLEAR** you can make a 4 second blank at the end of the recording). Pressing **OPEN/CLOSE** will also stop recording.



**CAUTION:**  $\blacktriangleleft$  or  $\blacktriangleright$  and **REPEAT** will work during CD Direct Recording.

**Auto Edit, CD to Tape, Introduction**

Using **Auto Edit**, you can arrange the CD tracks to fit the tape, so a selection isn't cut off when the tape runs out first. **Auto Edit** is one of the best ways to copy all of a CD onto a tape. The selection of which tracks go on which side is based on the lengths of the tracks and the length of the tape. The CA-S700R can figure out most of what it needs to know, but you will have to tell it the tape size you are using if your tape is a different size than the one picked by the program. Follow this procedure to record a CD using **Auto Edit**.

**Auto Edit, CD to Tape, Step by Step**

1. Put the cassette in deck B.
  - Press **REVERSE MODE** so that the LED next to it lights up if you want to record on both sides of the cassette.



**Programmed Edit, CD to Tape, Introduction**

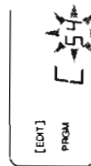
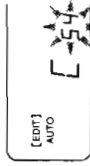
Using **Programmed Edit**, you can decide for yourself the selections to be recorded in your desired order. First, you will have to tell the Unit the tape size you are using if your tape is a different size than the one picked by the Unit. Then, you can make your program as you wish.

**Recording a CD onto a Tape Using Programmed Edit**

Follow this procedure to record a CD using **Programmed Edit**.

1. Put the cassette in deck B.
  - Press **REVERSE MODE** so that the LED next to it lights up if you want to record on both sides of the cassette.
2. Load the CD into the CD Player.
  - If the CD is already loaded, be sure the power is on and the source is CD. If the last selected source is tuner, the Unit will not recognize the loaded CD when turning on the Unit by pressing **POWER**.
3. Set the sound modes you want now, since the sound environment cannot be changed once recording starts.
4. Press **W/CLEAR**.
  - This cancels the previous edit or program setting.
5. Press **PROGRAM EDIT** on the CD player so that "[EDIT]PRGM" appears on the display. The system tells you the minimum standard tape length to use.
  - You can select a different length of tape, depending on the actual size of the tape you are using. From 1) possibilities programmed into the CA-S700R: 40, 46, 50, 54, 60, 64, 70, 74, 80, 84, 90. Cycle through these choices by pressing **PROGRAM EDIT** repeatedly until you find the length closest to your tape's actual length.

6. Press **SIDE A/B**.
  - Now the tape size is determined and you can make a program for side A. (See page 14.)
7. After making a program for side A, press **SIDE A/B** again so you can make another program for side B. (See page 14.)



2. Load the CD into the CD Player.
  - If the CD is already loaded, be sure the power is on and the source is CD. If the last selected source is tuner, the Unit will not recognize the loaded CD when turning on the Unit by pressing **POWER**.
3. Set the sound modes you want now, since the sound environment cannot be changed once recording starts.
4. Press **W/CLEAR**.
  - This cancels the previous edit or program setting.
5. Press **AUTO EDIT** on the CD player so that "[EDIT]AUTO" appears on the display. The system tells you the minimum standard tape length to use.
  - You can select a different length of tape, depending on the actual size of the tape you are using. From 1) possibilities programmed into the CA-S700R: 40, 46, 50, 54, 60, 64, 70, 74, 80, 84, 90. Cycle through these choices by pressing **AUTO EDIT** repeatedly until you find the length closest to your tape's actual length.

6. Press **SIDE A/B**, and the display shows which tracks will go on side A and which on side B. Each time you press **SIDE A/B**, the display switches between A and B.
  - Now press **CD REC START** on the cassette deck. The FADE indicator lights up on the CD display.
  - The tape automatically rewinds to the beginning of the front side (A), a 10 second blank is created, and the CD begins to play and be recorded. (A 10 second blank is also created on the beginning of the reverse side (B).)
  - If you use a tape shorter than the total playing time of the CD, the last recorded selection will be fading out at the both ends of the tape.
  - To stop recording any time during the process, press either **Stop**  $\blacksquare$  on deck B or **W/CLEAR** (when you press **W/CLEAR** you can make a 4 second blank at the end of the recording). But remember: after you stop, if you restart, the tape will rewind and start recording the CD from the beginning. Pressing **OPEN/CLOSE** will also stop recording.

8. Now press CD REC START on the cassette deck. The FADE indicator lights up on the CD display.
- The tape automatically rewinds to the beginning of the front side (A), a 10 second blank is created, and the CD begins to play and be recorded. (A 10 second blank is also created on the beginning of the reverse side (B).)
  - If the playing time of the program for one side is longer than the length of one tape side, the last recorded selection will be fading out at the end of the tape side.
  - To stop recording any time during the process, press either Stop ■ on deck B or CLEAR (when you press ■/CLEAR you can make a 4 second blank at the end of the recording). But remember: after you stop, if you restart, the tape will rewind and start recording the CD from the beginning. Pressing ▲ OPEN/CLOSE will also stop recording.

**NOTE:** Using Auto Edit and Program Edit, you can program up to 16 tracks for each side of the tape, and cannot program a track the number of which on the disc is greater than 31.

### Tape to Tape Dubbing, Introduction

#### Tape to Tape Recording (Dubbing)

Recording from one tape to another is called dubbing.

You can dub at regular speed for highest quality, or at high speed with a slight loss in sound quality.

With high speed it takes only about one-half the time to copy a tape.

- To dub both sides of a tape, start from side A for both deck A and B, and press REVERSE MODE so that the LED next to it lights up.

### Regular Speed Dubbing, Step by Step



#### How to Copy a Tape With Regular Speed Dubbing

1. Put the cassette you want to copy from into deck A for playback.
2. Put the cassette you want to copy into deck B for recording.
  - Anything already on the cassette in deck B will be erased as the new sound from deck A is copied onto it.
3. Press REC PAUSE
4. Press the Play Forward ▷ (or Play Reverse ◁) on deck A.
5. Press the Play Forward ▷ (or Play Reverse ◁) on deck B.
  - Recording starts, deck A playing and deck B recording.

### High Speed Dubbing, Step by Step



#### High Speed Dubbing

Although the quality of the dubbed tape is a little less, high speed dubbing is a very convenient way to record from one tape to another.

1. Put the cassette you want to copy from into deck A, and the cassette to be copied onto in deck B.
2. Press HIGH SPEED DUBBING on the tape deck.
  - Both decks start, deck A playing and deck B recording.
  - The sound you hear is strange because it is much faster than usual, and you may not want to listen to it. Turn down the VOLUME control or press FADE MUTING on the Remote.
  - When using high speed dubbing, you can also listen to another source such as the radio or the CD player, just as if you weren't dubbing. However, to listen to the CD using Programmed Play, you need to make a program before starting high speed dubbing.
  - During high speed dubbing, if you listen to a CD with Auto Power Off turned on, the whole Unit, including the cassette decks, may turn off when the CD ends.

#### Recording selections from several different tapes

When you want to take selections from several different tapes and combine them on one tape during high speed dubbing, follow these steps:

1. Press Stop ■ on deck A.
2. Change the tape in deck A.
3. Press HIGH SPEED DUBBING to start deck A playing and deck B recording again.

#### Important dubbing information

- Dolby NR is inactive in dubbing mode regardless of the setting of the DOLBY NR. The dubbed tape automatically contains the same processing as the source tape. The LED next to the DOLBY NR button goes off automatically.
- It is preferable that the tape type (Type I, II and IV) you record from be the same as the tape type you record onto.
- During regular speed dubbing you can only listen to the source tape. If you don't want to hear it, turn down the VOLUME control or press FADE MUTING on the Remote. Only the sound you hear will be affected; the recording level is controlled automatically.
- You cannot dub using the preset SEA, DAP, and surround modes.

## How to Use the Timers and Set the Clock

The timers let you control recording and playing functions automatically. Four types of timers are available:

- Recording Timer**—Unattended recording of radio broadcasts that works only once.
- Once**—The Unit comes on playing a source at a particular time only once.
- Daily Timer**—The Unit comes on playing a source at a particular time everyday.
- Sleep Timer**—Fall asleep and have your CA-S700R turn off automatically after a certain length of time.

And furthermore you have:

- **Auto Power Off**—Automatically turns off the Unit when the CD or tape finishes.

### Clock Setting

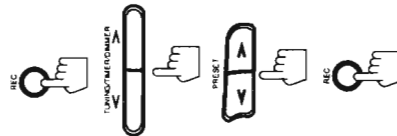
The timers depend on the clock. If the clock is right, the timers will work like you expect, but if the time is incorrect on the clock then the timers will also be incorrect.

**Special Notice:** The clock must be set, or the timers cannot be set! So, let's set the clock first.

1. Press CLOCK ADJUST.
2. Set the hours by pressing TUNING/TIMER/DIMMER < or >.
  - Pressing > increases the hour, and pressing < decreases it.
3. Press MEMORY.
4. Set the minutes by pressing TUNING/TIMER/DIMMER < or >.
  - Pressing > increases the minute, and pressing < decreases it.
5. Press MEMORY again.
  - The clock is set and starts from zero second.

**CAUTION:** If there is a power failure, the clock loses its setting, the tuner display shows "0:00" and it must be reset.

### Recording when you're not there



### Setting the Recording Timer

With the Recording Timer you can make a tape of a radio broadcast automatically whether or not you are there to start the CA-S700R. For the timer to work correctly, you need to make sure that the tape you want to record onto must be in deck B when you want to record.

1. Press REC to tell the Unit which timer you are going to set.
  - The REC indicator blinks on the tuner display.
2. Set the time you want the sound source to come on and the tape in deck B to start recording.
  - Use TUNING/TIMER/DIMMER < or > and MEMORY just like setting the clock. See instructions above.
3. Set the time you want the sound source to shut off and the tape in deck B to stop recording.
  - Use TUNING/TIMER/DIMMER < or > and MEMORY just like setting the clock. See instructions above.
4. Select the station with PRESET < or >.
5. Press REC again, and the Unit will memorize the setting. Now the CA-S700R is set to turn on and record the selected station.
  - The volume level during timer recording will be automatically set to minimum.
  - Notice that the REC indicator is lit up on the display whenever the Timer is set.
6. To cancel the Timer setting, press REC again; the REC indicator in the display goes off. To check the timer contents, press REC once or twice so that the REC indicator blinks, and then press REC again.

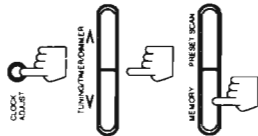
**CAUTION:** If you use the Sleep Timer during timer recording, the setting will be canceled though recording continues. In this case, recording will stop when the tape comes to its end or when the Sleep Timer shuts off the Unit.

### Four Timers:

- Recording
- Once
- Daily
- Sleep

### IMPORTANT!

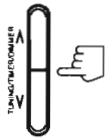
Set your clock!



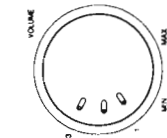
**Setting the Once/Daily Timers**

With these timers you can play the sound source at the specified time without recording them. The Once Timer works only once, while the Daily Timer executes the timer operation at the specified time every day.

1. Press **ONCE** or **DAILY** to tell the Unit which timer you are going to set.
  - The corresponding indicator (**ONCE** or **DAILY**) blinks on the display.
2. Set the time you want the sound source to come on.
  - Use **TUNING/TIMER/DIMMER** < or > and **MEMORY** just like setting the clock.
3. Set the time you want the sound source to shut off.
  - Use **TUNING/TIMER/DIMMER** < or > and **MEMORY** just like setting the clock.
4. Select the sound source with **TUNING/TIMER/DIMMER** < or > and **MEMORY** to store it.
  - Each time you press **TUNING/TIMER/DIMMER** < or >, the Unit gives you one of the following settings:



- Display** What it means
  - TUNER** Plays an FM or AM (MW/LW) broadcast
  - CD** Plays a CD from the beginning
  - TAPE** Plays a tape
- When you select **TUNER** as the source, you need to designate a preset station by pressing **PRESET** < or >.
  - When you select **CD** as the source, you can designate the first track to play from the first 20 tracks on the disc by pressing **PRESET** < or >. (Once you have designated the first track to play, it is memorized and shown in the display when you set the timer.)



5. Set the volume level with **TUNING/TIMER/DIMMER** < or >.
  - Each time you press **TUNING/TIMER/DIMMER** < or >, the Unit gives you one of the following settings:

- Display** What it means
- VOLUME** Volume set to the level used before shut the power off.
- VOLUME 1** Volume barely on.
- VOLUME 2** Volume at about a 1/4 turn of the volume control
- VOLUME 3** Volume at about a 3/8 turn of the volume control

6. Press **ONCE** or **DAILY** again, and the Unit will memorize the setting.
7. Notice that the **ONCE** or **DAILY** indicator is lit up in the display whenever the Timer is set.
  - To cancel the Timer setting, press **ONCE** or **DAILY** again; the corresponding indicator in the display goes off.
  - To check the timer contents, press **ONCE** or **DAILY** once or twice so that the **ONCE** or **DAILY** indicator flashes, and then press **ONCE** or **DAILY** again.

**Sleep Timer: turns the Unit off automatically at a set time**



Use the Sleep Timer to turn the Unit off after a certain number of minutes when it is playing. Using this timer, you can fall asleep to music and know your CA-S700R will turn off by itself rather than play all night.

- You can only set the Sleep Timer when the CA-S700R is on and a source is playing.

To set the Sleep Timer follow this procedure:

1. With the CA-S700R on and a source playing, press **SLEEP**.
  - The **SLEEP** indicator in the tuner display starts blinking.
2. Set the length of time you want the source to play before shutting off.
  - Each time you press **SLEEP** while the **SLEEP** indicator is blinking, it changes the number of minutes shown on the display in this sequence:



- When the number of minutes you want is shown in the display, just wait 5 seconds until the indicator stops blinking, but remains lit.
  - The Unit is now set to turn off after the number of minutes you set.
3. To cancel the Sleep Timer, press **POWER** to turn off the Unit.

**Checking the Remaining Time**

After setting the Sleep Timer, you can check the time remaining until the Unit shuts off. Pressing **SLEEP** shows you the remaining time on the display for 5 seconds. Then the display returns to the radio frequency display. However, if you press **SLEEP** about 10 seconds before the Sleep Timer shuts off the Unit (during these 10 seconds, the **SLEEP** indicator is blinking), the Sleep Timer will be canceled.

**Turning off the CA-S700R Automatically**

When playing either a tape or a CD, Auto Power Off will shut the Unit off when the tape or CD comes to the end. Auto Power Off is very useful for shutting off the CA-S700R at night.

- To use Auto Power Off:
  - Press **AUTO POWER OFF** on the Remote.
  - If the **AUTO POWER OFF** indicator on the amp display is on, Auto Power Off is on, and the Unit will automatically turn off when the tape or CD finishes.
  - If the **AUTO POWER OFF** indicator is off, Auto Power Off is also off.



**Important information on using Auto Power Off**

- CD Repeat Play cannot be used with Auto Power Off. If you do so, Repeat Play will be canceled so that Auto Power Off will be able to work.
- If you press **AUTO POWER OFF** while the tape is playing:
  - If Reverse Mode is off (the Reverse Mode LED is not lit), the Unit turns off when the currently playing side finishes.
  - If Reverse Mode is on (the Reverse Mode LED is lit), the Unit plays the side currently playing, reverses and plays the other side, then shuts off.

**Timer Priority**

Since each timer can be set independently, you may have wondered what happens if the settings overlap. Here are the priorities for each timer.

- The Recording Timer will have priority over any other timers.
- If the Recording, Once, and Daily Timers have the same starting time, the timer will work for only one of the three settings according to the following priority:
  - Recording Timer > Once Timer > Daily Timer
- If the Once and Daily Timers are set within the same time range, each timer will come on at the time you have set. If another timer is already on, that timer will be shut off when the second timer starts.
- If the Sleep Timer has been set while another timer is operating, the other timer operation will be canceled.
- If the Sleep Timer and Auto Power Off have been set within the same time range, the timer operation with the earlier ending time will have priority.
- If a timer operation begins during Auto Power Off, the timer operation will have priority.
- If Auto Power Off is used during a timer operation, Auto Power Off will have priority.

## Singing Along

### What is Vocal Masking?

When you press VOCAL MASKING, the lead vocal is reduced, and you can replace it by singing into the microphone as the music plays. No microphone is supplied with the CA-S700R, so you can select your own from the many kinds available.

### Singing-Along Procedure



### How to Sing Along with Vocal Masking

You can use the Remote only.

1. Turn the MIC volume control all the way counterclockwise to the MIN position.
2. Attach the microphone (not supplied) by plugging it into the MIC jack in the amplifier section.
3. Start the source—CD, Tape, connected VCR, or turntable.
4. Press VOCAL MASKING.
  - The Vocal masking indicator on the amp display lights up.
5. Now adjust the volume of the source with the main VOLUME control, and the volume of your voice with the MIC volume control as you sing into the microphone.
6. To cancel Vocal Masking, press VOCAL MASKING again.

### Recording a Singing-Along Session



### Recording Your Singing-Along

You cannot record your singing-along when the main source is a tape in deck A.

1. Put the cassette you want to record onto in deck B.
2. Press REC PAUSE—see Recording, page 22 if you need more information about tape recording.
3. Follow the above procedure “How to Sing Along with Vocal Masking.”
4. Press Play Forward> (or Play Reverse <) on deck B, and deck B will start recording the source together with your voice in place of the lead vocal.

### Important information about Vocal Masking

- Since the radio signal is not as reliable as signals coming from a tape or CD, you may not always get satisfactory results using the radio as a source for Vocal Masking.
- Some tapes and CDs are better sources for singing along than others.
  - Monaural sources are not suitable for Vocal Masking.
  - On sources with duets, strong echoes, a chorus, or with only a few instruments, the singer's voice may not be completely reduced.
  - Poorly dubbed tapes may not work well for Vocal Masking.
  - Multiplex (karaoke) CDs and tapes are not used for Vocal Masking.

## Recording from the Microphone

You can use the microphone for two kinds of recording:

- Mixing**—Sound going into the microphone is mixed with sound sent to the tape in deck B from some other source, such as the CD, or radio.
- Regular recording**—Only sound picked up by the microphone is recorded.

### Mixing

1. Put the cassette you want to record onto in deck B.
2. Connect the microphone to the MIC jack.
3. Set deck B to recording pause mode by pressing REC PAUSE.
4. Start the source (radio, CD, VCR or turntable) and set the VOLUME control.
5. Adjust the microphone volume with the MIC volume control.
6. When you are ready to record, press Play Forward> (or Play Reverse <) on deck B, and both sounds from the microphone and from the playing source will be recorded.

### Regular Microphone Recording

This is possible only when no source is playing.

1. Put the cassette you want to record onto in deck B.
2. Connect the microphone to the MIC jack.
3. Set deck B to recording pause mode by pressing REC PAUSE.
4. Adjust the volume of the microphone with the MIC volume control.
5. Now when you press Play Forward> (or Play Reverse <) on deck B, whatever sounds the microphone picks up will be recorded.

### Important information for using the microphone

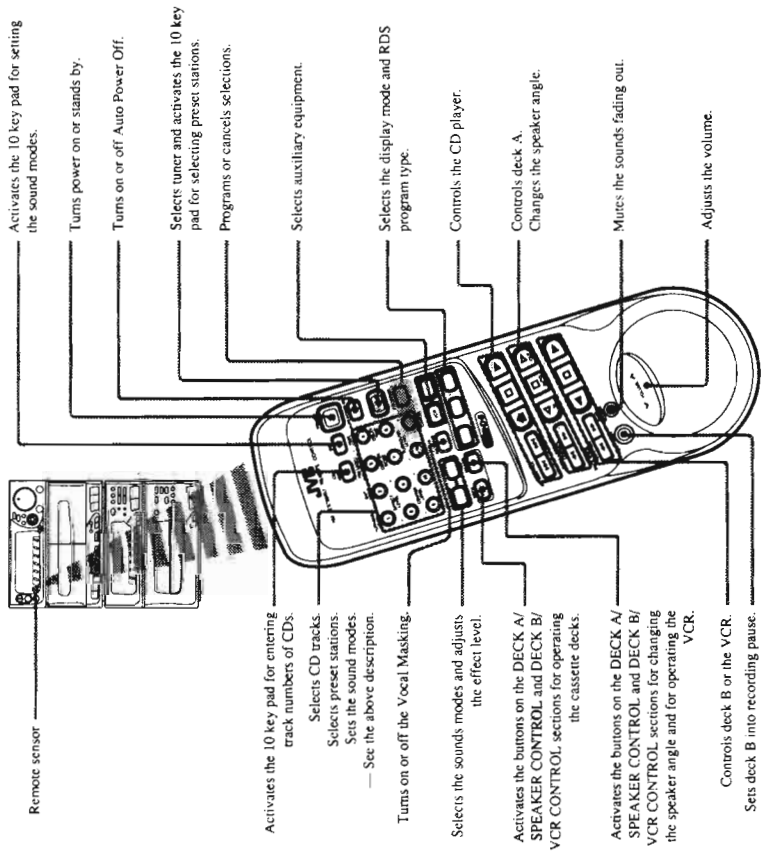
- You may have to experiment some to see just where to set the MIC volume control to get the best recorded sound.
- To prevent howling and squealing when using the microphone, adjust the MIC volume control and the VOLUME control, and try not to point the microphone at the speakers.
- When you are not using the microphone, keep the MIC volume control set to MIN. It is best to disconnect the microphone when you will not be using it for a while.

## How to Use the Remote Control

The Remote Control makes it easy to control many of the functions of the CA-S700R from a distance of up to 7 m away. Most of the buttons on the Remote Control do just what the ones on the front of the CA-S700R do, and they are explained in the manual. A few functions are available only by using the Remote Control, and those are described below.

### Using the 10 Key Pad

- The 10 key pad is used to specify a CD track, the number you have assigned to a preset radio station, or a sound mode. To enter a number using the 10 key pad follow these steps:
- Before using 10 key pad, check to see whether the 10 key pad is functioning to operate the CD player, tuner, or amplifier. This depends on which button on the Remote you have pressed before using 10 key pad.
  - To select preset stations, press **TUNER** first.
  - To select preset sound modes, press **DSP** button first.
  - To select CD tracks, press **CD 10KEY** first.
  - For numbers between 1 and 10, just press the button with the number you want.
  - For numbers from 11 to 20, first press the +10 key, then the one's digit of the number you want—to get 15, first press +10, then 5. For 20, press +10 and 10.
  - For numbers from 21 to 30, press the +10 key twice; then press the one's digit—to get 25, press +10 +10 and 5. For 30, press +10 +10 and 10.
  - For numbers from 31 and 40, follow the same procedure, only press the +10 key three times, then the one's digit—to get 32, press +10 +10 +10 and 2.



## Care and Maintenance—General Notes

### Compact Discs

Handle your compact discs, cassette tapes, and cassette deck carefully, and they will last a long time.

- Remove the CD from the case by holding it at the edges while pressing the center hole lightly.
- Do not touch the shiny surface of the CD, or bend the CD.



- Place the CD into the open tray with the label facing up.



- Put the CD back in its case after use to prevent warping.
- Be careful not to scratch the surface of the CD when placing it back in the case.
- Avoid exposure to direct sunlight, temperature extremes, and moisture.



- A dirty CD may not play correctly. If a CD does become dirty, wipe it with a soft cloth in a straight line from center to edge.



**CAUTION:** Do not use any solvent (for example, conventional record cleaner, spray, thinner, benzine, etc.) to clean a CD.

### Cassette Tapes



- If the tape is loose in its cassette, take up the slack by inserting a pencil in one of the reels and rotating.
- If the tape is loose it may get stretched, cut, or caught in the cassette.



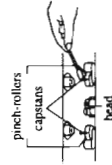
- Do not touch the tape surface.



- Do not store the tape:
  - In dusty places
  - In direct sunlight or heat
  - In moist areas
  - On a TV or speaker
  - Near a magnet

### Cassette Deck

- If the heads, capstans, and pinch-rollers of the cassette deck become dirty, the following will occur:
  - Impaired sound quality
  - Discontinuous sound
  - Fading
  - Incomplete erasure
  - Difficulty recording
- Clean the heads, capstans, and pinch-rollers using a cotton swab moistened with alcohol.



### Moisture Condensation

Moisture may condense on the lens inside the Unit in the following cases:

- After starting the heating in the room
  - In a damp room
  - If the Unit is brought directly from a cold to a warm place.
- Should this occur, the Unit may malfunction. In this case, leave the Unit turned on for a few hours until the moisture evaporates, unplugging the AC power cord, and then plug it in again.



In general, you will have the best performance by keeping your tapes, CDs, and the mechanism clean.

- Store tapes and CDs in their cases, and keep them in cabinets or on shelves.
- Keep the tape deck, tape carriers and the CD tray closed when not in use.

- To demagnetize the heads, turn off the system, and use a head demagnetizer (available at electronics and record shops).

- If the heads become magnetized, they will produce noise or loose high frequencies.



## Troubleshooting

- If you are having a problem with your CA-S700R, check this list for a possible solution before calling for service.
- If you cannot solve the problem from the hints given here, or the Unit has been physically damaged, call a qualified person, such as your dealer, for service.

Symptom	Possible Cause	ACTION
No sound is heard.	Connections are incorrect, or loose.	Check all connections and make corrections. (See pages 4 to 6.)
Impossible to record.	Cassette record protect tabs are removed.	Cover holes on back edge of cassette with tape.
Hard to listen to broadcasts because of noise.	The antenna is disconnected. The loop antenna is too close to the system antenna.	Reconnect the antenna securely. Change the position and direction of the loop antenna.
The CD sound is discontinuous.	The feeder/wire antenna is not properly extended and positioned.	Extend feeder/wire antenna at the best reception position.
Unable to operate the Remote.	The CD is scratched or dirty. The path between the Remote and the sensor on the Unit is blocked. The batteries are discharged.	Clean or replace the CD. (See page 32.) Remove the obstruction.
The CD tray cannot be operated.	The main AC power cord is not plugged in.	Replace the batteries. Plug in the AC power plug.
The CD does not play.	The CD is upside down.	Put the CD in with the label side up.
Operations are disabled.	The built-in microprocessor may malfunction due to external electrical interference.	Unplug the system then plug it back in.
The cassette carrier cannot be opened.	The system was turned off because the timer was operated while the tape was running.	Turn on the system.
The FM station tuned alternates between the currently selected one and another when using the EON function.	An incorrect EON signal is being sent.	Press EON ON/OFF so that the EON indicator goes off.

## Specifications

### Amplifier/Cassette Deck Section DX-S700R

#### Amplifier

Output Power (IEC 268-3/DIN)

Front Speakers A

22 watts per channel, min. RMS, both channels driven, into 6 ohms at 1 kHz with no more than 0.9% total harmonic distortion.

Front Speakers B

18 watts per channel, min. RMS, both channels driven, into 8 ohms at 1 kHz with no more than 0.9% total harmonic distortion.

Input Sensitivity/Impedance (1 kHz)

VCR 300 mV/47 kohms

PHONO 3 mV/47 kohms

MIC 2 mV/10 kohms

Speaker Impedance

Front speakers A 6 — 16 ohms

Front speakers B 8 — 16 ohms

Rear speakers 8 — 16 ohms

Center speaker 8 — 16 ohms

#### Cassette Deck

Frequency Response

Metal (Type IV): 30 — 17,000 Hz

CrO<sub>2</sub> (Type II): 30 — 16,000 Hz

Normal (Type I): 30 — 15,000 Hz

Wow and Flutter 0.09% (WRMS)/0.2% (DIN)

Dimensions (Approx.)

245 x 183 x 343.5 mm (w/h/d)

(9<sup>1</sup>/<sub>16</sub> x 7<sup>1</sup>/<sub>16</sub> x 13<sup>7</sup>/<sub>16</sub> in.)

Mass (Approx.)

5.9 kg (13 lbs)

### Tuner/CD Section XT-S700R

#### Tuner

##### FM Tuner

Tuning Range

87.5 — 108.0 MHz

##### AM (MW/LW) Tuner

MW-Tuning Range 522 — 1,629 kHz

LW-Tuning Range 144 — 288 kHz

##### Compact Disc Player

Dynamic Range (1 kHz)

96 dB

Signal-to-Noise Ratio

102 dB

Wow and Flutter

Unmeasurable

Dimensions (Approx.)

245 x 183 x 309 mm (w/h/d)

(9<sup>7</sup>/<sub>16</sub> x 7<sup>1</sup>/<sub>16</sub> x 12<sup>1</sup>/<sub>16</sub> in.)

(Maximum depth 453 mm (17<sup>3</sup>/<sub>16</sub> in.) with the CD tray open)

Mass (Approx.)

2.7 kg (6 lbs)

### General

#### Power Specifications

Power Requirements AC 230 V ~, 50 Hz

Power Consumption 145 watts

15 watts (in stand-by mode)

#### Supplied Accessories

FM wire antenna (only for Germany) (1)

FM feeder antenna (except for Germany) (1)

AM (MW/LW) loop antenna (1)

Remote control (RM-SES700RL) (1)

Batteries R03(LM-4)/AAA(A24F) (2)

Antenna adaptor (except for Germany) (1)

Speaker control cords (2)

External wire (1)

#### Panoramic Shifting Speakers SP-S700

Speakers 3 way 4 speaker bass reflex type

Type

Woofers

Midrange

Tweeter

Full range speaker

(Motor-driven)

Power handling capacity

3 way speaker 30 watts

Full range speaker 24 watts

Rated impedance

3 way speaker 6 ohms

Full range speaker 8 ohms

Frequency range

3 way speaker 40 — 20,000 Hz

Full range speaker 140 — 20,000 Hz

Sound pressure level

3 way speaker 88 dB/w/m

Full range speaker 87 dB/w/m

Dimensions (Approx.)

216 x 366 x 247 mm (w/h/d)

(8<sup>5</sup>/<sub>16</sub> x 14<sup>7</sup>/<sub>16</sub> x 9<sup>7</sup>/<sub>16</sub> in.)

Mass (Approx.)

4.3 kg (9.5 lbs) each

Supplied Accessories

Speaker signal cables (2)

Design and specifications are subject to change without notice.

CA-S700R

**-MEMO-**

# DX-S700R

## — Contents —

Discription of Major LSIs .....	2-2
Internal Connections of FL Display .....	2-19
Disassembly Procedures .....	2-20
Adjustment Procedures .....	2-26
Block Diagrams .....	2-29
Printed Circuit Boards .....	2-33
Schematic Diagrams .....	2-37

## Description of Major LSIs

### ■ MN172412J5M1 (IC901) : SYSTEM CONTROLLER

#### 1. Terminal Layout

63 ~ 43	
64	42
}	}
84	22
1 ~ 21	

#### 2. Key Matrix

	KEY OUT 1 (32Pin)	KEY OUT 2 (31Pin)	KEY OUT 3 (30Pin)	KEY OUT 4 (29Pin)	KEY OUT 5 (28Pin)
KEY IN 0 (33Pin)	4CH SPE.C (S909)	VCR (S907)	ABX (S905)	PRESET (S903)	DOLBY PROLOGIC (S901)
KEY IN 1 (34Pin)	H.PHONE (S910)	PHONO (S908)	POWER (S906)	SEA MODE (S904)	DSP (S902)

#### 3. Description

Pin No.	Symbol	I/O	Description	Pin No.	Symbol	I/O	Description
1	S15	O	FL segment control	43	SI	O	Serial data for IC096
2	S14	O	FL segment control	44	SPI CS	O	Chip select signal for equalizer filter
3	S13	O	FL segment control	45	SPI STB	O	Strobe signal for equalizer filter
4	S12	O	FL segment control	46	SPI DATA	I	Data for equalizer filter
5	S11	O	FL segment control	47	DATA OUT	O	Data from equalizer filter
6	S10	O	FL segment control	48	PRT	I	Protector detection
7	S9	O	FL segment control	49	REMOCON IN	I	Remote control signal input
8	S8	O	FL segment control	50	JOG1	I	Music jog input 1
9	S7	O	FL segment control	51	JOG2	I	Music jog input 2
10	S6	O	FL segment control	52	SPK	O	Speaker relay control signal
11	S5	O	FL segment control	53	ACO	O	Power supply control signal
12	S4	O	FL segment control	54	INH	I	Inhibit signal input
13	S3	O	FL segment control	55	TU.RST	O	Reset signal to tuner
14	S2	O	FL segment control	56	P.CONT	O	Deck power control signal
15	S1	O	FL segment control	57	D.RESET	O	Reset signal to deck controller
16	1G	O	FL grid control	58	DCS IN	I	Compulink signal input
17	2G	O	FL grid control	59	DCS OUT	O	Compulink signal output
18	3G	O	FL grid control	60	DATA	O	Data for selectors
19	4G	O	FL grid control	61	STB	O	Strobe signal for selectors
20	5G	O	FL grid control	62	LATCH	O	Latch signal for IC802
21	6G	O	FL grid control	63	S.MUTE	O	Source muting
22	7G	O	FL grid control	64	VOL IND.	O	Indication control
23	-VPP	--	Power supply for FL display	65	ABX IND	O	Indication control
24	8G	O	FL grid control	66	STANDBY IND	O	Indication control
25	9G	O	FL grid control	67	H.PHONE	I	Head phone detect
26	10G	O	FL grid control	68	RST	I	System reset input
27	11G	O	FL grid control	69	X1	--	Connect to GND
28	12G/KO5	O	FL grid control / Key matrix output	70	X2(NC)	--	Not used
29	13G/KO4	O	FL grid control / Key matrix output	71	VSS	--	GND
30	14G/KO3	O	FL grid control / Key matrix output	72	OSC2	I/O	Oscillation terminal
31	15G/KO2	O	FL grid control / Key matrix output	73	OSC1	I/O	Oscillation terminal
32	16G/KO1	O	FL grid control / Key matrix output	74	VDD	--	Power supply
33	KI0	I	Key matrix input	75	S25	O	FL segment control
34	KI1	I	Key matrix input	76	S24	O	FL segment control
35	DOWN	O	Main volume control	77	S23	O	FL segment control
36	UP	O	Main volume control	78	S22	O	FL segment control
37	REQ	O	Request signal for IC096	79	S21	O	FL segment control
38	RESET	O	Reset signal for IC096	80	S20	O	FL segment control
39	STB2	O	Strobe signal for IC485	81	S19	O	FL segment control
40	CLR	--	Not used	82	S18	O	FL segment control
41	CLK	O	Clock output for IC802,805,811 and IC096	83	S17	O	FL segment control
42	BUSY	I	Busy signal from IC096	84	S16	O	FL segment control

## ■ HD614081SE39 (IC203) : Deck controller

### Terminal Layout

NR LED	1	64	A.FWD LED
NR LED (C)	2	63	A.REV LED
A.SPEED UP	3	62	B.FWD LED
B.SPEED UP	4	61	B.REV LED
MUSIC IN	5	60	REC LED
B.FWD REEL MOTOR	6	59	REV MODE
B.REV REEL MOTOR	7	58	BIAS
B.REV CAM MOTOR	8	57	NR OFF
B.FWD CAM MOTOR	9	56	REC MUTE
A.CAM SW 2	10	55	DCS IN
A.CAM SW 1	11	54	DCS OUT
A.CAM SW 0	12	53	GND
A.PULSE IN	13	52	OSC IN
B.CAM SW 2	14	51	OSC OUT
B.CAM SW 1	15	50	TO VCC
B.CAM SW 0	16	49	RESET IN
B.PULSE IN	17	48	KEY&SW IN 4
POWER OFF IN	18	47	KEY&SW IN 3
GND	19	46	KEY&SW IN 2
A.FWD REEL MOTOR	20	45	KEY&SW IN 1
A.REV REEL MOTOR	21	44	KEY OUT 4
A.REV CAM MOTOR	22	43	KEY OUT 3
A.FWD CAM MOTOR	23	42	KEY OUT 2
NR REC	24	41	KEY OUT 1
A MUTE	25	40	SW OUT 2
B MUTE	26	39	SW OUT 1
PLAY MUTE	27	38	HI-SPEED DUBBING
CAPSTAN MOTOR ON	28	37	HS CrO <sub>2</sub>
REC	29	36	HS METAL
FADE CONTROL	30	35	HS NORMAL
BEQ	31	34	CrO <sub>2</sub>
+5V	32	33	METAL

### Key matrix

	KEY IN 1 (Pin45)	KEY IN 2 (Pin46)	KEY IN3 (Pin47)	KEY IN4 (Pin48)
SW OUT 1 (Pin39)	—	B CrO <sub>2</sub>	METAL	—
SW OUT 2 (Pin40)	BPACK	REV REC	FWD REC	APACK
KEY OUT 1 (Pin41)	A◀ (S300)	A◀◀ (S301)	A▶▶ (S302)	A▶ (S303)
KEY OUT 2 (Pin42)	B◀ (S310)	B◀◀ (S311)	B▶▶ (S312)	B▶ (S313)
KEY OUT 3 (Pin43)	A■ (S320)	B■ (S321)	B.REC PAUSE (S322)	—
KEY OUT 4 (Pin44)	A▶▶B (S330)	DOLBY (S331)	REV. MODE (S332)	CD REC (S333)

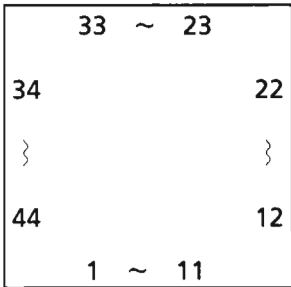
### Terminal Description

Pin NO.	Symbol	I/O	Function	Pin NO.	Symbol	I/O	Function
1	NR LED	O	Dolby B indicator signal output	33	METAL	O	Metal tape , normal speed record
2	NR LED(C)	O	Dolby C indicator signal output	34	CrO <sub>2</sub>	O	CrO <sub>2</sub> tape , normal speed record
3	A S UP	O	Reel speed up control (Deck A)	35	HS NORM	O	Normal tape , high speed record
4	B S UP	O	Reel speed up control (Deck B)	36	HS METAL	O	Metal tape , high speed record
5	MUSIC IN	I	Music scan signal input	37	HS CrO <sub>2</sub>	O	CrO <sub>2</sub> tape , high speed record
6	B F R M	O	Reel control signal for forward (Deck B)	38	HI DUB	O	It is "L" when high speed dubbing
7	B R R M	O	Reel control signal for reverse (Deck B)	39	SW O1	O	Keymatrix output for leaf switch
8	B R C M	O	Cam control signal for reverse (Deck B)	40	SW O2	O	Keymatrix output for leaf switch
9	B F C M	O	Cam control signal for forward (Deck B)	41	KEY O1	O	Key matrix output
10	A C SW2	I	Cam data input	42	KEY O2	O	Key matrix output
11	A C SW1	I	Cam data input	43	KEY O3	O	Key matrix output
12	A C SW0	I	Cam data input	44	KEY O4	O	Key matrix output
13	A.PULS IN	I	Reel pulse input from deck A	45	KEY/SW I1	I	Key matrix input
14	B C SW2	I	Cam data input	46	KEY/SW I2	I	Key matrix input
15	B C SW1	I	Cam data input	47	KEY/SW I3	I	Key matrix input
16	B C SW0	I	Cam data input	48	KEY/SW I4	I	Key matrix input
17	B.PULSE IN	I	Reel pulse input from deck B	49	RESET	I	Reset input
18	P.CONT	I	Inhibit input from system controller	50	TO VCC	--	Connected to VCC
19	GND	--	GND	51	OSC	--	Oscillation terminal
20	A F R M	O	Reel control signal for forward (Deck A)	52	OSC	--	Oscillation terminal
21	A R R M	O	Reel control signal for reverse (Deck A)	53	GND	--	GND
22	A R C M	O	Cam control signal for reverse (Deck A)	54	DCS OUT	O	Compulink output
23	A F C M	O	Cam control signal for forward (Deck A)	55	DCS IN	I	Compulink input
24	NR REC	O	It is "H" when recording with NR on	56	REC MUTE	O	Recording mute control
25	A MUTE	O	It is "H" when deck A is not playing	57	NR OFF	O	NR on/off control
26	B MUTE	O	It is "H" when deck B is not playing	58	BIAS	O	Bias on/off control
27	PLAY MU	O	Deck mute	59	REV MODE	O	Indication control for reverse mode
28	CAP CONT	O	Capstan on/off control	60	REC LED	O	Indication control for record
29	REC	O	It is "H" when recording	61	BREV LED	O	Indication control for reverse playback
30	FADE CON	O	It is "H" when recording with fade	62	BFWD LED	O	Indication control for forward playback
31	BEQ	O	It is "L" when CrO <sub>2</sub> tape is in deck B	63	AREV LED	O	Indication control for reverse playback
32	+5V	--	Power supply	64	AFWD LED	O	Indication control for forward playback

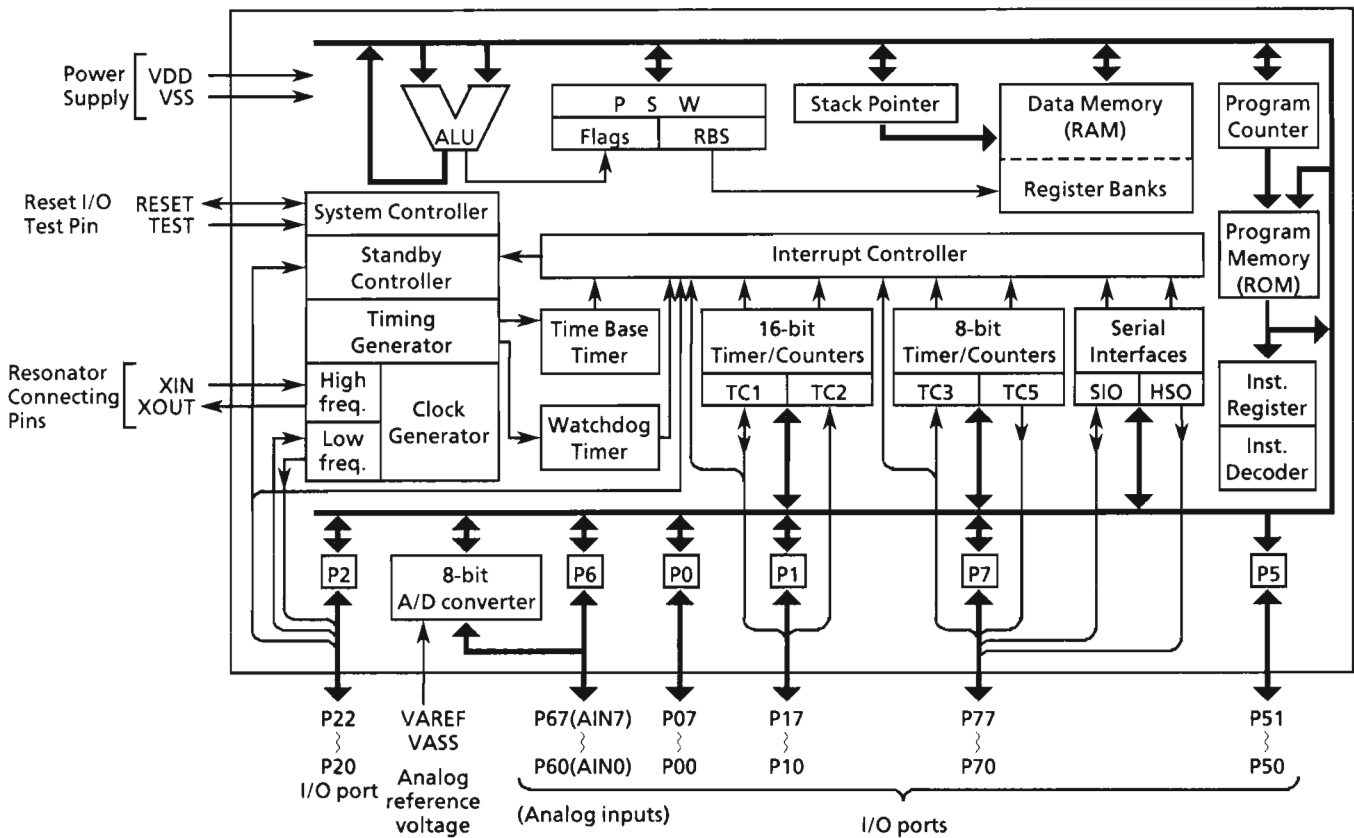
# DX-S700R

## ■ TMP87C847U-4195 (IC096) : CMOS 8-bit Microcontroller

### 1. Terminal Layout



### 2. Block Diagram



### 3. Pin Functions

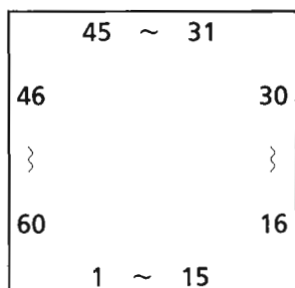
Pin No.	Symbol	I/O	Functions
1	P73 (SCK)	I	Serial clock input from IC901
2	P72 (PWM/PDO)	I/O	Not used
3	P71 (INT4)	I/O	Not used
4	P70 (INT3/TC3)	I/O	Not used
5	P07 (ACK)	I	Acknowledge signal input from IC081
6	P06 (IFCD)	O	Command/data switching signal to IC081

Pin No.	Symbol	I/O	Functions
7	P05 ( $\overline{\text{CS}}$ )	O	Chip select signal output to IC081
8	P04 ( $\overline{\text{RST}}$ )	O	Reset signal output to IC081
9	P03 (TEST0)	I	Test terminal, generally it is used as "L"
10	P02 (TB2)	I	Test terminal, generally it is used as "L"
11	P01 (TB1)	I	Test terminal, generally it is used as "L"
12	P00 (TB0)	I	Test terminal, generally it is used as "L"
13	TEST	I	Test pin for out-going test. Be tied to low
14	$\overline{\text{RESET}}$	I	Reset signal input or watchdog timer output/address-trap-reset output/system-clock-reset output
15	XIN	I	Resonator connecting pins for high-frequency clock. For inputting external clock, XIN is used and XOUT is opened
16	XOUT	O	Not used
17	VSS	--	GND
18	VAREF	--	Analog reference voltage
19~26	P60 (AIN0)~ P67 (AIN7)	I/O	Not used
27	P50	O	Not used
28	P51 (MUTE)	O	Mute signal output
29	P10 (INT0)	I/O	Not used
30	P11 ( $\overline{\text{REQ}}$ )	I	External interrupt request signal from IC901
31	P12 ( $\overline{\text{BUSY}}$ )	O	Busy output to IC901
32	P13 (DVO)	I/O	Not used
33	P14 (PPG)	I/O	Not used
34	P15 (VOL STB)	O	Volume strobe signal output for write data to IC807
35	P16 (VOL SI)	O	Volume serial data signal output to IC807
36	P17 (VOL CK)	O	Volume clock output for data transfer to IC807
37	P20 (INT5/STOP)	I/O	Not used
38	P21 (XTIN)	I/O	Not used
39	P22 (XTOUT)	I/O	Not used
40	VDD	--	Power supply (5V)
41	P77 (IFDI)	O	Serial data output to IC081
42	P76 (IFCK)	O	Shift clock output to IC081
43	P75 (SO)	I/O	Not used
44	P74 (SI)	I	Serial data input from IC901

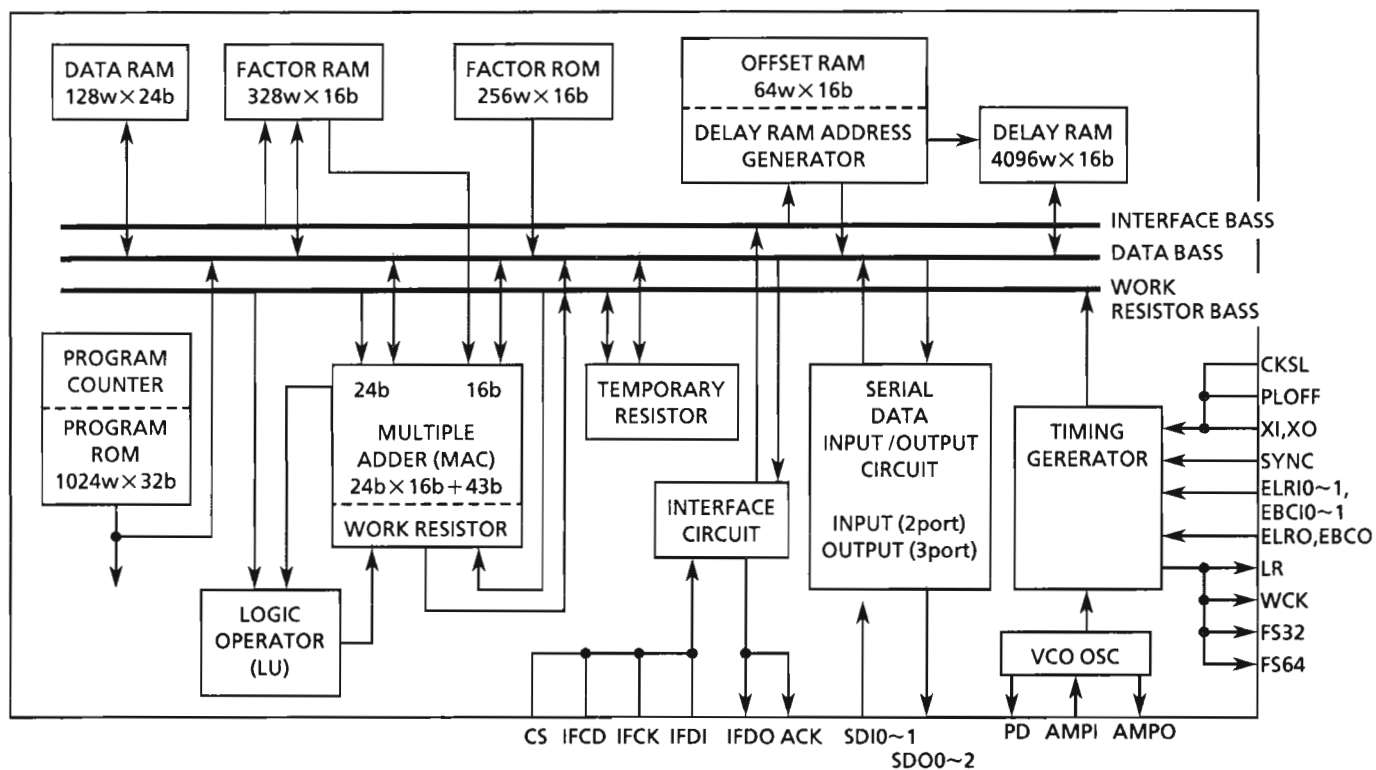
# DX-S700R

## TC9332F-010 (IC081) : Audio digital signal processor

### 1. Terminal Layout



### 2. Block Diagram



### 3. Pin Functions

Pin No.	Symbol	I/O	Functions
1~3	TP8~TP6	O	Test data output, Generally it is used as open
4	VDD	--	Power supply
5	VSS	--	GND
6~11	TP5~TP0	O	Test data output. Generally it is used as open
12	VSSR	--	GND for inner delay RAM (DLRAM)
13	VDDR	--	Power supply for inner delay RAM (DLRAM) (5V)
14	VSS	--	GND
15	SDO2	O	Not used
16	SDO1	O	Serial data output to IC061



Pin No.	Symbol	I/O	Functions
17	SDO0	O	Serial data output to IC041
18	SDI1	I	Not used
19	SDI0	I	Serial data input from IC021
20	LR	O	LR clock output (1fs)
21	WCK	O	Word clock output (2fs)
22	FS32	O	Bit clock output (32fs)
23	FS64	O	Bit clock output (64fs)
24	EBC0	I	Bit clock input. Shift clock input for SDO 0/1/2 data output
25	EBCI1	I	Bit clock input. Shift clock input for SDI 0/1 data input
26	EBCI0	I	Bit clock input. Shift clock input for SDI 0/1 data input
27	ELRO	I	LR clock input for SDO 0/1/2 data output
28	ELRI1	I	LR clock input for SDI 0/1 data input
29	ELRI0	I	LR clock input for SDI 0/1 data input
30	SYNC	I	Synchronizing signal input. SYNC signal edge sets program counter "0" forcefully. The microprocessor controls the polarity
31	VDD	--	Power supply (5V)
32	XI	I	X'tal oscillation terminal
33	XO	O	X'tal oscillation terminal
34	VSS	--	GND
35	CKSL	I	Oscillation clock switching terminal L:384fs, H:512fs
36	PLOFF	I	Oscillation mode switching terminal for 'Xtal and VCO. Built-in VCO oscillation mode in "L" and 'Xtal oscillation mode in "H"
37	PD	O	Phase comparison data output
38	VSSA	--	Analog GND
39	AMPO	O	Amplifier output for L.P.F
40	AMPI	I	Amplifier input for L.P.F
41	VDDA	--	Analog Power supply (5V)
42~44	TES0~TES2	I	Test terminal, Generally it is transmitted from $\mu$ -com when cs is lactive
45	$\overline{\text{RST}}$	I	Reset signal input from IC096
46	$\overline{\text{CS}}$	I	Chip select signal input from IC096
47	IFCD	I	It selects command or data input mode from IC096. It recognizes the command in "H" and the data in "L"
48	IFDI	I	$\mu$ -com data input. Firstly, LSB of data and command are received.
49	IFDO	O	Data output of data bass. LSB of data bus data is transmitted to $\mu$ -com
50	IFCK	I	Shift clock input form IC096
51	$\overline{\text{ACK}}$	O	Acknowledge signal output for IC096. Acknowledge signal is output when command and data's parity are OK
52	VSS	--	GND
53~60	TP16~TP9	O	Test data output. Generally, it is used as open

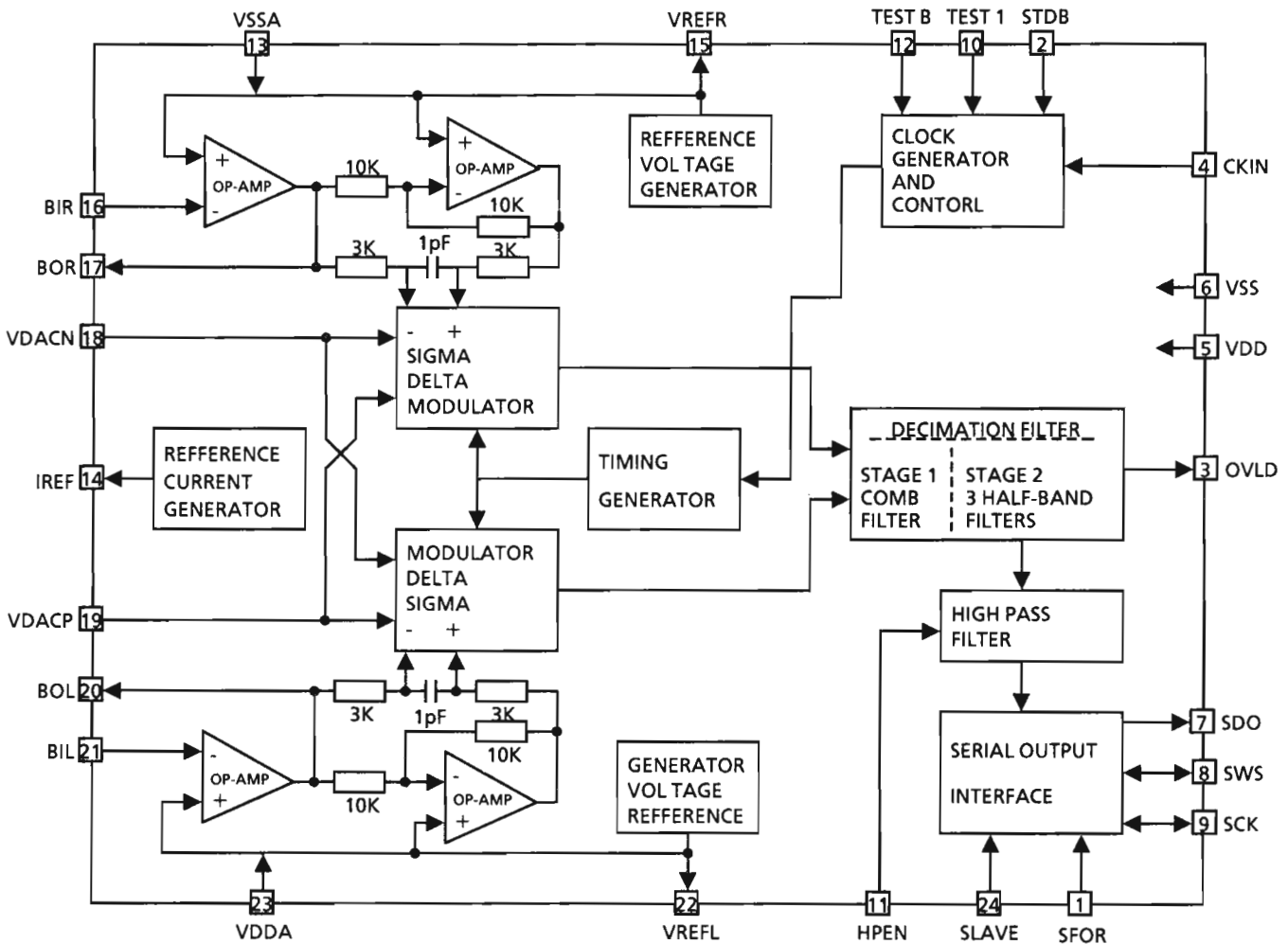
# DX-S700R

## ■ SAA7366T (IC021) : A/D Converter

### 1. Terminal Layout

SFOR	1	24	SLAVE
STDB	2	23	VDDA
OVLD	3	22	VREFL
CKIN	4	21	BIL
VDD	5	20	BOL
VSS	6	19	VDACP
SDO	7	18	VDACN
SWS	8	17	BOR
SCK	9	16	BIR
TEST 1	10	15	VREFR
HPEN	11	14	IREF
TEST B	12	13	VSSA

### 2. Block Diagram



## 3. Pin Functions

Pin No.	Symbol	I/O	Functions
1	SFOR	I	Input for selecting serial interface output format. HIGH = Format 1 LOW = Format 2
2	STDB	I	Input for selecting STANDBY mode HIGH = Normal operation LOW = STANDBY (Low power consumption)
3	OVLD	O	Overload indication output. This pin indicates whether the internal digital signal is within 1dB of maximum. In STANDBY mode this output is in high impedance
4	CKIN	I	System clock input from IC093
5	VDD	--	Supply for the digital section (5V)
6	VSS	--	Ground supply for the digital section
7	SDO	O	Serial interface data output to IC081. In STANDBY mode this output is in high impedance
8	SWS	I/O	Serial interface word select signal. This pin is the word select input to the serial interface.
9	SCK	I/O	Serial interface clock. This pin is the input for the external bit clock.
10	TEST1	I	Test input 1. This pin should be left open circuit
11	HPEN	I	High pass filter enable input. (HPEN HIGH = enabled). If unconnected this pin defaults HIGH
12	TESETB	I	Test input 2. This pin should be left open circuit
13	VSSA	--	Ground supply for the analogue section
14	IREF	--	Current reference mode
15	VREFR	--	VDDA/2 reference generator for the right channel analog section
16	BIR	I	Buffer op-amp inverting input for right channel
17	BOR	O	Buffer op-amp output for right channel
18	VDACN	I	Negative 1 bit DAC reference voltage input, normally connected to 0V
19	VDACP	I	Positive 1 bit DAC reference voltage input, normally connected to 5V
20	BOL	O	Buffer op-amp output for left channel
21	BIL	I	Buffer op-amp inverting input for left channel
22	VREFL	--	VDDA/2 reference generator for the left channel analog section
23	VDDA	--	Supply for the analog section (5V)
24	SLAVE	I	Input for selecting serial interface operating mode MASTER/SLAVE HIGH = SLAVE, LOW = MASTER If unconnected the pin will default LOW

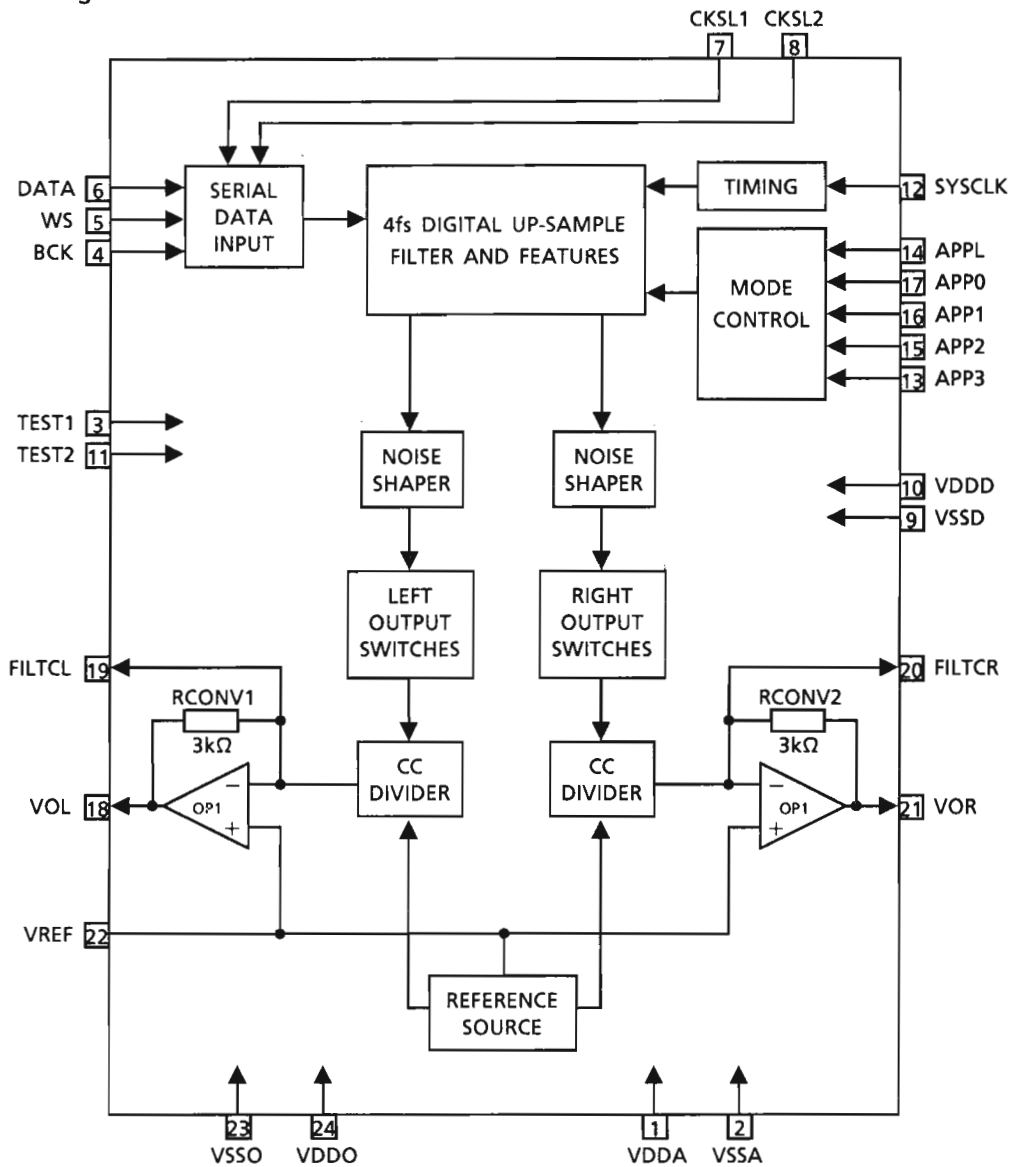
# DX-S700R

## ■ TDA1386T (IC041,061) : Noise shaping filter-DAC

### 1. Terminal Layout

VDDA	1	24	VDDO
VSSA	2	23	VSSO
TEST1	3	22	VREF
BCK	4	21	VOR
WS	5	20	FILTCL
DATA	6	19	FILTCL
CKSL1	7	18	VOL
CKSL2	8	17	APP0
VSSD	9	16	APP1
VDDD	10	15	APP2
TEST2	11	14	APPL
SYSCLK	12	13	APP3

### 2. Block Diagram



## 3. Pin Functions

Pin No.	Symbol	I/O	Functions
1	VDDA	--	Analog supply voltage (5V)
2	VSSA	--	Analog ground
3	TEST1	--	Test input 1 ; pin should be connected to ground
4	BCK	I	Bit clock input from IC081
5	WS	I	Word select input from IC081
6	DATA	I	Data input from IC081
7	CKSL1	I	Format selection 1
8	CKSL2	I	Format selection 2
9	VSSD	--	Digital ground
10	VDDD	--	Digital supply voltage (5V)
11	TEST2	--	Test input 2 ; pin should be connected to ground
12	SYSCLK	I	System clock 256fs input from IC093
13	APP3	I	Application mode 3 input
14	APPL	I	Application mode selection input
15	APP2	I	Application mode 2 input
16	APP1	I	Application mode 1 input
17	APP0	I	Application mode 0 input
18	VOL	O	Left channel output
19	FILTCL	O	Capacitor for left channel first-order filter function, should be connected between pins 19 and 18
20	FILTCR	O	Capacitor for right channel first-order filter function, should be connected between pins 20 and 21
21	VOR	O	Right channel output
22	VREF	--	Internal reference voltage for output channels (0.5 VDDO typ.)
23	VSSO	--	Operational amplifier ground
24	VDDO	--	Operational amplifier supply voltage (5V)

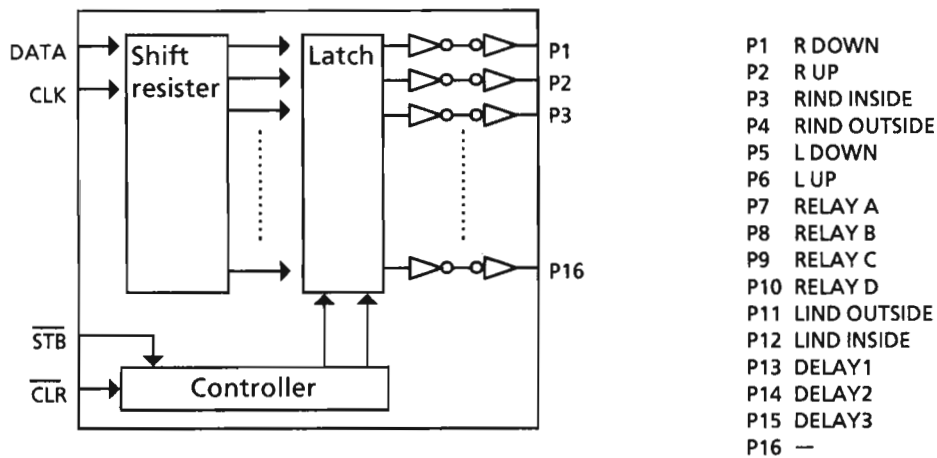
# DX-S700R

## ■ NJU3715L (IC485) : 16-BIT Serial-parallel converter

### 1. Terminal layout

RELAY A	1	22	VDD
RELAY B	2	21	L UP
RELAY C	3	20	L DOWN
RELAY D	4	19	RIND OUTSIDE
LIND OUTSIDE	5	18	RIND INSIDE
VSS	6	17	R UP
LIND INSIDE	7	16	R DOWN
NC	8	15	CLR
NC	9	14	STB
NC	10	13	CLK
NC	11	12	DATA

### 2. Internal Block Diagram



### 3. Terminal Description

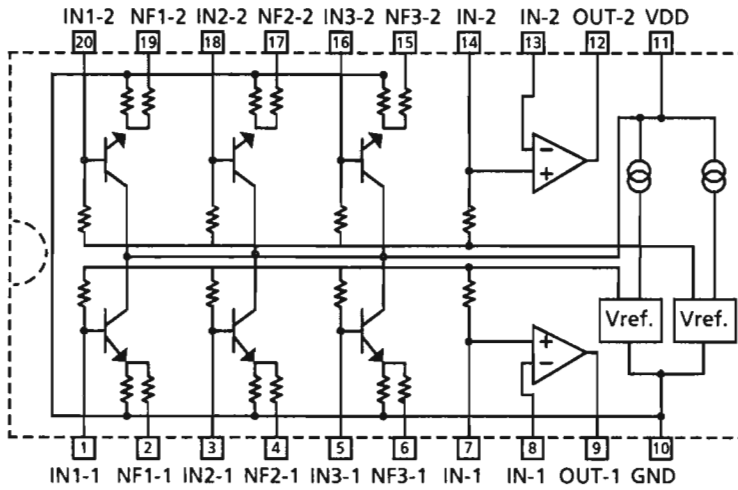
Pin No.	I/O	Function
1~5, 7~11, 16~21	O	Parallel data output
12	I	Serial data input
13	I	Clock input (When this terminal is set low level, all of the output become low.)
14	I	Strobe signal input
15	I	Clear signal input

### 4. Function

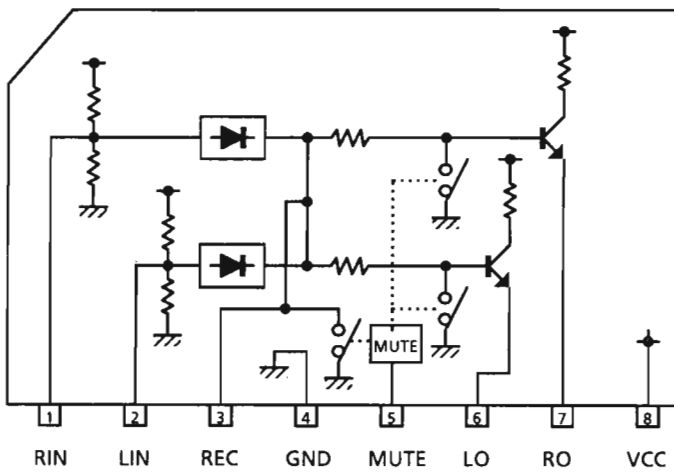
CLK	STB	CLR	Function
X	X	L	All the data stored in the latch circuit are eliminated. (The data in the shift register are not eliminated.)
	H	H	Data are inputted synchronizing the rising edge of the clock.
L	L	H	The data in the shift register are transmitted to the latch circuit. The data outputted from parallel outputs.
	L	H	The data in the shift register are shifted synchronizing the rising edge of the clock. (The data outputted from the latch circuit are changed.)

■ M5243P12 (IC810) : S.E.A. Graphic Equalizer

1. Functions  
It makes inductive characteristic instead of coil.
2. Block Diagram



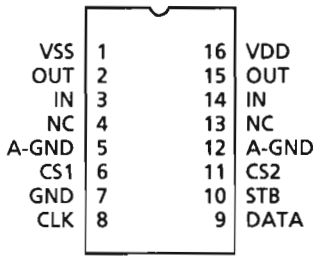
■ BA8221AN (IC202) : ALC



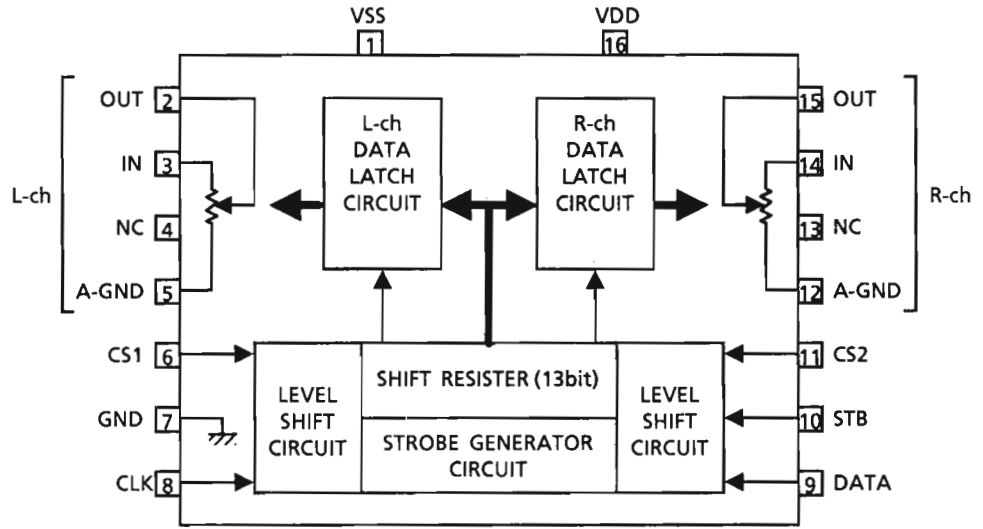
# DX-S700R

## TC9299P (IC807) : Electronic volume

### 1. Terminal Layout



### 2. Block Diagram



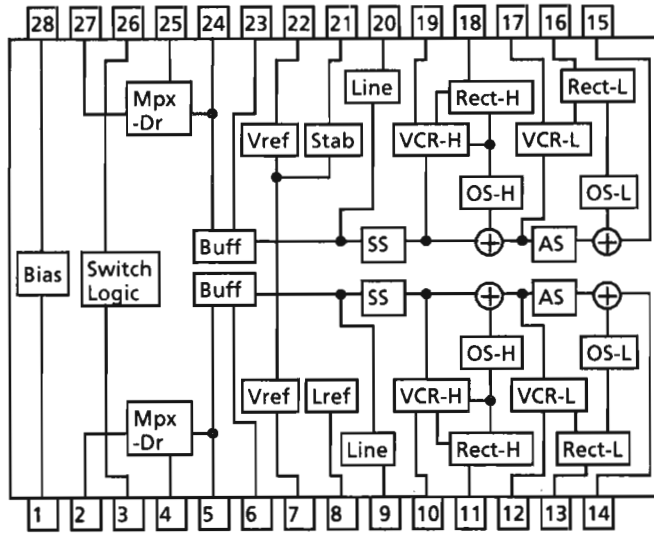
### 3. Pin Functions

Pin No.	Symbol	I/O	Functions	Pin No.	Symbol	I/O	Functions
1	VSS	--	Power supply voltage (-)	9	DATA	I	Serial data input to set fader.
2	L-OUT	O	Volume output	10	STB	I	Strobe signal input for write data
3	L-IN	I	Volume input	11	CS2	I	Chip select input
4	NC	--	Not used	12	R-A-GND	--	Analog ground
5	L-A-GND	--	Analog ground	13	NC	--	Not used
6	CS1	I	Chip select input	14	R-IN	I	Volume input
7	GND	--	Ground	15	R-OUT	O	Volume output
8	CLK	I	Input data transfer clock	16	VDD	--	Power supply voltage (+)



■ AN7374K (IC201) : Dolby IC

1. Block Diagram



2. Pin function

Pin No	Symbol	Function	Pin No	Symbol	Function
1	GND	GND	15	REC OUT-L	Ch. B REC-OUT
2	REC IN-R	Ch. A REC-IN	16		Ch. B LLS control signal rectifier
3	OFF/B/C	C-type/B-type/OFF NR switch	17		Ch. B LLS control resistance
4	PB IN-R	Ch. A PB-IN	18		Ch. B HLS control signal rectifier
5		Ch. A MPX filter sriver output	19		Ch. B HLS control resistance
6		Ch. A Processor input	20	PB OUT-L	Ch. B LINE -OUT
7		Ch. A reference voltage output	21		Reference voltage input
8		Reference curent generator	22		Ch. B reference voltage output
9	PB OUT-R	Ch. A LINE -OUT	23		Ch. B Processor input
10		Ch. A HLS control resistance	24		Ch. B MPX filter sriver output
11		Ch. A HLS control signal rectifier	25	PB IN-L	Ch. B PB-IN
12		Ch. A LLS control resistance	26	PB/REC	PB/REC/PBmpx Mode switch
13		Ch. A LLS control signal rectifier	27	REC IN-L	Ch. B REC-IN
14	REC OUT-R	Ch. A REC-OUT	28	Vcc	Vcc

# DX-S700R

## ■ XR1099CP(IC461) : 7-channel graphic equalizer filter with A/D converter

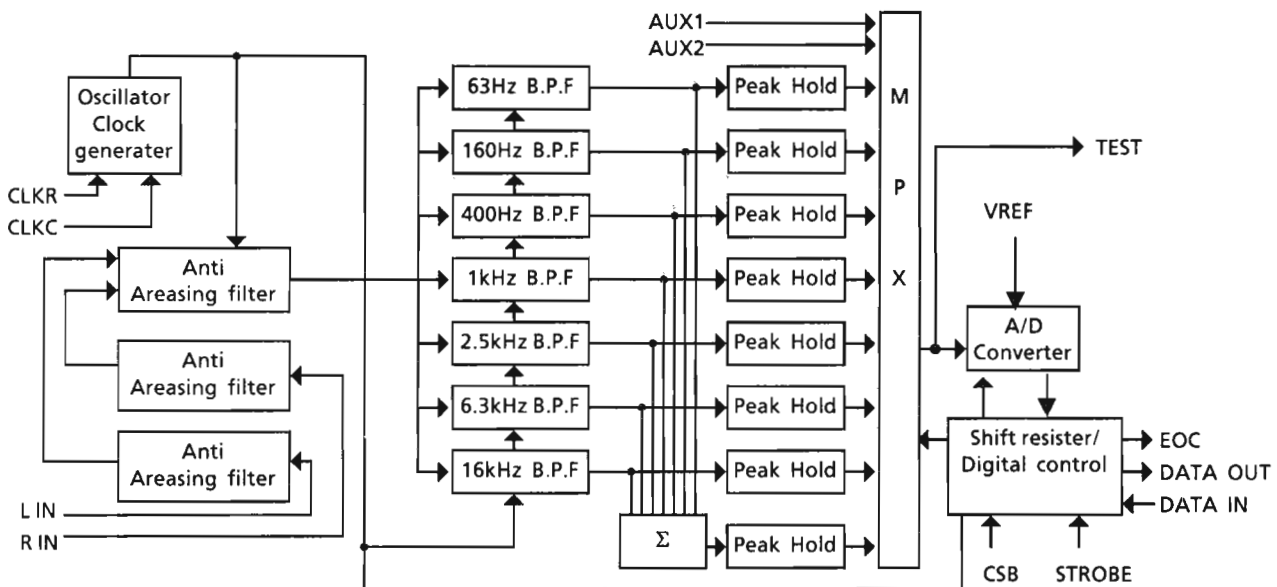
### 1. Terminal Layout

CSB	1	16	VDD
STB	2	15	CLKR
DATAI	3	14	CLKC
DATAO	4	13	GND
EOC	5	12	LIN
VREF	6	11	RIN
AUX2	7	10	VSS
AUX1	8	9	TEST

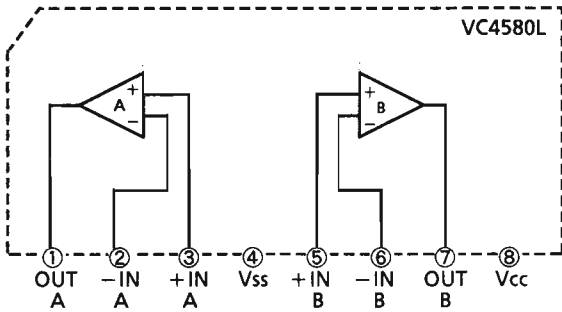
### 2. Terminal Description

Pin No	Symbol	I/O	Function	Pin No	Symbol	I/O	Function
1	CSB	I	Chip select	9	TEST	--	TEST Terminal
2	STB	I	Strobe signal	10	VSS	--	-5V
3	DATAI	I	Data input	11	RIN	I	Sound signal input
4	DATAO	O	Data output	12	LIN	I	Non connection
5	EOC	O	End of conversion	13	GND	--	GND
6	VREF	I	A/D converter reference voltage	14	CLKC	I	A capacitor is connected
7	AUX2	I	Non connection	15	CLKR	I	A resister is connected
8	AUX1	I	Non connection	16	VDD	--	+5V

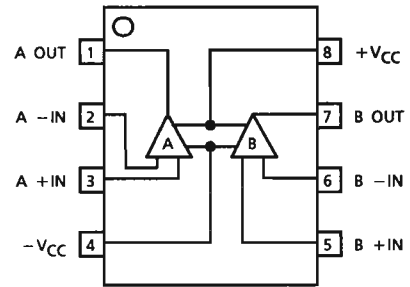
### 3. Internal Block Diagram



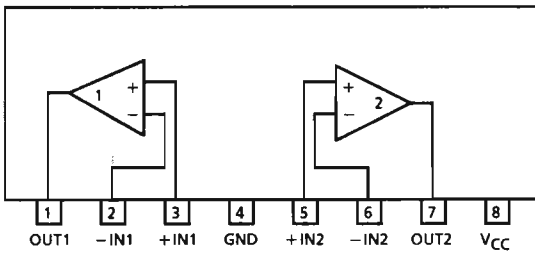
■ VC4580L (IC803) : Dual OP Amp.



■ VC4580LD(IC801,812,813) : Dual OP Amp.

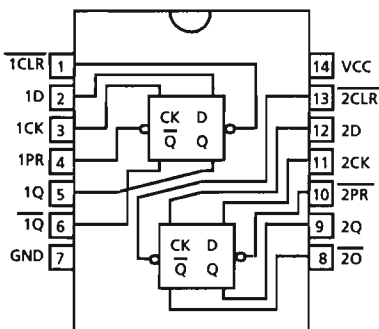


■ BA15218N(IC804,806,809,965) : Dual OP Amp.



■ TC74HC74AF (IC093) : DUAL D FLIP FLOP WITH PRESET AND CLEAR

1. Terminal Layout



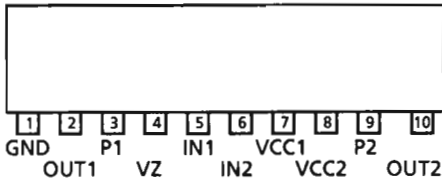
2. Pin function

INPUTS				OUTPUTS		FUNCTION
CLR	PR	D	CK	Q	Q	
L	H	X	X	L	H	CLEAR
H	L	X	X	H	L	PRESET
L	L	X	X	H	H	—
H	H	L	↑	L	H	—
H	H	H	↑	H	L	—
H	H	X	↓	Qn	Qn	NO CHANGE

X: Don't care

# DX-S700R

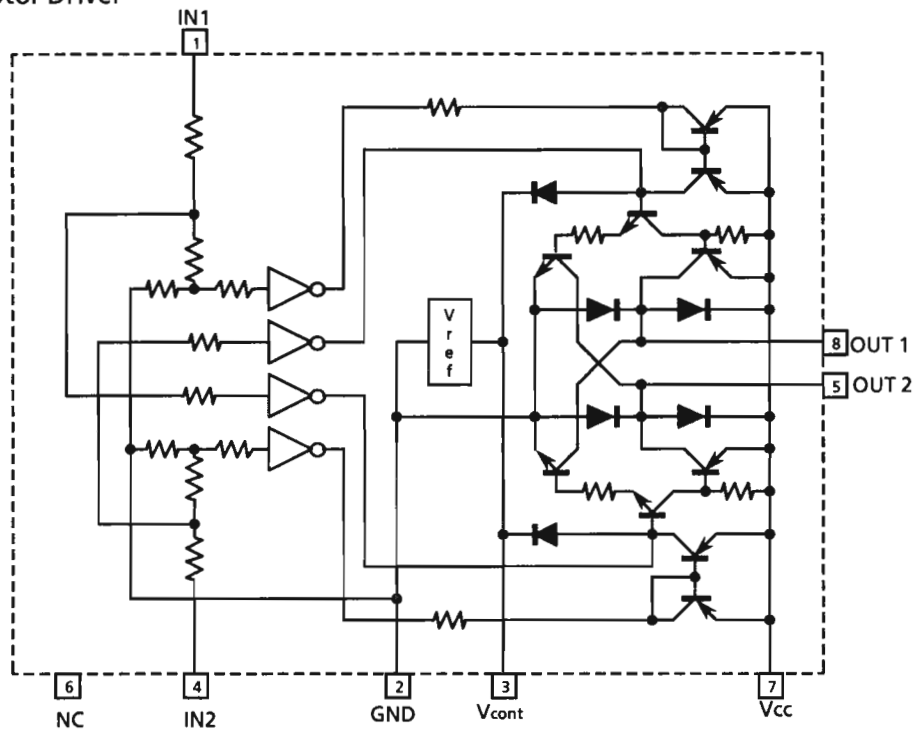
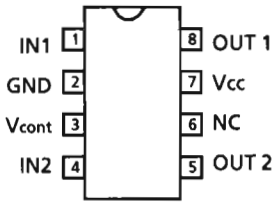
## ■ LB1641 (IC204~207) : DC Motor Driver



Input		Output		Mode
IN1	IN2	OUT1	OUT2	
0	0	0	0	Brake
1	0	1	0	CLOCKWISE
0	1	0	1	COUNTER-CLOCKWISE
1	1	0	0	Brake

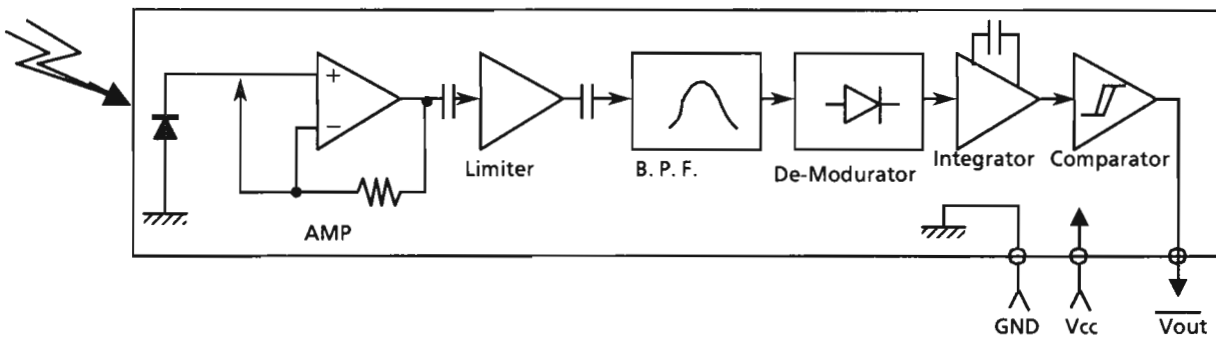
∞ : Hi impedance

## ■ LB1639-CV (IC481,482,814) : Motor Driver



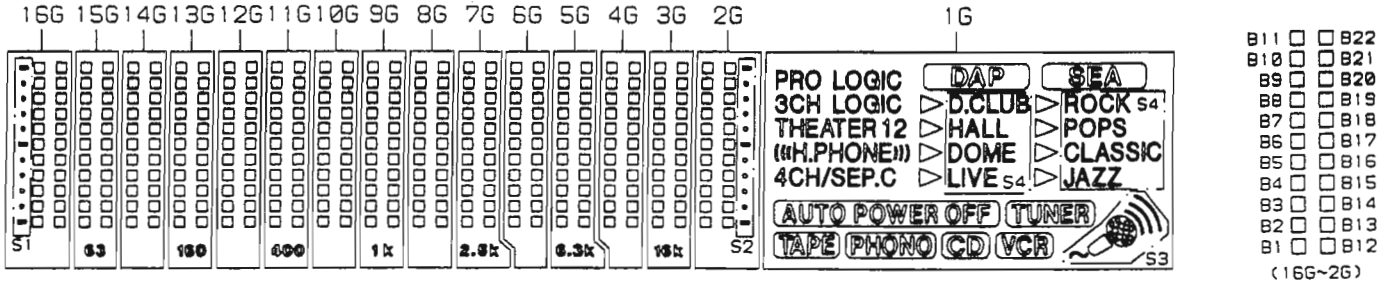
IN 1	IN 2	OUT 1	OUT 2	MOTOR
H	L	H	L	CLOCKWISE
L	H	L	H	COUNTER-CLOCKWISE
H	H	OFF	OFF	WAITING
L	L	OFF	OFF	WAITING

## ■ SPS-420-1 (IC902) : Remocon Module IC



# Internal Connections of the FL Display

■ ELU0001-192 : FL901



## Pin Connection

PIN NO.	5	4	4	4	4	4	4	4	4	4	3	3	3	3	3	3	2	2	2	2	2	2	2	1	1	1	1	1	1	1	1	1	1	1	1									
CONNECTION	P	P	P	P	P	P	P	P	P	P	P	P	P	P	P	P	P	D	N	N	N	N	N	N	1	2	3	4	5	6	7	8	9	0	1	2	3	4	5	6	N	N	F	F

PIN NO.	5	5	5	5	5	5	5
CONNECTION	F	F	N	N	N	2	2

NOTE 1) F1, F2 --- Filament  
 2) NP ----- No pin  
 3) DL ----- Datum Line  
 4) 1G~16G --- Grid  
 5) NX ----- No extend pin  
 6) DA ----- Dummy Anode

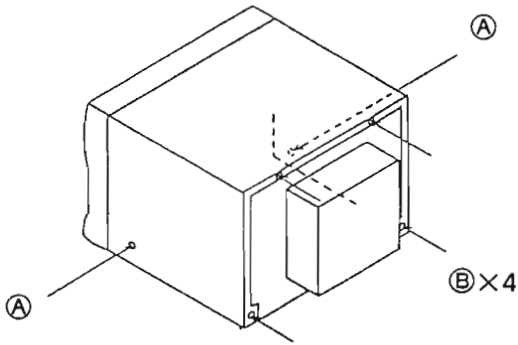
## Anode Connection

	16G	15G	14G	13G	12G	11G	10G	9G	8G	7G	6G	5G	4G	3G	2G	1G
P1	B1	B1	B1	B1	B1	B1	B1	B1	B1	B1	B1	B1	B1	B1	B1	TAPE
P2	B2	B2	B2	B2	B2	B2	B2	B2	B2	B2	B2	B2	B2	B2	B2	PHONO
P3	B3	B3	B3	B3	B3	B3	B3	B3	B3	B3	B3	B3	B3	B3	B3	CD
P4	B4	B4	B4	B4	B4	B4	B4	B4	B4	B4	B4	B4	B4	B4	B4	TUNER
P5	B5	B5	B5	B5	B5	B5	B5	B5	B5	B5	B5	B5	B5	B5	B5	(LIVE)
P6	B6	B6	B6	B6	B6	B6	B6	B6	B6	B6	B6	B6	B6	B6	B6	(H.PHONE)
P7	B7	B7	B7	B7	B7	B7	B7	B7	B7	B7	B7	B7	B7	B7	B7	(CLASSIC)
P8	B8	B8	B8	B8	B8	B8	B8	B8	B8	B8	B8	B8	B8	B8	B8	1
P9	B9	B9	B9	B9	B9	B9	B9	B9	B9	B9	B9	B9	B9	B9	B9	(HALL)
P10	B10	B10	B10	B10	B10	B10	B10	B10	B10	B10	B10	B10	B10	B10	B10	(D.CLUB)
P11	B11	B11	B11	B11	B11	B11	B11	B11	B11	B11	B11	B11	B11	B11	B11	PRO LOGIC
P12	-	-	-	-	-	-	-	-	-	-	-	-	-	-	-	SEA
P13	B12	B12	B12	B12	B12	B12	B12	B12	B12	B12	B12	B12	B12	B12	B12	VCR
P14	B13	B13	B13	B13	B13	B13	B13	B13	B13	B13	B13	B13	B13	B13	B13	AUTO POWER OFF
P15	B14	B14	B14	B14	B14	B14	B14	B14	B14	B14	B14	B14	B14	B14	B14	4CH/SEP.C
P16	B15	B15	B15	B15	B15	B15	B15	B15	B15	B15	B15	B15	B15	B15	B15	(JAZZ)
P17	B16	B16	B16	B16	B16	B16	B16	B16	B16	B16	B16	B16	B16	B16	B16	(DOME)
P18	B17	B17	B17	B17	B17	B17	B17	B17	B17	B17	B17	B17	B17	B17	B17	S4
P19	B18	B18	B18	B18	B18	B18	B18	B18	B18	B18	B18	B18	B18	B18	B18	THEATER
P20	B19	B19	B19	B19	B19	B19	B19	B19	B19	B19	B19	B19	B19	B19	B19	2
P21	B20	B20	B20	B20	B20	B20	B20	B20	B20	B20	B20	B20	B20	B20	B20	(POPS)
P22	B21	B21	B21	B21	B21	B21	B21	B21	B21	B21	B21	B21	B21	B21	B21	(ROCK)
P23	B22	B22	B22	B22	B22	B22	B22	B22	B22	B22	B22	B22	B22	B22	B22	DAP
P24	-	-	-	-	-	-	-	-	-	-	-	-	-	-	-	3CH LOGIC
P25	S1	63	-	100	-	400	-	1k	-	2.5k	-	6.3k	-	10k	S2	S3

# Disassembly Procedures

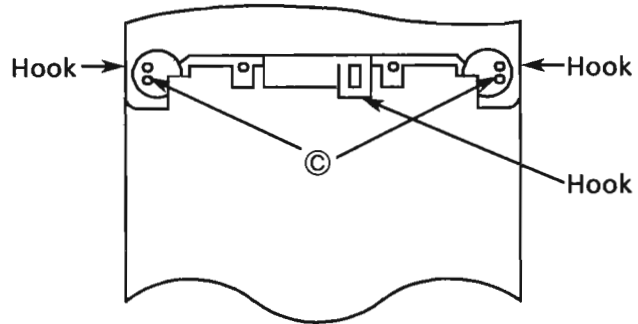
**(1) Removing the top cover**

1. Remove 6 screws **(A)** and **(B)** fastening the rear and sides of the top cover to remove the cover.



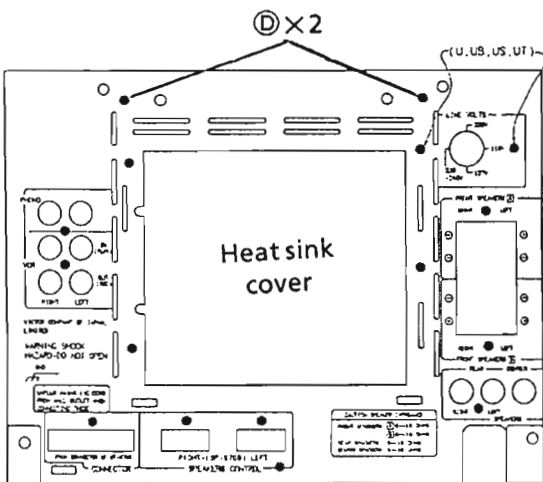
**(2) Removing the Front panel assembly**

1. Remove the top cover. (Refer to Item 1)
2. Pull out the main volume knob and remove the nut fixing the main volume.
3. Disconnect the connectors JB951,JB221,P905,P952 and J511.
4. Remove 2 screws **(C)** and 3 hooks fastening the assembly with chassis to remove the assembly.



**(3) Removing the rear panel**

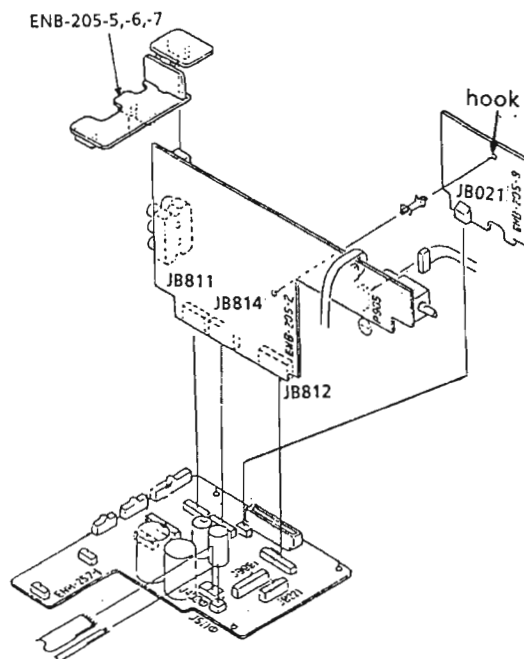
1. Remove the top cover. (Refer to Item 1)
2. Remove 2 screws **(D)** to remove the heat sink cover.
3. Remove the heat sink cover.
4. Remove 12 screws **(D)** fixing the rear panel to remove it.



- **(D)** x 14 (U,US,UT,UB)
- **(D)** x 12 (Except U,US,UT,UB)

**(4) Removing the Main volume & External input circuit board. (ENB-205-2)**

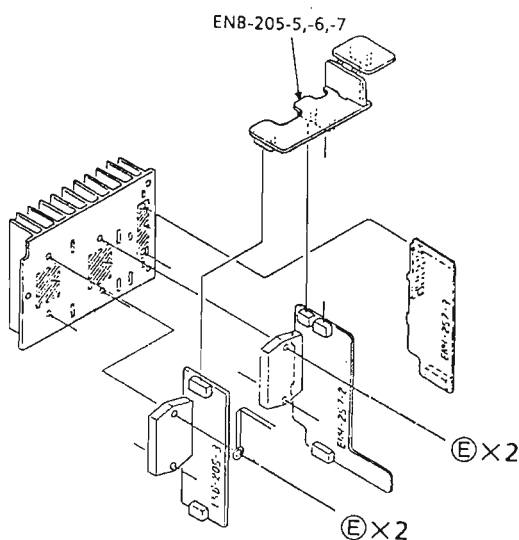
1. Remove the front panel assembly and rear panel. (Refer to Item 2 and 3)
2. Remove the junction circuit board (ENB-205-5,-6,-7).
3. Remove hook fastening the junction circuit board (ENB-205-9).
4. Disconnect the connector JB021 to disassemble junction circuit board (ENB-205-9).
5. Disconnect the connectors JB811,JB812 and JB814 to disassemble Main volume & External input circuit board.



**(A)** .. SDSG3006M    **(B)** ... GBSG3008CC    **(C)** ... SBST3008M    **(D)** ... E73273-003

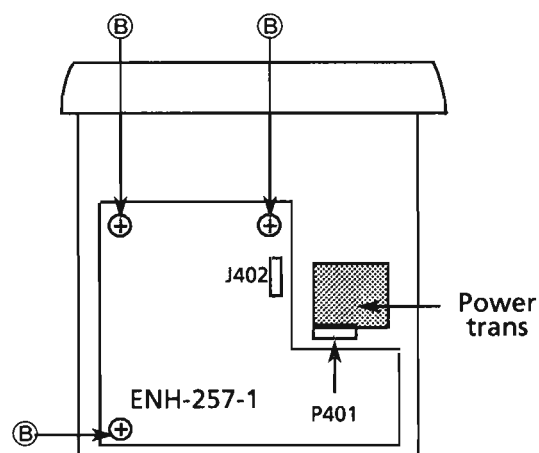
**(5) Removing the Power IC**

1. Remove the Main volume & External input circuit board. (Refer to Item 4)
2. Remove the power amp. circuit board (ENB-205-3, ENH-257-2, ENH-257-3) with the heat sink.
3. Remove the each 2 screws (E) fixing both the power amp. ic.
4. Unsolder it.



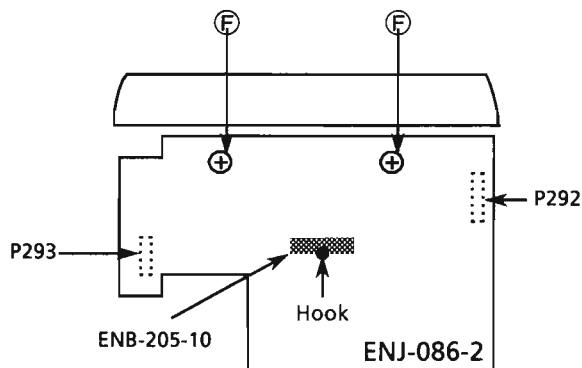
**(6) Removing the Main circuit board (ENH-257-1)**

1. Remove the power IC. (Refer to Item 5)
2. Remove the Speaker terminal circuit board (ENB-205-4).
3. Disconnect the connectors J402 and P401
4. Remove 3 screws (B) fixing the circuit board.
5. Remove the Main circuit board.



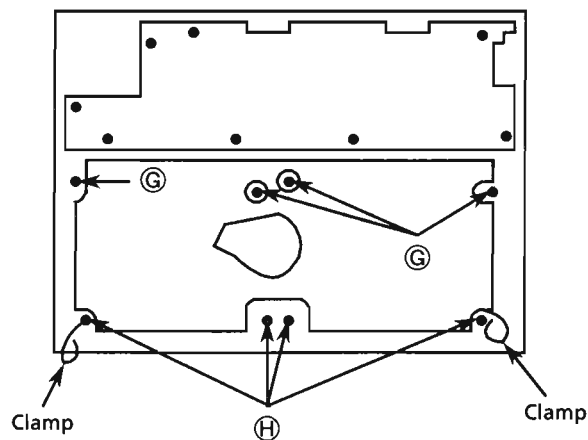
**(7) Removing the Deck control circuit board (ENJ-086-2)**

1. Remove the front panel assembly. (Refer to Item 2)
2. Disconnect the connectors P292 and P293.
3. Remove the 2 screws (F) fixing the circuit board.
4. Remove hook fastening the Deck CB holder circuit board (ENB-205-10).
5. Remove the Deck control circuit board.



**(8) Removing the mechanism assembly**

1. Remove the Deck control circuit board. (Refer to Item 7)
2. Remove the 8 screws (G) and (H) to remove the assembly.



(B) GBSG3008CC

(E) SBSG3014CC

(F) SPST2604Z

(G) SBSF3008Z

(H) SBST3006Z

# Technical Explanation

## 1. Outline

RDS (Radio Data System) means the system to transmit control signal such as frequency information for tuning, traffic information and so on.

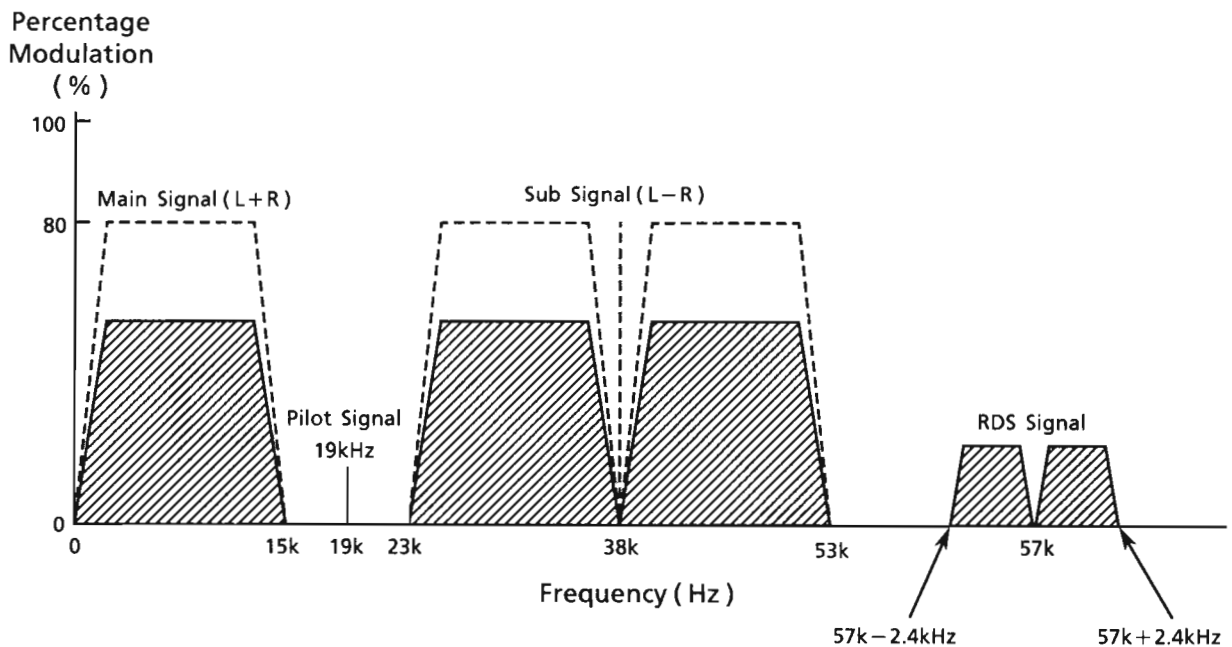
RDS signal which is DSB(Double Side Band) modulated at sub carrier frequency of 57kHz is FM modulated into main carrier signal.

Table-1 shows the details for RDS signal.

Figure 1 shows the frequency spectrum at RDS signal and stereo modulated ( composite ) signal.

[Table-1] RDS signal's Specification

	Item	Specification
Modulation Form	Sub Carrier Frequency	57kHz
	Sub Carrier Modulation Form	Duble Sideband Carrier Suppression Amplitude Modulation
	Frequency Deviation	RDS only : $\pm 2\text{kHz}$ TRI: $\pm 1.2\text{kHz}$
	Data Modulation Form	Two Phase PSK ( Phase Shift Keying )
	Data Coding Form	Differential Coding
	Occupied Bandwidth	$57\text{kHz} \pm 2.4\text{kHz}$ ( $\sqrt{100\%}$ cosine roll off Characteristic
Data Form	Bit late	1,187.5bit/s
	Error correcting	(26,16) Reduction Cyclic Code
	1 Block	26bit
	1 Group	104bit ( 4 block )
	Synchronism Form	Offset ward

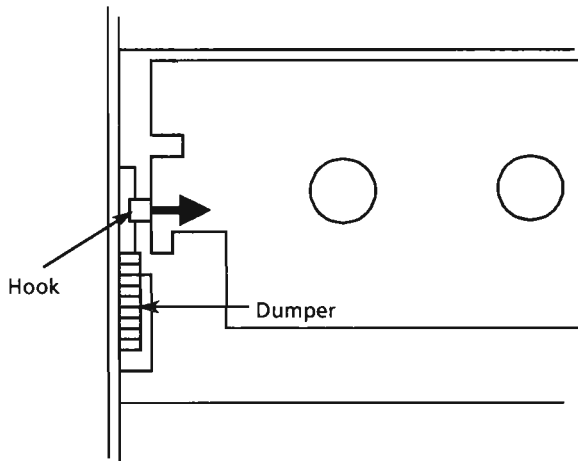


[ Fig. 1 ] Frequency Spectrum at RDS signal & Stereo modulated Signal



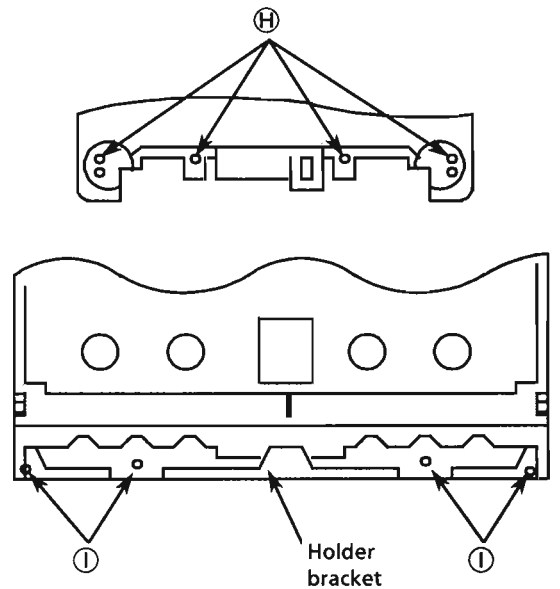
**(13) Removing the dumpers**

1. Remove the mechanism assembly. (Refer to Item 8)
2. Remove the cassette holder. (Refer to Item 12)
3. Press the hook and release it to remove the dumper. (See an arrow)



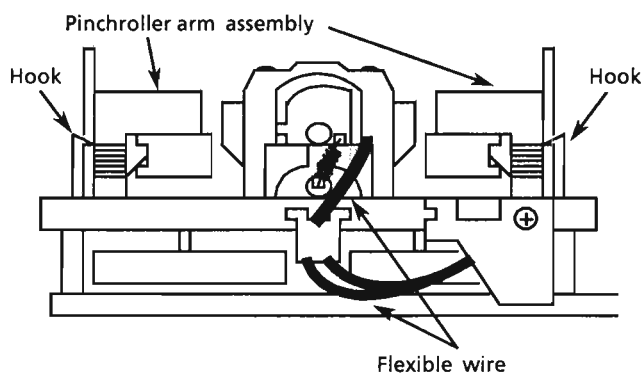
**(14) Removing the Front SW circuit board (ENB-205-8)**

1. Remove the cassette holders. (Refer to Item 12)
2. Remove the door lock plate assembly. (Refer to Item 10)
3. Remove the 4 screws (H) to remove the holder bracket fixing the SW circuit board.
4. Remove 4 screws (I) to remove the circuit board.



**(15) Removing the pinchroller arm assembly**

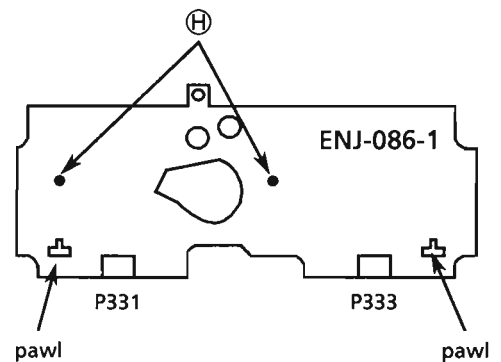
1. Remove the mechanism assembly. (Refer to Item 8)
2. Release the hook holding the assembly to remove it.



Bottom view of the mechanism

**(16) Removing the deck audio circuit board (ENJ-086-1)**

1. Remove mechanism assembly. (Refer to Item 8)
2. Disconnect P331 and P333.
3. Remove the 2 screws (H) to remove the circuit board. (Pay attention to the pawls.)

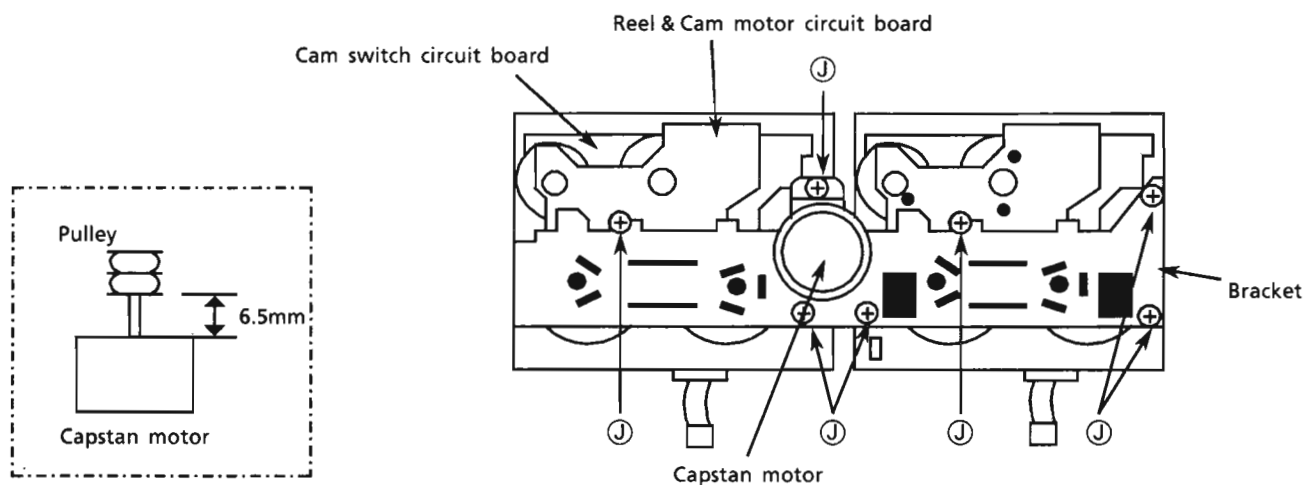


(H) .. SBST3006Z

(I) ... SDSF2608Z

**(17) Removing the capstan motor**

1. Remove the deck audio circuit board. (Refer to Item 16)
2. Remove the 7 screws ① fixing the bracket.
3. Release the hooks holding the bracket to remove the bracket with the capstan motor.
4. Remove the 2 screws fixing the motor to remove it.



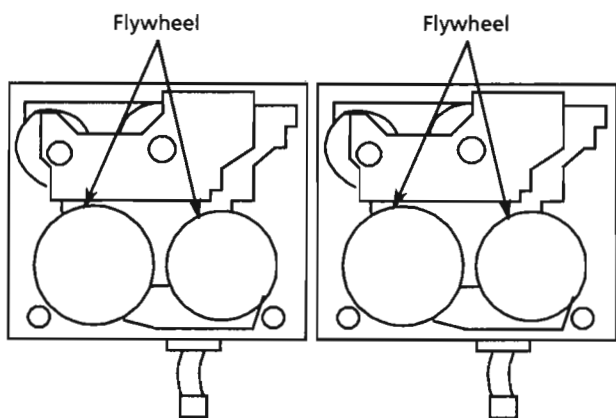
Behind of the mechanism

**(18) Removing the Flywheels**

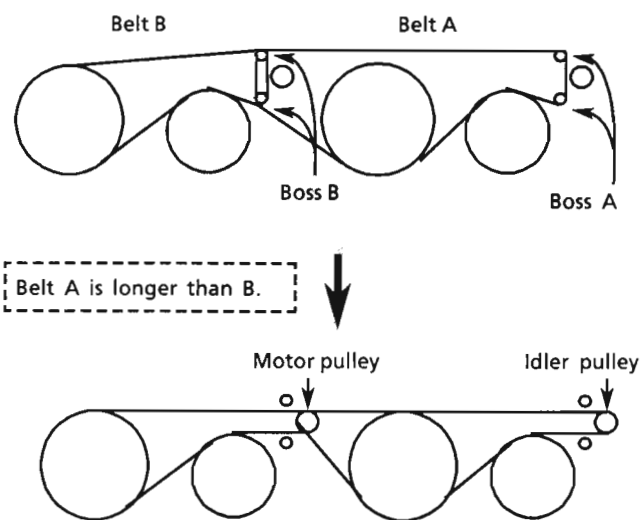
1. Remove the deck audio circuit board. (Refer to Item 16)
2. Remove the 7 screws ① and release the hooks holding the bracket to remove the bracket with the capstan motor.
3. Remove the flywheel.

**(19) How to install the belts**

1. Install the belts as shown in the figure below.  
When putting the belts, put the belt B first.
2. Install the bracket with the capstan motor to put the belts on the pulleys.



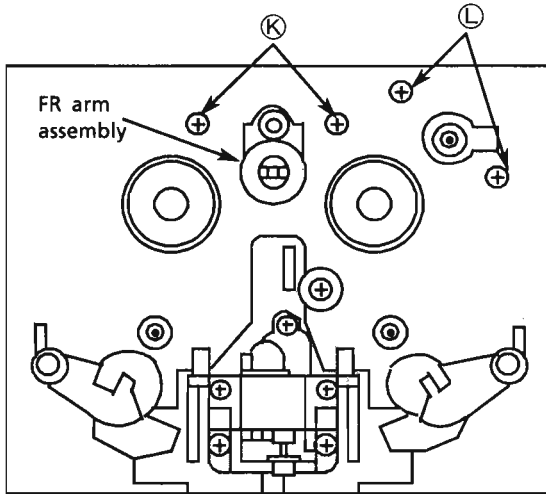
Behind of the mechanism



① .. SDSF2608Z

**(20) Removing the reel & cam motor**

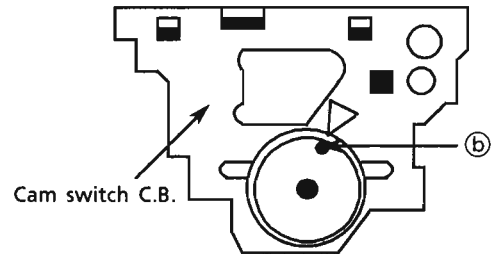
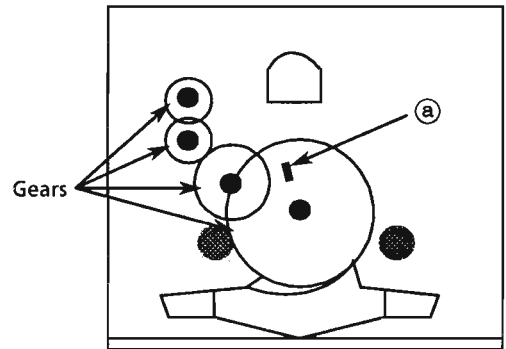
1. Remove the flywheel.  
(Refer to Item 18)
2. Remove the screws **Ⓚ** and **Ⓛ** fixing the motors to remove the reel & cam motor circuit board.
3. Unsolder the motors to remove them.



Front view of the mechanism

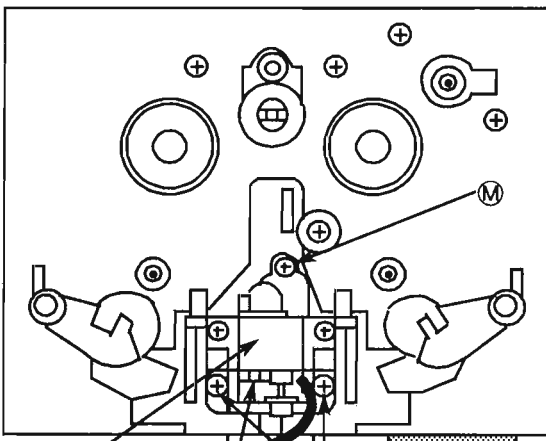
**(21) Removing the cam switch circuit board**

1. Remove the flywheel.  
(Refer to Item 18)
  2. Remove the reel & cam motor circuit board.
  3. Release the hook holding the cam switch circuit board and remove the screw to remove it.
- ※ When installing the cam switch circuit board, assemble the circuit board so that the part **ⓐ** meets part **ⓑ**.



**(22) Removing the head assembly**

1. Remove the mechanism assembly.  
(Refer to Item 8)
2. Disconnect the connector P331 or P333 on the deck audio circuit board. (Refer to Item 16)
3. Remove the 3 screws **Ⓜ** fixing the head assembly to remove it.

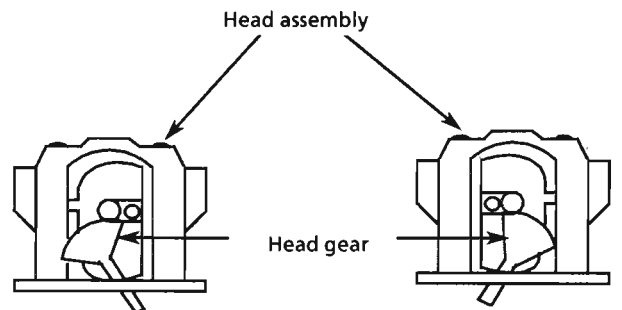


Head assembly      Head gear

Front view of the mechanism

**(23) Installing the head assembly**

The direction of the head is changed with the head gear. When servicing, install the head gear according to the direction of the head.



Head sets FWD mode

Head sets REV mode

**Ⓚ** .. VKZ4705-001

**Ⓛ** ... VKZ4705-002

**Ⓜ** ... SDST2004Z

## Adjustment Procedures (Cassette Deck)

### 1. Measuring instruments

Audio frequency signal generator ( 0dbS output at the 600 ohm output terminal from 50Hz to 20KHz)

Electronic voltmeter

Frequency counter

Wow & Flutter meter

Distortion Meter with band pass filter

Attenuator (600 ohm impedance)

A resistor with 600Ω

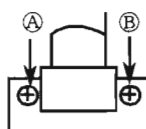
#### Standard Tape

0dBs = 0.775V

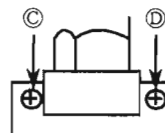
Tape No.	Frequency	Level (Wow & Fkutter)	Purpose
VTT-703L	10kHz	- 10dBs	Head azimuth , Frequency Response
VTT-712	3000Hz	0dBs 0.025% WRMS	Tape Speed , Wow & Flutter
VTT-724	1kHz	- 4dBs	Standard Level
TMT-6447	—	—	Blunk Skip
TMT-6247 , TMT-6237	—	—	Music Scan
TMT-7046	—	—	Recording standard Normal : UR
AC-712	—	—	Recording standard METAL : MA
AC-513	—	—	Recording standard CrO <sub>2</sub> : SA
TW-2111, TW-2121	—	—	Forward / reverse play torque measuring
TW-2231	—	—	Feed forward / rewind torque measuring
C-120 Tape	—	—	Confirming the tape running

### 2. Adjustment and repairing the mechanism

Item	Adjustment method	Standard value	Remarks
Head azimuth	<p>Deck A</p> <ol style="list-style-type: none"> <li>1. Connect an electronic voltmeter to the DOLBY TP (figure 3) to playback VTT-703L.</li> <li>2. Adjust screw Ⓐ so that the indication of the voltmeter becomes maximum when PLAY (▶) is pressed.</li> <li>3. Adjust screw Ⓑ so that the indication of the voltmeter becomes maximum when PLAY (◀) is pressed.</li> </ol> <p>Deck B</p> <ol style="list-style-type: none"> <li>4. Adjust screw Ⓒ so that the indication of the voltmeter becomes maximum when PLAY (▶) is pressed.</li> <li>5. Adjust screw Ⓓ so that the indication of the voltmeter becomes maximum when PLAY (◀) is pressed.</li> <li>6. After making the adjustment, apply screw lock to prevent screws Ⓐ, Ⓑ, Ⓒ and Ⓓ coming loose.</li> </ol>	Maximum	<ol style="list-style-type: none"> <li>1. Refer to figure 1.</li> <li>2. When the specified characteristic cannot be obtained because of head wear, excessive magnetization, etc., replace the head assembly and adjust the head azimuth. Also, perform the electric adjustment.</li> <li>3. When there is the difference of more than 3 ~ 4 dB between left and right output levels, replace the head assembly to avoid complaints.</li> </ol>
Playback torque	1. Measure the torque in the playback mode by the torqu meter.	26 ~ 62 g-cm	When the standard torque cannot be obtained, replace the FR arm assembly or motor.
Fast forward torque	1. Measure the torque in the fast forward mode by the torqu meter.	80 ~ 170 g-cm	When the standard torque cannot be obtained, replace the FR arm assembly or motor.
Rewind torque	1. Measure the torque in the rewind mode by the torqu meter.	80 ~ 170 g-cm	When the standard torque cannot be obtained, replace the FR arm assembly or motor.
Wow & flutter	<ol style="list-style-type: none"> <li>1. Connect the wow &amp; flutter meter to the DOLBY TP (figure 3) and play back VTT-712.</li> <li>2. Its reading should be within 0.2% (WTD).</li> </ol>	—	As a complaint may occur if the wow & flutter fluctuates by 0.1% even though it is allowed in the standard, repairing is required.



Deck A



Deck B

Figure 1

### 3. Electrical Adjustments (Make the following adjustments after adjusting the head azimuth.)

In principle, the adjustments should be made in the following sequence.

Set the NR switch to OFF and the BEAT CUT switch to "1".

Adjustments marked with an asterisk (\*) should always be made after the head is replaced

0dBs = 0.775V.

Item	Adjustment Method	Adjustment Location	Standard Value	Remarks
Tape Speed	1. Connect a frequency counter to the DOLBY TP (figure 3) and play back VTT-712. 2. Normal speed Adjustment 1) Mechanism B Play back deck B to adjust the semi-fixed resistor VR201 on ENJ-086-2. 2) Mechanism A Play back deck A to confirm that the difference between deck A and deck B is within $\pm 51\text{Hz}$ . 3. High-speed check 1) Mechanism A Play back deck A check $6,000\text{Hz} \pm 600\text{Hz}$ .	VR201  Check  Check	3,000 Hz $\pm 10\text{Hz}$   6,000Hz $\pm 600\text{Hz}$	1) Adjust the normal speed first, and perform the high speed adjustment.
Standard level (Playback Level)	1. Connect an electronic voltmeter to the DOLBY TP (figure 3). Play back VTT-724 (1 kHz : $-4\text{dBs}$ ) to adjust the semi-fixed resistors.	<b>Deck A</b> L: VR301 R: VR302 <b>Deck B</b> L: VR303 R: VR304	$-5.5\text{dBs}$ (411mV) $\pm 1\text{dB}$	1) The playback level varies when the head is replaced so should be adjusted. Use an electronic voltmeter with an impedance of 100 k $\Omega$ or more.
Playback Frequency Response	1. Connect an electronic voltmeter to the DOLBY TP (figure 3). 2. Play VTT-703L (10kHz : $-10\text{dBs}$ ) and adjust semi-fixed resistors to obtain the standard values.	<b>Deck A</b> L: VR305 R: VR306 <b>Deck B</b> L: VR307 R: VR308	$-11.5\text{dBs}$ (206mV) $\pm 3\text{dB}$	—
Recording Bias Frequency	1. Connect a frequency counter to the BIAS TP (figure 3), and perform a recording to adjust bias frequency.	L301	100 kHz $\pm 6$ kHz	Set the BEAT CUT SWITCH to "1".
Record / Play Frequency Response (Bias current)	1. Supply 1kHz and 12.5kHz with 30mV signals to PHONO/VCR terminals respectively to record them. 2. Connect an electronic voltmeter to the DOLBY TP (figure 3) to confirm the recorded values. 3. If the values are not satisfied, adjust the semi-fixed resistors and record the signal again to confirm the recorded values.	L: VR309 R: VR310	$0 \pm 2$ dB for 12.5 kHz with 1 kHz as the standard.	<b>Refer to figure 2 below.</b> 1) The recording and playback frequency response of a cassette deck are adjusted by adjusting the bias. 2) Perform the adjustment with normal tape and confirm that the values are within the range for metal tape.

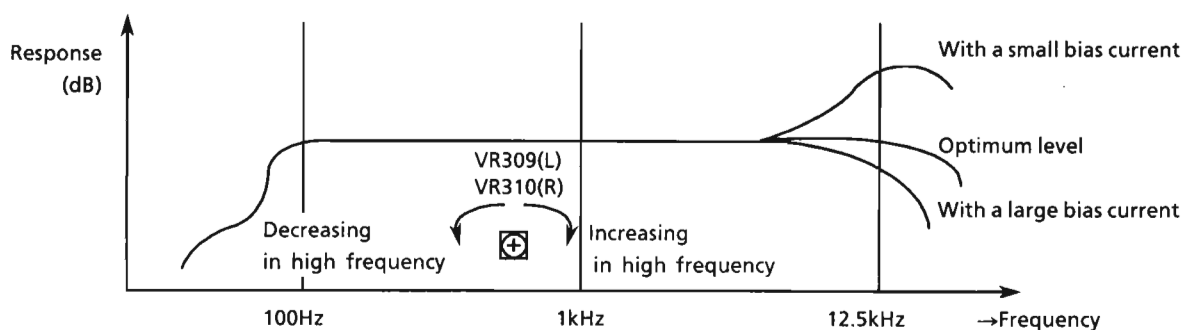


Figure 2

DX-S700R

Item	Adjustment Method	Adjustment Location	Standard Value	Remarks
Record / Playback Sensitivity	<ol style="list-style-type: none"> <li>1. Input a 1 kHz ( -8.2dBs: 300mV) signal to PHONO / VCR terminals and record it on the left and right channels .</li> <li>2. Connect an electronic voltmeter to the DOLBY TP (figure 3) to confirm the values .</li> <li>3. If the values are not satisfied , adjust the semi-fixed resistors and record the signals again to confirm the values.</li> </ol>	L : VR311 R : VR312	-5.5dBs (411mV)	Adjust with normal tape and make sure that the left / right level difference is 1.0dB or less
Erase ratio check	<ol style="list-style-type: none"> <li>1. Record a music source using metal tape.</li> <li>2. Rewind and erase the recorded section.</li> <li>3. Confirm nothing can be heard.</li> </ol>	—	—	—
Auto-stop check	Make sure to operate AUTO STOP at the end of tape running and not to operate on the way of the playing.	—	—	—
Music Scan	<ol style="list-style-type: none"> <li>1. Make sure not to work the music scanning operation at the start of tape wind using TMT-6237.</li> <li>2. Make sure to work the music scanning operation at the end of tape wind using TMT-6247.</li> </ol>	—	—	—

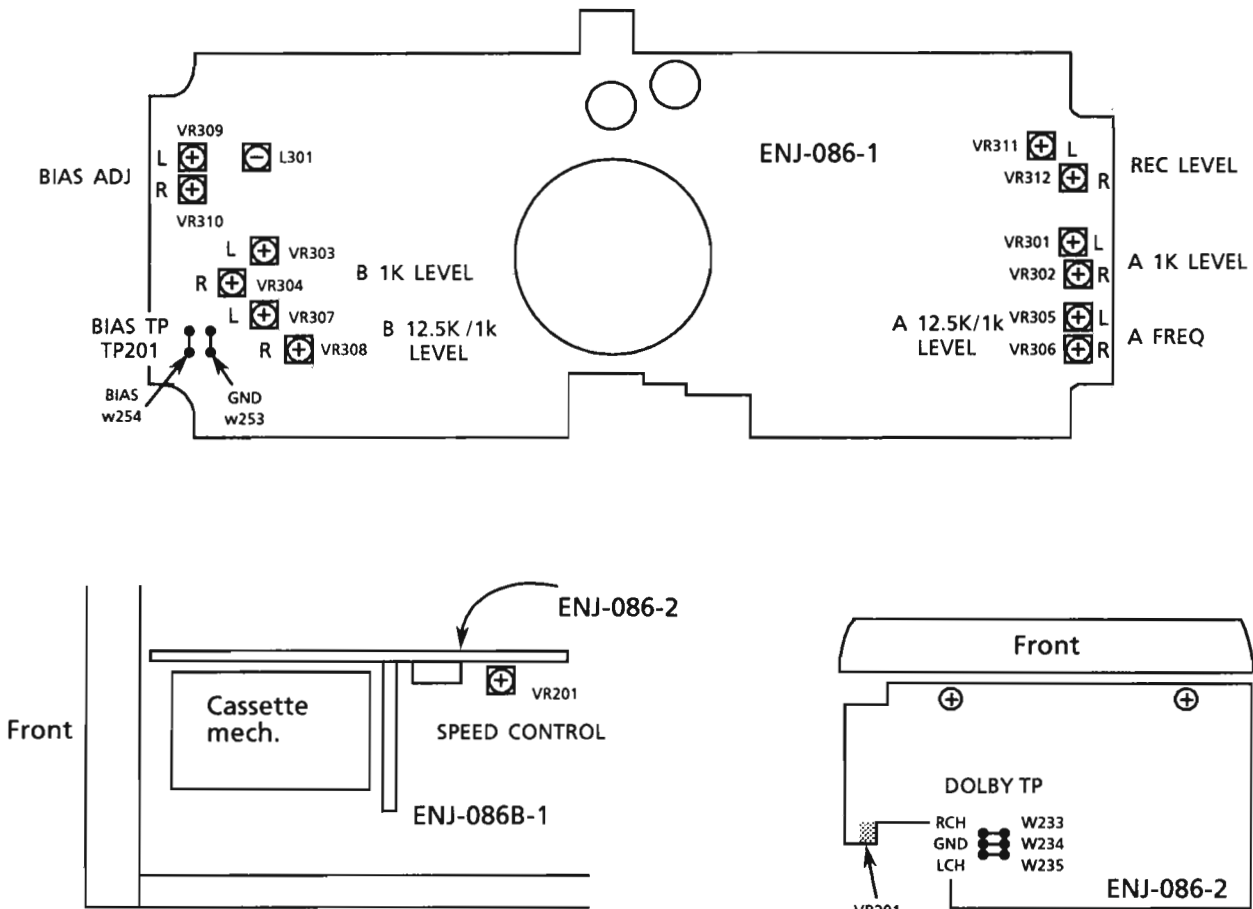
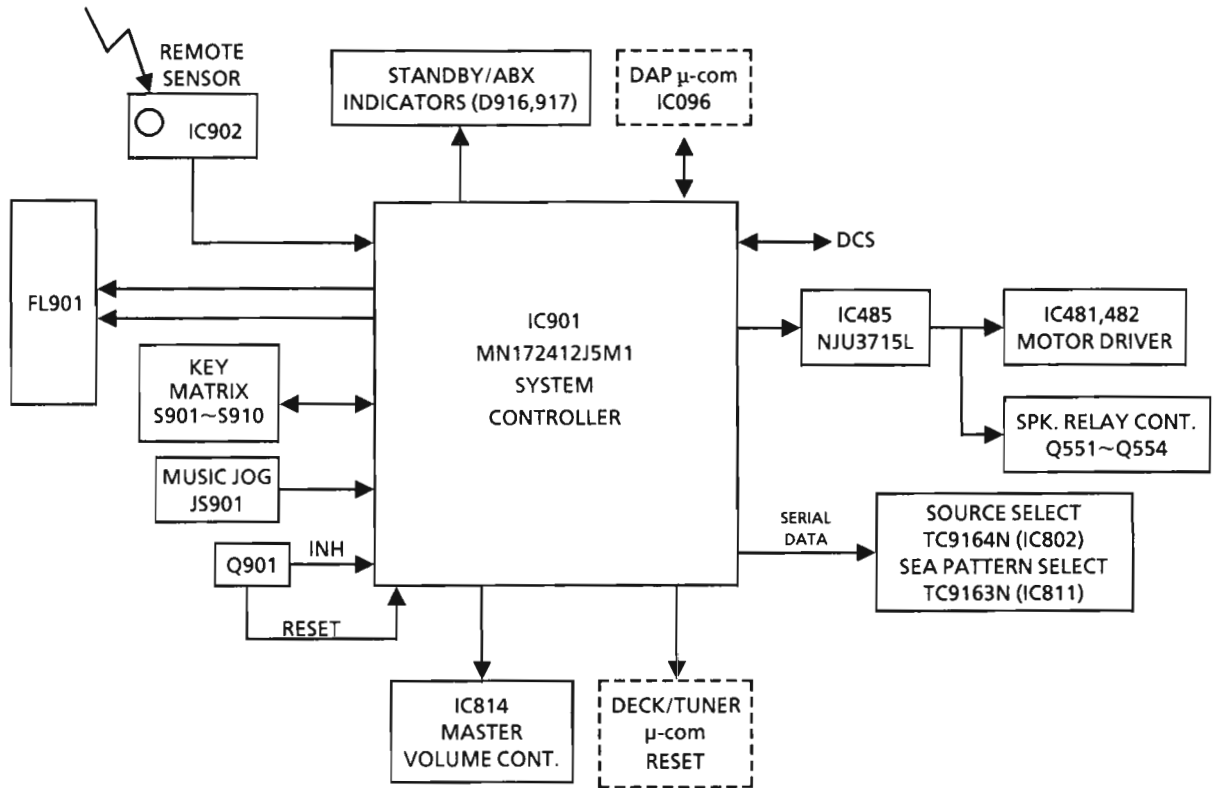


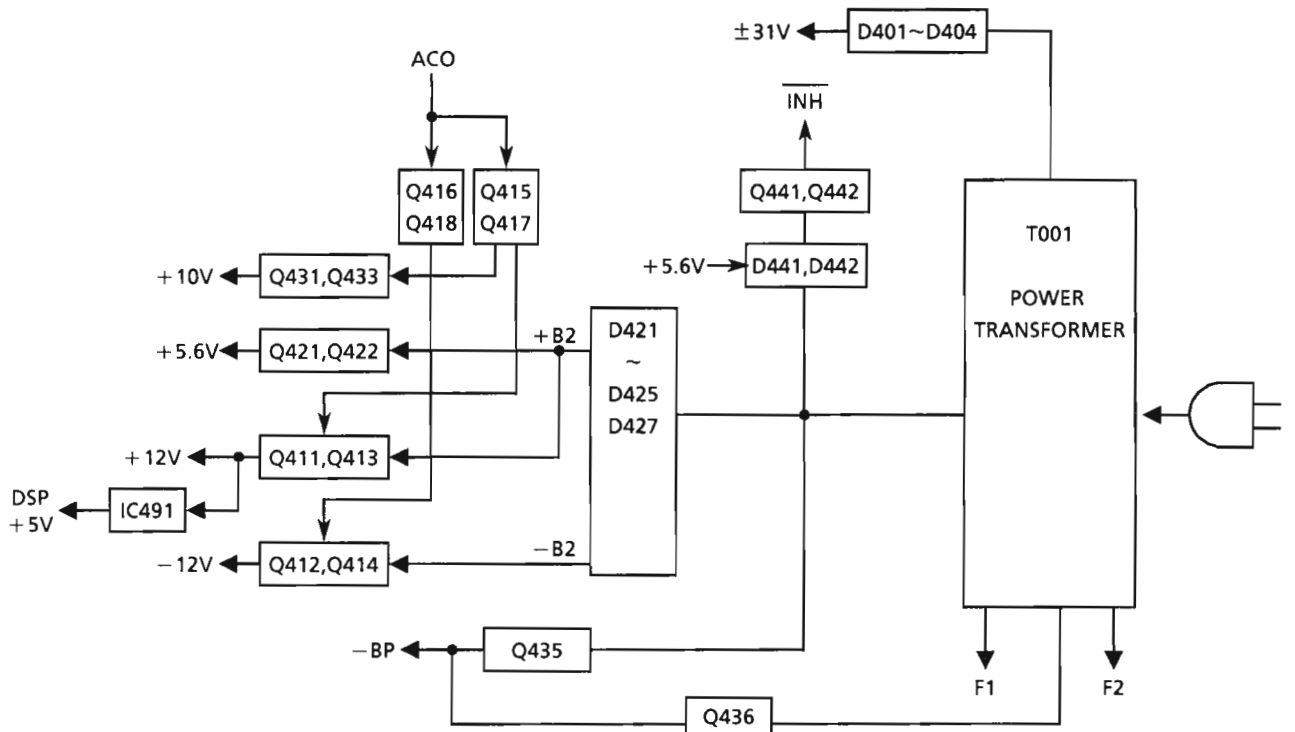
Figure 3

# Block Diagrams

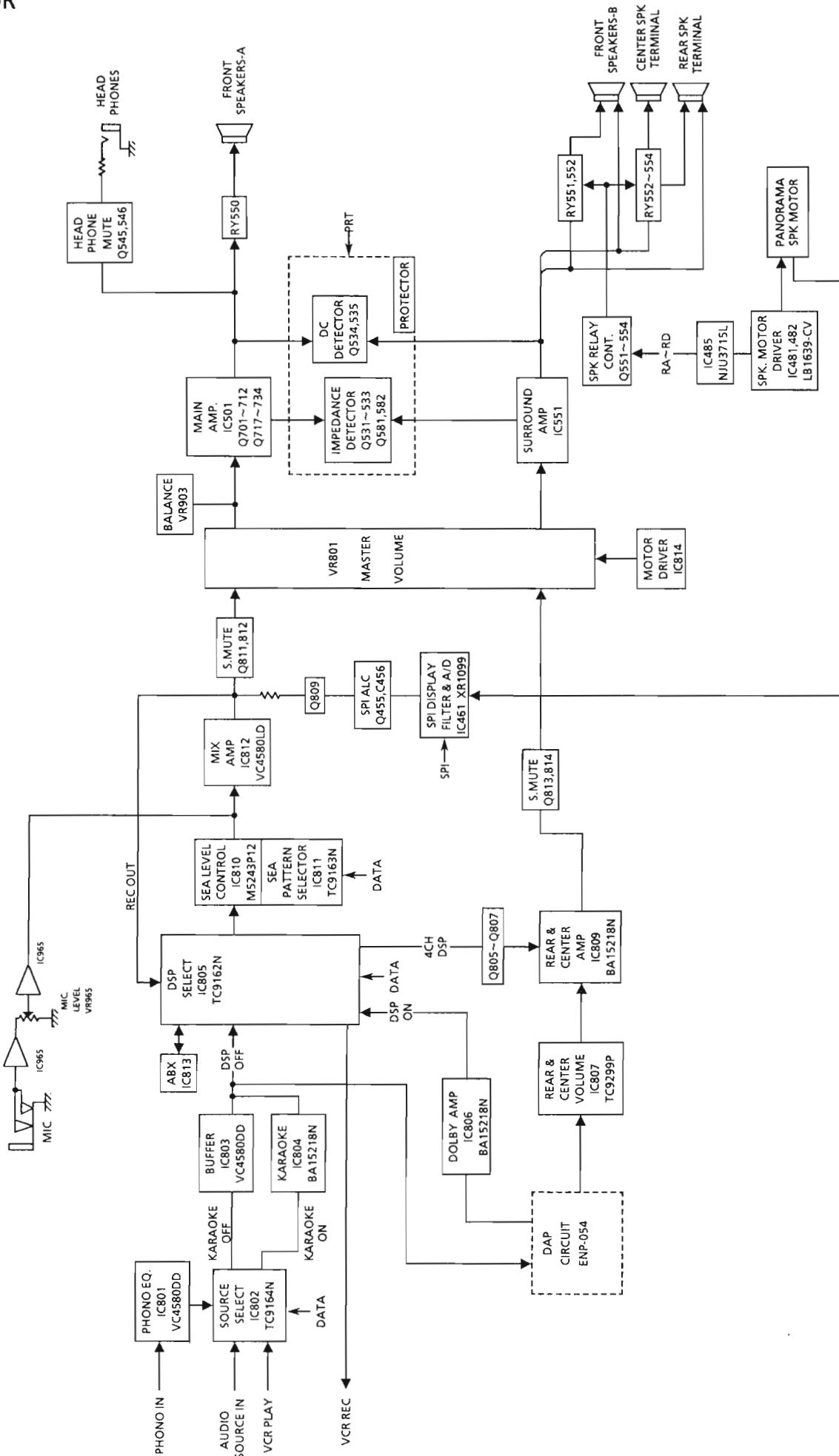
## ■ Control Section



## ■ Power Supply Section

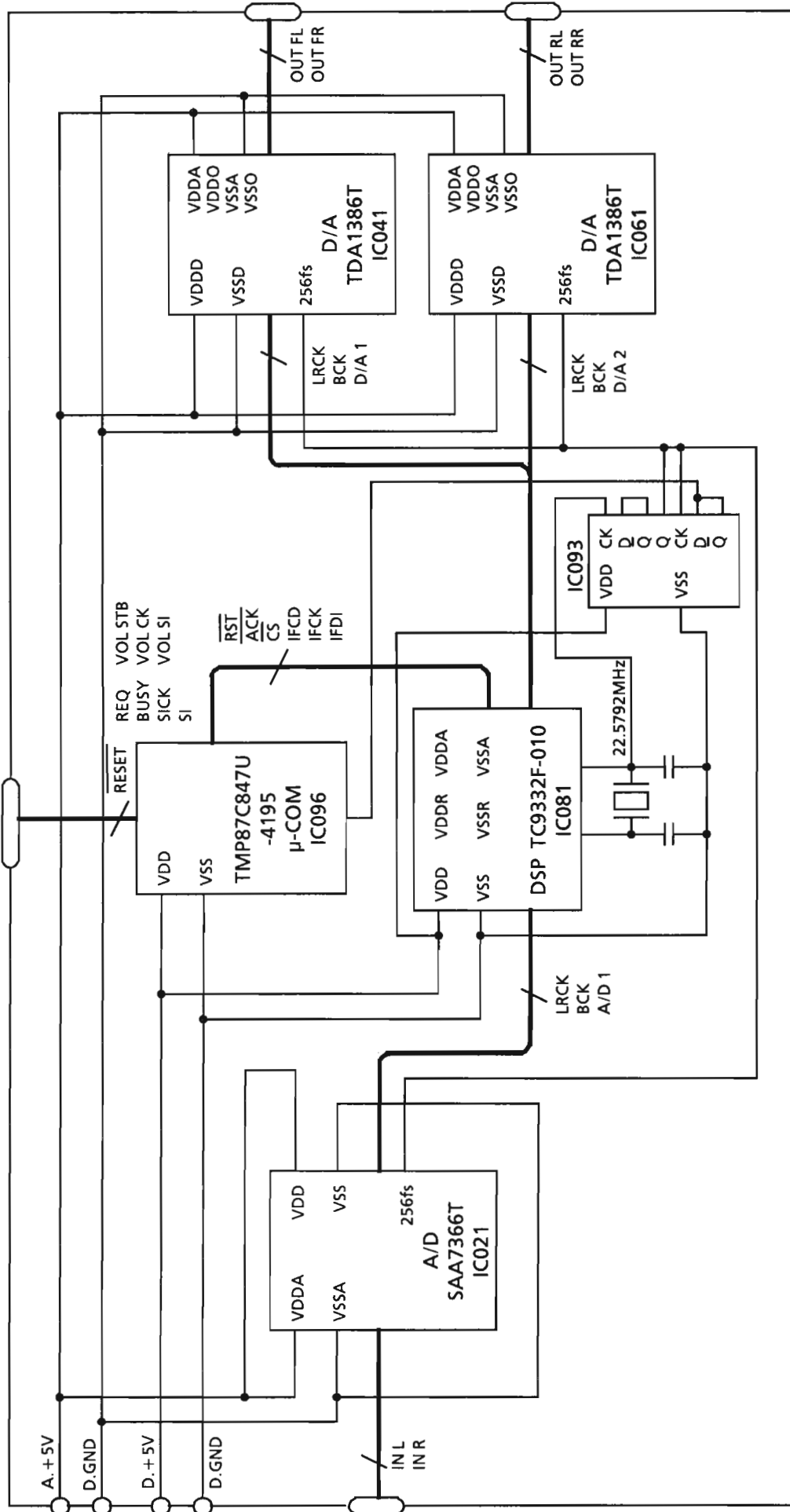


Signal Flow



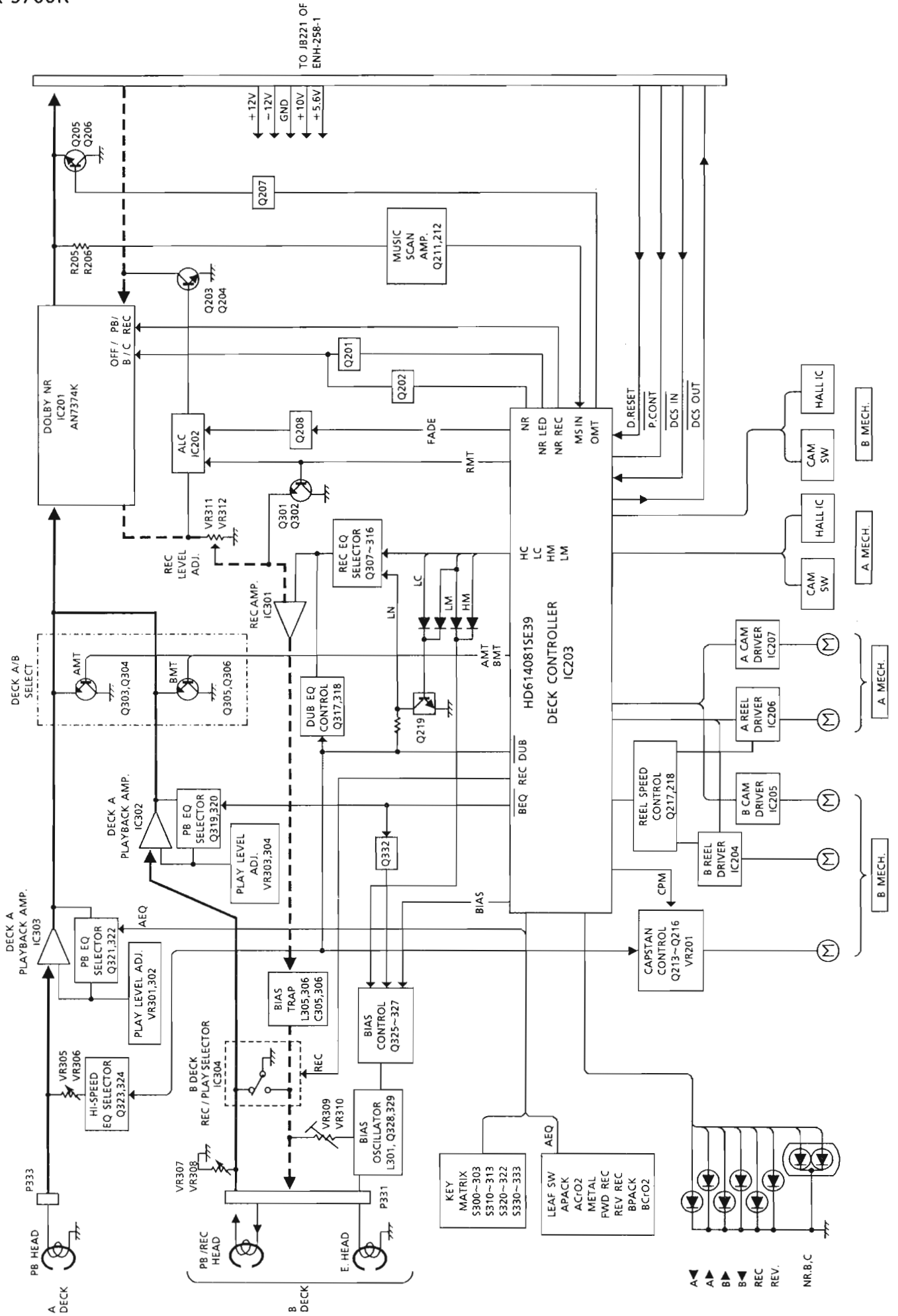


■ DAP Section



TO JB221 OF  
ENH-258-1

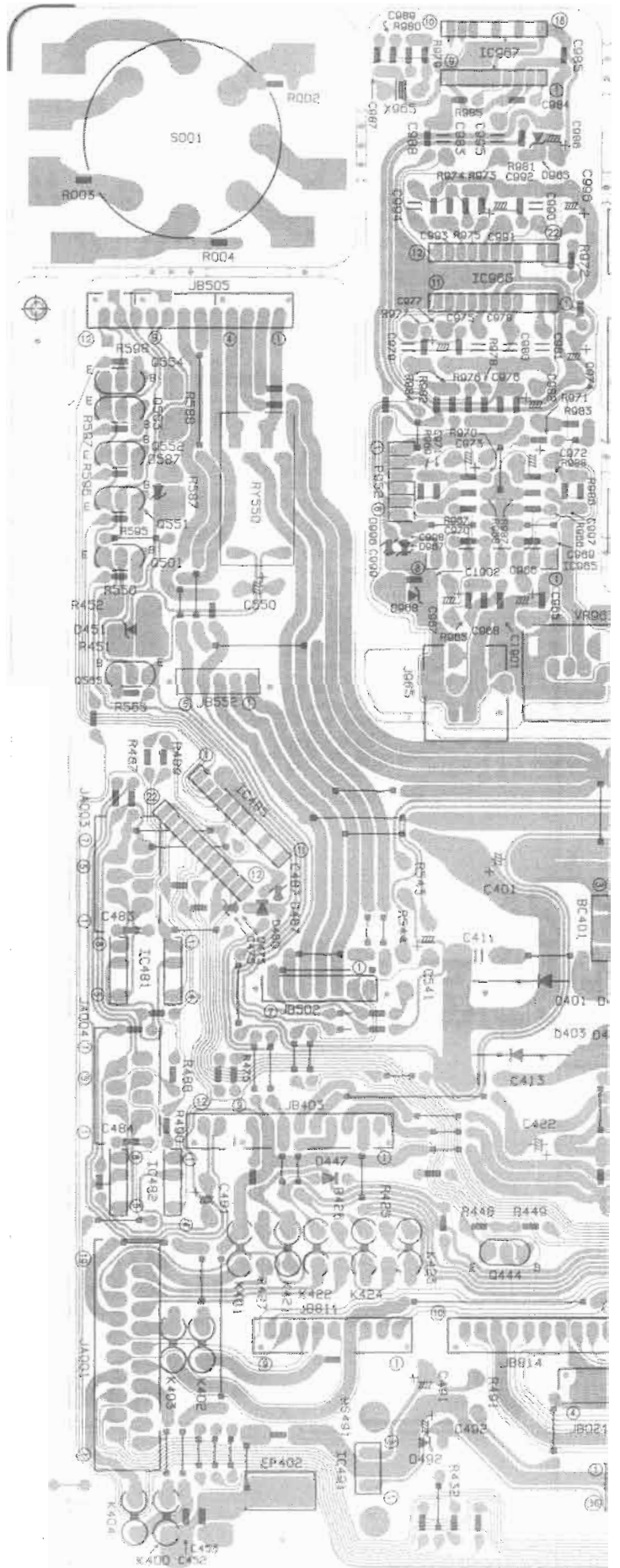
Deck Section





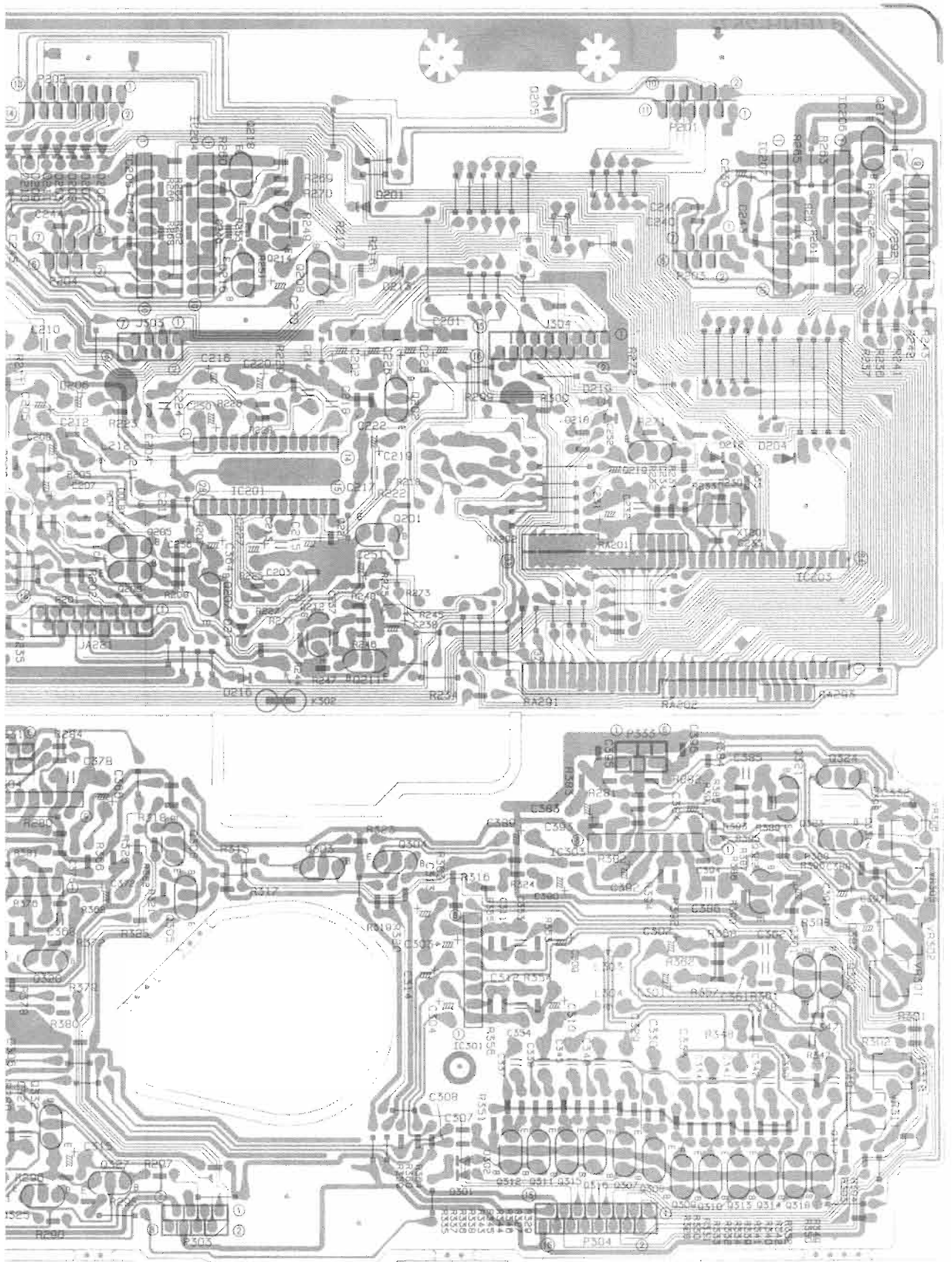
# Printed Circuit Board

■ Power Supply P.C.Board (ENH-257)



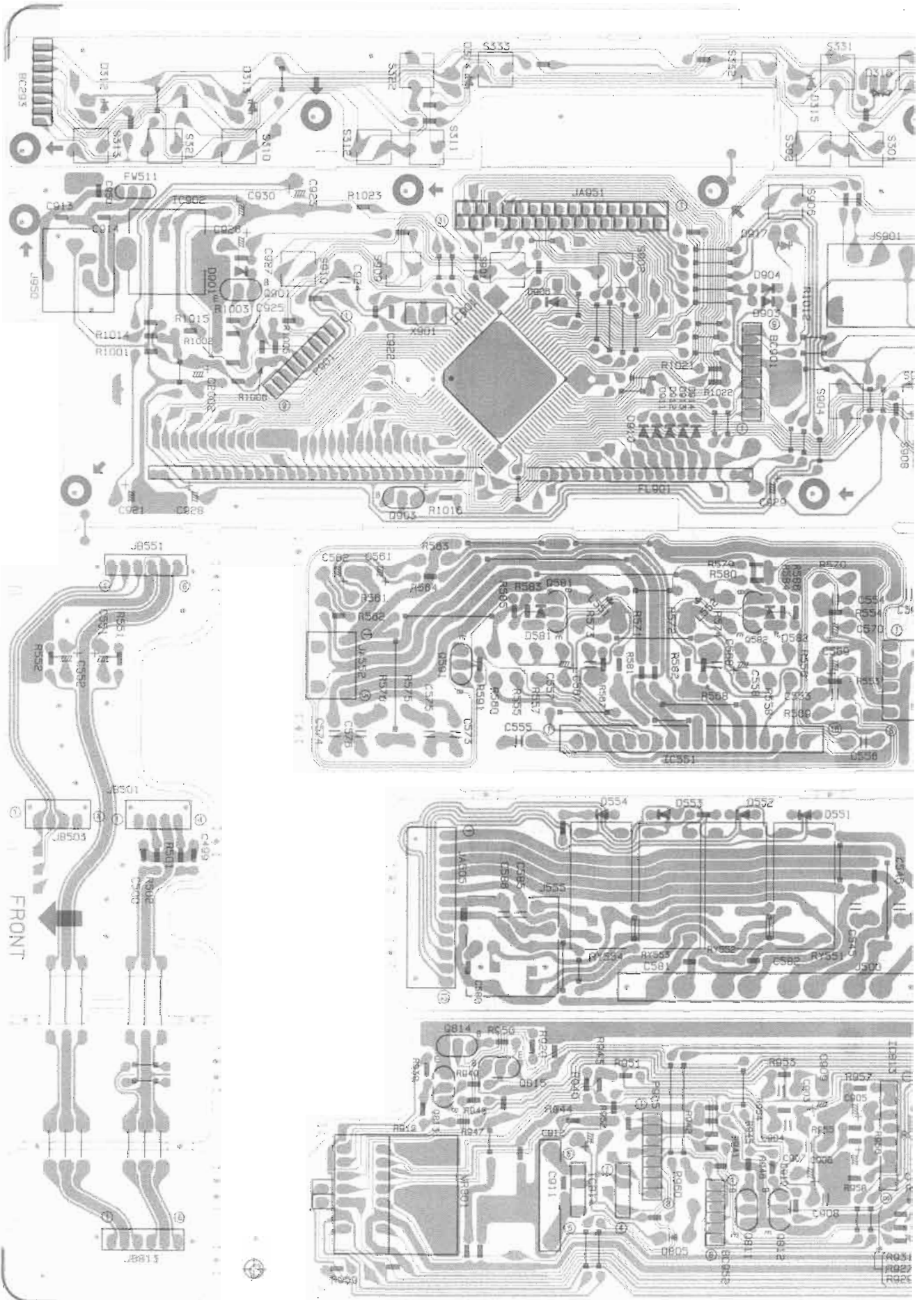




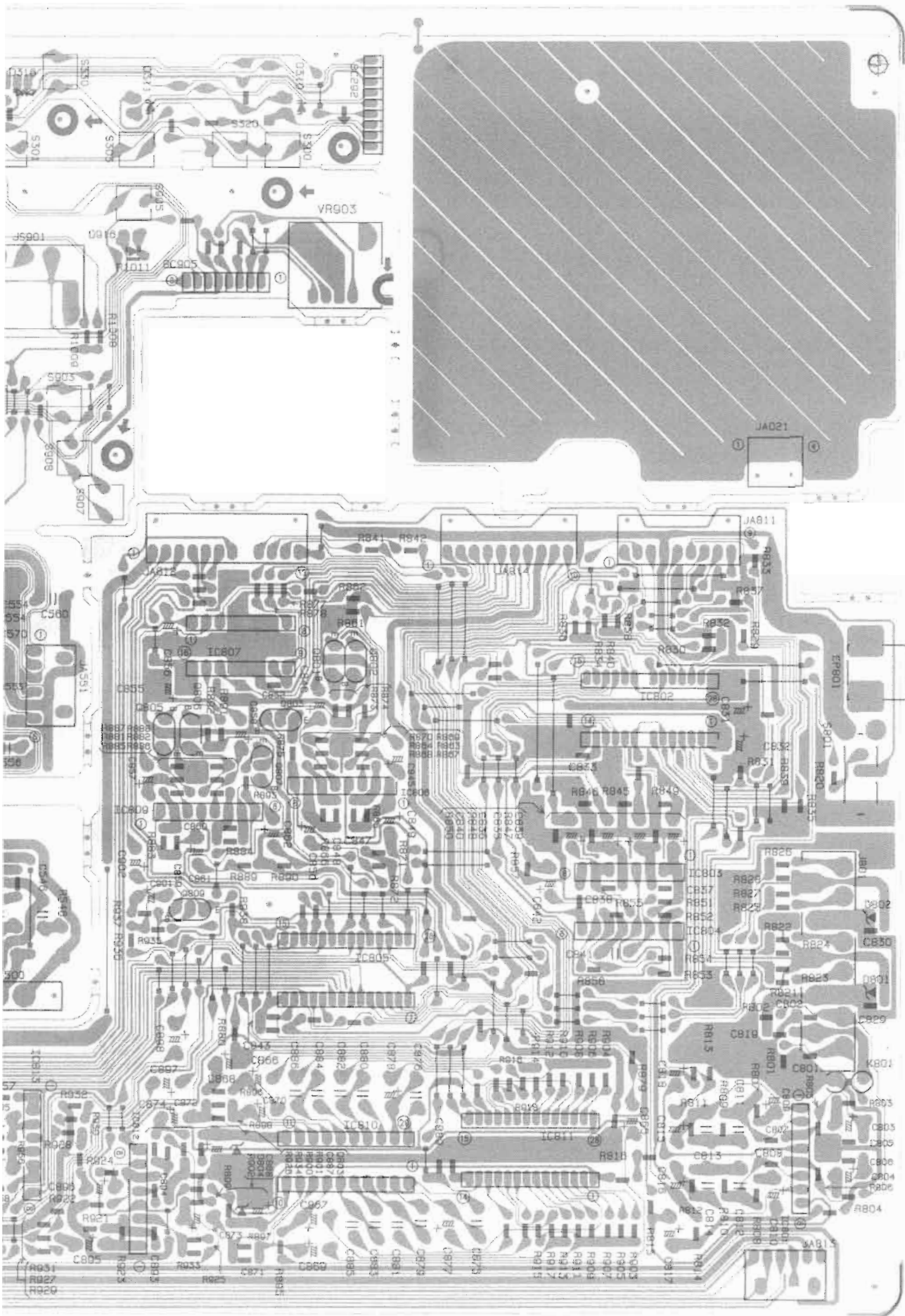




# System Control & Power Amp P.C. Board (ENB-205)

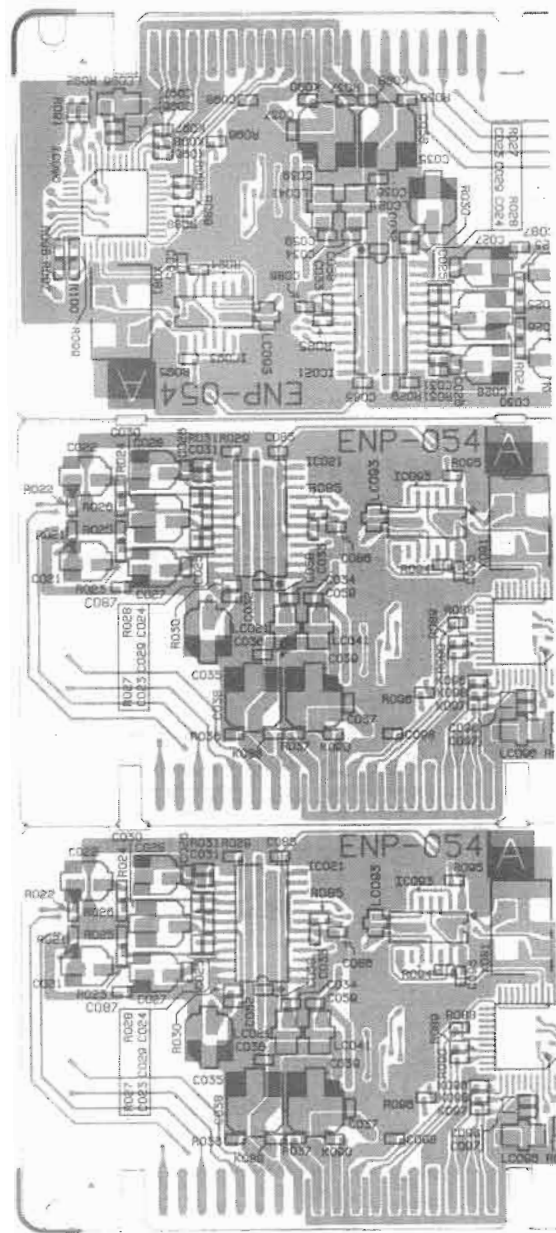


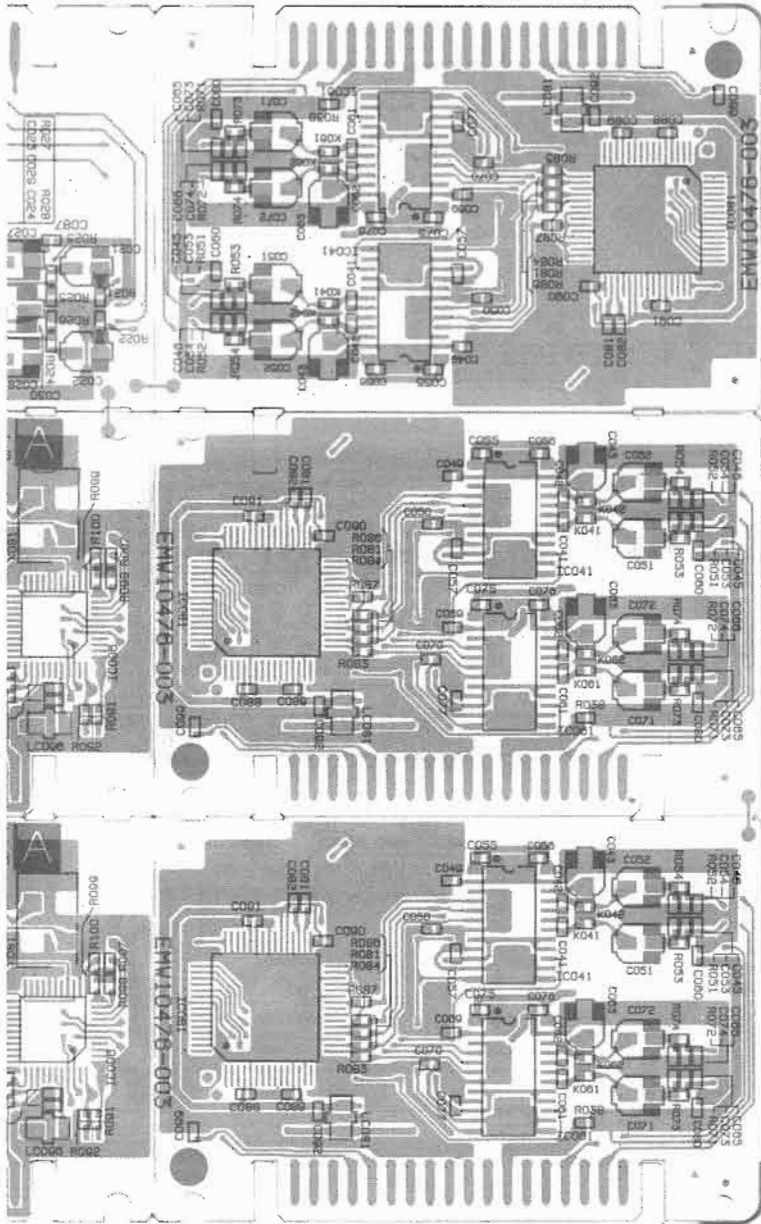




DX-S700R

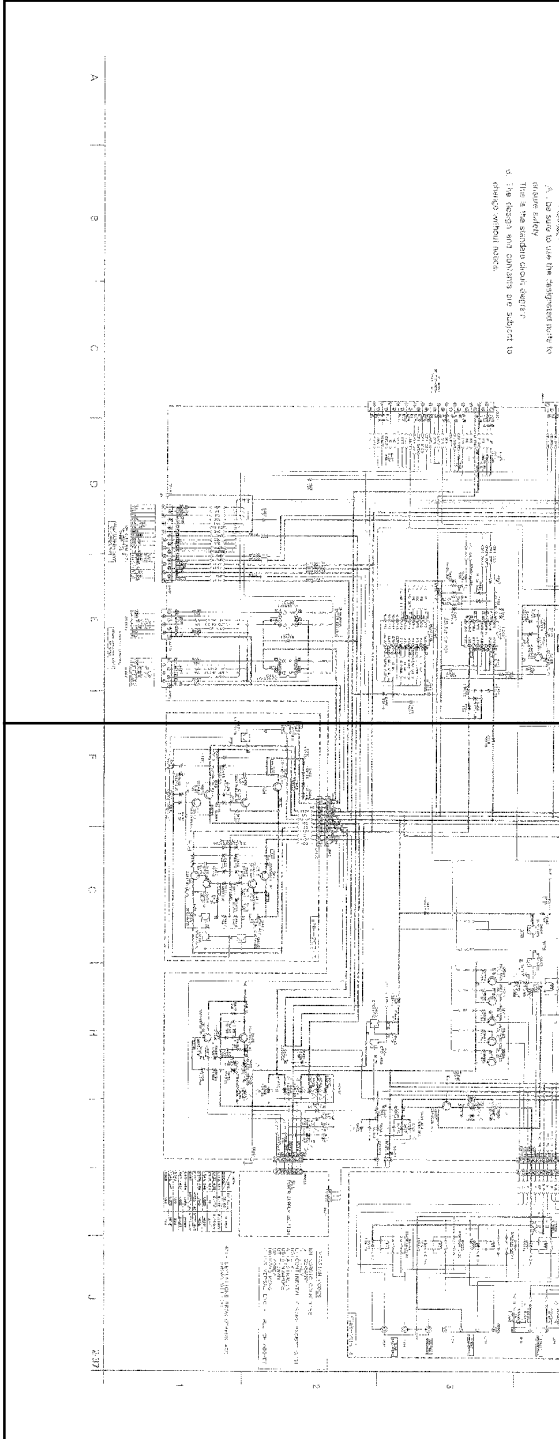
■ Digital Signal Processor P.C.Board (ENP-054)





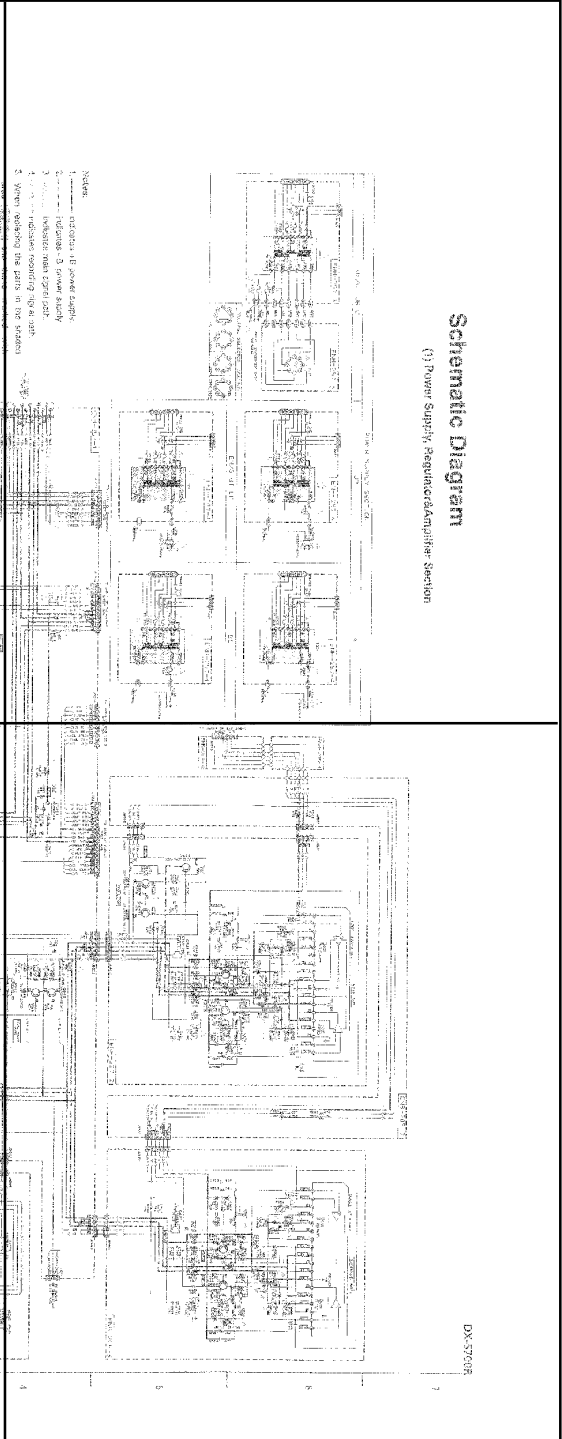


P2-37-a



P2-37-c

P2-37-b



P2-37-d

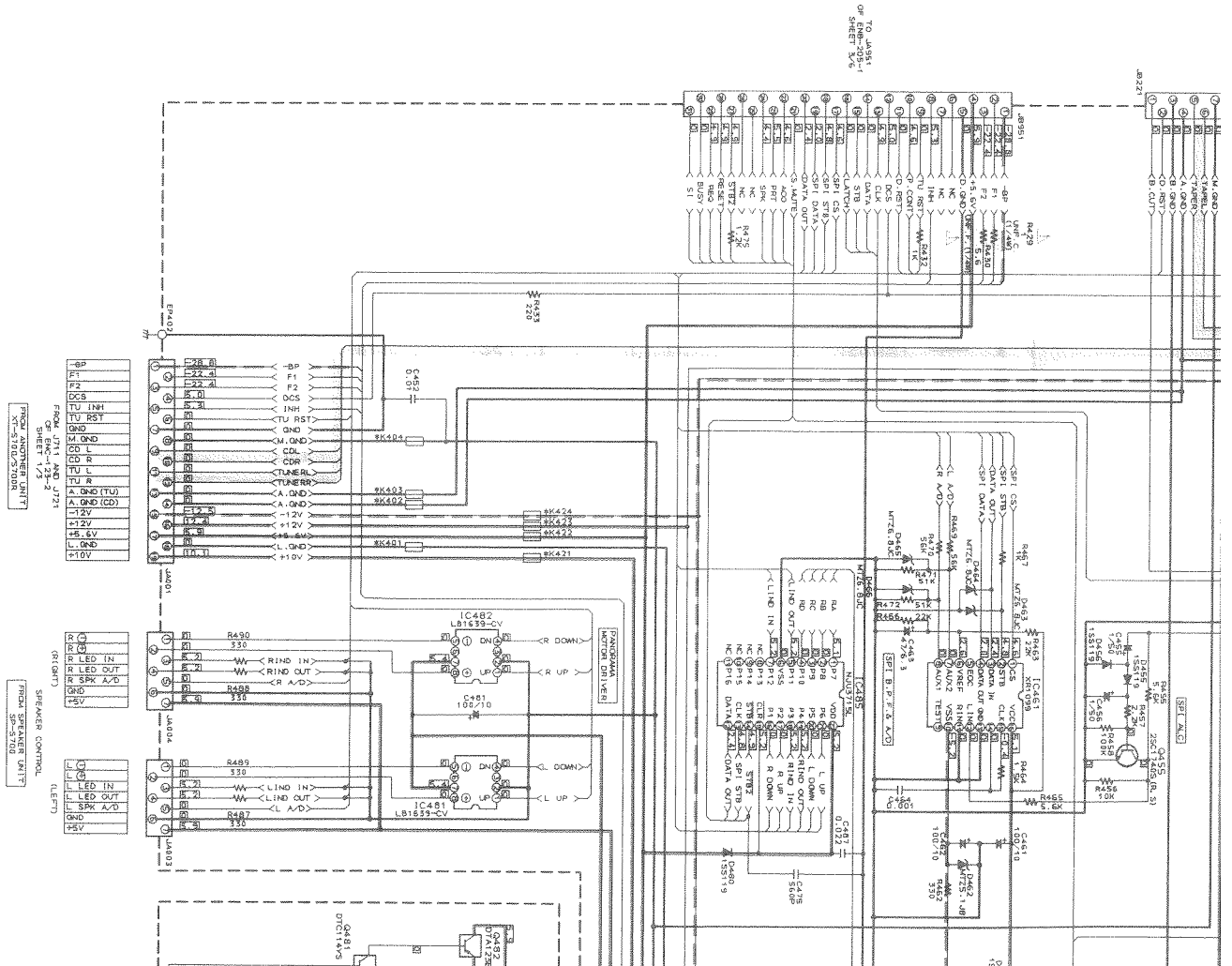
**Schematic Diagram**  
 (1) Power Supply Regulator/Amplifier Section

DX-57008

6. The design and contents are subject to change without notice.

area ( ) and those marked with  $\Delta$ , be sure to use the designated parts to ensure safety.

This is the standard circuit diagram.



A

B

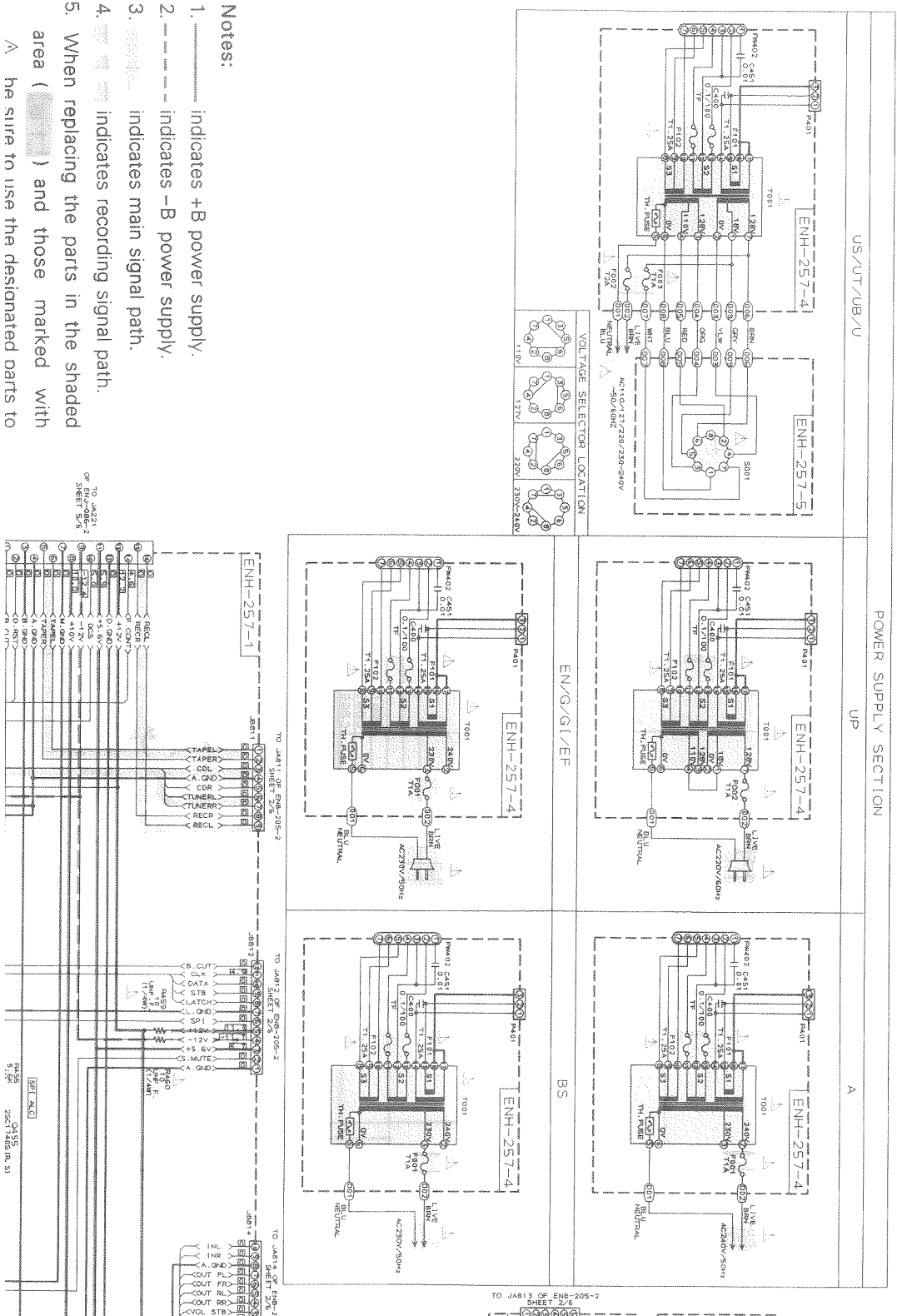
C

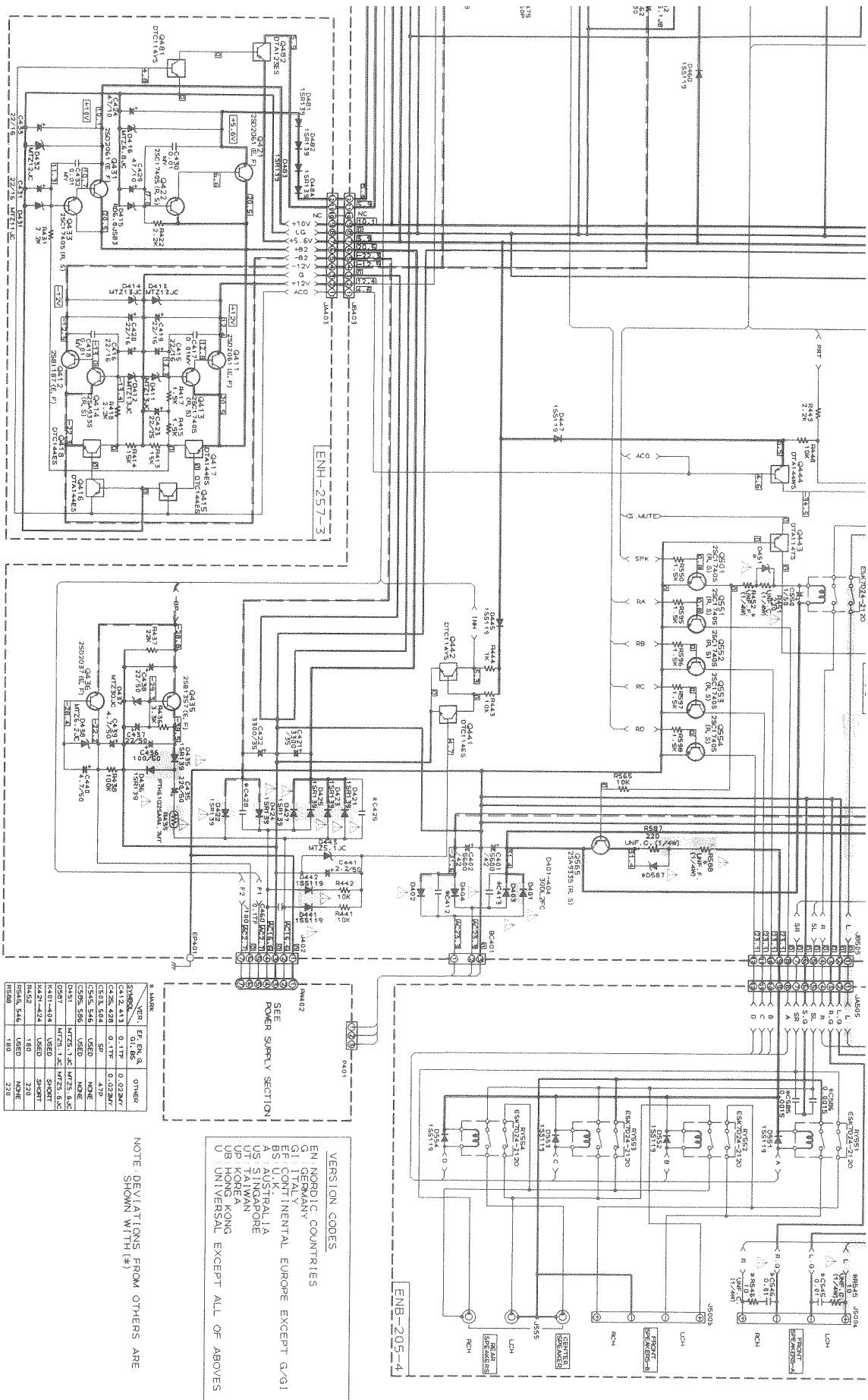
D

E

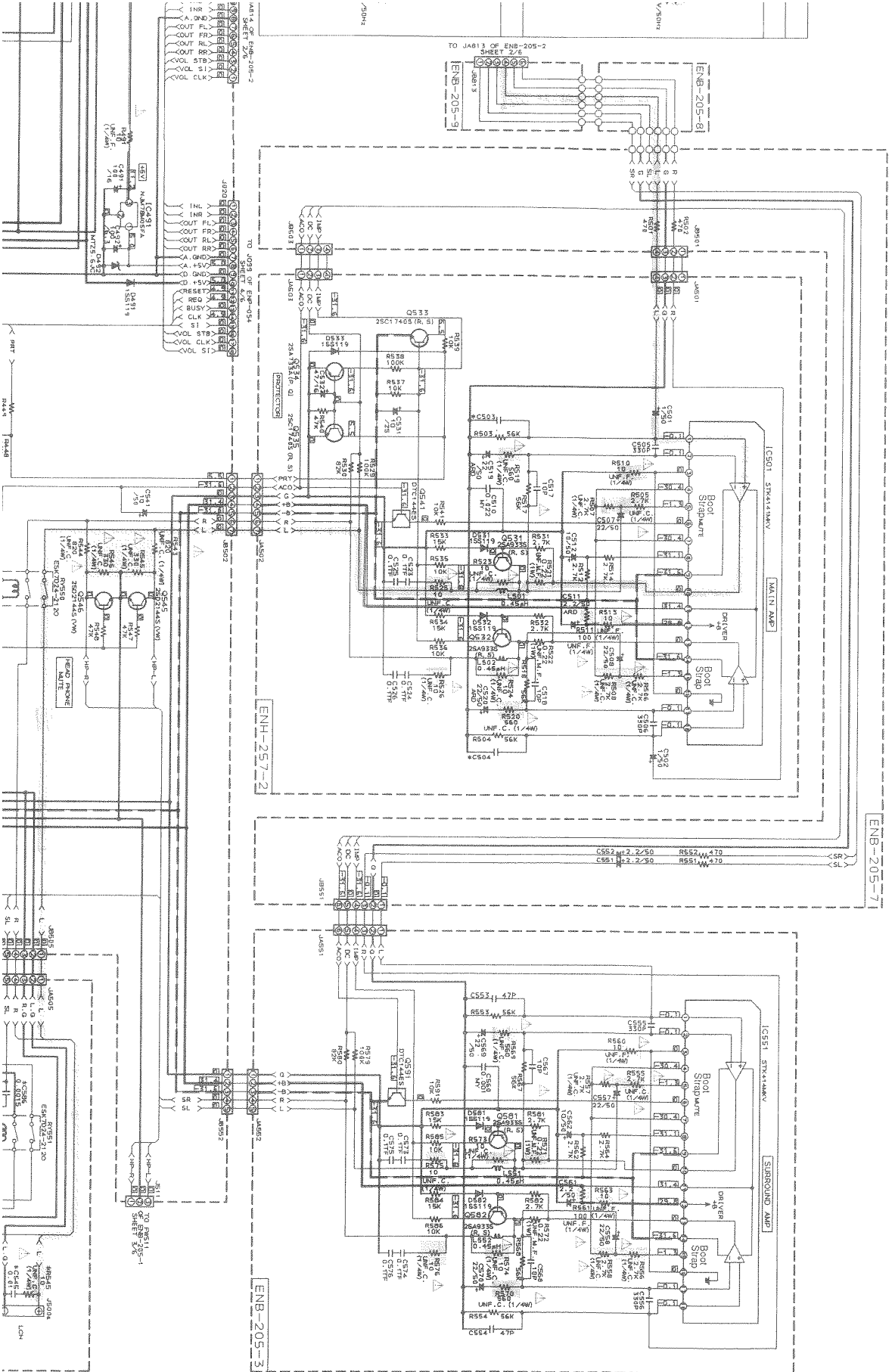
# Schematic Diagram

## (1) Power Supply, Regulator & Amplifier Section



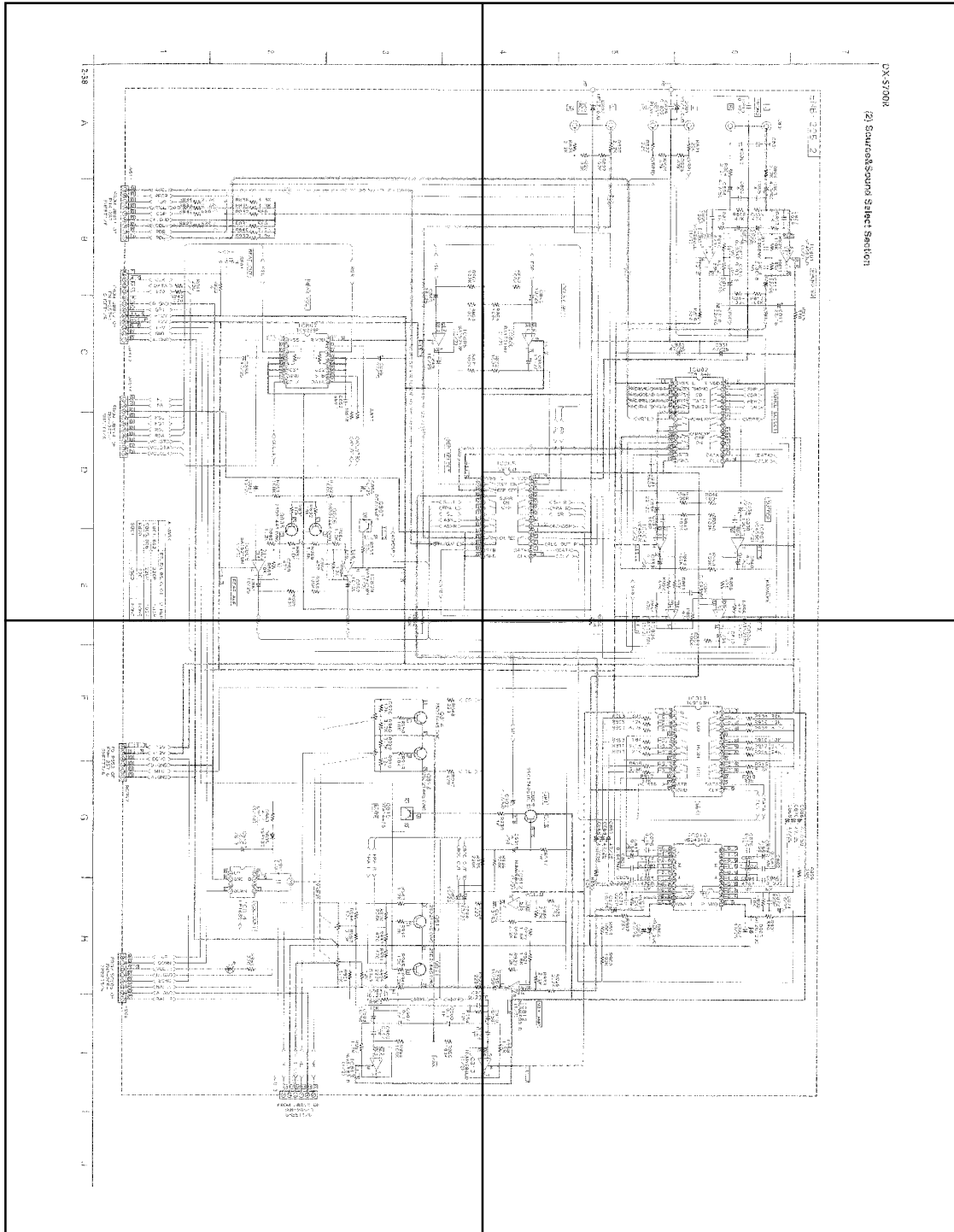








P2-38-a



P2-38-b

P2-38-c

P2-38-d

1

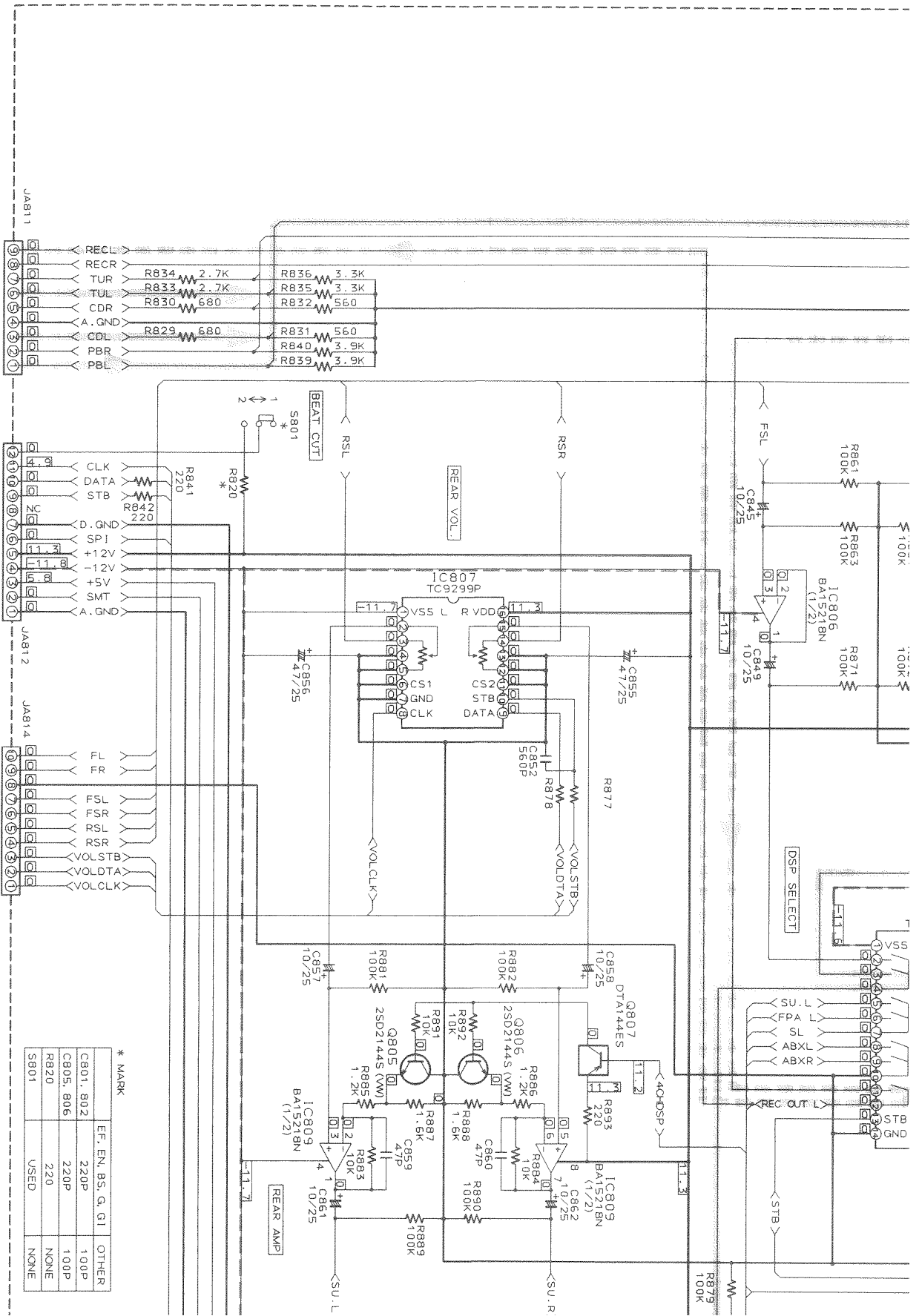
2

3

FROM JB811 OF  
ENH-257-1  
SHEET1/6

FROM JB812 OF  
ENH-257-1  
SHEET1/6

FROM JB814 OF  
ENH-257-1  
SHEET1/6

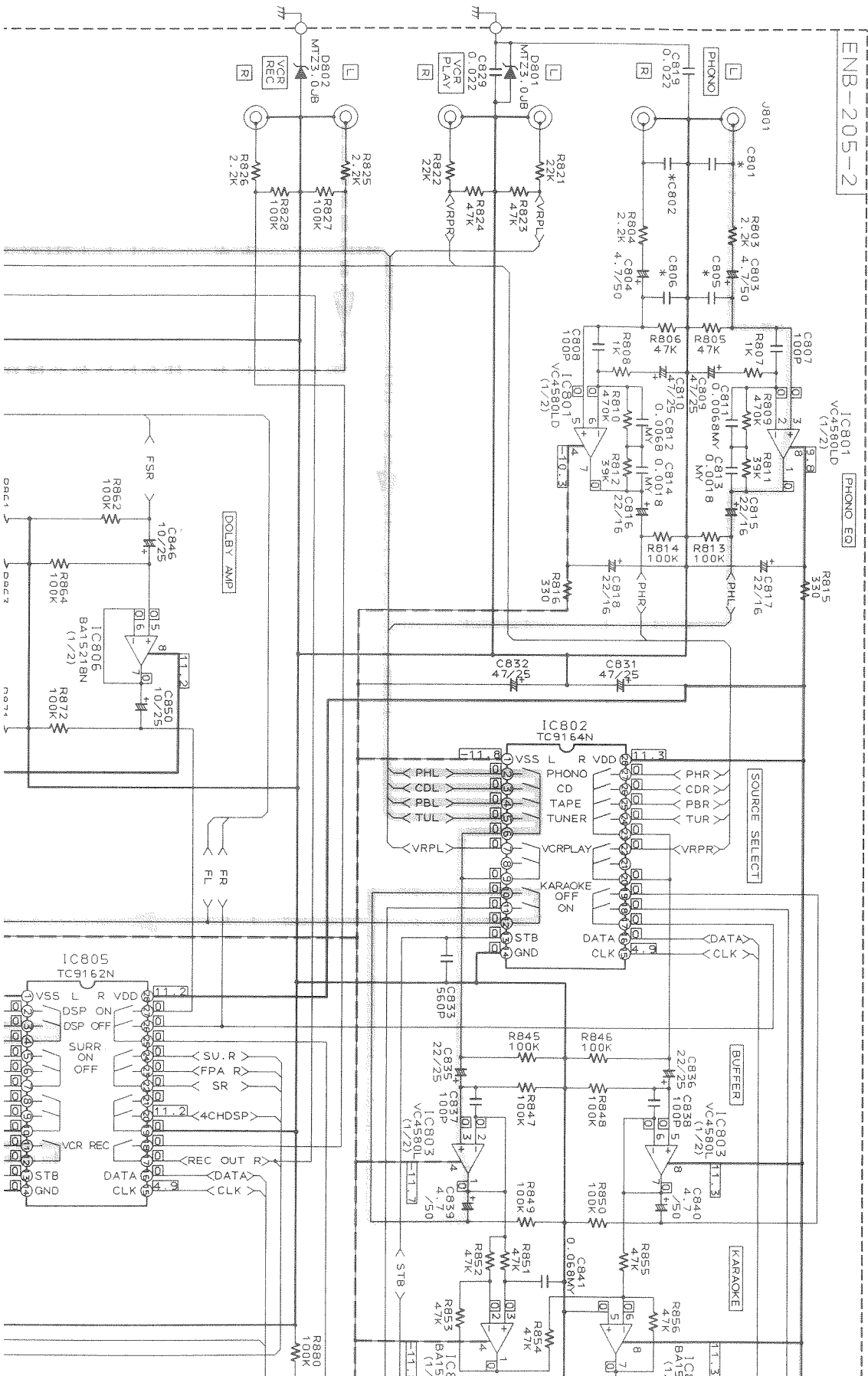


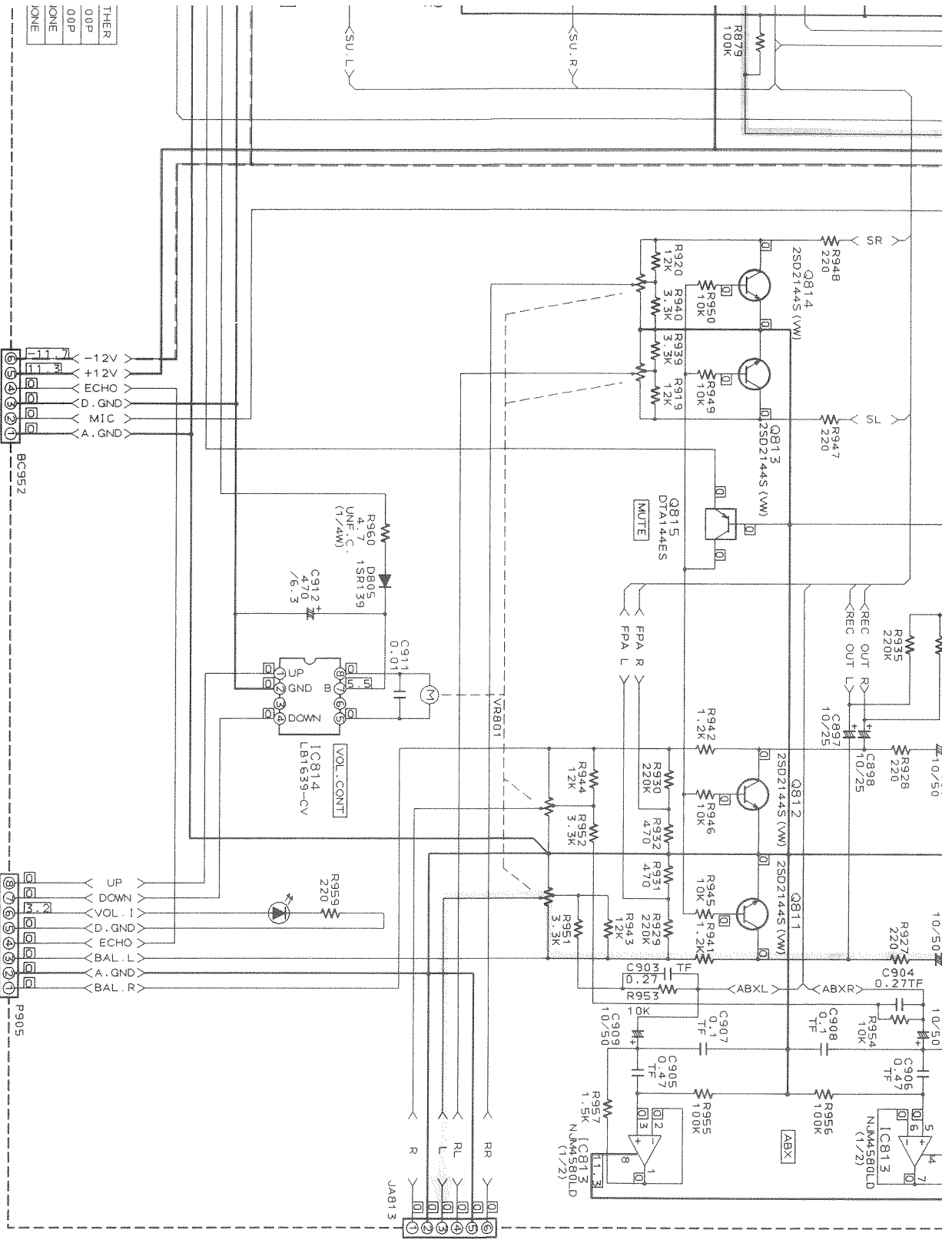
\* MARK

MARK	EF, EN, BS, G, GI	OTHER
C801, 802	220P	100P
C805, 806	220P	100P
R820	220	NONE
S801	USED	NONE

(2) Source&Sound Select Section

7  
6  
5  
4





FROM JB813 OF  
ENB-205-9  
SHEET 1/6

TO P952 OF  
ENH-257-6  
SHEET 3/6

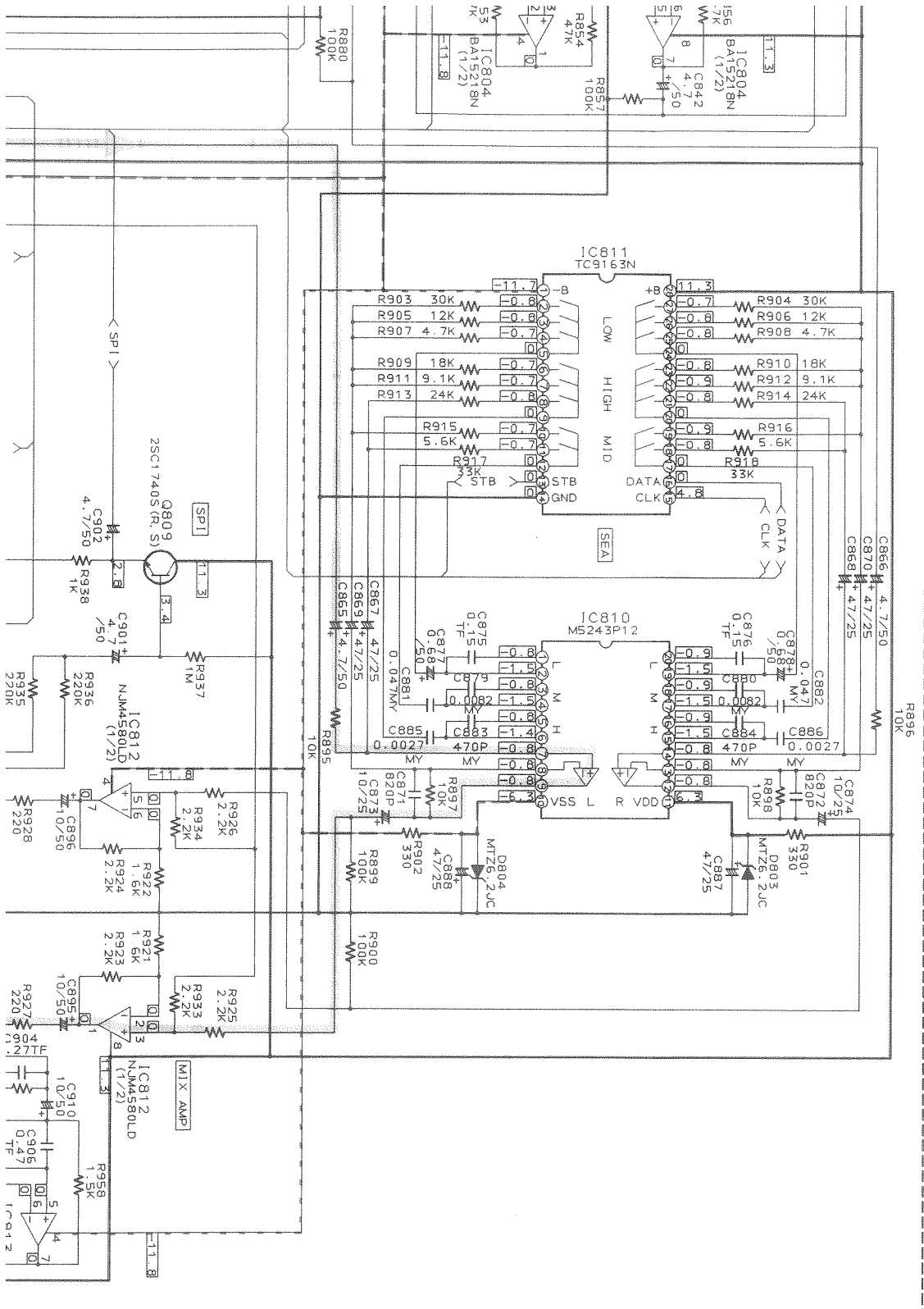
FROM BC905 OF  
ENB-205-1  
SHEET 3/6

THER	12V
00P	00P
00P	00P
KONE	KONE

BC952

P905

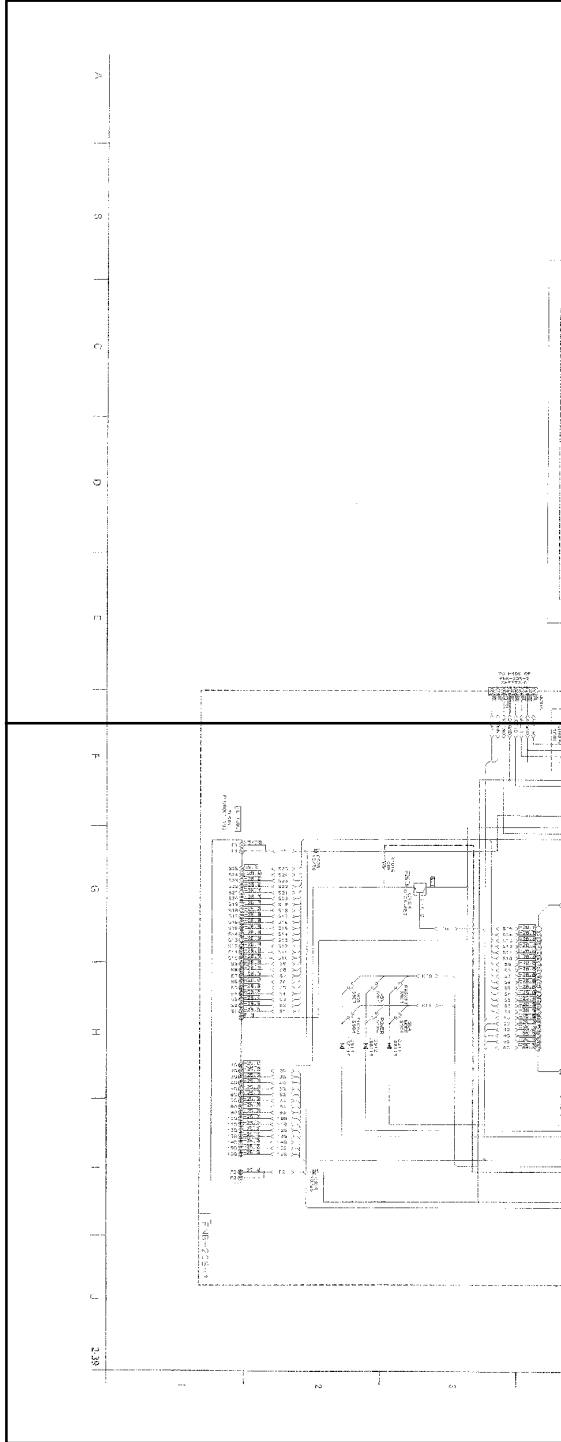
F G H I J



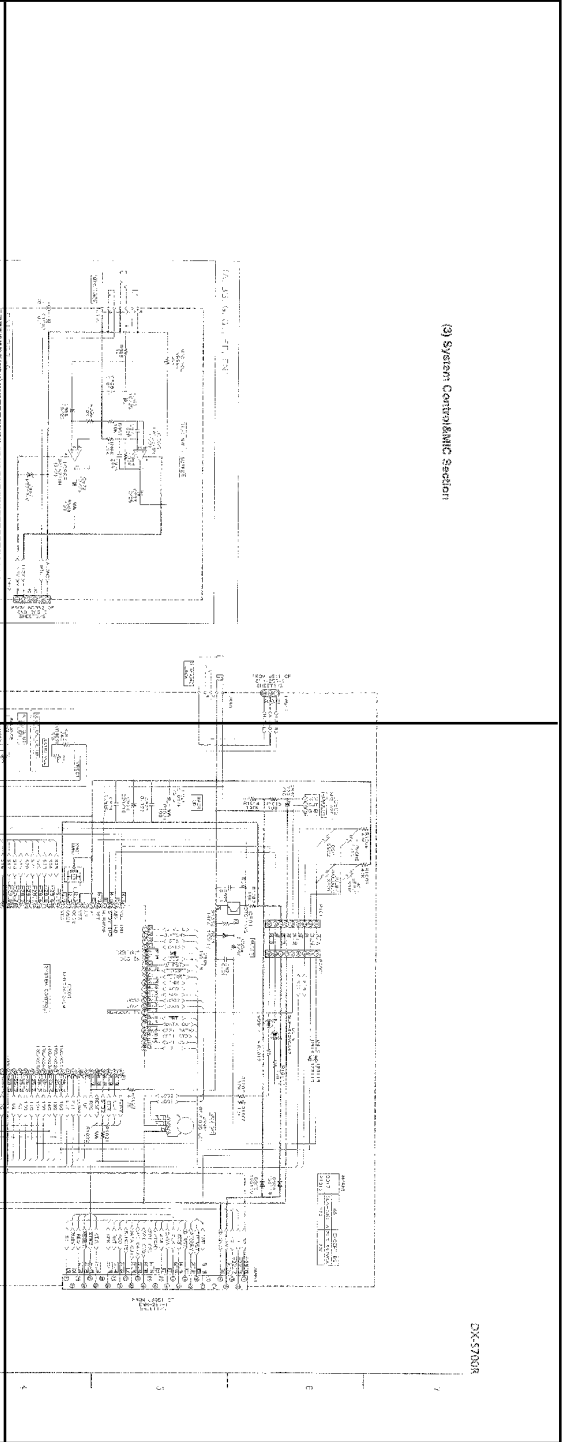




P2-39-a



P2-39-b



P2-39-c



P2-39-d



A

B

C

D

E

ENH-257-6

P952



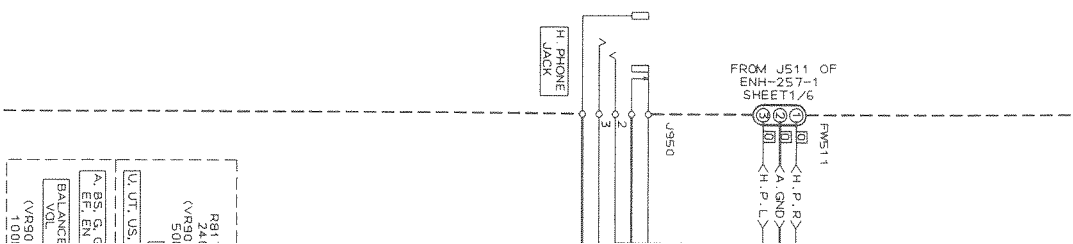
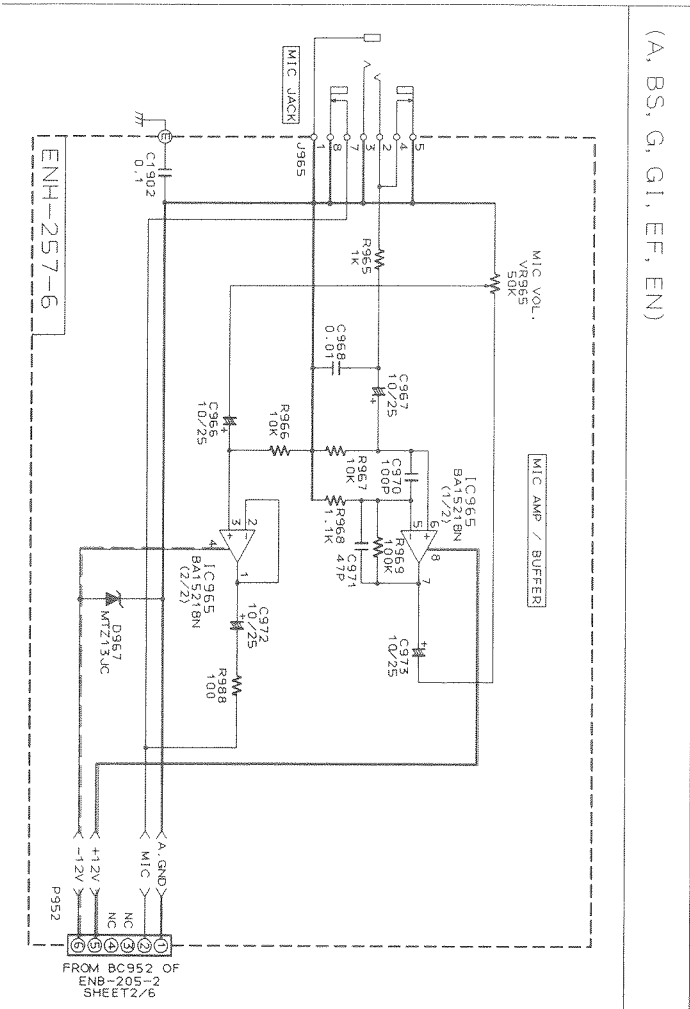
TO P905 OF  
ENB-205-2  
SHEET 2/6

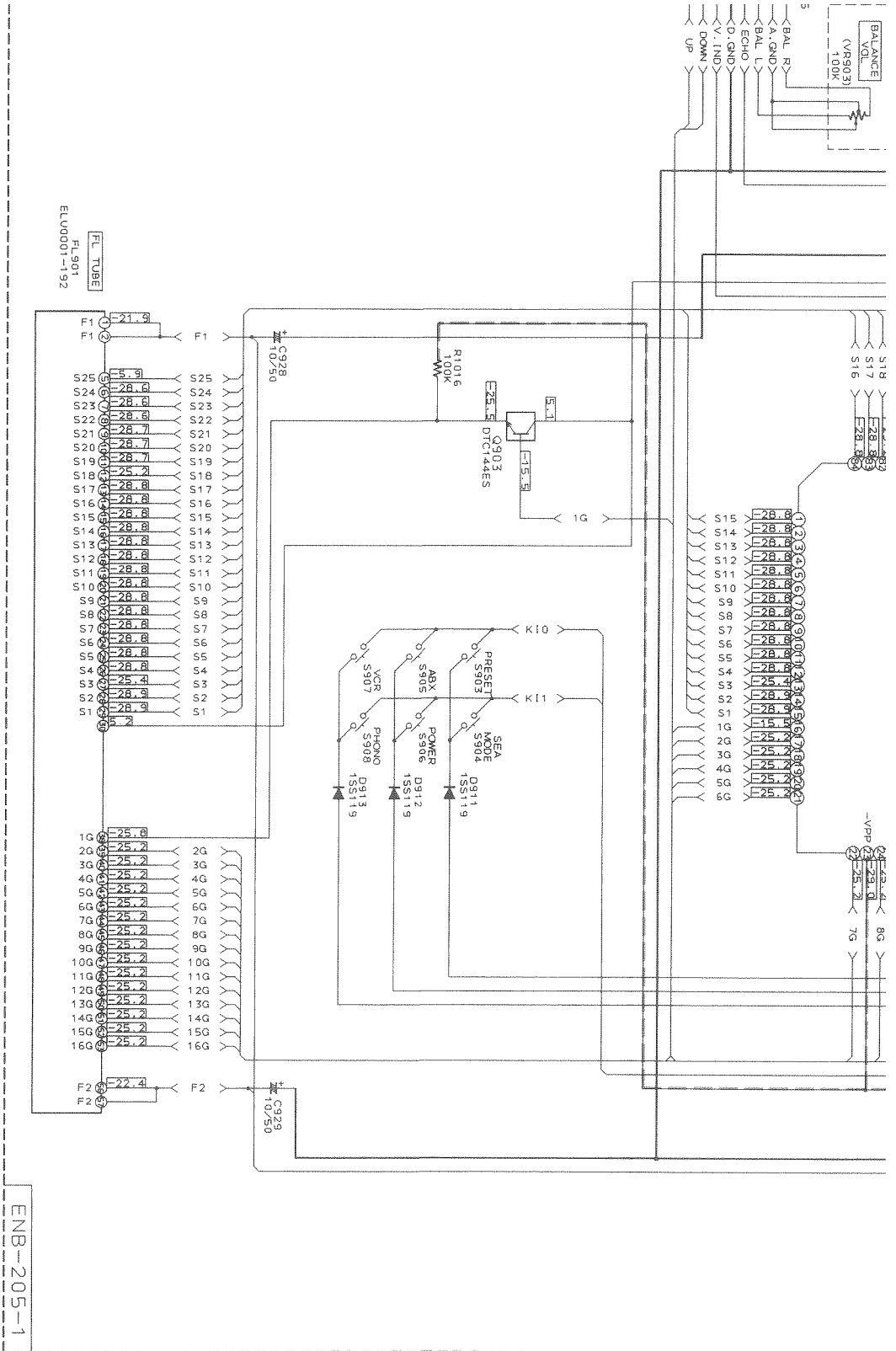
BC905	0	< BAL R >
0	0	< A.GND >
0	0	< BAL L >
0	0	< ECHO >
0	0	< D.GND >
0	3-1	< V.I.IND >
0	0	< DOWN >
0	0	< UP >

BALANCE
VOL
(V/R90
100

### (3) System Control & MIC Section

(A, BS, G, G1, EF, EN)





F

G

H

I

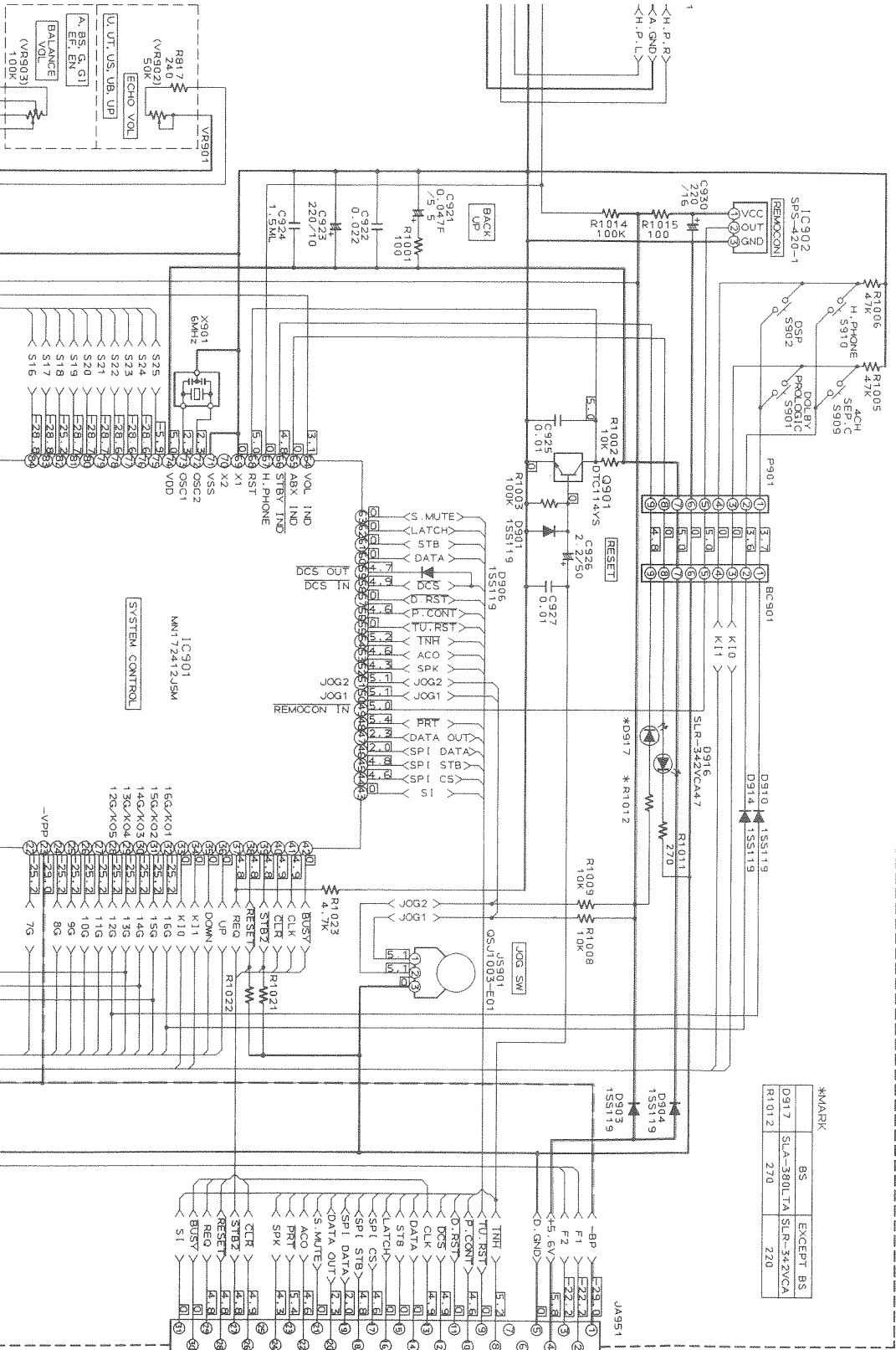
J

2-39

1

2

3



MARK

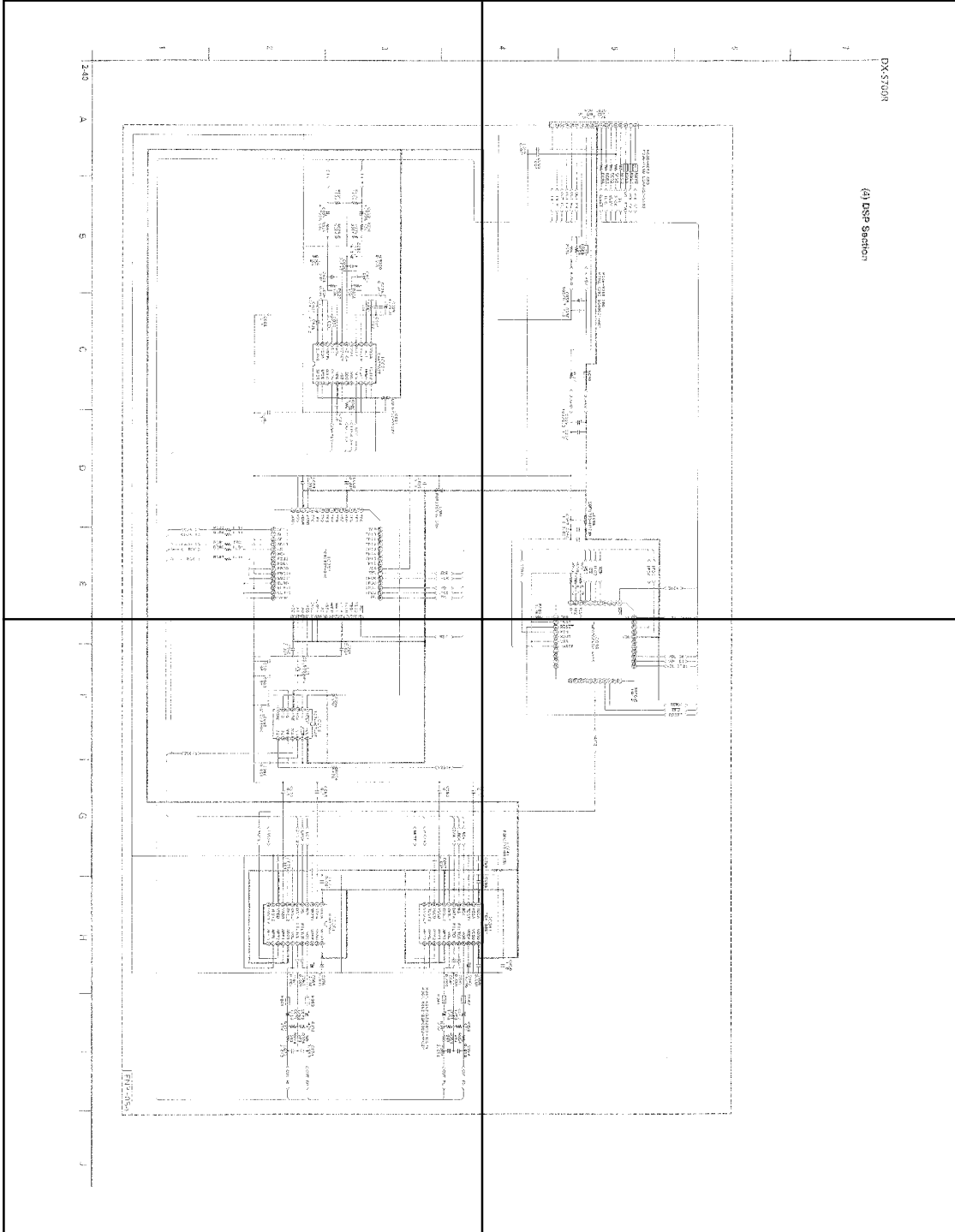
D917	SLA-380LTA	EXCEPT BS
R1012	270	220

FROM JB951 OF  
 ENH-257-1  
 SHEET 1/6



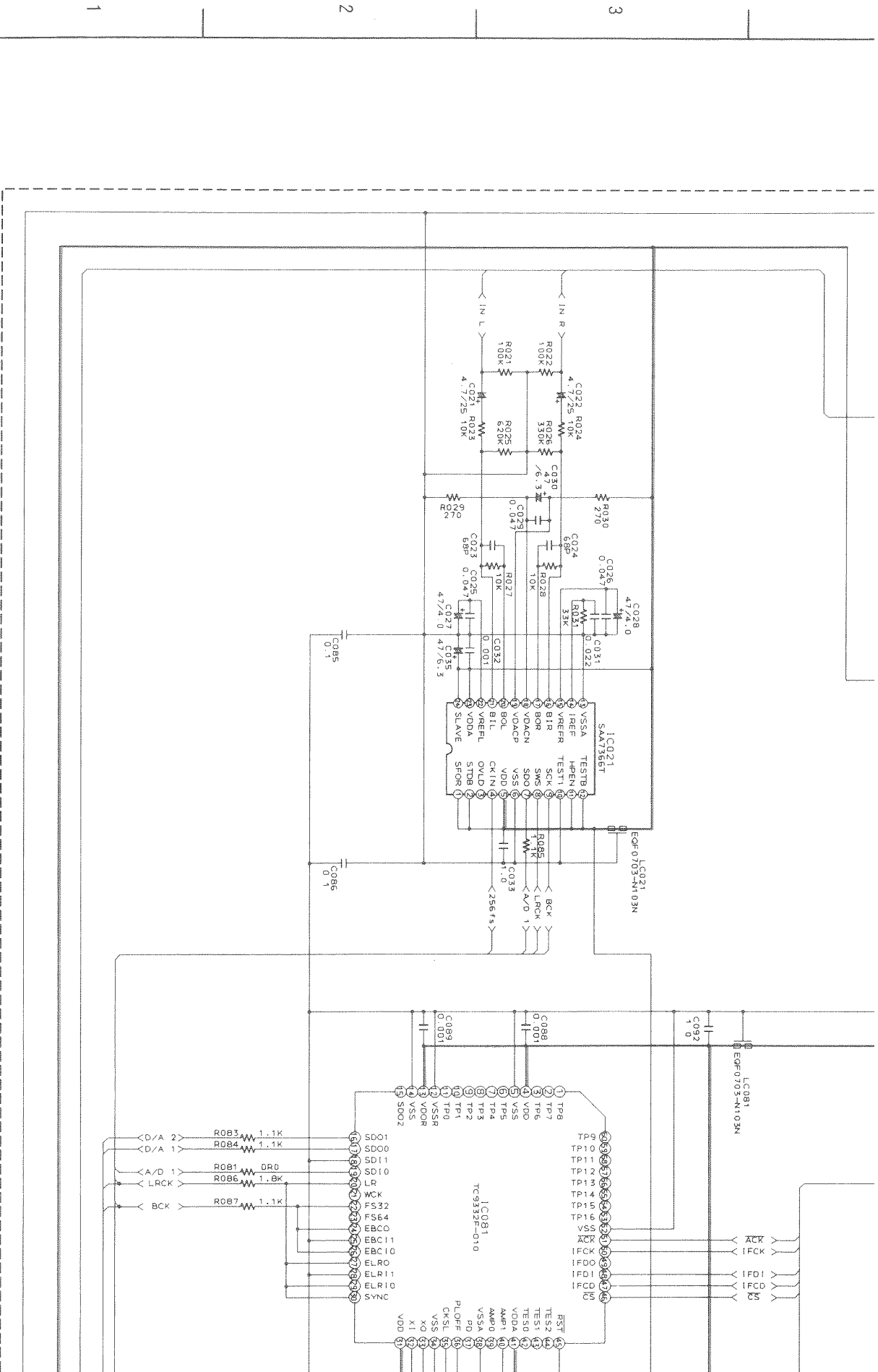
P2-40-a

P2-40-b



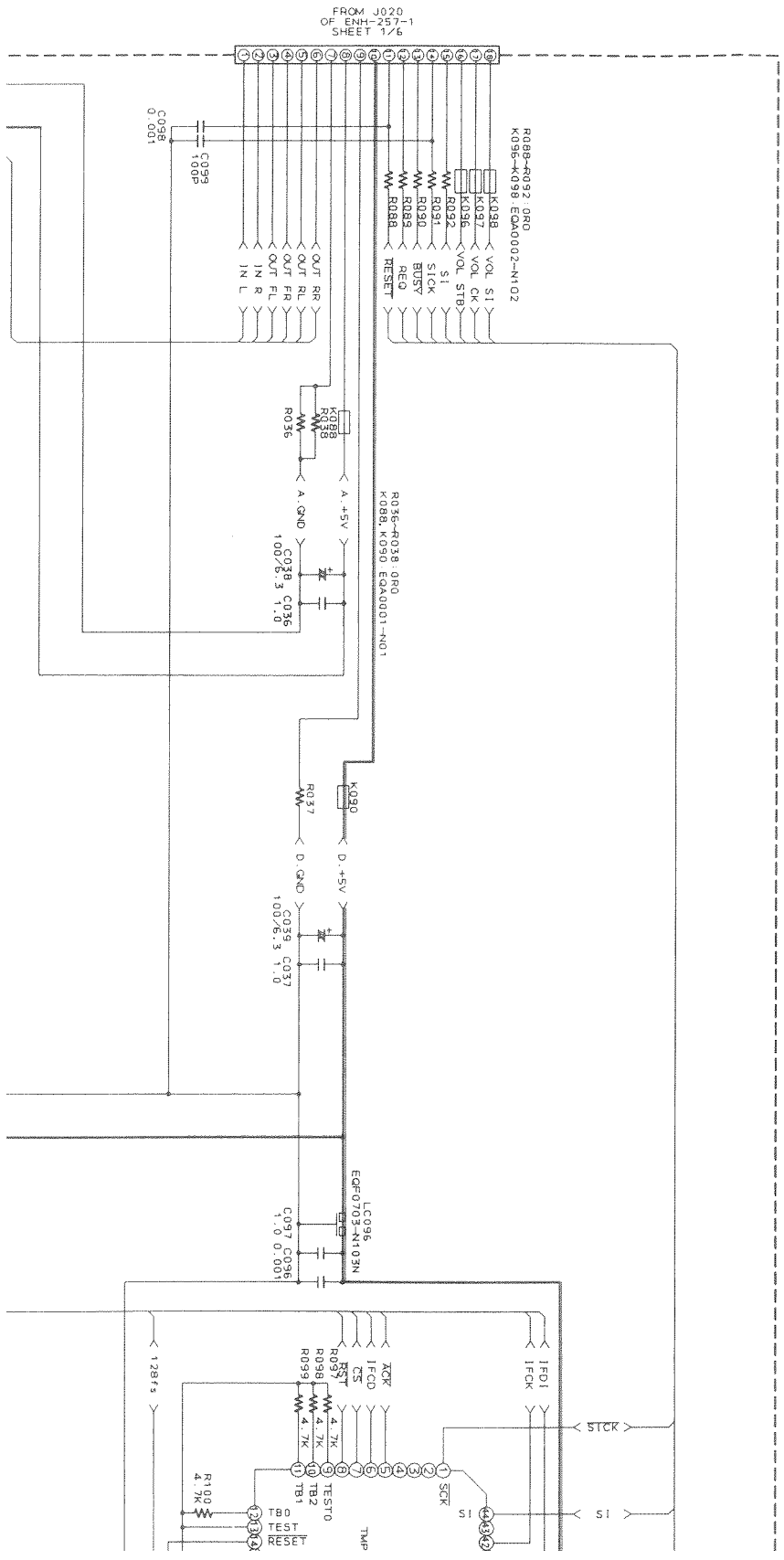
P2-40-c

P2-40-d

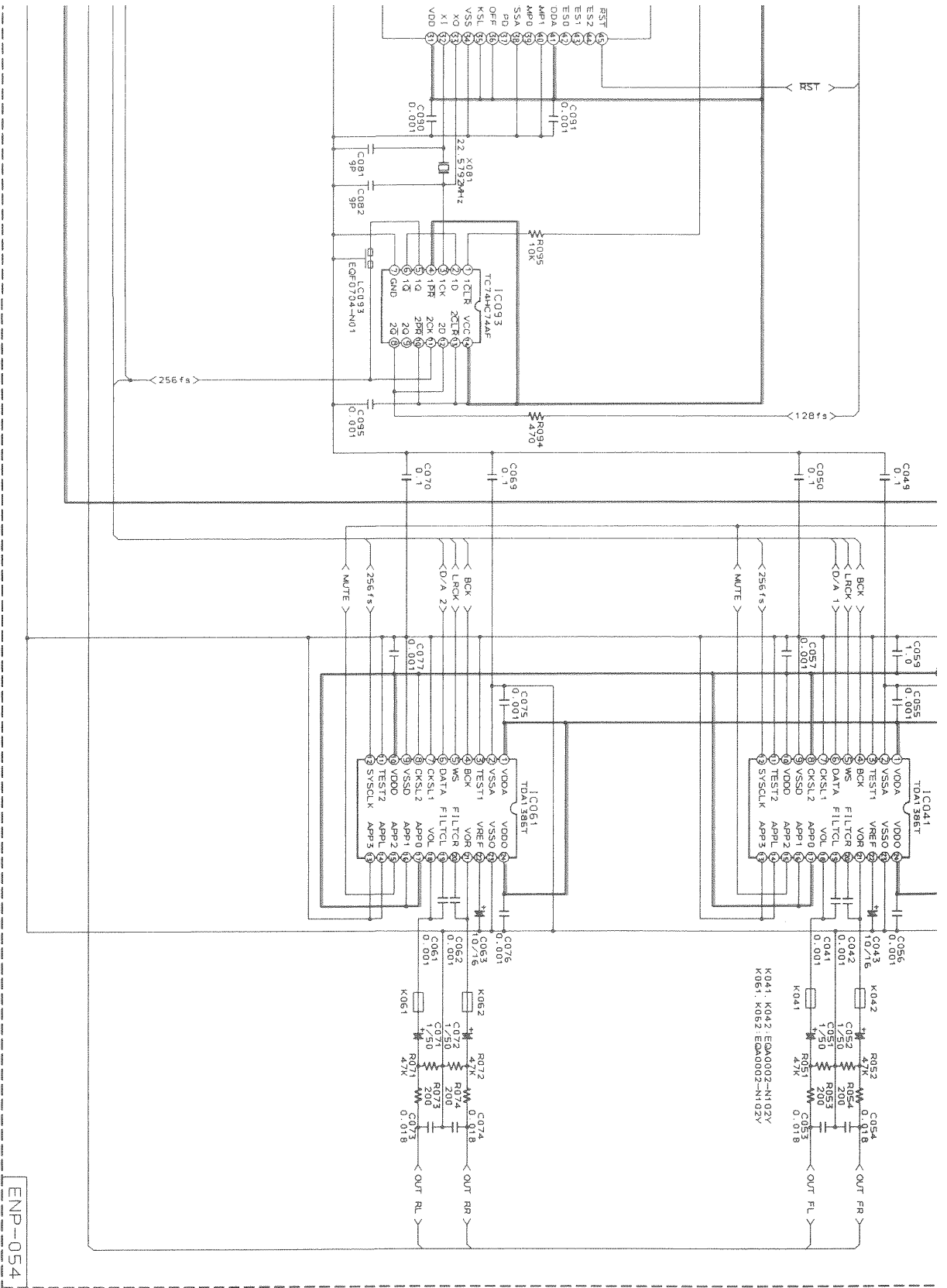




(4) DSP Section

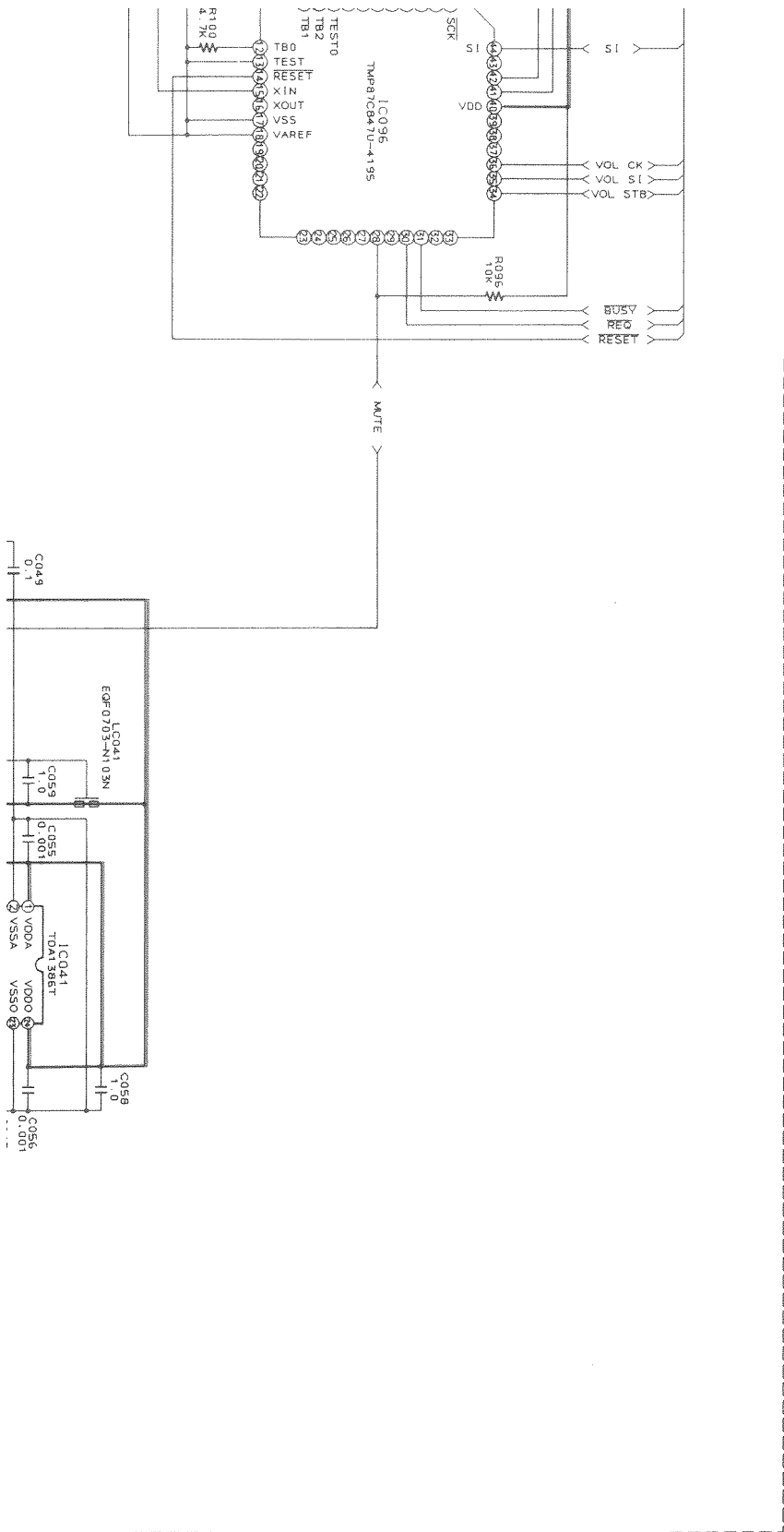


4 5 6 7



ENP-054

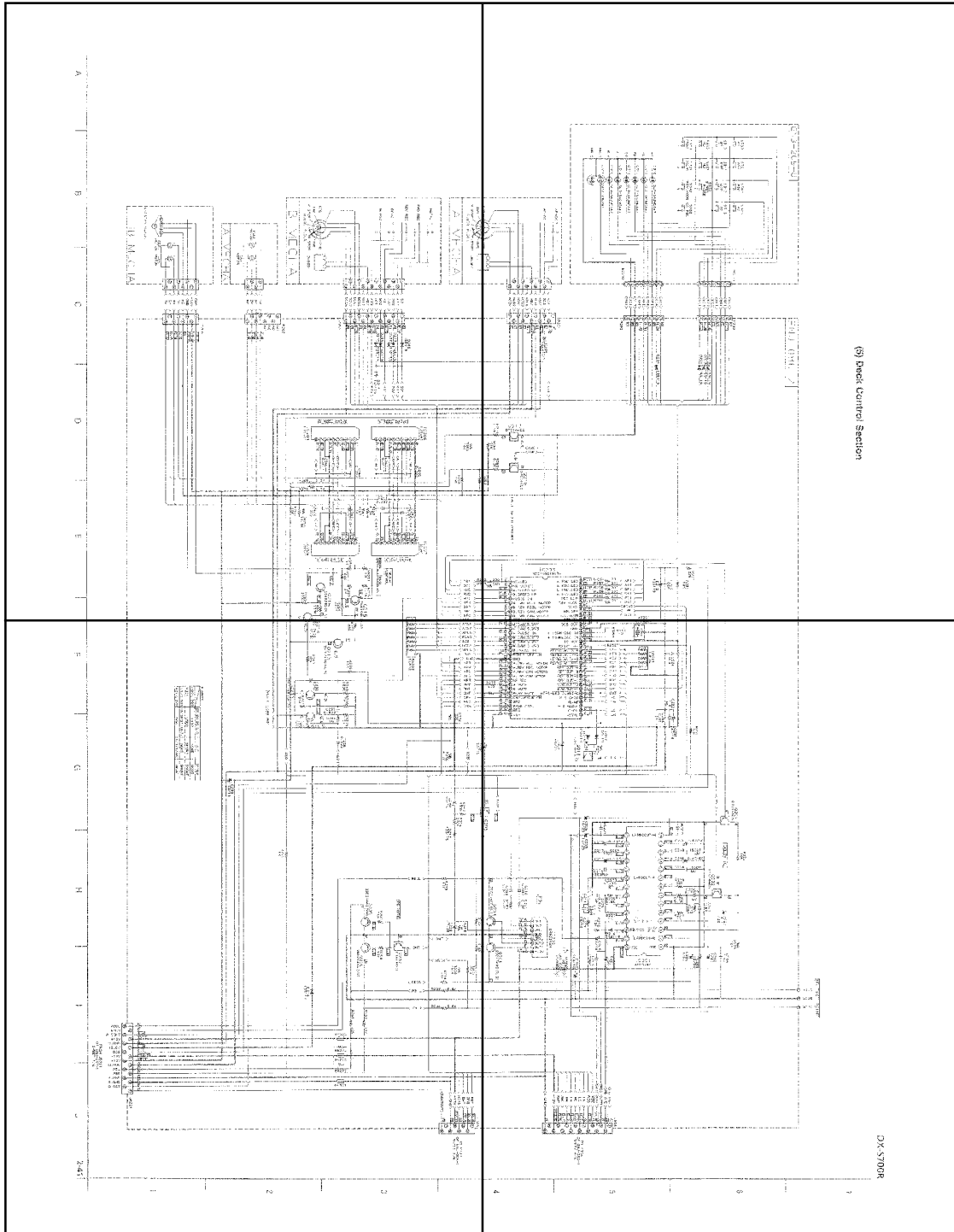
F G H I J





P2-41-a

P2-41-b



P2-41-c

P2-41-d

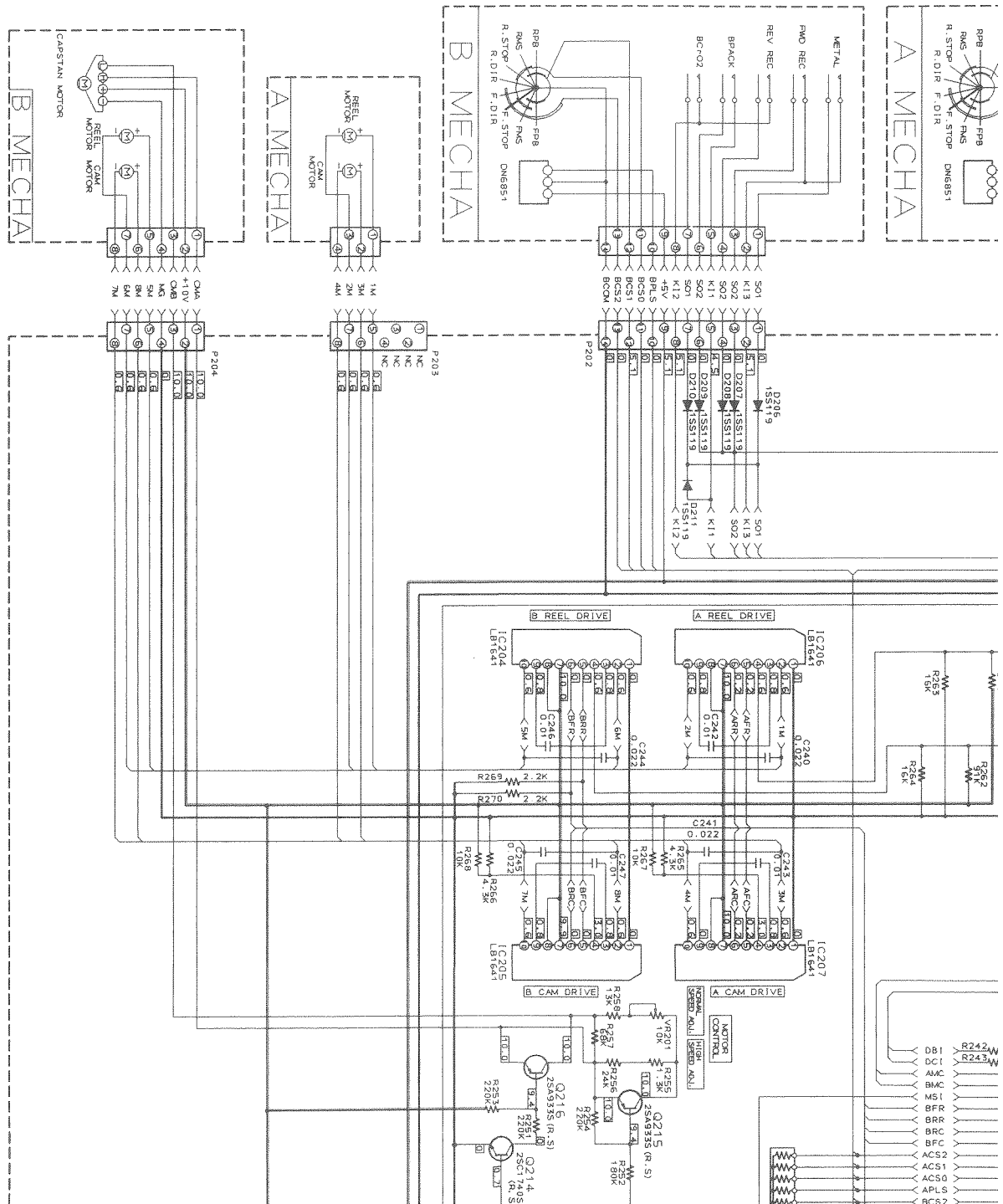
A

B

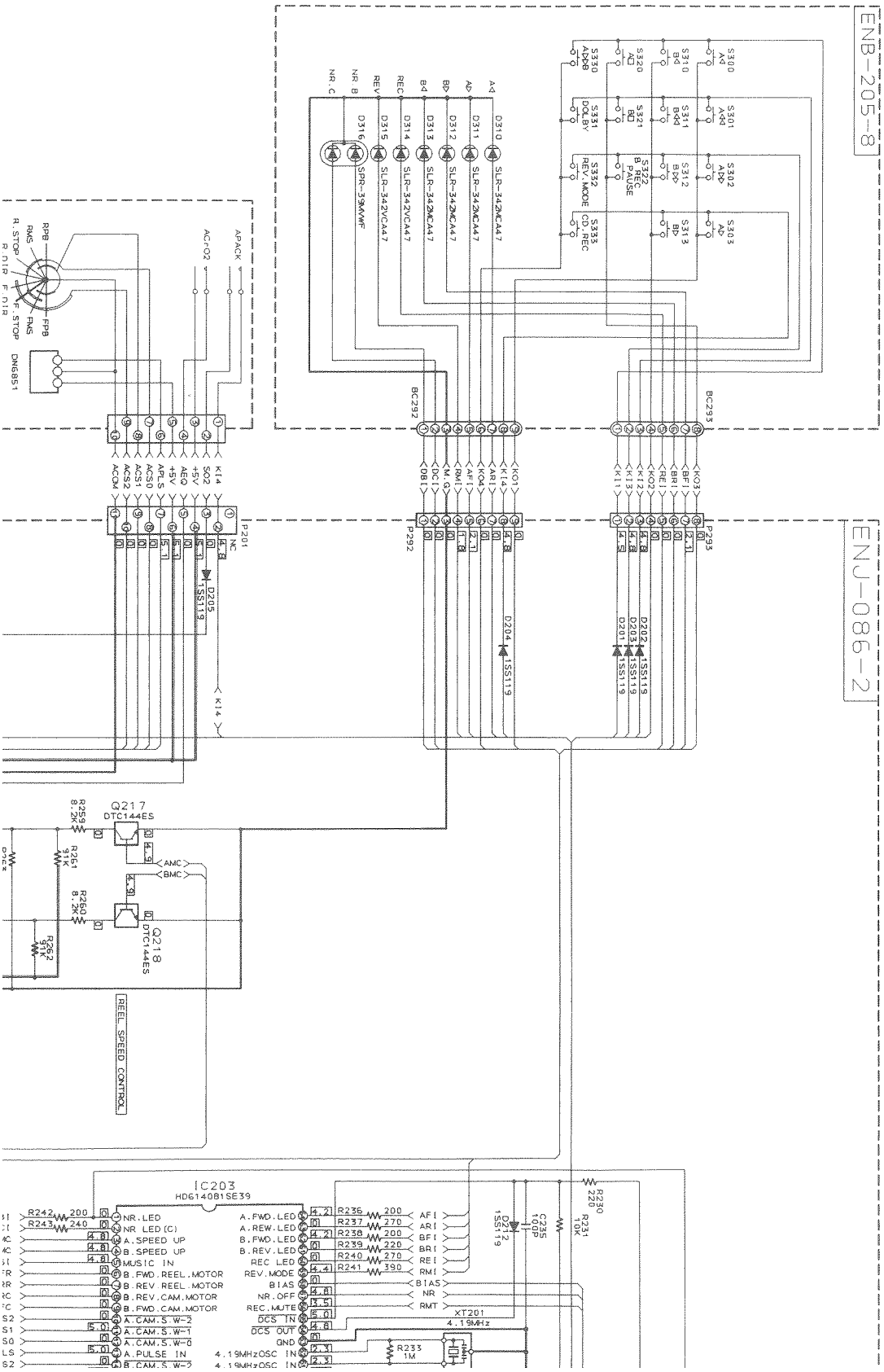
C

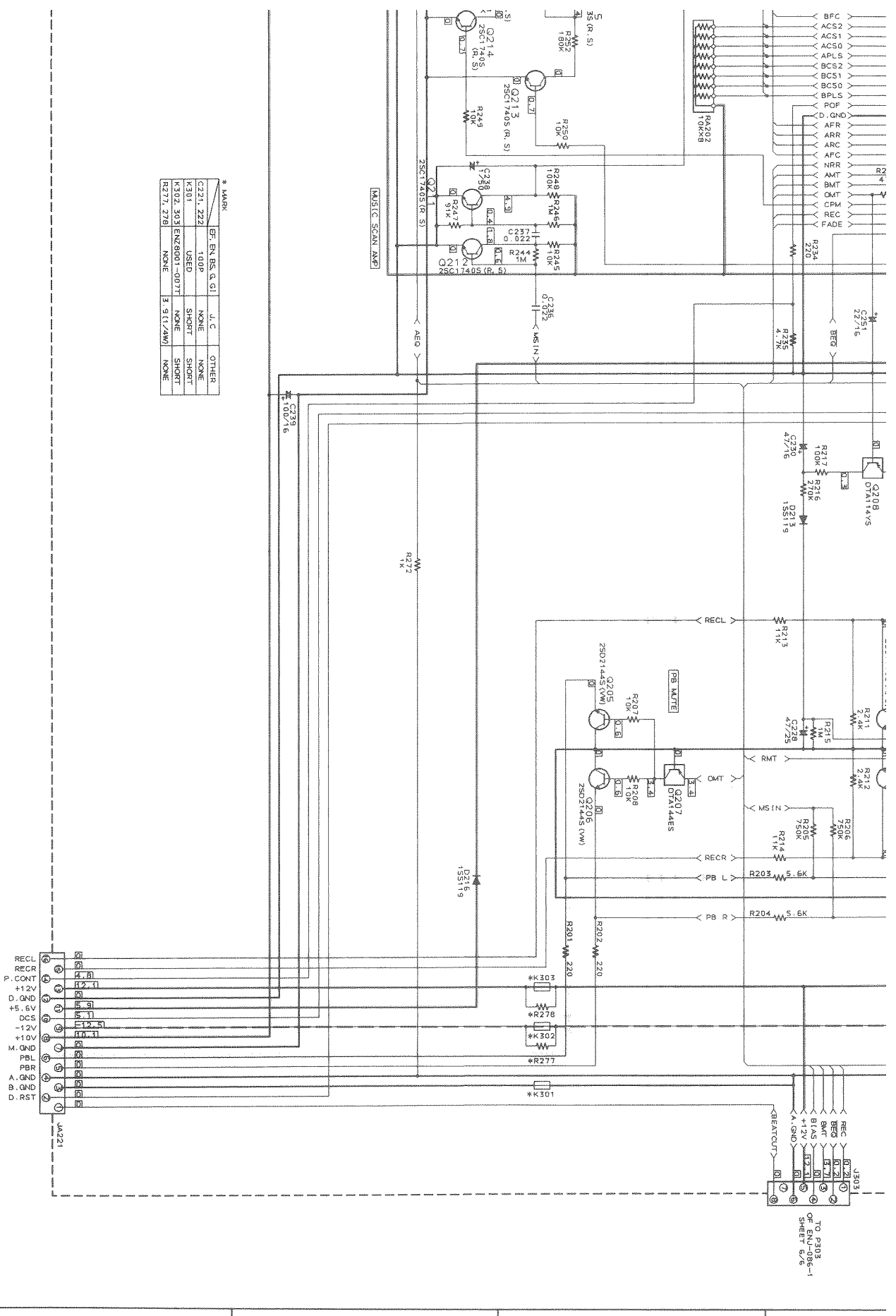
D

E



(5) Deck Control Section





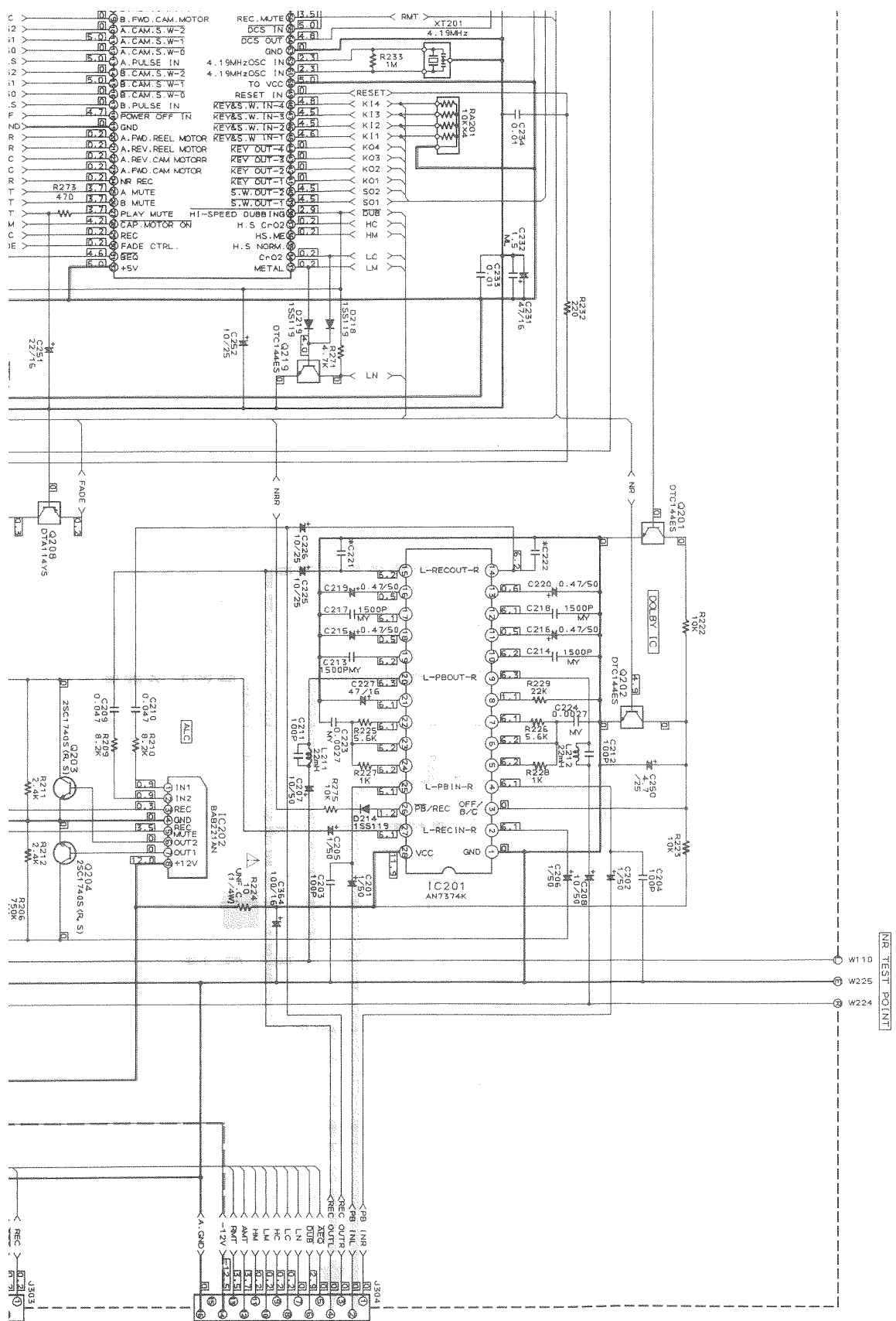
\* MARK

MARK	BT, BN, BS, G, S1	J, C	OTHER
C221, Z22	100P	NONE	NONE
K301	USED	SHORT	SHORT
K302, 303	EN2801-0071	NONE	SHORT
R271, 278	NONE	3.9(1/4W)	NONE

FROM JB21  
OF EM-257-1  
SHEET 1/6

TO 6302  
OF EMJ-036-1  
SHEET 6/6





4

5

6

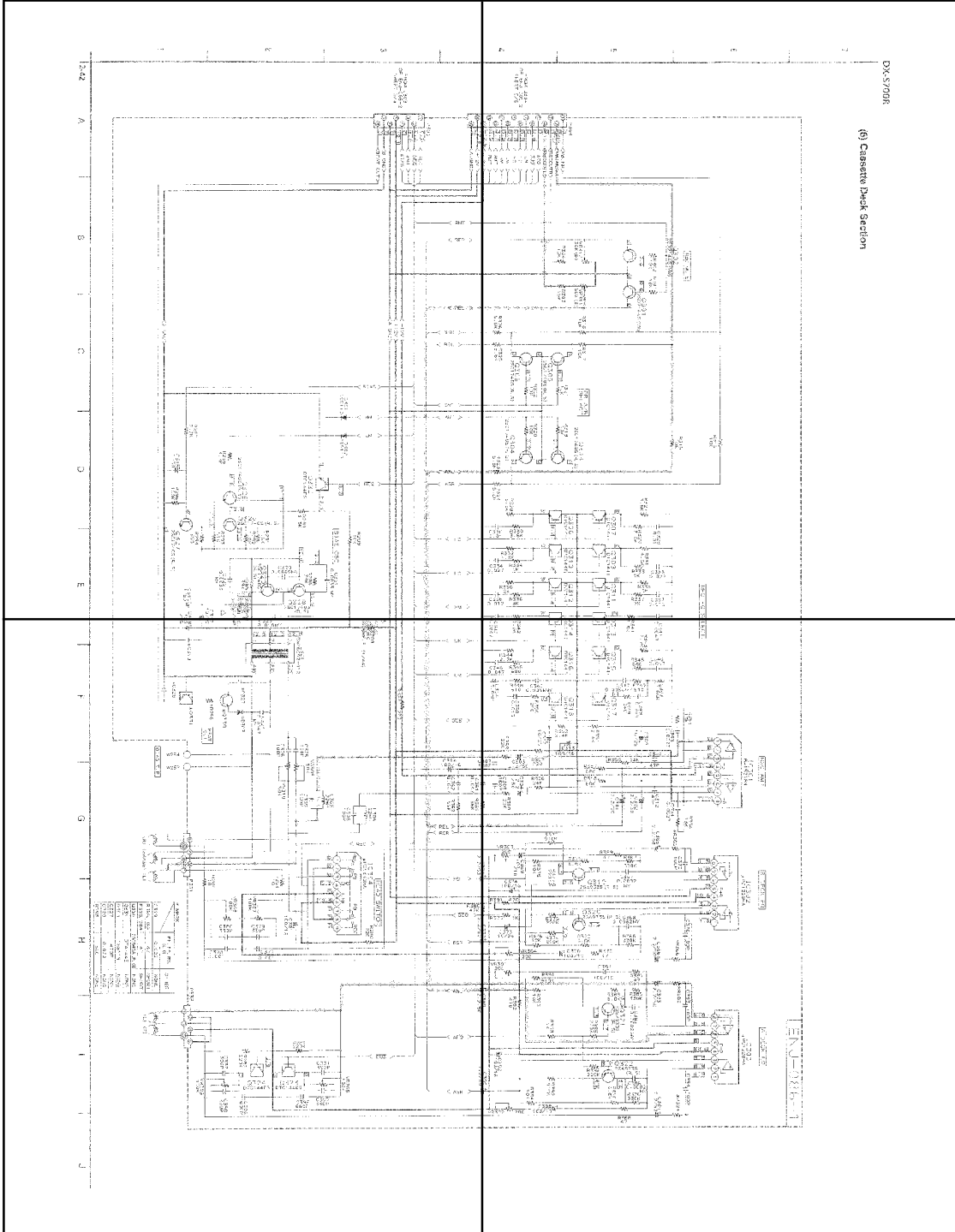
7

TO P314  
OF ENJ-086-1  
SHEET 6/6



P2-42-a

P2-42-b

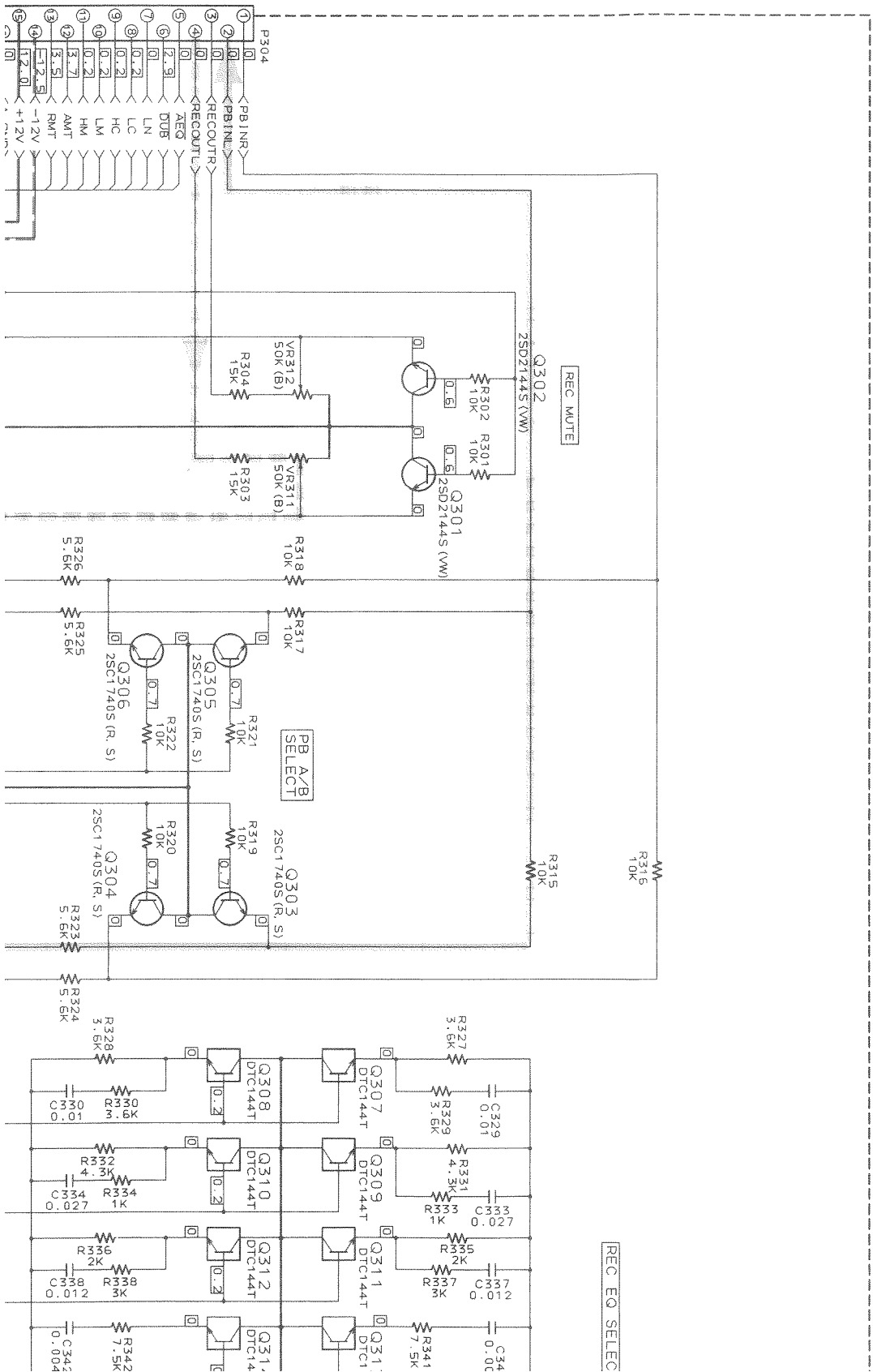


P2-42-c

P2-42-d

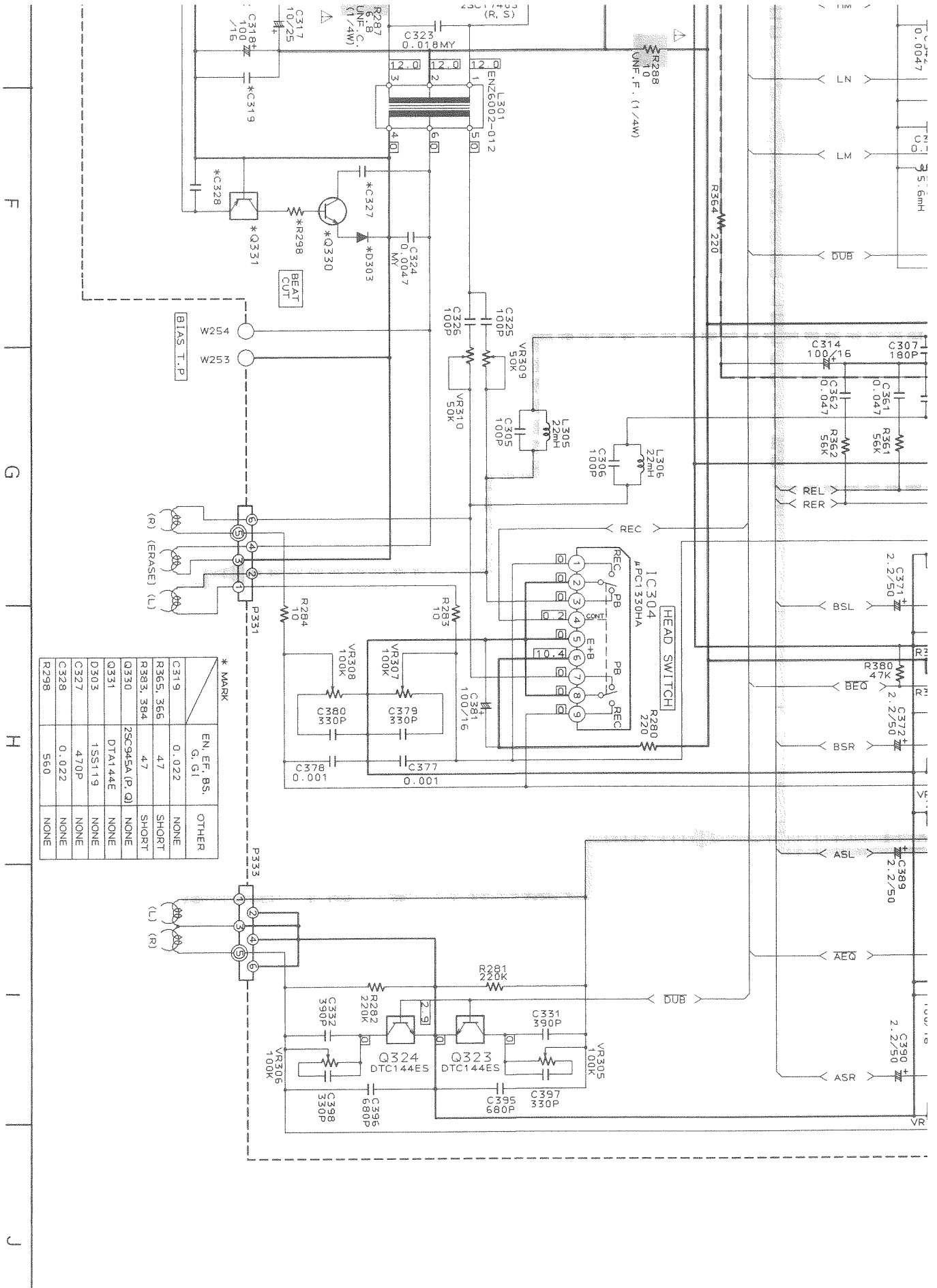


(6) Cassette Deck Section



FROM J304  
OF ENJ-086-2  
SHEET 5/6

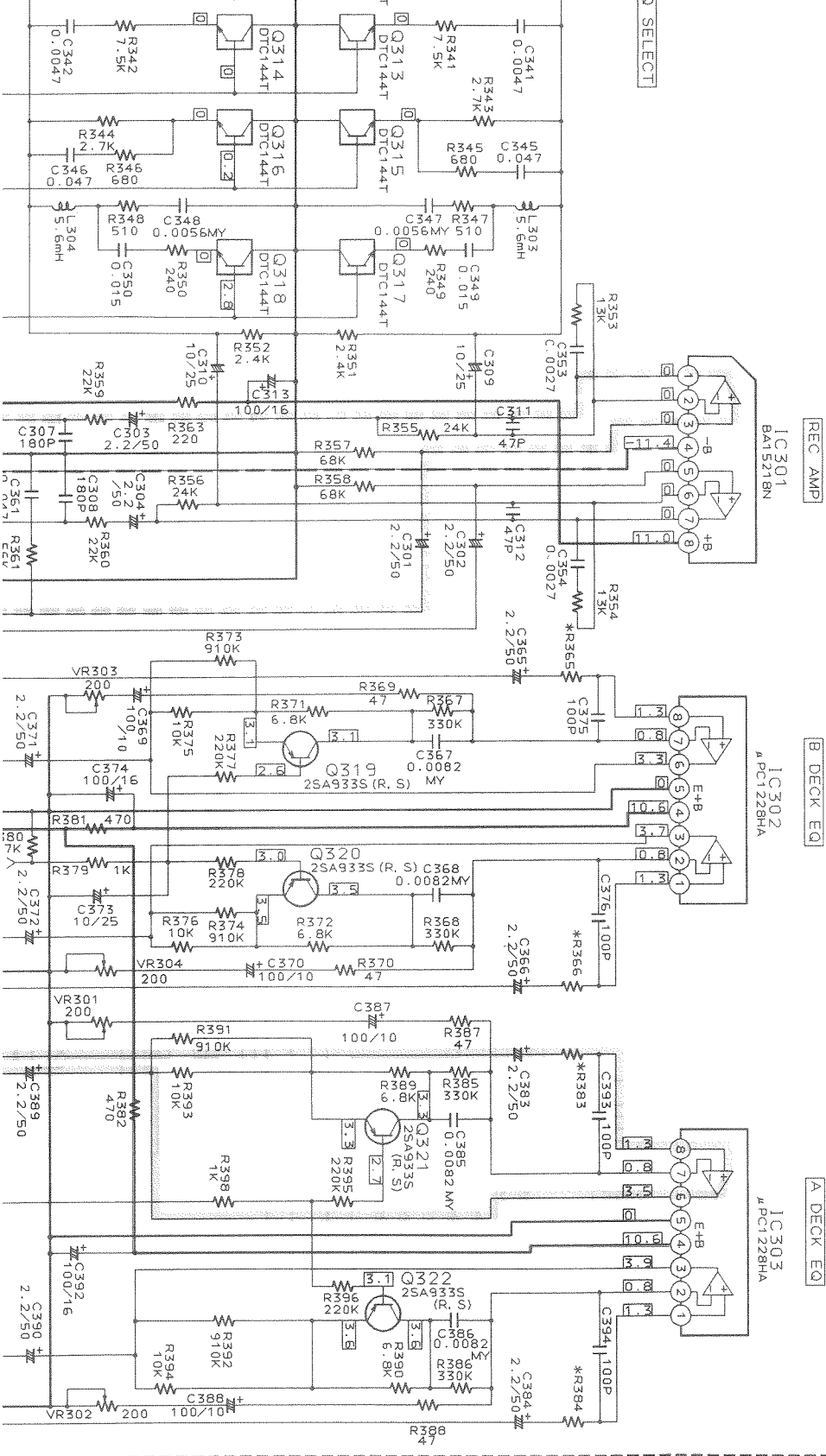
4 5 6 7



\* MARK

	EN, EF, BS, G, GI	OTHER
C319	0.022	NONE
R365, 366	4.7	SHORT
R383, 384	4.7	SHORT
Q330	2SC945A (P, Q)	NONE
Q331	DTA144E	NONE
Q303	1SS119	NONE
C327	470P	NONE
C328	0.022	NONE
R298	560	NONE

ENU-086-1







# XT-S700R

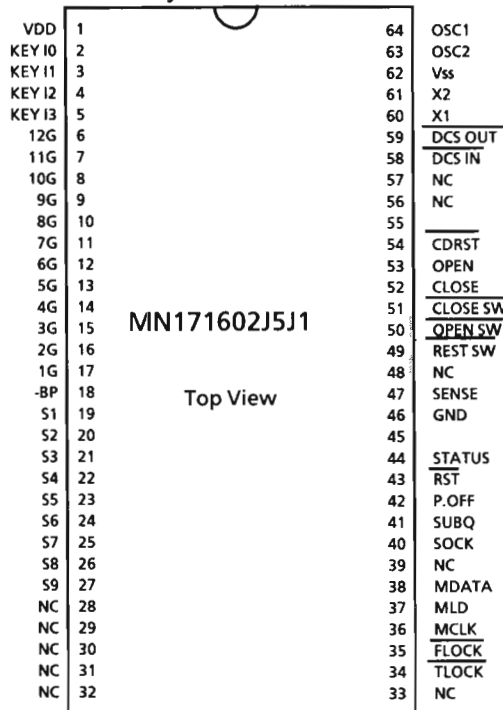
— Contents —

Discription of Major LSIs .....	3-2
Internal Connections of FL Display .....	3-13
Disassembly Procedures .....	3-15
Adjustment Procedures .....	3-18
Flow of Functional Operation Until TOC is Read .....	3-19
Maintenance of Laser Pickup .....	3-20
Replacement of Laser Pickup .....	3-20
Self-diagnosis for Pickup .....	3-21
Block Diagrams .....	3-23
Printed Circuit Boards .....	3-25
Schematic Diagrams .....	3-28

# Description of the ICs

## ■ MN171602J5J1 (IC701) : CD System Controller

### 1. Terminal Layout



### 2. Key Matrix

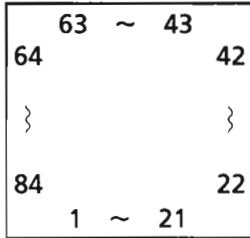
	KEY I0 (Pin 2)	KEY I1 (Pin 3)	KEY I2 (Pin 4)	KEY I3 (Pin 5)
4G (Pin 14)	■/CLEAR (S704)	▶/   (S708)	REPEAT (S712)	—
5G (Pin 13)	SIDE A/B (S703)	PROGRAM EDIT (S707)	AUTO EDIT (S711)	—
6G (Pin 12)	DISPLAY (S702)	▲ (S706)	CANCEL (S710)	⏪ (S714)
7G (Pin 11)	RANDOM (S701)	PROGRAM (S705)	CALL (S709)	⏩ (S713)

### 3. Functions

Pin NO.	symbol	I/O	Functions and operations	Pin NO.	symbol	I/O	Functions and operations
1	VDD	I	Power supply	33	NC	-	Non connection
2	KEY I0	I	Key matrix input	34	TLOCK	I	Tracking Lock with "L"
3	KEY I1	I	Key matrix input	35	FLOCK	I	Focus Lock with "L"
4	KEY I2	I	Key matrix input	36	MCLK	O	Command Clock Signal
5	KEY I3	I	Key matrix input	37	MLD	O	Command Load Signal
6	12G	O	FL grid control output	38	MDATA	O	Command Data Signal
7	11G	O	FL grid control output	39	NC	-	Non connection
8	10G	O	FL grid control output	40	SOCK	O	External clock for Sub Code Q register
9	9G	O	FL grid control output	41	SUBQ	I	Sub code Q code input
10	8G	O	FL grid control output	42	P.OFF	O	Power off signal output
11	7G	O	FL grid control output	43	RST	I	Reset signal input
12	6G	O	FL grid control output	44	STATUS	I	Status signal input
13	5G	O	FL grid control output	45		-	GND
14	4G	O	FL grid control output	46	GND	-	GND
15	3G	O	FL grid control output	47	SENSE	I	SENSE signal input
16	2G	O	FL grid control output	48	NC	-	Non connection
17	1G	O	FL grid control output	49	RESET SW	I	RESET SW active: low
18	-BP	I	FL power supply	50	OPEN SW	I	OPEN SW active: low
19	S1	O	FL segment control output	51	CLOSE SW	I	CLOSE SW active: low
20	S2	O	FL segment control output	52	CLOSE	O	CLOSE signal output
21	S3	O	FL segment control output	53	OPEN	O	OPEN signal output
22	S4	O	FL segment control output	54	CDRST	O	CD reset signal output active: low
23	S5	O	FL segment control output	55		-	Non connection
24	S6	O	FL segment control output	56	NC	-	Non connection
25	S7	O	FL segment control output	57	NC	-	Non connection
26	S8	O	FL segment control output	58	DCS IN	I	Compulink signal input
27	S9	O	FL segment control output	59	DCS OUT	O	Compulink signal output
28	NC	-	Non connection	60	X1	-	Connected to Ground
29	NC	-	Non connection	61	X2	-	Non connection
30	NC	-	Non connection	62	Vss	-	Connected to Ground
31	NC	-	Non connection	63	OSC2	O	Clock oscillation output
32	NC	-	Non connection	64	OSC1	I	Clock oscillation input

■ MN172412J5L (IC751) : Tuner controller

1. Terminal Layout



2. Key Matrix

	KEY IN 1 (PIN56)	KEY IN 2 (PIN57)	KEY IN 3 (PIN58)	KEY IN 4 (PIN59)
KEY OUT 1 (PIN60)	ONCE TIMER	SLEEP	DAILY	REC
KEY OUT 2 (PIN61)	+10	CLOCK ADJ	FM/AM MODE	MEMORY
KEY OUT 3 (PIN62)	UP	DOWN	PRESET UP	PRESET DOWN
KEY OUT 4 (PIN63)	EON	TA/NEWS/INFO	DISPLAY MODE	PTY SEARCH
KEY OUT 5 (PIN64)	PRESET SCAN	—	—	—
KEY OUT 6 (PIN65)	PTY UP	PTY DOWN	FM	AM

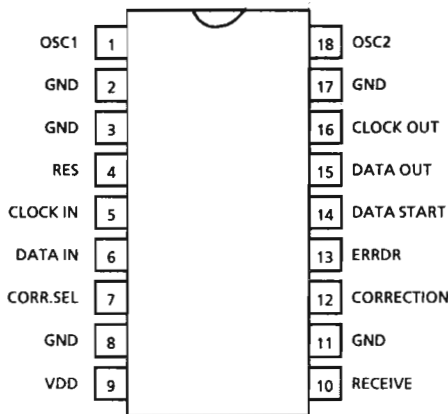
3. Pin Functions

Pin NO.	Symbol	I/O	Functions and Operations
1,2	G2~G1	O	Grid control signal
3	NC	--	Non connection
4~22	S35~S17	O	Segment control signal
23	--BP	--	Power supply for FL display
24~39	S16~S1	O	Segment control signal
40	fout	O	Frequency for the clock
41	TU DATA	O	Data for PLL synthesizer
42	IF DATA	I	Data from PLL synthesizer
43	CE	O	Chip enable signal output
44	CK	O	Clock for data transmission
45	RCK	I	Clock for RDS
46	RDATA	I	Data for RDS
47	R-RST	O	Reset for RDS
48	T-INH	I	Inhibit signal input
49	D-ST	I	RDS data start
50	TUNED	I	Indication control signal
51	STEREO	I	Indication control signal

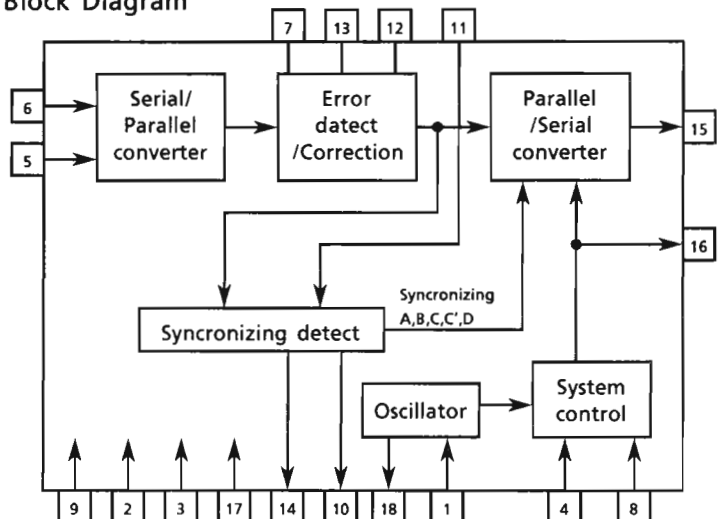
Pin NO.	Symbol	I/O	Functions and Operations
52	MUTE	O	Mute signal output
53	NC	--	Non connection
54,55	DCS OUT/IN	I/O	Compulink signal
56~59	K11~K14	I	Key matrix input
60~65	KO1~KO6	O	Key matrix output
66,67	NC	--	Non connection
68	RST	I	Reset signal input
69	Vss	--	Connected to GND
70	NC	--	Non connection
71	Vss	--	GND
72,73	OSC2/OSC1	--	Oscillation terminal
74	VDD	--	Power supply
75	TEST	--	Test mode terminal
76	TEST	I	Test mode terminal
77	NC	--	Non connection
78~84	G3~G9	O	Grid control signal

■ LC7073MX (IC191) : Radio Data System

1. Terminal Layout



2. Block Diagram



3. Pin Functions

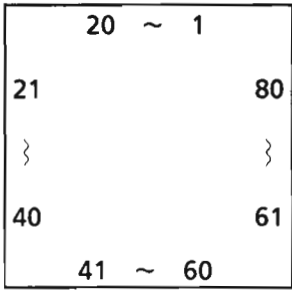
Pin No.	Symbol	I/O	Function
1,18	OSC1,OSC2	I/O	Oscillation terminal
2,3,8,11,17	GND	—	GND
4	RES	I	Reset input
5	CLOCK IN	I	RDS clock input
6	DATA IN	I	RDS data input
7	CORR.SEL	I	Non connection
9	VDD	—	Power supply

Pin No.	Symbol	I/O	Function
10	RECEIVE	—	Non connection
12	CORRECTION	—	Non connection
13	ERRDR	—	Non connection
14	DATA START	O	Data start signal for block data to output serial data.
15	DATA OUT	O	Serial data output
16	CLOCK OUT	O	Data output of serial data output

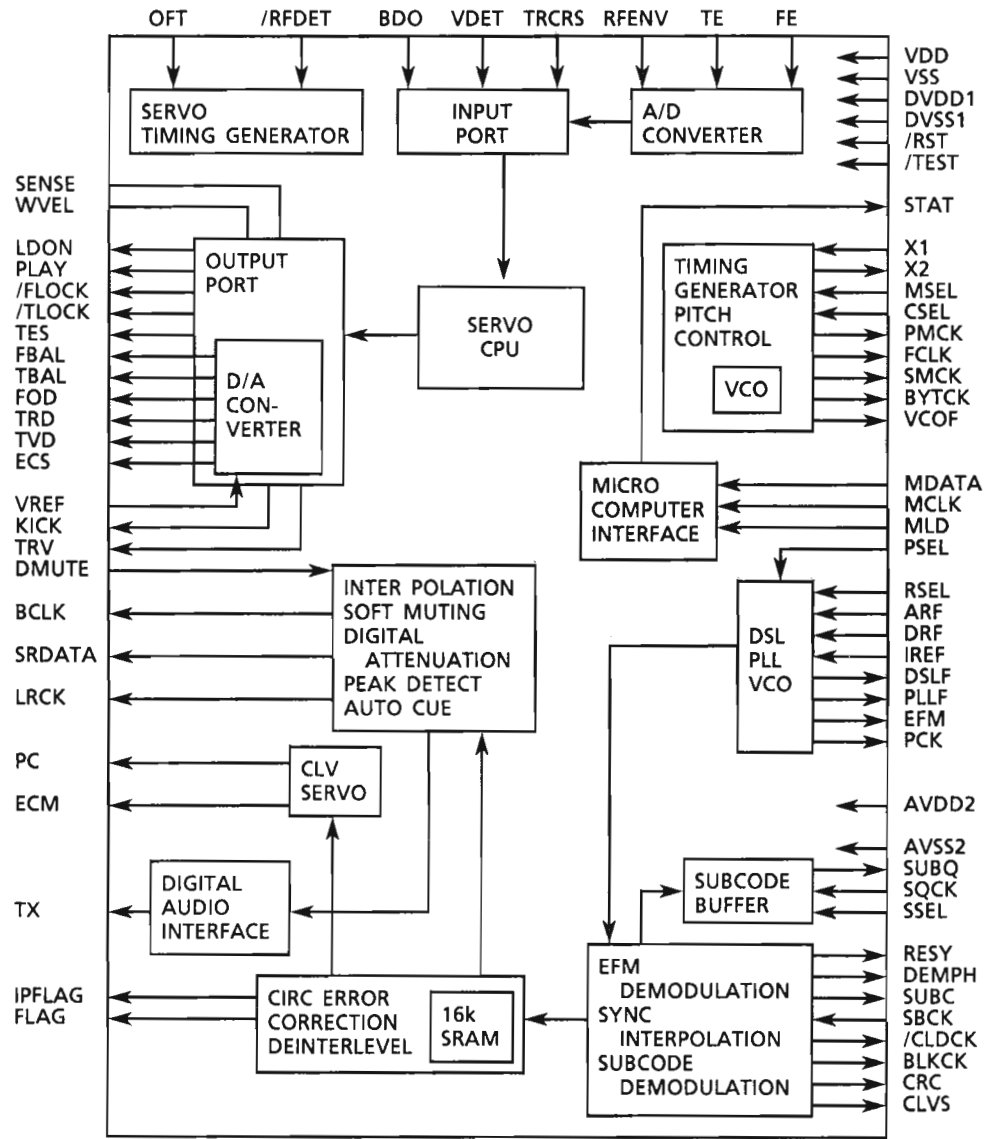
# XT-S700R

## ■ MN66271RAM (IC650) : Digital Servo & Digital Signal Processor

### 1. Terminal Layout



### 2. Block Diagram



3. Functions

Pin No.	symbol	I/O	Functions and operations	Pin No.	symbol	I/O	Functions and operations
1	BCLK	-	Non connection	41	TES	-	
2	LRCK	-	Non connection	42	PLAY	-	Non connection
3	SRDATA	-	Non connection	43	WVEL	-	Non connection
4	DVDD1	-	Power supply for digital circuit	44	ARF	I	RF signal input
5	DVSS1	-	Connected to ground	45	IREF	I	Reference current input
6	TX	-	Non connection	46	DRF	I	Bias adjustment pin for DSL
7	MCLK	I	Command Clock signal input from IC701	47	DSLFL	I/O	Loop filter pin for DSL
8	MDATA	I	Command data signal input from IC701	48	PLLF	I/O	Loop filter pin for PLL
9	MLD	I	Command load signal input from IC701 L : LOAD	49	VCOF	-	Non connection
10	SENSE	O	Sense signal output	50	AVDD2	-	Power supply
11	FLOCK	O	Focus clock signal output Active : low	51	AVSS2	-	Connected to ground
12	TLOCK	O	Tracking clock signal output Active : low	52	EFM	-	Non connection
13	BLKCK	-	Non connection	53	PCK	-	Non connection
14	SQCK	I	Clock signal for sub code and Q register	54	PDO	-	Non connection
15	SUBQ	O	Sub code and Q register signal output	55	SUBC	-	Non connection
16	DMUTE	I	Mute signal Connected to ground	56	SBCK	-	Connected to ground
17	STATUS	O	Status signal	57	VSS	-	Connected to ground
18	/RST	I	Reset signal input Active : low	58	X1	I	16.9344MHz X'tal oscillation circuit
19	SMCK	-	Non connection	59	X2	O	16.9344MHz X'tal oscillation circuit
20	PMCK	-	Non connection	60	VDD	-	Power supply
21	TRV	O	Traverse enforced signal output	61	BYTCK	-	Non connection
22	TVD	O	Traverse drive signal output	62	CLDCK	-	Non connection
23	PC	-	Non connection	63	FCLK	-	Non connection
24	ECM	O	Spindle motor drive signal (Enforced output) 3-State	64	IPPLAG	-	Non connection
25	ECS	O	Spindle motor drive signal (Servo signal)	65	FLAG	-	Non connection
26	KICK	O	Kick pulse output	66	CLVS	-	Non connection
27	TRD	O	Tracking drive output	67	CRC	-	Non connection
28	FOD	O	Focus drive output	68	DEMPH	-	Non connection
29	VREF	I	Reference voltage	69	RESY	-	Non connection
30	FBAL	O	Focus Balance adjustment signal output	70	RST 2	-	Connected to VDD
31	TBAL	O	Tracking Balance adjustment signal output	71	/TEST	-	Pull up (+5V)
32	FE	I	Focus error signal input	72	AVDD1	-	Power supply
33	TE	I	Tracking error signal input	73	OUT L	-	
34	RFENV	I	RF envelope signal input	74	AVSS1	-	Connected to GND
35	VDET	I	Vibration detect signal input	75	OUT R	-	
36	OFT	I	Off track signal input	76	RSEL	-	Pull up (+5V)
37	TRCRS	I	Track cross signal input	77	CSEL	-	Connected to ground
38	/RFDET	I	RF detect signal input Active : low	78	PSEL	-	Connected to ground
39	BDO	I	Drop out signal input	79	MSEL	-	Connected to ground
40	LDON	O	Laser ON signal output	80	SSEL	-	Pull up (+5V)

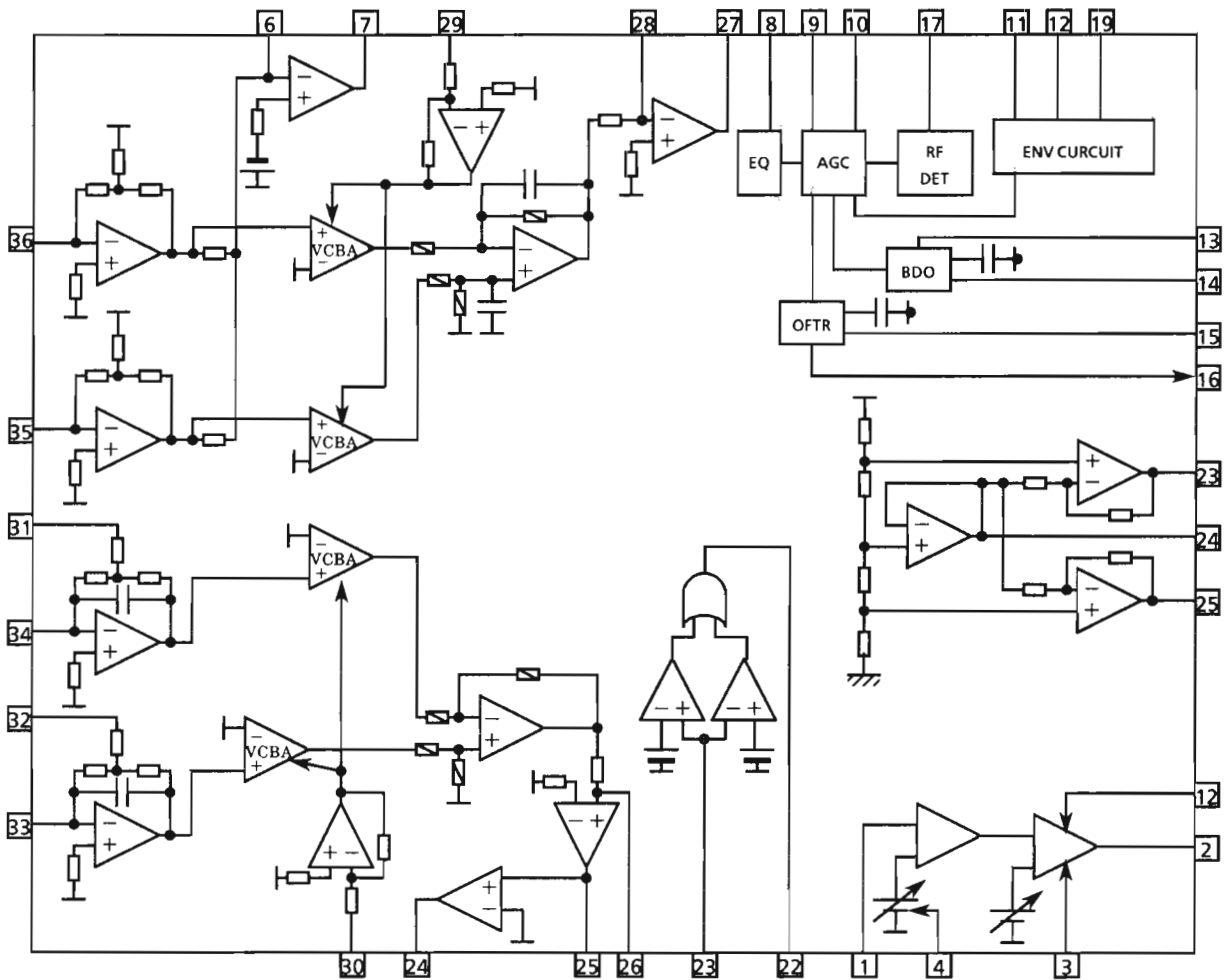
# XT-S700

## ■ AN88065B (IC600) : RF & SERVO AMP

### 1. Terminal Layout

PD	1	36 PDAC
LD	2	35 PDBD
LDON	3	34 PDE
LDP	4	33 PDF
VCC	5	32 PDER
RF-	6	31 PDFR
RF OUT	7	30 TBAL
RF IN	8	29 FBAL
C.AGC	9	28 FE-
ARF	10	27 FE OUT
C.ENV	11	26 TE-
C.EA	12	25 TE OUT
CS BDO	13	24 CROSS
BDO	14	23 TE BPF
CS BRT	15	22 VDET
OFTR	16	21 LD OFF
/NRFDET	17	20 VREF
GND	18	19 ENV

### 2. Block Diagram



3. Functions

Pin No.	Symbol	I/O	Functions and operations
1	PD	I	APC amp input terminal
2	LD	O	APC amp output terminal
3	LD ON	I	APC ON/OFF control terminal
4	LDP	--	Connected to ground
5	VCC	--	Power supply
6	RF-	I	Inverse input pin for RF amp
7	RF OUT	O	RF amp output
8	RF IN	I	RF input
9	C.AGC	I/O	Connecting pin of AGC loop filter
10	ARF	O	RF output
11	C.ENV	I/O	A capacitor is connected to this terminal to detect the envelope of RF signal
12	C.EA	I/O	A capacitor is connected to this terminal to detect the envelope of RF signal
13	CS BDO	I/O	A capacitor is connected to detect the lower envelope of the RF signal
14	BDO	O	BDO output pin
15	CS BRT	I/O	A capacitor is connected to detect the lower envelope of the RF signal
16	OFTR	O	Of-track status signal output
17	/NRFDET	O	RF detection signal output
18	GND	--	Ground
19	ENV	O	Envelope output
20	VREF	O	Reference voltage output
21	LD OFF	--	Connect to ground
22	VDET	O	Vibration detection signal output
23	TE BPF	I	Input pin of tracking error through BPF
24	CROSS	O	Tracking error cross output
25	TE OUT	O	Tracking error signal output
26	TE-	I	Inverse input pin for tracking error amp
27	FE OUT	O	Output pin of focus error
28	FE-	I	Inverse input pin for focus error amp
29	FBAL	I	Focus balance control
30	TBAL	I	Tracking balance control
31	PDFR	I/O	F I-V amp gain control
32	PDER	I/O	E I-V amp gain control
33	PDF	I	I-V amp input
34	PDE	I	I-V amp input
35	PD BD	I	I-V amp input
36	PD AC	I	I-V amp input

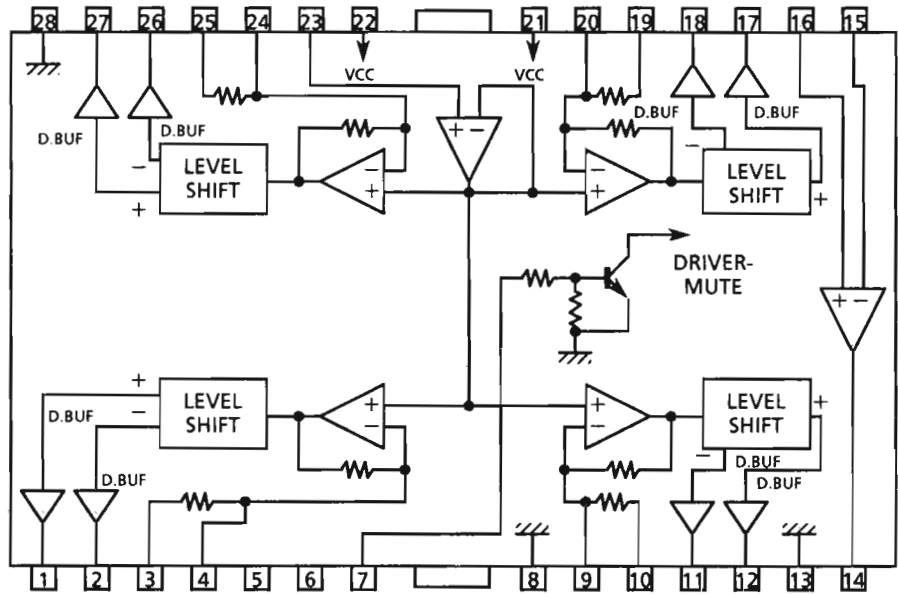
# XT-S700R

## ■ BA6398FP(IC700) : BTL DRIVER

### 1. Terminal Layout

CH1-OUT A	1	28	GND
CH1-OUT B	2	27	CH4-OUT A
CH1-IN A	3	26	CH4-OUT B
CH1-IN B	4	25	CH4-IN A
NC	5	24	CH4-IN B
NC	6	23	BIAS IN
MUTE	7	22	VCC
GND	8	21	VCC
CH2-IN B	9	20	CH3-IN B
CH2-IN A	10	19	CH3-IN A
CH2-OUT B	11	18	CH3-OUT B
CH2-OUT A	12	17	CH3-OUT A
GND	13	16	OP IN +
OP OUT	14	15	OP IN-

### 2. Block Diagram



### 3. Description

Pin No.	Symbol	I/O	Description
1 2	CH1-OUT A CH1-OUT B	O	Focus drive output
3	CH1-IN A	I	Focus drive input
4 5,6 10 19 24	CH1-IN B NC CH2-IN A CH3-IN A CH4-IN B	—	Non connection
7	MUTE	I	Mute signal input pin
9 20	CH2-IN B CH3-IN B	I	Spindle motor drive input Feed motor drive input
25	CH4-IN A	I	Tracking drive input

Pin No.	Symbol	I/O	Description
8,13,28	GND	—	GND
11 12	CH2-OUT B CH2-OUT A	O	Spindle motor drive output
14	OP OUT	O	OP amp output
15,16	OP IN	I	OP amp input
17 18	CH3-OUT A CH3-OUT B	O	Feed motor drive output
21,22	Vcc	—	Power supply
23	BIAS IN	I	Input pin of Bias
26 27	CH4-OUT B CH4-OUT A	O	Tracking drive output



■ SAA6579T (IC192) : Radio Data System Demodulator

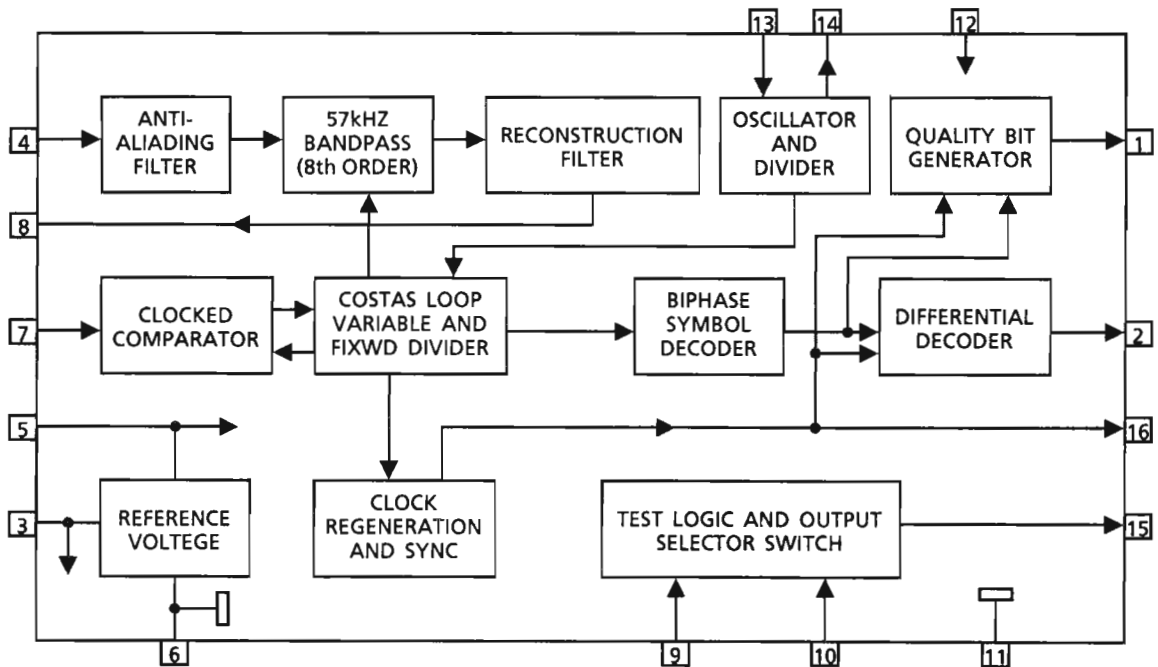
1. Terminal Layout

QUAL	1	16	RDCL
RDDA	2	15	T57
Vref	3	14	OSCO
MUX	4	13	OSCI
VDDA	5	12	VDD
GND	6	11	GND
CIN	7	10	GND
SCOUT	8	9	GND

2. Pin Function

Pin No.	Symbol	I/O	Function
1	QUAL	—	Non connection
2	RDDA	O	RDS data output
3	Vref	O	Reference voltage output
4	MUX	I	Multiplex signal input
5	VDDA	—	+5V supply voltage for analog part
6	GND	—	Ground for analog part (0V)
7	CIN	I	Subcarrier input to comparator
8	SCOUT	O	Subcarrier output of reconstruction filter
9	GND	—	Ground for digital part (0V)
10	GND	—	Ground for digital part (0V)
11	GND	—	Ground for digital part (0V)
12	VDD	—	+5V supply voltage for digital part
13	OSCI	I	Oscillator input
14	OSCO	O	Oscillator output
15	T57	—	Non connection
16	RDCL	O	RDS clock output

3. Block Diagram

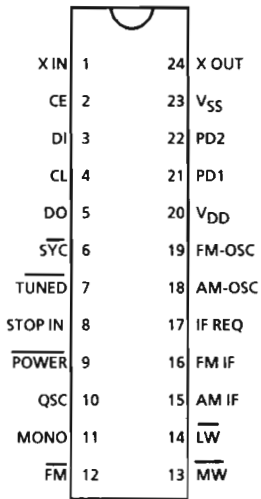


■ LC7218JMX (IC121) : PLL Synthesizer

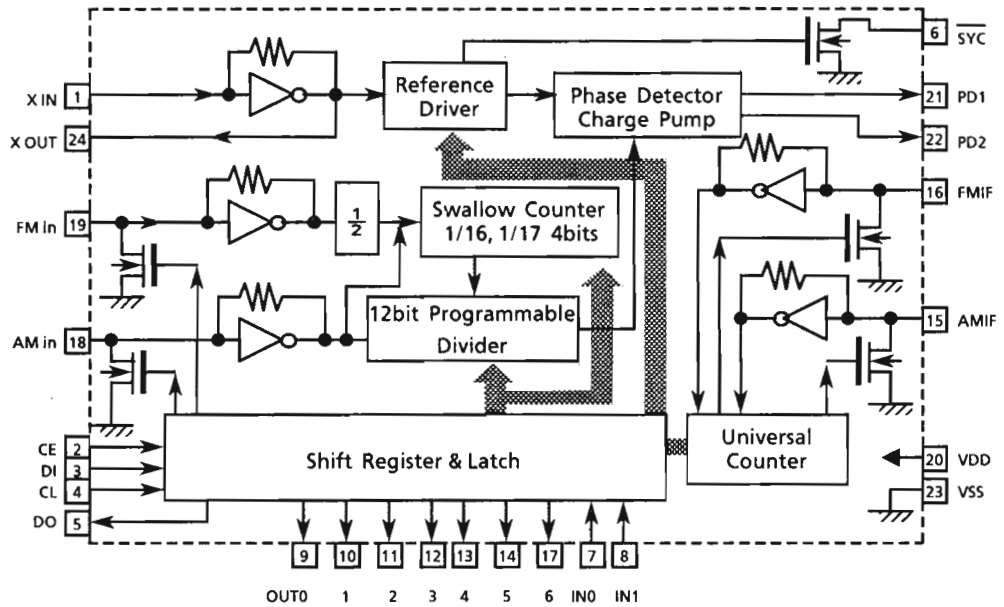
1. The main function descriptions

- (1) It makes the local oscillation frequency by the control data from IC751.
- (2) Decode the control signal and transmit the signal for receiving conditions.
- (3) For the best tuning, count the internal-frequency and transmit the data to IC751.

2. Terminal Layout



3. Block Diagram

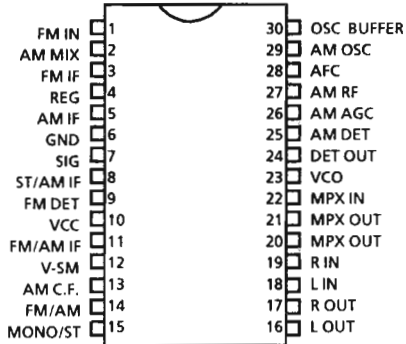


4. Functions

Pin No.	Symbol	I/O	Functions and operations
1,24	X in , X out	I/O	Crystal oscillator (7.2MHz).
2	CE	I	Fix the chip enable to "H" when inputting (DI) and outputting (DO) the serial data.
3	DI	I	Receive the control data from the controller (IC751).
4	CL	I	This clock is used to synchronize data when transmitting the data of DI and DO.
5	DO	O	Transmit the data to the controller(IC751) which is synchronized with CL.
6	SYC	-	Not used.
7	TUNED	I	Receive the tuned signal from IC751
8	STOP IN	-	Connected to ground
9	POWER	-	Non connection
10	QSC	-	Non connection
11	MONO	O	It is "H" on FM-monaural, "L" on FM-Stereo.
12	FM	O	It is "L" on FM mode.
13	MW	O	It is "L" on MW mode.
14	LW	O	It is "L" on LW mode.
15	AM-IF	I	Universal counter input for AM-IF from IC102 (LA1836A).
16	FM-IF	I	Universal counter input for FM-IF from IC102(LA1836A).
17	IF REQ	O	Output the "IF-signal request" to IC102 when the pin-7 (tuned in) goes to "H".
18	AM OSC	I	Input the local oscillator signal of AM.
19	FM OSC	I	Input the local oscillator signal of FM.
20	V <sub>DD</sub>	-	This is a terminal of power supply.
21	PD1	O	PLL charge pump output : When the local oscillator signal frequency is higher than the reference frequency high level signals will output. When it is lower than the reference frequency, low level signals will output. When it is same as reference frequency signals, it will be floating.
22	PD2	-	Non connection
23	V <sub>SS</sub>	-	Connected to ground

■ LA1836MX (IC102) : FM AM IF AMP & detector

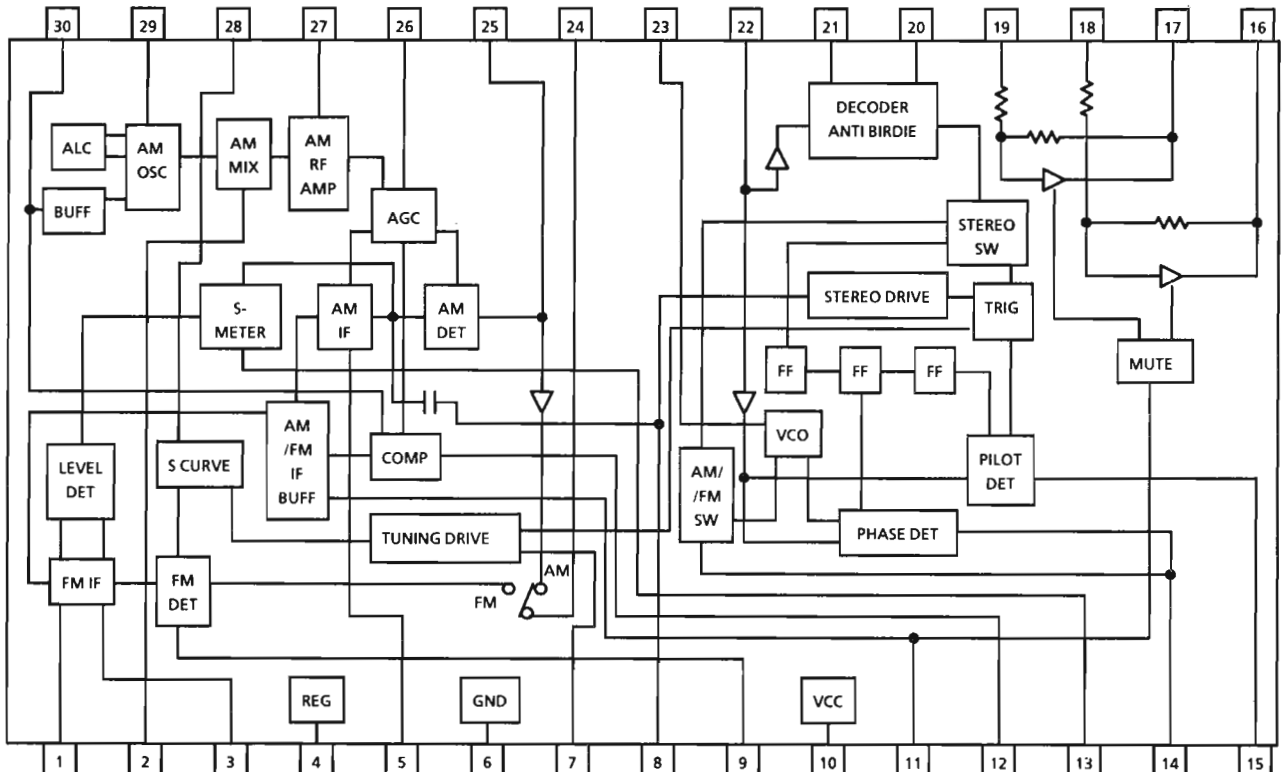
1. Terminal Layout



3. Pin Function

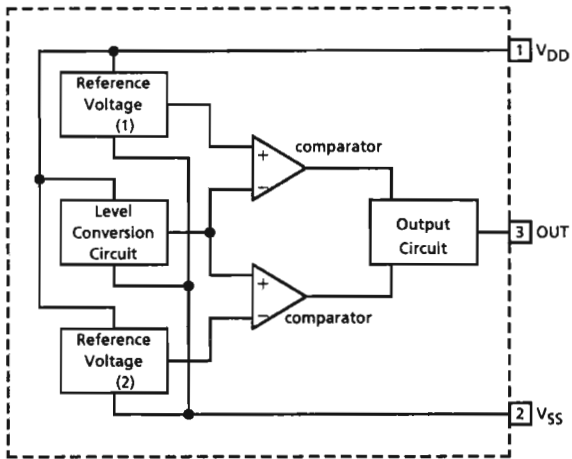
Pin No.	Symbol	I/O	Function
1	FM IN	I	FM IF Signal input
2	AM MIX	O	AM mixer output
3	FM IF	I	Bypass of FM IF
4	REG	-	Register value between pin4 and pin28 desides the frequency width of the input signal
5	AM IF	I	AM IF Signal input
6	GND	-	Ground terminal
7	SIG	O	Auto-stop drive signal output for mute and tune
8	ST/AM IF	O	Stereo indicator output Stereo : "L", Mono : "H"
9	FM DET	-	FM detect coil
10	VCC	-	Power supply
11	FM/AM IF	O	When the signal of IF REQ of IC121(LC7218MX) appears, the signal of FM/AM IF outputs.
12	VSM	O	Control output for AM tuned sensitivity
13	AM C.F.	-	AM ceramic filter
14	FM/AM	I	Change over the FM / AM input FM : "H" , AM : "L"
15	MONO/ST	O	Stereo : "H", Mono : "L"
16	L OUT	O	Left channel signal output.
17	R OUT	O	Right channel signal output
18	L IN	I	Input terminal of the Left channel post AMP
19	R IN	I	Input terminal of the Right channel post AMP
20	MPX L OUT	O	Mpx Left channel signal output
21	MPX R OUT	O	Mpx Right channel signal output
22	MPX IN	I	Mpx input terminal
23	VCO	I	Voltage controlled oscillator
24	DET OUT	O	AM/FM detection output
25	AM DET	-	AM low cut adjustment
26	AM AGC	I	AM AGC voltage input
27	AM RF	I	AM RF signal input
28	AFC	-	Voltage output for FM-AFC(automatic frequency control)
29	AM OSC	-	AM Local oscillation circuit
30	OSC BUFFER	O	AM Local oscillation Signal output

2. Block Diagram



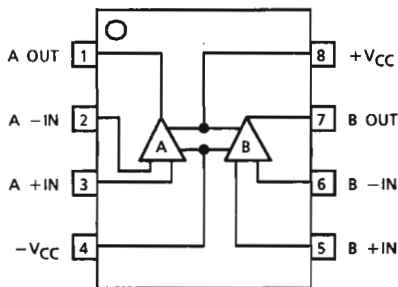
# XT-S700R

## ■ MN1281 (P,Q) : IC702 Reset IC

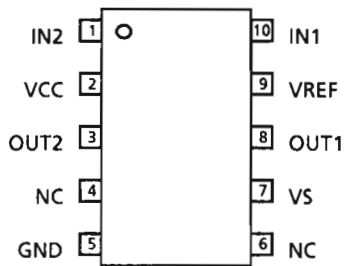


Pin No.	Pin Name	Functions
1	V <sub>DD</sub>	Power supply
2	V <sub>SS</sub>	Ground
3	OUT	Reset signal output : Low level is output when resetting : High level is output when cancelling the reset.

## ■ VC4580DD: IC721 DUAL OP AMP.



## ■ TA8409F : IC750 BTL DRIVER



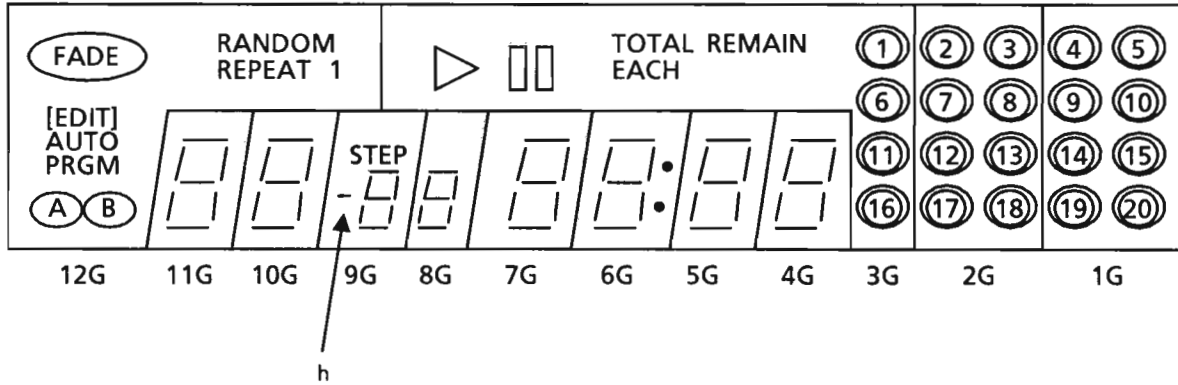
INPUT		OUTPUT		MODE
IN1	IN2	OUT1	OUT2	
0	0	∞	∞	STOP
1	0	H	L	OPEN
0	1	L	H	CLOSE
1	1	L	L	BRAKE

∞: High impedance

# Internal Connections of FL Display

■ ELU0001-178:(FL701)

## 1. Grid Layout

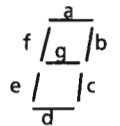


## 2. Pin Connections

TERMINAL NO.	1	2	3	4	5	6	7	8	9	10	11	12	13	14	15	16	17	18
ELECTRODE	F1	F1	NP	12G	11G	10G	9G	8G	7G	6G	5G	4G	3G	2G	1G	NP	NP	NP

TERMINAL NO.	19	20	21	22	23	24	25	26	27	28	29	30	31	32	33	34	35	36	37
ELECTRODE	NP	NP	NP	NP	NP	NP	NP	S1	S2	S3	S4	S5	S6	S7	S8	S9	NP	F2	F2

(Note) F : Filament G : Grid NP : NoPin NC : No Connection P1~P9 : Anode



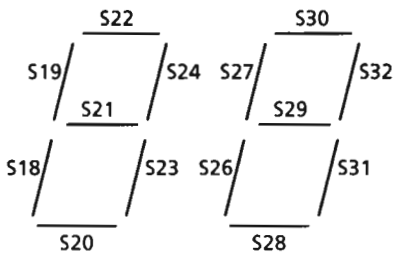
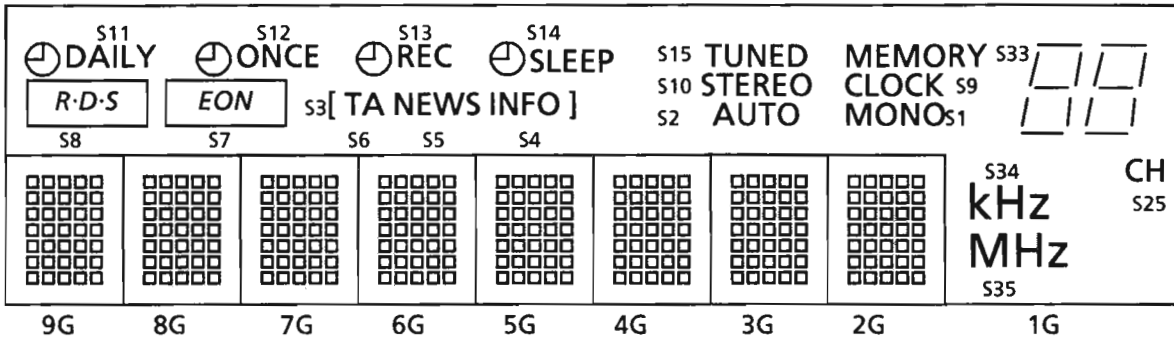
## 3. Anode Connection Table

	12G	11G	10G	9G	8G	7G	6G	5G	4G	3G	2G	1G
S1	FADE	a	a	a	a	a	a	a	a	(1)	(2)	(4)
S2	[EDIT]	b	b	b	b	b	b	b	b	(6)	(7)	(9)
S3	AUTO	c	c	c	c	c	c	c	c	(11)	(12)	(14)
S4	PRGM	d	d	d	d	d	d	d	d	(16)	(17)	(19)
S5	(A)	e	e	e	e	e	e	e	e	▶	(3)	(5)
S6	(B)	f	f	f	f	f	f	f	f		(8)	(10)
S7	RANDOM	g	g	g	g	g	g	g	g	TOTAL	(13)	(15)
S8	REPEAT	----	----	STEP	----	----	••	----	----	EACH	(18)	(20)
S9	1	----	----	(-)	----	----	----	----	----	REMAIN	----	----

# XT-S700R

## ■ ELU0001-196 : FL751

### 1. Grid Layout



### 2. Pin Connections

#### LOWER

TERMINAL NO.	1	2	3	4	5	6	7	8	9	10	11	12	13	14	15	16
ELECTRODE	F1	F1	F1	NP	P S1	P S2	P S3	P S4	P S5	P S6	P S7	P S8	P S9	P S10	P S11	P S12
TERMINAL NO.		17	18	19	20	21	22	23	24	25	26	27	28	29	30	31
ELECTRODE		P S13	P S14	P S15	P S16	NP	P S17	P S18	P S19	P S20	P S21	P S22	NP	F2	F2	F2

#### UPPER

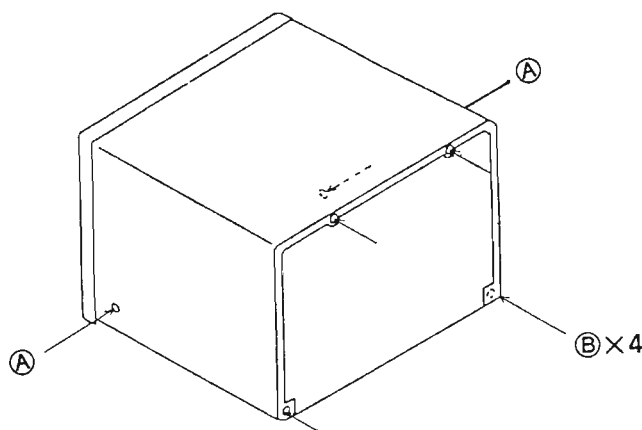
TERMINAL NO.	32	33	34	35	36	37	38	39	40	41	42	43	44	45	46	47
ELECTRODE	F2	F2	F2	NP	P S23	P S24	P S25	P S26	P S27	P S28	P S29	P S30	P S31	P S32	P S33	P S34
TERMINAL NO.		48	49	50	51	52	53	54	55	56	57	58	59	60	61	62
ELECTRODE		P S35	1G	2G	3G	4G	5G	6G	7G	8G	9G	NP	NP	F1	F1	F1

Notes F : Filament G : Grid P : Anode NP : No PIN

## Disassembly Procedures

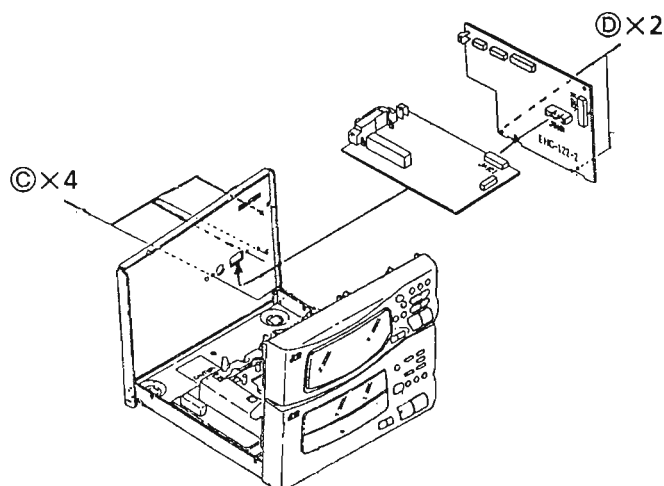
### (1) Top cover removal

1. Remove 2 screws **A** fixing both sides of the top cover, and 4 screws **B** fixing rear sides.
2. Remove the top cover.



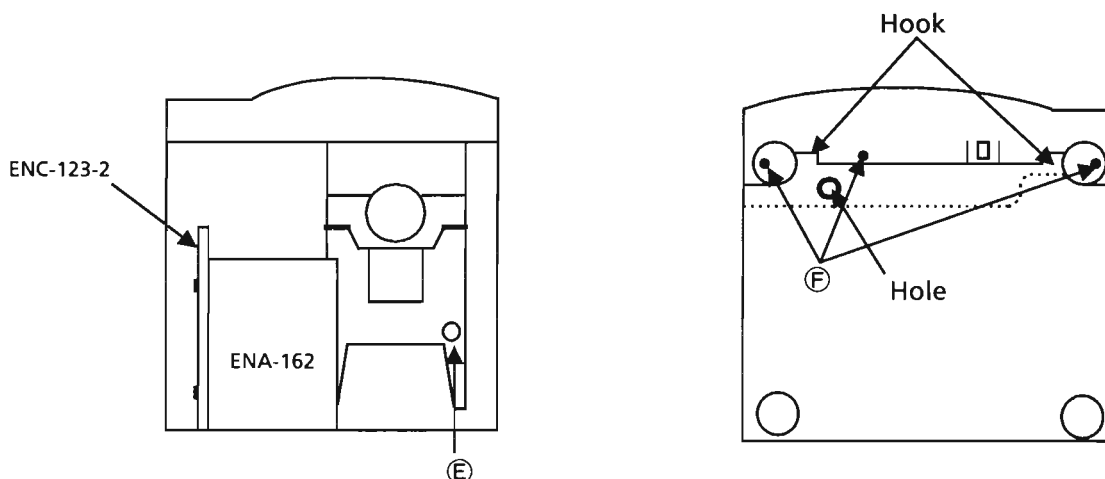
### (2) CD-Tuner PCB (ENA-162& ENC-123-2) removal

1. Remove the top cover.
2. Disconnect the connectors. (J721,J711,JA601,JB731,J103,J101)
3. Remove 4 screws **C**.
4. Remove 2 screws **D** fixing the ENC-123-2.



### (3) CD Tray & Front Panel assembly removal

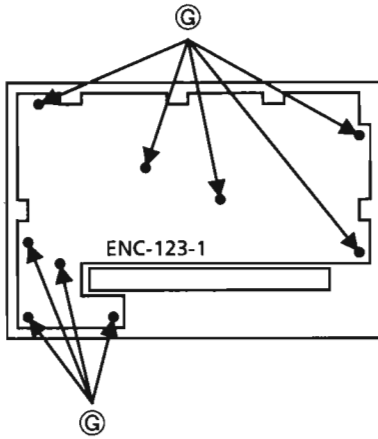
1. Remove the top cover.
2. Disconnect the connectors. (J103,J101,JB731)
3. Remove the screw **E** for tray stopper.
4. Insert a screwdriver through the hole at the bottom and turn it counterclockwise to bring the tray forward.
5. Remove the 3 screws **F**.
6. Release the hooks.



**A**SDSG3006M   **B**GBSG3008CC   **C**E73273-003   **D**SBSG3008CC   **E**SBSF3008Z   **F**SBSG3006M

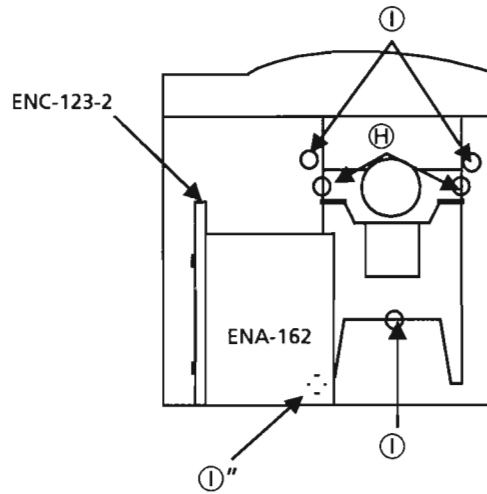
(4) Front PC Board (ENC-123-1) removal

1. Remove the CD Tray & Front Panel assembly.
2. Remove the 9 screws ③ fixing the ENC-123-1.



(5) CD Mechanism assembly removal

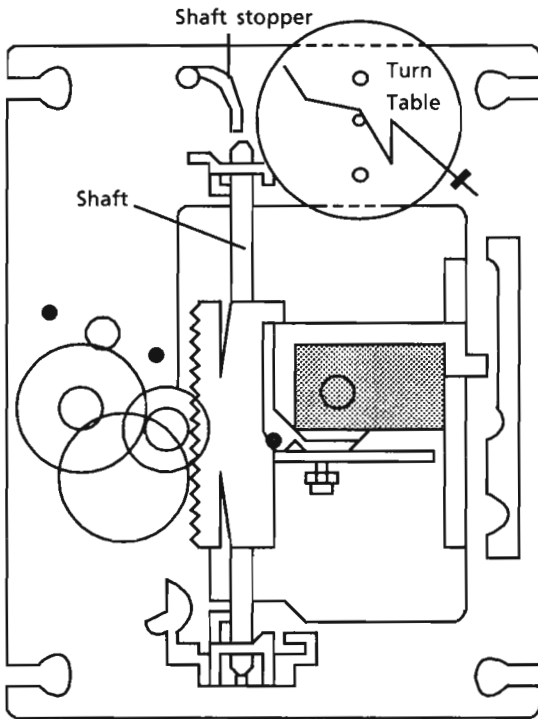
1. Remove the top cover.
2. Remove the CD-Tuner PCB (ENA-162& ENC-123-2).
3. Remove the CD Tray .
4. Remove the 2 screws ④ holding the clamp .
5. Remove the 3 screws ① holding the CD Mechanism assembly and a screw ①" fixing the CD PC board .



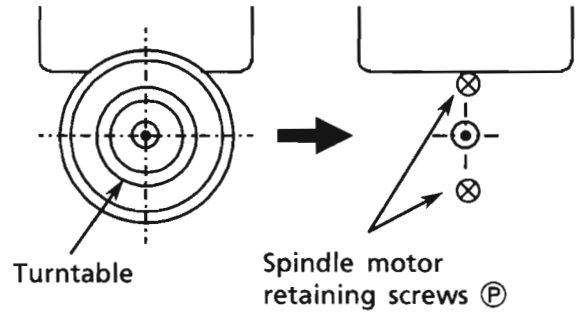
③ .. SDSF2608Z    ④ ... SBSF3008Z    ①①'' .... SBST3006Z



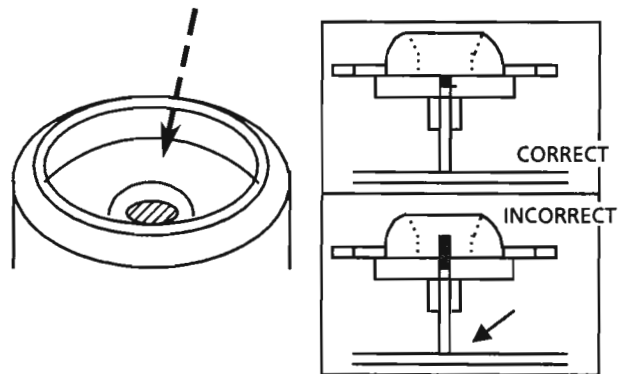
- (6) Removing the Pickup  
 1. Remove the CD mech. assembly.  
 2. Release the shaft to remove the pickup .



- (7) Removing the Spindle motor  
 1. Remove the CD mech. assembly.  
 2. Remove the turntable , and remove the 2 screws ① retaining the spindle motor.  
 3. Remove the screw retaining the spindle and feed motor circuit board and unsolder it.



- (9) After inserting the turntable , bond the motor shaft and turntable together (at the section marked by an arrow in fig 20 on the left below).



- (8) Spindle motor installation  
 1. Tighten the 2 screws to the same torque.  
 2. Fasten the spindle and feed motor P.C. board with the screw and solder.  
 3. Install the turntable. When installing , press straight down at the center of the turntable until the distance from the surface of the mech. base to the turntable is exactly  $19.4 \pm 0.1\text{mm}$ .

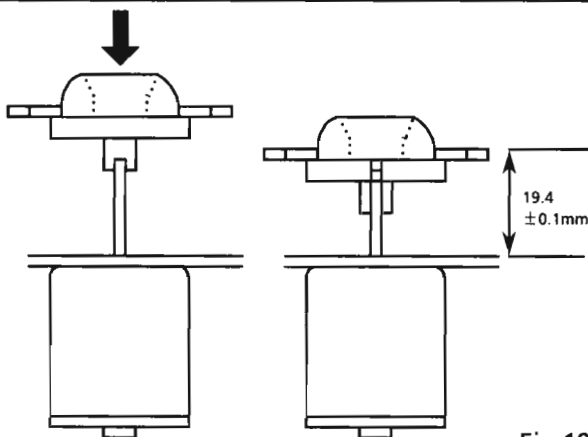
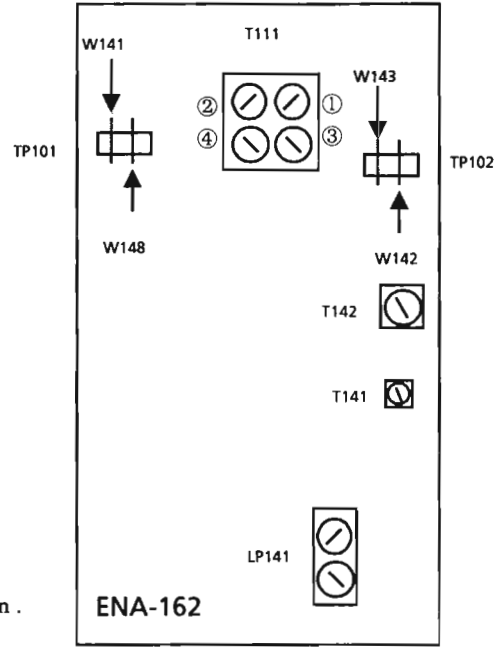
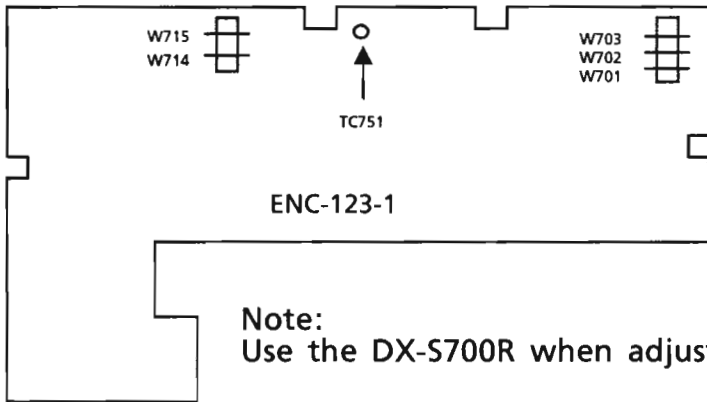


Fig 19

- (10) Use "LOKTTITE" #460 bonding agent, and apply as little as possible .  
 Take care not to allow any excess bonding agent to get onto the turntable .  
 Be extremely careful not to allow bonding agent to adhere to the motor bearing (the section marked by an allow in fig 20 on the right).

① .. SDSP2003N

## Adjustment Procedures



### 1. Clock frequency adjustment

- 1) Connect the W701 and the W702 before turning the AC power on.
- 2) Connect the frequency counter to the W703 and turn the AC power on. Then, you can see the no indication on the display panel.
- 3) Adjust the TC751 so that the frequency becomes  $50,000.00 \pm 0.29\text{Hz}$ .
- 4) Disconnect the jumper between W701 and W702.

### 2. FM adjustment

#### 1) Tuning voltage

- (1) Connect the voltmeter to the W141 and W148(GND) at TP101.
- (2) Set the frequency display to the 108MHz and confirm the voltage is set to the  $8.0 \pm 2.0\text{V}$ .
- (3) Set the frequency display to the 87.5MHz and confirm the voltage is set to the  $1.6 \pm 1.0\text{V}$ .

#### 2) Center meter

- (1) Receive a FM broadcast station by using the auto stop and adjust T141 (detector coil) so that the voltage at TP102 becomes  $0 \pm 1.5\text{mV}$ .

### 3. MW adjustment

#### 1) Tuning voltage

- (1) Connect the voltmeter to the W141 and W148(GND) at TP101.
- (2) Set the frequency display to the 522KHz(531KHz) and confirm the voltage is set to the  $0.9 \pm 0.2\text{V}$  ( $1.0 \pm 0.2\text{V}$ ).
- (3) Set the frequency display to the 1629KHz(1602KHz) and confirm the voltage is set to the  $7.5 \pm 0.8\text{V}$  ( $7.2 \pm 0.7\text{V}$ ).
- (4) If its voltage exceeds the allowance, adjust the T111 ② to obtain the voltage.

#### 2) Sensitivity

- (1) Adjust the T111 ① to obtain the best receiving sensitivity on the 999KHz.

### 4. LW adjustment

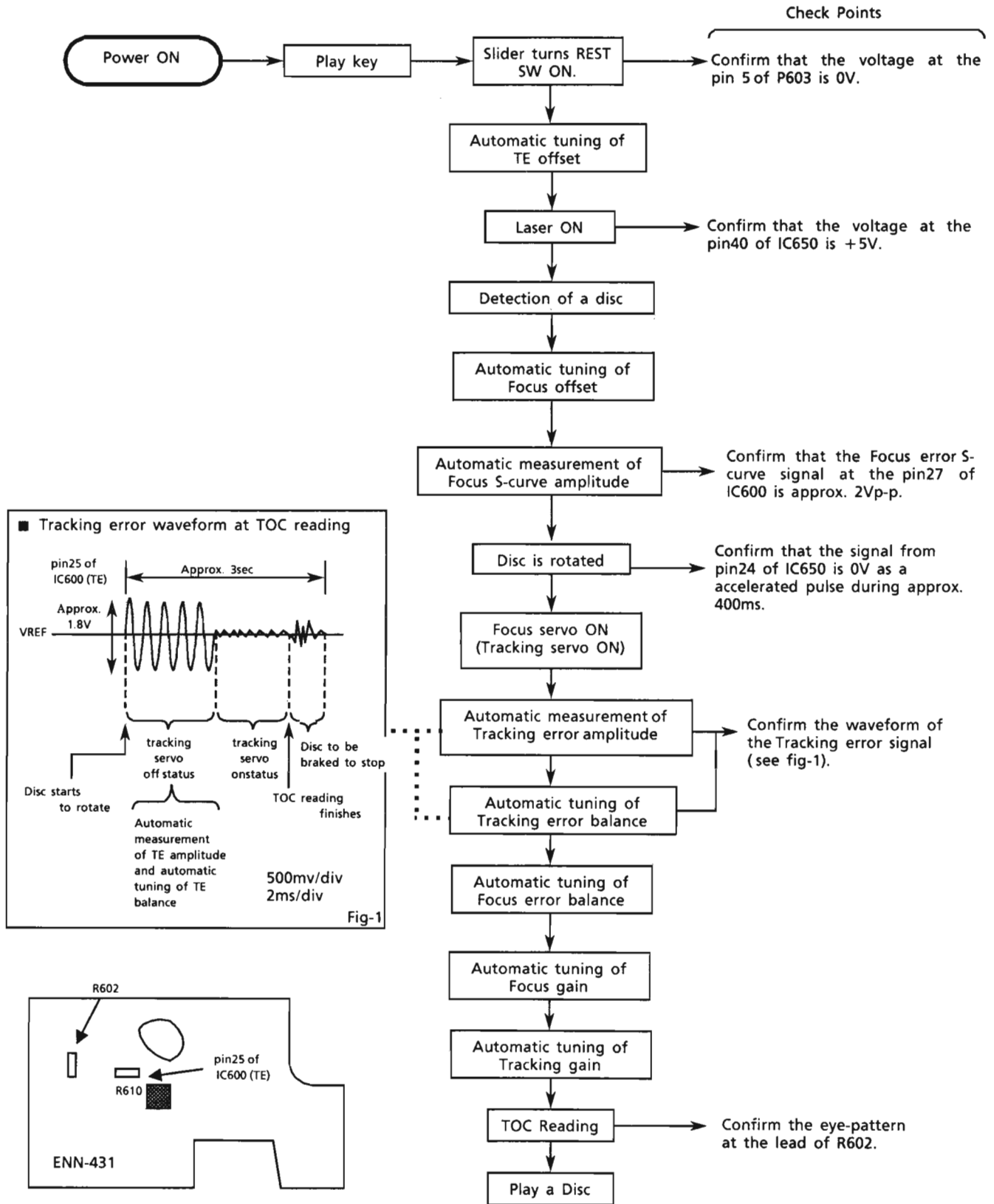
#### 1) Tuning voltage

- (1) Connect the voltmeter to the W141 and W148(GND) at TP101.
- (2) Set the frequency display to the 144KHz and confirm the voltage is set to the  $0.9 \pm 0.4\text{V}$ .
- (3) Set the frequency display to the 288KHz and confirm the voltage is set to the  $5.0 \pm 2.5\text{V}$ .
- (4) If its voltage exceeds the allowance, adjust the T111 ④ to obtain the voltage.

#### 2) Sensitivity

- (1) Adjust the T111 ③ to obtain the best receiving sensitivity on the 245KHz.

# Flow of Functional Operation Until TOC is Read



## Maintenance of Laser Pickup

### (1) Cleaning the pick up lens

Before you replace the pick up, please try to clean the lens with a alcohol soaked cotton swab.

### (2) Life of the laser diode (Fig.1)

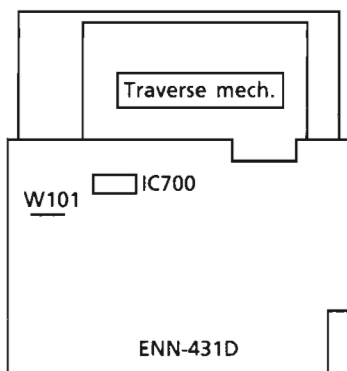
When the life of the laser diode has expired, the following symptoms will appear.

- (1) The level of RF output (EFM output: amplitude of eye pattern) will be low.
- (2) The drive current required by the laser diode will be increased. In such a case, check the life of the laser diode following the flowchart below.

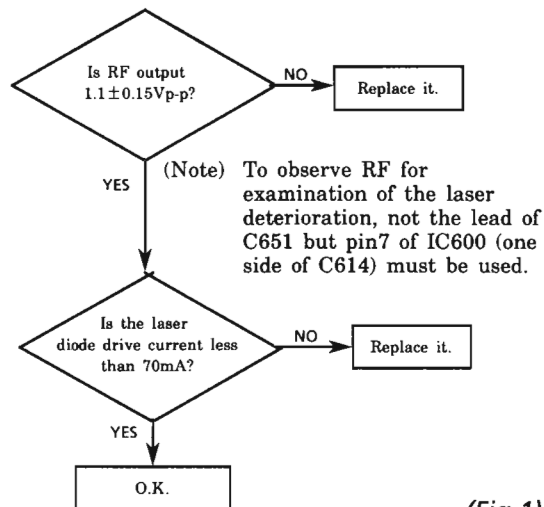
### (3) Measurement of laser diode drive current (Fig.2)

Cut the jump wire (W101) and add a 1Ω resistor. (See the following Fig.2)

Measure the voltage across the resistor (1Ω) with a milli-voltmeter. When the voltage is more than 70mV, it shows that the life of the laser diode has expired.



(Fig.2)



(Fig.1)

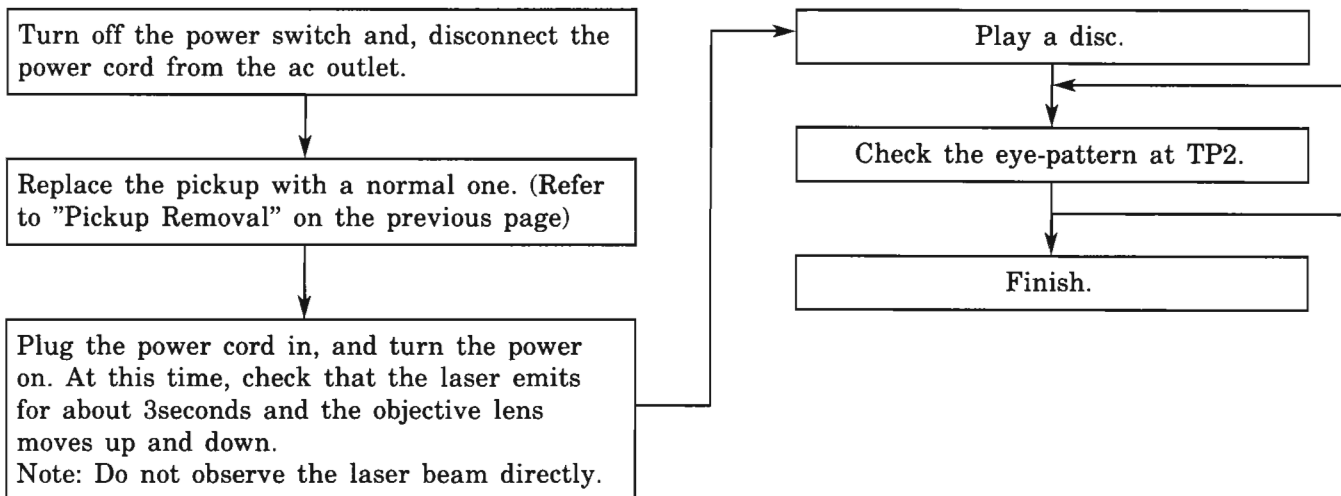
### (4) Semi-fixed resistor on the APC PC board

The semi-fixed resistor on the APC printed circuit board which is attached to the pickup is used to adjust the laser power. Since this adjustment should be performed to match the characteristics of the whole optical block, do not touch the semi-fixed resistor.

If the laser power is lower than the specified value, the laser diode is almost worn out, and the laser pickup should be replaced.

If the semi-fixed resistor is adjusted while the pickup is functioning normally, the laser pickup may be damaged due to excessive current.

## Replacement of Laser Pickup



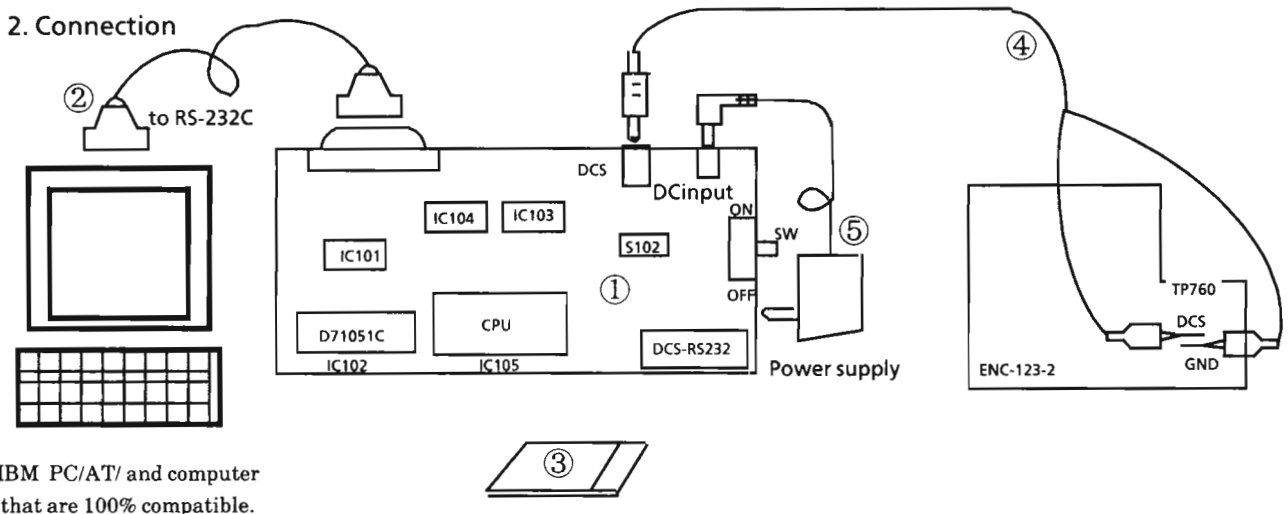
## Self-diagnosis for pickup

From DCS output, this model reads automatically adjusted data for CD so that the pickup can be judged defective or not. Following shows its details.

### 1. Necessary items

- ① DCS → 232C Converting board (No.EBSJ1019)
- ② 232C cord (straight)
- ③ Floppy disc for self-diagnosis (No.EBSJ1021)
- ④ DCS cord
- ⑤ Power supply DC 6.3V (AA-SV11J--America/Canada) (AA-SV11Bs--the UK)  
(AA-SV11G--Germany) (AA-SV11EF--Continental Europe) (AA-SV11U--the Other aria)
- ⑥ CD (without scratches or damage)

### 2. Connection



For this diagnosis, a device driver for RS232C cord (straght type) is necessary.

(Ex.) C :#DOS MODE COM 1 : 9600, N 8 1

↗ ↖ ↗ ↖ ↗ ↖ ↗ ↖  
 adapter number(1or2) band rate parity data bit stop bit

### 3. Procedure

- ① Turn the converting board's switch on after connecting between CA-S700R and the above necessary items  
Set S102(switching DCS positive from/to negative logic) so that LED can emit GREEN(positive logic).
- ② Put a disc on the + 1 tray and press the play button.  
Do not
- ③ Input "AUTO 01" on personal computer's keyboard and the CD's automatic adjustment value and judgment for the pickup are displayed on the screen.

4. Judgment

To judge whether pickup is defective or not, firstly process of automatic adjustment is checked by automatic adjustment flag. And, the value(automatic adjustment value for focus gain) displayed on the screen is used for its final judgment.

It is supposed that the pickup is defective or the signal path is faulty if the Flag1 or Flag0 indicates not "F" but a figure.

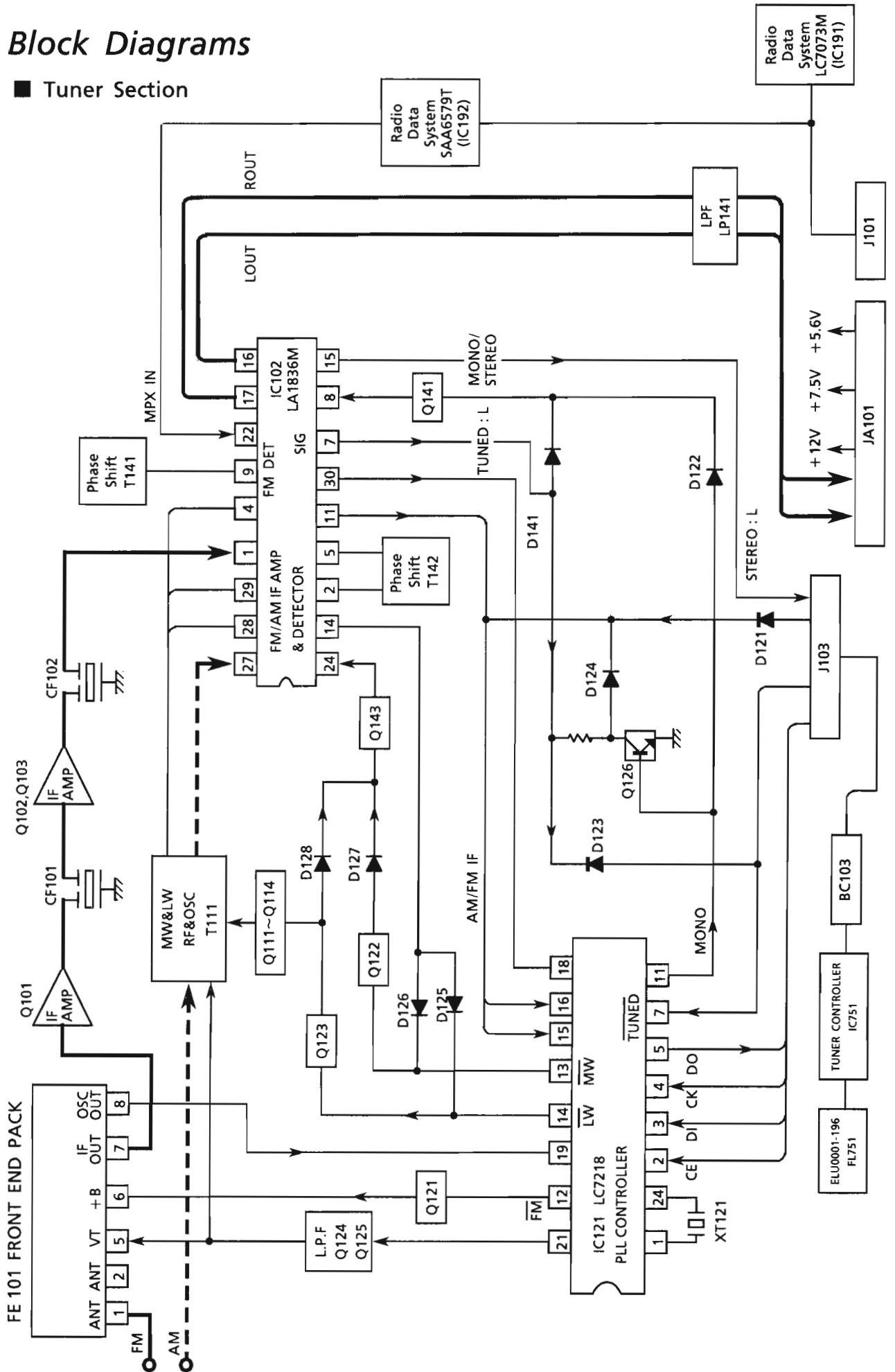
(See the following example.)

Flag1	Flag0	Details	Supposed cause
0	0	Automatic adjustment for tracking offset is failed.	The automatic adjustment is not completed. (Trouble in circuit.)
0	1	Automatic adjustment for focus offset is failed. (Disc does not rotate.)	The lens does not move. (Power supply is not turned on. Wire is cut.)
0	3	Automatic rough adjustment for focus gain is failed.	
0	7	Automatic rough adjustment for tracking gain is failed. (The focus and tracking gain are not locked though the disc rotates.)	Laser deterioration (low RF signal output). Offset beam.
0	F	Disc rotates, focus and tracking gain are locked and automatic rough adjustment for tracking gain is also completed though automatic adjustment for tracking balance is failed.	Laser deterioration (low RF signal output). Offset beam.
1	F	Automatic adjustment for focus balance is failed. (TOC is not read though the disc rotates.)	RF signal output is low. Tracking loop is not turned on. RF jitter is too much.
3	F	Automatic rough adjustment for focus gain is failed.	
7	F	Automatic rough adjustment for tracking gain is failed.	
F	F	All automatic adjustments are completed.	

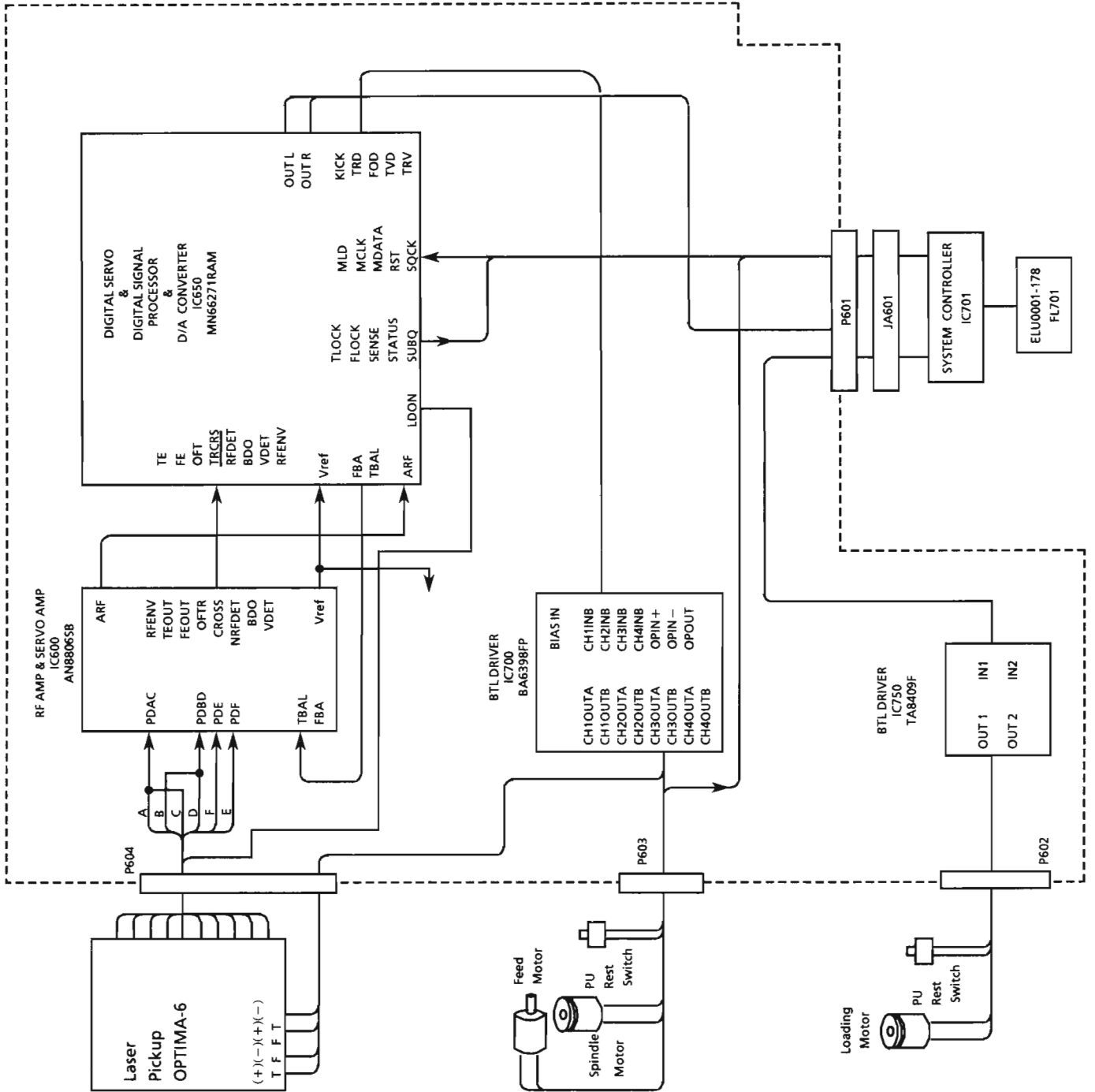
The pickup is judged defective though the Flag0 and Flag1 indicate "F" and those adjustments are completed if the adjustment value exceeds 19dB.

# Block Diagrams

## ■ Tuner Section



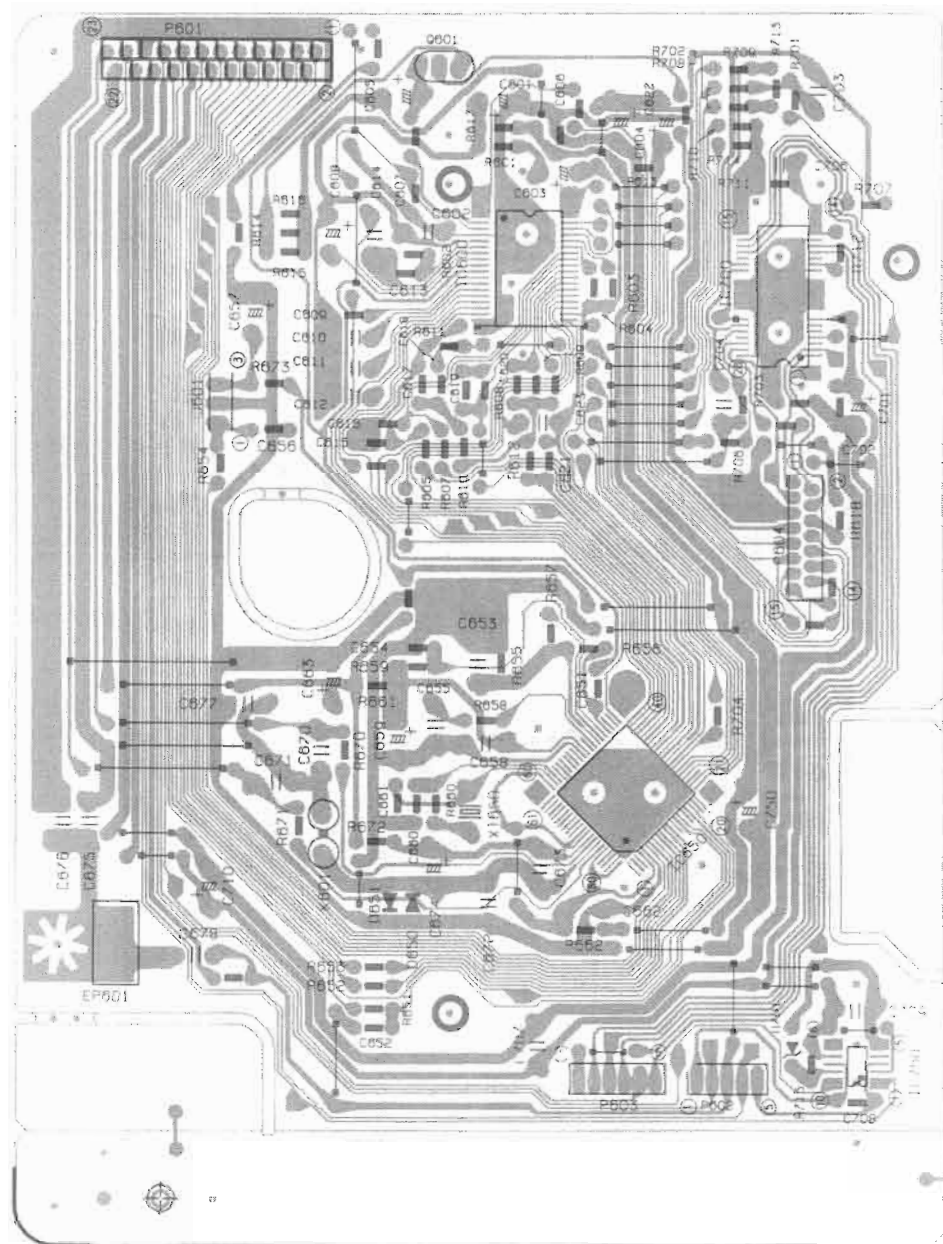
■ CD Section



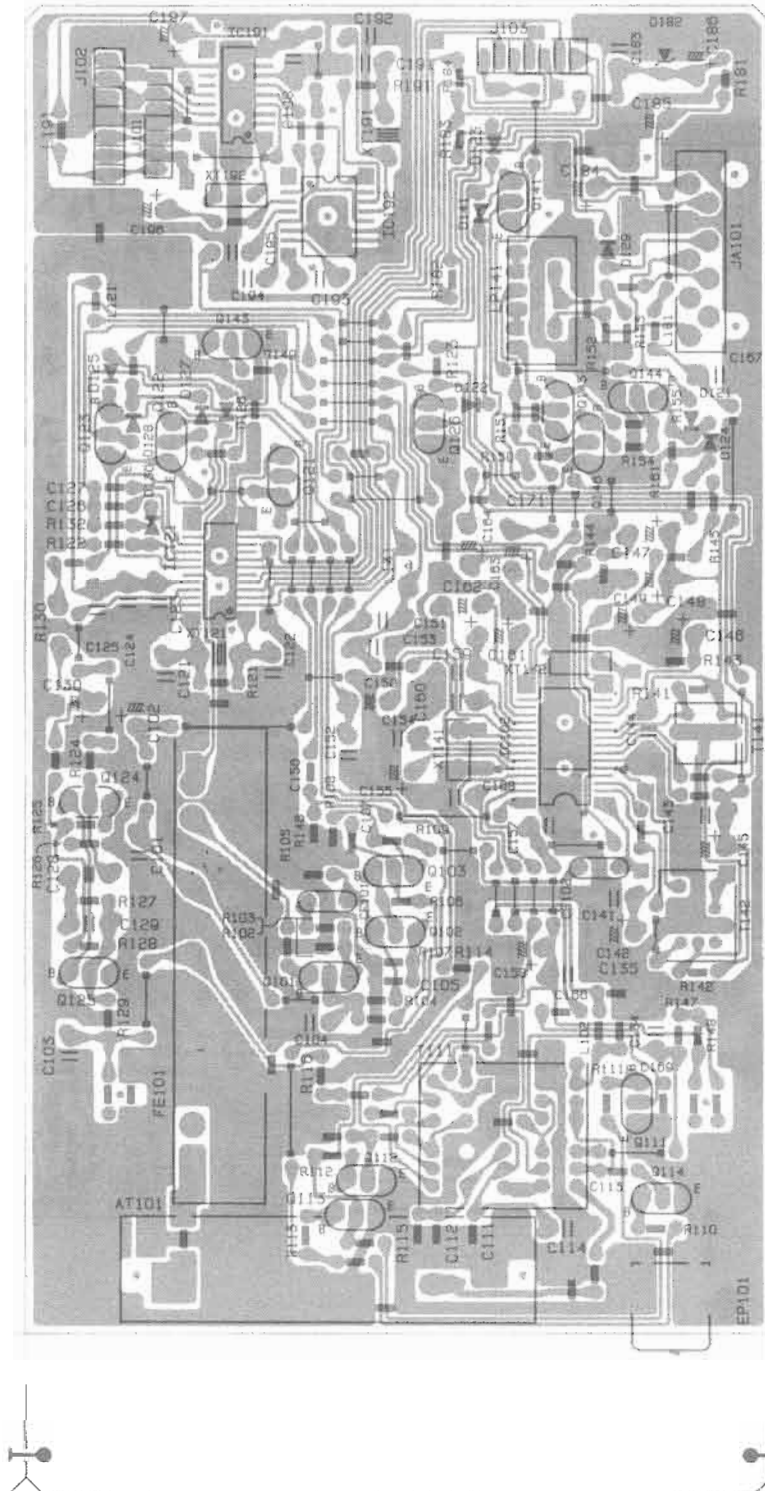


# Printed Circuit Board

■ CD P.C.Board (ENN-431)

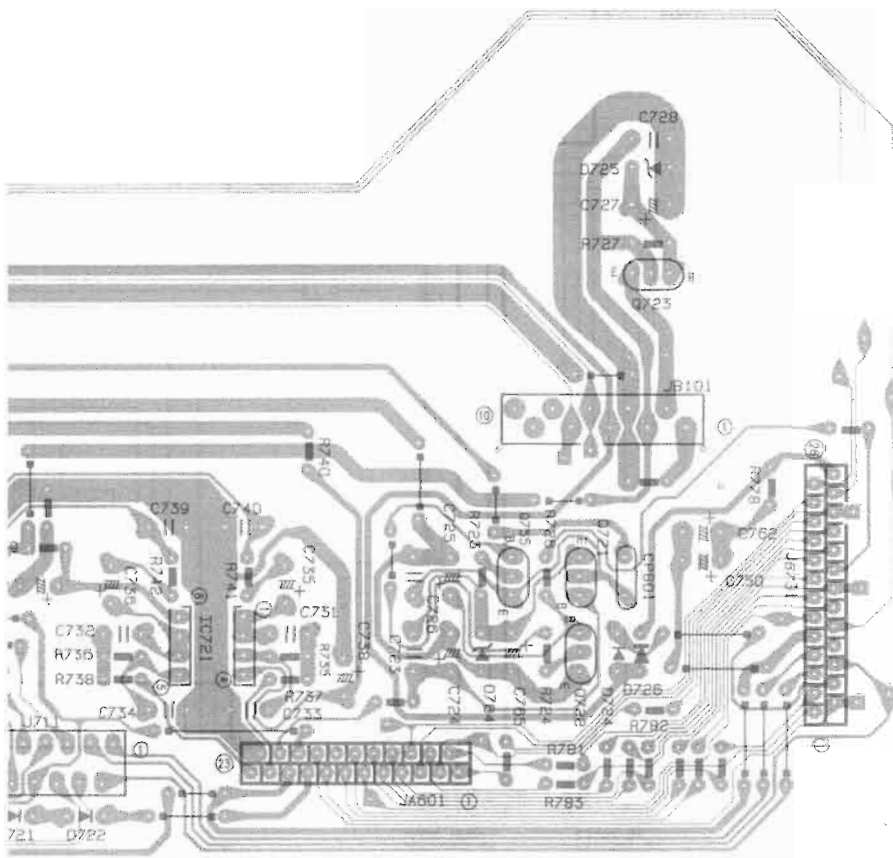
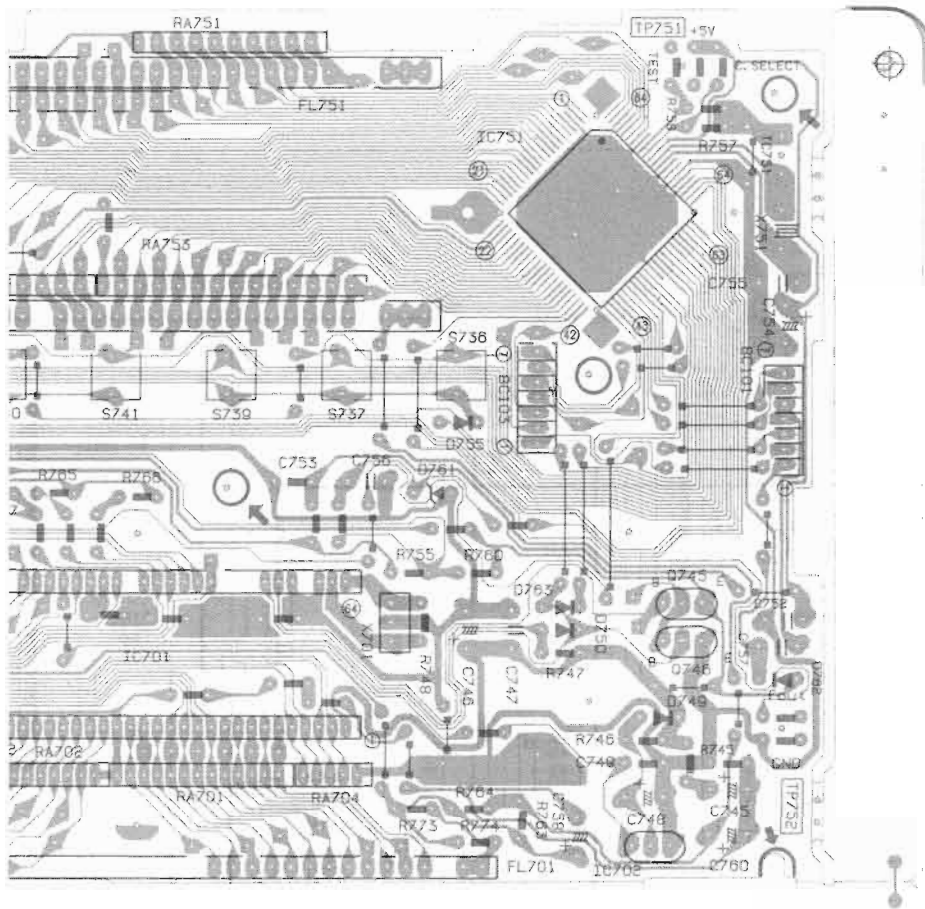


■ Tuner P.C.Board (ENA-162)









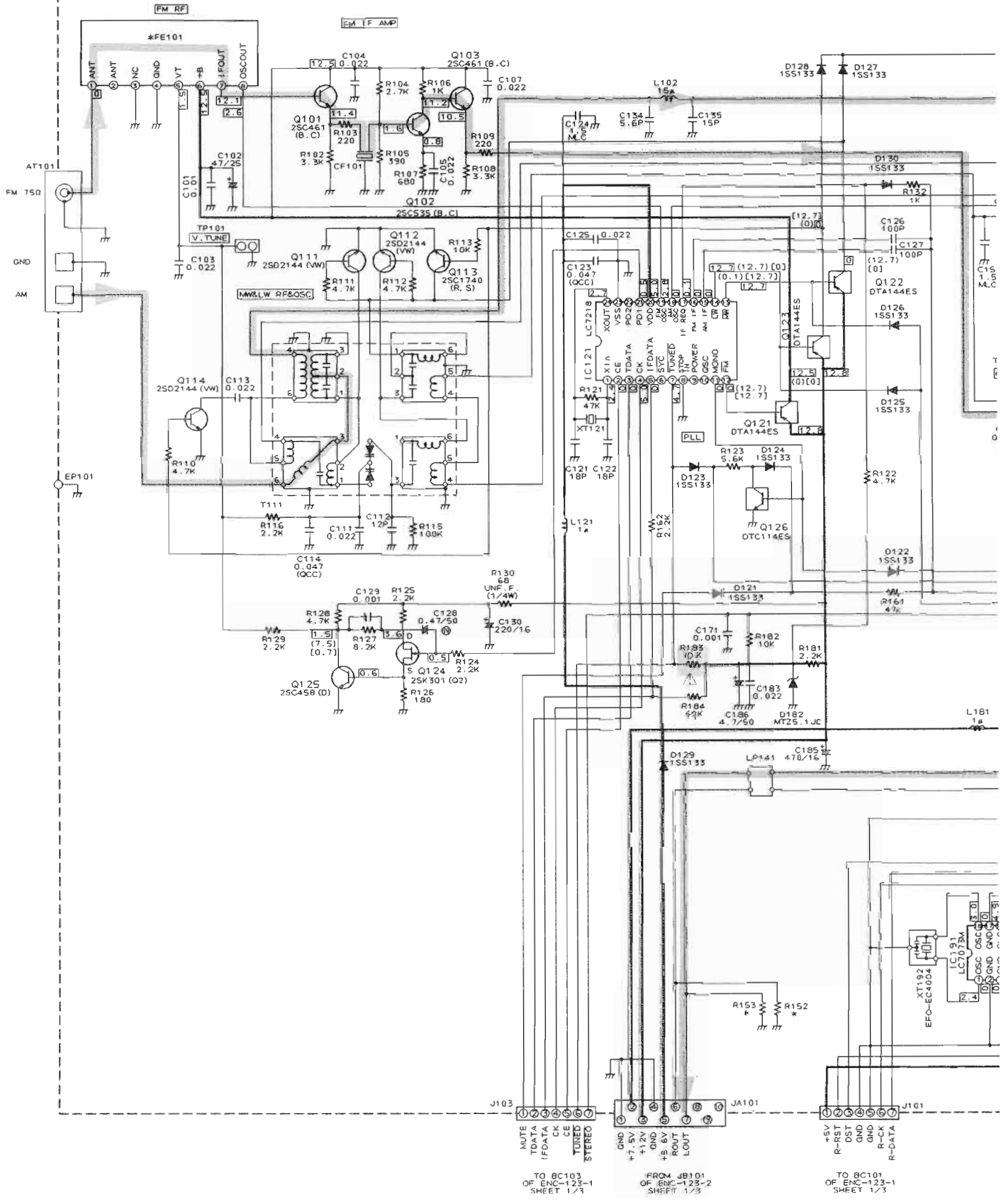
# Schematic Diagram

## (1) Tuner Section

FOR BS, EN, EF, G, GI

ENA-162

5  
4  
3  
2  
1



J103  
MUTE  
T-DATA  
IF-DATA  
CK  
CE  
TUNED  
STEREO

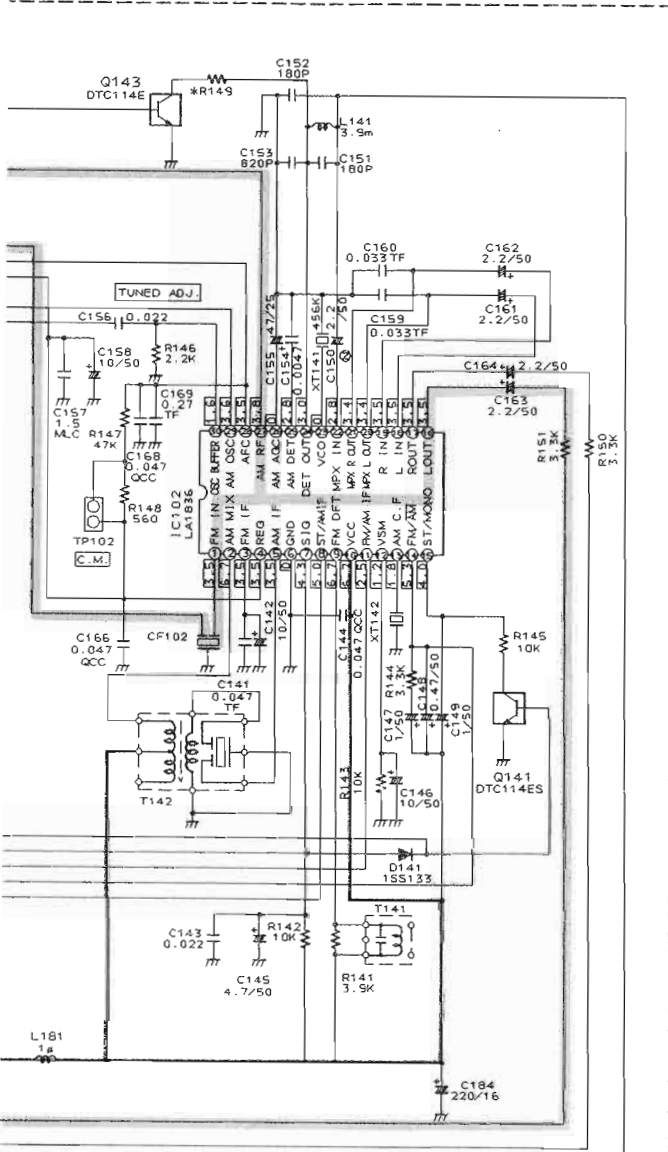
TO BC103  
OF ENC-123-1  
SHEET 1/3

FROM JB101  
OF ENC-123-2  
SHEET 1/3

JA101  
+7.5V  
+12V  
GND  
+5.6V  
R-OUT  
L-OUT

J101  
+5V  
R-RET  
DST  
GND  
GND  
R-CK  
R-DATA

TO BC101  
OF ENC-123-1  
SHEET 1/3

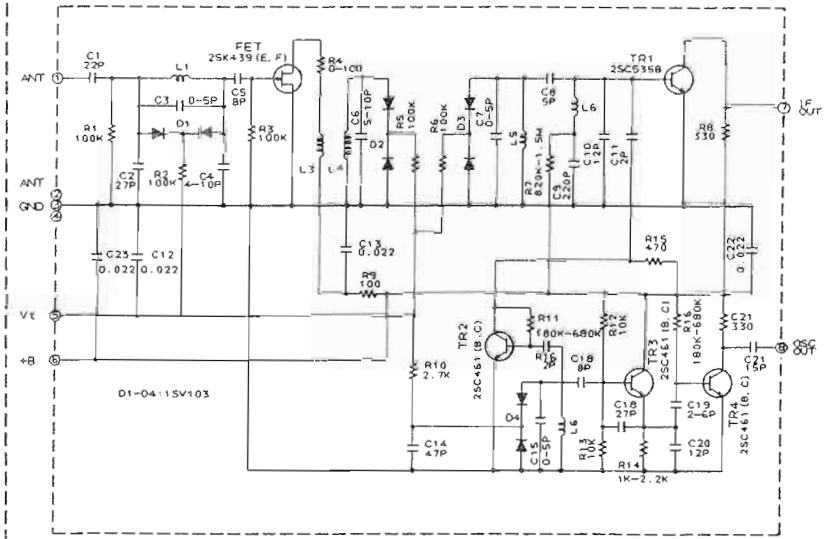


\* MARK

	EN, EF	GI	8S
R149	10K	10K	22K
R152, 153	8.2K	8.2K	3.3K

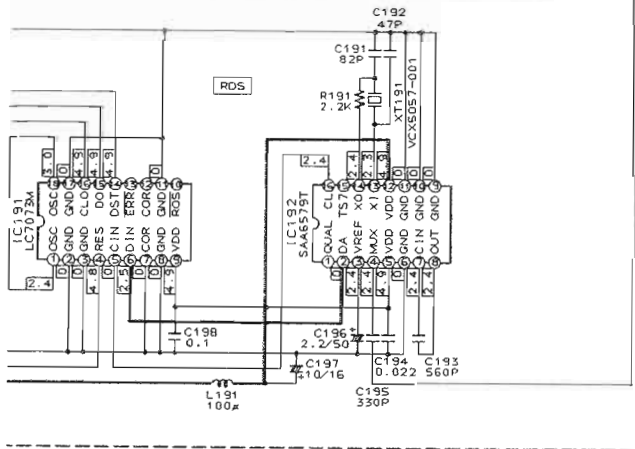
□ FM AUTO NO SIGNAL  
 ( ) AM NO SIGNAL  
 [ ] LW NO SIGNAL

FE101  
 EAF2203-003 (FOR XT-S700R)



Notes:

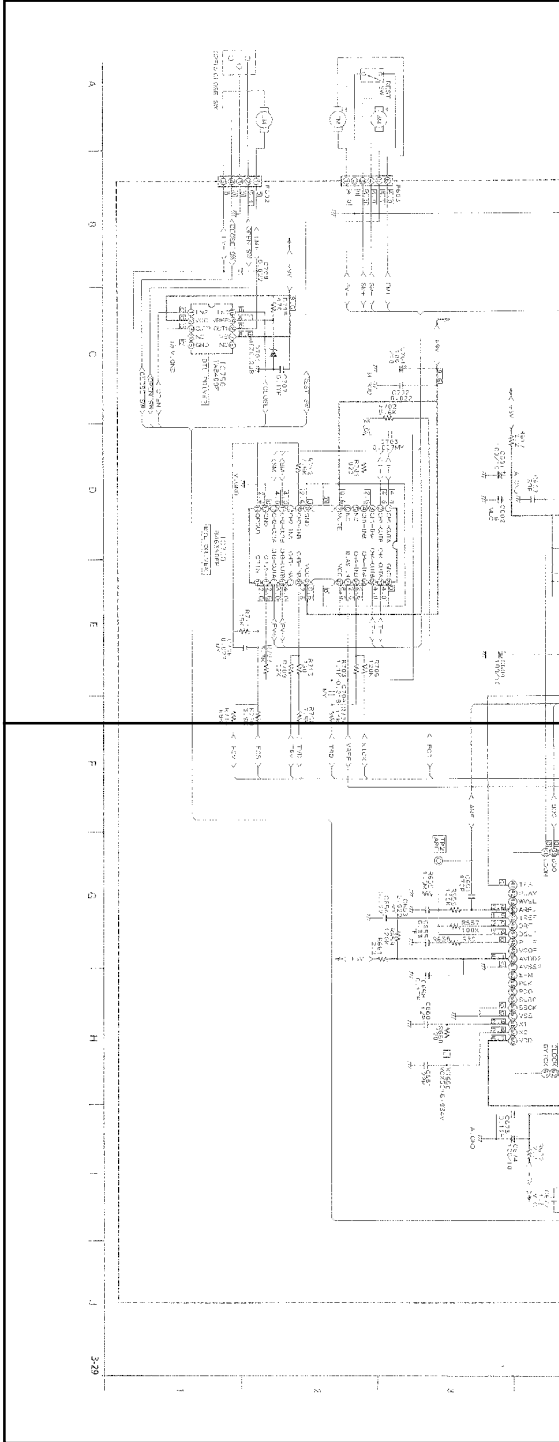
1. ——— indicates +B power supply.
2. - - - - indicates -B power supply.
3. ■■■■ indicates main signal path.
4. ■■■■ indicates recording signal path.
5. When replacing the parts in the shaded area (■■■■) and those marked with △, be sure to use the designated parts to ensure safety. This is the standard circuit diagram.
6. The design and contents are subject to change without notice.





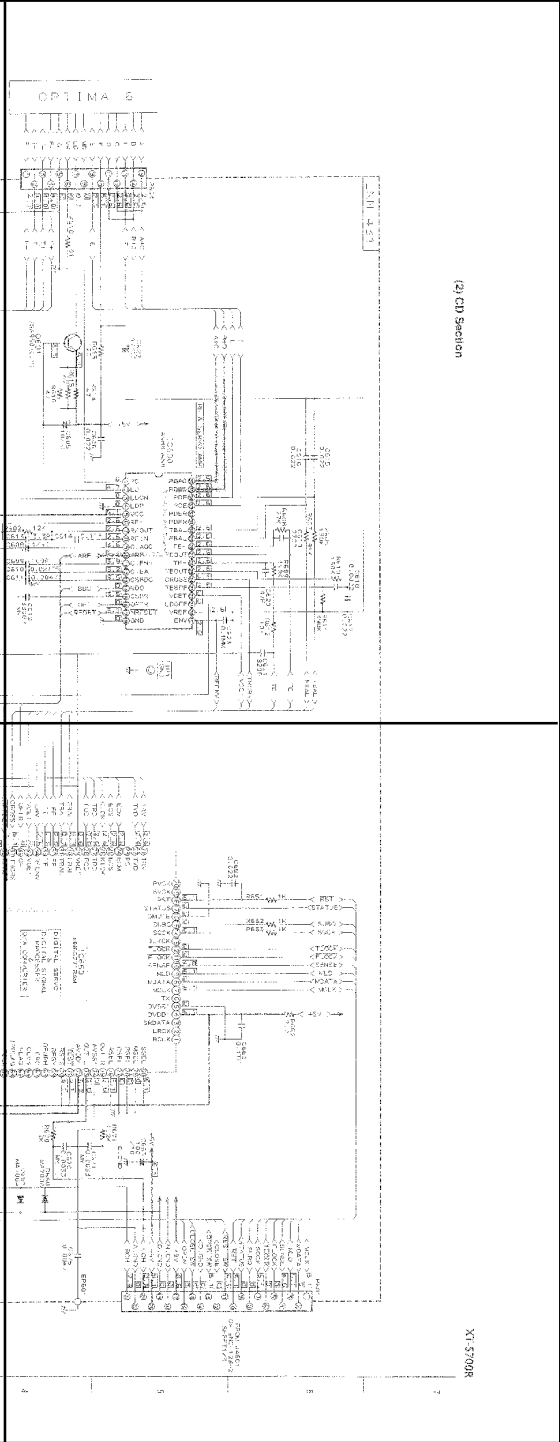


P3-29-a



P3-29-c

P3-29-b



P3-29-d

(2) CD Section

XI-57098

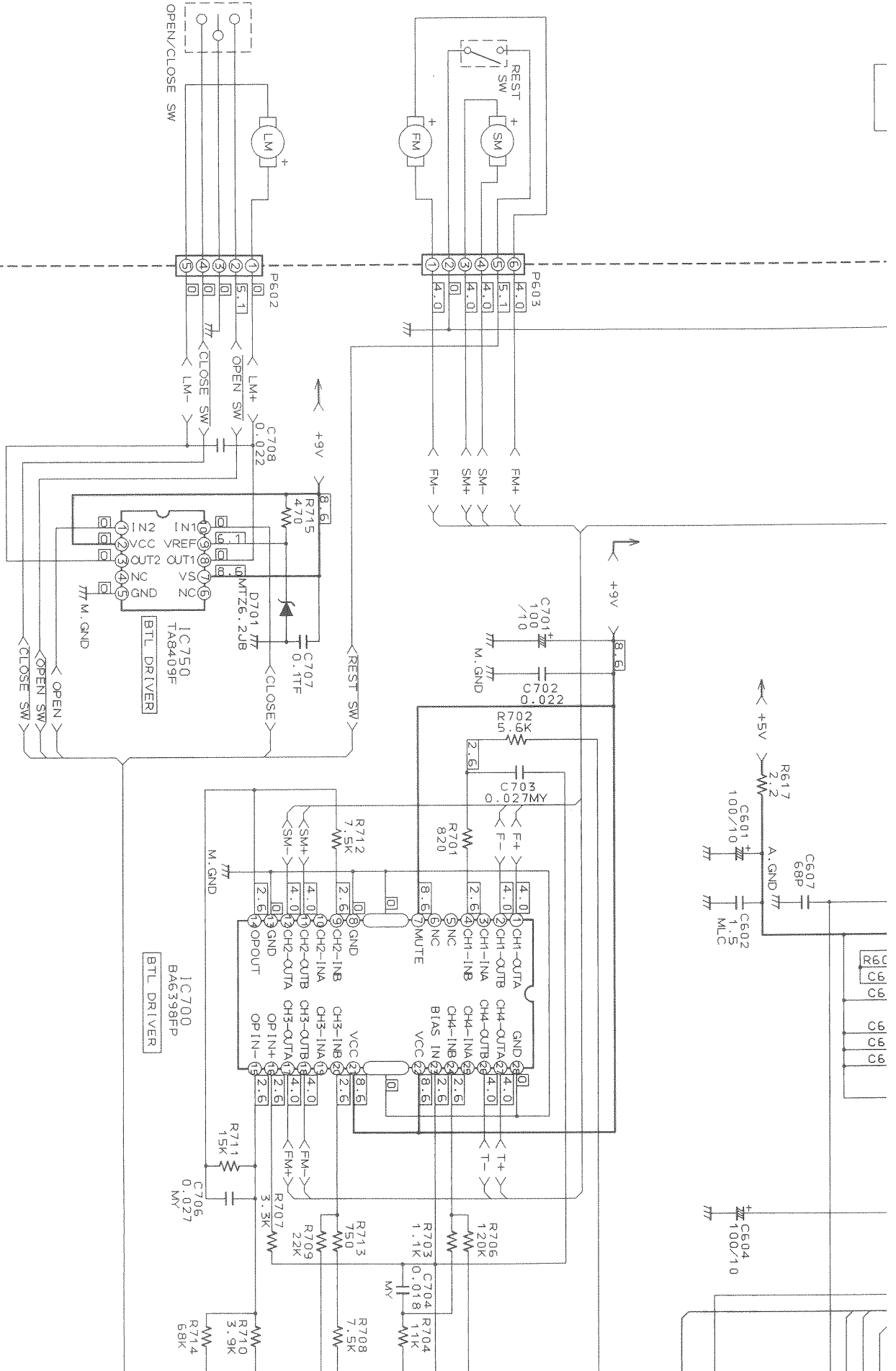
A

B

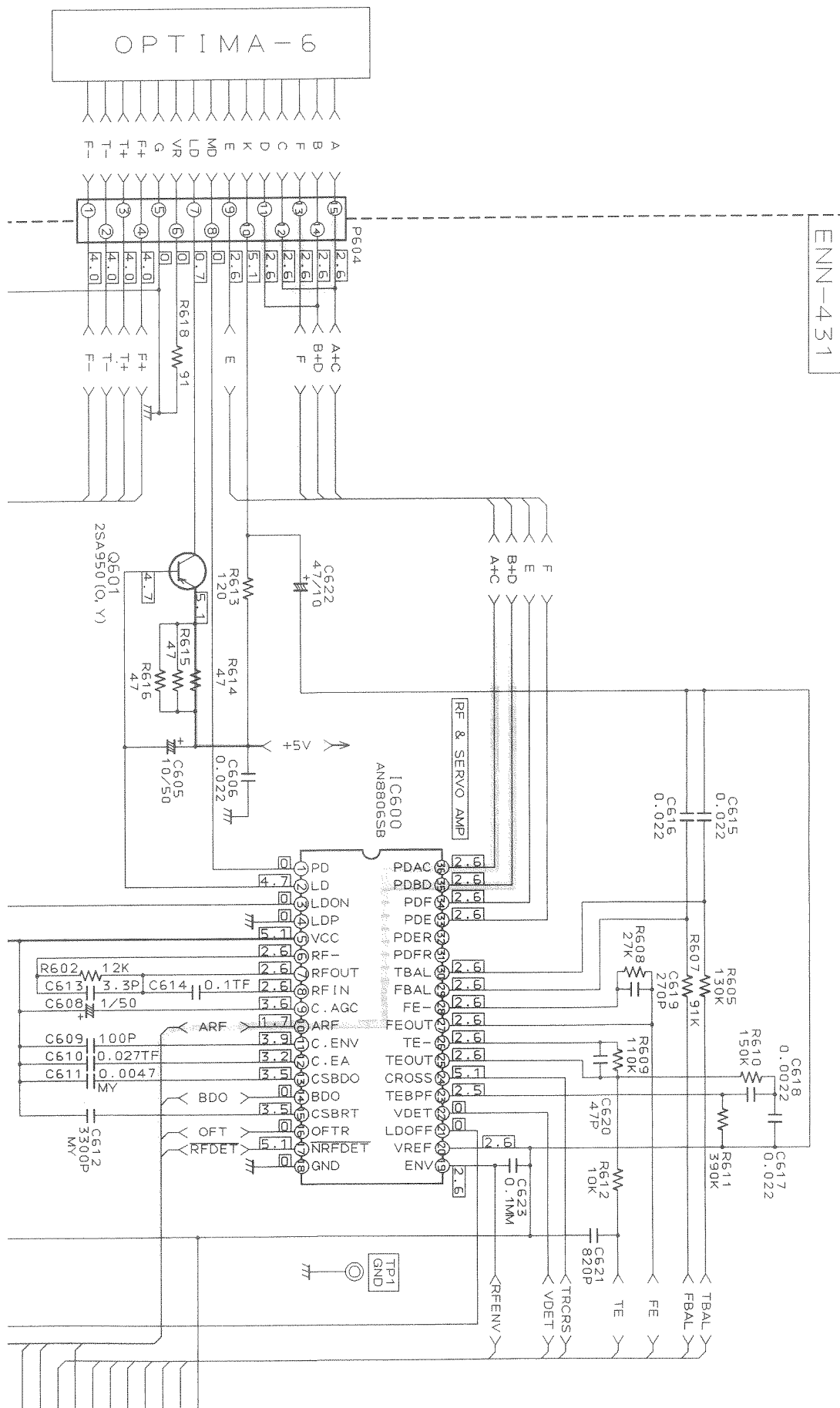
C

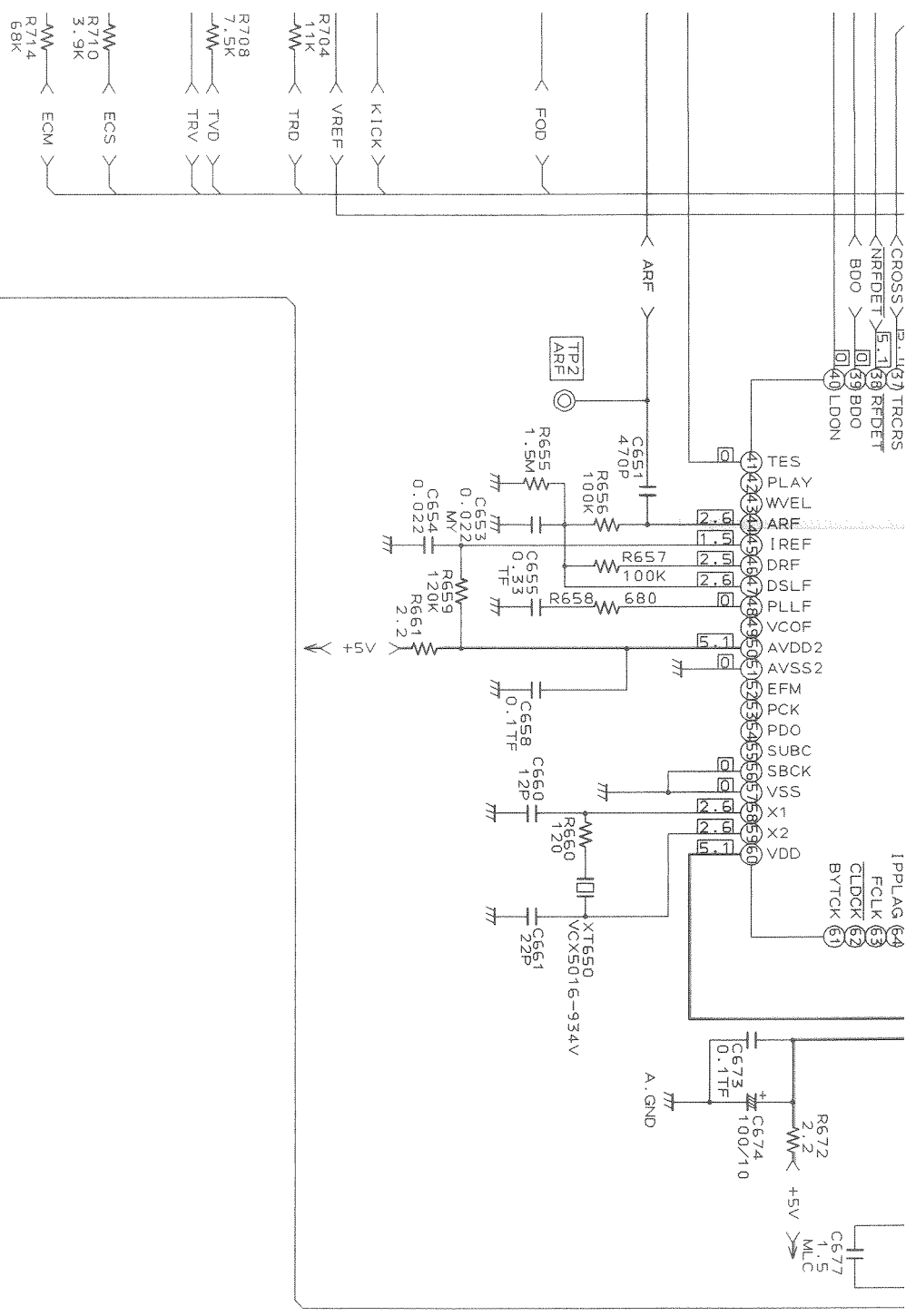
D

E



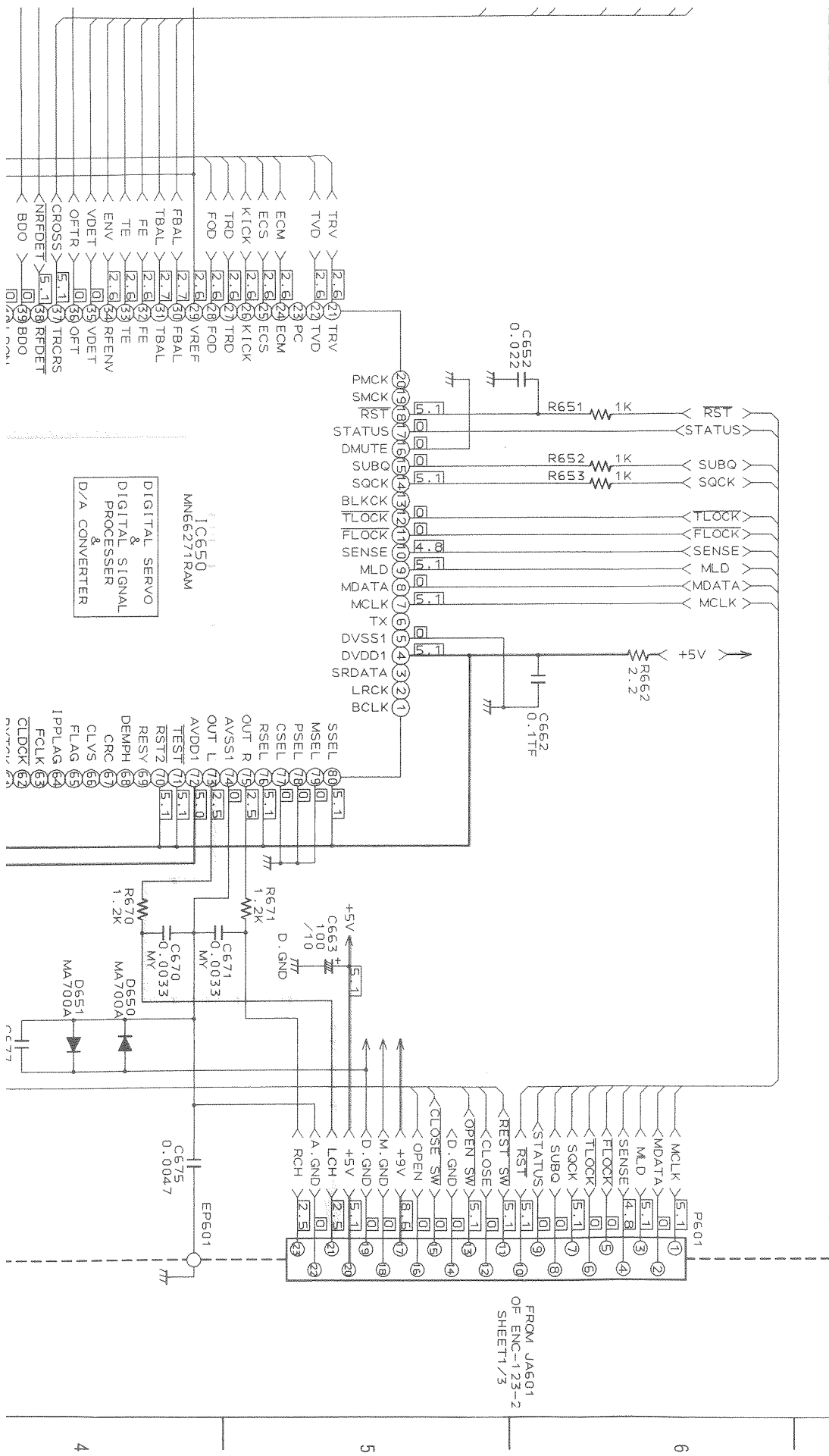
(2) CD Section





F | G | H | I | J

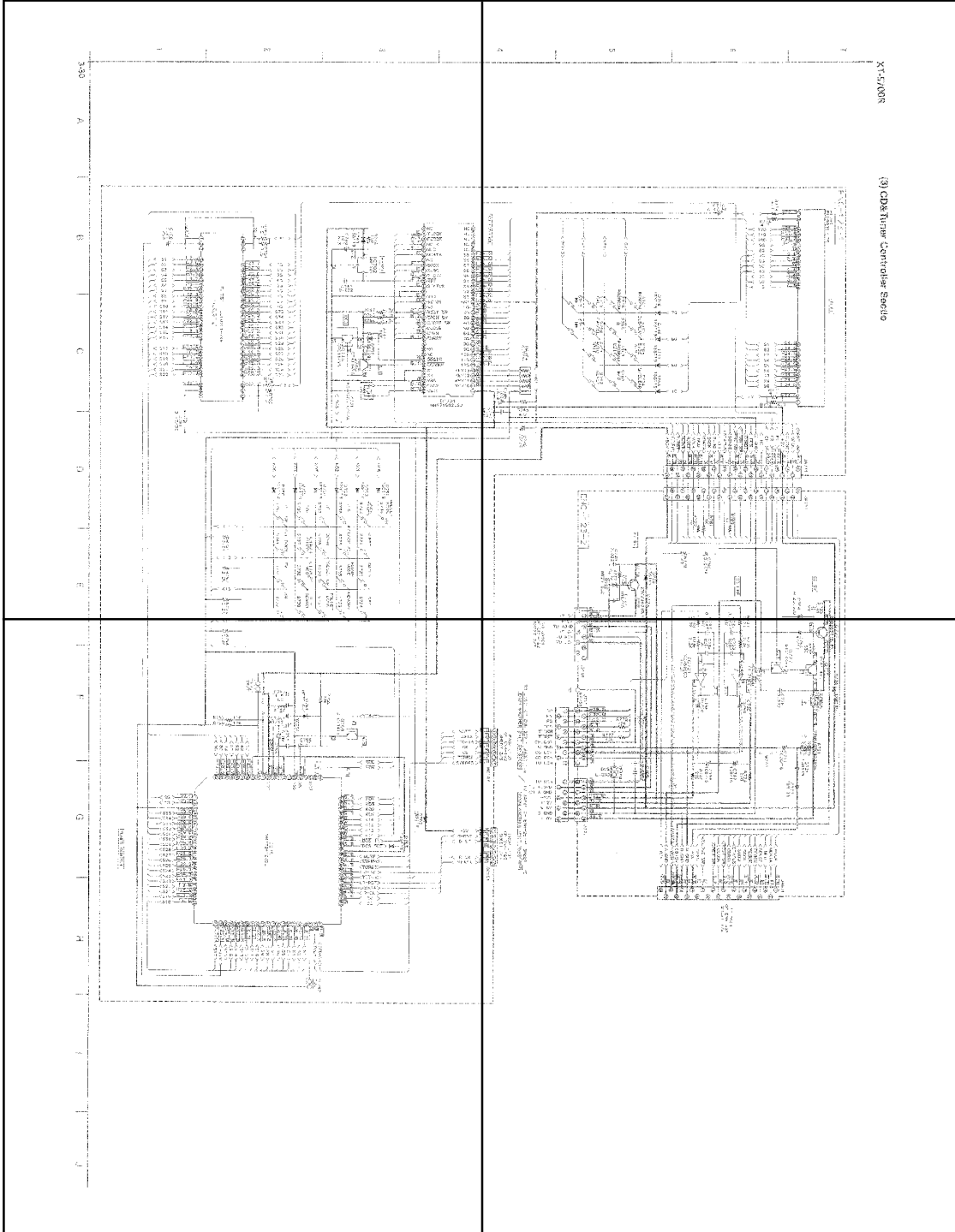
3-29





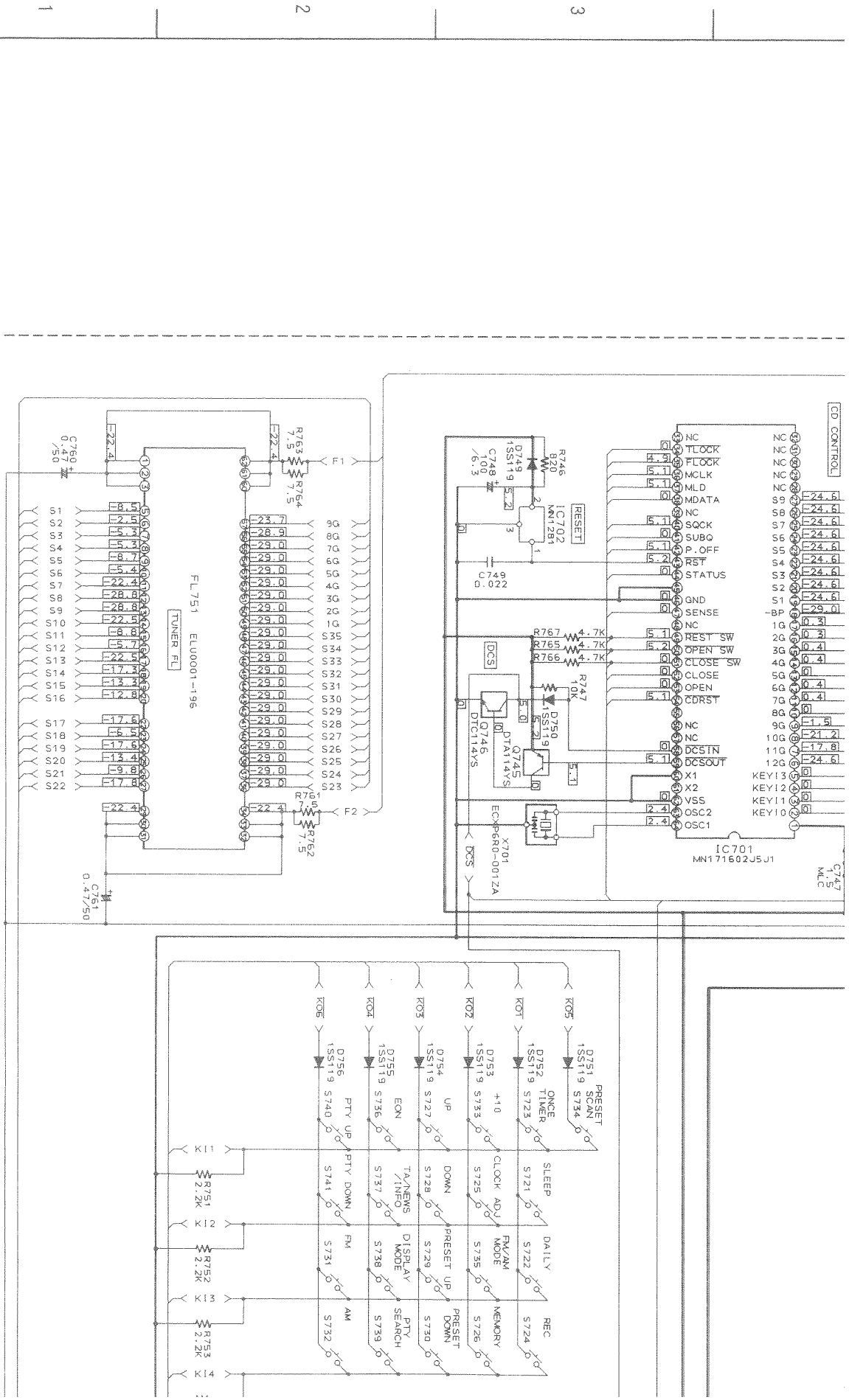
P3-30-a

P3-30-b



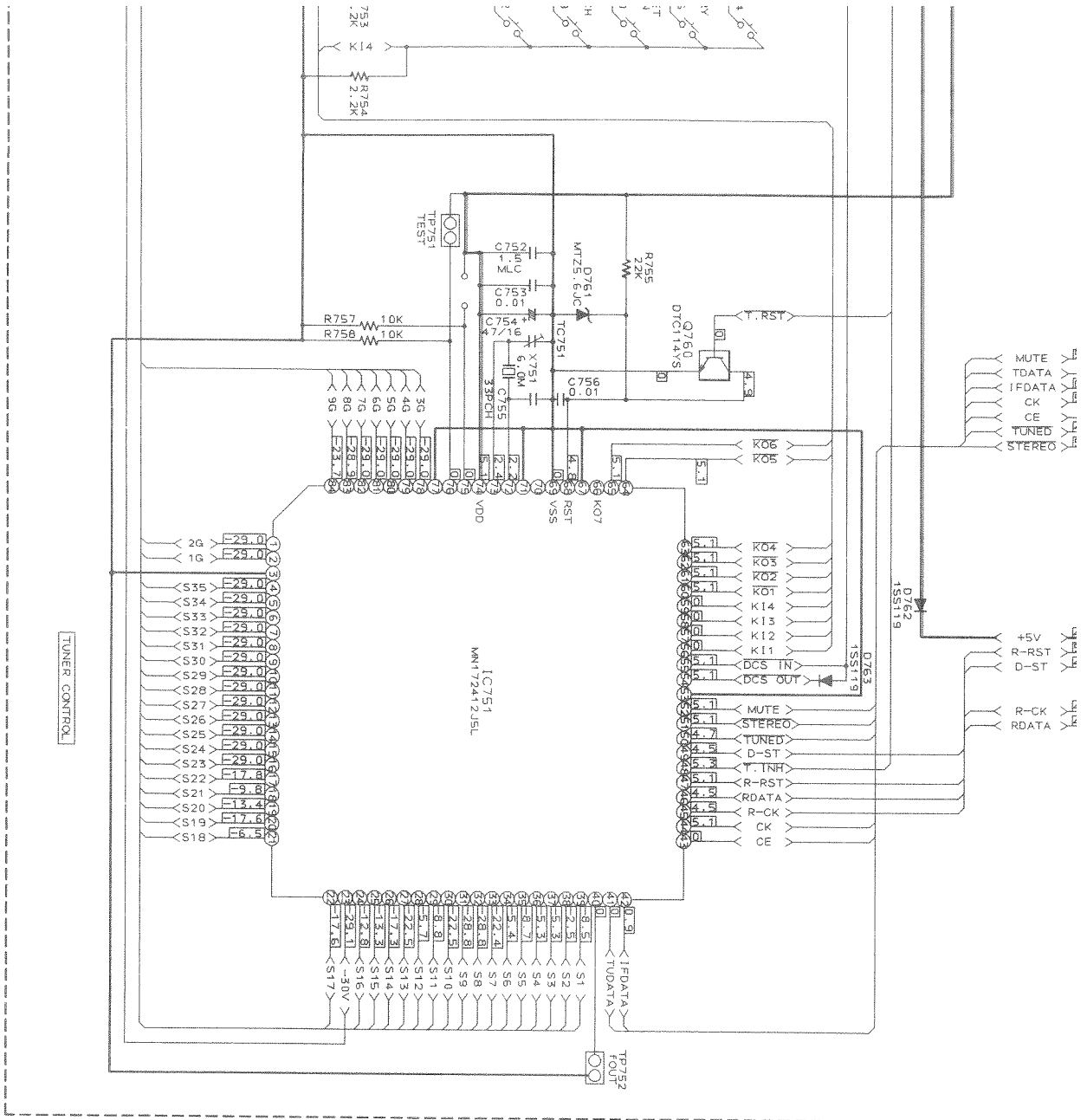
P3-30-c

P3-30-d









F

G

H

I

J





# DX-S700R

## <PARTS LIST>

\* All printed circuit boards and its assemblies are not available as service parts.

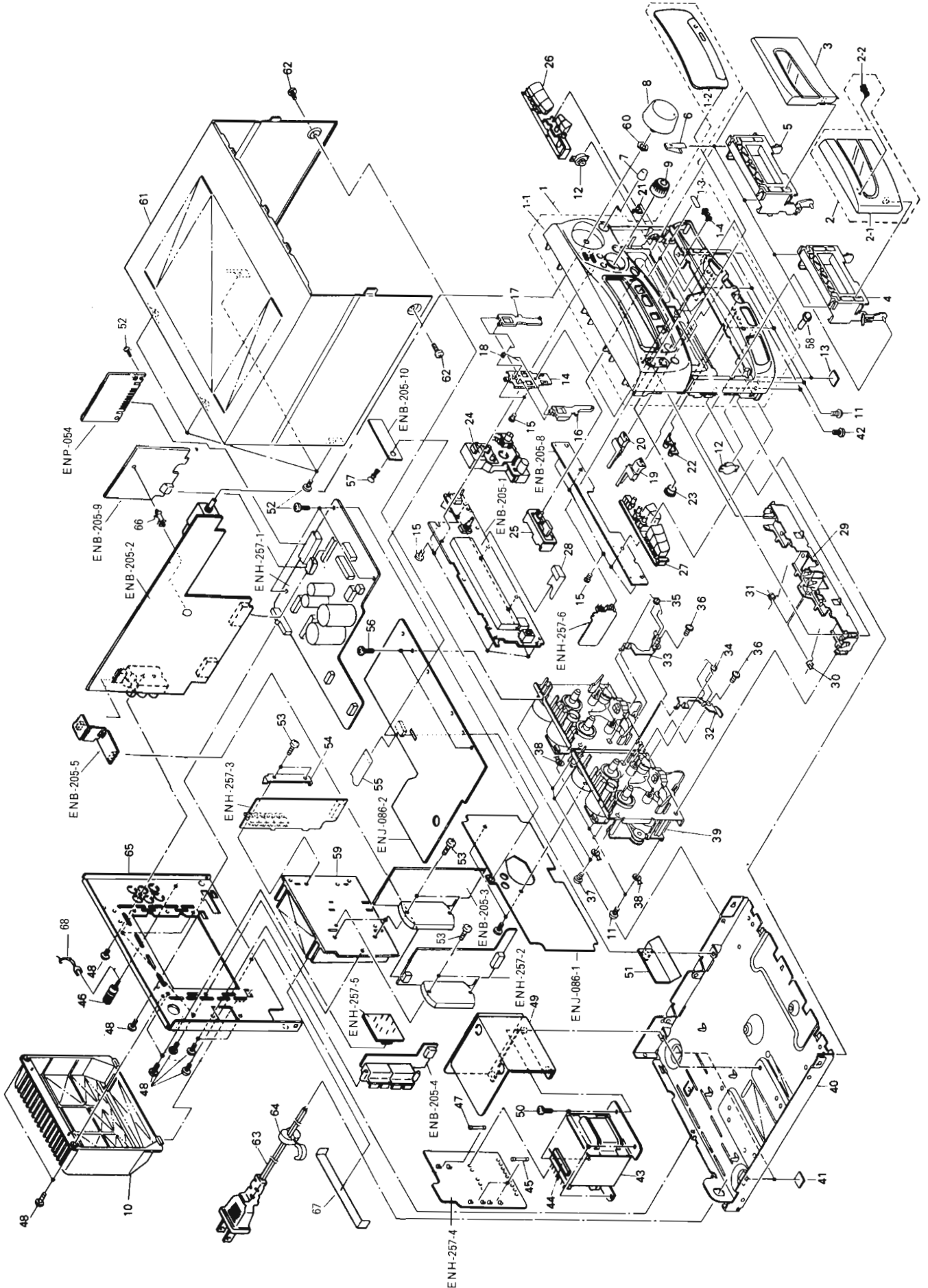
### — Contents —

General Exploded View and Parts List .....	4-2
Cassette Mechanism Ass'y and Parts List .....	4-5
■ Grease Point .....	4-5
Printed Circuit Board Ass'y and Parts List .....	4-6
■ ENH-257 <input type="checkbox"/> Power Supply PC Board Ass'y .....	4-6
■ ENB-205 <input type="checkbox"/> System Control & Power Amp PC Board Ass'y .....	4-9
■ ENJ-086 <input type="checkbox"/> Deck Control PC Board Ass'y .....	4-13
■ ENP-054 <input type="checkbox"/> Digital Signal Processor PC Board Ass'y .....	4-17

# General Exploded View and Parts List

Symbol No. 

M	1	M	M
---	---	---	---



## ■ Parts List

⚠	Item	Part Number	Part Name	Q'ty	Description	Area
	1	EFP-DX5700RE(S)	FRONT PANEL ASSY	1		
	1-1	E102975-225SF	FRONT PANEL	1		
	1-2	E309279-001SM	WINDOW SCREEN	1	AMP	
	1-3	E69777-003	REFLECTION PLATE	2		
	1-4	E406971-221	JVC MARK	1		
	2	FSJT2003-221SA	CASSETTE LID ASSY	1		
	2-1	FSJT2003-001	CASSETTE LID	1		
	2-2	E406971-221	JVC MARK	1		
	3	FSJT2004-001	JVC MARK	1		
	4	E207972-004SS	CASSETTE HOLDER	1	(A)	
	5	E207973-004SS	CASSETTE HOLDER	1	(B)	
	6	E406713-001	CASSETTE SPRING	4		
	7	E75737-013	BALANCE KNOB	1	BALANCE	
	8	E309083-003SS	VOLUME KNOB	1		
	9	FSXP3016-001	SELECT KNOB	1	MUSIC JOG	
	10	E207356-001SM	REAR COVER	1		
	11	SBST3006Z	TAPPING SCREW	10		
	12	E304434-005	DAMPER ASSY	2		
	13	E75896-001	SPACER	2	Front foot	
	14	E308683-002	EJECT GUIDE	1		
	15	SDSF2608Z	SCREW	14		
	16	E308681-002SS	EJECT LEVER	1		
	17	E308682-002SS	EJECT LEVER	1		
	18	E407798-002	SPRING	1		
	19	E309081-002SS	EJECT BUTTON	1		
	20	E309082-002SS	EJECT BUTTON	1		
	21	E408306-001	INDICATOR LENS	1	REC	
	22	E408305-001	INDICATOR LENS	1	DOLBY	
	23	E408733-001SM	REMOTE LENS	1		
	24	E208421-002SM	PUSH BUTTON ASSY	1	POWER	
	25	E309286-001SM	PUSH BUTTON	1		
	26	E208426-004SM	PUSH BUTTON ASSY	1	(B)	
	27	E208423-004SM	PUSH BUTTON ASSY	1	(A)	
	28	VWF1231-30TTB	FFC CABLE	1	FC951	
	29	E207974-003SS	HOLDER BRACKET	1		
	30	E408058-001	HOLDER SPRING	1	(A)	
	31	E408122-001	HOLDER SPRING	1	(B)	
	32	E407799-001	EJECT BRACKET	1		
	33	E407800-001	EJECT BRACKET	1		
	34	E407801-002	SPRING	1		
	35	E407802-002	SPRING	1		
	36	SBSF3006Z	TAPPING SCREW	2		
	37	SBSF3008Z	TAPPING SCREW	4		
	38	PU49485-3	CORD CLAMP	2		
	39	-----	CASSETTE MECHANISM ASSY	1	See page 4-5	
	40	E102616-226SM	CHASSIS BASE	1		
	41	E75896-006	FELT SPACER	2	Rear foot	
	42	SBST3008M	TAPPING SCREW	2		
⚠	43	ETP1100-58EHJ	POWER TRANSFORMER	1		Except BS
⚠		ETP1100-58EHJBS	POWER TRANSFORMER	1		BS
⚠	44	E306805-145	SPACER	1	F5001	
⚠	45	QMF51E2-1R25	FUSE	2	F101,102	Except BS
⚠		QMF51E2-1R2J1BS	FUSE	2	F101,102	BS
	46	E408091-001	EARTH PLUG	1		
⚠	47	QMF51E2-1R0J1	FUSE	1		Except BS

# DX-S700R

△	Item	Part Number	Part Name	Q'ty	Description	Area
△		QMF51E2-1R0J1BS	FUSE	1		BS
	48	E73273-003	SPECIAL SCREW	14		
	49	E408630-001SM	SHIELD PLATE	1		
	50	E65389-004	SPECIAL SCREW	4		
	51	E408678-001SM	SHIELD PLATE	1		
	52	GBSG3008CC	TAPPING SCREW	8		
	53	SBSG3014CC	SCREW	6		
	54	E406969-001SMKP	LEAF SPRING	1		
	55	VWF1216-14TTB	FFC CABLE	1	FC221	
	56	SPST2604Z	TAPPING SCREW	2		
	57	E48729-021	PLASTIC RIVET	1		
	58	E407233-007	MIC KNOB	1		
	59	E309285-002SM	HEAT SINK	1		
	60	E71862-003	VOLUME NUT	1		
	61	E207787-009	METAL COVER	1		
	62	SDSG3006M	TAPPING SCREW	2		
△	63	QMP3900-200	POWER CORD	1		Except BS
△		QMP5530-0085BS	POWER CORD	1		BS
△	64	QHS3876-162	CORD STOPPER	1		
	65	E208431-022SMKP	REAR PANEL	1		
	66	E300796-001	FASTENER	1		
	67	EXO150010H09S11	FELT SPACER	1		
	68	EWT021-049	TERMINAL WIRE	1		
	-	E407619-046	FTZ LABEL	1		G
	-	E408450-001	RATING LABEL	1		
	-	E61029-005	NUMBER LABEL	1		
	-	E70028-001	APPROVAL LABEL	1		EN
	-	E75040-052	GI LABEL	1		GI
	-	QZL1007-001	BEAB LABEL	1		BS
	-	QZL1031-101	LABEL	1		EF

△ : Safety Parts

## The Marks for Designated Areas

EF .... Continental Europe

EN .... Scandinavia

G ..... Germany

GI .... Italy

BS .... the U.K.

No mark indicates all area.



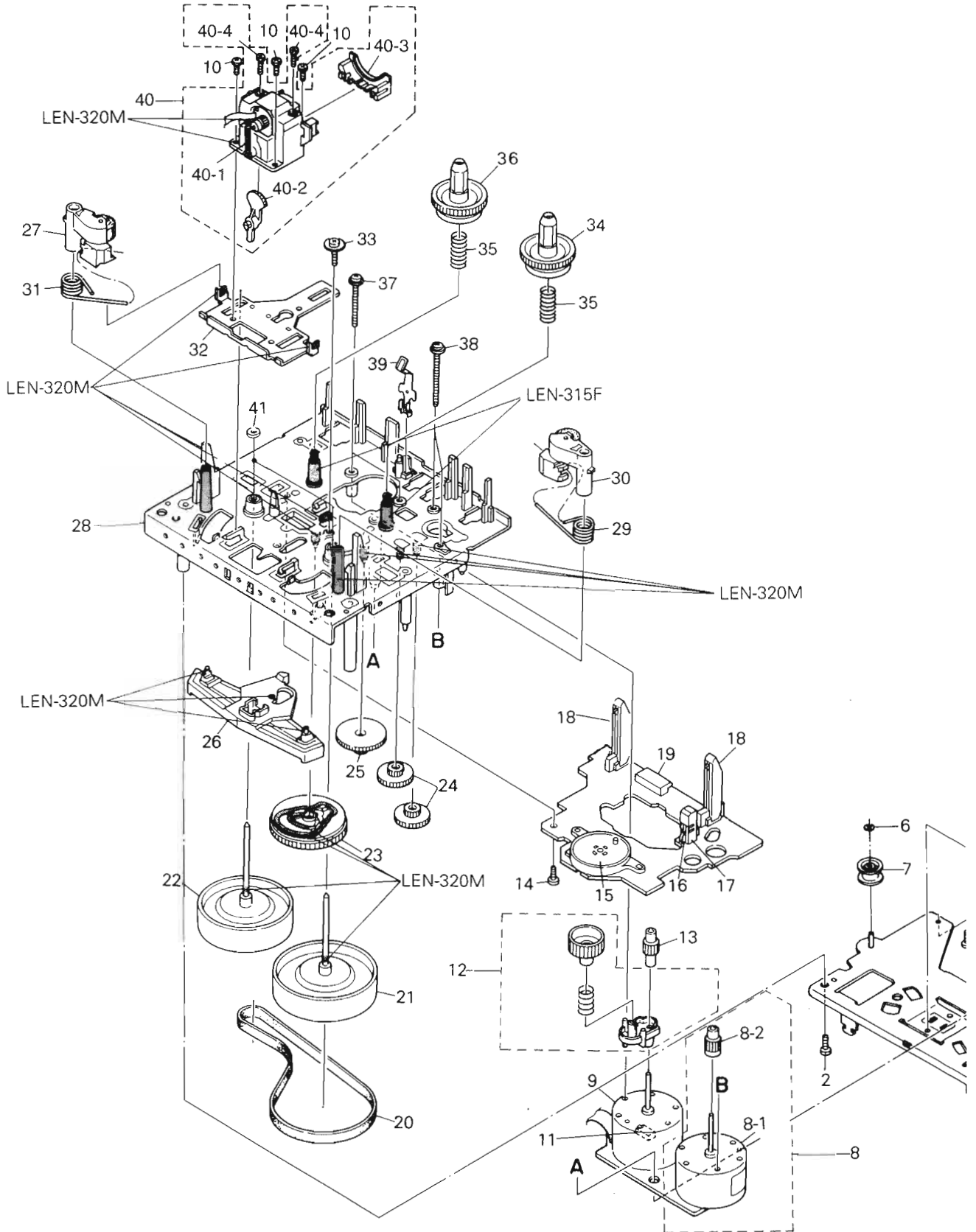


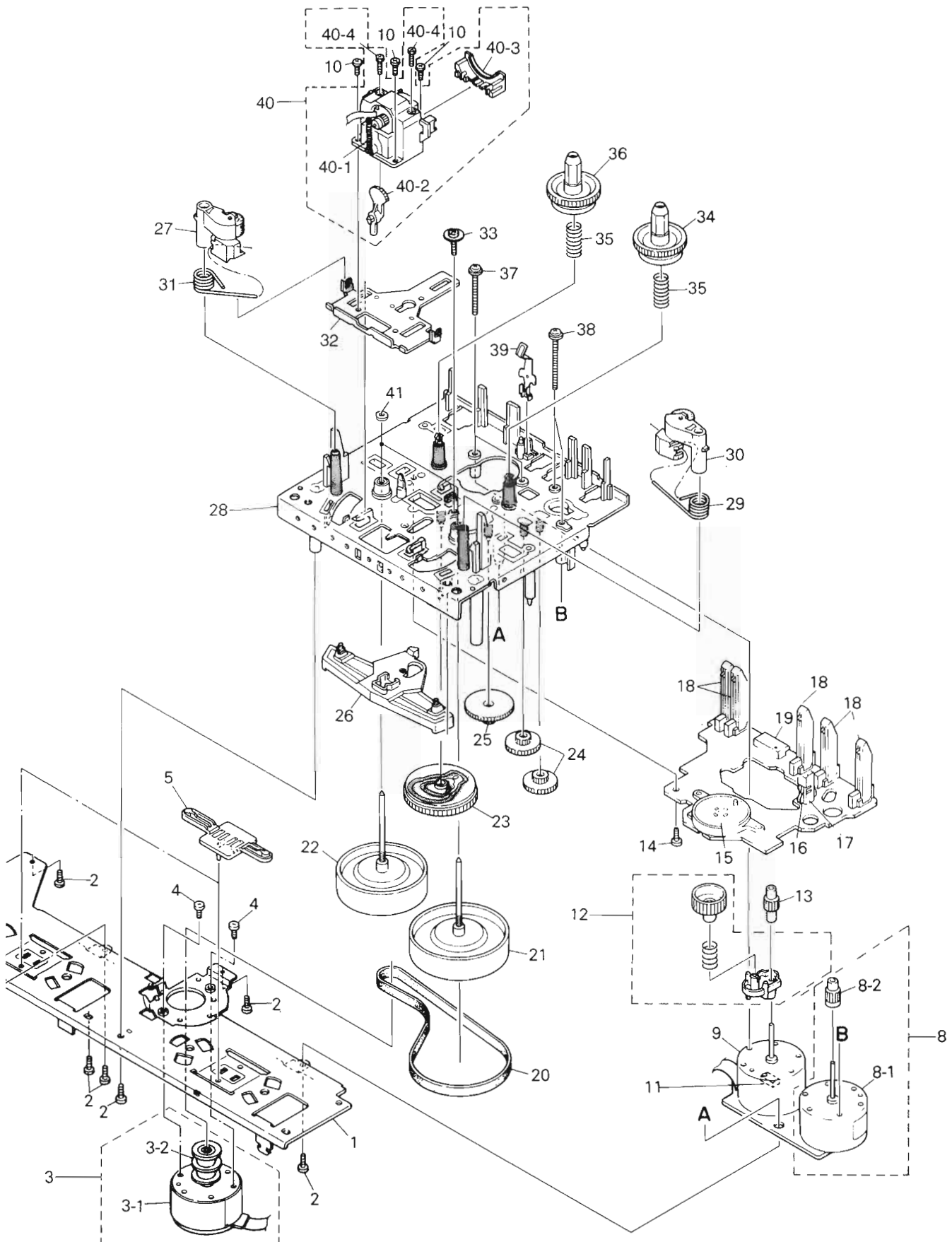
# Cassette Mechanism Ass'y and Parts List

Symbol No. 

M	2	M	M
---	---	---	---

■ Grease Point





# DX-S700R

Symbol No. 

M	2	M	M
---	---	---	---

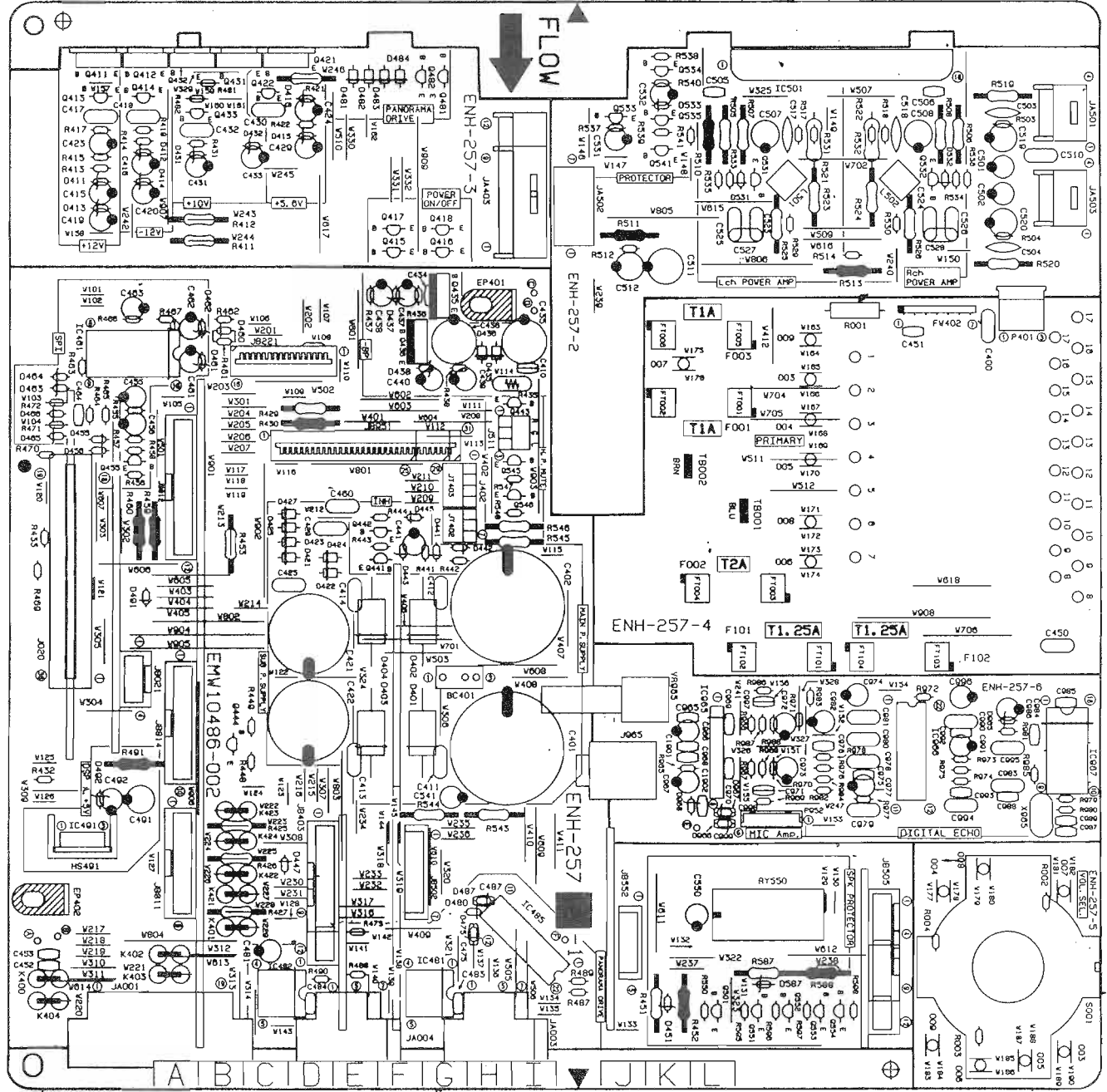
## Parts List (Cassette Mechanism Ass'y)

Item	Part Number	Part Name	Q'ty	Description	Area
1	VKM3775-00AMM	FM. BKT. ASS'Y	1		
2	SDSF2608Z	SCREW	7		
3	MSI5U2LWA-SA1	D.C.MOTOR ASSY	1		
3-1	MSI-5U2LWA	DC MOTOR	1		
3-2	VKR4632-003MM	MOTOR PULLEY	1		
4	SPSP2603Z	WOOD SCREW	2		
5	VKS5327-005MM	LOCK PLATE	2		
6	WDL163525-4	WASHER	1		
7	VKR4631-005MM	IDLER PULLEY	1		
8	MSN5D257A-SA1	DC MOTOR	2		
8-1	MSN-5D257A	DC MOTOR	2		
8-2	VKS5433-001	ACTUATER MOTOR GEAR	2		
9	MMN-6F4RA38	DC MOTOR	2		
10	SDSR2004Z	SCREW	6		
11	VMC0234-R08	CONNECT TERMINAL	2		
12	VKS5430-00CMM	F.F/REW.ARM	2		
13	VKS5432-001	REEL MOTOR GEAR	2		
14	SDST2612Z	SCREW	2		
15	VKS3616-00A	CAM SWITCH	1		
16	DN6851-HI	I.C(M)	2		
17	VKS3630-001MM	I.C.PROTECTOR	2		
18	MXS00220MVL0	CASSETTE SWITCH	7		
19	VMC0234-R11	CONNECT TERMINAL	1	A MECHA	
	VMC0234-R14	CONNECT TERMINAL	1	B MECHA	
20	VKB3001-064	DRIVE BELT	1	A MECHA	
	VKB3001-065	DRIVE BELT	1	B MECHA	
21	VKF3184-00HMM	FLYWHEEL(R)ASS'	2		
22	VKF3186-00HMM	FLYWHEEL(L)ASS'	2		
23	VKS2224-001	CONTROL CAM	2		
24	VKS5454-001	ACTUATER GEAR	4		
25	VKS5455-001	ACTUATER GEAR	2		
26	VKS3627-001	PINCH ROLLER LEVER	2		
27	VKP4229-00B	PINCH ROLLER	2		
28	VKS2229-00D	CHASSIS UNIT	2		
29	VKW5045-003	PINCH ROLLER SPRING	2		
30	VKP4227-00B	PINCH ROLLER	2		
31	VKW5046-003	PINCH ROLLER SPRING	2		
32	VKM3632-001	HEAD BASE	2		
33	VKZ4708-001	SPECIAL SCREW	2		
34	VKS5428-00B	REEL DISK	2		
35	VKW5043-001	TENSION SPRING	4		
36	VKS3617-002	REEL DISK	2		
37	VKZ4705-101	SCREW	4		
38	VKZ4705-102	SCREW	4		
39	VKY4670-001	SPRING	2		
40	VKS3669-00CMM	H.MOUNT ASS'Y	1	A MECHA	
	VKS3672-00CMM	H.MOUNT ASS'Y	1	B MECHA	
40-1	VKW5126-001	HEAD SPRING	2		
40-2	VKS3670-001	CONNECT GEAR	2		
40-3	VKS3671-001	HEAD COVER	2		
40-4	VKZ4629-003	SCREW	4		
41	WDL236013	SLIT WASHER	4		

# Printed Circuit Board Ass'y and Parts List

■ ENH-257 □ Power Supply PC Board Ass'y

Note : ENH-257 □ varies according to the areas employd. See note (1) when placing an order.



Note (1)

PC Board Ass'y	Version	Designated Areas
ENH-257	EF	Continental Europe
	EN	Scandinavia
	G	Germany
	GI	Italy
ENH-257	BS	the U.K.

## TRANSISTORS

Δ	TEMPART NUMBER	DESCRIPTION	AREA
0411	2SD2061(F,G)	S1. TRANSIST ROHM	
0412	2SB1397(F,G)	S1. TRANSIST ROHY	
0413	2SC1740S(R,S)	S1. TRANSIST ROHM	
0414	2SA933S(RS)	S1. TRANSIST	
0415	DTC144ES	DIGITAL TRA ROHM	
0416	DTA144ES	DIGITAL TRA ROHM	
0417	DTA144ES	DIGITAL TRA ROHM	
0418	DTC144ES	DIGITAL TRA ROHM	
0421	2SD2061(F,G)	S1. TRANSIST ROHM	
0422	2SC1740S(R,S)	S1. TRANSIST ROHM	
0431	2SD2061(F,G)	S1. TRANSIST ROHM	
0433	2SC1740S(R,S)	S1. TRANSIST ROHM	
0435	2SB1357(E,F)	S1. TRANSIST ROHM	
0436	2SD2037(E,F)	S1. TRANSIST ROHM	
0441	DTC114ES	DIGITAL TRA ROHM	



TRANSISTORS

ITEM	PART NUMBER	DESCRIPTION	AREA
Q442	DTC114YS	DIGITAL TRA ROHM	
Q443	DTA114TS	DIGITAL TRA ROHM	
Q444	DTA144WS	DIGITAL TRA ROHM	
Q455	2SC1740S(R,S)	SI. TRANSIST ROHM	
Q481	DTC114YS	DIGITAL TRA ROHM	
Q482	DTA123ES	DIODE ROHM	
Q501	2SC1740S(R,S)	SI. TRANSIST ROHM	
Q531	2SA933S(RS)	SI. TRANSIST	
Q532	2SA933S(RS)	SI. TRANSIST	
Q533	2SC1740S(R,S)	SI. TRANSIST ROHM	
Q534	2SA733A(P,K)	SI. TRANSIST NEC	
Q535	2SC1740S(R,S)	SI. TRANSIST ROHM	
Q541	DTC144ES	DIGITAL TRA ROHM	
Q545	2SD2144S(VW)	SI. TRANSIST ROHM	
Q546	2SD2144S(VW)	SI. TRANSIST ROHM	
Q551	2SC1740S(R,S)	SI. TRANSIST ROHM	
Q552	2SC1740S(R,S)	SI. TRANSIST ROHM	
Q553	2SC1740S(R,S)	SI. TRANSIST ROHM	
Q554	2SC1740S(R,S)	SI. TRANSIST ROHM	
Q565	2SA933S(RS)	SI. TRANSIST	

I. C. S.

ITEM	PART NUMBER	DESCRIPTION	AREA
IC461	XR1099CP	I.C.(MONO-AN EXAR JAPAN	
IC481	LB1639-CV	I.C.(DIGI-OT SANYO	
IC482	LB1639-CV	I.C.(DIGI-OT SANYO	
IC485	NJU3715L	I.C.(MONO-AN DAINICHI	
IC491	NJM78M05FA	I.C.(MONO-AN DAINICHI	
IC501	STK4141MK5	I.C.(HYBRID) SANYO	
IC965	BA15218N	I.C.(MONO-AN ROHM	

DIODES

ITEM	PART NUMBER	DESCRIPTION	AREA
Δ D401	30DL2FC	SI. DIODE NIHONINTER	
Δ D402	30DL2FC	SI. DIODE NIHONINTER	
Δ D403	30DL2FC	SI. DIODE NIHONINTER	
Δ D404	30DL2FC	SI. DIODE NIHONINTER	
D411	MTZ13JC	ZENER DIODE ROHM	
D412	MTZ13JC	ZENER DIODE ROHM	
D413	MTZ13JC	ZENER DIODE ROHM	
D414	MTZ13JC	ZENER DIODE ROHM	
D415	RD6.8JSB3	ZENER DIODE NEC	
D416	MTZ6.8JC	ZENER DIODE ROHM	
D421	1SR139-200	SI. DIODE ROHM	
D422	1SR139-200	SI. DIODE ROHM	
D423	1SR139-200	SI. DIODE ROHM	
D424	1SR139-200	SI. DIODE ROHM	
D425	1SR139-200	SI. DIODE ROHM	
D427	1SR139-200	SI. DIODE ROHM	
D431	MTZ11JC	ZENER DIODE ROHM	
D432	MTZ12JC	ZENER DIODE ROHM	
D435	1SR139-200	SI. DIODE ROHM	
D436	1SR139-200	SI. DIODE ROHM	
D437	MTZ30JC	ZENER DIODE ROHM	
D438	MTZ6.2JC	ZENER DIODE ROHM	
D441	1SS119	SI. DIODE	
D442	1SS119	SI. DIODE	
D443	MTZ5.1JC	ZENER DIODE ROHM	
D445	1SS119	SI. DIODE	
D447	1SS119	SI. DIODE	
D451	MTZ5.1JC	ZENER DIODE ROHM	
D455	1SS119	SI. DIODE	
D456	1SS119	SI. DIODE	
D460	1SS119	SI. DIODE	
D462	MTZ5.1JB	ZENER DIODE ROHM	
D463	MTZ6.8JC	ZENER DIODE ROHM	
D464	MTZ6.8JC	ZENER DIODE ROHM	
D465	MTZ6.8JC	ZENER DIODE ROHM	
D466	MTZ6.8JC	ZENER DIODE ROHM	
D480	1SS119	SI. DIODE	
D481	1SR139-200	SI. DIODE ROHM	
D482	1SR139-200	SI. DIODE ROHM	
D483	1SR139-200	SI. DIODE ROHM	
D484	1SR139-200	SI. DIODE ROHM	
D491	1SS119	SI. DIODE	
D492	MTZ5.6JC	ZENER DIODE ROHM	
D531	1SS119	SI. DIODE	
D532	1SS119	SI. DIODE	
D533	1SS119	SI. DIODE	
D587	MTZ5.1JC	ZENER DIODE ROHM	
D967	MTZ13JC	ZENER DIODE ROHM	

CAPACITORS

ITEM	PART NUMBER	DESCRIPTION	AREA
C400	QFV82AJ-104	0.1MF 100V THIN FILM	
C401	EEW4208-568E	5600MF E.CAPACITO	
C402	EEW4208-568E	5600MF E.CAPACITO	
C412	QFV81HJ-104	0.1MF 50V THIN FILM	
C413	QFV81HJ-104	0.1MF 50V THIN FILM	
C415	QETC1CM-226ZM	22MF 16V E.CAPACITO	
C416	QETC1CM-226ZM	22MF 16V E.CAPACITO	
C417	QFLB1HJ-103	0.01MF 50V MYLAR CAPA	
C418	QFLB1HJ-103	0.01MF 50V MYLAR CAPA	
C419	QETC1CM-226ZM	22MF 16V E.CAPACITO	
C420	QETC1CM-226ZM	22MF 16V E.CAPACITO	
C421	QETB1VM-338	3300MF 35V AL E.CAPAC	
C422	QETB1VM-338	3300MF 35V AL E.CAPAC	
C423	QETC1EM-226ZM	22MF 25V E.CAPACITO	
C424	QETC1AM-476Z	47MF 10V AL E.CAPAC	
C425	QFV81HJ-104	0.1MF 50V THIN FILM	
C428	QFV81HJ-104	0.1MF 50V THIN FILM	
C429	QETC1AM-476Z	47MF 10V AL E.CAPAC	
C430	QFLB1HJ-103	0.01MF 50V MYLAR CAPA	
C431	QETC1CM-226ZM	22MF 16V E.CAPACITO	
C432	QFLB1HJ-103	0.01MF 50V MYLAR CAPA	
C433	QETC1CM-226ZM	22MF 16V E.CAPACITO	
C435	QETB1HM-227	220MF 50V E.CAPACITO	
C436	QETC1HM-107ZM	100MF 50V E.CAPACITO	
C437	QETB1HM-226E	22MF 50V E.CAPACITO	
C438	QETB1HM-226E	22MF 50V E.CAPACITO	
C439	QETB1HM-475E	4.7MF 50V E.CAPACITO	
C440	QETB1HM-475E	4.7MF 50V E.CAPACITO	
C441	QETC1HM-225ZM	2.2MF 50V E.CAPACITO	
C451	QCVB1CM-103Y	0.01MF 16V CER.CAPACI	
C452	QCVB1CM-103Y	0.01MF 16V CER.CAPACI	
C455	QETC1HM-105ZM	1MF 50V E.CAPACITO	
C456	QETC1HM-105ZM	1MF 50V E.CAPACITO	
C460	QFV82AJ-104	0.1MF 100V THIN FILM	
C461	QETC1AM-107	100MF 10V E.CAPACITO	
C462	QETC1AM-107	100MF 10V E.CAPACITO	
C463	QETC1AM-476Z	47MF 10V AL E.CAPAC	
C464	QCB1HK-102Y	1000PF 50V CER.CAPACI	
C475	QCB1HK-561Y	560PF 50V CER.CAPACI	
C481	QETC1AM-107	100MF 10V E.CAPACITO	
C487	QCHB1EZ-223	0.022MF 25V CER.CAPACI	
C491	QETC1CM-107ZM	100MF 16V E.CAPACITO	
C492	QETC0JM-107ZM	100MF 6.3V AL E.CAPAC	
C501	QETC1HM-105ZM	1MF 50V E.CAPACITO	
C502	QETC1HM-105ZM	1MF 50V E.CAPACITO	
C503	QCS21HJ-5R0	5PF 50V CER.CAPACI	
C504	QCS21HJ-5R0	5PF 50V CER.CAPACI	
C505	QCB1HK-331Y	330PF 50V CER.CAPACI	
C506	QCB1HK-331Y	330PF 50V CER.CAPACI	
C507	QETB1HM-226E	22MF 50V E.CAPACITO	
C508	QETB1HM-226E	22MF 50V E.CAPACITO	
C510	QFLB1HJ-223	0.022MF 50V MYLAR CAPA	
C511	EET5010-225ZE	2.2MF E.CAPACITO	
C512	QETC1HM-106ZM	10MF 50V E.CAPACITO	
C517	QCS21HJ-100	10PF 50V CER.CAPACI	
C518	QCS21HJ-100	10PF 50V CER.CAPACI	
C519	EET5010-226ZE	22MF E.CAPACITO	
C520	EET5010-226ZE	22MF E.CAPACITO	
C523	QFV81HJ-104	0.1MF 50V THIN FILM	
C524	QFV81HJ-104	0.1MF 50V THIN FILM	
C525	QFV81HJ-104	0.1MF 50V THIN FILM	
C526	QFV81HJ-104	0.1MF 50V THIN FILM	
C531	QETC1EM-106ZM	10MF 25V AL E.CAPAC	
C532	QETC1CM-476Z	47MF 16V AL E.CAPAC	
C541	QETC1HM-106ZM	10MF 50V E.CAPACITO	
C550	QETC1HM-105ZM	1MF 50V E.CAPACITO	
C966	QETC1EM-106ZM	10MF 25V AL E.CAPAC	
C967	QETC1EM-106ZM	10MF 25V AL E.CAPAC	
C968	QCB1HK-102	1000PF 50V CER.CAPACI	
C970	QCB1HK-101Y	100PF 50V CER.CAPACI	
C971	QCSB1HJ-470	47PF 50V CER.CAPACI	
C972	QETC1EM-106ZM	10MF 25V AL E.CAPAC	
C973	QETC1EM-106ZM	10MF 25V AL E.CAPAC	
C1902	QCFB1HZ-104Y	0.1MF 50V CER.CAPACI	

RESISTORS

ITEM	PART NUMBER	DESCRIPTION	AREA
R413	QRD167J-153	15K 1/6W CARBON RES	
R414	QRD167J-153	15K 1/6W CARBON RES	
R415	QRD167J-152	1.5K 1/6W CARBON RES	
R417	QRD167J-152	1.5K 1/6W CARBON RES	
R418	QRD161J-222	2.2K 1/6W CARBON RES	
R422	QRD161J-222	2.2K 1/6W CARBON RES	
Δ R429	QRD14CJ-1R0SX	1 1/4W UNF.CARBON	
R430	QRZ0077-5R6X	5.6 1/4W FUSIBLE RE	
R431	QRD161J-222	2.2K 1/6W CARBON RES	
R432	QRD161J-102	1K 1/6W CARBON RES	

# DX-S700R

## RESISTORS

Δ	ITEM	PART NUMBER	DESCRIPTION			AREA
Δ	R433	QRD161J-221	220	1/6W	CARBON RES	
	R435	PTH61G25AR4R7M			POSITIVE T	
	R436	QRD167J-332	3.3K	1/6W	CARBON RES	
	R437	QRD167J-223	22K	1/6W	CARBON RES	
	R438	QRD161J-104	100K	1/6W	CARBON RES	
	R441	QRD161J-103	10K	1/6W	CARBON RES	
	R442	QRD161J-103	10K	1/6W	CARBON RES	
	R443	QRD161J-103	10K	1/6W	CARBON RES	
	R444	QRD161J-102	1K	1/6W	CARBON RES	
	R448	QRD161J-103	10K	1/6W	CARBON RES	
	R449	QRD161J-222	2.2K	1/6W	CARBON RES	
Δ	R451	QRD14CJ-221S	220	1/4W	UNF. CARBON	
Δ	R452	QRZ0077-181	180	1/4W	UNF. CARBON	
	R453	QRD167J-562	5.6K	1/6W	CARBON RES	
	R456	QRD161J-103	10K	1/6W	CARBON RES	
	R457	QRD161J-222	2.2K	1/6W	CARBON RES	
	R458	QRD161J-104	100K	1/6W	CARBON RES	
Δ	R459	QRZ0077-100	10	1/4W	FUSIBLE RE	
Δ	R460	QRZ0077-100	10	1/4W	FUSIBLE RE	
	R462	QRD161J-331	330	1/6W	CARBON RES	
	R463	QRD167J-223	22K	1/6W	CARBON RES	
	R464	QRD167J-152	1.5K	1/6W	CARBON RES	
	R465	QRD167J-562	5.6K	1/6W	CARBON RES	
	R466	QRD167J-223	22K	1/6W	CARBON RES	
	R467	QRD161J-102	1K	1/6W	CARBON RES	
	R469	QRD161J-563	56K	1/6W	CARBON RES	
	R470	QRD161J-563	56K	1/6W	CARBON RES	
	R471	QRD161J-513	51K	1/6W	CARBON RES	
	R472	QRD161J-513	51K	1/6W	CARBON RES	
	R475	QRD161J-122	1.2K	1/6W	CARBON RES	
	R487	QRD161J-331	330	1/6W	CARBON RES	
	R488	QRD161J-331	330	1/6W	CARBON RES	
	R489	QRD161J-331	330	1/6W	CARBON RES	
	R490	QRD161J-331	330	1/6W	CARBON RES	
Δ	R491	QRZ0077-100	10	1/4W	FUSIBLE RE	
	R503	QRD161J-563	56K	1/6W	CARBON RES	
	R504	QRD161J-563	56K	1/6W	CARBON RES	
Δ	R505	QRD14CJ-272S	2.7K	1/4W	UNF. CARBON	
Δ	R506	QRD14CJ-272S	2.7K	1/4W	UNF. CARBON	
Δ	R507	QRD14CJ-272S	2.7K	1/4W	UNF. CARBON	
Δ	R508	QRD14CJ-272S	2.7K	1/4W	UNF. CARBON	
Δ	R510	QRZ0077-100	10	1/4W	FUSIBLE RE	
Δ	R511	QRZ0077-101	100	1/4W	FUSIBLE RE	
Δ	R512	QRD167J-272	2.7K	1/6W	CARBON RES	
Δ	R513	QRZ0077-100	10	1/4W	FUSIBLE RE	
	R514	QRD167J-272	2.7K	1/6W	CARBON RES	
	R517	QRD161J-563	56K	1/6W	CARBON RES	
	R518	QRD161J-563	56K	1/6W	CARBON RES	
Δ	R519	QRD14CJ-561SX	560	1/4W	UNF. CARBON	
Δ	R520	QRD14CJ-561SX	560	1/4W	UNF. CARBON	
Δ	R521	GRX012J-R22AM	0.22	1W	METAL FILM	
Δ	R522	GRX012J-R22AM	0.22	1W	METAL FILM	
Δ	R523	QRD14CJ-100SX	10	1/4W	UNF. CARBON	
Δ	R524	QRD14CJ-100SX	10	1/4W	UNF. CARBON	
Δ	R525	QRD14CJ-100SX	10	1/4W	UNF. CARBON	
Δ	R526	QRD14CJ-100SX	10	1/4W	UNF. CARBON	
	R529	QRD161J-104	100K	1/6W	CARBON RES	
	R530	QRD161J-823	82K	1/6W	CARBON RES	
	R531	QRD167J-272	2.7K	1/6W	CARBON RES	
	R532	QRD167J-272	2.7K	1/6W	CARBON RES	
	R533	QRD167J-153	15K	1/6W	CARBON RES	
	R534	QRD167J-153	15K	1/6W	CARBON RES	
	R535	QRD161J-103	10K	1/6W	CARBON RES	
	R536	QRD161J-103	10K	1/6W	CARBON RES	
	R537	QRD161J-103	10K	1/6W	CARBON RES	
	R538	QRD161J-104	100K	1/6W	CARBON RES	
	R539	QRD161J-103	10K	1/6W	CARBON RES	
	R540	QRD161J-473	47K	1/6W	CARBON RES	
	R541	QRD161J-103	10K	1/6W	CARBON RES	
	R543	QRD14CJ-821SX	820	1/4W	CARBON RES	
	R544	QRD14CJ-821SX	820	1/4W	CARBON RES	
	R545	QRD14CJ-331SX	330	1/4W	UNF. CARBON	
	R546	QRD14CJ-331SX	330	1/4W	UNF. CARBON	
	R547	QRD161J-473	47K	1/6W	CARBON RES	
	R548	QRD161J-473	47K	1/6W	CARBON RES	
	R550	QRD167J-152	1.5K	1/6W	CARBON RES	
	R565	QRD161J-103	10K	1/6W	CARBON RES	
Δ	R587	QRD14CJ-221S	220	1/4W	UNF. CARBON	
Δ	R588	QRZ0077-181	180	1/4W	UNF. CARBON	
	R595	QRD167J-152	1.5K	1/6W	CARBON RES	
	R596	QRD167J-152	1.5K	1/6W	CARBON RES	
	R597	QRD167J-152	1.5K	1/6W	CARBON RES	
	R598	QRD167J-152	1.5K	1/6W	CARBON RES	
	R965	QRD161J-102	1K	1/6W	CARBON RES	
	R966	QRD161J-103	10K	1/6W	CARBON RES	
	R967	QRD161J-103	10K	1/6W	CARBON RES	
	R968	QRD161J-132	1.3K	1/6W	CARBON RES	
	R969	QRD161J-104	100K	1/6W	CARBON RES	
	R988	QRD161J-101	100	1/6W	CARBON RES	
	VR965	QVAAB03-E54C	50K		VARIABLE R	

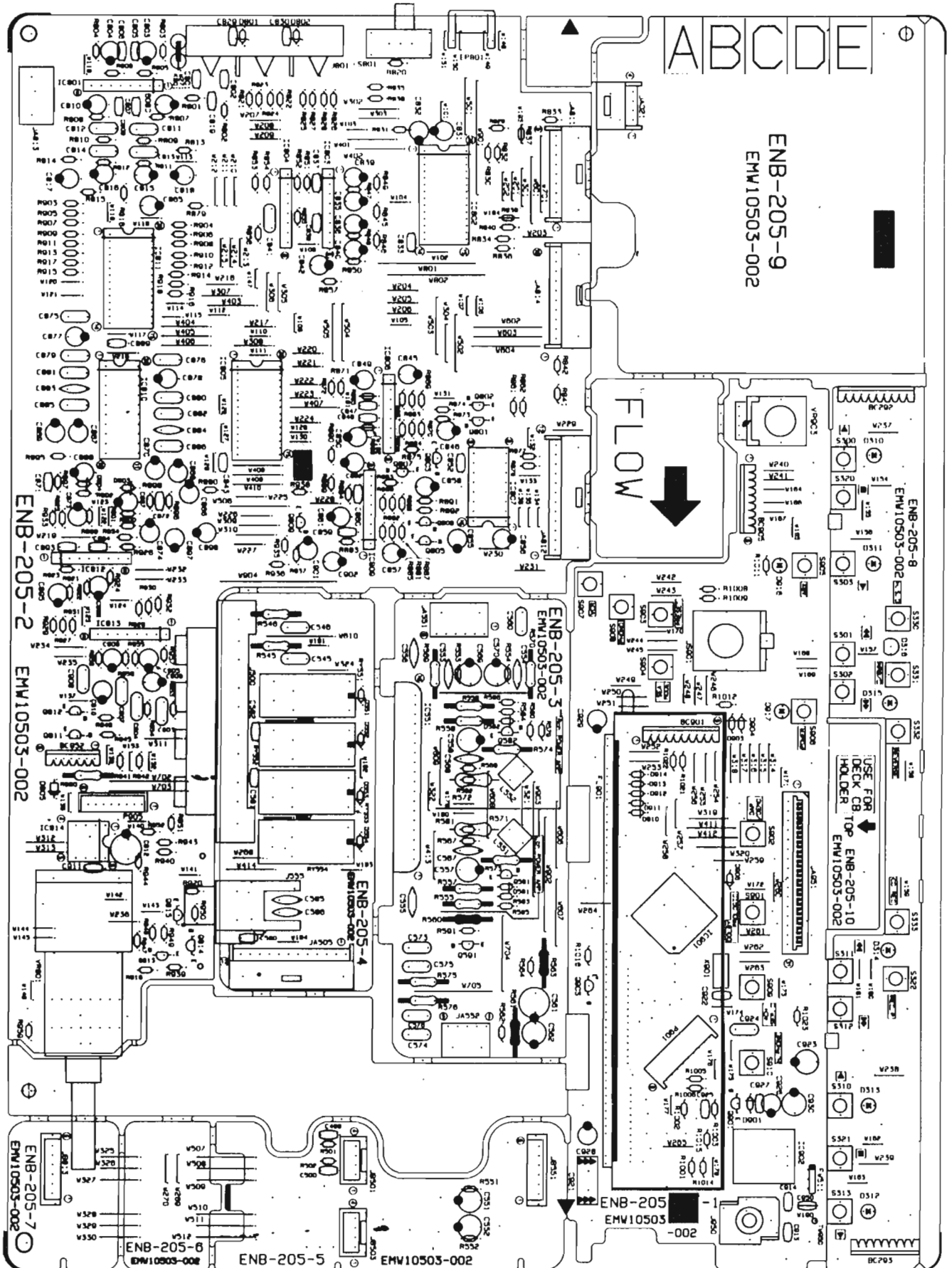
## OTHERS

Δ	ITEM	PART NUMBER	DESCRIPTION		AREA
		EMW10486-003	PRINTED BOA		EF
		EMW10486-003	PRINTED BOA		EN
		EMW10486-003	PRINTED BOA		G
		EMW10486-003	PRINTED BOA		GI
		EW011-124	TERMINAL WI		
	J020	EMV7164-036	CONNECT TER		
	J511	EMV7122-103	CONNECT TER		
	J965	QMS3L60-E40G	HEADPHONE J		
	K401	ENZ8101-007	INDUCTOR		
	K402	ENZ8101-007	INDUCTOR		
	K403	ENZ8101-007	INDUCTOR		
	K404	ENZ8101-007	INDUCTOR		
	K421	ENZ8101-007	INDUCTOR		
	K422	ENZ8101-007	INDUCTOR		
	K423	ENZ8101-007	INDUCTOR		
	K424	ENZ8101-007	INDUCTOR		
	LS01	EQL0011-R45J1	INDUCTOR		
	LS02	EQL0011-R45J1	INDUCTOR		
	P401	EMV5133-003KR	CONNECT TER		
	P952	EMV5142-906	CONNECT TER		
	BC401	EMW5243-074	SOCKET WIRE		
	EP401	EMZ4002-001Z	EARTH PLATE		
	EP402	EMZ4002-001Z	EARTH PLATE		
	FT001	VMZ0087-001Z	FUSE HOLDER		
	FT002	VMZ0087-001Z	FUSE HOLDER		
	FT101	VMZ0087-001Z	FUSE HOLDER		
	FT102	VMZ0087-001Z	FUSE HOLDER		
	FT103	VMZ0087-001Z	FUSE HOLDER		
	FT104	VMZ0087-001Z	FUSE HOLDER		
	FW402	EMW378-13LST	FLAT WIRE A		
	JA001	EMV7127-019	CONNECT TER		
	JA003	EMV7127-007	CONNECT TER		
	JA004	EMV7127-007	CONNECT TER		
	JA403	EMV5163-012R	CONNECT TER		
	JA501	EMV5163-004R	CONNECT TER		
	JA502	EMV7125-007R	CONNECT TER		
	JA503	EMV5163-004R	CONNECT TER		
	JB021	EMV7163-004	CONNECT TER		
	JB221	VMC0163-016	CONNECT TER		
	JB403	EMV7163-012	CONNECT TER		
	JB505	EMV7163-012	CONNECT TER		
	JB532	EMV5125-005	CONNECT TER		
	JB331	EMV7163-009	CONNECT TER		
	JB812	EMV7163-012	CONNECT TER		
	JB814	EMV7163-010	CONNECT TER		
	JB951	VMC0163-031	FFC SOCKET		
	JT402	EMV7122-103	CONNECT TER		
	JT403	EMV7122-004Z	CONNECT TER		
	RY550	ESK7D24-2120	RELAY		
	TB001	EMZ4001-001	TAB		
	T9002	EMZ4001-001	TAB		



■ ENB-205 □ System Control & Power Amp PC Board Ass'y

Note : ENB-205 □ varies according to the areas employd. See note (1) when placing an order.



# DX-S700R

Note (1)

PC Board Ass'y	Version	Designated Areas
ENB-205 <b>B</b>	EF	Continental Europe
	EN	Scandinavia
	G	Germany
	GI	Italy
ENB-205 <b>C</b>	BS	the U.K.

## TRANSISTORS

ITEM	PART NUMBER	DESCRIPTION	AREA
Q581	2SA933S(RS)	SI. TRANSIST	
Q582	2SA933S(RS)	SI. TRANSIST	
Q591	DTC144ES	DIGITAL TRA ROHM	
Q805	2SD2144S(VW)	SI. TRANSIST ROHM	
Q806	2SD2144S(VW)	SI. TRANSIST ROHM	
Q807	DTA144ES	DIGITAL TRA ROHM	
Q809	2SC1740S(R,S)	SI. TRANSIST ROHM	
Q811	2SD2144S(VW)	SI. TRANSIST ROHM	
Q812	2SD2144S(VW)	SI. TRANSIST ROHM	
Q813	2SD2144S(VW)	SI. TRANSIST ROHM	
Q814	2SD2144S(VW)	SI. TRANSIST ROHM	
Q815	DTA144ES	DIGITAL TRA ROHM	
Q901	DTC144ES	DIGITAL TRA ROHM	
Q903	DTC144ES	DIGITAL TRA ROHM	

## I. C. S.

ITEM	PART NUMBER	DESCRIPTION	AREA
IC551	STK4141MK5	I.C.(HYBRID) SANYO	
IC801	VC4580LD	I.C.(MONO-AN DAINICHI	
IC802	TC9164N	I.C.(DIGI-MO TOSHIBA	
IC803	VC4580L	I.C.(MONO-AN DAINICHI	
IC804	BA15218N	I.C.(MONO-AN ROHM	
IC805	TC9162N	I.C.(DIGI-MO TOSHIBA	
IC806	BA15218N	I.C.(MONO-AN ROHM	
IC807	TC9299P	I.C.(DIGI-MO TOSHIBA	
IC809	BA15218N	I.C.(MONO-AN ROHM	
IC810	MS243P12	I.C.(MONO-AN MITSUBISHI	
IC811	TC9163N	I.C.(DIGI-MO TOSHIBA	
IC812	VC4580LD	I.C.(MONO-AN DAINICHI	BS
IC812	VC4580LD	I.C.(MONO-AN DAINICHI	EN
IC812	VC4580LD	I.C.(MONO-AN DAINICHI	GI
IC813	VC4580LD	I.C.(MONO-AN DAINICHI	BS
IC813	VC4580LD	I.C.(MONO-AN DAINICHI	EN
IC813	VC4580LD	I.C.(MONO-AN DAINICHI	GI
IC814	LB1639-CV	I.C.(DIGI-OT SANYO	
IC901	MN172412J5M1	I.C.(MICRO-C MATSUSHITA	
IC902	SPS-420-1	INFRARED DE SANYO	

## DIODES

ITEM	PART NUMBER	DESCRIPTION	AREA
D310	SLR-342MCA47	L.E.D. ROHM	
D311	SLR-342MCA47	L.E.D. ROHM	
D312	SLR-342MCA47	L.E.D. ROHM	
D313	SLR-342MCA47	L.E.D. ROHM	
D314	SLR-342VC3F	L.E.D. ROHM	
D315	SLR-342VC3F	L.E.D. ROHM	
D316	SPR-39MVWF	L.E.D. ROHM	
D551	1SS119	SI. DIODE	
D552	1SS119	SI. DIODE	
D553	1SS119	SI. DIODE	
D554	1SS119	SI. DIODE	
D581	1SS119	SI. DIODE	
D582	1SS119	SI. DIODE	
D801	MT23.0JB	ZENER DIODE ROHM	
D802	MT23.0JB	ZENER DIODE ROHM	
D803	MT26.2JC	ZENER DIODE ROHM	
D804	MT26.2JC	ZENER DIODE ROHM	
D805	1SR139-200	SI. DIODE ROHM	
D901	1SS119	SI. DIODE	
D903	1SS119	SI. DIODE	
D904	1SS119	SI. DIODE	
D906	1SS119	SI. DIODE	
D910	1SS119	SI. DIODE	
D911	1SS119	SI. DIODE	
D912	1SS119	SI. DIODE	
D913	1SS119	SI. DIODE	
D914	1SS119	SI. DIODE	
D916	SLR-342VC3F	L.E.D. ROHM	
D917	SLA-380LT	L.E.D. ROHM	BS
D917	SLR-342VC3F	L.E.D. ROHM	EF
D917	SLR-342VC3F	L.E.D. ROHM	EN
D917	SLR-342VC3F	L.E.D. ROHM	G
D917	SLR-342VC3F	L.E.D. ROHM	GI
D921	1SS119	SI. DIODE	

## CAPACITORS

ITEM	PART NUMBER	DESCRIPTION	AREA
C545	QFLB1HJ-103	0.01MF 50V MYLAR CAPA	
C546	QFLB1HJ-103	0.01MF 50V MYLAR CAPA	
C551	QETC1HM-225ZM	2.2MF 50V E.CAPACITO	
C552	QETC1HM-225ZM	2.2MF 50V E.CAPACITO	
C553	QCS21HJ-470	47PF 50V CER.CAPACI	
C554	QCS21HJ-470	47PF 50V CER.CAPACI	
C555	QCS31HJ-331Z	330PF 50V CER.CAPACI	
C556	QCS31HJ-331Z	330PF 50V CER.CAPACI	
C557	QETB1HM-226E	22MF 50V E.CAPACITO	
C558	QETB1HM-226E	22MF 50V E.CAPACITO	
C560	QFLB1HJ-103	0.01MF 50V MYLAR CAPA	
C561	QETC1HM-225ZM	2.2MF 50V E.CAPACITO	
C562	QETC1HM-106ZM	10MF 50V E.CAPACITO	
C567	QCS21HJ-100	10PF 50V CER.CAPACI	
C568	QCS21HJ-100	10PF 50V CER.CAPACI	
C569	QETB1HM-226E	22MF 50V E.CAPACITO	
C570	QETB1HM-226E	22MF 50V E.CAPACITO	
C573	QFVB1HJ-104	0.1MF 50V THIN FILM	
C574	QFVB1HJ-104	0.1MF 50V THIN FILM	
C575	QFVB1HJ-104	0.1MF 50V THIN FILM	
C576	QFVB1HJ-104	0.1MF 50V THIN FILM	
C585	QCY31HK-152Z	1500PF 50V CER.CAPACI	
C586	QCY31HK-152Z	1500PF 50V CER.CAPACI	
C801	QCB81HK-221Y	220PF 50V CER.CAPACI	
C802	QCB81HK-221Y	220PF 50V CER.CAPACI	
C803	QETB1HM-475E	4.7MF 50V E.CAPACITO	
C804	QETB1HM-475E	4.7MF 50V E.CAPACITO	
C805	QCB81HK-221Y	220PF 50V CER.CAPACI	
C806	QCB81HK-221Y	220PF 50V CER.CAPACI	
C807	QCB81HK-101Y	100PF 50V CER.CAPACI	
C808	QCB81HK-101Y	100PF 50V CER.CAPACI	
C809	QETB1EM-476	47MF 25V AL E.CAPAC	
C810	QETB1EM-476	47MF 25V AL E.CAPAC	
C811	QFLB1HJ-682	6800PF 50V MYLAR CAPA	
C812	QFLB1HJ-682	6800PF 50V MYLAR CAPA	
C813	QFLB1HJ-182	1800PF 50V MYLAR CAPA	
C814	QFLB1HJ-182	1800PF 50V MYLAR CAPA	
C815	QETC1CM-226ZM	22MF 16V E.CAPACITO	
C816	QETC1CM-226ZM	22MF 16V E.CAPACITO	
C817	QETC1CM-226ZM	22MF 16V E.CAPACITO	
C818	QETC1CM-226ZM	22MF 16V E.CAPACITO	
C819	QCHB1EZ-223	0.022MF 25V CER.CAPACI	
C829	QCHB1EZ-223	0.022MF 25V CER.CAPACI	
C831	QETC1EM-476ZM	47MF 25V E.CAPACITO	
C832	QETC1EM-476ZM	47MF 25V E.CAPACITO	
C833	QCB81HK-561Y	560PF 50V CER.CAPACI	
C835	QETC1EM-226ZM	22MF 25V E.CAPACITO	
C836	QETC1EM-226ZM	22MF 25V E.CAPACITO	
C837	QCB81HK-101Y	100PF 50V CER.CAPACI	
C838	QCB81HK-101Y	100PF 50V CER.CAPACI	
C839	QETB1HM-475E	4.7MF 50V E.CAPACITO	
C840	QETB1HM-475E	4.7MF 50V E.CAPACITO	
C841	QFLB1HJ-683	0.068MF 50V MYLAR CAPA	
C842	QETB1HM-475E	4.7MF 50V E.CAPACITO	
C845	QETC1EM-106ZM	10MF 25V AL E.CAPAC	
C846	QETC1EM-106ZM	10MF 25V AL E.CAPAC	
C849	QETC1EM-106ZM	10MF 25V AL E.CAPAC	
C850	QETC1EM-106ZM	10MF 25V AL E.CAPAC	
C852	QCB81HK-561Y	560PF 50V CER.CAPACI	
C855	QETC1EM-106ZM	10MF 25V AL E.CAPAC	
C856	QETC1EM-106ZM	10MF 25V AL E.CAPAC	
C857	QETC1EM-106ZM	10MF 25V AL E.CAPAC	
C858	QETC1EM-106ZM	10MF 25V AL E.CAPAC	
C859	QCSB1HJ-470	47PF 50V CER.CAPACI	
C860	QCSB1HJ-470	47PF 50V CER.CAPACI	
C861	QETC1EM-106ZM	10MF 25V AL E.CAPAC	
C862	QETC1EM-106ZM	10MF 25V AL E.CAPAC	
C865	QETB1HM-475E	4.7MF 50V E.CAPACITO	
C866	QETB1HM-475E	4.7MF 50V E.CAPACITO	
C867	QETC1EM-476ZM	47MF 25V E.CAPACITO	
C868	QETC1EM-476ZM	47MF 25V E.CAPACITO	
C869	QETC1EM-476ZM	47MF 25V E.CAPACITO	
C870	QETC1EM-476ZM	47MF 25V E.CAPACITO	
C871	QCB81HK-821	820PF 50V CER.CAPACI	
C872	QCB81HK-821	820PF 50V CER.CAPACI	
C873	QETC1EM-106ZM	10MF 25V AL E.CAPAC	
C874	QETC1EM-106ZM	10MF 25V AL E.CAPAC	
C875	QFVB1HJ-154	0.15MF 50V THIN FILM	
C876	QFVB1HJ-154	0.15MF 50V THIN FILM	
C877	QERS1HM-684	0.68MF 50V AL E.CAPAC	
C878	QERS1HM-684	0.68MF 50V AL E.CAPAC	
C879	QFLB1HJ-822	8200PF 50V MYLAR CAPA	
C880	QFLB1HJ-822	8200PF 50V MYLAR CAPA	
C881	QFLB1HJ-473	0.047MF 50V MYLAR CAPA	
C882	QFLB1HJ-473	0.047MF 50V MYLAR CAPA	
C883	QCS31HJ-471Z	470PF 50V CER.CAPACI	
C884	QCS31HJ-471Z	470PF 50V CER.CAPACI	
C885	QFLB1HJ-272	2700PF 50V MYLAR CAPA	
C886	QFLB1HJ-272	2700PF 50V MYLAR CAPA	
C887	QETC1EM-476ZM	47MF 25V E.CAPACITO	
C888	QETC1EM-476ZM	47MF 25V E.CAPACITO	
C895	QETC1HM-106ZM	10MF 50V E.CAPACITO	
C896	QETC1HM-106ZM	10MF 50V E.CAPACITO	
C897	QETC1EM-106ZM	10MF 25V AL E.CAPAC	
C898	QETC1EM-106ZM	10MF 25V AL E.CAPAC	

CAPACITORS

Δ	ITEM	PART NUMBER	DESCRIPTION			AREA
	C901	QETB1HM-475E	4.7MF	50V	E.CAPACITO	
	C902	QETB1HM-475E	4.7MF	50V	E.CAPACITO	
	C903	QFV81HJ-274	0.27MF	50V	T.FILM CAP	
	C904	QFV81HJ-274	0.27MF	50V	T.FILM CAP	
	C905	QFV71HJ-474ZM	0.47MF	50V	THIN FILM	
	C906	QFV71HJ-474ZM	0.47MF	50V	THIN FILM	
	C907	QFV81HJ-104	0.1MF	50V	THIN FILM	
	C908	QFV81HJ-104	0.1MF	50V	THIN FILM	
	C909	QETC1HM-106ZM	10HF	50V	E.CAPACITO	
	C910	QETC1HM-106ZM	10HF	50V	E.CAPACITO	
	C911	QCVB1CM-103Y	0.01MF	16V	CER.CAPACI	
	C912	QETC0JM-477ZM	470PF	6.3V	E.CAPACITO	
	C913	QCB81HK-561Y	560PF	50V	CER.CAPACI	
	C914	QCB81HK-561Y	560PF	50V	CER.CAPACI	
	C921	QEADCHZ-479A	47000MF		E.CAPACITO	
	C922	QCHB1EZ-223	0.022MF	25V	CER.CAPACI	
	C923	QETC1AM-227Z	220MF	10V	AL E.CAPAC	
	C924	QCZO202-155	1.5MF	25V	CER.RESIST	
	C925	QCVB1CM-103Y	0.01MF	16V	CER.CAPACI	
	C926	QER61HM-225G	2.2MF	50V	AL E.CAPAC	
	C927	QCVB1CM-103Y	0.01MF	16V	CER.CAPACI	
	C928	QETC1HM-106ZM	10MF	50V	E.CAPACITO	
	C929	QETC1HM-106ZM	10MF	50V	E.CAPACITO	
	C930	QEK61CM-107ZN	100MF	16V	E.CAPACITO	

RESISTORS

Δ	ITEM	PART NUMBER	DESCRIPTION			AREA
	R501	QRD161J-471	470	1/6W	CARBON RES	
	R502	QRD161J-471	470	1/6W	CARBON RES	
	R545	QRD14CJ-100SX	10	1/4W	UNF.CARBON	
	R546	QRD14CJ-100SX	10	1/4W	UNF.CARBON	
	R551	QRD161J-471	470	1/6W	CARBON RES	
	R552	QRD161J-471	470	1/6W	CARBON RES	
	R553	QRD161J-563	56K	1/6W	CARBON RES	
	R554	QRD161J-563	56K	1/6W	CARBON RES	
	R555	QRD14CJ-272S	2.7K	1/4W	UNF.CARBON	
	R556	QRD14CJ-272S	2.7K	1/4W	UNF.CARBON	
	R557	QRD14CJ-272S	2.7K	1/4W	UNF.CARBON	
	R558	QRD14CJ-272S	2.7K	1/4W	UNF.CARBON	
	R560	QRZ0077-100	10	1/4W	FUSIBLE RE	
	R561	QRZ0077-101	100	1/4W	FUSIBLE RE	
	R562	QRD167J-272	2.7K	1/6W	CARBON RES	
	R563	QRZ0077-100	10	1/4W	FUSIBLE RE	
	R564	QRD167J-272	2.7K	1/6W	CARBON RES	
	R567	QRD161J-563	56K	1/6W	CARBON RES	
	R568	QRD161J-563	56K	1/6W	CARBON RES	
	R569	QRD14CJ-561SX	560	1/4W	UNF.CARBON	
	R570	QRD14CJ-561SX	560	1/4W	UNF.CARBON	
	R571	QRX012J-R22AM	0.22	1W	METAL FILM	
	R572	QRX012J-R22AM	0.22	1W	METAL FILM	
	R573	QRD14CJ-100SX	10	1/4W	UNF.CARBON	
	R574	QRD14CJ-100SX	10	1/4W	UNF.CARBON	
	R575	QRD14CJ-100SX	10	1/4W	UNF.CARBON	
	R576	QRD14CJ-100SX	10	1/4W	UNF.CARBON	
	R579	QRD161J-104	100K	1/6W	CARBON RES	
	R580	QRD161J-823	82K	1/6W	CARBON RES	
	R581	QRD167J-272	2.7K	1/6W	CARBON RES	
	R582	QRD167J-272	2.7K	1/6W	CARBON RES	
	R583	QRD167J-153	15K	1/6W	CARBON RES	
	R584	QRD167J-153	15K	1/6W	CARBON RES	
	R585	QRD161J-104	100K	1/6W	CARBON RES	
	R586	QRD161J-104	100K	1/6W	CARBON RES	
	R591	QRD161J-103	10K	1/6W	CARBON RES	
	R803	QRD161J-222	2.2K	1/6W	CARBON RES	
	R804	QRD161J-222	2.2K	1/6W	CARBON RES	
	R805	QRD161J-473	47K	1/6W	CARBON RES	
	R806	QRD161J-473	47K	1/6W	CARBON RES	
	R807	QRD161J-102	1K	1/6W	CARBON RES	
	R808	QRD161J-102	1K	1/6W	CARBON RES	
	R809	QRD161J-474	470K	1/6W	CARBON RES	
	R810	QRD161J-474	470K	1/6W	CARBON RES	
	R811	QRD161J-393	39K	1/6W	CARBON RES	
	R812	QRD161J-393	39K	1/6W	CARBON RES	
	R813	QRD161J-104	100K	1/6W	CARBON RES	
	R814	QRD161J-104	100K	1/6W	CARBON RES	
	R815	QRD161J-331	330	1/6W	CARBON RES	
	R816	QRD161J-331	330	1/6W	CARBON RES	
	R820	QRD161J-221	220	1/6W	CARBON RES	
	R821	QRD167J-223	22K	1/6W	CARBON RES	
	R822	QRD167J-223	22K	1/6W	CARBON RES	
	R823	QRD161J-473	47K	1/6W	CARBON RES	
	R824	QRD161J-473	47K	1/6W	CARBON RES	
	R825	QRD161J-222	2.2K	1/6W	CARBON RES	
	R826	QRD161J-222	2.2K	1/6W	CARBON RES	
	R827	QRD161J-104	100K	1/6W	CARBON RES	
	R828	QRD161J-104	100K	1/6W	CARBON RES	
	R829	QRD161J-681	680	1/6W	CARBON RES	

RESISTORS

Δ	ITEM	PART NUMBER	DESCRIPTION			AREA
	R830	QRD161J-681	680	1/6W	CARBON RES	
	R831	QRD161J-561	560	1/6W	CARBON RES	
	R832	QRD161J-561	560	1/6W	CARBON RES	
	R833	QRD167J-272	2.7K	1/6W	CARBON RES	
	R834	QRD167J-272	2.7K	1/6W	CARBON RES	
	R835	QRD167J-332	3.3K	1/6W	CARBON RES	
	R836	QRD167J-332	3.3K	1/6W	CARBON RES	
	R839	QRD161J-392	3.9K	1/6W	CARBON RES	
	R840	QRD161J-392	3.9K	1/6W	CARBON RES	
	R841	QRD161J-221	220	1/6W	CARBON RES	
	R842	QRD161J-221	220	1/6W	CARBON RES	
	R845	QRD161J-104	100K	1/6W	CARBON RES	
	R846	QRD161J-104	100K	1/6W	CARBON RES	
	R847	QRD161J-104	100K	1/6W	CARBON RES	
	R848	QRD161J-104	100K	1/6W	CARBON RES	
	R849	QRD161J-104	100K	1/6W	CARBON RES	
	R850	QRD161J-104	100K	1/6W	CARBON RES	
	R851	QRD161J-473	47K	1/6W	CARBON RES	
	R852	QRD161J-473	47K	1/6W	CARBON RES	
	R853	QRD161J-473	47K	1/6W	CARBON RES	
	R854	QRD161J-473	47K	1/6W	CARBON RES	
	R855	QRD161J-473	47K	1/6W	CARBON RES	
	R856	QRD161J-473	47K	1/6W	CARBON RES	
	R857	QRD161J-104	100K	1/6W	CARBON RES	
	R861	QRD161J-104	100K	1/6W	CARBON RES	
	R862	QRD161J-104	100K	1/6W	CARBON RES	
	R863	QRD161J-104	100K	1/6W	CARBON RES	
	R864	QRD161J-104	100K	1/6W	CARBON RES	
	R871	QRD161J-104	100K	1/6W	CARBON RES	
	R872	QRD161J-104	100K	1/6W	CARBON RES	
	R877	QRD161J-221	220	1/6W	CARBON RES	
	R878	QRD161J-221	220	1/6W	CARBON RES	
	R879	QRD161J-104	100K	1/6W	CARBON RES	
	R880	QRD161J-104	100K	1/6W	CARBON RES	
	R881	QRD161J-104	100K	1/6W	CARBON RES	
	R882	QRD161J-104	100K	1/6W	CARBON RES	
	R883	QRD161J-103	10K	1/6W	CARBON RES	
	R884	QRD161J-103	10K	1/6W	CARBON RES	
	R885	QRD161J-122	1.2K	1/6W	CARBON RES	
	R886	QRD161J-122	1.2K	1/6W	CARBON RES	
	R887	QRD161J-162	1.6K	1/6W	CARBON RES	
	R888	QRD161J-162	1.6K	1/6W	CARBON RES	
	R889	QRD161J-104	100K	1/6W	CARBON RES	
	R890	QRD161J-104	100K	1/6W	CARBON RES	
	R891	QRD161J-103	10K	1/6W	CARBON RES	
	R892	QRD161J-103	10K	1/6W	CARBON RES	
	R893	QRD161J-221	220	1/6W	CARBON RES	
	R895	QRD161J-103	10K	1/6W	CARBON RES	
	R896	QRD161J-103	10K	1/6W	CARBON RES	
	R897	QRD161J-103	10K	1/6W	CARBON RES	
	R898	QRD161J-103	10K	1/6W	CARBON RES	
	R899	QRD161J-104	100K	1/6W	CARBON RES	
	R900	QRD161J-104	100K	1/6W	CARBON RES	
	R901	QRD161J-331	330	1/6W	CARBON RES	
	R902	QRD161J-331	330	1/6W	CARBON RES	
	R903	QRD161J-303Y	30K	1/6W	CARBON RES	
	R904	QRD161J-303Y	30K	1/6W	CARBON RES	
	R905	QRD161J-123	12K	1/6W	CARBON RES	
	R906	QRD161J-123	12K	1/6W	CARBON RES	
	R907	QRD161J-472	4.7K	1/6W	CARBON RES	
	R908	QRD161J-472	4.7K	1/6W	CARBON RES	
	R909	QRD161J-183	18K	1/6W	CARBON RES	
	R910	QRD161J-183	18K	1/6W	CARBON RES	
	R911	QRD161J-912	9.1K	1/6W	CARBON RES	
	R912	QRD161J-912	9.1K	1/6W	CARBON RES	
	R913	QRD161J-243	24K	1/6W	CARBON RES	
	R914	QRD161J-243	24K	1/6W	CARBON RES	
	R915	QRD167J-562	5.6K	1/6W	CARBON RES	
	R916	QRD167J-562	5.6K	1/6W	CARBON RES	
	R917	QRD161J-333	33K	1/6W	CARBON RES	
	R918	QRD161J-333	33K	1/6W	CARBON RES	
	R919	QRD161J-123	12K	1/6W	CARBON RES	
	R920	QRD161J-123	12K	1/6W	CARBON RES	
	R921	QRD161J-162	1.6K	1/6W	CARBON RES	
	R922	QRD161J-162	1.6K	1/6W	CARBON RES	
	R923	QRD161J-222	2.2K	1/6W	CARBON RES	
	R924	QRD161J-222	2.2K	1/6W	CARBON RES	
	R925	QRD161J-222	2.2K	1/6W	CARBON RES	
	R926	QRD161J-222	2.2K	1/6W	CARBON RES	
	R927	QRD161J-221	220	1/6W	CARBON RES	
	R928	QRD161J-221	220	1/6W	CARBON RES	
	R929	QRD161J-224	220K	1/6W	CARBON RES	
	R930	QRD161J-224	220K	1/6W	CARBON RES	
	R931	QRD161J-471	470	1/6W	CARBON RES	
	R932	QRD161J-471	470	1/6W	CARBON RES	
	R933	QRD161J-222	2.2K	1/6W	CARBON RES	
	R934	QRD161J-222	2.2K	1/6W	CARBON RES	
	R935	QRD161J-224	220K	1/6W	CARBON RES	
	R936	QRD161J-224	220K	1/6W	CARBON RES	
	R937	QRD161J-105	1M	1/6W	CARBON RES	
	R938	QRD161J-102	1K	1/6W	CARBON RES	
	R939	QRD167J-332	3.3K	1/6W	CARBON RES	
	R940	QRD167J-332	3.3K	1/6W	CARBON RES	
	R941	QRD161J-122	1.2K	1/6W	CARBON RES	
	R942	QRD161J-122	1.2K	1/6W	CARBON RES	

# DX-S700R

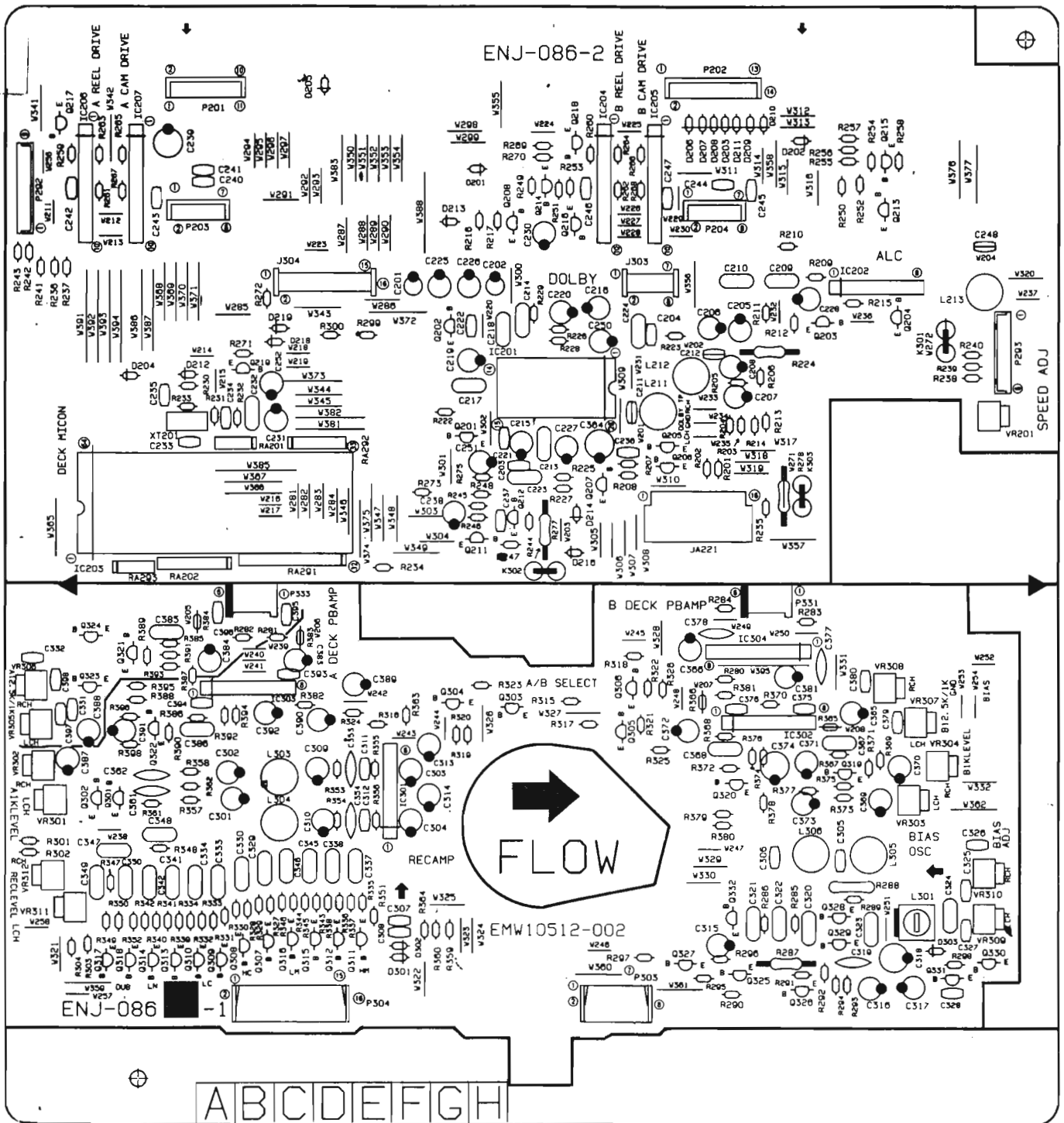
## RESISTORS

Δ ITEM	PART NUMBER	DESCRIPTION	AREA
R943	QRD161J-123	12K 1/6W CARBON RES	
R944	QRD161J-123	12K 1/6W CARBON RES	
R945	QRD161J-103	10K 1/6W CARBON RES	
R946	QRD161J-103	10K 1/6W CARBON RES	
R947	QRD161J-221	220 1/6W CARBON RES	
R948	QRD161J-221	220 1/6W CARBON RES	
R949	QRD161J-103	10K 1/6W CARBON RES	
R950	QRD161J-103	10K 1/6W CARBON RES	
R951	QRD167J-332	3.3K 1/6W CARBON RES	
R952	QRD167J-332	3.3K 1/6W CARBON RES	
R953	QRD161J-103	10K 1/6W CARBON RES	
R954	QRD161J-103	10K 1/6W CARBON RES	
R955	QRD161J-104	100K 1/6W CARBON RES	
R956	QRD161J-104	100K 1/6W CARBON RES	
R957	QRD167J-152	1.5K 1/6W CARBON RES	
R958	QRD167J-152	1.5K 1/6W CARBON RES	
R959	QRD161J-221	220 1/6W CARBON RES	
Δ R960	QRD14CJ-4R7S	4.7 1/4W UNF. CARBON	
R1001	QRD161J-101	100 1/6W CARBON RES	
R1002	QRD161J-103	10K 1/6W CARBON RES	
R1003	QRD161J-104	100K 1/6W CARBON RES	
R1005	QRD161J-473	47K 1/6W CARBON RES	
R1006	QRD161J-473	47K 1/6W CARBON RES	
R1008	QRD161J-103	10K 1/6W CARBON RES	
R1009	QRD161J-103	10K 1/6W CARBON RES	
R1011	QRD161J-271	270 1/6W CARBON RES	
R1012	QRD161J-221	220 1/6W CARBON RES	EF
R1012	QRD161J-221	220 1/6W CARBON RES	EN
R1012	QRD161J-221	220 1/6W CARBON RES	G
R1012	QRD161J-221	220 1/6W CARBON RES	GI
R1012	QRD161J-271	270 1/6W CARBON RES	BS
R1014	QRD161J-104	100K 1/6W CARBON RES	
R1015	QRD161J-101	100 1/6W CARBON RES	
R1016	QRD161J-104	100K 1/6W CARBON RES	
R1021	QRD161J-472	4.7K 1/6W CARBON RES	
R1022	QRD161J-472	4.7K 1/6W CARBON RES	
R1023	QRD161J-472	4.7K 1/6W CARBON RES	
VR801	QVDC94B-E15G	100K VARIABLE R	
VR901	QVGA81W-E15B	100K VARIABLE R	

## OTHERS

Δ ITEM	PART NUMBER	DESCRIPTION	AREA
	EMW10476-003	PRINTED BOA	
	EMW10503-002	PRINTED BOA	
	QXTS20H-015	TUBE	
	VC4580LD	I.C.(MONO-AN	EF
	VC4580LD	I.C.(MONO-AN	G
	VYH7653-001KP	SPRING	
J500	EMB10TV-801A	SPEAKER TER	
J555	EMN00TV-303AG	PIN JACK	
J801	EMN00TV-604B	PIN JACK	
J950	QMS3R81-EE0S	HEADPHONE J	
L551	EGL0001-R45	INDUCTOR	
L552	EGL0001-R45	INDUCTOR	
P901	EMV5109-009B	CONNECT TER	
P905	EMV5142-908	CONNECT TER	
S300	ESP0001-023M	TACT SWITCH PLAY ▶ (B)	
S301	ESP0001-023M	TACT SWITCH FF ▶ (B)	
S302	ESP0001-023M	TACT SWITCH REV ◀ (B)	
S303	ESP0001-023M	TACT SWITCH PLAY ◀ (B)	
S310	ESP0001-023M	TACT SWITCH PLAY ▶ (A)	
S311	ESP0001-023M	TACT SWITCH FF ▶ (A)	
S312	ESP0001-023M	TACT SWITCH REV ◀ (A)	
S313	ESP0001-023M	TACT SWITCH PLAY ◀ (A)	
S320	ESP0001-023M	TACT SWITCH STOP ▶ (B)	
S321	ESP0001-023M	TACT SWITCH STOP ■ (A)	
S322	ESP0001-023M	TACT SWITCH REC.P	
S350	ESP0001-023M	TACT SWITCH H.S.D	
S351	ESP0001-023M	TACT SWITCH NRB/C	
S332	ESP0001-023M	TACT SWITCH REVERSE	
S333	ESP0001-023M	TACT SWITCH CD REC	
S801	QSS7A12-E01	SLIDE SWITC	
S901	ESP0001-023M	TACT SWITCH DOLBY PROLOGIC	
S902	ESP0001-023M	TACT SWITCH DAP/DEMO	
S903	ESP0001-023M	TACT SWITCH PRESET	
S904	ESP0001-023M	TACT SWITCH SEA MODE	
S905	ESP0001-023M	TACT SWITCH ABX	
S906	ESP0001-023M	TACT SWITCH POWER	
S907	ESP0001-023M	TACT SWITCH VCR	
S908	ESP0001-023M	TACT SWITCH PHONO	
S909	ESP0001-023M	TACT SWITCH 4CH SEP.C	
S910	ESP0001-023M	TACT SWITCH H.PHONO	
X901	EXXP6R0-001ZA	CRYSTAL	
BC292	EWS329-A919J	SOCKET WIRE	
BC293	EWS328-A924J	SOCKET WIRE	
BC901	EWS269-F210	SOCKET WIRE	
BC905	EWS328-A913	SOCKET WIRE	
BC952	EWS326-A925	SOCKET WIRE	
BK950	E309282-001SM	FL HOLDER	
FL901	ELU0001-192	FLUORESCENT	
FS316	E407620-002	SPACER	
FS950	E306805-014	FELT SPACER	
FS991	E3400-431	FELT SPACER	
FW511	EWR33B-30LST	FLAT WIRE A	
JA021	EMV5163-004R	CONNECT TER	
JA505	EMV5163-012R	CONNECT TER	
JA551	EMV7125-006R	CONNECT TER	
JA552	EMV7125-005R	CONNECT TER	
JAB11	EMV5163-009R	CONNECT TER	
JAB12	EMV5163-012R	CONNECT TER	
JAB13	EMV7125-006R	CONNECT TER	
JAB14	EMV5163-010R	CONNECT TER	
JA951	VMC0163-031	FFC SOCKET	
JB501	EMV7163-004	CONNECT TER	
JB503	EMV7163-004	CONNECT TER	
JB551	EMV5125-006	CONNECT TER	
JB813	EMV5125-006	CONNECT TER	
JS901	QSJ1003-E01	PUSH SWITCH	
JW015	QWE370-13DD	WIRE	
RY551	ESK7D24-2120	RELAY	
RY552	ESK7D24-2120	RELAY	
RY553	ESK7D24-2120	RELAY	
RY554	ESK7D24-2120	RELAY	
SP991	E306505-170	SPACER	

■ ENJ-086 B Deck Control PC Board Ass'y



TRANSISTORS

△	TEMPART NUMBER	DESCRIPTION	AREA
Q201	DTC144ES	DIGITAL TRA ROHM	
Q202	DTC144ES	DIGITAL TRA ROHM	
Q203	2SC1740S(R,S)	SI. TRANSIST ROHM	
Q204	2SC1740S(R,S)	SI. TRANSIST ROHM	
Q205	2SD2144S(VW)	SI. TRANSIST ROHM	
Q206	2SD2144S(VW)	SI. TRANSIST ROHM	
Q207	DTA144ES	DIGITAL TRA ROHM	
Q208	DTA144YS	DIGITAL TRA ROHM	
Q211	2SC1740S(R,S)	SI. TRANSIST ROHM	
Q212	2SC1740S(R,S)	SI. TRANSIST ROHM	
Q213	2SC1740S(R,S)	SI. TRANSIST ROHM	
Q214	2SC1740S(R,S)	SI. TRANSIST ROHM	
Q215	2SA933S(RS)	SI. TRANSIST	
Q216	2SA933S(RS)	SI. TRANSIST	
Q217	DTC144ES	DIGITAL TRA ROHM	

TRANSISTORS

△	TEMPART NUMBER	DESCRIPTION	AREA
Q218	DTC144ES	DIGITAL TRA ROHM	
Q219	DTC144ES	DIGITAL TRA ROHM	
Q301	2SD2144S(VW)	SI. TRANSIST ROHM	
Q302	2SD2144S(VW)	SI. TRANSIST ROHM	
Q303	2SC1740S(R,S)	SI. TRANSIST ROHM	
Q304	2SC1740S(R,S)	SI. TRANSIST ROHM	
Q305	2SC1740S(R,S)	SI. TRANSIST ROHM	
Q306	2SC1740S(R,S)	SI. TRANSIST ROHM	
Q307	DTC144TS	DIGITAL TRA ROHM	
Q308	DTC144TS	DIGITAL TRA ROHM	
Q309	DTC144TS	DIGITAL TRA ROHM	
Q310	DTC144TS	DIGITAL TRA ROHM	
Q311	DTC144TS	DIGITAL TRA ROHM	
Q312	DTC144TS	DIGITAL TRA ROHM	
Q313	DTC144TS	DIGITAL TRA ROHM	

# DX-S700R

## TRANSISTORS

Δ	ITEM	PART NUMBER	DESCRIPTION	AREA
	Q314	DTC144TS	DIGITAL TRA ROHM	
	Q315	DTC144TS	DIGITAL TRA ROHM	
	Q316	DTC144TS	DIGITAL TRA ROHM	
	Q317	DTC144TS	DIGITAL TRA ROHM	
	Q318	DTC144TS	DIGITAL TRA ROHM	
	Q319	2SA933S(RS)	SI. TRANSIST	
	Q320	2SA933S(RS)	SI. TRANSIST	
	Q321	2SA933S(RS)	SI. TRANSIST	
	Q322	2SA933S(RS)	SI. TRANSIST	
	Q323	DTC144ES	DIGITAL TRA ROHM	
	Q324	DTC144ES	DIGITAL TRA ROHM	
	Q325	2SC1740S(R,S)	SI. TRANSIST ROHM	
	Q326	2SC1740S(R,S)	SI. TRANSIST ROHM	
	Q327	2SC1740S(R,S)	SI. TRANSIST ROHM	
	Q328	2SC1740S(R,S)	SI. TRANSIST ROHM	
	Q329	2SC1740S(R,S)	SI. TRANSIST ROHM	
	Q330	2SC945A	SI. TRANSIST NEC	
	Q331	DTA144ES	DIGITAL TRA ROHM	
	Q332	DTC144ES	DIGITAL TRA ROHM	

## I. C. S.

Δ	ITEM	PART NUMBER	DESCRIPTION	AREA
	IC201	AN7374K	I.C(MONO-AN MATSUSHITA	
	IC202	BA8221AN	I.C(MONO-AN ROHM	
	IC203	HD614081SE39	I.C(MICRO-C HITACHI	
	IC204	LB1641	I.C(DIGI-OT SANYO	
	IC205	LB1641	I.C(DIGI-OT SANYO	
	IC206	LB1641	I.C(DIGI-OT SANYO	
	IC207	LB1641	I.C(DIGI-OT SANYO	
	IC301	BA15218N	I.C(MONO-AN ROHM	
	IC302	UPC1228HA	I.C(MONO-AN NEC	
	IC303	UPC1228HA	I.C(MONO-AN NEC	
	IC304	UPC1330HA	I.C(MONO-AN NEC	

## DIODES

Δ	ITEM	PART NUMBER	DESCRIPTION	AREA
	D201	1SS119	SI. DIODE	
	D202	1SS119	SI. DIODE	
	D203	1SS119	SI. DIODE	
	D204	1SS119	SI. DIODE	
	D205	1SS119	SI. DIODE	
	D206	1SS119	SI. DIODE	
	D207	1SS119	SI. DIODE	
	D208	1SS119	SI. DIODE	
	D209	1SS119	SI. DIODE	
	D210	1SS119	SI. DIODE	
	D211	1SS119	SI. DIODE	
	D212	1SS119	SI. DIODE	
	D213	1SS119	SI. DIODE	
	D214	1SS119	SI. DIODE	
	D216	1SS119	SI. DIODE	
	D218	1SS119	SI. DIODE	
	D219	1SS119	SI. DIODE	
	D301	1SS119	SI. DIODE	
	D302	1SS119	SI. DIODE	
	D303	1SS119	SI. DIODE	

## CAPACITORS

Δ	ITEM	PART NUMBER	DESCRIPTION	AREA
	C201	QEK61HM-105G	1MF 50V AL E.CAPAC	
	C202	QEK61HM-105G	1MF 50V AL E.CAPAC	
	C203	QCB81HK-101Y	100PF 50V CER.CAPACI	
	C204	QCB81HK-101Y	100PF 50V CER.CAPACI	
	C205	QEK61HM-105G	1MF 50V AL E.CAPAC	
	C206	QEK61HM-105G	1MF 50V AL E.CAPAC	
	C207	QETC1CM-106ZM	10MF 50V E.CAPACITO	
	C208	QETC1CM-106ZM	10MF 50V E.CAPACITO	
	C209	QFN81HJ-473	0.047MF 50V METAL.MYLA	
	C210	QFN81HJ-473	0.047MF 50V METAL.MYLA	
	C211	QCB81HK-101Y	100PF 50V CER.CAPACI	
	C212	QCB81HK-101Y	100PF 50V CER.CAPACI	
	C213	QFN81HJ-152	1500PF 50V METAL.MYLA	
	C214	QFN81HJ-152	1500PF 50V METAL.MYLA	
	C215	QEK61HM-474GZ	0.47MF 50V AL E.CAPAC	
	C216	QEK61HM-474GZ	0.47MF 50V AL E.CAPAC	
	C217	QFN81HJ-152	1500PF 50V METAL.MYLA	
	C218	QFN81HJ-152	1500PF 50V METAL.MYLA	
	C219	QEK61HM-474GZ	0.47MF 50V AL E.CAPAC	
	C220	QEK61HM-474GZ	0.47MF 50V AL E.CAPAC	

## CAPACITORS

Δ	ITEM	PART NUMBER	DESCRIPTION	AREA
	C221	QCB81HK-101Y	100PF 50V CER.CAPACI	
	C222	QCB81HK-101Y	100PF 50V CER.CAPACI	
	C223	QFN81HJ-272	2700PF 50V METAL.MYLA	
	C224	QFN81HJ-272	2700PF 50V METAL.MYLA	
	C225	QEK61EM-106ZM	10MF 25V AL E.CAPAC	
	C226	QEK61EM-106ZM	10MF 25V AL E.CAPAC	
	C227	QETC1CM-476Z	47MF 16V AL E.CAPAC	
	C228	QETC1EM-476ZM	47MF 25V E.CAPACITO	
	C230	QER61CM-476Z	47MF 16V AL E.CAPAC	
	C231	QETC1CM-476Z	47MF 16V AL E.CAPAC	
	C232	QCZ0205-155	1.5MF 25V C.CAPACITO	
	C233	QCVB1CM-103Y	0.01MF 16V CER.CAPACI	
	C234	QCVB1CM-103Y	0.01MF 16V CER.CAPACI	
	C235	QCB81HK-101Y	100PF 50V CER.CAPACI	
	C236	QCHB1EZ-223	0.022MF 25V CER.CAPACI	
	C237	QCHB1EZ-223	0.022MF 25V CER.CAPACI	
	C238	QETC1HM-105ZM	1MF 50V E.CAPACITO	
	C239	QETC1CM-107ZM	100MF 16V E.CAPACITO	
	C240	QCHB1EZ-223	0.022MF 25V CER.CAPACI	
	C241	QCHB1EZ-223	0.022MF 25V CER.CAPACI	
	C242	QCVB1CM-103Y	0.01MF 16V CER.CAPACI	
	C243	QCVB1CM-103Y	0.01MF 16V CER.CAPACI	
	C244	QCHB1EZ-223	0.022MF 25V CER.CAPACI	
	C245	QCHB1EZ-223	0.022MF 25V CER.CAPACI	
	C246	QCVB1CM-103Y	0.01MF 16V CER.CAPACI	
	C247	QCVB1CM-103Y	0.01MF 16V CER.CAPACI	
	C250	QEK61EM-475GZJ2	47.5MF 25V ELECTRO	
	C251	QETC1CM-226ZM	22MF 16V E.CAPACITO	
	C252	QETC1EM-106ZM	10MF 25V AL E.CAPAC	
	C301	QETC1HM-225ZM	2.2MF 50V E.CAPACITO	
	C302	QETC1HM-225ZM	2.2MF 50V E.CAPACITO	
	C303	QEK61HM-225G	2.2MF 50V AL E.CAPAC	
	C304	QEK61HM-225G	2.2MF 50V AL E.CAPAC	
	C305	QCB81HK-101Y	100PF 50V CER.CAPACI	
	C306	QCB81HK-101Y	100PF 50V CER.CAPACI	
	C307	QCB81HK-181Y	180PF 50V CER.CAPACI	
	C308	QCB81HK-181Y	180PF 50V CER.CAPACI	
	C309	QETC1EM-106ZM	10MF 25V AL E.CAPAC	
	C310	QETC1EM-106ZM	10MF 25V AL E.CAPAC	
	C311	QCSB1HJ-470	47PF 50V CER.CAPACI	
	C312	QCSB1HJ-470	47PF 50V CER.CAPACI	
	C313	QETC1CM-107ZM	100MF 16V E.CAPACITO	
	C314	QETC1CM-107ZM	100MF 16V E.CAPACITO	
	C315	QEK61HM-105G	1MF 50V AL E.CAPAC	
	C316	QEK61HM-105G	1MF 50V AL E.CAPAC	
	C317	QEK61EM-106ZM	10MF 25V AL E.CAPAC	
	C318	QETC1CM-107ZM	100MF 16V E.CAPACITO	
	C319	QCF21HP-223A	0.022MF 50V CER.CAPACI	
	C320	QFN81HJ-682	6800PF 50V METAL.MYLA	
	C321	QFN31HJ-332Z	3300PF 50V MYLAR CAPA	
	C322	QFN31HJ-332Z	3300PF 50V MYLAR CAPA	
	C323	QFN81HJ-183	0.018MF 50V METAL.MYLA	
	C324	QFP31HG-472	4700PF 50V POLYPROPY.	
	C325	QCB81HK-101Y	100PF 50V CER.CAPACI	
	C326	QCB81HK-101Y	100PF 50V CER.CAPACI	
	C327	QCB81HK-471Y	470PF 50V CER.CAPACI	
	C328	QCHB1EZ-223	0.022MF 25V CER.CAPACI	
	C329	QFN81HJ-103	0.01MF 50V METAL.MYLA	
	C330	QFN81HJ-103	0.01MF 50V METAL.MYLA	
	C331	QCB81HK-391Y	390PF 50V CER.CAPACI	
	C332	QCB81HK-391Y	390PF 50V CER.CAPACI	
	C333	QFN81HJ-273	0.027MF 50V METAL.MYLA	
	C334	QFN81HJ-273	0.027MF 50V METAL.MYLA	
	C337	QFN31HJ-123Z	0.012MF 50V MYLAR CAPA	
	C338	QFN31HJ-123Z	0.012MF 50V MYLAR CAPA	
	C341	QFN81HJ-472	4700PF 50V MYLAR CAPA	
	C342	QFN81HJ-472	4700PF 50V MYLAR CAPA	
	C345	QFN81HJ-473	0.047MF 50V METAL.MYLA	
	C346	QFN81HJ-473	0.047MF 50V METAL.MYLA	
	C347	QFN81HJ-562	5600PF 50V METAL.MYLA	
	C348	QFN81HJ-562	5600PF 50V METAL.MYLA	
	C349	QFN81HJ-153	0.015MF 50V MYLAR CAPA	
	C350	QFN81HJ-153	0.015MF 50V MYLAR CAPA	
	C353	QCY31HK-272Z	2700PF 50V CER.CAPACI	
	C354	QCY31HK-272Z	2700PF 50V CER.CAPACI	
	C361	QCF21HP-473A	0.047MF 50V CER.CAPACI	
	C362	QCF21HP-473A	0.047MF 50V CER.CAPACI	
	C364	QETC1CM-107ZM	100MF 16V E.CAPACITO	
	C365	QETC1HM-225ZM	2.2MF 50V E.CAPACITO	
	C366	QETC1HM-225ZM	2.2MF 50V E.CAPACITO	
	C367	QFN81HJ-822	8200PF 50V METAL.MYLA	
	C368	QFN81HJ-822	8200PF 50V METAL.MYLA	
	C369	QETC1AM-107	100MF 10V E.CAPACITO	
	C370	QETC1AM-107	100MF 10V E.CAPACITO	
	C371	QETC1HM-225ZM	2.2MF 50V E.CAPACITO	
	C372	QETC1HM-225ZM	2.2MF 50V E.CAPACITO	
	C373	QETC1EM-106ZM	10MF 25V AL E.CAPAC	
	C374	QETC1CM-107ZM	100MF 16V E.CAPACITO	
	C375	QCB81HK-101Y	100PF 50V CER.CAPACI	
	C376	QCB81HK-101Y	100PF 50V CER.CAPACI	



CAPACITORS

Δ	ITEM	PART NUMBER	DESCRIPTION			AREA
	C377	QCY31HK-102Z	1000PF	50V	CER.CAPACI	
	C378	QCY31HK-102Z	1000PF	50V	CER.CAPACI	
	C379	QCB81HK-331Y	330PF	50V	CER.CAPACI	
	C380	QCB81HK-331Y	330PF	50V	CER.CAPACI	
	C381	QETC1CM-107ZM	100MF	16V	E.CAPACITO	
	C383	QETC1HM-225ZM	2.2MF	50V	E.CAPACITO	
	C384	QETC1HM-225ZM	2.2MF	50V	E.CAPACITO	
	C385	QFN81HJ-822	8200PF	50V	METAL.MYLA	
	C386	QFN81HJ-822	8200PF	50V	METAL.MYLA	
	C387	QETC1AM-107	100MF	10V	E.CAPACITO	
	C388	QETC1AM-107	100MF	10V	E.CAPACITO	
	C389	QETC1HM-225ZM	2.2MF	50V	E.CAPACITO	
	C390	QETC1HM-225ZM	2.2MF	50V	E.CAPACITO	
	C392	QETC1CM-107ZM	100MF	16V	E.CAPACITO	
	C393	QCB81HK-101Y	100PF	50V	CER.CAPACI	
	C394	QCB81HK-101Y	100PF	50V	CER.CAPACI	
	C395	QCB81HK-681Y	680PF	50V	CER.CAPACI	
	C396	QCB81HK-681Y	680PF	50V	CER.CAPACI	
	C397	QCB81HK-331Y	330PF	50V	CER.CAPACI	
	C398	QCB81HK-331Y	330PF	50V	CER.CAPACI	

RESISTORS

Δ	ITEM	PART NUMBER	DESCRIPTION			AREA
	R201	QRD161J-221	220	1/6W	CARBON RES	
	R202	QRD161J-221	220	1/6W	CARBON RES	
	R203	QRD167J-562	5.6K	1/6W	CARBON RES	
	R204	QRD167J-562	5.6K	1/6W	CARBON RES	
	R205	QRD161J-754	750K	1/6W	CARBON RES	
	R206	QRD161J-754	750K	1/6W	CARBON RES	
	R207	QRD161J-103	10K	1/6W	CARBON RES	
	R208	QRD161J-103	10K	1/6W	CARBON RES	
	R209	QRD167J-822	8.2K	1/6W	CARBON RES	
	R210	QRD167J-822	8.2K	1/6W	CARBON RES	
	R211	QRD161J-242	2.4K	1/6W	CARBON RES	
	R212	QRD161J-242	2.4K	1/6W	CARBON RES	
	R213	QRD167J-113	11K	1/6W	CARBON RES	
	R214	QRD167J-113	11K	1/6W	CARBON RES	
	R215	QRD161J-105	1M	1/6W	CARBON RES	
	R216	QRD161J-274	270K	1/6W	CARBON RES	
	R217	QRD161J-104	100K	1/6W	CARBON RES	
	R222	QRD161J-103	10K	1/6W	CARBON RES	
	R223	QRD161J-103	10K	1/6W	CARBON RES	
Δ	R224	QRD14CJ-100SX	10	1/4W	UNF.CARBON	
	R225	QRD167J-562	5.6K	1/6W	CARBON RES	
	R226	QRD167J-562	5.6K	1/6W	CARBON RES	
	R227	QRD161J-102	1K	1/6W	CARBON RES	
	R228	QRD161J-102	1K	1/6W	CARBON RES	
	R229	QRD167J-223	22K	1/6W	CARBON RES	
	R230	QRD161J-221	220	1/6W	CARBON RES	
	R231	QRD161J-103	10K	1/6W	CARBON RES	
	R232	QRD161J-221	220	1/6W	CARBON RES	
	R233	QRD161J-105	1M	1/6W	CARBON RES	
	R234	QRD161J-221	220	1/6W	CARBON RES	
	R235	QRD161J-472	4.7K	1/6W	CARBON RES	
	R236	QRD161J-201	200	1/6W	CARBON RES	
	R237	QRD161J-271	270	1/6W	CARBON RES	
	R238	QRD161J-201	200	1/6W	CARBON RES	
	R239	QRD161J-221	220	1/6W	CARBON RES	
	R240	QRD161J-271	270	1/6W	CARBON RES	
	R241	QRD161J-391	390	1/6W	CARBON RES	
	R242	QRD161J-201	200	1/6W	CARBON RES	
	R243	QRD161J-241	240	1/6W	CARBON RES	
	R244	QRD161J-105	1M	1/6W	CARBON RES	
	R245	QRD161J-103	10K	1/6W	CARBON RES	
	R246	QRD161J-105	1M	1/6W	CARBON RES	
	R247	QRD161J-913	91K	1/6W	CARBON RES	
	R248	QRD161J-104	100K	1/6W	CARBON RES	
	R249	QRD161J-103	10K	1/6W	CARBON RES	
	R250	QRD161J-103	10K	1/6W	CARBON RES	
	R251	QRD161J-224	220K	1/6W	CARBON RES	
	R252	QRD161J-184	180K	1/6W	CARBON RES	
	R253	QRD161J-224	220K	1/6W	CARBON RES	
	R254	QRD161J-224	220K	1/6W	CARBON RES	
	R255	QRD161J-132	1.3K	1/6W	CARBON RES	
	R256	QRD161J-243	24K	1/6W	CARBON RES	
	R257	QRD161J-683	68K	1/6W	CARBON RES	
	R258	QRD161J-133Y	13K	1/6W	CARBON RES	
	R259	QRD167J-822	8.2K	1/6W	CARBON RES	
	R260	QRD167J-822	8.2K	1/6W	CARBON RES	
	R261	QRD161J-913	91K	1/6W	CARBON RES	
	R262	QRD161J-913	91K	1/6W	CARBON RES	
	R263	QRD161J-163	16K	1/6W	CARBON RES	
	R264	QRD161J-163	16K	1/6W	CARBON RES	
	R265	QRD161J-432	4.3K	1/6W	CARBON RES	
	R266	QRD161J-432	4.3K	1/6W	CARBON RES	
	R267	QRD161J-103	10K	1/6W	CARBON RES	
	R268	QRD161J-103	10K	1/6W	CARBON RES	
	R269	QRD161J-222	2.2K	1/6W	CARBON RES	
	R270	QRD161J-222	2.2K	1/6W	CARBON RES	
	R271	QRD161J-472	4.7K	1/6W	CARBON RES	
	R272	QRD161J-102	1K	1/6W	CARBON RES	
	R273	QRD161J-471	470	1/6W	CARBON RES	
	R275	QRD161J-103	10K	1/6W	CARBON RES	
	R280	QRD161J-221	220	1/6W	CARBON RES	
	R281	QRD161J-224	220K	1/6W	CARBON RES	
	R282	QRD161J-224	220K	1/6W	CARBON RES	
	R283	QRD161J-100	10	1/6W	CARBON RES	
	R284	QRD161J-100	10	1/6W	CARBON RES	

RESISTORS

Δ	ITEM	PART NUMBER	DESCRIPTION			AREA
	R285	QRD161J-393	39K	1/6W	CARBON RES	
	R286	QRD161J-393	39K	1/6W	CARBON RES	
	R287	QRD14CJ-6R8SX	6.8	1/4W	UNF.CARBON	
Δ	R288	QRZ0077-100	10	1/4W	FUSIBLE RE	
	R289	QRD161J-103	10K	1/6W	CARBON RES	
	R290	QRD167J-332	3.3K	1/6W	CARBON RES	
	R291	QRD161J-162	1.6K	1/6W	CARBON RES	BS
	R291	QRD161J-162	1.6K	1/6W	CARBON RES	EF
	R291	QRD161J-162	1.6K	1/6W	CARBON RES	EN
	R291	QRD161J-162	1.6K	1/6W	CARBON RES	G
	R292	QRD161J-162	1.6K	1/6W	CARBON RES	
	R293	QRD167J-511	510	1/6W	CARBON RES	
	R294	QRD161J-561	560	1/6W	CARBON RES	
	R295	QRD167J-332	3.3K	1/6W	CARBON RES	
	R296	QRD161J-104	100K	1/6W	CARBON RES	
	R297	QRD161J-222	2.2K	1/6W	CARBON RES	
	R298	QRD161J-561	560	1/6W	CARBON RES	
	R301	QRD161J-103	10K	1/6W	CARBON RES	
	R302	QRD161J-103	10K	1/6W	CARBON RES	
	R303	QRD167J-153	15K	1/6W	CARBON RES	
	R304	QRD167J-153	15K	1/6W	CARBON RES	
	R315	QRD161J-103	10K	1/6W	CARBON RES	
	R316	QRD161J-103	10K	1/6W	CARBON RES	
	R317	QRD161J-103	10K	1/6W	CARBON RES	
	R318	QRD161J-103	10K	1/6W	CARBON RES	
	R319	QRD161J-103	10K	1/6W	CARBON RES	
	R320	QRD161J-103	10K	1/6W	CARBON RES	
	R321	QRD161J-103	10K	1/6W	CARBON RES	
	R322	QRD161J-103	10K	1/6W	CARBON RES	
	R323	QRD167J-562	5.6K	1/6W	CARBON RES	
	R324	QRD167J-562	5.6K	1/6W	CARBON RES	
	R325	QRD167J-562	5.6K	1/6W	CARBON RES	
	R326	QRD167J-562	5.6K	1/6W	CARBON RES	
	R327	QRD161J-362	3.6K	1/6W	CARBON RES	
	R328	QRD161J-362	3.6K	1/6W	CARBON RES	
	R329	QRD161J-362	3.6K	1/6W	CARBON RES	
	R330	QRD161J-362	3.6K	1/6W	CARBON RES	
	R331	QRD161J-432	4.3K	1/6W	CARBON RES	
	R332	QRD161J-432	4.3K	1/6W	CARBON RES	
	R333	QRD161J-102	1K	1/6W	CARBON RES	
	R334	QRD161J-102	1K	1/6W	CARBON RES	
	R335	QRD161J-202	2K	1/6W	CARBON RES	
	R336	QRD161J-202	2K	1/6W	CARBON RES	
	R337	QRD161J-302	3K	1/6W	CARBON RES	
	R338	QRD161J-302	3K	1/6W	CARBON RES	
	R341	QRD161J-752	7.5K	1/6W	CARBON RES	
	R342	QRD161J-752	7.5K	1/6W	CARBON RES	
	R343	QRD167J-272	2.7K	1/6W	CARBON RES	
	R344	QRD167J-272	2.7K	1/6W	CARBON RES	
	R345	QRD161J-681	680	1/6W	CARBON RES	
	R346	QRD161J-681	680	1/6W	CARBON RES	
	R347	QRD167J-511	510	1/6W	CARBON RES	
	R348	QRD167J-511	510	1/6W	CARBON RES	
	R349	QRD161J-241	240	1/6W	CARBON RES	
	R350	QRD161J-241	240	1/6W	CARBON RES	
	R351	QRD161J-242	2.4K	1/6W	CARBON RES	
	R352	QRD161J-242	2.4K	1/6W	CARBON RES	
	R353	QRD161J-133Y	13K	1/6W	CARBON RES	
	R354	QRD161J-133Y	13K	1/6W	CARBON RES	
	R355	QRD161J-243	24K	1/6W	CARBON RES	
	R356	QRD161J-243	24K	1/6W	CARBON RES	
	R357	QRD161J-683	68K	1/6W	CARBON RES	
	R358	QRD161J-683	68K	1/6W	CARBON RES	
	R359	QRD167J-223	22K	1/6W	CARBON RES	
	R360	QRD167J-223	22K	1/6W	CARBON RES	
	R361	QRD161J-563	56K	1/6W	CARBON RES	
	R362	QRD161J-563	56K	1/6W	CARBON RES	
	R363	QRD161J-221	220	1/6W	CARBON RES	
	R364	QRD161J-221	220	1/6W	CARBON RES	
	R365	QRD161J-470	47	1/6W	CARBON RES	
	R366	QRD161J-470	47	1/6W	CARBON RES	
	R367	QRD167J-334	330K	1/6W	CARBON RES	
	R368	QRD167J-334	330K	1/6W	CARBON RES	
	R369	QRD161J-470	47	1/6W	CARBON RES	
	R370	QRD161J-470	47	1/6W	CARBON RES	
	R371	QRD167J-682	6.8K	1/6W	CARBON RES	
	R372	QRD167J-682	6.8K	1/6W	CARBON RES	
	R373	QRD167J-914	910K	1/6W	CARBON RES	
	R374	QRD167J-914	910K	1/6W	CARBON RES	
	R375	QRD161J-103	10K	1/6W	CARBON RES	
	R376	QRD161J-103	10K	1/6W	CARBON RES	
	R377	QRD161J-224	220K	1/6W	CARBON RES	
	R378	QRD161J-224	220K	1/6W	CARBON RES	
	R379	QRD161J-102	1K	1/6W	CARBON RES	
	R380	QRD161J-473	47K	1/6W	CARBON RES	
	R381	QRD161J-471	470	1/6W	CARBON RES	
	R382	QRD161J-471	470	1/6W	CARBON RES	
	R383	QRD161J-470	47	1/6W	CARBON RES	
	R384	QRD161J-470	47	1/6W	CARBON RES	
	R385	QRD167J-334	330K	1/6W	CARBON RES	
	R386	QRD167J-334	330K	1/6W	CARBON RES	
	R387	QRD161J-470	47	1/6W	CARBON RES	
	R388	QRD161J-470	47	1/6W	CARBON RES	
	R389	QRD167J-682	6.8K	1/6W	CARBON RES	
	R390	QRD167J-682	6.3K	1/6W	CARBON RES	

# DX-S700R

## RESISTORS

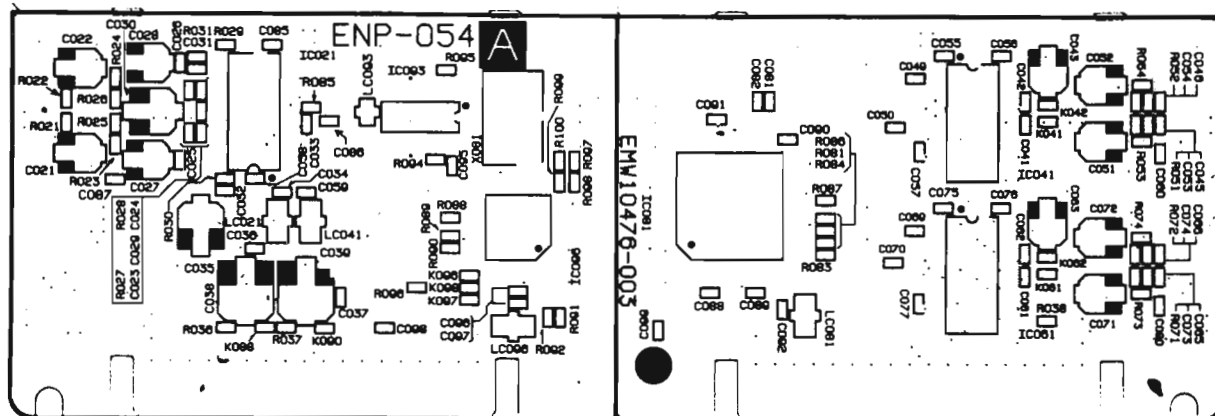
Δ ITEM	PART NUMBER	DESCRIPTION	AREA
R391	GRD167J-914	910K 1/6W CARBON RES	
R392	GRD167J-914	910K 1/6W CARBON RES	
R393	GRD161J-103	10K 1/6W CARBON RES	
R394	GRD161J-103	10K 1/6W CARBON RES	
R395	GRD161J-224	220K 1/6W CARBON RES	
R396	GRD161J-224	220K 1/6W CARBON RES	
R398	GRD161J-102	1K 1/6W CARBON RES	
RA201	GRB049J-103	10K 1/10W RESISTOR	
RA202	GRB089J-103	10K 1/10W NETWORK RE	
VR201	QVPA603-103A	10K TRIMMER RE	
VR301	QVPA603-201AZ	200 VARIABLE R	
VR302	QVPA603-201AZ	200 VARIABLE R	
VR303	QVPA603-201AZ	200 VARIABLE R	
VR304	QVPA603-201AZ	200 VARIABLE R	
VR305	QVPA603-104A	100K TRIMMER RE	
VR306	QVPA603-104A	100K TRIMMER RE	
VR307	QVPA603-104A	100K TRIMMER RE	
VR308	QVPA603-104A	100K TRIMMER RE	
VR309	QVPA603-104A	100K TRIMMER RE	
VR310	QVPA603-104A	100K TRIMMER RE	
VR311	QVPA603-503A	50K VARIABLE R	
VR312	QVPA603-503A	50K VARIABLE R	

## OTHERS

Δ ITEM	PART NUMBER	DESCRIPTION	AREA
	EMW10512-002	PRINTED BOA	
J303	VMC0314-S08	CONNECT TER	
J304	VMC0314-S16	CONNECT TER	
K301	ENZ8101-007	INDUCTOR	
K302	ENZ8101-007	INDUCTOR	
K303	ENZ8101-007	INDUCTOR	
L211	EQL2106-223	INDUCTOR	
L212	EQL2106-223	INDUCTOR	
L301	ENZ6002-012	OSCILLATOR	
L303	EQL2106-562	INDUCTOR	
L304	EQL2106-562	INDUCTOR	
L305	EQL2106-223	INDUCTOR	
L306	EQL2106-223	INDUCTOR	
P201	VMC0234-P11	CONNECT TER	
P202	VMC0234-P14	CONNECT TER	
P203	VMC0234-P08	CONNECT TER	
P204	VMC0234-P08	CONNECT TER	
P292	EMV5142-909	CONNECT TER	
P293	EMV5142-908	CONNECT TER	
P303	EMV5132-008R	CONNECT TER	
P304	EMV5132-016R	CONNECT TER	
P331	EMV7155-106R	CONNECT TER	
P333	EMV7155-106R	CONNECT TER	
FS200	E3400-431	FELT SPACER	
JA221	VMC0161-R16	CONNECT TER	
JW200	QWE350-06BB	VINYL WIRE	
XT201	ECX0004-194KM	CERAMIC RES	



■ ENP-054 [A] Digital Signal Processor PC Board Ass'y



I. C. S.

△	ITEM	PART NUMBER	DESCRIPTION	AREA
	IC021	SAA7366TX	I.C(DIGI-MO	
	IC041	TDA1386TX	I.C(MONO-AN	
	IC061	TDA1386TX	I.C(MONO-AN	
	IC081	TC9332F-010	I.C(M) TOSHIBA	
	IC093	TC74HC74AF1	I.C(DIGI-MO TOSHIBA	
	IC096	TMP87PH47U-4195	I.C.	

CAPACITORS

△	ITEM	PART NUMBER	DESCRIPTION	AREA
	C097	NCF31AZ-105AYU	10V CER.CAPACI	
	C098	NCB31HK-102AY	1000PF 50V CER.CAPACI	
	C099	NCS31HJ-101AY	100PF 50V CER.CAPACI	

CAPACITORS

△	ITEM	PART NUMBER	DESCRIPTION	AREA
	C021	NEA71EM-475NZ	4.7MF 25V E.CAPACITO	
	C022	NEA71EM-475NZ	4.7MF 25V E.CAPACITO	
	C023	NCS31HJ-680AY	68PF 50V CER.CAPACI	
	C024	NCS31HJ-680AY	68PF 50V CER.CAPACI	
	C025	NCB21CK-473AYU	0.047MF 16V CER.CAPACI	
	C026	NCB21CK-473AYU	0.047MF 16V CER.CAPACI	
	C027	NEA70GM-476NZ	47MF E.CAPACITO	
	C028	NEA70GM-476NZ	47MF E.CAPACITO	
	C029	NCB21CK-473AYU	0.047MF 16V CER.CAPACI	
	C030	NEA70JM-476NZ	47MF 6.3V E.CAPACITO	
	C031	NCB31CK-223A	0.022MF 16V CER.CAPACI	
	C032	NCB31HK-102AY	1000PF 50V CER.CAPACI	
	C033	NCF31AZ-105AYU	10V CER.CAPACI	
	C035	NEA70JM-476NZ	47MF 6.3V E.CAPACITO	
	C036	NCF31AZ-105AYU	10V CER.CAPACI	
	C037	NCF31AZ-105AYU	10V CER.CAPACI	
	C038	NEA70JM-107NP	100MF 6.3V E.CAPACITO	
	C039	NEA70JM-107NP	100MF 6.3V E.CAPACITO	
	C041	NCS21HJ-102	1000PF 50V CER.CAPACI	
	C042	NCS21HJ-102	1000PF 50V CER.CAPACI	
	C043	NEA71CM-106NZ	10MF 16V E.CAPACITO	
	C049	NCB21CK-104AYU	0.1MF 16V CER.CAPACI	
	C050	NCB21CK-104AYU	0.1MF 16V CER.CAPACI	
	C051	NEA71HM-105NZ	1MF 50V E.CAPACITO	
	C052	NEA71HM-105NZ	1MF 50V E.CAPACITO	
	C053	NCB31CK-183AY	0.018MF 16V CER.CAPACI	
	C054	NCB31CK-183AY	0.018MF 16V CER.CAPACI	
	C055	NCB31HK-102AY	1000PF 50V CER.CAPACI	
	C056	NCB31HK-102AY	1000PF 50V CER.CAPACI	
	C057	NCB31HK-102AY	1000PF 50V CER.CAPACI	
	C058	NCF31AZ-105AYU	10V CER.CAPACI	
	C059	NCF31AZ-105AYU	10V CER.CAPACI	
	C061	NCS21HJ-102	1000PF 50V CER.CAPACI	
	C062	NCS21HJ-102	1000PF 50V CER.CAPACI	
	C063	NEA71CM-106NZ	10MF 16V E.CAPACITO	
	C069	NCB21CK-104AYU	0.1MF 16V CER.CAPACI	
	C070	NCB21CK-104AYU	0.1MF 16V CER.CAPACI	
	C071	NEA71HM-105NZ	1MF 50V E.CAPACITO	
	C072	NEA71HM-105NZ	1MF 50V E.CAPACITO	
	C073	NCB31CK-183AY	0.018MF 16V CER.CAPACI	
	C074	NCB31CK-183AY	0.018MF 16V CER.CAPACI	
	C075	NCB31HK-102AY	1000PF 50V CER.CAPACI	
	C076	NCB31HK-102AY	1000PF 50V CER.CAPACI	
	C077	NCB31HK-102AY	1000PF 50V CER.CAPACI	
	C081	NCS31HD-9R0AYM	9PF 50V CER.CAPACI	
	C082	NCS31HD-9R0AYM	9PF 50V CER.CAPACI	
	C085	NCB21CK-104AYU	0.1MF 16V CER.CAPACI	
	C086	NCB21CK-104AYU	0.1MF 16V CER.CAPACI	
	C088	NCB31HK-102AY	1000PF 50V CER.CAPACI	
	C089	NCB31HK-102AY	1000PF 50V CER.CAPACI	
	C090	NCB31HK-102AY	1000PF 50V CER.CAPACI	
	C091	NCB31HK-102AY	1000PF 50V CER.CAPACI	
	C092	NCF31AZ-105AYU	10V CER.CAPACI	
	C095	NCB31HK-102AY	1000PF 50V CER.CAPACI	
	C096	NCB31HK-102AY	1000PF 50V CER.CAPACI	

RESISTORS

△	ITEM	PART NUMBER	DESCRIPTION	AREA
	R021	NRSA63J-104NY	METAL GLAZ	
	R022	NRSA63J-104NY	METAL GLAZ	
	R023	NRSA63J-103N	METAL GLAZ	
	R024	NRSA63J-103N	METAL GLAZ	
	R025	NRSA63J-624NY	METAL GLAZ	
	R026	NRSA63J-334NY	METAL GLAZ	
	R027	NRSA63F-103NY	METAL GLAZ	
	R028	NRSA63F-103NY	METAL GLAZ	
	R029	NRSA63J-271NY	METAL GLAZ	
	R030	NRSA63J-271NY	METAL GLAZ	
	R031	NRSA63J-333NY	METAL GLAZ	
	R036	NRSA63J-0R0AY	METAL GLAZ	
	R037	NRSA63J-0R0AY	METAL GLAZ	
	R038	NRSA63J-0R0AY	METAL GLAZ	
	R041	NRSA63J-0R0AY	METAL GLAZ	
	R042	NRSA63J-0R0AY	METAL GLAZ	
	R051	NRSA63J-473NY	METAL GLAZ	
	R052	NRSA63J-473NY	METAL GLAZ	
	R053	NRSA63J-201NY	METAL GLAZ	
	R054	NRSA63J-201NY	METAL GLAZ	
	R061	NRSA63J-0R0AY	METAL GLAZ	
	R062	NRSA63J-0R0AY	METAL GLAZ	
	R071	NRSA63J-473NY	METAL GLAZ	
	R072	NRSA63J-473NY	METAL GLAZ	
	R073	NRSA63J-201NY	METAL GLAZ	
	R074	NRSA63J-201NY	METAL GLAZ	
	R081	NRSA63J-0R0AY	METAL GLAZ	
	R083	NRSA63J-112NY	METAL GLAZ	
	R084	NRSA63J-112NY	METAL GLAZ	
	R085	NRSA63J-112NY	METAL GLAZ	
	R086	NRSA63J-182NY	METAL GLAZ	
	R087	NRSA63J-112NY	METAL GLAZ	
	R088	NRSA63J-0R0AY	METAL GLAZ	
	R089	NRSA63J-0R0AY	METAL GLAZ	
	R090	NRSA63J-0R0AY	METAL GLAZ	
	R091	NRSA63J-0R0AY	METAL GLAZ	
	R092	NRSA63J-0R0AY	METAL GLAZ	
	R093	NRSA63J-0R0AY	METAL GLAZ	
	R094	NRSA63J-471N	METAL GLAZ	
	R095	NRSA63J-103N	METAL GLAZ	
	R096	NRSA63J-103N	METAL GLAZ	
	R097	NRSA63J-472NY	METAL GLAZ	
	R098	NRSA63J-472NY	METAL GLAZ	
	R099	NRSA63J-472NY	METAL GLAZ	
	R100	NRSA63J-472NY	METAL GLAZ	

# DX-S700R

## OTHERS

ITEM	PART NUMBER	DESCRIPTION	AREA
K041	EQA0002-N102Y	FERRITE BEA	
K042	EQA0002-N102Y	FERRITE BEA	
K061	EQA0002-N102Y	FERRITE BEA	
K062	EQA0002-N102Y	FERRITE BEA	
K081	EQA0002-N102Y	FERRITE BEA	
K082	EQA0002-N102Y	FERRITE BEA	
K083	EQA0002-N102Y	FERRITE BEA	
K084	EQA0002-N102Y	FERRITE BEA	
K085	EQA0002-N102Y	FERRITE BEA	
K086	EQA0002-N102Y	FERRITE BEA	
K087	EQA0001-N01Y	FERRITE BEA	
K088	EQA0001-N01Y	FERRITE BEA	
K089	EQA0001-N01Y	FERRITE BEA	
K090	EQA0001-N01Y	FERRITE BEA	
K091	EQA0002-N102Y	FERRITE BEA	
K092	EQA0002-N102Y	FERRITE BEA	
K093	EQA0002-N102Y	FERRITE BEA	
K094	EQA0002-N102Y	FERRITE BEA	
K095	EQA0002-N102Y	FERRITE BEA	
K096	EQA0002-N102Y	FERRITE BEA	
K097	EQA0002-N102Y	FERRITE BEA	
K098	EQA0002-N102Y	FERRITE BEA	
X081	ECX0225-792EN9T	CRYSTAL	
LC021	EQF0703-N103NZ	INDUCTOR	
LC041	EQF0703-N103NZ	INDUCTOR	
LC081	EQF0703-N103NZ	INDUCTOR	
LC093	EQF0704-N01YU	INDUCTOR	
LC096	EQF0703-N103NZ	INDUCTOR	

# XT-S700R

## < PARTS LIST >

**Note : All printed circuit boards and its assemblies are not available as service parts.**

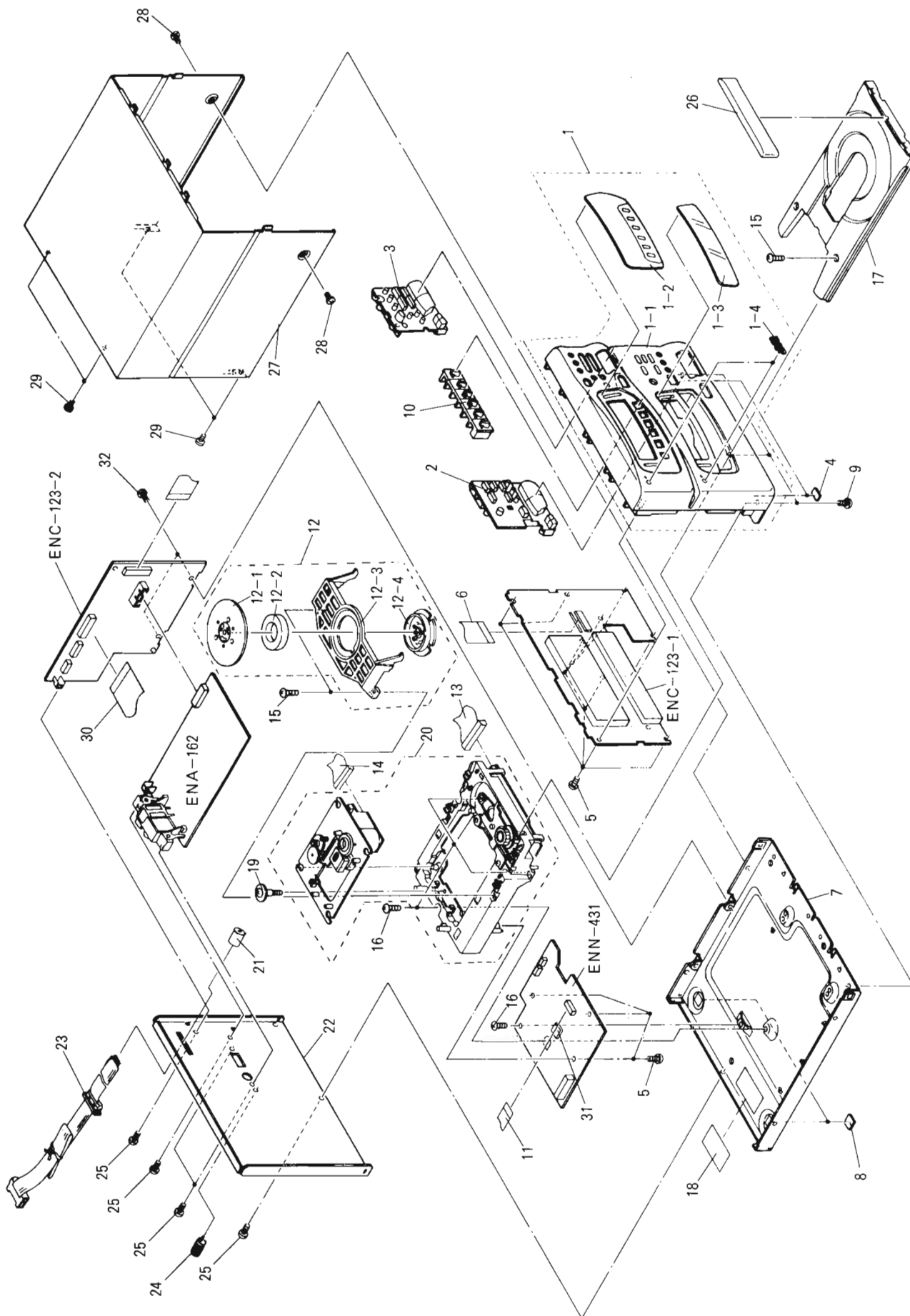
### Contents

General Exploded View and Parts List .....	5-2
CD Mechanism Ass'y and Parts List .....	5-4
■ Grease Point .....	5-4
Printed Circuit Board Ass'y and Parts List .....	5-6
■ ENC-123 <input type="checkbox"/> B Display & KEY Matrix PC Board Ass'y .....	5-6
■ ENN-431 <input type="checkbox"/> D CD PC Board Ass'y .....	5-8
■ ENA-162 <input type="checkbox"/> Tuner PC Board Ass'y .....	5-9

# General Exploded View and Parts List

Symbol No. 

M	3	M	M
---	---	---	---



■ PARTS LIST

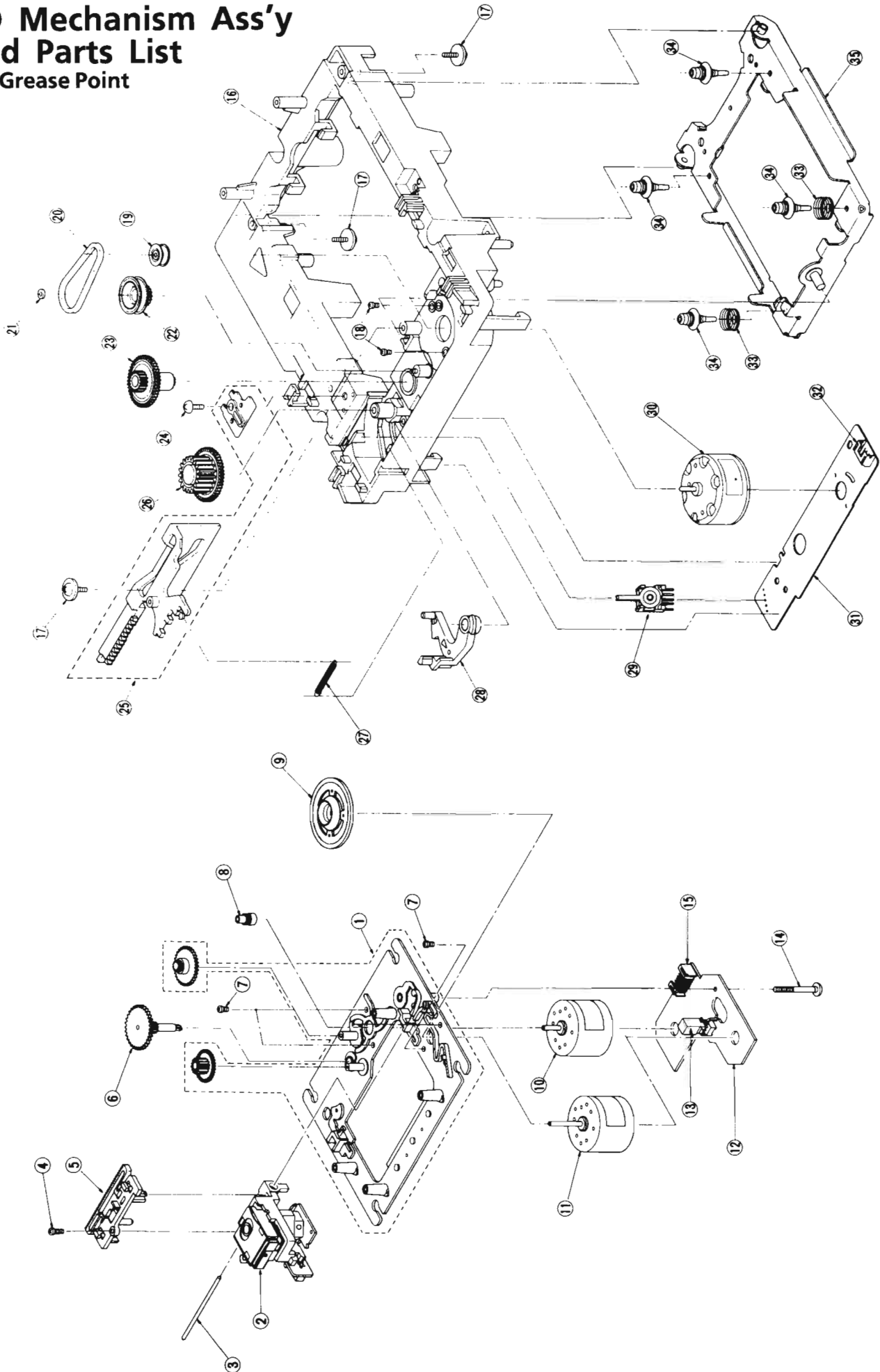
△	Item	Part Number	Part Name	Q'ty	Description	Area
	1	EFP-XTS600RE(S)	FRONT PANEL ASS'Y	1		
	1-1	E102972-222SF	FRONT PANEL	1		
	1-2	E208408-001	WINDOW SCREEN	1	TUNER	
	1-3	E208415-001SM	WINDOW SCREEN	1	CD	
	1-4	E406971-221	JVC MARK	2		
	2	E208413-001SM	PUSH BUTTON	1	CD	
	3	E208410-002SMKP	PUSH BUTTON	1	TUNER	
	4	E75896-001	SPACER	2	FRONT FOOT	
	5	SDSF2608Z	SCREW	12		
	6	VWF1226-16TTB	FFC CABLE	1	FC731	
	7	E102974-001SM	CHASSIS BASE	1		
	8	E75896-006	FELT SPACER	2	REAR FOOT	
	9	SBSG3006M	TAPPING SCREW	3		
	10	E208433-001	PUSH BUTTON	1	RDS	
	11	EWR115M-08BB	FFC CABLE	1	OPTICAL PICK-UP~ENN-431	
	12	E306837-005	CLAMPER ASSY	1		
	12-1	E306836-223SS	YOKE PLATE	1		
	12-2	E74897-002	MAGNET	1		
	12-3	E26756-331SF	CLAMPER BASE	1		
	12-4	E306835-221SS	CD CLAMPER	1		
	13	EWS265-B412	SOCKET WIRE ASSY	1	5 PIN	
	14	EWS266-B410	SOCKET WIRE ASSY	1	6 PIN	
	15	SBSF3008Z	TAPPING SCREW	3		
	16	SBST3006Z	TAPPING SCREW	4		
	17	E102358-002SF	CD TRAY	1		
	18	E406507-001	CAUTION LABEL	1		
	19	E406293-001	SPECIAL SCREW	1		
	20	-----	CD MECHA	1	SEE PAGE 5-4	
	21	ENZ8104-005	NOISE FILTER	1		
	22	E208419-006SMKP	REAR PANEL	1		
	23	EWP902-046	FLAT WIRE ASSY	1	SC001	
	24	E408091-001	GND TERMINAL	1		
	25	E73273-003	SPECIAL SCREW	5		
	26	E208417-001SM	CD FITTING	1		
	27	E207787-011	METAL COVER	1		
	28	SDSG3006M	TAPPING SCREW	2		
	29	GBSG3008CC	TAPPING SCREW	4		
	30	VWF1223-30TTB	FFC CABLE	1	FC601	
	31	E75896-001	SPACER	1		
	32	SBSG3008CC	TAPPING SCREW	2	TUNER P.C.B.	
	-	E70891-001	CLASS 1 LABEL	1		
	-	E61029-005	NUMBER LABEL	1		

The Marks for Designated Areas

G ..... Germany                      GI ..... Italy                      BS ..... the U.K.                      EN ..... Scandinavia  
 EF ..... Continental Europe  
 No mark indicates all area.

# CD Mechanism Ass'y and Parts List

■ Grease Point



■ PARTS LIST(CD Mechanism)

Symbol No. 

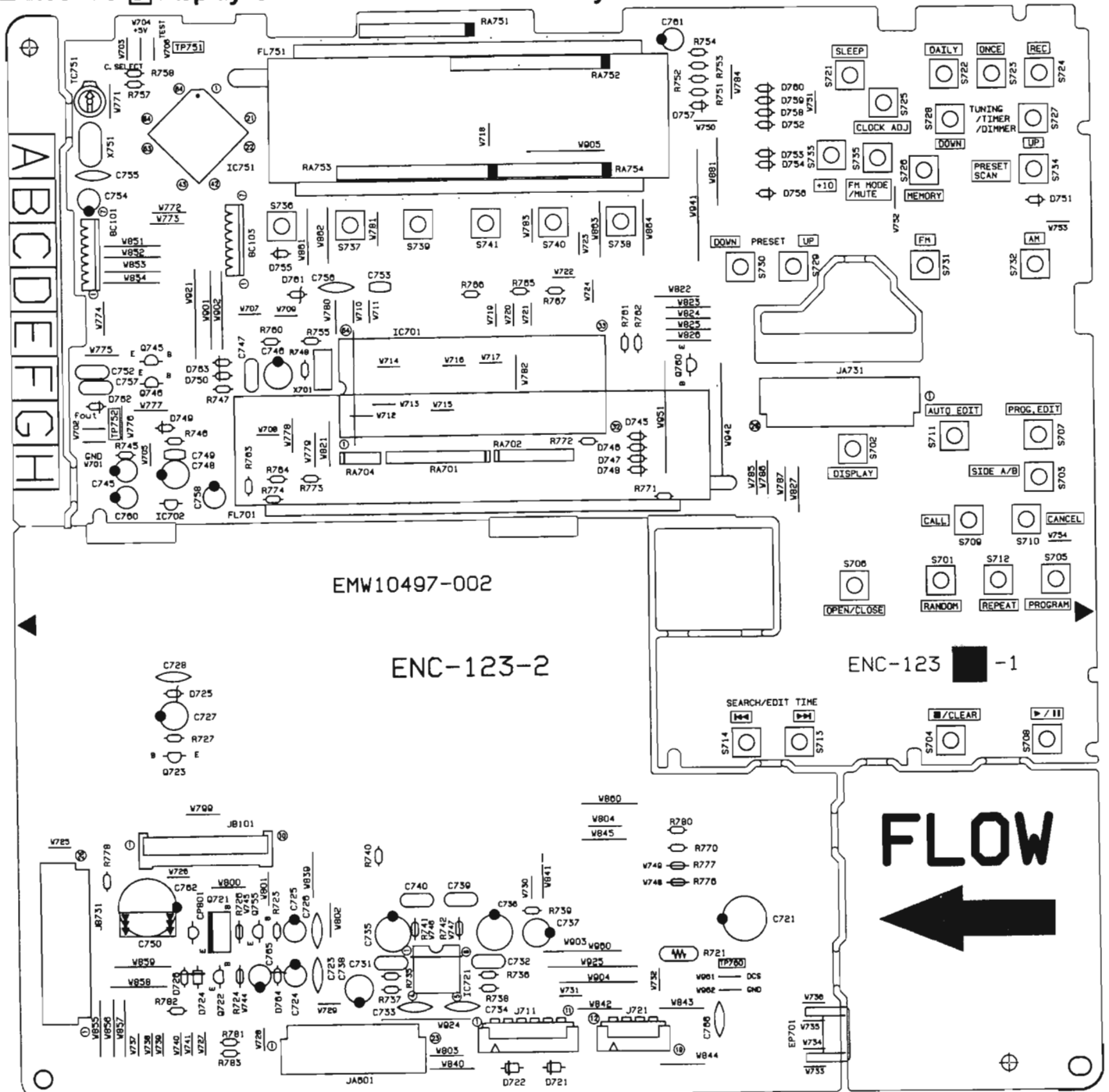
M	4	M	M
---	---	---	---

△	Item	Part Number	Part Name	Q'ty	Description	Area
	1	E102501-221SS	MECHA BASE	1		
	2	OPTiMA-6S	OPTICAL PICK-UP	1		
	3	E407782-001	CD SHAFT	1		
	4	SDSF2006Z	SCREW	1		
	5	E307746-001	CD RACK	1		
	6	E307745-221SS	CAM GEAR	1		
	7	SDSP2003N	SCREW	4		
	8	E406750-221SS	PINION GEAR	1		
	9	E75807-302	TURNTABLE	1		
	10	MDN-4RA3ETA-1	FEED MOTOR	1		
	11	E406783-001	DC MOTOR	1		
	12	EMW10190-001(S)	PRINTED BOARD	1		
	13	EBS1100-005	LEAF SWITCH	1		
	14	E75832-001	SPECIAL SCREW	1		
	15	EMV5109-006B	CONNECT TERMINAL	1		
	16	E102357-221	LOADING BASE	1		
	17	E65923-003	TAPPING SCREW	3		
	18	SPSK2640Z	SCREW	1		
	19	E75984-001	MOTOR PULLEY	1		
	20	E75950-002	REEL BELT	1		
	21	E72024-001	SPEED NUT	1		
	22	E75985-001	DRIVE GEAR	1		
	23	E75986-002	REEL GEAR	1		
	24	SBSF3008Z	TAPPING SCREW	1		
	25	E307252-221	CAM ASSY	1		
	26	E75987-001	REEL GEAR	1		
	27	E75989-001	SPRING	1		
	28	E307162-221	ACTION LEVER	1		
	29	ESS1200-002	LEVER SWITCH	1		
	30	MMN-6F1LB8K	DC MOTOR	1		
	31	EMW10095-003A	PRINTED BOARD	1		
	32	EMV5109-005B	CONNECT TERMINAL	1		
	33	E406871-001	SPRING	2		
	34	E406294-002	INSULATOR	4		
	35	E307179-222	LOADING BASE	1		

# XT-S700R

## Printed Circuit Board Ass'y and Parts List

### ■ ENC-123 □ Display & KEY Matrix PC Board Ass'y



#### TRANSISTORS

ITEM	PART NUMBER	DESCRIPTION	AREA
Q721	2SD2037(E,F)	SI. TRANSIST	ROHM
Q722	DTC144ES	DIGITAL TRA	ROHM
Q723	2SC2060(Q,R)	SI. TRANSIST	ROHM
Q745	DTA114YS	DIGITAL TRA	ROHM
Q746	DTC114YS	DIGITAL TRA	ROHM
Q755	DTA114YS	DIGITAL TRA	ROHM
Q760	DTC114YS	DIGITAL TRA	ROHM

#### I. C. S.

ITEM	PART NUMBER	DESCRIPTION	AREA
IC701	MN171602J5J1	I.C.(MICRO-C MATSUSHITA	
IC702	MN1281(P,Q)	I.C.(DIGI-MO MATSUSHITA	
IC721	VC4580DD	I.C.(MONO-AN DAINICHI	
IC751	MN172412J5L	I.C.(MICRO-C MATSUSHITA	

#### DIODES

ITEM	PART NUMBER	DESCRIPTION	AREA
D721	1SR139-200'	SI. DIODE	ROHM
D722	1SR139-200	SI. DIODE	ROHM
D724	1SR139-200	SI. DIODE	ROHM
D725	MTZ7.5JC	ZENER DIODE	ROHM
D726	1SS119	SI. DIODE	
D745	1SS119	SI. DIODE	
D746	1SS119	SI. DIODE	
D747	1SS119	SI. DIODE	
D748	1SS119	SI. DIODE	
D749	1SS119	SI. DIODE	
D750	1SS119	SI. DIODE	
D751	1SS119	SI. DIODE	
D752	1SS119	SI. DIODE	
D753	1SS119	SI. DIODE	
D754	1SS119	SI. DIODE	



DIODES

Δ	ITEM	PART NUMBER	DESCRIPTION	AREA
	D755	1SS119	SI.DIODE	
	D756	1SS119	SI.DIODE	
	D761	MTZ5.6JC	ZENER DIODE ROHM	
	D762	1SS119	SI.DIODE	
	D763	1SS119	SI.DIODE	
	D764	MTZ5.6JB	ZENER DIODE ROHM	

CAPACITORS

Δ	ITEM	PART NUMBER	DESCRIPTION	AREA
	C721	QETB1CM-10B	1000MF 16V AL E.CAPAC	
	C723	QFLB1HJ-103	0.01MF 50V MYLAR CAPA	
	C726	QCF21HP-223A	0.022MF 50V CER.CAPACI	
	C727	QETC1CM-107ZM	100MF 16V E.CAPACITO	
	C728	QCF21HP-223A	0.022MF 50V CER.CAPACI	
	C731	QFLB1HJ-472	4700PF 50V MYLAR CAPA	
	C732	QFLB1HJ-472	4700PF 50V MYLAR CAPA	
	C733	QFLB1HJ-821	820PF 50V MYLAR CAPA	
	C734	QFLB1HJ-821	820PF 50V MYLAR CAPA	
	C735	EET5010-106ZE	10MF E.CAPACITO	
	C736	EET5010-106ZE	10MF E.CAPACITO	
	C737	QETC1CM-107ZM	100MF 16V E.CAPACITO	
	C738	QETC1CM-107ZM	100MF 16V E.CAPACITO	
	C745	QETB1HM-226E	22MF 50V E.CAPACITO	
	C746	QETCOJM-107ZM	100MF 6.3V AL E.CAPAC	
	C747	QCZ0205-155	1.5MF 25V C.CAPACITO	
	C748	QETCOJM-107ZM	100MF 6.3V AL E.CAPAC	
	C749	QCHB1EZ-223	0.022MF 25V CER.CAPACI	
	C750	QEAD0HZ-479A	47000MF E.CAPACITO	
	C752	QCZ0205-155	1.5MF 25V C.CAPACITO	
	C753	QCVB1CM-103Y	0.01MF 16V CER.CAPACI	
	C754	QER61CM-476Z	47MF 16V AL E.CAPAC	
	C755	QCT26CH-330	33PF 50V CER.CAPACI	
	C756	QCF21HP-103A	0.01MF 50V CER.CAPACI	
	C758	QETC1HM-474Z	0.47MF 50V AL E.CAPAC	
	C760	QETC1HM-474Z	0.47MF 50V AL E.CAPAC	
	C761	QETC1HM-474Z	0.47MF 50V AL E.CAPAC	
	C765	QETB1CM-226	22MF 16V E.CAPACITO	EF
	C765	QETB1CM-226	22MF 16V E.CAPACITO	EN
	C765	QETB1CM-226	22MF 16V E.CAPACITO	G
	C765	QETB1CM-226	22MF 16V E.CAPACITO	GI
	C765	QETC1CM-226ZM	22MF 16V E.CAPACITO	BS
	C766	GCY31HK-472Z	4700PF 50V CER.CAPACI	
	TC751	ENZ1003-015	0.1MF TRIMMER CA	

RESISTORS

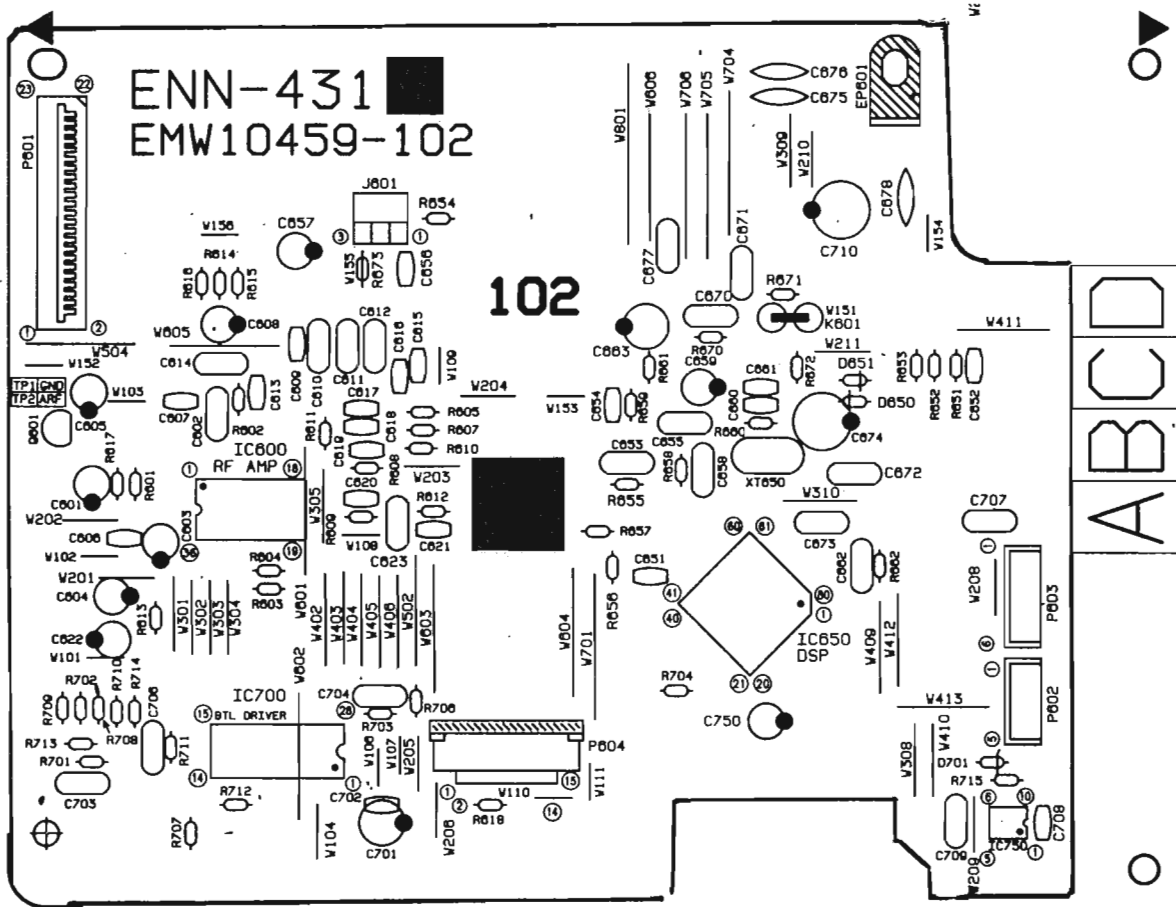
Δ	ITEM	PART NUMBER	DESCRIPTION	AREA
	R721	PTH61G30B02R2M	FUSIBLE RE	
	R723	QRD161J-331	330 1/6W CARBON RES	
	R727	QRD161J-472	4.7K 1/6W CARBON RES	
	R735	QRD161J-222	2.2K 1/6W CARBON RES	
	R736	QRD161J-222	2.2K 1/6W CARBON RES	
	R737	QRD161J-222	2.2K 1/6W CARBON RES	
	R738	QRD161J-222	2.2K 1/6W CARBON RES	
	R739	QRD161J-221	220 1/6W CARBON RES	
	R740	QRD161J-221	220 1/6W CARBON RES	
	R745	QRD161J-473	47K 1/6W CARBON RES	
	R746	QRD161J-821	820 1/6W CARBON RES	
	R747	QRD161J-103	10K 1/6W CARBON RES	
	R751	QRD161J-222	2.2K 1/6W CARBON RES	
	R752	QRD161J-222	2.2K 1/6W CARBON RES	
	R753	QRD161J-222	2.2K 1/6W CARBON RES	
	R754	QRD161J-222	2.2K 1/6W CARBON RES	
	R755	QRD167J-223	22K 1/6W CARBON RES	
	R757	QRD161J-103	10K 1/6W CARBON RES	
	R758	QRD161J-103	10K 1/6W CARBON RES	
	R761	QRD161J-7R5	7.5 1/6W CARBON RES	
	R762	QRD161J-7R5	7.5 1/6W CARBON RES	
	R763	QRD161J-7R5	7.5 1/6W CARBON RES	
	R764	QRD161J-7R5	7.5 1/6W CARBON RES	
	R765	QRD161J-472	4.7K 1/6W CARBON RES	
	R766	QRD161J-472	4.7K 1/6W CARBON RES	
	R770	QRD161J-221	220 1/6W CARBON RES	
	R771	QRD167J-4R7	4.7 1/6W CARBON RES	
	R772	QRD167J-4R7	4.7 1/6W CARBON RES	
	R773	QRD167J-4R7	4.7 1/6W CARBON RES	
	R774	QRD167J-4R7	4.7 1/6W CARBON RES	
	R777	QRD161J-331	330 1/6W CARBON RES	
	R778	QRD161J-470	47 1/6W CARBON RES	
	R781	QRD161J-102	1K 1/6W CARBON RES	
	R782	QRD161J-102	1K 1/6W CARBON RES	
	R783	QRD161J-102	1K 1/6W CARBON RES	
	RA704	QRB049J-472	4.7K 1/10W NETWORK RE	

OTHERS

Δ	ITEM	PART NUMBER	DESCRIPTION	AREA
	J711	EMV10497-0D2	PRINTED BOA	
	J721	EMV7141-011	CONNECT TER	
	J721	EMV7141-008M	CONNECT TER	
	S701	ESP0001-023M	TACT SWITCH	RANDOM
	S702	ESP0001-023M	TACT SWITCH	DISPLAY
	S703	ESP0001-023M	TACT SWITCH	SIDE
	S704	ESP0001-023M	TACT SWITCH	■ / CLEAR
	S705	ESP0001-023M	TACT SWITCH	PROGRAM
	S706	ESP0001-023M	TACT SWITCH	▲
	S707	ESP0001-023M	TACT SWITCH	PROGRAM EDIT
	S708	ESP0001-023M	TACT SWITCH	▶ /
	S709	ESP0001-023M	TACT SWITCH	CALL
	S710	ESP0001-023M	TACT SWITCH	CANCEL
	S711	ESP0001-023M	TACT SWITCH	AUTO EDIT
	S712	ESP0001-023M	TACT SWITCH	REPEAT
	S713	ESP0001-023M	TACT SWITCH	⏮
	S714	ESP0001-023M	TACT SWITCH	⏪
	S721	ESP0001-023M	TACT SWITCH	SLEEP
	S722	ESP0001-023M	TACT SWITCH	DAILY
	S723	ESP0001-023M	TACT SWITCH	REC
	S724	ESP0001-023M	TACT SWITCH	ONCE TIMER
	S725	ESP0001-023M	TACT SWITCH	CLOCK ADJ.
	S726	ESP0001-023M	TACT SWITCH	MEMORY
	S727	ESP0001-023M	TACT SWITCH	UP
	S728	ESP0001-023M	TACT SWITCH	DOWN
	S729	ESP0001-023M	TACT SWITCH	PRESET UP
	S730	ESP0001-023M	TACT SWITCH	PRESET DOWN
	S731	ESP0001-023M	TACT SWITCH	FM
	S732	ESP0001-023M	TACT SWITCH	AM
	S733	ESP0001-023M	TACT SWITCH	+10
	S734	ESP0001-023M	TACT SWITCH	PRESET SCAN
	S735	ESP0001-023M	TACT SWITCH	FM/AM MODE
	S736	ESP0001-023M	TACT SWITCH	EON
	S737	ESP0001-023M	TACT SWITCH	TA/NEWS/INFO
	S738	ESP0001-023M	TACT SWITCH	DISPLAY MODE
	S739	ESP0001-023M	TACT SWITCH	PTY SEARCH
	S740	ESP0001-023M	TACT SWITCH	PTY UP
	S741	ESP0001-023M	TACT SWITCH	PTY DOWN
	X701	ECXP6R0-0012A	CRYSTAL	
	X751	ECX0006-000KNJ	CRYSTAL	
	BC101	EWS297-1125	SOCKET WIRE	
	BC103	EWS267-A430	FLAT WIRE A	
	BK701	E309276-0015MKP	FL HOLDER	
	CP801	ICP-N15	I.C.PROTECT	
	EP701	E70225-001	EARTH PLATE	
	FL701	ELU0001-178	FLUORESCENT	
	FL751	ELU0001-196	FLUORESCENT	
	FS701	E306805-014	FELT SPACER	
	JA601	VMC0161-R23	CONNECT TER	
	JA731	VMC0163-R26	CONNECT TER	
	JB101	EMV5140-010	VOLUME SOCK	
	JB731	VMC0163-R26	CONNECT TER	

# XT-S700R

## ■ ENN-431 □ CD PC Board Ass'y



### TRANSISTORS

△	ITEM	PART NUMBER	DESCRIPTION	AREA
	Q601	2SA950(C,Y)	SI. TRANSIST TOSHIBA	

### I. C. S.

△	ITEM	PART NUMBER	DESCRIPTION	AREA
	IC600	AN8806SB	I.C.(M) MATSUSHITA	
	IC650	MN66271RAM	I.C.(M) MATSUSHITA	
	IC700	BA6393FP	I.C.(MONO-AN) ROHM	
	IC750	TAB409F	I.C.(MONO-AN) TOSHIBA	

### DIODES

△	ITEM	PART NUMBER	DESCRIPTION	AREA
	D650	MA700	SI. DIODE MATSUSHITA	
	D651	MA700	SI. DIODE MATSUSHITA	
	D701	MT26.2JB	ZENER DIODE ROHM	

### CAPACITORS

△	ITEM	PART NUMBER	DESCRIPTION	AREA
	C601	QER60JM-476	47MF 6.3V AL E.CAPAC	
	C602	QCZ0202-155	1.5MF 25V CER.RESIST	
	C604	QETC1AM-107	100MF 10V E.CAPACITO	
	C605	QER61EM-106	10MF 25V AL E.CAPAC	
	C606	QCHB1EZ-223	0.022MF 25V CER.CAPACI	
	C607	QCSB1HJ-680	68PF 50V CER.CAPACI	
	C608	QETC1HM-105ZM	1MF 50V E.CAPACITO	
	C609	QCB31HK-101Y	100PF 50V CER.CAPACI	
	C610	QFLB1HJ-273	0.027MF 50V MYLAR CAPA	
	C611	QFLB1HJ-472	4700PF 50V MYLAR CAPA	
	C612	QFLB1HJ-332	3300PF 50V MYLAR CAPA	
	C613	QCT30CH-3R3Y	0.33PF 50V CER.CAPACI	
	C614	QFV81HJ-104	0.1MF 50V THIN FILM	
	C615	QCHB1EZ-223	0.022MF 25V CER.CAPACI	
	C616	QCHB1EZ-223	0.022MF 25V CER.CAPACI	
	C617	QCHB1EZ-223	0.022MF 25V CER.CAPACI	
	C618	QCX51CM-222Y	2200PF 16V CER.CAPACI	
	C619	QCB31HK-271Y	270PF 50V CER.CAPACI	
	C620	QCSB1HJ-470	47PF 50V CER.CAPACI	
	C621	QCSB1HK-821	820PF 50V CER.CAPACI	
	C622	QETC1AM-476Z	47MF 10V AL E.CAPAC	
	C623	EFH001J-104	METAL.MYLA	
	C651	QCB31HK-471Y	470PF 50V CER.CAPACI	
	C652	QCHB1EZ-223	0.022MF 25V CER.CAPACI	
	C653	QFLB1HJ-223	0.022MF 50V MYLAR CAPA	
	C654	QCHB1EZ-223	0.022MF 25V CER.CAPACI	
	C655	QFV81HJ-334	0.33MF 50V TF.CAPACIT	
	C658	QFV81HJ-104	0.1MF 50V THIN FILM	
	C660	QCT30CH-120Y	12PF 50V CER.CAPACI	
	C661	QCT30CH-120Y	12PF 50V CER.CAPACI	
	C662	QFV81HJ-104	0.1MF 50V THIN FILM	
	C663	QETC1AM-107	100MF 10V E.CAPACITO	
	C670	QFN31HJ-332Z	3300PF 50V MYLAR CAPA	
	C671	QFN31HJ-332Z	3300PF 50V MYLAR CAPA	
	C673	QFV81HJ-104	0.1MF 50V THIN FILM	
	C674	EETB0JM-477E	470MF 6.3V E.CAPACITO	
	C675	QCY31HK-472Z	4700PF 50V CER.CAPACI	
	C677	QCZ0202-155	1.5MF 25V CER.RESIST	
	C701	QETC1AM-107	100MF 10V E.CAPACITO	
	C702	QCHB1EZ-223	0.022MF 25V CER.CAPACI	
	C703	QFLB1HJ-273	0.027MF 50V MYLAR CAPA	
	C704	QFLB1HJ-183	0.018MF 50V MYLAR CAPA	
	C706	QFLB1HJ-273	0.027MF 50V MYLAR CAPA	
	C707	QFV81HJ-104	0.1MF 50V THIN FILM	
	C708	QCHB1EZ-223	0.022MF 25V CER.CAPACI	

RESISTORS

Δ	ITEM	PART NUMBER	DESCRIPTION	AREA
	R602	QRD161J-123	12K 1/6W CARBON RES	
	R605	QRD167J-134	130K 1/6W CARBON RES	
	R607	QRD161J-913	91K 1/6W CARBON RES	
	R608	QRD161J-273	27K 1/6W CARBON RES	
	R609	QRD161J-114	110K 1/6W CARBON RES	
	R610	QRD167J-154	150K 1/6W CARBON RES	
	R611	QRD161J-394	390K 1/6W CARBON RES	
	R612	QRD161J-103	10K 1/6W CARBON RES	
	R613	QRD167J-121	120 1/6W CARBON RES	
	R614	QRD161J-470	47 1/6W CARBON RES	
	R615	QRD161J-470	47 1/6W CARBON RES	
	R616	QRD161J-470	47 1/6W CARBON RES	
	R617	QRD161J-2R2	2.2 1/6W CARBON RES	
	R618	QRD161J-910Y	91 1/6W CARBON RES	
	R651	QRD161J-102	1K 1/6W CARBON RES	
	R652	QRD161J-102	1K 1/6W CARBON RES	
	R653	QRD161J-102	1K 1/6W CARBON RES	
	R655	QRD167J-155	1.5M 1/6W CARBON RES	
	R656	QRD161J-104	100K 1/6W CARBON RES	
	R657	QRD161J-104	100K 1/6W CARBON RES	
	R658	QRD161J-681	680 1/6W CARBON RES	
	R659	QRD161J-124	120K 1/6W CARBON RES	
	R660	QRD167J-121	120 1/6W CARBON RES	
	R661	QRD161J-2R2	2.2 1/6W CARBON RES	
	R662	QRD161J-2R2	2.2 1/6W CARBON RES	
	R670	QRD161J-122	1.2K 1/6W CARBON RES	
	R671	QRD161J-122	1.2K 1/6W CARBON RES	
	R672	QRD161J-221	220 1/6W CARBON RES	
	R701	QRD161J-821	820 1/6W CARBON RES	
	R702	QRD167J-562	5.6K 1/6W CARBON RES	
	R703	QRD161J-112	1.1K 1/6W CARBON RES	
	R704	QRD167J-113	1.1K 1/6W CARBON RES	
	R706	QRD161J-124	120K 1/6W CARBON RES	
	R707	QRD167J-332	3.3K 1/6W CARBON RES	
	R708	QRD161J-752	7.5K 1/6W CARBON RES	

RESISTORS

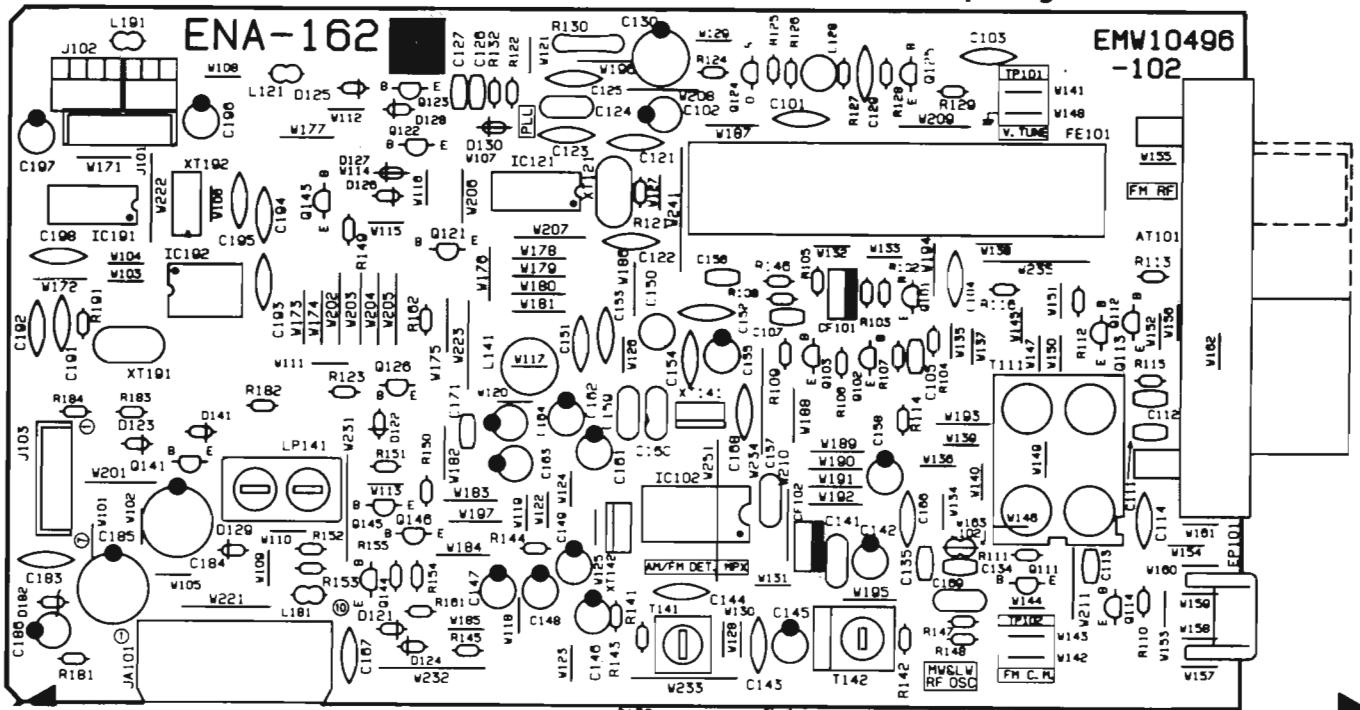
Δ	ITEM	PART NUMBER	DESCRIPTION	AREA
	R709	QRD167J-223	22K 1/6W CARBON RES	
	R710	QRD161J-103	10K 1/6W CARBON RES	
	R711	QRD167J-153	15K 1/6W CARBON RES	
	R712	QRD161J-752	7.5K 1/6W CARBON RES	
	R713	QRD167J-751	750 1/6W CARBON RES	
	R714	QRD167J-433	43K 1/6W CARBON RES	
	R715	QRD161J-471	470 1/6W CARBON RES	

OTHERS

Δ	ITEM	PART NUMBER	DESCRIPTION	AREA
	P601	EMW10459-102A	CIR. BOARD	
	P602	VMC0161-023	CONNECT TER	
	P603	EMV5109-005A	MALE CONNEC	
	P604	EMV5109-006A	CONNECT TER	
	P604	EMV7144-015R	CONNECT TER	
	EP601	EMZ4002-001Z	EARTH PLATE	
	XT650	VCX5016-934V	CRYSTAL	

■ ENA-162 □ Tuner PC Board Ass'y

Note : ENA-162 □ varies according to the areas employed. See note (1) when placing an order.



Note (1)

PC Board Ass'y	Version	Designated Areas
ENA-162 <input type="checkbox"/> B	BS	the U.K.
ENA-162 <input type="checkbox"/> C	EN	Scandinavia
	EF	Continental Europe
	G	Germany
	GI	Italy

TRANSISTORS

Δ	ITEM	PART NUMBER	DESCRIPTION	AREA
	Q101	2SC461	SI. TRANSIST	
	Q102	2SC535	SI. TRANSIST HITACHI	
	Q103	2SC461	SI. TRANSIST	
	Q111	2SD2144S(VW)	SI. TRANSIST ROHM	
	Q112	2SD2144S(VW)	SI. TRANSIST ROHM	
	Q113	2SC1740S(7,S)	SI. TRANSIST ROHM	
	Q114	2SD2144S(VW)	SI. TRANSIST ROHM	
	Q121	DTA144ES	DIGITAL TRA ROHM	
	Q122	DTA144ES	DIGITAL TRA ROHM	
	Q123	DTA144ES	DIGITAL TRA ROHM	
	Q124	2SK301(P,Q)	F.E.T.	
	Q125	2SC458(C,D)	SI. TRANSIST HITACHI	
	Q126	DTC114ES	DIGITAL TRA ROHM	
	Q141	DTC114ES	DIGITAL TRA ROHM	
	Q143	DTC114ES	DIGITAL TRA ROHM	

# XT-S700R

## I. C. S.

Δ	ITEM	PART NUMBER	DESCRIPTION	AREA
	IC102	LA1836M	I.C(MONO-AN SANYO	
	IC121	LC7218JMX	I.C(DIGI-MO SANYO	
	IC191	LC7073M	I.C(DIGI-MO SANYO	
	IC192	SAA6579T	I.C(M)	

## DIODES

Δ	ITEM	PART NUMBER	DESCRIPTION	AREA
	D121	1SS133	SI.DIODE ROHM	
	D122	1SS133	SI.DIODE ROHM	
	D123	1SS133	SI.DIODE ROHM	
	D124	1SS133	SI.DIODE ROHM	
	D125	1SS133	SI.DIODE ROHM	
	D126	1SS133	SI.DIODE ROHM	
	D127	1SS133	SI.DIODE ROHM	
	D128	1SS133	SI.DIODE ROHM	
	D129	1SS133	SI.DIODE ROHM	
	D130	1SS133	SI.DIODE ROHM	
	D141	1SS133	SI.DIODE ROHM	
	D182	MTZ5.1JC	ZENER DIODE ROHM	

## CAPACITORS

Δ	ITEM	PART NUMBER	DESCRIPTION	AREA
	C101	QCF21HP-103A	0.01MF 50V CER.CAPACI	
	C102	QETC1EM-476ZM	47MF 25V E.CAPACITO	
	C103	QCF21HP-223A	0.022MF 50V CER.CAPACI	
	C104	QCF21HP-223A	0.022MF 50V CER.CAPACI	
	C105	QCHB1EZ-223	0.022MF 25V CER.CAPACI	
	C107	QCHB1EZ-223	0.022MF 25V CER.CAPACI	
	C111	QCHB1EZ-223	0.022MF 25V CER.CAPACI	
	C112	GCT30CH-120Y	12PF 50V CER.CAPACI	
	C113	QCHB1EZ-223	0.022MF 25V CER.CAPACI	
	C114	QCC31EM-473ZV	0.047MF 25V CER.CAPACI	
	C121	QCS21HJ-180A	18PF 50V CER.CAPACI	
	C122	QCS21HJ-180A	18PF 50V CER.CAPACI	
	C123	QCC21EM-473	0.047MF 25V CER.CAPACI	
	C124	QCZ0202-155	1.5MF 25V CER.RESIST	
	C125	QCF21HP-223A	0.022MF 50V CER.CAPACI	
	C126	QCB31HK-101Y	100PF 50V CER.CAPACI	
	C127	QCB31HK-101Y	100PF 50V CER.CAPACI	
	C128	QENB1HM-474	0.47MF 50V NP E.CAPAC	
	C129	QCY31HK-102Z	1000PF 50V CER.CAPACI	
	C130	QETB1CM-227E	220MF 16V E.CAPACITO	
	C134	QCSB1HK-5R6Y	5.6PF 50V CER.CAPACI	
	C135	QCSB1HJ-150Y	15PF 50V CER.CAPACI	
	C141	QFLB1HJ-473	0.047MF 50V MYLAR CAPA	
	C142	QETC1HM-106ZM	10MF 50V E.CAPACITO	
	C143	QCF21HP-223A	0.022MF 50V CER.CAPACI	
	C144	QCC21EM-473	0.047MF 25V CER.CAPACI	
	C145	QETB1HM-475E	4.7MF 50V E.CAPACITO	
	C146	QETC1HM-106ZM	10MF 50V E.CAPACITO	
	C147	QETC1HM-105ZM	1MF 50V E.CAPACITO	
	C148	QETC1HM-474Z	0.47MF 50V AL E.CAPAC	
	C149	QETC1HM-105ZM	1MF 50V E.CAPACITO	
	C150	QETC1HM-225ZM	2.2MF 50V AL E.CAPAC	
	C151	QCS21HJ-181A	180PF 50V CER.CAPACI	
	C152	QCS21HJ-181A	180PF 50V CER.CAPACI	
	C153	QCY31HK-821Z	820PF 50V CER.CAPACI	
	C154	QCY31HK-472Z	4700PF 50V CER.CAPACI	
	C155	QETC1EM-476ZM	47MF 25V E.CAPACITO	
	C156	QCHB1EZ-223	0.022MF 25V CER.CAPACI	
	C157	QCZ0202-155	1.5MF 25V CER.RESIST	
	C158	QETC1HM-106ZM	10MF 50V E.CAPACITO	
	C159	QFLB1HJ-333	0.033MF 50V MYLAR CAPA	
	C160	QFLB1HJ-333	0.033MF 50V MYLAR CAPA	
	C161	QETC1HM-225ZM	2.2MF 50V E.CAPACITO	
	C162	QETC1HM-225ZM	2.2MF 50V E.CAPACITO	
	C163	QETC1HM-225ZM	2.2MF 50V E.CAPACITO	
	C164	QETC1HM-225ZM	2.2MF 50V E.CAPACITO	
	C166	QCC21EM-473	0.047MF 25V CER.CAPACI	
	C168	QCC21EM-473	0.047MF 25V CER.CAPACI	
	C169	QFV81HJ-274	0.27MF 50V T.FILM CAP	
	C171	QCB31HK-102	1000PF 50V CER.CAPACI	
	C183	QCF21HP-223A	0.022MF 50V CER.CAPACI	
	C184	QETB1CM-227E	220MF 16V E.CAPACITO	
	C185	QETC1CM-477ZM	470MF 16V AL E.CAPAC	
	C186	QETB1HM-475E	4.7MF 50V E.CAPACITO	
	C191	QCS21HJ-820	82PF 50V CER.CAPACI	
	C192	QCS21HJ-470	47PF 50V CER.CAPACI	
	C193	QCS31HJ-561Z	560PF 50V CER.CAPACI	
	C194	QCF21HP-223A	0.022MF 50V CER.CAPACI	
	C195	QCS31HJ-331Z	330PF 50V CER.CAPACI	
	C196	QETC1HM-225ZM	2.2MF 50V E.CAPACITO	
	C197	QETC1HM-106ZM	10MF 50V E.CAPACITO	
	C198	QCC21EM-104	0.1MF 25V CER.CAPACI	

## RESISTORS

Δ	ITEM	PART NUMBER	DESCRIPTION	AREA
	R102	QRD167J-332	3.3K 1/6W CARBON RES	
	R103	QRD161J-221	220 1/6W CARBON RES	
	R104	QRD167J-272	2.7K 1/6W CARBON RES	
	R105	QRD161J-391	390 1/6W CARBON RES	
	R106	QRD161J-102	1K 1/6W CARBON RES	
	R107	QRD161J-681	680 1/6W CARBON RES	
	R108	QRD167J-332	3.3K 1/6W CARBON RES	
	R109	QRD161J-221	220 1/6W CARBON RES	
	R110	QRD161J-472	4.7K 1/6W CARBON RES	
	R111	QRD161J-472	4.7K 1/6W CARBON RES	
	R112	QRD161J-472	4.7K 1/6W CARBON RES	
	R113	QRD161J-103	10K 1/6W CARBON RES	
	R115	QRD161J-104	100K 1/6W CARBON RES	
	R116	QRD161J-222	2.2K 1/6W CARBON RES	
	R121	QRD161J-473	47K 1/6W CARBON RES	
	R122	QRD161J-472	4.7K 1/6W CARBON RES	
	R123	QRD167J-562	5.6K 1/6W CARBON RES	
	R124	QRD161J-222	2.2K 1/6W CARBON RES	
	R125	QRD161J-222	2.2K 1/6W CARBON RES	
	R126	QRD161J-181	180 1/6W CARBON RES	
	R127	QRD167J-822	8.2K 1/6W CARBON RES	
	R128	QRD161J-472	4.7K 1/6W CARBON RES	
	R129	QRD161J-222	2.2K 1/6W CARBON RES	
	R130	QRZ0077-680	68 1/4W FUSIBLE RE	
	R132	QRD161J-102	1K 1/6W CARBON RES	
	R141	QRD161J-392	3.9K 1/6W CARBON RES	
	R142	QRD161J-103	10K 1/6W CARBON RES	
	R143	QRD161J-103	10K 1/6W CARBON RES	
	R144	QRD167J-332	3.3K 1/6W CARBON RES	
	R145	QRD161J-103	10K 1/6W CARBON RES	
	R146	QRD161J-222	2.2K 1/6W CARBON RES	
	R147	QRD161J-473	47K 1/6W CARBON RES	
	R148	QRD161J-561	560 1/6W CARBON RES	
	R149	QRD161J-103	10K 1/6W CARBON RES	EF
	R149	QRD161J-103	10K 1/6W CARBON RES	EN
	R149	QRD161J-103	10K 1/6W CARBON RES	G
	R149	QRD161J-103	10K 1/6W CARBON RES	GI
	R149	QRD167J-223	22K 1/6W CARBON RES	BS
	R150	QRD167J-332	3.3K 1/6W CARBON RES	
	R151	QRD167J-332	3.3K 1/6W CARBON RES	
	R152	QRD167J-332	3.3K 1/6W CARBON RES	BS
	R152	QRD167J-822	8.2K 1/6W CARBON RES	EF
	R152	QRD167J-822	8.2K 1/6W CARBON RES	EN
	R152	QRD167J-822	8.2K 1/6W CARBON RES	G
	R152	QRD167J-822	8.2K 1/6W CARBON RES	GI
	R153	QRD167J-332	3.3K 1/6W CARBON RES	BS
	R153	QRD167J-822	8.2K 1/6W CARBON RES	EF
	R153	QRD167J-822	8.2K 1/6W CARBON RES	EN
	R153	QRD167J-822	8.2K 1/6W CARBON RES	G
	R153	QRD167J-822	8.2K 1/6W CARBON RES	GI
	R161	QRD161J-473	47K 1/6W CARBON RES	
	R162	QRD161J-222	2.2K 1/6W CARBON RES	
	R181	QRD161J-222	2.2K 1/6W CARBON RES	
	R182	QRD161J-103	10K 1/6W CARBON RES	
	R183	QRD161J-103	10K 1/6W CARBON RES	
	R184	QRD161J-473	47K 1/6W CARBON RES	
	R191	QRD161J-222	2.2K 1/6W CARBON RES	

## OTHERS

Δ	ITEM	PART NUMBER	DESCRIPTION	AREA
		EMW10496-102A	CIR.BOARD	
		E308963-001	SHIELD BRAC	
		E3400-431	FELT SPACER	
		QWE351-10BB	VINYL WIRE	
	J101	EMV5109-007A	MALE CONNEX	
	J103	EMV5109-007A	MALE CONNEX	
	L102	EQL4007-150T	INDUCTOR	
	L121	EQL4007-1R0	INDUCTOR	
	L141	EQL2108-392T	INDUCTOR	
	L181	EQL4007-1R0	INDUCTOR	
	L191	EQL4007-101	INDUCTOR	
	T111	EQR7121-006	RF COIL	
	T141	EQT2140-021	I.F.TRANSFO	
	T142	ECB1560-010	CERAMIC FIL	
	AT101	EMB41YV-302K	ANTENNA TER	
	CF101	ECB2118-007R	CERAMIC FIL	
	CF102	ECB2118-007R	CERAMIC FIL	
	EP101	E70225-001	EARTH PLATE	
	FE101	EAF2203-003	UHF TUNER	
	JA101	EMV7140-L10R	PIN CONNECT	
	LP141	EQF0101-002	LOWPASS FIL	
	XT121	ECX0007-200KWJ1	CRYSTAL	
	XT141	ECXPR46-001A	CRYSTAL	
	XT142	ECB1001-002	CERAMIC FIL	
	XT191	VCS0507-001	CRYSTAL	
	XT192	EFO-EC400474	CERAMIC RES	

## Accessories List

Symbol No. 

M	6	M	M
---	---	---	---

⚠	Item	Part Number	Part Name	Q'ty	Description	Area
	1	E30580-2220A	INSTRUCTION BOOK	1		EF,G,GI
		E30580-2221A	INSTRUCTION BOOK	1		EN
		E30580-2222ABS	INSTRUCTION BOOK	1		BS
	2	E43486-519A	CAUTION SHEET	1		
	3	BT-20066A	WARRANTY CARD	1		BS
		BT-20134	WARRANTY CARD	1		G
		BT20060	WARRANTY CARD	1		BS
	4	E43486-340A	SAFETY SHEET	1		EF
	5	QPGA025-03505	ENVELOPE	1		Except BS
		QPGA025-03505B	ENVELOPE	1		BS
	6	EQB4001-015	LOOP ANTENNA	1		
	7	EWP502-001	FM FEEDER ANTENNA	1		Except G
	8	E67007-001	ANTENNA WIRE	1		G
	9	EWP902-033	FLAT WIRE ASSY	2		
	10	EWPZ01-006	EARTH WIRE	1		
	11	EMZ2001-014	ADAPTOR PLUG	1		
	12	R03BPA-2STSA	BATTERY			
	13	RM-SES700RUKP	WIRELESS REMOTE CONTROL	1		

⚠ : Safety Parts

## The Marks for Designated Areas

EF .... Continental Europe

GI .... Italy

EN .... Scandinavia

BS .... the U.K.

G ..... Germany

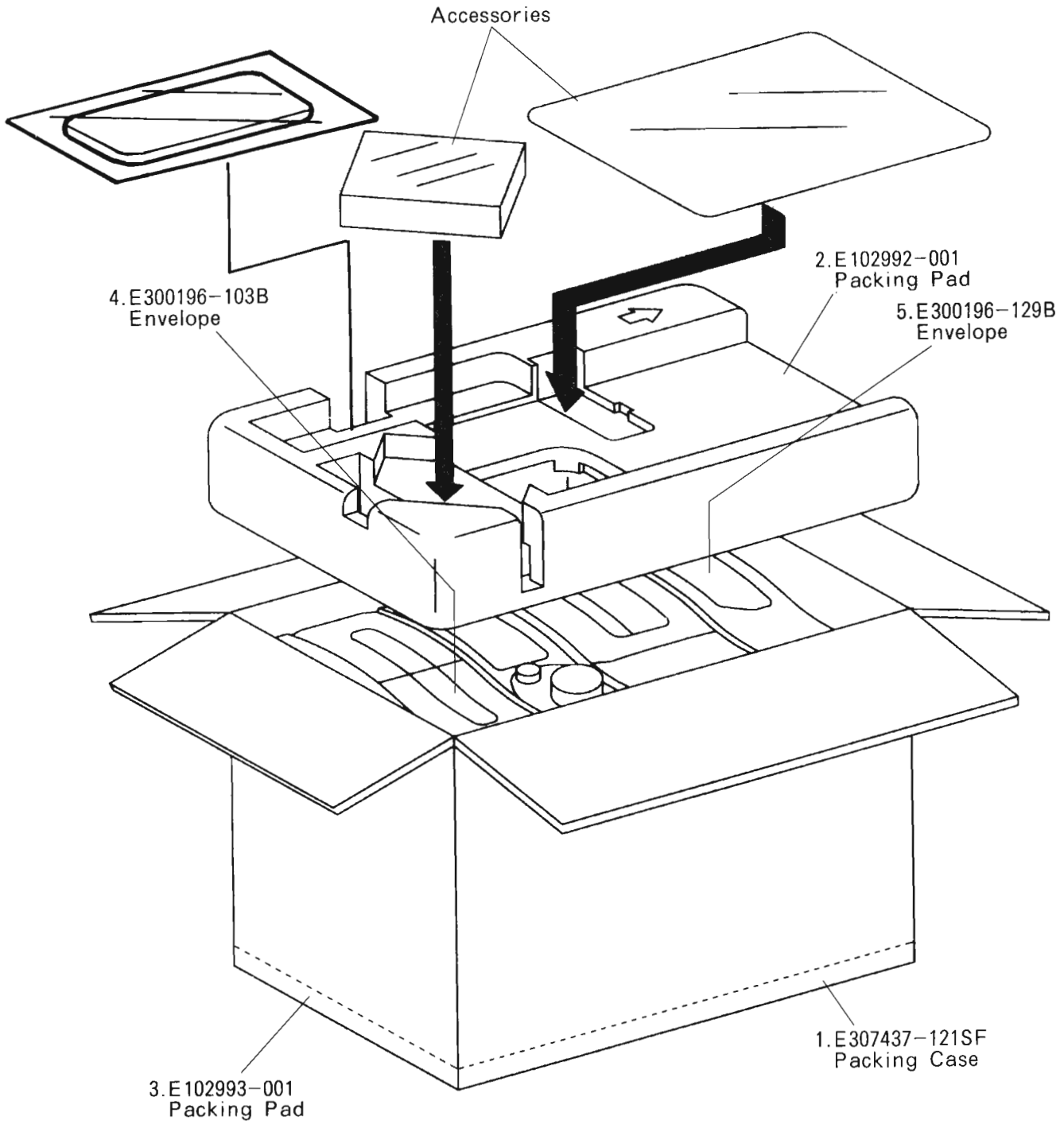
No mark indicates all area.

CA-S700R

# Packing Materials and Part Numbers

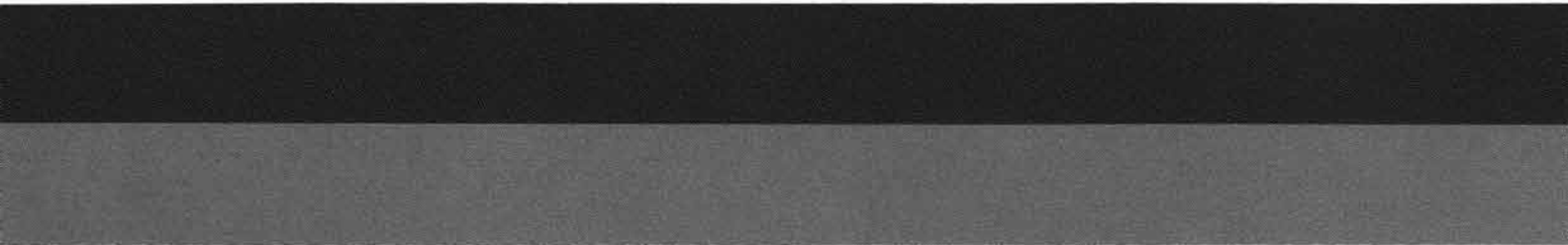
Symbol No. 

M	7	M	M
---	---	---	---



The Marks for Designated Areas					
EF ...	Continental Europe	EN ....	Scandinavia	G ..	Germany
GI ...	Italy	BS ....	the U.K.	No mark indicates all area.	

**-MEMO-**



**JVC**

VICTOR COMPANY OF JAPAN, LIMITED  
AUDIO DIVISION, 1644, SHIMOTSURUMA, YAMATO-SHI, KANAGAWA-KEN, 242, JAPAN