

JVC

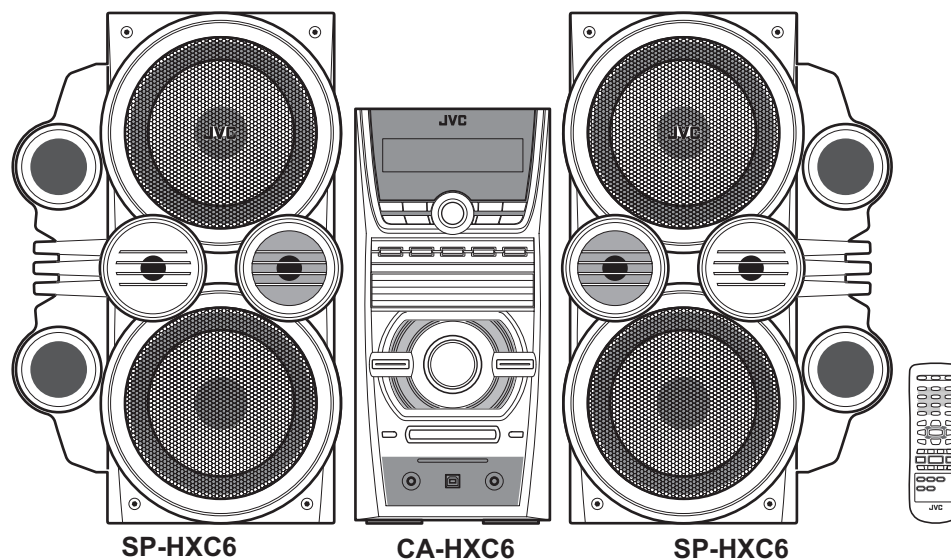
SERVICE MANUAL

COMPACT COMPONENT SYSTEM

HX-C6

Area suffix

J-----U.S.A.



Lead free solder used in the board (material : Sn-Ag-Cu, melting point : 219 Centigrade)

TABLE OF CONTENTS

1	PRECAUTION.....	1-3
2	SPECIFIC SERVICE INSTRUCTIONS.....	1-5
3	DISASSEMBLY.....	1-6
4	ADJUSTMENT.....	1-21
5	TROUBLESHOOTING.....	1-21

SPECIFICATION

Amplifier section-CA-HXC6

Output Power	SUB WOOFER	170 W per channel, min. RMS, driven into 6 Ω at 63 Hz with no more than 10% total harmonic distortion.
	MAIN SPEAKER	80 W per channel, min. RMS, driven into 4 Ω at 1 kHz with no more than 10% total harmonic distortion.
Audio input sensitivity/impedance	AUX	400 mV/47 kΩ
	USB	USB Version 1.1
Speakers/impedance	SUB WOOFER	6 Ω - 16 Ω
	MAIN SPEAKER	4 Ω - 8 Ω
Tuner	FM tuning range	87.5 MHz - 108.0 MHz
	AM tuning range	530 kHz - 1 710 kHz
CD player	CD capacity	5 discs
	Dynamic range	87 dB
	Signal-to-noise ratio	90 dB
	Wow and flutter	Immeasurable
	MP3 recording format	MPEG 1/2 Audio Layer 3
	Max. Bit rate	320 kbps
General	Power requirement	AC 120 V , 60 Hz
	Power consumption	90 W/110 VA (at operation) 11 W (on standby; with power saving off-Normal mode) 1.2 W (on standby; with power saving on-Eco mode)
	Dimensions (W/H/D) (approx.)	175 mm × 373 mm × 389 mm (6 15/16 in. × 14 11/16 in. × 15 3/8 in.)
	Mass (approx.)	9.8 kg (21.6 lbs)

Speaker section-SP-HXC6

Type	Speaker Systems	Subwoofer	16 cm (6 5/16 in.) cone × 1
		Woofer	16 cm (6 5/16 in.) cone × 1
		Mid range	7 cm (2 13/16 in.) cone × 1
		Tweeter	2 cm (13/16 in.) piezo × 1
Power handling capacity	Subwoofer	340 (170 + 170) W	
	Main speaker	160 (80 + 80) W	
Impedance	Subwoofer	6 Ω	
	Main speaker	4 Ω	
Frequency range	Subwoofer	25 Hz - 1 000 Hz	
	Main speaker	50 Hz - 20 000 Hz	
Sound pressure level	Subwoofer	73 dB/W·m	
	Main speaker	82 dB/W·m	
Dimensions (W/H/D) (approx.)		295 mm × 452 mm × 387 mm (11 5/8 in. × 17 13/16 in. × 15 1/4 in.)	
Mass (approx.)		8.6 kg (19.0 lbs) each	

Design and specifications are subject to change without notice.

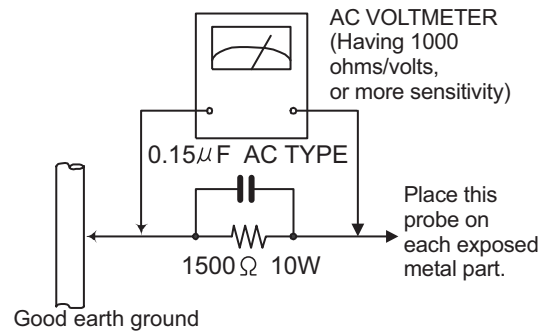
SECTION 1 PRECAUTION

1.1 Safety Precautions

- (1) This design of this product contains special hardware and many circuits and components specially for safety purposes. For continued protection, no changes should be made to the original design unless authorized in writing by the manufacturer. Replacement parts must be identical to those used in the original circuits. Services should be performed by qualified personnel only.
- (2) Alterations of the design or circuitry of the product should not be made. Any design alterations of the product should not be made. Any design alterations or additions will void the manufacturer's warranty and will further relieve the manufacturer of responsibility for personal injury or property damage resulting therefrom.
- (3) Many electrical and mechanical parts in the products have special safety-related characteristics. These characteristics are often not evident from visual inspection nor can the protection afforded by them necessarily be obtained by using replacement components rated for higher voltage, wattage, etc. Replacement parts which have these special safety characteristics are identified in the Parts List of Service Manual. Electrical components having such features are identified by shading on the schematics and by (Δ) on the Parts List in the Service Manual. The use of a substitute replacement which does not have the same safety characteristics as the recommended replacement parts shown in the Parts List of Service Manual may create shock, fire, or other hazards.
- (4) The leads in the products are routed and dressed with ties, clamps, tubings, barriers and the like to be separated from live parts, high temperature parts, moving parts and/or sharp edges for the prevention of electric shock and fire hazard. When service is required, the original lead routing and dress should be observed, and it should be confirmed that they have been returned to normal, after reassembling.
- (5) Leakage shock hazard testing
After reassembling the product, always perform an isolation check on the exposed metal parts of the product (antenna terminals, knobs, metal cabinet, screw heads, headphone jack, control shafts, etc.) to be sure the product is safe to operate without danger of electrical shock. Do not use a line isolation transformer during this check.
 - Plug the AC line cord directly into the AC outlet. Using a "Leakage Current Tester", measure the leakage current from each exposed metal part of the cabinet, particularly any exposed metal part having a return path to the chassis, to a known good earth ground. Any leakage current must not exceed 0.5mA AC (r.m.s.).
 - Alternate check method
Plug the AC line cord directly into the AC outlet. Use an AC voltmeter having, 1,000 Ω per volt or more sensitivity in the following manner. Connect a 1,500 Ω 10W resistor paralleled by a 0.15 μ F AC-type capacitor between an exposed metal part and a known good earth ground. Measure the AC voltage across the resistor with the AC

voltmeter.

Move the resistor connection to each exposed metal part, particularly any exposed metal part having a return path to the chassis, and measure the AC voltage across the resistor. Now, reverse the plug in the AC outlet and repeat each measurement. Voltage measured any must not exceed 0.75 V AC (r.m.s.). This corresponds to 0.5 mA AC (r.m.s.).



1.2 Warning

- (1) This equipment has been designed and manufactured to meet international safety standards.
- (2) It is the legal responsibility of the repairer to ensure that these safety standards are maintained.
- (3) Repairs must be made in accordance with the relevant safety standards.
- (4) It is essential that safety critical components are replaced by approved parts.
- (5) If mains voltage selector is provided, check setting for local voltage.

1.3 Caution

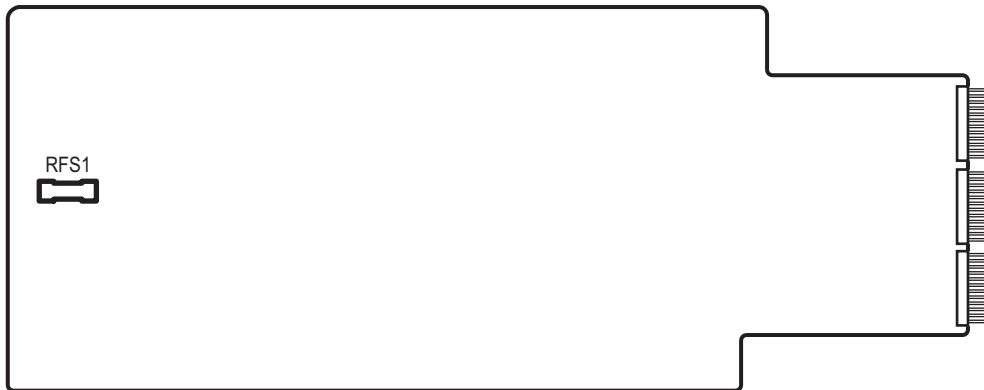
Burrs formed during molding may be left over on some parts of the chassis.
Therefore, pay attention to such burrs in the case of pre-forming repair of this system.

1.4 Critical parts for safety

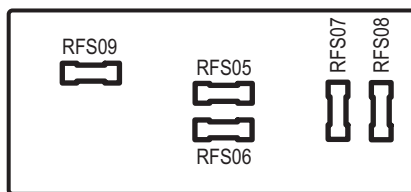
In regard with component parts appearing on the silk-screen printed side (parts side) of the PWB diagrams, the parts that are printed over with black such as the resistor (\blacksquare), diode (\blacksquare) and ICP (\bullet) or identified by the " Δ " mark nearby are critical for safety. When replacing them, be sure to use the parts of the same type and rating as specified by the manufacturer.
(This regulation does not Except the J and C version)

1.5 Importance administering point on the safety

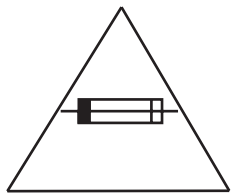
Main board (Forward side)



P/T board (Forward side)



For USA and Canada / pour Etats - Unis d' Amérique et Canada



Caution: For continued protection against risk of fire, replace only with same type 6.3 A/250 V for RFS1, 6.3 A/250 V for RFS05 and RFS06, 8 A/250 V for RFS07 and RFS08, 5 A/250 V for RFS09. This symbol specifies type of fast operating fuse.

Précaution: Pour éviter risques de feux, remplacez le fusible de sûreté de RFS1 comme le même type que 6,3 A/250 V, 6,3 A/250 V pour RFS05 et RFS06, 8 A/250 V pour RFS07 et RFS08, et 5 A/250V pour RFS09.

Ce sont des fusibles sûretés qui fonctionnent rapide.

SECTION 2
SPECIFIC SERVICE INSTRUCTIONS

This service manual does not describe SPECIFIC SERVICE INSTRUCTIONS.

SECTION 3 DISASSEMBLY

3.1 Main body section

3.1.1 Removing the metal cover

(See Figs.1 to 3)

- (1) From the back side of the main body, remove the three screws **A** attaching the metal cover. (See Fig.1.)
- (2) From the both sides of the main body, remove the six screws **A** attaching the metal cover. (See Figs.2 and 3.)
- (3) Remove the metal cover from the main body while lifting the rear section of the metal cover in the direction of the arrow. (See Figs.2 and 3.)

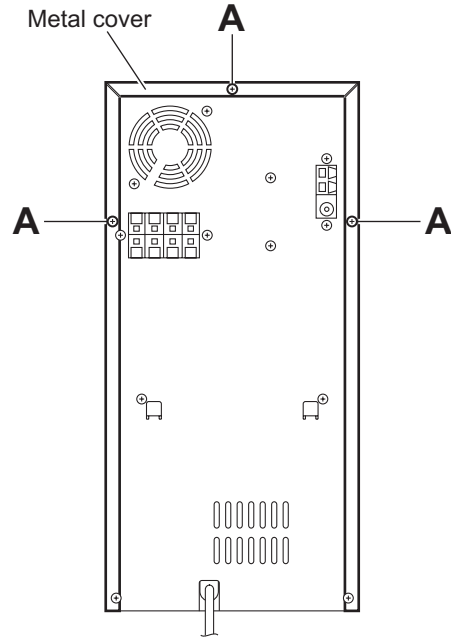


Fig.1

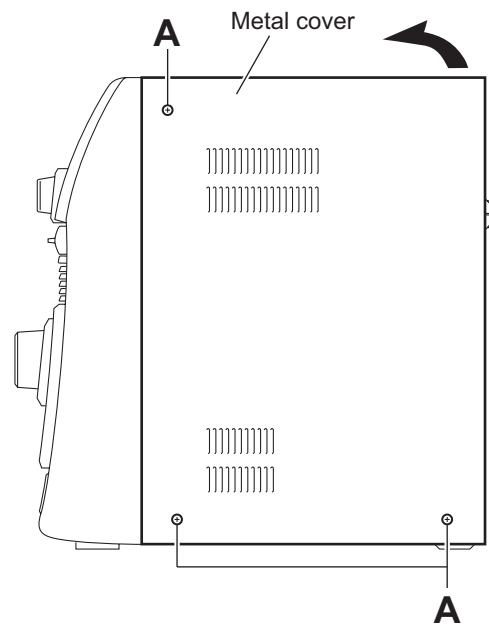


Fig.2

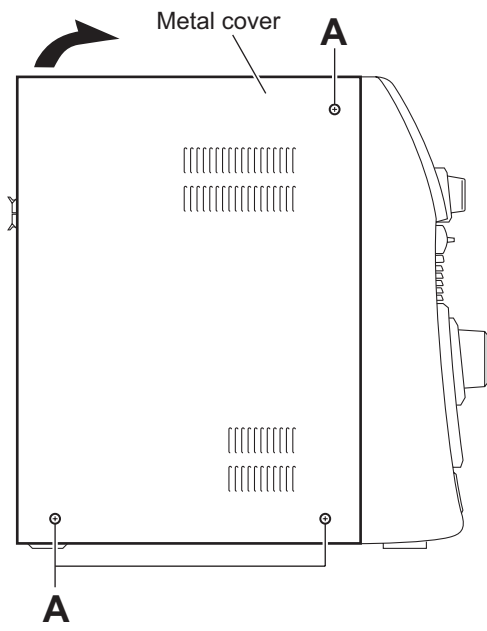


Fig.3

3.1.2 Removing the front panel assembly (See Figs.4 to 7)

- Remove the metal cover.

- (1) From the right side of the main body, remove the spacer fixing the card wire and remove the card wire from the sections **a**. (See Fig.4.)

Reference:

When reassembling, pass the card wire through the sections **a** as before. (See Fig.4.)

- (2) From the both sides of the main body, remove the four screws **B** and two screws **C** attaching the front panel assembly. (See Figs.4 and 5.)
- (3) From the top side of the main body, disconnect the card wire from the connector [FW101](#) on the FL board. (See Fig.4.)
- (4) Disconnect the wire from the connector [AW102](#) on the amplifier board. (See Fig.6.)
- (5) From the both and bottom sides of the main body, release the joints (**b**, **c**) and remove the front panel assembly from the main body in the direction of the arrow. (See Figs.4 to 7.)

Reference:

Remove the main board from the connectors ([FW302](#), [FW303](#), [FW304](#)) on the volume board of the front panel assembly at the same time. (See Fig.6.)

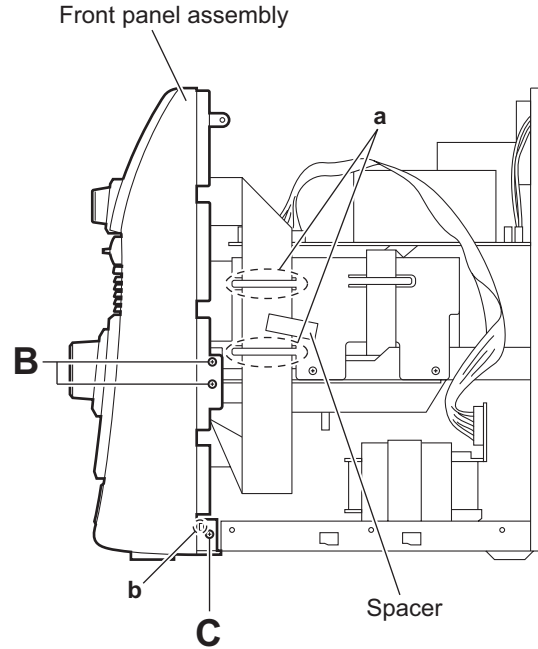


Fig.4

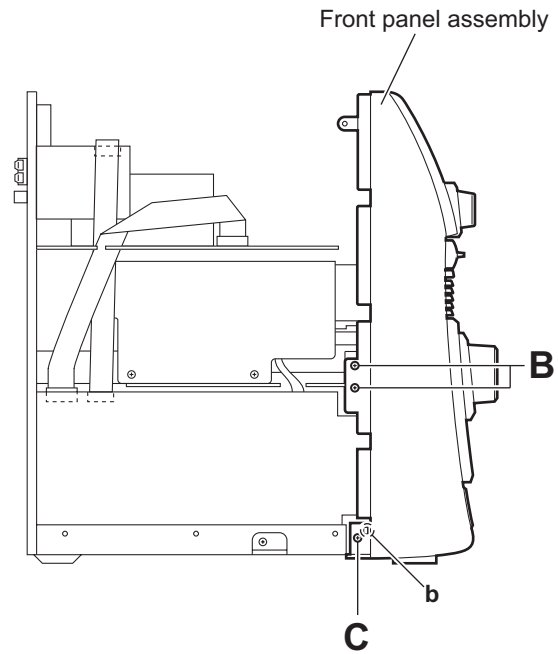


Fig.5

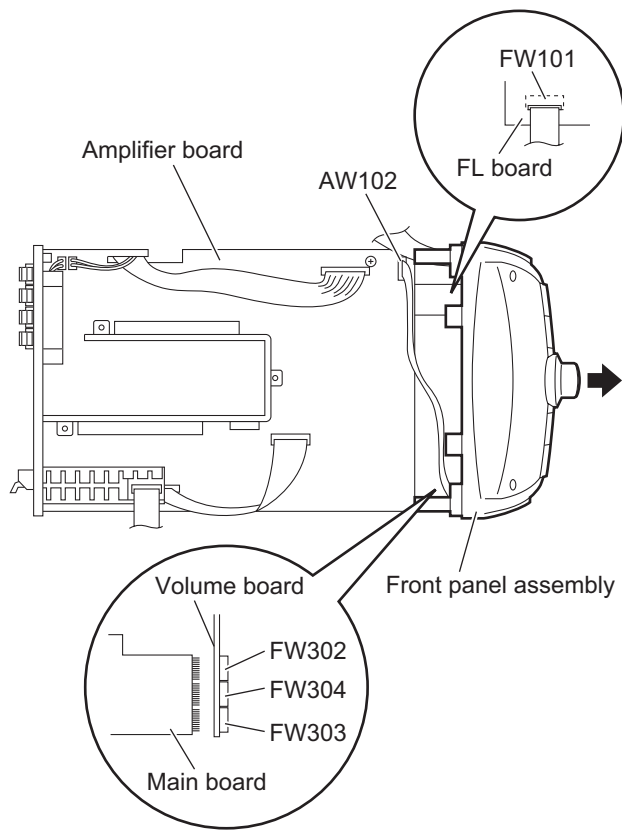


Fig.6

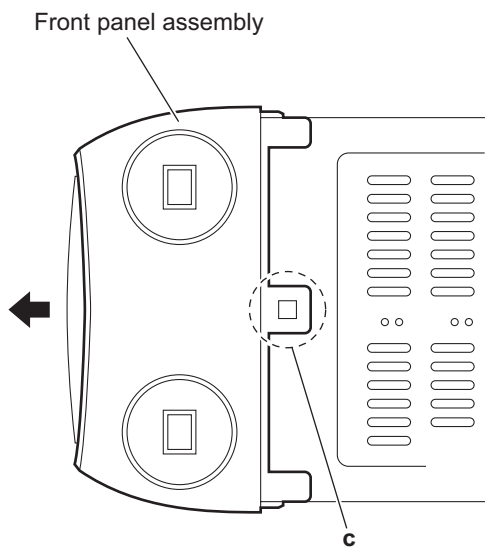


Fig.7

3.1.3 Removing the tuner (See Figs.8 and 9.)

- Remove the metal cover.
 - From the left side of the main body, disconnect the card wire from the connector on the tuner. (See Fig.8.)
 - From the back side of the main body, remove the two screws **D** attaching the tuner to the rear panel. (See Fig.9.)

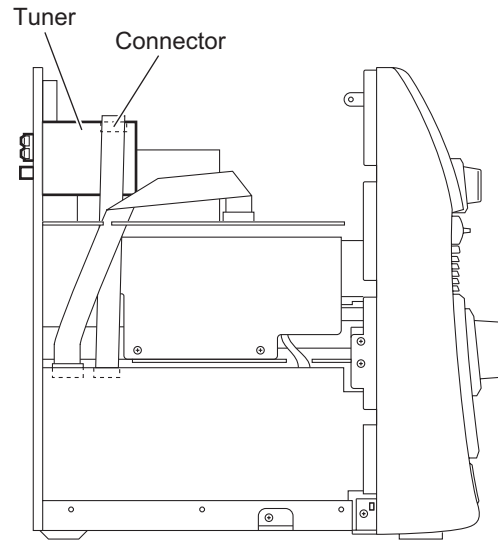


Fig.8

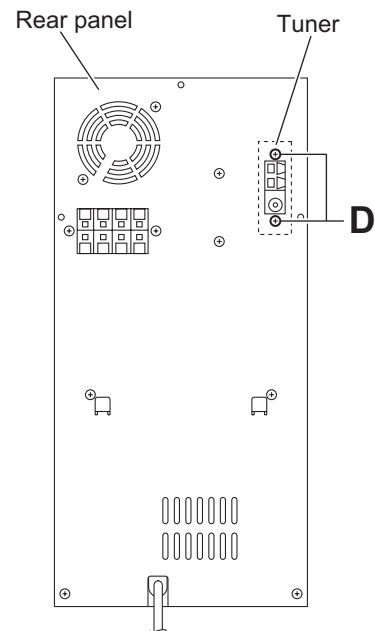


Fig.9

3.1.4 Removing the fan motor (See Figs.10 and 11)

- Remove the metal cover.
 - From the top side of the main body, disconnect the wire from the connector **FAN101** on the amplifier board. (See Fig.10.)
 - From the back side of the main body, remove the two screws **E** attaching the fan motor to the rear panel. (See Fig.11.)
 - Take out the fan motor from the main body.

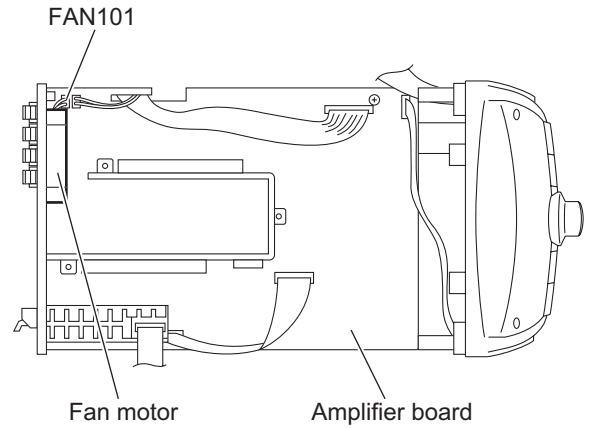


Fig.10

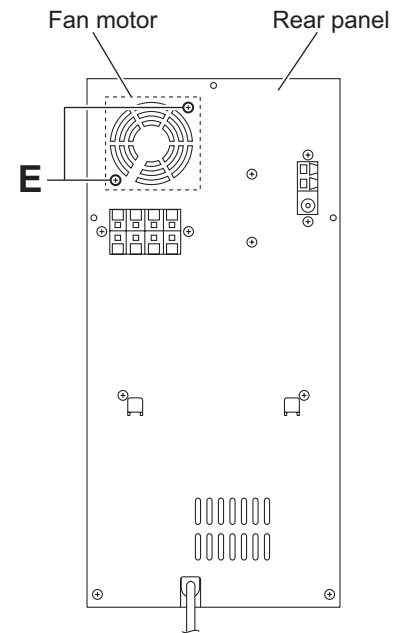


Fig.11

3.1.5 Removing the rear panel (See Fig.12)

- Remove the metal cover.
 - (1) From the back side of the main body, remove the twelve screws **F** attaching the rear panel.
 - (2) Remove the sections **d** toward this side and remove the rear panel.

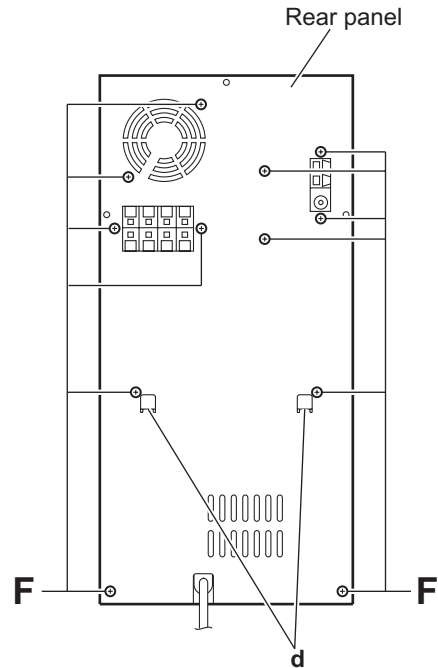


Fig.12

3.1.6 Removing the amplifier board (See Fig.13)

- Remove the metal cover and rear panel.
 - (1) From the top side of the main body, disconnect the wire of the fan motor from the connector [FAN101](#) on the amplifier board.
 - (2) Disconnect the wire from the connector [FAN102](#) on the amplifier board and remove the wire from the slot **e**.
 - (3) Disconnect the wire from the connector [AW102](#) on the amplifier board.
 - (4) Disconnect the parallel wire from the connector [CW108](#) on the amplifier board and remove the parallel wire from the slot **e**.
 - (5) Disconnect the card wire from the connector [AW101](#) on the amplifier board and remove the card wire from the slot **f**.
 - (6) Remove the card wire of the tuner from the slot **f**.

Reference:

- Remove the tuner as required.
- When connecting the each wire, pass them through the slots (**e**, **f**) as before.

- (7) Remove the screw **G** and take out the amplifier board from the main body.

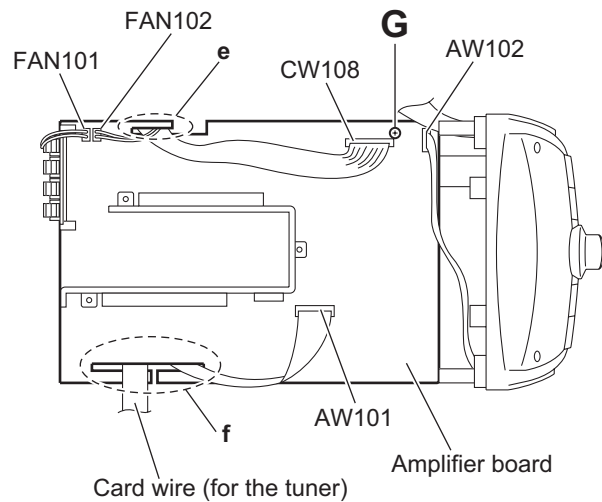


Fig.13

3.1.7 Removing the power amplifier ICs (See Figs.14 to 16)

- Remove the metal cover, rear panel and amplifier board.
 - From the forward side of the amplifier board, remove the four screws **H** and screw **J** attaching the power amplifier ICs to the heat sink. (See Figs.14 and 15.)
 - From the reverse side of the amplifier board, remove the three screws **K** attaching the heat sink. (See Fig.16.)
 - Remove the soldered sections (**g**, **h**, **j**) and remove the power amplifier ICs from the forward side of the amplifier board. (See Fig.16.)

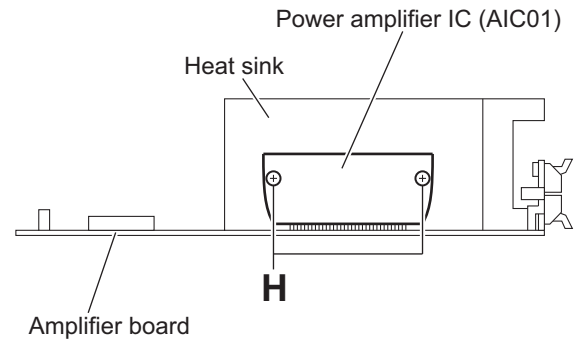


Fig.14

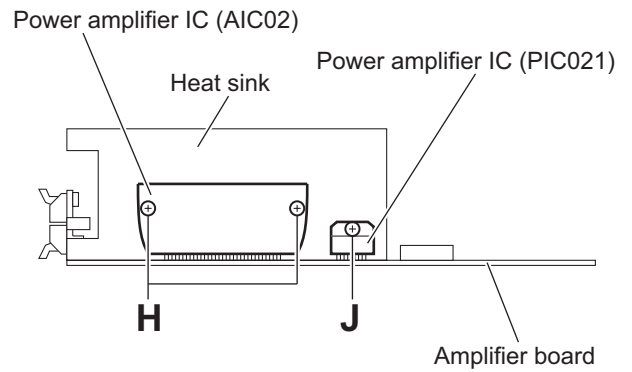


Fig.15

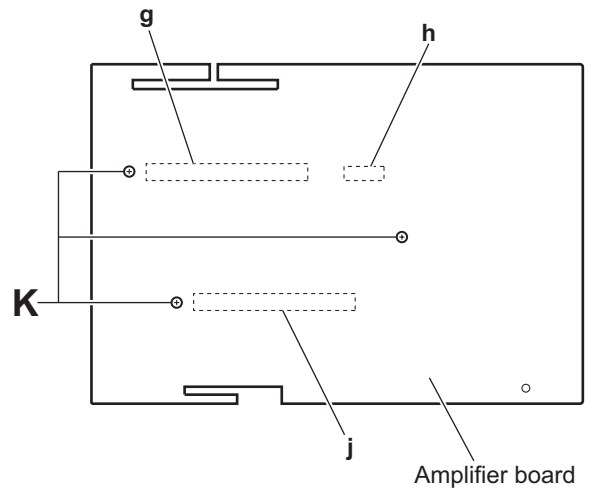


Fig.16

3.1.8 Removing the 5CD changer mechanism assembly (See Figs.17 to 22)

- Remove the metal cover, rear panel and amplifier board.
 - From the top side of the main body, disconnect the card wire from the connector [FW101](#) on the FL board of the front panel assembly. (See Fig.17.)
 - Remove the spacer and remove the card wire from the sections **k** on the shield. (See Fig.17.)
 - From the right side of the main body, remove the spacer and remove the card wires from the sections **m** of the shield. (See Fig.18.)
 - From the both sides of the main body, remove the four screws **M** and remove the shield from the main body. (See Figs.18 and 19.)
 - From the both sides of the main body, remove the four screws **N** and remove the 5CD changer mechanism assembly from the main body in the direction of the arrow. (See Figs.20 and 21.)
 - From the top side of the 5CD changer mechanism assembly, remove the two screws **P** and two screws **Q** and remove the base 1 and base 2. (See Fig.22.)
 - From the bottom side of the 5CD changer mechanism assembly, disconnect the wire from the connector [CW104](#) on the mechanism control board. (See Fig.22.)

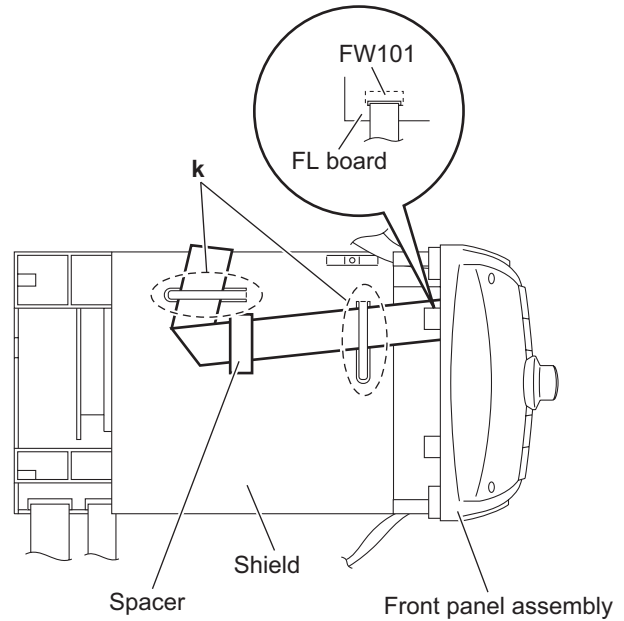


Fig.17

Reference:

When the resolution of 5CD changer mechanism assembly is done sequentially, release the claws **n** of the tray panel and remove the five tray panels from the 5CD changer mechanism assembly. (See Fig.22.)

Note:

When releasing the claws **n**, take care not to break them. (See Fig.22.)

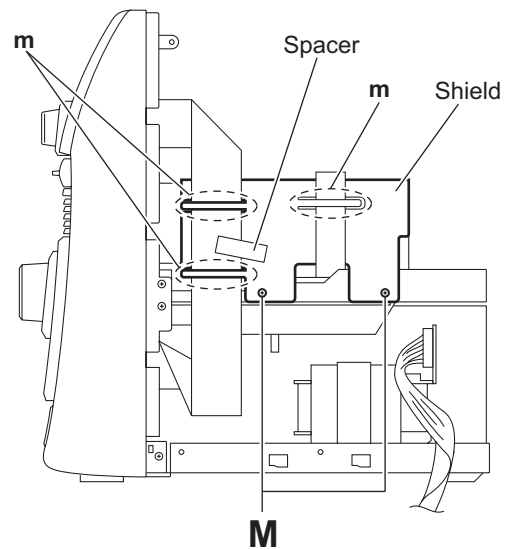


Fig.18

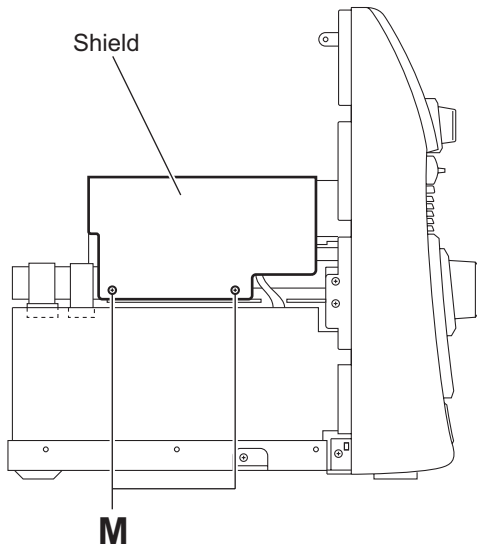


Fig.19

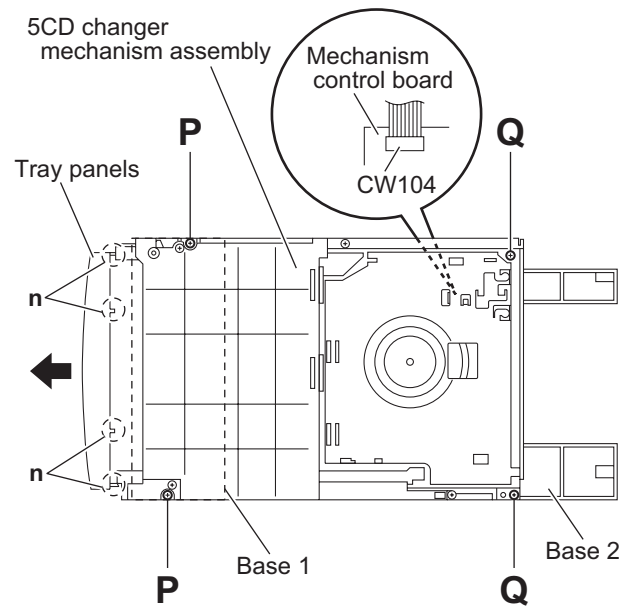


Fig.22

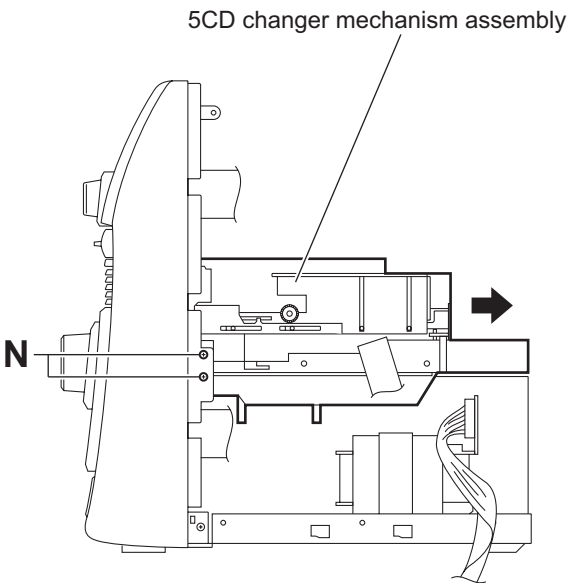


Fig.20

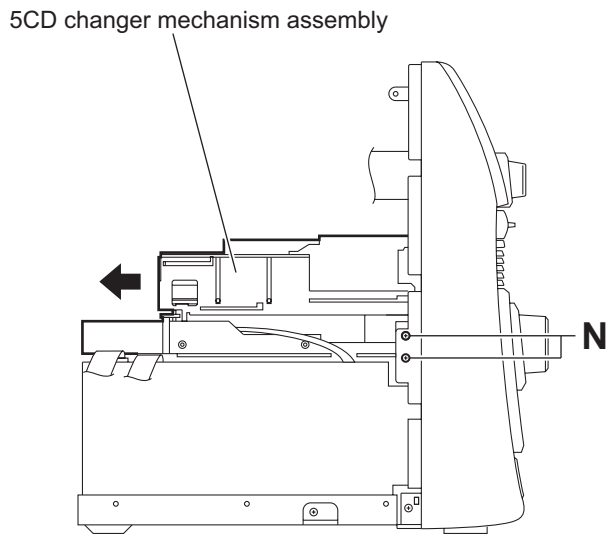


Fig.21

3.1.9 Removing the power transformer (See Fig.23)

- Remove the metal cover, rear panel, amplifier board and 5CD changer mechanism assembly.
 - From the top side of the main body, disconnect the wire from the connector [PW101](#) on the main board.
 - Remove the three screws **R** attaching the power transformer on the bottom chassis.
 - Take out the power transformer.

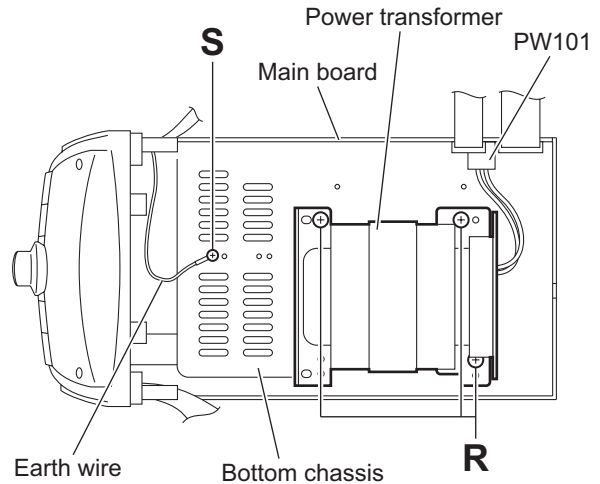


Fig.23

3.1.10 Removing the main board (See Figs.23 and 24)

- Remove the metal cover, rear panel, amplifier board and 5CD changer mechanism assembly.
 - From the top side of the main body, remove the screw **S** attaching the earth wire on the bottom chassis. (See Fig.23.)
 - From the forward side of the main board, disconnect the wire from the connector [PW101](#). (See Figs.23 and 24.)
 - Disconnect the power cord from the connector [PW103](#). (See Fig.24.)
 - Remove the screw **T** attaching the main board. (See Fig.24.)
 - Disconnect the connectors ([CW101](#), [CW102](#), [CW105](#)) on the main board from the front panel assembly in the direction of the arrow. (See Fig.24.)

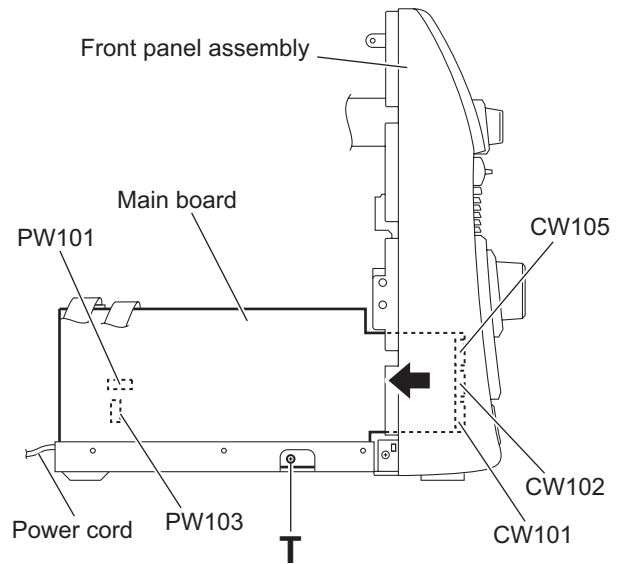


Fig.24

3.1.11 Removing the FL board (See Fig.25)

- Remove the metal cover and front panel assembly.
 - From the inside of the front panel assembly, remove the four screws **U** attaching the FL board.
 - Take out the FL board from the front panel assembly and disconnect the card wire from the connector [FW102](#) on the forward side of the FL board.

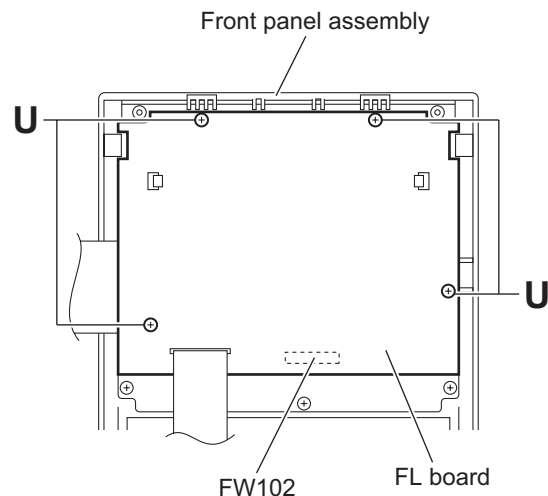


Fig.25

3.1.12 Removing the switch board
(See Figs.26 and 27)

- Remove the metal cover, front panel assembly and FL board.
 - From the front side of the front panel assembly, pull out the preset knob in the direction of the arrow. (See Fig.26.)
 - From the inside of the front panel assembly, remove the six screws **U** attaching the switch board. (See Fig.27.)
 - Take out the switch board from the front panel assembly and disconnect the card wire from the connector [FW201](#) on the forward side of the switch board. (See Fig.27.)

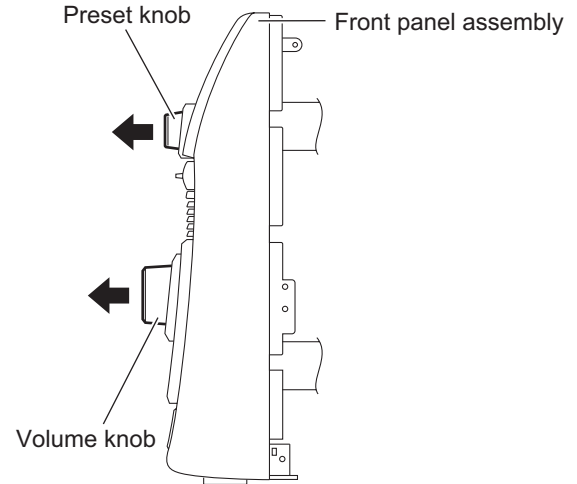


Fig.26

3.1.13 Removing the volume and jack boards
(See Figs.26 and 28)

- Remove the metal cover and front panel assembly.
 - From the front side of the front panel assembly, pull out the volume knob in the direction of the arrow. (See Fig.26.)
 - Disconnect the card wire from the connector [FW301](#) on the volume board. (See Fig.28.)
 - From the inside of the front panel assembly, remove the ten screws **U** attaching the volume and jack boards. (See Fig.28.)
 - Take out the volume board with the jack board from the front panel assembly.

Reference:

When removing the jack board from the volume board, remove the soldered sections **p** on the jack board as required. (See Fig.28.)

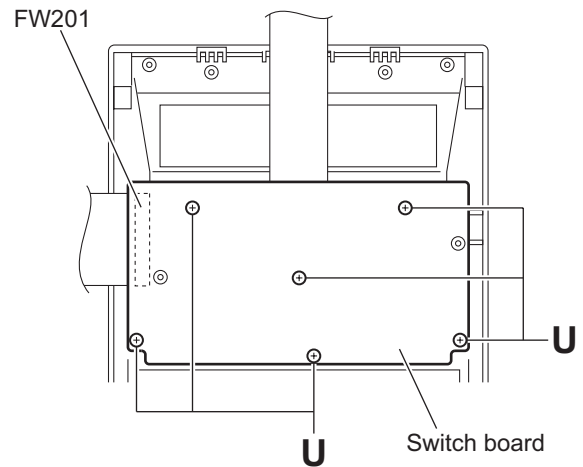


Fig.27

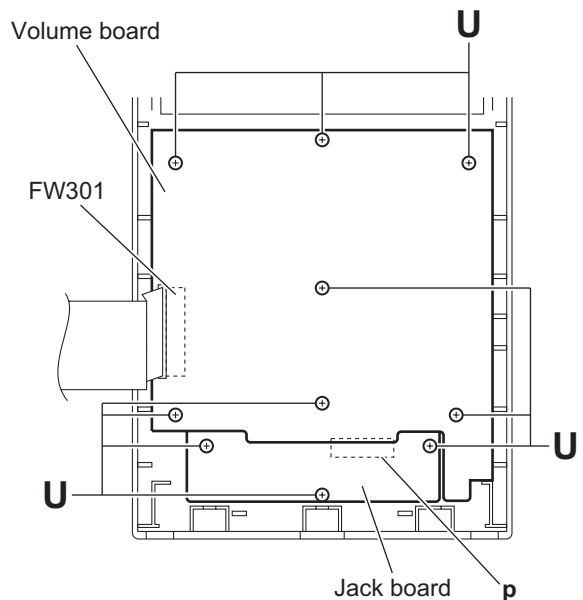


Fig.28

3.2 Speaker section

3.2.1 Removing the side panel assembly (See Fig.1)

- (1) From the side of the speaker main body, remove the four screws **A** attaching the side panel assembly.
- (2) Insert the tip of a flat-bladed screwdriver or similar tool into the space between the speaker main body and side panel assembly, and lift the side panel assembly little by little to remove the joint sections **a**.

Note:

To prevent damaging the side panel assembly and speaker main body, insert cushioning plates etc. into the space between the speaker main body and side panel assembly.

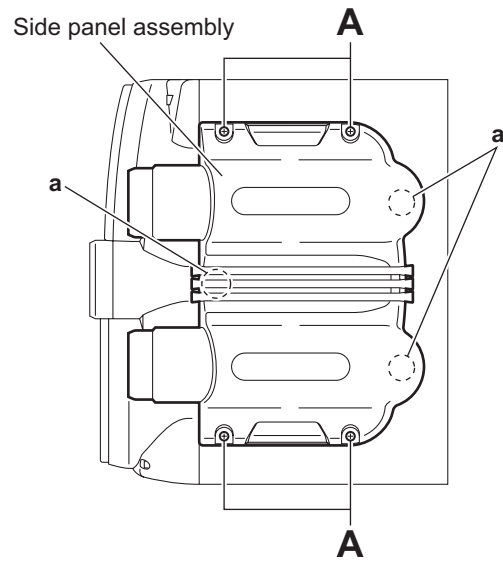


Fig.1

3.2.2 Removing the front panel assembly (See Figs.2 and 3)

Reference:

Remove the side panel assembly as required.

- (1) Insert the tip of a flat-bladed screwdriver or similar tool into the space between the speaker main body and front panel assembly, and lift the front panel assembly little by little to remove the joint sections **b**. (See Fig.2.)
- (2) From the inside of the front panel assembly, disconnect the wires (blue and black wires) from the terminals on the tweeter. (See Fig.3.)

3.2.3 Removing the tweeter (See Fig.3)

- Remove the front panel assembly.

Reference:

Remove the side panel assembly as required.

- (1) From the inside of the front panel assembly, remove the wires (red and black wires) from the soldered sections **c** on the terminals of the tweeter.
- (2) Remove the two screws **B**, take out the tweeter from the front panel assembly.

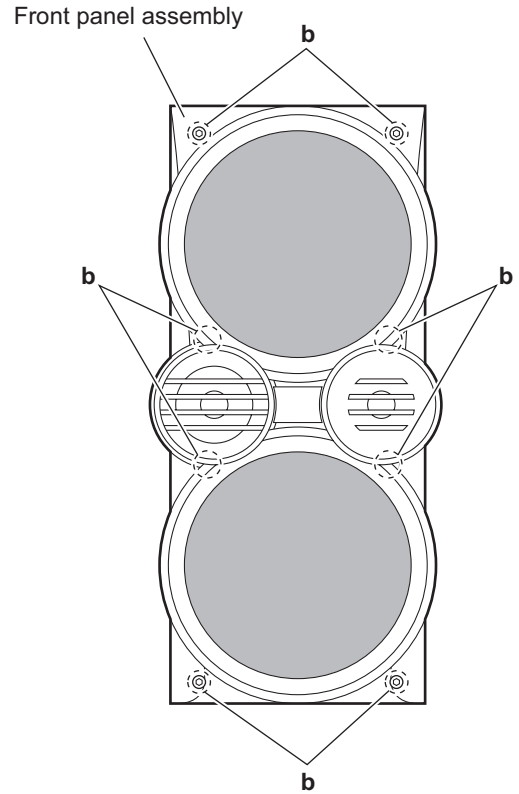


Fig.2

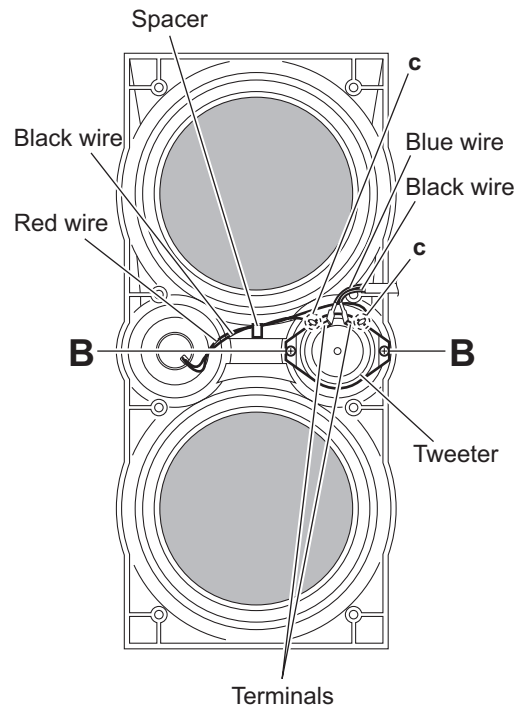


Fig.3

3.2.4 Removing the top woofer (See Fig.4)

- Remove the front panel assembly.

Reference:

Remove the side panel assembly as required.

- (1) Remove the four screws **C** attaching the top woofer.
- (2) Take out the top woofer from the speaker main body and disconnect the wires (blue/black and black wires) from the terminal on the back side of the top woofer.

3.2.5 Removing the bottom woofer (See Fig.4)

- Remove the front panel assembly.

Reference:

Remove the side panel assembly as required.

- (1) Remove the four screws **C** attaching the bottom woofer.
- (2) Take out the bottom woofer from the speaker main body and disconnect the wires (red and black wires) from the terminal on the back side of the bottom woofer.

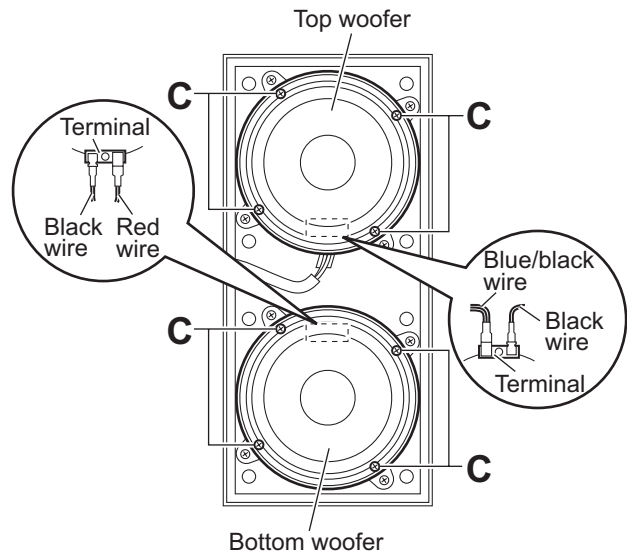


Fig.4

SECTION 4 ADJUSTMENT

This service manual does not describe ADJUSTMENT.

SECTION 5 TROUBLESHOOTING

This service manual does not describe TROUBLESHOOTING.



JVC

Victor Company of Japan, Limited
AV & MULTIMEDIA COMPANY AUDIO/VIDEO SYSTEMS CATEGORY 10-1,1chome,Ohwatari-machi,Maebashi-city,371-8543,Japan

(No.MB366)

PARTS LIST

[HX-C6]

* All printed circuit boards and its assemblies are not available as service parts.

Area suffix

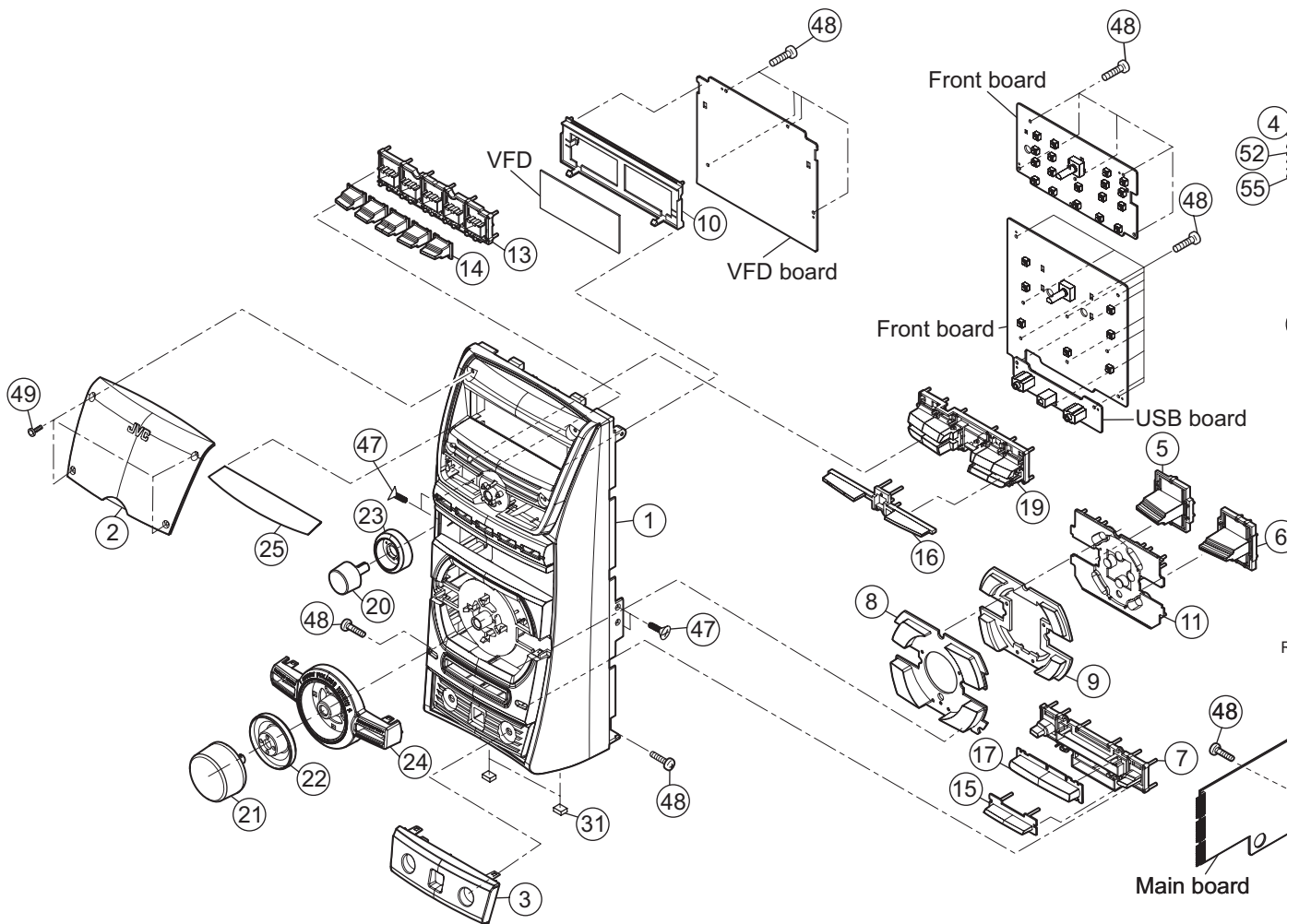
J ----- U.S.A.

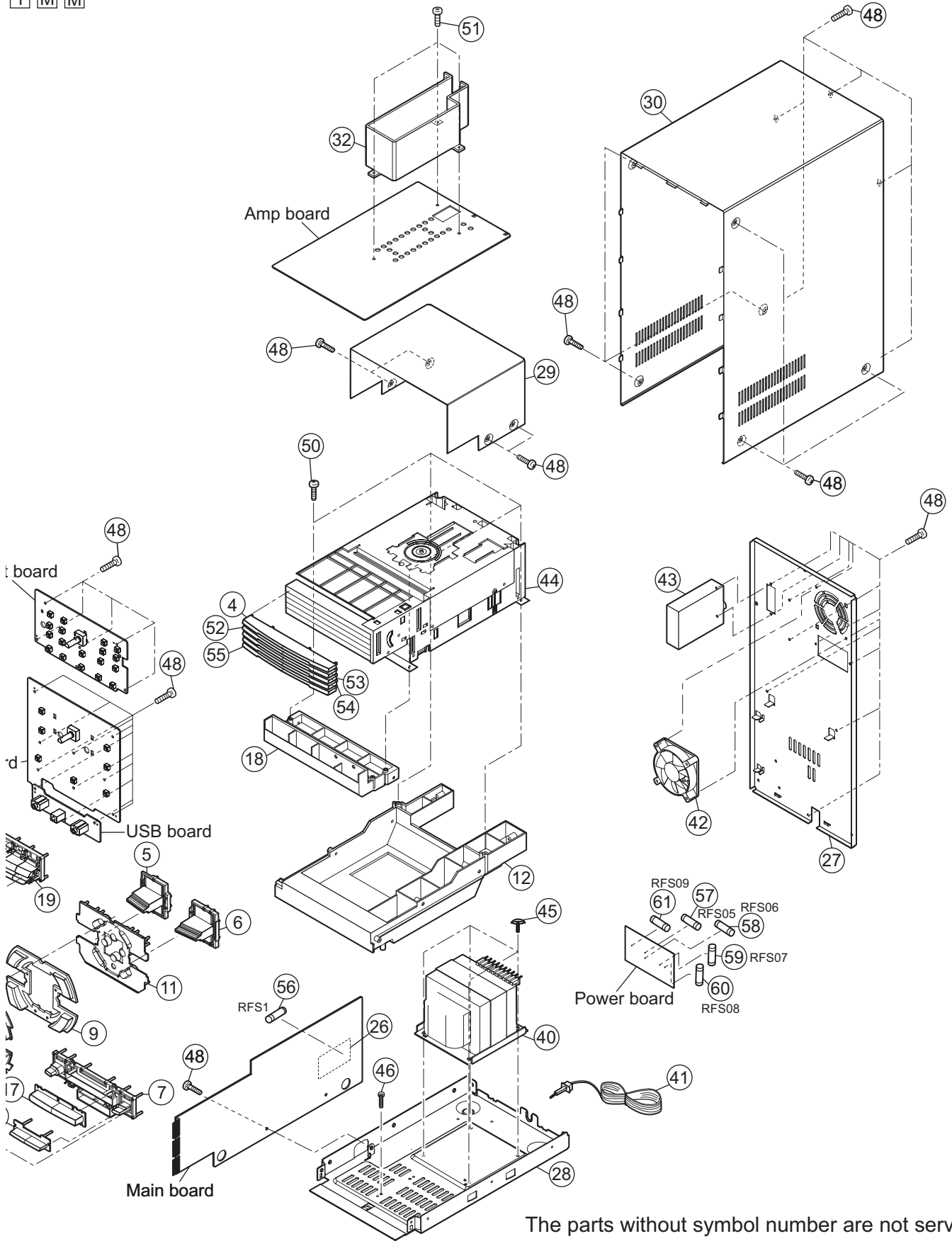
- Contents -

Exploded view of general assembly and parts list (Block No.M1)	3- 2
Electrical parts list (Block No.01~05)	3- 5
Packing materials and accessories parts list (Block No.M3)	3-14

Exploded view of general assembly and parts list

Block No. M 1 M M





The parts without symbol number are not service.

General Assembly

Block No. [M][1][M][M]

△	Symbol No.	Part No.	Part Name	Description	Local
	1	AH64-03278B	FRONT CABINET	MIPS V2	
	2	AH64-03279B	VFD WINDOW	PMMA VIS GS-15C	
	3	AH64-03280B	USB WINDOW	PMMA VIS GS-15C	
	4	AH64-03283B	CD DOOR	ABS L/GRAY Disk1	
	5	AH64-03284B	SOUND MODE KNOB	ABS 94HB	
	6	AH64-03285B	SUBWOOFER KNOB	ABS 94HB	
	7	AH64-03286B	DEMO KNOB	ABS 94HB	
	8	AH64-03282A	WINDOW RING	PMMA VIS GS-15C	
	9	AH67-00336B	LENS RING	PMMA MILKY	
	10	AH61-01831A	VFD HOLDER	ABS BLACK	
	11	AH61-01834A	VOLUME HOLDER	ABS WHITE	
	12	AH61-01835A	DECK HOLDER	ABS WHITE	
	13	AH61-01833A	DISC HOLDER	ABS BLACK	
	14	AH67-00335B	DISC LENS	ABS CLEAR	
	15	AH67-00339A	USB LENS	PMMA MILKY	
	16	AH67-00334A	FUNCTION LENS	PMMA VIS GS-15C	
	17	AH67-00338B	RHYTHM AX LENS	ABS CLEAR	
	18	AH67-00340A	DECK CAP	ABS	
	19	AH61-01832B	FUNCTION HOLDER	ABS BLACK	
	20	AH64-03289B	JOG KNOB	ABS 94HB	
	21	AH64-03290B	VOLUME KNOB	ABS 94HB	
	22	AH67-00337A	VOLUME LENS	PMMA MILKY	
	23	AH67-00341B	JOG CAP	ABS NATURAL	
	24	AH67-00342B	VOLUME CAP	ABS NATURAL	
	25	AH63-00913A	MIRROR SHEET	PC T0.5	
	26	AH63-00278L	PCB COVER	PC T0.5	
	27	AH64-03293B	REAR CABINET	SECC T0.8	
	28	AH64-03292A	BOTTOM CABINET	SECC T1.0	
	29	AH63-00912A	DECK COVER	SECC T0.8	
	30	AH64-03291B	TOP CABINET	SECC T0.6	
	31	AH69-20031A	FOOT	(x2)	
	32	AH62-00137A	HEAT SINK	AL T3.0	
△	40	AH26-00324A	POWER TRANS	120V 60HZ	
△	41	AH39-00258J	POWER CORD		
	42	AH31-00044A	FAN ASSY		
	43	AH40-00097A	TUNER PACK		
	44	AH59-01474A	5DISC DECK ASSY		
	45	6003-001463	SCREW	TH 4X6 YEL(x4)	
	46	6003-001561	SCREW	BH 2S M3X6 YEL	
	47	6002-000126	SCREW	M3X10 BLACK(x4)	
	48	6003-000276	SCREW	M3X10 YEL(x49)	
	49	AH64-01106G	SCREW	M3X10 SILVER(x4)	
	50	6003-000109	SCREW	M2.6XL8(x4)	
	51	6003-001375	SCREW	M3XL8(x3)	
	52	AH64-03283C	CD DOOR	ABS L/GRAY Disk2	
	53	AH64-03283D	CD DOOR	ABS L/GRAY Disk3	
	54	AH64-03283E	CD DOOR	ABS L/GRAY Disk4	
	55	AH64-03283F	CD DOOR	ABS L/GRAY Disk5	
△	56	3601-000414	FUSE	250V 5A RFS1	
△	57	3601-001007	FUSE	250V 6.3A RFS05	
△	58	3601-001007	FUSE	250V 6.3A RFS06	
△	59	3601-001277	FUSE	250V 8A RFS07	
△	60	3601-001277	FUSE	250V 8A RFS08	
△	61	3601-000414	FUSE	250V 5A RFS09	

Electrical parts list

Main board

Block No. [0][1]					Symbol No.	Part No.	Part Name	Description	Local
Symbol No.	Part No.	Part Name	Description	Local					
AIC01	KIA324F	IC	1201-000471		AE110	2401-000027	E CAPACITOR	4.7uF 50V	
AIC02	KIA324F	IC	1201-000471		AE111	2401-001912	E CAPACITOR	1uF 50V	
AIC03	4558	IC	1201-000461		AE112	2401-000042	E CAPACITOR	100uF 16V	
EIC01	TDA7442D	IC	1204-001776		AE114	2401-001975	E CAPACITOR	47uF 16V	
EIC02	4558	IC	1201-000461		AE115	2401-001975	E CAPACITOR	47uF 16V	
HIC01	BA4556	IC	1201-001285		AE116	2401-000651	E CAPACITOR	2.2uF 50V	
PIC01	KA78L05	IC	AC14-12001G		AE117	2401-000027	E CAPACITOR	4.7uF 50V	
SIC01	LA2651M	IC	1204-002268		CE101	2401-000042	E CAPACITOR	100uF 16V	
SIC02	4558	IC	1201-000461		CE102	2401-000042	E CAPACITOR	100uF 16V	
AQ101	KSC945	TRANSISTOR	0501-000398		EC07L	2301-000454	M CAPACITOR	5.6nF 50V	
AQ102	KSC945	TRANSISTOR	0501-000398		EC07R	2301-000454	M CAPACITOR	5.6nF 50V	
AQ103	KSC945	TRANSISTOR	0501-000398		EC08L	2301-000216	M CAPACITOR	220nF 50V	
EQ02	KSR2003	DEGI TRANSISTOR	0504-000145		EC08R	2301-000216	M CAPACITOR	220nF 50V	
EQ03	KSR1003	DEGI TRANSISTOR	0504-000118		EC09L	2301-000216	M CAPACITOR	220nF 50V	
EQ01L	KTC2874-B	TRANSISTOR	0501-002436		EC09R	2301-000216	M CAPACITOR	220nF 50V	
EQ01R	KTC2874-B	TRANSISTOR	0501-002436		EC101	2301-000361	M CAPACITOR	1.2nF 50V	
EQ101	KSC945	TRANSISTOR	0501-000398		EC102	2301-000375	M CAPACITOR	100nF 50V	
FQ101	KSC2331-Y	TRANSISTOR	0501-000369		EC103	2201-000021	C CAPACITOR	100nF 50V	
FQ102	KSA928A-Y	TRANSISTOR	0501-000316		EC11L	2201-000557	C CAPACITOR	0.47nF 50V	
HQ02	KTC2874-B	TRANSISTOR	0501-002436		EC11R	2201-000557	C CAPACITOR	0.47nF 50V	
HQ01L	KTC2874-B	TRANSISTOR	0501-002436		EC12L	2201-000379	C CAPACITOR	22nF 50V	
HQ01R	KTC2874-B	TRANSISTOR	0501-002436		EC12R	2201-000379	C CAPACITOR	22nF 50V	
PQ101	KTC8050	TRANSISTOR	0501-002375		EC13L	2201-000379	C CAPACITOR	22nF 50V	
PQ107	KSA928A-Y	TRANSISTOR	0501-000316		EC13R	2201-000379	C CAPACITOR	22nF 50V	
PQ108	KTC3199-Y	TRANSISTOR	0501-000014		EE25	2401-001912	E CAPACITOR	1uF 50V	
PQ109	KSD1691	TRANSISTOR	0502-001048		EE01L	2401-001912	E CAPACITOR	1uF 50V	
SQ01	KTC2874-B	TRANSISTOR	0501-002436		EE01R	2401-001912	E CAPACITOR	1uF 50V	
SQ02	KRA104M	DEGI TRANSISTOR	0504-001175		EE02L	2401-001912	E CAPACITOR	1uF 50V	
AD101	1N4148	DIODE	0401-000101		EE02R	2401-001912	E CAPACITOR	1uF 50V	
AD102	1N4148	DIODE	0401-000101		EE03L	2401-001912	E CAPACITOR	1uF 50V	
AD103	1N4148	DIODE	0401-000101		EE03R	2401-001912	E CAPACITOR	1uF 50V	
AD104	1N4148	DIODE	0401-000101		EE04L	2401-001912	E CAPACITOR	1uF 50V	
DP103	1N4002	DIODE	0402-000127		EE04R	2401-001912	E CAPACITOR	1uF 50V	
DPD02	PBL403	BRIDGE DIODE	0402-000450		EE05L	2401-001912	E CAPACITOR	1uF 50V	
DPD03	PBL403	BRIDGE DIODE	0402-000450		EE05R	2401-001912	E CAPACITOR	1uF 50V	
ED101	1N4148	DIODE	0401-000101		EE06L	2401-000651	E CAPACITOR	2.2uF 50V	
ED102	1N4148	DIODE	0401-000101		EE06R	2401-000651	E CAPACITOR	2.2uF 50V	
EZD01	UZ9.1BM	Z DIODE	0403-001170		EE07L	2401-000651	E CAPACITOR	2.2uF 50V	
JW64	1N4002	DIODE	0402-000127		EE07R	2401-000651	E CAPACITOR	2.2uF 50V	
PD101	1N4148	DIODE	0401-000101		EE08L	2401-001912	E CAPACITOR	1uF 50V	
PD102	1N4002	DIODE	0402-000127		EE08R	2401-001912	E CAPACITOR	1uF 50V	
PD103	1N4002	DIODE	0402-000127		EE09L	2401-000455	E CAPACITOR	10uF 35V	
PD104	1N4002	DIODE	0402-000127		EE09R	2401-000455	E CAPACITOR	10uF 35V	
PD105	1N4002	DIODE	0402-000127		EE101	2401-000438	E CAPACITOR	10uF 25V	
PD106	1N4002	DIODE	0402-000127		EE102	2401-001975	E CAPACITOR	47uF 16V	
PD107	1N4002	DIODE	0402-000127		EE103	2401-000832	E CAPACITOR	220uF 25V	
PD108	1N4002	DIODE	0402-000127		EE104	2401-000042	E CAPACITOR	100uF 16V	
PZ101	UZ5.1B	Z DIODE	0403-000354		EE105	2401-000042	E CAPACITOR	100uF 16V	
PZ106	UZ5.6BM	Z DIODE	0403-000509		EE106	2401-000048	E CAPACITOR	47uF 25V	
SZD01	UZ9.1BM	Z DIODE	0403-001170		EE107	2401-000027	E CAPACITOR	4.7uF 50V	
AC01L	2202-000263	C CAPACITOR	470pF 50V		EE108	2401-000027	E CAPACITOR	4.7uF 50V	
AC01R	2202-000263	C CAPACITOR	470pF 50V		EE109	2401-000759	E CAPACITOR	220nF 50V	
AC101	2301-000216	M CAPACITOR	220nF 50V		EE110	2401-000048	E CAPACITOR	47uF 25V	
AC102	2301-000474	M CAPACITOR	8.2nF 50V		FC101	2401-001975	E CAPACITOR	47uF 16V	
AC103	2301-000390	M CAPACITOR	15nF 50V		FC102	2401-000048	E CAPACITOR	47uF 25V	
AC104	2201-000021	C CAPACITOR	100nF 50V		HC01L	2201-000863	C CAPACITOR	0.68nF 50V	
AC105	2301-000419	M CAPACITOR	27nF 50V		HC01R	2201-000863	C CAPACITOR	0.68nF 50V	
AC106	2301-000449	M CAPACITOR	47nF 50V		HC02L	2201-000146	C CAPACITOR	0.1nF	
AC107	2301-000375	M CAPACITOR	100nF 50V		HC02R	2201-000146	C CAPACITOR	0.1nF	
AC108	2301-000375	M CAPACITOR	100nF 50V		HC03L	2201-000389	C CAPACITOR	0.022nF	
AC109	2301-000419	M CAPACITOR	27nF 50V		HC03R	2201-000389	C CAPACITOR	0.022nF	
AC110	2301-000216	M CAPACITOR	220nF 50V		HE01L	2401-001912	E CAPACITOR	1uF 50V	
AC111	2201-000146	C CAPACITOR	0.1nF		HE01R	2401-001912	E CAPACITOR	1uF 50V	
AE101	2401-000042	E CAPACITOR	100uF 16V		HE02L	2401-001164	E CAPACITOR	33uF 16V	
AE102	2401-000042	E CAPACITOR	100uF 16V		HE02R	2401-001164	E CAPACITOR	33uF 16V	
AE103	2401-000027	E CAPACITOR	4.7uF 50V		HE101	2401-000832	E CAPACITOR	220uF 25V	
AE104	2401-000027	E CAPACITOR	4.7uF 50V		HE102	2401-000832	E CAPACITOR	220uF 25V	
AE107	2401-000042	E CAPACITOR	100uF 16V		HE103	2401-001975	E CAPACITOR	47uF 16V	
AE109	2401-001975	E CAPACITOR	47uF 16V		HE104	2201-000795	C CAPACITOR	4.7nF	
					△ PC001	2201-000795	C CAPACITOR	4.7nF	
					△ PC002	2201-000795	C CAPACITOR	4.7nF	
					PE101	2401-001415	E CAPACITOR	470uF 35V	
					PE102	2401-001936	E CAPACITOR	22uF 16V	
					PE103	2401-000027	E CAPACITOR	4.7uF 50V	
					PE215	2401-002042	E CAPACITOR	220uF 10V	
					SC01	2301-000419	M CAPACITOR	27nF 50V	
					SE04	2401-000651	E CAPACITOR	2.2uF 50V	

△ Symbol No.	Part No.	Part Name	Description	Local	△ Symbol No.	Part No.	Part Name	Description	Local
SE05	2401-000651	E CAPACITOR	2.2uF 50V		ER05L	2001-000515	C RESISTOR	220Ω 1/8W	
SE08	2401-000438	E CAPACITOR	10uF 25V		ER05R	2001-000515	C RESISTOR	220Ω 1/8W	
SE09	2401-000027	E CAPACITOR	4.7uF 50V		ER06L	2001-000786	C RESISTOR	47KΩ 1/8W	
SE10	2401-000438	E CAPACITOR	10uF 25V		ER06R	2001-000786	C RESISTOR	47KΩ 1/8W	
SE11	2401-000438	E CAPACITOR	10uF 25V		ER07L	2001-000734	C RESISTOR	4.7KΩ 1/8W	
SE12	2401-000438	E CAPACITOR	10uF 25V		ER07R	2001-000734	C RESISTOR	4.7KΩ 1/8W	
SE13	2401-000027	E CAPACITOR	4.7uF 50V		ER08L	2001-000786	C RESISTOR	47KΩ 1/8W	
SE14	2401-000759	E CAPACITOR	220nF 50V		ER08R	2001-000786	C RESISTOR	47KΩ 1/8W	
SE15	2401-000651	E CAPACITOR	2.2uF 50V		ER09L	2001-000331	C RESISTOR	12KΩ 1/8W	
SE16	2401-001645	E CAPACITOR	0.68uF 50V		ER09R	2001-000331	C RESISTOR	12KΩ 1/8W	
SE17	2401-000048	E CAPACITOR	47uF 25V		ER101	2001-000515	C RESISTOR	220Ω 1/8W	
SE01L	2401-000027	E CAPACITOR	4.7uF 50V		ER102	2001-000515	C RESISTOR	220Ω 1/8W	
SE01R	2401-000027	E CAPACITOR	4.7uF 50V		ER103	2001-000023	C RESISTOR	47Ω 1/4W	
SE02L	2401-000048	E CAPACITOR	47uF 25V		ER104	2001-000022	C RESISTOR	33Ω 1/2W	
SE02R	2401-000048	E CAPACITOR	47uF 25V		ER105	2001-000591	C RESISTOR	3.3KΩ 1/8W	
SE03L	2401-000438	E CAPACITOR	10uF 25V		ER109	2001-000290	C RESISTOR	10KΩ 1/8W	
SE03R	2401-000438	E CAPACITOR	10uF 25V		ER10L	2001-000273	C RESISTOR	100KΩ 1/8W	
SE06L	2401-001938	E CAPACITOR	22uF 25V		ER10R	2001-000273	C RESISTOR	100KΩ 1/8W	
SE06R	2401-001938	E CAPACITOR	22uF 25V		ER110	2001-000773	C RESISTOR	470KΩ 1/8W	
SE07L	2401-000438	E CAPACITOR	10uF 25V		ER111	2001-000515	C RESISTOR	220Ω 1/8W	
SE07R	2401-000438	E CAPACITOR	10uF 25V		ER112	2001-000645	C RESISTOR	330KΩ 1/8W	
					ER113	2001-000989	C RESISTOR	820KΩ 1/8W	
AR01L	2001-000793	C RESISTOR	47Ω 1/8W		ER114	2001-000786	C RESISTOR	47KΩ 1/8W	
AR01R	2001-000793	C RESISTOR	47Ω 1/8W		ER13L	2001-000356	C RESISTOR	150KΩ 1/8W	
AR02L	2001-000786	C RESISTOR	47KΩ 1/8W		ER13R	2001-000356	C RESISTOR	150KΩ 1/8W	
AR02R	2001-000786	C RESISTOR	47KΩ 1/8W		ER14L	2001-000008	C RESISTOR	15KΩ 1/8W	
AR03L	2001-000508	C RESISTOR	220KΩ 1/8W		ER14R	2001-000008	C RESISTOR	15KΩ 1/8W	
AR03R	2001-000508	C RESISTOR	220KΩ 1/8W		ER15L	2001-000290	C RESISTOR	10KΩ 1/8W	
AR101	2001-000563	C RESISTOR	27KΩ 1/8W		ER15R	2001-000290	C RESISTOR	10KΩ 1/8W	
AR102	2001-000563	C RESISTOR	27KΩ 1/8W		ER16L	2001-000003	C RESISTOR	330Ω 1/8W	
AR103	2001-000548	C RESISTOR	270KΩ 1/8W		ER16R	2001-000003	C RESISTOR	330Ω 1/8W	
AR104	2001-000273	C RESISTOR	100KΩ 1/8W		ER17L	2001-000003	C RESISTOR	330Ω 1/8W	
AR105	2001-000273	C RESISTOR	100KΩ 1/8W		ER17R	2001-000003	C RESISTOR	330Ω 1/8W	
AR106	2001-000522	C RESISTOR	22KΩ 1/8W		ER19L	2001-000591	C RESISTOR	3.3KΩ 1/8W	
AR107	2001-000522	C RESISTOR	22KΩ 1/8W		ER19R	2001-000591	C RESISTOR	3.3KΩ 1/8W	
AR108	2001-000281	C RESISTOR	100Ω 1/8W		ER20L	2001-000864	C RESISTOR	56KΩ 1/8W	
AR109	2001-000281	C RESISTOR	100Ω 1/8W		ER20R	2001-000864	C RESISTOR	56KΩ 1/8W	
AR10L	2001-000793	C RESISTOR	47Ω 1/8W		ER21L	2001-001000	C RESISTOR	82KΩ 1/8W	
AR10R	2001-000793	C RESISTOR	47Ω 1/8W		ER21R	2001-001000	C RESISTOR	82KΩ 1/8W	
AR110	2001-000273	C RESISTOR	100KΩ 1/8W		ER22L	2001-000522	C RESISTOR	22KΩ 1/8W	
AR111	2001-000273	C RESISTOR	100KΩ 1/8W		ER22R	2001-000522	C RESISTOR	22KΩ 1/8W	
AR112	2001-000273	C RESISTOR	100KΩ 1/8W		ER23L	2001-000429	C RESISTOR	1KΩ 1/8W	
AR114	2001-000864	C RESISTOR	56KΩ 1/8W		ER23R	2001-000429	C RESISTOR	1KΩ 1/8W	
AR115	2001-000258	C RESISTOR	1.8KΩ 1/8W		ER24L	2001-000786	C RESISTOR	47KΩ 1/8W	
AR116	2001-000977	C RESISTOR	8.2KΩ 1/8W		ER24R	2001-000786	C RESISTOR	47KΩ 1/8W	
AR118	2001-000508	C RESISTOR	220KΩ 1/8W		ER25L	2001-000591	C RESISTOR	3.3KΩ 1/8W	
AR119	2001-000281	C RESISTOR	100Ω 1/8W		ER25R	2001-000591	C RESISTOR	3.3KΩ 1/8W	
AR11L	2001-000290	C RESISTOR	10KΩ 1/8W		FR101	2001-000429	C RESISTOR	1KΩ 1/8W	
AR11R	2001-000290	C RESISTOR	10KΩ 1/8W		FR102	2001-000449	C RESISTOR	2.2KΩ 1/8W	
AR121	2001-000802	C RESISTOR	5.6KΩ 1/8W		FR103	2001-000027	C RESISTOR	100Ω 1/4W	
AR122	2001-000522	C RESISTOR	22KΩ 1/8W		FR104	2001-000522	C RESISTOR	22KΩ 1/8W	
AR123	2001-000258	C RESISTOR	1.8KΩ 1/8W		HR01L	2001-000449	C RESISTOR	2.2KΩ 1/8W	
AR124	2001-000331	C RESISTOR	12KΩ 1/8W		HR01R	2001-000449	C RESISTOR	2.2KΩ 1/8W	
AR125	2001-000522	C RESISTOR	22KΩ 1/8W		HR02L	2001-000449	C RESISTOR	2.2KΩ 1/8W	
AR126	2001-000522	C RESISTOR	22KΩ 1/8W		HR02R	2001-000449	C RESISTOR	2.2KΩ 1/8W	
AR127	2001-000890	C RESISTOR	6.8KΩ 1/8W		HR03L	2001-000734	C RESISTOR	4.7KΩ 1/8W	
AR128	2001-000522	C RESISTOR	22KΩ 1/8W		HR03R	2001-000734	C RESISTOR	4.7KΩ 1/8W	
AR129	2001-000281	C RESISTOR	100Ω 1/8W		HR04L	2001-000290	C RESISTOR	10KΩ 1/8W	
AR130	2001-000281	C RESISTOR	100Ω 1/8W		HR04R	2001-000290	C RESISTOR	10KΩ 1/8W	
AR131	2001-000281	C RESISTOR	100Ω 1/8W		HR05L	2001-000019	C RESISTOR	10Ω 1/2W	
AR132	2001-000508	C RESISTOR	220KΩ 1/8W		HR05R	2001-000019	C RESISTOR	10Ω 1/2W	
AR133	2001-000449	C RESISTOR	2.2KΩ 1/8W		HR06L	2001-000591	C RESISTOR	3.3KΩ 1/8W	
AR134	2001-001000	C RESISTOR	82KΩ 1/8W		HR06R	2001-000591	C RESISTOR	3.3KΩ 1/8W	
AR135	2001-000273	C RESISTOR	100KΩ 1/8W		HR101	2001-000028	C RESISTOR	100Ω 1/2W	
AR136	2001-000273	C RESISTOR	100KΩ 1/8W		HR102	2001-000028	C RESISTOR	100Ω 1/2W	
AR137	2001-000786	C RESISTOR	47KΩ 1/8W		PR101	2001-000110	C RESISTOR	10Ω 1/4W	
AR138	2001-000786	C RESISTOR	47KΩ 1/8W		PR102	2001-000890	C RESISTOR	6.8KΩ 1/8W	
AR139	2001-000554	C RESISTOR	270Ω 1/8W		PR103	2001-000429	C RESISTOR	1KΩ 1/8W	
AR140	2001-000802	C RESISTOR	5.6KΩ 1/8W		PR104	2001-000734	C RESISTOR	4.7KΩ 1/8W	
AR141	2001-000027	C RESISTOR	100Ω 1/4W		PR105	2001-000734	C RESISTOR	4.7KΩ 1/8W	
AR142	2001-000027	C RESISTOR	100Ω 1/4W		PR215	2001-000290	C RESISTOR	10KΩ 1/8W	
CR01L	2001-000864	C RESISTOR	56KΩ 1/8W		PR219	2001-000734	C RESISTOR	4.7KΩ 1/8W	
CR01R	2001-000864	C RESISTOR	56KΩ 1/8W		PR220	2001-000290	C RESISTOR	10KΩ 1/8W	
CR02L	2001-000411	C RESISTOR	18KΩ 1/8W		PR222	2001-000273	C RESISTOR	100KΩ 1/8W	
CR02R	2001-000411	C RESISTOR	18KΩ 1/8W		PR223	2001-000062	C RESISTOR	470Ω 1/4W	
ER25	2001-000290	C RESISTOR	10KΩ 1/8W		SR01	2001-000773	C RESISTOR	470KΩ 1/8W	
ER02L	2001-000591	C RESISTOR	3.3KΩ 1/8W		SR02	2001-000773	C RESISTOR	470KΩ 1/8W	
ER02R	2001-000591	C RESISTOR	3.3KΩ 1/8W		SR03	2001-000281	C RESISTOR	100Ω 1/8W	

△ Symbol No.	Part No.	Part Name	Description	Local	△ Symbol No.	Part No.	Part Name	Description	Local
SR04	2001-000008	C RESISTOR	15KΩ 1/8W		LD202	0601-001739	LED		
SR05	2001-000802	C RESISTOR	5.6KΩ 1/8W		LD203	0601-001739	LED		
SR06	2001-000723	C RESISTOR	4.3KΩ 1/8W		LD204	0601-001739	LED		
SR07	2001-000273	C RESISTOR	100KΩ 1/8W		LD205	0601-001739	LED		
SR08	2001-000290	C RESISTOR	10KΩ 1/8W		LD206	0601-001739	LED		
SR09	2001-000734	C RESISTOR	4.7KΩ 1/8W		LD207	0601-001739	LED		
SR12	2001-000591	C RESISTOR	3.3KΩ 1/8W		LD208	0601-001739	LED		
SR13	2001-000023	C RESISTOR	47Ω 1/4W		LD209	0601-001739	LED		
SR18	2001-000281	C RESISTOR	100Ω 1/8W		LD301	0601-001739	LED		
SR19	2001-000281	C RESISTOR	100Ω 1/8W		LD302	0601-001739	LED		
SR20	2001-000244	C RESISTOR	1.5MΩ 1/8W		LD303	0601-001739	LED		
SR21	2001-000290	C RESISTOR	10KΩ 1/8W		LD304	0601-001739	LED		
SR10L	2001-000331	C RESISTOR	12KΩ 1/8W		LD305	0601-001739	LED		
SR10R	2001-000331	C RESISTOR	12KΩ 1/8W		LD306	0601-001739	LED		
SR11L	2001-000449	C RESISTOR	2.2KΩ 1/8W		LD307	0601-001739	LED		
SR11R	2001-000449	C RESISTOR	2.2KΩ 1/8W		LD308	0601-001739	LED		
SR14L	2001-000290	C RESISTOR	10KΩ 1/8W		LD309	0601-001739	LED		
SR14R	2001-000290	C RESISTOR	10KΩ 1/8W		LD310	0601-001739	LED		
SR15L	2001-000290	C RESISTOR	10KΩ 1/8W		LD311	0601-001739	LED		
SR15R	2001-000290	C RESISTOR	10KΩ 1/8W		LED12	0601-001739	LED		
SR16L	2001-000802	C RESISTOR	5.6KΩ 1/8W		LED13	0601-001739	LED		
SR16R	2001-000802	C RESISTOR	5.6KΩ 1/8W		UD01	1N4148	DIODE	0401-000005	
SR17L	2001-000734	C RESISTOR	4.7KΩ 1/8W		UD02	1N4148	DIODE	0401-000101	
SR17R	2001-000734	C RESISTOR	4.7KΩ 1/8W		UD101	1N4148	DIODE	0401-000101	
					UD102	1N4148	DIODE	0401-000101	
					UD103	1N4002	DIODE	0402-000127	
					UD104	1N4002	DIODE	0402-000127	
CLAMP	AH65-30013A	CORD CLAMP			FC01L	2202-000806	C CAPACITOR	220pF 50V	
CW101	3711-005905	CONNECTOR	2P		FC01R	2202-000806	C CAPACITOR	220pF 50V	
CW102	3710-002254	CONNECTOR	12P 2mm		FC02L	2202-000806	C CAPACITOR	220pF 50V	
CW103	3708-000412	CONNECTOR	12P 1.25mm		FC02R	2202-000806	C CAPACITOR	220pF 50V	
CW104	AH39-00103A	CONNECTOR	8P		FC201	2201-000982	C CAPACITOR	10nF	
CW105	3711-005905	CONNECTOR	2P		FC204	2201-000565	C CAPACITOR	47nF 50V	
CW106	3708-000189	CONNECTOR	17P 1.25mm		FC301	2202-000781	C CAPACITOR	100pF 50V	
△ EPT01	AH26-00264A	POWER TRANS	ECO TRANS PO		FC302	2202-000781	C CAPACITOR	100pF 50V	
FW101	AH39-20008Q	CONNECTOR	2P		FC303	2202-000786	C CAPACITOR	0.01nF 50V	
GND1	AH39-50001K	HARNESS WIRE	140mm BLK		FC304	2202-000786	C CAPACITOR	0.01nF 50V	
PCW01	AH39-00778A	CONNECTOR	11P		FE03L	2401-002042	E CAPACITOR	220uF 10V	
△ PL101	3501-001159	RELAY	12VDC 0.54W		FE03R	2401-002042	E CAPACITOR	220uF 10V	
△ PL102	2901-001330	FILTER	500V 20x18x3.3m		FE200	2401-003102	E CAPACITOR	100uF 10V	
PW101	3711-002855	CONNECTOR	2P 1R 7.92mm		FE301	2401-000832	E CAPACITOR	220uF 25V	
PW103	3711-000190	CONNECTOR	2P 1R 7.92mm		FE302	2401-000027	E CAPACITOR	4.7uF 50V	
RFS1	3602-000147	FUSE CLIP	250V 7.5A 30mΩ		FE303	2401-000438	E CAPACITOR	10uF 25V	
RFS2	3602-000147	FUSE CLIP	250V 7.5A 30mΩ		FE304	2401-001904	E CAPACITOR	10uF 16V	
RFS3	3602-000147	FUSE CLIP	250V 7.5A 30mΩ		FE305	2401-001904	E CAPACITOR	10uF 16V	
RFS4	3602-000147	FUSE CLIP	250V 7.5A 30mΩ		UC101	2201-000982	C CAPACITOR	10nF	
RFS05	3602-000147	FUSE CLIP	250V 7.5A 30mΩ		UC102	2201-000565	C CAPACITOR	47nF 50V	
RFS06	3602-000147	FUSE CLIP	250V 7.5A 30mΩ		UC103	2201-000389	C CAPACITOR	0.022nF	
RFS07	3602-000147	FUSE CLIP	250V 7.5A 30mΩ		UC104	2201-000389	C CAPACITOR	0.022nF	
RFS08	3602-000147	FUSE CLIP	250V 7.5A 30mΩ		UC105	2201-000565	C CAPACITOR	47nF 50V	
RFS09	3602-000147	FUSE CLIP	250V 7.5A 30mΩ		UC106	2201-000565	C CAPACITOR	47nF 50V	
SCREW	6003-001375	SCREW	M3 L8		UE101	2401-000651	E CAPACITOR	2.2uF 50V	
SUP	AH61-40014A	SUPPORT RIVET			UE102	2401-000759	E CAPACITOR	220nF 50V	
XXXXX	AH62-00099A	HEAT SINK	H/S1		UE103	2401-000118	E CAPACITOR	1000uF 10V	
XXXXX	AH41-00831A	MAIN PCB			UE104	2401-000240	E CAPACITOR	100uF 10V	
					UE105	2401-000480	E CAPACITOR	10uF 50V	
					UE106	2401-000480	E CAPACITOR	10uF 50V	
					UE107	2401-000419	E CAPACITOR	10uF 16V	

Front board

Block No. [0][2]

△ Symbol No.	Part No.	Part Name	Description	Local	FR01L	2001-000290	C RESISTOR	10KΩ 1/8W	
UIC02	LC709006A	IC	1205-002632		FR01R	2001-000290	C RESISTOR	10KΩ 1/8W	
UIC03	CM102	IC	0904-001968		FR201	2001-000995	C RESISTOR	820Ω 1/8W	
					FR202	2001-000429	C RESISTOR	1KΩ 1/8W	
FQ301	KTC8050	TRANSISTOR	0501-002375		FR203	2001-000221	C RESISTOR	1.2KΩ 1/8W	
FQ302	KTC8050	TRANSISTOR	0501-002375		FR204	2001-000241	C RESISTOR	1.5KΩ 1/8W	
FQ303	KSD1691	TRANSISTOR	0502-001048		FR205	2001-000258	C RESISTOR	1.8KΩ 1/8W	
FQ304	KSR1003	DEGI TRANSISTOR	0504-000118		FR206	2001-000449	C RESISTOR	2.2KΩ 1/8W	
UQ101	KSC945	TRANSISTOR	0501-000398		FR207	2001-000591	C RESISTOR	3.3KΩ 1/8W	
					FR208	2001-000734	C RESISTOR	4.7KΩ 1/8W	
FD201	1N4002	DIODE	0402-000127		FR209	2001-000890	C RESISTOR	6.8KΩ 1/8W	
FD204	1N4002	DIODE	0402-000127		FR210	2001-000995	C RESISTOR	820Ω 1/8W	
FD205	1N4002	DIODE	0402-000127		FR211	2001-000429	C RESISTOR	1KΩ 1/8W	
FD301	1N4002	DIODE	0402-000127		FR212	2001-000221	C RESISTOR	1.2KΩ 1/8W	
FZ301	MTZJ5.6B	Z DIODE	0403-000509		FR213	2001-000241	C RESISTOR	1.5KΩ 1/8W	
LD201	0601-001739	LED			FR214	2001-000258	C RESISTOR	1.8KΩ 1/8W	
					FR215	2001-000449	C RESISTOR	2.2KΩ 1/8W	
					FR216	2001-000591	C RESISTOR	3.3KΩ 1/8W	

△ Symbol No.	Part No.	Part Name	Description	Local	△ Symbol No.	Part No.	Part Name	Description	Local
FR217	2001-000034	C RESISTOR	220Ω 1/4W		UR141	2001-000786	C RESISTOR	47KΩ 1/8W	
FR218	2001-000034	C RESISTOR	220Ω 1/4W		UR142	2001-000786	C RESISTOR	47KΩ 1/8W	
FR219	2001-000034	C RESISTOR	220Ω 1/4W		UR143	2001-000786	C RESISTOR	47KΩ 1/8W	
FR220	2001-000034	C RESISTOR	220Ω 1/4W		UR144	2001-000786	C RESISTOR	47KΩ 1/8W	
FR221	2001-000034	C RESISTOR	220Ω 1/4W		UR145	2001-000786	C RESISTOR	47KΩ 1/8W	
FR222	2001-000855	C RESISTOR	560Ω 1/4W		UR146	2001-000786	C RESISTOR	47KΩ 1/8W	
FR223	2001-000034	C RESISTOR	220Ω 1/4W		UR147	2001-000786	C RESISTOR	47KΩ 1/8W	
FR224	2001-000034	C RESISTOR	220Ω 1/4W		UR148	2001-000786	C RESISTOR	47KΩ 1/8W	
FR225	2001-000034	C RESISTOR	220Ω 1/4W		UR149	2001-000786	C RESISTOR	47KΩ 1/8W	
FR301	2001-000034	C RESISTOR	220Ω 1/4W		UR150	2001-000429	C RESISTOR	1KΩ 1/8W	
FR302	2001-000034	C RESISTOR	220Ω 1/4W		UR151	2001-000290	C RESISTOR	10KΩ 1/8W	
FR303	2001-000034	C RESISTOR	220Ω 1/4W		UR152	2001-000290	C RESISTOR	10KΩ 1/8W	
FR304	2001-000034	C RESISTOR	220Ω 1/4W		UR153	2001-000290	C RESISTOR	10KΩ 1/8W	
FR305	2001-000034	C RESISTOR	220Ω 1/4W		UR154	2001-000290	C RESISTOR	10KΩ 1/8W	
FR306	2001-000034	C RESISTOR	220Ω 1/4W		UR155	2001-000290	C RESISTOR	10KΩ 1/8W	
FR307	2001-000034	C RESISTOR	220Ω 1/4W		UR156	2001-000290	C RESISTOR	10KΩ 1/8W	
FR308	2001-000034	C RESISTOR	220Ω 1/4W		UR157	2001-000290	C RESISTOR	10KΩ 1/8W	
FR309	2001-000034	C RESISTOR	220Ω 1/4W		UR158	2001-000290	C RESISTOR	10KΩ 1/8W	
FR310	2001-000034	C RESISTOR	220Ω 1/4W		UR159	2001-000290	C RESISTOR	10KΩ 1/8W	
FR311	2001-000995	C RESISTOR	820Ω 1/8W		UR160	2001-000290	C RESISTOR	10KΩ 1/8W	
FR312	2001-000429	C RESISTOR	1KΩ 1/8W		UR161	2001-000429	C RESISTOR	1KΩ 1/8W	
FR313	2001-000221	C RESISTOR	1.2KΩ 1/8W		UR162	2001-000429	C RESISTOR	1KΩ 1/8W	
FR314	2001-000241	C RESISTOR	1.5KΩ 1/8W		UR163	2001-000429	C RESISTOR	1KΩ 1/8W	
FR315	2001-000258	C RESISTOR	1.8KΩ 1/8W		UR165	2001-000281	C RESISTOR	100Ω 1/8W	
FR316	2001-000449	C RESISTOR	2.2KΩ 1/8W		UR166	2001-000281	C RESISTOR	100Ω 1/8W	
FR317	2001-000734	C RESISTOR	4.7KΩ 1/8W		UR167	2001-000281	C RESISTOR	100Ω 1/8W	
FR318	2001-000734	C RESISTOR	4.7KΩ 1/8W		UR168	2001-000281	C RESISTOR	100Ω 1/8W	
FR319	2001-000119	C RESISTOR	680Ω 1/4W		UR169	2001-000780	C RESISTOR	470KΩ 1/8W	
FR320	2001-000241	C RESISTOR	1.5KΩ 1/8W		UR170	2001-000281	C RESISTOR	100Ω 1/8W	
FR321	2001-000527	C RESISTOR	22Ω 1/8W		UR171	2001-000780	C RESISTOR	470KΩ 1/8W	
FR322	2001-000527	C RESISTOR	22Ω 1/8W		UR172	2001-000281	C RESISTOR	100Ω 1/8W	
FR323	2001-000435	C RESISTOR	1MΩ 1/8W		UR173	2001-000281	C RESISTOR	100Ω 1/8W	
FR324	2001-000290	C RESISTOR	10KΩ 1/8W		UR174	2001-000281	C RESISTOR	100Ω 1/8W	
FR325	2001-000034	C RESISTOR	220Ω 1/4W		UR175	2001-000281	C RESISTOR	100Ω 1/8W	
FR326	2001-000034	C RESISTOR	220Ω 1/4W		UR176	2001-000281	C RESISTOR	100Ω 1/8W	
FR327	2001-000034	C RESISTOR	220Ω 1/4W		UR177	2001-000295	C RESISTOR	10MΩ 1/8W	
FR400	2001-000027	C RESISTOR	100Ω 1/4W		UR178	2001-000850	C RESISTOR	560KΩ 1/8W	
UR001	2001-000290	C RESISTOR	10KΩ 1/8W		UR179	2001-000435	C RESISTOR	1MΩ 1/8W	
UR002	2001-000290	C RESISTOR	10KΩ 1/8W		UR180	2001-000449	C RESISTOR	2.2KΩ 1/8W	
UR101	2001-000734	C RESISTOR	4.7KΩ 1/8W		UR181	2001-000734	C RESISTOR	4.7KΩ 1/8W	
UR102	2001-000734	C RESISTOR	4.7KΩ 1/8W		UR182	2001-000508	C RESISTOR	220KΩ 1/8W	
UR103	2001-000734	C RESISTOR	4.7KΩ 1/8W		UR183	2001-000793	C RESISTOR	47Ω 1/8W	
UR104	2001-000734	C RESISTOR	4.7KΩ 1/8W		UR184	2001-000734	C RESISTOR	4.7KΩ 1/8W	
UR105	2001-000734	C RESISTOR	4.7KΩ 1/8W		UR186	2001-000780	C RESISTOR	470KΩ 1/8W	
UR106	2001-000734	C RESISTOR	4.7KΩ 1/8W		UR187	2001-000780	C RESISTOR	470KΩ 1/8W	
UR107	2001-000734	C RESISTOR	4.7KΩ 1/8W		VR101	3406-001047	ROTARY SWITCH	5V DC 0.5mA	
UR108	2001-000734	C RESISTOR	4.7KΩ 1/8W						
UR109	2001-000734	C RESISTOR	4.7KΩ 1/8W		AJACK1	3722-001588	PHONE JACK	7P 3.6PI AG BLK	
UR110	2001-000734	C RESISTOR	4.7KΩ 1/8W		BEAD1	3301-000297	FERRITE BEADS		
UR111	2001-000734	C RESISTOR	4.7KΩ 1/8W		BEAD2	3301-000297	FERRITE BEADS		
UR112	2001-000734	C RESISTOR	4.7KΩ 1/8W		BZ101	3002-001134	BUZZER	85DB 12V	
UR113	2001-000786	C RESISTOR	47KΩ 1/8W		FL301	3301-000297	FERRITE BEADS		
UR114	2001-000786	C RESISTOR	47KΩ 1/8W		FL302	3301-000297	FERRITE BEADS		
UR115	2001-000786	C RESISTOR	47KΩ 1/8W		FW101	3708-000452	CONNECTOR	19P 1.25mm	
UR116	2001-000786	C RESISTOR	47KΩ 1/8W		FW102	3708-001464	CONNECTOR	24P 1mm	
UR117	2001-000786	C RESISTOR	47KΩ 1/8W		FW201	3708-001577	CONNECTOR	30P 1.25mm	
UR118	2001-000786	C RESISTOR	47KΩ 1/8W		FW202	3708-001464	CONNECTOR	24P 1mm	
UR119	2001-000786	C RESISTOR	47KΩ 1/8W		FW301	3708-001488	CONNECTOR	30P 1.25mm	
UR120	2001-000786	C RESISTOR	47KΩ 1/8W		FW302	3710-002050	CONNECTOR	12P	
UR121	2001-000786	C RESISTOR	47KΩ 1/8W		FW303	3710-002050	CONNECTOR	12P	
UR122	2001-000786	C RESISTOR	47KΩ 1/8W		FW304	3710-002050	CONNECTOR	12P	
UR123	2001-000786	C RESISTOR	47KΩ 1/8W		FW305	3722-002292	USB JACK	4P/1P	
UR124	2001-000786	C RESISTOR	47KΩ 1/8W		FW306	AH39-00096D	CONNECTOR ASSY	N66	
UR125	2001-000786	C RESISTOR	47KΩ 1/8W		FW307	3711-000906	CONNECTOR	3P 1R 2mm	
UR126	2001-000786	C RESISTOR	47KΩ 1/8W		FW308	3711-001136	CONNECTOR	8P	
UR127	2001-000786	C RESISTOR	47KΩ 1/8W		FW309	AH39-00060C	CONNECTOR	8P	
UR128	2001-000786	C RESISTOR	47KΩ 1/8W						
UR129	2001-000786	C RESISTOR	47KΩ 1/8W		GND1	AH39-50001L	FASTEN	RING4 200MM BLK	
UR130	2001-000786	C RESISTOR	47KΩ 1/8W						
UR131	2001-000786	C RESISTOR	47KΩ 1/8W		HJACK1	3722-001588	PHONE JACK	7P 3.6PI AG BLK	
UR132	2001-000786	C RESISTOR	47KΩ 1/8W		LED	AH61-01834B	LED HOLDER	ABS	
UR133	2001-000786	C RESISTOR	47KΩ 1/8W						
UR134	2001-000786	C RESISTOR	47KΩ 1/8W		PS102	3406-001050	ROTARY SWITCH	5V DC 0.5mA 12mm	
UR135	2001-000786	C RESISTOR	47KΩ 1/8W						
UR136	2001-000786	C RESISTOR	47KΩ 1/8W		REYE1	0609-001189	REMOCON MODULE	HORIZONTAL 16.4mm	
UR137	2001-000786	C RESISTOR	47KΩ 1/8W						
UR138	2001-000786	C RESISTOR	47KΩ 1/8W		SCREW	6003-001375	SCREW	M3 L8	
UR139	2001-000786	C RESISTOR	47KΩ 1/8W		SHLD	AH63-01033A	USB SHIELD		
UR140	2001-000786	C RESISTOR	47KΩ 1/8W		SW201	3404-000165	TACT SWITCH	12V 50mA	
					SW202	3404-000165	TACT SWITCH	12V 50mA	
					SW203	3404-000165	TACT SWITCH	12V 50mA	

△ Symbol No.	Part No.	Part Name	Description	Local	△ Symbol No.	Part No.	Part Name	Description	Local
	SW204	3404-000165	TACT SWITCH	12V 50mA		PD201	1N4002	DIODE	0402-000127
	SW205	3404-000165	TACT SWITCH	12V 50mA		PD202	1N4002	DIODE	0402-000127
	SW206	3404-000165	TACT SWITCH	12V 50mA		PD203	1N4148	DIODE	0401-000005
	SW207	3404-000165	TACT SWITCH	12V 50mA		PD203	1N4148	DIODE	0401-000101
	SW208	3404-000165	TACT SWITCH	12V 50mA		PD204	1N4002	DIODE	0402-000127
	SW209	3404-000165	TACT SWITCH	12V 50mA		PD205	1N4148	DIODE	0401-000101
	SW210	3404-000165	TACT SWITCH	12V 50mA		PD206	1N4148	DIODE	0401-000101
	SW211	3404-000165	TACT SWITCH	12V 50mA		PD207	1N4002	DIODE	0402-000127
	SW212	3404-000165	TACT SWITCH	12V 50mA		PD209	1N4002	DIODE	0402-000127
	SW213	3404-000165	TACT SWITCH	12V 50mA		PD210	1N4002	DIODE	0402-000127
	SW214	3404-000165	TACT SWITCH	12V 50mA		△ PD211	1N5392	DIODE	0402-000151
	SW215	3404-000165	TACT SWITCH	12V 50mA		△ PD212	1N5392	DIODE	0402-000151
	SW216	3404-000165	TACT SWITCH	12V 50mA		△ PD213	1N5392	DIODE	0402-000151
	SW217	3404-000165	TACT SWITCH	12V 50mA		△ PD214	1N5392	DIODE	0402-000151
	SW218	3404-000165	TACT SWITCH	12V 50mA		PZ102	UZP18B	Z DIODE	0403-000570
	SW310	3404-000165	TACT SWITCH	12V 50mA		PZ103	UZP18B	Z DIODE	0403-000570
	SW311	3404-000165	TACT SWITCH	12V 50mA		PZ104	UZP5.1B	Z DIODE	0403-000393
	SW312	3404-000165	TACT SWITCH	12V 50mA		PZ105	UZP13B	Z DIODE	0403-000380
	SW313	3404-000165	TACT SWITCH	12V 50mA					
	SW314	3404-000165	TACT SWITCH	12V 50mA		AC201	2201-000161	C CAPACITOR	10nF
	SW315	3404-000165	TACT SWITCH	12V 50mA		AC202	2201-000470	C CAPACITOR	330pF 50V
	SW316	3404-000165	TACT SWITCH	12V 50mA		AC204	2201-000338	C CAPACITOR	2.2nF 50V
	UIC01	AH11-00166A	MASK ROM	80K 5V		AC205	2201-000338	C CAPACITOR	2.2nF 50V
	UW002	AH39-00249A	CONNECTOR	1007		AC206	2201-000161	C CAPACITOR	10nF
	UW003	3711-003408	CONNECTOR	2P		AC207	2201-000470	C CAPACITOR	330pF 50V
	UW004	AH39-00342A	CONNECT WIRE	Z510S 2P		AC209	2305-001039	M CAPACITOR	270nF 63V
	UX101	2801-001394	CRYSTAL	32.768KHz		AC210	2305-001039	M CAPACITOR	270nF 63V
	UX102	2802-001198	C RESONATOR	10MHz		AC211	2305-000412	M CAPACITOR	470nF
	UX103	2801-004396	CRYSTAL UNIT	12.0MHz 30ppm		AC212	2305-000412	M CAPACITOR	470nF
	VFD1	AH07-00152A	VFD DISPLAY	WHITE		AC301	2201-000161	C CAPACITOR	10nF
	XXXXX	AH62-00099A	HEAT SINK	H/S2		AC302	2201-000470	C CAPACITOR	330pF 50V
	XXXXX	AH41-00832A	FRONT PCB			AC304	2201-000338	C CAPACITOR	2.2nF 50V
						AC305	2201-000338	C CAPACITOR	2.2nF 50V
						AC306	2201-000161	C CAPACITOR	10nF
						AC307	2201-000470	C CAPACITOR	330pF 50V
						AC309	2301-001074	M CAPACITOR	680nF 63V
						AC310	2301-001074	M CAPACITOR	680nF 63V
						AC311	2305-000412	M CAPACITOR	470nF
						AC312	2305-000412	M CAPACITOR	470nF
						AC321	2301-001074	M CAPACITOR	680nF 63V
						AC322	2301-001074	M CAPACITOR	680nF 63V
						AC323	2301-001074	M CAPACITOR	680nF 63V
						AC324	2301-001074	M CAPACITOR	680nF 63V
						AC325	2201-000300	C CAPACITOR	1nF 50V
						AC326	2201-000300	C CAPACITOR	1nF 50V
						AC327	2201-000300	C CAPACITOR	1nF 50V
						AC328	2201-000300	C CAPACITOR	1nF 50V
						AC401	2201-000300	C CAPACITOR	1nF 50V
						AC402	2201-000300	C CAPACITOR	1nF 50V
						AC403	2201-000300	C CAPACITOR	1nF 50V
						AC404	2201-000300	C CAPACITOR	1nF 50V
						AC405	2201-000021	C CAPACITOR	100nF 50V
						AC406	2201-000021	C CAPACITOR	100nF 50V
						AC407	2201-000021	C CAPACITOR	100nF 50V
						AC408	2201-000021	C CAPACITOR	100nF 50V
						AE201	2401-000303	E CAPACITOR	100uF 25V
						AE202	2401-004040	E CAPACITOR	1000uF 50V
						AE203	2401-004040	E CAPACITOR	1000uF 50V
						AE204	2401-000303	E CAPACITOR	100uF 25V
						AE205	2401-000303	E CAPACITOR	100uF 25V
						AE206	2401-004040	E CAPACITOR	1000uF 50V
						AE207	2401-004040	E CAPACITOR	1000uF 50V
						AE208	2401-000650	E CAPACITOR	2.2uF 50V
						AE209	2401-000650	E CAPACITOR	2.2uF 50V
						AE301	2401-000303	E CAPACITOR	100uF 25V
						AE302	2401-002335	E CAPACITOR	1000uF 63V
						AE303	2401-002335	E CAPACITOR	1000uF 63V
						AE304	2401-000303	E CAPACITOR	100uF 25V
						AE305	2401-000303	E CAPACITOR	100uF 25V
						AE306	2401-002335	E CAPACITOR	1000uF 63V
						AE307	2401-002335	E CAPACITOR	1000uF 63V
						AE308	2401-000650	E CAPACITOR	2.2uF 50V
						AE309	2401-000650	E CAPACITOR	2.2uF 50V
						△ PC201	2201-000161	C CAPACITOR	10nF
						△ PC202	2201-000161	C CAPACITOR	10nF
						△ PC203	2201-000161	C CAPACITOR	10nF
						PC204	2301-000375	M CAPACITOR	100nF 50V
						PC220	2201-000300	C CAPACITOR	1nF 50V

AMP board

Block No. [0][3]

△ Symbol No.	Part No.	Part Name	Description	Local
	AIC01	STK428-610	IC	1201-002207
	AIC02	STK428-640	IC	1201-002208
	AIC03	KIA7812PI	IC	AH14-10003E
	AIC04	KIA7812PI	IC	AH14-10003E
	PIC02	L4959	IC	1203-001653
	AQ201	KSC1008	TRANSISTOR	0501-000010
	AQ202	KTA1281	TRANSISTOR	0501-002228
	AQ203	KSR2003TA	DEGI TRANSISTOR	0504-000145
	AQ204	KSC1008	TRANSISTOR	0501-000010
	AQ205	KSB1366	TRANSISTOR	0502-001138
	AQ301	KSC1008	TRANSISTOR	0501-000010
	AQ302	KTA1281	TRANSISTOR	0501-002228
	AQ303	KTC2874-B	TRANSISTOR	0501-002436
	AQ304	KSR2002	DEGI TRANSISTOR	0504-000144
	AQ305	KTD2058	TRANSISTOR	0502-000465
	PQ102	KSR2002	DEGI TRANSISTOR	0504-000144
	PQ103	KSR1003	DEGI TRANSISTOR	0504-000118
	PQ104	KSC1009-Y	TRANSISTOR	0501-000331
	PQ105	KTA1281	TRANSISTOR	0501-002228
	PQ106	KSA708	TRANSISTOR	0501-000294
	AD201	1N4002	DIODE	0402-000127
	AD202	1N4002	DIODE	0402-000127
	AD203	1N4148	DIODE	0401-000101
	AD205	1N4148	DIODE	0401-000101
	AZ201	UZ6.2BSB	Z DIODE	0403-000361
	AZ301	UZP20B	Z DIODE	0403-000384
	△ PBD01	1N5402	DIODE	0402-000157
	△ PBD02	1N5402	DIODE	0402-000157
	△ PBD03	1N5402	DIODE	0402-000157
	△ PBD04	1N5402	DIODE	0402-000157
	△ PBD05	1N5402	DIODE	0402-000157
	△ PBD06	1N5402	DIODE	0402-000157
	△ PBD07	1N5402	DIODE	0402-000157
	△ PBD08	1N5402	DIODE	0402-000157

△ Symbol No.	Part No.	Part Name	Description	Local	△ Symbol No.	Part No.	Part Name	Description	Local
	PC221	2201-000300	C CAPACITOR	1nF 50V		PR206	2003-000455	METAL RESISTOR	100Ω 2W
△	PE201	2401-003887	E CAPACITOR	2200uF 42V		PR208	2001-000734	C RESISTOR	4.7KΩ 1/8W
△	PE202	2401-003887	E CAPACITOR	2200uF 42V		PR209	2001-000111	C RESISTOR	150Ω 1/4W
△	PE203	2401-003381	E CAPACITOR	3300uF 63V		PR210	2001-000055	C RESISTOR	4.7KΩ 1/4W
△	PE204	2401-003381	E CAPACITOR	3300uF 63V		PR211	2001-000038	C RESISTOR	390Ω 1/4W
△	PE205	2401-003116	E CAPACITOR	4700uF 35V		PR216	2003-000701	METAL RESISTOR	470Ω 2W
	PE206	2401-000832	E CAPACITOR	220uF 25V		PR217	2001-001153	C RESISTOR	47Ω 1/2W
	PE207	2401-000909	E CAPACITOR	22uF 16V		PR218	2001-001153	C RESISTOR	47Ω 1/2W
	PE208	2401-000027	E CAPACITOR	4.7uF 50V		PR219	2001-000290	C RESISTOR	10KΩ 1/8W
	PE209	2401-001912	E CAPACITOR	1uF 50V		PR221	2001-000660	C RESISTOR	33KΩ 1/8W
	PE210	2401-001938	E CAPACITOR	22uF 25V		R207	2001-000563	C RESISTOR	27KΩ 1/8W
	PE211	2401-001938	E CAPACITOR	22uF 25V					
	PE212	2401-000230	E CAPACITOR	100uF 100V		AL201	2702-001129	COIL	20uH
	PE213	2401-000027	E CAPACITOR	4.7uF 50V		AL202	2702-001129	COIL	20uH
	PE214	2401-000438	E CAPACITOR	10uF 25V		AL301	2702-001128	COIL	20uH
	PE220	2401-000438	E CAPACITOR	10uF 25V		AL302	2702-001128	COIL	20uH
	PE221	2401-000438	E CAPACITOR	10uF 25V					
						AW101	3708-000193	CONNECTOR	17P
	AR201	2003-000689	METAL RESISTOR	4.7Ω 1W		AW102	3711-001011	CONNECTOR	5P 1R 2.5mm
	AR202	2001-000331	C RESISTOR	12KΩ 1/8W		AW106	3708-000172	CONNECTOR	15P
	AR203	2001-000734	C RESISTOR	4.7KΩ 1/8W		CW108	3711-000631	CONNECTOR	BOX 11P 1R 2.5mm
	AR204	2001-000290	C RESISTOR	10KΩ 1/8W		FAN101	3711-000820	CONNECTOR	2P 1R 2.5mm
	AR205	2001-000010	C RESISTOR	68KΩ 1/8W		FAN102	3711-000820	CONNECTOR	2P 1R 2.5mm
	AR206	2001-000010	C RESISTOR	68KΩ 1/8W		SP101	3716-001208	TERMINAL BLOCK	8P
	AR207	2001-000290	C RESISTOR	10KΩ 1/8W		XXXXX	AH62-00062D	HEAT SINK	H/S-TR
	AR208	2001-000290	C RESISTOR	10KΩ 1/8W		XXXXX	AH62-00137A	HEAT SINK	H/S3
	AR209	2001-000734	C RESISTOR	4.7KΩ 1/8W		XXXXX	AH41-00836A	AMP PCB	
	AR210	2001-000290	C RESISTOR	10KΩ 1/8W					
	AR210	2003-000429	METAL RESISTOR	100Ω 2W					
	AR211	2001-000591	C RESISTOR	3.3KΩ 1/8W					
	AR212	2001-000591	C RESISTOR	3.3KΩ 1/8W					
	AR213	2001-000331	C RESISTOR	12KΩ 1/8W					
	AR214	2003-000429	METAL RESISTOR	100Ω 2W					
	AR215	2003-000429	METAL RESISTOR	100Ω 2W					
	AR216	2003-000690	METAL RESISTOR	4.7Ω 2W					
	AR217	2003-000690	METAL RESISTOR	4.7Ω 2W					
	AR218	2001-000411	C RESISTOR	18KΩ 1/8W					
	AR219	2001-000411	C RESISTOR	18KΩ 1/8W					
	AR220	2001-000522	C RESISTOR	22KΩ 1/8W					
	AR221	2001-000522	C RESISTOR	22KΩ 1/8W					
	AR222	2001-001107	C RESISTOR	220Ω 1/2W					
	AR225	2001-000734	C RESISTOR	4.7KΩ 1/8W					
	AR226	2001-000734	C RESISTOR	4.7KΩ 1/8W					
	AR227	2001-000273	C RESISTOR	100KΩ 1/8W					
	AR250	2001-000456	C RESISTOR	2.2Ω 1/4W					
	AR301	2003-000689	METAL RESISTOR	4.7Ω 1W					
	AR302	2001-000522	C RESISTOR	22KΩ 1/8W		Q101	KSA812	TRANSISTOR	0501-000312
	AR303	2001-000734	C RESISTOR	4.7KΩ 1/8W		Q301	KSC1008	TRANSISTOR	0501-000010
	AR304	2001-000290	C RESISTOR	10KΩ 1/8W		Q302	KSC1008	TRANSISTOR	0501-000010
	AR305	2001-000273	C RESISTOR	100KΩ 1/8W					
	AR306	2001-000273	C RESISTOR	100KΩ 1/8W		D301	1N5392	DIODE	0402-000151
	AR307	2001-000290	C RESISTOR	10KΩ 1/8W		D302	SB01-05CP	DIODE	0404-000144
	AR308	2001-000290	C RESISTOR	10KΩ 1/8W		D303	DAN217	DIODE	0401-000008
	AR309	2001-000734	C RESISTOR	4.7KΩ 1/8W		ZD301	UZ3.9B	Z DIODE	0403-000344
	AR310	2003-000429	METAL RESISTOR	100Ω 2W		ZD302	UZ2.7BSB	Z DIODE	0403-001220
	AR311	2001-000591	C RESISTOR	3.3KΩ 1/8W					
	AR312	2001-000591	C RESISTOR	3.3KΩ 1/8W		C101	2203-000858	CHIP CAPACITOR	0.039nF 50V
	AR313	2001-000522	C RESISTOR	22KΩ 1/8W		C102	2203-000892	CHIP CAPACITOR	4.7nF 50V
	AR314	2003-000429	METAL RESISTOR	100Ω 2W		C103	2203-000892	CHIP CAPACITOR	4.7nF 50V
	AR315	2003-000429	METAL RESISTOR	100Ω 2W		C104	2401-001934	E CAPACITOR	220uF 6.3V
	AR316	2003-000690	METAL RESISTOR	4.7Ω 2W		C105	2401-001625	E CAPACITOR	6.8uF 50V
	AR317	2003-000690	METAL RESISTOR	4.7Ω 2W		C106	2401-001934	E CAPACITOR	220uF 6.3V
	AR318	2001-000008	C RESISTOR	15KΩ 1/8W		C107	2401-001934	E CAPACITOR	220uF 6.3V
	AR319	2001-000008	C RESISTOR	15KΩ 1/8W		C108	2203-000203	CHIP CAPACITOR	100nF 16V
	AR320	2001-000429	C RESISTOR	1KΩ 1/8W		C109	2203-000203	CHIP CAPACITOR	100nF 16V
	AR321	2001-000429	C RESISTOR	1KΩ 1/8W		C110	2203-001537	CHIP CAPACITOR	1nF 50V
	AR322	2001-000591	C RESISTOR	3.3KΩ 1/8W		C111	2203-000203	CHIP CAPACITOR	100nF 16V
	AR325	2001-000429	C RESISTOR	1KΩ 1/8W		C112	2203-000239	CHIP CAPACITOR	0.1nF 50V
	AR326	2001-000008	C RESISTOR	15KΩ 1/8W		C113	2203-000239	CHIP CAPACITOR	0.1nF 50V
	AR327	2001-000008	C RESISTOR	15KΩ 1/8W		C114	2203-000239	CHIP CAPACITOR	0.1nF 50V
	AR350	2001-000456	C RESISTOR	2.2Ω 1/4W		C115	2203-000260	CHIP CAPACITOR	10nF 50V
	AW17	2001-000290	C RESISTOR	10KΩ 1/8W		C116	2203-000802	CHIP CAPACITOR	33nF 50V
△	PF101	2001-000016	C RESISTOR	1Ω 1/2W		C117	2404-000148	C CAPACITOR	1uF
	PR201	2001-000588	C RESISTOR	3.3KΩ 1/4W		C118	2203-000919	CHIP CAPACITOR	470nF
	PR202	2001-000055	C RESISTOR	4.7KΩ 1/4W		C119	2203-000260	CHIP CAPACITOR	10nF 50V
	PR203	2001-000429	C RESISTOR	1KΩ 1/8W		C120	2203-000260	CHIP CAPACITOR	10nF 50V
	PR204	2001-000786	C RESISTOR	47KΩ 1/8W		C121	2401-000407	E CAPACITOR	10uF 16V
	PR205	2001-000290	C RESISTOR	10KΩ 1/8W		C122	2203-001137	CHIP CAPACITOR	68nF 50V

CD board

Block No. [0][4]

△ Symbol No.	Part No.	Part Name	Description	Local
	IC101	KB9226	IC	1204-001799
	IC201	S5L9279X01	IC	1204-002230
	IC202	12L1616A	IC	1105-001261
	IC301	KA9258D	IC	1003-000179
	IC401	MN101C61GNX	IC	AH09-00106A
	IC402	BR93L56RFVM	IC	1103-001311
	IC403	AP1117	IC	1203-002425
	Q101	KSA812	TRANSISTOR	0501-000312
	Q301	KSC1008	TRANSISTOR	0501-000010
	Q302	KSC1008	TRANSISTOR	0501-000010
	D301	1N5392	DIODE	0402-000151
	D302	SB01-05CP	DIODE	0404-000144
	D303	DAN217	DIODE	0401-000008
	ZD301	UZ3.9B	Z DIODE	0403-000344
	ZD302	UZ2.7BSB	Z DIODE	0403-001220
	C101	2203-000858	CHIP CAPACITOR	0.039nF 50V
	C102	2203-000892	CHIP CAPACITOR	4.7nF 50V
	C103	2203-000892	CHIP CAPACITOR	4.7nF 50V
	C104	2401-001934	E CAPACITOR	220uF 6.3V
	C105	2401-001625	E CAPACITOR	6.8uF 50V
	C106	2401-001934	E CAPACITOR	220uF 6.3V
	C107	2401-001934	E CAPACITOR	220uF 6.3V
	C108	2203-000203	CHIP CAPACITOR	100nF 16V
	C109	2203-000203	CHIP CAPACITOR	100nF 16V
	C110	2203-001537	CHIP CAPACITOR	1nF 50V
	C111	2203-000203	CHIP CAPACITOR	100nF 16V
	C112	2203-000239	CHIP CAPACITOR	0.1nF 50V
	C113	2203-000239	CHIP CAPACITOR	0.1nF 50V
	C114	2203-000239	CHIP CAPACITOR	0.1nF 50V
	C115	2203-000260	CHIP CAPACITOR	10nF 50V
	C116	2203-000802	CHIP CAPACITOR	33nF 50V
	C117	2404-000148	C CAPACITOR	1uF
	C118	2203-000919	CHIP CAPACITOR	470nF
	C119	2203-000260	CHIP CAPACITOR	10nF 50V
	C120	2203-000260	CHIP CAPACITOR	10nF 50V
	C121	2401-000407	E CAPACITOR	10uF 16V
	C122	2203-001137	CHIP CAPACITOR	68nF 50V

△ Symbol No.	Part No.	Part Name	Description	Local	△ Symbol No.	Part No.	Part Name	Description	Local
C123	2203-000203	CHIP CAPACITOR	100nF 16V		J51	2007-000033	CHIP RESISTOR	0Ω	
C124	2203-001064	CHIP CAPACITOR	56nF 50V		J58	2007-000029	CHIP RESISTOR	0Ω	
C125	2203-000840	CHIP CAPACITOR	0.39nF 50V		J59	2007-000033	CHIP RESISTOR	0Ω	
C126	2203-000495	CHIP CAPACITOR	2.2nF 50V		J61	2007-000029	CHIP RESISTOR	0Ω	
C127	2203-000595	CHIP CAPACITOR	0.22nF 50V		J62	2007-000033	CHIP RESISTOR	0Ω	
C128	2203-000802	CHIP CAPACITOR	33nF 50V		J64	2007-000029	CHIP RESISTOR	0Ω	
C129	2203-000203	CHIP CAPACITOR	100nF 16V		J65	2007-000029	CHIP RESISTOR	0Ω	
C130	2203-000203	CHIP CAPACITOR	100nF 16V		J66	2007-000033	CHIP RESISTOR	0Ω	
C131	2401-001934	E CAPACITOR	220uF 6.3V		J75	2007-000029	CHIP RESISTOR	0Ω	
C132	2203-001537	CHIP CAPACITOR	1nF 50V		J77	2007-000029	CHIP RESISTOR	0Ω	
C133	2203-000260	CHIP CAPACITOR	10nF 50V		J88	2007-000029	CHIP RESISTOR	0Ω	
C134	2203-001551	CHIP CAPACITOR	1.5nF 50V		J89	2007-000033	CHIP RESISTOR	0Ω	
C135	2203-000609	CHIP CAPACITOR	22nF 50V		J90	2007-000033	CHIP RESISTOR	0Ω	
C136	2203-001137	CHIP CAPACITOR	68nF 50V		J91	2007-000033	CHIP RESISTOR	0Ω	
C139	2401-001934	E CAPACITOR	220uF 6.3V		J93	2007-000029	CHIP RESISTOR	0Ω	
C201	2203-000787	CHIP CAPACITOR	0.33nF 50V		J94	2007-000029	CHIP RESISTOR	0Ω	
C203	2401-000240	E CAPACITOR	100uF 10V		J95	2007-000029	CHIP RESISTOR	0Ω	
C204	2203-000787	CHIP CAPACITOR	0.33nF 50V		R101	2007-000457	CHIP RESISTOR	18KΩ	
C205	2203-000787	CHIP CAPACITOR	0.33nF 50V		R102	2007-000444	CHIP RESISTOR	180KΩ	
C206	2203-000260	CHIP CAPACITOR	10nF 50V		R103	2007-000001	CHIP RESISTOR	120Ω	
C207	2401-000240	E CAPACITOR	100uF 10V		R104	2007-000931	CHIP RESISTOR	470Ω	
C208	2401-000240	E CAPACITOR	100uF 10V		R105	2007-000931	CHIP RESISTOR	470Ω	
C210	2203-000260	CHIP CAPACITOR	10nF 50V		R106	2007-000931	CHIP RESISTOR	470Ω	
C211	2401-000240	E CAPACITOR	100uF 10V		R107	2007-000931	CHIP RESISTOR	470Ω	
C213	2203-000260	CHIP CAPACITOR	10nF 50V		R108	2007-000468	CHIP RESISTOR	1KΩ	
C214	2401-000240	E CAPACITOR	100uF 10V		R109	2007-000546	CHIP RESISTOR	20KΩ	
C217	2203-001619	CHIP CAPACITOR	0.027nF 50V		R110	2001-000331	C RESISTOR	12KΩ 1/8W	
C218	2203-001619	CHIP CAPACITOR	0.027nF 50V		R111	2007-001177	CHIP RESISTOR	8.2KΩ	
C219	2203-000260	CHIP CAPACITOR	10nF 50V		R112	2007-000477	CHIP RESISTOR	1MΩ	
C221	2203-000260	CHIP CAPACITOR	10nF 50V		R113	2007-000300	CHIP RESISTOR	10KΩ	
C222	2203-000260	CHIP CAPACITOR	10nF 50V		R114	2007-000300	CHIP RESISTOR	10KΩ	
C224	2401-000240	E CAPACITOR	100uF 10V		R115	2007-000282	CHIP RESISTOR	100KΩ	
C225	2203-000203	CHIP CAPACITOR	100nF 16V		R116	2007-001039	CHIP RESISTOR	56KΩ	
C226	2203-000203	CHIP CAPACITOR	100nF 16V		R117	2007-000409	CHIP RESISTOR	15KΩ	
C228	2203-000239	CHIP CAPACITOR	0.1nF 50V		R118	2007-000941	CHIP RESISTOR	47KΩ	
C229	2203-000239	CHIP CAPACITOR	0.1nF 50V		R119	2007-000338	CHIP RESISTOR	120KΩ	
C230	2203-000203	CHIP CAPACITOR	100nF 16V		R120	2007-000338	CHIP RESISTOR	120KΩ	
C231	2203-000239	CHIP CAPACITOR	0.1nF 50V		R121	2007-001039	CHIP RESISTOR	56KΩ	
C232	2203-000239	CHIP CAPACITOR	0.1nF 50V		R122	2007-001208	CHIP RESISTOR	82KΩ	
C233	2203-000203	CHIP CAPACITOR	100nF 16V		R123	2007-000653	CHIP RESISTOR	27KΩ	
C234	2401-000240	E CAPACITOR	100uF 10V		R124	2007-000941	CHIP RESISTOR	47KΩ	
C235	2203-000203	CHIP CAPACITOR	100nF 16V		R125	2007-000308	CHIP RESISTOR	10Ω	
C236	2401-000240	E CAPACITOR	100uF 10V		R126	2007-001216	CHIP RESISTOR	82Ω	
C237	2203-000203	CHIP CAPACITOR	100nF 16V		R127	2007-001208	CHIP RESISTOR	82KΩ	
C238	2203-000239	CHIP CAPACITOR	0.1nF 50V		R128	2007-001039	CHIP RESISTOR	56KΩ	
C239	2401-000240	E CAPACITOR	100uF 10V		R129	2007-001039	CHIP RESISTOR	56KΩ	
C240	2203-000239	CHIP CAPACITOR	0.1nF 50V		R130	2007-001039	CHIP RESISTOR	56KΩ	
C301	2401-001364	E CAPACITOR	470uF 16V		R131	2007-001039	CHIP RESISTOR	56KΩ	
C303	2401-001934	E CAPACITOR	220uF 6.3V		R132	2007-001208	CHIP RESISTOR	82KΩ	
C304	2401-001934	E CAPACITOR	220uF 6.3V		R133	2007-001195	CHIP RESISTOR	820KΩ	
C305	2401-001934	E CAPACITOR	220uF 6.3V		R134	2007-000468	CHIP RESISTOR	1KΩ	
C306	2401-002042	E CAPACITOR	220uF 10V		R201	2007-000282	CHIP RESISTOR	100KΩ	
C307	2203-000239	CHIP CAPACITOR	0.1nF 50V		R201	2007-000931	CHIP RESISTOR	470Ω	
C401	2203-000295	CHIP CAPACITOR	0.01nF 50V		R202	2007-000290	CHIP RESISTOR	100Ω	
C402	2203-000239	CHIP CAPACITOR	0.1nF 50V		R202	2007-000931	CHIP RESISTOR	470Ω	
C403	2203-000260	CHIP CAPACITOR	10nF 50V		R203	2007-000931	CHIP RESISTOR	470Ω	
C201L	2401-001238	E CAPACITOR	4.7uF 25V		R204	2007-000931	CHIP RESISTOR	470Ω	
C201R	2401-001238	E CAPACITOR	4.7uF 25V		R205	2007-000931	CHIP RESISTOR	470Ω	
C202L	2203-001537	CHIP CAPACITOR	1nF 50V		R206	2007-000931	CHIP RESISTOR	470Ω	
C202R	2203-001537	CHIP CAPACITOR	1nF 50V		R209	2007-000477	CHIP RESISTOR	1MΩ	
J1	2007-000029	CHIP RESISTOR	0Ω		R210	2001-000780	C RESISTOR	470KΩ 1/8W	
J2	2007-000033	CHIP RESISTOR	0Ω		R211	2001-000780	C RESISTOR	470KΩ 1/8W	
J3	2007-000033	CHIP RESISTOR	0Ω		R212	2007-000931	CHIP RESISTOR	470Ω	
J4	2007-000029	CHIP RESISTOR	0Ω		R214	2007-000572	CHIP RESISTOR	220Ω	
J12	2007-000033	CHIP RESISTOR	0Ω		R215	2007-000941	CHIP RESISTOR	47KΩ	
J14	2007-000033	CHIP RESISTOR	0Ω		R216	2007-000872	CHIP RESISTOR	4.7KΩ	
J15	2007-000029	CHIP RESISTOR	0Ω		R217	2007-000300	CHIP RESISTOR	10KΩ	
J16	2007-000033	CHIP RESISTOR	0Ω		R301	2007-001216	CHIP RESISTOR	82Ω	
J17	2007-000029	CHIP RESISTOR	0Ω		R302	2007-001216	CHIP RESISTOR	82Ω	
J29	2007-000029	CHIP RESISTOR	0Ω		R305	2007-000468	CHIP RESISTOR	1KΩ	
J30	2007-000029	CHIP RESISTOR	0Ω		R401	2007-000477	CHIP RESISTOR	1MΩ	
J34	2007-000029	CHIP RESISTOR	0Ω		R402	2007-000290	CHIP RESISTOR	100Ω	
J40	2007-000029	CHIP RESISTOR	0Ω		R403	2007-000931	CHIP RESISTOR	470Ω	
J41	2007-000033	CHIP RESISTOR	0Ω		R404	2007-000300	CHIP RESISTOR	10KΩ	
J42	2007-000029	CHIP RESISTOR	0Ω		R405	2007-000300	CHIP RESISTOR	10KΩ	
J47	2007-000029	CHIP RESISTOR	0Ω		R406	2007-000931	CHIP RESISTOR	470Ω	
J48	2007-000033	CHIP RESISTOR	0Ω		R407	2007-000931	CHIP RESISTOR	470Ω	
					R408	2007-000931	CHIP RESISTOR	470Ω	

Symbol No.	Part No.	Part Name	Description	Local
R409	2007-000781	CHIP RESISTOR	33Ω	
R410	2007-000781	CHIP RESISTOR	33Ω	
R201L	2007-000282	CHIP RESISTOR	100KΩ	
R202L	2007-000290	CHIP RESISTOR	100Ω	
BD201	3301-001495	FERRITE BEADS	120Ω	
CW101	3708-001252	CONNECTOR	16P 1mm	
CW102	3708-002060	CONNECTOR	19P 1.25mm	
CW104	3711-001136	CONNECTOR	8P	
CW106	AH39-20561P	CONNECTOR	6P 150mm	
CW107	3708-002050	CONNECTOR	15P 1mm	
CW108	3711-002348	CONNECTOR	2P	
CW109	3711-002526	CONNECTOR	3P	
X201	2802-000211	C RESONATOR	16.93MHz	
X202	2802-001189	C RESONATOR	8MHZ	
XXXXX	AH41-00811A	CD PCB		

Wiring

Block No. [0][5]

Symbol No.	Part No.	Part Name	Description	Local
XXXXX	3809-001298	FLAT CABLE	12P	
XXXXX	3809-001327	FLAT CABLE	17P	
XXXXX	3809-001452	FLAT CABLE	24P	
XXXXX	3809-001680	FLAT CABLE	19P	
XXXXX	3809-001707	FLAT CABLE	30P	
XXXXX	AH39-00320C	FM WIRE		

<MEMO>

Packing and Accessories

Block No. [M][3][M][M]

△	Symbol No.	Part No.	Part Name	Description	Local
A	1	AH68-01703A	INST BOOK	ENG LVT1350-001A	
A	2	AH59-01163J	REMOTE CONTROL		
A	3	AH38-10001A	FM ANT		
A	4	AH42-00019A	ANT LOOP		
A	5	-----	BATTERY	(x2)	
A	6	AH81-01689B	SPEAKER BOX R		
A	7	AH81-01689A	SPEAKER BOX L		
P	1	AH69-01408B	CARTON	FOR SET	
P	2	AH69-01405A	CUSHION L	FOR SET	
P	3	AH69-01406A	CUSHION R	FOR SET	
P	4	6902-000068	POLY BAG		
P	5	6902-000385	POLY BAG	(x2)	
P	6	AH81-01689V	CUSHION TOP	FOR SPEAKER	
P	7	AH81-01689W	CUSHION BOTTOM	FOR SPEAKER	
P	8	AH81-00631U	POLY BAG	(x2)	

JVC

SCHEMATIC DIAGRAMS

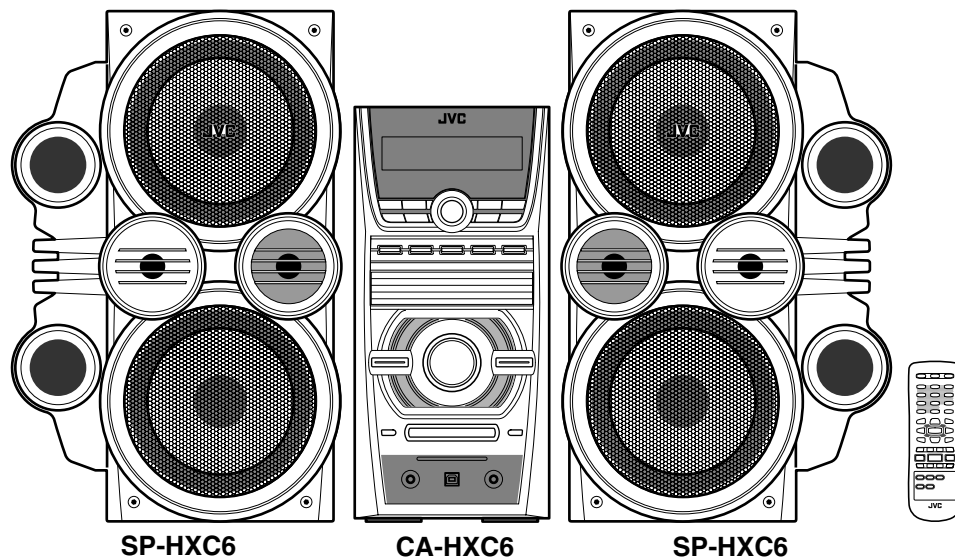
COMPACT COMPONENT SYSTEM

HX-C6

CD-ROM No.SML200506

Area suffix

J-----U.S.A.



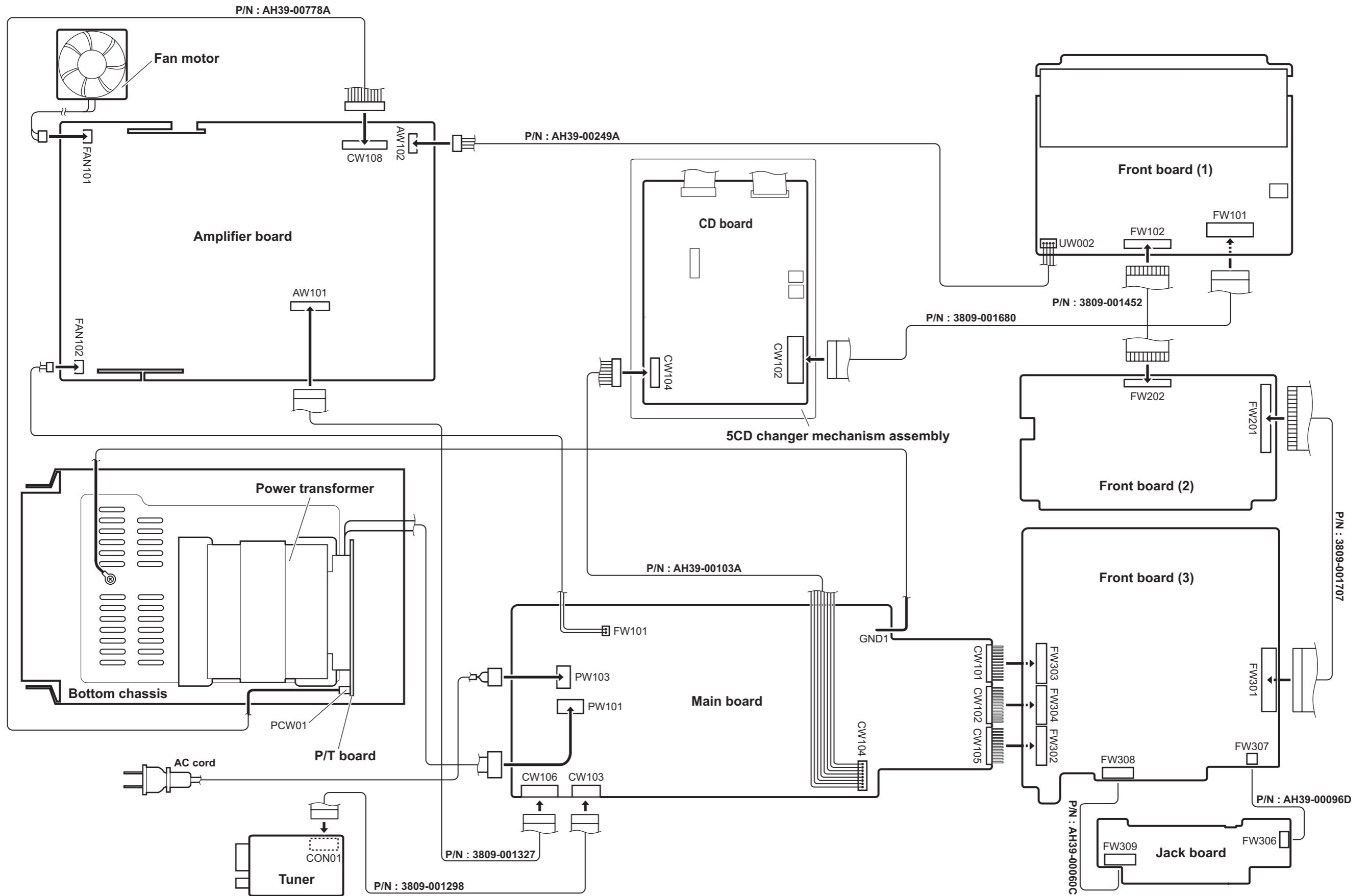
Lead free solder used in the board (material : Sn-Ag-Cu, melting point : 219 Centigrade)

Contents

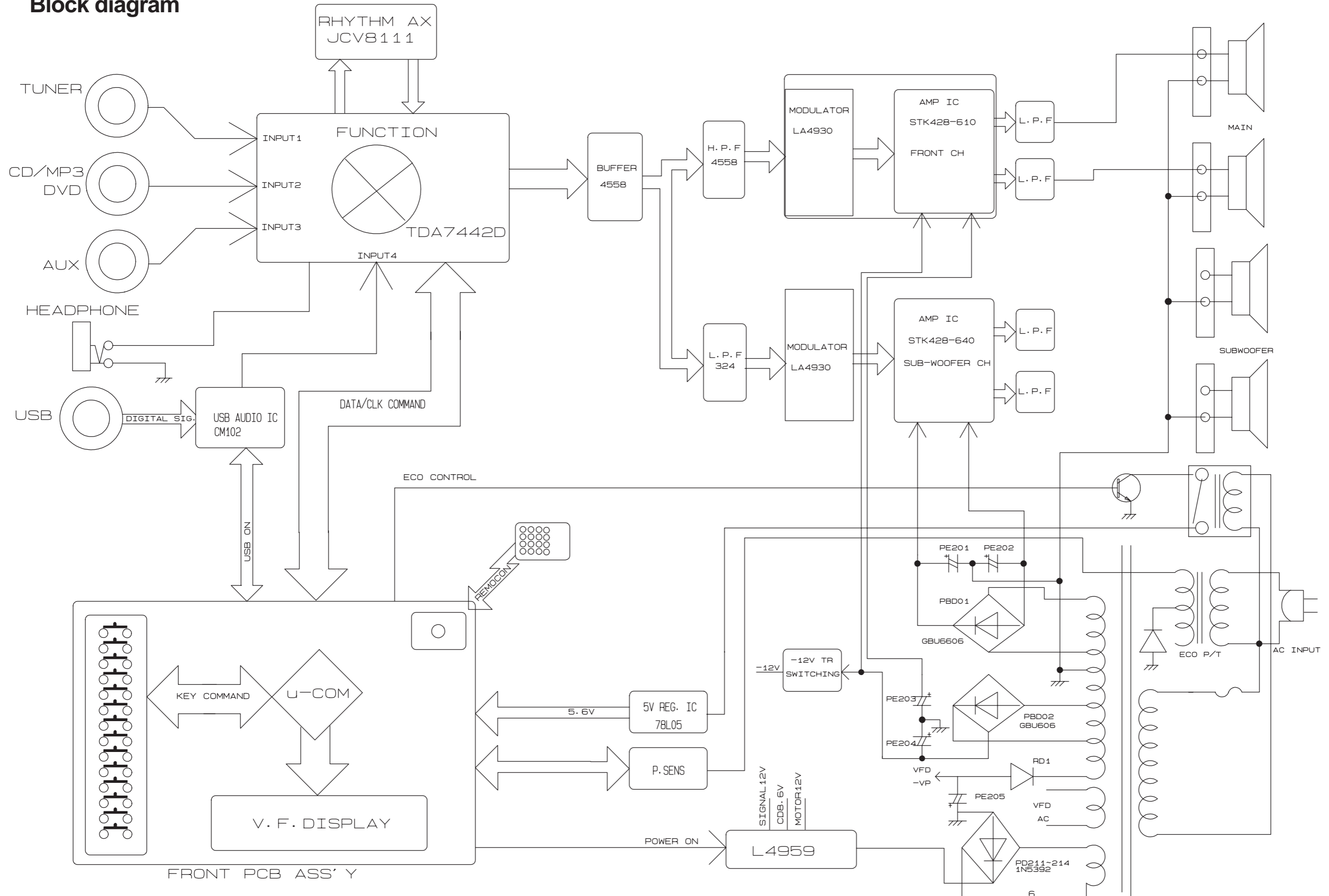
Wiring diagram	□ □ □	2-1
Block diagram	-----	2-2
Standard schematic diagrams	-----	2-3
Printed circuit boards	-----	2-7 to 10

In regard with component parts appearing on the silk-screen printed side (parts side) of the PWB diagrams, the parts that are printed over with black such as the resistor (■), diode (⊣) and ICP (●) or identified by the "⚠" mark nearby are critical for safety.

Wiring diagram

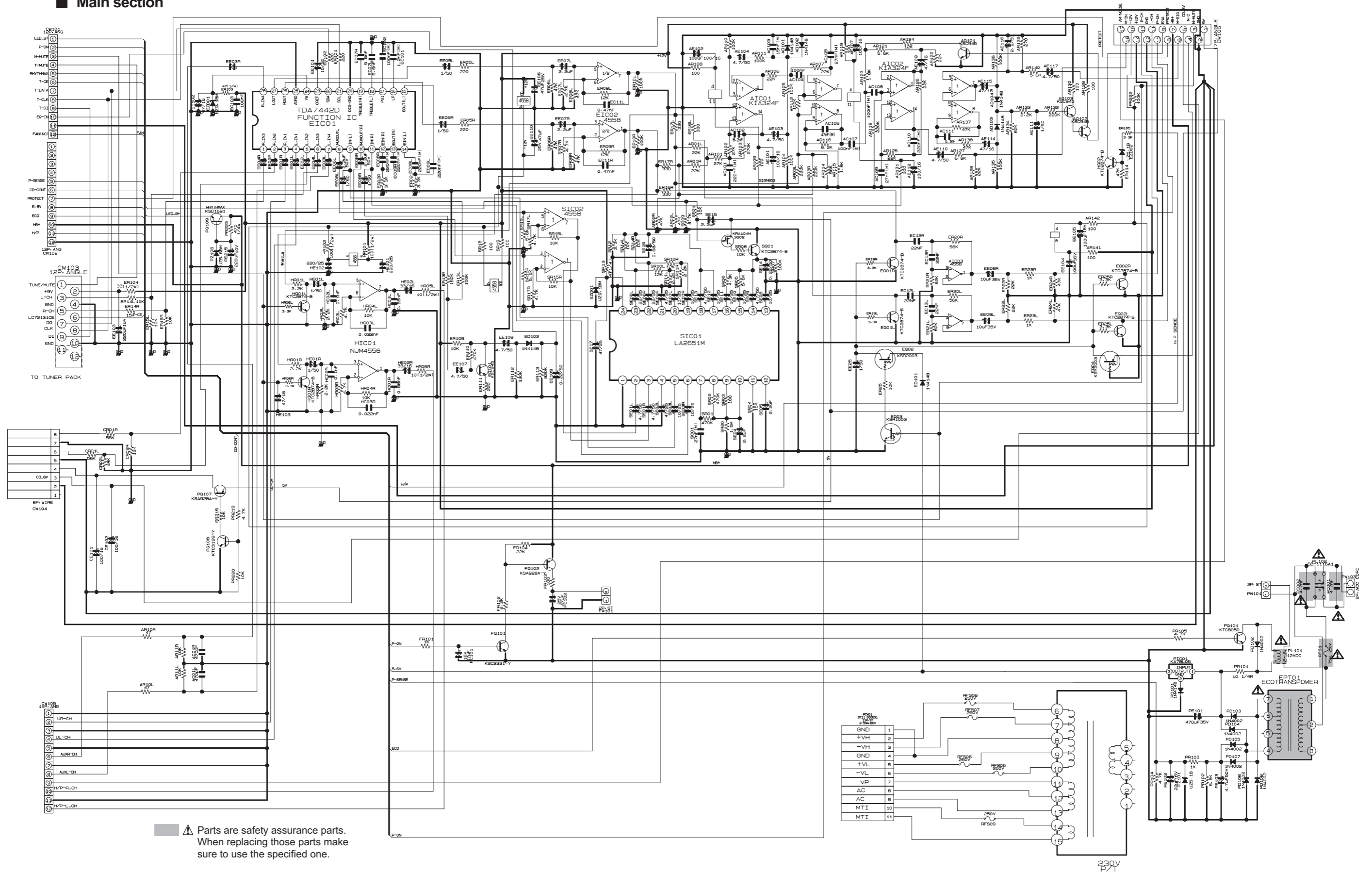


Block diagram



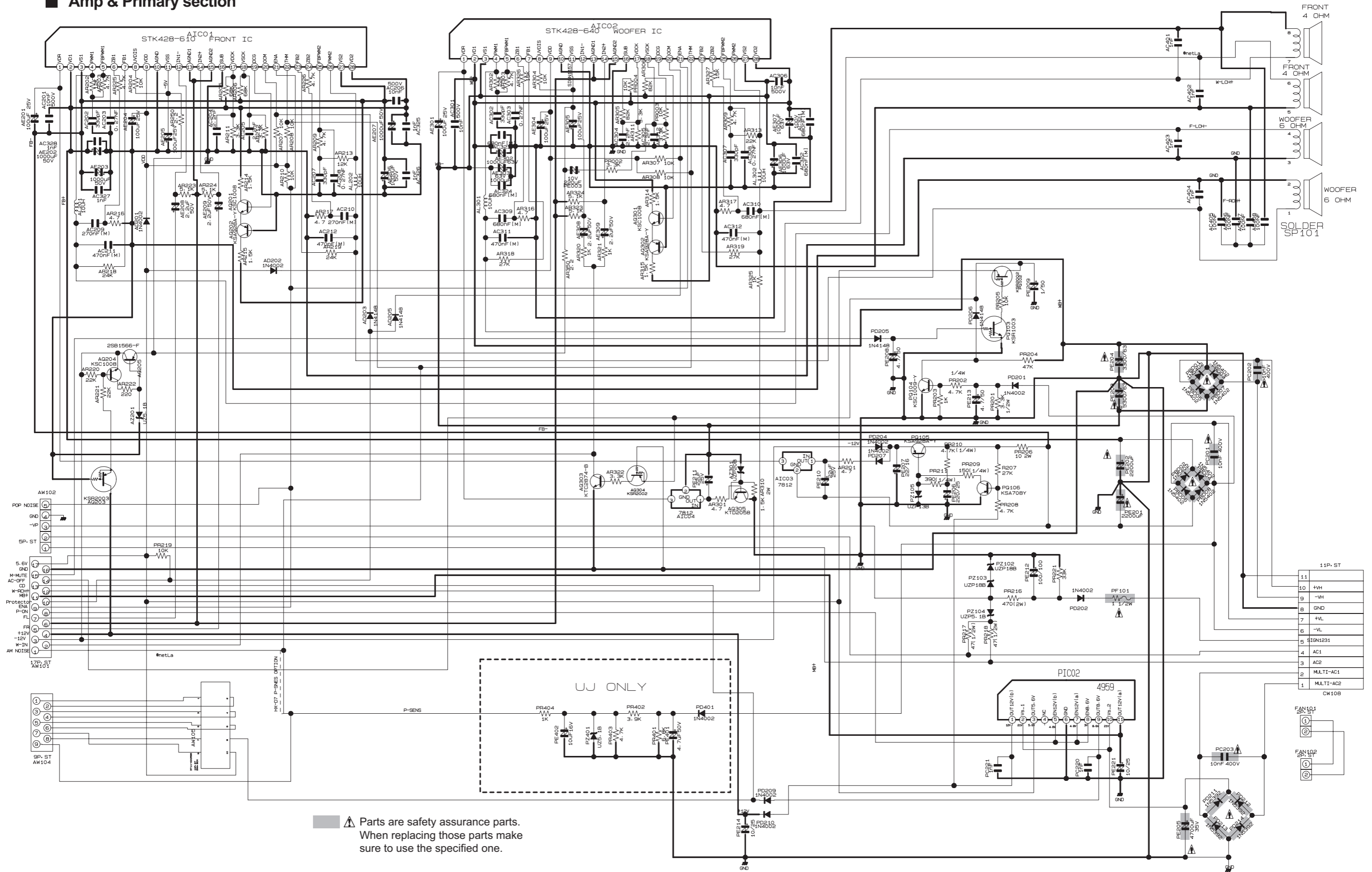
Standard schematic diagrams

■ Main section

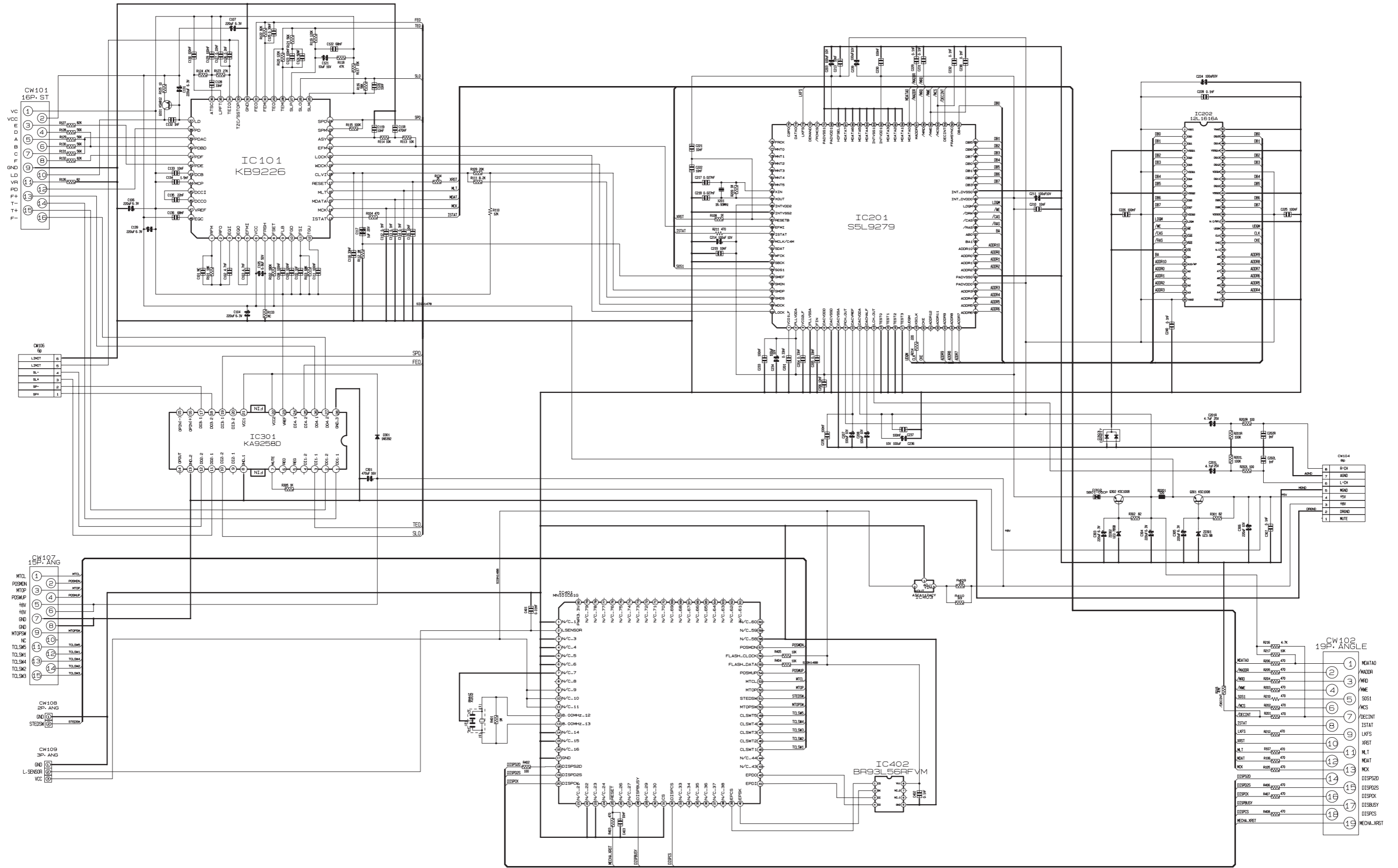


▲ Parts are safety assurance parts. When replacing those parts make sure to use the specified one.

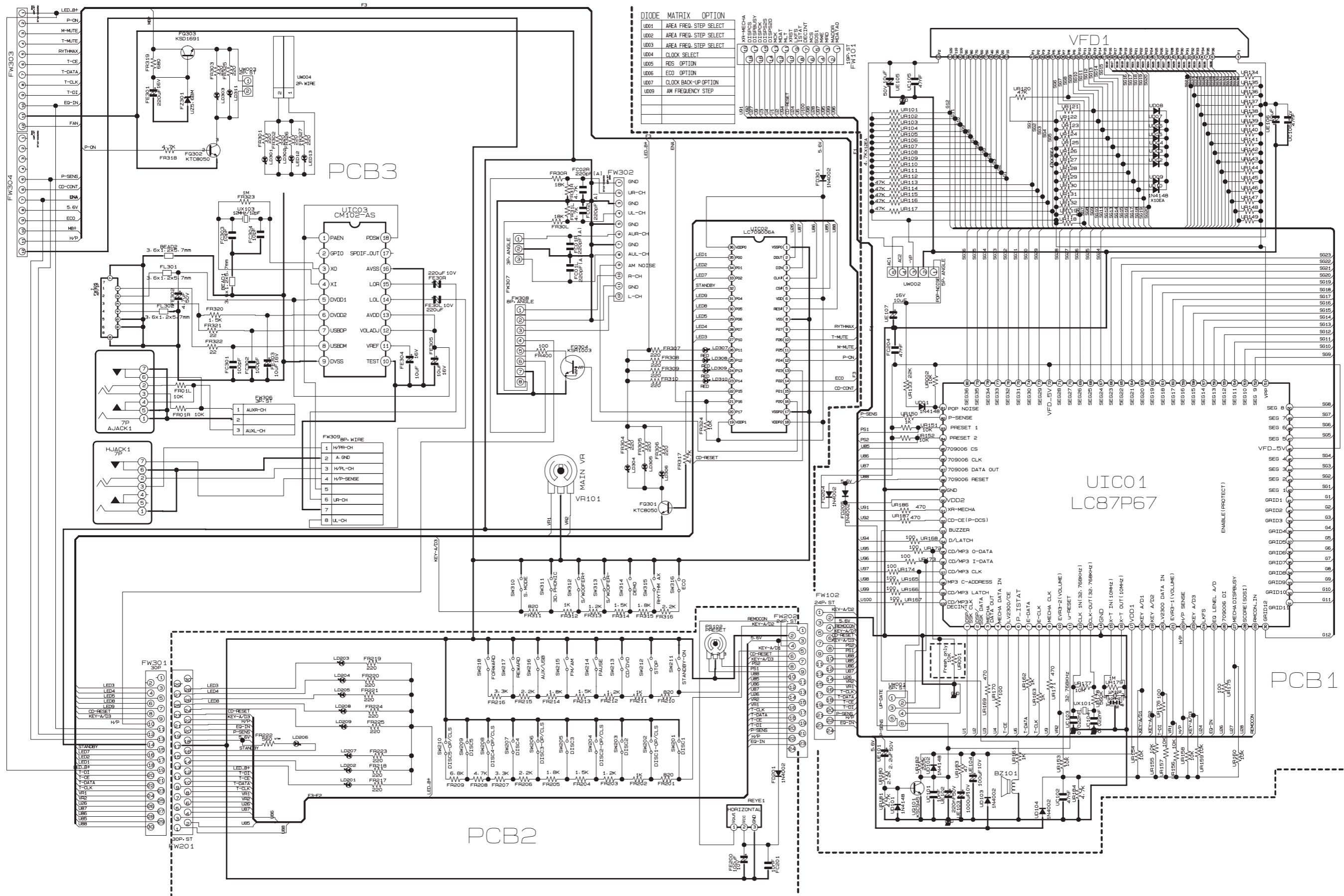
Amp & Primary section



■ CD section

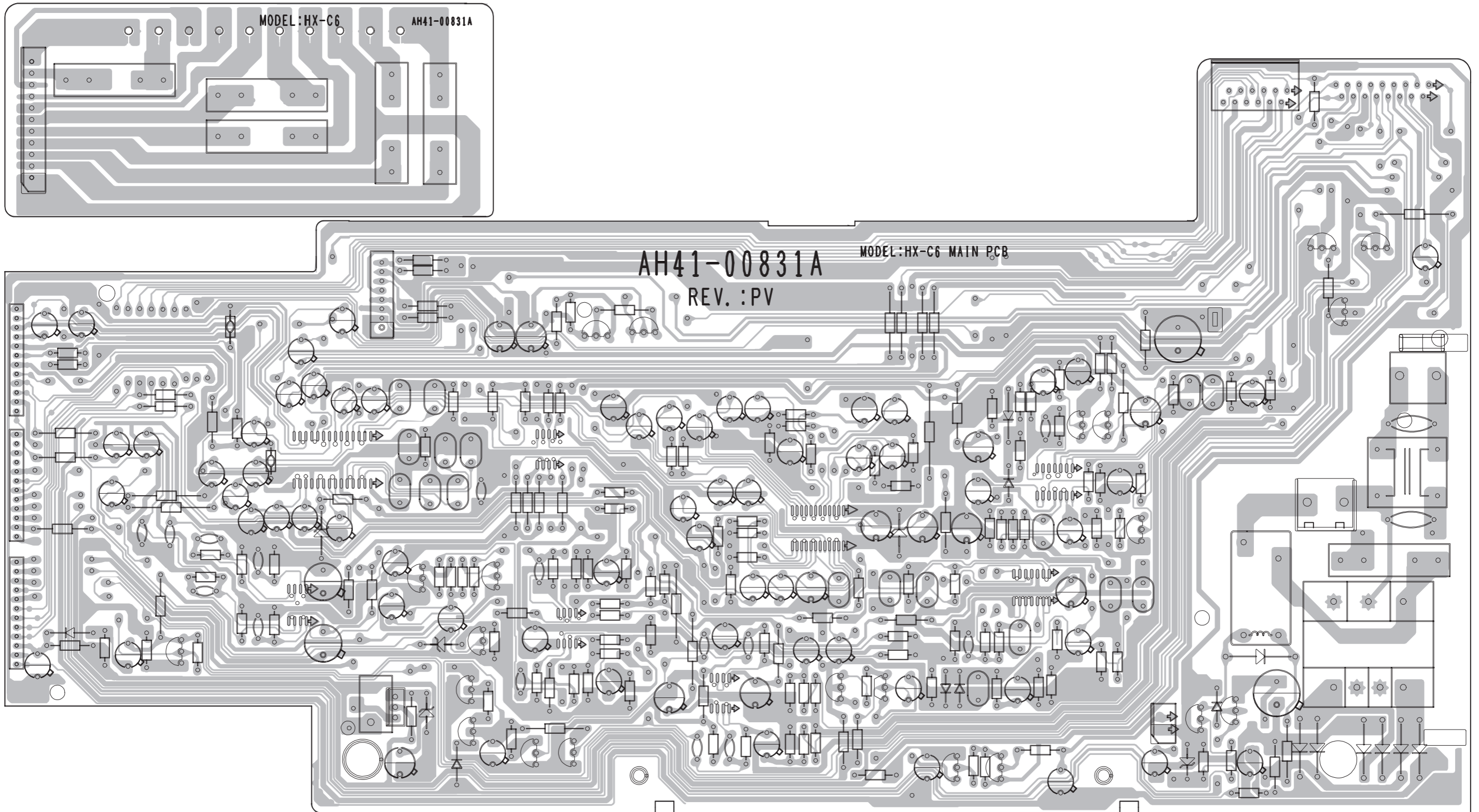


■ Front section

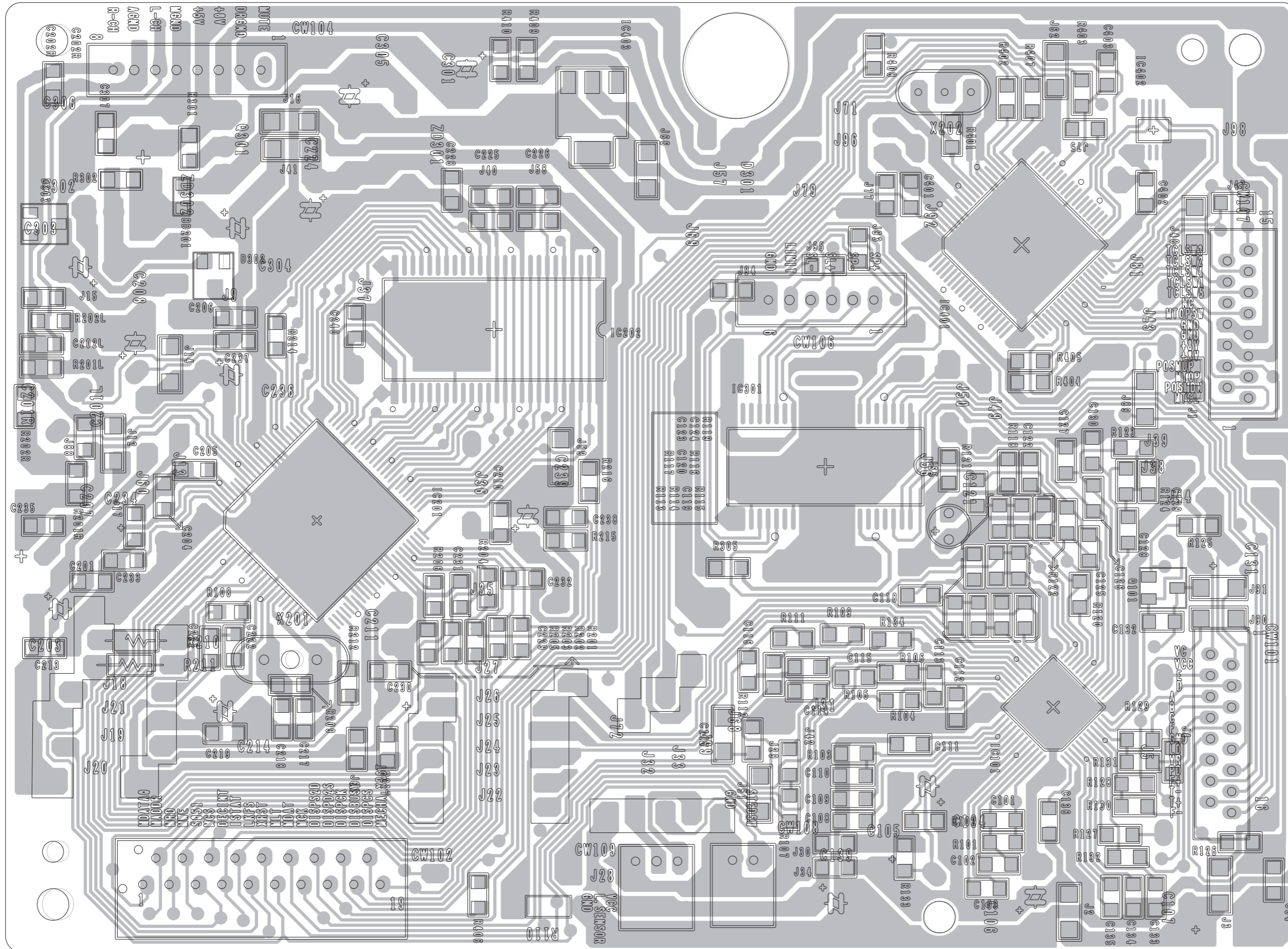


Printed circuit boards

■ Main board Lead free solder used in the board (material : Sn-Ag-Cu, melting point : 219 Centigrade)



■ CD board Lead free solder used in the board (material : Sn-Ag-Cu, melting point : 219 Centigrade)



< MEMO >

JVC

Victor Company of Japan, Limited

AV & MULTIMEDIA COMPANY AUDIO/VIDEO SYSTEMS CATEGORY 10-1,1chome,Ohwatari-machi,Maebashi-city,371-8543,Japan

(No.MB366SCH)



Printed in Japan
VPT