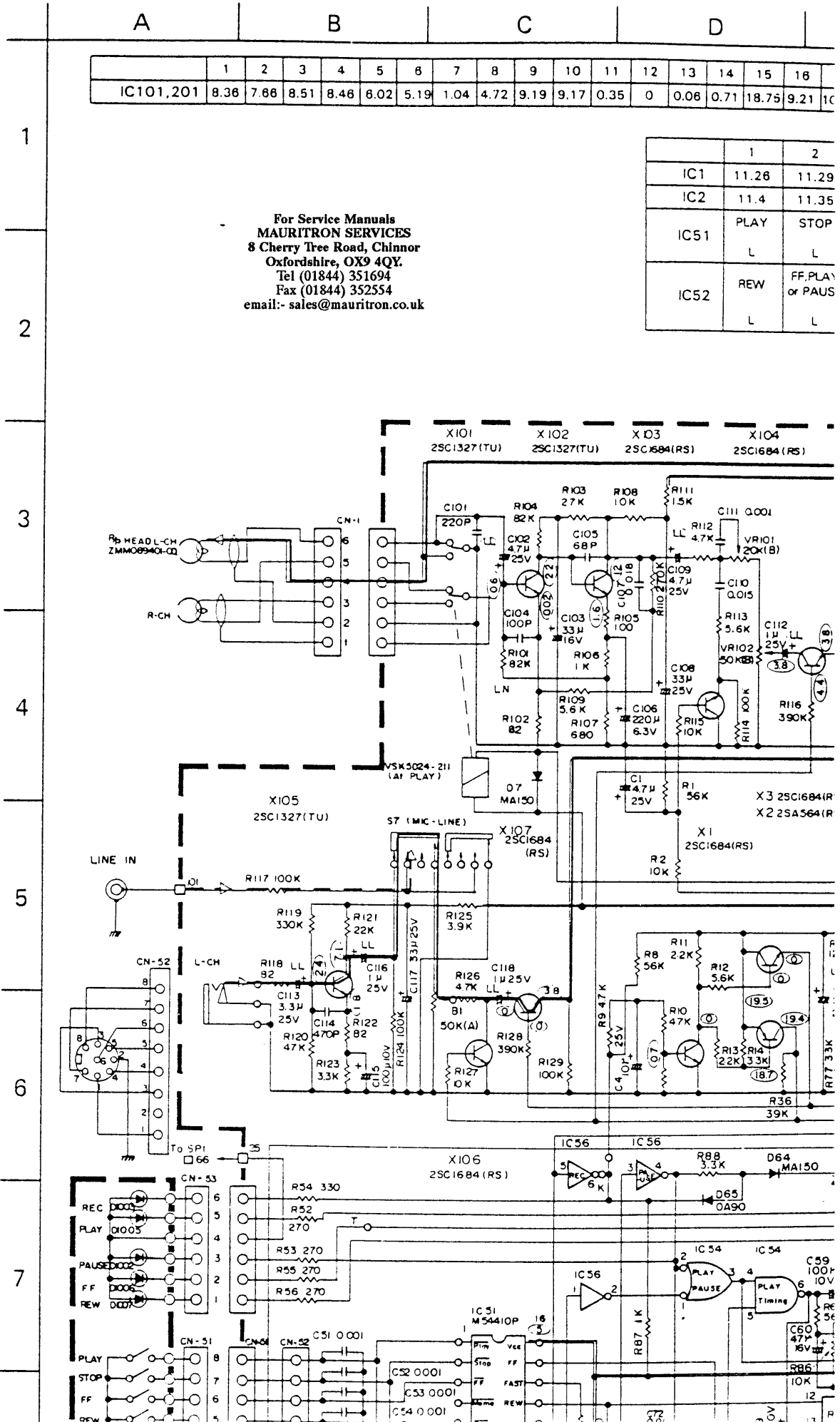


# Main Amplifier Circuit

	A	B	C	D
	1	2	3	4
IC101,201	8.36	7.68	8.51	8.46
	5	6	7	8
	6.02	5.19	1.04	4.72
	9	10	11	12
	9.19	9.17	0.35	0
	13	14	15	16
	0.08	0.71	18.75	9.21

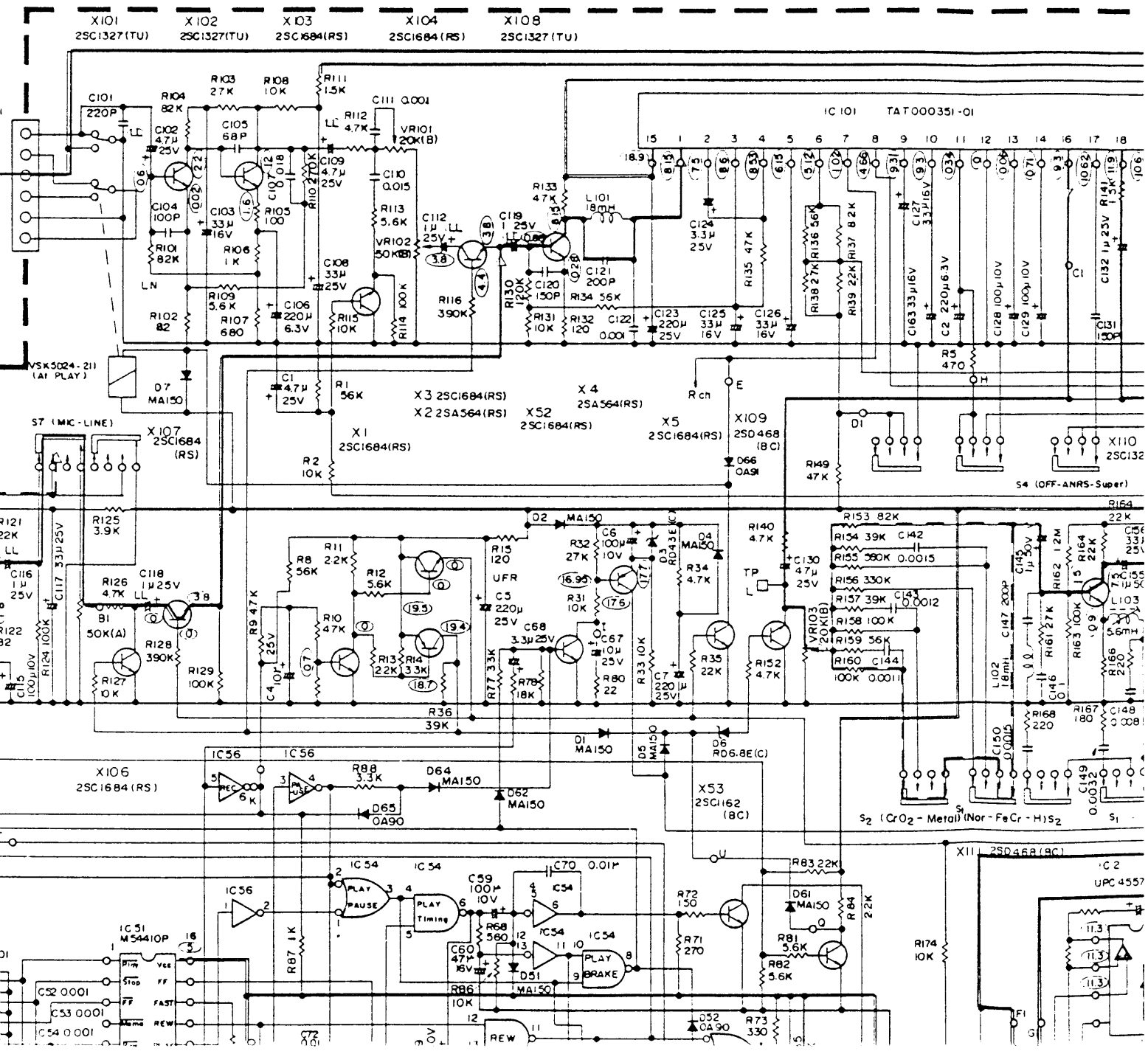
For Service Manuals  
**MAURITRON SERVICES**  
 8 Cherry Tree Road, Chinnor  
 Oxfordshire, OX9 4QY.  
 Tel (01844) 351694  
 Fax (01844) 352554  
 email:- sales@mauritron.co.uk

	1	2
IC1	11.26	11.29
IC2	11.4	11.35
IC51	PLAY	STOP
	L	L
IC52	REW	FF, PLAY
	L	or PAUS
	L	L



	C				D				E				F				G			
	5	6	7	8	9	10	11	12	13	14	15	16	17	18	19	20	21	22	23	24
	6.02	5.19	1.04	4.72	9.19	9.17	0.35	0	0.06	0.71	18.75	9.21	10.52	9.24	10.55	11.79	11.8	11.81	11.8	16.5

	1	2	3	4	5	6	7	8	9	10	11	12
IC1	11.26	11.29	11.26	0	11.26	11.27	11.29	22.6				
IC2	11.4	11.35	10.9	0	10.8	11.3	11.51	22.6				
IC51	PLAY	STOP	FF		REW	PAUSE	REC		REC	REC	PAUSE	PLA
	L	L	L	H	L	L	L	0	L	H	H	H
IC52	REW	FF,PLAY	FF,REW	PLAY or	PLAY or	PLAY or						
	L	L	PLAY or	PAUSE	PAUSE	PAUSE						
	L	L	PAUSE	H	H	H	0	—	—	—	—	—

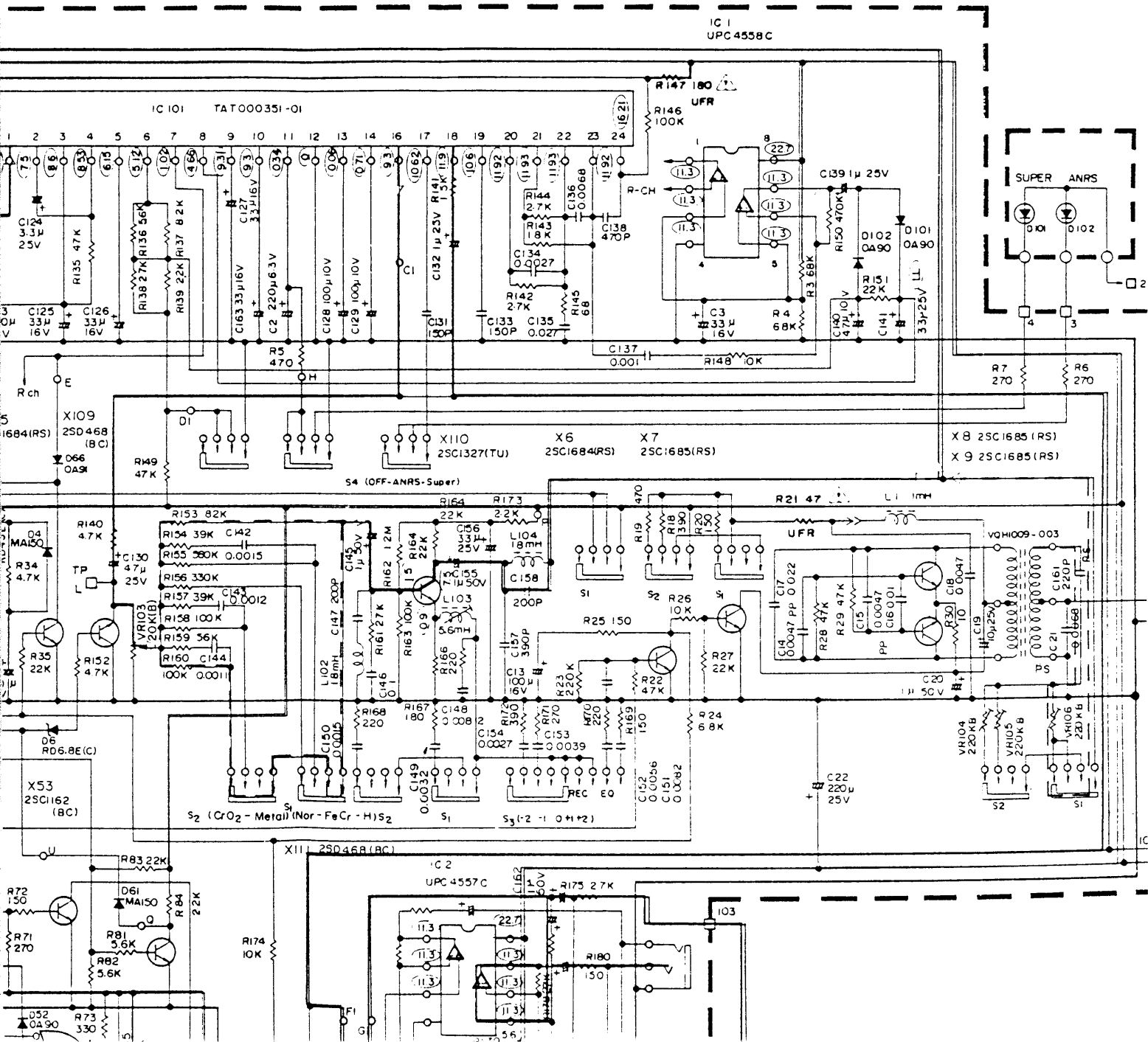


F G H I J K

22	23	24
11.81	11.8	16.5

5	6	7	8	9	10	11	12	13	14	15	16
26	11.27	11.29	22.6								
9.8	11.3	11.51	22.6								
REW	PAUSE	REC		REC PROOF ON	REC	PAUSE	PLAY	REW	FF or REW	FF	
L	L	L	O	L	H	H	H	H	H	H	5V
Y or USE	PLAY or PAUSE										

	1	2	3	4
	POWER ON			
IC53				
IC54	PLAY L	PAUSE L	PLAY or PAUSE H	PLAY or PAUSE H
IC55	PLAY or PAUSE H	TAPE END H	PLAY TAPE END L	TAPE END H
IC56	PLAY H	PLAY L	PAUSE H	PAUSE L



J

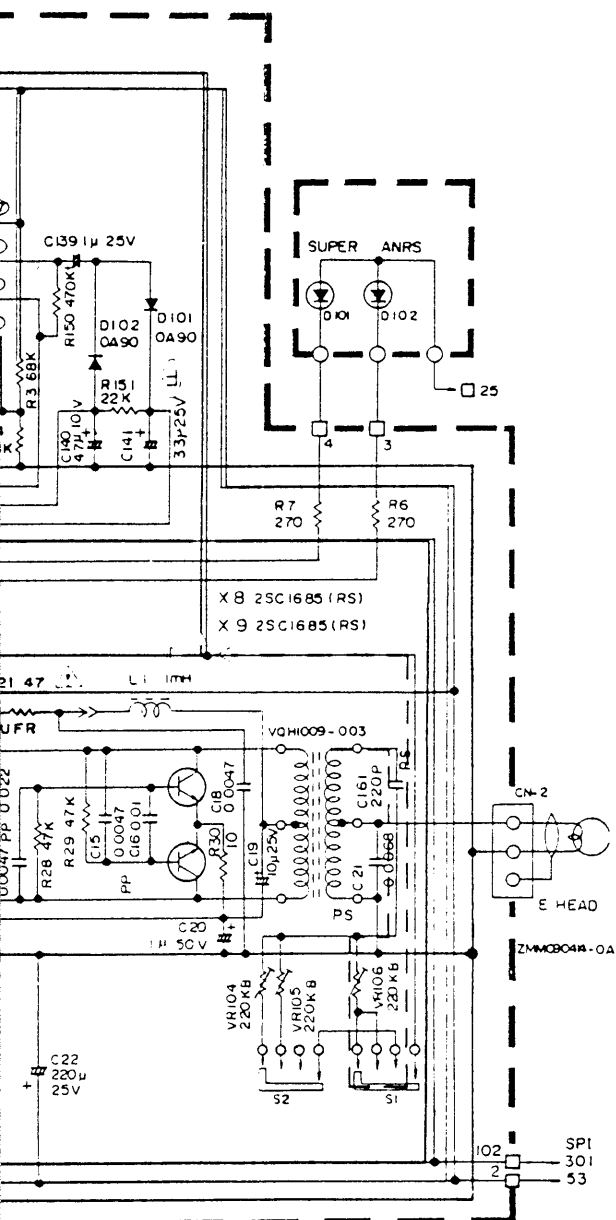
K

L

M

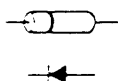
N

	1	2	3	4	5	6	7	8	9	10	11	12	13	14
IC53	POWER ON						0	999_REW	REW	999_REW		999		5V
									H					
IC54	PLAY	PAUSE	PLAY or PAUSE	PLAY or PAUSE	FF or REW	PLAY or PAUSE	0	PLAY or PAUSE						5V
	L	L	H	H	L	L		L	H	H	H	L	L	
IC55	PLAY or PAUSE	TAPE END	PLAY TAPE END	TAPE END	FF or REW	FF or REW TAPE END	0	FF	FF	FF or REW	REW	REW	FF or REW	5V
	H	H	L	H	H	L		L	H	L	H	H	H	
IC56	PLAY	PLAY	PAUSE	PAUSE	REC	REC	0	FF or REW				PAUSE		5V
	H	L	H	L	H	L		H	L	L	H	H	L	

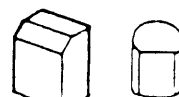


	E	C	B
X101,201	0.01	2.1	0.6
X102,202	1.5	11.8	2.1
X103,203	—	—	NORM Other 0.6
X104,204	3.8	Except REC 3.8	Except REC 4.4
X105,205	1.87	823	2.45
X106,206	—	—	REC Other 0.6
X107,207	3.8	REC 3.8	REC 4.4
X108,208	0.27	8	0.87
X109,209	0	0	REC or REC MUTE 0.6
X110,210	0.95	7.5	1.5
X111,211	0	—	PLAY or REC Other 0.6
X1	0	REC Other 0.1	REC Other 0.2
X2	20.2	REC Other 19.3	REC Other 20
X3	REC Other 19	20	REC Other 19.6
X4	18.3	PLAY or REC Other 18.3	PLAY or REC Other 17.7
X5	0	REC Other 1.04	REC Other 0.6
X6	0	REC Other 11	REC MUTE Other 0.6
X7	0	REC Other 22	REC Other 0.6
X9	REC Other 0.07	REC Other 19.9	REC Other 1.2
X51	0	TAPE END H	0.6
X52	0	PLAY or REC H	PLAY or REC 0
X53	0	PLAY or PAUSE 	PLAY or PAUSE 
X54	0	PAUSE Other L	PAUSE Other H
X55	0	PAUSE Other 0	PAUSE Other 0.6
X56	0	REC MUTE Other 20	REC MUTE Other 0

- Diode -

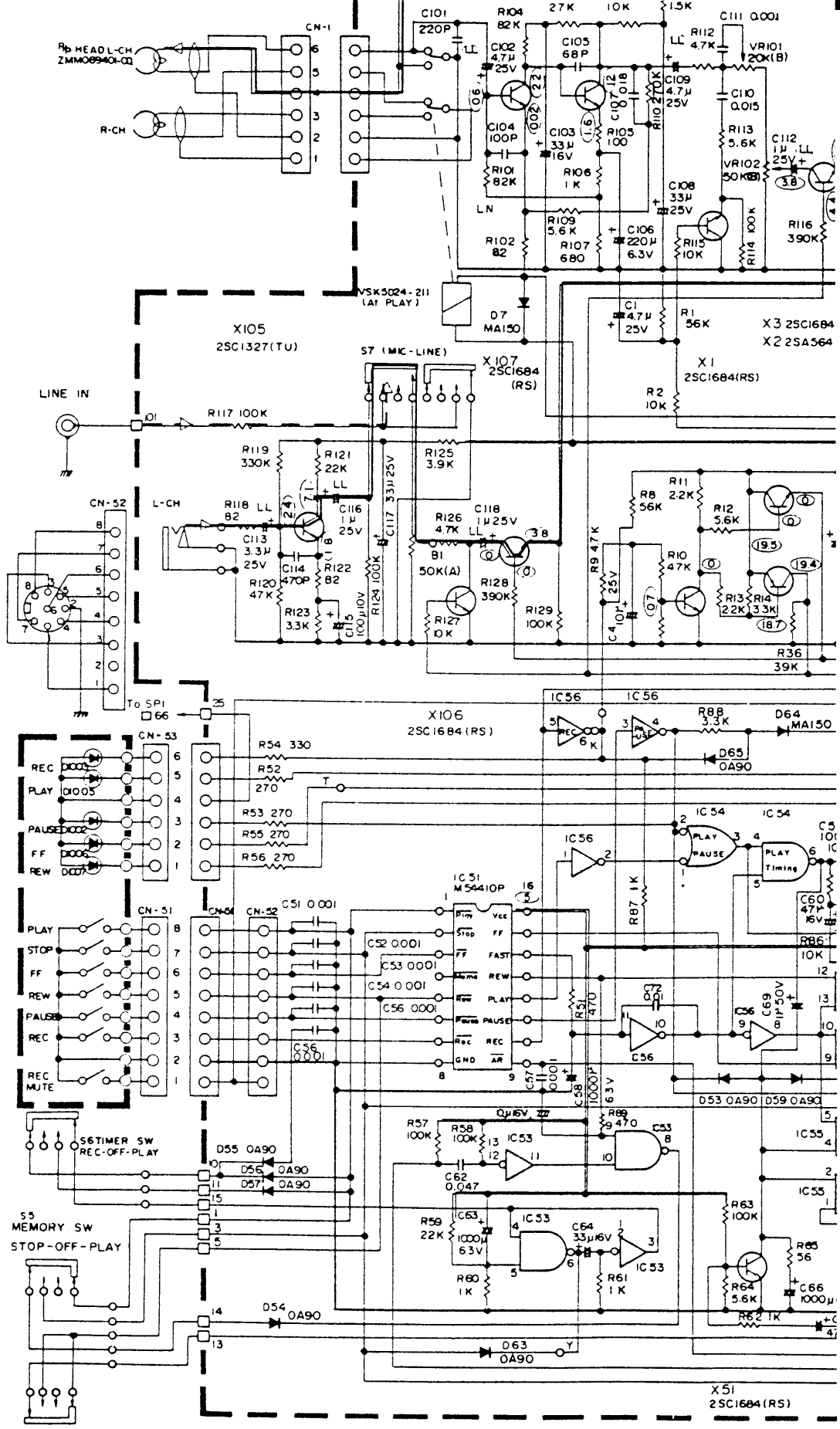


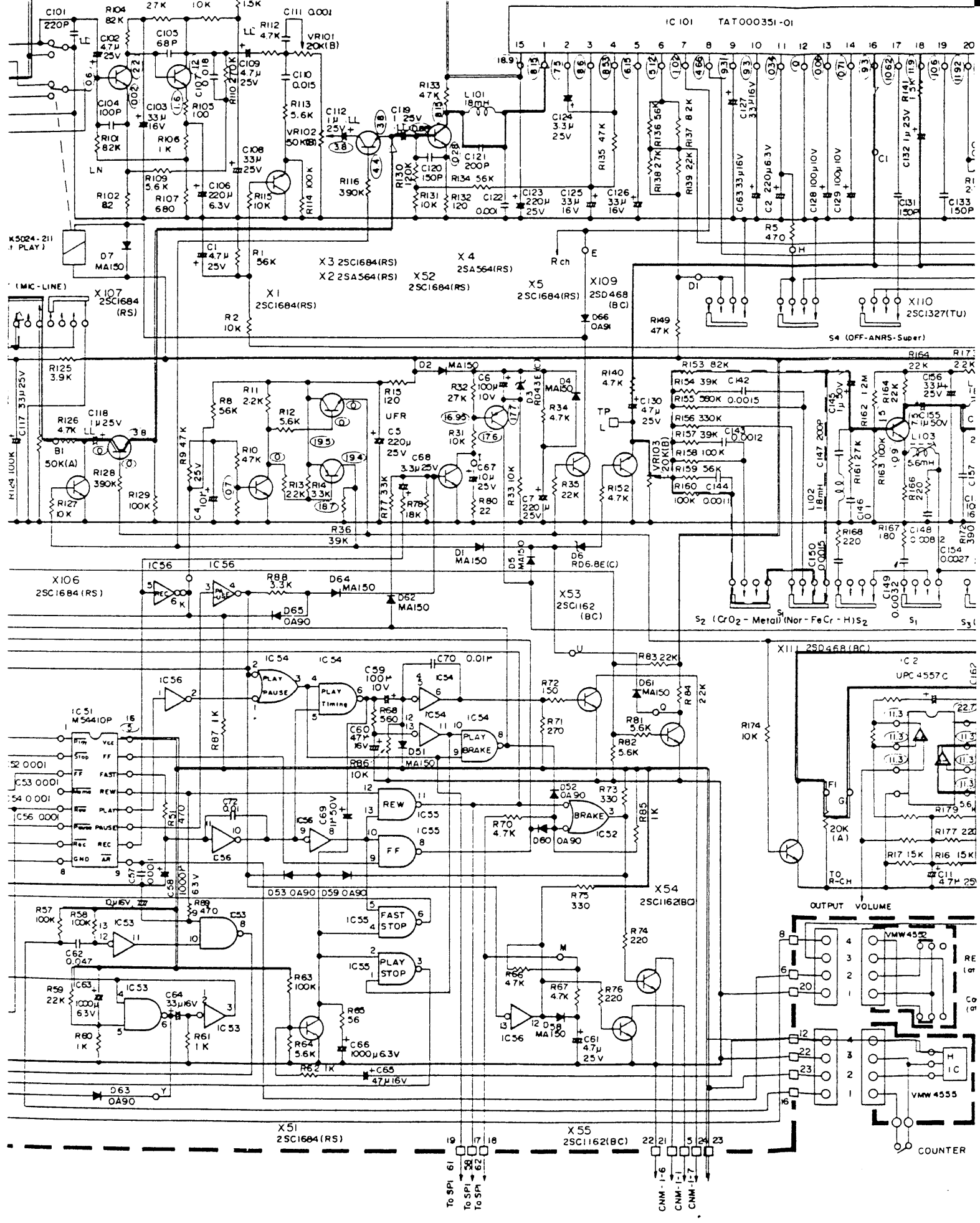
- Transistor -

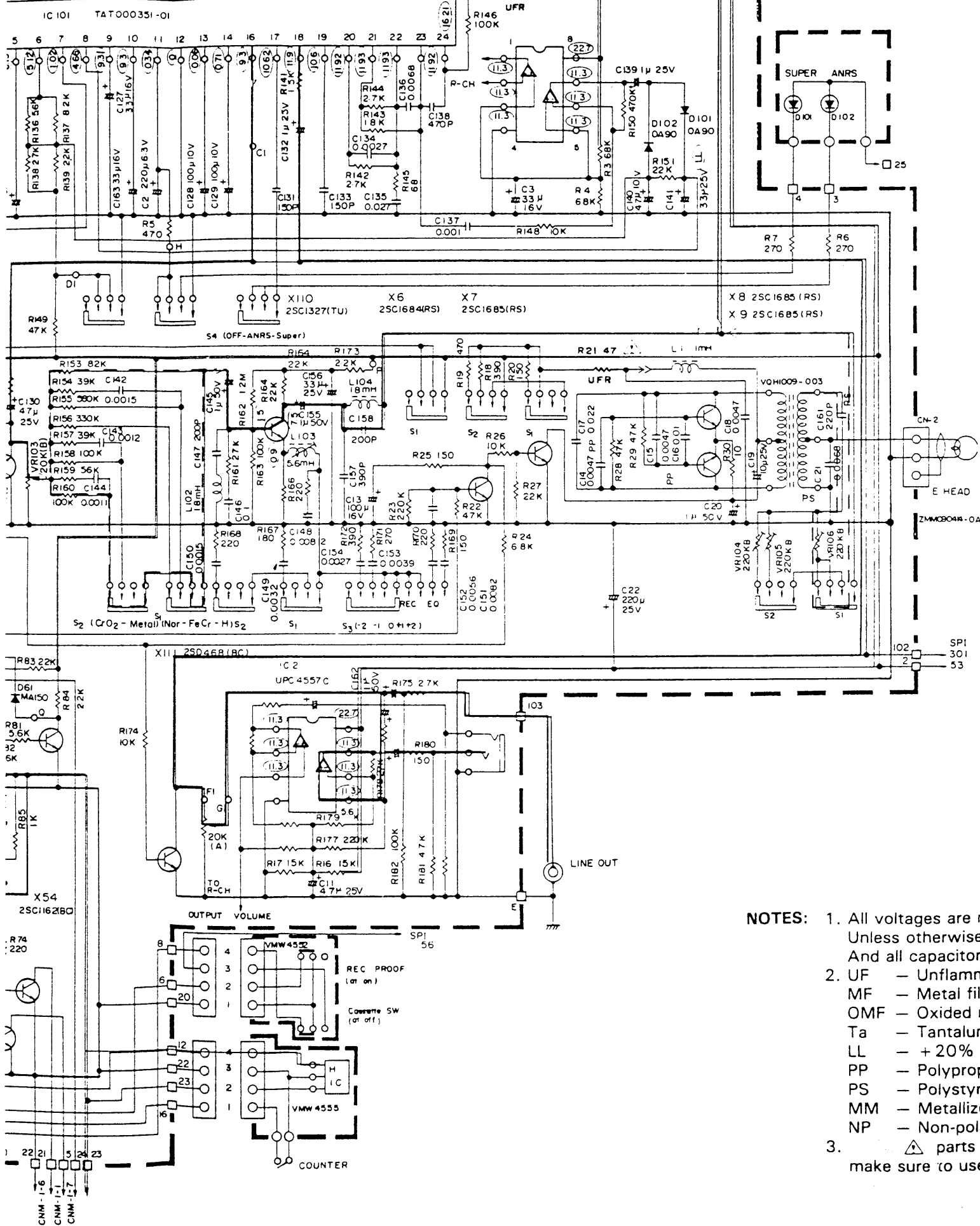


For Service Manuals  
**MAURITRON SERVICES**  
 8 Cherry Tree Road, Chimbor  
 Oxfordshire, OX9 4QY.  
 Tel (01844) 351694  
 Fax (01844) 352554  
 email:- sales@maurtron.co.uk

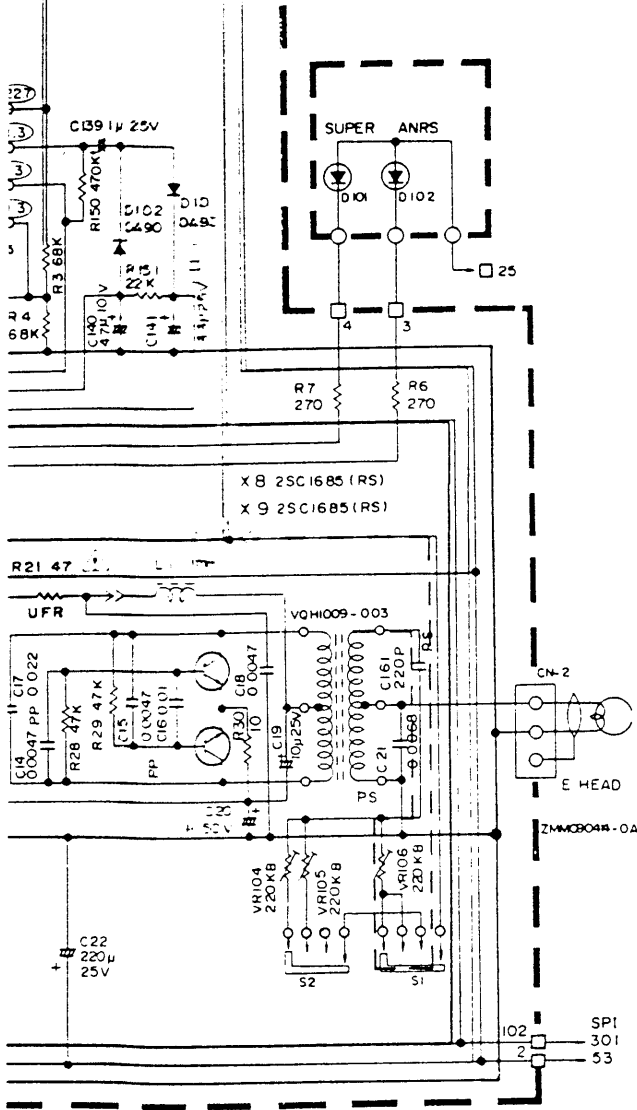
3  
4  
5  
6  
7  
8  
9  
10



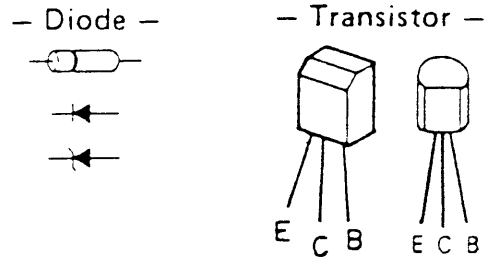




- NOTES:**
1. All voltages are m...  
Unless otherwise :  
And all capacitors
  2. UF - Unflamma...  
MF - Metal film...  
OMF - Oxided m...  
Ta - Tantalum...  
LL - + 20% lo...  
PP - Polystyre...  
PS - Polystyre...  
MM - Metallized...  
NP - Non-polar...
  3. parts ar...  
make sure to use



X103,203				NORM Other	0 0.6	
X104,204	3.8		Except REC 3.8	Except REC 4.4		
X105,205	1.87		823	2.45		
X106,206				REC Other	0 0.6	
X107,207	3.8	REC	3.8	REC	4.4	
X108,208	0.27		8	0.87		
X109,209	0		0	REC or REC MUTE	0.6	
X110,210	0.95		7.5	1.5		
X111,211	0			PLAY or REC Other	0.6 0	
X1	0	REC Other	19.8 0.1	REC Other	0.2 0.7	
X2	20.2	REC Other	0 19.3	REC Other	20 18.6	
X3	REC Other	19 0	20	REC Other	19.6 0	
X4	18.3	PLAY or REC Other	0 18.3	PLAY or REC Other	17.7 21.9	
X5	0	REC Other	0 1.04	REC Other	0.6 0	
X6	0	REC Other	11 0	REC MUTE Other	0.6 0	
X7	0	REC Other	0 22	REC Other	0.6 0	
X9	REC Other	0.07 22.1	REC Other	19.9 22.5	REC Other	1.2 22.4
X51	0		TAPE END H	0.6		
X52	0		PLAY or REC H	PLAY or REC 0		
X53	0		PLAY or PAUSE 	PLAY or PAUSE 		
X54	0	PAUSE Other	L H	PAUSE Other	0.6 0	
X55	0	PAUSE	0	PAUSE	0.6	
X56	0	REC MUTE Other	20 0	REC MUTE Other	0 0.6	

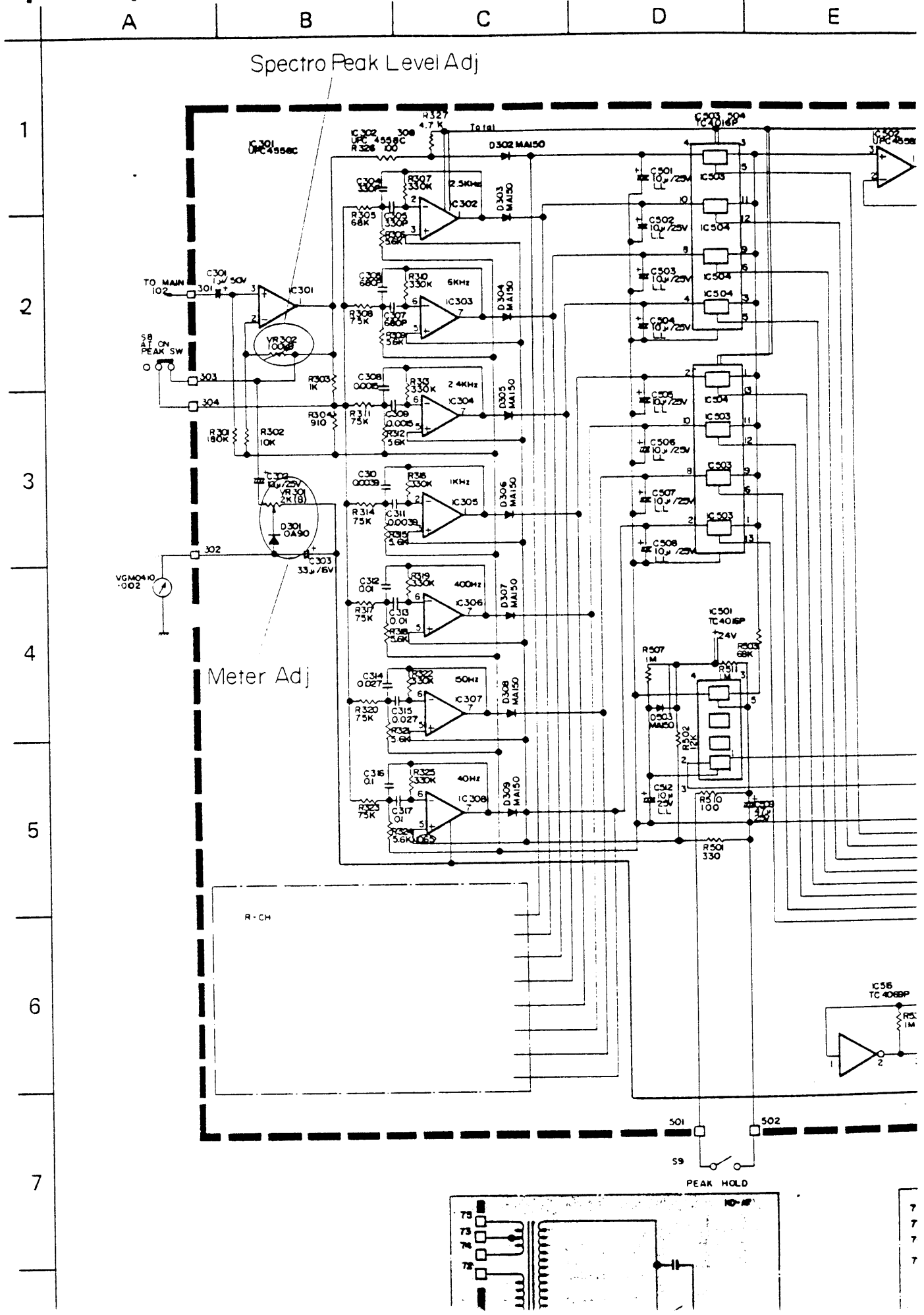


- NOTES: 1. All voltages are measured by Electronic Voltmeter. Unless otherwise specified, all resistors are 1/4W, ± 5% carbon resistors. And all capacitors are 50V fixed ceramic capacitors or 50V mylar capacitors.
2. UF - Unflammable carbon resistor  
 MF - Metal film resistor  
 OMF - Oxided metal film resistor  
 Ta - Tantalum solid electrolytic capacitor  
 LL - + 20% low leak current electrolytic capacitor  
 PP - Polypropylene capacitor  
 PS - Polystyrene capacitor  
 MM - Metallized mylar capacitor  
 NP - Non-polarized electrolytic capacitor
3. parts are safety assurance parts. When replacing those parts, make sure to use the specified one.

LINE OUT



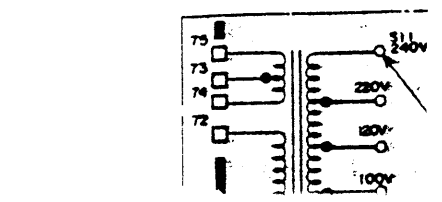
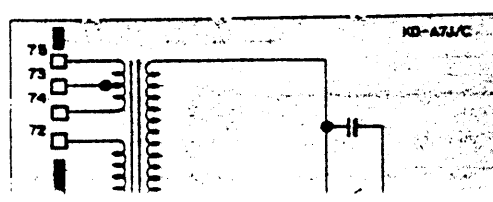
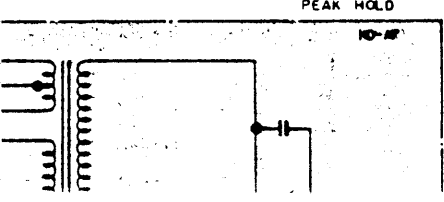
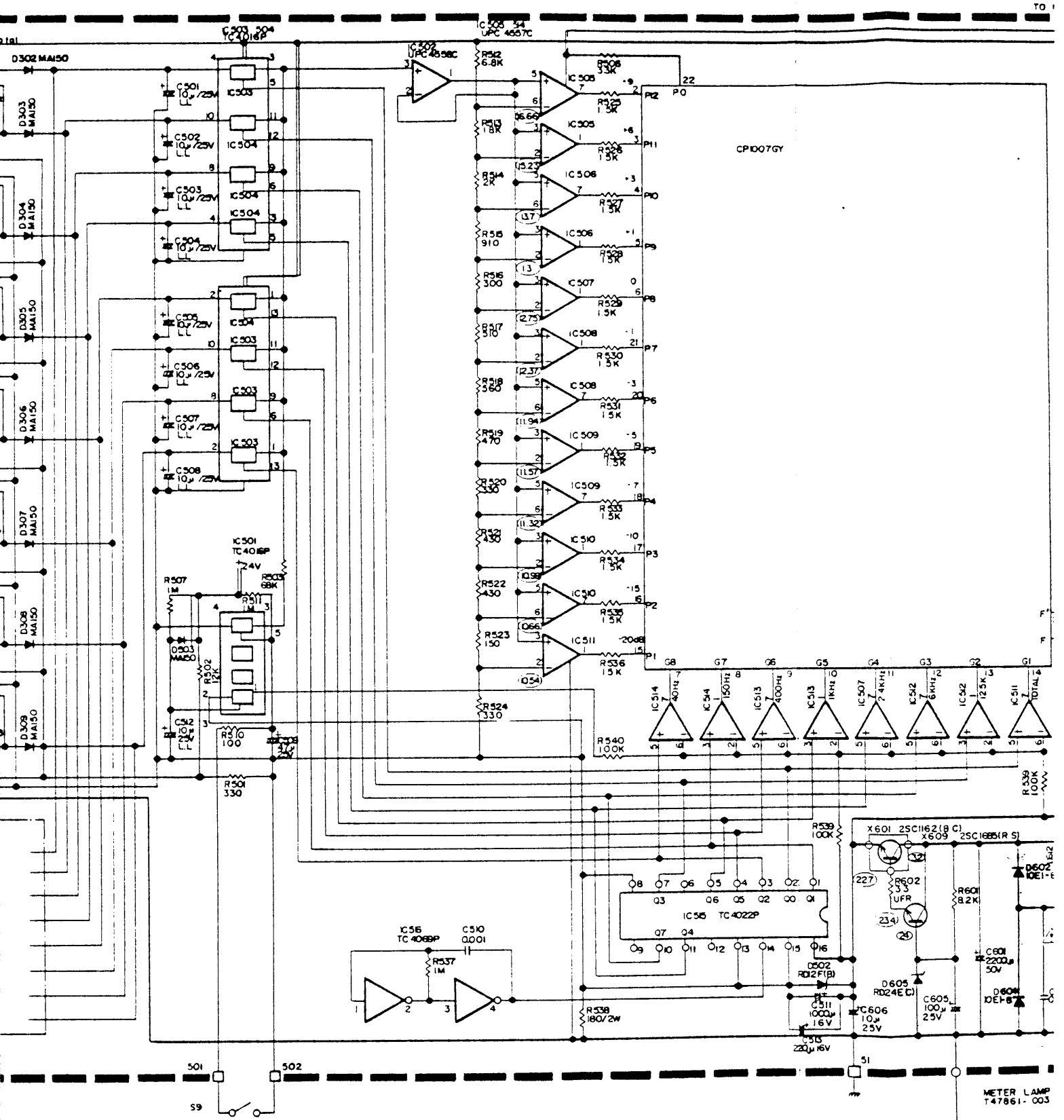
# Spectro-peak Level Circuit

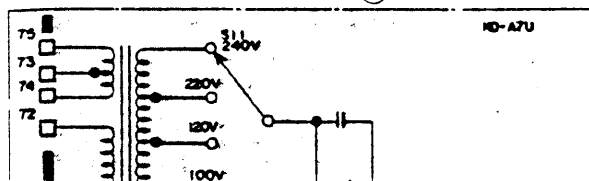
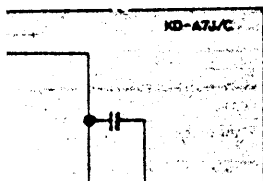
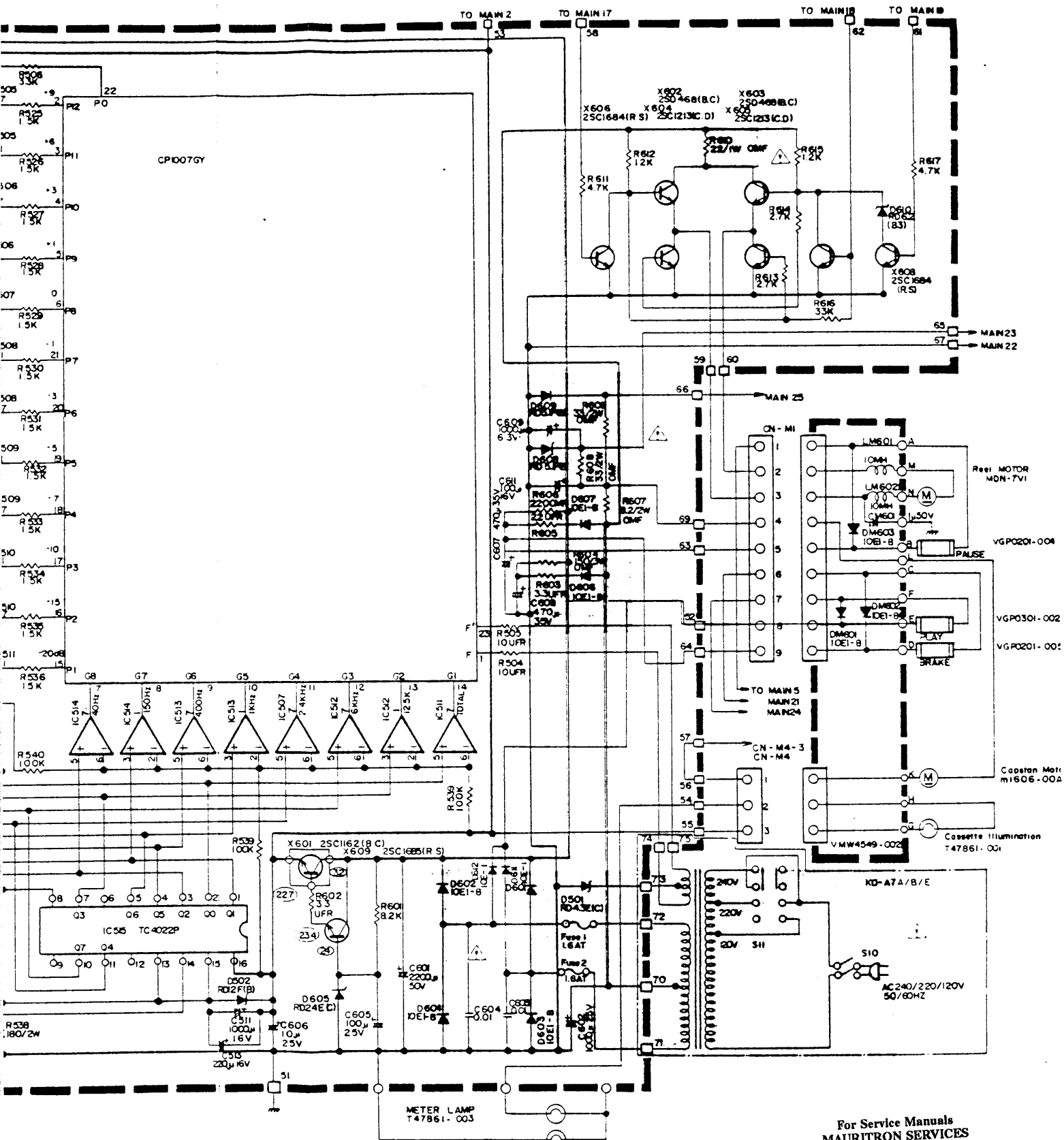


# KD-A7A/B/C/E/J/U

# KD-A7A/B/C/

C D E F G H





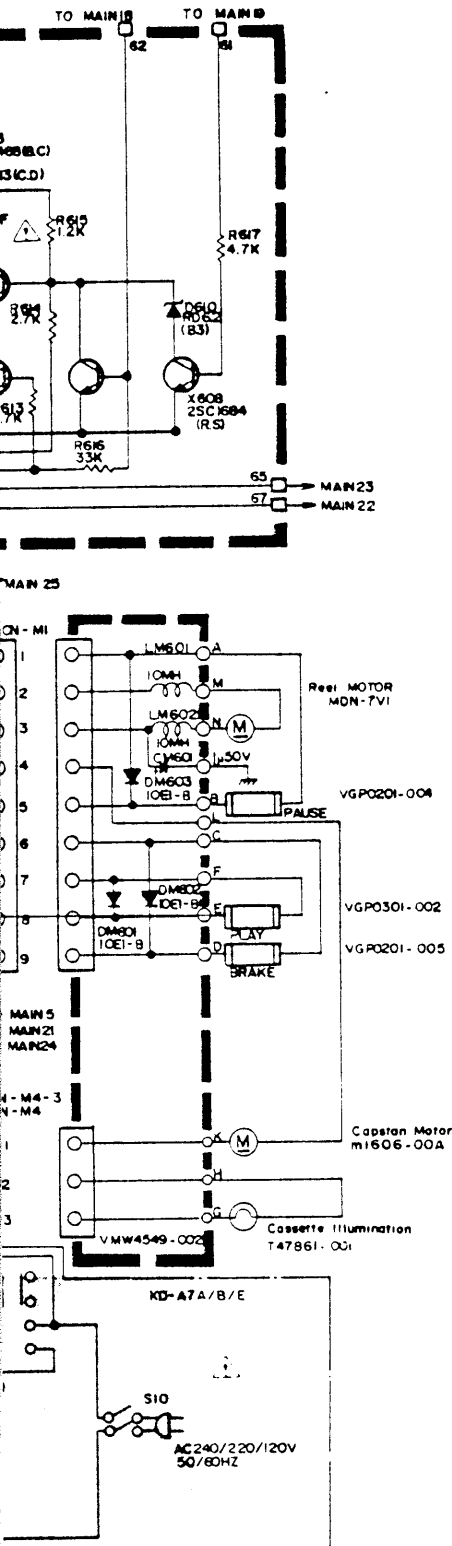
For Service Manuals  
**MAURITRON SERVICES**  
 8 Cherry Tree Road, Chinnor  
 Oxfordshire, OX9 4QY.  
 Tel (01844) 351694  
 Fax (01844) 352554  
 email:- sales@maurtron.co.uk

K

L

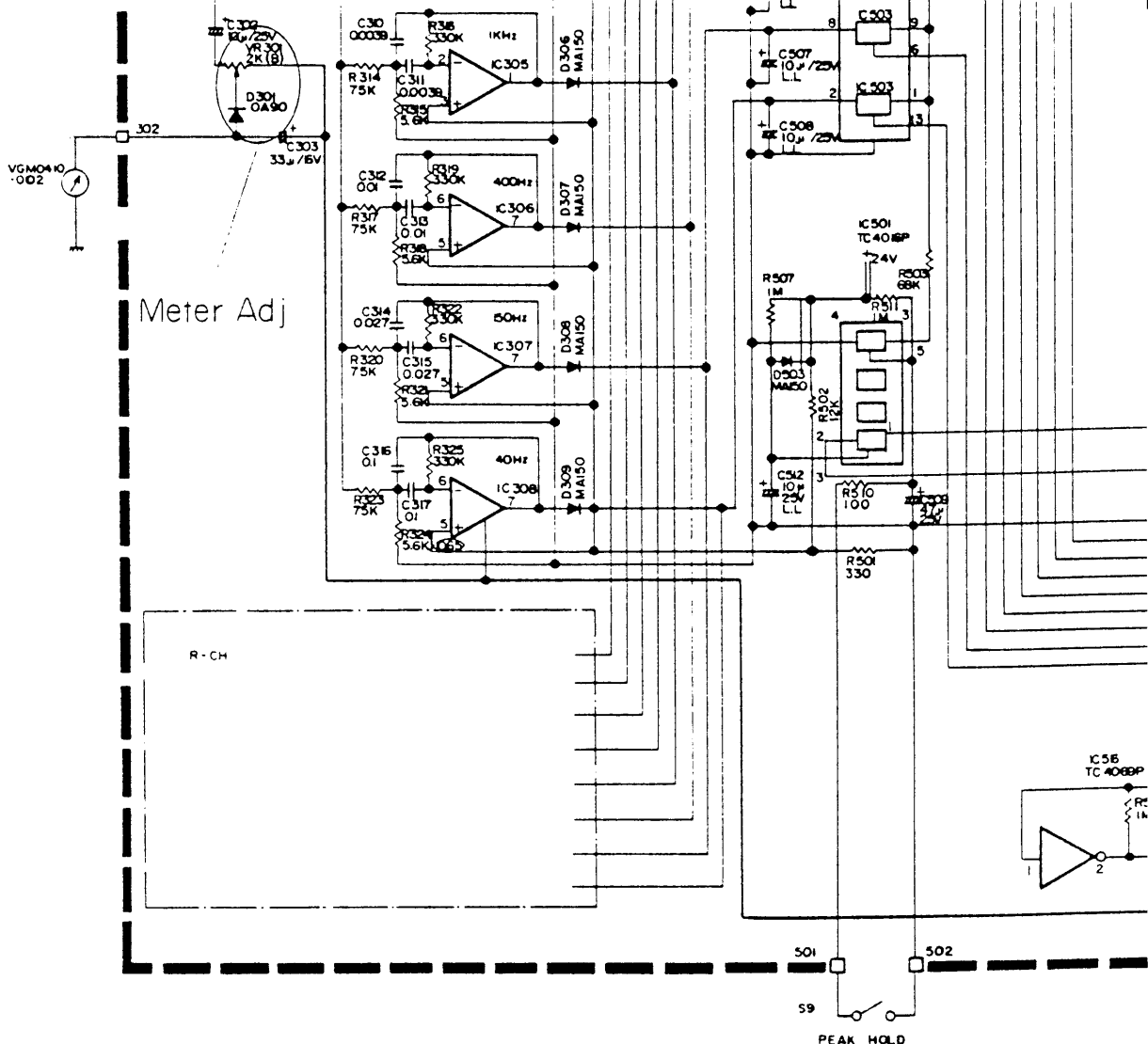
M

N

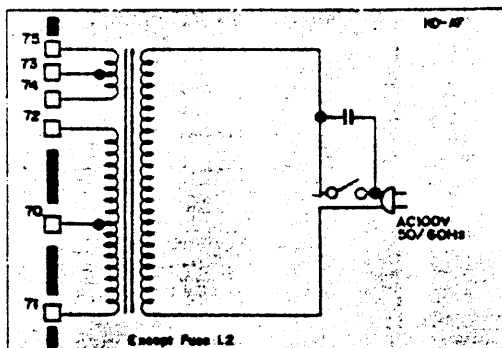


	E	C	B
X601	22.7	32.0	23.3
X602	STOP & REW 0 PLAY 5.8 FF 8.7	12.8	STOP & REW 0 PLAY 6.4 FF 9.3
X603	FF 8.6 PLAY & PAUSE 5.6 Other 0	12.0	FF 9.2 PLAY & PAUSE 6.3 Other 0
X604	0	REW 8.5 Other 0	FF, PLAY 0.7 Other 0
X605	0	FF 8.6 PLAY or PAUSE 5.6 Other 0	REW 0.75 Other 0
X606	0	0	0
X607	0	FF 9.2 PLAY 6.3 Other 0	REW, STOP or PAUSE 0.7 Other 0
X608	0	FF 4.5 Other 0	PLAY or PAUSE 0.6 Other 0
X609	23.4	32.0	24.0

3  
4  
5  
6  
7  
8  
9  
10

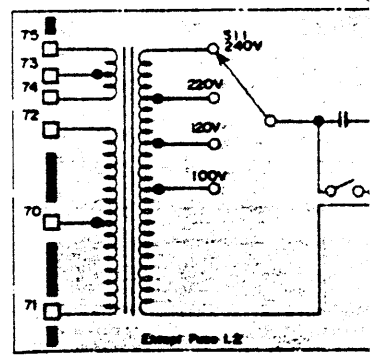
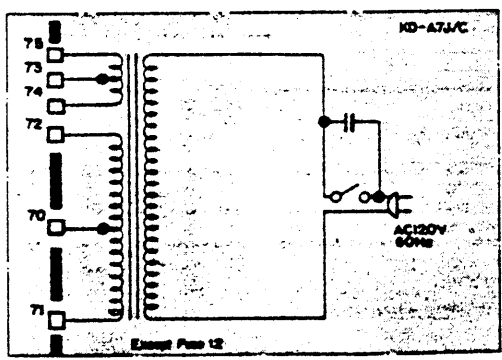
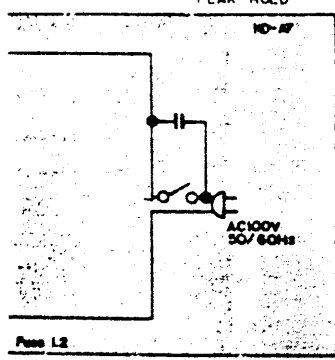
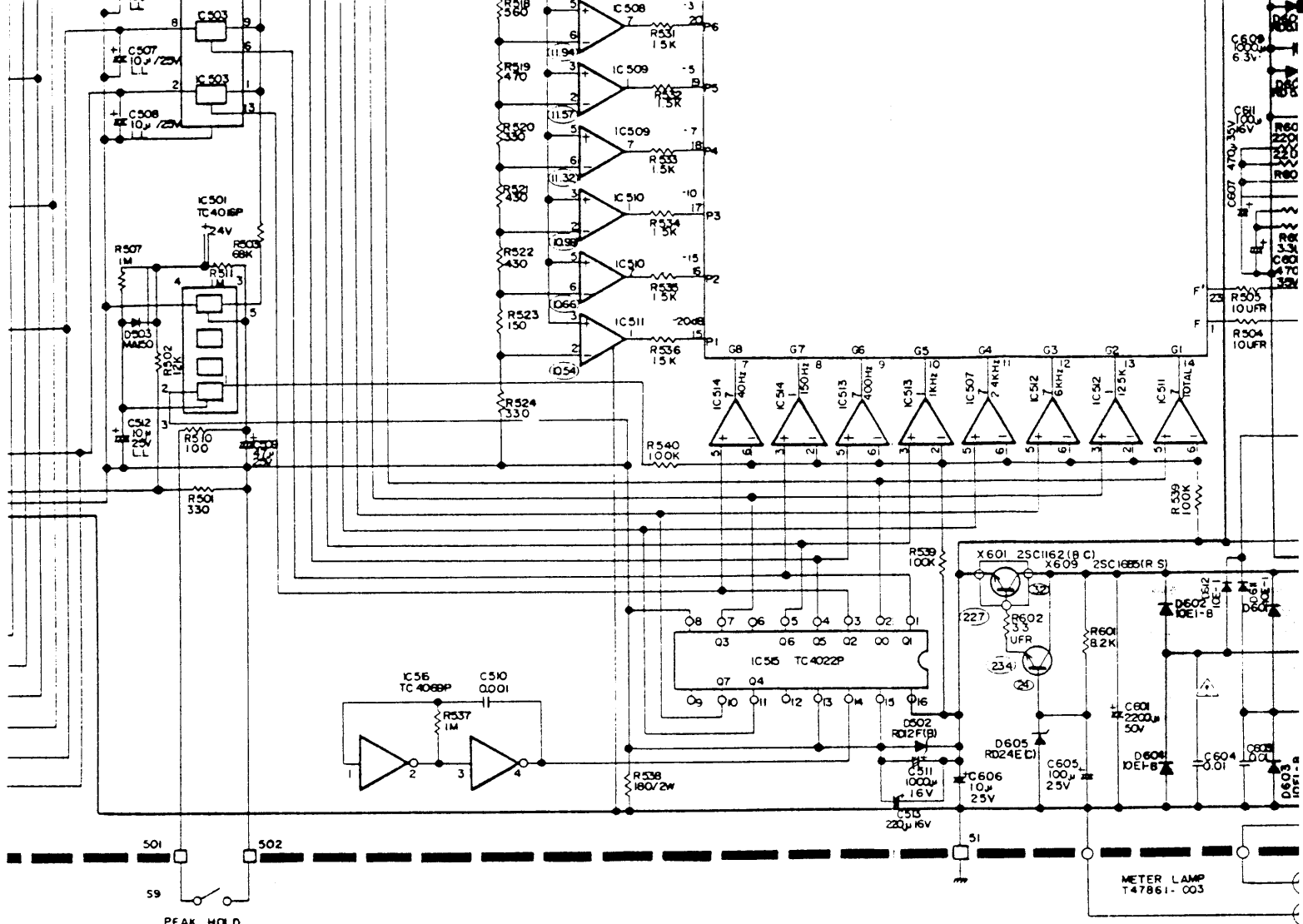


For Service Manuals  
**MAURITRON SERVICES**  
 8 Cherry Tree Road, Chinnor  
 Oxfordshire, OX9 4QY.  
 Tel (01844) 351694  
 Fax (01844) 352554  
 email:- sales@mauritron.co.uk



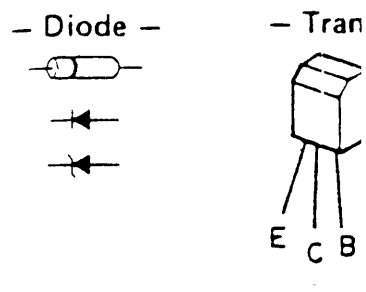
**NOTES:**

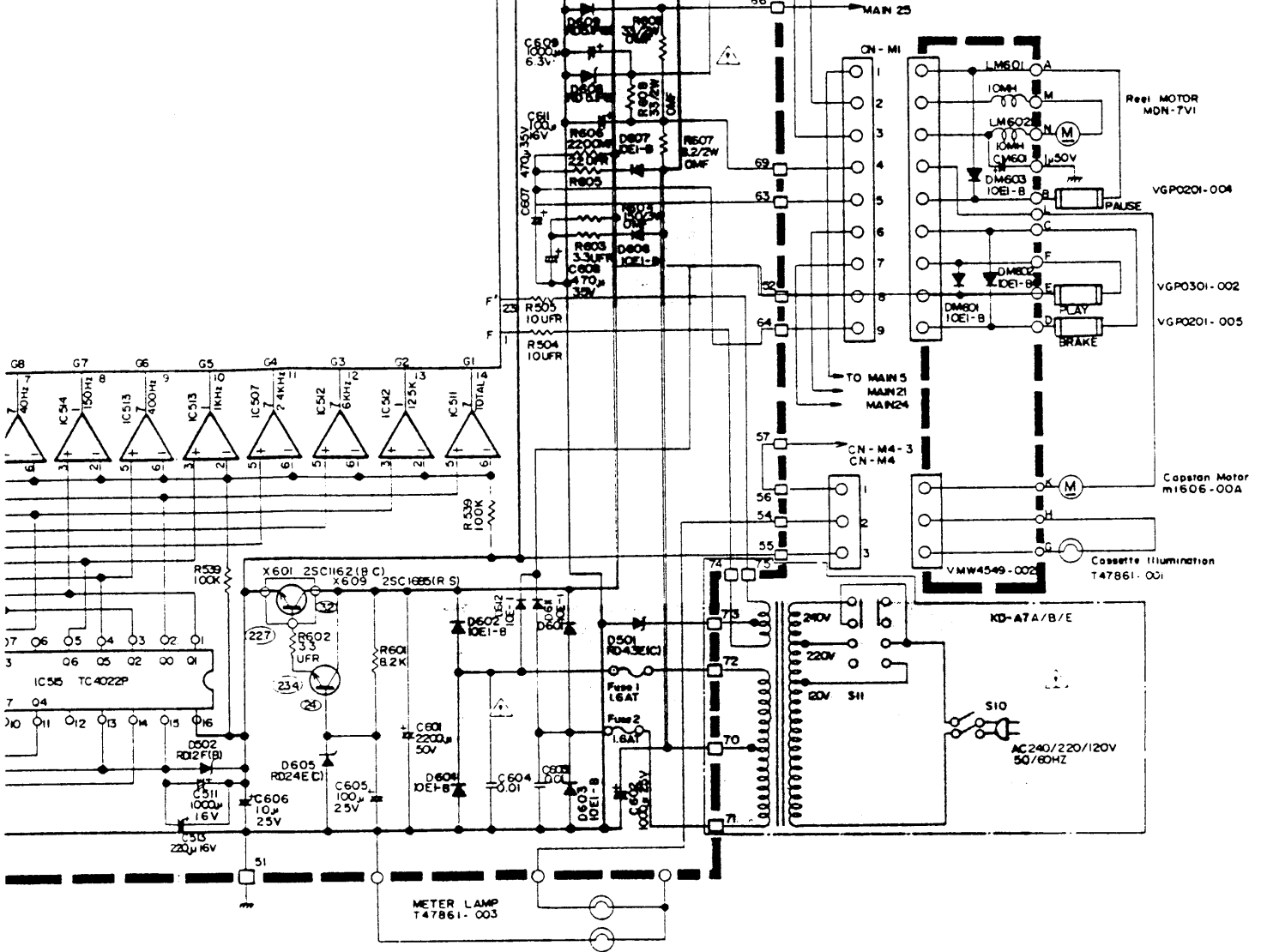
1. All voltages are measured by Electronic Voltmeter.  
 Unless otherwise specified, all resistors are 1/4W, ± 5% carbon resistors  
 And all capacitors are 50V fixed ceramic capacitors or 50V mylar capacitors
2. UF — Unflamable carbon resistor  
 MF — Metal film resistor  
 OMF — Oxided metal film resistor  
 Ta — Tantalum solid electrolytic capacitor  
 LL — + 20% low leak current electrolytic capacitor
3. parts are safety assurance parts. When replacing those parts,



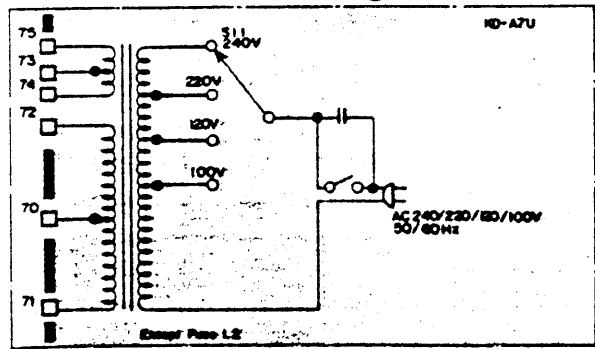
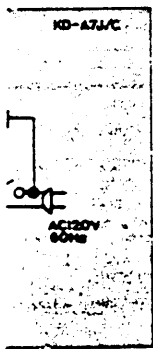
Electronic Voltmeter.  
 All resistors are 1/4W, ± 5% carbon resistors.  
 Fixed ceramic capacitors or 50V mylar capacitors.  
 Variable capacitor  
 Electrolytic capacitor  
 Non-polarized electrolytic capacitor  
 Assurance parts. When replacing those parts, make sure to use the specified one.

PP — Polypropylene capacitor  
 PS — Polystyrene capacitor  
 MM — Metallized mylar capacitor  
 NP — Non-polarized electrolytic capacitor

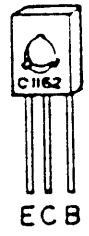
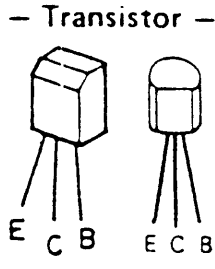
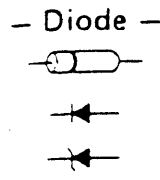


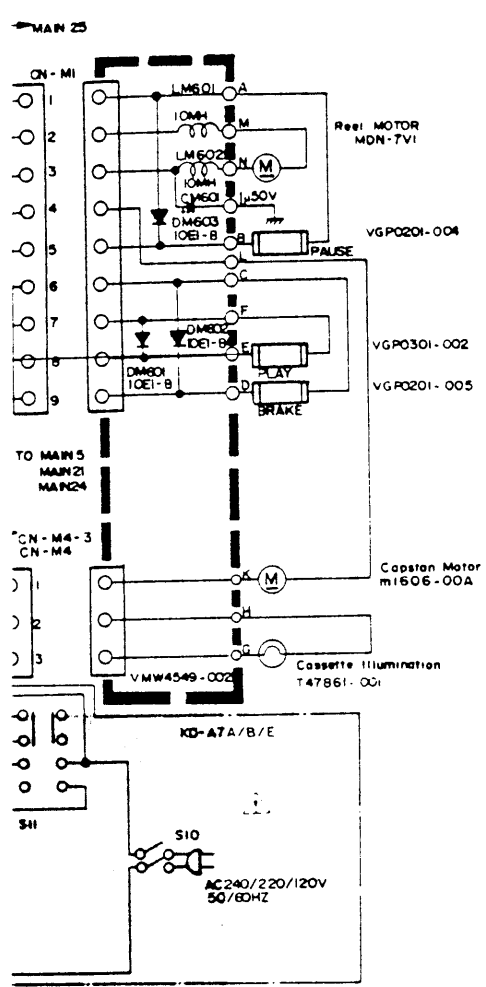


- X601
- X602
- X603
- X604
- X605
- X606
- X607
- X608
- X609



capacitor  
modified one.





X602	STOP & REW PLAY FF	0 5.8 8.7	12.8	STOP & REW PLAY FF	0 8.4 9.3
X603	FF PLAY & PAUSE Other	8.6 5.6 0	12.0	FF PLAY & PAUSE Other	9.2 6.3 0
X604			REW 8.5 Other 0	FF, PLAY Other 0	0.7 0
X605			FF 8.6 PLAY or PAUSE 5.6 Other 0	REW Other 0	0.75 0
X606			0	0	0
X607			FF 9.2 PLAY 6.3 Other 0	REW, STOP or PAUSE Other 0	0.7 0
X608			FF 4.5 Other 0	PLAY or PAUSE Other 0	0.6 0
X609		23.4	32.0		24.0

