

JVC

SERVICE MANUAL

MODEL

L-F66

FULLY AUTOMATIC DIRECT DRIVE TURNTABLE



No. 2526
March 1980

Contents

	Page		Page
1. Service Precautions	1	8. Troubleshooting Charts	
2. Specifications	2	8-(1) Turntable does not rotate	8
3. Removal Procedures		8-(2) Turntable rotates at high speed	9
3-(1) Bottom Cover	2	8-(3) Tonearm does not return on play	10
3-(2) Printed Circuit Board	2	8-(4) Tonearm does not reject when pressing REJECT button	10
4. Names and Their Functions	3	8-(5) Turntable does not rotate when pressing START button	10
5. Exploded Views		9. Connection Diagram	11
5-(1) Turntable and Cabinet Ass'y	4	10. Printed Circuit Board Ass'y and Parts List	11
5-(2) Mechanism Ass'y	5	11. Accessories List	13
5-(3) Tonearm Ass'y	5	12. L-F66 Schematic Diagram	14
6. Block Diagram	6	13. Packing Materials	16
7. Adjustment Procedures		14. Parts List with Specified Number for Designated Areas	16
7-(1) Tonearm Height Elevator	6	15. Power Specification	Back cover
7-(2) Lead-in	6		
7-(3) Lead-out	7		

WARNING!
When replacing the parts marked with , be sure to use the designated parts to ensure safety.

1. Service Precautions

■ NOTES

1. When the tonearm, turntable mechanism or the like has been removed or serviced, be sure to adjust lead-out. Especially when the tonearm has been replaced, be sure to adjust lead-in together with lead-out.
2. Operating the turntable while listening to a FM broadcast, especially if the FM tuner is set off station will cause noise to be induced into the tonearm. Therefore, perform correct tuning for proper use.

- In addition, if the signal cord and/or power cord of the turntable is located near the AM bar antenna harmonic hum will occur.
3. On Oiling
 - Oiling the motor: Not required.

CHECKING YOUR LINE VOLTAGE (For U.S. Military Market and Other Countries)
Before inserting the power plug, please check this setting to see that it corresponds with the line voltage in your area. If it doesn't, be sure to adjust the voltage selector switch to the proper setting before operating this equipment. The voltage selector switch is located on the cabinet under the platter. Simply insert a screw driver into the voltage selector switch and turn it in either direction while pressing slightly and in such a way that desired voltage marked on the switch is positioned at the arrow marked on the cabinet under the platter. The voltage selector switch accommodates up to three turns in either direction.

2. Specifications

TURNTABLE

Type	: Fully automatic Direct-drive turntable
Drive Motor	: DC Servomotor
Speeds	: 33-1/3 and 45 rpm
Wow and Flutter	: Less than 0.03% (WRMS) 0.05% (DIN)
Signal to Noise Ratio	: More than 75 dB (DIN-B)
Speed Adjustment Range	: More than $\pm 3\%$
Platter	: 30.8 cm diameter Die-cast aluminum alloy

CARTRIDGE

(Except the L-F66 for U.S.A., Canada)

Type	: Moving magnet
Stylus	: 0.6 mil. conical diamond DT-Z1S
Optimum Tracking Force	: 1.75g \pm 0.25g
Output	: 3 mV (1 kHz)
Frequency Response	: 10 to 25,000 Hz (DT-Z1S)
Separation	: Better than 25 dB (1 kHz)
Load Impedance	: 47 k Ω to 100k Ω
Compliance	: 30 x 10 ⁻⁶ cm/dyne (Static) 10 x 10 ⁻⁶ cm/dyne (Dynamic)

TONARM

Type	: Statically balanced S-shaped tubular arm with JVC developed TH (Tracing Hold) balancing system and tracking force dial in 0.1 gram steps.
Effective Arm Length	: 220 mm
Overhang	: 15 mm
Applicable Tracking Force Range	: 0 to 3 grams
Applicable Cartridge Weight	: 12.5~18.5 grams (including headshell)

GENERAL

Dimensions	: 13.4(H) x 43.8(W) x 38.2(D)cm (With cover closed) (5-9/32" x 17-1/4" x 15-1/32")
Weight	: 5.2 kg (11.5 lbs) (Without corrugated cardboard case)
Power Supply	: See table on the back cover
Power Consumption	: See table on the back cover

3. Removal Procedures

3-(1) Bottom Cover

Remove the 13 screws (1) - (13) shown in the diagram below, and lift the bottom board off.

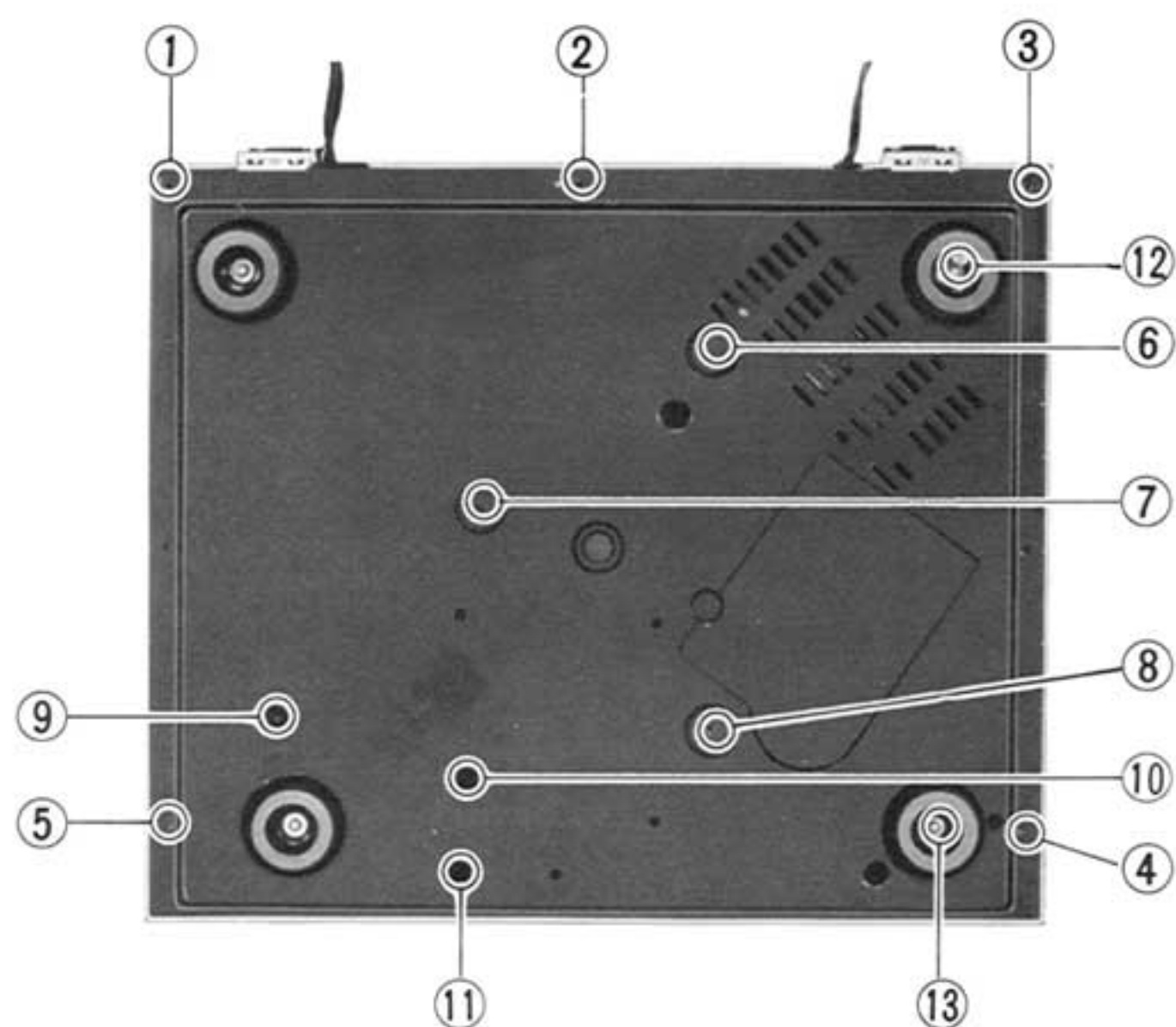


Fig. 1

3-(2) Printed Circuit Board

1. Remove the start and repeat rods.
2. Remove screw (1).

Note: Screw (2) is used to secure the heat sink.

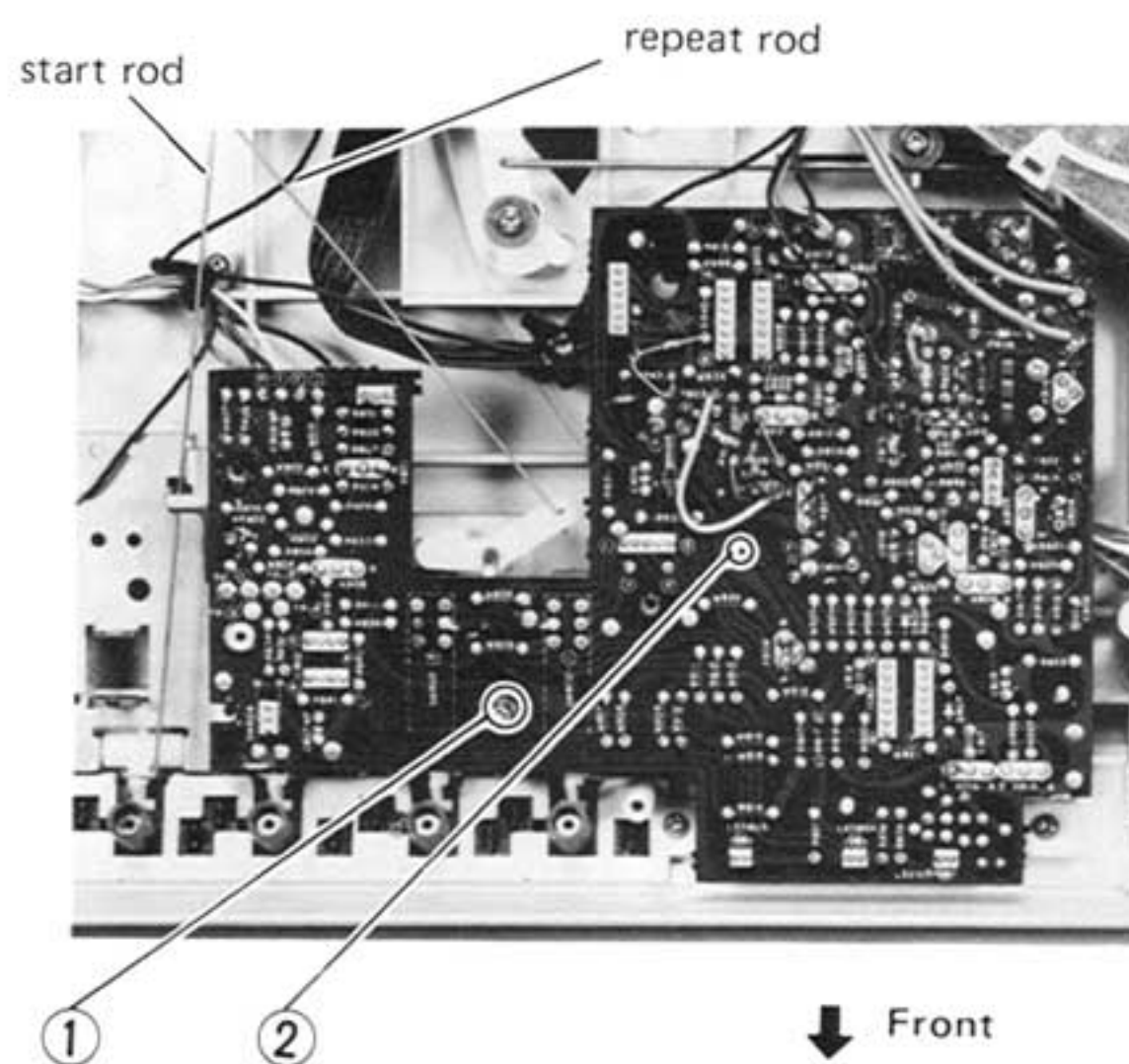


Fig. 2

NOTE: When remounting, confirm that the wiring does not touch any transistor on the printed circuit board.

4. Names and Their Functions



Fig. 3

1. Stroboscopic Pattern

The stroboscopic pattern on the outer circumference of the platter is used to check RPM. Adjust RPM with SPEED ADJUST knob until the stroboscopic pattern looks standing still — the specified power frequencies and RPM. are shown on the front panel ass'y.

2. SIZE SELECT Switch

Setting of this switch is made according to the record size.

17 cm record: Press this switch in ().

30 cm record: Re-depress this switch out ().

Note: When it has been already pressed, press it once again.

3. SPEED ADJUST Knob

F ◀ : Turn this knob in this direction (counterclockwise) to increase the platter rotating speed.

S ▶ : Turn this knob in this direction (clockwise) to decrease the platter rotating speed.

4. SPEED Indicators

This indicator indicates RPM 33 or 45. When RPM changes, the indicator lamp lights corresponding to that functioning RPM.

5. REPEAT Indicator

This indicator indicates the repeat play of the record. This indicator lights by pressing the REPEAT switch in ().

6. ANTI-SKATING Knob

This knob is used to eliminate the force that pulls the tonearm inward by centripetal force, and to prevent the stylus from sliding or applying too much force to the inner wall of the record groove.

With a conical stylus, set the knob to the scale graduation marked with ●, while using an elliptical stylus or Shibata stylus, set the knob to the scale graduation marked with ●.

7. CUEING Lever

To lower the tonearm, set this lever to "▼" side, when lifting it, set this lever to "▲" side.

8. START Switch

To start record play, press this switch. Pressing this switch causes the tonearm to automatically detect the record size and slowly lower at the set position.

9. REJECT Switch

To stop record play at halfway, press this switch.

NOTE: Even though REJECT switch is pressed to stop the record halfway, if the REPEAT switch remains pressed (), the repeat play function continues. When turning off the power, re-depress the REPEAT switch out () and then press the REJECT switch.

10. REPEAT Switch

To play a record repeatedly, press this switch in (). NOTE: To stop repeated play, re-depress to set it off out ().

11. SPEED Switch

Changes the turntable RPM to correspond to the record RPM.

45 RPM record: Press this switch in ().

33 1/3 RPM record: Re-depress this switch out ().

Note: When it has already been pressed, press it once again ().

5. Exploded Views

5-(1) Turntable and Cabinet Ass'y

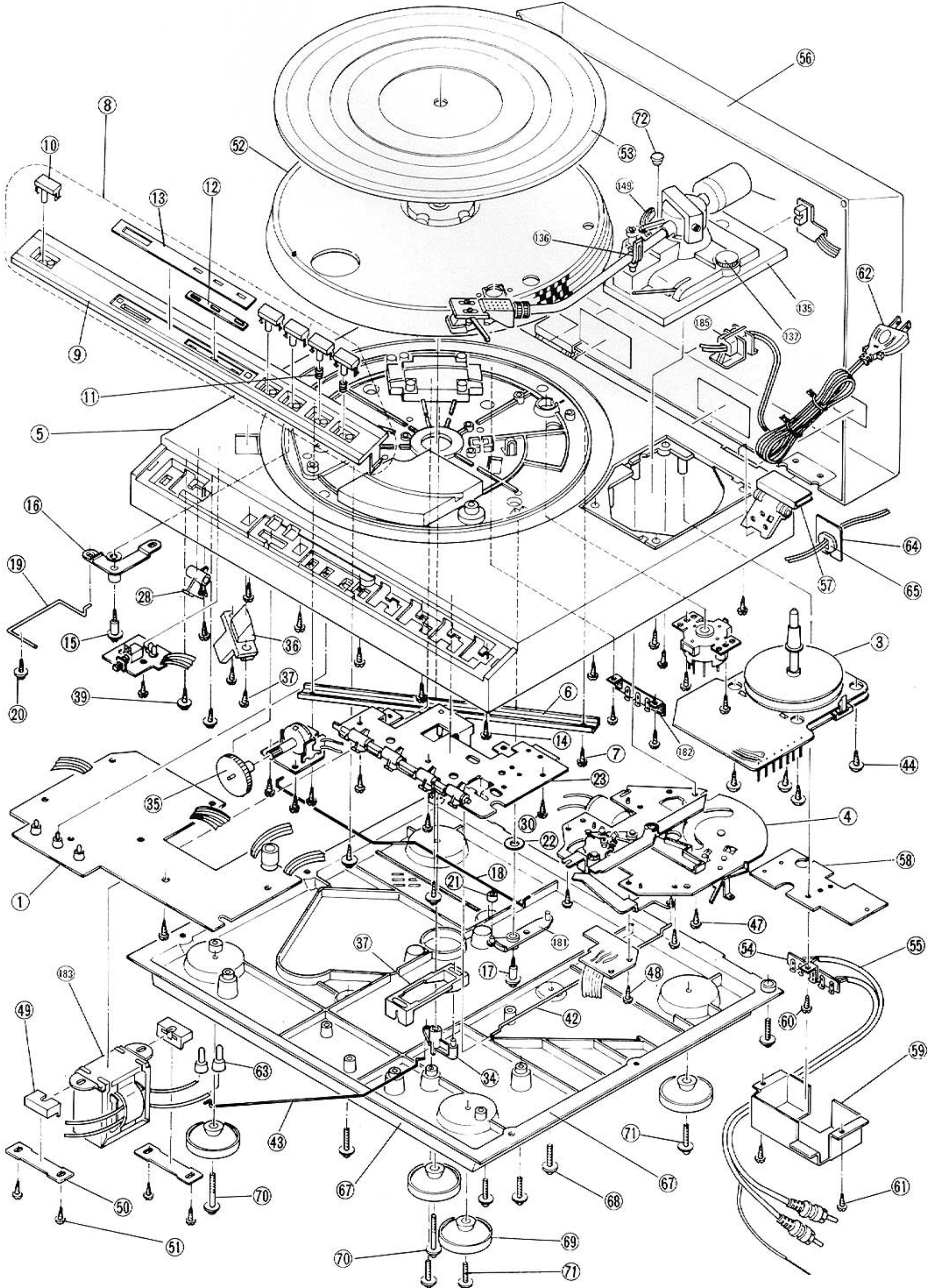


Fig. 4

Item No.	Parts Number	Parts Name	Q'ty
1	TXX-279C	P.C. Board	1
2	MP-305S	Tonearm Ass'y	1
3	MC942E	Motor Ass'y	1
4	F4041	Mecha. Ass'y	1
5	E10455-001	Cabinet	1
6	E35457-003	Frame	1
7	E65921-002	Screw	2
8	E23416-003	Panel Ass'y	1
9	E23363-003	Panel	1
10	E300750-002	Push Button	5
11	E67063-002	Spring	2
12	E67032-001	Prism	1
13	E67033-001	Ornament	1
14	E65921-002	Screw	6
15	E65759-001	Motor Holder	1
16	E67480-001	Lever	1
17	E65759-001	Motor Holder	1
18	E67481-001	Connecting Rod	1
19	E67482-001	Rod	1
20	E65923-001	Screw	3
21	G8292-1	Rubber Tube	1
22	Q03091-105	Washer	2
23	E300753-002	Base Ass'y	1
24	E300752-001	Base Sub Ass'y	1
25	E300751-001	Base	1
26	E67028-001	Stud	1
27	E67027-001	Shaft	1
28	E300755-001	Lever	4
29	REE3000X	"E" Ring	1
30	E65921-002	Screw	3
31	E300754-001	Link	1
32	E67468-001	Bracket	1
33	E65921-002	Screw	1
34	E67029-001	Lever	1
35	E61713-001	Volume Knob	1
36	E67031-001	Prism	1
37	E65921-003	Screw	2
38	E300755-001	Lever	1
39	E65922-002	Screw	2

Item No.	Parts Number	Parts Name	Q'ty
40	E65921-002	Screw	4
41	E65921-002	Screw	3
42	E67066-002	Start Rod	1
43	E67067-001	Repeat Rod	1
44	E65922-005	Screw	4
45	E65923-001	Screw	1
46	E65922-002	Screw	2
47	E65921-002	Screw	3
48	SBSB3008Z	Screw	1
49	E61824-007	Cushion	2
50	E65751-001	Plate	2
51	E65921-002	Screw	4
52	E22884-002	Turn Table	1
53	E22719-001	Turntable Covering	1
54	QML0002-051	Lug Strip Ass'y	1
55	E03697-003	Signal Cord	1
56	E10299-001	Dust Cover Ass'y	1
57	EG30133-001	Hinge Ass'y	2
58	E67245-001	Shield Base	1
59	E67246-001	Shield Cover	1
60	E65921-002	Screw	1
61	SBSB3008Z	Screw	2
62	See page 16	Power Cord	1
63	E03830-001	Connector	2
64	E65465-001	C.S. Plate	1
65	QHS3876-162	Cord stopper	1
66	EWS015-023	Socket Wire Ass'y	1
67	E10456-001	Bottom Board	1
68	E65922-007	Screw	11
69	E35857-005	Insulator	4
70	E65923-002	Screw	2
71	E65923-001	Screw	2
72	E65395-002	Mask Cap	1
181	E67479-001	Lever	1
182	QML1810-054	Lug Strip Ass'y	1
183	See Page 16	Transformer	1
184	See Page 16	Fuse	1
185	See Page 16	Cord Clamp	1

5-(2) Mechanism Ass'y

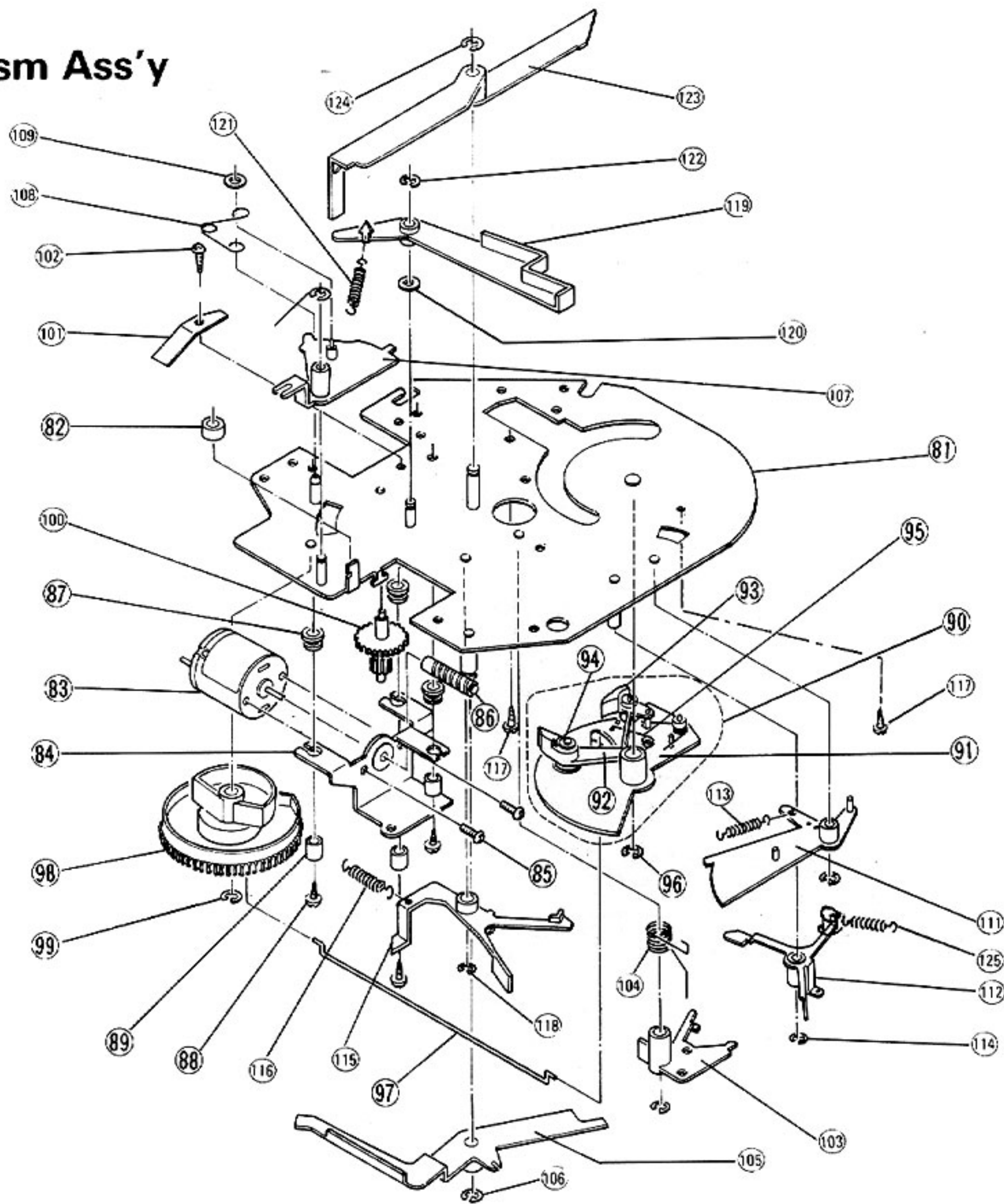


Fig. 5

Item No.	Parts Number	Parts Name	Q'ty
81	E300761-002	Base Ass'y	1
82	G8292-1	Rubber Tube	1
83	E300763-001	Motor	1
84	E67244-001	Bracket	1
85	SPSP2003N	Screw	2
86	E67044-003	Worm Gear	1
87	E67243-001	Rubber Bushing	3
88	SBSB3008Z	Screw	3
89	E67442-001	Spacer	3
90	E300764-002	Driver Ass'y	1
91	E300765-002	Driver	1
92	E60398-002	Lead-in Lever	1
93	E65741-001	Push Lever	1
94	E60912-001	Speed Nut	3
95	E60399-001	Spring	1
96	REE4000	"E" Ring	1
97	E67045-001	Connecting Rod	1
98	E67323-002	Gear Ass'y	1
99	REE3000X	"E" Ring	1
100	E67046-001	Gear	1
101	E67365-001	Spring	1
102	LPSP3006ZS	Ass'y Screw	1

Item No.	Parts Number	Parts Name	Q'ty
103	E67353-001	Elevator Cam	1
104	E67047-001	Spring	1
105	E67157-002	Kick Lever	1
106	REE3000X	"E" Ring	1
107	E67048-001	Guide Lever	1
108	E67348-001	Spring	1
109	E60912-001	Speed Nut	1
110	REE3000X	"E" Ring	1
111	E67049-001	Start Lever	1
112	E67361-001	Repeat Lever Ass'y	1
113	E49651-002	Reject Spring	1
114	REE3000X	"E" Ring	1
115	E67052-001	Trigger	1
116	E49651-002	Reject Spring	1
117	SBSB3008Z	Screw	1
118	REE3000X	"E" Ring	1
119	E67053-001	Index Lever	1
120	WSS4000N	Washer	1
121	E49651-001	Spring	1
122	REE3000X	"E" Ring	1
123	E67054-001	Switch Lever	1
124	REE3000X	"E" Ring	1
125	E49651-002	Reject Spring	1

5-(3) Tonearm Ass'y

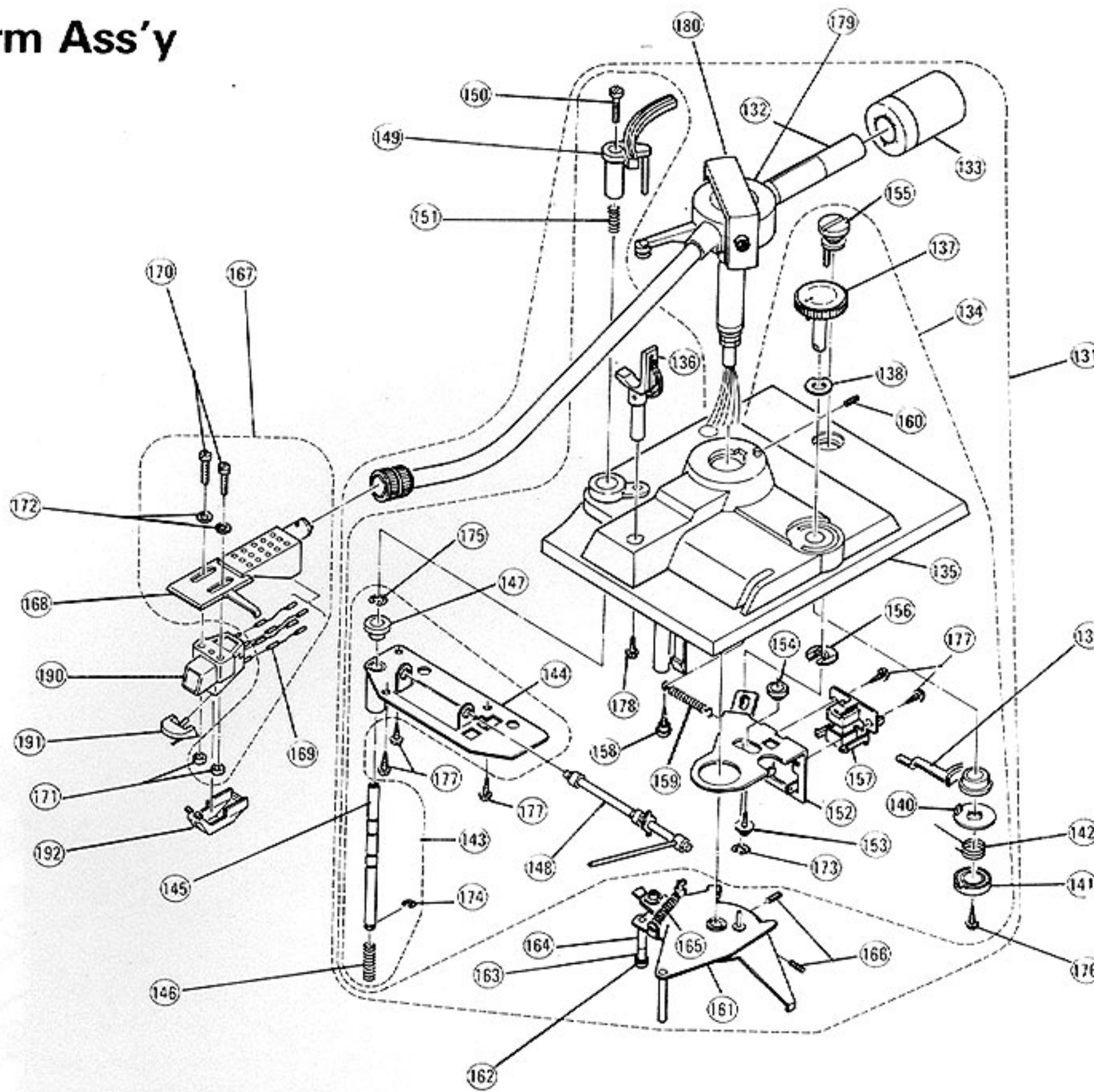


Fig. 6

Item No.	Parts Number	Parts Name	Q'ty
131	E23378-001	Tonearm	1
132	E23379-001	Arm Ass'y	1
133	E66423-001	Main Weight	1
134	E23380-001	Tonearm Base Ass'y	1
135	E23381-001	Tonearm Base Sub Ass'y	1
136	E60982-004	Arm Rest Ass'y	1
137	E35900-003	Antiskating Knob	1
138	E49602-002	Wave Washer	1
139	E35901-001	Antiskating Lever	1
140	E65825-001	Antiskating Plate	1
141	E65826-001	Spring Holder	1
142	E65827-001	Spring	1
143	E300780-001	Cueing Ass'y	1
144	E67076-001	Cueing Base Ass'y	1
145	E67077-001	Shaft	1
146	E67078-001	Spring	1
147	E67079-001	Bushing	1
148	E300783-001	Cueing Shaft Ass'y	1
149	E65829-002	Elevator Ass'y	1
150	E65835-001	Screw	1
151	E49649-001	Spring	1
152	E300784-001	Phot Interrupter Bracket	1
153	E65923-001	Screw	1
154	E67317-001	Spacer	1
155	E67083-001	Adjustor	1

Item No.	Parts Number	Parts Name	Q'ty
156	E66011-001	Spring Washer	1
157	E300807-001	Phot Interrupter Holder	1
158	SBSB3008Z	Screw	1
159	E67089-001	Spring	1
160	YRS4008FS	Set Screw	1
161	E300785-001	Arm Lever Ass'y	1
162	G8292-1	Rubber Tube	1
163	E67283-001	Roller	1
164	E67316-001	"C" Ring	1
165	E49611-001	Spring	1
166	YRS3006FS	Set Screw	2
167	E23194-003	Head Shell Ass'y	1
168	E23189-003	Head Case Ass'y	1
169	E60501-009	Wire Ass'y	1
170	E60502-008	Screw	2
171	E60503-001	Nut	2
172	EG82971	Washer	2
173	REE2000	"E" Ring	1
174	REE3000	"E" Ring	1
175	REE4000	"E" Ring	1
176	SBSB2608Z	Screw	1
177	SBSB3008Z	Screw	5
178	SBSB3012Z	Screw	1
179	E23158-001	Pipe Holder	1
180	E300787-001	Rotor Cover	1
190	MD-1025	Cartridge Body	1
191	DT-Z1S	Stylus Ass'y	1
192	E34268-001	Stylus Cover	1

NOTE: 190, 191, 192 . . . Except U.S.A and Canada.

6. Block Diagram

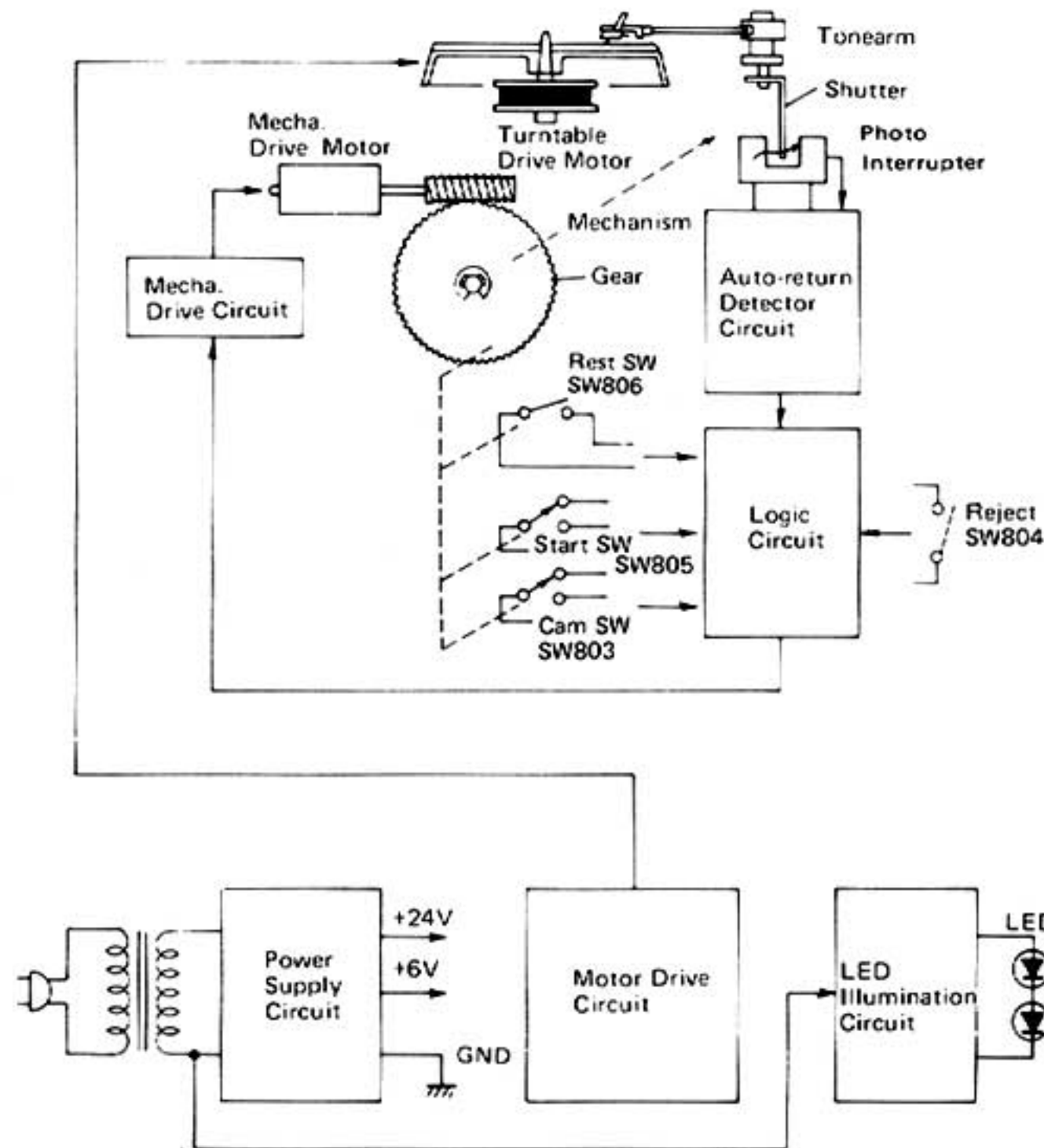


Fig. 7

7. Adjustment Procedures

7-(1) Tonearm Height Elevator

Adjust the height of the tonearm with the adjustment screw so that the distance between the stylus tip and the surface of record is about 6 mm when the stylus is cued up. Turn the height adjustment screw clockwise to lower, and counterclockwise to raise the tonearm level. (Fig. 8)

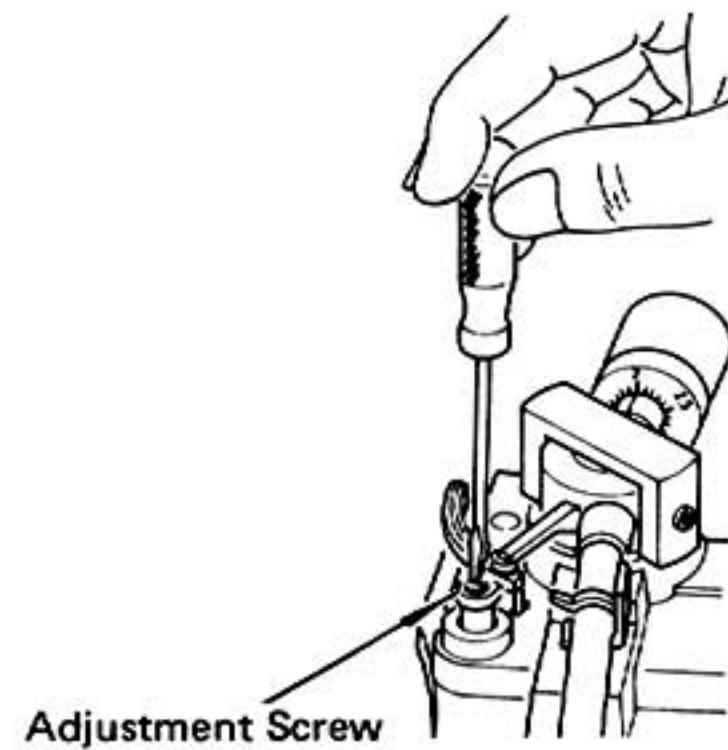


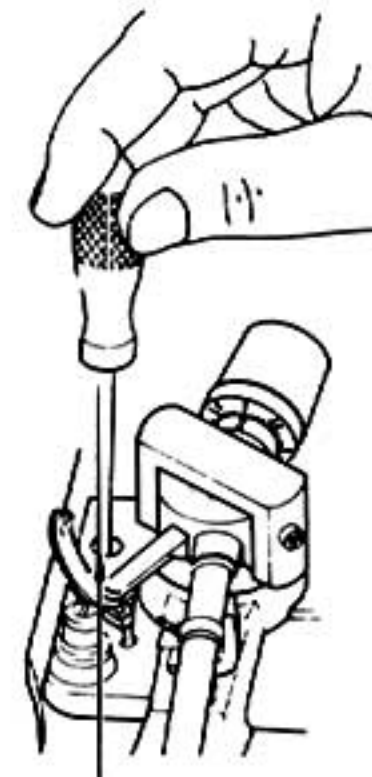
Fig. 8

7-(2) Lead-in

With a 30-cm record on the platter, adjust lead-in with a screwdriver so that the stylus is set down at 3 to 4 mm inward from the outermost edge of the record disc.

Turning the lead-in adjusting screw clockwise makes the stylus to lower inside the record disc, while turning the lead-in adjusting screw counterclockwise causes it to lower outside.

NOTE: Ensure that the rubber mat does not float and contact the size detecting switch. (Fig. 9)



The adjustment screw for changing the tone arm lead-in position is located at the bottom of the hole.

Fig. 9

7-(3) Lead-out

Adjust lead-out in accordance with the following Items 1 and 2. The TP numbers are test point numbers inscribed on the logic board. (Fig. 10)

(A) Start Point

- (1) Measure the voltage at TP-4 with the tonearm disengaged from the tonearm rest. (With the turntable in rotation)
- (2) Adjust the lead-out start point by turning the lead-out adjusting screw shown in Fig. 10 so that the voltage with the stylus positioned at 65 mm away from the platter center becomes 5% lower than the voltage with the tonearm secured on the tonearm rest.

NOTE: Use a screwdriver of the proper size.

(B) Sensitivity

- If lead-out is to be made by the end groove
(To raise the sensitivity)
 - (1) Connect the positive and negative terminals of the tester to TP-2 and TP-3 respectively.
 - (2) Decrease the indicated voltage by 0.2 V decrements by turning the lead-out adjusting screw; at each decrement, adjust the lead-out sensitivity until the tonearm is lead out from the record.
- If lead-out is to be performed by the sound groove.
(To lower the sensitivity)
 - (1) Connect the negative and positive terminals of the tester to TP-2 and TP-3 respectively.
 - (2) Increase the indicated voltage by 0.2 V increments by turning the lead-out adjusting screw; at each increment adjust the lead-out sensitivity until the tonearm does not lead out from the record.

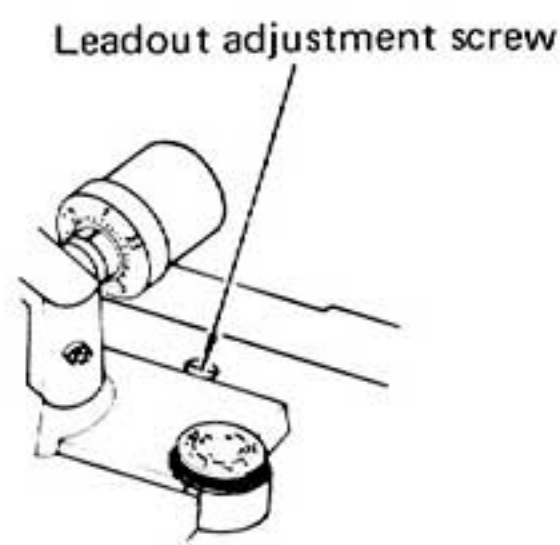


Fig. 10

(C) Photo-Interrupter

- (1) Measure the voltage at TP-4 with the tonearm disengaged from the tonearm rest. (With the turntable in rotation)
- (2) Connect the positive and negative terminals of the tester to TP-2 and TP-3 respectively, and adjust VR802 so that the voltage becomes 0.06 times greater than the voltage initially indicated.
- (3) After adjusting, check the lead-out sensitivity as described in "lead-out sensitivity adjustment."

How to handle the solderless connector (for USA and Canada only)

In this turntable, a solderless connector is used to connect the power cord with the primary lead wire of the power transformer.

When it is unavoidable to replace this connector for replacement of the power transformer, or the like, positively perform the replacement in accordance with the following procedure to avoid dangers.

- **Connector part number**
E03830-001 (Assembly diagram No. 64)
- **Tools**
Do not use those (small cutting pliers, etc.) other than regular tools.
- **Replacement**
 1. Cut both the power cord and the primary lead wire at near the edge of the connector to be replaced.
NOTE: Do not re-use the used connector.
 2. Peel off the coverings so that the respective conductor tops appear by about 15 mm.
NOTE: In the case of stranded wires, twist each wire.
 3. Adjust the tips of the power cord and the primary lead wire with each other, then securely insert them into the connector.
 4. Secure the nearly equal central part of the metal sleeve with the second concave (2.0) of the tool for solderless securing as shown on the right.
NOTE: Perform a complete securing.
 5. After solderless securing, check the following four points shown below.

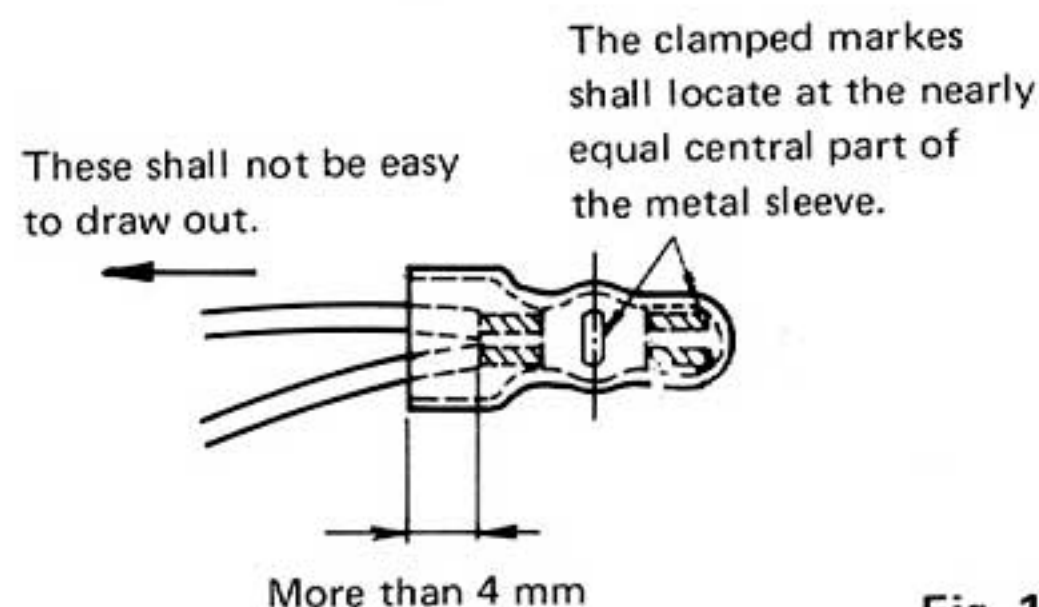
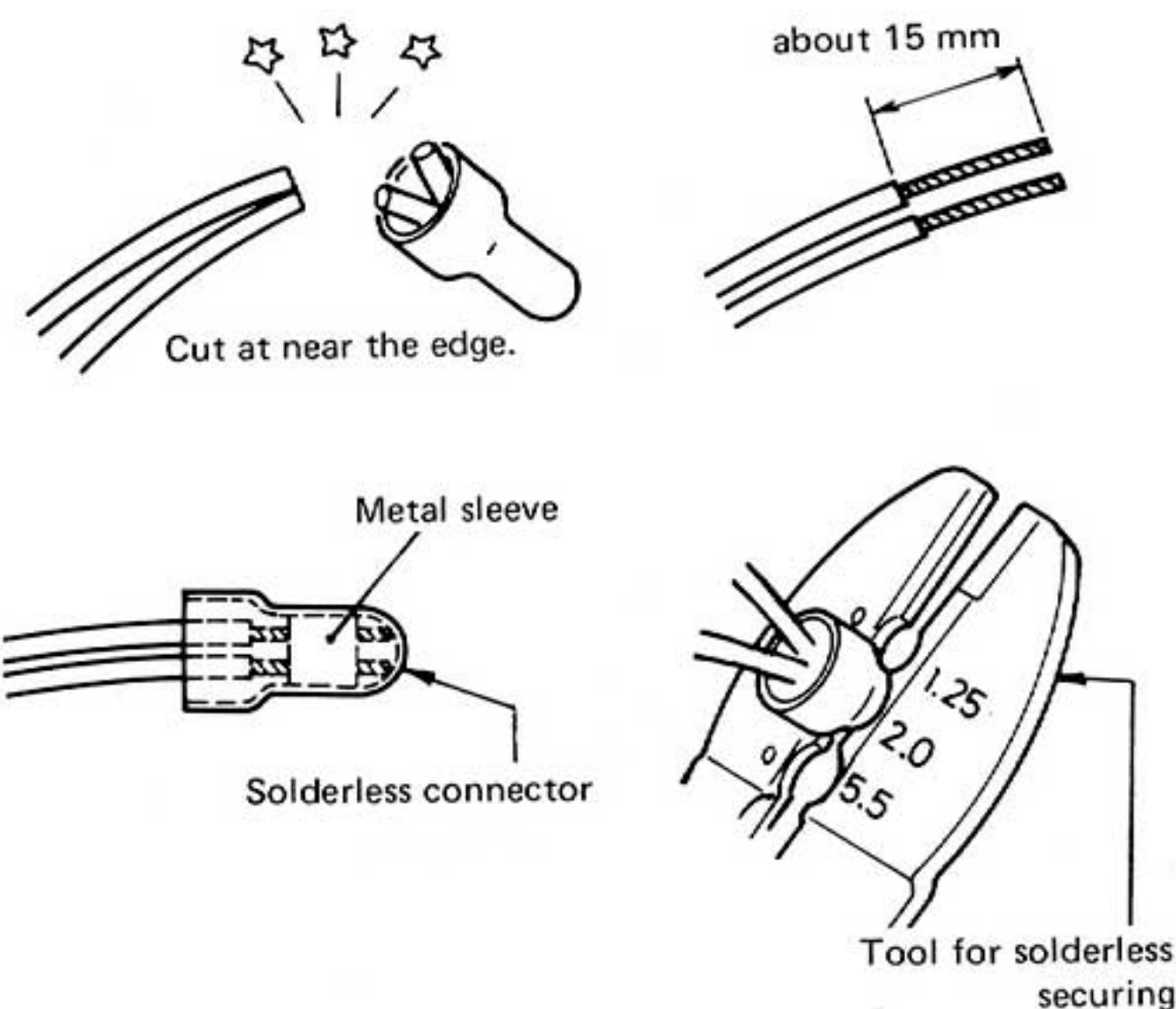
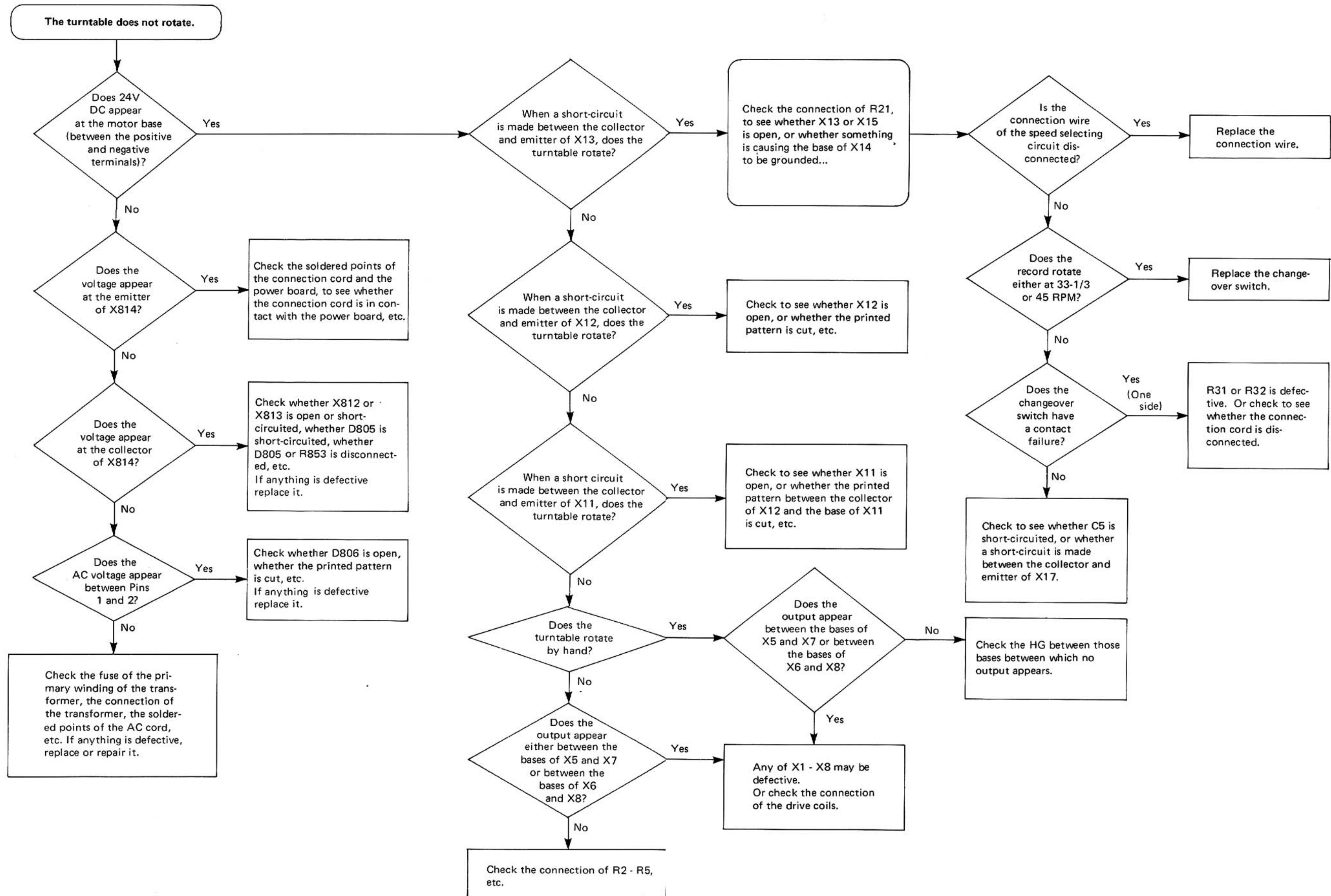


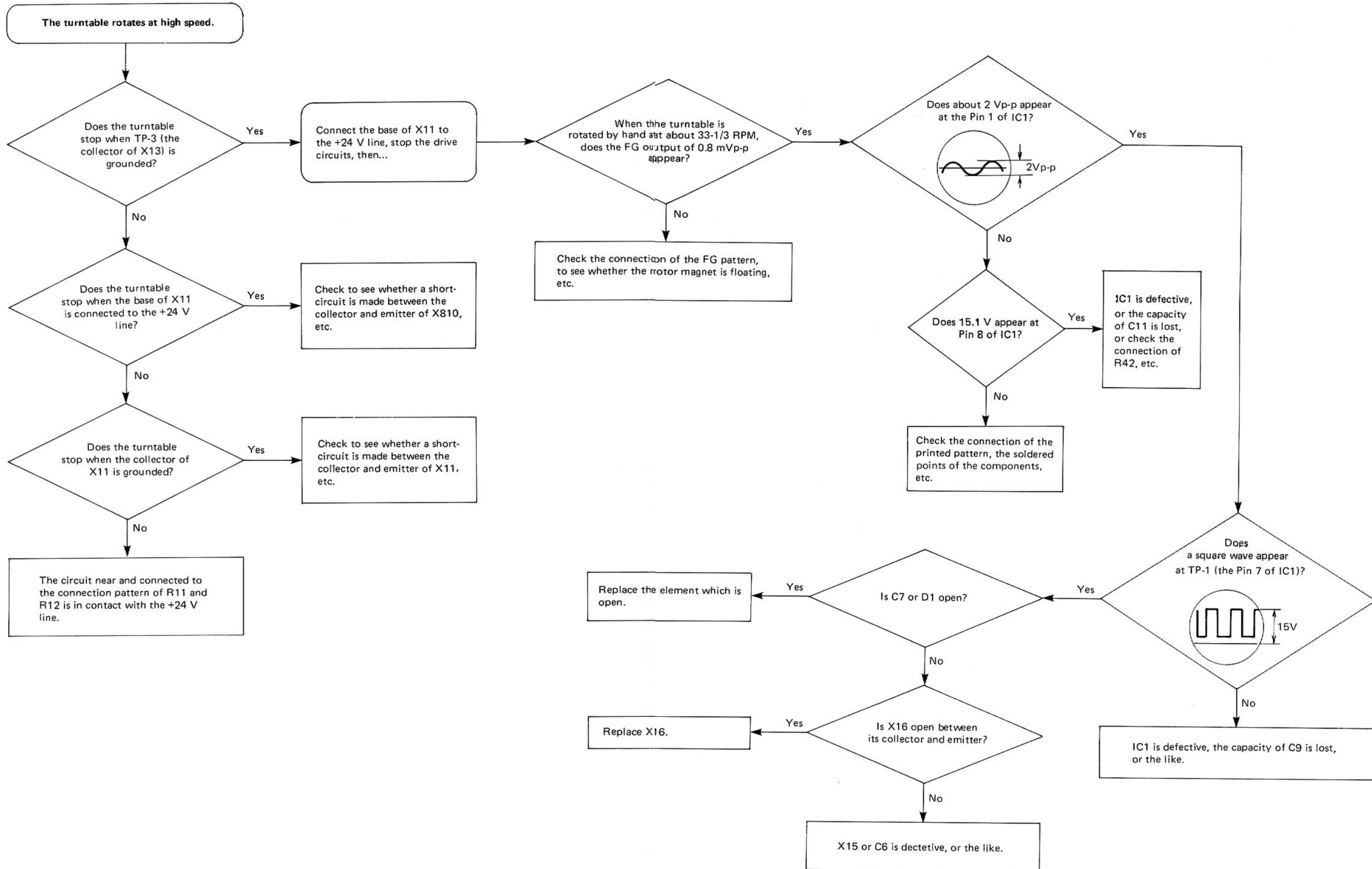
Fig. 11

8. Troubleshooting Charts

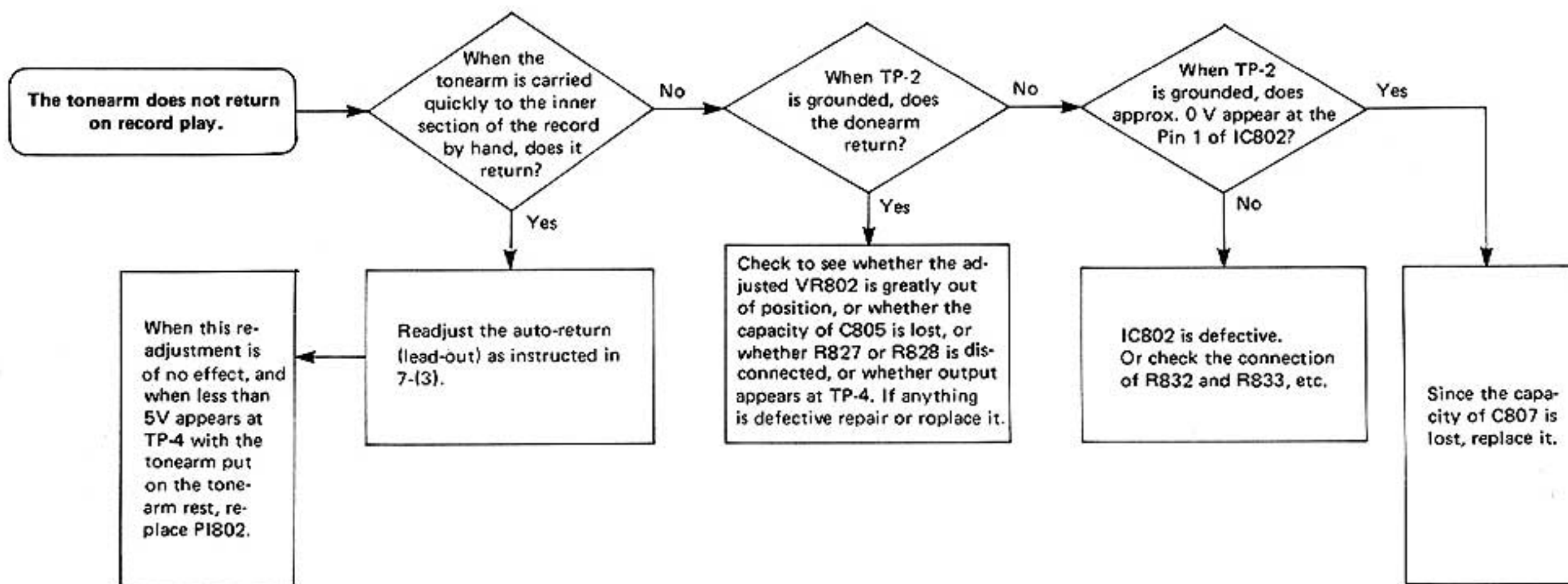
9-(1) Turntable does not rotate



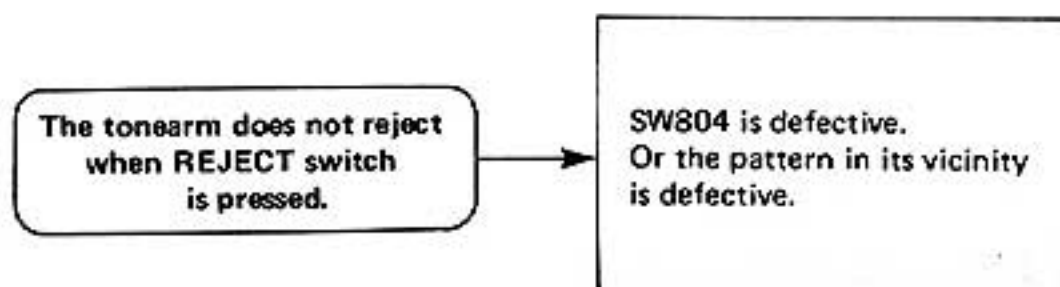
9-(2) Turntable rotates at high speed



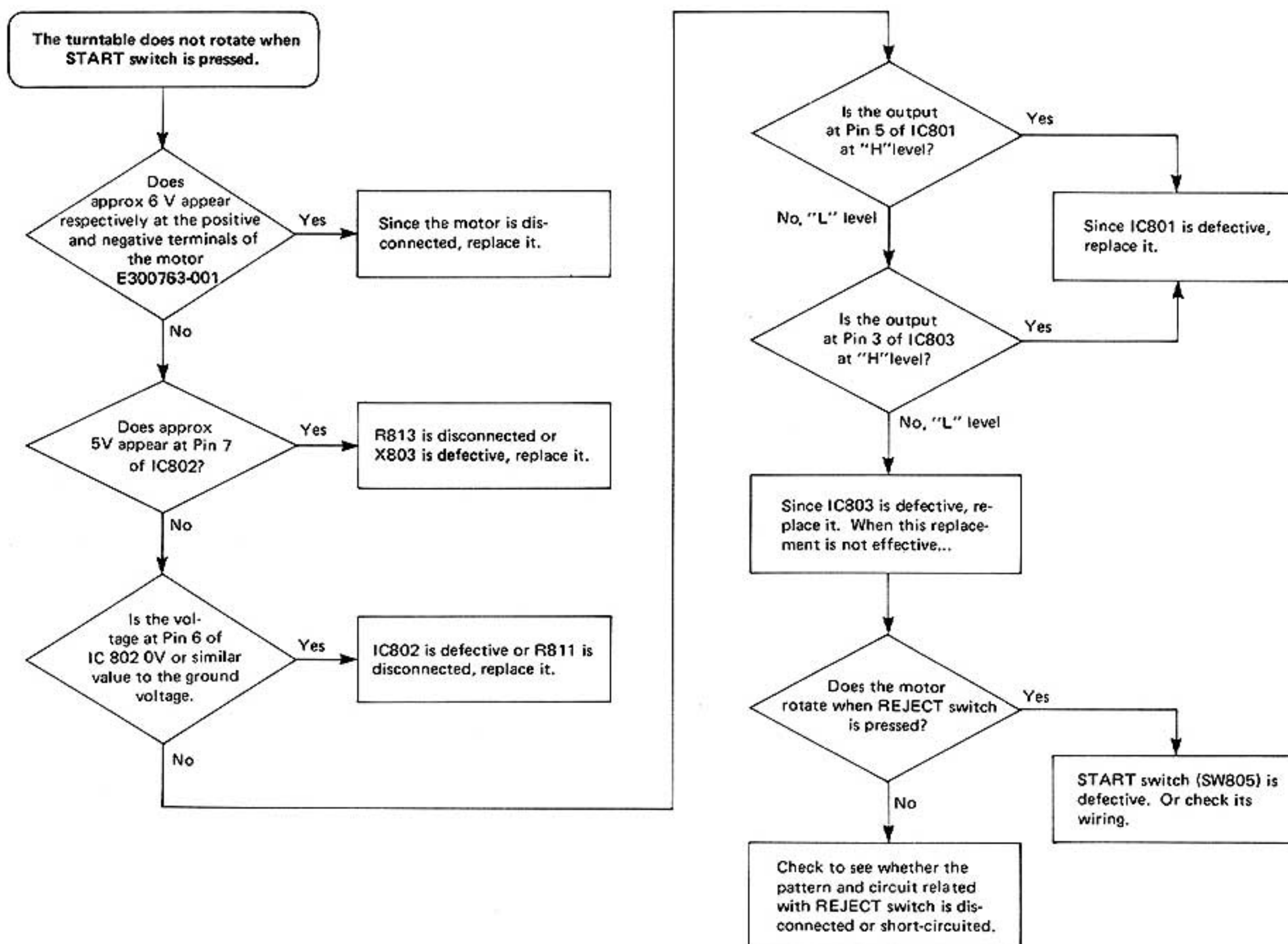
8-(3) The tonearm does not return on record play



8-(4) Tonearm does not reject when REJECT switch is pressed



8-(5) The turntable does not rotate when START switch is pressed



9. Connection Diagram

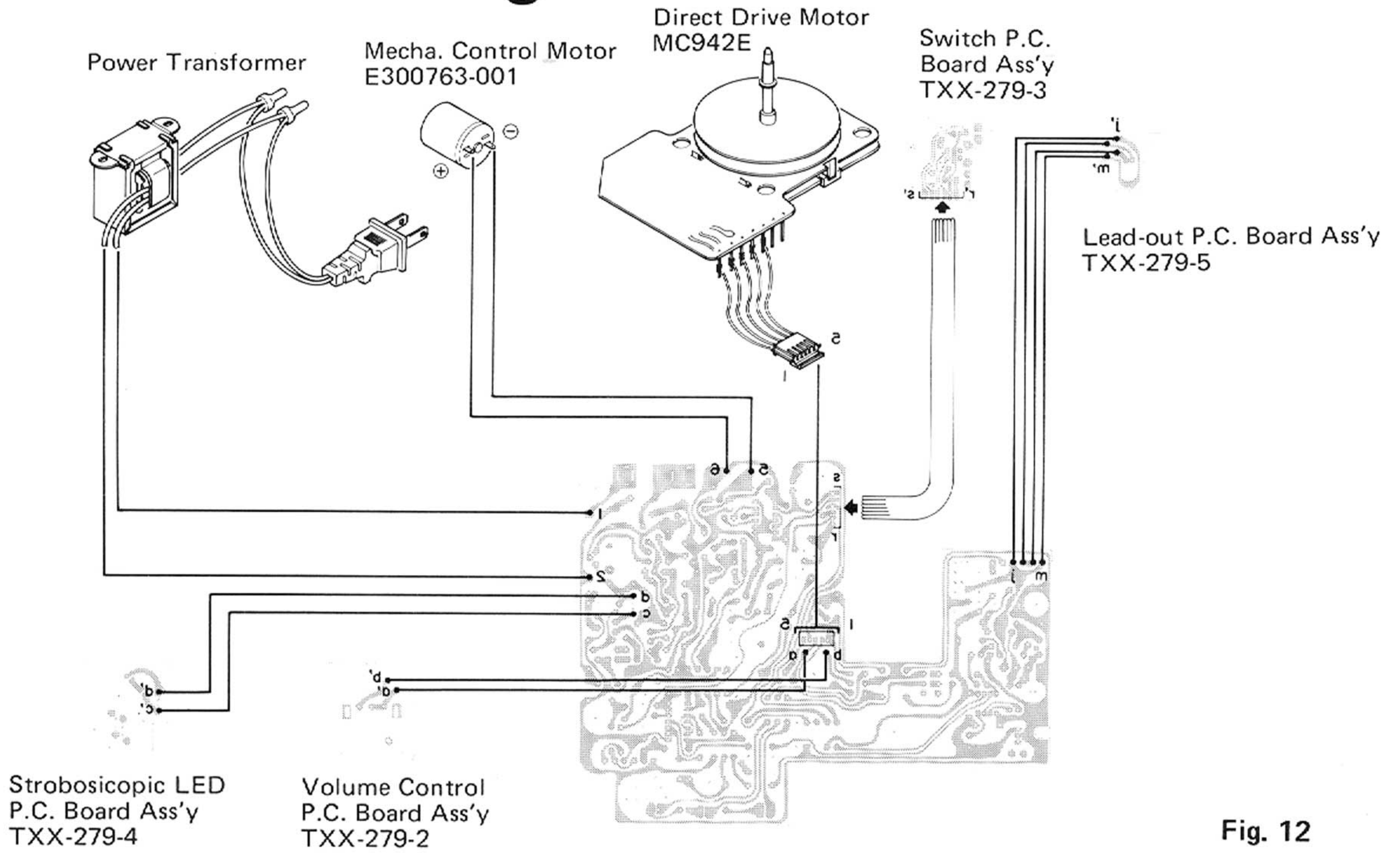
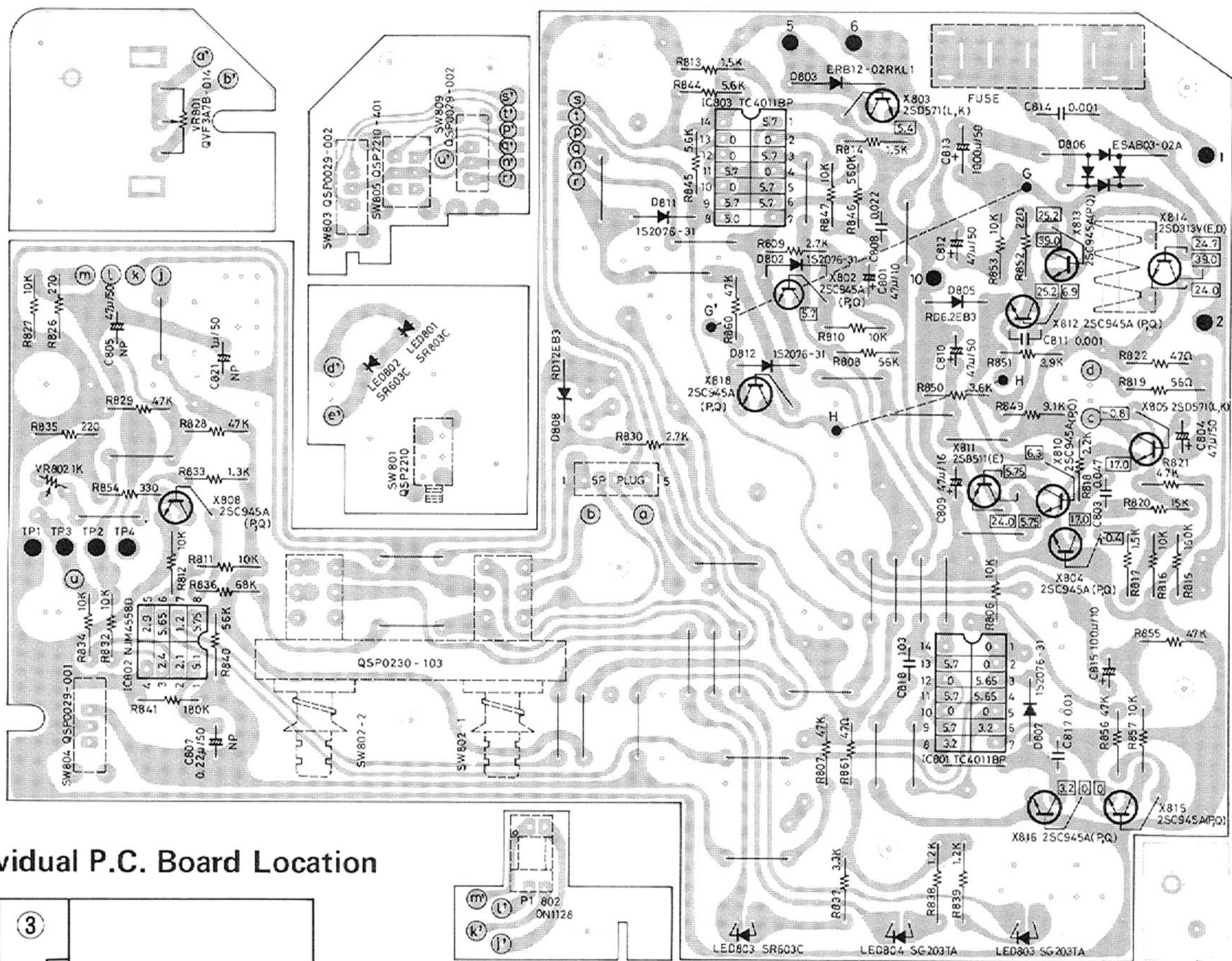
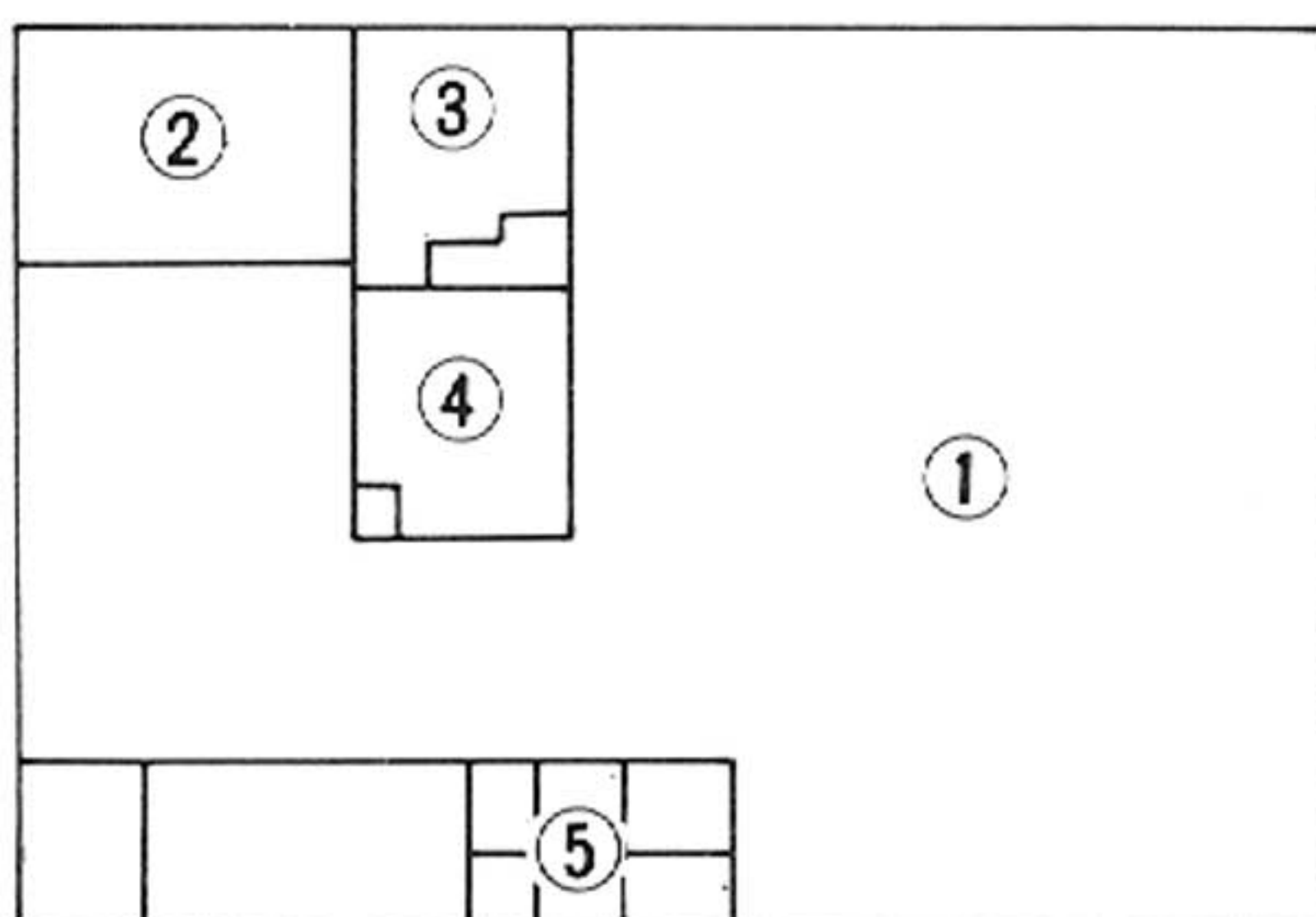


Fig. 12

10. Printed Circuit Board Ass'y and Parts List



Each Individual P.C. Board Location



- ① TXX-279-1: Logic & Power Supply P.C. Board Ass'y
- ② TXX-279-2: Volume Control P.C. Board Ass'y
- ③ TXX-279-3: Rest Switch P.C. Board Ass'y
- ④ TXX-279-4: Stroboscopic LED P.C. Board Ass'y
- ⑤ TXX-279-5: Lead-out Censor P.C. Board Ass'y

Fig. 14

Fig. 13

Transistors

Item No.	Part Number	Rating		Description	
		Pc	fT	Material	Maker
X802	2SC945A(P,Q)	0.25W	250 MHz	Silicon	NEC
X803	2SD571(L,K)	0.8W	110 MHz	"	"
X804	2SC945A(P,Q)	0.25W	250 MHz	"	"
X805	2SD571(L,K)	0.8W	110 MHz	"	"
X808	2SC945A(P,Q)	0.25W	250 MHz	"	"
X810	2SC945A(P,Q)	"	"	"	"
X811	2SB511(E)	10W	8 MHz	"	Sanyo
X812	2SC945A(P,Q)	0.25W	250 MHz	"	NEC
X813	2SD438(D,E)	0.75W	100 MHz	"	Sanyo
X814	2SD313V(D,E)	30W	8 MHz	"	"
X815	2SC945A(P,Q)	0.25W	250 MHz	"	NEC
X816	2SC945A(P,Q)	"	"	"	"
X818	2SC45A(P,Q)	"	"	"	"
PI802	ON1128			Photo	Matsushita

Capacitors

Item No.	Part Number	Rating		Description
		Value	Voltage	
C801	QET51AR-476H	47 μ F	10V	Electrolytic
C803	QFM31HK-473	0.047 μ F	50V	Mylar
C804	QET51HR-476H	47 μ F	"	Electrolytic
C805	QEZ0046-476	"	"	"
C807	QEZ0046-224	0.22 μ F	"	"
C808	QFM81HK-223	0.022 μ F	"	Mylar
C809	QET51CR-476H	47 μ F	16V	Electrolytic
C810	QET51HR-476H	"	50V	"
C811	QFM81HK-102	1000pF	"	Mylar
C812	QET51HR-476H	47 μ F	"	Electrolytic
C813	QET51HR-108H	1000 μ F	"	"
C814	QCE22HP-103A	0.01 μ F	500V	"
C815	QET51AR-107H	100 μ F	10V	Electrolytic
C817	QFM81HK-103	0.01 μ F	50V	Mylar
C818	QFM81HK-103	"	"	"
C820	QFM31HK-223	0.022 μ F	50V	Mylar
C821	QEZ0046-105	1 μ F	50V	Nonpolar Electrolytic

Integrated Circuits

Item No.	Part Number	Rating		Description	
		Pc	Maker	IC	Maker
IC801	TC4011BP	0.5W		IC	Toshiba
IC802	NJM4558D			"	JRC
IC803	TC4011BP			"	Toshiba

Resistors

Item No.	Part Number	Rating		Description
		Value	Power	
R806	QRD141J-103SY	10k Ω	1/4W	Carbon
R807	QRD141J-473SY	47k Ω	"	"
R808	QRD141J-563SY	56k Ω	"	"
R809	QRD141J-272SY	2.7k Ω	"	"
R810	QRD141J-103SY	10k Ω	"	"
R811	QRD141J-103SY	"	"	"
R812	QRD141J-103SY	"	"	"
R813	QRD141J-152SY	1.5k Ω	"	"
R814	QRD141J-152SY	"	"	"
R815	QRD141J-154SY	150k Ω	"	"
R816	QRD141J-103SY	10k Ω	"	"
R817	QRD141J-152SY	1.5k Ω	"	"
R818	QRD141J-222SY	2.2k Ω	"	"
R819	QRD129J-560	56 Ω	1/2W	"
R820	QRD141J-153SY	15k Ω	1/4W	"
R821	QRD141J-473SY	47k Ω	"	"
R822	QRD149J-470S	47 Ω	"	"
R826	QRD141J-271SY	270 Ω	"	"
R827	QRD141J-103SY	10k Ω	"	"
R828	QRD141J-473SY	47k Ω	"	"
R829	QRD141J-473SY	"	"	"
R830	QRD148J-272S	2.7k Ω	"	"
R832	QRD141J-103SY	10k Ω	"	"
R833	QRD141J-132SY	1.3k Ω	"	"
R834	QRD141J-103SY	10k Ω	"	"

Diodes

Item No.	Part Number	Rating	Description	
			Material	Maker
D802	1S2076-31		Silicon	Hitachi
D803	ERB12-02RKL		"	Fuji
D805	RD6,2EB3		"	NEC
D806	ESAB03-02A		"	Fuji
D807	1S2076-31		"	Hitachi
D808	RD12EB3		"	NEC
D811	1S2076-31		"	Silicon
D812	1S2076-31	"	"	"
LD801	SR603C		LED	NEC
LD802	SR603C		"	"
LD803	SR603D		"	"
LD804	SG203TA		"	"
LD805	SG203TA		"	"

NOTE: SAFETY PARTS

Resistors

Item No.	Part Number	Rating	Description
R835	QRD141J-221SY	220Ω	Carbon
R836	QRD141J-683SY	68kΩ	"
R837	QRD141J-332SY	3.3kΩ	"
R838	QRD129J-122	1.2kΩ	1/2W
R839	QRD129J-122	"	"
R840	QRD141J-563SY	56kΩ	1/4W
R841	QRD141J-184SY	180kΩ	"
R844	QRD141J-562SY	15.6kΩ	"
R845	QRD141J-562SY	"	"
R846	QRD141J-564SY	560kΩ	"
R847	QRD141J-103SY	10kΩ	"
R849	QRV144F-9101	91Ω	CMF
R850	QRV144F-3601	36Ω	"
R851	QRD141J-392SY	3.9kΩ	Carbon
R852	QRD149J-220S	22Ω	"
R853	QRD129J-103	10kΩ	1/2W
R854	QRD141J-331SY	330Ω	1/4W
R855	QRD141J-473SY	47kΩ	"
R856	QRD141J-473SY	"	"
R857	QRD141J-103SY	10kΩ	"
R860	QRD148J-473S	47kΩ	"
R861	QRD149J-470S	47Ω	"
VR801	QVF3A7B-014	10k	Variable
VR802	QVZ3501-102	1k	"

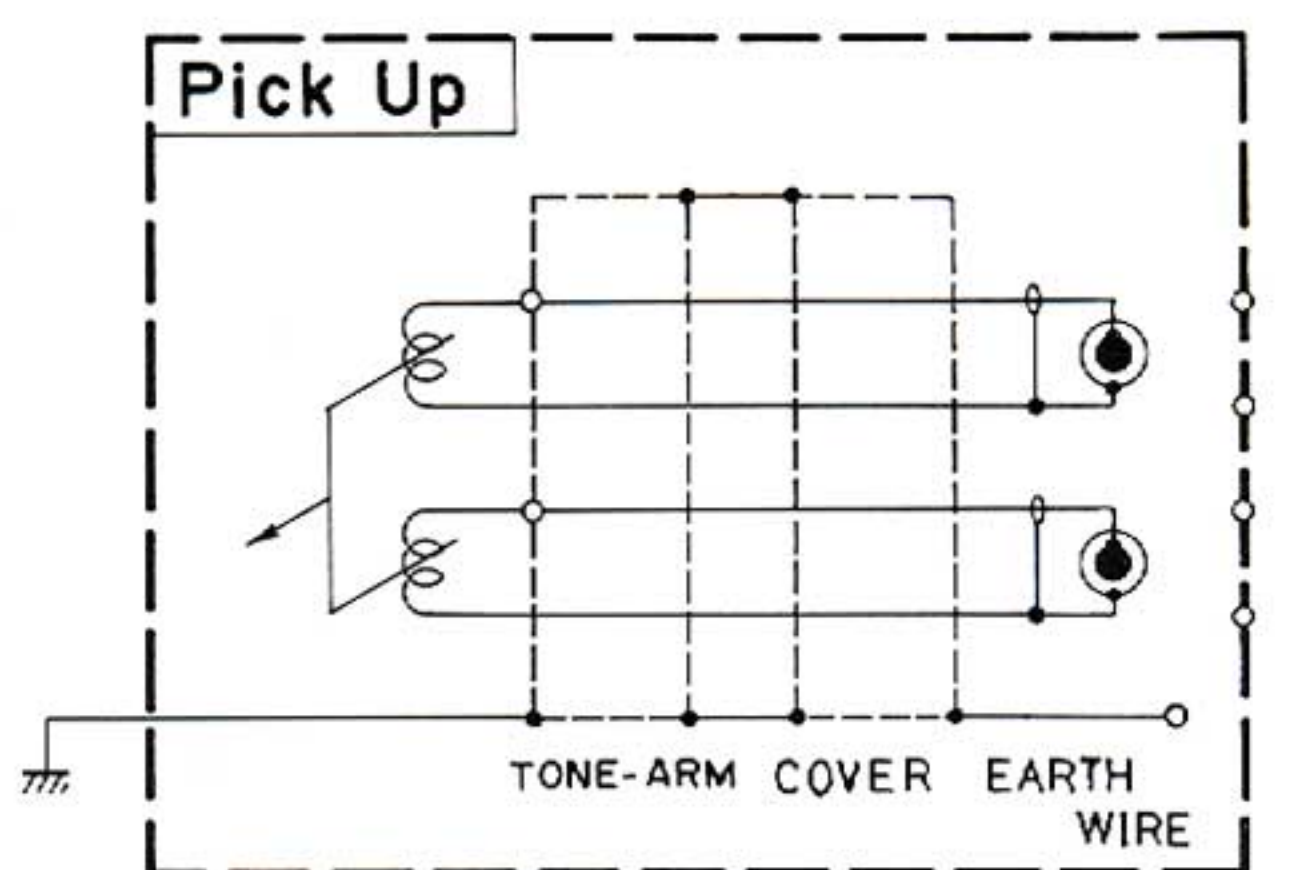
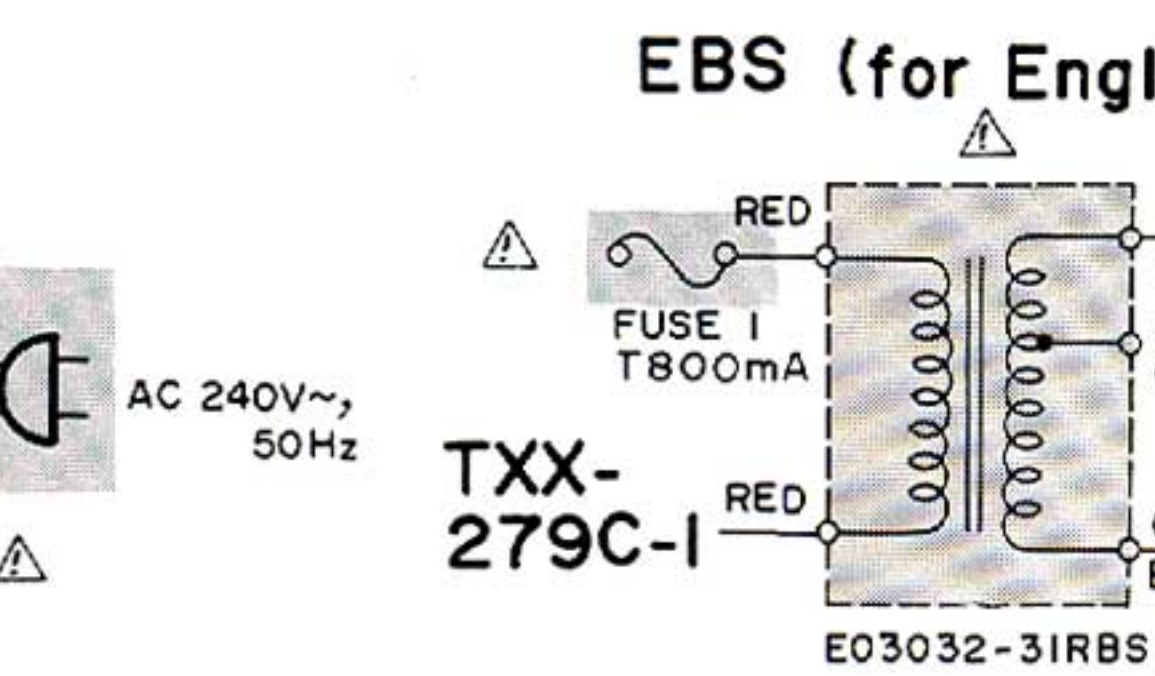
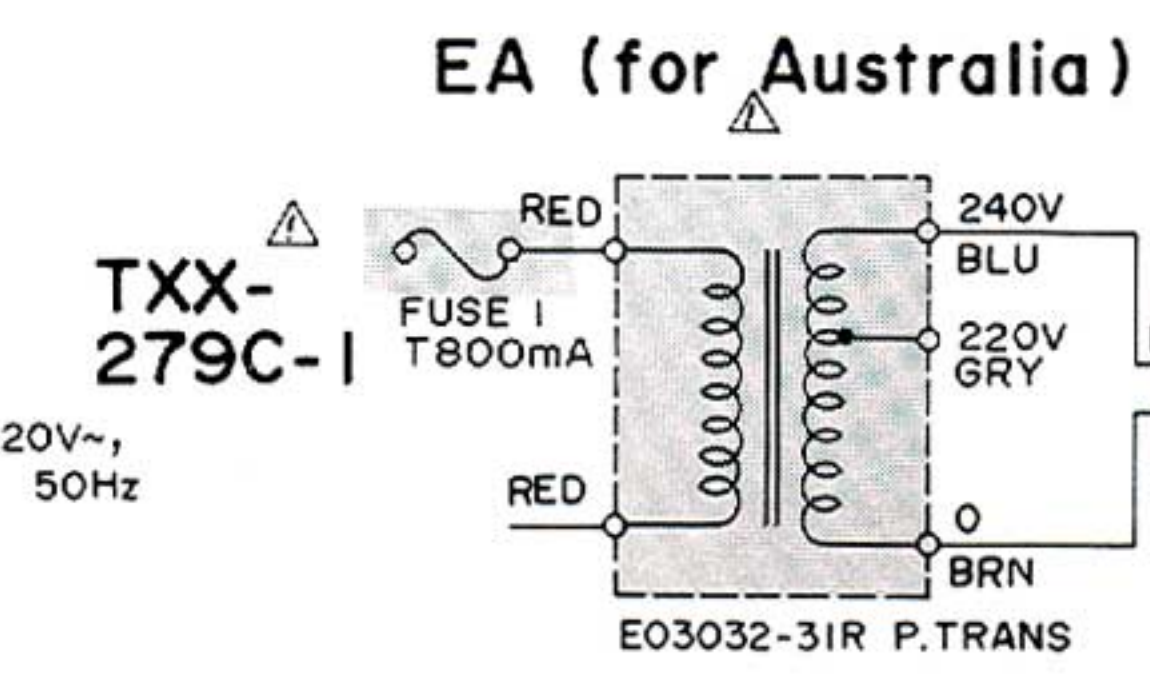
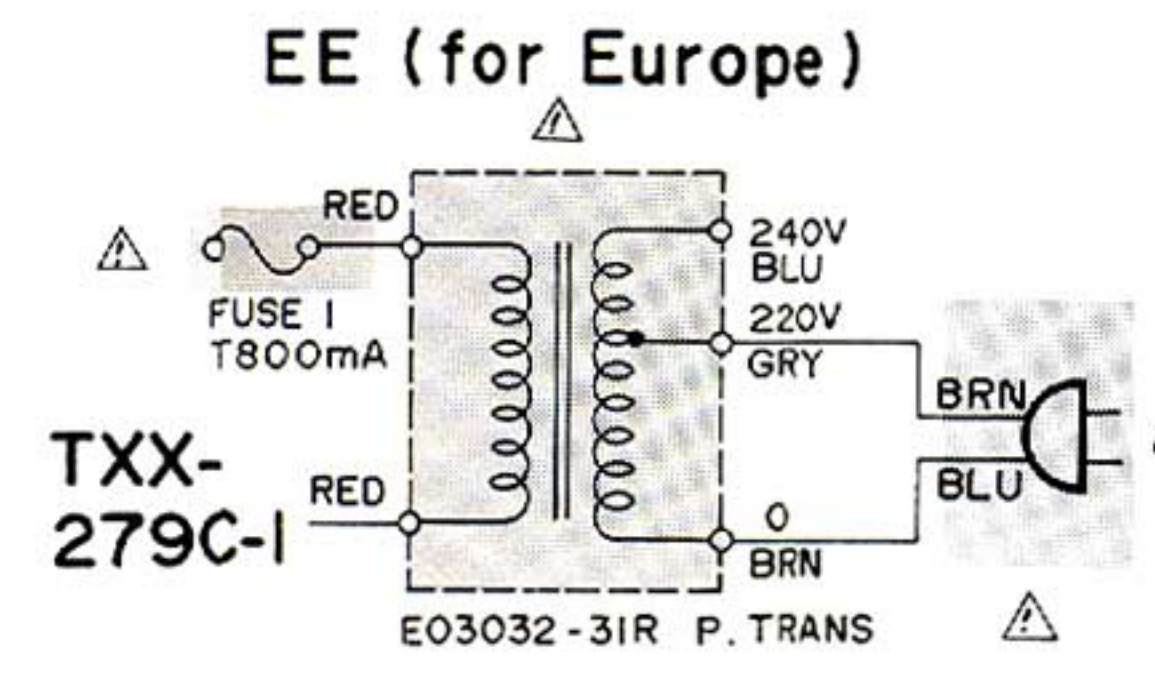
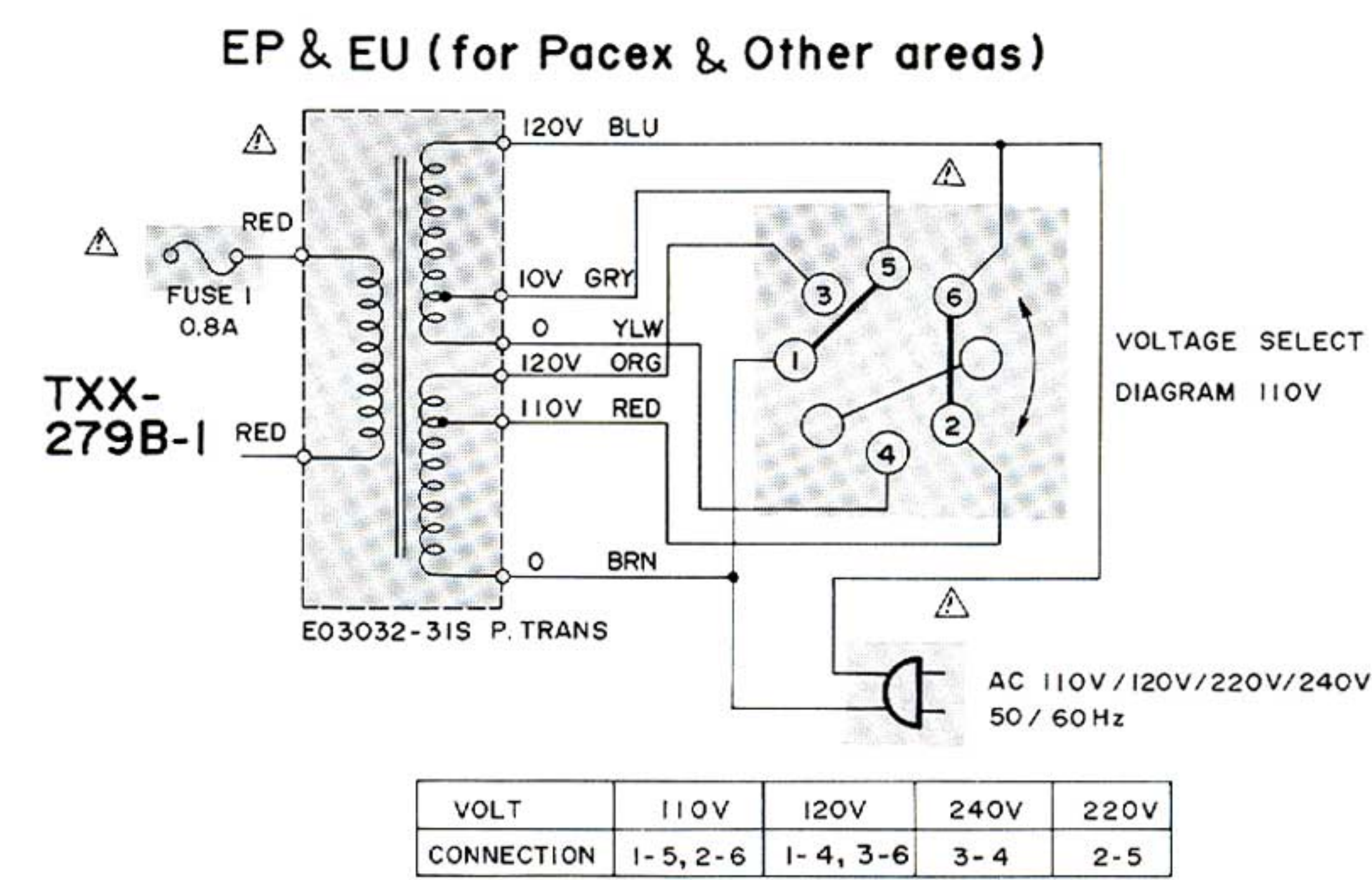
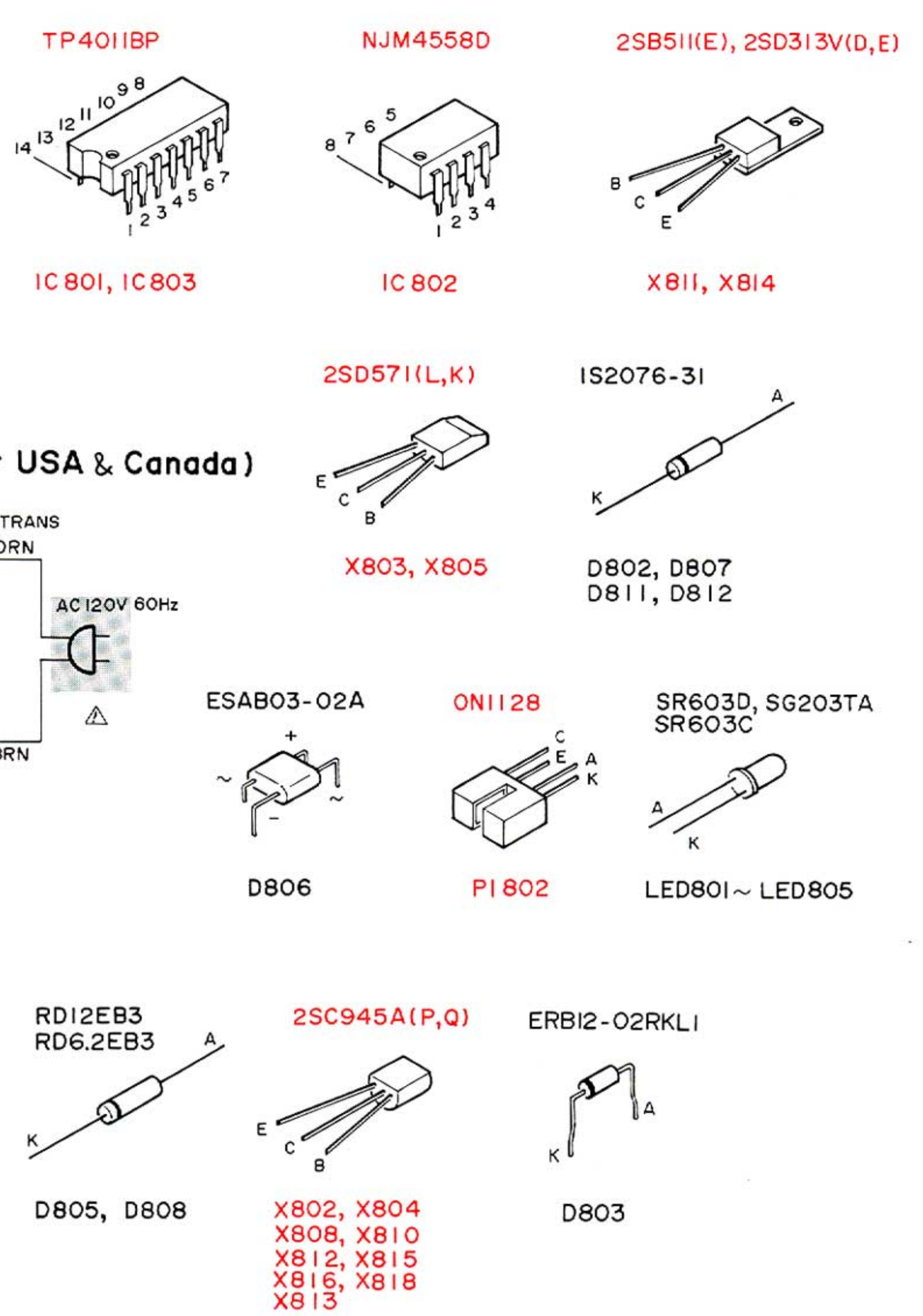
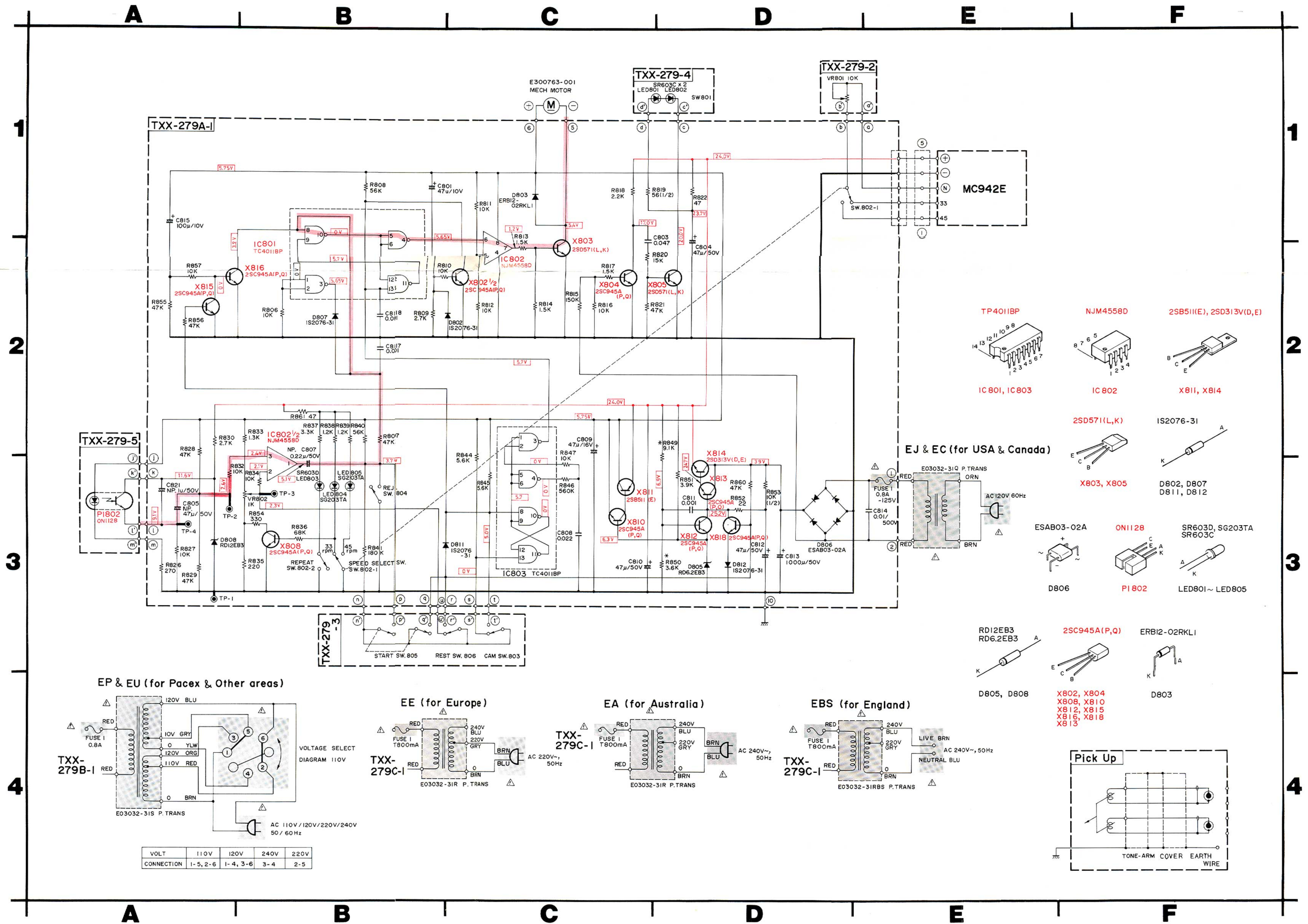
Others

Item No.	Part Number	Rating	Description
SW801	QSP2210-062		Push Sw.
SW802	QSP0230-104		"
SW803	QSP0029-002		"
SW804	QSP0029-001		"
SW805	QSP2210-401		"
SW806	QSP0029-002		"
	EWR33A-20NN		Flat Wire
	EWR36A-15NN		"
	E43727-003		Tab
	E45524-002		Fuse Clip (Large)
	E48965-002		" (Small)
	E61537-001		Heat Sink
	E67156-001		L.E.D. Spacer

11. Accessories List

Description	U.S.A.	Canada	Europe	U.K.	Australia	U.S. Military Market and other countries
INSTRUCTION BOOK	E30580-859A	E30580-859A	E30580-859A	E30580-859A	E30580-859A	E30580-859A
WARRANTY CARD	BT20032B	BT20025C	_____	BT20013C	BT20029B	BT20032B (P)
SERVICE PROCEDURE	BT20042	_____	_____	_____	_____	BT20042(P)
DO IT BETTER	BT20042	_____	_____	_____	_____	BT20042(P)
ENVELOPE	E41202-2	E41202-2	E41202-2	E41202-2	E41202-2	E41202-2
EP ADAPTER	E66329-001	E66329-001	E66329-001	E66329-001	E66329-001	E66329-001
SIEMENS PLUG	_____	_____	_____	_____	_____	E04056

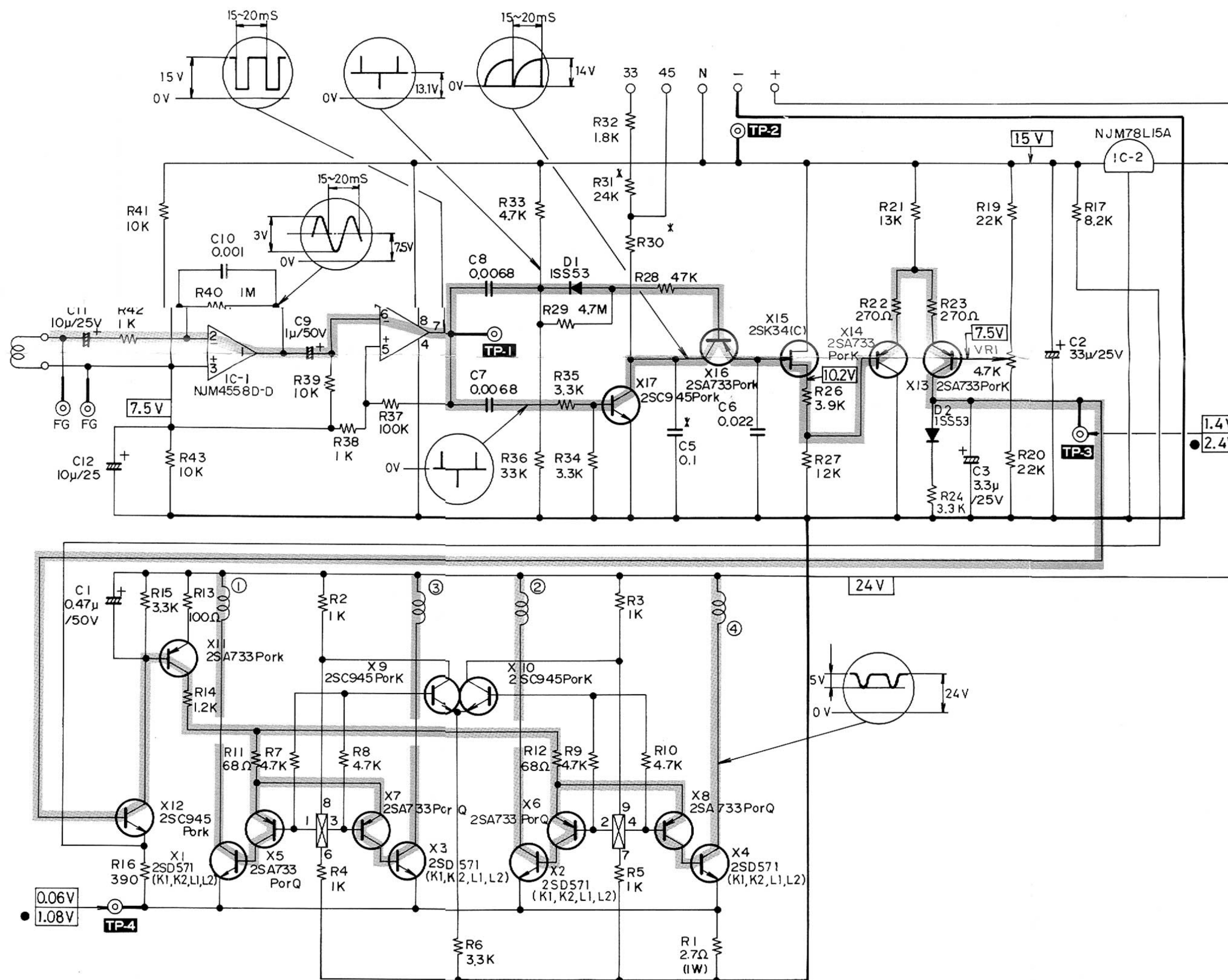
12. L-F66 Schematic Diagram



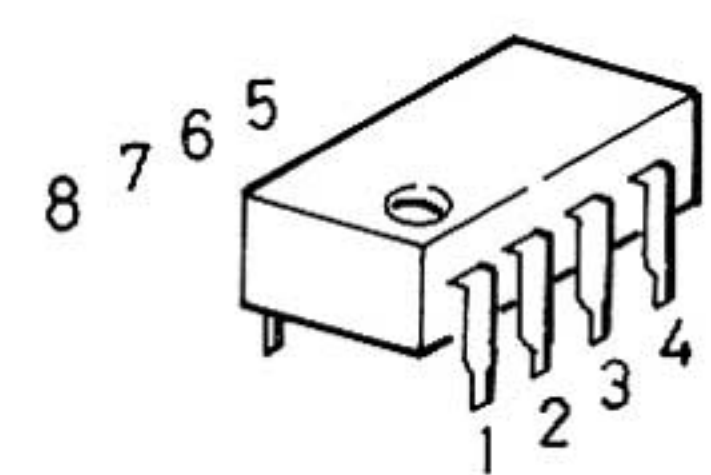
Notes:

- The voltage indicated in is measured by a tester having an internal impedance of 33kΩ/V.
- indicates signal path.
- When replacing the parts in the darkened area and those marked with , be sure to use the designated parts to ensure safety.
- This is the standard circuit diagram. The design and contents are subject to change without notice.

MC 942 E

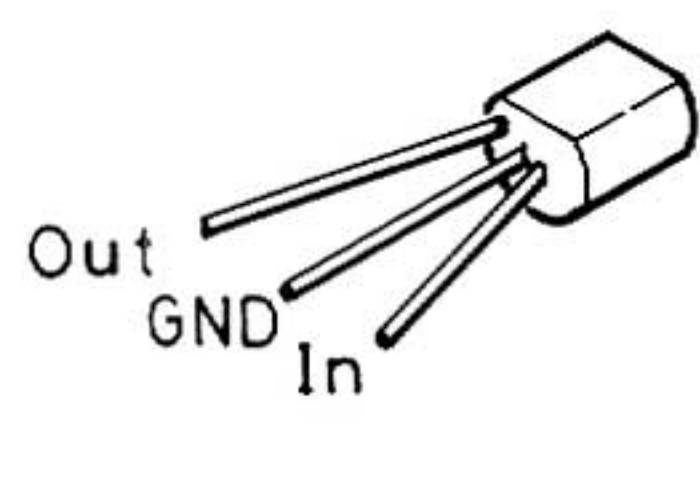


NJM 4558 D-D



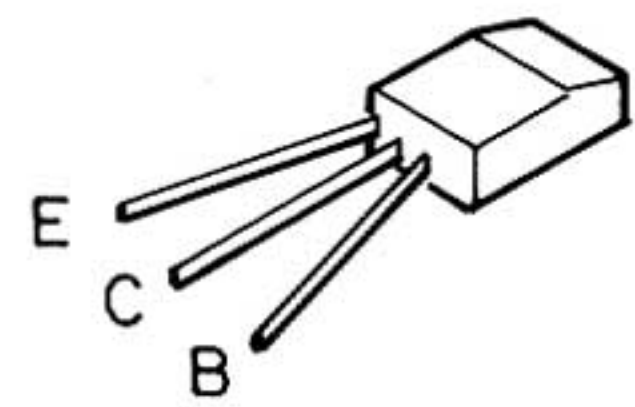
IC 1

NJM78L15A



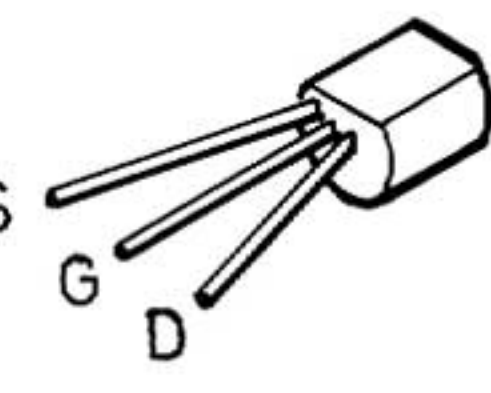
IC 2

2SD571(K1,K2,L1,L2)



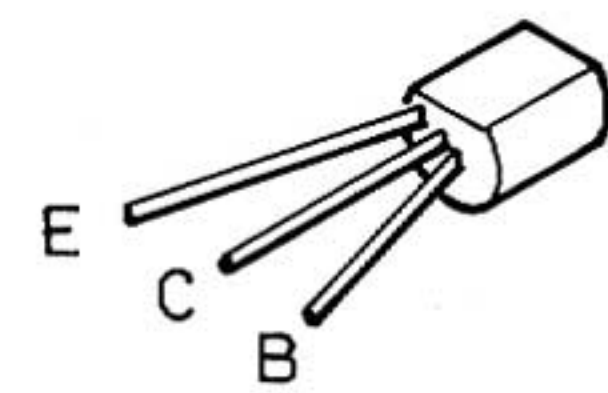
X1~X4

2SK34(C)



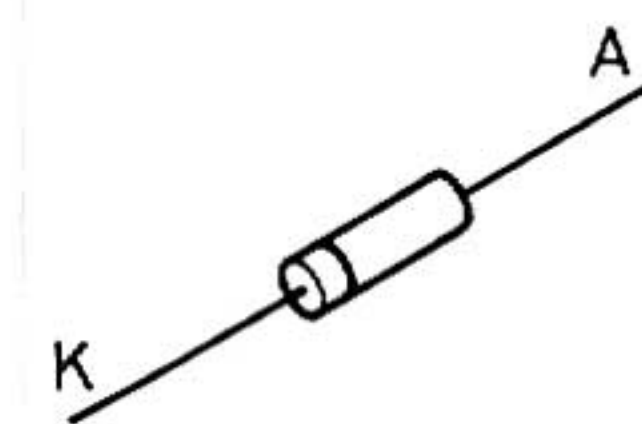
X15

2SA733(P,Q)
2SA733(P,K)
2SC945(P,K)



X5~X14, X16, X17

1SS53



D1, D2

Warning !

Be careful not to allow metallic dust, etc. to enter inside the unit, because its motor is comprised of magnetic elements.

Notes:

1. The voltage indicated in is measured by a tester having an internal impedance of 33kΩ/V.
2. indicates signal path.
3. This is the standard circuit diagram. The design and contents are subject to change without notice.

* The TP4011BP is defective, replace the TC4011BP.(C,3)

13. Packing Materials

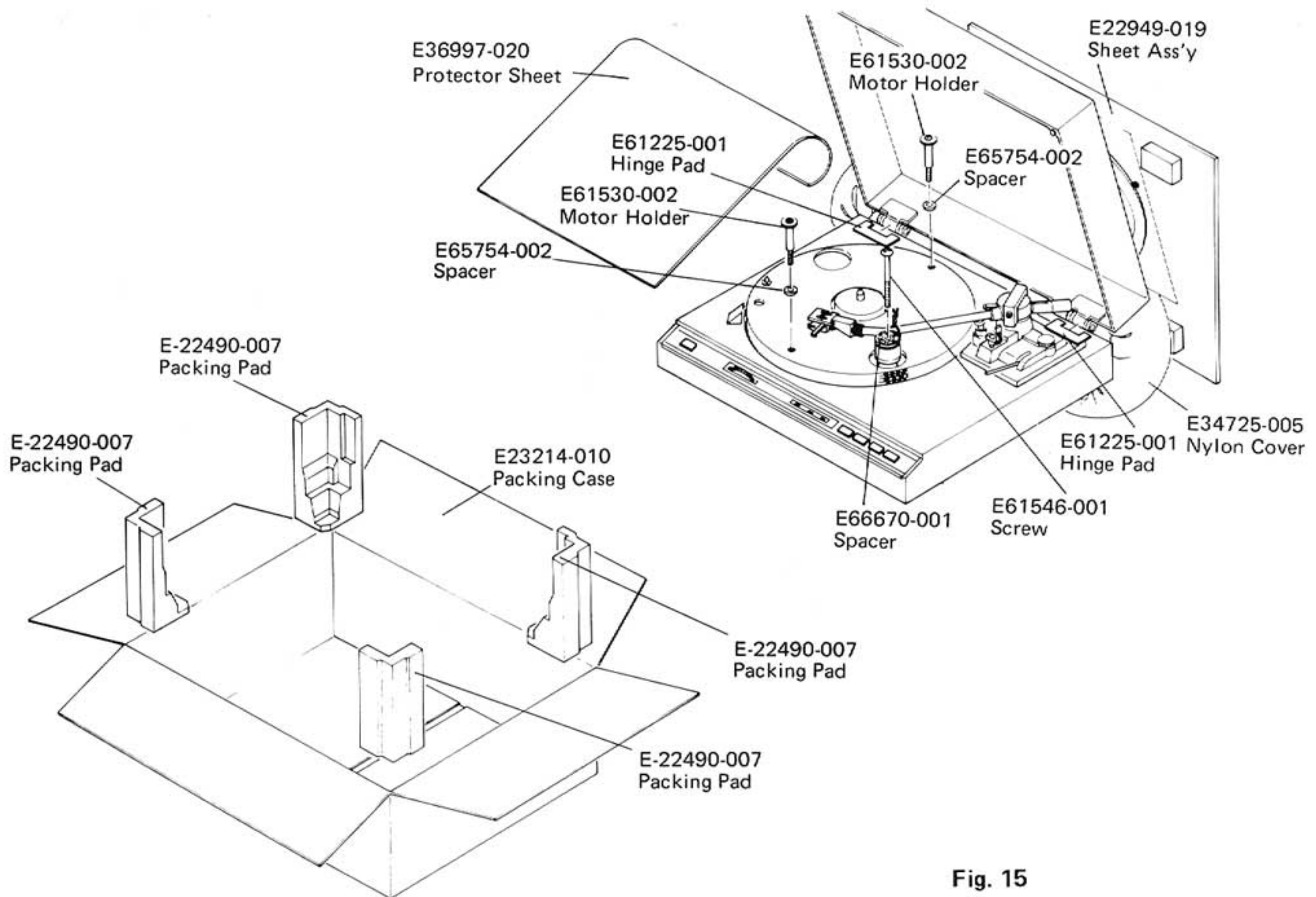


Fig. 15

14. Parts List with Specified Numbers for Designated Areas

Description	U.S.A.	Canada	Europe	U.K.	Australia	U.S. Military Market and other countries
TONEARM ASS'Y	ARM-537	ARM-537	MP-305S	MP-305S	MP-305S	MP-305S
PLATTER COVER	E22719-002	E22719-002	E22719-001	E22719-001	E22719-001	E22719-001
POWER TRANSFORMER	E03032-31Q	E03032-31Q	E03032-31 R	E03032-31 RBS	E03032-31 R	E03032-31S
FUSE	QMF61U1-R80	QMF61U1-R80	QMF51A2-R80L	QMF51A2-R80LBS	QMF51A2-R80L	QMF61U1-R80
POWER CORD	QMP1200-200	QMP1200-200	QMP3900-200	QMP9017-008BS	QMP2560-244	QMP7600-250
CORD CLAMP	_____	_____	A37897	A37897BS	A37897	A37897
CORD STOPPER	QHS3876-162	QHS3876-162	_____	_____	_____	_____
C.S. PLATE	E65465-001	E65465-001	_____	_____	_____	_____
C. BOARD ASS'Y	TXX-279A	TXX-279A	TXX-279C	TXX-279C	TXX-279C	TXX-279B
FOOT ASS'Y	E35857-003	E35857-003	E35857-005	E35857-005	E35857-005	E35857-005
FOOT ASS'Y	E35857-008	E35857-008	E35857-006	E35857-006	E35857-006	E35857-006
VOLTAGE SELECTOR	_____	_____	_____	_____	_____	OSR0085-001 U
MASK CAP	E65395-002	E65395-002	_____	_____	_____	_____
CONNECTOR	E03830-001	E03830-001	_____	_____	_____	_____
LUG STRIP ASSY	_____	_____	QML1810-054	QML1810-054	QML1810-054	QML1810-054
CABINET	E10455-002	E10455-002	E10455-003	E10455-003	E10455-003	E10455-003
BOTTOM BOARD	E10456-002	E10456-002	E10456-003	E10456-003	E10456-003	E10456-003

NOTE: SAFETY PARTS

15. Power Specification

Countries	Line Voltage & Frequency	Power Consumption
U.S.A. & CANADA	AC 120V~, 60Hz	9.5 watt
CONTINENTAL EUROPE	AC 220V~, 50Hz	9.5 "
U.K. & AUSTRALIA	AC 240V~, 50Hz	9.5 "
U.S. MILITARY MARKET	AC 110/120/220/240V~50/60Hz Selectable	9.5 "
OTHER AREAS	AC 110/120/220/240V~50/60Hz Selectable	9.5 "

JVC

VICTOR COMPANY OF JAPAN, LIMITED, TOKYO, JAPAN