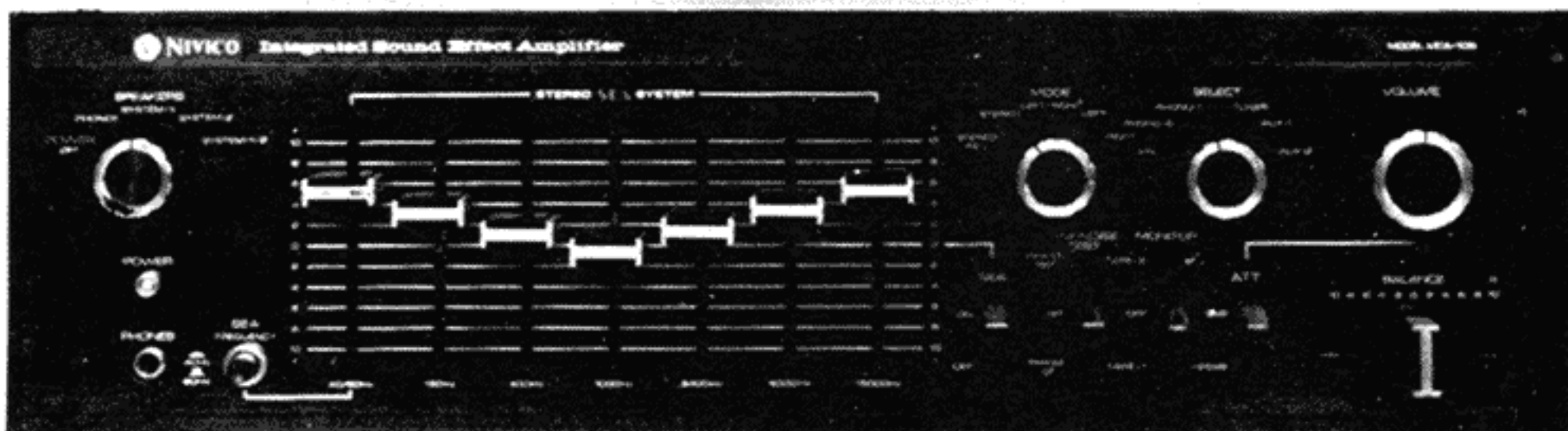




NIVICO

No. 2167

SERVICE MANUAL



MODEL MCA-105E/5107

SOLID STATE S.E.A. INTEGRATED AMPLIFIER

DIMENSIONS : H-5 $\frac{1}{8}$ " , W-17 $\frac{4}{6}$ " , D-13 $\frac{3}{8}$ " WEIGHT : 25.3 lbs.

SPECIFICATIONS

<Transistor and Diode>

Main Amplifier Section

Transistors.....12 Transistors

Varistor.....2

Pre-Amplifier Section

Transistors.....10 Transistors

Power Supply and Protector Circuit

Transistors.....5 Transistor

Diodes.....7 Diodes

Pink Noise Section

Transistor.....5 Transistors

Diode.....2 Diodes

<Pre-Amplifier Section>

- Input Terminal : PHONO-1, PHONO-2, MIC, TUNER, AUX-1, (with level adjuster),
AUX-2, TAPE PLAY
- Output Terminal : Pre-Amp. OUT-1 (with VR), Pre-Amp. OUT-2
REC OUT-1 (with VR), REC OUT-2
- Din Terminal : 2
- Additional Circuit : SEA Defeat, Muting, Tape Monitor, Pink Noise Generator,
Speaker Selector, Protector Circuit

<Pre Amplifier Section>

Output Impedance and Voltage

Pre-Amp. OUT4k Ω & 2.5V (max) 0.5V (Standard)
REC OUT4.7k Ω (with level adjust variable Resistor)
DIN80k Ω 36mV

Frequency Response

PHONORIAA Within ± 0.5 dB
MIC30Hz~15kHz ± 0.5 dB
AUX20Hz (Subsonic filter) ~ 40kHz $\begin{matrix} + \\ - \end{matrix} 1.5^0$ dB

Harmonic Distortion : 0.1%at 1kHz 2.5V

Signal to Noise Ratio (IHF)

PHONO76 dB
MIC78 dB
AUX85 dB

Input Impedance and Sensitivity

PHONO1mV (50k Ω)
MIC1mV (50k Ω)
TAPE PLAY80mV (100k Ω)
DIN80mV (100k Ω)
AUX80mV (100k Ω)
TUNER80mV (100k Ω)

Tone Control (S. E. A. Control System)

S. E. A. Center Frequency40Hz or 60Hz, 150Hz, 400Hz, 1kHz, 2.4kHz, 6kHz, 15kHz
S. E. A. control ± 10 dB

<Main Amplifier Section>

Total Dynamic Power (1HFM) : 120W (4 Ω)
100W (8 Ω)
Continuous Power : 72W (36W+36W) (4 Ω)
64W (32W+32W) (8 Ω)
Harmonic Distortion : 0.07% at 1kHz 30W
Inter Modulation : 0.2% (30W) at 60Hz : 7kHz=4 : 1
Power Band Width : 20Hz~50kHz ± 0.5 dB
Frequency Response : 20Hz (Subsonic filter)~100kHz ± 0.5 dB
Signal to Noise Ratio (IHF) : 100dB
Subsonic Filter : 18Hz-3 dB -12 dB/oct
Load : 4~16 Ω
Damping Factor : 50 at 8 Ω

<Power Consumption>

Power Source : AC 100V, 120V, 200V, 240V Selectable 50, 60Hz
Power Consumption 20W at Non Signal
145W at Maximum Power
AC Outlet : 2 Switched
1 (Unswitched)

MAIN PARTS ARRANGEMENT

Front View

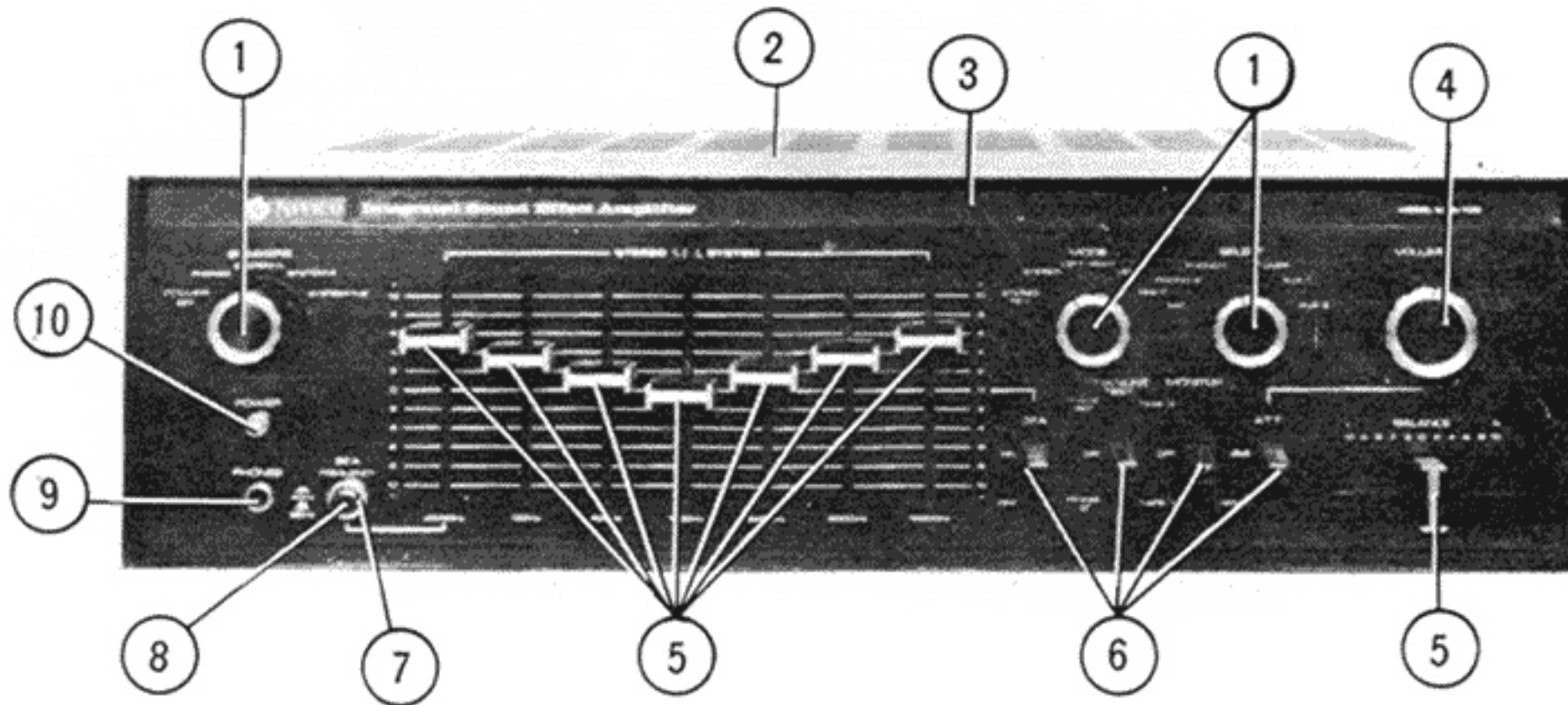


Fig. 1

| DWG. NO. | PARTS NO. | PARTS NAME | DWG. NO. | PARTS NO. | PARTS NAME |
|----------|------------|-------------------|----------|------------|------------------|
| 1 | E44361-001 | Knob | 6 | E44081-001 | Lever Knob |
| 2 | E20397-001 | Cover | 7 | E41302-002 | Escutcheon Ring |
| 3 | E20402-001 | Front Panel Ass'y | 8 | E43099-001 | Push Botton Knob |
| 4 | E44360-001 | Knob | 9 | Q03963-001 | Head Phone Jack |
| 5 | E44363-001 | Slide Knob | 10 | E41427-1 | Rabbit Eye |

Back View

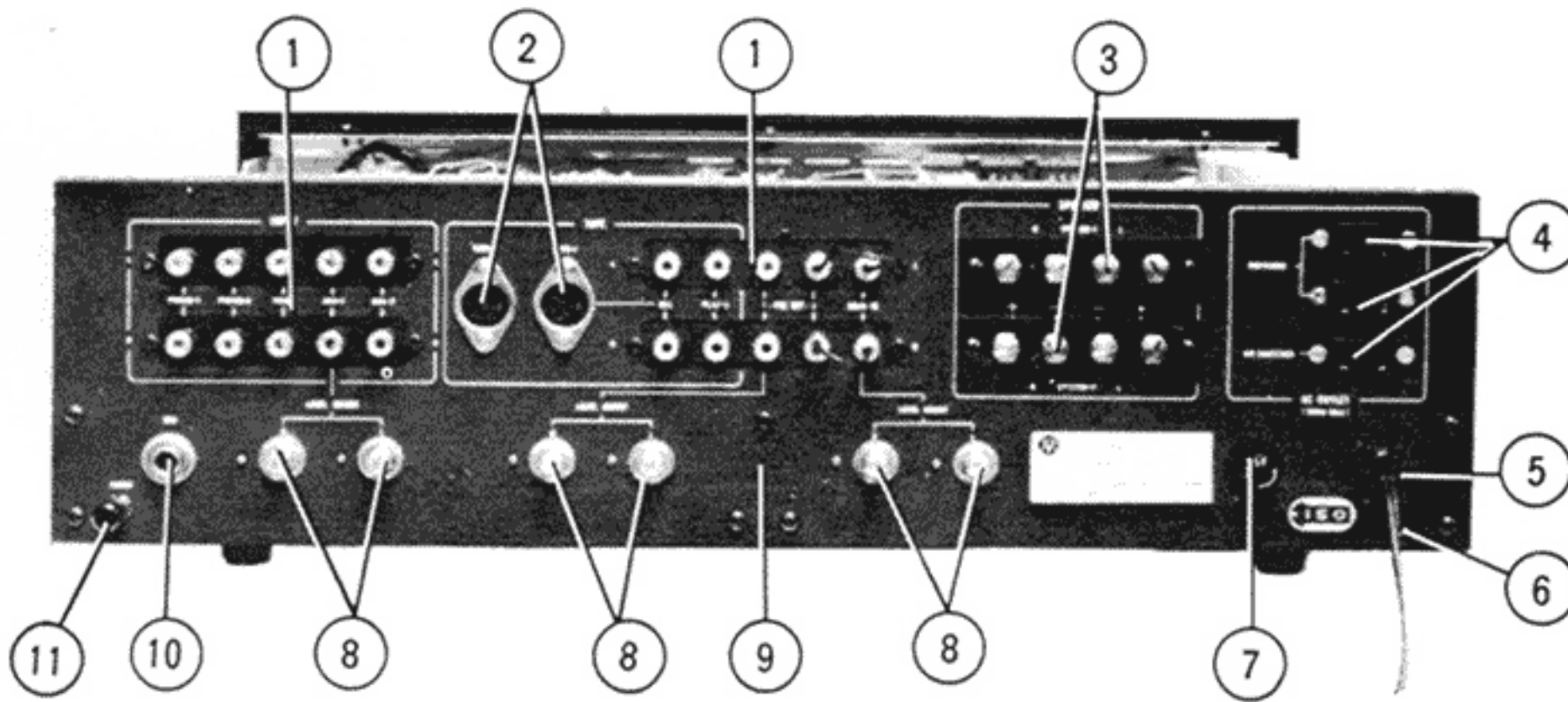


Fig. 2

| DWG. NO. | PARTS NO. | PARTS NAME | DWG. NO. | PARTS NO. | PARTS NAME |
|----------|------------|------------------------|----------|------------|-------------------|
| 1 | E03043-100 | 10 Pin Jack Ass'y | 7 | Q30210-001 | Fuse Holder |
| 2 | Q03967 | DIN Socket | 8 | E03060-001 | Variable Resistor |
| 3 | Q30156-002 | Speaker Terminal Board | 9 | E20399-003 | Back Panel |
| 4 | Q30120-001 | AC Outlet | 10 | Q03961-1 | MIC Jack |
| 5 | E31704-001 | Cord Stopper | 11 | E04069S | Push Terminal |
| 6 | Q03056-001 | AC Cord With Plug | | | |

Top View

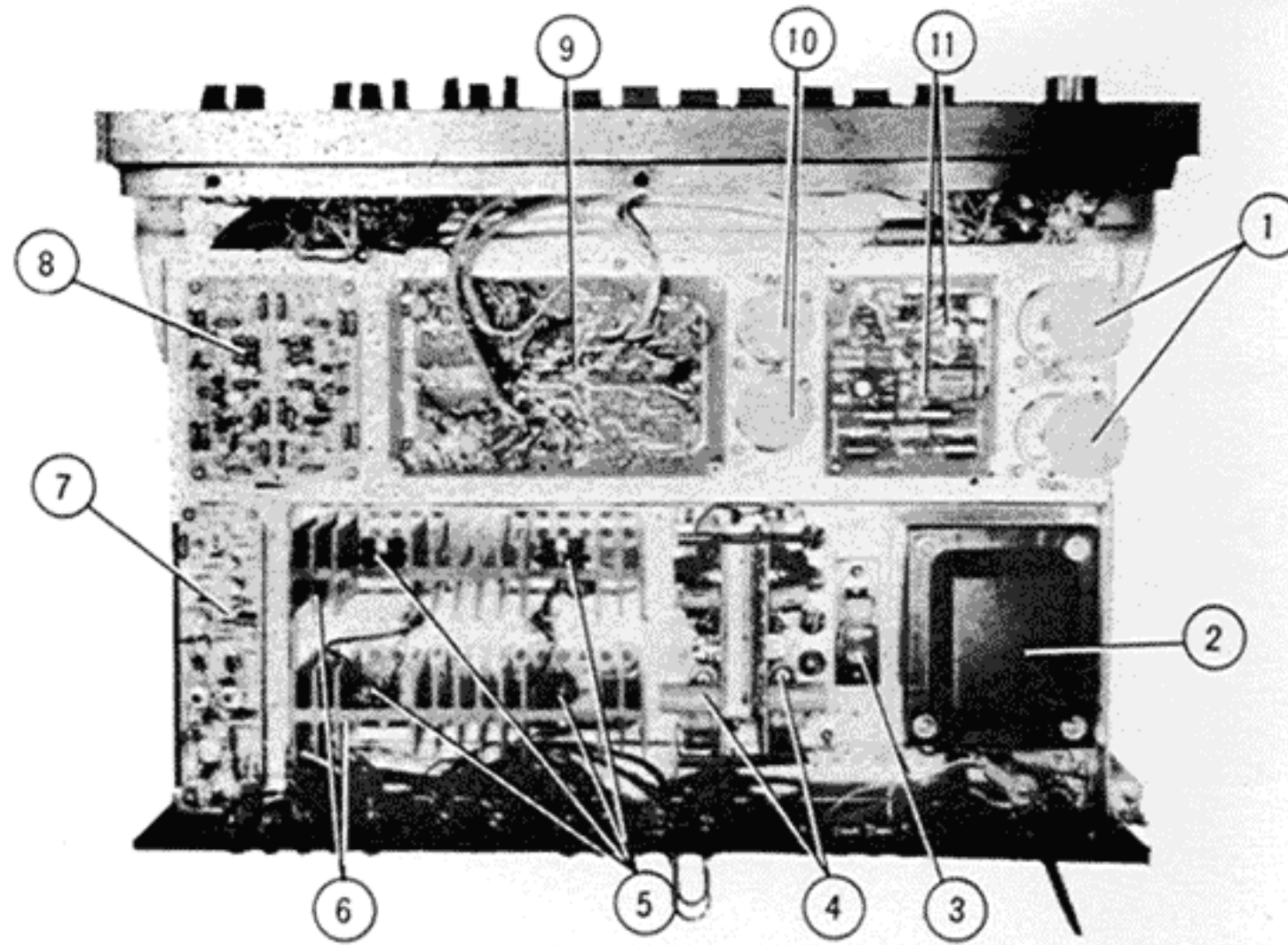


Fig. 3

| DWG. NO. | PARTS NO. | PARTS NAME | DWG. NO. | PARTS NO. | PARTS NAME |
|----------|-------------|------------------------|----------|-----------|--|
| 1 | Q03600-21 | Electrolytic Capacitor | 7 | TAC-91 | Pink Noise Circuit Board Ass'y |
| 2 | E03098-8S | Power Transformer | 8 | TAE-32B | Equalizer Circuit Board Ass'y |
| 3 | E04085 | Voltage Selector | 9 | TAC-85 | S.E.A. Circuit Board Ass'y |
| | E04084 | Plug Socket | 10 | Q03592-21 | Electrolytic Capacitor |
| 4 | TAD-43A | Power Drive Amplifier | 11 | TAP-60 | Power Supply & Protector Circuit Board Ass'y |
| 5 | 2SD201 | Power Transistor | | | |
| 6 | E31991-002S | Heat Sink | | | |

SWITCH CIRCUIT ASS'Y

S. E. A. DEFEAT SWITCH

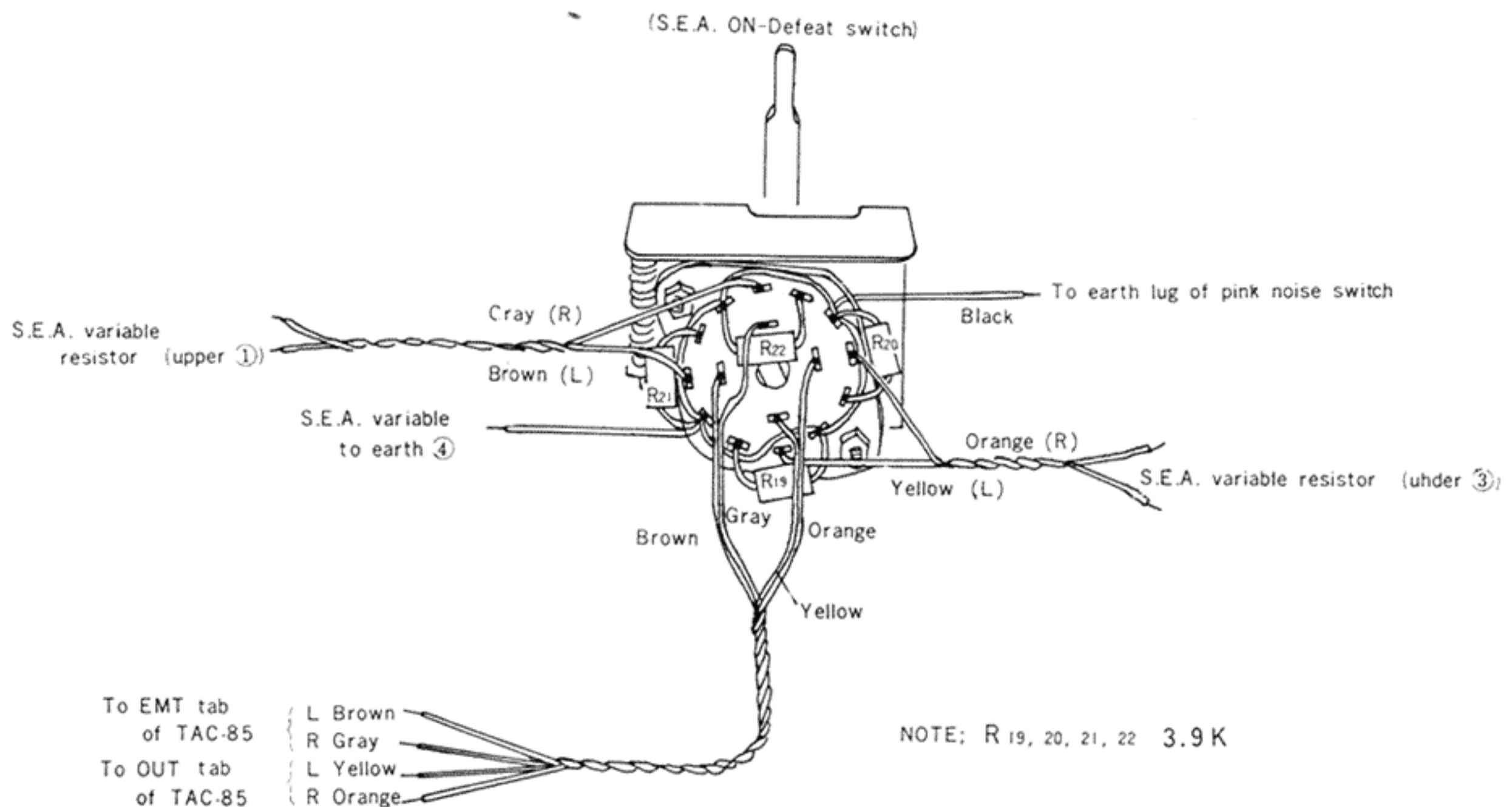


Fig. 4

PINK NOISE SWITCH

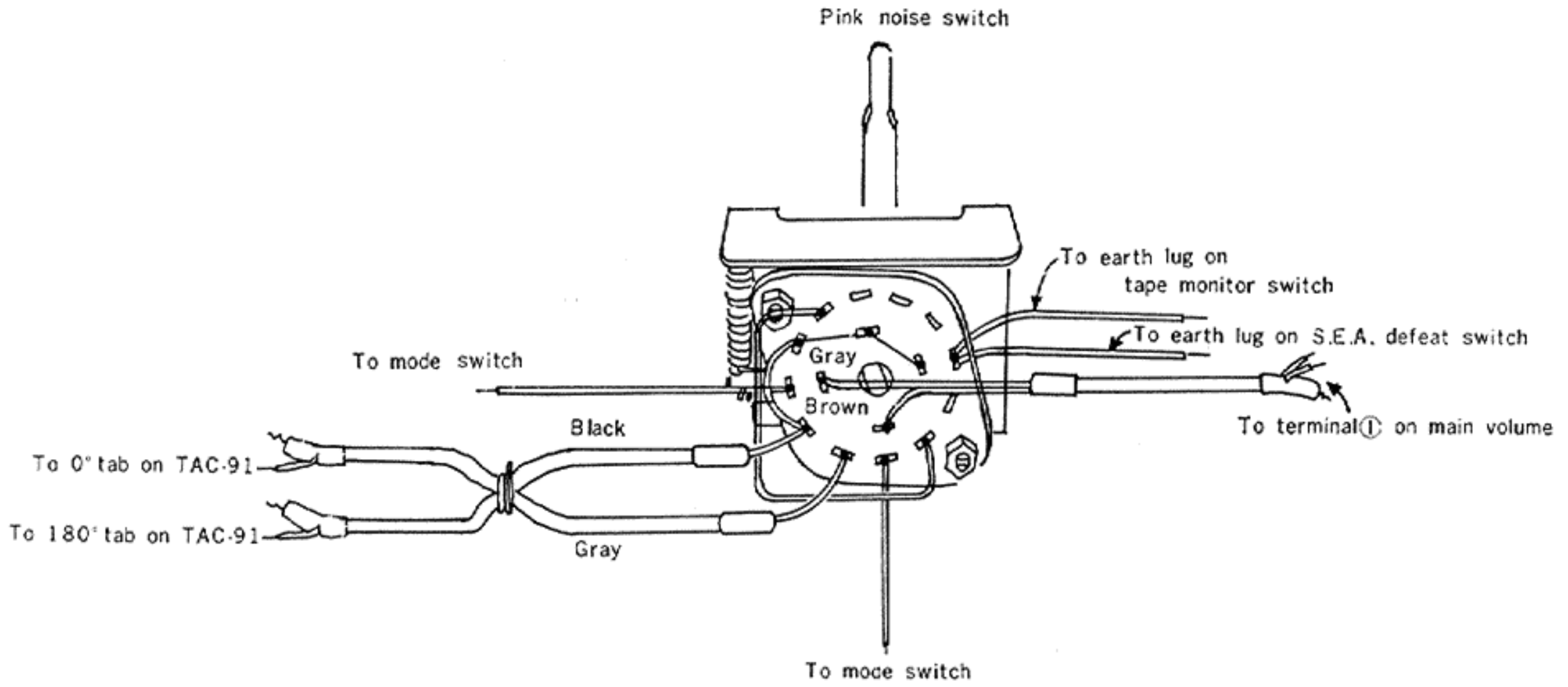


Fig. 5

TAPE MONITOR CHANGE SWITCH

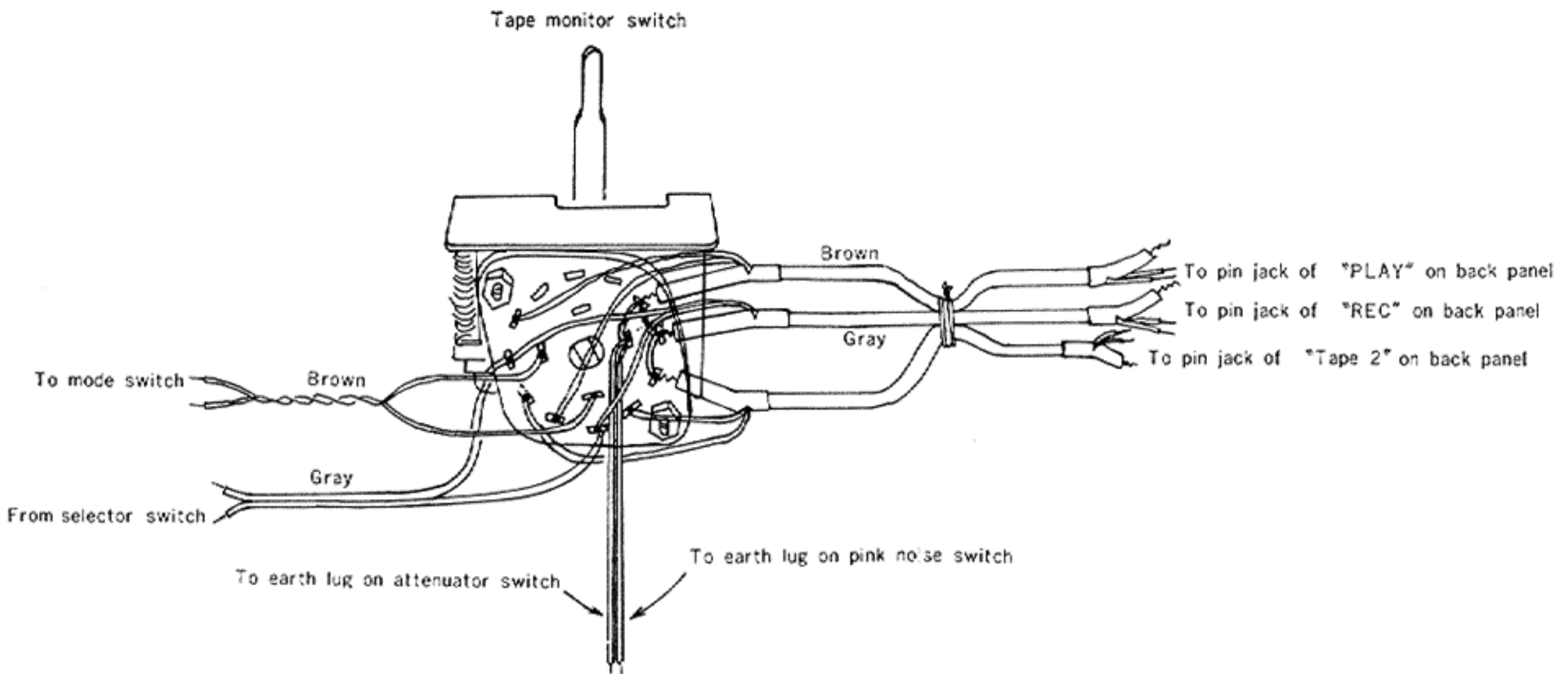


Fig. 6

ATTENUATER SWITCH

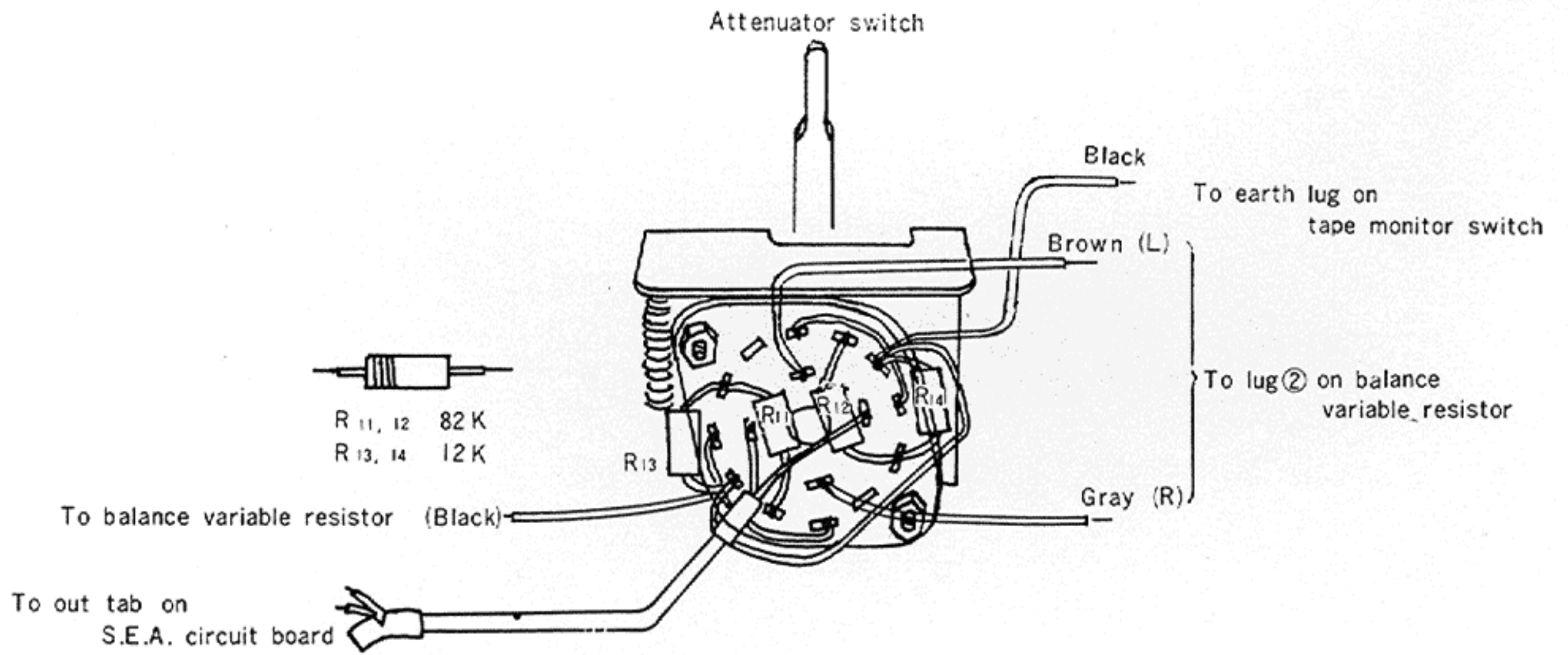


Fig. 7

SPEAKER SYSTEM SWITCH (with power switch) CIRCUIT

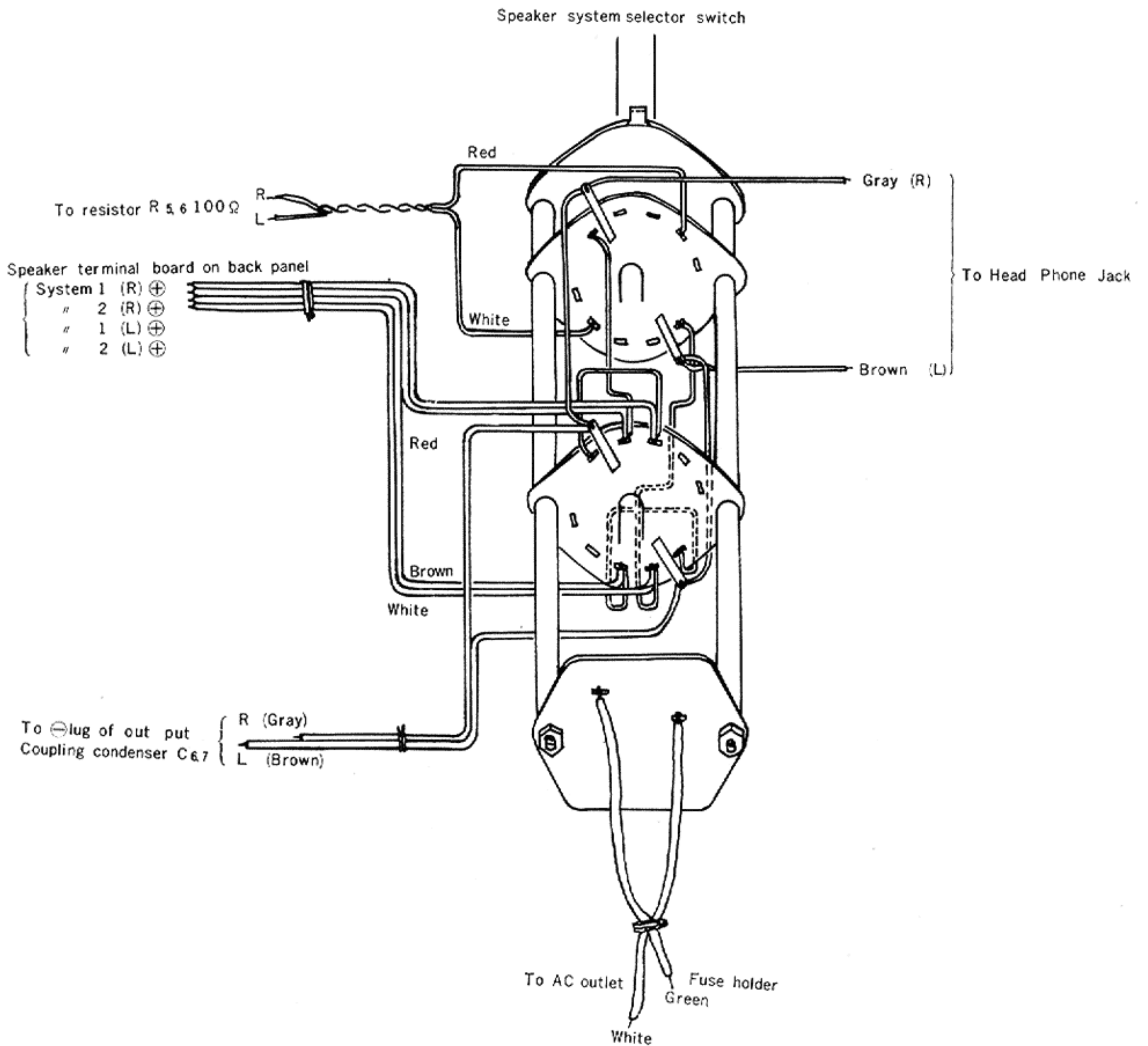


Fig. 8

40Hz/60Hz S. E. A. DEAFEAT SWITCH

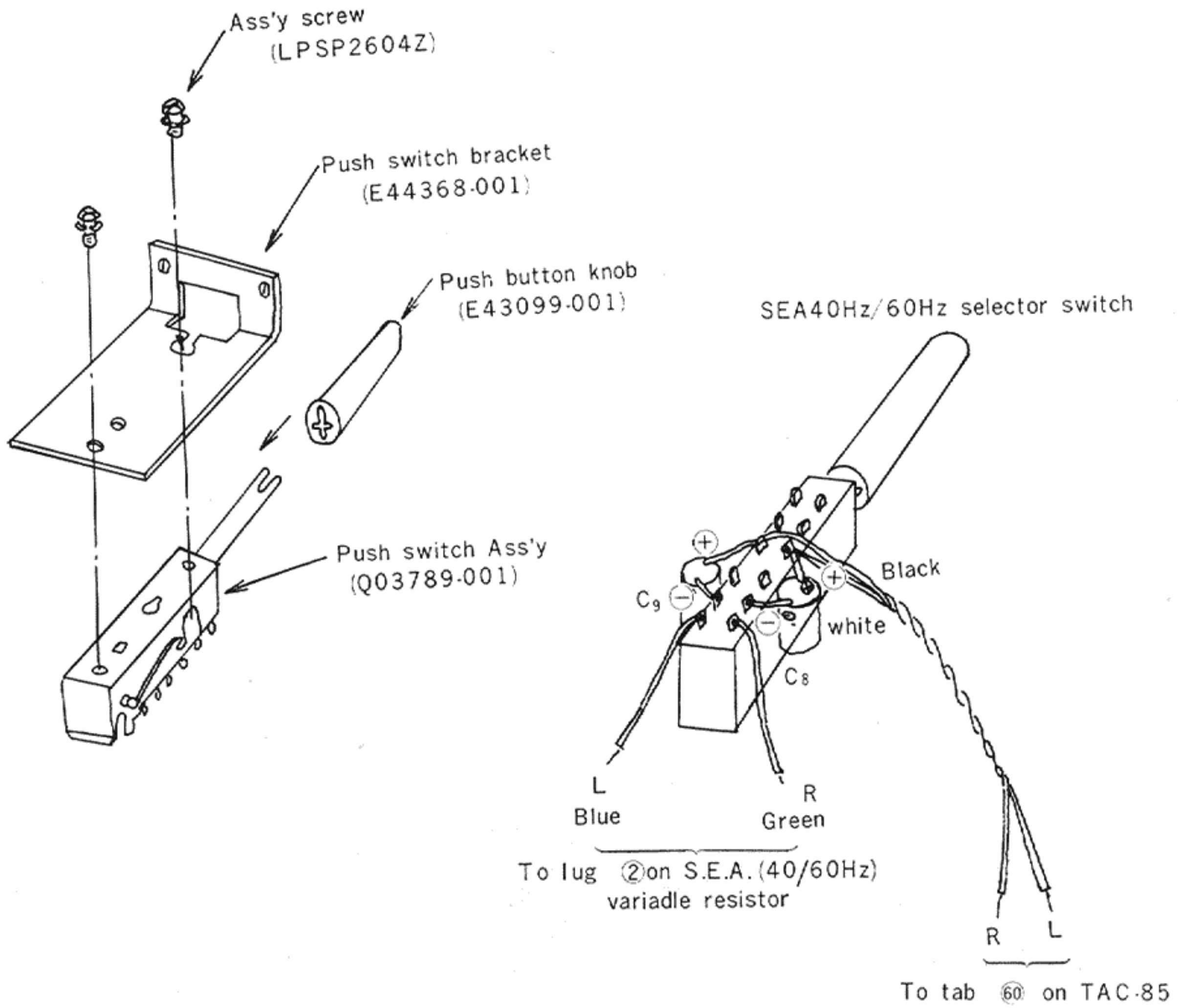


Fig. 9

MODE SELECT SWITCH

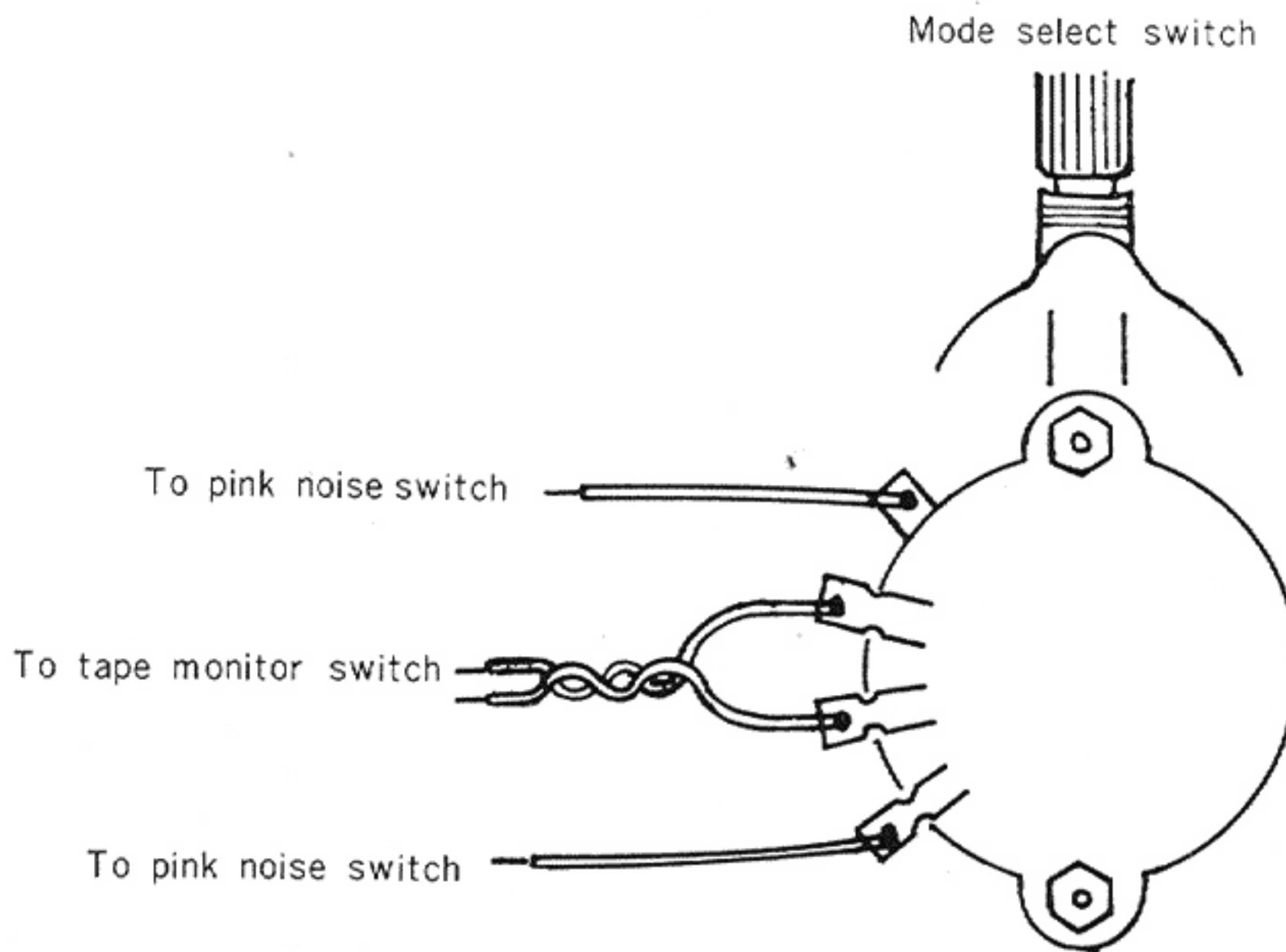


Fig. 10

SELECTOR SWITCH

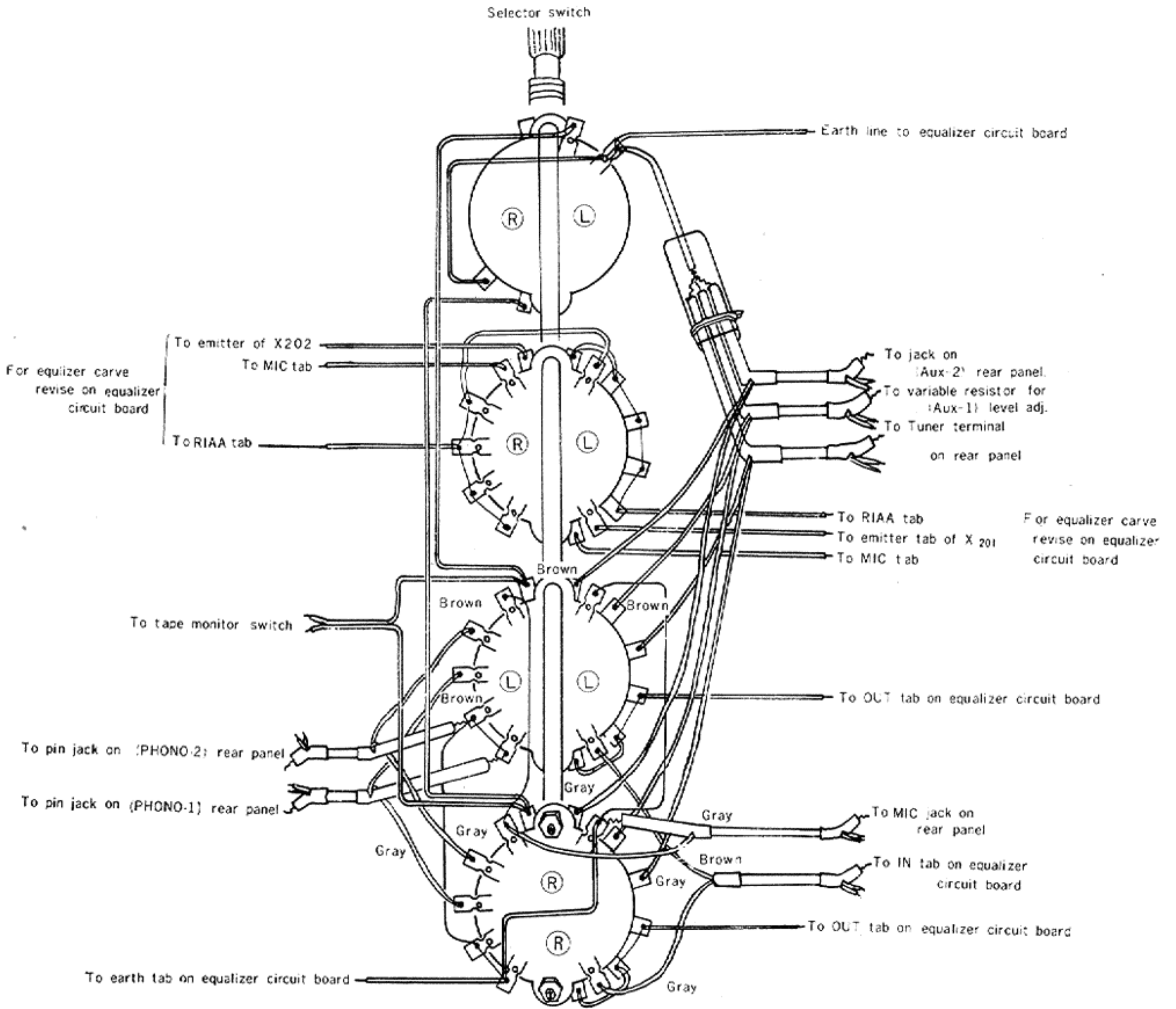


Fig. 11

C. B = Circuit Board

PRINTED CIRCUIT BOARD

EQUALIZER CIRCUIT BOARD ASS'Y (TAE-32B) SURFACE

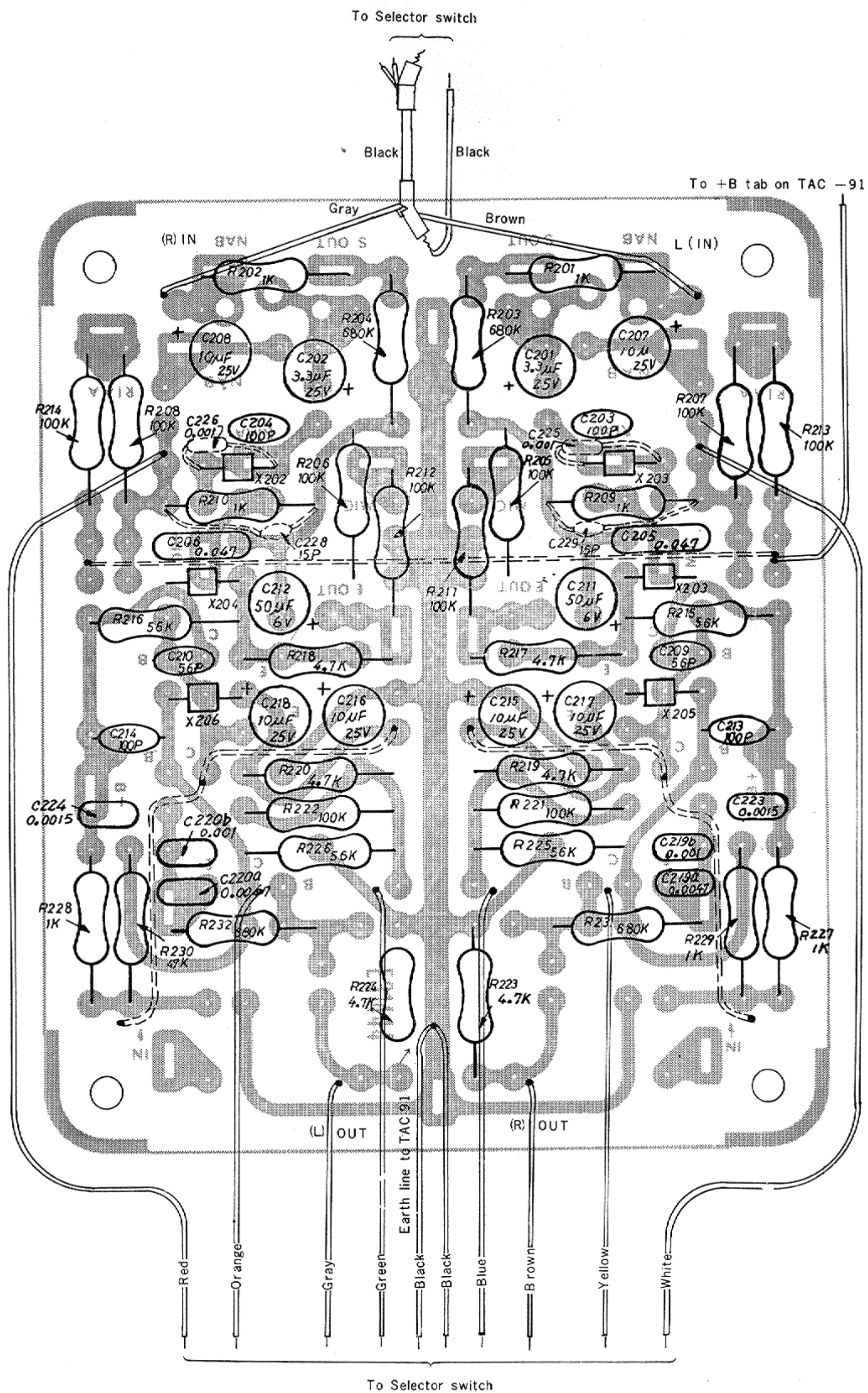


Fig. 12

EQUALIZER CIRCUIT BOARD ASS'Y (TAE-32B) REVERSE

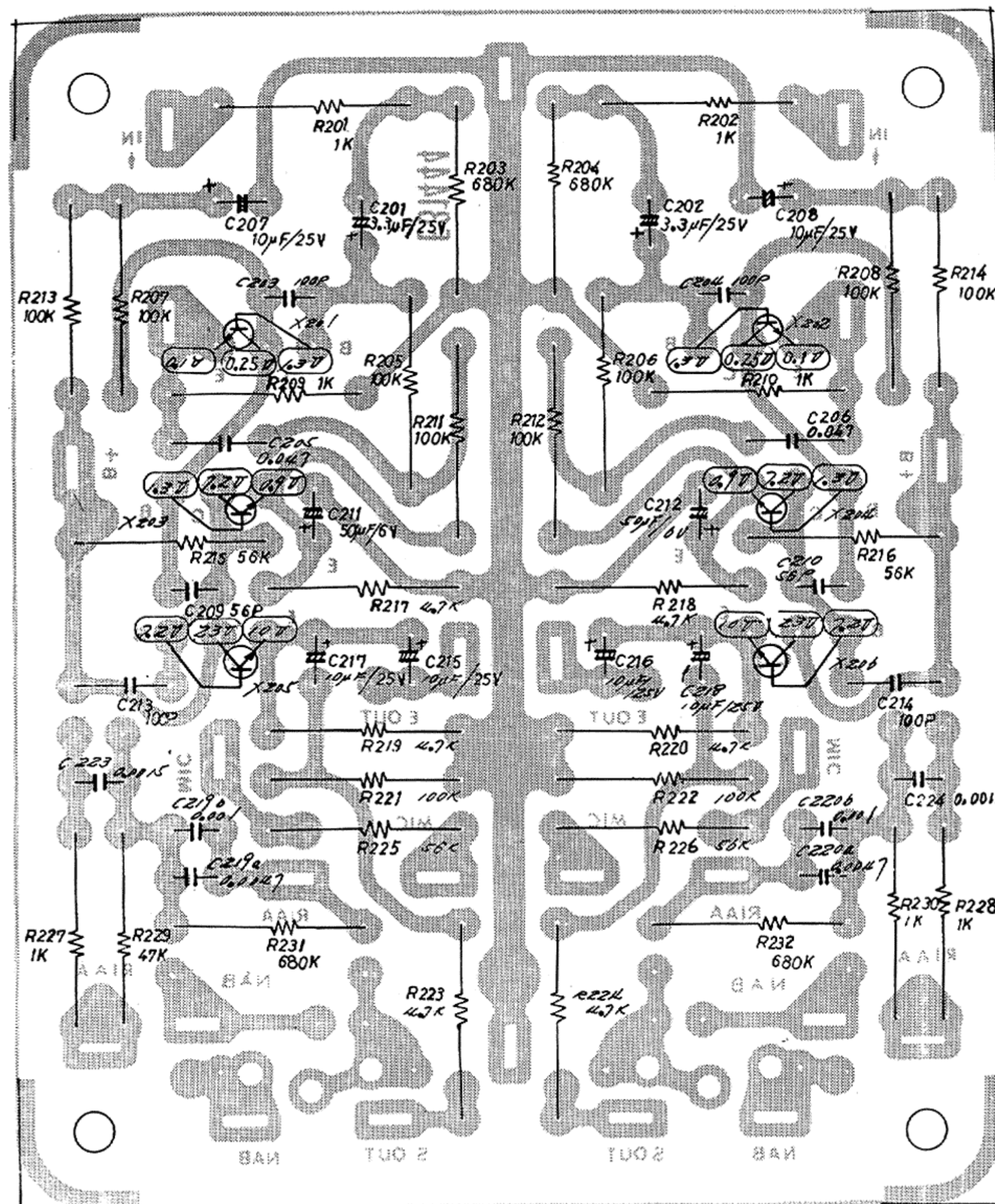


Fig. 13

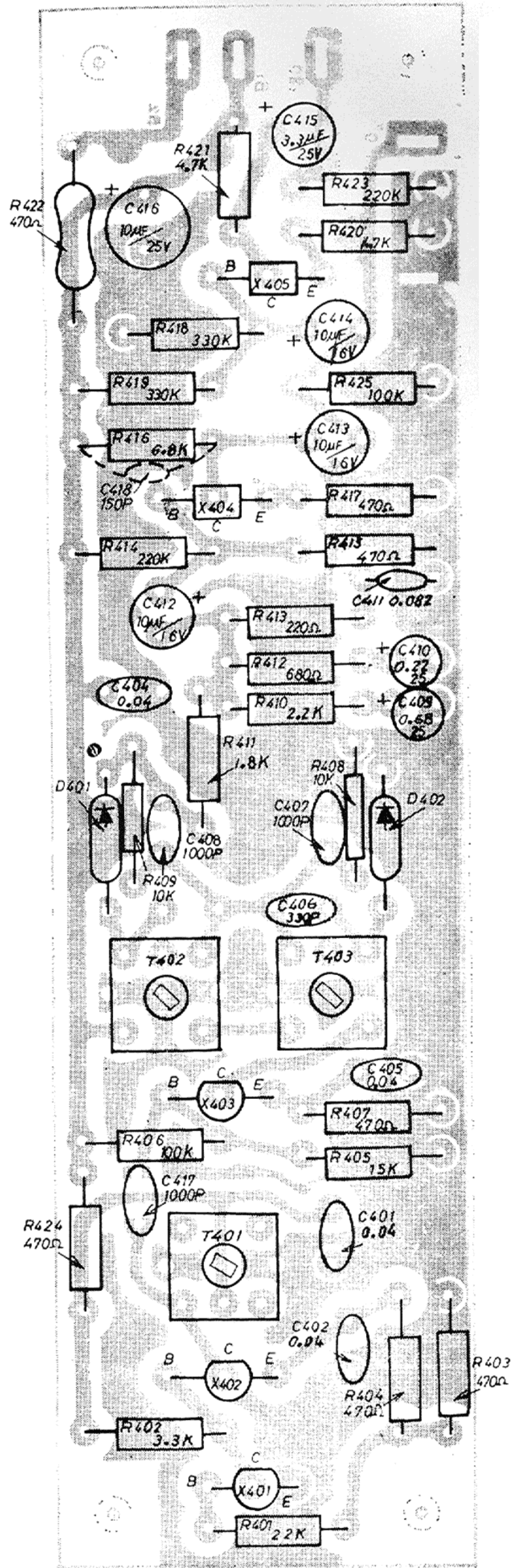


Fig. 14

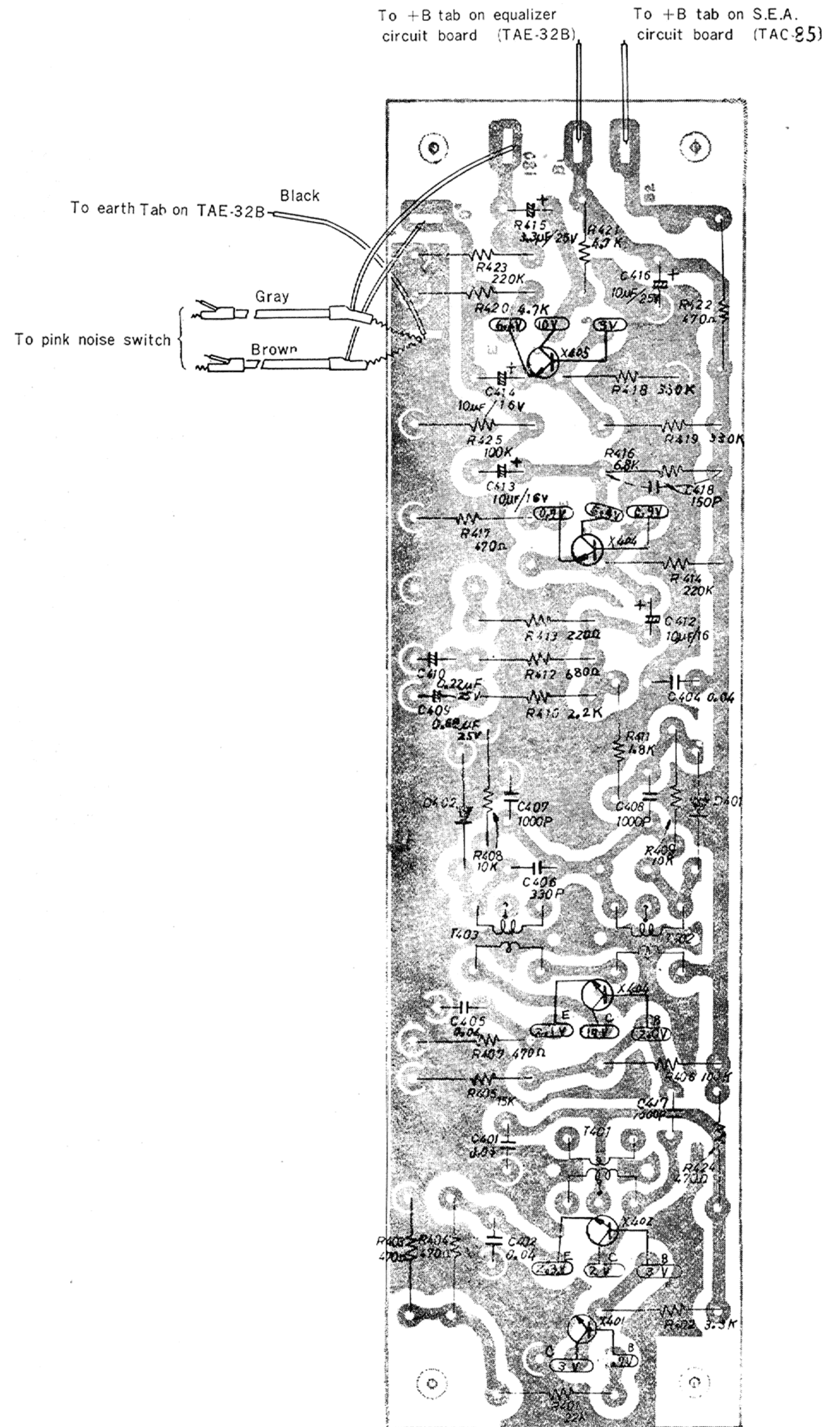


Fig. 15

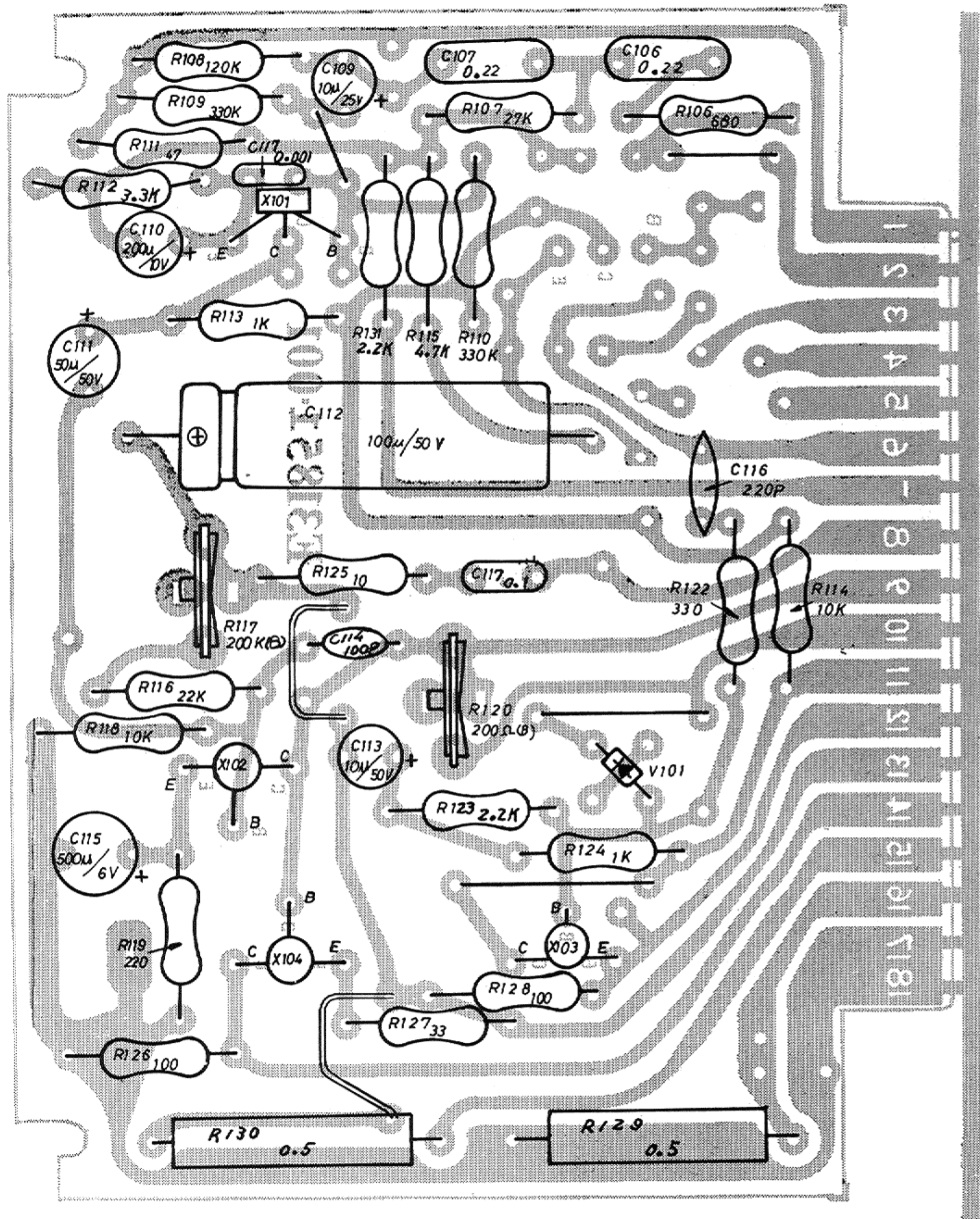


Fig. 18

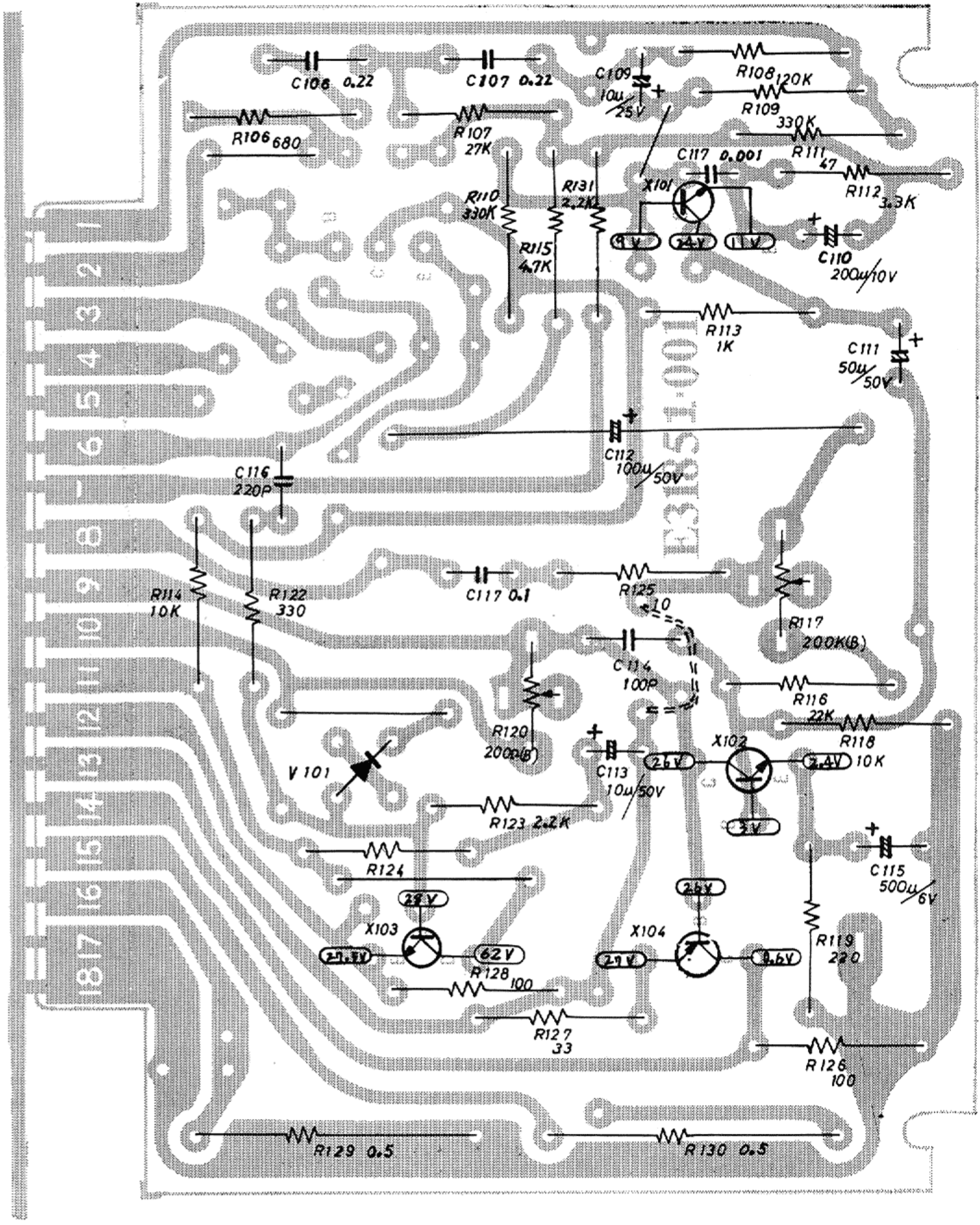


Fig. 19

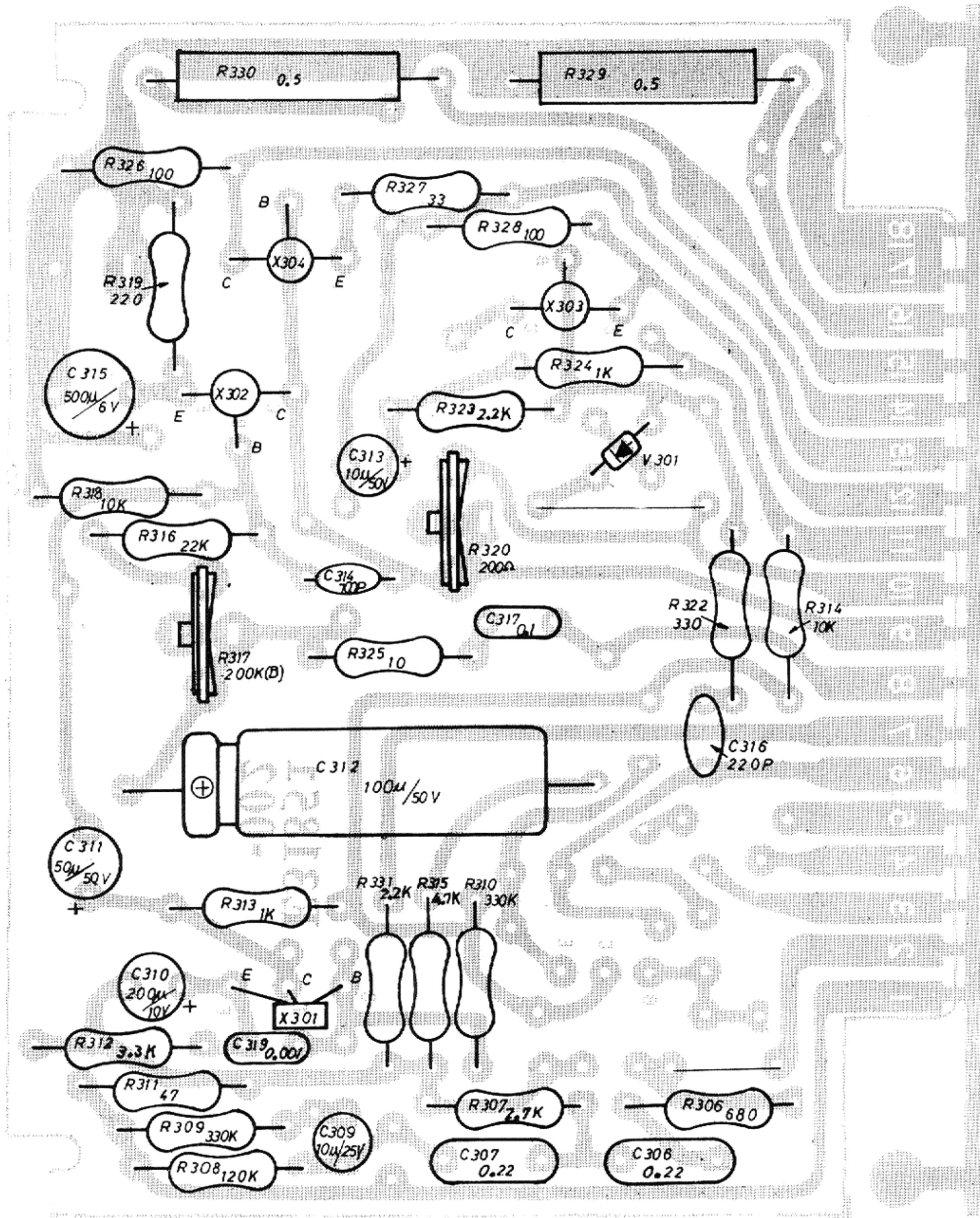


Fig. 20

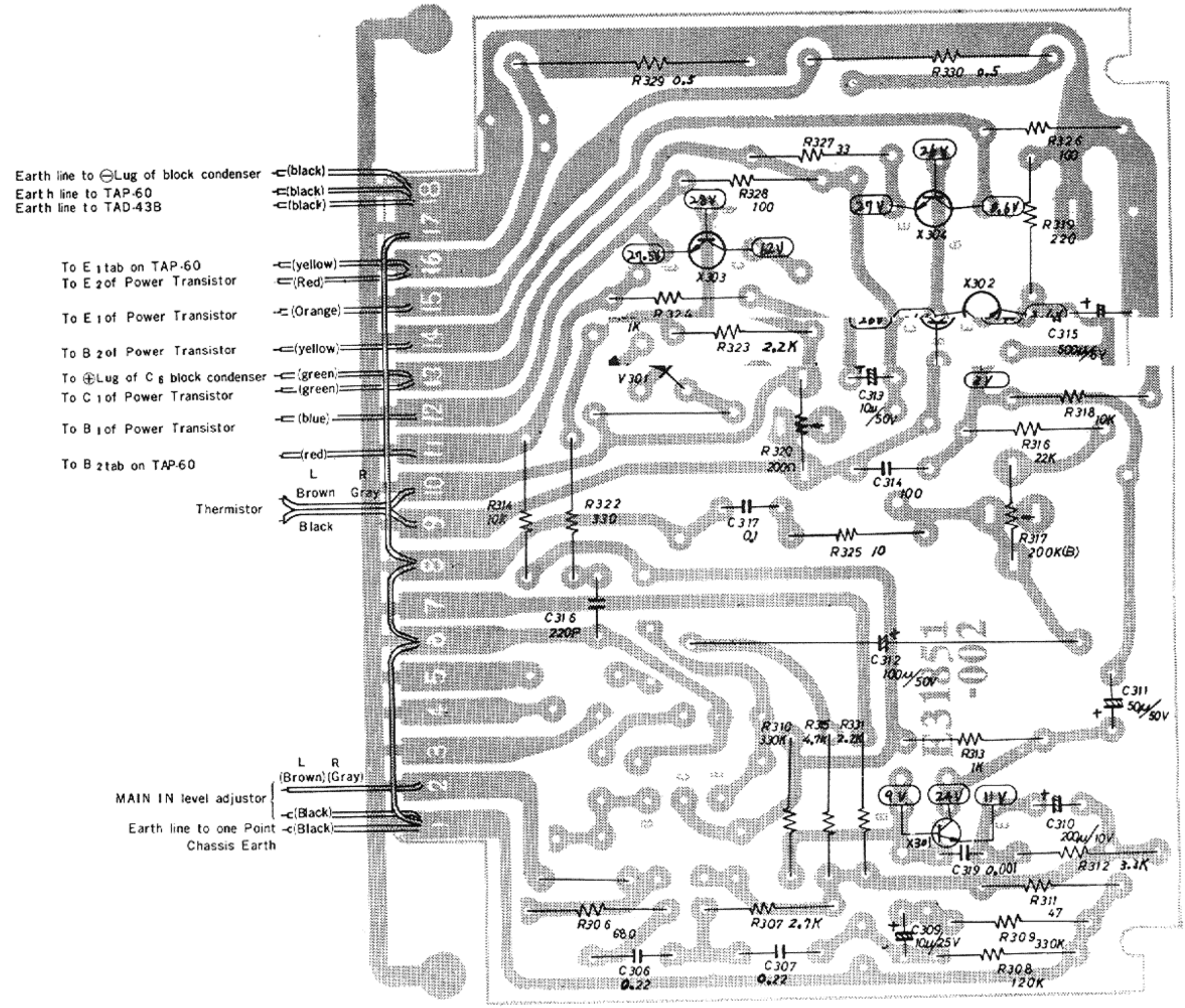


Fig. 21

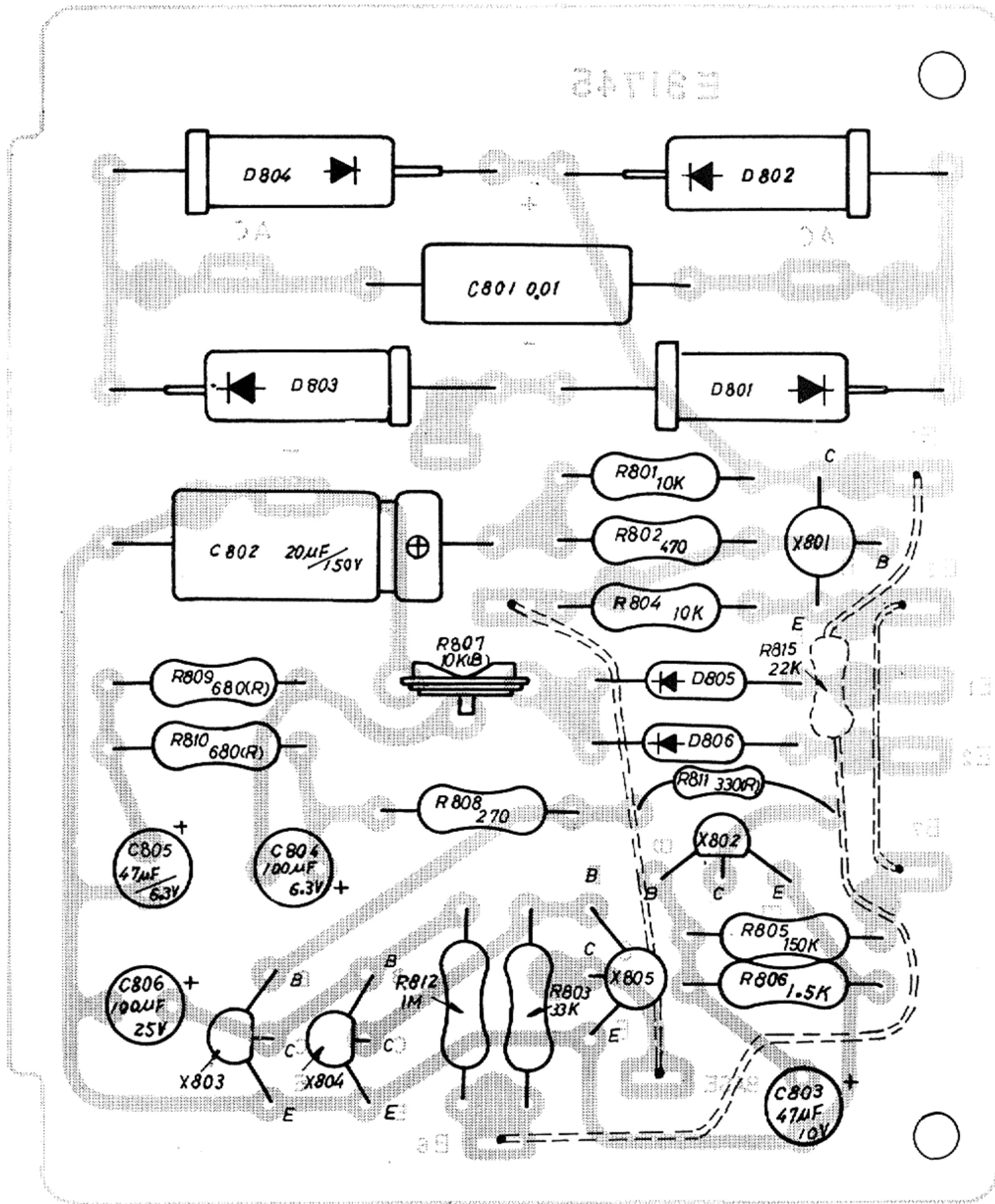


Fig. 22

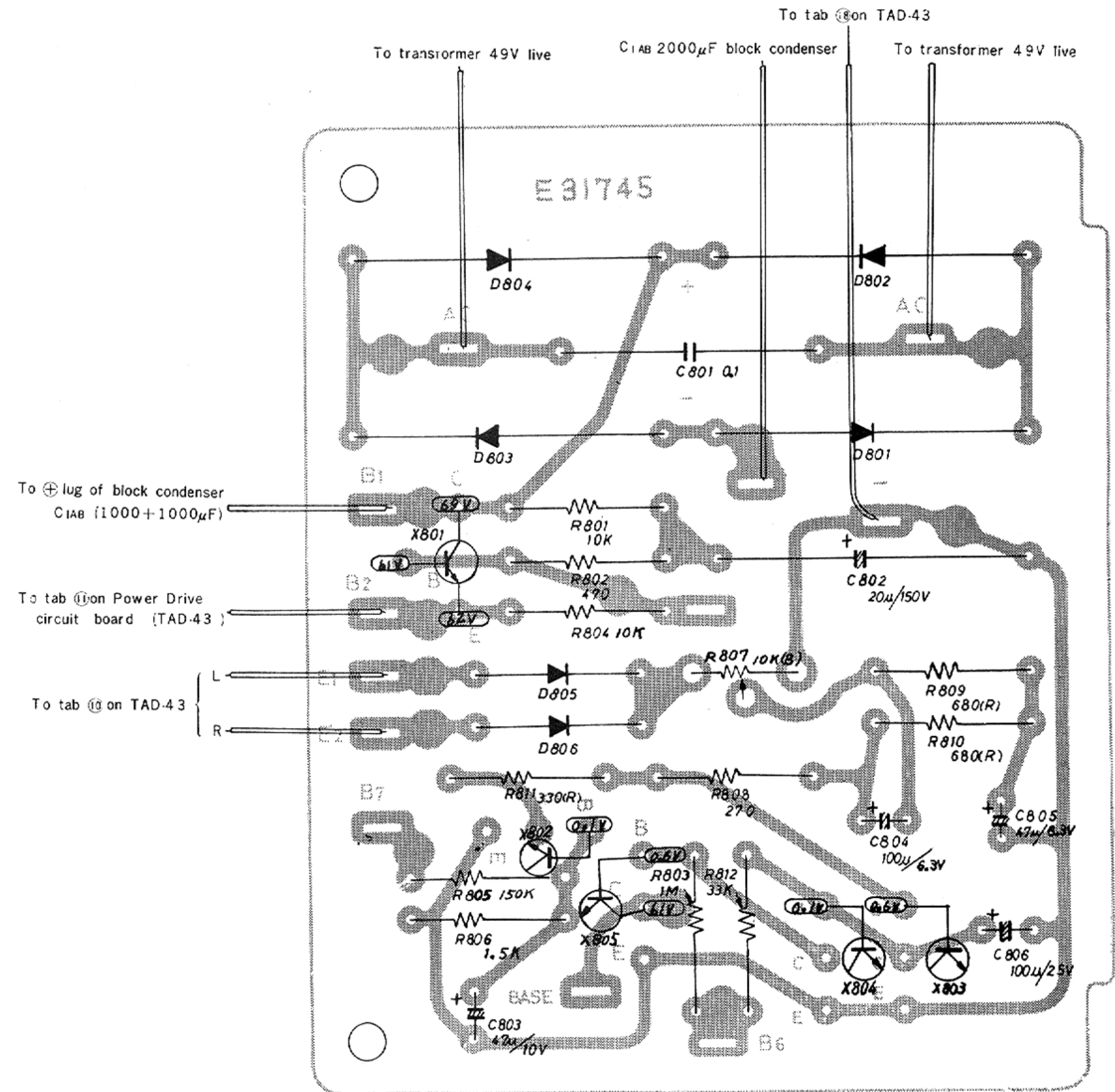


Fig. 23

POWER TRANSFORMER CIRCUIT

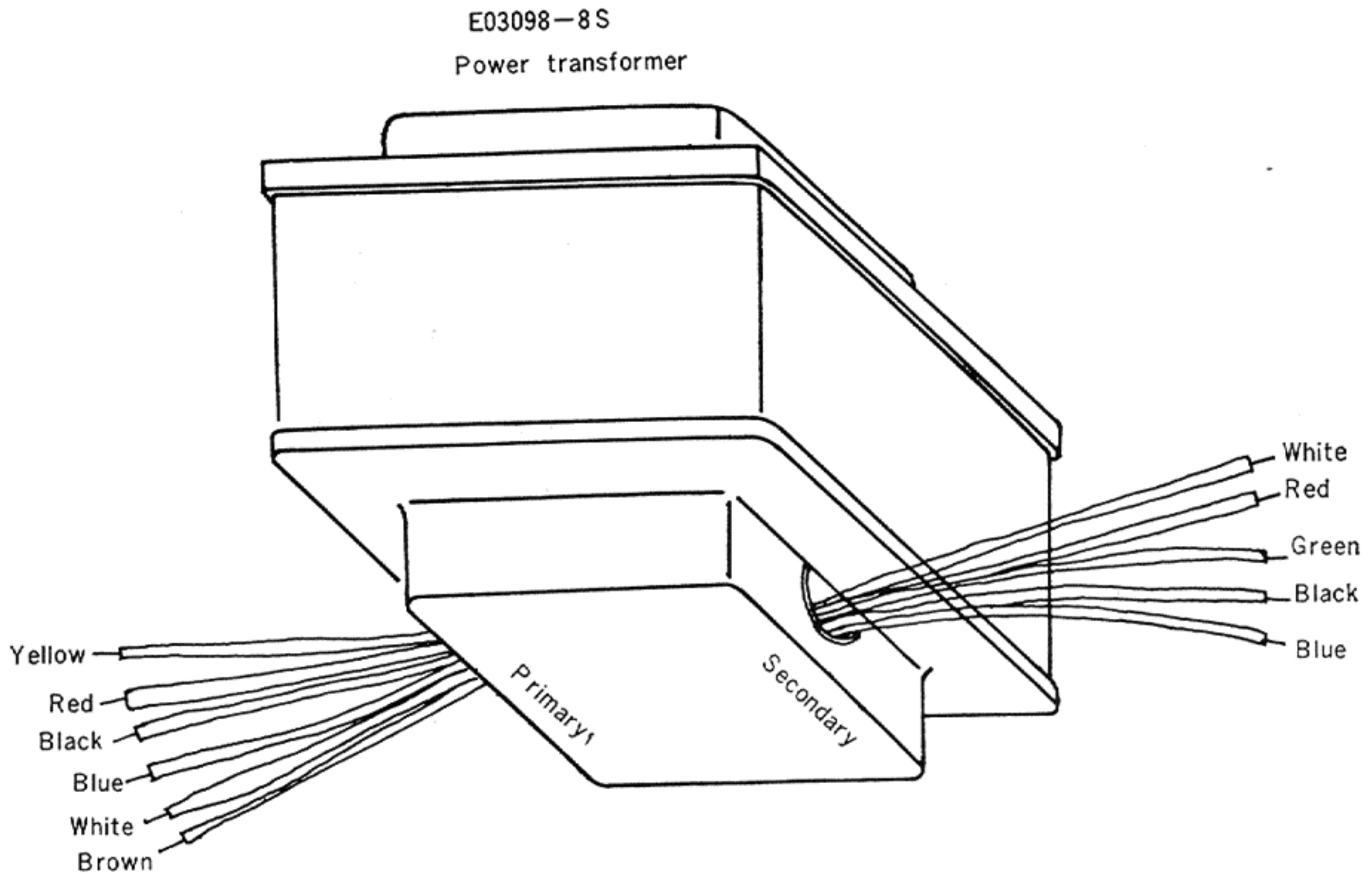


Fig. 24

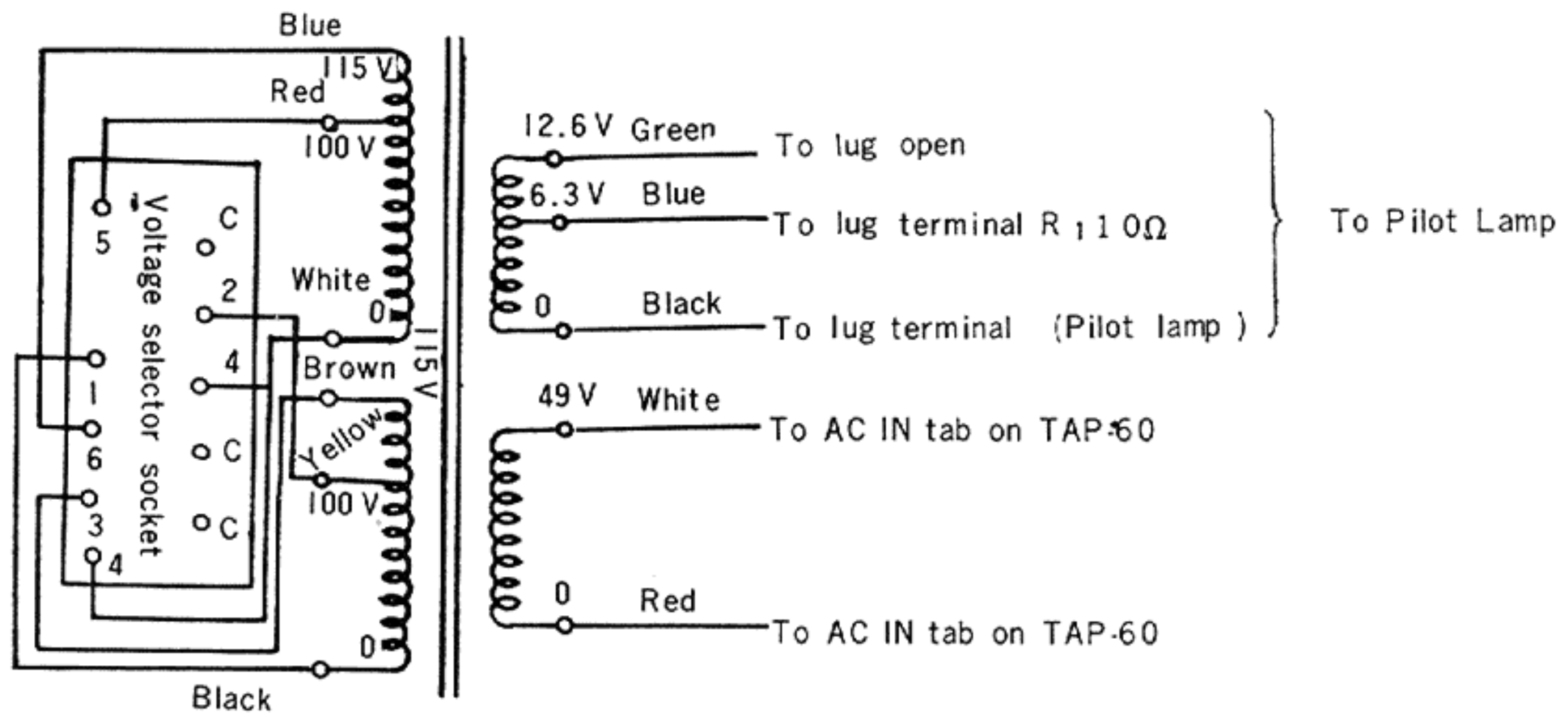


Fig. 25

X'TAL CARTRIDGE

When use X'tal cartridge, connect Aux. terminal.

NOTE : Kind of Resistor's Parts Number shown below.

| Parts No. | Kind of Resistor | |
|-----------|----------------------|-------|
| Q04804- | Carbon Resistor | 1/2 W |
| Q04800- | " | 1/4 W |
| 04091- | Composition Resistor | 1/2 W |
| 04090- | " | 1/4 W |
| Q04772- | Metal Oxide Resistor | 1 W |

When you order Resistor, write required Resistor value in addition to the right-hand of hyphen.

For example : Q04804-1K=Carbon Resistor 1K Ω 1/2W.

Q04772-100=Metal Oxide Resistor 100 Ω 1W.

EXPLODE VIEW OF MECHANICAL PARTS

POWER TRANSISTOR PART

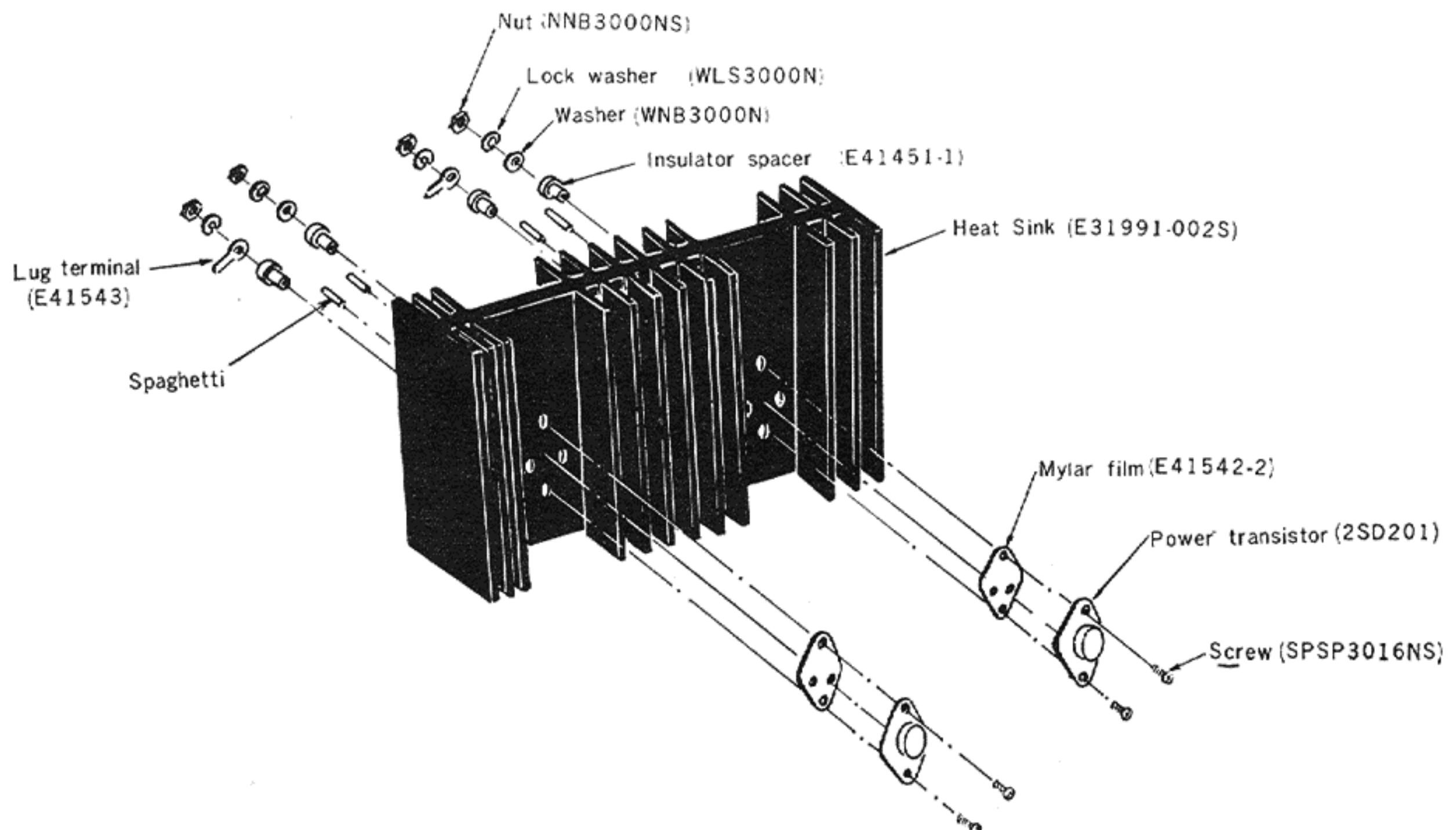


Fig. 26

FRONT PANEL PARTS

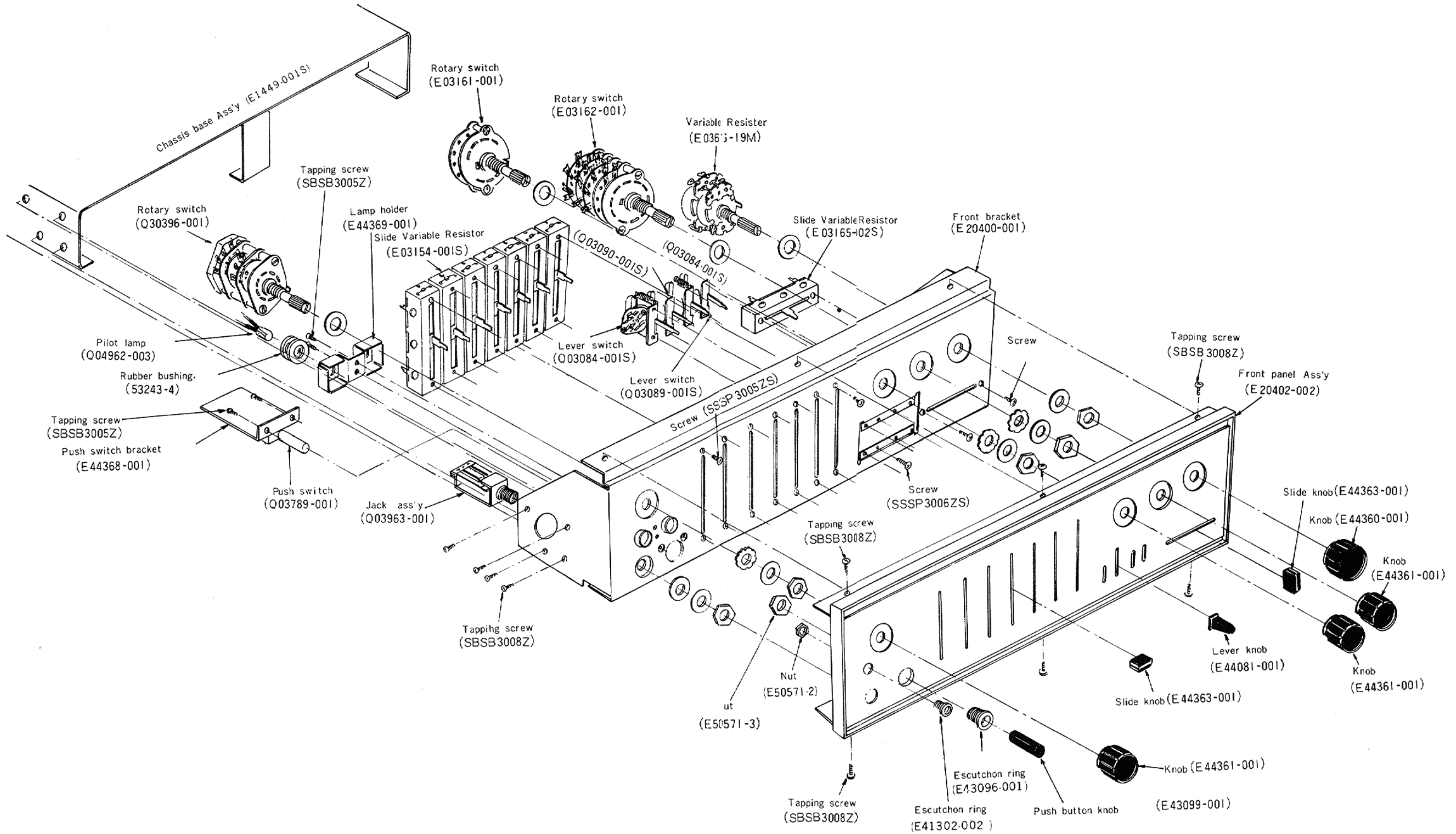


Fig. 27

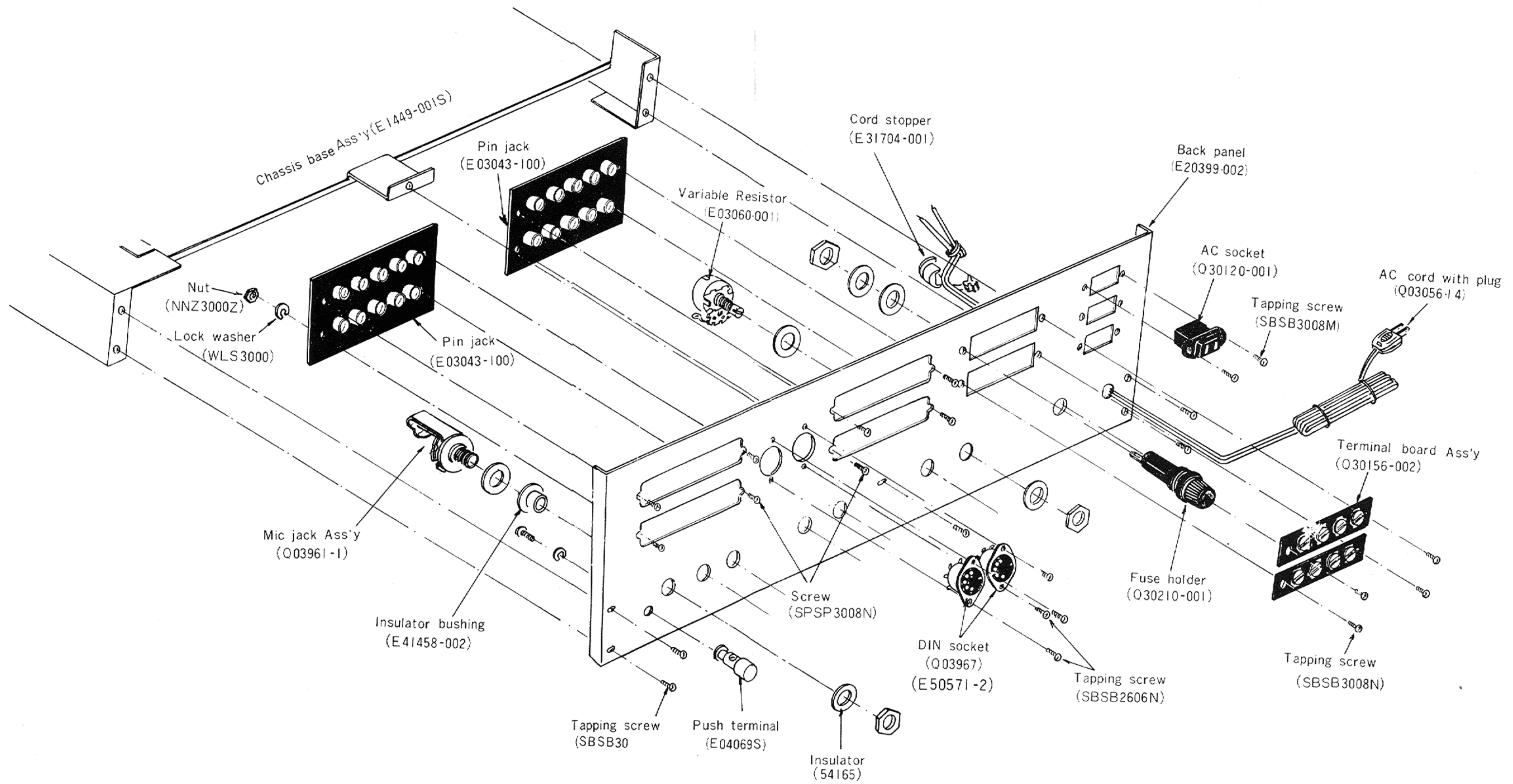


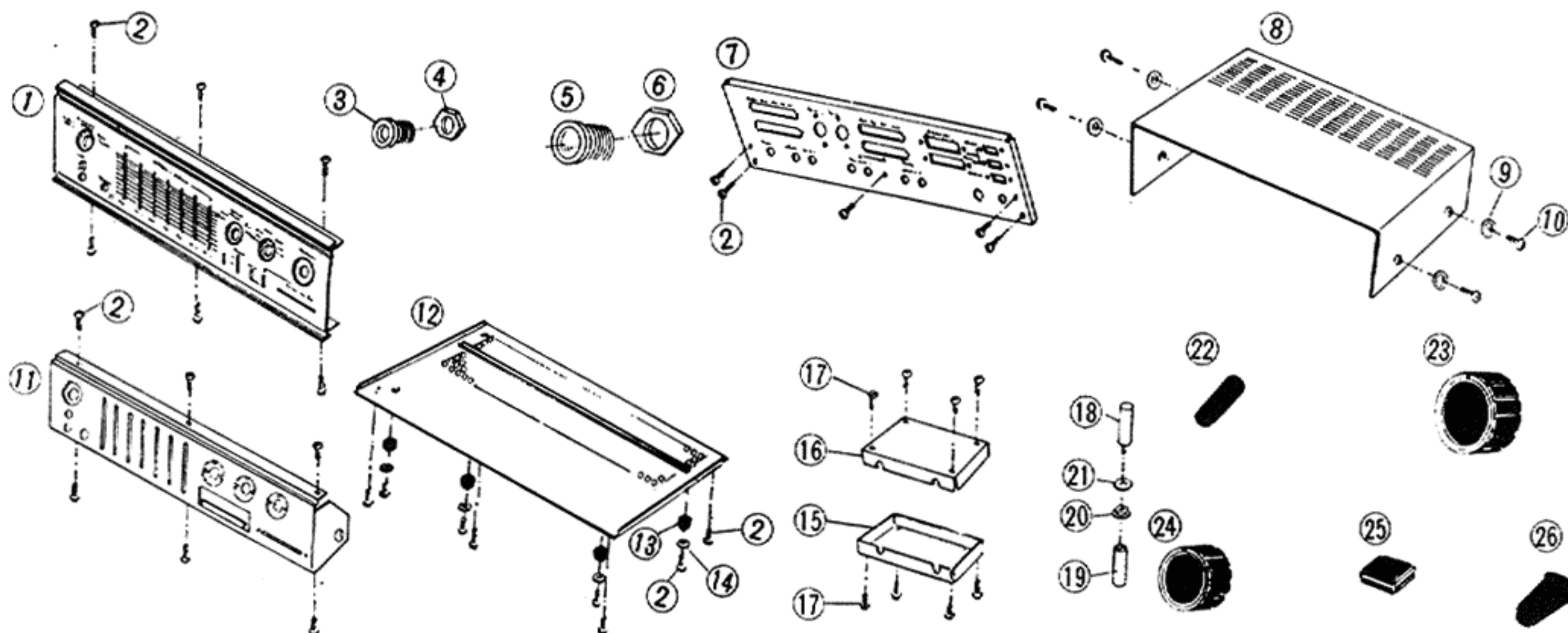
Fig. 28

The List of Main Parts for Replacement

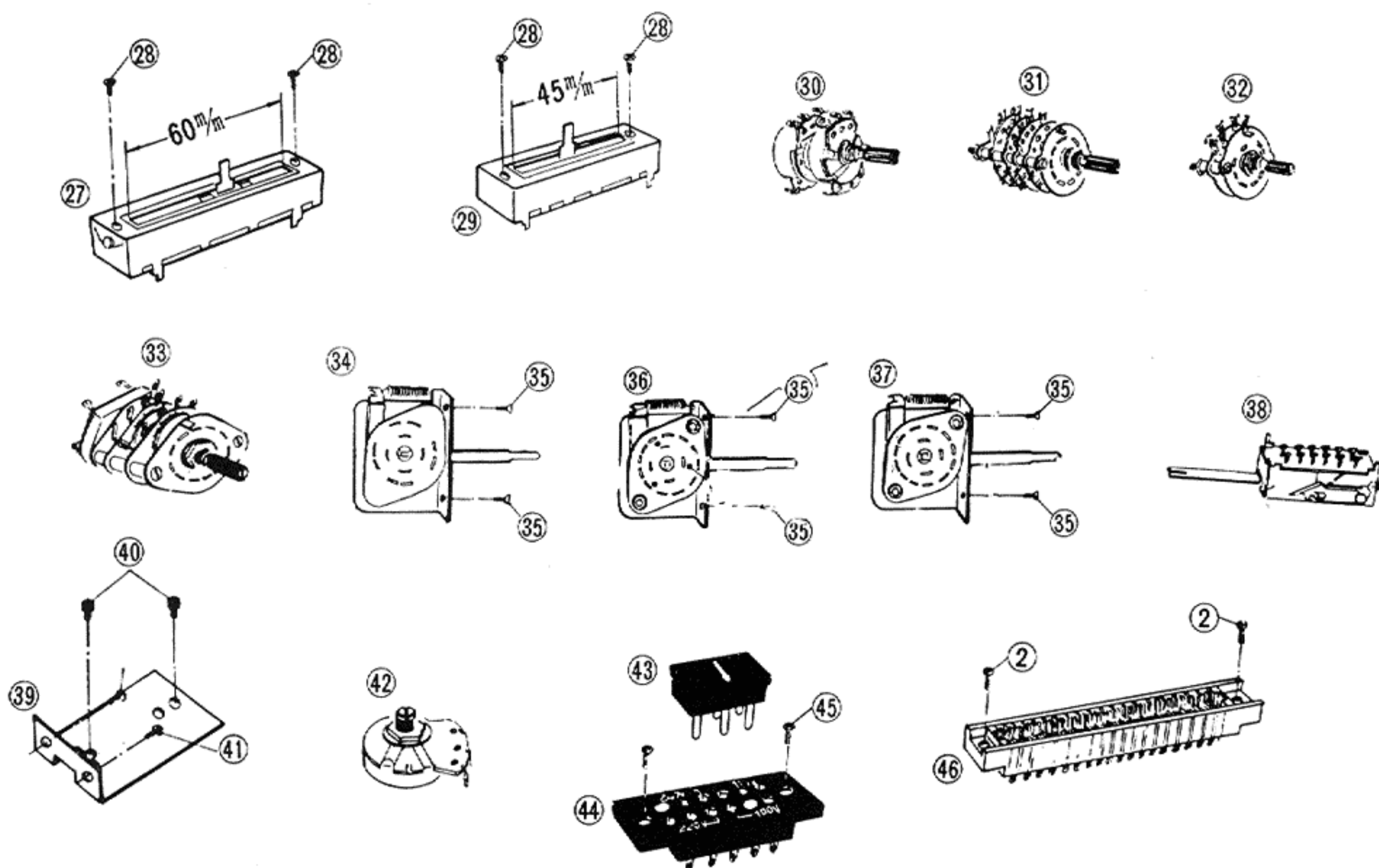
| NO. | PARTS NO. | PARTS NAME | DESCRIPTION |
|-----|--------------|-------------------|--|
| 1 | *E20402-002 | Front Panel Ass'y | Including Front Panel Base (E20401-001), Fitting (E44370-001), Name Plate (E31957-002), Knob Plate (E44523-001), Insulater Bushing (E44236-001), Felt (E50569-1), (E50569-3), (E42548-002), (E42548-003) |
| 2 | SBSB3008Z | Tapping Screw | |
| 3 | E41302-001 | Escutcheon Ring | For 40Hz/60Hz Push Switch |
| 4 | E50571-3 | Nut | Fixed Escutcheon Ring |
| 5 | E41302-002 | Escutcheon Ring | For Rabbit Eye |
| 6 | E50571-2 | Nut | Fixed Escutcheon Ring of Rabbit Eye |
| 7 | *E20399-001 | Back Panel | |
| 8 | *E20397-001 | Cover | Case Cover |
| 9 | Q03093-108 | Washer | Fixed Cover |
| 10 | SDSP4008NS | Screw | // |
| 11 | *E20400-001 | Front Bracket | |
| 12 | *E20398-001S | Buttom Plate | |
| 13 | Q05905 | Foot | Rubber Foot |
| 14 | Q03091-105 | Washer | Fixed Rubber Foot |
| 15 | *E31535-003 | Shield Case | TAC-85 Shield Under |
| 16 | *E31535-004 | // | TAC-85 Shield Upper |
| 17 | SPBP2605N | Screw | Fix TAC-85 Shield Case |
| 18 | E44182-006 | Stud | // |
| 19 | E44182-001 | // | // |
| 20 | E5920 | Insulater Bushing | For Insulate TAC-85 Shield Case |
| 21 | Q03093-803 | Insulater Washer | Fix TAC-35 Shield Case |

Knob

| | | | |
|----|-------------|------------------|---|
| 22 | E43099-001 | Push Buttom Knob | Push Switch (40Hz/60Hz S. E. A.) |
| 23 | *E44360-001 | Knob | Volume |
| 24 | *E44361-001 | // | Knob of Select, Speaker & mode Switch |
| 25 | E44363-001 | Slide Knob | Balancer & S. E. A. |
| 26 | E44081-001 | Lever Knob | Tape Monitor Pink Noise S. E. A. Attenuator |



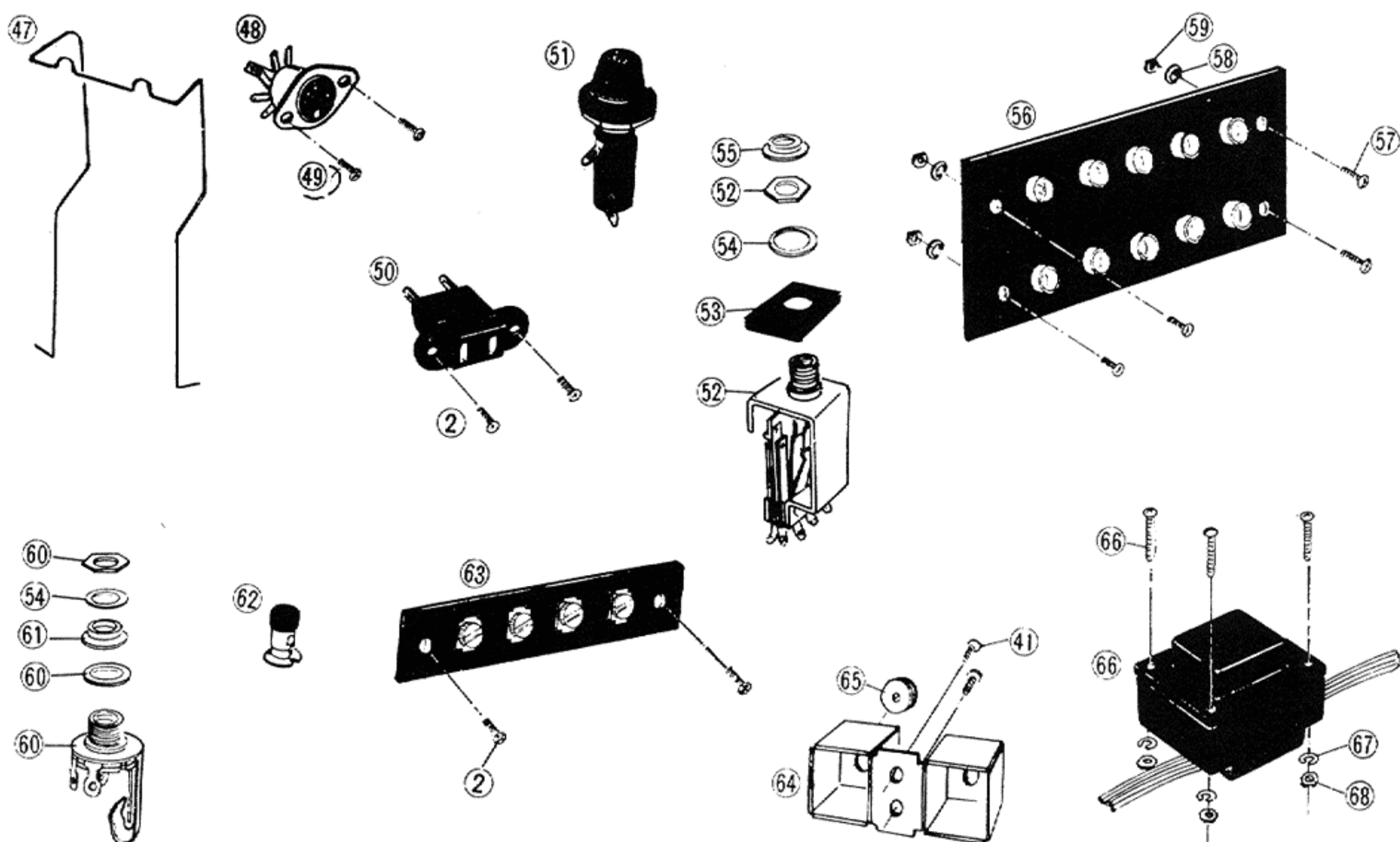
| NO. | PARTS NO. | PARTS NAME | DESCRIPTION |
|--|--------------|-------------------------|--|
| Volume & Switch | | | |
| 27 | *E03154-001S | Slide Variable Resistor | S. E. A. 50KΩ (W) Control |
| 28 | SSSP3005ZS | Screw | Fix Slide V. R. |
| 29 | *E03165-002S | Slide Variable Resistor | Balance 100KΩ (MN) |
| 30 | E0366-19M | Variable Resistor | Volume 100KΩ (A) |
| 31 | *E03162-001 | Rotary Switch | Selector (4s-8C-6P) |
| 32 | Q30396-001 | // | Mode Switch (1S-2C-5P) |
| 33 | *Q30396-001 | // | Speaker System Switch with Power ON-OFF (2S-4C-5P) |
| 34 | *Q03084-001S | Lever Switch | S. E. A. ON-defeat (1S-4C-2P) |
| 35 | SSSP3006ZS | Screw | Fix Lever Switch |
| 36 | *Q03090-001S | Lever Switch | Pink Noise Switch (1S-4C-3P) |
| 37 | *Q03089-001S | // | Tape Monitor & Attenuator (1S-4C-3P) |
| 38 | Q03789-001 | Push Switch | S. E. A. 40Hz/60Hz Push Switch |
| 39 | *E44368-001 | Push Switch Bracket | Fix Push Switch |
| 40 | LPSP2604Z | Ass'y Screw | // |
| 41 | SBSB3005Z | Tapping Screw | Fix Push Switch Bracket |
| 42 | E03060-1 | Variable Resistor | Level Adj. of Aux, PRE-OUT, MAIN-IN |
| Socket • Jack • Plug • Terminal Board • Fuse Holder • Lamp Holder | | | |
| 43 | E04085 | Voltage Selector Plug | (100V~220V, 117V~240V) |
| 44 | E04084 | Voltage Selector Socket | // |
| 45 | SBSB3010Z | Tapping Screw | Fix Voltage Selector Socket |
| 46 | *E03163-018 | Socket | For TAD-43A, TAD-43B (18 PIN) |



| NO. | PARTS NO. | PARTS NAME | DESCRIPTION |
|-----|-------------|-------------------|--|
| 47 | *E44745-001 | Stopper | Fix TAD-43, TAD-43. |
| 48 | Q03967 | DIN Socket | REC. Play Back |
| 49 | SBSB2606N | Tapping Screw | Fix DIN Socket |
| 50 | Q30121-001 | AC Socket | AC Outlet |
| 51 | Q30210-001 | Fuse Socket | AC Fuse |
| 52 | Q03963-001 | Jack Ass'y | Stereo Head Phone Jack |
| 53 | *E44237-001 | Insulator Bushing | For Head Phone Jack (On Front Bracket) |
| 54 | *54165 | Insulator Washer | " |
| 55 | *E44236-001 | " | " (Front Panel) |
| 56 | *E03043-100 | Pin Jack | Terminal of PHONO-1, PHONO-2, TUNER, AUX-1, AUX-2, REC OUT, PLAY BACK, PRE OUT-1, PRE OUT-2, MAIN IN |
| 57 | SPSP3008N | Screw | Fix Pin Jack |
| 58 | WLS3000 | Lock Washer | " |
| 59 | NNZ3000Z | Nut | " |
| 60 | Q03961-1 | Mic. Jack Ass'y | Microphone Terminal |
| 61 | *E41458-002 | Insulator Bushing | Fix Microphone Terminal |
| 62 | E04069 | Push Terminal | Earth Terminal |
| 63 | Q30156-002 | Terminal Board | Speaker Terminal |
| 64 | *E44369-001 | Lamp Holder | Power Pilot Lamp |
| 65 | 53243-4 | Rubber Bushing | Fix Pilot Lamp |

Power Transformer

| | | | |
|----|-----------|-------------------|---|
| 66 | *E03098-8 | Power Transformer | Primary S ₁ 100V, 115V, S ₂ 100V, 115V
Secondary S ₁ 49V, S ₂ 6.3V (1.2A),
12V (0.3A) |
| 67 | WLS4000 | Lock Washer | Fix Power Transformer |
| 68 | NNZ4000ZS | Nut | " |



| NO. | PARTS NO. | PARTS NAME | DESCRIPTION |
|----------------|-------------|-------------------------------|--|
| TAE-32B | | | |
| 69 | *TAE-32B | Equalizer Circuit Board | With Parts |
| 76 | 2SC458LGC | Transistor (HITACHI) | X _{201, 202, 203, 204, 205, 206} |
| 118 | E03137-3.3 | Tantal Electrolytic Capacitor | 3.3 μ F/25V C _{201, 202} |
| 120 | Q03104-50 | " | 47 μ F/6.3V C _{211, 212} |
| 123 | Q03110-10 | " | 10 μ F/25V C _{207, 208, 215, 216, 217, 218} |
| 113 | Q03246 | Mylar Capacitor | ※ Referring to CAPACITOR LIST |
| 115 | Q04305 | Ceramic Capacitor | " |
| 110 | Q04804 | Carbon Resistor | |
| TAC-91 | | | |
| 70 | *TAC-91 | Pink Noise Circuit Board | With Parts |
| 76 | 2SC458LC | Transistor (HITACHI) | X _{404, 405} |
| 77 | 2SC829C | " (MATUSHITA) | X _{401, 402, 403} |
| 96 | E03062-5 | I. F. T. | T ₄₀₁ |
| 97 | E03062-6 | " | T _{402, 403} |
| 95 | 1S188AM | Diode (NEC) | D _{401, 402} |
| 119 | E03131-0.68 | Tantal Electrolytic Capacitor | 0.68 μ F/25V C ₄₀₉ |
| 119 | E03131-0.22 | " | 0.22 μ F/25V C ₄₁₀ |
| 119 | E03131-3.3 | " | 3.3 μ F/25V C ₄₁₅ |
| 122 | Q03108-10 | Electrolytic Capacitor | 10 μ F/16V C _{412, 413, 414} |
| 123 | Q03110-10 | " | 10 μ F/25V C ₄₁₆ |
| 116 | Q46962 | Ceramic Capacitor | ※ Referring to CAPACITOR LIST |
| 114 | Q03244 | Mylar Capacitor | " |
| 112 | 04090 | Composition Resistor | |
| 110 | Q04804 | Carbon Resistor | |
| TAC-85 | | | |
| 71 | *TAC-85 | S. E. A. Circuit Board | With Parts |
| 76 | 2SC458LGC | Transistor (HITACHI) | X _{501, 502, 503, 504} |
| 98 | *E03108-9 | Chock Coil | 60Hz, 1kHz L _{501, 502, 507, 508} |
| 99 | *E03108-10 | " | 150Hz, 400Hz L _{503, 504, 505, 506} |
| 100 | WNB2600 | Washer | Chock Coil Fixed |
| 101 | WLS2600 | Lock Washer | " |
| 102 | SPSP2605 | Screw | " |
| 74 | *E44409-002 | Shield Case | Put to Use Chock Coil |
| 75 | *E44409-003 | " | " |
| 103 | E0747-8 | Ferri Inductor | 2.4kHz (100mH) L _{509, 510} |
| 104 | E0747-9 | " | 6kHz (10mH) L _{511, 512} |
| 105 | E0747-10 | " | 15kHz (22mH) L _{513, 514} |
| 118 | E03137-3.3 | Tantal Capacitor | 3.3 μ F/25V C _{501, 502} |
| 119 | E03131-0.22 | " | 0.22 μ F/25V C _{525, 526} |
| 119 | E03131-0.68 | " | 0.68 μ F/25V C _{523, 524} |
| 119 | *E03131-2.2 | " | 2.2 μ F/25V C _{519, 520} |
| 120 | Q03104-50 | Electrolytic Capacitor | 47 μ F/6.3V C _{513, 514} |
| 122 | Q03108-30 | " | 33 μ F/16V C _{515, 516, 517, 518} |
| 123 | Q03110-10 | " | 10 μ F/25V C _{505, 506} |
| 124 | Q03112-100 | " | 100 μ F/50V C ₅₃₅ |
| 114 | Q03244 | Mylar Capacitor | ※ Referring to CAPACITOR LIST |

| NO. | PARTS NO. | PARTS NAME | DESCRIPTION |
|-----|-----------|----------------------|-------------------------------|
| 115 | Q04305 | Ceramic Capacitor | ※ Referring to CAPACITOR LIST |
| 110 | Q04804 | Carbon Resistor | |
| 112 | 04090 | Composition Resistor | |

TAD-43

| | | | |
|-----|---------------|---------------------------|--|
| 72 | *TAD-43A | Power Drive Circuit Board | With Parts (L Channel) |
| 72 | *TAD-43B | // | // (R Channel) |
| 79 | 2SC497 | Transistor (TOSHIBA) | X _{102, 103} |
| 79 | 2SA497 | // (//) | X ₁₀₄ |
| 80 | E41141-2 | Heat Sink | Radiator (X _{102, 103, 104}) |
| 76 | 2SC458LGC | Transistor (HITACHI) | X ₁₀₁ |
| 91 | E03125-001 | Varistor (SANYO) | V ₁₀₁ |
| 106 | Q04841-2 | Volume | 200Ω (B) R ₁₂₀ |
| 107 | Q04850-3 | // | 200KΩ (B) R ₁₁₇ |
| 109 | *E04117-3-0.5 | Unflamable Resistor | 0.5Ω (3W) |
| 110 | Q04804 | Carbon Resistor | |
| 120 | Q03104-500 | Electrolytic Capacitor | 470μF/6.3V C ₁₁₅ |
| 121 | Q03106-200 | // | 220μF/10V C ₁₁₀ |
| 123 | Q03110-10 | // | 10μF/25V C ₁₀₉ |
| 124 | Q03112-10 | // | 10μF/25V C ₁₁₃ |
| 124 | Q03112-50 | // | 47μF/25V C ₁₁₁ |
| 125 | Q03111-100 | // | 100μF/50V C ₁₁₂ |
| 114 | Q03244 | Mylar Capacitor | ※ Referring to CAPACITOR LIST |
| 115 | Q04305 | Ceramic Capacitor | // |

TAP-60

| | | | |
|-----|------------|--|-------------------------------------|
| 73 | *TAP-60 | Power Supply & Protector Circuit Board | With Parts |
| 79 | 2SC497 | Transistor | X ₈₀₁ |
| 80 | E41141-2 | Heat Sink | Radiation Plate (X ₈₀₁) |
| 78 | 2SC499 | Transistor | X ₈₀₅ |
| 78 | 2SC373 | // | X _{802, 803, 804} |
| 94 | DS-2P | Diode | D _{801, 802, 803, 804} |
| 95 | 1S188AM | // | D _{805, 806} |
| 108 | Q04346-5 | Variable Resistor | 10KΩ (B) R ₈₁₆ |
| 110 | Q04804 | Carbon Resistor | |
| 111 | Q04800 | // | |
| 120 | Q03104-50 | Electrolytic Capacitor | 47μF/6.3V C ₈₀₅ |
| 120 | Q03104-100 | // | 100μF/6.3V C ₈₀₄ |
| 121 | Q03106-50 | // | 47μF/10V C ₈₀₃ |
| 123 | Q03110-100 | // | 100μF/25V C ₈₀₆ |
| 125 | Q03111-50 | // | 47μF/25V C ₈₀₂ |
| 117 | Q03206-103 | O. F. T. Capacitor | C ₈₀₁ |

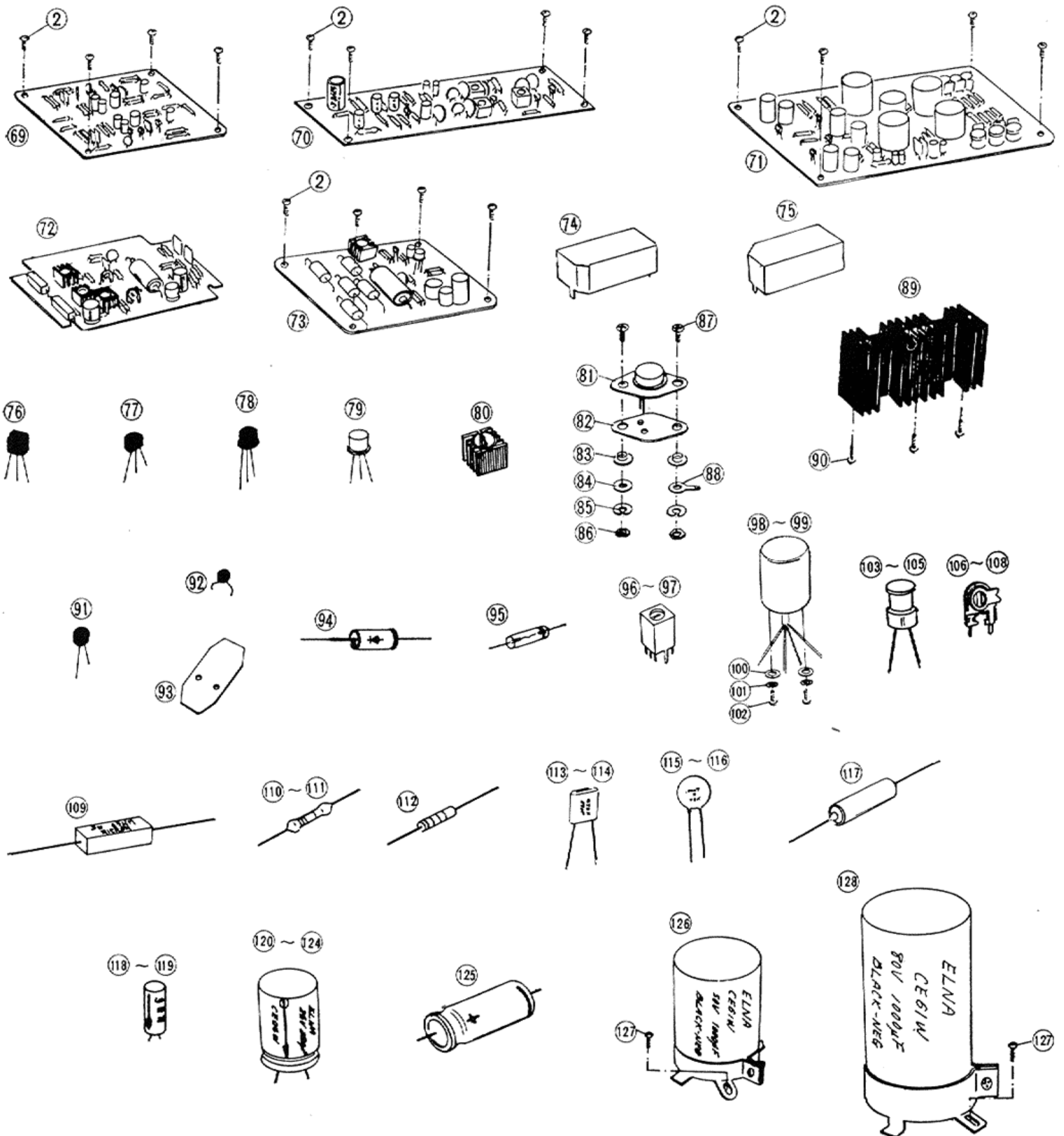
Main Capacitors

| | | | |
|-----|-----------|------------------------|--------------------------------|
| 126 | Q03592-14 | Electrolytic Capacitor | 1000μF/50V C _{5, 7} |
| 127 | SBSB3006Z | Tapping Screw | Fix C _{6, 7} |
| 128 | Q03600-21 | Electrolytic Capacitor | 1000μF/80V C _{1A, 1B} |

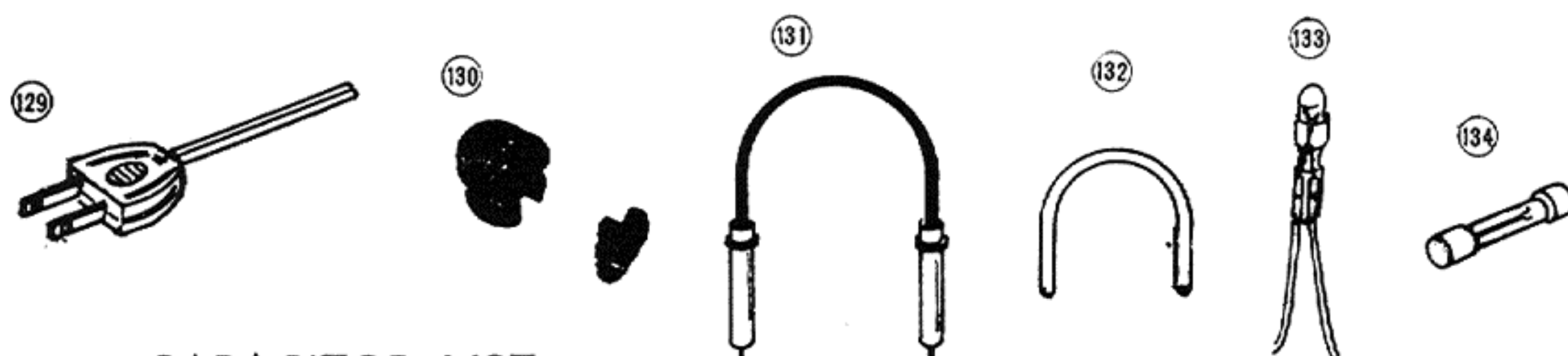
Transistor • Thermistor

| | | | |
|----|------------|------------|------------------|
| 81 | *2SD201-14 | Transistor | Power Transistor |
|----|------------|------------|------------------|

| NO. | PARTS NO. | PARTS NAME | DESCRIPTION |
|-----|--------------|-------------------|---------------------------|
| 82 | E41542-2 | Mylar Film | Insulate Power Transistor |
| 83 | E41451-1 | Insulator Spacer | Fix Power Transistor |
| 84 | WNB3000N | Washer | // |
| 85 | WLS3000N | Lock Washer | // |
| 86 | NNB3000NS | Nut | // |
| 87 | SPSP3016NS | Screw | // |
| 88 | E41543 | Lug Terminal | // |
| 89 | *E31991-002S | Heat Sink | Radiation Plate |
| 90 | SPBP3006ZS | Screw | Fix Radiation Plate |
| 92 | E04026-4 | Thermister | SDT-20 |
| 93 | E41250 | Thermister Holder | Thermister Holder |



| NO. | PARTS NO. | PARTS NAME | DESCRIPTION |
|-------|-------------|--------------------|----------------------------|
| Other | | | |
| 129 | Q03051-E | AC Cord | Power Cord With Plug |
| 130 | E31704-001 | Cord Stopper | Fix Power Cord |
| 131 | E41490 | Short Plug Wire | PRE OUT, MAIN IN Connector |
| 132 | *E42983-002 | " | " |
| 133 | Q04962-003 | Pilot Lamp | |
| 134 | 04112-2.2 | Fuse | 2.2A |
| | E30673-50 | envelope | |
| | *E37358-121 | Packing Case Ass'y | Set |



※ Referring to CAPACITOR LIST

| NO. | PARTS NO. | PARTS NAME | DESCRIPTION |
|---|------------|-------------------|---------------------------------|
| TAE-32B Equalizer Circuit Board | | | |
| | Q03246-473 | Mylar Capacitor | C _{205, 206} |
| | Q03244-152 | " | C _{223, 224} |
| | " -272 | " | C _{219, 220} |
| | " -332 | " | C _{229, 230} |
| | Q04305-100 | Ceramic Capacitor | C _{203, 204, 213, 214} |
| | Q04305-68 | " | C _{209, 210} |
| TAC-91 Pink Noise Generator Circuit Board | | | |
| | Q03244-823 | Mylar Capacitor | C ₄₁₁ |
| | Q46962-04 | Ceramic Capacitor | C _{402, 401, 405, 404} |
| | " -1000 | " | C _{417, 408, 407} |
| | Q04305-330 | " | C ₄₀₆ |
| TAC-85 S. E. A. Circuit Board | | | |
| | Q03244-333 | Mylar Capacitor | C _{531, 532} |
| | " -103 | " | C _{533, 534} |
| | " -104 | " | C _{521, 522, 527, 528} |
| | " -473 | " | C _{529, 530} |
| | Q04305-220 | Ceramic Capacitor | C _{507, 508} |
| | " -15 | " | C _{511, 512} |
| | " -33 | " | C _{509, 510} |
| | " -100 | " | C _{503, 504} |
| TAD-43 Power Drive Circuit Board | | | |
| | Q03244-102 | Mylar Capacitor | C ₁₁₉ |
| | " -104 | " | C ₁₁₇ |
| | " -224 | " | C _{106, 107} |
| | Q04305-101 | Ceramic Capacitor | C ₁₁₄ |
| | " -221 | " | C ₁₁₆ |

ACCESSORIES

| | | | |
|------------------|-------------|------|---|
| Instruction Book | E30580-172A | | 1 |
| Envelope | E6190-2 | | 1 |
| Polishing Cloth | E64101-001 | | 1 |
| Fuse | 04112-2.3 | 2.3A | 1 |
| | 04112-1.2 | 1.2A | 1 |

PACKING ILLUSTRATION

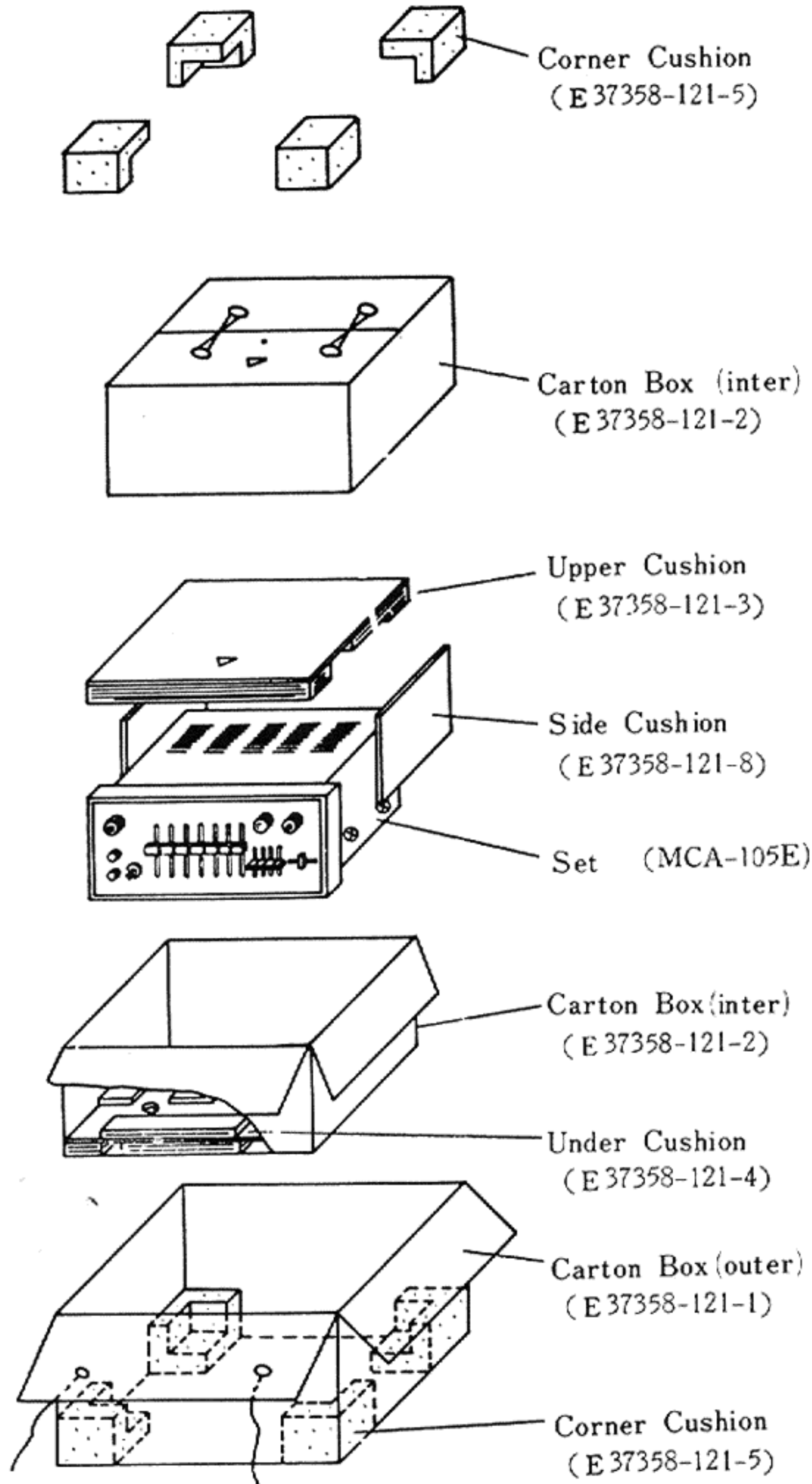


Fig. 29

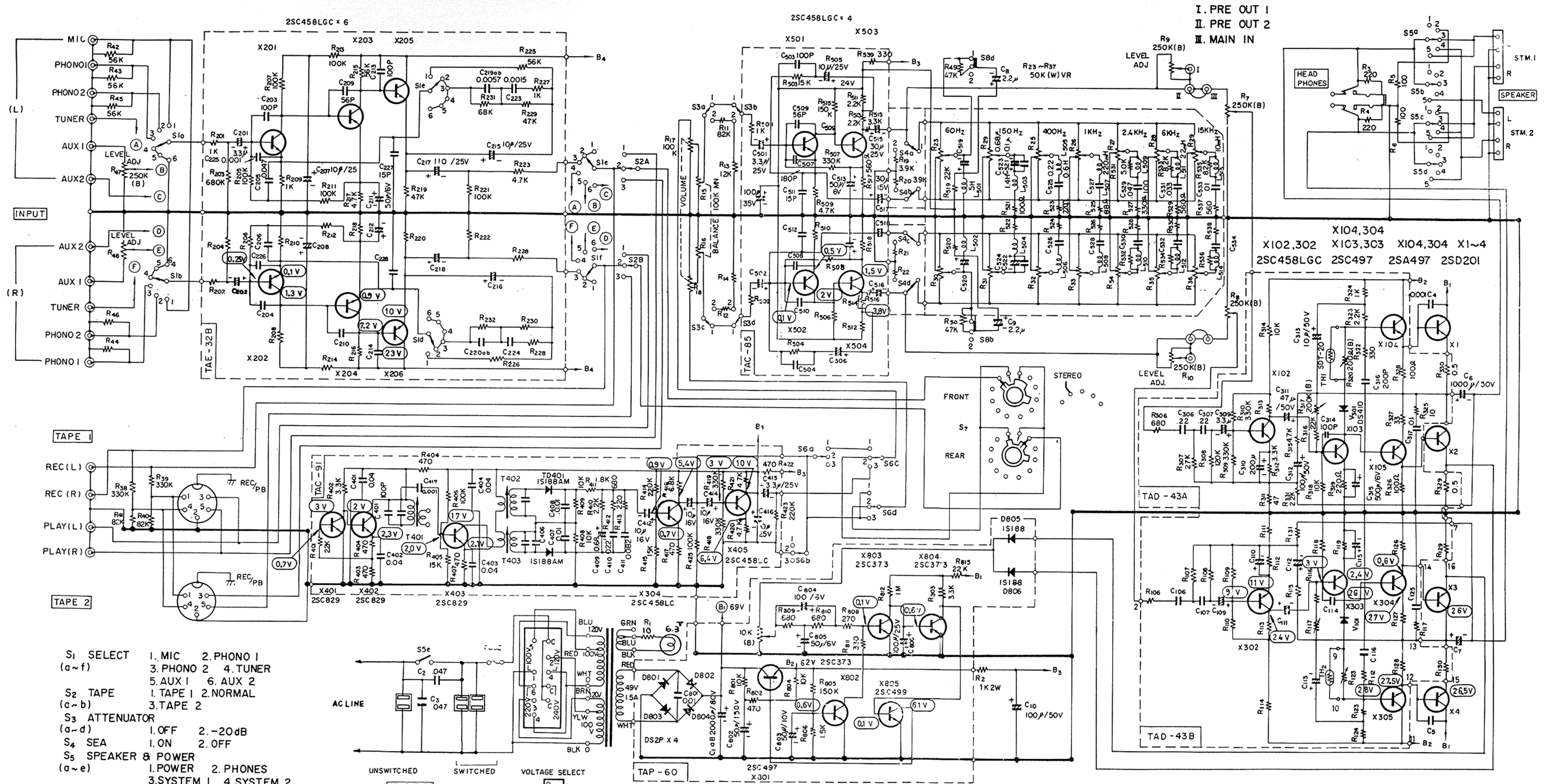
Requirement to Customers

- ⊙ For the purpose of prompt supply of service parts, inscribe parts number, parts name, and model name correctly when you order.
- ⊙ If possible please give an order for spare cabinet in early opportunity since it is very difficult to remanufacture cabinet case after production of the set was discontinued.

The List of JVC NIVICO Service Manual

(Phonograph)

| No. | Model | No. | Model | No. | Model | No. | Model | No. | Model | No. | Model | No. | Model | No. | Model |
|---------|-----------------------|------|------------------------------|------|------------------------------|---------|--------------------------|---------|------------------------------|---------|----------------------|------|------------------------------------|-----|-------|
| 2081 | 4TR-3U | 2091 | ARC-30A,30B | 2101 | N760MG,N99U | 2111(B) | {STC-707C
(R#-2)} | 2121 | 5007 | 2131 | STP-808A | 2141 | 5320,5340 | | |
| 2082 | N-55T | 2092 | 4TR-55T | 2102 | SRP-472E | 2112 | SST-61 | 2122 | L-21M | 2132 | ARC-41,42 | 2142 | L311D | | |
| 2083 | SRE-103E | 2093 | {N670, N770
4TR-99u, etc} | 2103 | SRP-469E | 2113 | {FRS-103EII.V
(R#-2)} | 2123 | ARC-10 Series | 2133 | TRE-665C | 2143 | 6102,6103,6104 | | |
| 2084 | {N590F,
4TR-590F} | 2094 | STP-7LA | 2104 | ARC-10L | 2114 | STP-808C | 2124(B) | 5003 (Revised) | 2134(B) | 4TR-990(D) | 2144 | ARC-10Y | | |
| 2085 | ARC-40A | 2095 | TRE-26C | 2105 | {BLA-204,208
BLA-304,30E} | 2115 | SSL-95E | 2125 | L-311C | 2135 | 5001 | 2145 | {5011/PST-1000E
5012/MST-1000E} | | |
| 2086 | TRE-12F | 2096 | STP-7F | 2106 | AST-140E | 2116 | MSL-16T | 2126 | 5204 | 2136 | {SRP-B30E/
5230} | 2146 | 5201 | | |
| 2087 | SRP-467E | 2097 | N880 (R#-2) | 2107 | ARC-12C,E | 2117 | AST-215E | 2127 | {4210,4220,4230
& (R#-2)} | 2137 | N-65F | 2147 | MSL-300E | | |
| 2088 | SRP-468E | 2098 | N163 | 2108 | CSL-1E | 2118 | SRC-700U | 2128 | 5305 | 2138 | {4TR-511D,
L511D} | 2148 | 5310 | | |
| 2089 | ECA-101E | 2099 | 4TR-6U | 2109 | MSL-8E | 2119 | AST-102E | 2129 | TRE-12T | 2139(B) | SRP-B40E/5240 | 2149 | MSL-110S | | |
| 2090 | STC-19 | 2100 | MSL-15E | 2110 | SST-31 | 2120 | {No. 200E
Series} | 2130 | 5304 | 2140 | 5203 | 2150 | 5205 | | |
| 2151(B) | 5040 (R#-2) | 2161 | 4333U | 2171 | 5202 | | | | | | | | | | |
| 2152 | {SSL-46E
SSL-46EA} | 2162 | MPX-18B | 2172 | 5220 | | | | | | | | | | |
| 2153 | MSL-300ES | 2163 | MCA-104E | 2173 | ARC-15A | | | | | | | | | | |
| 2154 | 4330 | 2164 | SEA-100E,5100 | 2174 | 4344, 4344U | | | | | | | | | | |
| 2155 | N-404, N-404Y | 2165 | 5240B | 2175 | 4450 | | | | | | | | | | |
| 2156(B) | MSL-501E | 2166 | 4330U | 2176 | | | | | | | | | | | |
| 2157 | N202, 303 | 2167 | MCA-105E/
5107 | 2177 | | | | | | | | | | | |
| 2158 | 4211 | 2168 | 5030/5030U | 2178 | | | | | | | | | | | |
| 2159(B) | 4333U, 4333 | 2169 | SRC 900 | 2179 | | | | | | | | | | | |
| 2160 | 5010 | 2170 | 5200 | 2180 | | | | | | | | | | | |



- S₁ SELECT (a~f) 1. MIC 2. PHONO 1 3. PHONO 2 4. TUNER 5. AUX 1 6. AUX 2
- S₂ TAPE (a~b) 1. TAPE 1 2. NORMAL 3. TAPE 2
- S₃ ATTENUATOR (a~d) 1. OFF 2. -20dB
- S₄ SEA 1. ON 2. OFF
- S₅ SPEAKER & POWER (a~e) 1. POWER 2. PHONES 3. SYSTEM 1 4. SYSTEM 2 5. SYSTEM 1+2
- S₆ PINK NOISE (a~d) 1. 0° 2. OFF 3. 180°
- S₇ MODE (FRONT, REAR) 1. STEREO REV 2. STEREO 3. L+R 4. L 5. R
- S₈ SEA 40/60Hz SELECT (a~b) 1. 60Hz 2. 40Hz

NOTE :
 ※ AC Line
 100V, 120V area Used 2.3A Fuse
 200V, 240V area Used 1.2A Fuse

Subject to change without notice

Schematic Diagram of Model MCA-105E/5107