

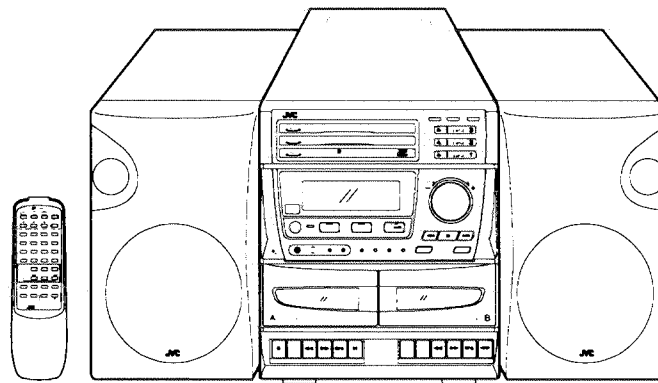


# JVC

## SERVICE MANUAL

### COMPACT COMPONENT SYSTEM

## MX-D2T A/UB/U/US/UT



COMPACT  
**disc**  
DIGITAL AUDIO

#### Area Suffix

A.....	Australis
UB .....	Hong Kong
US .....	Singapore
UT.....	Formosa
U .....	Other area

#### ■ Self- diagnosis function

This model has a convenient self- diagnosis function for CD section.

## Contents

■ Safety Precautions.....	Page2	6 Wiring Connections.....	69
■ Instructions .....	5	7 Standard Schematic Diagram.....	70
1 Location of Main Parts .....	35	8 Location of P. C. Board and Parts List .....	76
2 Removal of Main Parts.....	38	9 Exploded View of Enclosure Assembly .....	88
3 Main Adjustments.....	49	10 Exploded View of Mechanism Assembly .....	90
4 Troubleshooting .....	55	11 Illustration of Packing and Parts List.....	95
5 Block Diagram .....	64		

## ■ Safety Precautions

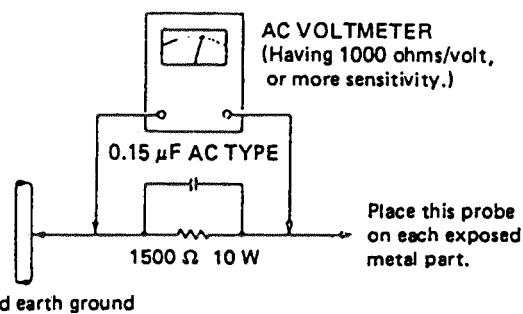
1. The design this product contains special hardware and many circuits and components specially for safety purposes. For continued protection, no changes should be made to the original design unless authorized in writing by the manufacturer. Replacement parts must be identical to those used in the original circuits. Service should be performed by qualified personnel only.
2. Alterations of the design or circuitry of the product should not be made. Any design alterations of the product should not be made. Any design alterations or additions will void the manufacture's warranty and will further relieve the manufacture of responsibility for personal injury or property damage resulting therefrom.
3. Many electrical and mechanical parts in the product have special safety — related characteristics. These characteristics are often not evident from visual inspection nor can the protection afforded by them necessarily be obtained by using replacement components rated for higher voltage, wattage, etc. Replacement parts which have these special safety characteristics are identified in the parts list of service manual. Electrical components having such features are identified by shading (■) and (▲) on the schematic diagram and parts list in the service manual. The use of a substitute replacement which does not have the same safety characteristics as the recommended replacement part shown in the parts list of service manual may create shock, fire, or other hazards.
4. The leads in the products are routed and dressed with ties, clamps, tubings, barriers and the like to be separated from live parts, high temperature parts, moving parts and or sharp edges for the prevention of electric shock and fire hazard. When service is required, the original lead routing and dress should be observed, and it should be confirmed that they have been returned to normal, after reassembling.
5. Leakage current check (Electrical shock hazard testing)

After re — assembling the product, always perform an isolation check on the exposed metal parts of the product (antenna terminals, knobs, metal cabinet, screw heads, headphone jack, control shafts, etc.) to be sure the product is safe to operate without danger of electrical shock. Do not use a line isolation transformer during this check.

- Plug the AC line cord directly into the AC outlet. using a "Leakage current tester", measure the leakage current from each exposed metal part of the cabinet, particularly any exposed metal part having a return path to the chassis, to a known good earth ground. Any leakage current must not exceed 0.5mA AC(r.m.s.)

- Alternate check method

Plug the AC line cord directly into the AC outlet. Use an AC voltmeter having 1,000 ohms per volt or more sensitivity in the following manner. Connect a 1,500 ohms 10W resistor paralleled by a 0.15  $\mu$ F AC type capacitor between an exposed metal part and a known good earth ground. Measure the AC voltage across the resistor with the AC voltmeter. Move the resistor connection to each exposed metal part, particularly any exposed metal part having a return path to the chassis, and measure the AC voltage across the resistor. Now, reverse the plug in the AC outlet and repeat each measurement. Any voltage measured must not exceed 0.75V AC(r.m.s.). This corresponds to 0.5mA AC(r.m.s.).



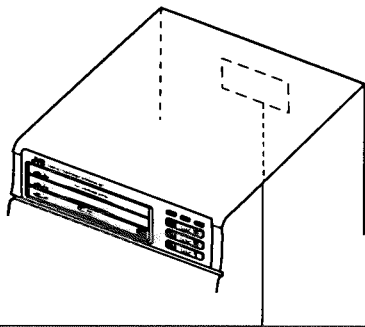
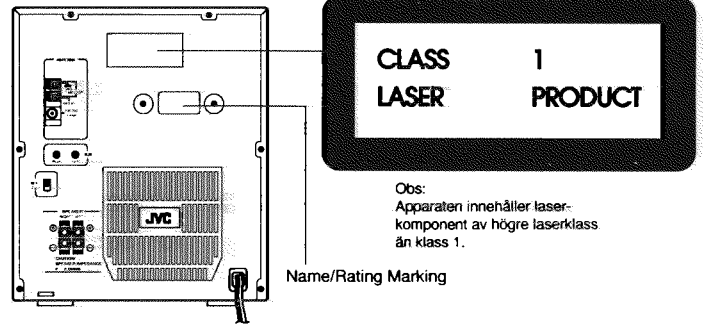
## Warning (UK ONLY)

1. This equipment has been designed and manufactured to meet international safety standards.
2. It is the legal responsibility of the repairer to ensure that these safety standards are maintained.
3. Repairs must be made in accordance with the relevant safety standards.
4. It is essential that safety critical components are replaced by approved parts.
5. If mains voltage selector is provided, check setting for local voltage.

## Important

### Important for Laser Products

1. CLASS 1 LASER PRODUCT
2. DANGER: Invisible laser radiation when open and interlock failed or defeated. Avoid direct exposure to beam.
3. CAUTION: Do not open the bottom cover. There are no user serviceable parts inside the unit; leave all servicing to qualified service personnel.
4. CAUTION: The compact disc player uses invisible laser vent emission of radiation when unloading cartridge and the safety interlocks have failed or are defeated. It is dangerous to defeat the safety switches.
5. CAUTION: Use of controls of adjustments or performance of procedures other than those specified herein may result in hazardous radiation exposure.



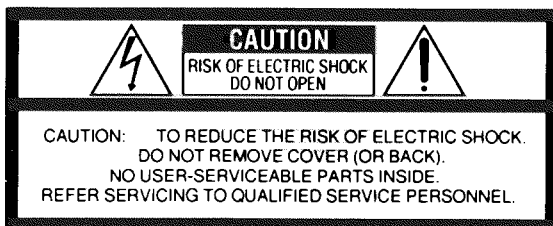
**ADVERSEL:** Usynlig laserstrålning ved åbning, når sikkerhedsafbrydere er ude af funktion. Undgå udsættelse for strålning.

**VAROITUS:** Varmuuskytikimen oliessa pois päältä kun laite avataan, siellä kehittyy näkymätöntä lasersäteitä. Älä pane itseäsi säteilyn altiiksi.

**WARNING:** Osynlig laserståining uppstår vid komponentens öppning när säkerhetsbrytaren är frånslagen.

**ADVARSEL:** Usynlig laserstrålning ved åpning når sikkerhetsbrytaren er ude af funktion. Unngå utsettelse for strålning.

<b>DANGER:</b> Invisible laser radiation when open and interlock failed or defeated. <b>AVOID DIRECT EXPOSURE TO BEAM.</b> (e)	<b>ADVARSEL:</b> Usynlig laserstrålning ved åbning, når sikkerhedsafbrydere er ude af funktion. Undgå udsættelse for strålning. (d)	<b>WARNING:</b> Osynlig laserstrålning når denna del är öppnad och spärran är urkopplad. Betrakta ej strålen. (s)	<b>VARO:</b> Avattaessa ja suo- jalukitus ohitettaessa olet alttiina näkymättömälle lasersäteilylle. Älä katso säteeseen. (f)
--	---	---	---



The lightning flash with arrowhead symbol, within an equilateral triangle, is intended to alert the user to the presence of uninsulated "dangerous voltage" within the product's enclosure that may be of sufficient magnitude to constitute a risk of electric shock to persons.



The exclamation point within an equilateral triangle is intended to alert the user to the presence of important operating and maintenance (servicing) instructions in the literature accompanying the appliance.

### CAUTION

Burrs formed during molding may be left over on some parts of the chassis. Therefore, pay attention to such burrs in the case of preforming repair of this system.

**■ Important control point concerning safety**

1. Check the power transformer marking, and check that the power transformer is securely installed.

Parts number: FMTP66M8 – 65A ..... A version  
 FMTP66U8 – 65A ..... U/UT/US

2. Check the power cord marking, and check that the power cord is not externally damaged.

U/UT version US version A version  
 Cord mark: ◀VDE▶ ◀VDE▶ V/75520/LTSA-2F  
 Attachment plug: SZ-4W LP-21 KP-561

3. Check the AC socket marking, and check that the AC socket is tightly fixed in the P. C. board when installed.  
 NIFCO2271

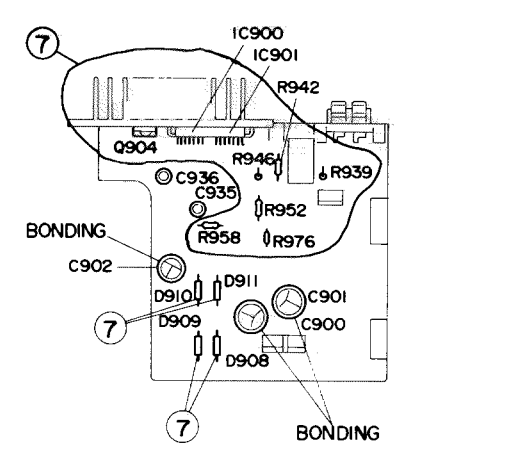
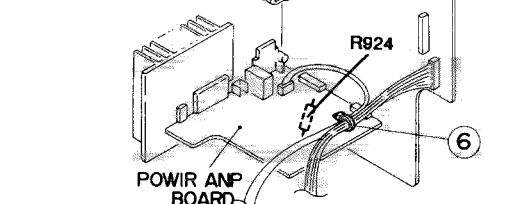
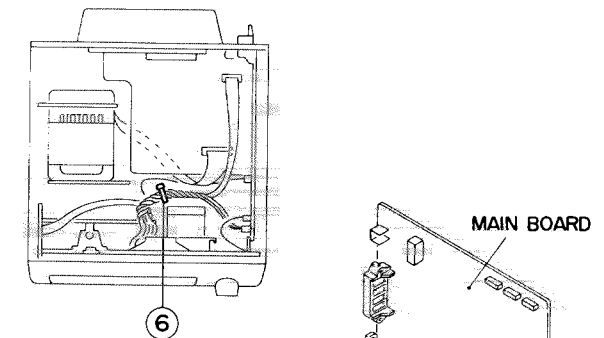
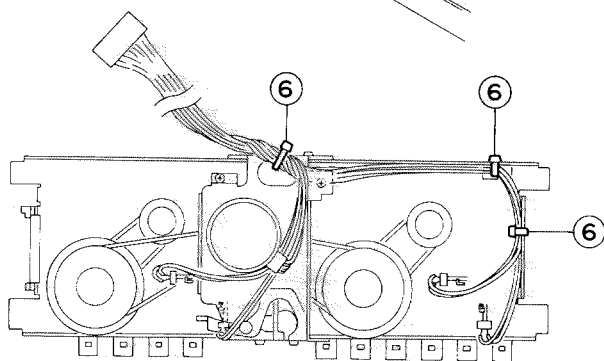
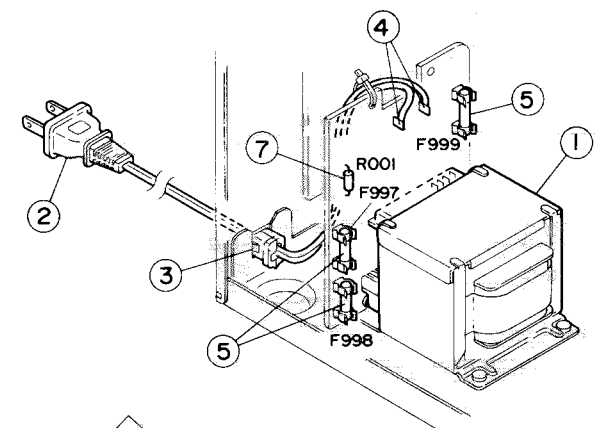
4. Check that there is sufficient space for the primary and adjacent secondary terminal parts on the P. C. board (There should be no protrusions of solder or terminal wires.)

5. Check the rated fuse display, and check that the fuse is secure in the fuse holder.

F997: T1.25A/250V	} A version
F998: T1.25A/250V	
F999: T800mA/250V	
F996: T800mA/250V	} U/US/UT version
F997: T1.25A/250V	
F998: T1.25A/250V	
F999: T1.6A/250V	

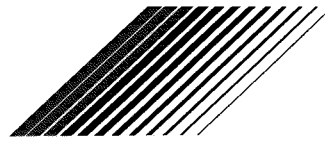
6. Check that the wires are neatly arranged so that they do not interfere with sections involving power, moving parts, heat generation, or those with sharp-edged parts.

7. The following parts are important for safety in such operations as those involved with heat generation. Use the specified parts and check original shape. Heat generating parts should be suspended above the P. C. board not fallen down. Parts marked with    are safety control parts.  
 R939, D908~D911, Q904, IC900, IC901, R924, HEAT SINK





Instructions

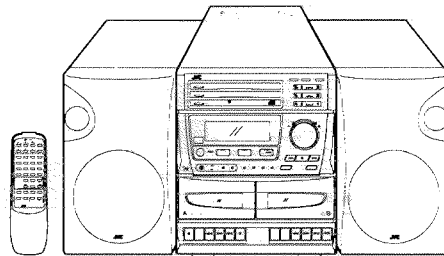


COMPACT COMPONENT SYSTEM

SISTEMAS DE COMPONENTES COMPACTOS

小型組合音響系統

MX-D2T U/UB/US/UT



Before use:  
Be sure to read instructions for mains (AC) line on page 10.

Antes de usar:  
Asegúrese de leer las instrucciones para la línea de alimentación (CA) en la página 10.

使用前：  
務請參閱第 10 頁有關交流電源線的說明。

INSTRUCTIONS

INSTRUCCIONES  
使用說明書

ENGLISH

Thank you for purchasing this JVC product. Please read these instructions carefully before starting operation to be sure to obtain optimum performance and a longer service life from the unit.

ESPAÑOL

Le agradecemos la adquisición de este producto de JVC. Por favor lea detenidamente las instrucciones antes de comenzar la operación para obtener de esta unidad un rendimiento óptimo y una vida de servicio más larga.

中文

承蒙您選購 JVC 公司的產品，謹致感謝。在使用之前，請仔細閱讀本使用說明書，以獲得理想的使用效果和更長的使用壽命。



CONTENTS

Features ..... 3  
 Safety precautions ..... 4  
 Handling precautions ..... 5  
 Connections ..... 7  
 Power supply ..... 10  
 Names of parts and their functions ..... 11  
 Remote control unit ..... 15  
 Switching the power on/off ..... 18  
 Volume, tone and other controls ..... 21  
 Handling CDs ..... 23  
 Playing CDs ..... 24  
 Handling cassette tapes ..... 34  
 Cassette playback ..... 35  
 Relay playback (From Deck B to Deck A) ..... 37  
 Radio reception ..... 38  
 Recording ..... 42  
 Tape dubbing (Synchro start dubbing) ..... 45  
 Microphone mixing ..... 46  
 Clock adjustment ..... 48  
 Timer operations ..... 50  
 Maintenance ..... 57  
 Troubleshooting ..... 58  
 Specifications ..... 59

INDICE

Características ..... 3  
 Precauciones de seguridad ..... 4  
 Precauciones de manipulación ..... 5  
 Conexiones ..... 7  
 Alimentación ..... 10  
 Nombres de las partes y sus funciones ..... 11  
 Unidad de control remoto ..... 15  
 Conexión/desconexión de la alimentación ..... 18  
 Volumen, tono y otros controles ..... 21  
 Manipulación de CD ..... 23  
 Reproducción de CD ..... 24  
 Manipulación de cassettes de cinta ..... 34  
 Reproducción de cassettes ..... 35  
 Reproducción por relevo ..... 37  
 (De la platina B a la platina A) ..... 37  
 Radiorecepción ..... 38  
 Grabación ..... 42  
 Copia de cinta (Copia con inicio sincronizado) ..... 45  
 Mezcla de micrófonos ..... 46  
 Ajuste del reloj ..... 48  
 Operaciones por temporizador ..... 50  
 Mantenimiento ..... 57  
 Detección de problemas ..... 58  
 Especificaciones ..... 59

目錄

特點介紹 ..... 3  
 安全須知 ..... 4  
 使用須知 ..... 5  
 連接 ..... 7  
 電源 ..... 10  
 各部件的名稱以及功能 ..... 11  
 遙控器 ..... 15  
 電源的接通與斷開 ..... 18  
 音量、音調和其它控制 ..... 21  
 有關 CD ..... 23  
 CD 唱片的放音 ..... 24  
 有關卡式錄音帶 ..... 34  
 卡式錄音帶的放音 ..... 35  
 接續播放 (從錄音帶輸出 B 到 A) ..... 37  
 無線電廣播的接收 ..... 38  
 錄音 ..... 42  
 錄音帶的複製 (同步開始複製) ..... 45  
 麥克風混聲 ..... 46  
 時鐘的調節 ..... 48  
 定時器的使用 ..... 50  
 保養 ..... 57  
 故障的檢查與排除 ..... 58  
 規格 ..... 59

**WARNING:**  
TO REDUCE THE RISK OF FIRE OR ELECTRIC SHOCK, DO NOT EXPOSE THIS APPLIANCE TO RAIN OR MOISTURE.

**ADVERTENCIA:**  
PARA REDUCIR EL RIESGO DE INCENDIO O DE CHOQUES ELECTRICOS, NO EXPONGA ESTE APARATO A LA LLUVIA O A LA HUMEDAD.



The lightning flash with arrowhead symbol, within an equilateral triangle, is intended to alert the user to the presence of uninsulated "dangerous voltage" within the product's enclosure that may be of sufficient magnitude to constitute a risk of electric shock to persons.



The exclamation point within an equilateral triangle is intended to alert the user to the presence of important operating and maintenance (servicing) instructions in the literature accompanying the appliance.

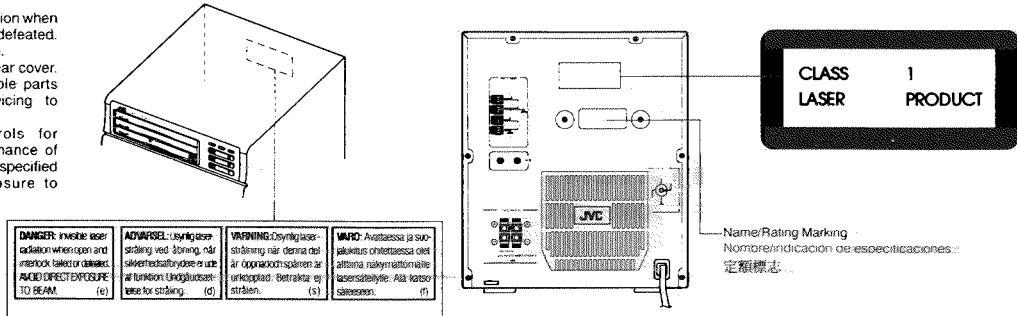
**警告：**  
為了防止火災以及觸電，請勿讓本機淋雨受潮。

**IMPORTANT FOR LASER PRODUCTS (For Singapore only)**

**PRECAUTIONS**

1. CLASS 1 LASER PRODUCT
2. **DANGER:** Invisible laser radiation when open and interlock failed or defeated. Avoid direct exposure to beam.
3. **CAUTION:** Do not open the rear cover. There are no user serviceable parts inside the unit; leave all servicing to qualified service personnel.
4. **CAUTION:** Use of controls for adjustments and the performance of procedures other than those specified herein may result in exposure to hazardous radiation.

**REPRODUCTION OF LABELS/MARKINGS AND THEIR LOCATION**



**FEATURES**

- 3-CD triple-tray changer
- Active bass extension circuit for low-frequency sound reproduction
- One-touch operation (IllumiMagic COMPU PLAY)
- 38-key remote control unit (CD and tuner operations)
- Direct Disc Select/Skip Play/Search Play/Continuous Play/Repeat Play/Random Play
- Programmed play of up to 20 tracks
- Double-cassette mechanism (Deck A for recording and playback, Deck B for playback)
- Auto-reverse mechanism for Deck B
- Metal (type IV) and CrO<sub>2</sub> (type II) tape can be played back for superior tone quality
- CrO<sub>2</sub> (type II) tape recording capability
- 2-Band digital synthesizer tuner with 30-station (15 FM and 15 AM) preset capability
- Seek/manual tuning
- Auto preset tuning
- Timer/Clock function

**CARACTERISTICAS**

- Cargador de tres portadiscos para 3 CD
- Circuito de extensión de graves activos para reproducción de sonido de baja frecuencia
- Operación de un solo toque (IllumiMagic COMPU PLAY)
- Unidad de control remoto con 38 teclas (operación del CD y del sintonizador)
- Selección directa de disco/reproducción con salto/reproducción con búsqueda/reproducción continua/repetición de reproducción/reproducción aleatoria
- Reproducción programada hasta 20 pistas
- Mecanismo para dos cassettes (platina A para grabación y reproducción, platina B para reproducción)
- Para obtener una calidad de tono superior es posible utilizar cintas de metal (tipo IV) y de CrO<sub>2</sub> (tipo II)
- Capacidad para grabación de cintas de CrO<sub>2</sub> (tipo II)
- Sintonizador sintetizador digital de 2 bandas con capacidad para presintonización de 30 estaciones (15 de FM y 15 de AM)
- Sintonización búsqueda/manual
- Sintonización programada automática
- Función de temporizador/reloj

**特點介紹**

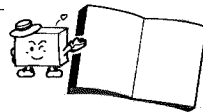
- 3-CD 托盤交換器
- 用於再現低頻聲音的有源式低音擴展電路
- 單觸操作 (魔光機控播放)
- 38-鍵遙控器 (CD和收音機操作)
- 直接選碟/跳躍播放/搜索播放/連續播放/重複播放/隨機播放
- 最多20曲編曲播放
- 雙卡錄音座 (錄音帶輸入用於錄音和播放; 錄音帶輸入 B 用於播放)
- 錄音帶輸入 B 具有自動反向走帶機構
- 播放金屬 (IV類) 和 CrO<sub>2</sub> (II類) 磁帶可以獲得超級的音質
- 可以進行 CrO<sub>2</sub> (II類) 錄音帶的錄音
- 具有預設30個電台 (15個FM, 15個AM) 能力的 2 波段數字合成調諧器

- Timer on/off with preset volume function
- Sleep timer can be set for up to 120 minutes
- Microphone mixing facility with echo and vocal masking function

- Activación/desactivación del temporizador con función de volumen preajustado
- El temporizador de despertador puede ser programado hasta un máximo de 120 minutos
- Función de mezcla de micrófono con función de enmascaramiento de eco y vocal

- 搜尋/手動調諧
- 自動預設調諧
- 定時器/時鐘功能
- 帶預設音量功能的定時器開/關
- 睡眠定時器可以最大設定到120分鐘
- 帶回聲和聲音屏蔽功能的麥克風混聲裝置

**SAFETY PRECAUTIONS**



**Prevention of Electric Shocks, Fire Hazards and Damage**

1. Even when the POWER button is set to STANDBY, a very small current will flow. To save power and for safety when not using the unit for an extended period of time, disconnect the power cord from the household AC outlet.
2. Do not handle the power cord with wet hands.
3. When unplugging from the wall outlet, always grasp and pull the plug, not the power cord.
4. Consult your nearest dealer when damage, disconnection, or contact failure affects the cord.
5. Do not bend the cord severely, or pull or twist it.
6. Do not modify the power cord in any manner.
7. To avoid accidents, do not remove screws to disassemble the unit and do not touch anything inside the unit.
8. Do not insert any metallic objects into the unit.
9. Unplug the power cord when there is a possibility of lightning.
10. If water gets inside the unit, unplug the power cord from the outlet and consult your dealer.
11. Do not block the unit's ventilation holes that allow heat to escape. Do not install the unit in a badly ventilated place.
12. Since this unit uses a motor-driven CD holder or CD tray, make sure that your hand or other object does not obstruct holder or tray movement.

**PRECAUCIONES DE SEGURIDAD**

**Prevención de choques eléctricos, peligro de incendio y daños**

1. Aunque el botón de alimentación POWER, esté colocado en espera STANDBY, fluye una pequeña corriente eléctrica. Para ahorrar energía y por seguridad cuando no utiliza esta unidad durante un largo período, desconecte el cordón eléctrico del tomacorriente de CA.
2. No manipule el cordón eléctrico con las manos mojadas.
3. Cuando lo desenchufe del tomacorriente de la pared, sujételo siempre por el enchufe, nunca por el cordón.
4. En caso de que el cordón sea afectado por daños, desconexión, o falso contacto, consulte a su agente más cercano.
5. No doble en ángulo agudo el cordón, no jale del mismo ni lo retuerza.
6. No modifique el cordón eléctrico de ninguna manera.
7. Para evitar accidentes, no extraiga los tornillos para desarmar la unidad y no toque nada dentro de la misma.
8. No inserte ningún objeto metálico dentro de la unidad.
9. Desenchufe el cordón eléctrico cuando haya posibilidad de caída de rayos.
10. Si se introduce agua dentro de la unidad, desenchufe el cordón eléctrico del tomacorriente y consulte a su agente.
11. No bloquee los orificios de ventilación de la unidad que permiten el escape de calor. No instale la unidad en un lugar mal ventilado.
12. Como esta unidad utiliza un portadisco o una bandeja de CD motorizada, asegúrese de que su mano u otro objeto no obstruya el movimiento del mismo.

**安全須知**

**為了預防觸電、火災以及故障**

1. 即使將電源鍵 (POWER) 設於待機位置 (STANDBY), 仍然會有極少的電流流動。因此, 為了省電與安全起見, 當您長期不使用的時候, 請將電源線從牆壁上的交流電源插座上拔下來。
2. 切勿用濕手拔電源線。
3. 當您要將電源線從牆壁上的電源插座上拔下來時, 務請拿住插頭拔, 切勿拿住電源線。
4. 如果發現電源線有損傷、脫落或者接觸不良, 請與附近的銷售商聯絡。
5. 切勿過分彎折, 或者拉扯, 扭曲電源線。
6. 切勿以任何方式變更電源線。
7. 請切勿卸下螺絲來拆卸裝置, 也不要碰觸裝置內部的任何部件, 以免發生事故。
8. 切勿將任何金屬物件塞入裝置內。
9. 如果有雷電閃光的可能, 請拔下電源線。
10. 萬一有水進入了裝置內, 請將電源插頭從牆壁上的電源插座上拔下來, 並且與銷售商聯絡。
11. 不要堵塞裝置的通氣孔, 此通氣孔用於裝置的排熱。切勿將本裝置置於排熱條件差的地方。
12. 由於本機使用的是電動 CD 托架或 CD 托盤, 所以請小心別讓手指或其它東西妨礙托架或托盤的運動。

**POWER button**

When the power cord is connected to a household AC outlet, the power STANDBY indicator lights. When the POWER button is pressed, the power STANDBY indicator goes out.

When this unit is plugged into an AC outlet, it consumes a small current to operate the remote control and timer, or to back up the memory of the microprocessor, even when the POWER button is set to STANDBY.

**Botón POWER**

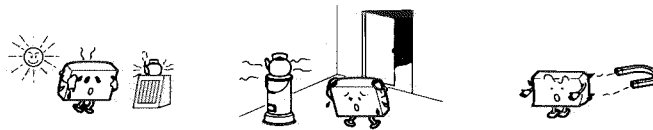
Cuando el cable de alimentación está conectado a un tomacorriente de CA, se enciende el indicador de alimentación STANDBY. Cuando presiona el botón POWER, se apaga la luz indicadora de alimentación STANDBY.

Esta unidad consume una pequeña corriente cuando se la conecta a un tomacorriente de CA, para hacer funcionar el controlador remoto y el temporizador, o para apoyo de la memoria del microprocesador, aun cuando se haya colocado el botón POWER en STANDBY.

**電源 (POWER) 鍵**

當電源線連接到民用交流插座時，電源STANDBY指示燈點亮。當按壓 POWER 鍵時，電源STANDBY 指示燈熄滅。

一旦將裝置的電源插頭插入市電交流電源插座，即使電源鍵 (POWER) 設於待機狀態 (STANDBY)，仍然會有少量的電流流入，以作為遙控器操作以及定時器、微型電腦記憶裝置的記憶之用。

**HANDLING PRECAUTIONS****PRECAUCIONES DE MANIPULACION****使用須知**

Do not use this unit in direct sunlight where it would be exposed to high temperatures above 40°C (104°F).

- **When abnormal operation occurs.**
  - \* Unplug the AC power cord from the AC outlet. Then reconnect and switch the power ON.

When the AC power cord is unplugged, never close the open tray by hand. To close it, plug the power cord in again and press the **▲** button. Otherwise it may cause damage to the unit.

No utilice esta unidad bajo la luz directa del sol donde podría quedar expuesta a temperaturas superiores a 40°C.

- **Cuando hay fallas de funcionamiento.**
  - \* Desenchufe el cordón de alimentación CA del tomacorriente de CA. Luego reconecte y conecte la alimentación.

Cuando se desenchufa el cordón de alimentación CA, nunca cierre el portadisco con la mano. Para cerrarlo, enchufe otra vez el cordón de alimentación y presione el botón **▲**. De lo contrario podrá dañar la unidad.

切勿在直射陽光下使用本機，或放在溫度高達 40°C 以上的場所中使用。

- 當出現異常操作時。
  - \* 從交流插座上拔下交流電源線。然後重新連接上，並接通電源開關。

當拔下交流電源導線時，切勿用手關閉 CD 托盤。若想關閉，請再次插入電源插頭並按 **▲** 鍵。否則可能會損壞裝置。

5

**1. Avoid installing in the following places**

- Where it could be subject to vibrations.
- Where it is excessively humid, such as in a bathroom.
- Where it could be magnetized by a magnet or speaker.

**2. Pay attention to dust**

Be sure to close the CD holder or CD tray so that dust does not collect on the lens.

**3. Condensation**

In the following cases, condensation may occur in the unit, in which case the unit may not operate correctly.

- In a room where a heater has just been switched on.
- In a place where there is smoke or high humidity.
- When the unit is moved directly from a cold to a warm room.

In these cases, set the POWER button to OFF and wait 1 or 2 hours before use.

**4. Volume setting**

CDs produce very little noise compared with analog sources. If the volume level is adjusted for these sources, the speakers may be damaged by the sudden increase of output level. Therefore, lower the volume before operation and adjust it as required during play.

**5. Do not place cassette tapes, etc. near the speakers**

Since there are magnets in the speakers, do not place tapes or magnetic cards on them as recorded data could be erased.

**6. Keep this unit away from your TV**

When this unit is used near a TV, the TV picture could be distorted. If this happens, move this unit away from the TV. If this does not correct the situation, avoid using this unit when the TV is turned on.

**7. Cleaning the cabinet**

If the cabinet gets dirty, wipe it with a soft, dry cloth. Never use benzine or thinner as these could damage the surface finish.

**8. When listening with headphones**

- Do not listen at high volumes as this could damage your hearing.

**1. Evite instalarla en los siguientes lugares**

- Donde pueda ser sujeta a vibraciones.
- Donde haya humedad excesiva, tal como en un cuarto de baño.
- Donde pueda ser magnetizada por un imán o altavoz.

**2. Preste atención al polvo**

Asegúrese de cerrar el portadisco o compartimento de CD para que el polvo no se deposite sobre la lente. No toque la lente.

**3. Condensación**

En los siguientes casos, puede producirse condensación dentro de la unidad y en consecuencia la unidad no funcionará correctamente.

- En una sala donde haya un calentador encendido.
- En un lugar donde haya humo o gran humedad.
- Cuando se traslada rápidamente la unidad de una sala fría a una templada.

En estos casos, coloque el botón POWER en OFF (desconectado) y espere 1 o 2 horas antes de utilizarla.

**4. Ajuste del volumen**

Los productos de CD producen muy poco ruido comparados con las fuentes analógicas. Si ajusta el nivel de volumen para estas fuentes, es posible que los altavoces sean dañados por el incremento brusco del nivel de salida. Por ello, reduzca el volumen antes de la operación y ajústelo como desee durante la reproducción.

**5. No coloque cassettes de cinta, etc., próximos a los altavoces**

Como hay imanes en los altavoces, no coloque cintas o tarjetas magnéticas sobre los mismos, ya que los datos grabados pueden ser borrados.

**6. Mantenga esta unidad lejos de su TV**

Cuando se usa esta unidad próxima a un TV, la imagen de éste puede ser distorsionada. Si ello ocurre, mueva esta unidad lejos del TV. Si esto no corrige el problema, evite usar esta unidad cuando el TV está encendido.

**7. Limpieza del gabinete**

Si el gabinete se ensucia límpielo con un paño suave y seco. Nunca utilice bencina o solventes ya que estos pueden dañar la terminación de la superficie.

**8. Cuando escuche con auriculares**

- No escuche con el volumen muy alto porque podrían dañarse sus oídos.

**1. 避免放置於下列場所**

- 有振動之處。
- 有潮氣之處，諸如浴室之類。
- 接近磁體、揚聲器等有磁場之處。

**2. 注意灰塵**

務請關上 CD 托架或 CD 托盤，不要讓灰塵落污了鏡頭。

**3. 結露**

於下列情況，機內有可能結露。這時裝置有可能不能正常工作。

- 剛打開取暖器的房間。
- 有煙霧，或者過於潮濕的場所。
- 從寒冷的房間直接移至溫暖的房間。

在這些情況下，將 POWER 鍵設定到 OFF 位置並在使用之前等待 1 或 2 個小時。

**4. 音量的調節**

與模擬唱片聲源相比，CD 唱片的噪音極小。如果根據這些模擬聲源來調節音量的話，那麼揚聲器可能會因突然增大的音量而被損壞。因此在進行操作之前先降低音量，在放音期間根據需要進行調節。

**5. 請勿將卡式錄音帶等物件放置於揚聲器附近**

由於揚聲器內有磁體，所以切勿將錄音帶，或者磁卡放置於揚聲器之上，否則所記錄的資料將被消除。

**6. 不要讓本機接近電視機**

如果在電視機附近使用本機，電視機的畫面會失真。如果發生這種情況，請將本機搬離電視機。如果仍不能改善畫面的失真，則在觀看電視時不要使用本機。

**7. 機殼的清潔工作**

如果機殼上有污穢，請用柔軟的、乾燥的布擦拭。切勿使用石油精、這些溶液會損壞表面的精加工。

**8. 當使用耳機收聽的時候**

- 請勿用高音量聽，這將會損壞您的聽覺功能。

6



**Notes:**

- The polarity of the two connected speakers will be the same if the black speaker cords are connected to the ⊖ terminals. If the speakers are connected with polarities reversed, stereo effect and tone will be degraded.
- The speakers of this unit are not magnetically shielded. When they are placed directly on or adjacent to a TV, the TV's picture could be distorted. Install the speakers more than 20 cm away from your TV.
- If the speakers are to be placed away from the main unit, purchase optional speaker cords from an audio store.
- When connecting the speaker cord make sure that the wire core, not the insulating cover, is connected to the speaker terminal. Otherwise, sound cannot be heard.

**Notas:**

- La polaridad de los dos altavoces conectados será la misma si los cordones del altavoz negro están conectados a los terminales ⊖. Si los altavoces están conectados con las polaridades invertidas, el efecto estereofónico y de tono será degradado.
- Los altavoces de esta unidad no están blindados magnéticamente. Cuando se los coloca directamente o adyacentes a un TV, la imagen de éste puede ser distorsionada. Instale los altavoces a más de 20 cm de distancia de su TV.
- Si los altavoces van a ser colocados lejos de la unidad principal, adquiera los cordones opcionales para altavoces en una tienda de audio.
- Cuando conecta el cordón del altavoz, asegúrese de que el núcleo del cable, y no la cubierta aislante, quede conectado al terminal del altavoz, de lo contrario no se escuchará sonido.

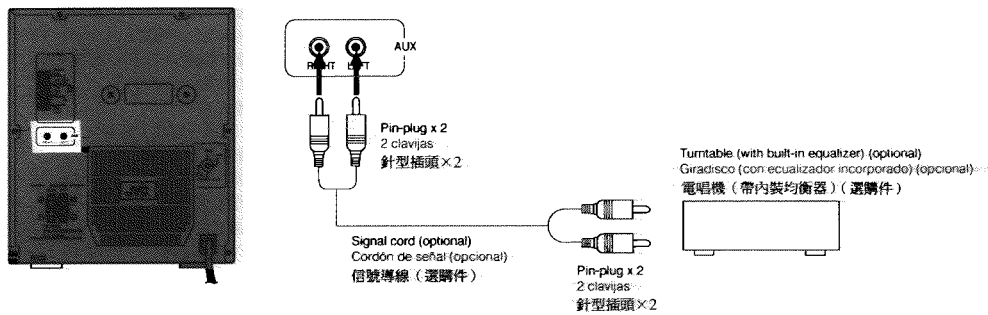
**註:**

- 如果黑色揚聲器導線被連接到 ⊖ 端子上，兩個連接好的揚聲器的極性相同。若兩個揚聲器的極性接反了，立體聲效果和音調將會降低。
- 本機的兩個揚聲器都沒有作磁保護，因此，如果直接放置於電視機上，或者接近電視機，都會使電視圖像失真。揚聲器應該放置於離開電視機至少 20 cm 之處。
- 如果要將揚聲器與主機分離放置，請從音響商店購買選配的揚聲器導線。
- 當您連接揚聲器的導線時，請確認是導線芯而不是絕緣層被連接在揚聲器的端子上，否則將聽不見聲音。

**Connection of external audio units**

**Conexión de unidades externas de audio**

**外用聲頻裝置的連接**



9

**POWER SUPPLY**

**ALIMENTACION**

**電源**

**Connection of AC power cord**

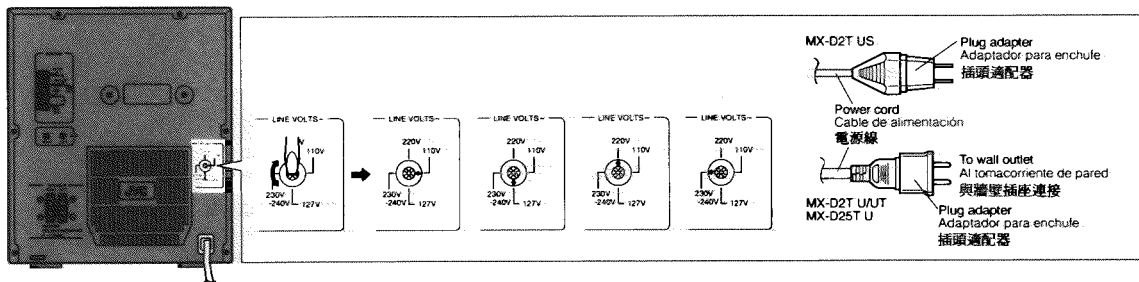
1. When this unit is used in an area where the supply voltage is different from the preset voltage, reset the voltage selector to the correct position.

**Conexión del cordón de CA**

1. Cuando use esta unidad en un área donde la tensión es distinta a la preajustada, vuelva a ajustar el selector de tensión en la posición correcta.

**交流電源線的連接**

1. 當本裝置在供電電壓與預設電壓不同的地區使用時，請將電壓選擇器設定到正確位置。



2. Connect the AC power cord.

2. Conexión del cable de corriente alterna.

2. 連接交流電源線。

**Note:**

- For the MX-D2T U/US/UT and MX-D25T U, the AC plug adapter is provided. If required, use it.

**Nota:**

- Se provee de un adaptador para enchufe de CA para el MX-D2T U/US/UT y MX-D25T U. Si fuera necesario, utilícelo.

**註:**

- MX-D2T U/US/UT, MX-D25T U 配備有交流電插頭適配器，如果需要可以使用。

**CAUTION:**

- BE SURE TO UNPLUG THE POWER CORD FROM THE OUTLET WHEN GOING OUT OR WHEN THE UNIT IS NOT IN USE FOR AN EXTENDED PERIOD OF TIME.

**PRECAUCIONE:**

- ASEGURESE DE DESENCHUFAR EL CORDON DE ALIMENTACION DEL TOMACORRIENTES CUANDO SALGA O CUANDO NO VAYA A UTILIZAR LA UNIDAD POR UN LARGO PERIODO.

**注意:**

- 出門或者長期不使用本機時，請將電源插頭從電源插座上拔下。

**Note:**

- When there is a power failure or the AC power cord is disconnected, the timer/clock setting is erased from memory. Reset the clock when the power supply is restored.

**Nota:**

- Cuando hay un corte de energía eléctrica o cuando se desconecta el cordón de alimentación CA, el ajuste del temporizador/reloj se borra de la memoria. Reposición el reloj cuando se restaure el suministro eléctrico.

**註:**

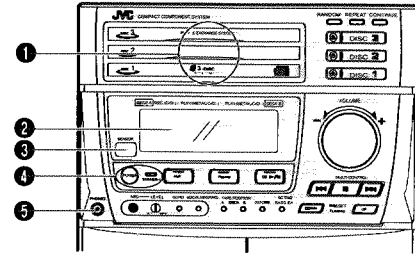
- 若停電或電源線被拔下，定時/時鐘設定即被清除，恢復供電後請重新設定時鐘。

**NAMES OF PARTS AND THEIR FUNCTIONS**

**NOMBRES DE LAS PARTES Y SUS FUNCIONES**

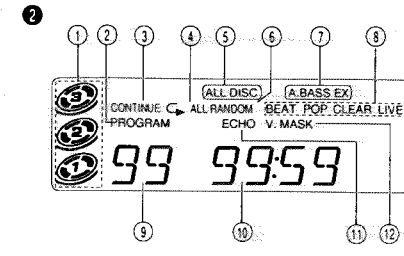
**各部件的名稱以及功能**

**CD changer/General section**



- 1 CD trays (DISC 1-DISC 3)
  - 2 Display window
  - 3 CD number indicators (Disc 1-Disc 3)
  - 4 Program mode indicator (PROGRAM)
  - 5 CONTINUE play indicator
  - 6 Repeat play indicator (ALL)
  - 7 ALL DISC indicator
  - 8 RANDOM play indicator
  - 9 Active bass extension (A. BASS EX) indicator
  - 10 Sound mode indicators (BEAT/POP/CLEAR/LIVE)
  - 11 Function/Track number display
  - 12 Play time display
  - 13 ECHO indicator
  - 14 V. MASK (Vocal Masking) indicator
  - 15 SENSOR section
- The remote control signal is received in the SENSOR section. Approach this section with your hand to activate IllumiMagic COMPU PLAY.
- 16 POWER button and power STANDBY indicator
  - 17 Headphones jack (PHONES) (3.5 mm dia. stereo mini). Connect headphones (impedance 16 Ω to 1 kΩ) to this jack. Speaker sound is automatically switched off when the headphones are connected.

**Sección cambiador de CD/general**

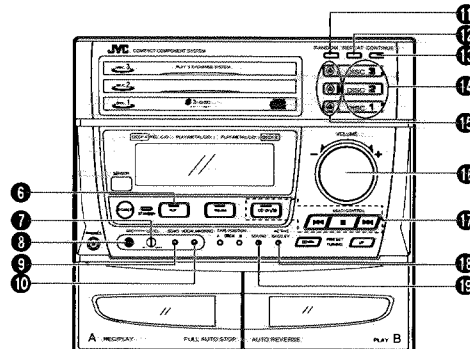


- 1 Portadiscos de CD (DISC 1-DISC 3)
  - 2 Ventanilla de indicación
  - 3 Números indicadores de CD (Disco 1-Disco 3)
  - 4 Indicador del modo de programa (PROGRAM)
  - 5 Indicador de reproducción continuada (CONTINUE)
  - 6 Indicador de repetición de reproducción total (ALL)
  - 7 Indicación ALL DISC
  - 8 Indicador de reproducción aleatoria (RANDOM)
  - 9 Indicador (A. BASS EX) de extensión de graves activos
  - 10 Indicaciones del modo de sonido (BEAT/POP/CLEAR/LIVE)
  - 11 Indicación de función/número de pista
  - 12 Indicación del tiempo de reproducción
  - 13 Indicador ECHO
  - 14 Indicador V. MASK (Enmascaramiento Vocal)
  - 15 Sección SENSOR
- La señal de control remoto es recibida en la sección SENSOR. Aproxime la mano a esta sección para activar IllumiMagic COMPU PLAY.
- 16 Botón de alimentación (POWER) e indicador de espera (STANDBY) de alimentación
  - 17 Jack de audífonos (PHONES) (mini estéreo de 3.5 mm. de diám.)  
Conecte los audífonos (impedancia de 16 Ω a 1 kΩ) a este jack. El sonido de los altavoces se apaga automáticamente cuando se conectan los audífonos.

**CD交換器/整體部分**

- 1 CD托盤 (DISC1-DISC3) (唱碟 1-唱碟 3)
  - 2 顯示窗
  - 3 CD號碼指示 (唱碟 1-唱碟 3)
  - 4 編曲模式指示 (PROGRAM)
  - 5 連續 (CONTINUE) 播放指示
  - 6 重複播放指示 (ALL)
  - 7 全唱碟 (ALL DISC) 指示
  - 8 隨機 (RANDOM) 播放指示
  - 9 有源式低音擴展 (A.BASS EX) 指示
  - 10 聲音模式指示 (BEAT/POP/CLEAR/LIVE)
  - 11 功能/樂曲號碼顯示
  - 12 播放時間顯示
  - 13 回音 (ECHO) 指示
  - 14 聲音屏蔽 (V.MASK) 指示
  - 15 傳感器 (SENSOR) 部份
- 遙控信號由 SENSOR 部份接收。用手接近此部份以激活魔光機控播放 (IllumiMagic COMPU PLAY)。
- 16 電源 (POWER) 鍵和電源待機 (STANDBY) 指示燈
  - 17 耳機插孔 (PHONES) (3.5mm直徑立體聲微型插孔)  
將耳機 (阻抗 16Ω到 1kΩ) 連接到此插孔。當連接上耳機後揚聲器的聲音自動關閉。

11



- 16 AUX button
  - 17 MIC LEVEL control
  - 18 MIC jack
  - 19 ECHO button
  - 20 VOCAL MASKING button
  - 21 RANDOM play button
  - 22 REPEAT play button
  - 23 CONTINUE play button
  - 24 3CD CONTROL buttons (DISC 1-DISC 3)
  - 25 CD tray (▲) open/close buttons (DISC 1-DISC 3)
  - 26 VOLUME control knob
  - 27 CD operation buttons
- CD search buttons (◀▶): Press to locate the beginning of a track and to start forward/reverse search operations.  
Stop/clear button (■): Press to stop playing a CD or cancel programmed play.  
Play/pause button (▶/||): Press to play a CD or to stop temporarily.
- 28 ACTIVE BASS EX. button
  - 29 SOUND button

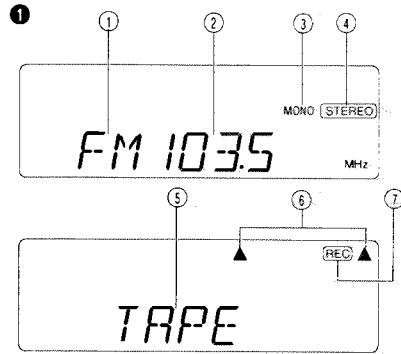
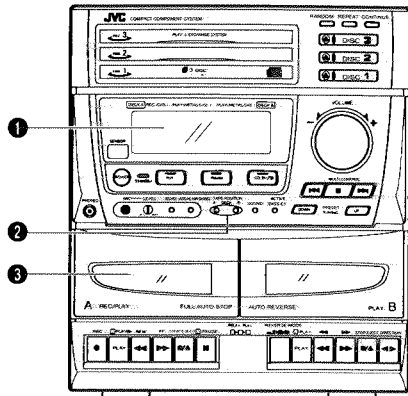
- 16 Botón auxiliar (AUX)
  - 17 Control MIC LEVEL
  - 18 Jack MIC
  - 19 Botón ECHO
  - 20 Botón VOCAL MASKING
  - 21 Botón de reproducción aleatoria (RANDOM)
  - 22 Botón de repetición de reproducción (REPEAT)
  - 23 Botón de reproducción continuada (CONTINUE)
  - 24 Botones de control de 3CD (CD CONTROL) (DISC 1-DISC 3)
  - 25 Botones (▲) de apertura/cierre del portadisco de CD (DISC 1-DISC 3)
  - 26 Perilla de control VOLUME
  - 27 Botones para operación del CD
- Botones (◀▶) de búsqueda del CD:  
Presiónelos para ubicar el principio de una pista o para iniciar las operaciones de búsqueda hacia adelante/atrás.  
Botón (■) de parada/borrado:  
Presiónelo para detener la reproducción de un CD o para cancelar la reproducción programada.  
Botón (▶/||) de reproducción/pausa:  
Presiónelo para reproducir un CD o para pararlo temporalmente.
- 28 Botón ACTIVE BASS EX.
  - 29 Botón SOUND

- 16 輔助 (AUX) 鍵
  - 17 麥克風電平 (MIC LEVEL) 控制
  - 18 麥克風 (MIC) 插孔
  - 19 回音 (ECHO) 鍵
  - 20 聲音屏蔽 (VOCAL MASKING) 鍵
  - 21 隨機 (RANDOM) 播放鍵
  - 22 REPEAT 播放鍵
  - 23 連續 (CONTINUE) 播放鍵
  - 24 3 CD 控制 (3 CD CONTROL) 鍵
  - 25 CD 托盤 (▲) 開/關鍵 (DISC1-DISC3)
  - 26 音量 (VOLUME) 控制旋鈕
  - 27 CD 操作鍵
- CD 搜索鍵 (◀▶):  
按壓此鍵尋找樂曲的曲頭和開始正向/反向搜索操作。  
停止/清除鍵 (■):  
按壓此鍵停止播放 CD 或取消編曲播放。  
播放/暫停鍵 (▶/||):  
按壓此鍵播放 CD 或暫停播放。
- 28 有源式低音擴展 (ACTIVE BASS EX.) 鍵
  - 29 聲音 (SOUND) 鍵

Tuner/Deck section

Sección del sintonizador/platina

調諧器/走帶機構 (Tuner/Deck)

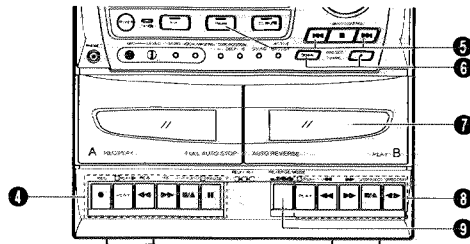


- 1** Display window
- ① Band indicator
  - ② Radio frequency display
  - ③ Channel space mode display
  - ④ MONO indicator
  - ⑤ STEREO indicator
  - ⑥ Tape (TAPE) mode display
  - ⑦ Tape position indicators
  - ⑧ Recording indicator (REC)
- 2** Tape position (TAPE POSITION-DECK A/DECK B) buttons
- Set these buttons according to the type of tape to be used.
- When recording (Deck A only):  
When recording using a CrO<sub>2</sub> tape, "▲" is shown in the display window.
  - When playing back (Decks A and B):  
When playing back using METAL or CrO<sub>2</sub> tape, "▲" is shown in the display window.
- 3** Cassette holder (Deck A)

- 1** Ventanilla de indicación
- ① Indicador de banda
  - ② Indicación de frecuencia de radio
  - ③ Indicación del modo de espacio canal
  - ④ Indicador monofónico (MONO)
  - ⑤ Indicador estereofónico (STEREO)
  - ⑥ Indicación del modo de cinta (TAPE)
  - ⑦ Indicaciones de posición de cinta
  - ⑧ Indicador de grabación (REC)
- 2** Botones de posición de la cinta (TAPE POSITION-DECK A/DECK B)
- Coloque estos botones de acuerdo al tipo de cinta usado.
- Cuando graba (Platina A solamente):  
Cuando graba utilizando una cinta de CrO<sub>2</sub> "▲" aparece indicado en el visor.
  - Cuando reproduce (Platinas A y B):  
Cuando reproduce una cinta METAL o CrO<sub>2</sub> "▲" aparece indicado en el visor.
- 3** Portacassette (Platina A)

- 1** 顯示窗
- ① 波段指示
  - ② 無線電頻率顯示
  - ③ 頻道空間模式顯示
  - ④ 單聲道 (MONO) 指示
  - ⑤ 立體聲 (STEREO) 指示
  - ⑥ 錄音帶 (TAPE) 模式顯示
  - ⑦ 錄音帶位置指示
  - ⑧ 錄音指示 (REC)
- 2** 錄音帶位置 (TAPE POSITION-DECK A/DECK B) 鍵
- 根據使用的錄音帶類型設定這些鍵。
- 當錄音時 (僅於錄音帶 A) :  
當使用鎳帶進行錄音時, 顯示窗顯示 "▲"。
  - 當播放時 (錄音帶 A 和 B) :  
當使用金屬帶或鎳帶時, 顯示窗顯示 "▲"。
- 3** 錄音帶盒 (錄音帶 A)

13

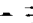



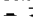

- 4** Cassette operation buttons (Deck A)
- REC : Press this button with the PLAY ► button to start recording.
  - ▶▶ FF : Press to play the tape.
  - ◀◀ REW : Press to rewind the tape rapidly.
  - ▶▶ FF : Press to wind the tape forward rapidly.
  - /▲ STOP/EJECT: Press to stop the tape. Pressing this button when the tape has stopped opens the cassette holder.
  - || PAUSE : Press to stop the tape temporarily. Press again to release the pause mode.
- 5** FM/AM button
- Press to select tuner mode.  
Press to select the band.
- Tuning buttons (◀◀/▶▶)
- 6** PRESET TUNING buttons (UP/DOWN)
- 7** Cassette holder (Deck B)
- 8** Cassette operation buttons (Deck B)
- PLAY : Press to play the tape.
- ◀◀ : Press to fast wind the tape from right to left.
  - ▶▶ : Press to fast wind the tape from left to right.
  - /▲ STOP/EJECT: Press to stop the tape. Pressing this button when the tape has stopped opens the cassette holder.
  - ◀◀ DIRECTION: Press to change the direction of tape travel.
- Forward direction: The tape run from left to right.  
Reverse direction: The tape run from right to left.



- 4** Botones para operación del cassette (Platina A)
- REC : Presione este botón conjuntamente con el botón PLAY ► para iniciar la grabación.
  - ▶▶ FF : Presiónelo para reproducir la cinta.
  - ◀◀ REW : Presiónelo para rebobinar rápidamente la cinta.
  - ▶▶ FF : Presiónelo para avanzar la cinta hacia adelante rápidamente.
  - /▲ STOP/EJECT: Presiónelo para detener la cinta. El presionar este botón cuando la cinta está detenida abre el portacassette.
  - || PAUSE : Presiónelo para detener la cinta temporalmente. Presiónelo otra vez para desactivar el modo de pausa.
- 5** Botón FM/AM
- Presiónelo para seleccionar el modo de sintonizador.  
Presiónelo para seleccionar la banda.
- Botones de sintonización (◀◀/▶▶)
- 6** Botones PRESET TUNING (UP/DOWN)
- 7** Portacassette (Platina B)
- 8** Botones para operación del cassette (Platina B)
- PLAY : Presiónelo para reproducir la cinta.
- ◀◀ : Presiónelo para rebobinar rápidamente la cinta de derecha a izquierda.
  - ▶▶ : Presiónelo para rebobinar rápidamente la cinta de izquierda a derecha.
  - /▲ STOP/EJECT: Presiónelo para detener la cinta. El presionar este botón cuando la cinta está detenida abre el portacassette.
  - ◀◀ DIRECTION: Presiónelo para cambiar la dirección de transporte de cinta.
- Hacia adelante: La cinta se enrolla de izquierda a derecha.  
Hacia atrás: La cinta se enrolla de derecha a izquierda.

- 4** 錄音機操作鍵 (錄音帶 A)
- REC : 一起按壓 PLAY ► 鍵和此鍵來開始錄音。
  - ▶▶ FF : 按壓此鍵開始播放錄音帶。
  - ◀◀ REW : 按壓此鍵快速倒繞錄音帶。
  - ▶▶ FF : 按壓此鍵正向快繞錄音帶。
  - /▲ STOP/EJECT : 按壓此鍵停止錄音帶。當錄音帶停止後按壓此鍵打開錄音帶盒。
  - || PAUSE : 按壓此鍵暫停錄音帶。再次按壓此鍵解除暫停模式。
- 5** FM/AM 鍵
- 按壓此鍵選擇收音機模式。  
按壓此鍵選擇波段。
- 調諧鍵 (◀◀/▶▶)
- 6** 預設調諧 (PRESET TUNING) 鍵 (UP/DOWN)
- 7** 卡式座蓋 (錄音帶 B)
- 8** 錄音帶盒 (錄音帶 B)
- PLAY : 按壓此鍵開始播放錄音帶。
- ◀◀ : 按壓此鍵從右向左繞錄音帶。
  - ▶▶ : 按壓此鍵從左向右繞錄音帶。
  - /▲ STOP/EJECT : 按壓此鍵停止錄音帶。當錄音帶停止後按壓此鍵打開錄音帶盒。
  - ◀◀ DIRECTION : 按壓此鍵來改變錄音帶行進方向。
- 正向: 錄音帶從左到右。  
反向: 錄音帶從右到左。



- 9 REVERSE MODE button  
 : Full playback.  
 : Continuous playback.

- 9 Boton REVERSE MODE.  
 : Reproducción completa  
 : Reproducción continuada

- 9 反向模式  
 : 全播放  
 : 連續播放

REMOTE CONTROL UNIT

UNIDAD DE CONTROL REMOTO

遙控器

Preparation before use

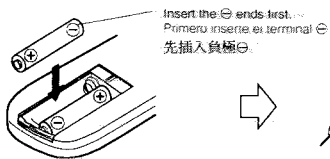
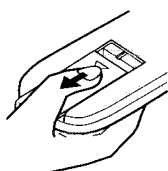
- **Installing batteries in the remote control unit**
- 1. Remove the battery cover from the back of the remote control unit.
- 2. Insert two "R6/AA (15F)" size batteries.
- Insert the batteries with the ⊕ and ⊖ terminals matching the indication inside the battery compartment.

Preparativos antes usarla

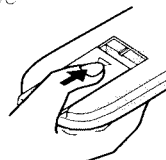
- **Instalación de las pilas en la unidad de control remoto**
- 1. Extraiga la tapa de las pilas de la parte trasera de la unidad de control remoto.
- 2. Inserte dos pilas de tamaño "R6/AA (15F)".
- Inserte las pilas con los terminales ⊕ y ⊖ de acuerdo a la indicación en el interior del compartimiento de las pilas.

使用前的準備工作

- **將電池裝入遙控器**
- 1. 打開遙控器背面的電池蓋蓋。
- 2. 裝入 2 節 "R6/AA (15F)" 號電池。
- 裝入的時候，按照電池箱內所示的方向裝，不要將 ⊕ ⊖ 端子弄錯。



Insert the ⊖ ends first.  
 Primero inserte el terminal ⊖.  
 先插入負極 ⊖。



3. Replace the cover.

3. Recoloque la tapa.

3. 重新蓋上蓋子。

● **Battery replacement**

When the remote control operation becomes unstable or the distance from which remote control is possible decreases, replace the batteries.

● **Reemplazo de las pilas**

Cuando el funcionamiento del controlador remoto se vuelve inestable o la distancia dentro de la cual actúa se reduce, reemplace las pilas.

● **電池的更換**

如果遙控器的操縱失靈，或者操縱距離變短了，此時請更換新的電池。

Using the remote control unit

- Point at the remote sensor section and operate within about 7 m (approx. 23 ft).
- The remote control range is less when the unit is used at an angle.
- Do not expose the remote sensor section to strong direct sunlight or artificial lighting.
- Make sure that there are no obstacles between the remote sensor section and the remote control unit.

Utilización de la unidad de control remoto

- Apúntelo a la sección del sensor remoto y opere dentro de los 7 m.
- El alcance del control remoto es menor cuando se lo usa en ángulo.
- No exponga la sección del sensor remoto a la luz directa del sol o a una fuerte iluminación artificial.
- Asegúrese de que no haya obstáculos entre la sección del sensor remoto y el control remoto.

遙控器的使用方法

- 對準遙控傳感器，並請在7米之內進行操作。
- 當以與裝置成一定的角度使用遙控器時，其遙控距離會減小。
- 不要讓遙控傳感器正對強烈的陽光或燈光。
- 確認在遙控傳感器部份和遙控器之間沒有障礙物。

The following operations can be performed using the remote control unit.

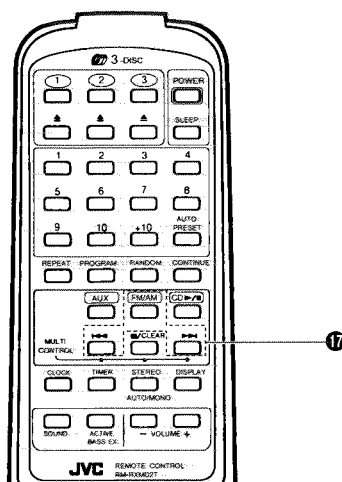
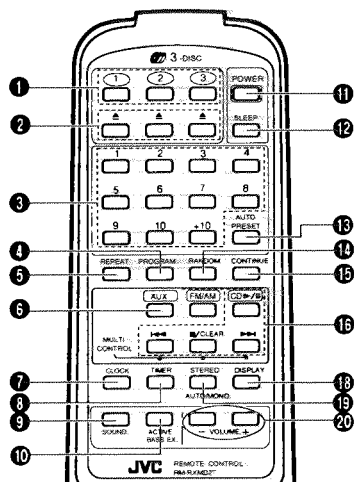
- Check the operation button functions carefully and operate them correctly.

Las siguientes operaciones deben ser ejecutadas utilizando la unidad de control remoto.

- Compruebe detalladamente el funcionamiento de los botones de operación y opérelos correctamente.

使用遙控器可做下列各項操縱。

- 仔細檢查各個操縱鍵的功能，並且正確使用它們。



- 1 3CD CONTROL buttons (DISC 1-DISC 3)
- 2 CD tray (▲) open/close buttons (DISC 1-DISC 3)
- 3 Track number buttons (No. 1 to No. 10, +10)  
Preset station buttons (No. 1 to No. 10, +10)
- 4 PROGRAM button
- 5 REPEAT play button
- 6 AUX button
- 7 CLOCK button
- 8 TIMER button
- 9 SOUND button
- 10 ACTIVE BASS EX. button
- 11 POWER button
- 12 SLEEP button
- 13 AUTO PRESET button
- 14 RANDOM play button
- 15 CONTINUE play button
- 16 CD operation buttons  
Play/pause button (▶/||):  
Press to play a CD or to stop temporarily.  
Stop (■)/CLEAR button  
CD search buttons (◀◀, ▶▶):  
Press to locate the beginning of a track and to start forward/reverse search operations.
- 17 FM/AM button  
Press to select tuner mode.  
Press to select the band.  
Tuning buttons (◀◀/▶▶)
- 18 DISPLAY button  
Use to display the current time.
- 19 STEREO AUTO/MONO button
- 20 VOLUME buttons (+, -)

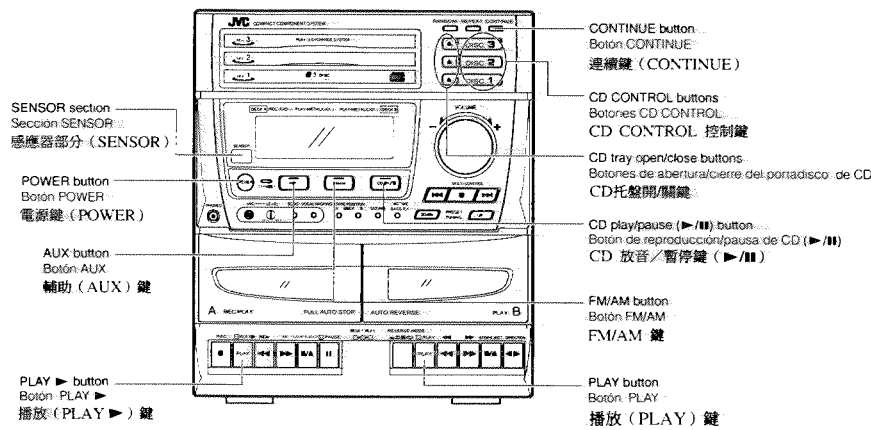
- 1 Botones de control de 3CD (CD CONTROL) (DISC 1-DISC 3)
- 2 Botones (▲) de apertura/cierre del portadisco de CD (DISC 1-DISC 3)
- 3 Botones (No. 1 a No. 10, +10) de número de pista... Botones (No. 1 a No. 10, +10) de estación presintonizada...
- 4 Botón programa (PROGRAM)
- 5 Botón de repetición de reproducción (REPEAT)
- 6 Botón auxiliar (AUX)
- 7 Botón del reloj (CLOCK)
- 8 Botón del temporizador (TIMER)
- 9 Botón SOUND
- 10 Botón ACTIVE BASS EX.
- 11 Botón de alimentación (POWER)
- 12 Botón de desconexión (SLEEP)
- 13 Botón de presintonización automática (AUTO PRESET)
- 14 Botón de reproducción aleatoria (RANDOM)
- 15 Botón de reproducción continuada (CONTINUE)
- 16 Botones para operación del CD  
Botón (▶/||) de reproducción/pausa:  
Presiónelo para reproducir un CD o para pararlo temporalmente.  
Botón de parada/borrado (■)/CLEAR  
Botones (◀◀, ▶▶) de búsqueda del CD:  
Presiónelos para ubicar el principio de una pista o para iniciar las operaciones de búsqueda hacia adelante/atrás...
- 17 Botón FM/AM  
Presiónelo para seleccionar el modo de sintonizador... Presiónelo para seleccionar la banda...
- 18 Botones de sintonización (◀◀/▶▶)
- 19 Botón de indicación (DISPLAY)
- 20 Utilicelo para llamar la hora actual...
- 21 Botón estereofónico automático/monofónico (STEREO AUTO/MONO)
- 22 Botones de volumen (VOLUME) (+, -)

- 1 3CD控制鍵 (CD CONTROL) (DISC1-DISC3)
- 2 CD 托盤 (▲) 開/關鍵 (DISC1-DISC3)
- 3 樂曲號碼鍵 (第1號到第10號, +10)  
預設電台鍵 (第1號到第10號, +10)
- 4 編程鍵 (PROGRAM)
- 5 重複播放鍵 (REPEAT)
- 6 輔助 (AUX) 鍵
- 7 時鐘 (CLOCK) 鍵
- 8 定時器 (TIMER) 鍵
- 9 聲音 (SOUND) 鍵
- 10 有源式低音擴展 (ACTIVE BASS EX.) 鍵
- 11 電源 (POWER) 鍵
- 12 睡眠 (SLEEP) 鍵
- 13 自動預設 (AUTO PRESET) 鍵
- 14 隨機 (RANDOM) 播放鍵
- 15 連續 (CONTINUE) 播放鍵
- 16 CD 操作鍵  
播放/暫停鍵 (▶/||) :  
按壓此鍵播放CD或暫停。  
停止 (■) /CLEAR 清除鍵  
CD搜尋鍵 (◀◀, ▶▶) :  
按壓此鍵搜索曲頭並開始正向/反向搜索操作。
- 17 FM/AM 鍵  
按壓此鍵選擇收音機模式。  
按壓此鍵選擇波段。  
CD調諧鍵 (◀◀, ▶▶)
- 18 顯示 (DISPLAY) 鍵  
用來顯示當前時間。
- 19 立體聲自動/單聲道 (STEREO AUTO/MONO) 鍵
- 20 音量 (VOLUME) 鍵 (+, -)

SWITCHING THE POWER ON/OFF

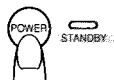
CONEXION/DESCONEXION DE LA ALIMENTACION

電源的接通與斷開



Switching the power on/off

- Switching on:



Conexión/desconexión de la alimentación

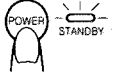
- Conexión:

The STANDBY indicator goes out.  
El indicador STANDBY se apaga.  
STANDBY (待機) 指示燈熄滅。

電源的接通與斷開

- 接通電源:

- Switching off:



- Desconexión:

The STANDBY indicator lights.  
El indicador STANDBY se enciende.  
STANDBY 指示燈點亮。

- The indicator in the display window goes out and only the clock is indicated.  
El indicador en el visor se apaga y sólo queda indicado el reloj.
- 顯示窗的指示燈熄滅，只有時鐘的指示燈是點亮的。

- 斷開電源:

**One touch operation (COMPU PLAY)**


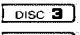
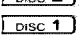
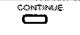
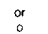

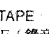

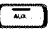
Even when the power is set to STANDBY, pressing the button shown below switches on the power and selects the source.

**Operación de un solo toque (COMPU PLAY)**

Cuando la alimentación está colocada en STANDBY, al presionar el botón mostrado abajo conecta la alimentación y selecciona la fuente...

**電腦控制收音 (COMPU PLAY)**

即使電源設於待機 (STANDBY) 方式, 按壓下列按鈕可接通電源並選擇聲源。

Function mode Modo de función 各項功能	Operations Operaciones 操作
    	<p>CD CD (雷射唱片)</p> <p>When this button is pressed with a CD loaded, CD playback begins. Cuando se presiona este botón habiendo un CD colocado, comienza la reproducción del mismo. 裝入CD唱片, 按壓此鍵鈕, CD唱片的收音便開始。</p>
<p>(Deck A)  (Platina A) 卡座 A</p> <p>OR</p> <p>(Deck B)  (Platina B) 卡座 B</p>	<p>TAPE TAPE (錄音帶)</p> <p>When this button is pressed with a tape loaded, tape playback begins. Cuando se presiona este botón habiendo una cinta colocada, comienza la reproducción de la misma. 裝入錄音帶, 按壓此鍵鈕, 錄音帶的收音便開始。</p>
	<p>FM/AM FM/AM (調頻/調幅)</p> <p>When this button is pressed, the tuner is engaged. Cuando se presiona este botón, se activa el sintonizador. 按壓此鍵鈕, 調諧器便被接通。</p>
	<p>AUX AUX (輔助)</p> <p>A sound source connected to the AUX terminal can be engaged. Es posible activar una fuente de sonido que este conectada al terminal AUX. 聲源可以連接至 AUX (輔助) 端子。</p>

**Notes:**

- When the unit is in the power STANDBY mode with a Deck's PLAY ► or PLAY button pressed, the one touch operation does not function. Press the POWER button to switch the POWER on.
- When the timer display (Ⓞ) is shown, the power of this unit is not switched on even when the deck's PLAY ► or PLAY button is pressed.

**Notas:**

- Cuando la unidad está en el modo de alimentación STANDBY con el botón PLAY ► o PLAY de la platina presionado, las operaciones de un solo toque no funcionan. Presione el botón POWER para conectar POWER.
- Cuando aparece el indicador (Ⓞ) del temporizador, la alimentación de esta unidad no se conecta aun cuando se presione el botón PLAY ► o PLAY de la platina.

**註:**

- 當裝置處於電源 STANDBY 模式並且按下 PLAY ► 或 PLAY 鍵時, 單獨操作不起作用。按壓 POWER 鍵打開電源。
- 當顯示定時器顯示 (Ⓞ) 時, 即使按下錄音機的 PLAY ► 或 PLAY 鍵也無法打開本裝置的電源。

**IllumiMagic COMPU PLAY**

When approaching the SENSOR section with your hand while the POWER button is set to STANDBY, one touch operation button indicators automatically blink for 10 seconds so that these button indicators can be easily found for sound source selection.

If nothing is done while these indicators blink.....  
The blinking indicators go out after 10 seconds.

**Notes:**

- When your hand approaches a point approx. 30 cm (11-13/16") from the SENSOR section, the indicators blink.
- Since the sensor detects light reflection, an object other than a hand approaching the sensor can activate IllumiMagic COMPU PLAY. However, operational distance varies depending on the shape or color of object, or brightness of conditions.
- When an object is placed in front of the SENSOR section, the indicator may blink repeatedly. However, this is not a malfunction. Take one of the following measures.
  - Do not place anything in front of the SENSOR section within a distance of 1 m (3.28 ft).
  - Change the direction of this unit.
  - Relocate this unit.

**When the indicator blinking is not required....**

When the POWER button is set to STANDBY, operate as follows.



Press the POWER button while pressing the stop/clear (■) button. "OFF" is shown in the display window. (Perform the same operations to activate IllumiMagic COMPU PLAY again. "ON" is shown in the display window.)

**IllumiMagic COMPU PLAY**

Cuando se aproxima la mano a la sección SENSOR mientras el botón POWER está colocado en STANDBY, los indicadores de los botones de operación de un solo toque parpadean automáticamente durante 10 segundos, de tal manera que puedan ser localizados fácilmente para la selección de la fuente de sonido.

Si no se hace nada mientras estos indicadores parpadean... Los indicadores parpadeantes se apagan después de transcurridos 10 segundos.

**Notas:**

- Cuando aproxima la mano hasta aproximadamente 30 cm de la sección SENSOR, los indicadores parpadean.
- Como el sensor detecta la reflexión de la luz, un objeto cualquiera que no sea la mano aproximado al sensor puede activar la función IllumiMagic COMPU PLAY. Sin embargo, la distancia de operación varía dependiendo de la forma, del color o del brillo del objeto.
- Cuando se coloca un objeto en frente de la sección SENSOR, el indicador puede parpadear repetidamente. Sin embargo esto no es una falla. Tome una de las siguientes medidas:
  - No coloque nada en frente del SENSOR remoto a menos de 1 m de distancia.
  - Cambie la orientación de esta unidad.
  - Reubique esta unidad.

**Cuando no es necesaria la indicación parpadeante....**

Cuando el botón POWER esté colocado en STANDBY, opere de la siguiente manera

Presione el botón POWER conjuntamente con el botón de parada/borrado (■) "OFF" aparece indicado en el visor. (Efectúe las mismas operaciones para activar otra vez IllumiMagic COMPU PLAY. "ON" aparece indicado en el visor.)

**魔光機控播放 (IllumiMagic COMPU PLAY)**

當電源鍵設為待機 (STANDBY), 您的手靠近感應器 (SENSOR) 部件時, 單獨收音鍵指示燈會自動閃爍 10 秒鐘, 以便在選擇聲源時容易發現這些鍵指示燈。

如果這些指示燈閃爍時無任何操作.....  
指示燈閃爍 10 秒鐘後消失。

**註:**

- 當您的手離 SENSOR (感應器) 部件大約 30cm 時, 指示燈即閃爍。
- 手以外的物體接近感應器能啟動魔光 COMPU PLAY, 但動作距離可能因物體之形狀或顏色, 或亮度條件而不同。
- 當一個物體被放在 SENSOR (感應器) 部件前面時, 指示燈會反覆閃爍, 這不是故障。請採取下述措施之一。
  - 請勿在感應器 (SENSOR) 部分前面 1 米之內放置任何東西。
  - 改變本機的方向。
  - 重新安置本機。

**當無需指示燈閃爍時...**

將 POWER 鍵設定於 STANDBY 進行下列操作。

按 stop/clear (■) 鍵的同時按 POWER 鍵, "OFF" 即出現在顯示窗上。  
(進行同樣的操作再次啟動魔光 COMPU PLAY, "ON" 即出現在顯示窗上。)

**Notes:**

- When the CD tray open/close (▲) button is pressed, the sound source does not switch over, and the CD tray opens or closes. (When the POWER is switched off with the CD tray open, the CD tray closes, then the POWER switches off.)
- When switching off the power, be sure to press the POWER button.
- The COMPU PLAY button on the remote control has the same function as that on the main unit. IllumiMagic COMPU PLAY is activated using the main unit only.
- If installed in an audio rack, the rack's front glass plate may impede the unit's SENSOR section function so that IllumiMagic COMPU PLAY may not be activated.
- When the ○ REC, PLAY ► or PLAY button is pressed for timer recording or playback, IllumiMagic COMPU PLAY cannot be activated. However, this is not a malfunction.

**Notas:**

- Cuando se presiona el botón (▲) de apertura/cierre del portadisco de CD, la fuente de sonido no cambia, y el portadisco de CD se abre o se cierra. (Cuando se desconecta POWER con el portadisco de CD abierto, éste se cierra, y luego se desconecta POWER.)
- Cuando se desconecta la alimentación, asegúrese de presionar el botón POWER.
- El botón COMPU PLAY del controlador remoto posee la misma función que el de la unidad principal. Solo es posible activar IllumiMagic COMPU PLAY utilizando la unidad principal.
- Si se lo instala en una platina de audio, el vidrio frontal de la estantería puede impedir que funcione la sección SENSOR de la unidad, y por consiguiente no se podrá activar IllumiMagic COMPU PLAY.
- Cuando el botón ○ REC, PLAY ► o PLAY está presionado para la grabación por temporizador o reproducción, IllumiMagic COMPU PLAY no puede ser activado. Sin embargo, esto no es una falla.

**注意：**

- 當按壓 CD 托盤開/關鍵 (▲) 時，聲源不會切換，CD 托盤打開或關閉。(CD 托盤打開著而關閉電源時，CD 托盤關閉後，電源才關閉。)
- 要關閉電源時，一定要按壓 POWER 鍵鈕。
- 遙控器上的 COMPU PLAY 鍵鈕與主機上的具有相同的功能。魔光 COMPU PLAY 僅可用主機上的來啟動。
- 若將本機安放於音響機架內，機架的前玻璃可能阻礙本機的感應器部位工作，使魔光 COMPU PLAY 不會被啟動。
- 當按壓 ○ REC 或 PLAY ► 或 PLAY 鍵來進行定時錄音或播放時，魔光機控播放 (IllumiMagic COMPU PLAY) 不能激活。但這並不是故障。

**VOLUME, TONE AND OTHER CONTROLS**

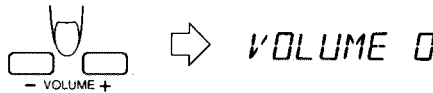
**VOLUMEN, TONO Y OTROS CONTROLES**

**音量、音調和其它控制**

**VOLUME buttons (+, -) (using the remote control unit)**  
 + : Use to increase the volume.  
 - : Use to decrease the volume.  
 (Control range from VOLUME 0 to VOLUME 50.)

**Botones VOLUME (usando el mando a distancia)**  
 + : Uselo para aumentar el volumen.  
 - : Uselo para reducir el volumen.  
 (Los límites de control van de VOLUME 0 a VOLUME 50.)

**音量鍵 (VOLUME) (使用遙控器)**  
 + : 用來增大音量。  
 - : 用來減小音量。  
 (音量範圍從 VOLUME 0 至 VOLUME 50)



**ACTIVE BASS EX. button**

**ON :** The A. BASS EX indicator lights up. Set to this position to activate ACTIVE BASS EXTENSION sound.  
**OFF :** The A. BASS EX indicator goes out. Set to this position when ACTIVE BASS EXTENSION sound is not required.

**Botón ACTIVE BASS EX.**

**ON :** Se enciende la indicación A. BASS EX Colóquelo en esta posición para activar el sonido ACTIVE BASS EXTENSION.  
**OFF :** Se apaga la indicación A. BASS EX Colóquelo en esta posición para desactivar el sonido ACTIVE BASS EXTENSION.

**ACTIVE BASS EX. 鍵**

**ON :** A.BASS EX 指示點亮。設定於此處來激活有源式低音擴展聲音。  
**OFF :** A.BASS EX 指示熄滅。當不需要有源式低音擴展聲音時，設定於此處。

21

**Sound mode button**

Sound modes can be selected to enhance the type of music being played.

- Press the SOUND button to select the sound mode.
- Each time the SOUND button is pressed the sound mode changes as follows;

**Botón de modo de sonido**

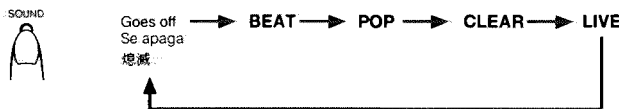
Los modos de sonido pueden ser seleccionados para realzar el tipo de música que está siendo reproducida.

- Presione el botón SOUND para seleccionar el modo de sonido.
- Cada vez que presiona el botón SOUND el modo de sonido cambia de la siguiente manera:

**音源方式鍵**

可以選擇聲音模式來增強正在播放音樂的音響效果。

- 按 SOUND 鍵選擇音源方式。
- 每按一次 SOUND 鍵，音源方式變化如下：



**Sound mode selection**

**No sound effect (flat characteristics):**  
 Set to this position when listening to classical music.  
**BEAT:**  
 Set to this position for music with a heavy beat, such as rock or disco music.  
**POP:**  
 Set to this position for light music including popular and vocal music.  
**CLEAR:**  
 Set to this position for crisp and clear sounding music with transparent highs.  
**LIVE:**  
 Set to this position for the sound of live jazz music.

**Selección del modo de sonido**

**Sin efectos de sonido (característica plana):**  
 Colóquelo en esta posición cuando escucha música clásica.  
**BEAT:**  
 Colóquelo en esta posición para música con ritmo pesado tal como rock o música de discoteca.  
**POP:**  
 Colóquelo en esta posición para música leve incluyendo música popular y vocal.  
**CLEAR:**  
 Colóquelo en esta posición para música con sonido contrastado y nítido, con altos transparentes.  
**LIVE:**  
 Colóquelo en esta posición para sonido de música de jazz en vivo.

**音源方式選擇**

**無音響效果 (平坦特性) :**  
 聽古典音樂時設定於此位置。  
**BEAT :**  
 設定於此位置以獲得帶重打擊樂 (如搖滾或的士高) 的音樂。  
**POP :**  
 設定於此位置以獲得包括通俗音樂及聲樂的輕音樂。  
**CLEAR :**  
 設定於此位置以獲得清脆、明晰的透亮高音。  
**LIVE :**  
 設定於此位置以獲得現場爵士音樂。

**Note:**

The sound modes only affect the sound output from the speakers or headphones. They do not affect the sound when recording.

**Nota:**

Los modos de sonido sólo afectan la salida de sonido de los altavoces o audífonos, pero no afectan el sonido de la grabación.

**註:**

聲音方式只會影響充揚聲器或頭帶式耳機輸出的聲音。在錄音時不會影響聲音。

**HANDLING CDs**

Since dirty, damaged and warped CDs may damage the unit, take care regarding the following:

- Usable CDs**  
Use CDs with the mark shown.
  - Notes on handling CDs**
    - Do not touch the reflective recorded surface.
    - Do not stick or write anything on the label side.
    - Do not bend CDs.
  - Storage**
    - After removing a CD from the unit, be sure to put it back in its case.
    - Do not expose CDs to direct sunlight, high temperatures from a heater, etc., high humidity, or dust.
  - Cleaning CDs**
    - Before loading a CD, wipe off any dust, dirt or fingerprints with a soft cloth. CDs should be cleaned by wiping radially from the center to the edge.
- Never use thinner, benzene, record cleaner or antistatic spray.

**MANIPULACION DE CD**

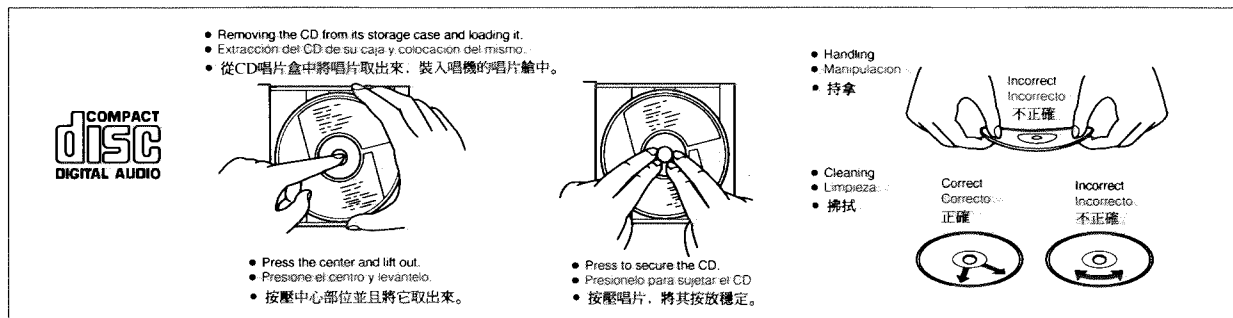
Como los CD sucios, dañados o alabeados pueden dañar la unidad, tome precauciones en relación a lo siguiente:

- CD utilizables**  
Utilice CD con la marca indicada.
  - Notas sobre manipulación de CD**
    - No toque la superficie grabada reflejante.
    - No adhiera ni escriba nada sobre el lado de la etiqueta.
    - No doble los CD.
  - Almacenamiento**
    - Después de extraer un CD de la unidad, asegúrese de colocarlo otra vez en su caja.
    - No exponga los CD a la luz directa del sol, altas temperaturas provenientes de un calentador, etc., alta humedad, o polvo.
  - Limpieza de CD**
    - Antes de colocar un CD, limpie el polvo, suciedad o huellas digitales, con un paño suave. Los CD deben ser limpiados radialmente desde el centro hacia el borde.
- Nunca utilice solvente, bencina, limpiador de discos o aerosol antiestático.

**有關 CD**

由於污穢的、損壞的、彎曲的唱片會損壞唱機，因此必須注意下列事項：

- 可用的 CD 唱片**  
請使用有所標記的 CD 唱片。
- 關於使用 CD 唱片的注意事項**
  - 切勿觸摸如明鏡般反射的、錄有聲音的一面。
  - 切勿在有標籤的一面張貼或者書寫任何東西。
  - 切勿彎曲 CD 唱片。
- CD 唱片的保管**
  - 將 CD 唱片從唱機的唱片盤取出來以後，務必放回唱片盒。
  - 切勿讓唱片暴露於陽光下、取暖器的高溫中、濕氣以及灰塵之中。
- CD 唱片的清潔**
  - 在將 CD 唱片裝入唱機之前，請用柔軟的布拭去灰塵、污穢以及指印。應該由中心往邊緣方向拂拭。
  - 切勿使用稀釋劑、發揮性汽油、唱片清潔劑以及抗靜電噴霧劑。



23

**PLAYING CDs**

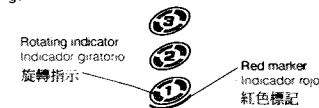


**REPRODUCCION DE CD**

**CD 唱片的放音**

**CD number indicators**

The red marker under its CD number indicator lights up corresponding to the CD number you select. While a CD is playing, the display inside its respective CD number indicator rotates. The indicators show whether or not the tray corresponding to the CD number you select holds a CD. When a CD is not loaded in the tray, the display inside the CD number indicator goes out and the red marker remains lit.



**Tray lock function**

In order to safely keep the CDs in the CD changer, the three trays can be locked in a single operation. When the electronic lock is on, the trays cannot be opened even if the ▲ buttons are pressed. This function can only be accessed by using the buttons on the main unit itself.

**Locking the electronic lock**

- Set the POWER button to STANDBY.
- While pressing the stop/clear (■) button, press the ▲ button for DISC 1's tray on the unit. "LOCK ON" appears on the display to let you know that the trays have been locked.

When the CD trays are locked, pressing the ▲ buttons displays the message "LOCK ON" on the display and the trays do not open. Also, the ▲ button cannot be used to automatically turn on the power.



**Unlocking the electronic lock**

- Set the POWER button to STANDBY.
- While pressing the stop/clear (■) button, press the ▲ button for DISC 1's tray on the unit. When the unlock operation is done, "LOCK OFF" appears on the display to show that the lock has been taken off. The trays can now be operated by pressing the ▲ buttons. The ▲ buttons can also be used to automatically turn on the power.

**Indicadores del número de CD**

El indicador rojo debajo del indicador del número de CD se enciende correspondiendo al número de CD que usted seleccionó. La indicación dentro del respectivo indicador de número de CD gira mientras un CD está siendo reproducido. Los indicadores muestran si el portadiscos del número de CD que usted seleccionó contiene un CD o no. Cuando no hay ningún CD colocado en el portadisco, la indicación dentro del indicador del número de CD se apaga y la marca roja permanece encendida.

**Función de bloqueo del portadisco**

Para mantener con seguridad los CD en el cambiador de CD, los tres portadiscos pueden ser bloqueados por medio de una sola operación. Cuando el bloqueo electrónico está activado, los portadiscos no pueden ser abiertos aunque se presionen los botones ▲. Esta función sólo puede ser activada utilizando los botones en la unidad principal.

**Activación del bloqueo electrónico**

- Coloque el botón POWER en STANDBY.
- Presione simultáneamente el botón parada/borrado (■) y el botón ▲ para el portadisco DISC 1 en la unidad. "LOCK ON" aparecerá en el visor indicándole que los portadiscos están bloqueados. Cuando los portadiscos de CD están bloqueados, el presionar los botones ▲ llamará el mensaje "LOCK ON" al visor y los portadiscos no pueden ser abiertos. También, no es posible usar el botón ▲ para conectar automáticamente la alimentación.

**Desactivación del bloqueo electrónico**

- Coloque el botón POWER en STANDBY.
- Presione simultáneamente el botón parada/borrado (■) y el botón ▲ para el portadisco DISC 1 en la unidad. Cuando la operación de desbloqueo termina, "LOCK OFF" aparece en el visor indicando que el bloqueo ha sido desbloqueado. Los portadiscos pueden ser operados presionando los botones ▲. Los botones ▲ también pueden ser usados para conectar automáticamente la alimentación.

**CD號碼指示燈**

對應于您選擇的CD號碼。此號碼指示燈下面的紅色標記將會點亮。

當播放CD時，對應CD號碼指示燈內的顯示器將會旋轉。

指示燈將顯示對應于您選擇的CD號碼的托盤是否裝有CD。當托盤內沒有裝有CD時，CD號碼指示燈熄滅而紅色標記繼續點亮。

**托盤鎖定功能**

為了安全地在 CD 交換器內保存 CD 唱碟，可以單個操作來鎖定三個托盤。當鎖上電子鎖時，即使按壓▲鍵也不能打開托盤。此功能僅能通過使用主機上的鍵來執行。

**電子鎖的鎖定方法**

- 將 POWER 鍵設定到 STANDBY 位置。
- 在按住停止/清除 (■) 鍵的同時，按壓裝置上 DISC 1 托盤的 ▲ 鍵。"LOCK ON" 將會出現在顯示窗上以讓您知道托盤已被鎖定。當 CD 托盤被鎖定時，按壓 ▲ 鍵在顯示窗上顯示 "LOCK ON" 但托盤不會打開。另外，▲ 鍵不能用來自動打開電源。

**電子鎖的開鎖方法**

- 將 POWER 鍵設定到 STANDBY 位置。
- 在按住停止/清除 (■) 鍵的同時，按壓裝置上 DISC 1 托盤的 ▲ 鍵。當執行了開鎖操作後，顯示窗上顯示 "LOCK OFF" 表示鎖已被打開。現在可以通過按壓 ▲ 鍵來操作托盤。▲ 鍵也可用來自動打開電源。

(Example: When playing back a CD loaded in the DISC 1 tray, which contains 12 tracks and whose total playback time is 48 minutes and 57 seconds.)

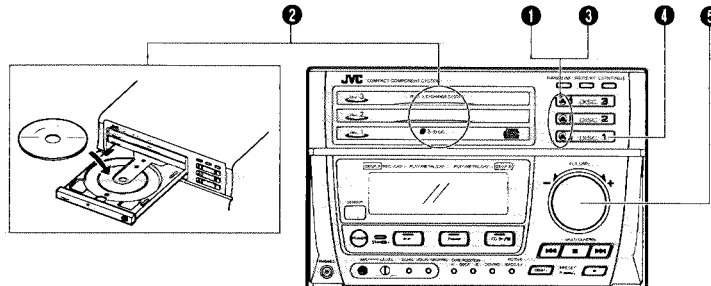
Operate in the order shown

(Ejemplo: Cuando se reproduce un CD cargado en DISC 1 portadisco, que contiene 12 pistas y cuyo tiempo de reproducción total es 48 minutos y 57 segundos.)

Opere en el orden mostrado

(例如：當播放裝在DISC1托盤內的CD時，此CD有12首樂曲，總播放時間為48分57秒。)

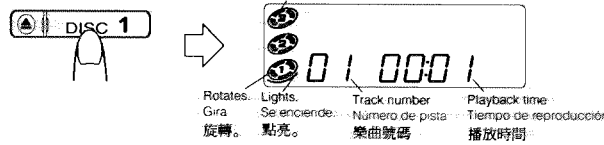
如下所示進行操作



- 1 Press the required CD tray open/close button (▲) (DISC 1 to DISC 3). The CD tray opens. (The power is switched on.)
- 2 Load a CD with the label side facing up.
- 3 Press the CD tray open/close button (▲) to close the CD tray.
  - Repeat the above procedures to load the other CDs.
- 4 Press the required CD CONTROL button (DISC 1 to DISC 3) to start play.

- 1 Presione el botón (▲) de apertura/cierre del portadisco de CD (DISC 1 a DISC 3). El portadisco de CD se abre. (Se conecta la alimentación).
- 2 Coloque un CD con la etiqueta apuntado hacia arriba.
- 3 Presione el botón (▲) de apertura/cierre del portadisco de CD para cerrarlo.
  - Repita los procedimientos de arriba para colocar otros CD.
- 4 Presione el botón CD CONTROL (DISC 1 a DISC 3), necesario para iniciar la reproducción.

- 1 按壓想要播放的CD托盤開/關鍵(▲)(DISC1-DISC3)。打開CD托盤。  
(電源接通。)
- 2 讓有標籤的面朝上裝入CD。
- 3 按壓CD托盤開/關鍵(▲)關上CD托盤。  
• 重複上述步驟裝上其他CD。
- 4 按壓想要播放的CD控制鍵(DISC1-DISC3)開始播放。



5 Adjust.

5 Ajuste.

5 調節

25

• During CD playback, other CDs can be exchanged by opening their trays with the appropriate CD tray open/close buttons (▲).  
• 8-cm (3") CDs can be used in this unit without an adaptor.

• Durante la reproducción de CD, otros CD pueden ser intercambiados abriendo los portadiscos con los botones (▲) de apertura/cierre del portadisco de CD apropiado.  
• Los CD de 8-cm. pueden ser usados con esta unidad sin necesidad de adaptador.

• 在播放CD期間，可以用對應的CD托盤開/關鍵(▲)通過打開它們的托盤來交換CD。  
• 8-厘米CD可以不用適配器在此裝置上使用。

**Notes:**

- When the POWER button is set to STANDBY, or another mode (TAPE, FM/AM or AUX) is selected, the last CD played is stored in memory. The same CD will be played when the power is switched on again and the ►/|| button is pressed.
- When a CD tray is open, press any of ►/||, ▲ or the CD CONTROL buttons (DISC 1 to DISC 3), and the tray will close.

**Notas:**

- Cuando coloca el botón POWER en STANDBY, o selecciona otro modo (TAPE, FM/AM o AUX), el último CD reproducido queda almacenado en memoria. El mismo CD será reproducido cuando conecte otra vez la alimentación y presione el botón ►/||.
- Cuando hay un portadisco de CD abierto, presione cualquiera de los botones ►/||, ▲ o CD CONTROL (DISC 1 a DISC 3), para cerrar el portadisco.

**註:**

- 當POWER鍵設定在STANDBY位置或選擇其他方式(磁帶、調諧器或輔助)時，最后一次播放的CD將被記憶在記憶體內。當再次打開電源并按壓►/||鍵時，將播放同一張CD。
- 當CD托盤處於打開的狀態時，按壓►/||、▲或CD CONTROL鍵(DISC1-DISC3)中的任一一個鍵時，托盤將會關閉。

When the AC power cord is unplugged, never close the open tray by hand. To close it, plug the power cord in again and press the ▲ button. Otherwise it may cause damage to the unit.

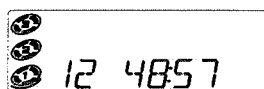
Cuando se desenchufa el cordón de alimentación CA, nunca cierre el portadisco con la mano. Para cerrarlo, enchufe otra vez el cordón de alimentación y presione el botón ▲. De lo contrario podrá dañar la unidad.

當拔下交流電源線時，切勿用手來關閉打開的CD托盤。若想將其關閉，再次插上電源并按壓▲鍵。否則裝置可能會被損壞。

- To stop in the middle of a CD  
During play, press the stop/clear (■) button to stop play.

- Para detener la reproducción de un CD en la mitad de la misma  
Presione el botón (■) de parada/ borrado para detener la reproducción.

- 若要在播放CD時，停止播放  
在播放期間，按壓停止/清除■鍵來停止播放。



- The total number of tracks and total playback time are displayed.
- La unidad indica el número total de pistas y el tiempo total de reproducción.
- 顯示總樂曲數和總播放時間。

- To stop a CD temporarily  
Press the ►/|| button to stop play temporarily and the indicator blinks. When pressed again, play resumes from the point where it was paused.

- Para detener un CD temporariamente  
Presione el botón ►/|| para parar temporariamente la reproducción y el indicador parpadea. Cuando lo presiona otra vez, se reinicia la reproducción desde el punto en que activó la pausa.

- 若要暫停CD  
按壓►/||鍵來暫停播放，指示燈開始閃爍。當再次按壓此鍵時，CD將從暫停的位置開始重新播放。

**Notes:**

- The following indication may appear when a CD is dirty or scratched, or when the CD is loaded upside down. In such a case, check the CD and insert again after cleaning the CD or turning it over.



- When the CD ►/|| or DISC 1 through 3 buttons are pressed with no CDs loaded in the trays, "00 00000" is displayed.
- Do not use the unit at excessively high or low temperatures. The recommended temperature range is from 5°C (41°F) to 35°C (95°F).
- After playback, unload CDs and close the CD trays.
- If mistracking occurs during play, lower the volume.

**Skip play**

- During play, it is possible to skip forward to the beginning of the next track or back to the beginning of the track being played or the previous track; when the beginning of the required track has been located, play starts automatically.

**To listen to the next track...**

Press the ►| button once to skip to the beginning of the next track.

**To listen to the previous track...**

Press the ◀| button to skip to the beginning of the track being played. Press twice quickly to skip to the beginning of the previous track.

**Search play (to locate the required position on the CD)**

- The required position can be located using fast-forward or reverse search while playing a CD.

Keep pressing for fast-reverse search. Mantenga presionado para la búsqueda regresiva rápida. 若要倒帶搜尋，可按壓此鍵。



Keep pressing for fast-forward search. Mantenga presionado para la búsqueda progresiva rápida. 若要快速搜尋，可按壓住此鍵。

- Hold down the button; search play starts slowly and then gradually increases in speed.
- Since low-volume sound (at about one quarter of the normal level) can be heard in the search mode, monitor the sound and release the button when the required position is located.

**Notas:**

- La siguiente indicación puede aparecer cuando el CD está sucio o rayado, o cuando se lo ha colocado al revés. En tal caso, inspeccione el CD y colóquelo otra vez después de limpiarlo o de girarlo...

- Cuando se presionan los botones CD ►/|| o DISC de 1 a 3 y no hay ningún CD colocado en los portadiscos, se visualiza "00 00000".
- No utilice la unidad en temperaturas excesivamente altas o bajas. Los límites de temperatura recomendados son de 5°C a 35°C.
- Después de terminada la reproducción, extraiga los CD y cierre los portadiscos.
- Si ocurre un error de seguimiento durante la reproducción, baje el volumen...

**Reproducción con salto**

- Durante la reproducción es posible saltar hacia adelante hasta el principio de la próxima pista o hacia atrás hasta el principio de la pista que está siendo reproducida o de la pista anterior; cuando haya localizado el principio de la pista deseada, la reproducción se inicia automáticamente.

**Para escuchar la próxima pista...**

Presione una vez el botón ►| para saltar al principio de la próxima pista.

**Para escuchar la pista anterior...**

Presione el botón ◀| para saltar al principio de la pista que está siendo reproducida. Presione los dos veces rápidamente para saltar al principio de la pista anterior.

**Reproducción con búsqueda (para localizar la posición deseada en el CD)**

- La posición deseada puede ser ubicada utilizando la búsqueda de avance rápido o invertida mientras reproduce un CD.

- Mantenga presionado el botón; la búsqueda con reproducción se inicia lentamente y luego aumenta gradualmente la velocidad.
- Como en el modo de búsqueda es posible escuchar el sonido a bajo volumen (aproximadamente a un cuarto del nivel normal), monitoree el sonido y suelte el botón cuando haya localizado la posición deseada.

**註:**

- 當CD變臟或划傷時，或CD面朝上時，將會出現下面的指示。  
當發生這種情況時，先清潔CD或將其反個面后，重新檢查CD并再次插入。
- 當沒有裝上CD而按壓CD►/||或DISC1到DISC3鍵時，將會顯示“00 00000”。
- 請勿在過高或過低的溫度下使用本機。推薦的溫度範圍為5°C到35°C。
- 播放結束後，請取出CD唱片并關上CD托盤。
- 若在播放期間發生尋曲錯誤，請降低音量。

**跳越放音**

- 在放音中，可以往前跳越至下一樂曲的曲頭或者往後跳越至放音中樂曲的曲頭或者是已經放音的前一支樂曲的曲頭。當您要選聽的樂曲的曲頭被找到後，就會自動開始播放。

**聽下一支樂曲...**

若要聽下一支樂曲，按壓一下 ►| 鍵便可跳越至下一樂曲的曲頭。

**聽前一支樂曲...**

若要聽前一支樂曲，按壓一下 ◀| 鍵便可跳越至放音中樂曲的曲頭；如果快速按壓兩次便可以跳越至前一支樂曲的曲頭。

**搜尋放音**

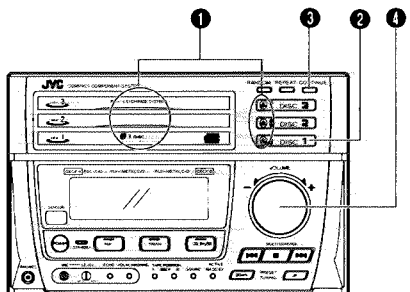
(在 CD 唱片中搜尋您所需要的某個位置)

- 若要在 CD 唱片中搜尋您所需要的某個位置，可以在放音中，用快速搜尋或者倒帶搜尋來進行。按住此鍵來快速反向搜尋。

**Continuous play**

**How to play all tracks**

Operate in the order shown



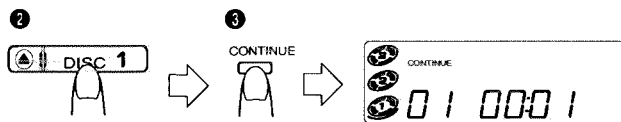
- 1 Load a CD in each tray (DISC 1-DISC 3).
- 2 Press the CD CONTROL button (DISC 1) to start play.
- 3 Press the CONTINUE button to set continuous play mode.
- 4 Adjust.

- CD play starts from DISC 1 and continues to the last track of the last CD in the CD changer.
- When a CD is loaded in each tray, continuous play can be started by pressing any CD CONTROL button (DISC 1 to DISC 3). Continuous play ends with the last track of the CD loaded in the DISC 3 tray.

**Reproducción continuada**

**Reproducción de todas las pistas**

Opere en el orden mostrado



- 1 Coloque un CD en cada portadisco (DISC 1-DISC 3).
- 2 Presione el botón CD CONTROL (DISC 1) para iniciar la reproducción.
- 3 Presione el botón CONTINUE para activar el modo de reproducción continua.
- 4 Ajuste.

- La reproducción del CD comienza por el DISC 1 y continúa hasta la última pista del último CD en el cambiador.
- Cuando se coloca un CD en cada portadisco, la reproducción continuada puede ser activada presionando cualquiera de los botones CD CONTROL (DISC 1 a DISC 3). La reproducción continuada termina con la última pista del CD colocado en el portadisco DISC 3.

**連續播放**

**播放所有樂曲的方法**

如下所述進行操作

- 1 在每個CD托盤 (DISC1-DISC3) 內裝入CD。
- 2 按壓CD CONTROL鍵 (DISC1) 來開始播放。
- 3 按壓CONTINUE鍵來設定成連續播放方式。
- 4 調節。

- CD 播放將從DISC1開始并連續播放到CD交換器上的最后一首樂曲。
- 當在每個托盤內裝上CD時，可以通過按壓任何一個CD控制鍵 (DISC1-DISC3) 來開始連續播放。連續播放終止于DISC3托盤上裝有的CD唱碟的最后一首樂曲。



**Notes:**

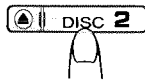
- During CD play, continuous play will not function if another CD tray is open.
- While CDs are being changed in the CD changer, there will be a short delay after pressing the **▲** button until the CD tray opens.

**DISC CONTROL button**

**• Direct Disc Selection**

Press the CD CONTROL button (DISC 1 to DISC 3) corresponding to the No. of the required CD.

Example: To designate Disc 2



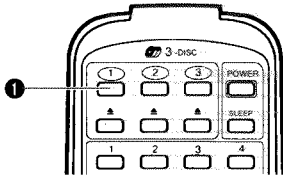
The tracks on the designated CD are played in sequence.

**Note:**

- When "PROGRAM" is shown in the display and the direct select operation is performed, the CD cannot be played.

**Direct access play (using the remote control unit)**

Example 1: To designate Disc 1



- 1 Designate the required CD using CD CONTROL button (DISC 1 to DISC 3).
  - CD play starts.

**Notes:**

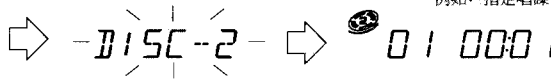
- Durante la reproducción de CD, la reproducción continuada no funciona si otro portadisco de CD está abierto.
- Mientras se están cambiando los CD en el cambiador, habrá un breve retraso después de presionar el botón **▲** hasta que se abra el portadisco de CD.

**Botón DISC CONTROL**

**• Selección directa de disco**

Presione el botón (DISC 1 a DISC 3) de CD CONTROL correspondiente al No. del CD deseado.

Ejemplo: Para designar el disco 2



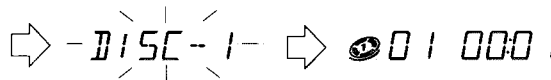
La unidad reproduce en secuencia las pista del CD designado.

**Nota:**

- Cuando aparece "PROGRAM" en la indicación y se ejecuta la operación de selección directa, el CD no es reproducido.

**Reproducción por acceso directo (utilizando la unidad de control remoto)**

Ejemplo 1: Para seleccionar el disco 1



- 1 Seleccione el CD deseado utilizando el botón CD CONTROL (DISC 1 a DISC 3).
  - Se inicia la reproducción de CD.

**註:**

- 在播放CD期間，如果其他CD托盤開著，將不能使用連續播放功能。
- 當CD交換器正在交換CD時，在按壓**▲**鍵到打開CD托盤之間將會有一個短暫的延遲。

**DISC CONTROL 鍵**

**• 直接唱碟選擇**

按壓對應於想要播放的CD的CD CONTROL 鍵 (DISC1-DISC3)。

例如：指定唱碟 2 (DISC2)

按順序播放指定的CD上的樂曲。

**註:**

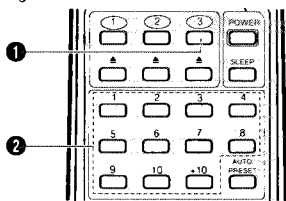
- 當顯示窗內出現 "PROGRAM" 并進行了直接選擇操作時，將不能播放CD。

**直接進入播放 (使用遙控器)**

例1: 指定唱碟 1 (DISC1)

- 1 利用 (DISC1-DISC3) 的 CD CONTROL 鍵指定 CD。
  - 開始 CD 播放

Example 2: To designate the 3rd track of Disc 3



- 1 Designate the required CD using the CD CONTROL buttons (DISC 1 to DISC 3).
- 2 The track number is displayed and the required track number is selected using the track button.
  - CD play starts.

- To designate track numbers 1 to 10, press the track number button corresponding to the track number.
- To designate track number 11 or higher, press the +10 button the required number of times, then a track number button. (Example: To designate the 20th track, press the +10 button once, then press track number button 10.)
- +10 button: Each time this button is pressed, the number increases by 10. First press this button to set the 10's digit, then press the track number button to set the 1's digit.

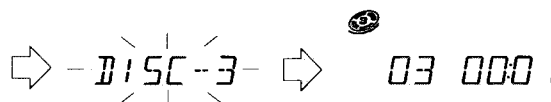
**Repeat play**

Press the REPEAT button before or during play. It is possible to perform repeat play of a single track, all tracks on one CD, or all tracks on all CDs in the CD changer.

Each time the REPEAT button is pressed, the mode will change in the order from a single track (↔), to all tracks (↔ ALL), to clear mode.



Ejemplo 2: Para seleccionar la 3ª pista del disco 3



- 1 Seleccione el CD deseado utilizando los botones CD CONTROL (DISC 1 a DISC 3).
- 2 Se visualizarán los números de pista; seleccione el número de pista deseada utilizando el botón de pista.
  - Se inicia la reproducción del CD.

- Para designar las pistas del número 1 al 10, presione el botón de número de pista correspondiente a la misma.
- Para designar el número de pista 11 o superior, presione el botón +10 el número necesario de veces, y luego un botón de número de pista. (Ejemplo: Para designar la pista 20, presione el botón +10 una vez, y luego presione el botón 10 de número de pista.)
- Botón +10: Cada vez que presiona este botón el número se incrementa en 10. Primero presione este botón para ingresar las decenas, luego presione el botón de número de pista para ingresar las unidades.

**Repetición de reproducción**

Presione el botón REPEAT antes o durante la reproducción. Es posible efectuar la repetición de reproducción de una sola pista, todas las pistas de un CD o todas las pistas de todos los CD en el cambiador.

Cada vez que presione el botón REPEAT el modo cambiará en el siguiente orden: de una sola pista (↔) a todas las pistas (↔ ALL), al modo de borrado.

例2: 指定唱碟3 (DISC3) 上的第3首樂曲。

- 1 利用 (DISC1-DISC3) 的 CD CONTROL 鍵指定 CD。
- 2 用樂曲鍵顯示指定樂曲的號碼并選擇想要播放的樂曲號碼。
  - 開始播放CD。
- 根據樂曲號碼，按壓與之相符合的樂曲號碼鍵，以選擇 1 至 10 的樂曲號碼。
  - 若要選擇 11 以上的樂曲號碼，根據所要選擇的樂曲號碼的數字按壓 +10 鍵，然後按壓樂曲號碼鍵 (譬如，要選擇第 20 號樂曲，先按壓 +10 鍵，然後按壓樂曲號碼鍵 10)
- +10 鍵: 每按壓一次此鍵，數字便增加 10。先按壓此鍵設定十位數，然後按壓樂曲號碼鍵設定個位數。

**重復播放**

在播放之前或播放期間，按壓重復 REPEAT 鍵，可以進行單曲重復播放或CD唱碟上所有樂曲的重復播放或CD交換器上所有CD上的所有樂曲的重復播放。

每次按下 REPEAT 鍵，播放方式將會按單曲重復方式 (↔)，所有樂曲重復方式 (↔ ALL) 和取消方式的順序進行變換。

- **Single track repeat (↺)**  
The current or specified track will be played repeatedly.
- **All tracks of one CD repeat (↺ ALL)**  
All tracks on the current or specified CD will be played repeatedly.
- **All tracks of all CDs repeat (ALL DISC, CONTINUE, ↺ ALL)**  
When the CONTINUE button is pressed in the "↺ ALL" mode, CD play starts from the current or specified track, then all tracks on all CDs will be played repeatedly.

**Random play**

Press the RANDOM button before or during play. It is possible to perform random play from one or all CDs.

- **One disc random (RANDOM)**  
Press the RANDOM button to randomly play tracks on the current or specified CD, except in continuous mode.
- **All disc random (ALL DISC, CONTINUE, RANDOM)**  
Press the RANDOM button in continuous play mode to randomly select and play tracks from all of the CDs in the CD changer.

**Notes:**

- While the single track repeat (↺) mode is engaged, random play does not function.
- It is not a malfunction that a certain track be played back several times during random play.
- All disc random does not function when a CD tray other than one played at the time is open.

- **Repetición de una sola pista (↺)**  
La pista actual o la especificada será reproducida repetidamente.
- **Repetición de todas las pista de un CD (↺ ALL)**  
Todas las pistas del CD actual o del especificado serán reproducidas repetidamente.
- **Repetición de todas las pistas de todos los CD (ALL DISC, CONTINUE, ↺ ALL)**  
Cuando se presiona el botón CONTINUE estando el modo "↺ ALL" activado, la unidad inicia la reproducción del CD desde la pista actual o desde la especificada, y luego de todas las pistas de todos los CD son reproducidas repetidamente.

**Reproducción aleatoria**

Presione el botón RANDOM antes o durante la reproducción. Es posible ejecutar la reproducción aleatoria de uno o de todos los CD.

- **Un disco aleatorio (RANDOM)**  
Presione el botón RANDOM para reproducir aleatoriamente las pistas del CD colocado o de uno especificado, excepto cuando el modo de reproducción continua esté activado.
- **Todos los discos aleatoriamente (ALL DISC, CONTINUE, RANDOM)**  
Presione el botón RANDOM en el modo de reproducción continua para seleccionar aleatoriamente y reproducir las pistas de todos los CD en el cambiador.

**Notas:**

- Mientras el modo de reproducción (↺) de una sola pista está activado la reproducción aleatoria no funciona.
- Que cierta pista sea reproducida varias veces durante la reproducción aleatoria no es una falla.
- La reproducción aleatoria de todos los discos no funciona cuando hay un portadisco de CD abierto que no sea el que se está reproduciendo.

- **單曲重複 (↺)**  
重複播放當前樂曲或指定樂曲。
- **重複播放一個CD上的所有樂曲 (↺ ALL)**  
重複播放當前CD或指定CD上的所有樂曲。
- **重複播放所有CD上的所有樂曲 (ALL DISC, CONTINUE, ↺ ALL)**  
當在 "↺ ALL" 方式下按壓CONTINUE鍵, CD將會從當前樂曲或指定樂曲開始播放, 然後重複播放所有CD上的所有樂曲。

**隨機播放**

在播放之前或播放期間按壓隨機播放 (RANDOM)。可以從一個或所有CD上開始隨機播放。

- **一個唱碟的隨機播放 (RANDOM)**  
除連續播放方式之外, 按壓RANDOM鍵使開始在當前或指定CD上隨機播放樂曲。
- **所有唱碟的隨機播放 (ALL DISC, CONTINUE, RANDOM)**  
在連續播放方式下, 按壓隨機播放鍵 (RANDOM) 便會從CD交換器的所有CD上隨機選曲來進行播放。

**註:**

- 當單曲重複 (↺) 模式正在起工作期間, 隨機播不起作用。
- 在隨機播放期間, 如果出現幾次重複播放某首樂曲, 這不是故障。
- 當某個CD正在播放時打開其他CD托盤, 所有唱碟機播放將不起作用。

**Programmed play (using the remote control unit)**

- Up to 20 tracks can be programmed to be played in any required order from one CD or all CDs in the CD changer.

Example: (CD containing more than 12 tracks)

Example 1: Programming tracks from disc 3 (tracks 2, 5, and 12).

**Reproducción programada (utilizando la unidad de control remoto)**

- Es posible programar un máximo de 20 pistas para reproducirlas en cualquier orden deseado, de un CD o de todos los CD en el cambiador.

Ejemplo: (CD conteniendo más de 12 pistas)

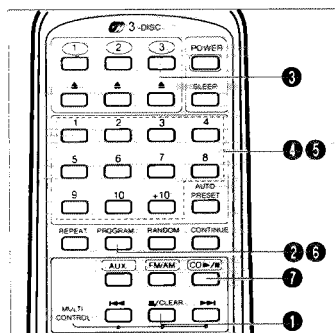
Ejemplo 1: Programación de pistas del disco 3 (pistas 2, 5, y 12).

**編程收音 (使用遙控器)**

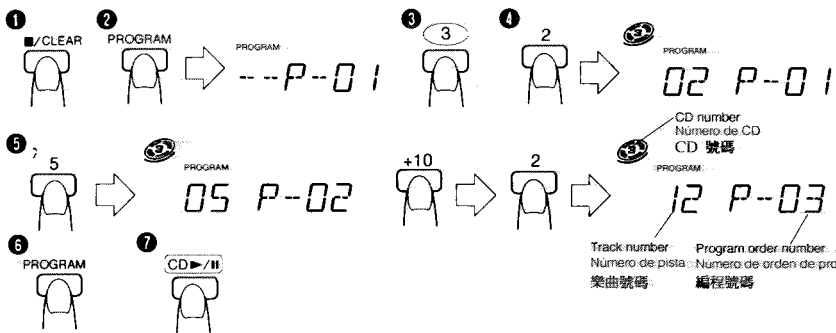
- 可以對一個 CD 或 CD 交換器內的所有 CD 選取最多 20 首想要播放的樂曲進行編程播放。

例: (CD 內有 12 首以上的樂曲)

例 1: 從唱碟 3 (DISC 3) 內來編程播放樂曲 (樂曲 2, 5, 12)。



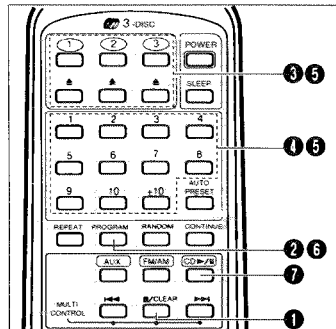
- 1 Press the CLEAR button.
- 2 Press the PROGRAM button to set to the programming mode.
- 3 Press the No. 3 CD CONTROL button.
- 4 Press to designate the required track number.
- 5 Designate the remaining tracks by pressing the track number buttons.
- 6 Press the PROGRAM button to confirm program details.
  - Repeat from step 1 to readjust the program.
  - Repeat from step 4 to add to the program.
- 7 Press the CD/II button when programming is completed. Programmed play starts.



- 1 Presione el botón CLEAR.
- 2 Para activar el modo de programación, presione el botón PROGRAM.
- 3 Presione el botón No. 3 de CD CONTROL.
- 4 Presione para seleccionar el número deseado de pista.
- 5 Designe las pistas restantes presionando los botones de número de pista.
- 6 Presione el botón PROGRAM para confirmar los detalles del programa.
  - Repita desde el paso 1 para reajustar el programa.
  - Repita desde el paso 4 para agregar al programa.
- 7 Cuando termine la programación presione el botón CD/II. Se inicia la reproducción programada.

- 1 按壓 CLEAR 鍵。
- 2 按壓PROGRAM鍵設定成編程方式。
- 3 按壓第3號CD CONTROL鍵。
- 4 按壓號碼鍵指定想要播放的樂曲號碼。
- 5 按壓樂曲號碼鍵指定剩餘的樂曲。
- 6 按壓PROGRAM鍵確認程序的細節。
  - 從第1步開始重複上述操作來調整程序。
  - 從第4步開始重複操作來追加程序。
- 7 當結束編程時按壓 CD/II 鍵。開始編程播放。

● Example 2: Programming tracks from 2 or more CDs in the order of disc 1 (track 3), disc 1 (track 6), and disc 3 (track 12).

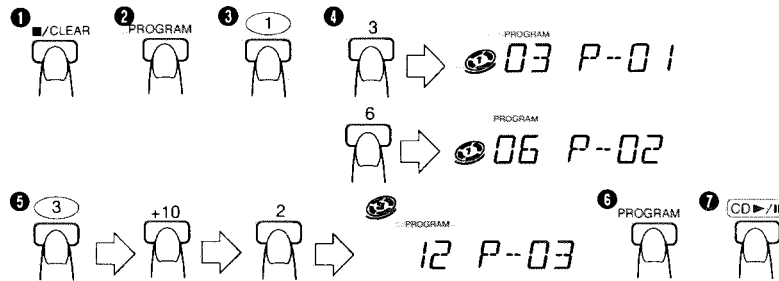


- 1 Press the **■/CLEAR** button.
- 2 Press the **PROGRAM** button to set to the programming mode.
- 3 Designate the required CD using the **CD CONTROL** buttons (No. 1 to No. 3).
- 4 Designate the required track using the track number buttons (No. 1 to No. 10, and +10).
- 5 Repeat steps 3 and 4 to designate the other tracks.
- 6 Press the **PROGRAM** button to confirm program details.
  - Repeat from step 1 to readjust the program.
  - Repeat from step 5 to add to the program.
- 7 Press the **▶/II** button when programming is completed. Programmed play starts.

**To confirm the details of a program...**  
Press the **PROGRAM** button in stop mode; the tracks making up the program will be displayed in programmed order.

**To clear the programmed tracks...**  
Press the **■/CLEAR** button before playing a CD. During programmed play, press this button twice.

● Ejemplo 2: Programación de pistas de 2 o más CD en el siguiente orden: disco 1 (pista 3), disco 1 (pista 6), y disco 3 (pista 12).



- 1 Presione el botón **■/CLEAR**.
- 2 Para activar el modo de programación, presione el botón **PROGRAM**.
- 3 Seleccione el CD deseado utilizando los botones (No. 1 a No. 3) de **CD CONTROL**.
- 4 Seleccione la pista deseada utilizando los botones (No. 1 a No. 10, +10), de número de pista.
- 5 Repita los pasos 3 y 4 para seleccionar otras pistas.
- 6 Presione el botón **PROGRAM** para confirmar los detalles del programa.
  - Repita desde el paso 1 para reajustar el programa.
  - Repita desde el paso 5 para agregar al programa.
- 7 Cuando termine la programación presione el botón **▶/II**. Se inicia la reproducción programada...

**Para confirmar los detalles de un programa...**  
Presione el botón **PROGRAM** en el modo de parada; las pistas que componen el programa aparecerán indicadas en el orden programado.

**Para borrar las pistas programadas...**  
Presione el botón **■/CLEAR** antes de reproducir el CD. Durante la reproducción programada presione este botón dos veces.

● 例2: 從兩個或更多的CD中進行選曲編程，如以唱碟1 (3首樂曲)，唱碟1 (6首樂曲)，和唱碟3 (12首樂曲)的順序進行編程。

- 1 按壓 **■/CLEAR** 鍵
- 2 按壓 **PROGRAM** 鍵設定成編程方式。
- 3 用 **CD CONTROL** 鍵 (第1號到第3號) 指定想要播放的CD。
- 4 用樂曲號碼鍵 (第1號到第10號, 和+10鍵) 指定想要播放的樂曲。
- 5 重複第3和第4來指定其他樂曲。
- 6 按壓 **PROGRAM** 鍵確認程序的細節。  
從第4步開始重複上述操作來調整程序。  
從第5步開始重複操作來追加程序。
- 7 當結束編程時按壓 **▶/II** 鍵。開始編程播放。

**確認程序的細節...**  
在停止方式下按壓 **PROGRAM** 鍵: 被編程的樂曲將會按編程的順序被顯示出來。  
**清除被編程的樂曲...**  
在開始播放CD之前按壓 **■/CLEAR** 鍵。在編程播放期間, 兩次按壓此鍵。

**Notes:**  
● Programming is possible even when a CD tray is open. (The tracks on the CD can be confirmed as the labels are visible.)  
● Programmed tracks are not cleared even if the CD tray is open.  
● During programmed play from more than 2 CDs, if a CD tray is open, programmed play will not function.

**Notas:**  
● La programación es posible aunque haya un portadisco de CD abierto. (Las pistas del CD pueden ser confirmadas en las etiquetas visibles.)  
● Las pistas programadas no se borran si se abre el portadisco de CD.  
● Durante la reproducción programada de más de 2 CD, si hay un portadisco de CD abierto, la reproducción programada no funcionará.

**註:**  
● 即使在CD托盤開著的時候, 也可以進行編程。(只要能夠看到樂曲的標籤, 便可以確認CD上的樂曲)。  
● 即使CD托盤的開著的編程樂曲也不會被消除掉。  
● 在從多于兩個CD上進行編程樂曲播放期間, 如果CD托盤是開著的, 編程播放功能將不起作用。

**HANDLING CASSETTE TAPES**

**MANIPULACION DE CASSETTES DE CINTA**

**有關卡式錄音帶**

**Cassette tapes**  
1. Loose tape may cause trouble. Using a pencil or like object, gently tighten the tape as shown.  
2. To prevent recordings from being erased accidentally, remove the tab(s) with a screwdriver, etc. Reseal the slots with adhesive tape to erase and re-record after the tabs have been removed.  
3. C-120 cassettes are not recommended because they are prone to malfunction.

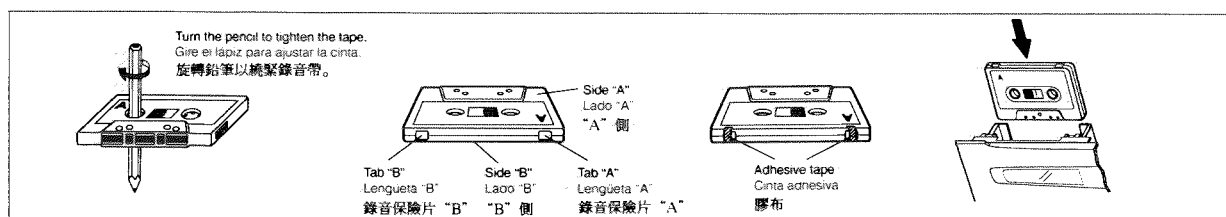
**Cassette loading**  
1. Press the **■/▲ STOP/EJECT** button to open the cassette holder.  
2. Load a cassette as shown.  
3. Close the cassette holder by pressing it gently. Listen for the click indicating that the holder is securely shut.

**Cassettes de cinta**  
1. La cinta floja puede causar problemas. Utilice un lápiz o un objeto similar y tense gentilmente la cinta tal como se muestra.  
2. Para evitar borrar grabaciones accidentalmente, extraiga la/s lengüeta/s con un destornillador, etc. Para borrar la cinta después de haber extraído las lengüetas, selle las ranuras con cinta adhesiva.  
3. No se recomienda el uso de cassettes C-120 porque tienen tendencia a fallar.

**Colocación de cassettes**  
1. Presione el botón **■/▲ STOP/EJECT** para abrir el portacassette.  
2. Extraiga el cassette como se muestra.  
3. Cierre el portacassette presionándolo suavemente. Cuando oiga un "click" ello indica que el portacassette está correctamente cerrado.

**卡式錄音帶**  
1. 鬆散的錄音帶會引起麻煩的事情。用鉛筆或類似的物品, 如圖所示慢慢地旋緊錄音帶。  
2. 為預防意外地抹消您所需要的錄音內容, 請用螺絲刀將錄音保險片拆掉。當錄音保險片拆掉以後, 若要抹銷錄音內容或者重新錄音, 可用膠布將開孔封住。  
3. 我們建議您不要使用 C-120 的錄音帶, 因為這容易造成故障。

**錄音帶的裝入**  
1. 按壓 **■/▲ STOP/EJECT** 鍵來打開錄音帶艙。  
2. 按照下圖所示裝入錄音帶。  
3. 輕輕地按壓便可關閉錄音帶艙。當您聽到了“卡塔”聲, 就說明錄音帶艙關好了。



CASSETTE PLAYBACK



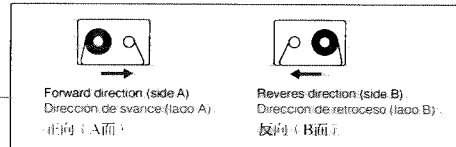
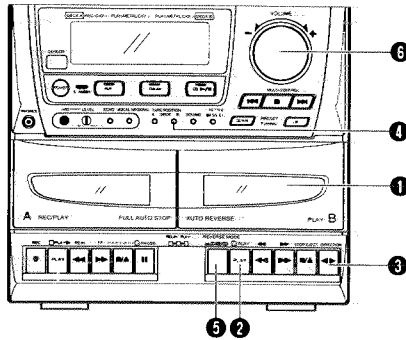
REPRODUCCION DE CASSETTES

卡式錄音帶的放音

(The example shows Deck B)  
Operate in the order shown

(El ejemplo muestra la platina B)  
Opere en el orden mostrado

(例中示出錄音帶輪B)  
操作步驟如下所示



- 1 Load a cassette tape with side A facing out.
- 2 Press to start playback. (The power is switched on and the TAPE mode is engaged to start tape playback.)
- 3 Select the direction of tape travel.
- 4 Set the TAPE POSITION buttons as required. (See page 13.)
- 5 Select the REVERSE MODE button. (See page 15.)
- 6 Adjust.

• Playback in Deck A

The previous procedures 1, 2 and 3 also apply to Deck A when a cassette is loaded in Deck A. (Set the TAPE POSITION (DECK A) button as required.) When Decks A and B are simultaneously set to the play mode, only the playback sound of Deck B is heard.

- 1 Coloque un cassette de cinta con el lado A apuntando hacia afuera.
- 2 Presione para iniciar la reproducción. (Se conecta la alimentación y se activa el modo TAPE para iniciar la reproducción de la cinta.)
- 3 Seleccione el sentido de transporte de cinta.
- 4 Coloque los botones TAPE POSITION como desee. (Ver página 13.)
- 5 Presione el botón REVERSE MODE. (Ver página 15.)
- 6 Ajuste.

• Reproducción en la platina A

Los procedimientos anteriores de 1, 2 y 3 también se aplican a la platina A cuando hay un cassette colocado en la platina A. (Coloque el botón TAPE POSITION (DECK A) como sea necesario.) Cuando las platinas A y B son colocadas simultáneamente en el modo de reproducción, sólo se escucha el sonido de reproducción de la platina B.

- 1 A面朝外裝入錄音帶。
- 2 按壓播放鍵開始播放。(電源打開並進入TAPE模式開始播放錄音帶。)
- 3 選擇錄音帶的行進方向。
- 4 根據需要設定 TAPE POSITION 鍵。(請參看第13頁)。
- 5 選擇REVERSE MODE鍵。(請參看第15頁)。
- 6 調節。

• 在錄音帶輪A進行播放。

當錄音帶裝在錄音帶輪A時，上述步驟中的1、2、3步也可以用於錄音帶輪A。(根據需要設定TAPE POSITION (DECK A) 鍵。當錄音帶輪A和B同時設定在播放模式，僅能聽到發自錄音帶輪B的聲音。

Notes:

- When the power is turned off while the tape is still running, cassette operation buttons which are depressed do not return to their original positions. Press the ■/▲ STOP/EJECT button to stop the tape running before turning off the power.
- Avoid operating the FF or REW (▶▶ or ◀◀) button on the deck during playback of the other deck.

Notes:

- Si se desconecta la alimentación mientras la cinta está girando, los botones de operación del cassette presionados no vuelven a su posición original. Presione el botón ■/▲ STOP/EJECT para detener la cinta antes de desconectar la alimentación.
- Evite presionar el botón FF o REW (▶▶ o ◀◀) de una platina mientras la otra esta reproduciendo.

註：

- 當錄音帶還在轉動時電源被關掉，被按下的錄音帶操作鍵不能回到原始位置。
- 在關閉電源之前，按壓■/▲ STOP/EJECT鍵停止錄音帶。
- 在播放另一個錄音帶時，請勿操作錄音機上的FF或REW (▶▶或◀◀) 鍵。

Full auto-stop mechanism (Deck A)

When the tape reaches either end during recording/playback and fast forward or rewinding mode, the tape stops automatically.

Mecanismo totalmente automático de parada (platina A)

Cuando la cinta llega al fin durante la grabación/reproducción y en el modo de avance o rebobinado rápido, la cinta para automáticamente.

全自動停止機構 (錄音帶輪 A)

在處於錄音/播放和快繞或倒繞模式期間，錄音帶到底時會自動停止。

Auto-stop mechanism (Deck B)

When the tape is rewound during playback, the operation buttons that were pressed in return to their original positions and the tape stops running automatically. However, in the Fast wind mode, the auto-stop mechanism does not work. Therefore, be sure to press the ■/▲ STOP/EJECT button so that the pressed buttons (◀◀ or ▶▶) are set to their original positions.

Mecanismo de parada automática (platina B)

Cuando la cinta es rebobinada durante la reproducción, los botones de operación que fueron presionados vuelven a sus posiciones originales y la cinta para automáticamente. Sin embargo, en el modo FF, el mecanismo de parada automática no funciona. Por lo tanto, asegúrese de presionar el botón ■/▲ STOP/EJECT de tal manera que los botones presionados (◀◀ o ▶▶), vuelvan a las posiciones originales.

自動停止機構 (錄音帶輪 B)

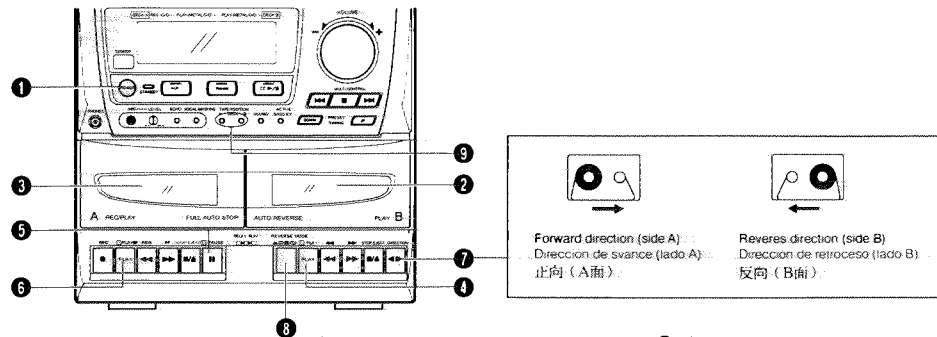
在播放期間，錄音帶到底，按下的操作鍵會復原且錄音帶自動停止轉動。但在快繞期間因自動停止機構不起作用，所以需按壓 ■/▲ STOP/EJECT 鍵使 (◀◀或▶▶) 鍵復原。

**RELAY PLAYBACK (From Deck B to Deck A)**      **REPRODUCCION POR RELEVO (De la platina B a la platina A)**      **接續播放 (從錄音帶艙B到A)**

Operate in the order shown

Opere en el orden mostrado

操作步驟如下所示



- 1 Set the POWER button to ON.
- 2 Load a cassette tape with side A facing out.
- 3 Load another cassette.
- 4 Press the [1] PLAY button on Deck B.
- 5 Press the [2] PAUSE button
- 6 Press the [3] PLAY button on Deck A.
- 7 Set the direction of tape travel to forward.
- 8 Set the REVERSE MODE button to [4].
- 9 Set the TAPE POSITION (DECK A and B) buttons as required. (See page 13.)

\* When Deck B stops, Deck A's pause mode will be released and it will start playback. When Deck A stops automatically, relay playback will be released.

**Note:**  
• If the REVERSE MODE of deck B is set to [5], relay playback cannot be performed. (Continuous playback is performed in deck B.)

- 1 Coloque el botón POWER en ON.
- 2 Coloque un cassette de cinta con el lado A apuntando hacia afuera.
- 3 Coloque otro cassette.
- 4 Presione el botón [1] PLAY en la platina B.
- 5 Presione el botón [2] PAUSE.
- 6 Presione el botón [3] PLAY en la platina A.
- 7 Active el bobinado hacia adelante de la cinta.
- 8 Coloque el botón REVERSE MODE en [4].
- 9 Coloque los botones TAPE POSITION (DECK A y B) como sea necesario. (Ver página 13.)

\* Cuando la platina B para, el modo de pausa de la platina A es desactivado y se inicia la reproducción. Cuando la platina A para automáticamente, se desactiva la reproducción alternada.

**Nota:**  
• Si el REVERSE MODE de la platina B es colocado en [5], no se podrá ejecutar la reproducción alternada (Se realiza la reproducción continuada en la platina B.)

- 1 將POWER鍵設定到ON位置。
- 2 A面朝外裝入一盤錄音帶。
- 3 裝入另一盤錄音帶。
- 4 按壓[1]錄音帶艙B上的PLAY鍵。
- 5 按壓[2]PAUSE鍵。
- 6 按壓[3]錄音帶艙A上的PLAY▶鍵。
- 7 將錄音帶的行進方向設定到正向。
- 8 將REVERSE MODE鍵設定到[4]位置。
- 9 根據需要設定TAPE POSITION (DECK A 和 DECK B)。(請參看第13頁)。

• 當錄音帶艙B停止時，錄音帶艙A的暫停模式將被取消並開始播放。當錄音帶艙A自動停止時，接續播放將被取消。

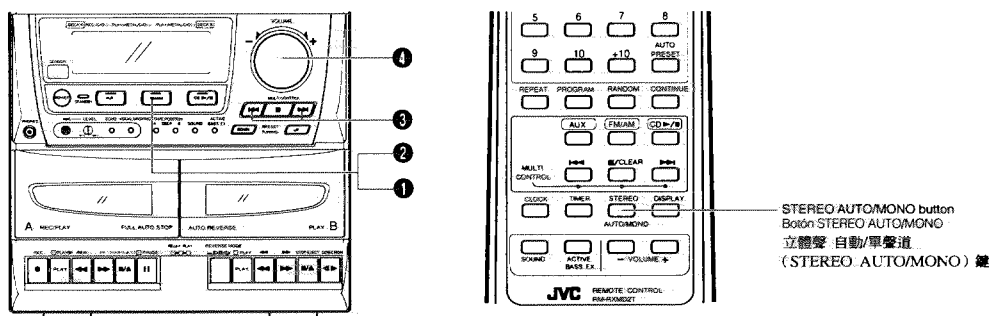
**註:**  
• 如果錄音帶艙B的REVERSE MODE被設定到 [5]位置時，不能進行接續播放。(在錄音帶艙B進行連續播放)

**RADIO RECEPTION**      **RADIORRECEPCION**      **無線電廣播的接收**

Operate in the order shown

Opere en el orden mostrado

按照下列順序操作



- 1 Press the FM/AM button.  
• The power is switched on and a band and radio frequency will be shown in the display.
- 2 Select the band.
- 3 Tune to the required station.
- 4 Adjust.

**STEREO AUTO/MONO button (using the remote control unit)**

**Auto mode:**  
Set to this position when listening to or recording an FM stereo broadcast. The STEREO indicator lights when the FM stereo broadcast is received.

**MONO:**  
Set to this position when FM stereo reception is noisy. When another station is tuned to in the MONO mode, the unit automatically enters Auto mode.

- 1 Presione el botón FM/AM.  
• Se conecta la alimentación y aparece en el visor una banda y una frecuencia de radio.
- 2 Seleccione la banda.
- 3 Sintonicice la estación deseada.
- 4 Ajuste.

**Botón STEREO AUTO/MONO (utilizando la unidad de control remoto)**

**Modo automático:**  
Colóquelo en esta posición cuando escucha o graba una radiodifusión estereofónica de FM. El indicador STEREO se enciende cuando se recibe una radiodifusión estereofónica de FM.

**MONO:**  
Colóquelo en esta posición cuando la recepción estereofónica de FM tenga ruido. Si se sintoniza otra estación en el modo MONO, la unidad ingresa automáticamente en el modo automático.

- 1 按壓 FM/AM 鍵。  
• 電源便被接通，波段以及廣播頻率被顯示出來。
- 2 選擇波段。
- 3 調諧出您所想聽的電臺。
- 4 調節。

**立體聲 自動/單聲道 (STEREO AUTO/MONO) 鍵 (使用遙控器)**

**自動方式:**  
若要收聽或者收錄 FM 立體聲廣播，可設於此位置。當收到 FM 立體聲廣播時，STEREO 指示燈便會點亮。

**MONO:**  
FM 立體聲接收噪音過大時，請設定於此位置，當用單聲道方式 (MONO) 調入其它的電臺時，本機則自動轉入自動方式。

**Seek tuning**

Press the ◀◀ or ▶▶ button for one second or more. The unit enters the seek tuning mode to tune in the nearest station automatically, so the broadcast can be heard.

**Manual tuning**

Each time the ◀◀ or ▶▶ button is pressed, the unit steps through the current frequency band. Tuning is done in steps of 50 kHz/100 kHz for FM and 9 kHz/10 kHz for AM.

**Sintonización búsqueda**

Presione el botón ◀◀ o ▶▶ durante un segundo o más. La unidad ingresa en el modo de búsqueda de sintonía, sintonizando automáticamente la estación más próxima, escuchándose la radiodifusión.

**Sintonización manual**

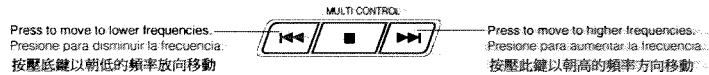
Cada vez que se presiona el botón ◀◀ o ▶▶, la unidad pasa a través de la banda de frecuencia actual. La sintonización es efectuada en pasos de 50 kHz/100 kHz para FM, de 9 kHz/10 kHz para AM.

**搜尋調諧**

按壓◀◀或▶▶鍵一秒钟或一秒钟以上。裝置便進入選臺調諧方式並自動調諧到最近的一個電臺上，這樣便能聽到廣播。

**手動調諧**

每次按壓◀◀或▶▶鍵時，裝置跳過當前頻段。對於FM調諧頻段間隔為50kHz/100kHz，對於AM為9kHz/10kHz。



**Notes:**

- When seek tuning to the required station is not possible because the broadcast signal is too weak, press the ◀◀ or ▶▶ button momentarily to perform manual tuning.
- When the power is set to STANDBY, or another mode (TAPE, CD or AUX) is selected, the last tuned frequency is stored in memory. When the power is switched on again and FM/AM button is pressed, the same station will be tuned to.

**Notas:**

- Cuando la búsqueda de sintonía de la estación deseada no es posible porque la señal de radiodifusión es demasiado débil, presione el botón ◀◀ o ▶▶ por un momento para efectuar la sintonización manual.
- Cuando se coloca la alimentación en STANDBY, o selecciona otro modo (TAPE, CD o AUX), la última frecuencia sintonizada es almacenada en memoria. Cuando conecta la alimentación otra vez y presiona el botón FM/AM, la unidad sintoniza la misma estación.

**註:**

- 當由於廣播電臺的信號太弱不能找到希望的電臺時，請短促地按壓◀◀或▶▶鍵來進行手動調諧。
- 當將電源鍵設於 STANDBY (待機) 方式，或設於其他方式 (TAPE, CD 或 AUX) 時，最後所收聽的電臺的頻率便被儲存於記憶裝置中。當再次接通電源，和按壓 FM/AM 鍵時，將會收聽到同一電臺。

**Auto preset tuning (using the remote control unit)**

This function scans the current band, detecting frequencies used to broadcast signals, and stores the first 15 frequencies in memory automatically.

- Press the AUTO PRESET button. The frequencies of stations broadcasting signals can be stored in memory automatically in the order of increasing frequency. (15 stations in each band.)

**Presintonización automática (utilizando la unidad de control remoto)**

Esta función busca la banda actual, detectando frecuencias usadas para señales de radiodifusión y almacena automáticamente en memoria las primeras 15 frecuencias.

- Presione el botón AUTO.PRESET. Las frecuencias de las emisoras emitiendo señales de radiodifusión pueden ser almacenadas en memoria automáticamente en orden de frecuencia creciente (15 estaciones en cada banda).

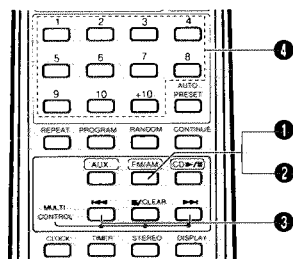
**自動預設調諧 (使用遙控器)**

此功能根據廣播信號的頻率，來搜尋正在播放的波段，並且自動地將前面的 15 個電臺頻率儲存於記憶裝置。

- 按壓自動預設 (AUTO PRESET) 鍵。廣播電臺的頻率將會按頻率增加的順序自動存儲在記憶體中。(各類道為15個電臺)

**Presetting stations (using the remote control unit)**

15 stations in each band can be preset as follows:  
• Example: (Presetting an FM station broadcasting on 103.5 MHz to preset button "15")



- 1 Press the FM/AM button.
- 2 Select the FM band using the FM/AM button.
- 3 Tune to the required station.
- 4 Press preset button "+10", then "5" for more than 2 sec. (When "15" blinks in the preset station display, the station has been stored.)

- Repeat the above procedure for each of the other stations, using a different preset button each time.
- Repeat the above procedure for the other band.

- **To change preset stations**  
Perform step 4 above after tuning to the required station.

**Notes:**

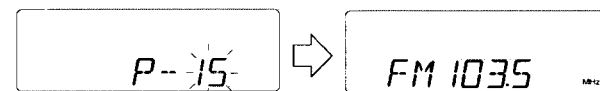
- The previous stored station is erased when a new station is stored, because the new station's frequency replaces the previous frequency in memory.
- When listening to an AM broadcast, noise may be heard if the remote control unit is used.

• All preset stations will be erased when the power cord is disconnected or a power failure occurs for more than 24 hours. In such cases, store the stations again.

**Presintonización de estaciones (utilizando la unidad de control remoto)**

Es posible presintonizar 15 estaciones en cada banda de la siguiente forma.

- Ejemplo: (Presintonización de la radioemisión de una estación de FM en 103.5 MHz en el botón "15" de presintonización).



- 1 Presione el botón FM/AM.
- 2 Seleccione la banda de FM utilizando el botón FM/AM.
- 3 Sintonice la estación deseada.
- 4 Presione el botón "+10" de presintonización y luego el "5" durante más de 2 segundos. (Cuando el "15" parpadea en la indicación de estación presintonizada, ésta ha sido registrada.)

- Repita el procedimiento de arriba para cada una de las otras estaciones, utilizando un botón de presintonización diferente para cada estación.
- Repita el procedimiento de arriba para la otra banda.

- **Cambio de estaciones presintonizadas**  
Ejecute el paso 4 de arriba después de sintonizar la estación deseada.

**Notas:**

- La estación previamente almacenada se borra cuando se almacena otra estación, ya que la frecuencia de la nueva estación reemplaza la frecuencia anterior en memoria.
- Cuando escucha una radiodifusión de AM, es posible que se escuche ruido si se utiliza la unidad de control remoto.

• Todas las estaciones presintonizadas se borran cuando se desconecta el cordón de alimentación u ocurre un corte de energía de más de 24 horas. En tales casos almacene las estaciones otra vez.

**預設電臺 (使用遙控器)**

按照下面所示的順序，各波段可以預設 15 個電臺。

- 例 (將 FM103.5MHz 電臺預設於號碼鍵 "15")

- 1 按壓 FM/AM 鍵。
- 2 用 FM/AM 鍵選擇FM波段。
- 3 調諧出您所需要的電臺。
- 4 按壓號碼鍵 "+10"，然後按壓鍵 "5" 2 秒鐘以上 (如果預設電臺的顯示窗中有 "15" 在閃爍，便說明該電臺已經被存儲完畢)。

- 重複上述步驟，預設其它各個電臺。
- 其它波段的預設也與上述步驟相同。

- **若要更改預設電臺**  
調諧出所需要的電臺以後，作上述第 4 步的操作。

**註:**

- 因為新電臺的頻率將會在記憶體內取代以前的電臺頻率，所以當存儲進新的電臺時，以前存儲的電臺將會被消掉。
- 在收聽 AM 廣播時，如果使用遙控器，那麼，有可能會有噪音。

• 如果電源線從電源插座脫離或者發生停電超過 24 小時以上，則所有預設電臺將被取消。遇到這種情況，請重新預設。

**Preset tuning**

- The stations must be preset before this operation can be performed.

**(Using the main unit)**

- ① Press the FM/AM button.
- ② Select the band using the FM/AM button.
- ③ Press the PRESET TUNING buttons (UP or DOWN) to set the preset station.

**(Using the remote control unit)**

- ① Press the FM/AM button.
- ② Select the band using the FM/AM button.
- ③ Press the required preset station buttons (No. 1 – No. 10 and +10).

- The preset station number and frequency corresponding to the button pressed are shown.

**Using the antennas (see page 7)**

- FM:** Connect the provided FM feeder antenna.
- AM:** Adjust the position of AM loop antenna.

**To change the interval between channels**

When this unit is shipped, the channel interval mode is set to (AM-9 kHz). Set it to (AM-10 kHz), if the unit is to be used in North or South America. (This enables 10 kHz increment steps in AM frequencies and 100 kHz increment steps in FM frequencies.)

**How to operate (using the main unit)**

Set the POWER button to ON while pressing the ►►► button. (AM-10 kHz) is shown in the display window.



- To change back to the original mode, set the POWER button to ON while pressing the ◀◀◀ button. (AM-9 kHz) is shown in the display window.

**Presintonización**

- Las estaciones deben ser presintonizadas antes de que se pueda ejecutar esta operación.

**(Utilizando la unidad principal)**

- ① Presione el botón FM/AM.
- ② Seleccione la banda usando el botón FM/AM.
- ③ Presione los botones PRESET TUNING (UP o DOWN) para ajustar la estación presintonizada.

**(Utilizando la unidad de control remoto)**

- ① Presione el botón FM/AM.
- ② Seleccione la banda usando el botón FM/AM.
- ③ Presione los botones (No. 1 – No. 10 y +10) de la estación presintonizada deseada.

- En el visor aparecen el número de estación presintonizada y la frecuencia correspondiente al botón presionado.

**Utilización de antenas (ver página 7)**

- FM:** Conecte la alimentación de antena FM suministrada.
- AM:** Ajuste la posición de la antena de cuadro de AM.

**Cambio de intervalo entre canales**

Cuando esta unidad fue embarcada, el modo de intervalo de canal está ajustado en (AM-9 kHz). Colóquelo en (AM-10 kHz), si la unidad va a ser usada en América del Norte o del Sur. (Esto permite incrementos de 10 kHz en frecuencias de AM e incrementos de 100 kHz en frecuencias de FM).

**Operación (utilizando la unidad principal)**

Coloque el botón POWER en ON presionando conjuntamente el botón ►►► (AM-10 kHz) aparece en el visor de indicación.

- Para regresar al modo original, coloque el botón POWER en ON presionando conjuntamente el botón ◀◀◀ (AM-9 kHz) aparece en el visor de indicación.

**預設調諧**

- 在進行操作之前必須預設電台。

**(使用主機)**

- ① 按壓FM/AM鍵。
- ② 用FM/AM鍵選擇希望的波段。
- ③ 按PRESET TUNING鍵 (UP或DOWN) 來設定預設電台。

**(使用遙控器)**

- ① 按壓FM/AM鍵。
  - ② 用FM/AM鍵選擇希望的波段。
  - ③ 按壓預設電台鍵 (第1號-第10號; 或+10鍵) 選擇希望的電台。
- 將顯示出對應于按下的鍵鈕的預設電台和頻率。

**使用天線 (請參看第 7 頁)**

- FM:** 連接配備的饋電天線。
- AM:** 調節 AM 環型天線的位置。

**改變頻道間隔**

本機在出廠的時候，聲道位置功能被設於 (AM-9 kHz)。

如果在北美洲或者南美洲使用本機，請將其設於 (AM-10 kHz)。(這可以使AM波段的頻率增加10kHz, FM波段的頻率增加100 kHz)。

**如何更改 (使用主機)**

按壓►►►鍵將電源 (POWER) 鍵設定于ON 的位置。(AM-10 kHz) 將會出現在顯示窗里。

- 若要變換回原來的方式，請按壓◀◀◀鍵將電源 (POWER) 鍵設定到 ON。(AM-9 kHz) 將會出現在顯示窗里。

**RECORDING**



**GRABACION**

**錄音**

- During recording, the ALC (Automatic Level Control) circuit automatically optimizes the recording level, so manual recording level adjustment is unnecessary.
- Check that the safety tab on the cassette tape is not broken off.

**Note:**  
This unit has recording characteristics suitable for normal and CrO<sub>2</sub> tapes. Normal and CrO<sub>2</sub> tapes have different characteristics from metal tapes.

- Durante la grabación, el circuito ALC (control automático de nivel), optimiza automáticamente el nivel de grabación, haciendo innecesario el ajuste manual del nivel de grabación.
- Verifique que la lengüeta de seguridad del cassette de cinta no esté rota

**Nota:**  
Esta unidad posee características de grabación adecuadas para cintas normales y de CrO<sub>2</sub>. Las cintas normales y de CrO<sub>2</sub> tienen características diferentes que las cintas de metal.

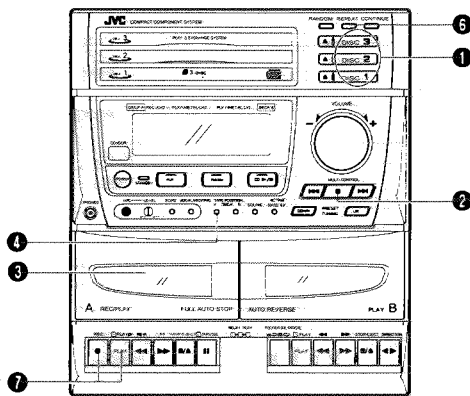
- 在錄音期間，ALC (自動電平控制) 電路會將錄音電平調節到最佳水平，因此不需要進行手動錄音電平調節。
- 檢查卡式錄音帶上的錄音保險片是否存在。

**註:**  
本機具有適用於普通錄音帶和 CrO<sub>2</sub> 錄音帶的錄音特性。普通錄音帶和 CrO<sub>2</sub> 錄音帶的錄音特性與金屬帶是不同的。

**Synchronized recording with the CD player**

- In this system, the CD player starts play when the cassette deck enters the recording mode.

**Operate in the order shown**



**Grabación sincronizada con el reproductor de CD**

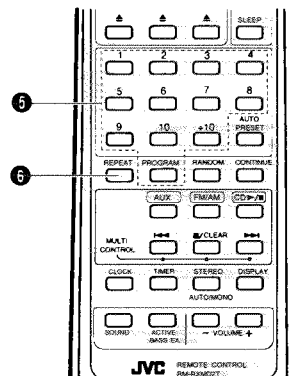
- En este sistema el reproductor de CD inicia la reproducción cuando la platina de cassette ingresa en el modo de grabación.

**Opere en el orden mostrado**

**用 CD 唱機進行同步錄音**

- 在該系統中，當卡式座進入錄音狀態時，CD 唱機便開始放音。

**請按照下列步驟進行操作**





- 1 Press the CD CONTROL button corresponding to the CD to be recorded.
- 2 Press the **■** button to set stop mode.
- 3 Load a cassette with side A facing out. (Wind past the tape leader before starting recording.)
- 4 Set the TAPE POSITION (DECK A) button as required. (See page 13.)
- 5 When programmed play is required, program the required tracks using the remote control. (See page 32.)
  - Select tracks with a total playing time which does not exceed the tape length (refer to the liner notes).
- 6 When recording a CD in repeat play mode, set as required.
- 7 Press the **○** REC button and the **▶** PLAY button; synchronized recording will start. (The recording indicator lights up.)

- Non-recorded sections of approx. 4 seconds are automatically left between tunes.
- When the tape reaches the end first, the CD player stops automatically; when the CD player stops first, the tape continues running. In this case, press the **■/▲** STOP/EJECT button to stop the tape.
- Before CD synchro recording of CD continuous play, press the CONTINUE button. (See page 28.)

**Note:**

- During CD synchro recording, the **▶/||** and (**◀◀**, **▶▶**) buttons do not function.

**When non-recorded section between tunes is not required...**

Perform the following after finishing the previous operation (1 to 7).

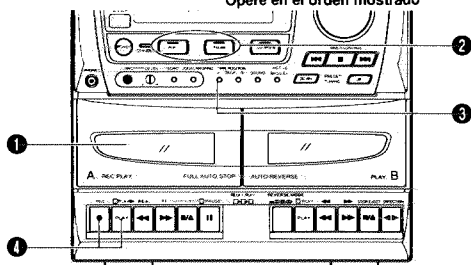
- 1 Press the **▶/||** button of the CD player twice. The CD player enters the pause mode.
- 2 Press the **○** REC and **▶** PLAY buttons together. Now, the CD player starts play simultaneously.

**Notes:**

- Depending on the CD used, non-recorded sections of different lengths may be left between tunes.
- When CD synchro recording is performed using more than two CDs, there will be a little blank space while the CDs change.

**Recording from the radio or an external source connected to the AUX terminals**

Operate in the order shown



- 1 Load a cassette with side A facing out. (Wind past the tape leader before starting recording.)
- 2 Select the source to be recorded.  
FM/AM: Press the FM/AM button. Tune to the required station.  
AUX: Press the AUX button.
- 3 Set the TAPE POSITION (DECK A) button as required.
- 4 Press the **○** REC and **▶** PLAY buttons together...

- To stop recording temporarily, press the **||** PAUSE button. To resume recording, press the **||** PAUSE button again.

**Erasing**

A recorded tape can be erased by recording new material over the previous material.

**To erase a tape without making a new recording...**  
Press the **▶** PLAY button of the deck to set to the TAPE mode and press the **○** REC and **▶** PLAY buttons together after pressing the **■/▲** STOP/EJECT button.

- 1 Presione el botón CD CONTROL correspondiente al CD que va a grabar.
- 2 Presione el botón **■** para activar el modo de parada.
- 3 Coloque un cassette con el lado A apuntando hacia afuera. (Bobine hasta pasar extremo no grabable de la cinta antes de iniciar la grabación.)
- 4 Coloque el botón TAPE POSITION (DECK A) como sea necesario. (Ver página 13.)
- 5 Cuando desea la reproducción programada, programe las pistas deseadas utilizando el controlador remoto. (Ver página 32.)
- Seleccione las pistas con un tiempo total de reproducción que no exceda la longitud de la cinta (refiérase a las notas en la envoltura).
- 6 Cuando graba un CD en el modo de reproducción repetida, ajuste como sea necesario.
- 7 Presione el botón **○** REC y el botón **▶** PLAY; se iniciará la grabación sincronizada. (Se enciende la luz indicadora de grabación.)

- En la cinta quedan automáticamente sin grabar secciones de 4 segundos aprox.
- Cuando la cinta llega al fin, el reproductor de CD para automáticamente; cuando el reproductor de CD para primero, la cinta continúa girando. En este caso, presione el botón **■/▲** STOP/EJECT para detener la cinta.
- Antes de la grabación sincronizada de CD con reproducción continuada de CD, presione el botón CONTINUE. (Ver página 28.)

**Nota:**

- Durante la grabación sincronizada de CD los botones **▶/||** y (**◀◀**, **▶▶**) no funcionan.

**Cuando no es necesario dejar espacios sin grabar entre músicas...**

Efectúe lo siguiente después de terminar la operación anterior (1 a 7).

- 1 Presione dos veces el botón **▶/||** del reproductor de CD. El reproductor ingresa en el modo de pausa.
- 2 Presione conjuntamente los botones **○** REC y **▶** PLAY. Ahora el reproductor de CD inicia la reproducción simultáneamente.

**Notas:**

- Dependiendo del CD utilizado es posible dejar entre músicas secciones sin grabar de diferentes longitudes.
- Cuando se efectúa la grabación sincronizada de CD utilizando más de dos discos, quedará un pequeño espacio sin grabar mientras los CD cambian...

**Grabación desde la radio o desde una fuente externa conectada a los terminales AUX**

Opere en el orden mostrado

- 1 Coloque un cassette con el lado A apuntando hacia afuera. (Bobine hasta pasar extremo no grabable de la cinta antes de iniciar la grabación.)
- 2 Coloque la fuente a ser grabada...  
FM/AM: Presione el botón FM/AM. Sintonice la estación deseada.  
AUX: Presione el botón AUX.
- 3 Coloque el botón TAPE POSITION (DECK A) como sea necesario.
- 4 Presione conjuntamente los botones **○** REC y **▶** PLAY...

- Para parar temporariamente la grabación, presione el botón **||** PAUSE. Para continuar la grabación, presione otra vez el botón **||** PAUSE.

**Borrado**

La cinta grabada puede ser borrada grabando otro material sobre el material anterior.

**Para borrar la cinta sin efectuar una nueva grabación...**  
Presione el botón **▶** PLAY de la platina para activar el modo TAPE y presione conjuntamente los botones **○** REC y **▶** PLAY después de presionar el botón **■/▲** STOP/EJECT.

- 1 按壓響應於要錄音的CD唱碟的CD CONTROL 鍵。
- 2 按壓 $\blacksquare$ 鍵來設定停止模式。
- 3 A面朝外裝入一整錄音帶。(在開始錄音之前快繞過錄音帶引導部份。)
- 4 根據需要設定TAPE POSITION (DECK A) 鍵 (請參看第13頁)。
- 5 當需要編曲播放時, 用遙控器對所需的樂曲進行編曲。(請參看第32頁)
  - 用不超過錄音帶(參考錄音帶刻度)長度總播放時間來選擇樂曲。
- 6 當在重複播放模式錄音一整CD唱碟時, 根據需要進行設定。
- 7 按壓 $\circ$ REC鍵和 $\blacktriangleright$ PLAY鍵, 開始同步錄音。(錄音指示燈點亮。)

- 在兩首樂曲之間自動插入約4秒鐘的無聲間隔。
- 當錄音帶先到底時, CD唱碟自動停止; 當CD唱碟先到底時, 錄音帶將繼續旋轉。在此情況下, 按壓 $\blacksquare/\blacktriangle$  STOP/EJECT鍵來停止錄音帶。
- 在開始CD連接播放的CD同步錄音之前, 按 CONTINUE鍵。(請參看第28頁)

**註:**

- 在CD同步錄音期間,  $\blacktriangleright/||$ 和( $\llcorner$ ,  $\blacktriangleright$ )鍵不起作用。

**當在兩首樂曲之間不需要插入無聲間隔時...**

在完成上述操作之後(1到7)進行下列操作。

- 1 按壓CD唱碟上的 $\blacktriangleright/||$ 鍵兩次。CD唱碟將進入暫停模式。
- 2 同時按壓 $\circ$ REC和 $\blacktriangleright$ PLAY鍵。CD唱碟同時開始播放。

**註:**

- 根據使用的CD, 在兩首樂曲之間插入的無聲間隔可能會不同。
- 當用兩張以上的CD唱碟進行CD同步錄音時, 在交換CD時, 將會有一小段空白間隔...

**無線電廣播或(連接於輔助(AUX)端子的)外部音源的錄音**

請按照下列步驟進行操作

- 1 裝入一整卡式錄音帶, 讓其 A 面朝外 (在開始錄音之前, 將錄音帶導入部份繞過過去。)
- 2 選擇要錄音的聲源  
FM/AM: 按 FM/AM 鍵, 調諧出所需的電臺。  
AUX: 按輔助 (AUX) 鍵。
- 3 根據需要設定TAPE POSITION (DECK A) 鍵。
- 4 同時按壓 $\circ$ REC和 $\blacktriangleright$ PLAY鍵。

- 若要暫停錄音, 按壓 $||$ PAUSE鍵。  
若要恢復錄音, 再次按壓 $||$ PAUSE鍵。

**抹音**

通過在以前的錄音上面錄制新的錄音來消去已錄錄音帶上的錄音。

**若要不錄音而抹去原來的聲音...**

按壓錄音機的 $\blacktriangleright$ PLAY鍵來設定TAPE模式, 並在按壓 $\blacksquare/\blacktriangle$ STOP/EJECT鍵之後同時按壓 $\circ$ REC和 $\blacktriangleright$ PLAY鍵。

It may be unlawful to record or playback copyrighted material without the consent of the copyright owner.

Puede ser ilegal el grabar o reproducir material con derechos de autor sin el consentimiento del dueño de los mismos.

未經版權所有者的許可而錄製或播放受版權保護的音響資料，可能會觸犯法規。

**TAPE DUBBING (SYNCHRO START DUBBING)**

**COPIA DE CINTA (COPIA CON INICIO SINCRONIZADO)**

**錄音帶的複製 (同步開始複製)**



Normal-speed dubbing from Deck B to Deck A can be performed.

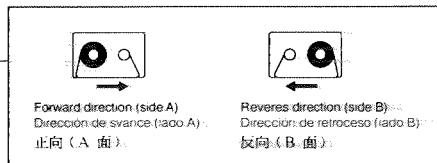
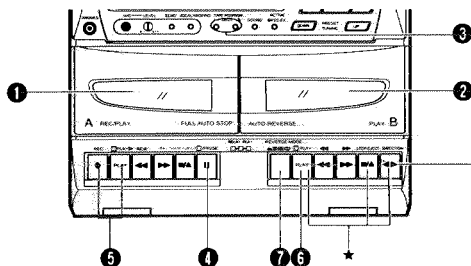
Es posible copiar de la platina B a la platina A a velocidad normal.

可以從錄音帶B到錄音帶A進行正常速度複製。

Operate in the order shown

Opere en el orden mostrado

請按所示的次序進行操作。



- 1 Load a cassette for recording. (Refer to the note on page 42.)
- 2 Load a recorded cassette with side A facing out.
  - ★ Play back the tape in deck B to determine the tape running direction, then stop the tape.
- 3 Set the TAPE POSITION (DECK A and B) buttons as required.
- 4 Press the PAUSE button.
- 5 Press the REC and PLAY buttons together. (Record-pause mode.)
- 6 Press the PLAY button. (Synchronized dubbing will start.)
- 7 Set the REVERSE MODE button to

- 1 Coloque un cassette para grabación. (Refiérase a la nota en la página 42.)
- 2 Coloque una cassette de cinta con el lado A apuntando hacia afuera.
  - ★ Reproduzca la cinta B para determinar el sentido de transporte de cinta, y pare la cinta.
- 3 Coloque los botones TAPE POSITION (DECK A y B) como sea necesario.
- 4 Presione el botón PAUSE.
- 5 Presione conjuntamente los botones REC y PLAY. (Modo de pausa de grabación.)
- 6 Presione el botón PLAY. (Se iniciará la copia sincronizada.)
- 7 Coloque el botón REVERSE MODE en

- 1 裝入用於錄音的錄音帶。(請參看第42頁上的註)。
- 2 A面朝外裝入一張已錄錄音帶。
  - ★ 播放錄音帶B內的錄音帶，確定錄音帶進行的方向，然後將錄音帶設定到停止狀態。
- 3 根據需要設定 TAPE POSITION (DECK A 和 B) 鍵。
- 4 按 PAUSE 鍵。
- 5 同時按壓 REC 和 PLAY 鍵。(錄音暫停模式)。
- 6 按壓 PLAY 鍵。(將開始同步複製)。
- 7 將 REVERSE MODE 鍵設定到

**Note:**

- While dubbing is engaged, when setting Deck A to the record-pause mode, if Deck B's play mode is cancelled, PAUSE button is released and the unit starts recording.

**Nota:**

- Mientras la copia está activada, cuando ajusta la platina A en el modo de pausa, si cancela el modo de reproducción de la platina B, el botón PAUSE se desactiva y la unidad inicia la grabación.

**註:**

- 當進行複製並將錄音帶A設定到錄音暫停模式時，若錄音帶B的播放模式被取消，PAUSE 鍵便被解除，裝置開始錄音。

45

**MICROPHONE MIXING**

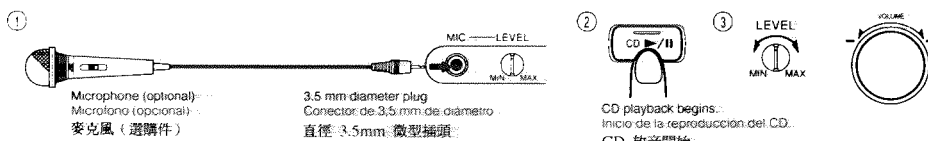
**MEZCLA DE MICROFONOS**

**麥克風混聲**

Microphone sound can be mixed with source sound.

El sonido del micrófono puede ser mezclado con la fuente de sonido.

麥克風的聲音可以與聲源的聲音混合起來。



- Example: Mixing sound from microphone and CD

- Ejemplo: Mezcla del sonido de un micrófono y de un CD

- 例：將麥克風和 CD 的聲音混合。

**Operate in the order shown**

- 1 Connect a microphone to the MIC jack. (If there is a switch on the microphone, switch it on.)
- 2 Select the source sound (CD, TAPE, FM/AM, AUX).
  - Play back the source sound selected.
- 3 Adjust the MIC LEVEL control and main VOLUME controls.

**Opere en el orden mostrado.**

- 1 Conecte un micrófono con el jack de micrófono (MIC). (Si hay un interruptor en el micrófono, conéctelo.)
- 2 Seleccione la fuente de sonido (CD, TAPE, FM/AM, AUX).
  - Reproduzca la fuente de sonido seleccionada.
- 3 Ajuste los controles principales MIC LEVEL y VOLUME.

**按照下列順序操作**

- 1 將麥克風連接到 MIC 插孔。(如果麥克風上有開關，請將開關設置到 ON 位置。)
  - 2 選擇聲源 (CD, TAPE, FM/AM, AUX)。
    - 播放您所選擇的聲源。
  - 3 調節 MIC LEVEL 旋鈕與主機上的 VOLUME 鍵。
- 若要錄制混響聲音  
若要將此混合聲音到錄音機內的錄音帶時，同時按 FOREC 鍵和 PLAY 鍵。

**To record the mixed sound**

To record this mixed sound onto a tape in the deck, press the REC button with the PLAY button.

**Grabación de sonido mezclado**

Para grabar el sonido mezclado en la cinta colocada en la platina, presione el botón REC con el botón PLAY.

**Notes:**

- Use the microphone as far away from the set as possible. When the microphone is too near the speakers, howling may occur.
- Disconnect the microphone from the MIC jack after use.

**Notas:**

- Utilice el micrófono lo más lejos posible de la unidad. Cuando el micrófono está demasiado cerca de los altavoces, puede producir aullidos.
- Después de utilizarlo, desconecte el jack de micrófono (MIC).

**註:**

- 使用麥克風的時候，盡可能離設備遠一點，如果離揚聲器太近，會引起嘯聲。
- 使用結束後，請將麥克風的插頭從 MIC (混響麥克風) 微型插孔中拔出。

46

**Vocal masking function (VOCAL MASKING)**

This function reduces the vocal level of a CD or tape, etc.  
 ❶ Set the VOCAL MASKING button to on (the V. MASK indicator lights in the display window).

- ❷ Play back a CD or tape, etc.
- ❸ Sing along with the accompaniment of the CD or tape, etc.
  - This is convenient when learning a new song.
  - Set the VOCAL MASKING button to off after use.

**Notes:**

- The VOCAL MASKING reduces the level of the vocal but it is not possible to erase the vocal completely.
- When playing back a CD or tape, etc. on which a tune is recorded in monaural or a duet or rehearsal (sound multiplex) is recorded, the vocal-masking effect may not be obtained.
- Set the VOCAL MASKING button to off to play back a tape recorded using the vocal masking function.

**Using the microphone with echo effect**

When the echo effect (reverberation) is applied to the microphone sound, sound is given added spaciousness. Press the ECHO button to activate the echo function (the ECHO indicator lights in the display).

**Función de enmascaramiento vocal (VOCAL MASKING)**

Esta función reduce el nivel vocal de un CD o cinta, etc.  
 ❶ Coloque el botón VOCAL MASKING en activado (en la indicación se enciende V.MASK).

ECHO: VOCAL MASKING



- ❷ Reproduzca el CD o cinta, etc.
- ❸ Cante junto con el acompañamiento del CD o cinta, etc.:
  - Esto es conveniente para aprender una canción nueva.
  - Coloque el botón VOCAL MASKING en desactivado después de usar.

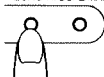
**Notas:**

- VOCAL MASKING reduce el nivel vocal, sin embargo no se lo puede reducir completamente.
- Cuando reproduzca el CD o cinta, etc. en la cual haya una canción grabada o cuando graba en monofónico, dúo o ensayo (sonido multiplex), el efecto de enmascaramiento vocal no puede ser obtenido.
- Coloque el botón VOCAL MASKING en desactivado para reproducir una cinta grabada usando la función de enmascaramiento vocal.

**Uso del micrófono con efecto de eco**

Quando se aplica el efecto de eco (reverberación) al sonido del micrófono, el mismo adquiere una espaciosidad aumentada. Presione el botón ECHO para activar la función de eco (en la indicación se enciende ECHO).

ECHO: VOCAL MASKING



**聲音屏蔽功能 (聲音屏蔽)**

此功能降低 CD 或錄音帶等的聲音電平。

- ❶ 將 VOCAL MASKING 開關設定到 VOCAL MASKING 位置。(V.MASK 指示出現在顯示窗上。)

- ❷ 播放 CD 或錄音帶等。
- ❸ 跟唱 CD 或錄音帶等的伴奏。
  - 當學新歌時，此功能比較方便。
  - 用後將 VOCAL MASKING 開關切換到 OFF 位置。

**註:**

- VOCAL-MASKING 可以降低聲音的音量，但不能完全消除聲音。
- 有些用單聲道錄製的樂曲、雙重音樂曲和轉換軟體 (多音混合) 等，聲音屏蔽效果可能不會起作用。
- 將 VOCAL MASKING 鍵設置於關的位置來播放用聲音屏蔽功能錄制的錄音帶。

**帶回聲功能麥克風的使用方法**

若在麥克風的聲音中加入回聲 (混響)，歌聲便會擴展開來。按壓 ECHO 鍵以啟動回聲功能。(顯示窗中顯示出 ECHO 指示。)

**CLOCK ADJUSTMENT  
(Using the remote control unit)**

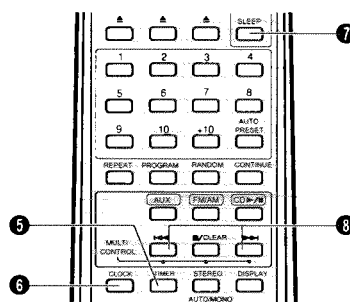
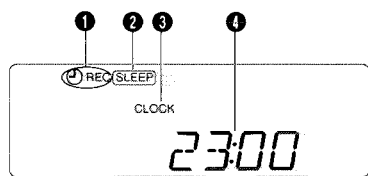
**AJUSTE DEL RELOJ  
(Utilizado la unidad de controlador remoto)**

**時鐘的調節 (使用遙控器)**

Names of parts in the clock/timer section, and their functions:

Nombre de las parte de la sección del reloj/temporizador y sus funciones:

時鐘/定時器的各部件的名稱以及功能：



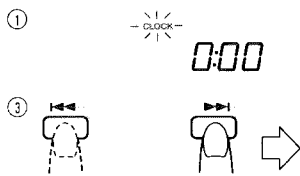
- ❶ Timer mode indicator
- ❷ SLEEP indicator
- ❸ CLOCK indicator
- ❹ Time display
- ❺ TIMER button
- ❻ CLOCK button
- ❼ SLEEP button
- ❽ <=>/>=> buttons

- ❶ indicador del modo de temporizador
- ❷ Indicador SLEEP
- ❸ Indicador CLOCK
- ❹ Indicación de hora
- ❺ Botón del temporizador (TIMER)
- ❻ Botón del reloj (CLOCK)
- ❼ Botón del temporizador de desconexión (SLEEP)
- ❽ Botones <=>/>=>

- ❶ 定時器方式指示燈
- ❷ 睡眠指示燈 (SLEEP)
- ❸ 時鐘指示燈 (CLOCK)
- ❹ 時間顯示
- ❺ 定時器鍵 (TIMER)
- ❻ 時鐘鍵 (CLOCK)
- ❼ 睡眠鍵 (SLEEP)
- ❽ <=>/>=> 鍵

**Setting the current time (when this unit is used for the first time)**

(Example: To set the clock to 13:15.)



- 1 Connect the AC power cord; "CLOCK" will blink in the display.
- 2 Press the CLOCK button for 2 sec. or more; "0:00" will blink in the display.
- 3 Set to 13:15 by pressing the ◀◀/▶▶ buttons. (When the button is kept pressed, the minute/hour indication changes continuously.)
- 4 Press the CLOCK button; the time will light in the display.

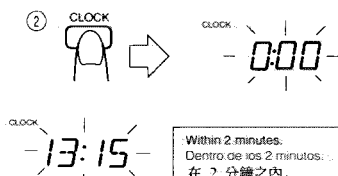
- To set to the nearest second... Press the CLOCK button in step ④ after following the procedure above, when you hear the time signal from a TV or radio.

**Notes:**

- Before performing timer recording or playback, it is necessary to set the current time.
- It is recommended to set the current time with the POWER button set to STANDBY so that the current display mode is maintained.
- When the power cord is plugged in again after being disconnected or power is restored after a power failure, "CLOCK" will blink in the display. Set the current time again.

**Ajuste de la hora actual (cuando se usa la unidad por primera vez)**

(Ejemplo: Para ajustar el reloj a las 13:15.)



- 1 Conecte el cordón de CA; "CLOCK" parpadeará en la visor.
- 2 Presione el botón CLOCK durante 2 seg. o más; "0:00" parpadeará en el visor.
- 3 Ajuste a la 13:15 PM presionando los botones ◀◀/▶▶. (Si mantiene el botón presionado, la indicación de los minutos/hora cambia continuamente.)
- 4 Presione el botón CLOCK; la hora se iluminará en el visor.

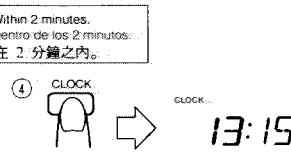
- Para ajustar al segundo... Presione el botón CLOCK en el paso ④ después de seguir el procedimiento de arriba, cuando escuche la señal de la hora en el TV o radio.

**Notes:**

- Antes de efectuar la grabación o reproducción por temporizador, es necesario ajustar la hora actual.
- Se recomienda ajustar la hora actual con el botón POWER colocado en STANDBY para conservar el modo de indicación actual.
- Cuando se conecta el cordón de alimentación después de haberlo desconectado o cuando vuelve la energía después de un corte de la misma, "CLOCK" parpadeará en el visor. Ajuste otra vez la hora actual.

**設定現在の時間 (當第一次使用本機時)**

(譬如: 將時鐘設定為 13:15)。



- 1 連接交流電源線, "CLOCK" 在顯示窗中閃爍。
- 2 按壓CLOCK鍵2秒或更長, 顯示器上的 "0:00" 將會閃爍。
- 3 通過按壓 ◀◀/▶▶ 鍵將其設定成13:15。 (當按住此鍵時, 分鐘/小時指示將會連續變化。)
- 4 按壓CLOCK鍵, 時間顯示便會出現在顯示器上。

- 如果要將時間設定得盡可能準確... 當您從電視或收音機中聽到報時信號時, 在完成上述步驟之後於第④步按壓 CLOCK 鍵。

**註:**

- 在進行定時錄音或者定時收音之前, 必須先設定現在時間。
- 建議在設定現在時間的時候, 將電源 (POWER) 鍵設為STANDBY (待機), 這樣可以保留住顯示窗的顯示。
- 電源線脫離插座以後再將其插入, 或者停電以後再恢復供電, "CLOCK" 將會在顯示窗中閃爍或者亮著。若遇此情況, 請重新設定現在時間。

**TIMER OPERATIONS (using the remote control)      OPERACIONES POR TEMPORIZADOR (utilizando el controlador remoto)      定時器的使用 (使用遙控器)**

**Setting the timer**

- The current time must be set before the timer can be used.

- 1 Press the TIMER button. (The (Ⓞ) indicator lights up.)



- 2 Set the start time. (Example: To set the timer to 12:15.)



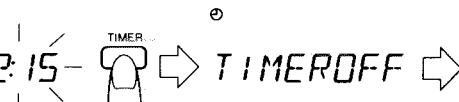
**Ajuste del temporizador**

- Antes de utilizar el temporizador es necesario ajustar la hora actual.

- 1 Presione el botón TIMER. (Se encenderá el indicador (Ⓞ).)



- 2 Ajuste el tiempo de inicio. (Ejemplo: Para ajustar el temporizador a las 12:15)



- Press to set the start time.
- Presiónelo para establecer la hora de activación.
- 按壓鍵設定開始時間。

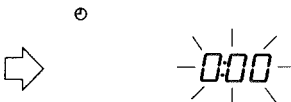
**設定定時器**

- 只有先設定了現在時間, 定時器才可以使用。

- 1 按壓TIMER鍵 ((Ⓞ) 指示器點亮。)



- 2 設定開始時間。 (例: 將定時器設定為 12:15)

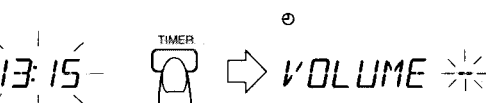


- Within 30 sec. Dentro de los 30 seg. 在 30 秒鐘以內。

- 3 Set the stop time. (Example: To set the timer stop time to 13:15.)

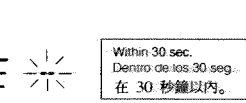


- 3 Ajuste la hora de parada. (Ejemplo: Para ajustar la hora de parada del temporizador a las 13:15)



- Press to set the timer stop time.
- Presiónelo para establecer la hora de desconexión del temporizador.
- 按壓此鍵設定定時器停止時間。

- 3 設定停止時間。 (例: 將定時器的停止時間設定為 13:15)。

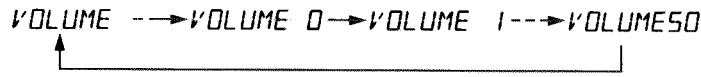


- Within 30 sec. Dentro de los 30 seg. 在 30 秒鐘以內。

① Set the volume.



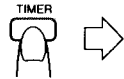
② Ajuste el volumen...



③ 設定音量。

VOLUME

This shows when volume level 1 is selected.  
Esto aparece cuando se selecciona el nivel de volumen 1.  
音量電平 1 被選擇時，此標記出現。



- The unit enters the previously engaged mode and timer setting has been completed.
- La unidad ingresa en el modo previamente activado y el ajuste del temporizador queda completado
- 本機進入前一個運作狀態，定時器設定完畢。

- When the volume setting is set to "VOLUME --" (volume level is not specified), the timer playback volume is at the level used before setting the timer. (In this case, the fade-in mode does not function.)

• To confirm the timer setting

1. Each time the TIMER button is pressed, the timer setting can be confirmed.
2. When the previously engaged mode is displayed, timer setting has been completed.

Note:

- When the timer is set incorrectly or the correct mode is not selected, perform "Setting the timer" from the beginning.

- Si se ajusta el volumen en "VOLUME --" (no se especifica el nivel del volumen), el volumen de la reproducción por temporizador permanece al nivel utilizado antes de ajustar el temporizador. (En este caso el modo de aparición gradual no funciona.)

• Comprobación del ajuste del temporizador

1. El ajuste del temporizador puede ser confirmado al presionar el botón TIMER.
2. Cuando se activa el modo anterior, el ajuste del temporizador queda completado.

Nota:

- Cuando se ajusta el temporizador incorrectamente o no se selecciona el modo correcto, ejecute el "Ajuste del temporizador", desde el principio.

- 當音量設定在 "VOLUME --" (未指定音量電平) 時，其定時收音的音量為上次設定定時的音量。(在這種情況下，淡入方式不起作用。)

• 若要檢查定時器的設定

1. 每按一次 TIMER 鍵，就能檢查定時器的設定。
2. 一旦顯示先前所定的工作狀態，就表示定時器的設定已經完成。

註:

- 如果定時器的設定有錯或者所選功能有錯，請從頭開始進行 "定時器的設定"。

Timer recording of broadcast

- The current time must be set before the timer can be used.
- Make sure that the safety tabs of the cassette have not been broken off.

Operations

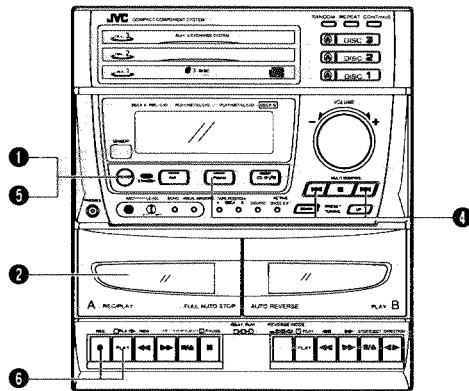
Grabación por temporizador de una radiodifusión

- Antes de utilizar el temporizador es necesario ajustar la hora actual.
- Asegúrese de que las lengüetas de seguridad del cassette no estén rotas.

無線電廣播的定時錄音

- 只有先設定了現在時間，定時器才可以使用。
- 確認一下錄音帶上的防誤消的錄音保險片是否存在。

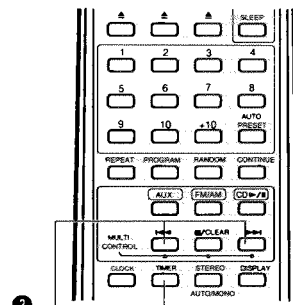
Operaciones



- ① Set the POWER button to ON.
  - ② Load a cassette.
  - ③ Set the timer. (Refer to "Setting the timer" on page 50.)
    - Set the timer about a minute before the broadcast to be recorded is scheduled to start.
  - ④ Tune to the station to be recorded. (Refer to page 38.)
  - ⑤ Set the POWER button to STANDBY.
  - ⑥ Press the ○ REC and PLAY ► buttons of deck simultaneously.
- "○ REC" is shown in the display window.

- ① Coloque el botón POWER en ON.
  - ② Coloque un cassette.
  - ③ Ajuste el temporizador. (Refiérase a "Ajuste del temporizador" en la página 50.)
    - Ajuste el temporizador a un minuto aproximadamente antes del comienzo programado de la radiodifusión a ser grabada.
  - ④ Sintonice la estación a ser grabada. (Refiérase a la página 38.)
  - ⑤ Coloque el botón POWER en STANDBY.
  - ⑥ Presione simultáneamente botones ○ REC y PLAY ► de la platina.
- Se visualiza "○ REC" en la ventanilla de indicación.

操作



- ① 按壓 POWER 鍵，接通電源。
  - ② 裝入錄音帶。
  - ③ 設定定時器。(請參看第 50 頁上的 "設定定時器")。
    - 將定時器設定得比要錄音的無線電廣播開始時間約早 1 分鐘。
  - ④ 調諧出要錄音的廣播電臺 (請參看第 38 頁)。
  - ⑤ 按壓 POWER 鍵，選擇 STANDBY (待機) 狀態。
  - ⑥ 同時按壓錄音機上的 ○ REC 和 PLAY ► 鍵。
- 顯示窗上出現 "○ REC"。

- Timer recording will start at the preset start time, and will stop at the end of the tape, no matter what stop time you preset. If the preset timer period is longer than the tape's remaining time, the recording will stop at the end of the tape and the tuner will remain on until the preset stop time. (The timer mode is then released.)

- To cancel timer operation Press the TIMER button so that the timer mode indicator (Ⓞ) goes out. If you do this, timer recording will not start at the timer start time.

**Notes:**

Once the timer has been set, the start and stop times, etc., are stored in memory. When timer recording or playback is required at different times, the timer must be set again.

- After setting the timer start and stop times, check that the tuner is tuned to the required frequency.
- When the power cord is disconnected or there is a power failure, timer settings will be erased from memory. If this happens, set the current time and perform the timer setting again.

- La grabación por temporizador se iniciará a la hora de inicio preajustada y parará al fin de la cinta, independientemente de que usted reajuste la hora de parada que programó. Si el ajuste del temporizador es más largo que el tiempo restante de la cinta, la grabación se detendrá al fin de la cinta y el sintonizador permanecerá activado hasta la hora de parada preajustada. (El modo de temporizador es desactivado en ese momento).

- Cancelación de la operación por temporizador Presione el botón TIMER para apagar el indicador (Ⓞ) de modo de temporizador. Si usted hace esto, la grabación por temporizador no se iniciará a la hora de activación del temporizador.

**Notas:**

Una vez ajustado el temporizador, la hora de activación y desactivación, etc., son registradas en memoria. Cuando se desea efectuar una grabación o reproducción por temporizador a horas diferentes, es necesario ajustar otra vez el temporizador.

- Después de ajustar la hora de activación y desactivación, etc. del temporizador, verifique que el sintonizador esté sintonizado en la frecuencia deseada.
- Si se desconecta el cordón de alimentación o si hay un corte de energía, los ajustes del temporizador se borran de la memoria. Si ocurre esto, ajuste la hora actual y ajuste el temporizador otra vez.

- 將在預設時間開始定時錄音，並在錄音帶到底時停止錄音，不管您預設的停止時間。如果預設定時器的時間大於錄音帶的剩餘時間，錄音將會在錄音帶到底時停止，而收音機將會繼續播放直到預設時間。(然後定時器模式被解除。)

- 若取消定時 按下定時器 TIMER 鍵，這樣定時器方式指示 (Ⓞ) 便會消失。

如果您作了這一項操作，那麼在定時開始的時間裡不會開始定時錄音。

**註:**

一旦設定了定時器，開始時間、停止時間等便被記憶於記憶裝置中。如果欲在不同的時間進行定時錄音或者定時收音，那麼就需要重新設定定時器。

- 待定時開始與定時停止的時間設定完畢以後，請檢查調諧器是否被設定在需要的廣播頻率上。
- 如果電源線從電源插座脫離或者發生停電，那麼，儲存在記憶裝置中的定時設定將被抹消。如果發生這種情況，請重新設定現在時間並重新作定時設定。

**Timer playback**

- Timer playback of tapes, broadcasts and CDs is possible.

**Operations**

**Reproducción por temporizador**

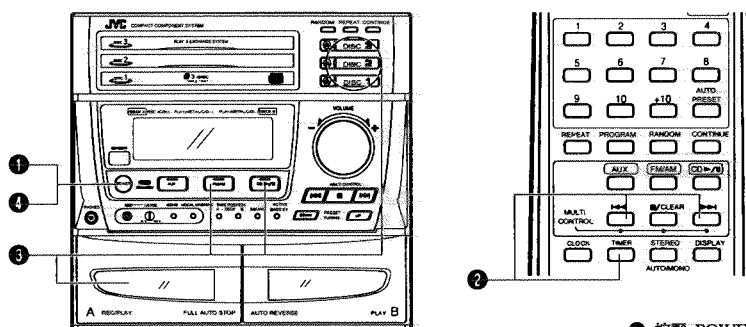
- La reproducción por temporizador de cintas, radiodifusiones, y CD es posible.

**Operaciones**

**定時播放**

- 可以作錄音帶、無線電廣播以及 CD 唱片的定時播放。

**操作**



- 1 Set the POWER button to ON.
- 2 Set the timer. (Refer to "Setting the timer" on page 50.)
- 3 Select the source sound.

- 1 Coloque el botón POWER en ON.
- 2 Ajuste el temporizador. (Refiérase a "Ajuste del temporizador" en la página 50.)
- 3 Seleccione la fuente de sonido.

- 1 按壓 POWER 鍵，接通電源。
- 2 設定定時器。(請參看第50頁上的“設定定時器”)。
- 3 選擇聲源。

Source sound Fuente de sonido 聲源的聲音	Timer mode Modo de temporizador 定時	Operations Operaciones 操作
CD play Reproducción de CD CD 收音	CD CD CD	Press the required CD CONTROL button (DISC 1 to DISC 3) and press the ■ button to set to the stop mode. Presione el botón CD CONTROL deseado (DISC 1 a DISC 3), y presione el botón ■ para activar el modo de parada. 按壓希望的 CD CONTROL 鍵 (DISC1 到 DISC3) 並按壓 ■ 鍵將其設定到停止模式。
Tape playback Reproducción de una cinta... 錄音帶收音	TAPE TAPE TAPE	Load a cassette tape. (When using deck B, set the REVERSE MODE button to (← →).) Coloque una cinta de cassette. (Cuando usa la platina B, coloque el botón REVERSE MODE en (← →).) 裝入一盤錄音帶。在使用錄音帶時，將 REVERSE MODE 設定到 (← →) 位置。
Broadcast Radiodifusión 電臺廣播	TUNER TUNER TUNER	Press the FM/AM button to set to the tuner mode and tune to the required frequency. Presione el botón FM/AM para establecer el modo de sintonizador y sintonice la frecuencia deseada. 按壓 FM/AM 鍵將其設定到收音機模式並調諧希望的頻率。

- 1 Set the POWER button to STANDBY. (Press the PLAY button of the deck for the timer playback of tape.)

- 1 Coloque el botón POWER en STANDBY. (Presione el botón PLAY o PLAY de la platina para la reproducción de la cinta por temporizador.)

- 1 將 POWER 鍵設定成 STANDBY。(按壓錄音機上的 PLAY 或 PLAY 鍵來設定錄音帶的定時器播放)。

- Timer playback will start at the timer start time and the power will be switched off at the timer stop time (tuner or CD). The power will not be switched off at the specified timer during tape operation but will switch off when the tape ends. The timer setting remains in the same timer mode even after the power is switched off and the same timer function will be repeated at the same time on the following day.
- When the power is switched on, it is possible to gradually increase the sound from volume level 0 (zero) to the preset volume.
- **To cancel timer operation**  
Press the **TIMER** button so that the timer mode indicator (Ⓢ) goes out.

**Notes:**

- When the volume setting is set to "VOLUME -" (volume level is not specified), the timer playback volume is set to the level used before setting the timer. (In this case, the fade-in mode does not function.)
- To stop during timer playback, press the **POWER** button to switch the unit off.

**Sleep timer operations (using the remote control unit)**

**A. Use this when you want to fall asleep while listening to a tape, broadcast or CD.**

- ① Set to the required source and tune (broadcast) or play back (CD or tape).
- ② Press the **SLEEP** button to set the sleep time.



**SLEEP** is shown in the display. Se visualiza **SLEEP** en el display. **SLEEP** 出現於顯示窗。

- Sleep time settings of 10, 20, 30, 60, 90 or 120 minutes can be set. When you release the **SLEEP** button, the source is displayed after 5 sec.

- The sleep timer operation will start and the power will be switched off after the specified time (Tuner & CD modes). The power will not switch off after the specified time during tape operation but will switch off when the tape ends. (After the specified time, "0" blinks during tape playback.)

**Note:**

When using deck B, set the **REVERSE MODE** button to  $\rightarrow$ .

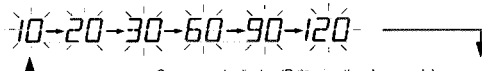
- **Checking the sleep time**  
When the **SLEEP** button is pressed, the remaining sleep time is displayed. If it is pressed again, a new sleep time can be set.
- **To cancel the sleep timer operation**  
Press the **POWER** button to switch the power off or press the **SLEEP** button until the sleep time indicator disappears.

**B. To fall asleep while listening to a broadcast or CD and to perform timer playback the following morning**

- ① Set the timer. (Refer to "Setting the timer" on page 50.)
- ② Set to the required source (broadcast or CD).

When falling asleep	When waking up
Broadcast →	Broadcast
CD play →	CD play

- During tape playback, the power is switched off when the tape ends, so only "When falling asleep" or "When waking up" operation is possible.
- ③ Press the **SLEEP** button to set the sleep time.



Source mode display (Releasing the sleep mode) Visualización del modo de fuente (Cancelación del modo de desconexión) 聲源方式指示 (解除睡眠方式)

- La reproducción por temporizador se iniciará a la hora de activación del temporizador y la alimentación se desconecta a la hora de desactivación del temporizador (sintonizador o CD). La alimentación no será desconectada a la hora especificada durante la operación de la cinta pero se desconectará al fin de la cinta. El ajuste del temporizador permanece igual en el mismo modo de temporizador aun después de desconectar la alimentación y la misma función de temporización se repetirá a la misma hora el día siguiente.
- Cuando se conecta la alimentación es posible hacer que el sonido aumente gradualmente desde el volumen 0 (cero) al volumen actual.
- **Cancelación de la operación por temporizador**  
Presione el botón **TIMER** para apagar el indicador (Ⓢ) de modo de temporizador.

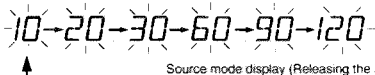
**Notas:**

- Cuando se ajusta el volumen en "VOLUME -" (el nivel de volumen no está especificado), el volumen de reproducción por temporizador permanece en el nivel usado antes del ajuste del temporizador. (En este caso el modo de aparición gradual no funciona.)
- Para parar durante la reproducción por temporizador, presione el botón **POWER** para desconectar la unidad.

**Operación del temporizador de desconexión (utilizando la unidad de control remoto)**

**A. Utilícelo cuando desee dormir mientras escucha una cinta, radiodifusión o CD.**

- ① Ajuste la fuente deseada y sintonice (radiodifusión) o reproduzca (CD o cinta).
- ② Presione el botón **SLEEP** para ajustar el tiempo que va a dormir.



Source mode display (Releasing the sleep mode) Visualización del modo de fuente (Cancelación del modo de desconexión) 聲源顯示 (解除睡眠時)

- Los ajustes el tiempo para dormir pueden ser: 10, 20, 30, 60, 90 o 120 minutos. Cuando usted suelta el botón **SLEEP** la fuente es indicada después de que hayan transcurrido 5 segundos.

- Después de transcurrido el tiempo especificado se activa el temporizador de desconexión y la alimentación es desconectada (modos de sintonizador y CD). La alimentación no se desconecta después de la hora especificada durante la operación de la cinta, pero se desconectará cuando la cinta termine. (Después del tiempo especificado, "0" parpadea a durante la reproducción de cinta).

**Nota:**

Cuando usa la platina B, coloque el botón **REVERSE MODE** en  $\rightarrow$ .

- **Verificación del tiempo para dormir**  
Cuar do presiona el botón **SLEEP**, aparece la indicación del tiempo restante. Si lo presiona otra vez, es posible establecer un nuevo período para dormir.
- **Cancelación del temporizador de desconexión**  
Presione el botón **POWER** para desconectar la alimentación o presione el botón **SLEEP** hasta que el indicador del tiempo para dormir desaparezca.

**B. Para dormir mientras escucha una radiodifusión o un CD y efectuar la reproducción por temporizador la mañana siguiente**

- ① Ajuste el temporizador. (Refiérase a "Ajuste del temporizador" en la página 50.)
- ② Ajuste la fuente deseada (radiodifusión o CD).

Cuando vaya a dormir	Cuando despierta
Radiodifusión →	Radiodifusión
Reproducción de CD →	Reproducción de CD

- Al reproducir una cinta la alimentación se desconecta cuando la cinta termina, por eso la operación es posible sólo "Cuando vaya a dormir" o "Cuando despierta".
- ③ Presione el botón **SLEEP** para ajustar la hora de desconexión del temporizador.

- 定時器將在定時器開始時間開始播放並在定時器停止時間切斷電源。(收音機或 CD)。在錄音機操作期間，在指定定時時間不會切斷電源，但在錄音帶到底時會切斷電源。即使在切斷電源之後定時器設定也會保存在同一定時器模式內，並在第二天的相同時間還會重複相同的定時器功能。
- 當接通電源時，聲音可能從音量電平 0 漸次增強至預設的音量。

**若要取消定時設定**

按下定時器 **TIMER** 鍵，這樣定時器方式指示 (Ⓢ) 便會消失。

**註:**

- 當音量設於 "VOLUME -" (未指定音量電平) 時，定時播放的音量為設定定時器之前的音量。(在這種情況下，淡入方式不起作用。)
- 若要在定時播放中停止播放，請按壓 **POWER** 鍵，關掉設備

**睡眠定時器的操作 (使用遙控器)**

**A. 當您欲邊聽錄音或者 CD 唱片、無線電廣播邊進入夢鄉時，可使用此功能。**

- ① 設定您想聽的聲源和電臺 (廣播) 或播放 (CD 或磁帶)。
- ② 按壓 **SLEEP** 鍵，以設定睡眠時間。

- 睡眠的定時時間為 10、20、30、60、90 或 120 分鐘。當您按壓 **SLEEP** 鍵解除了睡眠定時以後，過 5 秒鐘聲源就會被顯示出來。

- 在指定的時間 (收音機和 CD 模式) 之後睡眠定時器操作開始，電源將被切斷。在錄音帶操作期間，在指定時間之後電源不會被切斷，但在錄音帶到底時電源將被切斷。

(在指定的時間之後，錄音帶播放期間 "0" 閃爍。)

**註:**

- 當使用卡座 B 時，將 **REVERSE MODE** 鍵設置於  $\rightarrow$  位置。
- **檢查睡眠定時的時間**  
按壓 **SLEEP** 鍵，剩餘的睡眠時間便會被顯示出來。如果再按壓一次該鍵，您就可以重新選擇一個新的睡眠時間。
- **若要取消睡眠定時的設定**  
按壓 **POWER** 鍵，斷開電源；或者按壓 **SLEEP** 鍵，直至睡眠定時的時間顯示消失。

**B. 如果，您欲邊聽 CD 唱片或者無線電廣播邊進入夢鄉，並且第二天作定時播放**

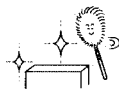
- ① 設定定時器。(請參看第50頁上的 "設定定時器")
- ② 選擇想聽的聲源 (電臺廣播、CD 唱片)。

當睡眠時	當醒來時
廣播 →	廣播
播放 CD →	播放 CD

- 在播放錄音帶期間，當錄音帶到底時電源被切斷，所以只能進行 "當睡眠時" 或 "當醒來時" 的操作。
- ③ 按壓 **SLEEP** 鍵，設定睡眠定時時間。



MAINTENANCE



**Cleaning is important!**

When the tape is running, magnetic powder and dust naturally accumulate on the heads, capstan and pinch roller. When they become too dirty...

- Sound quality deteriorates.
- The output sound level drops.
- Previously recorded tape is not completely erased.
- Recording is not performed satisfactorily.

Therefore, you should clean the heads, etc. after every 10 hours of use for optimal recording conditions.

**Cleaning the heads, capstan and pinch roller**

Open the cassette holder.  
Clean the heads, pinch roller and capstan.  
For effective cleaning, use a cleaning kit available from an audio store.  
After cleaning, be sure that the cleaning fluid has dried completely before loading a cassette.

MANTENIMIENTO

**¡La limpieza es importante!**

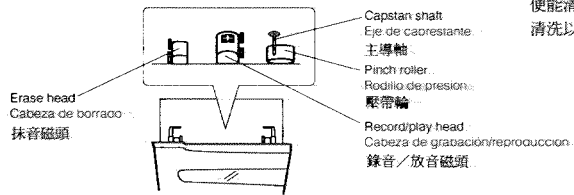
Cuando la cinta está girando, el polvo magnético y el polvo se acumulan naturalmente en las cabezas, cabrestante y rodillo de presión. Cuando estén muy sucios...

- La calidad de sonido se deteriora.
- El nivel de salida de sonido se reduce.
- Las cintas grabadas no se borran completamente.
- La grabación no se realiza satisfactoriamente.

Por lo tanto, usted debe limpiar las cabezas, etc. después de cada 10 horas de uso para obtener condiciones de grabación óptimas.

**Limpieza de las cabezas, cabrestante y rodillo de presión**

Abra el portacasette.  
Limpie las cabezas, rodillo de presión y cabrestante.  
Para una limpieza efectiva, utilice un conjunto de limpieza disponible en cualquier tienda de audio.  
Después de la limpieza, asegúrese de que el líquido para la misma se haya secado completamente antes de colocar un cassette.



**Cautions:**

1. Keep magnets and metallic objects away from the head. If the head becomes magnetized, noise will increase and the sound will deteriorate. Demagnetize the head every 20-30 hours of use with a head eraser (available from an audio store). (When demagnetizing the head, the POWER button should be set to STANDBY.)
2. Do not use anything other than alcohol for cleaning. Thinner and benzine will damage the rubber pinch roller.

**Precauciones:**

1. Mantenga los imanes y los objetos metálicos lejos de la cabeza. Si la cabeza se magnetiza, el ruido aumentará y el sonido se deteriorará. Demagnetice la cabeza cada 20-30 horas de uso con un desmagnetizador de cabezas (disponible en cualquier tienda de audio). (Cuando desmagnetiza la cabeza, el botón POWER deberá estar colocado en STANDBY.)
2. Para limpieza no utilice ningún otro producto que no sea alcohol. El diluyente y la bencina dañarán el rodillo de presión de goma.

保養

**清潔工作是極為重要的!**

當錄音帶走帶的時候，磁粉、灰塵自然會積蓄在磁頭、主導軸以及壓帶輪上。當這些部件太污穢時...

- 音質低落
- 音量下降
- 以前錄制的錄音不能完全消去
- 錄音不理想

因此，每使用 10 個小時您就該清洗磁頭等。這樣，您的錄音就會完美無憾。

**清洗磁頭、主導軸以及壓帶輪**

打開錄音帶盒。  
清洗磁頭、主導軸以及壓帶輪。  
音響設備商店有整套清洗工具出售，使用這種清洗工具便能清洗得乾淨。  
清洗以後，須待清洗液完全乾了才可裝入錄音帶。

**注意事項:**

1. 切勿讓磁體、金屬物接近磁頭。如果磁頭磁化了，噪音將會變甚，聲音將會失真。每使用 20 至 30 小時以後，請用磁頭消磁器（於音響設備商店有售）給磁頭消磁（給磁頭消磁的時候，必須按壓 POWER 鍵將其設於 STANDBY（待機）的位置）。
2. 清洗劑僅限於酒精，其它一概不可使用。如果使用天然水、石油精，將會損壞橡膠製的壓帶輪。

57

TROUBLESHOOTING



What appears to be trouble is not always serious. First make sure....

- When abnormal operation occurs.
  - \* Unplug the AC power cord from the AC outlet. Then reconnect and switch the power ON.
- Power cannot be turned on.
  - \* Is the power cord unplugged?
- No sound from the speakers.
  - \* Are headphones connected?

(CD Player Section)

- The CD player does not play.
  - \* Is the CD upside down?
  - \* Is the CD dirty?
- A certain portion of the CD does not play correctly.
  - \* Is the CD scratched?
- CD playback is not performed when the CD CONTROL button is pressed.
  - \* Is program mode engaged?
- When the operation stops.
  - \* Switch the power OFF (STANDBY) and ON again.

(Cassette Deck Section)

- Playback sound is at a very low level.
  - \* Is the head dirty?
- The REC button does not function.
  - \* Have the safety tabs of the cassette been broken off?

(Tuner Section)

- Reception is noisy.
  - \* Try adjusting the antenna.

(Timer Section)

- Timer operation does not start.
  - \* Is the current time set correctly?
  - \* Is the timer mode indicator (Ⓢ) displayed?

(Remote Control)

- Remote control is impossible.
  - \* Are the batteries in the remote control exhausted?
  - \* Is the remote SENSOR section exposed to bright light (direct sunlight, etc.)?

DETECCION DE PROBLEMAS

Lo que parece ser un problema no siempre es grave. Primero asegúrese....

- Cuando hay fallas de funcionamiento.
  - \* Desenchufe el cordón de alimentación CA del tomacorriente de CA. Luego reconecte y conecte la alimentación.
- No es posible conectar la alimentación.
  - \* ¿Está el cordón de alimentación desenchufado?
- No sale sonido de los altavoces.
  - \* ¿Están los audífonos conectados?

(Sección del reproductor de CD)

- El reproductor de CD no funciona.
  - \* ¿Está el CD invertido?
  - \* ¿Está el CD sucio?
- Cierta porción de un CD no es correctamente reproducida.
  - \* ¿Está el CD rayado?
- La reproducción del CD no se realiza cuando el botón CD CONTROL está presionado.
  - \* ¿Está el modo de programa activado?
- Cuando la operación para.
  - \* Desconecte la alimentación OFF (espera) y conéctela ON otra vez.

(Sección la platina de cassette)

- El sonido de reproducción tiene un nivel muy bajo.
  - \* ¿Está la cabeza sucia?
- El botón REC no funciona.
  - \* ¿Están las lengüetas de seguridad del cassette rotas?

(Sección del sintonizador)

- La recepción es ruidosa.
  - \* Intente ajustar la antena.

(Sección del temporizador)

- La operación por temporizador no se activa.
  - \* ¿Está la hora actual correctamente ajustada?
  - \* ¿Está el indicador (Ⓢ) de modo de temporizador indicado?

(Controlador remoto)

- El controlador remoto no funciona.
  - \* ¿Están las pilas del controlador remoto agotadas?
  - \* ¿Está la sección remoto SENSOR expuesta a una luz brillante (luz solar directa, etc.)?

故障的檢查與排除

並非所有問題都是嚴重的。

首先檢查一下...

- 當出現異常操作時
  - \* 從交流插座上拔下交流電源線。然後重新進行連接并接通電源。
- 電源無法接通。
  - \* 電源線的插頭是否插好了?
- 揚聲器沒有聲音。
  - \* 是否有耳機插著?
- (CD 唱機部分)
  - CD 唱機沒有聲音。
    - \* 唱片應該朝上的一面是否朝下放了?
    - \* 唱片是否污穢了?
  - 某些地方的放音有異常。
    - \* 唱片是否有劃傷?
  - 當按壓 CD CONTROL 鍵時，不能進行 CD 播放。是否預約了編程方式?
  - 當操作停止時
    - \* 重新斷開電源（待機），然後再次打開。
- (卡式座部分)
  - 放音的聲音極低。
    - \* 磁頭是否污穢了?
  - REC 鍵失靈。
    - \* 卡式錄音帶上的防誤消錄音保險片是否被拆掉了?
- (調諧部分)
  - 收音有噪音。
    - \* 調試天線。
- (定時器部分)
  - 定時器不啟動。
    - \* 現在時間的設定是否正確?
    - \* 定時功能的指示 (Ⓢ) 是否被顯示出來了?

(遙控器)

- 遙控器失靈。
  - \* 遙控器的電池是否耗盡?
  - \* 遙控感應器 (SENSOR) 是否受強烈光照 (直射陽光等) ?

**Note:**  
Before making an important recording, be sure to make a test recording first to check that the deck, etc. is working correctly.

**Nota:**  
Antes de efectuar una grabación importante, asegúrese de hacer una grabación de prueba para verificar que la platina, etc. este funcionando correctamente.

**註:**  
若要作重要的錄音，在此之前請務必作一次試錄，以便檢查卡式座等的工作狀況是否良好。

**SPECIFICATIONS**

**ESPECIFICACIONES**

**規格**

**CD player section**  
Type : Compact disc player  
Signal detection system : Non-contact optical pickup  
Number of channels : 2 channels  
Frequency response : 20 Hz - 20,000 Hz  
Signal-to-noise ratio : 90 dB  
Wow & flutter : Less than measurable limit

**Radio section**  
Frequency range : FM 87.5-108 MHz  
AM: 531-1,602 kHz (with channel space mode set to AM 9 kHz)  
AM: 530-1,710 kHz (with channel space mode set to AM-10 kHz)

**Antennas**  
Loop antenna for AM  
External antenna terminal for FM (75 Ω)

**Tape deck section**  
Track system : 4-track 2-channel stereo  
Motor : Electronic governor DC motor for capstan  
Heads : Deck A: Hard permalloy head for recording/playback, 2 gap permalloy head for erasure  
Deck B: Hard permalloy head for playback  
Frequency response : 50-15,000 Hz (with CrO<sub>2</sub> tape)  
Wow & flutter : 0.15% (WRMS)  
Fast wind time : Approx. 160 sec (C-60 cassette)

**Speaker Section (each unit)**  
Speakers (Impedance) : 12 cm (4-3/4 inch) x 1: (6 Ω), 5 cm (2 inch) x 1 (4 Ω)  
Dimensions : 205 (W) x 295 (H) x 220 (D) mm  
Weight : Approx. 2.5 kg

**Sección del reproductor de CD**  
Tipo : Reproductor de discos compactos  
Sistema de detección de señal : Capóptico sin contacto  
Número de canales : 2 canales  
Respuesta de frecuencia : 20 Hz - 20,000 Hz  
Relación señal-ruído : 90 dB  
Fluctuación y tremolación : Menor que el límite medible

**Sección de la radio**  
Límites de frecuencia : FM 87.5-108 MHz  
AM: 531-1,602 kHz (con el modo de espacio de canal colocado en AM 9 kHz)  
AM: 530-1,710 kHz (con el modo de espacio de canal colocado en AM 10 kHz)

**Antenas**  
Antena de cuadro para AM  
Terminal de antena externa para FM (75 Ω)

**Sección de la platina de cinta**  
Sistema de pistas : 4 pistas 2 canales estereofónicos  
Motor : Motor de CC controlado electrónicamente para el cabezante  
Platina A: cabeza de aleación dura "permalloy" para grabación/reproducción, cabeza de aleación dura "permalloy" para borrado con 2 ranuras  
Platina B: Cabeza de aleación dura "permalloy" para reproducción  
Respuesta de frecuencia : 50-15,000 Hz (con cinta de CrO<sub>2</sub>)  
Fluctuación y tremolación : 0.15% (WRMS)  
Tiempo de bobinado rápido : 160 seg. aprox. (cassette C-60)

**Sección de altavoces (cada unidad)**  
Altavoces (impedancia) : 12 cm x 1 (6 Ω); 5 cm x 1 (4 Ω)  
Dimensiones : 205 (A) x 295 (Alt.) x 220 (P) mm.  
Peso : Aprox. 2.5 kg

**CD 唱機部分**  
類型 : 小型雷射唱機  
信號檢測 : 無觸點唱頭  
聲道 : 雙聲道  
頻率範圍 : 20 Hz ~ 20,000 Hz  
信噪比 : 90 dB  
晃抖度 : 小於可測限度

**無線電收音機部分**  
頻率範圍 : FM: 87.5 ~ 108 MHz  
AM: 531 ~ 1,602 kHz (頻道間隔設定於 AM9 kHz)  
AM: 530 ~ 1,710 kHz (頻道間隔設定於 AM10 kHz)  
天線 : 用於 AM 的環形天線  
用於 FM (75 Ω) 的外接天線端子

**卡式座部分**  
聲軌方式 : 4 聲軌、雙聲道立體聲  
馬達 : 轉盤用電調速直流馬達  
磁頭 : 錄音帶 A, 用於錄音/播放的硬強磁性鐵鎳合金磁頭; 用於擦除的 2 間隙強磁性鐵鎳合金磁頭  
錄音帶 B, 用於播放的硬強磁性鐵鎳合金磁頭  
頻率響應 : 50 ~ 15,000 Hz (CrO<sub>2</sub> 錄音帶)  
晃抖度 : 0.15% (WRMS)  
快速時間 : 約 160 秒 (C60 卡式錄音帶)

**揚聲器部分 (各裝置)**

揚聲器(阻抗): 12cm x 1 (6Ω), 5cm x 1 (4Ω)  
尺寸 : 205 (寬) x 295 (高) x 220 (深) mm  
重量 : 約 2.5 kg

**General**  
Power Output (IEC 268-3/DIN) : 27 watts per channel, min. RMS, both channels driven, into 6 ohms at 1 kHz with no more than 0.9% total harmonic distortion  
Input terminals : AUX IN (400 mV/50 kΩ)  
MIC (3.5 mm dia. plug) (matching impedance 200Ω - 20kΩ)  
Output terminals : PHONES x 1 (Output level: 0-15 mW/ch, 32 Ω, Matching impedance: 16 Ω ~ 1 kΩ)  
Speaker x 2 (Matching impedance 6 Ω ~ 16 Ω)  
Power requirements : AC 110V/127V/220V/230-240V, 50/60Hz  
Power consumption : 85 W (with POWER SW ON) (MX-D2T U/UB/US) : 200W (with POWER SW ON) (MX-D2T UT)  
12 W (with POWER SW STANDBY)  
Dimensions : 675 (W) x 295 (H) x 343 (D) mm including knobs  
Weight : Approx. 12.5 kg  
Accessories provided : Remote control unit (RM-RXMD2T) x 1 "R6/AA (15F)" batteries x 2 (for the remote control)  
FM feeder antenna x 1  
Loop antenna stand x 1  
AC plug adapter x 1 (MX-D2T U/US/UT)

**Generalidades**  
Salida de potencia (IEC 268-3/DIN) : 27 vatios por canal, min. RMS, ambos canales excitados, en 6 Ω a 1 kHz con no más de 0.9% de distorsión armónica  
Terminales de entrada : AUX IN (400 mV/50 kΩ)  
MIC (enchufe de 3.5 mm de diam.) (Impedancia de adaptación: 200 Ω - 20 kΩ)  
Terminales de salida : PHONES x 1 (nivel de salida: 0-15 mW/ch, 32 Ω, Impedancia de adaptación: 16 Ω ~ 1 kΩ)  
Altavoz x 2 (impedancia de adaptación de 6 Ω ~ 16 Ω)  
Requisitos de alimentación : AC 110V/127V/220V/230-240V, 50/60Hz  
Consumo de energía : 85 W (con POWER en ON) (MX-D2T U/UB/US) : 200W (con POWER SW en ON) (MX-D2T UT)  
12 W (con POWER en STANDBY)  
Dimensiones : 675 (A) x 295 (Alt.) x 343 (P) mm; incluyendo las perillas  
Peso : Aprox. 12.5 kg  
Accesorios suministrados : Unidad de control remoto (RM-RXMD2T) x 1 "R6/AA (15F)" x 2 (para el controlador remoto)  
Antena de alimentación FM x 1  
Soporte para la antena de cuadro x 1  
Adaptador para enchufe de CA x 1 (MX-D2T U/US/UT)

**總合**  
輸出功率 : 每聲道 27 瓦, 最小 RMS, 兩聲道驅動, (IEC 268-3/DIN) 在 1 kHz 頻率下 6 Ω 輸入, 總諧波失真小於 0.9%  
輸入端子 : 輔助輸入 (AUX IN) (400 mV/50 kΩ) 麥克風 (MIC) (直徑 3.5 mm, 微型插頭) (匹配阻抗 200 Ω ~ 20 kΩ)  
輸出端子 : 耳機 (PHONES) x 1 (輸出電平: 0 ~ 15 mW/頻道, 32 Ω, 匹配阻抗: 16 Ω ~ 1 k Ω)  
揚聲器 x 2 (匹配阻抗 6 Ω ~ 16 Ω)  
電源要求 : AC 110V/127V/230-240 V, 50/60 Hz  
耗電量 : 85 W (於 POWER SW ON 時) (MX-D2T U/UB/US) : 200 W (於 POWER SW ON 時) (MX-D2T UT)  
12 W (於 POWER SW STANDBY 時)  
體積 : 675 (寬) x 295 (高) x 343 (深) mm (包括鍵)  
重量 : 約 12.5 kg  
附件 : 遙控器 (RM-RXMD2T) x 1 電池 "R6/AA (15F)" x 2 (用於遙控器) 饋電天線 x 1 環形天線座 x 1 (MX-D2T U/US/UT)

Design and specifications are subject to change without notice.

Diseño y especificaciones sujetos a cambio sin aviso.

設計以及規格若有變更, 恕不另行通知。

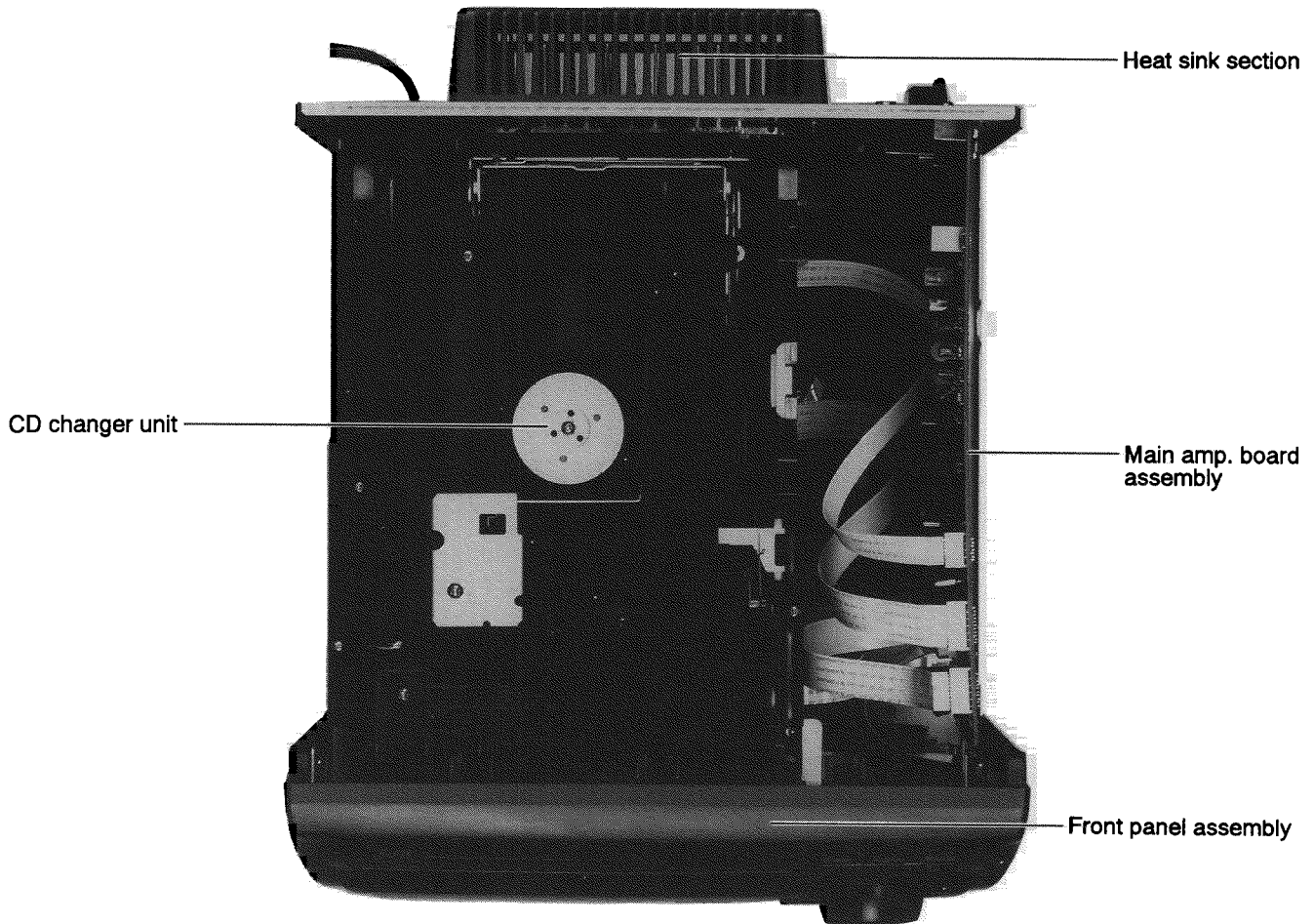
Area suffix	
UB	Hong Kong
US	Singapore
UT	Formosa
U	Other areas

Sufijo de área	
UB	Hong Kong
US	Singapur
UT	Formosa
U	Otros países

地區簡稱	
UB	香港
US	新加坡
UT	臺灣
U	其它地區

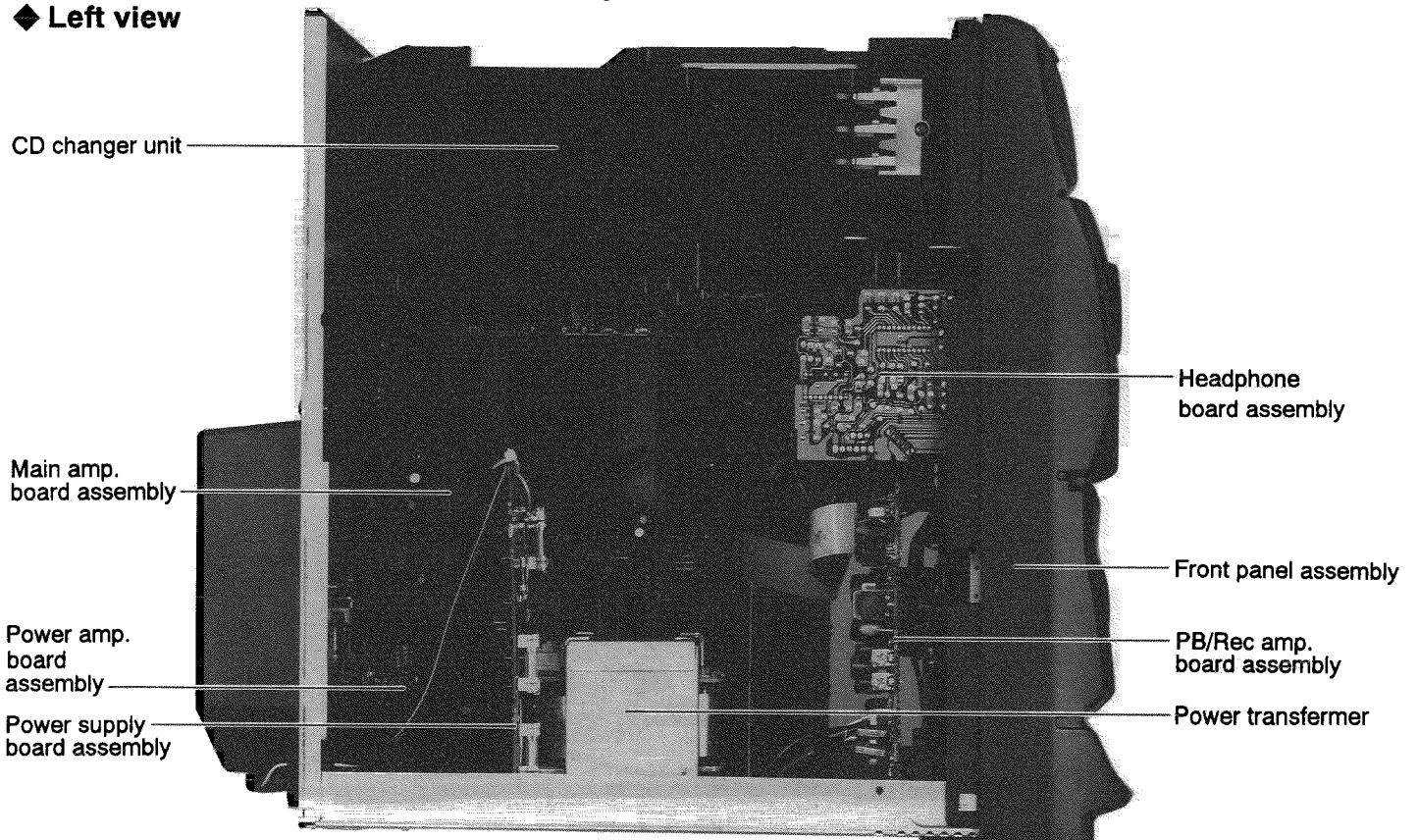


**1 Location of main parts**



**Fig. 1-1**

**◆ Left view**



**Fig. 1-2**

◆ Right side view

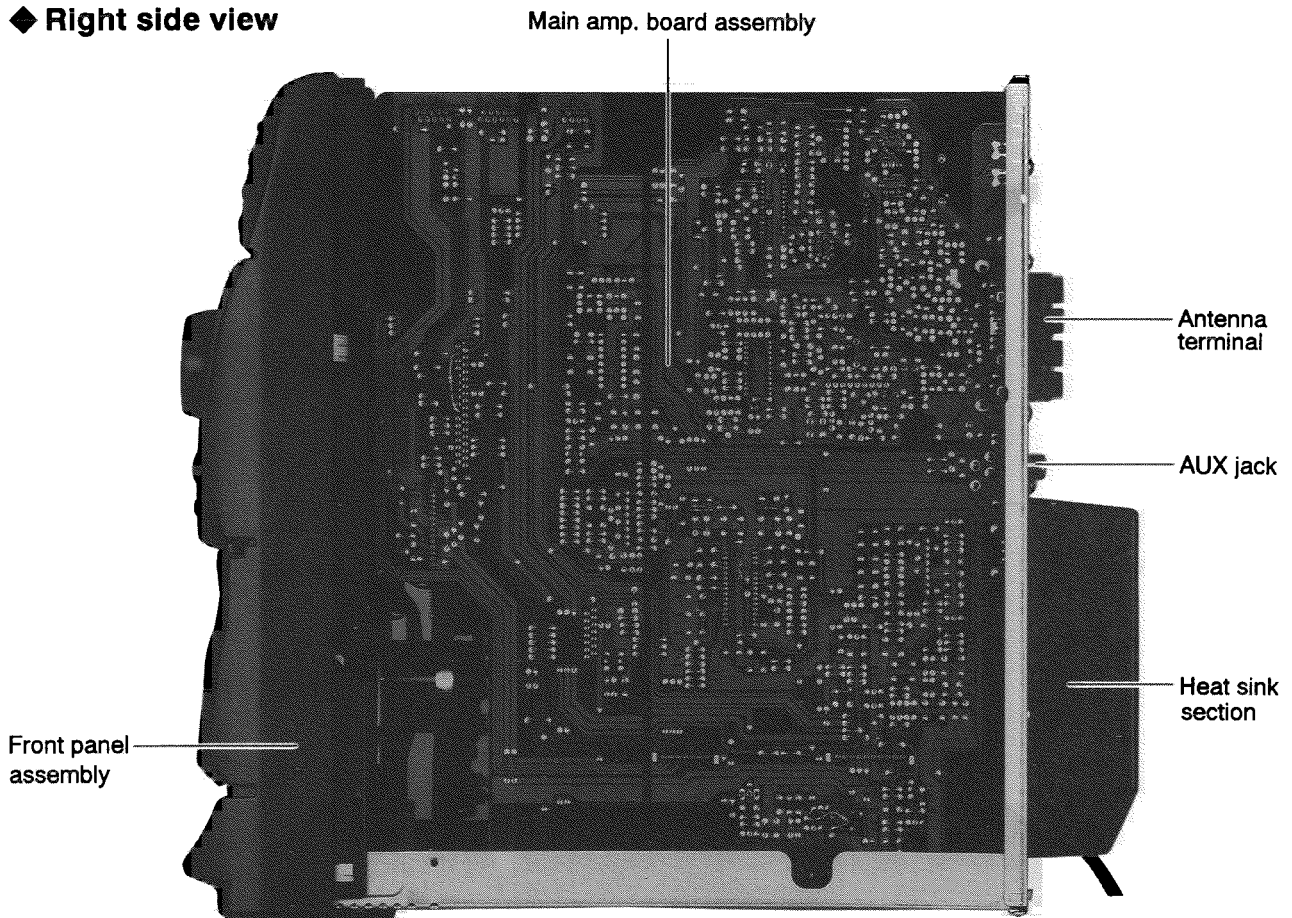


Fig. 1-3

◆ Front panel inside view

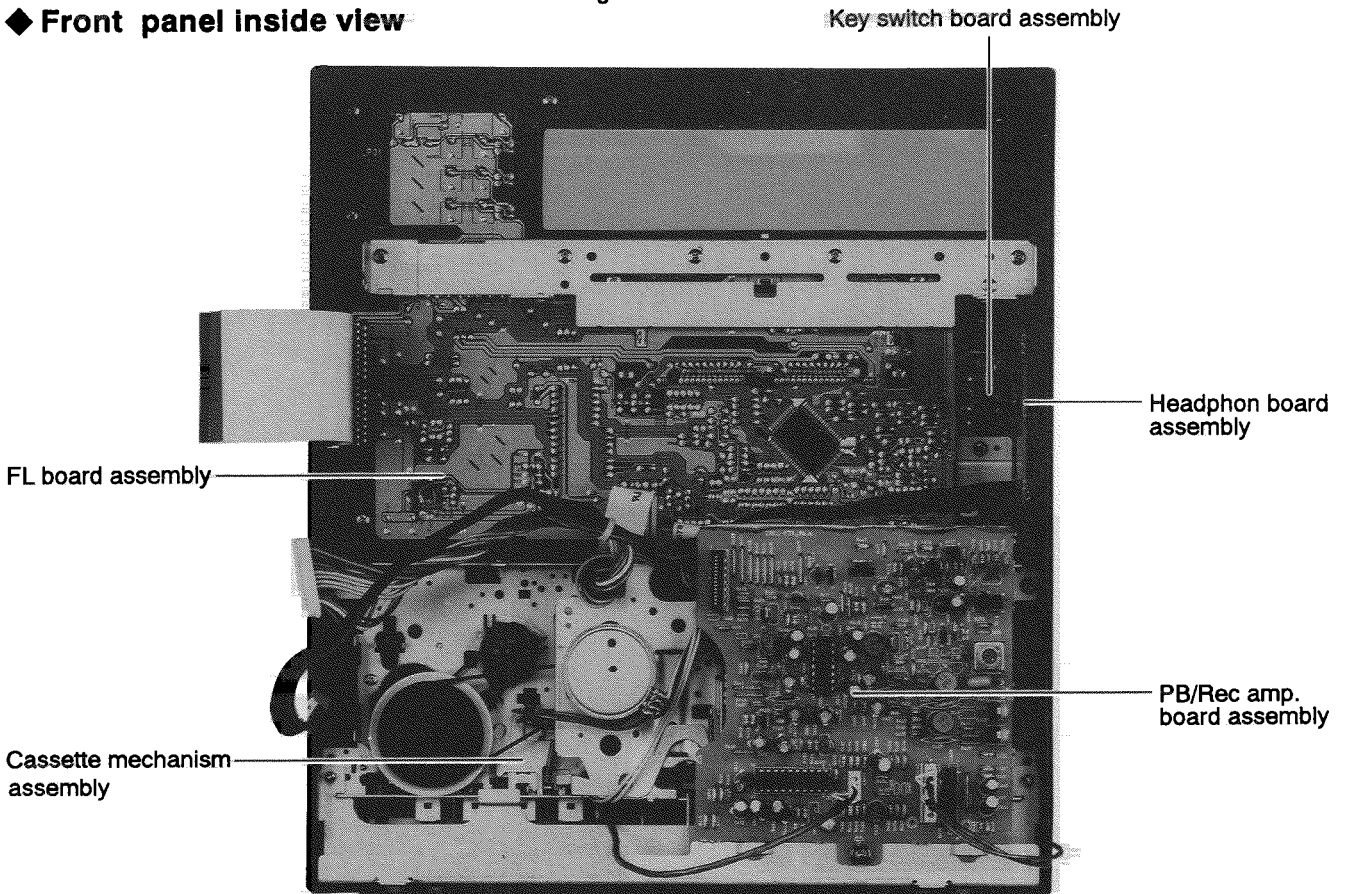


Fig. 1-4



◆ CD changer unit (Bottom side)

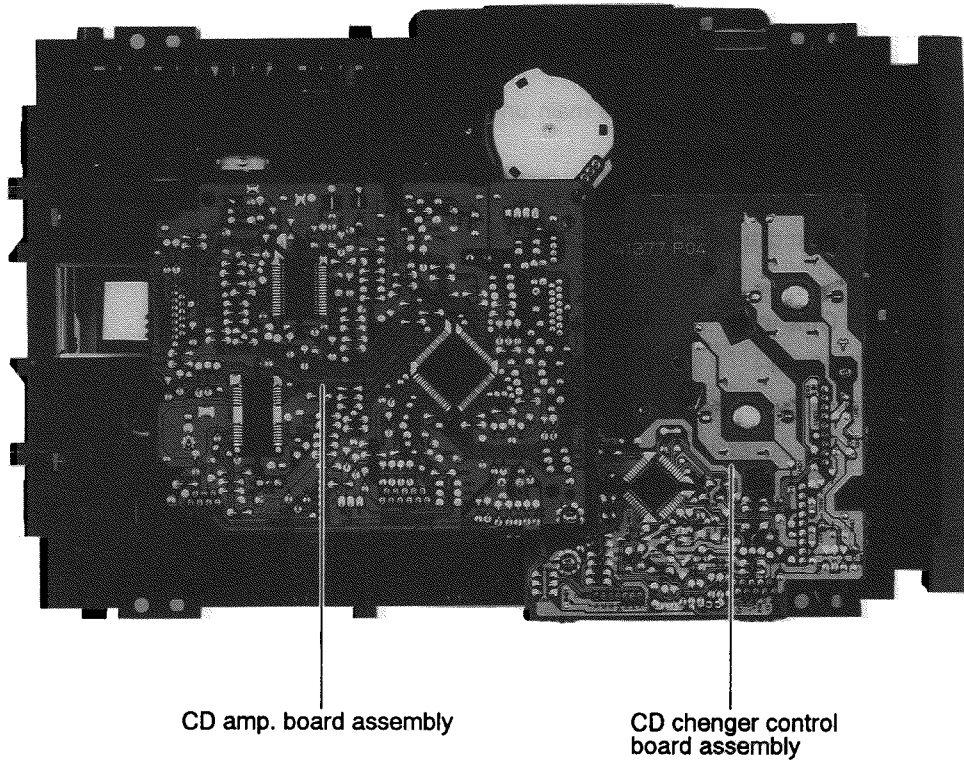


Fig. 1-5

◆ Cassette mechanism section

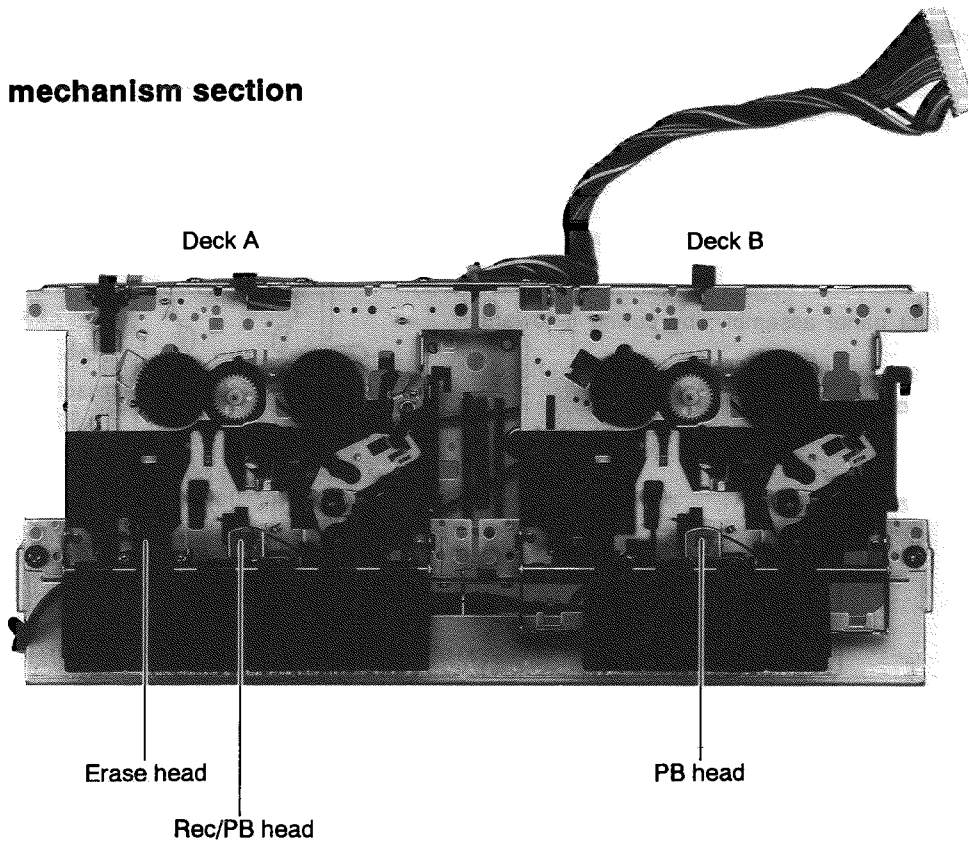


Fig. 1-6

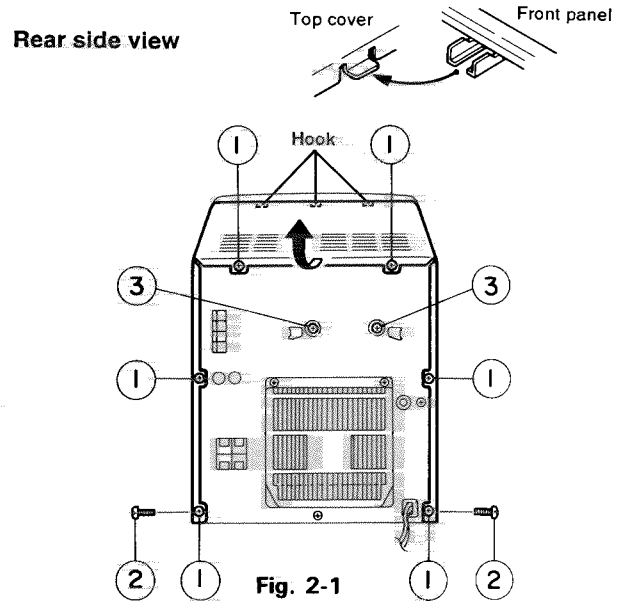
## 2 Removal of main parts

### ◆ Removing the Cover (See Fig. 2-1)

- 1) Remove the six screws ① from the rear of the main unit and remove the two screws ② from each side.
- 2) Release the three hooks on the front top and the two hooks on each side, and remove the cover by raising it from the rear.

### ◆ Removing the CD Changer Unit/Front Panel Ass'y (See Fig. 2-2~Fig. 2-4)

- 1) Remove the four front panel retaining screws ④ from the bottom of the main unit.
- 2) Remove the two screws ③ retaining the CD changer unit from the rear of the main unit. (See Fig. 1.)
- 3) Remove the two hooks (a) located on the left and right sides at the lower portion of the front panel, and remove the receptacle (b) retaining the main PC board.
- 4) Disconnect the card wire connectors CN304, CD305 and CN306 located on the main PC board.
- 5) Remove the two screws ⑤ retaining the CD changer from the top of the front panel assembly.
- 6) Since the hooks on the bottom plate and on the mechanism bracket are linked, pull the front panel assembly straight out until it is released. The CD changer unit can be removed when the assembly is partly pulled out.
- 7) Disconnect the wire connectors (CN301, CN302 and CN303) connecting the front panel assembly to the main PC board.
- 8) Disconnect the CN904 connector from the power amp PC board.
- 9) Remove the front panel assembly, by pulling it towards you.



Bottom side view

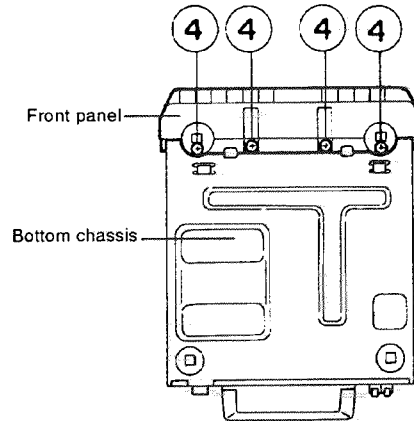


Fig. 2-2

Both side view

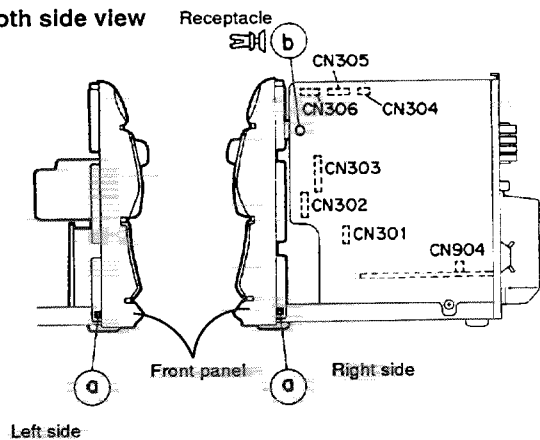


Fig. 2-3

Top side view

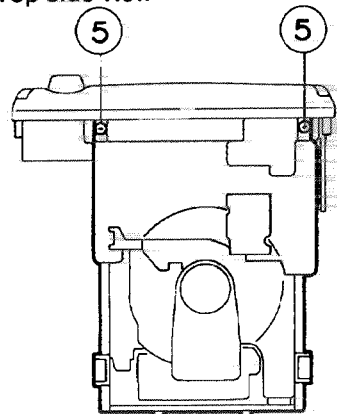


Fig. 2-4

◆ **Removing the Cassette Mechanism Assembly**

(See Fig. 2-5)

- 1) Remove the three screws ⑥ retaining the mechanism assembly.
- 2) Push the STOP/EJECT button to open the cassette door and remove the cassette mechanism assembly for Deck A. Do the same for Deck B.
- 3) Remove the screws ⑦ retaining the pre/record amp board, then slide it up and remove the three hooks (c).

◆ **Removing the FL/CD Switch PC Board**(See Fig. 2-6)

- 1) Remove the six screws ⑧ retaining the bracket.
- 2) Remove the nine screws ⑨ retaining the FL/CD switch PC board, and lift it out.

◆ **Removing Other PC Boards** (See Fig. 2-7)

- 1) Remove the nine screws ⑩ and two screws ⑪ retaining the key switch, volume and power indicator PC boards.
- 2) Disconnect the connectors connecting the key switch PC board (CN404) and the headphone PC board (CN851).
- 3) Pull out the volume knob and remove the hexagonal nuts (d) from the front to remove the volume PC board.

◆ **Removing the CD Amp PC Board** (See Fig. 2-8)

- 1) Remove the screws ⑫ retaining the CD amp PC board.
- 2) Release the hook (f) and lift up the board, holding it on the retaining screw side, then remove the two studs (e).
- 3) Disconnect the CN601 and CN602 connectors, and remove the ground terminal (g).

Inside front panel (with cassette mechanism remove)

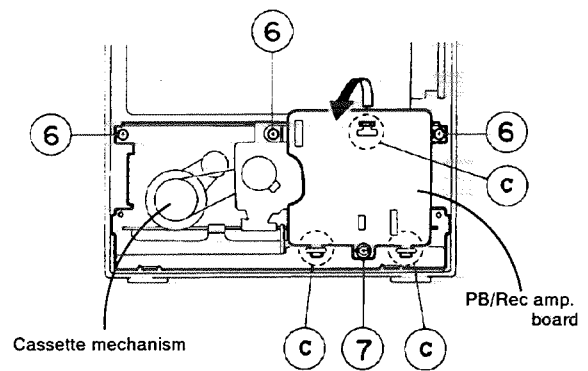


Fig. 2-5

Inside front panel (With FL board remove)

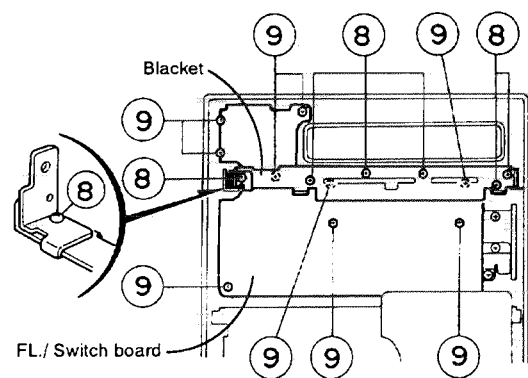


Fig. 2-6

Inside front panel (With key switch board remove)

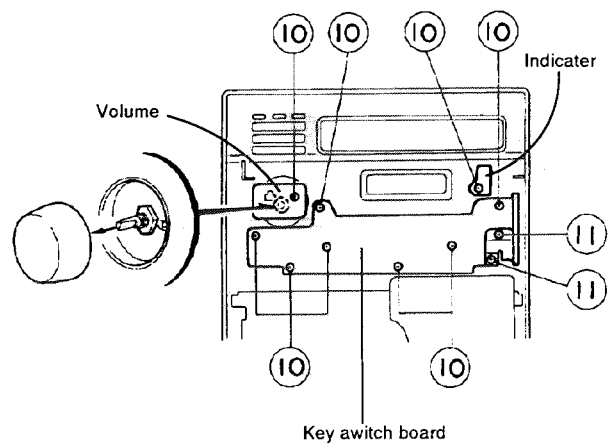


Fig. 2-7

CD unit board face

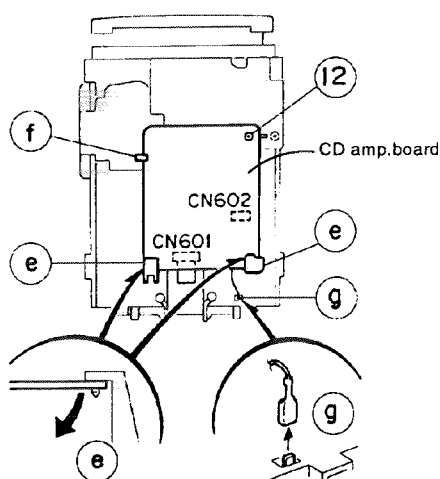


Fig. 2-8

◆ **Removing the Main PC Board and Power Amp PC Board (See Fig. 2-9~Fig. 2-10)**

- 1) Remove the screw ⑬ retaining the main PC board, then remove the four screws ⑭ retaining the antenna terminal and AUX terminals.
- 2) Disconnect the CN307 and CN308 connectors from the power amp PC board, then pull them out toward you. (As pulling out the connectors may apply excessive force, we recommend that you remove the power amp PC board at the same time.)
- 3) Remove the two screws ⑮ retaining the heat sink cover.
- 4) Remove the two screws ⑯ retaining the speaker terminals, two screws ⑰ retaining the heat sink, two screws ⑱ retaining the V. select switch, and the screw ⑲ retaining the ground terminal, then remove the CN902 wire connector located on the power amp PC board.

◆ **Removing the Power Transformer Assembly (See Fig. 2-11)**

- 1) Remove the four screws ⑲ retaining the power transformer. These are located on the bottom of the chassis

Left side view

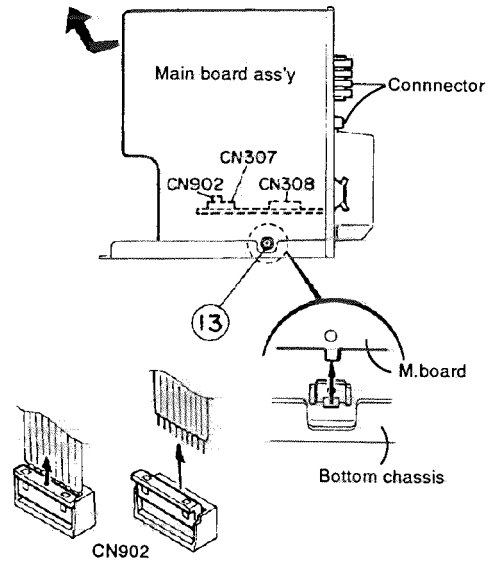


Fig. 2-9

Inside bottom chassis

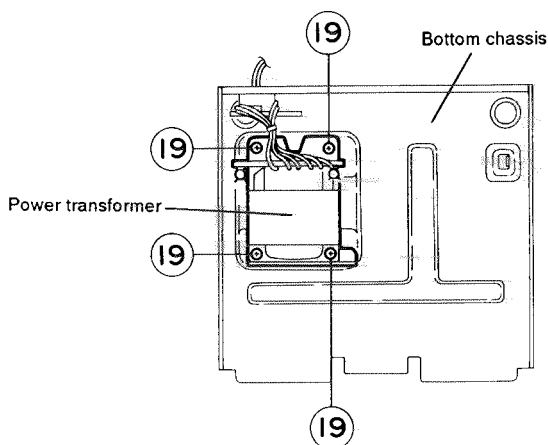


Fig. 2-11

Rear side view

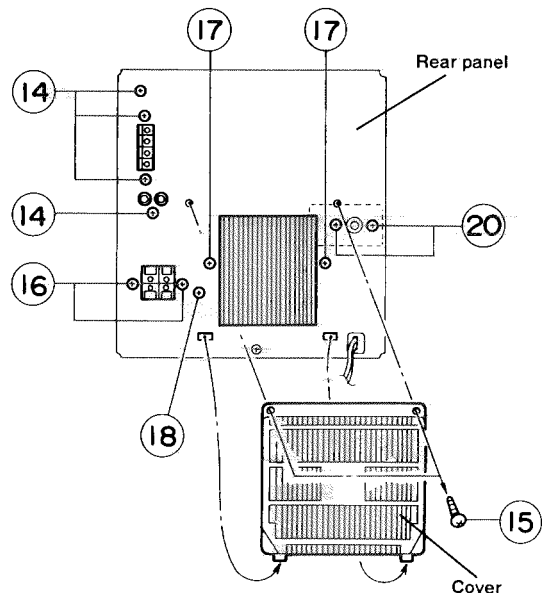


Fig. 2-10



## CD Changer Mechanism Sections

### ■ Removing the CD tray assembly

(See Figs. 2-12 to 2-18)

1. Remove the front panel assembly.
2. Remove the CD changer assembly.
3. Remove the CD amplifier board.
4. Remove one screw (O) retaining the plate.
5. From the T. bracket section (A) and clamper base section (B), remove both of the edges fixing the rod (See Figs. 2-12 and 2-13)
6. Remove the three screws ① retaining the T. bracket (See Fig. 2-12)
7. From the left side face of the chassis assembly, remove the one screw ④ retaining both of the return spring and lock lever.
8. By removing the pawl at the section (D) fixing the return spring, dismount the return spring (See Fig. 2-14).
9. Remove the three lock levers (See 2-14).

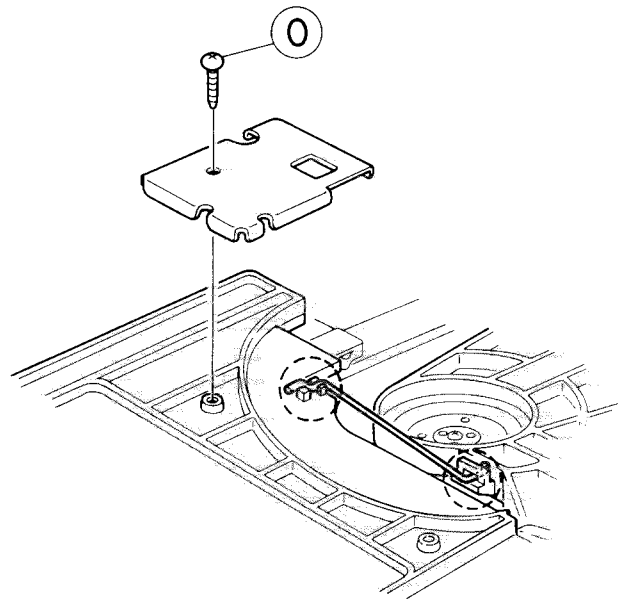


Fig. 2-12

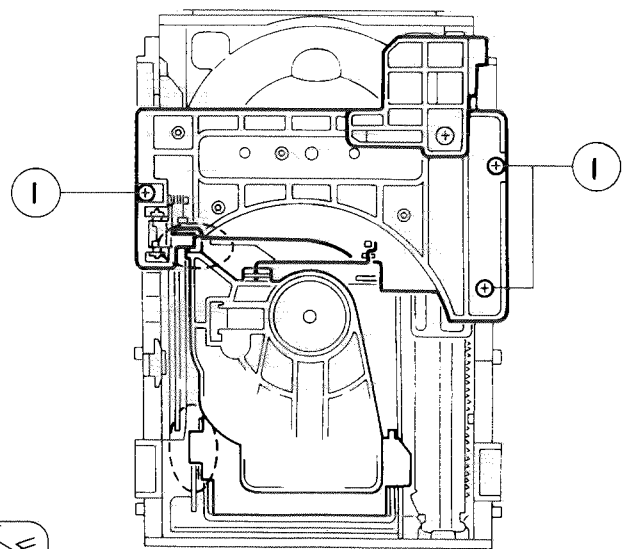


Fig. 2-13

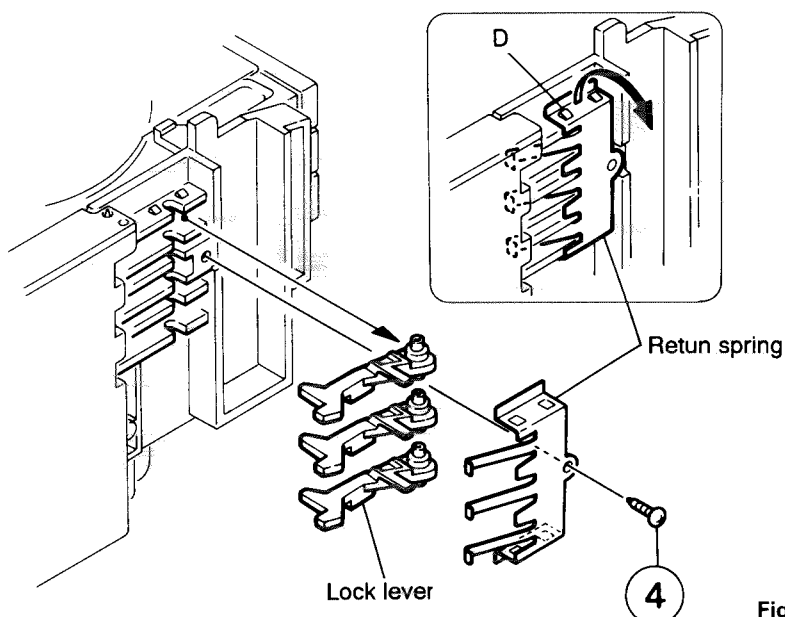


Fig. 2-14

10. Check whether the lifter unit stopper has been caught into the hole at the section (F) of CD tray assembly as shown in Fig. 2-16.
  11. Make sure that the driver unit elevator is positioned as shown in Fig. 2-16a from to the second or fifth hole on the left side face of the CD changer mechanism.
- [Caution]** In case the driver unit elevator is not at the above position, set the elevator to the position as shown in Fig. 2-16a by manually turning the pulley gear as shown in Fig. 2-17.
12. Manually turn the motor pulley in the clockwise direction until the lifter unit stopper is lowered from the section (F) of CD tray assembly (See Fig. 2-16).
  13. Pull out all of the three stages of CD tray assembly in the arrow direction (E) until these stages stop (See Fig. 2-15).
  14. At the position where the CD tray assembly has stopped, pull out the CD tray assembly while pressing (H) the two pawls (G) on the back side of CD tray assembly (See Fig. 2-18). In this case, it is easy to pull out the assembly when it is pulled out first from the stage CD tray assembly.

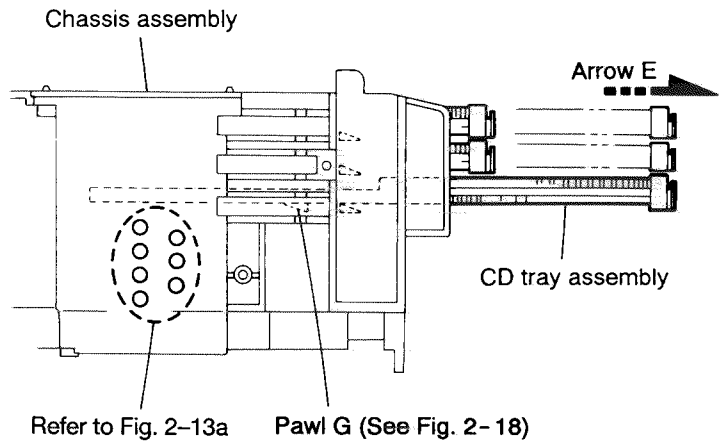


Fig. 2-15

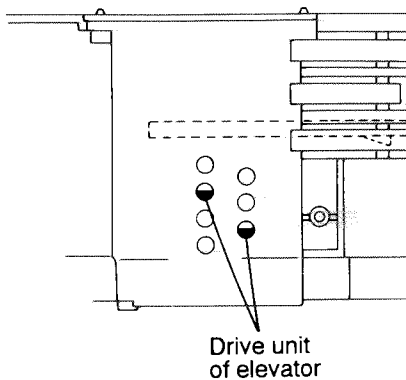


Fig. 2-16a

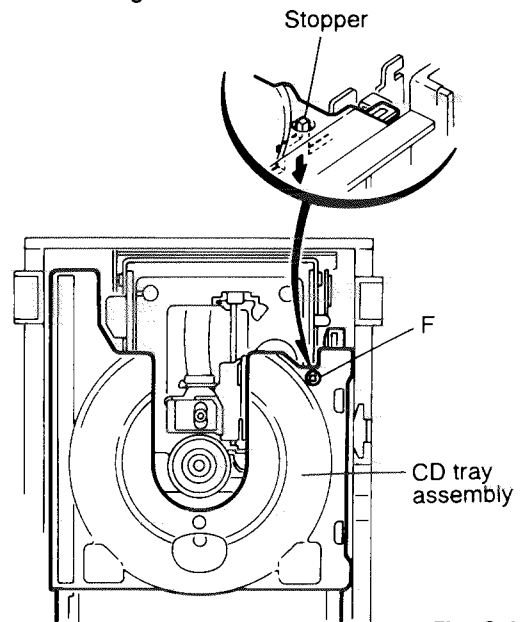


Fig. 2-16

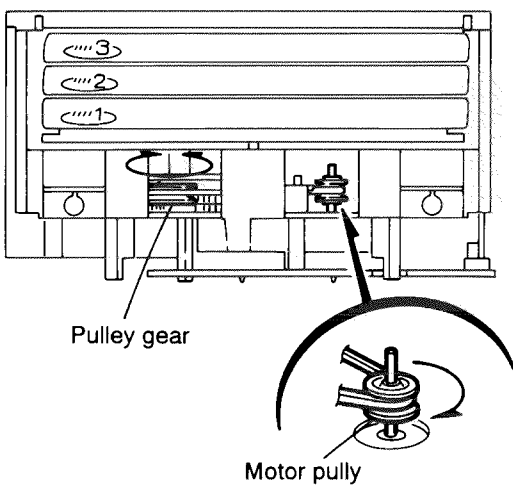


Fig. 2-17

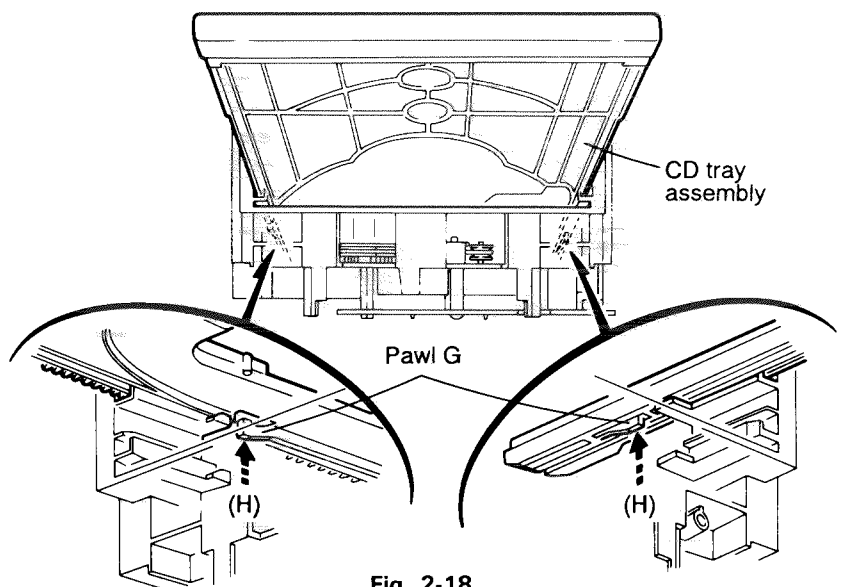


Fig. 2-18

**Removing the CD mechanism assembly** (See Fig. 2-19).

1. While turning the cams R1 and R2 assembly in the arrow direction (I), align the shaft (J) of the CD mechanism assembly to the position shown in Fig. 2-19.
2. Remove the four screws (5) retaining the CD mechanism assembly (See Fig. 2-19).

**Removing the CD mechanism** (See Figs. 2-20 and 2-21)

1. For dismantling only the CD mechanism without removing the CD mechanism assembly, align the shaft (L) of the CD mechanism assembly to the position shown in Fig. 2-20 while turning the cam R1 and R2 assembly in the arrow direction (K).
2. By raising the CD mechanism assembly in the arrow direction (M), remove the assembly from the lifter unit (Fig. 2-21).

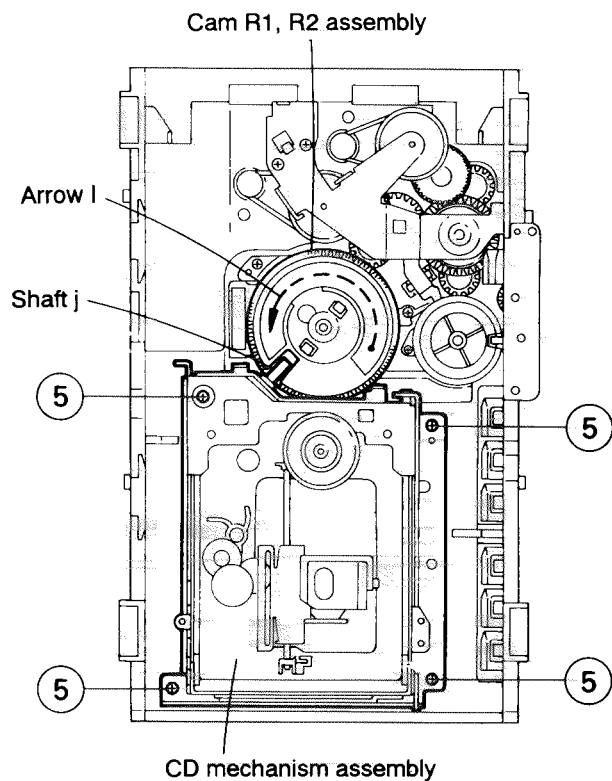


Fig. 2-19

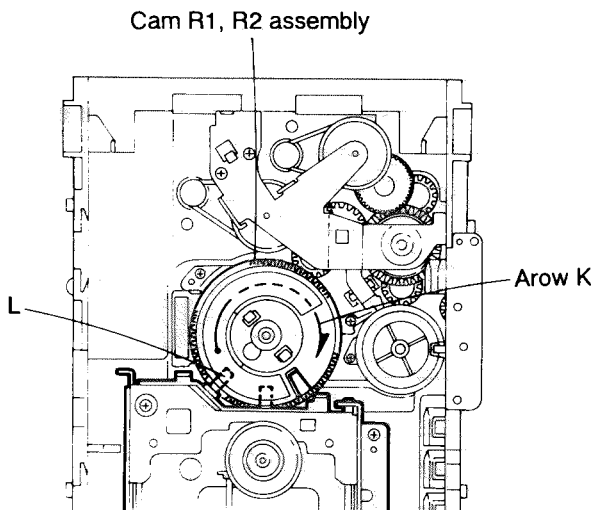


Fig. 2-20

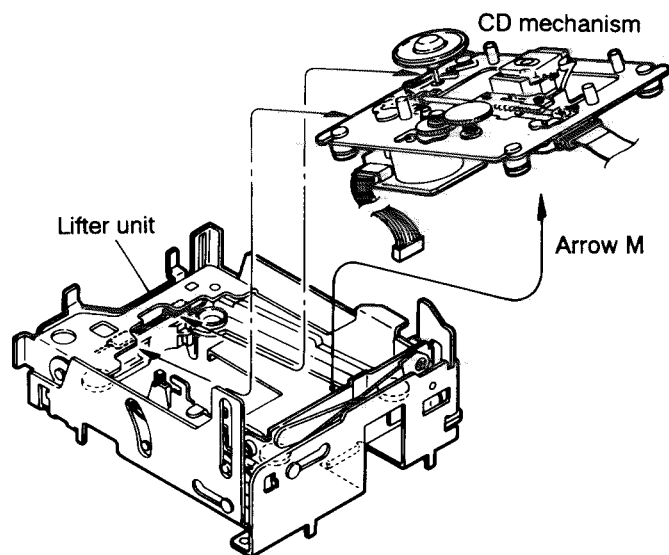


Fig. 2-21

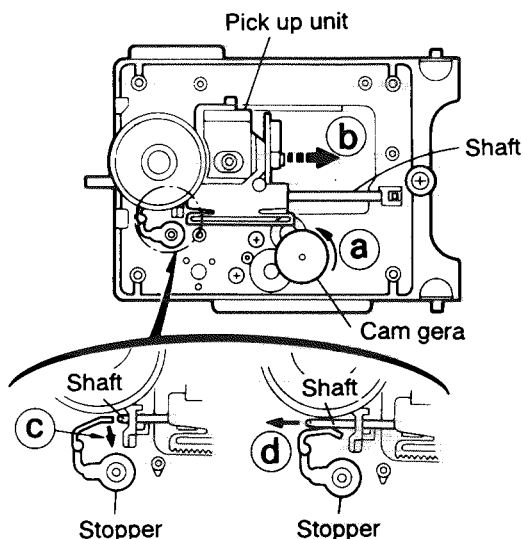


Fig. 2-22

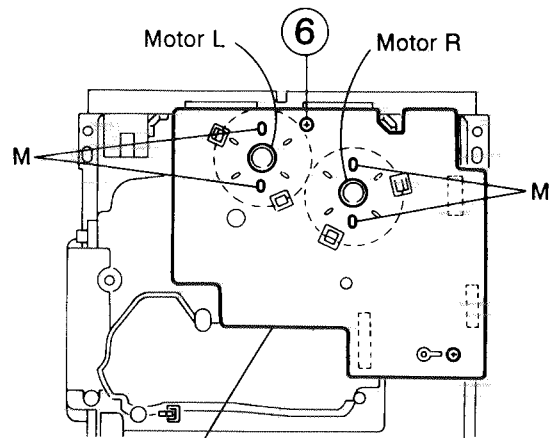
**Removing the CD pickup unit** (See Fig. 2-22)

1. Move the cam gear in the arrow direction (a). Then, the CD pickup unit will be moved in the arrow direction (b).
2. According to the above step, shift the CD pickup unit to the center position (Fig. 2-22).
3. While pressing the stopper retaining the shaft in the arrow direction (c), pull out the shaft in the arrow direction (d) (See Fig. 2-22).
4. After dismantling the shaft from the CD pickup unit, remove the CD pickup unit.

### ■ Removing the actuator motor board

(See Figs. 2-23 and 2-24)

1. Absorb the four soldered positions (M) of the right and left motors with a soldering absorber (See Fig. 2-23).
2. Remove the two screws ⑥ retaining the actuator motor board (See Fig. 2-24).
3. Remove the two screws ⑪ retaining the bracket (See Fig. 2-24).
4. Remove the two screws ⑦ retaining the tray select switch board (See Fig. 2-24).



Actuator motor board

Fig. 2-23

### ■ Removing the cam unit

(See Figs. 2-25 and 2-27)

1. Remove the CD mechanism assembly.
2. While turning the cam gear L, align the pawl (N) position of the drive unit to the notch position (Fig. 2-25) on the cam gear L.
3. Pull out the drive unit and cylinder gear (See Fig. 2-26).
4. While turning the cam gear L, align the pawl (O) position of the select lever to the notch position (Fig. 2-27) on the cam gear L.
5. Remove the four screws ⑧ retaining the cam unit (cam gear L and cams R1/R2 assembly) (See Fig. 2-27).

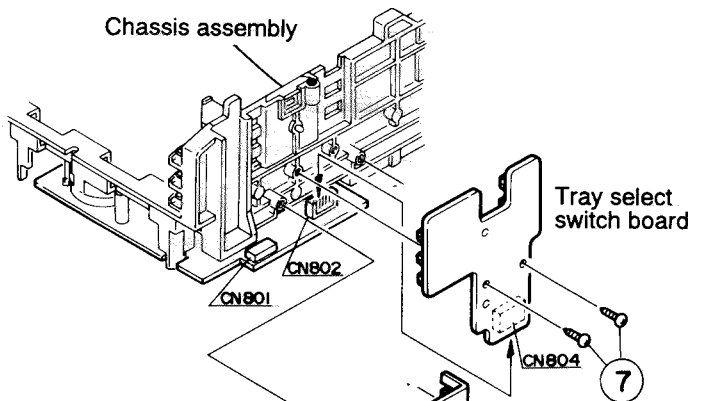


Fig. 2-24

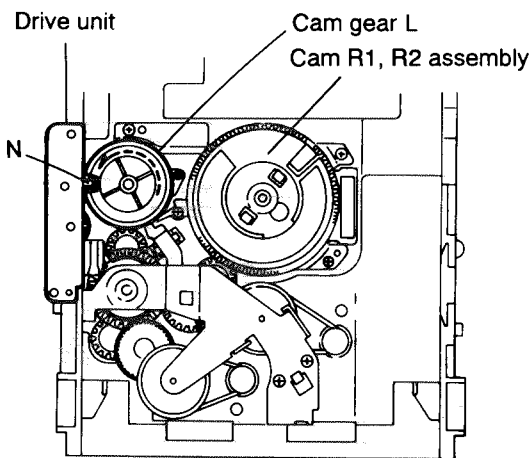


Fig. 2-25

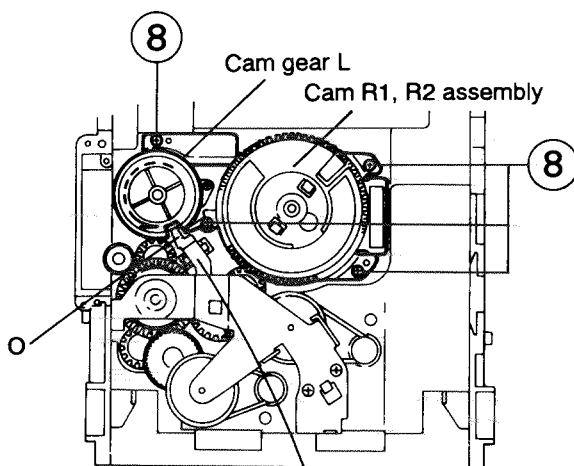


Fig. 2-27

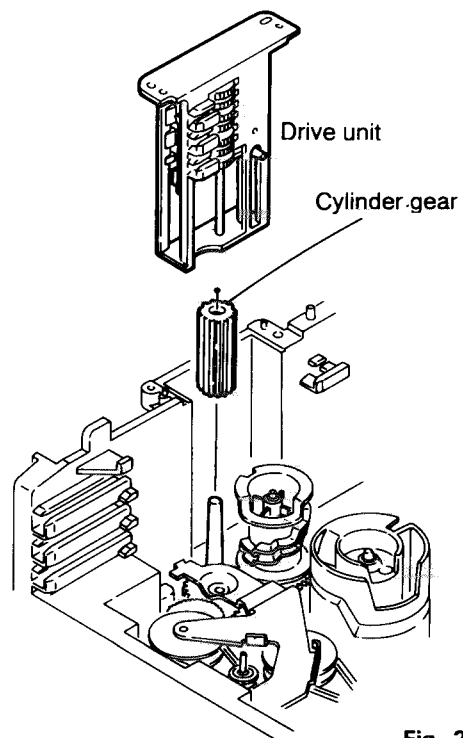


Fig. 2-26

### ■ Removing the actuator motor and belt

(See Figs. 2-28 to 2-31)

1. Remove the two screws ⑨ retaining the gear bracket (See Fig. 2-28).
2. While pressing the pawl (P) fixing the gear bracket in the arrow direction, remove the gear bracket (See Fig. 2-28).
3. From the notch (Q section) on the chassis assembly fixing the edge of gear bracket, remove and take out the gear bracket (See Fig. 2-28).
4. Remove the belts respectively from the right and left actuator motor pulleys and pulley gears (See Fig. 2-31).
5. After turning over the chassis assembly, remove the actuator motor while spreading the four pawls (R) fixing the right and left actuator motors in the arrow direction (See Fig. 2-30).

**[Note]** When the chassis assembly is turned over under the conditions wherein the gear bracket and belt have been removed, then the pulley gear as well as the gear, etc. constituting the gear unit can possibly be separated to pieces. In such a case, assemble these parts by referring to the assembly and configuration diagram in Fig. 2-31.

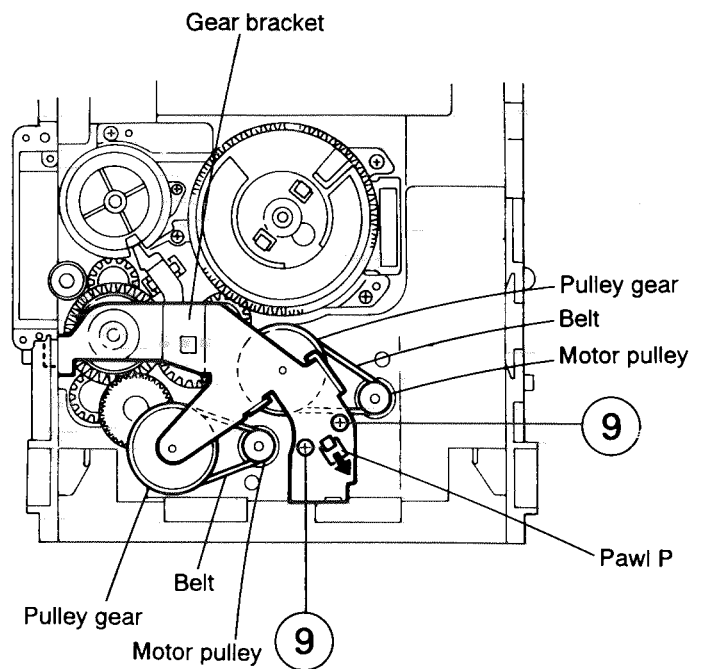


Fig. 2-28

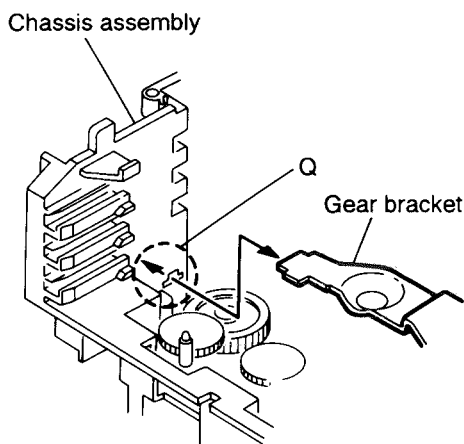


Fig. 2-29

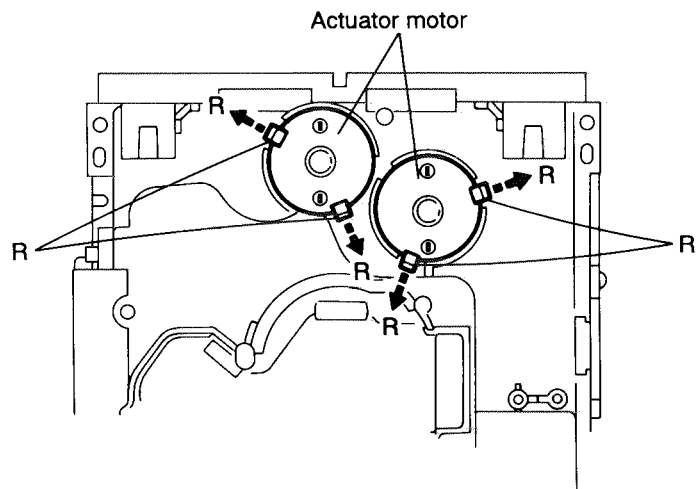


Fig. 2-30

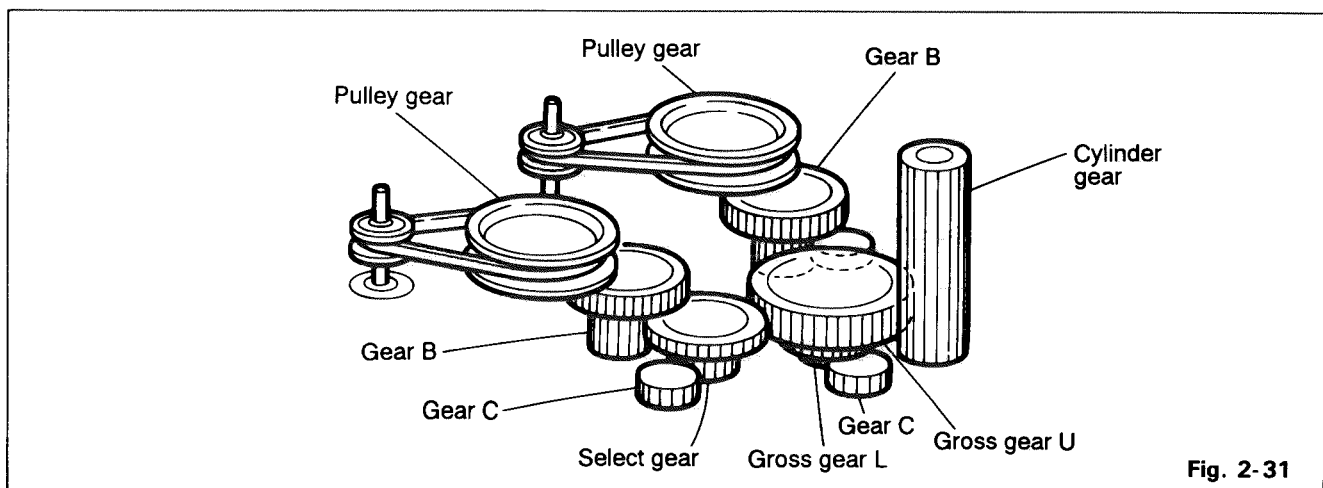


Fig. 2-31

**Removing the cams R1/R2 assembly and cam gear L (See Fig. 2-32)**

1. Remove the slit washer fixing the cams R1 and R2 assembly.
2. By removing the two pawls (S) fixing the cam R1, separate R2 from R1.
3. Remove the slit washer fixing the cam gear L.
4. Pull out the cam gear L from the C.G. base assembly.

**Removing the C.G. base assembly (See Figs. 2-32 and 2-33)**

Remove the three screws ⑩ retaining the C.G. base assembly.

**[Caution]** To reassemble the cylinder gear, etc. with the cam unit (cam gear and cams R1/R2 assembly), gear unit and drive unit, align the position of the pawl (N) on the drive unit to that of the notch on the cam gear L. Then, make sure that the gear unit is engaged by turning the cam gear L.

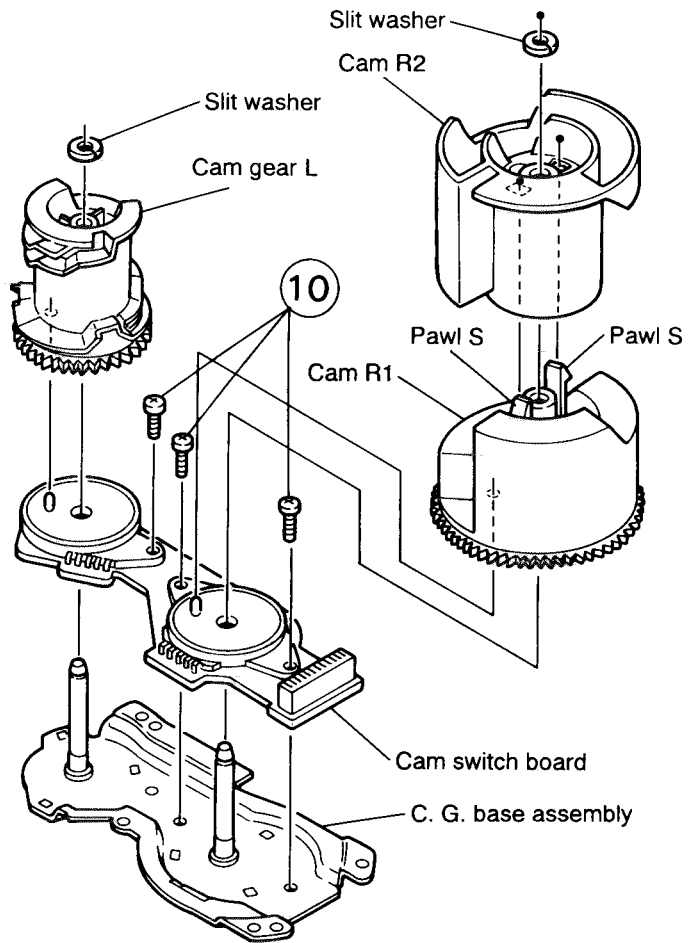


Fig. 2-32

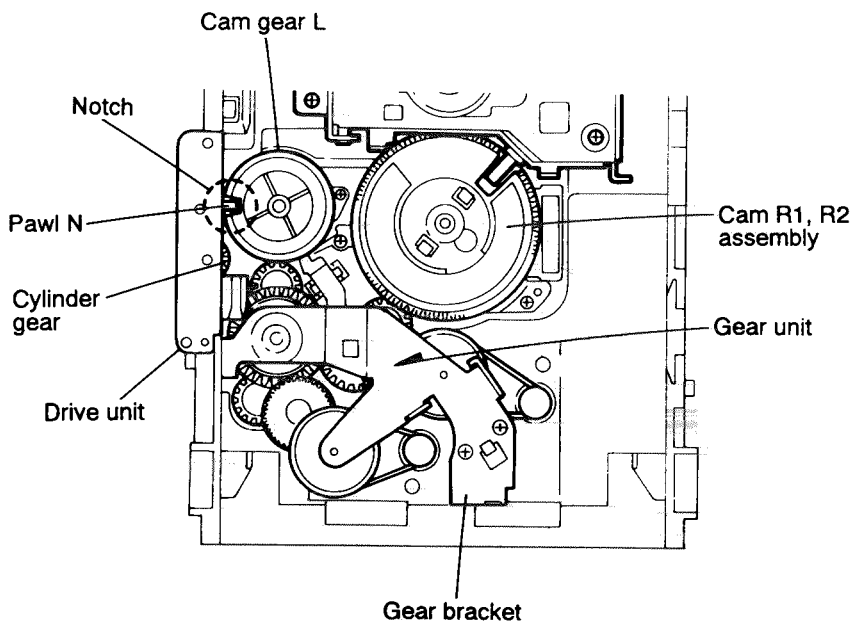


Fig. 2-33

■ **Cassette mechanism section**

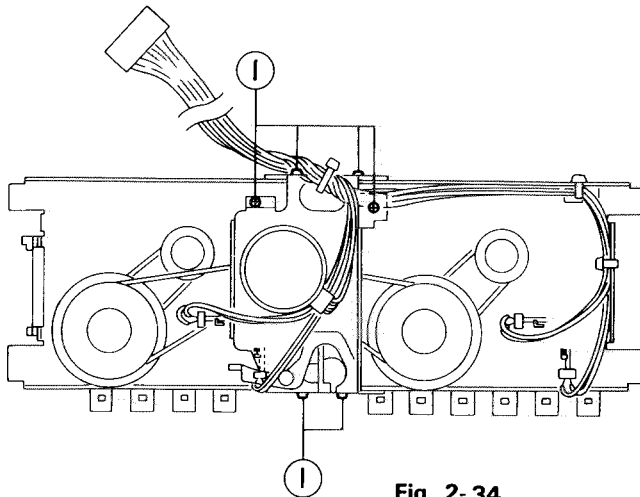


Fig. 2-34

■ **Capstan motor (Fig. 2-34, Fig. 2-35)**

1. Remove the Front panel assembly.(Refer to the article“Front panel assembly”appearing on a previous page)
2. Remove the Cassette mechanism assembly.(Refer to the article“Cassette mechanism assembly” appearing on a previous page )
3. Remove the Cassette mechanism. (Refer to the article“ Cassette mechanism”appearing on a previous page.)
4. Remove six screws ① retaining the motor bracket from the back of the cassette mechanism.
5. Take out the main belt from the flywheel assembly of mechanism A and B.
6. Remove six screws ② retaining the Capstan motor from the back of the cassette mechanism.

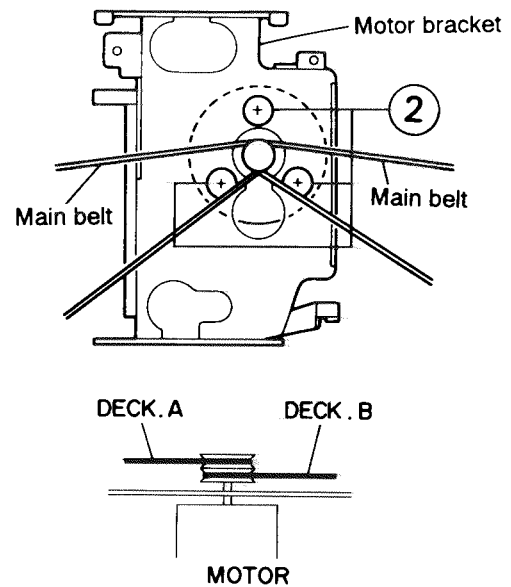


Fig. 2-35

■ **Eject slide lever (Fig. 2-36)**

1. Place the cassette mechanism back side frontward and disengage the stopper arm ⑥ of the Eject slide lever by pressing it inwards through the opening of the chassis with a small screwdriver as shown in Fig. 2-36.
2. Disengage the Eject slide lever in the direction of arrow ③.

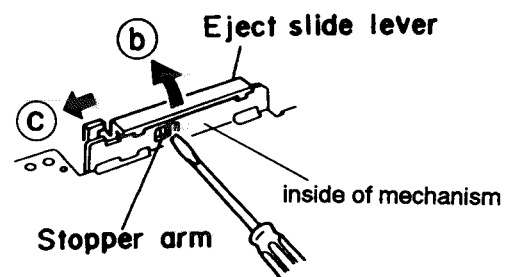


Fig. 2-36

■ **Leaf switch (Fig. 2-37)**

Press the leaf switch in the direction of the arrow ④ and then remove it in the direction of the arrow ⑤ referring to Fig. 2-37.

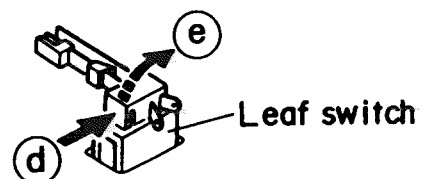


Fig. 2-37

■ Pinch roller assembly (Fig. 2-38)

1. Pull out the stopper protruding from the base assembly in the direction of the arrow ① to remove it from the pinch roller assembly.
2. Then, pull out the pinch roller assembly in the direction of the arrow ②.

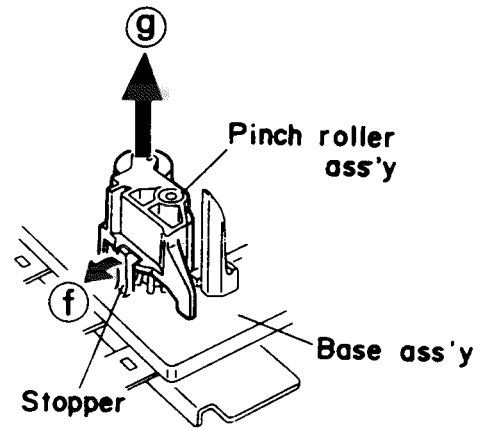


Fig. 2-38

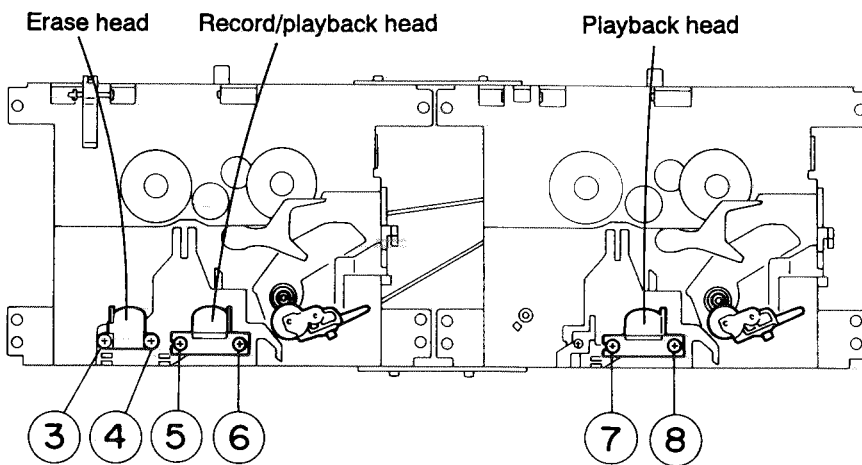


Fig. 2-39

■ Record/Playback head & Erase head

(Fig. 2-39, Fig. 2-40)

1. Remove two screws ⑤ and ⑥ retaining the Record/Playback head of mechanism A.
2. Remove two screws ⑦ and ⑧ retaining the Playback head of mechanism B.
3. Remove two screws ③ and ④ retaining the erase head.

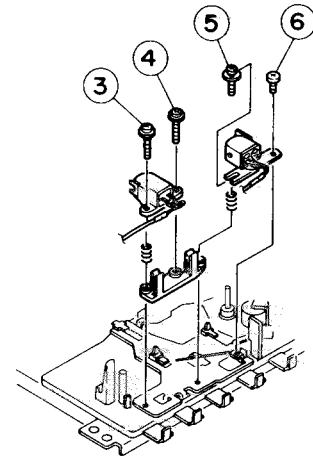


Fig. 2-40

■ Flywheel assembly (Fig. 2-41)

1. E. washer retaining the flywheel assembly in the direction of arrow ①.
2. Pull the flywheel assembly out of the back side of the cassette mechanism in the direction of the arrow ②.

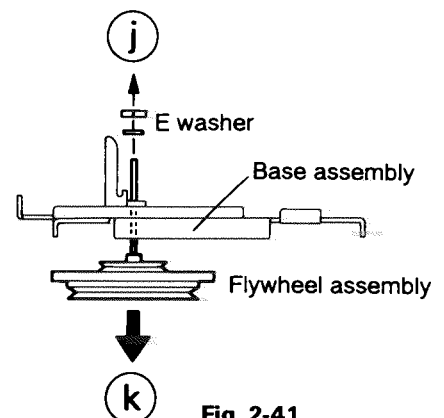


Fig. 2-41



## 3 Main adjustments

### ■ Test Instruments required for adjustment

1. Low frequency oscillator  
(oscillation frequency: 50Hz to 20kHz)  
( Output : 0 dBs with 60  $\Omega$  terminator)
2. Attenuator( Impedance : 600  $\Omega$  )
3. Test Tapes  
VTT712 (VT712) ..... For tape speed,wow and flutter measurement  
VTT724 (VT724) ..... For play back output level  
VTT739 (VT739) ..... For playback frequency response check  
VTT703 (VT703) ..... For head azimuth measurement
4. Electronic voltmeter, Distortion meter
5. Resistor...600  $\Omega$  for attenuator matching
6. Torque gauge..... Cassette type for CTG – N mechanism adjustment
7. Wow and Flutter meter , Frequency counter
8. Blank tape..... Normal: AC225  
Chrome: AC514

### ■ Measuring conditions (Amplifier section)

Supply voltage ..... AC110~127/220~240V 50/60Hz  
Reference output : Speaker ..... 0 dBs (0.775V) / 6  $\Omega$   
: Headphone · – 20 dBs (0.077 V)/32  $\Omega$

### ● Standard position of functionswitches

Function switch ..... TAPE  
Mode switch ..... STEREO  
Active bass switch ..... OFF  
Beat cut switch ..... position 1

### ● Standard position of volume control

Sound ..... Flat position  
Main volume adjust ..... 0 dBs Speaker out  
Standard test frequency ..... 1 kHz  
; unless otherwisw specified.  
Output ..... Measuring for tuner/CD/Deck: TP101  
Input for REC/PB, Check & measuring  
AUX ..... 300mV ( – 8dB)  
MIC ..... 2.5mV ( – 50dB)

### ● Test remarks

1. Negative side of the input and output on the testing set, that ought to be separately to each other, and then bear in mind there connection the testing set with 2 channeles Electronic voltmeter, the negative side never connect commonly.
2. Replaced output load with a dummy and that lead wire to be used as big as possible.
3. Attach top cover when measuring and connect filter shown below Fig. 1 to V. meter.

### ■ Measuring condition (Radio section)

Refer to rating source ..... Tuner+B : DC 5.7V  
Reference output ..... Speaker : 20mW(0.245 V) / 3  $\Omega$   
Headphone : 0.11 mW (0.06 V)/32  $\Omega$   
AM frequency ..... 400Hz modulation 30%  
FM frequency ..... 400Hz modulation  
frequency deviation 22.5kHz

### ● Standard position of switches and controllers

Function ..... RADIO  
Mode ..... STEREO

### ● Careful points for adjustment

1. Connect 30 pF capacitor and 33 k  $\Omega$  resistor to the output side of the IF sweeper in series while 0.082  $\mu$  F capacitor and 100k  $\Omega$  resistor to the input side in series.
2. Set output level of the IF sweeper as minimum as adjustable.
3. RF Alignment order  
Procedure of the steps of tracking should be kept.

### ● Radio manual tuning step (AM)

9kHz 531kHz~  
10kHz 530kHz~

■ Arrangement of adjusting position

■ Cassette mechanism

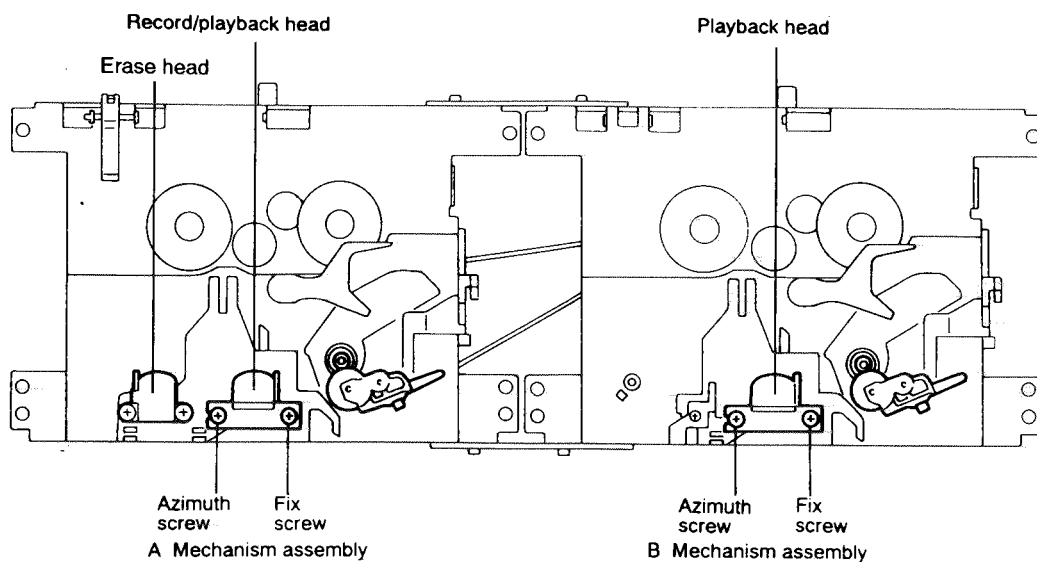


Fig. 3-1

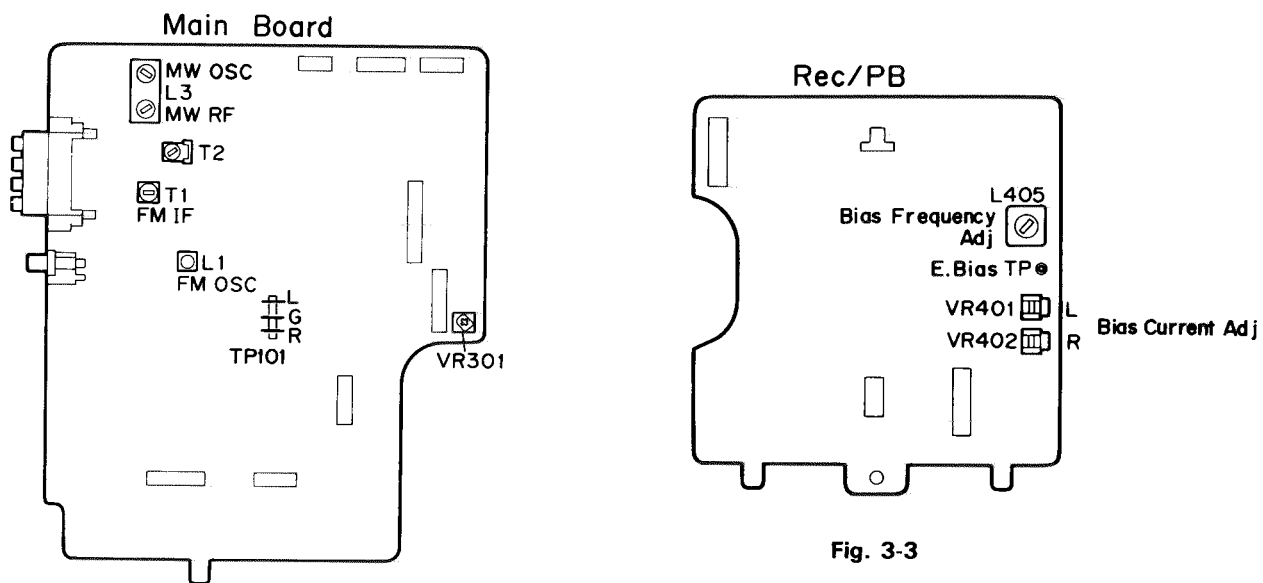
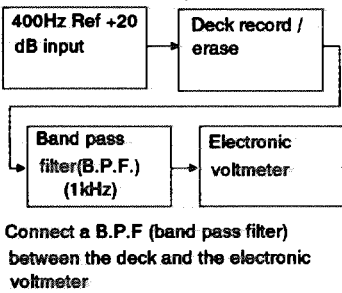


Fig. 3-2

Fig. 3-3

## ■ Cassette and amplifier section

Item	Conditlions	Adjustment & Confirmation Methods	Stand. values	Adjust
Head azimuth adjustmentf (A, B mechanism)	<ul style="list-style-type: none"> <li>• Test tape : VTT703(10KHZ)</li> <li>• Output terminal for measurement : Headphone</li> </ul>	<p>* Adjust the head azimuth screw only when the head is replaced.</p> <ol style="list-style-type: none"> <li>① Playback test tape VTT703 (10kHz).</li> <li>② Adjust the head azmiuth so that the phase difference is minimum (Within 2dB of the peak level of play output.) After adjustment apply the screw locking adhesive to the head azimuth screw more than a half around the screw head.</li> </ol>	<p>Within 2dB of the peak lebel Minimum phase difference</p>	Head azimuth adjusting screw
Tape speed adjustment and wow & Flutter checking (A, B mechanism)	<ul style="list-style-type: none"> <li>• Tast tape : VTT712 (3kHz)</li> <li>• Output terminal for measurement : TP101</li> </ul>	<ol style="list-style-type: none"> <li>① When playing test tape VTT712 (3kHz).</li> <li>② Checking the frequency counter reading is 2960Hz~3090Hz. (STD: 3010kHz)</li> <li>③ Wow &amp; Flutter should be less than 0.4% (JIS UNWTD).</li> </ol>	<ul style="list-style-type: none"> <li>• Tapre speed : 2960Hz~3090Hz</li> <li>Wow &amp; Flutter : Less than 0.4% (JIS UNWTD)</li> </ul>	
Play back output level checking (A, B mechanism)	<ul style="list-style-type: none"> <li>• Tast tape : VTT724 (1kHz)</li> <li>• Output terminal for measurement : TP101</li> </ul>	<ol style="list-style-type: none"> <li>① When Playback the test tape VTT724 (1kHz), the output level at TP101 is <math>-11\text{dBs} \pm 3\text{dB}</math> at 1kHz.</li> <li>② Deviation L and R : less than 4dB.</li> </ol>	$-11\text{dBs} \pm 3\text{dB}$	
Playback frequency response checking (A, B mechanism)	<ul style="list-style-type: none"> <li>• Tast tape : VTT739</li> <li>• Output terminal for measurement : Headphone</li> </ul>	When playback the test tape VTT739, response should be $-0\text{dB} \pm 4\text{dB}$ at 63Hz and 1kHz, $+0\text{dB} \pm 4\text{dB}$ at 10kHz and 1kHz with respect to 1kHz.	<p>63Hz and 1kHz : <math>\pm 0\text{dB} \pm 4\text{dB}</math> 10kHz and 1kHz : <math>0\text{dB} \pm 4\text{dB}</math></p>	
Adjusting the bias oscillation frequency	<p>Test tape: AC – 513</p> <p>Measured output pin: Oscillation coll secondary side (erase)</p>	<ol style="list-style-type: none"> <li>① Connect a frequency counter (with a 1M <math>\Omega</math> resistor inserted in series) to the L405 secondary side erase pin.</li> <li>② Load the test tape (AC – 513)in the deck and set to Record – Pause mode.</li> <li>③ Adjust the L405 so that the ferquency counter level reads <math>100\text{kHz} \pm 0.15\text{kHz}</math> in Record mode.</li> </ol>	$100\text{kHz} \pm 0.15\text{kHz}$	L405
Record/playback frequency response adjustment (A mechanism)	<ul style="list-style-type: none"> <li>• Reference frequency : 1kHz, 10kHz (Ref. – 20dB)</li> <li>• Input: AUX</li> <li>• Test tape: AC224</li> <li>• Output terminal formeasurement : TP101</li> </ul>	<ol style="list-style-type: none"> <li>① Record and playback the 1kHz reference frequency and 10kHz signal and check at treminal TP101</li> <li>② Adjust the VR401 and VR402 so that record and playback frequency response with 1kHz and 10kHz at TP101 is <math>\pm 0\text{dB} \pm 1\text{dB}</math>.</li> <li>③ Comfirm that the frequency counter reading is <math>100\text{kHz} \pm 0.15\text{kHz}</math>. If the reading is out of this range, adjust L405.</li> </ol>	<p>100Hz: <math>0 \pm 3\text{dB}</math></p> <p>10kHz: <math>-1 \pm 3\text{dB}</math></p> <p>100kHz : <math>\pm 0.15\text{kHz}</math></p>	Lch: VR401 Rch: VR402
Record/playback sensitivity check	<ul style="list-style-type: none"> <li>• Test tape: VTT724, AC224</li> </ul>	While recording/playing back sn input signal of the reference leve (REC level), confirm that difference between the REC/PB level of the input signal and PB level of the VTT724 test tape is within $0 \pm 4\text{dB}$ .	$0 \pm 4\text{dB}$	

Item	Conditions	Adjustment and Confirmation	Standard Value	Adjusting
Recording / playback distortion check	Input terminal : AUX IN Measurement terminal : TP101	1. Record a 1kHz signal so that the TP101 output is - 11dBs . 2. Use a distortion meter to check if the output is the standard value during playback.	Normal tape : 5% OR less	
Recording / playback S/N ratio check	Input terminal : AUX IN Measurement terminal : TP101	1. Record a 1kHz, 0dB input and then remove the input and record without a signal. 2. Playback this recording and measure the difference between the 0dB recording and no-signal recording. The standard values must be satisfied.	Normal tape : 40dB or more	
Erase ratio check	Input terminal : AUX IN Measurement terminal : TP101 Band pass filter	1. Apply a 400Hz signal from AUX IN and adjust the input level knob so that the input level is - 8dB(300mV). 2. Increase the signal level to 20dB and record. 3. rewind and erase the recorded section of the tape. 4. Measure the output ratio between the signal and no-signal sections of the tape with an electronic voltmeter.	55dB or more 	

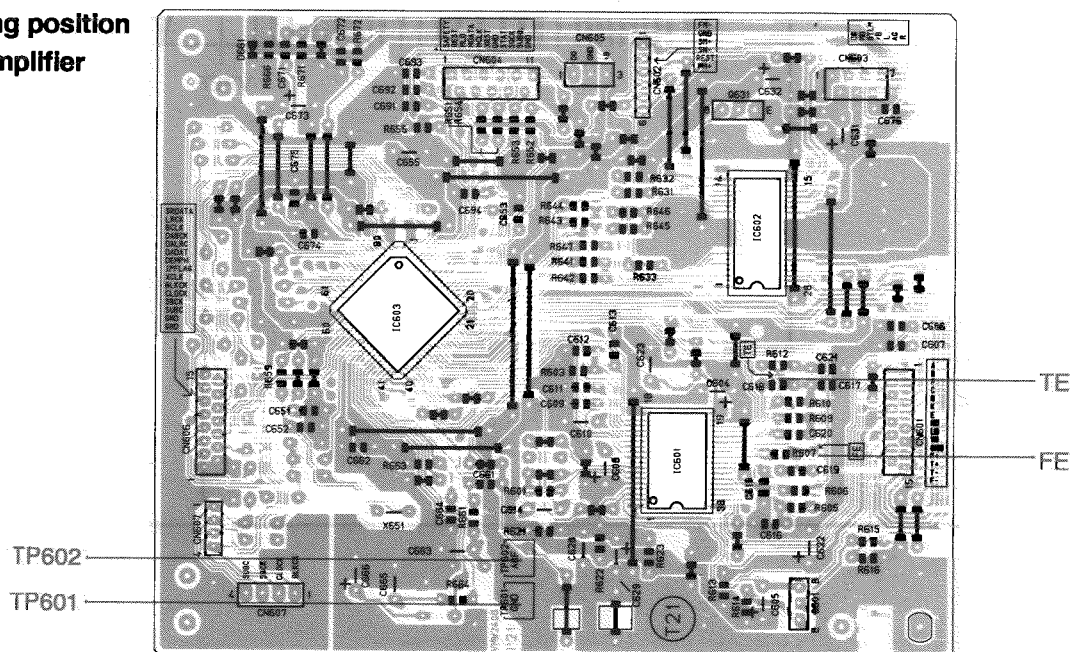
■ Tuner section

Since a Fixed RF/IF section is being used, no adjustment is required.

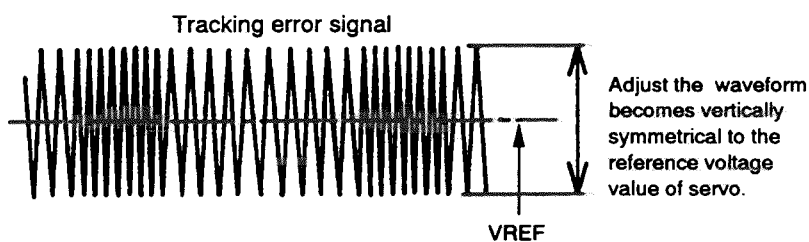
■ CD section

Items	Conditions	Adjustment and Confirmation	Standard Value	Adjusting
1. Checking jitter	Measurement equipment: Oscilloscope (jitter meter) Test points: TP601: ground side TP602: hot side	Connect the jitter meter between the TP601 and TP602, and check that the jitter meter reads 26 nsec. or less when playing back the test disc "Track 1".	26 nsec. or less	
2. Checking the RF level (eye pattern)	Measurement equipment: Oscilloscope TP601: ground side TP602: hot side	Connect the oscilloscope between the TP1 and TP2, and check that the peak-to-peak value of the oscilloscope waveform reads within $1.1\text{ V} \pm 0.2\text{ V}$ when playing back the test disc "Track 1". Eye pattern waveform	$1.1\text{ V} \pm 0.2\text{ V}$ Check that the maximum level of this waveform is within the standard values and that the waveform is clearly visible.	
3. Checking the outermost area	CTC-1000	Select "Track 28" on the outer area of test disc directly and check that it begins playback smoothly and that there are no abnormal conditions such as a tracking error.		
4. Checking the pickup movement from the outer area to the inner area		Allow the pickup to skip over from the disc's outermost area to "Track 1" and check that it takes within 10 seconds for the player to enter Play mode.	Within 10 seconds	

● Adjusting position of CD amplifier board



Item	Conditions	Adjustment & Confirmation Methods	Stand. values	Adjust
Tracking offset adjustment	<p>Test disc :CTS1000 Oscilloscope</p> <p><b>Note 1</b> Adjust VR501 so that the waveform becomes vertically symmetrical to the reference voltage value of servo.</p> <p><b>Note 2</b> The oscilloscope input should be DC – coupled.</p> <p><b>Note 3</b> VREF: Ground level on the oscilloscope.</p>	<p>① Connect TP503 (TE) and TP501 (VREF) respectively to the hot and ground sides of the oscilloscope.</p> <p>② Replay the test disc CTS1000.</p> <p>③ When TP504 and TP501 have been connected (Shorted) during replay, a tracking error signal will be emitted for about 3 sec. (Since the tracking error signal will be emitted at all times when the model with a test mode function is shifted to TEST mode, the adjustment can be performed more easily).</p> <p>④ Since the waveform of tracking error signal displayed by the oscilloscope goes up and down when VR501 has been adjusted, adjust VR501 so that the center of the waveform amplitude becomes a reference voltage value of servo(VREF).</p> <p>⑤ Repeat the steps ② ~ ④ until the center of the waveform amplitude of tracking error signal becomes the reference voltage value of servo (This step is not necessary in the case of the model with test mode function).</p>	Adjust the center of waveform amplitude to the reference voltage value of servo (VREF).	VR501



## 4 Troubleshooting

### ■ Pickup maintenance

(1) Checking the service life of laser diode

If a laser diode reaches the end of its service life, the following phenomena will show up. Similar symptoms may also appear when the pickup lens becomes too dirty. In this case, clean the lens.

- 1) The RF output (between IC601 ⑦ and ⑱ (GND)) lowers.
- 2) The driving current, necessary for the laser diode to emit lights, increases. (Calculate from the voltage level at both ends of the R614 at 10 Ω .)

Following the flow chart shown below, check the service life.

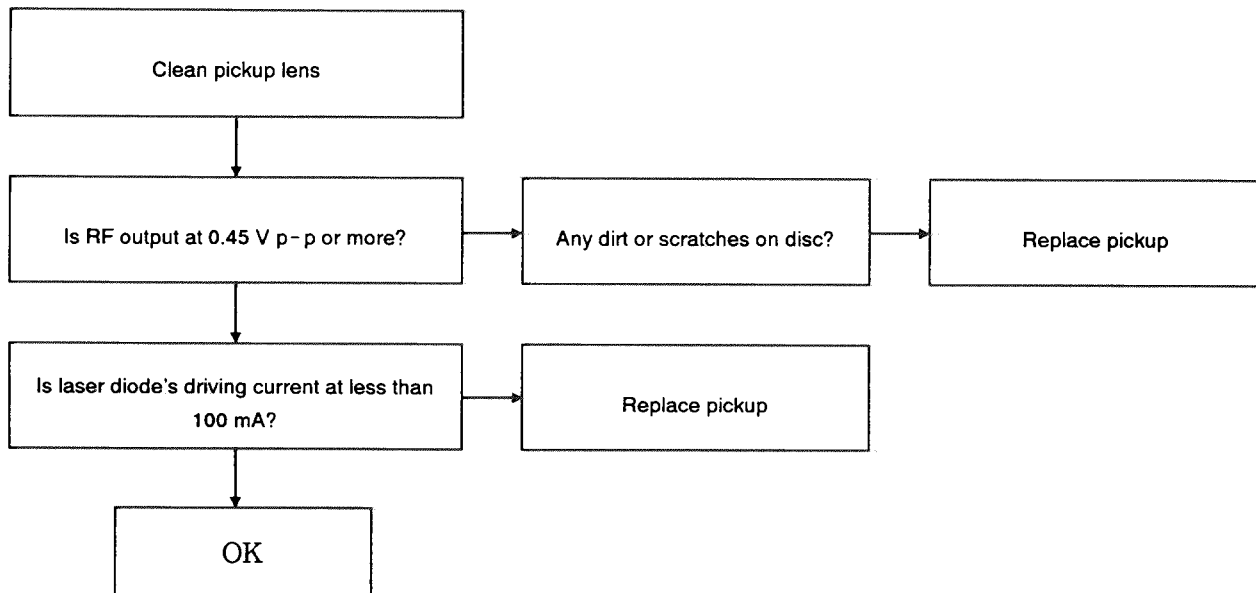


Fig. 4-1

#### How to measure laser diode's driving current

After connecting a voltmeter at both ends of the R614(10 Ω ), measure the voltage during playback. If the voltage level is at 1.0 V or more, the service life of the laser diode has expired.

Laser diode's driving current (A)

= Voltage level at both ends of R614 (V)/10 ( Ω )

When voltage level is at 1.0 V:

$1.0 \text{ V} / 10 \Omega = 0.1 \text{ A} = 100 \text{ mA}$

Note:

The laser diode easily breaks down. Be sure to turn the power off before connecting a voltmeter.

## ■ HOW TO OPERATE THE CD SELF-DIAGNOSIS FUNCTION

### The CD Self-diagnosis Function

If any malfunction occurs in the CD player, this system can be set to make an error code indication appear on the FL to point out the defective parts. This efficiently helps service personnel find the causes of the malfunction.

#### 1. Operation

1 Press the three **■**, **+10** and **POWER** buttons on the remote control to enter the Test mode. (Then the illuminating portions of the FL all light up together.

This indicates that the system has entered the Test mode.)

2 Play a CD. If the operation is defective in any way, an error code should appear on the FL

3 Identify the point of malfunction in accordance with the error code displayed.

#### 2. Error codes & defective points

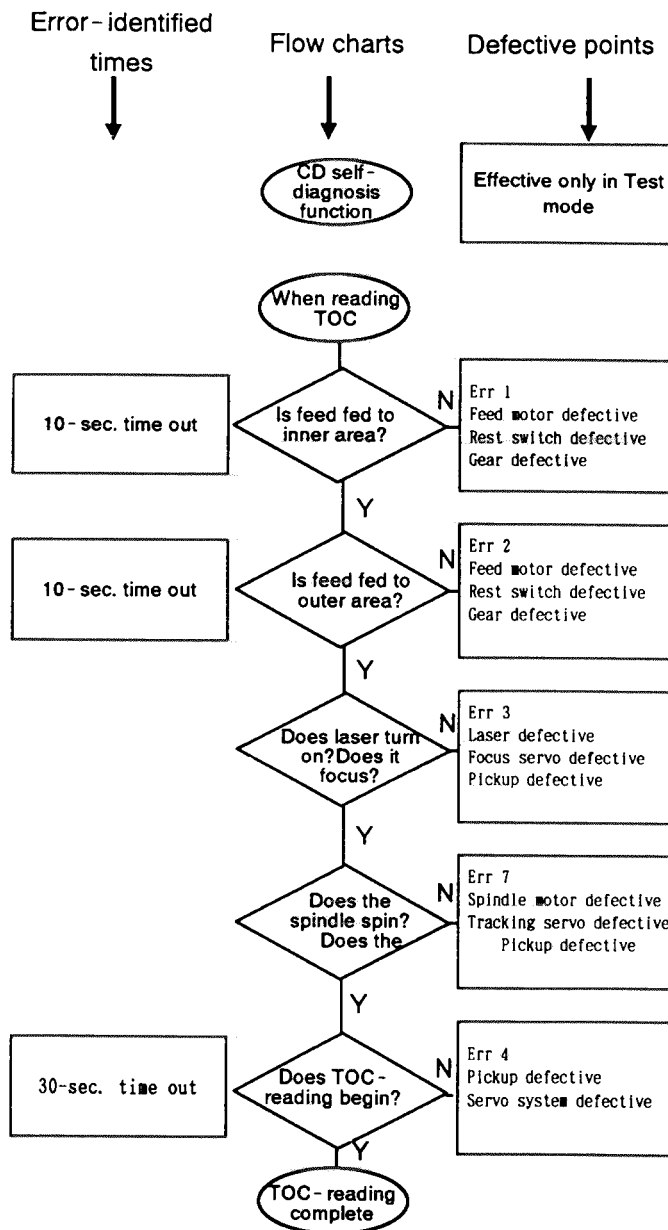


Fig. 4-2



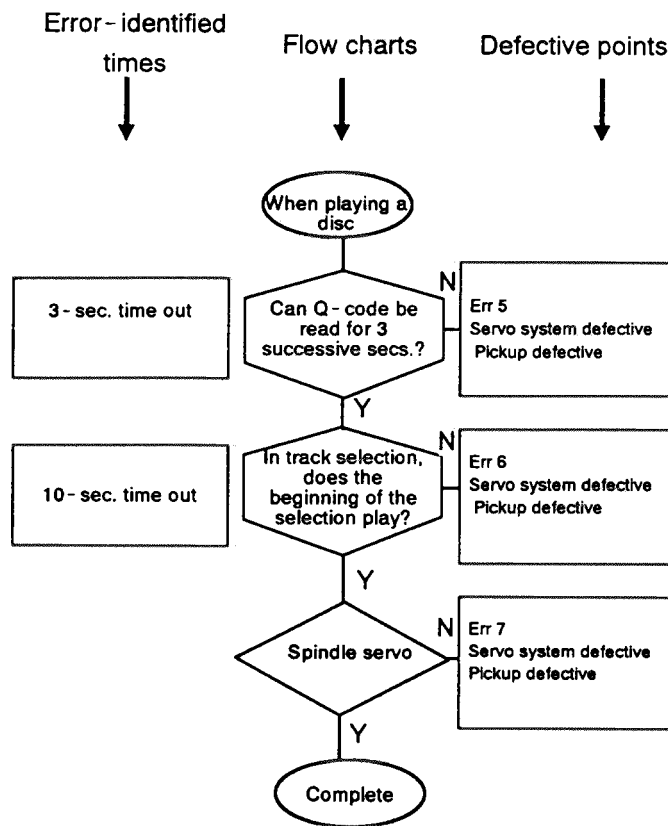


Fig. 4-3

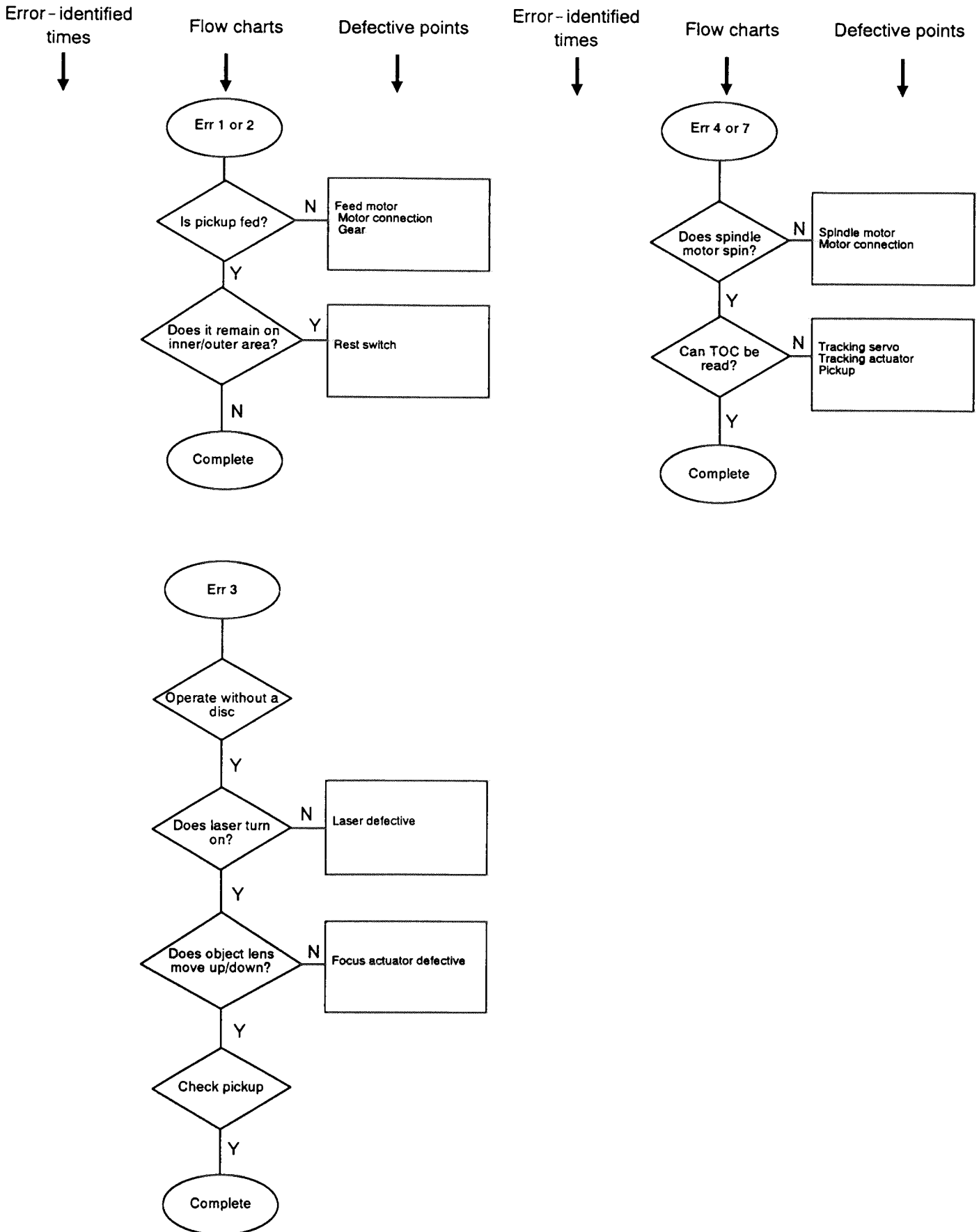


Fig. 4-4

■ General

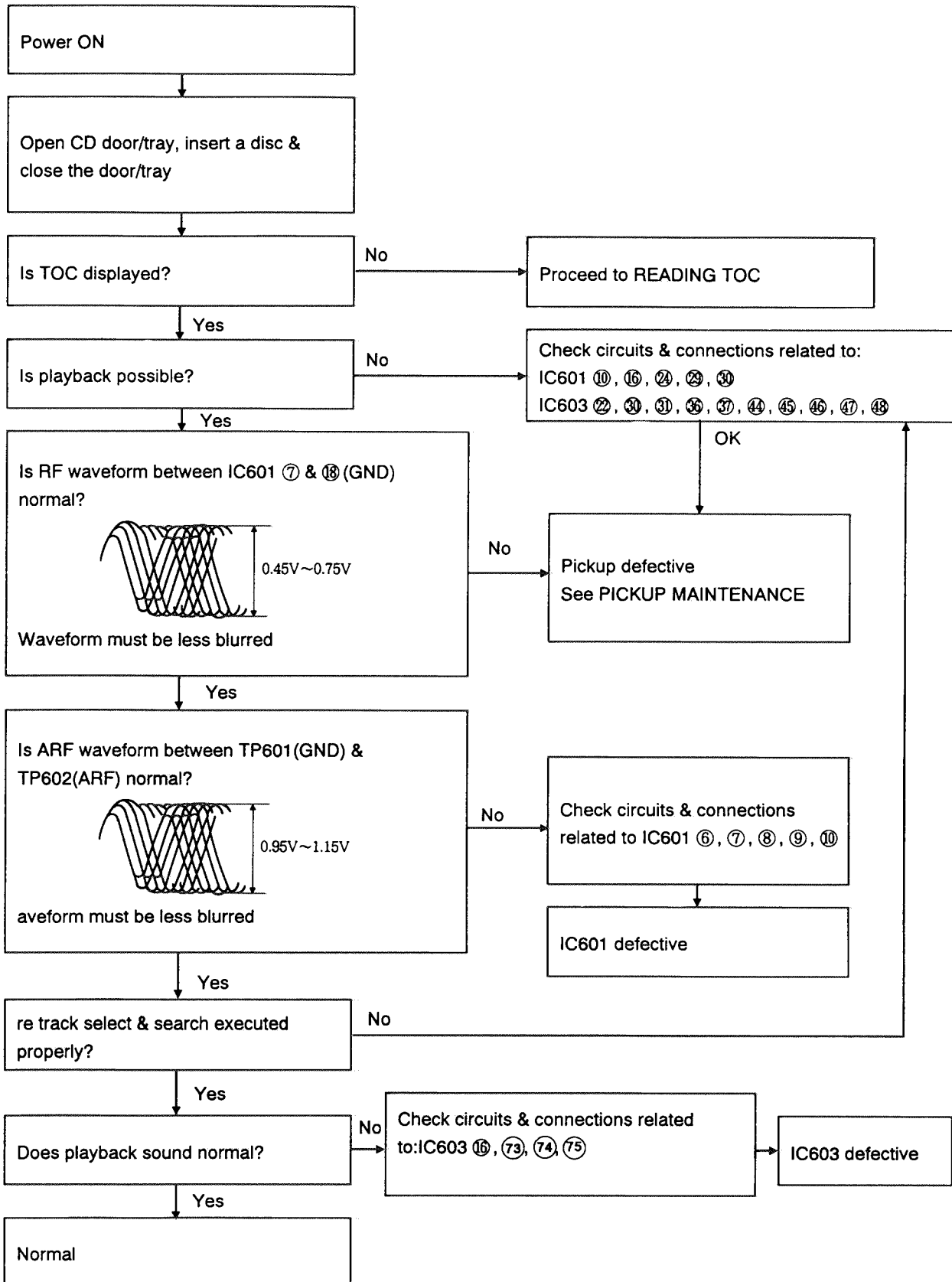


Fig. 4-5

■ Reading TOC

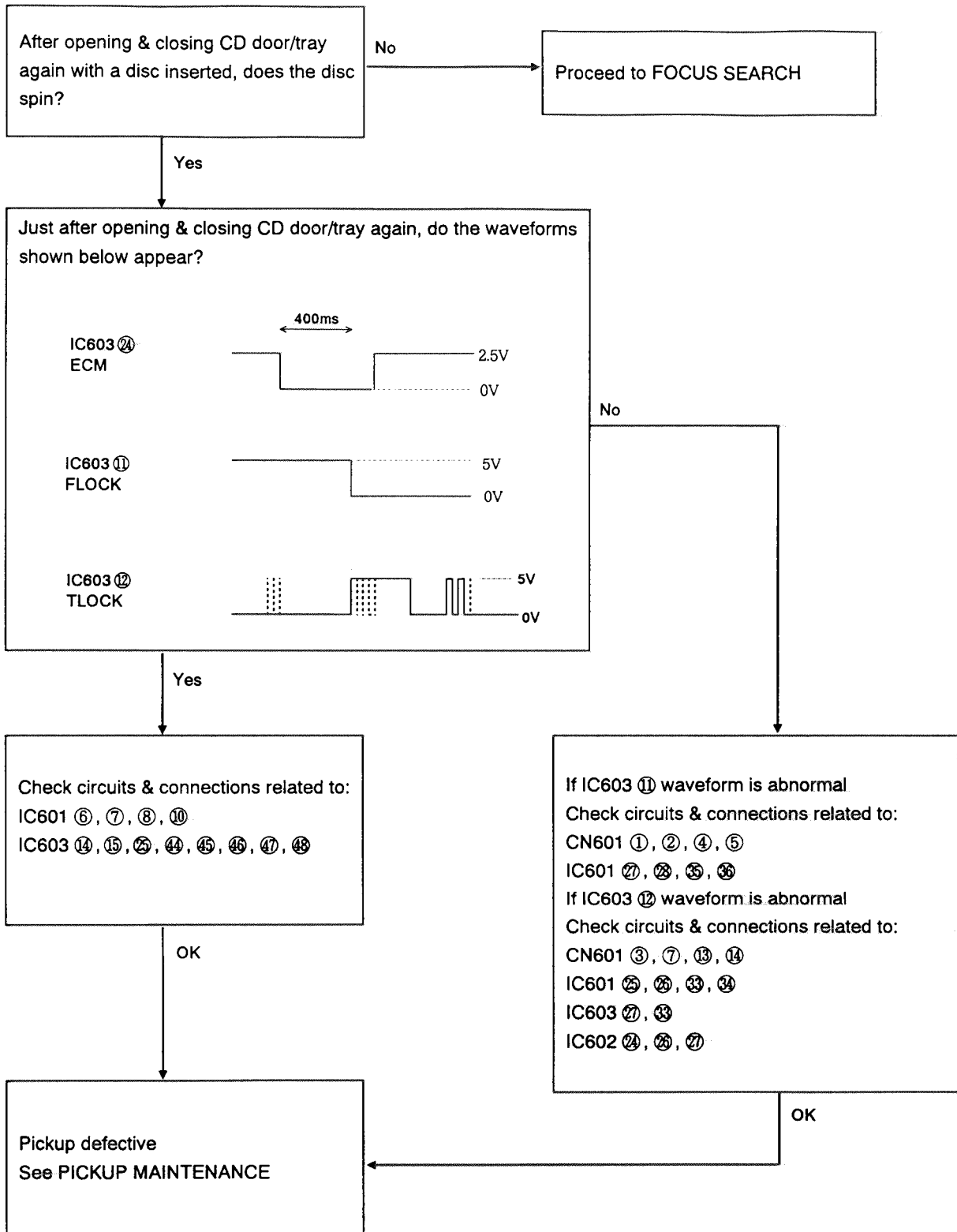


Fig. 4-6

■ Focus search

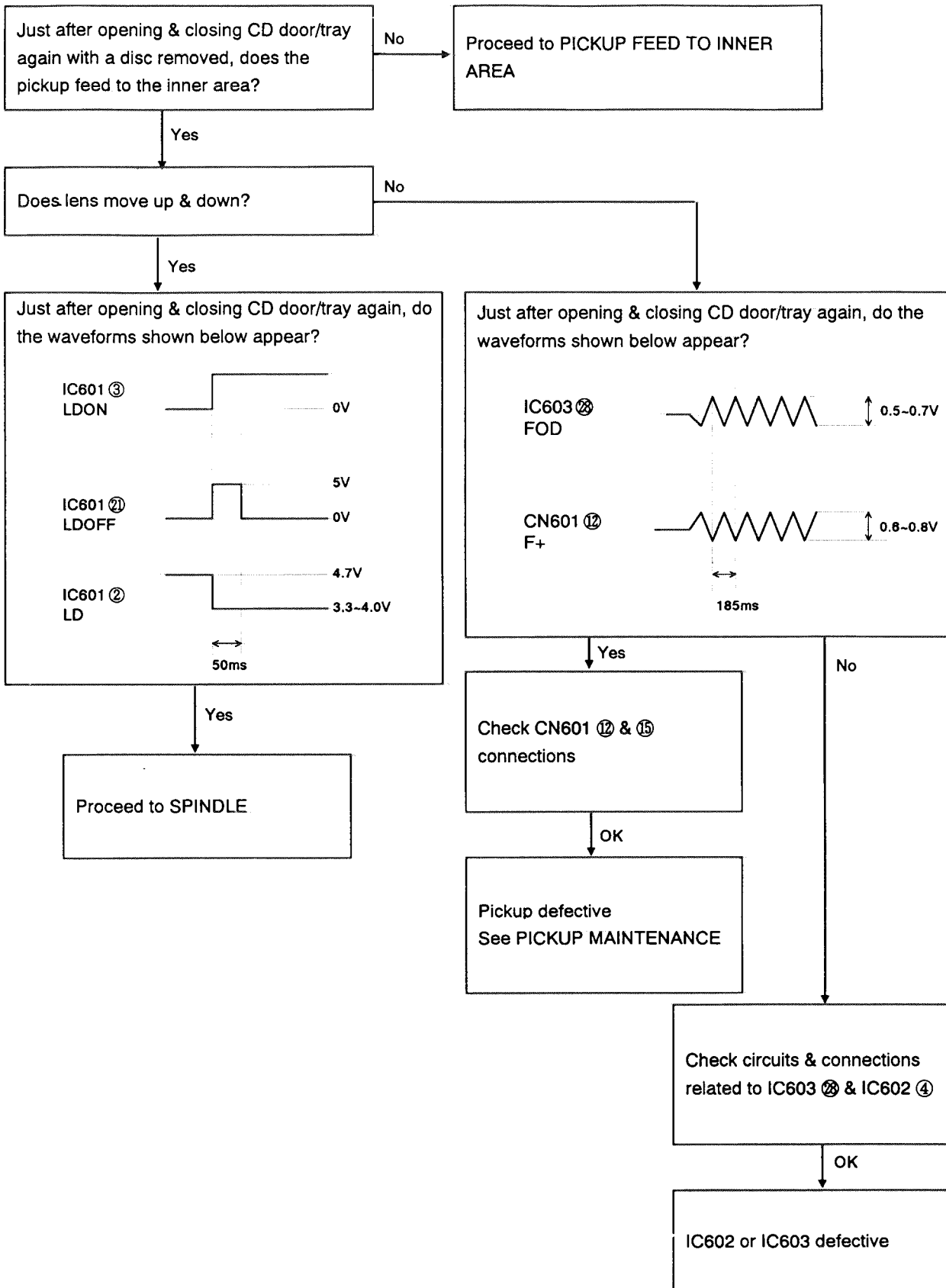


Fig. 4-7

■ Pickup feed to inner area

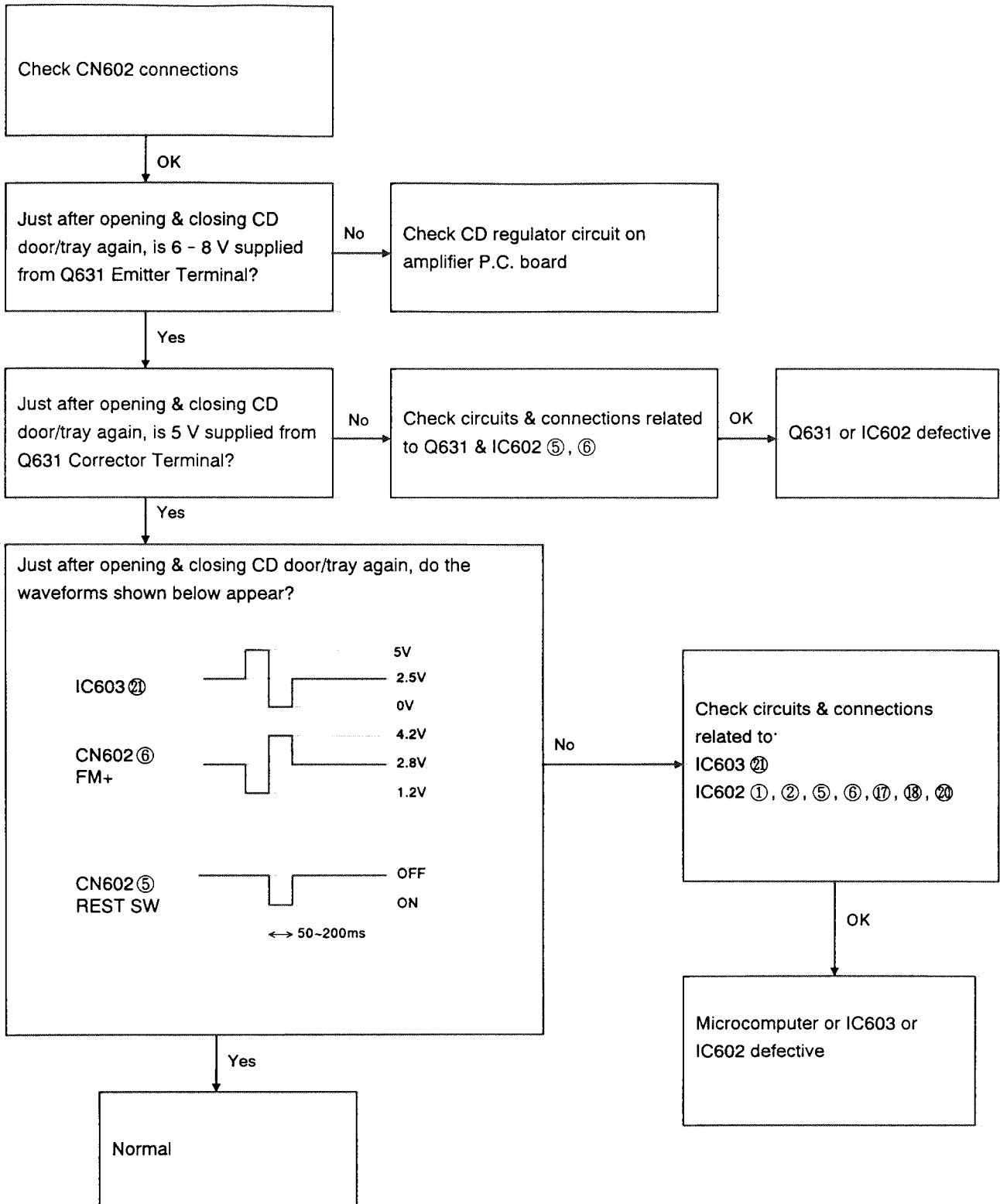


Fig. 4-8

■ Spindle

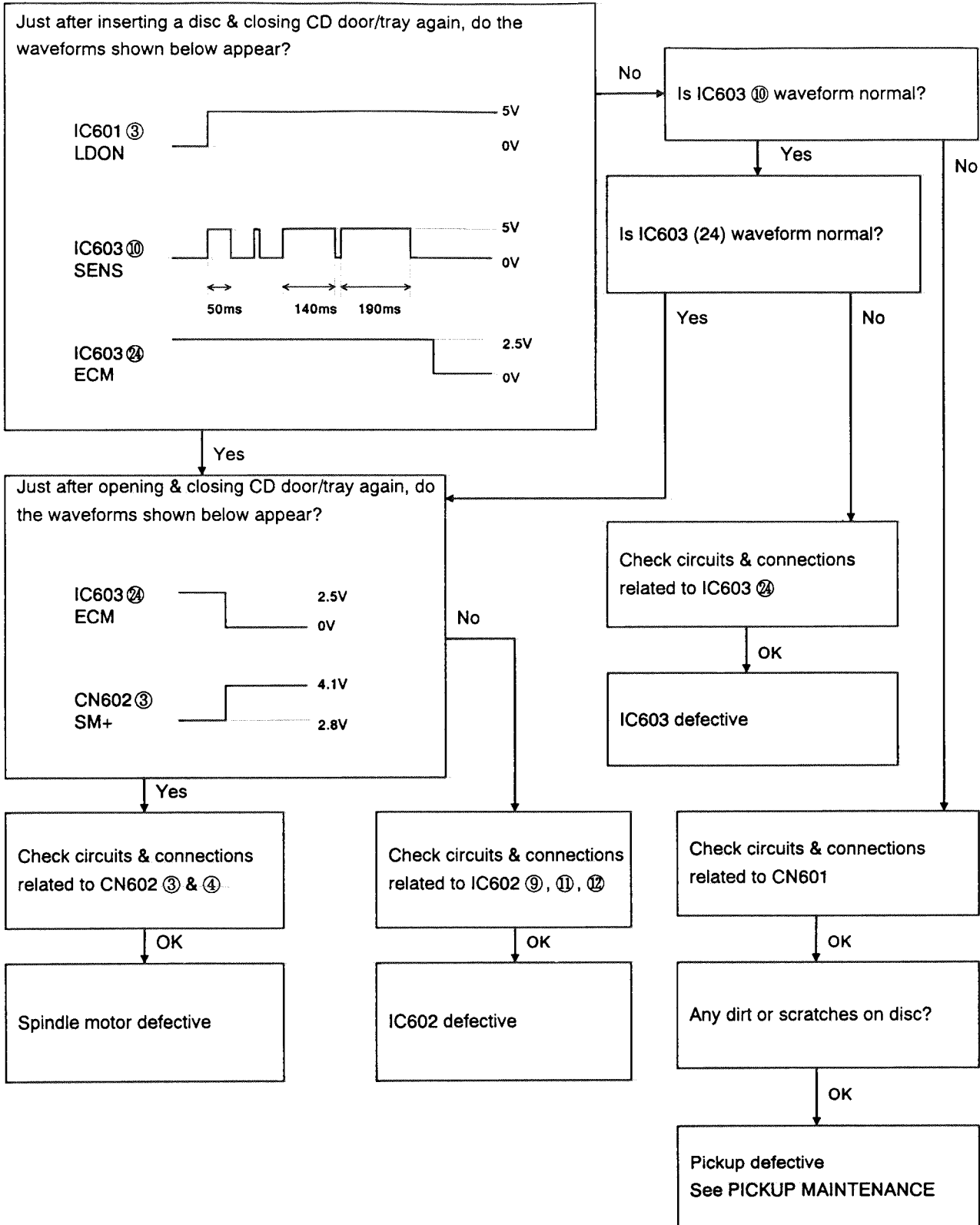


Fig. 4-9

## 5 Block diagrams

### ◆ IC1: TA2057N (FM/AM IF & MPX)

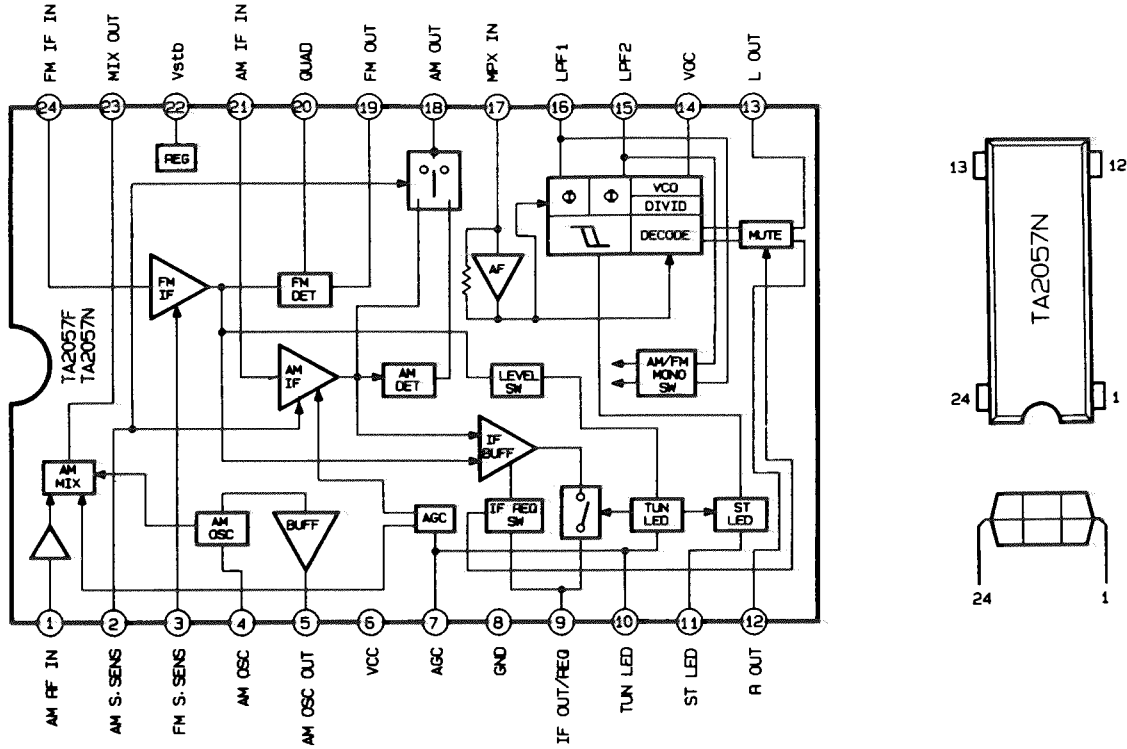


Fig. 5-1

### ◆ IC2: LC72136 (PLL)

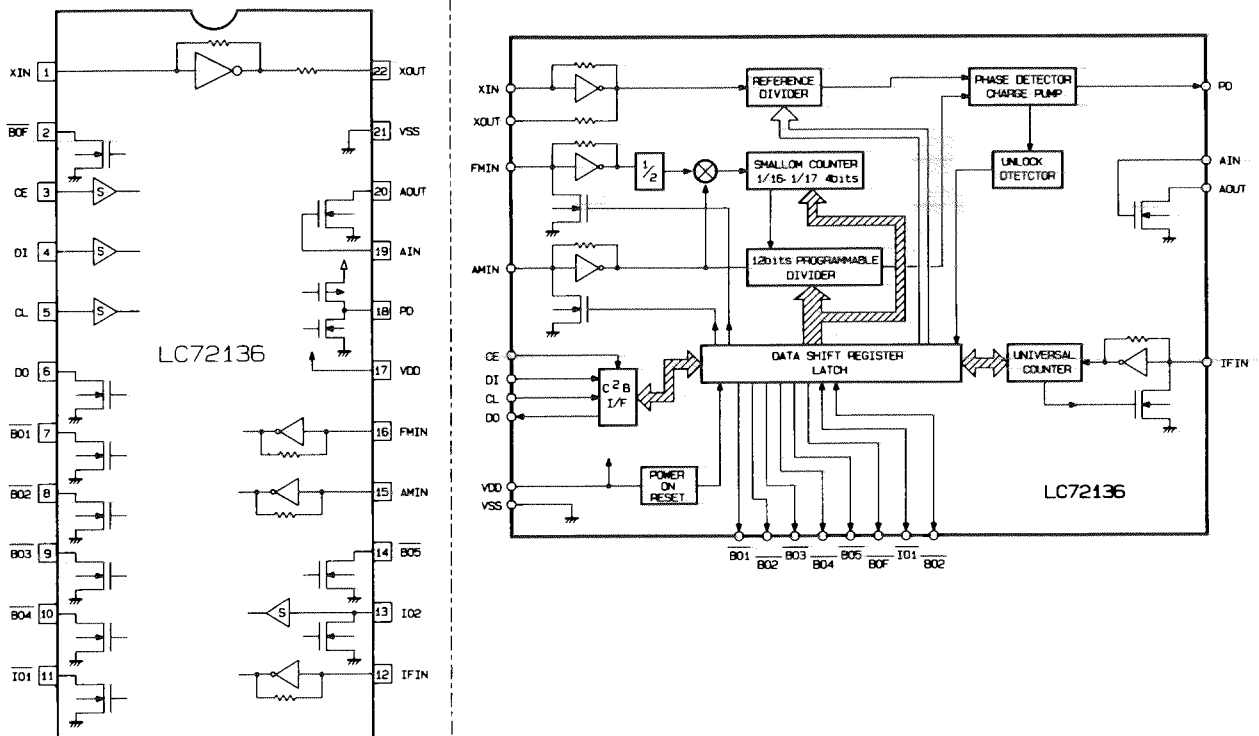


Fig. 5-2



◆ IC4: TA7358P (FM FRONT END)

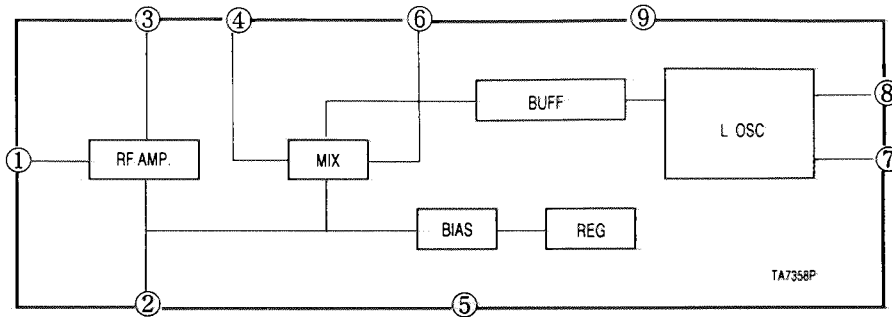


Fig. 5-3

◆ IC900/IC901: TDA7295 (power amp.)

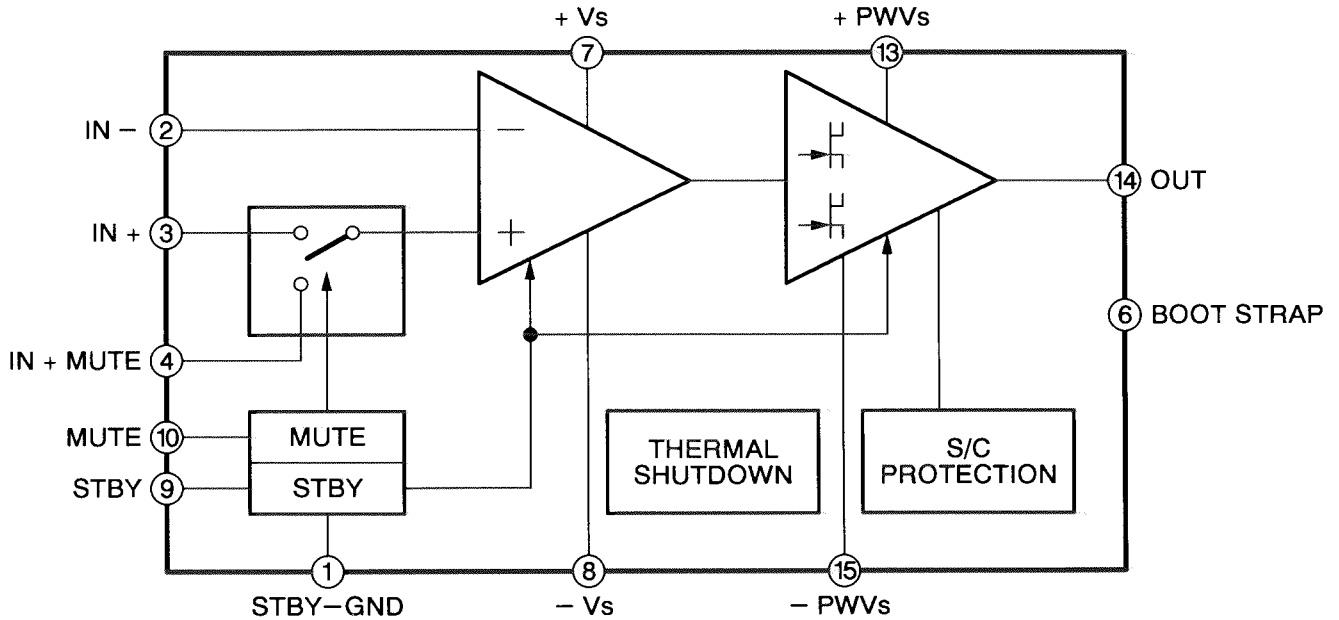


Fig. 5-4

■ IC38 : BH3854S (E. VOLUME)

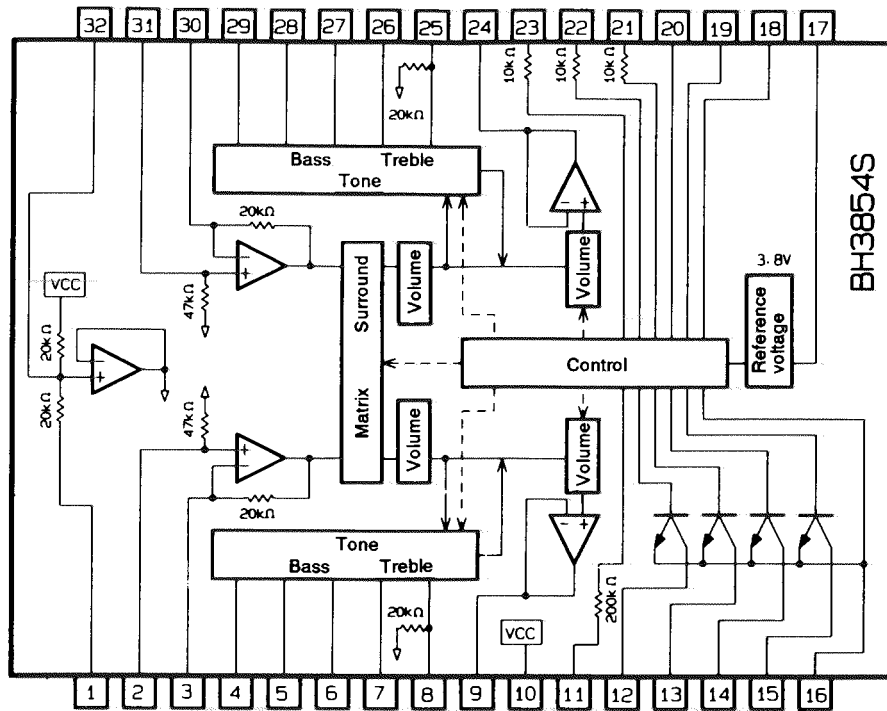


Fig. 5-5

■ IC701  $\mu$  PD78043AGF-045

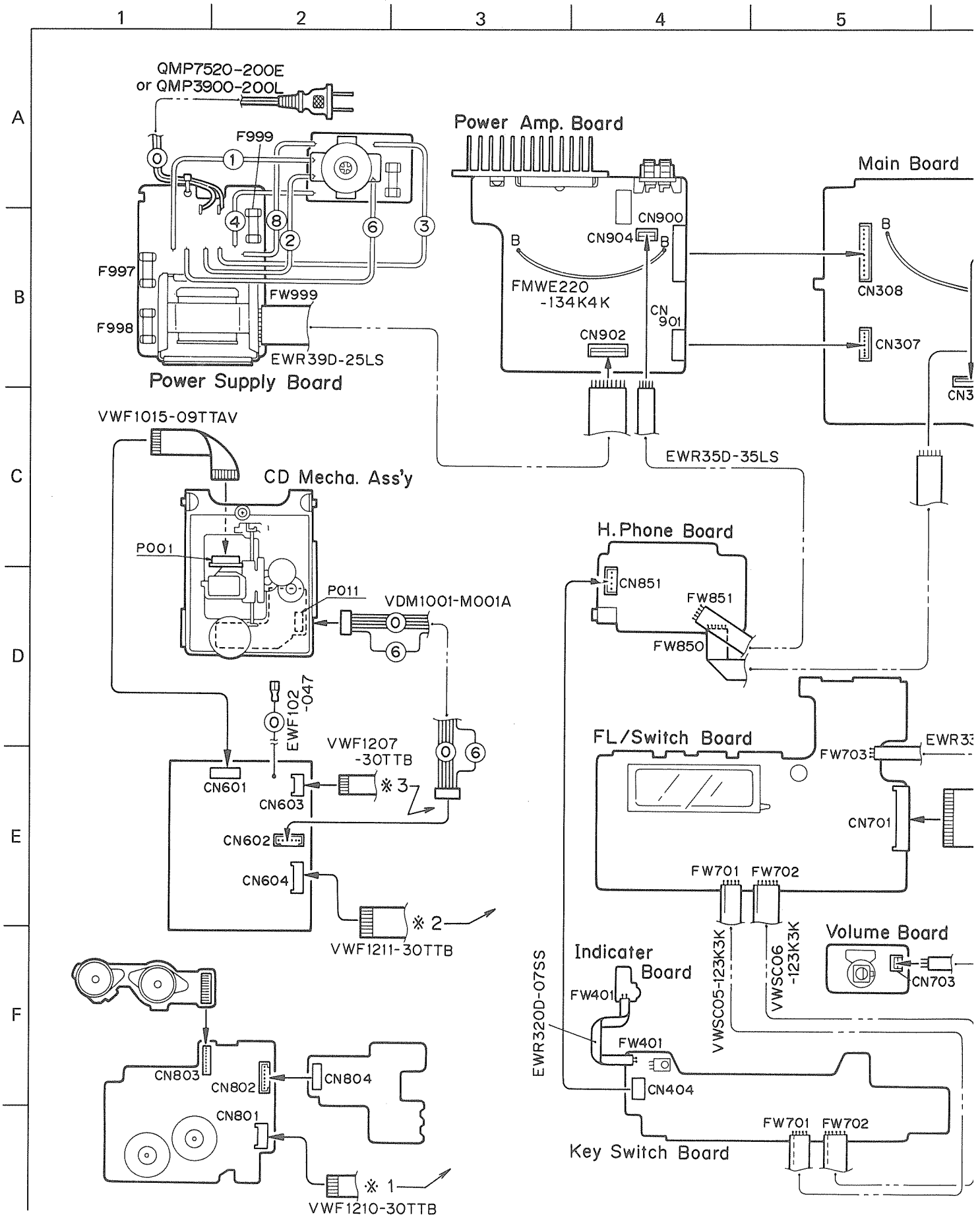
No.	Signal name	I/O	Explanation for this signal	ACT
1	7G	O	FL GRID	
2	6G	O		
3	5G	O		
4	4G	O		
5	3G	O		
6	2G	O		
7	1G	O		
8	VDD	O	VDD	
9	SCK0	O	Serial clock 0 (Tuner PLL and tape)	
10	SDATA0	I	Serial data 0 (Volume and changer)	
11	SMUTE	O	System muting	L
12	POUT	O	System power supply control	H
13	RECB	O	[REC] bias control	H
14	SCK1	O	Serial clock 1 (CD, Matsushita LSI)	
15		O		
16	SDATA1	I	Serial data 1 input (CD, Matsushita LSI)	
17	RESET	I	RESET	L
18	PB70	O	Chromium (tape) playing control	H
19	LEDTU	O	LED drive tuner	H
20	AVSS	–	A/D converter GND	
21	MPX/JACK	I	Tuner stereo signal detection	
22	SAFETY	I	SAFETY	
23	REST/REQ	I	Rest switch/changer [REQ]	
24	REC	I	[REC] switch	
25	TAPESW	I	Tape switch (A/B)	
26	KEY3	I	KEY3	
27	KEY2	I	KEY2/Version	
28	KEY1	I	KEY1	
29	AVDD	–	A/D converter +B	
30	AVREF	–	A/D converter reference voltage	
31	XT1	I	System clock	
32	XT2	O		
33	Vss	–	GND	
34	X1	I	Sub-system clock	
35	X2	O		
36	BEST	O	Microcomputer clock selection	H
37	R/P	O	[REC] head selection	
38	RMOUT	O	Infrared LED drive remote control output	H
39	+BCTL	O	AD & remote control and +B control output	L
40	STATUS	I	CD status check	

No.	Signal name	I/O	Explanation for this signal	ACT
41	X $\overline$ RST	O	CD reset output	L
42	MLD	O	CD command load signal output	
43	MDATA	O	CD command data output	
44	MCLK	O	CD command clock output	
45	CHST	O	Changer strobe	H
46	VOL A	I	Volume rotary encoder input A	
47	REM	I	Remote control code input	↓
48	IC	–	VSS connection	
49	FAUX	O	[AUX] power supply control	L
50	FCD	O	CD power supply control	H
51	FTU	O	Tuner power supply control	H
52	VDD	–	Microcomputer VDD	
53	VOL B	I	Volume rotary encoder input B	
54	BUP	I	Backup detection	H
55	RCro2	O	Chromium (tape) recording control	H
56	LEDCD	O	LED drive output, CD	H
57	LATCH	O	Volume IC strobe	H
58	LEDAUX	O	LED drive output, [AUX]	H
59	PERIOD	O	Tuner strobe	H
60	SPK	O	Relay switch control	
61	PROTECTOR	I	Speaker protector	L
62	S1		FL segment	
63	S2			
64	S3			
65	S4			
66	S5			
67	S6			
68	S7			
69	S8			
70	S9			
71	VLOAD			
72	S10			
73	S11			
74	S12			
75	S13			
76	S14			
77	11G		FL GRID	
78	10G			
79	9G			
80	8G			





# 6 Wiring connections



6

7

8

9

10

Color codes are shown below.

- 1 ..... Brown
- 2 ..... Red
- 3 ..... Orange
- 4 ..... Yellow
- 5 ..... Green
- 6 ..... Blue
- 7 ..... Violet
- 8 ..... Gray
- 9 ..... White
- 0 ..... Black
- D ..... Pink
- C ..... Light Blue

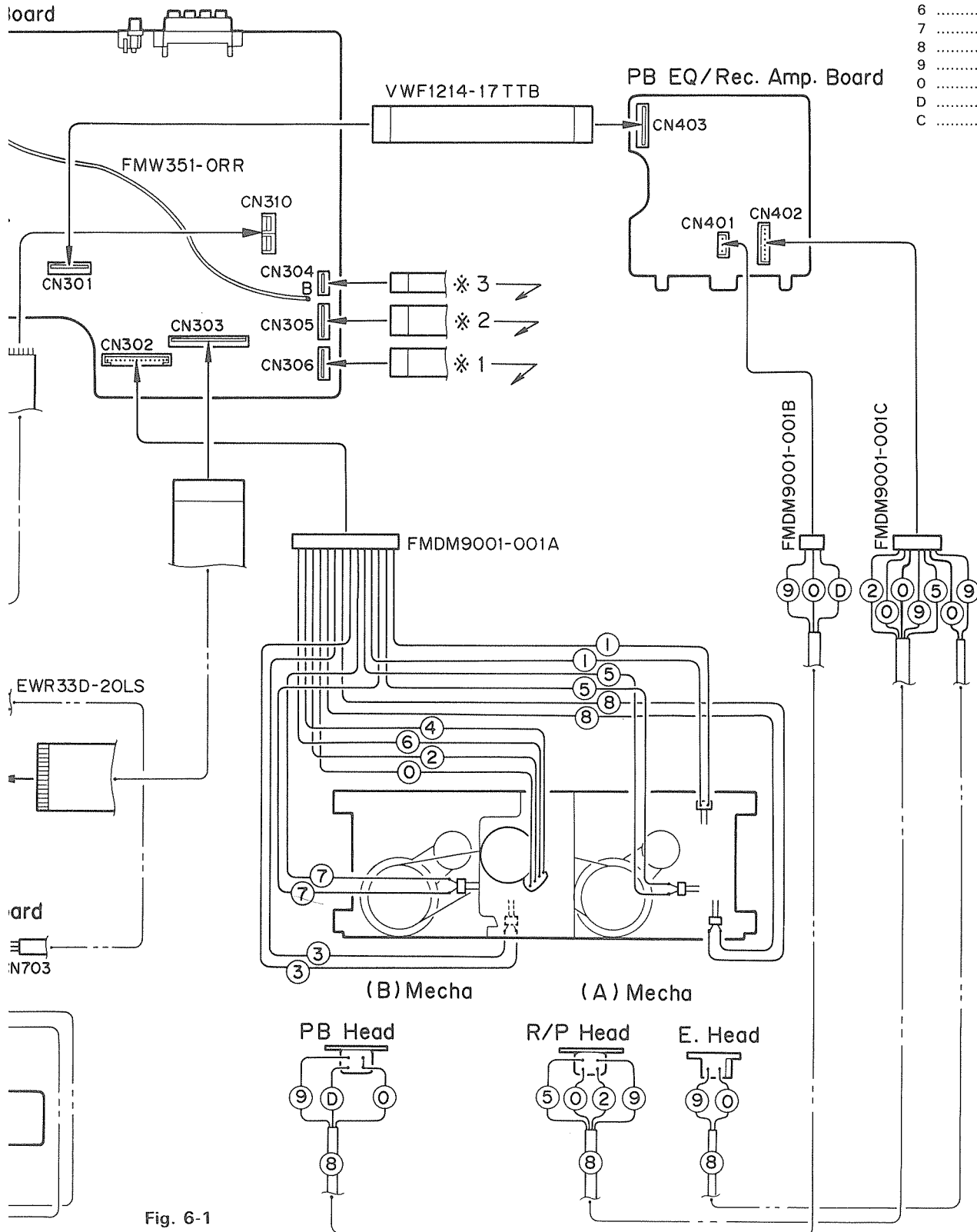


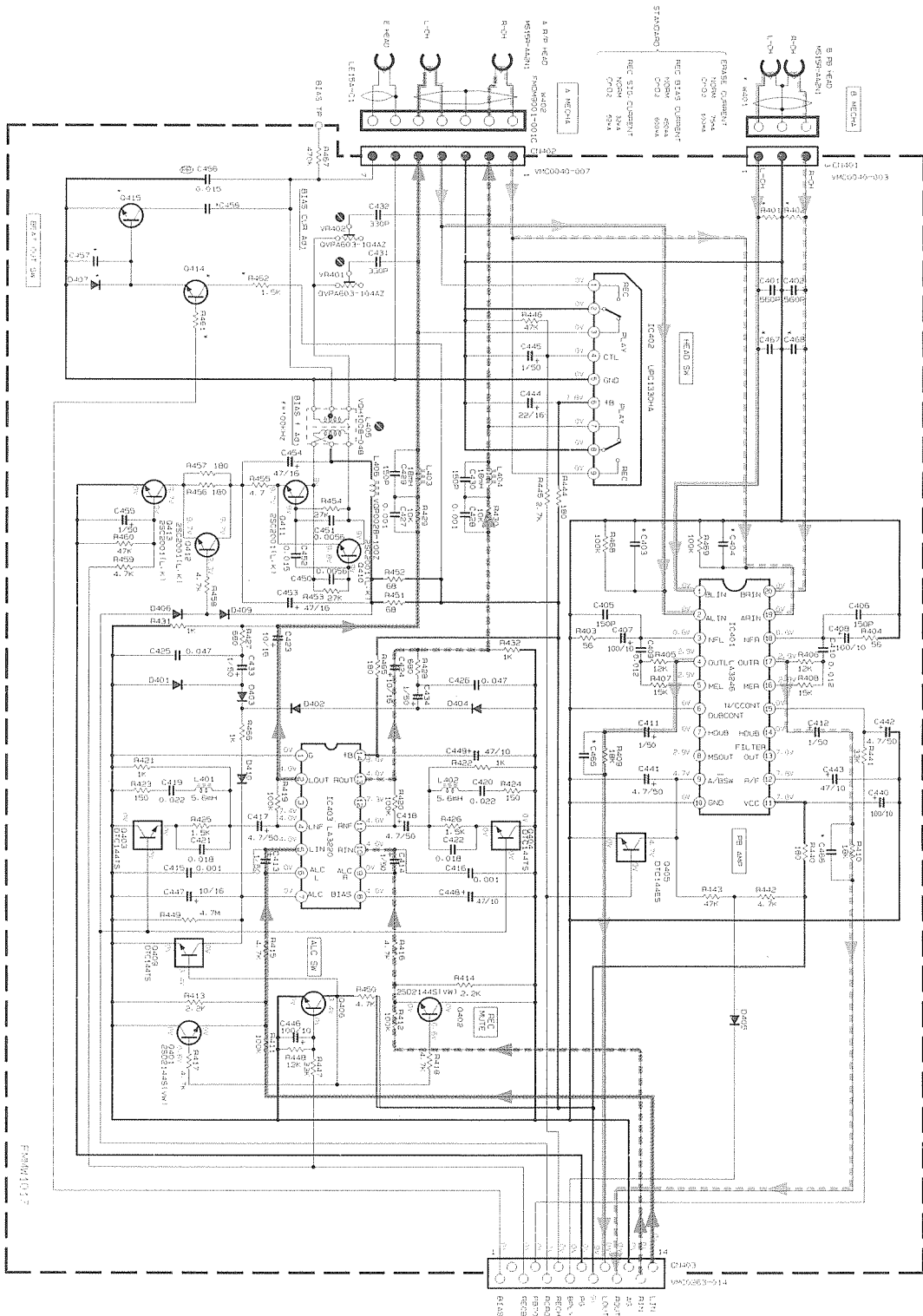
Fig. 6-1

7 Standard schematic diagram

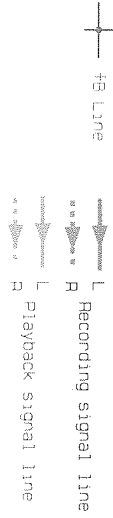
Cassette amplifier circuit

Note : FMDH9001008RM

Q-1	Q-2	Q-3	Q-4	Q-5	Q-6	Q-7	Q-8	Q-9	Q-10	Q-11	Q-12	Q-13	Q-14	Q-15	Q-16	Q-17	Q-18	Q-19	Q-20	Q-21	Q-22	Q-23	Q-24	Q-25	Q-26	Q-27	Q-28	Q-29	Q-30	Q-31	Q-32	Q-33	Q-34	Q-35	Q-36	Q-37	Q-38	Q-39	Q-40	Q-41	Q-42	Q-43	Q-44	Q-45	Q-46	Q-47	Q-48	Q-49	Q-50	Q-51	Q-52	Q-53	Q-54	Q-55	Q-56	Q-57	Q-58	Q-59	Q-60	Q-61	Q-62	Q-63	Q-64	Q-65	Q-66	Q-67	Q-68	Q-69	Q-70	Q-71	Q-72	Q-73	Q-74	Q-75	Q-76	Q-77	Q-78	Q-79	Q-80	Q-81	Q-82	Q-83	Q-84	Q-85	Q-86	Q-87	Q-88	Q-89	Q-90	Q-91	Q-92	Q-93	Q-94	Q-95	Q-96	Q-97	Q-98	Q-99	Q-100
IC101	IC102	IC103	IC104	IC105	IC106	IC107	IC108	IC109	IC110	IC111	IC112	IC113	IC114	IC115	IC116	IC117	IC118	IC119	IC120	IC121	IC122	IC123	IC124	IC125	IC126	IC127	IC128	IC129	IC130	IC131	IC132	IC133	IC134	IC135	IC136	IC137	IC138	IC139	IC140	IC141	IC142	IC143	IC144	IC145	IC146	IC147	IC148	IC149	IC150	IC151	IC152	IC153	IC154	IC155	IC156	IC157	IC158	IC159	IC160	IC161	IC162	IC163	IC164	IC165	IC166	IC167	IC168	IC169	IC170	IC171	IC172	IC173	IC174	IC175	IC176	IC177	IC178	IC179	IC180	IC181	IC182	IC183	IC184	IC185	IC186	IC187	IC188	IC189	IC190	IC191	IC192	IC193	IC194	IC195	IC196	IC197	IC198	IC199	IC200



NOTES:  
 1. VOLTAGE AND POWER RATING MUST BE IDENTICAL WITH VOLTAGE AND POWER RATING OF THE ORIGINAL PART.  
 2. ALL RESISTOR VALUES ARE IN OHMS UNLESS OTHERWISE SPECIFIED.  
 3. ALL CAPACITOR VALUES ARE IN P.F. UNLESS OTHERWISE SPECIFIED.  
 4. ALL DIMENSIONS ARE IN MILLIMETERS UNLESS OTHERWISE SPECIFIED.  
 5. ALL DIMENSIONS ARE IN INCHES UNLESS OTHERWISE SPECIFIED.  
 6. ALL DIMENSIONS ARE IN MILLIMETERS UNLESS OTHERWISE SPECIFIED.  
 7. ALL DIMENSIONS ARE IN INCHES UNLESS OTHERWISE SPECIFIED.  
 8. ALL DIMENSIONS ARE IN MILLIMETERS UNLESS OTHERWISE SPECIFIED.  
 9. ALL DIMENSIONS ARE IN INCHES UNLESS OTHERWISE SPECIFIED.  
 10. ALL DIMENSIONS ARE IN MILLIMETERS UNLESS OTHERWISE SPECIFIED.



To E-4 on page 73

Fig. 7-1



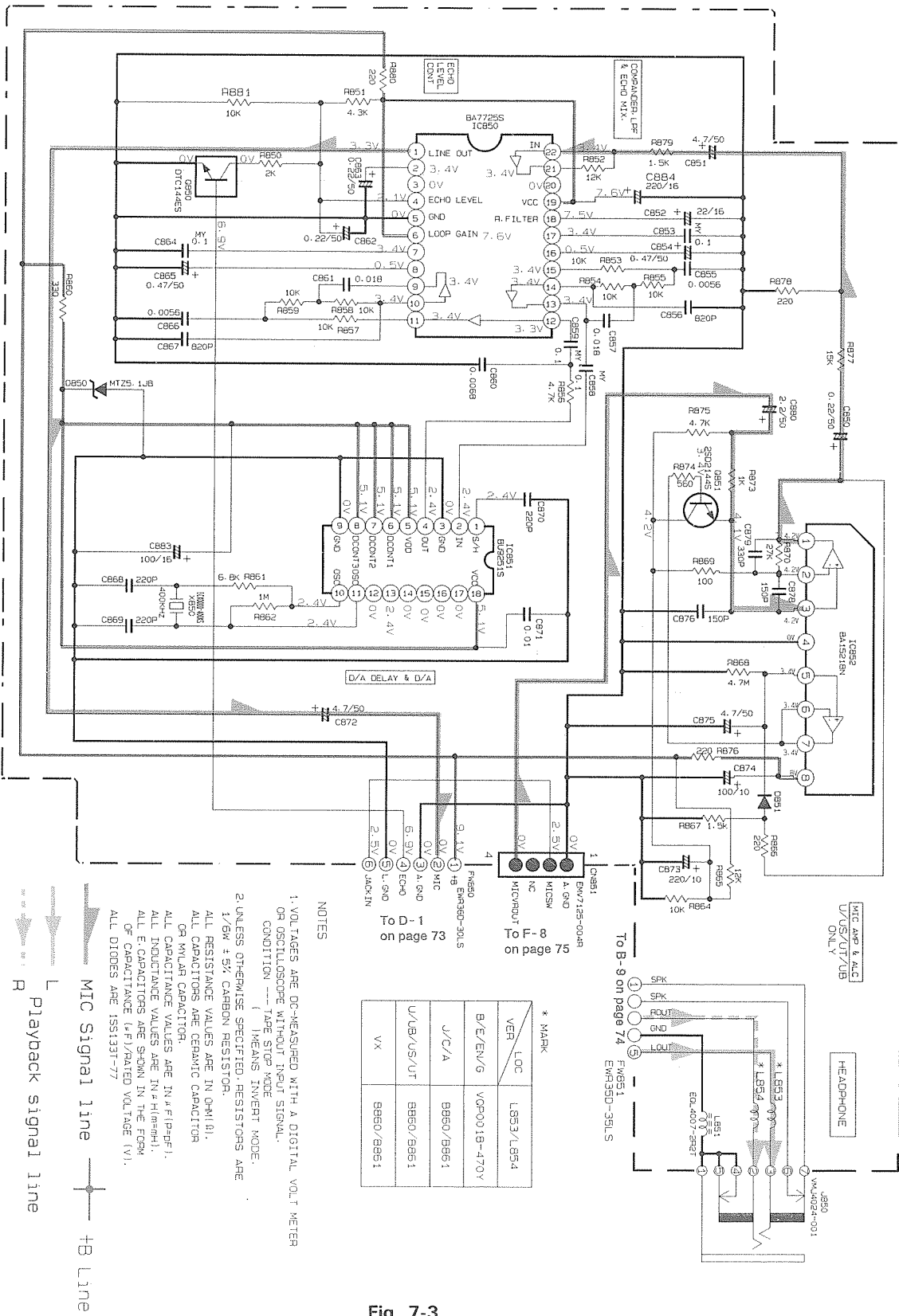


■ Echo circuit

■ Cheng

A  
B  
C  
D  
E  
F

Note : FMDH9001006AX



CAN NO.	LOC
1001109	01
MAIN TRAY1	01
SUB TRAY1	01
CAN# 1	01
MAIN TRAY2	10
CAN# 2	10
MAIN TRAY3	11
SUB TRAY3	11
OFF	11

Note : FMDH900



NOTES

1. VOLTAGES ARE DC-MEASURED WITH A DIGITAL VOLT METER OR OSCILLOSCOPE WITHOUT INPUT SIGNAL. CONDITION --- TAPE STOP MODE. ( ) MEANS INVERT MODE.
  2. UNLESS OTHERWISE SPECIFIED, RESISTORS ARE 1/8W ± 5% CARBON RESISTOR.
- ALL RESISTANCE VALUES ARE IN OHM (Ω).  
ALL CAPACITORS ARE CERAMIC CAPACITOR OR MYLAR CAPACITOR.  
ALL CAPACITANCE VALUES ARE IN nF (pF).  
ALL INDUCTANCE VALUES ARE IN mH (mH).  
ALL ELECTROLYTIC CAPACITORS ARE SHOWN IN THE FORM OF CAPACITANCE (μF)/RATED VOLTAGE (V).  
ALL DIODES ARE 1SS131-77.

* MARK	LOC	VAL
VEH	L853/L854	
B/E/EV/G	VOP0018-470V	
J/C/A	BB50/BB61	
U/UB/US/UT	BB50/BB61	
VX	BB50/BB61	

Fig. 7-3

6

7

8

9

10

Generator control circuit

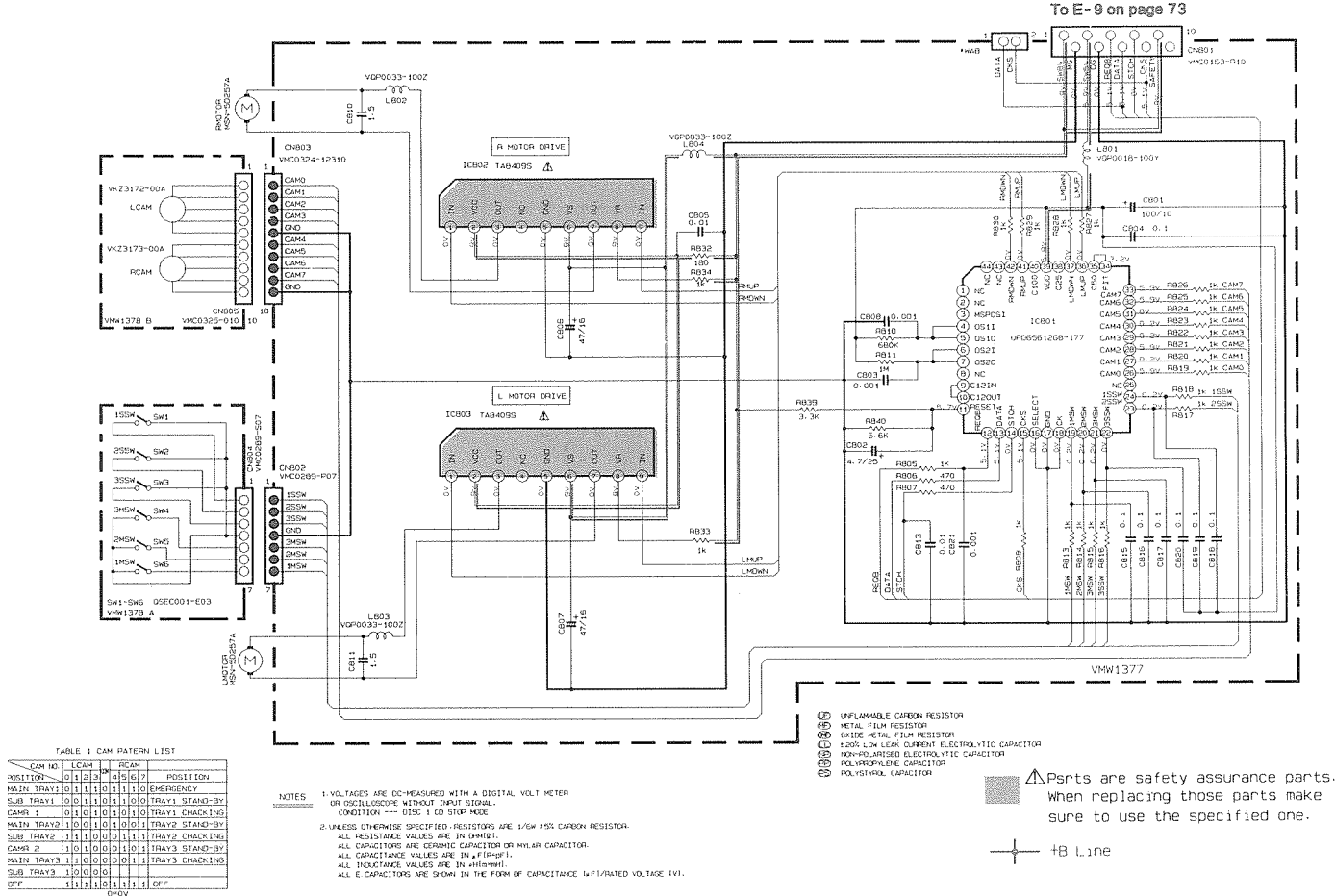


Fig. 7-4

Power supply circuit

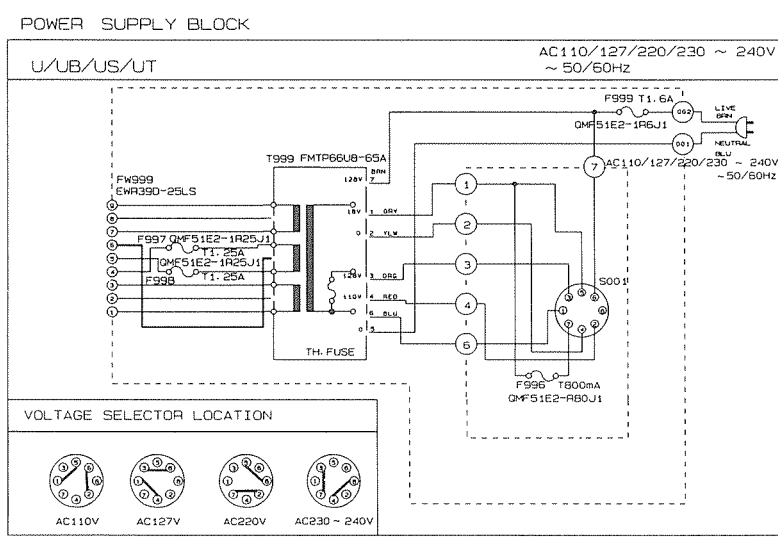


Fig. 7-5

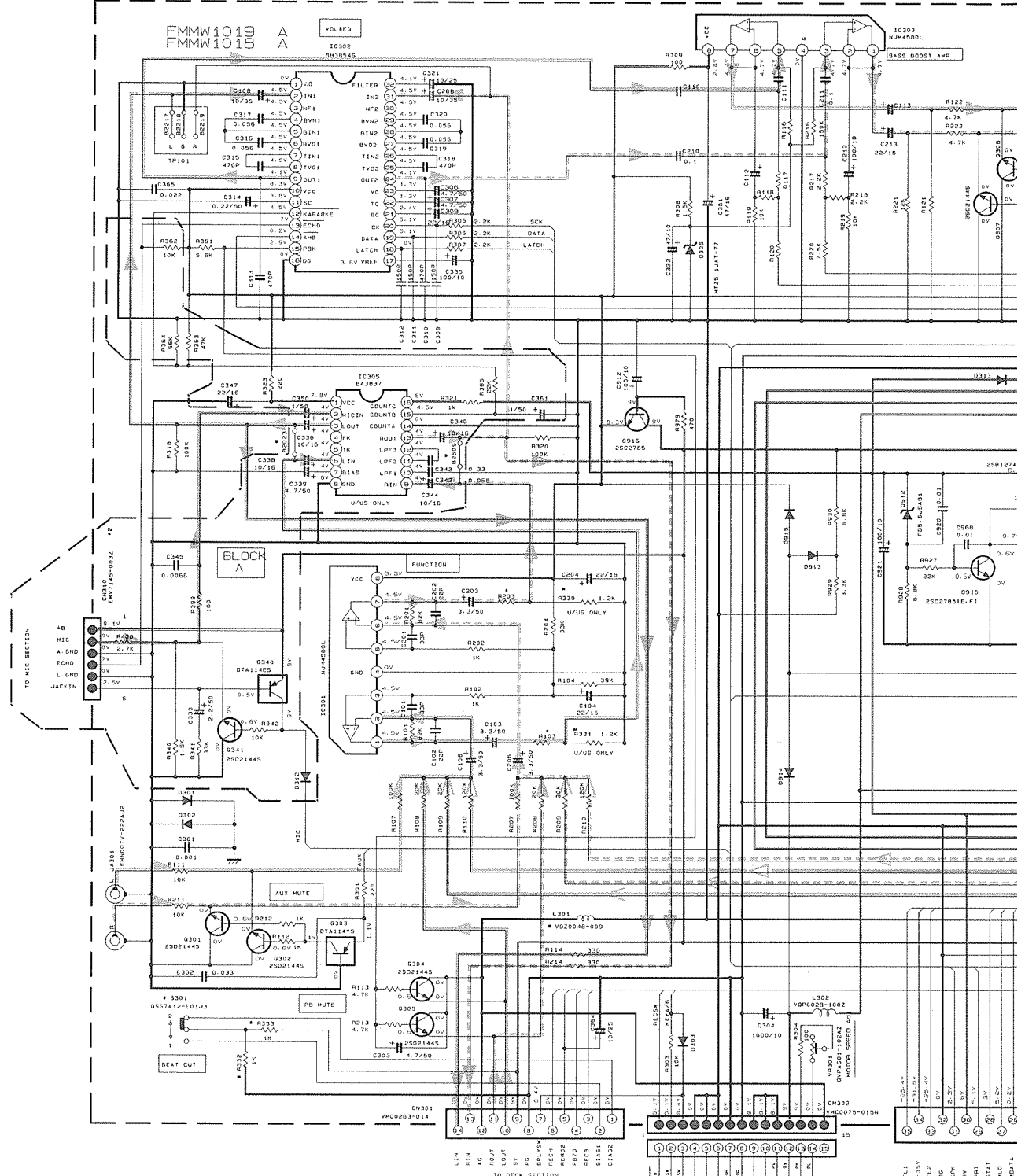




Function circuit

A  
B  
C  
D  
E  
F

To E-3 on page 71



MARK	LOC	L301	L303	L304	L305	BLOCK A	R330/R331	S301	R0627/R0628	R332/R333	R103/203
VER		7.2K	15K	15K	3.3K	--	--	--	USE	--	100
J. C. A.		R2963	R2964	R2965	R2966	--	--	--	USE	--	100
U-UB		R2963	R2964	R2965	R2966	USE	1.2K	--	--	4.7K	100
U-S. UT		R2963	R2964	R2965	R2966	USE	1.2K	--	--	4.7K	100
E-EN		V020048-009	V020048-009	V020048-009	V020048-009	--	--	USE	USE	USE	100
G-G1		V020048-009	V020048-009	V020048-009	V020048-009	--	--	USE	USE	USE	100
B		V020048-009	V020048-009	V020048-009	V020048-009	--	--	USE	USE	USE	100
VX		R2963	R2964	R2965	R2966	--	--	USE	USE	USE	100

To F-4 on page 70

To C-1 on page 75

NOTES  
1: VOLTAGES ARE DC-MEASURED WITH A DIGITAL VOLT METER OR OSCILLOSCOPE WITHOUT INPUT SIGNAL.  
CONDITION --- CD MODE  
VOLTAGE VALUE MARKED \* IS IN TUNER POSITION

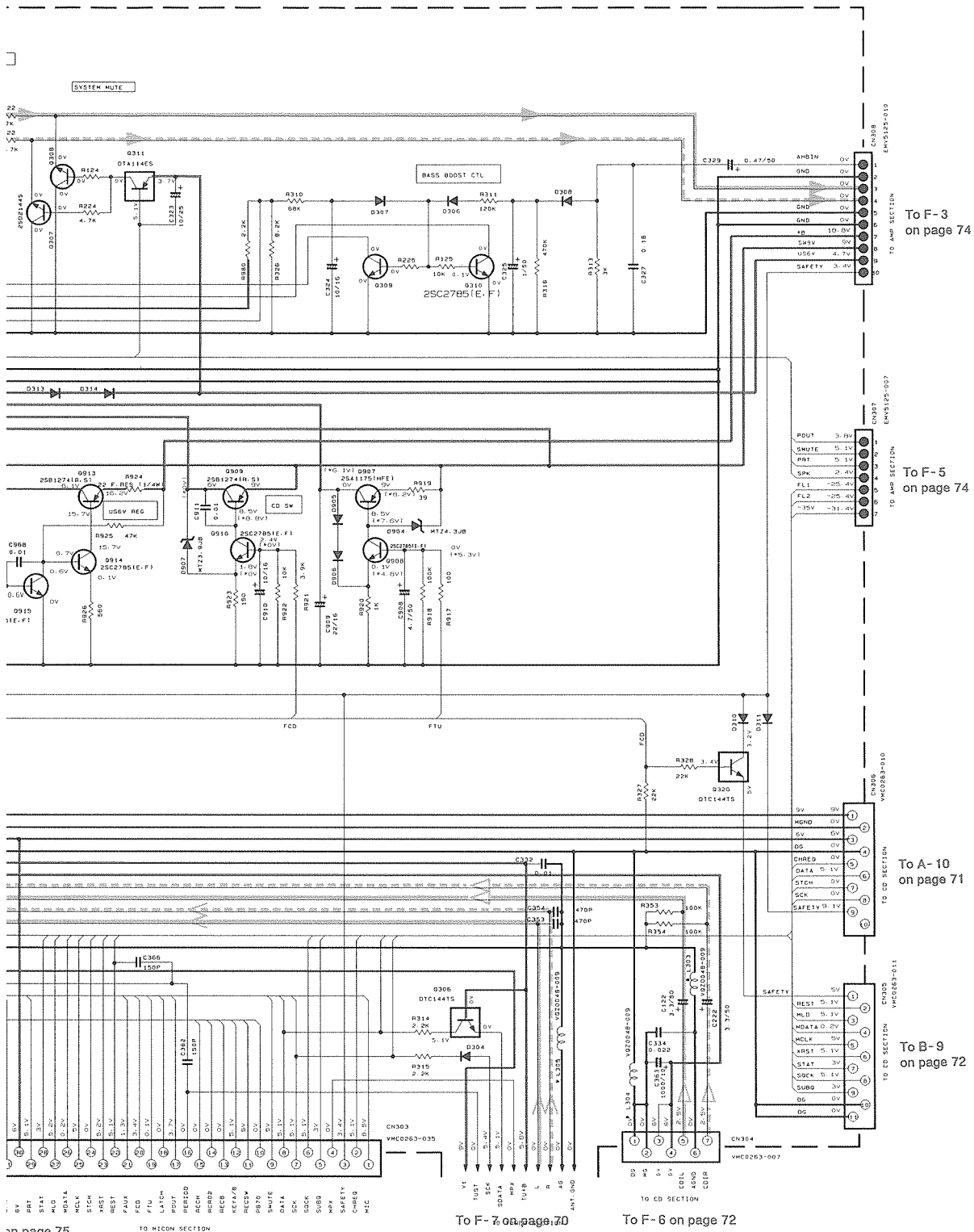
6

7

8

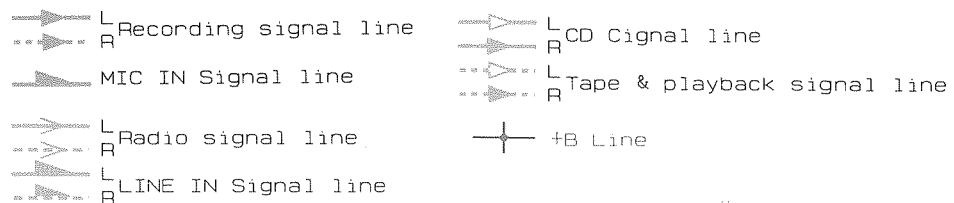
9

10

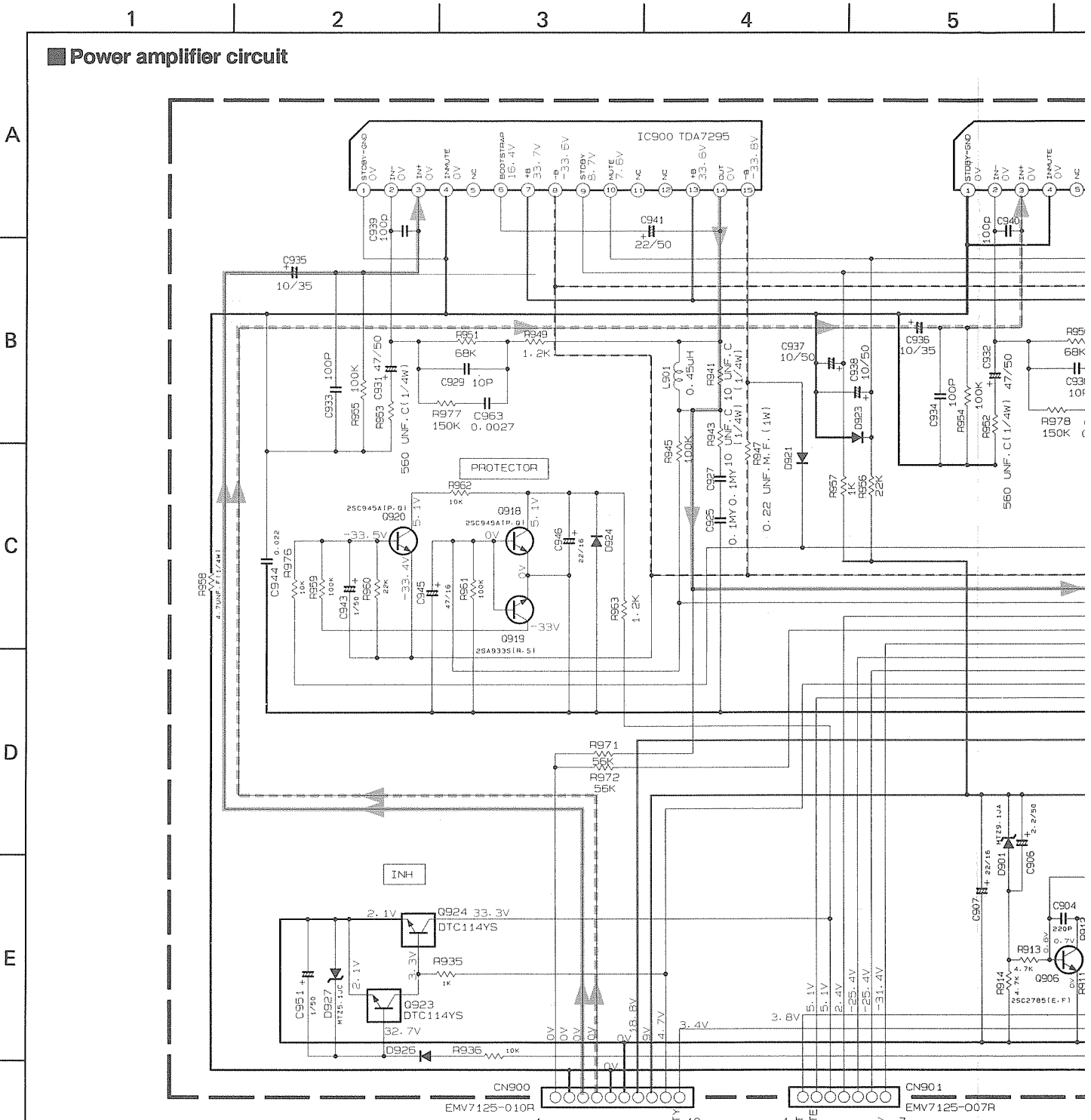


on page 75

- 2. UNLESS OTHERWISE SPECIFIED - RESISTORS ARE 1/8W ± 5% CARBON RESISTOR.
- ALL RESISTANCE VALUES ARE IN OHMS (Ω).
- ALL CAPACITORS ARE CERAMIC CAPACITOR OR MILAR CAPACITOR.
- ALL CAPACITANCE VALUES ARE IN μF (PPF).
- ALL INDUCTANCE VALUES ARE IN MH (MPPH).
- ALL E. CAPACITORS ARE SHOWN IN THE FORM OF CAPACITANCE (μF)/RATED VOLTAGE (V).
- ALL DIODES ARE 1SS133T-77.
- ALL NPN TRANSISTORS ARE 2SC3330S (1) OR 2SC2705E (F1).
- 3. MARK ARE FOR USE B/E/EN/G/G1 VERSION



Power amplifier circuit



\*MARK

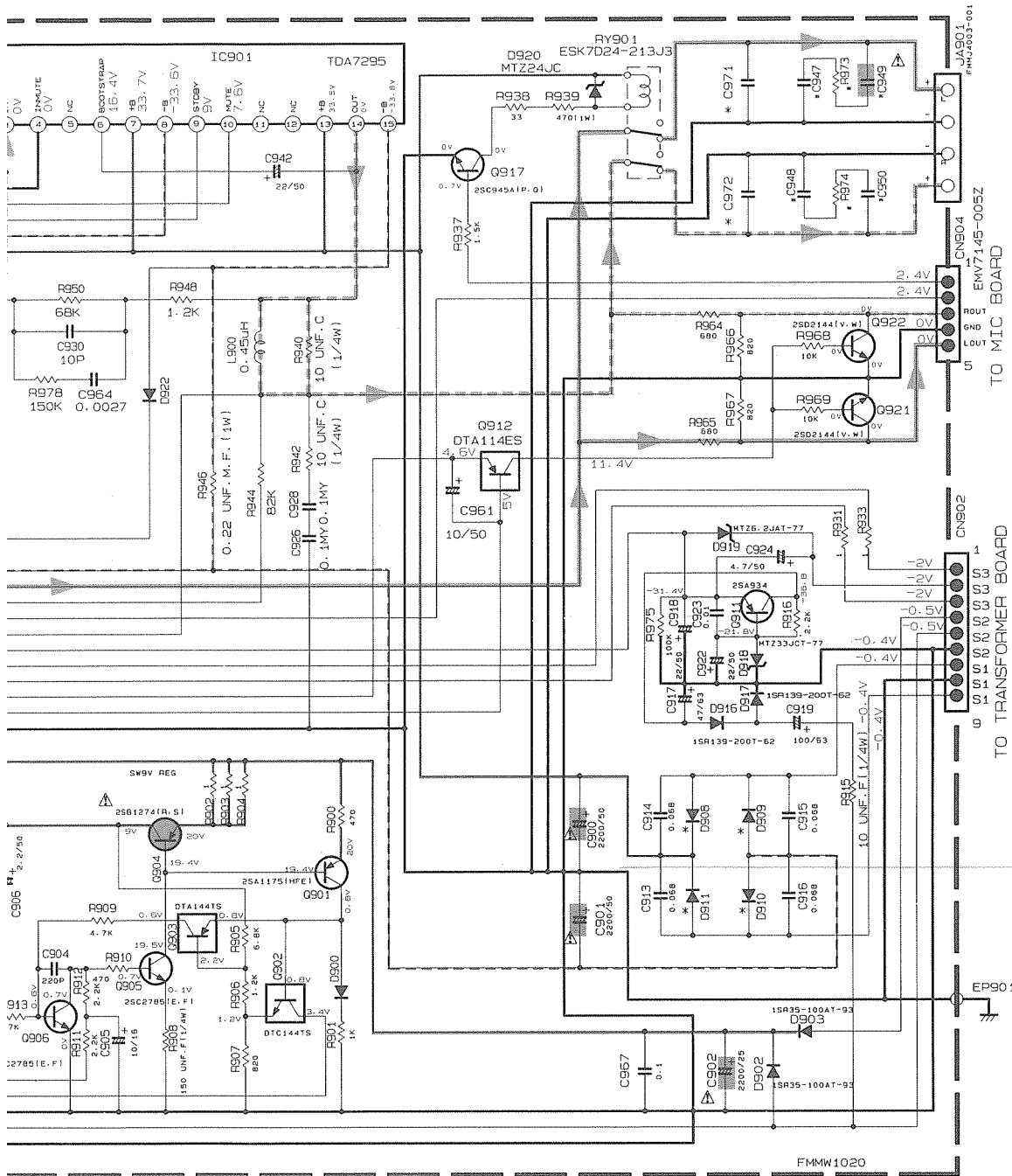
VERSION	R973/974	C947/948	C949/950	D908/D909 D910/D911	C971/972
B. E. EN. G	4.7	0.022	0.022	1N5401TM	0.0027
A. VX UT. U. US. UB	—	—	—	1N5401TM	—
J. C	—	—	—	10E2-FD	—

- NOTES
- VOLTAGES ARE CONDITION.
  - UNLESS OTHER ALL RESISTOR ALL CAPACITOR ALL RESISTAN ALL CAPACITAI ALL E. CAPACIT ALL DIODES AI
  - POLYPROPYL
  - 50V ± 5% MY
  - THOSE PART W FOR RESISTOR FOR CAPACITO

Note : FMDH9001006(2/3)

Fig. 7-8

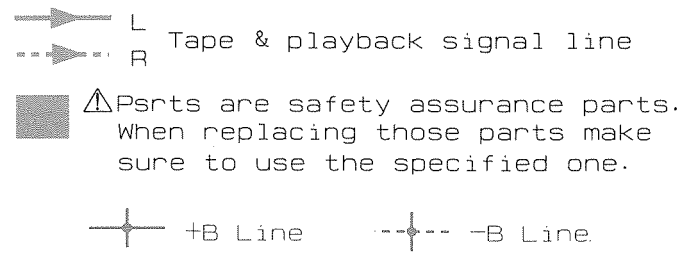




To F-4 on page 71

To Fig 7-5 on page 71

AGES ARE DC-MEASURED USING AN OSCILLOSCOPE WITH NO INPUT SIGNAL  
ITION.  
SS OTHERWISE SPECIFIED  
RESISTORS ARE 1/8W ±5% CARBON RESISTOR.  
CAPACITORS ARE 50V CERAMIC CAPACITOR OR 50V MYLAR CAPACITOR.  
RESISTANCE VALUES ARE IN OHM(Ω).  
CAPACITANCE VALUES ARE IN μF(P=DF).  
E. CAPACITORS ARE SHOWN IN THE FORM OF CAPACITANCE(μF)/RATED VOLTAGE (V).  
DIODES ARE 1SS133T-77 TYPE  
OLYPROPYLENE CAPACITOR  
V ±5% MYLAR CAPACITOR OR 50V ±5% THIN FILM CAPACITOR  
SE PART WITH BRACKET IS NOT USED.  
RESISTOR, IT WOULD BE A SHORT.  
CAPACITOR, IT WOULD BE AN OPEN.

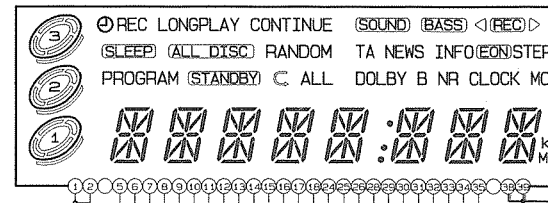
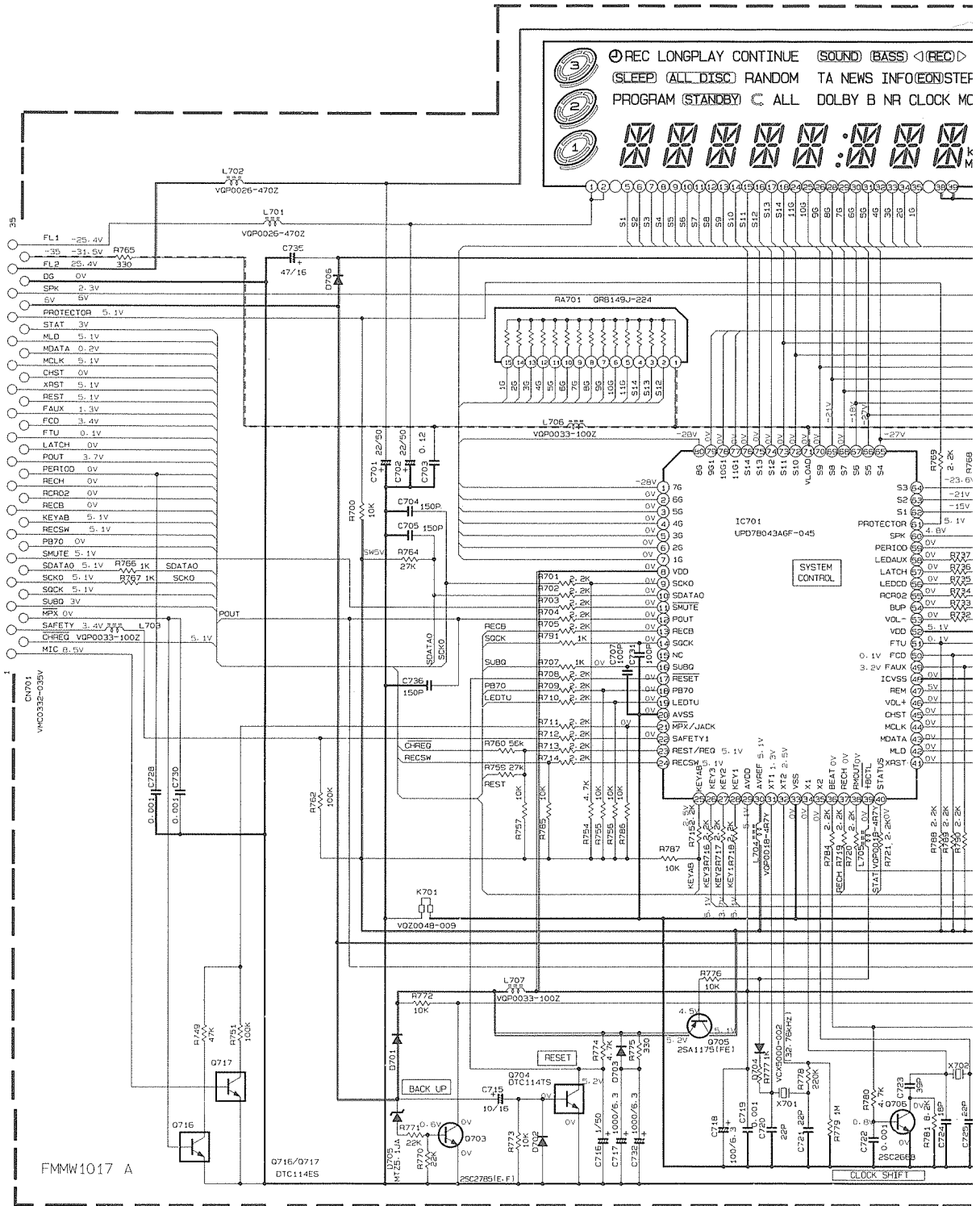


System control circuit

1 2 3 4 5

A  
B  
C  
D  
E  
F

To F-6  
on page 73



VERSIONS	R490 20-L	R496 17-L	C453 17-L	C464 17-L	VR403 17-L	J401 17-L	S417 20-K	S418 20-K
J. C. A	22K	---	---	---	---	---	---	---
UT. US. U. UB	15K	USE	USE	USE	USE	USE	USE	USE
E. EN. G. GI	---	---	---	---	---	---	---	---
VX	33K	---	---	---	---	---	---	---
BS	---	---	---	---	---	---	---	---

- NOTES
- VOLTAGES ARE DC-MEASURED WITH A DIGITAL VOLT METER OR OSCILLOSCOPE WITHOUT INPUT SRC CONDITION --- TAPE PB MODE
  - UNLESS OTHERWISE SPECIFIED  
RESISTORS ARE 1/8W 1% CARBON RESISTOR.  
ALL RESISTANCE VALUES ARE IN OHM (Ω).  
ALL CAPACITORS ARE CERAMIC CAPACITOR OR MYLAR CAPACITOR.  
ALL CAPACITANCE VALUES ARE IN PICO (pF).  
ALL INDUCTANCE VALUES ARE IN MICRO (μH).  
ALL E. CAPACITORS ARE SHOWN IN THE FORM OF CAPACITANCE (μF)/RATED VOLTAGE (V).  
ALL DIODES ARE 1SS133

Note : FMDH9001006SV

Fig. 7-9





6

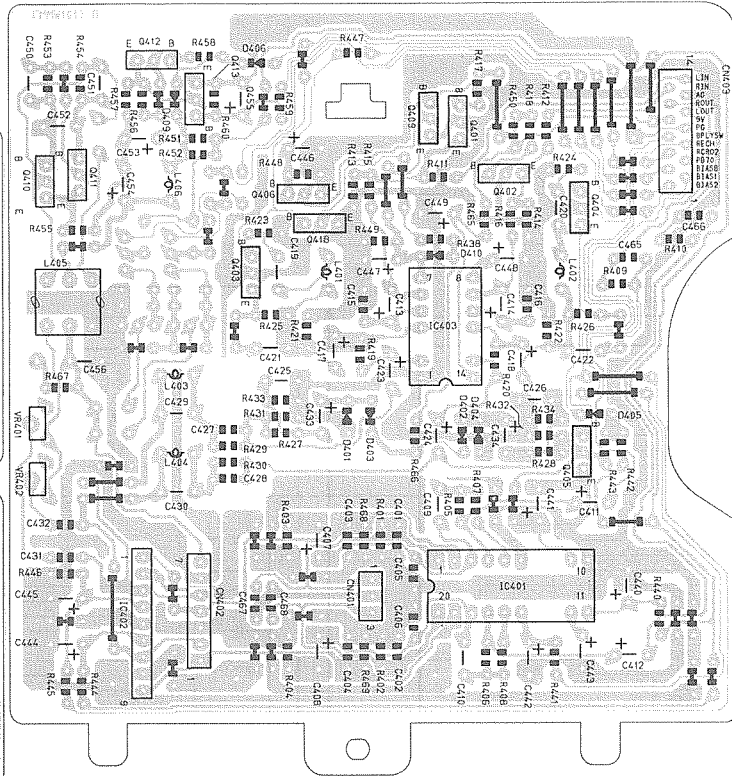
7

8

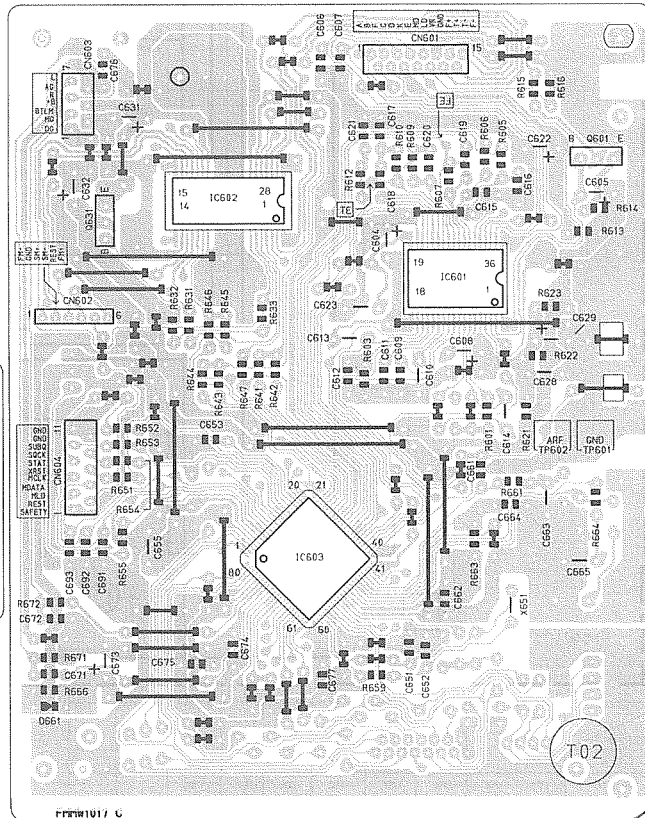
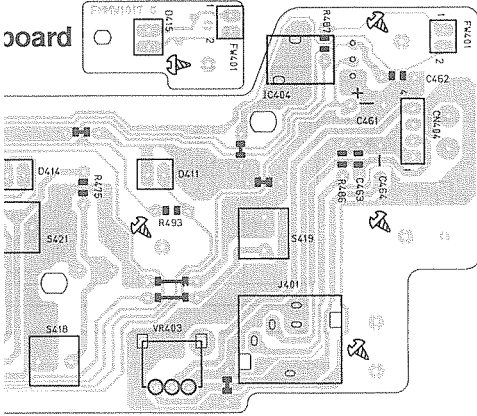
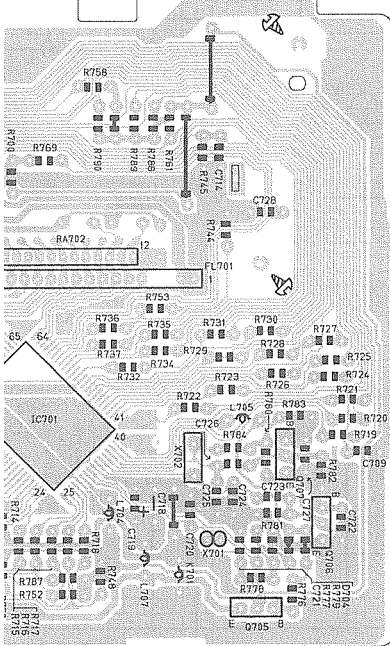
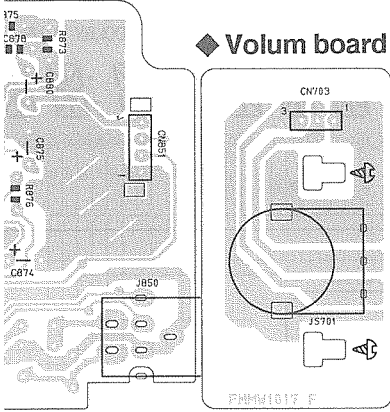
9

10

◆ PBEQ/Rec. amp. board



◆ Volum board



◆ CD amp. board



● Sub board parts list

BLOCK NO. 01111111

A	REF.	PARTS NO.	PARTS NAME	REMARKS	SUFFIX
	C 604	QETCIAM-107ZN	E.CAPACITOR	100MF 20% 10V	
	C 605	QETCIEM-106ZM	E.CAPACITOR	10MF 20% 25V	
	C 606	QCBBIHK-102Y	C.CAPACITOR	1000PF 10% 50V	
	C 607	QCBBIHK-102Y	C.CAPACITOR	1000PF 10% 50V	
	C 608	QETCIHM-105Z	E.CAPACITOR	1.0MF 20% 50V	
	C 609	QCBBIHK-101Y	C.CAPACITOR	100PF 10% 50V	
	C 610	QFLCIHJ-273ZM	M.CAPASITOR	.027MF 5% 50V	
	C 611	QCBBIHK-102Y	C.CAPACITOR	2200PF 20% 16V	
	C 612	QCVBICM-103Y	C.CAPACITOR	.010MF 20% 16V	
	C 613	QCBBIHK-331Y	C.CAPACITOR	330PF 10% 50V	
	C 614	QFLCIHJ-104ZM	M.CAPACITOR	.10MF 5% 50V	
	C 615	QCBBIHK-223	C.CAPACITOR	.022MF +80:-20%	
	C 616	QCBBIHK-223	C.CAPACITOR	.022MF +80:-20%	
	C 617	QCBBIHK-223	C.CAPACITOR	.022MF +80:-20%	
	C 618	QCBBIHK-223	C.CAPACITOR	2200PF 20% 16V	
	C 619	QCBBIHK-271Y	C.CAPACITOR	270PF 10% 50V	
	C 620	QCBBIHK-470Y	C.CAPACITOR	47PF 5% 50V	
	C 621	QCBBIHK-821Y	C.CAPACITOR	820PF 10% 50V	
	C 622	QETCIAM-476Z	E.CAPACITOR	47MF 20% 10V	
	C 623	QFLCIHJ-104ZM	M.CAPACITOR	.10MF 5% 50V	
	C 628	QCCIIEM-473V	E.CAPACITOR	.047MF 20% 25V	
	C 629	QETCIAM-107ZN	E.CAPACITOR	100MF 20% 10V	
	C 631	QETCIAM-477ZN	E.CAPACITOR	470MF 20% 10V	
	C 632	QETCIAM-107ZN	E.CAPACITOR	100MF 20% 10V	
	C 633	QCBBIHK-120Y	C.CAPACITOR	12PF 5% 50V	
	C 652	QCBBIHK-150Y	C.CAPACITOR	15PF 5% 50V	
	C 653	QCBBIHK-223	C.CAPACITOR	.022MF +80:-20%	
	C 655	QCCIIEM-473V	E.CAPACITOR	.047MF 20% 25V	
	C 661	QCBBIHK-471Y	C.CAPACITOR	470PF 10% 50V	
	C 662	QCBBIHK-223	C.CAPACITOR	.022MF +80:-20%	
	C 663	QFLCIHJ-223ZM	M.CAPASITOR	.022MF 5% 50V	
	C 664	QCBBIHK-223	C.CAPACITOR	.022MF +80:-20%	
	C 665	QV71HJ-334ZM	TF CAPACITOR	.33MF 5% 50V	
	C 671	QCBBIHK-222Y	C.CAPACITOR	2200PF 20% 16V	
	C 672	QCBBIHK-222Y	C.CAPACITOR	2200PF 20% 16V	
	C 673	QCBBIHK-227ZM	E.CAPACITOR	220MF 20% 10V	
	C 674	QCBBIHK-223	C.CAPACITOR	.022MF +80:-20%	
	C 675	QCBBIHK-102Y	C.CAPACITOR	1000PF 10% 50V	
	C 676	QCBBIHK-102Y	C.CAPACITOR	1000PF 10% 50V	
	C 691	QCBBIHK-151Y	C.CAPACITOR	150PF 10% 50V	
	C 692	QCBBIHK-151Y	C.CAPACITOR	150PF 10% 50V	
	C 693	QCBBIHK-151Y	C.CAPACITOR	150PF 10% 50V	
	C 701	QETBIHM-226E	E.CAPACITOR	22MF 20% 50V	
	C 702	QETBIHM-226E	E.CAPACITOR	22MF 20% 50V	
	C 703	QV71HJ-124ZM	TF CAPACITOR	.12MF 5% 50V	
	C 704	QCBBIHK-151Y	C.CAPACITOR	150PF 10% 50V	
	C 705	QCBBIHK-151Y	C.CAPACITOR	150PF 10% 50V	
	C 707	QCBBIHK-101Y	C.CAPACITOR	100PF 10% 50V	
	C 709	QCBBIHK-102Y	C.CAPACITOR	1000PF 10% 50V	
	C 713	QCBBIHK-102Y	C.CAPACITOR	1000PF 10% 50V	
	C 714	QCBBIHK-102Y	C.CAPACITOR	1000PF 10% 50V	
	C 715	QEK61CM-106Z	E.CAPACITOR	10MF 20% 16V	
	C 716	QEK51HM-105G	E.CAPACITOR	1.0MF 20% 50V	
	C 717	QETNOJM-108Z	E.CAPACITOR	1000MF 20% 6.3V	
	C 718	QEK60JM-107ZM	E.CAPACITOR	1000MF 20% 6.3V	

BLOCK NO. 01111111

A	REF.	PARTS NO.	PARTS NAME	REMARKS	SUFFIX
	C 401	QCBBIHK-561Y	C.CAPACITOR	560PF 10% 50V	
	C 402	QCBBIHK-561Y	C.CAPACITOR	560PF 10% 50V	
	C 403	QCBBIHK-331Y	C.CAPACITOR	330PF 10% 50V	
	C 404	QCBBIHK-331Y	C.CAPACITOR	330PF 10% 50V	
	C 405	QCBBIHK-151Y	C.CAPACITOR	150PF 10% 50V	
	C 406	QCBBIHK-151Y	C.CAPACITOR	150PF 10% 50V	
	C 407	QEK61AM-107Z	E.CAPACITOR	100MF 20% 10V	
	C 408	QEK61AM-107Z	E.CAPACITOR	100MF 20% 10V	
	C 409	QFN31HJ-123Z	M.CAPACITOR	.012MF 5% 50V	
	C 410	QFN31HJ-123Z	M.CAPACITOR	.012MF 5% 50V	
	C 411	QETCIHM-105Z	E.CAPACITOR	1.0MF 20% 50V	
	C 412	QETCIHM-105Z	E.CAPACITOR	1.0MF 20% 50V	
	C 413	QETCIHM-105Z	E.CAPACITOR	1.0MF 20% 50V	
	C 414	QETCIHM-105Z	E.CAPACITOR	1.0MF 20% 50V	
	C 415	QCBBIHK-102Y	C.CAPACITOR	1000PF 10% 50V	
	C 416	QCBBIHK-102Y	C.CAPACITOR	1000PF 10% 50V	
	C 417	QETCIHM-475Z	E.CAPACITOR	4.7MF 20% 50V	
	C 418	QETCIHM-475Z	E.CAPACITOR	4.7MF 20% 50V	
	C 419	QFN81HJ-223	M.CAPACITOR	.022MF 5% 50V	
	C 420	QFN81HJ-223	M.CAPACITOR	.022MF 5% 50V	
	C 421	QFN31HJ-183Z	M.CAPACITOR	.018MF 5% 50V	
	C 422	QFN31HJ-183Z	M.CAPACITOR	.018MF 5% 50V	
	C 423	QETCIHM-106Z	E.CAPACITOR	10MF 20% 16V	
	C 424	QETCIHM-106Z	E.CAPACITOR	10MF 20% 16V	
	C 425	QCCIIEM-473V	E.CAPACITOR	.047MF 20% 25V	
	C 426	QCCIIEM-473V	E.CAPACITOR	.047MF 20% 25V	
	C 427	QCBBIHK-102Y	C.CAPACITOR	1000PF 10% 50V	
	C 428	QCBBIHK-102Y	C.CAPACITOR	1000PF 10% 50V	
	C 429	QCS32HJ-151Z	C.CAPACITOR	150PF 5% 500V	
	C 430	QCS32HJ-151Z	C.CAPACITOR	150PF 5% 500V	
	C 431	QCBBIHK-331Y	C.CAPACITOR	330PF 10% 50V	
	C 432	QCBBIHK-331Y	C.CAPACITOR	330PF 10% 50V	
	C 433	QETCIHM-105Z	E.CAPACITOR	1.0MF 20% 50V	
	C 434	QETCIHM-105Z	E.CAPACITOR	1.0MF 20% 50V	
	C 440	QETCIAM-107ZN	E.CAPACITOR	100MF 20% 10V	
	C 441	QETCIHM-475Z	E.CAPACITOR	4.7MF 20% 50V	
	C 442	QETCIHM-475Z	E.CAPACITOR	4.7MF 20% 50V	
	C 443	QETCIAM-476Z	E.CAPACITOR	47MF 20% 10V	
	C 444	QETCIHM-226ZN	E.CAPACITOR	22MF 20% 16V	
	C 445	QETCIHM-105Z	E.CAPACITOR	1.0MF 20% 50V	
	C 446	QETCIAM-107ZN	E.CAPACITOR	100MF 20% 10V	
	C 447	QETCIHM-106Z	E.CAPACITOR	10MF 20% 16V	
	C 448	QETCIAM-476Z	E.CAPACITOR	47MF 20% 10V	
	C 449	QETCIAM-476Z	E.CAPACITOR	47MF 20% 10V	
	C 450	QFN31HJ-562Z	M.CAPACITOR	5600PF 5% 50V	
	C 451	QFN31HJ-562Z	M.CAPACITOR	5600PF 5% 50V	
	C 452	QFN41HJ-153	M.CAPACITOR	.015MF 5% 50V	
	C 453	QETCIHM-476Z	E.CAPACITOR	47MF 20% 16V	
	C 454	QETCIHM-476Z	E.CAPACITOR	47MF 20% 16V	
	C 455	QETCIHM-105Z	E.CAPACITOR	1.0MF 20% 50V	
	C 456	QFP32AJ-153ZM	PP CAPACITOR	.015MF 5% 100V	
	C 461	QCBBIHK-681Y	C.CAPACITOR	680PF 10% 50V	
	C 462	QCBBIHK-102Y	C.CAPACITOR	1000PF 10% 50V	
	C 463	QCBBIHK-471Y	C.CAPACITOR	470PF 10% 50V	
	C 464	QCBBIHK-392Y	C.CAPACITOR	3900PF 20% 16V	

BLOCK NO. 0011111111		BLOCK NO. 0011111111	
REF.	PARTS NO.	PARTS NAME	SUFFIX
Δ 6N603	VMC0163-R07	CONNECTOR	
CN504	VMC0163-R11	CONNECTOR	
CN701	VMC0332-035V	CONNECTOR	
CN703	EMV7145-003Z	SOCKET	
CN851	EMV5125-004	CONNECTOR	
D 401	1SS133	DIODE	
D 402	1SS133	DIODE	
D 403	1SS133	DIODE	
D 404	1SS133	DIODE	
D 405	1SS133	DIODE	
D 406	1SS133	DIODE	
D 409	1SS133	DIODE	
D 410	1SS133	DIODE	
D 411	SLR-342VC3F	LED	
D 412	SLR-342MCA47	LED	
D 413	SLR-342MCA47	LED	
D 414	SLR-342MCA47	LED	
D 415	SIR-56SB3F	INFRARED LED	
D 661	1SS133	DIODE	
D 701	1SS133	DIODE	
D 702	1SS133	DIODE	
D 703	1SS133	DIODE	
D 704	1SS133	DIODE	
D 705	MTZ5-1JAT-77	ZENER DIODE	
D 706	1SS133	DIODE	
D 850	MTZ5-1JB	ZENER DIODE	
D 851	1SS133	DIODE	
FL701	11-8T-149GK	FL TUBE	
FW401	EWR32D-07SS	FLAT WIRE	
FW701	VMSC05-123K3K	FLAT WIRE	
FW702	VMSC06-123K3K	FLAT WIRE	
FW703	EWR33D-20LS	FLAT WIRE	
FW850	EWR36D-30LS	FLAT WIRE	
FW851	EWR35D-35LS	FLAT WIRE	
IC401	LA3246	I.C	
IC402	UPC1330HA	I.C	
IC403	LA3220	I.C	
IC404	GP1U281X	IC	
IC601	AN8006SB	IC	
IC602	BA6398FP	IC	
IC603	MN35510	IC	
IC701	UPD78043AGF-045	IC	
IC850	BA725S	IC	
IC851	BU9251S	IC	
IC852	BA15218N	IC	
J 401	GMS3RA0-EE0S	JACK	
J 850	VMJ4024-001	JACK	
JS701	GSJ4002-E04J5	ROTARY SWITCH	
K 701	VGZ0048-009	INDUCTOR	
L 401	VQP0001-562ZS	INDUCTOR	
L 402	VQP0001-562ZS	INDUCTOR	
L 403	VQP0001-183	INDUCTOR	
L 404	VQP0001-183	INDUCTOR	
L 405	VQH1008-048	OSC COIL (BIAS)	
L 406	VQP0028-100Z	INDUCTOR	

BLOCK NO. 0011111111		BLOCK NO. 0011111111	
REF.	PARTS NO.	PARTS NAME	SUFFIX
C 719	QCB81HK-102Y	C-CAPACITOR	
C 720	QCS81HJ-220Y	C-CAPACITOR	
C 721	QCS81HJ-220Y	C-CAPACITOR	
C 722	QCB81HK-102Y	C-CAPACITOR	
C 723	QCS81HJ-390Y	CONDENSER	
C 724	QCS81HJ-180Y	C-CAPACITOR	
C 725	QCS81HJ-220Y	C-CAPACITOR	
C 726	QCS81HJ-390Y	CONDENSER	
C 727	QCB81HK-102Y	C-CAPACITOR	
C 728	QCB81HK-102Y	C-CAPACITOR	
C 730	QCB81HK-102Y	C-CAPACITOR	
C 731	QCB81HK-101Y	C-CAPACITOR	
C 732	QETN0JM-108Z	E-CAPACITOR	
C 733	QCV81CM-103Y	C-CAPACITOR	
C 734	QCV81CM-103Y	C-CAPACITOR	
C 735	QEK41CM-476	E-CAPACITOR	
C 736	QCB81HK-151Y	C-CAPACITOR	
C 737	QCB81HK-151Y	C-CAPACITOR	
C 850	QEK61HM-224GZ	E-CAPACITOR	
C 851	QEK61HM-475Z	E-CAPACITOR	
C 852	QEK61CM-224ZM	E-CAPACITOR	
C 853	QFLC1HJ-104ZM	M-CAPACITOR	
C 854	QEK61HM-474Z	E-CAPACITOR	
C 855	QCX81CM-562Y	C-CAPACITOR	
C 856	QCB81HK-821	C-CAPACITOR	
C 857	QFLC1HJ-183ZM	M-CAPACITOR	
C 858	QFLC1HJ-104ZM	M-CAPACITOR	
C 859	QFLC1HJ-104ZM	M-CAPACITOR	
C 860	QCX81CM-682Y	C-CAPACITOR	
C 861	QFLC1HJ-183ZM	M-CAPACITOR	
C 862	QEK61HM-224ZM	E-CAPACITOR	
C 863	QETC1HM-224Z	E-CAPACITOR	
C 864	QFV41HJ-104ZM	TF-CAPACITOR	
C 865	QEK61HM-474Z	E-CAPACITOR	
C 866	QCX81CM-562Y	C-CAPACITOR	
C 867	QCB81HK-821	C-CAPACITOR	
C 868	QCB81HK-221Y	C-CAPACITOR	
C 869	QCB81HK-221Y	C-CAPACITOR	
C 870	QCB81HK-221Y	C-CAPACITOR	
C 871	QFLC1HJ-103ZM	M-CAPACITOR	
C 872	QETC1HM-475Z	E-CAPACITOR	
C 873	QEK61AM-227ZM	E-CAPACITOR	
C 874	QEK61AM-107Z	E-CAPACITOR	
C 875	QEK61HM-475Z	E-CAPACITOR	
C 876	QCB81HK-151Y	C-CAPACITOR	
C 878	QCB81HK-151Y	C-CAPACITOR	
C 879	QCB81HK-331Y	C-CAPACITOR	
C 880	QEK61HM-225ZM	E-CAPACITOR	
C 883	QETC1CM-107	E-CAPACITOR	
CN401	VMC0040-003	CONNECTOR	
CN402	VMC0040-007	CONNECTOR	
CN403	VMC0163-014	CONNECTOR	
CN404	EMV7125-004R	CONNECTOR	
CN601	EMV7171-115R	5P CONNECTOR	
CN602	EMV5109-006A	6P PLUG ASSY	





BLOCK NO. 01111111

REF.	PARTS NO.	PARTS NAME	REMARKS	SUFFIX
L 701	VGP0026-470Z	INDUCTOR		
L 702	VGP0026-470Z	INDUCTOR		
L 703	VGP0033-100Z	INDUCTOR		
L 704	VGP0018-4R7	INDUCTOR		
L 705	VGP0018-4R7	INDUCTOR		
L 706	VGP0033-100Z	INDUCTOR		
L 707	VGP0033-100Z	INDUCTOR		
L 708	VGP0018-2R2T	INDUCTOR		
L 851	EGL4007-2R2T	INDUCTOR		
Q 401	2SD2144S(VW)	TRANSISTOR		
Q 402	2SD2144S(VW)	TRANSISTOR		
Q 403	DTIC144TSTP	TRANSISTOR		
Q 404	DTIC144TSTP	TRANSISTOR		
Q 405	DTIC144ES	TRANSISTOR		
Q 406	2SC2785	TRANSISTOR		
Q 409	DTIC144TSTP	TRANSISTOR		
Q 410	2SC2001(L,K)	TRANSISTOR		
Q 411	2SC2001(L,K)	TRANSISTOR		
Q 412	2SC2001(L,K)	TRANSISTOR		
Q 413	2SC2001(L,K)	TRANSISTOR		
Q 420	DTIC144TSTP	TRANSISTOR		
Q 601	2SA952(L,K)	TRANSISTOR		
Q 631	2SA952(L,K)	TRANSISTOR		
Q 703	2SC2785	TRANSISTOR		
Q 704	DTIC144TSTP	TRANSISTOR		
Q 705	2SA1175	TRANSISTOR		
Q 706	2SC2668(O)	TRANSISTOR		
Q 707	2SC2668(O)	TRANSISTOR		
Q 711	DTIC144ESTP	TRANSISTOR		
Q 713	DTIC144ESTP	TRANSISTOR		
Q 714	DTIC144ESTP	TRANSISTOR		
Q 715	DTIC144ESTP	TRANSISTOR		
Q 716	DTIC144ESTP	TRANSISTOR		
Q 717	DTIC144ESTP	TRANSISTOR		
Q 771	2SC945(P,Q)	TRANSISTOR		
Q 772	2SC945(P,Q)	TRANSISTOR		
Q 773	2SC945(P,Q)	TRANSISTOR		
Q 850	DTIC144ES	TRANSISTOR		
Q 851	2SD2144S(VW)	TRANSISTOR		
R 401	QRD161J-334	C-RESISTOR	330K 5% 1/6W	
R 402	QRD161J-334	C-RESISTOR	330K 5% 1/6W	
R 403	QRD161J-560	C-RESISTOR	56 5% 1/6W	
R 404	QRD161J-560	C-RESISTOR	56 5% 1/6W	
R 405	QRD161J-123	C-RESISTOR	12K 5% 1/6W	
R 406	QRD161J-123	C-RESISTOR	12K 5% 1/6W	
R 407	QRD161J-153	C-RESISTOR	15K 5% 1/6W	
R 408	QRD161J-153	C-RESISTOR	15K 5% 1/6W	
R 409	QRD161J-183	C-RESISTOR	18K 5% 1/6W	
R 410	QRD161J-183	C-RESISTOR	18K 5% 1/6W	
R 411	QRD161J-104	C-RESISTOR	100K 5% 1/6W	
R 412	QRD161J-104	C-RESISTOR	100K 5% 1/6W	
R 413	QRD161J-222	C-RESISTOR	2.2K 5% 1/6W	
R 414	QRD161J-222	C-RESISTOR	2.2K 5% 1/6W	
R 415	QRD161J-472	C-RESISTOR	4.7K 5% 1/6W	
R 416	QRD161J-472	C-RESISTOR	4.7K 5% 1/6W	

BLOCK NO. 01111111

REF.	PARTS NO.	PARTS NAME	REMARKS	SUFFIX
R 417	QRD161J-472	C-RESISTOR	4.7K 5% 1/6W	
R 418	QRD161J-472	C-RESISTOR	4.7K 5% 1/6W	
R 419	QRD161J-104	C-RESISTOR	100K 5% 1/6W	
R 420	QRD161J-104	C-RESISTOR	100K 5% 1/6W	
R 421	QRD161J-102	C-RESISTOR	1.0K 5% 1/6W	
R 422	QRD161J-102	C-RESISTOR	1.0K 5% 1/6W	
R 423	QRD161J-151	C-RESISTOR	150 5% 1/6W	
R 424	QRD161J-151	C-RESISTOR	150 5% 1/6W	
R 425	QRD161J-152	C-RESISTOR	1.5K 5% 1/6W	
R 426	QRD161J-152	C-RESISTOR	1.5K 5% 1/6W	
R 427	QRD161J-681	C-RESISTOR	680 5% 1/6W	
R 428	QRD161J-681	C-RESISTOR	680 5% 1/6W	
R 429	QRD161J-103	C-RESISTOR	10K 5% 1/6W	
R 430	QRD161J-103	C-RESISTOR	10K 5% 1/6W	
R 431	QRD161J-102	C-RESISTOR	1.0K 5% 1/6W	
R 432	QRD161J-102	C-RESISTOR	1.0K 5% 1/6W	
R 440	QRD161J-181	C-RESISTOR	180 5% 1/6W	
R 441	QRD161J-333	C-RESISTOR	33K 5% 1/6W	
R 442	QRD161J-472	C-RESISTOR	4.7K 5% 1/6W	
R 443	QRD161J-473	C-RESISTOR	4.7K 5% 1/6W	
R 444	QRD161J-181	C-RESISTOR	180 5% 1/6W	
R 445	QRD161J-272	C-RESISTOR	2.7K 5% 1/6W	
R 446	QRD161J-473	C-RESISTOR	4.7K 5% 1/6W	
R 447	QRD161J-333	C-RESISTOR	33K 5% 1/6W	
R 448	QRD161J-123	C-RESISTOR	12K 5% 1/6W	
R 449	QRD161J-475	C-RESISTOR	4.7M 5% 1/6W	
R 450	QRD161J-472	C-RESISTOR	4.7K 5% 1/6W	
R 451	QRD161J-680	C-RESISTOR	68 5% 1/6W	
R 452	QRD161J-680	C-RESISTOR	68 5% 1/6W	
R 453	QRD161J-273	C-RESISTOR	27K 5% 1/6W	
R 454	QRD161J-273	C-RESISTOR	27K 5% 1/6W	
R 455	QRD161J-487	C-RESISTOR	4.7 5% 1/6W	
R 456	QRD161J-181	C-RESISTOR	180 5% 1/6W	
R 457	QRD161J-181	C-RESISTOR	180 5% 1/6W	
R 458	QRD161J-472	C-RESISTOR	4.7K 5% 1/6W	
R 459	QRD161J-472	C-RESISTOR	4.7K 5% 1/6W	
R 460	QRD161J-475	C-RESISTOR	47K 5% 1/6W	
R 465	QRD161J-181	C-RESISTOR	180 5% 1/6W	
R 466	QRD161J-102	C-RESISTOR	1.0K 5% 1/6W	
R 467	QRD161J-474	C-RESISTOR	470K 5% 1/6W	
R 468	QRD161J-104	C-RESISTOR	100K 5% 1/6W	
R 469	QRD161J-104	C-RESISTOR	100K 5% 1/6W	
R 470	QRD161J-102	C-RESISTOR	1.0K 5% 1/6W	
R 471	QRD161J-122	C-RESISTOR	1.2K 5% 1/6W	
R 472	QRD161J-152	C-RESISTOR	1.5K 5% 1/6W	
R 473	QRD161J-222	C-RESISTOR	2.2K 5% 1/6W	
R 474	QRD161J-272	C-RESISTOR	2.7K 5% 1/6W	
R 475	QRD161J-392	C-RESISTOR	3.9K 5% 1/6W	
R 476	QRD161J-102	C-RESISTOR	1.0K 5% 1/6W	
R 477	QRD161J-122	C-RESISTOR	1.2K 5% 1/6W	
R 478	QRD161J-152	C-RESISTOR	1.5K 5% 1/6W	
R 479	QRD161J-222	C-RESISTOR	2.2K 5% 1/6W	
R 480	QRD161J-272	C-RESISTOR	2.7K 5% 1/6W	
R 481	QRD161J-392	C-RESISTOR	3.9K 5% 1/6W	
R 482	QRD161J-582	C-RESISTOR	5.8K 5% 1/6W	

BLOCK NO. 01111111

REF.	PARTS NO.	PARTS NAME	REMARKS	SUFFIX
R 483	QRD161J-271	C.RESISTOR	270 5% 1/6W	
R 484	QRD161J-271	C.RESISTOR	270 5% 1/6W	
R 485	QRD161J-271	C.RESISTOR	270 5% 1/6W	
R 486	QRD161J-392	C.RESISTOR	3.9K 5% 1/6W	
R 487	QRD161J-391	C.RESISTOR	390 5% 1/6W	
R 488	QRD161J-102	C.RESISTOR	1.0K 5% 1/6W	
R 489	QRD161J-102	C.RESISTOR	1.0K 5% 1/6W	
R 490	QRD161J-153	C.RESISTOR	15K 5% 1/6W	
R 493	QRD161J-301	C.RESISTOR	300 5% 1/6W	
R 601	QRD161J-123	C.RESISTOR	12K 5% 1/6W	
R 603	QRD161J-125	C.RESISTOR	1.2M 5% 1/6W	
R 605	QRD161J-134	C.RESISTOR	130K 5% 1/6W	
R 606	QRD161J-913	C.RESISTOR	91K 5% 1/6W	
R 607	QRD161J-273	C.RESISTOR	27K 5% 1/6W	
R 609	QRD161J-114	C.RESISTOR	110K 5% 1/6W	
R 610	QRD161J-154	C.RESISTOR	150K 5% 1/6W	
R 612	QRD161J-103	C.RESISTOR	10K 5% 1/6W	
R 613	QRD161J-121	C.RESISTOR	120 5% 1/6W	
R 614	QRD161J-100	C.RESISTOR	10 5% 1/6W	
R 615	QRD161J-120	C.RESISTOR	12 5% 1/6W	
R 616	QRD161J-910Y	C.RESISTOR	91 5% 1/6W	
R 621	QRD161J-680	C.RESISTOR	68 5% 1/6W	
R 622	QRD161J-680	C.RESISTOR	68 5% 1/6W	
R 623	QRD161J-680	C.RESISTOR	68 5% 1/6W	
R 631	QRD161J-331	C.RESISTOR	330 5% 1/6W	
R 632	QRD161J-101	C.RESISTOR	100 5% 1/6W	
R 633	QRD161J-273	C.RESISTOR	27K 5% 1/6W	
R 641	QRD161J-563	C.RESISTOR	56K 5% 1/6W	
R 642	QRD161J-123	C.RESISTOR	12K 5% 1/6W	
R 643	QRD161J-822	C.RESISTOR	8.2K 5% 1/6W	
R 644	QRD161J-223	C.RESISTOR	22K 5% 1/6W	
R 645	QRD161J-223	C.RESISTOR	22K 5% 1/6W	
R 646	QRD161J-182	C.RESISTOR	1.8K 5% 1/6W	
R 647	QRD161J-562	C.RESISTOR	5.6K 5% 1/6W	
R 651	QRD161J-102	C.RESISTOR	1.0K 5% 1/6W	
R 652	QRD161J-102	C.RESISTOR	1.0K 5% 1/6W	
R 653	QRD161J-102	C.RESISTOR	1.0K 5% 1/6W	
R 654	QRD161J-102	C.RESISTOR	1.0K 5% 1/6W	
R 655	QRD161J-471	C.RESISTOR	470 5% 1/6W	
R 659	QRD161J-471	C.RESISTOR	470 5% 1/6W	
R 661	QRD161J-104	C.RESISTOR	100K 5% 1/6W	
R 663	QRD161J-124	C.RESISTOR	120K 5% 1/6W	
R 664	QRD161J-681	C.RESISTOR	680 5% 1/6W	
R 666	QRD161J-220	C.RESISTOR	22 5% 1/6W	
R 671	QRD161J-102	C.RESISTOR	1.0K 5% 1/6W	
R 672	QRD161J-102	C.RESISTOR	1.0K 5% 1/6W	
R 700	QRD161J-103	C.RESISTOR	10K 5% 1/6W	
R 701	QRD161J-222	C.RESISTOR	2.2K 5% 1/6W	
R 702	QRD161J-222	C.RESISTOR	2.2K 5% 1/6W	
R 703	QRD161J-222	C.RESISTOR	2.2K 5% 1/6W	
R 704	QRD161J-222	C.RESISTOR	2.2K 5% 1/6W	
R 705	QRD161J-222	C.RESISTOR	2.2K 5% 1/6W	
R 707	QRD161J-402	C.RESISTOR	1.0K 5% 1/6W	
R 708	QRD161J-222	C.RESISTOR	2.2K 5% 1/6W	
R 709	QRD161J-222	C.RESISTOR	2.2K 5% 1/6W	

BLOCK NO. 01111111

REF.	PARTS NO.	PARTS NAME	REMARKS	SUFFIX
R 710	QRD161J-222	C.RESISTOR	2.2K 5% 1/6W	
R 711	QRD161J-222	C.RESISTOR	2.2K 5% 1/6W	
R 712	QRD161J-222	C.RESISTOR	2.2K 5% 1/6W	
R 713	QRD161J-222	C.RESISTOR	2.2K 5% 1/6W	
R 714	QRD161J-222	C.RESISTOR	2.2K 5% 1/6W	
R 715	QRD161J-222	C.RESISTOR	2.2K 5% 1/6W	
R 716	QRD161J-222	C.RESISTOR	2.2K 5% 1/6W	
R 717	QRD161J-222	C.RESISTOR	2.2K 5% 1/6W	
R 718	QRD161J-222	C.RESISTOR	2.2K 5% 1/6W	
R 719	QRD161J-222	C.RESISTOR	2.2K 5% 1/6W	
R 720	QRD161J-222	C.RESISTOR	2.2K 5% 1/6W	
R 721	QRD161J-222	C.RESISTOR	2.2K 5% 1/6W	
R 722	QRD161J-222	C.RESISTOR	2.2K 5% 1/6W	
R 723	QRD161J-222	C.RESISTOR	2.2K 5% 1/6W	
R 724	QRD161J-222	C.RESISTOR	2.2K 5% 1/6W	
R 725	QRD161J-222	C.RESISTOR	2.2K 5% 1/6W	
R 726	QRD161J-222	C.RESISTOR	2.2K 5% 1/6W	
R 727	QRD161J-222	C.RESISTOR	2.2K 5% 1/6W	
R 728	QRD161J-222	C.RESISTOR	2.2K 5% 1/6W	
R 729	QRD161J-222	C.RESISTOR	2.2K 5% 1/6W	
R 730	QRD161J-222	C.RESISTOR	2.2K 5% 1/6W	
R 731	QRD161J-222	C.RESISTOR	2.2K 5% 1/6W	
R 732	QRD161J-222	C.RESISTOR	2.2K 5% 1/6W	
R 733	QRD161J-222	C.RESISTOR	2.2K 5% 1/6W	
R 734	QRD161J-222	C.RESISTOR	2.2K 5% 1/6W	
R 735	QRD161J-222	C.RESISTOR	2.2K 5% 1/6W	
R 736	QRD161J-222	C.RESISTOR	2.2K 5% 1/6W	
R 737	QRD161J-222	C.RESISTOR	2.2K 5% 1/6W	
R 738	QRD161J-224	C.RESISTOR	220K 5% 1/6W	
R 739	QRD161J-103	C.RESISTOR	10K 5% 1/6W	
R 740	QRD161J-224	C.RESISTOR	220K 5% 1/6W	
R 741	QRD161J-103	C.RESISTOR	10K 5% 1/6W	
R 742	QRD161J-224	C.RESISTOR	220K 5% 1/6W	
R 743	QRD161J-103	C.RESISTOR	10K 5% 1/6W	
R 744	QRD161J-103	C.RESISTOR	10K 5% 1/6W	
R 745	QRD161J-473	C.RESISTOR	47K 5% 1/6W	
R 746	QRD161J-102	C.RESISTOR	1.0K 5% 1/6W	
R 747	QRD161J-103	C.RESISTOR	10K 5% 1/6W	
R 749	QRD161J-473	C.RESISTOR	47K 5% 1/6W	
R 750	QRD161J-103	C.RESISTOR	10K 5% 1/6W	
R 751	QRD161J-104	C.RESISTOR	100K 5% 1/6W	
R 752	QRD161J-103	C.RESISTOR	10K 5% 1/6W	
R 753	QRD161J-103	C.RESISTOR	10K 5% 1/6W	
R 754	QRD161J-472	C.RESISTOR	4.7K 5% 1/6W	
R 755	QRD161J-103	C.RESISTOR	10K 5% 1/6W	
R 756	QRD161J-103	C.RESISTOR	10K 5% 1/6W	
R 757	QRD161J-103	C.RESISTOR	10K 5% 1/6W	
R 758	QRD161J-103	C.RESISTOR	10K 5% 1/6W	
R 759	QRD161J-273	C.RESISTOR	27K 5% 1/6W	
R 760	QRD161J-563	C.RESISTOR	56K 5% 1/6W	
R 761	QRD161J-103	C.RESISTOR	10K 5% 1/6W	
R 762	QRD161J-104	C.RESISTOR	100K 5% 1/6W	
R 764	QRD161J-273	C.RESISTOR	27K 5% 1/6W	
R 765	QRD161J-331	C.RESISTOR	330 5% 1/6W	
R 766	QRD161J-102	C.RESISTOR	1.0K 5% 1/6W	

BLOCK NO. 01111111

A	REF.	PARTS NO.	PARTS NAME	REMARKS	SUFFIX
	R 875	QRD161J-472	C-RESISTOR	4.7K 5% 1/6W	
	R 876	QRD161J-221	C-RESISTOR	220 5% 1/6W	
	R 877	QRD161J-153	C-RESISTOR	15K 5% 1/6W	
	R 878	QRD161J-221	C-RESISTOR	220 5% 1/6W	
	R 879	QRD161J-152	C-RESISTOR	1.5K 5% 1/6W	
	R 880	QRD161J-221	C-RESISTOR	220 5% 1/6W	
	R 881	QRD161J-103	C-RESISTOR	10K 5% 1/6W	
	RA701	QRB149J-224	R-NETWORK	220K 5% 1/4W	
	RA702	QRB119J-224	R-NETWORK	220K 5% 1/1W	
	S 401	QS01A11-V04Z	TACT SWITCH	DISC 1	
	S 402	QS01A11-V04Z	TACT SWITCH	EJECT 1	
	S 403	QS01A11-V04Z	TACT SWITCH	DISC 2	
	S 404	QS01A11-V04Z	TACT SWITCH	EJECT 2	
	S 405	QS01A11-V04Z	TACT SWITCH	DISC 3	
	S 406	QS01A11-V04Z	TACT SWITCH	EJECT 3	
	S 407	QS01A11-V04Z	TACT SWITCH	RANDOM	
	S 408	QS01A11-V04Z	TACT SWITCH	REPEAT	
	S 409	QS01A11-V04Z	TACT SWITCH	CONTINUE	
	S 412	QS01A11-V04Z	TACT SWITCH	>>	
	S 413	QS01A11-V04Z	TACT SWITCH	STOP/CLEAR	
	S 414	QS01A11-V04Z	TACT SWITCH	<<	
	S 415	QS01A11-V04Z	TACT SWITCH	TU+	
	S 416	QS01A11-V04Z	TACT SWITCH	TU-	
	S 417	QS01A11-V04Z	TACT SWITCH	KARAOKE	
	S 418	QS01A11-V04Z	TACT SWITCH	ECHO	
	S 419	QS01A11-V04Z	TACT SWITCH	POWER	
	S 420	QS01A11-V04Z	TACT SWITCH	TUNER	
	S 421	QS01A11-V04Z	TACT SWITCH	AUX	
	S 422	QS01A11-V04Z	TACT SWITCH	CD	
	S 423	QS01A11-V04Z	TACT SWITCH	A	
	S 424	QS01A11-V04Z	TACT SWITCH	B	
	S 425	QS01A11-V04Z	TACT SWITCH	SOUND	
	S 426	QS01A11-V04Z	TACT SWITCH	SBASS	
	SP601	VYH7237-001	IC HOLDER		
	SP602	VYH7237-003	IC HOLDER		
	SP603	VYH7237-003	IC HOLDER		
	VR401	QVPA603-104A	V RESISTOR		
	VR402	QVPA603-104A	V RESISTOR		
	VR403	QVAA72B-E54B	V-RESISTOR		
	X 651	ECX0169-344EF	X-TAL		
	X 701	VCK5000-002	CRYSTAL		
	X 702	M2Z4.19	CERA LOCK		
	X 850	ECKX000-400KS	RESONATOR		

BLOCK NO. 01111111

A	REF.	PARTS NO.	PARTS NAME	REMARKS	SUFFIX
	R 767	QRD161J-102	C-RESISTOR	1.0K 5% 1/6W	
	R 768	QRD161J-222	C-RESISTOR	2.2K 5% 1/6W	
	R 769	QRD161J-222	C-RESISTOR	2.2K 5% 1/6W	
	R 770	QRD161J-223	C-RESISTOR	22K 5% 1/6W	
	R 771	QRD161J-223	C-RESISTOR	22K 5% 1/6W	
	R 772	QRD161J-103	C-RESISTOR	10K 5% 1/6W	
	R 773	QRD161J-103	C-RESISTOR	10K 5% 1/6W	
	R 774	QRD161J-472	C-RESISTOR	4.7K 5% 1/6W	
	R 775	QRD161J-331	C-RESISTOR	330 5% 1/6W	
	R 776	QRD161J-103	C-RESISTOR	10K 5% 1/6W	
	R 777	QRD161J-102	C-RESISTOR	1.0K 5% 1/6W	
	R 778	QRD161J-224	C-RESISTOR	220K 5% 1/6W	
	R 779	QRD161J-105	C-RESISTOR	1.0M 5% 1/6W	
	R 780	QRD161J-472	C-RESISTOR	4.7K 5% 1/6W	
	R 781	QRD161J-822	C-RESISTOR	8.2K 5% 1/6W	
	R 782	QRD161J-822	C-RESISTOR	8.2K 5% 1/6W	
	R 783	QRD161J-472	C-RESISTOR	4.7K 5% 1/6W	
	R 784	QRD161J-222	C-RESISTOR	2.2K 5% 1/6W	
	R 785	QRD161J-103	C-RESISTOR	10K 5% 1/6W	
	R 786	QRD161J-103	C-RESISTOR	10K 5% 1/6W	
	R 787	QRD161J-103	C-RESISTOR	10K 5% 1/6W	
	R 788	QRD161J-222	C-RESISTOR	2.2K 5% 1/6W	
	R 789	QRD161J-222	C-RESISTOR	2.2K 5% 1/6W	
	R 790	QRD161J-222	C-RESISTOR	2.2K 5% 1/6W	
	R 791	QRD161J-102	C-RESISTOR	1.0K 5% 1/6W	
	R 792	QRD161J-102	C-RESISTOR	1.0K 5% 1/6W	
	R 793	QRD161J-122	C-RESISTOR	1.2K 5% 1/6W	
	R 794	QRD161J-152	C-RESISTOR	1.5K 5% 1/6W	
	R 795	QRD161J-222	C-RESISTOR	2.2K 5% 1/6W	
	R 796	QRD161J-272	C-RESISTOR	2.7K 5% 1/6W	
	R 797	QRD161J-392	C-RESISTOR	3.9K 5% 1/6W	
	R 798	QRD161J-562	C-RESISTOR	5.6K 5% 1/6W	
	R 799	QRD161J-103	C-RESISTOR	10K 5% 1/6W	
	R 800	QRD161J-202	C-RESISTOR	2.0K 5% 1/6W	
	R 801	QRD161J-432	C-RESISTOR	4.3K 5% 1/6W	
	R 802	QRD161J-123	C-RESISTOR	12K 5% 1/6W	
	R 803	QRD161J-103	C-RESISTOR	10K 5% 1/6W	
	R 804	QRD161J-103	C-RESISTOR	10K 5% 1/6W	
	R 805	QRD161J-103	C-RESISTOR	10K 5% 1/6W	
	R 806	QRD161J-472	C-RESISTOR	4.7K 5% 1/6W	
	R 807	QRD161J-103	C-RESISTOR	10K 5% 1/6W	
	R 808	QRD161J-103	C-RESISTOR	10K 5% 1/6W	
	R 809	QRD161J-103	C-RESISTOR	10K 5% 1/6W	
	R 810	QRD161J-331	C-RESISTOR	330 5% 1/6W	
	R 811	QRD161J-682	C-RESISTOR	6.8K 5% 1/6W	
	R 812	QRD161J-105	C-RESISTOR	1.0M 5% 1/6W	
	R 813	QRD161J-103	C-RESISTOR	10K 5% 1/6W	
	R 814	QRD161J-123	C-RESISTOR	12K 5% 1/6W	
	R 815	QRD161J-221	C-RESISTOR	220 5% 1/6W	
	R 816	QRD161J-152	C-RESISTOR	1.5K 5% 1/6W	
	R 817	QRD161J-475	C-RESISTOR	4.7M 5% 1/6W	
	R 818	QRD161J-101	C-RESISTOR	100 5% 1/6W	
	R 819	QRD161J-273	C-RESISTOR	27K 5% 1/6W	
	R 820	QRD161J-102	C-RESISTOR	1.0K 5% 1/6W	
	R 821	QRD161J-561	C-RESISTOR	560 5% 1/6W	



1

2

3

4

5

■ Main board

A

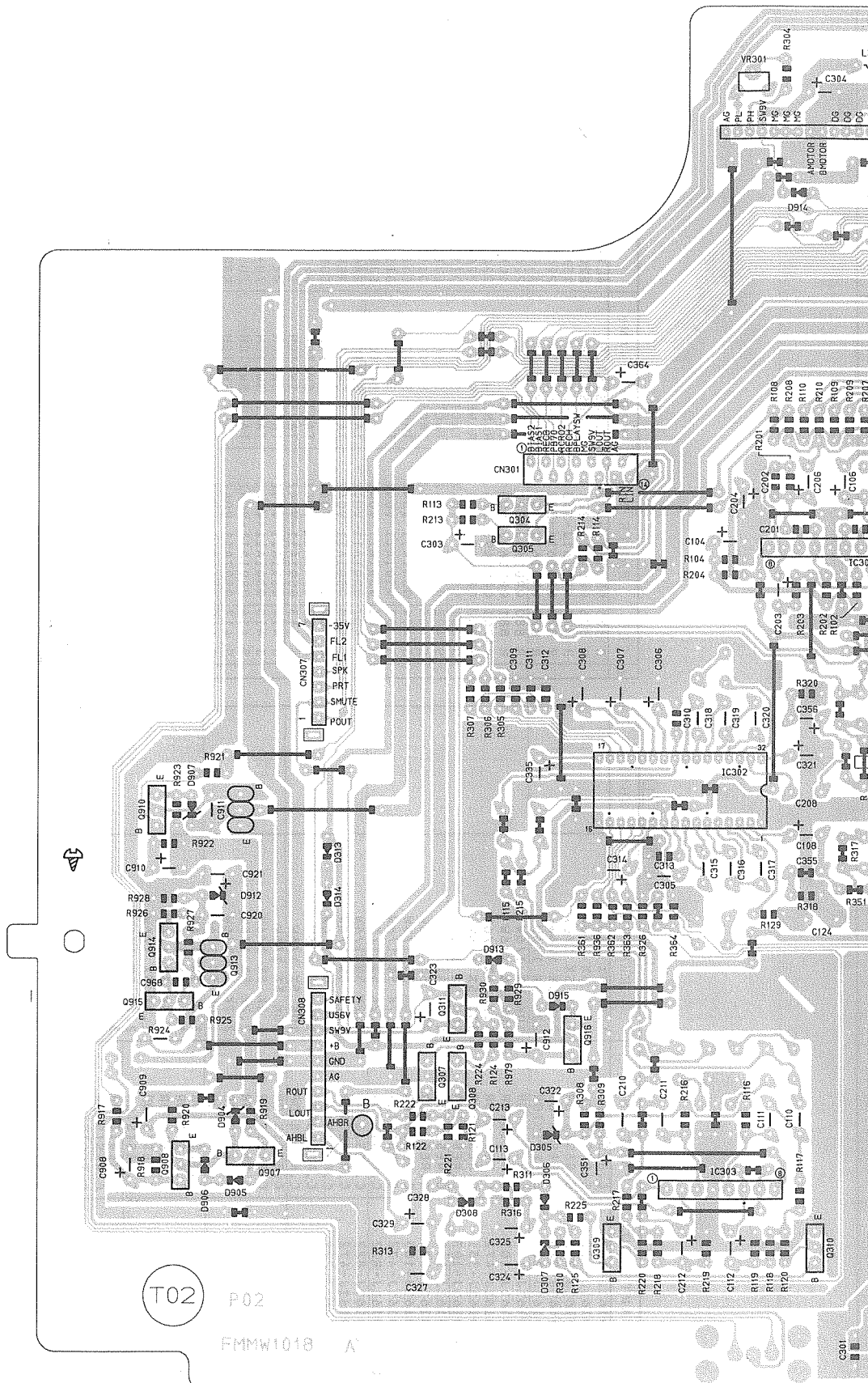
B

C

D

E

F



T02

P02

FMMW1018 A

Fig.

6

7

8

9

10

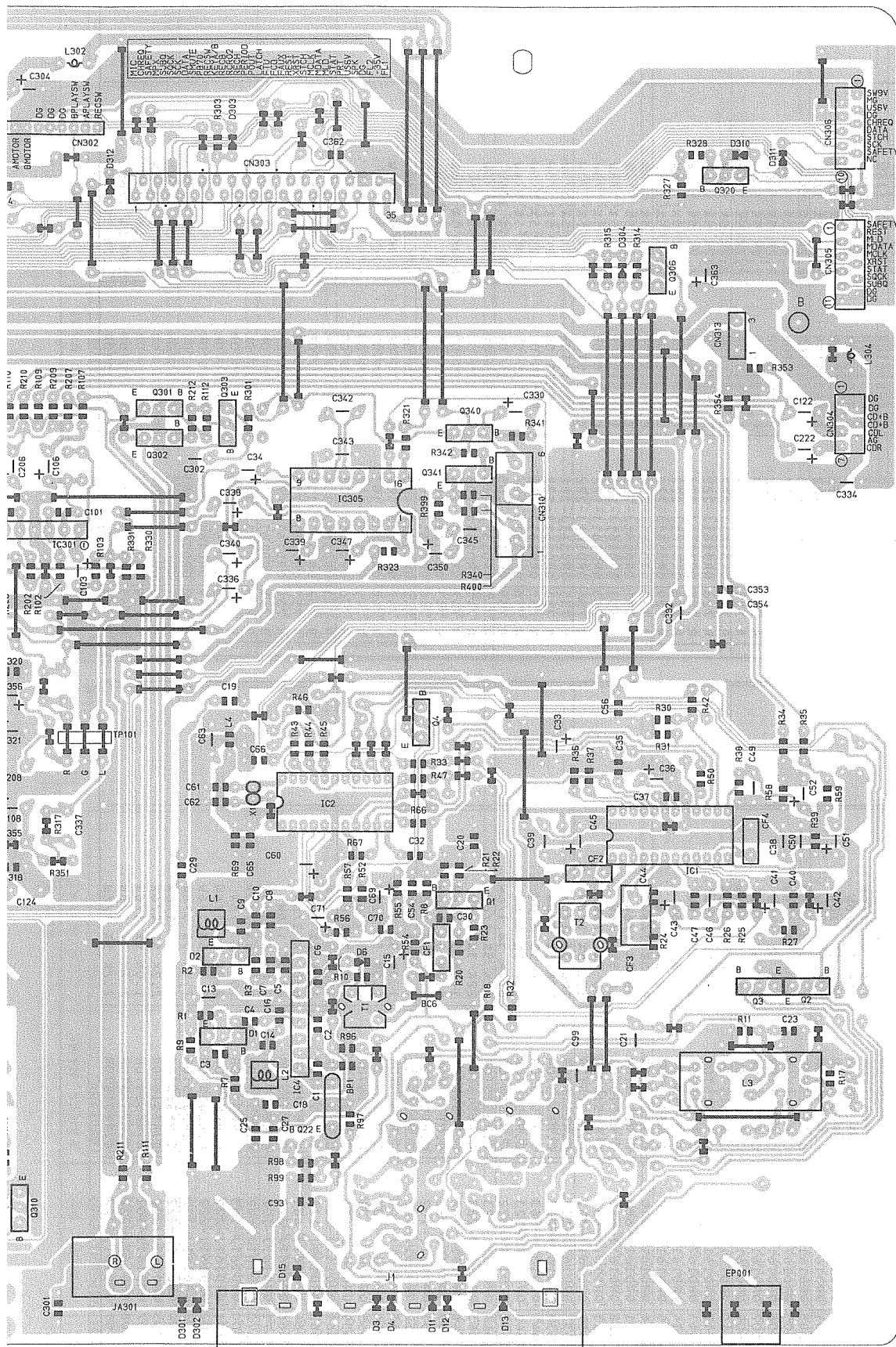


Fig. 8-2

● Main board parts list

BLOCK NO. 02		BLOCK NO. 02		
REF.	PARTS NO.	PARTS NAME	REMARKS	SUFFIX
BP 1	VBP4M3B-005	BP FILTER		
C 1	QCSB1HJ-200Y	C. CAPACITOR	20PF 5% 50V	
C 2	QCSB1HK-102Y	C. CAPACITOR	1000PF 10% 50V	
C 3	QCSB1HK-8R2Y	C. CAPACITOR	8.2PF 10% 50V	
C 4	QCS11HJ-100	C. CAPACITOR	10PF 5% 50V	
C 5	QCSB1HK-4R7Y	C. CAPACITOR	4.7PF 10% 50V	
C 6	QCVB1CN-103Y	C. CAPACITOR	.010MF 30% 16V	
C 7	QCVB1HJ-200Y	C. CAPACITOR	20PF 5% 50V	
C 8	QCVB1CN-103Y	C. CAPACITOR	.010MF 30% 16V	
C 9	QCS11HJ-100	C. CAPACITOR	10PF 5% 50V	
C 10	QCSB1HK-2R2Y	C. CAPACITOR	2.2PF 10% 50V	
C 13	QFV41HJ-104ZM	TF. CAPACITOR	-1.0MF 5% 50V	
C 14	QCSB1HK-102Y	C. CAPACITOR	1000PF 10% 50V	
C 15	QETC1CM-476Z	E. CAPACITOR	47MF 20% 16V	
C 16	QCVB1CN-103Y	C. CAPACITOR	.010MF 30% 16V	
C 18	QCVB1CN-103Y	C. CAPACITOR	.010MF 30% 16V	
C 19	QCSB1HK-151Y	C. CAPACITOR	150PF 10% 50V	
C 20	QCSB1HK-102Y	C. CAPACITOR	1000PF 10% 50V	
C 21	QCC11EM-473V	C. CAPACITOR	.047MF 20% 25V	
C 23	QCT30UJ-100V	C. CAPACITOR	10PF 5% 50V	
C 26	QCSB1HK-102Y	C. CAPACITOR	1000PF 10% 50V	
C 27	QCSB1HK-102Y	C. CAPACITOR	1000PF 10% 50V	
C 29	QCSB1HK-151Y	C. CAPACITOR	150PF 10% 50V	
C 30	QCVB1CN-103Y	C. CAPACITOR	.010MF 30% 16V	
C 32	QCVB1CN-103Y	C. CAPACITOR	.010MF 30% 16V	
C 35	QEK61AM-107Z	E. CAPACITOR	100MF 20% 10V	
C 35	QCVB1CN-103Y	C. CAPACITOR	.010MF 30% 16V	
C 36	QEK61CN-106Z	E. CAPACITOR	10MF 20% 16V	
C 37	QCVB1CN-103Y	C. CAPACITOR	.010MF 30% 16V	
C 38	QCC11EM-473V	C. CAPACITOR	.047MF 20% 25V	
C 39	QCC11EM-473V	C. CAPACITOR	.047MF 20% 25V	
C 40	QCVB1CN-103Y	C. CAPACITOR	.010MF 30% 16V	
C 41	QEK61HM-104ZN	E. CAPACITOR	.10MF 20% 50V	
C 42	QEK61HM-474Z	E. CAPACITOR	.47MF 20% 50V	
C 43	QEK61HM-335ZN	E. CAPACITOR	3.3MF 20% 50V	
C 44	QCSB1HJ-680Y	C. CAPACITOR	68PF 5% 50V	
C 45	QEK61CN-106Z	E. CAPACITOR	10MF 20% 16V	
C 46	QCC31EM-333ZV	C. CAPACITOR	.033MF 20% 25V	
C 47	QCVB1CN-103Y	C. CAPACITOR	.010MF 30% 16V	
C 49	QCC31EM-393ZV	C. CAPACITOR	.039MF 20% 25V	
C 50	QCC31EM-393ZV	C. CAPACITOR	.039MF 20% 25V	
C 51	QEK61HM-105Z	E. CAPACITOR	1.0MF 20% 50V	
C 52	QEK61HM-105Z	E. CAPACITOR	1.0MF 20% 50V	
C 54	QCSB1HK-102Y	C. CAPACITOR	1000PF 10% 50V	
C 56	QCSB1HK-151Y	C. CAPACITOR	150PF 10% 50V	
C 60	QEK61AM-107Z	E. CAPACITOR	100MF 20% 10V	
C 61	QCSB1HJ-120Y	C. CAPACITOR	12PF 5% 50V	
C 62	QCSB1HJ-120Y	C. CAPACITOR	12PF 5% 50V	
C 63	QCSB1HK-151Y	C. CAPACITOR	150PF 10% 50V	
C 65	QCSB1HK-102Y	C. CAPACITOR	1000PF 10% 50V	
C 66	QCSB1HK-151Y	C. CAPACITOR	150PF 10% 50V	
C 69	QFV81HJ-105	TF. CAPACITOR	1.0MF 5% 50V	
C 70	QCVB1CN-392Y	C. CAPACITOR	3900PF 20% 16V	
C 71	QETC1CM-476Z	E. CAPACITOR	47MF 20% 16V	
C 99	QCC11EM-473V	C. CAPACITOR	.047MF 20% 25V	
A REF.	PARTS NO.	PARTS NAME	REMARKS	SUFFIX
C 101	QCS11HJ-330	C. CAPACITOR	33PF 5% 50V	
C 102	QCSB1HJ-220Y	C. CAPACITOR	22PF 5% 50V	
C 103	QETC1HM-335Z	E. CAPACITOR	3.3MF 20% 50V	
C 104	QETC1CM-226ZN	E. CAPACITOR	22MF 20% 16V	
C 106	QETC1HM-335Z	E. CAPACITOR	3.3MF 20% 50V	
C 108	QETC1CM-106Z	E. CAPACITOR	.10MF 5% 50V	
C 110	QFVC1HJ-104ZM	M. CAPACITOR	-1.0MF 5% 50V	
C 111	QFVC1HJ-104ZM	M. CAPACITOR	-1.0MF 5% 50V	
C 112	QETC1AM-107ZN	E. CAPACITOR	100MF 20% 10V	
C 113	QETC1CM-226Z	E. CAPACITOR	22MF 20% 16V	
C 122	QETC1HM-335Z	E. CAPACITOR	3.3MF 20% 50V	
C 201	QCS11HJ-330	C. CAPACITOR	33PF 5% 50V	
C 202	QCSB1HJ-220Y	C. CAPACITOR	22PF 5% 50V	
C 203	QETC1HM-335Z	E. CAPACITOR	3.3MF 20% 50V	
C 204	QETC1CM-226ZN	E. CAPACITOR	22MF 20% 16V	
C 206	QETC1HM-335Z	E. CAPACITOR	3.3MF 20% 50V	
C 208	QETC1CM-106Z	E. CAPACITOR	.10MF 5% 50V	
C 210	QFVC1HJ-104ZM	M. CAPACITOR	-1.0MF 5% 50V	
C 211	QFVC1HJ-104ZM	M. CAPACITOR	-1.0MF 5% 50V	
C 212	QETC1AM-107ZN	E. CAPACITOR	100MF 20% 10V	
C 213	QETC1CM-226Z	E. CAPACITOR	22MF 20% 50V	
C 222	QETC1HM-335Z	E. CAPACITOR	3.3MF 20% 50V	
C 301	QCSB1HK-102Y	C. CAPACITOR	1000PF 10% 50V	
C 302	QFN31HJ-333Z	M. CAPACITOR	.033MF 5% 50V	
C 303	QETC1HM-475Z	E. CAPACITOR	4.7MF 20% 50V	
C 304	QETB1AM-108	E. CAPACITOR	1000MF 20% 10V	
C 305	QFN31HJ-223	M. CAPACITOR	.022MF 5% 50V	
C 306	QETC1HM-475Z	E. CAPACITOR	4.7MF 20% 50V	
C 307	QETC1HM-475Z	E. CAPACITOR	4.7MF 20% 50V	
C 308	QETC1CM-226ZN	E. CAPACITOR	22MF 20% 16V	
C 309	QCSB1HK-151Y	C. CAPACITOR	150PF 10% 50V	
C 310	QCSB1HK-471Y	C. CAPACITOR	470PF 10% 50V	
C 311	QCSB1HK-151Y	C. CAPACITOR	150PF 10% 50V	
C 312	QCSB1HK-151Y	C. CAPACITOR	150PF 10% 50V	
C 313	QCSB1HK-471Y	C. CAPACITOR	470PF 10% 50V	
C 314	QETC1HM-224Z	E. CAPACITOR	.22MF 20% 50V	
C 315	QCSB1HK-471Y	C. CAPACITOR	470PF 10% 50V	
C 316	QFN31HJ-563Z	M. CAPACITOR	.056MF 5% 50V	
C 317	QFN31HJ-563Z	M. CAPACITOR	.056MF 5% 50V	
C 318	QCSB1HK-471Y	C. CAPACITOR	470PF 10% 50V	
C 319	QFN31HJ-563Z	M. CAPACITOR	.056MF 5% 50V	
C 321	QETC1EM-106ZM	E. CAPACITOR	10MF 20% 25V	
C 322	QETC1AM-476Z	E. CAPACITOR	47MF 20% 10V	
C 323	QETC1EM-106ZM	E. CAPACITOR	10MF 20% 25V	
C 324	QETC1CM-106Z	E. CAPACITOR	10MF 20% 16V	
C 325	QETC1HM-105Z	E. CAPACITOR	1.0MF 20% 50V	
C 327	QFV71HJ-184ZM	M. CAPACITOR	.18MF 5% 50V	
C 329	QETC1HM-474Z	E. CAPACITOR	.47MF 20% 50V	
C 330	QETC1HM-225ZN	E. CAPACITOR	2.2MF 20% 50V	
C 332	QFVC1HJ-103ZM	M. CAPACITOR	.010MF 5% 50V	
C 334	QFN81HJ-223	M. CAPACITOR	.022MF 5% 50V	
C 335	QETC1AM-107ZN	E. CAPACITOR	100MF 20% 10V	
C 336	QETC1CM-106Z	E. CAPACITOR	10MF 20% 16V	
C 338	QETC1CM-106Z	E. CAPACITOR	10MF 20% 16V	



BLOCK NO. 02

REF.	PARTS NO.	PARTS NAME	REMARKS	SUFFIX
D 310	1S5133	DIODE		
D 311	1S5133	DIODE		
D 312	1S5133	DIODE		
D 313	1S5133	DIODE		
D 314	1S5133	DIODE		
D 904	MT24-3JB	ZENER DIODE		
D 905	1S5133	DIODE		
D 906	1S5133	DIODE		
D 907	MT23-9JB	ZENER DIODE		
D 912	RP5-6JSAB1	ZENER DIODE		
D 913	1S5133	DIODE		
D 914	1S5133	DIODE		
D 915	1S5133	DIODE		
EP001	E409182-001SM	GRAND TERMINAL		
IC 1	TA2057N	IC		
IC 2	L72136	IC		
IC 4	TA7358P	IC		
IC301	NJM4580L	IC		
IC302	BH3854S	IC		
IC303	NJM4580L	IC		
IC305	BA3837	IC		
J 1	ANT107V-401K	ANT. TERMINAL		
JA301	EM001V-222AJ2	PIN JACK		
L 1	VQF1B20-019	OSC COIL	FM OSC	
L 2	V6C1505-002T	RF COIL	FM RF	
L 3	V6Z0098-202	COIL BLOCK	MW RF	
L 4	VQP0018-221	INDUCTOR		
L 302	VQP0028-100Z	INDUCTOR		
PP301	VNZ0015-005	POST PIN		
Q 1	2SC1923	TRANSISTOR		
Q 4	DTA114YS	TRANSISTOR		
Q 301	2SD2144S(VW)	TRANSISTOR		
Q 302	2SD2144S(VW)	TRANSISTOR		
Q 303	DTA114YS	TRANSISTOR		
Q 304	2SD2144S(VW)	TRANSISTOR		
Q 305	2SD2144S(VW)	TRANSISTOR		
Q 306	DTA114YS	TRANSISTOR		
Q 307	2SD2144S(VW)	TRANSISTOR		
Q 308	2SD2144S(VW)	TRANSISTOR		
Q 309	2SC2785	TRANSISTOR		
Q 310	2SC2785	TRANSISTOR		
Q 311	DTA114ES	TRANSISTOR		
Q 320	DTA114ES	TRANSISTOR		
Q 340	DTA114ES	TRANSISTOR		
Q 341	2SD2144S(VW)	TRANSISTOR		
Q 907	2SA1175	TRANSISTOR		
Q 908	2SC2785	TRANSISTOR		
Q 909	2SB1274 (R,S)	TRANSISTOR		
Q 910	2SC2785	TRANSISTOR		
Q 913	2SB1274 (R,S)	TRANSISTOR		
Q 914	2SC2785	TRANSISTOR		
Q 915	2SC2785	TRANSISTOR		
Q 916	2SC2785	TRANSISTOR		
R 1	QRD161J-104	C.RESISTOR	100K 5% 1/6W	
R 2	QRD161J-473	C.RESISTOR	47K 5% 1/6W	

BLOCK NO. 02

REF.	PARTS NO.	PARTS NAME	REMARKS	SUFFIX
C 339	QET1CM-475Z	E-CAPACITOR	4.7MF 20% 50V	
C 340	QET1CM-106Z	E-CAPACITOR	10MF 20% 16V	
C 342	QFV71HJ-334ZM	TF CAPACITOR	.33MF 5% 50V	
C 343	QFLC1HJ-683	M-CAPACITOR	.068MF 5% 50V	
C 344	QET1CM-106Z	E-CAPACITOR	10MF 20% 16V	
C 345	QFLC1HJ-682ZM	M-CAPACITOR	.6800PF 5% 50V	
C 347	QET1CM-226ZM	E-CAPACITOR	22MF 20% 16V	
C 350	QET1CM-105Z	E-CAPACITOR	1.0MF 20% 50V	
C 351	QET1CM-476Z	E-CAPACITOR	47MF 20% 16V	
C 353	QCB81HK-471Y	C-CAPACITOR	470PF 10% 50V	
C 354	QCB81HK-471Y	C-CAPACITOR	470PF 10% 50V	
C 361	QET1CM-105Z	E-CAPACITOR	1.0MF 20% 50V	
C 362	QCB81HK-151Y	C-CAPACITOR	150PF 10% 50V	
C 363	QET1CM-108ZM	E-CAPACITOR	1000MF 20% 10V	
C 364	QET1CM-106ZM	E-CAPACITOR	10MF 20% 25V	
C 366	QCS11HJ-151	C-CAPACITOR	150PF 5% 50V	
C 908	QET1CM-475Z	E-CAPACITOR	4.7MF 20% 50V	
C 909	QET1CM-226ZM	E-CAPACITOR	22MF 20% 16V	
C 910	QET1CM-106Z	E-CAPACITOR	10MF 20% 16V	
C 911	QFLC1HJ-103ZM	M-CAPASITOR	.010MF 5% 50V	
C 912	QET1CM-107ZM	E-CAPACITOR	100NF 20% 10V	
C 920	QFLC1HJ-103ZM	M-CAPACITOR	.010MF 5% 50V	
C 921	QET1CM-107ZM	E-CAPACITOR	100MF 20% 10V	
C 968	QCVB1CM-103Y	C-CAPACITOR	100MF 20% 10V	
CF 1	VCF2L3B-108Z	C FILTER	.010MF 20% 16V	
CF 2	VCF2L3B-108Z	C FILTER		
CF 3	VCF1Z2Z-115Z	C FILTER		
CF 4	CMU2-456A05	CERA LOCK		
CN301	VMC0332-014V	CONNECTOR		
CN302	VMC0075-015N	CONNECTOR		
CN303	VMC0332-035V	CONNECTOR		
CN304	VMC0332-007V	CONNECTOR		
CN305	VMC0332-011V	CONNECTOR		
CN306	VMC0332-010V	CONNECTOR		
CN307	EMV5125-007	CONNECTOR		
CN308	EMV5125-010	CONNECTOR		
CN310	EMV7145-003Z	SOCKET		
CN311	EMV7145-003Z	SOCKET		
CN313	EMV7145-003Z	SOCKET		
D 1	SVC203SPA-AB-AL	VARI CAP		
D 2	SVC203SPA-AB-AL	VARI CAP		
D 3	1S5133	DIODE		
D 4	1S5133	DIODE		
D 6	1S5133	DIODE		
D 11	1S5133	DIODE		
D 12	1S5133	DIODE		
D 13	1S5133	DIODE		
D 301	1S5133	DIODE		
D 302	1S5133	DIODE		
D 303	1S5133	DIODE		
D 304	1S5133	DIODE		
D 305	MT25-1JAT-77	ZENER DIODE		
D 306	1S5133	DIODE		
D 307	1S5133	DIODE		
D 308	1S5133	DIODE		

BLOCK NO. 02111111

REF.	PARTS NO.	PARTS NAME	REMARKS	SUFFIX
R 116	GRD161J-154	C-RESISTOR	150K 5% 1/6W	
R 117	GRD161J-222	C-RESISTOR	2.2K 5% 1/6W	
R 118	GRD161J-222	C-RESISTOR	2.2K 5% 1/6W	
R 119	GRD161J-103	C-RESISTOR	10K 5% 1/6W	
R 120	GRD161J-752	C-RESISTOR	7.5K 5% 1/6W	
R 121	GRD161J-153	C-RESISTOR	12K 5% 1/6W	
R 122	GRD161J-472	C-RESISTOR	4.7K 5% 1/6W	
R 124	GRD161J-472	C-RESISTOR	4.7K 5% 1/6W	
R 125	GRD161J-103	C-RESISTOR	10K 5% 1/6W	
R 201	GRD161J-823	C-RESISTOR	82K 5% 1/6W	
R 202	GRD161J-102	C-RESISTOR	1.0K 5% 1/6W	
R 203	GRD161J-472	C-RESISTOR	4.7K 5% 1/6W	
R 204	GRD161J-333	C-RESISTOR	33K 5% 1/6W	
R 207	GRD161J-104	C-RESISTOR	100K 5% 1/6W	
R 208	GRD161J-203	C-RESISTOR	20K 5% 1/6W	
R 209	GRD161J-203	C-RESISTOR	20K 5% 1/6W	
R 210	GRD161J-124	C-RESISTOR	120K 5% 1/6W	
R 211	GRD161J-103	C-RESISTOR	10K 5% 1/6W	
R 212	GRD161J-102	C-RESISTOR	1.0K 5% 1/6W	
R 213	GRD161J-472	C-RESISTOR	4.7K 5% 1/6W	
R 214	GRD161J-331	C-RESISTOR	330 5% 1/6W	
R 216	GRD161J-154	C-RESISTOR	150K 5% 1/6W	
R 217	GRD161J-222	C-RESISTOR	2.2K 5% 1/6W	
R 218	GRD161J-222	C-RESISTOR	2.2K 5% 1/6W	
R 219	GRD161J-103	C-RESISTOR	10K 5% 1/6W	
R 220	GRD161J-752	C-RESISTOR	7.5K 5% 1/6W	
R 221	GRD161J-123	C-RESISTOR	12K 5% 1/6W	
R 222	GRD161J-472	C-RESISTOR	4.7K 5% 1/6W	
R 224	GRD161J-472	C-RESISTOR	4.7K 5% 1/6W	
R 225	GRD161J-103	C-RESISTOR	10K 5% 1/6W	
R 301	GRD161J-221	C-RESISTOR	220 5% 1/6W	
R 303	GRD161J-103	C-RESISTOR	10K 5% 1/6W	
R 304	GRD161J-101	C-RESISTOR	100 5% 1/6W	
R 305	GRD161J-222	C-RESISTOR	2.2K 5% 1/6W	
R 306	GRD161J-222	C-RESISTOR	2.2K 5% 1/6W	
R 307	GRD161J-222	C-RESISTOR	2.2K 5% 1/6W	
R 308	GRD161J-152	C-RESISTOR	1.5K 5% 1/6W	
R 309	GRD161J-101	C-RESISTOR	100 5% 1/6W	
R 310	GRD161J-683	C-RESISTOR	68K 5% 1/6W	
R 311	GRD161J-124	C-RESISTOR	120K 5% 1/6W	
R 313	GRD161J-302	C-RESISTOR	3.0K 5% 1/6W	
R 314	GRD161J-222	C-RESISTOR	2.2K 5% 1/6W	
R 315	GRD161J-222	C-RESISTOR	2.2K 5% 1/6W	
R 316	GRD161J-474	C-RESISTOR	470K 5% 1/6W	
R 318	GRD161J-104	C-RESISTOR	100K 5% 1/6W	
R 320	GRD161J-104	C-RESISTOR	100K 5% 1/6W	
R 321	GRD161J-102	C-RESISTOR	1.0K 5% 1/6W	
R 323	GRD161J-221	C-RESISTOR	220 5% 1/6W	
R 326	GRD161J-822	C-RESISTOR	8.2K 5% 1/6W	
R 327	GRD161J-223	C-RESISTOR	22K 5% 1/6W	
R 328	GRD161J-223	C-RESISTOR	22K 5% 1/6W	
R 330	GRD161J-122	C-RESISTOR	1.2K 5% 1/6W	
R 331	GRD161J-122	C-RESISTOR	1.2K 5% 1/6W	
R 334	GRD161J-104	C-RESISTOR	100K 5% 1/6W	
R 340	GRD161J-152	C-RESISTOR	1.5K 5% 1/6W	

BLOCK NO. 02111111

REF.	PARTS NO.	PARTS NAME	REMARKS	SUFFIX
R 3	GRD167J-4R7	C-RESISTOR	4.7 5% 1/6W	
R 7	GRD161J-104	C-RESISTOR	100K 5% 1/6W	
R 8	GRD161J-821	C-RESISTOR	820 5% 1/6W	
R 9	GRD161J-102	C-RESISTOR	1.0K 5% 1/6W	
R 10	GRD161J-101	C-RESISTOR	100 5% 1/6W	
R 11	GRD161J-104	C-RESISTOR	100K 5% 1/6W	
R 17	GRD161J-102	C-RESISTOR	1.0K 5% 1/6W	
R 18	GRD161J-102	C-RESISTOR	1.0K 5% 1/6W	
R 20	GRD161J-331	C-RESISTOR	330 5% 1/6W	
R 21	GRD161J-474	C-RESISTOR	470K 5% 1/6W	
R 22	GRD161J-331	C-RESISTOR	330 5% 1/6W	
R 23	GRD161J-560	C-RESISTOR	56 5% 1/6W	
R 24	GRD161J-271	C-RESISTOR	270 5% 1/6W	
R 25	GRD161J-273	C-RESISTOR	27K 5% 1/6W	
R 26	GRD161J-273	C-RESISTOR	27K 5% 1/6W	
R 27	GRD161J-223	C-RESISTOR	22K 5% 1/6W	
R 30	GRD161J-103	C-RESISTOR	10K 5% 1/6W	
R 31	GRD161J-103	C-RESISTOR	10K 5% 1/6W	
R 32	GRD161J-560	C-RESISTOR	56 5% 1/6W	
R 33	GRD161J-102	C-RESISTOR	1.0K 5% 1/6W	
R 34	GRD161J-222	C-RESISTOR	2.2K 5% 1/6W	
R 35	GRD161J-222	C-RESISTOR	2.2K 5% 1/6W	
R 36	GRD161J-103	C-RESISTOR	10K 5% 1/6W	
R 37	GRD167J-562	C-RESISTOR	5.6K 5% 1/6W	
R 38	GRD161J-392	C-RESISTOR	3.9K 5% 1/6W	
R 39	GRD161J-392	C-RESISTOR	3.9K 5% 1/6W	
R 42	GRD161J-102	C-RESISTOR	1.0K 5% 1/6W	
R 43	GRD161J-102	C-RESISTOR	1.0K 5% 1/6W	
R 44	GRD161J-102	C-RESISTOR	1.0K 5% 1/6W	
R 45	GRD161J-102	C-RESISTOR	1.0K 5% 1/6W	
R 46	GRD161J-104	C-RESISTOR	100K 5% 1/6W	
R 47	GRD161J-102	C-RESISTOR	1.0K 5% 1/6W	
R 50	GRD161J-102	C-RESISTOR	1.0K 5% 1/6W	
R 52	GRD161J-472	C-RESISTOR	4.7K 5% 1/6W	
R 54	GRD161J-472	C-RESISTOR	4.7K 5% 1/6W	
R 55	GRD161J-182	C-RESISTOR	1.8K 5% 1/6W	
R 56	GRD167J-332	C-RESISTOR	3.3K 5% 1/6W	
R 57	GRD161J-102	C-RESISTOR	1.0K 5% 1/6W	
R 58	GRD167J-562	C-RESISTOR	5.6K 5% 1/6W	
R 59	GRD167J-562	C-RESISTOR	5.6K 5% 1/6W	
R 66	GRD161J-104	C-RESISTOR	100K 5% 1/6W	
R 67	GRD161J-473	C-RESISTOR	47K 5% 1/6W	
R 69	GRD161J-103	C-RESISTOR	10K 5% 1/6W	
R 101	GRD161J-823	C-RESISTOR	82K 5% 1/6W	
R 102	GRD161J-102	C-RESISTOR	1.0K 5% 1/6W	
R 103	GRD161J-472	C-RESISTOR	4.7K 5% 1/6W	
R 104	GRD161J-393	C-RESISTOR	39K 5% 1/6W	
R 107	GRD161J-104	C-RESISTOR	100K 5% 1/6W	
R 108	GRD161J-203	C-RESISTOR	20K 5% 1/6W	
R 109	GRD161J-203	C-RESISTOR	20K 5% 1/6W	
R 110	GRD161J-124	C-RESISTOR	120K 5% 1/6W	
R 111	GRD161J-103	C-RESISTOR	10K 5% 1/6W	
R 112	GRD161J-102	C-RESISTOR	1.0K 5% 1/6W	
R 113	GRD161J-472	C-RESISTOR	4.7K 5% 1/6W	
R 114	GRD161J-331	C-RESISTOR	330 5% 1/6W	

BLOCK NO. 02111111

REF.	PARTS NO.	PARTS NAME	REMARKS	SUFFIX
R 341	QRD161J-333	C-RESISTOR	33K 5% 1/6W	
R 342	QRD161J-103	C-RESISTOR	10K 5% 1/6W	
R 353	QRD161J-104	C-RESISTOR	100K 5% 1/6W	
R 354	QRD161J-104	C-RESISTOR	100K 5% 1/6W	
R 361	QRD167J-562	C-RESISTOR	5.6K 5% 1/6W	
R 362	QRD161J-103	C-RESISTOR	10K 5% 1/6W	
R 363	QRD161J-473	C-RESISTOR	47K 5% 1/6W	
R 364	QRD161J-563	C-RESISTOR	56K 5% 1/6W	
R 365	QRD161J-223	C-RESISTOR	22K 5% 1/6W	
R 399	QRD161J-101	C-RESISTOR	100.5% 1/6W	
R 400	QRD161J-272	C-RESISTOR	2.7K 5% 1/6W	
R 917	QRD161J-101	C-RESISTOR	100.5% 1/6W	
R 918	QRD161J-104	C-RESISTOR	100K 5% 1/6W	
R 919	QRD161J-390	C-RESISTOR	39.5% 1/6W	
R 920	QRD161J-102	C-RESISTOR	1.0K 5% 1/6W	
R 921	QRD161J-392	C-RESISTOR	3.9K 5% 1/6W	
R 922	QRD161J-103	C-RESISTOR	10K 5% 1/6W	
R 923	QRD161J-151	C-RESISTOR	150.5% 1/6W	
R 924	QRZ0077-220X	F-RESISTOR	22 1/0W	
R 925	QRD161J-473	C-RESISTOR	47K 5% 1/6W	
R 926	QRD161J-561	C-RESISTOR	560.5% 1/6W	
R 927	QRD161J-223	C-RESISTOR	22K 5% 1/6W	
R 928	QRD167J-682	C-RESISTOR	6.8K 5% 1/6W	
R 929	QRD167J-332	C-RESISTOR	3.3K 5% 1/6W	
R 930	QRD167J-682	C-RESISTOR	6.8K 5% 1/6W	
R 979	QRD161J-471	C-RESISTOR	470.5% 1/6W	
R 980	QRD161J-222	C-RESISTOR	2.2K 5% 1/6W	
SP366	E3400-439	SPACER		
T 1	VQT7F12-110	IFT COIL	FM IF	
T 2	VQT7A21-111	IFT		
VR301	QVPA601-102A	V-RESISTOR		
X 1	VCX5044-001	CRYSTAL		

■ Power amplifier & supply board

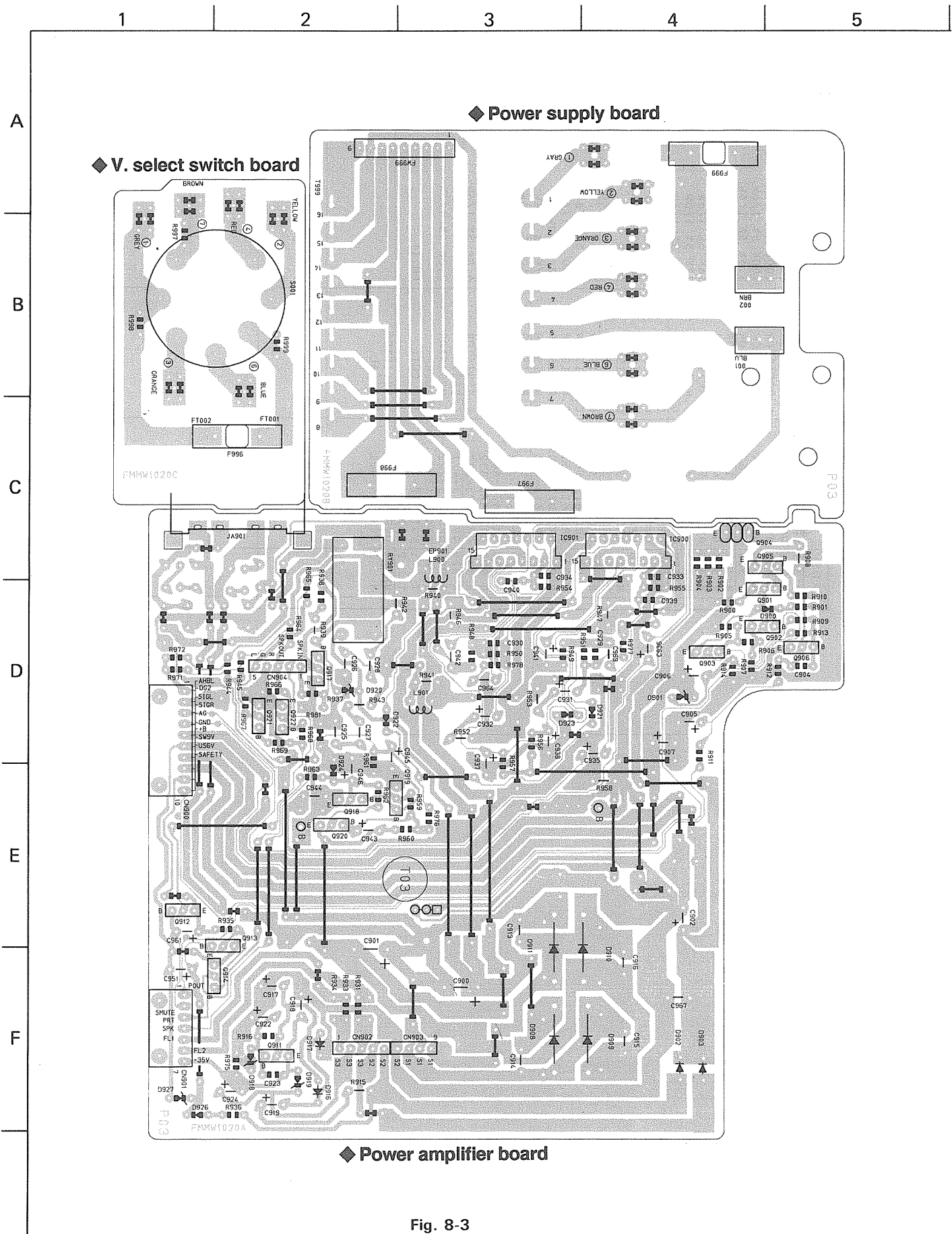


Fig. 8-3



● Power amplifier & supply board parts list

BLOCK NO. 03		BLOCK NO. 03		
REF.	PARTS NO.	PARTS NAME	REMARKS	SUFFIX
C 900	QETM1HM-228	E-CAPACITOR	2200MF 20% 50V	
C 901	QETM1HM-228	E-CAPACITOR	2200MF 20% 50V	
C 902	QETM1HM-228	E-CAPACITOR	2200MF 20% 50V	
C 903	QCB81HK-221Y	E-CAPACITOR	220PF 10% 50V	
C 904	QCB81HK-221Y	E-CAPACITOR	220PF 10% 50V	
C 905	QETC1CM-106Z	E-CAPACITOR	1.0MF 20% 16V	
C 906	QETC1HM-225ZN	E-CAPACITOR	2.2MF 20% 50V	
C 907	QETC1CM-226ZN	E-CAPACITOR	2.2MF 20% 16V	
C 913	QFN81HJ-683	M-CAPACITOR	.068MF 5% 50V	
C 914	QFN81HJ-683	M-CAPACITOR	.068MF 5% 50V	
C 915	QFN81HJ-683	M-CAPACITOR	.068MF 5% 50V	
C 916	QFN81HJ-683	M-CAPACITOR	.068MF 5% 50V	
C 917	QETB1JM-476	E-CAPACITOR	47MF 20% 63V	
C 918	QETB1JM-226E	E-CAPACITOR	22MF 20% 50V	
C 919	QETB1JM-107	E-CAPACITOR	100MF 20% 63V	
C 922	QETB1HM-226E	E-CAPACITOR	22MF 20% 50V	
C 923	QCVB1CN-103Y	C-CAPACITOR	.010MF 30% 16V	
C 924	QETC1HM-475Z	E-CAPACITOR	4.7MF 20% 50V	
C 925	QFLC1HJ-104ZM	M-CAPACITOR	.10MF 5% 50V	
C 926	QFLC1HJ-104ZM	M-CAPACITOR	.10MF 5% 50V	
C 927	QFLC1HJ-104ZM	M-CAPACITOR	.10MF 5% 50V	
C 928	QFLC1HJ-104ZM	M-CAPACITOR	.10MF 5% 50V	
C 929	QCS11HJ-100	C-CAPACITOR	10PF 5% 50V	
C 930	QCS11HJ-100	C-CAPACITOR	10PF 5% 50V	
C 931	QETC1HM-476ZM	E-CAPACITOR	47MF 20% 50V	
C 932	QETC1HM-476ZM	E-CAPACITOR	47MF 20% 50V	
C 933	QCB81HK-101Y	C-CAPACITOR	100PF 10% 50V	
C 934	QCB81HK-101Y	C-CAPACITOR	100PF 10% 50V	
C 935	QTE1V06-106Z	E-CAPACITOR	10MF 20% 50V	
C 936	QTE1V06-106Z	E-CAPACITOR	10MF 20% 50V	
C 937	QETC1HM-106ZN	E-CAPACITOR	1.0MF 20% 50V	
C 938	QETC1HM-106ZN	E-CAPACITOR	1.0MF 20% 50V	
C 939	QCB81HK-101Y	C-CAPACITOR	100PF 10% 50V	
C 940	QCB81HK-101Y	C-CAPACITOR	100PF 10% 50V	
C 941	QETB1HM-226E	E-CAPACITOR	22MF 20% 50V	
C 942	QETB1HM-226E	E-CAPACITOR	22MF 20% 50V	
C 943	QETC1HM-105Z	E-CAPACITOR	1.0MF 20% 50V	
C 944	QFN81HJ-223	M-CAPACITOR	.022MF 5% 50V	
C 945	QETC1CM-476Z	E-CAPACITOR	47MF 20% 16V	
C 946	QETC1CM-226ZN	E-CAPACITOR	22MF 20% 16V	
C 951	QETC1HM-105Z	E-CAPACITOR	1.0MF 20% 50V	
C 961	QETC1HM-106ZN	E-CAPACITOR	1.0MF 20% 50V	
C 963	QFLB1HJ-272	M-CAPACITOR	2700PF 5% 50V	
C 964	QFLB1HJ-272	M-CAPACITOR	2700PF 5% 50V	
C 967	QFLC1HJ-104ZM	M-CAPACITOR	.10MF 5% 50V	
CN900	EMV7125-010R	CONNECTOR		
CN901	EMV7125-007R	CONNECTOR		
CN903	EMV7145-004Z	SOCKET		
CN904	EMV7145-005Z	SOCKET		
CN905	EMV7145-005Z	SOCKET		
D 900	1SS133	DIODE		
D 901	MTZ9-1JA	ZENER DIODE		
D 902	1SR35-100	SI DIODE		
D 903	1SR35-100	SI DIODE		
D 908	1N5401TM	SI DIODE		
D 909	1N5401TM	SI DIODE		

REF.	PARTS NO.	PARTS NAME	REMARKS	SUFFIX
D 910	1N5401TM	SI DIODE		
D 911	1N5401TM	SI DIODE		
D 916	1SR139-200	DIODE		
D 917	1SR139-200	DIODE		
D 918	MTZ33JC	ZENER DIODE		
D 919	MTZ6-2JAT-77	ZENER DIODE		
D 920	MTZ4JC	ZENER DIODE		
D 921	1SS133	DIODE		
D 922	1SS133	DIODE		
D 923	1SS133	DIODE		
D 924	1SS133	DIODE		
D 926	1SS133	DIODE		
D 927	MTZ9-1JC	Z DIODE		
EP901	E409182-001SM	GRAND TERMINAL		
FT001	EMG7331-003Z	FUSE CLIP		
FT002	EMG7331-003Z	FUSE CLIP		
FW902	EMR33D-30LS	FLAT WIRE		
FW999	EMR39D-25LS	FLAT WIRE		
IC900	TDA7295	IC		
IC901	TDA7295	IC		
JA901	FMJ4003-001	SPEAKER TERMINA		
L 900	EQL0011-R45J1	INDUCTOR		
L 901	EQL0011-R45J1	INDUCTOR		
Q 901	2SA1175	TRANSISTOR		
Q 902	2TC144TSTP	TRANSISTOR		
Q 903	DTA144TSTP	TRANSISTOR		
Q 904	2SB1274(R,S)	TRANSISTOR		
Q 905	2SC2785	TRANSISTOR		
Q 906	2SC2785	TRANSISTOR		
Q 911	2SA934(Q,R)	TRANSISTOR		
Q 912	DTA114ES	TRANSISTOR		
Q 917	2SC945A	TRANSISTOR		
Q 918	2SC945A	TRANSISTOR		
Q 919	2SA933S(RS)	TRANSISTOR		
Q 920	2SC945A	TRANSISTOR		
Q 921	2SD2144S(VW)	TRANSISTOR		
Q 922	2SD2144S(VW)	TRANSISTOR		
Q 923	DTC114YSTP	TRANSISTOR		
Q 924	DTC114YSTP	TRANSISTOR		
R 900	QRD161J-471	C-RESISTOR	470.5% 1/6W	
R 901	QRD161J-102	C-RESISTOR	1.0K 5% 1/6W	
R 902	QRD161J-1R0	C-RESISTOR	1.0 5% 1/6W	
R 903	QRD161J-1R0	C-RESISTOR	1.0 5% 1/6W	
R 904	QRD161J-1R0	C-RESISTOR	1.0 5% 1/6W	
R 905	QRD167J-682	C-RESISTOR	6.8K 5% 1/6W	
R 906	QRD161J-122	C-RESISTOR	1.2K 5% 1/6W	
R 907	QRD161J-821	C-RESISTOR	820 5% 1/6W	
R 908	QRZ0077-151X	F-RESISTOR	150 1/0W	
R 909	QRD161J-472	C-RESISTOR	4.7K 5% 1/6W	
R 910	QRD161J-471	C-RESISTOR	470.5% 1/6W	
R 911	QRD161J-222	C-RESISTOR	2.2K 5% 1/6W	
R 912	QRD161J-222	C-RESISTOR	2.2K 5% 1/6W	
R 913	QRD161J-472	C-RESISTOR	4.7K 5% 1/6W	
R 914	QRD161J-472	C-RESISTOR	4.7K 5% 1/6W	
R 915	QRZ0077-100X	F-RESISTOR	10 1/0W	

BLOCK NO. 03111111

REF.	PARTS NO.	PARTS NAME	REMARKS	SUFFIX
R 916	QRD161J-222	C-RESISTOR	2-2K 5% 1/6W	
R 931	QRD161J-1R0	C-RESISTOR	1-0 5% 1/6W	
R 933	QRD161J-1R0	C-RESISTOR	1-0 5% 1/6W	
R 935	QRD161J-102	C-RESISTOR	1-0K 5% 1/6W	
R 936	QRD161J-103	C-RESISTOR	1-0K 5% 1/6W	
R 937	QRD161J-152	C-RESISTOR	1-5K 5% 1/6W	
R 938	QRD161J-330	C-RESISTOR	33 5% 1/6W	
R 939	QRG01DJ-471X	OMF-RESISTOR	470 5% 1/1W	
R 940	QRD14CJ-100SX	UNF.-C.RESISTOR	10 5% 1/4W	
R 941	QRD14CJ-100SX	UNF.-C.RESISTOR	10 5% 1/4W	
R 942	QRD14CJ-100SX	UNF.-C.RESISTOR	10 5% 1/4W	
R 943	QRD14CJ-100SX	UNF.-C.RESISTOR	10 5% 1/4W	
R 944	QRD161J-823	C-RESISTOR	82K 5% 1/6W	
R 945	QRD161J-104	C-RESISTOR	100K 5% 1/6W	
R 946	QRX014J-R22	UNF.-MF.RESISTOR	5% 1/1W	
R 947	QRX014J-R22	UNF.-MF.RESISTOR	5% 1/1W	
R 948	QRD161J-122	C-RESISTOR	1-2K 5% 1/6W	
R 949	QRD161J-122	C-RESISTOR	1-2K 5% 1/6W	
R 950	QRD161J-683	C-RESISTOR	68K 5% 1/6W	
R 951	QRD161J-683	C-RESISTOR	68K 5% 1/6W	
R 952	QRD14CJ-561SX	UNF.-C.RESISTOR	560 5% 1/4W	
R 953	QRD14CJ-561SX	UNF.-C.RESISTOR	560 5% 1/4W	
R 954	QRD161J-104	C-RESISTOR	100K 5% 1/6W	
R 955	QRD161J-104	C-RESISTOR	100K 5% 1/6W	
R 956	QRD161J-223	C-RESISTOR	22K 5% 1/6W	
R 957	QRD161J-102	C-RESISTOR	1-0K 5% 1/6W	
R 958	QRZ0077-4R7X	F.RESISTOR	4.7 1/0W	
R 959	QRD161J-104	C-RESISTOR	100K 5% 1/6W	
R 960	QRD161J-223	C-RESISTOR	22K 5% 1/6W	
R 961	QRD161J-104	C-RESISTOR	100K 5% 1/6W	
R 962	QRD161J-103	C-RESISTOR	10K 5% 1/6W	
R 963	QRD161J-122	C-RESISTOR	1-2K 5% 1/6W	
R 964	QRD161J-681	C-RESISTOR	680 5% 1/6W	
R 965	QRD161J-681	C-RESISTOR	680 5% 1/6W	
R 966	QRD161J-821	C-RESISTOR	820 5% 1/6W	
R 967	QRD161J-821	C-RESISTOR	820 5% 1/6W	
R 968	QRD161J-103	C-RESISTOR	10K 5% 1/6W	
R 969	QRD161J-103	C-RESISTOR	10K 5% 1/6W	
R 971	QRD161J-563	C-RESISTOR	56K 5% 1/6W	
R 972	QRD161J-563	C-RESISTOR	56K 5% 1/6W	
R 975	QRD161J-104	C-RESISTOR	100K 5% 1/6W	
R 976	QRD161J-103	C-RESISTOR	10K 5% 1/6W	
R 977	QRD161J-154	C-RESISTOR	150K 5% 1/6W	
R 978	QRD161J-154	C-RESISTOR	150K 5% 1/6W	
R 997	QRD161J-103	C-RESISTOR	10K 5% 1/6W	
R 998	QRD161J-103	C-RESISTOR	10K 5% 1/6W	
R 999	QRD161J-103	C-RESISTOR	10K 5% 1/6W	
RY901	ESK7D24-213R	RELAY		
S 001	QSR8001-E01U	ROTARY SW		
TB001	EMZ4001-001	TAB		
TB002	EMZ4001-001	TAB		





		BLOCK NO. 04							
REF.	PARTS NO.	PARTS NAME	REMARKS	SUFFIX	REF.	PARTS NO.	PARTS NAME	REMARKS	SUFFIX
R 605	QRD167J-134	CARBON RESISTOR	130K 5% 1/6W		R 605	QRD167J-134	CARBON RESISTOR	130K 5% 1/6W	
R 606	QRD161J-913	CARBON RESISTOR	91K 5% 1/6W		R 606	QRD161J-913	CARBON RESISTOR	91K 5% 1/6W	
R 607	QRD161J-273	CARBON RESISTOR	27K 5% 1/6W		R 607	QRD161J-273	CARBON RESISTOR	27K 5% 1/6W	
R 609	QRD161J-114	CARBON RESISTOR	110K 5% 1/6W		R 609	QRD161J-114	CARBON RESISTOR	110K 5% 1/6W	
R 610	QRD161J-154	CARBON RESISTOR	150K 5% 1/6W		R 610	QRD161J-154	CARBON RESISTOR	150K 5% 1/6W	
R 612	QRD161J-103	CARBON RESISTOR	10K 5% 1/6W		R 612	QRD161J-103	CARBON RESISTOR	10K 5% 1/6W	
R 613	QRD161J-121	CARBON RESISTOR	120 5% 1/6W		R 613	QRD161J-121	CARBON RESISTOR	120 5% 1/6W	
R 614	QRD161J-100	CARBON RESISTOR	10 5% 1/6W		R 614	QRD161J-100	CARBON RESISTOR	10 5% 1/6W	
R 615	QRD161J-120	CARBON RESISTOR	12 5% 1/6W		R 615	QRD161J-120	CARBON RESISTOR	12 5% 1/6W	
R 616	QRD161J-910Y	CARBON RESISTOR	91 5% 1/6W		R 616	QRD161J-910Y	CARBON RESISTOR	91 5% 1/6W	
R 621	QRD161J-680	CARBON RESISTOR	68 5% 1/6W		R 621	QRD161J-680	CARBON RESISTOR	68 5% 1/6W	
R 622	QRD161J-680	CARBON RESISTOR	68 5% 1/6W		R 622	QRD161J-680	CARBON RESISTOR	68 5% 1/6W	
R 623	QRD161J-680	CARBON RESISTOR	68 5% 1/6W		R 623	QRD161J-680	CARBON RESISTOR	68 5% 1/6W	
R 631	QRD161J-331	CARBON RESISTOR	330 5% 1/6W		R 631	QRD161J-331	CARBON RESISTOR	330 5% 1/6W	
R 632	QRD161J-101	CARBON RESISTOR	100 5% 1/6W		R 632	QRD161J-101	CARBON RESISTOR	100 5% 1/6W	
R 633	QRD161J-273	CARBON RESISTOR	27K 5% 1/6W		R 633	QRD161J-273	CARBON RESISTOR	27K 5% 1/6W	
R 641	QRD161J-563	CARBON RESISTOR	56K 5% 1/6W		R 641	QRD161J-563	CARBON RESISTOR	56K 5% 1/6W	
R 642	QRD161J-123	CARBON RESISTOR	12K 5% 1/6W		R 642	QRD161J-123	CARBON RESISTOR	12K 5% 1/6W	
R 643	QRD161J-822	CARBON RESISTOR	8.2K 5% 1/6W		R 643	QRD161J-822	CARBON RESISTOR	8.2K 5% 1/6W	
R 644	QRD161J-223	CARBON RESISTOR	22K 5% 1/6W		R 644	QRD161J-223	CARBON RESISTOR	22K 5% 1/6W	
R 645	QRD161J-223	CARBON RESISTOR	22K 5% 1/6W		R 645	QRD161J-223	CARBON RESISTOR	22K 5% 1/6W	
R 646	QRD161J-182	CARBON RESISTOR	1.8K 5% 1/6W		R 646	QRD161J-182	CARBON RESISTOR	1.8K 5% 1/6W	
R 647	QRD167J-562	CARBON RESISTOR	5.6K 5% 1/6W		R 647	QRD167J-562	CARBON RESISTOR	5.6K 5% 1/6W	
R 651	QRD161J-102	CARBON RESISTOR	1.0K 5% 1/6W		R 651	QRD161J-102	CARBON RESISTOR	1.0K 5% 1/6W	
R 652	QRD161J-102	CARBON RESISTOR	1.0K 5% 1/6W		R 652	QRD161J-102	CARBON RESISTOR	1.0K 5% 1/6W	
R 653	QRD161J-102	CARBON RESISTOR	1.0K 5% 1/6W		R 653	QRD161J-102	CARBON RESISTOR	1.0K 5% 1/6W	
R 654	QRD161J-102	CARBON RESISTOR	1.0K 5% 1/6W		R 654	QRD161J-102	CARBON RESISTOR	1.0K 5% 1/6W	
R 655	QRD161J-471	CARBON RESISTOR	470 5% 1/6W		R 655	QRD161J-471	CARBON RESISTOR	470 5% 1/6W	
R 659	QRD161J-471	CARBON RESISTOR	470 5% 1/6W		R 659	QRD161J-471	CARBON RESISTOR	470 5% 1/6W	
R 661	QRD161J-104	CARBON RESISTOR	100K 5% 1/6W		R 661	QRD161J-104	CARBON RESISTOR	100K 5% 1/6W	
R 663	QRD161J-124	CARBON RESISTOR	120K 5% 1/6W		R 663	QRD161J-124	CARBON RESISTOR	120K 5% 1/6W	
R 664	QRD161J-681	CARBON RESISTOR	680 5% 1/6W		R 664	QRD161J-681	CARBON RESISTOR	680 5% 1/6W	
R 666	QRD161J-220	CARBON RESISTOR	22 5% 1/6W		R 666	QRD161J-220	CARBON RESISTOR	22 5% 1/6W	
R 671	QRD161J-102	CARBON RESISTOR	1.0K 5% 1/6W		R 671	QRD161J-102	CARBON RESISTOR	1.0K 5% 1/6W	
R 672	QRD161J-102	CARBON RESISTOR	1.0K 5% 1/6W		R 672	QRD161J-102	CARBON RESISTOR	1.0K 5% 1/6W	
X 651	VCX5016-934V	CRYSTAL	16.9344MHZ		X 651	VCX5016-934V	CRYSTAL	16.9344MHZ	

		BLOCK NO. 04							
REF.	PARTS NO.	PARTS NAME	REMARKS	SUFFIX	REF.	PARTS NO.	PARTS NAME	REMARKS	SUFFIX
C 604	QEK51AM-107	E-CAPACITOR	100MF 20% 10V		C 604	QEK51AM-107	E-CAPACITOR	100MF 20% 10V	
C 605	QET41EM-106	E-CAPACITOR	10MF 20% 25V		C 605	QET41EM-106	E-CAPACITOR	10MF 20% 25V	
C 606	QCBBA1HK-102Y	C-CAPACITOR	1000PF 10% 50V		C 606	QCBBA1HK-102Y	C-CAPACITOR	1000PF 10% 50V	
C 607	QCBBA1HK-102Y	C-CAPACITOR	1000PF 10% 50V		C 607	QCBBA1HK-102Y	C-CAPACITOR	1000PF 10% 50V	
C 608	QET41HM-105	E-CAPACITOR	1.0MF 20% 50V		C 608	QET41HM-105	E-CAPACITOR	1.0MF 20% 50V	
C 609	QCBBA1HK-101Y	C-CAPACITOR	100PF 10% 50V		C 609	QCBBA1HK-101Y	C-CAPACITOR	100PF 10% 50V	
C 610	QFLC1HJ-273ZM	M-CAPACITOR	.022MF 5% 50V		C 610	QFLC1HJ-273ZM	M-CAPACITOR	.022MF 5% 50V	
C 611	QCXB1CM-222Y	C-CAPACITOR	2200PF 20% 16V		C 611	QCXB1CM-222Y	C-CAPACITOR	2200PF 20% 16V	
C 612	QCVB1CM-103Y	C-CAPACITOR	.010MF 20% 16V		C 612	QCVB1CM-103Y	C-CAPACITOR	.010MF 20% 16V	
C 613	QCBBA1HK-331Y	C-CAPACITOR	330PF 10% 50V		C 613	QCBBA1HK-331Y	C-CAPACITOR	330PF 10% 50V	
C 614	QFLC1HJ-104ZM	M-CAPACITOR	.10MF 5% 50V		C 614	QFLC1HJ-104ZM	M-CAPACITOR	.10MF 5% 50V	
C 615	QCHB1EZ-223	C-CAPACITOR	.022MF +80% -20%		C 615	QCHB1EZ-223	C-CAPACITOR	.022MF +80% -20%	
C 616	QCHB1EZ-223	C-CAPACITOR	.022MF +80% -20%		C 616	QCHB1EZ-223	C-CAPACITOR	.022MF +80% -20%	
C 617	QCHB1EZ-223	C-CAPACITOR	.022MF +80% -20%		C 617	QCHB1EZ-223	C-CAPACITOR	.022MF +80% -20%	
C 618	QCXB1CM-222Y	C-CAPACITOR	2200PF 20% 16V		C 618	QCXB1CM-222Y	C-CAPACITOR	2200PF 20% 16V	
C 619	QCBBA1HK-271Y	C-CAPACITOR	270PF 10% 50V		C 619	QCBBA1HK-271Y	C-CAPACITOR	270PF 10% 50V	
C 620	QCS11HJ-470	C-CAPACITOR	47PF 5% 50V		C 620	QCS11HJ-470	C-CAPACITOR	47PF 5% 50V	
C 621	QCBBA1HK-821Y	C-CAPACITOR	820PF 10% 50V		C 621	QCBBA1HK-821Y	C-CAPACITOR	820PF 10% 50V	
C 622	QET41AM-476	E-CAPACITOR	47MF 20% 10V		C 622	QET41AM-476	E-CAPACITOR	47MF 20% 10V	
C 623	QFLC1HJ-104ZM	M-CAPACITOR	.10MF 5% 50V		C 623	QFLC1HJ-104ZM	M-CAPACITOR	.10MF 5% 50V	
C 628	QCC11EM-473V	C-CAPA. I.C.M	.047MF 20% 25V		C 628	QCC11EM-473V	C-CAPA. I.C.M	.047MF 20% 25V	
C 629	QET41AM-107	E-CAPACITOR	100MF 20% 10V		C 629	QET41AM-107	E-CAPACITOR	100MF 20% 10V	
C 631	QET41AM-477	E-CAPACITOR	470MF 20% 10V		C 631	QET41AM-477	E-CAPACITOR	470MF 20% 10V	
C 632	QEK51AM-107	E-CAPACITOR	100MF 20% 10V		C 632	QEK51AM-107	E-CAPACITOR	100MF 20% 10V	
C 651	QCS11HJ-120	C-CAPACITOR	12PF 5% 50V		C 651	QCS11HJ-120	C-CAPACITOR	12PF 5% 50V	
C 652	QCS11HJ-150	C-CAPACITOR	15PF 5% 50V		C 652	QCS11HJ-150	C-CAPACITOR	15PF 5% 50V	
C 653	QCHB1EZ-223	C-CAPACITOR	.022MF +80% -20%		C 653	QCHB1EZ-223	C-CAPACITOR	.022MF +80% -20%	
C 655	QCC11EM-473V	C-CAPACITOR	.047MF 20% 25V		C 655	QCC11EM-473V	C-CAPACITOR	.047MF 20% 25V	
C 661	QCBBA1HK-471Y	C-CAPACITOR	470PF 10% 50V		C 661	QCBBA1HK-471Y	C-CAPACITOR	470PF 10% 50V	
C 662	QCHB1EZ-223	C-CAPACITOR	.022MF +80% -20%		C 662	QCHB1EZ-223	C-CAPACITOR	.022MF +80% -20%	
C 663	QFLC1HJ-223ZM	M-CAPACITOR	.022MF 5% 50V		C 663	QFLC1HJ-223ZM	M-CAPACITOR	.022MF 5% 50V	
C 664	QCHB1EZ-223	C-CAPACITOR	.022MF +80% -20%		C 664	QCHB1EZ-223	C-CAPACITOR	.022MF +80% -20%	
C 665	QFV71HJ-334ZM	FILM CAPACITOR	.33MF 5% 50V		C 665	QFV71HJ-334ZM	FILM CAPACITOR	.33MF 5% 50V	
C 671	QCXB1CM-222Y	C-CAPACITOR	2200PF 20% 16V		C 671	QCXB1CM-222Y	C-CAPACITOR	2200PF 20% 16V	
C 672	QCXB1CM-222Y	C-CAPACITOR	2200PF 20% 16V		C 672	QCXB1CM-222Y	C-CAPACITOR	2200PF 20% 16V	
C 673	QET41AM-227	E-CAPACITOR	220MF 20% 10V		C 673	QET41AM-227	E-CAPACITOR	220MF 20% 10V	
C 674	QCHB1EZ-223	C-CAPACITOR	.022MF +80% -20%		C 674	QCHB1EZ-223	C-CAPACITOR	.022MF +80% -20%	
C 675	QCBBA1HK-102Y	C-CAPACITOR	AG-DG		C 675	QCBBA1HK-102Y	C-CAPACITOR	AG-DG	
C 676	QCBBA1HK-102Y	C-CAPACITOR	AG-DG		C 676	QCBBA1HK-102Y	C-CAPACITOR	AG-DG	
C 691	QCBBA1HK-151Y	C-CAPACITOR	DENGEN NOISE		C 691	QCBBA1HK-151Y	C-CAPACITOR	DENGEN NOISE	
C 692	QCBBA1HK-151Y	C-CAPACITOR	DENGEN NOISE		C 692	QCBBA1HK-151Y	C-CAPACITOR	DENGEN NOISE	
C 693	QCBBA1HK-151Y	C-CAPACITOR	DENGEN NOISE		C 693	QCBBA1HK-151Y	C-CAPACITOR	DENGEN NOISE	
CN601	EMV7144-015R	15PIN CONNECTOR	TO RF		CN601	EMV7144-015R	15PIN CONNECTOR	TO RF	
CN602	EMV5109-006A	6P PLUG ASSY	TO MOTOR		CN602	EMV5109-006A	6P PLUG ASSY	TO MOTOR	
CN603	VMC0163-807	CONNECTOR	TO AUDIO		CN603	VMC0163-807	CONNECTOR	TO AUDIO	
CN604	VMC0163-811	CONNECTOR	TO MICRON		CN604	VMC0163-811	CONNECTOR	TO MICRON	
CN605	VMC0041-003	CONNECTOR	TO DIGITAL OUT		CN605	VMC0041-003	CONNECTOR	TO DIGITAL OUT	
D 661	15S133	SI DIODE			D 661	15S133	SI DIODE		
IC601	AM806SB	IC	RF AMP		IC601	AM806SB	IC	RF AMP	
IC602	BA6897FP	IC	DRIVER		IC602	BA6897FP	IC	DRIVER	
IC603	MN35510	IC	1CHIP PROCESSOR		IC603	MN35510	IC	1CHIP PROCESSOR	
Q 601	2SA952(L,K)	TRANSISTOR			Q 601	2SA952(L,K)	TRANSISTOR		
Q 631	2SA952(L,K)	TRANSISTOR			Q 631	2SA952(L,K)	TRANSISTOR		
R 601	QRD161J-123	CARBON RESISTOR	12K 5% 1/6W		R 601	QRD161J-123	CARBON RESISTOR	12K 5% 1/6W	
R 603	QRD161J-125	CARBON RESISTOR	1.2M 5% 1/6W		R 603	QRD161J-125	CARBON RESISTOR	1.2M 5% 1/6W	

CD mechanism control board parts list

BLOCK NO. 06

REF.	PARTS NO.	PARTS NAME	REMARKS	SUFFIX
C 801	QEK61AM-107Z	E-CAPACITOR	100MF 20% 10V	
C 802	QEK41EM-475	E-CAPACITOR	4.7MF 20% 25V	
C 803	QFLB1HJ-102	M-CAPACITOR	1000PF 5% 50V	
C 804	QCFE1HZ-104Y	C-CAPACITOR	0.10MF +80%-20%	
C 805	QCVB1CN-103Y	C-CAPACITOR	0.010MF 20% 1.6V	
C 806	QEK41CN-476	E-CAPACITOR	47MF 20% 19V	
C 807	QEK41CN-476	E-CAPACITOR	47MF 20% 19V	
C 808	QFLB1HJ-102	M-CAPACITOR	1000PF 5% 50V	
C 810	QCZ0203-155	M.L.C. CAPACITOR	1.5MF	
C 811	QCZ0203-155	M.L.C. CAPACITOR	1.5MF	
C 813	QCVB1CN-103Y	C-CAPACITOR	0.010MF 20% 1.6V	
C 821	QCB1HK-102Y	C-CAPACITOR	1000PF 10% 50V	
CM801	VMC0163-R10	CONNECTOR	TO MICON	
CM802	VMC0289-P07	CONNECTOR	TO SWITCH PWB	
CM803	VMC0324-12310	CONNECTOR	TO CAM SW PWB	
IC801	UPD651912GB-208	IC		
IC802	TAB4095S	IC		
IC803	TAB4095S	IC		
L 801	QVPO0018-100	INDUCTOR		
L 802	QVPO0033-100Z	INDUCTOR		
L 803	QVPO0033-100Z	INDUCTOR		
L 804	QVPO0033-100Z	INDUCTOR		
R 805	QRD161J-102	CARBON RESISTOR	1.0K 5% 1/6W	
R 806	QRD161J-471	CARBON RESISTOR	470 5% 1/6W	
R 807	QRD161J-471	CARBON RESISTOR	470 5% 1/6W	
R 808	QRD161J-102	CARBON RESISTOR	1.0K 5% 1/6W	
R 810	QRD161J-684	CARBON RESISTOR	680K 5% 1/6W	
R 811	QRD161J-105	CARBON RESISTOR	1.0M 5% 1/6W	
R 813	QRD161J-102	CARBON RESISTOR	1.0K 5% 1/6W	
R 814	QRD161J-102	CARBON RESISTOR	1.0K 5% 1/6W	
R 815	QRD161J-102	CARBON RESISTOR	1.0K 5% 1/6W	
R 816	QRD161J-102	CARBON RESISTOR	1.0K 5% 1/6W	
R 817	QRD161J-102	CARBON RESISTOR	1.0K 5% 1/6W	
R 818	QRD161J-102	CARBON RESISTOR	1.0K 5% 1/6W	
R 819	QRD161J-102	CARBON RESISTOR	1.0K 5% 1/6W	
R 821	QRD161J-102	CARBON RESISTOR	1.0K 5% 1/6W	
R 822	QRD161J-102	CARBON RESISTOR	1.0K 5% 1/6W	
R 823	QRD161J-102	CARBON RESISTOR	1.0K 5% 1/6W	
R 824	QRD161J-102	CARBON RESISTOR	1.0K 5% 1/6W	
R 825	QRD161J-102	CARBON RESISTOR	1.0K 5% 1/6W	
R 826	QRD161J-102	CARBON RESISTOR	1.0K 5% 1/6W	
R 827	QRD161J-102	CARBON RESISTOR	1.0K 5% 1/6W	
R 828	QRD161J-102	CARBON RESISTOR	1.0K 5% 1/6W	
R 829	QRD161J-102	CARBON RESISTOR	1.0K 5% 1/6W	
R 830	QRD161J-102	CARBON RESISTOR	1.0K 5% 1/6W	
R 832	QRD161J-181	CARBON RESISTOR	180 5% 1/6W	
R 833	QRD161J-102	CARBON RESISTOR	1.0K 5% 1/6W	
R 834	QRD161J-102	CARBON RESISTOR	1.0K 5% 1/6W	
R 839	QRD167J-332	CARBON RESISTOR	3.3K 5% 1/6W	
R 840	QRD167J-562	CARBON RESISTOR	5.6K 5% 1/6W	

CD tray select switch board parts list

BLOCK NO. 05

REF.	PARTS NO.	PARTS NAME	REMARKS	SUFFIX

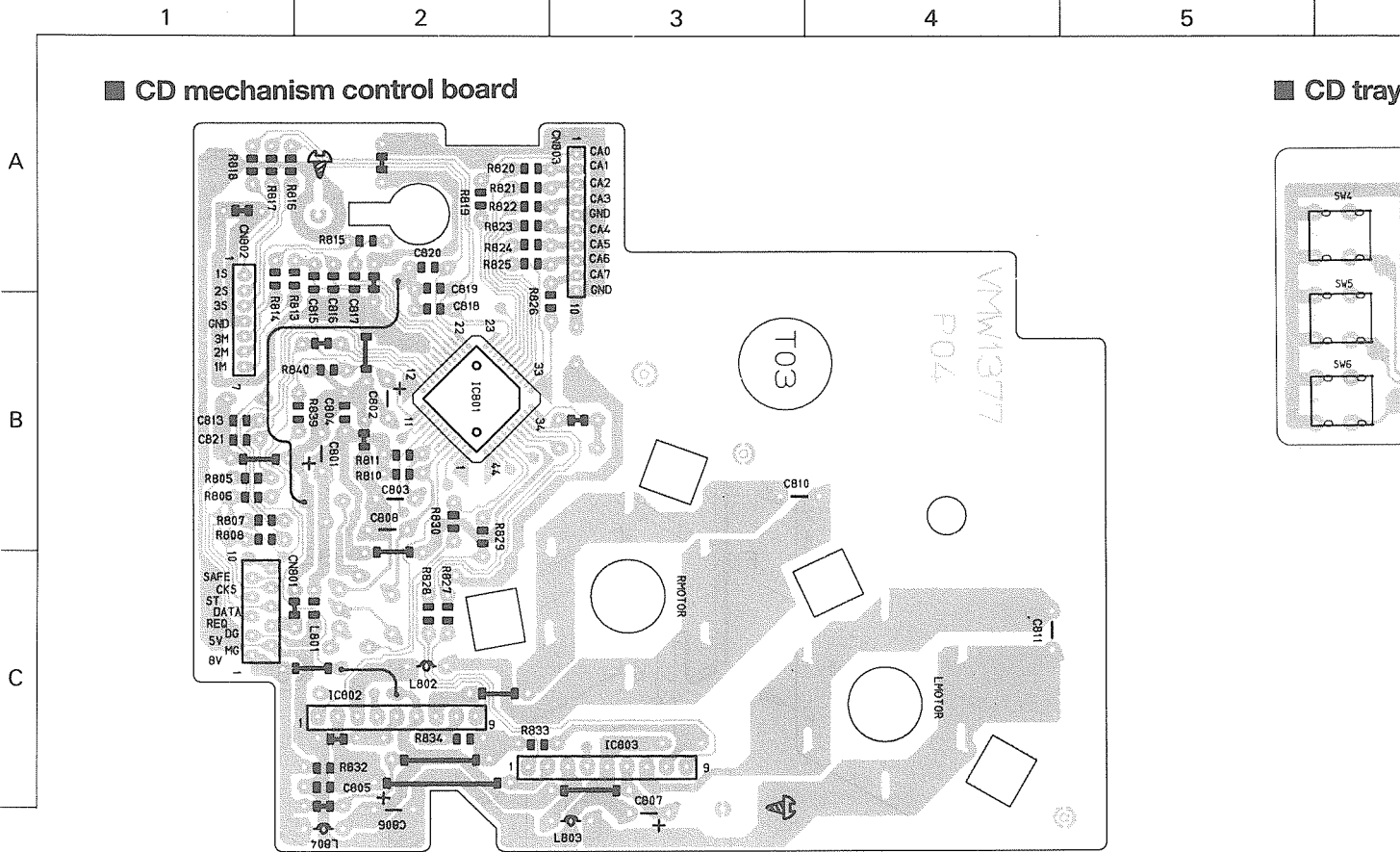


Fig. 8-5

6

7

8

9

10

CD tray select switch board

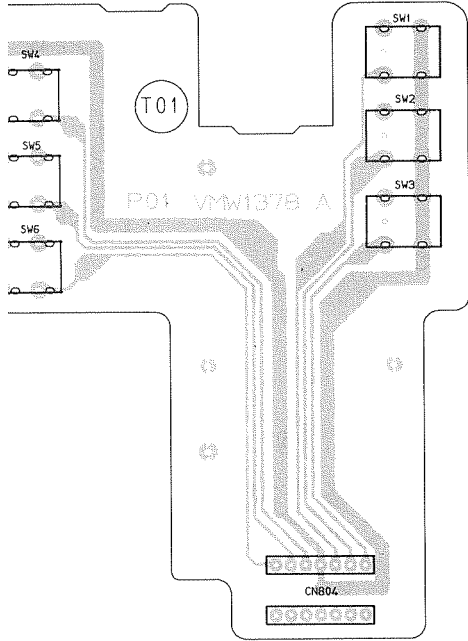


Fig. 8-6

Cam switch board

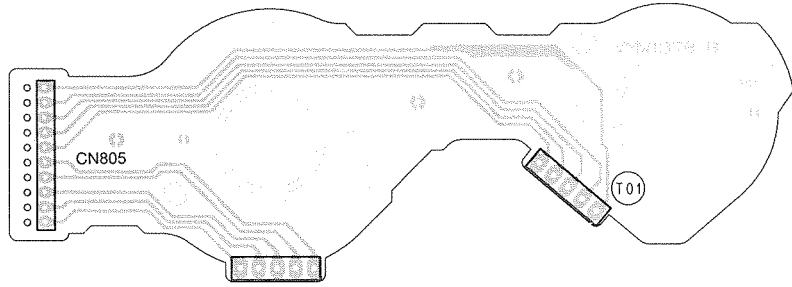


Fig. 8-7

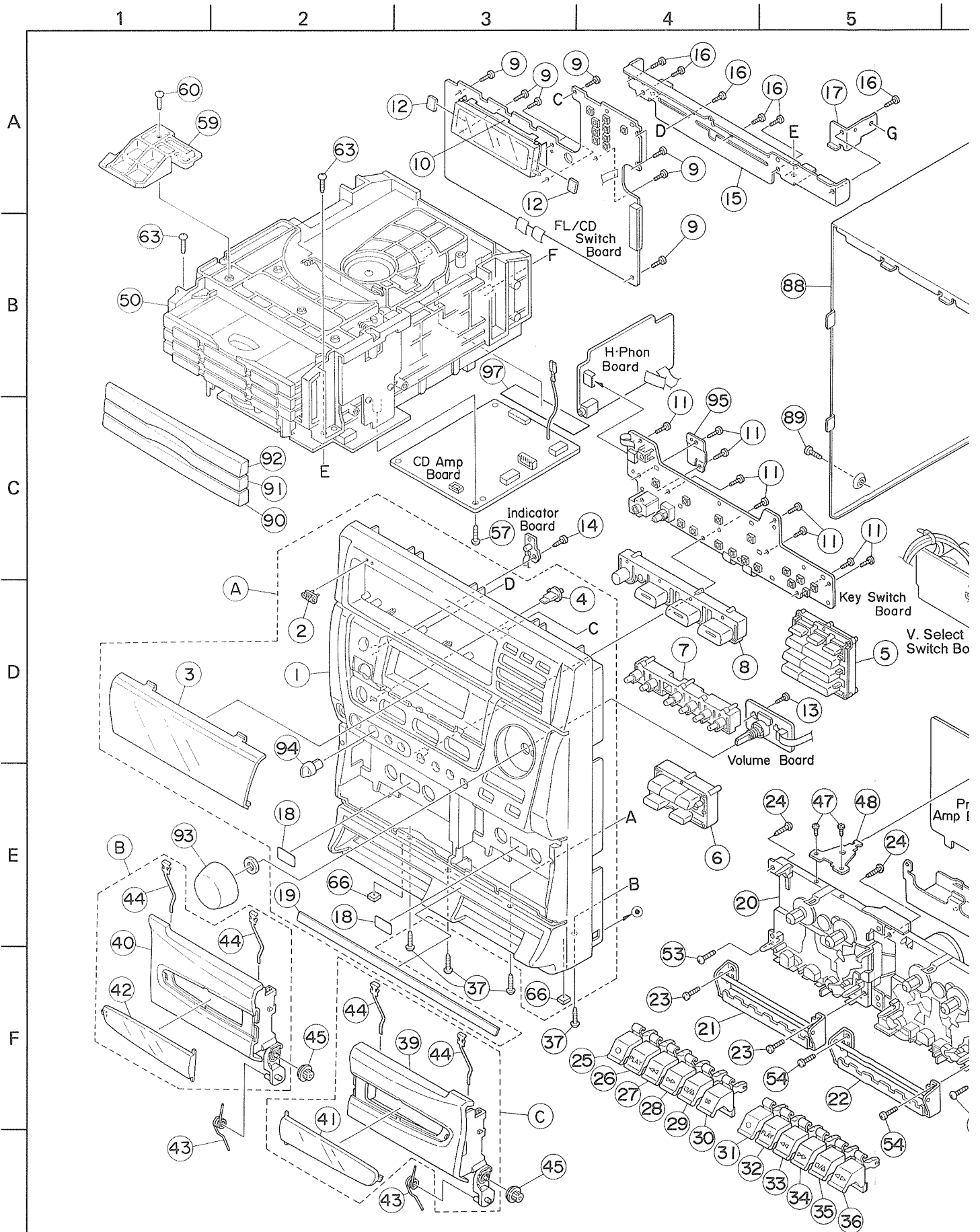
CD tray select switch board parts list

REF.	PARTS NO.	PARTS NAME	REMARKS	SUFFIX
▲	CN804	CONNECTOR		
	SW 1	LEVER SWITCH		
	SW 2	LEVER SWITCH		
	SW 3	LEVER SWITCH		
	SW 4	LEVER SWITCH		
	SW 5	LEVER SWITCH		
	SW 6	LEVER SWITCH		

Cam switch board parts list

REF.	PARTS NO.	PARTS NAME	REMARKS	SUFFIX
▲	CN805	CONNECTOR	FOR CAM SWITCH	

# 9 Exploded view of enclosure assembly



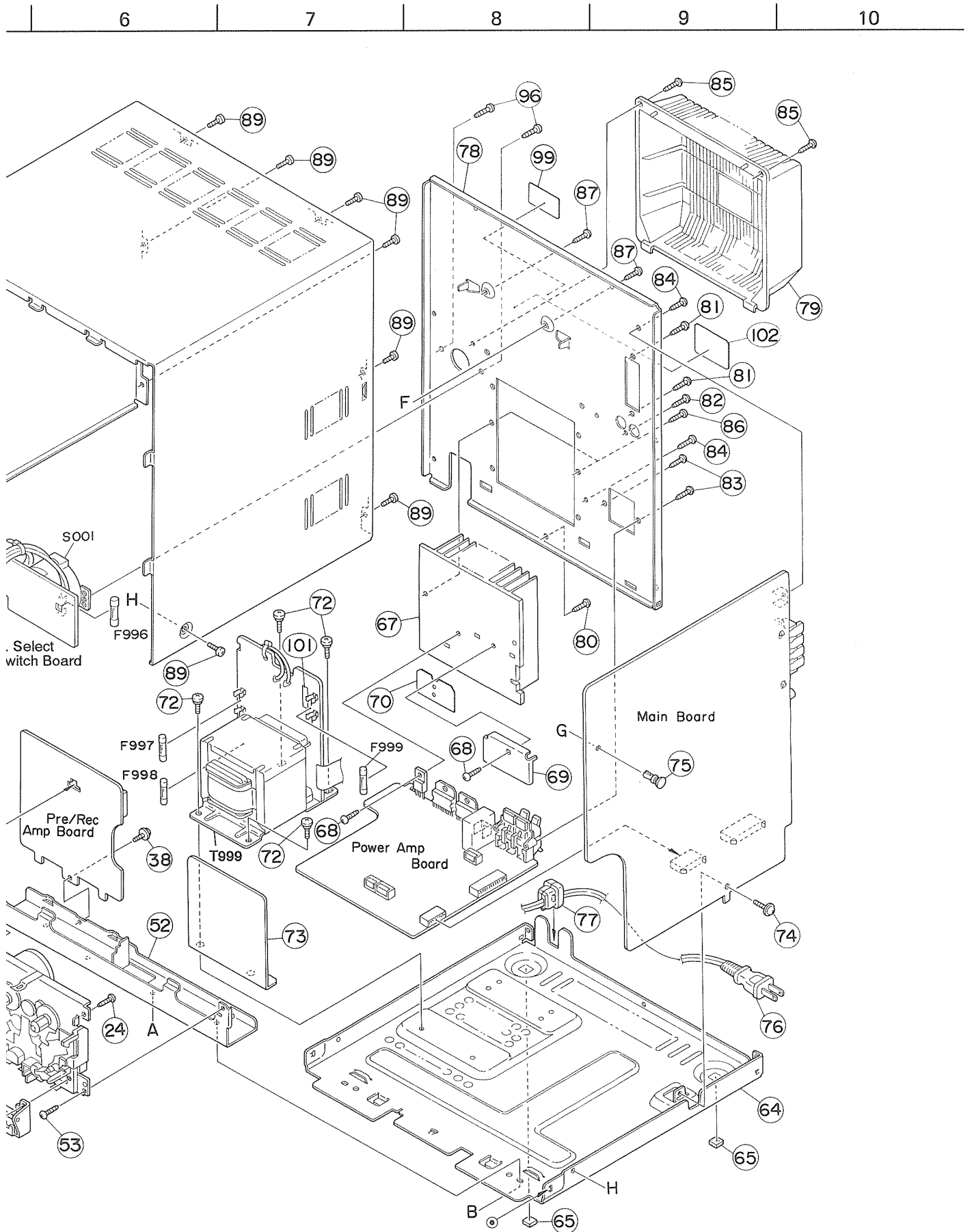


Fig. 9-1

● Enclosure assembly parts list

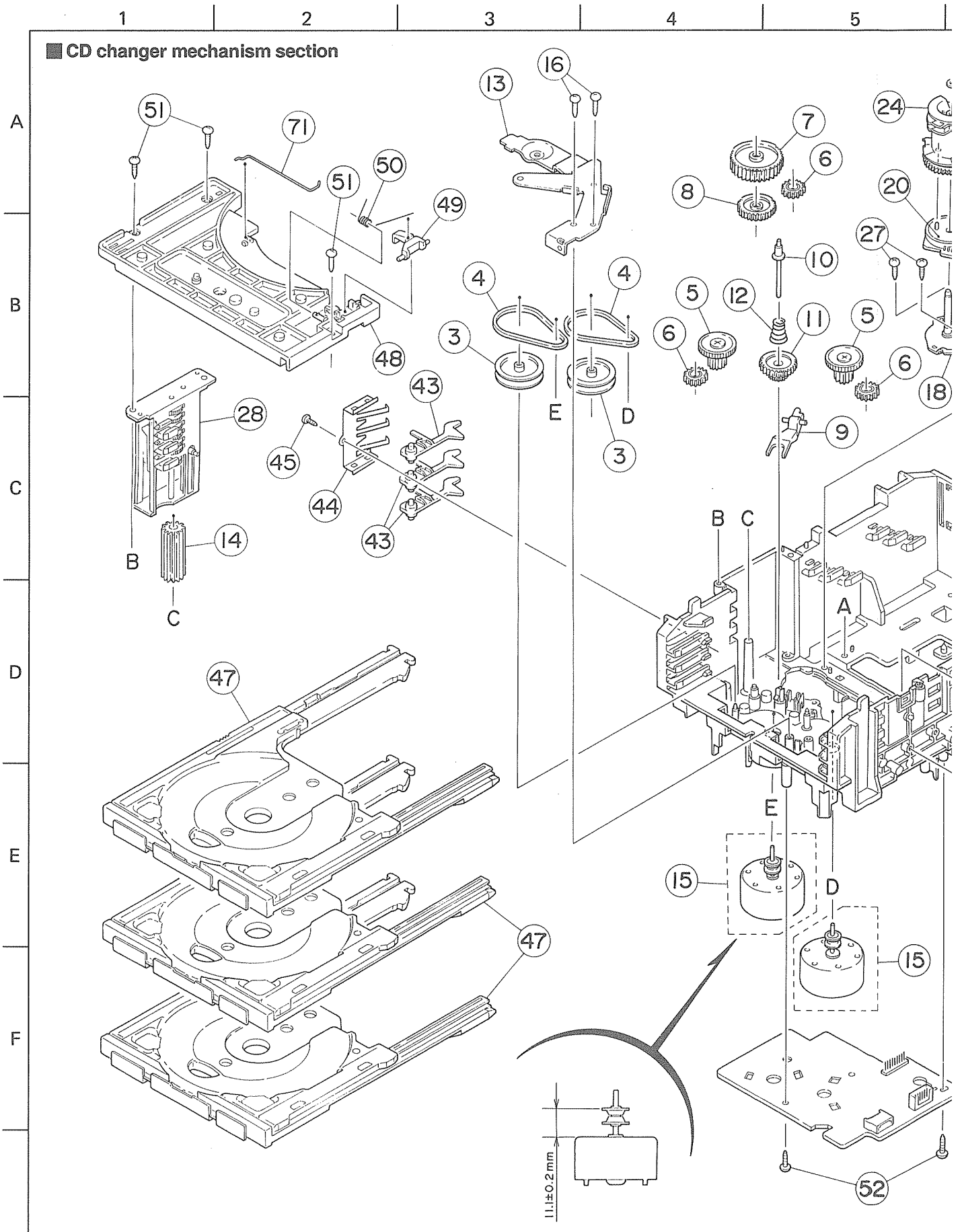
BLOCK NO. M1MM

△ REF.	PARTS NO.	PARTS NAME	REMARKS	QTY	SUFFIX	CLR
A	ZCMXD2TK-FB	FRONT PANEL	NO.1-4,18-19,66	1		
B	ZXMXD2TK-CBA		NO.40-41,44	1		
C	ZCMXD2TK-CBB	CASSETTE CASE	NO.39,41,44	1		
1	FMJC1012-003	FRONT PANEL		1		
2	E406971-001SM	JVC MARK		1		
3	FMJK3005-001	WINDOW SCREEN		1		
4	FMJK4010-001	STANDBY INDICA.		1		
5	FMXP2002-001	CD BUTTON	3-CD	1		
6	FMXP3014-001	SEARCH BUTTON		1		
7	FMXP3013-002	PUSH BUTTON		1		
8	FMXP3016-00A	POWER BUTT. ASS		1		
9	SDSF2608Z	SCREW		9		
10	FMKL3002-001	FL HOLDER		1		
11	SDSF2608Z	SCREW		9		
12	E3400-439	SPACER		1		
13	SDSF2608Z	SCREW		1		
14	SDSF2608Z	SCREW		1		
15	E309495-002SM	STAY BKT		1		
16	SDSF2608Z	SCREW		6		
17	FMKL4011-001	BRACKET		1		
18	E69777-003	REF.PLATE		2		
19	FMJD3003-004			1		
20	-----	CASSETTE MECHA		1		
21	182131301ZT	BUTTON FRAME AS		1		
22	195931301	BUTTON FRAME AS		1		
23	9C0420801	TAP SCREW		2		
24	SBSF3010Z	TAP.SCREW		3		
25	FMXP3015-001	PUSH BUTTON	REC	1		
26	FMXP3015-002	PUSH BUTTON	PLAY	1		
27	FMXP3015-003	PUSH BUTTON	REW	1		
28	FMXP3015-004	PUSH BUTTON	FF	1		
29	FMXP3015-005	PUSH BUTTON	STOP/EJECT	1		
30	FMXP3015-006	PUSH BUTTON	PAUSE	1		
31	FMXP3015-007	PUSH BUTTON		1		
32	FMXP3015-008	PUSH BUTTON	PLAY	1		
33	FMXP3015-009	PUSH BUTTON	REW	1		
34	FMXP3015-010	PUSH BUTTON	FF	1		
35	FMXP3015-011	PUSH BUTTON	STOP/EJECT	1		
36	FMXP3015-012	PUSH BUTTON	DIRCTION	1		
37	SBSG3010Z	T.SCREW		4		
38	GBST3006Z	SCREW		1		
39	FMJT2003-003	CASS HOLDER R		1		
40	FMJT2003-004	CASS HOLDER L		1		
41	FMJK3006-001	CASSETTE LENS		1		
42	FMJK3006-002	CASSETTE LENS		1		
43	FMKW4005-001	HOLDER SPRING		2		
44	VKY4180-001	CASSETTE SPRING		4	UB	
	VKY4180-001	CASSETTE SPRING		4	US,U,UT	
45	VYH5601-001	GEAR		2		
47	SDST2004Z	SCREW		2		
48	FMKL4010-001	PCB BRACKET		1		
50	-----	CHANGER	MP M001M	1		
52	FMKL3003-002	MECHA HOLDER		1		
53	SBSG3008Z	T.SCREW		2		
54	9C0420901	TAP SCREW		2		

BLOCK NO. M1MM

REF.	PARTS NO.	PARTS NAME	REMARKS	QTY	SUFFIX	CLR
57	SBSF3008Z	SCREW	CD AMP ASSY	1		
59	E309662-001	DISC STOPPER		1		
60	SBSF3008Z	SCREW		1		
63	SBSG3008Z	T.SCREW	C3 MECHA	2		
64	FMKL1004-001	CHASSIS BASE		1		
65	E75896-006	FELT SPACER		2		
66	E75896-001	SPACER		2		
67	FMMH3004-001	HEAT SINK		1		
68	SBSG3014CC	TAP SCREW		2		
69	FMKL4007-001	BRACKET		1		
70	FMPK4003-001	MICA SHEET		1		
72	E65389-002	ASSY SCREW		4		
73	FMMA4003-001	TRANS.SHIELD		1		
74	GBST3006Z	SCREW		1		
75	FMYH4004-001	PLASTIC RIVET		1		
76	QMP39E0-200	POWER CORD		1	US	
76	QMP7520-200	POWER CORD		1	U,UT	
76	QMP5530-0085BS	POWER CORD		1	UB	
77	QHS3771-108	CORD STOPPER		1		
78	FMJC1014-003	REAR PANEL		1		
79	E207356-001SM	REAR COVER		1		
80	E73273-003	SPECIAL SCREW	CHASSIS	1		
81	E73273-003	SPECIAL SCREW	TU.TERM	2		
82	E73273-003	SPECIAL SCREW	2-PIN	1		
83	E73273-003	SPECIAL SCREW	SPK	2		
84	E73273-003	SPECIAL SCREW	BKT	2		
85	E73273-003	SPECIAL SCREW	REAR COVER	2		
86	E73273-003	SPECIAL SCREW	H.SINK	2		
87	E73273-003	SPECIAL SCREW	C3 CHG MECHA	2		
88	FMJC1013-002	METAL COVER		1		
89	SDSG3006M	T. SCREW		8		
90	FMJD3004-001	CD FITTING		1		
91	FMJD3004-002	CD FITTING		1		
92	FMJD3004-003	CD FITTING		1		
93	E309501-001SM	M.VOL.KNOB		1		
94	E408765-004SM	MIC VOL.KNOB		1		
95	FMKL4009-001	PHONE BRACKET		1		
96	E73273-003	SPECIAL SCREW	VOLTAGE SELECTO	2		
97	E406709-001	LASER CAUTION		1		
99	E70891-001	CLASS 1 LABEL		1		
101	VND4003-073	FUSE LABEL	FOR F999	1		
102	FMND3007-002	RATING LABEL		1	UT	
	E309552-007	RATING LABEL		1	U	
F 996	QMF51E2-R80SBS	FUSE		1		
F 997	QMF51E2-1R25	FUSE		1		
F 998	QMF51E2-1R25	FUSE		1		
F 999	QMF51E2-1R6J1	FUSE		1		
S 001	QSR8001-E01U	ROTALY SWITCH	V SELECT SWITCH	1		
T 999	FMT66U8-65A	TRANSFORMER		1		

# 10 Exploded view of mechanism assembly







● CD changer mechanism assembly parts list

BLOCK NO.

△	REF.	PARTS NO.	PARTS NAME	REMARKS	QTY	SUFFIX	CLR
	A	VKS3703-00F	CLAMPER ASSY		1		
	1	VKS1144-003	CHASSIS		1		
	2	VKS3698-003	TRAY GUIDE		2		
	3	VKS5532-003	PULLEY GEAR		2		
	4	VKB3000-164	BELT		2		
	5	VKS5505-003	GEAR B		2		
	6	VKS5506-002	GEAR C		3		
	7	VKS5507-002	CROSS GEAR U		1		
	8	VKS5508-002	CROSS GEAR L		1		
	9	VKS5510-003	SELECT LEVER		1		
	10	VKH5769-001	S.G.SHAFT		1		
	11	VKS5511-002	SELECT GEAR		1		
	12	VKW5155-003	COMP.SPRING	FOR SELECT GEAR	1		
	13	VKM3846-002	GEAR BRACKET		1		
	14	VKS5509-002MM	CYLINDER GEAR		1		
	15	MSN5D257A-SA2	D.C.MOTOR ASS'Y		2		
	16	DPSP2616Z	SCREW	FOR MOTOR	2		
	17	VMC0325-010	CONN.TERMINAL		1		
	18	VKM3825-00AMM	C.G.BASE ASS'Y		1		
	19	VKZ3172-00AMM	CAM SW. R ASS'Y		1		
	20	VKZ3173-00AMM	CAM SW. L ASS'Y		1		
	21	SPST2606Z	SCREW	FOR CAM SW.	3		
	22	VKS2263-002MM	CAM R1		1		
	23	VKS2264-002MM	CAM R2		1		
	24	VKS2265-002MM	CAM GEAR L		1		
	25	WDL316050	SLIT WASHER	FOR CAM GEAR L	1		
	26	WDL316050	SLIT WASHER		1		
	27	SBSF2608Z	SCREW	FOR C.GEAR BASE	4		
	28	VKS3702-00FMM	DRIVE UNIT		1		
	29	VKS2247-004	MECHA HOLDER A		1		
	30	VKL7767-00B	BRACKET ASS'Y		1		
	31	SBSF2606Z	SCREW	FOR BRACKET	2		
	32	VKM3860-00A	M.HOLDER B AS'Y		1		
	33	VKL7802-00C	M.HOLDER C AS'Y		1		
	34	SDST2604Z	SCREW	FOR M.HOLDER C	2		
	35	VKL7810-00A	LIFTER ASS'Y R		1		
	36	VKL7811-00A	LIFTER ASS'Y L		1		
	37	VKL7812-00A	LIFTER C ASS'Y		1		
	38	VKL2732-002	LIFTER BASE		1		
	39	VKM3823-001	LIFTER BRACKET		1		
	40	SBSF2608Z	SCREW		4		
	41	WDL266035-2	SLIT WASHER		1		
	42	SBSF2608Z	SCREW		4		
	43	VKS5514-002MM	LOCK LEVER		3		
	44	VKY3133-002MM	RETURN SPRING		1		
	45	SBSF2608Z	SCREW	FOR RETURN SP.	1		
	46	VKY3134-003MM	CLICK SPRING		1		
	47	VKS2252-00DMM	TRAY ASS'Y		3		
	48	VKS2250-003	TOP BRACKET		1		
	49	VKS5515-002	S.TRAY STOPPER		1		
	50	VKW5156-004	TORSION SPRING		1		
	51	SBSF2608Z	SCREW		3		
	52	SPST2608Z	SCREW		4		
	58	VKZ4001-110	WIRE CLAMP		1		
	60	-----	CD MECHA		1		
	62	FMYH4003-001	INSULATOR		2		
	63	FMYH4003-002	INSULATOR		2		
	64	VKS2248-004	CLAMPER BASE		1		
	65	VKS3697-001	CD CLAMPER		1		
	67	VYH7313-003	MAGNET		1		
	68	VKL7757-001	YOKE PLATE		1		
	69	SBSF2606Z	TAPPING SCREW		1		
	70	SPST2606Z	SCREW	CLAMPER ASSY	1		
	71	VKW5187-001	ROD		1		

■ CD mechanism section

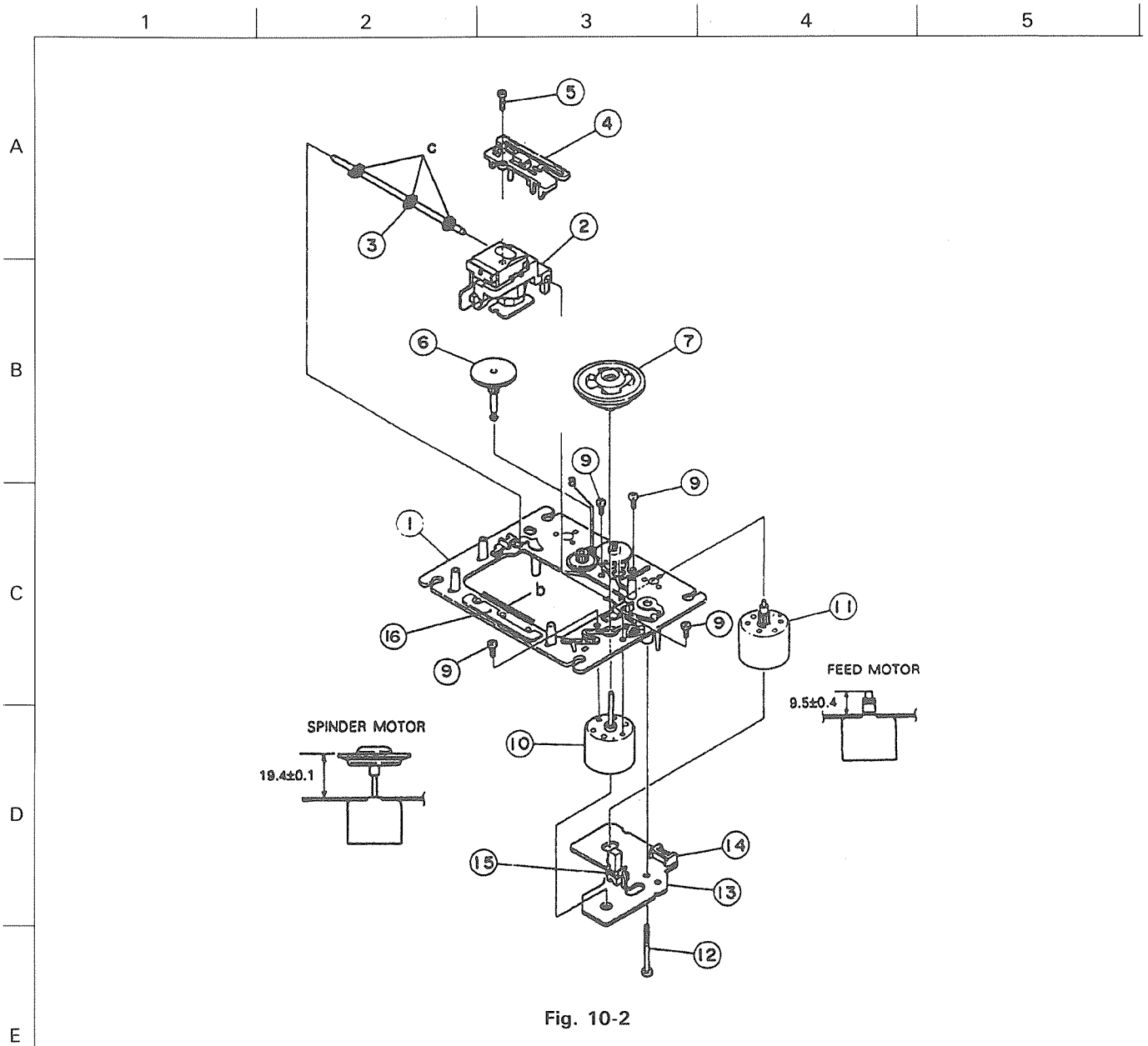


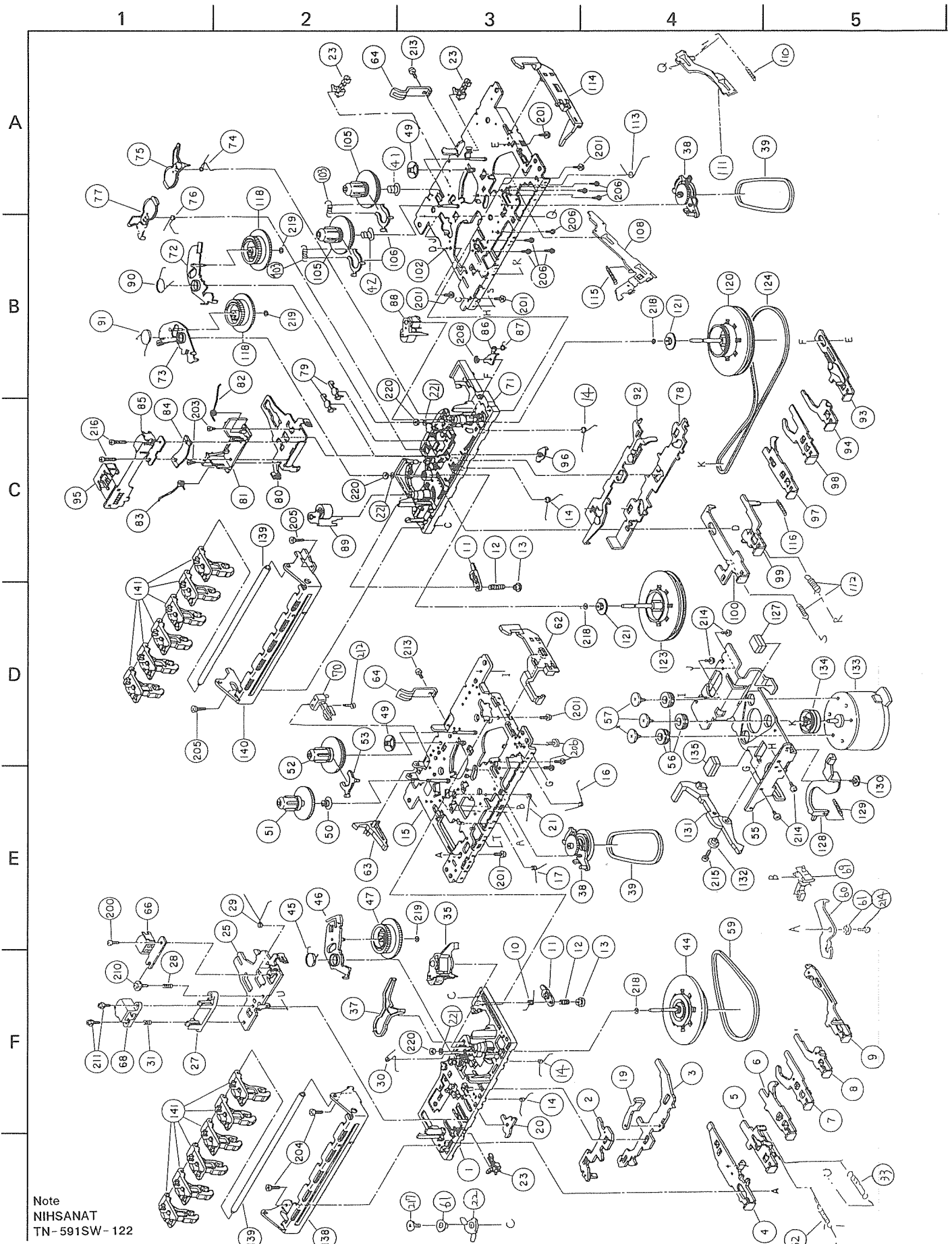
Fig. 10-2

● CD mechanism section parts list

BLOCK NO. M2MM

△	REF.	PARTS NO.	PARTS NAME	REMARKS	QTY	SUFFIX	CLR
	1	EPB-002A	MECHA BAES ASSY		1		
	2	OPTIMA-6S	CD PICK-UP UNIT		1		
	3	E406777-001	PIC-UP SHAFT		1		
	4	E307746-001	CD RACK		1		
	5	SDSF2006Z	SCREW	CD LACK ASS'Y	1		
	6	EPB-003A	MECHA GEAR		1		
	7	EPB309173A	CD T.TABLE ASSY		1		
	9	SDSP2003N	SCREW	FOR MOTOR	4		
	10	E406783-001	SP MOTOR	SPINDL MOTOR	1		
	11	E406784-001SA	DC MOTOR ASS'Y	FEED MOTOR	1		
	12	E75832-001	SPECIAL SCREW	M.REAF SWITCH	1		
	13	EMW10190-001	PRINTED BOARD	LEAF SWITCH	1		
	14	EMV5109-006B	6P PLUG ASSY		1		
	15	ESB1100-005	LEAF SWITCH		1		
	16	E407212-001	LR DAMPER		1		

■ Cassette mechanism section



Note  
NIHSANAT  
TN-591SW-122

Fig. 10-3

(No. 10014) 92

● Cassette mechanism section parts list

BLOCK NO. M4MM        

△	REF.	PARTS NO.	PARTS NAME	REMARKS	QTY	SUFFIX	CLR
	1	192114316T	BASE ASS'Y		1		
	2	19211409T	SW ACTUATOR		1		
	3	19211438T	PUSH BUT.ACTR.		1		
	4	19211422T	REC BUTTON		1		
	5	19211484T	PLAY BUTTON		1		
	6	19211424T	REW BUTTON		1		
	7	19211425T	FF BUTTON LEVER		1		
	8	19211466T	STOP BUT.LEVER		1		
	9	19211461T	PAUSE BUTTON		1		
	10	19211413T	P CTRL SPRING		1		
	11	19211482T	PAUSE LEVER		2		
	12	19211412T	PAUSE LEVER		2		
	13	19211411T	PAUSE STOPPER		2		
	14	19211414T	BUTTON LEVER		4		
	15	192101501ZT	CHASIS ASS'Y		1		
	16	19211416T	E ACTUATOR		1		
	17	19211417T	P.S. LEVER		1		
	19	18211464T	E KICK LEVER		1		
	20	19211420T	PR STOPPER		1		
	21	19211449T	REC BUTT.LEV.SP		1		
	22	19211434T	PARM		1		
	23	MSW-1541T	LEAF SWITCH	MSW-1541T	3		
	25	19210314T	HEAD PANEL		1		
	27	19210306T	HEAD BASE		1		
	28	18210307T	EH SPRING		1		
	29	19210303T	PANEL P SPRING		1		
	30	19211418AT	M. CTRL SPRING		1		
	31	18210308T	EH SPRING		1		
	32	18211311T	E SLIDE LEV.SP		1		
	33	18210150T	PLAY BUT.LEV.SP		1		
	35	192104309T	PINCH ROLLER	ASS'Y	1		
	37	19212604TT	RF CLUTCH ASS'Y		1		
	38	195907301T	RF CLUTCH ASS'Y		2		
	39	18210711T	RF BELT		2		
	41	19210510T	B.T SPRING(F)		1		
	42	19210511T	B.T SPRING (R)		1		
	44	192109303ZT	FLYWHEEL ASS'Y		1		
	45	19212605T	RF BELT		1		
	46	192126502ZT	GEAR PLATE ASSY		1		
	47	19212602T	B.T SPRING(F)		1		
	49	18211070T	GEAR PLATE SP'G		2		
	50	19210520T	BACK TENSION SP		1		
	51	192105304T	SUPPLY REEL		1		
	52	192105303T	TAKE UP REEL	ASS'Y	1		
	53	19210506T	SENSOR		1		
	55	18511407T	MOTOR BRACKET		1		
	56	18211266T	M.RUBBER		3		
	57	18511418T	SCREW		3		
	59	182112173T	MAIN BELT		1		
	60	19210201T	REC ARM		1		
	61	19211437T	SENSING LEVER		2		
	62	FMYH4003-001	INSULATOR		2		
		19211303T	EJECT SLIDE LEV		1		
	63	FMYH4003-002	INSULATOR		2		



BLOCK NO.      

REF.	PARTS NO.	PARTS NAME	REMARKS	QTY	SUFFIX	CLR
	18211069T	RECORD SAFETY		1		
64	18291006T	PACK SPRING		2		
66	MS15R-AA2N1	PACK SPRING	MS15R-AA2N1	1		
68	62021419T	E HEAD	LE15B-C1	1		
69	640101161T	LEAF SWITCH	MSW-17820MVDO	1		
70	64010138T	LEAF SWITCH	MSW-1275	1		
71	195914301T	BASE ASS'Y		1		
72	195926501T	GEAR PLT.(F)ASS		1		
73	195926502T	GEAR PLT.(R)ASS		1		
74	19592609T	M CON.SPRING(F)		1		
75	19592606T	SENSING LEVE(F)		1		
76	19592610T	M CON.SPRING(R)		1		
77	19592607T	SENSING LEVE(R)		1		
78	19591410T	SLIDE PLATE		1		
79	19592608T	M CONT. ARM		2		
80	19590301T	HEAD PANEL		1		
81	19590303T	HEAD BASE		1		
82	19590402T	P.ROL.ARM.SG(F)		1		
83	19590404T	P.ROL.ARM.SG(R)		1		
84	18510405T	HEAD SP PLATE		1		
85	62020333T	HEAD	MR35P-KF243	1		
86	19591409T	ROTARY ARM		1		
87	19591427T	ROTARY SPRING		1		
88	195904301T	P.ROL.ARM(F)ASS		1		
89	195904302T	P.ROL.ARM(R)ASS		1		
90	19592604T	GEAR PLT.SPG(F)		1		
91	19592605T	GEAR PLT.SPG(R)		1		
92	195914501T	ACTUATOR ASS'Y		1		
93	195914303T	PR.BUT.LEV.(S)A		1		
94	19591413T	STOP BUT.LEV(S)		1		
95	64030204T	SLIDE SWITCH	R663167	1		
96	19591423T	PR STOPPER		1		
97	19591415T	FF BUT.LEV.(RS)		1		
98	19591414T	FF BUT.LEV.(FS)		1		
99	19591416T	PLAY BUT.LEV(S)		1		
100	19591417T	MODE BUT.LEV(S)		1		
102	195901501T	CHASSIS ASS'Y		1		
103	19590504T	SENSOR SPRING		2		
105	192105309T	TAKE UP REEL AS		2		
106	19590509T	SENSOR		2		
108	19590102T	MAIN PLATE		1		
110	19591502T	MUTING PLATE SP		1		
111	19591501T	MUTING PLATE		1		
112	19591468T	PM BUT.LEV.SPR		2		
113	19591420T	E ACTUATOR SPR		1		
114	19591302T	EJE.SLIDE LEV(S)		1		
115	19590103T	MAIN PLATE SPR.		1		
116	19590302T	PANEL SPRING		1		
118	19592603T	CAM GEAR		2		
120	195909303T	FLYWHEEL(F)ASS'		1		
121	19210910T	FL GEAR		2		
123	195909304T	FLYWHEEL(R)ASS'		1		
124	182112142T	MAIN BELT		1		
127	18001075T	FELT MAT	ANTI VIBRATION	1		

BLOCK NO. M4MM        

REF.	PARTS NO.	PARTS NAME	REMARKS	QTY	SUFFIX	CLR
128	18511406T	P KICK LEVER		1		
129	18511404T	P KICK LEV.SPRG		1		
130	18211223T	PK COLLER		1		
131	19211225T	P KICK LEV.(B)		1		
132	18211265T	COLLER (B)		1		
133	60020322T	MOTOR	EG530YD-9BH	1		
134	19591201T	MOTOR PULLEY		1		
135	18001084T	FELT MAT	ANTI VIBRATION	1		
138	18213106T	FRAME		1		
139	18651477T	BUTT.LEV.SHAFT		2		
140	19593101T	FRAME		1		
141	18213107T	FUNCTION LEVEL		12		
200	9B0120031T	+ BIND SCREW	M2X3	1		
203	9C0420253T	S TAP.SCREW	(FOR CAMERA)	2		
204	9C0420801T	S TAP.SCREW	(FOR CAMERA)	2		
205	9C0420901T	S TAP.SCREW	FOR CAMERA	2		
206	9C0720451T	TAPPING SCREWR	FOR CAMERA	11		
208	9E0100152T	E RING S1.5		1		
210	9F0820071T	AZIMUTH SCREW	M2X7	1		
211	98210000T	+ -CAP SCREW	M2X7.5	2		
212	9P0420051T	C TAP SCREW	M2X5	1		
213	9P0420031T	C TAP SCREW	M2X3	2		
214	9P0420041T	C TAP SCREW	M2X4	5		
215	9P0420061T	C TAP SCREW	M2X6	1		
216	9P1420063T	SPECIAL SCREW	M2X6 BLACK	2		
217	9P0820301T	PS TAPPING		1		
218	9W0140010T	HLW WASHER	2X3.5X0.4	3		
219	9W0630030T	HLW CUT WASHER	1.2X3.8X0.3	3		
220	9W0650020T	HLW CUT WACHER	1.45X3.8X0.5	3		
221	9W0113020T	PW CUT WASHER	2.1X4X0.13	3		
301	9B1020051T	P TAP.BIND SCRW	M2X5	6		



# 11 Illustration of packing and parts list

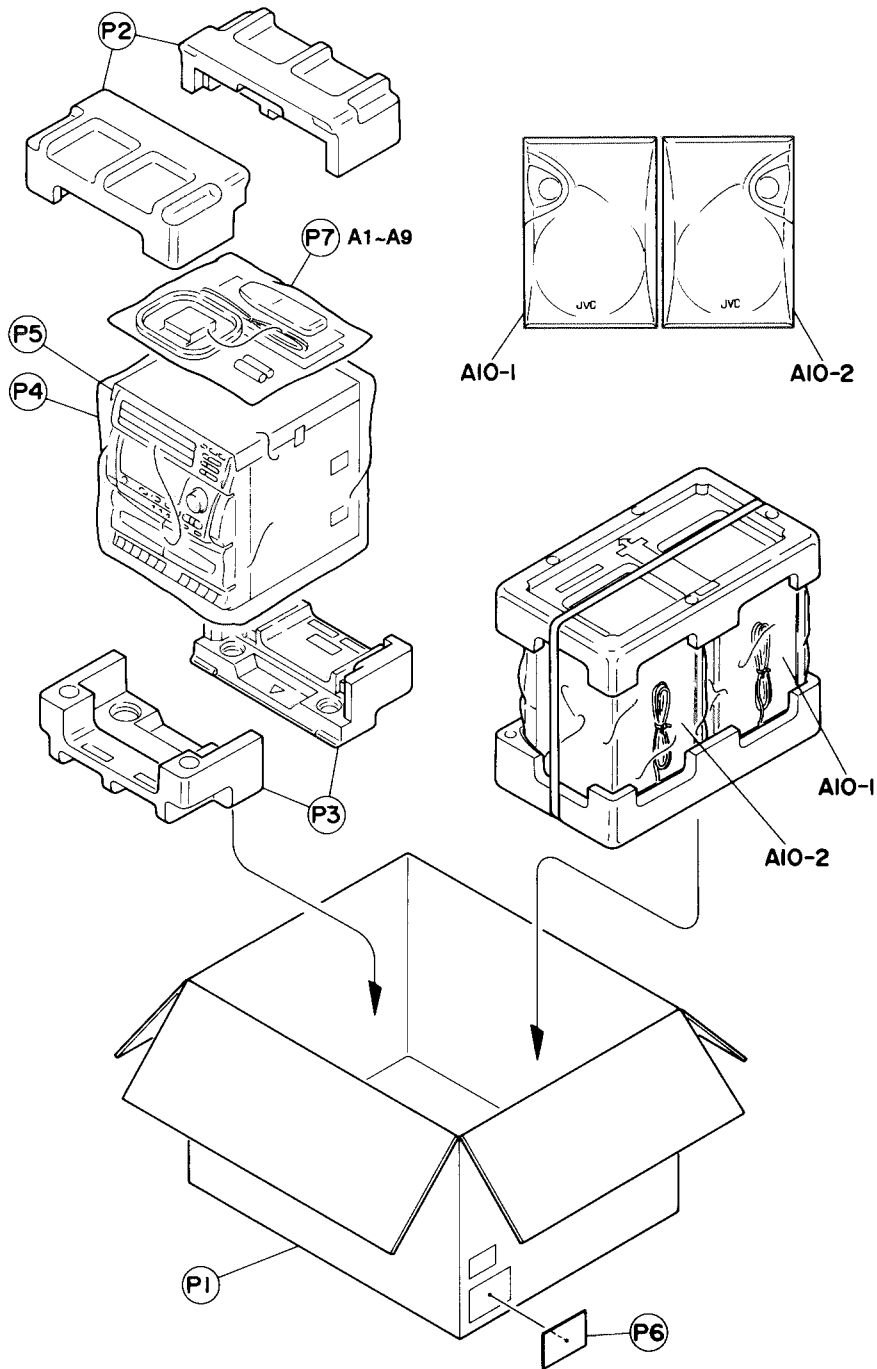


Fig. 11-1

● Packing parts list

BLOCK NO. M5MM

▲	REF.	PARTS NO.	PARTS NAME	REMARKS	QTY	SUFFIX	CLR
P	1	FMPC9001-002	PACKING CASE		1		
P	2	FMPH1009-001	CUSHION UPPER		1		
P	3	FMPH1010-001	CUSHION BOTTOM		1		
P	4	E309758-017	POLY BAG	FOR SET	1		
P	5	E36997-057	P.SHEET	FOR SET	1		
P	6	-----	COMPUTER LABEL		1		
P	7	E309758-002	POLY BAG	FOR INSTRUCTION	1		

## ● Accessories parts list

BLOCK NO. M5MM

△	REF.	PARTS NO.	PARTS NAME	REMARKS	QTY	SUFFIX	CLR
A	1	FMUN9001-141M	INSTRUCTIONS		1		
		FMUN9001-111M	INSTRUCTIONS		1		
A	4	EWP201-011	B.IN.ANT		1		
A	5	EQB4001-015	AM LOOP ANT		1		
A	6	BT-56001-1	WARRANTY CARD	A VERSION	1		
A	7	VGR0053-001	REMOCON	RM-RXMD2T	1		
A	8	UM-3D	BATTERY		2		
A	9	V04062-002	LEGIRA PLUG	US ONLY	1		
		VMZ0139-001	CONNECT PLUG		1	U,UT	
A10-1		MXD2T-SPBOX-L	SPEAKER BOX	LEFT SIDE	1		
A10-2		MXD2T-SPBOX-R	SPEAKER BOX	RIGHT	1		

# JVC

VICTOR COMPANY OF JAPAN, LIMITED  
 AUDIO PRODUCTS DIVISION 10-1, 1-chome, Ohwatari-machi, Maebashi-city, Japan