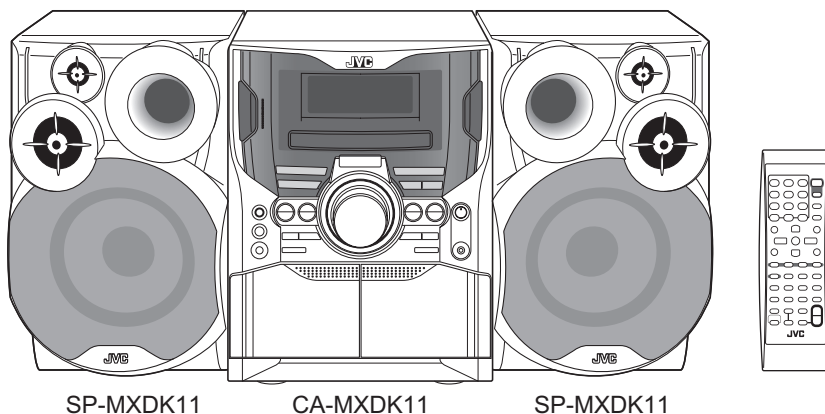


JVC

SERVICE MANUAL

COMPACT COMPONENT SYSTEM

MX-DK11A, MX-DK11UW, MX-DK11UX, MX-DK11UY, MX-DK11UG, MX-DK11UN



Lead free solder used in the board (material : Sn-Ag-Cu, melting point : 219 Centigrade)
Lead free solder used in the board (material : Sn-Cu, melting point : 230 Centigrade)

TABLE OF CONTENTS

1	PRECAUTION.....	1-3
2	SPECIFIC SERVICE INSTRUCTIONS.....	1-6
3	DISASSEMBLY	1-29
4	ADJUSTMENT	1-29
5	TROUBLESHOOTING	1-29

SPECIFICATION

Amplifier section	Output Power	90 W per channel, min. RMS, driven into 6 Ω at 1 kHz with no more than 10% total harmonic distortion.	
	Digital output	OPTICAL DIGITAL OUTPUT : -21 dBm to -15 dBm (660 nm \pm 30 nm)	
	Audio input sensitivity/ Impedance *1	AUX : 400 mV/47 k Ω MIC : 3.0 mV/50 k Ω	
	VIDEO OUT	Color system	NTSC/PAL selectable
		VIDEO (composite)	1 V(p-p)/75 Ω
		S-VIDEO	Y (luminance) : 1 V(p-p)/75 Ω C (chrominance, burst) : 0.286 V(p-p)/75 Ω
Speaker Terminals	6 Ω - 16 Ω		
Tuner section	FM tuning range	87.50 MHz - 108.00 MHz	
	AM (MW) tuning range	531 kHz - 1 710 kHz (at 9 kHz) 530 kHz - 1 710 kHz (at 10 kHz)	
	For Saudi Arabia only	531 kHz - 1 602 kHz (at 9 kHz) 530 kHz - 1 600 kHz (at 10 kHz)	
Disc player section	Playable disc	DVD Video/CD/VCD/SVCD CD-R/-RW/-ROM (CD/VCD/SVCD/MP3/WMA/JPEG/MPEG-1/MPEG-2 format) DVD-R/-RW (DVD Video/DVD Video Recording (VR)/MP3/WMA/JPEG/MPEG-1/ MPEG-2 format) +R/+RW (DVD Video format)	
	Dynamic range	90 dB	
	Horizontal resolution	500 lines	
	Wow and flutter	Immeasurable	
Cassette deck section	Frequency response Normal (type I)	50 Hz - 14 000 Hz	
	Wow and flutter	0.15% (WRMS)	
General	Power requirement	AC 110 V / AC 127 V / AC 220 V / AC 230 V - AC 240 V , (adjustable with the voltage selector), 50 Hz / 60 Hz	
	Power consumption	at operation: 95 W, on standby: 17 W	
	Dimensions (approx.)	265 mm \times 337 mm \times 370 mm (W/H/D)	
	Mass (approx.)	7.9 kg	

*1: Measured at 1 kHz, with tape recording signal 400 mV.

- Manufactured under license from Dolby Laboratories. "Dolby", "Pro Logic", and the double-D symbol are trademarks of Dolby Laboratories.
- "DTS" is a registered trademark of DTS, Inc. and "DTS 2.0+Digital Out" is a trademark of DTS, Inc.
- Microsoft and Windows Media are either registered trademarks or trademarks of Microsoft Corporation in the United States and/or other countries.
- This product incorporates copyright protection technology that is protected by U.S. patents and other intellectual property rights. Use of this copyright protection technology must be authorized by Macrovision, and is intended for home and other limited viewing uses only unless otherwise authorized by Macrovision. Reverse engineering or disassembly is prohibited.
- Design and specifications are subject to change without notice.

SECTION 1 PRECAUTION

1.1 Safety Precautions

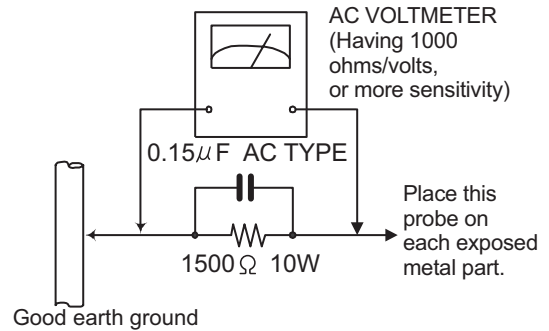
- (1) This design of this product contains special hardware and many circuits and components specially for safety purposes. For continued protection, no changes should be made to the original design unless authorized in writing by the manufacturer. Replacement parts must be identical to those used in the original circuits. Services should be performed by qualified personnel only.
- (2) Alterations of the design or circuitry of the product should not be made. Any design alterations of the product should not be made. Any design alterations or additions will void the manufacturer's warranty and will further relieve the manufacturer of responsibility for personal injury or property damage resulting therefrom.
- (3) Many electrical and mechanical parts in the products have special safety-related characteristics. These characteristics are often not evident from visual inspection nor can the protection afforded by them necessarily be obtained by using replacement components rated for higher voltage, wattage, etc. Replacement parts which have these special safety characteristics are identified in the Parts List of Service Manual. Electrical components having such features are identified by shading on the schematics and by (Δ) on the Parts List in the Service Manual. The use of a substitute replacement which does not have the same safety characteristics as the recommended replacement parts shown in the Parts List of Service Manual may create shock, fire, or other hazards.
- (4) The leads in the products are routed and dressed with ties, clamps, tubings, barriers and the like to be separated from live parts, high temperature parts, moving parts and/or sharp edges for the prevention of electric shock and fire hazard. When service is required, the original lead routing and dress should be observed, and it should be confirmed that they have been returned to normal, after reassembling.
- (5) Leakage shock hazard testing

After reassembling the product, always perform an isolation check on the exposed metal parts of the product (antenna terminals, knobs, metal cabinet, screw heads, headphone jack, control shafts, etc.) to be sure the product is safe to operate without danger of electrical shock. Do not use a line isolation transformer during this check.

 - Plug the AC line cord directly into the AC outlet. Using a "Leakage Current Tester", measure the leakage current from each exposed metal part of the cabinet, particularly any exposed metal part having a return path to the chassis, to a known good earth ground. Any leakage current must not exceed 0.5mA AC (r.m.s.).
 - Alternate check method
Plug the AC line cord directly into the AC outlet. Use an AC voltmeter having, 1,000 Ω per volt or more sensitivity in the following manner. Connect a 1,500 Ω 10W resistor paralleled by a 0.15 μ F AC-type capacitor between an exposed metal part and a known good earth ground. Measure the AC voltage across the resistor with the AC

voltmeter.

Move the resistor connection to each exposed metal part, particularly any exposed metal part having a return path to the chassis, and measure the AC voltage across the resistor. Now, reverse the plug in the AC outlet and repeat each measurement. Voltage measured any must not exceed 0.75 V AC (r.m.s.). This corresponds to 0.5 mA AC (r.m.s.).



1.2 Warning

- (1) This equipment has been designed and manufactured to meet international safety standards.
- (2) It is the legal responsibility of the repairer to ensure that these safety standards are maintained.
- (3) Repairs must be made in accordance with the relevant safety standards.
- (4) It is essential that safety critical components are replaced by approved parts.
- (5) If mains voltage selector is provided, check setting for local voltage.

1.3 Caution

Burrs formed during molding may be left over on some parts of the chassis.

Therefore, pay attention to such burrs in the case of pre-forming repair of this system.

1.4 Critical parts for safety

In regard with component parts appearing on the silk-screen printed side (parts side) of the PWB diagrams, the parts that are printed over with black such as the resistor (■), diode (■) and ICP (●) or identified by the " Δ " mark nearby are critical for safety. When replacing them, be sure to use the parts of the same type and rating as specified by the manufacturer. (This regulation does not Except the J and C version)

1.5 Preventing static electricity

Electrostatic discharge (ESD), which occurs when static electricity stored in the body, fabric, etc. is discharged, can destroy the laser diode in the traverse unit (optical pickup). Take care to prevent this when performing repairs.

1.5.1 Grounding to prevent damage by static electricity

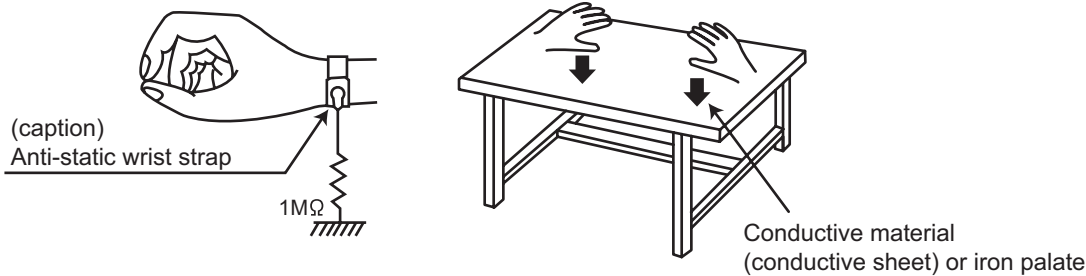
Static electricity in the work area can destroy the optical pickup (laser diode) in devices such as laser products. Be careful to use proper grounding in the area where repairs are being performed.

(1) Ground the workbench

Ground the workbench by laying conductive material (such as a conductive sheet) or an iron plate over it before placing the traverse unit (optical pickup) on it.

(2) Ground yourself

Use an anti-static wrist strap to release any static electricity built up in your body.



(3) Handling the optical pickup

- In order to maintain quality during transport and before installation, both sides of the laser diode on the replacement optical pickup are shorted. After replacement, return the shorted parts to their original condition. (Refer to the text.)
- Do not use a tester to check the condition of the laser diode in the optical pickup. The tester's internal power source can easily destroy the laser diode.

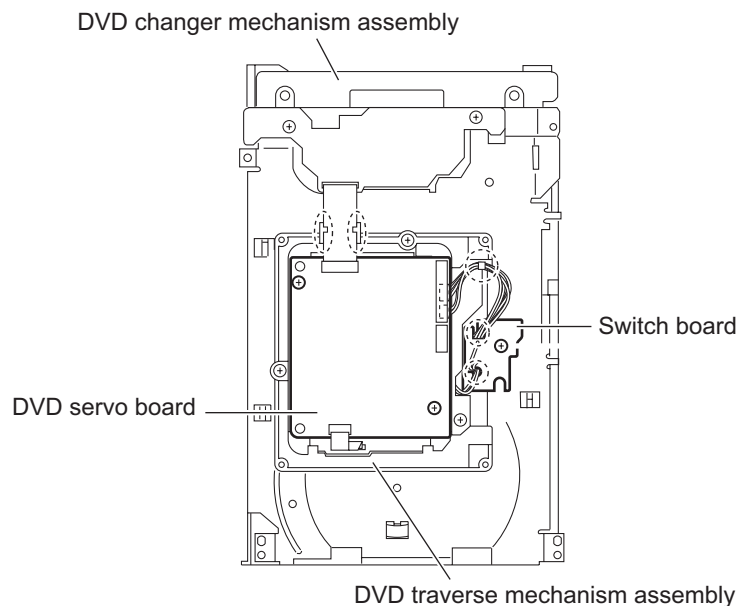
1.6 Handling the traverse unit (optical pickup)

- (1) Do not subject the traverse unit (optical pickup) to strong shocks, as it is a sensitive, complex unit.
- (2) Cut off the shorted part of the flexible cable using nippers, etc. after replacing the optical pickup. For specific details, refer to the replacement procedure in the text. Remove the anti-static pin when replacing the traverse unit. Be careful not to take too long a time when attaching it to the connector.
- (3) Handle the flexible cable carefully as it may break when subjected to strong force.
- (4) It is not possible to adjust the semi-fixed resistor that adjusts the laser power. Do not turn it.

1.7 Attention when traverse unit is decomposed

***Please refer to "Disassembly method" in the text for the pickup unit.**

- Apply solder to the short land sections before the card wire is disconnected from the connector on the servo board. (If the card wire is disconnected without applying solder, the pickup may be destroyed by static electricity.)
- In the assembly, be sure to remove solder from the short land sections after connecting the card wire.



1.8 Important for laser products

1.CLASS 1 LASER PRODUCT

2.CAUTION :

(For U.S.A.) Visible and/or invisible class II laser radiation when open. Do not stare into beam.
(Others) Visible and/or invisible class 1M laser radiation when open. Do not view directly with optical instruments.

3.CAUTION : Visible and/or invisible laser radiation when open and inter lock failed or defeated. Avoid direct exposure to beam.

4.CAUTION : This laser product uses visible and/or invisible laser radiation and is equipped with safety switches which prevent emission of radiation when the drawer is open and the safety interlocks have failed or are defeated. It is dangerous to defeat the safety switches.

(For U.S.A.)

CAUTION : Visible and/or invisible class II laser radiation when open. Do not stare into beam.

(Others)

CAUTION : Visible and/or invisible class 1M laser radiation when open. Do not view directly with optical instruments

ACHTUNG: Sichtbare und/oder unsichtbare Laserstrahlung der Klasse 1M bei offenen Abdeckungen. Nicht direkt mit optischen Instrumenten betrachten.

ATTENTION: Rayonnement laser visible et/ou invisible de classe 1M une fois ouvert. Ne pas regarder directement avec des instruments optiques.

VOORZICHTIG: Zichtbare en/of onzichtbare klasse 1M laserstralen indien geopend. Bekijk niet direct met optische instrumenten.

ATTENZIONE: Radiazione laser in classe 1M visibile e/o invisibile quando aperto. Non osservare direttamente con strumenti ottici.

WARNING: Synlig och/eller osynlig laserstrålning, klass 1M, när denna del är öppnad. Betrakta ej strålen med optiska instrument.

VARO! Avattaessa olet alttiina näkyvälle ja/tai näkymättömälle luokan 1M lasersäteilylle. Älä tarkastele sitä optisen laitteen läpi.

ADVARSEL: Synlig og/eller usynlig klasse 1M-laserstråling ved åbning. Se ikke direkte med optiske instrumenter.

AVISO: Radiación láser de clase 1M visible y/o invisible cuando está abierto. No mirar directamente con instrumental óptico.

PRECAUÇÃO: Radiação laser de classe 1M visível e/ou invisível quando aberto. Não olhe diretamente com instrumentos ópticos.

5.CAUTION : If safety switches malfunction, the laser is able to function.

6.CAUTION : Use of controls, adjustments or performance of procedures other than those specified here in may result in hazardous radiation exposure.

CAUTION Please use enough caution not to see the beam directly or touch it in case of an adjustment or operation check.

PRECAUÇÃO: Radiação laser de classe 1M visível e/ou invisível quando aberto. Não olhe diretamente com instrumentos ópticos.

ПРЕДУПРЕЖДЕНИЕ: В открытом состоянии происходит видимое и/или невидимое излучение лазера класса 1M. Не смотрите непосредственно в оптические инструменты.

UWAGA: Otwarcie spowoduje narażenie na widzialne i/lub niewidzialne promieniowanie lasera klasy 1M. Nie patrzeć bezpośrednio w przyrządy optyczne.

UPOZORNĚNÍ: Při otevření vydává viditelné popř. neviditelné laserové ozáření třídy 1M. Nedívejte se do otvoru přímo s optickými nástroji.

FIGYELMEZTETÉS: Látható és/vagy láthatatlan 1M osztályú sugárzás nyitott állapotban. Ne nézze közvetlenül optikai műszerekkel.

注意：打開蓋板可能會產生可見或不可見的 1M 級鐳射。不要使用光學儀器直接進行窺視。

注意：打开盖板可能会产生可见或不可见的 1M 级辐射。不要使用光学仪器直接进行窥视。

تنبيه: يوجد إشعاع ليزري مرئي و/أو غير مرئي من الفئة 1M عندما يكون الجهاز مفتوحاً. تجنب النظر مباشرة داخل الجهاز باستخدام أدوات بصرية.

احتياط: هنگامی که باز گردد، تشعشع مرئی و یا نامرئی کلاس 1M لیزر وجود دارد. با لوازم چشمی مستقیماً به آن نگاه نکنید.

주의: 개방하면 가지 및/또는 비가시 클래스 1M 레이저 방사선이 나옵니다. 광학 기구로 직접 들여다보지 마십시오.

REPRODUCTION AND POSITION OF LABELS and PRINT WARNING LABEL and PRINT



CAUTION VISIBLE AND/OR INVISIBLE CLASS 1M LASER RADIATION WHEN OPEN. DO NOT VIEW DIRECTLY WITH OPTICAL INSTRUMENTS. IEC60825-1:2001 (ENG)	ATTENTION RAYONNEMENT LASER VISIBLE ET/OU INVISIBLE DE CLASSE 1M UNE FOIS OUVERT. NE PAS REGARDER DIRECTEMENT AVEC DES INSTRUMENTS OPTIQUES. (FRA)	AVISO RADIACIÓN LÁSER DE CLASE 1M VISIBLE Y/O INVISIBLE CUANDO ESTA ABIERTO. NO MIRAR DIRECTAMENTE CON INSTRUMENTAL ÓPTICO. (ESP)	WARNING SYNLIG OCH/ELLER OSYNLIG LASERSTRÅLNING, KLASS 1M, NÄR DENNA LÄSAR-ÅBNET DEL ÄR ÖPPNAD. BETRÄKTA EJ STRÅLEN MED OPTISKA INSTRUMENT. (SWE)	注意 ここを覗くと可視 及び/または不可視 のクラス1M レーザー放射が 出ます。 光学装置で直接 覗かないでください。 (JPN)	CAUTION VISIBLE AND/OR INVISIBLE CLASS 1 LASER RADIATION WHEN OPEN. DO NOT STARE INTO BEAM. FDA 21 CFR (ENG) LV44803-003A
--	--	---	--	---	--

CAUTION VISIBLE AND/OR INVISIBLE CLASS 1M LASER RADIATION WHEN OPEN. DO NOT VIEW DIRECTLY WITH OPTICAL INSTRUMENTS. IEC60825-1:2001 (ENG)

ATTENTION RAYONNEMENT LASER VISIBLE ET/OU INVISIBLE DE CLASSE 1M UNE FOIS OUVERT. NE PAS REGARDER DIRECTEMENT AVEC DES INSTRUMENTS OPTIQUES. (FRA)

AVISO RADIACIÓN LÁSER DE CLASE 1M VISIBLE Y/O INVISIBLE CUANDO ESTA ABIERTO. NO MIRAR DIRECTAMENTE CON INSTRUMENTAL ÓPTICO. (ESP)

WARNING SYNLIG OCH/ELLER OSYNLIG LASERSTRÅLNING, KLASS 1M, NÄR DENNA DEL ÄR ÖPPNAD. BETRÄKTA EJ STRÅLEN MED OPTISKA INSTRUMENT. (SWE)
注意 ここを覗くと可視及び/または不可視のクラス1Mレーザー放射が出ます。光学装置で直接覗かないでください。(JPN)

CAUTION VISIBLE AND/OR INVISIBLE CLASS 1 LASER RADIATION WHEN OPEN. DO NOT STARE INTO BEAM. (ENG)
FDA 21 CFR LV44803-004A

SECTION 2

SPECIFIC SERVICE INSTRUCTIONS

Please use the MX-DK1US service manual ([No.MB515](#)) excluding the published content as follows.
The use number has changed when a part number of the reference origin and this part number are the same.

Parts list (General assembly) [P3-4 Block No.M1MM]

MX-DK11A

▲	Item	Parts name	Parts number		Q'ty
			MX-DK1US	MX-DK11A	
	1	FRONT PANEL ASSY	GV10328-001A	GV10328-038A	1
	4	FUNCTION BUTTON	GV20418-002A	GV20418-003A	1
	7	FRONT LENS	GV10319-001A	GV10319-017A	1
	8	VOLUME KNOB	GV30875-001A	GV30875-007A	1
	9	V.ORNAMENT ASSY	GV30894-001A	GV30894-004A	1
	11	MIC.KNOB	GV40083-004A	-----	0
	14	SPACER	GV30349-068A	-----	0
	24	TAP SCREW	QYSBSF3010ZA	QYSBSF3010ZA	5
	29	SPACER	GV30349-046A	-----	0
	31	HEAT SINK	GV30879-003A	GV31012-001A	1
	32	SCREW	QYSBSG3016EA	QYSBSG3016EA	1
	35	SCREW	QYSBSG3010EA	-----	0
	39	SCREW	QYSBSF3010ZA	-----	0
	40	METAL COVER	GV10217-007A/S/	GV10217-015A/S/	1
	44	REAR PANEL	GV10324-004A	GV10324-047A	1
	47	TUNER	QAU0412-001	QAU0492-001	1
	50	TAP SCREW	QYSBSGY3008EA	-----	0
	58	TAP SCREW	QYSDSG3006NA	QYSDSG3008NA	2
▲	63	POWER CORD(EU)	QMPK200-200-JD	QMPG150-244-JC	1
▲	64	POWER TRANS	QQT0515-001	QQT0534-001	1
	66	FFC WIRE	QUQU12-1911AJ-E	QUQU12-1913AJ-E	1
	67	FFC WIRE	QUQU12-1915BJ-E	QUQU12-1921BJ-E	1
	68	FFC WIRE	QUQU12-0915BJ-E	QUQU12-0921BJ-E	1
	69	FFC WIRE	QUR110-2520AJ-E	QUR110-0532BJ-E	1
	70	FFC WIRE	QUR110-0515AJ-E	QUR110-2517AJ-E	1
	71	FFC WIRE	QUR110-0532BJ-E	QUR110-0513AJ-E	1
	78	SPACER	GV30349-048A	-----	0

MX-DK11UW

▲	Item	Parts name	Parts number		Q'ty
			MX-DK1US	MX-DK11UW	
	1	FRONT PANEL ASSY	GV10328-001A	GV10328-037A	1
	4	FUNCTION BUTTON	GV20418-002A	GV20418-003A	1
	7	FRONT LENS	GV10319-001A	GV10319-017A	1
	8	VOLUME KNOB	GV30875-001A	GV30875-007A	1
	9	V.ORNAMENT ASSY	GV30894-001A	GV30894-004A	1
	11	MIC.KNOB	GV40083-004A	GV40083-006A	1
	14	SPACER	GV30349-068A	-----	0
	24	TAP SCREW	QYSBSF3010ZA	QYSBSF3010ZA	5
	29	SPACER	GV30349-046A	-----	0
	31	HEAT SINK	GV30879-003A	GV31012-001A	1

△	Item	Parts name	Parts number		Q'ty
			MX-DK1US	MX-DK11UW	
	32	SCREW	QYSBSG3016EA	QYSBSG3016EA	1
	35	SCREW	QYSBSG3010EA	-----	0
	39	SCREW	QYSBSF3010ZA	-----	0
	40	METAL COVER	GV10217-007A/S/	GV10217-015A/S/	1
	44	REAR PANEL	GV10324-004A	GV10324-045A	1
	47	TUNER	QAU0412-001	QAU0492-001	1
	58	TAP SCREW	QYSDSG3006NA	QYSDSG3008NA	2
△	64	POWER TRANS	QQT0515-001	QQT0534-001	1
	66	FFC WIRE	QUQU12-1911AJ-E	QUQU12-1913AJ-E	1
	67	FFC WIRE	QUQU12-1915BJ-E	QUQU12-1921BJ-E	1
	68	FFC WIRE	QUQU12-0915BJ-E	QUQU12-0921BJ-E	1
	69	FFC WIRE	QUR110-2520AJ-E	QUR110-0532BJ-E	1
	70	FFC WIRE	QUR110-0515AJ-E	QUR110-2517AJ-E	1
	71	FFC WIRE	QUR110-0532BJ-E	QUR110-0513AJ-E	1
	78	SPACER	GV30349-048A	-----	0

MX-DK11UX/UG

△	Item	Parts name	Parts number		Q'ty
			MX-DK1US	MX-DK11UX/UG	
	1	FRONT PANEL ASSY	GV10328-001A	GV10328-037A	1
	4	FUNCTION BUTTON	GV20418-002A	GV20418-003A	1
	7	FRONT LENS	GV10319-001A	GV10319-017A	1
	8	VOLUME KNOB	GV30875-001A	GV30875-007A	1
	9	V.ORNAMENT ASSY	GV30894-001A	GV30894-004A	1
	11	MIC.KNOB	GV40083-004A	GV40083-006A	1
	14	SPACER	GV30349-068A	-----	0
	24	TAP SCREW	QYSBSF3010ZA	QYSBSF3010ZA	5
	29	SPACER	GV30349-046A	-----	0
	31	HEAT SINK	GV30879-003A	GV31012-001A	1
	32	SCREW	QYSBSG3016EA	QYSBSG3016EA	1
	35	SCREW	QYSBSG3010EA	-----	0
	39	SCREW	QYSBSF3010ZA	-----	0
	40	METAL COVER	GV10217-007A/S/	GV10217-015A/S/	1
	44	REAR PANEL	GV10324-004A	GV10324-046A	1
	47	TUNER	QAU0412-001	QAU0492-001	1
	58	TAP SCREW	QYSDSG3006NA	QYSDSG3008NA	2
△	64	POWER TRANS	QQT0515-001	QQT0534-001	1
	66	FFC WIRE	QUQU12-1911AJ-E	QUQU12-1913AJ-E	1
	67	FFC WIRE	QUQU12-1915BJ-E	QUQU12-1921BJ-E	1
	68	FFC WIRE	QUQU12-0915BJ-E	QUQU12-0921BJ-E	1
	69	FFC WIRE	QUR110-2520AJ-E	QUR110-0532BJ-E	1
	70	FFC WIRE	QUR110-0515AJ-E	QUR110-2517AJ-E	1
	71	FFC WIRE	QUR110-0532BJ-E	QUR110-0513AJ-E	1
	78	SPACER	GV30349-048A	-----	0

MX-DK11UY

△	Item	Parts name	Parts number		Q'ty
			MX-DK1US	MX-DK11UY	
	1	FRONT PANEL ASSY	GV10328-001A	GV10328-038A	1
	4	FUNCTION BUTTON	GV20418-002A	GV20418-003A	1
	7	FRONT LENS	GV10319-001A	GV10319-017A	1
	8	VOLUME KNOB	GV30875-001A	GV30875-007A	1
	9	V.ORNAMENT ASSY	GV30894-001A	GV30894-004A	1
	11	MIC.KNOB	GV40083-004A	GV40083-006A	1
	14	SPACER	GV30349-068A	-----	0
	24	TAP SCREW	QYSBSF3010ZA	QYSBSF3010ZA	5
	29	SPACER	GV30349-046A	-----	0
	31	HEAT SINK	GV30879-003A	GV31012-001A	1
	32	SCREW	QYSBSG3016EA	QYSBSG3016EA	1
	35	SCREW	QYSBSG3010EA	-----	0
	39	SCREW	QYSBSF3010ZA	-----	0
	40	METAL COVER	GV10217-007A/S/	GV10217-015A/S/	1
	44	REAR PANEL	GV10324-004A	GV10324-043A	1
	47	TUNER	QAU0412-001	QAU0492-001	1
	58	TAP SCREW	QYSDSG3006NA	QYSDSG3008NA	2
△	63	POWER CORD(EU)	QMPK200-200-JD	QMPP300-200-JC	1
△	64	POWER TRANS	QQT0515-001	QQT0534-001	1
	66	FFC WIRE	QUQU12-1911AJ-E	QUQU12-1913AJ-E	1
	67	FFC WIRE	QUQU12-1915BJ-E	QUQU12-1921BJ-E	1
	68	FFC WIRE	QUQU12-0915BJ-E	QUQU12-0921BJ-E	1
	69	FFC WIRE	QUR110-2520AJ-E	QUR110-0532BJ-E	1
	70	FFC WIRE	QUR110-0515AJ-E	QUR110-2517AJ-E	1
	71	FFC WIRE	QUR110-0532BJ-E	QUR110-0513AJ-E	1
	78	SPACER	GV30349-048A	-----	0

MX-DK11UN

△	Item	Parts name	Parts number		Q'ty
			MX-DK1US	MX-DK11UN	
	1	FRONT PANEL ASSY	GV10328-001A	GV10328-037A	1
	4	FUNCTION BUTTON	GV20418-002A	GV20418-003A	1
	7	FRONT LENS	GV10319-001A	GV10319-017A	1
	8	VOLUME KNOB	GV30875-001A	GV30875-007A	1
	9	V.ORNAMENT ASSY	GV30894-001A	GV30894-004A	1
	11	MIC.KNOB	GV40083-004A	GV40083-006A	1
	14	SPACER	GV30349-068A	-----	0
	24	TAP SCREW	QYSBSF3010ZA	QYSBSF3010ZA	5
	29	SPACER	GV30349-046A	-----	0
	31	HEAT SINK	GV30879-003A	GV31012-001A	1
	32	SCREW	QYSBSG3016EA	QYSBSG3016EA	1
	35	SCREW	QYSBSG3010EA	-----	0
	39	SCREW	QYSBSF3010ZA	-----	0
	40	METAL COVER	GV10217-007A/S/	GV10217-015A/S/	1
	44	REAR PANEL	GV10324-004A	GV10324-044A	1
	47	TUNER	QAU0412-001	QAU0492-001	1
	58	TAP SCREW	QYSDSG3006NA	QYSDSG3008NA	2

△	Item	Parts name	Parts number		Q'ty
			MX-DK1US	MX-DK11UN	
△	64	POWER TRANS	QQT0515-001	QQT0534-001	1
	66	FFC WIRE	QUQU12-1911AJ-E	QUQU12-1913AJ-E	1
	67	FFC WIRE	QUQU12-1915BJ-E	QUQU12-1921BJ-E	1
	68	FFC WIRE	QUQU12-0915BJ-E	QUQU12-0921BJ-E	1
	69	FFC WIRE	QUR110-2520AJ-E	QUR110-0532BJ-E	1
	70	FFC WIRE	QUR110-0515AJ-E	QUR110-2517AJ-E	1
	71	FFC WIRE	QUR110-0532BJ-E	QUR110-0513AJ-E	1
	78	SPACER	GV30349-048A	-----	0

Parts list (Power board) [P3-12 Block No.01]

MX-DK11A

△	Item	Parts name	Parts number		Q'ty
			MX-DK1US	MX-DK11A	
	Q1050	TRANSISTOR	KTC3200/GL/-T	KTC3199/GL/-T	1
	Q1052	TRANSISTOR	KTA1268/GL/-T	KTA1267/YG/-T	1
	Q1053	TRANSISTOR	KTA1268/GL/-T	KTA1267/YG/-T	1
	Q1090	TRANSISTOR	KTA1268/GL/-T	KTA1267/YG/-T	1
	Q1091	TRANSISTOR	KTC1027/OY/-T	KTC3200/GL/-T	1
	Q1092	TRANSISTOR	KTC3200/GL/-T	KTC3199/GL/-T	1
	Q1093	TRANSISTOR	KTA1023/OY/-T	KTA1268/GL/-T	1
	Q2011	TRANSISTOR	KTC3203/OY/-T	KTC3199/GL/-T	1
	D1041	SI DIODE	1SS133-T2	-----	0
	D1042	SI DIODE	1SS133-T2	-----	0
	D1105	DIODE	2A02-M	-----	0
	D1106	DIODE	2A02-M	-----	0
	C1001	E CAPACITOR	QEZ0818-478	QEZ0808-478	1
	C1002	E CAPACITOR	QEZ0818-478	QEZ0808-478	1
	C1010	E CAPACITOR	QETM1EM-338	QETM1VM-338	1
	C1011	E CAPACITOR	QETM1EM-338	QETM1VM-338	1
	C1083	E CAPACITOR	QTE1V06-106Z	QTE1J46-106Z	1
	C1085	E CAPACITOR	QTE1V06-106Z	QTE1J46-106Z	1
	C1091	M CAPACITOR	QFZ0212-104Z	QFVF1HJ-104Z	1
	C1092	M CAPACITOR	QFZ0212-104Z	QFVF1HJ-104Z	1
	C1221	E CAPACITOR	QETM1EM-688	QETM1EM-478	1
	C1222	E CAPACITOR	QETM1CM-688	QETM1CM-478	1
	C1270	E CAPACITOR	QETN1HM-106Z	-----	0
	C1280	E CAPACITOR	QETN1HM-106Z	-----	0
	C1290	E CAPACITOR	QETN1HM-106Z	-----	0
	C1260	E CAPACITOR	QETN1HM-106Z	-----	0
	C2019	M CAPACITOR	QFLC1HJ-104Z	QFVF1HJ-104Z	1
△	C2020	M CAPACITOR	QFZ0227-104Z	QFNC2AJ-104Z	1
	C2200	M CAPACITOR	QFZ0227-104Z	QFZ0228-104Z	1
	R1042	C RESISTOR	QRE141J-272Y	-----	0
	R1043	C RESISTOR	QRE141J-153Y	-----	0
	R1044	C RESISTOR	QRE141J-272Y	-----	0
	R1045	C RESISTOR	QRE141J-153Y	-----	0
	R1093	C RESISTOR	QRE141J-103Y	QRE141J-822Y	1

△	Item	Parts name	Parts number		Q'ty
			MX-DK1US	MX-DK11A	
	R1094	C RESISTOR	QRE141J-103Y	QRE141J-822Y	1
△	R1095	UNF C RESISTOR	QRJ146J-470X	QRJ146J-100X	1
△	R1096	UNF C RESISTOR	QRJ146J-470X	QRJ146J-100X	1
	EP121	IC BRD.HOLDER	GV40327-002A	-----	0
	FW160	FLAT WIRE	QUM156-14DGZ4-E	QUM156-13DGZ4-E	1
	FW170	FLAT WIRE	QUM154-14DGZ4-E	QUM154-13DGZ4-E	1
	J100	SPK TERMINAL	QNB0181-001	QNB0303-001	1

MX-DK11UW

△	Item	Parts name	Parts number		Q'ty
			MX-DK1US	MX-DK11UW	
	Q1050	TRANSISTOR	KTC3200/GL/-T	KTC3199/GL/-T	1
	Q1052	TRANSISTOR	KTA1268/GL/-T	KTA1267/YG/-T	1
	Q1053	TRANSISTOR	KTA1268/GL/-T	KTA1267/YG/-T	1
	Q1090	TRANSISTOR	KTA1268/GL/-T	KTA1267/YG/-T	1
	Q1091	TRANSISTOR	KTC1027/OY/-T	KTC3200/GL/-T	1
	Q1092	TRANSISTOR	KTC3200/GL/-T	KTC3199/GL/-T	1
	Q1093	TRANSISTOR	KTA1023/OY/-T	KTA1268/GL/-T	1
	Q2011	TRANSISTOR	KTC3203/OY/-T	KTC3199/GL/-T	1
	D1105	DIODE	2A02-M	-----	0
	D1106	DIODE	2A02-M	-----	0
	C1001	E CAPACITOR	QEZ0818-478	QEZ0808-478	1
	C1002	E CAPACITOR	QEZ0818-478	QEZ0808-478	1
	C1010	E CAPACITOR	QETM1EM-338	QETM1VM-338	1
	C1011	E CAPACITOR	QETM1EM-338	QETM1VM-338	1
	C1083	E CAPACITOR	QTE1V06-106Z	QTE1J46-106Z	1
	C1085	E CAPACITOR	QTE1V06-106Z	QTE1J46-106Z	1
	C1091	M CAPACITOR	QFZ0212-104Z	QFVF1HJ-104Z	1
	C1092	M CAPACITOR	QFZ0212-104Z	QFVF1HJ-104Z	1
	C1221	E CAPACITOR	QETM1EM-688	QETM1EM-478	1
	C1222	E CAPACITOR	QETM1CM-688	QETM1CM-478	1
	C1270	E CAPACITOR	QETN1HM-106Z	-----	0
	C1280	E CAPACITOR	QETN1HM-106Z	-----	0
	C1290	E CAPACITOR	QETN1HM-106Z	-----	0
	C1260	E CAPACITOR	QETN1HM-106Z	-----	0
	C2019	M CAPACITOR	QFLC1HJ-104Z	QFVF1HJ-104Z	1
△	C2020	M CAPACITOR	QFZ0227-104Z	QFNC2AJ-104Z	1
	C2200	M CAPACITOR	QFZ0227-104Z	QFZ0228-104Z	1
	R1043	C RESISTOR	QRE141J-153Y	QRE141J-822Y	1
	R1045	C RESISTOR	QRE141J-153Y	QRE141J-822Y	1
	R1093	C RESISTOR	QRE141J-103Y	QRE141J-822Y	1
	R1094	C RESISTOR	QRE141J-103Y	QRE141J-822Y	1
△	R1095	UNF C RESISTOR	QRJ146J-470X	QRJ146J-100X	1
△	R1096	UNF C RESISTOR	QRJ146J-470X	QRJ146J-100X	1
	EP121	IC BRD.HOLDER	GV40327-002A	-----	0
	FW160	FLAT WIRE	QUM156-14DGZ4-E	QUM156-13DGZ4-E	1
	FW170	FLAT WIRE	QUM154-14DGZ4-E	QUM154-13DGZ4-E	1
	J100	SPK TERMINAL	QNB0181-001	QNB0303-001	1

MX-DK11UX/UJ/UG/UN

△	Item	Parts name	Parts number		Q'ty
			MX-DK1US	MX-DK11UX/UJ/UG/UN	
	Q1050	TRANSISTOR	KTC3200/GL/-T	KTC3199/GL/-T	1
	Q1052	TRANSISTOR	KTA1268/GL/-T	KTA1267/YG/-T	1
	Q1053	TRANSISTOR	KTA1268/GL/-T	KTA1267/YG/-T	1
	Q1090	TRANSISTOR	KTA1268/GL/-T	KTA1267/YG/-T	1
	Q1091	TRANSISTOR	KTC1027/OY/-T	KTC3200/GL/-T	1
	Q1092	TRANSISTOR	KTC3200/GL/-T	KTC3199/GL/-T	1
	Q1093	TRANSISTOR	KTA1023/OY/-T	KTA1268/GL/-T	1
	Q2011	TRANSISTOR	KTC3203/OY/-T	KTC3199/GL/-T	1
	D1041	SI DIODE	1SS133-T2	-----	0
	D1042	SI DIODE	1SS133-T2	-----	0
	D1105	DIODE	2A02-M	-----	0
	D1106	DIODE	2A02-M	-----	0
	C1001	E CAPACITOR	QEZ0818-478	QEZ0808-478	1
	C1002	E CAPACITOR	QEZ0818-478	QEZ0808-478	1
	C1010	E CAPACITOR	QETM1EM-338	QETM1VM-338	1
	C1011	E CAPACITOR	QETM1EM-338	QETM1VM-338	1
	C1083	E CAPACITOR	QTE1V06-106Z	QTE1J46-106Z	1
	C1085	E CAPACITOR	QTE1V06-106Z	QTE1J46-106Z	1
	C1091	M CAPACITOR	QFZ0212-104Z	QFVF1HJ-104Z	1
	C1092	M CAPACITOR	QFZ0212-104Z	QFVF1HJ-104Z	1
	C1221	E CAPACITOR	QETM1EM-688	QETM1EM-478	1
	C1222	E CAPACITOR	QETM1CM-688	QETM1CM-478	1
	C1270	E CAPACITOR	QETN1HM-106Z	-----	0
	C1280	E CAPACITOR	QETN1HM-106Z	-----	0
	C1290	E CAPACITOR	QETN1HM-106Z	-----	0
	C1260	E CAPACITOR	QETN1HM-106Z	-----	0
	C2019	M CAPACITOR	QFLC1HJ-104Z	QFVF1HJ-104Z	1
△	C2020	M CAPACITOR	QFZ0227-104Z	QFNC2AJ-104Z	1
	C2200	M CAPACITOR	QFZ0227-104Z	QFZ0228-104Z	1
	R1042	C RESISTOR	QRE141J-272Y	-----	0
	R1043	C RESISTOR	QRE141J-153Y	-----	0
	R1044	C RESISTOR	QRE141J-272Y	-----	0
	R1045	C RESISTOR	QRE141J-153Y	-----	0
	R1093	C RESISTOR	QRE141J-103Y	QRE141J-822Y	1
	R1094	C RESISTOR	QRE141J-103Y	QRE141J-822Y	1
△	R1095	UNF C RESISTOR	QRJ146J-470X	QRJ146J-100X	1
△	R1096	UNF C RESISTOR	QRJ146J-470X	QRJ146J-100X	1
	EP121	IC BRD.HOLDER	GV40327-002A	-----	0
	FW160	FLAT WIRE	QUM156-14DGZ4-E	QUM156-13DGZ4-E	1
	FW170	FLAT WIRE	QUM154-14DGZ4-E	QUM154-13DGZ4-E	1
	J100	SPK TERMINAL	QNB0181-001	QNB0303-001	1

Parts list (Input board) [P3-14 Block No.02]

MX-DK11A/UY

△	Item	Parts name	Parts number		Q'ty
			MX-DK1US	MX-DK11A/UY	
	IC300	IC	SN74AHCT08NS-X	TC74VHCT08AFT-X	1
	IC325	IC	KIA278R05PI	PQ050RDC2SZF	1
	IC410	IC	NJM4565E-X	-----	0
	IC473	IC	KTC812T-X	-----	0
	IC560	IC	NJM4565E-X	KIA4558F-X	1
	IC600	IC	KTC812T-X	RT3Y97M-X	1
	Q3100	DIGI TRANSISTOR	KRA102S-X	RT1P141C-X	1
	Q3101	DIGI TRANSISTOR	KRC102S-X	RT1N141C-X	1
	Q4080	DIGI TRANSISTOR	KRA104S-X	-----	0
	Q4081	TRANSISTOR	KTC2875-X	-----	0
	Q4730	DIGI TRANSISTOR	KRA104S-X	-----	0
	Q5400	TRANSISTOR	KTC3875/YG/-X	2SC3928A/QR/-X	1
	Q5401	TRANSISTOR	KTC3875/YG/-X	2SC3928A/QR/-X	1
	Q5402	TRANSISTOR	KTC3875/YG/-X	2SC3928A/QR/-X	1
	Q5500	TRANSISTOR	KTC3875/YG/-X	2SC3928A/QR/-X	1
	Q5501	TRANSISTOR	KTC3875/YG/-X	2SC3928A/QR/-X	1
	Q5502	TRANSISTOR	KTC3875/YG/-X	2SC3928A/QR/-X	1
	Q5851	TRANSISTOR	KTC3875/YG/-X	RT1N240C-X	1
	Q5853	TRANSISTOR	KTC3875/YG/-X	RT1N240C-X	1
	Q6000	DIGI TRANSISTOR	KRA104S-X	-----	0
	D3300	Z DIODE	MTZJ5.1B-T2	-----	0
	D6850	DIODE	1SS133-T2	-----	0
	D6851	DIODE	1SS133-T2	-----	0
	C3300	E CAPACITOR	QETN1EM-476Z	-----	0
	C3302	C CAPACITOR	-----	NCB31CK-104X	1
	C3251	E CAPACITOR	QETN1EM-477Z	QETN1CM-107Z	1
	C3500	C CAPACITOR	NDC31HJ-270X	NDC31HJ-300X	1
	C3501	C CAPACITOR	NDC31HJ-270X	NDC31HJ-300X	1
	C4080	E CAPACITOR	QETN1HM-106Z	-----	0
	C4081	C CAPACITOR	NCB31EK-683X	-----	0
	C4082	E CAPACITOR	QETN1HM-226Z	-----	0
	C4050	E CAPACITOR	QTE1V28-107Z	QTE1E46-107Z	1
	C4100	E CAPACITOR	QETN1HM-226Z	-----	0
	C4101	E CAPACITOR	QETN1HM-106Z	-----	0
	C4200	E CAPACITOR	QETN1HM-226Z	-----	0
	C4201	E CAPACITOR	QETN1HM-106Z	-----	0
	C4705	E CAPACITOR	QETN1JM-476Z	-----	0
	C4707	M CAPACITOR	QFLC1HJ-473Z	QFLC1HJ-333Z	1
	C4708	M CAPACITOR	QFG32AJ-332Z	QFG32AJ-392Z	1
	C4710	E CAPACITOR	QTE1V06-106Z	QTE1J46-106Z	1
	C4711	E CAPACITOR	QETN1HM-105Z	QETN1HM-225Z	1
	C4723	E CAPACITOR	QETN1JM-476Z	QTE1E53-107Z	1
	C4730	E CAPACITOR	QETN1HM-105Z	-----	0
	C4734	E CAPACITOR	QETN1JM-476Z	QTE1J46-106Z	1
	C4736	E CAPACITOR	QETN1JM-476Z	QTE1J63-106Z	1

△	Item	Parts name	Parts number		Q'ty
			MX-DK1US	MX-DK11A/UY	
	C4805	E CAPACITOR	QETN1JM-476Z	-----	0
	C4807	M CAPACITOR	QFLC1HJ-473Z	QFLC1HJ-333Z	1
	C4808	M CAPACITOR	QFG32AJ-332Z	QFG32AJ-392Z	1
	C4810	E CAPACITOR	QTE1V06-106Z	QTE1J46-106Z	1
	C4811	E CAPACITOR	QETN1HM-105Z	QETN1HM-225Z	1
	C4834	E CAPACITOR	QETN1JM-476Z	QTE1J46-106Z	1
	C4836	E CAPACITOR	QETN1JM-476Z	QTE1J63-106Z	1
	C5602	E CAPACITOR	QETN1JM-476Z	QTE1E46-476Z	1
	C5702	E CAPACITOR	QETN1JM-476Z	QTE1E46-476Z	1
	C6850	C CAPACITOR	NCB31HK-222X	-----	0
	C7001	C CAPACITOR	NCB31HK-103X	-----	0
	C7009	C CAPACITOR	NCB31HK-103X	-----	0
	R3007	MG RESISTOR	NRSA63J-102X	NRSA63J-122X	1
	R3101	MG RESISTOR	NRSA63J-103X	NRSA63J-222X	1
	R3351	MG RESISTOR	NRSA63J-203X	NRSA63J-163X	1
	R3451	MG RESISTOR	NRSA63J-203X	NRSA63J-163X	1
	R4051	MG RESISTOR	NRSA63J-122X	NRSA63J-102X	1
	R4080	MG RESISTOR	NRSA63J-102X	-----	0
	R4081	MG RESISTOR	NRSA63J-103X	-----	0
	R4082	MG RESISTOR	NRSA63J-104X	-----	0
	R4083	MG RESISTOR	NRSA63J-102X	-----	0
	R4101	MG RESISTOR	NRSA63J-912X	-----	0
	R4102	MG RESISTOR	NRSA63J-103X	-----	0
	R4103	MG RESISTOR	NRSA63J-103X	-----	0
	R4104	MG RESISTOR	NRSA63J-103X	-----	0
	R4201	MG RESISTOR	NRSA63J-912X	-----	0
	R4202	MG RESISTOR	NRSA63J-103X	-----	0
	R4203	MG RESISTOR	NRSA63J-103X	-----	0
	R4204	MG RESISTOR	NRSA63J-103X	-----	0
	R4730	MG RESISTOR	NRSA63J-102X	-----	0
	R4733	MG RESISTOR	NRSA63J-682X	-----	0
	R4833	MG RESISTOR	NRSA63J-103X	-----	0
	R4700	MG RESISTOR	NRSA63J-103X	NRSA63J-123X	1
	R4800	MG RESISTOR	NRSA63J-103X	NRSA63J-123X	1
	R5300	MG RESISTOR	NRSA63J-392X	NRSA63J-362X	1
	R5301	MG RESISTOR	NRSA63J-222X	NRSA63J-272X	1
	R5302	MG RESISTOR	NRSA63J-913X	NRSA63J-104X	1
	R5404	MG RESISTOR	NRSA63J-153X	NRSA63J-123X	1
	R5504	MG RESISTOR	NRSA63J-153X	NRSA63J-123X	1
	R5600	MG RESISTOR	NRSA63J-102X	NRSA63J-122X	1
	R5601	MG RESISTOR	NRSA63J-184X	NRSA63J-204X	1
	R5602	MG RESISTOR	NRSA63J-302X	NRSA63J-242X	1
	R5700	MG RESISTOR	NRSA63J-102X	NRSA63J-122X	1
	R5701	MG RESISTOR	NRSA63J-184X	NRSA63J-204X	1
	R5702	MG RESISTOR	NRSA63J-302X	NRSA63J-242X	1
	R5853	MG RESISTOR	NRSA63J-243X	-----	0
	R5857	MG RESISTOR	NRSA63J-243X	-----	0

△	Item	Parts name	Parts number		Q'ty
			MX-DK1US	MX-DK11A/UY	
	R6001	MG RESISTOR	NRSA63J-103X	-----	0
	R6101	MG RESISTOR	NRSA63J-103X	-----	0
	R6111	MG RESISTOR	NRSA63J-103X	-----	0
	R6700	MG RESISTOR	NRSA63J-183X	-----	0
	R6701	MG RESISTOR	NRSA63J-823X	-----	0
	R6800	MG RESISTOR	NRSA63J-183X	-----	0
	R6801	MG RESISTOR	NRSA63J-823X	-----	0
	CN308	CONNECTOR	QGF1210G1-07	QGF1205F2-07	1
	J6700	SURROUND JACK	QNN0420-001	-----	0
	K3002	INDUCTOR	-----	QQR0621-001Z	1

MX-DK11UW

△	Item	Parts name	Parts number		Q'ty
			MX-DK1US	MX-DK11UW	
	IC300	IC	SN74AHCT08NS-X	TC74VHCT08AFT-X	1
	IC325	IC	KIA278R05PI	PQ050RDC2SZF	1
	IC410	IC	NJM4565E-X	KIA4558F-X	1
	IC473	IC	KTC812T-X	-----	0
	IC560	IC	NJM4565E-X	KIA4558F-X	1
	IC600	IC	KTC812T-X	RT3Y97M-X	1
	Q3100	DIGI TRANSISTOR	KRA102S-X	RT1P141C-X	1
	Q3101	DIGI TRANSISTOR	KRC102S-X	RT1N141C-X	1
	Q4080	DIGI TRANSISTOR	KRA104S-X	RT1P441C-X	1
	Q4081	TRANSISTOR	KTC2875-X	RT6N140C-X	1
	Q4730	DIGI TRANSISTOR	KRA104S-X	-----	0
	Q5400	TRANSISTOR	KTC3875/YG/-X	2SC3928A/QR/-X	1
	Q5401	TRANSISTOR	KTC3875/YG/-X	2SC3928A/QR/-X	1
	Q5402	TRANSISTOR	KTC3875/YG/-X	2SC3928A/QR/-X	1
	Q5500	TRANSISTOR	KTC3875/YG/-X	2SC3928A/QR/-X	1
	Q5501	TRANSISTOR	KTC3875/YG/-X	2SC3928A/QR/-X	1
	Q5502	TRANSISTOR	KTC3875/YG/-X	2SC3928A/QR/-X	1
	Q5851	TRANSISTOR	KTC3875/YG/-X	RT1N240C-X	1
	Q5853	TRANSISTOR	KTC3875/YG/-X	RT1N240C-X	1
	Q6000	DIGI TRANSISTOR	KRA104S-X	-----	0
	C3251	E CAPACITOR	QETN1EM-477Z	QETN1CM-107Z	1
	C3500	C CAPACITOR	NDC31HJ-270X	NDC31HJ-300X	1
	C3501	C CAPACITOR	NDC31HJ-270X	NDC31HJ-300X	1
	C4050	E CAPACITOR	QTE1V28-107Z	QTE1E46-107Z	1
	C4081	C CAPACITOR	NCB31EK-683X	NCB31CK-683X	1
	C4101	E CAPACITOR	QETN1HM-106Z	QTE1J46-106Z	1
	C4201	E CAPACITOR	QETN1HM-106Z	QTE1J46-106Z	1
	C4730	E CAPACITOR	QETN1HM-105Z	-----	0
	C4734	E CAPACITOR	QETN1JM-476Z	QTE1J46-106Z	1
	C4736	E CAPACITOR	QETN1JM-476Z	QTE1J63-106Z	1
	C4705	E CAPACITOR	QETN1JM-476Z	QTE1J63-106Z	1
	C4707	M CAPACITOR	QFLC1HJ-473Z	QFLC1HJ-333Z	1
	C4708	M CAPACITOR	QFG32AJ-332Z	QFG32AJ-392Z	1
	C4710	E CAPACITOR	QTE1V06-106Z	QTE1J46-106Z	1

△	Item	Parts name	Parts number		Q'ty
			MX-DK1US	MX-DK11UW	
	C4711	E CAPACITOR	QETN1HM-105Z	QETN1HM-225Z	1
	C4723	E CAPACITOR	QETN1JM-476Z	QTE1E53-107Z	1
	C4805	E CAPACITOR	QETN1JM-476Z	QTE1J63-106Z	1
	C4807	M CAPACITOR	QFLC1HJ-473Z	QFLC1HJ-333Z	1
	C4808	M CAPACITOR	QFG32AJ-332Z	QFG32AJ-392Z	1
	C4810	E CAPACITOR	QTE1V06-106Z	QTE1J46-106Z	1
	C4811	E CAPACITOR	QETN1HM-105Z	QETN1HM-225Z	1
	C4834	E CAPACITOR	QETN1JM-476Z	QTE1J46-106Z	1
	C4836	E CAPACITOR	QETN1JM-476Z	QTE1J63-106Z	1
	C5602	E CAPACITOR	QETN1JM-476Z	QTE1E46-476Z	1
	C5702	E CAPACITOR	QETN1JM-476Z	QTE1E46-476Z	1
	C7001	C CAPACITOR	NCB31HK-103X	-----	0
	C7009	C CAPACITOR	NCB31HK-103X	-----	0
	R3007	MG RESISTOR	NRSA63J-102X	NRSA63J-122X	1
	R4051	MG RESISTOR	NRSA63J-122X	NRSA63J-102X	1
	R3101	MG RESISTOR	NRSA63J-103X	NRSA63J-222X	1
	R3351	MG RESISTOR	NRSA63J-203X	NRSA63J-163X	1
	R3451	MG RESISTOR	NRSA63J-203X	NRSA63J-163X	1
	R4730	MG RESISTOR	NRSA63J-102X	-----	0
	R4733	MG RESISTOR	NRSA63J-682X	-----	0
	R4833	MG RESISTOR	NRSA63J-103X	-----	0
	R4700	MG RESISTOR	NRSA63J-103X	NRSA63J-123X	1
	R4800	MG RESISTOR	NRSA63J-103X	NRSA63J-123X	1
	R4081	MG RESISTOR	NRSA63J-103X	-----	0
	R5300	MG RESISTOR	NRSA63J-392X	NRSA63J-362X	1
	R5301	MG RESISTOR	NRSA63J-222X	NRSA63J-272X	1
	R5302	MG RESISTOR	NRSA63J-913X	NRSA63J-104X	1
	R5404	MG RESISTOR	NRSA63J-153X	NRSA63J-123X	1
	R5504	MG RESISTOR	NRSA63J-153X	NRSA63J-123X	1
	R5600	MG RESISTOR	NRSA63J-102X	NRSA63J-122X	1
	R5601	MG RESISTOR	NRSA63J-184X	NRSA63J-204X	1
	R5602	MG RESISTOR	NRSA63J-302X	NRSA63J-242X	1
	R5700	MG RESISTOR	NRSA63J-102X	NRSA63J-122X	1
	R5701	MG RESISTOR	NRSA63J-184X	NRSA63J-204X	1
	R5702	MG RESISTOR	NRSA63J-302X	NRSA63J-242X	1
	R5853	MG RESISTOR	NRSA63J-243X	-----	0
	R5857	MG RESISTOR	NRSA63J-243X	-----	0
	R6001	MG RESISTOR	NRSA63J-103X	-----	0
	R6101	MG RESISTOR	NRSA63J-103X	-----	0
	R6111	MG RESISTOR	NRSA63J-103X	-----	0
	CN308	CONNECTOR	QGF1210G1-07	QGF1205F2-07	1
	K3002	INDUCTOR	-----	QQR0621-001Z	1

MX-DK11UX

△	Item	Parts name	Parts number		Q'ty
			MX-DK1US	MX-DK11UX	
	IC300	IC	SN74AHCT08NS-X	TC74VHCT08AFT-X	1
	IC325	IC	KIA278R05PI	PQ050RDC2SZF	1
	IC410	IC	NJM4565E-X	KIA4558F-X	1
	IC473	IC	KTC812T-X	-----	0
	IC560	IC	NJM4565E-X	KIA4558F-X	1
	IC600	IC	KTC812T-X	RT3Y97M-X	1
	Q3100	DIGI TRANSISTOR	KRA102S-X	RT1P141C-X	1
	Q3101	DIGI TRANSISTOR	KRC102S-X	RT1N141C-X	1
	Q4080	DIGI TRANSISTOR	KRA104S-X	RT1P441C-X	1
	Q4081	TRANSISTOR	KTC2875-X	RT6N140C-X	1
	Q4730	DIGI TRANSISTOR	KRA104S-X	-----	0
	Q5400	TRANSISTOR	KTC3875/YG/-X	2SC3928A/QR/-X	1
	Q5401	TRANSISTOR	KTC3875/YG/-X	2SC3928A/QR/-X	1
	Q5402	TRANSISTOR	KTC3875/YG/-X	2SC3928A/QR/-X	1
	Q5500	TRANSISTOR	KTC3875/YG/-X	2SC3928A/QR/-X	1
	Q5501	TRANSISTOR	KTC3875/YG/-X	2SC3928A/QR/-X	1
	Q5502	TRANSISTOR	KTC3875/YG/-X	2SC3928A/QR/-X	1
	Q5851	TRANSISTOR	KTC3875/YG/-X	RT1N240C-X	1
	Q5853	TRANSISTOR	KTC3875/YG/-X	RT1N240C-X	1
	Q6000	DIGI TRANSISTOR	KRA104S-X	-----	0
	D3300	Z DIODE	MTZJ5.1B-T2	-----	0
	C3251	E CAPACITOR	QETN1EM-477Z	QETN1CM-107Z	1
	C3300	E CAPACITOR	QETN1EM-476Z	-----	0
	C3302	C CAPACITOR	-----	NCB31CK-104X	1
	C3500	C CAPACITOR	NDC31HJ-270X	NDC31HJ-300X	1
	C3501	C CAPACITOR	NDC31HJ-270X	NDC31HJ-300X	1
	C4050	E CAPACITOR	QTE1V28-107Z	QTE1E46-107Z	1
	C4101	E CAPACITOR	QETN1HM-106Z	QTE1J46-106Z	1
	C4201	E CAPACITOR	QETN1HM-106Z	QTE1J46-106Z	1
	C4705	E CAPACITOR	QETN1JM-476Z	QTE1J63-106Z	1
	C4707	M CAPACITOR	QFLC1HJ-473Z	QFLC1HJ-333Z	1
	C4708	M CAPACITOR	QFG32AJ-332Z	QFG32AJ-392Z	1
	C4710	E CAPACITOR	QTE1V06-106Z	QTE1J46-106Z	1
	C4711	E CAPACITOR	QETN1HM-105Z	QETN1HM-225Z	1
	C4723	E CAPACITOR	QETN1JM-476Z	QTE1E53-107Z	1
	C4730	E CAPACITOR	QETN1HM-105Z	-----	0
	C4734	E CAPACITOR	QETN1JM-476Z	QTE1J46-106Z	1
	C4736	E CAPACITOR	QETN1JM-476Z	QTE1J63-106Z	1
	C4834	E CAPACITOR	QETN1JM-476Z	QTE1J46-106Z	1
	C4836	E CAPACITOR	QETN1JM-476Z	QTE1J63-106Z	1
	C4805	E CAPACITOR	QETN1JM-476Z	QTE1J63-106Z	1
	C4807	M CAPACITOR	QFLC1HJ-473Z	QFLC1HJ-333Z	1
	C4808	M CAPACITOR	QFG32AJ-332Z	QFG32AJ-392Z	1
	C4810	E CAPACITOR	QTE1V06-106Z	QTE1J46-106Z	1
	C4811	E CAPACITOR	QETN1HM-105Z	QETN1HM-225Z	1
	C4081	C CAPACITOR	NCB31EK-683X	NCB31CK-683X	1

△	Item	Parts name	Parts number		Q'ty
			MX-DK1US	MX-DK11UX	
	C5602	E CAPACITOR	QETN1JM-476Z	QTE1E46-476Z	1
	C5702	E CAPACITOR	QETN1JM-476Z	QTE1E46-476Z	1
	C7001	C CAPACITOR	NCB31HK-103X	-----	0
	C7009	C CAPACITOR	NCB31HK-103X	-----	0
	R3007	MG RESISTOR	NRSA63J-102X	NRSA63J-122X	1
	R3101	MG RESISTOR	NRSA63J-103X	NRSA63J-222X	1
	R3351	MG RESISTOR	NRSA63J-203X	NRSA63J-163X	1
	R3451	MG RESISTOR	NRSA63J-203X	NRSA63J-163X	1
	R4051	MG RESISTOR	NRSA63J-122X	NRSA63J-102X	1
	R4081	MG RESISTOR	NRSA63J-103X	-----	0
	R4700	MG RESISTOR	NRSA63J-103X	NRSA63J-123X	1
	R4730	MG RESISTOR	NRSA63J-102X	-----	0
	R4733	MG RESISTOR	NRSA63J-682X	-----	0
	R4833	MG RESISTOR	NRSA63J-103X	-----	0
	R4800	MG RESISTOR	NRSA63J-103X	NRSA63J-123X	1
	R5300	MG RESISTOR	NRSA63J-392X	NRSA63J-362X	1
	R5301	MG RESISTOR	NRSA63J-222X	NRSA63J-272X	1
	R5302	MG RESISTOR	NRSA63J-913X	NRSA63J-104X	1
	R5404	MG RESISTOR	NRSA63J-153X	NRSA63J-123X	1
	R5504	MG RESISTOR	NRSA63J-153X	NRSA63J-123X	1
	R5600	MG RESISTOR	NRSA63J-102X	NRSA63J-122X	1
	R5601	MG RESISTOR	NRSA63J-184X	NRSA63J-204X	1
	R5602	MG RESISTOR	NRSA63J-302X	NRSA63J-242X	1
	R5700	MG RESISTOR	NRSA63J-102X	NRSA63J-122X	1
	R5701	MG RESISTOR	NRSA63J-184X	NRSA63J-204X	1
	R5702	MG RESISTOR	NRSA63J-302X	NRSA63J-242X	1
	R5853	MG RESISTOR	NRSA63J-243X	-----	0
	R5857	MG RESISTOR	NRSA63J-243X	-----	0
	R6111	MG RESISTOR	NRSA63J-103X	-----	0
	CN308	CONNECTOR	QGF1210G1-07	QGF1205F2-07	1
	K3002	INDUCTOR	-----	QQR0621-001Z	1

MX-DK11UG

△	Item	Parts name	Parts number		Q'ty
			MX-DK1US	MX-DK11UG	
	IC300	IC	SN74AHCT08NS-X	TC74VHCT08AFT-X	1
	IC325	IC	KIA278R05PI	PQ050RDC2SZF	1
	IC473	IC	KTC812T-X	-----	0
	IC600	IC	KTC812T-X	RT3Y97M-X	1
	Q3100	DIGI TRANSISTOR	KRA102S-X	RT1P141C-X	1
	Q3101	DIGI TRANSISTOR	KRC102S-X	RT1N141C-X	1
	Q4080	DIGI TRANSISTOR	KRA104S-X	RT1P441C-X	1
	Q4081	TRANSISTOR	KTC2875-X	RT6N140C-X	1
	Q4730	DIGI TRANSISTOR	KRA104S-X	-----	0
	Q5400	TRANSISTOR	KTC3875/YG/-X	2SC3928A/QR/-X	1
	Q5401	TRANSISTOR	KTC3875/YG/-X	2SC3928A/QR/-X	1
	Q5402	TRANSISTOR	KTC3875/YG/-X	2SC3928A/QR/-X	1
	Q5500	TRANSISTOR	KTC3875/YG/-X	2SC3928A/QR/-X	1

▲	Item	Parts name	Parts number		Q'ty
			MX-DK1US	MX-DK11UG	
	Q5501	TRANSISTOR	KTC3875/YG/-X	2SC3928A/QR/-X	1
	Q5502	TRANSISTOR	KTC3875/YG/-X	2SC3928A/QR/-X	1
	Q5851	TRANSISTOR	KTC3875/YG/-X	RT1N240C-X	1
	Q5853	TRANSISTOR	KTC3875/YG/-X	RT1N240C-X	1
	Q6000	DIGI TRANSISTOR	KRA104S-X	-----	0
	D3300	Z DIODE	MTZJ5.1B-T2	-----	0
	C3251	E CAPACITOR	QETN1EM-477Z	QETN1CM-107Z	1
	C3300	E CAPACITOR	QETN1EM-476Z	-----	0
	C4050	E CAPACITOR	QTE1V28-107Z	QTE1E46-107Z	1
	C3302	C CAPACITOR	-----	NCB31CK-104X	1
	C3500	C CAPACITOR	NDC31HJ-270X	NDC31HJ-300X	1
	C3501	C CAPACITOR	NDC31HJ-270X	NDC31HJ-300X	1
	C4081	C CAPACITOR	NCB31EK-683X	NCB31CK-683X	1
	C4101	E CAPACITOR	QETN1HM-106Z	QTE1J46-106Z	1
	C4201	E CAPACITOR	QETN1HM-106Z	QTE1J46-106Z	1
	C4705	E CAPACITOR	QETN1JM-476Z	QTE1J63-106Z	1
	C4707	M CAPACITOR	QFLC1HJ-473Z	QFLC1HJ-333Z	1
	C4708	M CAPACITOR	QFG32AJ-332Z	QFG32AJ-392Z	1
	C4710	E CAPACITOR	QTE1V06-106Z	QTE1J46-106Z	1
	C4711	E CAPACITOR	QETN1HM-105Z	QETN1HM-225Z	1
	C4723	E CAPACITOR	QETN1JM-476Z	QTE1E53-107Z	1
	C4730	E CAPACITOR	QETN1HM-105Z	-----	0
	C4734	E CAPACITOR	QETN1JM-476Z	QTE1J46-106Z	1
	C4736	E CAPACITOR	QETN1JM-476Z	QTE1J63-106Z	1
	C4805	E CAPACITOR	QETN1JM-476Z	QTE1J63-106Z	1
	C4807	M CAPACITOR	QFLC1HJ-473Z	QFLC1HJ-333Z	1
	C4808	M CAPACITOR	QFG32AJ-332Z	QFG32AJ-392Z	1
	C4810	E CAPACITOR	QTE1V06-106Z	QTE1J46-106Z	1
	C4811	E CAPACITOR	QETN1HM-105Z	QETN1HM-225Z	1
	C4834	E CAPACITOR	QETN1JM-476Z	QTE1J46-106Z	1
	C4836	E CAPACITOR	QETN1JM-476Z	QTE1J63-106Z	1
	C5602	E CAPACITOR	QETN1JM-476Z	QTE1E46-476Z	1
	C5702	E CAPACITOR	QETN1JM-476Z	QTE1E46-476Z	1
	C7001	C CAPACITOR	NCB31HK-103X	-----	0
	C7009	C CAPACITOR	NCB31HK-103X	-----	0
	R3007	MG RESISTOR	NRSA63J-102X	NRSA63J-122X	1
	R3101	MG RESISTOR	NRSA63J-103X	NRSA63J-222X	1
	R3351	MG RESISTOR	NRSA63J-203X	NRSA63J-163X	1
	R3451	MG RESISTOR	NRSA63J-203X	NRSA63J-163X	1
	R3562	MG RESISTOR	-----	NRSA63J-103X	1
	R4051	MG RESISTOR	NRSA63J-122X	NRSA63J-102X	1
	R4081	MG RESISTOR	NRSA63J-103X	-----	0
	R4730	MG RESISTOR	NRSA63J-102X	-----	0
	R4733	MG RESISTOR	NRSA63J-682X	-----	0
	R4833	MG RESISTOR	NRSA63J-103X	-----	0
	R4700	MG RESISTOR	NRSA63J-103X	NRSA63J-123X	1
	R4800	MG RESISTOR	NRSA63J-103X	NRSA63J-123X	1

△	Item	Parts name	Parts number		Q'ty
			MX-DK1US	MX-DK11UG	
	R5300	MG RESISTOR	NRSA63J-392X	NRSA63J-362X	1
	R5301	MG RESISTOR	NRSA63J-222X	NRSA63J-272X	1
	R5302	MG RESISTOR	NRSA63J-913X	NRSA63J-104X	1
	R5404	MG RESISTOR	NRSA63J-153X	NRSA63J-123X	1
	R5504	MG RESISTOR	NRSA63J-153X	NRSA63J-123X	1
	R5600	MG RESISTOR	NRSA63J-102X	NRSA63J-122X	1
	R5601	MG RESISTOR	NRSA63J-184X	NRSA63J-204X	1
	R5602	MG RESISTOR	NRSA63J-302X	NRSA63J-242X	1
	R5700	MG RESISTOR	NRSA63J-102X	NRSA63J-122X	1
	R5701	MG RESISTOR	NRSA63J-184X	NRSA63J-204X	1
	R5702	MG RESISTOR	NRSA63J-302X	NRSA63J-242X	1
	R5853	MG RESISTOR	NRSA63J-243X	-----	0
	R5857	MG RESISTOR	NRSA63J-243X	-----	0
	R6001	MG RESISTOR	NRSA63J-103X	-----	0
	R6101	MG RESISTOR	NRSA63J-103X	-----	0
	R6111	MG RESISTOR	NRSA63J-103X	-----	0
	CN308	CONNECTOR	QGF1210G1-07	QGF1205F2-07	1
	K3002	INDUCTOR	-----	QQR0621-001Z	1

MX-DK11UN

△	Item	Parts name	Parts number		Q'ty
			MX-DK1US	MX-DK11UN	
	IC300	IC	SN74AHCT08NS-X	TC74VHCT08AFT-X	1
	IC325	IC	KIA278R05PI	PQ050RDC2SZF	1
	IC473	IC	KTC812T-X	-----	0
	IC600	IC	KTC812T-X	RT3Y97M-X	1
	Q3100	DIGI TRANSISTOR	KRA102S-X	RT1P141C-X	1
	Q3101	DIGI TRANSISTOR	KRC102S-X	RT1N141C-X	1
	Q4080	DIGI TRANSISTOR	KRA104S-X	RT1P441C-X	1
	Q4081	TRANSISTOR	KTC2875-X	RT6N140C-X	1
	Q4730	DIGI TRANSISTOR	KRA104S-X	-----	0
	Q5400	TRANSISTOR	KTC3875/YG/-X	2SC3928A/QR/-X	1
	Q5401	TRANSISTOR	KTC3875/YG/-X	2SC3928A/QR/-X	1
	Q5402	TRANSISTOR	KTC3875/YG/-X	2SC3928A/QR/-X	1
	Q5500	TRANSISTOR	KTC3875/YG/-X	2SC3928A/QR/-X	1
	Q5501	TRANSISTOR	KTC3875/YG/-X	2SC3928A/QR/-X	1
	Q5502	TRANSISTOR	KTC3875/YG/-X	2SC3928A/QR/-X	1
	Q5851	TRANSISTOR	KTC3875/YG/-X	RT1N240C-X	1
	Q5853	TRANSISTOR	KTC3875/YG/-X	RT1N240C-X	1
	Q6000	DIGI TRANSISTOR	KRA104S-X	-----	0
	D3300	Z DIODE	MTZJ5.1B-T2	-----	0
	C3300	E CAPACITOR	QETN1EM-476Z	-----	0
	C3251	E CAPACITOR	QETN1EM-477Z	QETN1CM-107Z	1
	C3302	C CAPACITOR	-----	NCB31CK-104X	1
	C3500	C CAPACITOR	NDC31HJ-270X	NDC31HJ-300X	1
	C3501	C CAPACITOR	NDC31HJ-270X	NDC31HJ-300X	1
	C4050	E CAPACITOR	QTE1V28-107Z	QTE1E46-107Z	1
	C4730	E CAPACITOR	QETN1HM-105Z	-----	0

▲	Item	Parts name	Parts number		Q'ty
			MX-DK1US	MX-DK11UN	
	C4734	E CAPACITOR	QETN1JM-476Z	QTE1J46-106Z	1
	C4736	E CAPACITOR	QETN1JM-476Z	QTE1J63-106Z	1
	C4834	E CAPACITOR	QETN1JM-476Z	QTE1J46-106Z	1
	C4836	E CAPACITOR	QETN1JM-476Z	QTE1J63-106Z	1
	C4705	E CAPACITOR	QETN1JM-476Z	QTE1J63-106Z	1
	C4707	M CAPACITOR	QFLC1HJ-473Z	QFLC1HJ-333Z	1
	C4708	M CAPACITOR	QFG32AJ-332Z	QFG32AJ-392Z	1
	C4710	E CAPACITOR	QTE1V06-106Z	QTE1J46-106Z	1
	C4711	E CAPACITOR	QETN1HM-105Z	QETN1HM-225Z	1
	C4723	E CAPACITOR	QETN1JM-476Z	QTE1E53-107Z	1
	C4805	E CAPACITOR	QETN1JM-476Z	QTE1J63-106Z	1
	C4807	M CAPACITOR	QFLC1HJ-473Z	QFLC1HJ-333Z	1
	C4808	M CAPACITOR	QFG32AJ-332Z	QFG32AJ-392Z	1
	C4810	E CAPACITOR	QTE1V06-106Z	QTE1J46-106Z	1
	C4811	E CAPACITOR	QETN1HM-105Z	QETN1HM-225Z	1
	C4081	C CAPACITOR	NCB31EK-683X	NCB31CK-683X	1
	C4101	E CAPACITOR	QETN1HM-106Z	QTE1J46-106Z	1
	C4201	E CAPACITOR	QETN1HM-106Z	QTE1J46-106Z	1
	C5602	E CAPACITOR	QETN1JM-476Z	QTE1E46-476Z	1
	C5702	E CAPACITOR	QETN1JM-476Z	QTE1E46-476Z	1
	C7001	C CAPACITOR	NCB31HK-103X	-----	0
	C7009	C CAPACITOR	NCB31HK-103X	-----	0
	R3007	MG RESISTOR	NRSA63J-102X	NRSA63J-122X	1
	R3101	MG RESISTOR	NRSA63J-103X	NRSA63J-222X	1
	R3351	MG RESISTOR	NRSA63J-203X	NRSA63J-163X	1
	R3451	MG RESISTOR	NRSA63J-203X	NRSA63J-163X	1
	R3562	MG RESISTOR	-----	NRSA63J-103X	1
	R4051	MG RESISTOR	NRSA63J-122X	NRSA63J-102X	1
	R4081	MG RESISTOR	NRSA63J-103X	-----	0
	R4700	MG RESISTOR	NRSA63J-103X	NRSA63J-123X	1
	R4730	MG RESISTOR	NRSA63J-102X	-----	0
	R4733	MG RESISTOR	NRSA63J-682X	-----	0
	R4800	MG RESISTOR	NRSA63J-103X	NRSA63J-123X	1
	R4833	MG RESISTOR	NRSA63J-103X	-----	0
	R5300	MG RESISTOR	NRSA63J-392X	NRSA63J-362X	1
	R5301	MG RESISTOR	NRSA63J-222X	NRSA63J-272X	1
	R5302	MG RESISTOR	NRSA63J-913X	NRSA63J-104X	1
	R5404	MG RESISTOR	NRSA63J-153X	NRSA63J-123X	1
	R5504	MG RESISTOR	NRSA63J-153X	NRSA63J-123X	1
	R5600	MG RESISTOR	NRSA63J-102X	NRSA63J-122X	1
	R5601	MG RESISTOR	NRSA63J-184X	NRSA63J-204X	1
	R5602	MG RESISTOR	NRSA63J-302X	NRSA63J-242X	1
	R5700	MG RESISTOR	NRSA63J-102X	NRSA63J-122X	1
	R5701	MG RESISTOR	NRSA63J-184X	NRSA63J-204X	1
	R5702	MG RESISTOR	NRSA63J-302X	NRSA63J-242X	1
	R5853	MG RESISTOR	NRSA63J-243X	-----	0
	R5857	MG RESISTOR	NRSA63J-243X	-----	0

△	Item	Parts name	Parts number		Q'ty
			MX-DK1US	MX-DK11UN	
	R6001	MG RESISTOR	NRSA63J-103X	-----	0
	R6101	MG RESISTOR	NRSA63J-103X	-----	0
	R6111	MG RESISTOR	NRSA63J-103X	-----	0
	CN308	CONNECTOR	QGF1210G1-07	QGF1205F2-07	1
	K3002	INDUCTOR	-----	QQR0621-001Z	1

Parts list (Front board) [P3-19 Block No.03]

MX-DK11A

△	Item	Parts name	Parts number		Q'ty
			MX-DK1US	MX-DK11A	
	IC950	ECHO IC	PT2399-S-W	-----	0
	IC960	IC	KIA4558F-X	-----	0
	IC970	IC	-----	KIA4558F-X	1
	Q9530	TRANSISTOR	KTC3875/YG/-X	-----	0
	Q9531	TRANSISTOR	KTC3875/YG/-X	-----	0
	Q9532	TRANSISTOR	KTC3875/YG/-X	-----	0
	Q9601	TRANSISTOR	KTC3875/YG/-X	-----	0
	Q9602	TRANSISTOR	KTC3875/YG/-X	-----	0
	D9500	Z DIODE	MTZJ5.1B-T2	-----	0
	D9521	Z DIODE	MTZJ3.9B-T2	-----	0
	D9522	Z DIODE	MTZJ3.9B-T2	-----	0
	D9523	Z DIODE	MTZJ3.9B-T2	-----	0
	D9601	Z DIODE	1SS133-T2	-----	0
	D9602	Z DIODE	1SS133-T2	-----	0
	D9651	Z DIODE	-----	MA111-X	1
	D9652	Z DIODE	-----	MA111-X	1
	D9653	Z DIODE	UDZW2.4B-X	-----	0
	C9200	C CAPACITOR	NCB31HK-103X	-----	0
	C9500	E CAPACITOR	QEKC1CM-107Z	-----	0
	C9501	E CAPACITOR	QEKC1CM-476Z	-----	0
	C9502	C CAPACITOR	NCB31CK-104X	-----	0
	C9503	C CAPACITOR	NCB31CK-104X	-----	0
	C9504	C CAPACITOR	NCB31CK-823X	-----	0
	C9505	C CAPACITOR	NCB31CK-823X	-----	0
	C9506	C CAPACITOR	NCB31HK-103X	-----	0
	C9507	C CAPACITOR	NCB31HK-561X	-----	0
	C9508	C CAPACITOR	NCB31HK-332X	-----	0
	C9509	E CAPACITOR	QEKC1CM-106Z	-----	0
	C9510	E CAPACITOR	QEKC1CM-106Z	-----	0
	C9511	E CAPACITOR	QEKC1HM-475Z	-----	0
	C9512	C CAPACITOR	NCB31HK-561X	-----	0
	C9513	C CAPACITOR	NCB31HK-392X	-----	0
	C9600	E CAPACITOR	QEKC1AM-107Z	-----	0
	C9601	E CAPACITOR	QEKC1HM-224Z	-----	0
	C9602	E CAPACITOR	QEKC1HM-104Z	-----	0
	C9603	C CAPACITOR	NCB31HK-104X	-----	0
	C9604	C CAPACITOR	NCB31HK-681X	-----	0

▲	Item	Parts name	Parts number		Q'ty
			MX-DK1US	MX-DK11A	
	C9605	C CAPACITOR	NDC31HJ-151X	-----	0
	C9606	E CAPACITOR	QEK1CM-336Z	-----	0
	C9607	E CAPACITOR	QEK1HM-335Z	-----	0
	C9608	E CAPACITOR	QEK1AM-107Z	-----	0
	C9631	C CAPACITOR	NCB31HK-102X	-----	0
	C9632	C CAPACITOR	NCB31HK-102X	-----	0
	C9651	C CAPACITOR	NCB31HK-102X	NCB31HK-222X	1
	C9633	C CAPACITOR	NCB21HK-473X	-----	0
	C9634	E CAPACITOR	QEK1HM-104Z	-----	0
	C9635	C CAPACITOR	NCB31HK-391X	-----	0
	C9636	C CAPACITOR	NCB31HK-391X	-----	0
	C9637	C CAPACITOR	NCB31HK-471X	-----	0
	C9700	E CAPACITOR	-----	QEK1AM-107Z	1
	C9701	E CAPACITOR	-----	QEK1HM-475Z	1
	C9702	E CAPACITOR	-----	QEK1HM-475Z	1
	R9103	MG RESISTOR	NRSA63J-102X	NRSA63J-103X	1
	R9104	MG RESISTOR	NRSA63J-0R0X	NRSA63J-302X	1
	R9105	MG RESISTOR	NRSA63J-0R0X	NRSA63J-512X	1
	R9501	MG RESISTOR	NRSA63J-912X	-----	0
	R9502	MG RESISTOR	NRSA63J-103X	-----	0
	R9503	MG RESISTOR	NRSA63J-103X	-----	0
	R9504	MG RESISTOR	NRSA63J-153X	-----	0
	R9505	MG RESISTOR	NRSA63J-562X	-----	0
	R9506	MG RESISTOR	NRSA63J-512X	-----	0
	R9507	MG RESISTOR	NRSA63J-103X	-----	0
	R9508	MG RESISTOR	NRSA63J-183X	-----	0
	R9509	MG RESISTOR	NRSA63J-103X	-----	0
	R9510	MG RESISTOR	NRSA63J-183X	-----	0
	R9521	MG RESISTOR	NRSA63J-223X	-----	0
	R9522	MG RESISTOR	NRSA63J-223X	-----	0
	R9523	MG RESISTOR	NRSA63J-223X	-----	0
	R9531	MG RESISTOR	NRSA63J-682X	-----	0
	R9532	MG RESISTOR	NRSA63J-203X	-----	0
	R9540	MG RESISTOR	NRSA63J-102X	-----	0
	R9530	MG RESISTOR	NRSA63J-104X	-----	0
	R9600	MG RESISTOR	NRSA63J-221X	-----	0
	R9601	MG RESISTOR	NRSA63J-104X	-----	0
	R9602	MG RESISTOR	NRSA63J-102X	-----	0
	R9603	MG RESISTOR	NRSA63J-222X	-----	0
	R9604	MG RESISTOR	NRSA63J-124X	-----	0
	R9605	MG RESISTOR	NRSA63J-473X	-----	0
	R9606	MG RESISTOR	NRSA63J-104X	-----	0
	R9607	MG RESISTOR	NRSA63J-103X	-----	0
	R9608	MG RESISTOR	NRSA63J-103X	-----	0
	R9609	MG RESISTOR	NRSA63J-821X	-----	0
	R9612	MG RESISTOR	NRSA63J-104X	-----	0
	R9613	MG RESISTOR	NRSA63J-472X	-----	0

△	Item	Parts name	Parts number		Q'ty
			MX-DK1US	MX-DK11A	
	R9614	MG RESISTOR	NRSA63J-104X	-----	0
	R9631	MG RESISTOR	NRSA63J-472X	-----	0
	R9632	MG RESISTOR	NRSA63J-472X	-----	0
	R9635	MG RESISTOR	NRSA63J-104X	-----	0
	R9636	MG RESISTOR	NRSA63J-104X	-----	0
	R9637	MG RESISTOR	NRSA63J-563X	-----	0
	R9700	MG RESISTOR	-----	NRSA63J-221X	1
	R9701	MG RESISTOR	-----	NRSA63J-183X	1
	R9702	MG RESISTOR	-----	NRSA63J-183X	1
	R9703	MG RESISTOR	-----	NRSA63J-473X	1
	R9704	MG RESISTOR	-----	NRSA63J-473X	1
	R9705	MG RESISTOR	-----	NRSA63J-823X	1
	R9706	MG RESISTOR	-----	NRSA63J-823X	1
	VR961	V RESISTOR	QVQ0320-B54	-----	0
	L9501	COIL	QQR0621-001Z	-----	0
	L9502	COIL	QQR0621-001Z	-----	0
	J962	JACK	QNS0231-001	QNS0276-001	1
	J980	JACK	QNS0231-001	QNS0276-001	1
	K9898	FERRITE BEADS	NQR0505-001X	NQR0627-004X	1
	TW961	S.WIRE	-----	QUB220-05DMHP-E	1
	TW962	S.WIRE	QUB220-18HPDM-E	-----	0

MX-DK11UW

△	Item	Parts name	Parts number		Q'ty
			MX-DK1US	MX-DK11UW	
	Q9530	TRANSISTOR	KTC3875/YG/-X	2SC3928A/QR/-X	1
	Q9531	TRANSISTOR	KTC3875/YG/-X	2SC3928A/QR/-X	1
	Q9532	TRANSISTOR	KTC3875/YG/-X	2SC3928A/QR/-X	1
	Q9601	TRANSISTOR	KTC3875/YG/-X	2SC3928A/QR/-X	1
	Q9602	TRANSISTOR	KTC3875/YG/-X	2SC3928A/QR/-X	1
	C9200	C CAPACITOR	NCB31HK-103X	-----	0
	C9631	C CAPACITOR	NCB31HK-102X	-----	0
	C9633	C CAPACITOR	NCB21HK-473X	NCB31CK-473X	1
	R9103	MG RESISTOR	NRSA63J-102X	NRSA63J-562X	1
	R9104	MG RESISTOR	NRSA63J-0R0X	NRSA63J-302X	1
	R9105	MG RESISTOR	NRSA63J-0R0X	NRSA63J-392X	1
	R9631	MG RESISTOR	NRSA63J-472X	-----	0
	J962	JACK	QNS0231-001	QNS0276-001	1
	J980	JACK	QNS0231-001	QNS0276-001	1
	K9898	FERRITE BEADS	NQR0505-001X	NQR0627-004X	1
	TW961	S.WIRE	-----	QUB220-05DMHP-E	1
	TW962	S.WIRE	QUB220-18HPDM-E	QUB220-05DMHP-E	1

MX-DK11UX/UG/UN

△	Item	Parts name	Parts number		Q'ty
			MX-DK1US	MX-DK11UX/UG/UN	
	Q9530	TRANSISTOR	KTC3875/YG/-X	2SC3928A/QR/-X	1
	Q9531	TRANSISTOR	KTC3875/YG/-X	2SC3928A/QR/-X	1
	Q9532	TRANSISTOR	KTC3875/YG/-X	2SC3928A/QR/-X	1
	Q9601	TRANSISTOR	KTC3875/YG/-X	2SC3928A/QR/-X	1
	Q9602	TRANSISTOR	KTC3875/YG/-X	2SC3928A/QR/-X	1
	C9200	C CAPACITOR	NCB31HK-103X	-----	0
	C9631	C CAPACITOR	NCB31HK-102X	-----	0
	C9633	C CAPACITOR	NCB21HK-473X	NCB31CK-473X	1
	R9104	MG RESISTOR	NRSA63J-0R0X	NRSA63J-122X	1
	R9105	MG RESISTOR	NRSA63J-0R0X	NRSA63J-152X	1
	R9631	MG RESISTOR	NRSA63J-472X	-----	0
	J962	JACK	QNS0231-001	QNS0276-001	1
	J980	JACK	QNS0231-001	QNS0276-001	1
	K9898	FERRITE BEADS	NQR0505-001X	NQR0627-004X	1
	TW961	S.WIRE	-----	QUB220-05DMHP-E	1
	TW962	S.WIRE	QUB220-18HPDM-E	QUB220-05DMHP-E	1
	TW962	S.WIRE	QUB220-18HPDM-E	-----	0

MX-DK11UY

△	Item	Parts name	Parts number		Q'ty
			MX-DK1US	MX-DK11UY	
	IC950	ECHO IC	PT2399-S-W	-----	0
	IC960	IC	KIA4558F-X	-----	0
	IC970	IC	-----	KIA4558F-X	1
	Q9530	TRANSISTOR	KTC3875/YG/-X	-----	0
	Q9531	TRANSISTOR	KTC3875/YG/-X	-----	0
	Q9532	TRANSISTOR	KTC3875/YG/-X	-----	0
	Q9601	TRANSISTOR	KTC3875/YG/-X	-----	0
	Q9602	TRANSISTOR	KTC3875/YG/-X	-----	0
	D9601	Z DIODE	1SS133-T2	-----	0
	D9602	Z DIODE	1SS133-T2	-----	0
	D9651	Z DIODE	-----	MA111-X	1
	D9652	Z DIODE	-----	MA111-X	1
	D9653	Z DIODE	UDZW2.4B-X	-----	0
	D9500	Z DIODE	MTZJ5.1B-T2	-----	0
	D9521	Z DIODE	MTZJ3.9B-T2	-----	0
	D9522	Z DIODE	MTZJ3.9B-T2	-----	0
	D9523	Z DIODE	MTZJ3.9B-T2	-----	0
	C9200	C CAPACITOR	NCB31HK-103X	-----	0
	C9500	E CAPACITOR	QEKC1CM-107Z	-----	0
	C9501	E CAPACITOR	QEKC1CM-476Z	-----	0
	C9502	C CAPACITOR	NCB31CK-104X	-----	0
	C9503	C CAPACITOR	NCB31CK-104X	-----	0
	C9504	C CAPACITOR	NCB31CK-823X	-----	0
	C9505	C CAPACITOR	NCB31CK-823X	-----	0
	C9506	C CAPACITOR	NCB31HK-103X	-----	0
	C9507	C CAPACITOR	NCB31HK-561X	-----	0

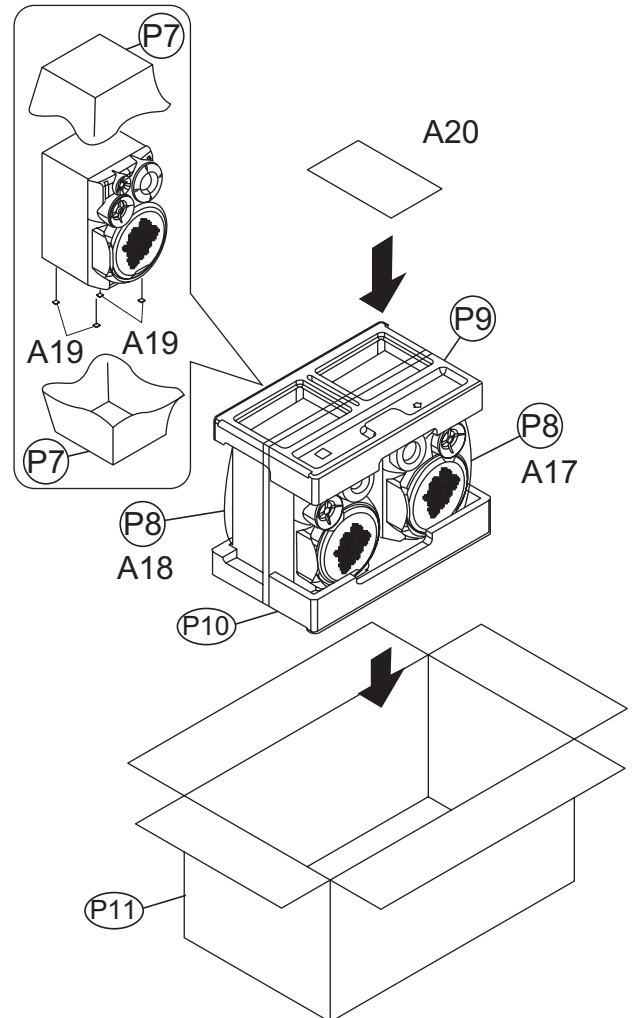
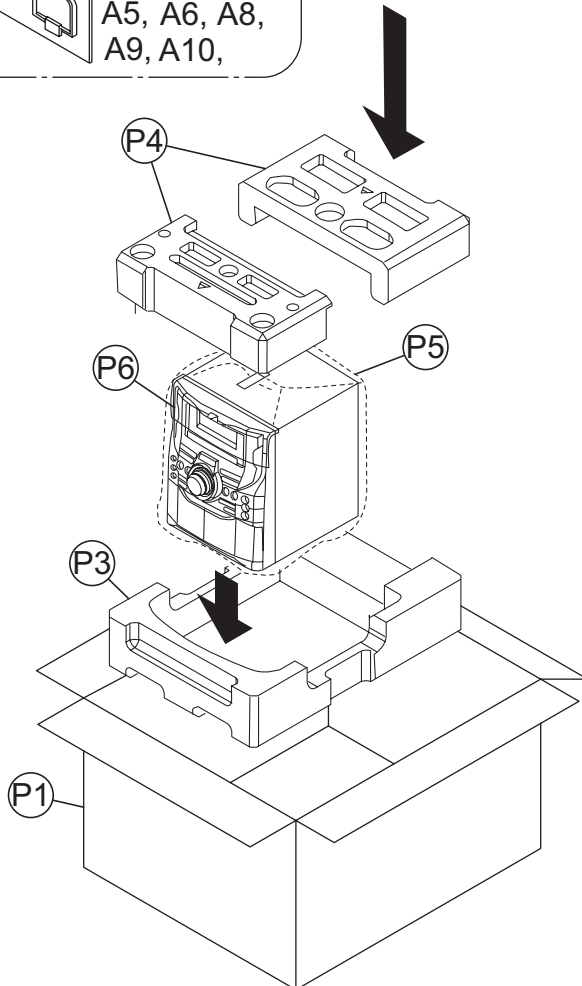
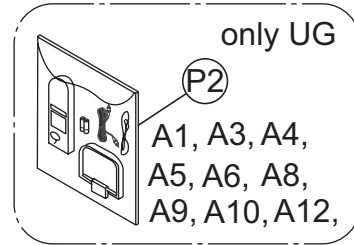
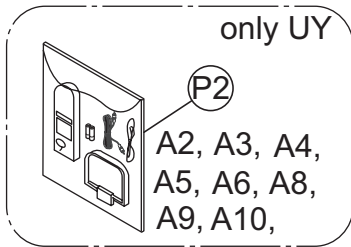
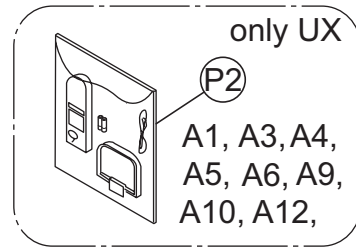
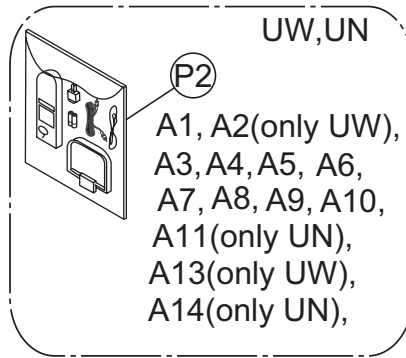
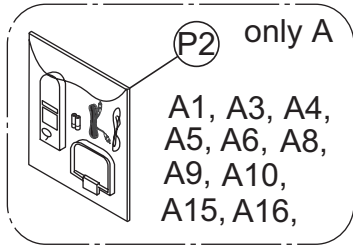
△	Item	Parts name	Parts number		Q'ty
			MX-DK1US	MX-DK11UY	
	C9508	C CAPACITOR	NCB31HK-332X	-----	0
	C9509	E CAPACITOR	QEK1CM-106Z	-----	0
	C9510	E CAPACITOR	QEK1CM-106Z	-----	0
	C9511	E CAPACITOR	QEK1HM-475Z	-----	0
	C9512	C CAPACITOR	NCB31HK-561X	-----	0
	C9513	C CAPACITOR	NCB31HK-392X	-----	0
	C9600	E CAPACITOR	QEK1AM-107Z	-----	0
	C9601	E CAPACITOR	QEK1HM-224Z	-----	0
	C9602	E CAPACITOR	QEK1HM-104Z	-----	0
	C9603	C CAPACITOR	NCB31HK-104X	-----	0
	C9604	C CAPACITOR	NCB31HK-681X	-----	0
	C9605	C CAPACITOR	NDC31HJ-151X	-----	0
	C9606	E CAPACITOR	QEK1CM-336Z	-----	0
	C9607	E CAPACITOR	QEK1HM-335Z	-----	0
	C9608	E CAPACITOR	QEK1AM-107Z	-----	0
	C9631	C CAPACITOR	NCB31HK-102X	-----	0
	C9632	C CAPACITOR	NCB31HK-102X	-----	0
	C9651	C CAPACITOR	-----	NCB31HK-222X	1
	C9633	C CAPACITOR	NCB21HK-473X	-----	0
	C9634	E CAPACITOR	QEK1HM-104Z	-----	0
	C9635	C CAPACITOR	NCB31HK-391X	-----	0
	C9636	C CAPACITOR	NCB31HK-391X	-----	0
	C9637	C CAPACITOR	NCB31HK-471X	-----	0
	C9700	E CAPACITOR	-----	QEK1AM-107Z	1
	C9701	E CAPACITOR	-----	QEK1HM-475Z	1
	C9702	E CAPACITOR	-----	QEK1HM-475Z	1
	R9103	MG RESISTOR	NRSA63J-102X	NRSA63J-472X	1
	R9104	MG RESISTOR	NRSA63J-0R0X	NRSA63J-122X	1
	R9501	MG RESISTOR	NRSA63J-912X	-----	0
	R9502	MG RESISTOR	NRSA63J-103X	-----	0
	R9503	MG RESISTOR	NRSA63J-103X	-----	0
	R9504	MG RESISTOR	NRSA63J-153X	-----	0
	R9505	MG RESISTOR	NRSA63J-562X	-----	0
	R9506	MG RESISTOR	NRSA63J-512X	-----	0
	R9507	MG RESISTOR	NRSA63J-103X	-----	0
	R9508	MG RESISTOR	NRSA63J-183X	-----	0
	R9509	MG RESISTOR	NRSA63J-103X	-----	0
	R9510	MG RESISTOR	NRSA63J-183X	-----	0
	R9521	MG RESISTOR	NRSA63J-223X	-----	0
	R9522	MG RESISTOR	NRSA63J-223X	-----	0
	R9523	MG RESISTOR	NRSA63J-223X	-----	0
	R9531	MG RESISTOR	NRSA63J-682X	-----	0
	R9532	MG RESISTOR	NRSA63J-203X	-----	0
	R9540	MG RESISTOR	NRSA63J-102X	-----	0
	R9530	MG RESISTOR	NRSA63J-104X	-----	0
	R9600	MG RESISTOR	NRSA63J-221X	-----	0
	R9601	MG RESISTOR	NRSA63J-104X	-----	0

△	Item	Parts name	Parts number		Q'ty
			MX-DK1US	MX-DK11UY	
	R9602	MG RESISTOR	NRSA63J-102X	-----	0
	R9603	MG RESISTOR	NRSA63J-222X	-----	0
	R9604	MG RESISTOR	NRSA63J-124X	-----	0
	R9605	MG RESISTOR	NRSA63J-473X	-----	0
	R9606	MG RESISTOR	NRSA63J-104X	-----	0
	R9607	MG RESISTOR	NRSA63J-103X	-----	0
	R9608	MG RESISTOR	NRSA63J-103X	-----	0
	R9609	MG RESISTOR	NRSA63J-821X	-----	0
	R9612	MG RESISTOR	NRSA63J-104X	-----	0
	R9613	MG RESISTOR	NRSA63J-472X	-----	0
	R9614	MG RESISTOR	NRSA63J-104X	-----	0
	R9631	MG RESISTOR	NRSA63J-472X	-----	0
	R9632	MG RESISTOR	NRSA63J-472X	-----	0
	R9635	MG RESISTOR	NRSA63J-104X	-----	0
	R9636	MG RESISTOR	NRSA63J-104X	-----	0
	R9637	MG RESISTOR	NRSA63J-563X	-----	0
	R9700	MG RESISTOR	-----	NRSA63J-221X	1
	R9701	MG RESISTOR	-----	NRSA63J-183X	1
	R9702	MG RESISTOR	-----	NRSA63J-183X	1
	R9703	MG RESISTOR	-----	NRSA63J-473X	1
	R9704	MG RESISTOR	-----	NRSA63J-473X	1
	R9705	MG RESISTOR	-----	NRSA63J-823X	1
	R9706	MG RESISTOR	-----	NRSA63J-823X	1
	VR961	V RESISTOR	QVQ0320-B54	-----	0
	L9501	COIL	QQR0621-001Z	-----	0
	L9502	COIL	QQR0621-001Z	-----	0
	J962	JACK	QNS0231-001	QNS0276-001	1
	J980	JACK	QNS0231-001	QNS0276-001	1
	K9898	FERRITE BEADS	NQR0505-001X	NQR0627-004X	1
	TW961	S.WIRE	-----	QUB220-05DMHP-E	1
	TW962	S.WIRE	QUB220-18HPDM-E	-----	0

Packing materials and accessories parts list

Block No. M 5 M M

(MX-DK11A, MX-DK11UW, MX-DK11UX, MX-DK11UY, MX-DK11UG, MX-DK11UN)



Packing and Accessories [Block No.M5MM]

Symbol	Parts number	Parts name	Description
A 1	GVT0205-001A	INST BOOK	ENG A,UW,UX,UG,UN
A 2	GVT0205-004A	INST BOOK	SPA UY,UW
A 3	GVT0186-001A	NOTICE SHEET	
A 4	GVT0187-001A	NOTICE SHEET	
A 5	QAL0014-003	AM LOOP ANT	
A 6	QAL0457-001	ANT.WIRE	
A 7	QAL0112-002	AC PLUG	UW,UN
A 8	QAM0944-001	SIGNAL CORD	A,UW,UY,UG,UN
A 9	RM-SMXDK1A	REMOCON	A,UY
A 9	RM-SMXDK1U	REMOCON	UW,UX,UG,UN
A10	-----	BATTERY	×2
A11	GVT0205-002B	INST BOOK	ENG INA UN
A12	GVT0205-003A	INST BOOK	ARA,PER UX,UG
A13	GVT0205-005A	INST BOOK	POR UW
A14	GVT0185-001A	NOTICE SHEET	UN
A15	BT-56016-1	WARRANTY CARD	A
A16	BT-56017-1	WARRANTY CARD	A
A17	MXDK11U-SPBOX-R	SPK WITH BOX-R	
A18	MXDK11U-SPBOX-L	SPK WITH BOX-L	
A19	441-802104-00	LEG CUSHION	×8
A20	GVT0211-001A	INST BOOK	ENG,PER,ARA,CHI(PEKIN) UX,UN,UG
A20	GVT0211-002A	INST BOOK	ENG,SPA,POR A,UW,UY
P 1	GV20463-001A	CARTON ASSY	UW,UN
P 1	GV20463-002A	CARTON ASSY	A,UY
P 1	GV20463-003A	CARTON ASSY	UX,UG
P 2	QPC02503515PB	POLYBAG	
P 3	GV10376-001A	CUSHION BOTTOM	
P 4	GV10375-001A	CUSHION TOP	
P 5	QPC06507030PB	POLYBAG	
P 6	GV40437-003A	CLOTH	
P 7	715-250035-00	MIRAMAT SHEET	×2
P 8	700-120112-10	HDPE BAG	×2
P 9	720-XDK5FT-00	TOP CUSHION	
P 10	720-XDK5FB-00	BOTTOM CUSHION	
P 11	730-DK11UN-10	PACKING CASE	A,UN,UW,UY
P 11	730-DK11UG-10	PACKING CASE	UX,UG

SECTION 3 DISASSEMBLY

Please refer to "MX-DK1US ([No.MB515](#))" about this section.

SECTION 4 ADJUSTMENT

Please refer to "MX-DK1US ([No.MB515](#))" about this section.

SECTION 5 TROUBLESHOOTING

Please refer to "MX-DK1US ([No.MB515](#))" about this section.



JVC

Victor company of Japan, Limited
Audio/Video Systems category 10-1,1chome,Ohwatari-machi,Maebashi-city,Gumma-ken, 371-8543,Japan

(No.MB598)