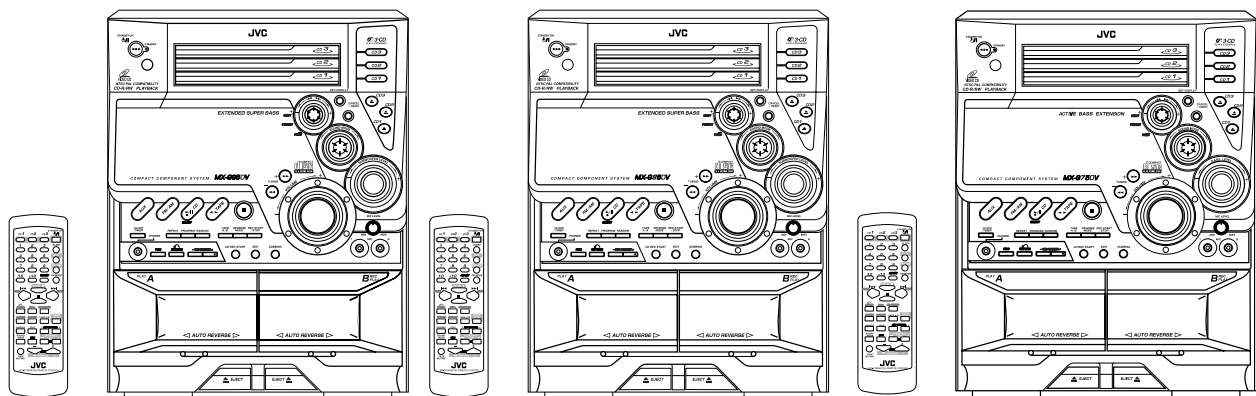


# JVC

## SERVICE MANUAL

### COMPACT COMPONENT SYSTEM

# MX-G950V/MX-G880V MX-G850V/MX-G750V



CA-MXG950V

CA-MXG850V  
CA-MXG880V

CA-MXG750V



|                          |
|--------------------------|
| <b>MX-G950V/MX-G850V</b> |
| <b>Area Suffix</b>       |
| U-----Other Areas        |
| UN-----Asean             |
| UX-----Saudi Arabia      |

|                    |
|--------------------|
| <b>MX-G880V</b>    |
| <b>Area Suffix</b> |
| UN-----Asean       |

|                     |
|---------------------|
| <b>MX-G750V</b>     |
| <b>Area Suffix</b>  |
| UN-----Asean        |
| US-----Singapore    |
| UX-----Saudi Arabia |

### Contents

|                                     |      |                                   |         |
|-------------------------------------|------|-----------------------------------|---------|
| Safety precautions .....            | 1-2  | Flow of functional operation      |         |
| Preventing static electricity ..... | 1-3  | until TOC read (CD) .....         | 1-33    |
| Important for laser products .....  | 1-4  | Maintenance of laser pickup ..... | 1-34    |
| Disassembly method .....            | 1-5  | Replacement of laser pickup ..... | 1-34    |
| Adjustment method .....             | 1-28 | Description of major ICs .....    | 1-35~56 |

## Safety Precautions

1. This design of this product contains special hardware and many circuits and components specially for safety purposes. For continued protection, no changes should be made to the original design unless authorized in writing by the manufacturer. Replacement parts must be identical to those used in the original circuits. Services should be performed by qualified personnel only.
2. Alterations of the design or circuitry of the product should not be made. Any design alterations of the product should not be made. Any design alterations or additions will void the manufacturer's warranty and will further relieve the manufacture of responsibility for personal injury or property damage resulting therefrom.
3. Many electrical and mechanical parts in the products have special safety-related characteristics. These characteristics are often not evident from visual inspection nor can the protection afforded by them necessarily be obtained by using replacement components rated for higher voltage, wattage, etc. Replacement parts which have these special safety characteristics are identified in the Parts List of Service Manual. Electrical components having such features are identified by shading on the schematics and by ( $\triangle$ ) on the Parts List in the Service Manual. The use of a substitute replacement which does not have the same safety characteristics as the recommended replacement parts shown in the Parts List of Service Manual may create shock, fire, or other hazards.
4. The leads in the products are routed and dressed with ties, clamps, tubings, barriers and the like to be separated from live parts, high temperature parts, moving parts and/or sharp edges for the prevention of electric shock and fire hazard. When service is required, the original lead routing and dress should be observed, and it should be confirmed that they have been returned to normal, after re-assembling.
5. Leakage current check (Electrical shock hazard testing)

After re-assembling the product, always perform an isolation check on the exposed metal parts of the product (antenna terminals, knobs, metal cabinet, screw heads, headphone jack, control shafts, etc.) to be sure the product is safe to operate without danger of electrical shock.

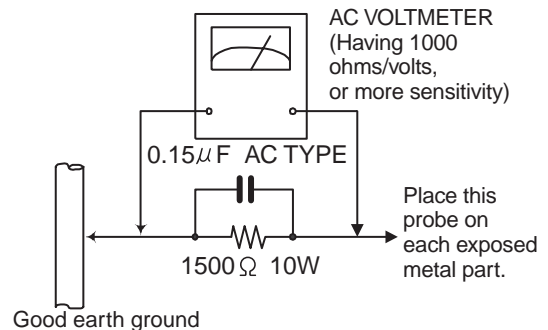
Do not use a line isolation transformer during this check.

- Plug the AC line cord directly into the AC outlet. Using a "Leakage Current Tester", measure the leakage current from each exposed metal parts of the cabinet, particularly any exposed metal part having a return path to the chassis, to a known good earth ground. Any leakage current must not exceed 0.5mA AC (r.m.s.).

- Alternate check method

Plug the AC line cord directly into the AC outlet. Use an AC voltmeter having, 1,000 ohms per volt or more sensitivity in the following manner. Connect a 1,500  $\Omega$  10W resistor paralleled by a 0.15  $\mu$ F AC-type capacitor between an exposed metal part and a known good earth ground. Measure the AC voltage across the resistor with the AC voltmeter.

Move the resistor connection to each exposed metal part, particularly any exposed metal part having a return path to the chassis, and measure the AC voltage across the resistor. Now, reverse the plug in the AC outlet and repeat each measurement. Voltage measured any must not exceed 0.75 V AC (r.m.s.). This corresponds to 0.5 mA AC (r.m.s.).



## Warning

1. This equipment has been designed and manufactured to meet international safety standards.
2. It is the legal responsibility of the repairer to ensure that these safety standards are maintained.
3. Repairs must be made in accordance with the relevant safety standards.
4. It is essential that safety critical components are replaced by approved parts.
5. If mains voltage selector is provided, check setting for local voltage.

## CAUTION

**Burrs formed during molding may be left over on some parts of the chassis. Therefore, pay attention to such burrs in the case of preforming repair of this system.**

In regard with component parts appearing on the silk-screen printed side (parts side) of the PWB diagrams, the parts that are printed over with black such as the resistor ( $\blacksquare$ ), diode ( $\blacksquare$ ) and ICP ( $\bullet$ ) or identified by the ( $\triangle$ ) mark nearby are critical for safety.

(This regulation does not correspond to J and C version.)

# Preventing static electricity

## 1. Grounding to prevent damage by static electricity

Electrostatic discharge (ESD), which occurs when static electricity stored in the body, fabric, etc. is discharged, can destroy the laser diode in the traverse unit (optical pickup). Take care to prevent this when performing repairs.

## 2. About the earth processing for the destruction prevention by static electricity

In the equipment which uses optical pick-up (laser diode), optical pick-up is destroyed by the static electricity of the work environment.

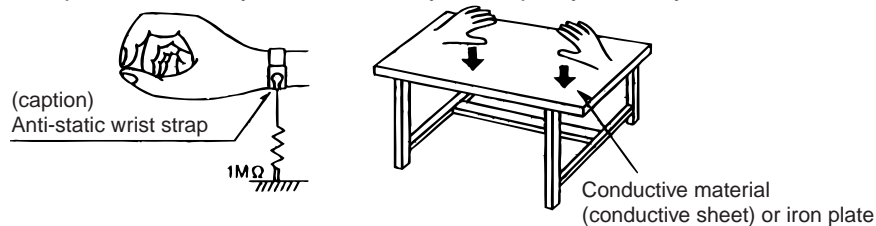
Be careful to use proper grounding in the area where repairs are being performed.

### 2-1 Ground the workbench

Ground the workbench by laying conductive material (such as a conductive sheet) or an iron plate over it before placing the traverse unit (optical pickup) on it.

### 2-2 Ground yourself

Use an anti-static wrist strap to release any static electricity built up in your body.



## 3. Handling the optical pickup

1. In order to maintain quality during transport and before installation, both sides of the laser diode on the replacement optical pickup are shorted. After replacement, return the shorted parts to their original condition. (Refer to the text.)
2. Do not use a tester to check the condition of the laser diode in the optical pickup. The tester's internal power source can easily destroy the laser diode.

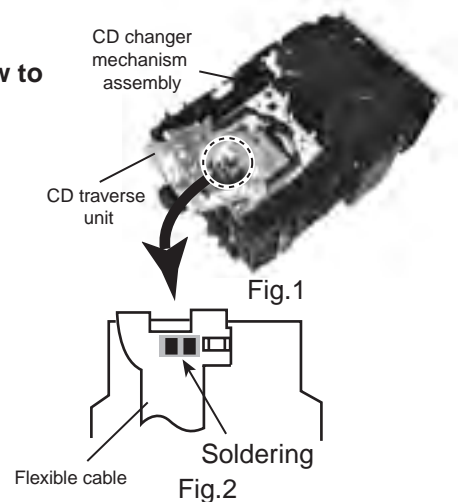
## 4. Handling the traverse unit (optical pickup)

1. Do not subject the traverse unit (optical pickup) to strong shocks, as it is a sensitive, complex unit.
2. Cut off the shorted part of the flexible cable using nippers, etc. after replacing the optical pickup. For specific details, refer to the replacement procedure in the text. Remove the anti-static pin when replacing the traverse unit. Be careful not to take too long a time when attaching it to the connector.
3. Handle the flexible cable carefully as it may break when subjected to strong force.
4. It is not possible to adjust the semi-fixed resistor that adjusts the laser power. Do not turn it

## Attention when traverse unit is decomposed

**\*Please refer to "Disassembly method" in the text for pick-up and how to detach the CD traverse mechanism.**

1. Remove the disk stopper and T. bracket on the CD changer mechanism assembly.
2. Disconnect the harness from connector on the CD motor board.
3. CD traverse unit is put up as shown in Fig.1.
4. Solder is put up before the card wire is removed from connector CN601 on the CD servo control board as shown in Fig. 2.  
(When the wire is removed without putting up solder, the CD pick-up assembly might destroy.)
5. Please remove solder after connecting the card wire with CN601 when you install picking up in the substrate.



# Important for laser products

## 1. CLASS 1 LASER PRODUCT

**2. DANGER :** Invisible laser radiation when open and interlock failed or defeated. Avoid direct exposure to beam.

**3. CAUTION :** There are no serviceable parts inside the Laser Unit. Do not disassemble the Laser Unit. Replace the complete Laser Unit if it malfunctions.

**4. CAUTION :** The compact disc player uses invisible laser radiation and is equipped with safety switches which prevent emission of radiation when the drawer is open and the safety interlocks have failed or are defeated. It is dangerous to defeat the safety switches.

**5. CAUTION :** If safety switches malfunction, the laser is able to function.

**6. CAUTION :** Use of controls, adjustments or performance of procedures other than those specified herein may result in hazardous radiation exposure.

**CAUTION** Please use enough caution not to see the beam directly or touch it in case of an adjustment or operation check.

**WARNING :** Osynlig laserstrålning är denna del är öppnad och spärren är urkopplad. Betrakta ej strålen.

**VARO :** Avattaessa ja suojalukitus ohitettaessa olet alltiina näkymättömälle lasersäteilylle. Älä katso säteeseen.

**ADVARSEL :** Usynlig laserstrålning ved åbning , når sikkerhedsafbrydere er ude af funktion. Undgå udsættelse for stråling.

**ADVARSEL :** Usynlig laserstrålning ved åpning, når sikkerhetsbryteren er avslott. unngå utsettelse for stråling.

## REPRODUCTION AND POSITION OF LABELS

### WARNING LABEL

CLASS 1  
LASER PRODUCT



**CAUTION :** Invisible laser radiation when open and interlock failed or defeated. AVOID DIRECT EXPOSURE TO BEAM. (e)

**WARNING :** Osynlig laserstrålning när denna del är öppnad och spärren är urkopplad. Betrakta ej strålen. (s)

**ADVARSEL :** Usynlig laserstrålning ved åbning, når sikkerhedsafbrydere er ude af funktion. Undgå udsættelse for stråling. (d)

**VARO :** Avattaessa ja suojalukitus ohitettaessa olet alltiina näkymättömälle lasersäteilylle. Älä katso säteeseen. (f)

E406507-001

# Disassembly method

## <Main body>

### ■ Removing the metal cover

(See Fig.1 ~ 3)

1. Remove the six screws **A** on the back of the body.
2. Remove the two screws **B** on both sides of the body.
3. Remove the metal cover from the body by lifting the rear part of the cover.

CAUTION: Do not break the front panel tab fitted to the metal cover.

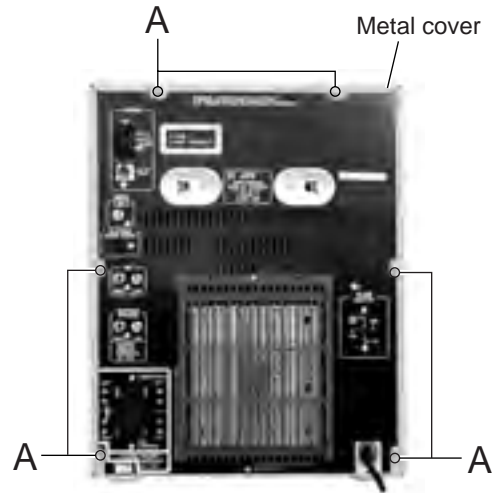


Fig.1  
(CA-MXG850VU, CA-MXG950VUX)

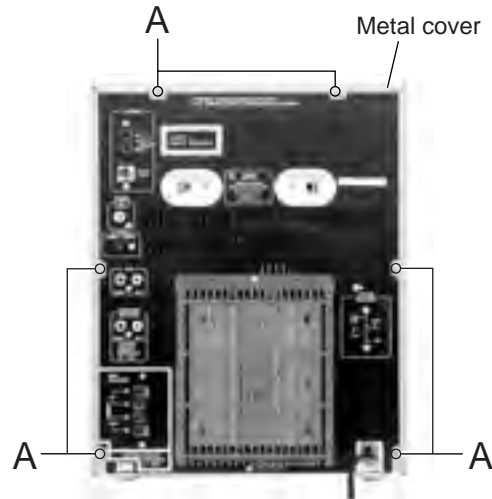


Fig.1  
(CA-MXG750VUS)

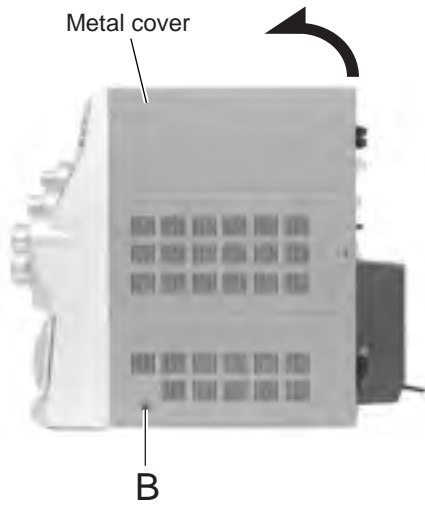


Fig.2

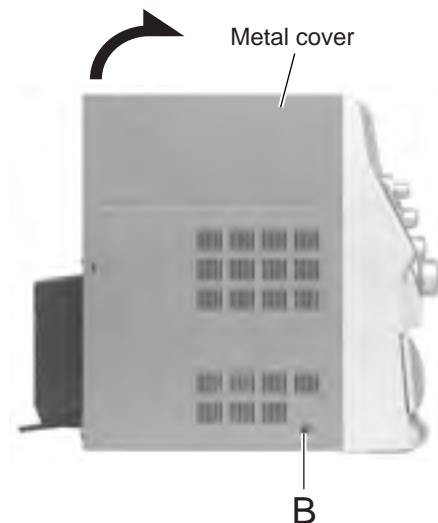


Fig.3

■ **Removing the CD changer mechanism assembly** (See Fig.4, 6)

• Prior to performing the following procedure, remove the metal cover.

1. Disconnect the wire from connector CN705 on the amplifier board.
2. Remove the plastic rivet attaching the main board to the front assembly on the right side of the body.
3. Disconnect the card wire from connector CN661 on the main board.
4. Remove the two screws **C** on the upper side of the body and the two screws **D** on the back of the rear panel.
5. Pull both the rear panel and the front panel assembly to the outside, then remove the CD changer mechanism assembly by lifting the rear part of the assembly.

REFERENCE: At this point, one card wire on the underside of the CD mechanism assembly is still connected.

6. Disconnect the card wire from connector CN504 on the inner side of the main board on the right side of the body. Remove the CD mechanism assembly.

CAUTION: To prevent damage to the CD fitting, be sure to pull both the rear panel and the front panel assembly enough to remove the CD changer mechanism assembly.

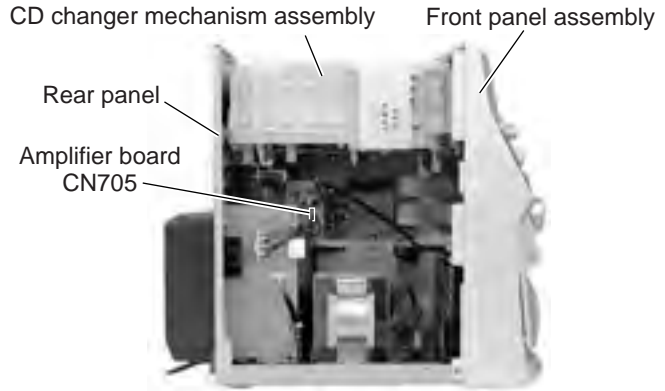


Fig.4

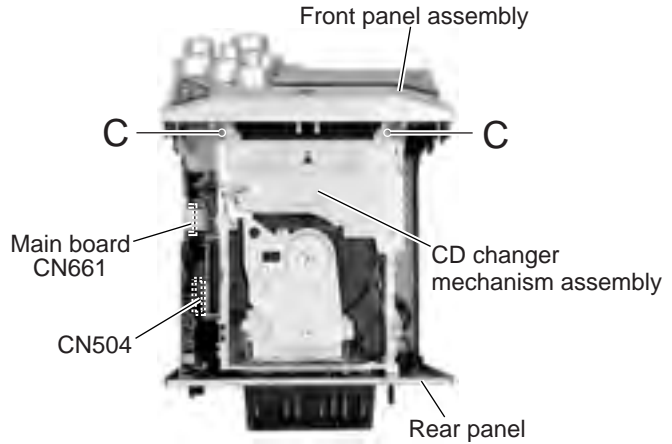


Fig.5

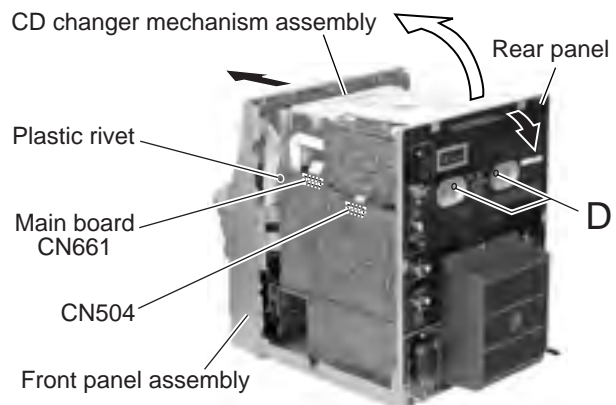


Fig.6  
(CA-MXG850VU, CA-MXG950VUX)

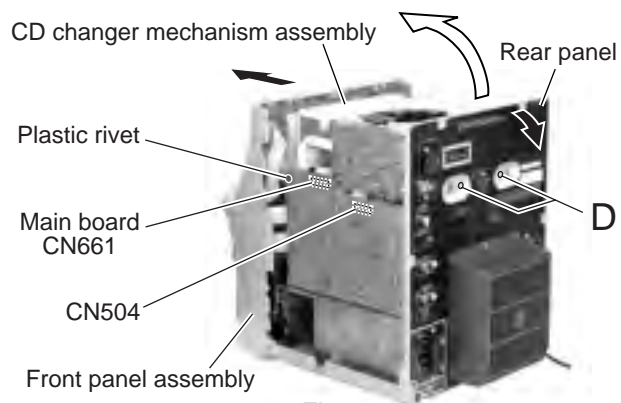


Fig.6  
(CA-MXG750VUS)

■ **Removing the fan** (See Fig.7)

• Prior to performing the following procedure, remove the metal cover and the CD changer mechanism assembly.

1. Turn over the CD changer mechanism assembly and remove the two screws **E** attaching the fan.

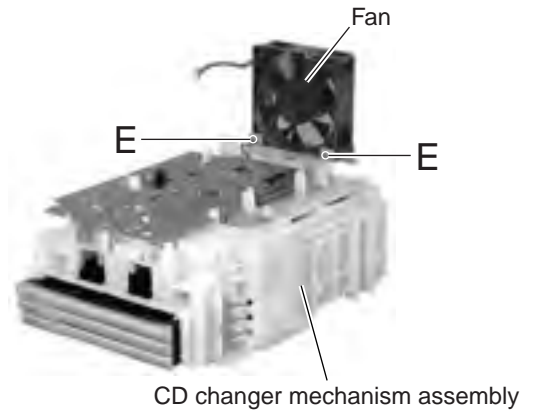


Fig.7

■ **Removing the front panel assembly**  
(See Fig.8 ~ 11)

Prior to performing the following procedure, remove the metal cover and CD changer mechanism assembly.

1. Disconnect the card wires from connector CN870, CN871 and CN315 on the main board respectively.
2. Remove the band and disconnect the wire from connector CN703 on the amplifier board.
3. Disconnect the wire from connector CN220 on the transformer board.
4. Remove the two screws **F** on the bottom of the body.
5. Release the two joints **a** on the lower right and left sides of the body using a screwdriver, and remove the front panel assembly toward the front.

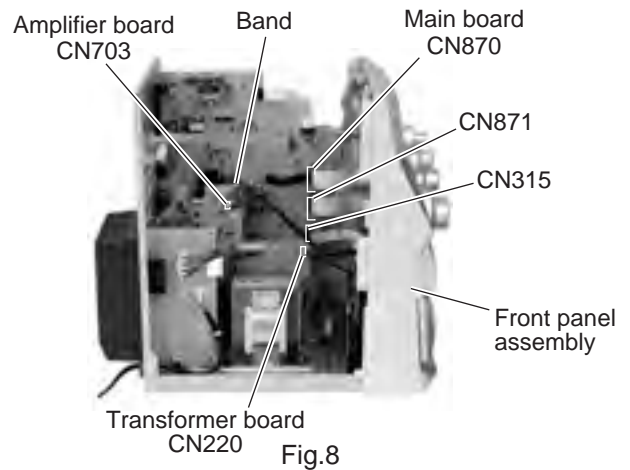


Fig.8

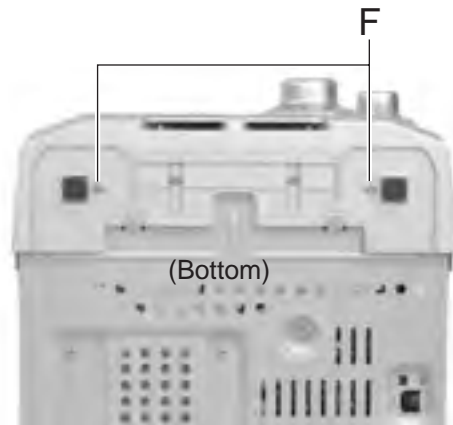


Fig.9

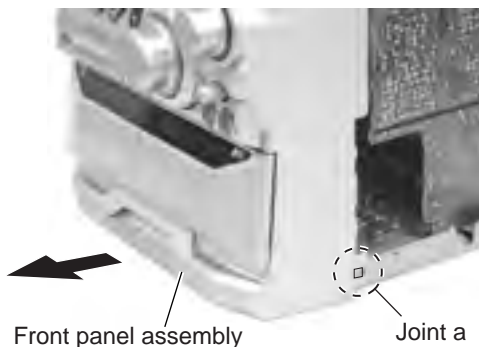


Fig.10

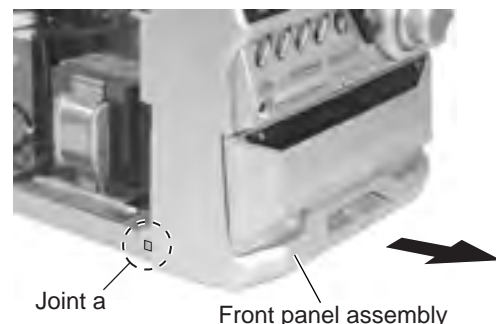


Fig.11

■ **Removing the tuner board**

(See Fig.12)

- Prior to performing the following procedure, remove the metal cover.
1. Disconnect the card wire from connector CN1 on the tuner board on the right side of the body.
  2. Remove the plastic rivet fixing the tuner board.
  3. Remove the two screws **G** on the back of the body.

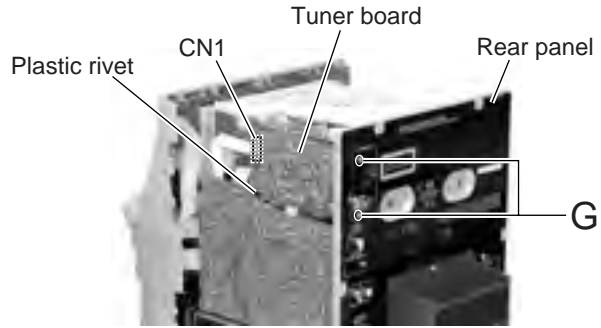


Fig.12

■ **Removing the rear cover / rear panel**

(See Fig.13 ~ 16)

- Prior to performing the following procedure, remove the metal cover and the CD changer mechanism assembly.
1. Remove the screw **H** attaching the rear cover on the back of the body.
  2. Push each tab of the four joints **b** in the direction of the arrow and release.
  3. Remove the sixteen screws **G** attaching the rear panel.
  4. Disengage the joints **c** on each lower side of the rear panel using a screwdriver and remove the rear panel backward.

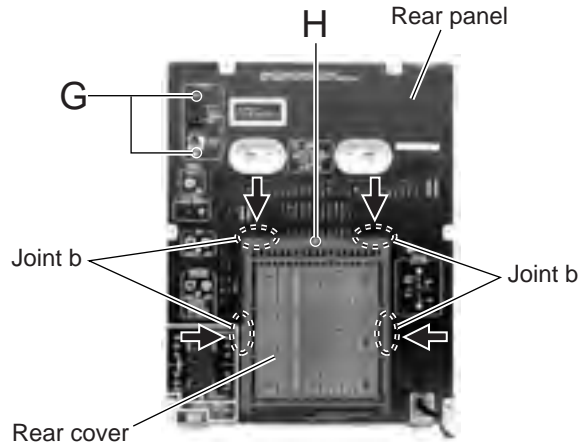


Fig.13

(CA-MXG850VU, CA-MXG950VUX)

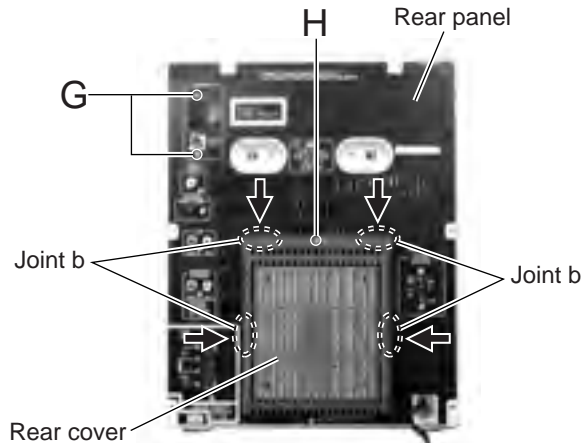


Fig.13

(CA-MXG750VUS)

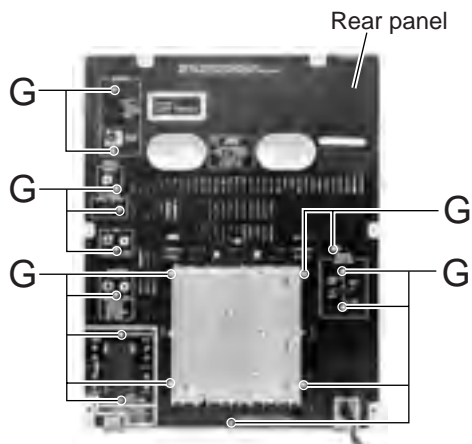


Fig.14

(CA-MXG850VU, CA-MXG950VUX)

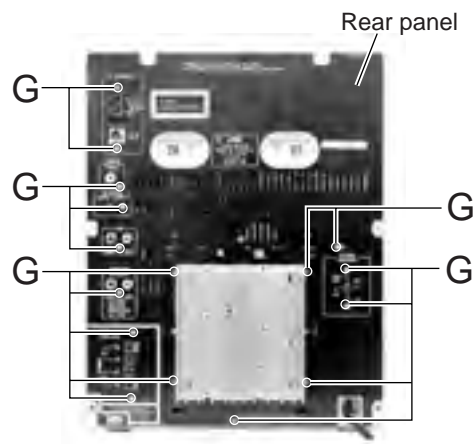


Fig.14

(CA-MXG750VUS)

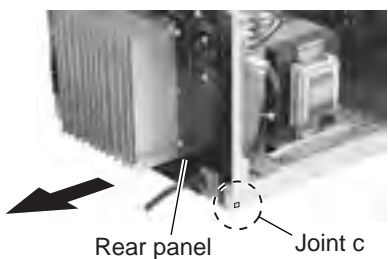


Fig.15



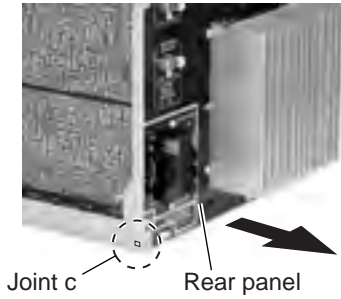


Fig.16  
(CA-MXG850VU, CA-MXG950VUX)

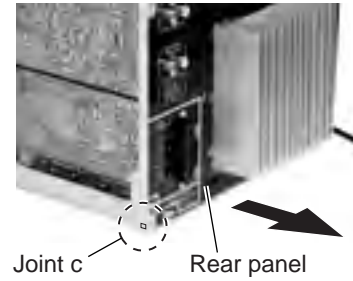


Fig.16  
(CA-MXG750VUS)

### ■ Removing the main board

(See Fig.17 ~ 19)

- Prior to performing the following procedure, remove the metal cover, the CD changer mechanism assembly, the rear panel and the tuner board.

1. Disconnect the card wires from connector CN870, CN871 and CN315 on the main board.
2. Disconnect the wires from connector CN704 and CN706 on the amplifier board.
3. Remove the screw I attaching the main board on the right side of the body.
4. Disconnect the wire from connector CN710 on the speaker board.
5. Disconnect connector CN211 and CN212 on the main board from the regulator board.

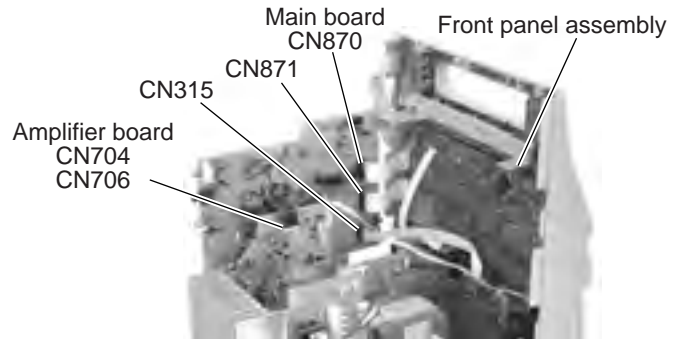


Fig.17

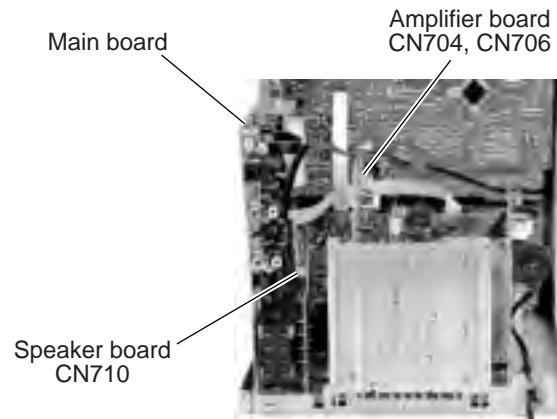


Fig.18  
(CA-MXG850VU, CA-MXG950VUX)

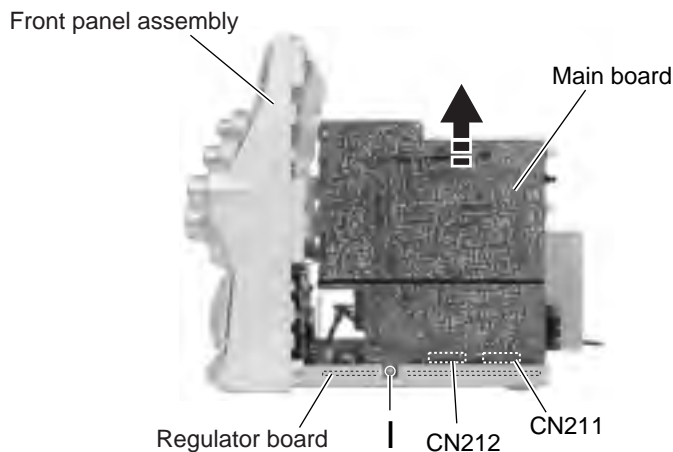


Fig.19

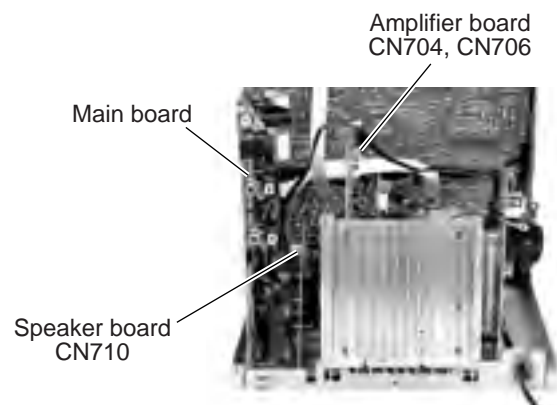


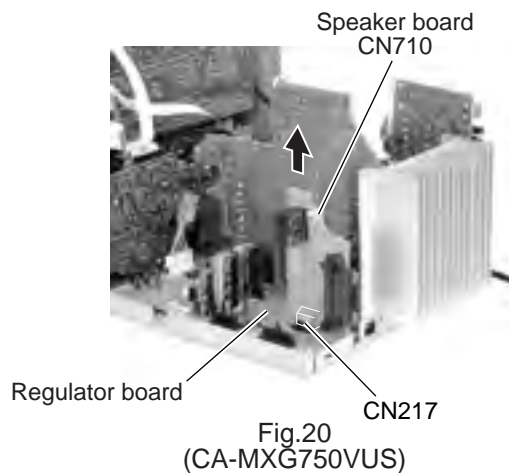
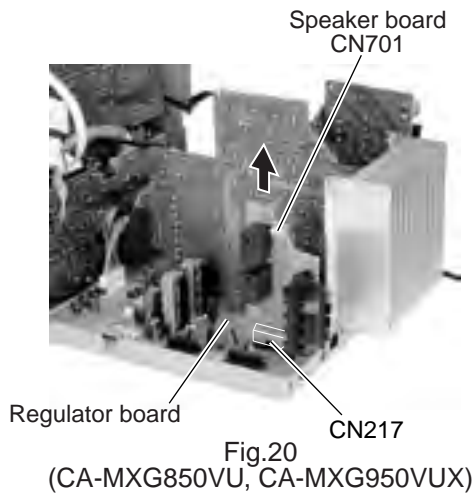
Fig.18  
(CA-MXG750VUS)

### ■ Removing the speaker board (See Fig.20)

- Prior to performing the following procedure, remove the metal cover, the CD changer mechanism assembly and the rear panel.

REFERENCE: It is not necessary to remove the main board.

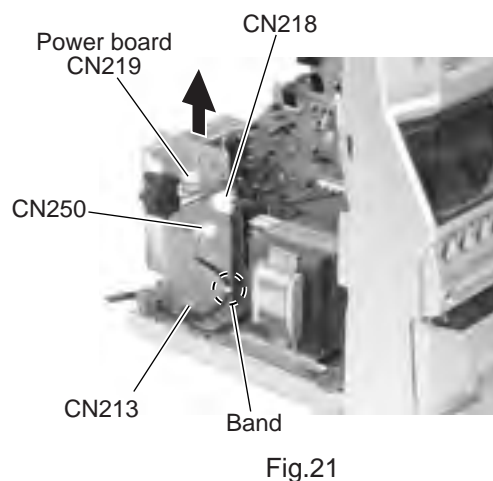
1. Disconnect the wire from connector CN710 on the speaker board.
2. Disconnect connector CN217 on the speaker board from the regulator board.



### ■ Removing the power board (See Fig.21)

- Prior to performing the following procedure, remove the metal cover, the CD changer mechanism assembly and the rear panel.

1. Remove a band on the power board.
2. Disconnect the wire from connector CN218, CN219 and CN250 on the power board.
3. Disconnect connector CN213 on the power board from the regulator board.

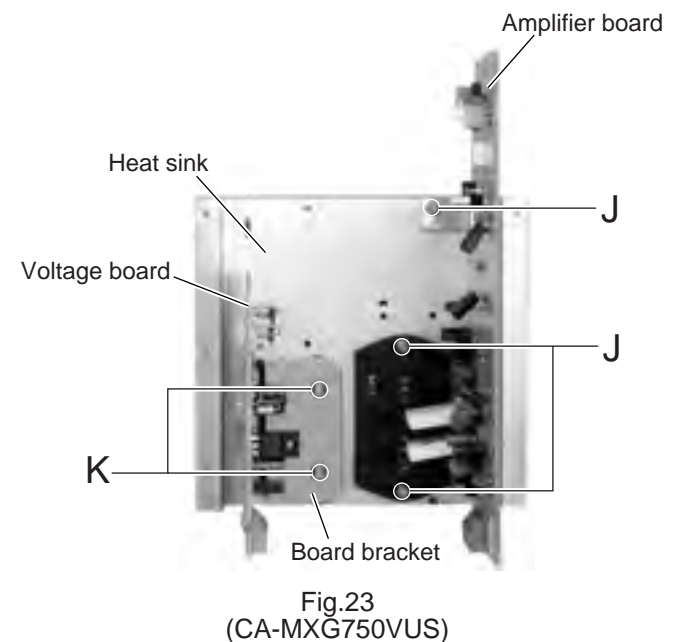
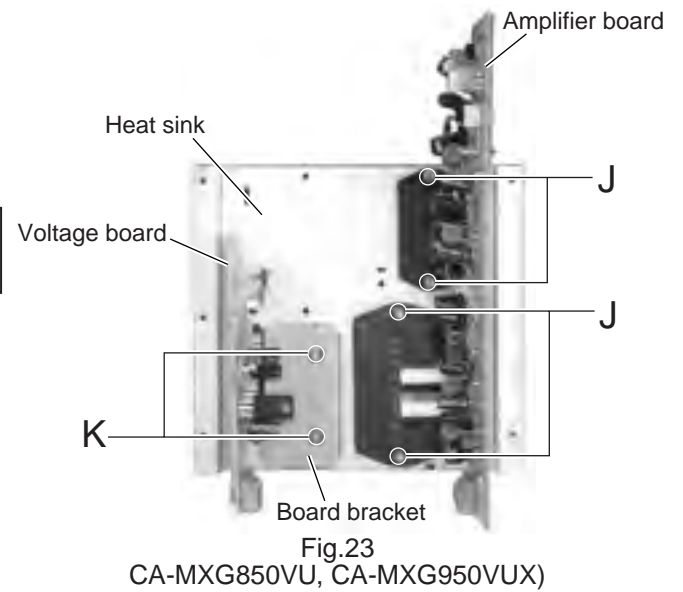
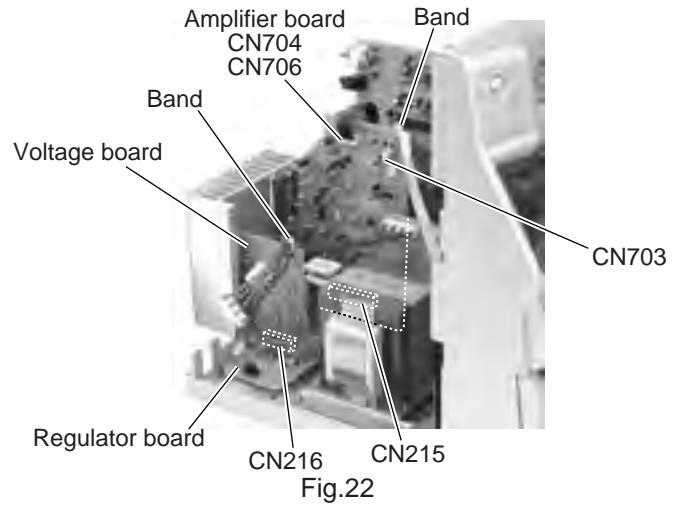


■ **Removing the amplifier board / voltage board / heat sink** (See Fig.22, 23)

• Prior to performing the following procedure, remove the metal cover, the CD changer mechanism assembly and the rear panel.

1. Disconnect the wires from connector CN703, CN704 and CN706 on the amplifier board respectively.
2. Remove the two band attaching the wire to the amplifier board and the voltage board.
3. Disconnect connector CN215 on the amplifier board and CN216 on the voltage board from the regulator board (The heat sink will be detached at once).
4. Remove the four screws **J** attaching the amplifier board to the heat sink.
5. Remove the two screws **K**, the board bracket and the voltage board.

REFERENCE: It is not necessary to remove the power board.



### ■ Removing the power transformer assembly (See Fig.24, 25)

• Prior to performing the following procedure, remove the metal cover, the CD changer mechanism assembly and the rear panel.

1. Disconnect the wires from connector CN218 and CN219 on the power board.
2. Disconnect the wire from connector CN204 on the regulator board.
3. Disconnect the wire from connector CN220 on the transformer board.
4. Remove a band on the voltage board.
5. Release the wire from the stopper on the regulator board.
6. Remove the four screws **L** attaching the transformer assembly.

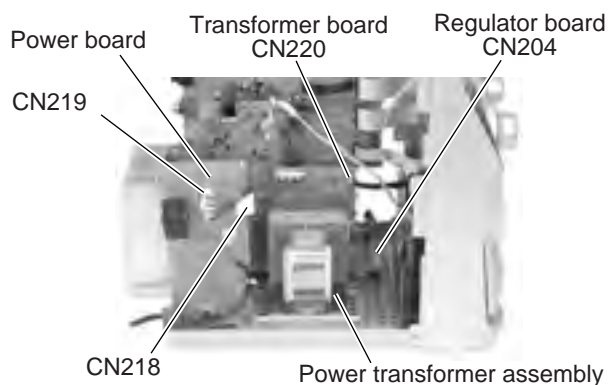


Fig.24

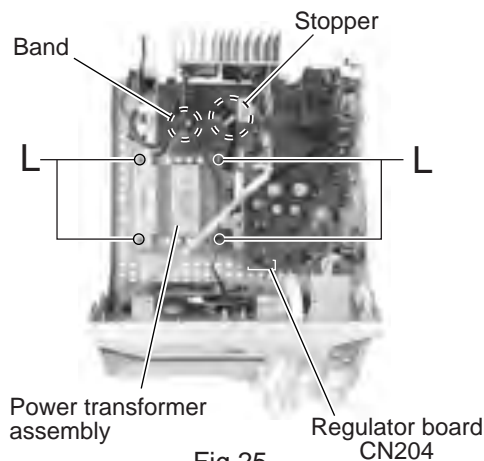


Fig.25

### ■ Removing the regulator board (See Fig.26)

• Prior to performing the following procedure, remove the metal cover, the CD changer mechanism assembly, the rear panel, the antenna board, the main board, the amplifier board, the voltage board, the power board and the speaker board.

1. Disconnect the wire from connector CN204 on the regulator board.
2. Release the wire from the stopper on the regulator board.
3. Remove the two screws **M** attaching the regulator board.

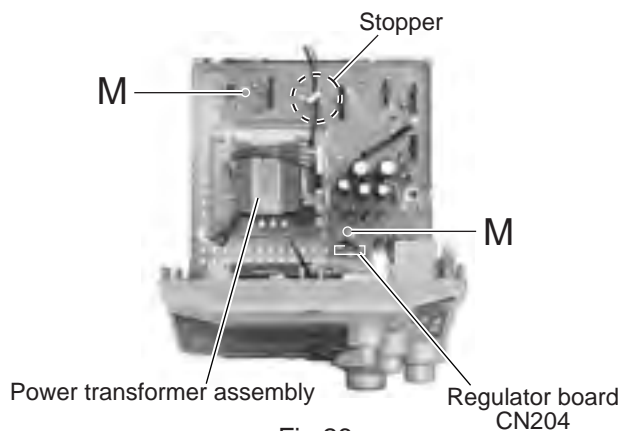


Fig.26

### ■ Removing the power cord (See Fig.27)

• Prior to performing the following procedure, remove the metal cover, the CD changer mechanism assembly and the rear panel.

1. Disconnect the wire from connector CN250 on the power board.
2. Remove the band from the power board.
3. Move the power cord stopper upward and pull out it from the base chassis.

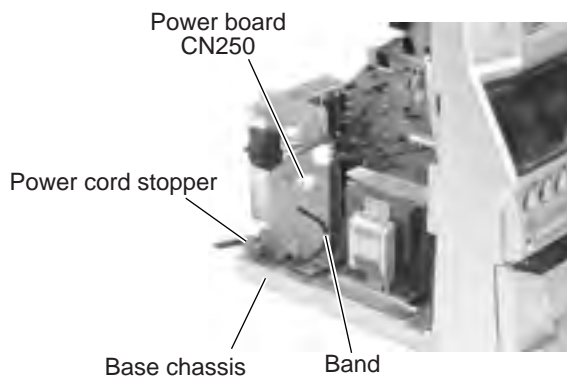


Fig.27

## <Front panel assembly>

- Prior to performing the following procedure, remove the metal cover, the CD changer mechanism assembly and the front panel assembly.

### ■ Removing the cassette mechanism assembly (See Fig.28)

1. Disconnect the card wire from connector CN306 on the head amplifier & mechanism control board.
2. Remove the seven screws **N** attaching the cassette mechanism assembly.

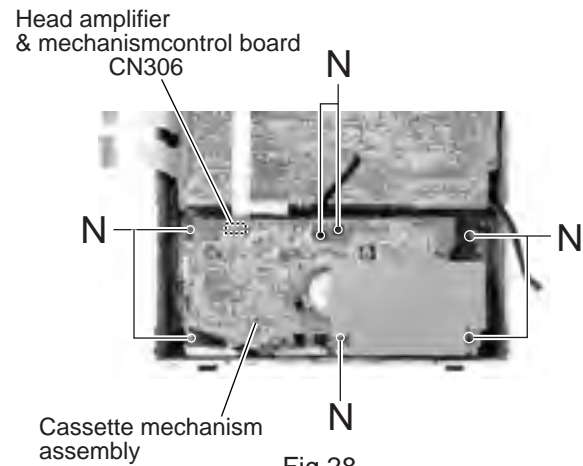


Fig.28

### ■ Removing the display system control board (See Fig.29 ~ 31)

1. Remove the four screws **O** attaching the stay bracket.
2. Disconnect the card wires from connector CN316 and CN880 on the display system control board.
3. Remove the seven screws **P** attaching the display system control board.
4. If necessary, disconnect the wire from connector CN911 on the front side of the display system control board and unsolder FW915.

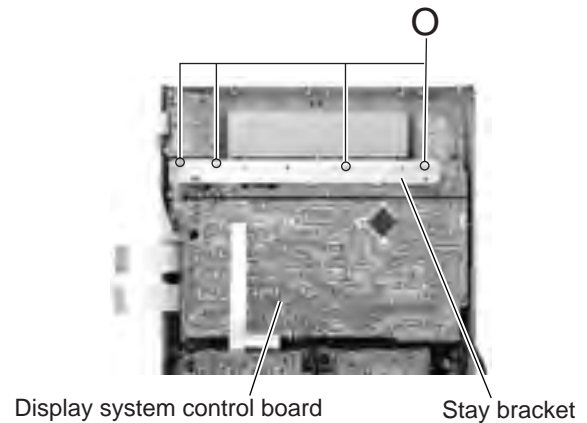


Fig.29

### ■ Removing the CD eject board (See Fig.31, 32)

1. Remove the three screws **Q** attaching the CD eject board.
2. If necessary, unsolder FW915 on the CD eject board.

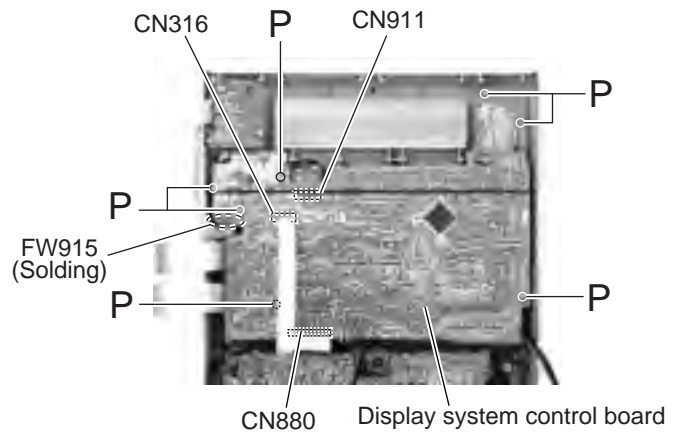


Fig.30

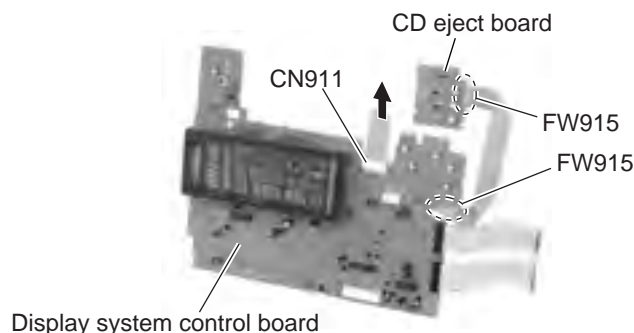


Fig.31

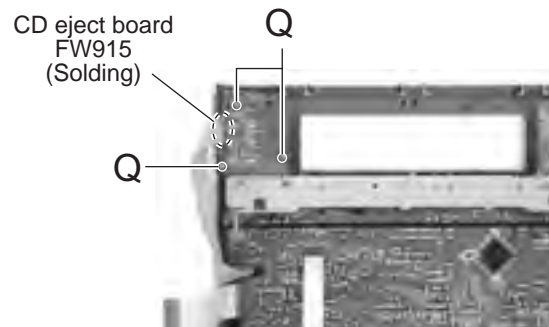


Fig.32

■ **Removing the preset / tuning switch board**  
 (See Fig.33, 34)

• Prior to performing the following procedure, remove the display system control board.

1. Pull out the preset knob on the front panel.
2. Remove the four screws **R** attaching the preset / tuning switch board.
3. If necessary, unsolder FW901 on the preset / tuning switch board.

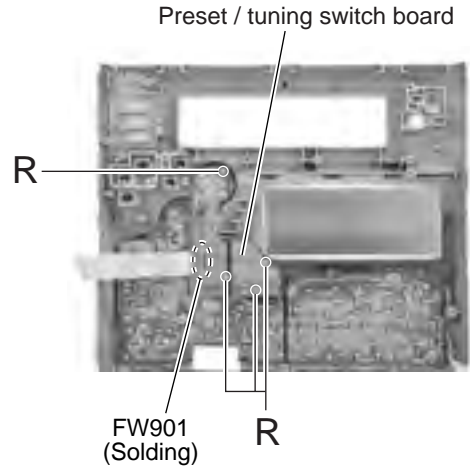


Fig.33

■ **Removing the operation switch board**  
 (See Fig.34, 35)

• Prior to performing the following procedure, remove the display system control board and the preset / tuning switch board.

1. Pull out the volume knob on the front panel and remove the nut. Pull out the sound mode knob, the mic level knob and the sub woofer level knob toward the front.
2. Remove the twelve screws **S** attaching the operation switch board.
3. Release each tab of the seven joints **g** retaining the operation switch board.

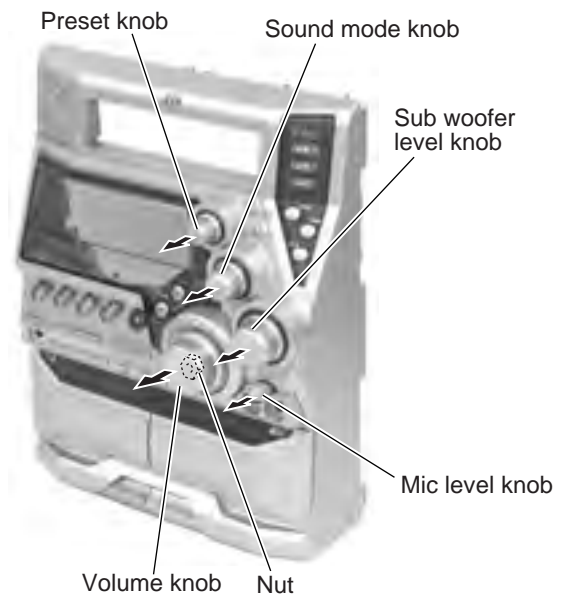


Fig.33

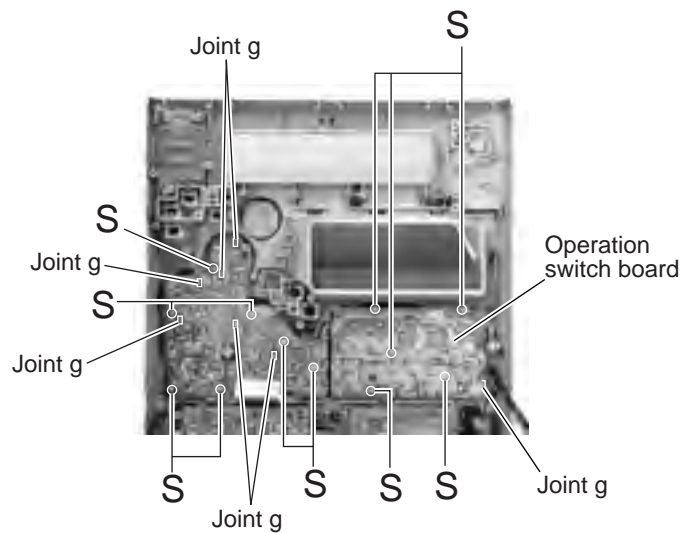


Fig.35

# Disassembly method

## <speaker section>

### ■ Removing the front cover (See Fig.1,2)

CAUTION: Do not break or damage the front panel and body that are glued at the joints **a**.  
(See Fig.1)

1. Remove the four screws **A** on the front of the body respectively.
2. Remove the front cover toward the front and disconnect the yellow and black wires from the two tweeter speaker terminals.

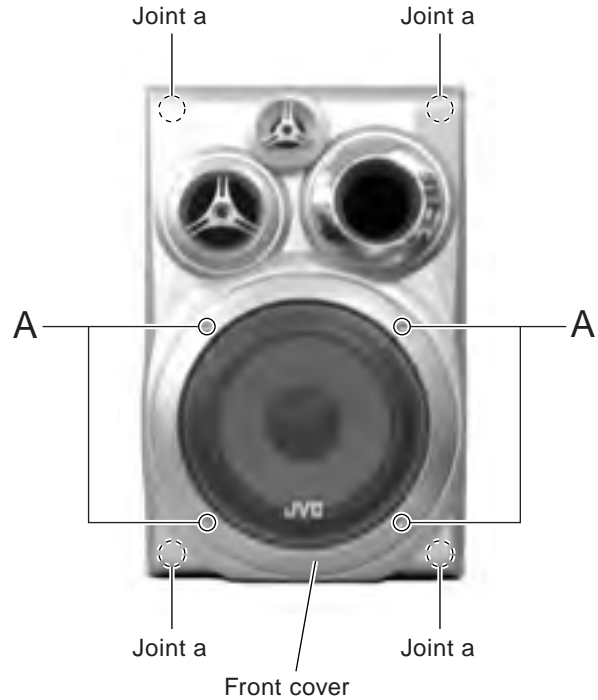


Fig.1  
(SP-MXG750V)  
(SP-MXG850V)  
(SP-MXG950V)

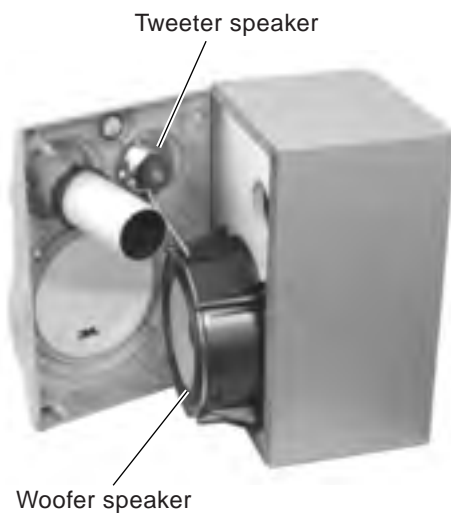


Fig.2  
(SP-MXG750V)  
(SP-MXG850V)  
(SP-MXG950V)

### ■ Removing the woofer speaker (See Fig.3)

· Prior to performing the following procedure, remove the front cover.

1. Remove the four screws **B** on the front of the body.
2. Pull out the woofer speaker toward the front and disconnect the wire (yellow and black, red and black) from the two speaker terminals.

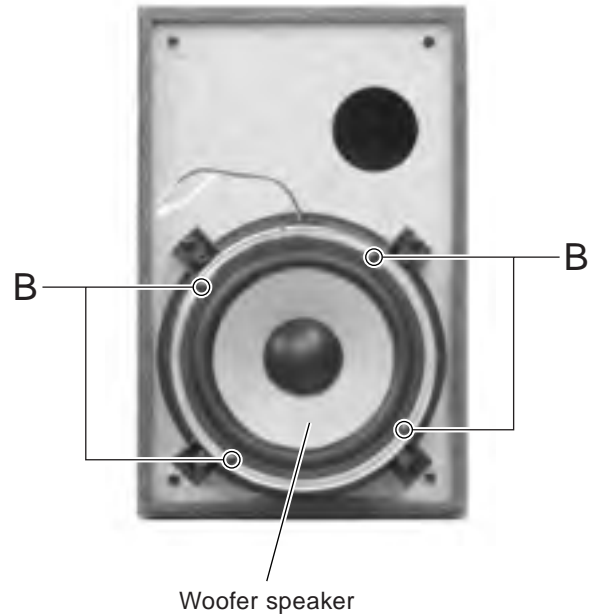


Fig.3  
(SP-MXG750V)  
(SP-MXG850V)  
(SP-MXG950V)

### ■ Removing the tweeter speaker (See Fig.4)

· Prior to performing the following procedure, remove the front cover.

1. Disconnect the red and black wires from the two tweeter speaker terminals.
2. Remove the two screws **C** attaching the tweeter speaker on the back of the front cover.

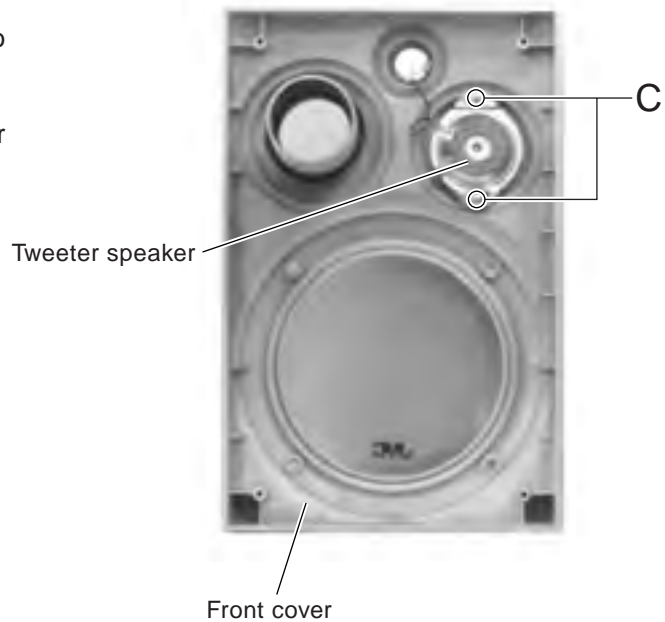


Fig.4  
(SP-MXG750V)  
(SP-MXG850V)  
(SP-MXG950V)



## <Woofer speaker section>

### ■ Removing the front cover (See Fig.5)

CAUTION: Do not break or damage the front panel and body that are glued at the joints **b**.  
(See Fig.5)

1. Remove the four screws **D** on the front of the body respectively.
2. Remove the front cover toward the front.

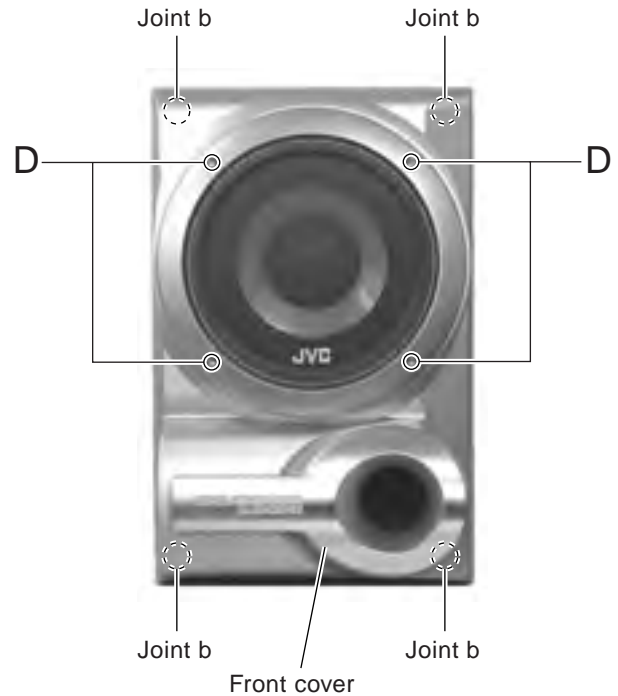


Fig.5  
(SP-MXG850V)  
(SP-MXG950V)

### ■ Removing the woofer speaker (See Fig.6)

- Prior to performing the following procedure, remove the front cover.

1. Remove the four screws **E** on the front of the body.
2. Pull out the woofer speaker toward the front and disconnect the red and black wires from the two speaker terminals.

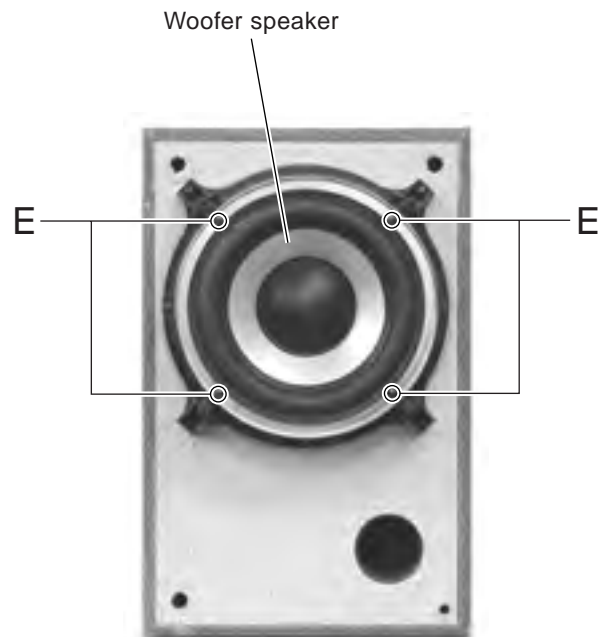


Fig.6  
(SP-MXG850V)  
(SP-MXG950V)

## <Removing the Rear speaker>

### ■Removing the Rear cover (See Fig.7 ~ 9 )

1. Remove the four screws **F** on the back of the body.
2. Disconnect the wires from the two terminals on the rear speaker.
3. Remove the four screws **G** on the back of the front cover.

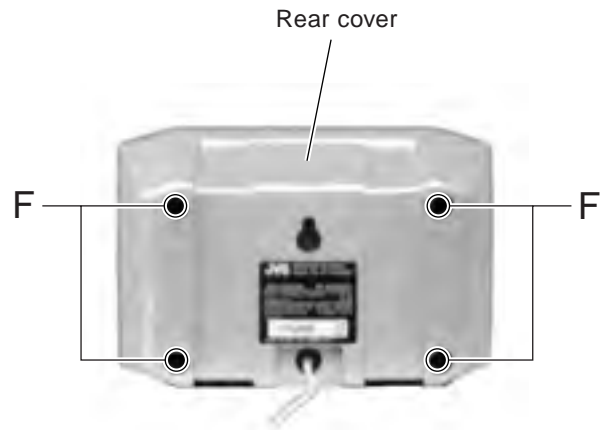


Fig.7(SP-MXG950V)

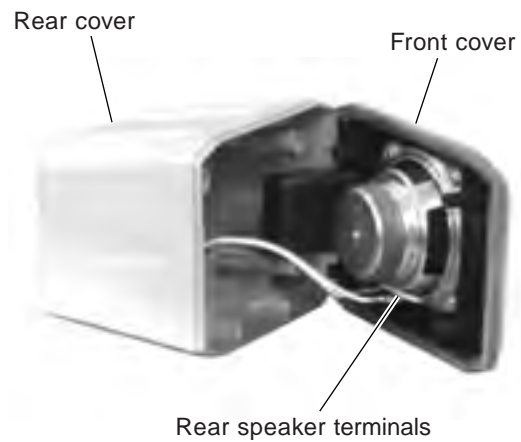


Fig.8(SP-MXG950V)

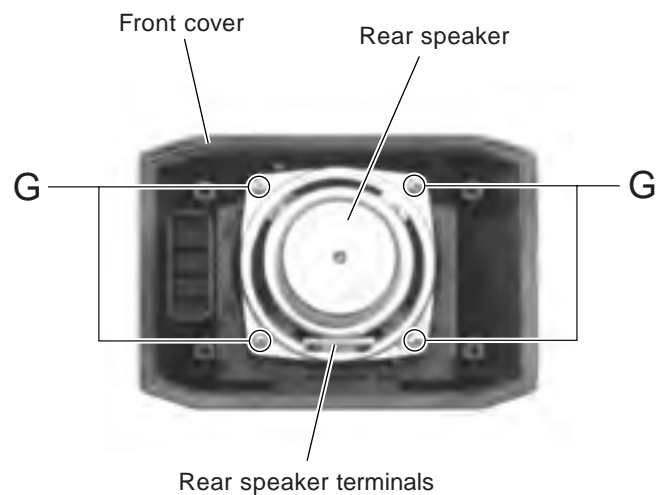
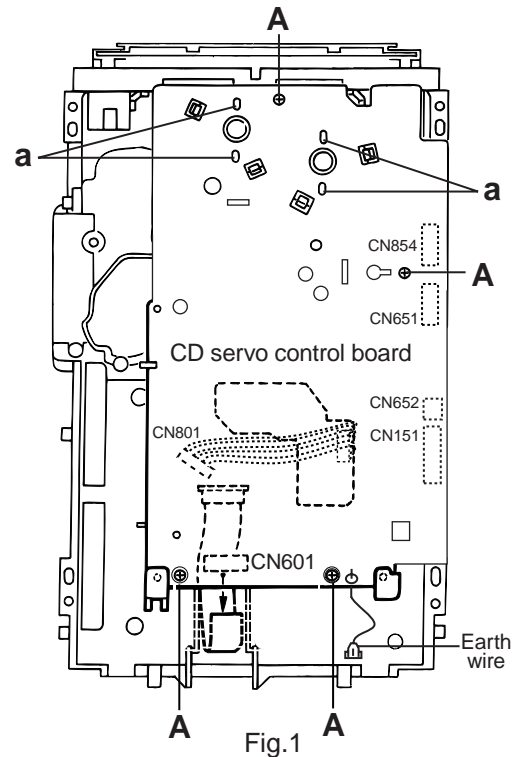


Fig.9(SP-MXG950V)

«CD Changer Mechanism Type:VC3 Section»

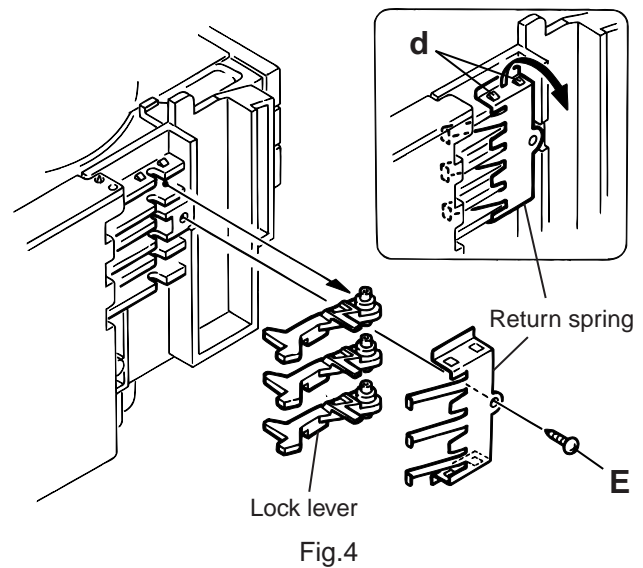
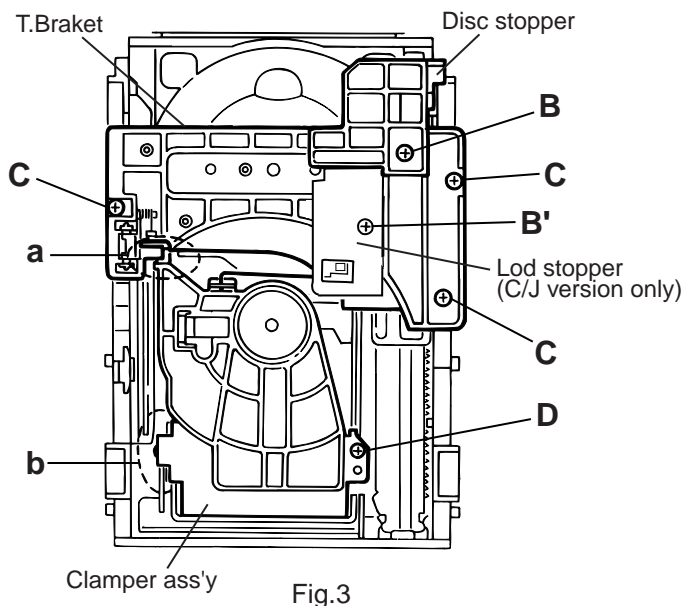
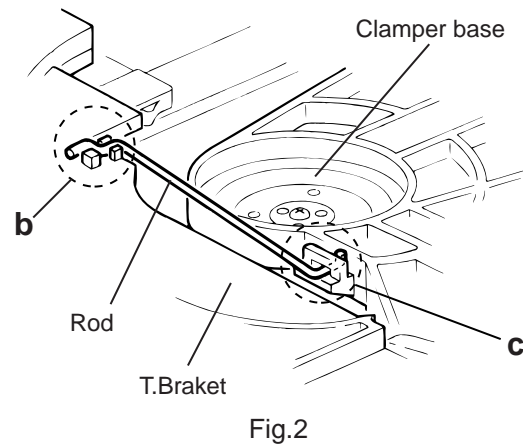
■ **Removing the CD Servo control board**  
(See Fig.1)

- 1.Remove the metal cover.
- 2.Remove the CD changer mechanism assembly.
- 3.From bottom side the CD changer mechanism assembly, remove the four screws **A** retaining the CD servo control board.
- 4.Absorb the four soldered positions "a" of the right and left motors with a soldering absorber.
- 5.Pull out the earth wire on the CD changer mechanism assembly.
- 6.Disconnect the connector CN854 on the CD servo control board.
- 7.Disconnect the card wire CN601 and the connector CN801 on the CD servo control board.



■ **Removing the CD tray assembly**  
(See Fig.2~4)

1. Remove the front panel assembly. (See Fig.2~4)
2. Remove the CD changer mechanism assembly.
3. Remove the CD Servo control board.
4. Remove the screw **B'** retaining the lod stopper. (See Fig.3).
5. From the T.bracket section "b" and clamber base section "c" , remove both of the edges fixing the rod(See Fig.2 and 3).
6. Remove the screw **B** retaining the disc stopper (See Fig.3).
7. Remove the three screws **C** retaining the T.bracket (See Fig.3).
8. Remove the screw **D** retaining the clamber assembly (See Fig.3).
9. From the left side face of the chassis assembly, remove the one screw **E** retaining both of the return spring and lock lever(See Fig. 4).
- 10.By removing the pawl at the section "d" fixing the return spring, dismount the return spring(See Fig.4).
- 11.Remove the three lock levers(See Fig.4).



11. Check whether the lifter unit stopper has been caught into the hole at the section "e" of CD tray assembly as shown in Fig.5.
12. Make sure that the driver unit elevator is positioned as shown in Fig.6 from to the second or fifth hole on the left side face of the CD changer mechanism assembly.

**[Caution]** In case the driver unit elevator is not at above position, set the elevator to the position as shown in Fig.7 by manually turning the pulley gear as shown in Fig.8.

13. Manually turn the motor pulley in the clockwise direction until the lifter unit stopper is lowered from the section "e" of CD tray assembly(See Fig.8).
14. Pull out all of the three stages of CD tray assembly in the arrow direction "f" until these stages stop  
(See Fig.6).
15. At the position where the CD tray assembly has stopped, pull out the CD tray assembly while pressing the two pawls "g and g'" on the back side of CD tray assembly(See Fig.9). In this case, it is easy to pull out the assembly when it is pulled out first from the stage CD tray assembly.

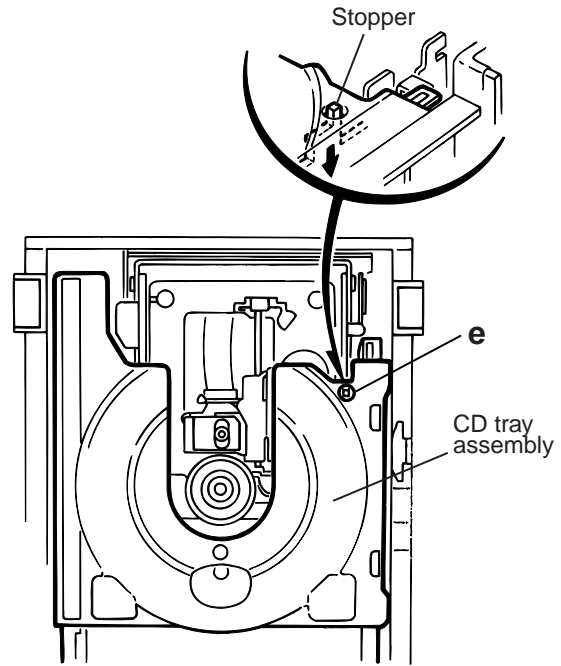


Fig.5

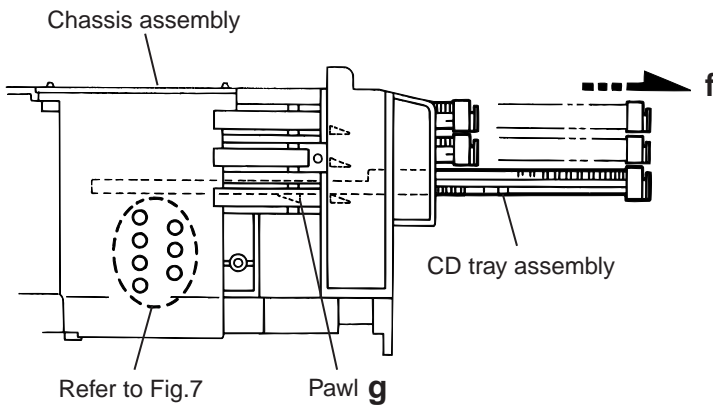


Fig.6

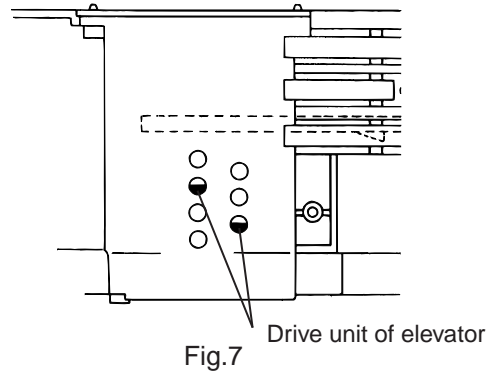


Fig.7

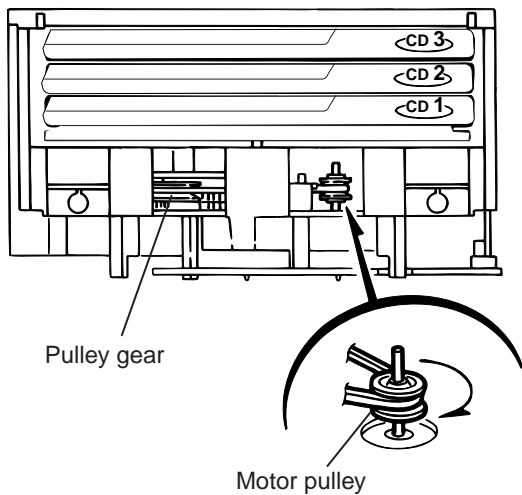
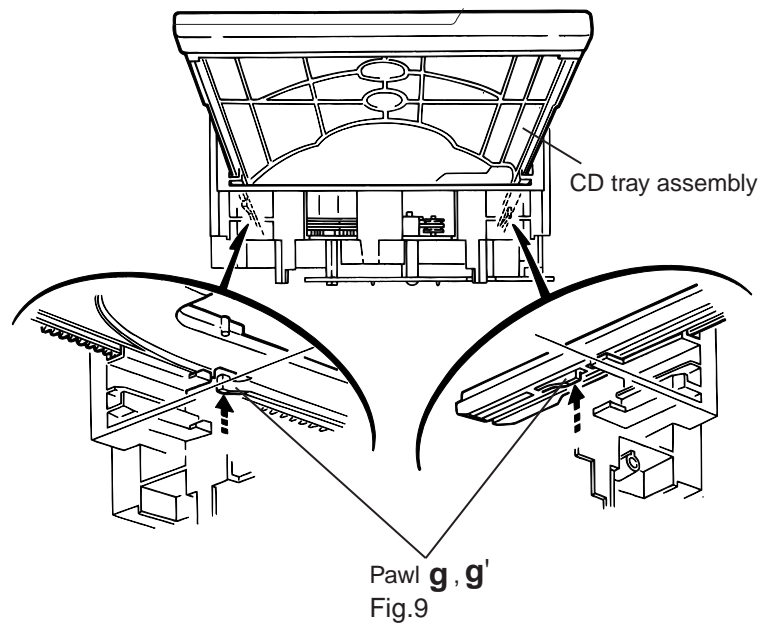


Fig.8



Pawl **g, g'**  
Fig.9

### ■ Removing the CD loading mechanism assembly(See Fig.10)

1. While turning the cams R1 and R2 assembly in the arrow direction "h", align the shaft "i" of the CD loading mechanism assembly to the position shown in Fig.10.
2. Remove the four screws **F** retaining the CD loading mechanism assembly.

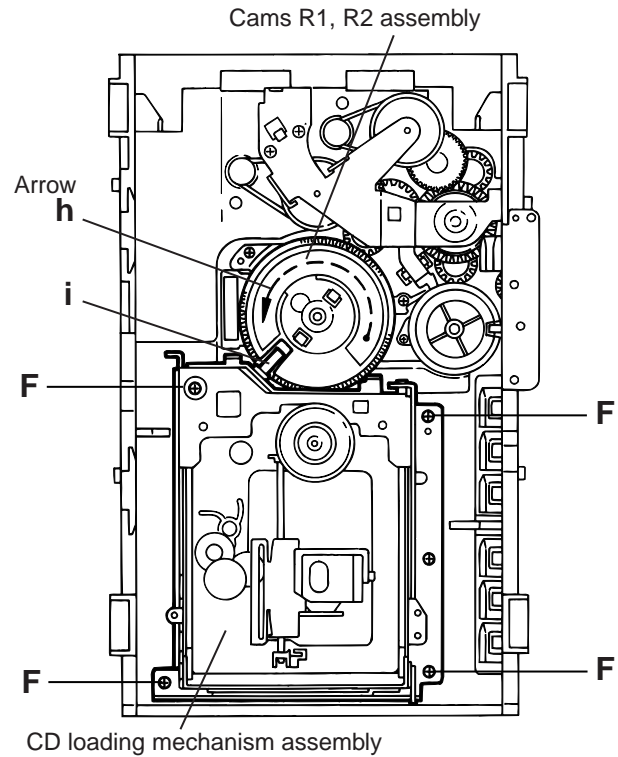


Fig.10

### ■ Removing the CD traverse mechanism (See Fig.11 and 12 )

1. For dismantling only the CD traverse mechanism without removing the CD loading mechanism assembly, align the shaft "j" of the CD loading mechanism assembly to the position shown Fig.11 while turning the cam R1 and R2 assembly in the arrow direction "k".
2. By raising the CD loading mechanism assembly in the arrow direction "l", remove the assembly from the lifter unit

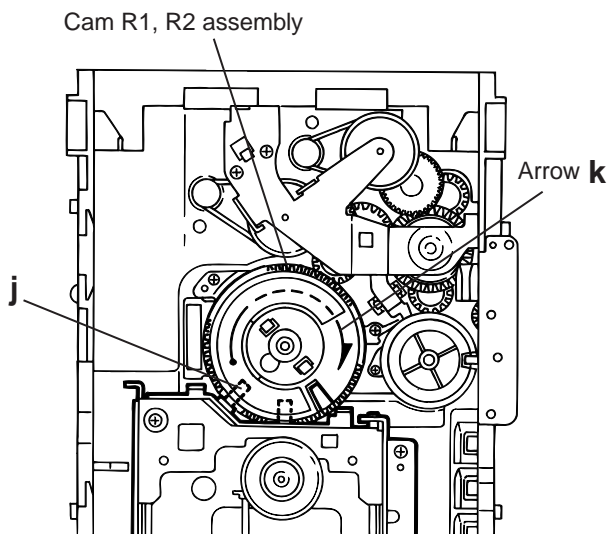


Fig.11

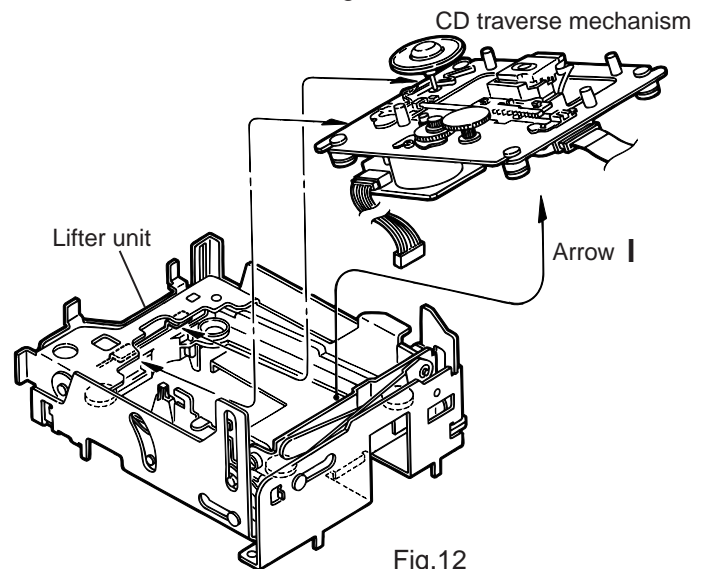


Fig.12

### ■ Removing the CD pick unit (See Fig.13 )

1. Move the cam gear in the arrow direction "m". Then, the CD pickup unit will be moved in the arrow direction "n".
2. According to the above step, shift the CD pickup unit to the center position.
3. While pressing the stopper retaining the shaft in the arrow direction "o", pull out the shaft in the arrow direction "p".
4. After dismantling the shaft from the CD pickup unit, remove the CD pickup unit

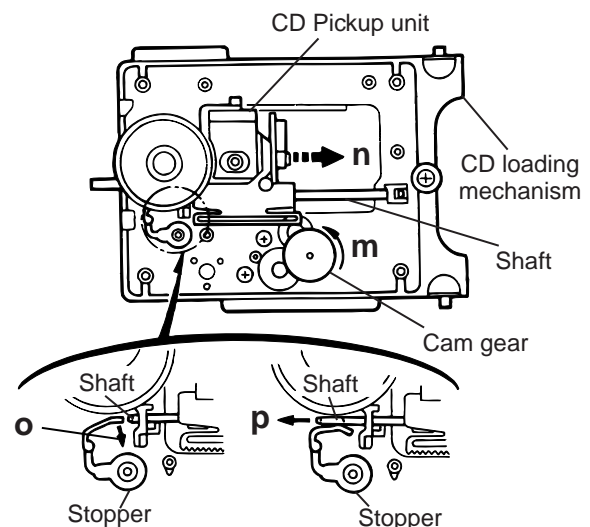


Fig.13

## ■ Removing the tray select switch board (See Fig.14)

1. Remove the two screws **G** retaining the tray select switch board.
2. Disconnect the tray select switch board from connector CN804 on the CD servo control board.

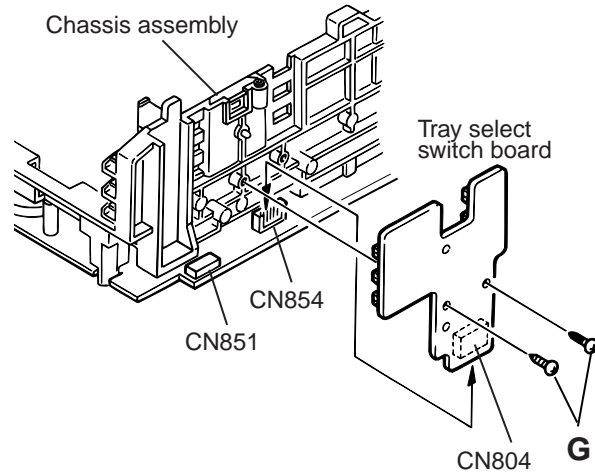


Fig.14

## ■ Removing the cam unit (See Fig.15 ~17)

1. Remove the CD loading mechanism assembly.
2. While turning the cam gear "q", align the Paul "r" position of the drive unit to the notch position(Fig.16) on the cam gear "q".
3. Pull out the drive unit and cylinder gear(See Fig.17).
4. While turning the cam gear "q", align the Paul "s" position of the select lever to the notch position(Fig.18) on the cam gear "q".
5. Remove the four screws **H** retaining the cam unit(cam gear "q" and cams R1/R2 assembly)(See Fig.18).

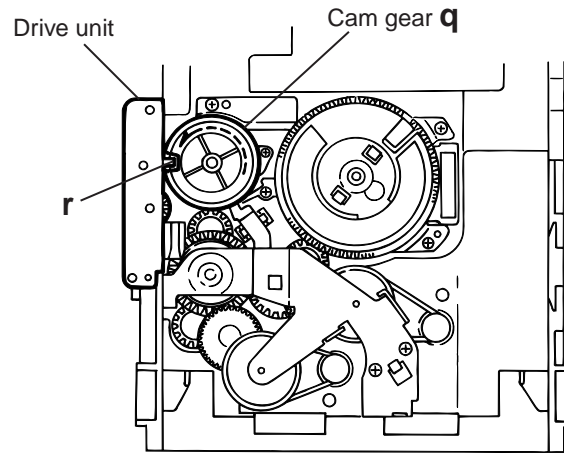


Fig.15

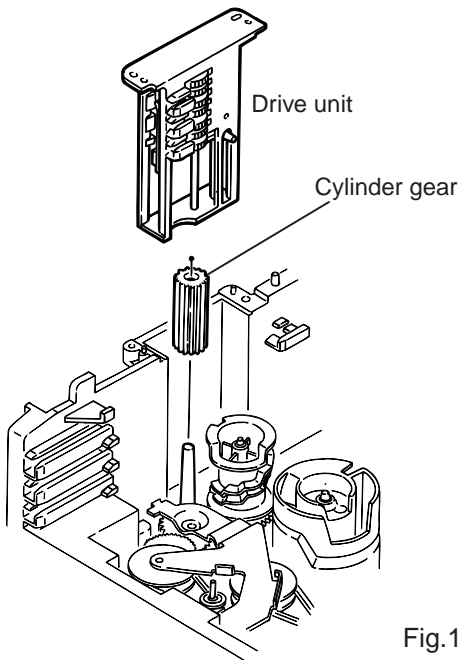


Fig.16

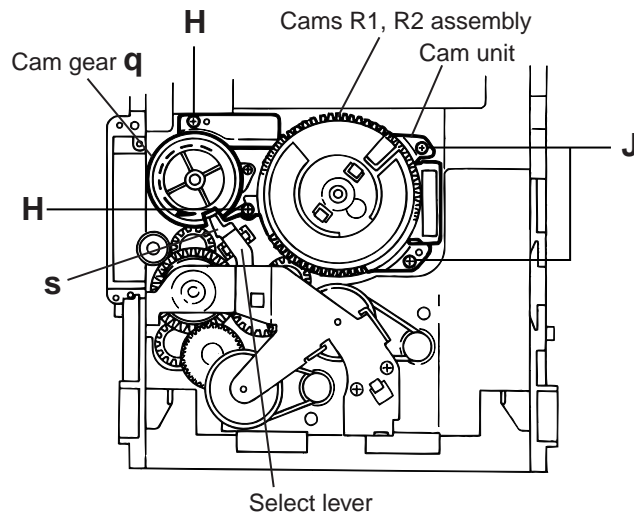


Fig.17

## ■ Removing the actuator motor and belt (See Fig.18~21)

1. Remove the two screws **I** retaining the gear bracket  
(See Fig.18).
2. While pressing the pawl **"t"** fixing the gear bracket in the arrow direction, remove the gear bracket  
(See Fig.18).
3. From the notch **"u"** section on the chassis assembly fixing the edge of gear bracket, remove and take out the gear bracket(See Fig. 19).
4. Remove the belts respectively from the right and left actuator motor pulleys and pulley gears(See Fig. 18).
5. After turning over the chassis assembly, remove the actuator motor while spreading the four pawls **"v"** fixing the right and left actuator motors in the arrow direction(See Fig. 20).

**[Note]** When the chassis assembly is turned over under the conditions wherein the gear bracket and belt have been removed, then the pulley gear as well as the gear, etc. constituting the gear unit can possibly be separated to pieces. In such a case, assemble these parts by referring to the assembly and configuration diagram in Fig. 21.

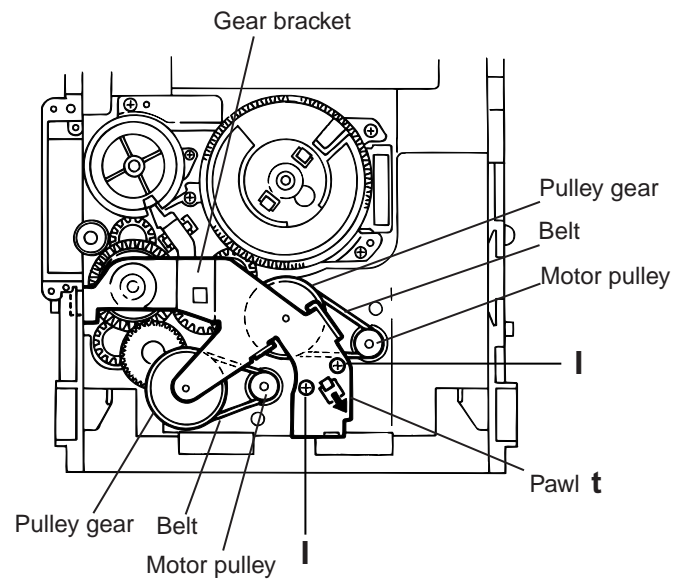


Fig.18

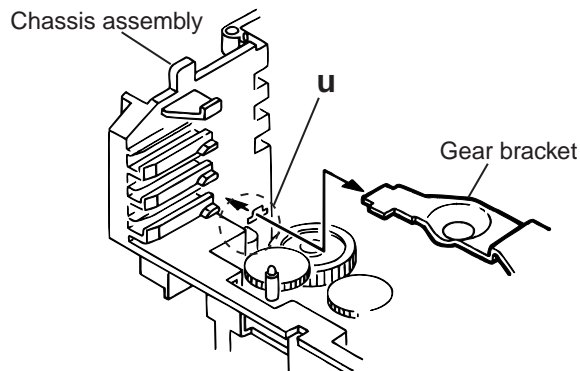


Fig.19

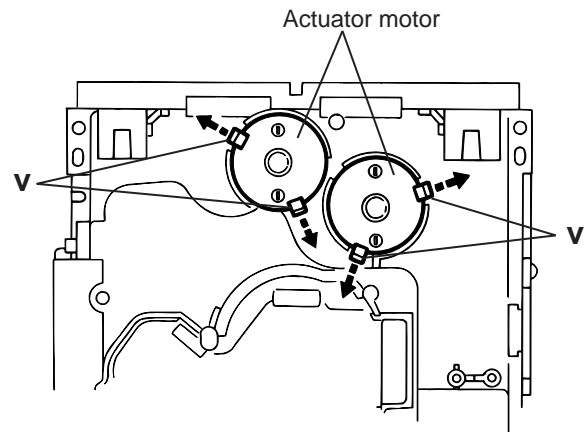


Fig.20

## Assembly and Configuration Diagram

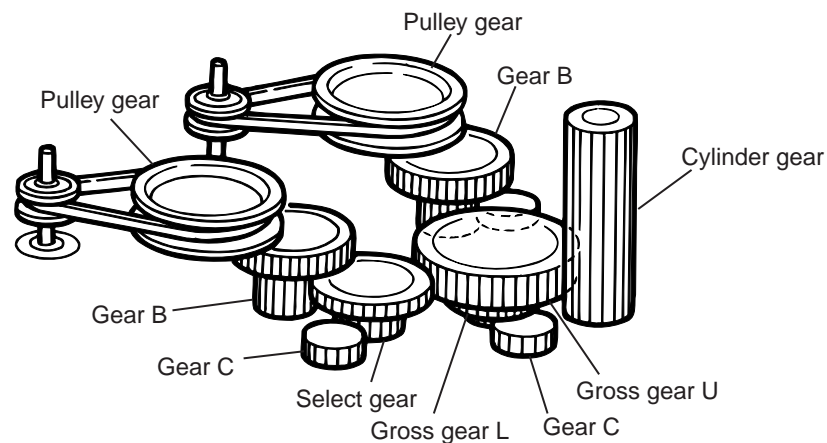


Fig.21

### ■ Removing the cams R1/R2 assembly and cam gear q(See Fig.22)

1. Remove the slit washer fixing the cams R1 and R2 assembly.
2. By removing the two pawls "w" fixing the cam R1, separate R2 from R1.
3. Remove the slit washer fixing the cam gear "q".
4. Pull out the cam gear "q" from the C.G. base assembly.

### ■ Removing the C.G. base assembly (See Fig.22 and 23)

Remove the three screws **J** retaining the C.G. base assembly.

**[Caution]** To reassemble the cylinder gear, etc.with the cam unit (cam gear and cans R1/R2 assembly), gear unit and drive unit, align the position of the pawl "x" on the drive unit to that of the notch on the cam gear "q". Then, make sure that the gear unit is engaged by turning the cam gear "q" (See Fig. 24).

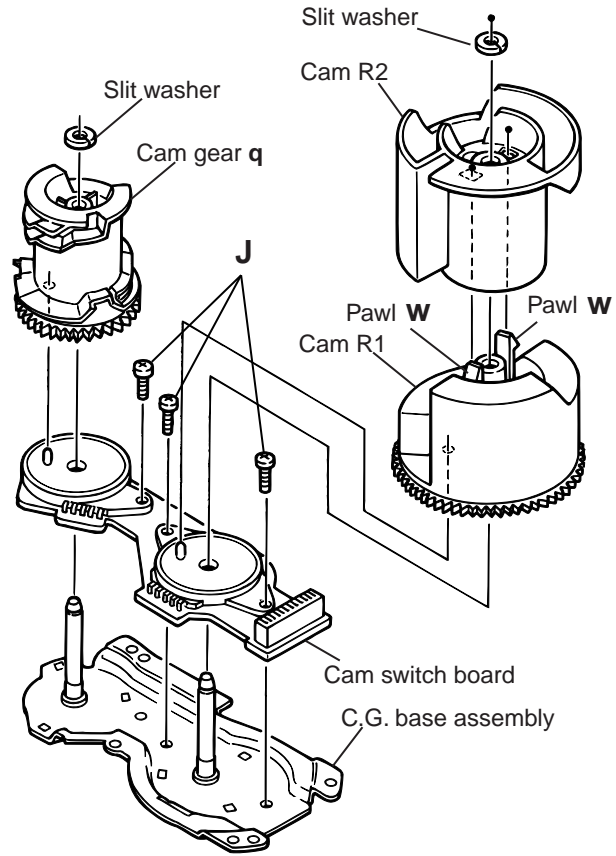


Fig.22

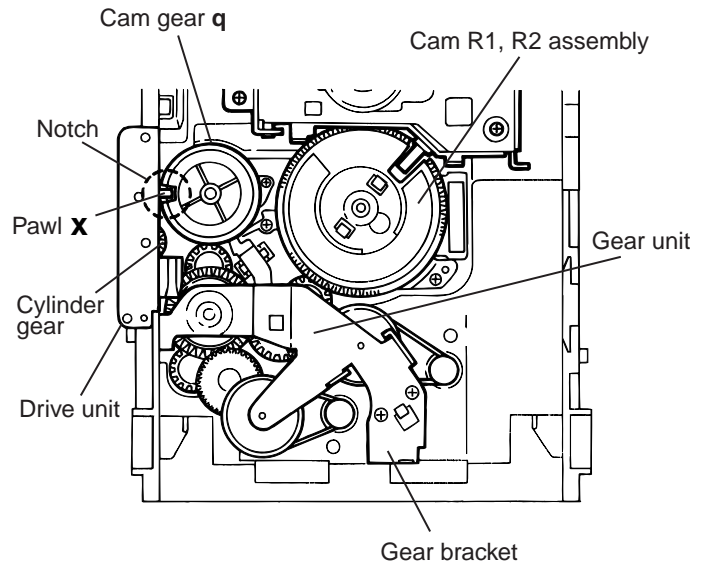


Fig.23



## < Cassette mechanism section >

### ■ Removing the playback, recording and eraser heads (See Fig.1~3)

1. While shifting the trigger arms seen on the right side of the head mount in the arrow direction, turn the flywheel R in counterclockwise direction until the head mount has gone out with a click (See Fig. 1).
2. When the flywheel R is rotated in counterclockwise direction, the playback / recording & eraser head will be turned in counterclockwise direction from the position in Fig.2 to that in Fig.3.
3. At this position, disconnect the flexible P.C.board (outgoing from the playback head) from the connector CN301 on the head amp. and mechanism control P.C. board.
4. Remove the flexible P.C.board from the chassis base.
5. Remove the spring "a" from behind the playback / recording head.
6. Loosen the reversing azimuth screw retaining the playback head.
7. Take out the playback head from the front of the head mount.
8. The recording and eraser heads should also be removed similarly according to Steps 1~7 above.

### ● Reassembling the playback, recording and eraser heads (See Fig.3)

1. Reassemble the playback head from the front of the head mount to the position as shown in Fig.3.
2. Fix the reversing azimuth screw.
3. Set the spring a from behind the playback head.
4. Attach the flexible P.C.board to the chassis base as shown in Fig.3.
5. The recording and eraser heads should also be reassembled similarly according to Steps 1~4 above.

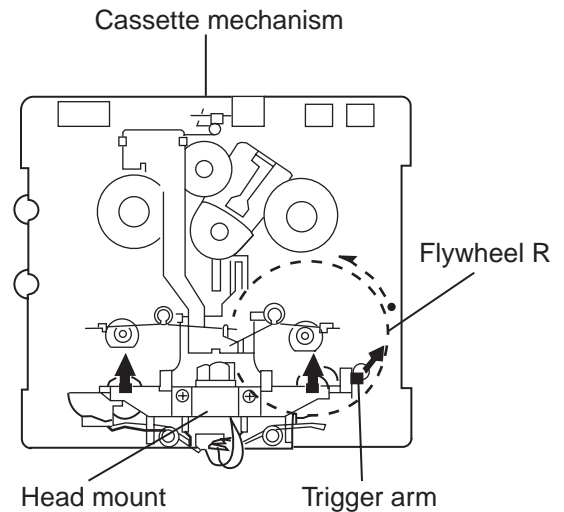


Fig.1 (Mechanism A side)

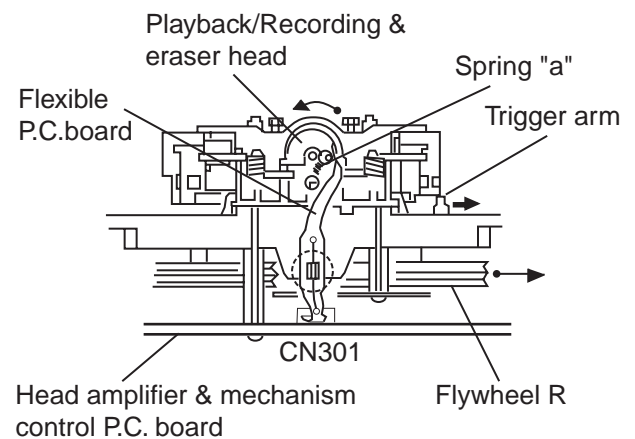


Fig.2 (Mechanism A side)

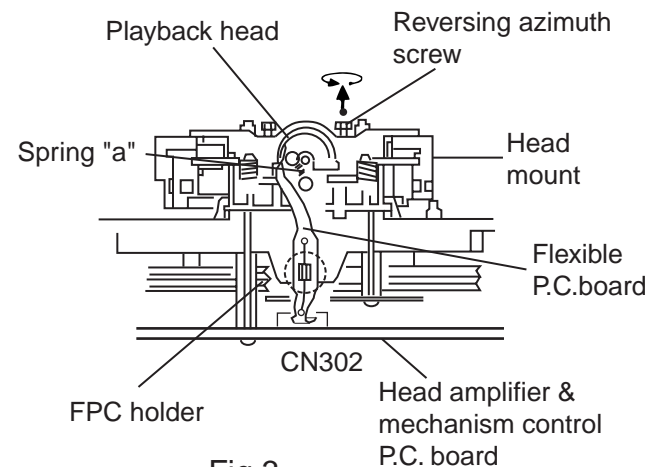


Fig.3 (Mechanism B side)

■ **Removing the head amp. and mechanism control board (See Fig. 4)**

- 1.Remove the cassette mechanism assembly.
- 2.After turning over the cassette mechanism assembly,remove the five screws "A" retaining the head amplifier & mechanism control board.
- 3.Disconnect the connectors CN303 on the board and the connectors CN301 and on CN302 both the right and left side reel pulse boards.
- 4.When necessary, remove the 4pin parallel wire soldered to the main motor

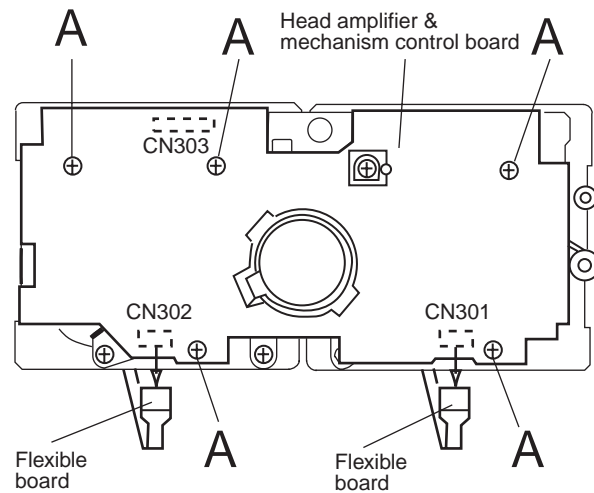


Fig.4

■ **Removing the capstan motor assembly (See Fig.5 to 7)**

- 1.Remove the six screws "B" retaining capstan motor assembly (See Fig. 5).
- 2.While raising the capstan motor, remove the capstan belts A and B respectively from the motor pulley (See Fig. 6).

Caution 1: Be sure to handle the capstan belts so carefully that these belts will not be stained by grease and other foreign matter. Moreover, these belts should be hand while referring to the capstan belt hanging method.(See Fig.6 and 7)

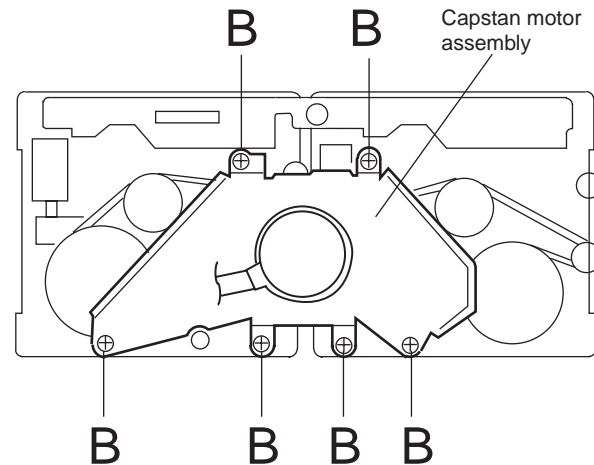


Fig.5

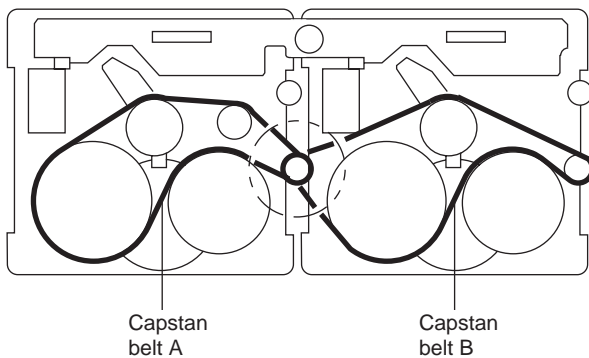


Fig.7

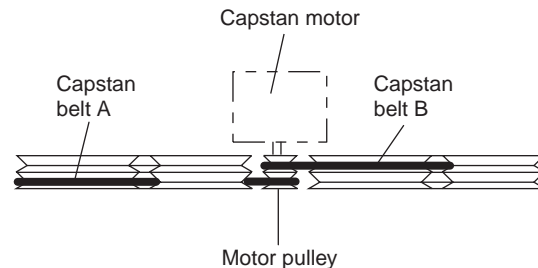


Fig.6

### ■ Removing the capstan motor (See Fig. 8)

From the joint bracket, remove the two screws "C" retaining the capstan motor.

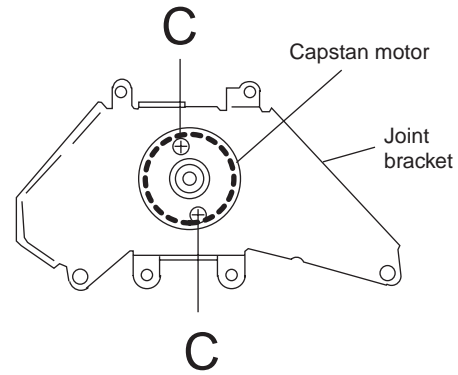


Fig.8

### ■ Removing the flywheel (See Fig. 9,10)

- 1.Remove the head amp. and mechanism control P.C.Board.
- 2.Remove the capstan motor assembly.
- 3.After turning over the cassette mechanism, remove the two slit washers "b" fixing the capstan shafts R and L, and pull out the flywheels R and L respectively from behind the cassette mechanism.

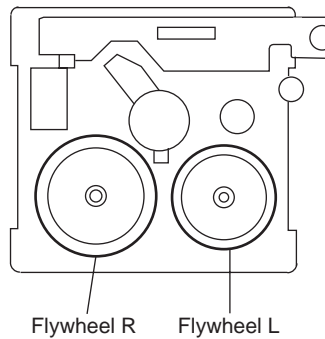


Fig.10

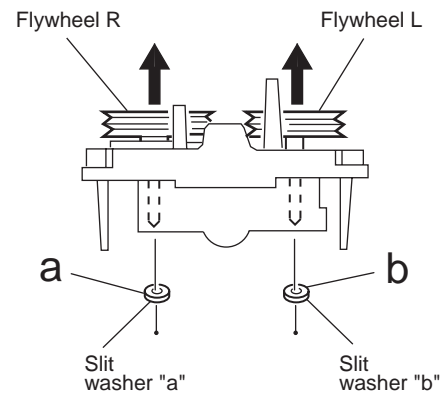


Fig.9

### ■ Removing the reel pulse board and solenoid (See Fig. 11)

- 1.Remove the five pawls (c,d,e,f,g) retaining the reel pulse P.C.Board.
- 2.From the surface of the reel pulse P.C.Board parts, remove the two pawls "h" and "i" retaining the solenoid.

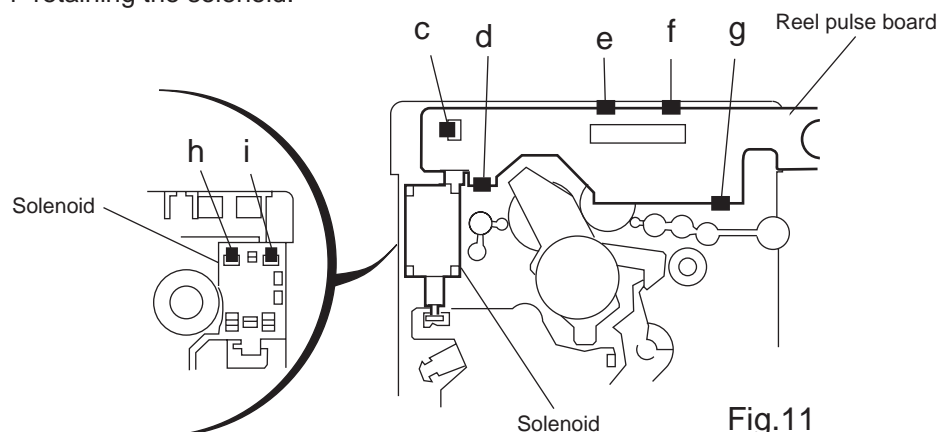


Fig.11

# Adjustment method

## Measurement instruments required for adjustment

1. Low frequency oscillator,  
This oscillator should have a capacity to output 0dBs to 600ohm at an oscillation frequency of 50Hz-20kHz.
2. Attenuator impedance : 600ohm
3. Electronic voltmeter
4. Frequency counter
5. Wow flutter meter
6. Test tape  
VT712 : For Tape speed and wow flutter ( 3kHz)  
VT710 : Head azimuth  
VT724 : For Reference level (1kHz)
7. Blank tape  
TAPE I: AC-225
8. Torque gauge : For play and back tension  
Forward ; TW2111A, Reverse ; TW2121A  
Fast Forward and Rewind ; TW2231A
9. Test disc  
: CTS-1000(12cm),GRG-1211(8cm)
10. Jitter meter

## Measurement conditions

Power supply voltage  
AC110V/127V/220V/230V~240V  $\sim$ , adjustable

Measurement  
output terminal : Speaker out  
: TP101(Mesuring for TUNER/DECK/CD)  
: Dummy load 6ohm

## Radio input signal

AM modulation frequency : 400Hz  
Modulation factor : 30%  
FM modulation frequency : 400Hz  
Frequency displacement : 22.5kHz

## Frequency Range

AM 531kHz~1710kHz  
FM 87.5MHz~108MHz

## Standard measurement positions of volume and switch

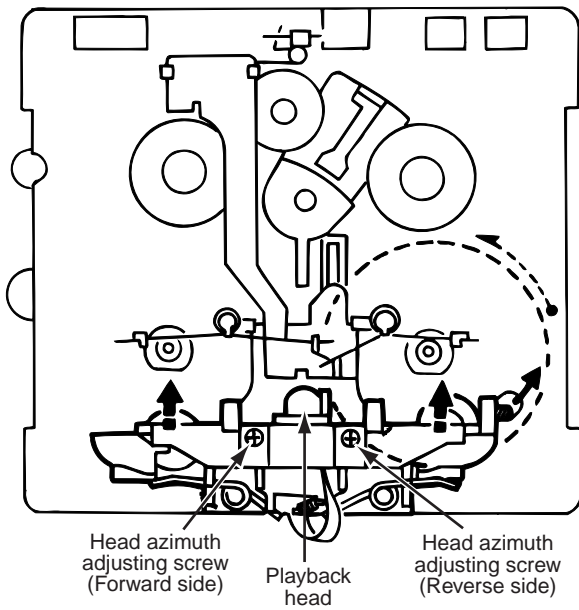
Power : Standby (Light STANDBY Indicator)  
Sub woofer VOL. : Minimum  
Sound mode : OFF  
Main VOL. : 0 Minimum  
Traverse mecha set position : Disc 1  
Mic MIX VOL : MAX  
ECHO : OFF

## Precautions for measurement

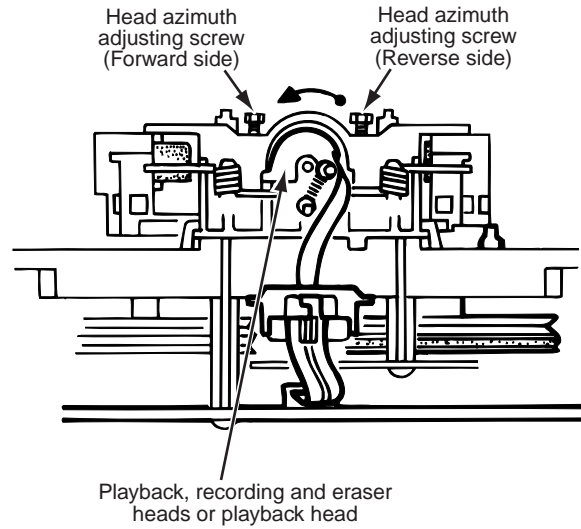
1. Apply 30pF and 33kohm to the IF sweeper output side and 0.082 F and 100kohm in series to the sweeper input side.
2. The IF sweeper output level should be made as low as possible within the adjustable range.
3. Since the IF sweeper is a fixed device, there is no need to adjust this sweeper.
4. Since a ceramic oscillator is used, there is no need to perform any MPX adjustment.
5. Since a fixed coil is used, there is no need to adjust the FM tracking.
6. The input and output earth systems are separated. In case of simultaneously measuring the voltage in both of the input and output systems with an electronic voltmeter for two channels, therefore, the earth should be connected particularly.
7. In the case of BTL connection amplifier, the minus terminal of speaker is not for earthing. Therefore, be sure not to connect any other earth terminal to this terminal. This system is of an OTL system.

## ■ Arrangement of adjusting positions

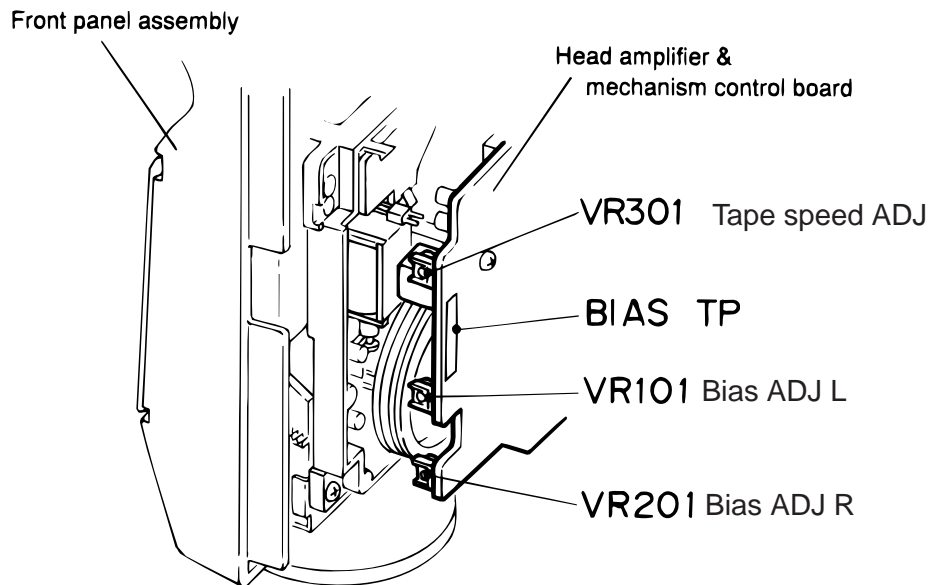
Cassette mechanism section (Mechanism A section)



Cassette mechanism section (Back side)



Cassette Mechanism Unit Section



■ **Tape recorder section**

| Items                      | Measurement conditions                                                                                                        | Measurement method                                                                                                                                                                                                                                                                                                                                                                                     | Standard values                              | Adjusting positions                                                |
|----------------------------|-------------------------------------------------------------------------------------------------------------------------------|--------------------------------------------------------------------------------------------------------------------------------------------------------------------------------------------------------------------------------------------------------------------------------------------------------------------------------------------------------------------------------------------------------|----------------------------------------------|--------------------------------------------------------------------|
| Confirmation of head angle | Test tape :VT710 (10kHz)<br>Measurement output terminal :Speaker terminal Speaker R (Load resistor:6Ω)<br>:Headphone terminal | 1.Playback the test tape VT710 (10kHz).<br>2.With the playback mechanism or recording & playback mechanism, adjust the head azimuth screw so that the forward and reverse output levels become maximum.After adjustment,lock the head azimuth at least by half a turn.<br>3.In either case,this adjustment should be performed in both the forward and reverse directions with the head azimuth screw. | Maximum output                               | Adjust the head azimuth screw only when the head has been changed. |
| Confirmation of tape speed | Test tape :VT712 (3kHz) or TMT7036 (3kHz)<br>Measurement output terminal :Headphone terminal                                  | <Constant speed><br>Adjust VR301 so that the frequency counter reading becomes 3,000Hz±60Hz when playing back the test tape VT712 (3kHz)with the playback mechanism or playback and recording mechanism after ending forward winding of the tape.                                                                                                                                                      | Tape speed of decks (A and B) :3,000Hz ±60Hz | VR301                                                              |

■ **Reference values for confirmation items**

| Items                                                                         | Measurement conditions                                                                                                                                     | Measurement method                                                                                                                                                                                                                                                | Standard values        | Adjusting positions                                  |
|-------------------------------------------------------------------------------|------------------------------------------------------------------------------------------------------------------------------------------------------------|-------------------------------------------------------------------------------------------------------------------------------------------------------------------------------------------------------------------------------------------------------------------|------------------------|------------------------------------------------------|
| Double tape speed                                                             | Test tape :VT712 (3kHz)<br>Measurement output terminal :Speaker terminal Speaker R (Load resistance:6Ω)<br>measurement output terminal :Headphone terminal | After setting to the double speed motor, confirm that the frequency counter reading becomes 4,800+400/-300Hz when the test tape VT712 (3kHz) has been play back with the playback mechanism.                                                                      | 4,800+400/-300Hz       | Playback mechanism side                              |
| Difference between the forward and reverse speed. P.mecha and R/P mecha speed |                                                                                                                                                            | When the test tape VT712 (3kHz) has been played back with the playback mechanism or recording and playback mechanism at the beginning of forward winding, the frequency counter reading of the difference between both of the mechanisms should be 6.0Hz or less. | 60Hz or less           | Both the playback and recording & playback mechanism |
| Wow & flutter                                                                 | Test tape :VT712 (3kHz)<br>Measurement output terminal :Headphone terminal                                                                                 | When the test tape VT712 (3kHz) has been played back with the playback mechanism or recording and playback mechanism at the beginning of forward winding the frequency counter reading of wow & flutter should be 0.25% or less(WRMS).                            | with in 0.25% JIS(WTD) | Both the playback and recording & playback mechanism |

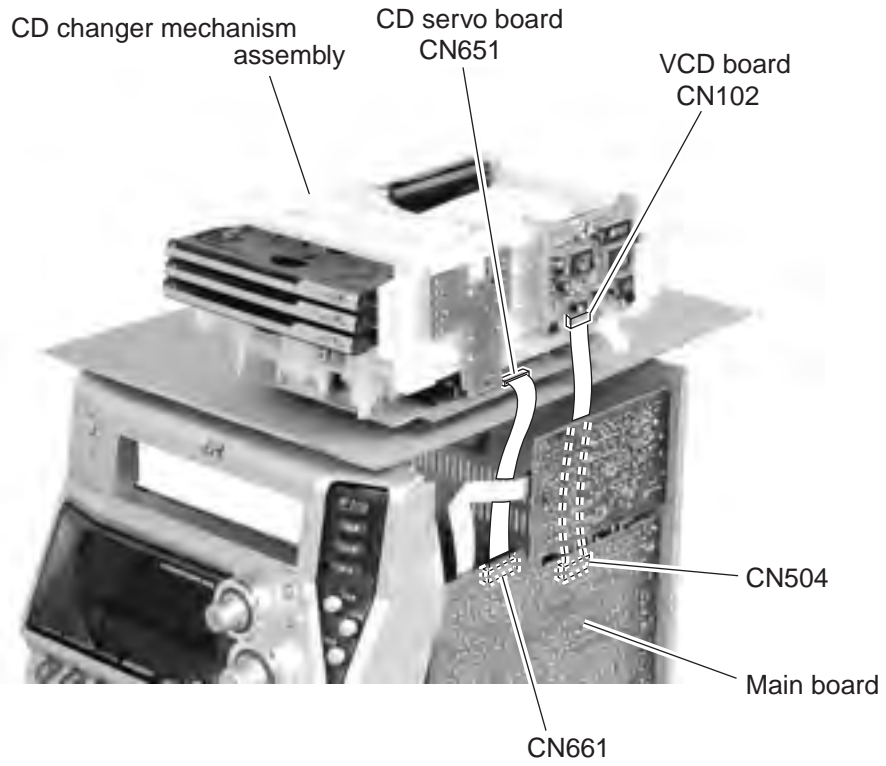
■ Electrical performance

| Items                                                          | Measurement conditions                                                                                                                           | Measurement method                                                                                                                                                                                                                                                                                                                                                                                                                                                            | Standard values                                     | Adjusting positions      |
|----------------------------------------------------------------|--------------------------------------------------------------------------------------------------------------------------------------------------|-------------------------------------------------------------------------------------------------------------------------------------------------------------------------------------------------------------------------------------------------------------------------------------------------------------------------------------------------------------------------------------------------------------------------------------------------------------------------------|-----------------------------------------------------|--------------------------|
| Adjustment of recording bias current (Reference value)         | *Mode : Forward or reverse mode<br>*Recording mode<br>*Test tape : AC-225<br>Measurement output terminal :Both recording and headphone terminals | 1.With the recording and playback mechanism, load the test tapes(AC-225 to TYP I ),and set the mechanism to the recording and pausing conditions in advance.<br>2.After connecting 100Ω in series to the recorder head,measure the bias current with a valve voltmeter at both of the terminals.<br>3.After resetting the [PAUSE] mode,start recording. At this time,adjust VR101 for LcH and VR201 for RcH so that the recording bias current values become 4.0 μA (TYP I ). | AC-225 :4.20 μA                                     | LcH :VR101<br>RcH :VR201 |
| Adjustment of recording and playback frequency characteristics | Reference frequency :1kHz and 10kHz (REF:-20dB)<br>Test tape :TYP I AC-225<br>Measurement input terminal :OSC IN                                 | 1.With the recording and playback mechanism,load the test tape(AC-225 to TYP I ),and set the mechanism to the recording and pausing condition in advance.<br>2.While repetitively inputting the reference frequency signal of 1kHz and 10kHz from OSC IN, record and playback the test tape.<br>3.While recording and playing back the test tape in TYP I ,adjust VR101 for LcH and VR201 for RcH so that the output deviation between 1kHz and 10kHz becomes -1dB±2dB.       | Output deviation between 1kHz and 10kHz :-1dB ± 2dB | LcH :VR101<br>RcH :VR201 |

■ Reference values for electrical function confirmation items

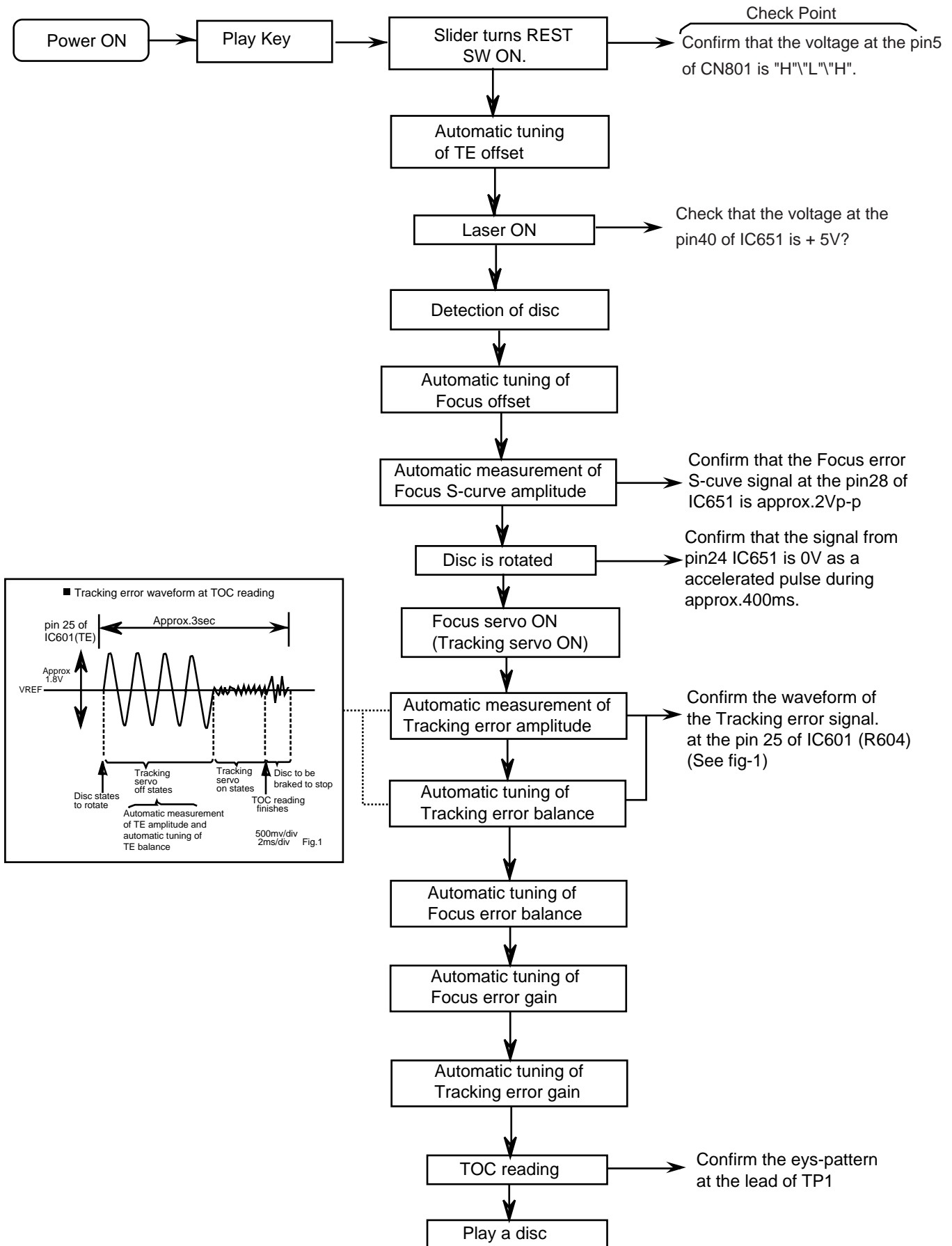
| Items                            | Measurement conditions                                                                                                                   | Measurement method                                                                                                                                                                                                                                                                                                                                                | Standard values          | Adjusting positions |
|----------------------------------|------------------------------------------------------------------------------------------------------------------------------------------|-------------------------------------------------------------------------------------------------------------------------------------------------------------------------------------------------------------------------------------------------------------------------------------------------------------------------------------------------------------------|--------------------------|---------------------|
| Recording bias frequency         | *Recording and playback side forward or reverse<br>*Test tape :TYP I AC-225<br>*Measurement terminal BIAS TP on P.C.board                | 1.While changing over to and from BIAS 1 and 2, confirm that the frequency is changed.<br>2.With the recording and playback mechanism. load the test tape (AC-225 to TYP I ),and set the mechanism to the recording and pausing conditions in advance.<br>3.Confirm that the BIAS TP frequency on the P.C.board is 100kHz ± 6kHz.                                 | 100kHz<br>+9kHz<br>-7kHz |                     |
| Eraser current (Reference value) | *Recording and playback side forward or reverse<br>*Recording mode<br>*Test tape :AC-225<br>Measurement terminal Both of the eraser head | 1.With the recording and playback mechanism, load the test tapes(AC-225 to TYP I ),and set the mechanism to the recording and pausing condition in advance.<br>2.After setting to the recording conditions,connect 1MΩ in series to the eraser head on the recording and playback mechanism side,and measure the eraser current from both of the eraser terminal. | TYP I :75mA              |                     |

■ Extension code connecting method





# Flow of functional operation until TOC read



## Maintenance of laser pickup

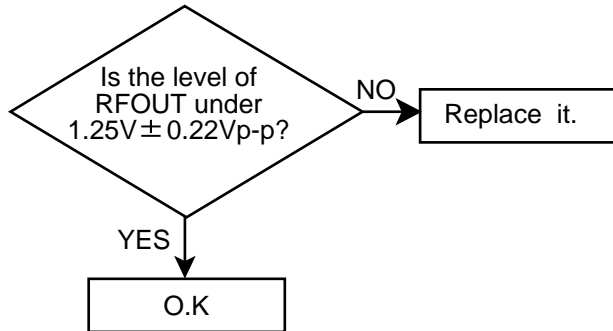
### (1) Cleaning the pick up lens

Before you replace the pick up, please try to clean the lens with a alcohol soaked cotton swab.

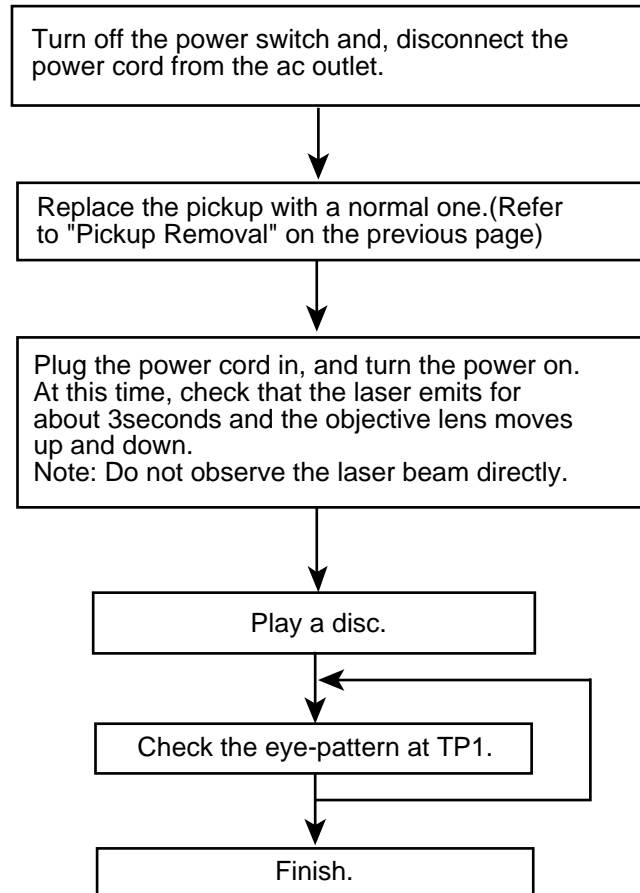
### (2) Life of the laser diode

When the life of the laser diode has expired, the following symptoms will appear.

1. The level of RF output (EFM output : amplitude of eye pattern) will below.



## Replacement of laser pickup



### (3) Semi-fixed resistor on the APC PC board

The semi-fixed resistor on the APC printed circuit board which is attached to the pickup is used to adjust the laser power. Since this adjustment should be performed to match the characteristics of the whole optical block, do not touch the semi-fixed resistor.

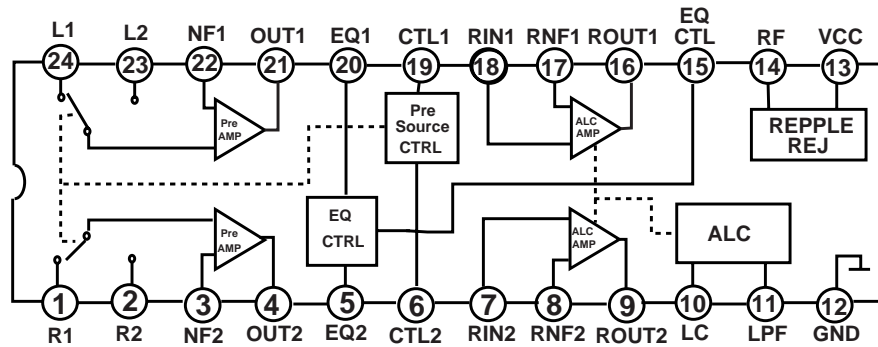
If the laser power is lower than the specified value, the laser diode is almost worn out, and the laser pickup should be replaced.

If the semi-fixed resistor is adjusted while the pickup is functioning normally, the laser pickup may be damaged due to excessive current.

# Description of major ICs

## ■ AN7345 (IC302) : PB / REC amp

### 1. Block diagram

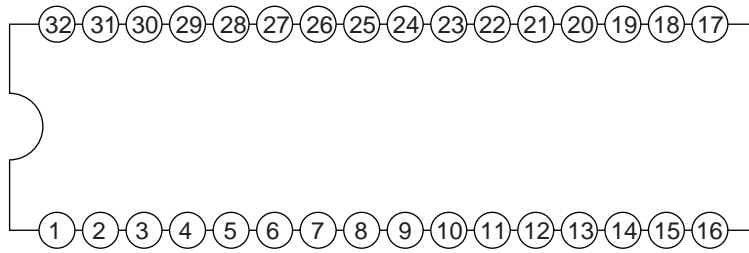


### 2. Pin Function

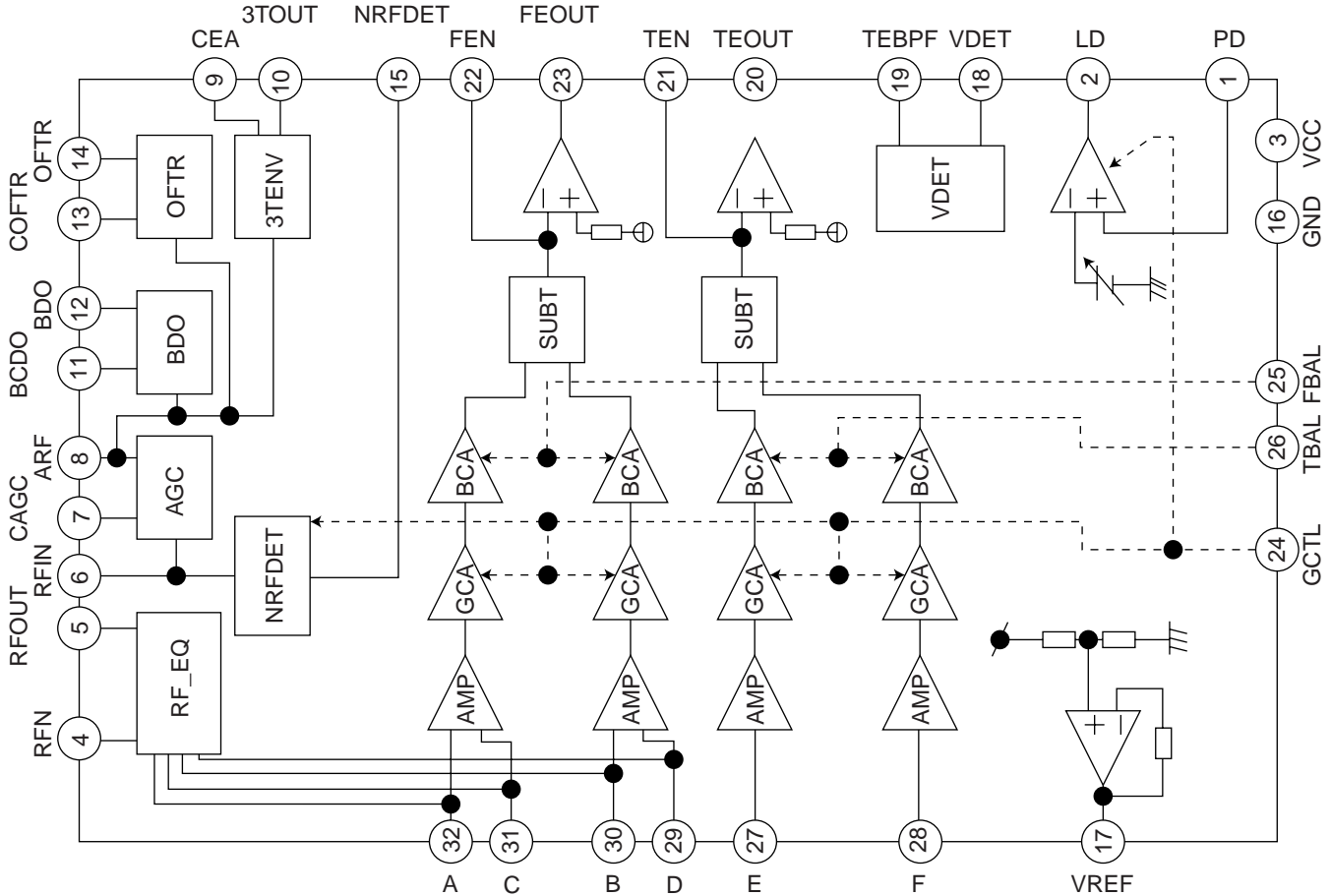
| Pin No. | Symbol | I/O | Function                                   | Pin No. | Symbol | I/O | Function                              |
|---------|--------|-----|--------------------------------------------|---------|--------|-----|---------------------------------------|
| 1       | R1     | I   | Playback amplifier input                   | 13      | Vcc    | I   | Power supply                          |
| 2       | R2     | I   | Playback amplifier input                   | 14      | RF     | I   | Repple filter                         |
| 3       | NF2    | I   | Playback amplifier negative feedback       | 15      | EQCTL  | I   | EQ control                            |
| 4       | OUT2   | O   | Playback amplifier output                  | 16      | ROUT 1 | O   | Recording amplifier output            |
| 5       | EQ2    | I   | Equlaizer                                  | 17      | RNF1   | I   | Recording amplifier negative feedback |
| 6       | CTL2   | I   | Pre Amplifier input swithing time constant | 18      | RIN1   | I   | Recording amplifier input             |
| 7       | RIN2   | I   | Recording amplifier input                  | 19      | CTL1   | I   | Pre amplifier input swithing control  |
| 8       | RNF2   | I   | Recording amplifier negative feedback      | 20      | EQ1    | I   | Equlayzer                             |
| 9       | ROUT2  | O   | Recording amplifier output                 | 21      | OUT1   | O   | Playback amplifier output             |
| 10      | LC     | I   | ALC low cut                                | 22      | NF1    | I   | Playback amplifier negative feedback  |
| 11      | LPF    | I   | ALC low pass filter                        | 23      | L2     | I   | Playback amplifier input              |
| 12      | GND    | I   | —                                          | 24      | L1     | I   | Playback amplifier input              |

■ AN22000A-W (IC601) : RF head amp.

1. Pin layout



2. Block diagram

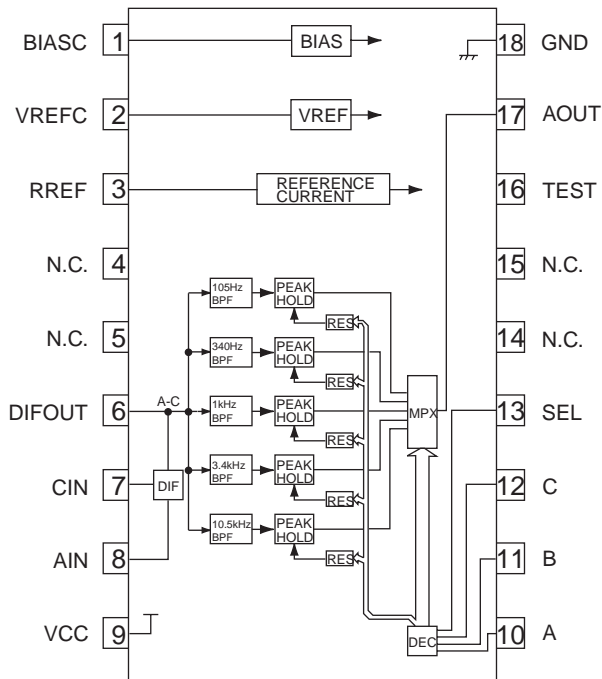


3. Pin function

| Pin No. | Function                                                 | Pin No. | Function                          |
|---------|----------------------------------------------------------|---------|-----------------------------------|
| 1       | APC amp input terminal.                                  | 17      | VREF output terminal.             |
| 2       | APC amp output terminal.                                 | 18      | VDET output terminal.             |
| 3       | Power supply.                                            | 19      | VDET input terminal.              |
| 4       | RF amp negative input terminal.                          | 20      | TE amp. output terminal.          |
| 5       | RF amp output terminal.                                  | 21      | TE amp. negative input terminal.  |
| 6       | AGC input terminal.                                      | 22      | FE amp. negative input terminal.  |
| 7       | AGC loop filter capacitor connection terminal.           | 23      | FE amp. output terminal.          |
| 8       | AGC output terminal.                                     | 24      | GCTL & APC terminal.              |
| 9       | Capacitor connection terminal for HPF-amp.               | 25      | FBAL control terminal.            |
| 10      | 3TENV output terminal.                                   | 26      | TBAL control terminal.            |
| 11      | Capacitor connection terminal for RF envelope detection. | 27      | Tracking signal input terminal 1. |
| 12      | BDO output terminal.                                     | 28      | Tracking signal input terminal 2. |
| 13      | Capacitor connection terminal for RF envelope detection. | 29      | Focus signal input terminal 4.    |
| 14      | OFTR output terminal.                                    | 30      | Focus signal input terminal 3.    |
| 15      | NRDET output terminal.                                   | 31      | Focus signal input terminal 2.    |
| 16      | Ground terminal.                                         | 32      | Focus signal input terminal 1.    |

■ BA3835S (IC812) : SPI B.P.F.

1. Block Diagrams

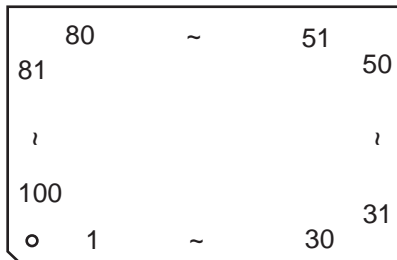


2. Pin Function

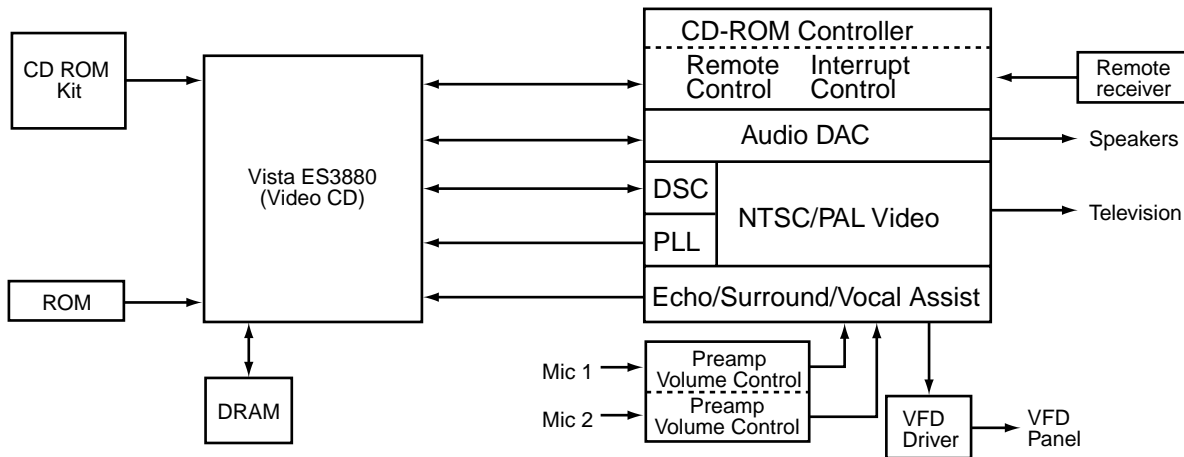
| No. | Symbol | I/O | Function                                              |
|-----|--------|-----|-------------------------------------------------------|
| 1   | BIASC  | -   | Decoupling condenser connection terminal.             |
| 2   | VREFC  | -   | Decoupling condenser connection terminal.             |
| 3   | RPEF   | -   | Reference resistance connection terminal.             |
| 4   | NC     | -   | Non connect.                                          |
| 5   | NC     | -   | Non connect.                                          |
| 6   | NC     | -   | Non connect.                                          |
| 7   | CIN    | -   | Connected to GND of audio system through a condenser. |
| 8   | AIN    | I   | Inputs the audio signal through a condenser.          |
| 9   | VCC    | -   | Power supply terminal.                                |
| 10  | SPI-A  | O   | Output selection control terminal.                    |
| 11  | SPI-B  | O   | Output selection control terminal.                    |
| 12  | SPI-C  | O   | Output selection control terminal.                    |
| 13  | SPICSB | O   | Output selection control terminal.                    |
| 14  | NC     | -   | Non connect.                                          |
| 15  | NC     | -   | Non connect.                                          |
| 16  | TEST   | -   | Connected to GND upon normal use.                     |
| 17  | AOUT   | O   | Multi-plexor output terminal.                         |
| 18  | GND    | -   | Connect to GND.                                       |

## ■ ES3883F (IC104) : VCD companion chip

### 1.Pin function



### 2.Blockdiagram



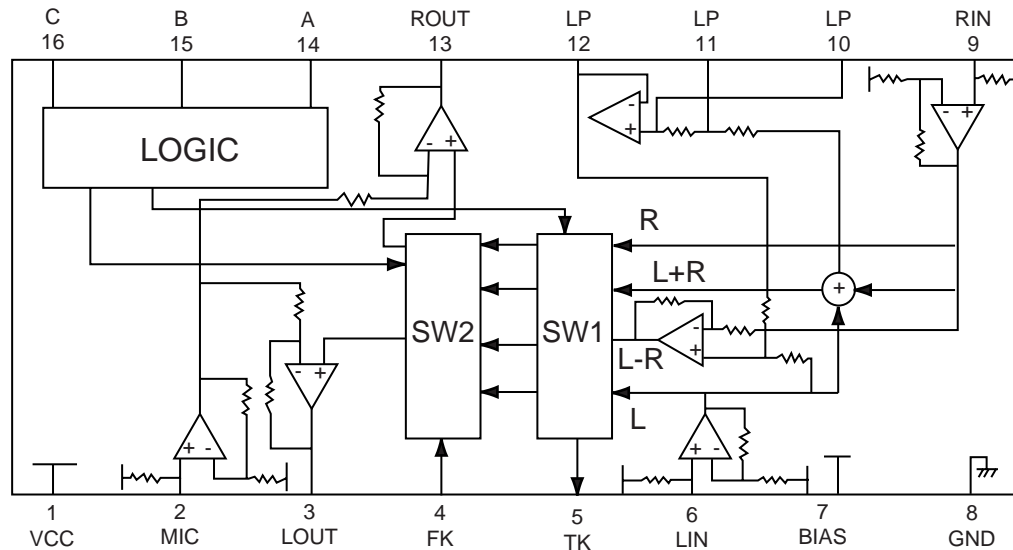
### 3.Pin function

| Pin No.                    | Symbol      | I/O | Function                                                                  |
|----------------------------|-------------|-----|---------------------------------------------------------------------------|
| 1,25:26,31,72,75,77,91,100 | VSS         | I   | Ground.                                                                   |
| 5,16,32,66,73,78,90        | VCC         | I   | Voltage supply 5v.                                                        |
| 6                          | DSC_C       | I   | Clock programming to access internal registers.                           |
| 7                          | AUX0        | I/O | Servo Forward or Control Pin.                                             |
| 9                          | AUX1        | I/O | Servo Reverse or Control Pin.                                             |
| 11                         | AUX2        | I/O | Servo LDON or Control Pin.                                                |
| 70                         | AUX3        | I/O | Servo CW/Limit or Control Pin.                                            |
| 69                         | AUX4        | I/O | Servo CCW/Close or Control Pin.                                           |
| 68                         | AUX5        | I/O | Servo Data or Control Pin.                                                |
| 67                         | AUX6        | I/O | Servo XLAT or Control Pin/VFD_DO.                                         |
| 14                         | AUX7        | I/O | Servo BRKM/Sense or Control Pin/VFD_DI.                                   |
| 18                         | AUX8        | I/O | Servo Mute/Open or Control Pin/VFD_CLK.                                   |
| 20                         | AUX9        | I/O | Servo SQS0 or Control Pin.                                                |
| 34                         | AUX10       | I/O | Servo SQCK or Control Pin.                                                |
| 35                         | AUX11       | I/O | 3880 IRQ or Interrupt Output or Control Pin.                              |
| 36                         | AUX12       | I/O | CD C2PO or Interrupt input or Control Pin.                                |
| 38                         | AUX13       | I/O | Serial Interrupt/CD-Mute or Control Pin.                                  |
| 39                         | AUX14       | I/O | Servo SCOR(S0S1) or Interrupt Input or Control Pin.                       |
| 40                         | AUX15       | I/O | Interrupt Input or Control Pin.                                           |
| 81,83,85,93,95,97,99,8     | DSC_DI[7:0] | I/O | Data for programming to access Internal registers.                        |
| 10                         | DSC_S       | I   | Strobe for programming to access Internal registers.                      |
| 12                         | DCLK        | O   | Dual-purpose pin DCLK is the MPEG decoder clock.                          |
| 12                         | EXT_CLK     | I   | EXT_CLK is the external clock EXT_CLK is an input during bypass PLL mode. |
| 13                         | RESET_B     | I   | Video reset(active-low).                                                  |
| 15                         | MUTE        | O   | Audio mute.                                                               |
| 17                         | MCLK        | I   | Audio master clock.                                                       |
| 19                         | TWS         | I   | Dual-purpose pin TWS is the transmit audio frame sync.                    |
| 19                         | SPLL_OUT    | O   | SPLL_OUT is the select PLL output.                                        |

| Number            | Name      | I/O                   | Function                                                                                                                                                                                                                                                                                                                                                                                  |          |          |      |   |   |                        |   |   |                     |   |   |                       |   |   |                       |
|-------------------|-----------|-----------------------|-------------------------------------------------------------------------------------------------------------------------------------------------------------------------------------------------------------------------------------------------------------------------------------------------------------------------------------------------------------------------------------------|----------|----------|------|---|---|------------------------|---|---|---------------------|---|---|-----------------------|---|---|-----------------------|
| 21                | TSD       | I                     | Transmit audio data input.                                                                                                                                                                                                                                                                                                                                                                |          |          |      |   |   |                        |   |   |                     |   |   |                       |   |   |                       |
| 22                | TBCK      | I                     | Transmit audio bit clock.                                                                                                                                                                                                                                                                                                                                                                 |          |          |      |   |   |                        |   |   |                     |   |   |                       |   |   |                       |
| 23                | RWS       | O                     | Dual-purpose pin RWS is the audio frame sync.                                                                                                                                                                                                                                                                                                                                             |          |          |      |   |   |                        |   |   |                     |   |   |                       |   |   |                       |
|                   | SEL_PLL1  | I                     | Pins SEL_PLL[1.0] select the PLL clock frequency for the DCLK output.                                                                                                                                                                                                                                                                                                                     |          |          |      |   |   |                        |   |   |                     |   |   |                       |   |   |                       |
|                   |           |                       | <table border="1"> <thead> <tr> <th>SEL_PLL1</th> <th>SEL_PLL0</th> <th>DCLK</th> </tr> </thead> <tbody> <tr> <td>0</td> <td>0</td> <td>Bypass PLL(input mode)</td> </tr> <tr> <td>0</td> <td>0</td> <td>27 MHz(output mode)</td> </tr> <tr> <td>1</td> <td>0</td> <td>32.4 MHz(output mode)</td> </tr> <tr> <td>1</td> <td>1</td> <td>40.5 MHz(output mode)</td> </tr> </tbody> </table> | SEL_PLL1 | SEL_PLL0 | DCLK | 0 | 0 | Bypass PLL(input mode) | 0 | 0 | 27 MHz(output mode) | 1 | 0 | 32.4 MHz(output mode) | 1 | 1 | 40.5 MHz(output mode) |
|                   | SEL_PLL1  | SEL_PLL0              | DCLK                                                                                                                                                                                                                                                                                                                                                                                      |          |          |      |   |   |                        |   |   |                     |   |   |                       |   |   |                       |
|                   | 0         | 0                     | Bypass PLL(input mode)                                                                                                                                                                                                                                                                                                                                                                    |          |          |      |   |   |                        |   |   |                     |   |   |                       |   |   |                       |
| 0                 | 0         | 27 MHz(output mode)   |                                                                                                                                                                                                                                                                                                                                                                                           |          |          |      |   |   |                        |   |   |                     |   |   |                       |   |   |                       |
| 1                 | 0         | 32.4 MHz(output mode) |                                                                                                                                                                                                                                                                                                                                                                                           |          |          |      |   |   |                        |   |   |                     |   |   |                       |   |   |                       |
| 1                 | 1         | 40.5 MHz(output mode) |                                                                                                                                                                                                                                                                                                                                                                                           |          |          |      |   |   |                        |   |   |                     |   |   |                       |   |   |                       |
|                   |           |                       |                                                                                                                                                                                                                                                                                                                                                                                           |          |          |      |   |   |                        |   |   |                     |   |   |                       |   |   |                       |
|                   |           |                       |                                                                                                                                                                                                                                                                                                                                                                                           |          |          |      |   |   |                        |   |   |                     |   |   |                       |   |   |                       |
| 24                | RSTOUT_B  | O                     | Reset output(active-low).                                                                                                                                                                                                                                                                                                                                                                 |          |          |      |   |   |                        |   |   |                     |   |   |                       |   |   |                       |
| 2:4,27:30,76      | NC        |                       | No connect.Do not connect to these pins.                                                                                                                                                                                                                                                                                                                                                  |          |          |      |   |   |                        |   |   |                     |   |   |                       |   |   |                       |
| 33                | RSD       | O                     | Dual-purpose pin. RSD is the receive audio data input.                                                                                                                                                                                                                                                                                                                                    |          |          |      |   |   |                        |   |   |                     |   |   |                       |   |   |                       |
|                   | SEL_PLL0  | I                     | SEL_PLL0 along with SEL_PLL1 select the PLL clock frequency for the DCLK output.See the table for pin number 23.                                                                                                                                                                                                                                                                          |          |          |      |   |   |                        |   |   |                     |   |   |                       |   |   |                       |
| 37                | RBCK      | O                     | Dual-purpose pin.RBCK is the receive audio bit clock.                                                                                                                                                                                                                                                                                                                                     |          |          |      |   |   |                        |   |   |                     |   |   |                       |   |   |                       |
|                   | SER_IN    | I                     | SER_IN is the serial input DSC mode.<br>0-Parallel DSC mode.<br>1-Serial DSC mode.                                                                                                                                                                                                                                                                                                        |          |          |      |   |   |                        |   |   |                     |   |   |                       |   |   |                       |
| 41,51             | VSSAA     | I                     | Audio Analog Ground.                                                                                                                                                                                                                                                                                                                                                                      |          |          |      |   |   |                        |   |   |                     |   |   |                       |   |   |                       |
| 42                | VCM       | I                     | ADC Common Mode Reference(CMR) buffer output.CMR is approximately 2.25V.Bypass to analog ground with 47 $\mu$ F electrolytic in parallel with 0.1 $\mu$ F.                                                                                                                                                                                                                                |          |          |      |   |   |                        |   |   |                     |   |   |                       |   |   |                       |
| 43                | VREFP     | I                     | DAC and ADC maximum reference.<br>Bypass to VCMR with 10 $\mu$ F in parallel with 0.1 $\mu$ F.                                                                                                                                                                                                                                                                                            |          |          |      |   |   |                        |   |   |                     |   |   |                       |   |   |                       |
| 44                | VCCAA     | I                     | Analog VCC, 5V.                                                                                                                                                                                                                                                                                                                                                                           |          |          |      |   |   |                        |   |   |                     |   |   |                       |   |   |                       |
| 45:46             | AOR+,AOR- | O                     | Right channel output.                                                                                                                                                                                                                                                                                                                                                                     |          |          |      |   |   |                        |   |   |                     |   |   |                       |   |   |                       |
| 47:48             | AOL-,AOL+ | O                     | Left channel input.                                                                                                                                                                                                                                                                                                                                                                       |          |          |      |   |   |                        |   |   |                     |   |   |                       |   |   |                       |
| 49                | MIC1      | I                     | Microphone input 1.                                                                                                                                                                                                                                                                                                                                                                       |          |          |      |   |   |                        |   |   |                     |   |   |                       |   |   |                       |
| 50                | MIC2      | I                     | Microphone 2.                                                                                                                                                                                                                                                                                                                                                                             |          |          |      |   |   |                        |   |   |                     |   |   |                       |   |   |                       |
| 52                | VREF      | I                     | Internal resistor divider generates Common Mode Reference(CMR) voltage.<br>Bypass to analog ground with 0.1 $\mu$ F.                                                                                                                                                                                                                                                                      |          |          |      |   |   |                        |   |   |                     |   |   |                       |   |   |                       |
| 53                | VREFM     | I                     | DAC and ADC minimum reference.<br>Bypass to VCMR with 10 $\mu$ F in parallel with 0.1 $\mu$ F.                                                                                                                                                                                                                                                                                            |          |          |      |   |   |                        |   |   |                     |   |   |                       |   |   |                       |
| 54                | RSET      | I                     | Full scale DAC current adjustment.                                                                                                                                                                                                                                                                                                                                                        |          |          |      |   |   |                        |   |   |                     |   |   |                       |   |   |                       |
| 55                | COMP      | I                     | Compensation pin.                                                                                                                                                                                                                                                                                                                                                                         |          |          |      |   |   |                        |   |   |                     |   |   |                       |   |   |                       |
| 56:57,62:63       | VSSAV     | I                     | Video Analog Ground                                                                                                                                                                                                                                                                                                                                                                       |          |          |      |   |   |                        |   |   |                     |   |   |                       |   |   |                       |
| 58                | CDAC      | O                     | Modulates chrominance output.                                                                                                                                                                                                                                                                                                                                                             |          |          |      |   |   |                        |   |   |                     |   |   |                       |   |   |                       |
| 59,60             | VCCAV     | I                     | Video VCC, 5V                                                                                                                                                                                                                                                                                                                                                                             |          |          |      |   |   |                        |   |   |                     |   |   |                       |   |   |                       |
| 61                | YDAC      | O                     | Y luminance data bus for screen video port.                                                                                                                                                                                                                                                                                                                                               |          |          |      |   |   |                        |   |   |                     |   |   |                       |   |   |                       |
| 64                | VDAC      | O                     | Composite video output.                                                                                                                                                                                                                                                                                                                                                                   |          |          |      |   |   |                        |   |   |                     |   |   |                       |   |   |                       |
| 65                | ACAP      | I                     | Audio CAP.                                                                                                                                                                                                                                                                                                                                                                                |          |          |      |   |   |                        |   |   |                     |   |   |                       |   |   |                       |
| 71                | XOUT      | O                     | Crystal output.                                                                                                                                                                                                                                                                                                                                                                           |          |          |      |   |   |                        |   |   |                     |   |   |                       |   |   |                       |
| 74                | XIN       | I                     | 27 MHz crystal input.                                                                                                                                                                                                                                                                                                                                                                     |          |          |      |   |   |                        |   |   |                     |   |   |                       |   |   |                       |
| 79                | PCLK      | I/O                   | 13.5 MHz pixel clock.                                                                                                                                                                                                                                                                                                                                                                     |          |          |      |   |   |                        |   |   |                     |   |   |                       |   |   |                       |
| 80                | 2XPCLK    | I/O                   | 27 MHz(2 times pixel clock).                                                                                                                                                                                                                                                                                                                                                              |          |          |      |   |   |                        |   |   |                     |   |   |                       |   |   |                       |
| 82                | HSYN_B    | O                     | Horizontal sync(active-low).                                                                                                                                                                                                                                                                                                                                                              |          |          |      |   |   |                        |   |   |                     |   |   |                       |   |   |                       |
| 84                | VSYN_B    | O                     | Vertical sync(active-low).                                                                                                                                                                                                                                                                                                                                                                |          |          |      |   |   |                        |   |   |                     |   |   |                       |   |   |                       |
| 86:89,92,94,96,98 | YUV[7:0]  | I                     | YUV data bus for screen video port.                                                                                                                                                                                                                                                                                                                                                       |          |          |      |   |   |                        |   |   |                     |   |   |                       |   |   |                       |

■ BA3837 (IC466) : MIC mixer

1. Block diagram



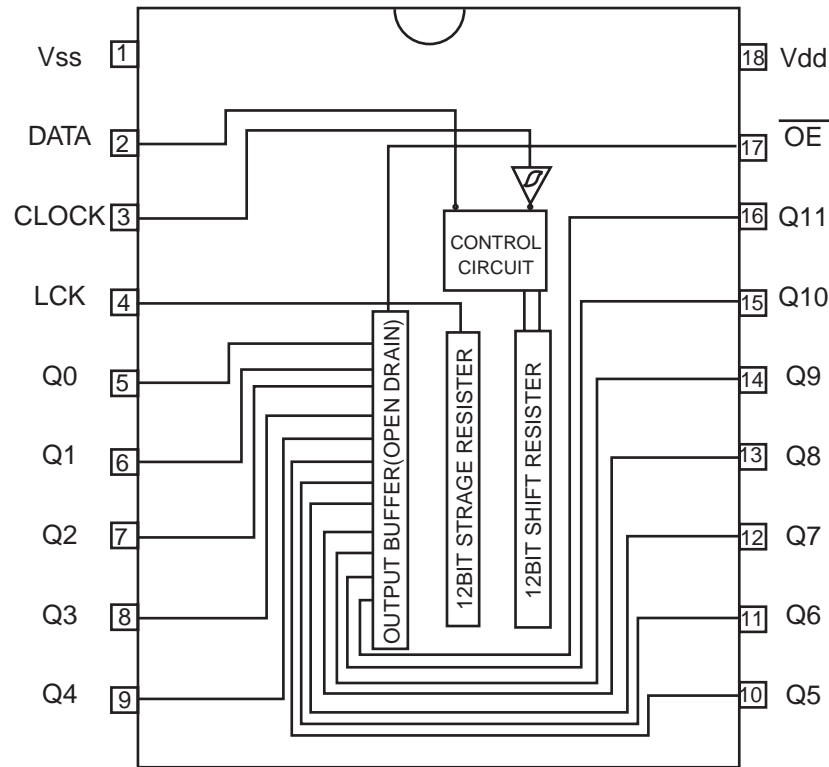
2. Pin function

| Pin No. | Symbol | I/O | Description                           |
|---------|--------|-----|---------------------------------------|
| 1       | VCC    | -   | Power supply                          |
| 2       | MIC IN | I   | Microphone mixing input               |
| 3       | LOUT   | O   | Channel L output                      |
| 4       | FK     | -   | Non connect                           |
| 5       | TK     | -   | Non connect                           |
| 6       | LIN    | I   | Channel L input                       |
| 7       | BIAS   | I   | Signal bias                           |
| 8       | GND    | -   | Connect to GND                        |
| 9       | RIN    | I   | Channel R input                       |
| 10      | LPF1   | O   | Connects to LPF time constant element |
| 11      | LPF2   | O   | Connects to LPF time constant element |
| 12      | LPF3   | O   | LPF output                            |
| 13      | ROUT   | O   | Channel R output                      |
| 14      | CONTA  | I   | Mode select input A                   |
| 15      | CONTB  | I   | Mode select input B                   |
| 16      | CONTC  | I   | Mode select input C                   |



■ BU2092 (IC642) : Port expander

1. Terminal Layout

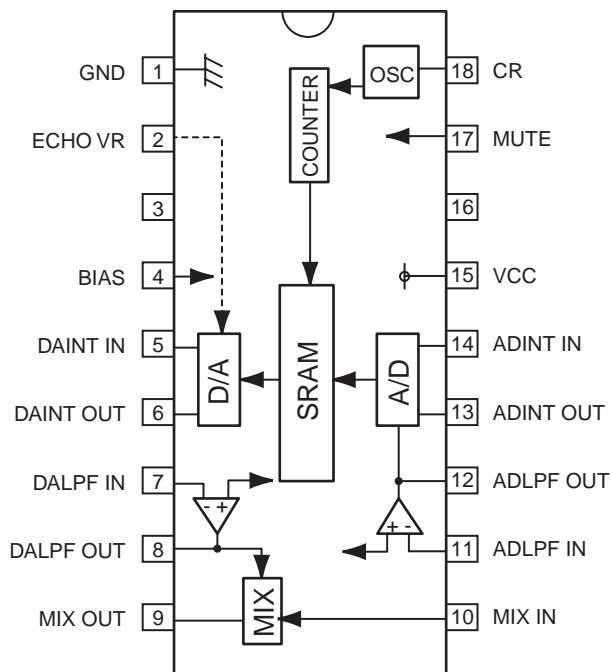


2. Pin Function

| Pin No.    | Symbol                 | I/O | Function                                                                                                                                                                                |            |   |   |        |    |     |
|------------|------------------------|-----|-----------------------------------------------------------------------------------------------------------------------------------------------------------------------------------------|------------|---|---|--------|----|-----|
| 1          | Vss                    | -   | Connect to GND                                                                                                                                                                          |            |   |   |        |    |     |
| 2          | DATA                   | I   | Serial Data input                                                                                                                                                                       |            |   |   |        |    |     |
| 3          | CLOCK                  | I   | Shift Clock of Data                                                                                                                                                                     |            |   |   |        |    |     |
| 4          | LCK                    | I   | Latch Clock of Data                                                                                                                                                                     |            |   |   |        |    |     |
| 5~16       | Q0~Q11                 | O   | Parallel Data Output<br><table border="1" style="margin-left: 20px;"> <tr> <td>Latch Data</td> <td>L</td> <td>H</td> </tr> <tr> <td>OUTPUT</td> <td>ON</td> <td>OFF</td> </tr> </table> | Latch Data | L | H | OUTPUT | ON | OFF |
| Latch Data | L                      | H   |                                                                                                                                                                                         |            |   |   |        |    |     |
| OUTPUT     | ON                     | OFF |                                                                                                                                                                                         |            |   |   |        |    |     |
| 17         | $\overline{\text{OE}}$ | I   | Output Enable                                                                                                                                                                           |            |   |   |        |    |     |
| 18         | Vdd                    | -   | Power Supply                                                                                                                                                                            |            |   |   |        |    |     |

■ BU9253AS (IC902) : LPF & Echo mix.

1.Pin layout & block diagram

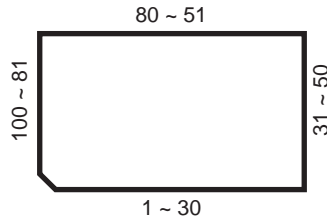


2.Pin function

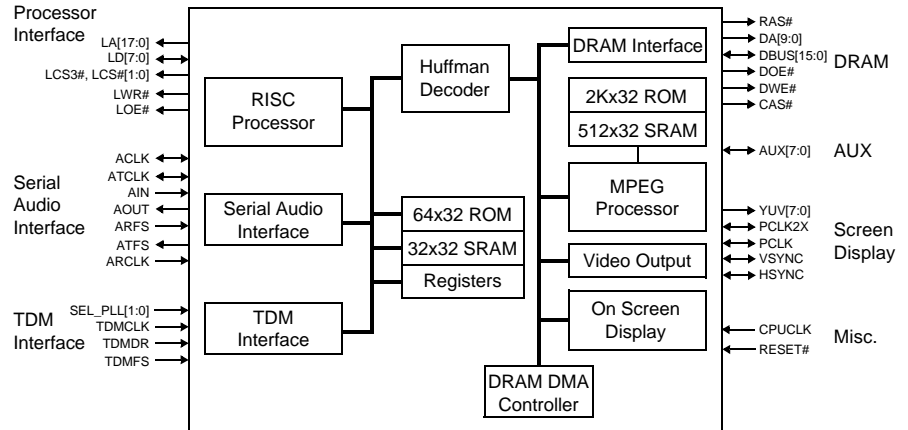
| Pin No. | Symbol    | I/O | Descriptions                                |
|---------|-----------|-----|---------------------------------------------|
| 1       | GND       | -   | Connect GND                                 |
| 2       | ECHO VR   | I   | Echo level control                          |
| 3       |           | -   | Non connect                                 |
| 4       | BIAS      | -   | Analog part DC bias                         |
| 5       | DAINT IN  | I   | DA side integrator input                    |
| 6       | DAINT OUT | O   | DA side integrator output                   |
| 7       | DALPF IN  | I   | DA side LPF input                           |
| 8       | DALPF OUT | O   | DAside LPF output                           |
| 9       | MIX OUT   | O   | Mix AMP output for original tone& echo tone |
| 10      | MIX IN    | I   | Mix AMP input pin for original tone         |
| 11      | ADLPF IN  | I   | AD side LPF input                           |
| 12      | ADLPF OUT | O   | AD side LPF output                          |
| 13      | ADINT OUT | O   | AD side integrator output                   |
| 14      | ADINT IN  | I   | AD side integrator input                    |
| 15      | VCC       | -   | Power supply                                |
| 16      | NC2       | -   | Non connect                                 |
| 17      | MUTE      | I   | Mute control signal input                   |
| 18      | CR        | -   | CR pin for oscillator                       |

## ■ ES3880FL (IC101) : MPEG decoder

### 1. Terminal layout



### 2. Block diagram

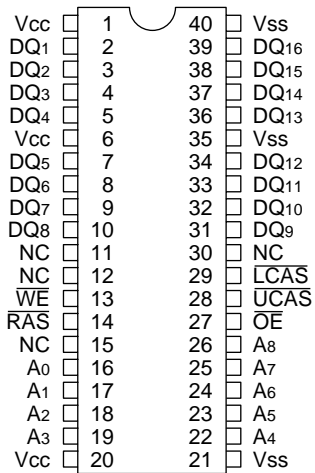


### 3. Pin function

| Pin No. | Symbol   | I/O | Function                                                                             | Pin No.  | Symbol  | I/O | Function                                                                                                                                                      |    |       |     |                           |
|---------|----------|-----|--------------------------------------------------------------------------------------|----------|---------|-----|---------------------------------------------------------------------------------------------------------------------------------------------------------------|----|-------|-----|---------------------------|
| 1       | VDD      | -   | 3.3V power supply                                                                    | 82-87    | LA12-17 | O   | RISC interface address bus                                                                                                                                    |    |       |     |                           |
| 2       | RAS#     | O   | Row address strobe                                                                   | 88       | ACLK    | I/O | Master clock for external audio DAC                                                                                                                           |    |       |     |                           |
| 3       | DWE#     | O   | DRAM write enable                                                                    | 89       | AOUT    | O   | Audio interface serial data output when selected.                                                                                                             |    |       |     |                           |
| 4-12    | DA0-8    | O   | DRAM multiplexed row and column address bus                                          | SEL_PLL0 | I       | I   | System and DSCK output clock frequency selection at reset time. The matrix below lists the available clock frequencies and their respective PLL bit settings. |    |       |     |                           |
| 13-28   | DBUS0-15 | I/O | DRAM data bus                                                                        |          |         |     |                                                                                                                                                               |    |       |     |                           |
| 29      | RESET#   | I   | System reset                                                                         |          |         |     |                                                                                                                                                               |    |       |     |                           |
| 30      | VSS      | -   | Ground                                                                               |          |         |     |                                                                                                                                                               |    |       |     |                           |
| 31      | VDD      | -   | 3.3V power supply                                                                    |          |         |     |                                                                                                                                                               |    |       |     |                           |
| 32-39   | YUV0-7   | O   | YUV[7:0] 8-bit video data bus                                                        |          |         |     |                                                                                                                                                               |    |       |     |                           |
| 40      | VSYNC    | I/O | Vertical sync                                                                        |          |         |     |                                                                                                                                                               |    |       |     |                           |
| 41      | HSYNC    | I/O | Horizontal sync                                                                      |          |         |     |                                                                                                                                                               |    |       |     |                           |
| 42      | CPUCLK   | I   | RISC and system clock input. CPUCLK is used only if SEL_PLL[1:0] = 00 to bypass PLL. |          |         |     |                                                                                                                                                               |    |       |     |                           |
| 43      | PCLK2X   | I/O | Doubled 54MHz pixel clock                                                            |          |         |     |                                                                                                                                                               |    |       |     |                           |
| 44      | PCLK     | I/O | 27MHz pixel clock                                                                    |          |         |     |                                                                                                                                                               |    |       |     |                           |
| 45-49   | AUX0-4   | I/O | Auxiliary control pins 4:0<br>AUX0 and AUX1 are open collectors.                     |          |         |     |                                                                                                                                                               | 90 | ATCLK | I/O | Audio transmit bit clock  |
| 50      | VSS      | -   | Ground                                                                               |          |         |     |                                                                                                                                                               | 91 | ATFS  | O   | Audio transmit frame sync |
| 51      | VDD      | -   | 3.3V power supply                                                                    | SEL_PLL1 | I       | I   | Refer to the description and matrix for SEL_PLL0 pin 89.                                                                                                      |    |       |     |                           |
| 52      | AUX6     | I/O | Auxiliary control pins 6                                                             | 92       | DA9     | O   | DRAM multiplexed row and column address line 9                                                                                                                |    |       |     |                           |
| 53      | AUX5     | I/O | Auxiliary control pins 5                                                             | DOE#     | O       | O   | DRAM output enable                                                                                                                                            |    |       |     |                           |
| 54      | AUX7     | I/O | Auxiliary control pins 7                                                             | 93       | AIN     | I   | Audio serial data input                                                                                                                                       |    |       |     |                           |
| 55-62   | LD0-7    | I/O | RISC interface data bus                                                              | 94       | ARCLK   | I   | Audio receive bit clock                                                                                                                                       |    |       |     |                           |
| 63      | LWR#     | O   | RISC interface write enable                                                          | 95       | ARFS    | I   | Audio receive frame sync                                                                                                                                      |    |       |     |                           |
| 64      | LOE#     | O   | RISC interface output enable                                                         | 96       | TDMCLK  | I   | TDM serial clock                                                                                                                                              |    |       |     |                           |
| 65      | LCS3#    | O   | RISC interface chip select                                                           | 97       | TDMDR   | I   | TDM serial data receive                                                                                                                                       |    |       |     |                           |
| 66      | LCS1#    | O   | RISC interface chip select                                                           | 98       | TDMFS   | I   | TDM frame sync                                                                                                                                                |    |       |     |                           |
| 67      | LCS0#    | O   | RISC interface chip select                                                           | 99       | CAS#    | O   | DRAM column address strobe                                                                                                                                    |    |       |     |                           |
| 68-79   | LA0-11   | O   | RISC interface address bus                                                           | 100      | VSS     | -   | Ground                                                                                                                                                        |    |       |     |                           |
| 80      | VSS      | -   | Ground                                                                               |          |         |     |                                                                                                                                                               |    |       |     |                           |
| 81      | VPP      | -   | 5.0V power supply                                                                    |          |         |     |                                                                                                                                                               |    |       |     |                           |

■ GLT44016-35J4-X (IC103) : Dram

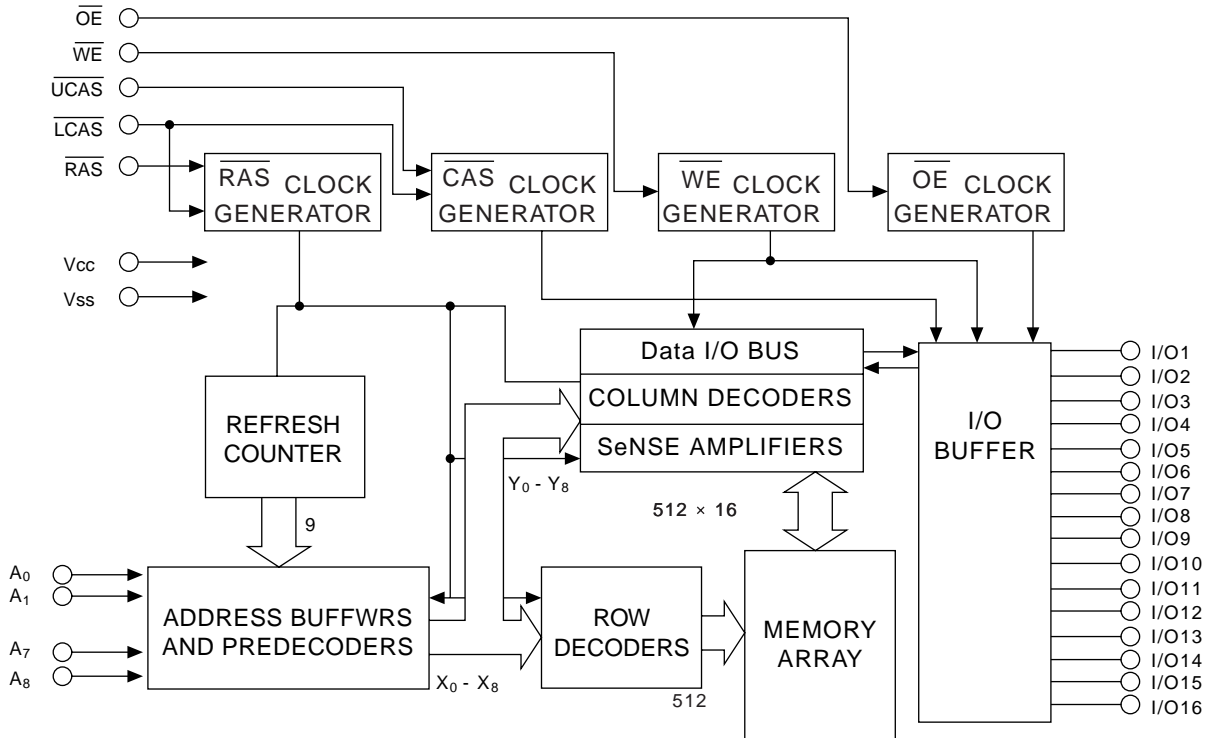
1. Pin layout



3. Pin function

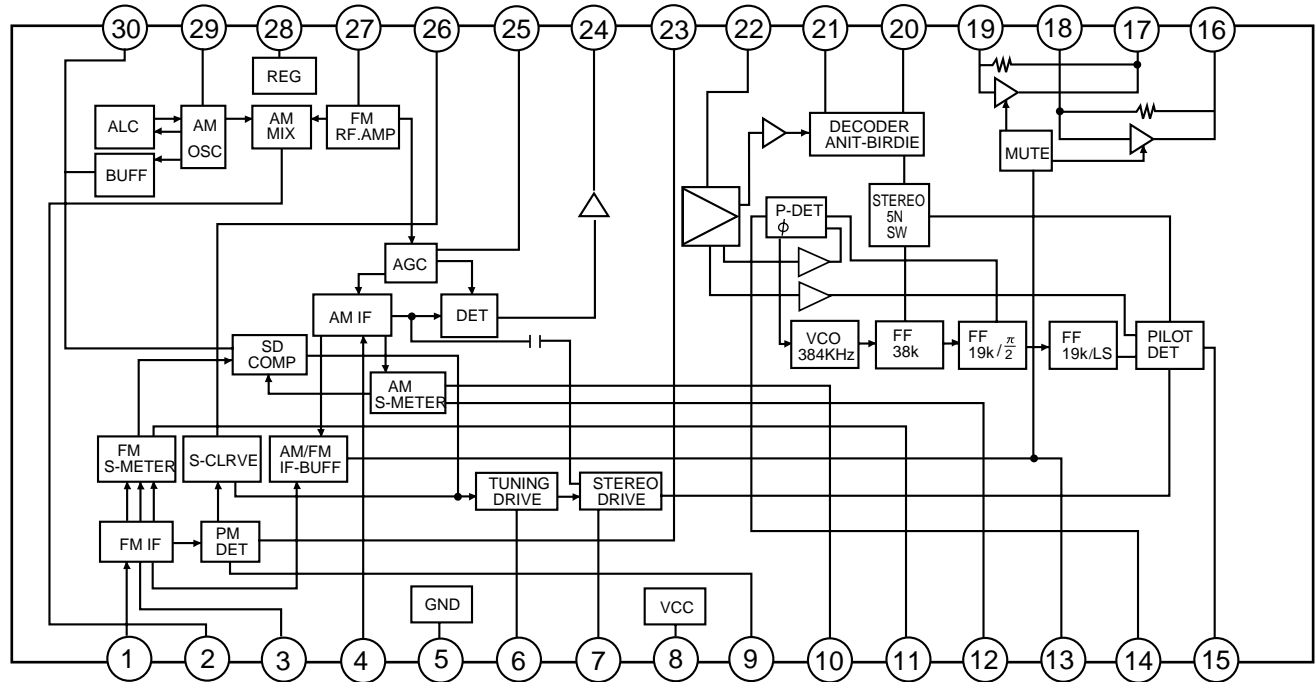
| Pin Name                 | Function                                   |
|--------------------------|--------------------------------------------|
| A0~A8                    | Address inputs                             |
| $\overline{\text{RAS}}$  | Row address strobe                         |
| $\overline{\text{UCAS}}$ | Column address strobe / upperbyte control  |
| $\overline{\text{LCAS}}$ | Column address strobe / lower byte control |
| $\overline{\text{WE}}$   | Write enable                               |
| $\overline{\text{OE}}$   | Output enable                              |
| DQ1~DQ16                 | Data inputs / outputs                      |
| Vcc                      | +5V power supply                           |
| Vss                      | Ground                                     |
| NC                       | No connection                              |

2. Block diagram



■ LA1838 (IC1): FM AM IF amp & detector, FM MPX decoder

1. Block Diagram



2. Pin Function

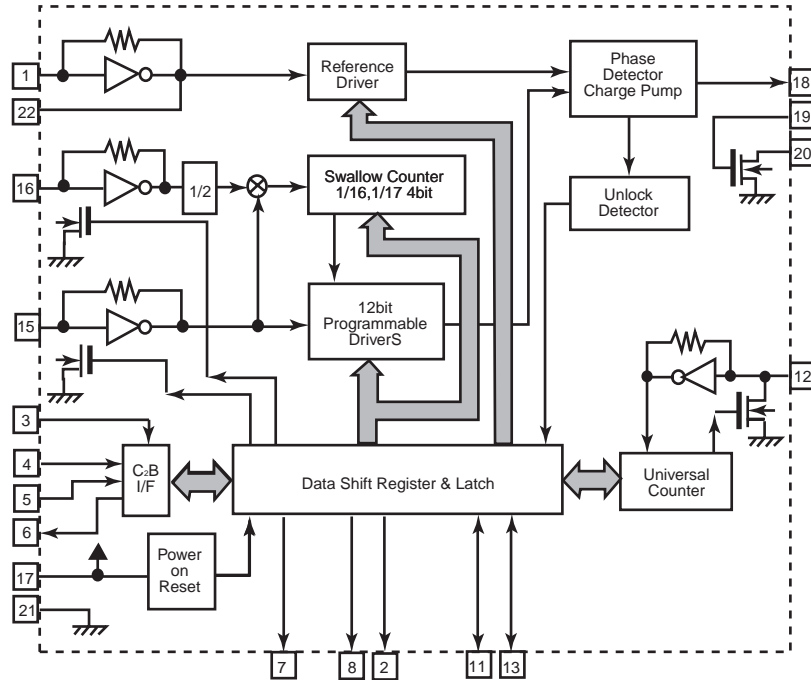
| Pin No. | Symbol  | I/O | Function                                                                                                    | Pin No. | Symbol     | I/O | Function                                                                                 |
|---------|---------|-----|-------------------------------------------------------------------------------------------------------------|---------|------------|-----|------------------------------------------------------------------------------------------|
| 1       | FM IN   | I   | This is an input terminal of FM IF signal.                                                                  | 16      | L OUT      | O   | Left channel signal output.                                                              |
| 2       | AM MIX  | O   | This is an out put terminal for AM mixer.                                                                   | 17      | R OUT      | O   | Right channel signal output.                                                             |
| 3       | FM IF   | I   | Bypass of FM IF                                                                                             | 18      | L IN       | I   | Input terminal of the Left channel post AMP.                                             |
| 4       | AM IF   | I   | Input of AM IF Signal.                                                                                      | 19      | R IN       | I   | Input terminal of the Right channel post AMP.                                            |
| 5       | GND     | -   | This is the device ground terminal.                                                                         | 20      | RO         | O   | Mpx Right channel signal output.                                                         |
| 6       | TUNED   | O   | When the set is tuning,this terminal becomes "L".                                                           | 21      | LO         | O   | Mpx Left channel signal output.                                                          |
| 7       | STEREO  | O   | Stereo indicator output. Stereo "L", Mono: "H"                                                              | 22      | MPX IN     | I   | Mpx input terminal                                                                       |
| 8       | VCC     | -   | This is the power supply terminal.                                                                          | 23      | FM OUT     | O   | FM detection output.                                                                     |
| 9       | FM DET  | -   | FM detect transformer.                                                                                      | 24      | AM DET     | O   | AM detection output.                                                                     |
| 10      | AM SD   | -   | This is a terminal of AM ceramic filter.                                                                    | 25      | AM AGC     | I   | This is an AGC voltage input terminal for AM                                             |
| 11      | FM VSM  | O   | Adjust FM SD sensitivity.                                                                                   | 26      | AFC        | -   | This is an output terminal of voltage for FM-AFC.                                        |
| 12      | AM VSM  | O   | Adjust AM SD sensitivity.                                                                                   | 27      | AM RF      | I   | AM RF signal input.                                                                      |
| 13      | MUTE    | I/O | When the signal of IF REQ of IC121( LC72131) appear, the signal of FM/AM IF output. //Muting control input. | 28      | REG        | O   | Register value between pin 26 and pin28 besides the frequency width of the input signal. |
| 14      | FM/AM   | I   | Change over the FM/AM input. "H" :FM, "L" : AM                                                              | 29      | AM OSC     | -   | This is a terminal of AM Local oscillation circuit.                                      |
| 15      | MONO/ST | O   | Stereo : "H", Mono: "L"                                                                                     | 30      | OSC BUFFER | O   | AM Local oscillation Signal output.                                                      |

■ LC72136N (IC2) : PLL frequency synthesizer

1. Pin layout

|           |    |    |        |
|-----------|----|----|--------|
| XT        | 1  | 22 | XT     |
| FM/AM     | 2  | 21 | GND    |
| CE        | 3  | 20 | LPFOUT |
| DI        | 4  | 19 | LPFIN  |
| CLOCK     | 5  | 18 | PD     |
| DO        | 6  | 17 | VCC    |
| FM/ST/VCO | 7  | 16 | FMIN   |
| AM/FM     | 8  | 15 | AMIN   |
|           | 9  | 14 |        |
|           | 10 | 13 | IFCONT |
| SDIN      | 11 | 12 | IFIN   |

2. Block diagram

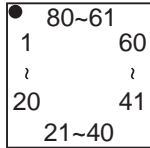


3. Pin function

| Pin No. | Symbol    | I/O | Function                                                   | Pin No. | Symbol | I/O | Function                                                                                                              |
|---------|-----------|-----|------------------------------------------------------------|---------|--------|-----|-----------------------------------------------------------------------------------------------------------------------|
| 1       | XT        | I   | X'tal oscillator connect (75kHz)                           | 12      | IFIN   | I   | IF counter signal input                                                                                               |
| 2       | FM/AM     | O   | LOW:FM mode                                                | 13      | IFCONT | O   | IF signal output                                                                                                      |
| 3       | CE        | I   | When data output/input for 4pin(input) and 6pin(output): H | 14      |        | -   | Not use                                                                                                               |
| 4       | DI        | I   | Input for receive the serial data from controller          | 15      | AMIN   | I   | AM Local OSC signal output                                                                                            |
| 5       | CLOCK     | I   | Sync signal input use                                      | 16      | FMIN   | I   | FM Local OSC signal input                                                                                             |
| 6       | DO        | O   | Data output for Controller Output port                     | 17      | VCC    | -   | Power supply(VDD=4.5-5.5V)<br>When power ON:Reset circuit move                                                        |
| 7       | FM/ST/VCO | O   | "Low": MW mode                                             | 18      | PD     | O   | PLL charge pump output(H: Local OSC frequency Height than Reference frequency.<br>L: Low Agreement: Height impedance) |
| 8       | AM/FM     | O   | Open state after the power on reset                        | 19      | LPFIN  | I   | Input for active lowpassfilter of PLL                                                                                 |
| 9       | LW        | I/O | Input/output port                                          | 20      | LPFOUT | O   | Output for active lowpassfilter of PLL                                                                                |
| 10      | MW        | I/O | Input/output port                                          | 21      | GND    | -   | Connected to GND                                                                                                      |
| 11      | SDIN      | I/O | Data input/output                                          | 22      | XT     | I   | X'tal oscillator(75KHz)                                                                                               |

■ MN662748RPMFA (IC701) : Digital servo & Digital signal processor

1. Terminal layout

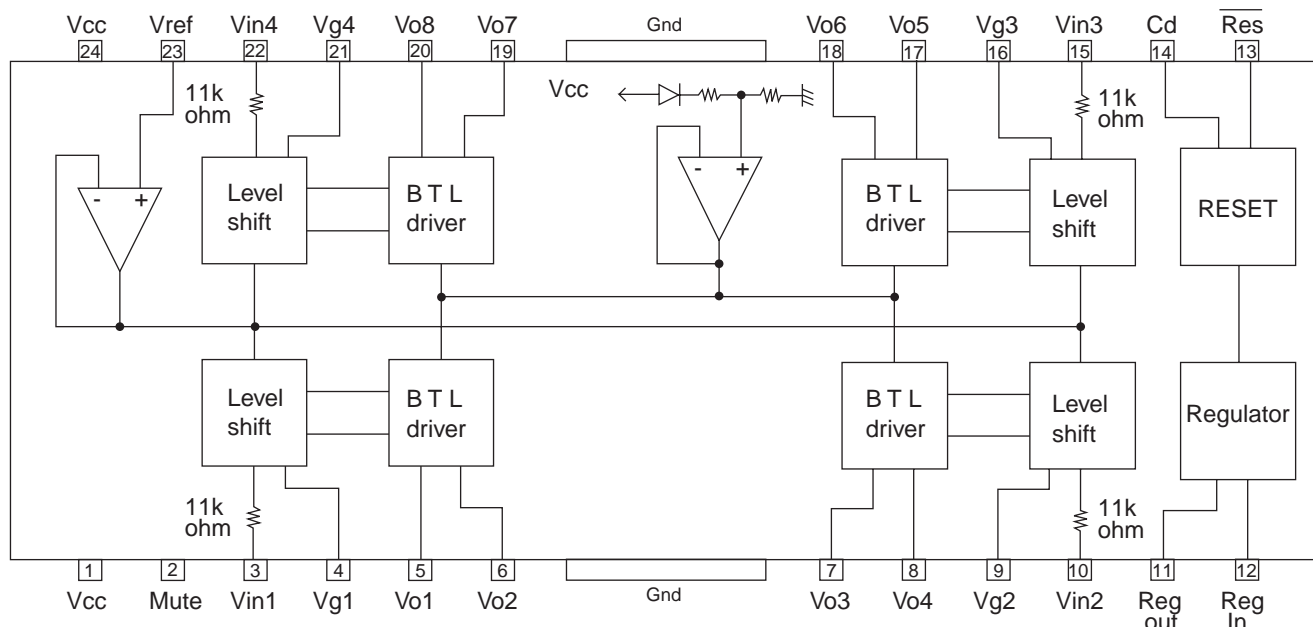


2. Pin function

| Pin No | Symbol | I/O | Function                                               | Pin No | Symbol       | I/O | Function                                                  |
|--------|--------|-----|--------------------------------------------------------|--------|--------------|-----|-----------------------------------------------------------|
| 1      | BCLK   | -   | Not use                                                | 41     | PLL2         | -   | Not use                                                   |
| 2      | LRCK   | -   | Not use                                                | 42     | TOFS         | -   | Not use                                                   |
| 3      | SRDATA | -   | Not use                                                | 43     | WVEL         | -   | Not use                                                   |
| 4      | DVDDI  | -   | Power supply for digital circuit                       | 44     | ARF          | I   | RF signal input                                           |
| 5      | DVSSI  | -   | GND for digital circuit                                | 45     | IREF         | I   | Reference current input                                   |
| 6      | TX     | -   | Not use                                                | 46     | DRF          | I   | Bias pin for DSL                                          |
| 7      | MCLK   | I   | Micro computer command clock signal input              | 47     | DSL2         | I/O | Loop filter pin for DSL                                   |
| 8      | MDATA  | I   | Micro computer command data input                      | 48     | PLL2         | I/O | Loop filter pin for PLL                                   |
| 9      | MLD    | I   | Micro computer command load signal input (L: Load)     | 49     | VCOF         | I/O | Loop filter pin for VCO                                   |
| 10     | SENSE  | -   | Not use, connect to TP716                              | 50     | AVDD2        | -   | Power supply for analog circuit                           |
| 11     | FLOCK  | -   | Not use, connect to TP717                              | 51     | AVSS2        | -   | GND for analog circuit                                    |
| 12     | TLOCK  | -   | Not use, connect to TP718                              | 52     | EFM          | -   | Not use, connect to TP724                                 |
| 13     | BLKCK  | O   | Sub code block clock signal output                     | 53     | PCK          | O   | Clock output for PLL                                      |
| 14     | SQCK   | I   | External clock input for sub code Q register input     | 54     | VCOF2        | I/O | Loop filter pin for Digital servo VCO                     |
| 15     | SUBQ   | O   | Sub code Q data output                                 | 55     | SUBC         | -   | Not use                                                   |
| 16     | DMUTE  | -   | Not use, connect to TP719                              | 56     | SBCK         | -   | Not use                                                   |
| 17     | STAT   | O   | Status signal input                                    | 57     | VSS          | -   | GND for crystal oscillation circuit                       |
| 18     | RST    | I   | Reset signal input (L: Reset)                          | 58     | X1           | I   | Input for crystal oscillation circuit (f=16.9344MHz)      |
| 19     | SMCK   | -   | Not use                                                | 59     | X2           | O   | Output for crystal oscillation circuit (f=16.9344MHz)     |
| 20     | PMCK   | -   | Not use, connect to TP720                              | 60     | VDD          | -   | Power supply for crystal oscillation circuit              |
| 21     | TRV    | O   | Traverse enforced output                               | 61     | BYTCK/TRVSTP | -   | Not use                                                   |
| 22     | TVD    | O   | Traverse drive output                                  | 62     | CLDCK        | O   | Sub code frame clock signal output                        |
| 23     | PC     | -   | Not used                                               | 63     | FCLK         | -   | Not used                                                  |
| 24     | ECM    | O   | Spindle motor drive signal (Enforced mode output)      | 64     | IPFLAG       | O   | Interpolation flag signal output, Connect to TP721        |
| 25     | ECS    | O   | Spindle motor drive signal (Servo error signal output) | 65     | FLAG         | O   | Flag signal output, Connect to TP722                      |
| 26     | KICK   | O   | Kick pulse output                                      | 66     | CLVS         | -   | Not use                                                   |
| 27     | TRD    | O   | Tracking drive output                                  | 67     | CRC          | -   | Not use                                                   |
| 28     | FOD    | O   | Focus drive output                                     | 68     | DEMPH        | O   | De-emphasis detect signal output, Connect to TP723        |
| 29     | VREF   | I   | Reference voltage for D/A output block                 | 69     | RESY         | -   | Not use                                                   |
| 30     | FBAL   | O   | Focus balance adjust signal output                     | 70     | IOSEL        | I   | Mode select pin, Connect to DVDD1 (H fix)                 |
| 31     | TBAL   | O   | Tracking balance adjust signal output                  | 71     | /TEST        | I   | Test pin, Connect to DVDD1 (H fix)                        |
| 32     | FE     | I   | Focus error signal input (Analog input)                | 72     | AVDD1        | -   | Power supply for analog circuit                           |
| 33     | TE     | I   | Tracking error signal input (Analog input)             | 73     | OUTL         | O   | L-channel audio output                                    |
| 34     | RFENV  | I   | RF envelope signal input (Analog input)                | 74     | AVSS1        | -   | GND for analog circuit                                    |
| 35     | VDET   | I   | Vibration detect signal input (H:Detect)               | 75     | OUTR         | O   | R-channel audio output                                    |
| 36     | OFT    | I   | Off track signal input (H:Off track)                   | 76     | RSEL         | I   | RF signal polarity setting pin, Connect to DVDD1 (H fix)  |
| 37     | TRCRS  | I   | Track cross signal input                               | 77     | CSEL         | I   | Oscillation frequency setting pin, Connect to GND (L fix) |
| 38     | /RFDET | I   | RF detect signal input (L:Detect)                      | 78     | PSEL         | I   | IOSEL=H, Test pin, Connect to GND (L fix)                 |
| 39     | BDO    | I   | Drop out signal input (H:Drop out)                     | 79     | MSEL         | I   | IOSEL=H, SMCK output, Frequency select pin                |
| 40     | LDON   | O   | Laser on signal output (H:ON)                          | 80     | SSEL         | I   | IOSEL=H, SMCK output, SUBQ output mode select pin         |

## ■ LA6541-X (IC801) : Servo driver

### 1. Pin Layout & block diagram



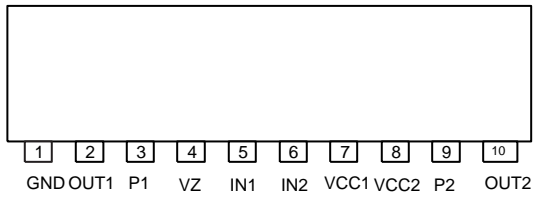
### 2. Pin function

| Pin No. | Symbol  | Function                                                               |
|---------|---------|------------------------------------------------------------------------|
| 1       | Vcc     | Power supply (Shorted to pin 24)                                       |
| 2       | Mute    | All BTL amplifier outputs ON/OFF                                       |
| 3       | Vin1    | BTL AMP 1 input pin                                                    |
| 4       | Vg1     | BTL AMP 1 input pin (For gain adjustment)                              |
| 5       | Vo1     | BTL AMP 1 input pin (Non inverting side)                               |
| 6       | Vo2     | BTL AMP 1 input pin (Inverting side)                                   |
| 7       | Vo3     | BTL AMP 2 input pin (Inverting side)                                   |
| 8       | Vo4     | BTL AMP 2 input pin (Non inverting side)                               |
| 9       | Vg2     | BTL AMP 2 input pin (For gain adjustment)                              |
| 10      | Vin2    | BTL AMP 2 input pin                                                    |
| 11      | Reg Out | External transistor collector (PNP) connection. 5V power supply output |
| 12      | Reg In  | External transistor (PNP) base connection                              |
| 13      | Res     | Reset output                                                           |
| 14      | Cd      | Reset output delay time setting (Capacitor connected externally)       |
| 15      | Vin3    | BTL AMP 3 input pin                                                    |
| 16      | Vg3     | BTL AMP 3 input pin (For gain adjustment)                              |
| 17      | Vo5     | BTL AMP 3 output pin (Non inverting side)                              |
| 18      | Vo6     | BTL AMP 3 output pin (Inverting side)                                  |
| 19      | Vo7     | BTL AMP 4 output pin (Inverting side)                                  |
| 20      | Vo8     | BTL AMP 4 output pin (Non inverting side)                              |
| 21      | Vg4     | BTL AMP 4 output pin (For gain adjustment)                             |
| 22      | Vin4    | BTL AMP 4 output pin                                                   |
| 23      | Vref    | Level shift circuit's reference voltage application                    |
| 24      | Vcc     | Power supply (Shorted to pin 1)                                        |



■ **LB1641 (IC851, IC852) : DC motor driver**

1. Pin layout

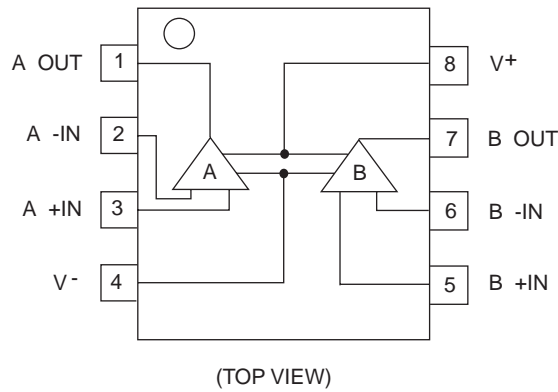


2. Pin function

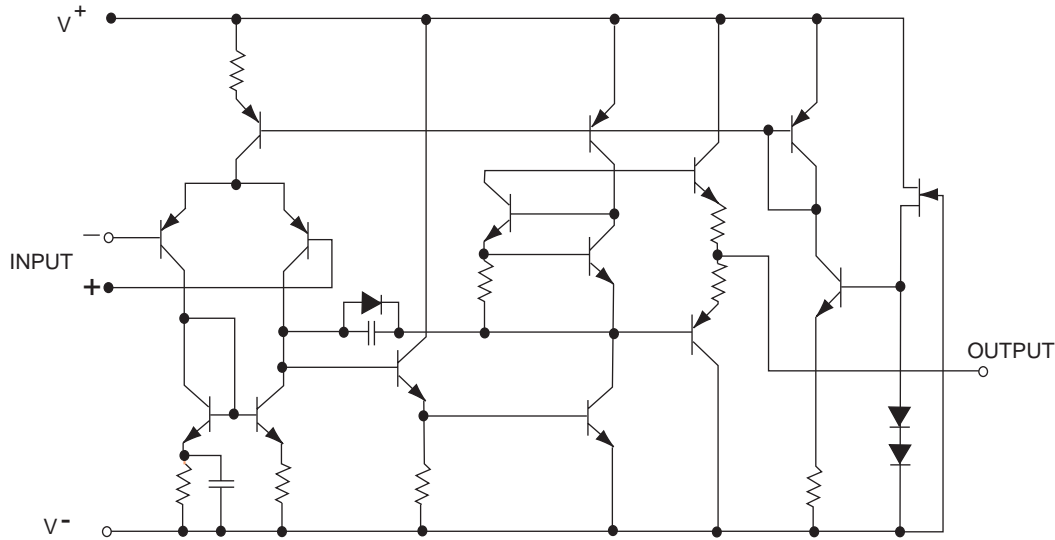
| Input |     | Output |      | Mode              |
|-------|-----|--------|------|-------------------|
| IN1   | IN2 | OUT1   | OUT2 |                   |
| 0     | 0   | 0      | 0    | Brake             |
| 1     | 0   | 1      | 0    | CLOCKWISE         |
| 0     | 1   | 0      | 1    | COUNTER-CLOCKWISE |
| 1     | 1   | 0      | 0    | Brake             |

■ **NJM4580D (IC481, IC501, IC502, IC526, IC571) : LPF, Mic and H. phone amp.**

1. Terminal layout

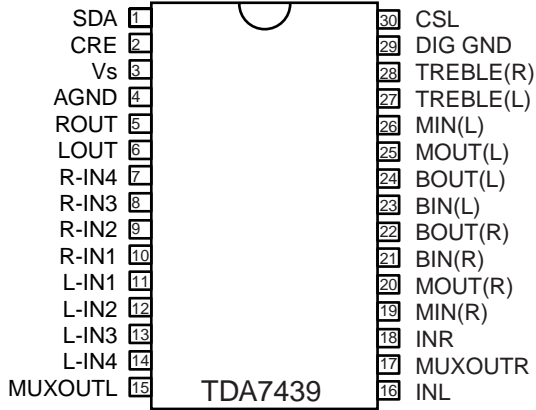


2. Block diagram

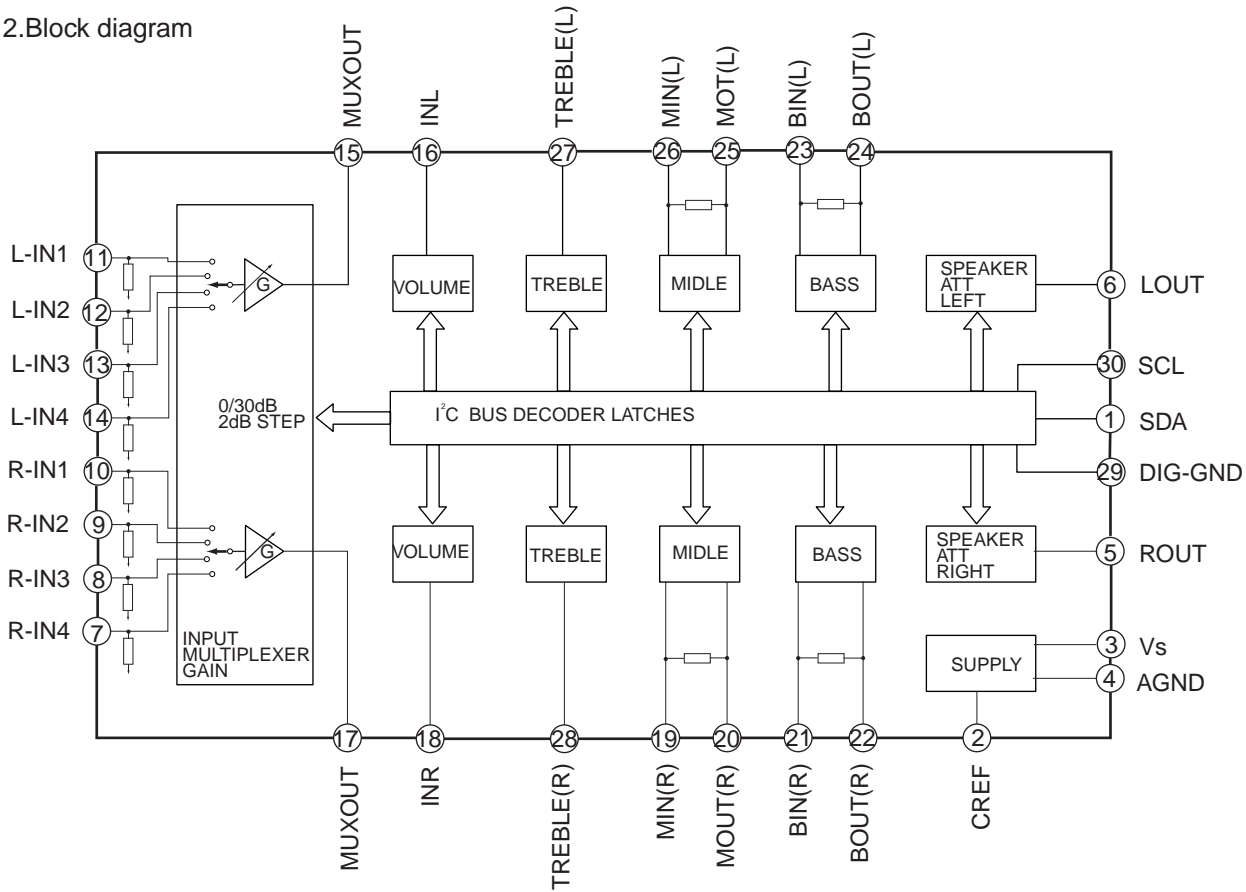


■ **TDA7439 (IC303) : Control volume**

1. Pin layout

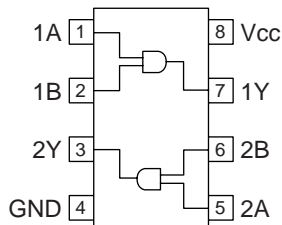


2. Block diagram



■ **TC7W08FU-X (IC107) : Nand gate**

1. Pin layout & Block diagram

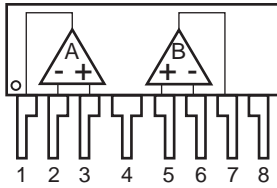


2. Truth table

| A | B | Y |
|---|---|---|
| L | L | L |
| L | H | L |
| H | L | L |
| H | H | H |

■ NJM4580L (IC901) : Dual operational amplifier

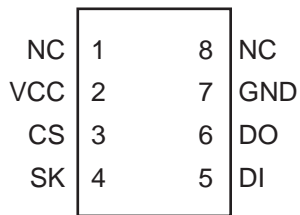
1. Terminal layout



- 1. A OUTPUT
- 2. A -INPUT
- 3. A +INPUT
- 4. V<sup>-</sup>
- 5. B +INPUT
- 6. B -INPUT
- 7. B OUTPUT
- 8. V<sup>+</sup>

■ BR93LC66F-X (IC403) : EEPROM

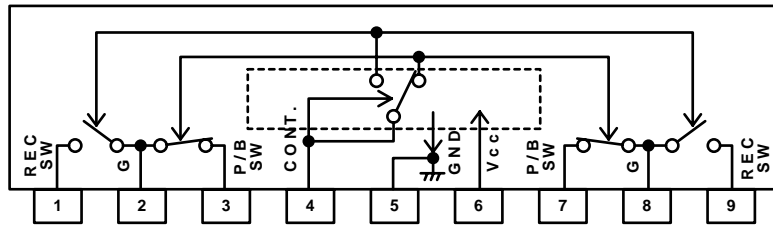
1. Terminal layout



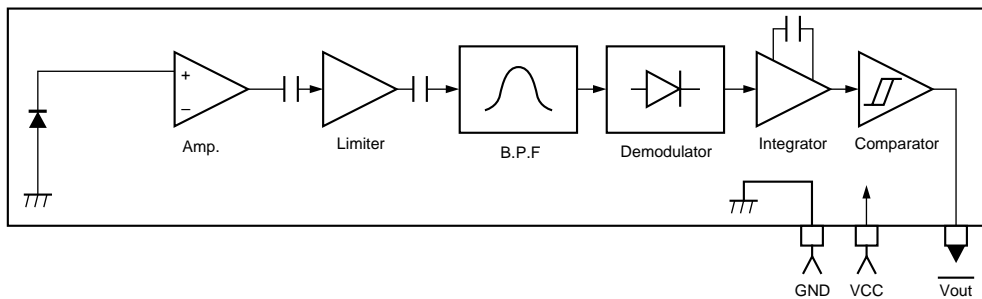
2. Pin Functions

| Symbol | I/O | Function                                                           |
|--------|-----|--------------------------------------------------------------------|
| VCC    | -   | Power supply                                                       |
| GND    | -   | Connect to GND                                                     |
| CS     | I   | Chip select input                                                  |
| SK     | I   | Serial clock input                                                 |
| DI     | I   | Start bit, OP-code, address, serial data input                     |
| DO     | O   | Serial data output,<br>Internal state display output of READY/BUSY |

■ BA3126N (IC31) : R / P switch

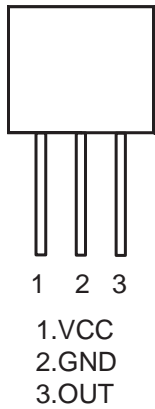


■ GP1U271X (IC701) : Receiver for remote

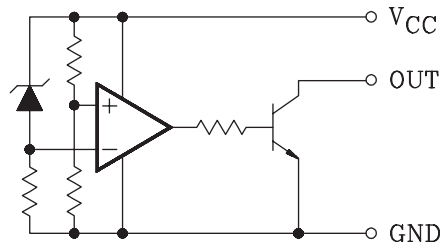


### ■ KIA7042AP-T (IC830) : Regulator

1. Terminal layout

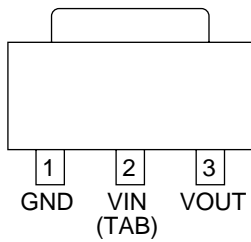


2. Block diagram

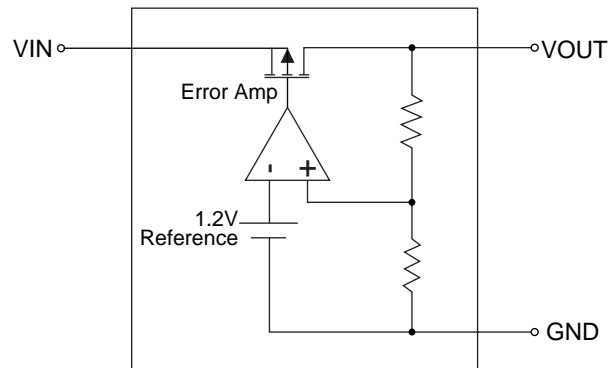


### ■ RT9161 / A-27CG-X (IC105) : Regulator

1. Pin layout



2. Block diagram

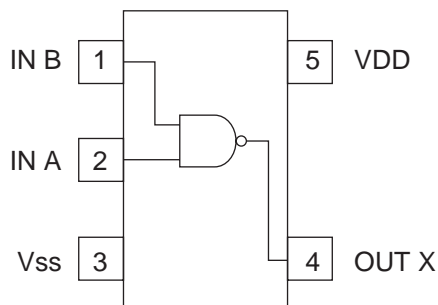


3. Pin function

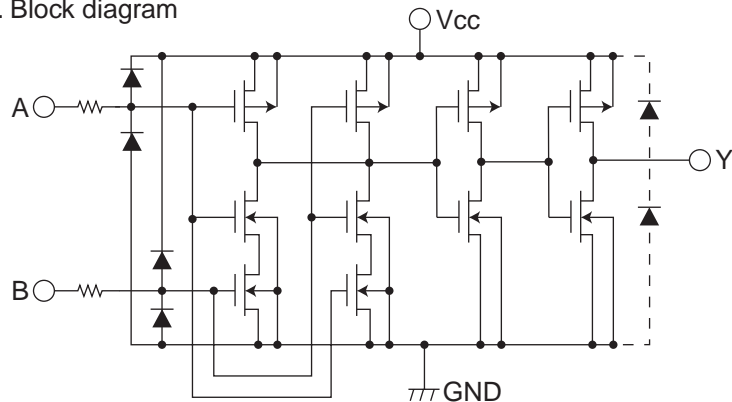
| Pin Name | Function       |
|----------|----------------|
| VOUT     | Output Voltage |
| GND      | Ground         |
| VIN      | Power Input    |

### ■ TC7S08F-W (IC340) : Buffer

1. Pin layout

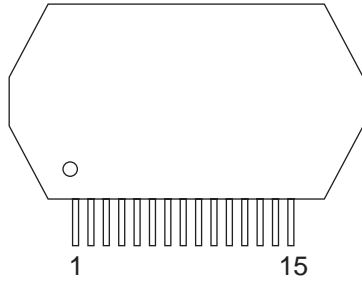


2. Block diagram

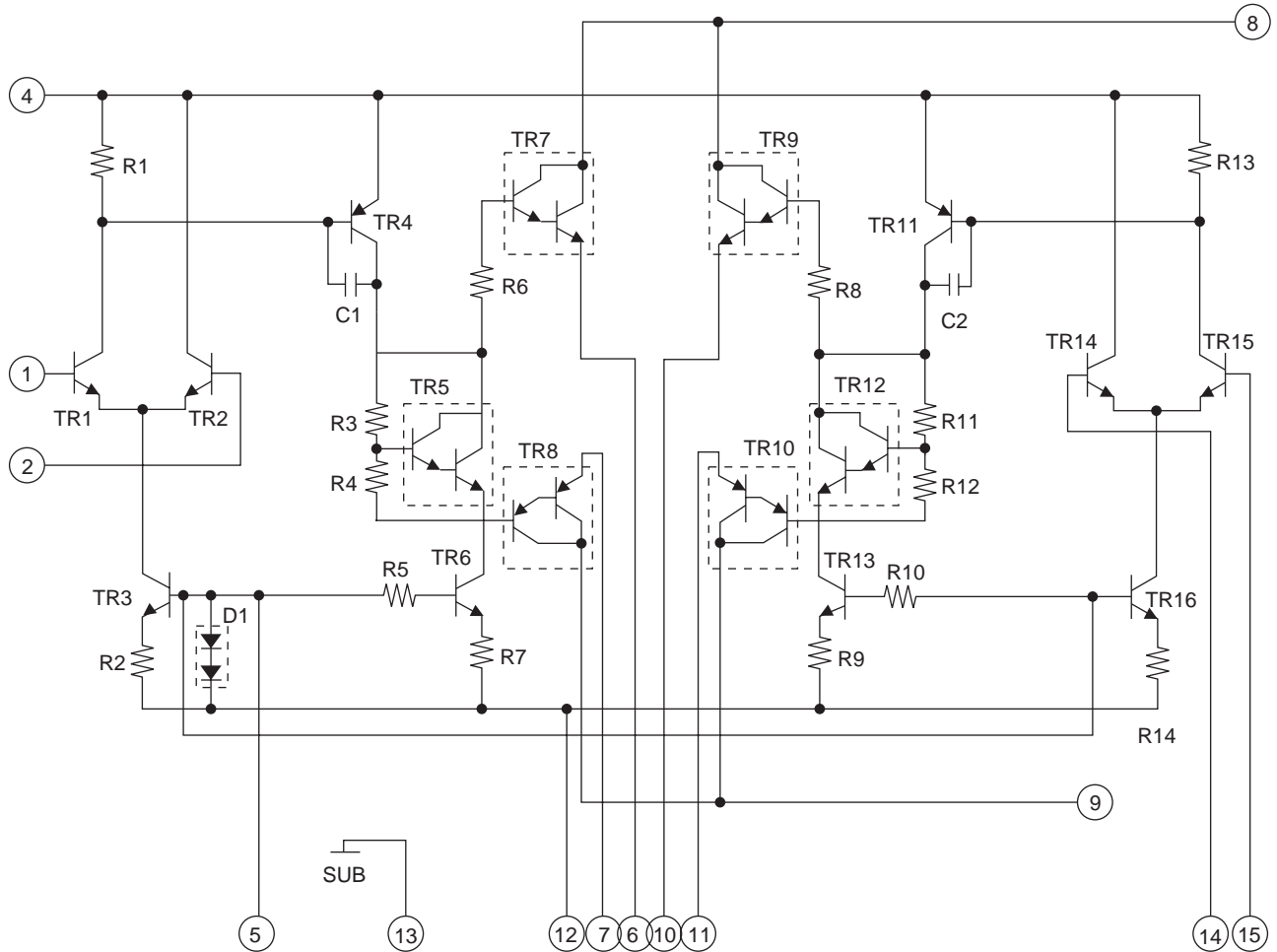


■ STK402-030 (IC101) : Power amp

1.Pin layout

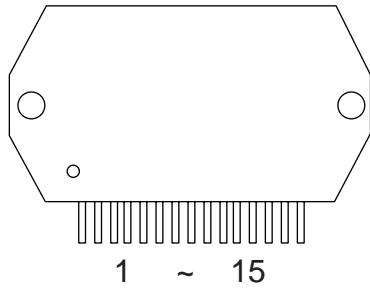


2.Block diagram

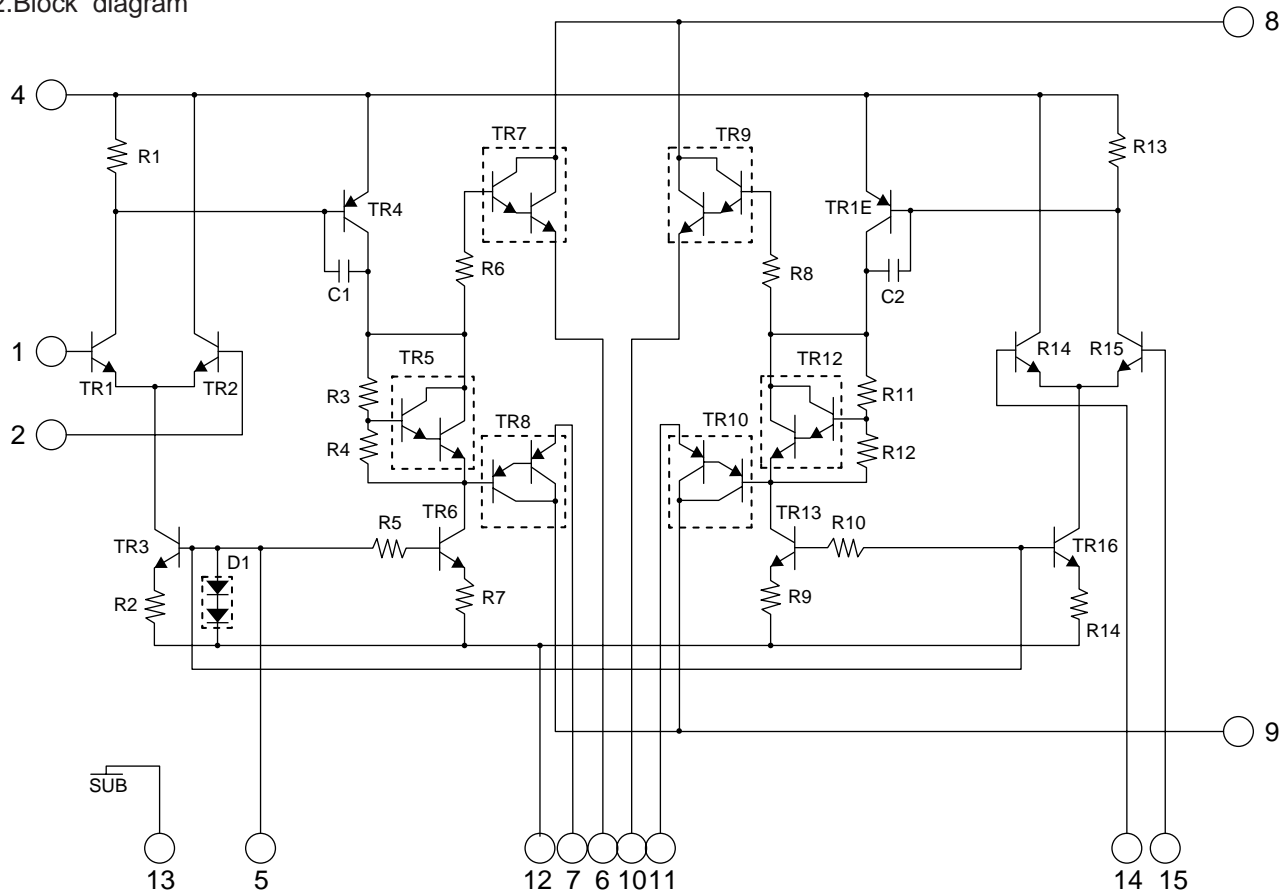


■ STK402-050 (IC602) : 2ch AF power amp.

1. Pin layout

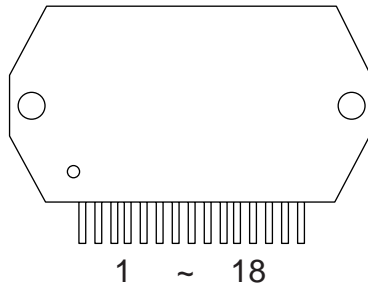


2. Block diagram

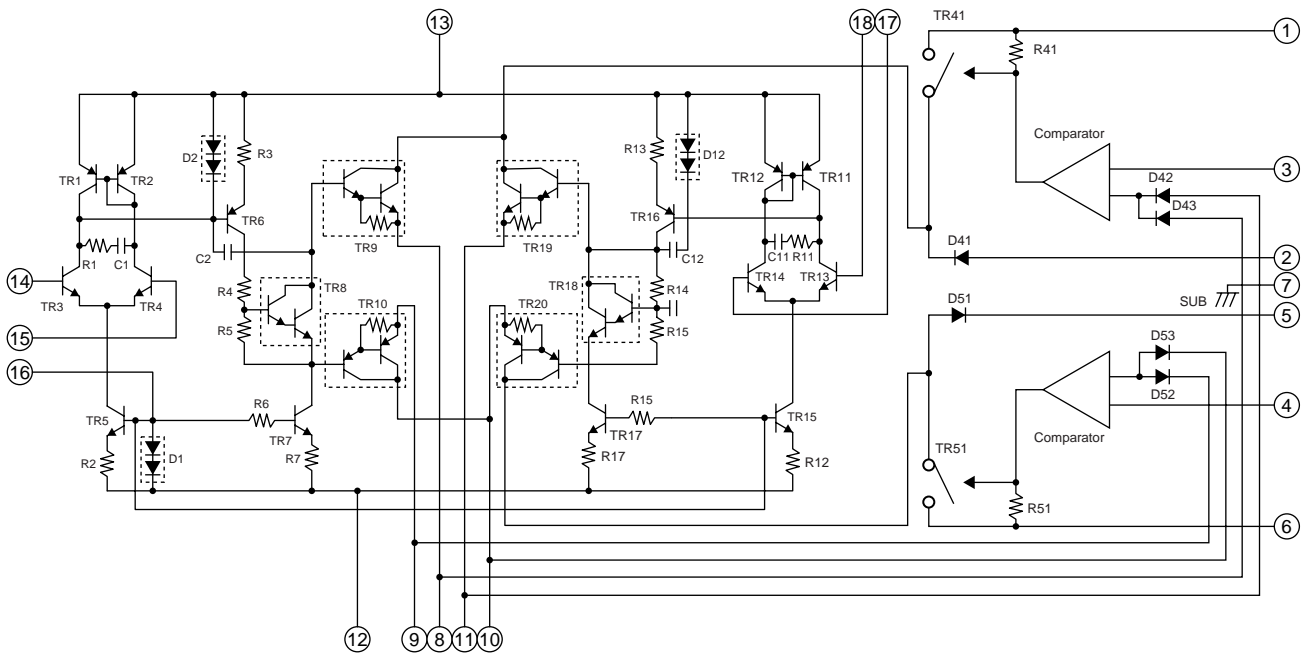


■ STK412-010 (IC701) : 2ch AF power amp.

1.Pin layout

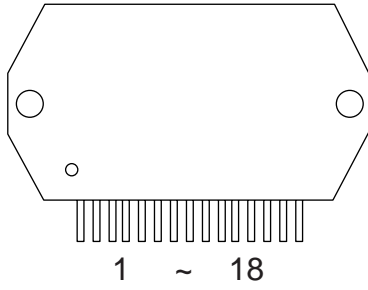


2.Block diagram

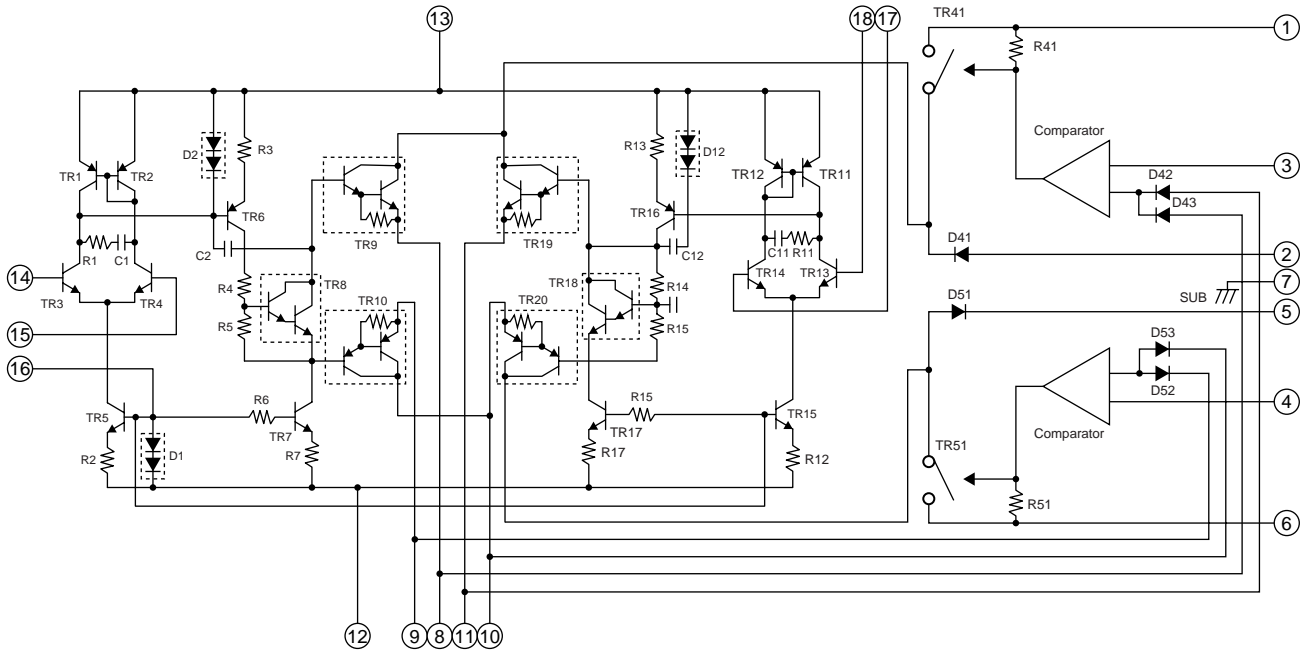


■ STK412-090 (IC701) : 2ch AF power amp.

1.Pin layout



2.Block diagram





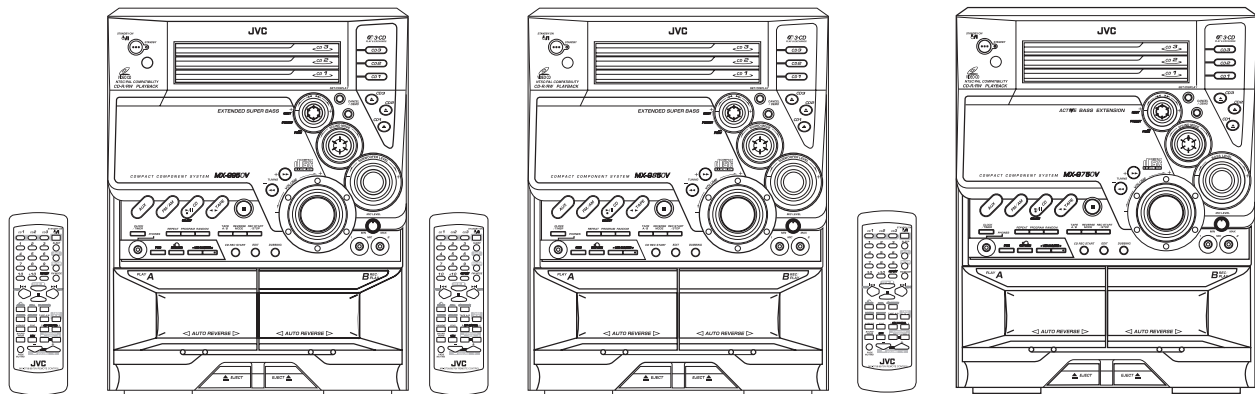
# JVC

# SCHEMATIC DIAGRAMS

## COMPACT COMPONENT SYSTEM

# MX-G950V/MX-G880V MX-G850V/MX-G750V

CD-ROM No.SML200207



CA-MXG950V

CA-MXG850V  
CA-MXG880V

CA-MXG750V



|                          |
|--------------------------|
| <b>MX-G950V/MX-G850V</b> |
| <b>Area Suffix</b>       |
| U-----Other Areas        |
| UN-----Asean             |
| UX-----Saudi Arabia      |

|                    |
|--------------------|
| <b>MX-G880V</b>    |
| <b>Area Suffix</b> |
| UN-----Asean       |

|                     |
|---------------------|
| <b>MX-G750V</b>     |
| <b>Area Suffix</b>  |
| UN-----Asean        |
| US-----Singapore    |
| UX-----Saudi Arabia |

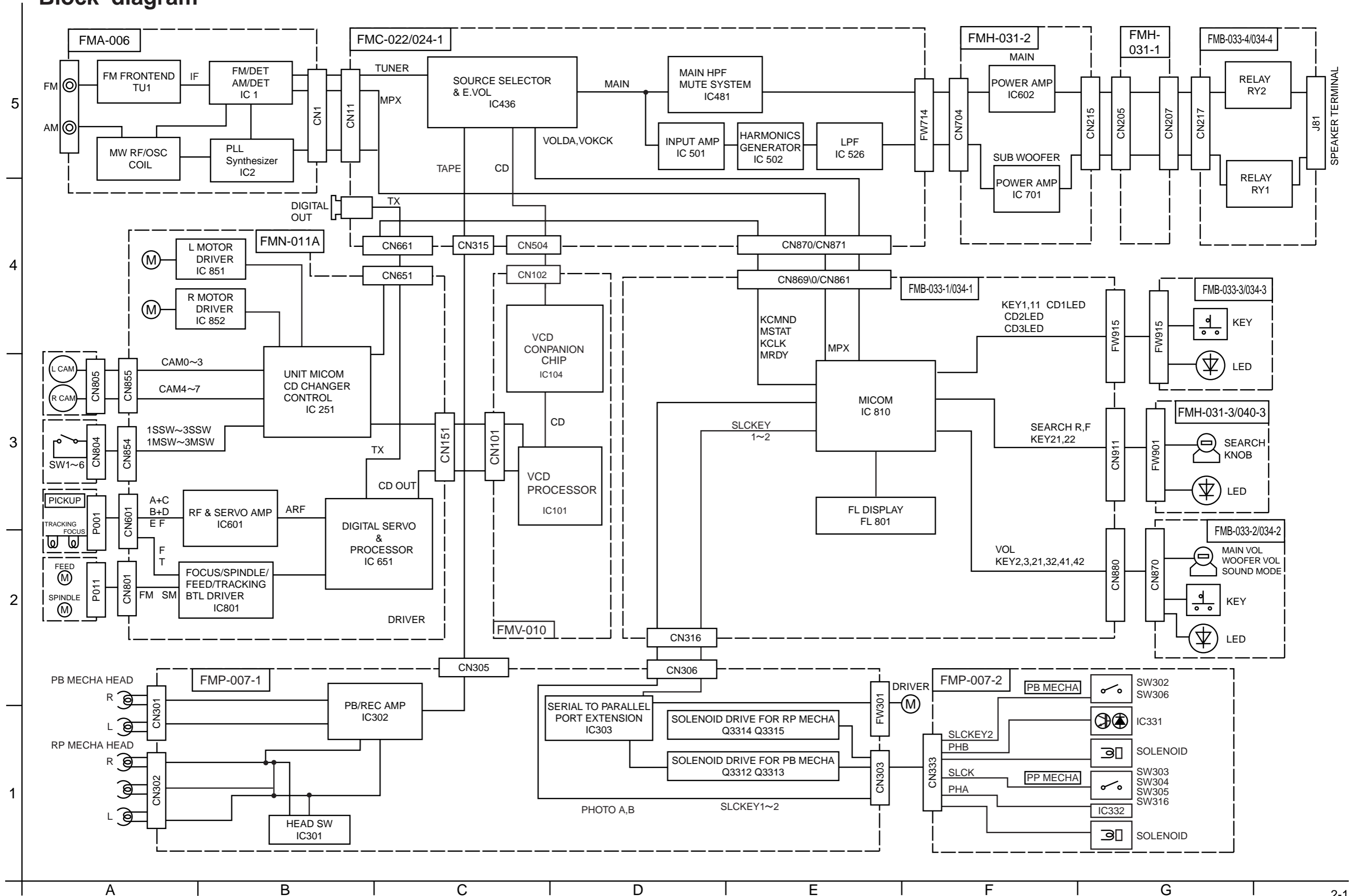
## Contents

|                                   |         |
|-----------------------------------|---------|
| Block diagram .....               | 2-1     |
| Standard schematic diagrams ..... | 2-2     |
| Printed circuit boards .....      | 2-13~21 |

In regard with component parts appearing on the silk-screen printed side (parts side) of the PWB diagrams, the parts that are printed over with black such as the resistor (■), diode (⚡) and ICP (●) or identified by the "⚠" mark nearby are critical for safety.

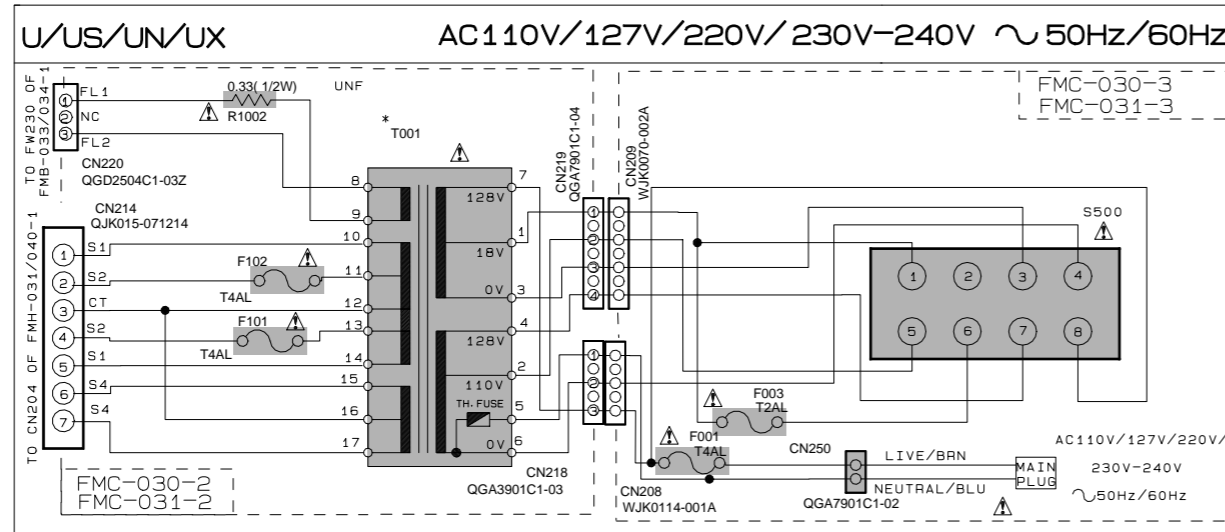
(This regulation does not correspond to J and C version.)

# Block diagram

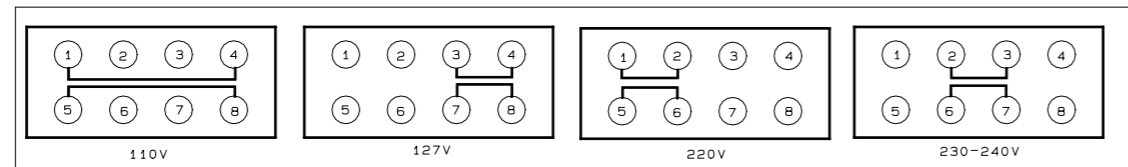


# Standard schematic diagrams

■ Primary with mains transformer section



## VOLTAGE SELECTOR LOCATION



\* MARK

| MODEL REF. NO. | CA-MXG750V | CA-MXG850V/880V | CA-MXG950V  |
|----------------|------------|-----------------|-------------|
| T001           |            | Q0T0319-003     | Q0T0322-003 |

▲ Parts are safety assurance parts. When replacing those parts make sure to use the specified one.

## EXPLANATION OF OVERALL OF SCHEMA.

MODEL CA-MXG750V/850V/880V/950V

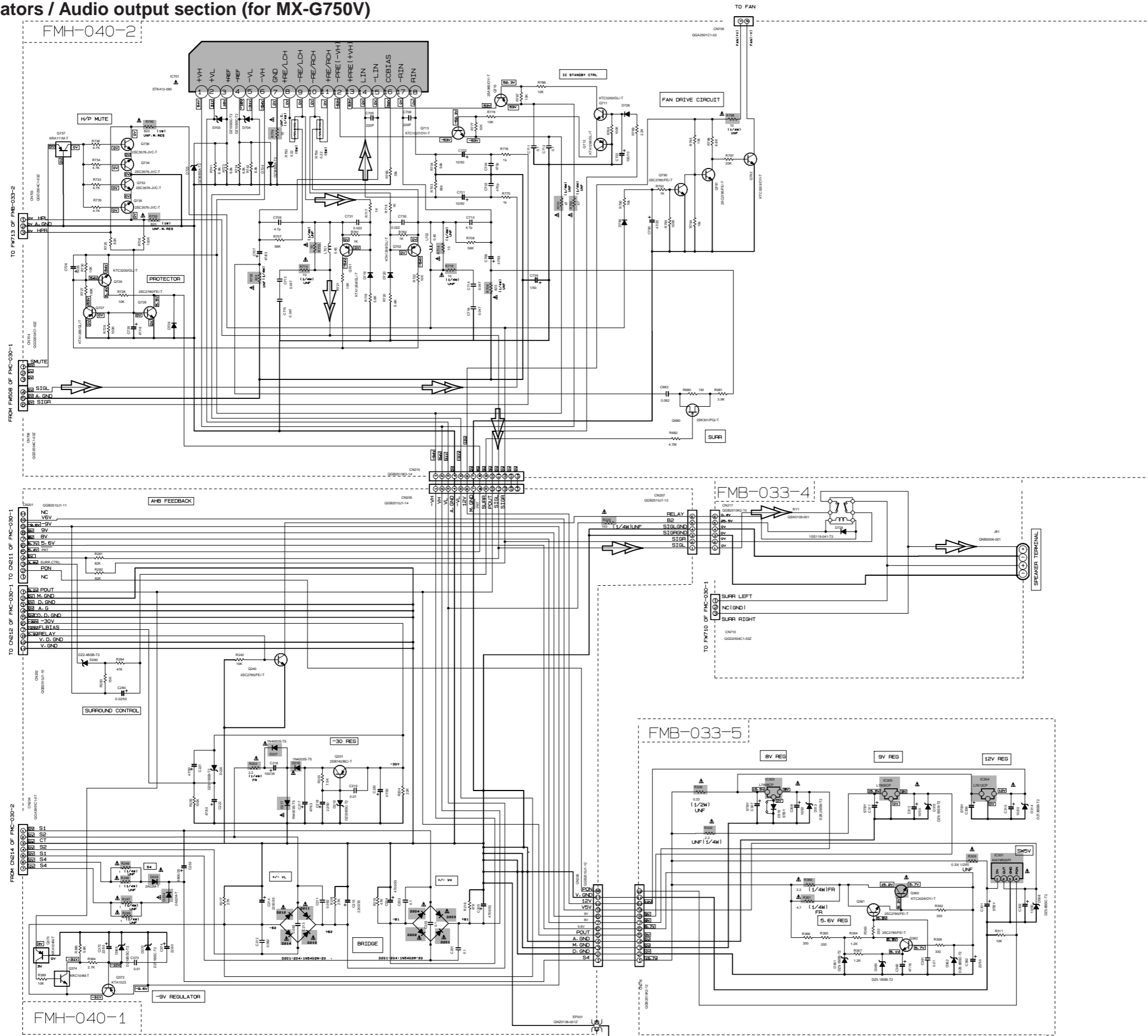
| SHEET NUMBER | MODEL NUMBERS TO BE APPLIED        | CIRCUITS DESCRIPTION                                                      |
|--------------|------------------------------------|---------------------------------------------------------------------------|
| 1/11         | CA-MXG750V/850V<br>CA-MXG880V/950V | . PRIMARY WITH MAINS TRANSFORMER                                          |
| 2/11         | CA-MXG750V                         | . DC REGULATORS/AUDIO OUTPUT                                              |
| 3/11         | CA-MXG850V<br>CA-MXG880V/950V      | . DC REGULATORS/AUDIO OUTPUT                                              |
| 4/11         | CA-MXG750V                         | . EXTERNAL INPUT/SOURCE SELECTOR SWITCH                                   |
| 5/11         | CA-MXG850V<br>CA-MXG880V/950V      | . EXTERNAL INPUT/SOURCE SELECTOR SWITCH                                   |
| 6/11         | CA-MXG750V/850V<br>CA-MXG880V/950V | . FL DISPLAYS/SYSTEM CONTROL LSI                                          |
| 7/11         | CA-MXG750V/850V<br>CA-MXG880V/950V | . USER CONTROL KEYS/MIC AMP                                               |
| 8/11         | CA-MXG750V/850V<br>CA-MXG880V/950V | . CD SERVO AND CD SYSTEM CONTROL<br>. CD CHANGER MECHANISM CONTROL        |
| 9/11         | CA-MXG750V/850V<br>CA-MXG880V/950V | . TAPE DECK MECHANISM CONTROL<br>. TAPE CIRCUITS SUCH AS PRE-AMP AND BIAS |
| 10/11        | CA-MXG750V/850V<br>CA-MXG880V/950V | . TUNER RF/IF/FM MULTIPLEX                                                |
| 11/11        | CA-MXG750V/850V<br>CA-MXG880V/950V | . VIDEO OUT                                                               |

## VERSION CODES

UN : ASEAN  
UX : SAUDI ARABIA  
U : GENERAL COUNTRY  
US : SINGAPORE AND UNIVERSAL EXCEPT ALL OF ABOVE

5  
4  
3  
2  
1

DC regulators / Audio output section (for MX-G750V)



⚠ Parts are safety assurance parts.  
When replacing those parts make  
sure to use the specified one.

➔ MAIN SIGNAL

- NOTES
1. VOLTAGES ARE DC-MEASURED WITH A DIGITAL VOLT METER OR OSCILLOSCOPE WITHOUT INPUT SIGNAL.  
CONDITION — AUX MODE, VOL. MDN, BASS OFF
  2. UNLESS OTHERWISE SPECIFIED  
RESISTORS ARE 1/4W ± 5% CARBON RESISTOR.  
ALL RESISTANCE VALUES ARE IN OHM (Ω).  
ALL CAPACITORS ARE CERAMIC CAPACITOR OR MYLAR CAPACITOR.  
ALL CAPACITANCE VALUES ARE IN pF (pF).  
ALL INDUCTANCE VALUES ARE IN mH (mH).  
ALL ELECTROLYTIC CAPACITORS ARE IN μF (μF) RATED VOLTAGE (V).  
ALL DIODES ARE 1S5119-041-T2

5

4

3

2

1

A

B

C

D

E

F

G

DC regulators / Audio output section (for MX-G850V, G880V, G950V)

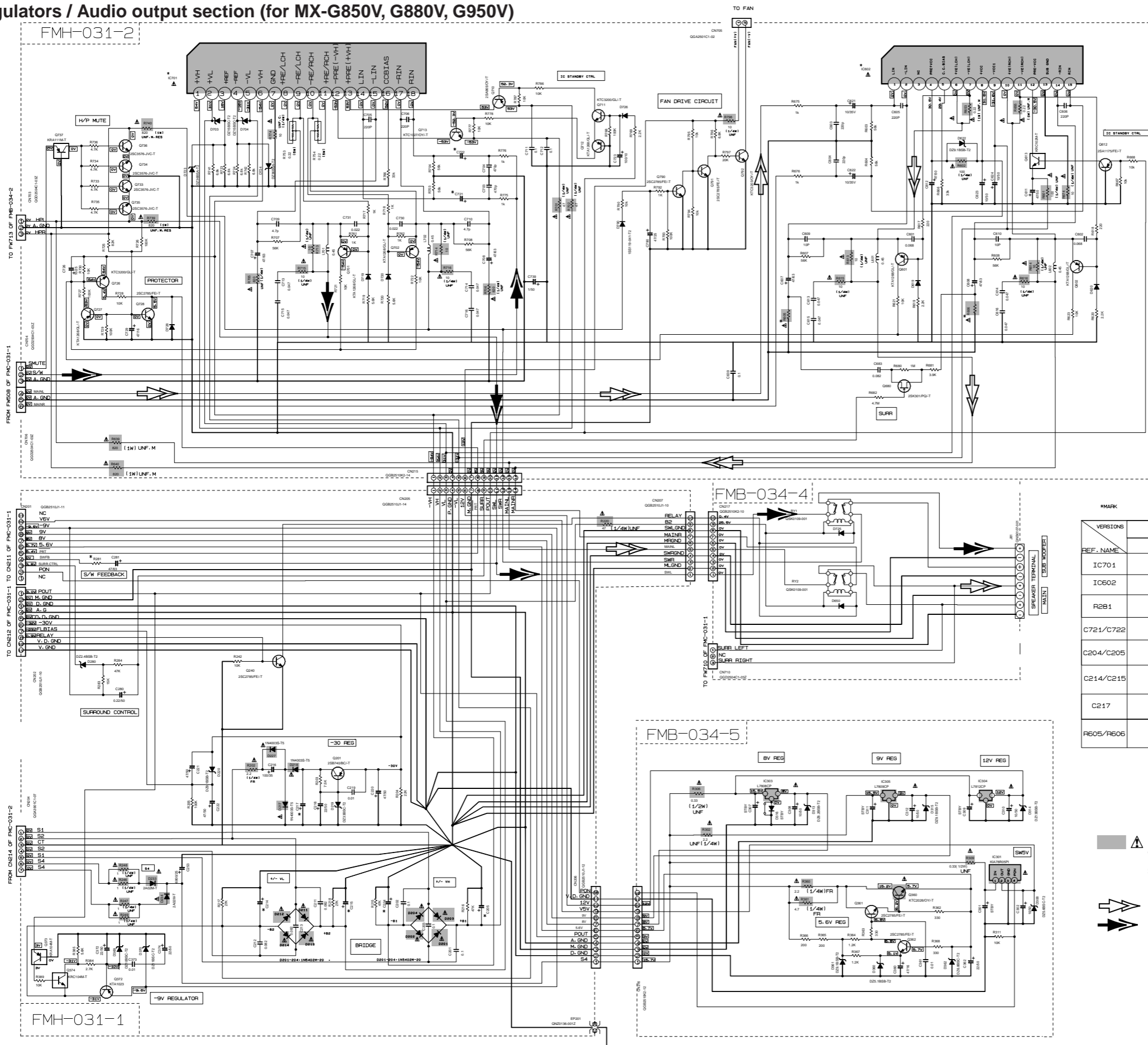
5

4

3

2

1



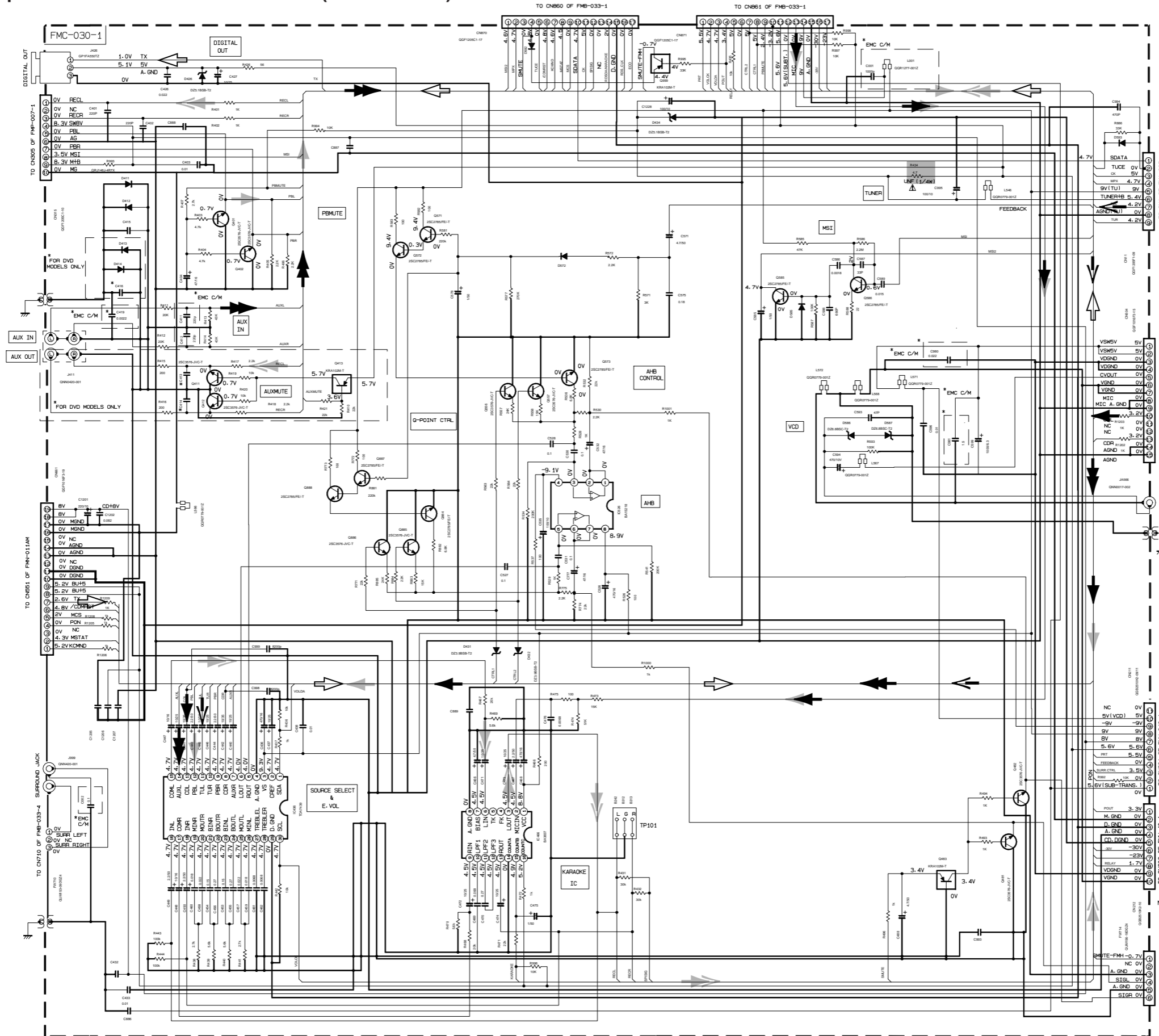
NOTES  
1. VOLTAGES ARE DC-MEASURED WITH A DIGITAL VOLT METER OR OSCILLOSCOPE WITHOUT INPUT SIGNAL.  
CONDITION — AUX MODE, VOL. HEN, BASS OFF  
2. UNLESS OTHERWISE SPECIFIED  
RESISTORS ARE 1/4W ± 5% CARBON RESISTOR.  
ALL RESISTANCE VALUES ARE IN OHM (Ω).  
ALL CAPACTORS ARE CERAMIC CAPACTOR OR MYLAR CAPACTOR.  
ALL CAPACITANCE VALUES ARE IN nF (nF).  
ALL INDUCTANCE VALUES ARE IN mH (mH).  
ALL CAPACTORS ARE SHOWN IN THE FORM OF CAPACTANCE (nF)/RATED VOLTAGE (V).  
ALL DIODERS ARE 1SS119-041-T2

| VERSIONS  | CA-MXG850V/880V    | CA-MXG950V       |
|-----------|--------------------|------------------|
| REF. NAME | U/UN/UX            | U/UN/UX          |
| IC701     | STK412-090         | STK412-010       |
| IC602     | STK402-030         | STK402-050       |
| R281      | 6.8K               | 10K              |
| C721/C722 | 10/50              | 10/35            |
| C204/C205 | 4700/56            | 4700/63          |
| C214/C215 | 2200/35            | 2200/50          |
| C217      | 47/63              | 47/100           |
| R605/R606 | 1.2K<br>(1/4W) UNF | 1K<br>(1/4W) UNF |

▲ Parts are safety assurance parts.  
When replacing those parts make  
sure to use the specified one.

➡ MAIN SIGNAL  
➡ SUB WOOFER SIGNAL

External input / Source selector switch section (for MX-G750V)



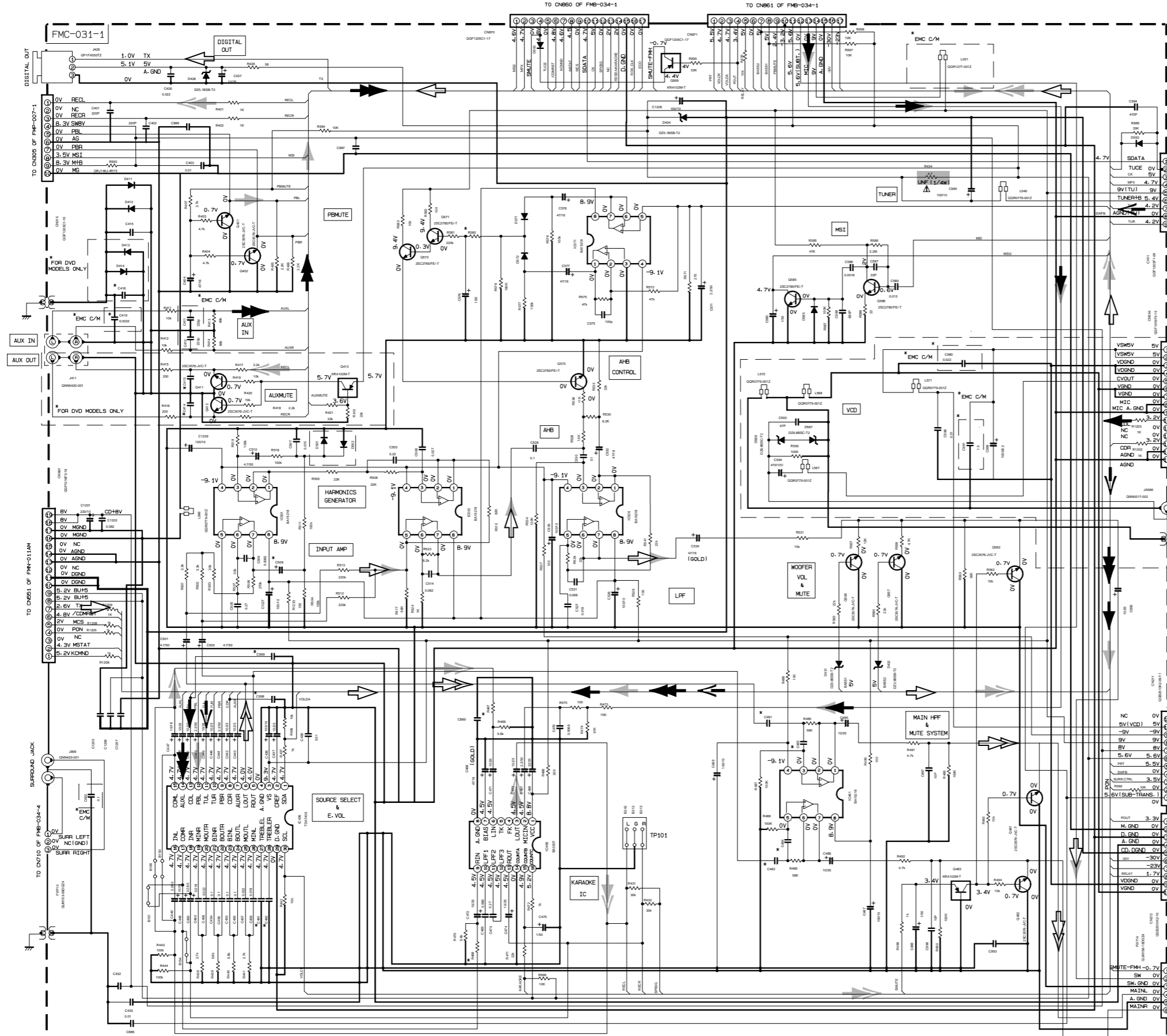
- AUX IN SIGNAL
  - TUNER SIGNAL
  - CD SIGNAL
  - MAIN SIGNAL
  - TAPE PLAY SIGNAL
  - TAPE REC / AUX OUT SIGNAL
  - DIGITAL DATA SIGNAL
- Parts are safety assurance parts. When replacing those parts make sure to use the specified one.

NOTES

- VOLTAGES ARE DC-MEASURED WITH A DIGITAL VOLT METER OR OSCILLOSCOPE WITHOUT INPUT SIGNAL. CONDITION — AUX MODE. VOL. MDN. SUBNOOPER VOL. 1.
- UNLESS OTHERWISE SPECIFIED  
RESISTORS ARE 1/4W ±5% CARBON RESISTOR.  
ALL RESISTANCE VALUES ARE IN OHM (Ω).  
ALL CAPACITORS ARE CERAMIC CAPACITOR OR MYLAR CAPACITOR.  
ALL CAPACITANCE VALUES ARE IN PICO (pF).  
ALL INDUCTANCE VALUES ARE IN HENRY (H).  
ALL SIZES ARE IN MILLIMETER (mm).  
ALL C. CAPACITORS ARE SHOWN IN THE FORM OF CAPACITANCE (pF)/RATED VOLTAGE (V).  
ALL DIODES ARE 1SS119-041-12

External input / Source selector switch section (for MX-G850V, G880V, G950V)

5  
4  
3  
2  
1



\*MARK

| MODEL    | CA-MXG850V/880V |
|----------|-----------------|
| VERSION  | US/UK<br>LN     |
| R467/468 | 20K             |
| C481/482 | 0F632AJ-223Z    |
| C483/484 | 0FLM1HJ-223Z    |
| C481/482 | 0F632AJ-682Z    |
| C509     | 0ETN1M-475Z     |
| R580     | 15K             |
| C998/999 | 4700p           |

\*MARK

| MODEL    | CA-MXG950V   |
|----------|--------------|
| VERSION  | US/UK<br>LN  |
| R467/468 | 15K          |
| C481/482 | 0F632AJ-223Z |
| C483/484 | 0FLM1HJ-223Z |
| C461/462 | 0F632AJ-682Z |
| C509     | 0ETN1CM-105Z |
| R580     | 22K          |
| C998/999 | 2200p        |

- MIC SIGNAL
- SUBWOOFER SIGNAL
- AUX IN SIGNAL
- TUNER SIGNAL
- CD SIGNAL
- MAIN SIGNAL
- TAPE PLAY SIGNAL
- TAPE REC / AUX OUT SIGNAL
- DIGITAL DATA SIGNAL

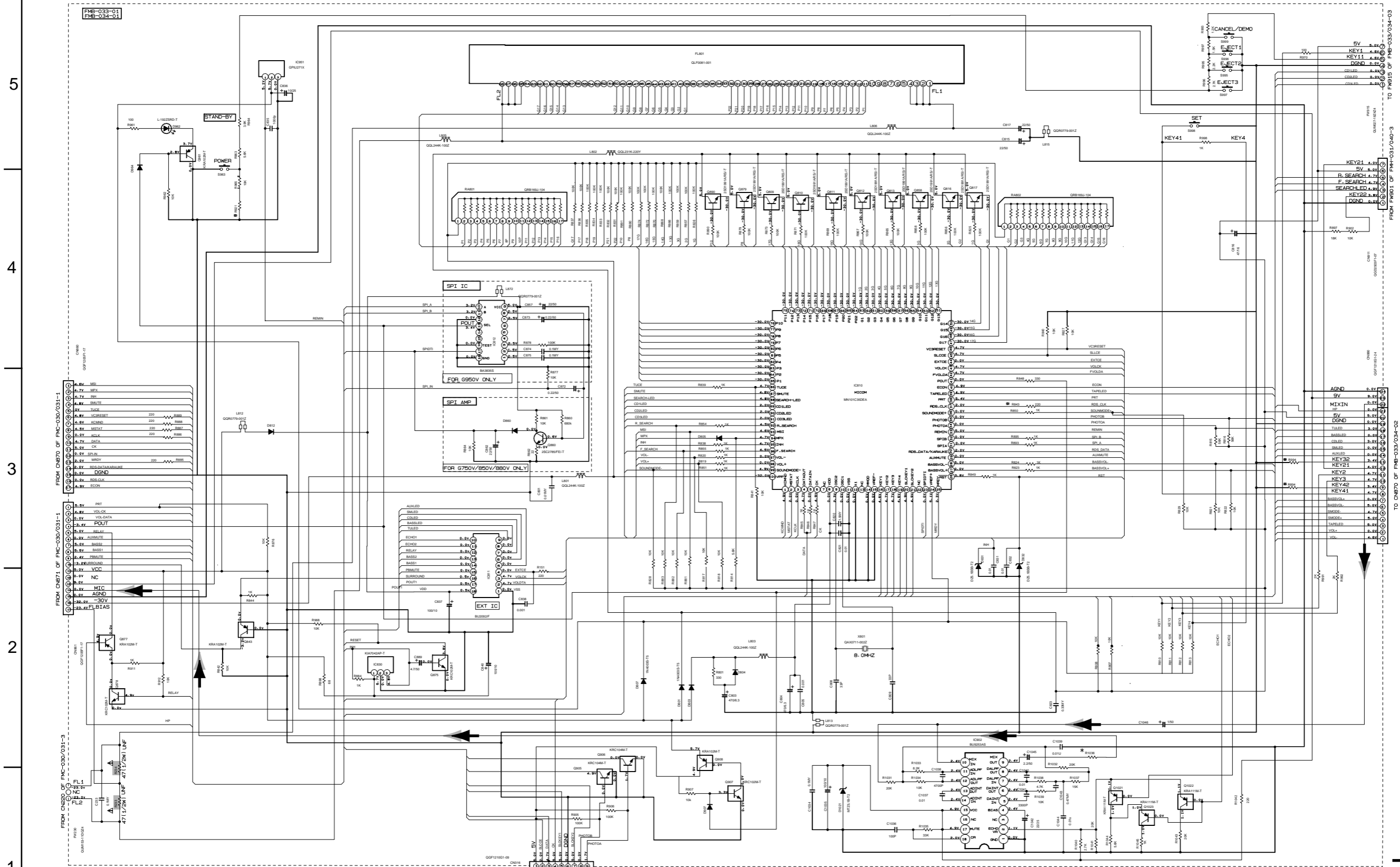
NOTES  
1. VOLTAGES ARE DC-MEASURED WITH A DIGITAL VOLT METER OR OSCILLOSCOPE WITHOUT INPUT SIGNAL.  
CONDITION — AUX MODE- VOL MIN- SUBWOOFER VOL. 1.  
2. UNLESS OTHERWISE SPECIFIED  
RESISTORS ARE 1/4W ±5% CARBON RESISTOR.  
ALL RESISTANCE VALUES ARE IN OHM(S).  
ALL CAPACITORS ARE CERAMIC CAPACITOR OR MYLAR CAPACITOR.  
ALL CAPACITANCE VALUES ARE IN P(F).  
ALL INDUCTANCE VALUES ARE IN H(MH).  
ALL E-CAPACITORS ARE SHOWN IN THE FORM OF CAPACITANCE (µF)/RATED VOLTAGE (V).  
ALL DIODES ARE 1S1519-041-T2

⚠ Parts are safety assurance parts.  
When replacing those parts make  
sure to use the specified one.

A B C 2-6 D E F G



FL displays / System control LSI



| MARK  | CA-MXG750V |       | CA-MXG850V |      | CA-MXG950V |      |
|-------|------------|-------|------------|------|------------|------|
|       | LX         | US-UN | LX         | U/UN | LX         | U/UN |
| R921  | 330K       | 330K  | 75K        | 75K  | 18K        | 18K  |
| R924  | 18K        | 75K   | 18K        | 75K  | 18K        | 75K  |
| R943  | NONE       | 330K  | 18K        | 330K | 18K        | 330K |
| R1036 | 68K        | 68K   | 27K        | 27K  | 30K        | 30K  |

Parts are safety assurance parts.  
When replacing those parts make sure to use the specified one.

NOTES  
1. VOLTAGES ARE DC-MEASURED WITH A DIGITAL VOLT METER OR OSCILLOSCOPE WITHOUT INPUT SIGNAL.  
CONDITION --- AUX MODE- VOL MIN- BASS LEVEL 1  
2. UNLESS OTHERWISE SPECIFIED  
RESISTORS ARE 1/4W ±5% CARBON RESISTOR.  
ALL RESISTANCE VALUES ARE IN OHM Ω.  
ALL CAPACITORS ARE CERAMIC CAPACITOR OR MYLAR CAPACITOR.  
ALL CAPACITANCE VALUES ARE IN PICO(F).  
ALL INDUCTANCE VALUES ARE IN MILLI(MH).  
ALL ELECTROLYTIC CAPACITORS ARE IN MICRO(MF)/RATED VOLTAGE (V).  
ALL DIODES ARE 1SS139-041-T2

■ User control keys / Mic amp section

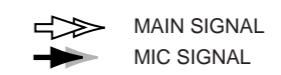
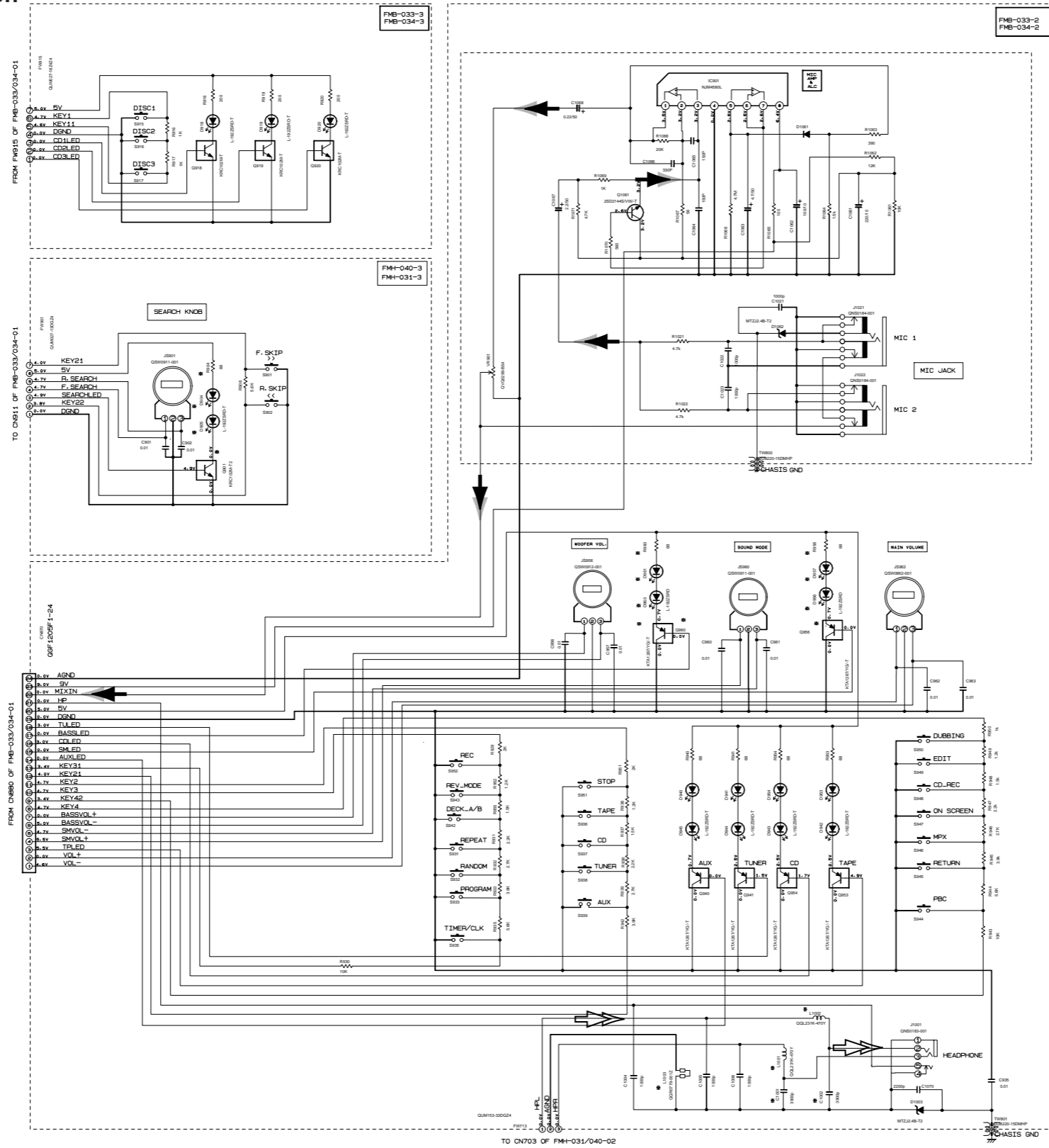
5

4

3

2

1

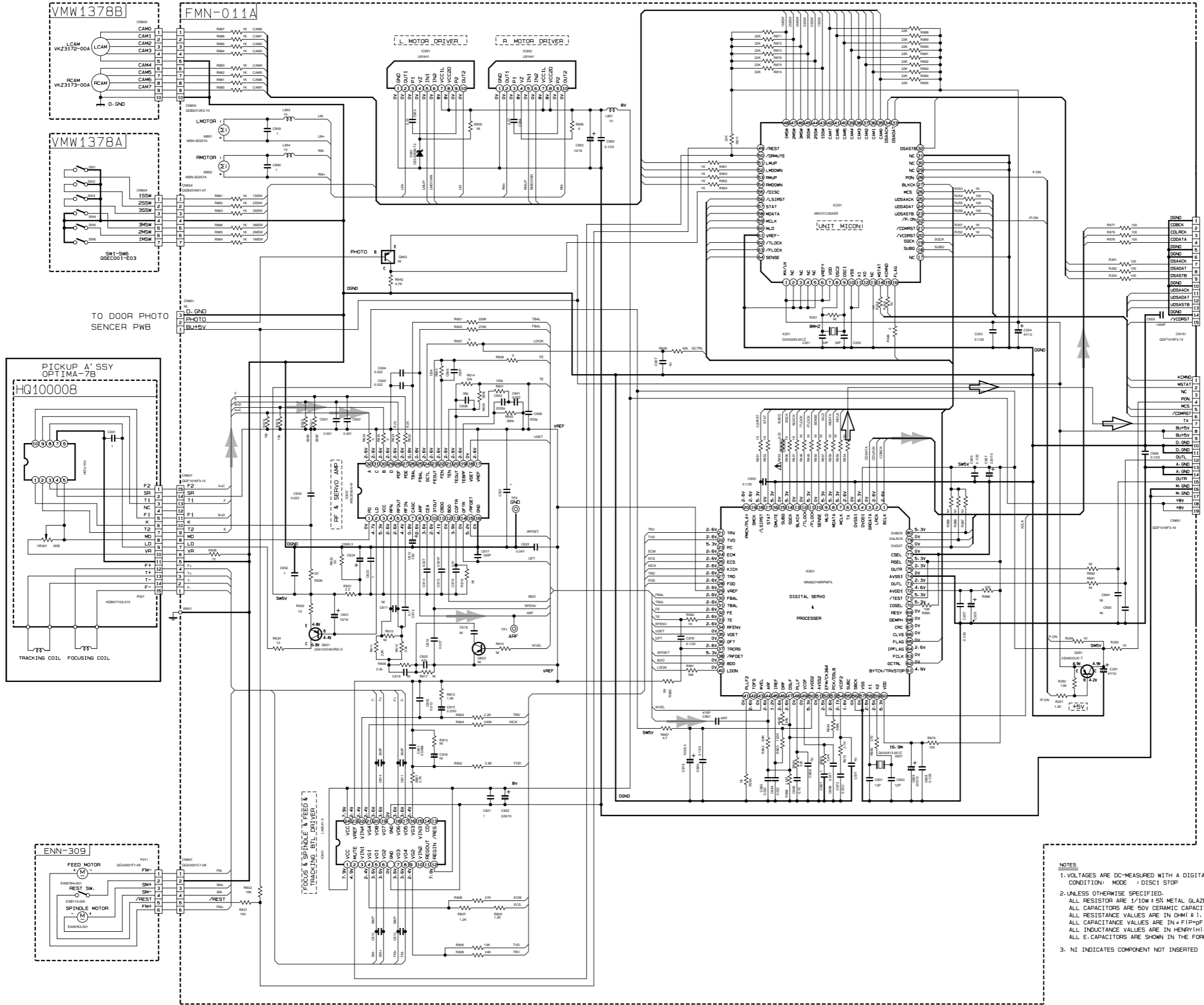


NOTES  
1. VOLTAGES ARE DC-MEASURED WITH A DIGITAL VOLT METER OR OSCILLOSCOPE WITHOUT INPUT SIGNAL.  
CONDITION — AUX MODE: VOL. MIN. BASS OFF  
2. UNLESS OTHERWISE SPECIFIED:  
RESISTORS ARE 1/4W ± 5% CARBON RESISTOR.  
ALL RESISTANCE VALUES ARE IN OHMS.  
ALL CAPACITORS ARE CERAMIC CAPACITOR OR MYLAR CAPACITOR.  
ALL CAPACITANCE VALUES ARE IN μF (μF).  
ALL INDUCTANCE VALUES ARE IN mH (mH).  
ALL CAPACITORS ARE SHOWN IN THE FORM OF CAPACITANCE (μF) / RATED VOLTAGE (V).  
ALL DIODES ARE 1SS119-041-T2

| MARK                                 | CA-MXG750V<br>US-LIN | CA-MXG750V<br>UX | CA-MXG850V/880V<br>L/LIN | CA-MXG850V<br>UX | CA-MXG850V<br>L/LIN | CA-MXG950V<br>LX |
|--------------------------------------|----------------------|------------------|--------------------------|------------------|---------------------|------------------|
| D904, D905, D956, D957<br>D960, D961 | NONE                 | NONE             | NONE                     | NONE             | L-192ZSRD-T         | L-192ZSRD-T      |
| L1001, L1002                         | SHORT                | SHORT            | SHORT                    | SHORT            | SHORT               | SHORT            |
| C1001, C1002                         | NONE                 | NONE             | NONE                     | NONE             | NONE                | NONE             |
| L1003                                | QGL231K-2R2Y         | QGL231K-2R2Y     | QGL231K-2R2Y             | QGL231K-2R2Y     | QGL231K-2R2Y        | QGL231K-2R2Y     |
| R904, R956, R960                     | NONE                 | NONE             | NONE                     | NONE             | SB                  | SB               |
| Q901                                 | NONE                 | NONE             | NONE                     | NONE             | KRC102M-T           | KRC102M-T        |
| Q956, Q960                           | NONE                 | NONE             | NONE                     | NONE             | KTA1267/YG/-T       | KTA1267/YG/-T    |

CD servo and CD system control section

5  
4  
3  
2  
1



TO CN101  
OF FMV-010AM

TO CN661  
OF FMC-030/031-1

MARK

| MODEL   | CA-M8G750V | CA-M8G850V/G880V/9950V |
|---------|------------|------------------------|
| VERSION | US/AN/LX   | U/AN/LX                |
| CB73    | 205/10     | 100/10                 |

- ➔ CD SIGNAL
- ➔ DIGITAL DATA SIGNAL
- ⚠ Parts are safety assurance parts. When replacing those parts make sure to use the specified one.

- NOTES
1. VOLTAGES ARE DC-MEASURED WITH A DIGITAL VOLT METER CONDITION: MODE - DISC1 STOP
  2. UNLESS OTHERWISE SPECIFIED:  
ALL RESISTOR ARE 1/10W ± 5% METAL GLAZE RESISTOR.  
ALL CAPACITORS ARE 50V CERAMIC CAPACITOR OR 50V MYLAR CAPACITOR.  
ALL RESISTANCE VALUES ARE IN Ω(M Ω).  
ALL CAPACITANCE VALUES ARE IN P(F)(pF).  
ALL INDUCTANCE VALUES ARE IN HENRY(H).  
ALL E-CAPACITORS ARE SHOWN IN THE FORM OF CAPACITANCE(F)/RATED VOLTAGE (V).
  3. NI INDICATES COMPONENT NOT INSERTED

■ Tape deck mechanism control section

CASSETTE MECHA CONTROL CIRCUIT [SLC]

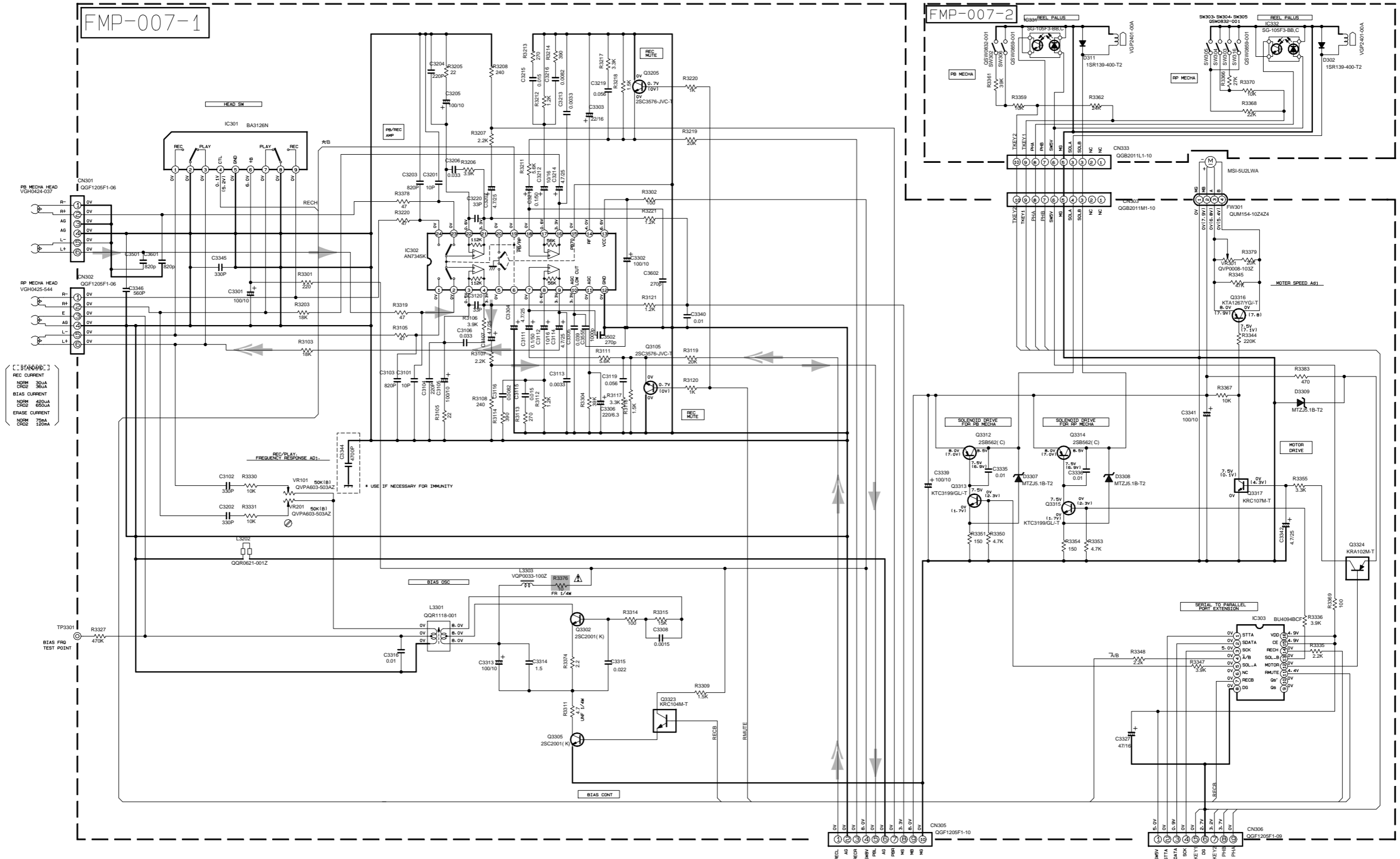
5

4

3

2

1



- REC CURRENT
- NORM 300A
- CROSS 300A
- BIAS CURRENT
- NORM 4800A
- CROSS 6500A
- ERASE CURRENT
- NORM 750A
- CROSS 1000A

- NOTES
1. VOLTAGES ARE DC-MEASURED WITH A DIGITAL VOLT METER OR OSCILLOSCOPE WITHOUT INPUT SIGNAL. ( ) IS INVERT MODE
  2. UNLESS OTHERWISE SPECIFIED
  - ALL RESISTANCE VALUES ARE IN OHM(Ω).
  - ALL CAPACITORS ARE CERAMIC CAPACITOR
  - ALL CAPACITANCE VALUES ARE IN μF(μF).
  - ALL INDUCTANCE VALUES ARE IN mH(mH).
  - ALL E. CAPACITORS ARE SHOWN IN THE FORM OF CAPACITANCE (μF)/RATED VOLTAGE (V).
  - PP POLYPROPYLENE CAPACITOR

➔ TAPE PLAY SIGNAL  
➔ TAPE REC SIGNAL

⚠ Parts are safety assurance parts.  
When replacing those parts make sure to use the specified one.

FROM CN315 OF FMC-030/031-1

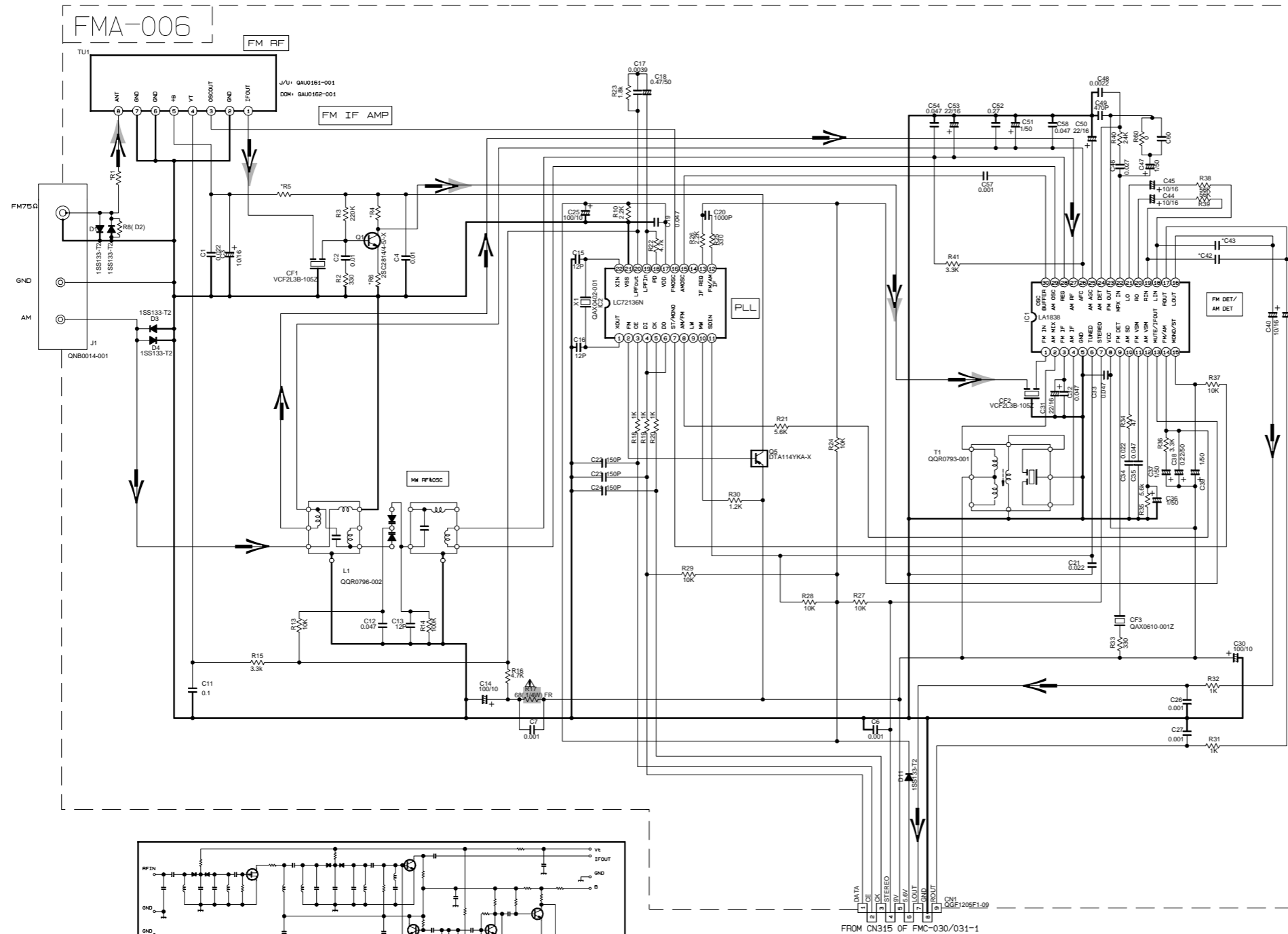
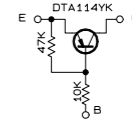
FROM CN316 OF FMB-033/034-1

■ Tuner RF / IF / FM multiplex section

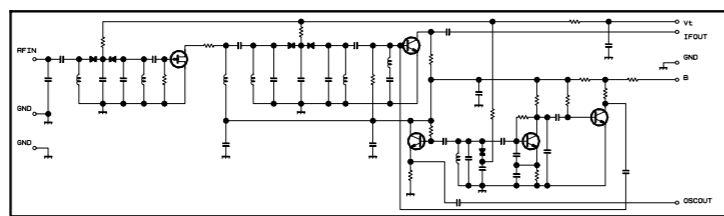
NOTES

1. VOLTAGES ARE DC-MEASURED WITH A DIGITAL VOLT METER.
2. ALL RESISTORS ARE 1/8W ±5% METAL GLAZE RESISTOR.
3. ALL RESISTANCE VALUES ARE IN OHM(Ω).
4. ALL CAPACITANCE VALUES ARE IN \*F(P=pF).
5. ALL E-CAPACITORS ARE SHOWN IN THE FORM OF CAPACITANCE (\*F)/RATED VOLTAGE (V).
6. SI DIODES (D) ARE ALL 1SS133-T THAT CAN BE CHANGED TO SIMILAR DIODE SUCH AS MA165 OR HSS104J.
7. PARTS NO. OF TRANSISTORS ARE AS FOLLOWS.  
Q1 2SC2B14/4-5/-X Q2-Q3 2SC2412K/R/-X  
Q4-Q5 DTA114YKA-X

B. INSIDE OF DIGITAL TRANSISTORS ARE SHOWN AS FOLLOWS.



|     | VERSION |         |                     |
|-----|---------|---------|---------------------|
|     | J/C     | User1es | DCM USER MODEL ONLY |
| C42 | 0.0022  | 0.0015  | 0.0018              |
| C43 | 0.0022  | 0.0015  | 0.0018              |
| R1  | 560     | 560     | 270                 |
| R4  | 331     | 331     | 221                 |
| R5  | 560     | 560     | 270                 |
| R6  | 240     | 240     | 180                 |
| R8  | D2      | D2      | 101                 |



| CONDITION | PIN NO.        | 1   | 2   | 3   | 4   | 5   | 6   | 7   | 8   | 9   | 10  | 11  | 12 | 13  | 14  | 15  | 16  | 17  | 18  | 19  | 20  | 21  | 22  | 23  | 24  | 25  | 26  | 27  | 28  | 29  | 30  |
|-----------|----------------|-----|-----|-----|-----|-----|-----|-----|-----|-----|-----|-----|----|-----|-----|-----|-----|-----|-----|-----|-----|-----|-----|-----|-----|-----|-----|-----|-----|-----|-----|
| IC1       | FM NO SIGNAL   | 3.6 | 8.9 | 3.6 | 3.6 | 0   | 5.0 | 5.0 | 8.9 | 8.9 | 1.3 | 0.1 | 0  | 0.9 | 7.8 | 7.8 | 4.3 | 4.3 | 4.3 | 4.3 | 3.4 | 3.4 | 2.8 | 3.4 | 0   | 0   | 3.5 | 3.5 | 3.6 | 3.6 | 2.7 |
|           | FM 600B STEREO | 3.6 | 8.9 | 3.6 | 3.6 | 0   | 5.0 | 5.0 | 8.9 | 8.9 | 1.3 | 4.3 | 0  | 0.9 | 7.8 | 7.8 | 4.3 | 4.3 | 4.3 | 4.3 | 3.4 | 3.4 | 2.8 | 3.4 | 0   | 0   | 3.6 | 3.6 | 3.6 | 3.6 | 2.7 |
|           | AM NO SIGNAL   | 3.5 | 9.0 | 3.5 | 3.5 | 0   | 5.0 | 5.1 | 9.0 | 2.6 | 1.3 | 0   | 0  | 0.9 | 4.7 | 5.5 | 4.3 | 4.3 | 4.3 | 3.3 | 3.2 | 2.8 | 3.4 | 0.7 | 0.7 | 3.6 | 3.6 | 3.6 | 3.6 | 2.1 |     |
| IC2       | FM NO SIGNAL   | 2.5 | 0   | 0   | 5.0 | 4.9 | 5.0 | 7.9 | 7.8 | 3.6 | 6.1 | 5.1 | 0  | 0   | 0   | 2.5 | 5.1 | 0.9 | 0.9 | 3.8 | 0   | 2.3 |     |     |     |     |     |     |     |     |     |

| Tr NO.               | Q1 |     | Q5   |     |     |     |
|----------------------|----|-----|------|-----|-----|-----|
| PIN NO.              | E  | C   | B    | E   | C   | B   |
| FM 87.5MHz NO SIGNAL | 0  | 7.1 | 0.85 | 8.9 | 8.8 | 0   |
| AM 522kHz NO SIGNAL  | 0  | 0   | 0    | 9.0 | 0   | 8.9 |

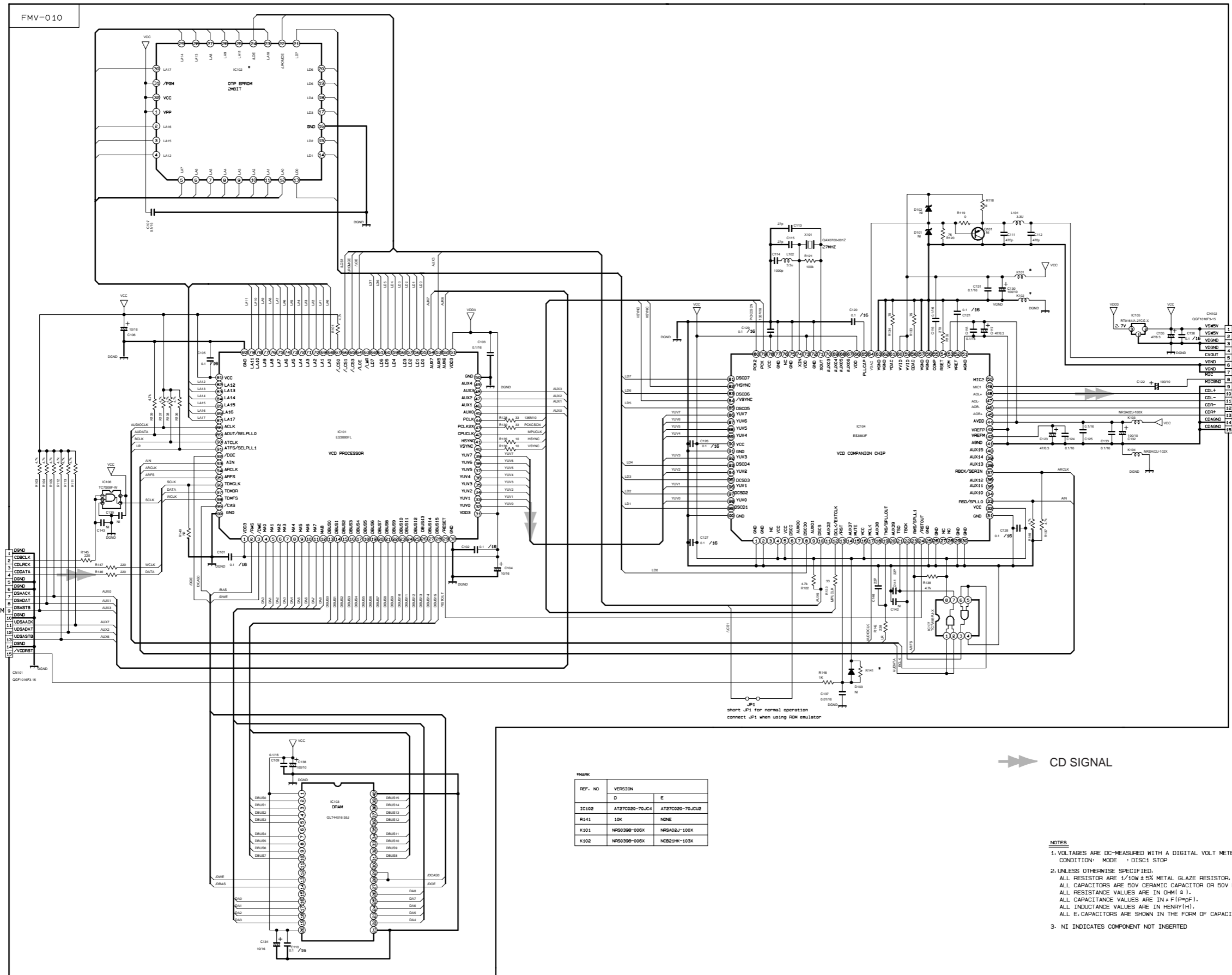
  

| Tr NO.              | Q2 |   | Q3  |   | Q4  |     |
|---------------------|----|---|-----|---|-----|-----|
| PIN NO.             | E  | C | B   | E | C   | B   |
| AM 522kHz NO SIGNAL | 0  | 0 | 0.7 | 0 | 0   | 0.7 |
| AM 144kHz NO SIGNAL | 0  | 0 | 0.3 | 0 | 0.3 | 0.3 |

➔ AM / TUNER MAIN SIGNAL  
➔ FM RADIO SIGNAL

⚠ Parts are safety assurance parts. When replacing those parts make sure to use the specified one.

Video out section



TO CN151  
OF FMV-011AM

TO CN504  
OF FMC-030/031-1

short JP1 for normal operation  
connect JP1 when using ROM emulator

➔➔➔ CD SIGNAL

MARK

| REF. NO | VERSION        |                 |
|---------|----------------|-----------------|
|         | D              | E               |
| IC102   | AT270020-70JC4 | AT270020-70JCU2 |
| R141    | 10K            | NONE            |
| K101    | NR50398-008X   | NR5040J-100X    |
| K102    | NR50398-008X   | NCB21K-103X     |

- NOTES
1. VOLTAGES ARE DC-MEASURED WITH A DIGITAL VOLT METER  
CONDITION: MODE : DISC1 STOP
  2. UNLESS OTHERWISE SPECIFIED.  
ALL RESISTOR ARE 1/10W ± 5% METAL GLAZE RESISTOR.  
ALL CAPACITORS ARE 50V CERAMIC CAPACITOR OR 50V MYLAR CAPACITOR.  
ALL RESISTANCE VALUES ARE IN OHM (Ω).  
ALL CAPACITANCE VALUES ARE IN μF (μF).  
ALL INDUCTANCE VALUES ARE IN HENRY (H).  
ALL E-CAPACITORS ARE SHOWN IN THE FORM OF CAPACITANCE (μF)/RATED VOLTAGE (V).
  3. NI INDICATES COMPONENT NOT INSERTED

5

4

3

2

1

A

B

C

2-12 D

E

F

G

# Printed circuit boards

■ Input board (for MX-G750V)

5

4

3

2

1

A

B

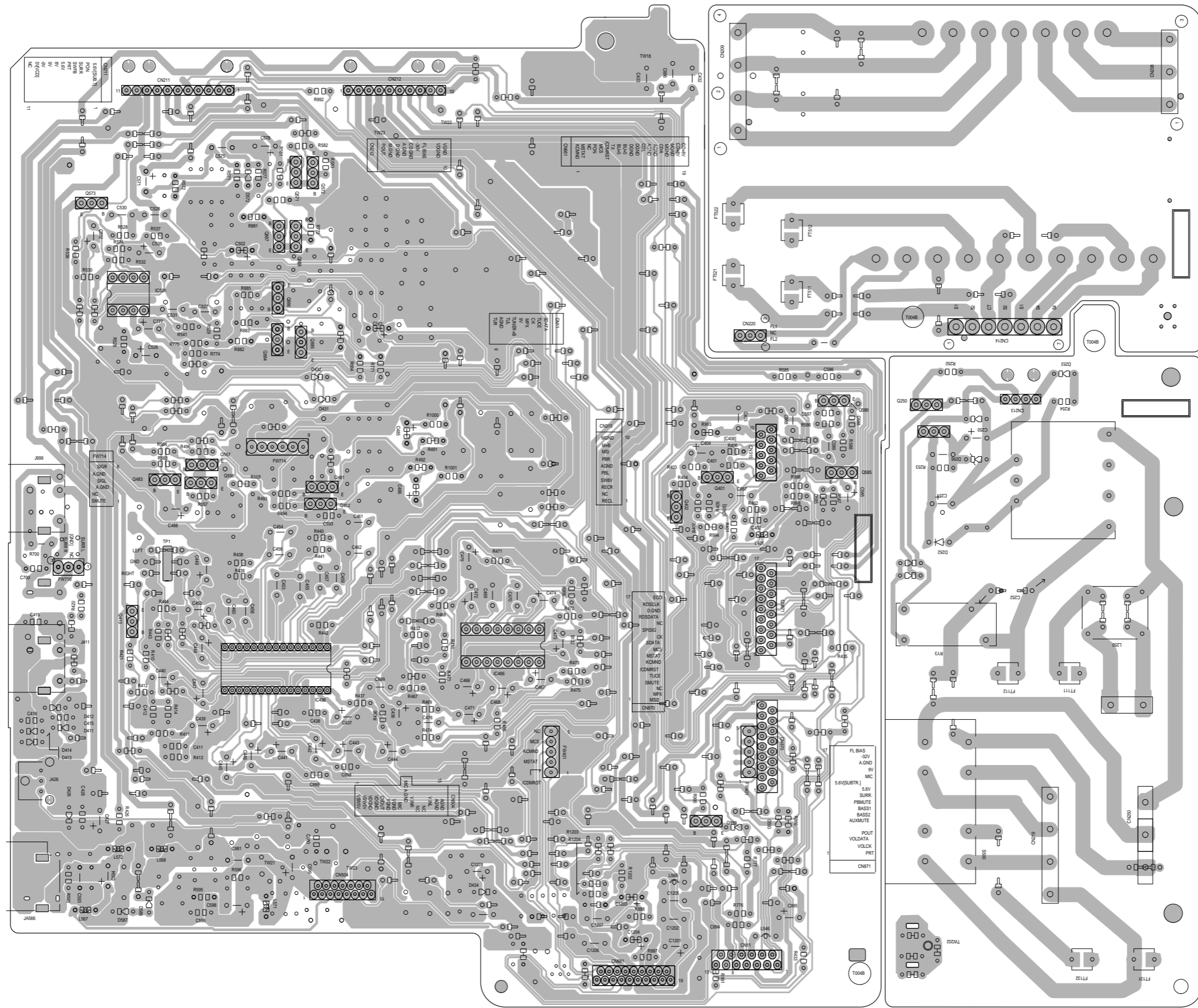
C

D

E

F

G



Transformer board

Power board

■ Input board (for MX-G950V, G880V, G850V)

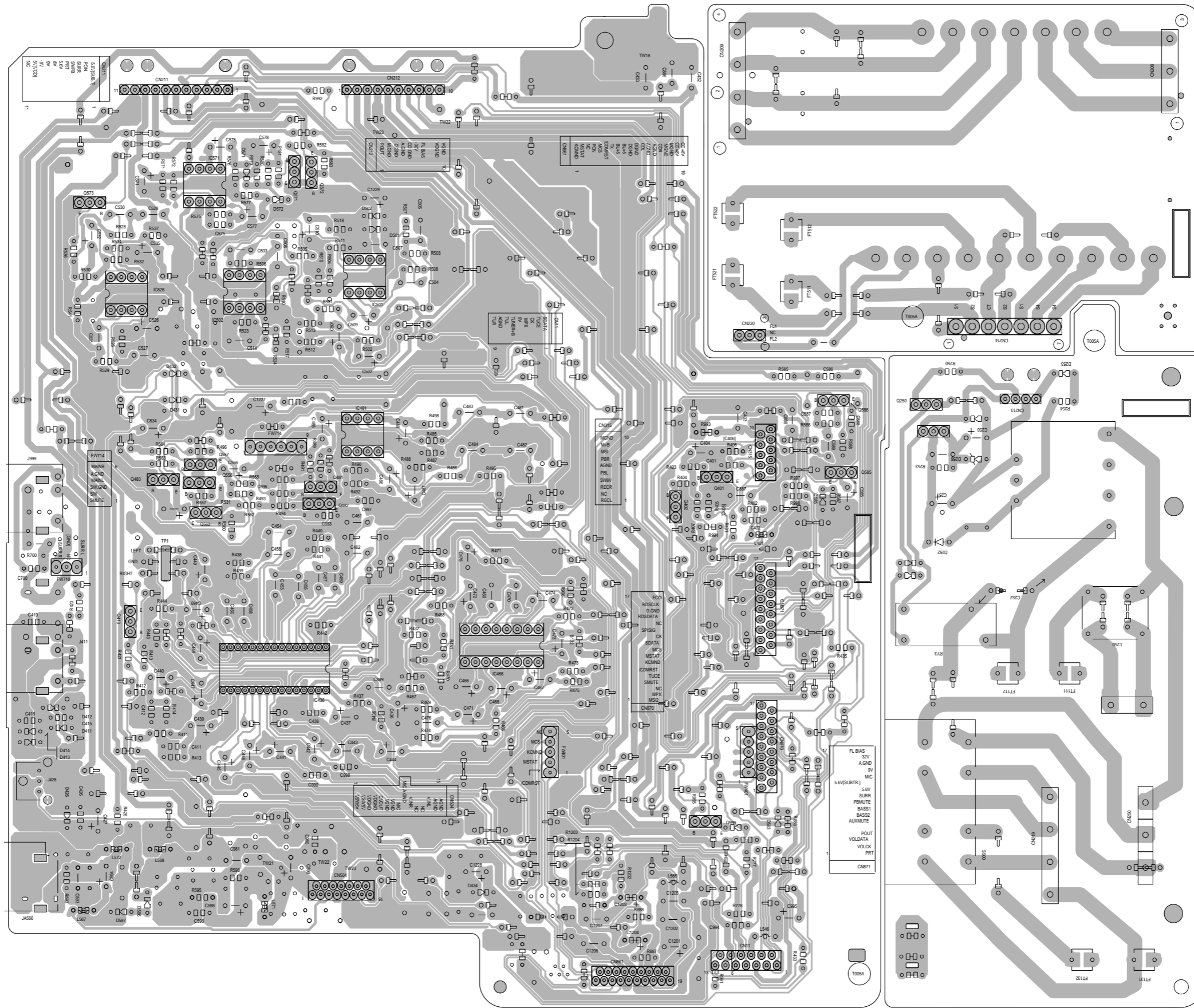
5

4

3

2

1



Transformer board

Power board

A

B

C

2-14 D

E

F

G





■ Power board (for MX-G950V, G880V, G850V)

5

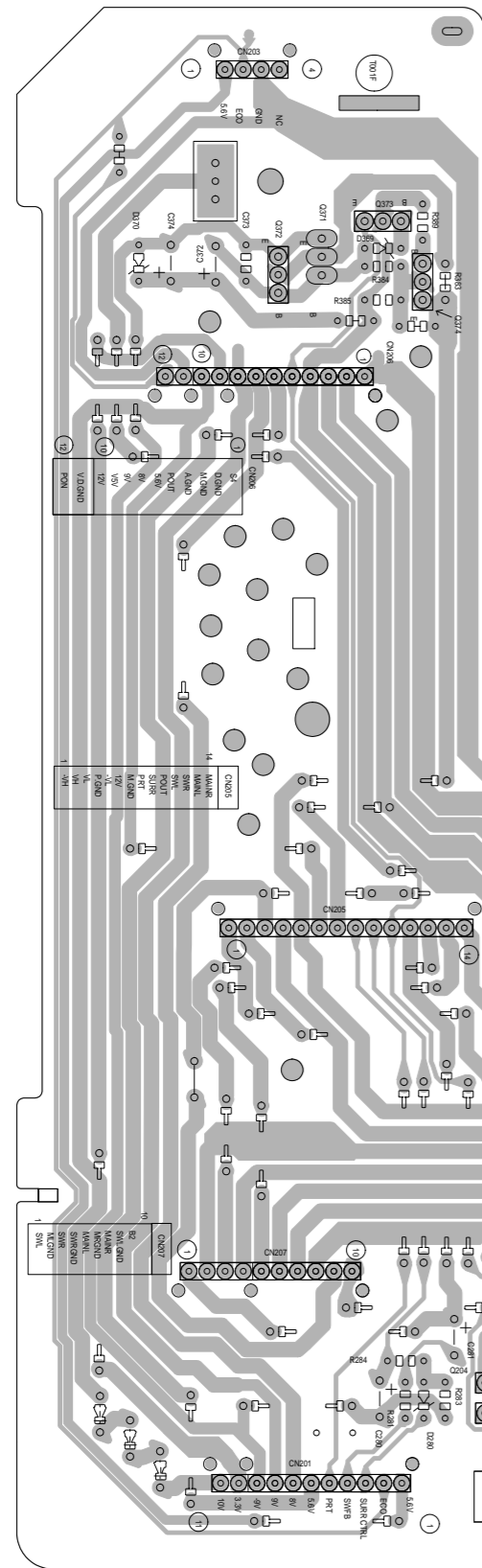
4

3

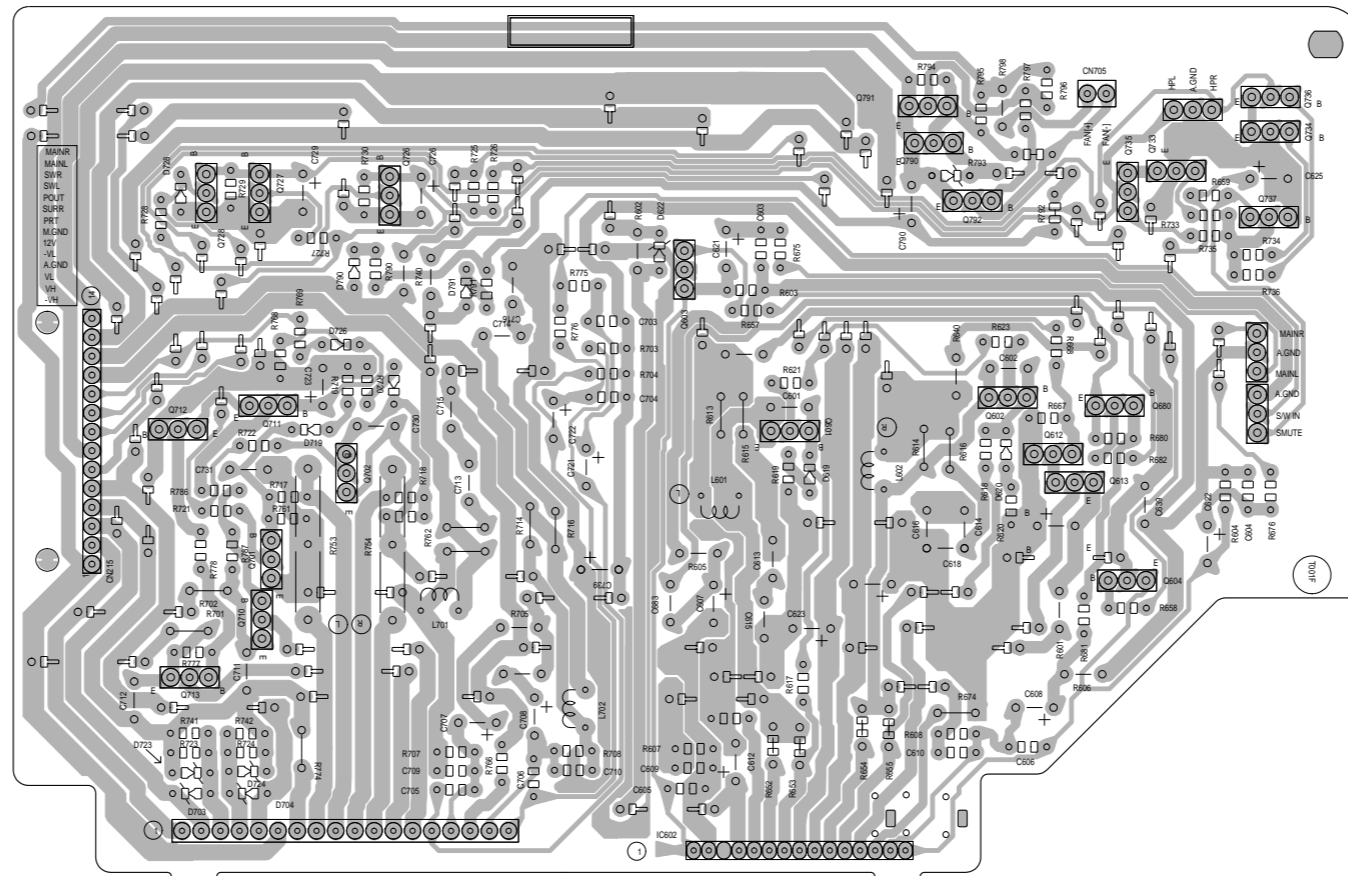
2

1

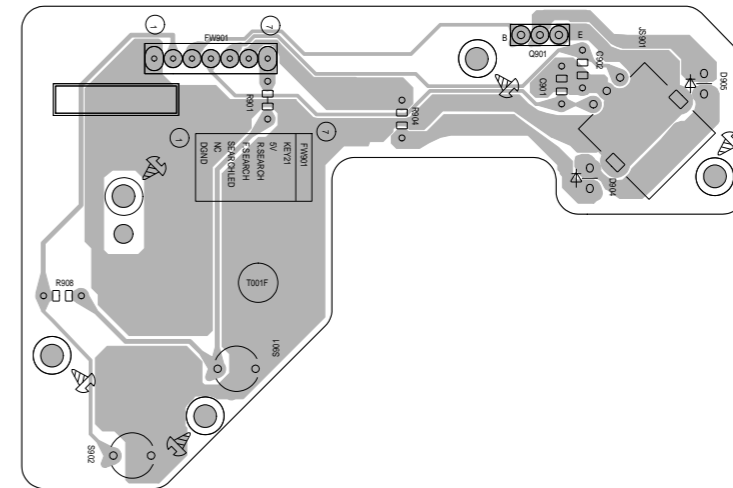
Regulation board



Amplifier board



Preset/tuning switch board



A

B

C

2-16 D

E

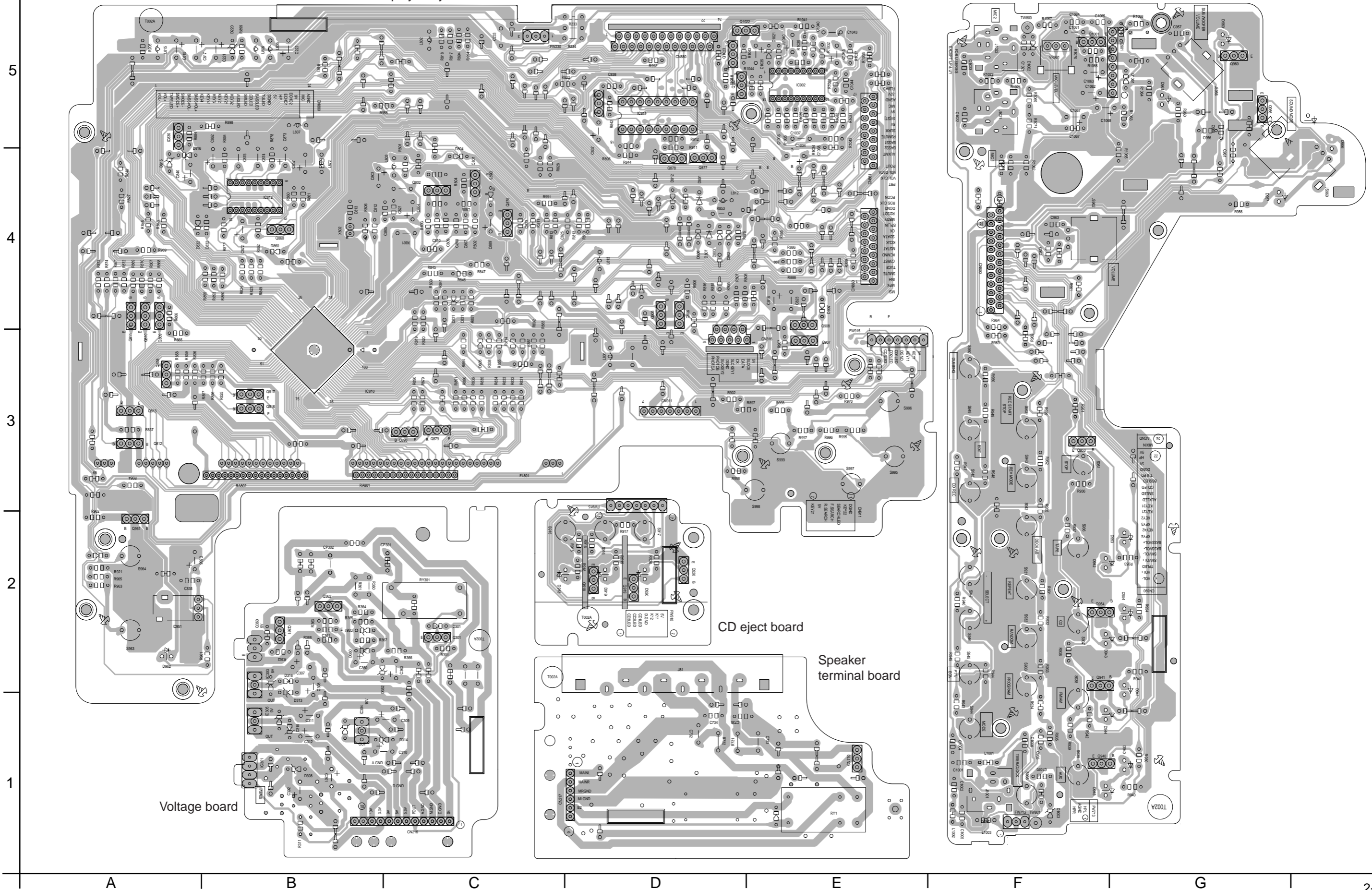
F

G

■ Front board (for MX-G750V)

Display & System control board

Operation switch board



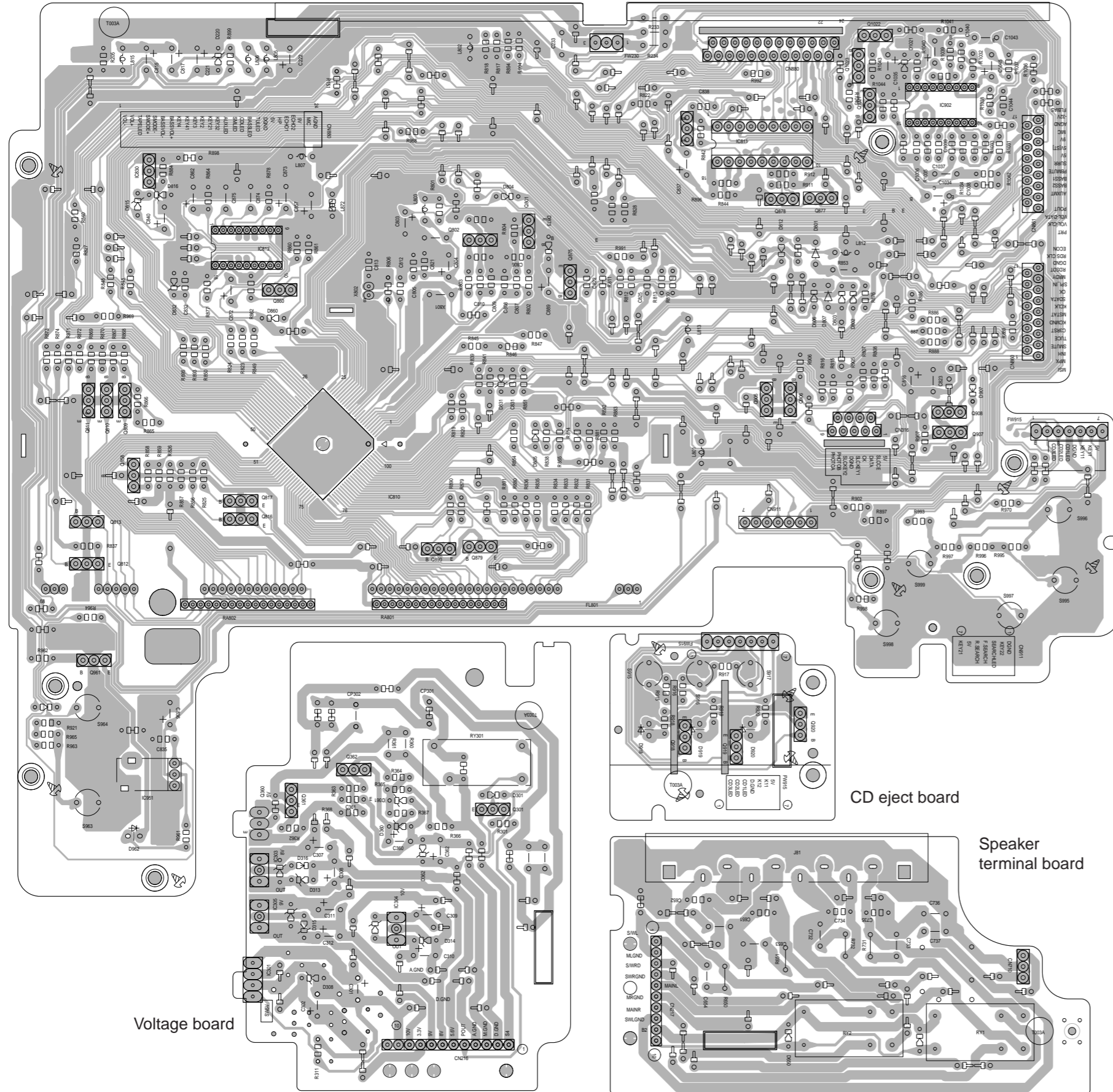
Voltage board

CD eject board

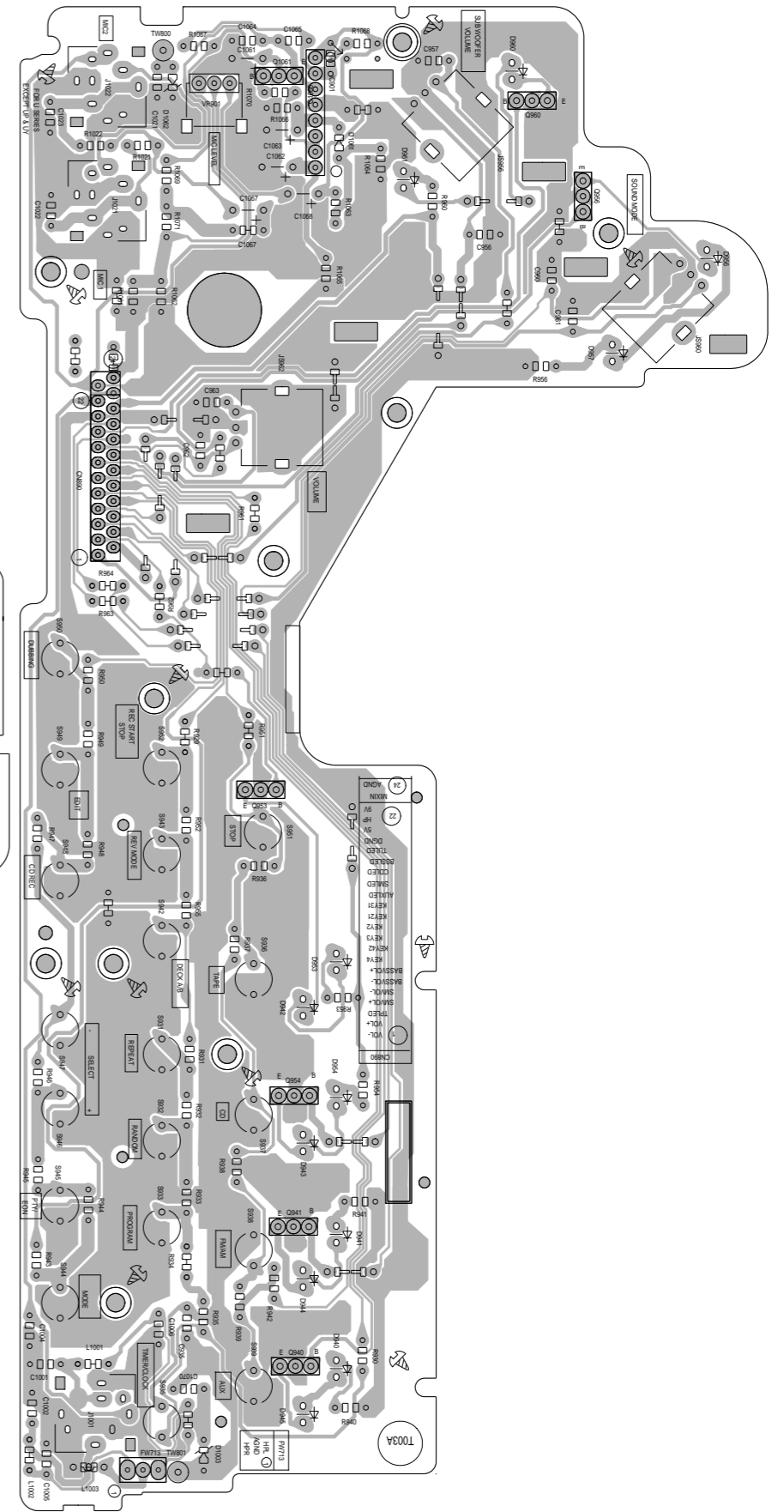
Speaker terminal board

■ Front board (for MX-G950V, G880V, G850V)

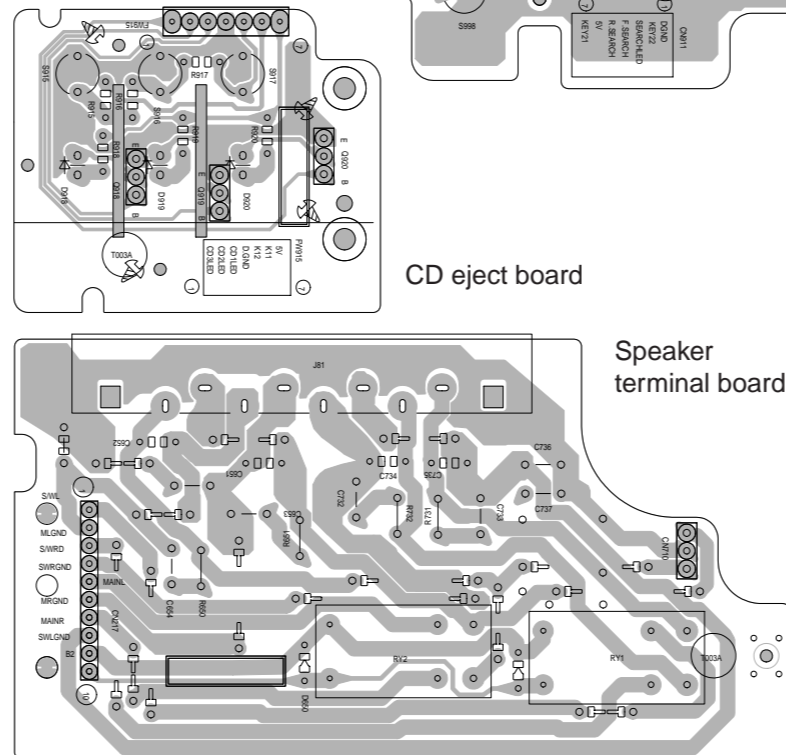
Display & system control board



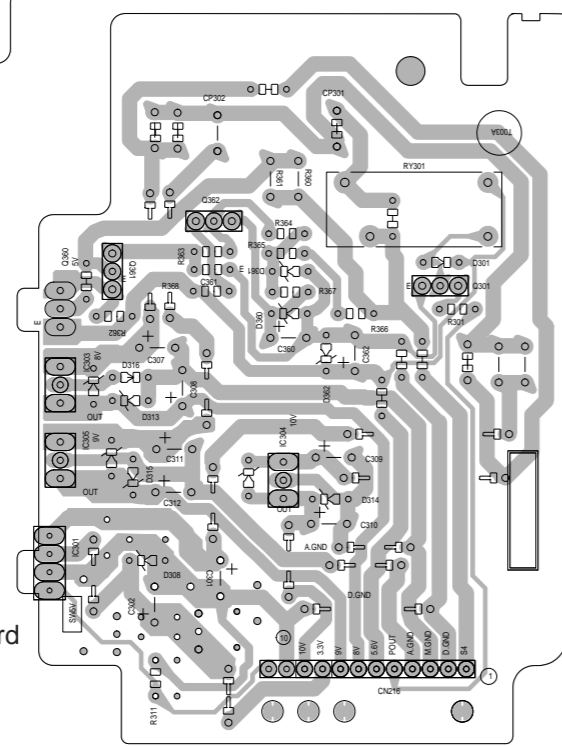
Operation switch board



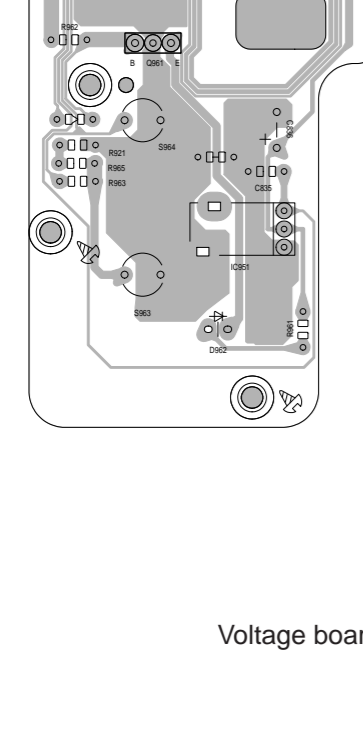
CD eject board



Speaker terminal board



Voltage board

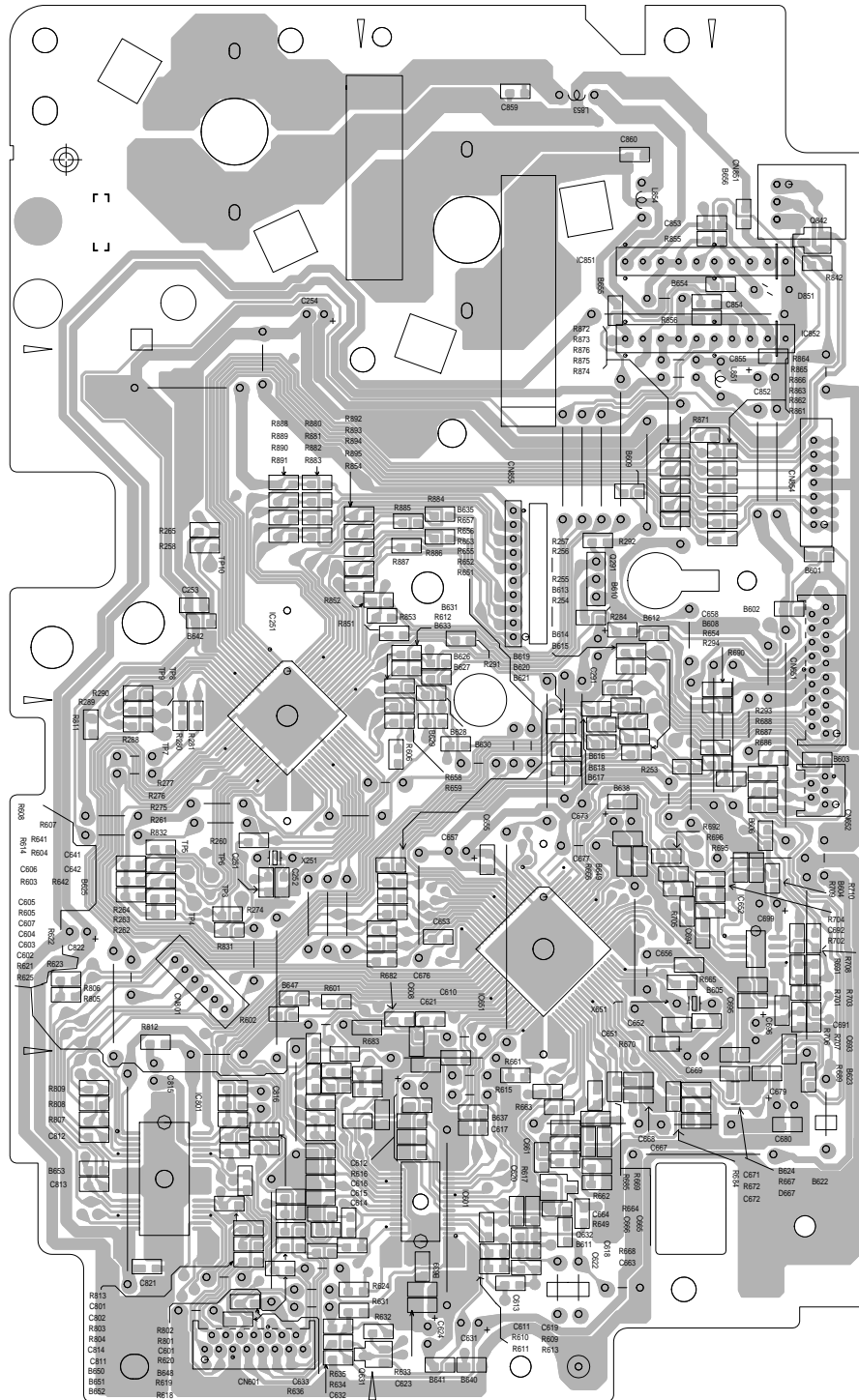


5  
4  
3  
2  
1

A B C 2-18 D E F G

■ CD board

5  
4  
3  
2  
1



■ Head amplifier & mechanism control board

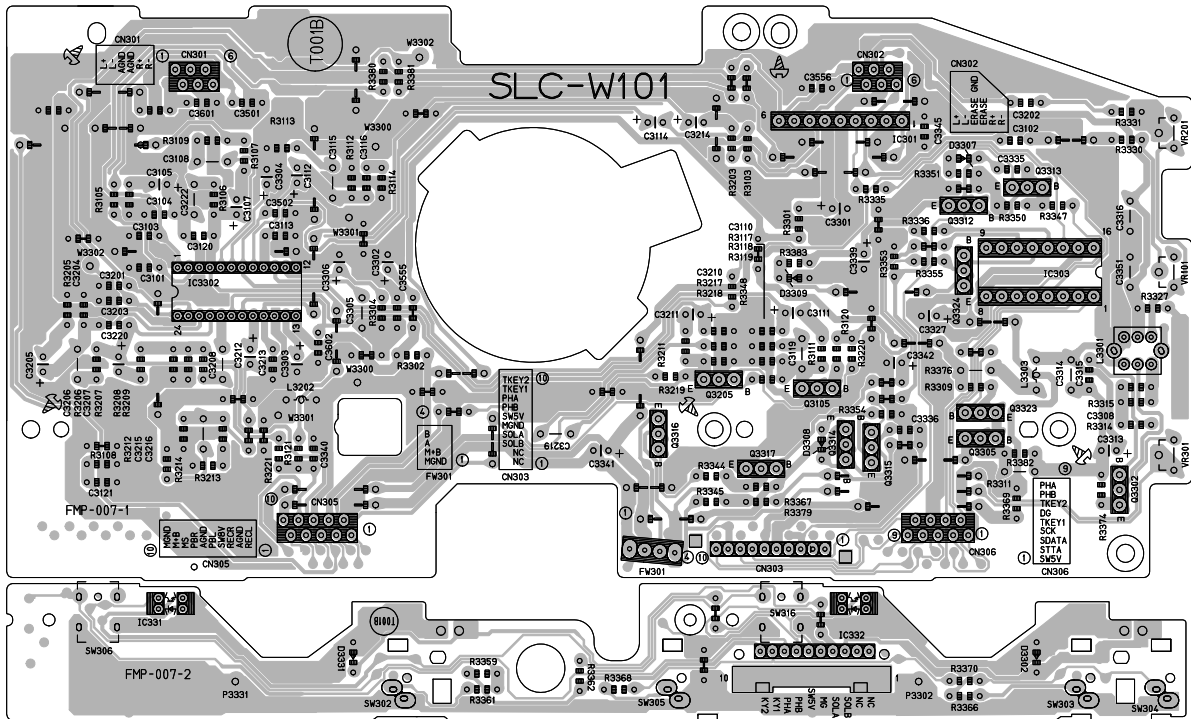
5

4

3

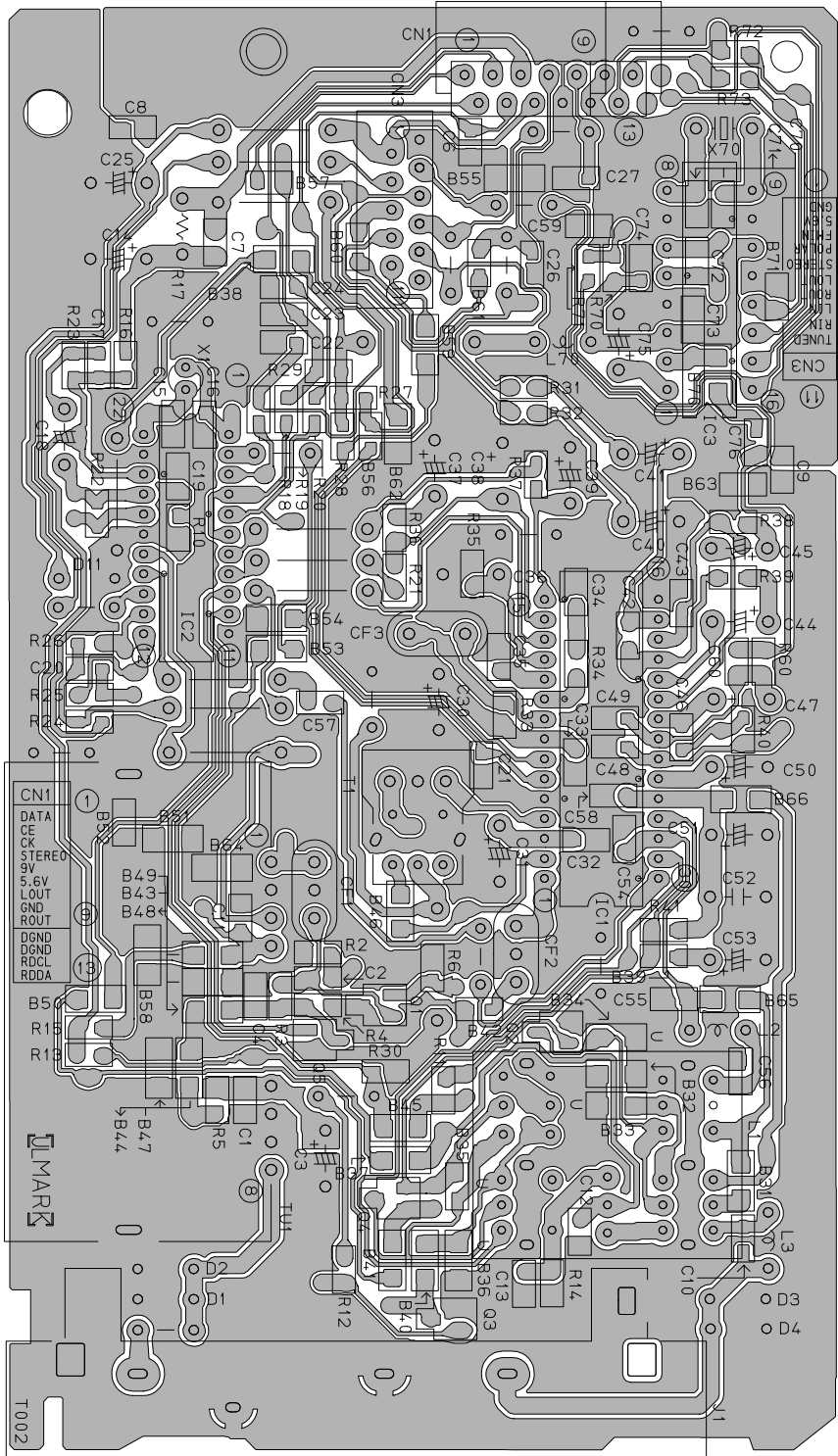
2

1



■ Tuner board

5  
4  
3  
2  
1



# PARTS LIST

[ MX-G950V ]

\* All printed circuit boards and its assemblies are not available as service parts.

## Area suffix

UX ----- Saudi Arabia  
UN ----- Asean  
U ----- Other Areas

## - Contents -

|                                                                      |      |
|----------------------------------------------------------------------|------|
| Exploded view of general assembly and parts list (Block No.M1) ..... | 3- 3 |
| Speaker assembly and parts list SP-XG950V (Block No.M7) .....        | 3- 6 |
| Speaker assembly and parts list SP-WG950V (Block No.M8) .....        | 3- 7 |
| CD changer mechanism assembly and parts list (Block No.MA) .....     | 3- 8 |
| CD mechanism assembly and parts list (Block No.MB) .....             | 3-10 |
| Cassette mechanism assembly and parts list (Block No.MP) .....       | 3-11 |
| Electrical parts list (Block No.01~08) .....                         | 3-15 |
| Packing materials and accessories parts list (Block No.M3,M5) .....  | 3-32 |

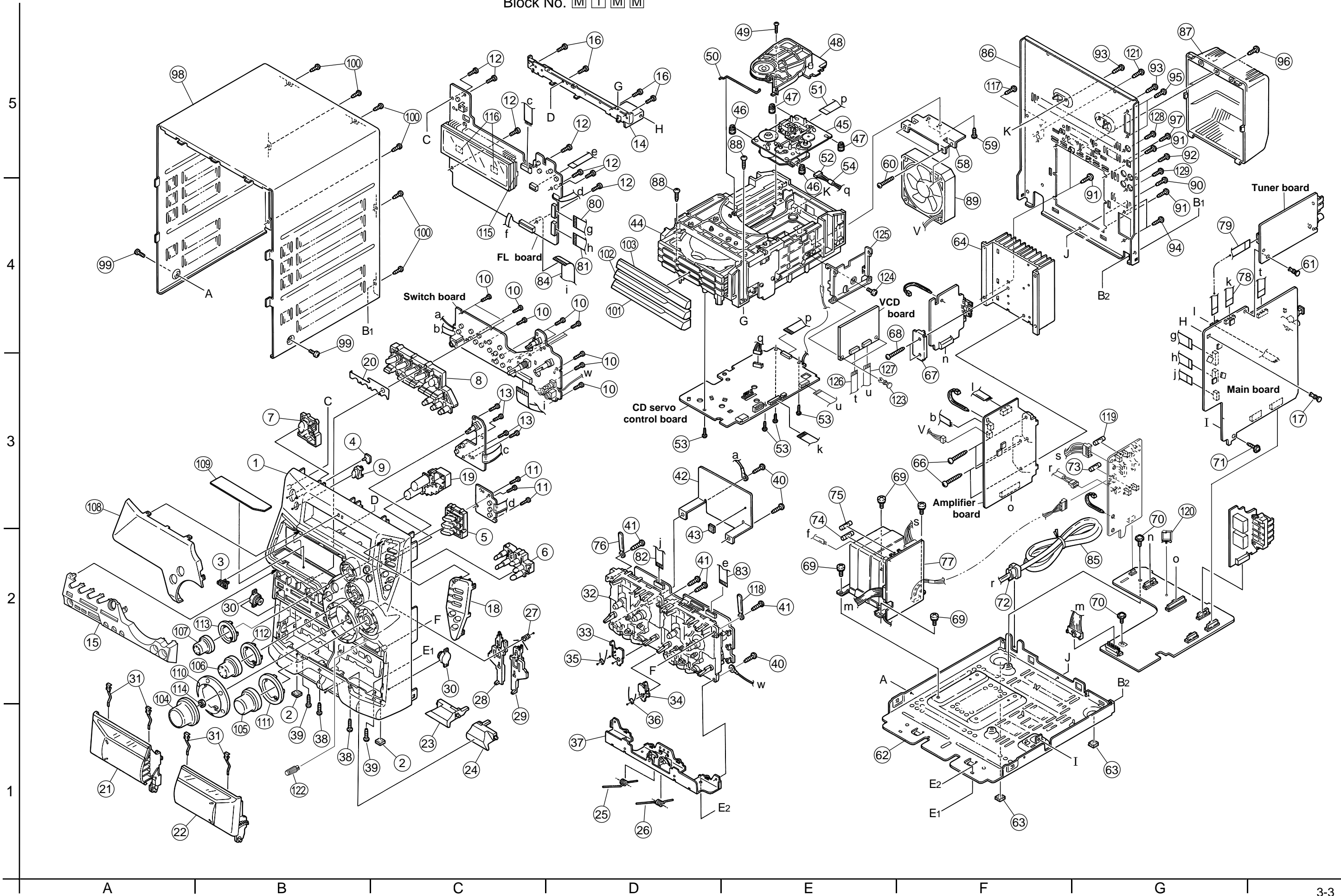


**< M E M O >**

# Exploded view of general assembly and parts list

MX-G950V/MX-G880V  
MX-G850V/MX-G750V

Block No. **M 1 M M**



■ Parts list (General assembly)

Block No. M1MM

| △ | Item | Parts number | Parts name          | Q'ty | Description     | Area |
|---|------|--------------|---------------------|------|-----------------|------|
|   | 1    | GV10057-004A | FRONT PANEL         | 1    |                 |      |
|   | 2    | E75896-001   | FELT SPACER         | 2    |                 |      |
|   | 3    | GV40077-002A | JVC BADGE           | 1    |                 |      |
|   | 4    | GV40136-001A | STANDBY INDICATOR   | 1    |                 |      |
|   | 5    | GV30154-003A | CD BUTTON           | 1    |                 |      |
|   | 6    | GV20104-002A | CD EJECT BUTTON     | 1    |                 |      |
|   | 7    | GV30137-001A | POWER BUTTON        | 1    |                 |      |
|   | 8    | GV30177-007A | CONTROL BUTTON      | 1    |                 |      |
|   | 9    | GV30139-001A | REMOTE LENS         | 1    |                 |      |
|   | 10   | QYSDSF2608Z  | SCREW               | 12   | ON VOLUME BRD.  |      |
|   | 11   | QYSDSF2608Z  | SCREW               | 3    | ON CD BRD.      |      |
|   | 12   | QYSDSF2608Z  | SCREW               | 7    | ON MICOM BRD.   |      |
|   | 13   | QYSDSF2608Z  | SCREW               | 4    | ON SOURCE BRD.  |      |
|   | 14   | GV30129-001A | STAY BRACKET        | 1    |                 |      |
|   | 15   | GV10060-014A | ORNAMENT            | 1    |                 |      |
|   | 16   | QYSDSF2608Z  | SCREW               | 4    | STY.BRKT.+F.PNL |      |
|   | 17   | E310243-002  | PLASTIC RIVET       | 1    | M.BRD.+ STY BRK |      |
|   | 18   | GV20103-001A | SUB PANEL           | 1    |                 |      |
|   | 19   | GV30138-001A | FRONT BUTTON        | 1    |                 |      |
|   | 20   | GV40185-002A | COVER SHEET         | 1    |                 |      |
|   | 21   | GV30211-001A | CASS.HOLDER ASSY(L) | 1    |                 |      |
|   | 22   | GV30212-001A | CASS.HOLDER ASSY(R) | 1    |                 |      |
|   | 23   | GV20099-002A | EJECT BUTTON(A)     | 1    |                 |      |
|   | 24   | GV20100-002A | EJECT BUTTON(B)     | 1    |                 |      |
|   | 25   | FMKW4009-002 | HOLDER SPRING A     | 1    |                 |      |
|   | 26   | FMKW4010-002 | HOLDER SPRING B     | 1    |                 |      |
|   | 27   | FMKW4011-001 | SPRING              | 1    | FOR EJECT LEVER |      |
|   | 28   | FMKS3002-003 | EJECT LEVER(A)      | 1    |                 |      |
|   | 29   | FMKS3003-003 | EJECT LEVER(B)      | 1    |                 |      |
|   | 30   | GV40034-001A | DAMPER ASSY         | 2    |                 |      |
|   | 31   | VKY4180-401  | CASSETTE SPRING     | 4    |                 |      |
|   | 32   | -----        | CASSETTE MECHA      | 1    |                 |      |
|   | 33   | FMKL4012-004 | EJECT SAFETY(A)     | 1    |                 |      |
|   | 34   | FMKL4013-001 | EJECT SAFETY(B)     | 1    |                 |      |
|   | 35   | FMKW4007-001 | SPRING (A)          | 1    | EJECT SAFETY(A) |      |
|   | 36   | FMKW4008-001 | SPRING (B)          | 1    | EJECT SAFETY B  |      |
|   | 37   | GV20094-001A | HOLDER BRACKET      | 1    |                 |      |
|   | 38   | QYSBSG3010Z  | T.SCREW             | 2    | F.P.TO H.BRKT.  |      |
|   | 39   | QYSBSG3010Z  | T.SCREW             | 2    | F.P.TO CHS.BASE |      |
|   | 40   | QYSBSG3010Z  | T.SCREW             | 3    | MECHA & H.BRKT. |      |
|   | 41   | QYSBSF3012Z  | SCREW               | 4    | MECHA & F.PANEL |      |
|   | 42   | GV30124-001A | TRANS SHIELD        | 1    |                 |      |
|   | 43   | E3400-431    | SPACER              | 1    | STICK AT SLC MO |      |
|   | 44   | -----        | CD CHANGER MECHA    | 1    |                 |      |
|   | 45   | -----        | CD MECHA            | 1    |                 |      |
|   | 46   | LV40761-003A | INSULATOR           | 2    |                 |      |
|   | 47   | LV40761-003A | INSULATOR           | 2    |                 |      |
|   | 48   | VKS3703-00Q  | CLAMPER ASSY        | 1    |                 |      |

■ Parts list (General assembly)

Block No. M1MM

| △ | Item | Parts number    | Parts name    | Q'ty | Description     | Area |
|---|------|-----------------|---------------|------|-----------------|------|
|   | 49   | QYSPST2606Z     | SCREW         | 1    |                 |      |
|   | 50   | VKW5187-001     | ROD           | 1    |                 |      |
|   | 51   | QUQ610-1509AJ   | FFC WIRE      | 1    |                 |      |
|   | 52   | VDM1001-M002AV  | WIRE & TUBE   | 1    |                 |      |
|   | 53   | QYSBSF2608Z     | T.SCREW       | 4    |                 |      |
|   | 54   | VYSA1R2-033     | SPACER        | 1    | FOR VDM1001-M00 |      |
|   | 58   | GV40189-001A    | FAN BRACKET   | 1    |                 |      |
|   | 59   | QYSBSF3010Z     | SCREW         | 2    | FAN BRKT/CD MEC |      |
|   | 60   | QYSBSG3035Z     | T.SCREW       | 2    | FAN TO FAN BRAC |      |
|   | 61   | E310243-002     | PLASTIC RIVET | 1    | TUNER BRD.+ FMC |      |
|   | 62   | GV10061-001A    | CHASSIS BASE  | 1    |                 |      |
|   | 63   | E75896-006      | FELT SPACER   | 2    | CHASS BASE FOOT |      |
|   | 64   | GV30191-002A    | HEAT SINK     | 1    |                 |      |
|   | 66   | QYSBSG3014E     | T.SCREW       | 4    | FOR POWER IC    |      |
|   | 67   | GV40143-001A    | LEAF SPRING   | 1    |                 |      |
|   | 68   | QYSBSG3014E     | T.SCREW       | 2    | FOR LEAF SPRING |      |
|   | 69   | QYSDSTL4008Z    | SPECIAL SCREW | 4    | FOR TRANS/CH.BS |      |
|   | 70   | QYSBSGG3008E    | T.SCREW       | 2    | FMH BRD./CH.BS  |      |
|   | 71   | QYSBSGG3008E    | T.SCREW       | 1    | FMC BRD./CH.BS  |      |
| △ | 72   | QZW0033-001     | STRAIN RELIEF | 1    |                 |      |
| △ | 73   | QMF51E2-4R0-J1  | FUSE          | 1    | F001            |      |
| △ | 74   | QMF51E2-4R0-J1  | FUSE          | 1    | F101            |      |
| △ | 75   | QMF51E2-4R0-J1  | FUSE          | 1    | F102            |      |
|   | 76   | VKZ4001-110S    | WIRE HOLDER   | 1    |                 |      |
| △ | 77   | QQT0322-003     | POWER TRANSF  | 1    | T001            |      |
|   | 78   | QUQH10-1908BJ   | FLAT WIRE     | 1    | FMC TO VC3      |      |
|   | 79   | QUQ412-0911DJ   | FFC WIRE      | 1    | FMC TO TUNER    |      |
|   | 80   | QUQ412-1710CJ   | FFC WIRE      | 1    | FMB TO FMC(1)   |      |
|   | 81   | QUQ412-1710CJ   | FFC WIRE      | 1    | FMB TO FMC(2)   |      |
|   | 82   | QUQ412-1020CJ   | FFC WIRE      | 1    | FMC TO SLC      |      |
|   | 83   | QUQ412-0915CJ   | FFC WIRE      | 1    | FMB TO SLC      |      |
|   | 84   | QUQ412-2410CJ   | FFC WIRE      | 1    | FMB TO SW       |      |
| △ | 85   | QMPK210-205-JN  | POWER CORD    | 1    |                 | U,UN |
| △ |      | QMPR270-200-JD  | POWER CORD    | 1    |                 | UX   |
|   | 86   | GV10062-052A    | REAR PANEL    | 1    |                 | U,UN |
|   |      | GV10062-053A    | REAR PANEL    | 1    |                 | UX   |
|   | 87   | GV10063-002A    | REAR COVER    | 1    |                 |      |
|   | 88   | QYSBSG3010Z     | T.SCREW       | 2    | C3 & STAY BRKT  |      |
|   | 89   | QAR0177-001     | FAN           | 1    | SUPPLIER NIDEC  |      |
|   | 90   | QYSBSGY3008E    | SPECIAL SCREW | 1    | REAR PNL/CHAS.B |      |
|   | 91   | QYSBSGY3008E    | SPECIAL SCREW | 4    | REAR PNL/ H.SIN |      |
|   | 92   | QYSBSGY3008E    | SPECIAL SCREW | 1    | REAR PNL/ AUX   |      |
|   | 93   | QYSBSGY3008E    | SPECIAL SCREW | 2    | C3/ REAR PANEL  |      |
|   | 94   | QYSBSGY3008E    | SPECIAL SCREW | 2    | SPK/ REAR PANEL |      |
|   | 95   | QYSBSGY3008E    | SPECIAL SCREW | 2    | TUNER/REAR PANE |      |
|   | 96   | QYSBSGY3008E    | SPECIAL SCREW | 1    | REAR CVR/R.PNL  |      |
|   | 97   | QYSBSGY3008E    | SPECIAL SCREW | 1    | OPTICAL/R.PANEL |      |
|   | 98   | GV10055-001A/S/ | METAL COVER   | 1    |                 |      |

■ Parts list (General assembly)

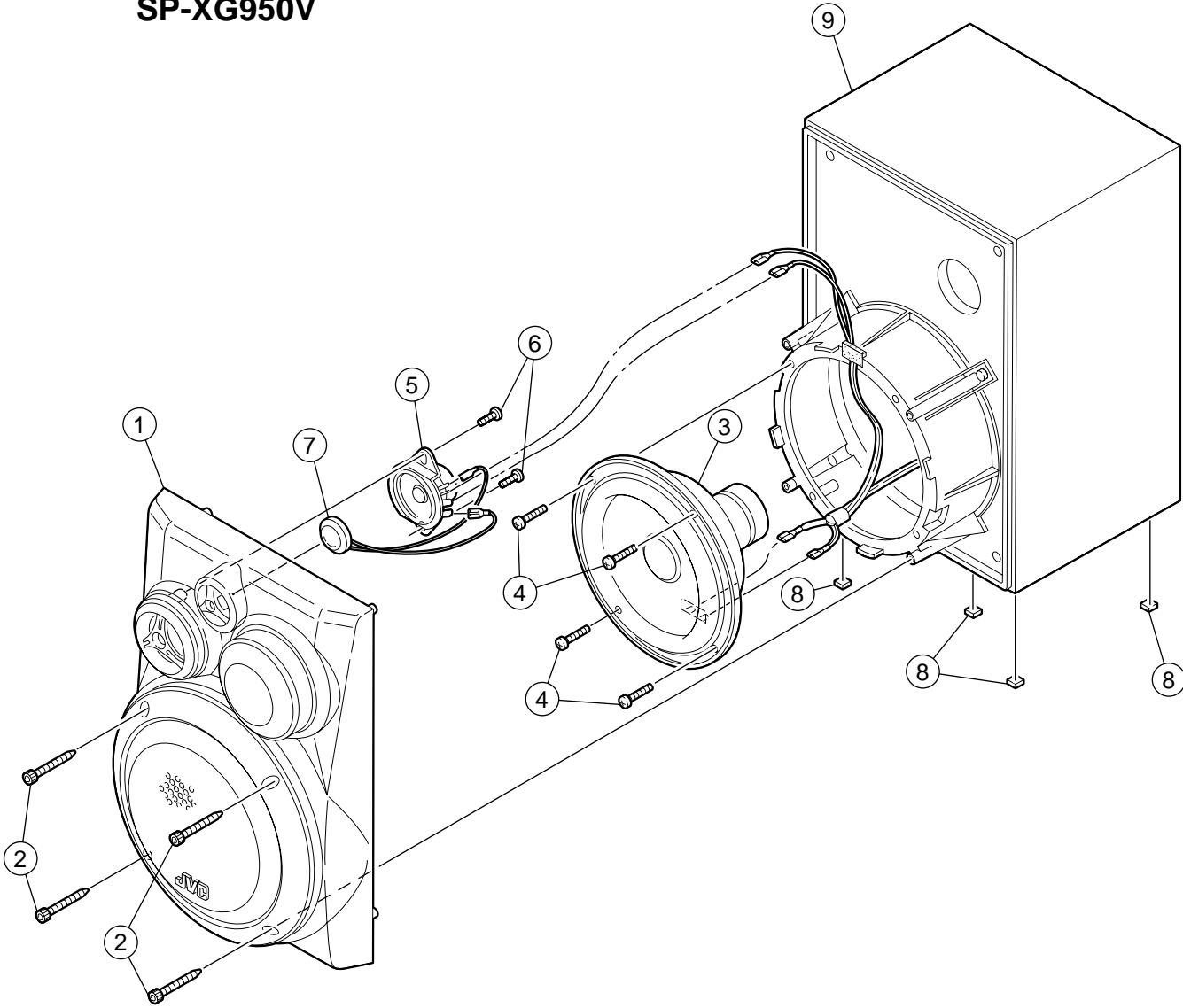
Block No. M1MM

| ⚠ | Item | Parts number   | Parts name       | Q'ty | Description     | Area |
|---|------|----------------|------------------|------|-----------------|------|
|   | 99   | QYSDSG3006M    | T.SCREW          | 2    | M.COVER/CHAS.BS |      |
|   | 100  | QYSBSGY3008E   | SPECIAL SCREW    | 6    | M.COVER/R.PANEL |      |
|   | 101  | GV20106-002A   | CD FITTING 1     | 1    | DISC 1          |      |
|   | 102  | GV20107-002A   | CD FITTING 2     | 1    | DISC 2          |      |
|   | 103  | GV20108-002A   | CD FITTING 3     | 1    | DISC 3          |      |
|   | 104  | GV30179-001A   | VOLUME KNOB ASSY | 1    |                 |      |
|   | 105  | GV30180-002A   | SUB.WFR.KB.ASSY  | 1    |                 |      |
|   | 106  | GV30181-002A   | SND.MODE KB.ASSY | 1    |                 |      |
|   | 107  | GV30182-002A   | CD.FWD.KB.ASSY   | 1    |                 |      |
|   | 108  | GV20098-018A   | WINDOW SCREEN    | 1    |                 |      |
|   | 109  | GV40181-001A   | MIRROR SHEET     | 1    |                 |      |
|   | 110  | GV30155-001A   | VOLUME RING      | 1    |                 |      |
|   | 111  | GV30151-001A   | S/WOOFER RING    | 1    |                 |      |
|   | 112  | GV30152-001A   | SOUND MODE RING  | 1    |                 |      |
|   | 113  | GV30153-001A   | CD FORWARD RING  | 1    |                 |      |
|   | 114  | GV40186-001A   | NUT              | 1    | FOR VOLUME ENCO |      |
|   | 115  | GV30141-001A   | FL HOLDER        | 1    |                 |      |
|   | 116  | E3400-439      | FELT SPACER      | 2    |                 |      |
|   | 117  | QYSBSGY3008E   | SPECIAL SCREW    | 1    | REAR PNL/ERT PL |      |
|   | 118  | VKZ4001-110S   | WIRE HOLDER      | 1    | MIC GROUND WIRE |      |
| ⚠ | 119  | QMF51E2-2R0-J1 | FUSE             | 1    | F003            |      |
|   | 120  | GV40236-001A   | PLASTIC HOLDER   | 1    | STICK AT FMH BO |      |
|   | 121  | QYSBSF3012E    | SPECIAL SCREW    | 2    | VOLT SEL/R.PNL  |      |
|   | 122  | GV40083-002A   | MIC VOLUME KNOB  | 1    |                 |      |
|   | 123  | E310243-002    | PLASTIC RIVET    | 2    | FOR MPEG BOARD  |      |
|   | 124  | QYSBSF3008Z    | SCREW            | 1    | BRACKET TO C3   |      |
|   | 125  | GV30223-001A   | BRACKET          | 1    |                 |      |
|   | 126  | QUQH10-1506BJ  | FLAT WIRE        | 1    | VC3 TO FMV      |      |
|   | 127  | QUQH10-1508BJ  | FLAT WIRE        | 1    | FMC TO FMV      |      |
|   | 128  | QYSBSGY3008E   | SPECIAL SCREW    | 1    | VIDEO/R.PANEL   |      |
|   | 129  | QYSBSGY3008E   | SPECIAL SCREW    | 1    | SUR.SP/R.PANEL  |      |

# Speaker assembly and parts list

Block No. M 7 M M

## SP-XG950V



### ■ Parts list (Speaker assembly) SP-XG950V

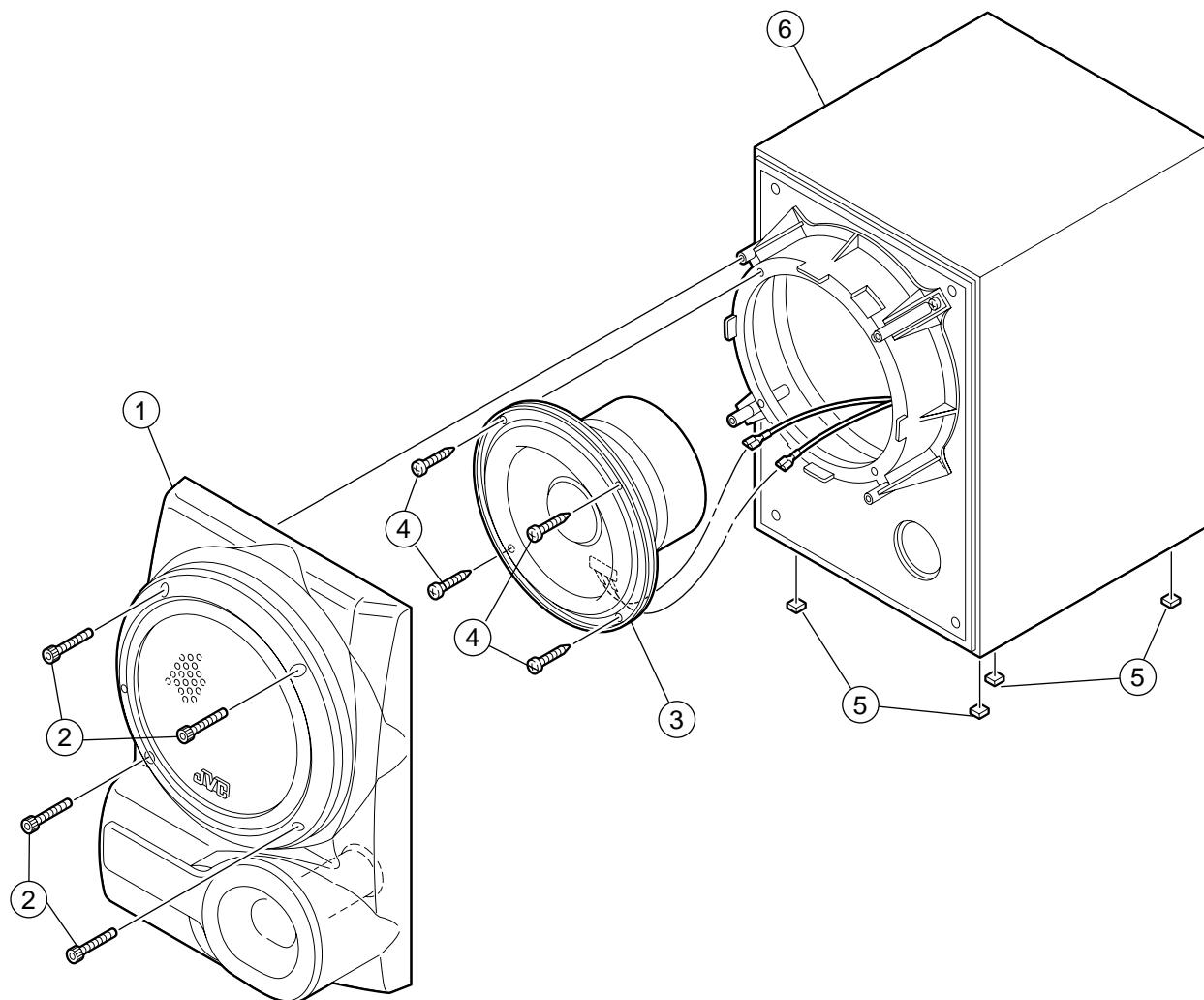
Block No. M7MM

| ▲ | Item | Parts number    | Parts name     | Q'ty | Description      | Area |
|---|------|-----------------|----------------|------|------------------|------|
|   | A    | MXG950K-SPBOX-R | SP BOX ASSY(R) | 1    | SP-XG950V        |      |
|   |      | MXG950K-SPBOX-L | SP BOX ASSY(L) | 1    | SP-XG950V        |      |
|   | 1    | 199733350151    | FRONT PANEL(R) | 1    |                  |      |
|   |      | 199733350152    | FRONT PANEL(L) | 1    |                  |      |
|   | 2    | 135604161053    | SCREW          | 8    | FOR FRONT PANEL  |      |
|   | 3    | 991061650050    | 16CM WOOFER    | 2    |                  |      |
|   | 4    | 135604161047    | SCREW          | 8    | M4X16 FOR WOOFER |      |
|   | 5    | 993060500031    | 5CM TWEETER    | 2    |                  |      |
|   | 6    | 135604081045    | SCREW          | 4    | M4X8 FOR TWEETER |      |
|   | 7    | 134720201090    | PIEZO ASSY     | 2    |                  |      |
|   | 8    | 147780071049    | FOOT           | 8    | PER PIECE        |      |
|   | 9    | -----           | CABINET ASSY   | 2    |                  |      |

# Speaker assembly and parts list


Block No. M 8 M M

## SP-WG950V



### ■ Parts list (Speaker assembly) SP-WG950V

Block No. M8MM

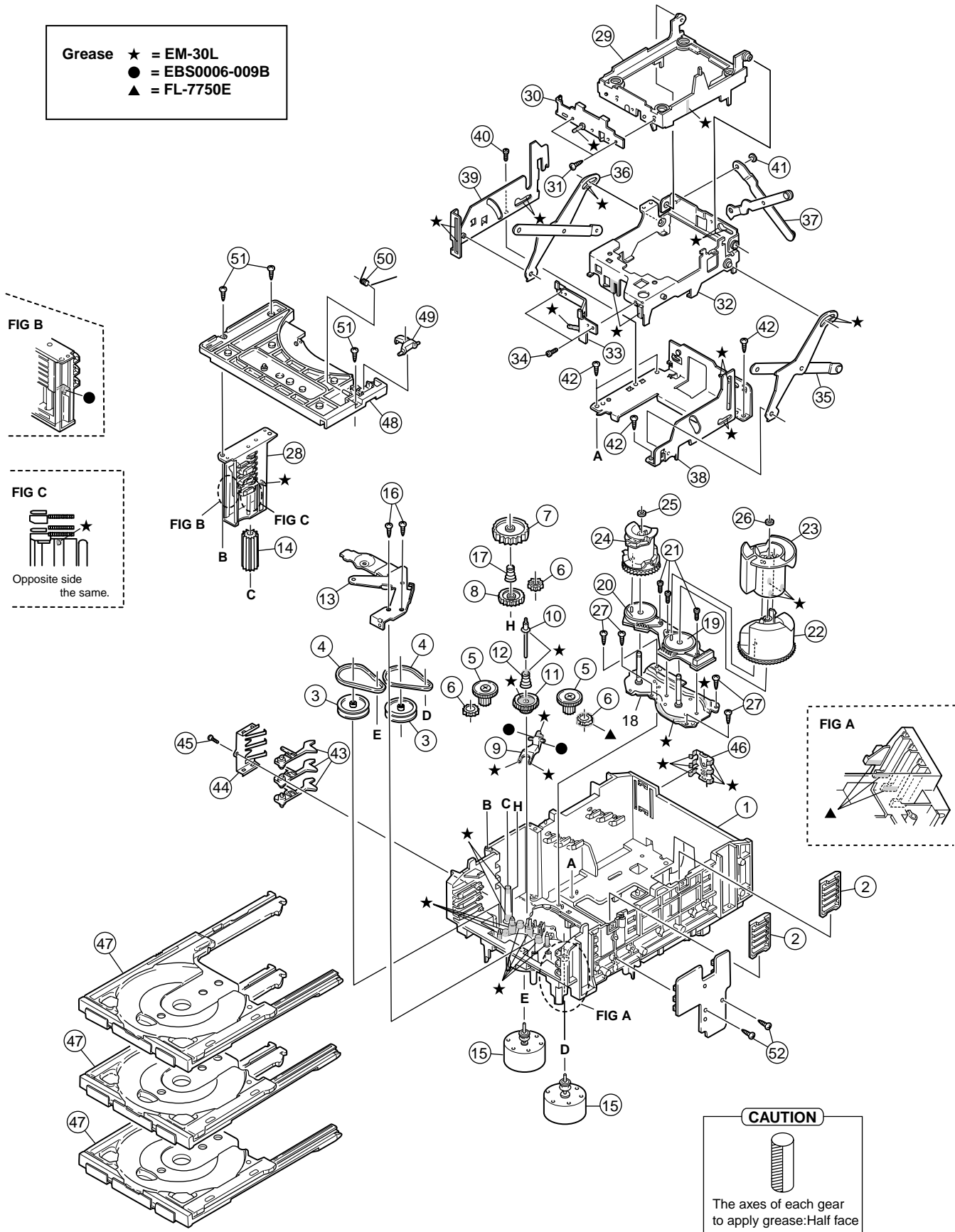
|  | Item | Parts number    | Parts name     | Q'ty | Description     | Area |
|-------------------------------------------------------------------------------------|------|-----------------|----------------|------|-----------------|------|
|                                                                                     | A    | MXG950K-SPKSB-R | SP BOX ASSY(R) | 1    | SP-WG950V       |      |
|                                                                                     |      | MXG950K-SPKSB-L | SP BOX ASSY(L) | 1    | SP-WG950V       |      |
|                                                                                     | 1    | 199733350156    | FRONT PANEL(L) | 1    | FOR SUBWOOFER   |      |
|                                                                                     |      | 199733350157    | FRONT PANEL(R) | 1    | FOR SUBWOOFER   |      |
|                                                                                     | 2    | 135604161053    | SCREW          | 8    | FOR FRONT PANEL |      |
|                                                                                     | 3    | 991062000052    | 20CM SUBWOOFER | 2    |                 |      |
|                                                                                     | 4    | 135604161047    | SCREW          | 8    | FOR SUBWOOFER   |      |
|                                                                                     | 5    | 147780071049    | FOOT           | 8    |                 |      |
|                                                                                     | 6    | -----           | CABINET ASSY   | 2    |                 |      |

# CD changer mechanism assembly and parts list

C3BASE-1M

Block No. M A M M

**Grease** ★ = EM-30L  
 ● = EBS0006-009B  
 ▲ = FL-7750E



**CAUTION**

The axes of each gear to apply grease: Half face

■ Parts list (CD changer mechanism)

Block No. MAMM

| △ | Item | Parts number  | Parts name      | Q'ty | Description     | Area |
|---|------|---------------|-----------------|------|-----------------|------|
|   | 1    | VKS1144-004   | CHASSIS         | 1    |                 |      |
|   | 2    | VKS3698-003   | TRAY GUIDE      | 2    |                 |      |
|   | 3    | VKS5532-003   | PULLEY GEAR     | 2    |                 |      |
|   | 4    | VKB3000-164   | BELT            | 2    |                 |      |
|   | 5    | VKS5505-003   | GEAR B          | 2    |                 |      |
|   | 6    | VKS5506-002   | GEAR C          | 3    |                 |      |
|   | 7    | VKS5507-002   | CROSS GEAR U    | 1    |                 |      |
|   | 8    | VKS5508-002   | CROSS GEAR L    | 1    |                 |      |
|   | 9    | VKS5510-003   | SELECT LEVER    | 1    |                 |      |
|   | 10   | VKH5769-001   | S.G.SHAFT       | 1    |                 |      |
|   | 11   | VKS5511-002   | SELECT GEAR     | 1    |                 |      |
|   | 12   | VKW5155-003   | COMP.SPRING     | 1    | FOR SELECT GEAR |      |
|   | 13   | VKM3846-003   | GEAR BRACKET    | 1    |                 |      |
|   | 14   | VKS5509-002MM | CYLINDER GEAR   | 1    |                 |      |
|   | 15   | MSN5D257A-SA2 | DC MOTOR ASSY   | 2    |                 |      |
|   | 16   | QYSPSPD2616Z  | SCREW           | 2    | FOR MOTOR       |      |
|   | 17   | LV40612-001A  | COMP.SPRING     | 1    |                 |      |
|   | 18   | VKM3825-00B   | C.G.BASE ASS'Y  | 1    |                 |      |
|   | 19   | VKZ3172-00ASS | CAM SW. R ASS'Y | 1    |                 |      |
|   | 20   | VKZ3173-00ASS | CAM SW. L ASS'Y | 1    |                 |      |
|   | 21   | QYSPST2606Z   | SCREW           | 3    | FOR CAM SW.     |      |
|   | 22   | VKS2263-002MM | CAM R1          | 1    |                 |      |
|   | 23   | VKS2264-002MM | CAM R2          | 1    |                 |      |
|   | 24   | VKS2265-002MM | CAM GEAR L      | 1    |                 |      |
|   | 25   | WDL316050MM   | SLIT WASHER     | 1    | FOR CAM GEAR L  |      |
|   | 26   | WDL316050MM   | SLIT WASHER     | 1    |                 |      |
|   | 27   | QYSBSF2608Z   | T.SCREW         | 4    | FOR C.GEAR BASE |      |
|   | 28   | VKS3702-00FMM | DRIVE UNIT      | 1    |                 |      |
|   | 29   | VKS2247-005   | MECHA HOLDER A  | 1    |                 |      |
|   | 30   | VKL7767-00F   | BRACKET ASS'Y   | 1    |                 |      |
|   | 31   | QYSBSF2606Z   | SCREW           | 2    | FOR BRACKET     |      |
|   | 32   | VKM3860-00E   | M.HOLDER B AS'Y | 1    |                 |      |
|   | 33   | VKL7802-00D   | M.HOLDER C AS'Y | 1    |                 |      |
|   | 34   | QYSDST2604Z   | SCREW           | 2    | FOR M.HOLDER C  |      |
|   | 35   | VKL7810-00B   | LIFTER ASS'Y R  | 1    |                 |      |
|   | 36   | VKL7811-00B   | LIFTER ASS'Y L  | 1    |                 |      |
|   | 37   | VKL7812-00B   | LIFTER ASS'Y H  | 1    |                 |      |
|   | 38   | VKL2745-003   | LIFTER BASE     | 1    |                 |      |
|   | 39   | VKM3857-002   | LIFTER BRACKET  | 1    |                 |      |
|   | 40   | QYSDST2604Z   | SCREW           | 1    |                 |      |
|   | 41   | WDL266035-2   | SLIT WASHER     | 1    |                 |      |
|   | 42   | QYSBSF2608Z   | T.SCREW         | 4    |                 |      |
|   | 43   | VKS5514-002MM | LOCK LEVER      | 3    |                 |      |
|   | 44   | VKY3133-002MM | RETURN SPRING   | 1    |                 |      |
|   | 45   | QYSBSF2608Z   | T.SCREW         | 1    | FOR RETURN SP.  |      |
|   | 46   | VKY3134-003MM | CLICK SPRING    | 1    |                 |      |
|   | 47   | VKS2252-00N   | TRAY ASS'Y      | 3    |                 |      |
|   | 48   | VKS2250-004   | TOP BRACKET     | 1    |                 |      |
|   | 49   | VKS5515-002   | S.TRAY STOPPER  | 1    |                 |      |
|   | 50   | VKW5156-004   | TORSION SPRING  | 1    |                 |      |
|   | 51   | QYSBSF2608Z   | T.SCREW         | 3    |                 |      |
|   | 52   | QYSBSF2608Z   | T.SCREW         | 2    |                 |      |

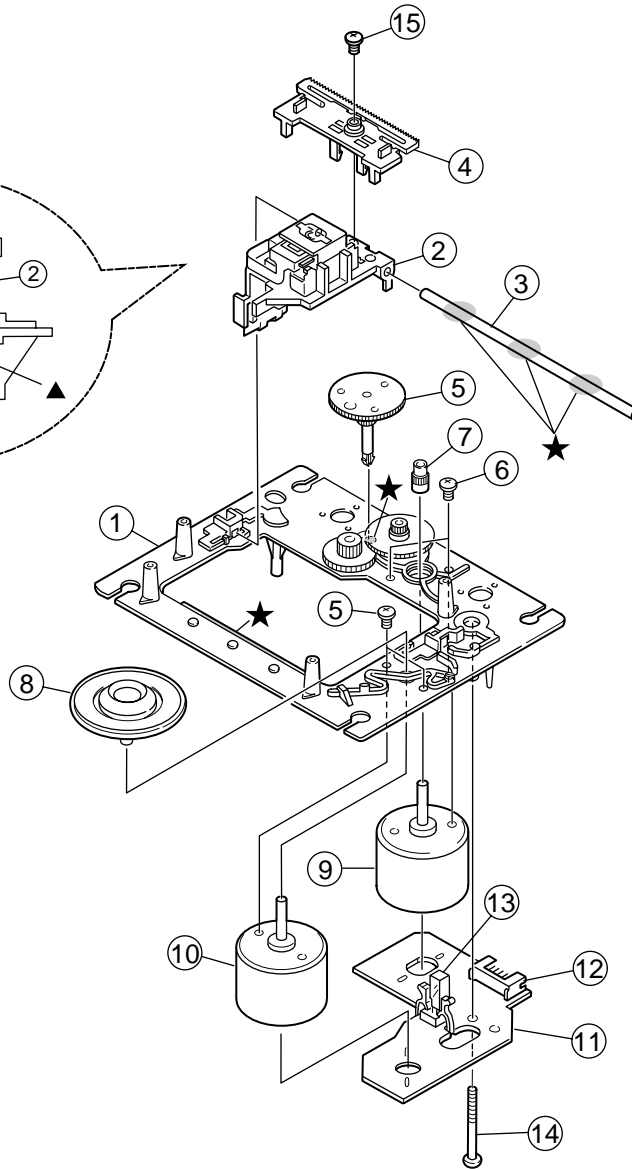
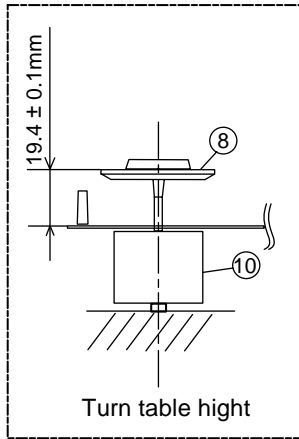
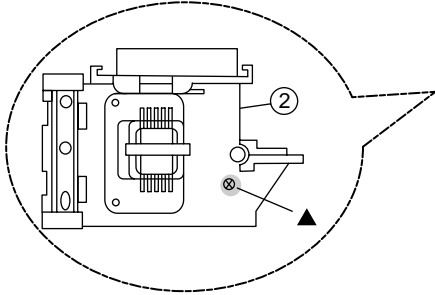


# CD mechanism assembly and parts list

Block No. M B M M

## Grease & Bond

- ★ = EBS0006-013B
- ▲ = 1401B



EXL-M7TMB

## Parts list (CD mechanism)

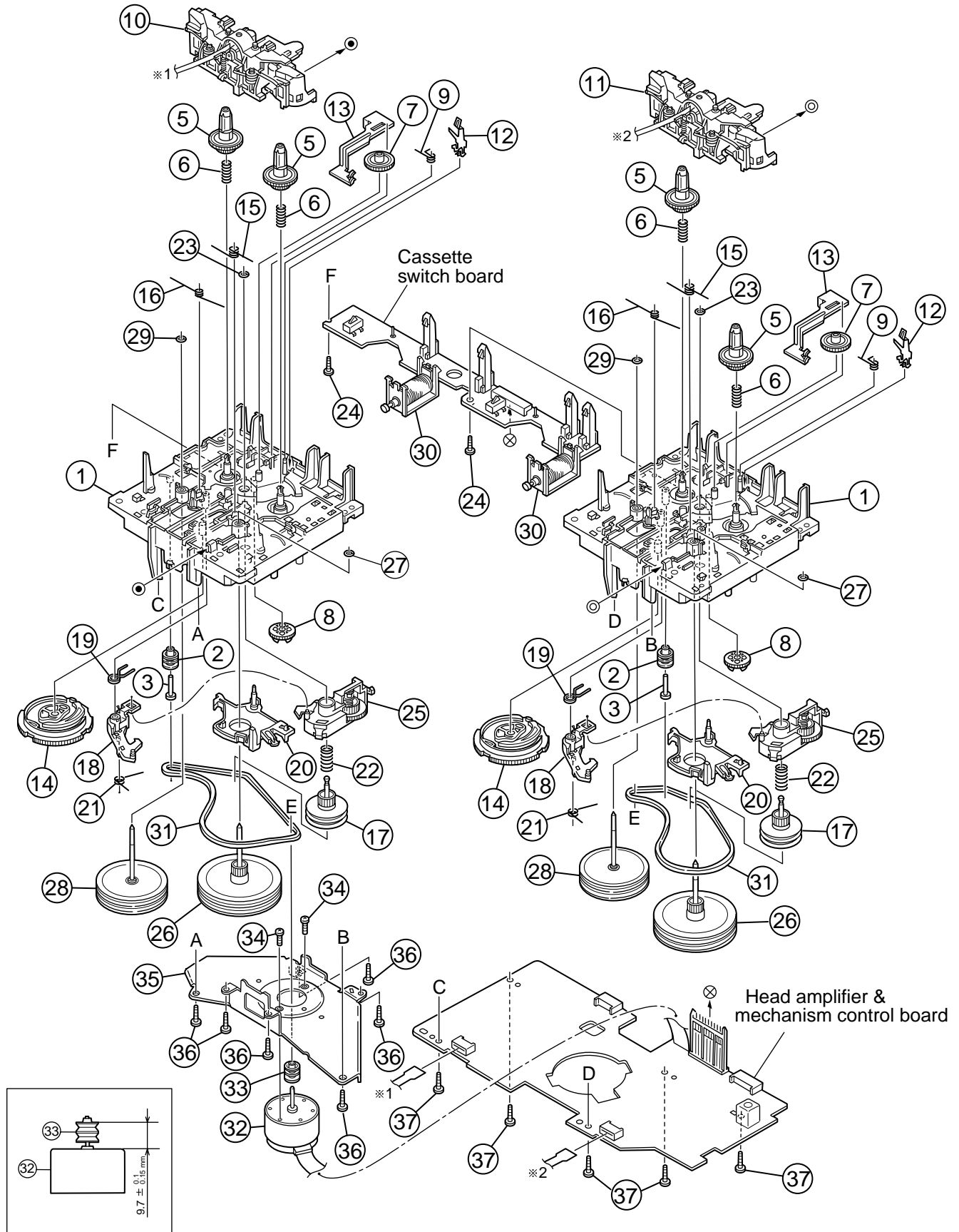
Block No. MBMM

| Item | Parts number  | Parts name      | Q'ty | Description | Area |
|------|---------------|-----------------|------|-------------|------|
| 1    | E102731-221SM | CD MECHA BASE A | 1    |             |      |
| 2    | OPTIMA-7B     | C.D PICK        | 1    |             |      |
| 3    | E406777-002SM | C.D SHAFT       | 1    |             |      |
| 4    | LV31002-001A  | CD RACK         | 1    |             |      |
| 5    | E307745-441SM | C.D GEAR 3      | 1    |             |      |
| 6    | QYSDSP2003N   | SCREW           | 4    |             |      |
| 7    | E406750-442SM | PINION          | 1    |             |      |
| 8    | EPB309173PKA  | T.T PACKING     | 1    |             |      |
| 9    | E406784-001   | FEED MOTOR      | 1    |             |      |
| 10   | QAR0130-001   | SP MOTOR        | 1    |             |      |
| 11   | EMW10190-441  | CIR BOARD       | 1    |             |      |
| 12   | QGA2001F1-06  | CONNECTOR       | 1    |             |      |
| 13   | QSW0506-001   | LEAF SWITCH     | 1    |             |      |
| 14   | E75832-221SS  | SPECIAL SCREW   | 1    |             |      |
| 15   | QYSDSF2006Z   | SCREW           | 1    |             |      |

# Cassette mechanism assembly and parts list

Block No. M P M M

SLC-W101M



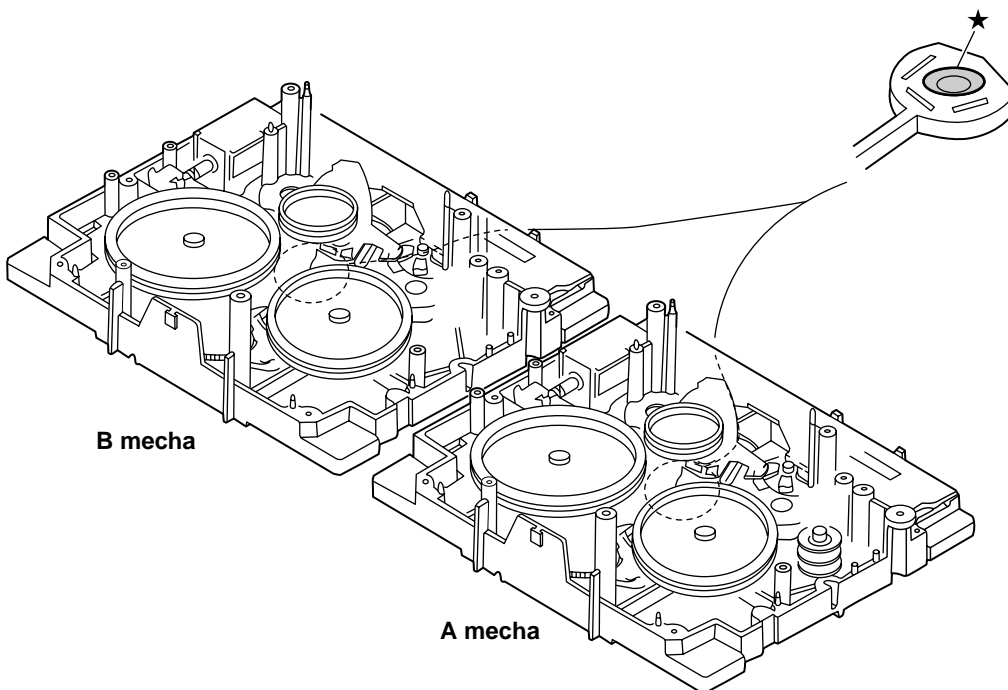
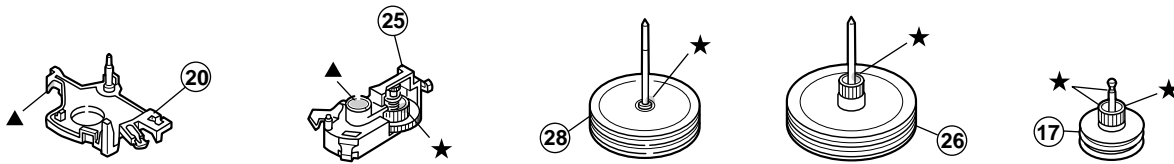
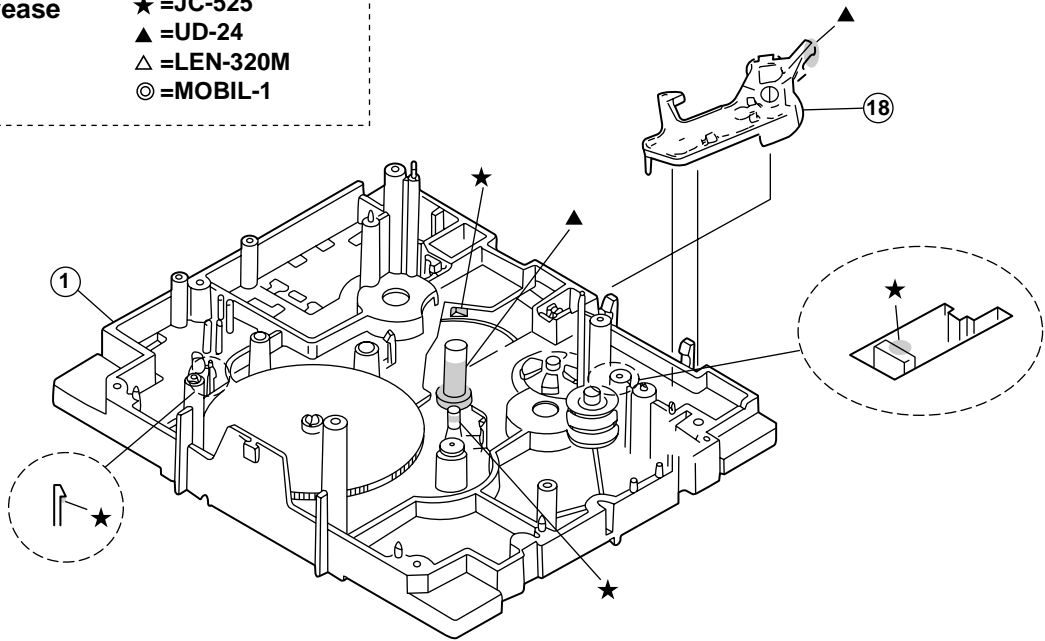
## ■ Parts list (Cassette mechanism)

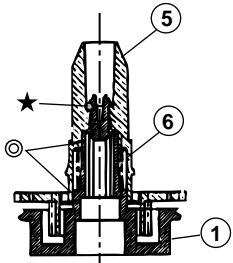
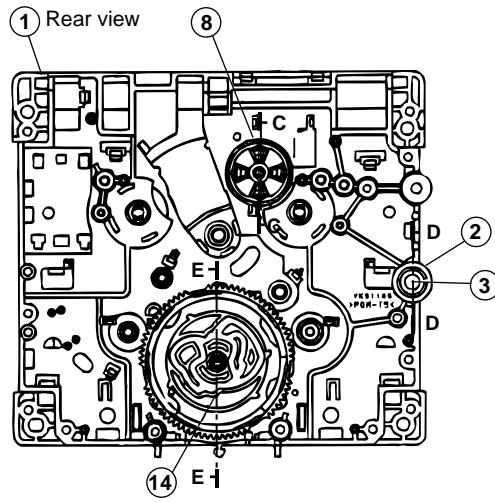
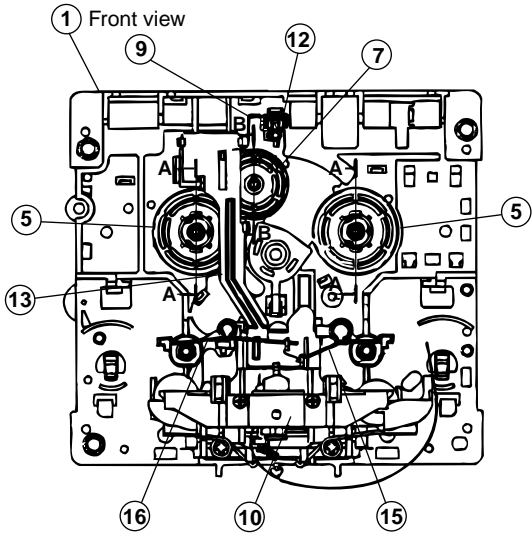
Block No. MPMM

| △ | Item | Parts number  | Parts name      | Q'ty | Description | Area |
|---|------|---------------|-----------------|------|-------------|------|
|   | 1    | VKS1165-00K   | CHASSIS B.ASS'Y | 2    |             |      |
|   | 2    | VKR4749-004   | IDLE PULLEY     | 2    |             |      |
|   | 3    | LV42026-001A  | SHAFT           | 2    |             |      |
|   | 5    | VKS2274-002   | REEL GEAR       | 4    |             |      |
|   | 6    | VKW5286-002   | B.T. SPRING     | 4    |             |      |
|   | 7    | VKS5559-001   | PLAY IDLE GEAR  | 2    |             |      |
|   | 8    | VKS5597-00B   | BLIND           | 2    |             |      |
|   | 9    | LV42013-001A  | EARTH SPRING    | 2    |             |      |
|   | 10   | SLC-P1SVM     | HEAD MOUNT ASSY | 1    |             |      |
|   | 11   | SLC-RP1SVM    | HEAD MOUNT ASSY | 1    |             |      |
|   | 12   | VKY3149-002   | CASSETTE SP.    | 2    |             |      |
|   | 13   | VKM3906-004   | PLAY SW.LEVER   | 2    |             |      |
|   | 14   | VKS1166-004   | CONTROL CAM     | 2    |             |      |
|   | 15   | VKW5279-002   | HEAD BASE SP(R) | 2    |             |      |
|   | 16   | VKW5280-001   | HEAD BASE SP(L) | 2    |             |      |
|   | 17   | VKS5603-00G   | MAIN PULLEY ASY | 2    |             |      |
|   | 18   | VKS3785-001MM | FR ARM          | 2    |             |      |
|   | 19   | VKW5284-002   | SWING SPRING    | 2    |             |      |
|   | 20   | VKS2278-003   | TRIGGER ARM     | 2    |             |      |
|   | 21   | VKW5301-001   | FR SPRING       | 2    |             |      |
|   | 22   | VKW5266-001   | ELEVATOR SPRING | 2    |             |      |
|   | 23   | WDL214025     | WASHER          | 2    |             |      |
|   | 24   | QYSBSF2005Z   | T.SCREW         | 2    |             |      |
|   | 25   | VKS3786-00G   | CLUTCH ASS'Y    | 2    |             |      |
|   | 26   | VKF3205-00B   | F.WHEEL ASSY(R) | 2    |             |      |
|   | 27   | WDL183425     | SLIT WASHER     | 2    |             |      |
|   | 28   | VKF3207-00B   | F.WHEEL ASSY(L) | 2    |             |      |
|   | 29   | WDL173525-6   | SLIT WASHER     | 2    |             |      |
|   | 30   | VKZ3174-00A   | DC SOLENOID     | 2    |             |      |
|   | 31   | LV42764-001A  | CAPSTAN BELT(B) | 2    |             |      |
|   | 32   | MSI-5U2LWA    | D.C.MOTOR ASS'Y | 1    |             |      |
|   | 33   | VKR4761-001   | MOTOR PULLEY    | 1    |             |      |
|   | 34   | QYSPSP2604Z   | SCREW           | 2    |             |      |
|   | 35   | VKM3907-001   | JOINT BRACKET   | 1    |             |      |
|   | 36   | QYSBSF2608Z   | T.SCREW         | 6    |             |      |
|   | 37   | QYSBSF2608Z   | T.SCREW         | 5    | FOR P.W.B.  |      |

# Grease point

Grease    ★ =JC-525  
          ▲ =UD-24  
          △ =LEN-320M  
          ◎ =MOBIL-1





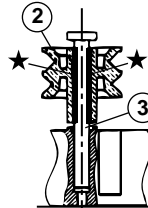
A - A (2/1, 2 places)



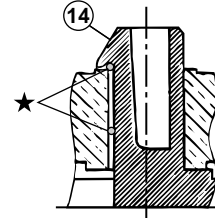
B - B (2/1)



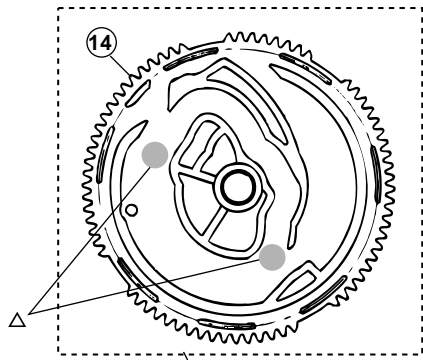
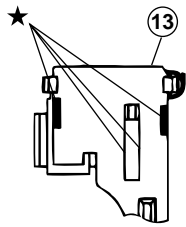
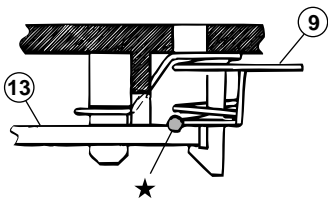
C - C (2/1)



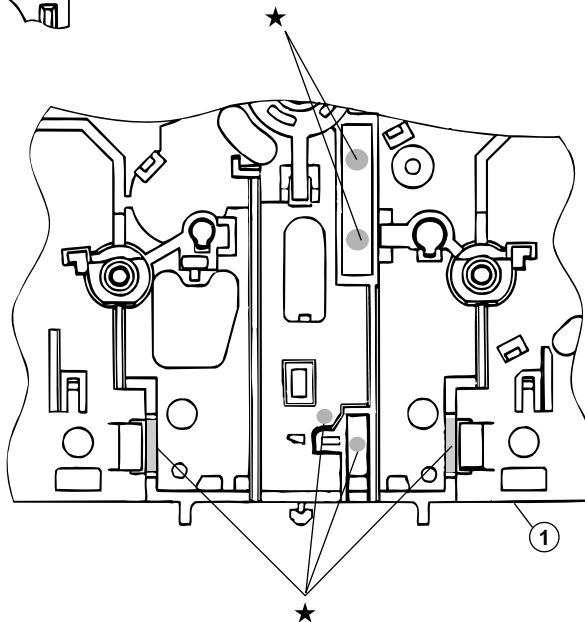
D - D (2/1)



E - E (5/1)



(Dipping)



■ Electrical parts list (Power board)

Block No. 01

| ▲ | Item  | Parts number   | Parts name      | Remarks        | Area | ▲ | Item  | Parts number   | Parts name      | Remarks         | Area |
|---|-------|----------------|-----------------|----------------|------|---|-------|----------------|-----------------|-----------------|------|
|   | C 201 | QFKC2EK-104    | METAL CAPACITOR | .10MF 10% 250V |      |   | C 729 | EETC1CM-476ZJC | E CAPACITOR     |                 |      |
|   | C 202 | QFKC2EK-104    | METAL CAPACITOR | .10MF 10% 250V |      |   | C 730 | QCF31HZ-223Z   | C CAPACITOR     | .022MF +80:-20% |      |
|   | C 203 | QFKC2EK-104    | METAL CAPACITOR | .10MF 10% 250V |      |   | C 731 | QCF31HZ-223Z   | C CAPACITOR     | .022MF +80:-20% |      |
|   | C 204 | EETB1JM-478JC  | E CAPACITOR     |                |      |   | C 739 | EETC1HM-105ZJC | E CAPACITOR     |                 |      |
|   | C 205 | EETB1JM-478JC  | E CAPACITOR     |                |      |   | C 790 | EETC1EM-476ZJC | E CAPACITOR     |                 |      |
|   | C 211 | QFLC1HJ-823Z   | M CAPACITOR     | .082MF 5% 50V  |      |   | C 901 | QDYB1CM-103Y   | C CAPACITOR     |                 |      |
|   | C 212 | QFLC1HJ-823Z   | M CAPACITOR     | .082MF 5% 50V  |      |   | C 902 | QDYB1CM-103Y   | C CAPACITOR     |                 |      |
|   | C 213 | QFLC1HJ-823Z   | M CAPACITOR     | .082MF 5% 50V  |      |   | CN201 | QGB2510J1-11   | CONNECTOR       |                 |      |
|   | C 214 | EETB1HM-228JC  | AL E.CAPACITOR  |                |      |   | CN202 | QGB2510J1-10   | CONNECTOR       |                 |      |
|   | C 215 | EETB1HM-228JC  | AL E.CAPACITOR  |                |      |   | CN203 | QGB2510J1-04   | CONNECTOR       |                 |      |
|   | C 216 | QETN1VM-107Z   | E CAPACITOR     | 100MF 20% 35V  |      |   | CN204 | QGA3901C1-07   | CONNECTOR       |                 |      |
|   | C 217 | EETC2AM-476ZJC | AL E.CAPACITOR  |                |      |   | CN205 | QGB2510J1-14   | CONNECTOR       |                 |      |
|   | C 218 | EETC1HM-226ZJC | E CAPACITOR     |                |      |   | CN206 | QGB2510J1-12   | CONNECTOR       |                 |      |
|   | C 219 | QDYB1CM-103Y   | C CAPACITOR     |                |      |   | CN207 | QGB2510J1-10   | CONNECTOR       |                 |      |
|   | C 220 | EETC1HM-476ZJC | AL E.CAPACITOR  |                |      |   | CN215 | QGB2510K2-14   | CONNECTOR       |                 |      |
|   | C 221 | EETC1HM-476ZJC | E CAPACITOR     |                |      |   | CN703 | QGD2504C1-03Z  | SOCKET          |                 |      |
|   | C 222 | EETC1HM-476ZJC | E CAPACITOR     |                |      |   | CN704 | QGD2504C1-03Z  | SOCKET          |                 |      |
|   | C 253 | EETB1EM-688JC  | AL E.CAPACITOR  |                |      |   | CN705 | QGA2501C1-02   | 2P CONNECTOR    |                 |      |
|   | C 280 | EETC1HM-224ZJC | E CAPACITOR     |                |      |   | CN706 | QGD2504C1-03Z  | SOCKET          |                 |      |
|   | C 281 | QETN1JM-476Z   | E CAPACITOR     | 47MF 20% 63V   |      | ▲ | D 201 | 1N5402M-20     | DIODE           |                 |      |
|   | C 372 | EETC1HM-226ZJC | E CAPACITOR     |                |      | ▲ | D 202 | 1N5402M-20     | DIODE           |                 |      |
|   | C 373 | QDYB1CM-103Y   | C CAPACITOR     |                |      | ▲ | D 203 | 1N5402M-20     | DIODE           |                 |      |
|   | C 374 | EETC1HM-226ZJC | E CAPACITOR     |                |      | ▲ | D 204 | 1N5402M-20     | DIODE           |                 |      |
|   | C 601 | QFVJ1HJ-683Z   | MF CAPACITOR    | .068MF 5% 50V  |      | ▲ | D 211 | 1N5402M-20     | DIODE           |                 |      |
|   | C 602 | QFVJ1HJ-683Z   | MF CAPACITOR    | .068MF 5% 50V  |      | ▲ | D 212 | 1N5402M-20     | DIODE           |                 |      |
|   | C 603 | QCBB1HK-221Y   | C CAPACITOR     | 220PF 10% 50V  |      | ▲ | D 213 | 1N5402M-20     | DIODE           |                 |      |
|   | C 604 | QCBB1HK-221Y   | C CAPACITOR     | 220PF 10% 50V  |      | ▲ | D 214 | 1N5402M-20     | DIODE           |                 |      |
|   | C 605 | QCBB1HK-221Y   | C CAPACITOR     | 220PF 10% 50V  |      | ▲ | D 217 | 1N4003S-T5     | SI DIODE        |                 |      |
|   | C 606 | QCBB1HK-221Y   | C CAPACITOR     | 220PF 10% 50V  |      | ▲ | D 218 | 1N4003S-T5     | SI DIODE        |                 |      |
|   | C 607 | QETN1JM-476Z   | E CAPACITOR     | 47MF 20% 63V   |      |   | D 219 | DZ33BSC-T2     | ZENER DIODE     |                 |      |
|   | C 608 | QETN1JM-476Z   | E CAPACITOR     | 47MF 20% 63V   |      |   | D 220 | DZ9.1BSB-T2    | ZENER DIODE     |                 |      |
|   | C 609 | QCSB1HJ-100Y   | C CAPACITOR     | 10PF 5% 50V    |      | ▲ | D 227 | 1N4003S-T5     | SI DIODE        |                 |      |
|   | C 610 | QCSB1HJ-100Y   | C CAPACITOR     | 10PF 5% 50V    |      | ▲ | D 233 | 2A02-M         | DIODE           |                 |      |
|   | C 611 | QETN1HM-476Z   | E CAPACITOR     | 47MF 20% 50V   |      | ▲ | D 234 | 2A02-M         | DIODE           |                 |      |
|   | C 612 | QETN1HM-476Z   | E CAPACITOR     | 47MF 20% 50V   |      |   | D 280 | DZ2.4BSB-T2    | ZENER DIODE     |                 |      |
|   | C 613 | QFLC1HJ-473Z   | M CAPACITOR     | .047MF 5% 50V  |      |   | D 369 | DZ10BSC-T2     | ZENER DIODE     |                 |      |
|   | C 614 | QFLC1HJ-473Z   | M CAPACITOR     | .047MF 5% 50V  |      |   | D 370 | DZ11BSC-T2     | ZENER DIODE     |                 |      |
|   | C 615 | QFLC1HJ-473Z   | M CAPACITOR     | .047MF 5% 50V  |      |   | D 619 | 1SS119-041-T2  | SI DIODE        |                 |      |
|   | C 616 | QFLC1HJ-473Z   | M CAPACITOR     | .047MF 5% 50V  |      |   | D 620 | 1SS119-041-T2  | SI DIODE        |                 |      |
|   | C 621 | QTE1V06-106Z   | E CAPACITOR     |                |      |   | D 622 | DZ9.1BSB-T2    | ZENER DIODE     |                 |      |
|   | C 622 | QTE1V06-106Z   | E CAPACITOR     |                |      |   | D 703 | DZ15BSC-T2     | ZENER DIODE     |                 |      |
|   | C 623 | QETN1HM-106Z   | E CAPACITOR     | 10MF 20% 50V   |      |   | D 704 | DZ15BSC-T2     | ZENER DIODE     |                 |      |
|   | C 624 | QETN1HM-106Z   | E CAPACITOR     | 10MF 20% 50V   |      |   | D 719 | 1SS119-041-T2  | SI DIODE        |                 |      |
|   | C 639 | QFLC1HJ-104Z   | M CAPACITOR     | .10MF 5% 50V   |      |   | D 720 | 1SS119-041-T2  | SI DIODE        |                 |      |
|   | C 683 | QFLC1HJ-823Z   | M CAPACITOR     | .082MF 5% 50V  |      |   | D 723 | DZ36BSA-T2     | ZENER DIODE     |                 |      |
|   | C 703 | QCBB1HK-471Y   | C CAPACITOR     | 470PF 10% 50V  |      |   | D 724 | DZ36BSA-T2     | ZENER DIODE     |                 |      |
|   | C 704 | QCBB1HK-471Y   | C CAPACITOR     | 470PF 10% 50V  |      |   | D 726 | 1SS119-041-T2  | SI DIODE        |                 |      |
|   | C 705 | QCBB1HK-221Y   | C CAPACITOR     | 220PF 10% 50V  |      |   | D 728 | 1SS119-041-T2  | SI DIODE        |                 |      |
|   | C 706 | QCBB1HK-221Y   | C CAPACITOR     | 220PF 10% 50V  |      |   | D 790 | 1SS119-041-T2  | SI DIODE        |                 |      |
|   | C 707 | QETN1JM-476Z   | E CAPACITOR     | 47MF 20% 63V   |      |   | D 904 | L-192ZSRD-T    | LED             |                 |      |
|   | C 708 | QETN1JM-476Z   | E CAPACITOR     | 47MF 20% 63V   |      |   | D 905 | L-192ZSRD-T    | LED             |                 |      |
|   | C 709 | QCSB1HK-4R7Y   | C CAPACITOR     | 4.7PF 10% 50V  |      |   | EP201 | QNZ0136-001Z   | EARTH PLATE     |                 |      |
|   | C 710 | QCSB1HK-4R7Y   | C CAPACITOR     | 4.7PF 10% 50V  |      |   | EP202 | QNZ0136-001Z   | EARTH PLATE     |                 |      |
|   | C 711 | QFZ0212-104Z   | MM CAPACITOR    | .10MF          |      |   | FW707 | QUM153-09Z4Z4  | PARA RIBON WIRE |                 |      |
|   | C 712 | QFZ0212-104Z   | MM CAPACITOR    | .10MF          |      |   | FW901 | QUM027-13DGZ4  | PARA RIBON WIRE |                 |      |
|   | C 713 | QFLC1HJ-473Z   | M CAPACITOR     | .047MF 5% 50V  |      | ▲ | IC602 | STK402-050     | IC(HYBRID)      |                 |      |
|   | C 714 | QFLC1HJ-473Z   | M CAPACITOR     | .047MF 5% 50V  |      | ▲ | IC701 | STK412-010     | IC(HYBRID)      |                 |      |
|   | C 715 | QFLC1HJ-473Z   | M CAPACITOR     | .047MF 5% 50V  |      |   | JS901 | QSW0911-001    | ROTARY SWITCH   |                 |      |
|   | C 716 | QFLC1HJ-473Z   | M CAPACITOR     | .047MF 5% 50V  |      |   | L 601 | QQLZ035-R39    | INDUCTOR        |                 |      |
|   | C 721 | QTE1V06-106Z   | E CAPACITOR     |                |      |   | L 602 | QQLZ035-R39    | INDUCTOR        |                 |      |
|   | C 722 | QTE1V06-106Z   | E CAPACITOR     |                |      |   | L 701 | QQLZ035-R39    | INDUCTOR        |                 |      |
|   | C 723 | EETC1AM-107ZJC | E CAPACITOR     |                |      |   | L 702 | QQLZ035-R39    | INDUCTOR        |                 |      |
|   | C 726 | EETC1EM-106ZJC | E CAPACITOR     |                |      |   | Q 201 | 2SB740/BC-T    | TRANSISTOR      |                 |      |

■ Electrical parts list (Power board)

Block No. 01

| △ | Item  | Parts number   | Parts name     | Remarks      | Area | △ | Item  | Parts number | Parts name     | Remarks      | Area |
|---|-------|----------------|----------------|--------------|------|---|-------|--------------|----------------|--------------|------|
|   | Q 240 | 2SC2785/FE/-T  | TRANSISTOR     |              |      |   | R 621 | QRE141J-103Y | C RESISTOR     | 10K 5% 1/4W  |      |
|   | Q 372 | KTA1023/OY/-T  | TRANSISTOR     |              |      |   | R 623 | QRE141J-103Y | C RESISTOR     | 10K 5% 1/4W  |      |
|   | Q 373 | KRA104M-T      | D.TRANSISTOR   |              |      | △ | R 639 | QRL01DJ-821X | OMF RESISTOR   | 820 5% 1/1W  |      |
|   | Q 374 | KRC104M-T      | D.TRANSISTOR   |              |      | △ | R 640 | QRL01DJ-821X | OMF RESISTOR   | 820 5% 1/1W  |      |
|   | Q 601 | KTA1268/GL/-T  | TRANSISTOR     |              |      | △ | R 653 | QRT01DJ-R22X | MF RESISTOR    | 5% 1W        |      |
|   | Q 602 | KTA1268/GL/-T  | TRANSISTOR     |              |      | △ | R 655 | QRT01DJ-R22X | MF RESISTOR    | 5% 1W        |      |
|   | Q 612 | 2SA1175/FE/-T  | TRANSISTOR     |              |      |   | R 666 | QRE141J-333Y | C RESISTOR     | 33K 5% 1/4W  |      |
|   | Q 613 | KRC102M-T      | D.TRANSISTOR   |              |      |   | R 667 | QRE141J-103Y | C RESISTOR     | 10K 5% 1/4W  |      |
|   | Q 680 | 2SK301/PQ/-T   | FET            |              |      |   | R 668 | QRE141J-103Y | C RESISTOR     | 10K 5% 1/4W  |      |
|   | Q 701 | KTA1268/GL/-T  | TRANSISTOR     |              |      | △ | R 674 | QRJ146J-100X | UNF C RESISTOR | 10 5% 1/4W   |      |
|   | Q 702 | KTA1268/GL/-T  | TRANSISTOR     |              |      |   | R 675 | QRE141J-102Y | C RESISTOR     | 1.0K 5% 1/4W |      |
|   | Q 710 | 2SA965/OY/-T   | TRANSISTOR     |              |      |   | R 676 | QRE141J-102Y | C RESISTOR     | 1.0K 5% 1/4W |      |
|   | Q 711 | KTC3200/GL/-T  | TRANSISTOR     |              |      |   | R 680 | QRE141J-105Y | C RESISTOR     | 1.0M 5% 1/4W |      |
|   | Q 712 | KTA1268/GL/-T  | TRANSISTOR     |              |      |   | R 681 | QRE141J-392Y | C RESISTOR     | 3.9K 5% 1/4W |      |
|   | Q 713 | KTC1027/OY/-T  | TRANSISTOR     |              |      |   | R 682 | QRE141J-475Y | C RESISTOR     | 4.7M 5% 1/4W |      |
|   | Q 726 | 2SC2389S/SE/-T | TRANSISTOR     |              |      | △ | R 701 | QRJ146J-470X | UNF C RESISTOR | 47 5% 1/4W   |      |
|   | Q 727 | KTA1268/GL/-T  | TRANSISTOR     |              |      | △ | R 702 | QRJ146J-470X | UNF C RESISTOR | 47 5% 1/4W   |      |
|   | Q 728 | 2SC2785/FE/-T  | TRANSISTOR     |              |      |   | R 703 | QRE141J-563Y | C RESISTOR     | 56K 5% 1/4W  |      |
|   | Q 733 | 2SC3576-JVC-T  | TRANSISTOR     |              |      |   | R 704 | QRE141J-563Y | C RESISTOR     | 56K 5% 1/4W  |      |
|   | Q 734 | 2SC3576-JVC-T  | TRANSISTOR     |              |      | △ | R 705 | QRJ146J-821X | UNF C RESISTOR | 820 5% 1/4W  |      |
|   | Q 735 | 2SC3576-JVC-T  | TRANSISTOR     |              |      | △ | R 706 | QRJ146J-821X | UNF C RESISTOR | 820 5% 1/4W  |      |
|   | Q 736 | 2SC3576-JVC-T  | TRANSISTOR     |              |      |   | R 707 | QRE141J-563Y | C RESISTOR     | 56K 5% 1/4W  |      |
|   | Q 737 | KRA111M-T      | D.TRANSISTOR   |              |      |   | R 708 | QRE141J-563Y | C RESISTOR     | 56K 5% 1/4W  |      |
|   | Q 790 | 2SC2785/FE/-T  | TRANSISTOR     |              |      | △ | R 713 | QRJ146J-100X | UNF C RESISTOR | 10 5% 1/4W   |      |
|   | Q 791 | 2SC2785/FE/-T  | TRANSISTOR     |              |      | △ | R 714 | QRJ146J-100X | UNF C RESISTOR | 10 5% 1/4W   |      |
|   | Q 792 | KTC3203/OY/-T  | TRANSISTOR     |              |      | △ | R 715 | QRJ146J-100X | UNF C RESISTOR | 10 5% 1/4W   |      |
|   | Q 901 | KRC102M-T      | D.TRANSISTOR   |              |      | △ | R 716 | QRJ146J-100X | UNF C RESISTOR | 10 5% 1/4W   |      |
| △ | R 202 | QRZ9042-2R2X   | F RESISTOR     | 2.2 1/4W     |      |   | R 717 | QRE141J-102Y | C RESISTOR     | 1.0K 5% 1/4W |      |
|   | R 203 | QRE141J-752Y   | C RESISTOR     | 7.5K 5% 1/4W |      |   | R 718 | QRE141J-102Y | C RESISTOR     | 1.0K 5% 1/4W |      |
|   | R 204 | QRE141J-223Y   | C RESISTOR     | 22K 5% 1/4W  |      |   | R 719 | QRE141J-562Y | C RESISTOR     | 5.6K 5% 1/4W |      |
|   | R 205 | QRE141J-104Y   | C RESISTOR     | 100K 5% 1/4W |      |   | R 720 | QRE141J-562Y | C RESISTOR     | 5.6K 5% 1/4W |      |
|   | R 215 | QRE141J-473Y   | C RESISTOR     | 47K 5% 1/4W  |      |   | R 721 | QRE141J-103Y | C RESISTOR     | 10K 5% 1/4W  |      |
|   | R 216 | QRE141J-473Y   | C RESISTOR     | 47K 5% 1/4W  |      |   | R 722 | QRE141J-103Y | C RESISTOR     | 10K 5% 1/4W  |      |
|   | R 217 | QRE141J-273Y   | C RESISTOR     | 27K 5% 1/4W  |      |   | R 723 | QRE141J-682Y | C RESISTOR     | 6.8K 5% 1/4W |      |
|   | R 218 | QRE141J-273Y   | C RESISTOR     | 27K 5% 1/4W  |      |   | R 724 | QRE141J-682Y | C RESISTOR     | 6.8K 5% 1/4W |      |
| △ | R 220 | QRJ146J-470X   | UNF C RESISTOR | 47 5% 1/4W   |      |   | R 725 | QRE141J-823Y | C RESISTOR     | 82K 5% 1/4W  |      |
|   | R 242 | QRE141J-103Y   | C RESISTOR     | 10K 5% 1/4W  |      |   | R 726 | QRE141J-104Y | C RESISTOR     | 100K 5% 1/4W |      |
| △ | R 246 | QRJ146J-1R0X   | UNF C RESISTOR | 1.0 5% 1/4W  |      |   | R 727 | QRE141J-104Y | C RESISTOR     | 100K 5% 1/4W |      |
| △ | R 247 | QRJ146J-1R0X   | UNF C RESISTOR | 1.0 5% 1/4W  |      |   | R 728 | QRE141J-103Y | C RESISTOR     | 10K 5% 1/4W  |      |
| △ | R 248 | QRJ146J-1R0X   | UNF C RESISTOR | 1.0 5% 1/4W  |      |   | R 729 | QRE141J-104Y | C RESISTOR     | 100K 5% 1/4W |      |
| △ | R 249 | QRJ146J-1R0X   | UNF C RESISTOR | 1.0 5% 1/4W  |      |   | R 730 | QRE141J-103Y | C RESISTOR     | 10K 5% 1/4W  |      |
|   | R 281 | QRE141J-103Y   | C RESISTOR     | 10K 5% 1/4W  |      |   | R 733 | QRE141J-472Y | C RESISTOR     | 4.7K 5% 1/4W |      |
|   | R 283 | QRE141J-153Y   | C RESISTOR     | 15K 5% 1/4W  |      |   | R 734 | QRE141J-472Y | C RESISTOR     | 4.7K 5% 1/4W |      |
|   | R 284 | QRE141J-473Y   | C RESISTOR     | 47K 5% 1/4W  |      |   | R 735 | QRE141J-472Y | C RESISTOR     | 4.7K 5% 1/4W |      |
|   | R 384 | QRE141J-272Y   | C RESISTOR     | 2.7K 5% 1/4W |      |   | R 736 | QRE141J-472Y | C RESISTOR     | 4.7K 5% 1/4W |      |
|   | R 385 | QRE141J-562Y   | C RESISTOR     | 5.6K 5% 1/4W |      | △ | R 739 | QRL01DJ-821X | OMF RESISTOR   | 820 5% 1W    |      |
|   | R 389 | QRE141J-103Y   | C RESISTOR     | 10K 5% 1/4W  |      | △ | R 740 | QRL01DJ-821X | OMF RESISTOR   | 820 5% 1W    |      |
| △ | R 601 | QRJ146J-101X   | UNF C RESISTOR | 100 5% 1/4W  |      |   | R 741 | QRE141J-682Y | C RESISTOR     | 6.8K 5% 1/4W |      |
| △ | R 602 | QRJ146J-101X   | UNF C RESISTOR | 100 5% 1/4W  |      |   | R 742 | QRE141J-682Y | C RESISTOR     | 6.8K 5% 1/4W |      |
|   | R 603 | QRE141J-563Y   | C RESISTOR     | 56K 5% 1/4W  |      |   | R 753 | QRZ0197-R22  | C RESISTOR     | 1W           |      |
|   | R 604 | QRE141J-563Y   | C RESISTOR     | 56K 5% 1/4W  |      |   | R 754 | QRZ0197-R22  | C RESISTOR     | 1W           |      |
| △ | R 605 | QRJ146J-102X   | UNF C RESISTOR | 1.0K 5% 1/4W |      |   | R 761 | QRE141J-102Y | C RESISTOR     | 1.0K 5% 1/4W |      |
| △ | R 606 | QRJ146J-102X   | UNF C RESISTOR | 1.0K 5% 1/4W |      |   | R 762 | QRE141J-102Y | C RESISTOR     | 1.0K 5% 1/4W |      |
|   | R 607 | QRE141J-563Y   | C RESISTOR     | 56K 5% 1/4W  |      |   | R 766 | QRE141J-333Y | C RESISTOR     | 33K 5% 1/4W  |      |
|   | R 608 | QRE141J-563Y   | C RESISTOR     | 56K 5% 1/4W  |      |   | R 768 | QRE141J-104Y | C RESISTOR     | 100K 5% 1/4W |      |
| △ | R 613 | QRJ146J-100X   | UNF C RESISTOR | 10 5% 1/4W   |      |   | R 769 | QRE141J-222Y | C RESISTOR     | 2.2K 5% 1/4W |      |
| △ | R 614 | QRJ146J-100X   | UNF C RESISTOR | 10 5% 1/4W   |      | △ | R 774 | QRJ146J-100X | UNF C RESISTOR | 10 5% 1/4W   |      |
| △ | R 615 | QRJ146J-100X   | UNF C RESISTOR | 10 5% 1/4W   |      |   | R 775 | QRE141J-102Y | C RESISTOR     | 1.0K 5% 1/4W |      |
| △ | R 616 | QRJ146J-100X   | UNF C RESISTOR | 10 5% 1/4W   |      |   | R 776 | QRE141J-102Y | C RESISTOR     | 1.0K 5% 1/4W |      |
|   | R 617 | QRE141J-221Y   | C RESISTOR     | 220 5% 1/4W  |      |   | R 777 | QRE141J-103Y | C RESISTOR     | 10K 5% 1/4W  |      |
|   | R 618 | QRE141J-221Y   | C RESISTOR     | 220 5% 1/4W  |      |   | R 778 | QRE141J-103Y | C RESISTOR     | 10K 5% 1/4W  |      |
|   | R 619 | QRE141J-222Y   | C RESISTOR     | 2.2K 5% 1/4W |      |   | R 786 | QRE141J-103Y | C RESISTOR     | 10K 5% 1/4W  |      |
|   | R 620 | QRE141J-222Y   | C RESISTOR     | 2.2K 5% 1/4W |      |   | R 787 | QRE141J-103Y | C RESISTOR     | 10K 5% 1/4W  |      |

■ Electrical parts list (Power board)

Block No. 01

| △ | Item  | Parts number | Parts name     | Remarks      | Area |
|---|-------|--------------|----------------|--------------|------|
|   | R 790 | QRE141J-103Y | C RESISTOR     | 10K 5% 1/4W  |      |
|   | R 792 | QRE141J-102Y | C RESISTOR     | 1.0K 5% 1/4W |      |
|   | R 793 | QRE141J-104Y | C RESISTOR     | 100K 5% 1/4W |      |
|   | R 794 | QRE141J-103Y | C RESISTOR     | 10K 5% 1/4W  |      |
|   | R 795 | QRE141J-103Y | C RESISTOR     | 10K 5% 1/4W  |      |
|   | R 796 | QRE141J-682Y | C RESISTOR     | 6.8K 5% 1/4W |      |
|   | R 797 | QRE141J-203Y | C RESISTOR     | 20K 5% 1/4W  |      |
| △ | R 798 | QRJ146J-100X | UNF C RESISTOR | 0 5% 1/4W    |      |
|   | R 904 | QRE141J-680Y | C RESISTOR     | 68 5% 1/4W   |      |
|   | R 908 | QRE141J-562Y | C RESISTOR     | 5.6K 5% 1/4W |      |
|   | S 901 | QSW0825-001Z | TACT SWITCH    |              |      |
|   | S 902 | QSW0825-001Z | TACT SWITCH    |              |      |



■ Electrical parts list (Input board)

Block No. 02

| △ | Item  | Parts number   | Parts name   | Remarks        | Area | △ | Item  | Parts number   | Parts name      | Remarks         | Area |
|---|-------|----------------|--------------|----------------|------|---|-------|----------------|-----------------|-----------------|------|
|   | C 002 | QFVH1HJ-104    | MF CAPACITOR | .10MF 5% 50V   |      |   | C 514 | QFLC1HJ-823Z   | M CAPACITOR     | .082MF 5% 50V   |      |
|   | C 401 | QCBB1HK-221Y   | C CAPACITOR  | 220PF 10% 50V  |      |   | C 526 | EETC1AM-107ZJC | E CAPACITOR     |                 |      |
|   | C 402 | QCBB1HK-221Y   | C CAPACITOR  | 220PF 10% 50V  |      |   | C 527 | QFLC1HJ-183Z   | M CAPACITOR     | .018MF 5% 50V   |      |
|   | C 403 | FQCF31HP-103Z  | C CAPACITOR  |                |      |   | C 528 | QFLC1HJ-104Z   | M CAPACITOR     | .10MF 5% 50V    |      |
|   | C 404 | QETN1CM-476Z   | E CAPACITOR  | 47MF 20% 16V   |      |   | C 530 | QFLC1HJ-104Z   | M CAPACITOR     | .10MF 5% 50V    |      |
|   | C 419 | QDXB1CM-222Y   | C CAPACITOR  |                |      |   | C 531 | QFLC1HJ-683Z   | M CAPACITOR     | .068MF 5% 50V   |      |
|   | C 426 | QDVB1EZ-223Y   | C CAPACITOR  |                |      |   | C 532 | QETN1CM-476Z   | E CAPACITOR     | 47MF 20% 16V    |      |
|   | C 427 | EETC1EM-106ZJC | E CAPACITOR  |                |      |   | C 534 | QTE1C06-476Z   | E CAPACITOR     |                 |      |
|   | C 433 | FQCF31HP-103Z  | C CAPACITOR  |                |      |   | C 535 | EETC1AM-107ZJC | E CAPACITOR     |                 |      |
|   | C 436 | EETC1AM-107ZJC | E CAPACITOR  |                |      |   | C 556 | QETN1EM-106Z   | E CAPACITOR     | 10MF 20% 25V    |      |
|   | C 437 | EETC1EM-106ZJC | E CAPACITOR  |                |      |   | C 571 | QETN1HM-225Z   | E CAPACITOR     | 2.2MF 20% 50V   |      |
|   | C 438 | QDYB1CM-103Y   | C CAPACITOR  |                |      |   | C 575 | QCBB1HK-101Y   | C CAPACITOR     | 100PF 10% 50V   |      |
|   | C 439 | QETN1EM-106Z   | E CAPACITOR  | 10MF 20% 25V   |      |   | C 576 | QETN1CM-476Z   | E CAPACITOR     | 47MF 20% 16V    |      |
|   | C 440 | QETN1EM-106Z   | E CAPACITOR  | 10MF 20% 25V   |      |   | C 577 | QETN1CM-476Z   | E CAPACITOR     | 47MF 20% 16V    |      |
|   | C 441 | QTE1V06-106Z   | E CAPACITOR  |                |      |   | C 578 | EETC1HM-105ZJC | E CAPACITOR     |                 |      |
|   | C 442 | QTE1V06-106Z   | E CAPACITOR  |                |      |   | C 585 | EETC1HM-105ZJC | E CAPACITOR     |                 |      |
|   | C 443 | EETC1HM-225ZJC | E CAPACITOR  |                |      |   | C 586 | QDXB1CM-182Y   | C CAPACITOR     |                 |      |
|   | C 444 | EETC1HM-225ZJC | E CAPACITOR  |                |      |   | C 587 | QCSB1HJ-330Y   | C CAPACITOR     | 33PF 5% 50V     |      |
|   | C 445 | QETN1EM-106Z   | E CAPACITOR  | 10MF 20% 25V   |      |   | C 588 | QDGB1HK-681Y   | C CAPACITOR     |                 |      |
|   | C 446 | QETN1EM-106Z   | E CAPACITOR  | 10MF 20% 25V   |      |   | C 589 | QFLC1HJ-153Z   | M CAPACITOR     | .015MF 5% 50V   |      |
|   | C 447 | QETN1CM-106Z   | E CAPACITOR  | 10MF 20% 16V   |      |   | C 593 | FQCS31HJ-470Z  | C CAPACITOR     |                 |      |
|   | C 448 | QETN1CM-106Z   | E CAPACITOR  | 10MF 20% 16V   |      |   | C 594 | QETN1AM-477Z   | E CAPACITOR     | 470MF 20% 10V   |      |
|   | C 449 | QETN1HM-225Z   | E CAPACITOR  | 2.2MF 20% 50V  |      |   | C 596 | QDYB1CM-103Y   | C CAPACITOR     |                 |      |
|   | C 450 | QETN1HM-225Z   | E CAPACITOR  | 2.2MF 20% 50V  |      |   | C 599 | QETN0JM-108Z   | E CAPACITOR     | 1000MF 20% 6.3V |      |
|   | C 453 | QFLC1HJ-104Z   | M CAPACITOR  | .10MF 5% 50V   |      |   | C 980 | QDVB1EZ-223Y   | C CAPACITOR     |                 |      |
|   | C 454 | QFLC1HJ-104Z   | M CAPACITOR  | .10MF 5% 50V   |      |   | C 981 | QCZ0202-155Z   | ML C CAPACITOR  | 1.5MF           |      |
|   | C 455 | QFVJ1HJ-104Z   | MF CAPACITOR | .10MF 5% 50V   |      |   | C 995 | EETC1AM-107ZJC | E CAPACITOR     |                 |      |
|   | C 456 | QFVJ1HJ-104Z   | MF CAPACITOR | .10MF 5% 50V   |      |   | C 996 | QCSB1HJ-100Y   | C CAPACITOR     | 10PF 5% 50V     |      |
|   | C 457 | QFLC1HJ-223Z   | M CAPACITOR  | .022MF 5% 50V  |      |   | C 997 | QCSB1HJ-100Y   | C CAPACITOR     | 10PF 5% 50V     |      |
|   | C 458 | QFLC1HJ-223Z   | M CAPACITOR  | .022MF 5% 50V  |      |   | C 998 | QCBB1HK-222Y   | C CAPACITOR     | 2200PF 10% 50V  |      |
|   | C 459 | QFLC1HJ-183Z   | M CAPACITOR  | .018MF 5% 50V  |      |   | C 999 | QCBB1HK-222Y   | C CAPACITOR     | 2200PF 10% 50V  |      |
|   | C 460 | QFLC1HJ-183Z   | M CAPACITOR  | .018MF 5% 50V  |      |   | CN 11 | QGF1205F1-09   | CONNECTOR       |                 |      |
|   | C 461 | QFG32AJ-682Z   | PP CAPACITOR | 6800PF 5% 100V |      |   | CN208 | WJK0114-002A   | E-SI C WIRE C-B |                 |      |
|   | C 462 | QFG32AJ-682Z   | PP CAPACITOR | 6800PF 5% 100V |      |   | CN209 | WJK0071-002A   | CONN.WIRE ASSY  |                 |      |
|   | C 466 | QTE1C06-476Z   | E CAPACITOR  |                |      |   | CN211 | QGB2510K2-11   | CONNECTOR       |                 |      |
|   | C 467 | QETN1HM-225Z   | E CAPACITOR  | 2.2MF 20% 50V  |      |   | CN212 | QGB2510K2-10   | CONNECTOR       |                 |      |
|   | C 468 | EETC1EM-226ZJC | E CAPACITOR  |                |      |   | CN213 | QGB2510K2-10   | CONNECTOR       |                 |      |
|   | C 469 | QFLC1HJ-683Z   | M CAPACITOR  | .068MF 5% 50V  |      |   | CN214 | QJK015-071214  | CONN.WIRE ASSY  |                 |      |
|   | C 470 | QFVJ1HJ-274Z   | MF CAPACITOR | .27MF 5% 50V   |      |   | CN218 | QGA7901F1-03   | CONNECTOR       |                 |      |
|   | C 471 | QETN1EM-106Z   | E CAPACITOR  | 10MF 20% 25V   |      |   | CN219 | QGA7901C1-04   | CONNECTOR       |                 |      |
|   | C 472 | QETN1EM-106Z   | E CAPACITOR  | 10MF 20% 25V   |      |   | CN220 | QGD2504C1-03Z  | SOCKET          |                 |      |
|   | C 473 | QETN1EM-106Z   | E CAPACITOR  | 10MF 20% 25V   |      | △ | CN250 | QGA7901C1-02   | CONNECTOR       |                 |      |
|   | C 474 | QETN1EM-106Z   | E CAPACITOR  | 10MF 20% 25V   |      |   | CN315 | QGF1205C1-10   | CONNECTOR       |                 |      |
|   | C 475 | EETC1HM-105ZJC | E CAPACITOR  |                |      |   | CN504 | QGF1016F3-15   | CONNECTOR       |                 |      |
|   | C 476 | QFLC1HJ-682Z   | M CAPACITOR  | 6800PF 5% 50V  |      |   | CN661 | QGF1016F3-19   | CONNECTOR       |                 |      |
|   | C 481 | QFG32AJ-223Z   | PP CAPACITOR | .022MF 5% 100V |      |   | CN870 | QGF1205C1-17   | CONNECTOR       |                 |      |
|   | C 482 | QFG32AJ-223Z   | PP CAPACITOR | .022MF 5% 100V |      |   | CN871 | QGF1205C1-17   | CONNECTOR       |                 |      |
|   | C 483 | QFLC1HJ-223Z   | M CAPACITOR  | .022MF 5% 50V  |      |   | C1201 | QETN1AM-227Z   | E CAPACITOR     | 220MF 20% 10V   |      |
|   | C 484 | QFLC1HJ-223Z   | M CAPACITOR  | .022MF 5% 50V  |      |   | C1202 | QFLC1HJ-823Z   | M CAPACITOR     | .082MF 5% 50V   |      |
|   | C 485 | QTE1V06-106Z   | E CAPACITOR  |                |      |   | C1228 | EETC1AM-107ZJC | E CAPACITOR     |                 |      |
|   | C 486 | QTE1V06-106Z   | E CAPACITOR  |                |      |   | D 411 | 1SS119-041-T2  | SI DIODE        |                 |      |
|   | C 487 | EETC1AM-107ZJC | E CAPACITOR  |                |      |   | D 412 | 1SS119-041-T2  | SI DIODE        |                 |      |
|   | C 488 | EETC1HM-105ZJC | E CAPACITOR  |                |      |   | D 426 | DZ5.1BSB-T2    | ZENER DIODE     |                 |      |
|   | C 489 | EETC1AM-107ZJC | E CAPACITOR  |                |      |   | D 431 | DZ3.9BSB-T2    | ZENER DIODE     |                 |      |
|   | C 501 | QETN1HM-475Z   | E CAPACITOR  | 4.7MF 20% 50V  |      |   | D 432 | DZ3.9BSB-T2    | ZENER DIODE     |                 |      |
|   | C 502 | QETN1HM-475Z   | E CAPACITOR  | 4.7MF 20% 50V  |      |   | D 434 | DZ5.1BSB-T2    | ZENER DIODE     |                 |      |
|   | C 503 | QFVJ1HJ-224Z   | MF CAPACITOR | .22MF 5% 50V   |      |   | D 501 | 1SS119-041-T2  | SI DIODE        |                 |      |
|   | C 504 | QFLC1HJ-822Z   | M CAPACITOR  | 8200PF 5% 50V  |      |   | D 502 | 1SS119-041-T2  | SI DIODE        |                 |      |
|   | C 505 | QFVJ1HJ-274Z   | MF CAPACITOR | .27MF 5% 50V   |      |   | D 571 | 1SS119-041-T2  | SI DIODE        |                 |      |
|   | C 507 | QFLC1HJ-153Z   | M CAPACITOR  | .015MF 5% 50V  |      |   | D 572 | 1SS119-041-T2  | SI DIODE        |                 |      |
|   | C 508 | QFLC1HJ-273Z   | M CAPACITOR  | .027MF 5% 50V  |      |   | D 585 | 1SS119-041-T2  | SI DIODE        |                 |      |
|   | C 509 | QETN1CM-106Z   | E CAPACITOR  | 10MF 20% 16V   |      |   | D 586 | DZ6.8BSC-T2    | ZENER DIODE     |                 |      |
|   | C 510 | QETN1HM-475Z   | E CAPACITOR  | 4.7MF 20% 50V  |      |   | D 587 | DZ6.8BSC-T2    | ZENER DIODE     |                 |      |

■ Electrical parts list (Input board)

Block No. 02

| ▲ | Item  | Parts number  | Parts name      | Remarks      | Area | ▲ | Item  | Parts number | Parts name | Remarks      | Area |
|---|-------|---------------|-----------------|--------------|------|---|-------|--------------|------------|--------------|------|
|   | D 592 | 1SS119-041-T2 | SI DIODE        |              |      |   | R 440 | QRE141J-562Y | C RESISTOR | 5.6K 5% 1/4W |      |
|   | EP250 | E409182-001SM | GRAND TERMINAL  |              |      |   | R 441 | QRE141J-272Y | C RESISTOR | 2.7K 5% 1/4W |      |
|   | FT111 | QNG0020-001Z  | FUSE CLIP       |              |      |   | R 442 | QRE141J-103Y | C RESISTOR | 10K 5% 1/4W  |      |
|   | FT112 | QNG0020-001Z  | FUSE CLIP       |              |      |   | R 443 | QRE141J-104Y | C RESISTOR | 100K 5% 1/4W |      |
|   | FT131 | QNG0020-001Z  | FUSE CLIP       |              |      |   | R 444 | QRE141J-104Y | C RESISTOR | 100K 5% 1/4W |      |
|   | FT132 | QNG0020-001Z  | FUSE CLIP       |              |      |   | R 466 | QRE141J-201Y | C RESISTOR | 200 5% 1/4W  |      |
|   | FT511 | QNG0020-001Z  | FUSE CLIP       |              |      |   | R 467 | QRE141J-153Y | C RESISTOR | 15K 5% 1/4W  |      |
|   | FT512 | QNG0020-001Z  | FUSE CLIP       |              |      |   | R 468 | QRE141J-153Y | C RESISTOR | 15K 5% 1/4W  |      |
|   | FT521 | QNG0020-001Z  | FUSE CLIP       |              |      |   | R 469 | QRE141J-562Y | C RESISTOR | 5.6K 5% 1/4W |      |
|   | FT522 | QNG0020-001Z  | FUSE CLIP       |              |      |   | R 470 | QRE141J-562Y | C RESISTOR | 5.6K 5% 1/4W |      |
|   | FW401 | QUM155-09Z4Z4 | PARA RIBON WIRE |              |      |   | R 471 | QRE141J-223Y | C RESISTOR | 22K 5% 1/4W  |      |
|   | FW710 | QUM153-09DGZ4 | FLAT WIRE       |              |      |   | R 472 | QRE141J-102Y | C RESISTOR | 1.0K 5% 1/4W |      |
|   | FW714 | QUM156-18DGZ4 | PARA RIBON WIRE |              |      |   | R 473 | QRE141J-153Y | C RESISTOR | 15K 5% 1/4W  |      |
|   | IC436 | TDA7439       | IC              |              |      |   | R 474 | QRE141J-513Y | C RESISTOR | 51K 5% 1/4W  |      |
|   | IC466 | BA3837        | IC(VOCALFADER)  |              |      |   | R 475 | QRE141J-101Y | C RESISTOR | 100 5% 1/4W  |      |
|   | IC481 | NJM4580D      | IC              |              |      |   | R 485 | QRE141J-563Y | C RESISTOR | 56K 5% 1/4W  |      |
|   | IC501 | NJM4580D      | IC              |              |      |   | R 486 | QRE141J-563Y | C RESISTOR | 56K 5% 1/4W  |      |
|   | IC502 | NJM4580D      | IC              |              |      |   | R 487 | QRE141J-154Y | C RESISTOR | 150K 5% 1/4W |      |
|   | IC526 | NJM4580D      | IC              |              |      |   | R 488 | QRE141J-154Y | C RESISTOR | 150K 5% 1/4W |      |
|   | IC571 | NJM4580D      | IC              |              |      |   | R 489 | QRE141J-104Y | C RESISTOR | 100K 5% 1/4W |      |
|   | J 411 | QNN0420-001   | PIN JACK        |              |      |   | R 490 | QRE141J-104Y | C RESISTOR | 100K 5% 1/4W |      |
|   | J 426 | GP1FA550TZ    | OPT TRANSMITTER |              |      |   | R 491 | QRE141J-472Y | C RESISTOR | 4.7K 5% 1/4W |      |
|   | J 999 | QNN0420-001   | PIN JACK        |              |      |   | R 492 | QRE141J-472Y | C RESISTOR | 4.7K 5% 1/4W |      |
|   | JA566 | QNN0017-002   | PIN JACK        |              |      |   | R 493 | QRE141J-103Y | C RESISTOR | 10K 5% 1/4W  |      |
|   | L 001 | QQR1277-001Z  | F.BEADS         |              |      |   | R 494 | QRE141J-103Y | C RESISTOR | 10K 5% 1/4W  |      |
|   | L 546 | QQR1277-001Z  | F.BEADS         |              |      |   | R 495 | QRE141J-101Y | C RESISTOR | 100 5% 1/4W  |      |
|   | L 566 | QQR1277-001Z  | F.BEADS         |              |      |   | R 496 | QRE141J-102Y | C RESISTOR | 1.0K 5% 1/4W |      |
|   | L 567 | QQR1277-001Z  | F.BEADS         |              |      |   | R 498 | QRE141J-101Y | C RESISTOR | 100 5% 1/4W  |      |
|   | L 571 | QQR1277-001Z  | F.BEADS         |              |      |   | R 501 | QRE141J-332Y | C RESISTOR | 3.3K 5% 1/4W |      |
|   | Q 401 | 2SC3576-JVC-T | TRANSISTOR      |              |      |   | R 502 | QRE141J-332Y | C RESISTOR | 3.3K 5% 1/4W |      |
|   | Q 402 | 2SC3576-JVC-T | TRANSISTOR      |              |      |   | R 503 | QRE141J-303Y | C RESISTOR | 30K 5% 1/4W  |      |
|   | Q 481 | 2SC3576-JVC-T | TRANSISTOR      |              |      |   | R 504 | QRE141J-104Y | C RESISTOR | 100K 5% 1/4W |      |
|   | Q 482 | 2SC3576-JVC-T | TRANSISTOR      |              |      |   | R 505 | QRE141J-223Y | C RESISTOR | 22K 5% 1/4W  |      |
|   | Q 483 | KRA102M-T     | D.TRANSISTOR    |              |      |   | R 506 | QRE141J-223Y | C RESISTOR | 22K 5% 1/4W  |      |
|   | Q 556 | 2SC3576-JVC-T | TRANSISTOR      |              |      |   | R 507 | QRE141J-303Y | C RESISTOR | 30K 5% 1/4W  |      |
|   | Q 557 | 2SC3576-JVC-T | TRANSISTOR      |              |      |   | R 508 | QRE141J-274Y | C RESISTOR | 270K 5% 1/4W |      |
|   | Q 562 | 2SC3576-JVC-T | TRANSISTOR      |              |      |   | R 510 | QRE141J-823Y | C RESISTOR | 82K 5% 1/4W  |      |
|   | Q 571 | 2SC2785/FE/-T | TRANSISTOR      |              |      |   | R 511 | QRE141J-104Y | C RESISTOR | 100K 5% 1/4W |      |
|   | Q 572 | 2SC2785/FE/-T | TRANSISTOR      |              |      |   | R 512 | QRE141J-224Y | C RESISTOR | 220K 5% 1/4W |      |
|   | Q 573 | 2SC2785/FE/-T | TRANSISTOR      |              |      |   | R 513 | QRE141J-224Y | C RESISTOR | 220K 5% 1/4W |      |
|   | Q 585 | 2SC2785/FE/-T | TRANSISTOR      |              |      |   | R 517 | QRE141J-563Y | C RESISTOR | 56K 5% 1/4W  |      |
|   | Q 586 | 2SC2785/FE/-T | TRANSISTOR      |              |      |   | R 518 | QRE141J-104Y | C RESISTOR | 100K 5% 1/4W |      |
|   | Q 999 | KRA102M-T     | D.TRANSISTOR    |              |      |   | R 519 | QRE141J-104Y | C RESISTOR | 100K 5% 1/4W |      |
|   | R 401 | QRE141J-102Y  | C RESISTOR      | 1.0K 5% 1/4W |      |   | R 523 | QRE141J-822Y | C RESISTOR | 8.2K 5% 1/4W |      |
|   | R 402 | QRE141J-102Y  | C RESISTOR      | 1.0K 5% 1/4W |      |   | R 524 | QRE141J-102Y | C RESISTOR | 1.0K 5% 1/4W |      |
|   | R 403 | QRE141J-472Y  | C RESISTOR      | 4.7K 5% 1/4W |      |   | R 526 | QRE141J-101Y | C RESISTOR | 100 5% 1/4W  |      |
|   | R 404 | QRE141J-472Y  | C RESISTOR      | 4.7K 5% 1/4W |      |   | R 528 | QRE141J-152Y | C RESISTOR | 1.5K 5% 1/4W |      |
|   | R 405 | QRE141J-222Y  | C RESISTOR      | 2.2K 5% 1/4W |      |   | R 529 | QRE141J-223Y | C RESISTOR | 22K 5% 1/4W  |      |
|   | R 406 | QRE141J-222Y  | C RESISTOR      | 2.2K 5% 1/4W |      |   | R 530 | QRE141J-822Y | C RESISTOR | 8.2K 5% 1/4W |      |
|   | R 407 | QRE141J-272Y  | C RESISTOR      | 2.7K 5% 1/4W |      |   | R 531 | QRE141J-103Y | C RESISTOR | 10K 5% 1/4W  |      |
|   | R 411 | QRE141J-103Y  | C RESISTOR      | 10K 5% 1/4W  |      |   | R 532 | QRE141J-223Y | C RESISTOR | 22K 5% 1/4W  |      |
|   | R 412 | QRE141J-103Y  | C RESISTOR      | 10K 5% 1/4W  |      |   | R 534 | QRE141J-124Y | C RESISTOR | 120K 5% 1/4W |      |
|   | R 413 | QRE141J-683Y  | C RESISTOR      | 68K 5% 1/4W  |      |   | R 536 | QRE141J-113Y | C RESISTOR | 11K 5% 1/4W  |      |
|   | R 414 | QRE141J-683Y  | C RESISTOR      | 68K 5% 1/4W  |      |   | R 537 | QRE141J-101Y | C RESISTOR | 100 5% 1/4W  |      |
|   | R 426 | QRE141J-560Y  | C RESISTOR      | 56 5% 1/4W   |      |   | R 541 | QRE141J-223Y | C RESISTOR | 22K 5% 1/4W  |      |
|   | R 431 | QRE141J-303Y  | C RESISTOR      | 30K 5% 1/4W  |      |   | R 557 | QRE141J-822Y | C RESISTOR | 8.2K 5% 1/4W |      |
|   | R 432 | QRE141J-303Y  | C RESISTOR      | 30K 5% 1/4W  |      |   | R 558 | QRE141J-472Y | C RESISTOR | 4.7K 5% 1/4W |      |
| ▲ | R 434 | QRJ146J-4R7X  | UNF C RESISTOR  | 4.7 5% 1/4W  |      |   | R 560 | QRE141J-473Y | C RESISTOR | 47K 5% 1/4W  |      |
|   | R 435 | QRE141J-103Y  | C RESISTOR      | 10K 5% 1/4W  |      |   | R 562 | QRE141J-103Y | C RESISTOR | 10K 5% 1/4W  |      |
|   | R 436 | QRE141J-103Y  | C RESISTOR      | 10K 5% 1/4W  |      |   | R 563 | QRE141J-223Y | C RESISTOR | 22K 5% 1/4W  |      |
|   | R 437 | QRE141J-102Y  | C RESISTOR      | 1.0K 5% 1/4W |      |   | R 564 | QRE141J-223Y | C RESISTOR | 22K 5% 1/4W  |      |
|   | R 438 | QRE141J-272Y  | C RESISTOR      | 2.7K 5% 1/4W |      |   | R 571 | QRE141J-271Y | C RESISTOR | 270 5% 1/4W  |      |
|   | R 439 | QRE141J-562Y  | C RESISTOR      | 5.6K 5% 1/4W |      |   | R 572 | QRE141J-473Y | C RESISTOR | 47K 5% 1/4W  |      |

## ■ Electrical parts list (Input board)

Block No. 02

| △ | Item  | Parts number | Parts name     | Remarks      | Area |
|---|-------|--------------|----------------|--------------|------|
|   | R 575 | QRE141J-473Y | C RESISTOR     | 47K 5% 1/4W  |      |
|   | R 576 | QRE141J-104Y | C RESISTOR     | 100K 5% 1/4W |      |
|   | R 577 | QRE141J-104Y | C RESISTOR     | 100K 5% 1/4W |      |
|   | R 579 | QRE141J-184Y | C RESISTOR     | 180K 5% 1/4W |      |
|   | R 580 | QRE141J-223Y | C RESISTOR     | 22K 5% 1/4W  |      |
|   | R 581 | QRE141J-224Y | C RESISTOR     | 220K 5% 1/4W |      |
|   | R 582 | QRE141J-101Y | C RESISTOR     | 100 5% 1/4W  |      |
|   | R 583 | QRE141J-101Y | C RESISTOR     | 100 5% 1/4W  |      |
|   | R 585 | QRE141J-473Y | C RESISTOR     | 47K 5% 1/4W  |      |
|   | R 586 | QRE141J-225Y | C RESISTOR     | 2.2M 5% 1/4W |      |
|   | R 587 | QRE141J-104Y | C RESISTOR     | 100K 5% 1/4W |      |
|   | R 588 | QRE141J-220Y | C RESISTOR     | 22 5% 1/4W   |      |
|   | R 593 | QRE141J-104Y | C RESISTOR     | 100K 5% 1/4W |      |
|   | R 991 | QRE141J-102Y | C RESISTOR     | 1.0K 5% 1/4W |      |
|   | R 994 | QRE141J-103Y | C RESISTOR     | 10K 5% 1/4W  |      |
|   | R 995 | QRE141J-333Y | C RESISTOR     | 33K 5% 1/4W  |      |
|   | R 998 | QRE141J-103Y | C RESISTOR     | 10K 5% 1/4W  |      |
| △ | R1002 | ERX12SJR33E  | UNF.C.RESISTOR |              |      |
|   | R1202 | QRE141J-102Y | C RESISTOR     | 1.0K 5% 1/4W |      |
|   | R1203 | QRE141J-102Y | C RESISTOR     | 1.0K 5% 1/4W |      |
| △ | S 500 | QSW0812-001  | VOLTAGE SWITCH |              |      |
|   | SP 21 | VYSA1R3-049  | SPACER         |              |      |
|   | SP 22 | VYSA1R3-049  | SPACER         |              |      |
|   | SP 23 | VYSA1R3-049  | SPACER         |              |      |

■ Electrical parts list (Front board)

Block No. 03

| ▲ | Item  | Parts number   | Parts name     | Remarks        | Area | ▲ | Item  | Parts number   | Parts name      | Remarks       | Area |
|---|-------|----------------|----------------|----------------|------|---|-------|----------------|-----------------|---------------|------|
|   | C 233 | QFVJ1HJ-104Z   | MF CAPACITOR   | .10MF 5% 50V   |      |   | C1042 | EETC1EM-226ZJC | E CAPACITOR     |               |      |
|   | C 302 | EETC1HM-106ZJC | E CAPACITOR    |                |      |   | C1043 | QFVJ1HJ-474Z   | MF CAPACITOR    | .47MF 5% 50V  |      |
|   | C 308 | EETC1HM-106ZJC | E CAPACITOR    |                |      |   | C1044 | QDYB1CM-103Y   | C CAPACITOR     |               |      |
|   | C 310 | EETC1HM-106ZJC | E CAPACITOR    |                |      |   | C1045 | QETN1HM-225Z   | E CAPACITOR     | 2.2MF 20% 50V |      |
|   | C 312 | EETC1HM-106ZJC | E CAPACITOR    |                |      |   | C1046 | EETC1HM-105ZJC | E CAPACITOR     |               |      |
|   | C 360 | EETC1CM-476ZJC | E CAPACITOR    |                |      |   | C1061 | QETN1AM-227Z   | E CAPACITOR     | 220MF 20% 10V |      |
|   | C 361 | QDYB1CM-103Y   | C CAPACITOR    |                |      |   | C1062 | EKEC1AM-107ZJC | E CAPACITOR     |               |      |
|   | C 362 | EETC1HM-226ZJC | E CAPACITOR    |                |      |   | C1063 | EKEC1HM-475ZJC | E CAPACITOR     |               |      |
|   | C 801 | FQCF31HP-103Z  | C CAPACITOR    |                |      |   | C1064 | QCBB1HK-151Y   | C CAPACITOR     | 150PF 10% 50V |      |
|   | C 803 | QETN0JM-477Z   | E CAPACITOR    | 470MF 20% 6.3V |      |   | C1065 | QCBB1HK-151Y   | C CAPACITOR     | 150PF 10% 50V |      |
|   | C 804 | QETN0JM-477Z   | E CAPACITOR    | 470MF 20% 6.3V |      |   | C1066 | QCBB1HK-331Y   | C CAPACITOR     | 330PF 10% 50V |      |
|   | C 805 | QDGB1HK-102Y   | C CAPACITOR    |                |      |   | C1067 | QEKC1HM-225Z   | E CAPACITOR     | 2.2MF 20% 50V |      |
|   | C 808 | QCSB1HJ-120Y   | C CAPACITOR    | 12PF 5% 50V    |      |   | C1068 | QEKC1HM-224Z   | E CAPACITOR     | .22MF 20% 50V |      |
|   | C 809 | QCSB1HJ-180Y   | C CAPACITOR    | 18PF 5% 50V    |      |   | C1070 | QDXB1CM-222Y   | C CAPACITOR     |               |      |
|   | C 815 | EETC1HM-226ZJC | E CAPACITOR    |                |      |   | D 308 | DZ5.6BSC-T2    | ZENER DIODE     |               |      |
|   | C 816 | EETC1CM-476ZJC | E CAPACITOR    |                |      |   | D 313 | DZ8.2BSB-T2    | ZENER DIODE     |               |      |
|   | C 817 | EETC1HM-226ZJC | E CAPACITOR    |                |      |   | D 314 | DZ13BSB-T2     | ZENER DIODE     |               |      |
|   | C 820 | QCZ0202-155Z   | ML C CAPACITOR | 1.5MF          |      |   | D 315 | DZ9.1BSB-T2    | ZENER DIODE     |               |      |
|   | C 821 | QDYB1CM-103Y   | C CAPACITOR    |                |      |   | D 360 | DZ5.1BSB-T2    | ZENER DIODE     |               |      |
|   | C 823 | QFVJ1HJ-334Z   | MF CAPACITOR   | .33MF 5% 50V   |      |   | D 361 | DZ9.1BSB-T2    | ZENER DIODE     |               |      |
|   | C 831 | QDYB1CM-103Y   | C CAPACITOR    |                |      |   | D 362 | DZ6.8BSC-T2    | ZENER DIODE     |               |      |
|   | C 832 | QDYB1CM-103Y   | C CAPACITOR    |                |      |   | D 650 | 1SS119-041-T2  | SI DIODE        |               |      |
|   | C 835 | QDGB1HK-102Y   | C CAPACITOR    |                |      |   | D 725 | 1SS119-041-T2  | SI DIODE        |               |      |
|   | C 836 | EETC1EM-106ZJC | E CAPACITOR    |                |      |   | D 801 | 1N4003S-T5     | SI DIODE        |               |      |
|   | C 837 | EETC1AM-107ZJC | E CAPACITOR    |                |      |   | D 803 | 1SS119-041-T2  | SI DIODE        |               |      |
|   | C 838 | QDGB1HK-102Y   | C CAPACITOR    |                |      |   | D 804 | 1SS119-041-T2  | SI DIODE        |               |      |
|   | C 840 | EETC1AM-107ZJC | E CAPACITOR    |                |      |   | D 805 | 1SS119-041-T2  | SI DIODE        |               |      |
|   | C 857 | EETC1HM-226ZJC | E CAPACITOR    |                |      |   | D 807 | 1N4003S-T5     | SI DIODE        |               |      |
|   | C 872 | EETC1HM-224ZJC | E CAPACITOR    |                |      |   | D 812 | 1SS119-041-T2  | SI DIODE        |               |      |
|   | C 873 | EETC1HM-224ZJC | E CAPACITOR    |                |      |   | D 831 | DZ5.1BSB-T2    | ZENER DIODE     |               |      |
|   | C 874 | QFLC1HJ-104Z   | M CAPACITOR    | .10MF 5% 50V   |      |   | D 832 | DZ5.1BSB-T2    | ZENER DIODE     |               |      |
|   | C 875 | QFLC1HJ-104Z   | M CAPACITOR    | .10MF 5% 50V   |      |   | D 907 | 1SS119-041-T2  | SI DIODE        |               |      |
|   | C 889 | EETC1HM-475ZJC | E CAPACITOR    |                |      |   | D 918 | L-192ZSRD-T    | LED             |               |      |
|   | C 935 | QDYB1CM-103Y   | C CAPACITOR    |                |      |   | D 919 | L-192ZSRD-T    | LED             |               |      |
|   | C 956 | QDYB1CM-103Y   | C CAPACITOR    |                |      |   | D 920 | L-192ZSRD-T    | LED             |               |      |
|   | C 957 | QDYB1CM-103Y   | C CAPACITOR    |                |      |   | D 940 | L-192ZSRD-T    | LED             |               |      |
|   | C 960 | QDYB1CM-103Y   | C CAPACITOR    |                |      |   | D 941 | L-192ZSRD-T    | LED             |               |      |
|   | C 961 | QDYB1CM-103Y   | C CAPACITOR    |                |      |   | D 942 | L-192ZSRD-T    | LED             |               |      |
|   | C 962 | QDYB1CM-103Y   | C CAPACITOR    |                |      |   | D 943 | L-192ZSRD-T    | LED             |               |      |
|   | C 963 | QDYB1CM-103Y   | C CAPACITOR    |                |      |   | D 944 | L-192ZSRD-T    | LED             |               |      |
|   | CN216 | QGB2510K2-12   | CONNECTOR      |                |      |   | D 945 | L-192ZSRD-T    | LED             |               |      |
|   | CN217 | QGB2510K2-10   | CONNECTOR      |                |      |   | D 953 | L-192ZSRD-T    | LED             |               |      |
|   | CN316 | QGF1210G1-09   | CONNECTOR      |                |      |   | D 954 | L-192ZSRD-T    | LED             |               |      |
|   | CN710 | QGD2504C1-03Z  | SOCKET         |                |      |   | D 956 | L-192ZSRD-T    | LED             |               |      |
|   | CN860 | QGF1205F1-17   | CONNECTOR      |                |      |   | D 957 | L-192ZSRD-T    | LED             |               |      |
|   | CN861 | QGF1205F1-17   | CONNECTOR      |                |      |   | D 960 | L-192ZSRD-T    | LED             |               |      |
|   | CN880 | QGF1210G1-24   | FFC/FPC CONNE  |                |      |   | D 961 | L-192ZSRD-T    | LED             |               |      |
|   | CN890 | QGF1205F1-24   | CONNECTOR      |                |      |   | D 962 | L-192ZSRD-T    | LED             |               |      |
|   | CN911 | QGD2503F1-07   | SOCKET         |                |      |   | D 964 | 1SS119-041-T2  | SI DIODE        |               |      |
|   | C1004 | QDGB1HK-102Y   | C CAPACITOR    |                |      |   | D1003 | DZ2.4BSB-T2    | ZENER DIODE     |               |      |
|   | C1005 | QDGB1HK-102Y   | C CAPACITOR    |                |      |   | D1021 | DZ5.1BSB-T2    | ZENER DIODE     |               |      |
|   | C1006 | QDGB1HK-102Y   | C CAPACITOR    |                |      |   | D1061 | 1SS119-041-T2  | SI DIODE        |               |      |
|   | C1021 | QDGB1HK-102Y   | C CAPACITOR    |                |      |   | D1062 | DZ2.4BSB-T2    | ZENER DIODE     |               |      |
|   | C1022 | QDGB1HK-102Y   | C CAPACITOR    |                |      |   | FL801 | QLF0081-001    | FL DISPLAY TUBE |               |      |
|   | C1023 | QDGB1HK-102Y   | C CAPACITOR    |                |      |   | FW230 | QUM153-11DGZ4  | PARA RIBON WIRE |               |      |
|   | C1034 | QFLM1HJ-104Z   | M CAPACITOR    | .10MF 5% 50V   |      |   | FW713 | QUM153-33DGZ4  | FLAT WIRE       |               |      |
|   | C1035 | EETC1AM-107ZJC | E CAPACITOR    |                |      |   | FW915 | QUM027-18Z4Z4  | PARA RIBON WIRE |               |      |
|   | C1036 | QCBB1HK-101Y   | C CAPACITOR    | 100PF 10% 50V  |      | ▲ | IC301 | KIA78R05PI     | IC              |               |      |
|   | C1037 | QDYB1CM-103Y   | C CAPACITOR    |                |      | ▲ | IC303 | L7808CP        | IC              |               |      |
|   | C1038 | QDXB1CM-472Y   | C CAPACITOR    |                |      | ▲ | IC304 | L7812CP        | IC              |               |      |
|   | C1039 | QDYB1CM-103Y   | C CAPACITOR    |                |      | ▲ | IC305 | L7809CP        | IC              |               |      |
|   | C1040 | QDXB1CM-332Y   | C CAPACITOR    |                |      |   | IC810 | MN101C35DEM    | IC              |               |      |
|   | C1041 | QDYB1CM-103Y   | C CAPACITOR    |                |      |   | IC811 | BU2092         | IC              |               |      |

## ■ Electrical parts list (Front board)

Block No. 03

| △ | Item  | Parts number   | Parts name     | Remarks      | Area | △ | Item  | Parts number | Parts name | Remarks      | Area |
|---|-------|----------------|----------------|--------------|------|---|-------|--------------|------------|--------------|------|
|   | IC812 | BA3835S        | IC             |              |      |   | R 362 | QRE141J-331Y | C RESISTOR | 330 5% 1/4W  |      |
|   | IC830 | KIA7042AP-T    | IC             |              |      |   | R 363 | QRE141J-331Y | C RESISTOR | 330 5% 1/4W  |      |
|   | IC901 | NJM4580L       | IC             |              |      |   | R 364 | QRE141J-122Y | C RESISTOR | 1.2K 5% 1/4W |      |
|   | IC902 | BU9253AS       | IC             |              |      |   | R 365 | QRE141J-201Y | C RESISTOR | 200 5% 1/4W  |      |
|   | IC951 | GP1U271X       | RF-RECEIVER    |              |      |   | R 366 | QRE141J-201Y | C RESISTOR | 200 5% 1/4W  |      |
|   | J 81  | QNB0107-001    | SPK TERMINAL   |              |      |   | R 367 | QRE141J-122Y | C RESISTOR | 1.2K 5% 1/4W |      |
|   | JS956 | QSW0912-001    | ROTARY SWITCH  | S/WOOFER VOL |      |   | R 368 | QRE141J-331Y | C RESISTOR | 330 5% 1/4W  |      |
|   | JS960 | QSW0911-001    | ROTARY SWITCH  | S/MODE VOL   |      |   | R 801 | QRE141J-331Y | C RESISTOR | 330 5% 1/4W  |      |
|   | JS962 | QSW0987-001    | ROTARY ENCODER | MAIN VOL     |      |   | R 807 | QRE141J-103Y | C RESISTOR | 10K 5% 1/4W  |      |
|   | J1001 | QNS0183-001    | HEADPHONE JACK | HEAD PHONE   |      |   | R 808 | QRE141J-103Y | C RESISTOR | 10K 5% 1/4W  |      |
|   | J1021 | QNS0184-001    | HEADPHONE JACK |              |      |   | R 810 | QRE141J-103Y | C RESISTOR | 10K 5% 1/4W  |      |
|   | J1022 | QNS0184-001    | HEADPHONE JACK |              |      |   | R 811 | QRE141J-103Y | C RESISTOR | 10K 5% 1/4W  |      |
|   | L 801 | QQL244K-100Z   | INDUCTOR       |              |      |   | R 812 | QRE141J-103Y | C RESISTOR | 10K 5% 1/4W  |      |
|   | L 802 | QQL231K-220Y   | INDUCTOR       |              |      |   | R 813 | QRE141J-103Y | C RESISTOR | 10K 5% 1/4W  |      |
|   | L 803 | QQL244K-100Z   | INDUCTOR       |              |      |   | R 814 | QRE141J-562Y | C RESISTOR | 5.6K 5% 1/4W |      |
|   | L 805 | QQL244K-100Z   | INDUCTOR       |              |      |   | R 815 | QRE141J-563Y | C RESISTOR | 56K 5% 1/4W  |      |
|   | L 806 | QQL244K-100Z   | INDUCTOR       |              |      |   | R 816 | QRE141J-563Y | C RESISTOR | 56K 5% 1/4W  |      |
|   | L 813 | QQR1277-001Z   | F.BEADS        |              |      |   | R 817 | QRE141J-103Y | C RESISTOR | 10K 5% 1/4W  |      |
|   | L1003 | QQL231K-2R2Y   | INDUCTOR       |              |      |   | R 818 | QRE141J-103Y | C RESISTOR | 10K 5% 1/4W  |      |
| △ | Q 360 | KTC2026/OY/    | SI.TRANSISTOR  |              |      |   | R 819 | QRE141J-102Y | C RESISTOR | 1.0K 5% 1/4W |      |
|   | Q 361 | 2SC2785/FE/-T  | TRANSISTOR     |              |      |   | R 820 | QRE141J-102Y | C RESISTOR | 1.0K 5% 1/4W |      |
|   | Q 362 | 2SC2785/FE/-T  | TRANSISTOR     |              |      |   | R 821 | QRE141J-103Y | C RESISTOR | 10K 5% 1/4W  |      |
|   | Q 809 | 2SD1991A/RS/-T | TRANSISTOR     |              |      |   | R 822 | QRE141J-103Y | C RESISTOR | 10K 5% 1/4W  |      |
|   | Q 810 | 2SD1991A/RS/-T | TRANSISTOR     |              |      |   | R 823 | QRE141J-102Y | C RESISTOR | 1.0K 5% 1/4W |      |
|   | Q 811 | 2SD1991A/RS/-T | TRANSISTOR     |              |      |   | R 824 | QRE141J-102Y | C RESISTOR | 1.0K 5% 1/4W |      |
|   | Q 812 | 2SD1991A/RS/-T | TRANSISTOR     |              |      |   | R 825 | QRE141J-104Y | C RESISTOR | 100K 5% 1/4W |      |
|   | Q 813 | 2SD1991A/RS/-T | TRANSISTOR     |              |      |   | R 826 | QRE141J-104Y | C RESISTOR | 100K 5% 1/4W |      |
|   | Q 816 | 2SD1991A/RS/-T | TRANSISTOR     |              |      |   | R 827 | QRE141J-103Y | C RESISTOR | 10K 5% 1/4W  |      |
|   | Q 817 | 2SD1991A/RS/-T | TRANSISTOR     |              |      |   | R 828 | QRE141J-103Y | C RESISTOR | 10K 5% 1/4W  |      |
|   | Q 843 | KRA102M-T      | D.TRANSISTOR   |              |      |   | R 829 | QRE141J-103Y | C RESISTOR | 10K 5% 1/4W  |      |
|   | Q 858 | 2SD1991A/RS/-T | TRANSISTOR     |              |      |   | R 831 | QRE141J-104Y | C RESISTOR | 100K 5% 1/4W |      |
|   | Q 875 | KRC102M-T      | D.TRANSISTOR   |              |      |   | R 832 | QRE141J-104Y | C RESISTOR | 100K 5% 1/4W |      |
|   | Q 877 | KRA102M-T      | D.TRANSISTOR   |              |      |   | R 833 | QRE141J-104Y | C RESISTOR | 100K 5% 1/4W |      |
|   | Q 878 | KRC102M-T      | D.TRANSISTOR   |              |      |   | R 834 | QRE141J-104Y | C RESISTOR | 100K 5% 1/4W |      |
|   | Q 879 | 2SD1991A/RS/-T | TRANSISTOR     |              |      |   | R 835 | QRE141J-104Y | C RESISTOR | 100K 5% 1/4W |      |
|   | Q 890 | 2SD1991A/RS/-T | TRANSISTOR     |              |      |   | R 836 | QRE141J-104Y | C RESISTOR | 100K 5% 1/4W |      |
|   | Q 905 | KRC104M-T      | D.TRANSISTOR   |              |      |   | R 837 | QRE141J-104Y | C RESISTOR | 100K 5% 1/4W |      |
|   | Q 906 | KRC104M-T      | D.TRANSISTOR   |              |      |   | R 838 | QRE141J-102Y | C RESISTOR | 1.0K 5% 1/4W |      |
|   | Q 907 | KRC102M-T      | D.TRANSISTOR   |              |      |   | R 839 | QRE141J-102Y | C RESISTOR | 1.0K 5% 1/4W |      |
|   | Q 908 | KRA102M-T      | D.TRANSISTOR   |              |      |   | R 840 | QRE141J-103Y | C RESISTOR | 10K 5% 1/4W  |      |
|   | Q 918 | KRC102M-T      | D.TRANSISTOR   |              |      |   | R 841 | QRE141J-103Y | C RESISTOR | 10K 5% 1/4W  |      |
|   | Q 919 | KRC102M-T      | D.TRANSISTOR   |              |      |   | R 842 | QRE141J-103Y | C RESISTOR | 10K 5% 1/4W  |      |
|   | Q 920 | KRC102M-T      | D.TRANSISTOR   |              |      |   | R 844 | QRE141J-102Y | C RESISTOR | 1.0K 5% 1/4W |      |
|   | Q 940 | 2SA1175/FE/-T  | TRANSISTOR     |              |      |   | R 845 | QRE141J-102Y | C RESISTOR | 1.0K 5% 1/4W |      |
|   | Q 941 | 2SA1175/FE/-T  | TRANSISTOR     |              |      |   | R 846 | QRE141J-102Y | C RESISTOR | 1.0K 5% 1/4W |      |
|   | Q 953 | 2SA1175/FE/-T  | TRANSISTOR     |              |      |   | R 847 | QRE141J-102Y | C RESISTOR | 1.0K 5% 1/4W |      |
|   | Q 954 | 2SA1175/FE/-T  | TRANSISTOR     |              |      |   | R 848 | QRE141J-331Y | C RESISTOR | 330 5% 1/4W  |      |
|   | Q 956 | 2SA1175/FE/-T  | TRANSISTOR     |              |      |   | R 849 | QRE141J-102Y | C RESISTOR | 1.0K 5% 1/4W |      |
|   | Q 960 | 2SA1175/FE/-T  | TRANSISTOR     |              |      |   | R 850 | QRE141J-102Y | C RESISTOR | 1.0K 5% 1/4W |      |
|   | Q 961 | KRA102M-T      | D.TRANSISTOR   |              |      |   | R 851 | QRE141J-102Y | C RESISTOR | 1.0K 5% 1/4W |      |
|   | Q1021 | KRA111M-T      | D.TRANSISTOR   |              |      |   | R 854 | QRE141J-102Y | C RESISTOR | 1.0K 5% 1/4W |      |
|   | Q1022 | KRA111M-T      | D.TRANSISTOR   |              |      |   | R 855 | QRE141J-102Y | C RESISTOR | 1.0K 5% 1/4W |      |
|   | Q1023 | KRA111M-T      | D.TRANSISTOR   |              |      |   | R 856 | QRE141J-104Y | C RESISTOR | 100K 5% 1/4W |      |
|   | Q1061 | 2SC3576-JVC-T  | TRANSISTOR     |              |      |   | R 857 | QRE141J-104Y | C RESISTOR | 100K 5% 1/4W |      |
|   | R 151 | QRE141J-221Y   | C RESISTOR     | 220 5% 1/4W  |      |   | R 858 | QRE141J-104Y | C RESISTOR | 100K 5% 1/4W |      |
| △ | R 233 | QRK126J-470X   | C RESISTOR     | 47 5% 1/2W   |      |   | R 859 | QRE141J-104Y | C RESISTOR | 100K 5% 1/4W |      |
| △ | R 234 | QRK126J-470X   | C RESISTOR     | 47 5% 1/2W   |      |   | R 865 | QRE141J-104Y | C RESISTOR | 100K 5% 1/4W |      |
| △ | R 302 | QRJ146J-2R2X   | UNF C RESISTOR | 2.2 5% 1/4W  |      |   | R 866 | QRE141J-104Y | C RESISTOR | 100K 5% 1/4W |      |
| △ | R 306 | ERX12SJR33E    | UNF.C.RESISTOR |              |      |   | R 867 | QRE141J-104Y | C RESISTOR | 100K 5% 1/4W |      |
| △ | R 309 | ERX12SJR33E    | UNF.C.RESISTOR |              |      |   | R 868 | QRE141J-104Y | C RESISTOR | 100K 5% 1/4W |      |
|   | R 311 | QRE141J-103Y   | C RESISTOR     | 10K 5% 1/4W  |      |   | R 869 | QRE141J-104Y | C RESISTOR | 100K 5% 1/4W |      |
| △ | R 360 | QRZ9042-2R2X   | F RESISTOR     | 2.2 1/4W     |      |   | R 870 | QRE141J-104Y | C RESISTOR | 100K 5% 1/4W |      |
| △ | R 361 | QRZ9006-4R7X   | F RESISTOR     | 4.7 1/4W     |      |   | R 871 | QRE141J-104Y | C RESISTOR | 100K 5% 1/4W |      |

■ Electrical parts list (Front board)

Block No. 03

| ▲ | Item  | Parts number | Parts name | Remarks      | Area | ▲ | Item  | Parts number | Parts name   | Remarks      | Area |
|---|-------|--------------|------------|--------------|------|---|-------|--------------|--------------|--------------|------|
|   | R 872 | QRE141J-104Y | C RESISTOR | 100K 5% 1/4W |      |   | R 961 | QRE141J-101Y | C RESISTOR   | 100 5% 1/4W  |      |
|   | R 873 | QRE141J-104Y | C RESISTOR | 100K 5% 1/4W |      |   | R 962 | QRE141J-103Y | C RESISTOR   | 10K 5% 1/4W  |      |
|   | R 874 | QRE141J-104Y | C RESISTOR | 100K 5% 1/4W |      |   | R 963 | QRE141J-562Y | C RESISTOR   | 5.6K 5% 1/4W |      |
|   | R 876 | QRE141J-103Y | C RESISTOR | 10K 5% 1/4W  |      |   | R 964 | QRE141J-392Y | C RESISTOR   | 3.9K 5% 1/4W |      |
|   | R 877 | QRE141J-103Y | C RESISTOR | 10K 5% 1/4W  |      |   | R 965 | QRE141J-103Y | C RESISTOR   | 10K 5% 1/4W  |      |
|   | R 878 | QRE141J-104Y | C RESISTOR | 100K 5% 1/4W |      |   | R 969 | QRE141J-680Y | C RESISTOR   | 68 5% 1/4W   |      |
|   | R 879 | QRE141J-104Y | C RESISTOR | 100K 5% 1/4W |      |   | R 970 | QRE141J-101Y | C RESISTOR   | 100 5% 1/4W  |      |
|   | R 880 | QRE141J-104Y | C RESISTOR | 100K 5% 1/4W |      |   | R 992 | QRE141J-202Y | C RESISTOR   | 2.0K 5% 1/4W |      |
|   | R 881 | QRE141J-103Y | C RESISTOR | 10K 5% 1/4W  |      |   | R 993 | QRE141J-122Y | C RESISTOR   | 1.2K 5% 1/4W |      |
|   | R 882 | QRE141J-103Y | C RESISTOR | 10K 5% 1/4W  |      |   | R 994 | QRE141J-753Y | C RESISTOR   | 75K 5% 1/4W  | U,UN |
|   | R 883 | QRE141J-103Y | C RESISTOR | 10K 5% 1/4W  |      |   | R 994 | QRE141J-183Y | C RESISTOR   | 18K 5% 1/4W  | UX   |
|   | R 884 | QRE141J-102Y | C RESISTOR | 1.0K 5% 1/4W |      |   | R 995 | QRE141J-222Y | C RESISTOR   | 2.2K 5% 1/4W |      |
|   | R 885 | QRE141J-221Y | C RESISTOR | 220 5% 1/4W  |      |   | R 996 | QRE141J-272Y | C RESISTOR   | 2.7K 5% 1/4W |      |
|   | R 886 | QRE141J-221Y | C RESISTOR | 220 5% 1/4W  |      |   | R 997 | QRE141J-152Y | C RESISTOR   | 1.5K 5% 1/4W |      |
|   | R 887 | QRE141J-221Y | C RESISTOR | 220 5% 1/4W  |      |   | RA801 | QRB169J-104  | NET RESISTOR | 100K 5% 1/6W |      |
|   | R 888 | QRE141J-221Y | C RESISTOR | 220 5% 1/4W  |      |   | RA802 | QRB169J-104  | NET RESISTOR | 100K 5% 1/6W |      |
|   | R 889 | QRE141J-221Y | C RESISTOR | 220 5% 1/4W  |      |   | RY 1  | QSK0109-001  | RELAY        |              |      |
|   | R 890 | QRE141J-104Y | C RESISTOR | 100K 5% 1/4W |      |   | RY 2  | QSK0109-001  | RELAY        |              |      |
|   | R 891 | QRE141J-104Y | C RESISTOR | 100K 5% 1/4W |      |   | R1021 | QRE141J-472Y | C RESISTOR   | 4.7K 5% 1/4W |      |
|   | R 893 | QRE141J-102Y | C RESISTOR | 1.0K 5% 1/4W |      |   | R1022 | QRE141J-472Y | C RESISTOR   | 4.7K 5% 1/4W |      |
|   | R 894 | QRE141J-334Y | C RESISTOR | 330K 5% 1/4W | U,UN |   | R1031 | QRE141J-203Y | C RESISTOR   | 20K 5% 1/4W  |      |
|   | R 894 | QRE141J-183Y | C RESISTOR | 18K 5% 1/4W  | UX   |   | R1032 | QRE141J-203Y | C RESISTOR   | 20K 5% 1/4W  |      |
|   | R 895 | QRE141J-102Y | C RESISTOR | 1.0K 5% 1/4W |      |   | R1033 | QRE141J-822Y | C RESISTOR   | 8.2K 5% 1/4W |      |
|   | R 897 | QRE141J-183Y | C RESISTOR | 18K 5% 1/4W  |      |   | R1034 | QRE141J-103Y | C RESISTOR   | 10K 5% 1/4W  |      |
|   | R 898 | QRE141J-680Y | C RESISTOR | 68 5% 1/4W   |      |   | R1035 | QRE141J-333Y | C RESISTOR   | 33K 5% 1/4W  |      |
|   | R 902 | QRE141J-103Y | C RESISTOR | 10K 5% 1/4W  |      |   | R1036 | QRE141J-303Y | C RESISTOR   | 30K 5% 1/4W  |      |
|   | R 905 | QRE141J-104Y | C RESISTOR | 100K 5% 1/4W |      |   | R1037 | QRE141J-153Y | C RESISTOR   | 15K 5% 1/4W  |      |
|   | R 906 | QRE141J-104Y | C RESISTOR | 100K 5% 1/4W |      |   | R1038 | QRE141J-472Y | C RESISTOR   | 4.7K 5% 1/4W |      |
|   | R 907 | QRE141J-103Y | C RESISTOR | 10K 5% 1/4W  |      |   | R1039 | QRE141J-103Y | C RESISTOR   | 10K 5% 1/4W  |      |
|   | R 911 | QRE141J-682Y | C RESISTOR | 6.8K 5% 1/4W |      |   | R1040 | QRE141J-272Y | C RESISTOR   | 2.7K 5% 1/4W |      |
|   | R 912 | QRE141J-103Y | C RESISTOR | 10K 5% 1/4W  |      |   | R1041 | QRE141J-203Y | C RESISTOR   | 20K 5% 1/4W  |      |
|   | R 916 | QRE141J-102Y | C RESISTOR | 1.0K 5% 1/4W |      |   | R1042 | QRE141J-221Y | C RESISTOR   | 220 5% 1/4W  |      |
|   | R 917 | QRE141J-102Y | C RESISTOR | 1.0K 5% 1/4W |      |   | R1043 | QRE141J-203Y | C RESISTOR   | 20K 5% 1/4W  |      |
|   | R 918 | QRE141J-201Y | C RESISTOR | 200 5% 1/4W  |      |   | R1044 | QRE141J-562Y | C RESISTOR   | 5.6K 5% 1/4W |      |
|   | R 919 | QRE141J-201Y | C RESISTOR | 200 5% 1/4W  |      |   | R1045 | QRE141J-102Y | C RESISTOR   | 1.0K 5% 1/4W |      |
|   | R 920 | QRE141J-201Y | C RESISTOR | 200 5% 1/4W  |      |   | R1061 | QRE141J-103Y | C RESISTOR   | 10K 5% 1/4W  |      |
|   | R 921 | QRE141J-183Y | C RESISTOR | 18K 5% 1/4W  |      |   | R1062 | QRE141J-123Y | C RESISTOR   | 12K 5% 1/4W  |      |
|   | R 930 | QRE141J-103Y | C RESISTOR | 10K 5% 1/4W  |      |   | R1063 | QRE141J-391Y | C RESISTOR   | 390 5% 1/4W  |      |
|   | R 931 | QRE141J-222Y | C RESISTOR | 2.2K 5% 1/4W |      |   | R1064 | QRE141J-152Y | C RESISTOR   | 1.5K 5% 1/4W |      |
|   | R 932 | QRE141J-272Y | C RESISTOR | 2.7K 5% 1/4W |      |   | R1065 | QRE141J-101Y | C RESISTOR   | 100 5% 1/4W  |      |
|   | R 933 | QRE141J-392Y | C RESISTOR | 3.9K 5% 1/4W |      |   | R1066 | QRE141J-475Y | C RESISTOR   | 4.7M 5% 1/4W |      |
|   | R 935 | QRE141J-562Y | C RESISTOR | 5.6K 5% 1/4W |      |   | R1067 | QRE141J-560Y | C RESISTOR   | 56 5% 1/4W   |      |
|   | R 936 | QRE141J-122Y | C RESISTOR | 1.2K 5% 1/4W |      |   | R1068 | QRE141J-203Y | C RESISTOR   | 20K 5% 1/4W  |      |
|   | R 937 | QRE141J-152Y | C RESISTOR | 1.5K 5% 1/4W |      |   | R1069 | QRE141J-102Y | C RESISTOR   | 1.0K 5% 1/4W |      |
|   | R 938 | QRE141J-222Y | C RESISTOR | 2.2K 5% 1/4W |      |   | R1070 | QRE141J-561Y | C RESISTOR   | 560 5% 1/4W  |      |
|   | R 939 | QRE141J-272Y | C RESISTOR | 2.7K 5% 1/4W |      |   | R1071 | QRE141J-472Y | C RESISTOR   | 4.7K 5% 1/4W |      |
|   | R 940 | QRE141J-680Y | C RESISTOR | 68 5% 1/4W   |      |   | S 915 | QSW0825-001Z | TACT SWITCH  | DISC 1       |      |
|   | R 941 | QRE141J-680Y | C RESISTOR | 68 5% 1/4W   |      |   | S 916 | QSW0825-001Z | TACT SWITCH  |              |      |
|   | R 942 | QRE141J-392Y | C RESISTOR | 3.9K 5% 1/4W |      |   | S 917 | QSW0825-001Z | TACT SWITCH  |              |      |
|   | R 943 | QRE141J-103Y | C RESISTOR | 10K 5% 1/4W  |      |   | S 931 | QSW0825-001Z | TACT SWITCH  | DUBBING      |      |
|   | R 944 | QRE141J-562Y | C RESISTOR | 5.6K 5% 1/4W |      |   | S 932 | QSW0825-001Z | TACT SWITCH  |              |      |
|   | R 945 | QRE141J-392Y | C RESISTOR | 3.9K 5% 1/4W |      |   | S 933 | QSW0825-001Z | TACT SWITCH  |              |      |
|   | R 946 | QRE141J-272Y | C RESISTOR | 2.7K 5% 1/4W |      |   | S 935 | QSW0825-001Z | TACT SWITCH  |              |      |
|   | R 947 | QRE141J-222Y | C RESISTOR | 2.2K 5% 1/4W |      |   | S 936 | QSW0825-001Z | TACT SWITCH  |              |      |
|   | R 948 | QRE141J-152Y | C RESISTOR | 1.5K 5% 1/4W |      |   | S 937 | QSW0825-001Z | TACT SWITCH  |              |      |
|   | R 949 | QRE141J-122Y | C RESISTOR | 1.2K 5% 1/4W |      |   | S 938 | QSW0825-001Z | TACT SWITCH  |              |      |
|   | R 950 | QRE141J-102Y | C RESISTOR | 1.0K 5% 1/4W |      |   | S 939 | QSW0825-001Z | TACT SWITCH  |              |      |
|   | R 952 | QRE141J-122Y | C RESISTOR | 1.2K 5% 1/4W |      |   | S 942 | QSW0825-001Z | TACT SWITCH  |              |      |
|   | R 953 | QRE141J-680Y | C RESISTOR | 68 5% 1/4W   |      |   | S 943 | QSW0825-001Z | TACT SWITCH  |              |      |
|   | R 954 | QRE141J-680Y | C RESISTOR | 68 5% 1/4W   |      |   | S 944 | QSW0825-001Z | TACT SWITCH  |              |      |
|   | R 955 | QRE141J-152Y | C RESISTOR | 1.5K 5% 1/4W |      |   | S 945 | QSW0825-001Z | TACT SWITCH  |              |      |
|   | R 956 | QRE141J-680Y | C RESISTOR | 68 5% 1/4W   |      |   | S 946 | QSW0825-001Z | TACT SWITCH  |              |      |
|   | R 960 | QRE141J-680Y | C RESISTOR | 68 5% 1/4W   |      |   | S 947 | QSW0825-001Z | TACT SWITCH  |              |      |

■ Electrical parts list (Front board)

Block No. 03

| △ | Item  | Parts number | Parts name  | Remarks | Area |
|---|-------|--------------|-------------|---------|------|
|   | S 948 | QSW0825-001Z | TACT SWITCH |         |      |
|   | S 949 | QSW0825-001Z | TACT SWITCH |         |      |
|   | S 950 | QSW0825-001Z | TACT SWITCH |         |      |
|   | S 951 | QSW0825-001Z | TACT SWITCH |         |      |
|   | S 952 | QSW0825-001Z | TACT SWITCH |         |      |
|   | S 963 | QSW0825-001Z | TACT SWITCH |         |      |
|   | S 995 | QSW0825-001Z | TACT SWITCH |         |      |
|   | S 996 | QSW0825-001Z | TACT SWITCH |         |      |
|   | S 997 | QSW0825-001Z | TACT SWITCH |         |      |
|   | S 998 | QSW0825-001Z | TACT SWITCH |         |      |
|   | S 999 | QSW0825-001Z | TACT SWITCH |         |      |
|   | SP801 | VYH7653-001  | IC HOLDER   |         |      |
|   | VR901 | QVQ0299-B54  | V.RESISTOR  |         |      |
|   | X 801 | QAX0711-002Z | CRYSTAL     |         |      |

■ Electrical parts list (CD board)

Block No. 04

| ▲ | Item  | Parts number | Parts name      | Remarks        | Area | ▲ | Item  | Parts number  | Parts name   | Remarks | Area |
|---|-------|--------------|-----------------|----------------|------|---|-------|---------------|--------------|---------|------|
|   | C 251 | NCS31HJ-330X | C CAPACITOR     |                |      |   | CN601 | QGF1016F3-15  | CONNECTOR    |         |      |
|   | C 252 | NCS31HJ-330X | C CAPACITOR     |                |      |   | CN651 | QGF1016F3-19  | CONNECTOR    |         |      |
|   | C 253 | NCB31EK-104X | C CAPACITOR     |                |      |   | CN801 | QGA2001C1-06  | 6P PLUG ASSY |         |      |
|   | C 254 | QERF1AM-476Z | E CAPACITOR     | 47MF 20% 10V   |      |   | CN854 | QGB2016K1-07  | CONNECTOR    |         |      |
|   | C 291 | QERF1AM-476Z | E CAPACITOR     | 47MF 20% 10V   |      |   | CN855 | QGG2002M4-10  | CONNECTOR    |         |      |
|   | C 601 | NCB31HK-102X | C CAPACITOR     |                |      |   | D 851 | DZ5.6BSB-T2   | ZENER DIODE  |         |      |
|   | C 602 | NCB31HK-102X | C CAPACITOR     |                |      |   | IC251 | MN101C30AEE   | IC           |         |      |
|   | C 603 | NCB31HK-223X | C CAPACITOR     |                |      |   | IC601 | AN22000A-W    | IC           |         |      |
|   | C 604 | NCB31HK-223X | C CAPACITOR     |                |      |   | IC651 | MN662748RPMFA | IC           |         |      |
|   | C 605 | NCS31HJ-151X | C CAPACITOR     |                |      |   | IC801 | LA6541-X      | IC           |         |      |
|   | C 606 | NCS31HJ-390X | C CAPACITOR     |                |      |   | IC851 | LB1641        | IC           |         |      |
|   | C 608 | NCS31HJ-821X | C CAPACITOR     |                |      |   | IC852 | LB1641        | IC           |         |      |
|   | C 610 | NCB31EK-273X | C CAPACITOR     |                |      |   | L 851 | QLL01BK-100Z  | INDUCTOR     |         |      |
|   | C 613 | NCB31EK-104X | C CAPACITOR     |                |      |   | L 853 | QLL01BK-100Z  | INDUCTOR     |         |      |
|   | C 614 | NCB31CK-273X | C CAPACITOR     |                |      |   | L 854 | QLL01BK-100Z  | INDUCTOR     |         |      |
|   | C 615 | NCB31HK-472X | C CAPACITOR     |                |      |   | Q 291 | 2SA952/LK/-T  | TRANSISTOR   |         |      |
|   | C 616 | NCB31HK-103X | C CAPACITOR     |                |      |   | Q 631 | 2SB709A/QR/-X | TRANSISTOR   |         |      |
|   | C 617 | NCS31HJ-331X | C CAPACITOR     |                |      |   | R 252 | NRSA63J-102X  | MG RESISTOR  |         |      |
|   | C 620 | NCS31HJ-470X | C CAPACITOR     |                |      |   | R 253 | NRSA63J-102X  | MG RESISTOR  |         |      |
|   | C 621 | NCB30JK-105X | C CAPACITOR     |                |      |   | R 254 | NRSA63J-101X  | MG RESISTOR  |         |      |
|   | C 622 | NCB31EK-473X | C CAPACITOR     |                |      |   | R 255 | NRSA63J-101X  | MG RESISTOR  |         |      |
|   | C 623 | NCF31AZ-105X | C CAPACITOR     |                |      |   | R 256 | NRSA63J-101X  | MG RESISTOR  |         |      |
|   | C 631 | QERF1CM-106Z | E CAPACITOR     | 10MF 20% 16V   |      |   | R 257 | NRSA63J-102X  | MG RESISTOR  |         |      |
|   | C 632 | NCF31AZ-105X | C CAPACITOR     |                |      |   | R 258 | NRSA63J-102X  | MG RESISTOR  |         |      |
|   | C 633 | NCB31HK-223X | C CAPACITOR     |                |      |   | R 259 | NRSA63J-102X  | MG RESISTOR  |         |      |
|   | C 641 | NCB31HK-223X | C CAPACITOR     |                |      |   | R 261 | NRSA63J-101X  | MG RESISTOR  |         |      |
|   | C 642 | NCB31HK-222X | C CAPACITOR     |                |      |   | R 262 | NRSA63J-101X  | MG RESISTOR  |         |      |
|   | C 651 | NCS31HJ-120X | C CAPACITOR     |                |      |   | R 263 | NRSA63J-101X  | MG RESISTOR  |         |      |
|   | C 652 | NCS31HJ-120X | C CAPACITOR     |                |      |   | R 291 | NRSA63J-122X  | MG RESISTOR  |         |      |
|   | C 653 | NCB31EK-104X | C CAPACITOR     |                |      |   | R 292 | NRSA63J-103X  | MG RESISTOR  |         |      |
|   | C 655 | NCB31EK-104X | C CAPACITOR     |                |      |   | R 293 | NRSA63J-102X  | MG RESISTOR  |         |      |
|   | C 656 | NCB31EK-104X | C CAPACITOR     |                |      |   | R 294 | NRSA63J-102X  | MG RESISTOR  |         |      |
|   | C 657 | QERF1AM-227Z | E CAPACITOR     | 220MF 20% 10V  |      |   | R 601 | NRSA63J-224X  | MG RESISTOR  |         |      |
|   | C 658 | NCB31EK-104X | C CAPACITOR     |                |      |   | R 602 | NRSA63J-274X  | MG RESISTOR  |         |      |
|   | C 659 | NCB31HK-102X | C CAPACITOR     |                |      |   | R 603 | NRSA63J-124X  | MG RESISTOR  |         |      |
|   | C 661 | NCS31HJ-471X | C CAPACITOR     |                |      |   | R 604 | NRSA63J-394X  | MG RESISTOR  |         |      |
|   | C 663 | NCB31HK-223X | C CAPACITOR     |                |      |   | R 606 | NRSA63J-623X  | MG RESISTOR  |         |      |
|   | C 664 | NCB31HK-223X | C CAPACITOR     |                |      |   | R 607 | NRSA63J-0R0X  | MG RESISTOR  |         |      |
|   | C 665 | NCB31AK-154X | C CAPACITOR     |                |      |   | R 608 | NRSA63J-0R0X  | MG RESISTOR  |         |      |
|   | C 667 | NCB30JK-105X | C CAPACITOR     |                |      |   | R 609 | NRSA63J-332X  | MG RESISTOR  |         |      |
|   | C 668 | NCB31EK-473X | C CAPACITOR     |                |      |   | R 611 | NRSA63J-223X  | MG RESISTOR  |         |      |
|   | C 669 | QERF1AM-227Z | E CAPACITOR     | 220MF 20% 10V  |      |   | R 613 | NRSA63J-332X  | MG RESISTOR  |         |      |
|   | C 672 | NCB31AK-334X | C CAPACITOR     |                |      |   | R 614 | NRSA63J-223X  | MG RESISTOR  |         |      |
|   | C 673 | ECA1AAD101XI | AL E. CAPACITOR |                |      |   | R 618 | NRSA63J-153X  | MG RESISTOR  |         |      |
|   | C 676 | NCB31EK-104X | C CAPACITOR     |                |      |   | R 619 | NRSA63J-153X  | MG RESISTOR  |         |      |
|   | C 677 | NCB31EK-104X | C CAPACITOR     |                |      |   | R 620 | NRSA63J-564X  | MG RESISTOR  |         |      |
|   | C 679 | QERF0JM-107Z | E CAPACITOR     | 100MF 20% 6.3V |      |   | R 621 | NRSA63J-564X  | MG RESISTOR  |         |      |
|   | C 680 | NCB31EK-104X | C CAPACITOR     |                |      |   | R 622 | NRSA63J-822X  | MG RESISTOR  |         |      |
|   | C 801 | NCB31HK-682X | C CAPACITOR     |                |      |   | R 623 | NRSA63J-822X  | MG RESISTOR  |         |      |
|   | C 802 | NCB31HK-123X | C CAPACITOR     |                |      |   | R 624 | NRSA63J-0R0X  | MG RESISTOR  |         |      |
|   | C 811 | NCS31HJ-391X | C CAPACITOR     |                |      |   | R 625 | NRSA63J-0R0X  | MG RESISTOR  |         |      |
|   | C 812 | NCS31HJ-391X | C CAPACITOR     |                |      |   | R 631 | NRSA63J-2R2X  | MG RESISTOR  |         |      |
|   | C 813 | NCS31HJ-391X | C CAPACITOR     |                |      |   | R 632 | NRSA63J-100X  | MG RESISTOR  |         |      |
|   | C 814 | NCS31HJ-391X | C CAPACITOR     |                |      |   | R 634 | NRSA63J-120X  | MG RESISTOR  |         |      |
|   | C 821 | NCF31AZ-105X | C CAPACITOR     |                |      |   | R 635 | NRSA63J-121X  | MG RESISTOR  |         |      |
|   | C 822 | QERF1AM-227Z | E CAPACITOR     | 220MF 20% 10V  |      |   | R 636 | NRSA63J-100X  | MG RESISTOR  |         |      |
|   | C 852 | QERF1CM-106Z | E CAPACITOR     | 10MF 20% 16V   |      |   | R 641 | NRSA63J-154X  | MG RESISTOR  |         |      |
|   | C 853 | NCB31HK-103X | C CAPACITOR     |                |      |   | R 642 | NRSA63J-394X  | MG RESISTOR  |         |      |
|   | C 854 | NCB31HK-103X | C CAPACITOR     |                |      |   | R 646 | NRSA63J-0R0X  | MG RESISTOR  |         |      |
|   | C 855 | NCB31EK-104X | C CAPACITOR     |                |      |   | R 647 | NRSA63J-102X  | MG RESISTOR  |         |      |
|   | C 859 | NCF31AZ-105X | C CAPACITOR     |                |      |   | R 648 | NRSA63J-102X  | MG RESISTOR  |         |      |
|   | C 860 | NCF31AZ-105X | C CAPACITOR     |                |      |   | R 649 | NRSA63J-102X  | MG RESISTOR  |         |      |
|   | CN151 | QGF1016F3-15 | CONNECTOR       |                |      |   | R 650 | NRSA63J-102X  | MG RESISTOR  |         |      |



## ■ Electrical parts list (CD board)

Block No. 04

| △ | Item  | Parts number | Parts name  | Remarks | Area |
|---|-------|--------------|-------------|---------|------|
|   | R 651 | NRSA63J-102X | MG RESISTOR |         |      |
|   | R 652 | NRSA63J-102X | MG RESISTOR |         |      |
|   | R 653 | NRSA63J-102X | MG RESISTOR |         |      |
|   | R 654 | NRSA63J-101X | MG RESISTOR |         |      |
|   | R 656 | NRSA63J-102X | MG RESISTOR |         |      |
|   | R 657 | NRSA63J-102X | MG RESISTOR |         |      |
|   | R 658 | NRSA63J-102X | MG RESISTOR |         |      |
|   | R 659 | NRSA63J-102X | MG RESISTOR |         |      |
|   | R 660 | NRSA63J-103X | MG RESISTOR |         |      |
|   | R 661 | NRSA63J-393X | MG RESISTOR |         |      |
|   | R 662 | NRSA63J-683X | MG RESISTOR |         |      |
|   | R 663 | NRSA63J-124X | MG RESISTOR |         |      |
|   | R 664 | NRSA63J-331X | MG RESISTOR |         |      |
|   | R 665 | NRSA63J-271X | MG RESISTOR |         |      |
|   | R 666 | NRSA63J-221X | MG RESISTOR |         |      |
|   | R 667 | NRSA63J-4R7X | MG RESISTOR |         |      |
|   | R 668 | NRSA63J-155X | MG RESISTOR |         |      |
|   | R 669 | NRSA63J-562X | MG RESISTOR |         |      |
|   | R 670 | NRSA63J-101X | MG RESISTOR |         |      |
|   | R 672 | NRSA63J-272X | MG RESISTOR |         |      |
|   | R 677 | NRSA63J-101X | MG RESISTOR |         |      |
|   | R 678 | NRSA63J-101X | MG RESISTOR |         |      |
|   | R 679 | NRSA63J-101X | MG RESISTOR |         |      |
|   | R 682 | NRSA63J-102X | MG RESISTOR |         |      |
|   | R 683 | NRSA63J-105X | MG RESISTOR |         |      |
|   | R 684 | NRSA63J-564X | MG RESISTOR |         |      |
|   | R 685 | NRSA63J-683X | MG RESISTOR |         |      |
|   | R 801 | NRSA63J-272X | MG RESISTOR |         |      |
|   | R 802 | NRSA63J-392X | MG RESISTOR |         |      |
|   | R 803 | NRSA63J-222X | MG RESISTOR |         |      |
|   | R 804 | NRSA63J-224X | MG RESISTOR |         |      |
|   | R 805 | NRSA63J-133X | MG RESISTOR |         |      |
|   | R 806 | NRSA63J-243X | MG RESISTOR |         |      |
|   | R 807 | NRSA63J-122X | MG RESISTOR |         |      |
|   | R 808 | NRSA63J-273X | MG RESISTOR |         |      |
|   | R 809 | NRSA63J-122X | MG RESISTOR |         |      |
|   | R 811 | NRSA63J-223X | MG RESISTOR |         |      |
|   | R 812 | NRSA63J-152X | MG RESISTOR |         |      |
|   | R 831 | NRSA63J-151X | MG RESISTOR |         |      |
|   | R 832 | NRSA63J-103X | MG RESISTOR |         |      |
|   | R 842 | NRSA63J-472X | MG RESISTOR |         |      |
|   | R 851 | NRSA63J-102X | MG RESISTOR |         |      |
|   | R 852 | NRSA63J-102X | MG RESISTOR |         |      |
|   | R 853 | NRSA63J-102X | MG RESISTOR |         |      |
|   | R 854 | NRSA63J-102X | MG RESISTOR |         |      |
|   | R 856 | NRSA63J-0R0X | MG RESISTOR |         |      |
|   | R 861 | NRSA63J-102X | MG RESISTOR |         |      |
|   | R 862 | NRSA63J-102X | MG RESISTOR |         |      |
|   | R 863 | NRSA63J-102X | MG RESISTOR |         |      |
|   | R 864 | NRSA63J-102X | MG RESISTOR |         |      |
|   | R 865 | NRSA63J-102X | MG RESISTOR |         |      |
|   | R 866 | NRSA63J-102X | MG RESISTOR |         |      |
|   | R 871 | NRSA63J-223X | MG RESISTOR |         |      |
|   | R 872 | NRSA63J-223X | MG RESISTOR |         |      |
|   | R 873 | NRSA63J-223X | MG RESISTOR |         |      |
|   | R 874 | NRSA63J-223X | MG RESISTOR |         |      |
|   | R 875 | NRSA63J-223X | MG RESISTOR |         |      |
|   | R 876 | NRSA63J-223X | MG RESISTOR |         |      |
|   | R 880 | NRSA63J-102X | MG RESISTOR |         |      |
|   | R 881 | NRSA63J-102X | MG RESISTOR |         |      |
|   | R 882 | NRSA63J-102X | MG RESISTOR |         |      |
|   | R 883 | NRSA63J-102X | MG RESISTOR |         |      |
|   | R 884 | NRSA63J-102X | MG RESISTOR |         |      |

| △ | Item  | Parts number | Parts name  | Remarks | Area |
|---|-------|--------------|-------------|---------|------|
|   | R 885 | NRSA63J-102X | MG RESISTOR |         |      |
|   | R 886 | NRSA63J-102X | MG RESISTOR |         |      |
|   | R 887 | NRSA63J-102X | MG RESISTOR |         |      |
|   | R 888 | NRSA63J-223X | MG RESISTOR |         |      |
|   | R 889 | NRSA63J-223X | MG RESISTOR |         |      |
|   | R 890 | NRSA63J-223X | MG RESISTOR |         |      |
|   | R 891 | NRSA63J-223X | MG RESISTOR |         |      |
|   | R 892 | NRSA63J-223X | MG RESISTOR |         |      |
|   | R 893 | NRSA63J-223X | MG RESISTOR |         |      |
|   | R 894 | NRSA63J-223X | MG RESISTOR |         |      |
|   | R 895 | NRSA63J-223X | MG RESISTOR |         |      |
|   | X 251 | QAX0283-001Z | C RESONATOR |         |      |
|   | X 651 | QAX0413-001Z | CRYSTAL     |         |      |

■ Electrical parts list (VCD board)

Block No. 05

| ▲ | Item  | Parts number    | Parts name    | Remarks         | Area |
|---|-------|-----------------|---------------|-----------------|------|
|   | C 101 | NCF31CZ-104X    | C CAPACITOR   |                 |      |
|   | C 102 | NCF31CZ-104X    | C CAPACITOR   |                 |      |
|   | C 103 | NCF31CZ-104X    | C CAPACITOR   |                 |      |
|   | C 104 | QERF1CM-106Z    | E CAPACITOR   | 10MF 20% 16V    |      |
|   | C 105 | NCF31CZ-104X    | C CAPACITOR   |                 |      |
|   | C 106 | QERF1CM-106Z    | E CAPACITOR   | 10MF 20% 16V    |      |
|   | C 107 | NCF31CZ-104X    | C CAPACITOR   |                 |      |
|   | C 109 | NCF31CZ-104X    | C CAPACITOR   |                 |      |
|   | C 110 | NCF31CZ-104X    | C CAPACITOR   |                 |      |
|   | C 111 | NCS31HJ-471X    | C CAPACITOR   |                 |      |
|   | C 112 | NCS31HJ-471X    | C CAPACITOR   |                 |      |
|   | C 113 | NCS31HJ-220X    | C CAPACITOR   |                 |      |
|   | C 114 | NCB31HK-102X    | C CAPACITOR   |                 |      |
|   | C 115 | NCS31HJ-220X    | C CAPACITOR   |                 |      |
|   | C 116 | NCF31CZ-104X    | C CAPACITOR   |                 |      |
|   | C 117 | QERF0JM-476Z    | E CAPACITOR   | 47MF 20% 6.3V   |      |
|   | C 118 | NCF31CZ-104X    | C CAPACITOR   |                 |      |
|   | C 120 | NCF31CZ-104X    | C CAPACITOR   |                 |      |
|   | C 121 | NCF31CZ-104X    | C CAPACITOR   |                 |      |
|   | C 122 | QERF1AM-107Z    | E CAPACITOR   | 100MF 20% 10V   |      |
|   | C 123 | QERF0JM-476Z    | E CAPACITOR   | 47MF 20% 6.3V   |      |
|   | C 124 | NCF31CZ-104X    | C CAPACITOR   |                 |      |
|   | C 125 | NCF31CZ-104X    | C CAPACITOR   |                 |      |
|   | C 126 | NCF31CZ-104X    | C CAPACITOR   |                 |      |
|   | C 127 | NCF31CZ-104X    | C CAPACITOR   |                 |      |
|   | C 128 | NCF31CZ-104X    | C CAPACITOR   |                 |      |
|   | C 129 | NCF31CZ-104X    | C CAPACITOR   |                 |      |
|   | C 130 | QERF1AM-107Z    | E CAPACITOR   | 100MF 20% 10V   |      |
|   | C 131 | NCF31CZ-104X    | C CAPACITOR   |                 |      |
|   | C 132 | QERF1AM-107Z    | E CAPACITOR   | 100MF 20% 10V   |      |
|   | C 133 | NCF31CZ-104X    | C CAPACITOR   |                 |      |
|   | C 134 | QERF1CM-106Z    | E CAPACITOR   | 10MF 20% 16V    |      |
|   | C 135 | QERF0JM-476Z    | E CAPACITOR   | 47MF 20% 6.3V   |      |
|   | C 136 | NCF31CZ-104X    | C CAPACITOR   |                 |      |
|   | C 137 | NCB31CK-103X    | C CAPACITOR   |                 |      |
|   | C 138 | QERF1AM-107Z    | E CAPACITOR   | 100MF 20% 10V   |      |
|   | C 140 | NCS31HJ-220X    | C CAPACITOR   |                 |      |
|   | C 141 | NCS31HJ-220X    | C CAPACITOR   |                 |      |
|   | CN101 | QGF1016F3-15    | CONNECTOR     |                 |      |
|   | CN102 | QGF1016F3-15    | CONNECTOR     |                 |      |
|   | IC101 | ES3880FL        | IC            | INC TECHNOLOGY  |      |
|   | IC102 | AT27C020-70JC4  | IC            | INC TECHNOLOGY  |      |
|   | IC103 | GLT44016-35J4-X | IC            | SAME PARTS      |      |
|   | IC104 | ES3883F         | IC            | INC TECHNOLOGY  |      |
|   | IC105 | RT9161/A-27CG-X | IC            | INC TECHNOLOGY  |      |
|   | IC106 | TC7S08F-W       | IC            |                 |      |
|   | IC107 | TC7W08FU-X      | IC            |                 |      |
|   | K 101 | NQR0398-006X    | FERRITE BEADS |                 |      |
|   | K 102 | NQR0398-006X    | FERRITE BEADS |                 |      |
|   | K 103 | NRSA02J-180X    | MG RESISTOR   |                 |      |
|   | K 104 | NRSA02J-102X    | MG RESISTOR   |                 |      |
|   | L 101 | NQL591K-3R3X    | P COIL        | NOT YET REGISTE |      |
|   | L 102 | NQL591K-3R3X    | P COIL        | NOT YET REGISTE |      |
|   | R 101 | NRSA63J-472X    | MG RESISTOR   |                 |      |
|   | R 102 | NRSA63J-472X    | MG RESISTOR   |                 |      |
|   | R 103 | NRSA63J-472X    | MG RESISTOR   |                 |      |
|   | R 104 | NRSA63J-472X    | MG RESISTOR   |                 |      |
|   | R 105 | NRSA63J-472X    | MG RESISTOR   |                 |      |
|   | R 106 | NRSA63J-472X    | MG RESISTOR   |                 |      |
|   | R 107 | NRSA63J-472X    | MG RESISTOR   |                 |      |
|   | R 108 | NRSA63J-472X    | MG RESISTOR   |                 |      |
|   | R 109 | NRSA63J-472X    | MG RESISTOR   |                 |      |
|   | R 111 | NRSA63J-472X    | MG RESISTOR   |                 |      |

| ▲ | Item  | Parts number | Parts name  | Remarks | Area |
|---|-------|--------------|-------------|---------|------|
|   | R 112 | NRSA63J-472X | MG RESISTOR |         |      |
|   | R 113 | NRSA63J-472X | MG RESISTOR |         |      |
|   | R 119 | NRSA63J-0R0X | MG RESISTOR |         |      |
|   | R 120 | NRSA63J-750X | MG RESISTOR |         |      |
|   | R 121 | NRSA63J-104X | MG RESISTOR |         |      |
|   | R 128 | NRSA63J-330X | MG RESISTOR |         |      |
|   | R 130 | NRSA63J-330X | MG RESISTOR |         |      |
|   | R 132 | NRSA63J-271X | MG RESISTOR |         |      |
|   | R 133 | NRSA63J-750X | MG RESISTOR |         |      |
|   | R 134 | NRSA63J-750X | MG RESISTOR |         |      |
|   | R 135 | NRSA63J-100X | MG RESISTOR |         |      |
|   | R 136 | NRSA63J-100X | MG RESISTOR |         |      |
|   | R 137 | NRSA63J-472X | MG RESISTOR |         |      |
|   | R 138 | NRSA63J-472X | MG RESISTOR |         |      |
|   | R 139 | NRSA63J-330X | MG RESISTOR |         |      |
|   | R 140 | NRSA63J-472X | MG RESISTOR |         |      |
|   | R 141 | NRSA63J-103X | MG RESISTOR |         |      |
|   | R 142 | NRSA63J-221X | MG RESISTOR |         |      |
|   | R 145 | NRSA63J-221X | MG RESISTOR |         |      |
|   | R 146 | NRSA63J-221X | MG RESISTOR |         |      |
|   | R 147 | NRSA63J-221X | MG RESISTOR |         |      |
|   | R 148 | NRSA63J-102X | MG RESISTOR |         |      |
|   | X 101 | QAX0700-001Z | CRYSTAL     |         |      |

■ Electrical parts list (Tuner board)

Block No. 06

| △ | Item | Parts number   | Parts name      | Remarks       | Area |
|---|------|----------------|-----------------|---------------|------|
|   | C 1  | NCB21HK-223X   | C CAPACITOR     |               |      |
|   | C 2  | NCB21HK-103X   | C CAPACITOR     |               |      |
|   | C 3  | EETC1CM-106ZJC | E CAPACITOR     |               |      |
|   | C 4  | NCB21HK-103X   | C CAPACITOR     |               |      |
|   | C 6  | NCB21HK-102X   | C CAPACITOR     |               |      |
|   | C 7  | NCB21HK-102X   | C CAPACITOR     |               |      |
|   | C 8  | NCB21HK-102X   | C CAPACITOR     |               |      |
|   | C 10 | NRSA02J-0R0X   | MG RESISTOR     |               |      |
|   | C 11 | NCB21HK-104X   | C CAPACITOR     |               |      |
|   | C 12 | NCB21HK-473X   | C CAPACITOR     |               |      |
|   | C 13 | NCS21HJ-120X   | C CAPACITOR     |               |      |
|   | C 14 | QEKC1AM-107Z   | E CAPACITOR     | 100MF 20% 10V |      |
|   | C 15 | NCS21HJ-120X   | C CAPACITOR     |               |      |
|   | C 16 | NCS21HJ-120X   | C CAPACITOR     |               |      |
|   | C 17 | NCB21HK-102X   | C CAPACITOR     |               |      |
|   | C 18 | QEQ61HM-474Z   | NP E CAPACITOR  | .47MF 20% 50V |      |
|   | C 19 | NCB21HK-473X   | C CAPACITOR     |               |      |
|   | C 20 | NCB21HK-102X   | C CAPACITOR     |               |      |
|   | C 21 | NCB21HK-223X   | C CAPACITOR     |               |      |
|   | C 22 | NCS21HJ-151X   | C CAPACITOR     |               |      |
|   | C 23 | NCS21HJ-151X   | C CAPACITOR     |               |      |
|   | C 24 | NCS21HJ-151X   | C CAPACITOR     |               |      |
|   | C 25 | QEKC1AM-107Z   | E CAPACITOR     | 100MF 20% 10V |      |
|   | C 26 | NCB21HK-102X   | C CAPACITOR     |               |      |
|   | C 27 | NCB21HK-102X   | C CAPACITOR     |               |      |
|   | C 30 | EEKC1CM-226ZJC | E CAPACITOR     |               |      |
|   | C 31 | EEKC1CM-226ZJC | E CAPACITOR     |               |      |
|   | C 32 | NCB21HK-473X   | C CAPACITOR     |               |      |
|   | C 33 | NCB21HK-473X   | C CAPACITOR     |               |      |
|   | C 34 | NCB21HK-223X   | C CAPACITOR     |               |      |
|   | C 35 | NCB21HK-473X   | C CAPACITOR     |               |      |
|   | C 36 | EEKC1HM-105ZJC | E CAPACITOR     |               |      |
|   | C 37 | EEKC1HM-105ZJC | E CAPACITOR     |               |      |
|   | C 38 | EETC1HM-224ZJC | E CAPACITOR     |               |      |
|   | C 39 | EETC1HM-105ZJC | E CAPACITOR     |               |      |
|   | C 40 | QETN1CM-106Z   | E CAPACITOR     | 10MF 20% 16V  |      |
|   | C 41 | QETN1CM-106Z   | E CAPACITOR     | 10MF 20% 16V  |      |
|   | C 42 | NCB21HK-152X   | C CAPACITOR     |               |      |
|   | C 43 | NCB21HK-152X   | C CAPACITOR     |               |      |
|   | C 44 | QETN1CM-106Z   | E CAPACITOR     | 10MF 20% 16V  |      |
|   | C 45 | QETN1CM-106Z   | E CAPACITOR     | 10MF 20% 16V  |      |
|   | C 46 | NCB21HK-273X   | C CAPACITOR     |               |      |
|   | C 47 | EETC1HM-105ZJC | E CAPACITOR     |               |      |
|   | C 48 | NCB21HK-222X   | C CAPACITOR     |               |      |
|   | C 49 | NCS21HJ-471X   | C CAPACITOR     |               |      |
|   | C 50 | EEKC1CM-226ZJC | E CAPACITOR     |               |      |
|   | C 51 | EEKC1HM-105ZJC | E CAPACITOR     |               |      |
|   | C 52 | QFVJ1HJ-274Z   | MF CAPACITOR    | .27MF 5% 50V  |      |
|   | C 53 | EETC1CM-226ZJC | E CAPACITOR     |               |      |
|   | C 54 | NCB21HK-473X   | C CAPACITOR     |               |      |
|   | C 57 | NCB21HK-102X   | C CAPACITOR     |               |      |
|   | C 58 | NCB21HK-473X   | C CAPACITOR     |               |      |
|   | C 59 | NCB21HK-102X   | C CAPACITOR     |               |      |
|   | CF 1 | QAX0677-001Z   | C FILTER        |               |      |
|   | CF 2 | QAX0677-001Z   | C FILTER        |               |      |
|   | CF 3 | QAX0610-001Z   | C DISCRIMINATOR |               |      |
|   | CN 1 | QGF1205F1-09   | CONNECTOR       |               |      |
|   | D 1  | 1SS133-T2      | SI DIODE        |               |      |
|   | D 2  | 1SS133-T2      | SI DIODE        |               |      |
|   | D 3  | 1SS133-T2      | SI DIODE        |               |      |
|   | D 4  | 1SS133-T2      | SI DIODE        |               |      |
|   | D 11 | 1SS133-T2      | SI DIODE        |               |      |
|   | IC 1 | LA1838         | IC              |               |      |

| △ | Item | Parts number   | Parts name   | Remarks    | Area |
|---|------|----------------|--------------|------------|------|
|   | IC 2 | LC72136N       | IC           |            |      |
|   | J 1  | QNB0014-001    | ANT TERMINAL |            |      |
|   | L 1  | QQR0796-002    | COIL BLOCK   |            |      |
|   | Q 1  | 2SC2814/4-5/-X | TRANSISTOR   |            |      |
|   | Q 5  | KRA107S-X      | TRANSISTOR   |            |      |
|   | R 1  | QRE141J-560Y   | C RESISTOR   | 56 5% 1/4W |      |
|   | R 2  | NRSA02J-331X   | MG RESISTOR  |            |      |
|   | R 3  | NRSA02J-224X   | MG RESISTOR  |            |      |
|   | R 4  | NRSA02J-331X   | MG RESISTOR  |            |      |
|   | R 5  | NRSA02J-560X   | MG RESISTOR  |            |      |
|   | R 6  | NRSA02J-240X   | MG RESISTOR  |            |      |
|   | R 10 | NRSA02J-222X   | MG RESISTOR  |            |      |
|   | R 13 | NRSA02J-103X   | MG RESISTOR  |            |      |
|   | R 14 | NRSA02J-104X   | MG RESISTOR  |            |      |
|   | R 15 | NRSA02J-332X   | MG RESISTOR  |            |      |
|   | R 16 | NRSA02J-472X   | MG RESISTOR  |            |      |
| △ | R 17 | QRZ9005-680X   | F RESISTOR   | 68 1/4W    |      |
|   | R 18 | NRSA02J-102X   | MG RESISTOR  |            |      |
|   | R 19 | NRSA02J-102X   | MG RESISTOR  |            |      |
|   | R 20 | NRSA02J-102X   | MG RESISTOR  |            |      |
|   | R 21 | NRSA02J-562X   | MG RESISTOR  |            |      |
|   | R 22 | NRSA02J-472X   | MG RESISTOR  |            |      |
|   | R 23 | NRSA02J-182X   | MG RESISTOR  |            |      |
|   | R 24 | NRSA02J-103X   | MG RESISTOR  |            |      |
|   | R 25 | NRSA02J-331X   | MG RESISTOR  |            |      |
|   | R 26 | NRSA02J-222X   | MG RESISTOR  |            |      |
|   | R 27 | NRSA02J-103X   | MG RESISTOR  |            |      |
|   | R 28 | NRSA02J-103X   | MG RESISTOR  |            |      |
|   | R 29 | NRSA02J-103X   | MG RESISTOR  |            |      |
|   | R 30 | NRSA02J-122X   | MG RESISTOR  |            |      |
|   | R 31 | NRSA02J-102X   | MG RESISTOR  |            |      |
|   | R 32 | NRSA02J-102X   | MG RESISTOR  |            |      |
|   | R 33 | NRSA02J-331X   | MG RESISTOR  |            |      |
|   | R 34 | NRSA02J-470X   | MG RESISTOR  |            |      |
|   | R 35 | NRSA02J-562X   | MG RESISTOR  |            |      |
|   | R 36 | NRSA02J-332X   | MG RESISTOR  |            |      |
|   | R 37 | NRSA02J-103X   | MG RESISTOR  |            |      |
|   | R 38 | NRSA02J-563X   | MG RESISTOR  |            |      |
|   | R 39 | NRSA02J-563X   | MG RESISTOR  |            |      |
|   | R 40 | NRSA02J-243X   | MG RESISTOR  |            |      |
|   | R 41 | NRSA02J-332X   | MG RESISTOR  |            |      |
|   | R 60 | NRSA02J-0R0X   | MG RESISTOR  |            |      |
|   | T 1  | QQR0793-001    | IFT          |            |      |
|   | TU 1 | QAU0161-001    | FRONT END    |            |      |
|   | X 1  | QAX0402-001    | CRYSTAL      |            |      |

■ Electrical parts list (CD switch board)

Block No. 07

| △ | Item  | Parts number | Parts name   | Remarks | Area |
|---|-------|--------------|--------------|---------|------|
|   | CN804 | QGB2016J1-07 | CONNECTOR    |         |      |
|   | CN805 | QGB2012J1-10 | CONNECTOR    |         |      |
|   | SW 1  | QSW0859-001  | LEVER SWITCH |         |      |
|   | SW 2  | QSW0859-001  | LEVER SWITCH |         |      |
|   | SW 3  | QSW0859-001  | LEVER SWITCH |         |      |
|   | SW 4  | QSW0859-001  | LEVER SWITCH |         |      |
|   | SW 5  | QSW0859-001  | LEVER SWITCH |         |      |
|   | SW 6  | QSW0859-001  | LEVER SWITCH |         |      |

■ Electrical parts list

(Head amplifier & mechanism control board)

Block No.08

| △ | Item  | Parts number   | Parts name      | Remarks        | Area | △ | Item  | Parts number  | Parts name     | Remarks          | Area |
|---|-------|----------------|-----------------|----------------|------|---|-------|---------------|----------------|------------------|------|
|   | CN301 | QGF1205F1-06   | CONNECTOR       | A HEAD         |      |   | D3302 | 1SR139-400-T2 | SI DIODE       |                  |      |
|   | CN302 | QGF1205F1-06   | CONNECTOR       | B HEAD         |      |   | D3307 | DZ5.1BSB-T2   | Z DIODE        | NEW SUPPLIER     |      |
|   | CN303 | QGB2011M1-10   | B TO B CONNECTO |                |      |   | D3308 | DZ5.1BSB-T2   | Z DIODE        |                  |      |
|   | CN305 | QGF1201F3-10   | CONNECTOR       | OUTPUT         |      |   | D3309 | DZ5.1BSB-T2   | Z DIODE        |                  |      |
|   | CN306 | QGF1205F1-09   | CONNECTOR       | CONTROL        |      |   | D3331 | 1SR139-400-T2 | SI DIODE       |                  |      |
|   | CN333 | QGB2011L1-10   | B TO B CONNECTO | FOR FMP-007-1  |      |   | FW301 | EWR34D-10CS   | FLAT WIRE      | TO MOTOR CONTROL |      |
|   | C3101 | QCSB1HJ-100Y   | C CAPACITOR     | 10PF 5% 50V    |      |   | IC301 | BA3126N       | IC             | HEAD SW          |      |
|   | C3102 | QCBB1HK-331Y   | C CAPACITOR     | 330PF 10% 50V  |      |   | IC302 | AN7345K       | IC             | PRE AMP          |      |
|   | C3103 | QDGB1HK-821Y   | C CAPACITOR     |                |      |   | IC303 | CD4094BC      | IC             |                  |      |
|   | C3104 | QDGB1HK-102Y   | C CAPACITOR     |                |      |   | IC331 | SG-105F3-BB,C | PHOTO SENSER   |                  |      |
|   | C3105 | EEKJ1AM-107ZJC | AL E CAPACITOR  |                |      |   | IC332 | SG-105F3-BB,C | PHOTO SENSER   |                  |      |
|   | C3107 | EEKJ1HM-105ZJC | AL E CAPACITOR  |                |      |   | L3202 | QQR0621-001Z  | FERRITE BEADS  |                  |      |
|   | C3111 | EEKJ1HM-104ZJC | AL E CAPACITOR  |                |      |   | L3301 | QQR1118-002   | BIAS COIL      | OSC COIL         |      |
|   | C3112 | EEKJ1CM-106ZJC | AL E CAPACITOR  |                |      |   | L3303 | QLL244K-100Z  | INDUCTOR       |                  |      |
|   | C3113 | QDXB1CM-332Y   | C CAPACITOR     |                |      |   | P3302 | QNZ0104-001   | POST PIN       |                  |      |
|   | C3114 | EEKJ1EM-475ZJC | AL E CAPACITOR  |                |      |   | P3331 | QNZ0104-001   | POST PIN       |                  |      |
|   | C3115 | QFLK1HJ-153Z   | M CAPACITOR     | .015MF 5% 50V  |      |   | Q3105 | 2SC3576-JVC-T | TRANSISTOR     |                  |      |
|   | C3116 | QDYB1CM-822Y   | C CAPACITOR     |                |      |   | Q3205 | 2SC3576-JVC-T | TRANSISTOR     |                  |      |
|   | C3119 | QFLM1HJ-563Z   | M CAPACITOR     | .056MF 5% 50V  |      |   | Q3302 | 2SC2001/K-T   | TRANSISTOR     |                  |      |
|   | C3120 | QCSB1HJ-330Y   | C CAPACITOR     | 33PF 5% 50V    |      |   | Q3305 | 2SC2001/K-T   | TRANSISTOR     |                  |      |
|   | C3121 | QDGB1HK-102Y   | C CAPACITOR     |                |      |   | Q3312 | 2SB562/C-T    | TRANSISTOR     |                  |      |
|   | C3201 | QCSB1HJ-100Y   | C CAPACITOR     | 10PF 5% 50V    |      |   | Q3313 | KTC3199/GL-T  | TRANSISTOR     |                  |      |
|   | C3202 | QCBB1HK-331Y   | C CAPACITOR     | 330PF 10% 50V  |      |   | Q3314 | 2SB562/C-T    | TRANSISTOR     |                  |      |
|   | C3203 | QDGB1HK-821Y   | C CAPACITOR     |                |      |   | Q3315 | KTC3199/GL-T  | TRANSISTOR     |                  |      |
|   | C3204 | QDGB1HK-102Y   | C CAPACITOR     |                |      |   | Q3316 | KTA1267/YG-T  | TRANSISTOR     |                  |      |
|   | C3205 | EEKJ1AM-107ZJC | AL E CAPACITOR  |                |      |   | Q3317 | KRC107M-T     | D TRANSISTOR   |                  |      |
|   | C3206 | QFLK1HJ-333Z   | M CAPACITOR     | .033MF 5% 50V  |      |   | Q3323 | KRC104M-T     | D TRANSISTOR   |                  |      |
|   | C3207 | EEKJ1HM-105ZJC | AL E CAPACITOR  |                |      |   | Q3324 | KRA102M-T     | D TRANSISTOR   |                  |      |
|   | C3211 | EEKJ1HM-104ZJC | AL E CAPACITOR  |                |      |   | R3103 | QRE141J-183Y  | C RESISTOR     | 18K 5% 1/4W      |      |
|   | C3212 | EEKJ1CM-106ZJC | AL E CAPACITOR  |                |      |   | R3105 | QRE141J-220Y  | C RESISTOR     | 22 5% 1/4W       |      |
|   | C3213 | QDXB1CM-332Y   | C CAPACITOR     |                |      |   | R3106 | QRE141J-392Y  | C RESISTOR     | 3.9K 5% 1/4W     |      |
|   | C3214 | EEKJ1EM-475ZJC | AL E CAPACITOR  |                |      |   | R3107 | QRE141J-222Y  | C RESISTOR     | 2.2K 5% 1/4W     |      |
|   | C3215 | QFLK1HJ-153Z   | M CAPACITOR     | .015MF 5% 50V  |      |   | R3108 | QRE141J-241Y  | C RESISTOR     | 240 5% 1/4W      |      |
|   | C3216 | QDYB1CM-822Y   | C CAPACITOR     |                |      |   | R3111 | QRE141J-562Y  | C RESISTOR     | 5.6K 5% 1/4W     |      |
|   | C3219 | QFLM1HJ-563Z   | M CAPACITOR     | .056MF 5% 50V  |      |   | R3112 | QRE141J-102Y  | C RESISTOR     | 1.0K 5% 1/4W     |      |
|   | C3220 | QCSB1HJ-330Y   | C CAPACITOR     | 33PF 5% 50V    |      |   | R3113 | QRE141J-271Y  | C RESISTOR     | 270 5% 1/4W      |      |
|   | C3221 | QDGB1HK-102Y   | C CAPACITOR     |                |      |   | R3114 | QRE141J-391Y  | C RESISTOR     | 390 5% 1/4W      |      |
|   | C3222 | QFLK1HJ-333Z   | M CAPACITOR     | .033MF 5% 50V  |      |   | R3117 | QRE141J-332Y  | C RESISTOR     | 3.3K 5% 1/4W     |      |
|   | C3301 | EEKJ1AM-107ZJC | AL E CAPACITOR  |                |      |   | R3118 | QRE141J-152Y  | C RESISTOR     | 1.5K 5% 1/4W     |      |
|   | C3302 | EEKJ1AM-107ZJC | AL E CAPACITOR  |                |      |   | R3119 | QRE141J-203Y  | C RESISTOR     | 20K 5% 1/4W      |      |
|   | C3303 | EEKJ1CM-226ZJC | AL E CAPACITOR  |                |      |   | R3120 | QRE141J-102Y  | C RESISTOR     | 1.0K 5% 1/4W     |      |
|   | C3304 | EEKJ1EM-475ZJC | AL E CAPACITOR  |                |      |   | R3121 | QRE141J-122Y  | C RESISTOR     | 1.2K 5% 1/4W     |      |
|   | C3305 | QFLK1HJ-393Z   | M CAPACITOR     | .039MF 5% 50V  |      |   | R3203 | QRE141J-183Y  | C RESISTOR     | 18K 5% 1/4W      |      |
|   | C3306 | EEKJ0JM-227ZJC | AL E CAPACITOR  |                |      |   | R3205 | QRE141J-220Y  | C RESISTOR     | 22 5% 1/4W       |      |
|   | C3308 | QDXB1CM-152Y   | C CAPACITOR     |                |      |   | R3206 | QRE141J-392Y  | C RESISTOR     | 3.9K 5% 1/4W     |      |
|   | C3313 | EEKJ1AM-107ZJC | AL E CAPACITOR  |                |      |   | R3207 | QRE141J-222Y  | C RESISTOR     | 2.2K 5% 1/4W     |      |
|   | C3314 | QCZ0202-155Z   | ML C CAPACITOR  | 1.5MF          |      |   | R3208 | QRE141J-241Y  | C RESISTOR     | 240 5% 1/4W      |      |
|   | C3315 | QCBB1HK-223Y   | C CAPACITOR     | .022MF 10% 50V |      |   | R3211 | QRE141J-562Y  | C RESISTOR     | 5.6K 5% 1/4W     |      |
|   | C3316 | QFG32AJ-103Z   | PP CAPACITOR    | .010MF 5% 100V |      |   | R3212 | QRE141J-102Y  | C RESISTOR     | 1.0K 5% 1/4W     |      |
|   | C3327 | EEKJ1CM-476ZJC | AL E CAPACITOR  |                |      |   | R3213 | QRE141J-271Y  | C RESISTOR     | 270 5% 1/4W      |      |
|   | C3335 | QDYB1CM-103Y   | C CAPACITOR     |                |      |   | R3214 | QRE141J-391Y  | C RESISTOR     | 390 5% 1/4W      |      |
|   | C3336 | QDYB1CM-103Y   | C CAPACITOR     |                |      |   | R3217 | QRE141J-332Y  | C RESISTOR     | 3.3K 5% 1/4W     |      |
|   | C3339 | EEKJ1CM-476ZJC | AL E CAPACITOR  |                |      |   | R3218 | QRE141J-152Y  | C RESISTOR     | 1.5K 5% 1/4W     |      |
|   | C3340 | QDYB1CM-103Y   | C CAPACITOR     |                |      |   | R3219 | QRE141J-203Y  | C RESISTOR     | 20K 5% 1/4W      |      |
|   | C3341 | EEKJ1AM-107ZJC | AL E CAPACITOR  |                |      |   | R3220 | QRE141J-102Y  | C RESISTOR     | 1.0K 5% 1/4W     |      |
|   | C3342 | EEKJ1EM-475ZJC | AL E CAPACITOR  |                |      |   | R3221 | QRE141J-122Y  | C RESISTOR     | 1.2K 5% 1/4W     |      |
|   | C3345 | QCBB1HK-331Y   | C CAPACITOR     | 330PF 10% 50V  |      |   | R3301 | QRE141J-221Y  | C RESISTOR     | 220 5% 1/4W      |      |
|   | C3350 | QDGB1HK-102Y   | C CAPACITOR     |                |      |   | R3302 | QRE141J-101Y  | C RESISTOR     | 100 5% 1/4W      |      |
|   | C3501 | QDGB1HK-821Y   | C CAPACITOR     |                |      |   | R3304 | QRE141J-393Y  | C RESISTOR     | 39K 5% 1/4W      |      |
|   | C3502 | QCBB1HK-271Y   | C CAPACITOR     | 270PF 10% 50V  |      |   | R3309 | QRE141J-152Y  | C RESISTOR     | 1.5K 5% 1/4W     |      |
|   | C3555 | QDGB1HK-102Y   | C CAPACITOR     |                |      |   | R3311 | QRJ146J-4R7X  | UNF C RESISTOR | 4.7 5% 1/4W      |      |
|   | C3601 | QDGB1HK-821Y   | C CAPACITOR     |                |      |   | R3314 | QRE141J-101Y  | C RESISTOR     | 100 5% 1/4W      |      |
|   | C3602 | QCBB1HK-271Y   | C CAPACITOR     | 270PF 10% 50V  |      |   | R3315 | QRE141J-153Y  | C RESISTOR     | 15K 5% 1/4W      |      |

■ Electrical parts list

(Head amplifier & mechanism control board)

Block No.08

| △ | Item  | Parts number | Parts name      | Remarks      | Area |
|---|-------|--------------|-----------------|--------------|------|
|   | R3327 | QRE141J-474Y | C RESISTOR      | 470K 5% 1/4W |      |
|   | R3330 | QRE141J-103Y | C RESISTOR      | 10K 5% 1/4W  |      |
|   | R3331 | QRE141J-103Y | C RESISTOR      | 10K 5% 1/4W  |      |
|   | R3335 | QRE141J-222Y | C RESISTOR      | 2.2K 5% 1/4W |      |
|   | R3336 | QRE141J-392Y | C RESISTOR      | 3.9K 5% 1/4W |      |
|   | R3344 | QRE141J-224Y | C RESISTOR      | 220K 5% 1/4W |      |
|   | R3345 | QRE141J-473Y | C RESISTOR      | 47K 5% 1/4W  |      |
|   | R3347 | QRE141J-392Y | C RESISTOR      | 3.9K 5% 1/4W |      |
|   | R3348 | QRE141J-222Y | C RESISTOR      | 2.2K 5% 1/4W |      |
|   | R3350 | QRE141J-472Y | C RESISTOR      | 4.7K 5% 1/4W |      |
|   | R3351 | QRE141J-151Y | C RESISTOR      | 150 5% 1/4W  |      |
|   | R3353 | QRE141J-472Y | C RESISTOR      | 4.7K 5% 1/4W |      |
|   | R3354 | QRE141J-151Y | C RESISTOR      | 150 5% 1/4W  |      |
|   | R3355 | QRE141J-332Y | C RESISTOR      | 3.3K 5% 1/4W |      |
|   | R3359 | QRE141J-103Y | C RESISTOR      | 10K 5% 1/4W  |      |
|   | R3361 | QRE141J-393Y | C RESISTOR      | 39K 5% 1/4W  |      |
|   | R3362 | QRE141J-243Y | C RESISTOR      | 24K 5% 1/4W  |      |
|   | R3366 | QRE141J-273Y | C RESISTOR      | 27K 5% 1/4W  |      |
|   | R3367 | QRE141J-103Y | C RESISTOR      | 10K 5% 1/4W  |      |
|   | R3368 | QRE141J-223Y | C RESISTOR      | 22K 5% 1/4W  |      |
|   | R3369 | QRE141J-101Y | C RESISTOR      | 100 5% 1/4W  |      |
|   | R3370 | QRE141J-103Y | C RESISTOR      | 10K 5% 1/4W  |      |
|   | R3374 | QRE141J-2R2Y | C RESISTOR      | 2.2 5% 1/4W  |      |
| △ | R3376 | QRZ9005-100X | F RESISTOR      | 10 1W        |      |
|   | R3377 | QRE141J-470Y | C RESISTOR      | 47 5% 1/4W   |      |
|   | R3378 | QRE141J-470Y | C RESISTOR      | 47 5% 1/4W   |      |
|   | R3379 | QRE141J-203Y | C RESISTOR      | 20K 5% 1/4W  |      |
|   | R3380 | QRE141J-470Y | C RESISTOR      | 47 5% 1/4W   |      |
|   | R3381 | QRE141J-470Y | C RESISTOR      | 47 5% 1/4W   |      |
|   | R3383 | QRE141J-471Y | C RESISTOR      | 470 5% 1/4W  |      |
|   | SW302 | QSW0832-001  | LEAF SWITCH     |              |      |
|   | SW303 | QSW0832-001  | LEAF SWITCH     |              |      |
|   | SW304 | QSW0832-001  | LEAF SWITCH     |              |      |
|   | SW305 | QSW0832-001  | LEAF SWITCH     |              |      |
|   | SW306 | QSW0859-001  | SW              |              |      |
|   | SW316 | QSW0859-001  | SW              |              |      |
|   | VR101 | QVP0008-503Z | SEMI V RESISTOR | ALPS         |      |
|   | VR201 | QVP0008-503Z | SEMI V RESISTOR | ALPS         |      |
|   | VR301 | QVP0008-103Z | SEMI V RESISTOR | ALPS         |      |

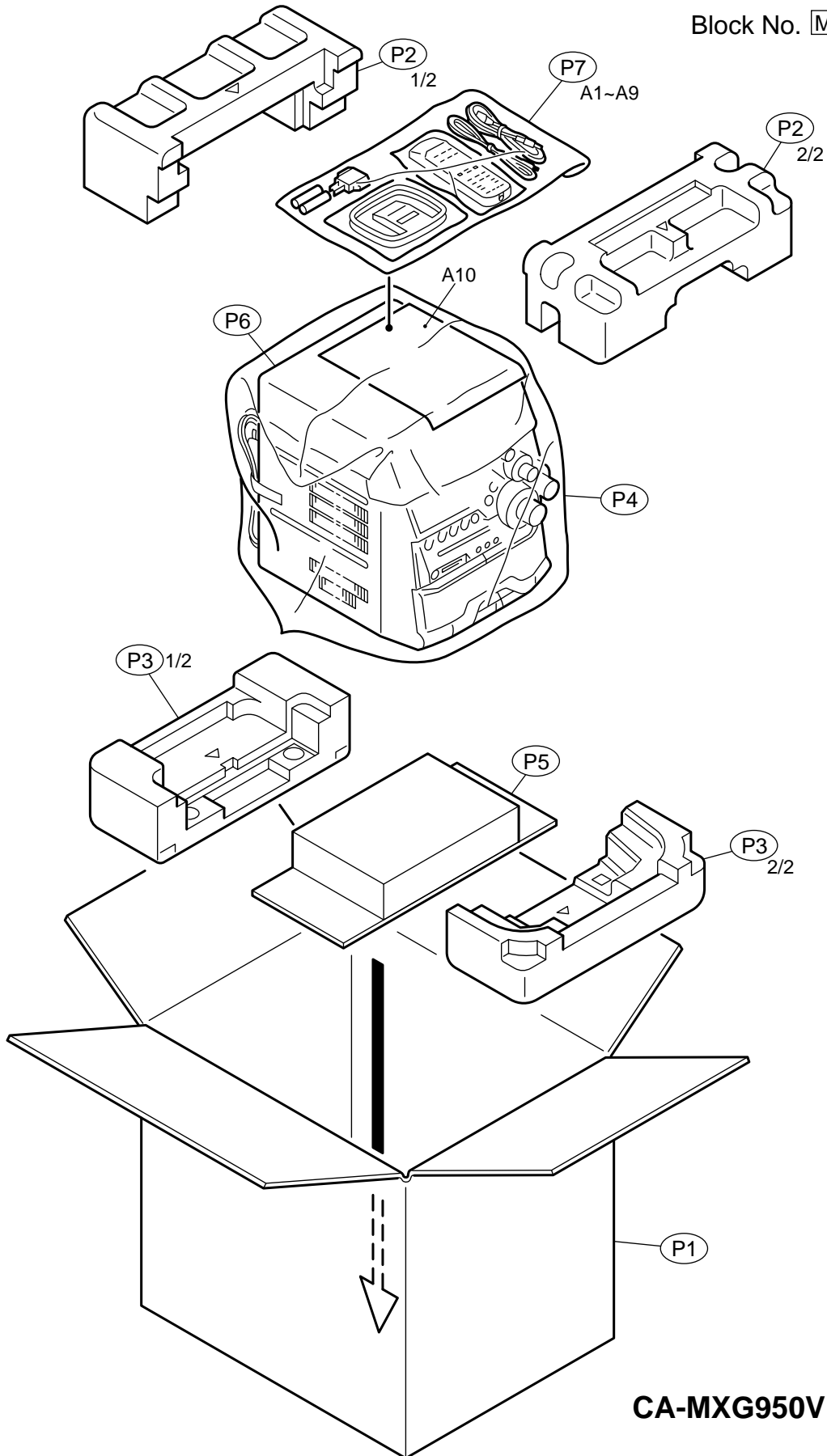
# Packing materials and accessories parts list

Block No. 

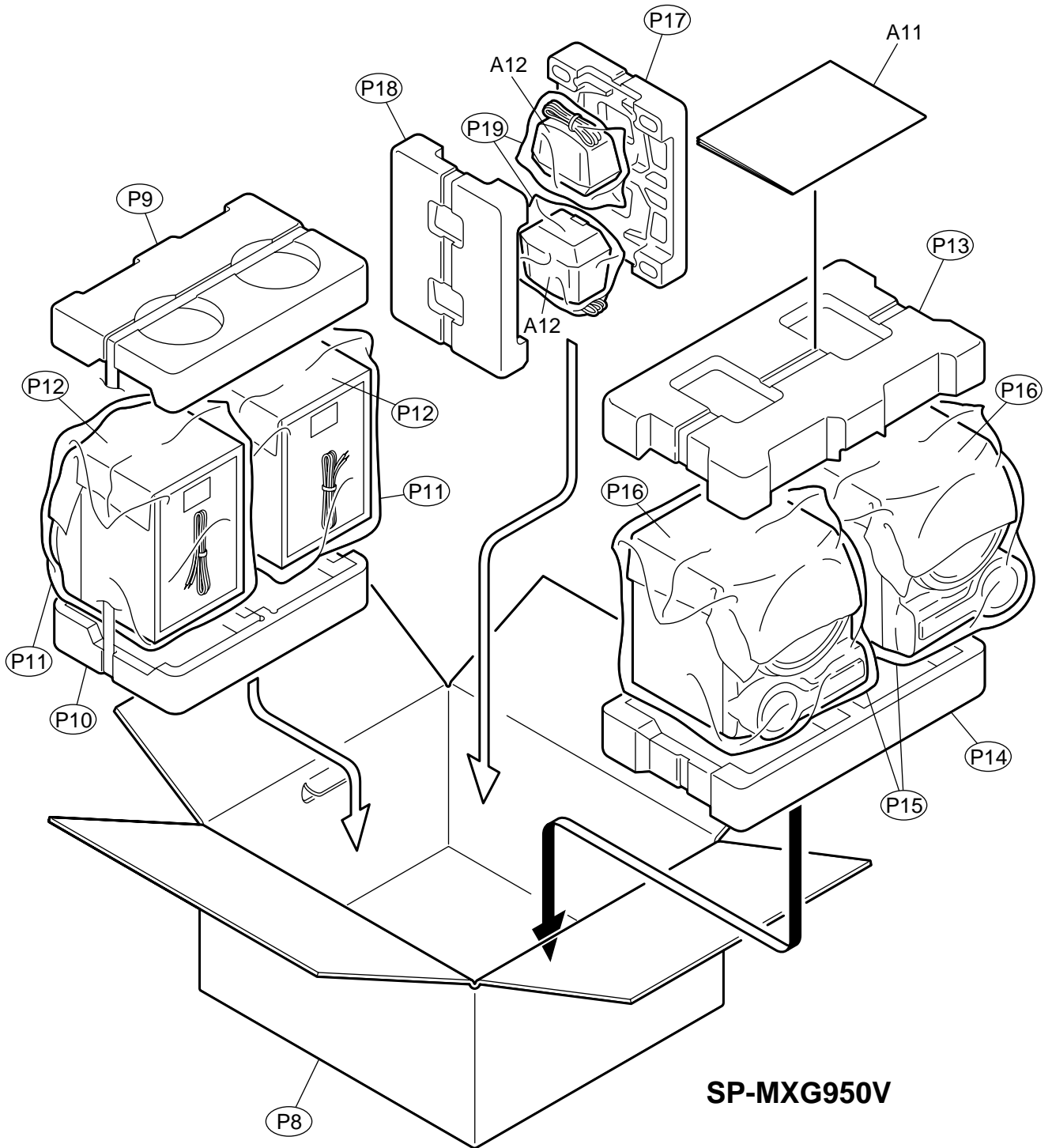
|   |   |   |   |
|---|---|---|---|
| M | 3 | M | M |
|---|---|---|---|

Block No. 

|   |   |   |   |
|---|---|---|---|
| M | 5 | M | M |
|---|---|---|---|



**CA-MXG950V**



**SP-MXG950V**

## ■ Parts list (Packing)

Block No. M3MM

| ⚠ | Item | Parts number  | Parts name     | Q'ty | Description | Area |
|---|------|---------------|----------------|------|-------------|------|
|   | P 1  | GV20183-003A  | PACKING CASE   | 1    | CA-MXG950V  |      |
|   | P 2  | GV10071-002A  | CUSHION UPPER  | 1    | CA-MXG950V  |      |
|   | P 3  | GV10072-002A  | CUSHION BOTTOM | 1    | CA-MXG950V  |      |
|   | P 4  | QPC06507015P  | POLY BAG       | 1    | CA-MXG950V  |      |
|   | P 5  | GV30209-001A  | SPACER         | 1    | CA-MXG950V  |      |
|   | P 6  | GV40168-003A  | SHEET          | 1    | CA-MXG950V  |      |
|   | P 7  | QPC02503515P  | POLY BAG       | 1    | CA-MXG950V  |      |
|   | P 8  | 140776311313  | PACKING CASE   | 1    | SP-MXG950V  |      |
|   | P 9  | 139764991070  | TOP CUSHION    | 1    | SP-XG950V   |      |
|   | P 10 | 139764991071  | BOTTOM CUSHION | 1    | SP-XG950V   |      |
|   | P 11 | 138736001066  | POLY BAG       | 2    | SP-XG950V   |      |
|   | P 12 | 138764501088  | MIRROR MAT     | 2    | SP-XG950V   |      |
|   | P 13 | 139764991074  | TOP CUSHION    | 1    | SP-WG950V   |      |
|   | P 14 | 139764991075  | BOTTOM CUSHION | 1    | SP-WG950V   |      |
|   | P 15 | 138764501088  | MIRROR MAT     | 2    | SP-WG950V   |      |
|   | P 16 | 138737001089  | POLY BAG       | 2    | SP-WG950V   |      |
|   | P 17 | 720-TDSS99-K1 | TOP CUSHION    | 1    | SP-XSG950V  |      |
|   | P 18 | 720-BDSS99-K1 | BOTTOM CUSHION | 1    | SP-XSG950V  |      |
|   | P 19 | 700-120042-K2 | POLY BAG       | 2    | SP-XSG950V  |      |

## ■ Parts list (Accessories)

Block No. M5MM

| ⚠ | Item | Parts number | Parts name            | Q'ty | Description         | Area |
|---|------|--------------|-----------------------|------|---------------------|------|
|   | A 1  | GVT0079-001B | INST BOOK(CA-MXG950V) | 1    | ENG,CHI,ARA         |      |
|   | A 2  | GV40215-003A | NOTICE SHEET          | 1    | CA-MXG950V          |      |
|   | A 3  | GV40360-001A | SHEET                 | 1    |                     |      |
|   | A 4  | FQAL0014-001 | LOOP ANTENNA          | 1    |                     |      |
|   | A 5  | EWP503-001   | ANT.WIRE              | 1    |                     |      |
| ⚠ | A 6  | QAM0112-001  | AC PLUG ADAPTER       | 1    |                     | U,UN |
| ⚠ | A 7  | VMZ0139-001  | CONNECT PLUG          | 1    |                     | UX   |
|   | A 8  | QAM0216-001  | SIGNAL CORD           | 1    |                     |      |
|   | A 9  | RM-SMXG950V  | W.LESS REMOCON        | 1    |                     |      |
|   | A 10 | -----        | BATTERY               | 2    |                     |      |
|   | A 11 | GV40350-003A | CAUTION SHEET         | 1    |                     |      |
|   | A 12 | GVT0089-001A | INST.BOOK(SP-MXG950V) | 1    | ENG,SPA,POR,CHI.ARA |      |
|   |      | SP-DS99K     | SP BOX ASSY           | 2    | SP-XSG950V          |      |



# PARTS LIST

[ MX-G880V ]  
[ MX-G850V ]

\* All printed circuit boards and its assemblies are not available as service parts.

| MX-G880V      |
|---------------|
| Area suffix   |
| UN -----Asean |

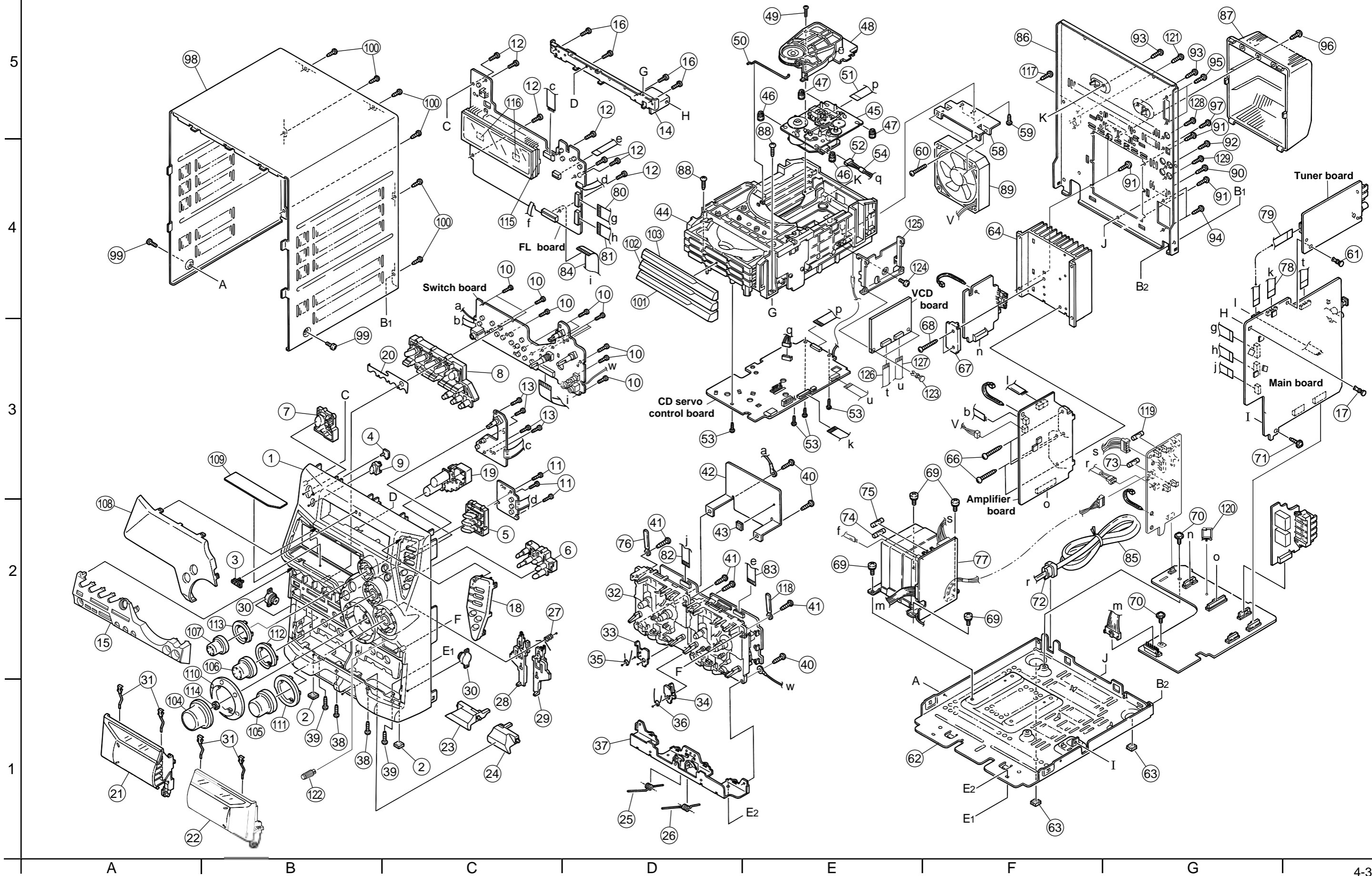
| MX-G850V              |
|-----------------------|
| Area suffix           |
| UX ----- Saudi Arabia |
| UN -----Asean         |
| U ----- Other Areas   |

## - Contents -

|                                                                      |      |
|----------------------------------------------------------------------|------|
| Exploded view of general assembly and parts list (Block No.M1) ..... | 4- 3 |
| Speaker assembly and parts list SP-XG880V/XG850V (Block No.M7) ..... | 4- 6 |
| Speaker assembly and parts list SP-WG880V/WG850V (Block No.M8) ..... | 4- 7 |
| CD changer mechanism assembly and parts list (Block No.MA) .....     | 4- 8 |
| CD mechanism assembly and parts list (Block No.MB) .....             | 4-10 |
| Cassette mechanism assembly and parts list (Block No.MP) .....       | 4-11 |
| Electrical parts list (Block No.01~08) .....                         | 4-15 |
| Packing materials and accessories parts list (Block No.M3,M5) .....  | 4-30 |

# Exploded view of general assembly and parts list

Block No. M 1 M M



MX-G950V/MX-G880V  
MX-G850V/MX-G750V

MX-G950V/MX-G880V  
MX-G850V/MX-G750V

■ Parts list (General assembly)

Block No. M1MM

| △ | Item | Parts number | Parts name          | Q'ty | Description     | Area |
|---|------|--------------|---------------------|------|-----------------|------|
|   | 1    | GV10057-005A | FRONT PANEL         | 1    | CA-MXG880V      |      |
|   |      | GV10057-004A | FRONT PANEL         | 1    | CA-MXG850V      |      |
|   | 2    | GV40246-001A | FOOT SPACER         | 2    |                 |      |
|   | 3    | GV40077-002A | JVC BADGE           | 1    |                 |      |
|   | 4    | GV40136-001A | STANDBY INDICATOR   | 1    |                 |      |
|   | 5    | GV30154-003A | CD BUTTON           | 1    |                 |      |
|   | 6    | GV20104-002A | CD EJECT BUTTON     | 1    |                 |      |
|   | 7    | GV30137-001A | POWER BUTTON        | 1    |                 |      |
|   | 8    | GV30177-007A | CONTROL BUTTON      | 1    |                 |      |
|   | 9    | GV30139-001A | REMOTE LENS         | 1    |                 |      |
|   | 10   | QYSDFS2608Z  | SCREW               | 12   | ON VOLUME BRD.  |      |
|   | 11   | QYSDFS2608Z  | SCREW               | 3    | ON CD BRD.      |      |
|   | 12   | QYSDFS2608Z  | SCREW               | 7    | ON MICOM BRD.   |      |
|   | 13   | QYSDFS2608Z  | SCREW               | 4    | ON SOURCE BRD.  |      |
|   | 14   | GV30129-001A | STAY BRACKET        | 1    |                 |      |
|   | 15   | GV10060-013A | ORNAMENT            | 1    |                 |      |
|   | 16   | QYSDFS2608Z  | SCREW               | 4    | STY.BRKT.+F.PNL |      |
|   | 17   | E310243-002  | PLASTIC RIVET       | 1    | M.BRD.+ STY BRK |      |
|   | 18   | GV20103-001A | SUB PANEL           | 1    |                 |      |
|   | 19   | GV30138-001A | FRONT BUTTON        | 1    |                 |      |
|   | 20   | GV40185-002A | COVER SHEET         | 1    |                 |      |
|   | 21   | GV30211-004A | CASS.HOLDER ASSY(L) | 1    | CA-MXG850V      |      |
|   |      | GV30211-002A | CASS.HOLDER ASSY(L) | 1    | CA-MXG880V      |      |
|   | 22   | GV30212-004A | CASS.HOLDER ASSY(R) | 1    | CA-MXG850V      |      |
|   |      | GV30212-002A | CASS.HOLDER ASSY(R) | 1    | CA-MXG880V      |      |
|   | 23   | GV20099-002A | EJECT BUTTON(A)     | 1    |                 |      |
|   | 24   | GV20100-002A | EJECT BUTTON(B)     | 1    |                 |      |
|   | 25   | FMKW4009-002 | HOLDER SPRING A     | 1    |                 |      |
|   | 26   | FMKW4010-002 | HOLDER SPRING B     | 1    |                 |      |
|   | 27   | FMKW4011-001 | SPRING              | 1    | FOR EJECT LEVER |      |
|   | 28   | FMKS3002-003 | EJECT LEVER(A)      | 1    |                 |      |
|   | 29   | FMKS3003-003 | EJECT LEVER(B)      | 1    |                 |      |
|   | 30   | GV40034-001A | DAMPER ASSY         | 2    |                 |      |
|   | 31   | VKY4180-401  | CASSETTE SPRING     | 4    |                 |      |
|   | 32   | -----        | CASSETTE MECHA      | 1    |                 |      |
|   | 33   | FMKL4012-004 | EJECT SAFETY(A)     | 1    |                 |      |
|   | 34   | FMKL4013-001 | EJECT SAFETY(B)     | 1    |                 |      |
|   | 35   | FMKW4007-001 | SPRING (A)          | 1    | EJECT SAFETY A  |      |
|   | 36   | FMKW4008-001 | SPRING (B)          | 1    | EJECT SAFETY B  |      |
|   | 37   | GV20094-001A | HOLDER BRACKET      | 1    |                 |      |
|   | 38   | QYSBSG3010Z  | T.SCREW             | 2    | F.P.TO H.BRKT.  |      |
|   | 39   | QYSBSG3010Z  | T.SCREW             | 2    | F.P.TO CHS.BASE |      |
|   | 40   | QYSBSG3010Z  | T.SCREW             | 3    | MECHA & H.BRKT. |      |
|   | 41   | QYSBSF3012Z  | SCREW               | 4    | MECHA & F.PANEL |      |
|   | 42   | GV30124-001A | TRANS SHIELD        | 1    |                 |      |
|   | 43   | E3400-431    | SPACER              | 1    | STICK AT SLC MO |      |
|   | 44   | -----        | CD CHANGER MECHA    | 1    |                 |      |
|   | 45   | -----        | CD MECHA            | 1    |                 |      |

■ Parts list (General assembly)

Block No. M1MM

| △ | Item | Parts number   | Parts name    | Q'ty | Description     | Area |
|---|------|----------------|---------------|------|-----------------|------|
|   | 46   | LV40761-003A   | INSULATOR     | 2    |                 |      |
|   | 47   | LV40761-003A   | INSULATOR     | 2    |                 |      |
|   | 48   | VKS3703-00L    | CLAMPER ASSY  | 1    | CA-MXG880V      |      |
|   |      | VKS3703-00Q    | CLAMPER ASSY  | 1    | CA-MXG850V      |      |
|   | 49   | QYSPST2606Z    | SCREW         | 1    |                 |      |
|   | 50   | VKW5187-001    | ROD           | 1    |                 |      |
|   | 51   | QUQ610-1509AJ  | FFC WIRE      | 1    |                 |      |
|   | 52   | VDM1001-M002AV | WIRE&TUBE     | 1    |                 |      |
|   | 53   | QYSBSF2608Z    | T.SCREW       | 4    |                 |      |
|   | 54   | VYSA1R2-033    | SPACER        | 1    | FOR VDM1001-M00 |      |
|   | 58   | GV40189-001A   | FAN BRACKET   | 1    |                 |      |
|   | 59   | QYSBSF3010Z    | SCREW         | 2    | FAN BRKT/CD MEC |      |
|   | 60   | QYSBSG3035Z    | T.SCREW       | 2    | FAN TO FAN BRAC |      |
|   | 61   | E310243-002    | PLASTIC RIVET | 1    | TUNER BRD.+ FMC |      |
|   | 62   | GV10061-001A   | CHASSIS BASE  | 1    |                 |      |
|   | 63   | GV40246-002A   | FOOT SPACER   | 2    | CHASS BASE FOOT |      |
|   | 64   | GV30191-002A   | HEAT SINK     | 1    |                 |      |
|   | 65   | QYSBSG3014E    | T.SCREW       | 4    | FOR POWER IC    |      |
|   | 66   | GV40143-001A   | LEAP SPRING   | 1    |                 |      |
|   | 68   | QYSBSG3014E    | T.SCREW       | 2    | FOR LEAF SPRING |      |
|   | 69   | QYSDSTL4008Z   | SPECIAL SCREW | 4    | FOR TRANS/CH.BS |      |
|   | 70   | QYSBSGG3008E   | T.SCREW       | 2    | FMH BRD./CH.BS  |      |
|   | 71   | QYSBSGG3008E   | T.SCREW       | 1    | FMC BRD./CH.BS  |      |
| △ | 72   | QZW0033-001    | STRAIN RELIEF | 1    |                 |      |
| △ | 73   | QMF51E2-4R0-J1 | FUSE          | 1    | F001            |      |
| △ | 74   | QMF51E2-4R0-J1 | FUSE          | 1    | F101            |      |
| △ | 75   | QMF51E2-4R0-J1 | FUSE          | 1    | F102            |      |
|   | 76   | VKZ4001-110S   | WIRE HOLDER   | 1    |                 |      |
| △ | 77   | QQT0319-003    | POWER TRANSF  | 1    | T001            |      |
|   | 78   | QUQH10-1908BJ  | CARD WIRE     | 1    | FMC TO VC3      |      |
|   | 79   | QUQ412-0911DJ  | FFC WIRE      | 1    | FMC TO TUNER    |      |
|   | 80   | QUQ412-1710CJ  | FFC WIRE      | 1    | FMB TO FMC(1)   |      |
|   | 81   | QUQ412-1710CJ  | FFC WIRE      | 1    | FMB TO FMC(2)   |      |
|   | 82   | QUQ412-1020CJ  | FFC WIRE      | 1    | FMC TO SLC      |      |
|   | 83   | QUQ412-0915CJ  | FFC WIRE      | 1    | FMB TO SLC      |      |
|   | 84   | QUQ412-2410CJ  | FFC WIRE      | 1    | FMB TO SW       |      |
| △ | 85   | QMPR290-200-JN | POWER CORD    | 1    |                 | UX   |
| △ |      | QMPK210-205-JN | POWER CORD    | 1    |                 | U,UN |
|   | 86   | GV10062-050A   | REAR PANEL    | 1    | CA-MXG850V      | U,UN |
|   |      | GV10062-051A   | REAR PANEL    | 1    | CA-MXG850V      | UX   |
|   |      | GV10062-058A   | REAR PANEL    | 1    | CA-MXG880V      | UN   |
|   | 87   | GV10063-002A   | REAR COVER    | 1    |                 |      |
|   | 88   | QYSBSG3010Z    | T.SCREW       | 2    | C3 & STAY BRKT  |      |
|   | 89   | QAR0177-001    | FAN           | 1    |                 |      |
|   | 90   | QYSBSGY3008E   | SPECIAL SCREW | 1    | REAR PNL/CHAS.B |      |
|   | 91   | QYSBSGY3008E   | SPECIAL SCREW | 4    | REAR PNL/ H.SIN |      |
|   | 92   | QYSBSGY3008E   | SPECIAL SCREW | 1    | REAR PNL/ AUX   |      |
|   | 93   | QYSBSGY3008E   | SPECIAL SCREW | 2    | C3/ REAR PANEL  |      |

■ Parts list (General assembly)

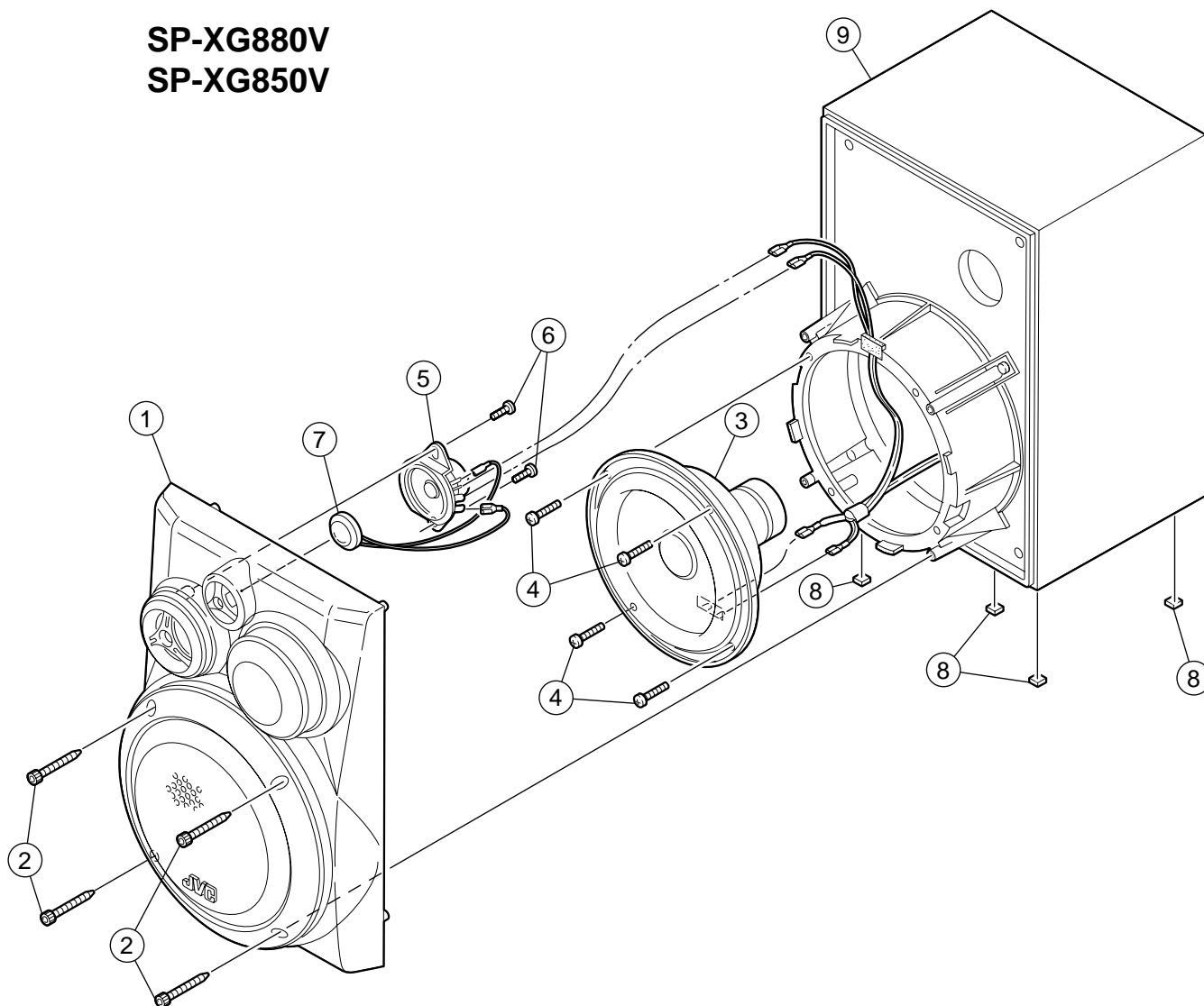
Block No. M1MM

| △ | Item | Parts number    | Parts name       | Q'ty | Description     | Area |
|---|------|-----------------|------------------|------|-----------------|------|
|   | 94   | QYSBSGY3008E    | SPECIAL SCREW    | 2    | SPK/ REAR PANEL |      |
|   | 95   | QYSBSGY3008E    | SPECIAL SCREW    | 2    | TUNER/REAR PANE |      |
|   | 96   | QYSBSGY3008E    | SPECIAL SCREW    | 1    | REAR CVR/R.PNL  |      |
|   | 97   | QYSBSGY3008E    | SPECIAL SCREW    | 1    | OPTICAL/R.PANEL |      |
|   | 98   | GV10055-003A/S/ | METAL COVER      | 1    | CA-MXG880V      |      |
|   |      | GV10055-001A/S/ | METAL COVER      | 1    | CA-MXG850V      |      |
|   | 99   | QYSDSG3006M     | T.SCREW          | 2    | M.COVER/CHAS.BS |      |
|   | 100  | QYSBSGY3008E    | SPECIAL SCREW    | 6    | M.COVER/R.PANEL |      |
|   | 101  | GV20106-006A    | CD FITTING 1     | 1    | CA-MXG880V      |      |
|   |      | GV20106-005A    | CD FITTING 1     | 1    | CA-MXG850V      |      |
|   | 102  | GV20107-006A    | CD FITTING 2     | 1    | CA-MXG880V      |      |
|   |      | GV20107-005A    | CD FITTING 2     | 1    | CA-MXG850V      |      |
|   | 103  | GV20108-006A    | CD FITTING 3     | 1    | CA-MXG880V      |      |
|   |      | GV20108-005A    | CD FITTING 3     | 1    | CA-MXG850V      |      |
|   | 104  | GV30179-001A    | VOLUME KNOB ASSY | 1    |                 |      |
|   | 105  | GV30180-002A    | SUB.WFR.KB ASSY  | 1    |                 |      |
|   | 106  | GV30181-002A    | SND.MODE KB.ASSY | 1    |                 |      |
|   | 107  | GV30182-002A    | CD.FWD.KB.ASSY   | 1    |                 |      |
|   | 108  | GV20098-020A    | WINDOW SCREEN    | 1    | CA-MXG880V      |      |
|   |      | GV20098-017A    | WINDOW SCREEN    | 1    | CA-MXG850V      |      |
|   | 109  | GV40181-001A    | MIRROR SHEET     | 1    |                 |      |
|   | 110  | GV30155-002A    | VOLUME RING      | 1    |                 |      |
|   | 111  | GV30151-002A    | S/WOOFER RING    | 1    |                 |      |
|   | 112  | GV30152-002A    | SOUND MODE RING  | 1    |                 |      |
|   | 113  | GV30153-002A    | CD FORWARD RING  | 1    |                 |      |
|   | 114  | GV40186-001A    | NUT              | 1    | FOR VOLUME ENCO |      |
|   | 115  | GV30141-001A    | FL HOLDER        | 1    |                 |      |
|   | 116  | E3400-439       | FELT SPACER      | 2    |                 |      |
|   | 117  | QYSBSGY3008E    | SPECIAL SCREW    | 1    | REAR PNL/ERT PL |      |
|   | 118  | VKZ4001-110S    | WIRE HOLDER      | 1    | MIC GROUND WIRE |      |
| △ | 119  | QMF51E2-2R0-J1  | FUSE             | 1    | F003            |      |
|   | 120  | GV40236-001A    | PLASTIC HOLDER   | 1    | STICK AT FMH BO |      |
|   | 121  | QYSBSF3012E     | SPECIAL SCREW    | 2    | VOLT SEL/R.PNL  |      |
|   | 122  | GV40083-002A    | MIC VOLUME KNOB  | 1    |                 |      |
|   | 123  | E310243-002     | PLASTIC RIVET    | 2    | FOR MPEG BOARD  |      |
|   | 124  | QYSBSF3008Z     | SCREW            | 1    | BRACKET TO C3   |      |
|   | 125  | GV30223-001A    | BRACKET          | 1    |                 |      |
|   | 126  | QUQH10-1506BJ   | FFC CABLE        | 1    | VC3 TO FMV      |      |
|   | 127  | QUQH10-1508BJ   | CARD WIRE        | 1    | FMC TO FMV      |      |
|   | 128  | QYSBSGY3008E    | SPECIAL SCREW    | 1    | VIDEO/R.PANEL   |      |
|   | 129  | QYSBSGY3008E    | SPECIAL SCREW    | 1    | SUR.SP/R.PANEL  |      |

# Speaker assembly and parts list

Block No. **M 7 M M**

**SP-XG880V**  
**SP-XG850V**



## Parts list (Speaker assembly) SP-XG880V/XG850V

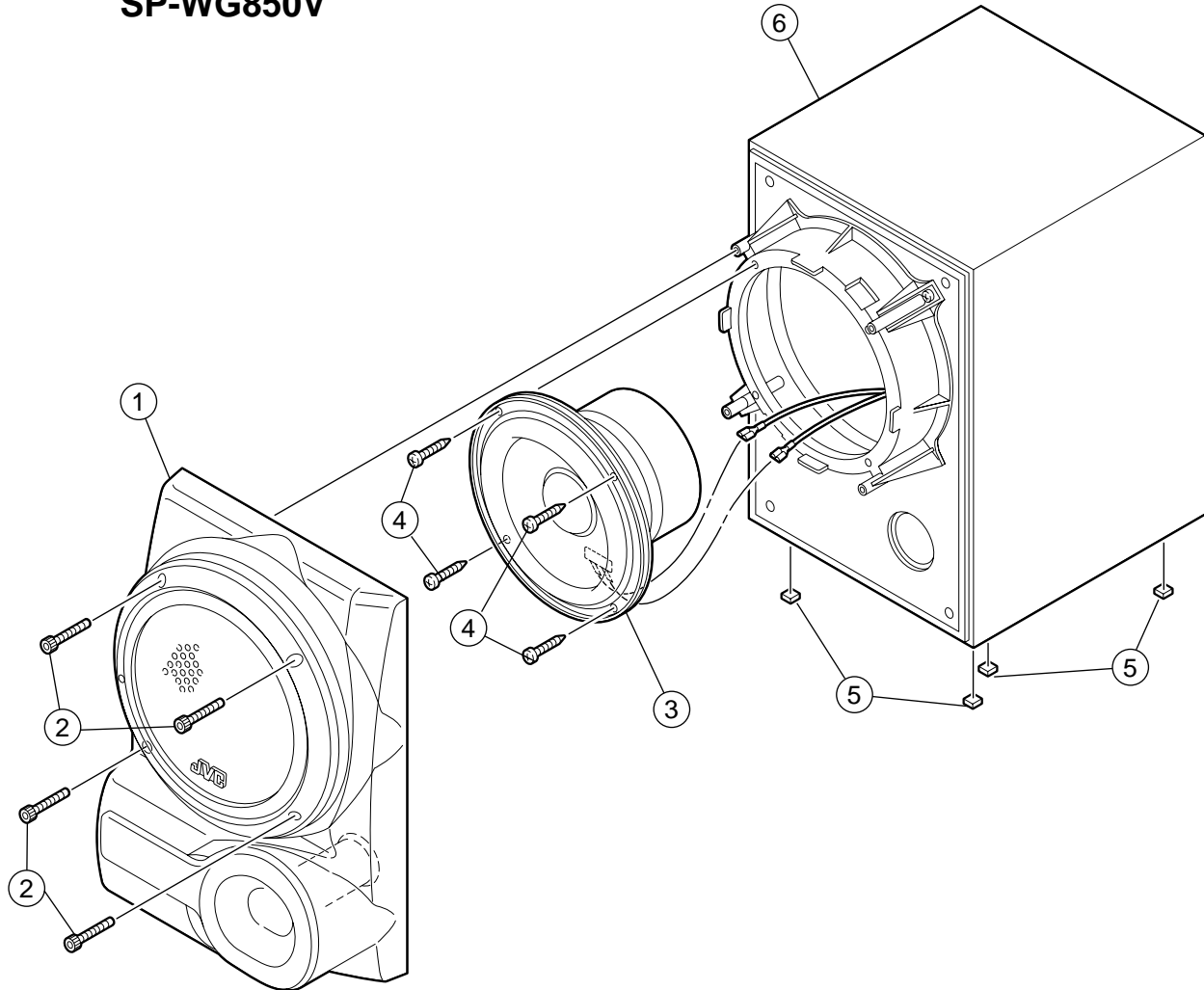
Block No. **M7MM**

| Item | Parts number    | Parts name     | Q'ty | Description | Area |
|------|-----------------|----------------|------|-------------|------|
| A    | MXG880K-SPBOX-R | SP BOX ASSY(R) | 1    | SP-XG880V   |      |
|      | MXG880K-SPBOX-L | SP BOX ASSY(L) | 1    | SP-XG880V   |      |
|      | MXG850K-SPBOX-L | SP BOX ASSY(L) | 1    | SP-XG850V   |      |
|      | MXG850K-SPBOX-R | SP BOX ASSY(R) | 1    | SP-XG850V   |      |
| 1    | 199733350159    | FRONT PANEL(R) | 1    | SP-XG880V   |      |
|      | 199733350151    | FRONT PANEL(R) | 1    | SP-XG850V   |      |
|      | 199733350152    | FRONT PANEL(L) | 1    | SP-XG850V   |      |
|      | 199733350158    | FRONT PANEL(L) | 1    | SP-XG880V   |      |
| 2    | 135604161053    | SCREW          | 8    |             |      |
| 3    | 991061650050    | 16CM WOOFER    | 2    |             |      |
| 4    | 135604161047    | SCREW          | 8    |             |      |
| 5    | 993060500031    | 5CM TWEETER    | 2    |             |      |
| 6    | 135604081045    | SCREW          | 4    |             |      |
| 7    | 134720201090    | PIEZO ASSY     | 2    |             |      |
| 8    | 147780071049    | LEG CUSHION    | 8    |             |      |
| 9    | -----           | CABINET ASSY   | 2    |             |      |

# Speaker assembly and parts list

Block No. M 8 M M

**SP-WG880V**  
**SP-WG850V**



## ■ Parts list (Speaker assembly) SP-WG880V/WG850V

Block No. M8MM

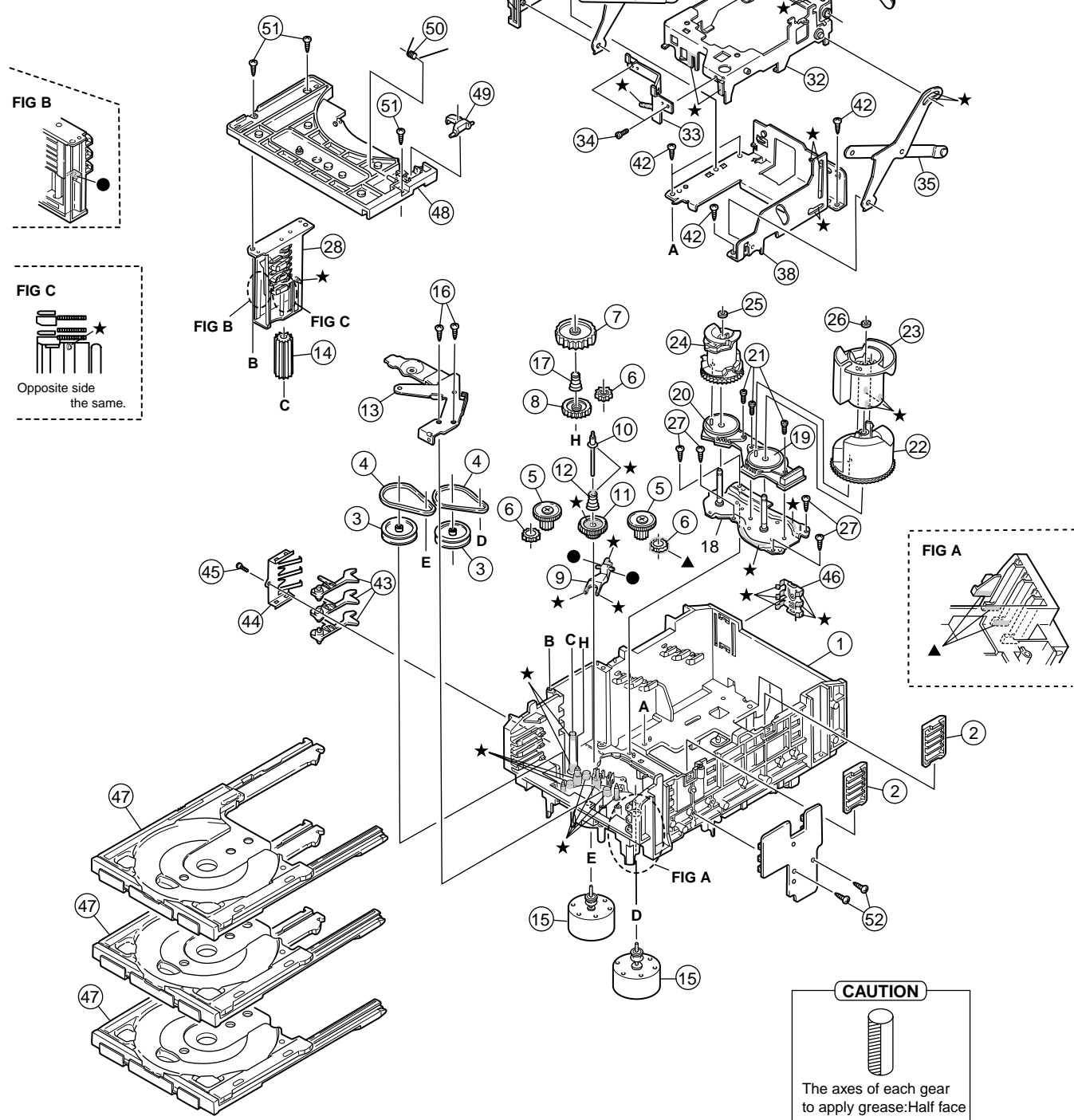
| ▲ | Item | Parts number    | Parts name     | Q'ty | Description | Area |
|---|------|-----------------|----------------|------|-------------|------|
|   | A    | MXG850K-SPKSB-L | SP BOX ASSY(L) | 1    | SP-WG850V   |      |
|   |      | MXG850K-SPKSB-R | SP BOX ASSY(R) | 1    | SP-WG850V   |      |
|   |      | MXG880K-SPKSB-R | SP BOX ASSY(R) | 1    | SP-WG880V   |      |
|   |      | MXG880K-SPKSB-L | SP BOX ASSY(L) | 1    | SP-WG880V   |      |
|   | 1    | 199733350154    | FRONT PANEL(L) | 1    | SP-WG850V   |      |
|   |      | 199733350153    | FRONT PANEL(R) | 1    | SP-WG850V   |      |
|   |      | 199733350160    | FRONT PANEL(L) | 1    | SP-WG880V   |      |
|   |      | 199733350161    | FRONT PANEL(R) | 1    | SP-WG880V   |      |
|   | 2    | 135604161053    | SCREW          | 8    |             |      |
|   | 3    | 991061650051    | 16CM SUBWOOFER | 2    |             |      |
|   | 4    | 135604161047    | SCREW          | 8    |             |      |
|   | 5    | 147780071049    | LEG CUSHION    | 8    |             |      |
|   | 6    | -----           | CABINET ASSY   | 2    |             |      |

# CD changer mechanism assembly and parts list

C3BASE-1M

Block No. M A M M

**Grease** ★ = EM-30L  
 ● = EBS0006-009B  
 ▲ = FL-7750E



■ Parts list (CD changer mechanism)

Block No. MAMM

| △ | Item | Parts number  | Parts name      | Q'ty | Description     | Area |
|---|------|---------------|-----------------|------|-----------------|------|
|   | 1    | VKS1144-004   | CHASSIS         | 1    |                 |      |
|   | 2    | VKS3698-003   | TRAY GUIDE      | 2    |                 |      |
|   | 3    | VKS5532-003   | PULLEY GEAR     | 2    |                 |      |
|   | 4    | VKB3000-164   | BELT            | 2    |                 |      |
|   | 5    | VKS5505-003   | GEAR B          | 2    |                 |      |
|   | 6    | VKS5506-002   | GEAR C          | 3    |                 |      |
|   | 7    | VKS5507-002   | CROSS GEAR U    | 1    |                 |      |
|   | 8    | VKS5508-002   | CROSS GEAR L    | 1    |                 |      |
|   | 9    | VKS5510-003   | SELECT LEVER    | 1    |                 |      |
|   | 10   | VKH5769-001   | S.G.SHAFT       | 1    |                 |      |
|   | 11   | VKS5511-002   | SELECT GEAR     | 1    |                 |      |
|   | 12   | VKW5155-003   | COMP.SPRING     | 1    | FOR SELECT GEAR |      |
|   | 13   | VKM3846-003   | GEAR BRACKET    | 1    |                 |      |
|   | 14   | VKS5509-002MM | CYLINDER GEAR   | 1    |                 |      |
|   | 15   | MSN5D257A-SA2 | DC MOTOR ASSY   | 2    |                 |      |
|   | 16   | QYSPSPD2616Z  | SCREW           | 2    | FOR MOTOR       |      |
|   | 17   | LV40612-001A  | COMP.SPRING     | 1    |                 |      |
|   | 18   | VKM3825-00B   | C.G.BASE ASS'Y  | 1    |                 |      |
|   | 19   | VKZ3172-00ASS | CAM SW. R ASS'Y | 1    |                 |      |
|   | 20   | VKZ3173-00ASS | CAM SW. L ASS'Y | 1    |                 |      |
|   | 21   | QYSPST2606Z   | SCREW           | 3    | FOR CAM SW.     |      |
|   | 22   | VKS2263-002MM | CAM R1          | 1    |                 |      |
|   | 23   | VKS2264-002MM | CAM R2          | 1    |                 |      |
|   | 24   | VKS2265-002MM | CAM GEAR L      | 1    |                 |      |
|   | 25   | WDL316050MM   | SLIT WASHER     | 1    | FOR CAM GEAR L  |      |
|   | 26   | WDL316050MM   | SLIT WASHER     | 1    |                 |      |
|   | 27   | QYSBSF2608Z   | T.SCREW         | 4    | FOR C.GEAR BASE |      |
|   | 28   | VKS3702-00FMM | DRIVE UNIT      | 1    |                 |      |
|   | 29   | VKS2247-005   | MECHA HOLDER A  | 1    |                 |      |
|   | 30   | VKL7767-00F   | BRACKET ASS'Y   | 1    |                 |      |
|   | 31   | QYSBSF2606Z   | SCREW           | 2    | FOR BRACKET     |      |
|   | 32   | VKM3860-00E   | M.HOLDER B AS'Y | 1    |                 |      |
|   | 33   | VKL7802-00D   | M.HOLDER C AS'Y | 1    |                 |      |
|   | 34   | QYSDST2604Z   | SCREW           | 2    | FOR M.HOLDER C  |      |
|   | 35   | VKL7810-00B   | LIFTER ASS'Y R  | 1    |                 |      |
|   | 36   | VKL7811-00B   | LIFTER ASS'Y L  | 1    |                 |      |
|   | 37   | VKL7812-00B   | LIFTER ASS'Y H  | 1    |                 |      |
|   | 38   | VKL2745-003   | LIFTER BASE     | 1    |                 |      |
|   | 39   | VKM3857-002   | LIFTER BRACKET  | 1    |                 |      |
|   | 40   | QYSDST2604Z   | SCREW           | 1    |                 |      |
|   | 41   | WDL266035-2   | SLIT WASHER     | 1    |                 |      |
|   | 42   | QYSBSF2608Z   | T.SCREW         | 4    |                 |      |
|   | 43   | VKS5514-002MM | LOCK LEVER      | 3    |                 |      |
|   | 44   | VKY3133-002MM | RETURN SPRING   | 1    |                 |      |
|   | 45   | QYSBSF2608Z   | T.SCREW         | 1    | FOR RETURN SP.  |      |
|   | 46   | VKY3134-003MM | CLICK SPRING    | 1    |                 |      |
|   | 47   | VKS2252-00N   | TRAY ASS'Y      | 3    |                 |      |
|   | 48   | VKS2250-004   | TOP BRACKET     | 1    |                 |      |
|   | 49   | VKS5515-002   | S.TRAY STOPPER  | 1    |                 |      |
|   | 50   | VKW5156-004   | TORSION SPRING  | 1    |                 |      |
|   | 51   | QYSBSF2608Z   | T.SCREW         | 3    |                 |      |
|   | 52   | QYSBSF2608Z   | T.SCREW         | 2    |                 |      |

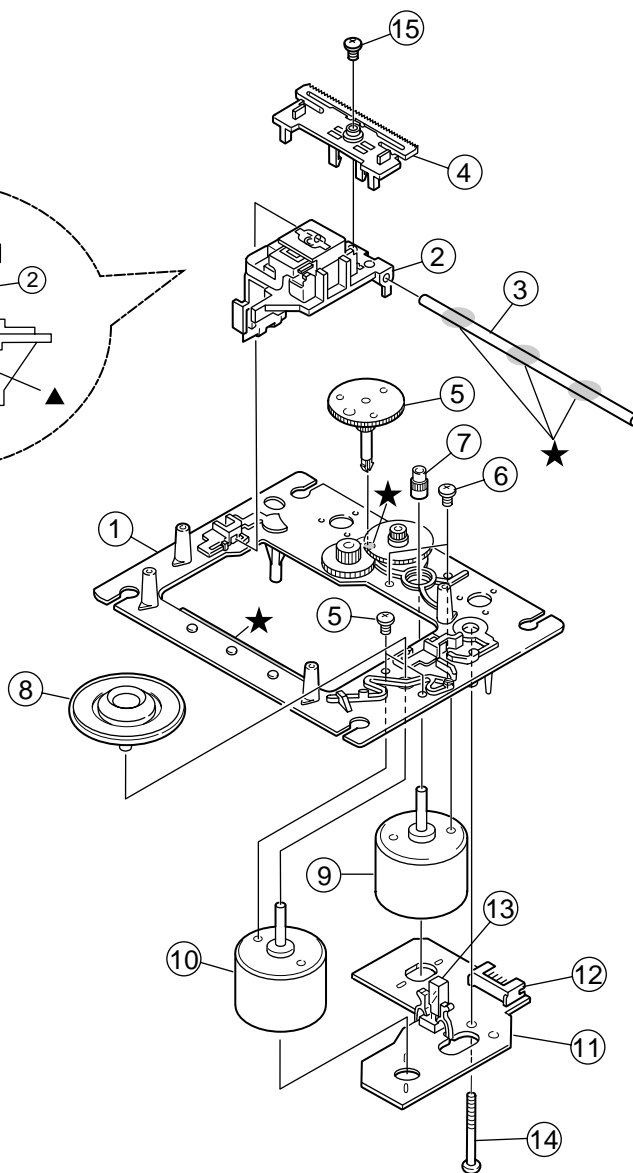
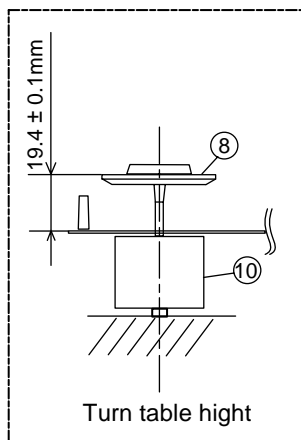
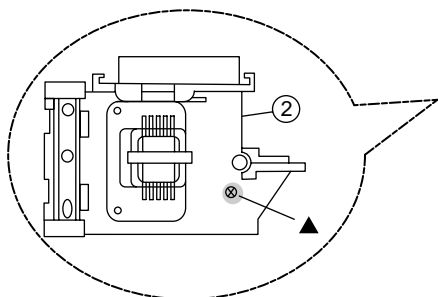


# CD mechanism assembly and parts list

Block No. M B M M

## Grease & Bond

- ★ = EBS0006-013B
- ▲ = 1401B



EXL-M7TMB

## Parts list (CD mechanism)

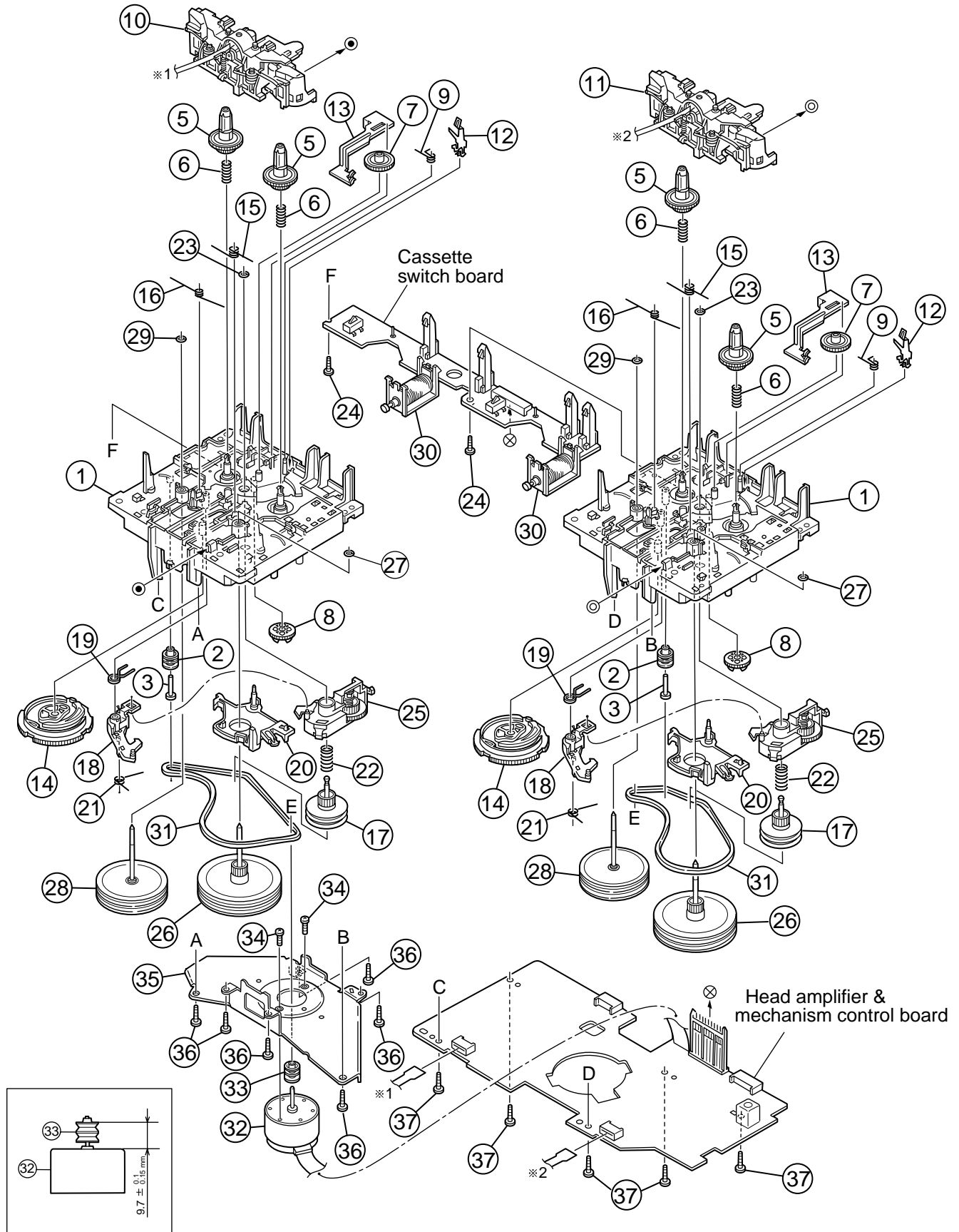
Block No. MBMM

| Item | Parts number  | Parts name      | Q'ty | Description | Area |
|------|---------------|-----------------|------|-------------|------|
| 1    | E102731-221SM | CD MECHA BASE A | 1    |             |      |
| 2    | OPTIMA-7B     | C.D PICK        | 1    |             |      |
| 3    | E406777-002SM | C.D SHAFT       | 1    |             |      |
| 4    | LV31002-001A  | CD RACK         | 1    |             |      |
| 5    | E307745-441SM | C.D GEAR 3      | 1    |             |      |
| 6    | QYSDSP2003N   | SCREW           | 4    |             |      |
| 7    | E406750-442SM | PINION          | 1    |             |      |
| 8    | EPB309173PKA  | T.T PACKING     | 1    |             |      |
| 9    | E406784-001   | FEED MOTOR      | 1    |             |      |
| 10   | QAR0130-001   | SP MOTOR        | 1    |             |      |
| 11   | EMW10190-441  | CIR BOARD       | 1    |             |      |
| 12   | QGA2001F1-06  | CONNECTOR       | 1    |             |      |
| 13   | QSW0506-001   | LEAF SWITCH     | 1    |             |      |
| 14   | E75832-221SS  | SPECIAL SCREW   | 1    |             |      |
| 15   | QYSDSF2006Z   | SCREW           | 1    |             |      |

# Cassette mechanism assembly and parts list

Block No. M P M M

SLC-W101M



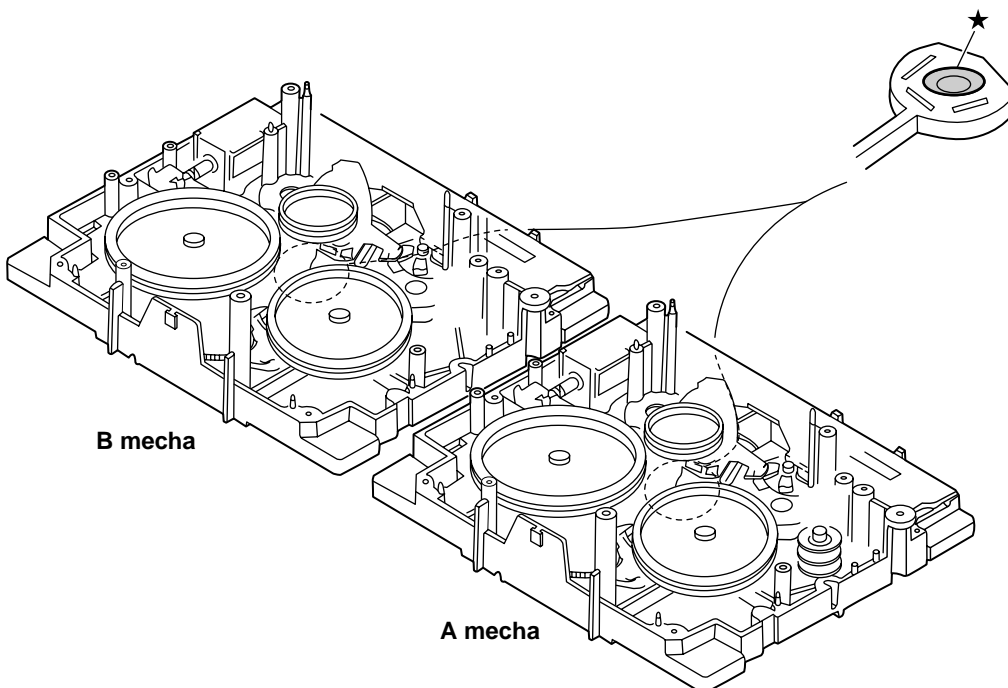
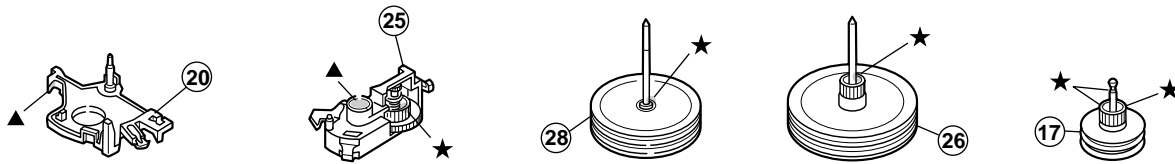
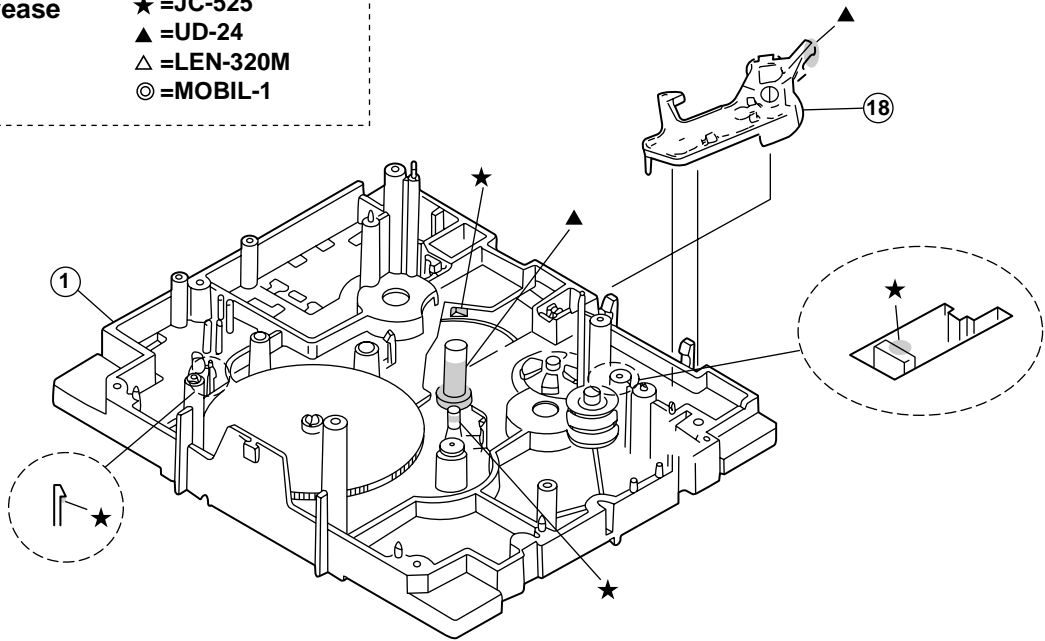
■ Parts list (Cassette mechanism)

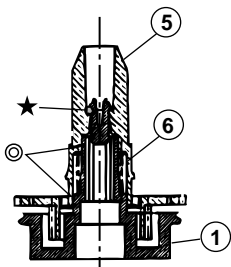
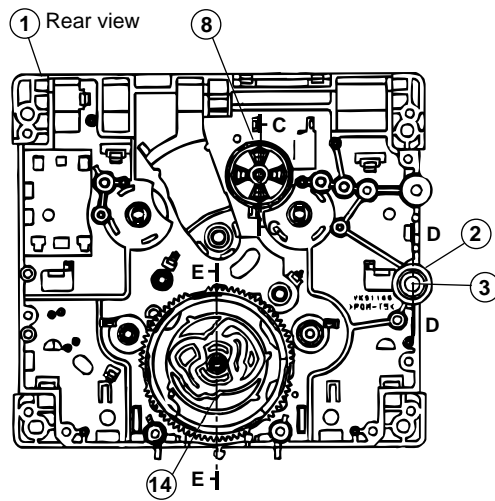
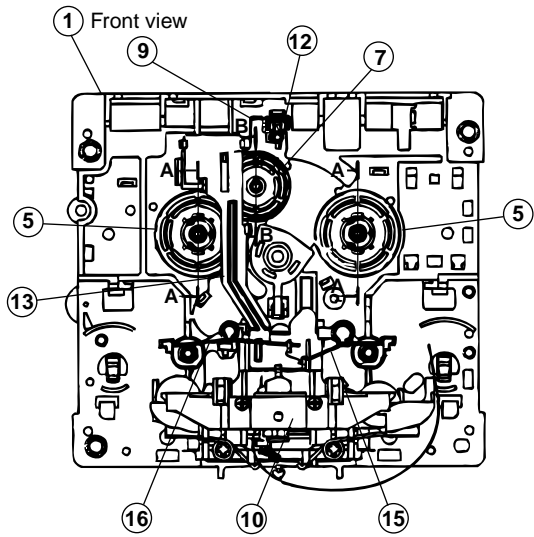
Block No. MPMM

| △ | Item | Parts number  | Parts name      | Q'ty | Description | Area |
|---|------|---------------|-----------------|------|-------------|------|
|   | 1    | VKS1165-00K   | CHASSIS B.ASS'Y | 2    |             |      |
|   | 2    | VKR4749-004   | IDLE PULLEY     | 2    |             |      |
|   | 3    | LV42026-001A  | SHAFT           | 2    |             |      |
|   | 5    | VKS2274-002   | REEL GEAR       | 4    |             |      |
|   | 6    | VKW5286-002   | B.T. SPRING     | 4    |             |      |
|   | 7    | VKS5559-001   | PLAY IDLE GEAR  | 2    |             |      |
|   | 8    | VKS5597-00B   | BLIND           | 2    |             |      |
|   | 9    | LV42013-001A  | EARTH SPRING    | 2    |             |      |
|   | 10   | SLC-P1SVM     | HEAD MOUNT ASSY | 1    |             |      |
|   | 11   | SLC-RP1SVM    | HEAD MOUNT ASSY | 1    |             |      |
|   | 12   | VKY3149-002   | CASSETTE SP.    | 2    |             |      |
|   | 13   | VKM3906-004   | PLAY SW.LEVER   | 2    |             |      |
|   | 14   | VKS1166-004   | CONTROL CAM     | 2    |             |      |
|   | 15   | VKW5279-002   | HEAD BASE SP(R) | 2    |             |      |
|   | 16   | VKW5280-001   | HEAD BASE SP(L) | 2    |             |      |
|   | 17   | VKS5603-00G   | MAIN PULLEY ASY | 2    |             |      |
|   | 18   | VKS3785-001MM | FR ARM          | 2    |             |      |
|   | 19   | VKW5284-002   | SWING SPRING    | 2    |             |      |
|   | 20   | VKS2278-003   | TRIGGER ARM     | 2    |             |      |
|   | 21   | VKW5301-001   | FR SPRING       | 2    |             |      |
|   | 22   | VKW5266-001   | ELEVATOR SPRING | 2    |             |      |
|   | 23   | WDL214025     | WASHER          | 2    |             |      |
|   | 24   | QYSBSF2005Z   | T.SCREW         | 2    |             |      |
|   | 25   | VKS3786-00G   | CLUTCH ASS'Y    | 2    |             |      |
|   | 26   | VKF3205-00B   | F.WHEEL ASSY(R) | 2    |             |      |
|   | 27   | WDL183425     | SLIT WASHER     | 2    |             |      |
|   | 28   | VKF3207-00B   | F.WHEEL ASSY(L) | 2    |             |      |
|   | 29   | WDL173525-6   | SLIT WASHER     | 2    |             |      |
|   | 30   | VKZ3174-00A   | DC SOLENOID     | 2    |             |      |
|   | 31   | LV42764-001A  | CAPSTAN BELT(B) | 2    |             |      |
|   | 32   | MSI-5U2LWA    | D.C.MOTOR ASS'Y | 1    |             |      |
|   | 33   | VKR4761-001   | MOTOR PULLEY    | 1    |             |      |
|   | 34   | QYSPSP2604Z   | SCREW           | 2    |             |      |
|   | 35   | VKM3907-001   | JOINT BRACKET   | 1    |             |      |
|   | 36   | QYSBSF2608Z   | T.SCREW         | 6    |             |      |
|   | 37   | QYSBSF2608Z   | T.SCREW         | 5    | FOR P.W.B.  |      |

# Grease point

Grease    ★ =JC-525  
          ▲ =UD-24  
          △ =LEN-320M  
          ◎ =MOBIL-1





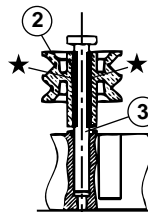
A - A (2/1, 2 places)



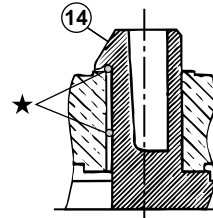
B - B (2/1)



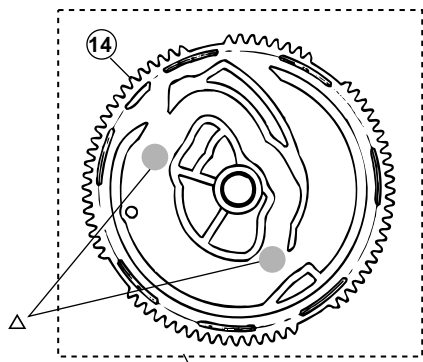
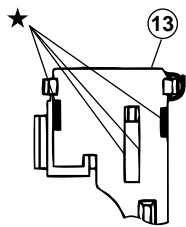
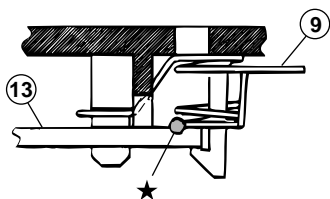
C - C (2/1)



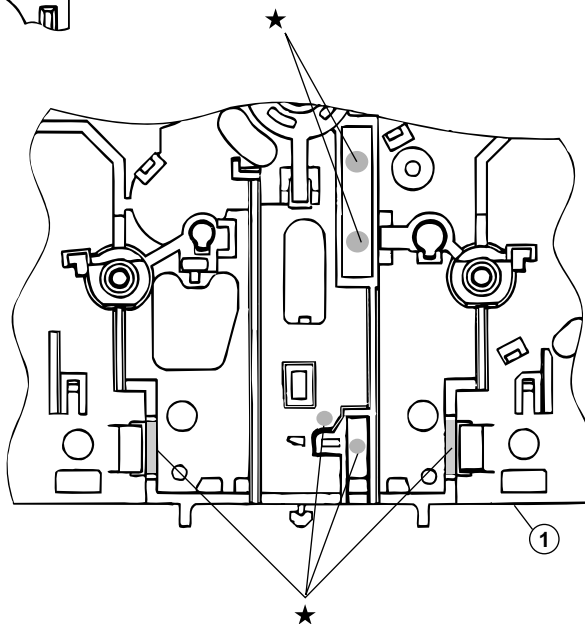
D - D (2/1)



E - E (5/1)



▲ (Dipping)



■ Electrical parts list (Power board)

Block No. 01

| △ | Item  | Parts number   | Parts name   | Remarks       | Area | △ | Item  | Parts number   | Parts name      | Remarks         | Area |
|---|-------|----------------|--------------|---------------|------|---|-------|----------------|-----------------|-----------------|------|
|   | C 201 | QFZ0212-104Z   | MM CAPACITOR | .10MF         |      |   | C 729 | EETC1CM-476ZJC | E CAPACITOR     |                 |      |
|   | C 202 | QFZ0212-104Z   | MM CAPACITOR | .10MF         |      |   | C 730 | QCF31HZ-223Z   | C CAPACITOR     | .022MF +80:-20% |      |
|   | C 203 | QFZ0212-104Z   | MM CAPACITOR | .10MF         |      |   | C 731 | QCF31HZ-223Z   | C CAPACITOR     | .022MF +80:-20% |      |
|   | C 204 | EETB1XM-478JC  | E CAPACITOR  |               |      |   | C 739 | EETC1HM-105ZJC | E CAPACITOR     |                 |      |
|   | C 205 | EETB1XM-478JC  | E CAPACITOR  |               |      |   | C 790 | EETC1EM-476ZJC | E CAPACITOR     |                 |      |
|   | C 211 | QFLC1HJ-823Z   | M CAPACITOR  | .082MF 5% 50V |      |   | C 901 | QDYB1CM-103Y   | C CAPACITOR     |                 |      |
|   | C 212 | QFLC1HJ-823Z   | M CAPACITOR  | .082MF 5% 50V |      |   | C 902 | QDYB1CM-103Y   | C CAPACITOR     |                 |      |
|   | C 213 | QFLC1HJ-823Z   | M CAPACITOR  | .082MF 5% 50V |      |   | CN201 | QGB2510J1-11   | CONNECTOR       |                 |      |
|   | C 214 | EETB1VM-228JC  | E CAPACITOR  |               |      |   | CN202 | QGB2510J1-10   | CONNECTOR       |                 |      |
|   | C 215 | EETB1VM-228JC  | E CAPACITOR  |               |      |   | CN203 | QGB2510J1-04   | CONNECTOR       |                 |      |
|   | C 216 | QETN1VM-107Z   | E CAPACITOR  | 100MF 20% 35V |      |   | CN204 | QGA3901C1-07   | CONNECTOR       |                 |      |
|   | C 217 | QETN1JM-476Z   | E CAPACITOR  | 47MF 20% 63V  |      |   | CN205 | QGB2510J1-14   | CONNECTOR       |                 |      |
|   | C 218 | EETC1HM-226ZJC | E CAPACITOR  |               |      |   | CN206 | QGB2510J1-12   | CONNECTOR       |                 |      |
|   | C 219 | QDYB1CM-103Y   | C CAPACITOR  |               |      |   | CN207 | QGB2510J1-10   | CONNECTOR       |                 |      |
|   | C 220 | EETC1HM-476ZJC | E CAPACITOR  |               |      |   | CN215 | QGB2510K2-14   | CONNECTOR       |                 |      |
|   | C 221 | EETC1HM-476ZJC | E CAPACITOR  |               |      |   | CN703 | QGD2504C1-03Z  | SOCKET          |                 |      |
|   | C 222 | EETC1HM-476ZJC | E CAPACITOR  |               |      |   | CN704 | QGD2504C1-03Z  | SOCKET          |                 |      |
|   | C 253 | EETB1EM-688JC  | E CAPACITOR  |               |      |   | CN705 | QGA2501C1-02   | 2P CONNECTOR    |                 |      |
|   | C 280 | EETC1HM-224ZJC | E CAPACITOR  |               |      |   | CN706 | QGD2504C1-03Z  | SOCKET          |                 |      |
|   | C 281 | QETN1JM-476Z   | E CAPACITOR  | 47MF 20% 63V  |      | △ | D 201 | 1N5402M-20     | DIODE           |                 |      |
|   | C 372 | EETC1HM-226ZJC | E CAPACITOR  |               |      | △ | D 202 | 1N5402M-20     | DIODE           |                 |      |
|   | C 373 | QDYB1CM-103Y   | C CAPACITOR  |               |      | △ | D 203 | 1N5402M-20     | DIODE           |                 |      |
|   | C 374 | EETC1HM-226ZJC | E CAPACITOR  |               |      | △ | D 204 | 1N5402M-20     | DIODE           |                 |      |
|   | C 601 | QFVJ1HJ-683Z   | MF CAPACITOR | .068MF 5% 50V |      | △ | D 211 | 1N5402M-20     | DIODE           |                 |      |
|   | C 602 | QFVJ1HJ-683Z   | MF CAPACITOR | .068MF 5% 50V |      | △ | D 212 | 1N5402M-20     | DIODE           |                 |      |
|   | C 603 | QCBB1HK-221Y   | C CAPACITOR  | 220PF 10% 50V |      | △ | D 213 | 1N5402M-20     | DIODE           |                 |      |
|   | C 604 | QCBB1HK-221Y   | C CAPACITOR  | 220PF 10% 50V |      | △ | D 214 | 1N5402M-20     | DIODE           |                 |      |
|   | C 605 | QCBB1HK-221Y   | C CAPACITOR  | 220PF 10% 50V |      | △ | D 217 | 1N4003S-T5     | SI DIODE        |                 |      |
|   | C 606 | QCBB1HK-221Y   | C CAPACITOR  | 220PF 10% 50V |      | △ | D 218 | 1N4003S-T5     | SI DIODE        |                 |      |
|   | C 607 | QETN1JM-476Z   | E CAPACITOR  | 47MF 20% 63V  |      |   | D 219 | DZ33BSC-T2     | ZENER DIODE     |                 |      |
|   | C 608 | QETN1JM-476Z   | E CAPACITOR  | 47MF 20% 63V  |      |   | D 220 | DZ9.1BSB-T2    | ZENER DIODE     |                 |      |
|   | C 609 | QCSB1HJ-100Y   | C CAPACITOR  | 10PF 5% 50V   |      | △ | D 227 | 1N4003S-T5     | SI DIODE        |                 |      |
|   | C 610 | QCSB1HJ-100Y   | C CAPACITOR  | 10PF 5% 50V   |      | △ | D 233 | 2A02-M         | DIODE           |                 |      |
|   | C 611 | QETN1HM-476Z   | E CAPACITOR  | 47MF 20% 50V  |      | △ | D 234 | 2A02-M         | DIODE           |                 |      |
|   | C 612 | QETN1HM-476Z   | E CAPACITOR  | 47MF 20% 50V  |      |   | D 280 | DZ2.4BSB-T2    | ZENER DIODE     |                 |      |
|   | C 613 | QFLC1HJ-473Z   | M CAPACITOR  | .047MF 5% 50V |      |   | D 369 | DZ10BSC-T2     | ZENER DIODE     |                 |      |
|   | C 614 | QFLC1HJ-473Z   | M CAPACITOR  | .047MF 5% 50V |      |   | D 370 | DZ11BSC-T2     | ZENER DIODE     |                 |      |
|   | C 615 | QFLC1HJ-473Z   | M CAPACITOR  | .047MF 5% 50V |      |   | D 619 | 1SS119-041-T2  | SI DIODE        |                 |      |
|   | C 616 | QFLC1HJ-473Z   | M CAPACITOR  | .047MF 5% 50V |      |   | D 620 | 1SS119-041-T2  | SI DIODE        |                 |      |
|   | C 621 | QTE1V06-106Z   | E CAPACITOR  |               |      |   | D 622 | DZ9.1BSB-T2    | ZENER DIODE     |                 |      |
|   | C 622 | QTE1V06-106Z   | E CAPACITOR  |               |      |   | D 703 | DZ15BSC-T2     | ZENER DIODE     |                 |      |
|   | C 623 | QETN1HM-106Z   | E CAPACITOR  | 10MF 20% 50V  |      |   | D 704 | DZ15BSC-T2     | ZENER DIODE     |                 |      |
|   | C 624 | QETN1HM-106Z   | E CAPACITOR  | 10MF 20% 50V  |      |   | D 719 | 1SS119-041-T2  | SI DIODE        |                 |      |
|   | C 639 | QFLC1HJ-104Z   | M CAPACITOR  | .10MF 5% 50V  |      |   | D 720 | 1SS119-041-T2  | SI DIODE        |                 |      |
|   | C 683 | QFLC1HJ-823Z   | M CAPACITOR  | .082MF 5% 50V |      |   | D 723 | DZ36BSA-T2     | ZENER DIODE     |                 |      |
|   | C 703 | QCBB1HK-471Y   | C CAPACITOR  | 470PF 10% 50V |      |   | D 724 | DZ36BSA-T2     | ZENER DIODE     |                 |      |
|   | C 704 | QCBB1HK-471Y   | C CAPACITOR  | 470PF 10% 50V |      |   | D 726 | 1SS119-041-T2  | SI DIODE        |                 |      |
|   | C 705 | QCBB1HK-221Y   | C CAPACITOR  | 220PF 10% 50V |      |   | D 728 | 1SS119-041-T2  | SI DIODE        |                 |      |
|   | C 706 | QCBB1HK-221Y   | C CAPACITOR  | 220PF 10% 50V |      |   | D 790 | 1SS119-041-T2  | SI DIODE        |                 |      |
|   | C 707 | QETN1JM-476Z   | E CAPACITOR  | 47MF 20% 63V  |      |   | EP201 | QNZ0136-001Z   | EARTH PLATE     |                 |      |
|   | C 708 | QETN1JM-476Z   | E CAPACITOR  | 47MF 20% 63V  |      |   | EP202 | QNZ0136-001Z   | EARTH PLATE     |                 |      |
|   | C 709 | QCSB1HK-4R7Y   | C CAPACITOR  | 4.7PF 10% 50V |      |   | FW707 | QUM153-09Z4Z4  | PARA RIBON WIRE |                 |      |
|   | C 710 | QCSB1HK-4R7Y   | C CAPACITOR  | 4.7PF 10% 50V |      |   | FW901 | QUM027-13DGZ4  | PARA RIBON WIRE |                 |      |
|   | C 711 | QFZ0212-104Z   | MM CAPACITOR | .10MF         |      | △ | IC602 | STK402-030     | IC              |                 |      |
|   | C 712 | QFZ0212-104Z   | MM CAPACITOR | .10MF         |      | △ | IC701 | STK412-090     | IC              |                 |      |
|   | C 713 | QFLC1HJ-473Z   | M CAPACITOR  | .047MF 5% 50V |      |   | JS901 | QSW0911-001    | ROTARY SWITCH   |                 |      |
|   | C 714 | QFLC1HJ-473Z   | M CAPACITOR  | .047MF 5% 50V |      |   | L 601 | QQLZ035-R39    | INDUCTOR        |                 |      |
|   | C 715 | QFLC1HJ-473Z   | M CAPACITOR  | .047MF 5% 50V |      |   | L 602 | QQLZ035-R39    | INDUCTOR        |                 |      |
|   | C 716 | QFLC1HJ-473Z   | M CAPACITOR  | .047MF 5% 50V |      |   | L 701 | QQLZ035-R39    | INDUCTOR        |                 |      |
|   | C 721 | QETN1HM-106Z   | E CAPACITOR  | 10MF 20% 50V  |      |   | L 702 | QQLZ035-R39    | INDUCTOR        |                 |      |
|   | C 722 | QETN1HM-106Z   | E CAPACITOR  | 10MF 20% 50V  |      |   | Q 201 | 2SB740/BC/-T   | TRANSISTOR      |                 |      |
|   | C 723 | EETC1AM-107ZJC | E CAPACITOR  |               |      |   | Q 240 | 2SC2785/FE/-T  | TRANSISTOR      |                 |      |
|   | C 726 | EETC1EM-106ZJC | E CAPACITOR  |               |      |   | Q 372 | KTA1023/OY/-T  | TRANSISTOR      |                 |      |

■ Electrical parts list (Power board)

Block No. 01

| △ | Item  | Parts number   | Parts name     | Remarks      | Area | △ | Item    | Parts number | Parts name     | Remarks      | Area |
|---|-------|----------------|----------------|--------------|------|---|---------|--------------|----------------|--------------|------|
|   | Q 373 | KRA104M-T      | D.TRANSISTOR   |              |      |   | R 640   | QRL01DJ-821X | OMF RESISTOR   | 820 5% 1/1W  |      |
|   | Q 374 | KRC104M-T      | D.TRANSISTOR   |              |      |   | △ R 653 | QRT01DJ-R22X | MF RESISTOR    | 5% 1W        |      |
|   | Q 601 | KTA1268/GL/-T  | TRANSISTOR     |              |      |   | △ R 655 | QRT01DJ-R22X | MF RESISTOR    | 5% 1W        |      |
|   | Q 602 | KTA1268/GL/-T  | TRANSISTOR     |              |      |   | R 666   | QRE141J-333Y | C RESISTOR     | 33K 5% 1/4W  |      |
|   | Q 612 | 2SA1175/FE/-T  | TRANSISTOR     |              |      |   | R 667   | QRE141J-103Y | C RESISTOR     | 10K 5% 1/4W  |      |
|   | Q 613 | KRC102M-T      | D.TRANSISTOR   |              |      |   | R 668   | QRE141J-103Y | C RESISTOR     | 10K 5% 1/4W  |      |
|   | Q 680 | 2SK301/PQ/-T   | FET            |              |      |   | △ R 674 | QRJ146J-100X | UNF C RESISTOR | 10 5% 1/4W   |      |
|   | Q 701 | KTA1268/GL/-T  | TRANSISTOR     |              |      |   | R 675   | QRE141J-102Y | C RESISTOR     | 1.0K 5% 1/4W |      |
|   | Q 702 | KTA1268/GL/-T  | TRANSISTOR     |              |      |   | R 676   | QRE141J-102Y | C RESISTOR     | 1.0K 5% 1/4W |      |
|   | Q 710 | 2SA965/OY/-T   | TRANSISTOR     |              |      |   | R 680   | QRE141J-105Y | C RESISTOR     | 1.0M 5% 1/4W |      |
|   | Q 711 | KTC3200/GL/-T  | TRANSISTOR     |              |      |   | R 681   | QRE141J-392Y | C RESISTOR     | 3.9K 5% 1/4W |      |
|   | Q 712 | KTA1268/GL/-T  | TRANSISTOR     |              |      |   | R 682   | QRE141J-475Y | C RESISTOR     | 4.7M 5% 1/4W |      |
|   | Q 713 | KTC1027/OY/-T  | TRANSISTOR     |              |      |   | △ R 701 | QRJ146J-470X | UNF C RESISTOR | 47 5% 1/4W   |      |
|   | Q 726 | 2SC2389S/SE/-T | TRANSISTOR     |              |      |   | △ R 702 | QRJ146J-470X | UNF C RESISTOR | 47 5% 1/4W   |      |
|   | Q 727 | KTA1268/GL/-T  | TRANSISTOR     |              |      |   | R 703   | QRE141J-563Y | C RESISTOR     | 56K 5% 1/4W  |      |
|   | Q 728 | 2SC2785/FE/-T  | TRANSISTOR     |              |      |   | R 704   | QRE141J-563Y | C RESISTOR     | 56K 5% 1/4W  |      |
|   | Q 733 | 2SC3576-JVC-T  | TRANSISTOR     |              |      |   | △ R 705 | QRJ146J-821X | UNF C RESISTOR | 820 5% 1/4W  |      |
|   | Q 734 | 2SC3576-JVC-T  | TRANSISTOR     |              |      |   | △ R 706 | QRJ146J-821X | UNF C RESISTOR | 820 5% 1/4W  |      |
|   | Q 735 | 2SC3576-JVC-T  | TRANSISTOR     |              |      |   | R 707   | QRE141J-563Y | C RESISTOR     | 56K 5% 1/4W  |      |
|   | Q 736 | 2SC3576-JVC-T  | TRANSISTOR     |              |      |   | R 708   | QRE141J-563Y | C RESISTOR     | 56K 5% 1/4W  |      |
|   | Q 737 | KRA111M-T      | D.TRANSISTOR   |              |      |   | △ R 713 | QRJ146J-100X | UNF C RESISTOR | 10 5% 1/4W   |      |
|   | Q 790 | 2SC2785/FE/-T  | TRANSISTOR     |              |      |   | △ R 714 | QRJ146J-100X | UNF C RESISTOR | 10 5% 1/4W   |      |
|   | Q 791 | 2SC2785/FE/-T  | TRANSISTOR     |              |      |   | △ R 715 | QRJ146J-100X | UNF C RESISTOR | 10 5% 1/4W   |      |
|   | Q 792 | KTC3203/OY/-T  | TRANSISTOR     |              |      |   | △ R 716 | QRJ146J-100X | UNF C RESISTOR | 10 5% 1/4W   |      |
| △ | R 202 | QRZ9042-2R2X   | F RESISTOR     | 2.2 1/0W     |      |   | △ R 717 | QRE141J-102Y | C RESISTOR     | 1.0K 5% 1/4W |      |
|   | R 203 | QRE141J-752Y   | C RESISTOR     | 7.5K 5% 1/4W |      |   | R 718   | QRE141J-102Y | C RESISTOR     | 1.0K 5% 1/4W |      |
|   | R 204 | QRE141J-223Y   | C RESISTOR     | 22K 5% 1/4W  |      |   | R 719   | QRE141J-562Y | C RESISTOR     | 5.6K 5% 1/4W |      |
|   | R 205 | QRE141J-104Y   | C RESISTOR     | 100K 5% 1/4W |      |   | R 720   | QRE141J-562Y | C RESISTOR     | 5.6K 5% 1/4W |      |
|   | R 215 | QRE141J-473Y   | C RESISTOR     | 47K 5% 1/4W  |      |   | R 721   | QRE141J-103Y | C RESISTOR     | 10K 5% 1/4W  |      |
|   | R 216 | QRE141J-473Y   | C RESISTOR     | 47K 5% 1/4W  |      |   | R 722   | QRE141J-103Y | C RESISTOR     | 10K 5% 1/4W  |      |
|   | R 217 | QRE141J-273Y   | C RESISTOR     | 27K 5% 1/4W  |      |   | R 723   | QRE141J-682Y | C RESISTOR     | 6.8K 5% 1/4W |      |
|   | R 218 | QRE141J-273Y   | C RESISTOR     | 27K 5% 1/4W  |      |   | R 724   | QRE141J-682Y | C RESISTOR     | 6.8K 5% 1/4W |      |
| △ | R 220 | QRJ146J-470X   | UNF C RESISTOR | 47 5% 1/4W   |      |   | R 725   | QRE141J-823Y | C RESISTOR     | 82K 5% 1/4W  |      |
|   | R 242 | QRE141J-103Y   | C RESISTOR     | 10K 5% 1/4W  |      |   | R 726   | QRE141J-104Y | C RESISTOR     | 100K 5% 1/4W |      |
| △ | R 246 | QRJ146J-1R0X   | UNF C RESISTOR | 1.0 5% 1/4W  |      |   | R 727   | QRE141J-104Y | C RESISTOR     | 100K 5% 1/4W |      |
| △ | R 247 | QRJ146J-1R0X   | UNF C RESISTOR | 1.0 5% 1/4W  |      |   | R 728   | QRE141J-103Y | C RESISTOR     | 10K 5% 1/4W  |      |
| △ | R 248 | QRJ146J-1R0X   | UNF C RESISTOR | 1.0 5% 1/4W  |      |   | R 729   | QRE141J-104Y | C RESISTOR     | 100K 5% 1/4W |      |
| △ | R 249 | QRJ146J-1R0X   | UNF C RESISTOR | 1.0 5% 1/4W  |      |   | R 730   | QRE141J-103Y | C RESISTOR     | 10K 5% 1/4W  |      |
|   | R 281 | QRE141J-682Y   | C RESISTOR     | 6.8K 5% 1/4W |      |   | R 733   | QRE141J-472Y | C RESISTOR     | 4.7K 5% 1/4W |      |
|   | R 283 | QRE141J-153Y   | C RESISTOR     | 15K 5% 1/4W  |      |   | R 734   | QRE141J-472Y | C RESISTOR     | 4.7K 5% 1/4W |      |
|   | R 284 | QRE141J-473Y   | C RESISTOR     | 47K 5% 1/4W  |      |   | R 735   | QRE141J-472Y | C RESISTOR     | 4.7K 5% 1/4W |      |
|   | R 384 | QRE141J-272Y   | C RESISTOR     | 2.7K 5% 1/4W |      |   | R 736   | QRE141J-472Y | C RESISTOR     | 4.7K 5% 1/4W |      |
|   | R 385 | QRE141J-562Y   | C RESISTOR     | 5.6K 5% 1/4W |      |   | △ R 739 | QRL01DJ-821X | OMF RESISTOR   | 820 5% 1W    |      |
|   | R 389 | QRE141J-103Y   | C RESISTOR     | 10K 5% 1/4W  |      |   | △ R 740 | QRL01DJ-821X | OMF RESISTOR   | 820 5% 1W    |      |
| △ | R 601 | QRJ146J-101X   | UNF C RESISTOR | 100 5% 1/4W  |      |   | R 741   | QRE141J-682Y | C RESISTOR     | 6.8K 5% 1/4W |      |
| △ | R 602 | QRJ146J-101X   | UNF C RESISTOR | 100 5% 1/4W  |      |   | R 742   | QRE141J-682Y | C RESISTOR     | 6.8K 5% 1/4W |      |
|   | R 603 | QRE141J-563Y   | C RESISTOR     | 56K 5% 1/4W  |      |   | R 753   | QRZ0197-R22  | C RESISTOR     | 1/1W         |      |
|   | R 604 | QRE141J-563Y   | C RESISTOR     | 56K 5% 1/4W  |      |   | R 754   | QRZ0197-R22  | C RESISTOR     | 1/1W         |      |
| △ | R 605 | QRJ146J-122X   | UNF C RESISTOR | 1.2K 5% 1/4W |      |   | R 761   | QRE141J-102Y | C RESISTOR     | 1.0K 5% 1/4W |      |
| △ | R 606 | QRJ146J-122X   | UNF C RESISTOR | 1.2K 5% 1/4W |      |   | R 762   | QRE141J-102Y | C RESISTOR     | 1.0K 5% 1/4W |      |
|   | R 607 | QRE141J-563Y   | C RESISTOR     | 56K 5% 1/4W  |      |   | R 766   | QRE141J-333Y | C RESISTOR     | 33K 5% 1/4W  |      |
|   | R 608 | QRE141J-563Y   | C RESISTOR     | 56K 5% 1/4W  |      |   | R 768   | QRE141J-104Y | C RESISTOR     | 100K 5% 1/4W |      |
| △ | R 613 | QRJ146J-100X   | UNF C RESISTOR | 10 5% 1/4W   |      |   | R 769   | QRE141J-222Y | C RESISTOR     | 2.2K 5% 1/4W |      |
| △ | R 614 | QRJ146J-100X   | UNF C RESISTOR | 10 5% 1/4W   |      |   | △ R 774 | QRJ146J-100X | UNF C RESISTOR | 10 5% 1/4W   |      |
| △ | R 615 | QRJ146J-100X   | UNF C RESISTOR | 10 5% 1/4W   |      |   | R 775   | QRE141J-102Y | C RESISTOR     | 1.0K 5% 1/4W |      |
| △ | R 616 | QRJ146J-100X   | UNF C RESISTOR | 10 5% 1/4W   |      |   | R 776   | QRE141J-102Y | C RESISTOR     | 1.0K 5% 1/4W |      |
|   | R 617 | QRE141J-221Y   | C RESISTOR     | 220 5% 1/4W  |      |   | R 777   | QRE141J-103Y | C RESISTOR     | 10K 5% 1/4W  |      |
|   | R 618 | QRE141J-221Y   | C RESISTOR     | 220 5% 1/4W  |      |   | R 778   | QRE141J-103Y | C RESISTOR     | 10K 5% 1/4W  |      |
|   | R 619 | QRE141J-222Y   | C RESISTOR     | 2.2K 5% 1/4W |      |   | R 786   | QRE141J-103Y | C RESISTOR     | 10K 5% 1/4W  |      |
|   | R 620 | QRE141J-222Y   | C RESISTOR     | 2.2K 5% 1/4W |      |   | R 787   | QRE141J-103Y | C RESISTOR     | 10K 5% 1/4W  |      |
|   | R 621 | QRE141J-103Y   | C RESISTOR     | 10K 5% 1/4W  |      |   | R 790   | QRE141J-103Y | C RESISTOR     | 10K 5% 1/4W  |      |
|   | R 623 | QRE141J-103Y   | C RESISTOR     | 10K 5% 1/4W  |      |   | R 792   | QRE141J-102Y | C RESISTOR     | 1.0K 5% 1/4W |      |
| △ | R 639 | QRL01DJ-821X   | OMF RESISTOR   | 820 5% 1/1W  |      |   | R 793   | QRE141J-104Y | C RESISTOR     | 100K 5% 1/4W |      |

■ Electrical parts list (Power board)

Block No. 01

| △ | Item  | Parts number | Parts name     | Remarks      | Area |
|---|-------|--------------|----------------|--------------|------|
|   | R 794 | QRE141J-103Y | C RESISTOR     | 10K 5% 1/4W  |      |
|   | R 795 | QRE141J-103Y | C RESISTOR     | 10K 5% 1/4W  |      |
|   | R 796 | QRE141J-682Y | C RESISTOR     | 6.8K 5% 1/4W |      |
|   | R 797 | QRE141J-203Y | C RESISTOR     | 20K 5% 1/4W  |      |
| △ | R 798 | QRJ146J-100X | UNF C RESISTOR | 10 5% 1/4W   |      |
|   | R 908 | QRE141J-562Y | C RESISTOR     | 5.6K 5% 1/4W |      |
|   | S 901 | QSW0825-001Z | TACT SWITCH    |              |      |
|   | S 902 | QSW0825-001Z | TACT SWITCH    |              |      |



■ Electrical parts list (Input board)

Block No. 02

| △ | Item  | Parts number   | Parts name   | Remarks        | Area | △ | Item    | Parts number   | Parts name      | Remarks         | Area |
|---|-------|----------------|--------------|----------------|------|---|---------|----------------|-----------------|-----------------|------|
|   | C 002 | QFVH1HJ-104    | MF CAPACITOR | .10MF 5% 50V   |      |   | C 514   | QFLC1HJ-823Z   | M CAPACITOR     | .082MF 5% 50V   |      |
|   | C 401 | QCBB1HK-221Y   | C CAPACITOR  | 220PF 10% 50V  |      |   | C 526   | EETC1AM-107ZJC | E CAPACITOR     |                 |      |
|   | C 402 | QCBB1HK-221Y   | C CAPACITOR  | 220PF 10% 50V  |      |   | C 527   | QFLC1HJ-183Z   | M CAPACITOR     | .018MF 5% 50V   |      |
|   | C 403 | FQCF31HP-103Z  | C CAPACITOR  |                |      |   | C 528   | QFLC1HJ-104Z   | M CAPACITOR     | .10MF 5% 50V    |      |
|   | C 404 | QETN1CM-476Z   | E CAPACITOR  | 47MF 20% 16V   |      |   | C 530   | QFLC1HJ-104Z   | M CAPACITOR     | .10MF 5% 50V    |      |
|   | C 419 | QDXB1CM-222Y   | C CAPACITOR  |                |      |   | C 531   | QFLC1HJ-683Z   | M CAPACITOR     | .068MF 5% 50V   |      |
|   | C 426 | QDVB1EZ-223Y   | C CAPACITOR  |                |      |   | C 532   | QETN1CM-476Z   | E CAPACITOR     | 47MF 20% 16V    |      |
|   | C 427 | EETC1EM-106ZJC | E CAPACITOR  |                |      |   | C 534   | QTE1C06-476Z   | E CAPACITOR     |                 |      |
|   | C 433 | FQCF31HP-103Z  | C CAPACITOR  |                |      |   | C 535   | EETC1AM-107ZJC | E CAPACITOR     |                 |      |
|   | C 436 | EETC1AM-107ZJC | E CAPACITOR  |                |      |   | C 556   | QETN1EM-106Z   | E CAPACITOR     | 10MF 20% 25V    |      |
|   | C 437 | EETC1EM-106ZJC | E CAPACITOR  |                |      |   | C 571   | QETN1HM-225Z   | E CAPACITOR     | 2.2MF 20% 50V   |      |
|   | C 438 | QDYB1CM-103Y   | C CAPACITOR  |                |      |   | C 575   | QCBB1HK-101Y   | C CAPACITOR     | 100PF 10% 50V   |      |
|   | C 439 | QETN1EM-106Z   | E CAPACITOR  | 10MF 20% 25V   |      |   | C 576   | QETN1CM-476Z   | E CAPACITOR     | 47MF 20% 16V    |      |
|   | C 440 | QETN1EM-106Z   | E CAPACITOR  | 10MF 20% 25V   |      |   | C 577   | QETN1CM-476Z   | E CAPACITOR     | 47MF 20% 16V    |      |
|   | C 441 | QTE1V06-106Z   | E CAPACITOR  |                |      |   | C 578   | EETC1HM-105ZJC | E CAPACITOR     |                 |      |
|   | C 442 | QTE1V06-106Z   | E CAPACITOR  |                |      |   | C 585   | EETC1HM-105ZJC | E CAPACITOR     |                 |      |
|   | C 443 | EETC1HM-225ZJC | E CAPACITOR  |                |      |   | C 586   | QDXB1CM-182Y   | C CAPACITOR     |                 |      |
|   | C 444 | EETC1HM-225ZJC | E CAPACITOR  |                |      |   | C 587   | QCSB1HJ-330Y   | C CAPACITOR     | 33PF 5% 50V     |      |
|   | C 445 | QETN1EM-106Z   | E CAPACITOR  | 10MF 20% 25V   |      |   | C 588   | QDGB1HK-681Y   | C CAPACITOR     |                 |      |
|   | C 446 | QETN1EM-106Z   | E CAPACITOR  | 10MF 20% 25V   |      |   | C 589   | QFLC1HJ-153Z   | M CAPACITOR     | .015MF 5% 50V   |      |
|   | C 447 | QETN1CM-106Z   | E CAPACITOR  | 10MF 20% 16V   |      |   | C 593   | FQCS31HJ-470Z  | C CAPACITOR     |                 |      |
|   | C 448 | QETN1CM-106Z   | E CAPACITOR  | 10MF 20% 16V   |      |   | C 594   | QETN1AM-477Z   | E CAPACITOR     | 470MF 20% 10V   |      |
|   | C 449 | QETN1HM-225Z   | E CAPACITOR  | 2.2MF 20% 50V  |      |   | C 596   | QDYB1CM-103Y   | C CAPACITOR     |                 |      |
|   | C 450 | QETN1HM-225Z   | E CAPACITOR  | 2.2MF 20% 50V  |      |   | C 599   | QETN0JM-108Z   | E CAPACITOR     | 1000MF 20% 6.3V |      |
|   | C 453 | QFLC1HJ-104Z   | M CAPACITOR  | .10MF 5% 50V   |      |   | C 980   | QDVB1EZ-223Y   | C CAPACITOR     |                 |      |
|   | C 454 | QFLC1HJ-104Z   | M CAPACITOR  | .10MF 5% 50V   |      |   | C 981   | QCZ0202-155Z   | ML C CAPACITOR  | 1.5MF           |      |
|   | C 455 | QFVJ1HJ-104Z   | MF CAPACITOR | .10MF 5% 50V   |      |   | C 995   | EETC1AM-107ZJC | E CAPACITOR     |                 |      |
|   | C 456 | QFVJ1HJ-104Z   | MF CAPACITOR | .10MF 5% 50V   |      |   | C 996   | QCSB1HJ-100Y   | C CAPACITOR     | 10PF 5% 50V     |      |
|   | C 457 | QFLC1HJ-223Z   | M CAPACITOR  | .022MF 5% 50V  |      |   | C 997   | QCSB1HJ-100Y   | C CAPACITOR     | 10PF 5% 50V     |      |
|   | C 458 | QFLC1HJ-223Z   | M CAPACITOR  | .022MF 5% 50V  |      |   | C 998   | QDXB1CM-472Y   | C CAPACITOR     |                 |      |
|   | C 459 | QFLC1HJ-183Z   | M CAPACITOR  | .018MF 5% 50V  |      |   | C 999   | QDXB1CM-472Y   | C CAPACITOR     |                 |      |
|   | C 460 | QFLC1HJ-183Z   | M CAPACITOR  | .018MF 5% 50V  |      |   | CN 11   | QGF1205F1-09   | CONNECTOR       |                 |      |
|   | C 461 | QFG32AJ-682Z   | PP CAPACITOR | 6800PF 5% 100V |      |   | CN208   | WJK0114-002A   | E-SI C WIRE C-B |                 |      |
|   | C 462 | QFG32AJ-682Z   | PP CAPACITOR | 6800PF 5% 100V |      |   | CN209   | WJK0071-002A   | CONN.WIRE ASSY  |                 |      |
|   | C 466 | QTE1C06-476Z   | E CAPACITOR  |                |      |   | CN211   | QGB2510K2-11   | CONNECTOR       |                 |      |
|   | C 467 | QETN1HM-225Z   | E CAPACITOR  | 2.2MF 20% 50V  |      |   | CN212   | QGB2510K2-10   | CONNECTOR       |                 |      |
|   | C 468 | EETC1EM-226ZJC | E CAPACITOR  |                |      |   | CN213   | QGB2510K2-04   | CONNECTOR       |                 |      |
|   | C 469 | QFLC1HJ-683Z   | M CAPACITOR  | .068MF 5% 50V  |      |   | CN214   | QJK015-071214  | CONN.WIRE ASSY  |                 |      |
|   | C 470 | QFVJ1HJ-274Z   | MF CAPACITOR | .27MF 5% 50V   |      |   | CN218   | QGA7901F1-03   | CONNECTOR       |                 |      |
|   | C 471 | QETN1EM-106Z   | E CAPACITOR  | 10MF 20% 25V   |      |   | CN219   | QGA7901C1-04   | CONNECTOR       |                 |      |
|   | C 472 | QETN1EM-106Z   | E CAPACITOR  | 10MF 20% 25V   |      |   | CN220   | QGD2504C1-03Z  | SOCKET          |                 |      |
|   | C 473 | QETN1EM-106Z   | E CAPACITOR  | 10MF 20% 25V   |      |   | △ CN250 | QGA7901C1-02   | CONNECTOR       |                 |      |
|   | C 474 | QETN1EM-106Z   | E CAPACITOR  | 10MF 20% 25V   |      |   | CN315   | QGF1205C1-10   | CONNECTOR       |                 |      |
|   | C 475 | EETC1HM-105ZJC | E CAPACITOR  |                |      |   | CN504   | QGF1016F3-15   | CONNECTOR       |                 |      |
|   | C 476 | QFLC1HJ-682Z   | M CAPACITOR  | 6800PF 5% 50V  |      |   | CN661   | QGF1016F3-19   | CONNECTOR       |                 |      |
|   | C 481 | QFG32AJ-223Z   | PP CAPACITOR | .022MF 5% 100V |      |   | CN870   | QGF1205C1-17   | CONNECTOR       |                 |      |
|   | C 482 | QFG32AJ-223Z   | PP CAPACITOR | .022MF 5% 100V |      |   | CN871   | QGF1205C1-17   | CONNECTOR       |                 |      |
|   | C 483 | QFLM1HJ-223Z   | M CAPACITOR  | .022MF 5% 50V  |      |   | C1201   | QETN1AM-227Z   | E CAPACITOR     | 220MF 20% 10V   |      |
|   | C 484 | QFLM1HJ-223Z   | M CAPACITOR  | .022MF 5% 50V  |      |   | C1202   | QFLC1HJ-823Z   | M CAPACITOR     | .082MF 5% 50V   |      |
|   | C 485 | QTE1V06-106Z   | E CAPACITOR  |                |      |   | C1228   | EETC1AM-107ZJC | E CAPACITOR     |                 |      |
|   | C 486 | QTE1V06-106Z   | E CAPACITOR  |                |      |   | D 411   | 1SS119-041-T2  | SI DIODE        |                 |      |
|   | C 487 | EETC1AM-107ZJC | E CAPACITOR  |                |      |   | D 412   | 1SS119-041-T2  | SI DIODE        |                 |      |
|   | C 488 | EETC1HM-105ZJC | E CAPACITOR  |                |      |   | D 426   | DZ5.1BSB-T2    | ZENER DIODE     |                 |      |
|   | C 489 | EETC1AM-107ZJC | E CAPACITOR  |                |      |   | D 431   | DZ3.9BSB-T2    | ZENER DIODE     |                 |      |
|   | C 501 | QETN1HM-475Z   | E CAPACITOR  | 4.7MF 20% 50V  |      |   | D 432   | DZ3.9BSB-T2    | ZENER DIODE     |                 |      |
|   | C 502 | QETN1HM-475Z   | E CAPACITOR  | 4.7MF 20% 50V  |      |   | D 434   | DZ5.1BSB-T2    | ZENER DIODE     |                 |      |
|   | C 503 | QFVJ1HJ-224Z   | MF CAPACITOR | .22MF 5% 50V   |      |   | D 501   | 1SS119-041-T2  | SI DIODE        |                 |      |
|   | C 504 | QFLC1HJ-822Z   | M CAPACITOR  | 8200PF 5% 50V  |      |   | D 502   | 1SS119-041-T2  | SI DIODE        |                 |      |
|   | C 505 | QFVJ1HJ-274Z   | MF CAPACITOR | .27MF 5% 50V   |      |   | D 571   | 1SS119-041-T2  | SI DIODE        |                 |      |
|   | C 507 | QFLC1HJ-153Z   | M CAPACITOR  | .015MF 5% 50V  |      |   | D 572   | 1SS119-041-T2  | SI DIODE        |                 |      |
|   | C 508 | QFLC1HJ-273Z   | M CAPACITOR  | .027MF 5% 50V  |      |   | D 585   | 1SS119-041-T2  | SI DIODE        |                 |      |
|   | C 509 | QETN1HM-475Z   | E CAPACITOR  | 4.7MF 20% 50V  |      |   | D 586   | DZ6.8BSC-T2    | ZENER DIODE     |                 |      |
|   | C 510 | QETN1HM-475Z   | E CAPACITOR  | 4.7MF 20% 50V  |      |   | D 587   | DZ6.8BSC-T2    | ZENER DIODE     |                 |      |

■ Electrical parts list (Input board)

Block No. 02

| △ | Item  | Parts number  | Parts name      | Remarks      | Area | △ | Item  | Parts number | Parts name | Remarks      | Area |
|---|-------|---------------|-----------------|--------------|------|---|-------|--------------|------------|--------------|------|
|   | D 592 | 1SS119-041-T2 | SI DIODE        |              |      |   | R 440 | QRE141J-562Y | C RESISTOR | 5.6K 5% 1/4W |      |
|   | EP250 | E409182-001SM | GRAND TERMINAL  |              |      |   | R 441 | QRE141J-272Y | C RESISTOR | 2.7K 5% 1/4W |      |
|   | FT111 | QNG0020-001Z  | FUSE CLIP       |              |      |   | R 442 | QRE141J-103Y | C RESISTOR | 10K 5% 1/4W  |      |
|   | FT112 | QNG0020-001Z  | FUSE CLIP       |              |      |   | R 443 | QRE141J-104Y | C RESISTOR | 100K 5% 1/4W |      |
|   | FT131 | QNG0020-001Z  | FUSE CLIP       |              |      |   | R 444 | QRE141J-104Y | C RESISTOR | 100K 5% 1/4W |      |
|   | FT132 | QNG0020-001Z  | FUSE CLIP       |              |      |   | R 466 | QRE141J-201Y | C RESISTOR | 200 5% 1/4W  |      |
|   | FT511 | QNG0020-001Z  | FUSE CLIP       |              |      |   | R 467 | QRE141J-203Y | C RESISTOR | 20K 5% 1/4W  |      |
|   | FT512 | QNG0020-001Z  | FUSE CLIP       |              |      |   | R 468 | QRE141J-203Y | C RESISTOR | 20K 5% 1/4W  |      |
|   | FT521 | QNG0020-001Z  | FUSE CLIP       |              |      |   | R 469 | QRE141J-562Y | C RESISTOR | 5.6K 5% 1/4W |      |
|   | FT522 | QNG0020-001Z  | FUSE CLIP       |              |      |   | R 470 | QRE141J-562Y | C RESISTOR | 5.6K 5% 1/4W |      |
|   | FW401 | QUM155-09Z4Z4 | PARA RIBON WIRE |              |      |   | R 471 | QRE141J-223Y | C RESISTOR | 22K 5% 1/4W  |      |
|   | FW710 | QUM153-09DGZ4 | FLAT WIRE       |              |      |   | R 472 | QRE141J-102Y | C RESISTOR | 1.0K 5% 1/4W |      |
|   | FW714 | QUM156-18DGZ4 | PARA RIBON WIRE |              |      |   | R 473 | QRE141J-153Y | C RESISTOR | 15K 5% 1/4W  |      |
|   | IC436 | TDA7439       | IC              |              |      |   | R 474 | QRE141J-513Y | C RESISTOR | 51K 5% 1/4W  |      |
|   | IC466 | BA3837        | IC(VOCALFADER)  |              |      |   | R 475 | QRE141J-101Y | C RESISTOR | 100 5% 1/4W  |      |
|   | IC481 | NJM4580D      | IC              |              |      |   | R 485 | QRE141J-563Y | C RESISTOR | 56K 5% 1/4W  |      |
|   | IC501 | NJM4580D      | IC              |              |      |   | R 486 | QRE141J-563Y | C RESISTOR | 56K 5% 1/4W  |      |
|   | IC502 | NJM4580D      | IC              |              |      |   | R 487 | QRE141J-154Y | C RESISTOR | 150K 5% 1/4W |      |
|   | IC526 | NJM4580D      | IC              |              |      |   | R 488 | QRE141J-154Y | C RESISTOR | 150K 5% 1/4W |      |
|   | IC571 | NJM4580D      | IC              |              |      |   | R 489 | QRE141J-104Y | C RESISTOR | 100K 5% 1/4W |      |
|   | J 411 | QNN0420-001   | PIN JACK        |              |      |   | R 490 | QRE141J-104Y | C RESISTOR | 100K 5% 1/4W |      |
|   | J 426 | GP1FA550TZ    | OPT TRANSMITTER |              |      |   | R 491 | QRE141J-472Y | C RESISTOR | 4.7K 5% 1/4W |      |
|   | J 999 | QNN0420-001   | PIN JACK        |              |      |   | R 492 | QRE141J-472Y | C RESISTOR | 4.7K 5% 1/4W |      |
|   | JA566 | QNN0017-002   | PIN JACK        |              |      |   | R 493 | QRE141J-103Y | C RESISTOR | 10K 5% 1/4W  |      |
|   | L 001 | QQR1277-001Z  | F.BEADS         |              |      |   | R 494 | QRE141J-103Y | C RESISTOR | 10K 5% 1/4W  |      |
|   | L 546 | QQR1277-001Z  | F.BEADS         |              |      |   | R 495 | QRE141J-101Y | C RESISTOR | 100 5% 1/4W  |      |
|   | L 566 | QQR1277-001Z  | F.BEADS         |              |      |   | R 496 | QRE141J-102Y | C RESISTOR | 1.0K 5% 1/4W |      |
|   | L 567 | QQR1277-001Z  | F.BEADS         |              |      |   | R 498 | QRE141J-101Y | C RESISTOR | 100 5% 1/4W  |      |
|   | L 571 | QQR1277-001Z  | F.BEADS         |              |      |   | R 501 | QRE141J-332Y | C RESISTOR | 3.3K 5% 1/4W |      |
|   | Q 401 | 2SC3576-JVC-T | TRANSISTOR      |              |      |   | R 502 | QRE141J-332Y | C RESISTOR | 3.3K 5% 1/4W |      |
|   | Q 402 | 2SC3576-JVC-T | TRANSISTOR      |              |      |   | R 503 | QRE141J-303Y | C RESISTOR | 30K 5% 1/4W  |      |
|   | Q 481 | 2SC3576-JVC-T | TRANSISTOR      |              |      |   | R 504 | QRE141J-104Y | C RESISTOR | 100K 5% 1/4W |      |
|   | Q 482 | 2SC3576-JVC-T | TRANSISTOR      |              |      |   | R 505 | QRE141J-223Y | C RESISTOR | 22K 5% 1/4W  |      |
|   | Q 483 | KRA102M-T     | D.TRANSISTOR    |              |      |   | R 506 | QRE141J-223Y | C RESISTOR | 22K 5% 1/4W  |      |
|   | Q 556 | 2SC3576-JVC-T | TRANSISTOR      |              |      |   | R 507 | QRE141J-303Y | C RESISTOR | 30K 5% 1/4W  |      |
|   | Q 557 | 2SC3576-JVC-T | TRANSISTOR      |              |      |   | R 508 | QRE141J-274Y | C RESISTOR | 270K 5% 1/4W |      |
|   | Q 562 | 2SC3576-JVC-T | TRANSISTOR      |              |      |   | R 510 | QRE141J-823Y | C RESISTOR | 82K 5% 1/4W  |      |
|   | Q 571 | 2SC2785/FE/-T | TRANSISTOR      |              |      |   | R 511 | QRE141J-104Y | C RESISTOR | 100K 5% 1/4W |      |
|   | Q 572 | 2SC2785/FE/-T | TRANSISTOR      |              |      |   | R 512 | QRE141J-224Y | C RESISTOR | 220K 5% 1/4W |      |
|   | Q 573 | 2SC2785/FE/-T | TRANSISTOR      |              |      |   | R 513 | QRE141J-224Y | C RESISTOR | 220K 5% 1/4W |      |
|   | Q 585 | 2SC2785/FE/-T | TRANSISTOR      |              |      |   | R 517 | QRE141J-563Y | C RESISTOR | 56K 5% 1/4W  |      |
|   | Q 586 | 2SC2785/FE/-T | TRANSISTOR      |              |      |   | R 518 | QRE141J-104Y | C RESISTOR | 100K 5% 1/4W |      |
|   | Q 999 | KRA102M-T     | D.TRANSISTOR    |              |      |   | R 519 | QRE141J-104Y | C RESISTOR | 100K 5% 1/4W |      |
|   | R 401 | QRE141J-102Y  | C RESISTOR      | 1.0K 5% 1/4W |      |   | R 523 | QRE141J-822Y | C RESISTOR | 8.2K 5% 1/4W |      |
|   | R 402 | QRE141J-102Y  | C RESISTOR      | 1.0K 5% 1/4W |      |   | R 524 | QRE141J-102Y | C RESISTOR | 1.0K 5% 1/4W |      |
|   | R 403 | QRE141J-472Y  | C RESISTOR      | 4.7K 5% 1/4W |      |   | R 526 | QRE141J-101Y | C RESISTOR | 100 5% 1/4W  |      |
|   | R 404 | QRE141J-472Y  | C RESISTOR      | 4.7K 5% 1/4W |      |   | R 528 | QRE141J-152Y | C RESISTOR | 1.5K 5% 1/4W |      |
|   | R 405 | QRE141J-222Y  | C RESISTOR      | 2.2K 5% 1/4W |      |   | R 529 | QRE141J-223Y | C RESISTOR | 22K 5% 1/4W  |      |
|   | R 406 | QRE141J-222Y  | C RESISTOR      | 2.2K 5% 1/4W |      |   | R 530 | QRE141J-822Y | C RESISTOR | 8.2K 5% 1/4W |      |
|   | R 407 | QRE141J-272Y  | C RESISTOR      | 2.7K 5% 1/4W |      |   | R 531 | QRE141J-103Y | C RESISTOR | 10K 5% 1/4W  |      |
|   | R 411 | QRE141J-103Y  | C RESISTOR      | 10K 5% 1/4W  |      |   | R 532 | QRE141J-223Y | C RESISTOR | 22K 5% 1/4W  |      |
|   | R 412 | QRE141J-103Y  | C RESISTOR      | 10K 5% 1/4W  |      |   | R 534 | QRE141J-124Y | C RESISTOR | 120K 5% 1/4W |      |
|   | R 413 | QRE141J-683Y  | C RESISTOR      | 68K 5% 1/4W  |      |   | R 536 | QRE141J-113Y | C RESISTOR | 11K 5% 1/4W  |      |
|   | R 414 | QRE141J-683Y  | C RESISTOR      | 68K 5% 1/4W  |      |   | R 537 | QRE141J-101Y | C RESISTOR | 100 5% 1/4W  |      |
|   | R 426 | QRE141J-560Y  | C RESISTOR      | 56 5% 1/4W   |      |   | R 541 | QRE141J-223Y | C RESISTOR | 22K 5% 1/4W  |      |
|   | R 431 | QRE141J-303Y  | C RESISTOR      | 30K 5% 1/4W  |      |   | R 557 | QRE141J-822Y | C RESISTOR | 8.2K 5% 1/4W |      |
|   | R 432 | QRE141J-303Y  | C RESISTOR      | 30K 5% 1/4W  |      |   | R 558 | QRE141J-472Y | C RESISTOR | 4.7K 5% 1/4W |      |
| △ | R 434 | QRJ146J-4R7X  | UNF C RESISTOR  | 4.7 5% 1/4W  |      |   | R 560 | QRE141J-473Y | C RESISTOR | 47K 5% 1/4W  |      |
|   | R 435 | QRE141J-103Y  | C RESISTOR      | 10K 5% 1/4W  |      |   | R 562 | QRE141J-103Y | C RESISTOR | 10K 5% 1/4W  |      |
|   | R 436 | QRE141J-103Y  | C RESISTOR      | 10K 5% 1/4W  |      |   | R 563 | QRE141J-223Y | C RESISTOR | 22K 5% 1/4W  |      |
|   | R 437 | QRE141J-102Y  | C RESISTOR      | 1.0K 5% 1/4W |      |   | R 564 | QRE141J-223Y | C RESISTOR | 22K 5% 1/4W  |      |
|   | R 438 | QRE141J-272Y  | C RESISTOR      | 2.7K 5% 1/4W |      |   | R 571 | QRE141J-271Y | C RESISTOR | 270 5% 1/4W  |      |
|   | R 439 | QRE141J-562Y  | C RESISTOR      | 5.6K 5% 1/4W |      |   | R 572 | QRE141J-473Y | C RESISTOR | 47K 5% 1/4W  |      |

■ Electrical parts list (Input board)

Block No. 02

| △ | Item  | Parts number | Parts name     | Remarks      | Area |
|---|-------|--------------|----------------|--------------|------|
|   | R 575 | QRE141J-473Y | C RESISTOR     | 47K 5% 1/4W  |      |
|   | R 576 | QRE141J-104Y | C RESISTOR     | 100K 5% 1/4W |      |
|   | R 577 | QRE141J-104Y | C RESISTOR     | 100K 5% 1/4W |      |
|   | R 579 | QRE141J-184Y | C RESISTOR     | 180K 5% 1/4W |      |
|   | R 580 | QRE141J-153Y | C RESISTOR     | 15K 5% 1/4W  |      |
|   | R 581 | QRE141J-224Y | C RESISTOR     | 220K 5% 1/4W |      |
|   | R 582 | QRE141J-101Y | C RESISTOR     | 100 5% 1/4W  |      |
|   | R 583 | QRE141J-101Y | C RESISTOR     | 100 5% 1/4W  |      |
|   | R 585 | QRE141J-473Y | C RESISTOR     | 47K 5% 1/4W  |      |
|   | R 586 | QRE141J-225Y | C RESISTOR     | 2.2M 5% 1/4W |      |
|   | R 587 | QRE141J-104Y | C RESISTOR     | 100K 5% 1/4W |      |
|   | R 588 | QRE141J-220Y | C RESISTOR     | 22 5% 1/4W   |      |
|   | R 593 | QRE141J-104Y | C RESISTOR     | 100K 5% 1/4W |      |
|   | R 991 | QRE141J-102Y | C RESISTOR     | 1.0K 5% 1/4W |      |
|   | R 995 | QRE141J-333Y | C RESISTOR     | 33K 5% 1/4W  |      |
|   | R 997 | QRE141J-103Y | C RESISTOR     | 10K 5% 1/4W  |      |
|   | R 998 | QRE141J-103Y | C RESISTOR     | 10K 5% 1/4W  |      |
| △ | R1002 | ERX12SJR33E  | UNF.C.RESISTOR |              |      |
|   | R1202 | QRE141J-102Y | C RESISTOR     | 1.0K 5% 1/4W |      |
|   | R1203 | QRE141J-102Y | C RESISTOR     | 1.0K 5% 1/4W |      |
| △ | S 500 | QSW0812-001  | VOLTAGE SWITCH |              |      |
|   | SP 21 | VYSA1R3-049  | SPACER         |              |      |
|   | SP 22 | VYSA1R3-049  | SPACER         |              |      |
|   | SP 23 | VYSA1R3-049  | SPACER         |              |      |

■ Electrical parts list (Front board)

Block No. 03

| ▲ | Item  | Parts number   | Parts name     | Remarks        | Area | ▲ | Item  | Parts number   | Parts name      | Remarks       | Area |
|---|-------|----------------|----------------|----------------|------|---|-------|----------------|-----------------|---------------|------|
|   | C 233 | QFVJ1HJ-104Z   | MF CAPACITOR   | .10MF 5% 50V   |      |   | C1045 | QETN1HM-225Z   | E CAPACITOR     | 2.2MF 20% 50V |      |
|   | C 302 | EETC1HM-106ZJC | E CAPACITOR    |                |      |   | C1046 | EETC1HM-105ZJC | E CAPACITOR     |               |      |
|   | C 308 | EETC1HM-106ZJC | E CAPACITOR    |                |      |   | C1061 | QETN1AM-227Z   | E CAPACITOR     | 220MF 20% 10V |      |
|   | C 310 | EETC1HM-106ZJC | E CAPACITOR    |                |      |   | C1062 | EEKC1AM-107ZJC | E CAPACITOR     |               |      |
|   | C 312 | EETC1HM-106ZJC | E CAPACITOR    |                |      |   | C1063 | EEKC1HM-475ZJC | E CAPACITOR     |               |      |
|   | C 360 | EETC1CM-476ZJC | E CAPACITOR    |                |      |   | C1064 | QCB1HK-151Y    | C CAPACITOR     | 150PF 10% 50V |      |
|   | C 361 | QDYB1CM-103Y   | C CAPACITOR    |                |      |   | C1065 | QCB1HK-151Y    | C CAPACITOR     | 150PF 10% 50V |      |
|   | C 362 | EETC1HM-226ZJC | E CAPACITOR    |                |      |   | C1066 | QCB1HK-331Y    | C CAPACITOR     | 330PF 10% 50V |      |
|   | C 801 | FQCF31HP-103Z  | C CAPACITOR    |                |      |   | C1067 | QEK1HM-225Z    | E CAPACITOR     | 2.2MF 20% 50V |      |
|   | C 803 | QETN0JM-477Z   | E CAPACITOR    | 470MF 20% 6.3V |      |   | C1068 | QEK1HM-224Z    | E CAPACITOR     | .22MF 20% 50V |      |
|   | C 804 | QETN0JM-477Z   | E CAPACITOR    | 470MF 20% 6.3V |      |   | C1070 | QDXB1CM-222Y   | C CAPACITOR     |               |      |
|   | C 805 | QDGB1HK-102Y   | C CAPACITOR    |                |      |   | D 308 | DZ5.6BSB-T2    | ZENER DIODE     |               |      |
|   | C 808 | QCSB1HJ-120Y   | C CAPACITOR    | 12PF 5% 50V    |      |   | D 313 | DZ8.2BSB-T2    | ZENER DIODE     |               |      |
|   | C 809 | QCSB1HJ-180Y   | C CAPACITOR    | 18PF 5% 50V    |      |   | D 314 | DZ13BSB-T2     | ZENER DIODE     |               |      |
|   | C 815 | EETC1HM-226ZJC | E CAPACITOR    |                |      |   | D 315 | DZ9.1BSB-T2    | ZENER DIODE     |               |      |
|   | C 816 | EETC1CM-476ZJC | E CAPACITOR    |                |      |   | D 360 | DZ5.1BSB-T2    | ZENER DIODE     |               |      |
|   | C 817 | EETC1HM-226ZJC | E CAPACITOR    |                |      |   | D 361 | DZ9.1BSB-T2    | ZENER DIODE     |               |      |
|   | C 820 | QCZ0202-155Z   | ML C CAPACITOR | 1.5MF          |      |   | D 362 | DZ6.8BSB-T2    | ZENER DIODE     |               |      |
|   | C 821 | QDYB1CM-103Y   | C CAPACITOR    |                |      |   | D 650 | 1SS119-041-T2  | SI DIODE        |               |      |
|   | C 823 | QFVJ1HJ-334Z   | MF CAPACITOR   | .33MF 5% 50V   |      |   | D 725 | 1SS119-041-T2  | SI DIODE        |               |      |
|   | C 831 | QDYB1CM-103Y   | C CAPACITOR    |                |      |   | D 801 | 1N4003S-T5     | SI DIODE        |               |      |
|   | C 832 | QDYB1CM-103Y   | C CAPACITOR    |                |      |   | D 803 | 1SS119-041-T2  | SI DIODE        |               |      |
|   | C 835 | QDGB1HK-102Y   | C CAPACITOR    |                |      |   | D 804 | 1SS119-041-T2  | SI DIODE        |               |      |
|   | C 836 | EETC1EM-106ZJC | E CAPACITOR    |                |      |   | D 805 | 1SS119-041-T2  | SI DIODE        |               |      |
|   | C 837 | EETC1AM-107ZJC | E CAPACITOR    |                |      |   | D 807 | 1N4003S-T5     | SI DIODE        |               |      |
|   | C 838 | QDGB1HK-102Y   | C CAPACITOR    |                |      |   | D 812 | 1SS119-041-T2  | SI DIODE        |               |      |
|   | C 840 | EETC1AM-107ZJC | E CAPACITOR    |                |      |   | D 831 | DZ5.1BSB-T2    | ZENER DIODE     |               |      |
|   | C 862 | EETC1HM-226ZJC | E CAPACITOR    |                |      |   | D 832 | DZ5.1BSB-T2    | ZENER DIODE     |               |      |
|   | C 872 | EETC1HM-224ZJC | E CAPACITOR    |                |      |   | D 860 | 1SS119-041-T2  | SI DIODE        |               |      |
|   | C 889 | EETC1HM-475ZJC | E CAPACITOR    |                |      |   | D 907 | 1SS119-041-T2  | SI DIODE        |               |      |
|   | C 935 | QDYB1CM-103Y   | C CAPACITOR    |                |      |   | D 918 | L-192ZSRD-T    | LED             |               |      |
|   | C 956 | QDYB1CM-103Y   | C CAPACITOR    |                |      |   | D 919 | L-192ZSRD-T    | LED             |               |      |
|   | C 957 | QDYB1CM-103Y   | C CAPACITOR    |                |      |   | D 920 | L-192ZSRD-T    | LED             |               |      |
|   | C 960 | QDYB1CM-103Y   | C CAPACITOR    |                |      |   | D 940 | L-192ZSRD-T    | LED             |               |      |
|   | C 961 | QDYB1CM-103Y   | C CAPACITOR    |                |      |   | D 941 | L-192ZSRD-T    | LED             |               |      |
|   | C 962 | QDYB1CM-103Y   | C CAPACITOR    |                |      |   | D 942 | L-192ZSRD-T    | LED             |               |      |
|   | C 963 | QDYB1CM-103Y   | C CAPACITOR    |                |      |   | D 943 | L-192ZSRD-T    | LED             |               |      |
|   | CN216 | QGB2510K2-12   | CONNECTOR      |                |      |   | D 944 | L-192ZSRD-T    | LED             |               |      |
|   | CN217 | QGB2510K2-10   | CONNECTOR      |                |      |   | D 945 | L-192ZSRD-T    | LED             |               |      |
|   | CN316 | QGF1210G1-09   | CONNECTOR      |                |      |   | D 953 | L-192ZSRD-T    | LED             |               |      |
|   | CN710 | QGD2504C1-03Z  | SOCKET         |                |      |   | D 954 | L-192ZSRD-T    | LED             |               |      |
|   | CN860 | QGF1205F1-17   | CONNECTOR      |                |      |   | D 962 | L-192ZSRD-T    | LED             |               |      |
|   | CN861 | QGF1205F1-17   | CONNECTOR      |                |      |   | D 964 | 1SS119-041-T2  | SI DIODE        |               |      |
|   | CN880 | QGF1210G1-24   | FFC/FPC CONNE  |                |      |   | D1003 | DZ2.4BSB-T2    | ZENER DIODE     |               |      |
|   | CN890 | QGF1205F1-24   | CONNECTOR      |                |      |   | D1021 | DZ5.1BSB-T2    | ZENER DIODE     |               |      |
|   | CN911 | QGD2503F1-07   | SOCKET         |                |      |   | D1061 | 1SS119-041-T2  | SI DIODE        |               |      |
|   | C1004 | QDGB1HK-102Y   | C CAPACITOR    |                |      |   | D1062 | DZ2.4BSB-T2    | ZENER DIODE     |               |      |
|   | C1005 | QDGB1HK-102Y   | C CAPACITOR    |                |      |   | FL801 | QLF0081-001    | FL DISPLAY TUBE |               |      |
|   | C1006 | QDGB1HK-102Y   | C CAPACITOR    |                |      |   | FW230 | QUM153-11DGZ4  | PARA RIBON WIRE |               |      |
|   | C1021 | QDGB1HK-102Y   | C CAPACITOR    |                |      |   | FW713 | QUM153-33DGZ4  | FLAT WIRE       |               |      |
|   | C1022 | QDGB1HK-102Y   | C CAPACITOR    |                |      |   | FW915 | QUM027-18Z4Z4  | PARA RIBON WIRE |               |      |
|   | C1023 | QDGB1HK-102Y   | C CAPACITOR    |                |      |   | ▲     | IC301          | KIA78R05PI      | IC            |      |
|   | C1034 | QFLM1HJ-104Z   | M CAPACITOR    | .10MF 5% 50V   |      |   | ▲     | IC303          | L7808CP         | IC            |      |
|   | C1035 | EETC1AM-107ZJC | E CAPACITOR    |                |      |   | ▲     | IC304          | L7812CP         | IC            |      |
|   | C1036 | QCB1HK-101Y    | C CAPACITOR    | 100PF 10% 50V  |      |   | ▲     | IC305          | L7809CP         | IC            |      |
|   | C1037 | QDYB1CM-103Y   | C CAPACITOR    |                |      |   | IC810 | MN101C35DEM    | IC              |               |      |
|   | C1038 | QDXB1CM-472Y   | C CAPACITOR    |                |      |   | IC811 | BU2092         | IC              |               |      |
|   | C1039 | QDYB1CM-103Y   | C CAPACITOR    |                |      |   | IC830 | KIA7042AP-T    | IC              |               |      |
|   | C1040 | QDXB1CM-332Y   | C CAPACITOR    |                |      |   | IC901 | NJM4580L       | IC              |               |      |
|   | C1041 | QDYB1CM-103Y   | C CAPACITOR    |                |      |   | IC902 | BU9253AS       | IC              |               |      |
|   | C1042 | EETC1EM-226ZJC | E CAPACITOR    |                |      |   | IC951 | GP1U271X       | IC              |               |      |
|   | C1043 | QFVJ1HJ-474Z   | MF CAPACITOR   | .47MF 5% 50V   |      |   | J 81  | QNB0107-001    | SPK TERMINAL    |               |      |
|   | C1044 | QDYB1CM-103Y   | C CAPACITOR    |                |      |   | JS956 | QSW0912-001    | ROTARY SWITCH   | S/WOOFER VOL  |      |

■ Electrical parts list (Front board)

Block No. 03

| △ | Item  | Parts number   | Parts name     | Remarks      | Area | △ | Item  | Parts number | Parts name | Remarks      | Area |
|---|-------|----------------|----------------|--------------|------|---|-------|--------------|------------|--------------|------|
|   | JS960 | QSW0911-001    | ROTARY SWITCH  | S/MODE VOL   |      |   | R 807 | QRE141J-103Y | C RESISTOR | 10K 5% 1/4W  |      |
|   | JS962 | QSW0987-001    | ROTARY ENCODER | MAIN VOL     |      |   | R 808 | QRE141J-103Y | C RESISTOR | 10K 5% 1/4W  |      |
|   | J1001 | QNS0183-001    | HEADPHONE JACK | HEAD PHONE   |      |   | R 810 | QRE141J-103Y | C RESISTOR | 10K 5% 1/4W  |      |
|   | J1021 | QNS0184-001    | JACK           |              |      |   | R 811 | QRE141J-103Y | C RESISTOR | 10K 5% 1/4W  |      |
|   | J1022 | QNS0184-001    | JACK           |              |      |   | R 812 | QRE141J-103Y | C RESISTOR | 10K 5% 1/4W  |      |
|   | L 801 | QQL244K-100Z   | INDUCTOR       |              |      |   | R 813 | QRE141J-103Y | C RESISTOR | 10K 5% 1/4W  |      |
|   | L 802 | QQL231K-220Y   | INDUCTOR       |              |      |   | R 814 | QRE141J-562Y | C RESISTOR | 5.6K 5% 1/4W |      |
|   | L 803 | QQL244K-100Z   | INDUCTOR       |              |      |   | R 815 | QRE141J-563Y | C RESISTOR | 56K 5% 1/4W  |      |
|   | L 805 | QQL244K-100Z   | INDUCTOR       |              |      |   | R 816 | QRE141J-563Y | C RESISTOR | 56K 5% 1/4W  |      |
|   | L 806 | QQL244K-100Z   | INDUCTOR       |              |      |   | R 817 | QRE141J-103Y | C RESISTOR | 10K 5% 1/4W  |      |
|   | L 813 | QQR1277-001Z   | F.BEADS        |              |      |   | R 818 | QRE141J-103Y | C RESISTOR | 10K 5% 1/4W  |      |
|   | L1003 | QQL231K-2R2Y   | INDUCTOR       |              |      |   | R 819 | QRE141J-102Y | C RESISTOR | 1.0K 5% 1/4W |      |
| △ | Q 360 | KTC2026/OY/    | TRANSISTOR     |              |      |   | R 820 | QRE141J-102Y | C RESISTOR | 1.0K 5% 1/4W |      |
|   | Q 361 | 2SC2785/FE/-T  | TRANSISTOR     |              |      |   | R 821 | QRE141J-103Y | C RESISTOR | 10K 5% 1/4W  |      |
|   | Q 362 | 2SC2785/FE/-T  | TRANSISTOR     |              |      |   | R 822 | QRE141J-103Y | C RESISTOR | 10K 5% 1/4W  |      |
|   | Q 809 | 2SD1991A/RS/-T | TRANSISTOR     |              |      |   | R 823 | QRE141J-102Y | C RESISTOR | 1.0K 5% 1/4W |      |
|   | Q 810 | 2SD1991A/RS/-T | TRANSISTOR     |              |      |   | R 824 | QRE141J-102Y | C RESISTOR | 1.0K 5% 1/4W |      |
|   | Q 811 | 2SD1991A/RS/-T | TRANSISTOR     |              |      |   | R 825 | QRE141J-104Y | C RESISTOR | 100K 5% 1/4W |      |
|   | Q 812 | 2SD1991A/RS/-T | TRANSISTOR     |              |      |   | R 826 | QRE141J-104Y | C RESISTOR | 100K 5% 1/4W |      |
|   | Q 813 | 2SD1991A/RS/-T | TRANSISTOR     |              |      |   | R 827 | QRE141J-103Y | C RESISTOR | 10K 5% 1/4W  |      |
|   | Q 816 | 2SD1991A/RS/-T | TRANSISTOR     |              |      |   | R 828 | QRE141J-103Y | C RESISTOR | 10K 5% 1/4W  |      |
|   | Q 817 | 2SD1991A/RS/-T | TRANSISTOR     |              |      |   | R 829 | QRE141J-103Y | C RESISTOR | 10K 5% 1/4W  |      |
|   | Q 843 | KRA102M-T      | D.TRANSISTOR   |              |      |   | R 831 | QRE141J-104Y | C RESISTOR | 100K 5% 1/4W |      |
|   | Q 858 | 2SD1991A/RS/-T | TRANSISTOR     |              |      |   | R 832 | QRE141J-104Y | C RESISTOR | 100K 5% 1/4W |      |
|   | Q 860 | 2SC2785/FE/-T  | TRANSISTOR     |              |      |   | R 833 | QRE141J-104Y | C RESISTOR | 100K 5% 1/4W |      |
|   | Q 875 | KRC102M-T      | D.TRANSISTOR   |              |      |   | R 834 | QRE141J-104Y | C RESISTOR | 100K 5% 1/4W |      |
|   | Q 877 | KRA102M-T      | D.TRANSISTOR   |              |      |   | R 835 | QRE141J-104Y | C RESISTOR | 100K 5% 1/4W |      |
|   | Q 878 | KRC102M-T      | D.TRANSISTOR   |              |      |   | R 836 | QRE141J-104Y | C RESISTOR | 100K 5% 1/4W |      |
|   | Q 879 | 2SD1991A/RS/-T | TRANSISTOR     |              |      |   | R 837 | QRE141J-104Y | C RESISTOR | 100K 5% 1/4W |      |
|   | Q 890 | 2SD1991A/RS/-T | TRANSISTOR     |              |      |   | R 838 | QRE141J-102Y | C RESISTOR | 1.0K 5% 1/4W |      |
|   | Q 905 | KRC104M-T      | D.TRANSISTOR   |              |      |   | R 839 | QRE141J-102Y | C RESISTOR | 1.0K 5% 1/4W |      |
|   | Q 906 | KRC104M-T      | D.TRANSISTOR   |              |      |   | R 840 | QRE141J-103Y | C RESISTOR | 10K 5% 1/4W  |      |
|   | Q 907 | KRC102M-T      | D.TRANSISTOR   |              |      |   | R 841 | QRE141J-103Y | C RESISTOR | 10K 5% 1/4W  |      |
|   | Q 908 | KRA102M-T      | D.TRANSISTOR   |              |      |   | R 842 | QRE141J-103Y | C RESISTOR | 10K 5% 1/4W  |      |
|   | Q 918 | KRC102M-T      | D.TRANSISTOR   |              |      |   | R 844 | QRE141J-102Y | C RESISTOR | 1.0K 5% 1/4W |      |
|   | Q 919 | KRC102M-T      | D.TRANSISTOR   |              |      |   | R 845 | QRE141J-102Y | C RESISTOR | 1.0K 5% 1/4W |      |
|   | Q 920 | KRC102M-T      | D.TRANSISTOR   |              |      |   | R 846 | QRE141J-102Y | C RESISTOR | 1.0K 5% 1/4W |      |
|   | Q 940 | 2SA1175/FE/-T  | TRANSISTOR     |              |      |   | R 847 | QRE141J-102Y | C RESISTOR | 1.0K 5% 1/4W |      |
|   | Q 941 | 2SA1175/FE/-T  | TRANSISTOR     |              |      |   | R 848 | QRE141J-331Y | C RESISTOR | 330 5% 1/4W  |      |
|   | Q 953 | 2SA1175/FE/-T  | TRANSISTOR     |              |      |   | R 849 | QRE141J-102Y | C RESISTOR | 1.0K 5% 1/4W |      |
|   | Q 954 | 2SA1175/FE/-T  | TRANSISTOR     |              |      |   | R 850 | QRE141J-102Y | C RESISTOR | 1.0K 5% 1/4W |      |
|   | Q 961 | KRA102M-T      | D.TRANSISTOR   |              |      |   | R 851 | QRE141J-102Y | C RESISTOR | 1.0K 5% 1/4W |      |
|   | Q1021 | KRA111M-T      | D.TRANSISTOR   |              |      |   | R 854 | QRE141J-102Y | C RESISTOR | 1.0K 5% 1/4W |      |
|   | Q1022 | KRA111M-T      | D.TRANSISTOR   |              |      |   | R 855 | QRE141J-102Y | C RESISTOR | 1.0K 5% 1/4W |      |
|   | Q1023 | KRA111M-T      | D.TRANSISTOR   |              |      |   | R 856 | QRE141J-104Y | C RESISTOR | 100K 5% 1/4W |      |
|   | Q1061 | 2SC3576-JVC-T  | TRANSISTOR     |              |      |   | R 857 | QRE141J-104Y | C RESISTOR | 100K 5% 1/4W |      |
|   | R 151 | QRE141J-221Y   | C RESISTOR     | 220 5% 1/4W  |      |   | R 858 | QRE141J-104Y | C RESISTOR | 100K 5% 1/4W |      |
| △ | R 233 | QRK126J-470X   | C RESISTOR     | 47 5% 1/2W   |      |   | R 859 | QRE141J-104Y | C RESISTOR | 100K 5% 1/4W |      |
| △ | R 234 | QRK126J-470X   | C RESISTOR     | 47 5% 1/2W   |      |   | R 860 | QRE141J-684Y | C RESISTOR | 680K 5% 1/4W |      |
| △ | R 302 | QRJ146J-2R2X   | UNF C RESISTOR | 2.2 5% 1/4W  |      |   | R 861 | QRE141J-103Y | C RESISTOR | 10K 5% 1/4W  |      |
| △ | R 306 | ERX12SJR33E    | UNF.C.RESISTOR |              |      |   | R 862 | QRE141J-220Y | C RESISTOR | 22 5% 1/4W   |      |
| △ | R 309 | ERX12SJR33E    | UNF.C.RESISTOR |              |      |   | R 864 | QRE141J-103Y | C RESISTOR | 10K 5% 1/4W  |      |
|   | R 311 | QRE141J-103Y   | C RESISTOR     | 10K 5% 1/4W  |      |   | R 865 | QRE141J-104Y | C RESISTOR | 100K 5% 1/4W |      |
| △ | R 360 | QRZ9042-2R2X   | F RESISTOR     | 2.2 1/4W     |      |   | R 866 | QRE141J-104Y | C RESISTOR | 100K 5% 1/4W |      |
| △ | R 361 | QRZ9006-4R7X   | F RESISTOR     | 4.7 1/4W     |      |   | R 867 | QRE141J-104Y | C RESISTOR | 100K 5% 1/4W |      |
|   | R 362 | QRE141J-331Y   | C RESISTOR     | 330 5% 1/4W  |      |   | R 868 | QRE141J-104Y | C RESISTOR | 100K 5% 1/4W |      |
|   | R 363 | QRE141J-331Y   | C RESISTOR     | 330 5% 1/4W  |      |   | R 869 | QRE141J-104Y | C RESISTOR | 100K 5% 1/4W |      |
|   | R 364 | QRE141J-122Y   | C RESISTOR     | 1.2K 5% 1/4W |      |   | R 870 | QRE141J-104Y | C RESISTOR | 100K 5% 1/4W |      |
|   | R 365 | QRE141J-201Y   | C RESISTOR     | 200 5% 1/4W  |      |   | R 871 | QRE141J-104Y | C RESISTOR | 100K 5% 1/4W |      |
|   | R 366 | QRE141J-201Y   | C RESISTOR     | 200 5% 1/4W  |      |   | R 872 | QRE141J-104Y | C RESISTOR | 100K 5% 1/4W |      |
|   | R 367 | QRE141J-122Y   | C RESISTOR     | 1.2K 5% 1/4W |      |   | R 873 | QRE141J-104Y | C RESISTOR | 100K 5% 1/4W |      |
|   | R 368 | QRE141J-331Y   | C RESISTOR     | 330 5% 1/4W  |      |   | R 874 | QRE141J-104Y | C RESISTOR | 100K 5% 1/4W |      |
|   | R 801 | QRE141J-331Y   | C RESISTOR     | 330 5% 1/4W  |      |   | R 876 | QRE141J-103Y | C RESISTOR | 10K 5% 1/4W  |      |

■ Electrical parts list (Front board)

Block No. 03

| △ | Item  | Parts number | Parts name | Remarks      | Area | △ | Item  | Parts number | Parts name   | Remarks      | Area |
|---|-------|--------------|------------|--------------|------|---|-------|--------------|--------------|--------------|------|
|   | R 879 | QRE141J-104Y | C RESISTOR | 100K 5% 1/4W |      |   | R 994 | QRE141J-753Y | C RESISTOR   | 75K 5% 1/4W  | U,UN |
|   | R 880 | QRE141J-104Y | C RESISTOR | 100K 5% 1/4W |      |   | R 996 | QRE141J-272Y | C RESISTOR   | 2.7K 5% 1/4W |      |
|   | R 881 | QRE141J-103Y | C RESISTOR | 10K 5% 1/4W  |      |   | RA801 | QRB169J-104  | NET RESISTOR | 100K 5% 1/6W |      |
|   | R 882 | QRE141J-103Y | C RESISTOR | 10K 5% 1/4W  |      |   | RA802 | QRB169J-104  | NET RESISTOR | 100K 5% 1/6W |      |
|   | R 883 | QRE141J-103Y | C RESISTOR | 10K 5% 1/4W  |      |   | RY 1  | QSK0109-001  | RELAY        |              |      |
|   | R 884 | QRE141J-102Y | C RESISTOR | 1.0K 5% 1/4W |      |   | RY 2  | QSK0109-001  | RELAY        |              |      |
|   | R 885 | QRE141J-221Y | C RESISTOR | 220 5% 1/4W  |      |   | R1021 | QRE141J-472Y | C RESISTOR   | 4.7K 5% 1/4W |      |
|   | R 886 | QRE141J-221Y | C RESISTOR | 220 5% 1/4W  |      |   | R1022 | QRE141J-472Y | C RESISTOR   | 4.7K 5% 1/4W |      |
|   | R 887 | QRE141J-221Y | C RESISTOR | 220 5% 1/4W  |      |   | R1031 | QRE141J-203Y | C RESISTOR   | 20K 5% 1/4W  |      |
|   | R 888 | QRE141J-221Y | C RESISTOR | 220 5% 1/4W  |      |   | R1032 | QRE141J-203Y | C RESISTOR   | 20K 5% 1/4W  |      |
|   | R 889 | QRE141J-221Y | C RESISTOR | 220 5% 1/4W  |      |   | R1033 | QRE141J-822Y | C RESISTOR   | 8.2K 5% 1/4W |      |
|   | R 890 | QRE141J-104Y | C RESISTOR | 100K 5% 1/4W |      |   | R1034 | QRE141J-103Y | C RESISTOR   | 10K 5% 1/4W  |      |
|   | R 891 | QRE141J-104Y | C RESISTOR | 100K 5% 1/4W |      |   | R1035 | QRE141J-333Y | C RESISTOR   | 33K 5% 1/4W  |      |
|   | R 893 | QRE141J-102Y | C RESISTOR | 1.0K 5% 1/4W |      |   | R1036 | QRE141J-273Y | C RESISTOR   | 27K 5% 1/4W  |      |
|   | R 894 | QRE141J-334Y | C RESISTOR | 330K 5% 1/4W | U,UN |   | R1037 | QRE141J-153Y | C RESISTOR   | 15K 5% 1/4W  |      |
|   | R 894 | QRE141J-183Y | C RESISTOR | 18K 5% 1/4W  | UX   |   | R1038 | QRE141J-472Y | C RESISTOR   | 4.7K 5% 1/4W |      |
|   | R 895 | QRE141J-102Y | C RESISTOR | 1.0K 5% 1/4W |      |   | R1039 | QRE141J-103Y | C RESISTOR   | 10K 5% 1/4W  |      |
|   | R 897 | QRE141J-183Y | C RESISTOR | 18K 5% 1/4W  |      |   | R1040 | QRE141J-272Y | C RESISTOR   | 2.7K 5% 1/4W |      |
|   | R 898 | QRE141J-680Y | C RESISTOR | 68 5% 1/4W   |      |   | R1041 | QRE141J-203Y | C RESISTOR   | 20K 5% 1/4W  |      |
|   | R 902 | QRE141J-103Y | C RESISTOR | 10K 5% 1/4W  |      |   | R1042 | QRE141J-221Y | C RESISTOR   | 220 5% 1/4W  |      |
|   | R 905 | QRE141J-104Y | C RESISTOR | 100K 5% 1/4W |      |   | R1043 | QRE141J-203Y | C RESISTOR   | 20K 5% 1/4W  |      |
|   | R 906 | QRE141J-104Y | C RESISTOR | 100K 5% 1/4W |      |   | R1044 | QRE141J-562Y | C RESISTOR   | 5.6K 5% 1/4W |      |
|   | R 907 | QRE141J-103Y | C RESISTOR | 10K 5% 1/4W  |      |   | R1045 | QRE141J-102Y | C RESISTOR   | 1.0K 5% 1/4W |      |
|   | R 911 | QRE141J-102Y | C RESISTOR | 1.0K 5% 1/4W |      |   | R1061 | QRE141J-103Y | C RESISTOR   | 10K 5% 1/4W  |      |
|   | R 912 | QRE141J-103Y | C RESISTOR | 10K 5% 1/4W  |      |   | R1062 | QRE141J-123Y | C RESISTOR   | 12K 5% 1/4W  |      |
|   | R 916 | QRE141J-102Y | C RESISTOR | 1.0K 5% 1/4W |      |   | R1063 | QRE141J-391Y | C RESISTOR   | 390 5% 1/4W  |      |
|   | R 917 | QRE141J-102Y | C RESISTOR | 1.0K 5% 1/4W |      |   | R1064 | QRE141J-152Y | C RESISTOR   | 1.5K 5% 1/4W |      |
|   | R 918 | QRE141J-201Y | C RESISTOR | 200 5% 1/4W  |      |   | R1065 | QRE141J-101Y | C RESISTOR   | 100 5% 1/4W  |      |
|   | R 919 | QRE141J-201Y | C RESISTOR | 200 5% 1/4W  |      |   | R1066 | QRE141J-475Y | C RESISTOR   | 4.7M 5% 1/4W |      |
|   | R 920 | QRE141J-201Y | C RESISTOR | 200 5% 1/4W  |      |   | R1067 | QRE141J-560Y | C RESISTOR   | 56 5% 1/4W   |      |
|   | R 921 | QRE141J-753Y | C RESISTOR | 75K 5% 1/4W  |      |   | R1068 | QRE141J-203Y | C RESISTOR   | 20K 5% 1/4W  |      |
|   | R 930 | QRE141J-103Y | C RESISTOR | 10K 5% 1/4W  |      |   | R1069 | QRE141J-102Y | C RESISTOR   | 1.0K 5% 1/4W |      |
|   | R 931 | QRE141J-222Y | C RESISTOR | 2.2K 5% 1/4W |      |   | R1070 | QRE141J-561Y | C RESISTOR   | 560 5% 1/4W  |      |
|   | R 932 | QRE141J-272Y | C RESISTOR | 2.7K 5% 1/4W |      |   | R1071 | QRE141J-472Y | C RESISTOR   | 4.7K 5% 1/4W |      |
|   | R 933 | QRE141J-392Y | C RESISTOR | 3.9K 5% 1/4W |      |   | S 915 | QSW0825-001Z | TACT SWITCH  | DISC 1       |      |
|   | R 935 | QRE141J-562Y | C RESISTOR | 5.6K 5% 1/4W |      |   | S 916 | QSW0825-001Z | TACT SWITCH  |              |      |
|   | R 936 | QRE141J-122Y | C RESISTOR | 1.2K 5% 1/4W |      |   | S 917 | QSW0825-001Z | TACT SWITCH  |              |      |
|   | R 937 | QRE141J-152Y | C RESISTOR | 1.5K 5% 1/4W |      |   | S 931 | QSW0825-001Z | TACT SWITCH  | DUBBING      |      |
|   | R 938 | QRE141J-222Y | C RESISTOR | 2.2K 5% 1/4W |      |   | S 932 | QSW0825-001Z | TACT SWITCH  |              |      |
|   | R 939 | QRE141J-272Y | C RESISTOR | 2.7K 5% 1/4W |      |   | S 933 | QSW0825-001Z | TACT SWITCH  |              |      |
|   | R 940 | QRE141J-680Y | C RESISTOR | 68 5% 1/4W   |      |   | S 935 | QSW0825-001Z | TACT SWITCH  |              |      |
|   | R 941 | QRE141J-680Y | C RESISTOR | 68 5% 1/4W   |      |   | S 936 | QSW0825-001Z | TACT SWITCH  |              |      |
|   | R 942 | QRE141J-392Y | C RESISTOR | 3.9K 5% 1/4W |      |   | S 937 | QSW0825-001Z | TACT SWITCH  |              |      |
|   | R 943 | QRE141J-103Y | C RESISTOR | 10K 5% 1/4W  |      |   | S 938 | QSW0825-001Z | TACT SWITCH  |              |      |
|   | R 944 | QRE141J-562Y | C RESISTOR | 5.6K 5% 1/4W |      |   | S 939 | QSW0825-001Z | TACT SWITCH  |              |      |
|   | R 945 | QRE141J-392Y | C RESISTOR | 3.9K 5% 1/4W |      |   | S 942 | QSW0825-001Z | TACT SWITCH  |              |      |
|   | R 946 | QRE141J-272Y | C RESISTOR | 2.7K 5% 1/4W |      |   | S 943 | QSW0825-001Z | TACT SWITCH  |              |      |
|   | R 947 | QRE141J-222Y | C RESISTOR | 2.2K 5% 1/4W |      |   | S 944 | QSW0825-001Z | TACT SWITCH  |              |      |
|   | R 948 | QRE141J-152Y | C RESISTOR | 1.5K 5% 1/4W |      |   | S 945 | QSW0825-001Z | TACT SWITCH  |              |      |
|   | R 949 | QRE141J-122Y | C RESISTOR | 1.2K 5% 1/4W |      |   | S 946 | QSW0825-001Z | TACT SWITCH  |              |      |
|   | R 950 | QRE141J-102Y | C RESISTOR | 1.0K 5% 1/4W |      |   | S 947 | QSW0825-001Z | TACT SWITCH  |              |      |
|   | R 952 | QRE141J-122Y | C RESISTOR | 1.2K 5% 1/4W |      |   | S 948 | QSW0825-001Z | TACT SWITCH  |              |      |
|   | R 953 | QRE141J-680Y | C RESISTOR | 68 5% 1/4W   |      |   | S 949 | QSW0825-001Z | TACT SWITCH  |              |      |
|   | R 954 | QRE141J-680Y | C RESISTOR | 68 5% 1/4W   |      |   | S 950 | QSW0825-001Z | TACT SWITCH  |              |      |
|   | R 955 | QRE141J-152Y | C RESISTOR | 1.5K 5% 1/4W |      |   | S 951 | QSW0825-001Z | TACT SWITCH  |              |      |
|   | R 961 | QRE141J-101Y | C RESISTOR | 100 5% 1/4W  |      |   | S 952 | QSW0825-001Z | TACT SWITCH  |              |      |
|   | R 962 | QRE141J-103Y | C RESISTOR | 10K 5% 1/4W  |      |   | S 963 | QSW0825-001Z | TACT SWITCH  |              |      |
|   | R 963 | QRE141J-562Y | C RESISTOR | 5.6K 5% 1/4W |      |   | S 995 | QSW0825-001Z | TACT SWITCH  |              |      |
|   | R 964 | QRE141J-392Y | C RESISTOR | 3.9K 5% 1/4W |      |   | S 996 | QSW0825-001Z | TACT SWITCH  |              |      |
|   | R 965 | QRE141J-103Y | C RESISTOR | 10K 5% 1/4W  |      |   | S 997 | QSW0825-001Z | TACT SWITCH  |              |      |
|   | R 969 | QRE141J-680Y | C RESISTOR | 68 5% 1/4W   |      |   | S 998 | QSW0825-001Z | TACT SWITCH  |              |      |
|   | R 970 | QRE141J-101Y | C RESISTOR | 100 5% 1/4W  |      |   | S 999 | QSW0825-001Z | TACT SWITCH  |              |      |
|   | R 992 | QRE141J-202Y | C RESISTOR | 2.0K 5% 1/4W |      |   | SP801 | VYH7653-001  | IC HOLDER    |              |      |
|   | R 993 | QRE141J-122Y | C RESISTOR | 1.2K 5% 1/4W |      |   | VR901 | QVQ0299-B54  | V.RESISTOR   |              |      |
|   | R 994 | QRE141J-183Y | C RESISTOR | 18K 5% 1/4W  | UX   |   | X 801 | QAX0711-002Z | CRYSTAL      |              |      |

■ Electrical parts list (CD board)

Block No. 04

| △ | Item  | Parts number | Parts name  | Remarks        | Area | △ | Item  | Parts number  | Parts name   | Remarks | Area |
|---|-------|--------------|-------------|----------------|------|---|-------|---------------|--------------|---------|------|
|   | C 251 | NCS31HJ-330X | C CAPACITOR |                |      |   | CN601 | QGF1016F3-15  | CONNECTOR    |         |      |
|   | C 252 | NCS31HJ-330X | C CAPACITOR |                |      |   | CN651 | QGF1016F3-19  | CONNECTOR    |         |      |
|   | C 253 | NCB31EK-104X | C CAPACITOR |                |      |   | CN801 | QGA2001C1-06  | 6P PLUG ASSY |         |      |
|   | C 254 | QERF1AM-476Z | E CAPACITOR | 47MF 20% 10V   |      |   | CN854 | QGB2016K1-07  | CONNECTOR    |         |      |
|   | C 291 | QERF1AM-476Z | E CAPACITOR | 47MF 20% 10V   |      |   | CN855 | QGG2002M4-10  | CONNECTOR    |         |      |
|   | C 601 | NCB31HK-102X | C CAPACITOR |                |      |   | D 851 | DZ5.6BSB-T2   | ZENER DIODE  |         |      |
|   | C 602 | NCB31HK-102X | C CAPACITOR |                |      |   | IC251 | MN101C30AEE   | IC           |         |      |
|   | C 603 | NCB31HK-223X | C CAPACITOR |                |      |   | IC601 | AN22000A-W    | IC           |         |      |
|   | C 604 | NCB31HK-223X | C CAPACITOR |                |      |   | IC651 | MN662748RPMFA | IC           |         |      |
|   | C 605 | NCS31HJ-151X | C CAPACITOR |                |      |   | IC801 | LA6541-X      | IC           |         |      |
|   | C 606 | NCS31HJ-390X | C.CAPA. C.M |                |      |   | IC851 | LB1641        | IC           |         |      |
|   | C 608 | NCS31HJ-821X | C CAPACITOR |                |      |   | IC852 | LB1641        | IC           |         |      |
|   | C 610 | NCB31EK-273X | C CAPACITOR |                |      |   | L 851 | QQL01BK-100Z  | INDUCTOR     |         |      |
|   | C 613 | NCB31EK-104X | C CAPACITOR |                |      |   | L 853 | QQL01BK-100Z  | INDUCTOR     |         |      |
|   | C 614 | NCB31CK-273X | C CAPACITOR |                |      |   | L 854 | QQL01BK-100Z  | INDUCTOR     |         |      |
|   | C 615 | NCB31HK-472X | C CAPACITOR |                |      |   | Q 291 | 2SA952/LK-T   | TRANSISTOR   |         |      |
|   | C 616 | NCB31HK-103X | C CAPACITOR |                |      |   | Q 631 | 2SB709A/QR/-X | TRANSISTOR   |         |      |
|   | C 617 | NCS31HJ-331X | C CAPACITOR |                |      |   | R 252 | NRSA63J-102X  | MG RESISTOR  |         |      |
|   | C 620 | NCS31HJ-470X | C CAPACITOR |                |      |   | R 253 | NRSA63J-102X  | MG RESISTOR  |         |      |
|   | C 621 | NCB30JK-105X | C CAPACITOR |                |      |   | R 254 | NRSA63J-101X  | MG RESISTOR  |         |      |
|   | C 622 | NCB31EK-473X | C CAPACITOR |                |      |   | R 255 | NRSA63J-101X  | MG RESISTOR  |         |      |
|   | C 623 | NCF31AZ-105X | C CAPACITOR |                |      |   | R 256 | NRSA63J-101X  | MG RESISTOR  |         |      |
|   | C 631 | QERF1CM-106Z | E CAPACITOR | 10MF 20% 16V   |      |   | R 257 | NRSA63J-102X  | MG RESISTOR  |         |      |
|   | C 632 | NCF31AZ-105X | C CAPACITOR |                |      |   | R 258 | NRSA63J-102X  | MG RESISTOR  |         |      |
|   | C 633 | NCB31HK-223X | C CAPACITOR |                |      |   | R 259 | NRSA63J-102X  | MG RESISTOR  |         |      |
|   | C 641 | NCB31HK-223X | C CAPACITOR |                |      |   | R 261 | NRSA63J-101X  | MG RESISTOR  |         |      |
|   | C 642 | NCB31HK-222X | C CAPACITOR |                |      |   | R 262 | NRSA63J-101X  | MG RESISTOR  |         |      |
|   | C 651 | NCS31HJ-120X | C CAPACITOR |                |      |   | R 263 | NRSA63J-101X  | MG RESISTOR  |         |      |
|   | C 652 | NCS31HJ-120X | C CAPACITOR |                |      |   | R 291 | NRSA63J-122X  | MG RESISTOR  |         |      |
|   | C 653 | NCB31EK-104X | C CAPACITOR |                |      |   | R 292 | NRSA63J-103X  | MG RESISTOR  |         |      |
|   | C 655 | NCB31EK-104X | C CAPACITOR |                |      |   | R 293 | NRSA63J-102X  | MG RESISTOR  |         |      |
|   | C 656 | NCB31EK-104X | C CAPACITOR |                |      |   | R 294 | NRSA63J-102X  | MG RESISTOR  |         |      |
|   | C 657 | QERF1AM-227Z | E CAPACITOR | 220MF 20% 10V  |      |   | R 601 | NRSA63J-224X  | MG RESISTOR  |         |      |
|   | C 658 | NCB31EK-104X | C CAPACITOR |                |      |   | R 602 | NRSA63J-274X  | MG RESISTOR  |         |      |
|   | C 659 | NCB31HK-102X | C CAPACITOR |                |      |   | R 603 | NRSA63J-124X  | MG RESISTOR  |         |      |
|   | C 661 | NCS31HJ-471X | C CAPACITOR |                |      |   | R 604 | NRSA63J-394X  | MG RESISTOR  |         |      |
|   | C 663 | NCB31HK-223X | C CAPACITOR |                |      |   | R 606 | NRSA63J-623X  | MG RESISTOR  |         |      |
|   | C 664 | NCB31HK-223X | C CAPACITOR |                |      |   | R 607 | NRSA63J-0R0X  | MG RESISTOR  |         |      |
|   | C 665 | NCB31AK-154X | C CAPACITOR |                |      |   | R 608 | NRSA63J-0R0X  | MG RESISTOR  |         |      |
|   | C 667 | NCB30JK-105X | C CAPACITOR |                |      |   | R 609 | NRSA63J-332X  | MG RESISTOR  |         |      |
|   | C 668 | NCB31EK-473X | C CAPACITOR |                |      |   | R 611 | NRSA63J-223X  | MG RESISTOR  |         |      |
|   | C 669 | QERF1AM-227Z | E CAPACITOR | 220MF 20% 10V  |      |   | R 613 | NRSA63J-332X  | MG RESISTOR  |         |      |
|   | C 672 | NCB31AK-334X | C CAPACITOR |                |      |   | R 614 | NRSA63J-223X  | MG RESISTOR  |         |      |
|   | C 673 | ECA1AAD101XI | E CAPACITOR |                |      |   | R 618 | NRSA63J-153X  | MG RESISTOR  |         |      |
|   | C 676 | NCB31EK-104X | C CAPACITOR |                |      |   | R 619 | NRSA63J-153X  | MG RESISTOR  |         |      |
|   | C 677 | NCB31EK-104X | C CAPACITOR |                |      |   | R 620 | NRSA63J-564X  | MG RESISTOR  |         |      |
|   | C 679 | QERF0JM-107Z | E CAPACITOR | 100MF 20% 6.3V |      |   | R 621 | NRSA63J-564X  | MG RESISTOR  |         |      |
|   | C 680 | NCB31EK-104X | C CAPACITOR |                |      |   | R 622 | NRSA63J-822X  | MG RESISTOR  |         |      |
|   | C 801 | NCB31HK-682X | C CAPACITOR |                |      |   | R 623 | NRSA63J-822X  | MG RESISTOR  |         |      |
|   | C 802 | NCB31HK-123X | C CAPACITOR |                |      |   | R 624 | NRSA63J-0R0X  | MG RESISTOR  |         |      |
|   | C 811 | NCS31HJ-391X | C CAPACITOR |                |      |   | R 625 | NRSA63J-0R0X  | MG RESISTOR  |         |      |
|   | C 812 | NCS31HJ-391X | C CAPACITOR |                |      |   | R 631 | NRSA63J-2R2X  | MG RESISTOR  |         |      |
|   | C 813 | NCS31HJ-391X | C CAPACITOR |                |      |   | R 632 | NRSA63J-100X  | MG RESISTOR  |         |      |
|   | C 814 | NCS31HJ-391X | C CAPACITOR |                |      |   | R 634 | NRSA63J-120X  | MG RESISTOR  |         |      |
|   | C 821 | NCF31AZ-105X | C CAPACITOR |                |      |   | R 635 | NRSA63J-121X  | MG RESISTOR  |         |      |
|   | C 822 | QERF1AM-227Z | E CAPACITOR | 220MF 20% 10V  |      |   | R 636 | NRSA63J-100X  | MG RESISTOR  |         |      |
|   | C 852 | QERF1CM-106Z | E CAPACITOR | 10MF 20% 16V   |      |   | R 641 | NRSA63J-154X  | MG RESISTOR  |         |      |
|   | C 853 | NCB31HK-103X | C CAPACITOR |                |      |   | R 642 | NRSA63J-394X  | MG RESISTOR  |         |      |
|   | C 854 | NCB31HK-103X | C CAPACITOR |                |      |   | R 646 | NRSA63J-0R0X  | MG RESISTOR  |         |      |
|   | C 855 | NCB31EK-104X | C CAPACITOR |                |      |   | R 647 | NRSA63J-102X  | MG RESISTOR  |         |      |
|   | C 859 | NCF31AZ-105X | C CAPACITOR |                |      |   | R 648 | NRSA63J-102X  | MG RESISTOR  |         |      |
|   | C 860 | NCF31AZ-105X | C CAPACITOR |                |      |   | R 649 | NRSA63J-102X  | MG RESISTOR  |         |      |
|   | CN151 | QGF1016F3-15 | CONNECTOR   |                |      |   | R 650 | NRSA63J-102X  | MG RESISTOR  |         |      |

■ Electrical parts list (CD board)

Block No. 04

| △ | Item  | Parts number | Parts name  | Remarks | Area |
|---|-------|--------------|-------------|---------|------|
|   | R 651 | NRSA63J-102X | MG RESISTOR |         |      |
|   | R 652 | NRSA63J-102X | MG RESISTOR |         |      |
|   | R 653 | NRSA63J-102X | MG RESISTOR |         |      |
|   | R 654 | NRSA63J-101X | MG RESISTOR |         |      |
|   | R 656 | NRSA63J-102X | MG RESISTOR |         |      |
|   | R 657 | NRSA63J-102X | MG RESISTOR |         |      |
|   | R 658 | NRSA63J-102X | MG RESISTOR |         |      |
|   | R 659 | NRSA63J-102X | MG RESISTOR |         |      |
|   | R 660 | NRSA63J-103X | MG RESISTOR |         |      |
|   | R 661 | NRSA63J-393X | MG RESISTOR |         |      |
|   | R 662 | NRSA63J-683X | MG RESISTOR |         |      |
|   | R 663 | NRSA63J-124X | MG RESISTOR |         |      |
|   | R 664 | NRSA63J-331X | MG RESISTOR |         |      |
|   | R 665 | NRSA63J-271X | MG RESISTOR |         |      |
|   | R 666 | NRSA63J-221X | MG RESISTOR |         |      |
|   | R 667 | NRSA63J-4R7X | MG RESISTOR |         |      |
|   | R 668 | NRSA63J-155X | MG RESISTOR |         |      |
|   | R 669 | NRSA63J-562X | MG RESISTOR |         |      |
|   | R 670 | NRSA63J-101X | MG RESISTOR |         |      |
|   | R 672 | NRSA63J-272X | MG RESISTOR |         |      |
|   | R 677 | NRSA63J-101X | MG RESISTOR |         |      |
|   | R 678 | NRSA63J-101X | MG RESISTOR |         |      |
|   | R 679 | NRSA63J-101X | MG RESISTOR |         |      |
|   | R 682 | NRSA63J-102X | MG RESISTOR |         |      |
|   | R 683 | NRSA63J-105X | MG RESISTOR |         |      |
|   | R 684 | NRSA63J-564X | MG RESISTOR |         |      |
|   | R 685 | NRSA63J-683X | MG RESISTOR |         |      |
|   | R 801 | NRSA63J-272X | MG RESISTOR |         |      |
|   | R 802 | NRSA63J-392X | MG RESISTOR |         |      |
|   | R 803 | NRSA63J-222X | MG RESISTOR |         |      |
|   | R 804 | NRSA63J-224X | MG RESISTOR |         |      |
|   | R 805 | NRSA63J-133X | MG RESISTOR |         |      |
|   | R 806 | NRSA63J-243X | MG RESISTOR |         |      |
|   | R 807 | NRSA63J-122X | MG RESISTOR |         |      |
|   | R 808 | NRSA63J-273X | MG RESISTOR |         |      |
|   | R 809 | NRSA63J-122X | MG RESISTOR |         |      |
|   | R 811 | NRSA63J-223X | MG RESISTOR |         |      |
|   | R 812 | NRSA63J-152X | MG RESISTOR |         |      |
|   | R 831 | NRSA63J-151X | MG RESISTOR |         |      |
|   | R 832 | NRSA63J-103X | MG RESISTOR |         |      |
|   | R 842 | NRSA63J-472X | MG RESISTOR |         |      |
|   | R 851 | NRSA63J-102X | MG RESISTOR |         |      |
|   | R 852 | NRSA63J-102X | MG RESISTOR |         |      |
|   | R 853 | NRSA63J-102X | MG RESISTOR |         |      |
|   | R 854 | NRSA63J-102X | MG RESISTOR |         |      |
|   | R 856 | NRSA63J-0R0X | MG RESISTOR |         |      |
|   | R 861 | NRSA63J-102X | MG RESISTOR |         |      |
|   | R 862 | NRSA63J-102X | MG RESISTOR |         |      |
|   | R 863 | NRSA63J-102X | MG RESISTOR |         |      |
|   | R 864 | NRSA63J-102X | MG RESISTOR |         |      |
|   | R 865 | NRSA63J-102X | MG RESISTOR |         |      |
|   | R 866 | NRSA63J-102X | MG RESISTOR |         |      |
|   | R 871 | NRSA63J-223X | MG RESISTOR |         |      |
|   | R 872 | NRSA63J-223X | MG RESISTOR |         |      |
|   | R 873 | NRSA63J-223X | MG RESISTOR |         |      |
|   | R 874 | NRSA63J-223X | MG RESISTOR |         |      |
|   | R 875 | NRSA63J-223X | MG RESISTOR |         |      |
|   | R 876 | NRSA63J-223X | MG RESISTOR |         |      |
|   | R 880 | NRSA63J-102X | MG RESISTOR |         |      |
|   | R 881 | NRSA63J-102X | MG RESISTOR |         |      |
|   | R 882 | NRSA63J-102X | MG RESISTOR |         |      |
|   | R 883 | NRSA63J-102X | MG RESISTOR |         |      |
|   | R 884 | NRSA63J-102X | MG RESISTOR |         |      |

| △ | Item  | Parts number | Parts name  | Remarks | Area |
|---|-------|--------------|-------------|---------|------|
|   | R 885 | NRSA63J-102X | MG RESISTOR |         |      |
|   | R 886 | NRSA63J-102X | MG RESISTOR |         |      |
|   | R 887 | NRSA63J-102X | MG RESISTOR |         |      |
|   | R 888 | NRSA63J-223X | MG RESISTOR |         |      |
|   | R 889 | NRSA63J-223X | MG RESISTOR |         |      |
|   | R 890 | NRSA63J-223X | MG RESISTOR |         |      |
|   | R 891 | NRSA63J-223X | MG RESISTOR |         |      |
|   | R 892 | NRSA63J-223X | MG RESISTOR |         |      |
|   | R 893 | NRSA63J-223X | MG RESISTOR |         |      |
|   | R 894 | NRSA63J-223X | MG RESISTOR |         |      |
|   | R 895 | NRSA63J-223X | MG RESISTOR |         |      |
|   | X 251 | QAX0283-001Z | C RESONATOR |         |      |
|   | X 651 | QAX0413-001Z | CRYSTAL     |         |      |



■ Electrical parts list (VCD board)

Block No. 05

| △ | Item  | Parts number    | Parts name    | Remarks         | Area |
|---|-------|-----------------|---------------|-----------------|------|
|   | C 101 | NCF31CZ-104X    | C CAPACITOR   |                 |      |
|   | C 102 | NCF31CZ-104X    | C CAPACITOR   |                 |      |
|   | C 103 | NCF31CZ-104X    | C CAPACITOR   |                 |      |
|   | C 104 | QERF1CM-106Z    | E CAPACITOR   | 10MF 20% 16V    |      |
|   | C 105 | NCF31CZ-104X    | C CAPACITOR   |                 |      |
|   | C 106 | QERF1CM-106Z    | E CAPACITOR   | 10MF 20% 16V    |      |
|   | C 107 | NCF31CZ-104X    | C CAPACITOR   |                 |      |
|   | C 109 | NCF31CZ-104X    | C CAPACITOR   |                 |      |
|   | C 110 | NCF31CZ-104X    | C CAPACITOR   |                 |      |
|   | C 111 | NCS31HJ-471X    | C CAPACITOR   |                 |      |
|   | C 112 | NCS31HJ-471X    | C CAPACITOR   |                 |      |
|   | C 113 | NCS31HJ-220X    | C CAPACITOR   |                 |      |
|   | C 114 | NCB31HK-102X    | C CAPACITOR   |                 |      |
|   | C 115 | NCS31HJ-220X    | C CAPACITOR   |                 |      |
|   | C 116 | NCF31CZ-104X    | C CAPACITOR   |                 |      |
|   | C 117 | QERF0JM-476Z    | E CAPACITOR   | 47MF 20% 6.3V   |      |
|   | C 118 | NCF31CZ-104X    | C CAPACITOR   |                 |      |
|   | C 120 | NCF31CZ-104X    | C CAPACITOR   |                 |      |
|   | C 121 | NCF31CZ-104X    | C CAPACITOR   |                 |      |
|   | C 122 | QERF1AM-107Z    | E CAPACITOR   | 100MF 20% 10V   |      |
|   | C 123 | QERF0JM-476Z    | E CAPACITOR   | 47MF 20% 6.3V   |      |
|   | C 124 | NCF31CZ-104X    | C CAPACITOR   |                 |      |
|   | C 125 | NCF31CZ-104X    | C CAPACITOR   |                 |      |
|   | C 126 | NCF31CZ-104X    | C CAPACITOR   |                 |      |
|   | C 127 | NCF31CZ-104X    | C CAPACITOR   |                 |      |
|   | C 128 | NCF31CZ-104X    | C CAPACITOR   |                 |      |
|   | C 129 | NCF31CZ-104X    | C CAPACITOR   |                 |      |
|   | C 130 | QERF1AM-107Z    | E CAPACITOR   | 100MF 20% 10V   |      |
|   | C 131 | NCF31CZ-104X    | C CAPACITOR   |                 |      |
|   | C 132 | QERF1AM-107Z    | E CAPACITOR   | 100MF 20% 10V   |      |
|   | C 133 | NCF31CZ-104X    | C CAPACITOR   |                 |      |
|   | C 134 | QERF1CM-106Z    | E CAPACITOR   | 10MF 20% 16V    |      |
|   | C 135 | QERF0JM-476Z    | E CAPACITOR   | 47MF 20% 6.3V   |      |
|   | C 136 | NCF31CZ-104X    | C CAPACITOR   |                 |      |
|   | C 137 | NCB31CK-103X    | C CAPACITOR   |                 |      |
|   | C 138 | QERF1AM-107Z    | E CAPACITOR   | 100MF 20% 10V   |      |
|   | C 140 | NCS31HJ-220X    | C CAPACITOR   |                 |      |
|   | C 141 | NCS31HJ-220X    | C CAPACITOR   |                 |      |
|   | CN101 | QGF1016F3-15    | CONNECTOR     |                 |      |
|   | CN102 | QGF1016F3-15    | CONNECTOR     |                 |      |
|   | IC101 | ES3880FL        | IC            | INC TECHNOLOGY  |      |
|   | IC102 | AT27C020-70JC4  | IC            | INC TECHNOLOGY  |      |
|   | IC103 | GLT44016-35J4-X | IC            | SAME PARTS      |      |
|   | IC104 | ES3883F         | IC            | INC TECHNOLOGY  |      |
|   | IC105 | RT9161/A-27CG-X | IC            | INC TECHNOLOGY  |      |
|   | IC106 | TC7S08F-W       | IC            |                 |      |
|   | IC107 | TC7W08FU-X      | IC            |                 |      |
|   | K 101 | NQR0398-006X    | FERRITE BEADS |                 |      |
|   | K 102 | NQR0398-006X    | FERRITE BEADS |                 |      |
|   | K 103 | NRSA02J-180X    | MG RESISTOR   |                 |      |
|   | K 104 | NRSA02J-102X    | MG RESISTOR   |                 |      |
|   | L 101 | NQL591K-3R3X    | P COIL        | NOT YET REGISTE |      |
|   | L 102 | NQL591K-3R3X    | P COIL        | NOT YET REGISTE |      |
|   | R 101 | NRSA63J-472X    | MG RESISTOR   |                 |      |
|   | R 102 | NRSA63J-472X    | MG RESISTOR   |                 |      |
|   | R 103 | NRSA63J-472X    | MG RESISTOR   |                 |      |
|   | R 104 | NRSA63J-472X    | MG RESISTOR   |                 |      |
|   | R 105 | NRSA63J-472X    | MG RESISTOR   |                 |      |
|   | R 106 | NRSA63J-472X    | MG RESISTOR   |                 |      |
|   | R 107 | NRSA63J-472X    | MG RESISTOR   |                 |      |
|   | R 108 | NRSA63J-472X    | MG RESISTOR   |                 |      |
|   | R 109 | NRSA63J-472X    | MG RESISTOR   |                 |      |
|   | R 111 | NRSA63J-472X    | MG RESISTOR   |                 |      |

| △ | Item  | Parts number | Parts name  | Remarks | Area |
|---|-------|--------------|-------------|---------|------|
|   | R 112 | NRSA63J-472X | MG RESISTOR |         |      |
|   | R 113 | NRSA63J-472X | MG RESISTOR |         |      |
|   | R 119 | NRSA63J-0R0X | MG RESISTOR |         |      |
|   | R 120 | NRSA63J-750X | MG RESISTOR |         |      |
|   | R 121 | NRSA63J-104X | MG RESISTOR |         |      |
|   | R 128 | NRSA63J-330X | MG RESISTOR |         |      |
|   | R 130 | NRSA63J-330X | MG RESISTOR |         |      |
|   | R 132 | NRSA63J-271X | MG RESISTOR |         |      |
|   | R 133 | NRSA63J-750X | MG RESISTOR |         |      |
|   | R 134 | NRSA63J-750X | MG RESISTOR |         |      |
|   | R 135 | NRSA63J-100X | MG RESISTOR |         |      |
|   | R 136 | NRSA63J-100X | MG RESISTOR |         |      |
|   | R 137 | NRSA63J-472X | MG RESISTOR |         |      |
|   | R 138 | NRSA63J-472X | MG RESISTOR |         |      |
|   | R 139 | NRSA63J-330X | MG RESISTOR |         |      |
|   | R 140 | NRSA63J-472X | MG RESISTOR |         |      |
|   | R 141 | NRSA63J-103X | MG RESISTOR |         |      |
|   | R 142 | NRSA63J-221X | MG RESISTOR |         |      |
|   | R 145 | NRSA63J-221X | MG RESISTOR |         |      |
|   | R 146 | NRSA63J-221X | MG RESISTOR |         |      |
|   | R 147 | NRSA63J-221X | MG RESISTOR |         |      |
|   | R 148 | NRSA63J-102X | MG RESISTOR |         |      |
|   | X 101 | QAX0700-001Z | CRYSTAL     |         |      |

■ Electrical parts list (Tuner board)

Block No. 06

| △ | Item | Parts number   | Parts name      | Remarks       | Area |
|---|------|----------------|-----------------|---------------|------|
|   | C 1  | NCB21HK-223X   | C CAPACITOR     |               |      |
|   | C 2  | NCB21HK-103X   | C CAPACITOR     |               |      |
|   | C 3  | EETC1CM-106ZJC | E CAPACITOR     |               |      |
|   | C 4  | NCB21HK-103X   | C CAPACITOR     |               |      |
|   | C 6  | NCB21HK-102X   | C CAPACITOR     |               |      |
|   | C 7  | NCB21HK-102X   | C CAPACITOR     |               |      |
|   | C 8  | NCB21HK-102X   | C CAPACITOR     |               |      |
|   | C 10 | NRSA02J-0R0X   | MG RESISTOR     |               |      |
|   | C 11 | NCB21HK-104X   | C CAPACITOR     |               |      |
|   | C 12 | NCB21HK-473X   | C CAPACITOR     |               |      |
|   | C 13 | NCS21HJ-120X   | C CAPACITOR     |               |      |
|   | C 14 | QEKC1AM-107Z   | E CAPACITOR     | 100MF 20% 10V |      |
|   | C 15 | NCS21HJ-120X   | C CAPACITOR     |               |      |
|   | C 16 | NCS21HJ-120X   | C CAPACITOR     |               |      |
|   | C 17 | NCB21HK-102X   | C CAPACITOR     |               |      |
|   | C 18 | QEQ61HM-474Z   | NP E CAPACITOR  | .47MF 20% 50V |      |
|   | C 19 | NCB21HK-473X   | C CAPACITOR     |               |      |
|   | C 20 | NCB21HK-102X   | C CAPACITOR     |               |      |
|   | C 21 | NCB21HK-223X   | C CAPACITOR     |               |      |
|   | C 22 | NCS21HJ-151X   | C CAPACITOR     |               |      |
|   | C 23 | NCS21HJ-151X   | C CAPACITOR     |               |      |
|   | C 24 | NCS21HJ-151X   | C CAPACITOR     |               |      |
|   | C 25 | QEKC1AM-107Z   | E CAPACITOR     | 100MF 20% 10V |      |
|   | C 26 | NCB21HK-102X   | C CAPACITOR     |               |      |
|   | C 27 | NCB21HK-102X   | C CAPACITOR     |               |      |
|   | C 30 | EEKC1CM-226ZJC | E CAPACITOR     |               |      |
|   | C 31 | EEKC1CM-226ZJC | E CAPACITOR     |               |      |
|   | C 32 | NCB21HK-473X   | C CAPACITOR     |               |      |
|   | C 33 | NCB21HK-473X   | C CAPACITOR     |               |      |
|   | C 34 | NCB21HK-223X   | C CAPACITOR     |               |      |
|   | C 35 | NCB21HK-473X   | C CAPACITOR     |               |      |
|   | C 36 | EEKC1HM-105ZJC | E CAPACITOR     |               |      |
|   | C 37 | EEKC1HM-105ZJC | E CAPACITOR     |               |      |
|   | C 38 | EETC1HM-224ZJC | E CAPACITOR     |               |      |
|   | C 39 | EETC1HM-105ZJC | E CAPACITOR     |               |      |
|   | C 40 | QETN1CM-106Z   | E CAPACITOR     | 10MF 20% 16V  |      |
|   | C 41 | QETN1CM-106Z   | E CAPACITOR     | 10MF 20% 16V  |      |
|   | C 42 | NCB21HK-152X   | C CAPACITOR     |               |      |
|   | C 43 | NCB21HK-152X   | C CAPACITOR     |               |      |
|   | C 44 | QETN1CM-106Z   | E CAPACITOR     | 10MF 20% 16V  |      |
|   | C 45 | QETN1CM-106Z   | E CAPACITOR     | 10MF 20% 16V  |      |
|   | C 46 | NCB21HK-273X   | C CAPACITOR     |               |      |
|   | C 47 | EETC1HM-105ZJC | E CAPACITOR     |               |      |
|   | C 48 | NCB21HK-222X   | C CAPACITOR     |               |      |
|   | C 49 | NCS21HJ-471X   | C CAPACITOR     |               |      |
|   | C 50 | EEKC1CM-226ZJC | E CAPACITOR     |               |      |
|   | C 51 | EEKC1HM-105ZJC | E CAPACITOR     |               |      |
|   | C 52 | QFVJ1HJ-274Z   | MF CAPACITOR    | .27MF 5% 50V  |      |
|   | C 53 | EETC1CM-226ZJC | E CAPACITOR     |               |      |
|   | C 54 | NCB21HK-473X   | C CAPACITOR     |               |      |
|   | C 57 | NCB21HK-102X   | C CAPACITOR     |               |      |
|   | C 58 | NCB21HK-473X   | C CAPACITOR     |               |      |
|   | C 59 | NCB21HK-102X   | C CAPACITOR     |               |      |
|   | CF 1 | QAX0677-001Z   | C FILTER        |               |      |
|   | CF 2 | QAX0677-001Z   | C FILTER        |               |      |
|   | CF 3 | QAX0610-001Z   | C DISCRIMINATOR |               |      |
|   | CN 1 | QGF1205F1-09   | CONNECTOR       |               |      |
|   | D 1  | 1SS133-T2      | SI DIODE        |               |      |
|   | D 2  | 1SS133-T2      | SI DIODE        |               |      |
|   | D 3  | 1SS133-T2      | SI DIODE        |               |      |
|   | D 4  | 1SS133-T2      | SI DIODE        |               |      |
|   | D 11 | 1SS133-T2      | SI DIODE        |               |      |
|   | IC 1 | LA1838         | IC              |               |      |

| △ | Item | Parts number   | Parts name   | Remarks    | Area |
|---|------|----------------|--------------|------------|------|
|   | IC 2 | LC72136N       | IC           |            |      |
|   | J 1  | QNB0014-001    | ANT TERMINAL |            |      |
|   | L 1  | QQR0796-002    | COIL BLOCK   |            |      |
|   | Q 1  | 2SC2814/4-5/-X | TRANSISTOR   |            |      |
|   | Q 5  | KRA107S-X      | TRANSISTOR   |            |      |
|   | R 1  | QRE141J-560Y   | C RESISTOR   | 56 5% 1/4W |      |
|   | R 2  | NRSA02J-331X   | MG RESISTOR  |            |      |
|   | R 3  | NRSA02J-224X   | MG RESISTOR  |            |      |
|   | R 4  | NRSA02J-331X   | MG RESISTOR  |            |      |
|   | R 5  | NRSA02J-560X   | MG RESISTOR  |            |      |
|   | R 6  | NRSA02J-240X   | MG RESISTOR  |            |      |
|   | R 10 | NRSA02J-222X   | MG RESISTOR  |            |      |
|   | R 13 | NRSA02J-103X   | MG RESISTOR  |            |      |
|   | R 14 | NRSA02J-104X   | MG RESISTOR  |            |      |
|   | R 15 | NRSA02J-332X   | MG RESISTOR  |            |      |
|   | R 16 | NRSA02J-472X   | MG RESISTOR  |            |      |
| △ | R 17 | QRZ9005-680X   | F RESISTOR   | 68 1/4W    |      |
|   | R 18 | NRSA02J-102X   | MG RESISTOR  |            |      |
|   | R 19 | NRSA02J-102X   | MG RESISTOR  |            |      |
|   | R 20 | NRSA02J-102X   | MG RESISTOR  |            |      |
|   | R 21 | NRSA02J-562X   | MG RESISTOR  |            |      |
|   | R 22 | NRSA02J-472X   | MG RESISTOR  |            |      |
|   | R 23 | NRSA02J-182X   | MG RESISTOR  |            |      |
|   | R 24 | NRSA02J-103X   | MG RESISTOR  |            |      |
|   | R 25 | NRSA02J-331X   | MG RESISTOR  |            |      |
|   | R 26 | NRSA02J-222X   | MG RESISTOR  |            |      |
|   | R 27 | NRSA02J-103X   | MG RESISTOR  |            |      |
|   | R 28 | NRSA02J-103X   | MG RESISTOR  |            |      |
|   | R 29 | NRSA02J-103X   | MG RESISTOR  |            |      |
|   | R 30 | NRSA02J-122X   | MG RESISTOR  |            |      |
|   | R 31 | NRSA02J-102X   | MG RESISTOR  |            |      |
|   | R 32 | NRSA02J-102X   | MG RESISTOR  |            |      |
|   | R 33 | NRSA02J-331X   | MG RESISTOR  |            |      |
|   | R 34 | NRSA02J-470X   | MG RESISTOR  |            |      |
|   | R 35 | NRSA02J-562X   | MG RESISTOR  |            |      |
|   | R 36 | NRSA02J-332X   | MG RESISTOR  |            |      |
|   | R 37 | NRSA02J-103X   | MG RESISTOR  |            |      |
|   | R 38 | NRSA02J-563X   | MG RESISTOR  |            |      |
|   | R 39 | NRSA02J-563X   | MG RESISTOR  |            |      |
|   | R 40 | NRSA02J-243X   | MG RESISTOR  |            |      |
|   | R 41 | NRSA02J-332X   | MG RESISTOR  |            |      |
|   | R 60 | NRSA02J-0R0X   | MG RESISTOR  |            |      |
|   | T 1  | QQR0793-001    | IFT          |            |      |
|   | TU 1 | QAU0161-001    | FRONT END    |            |      |
|   | X 1  | QAX0402-001    | CRYSTAL      |            |      |

■ Electrical parts list (CD switch board)

Block No. 07

| △ | Item  | Parts number | Parts name   | Remarks | Area |
|---|-------|--------------|--------------|---------|------|
|   | CN804 | QGB2016J1-07 | CONNECTOR    |         |      |
|   | CN805 | QGB2012J1-10 | CONNECTOR    |         |      |
|   | SW 1  | QSW0859-001  | LEVER SWITCH |         |      |
|   | SW 2  | QSW0859-001  | LEVER SWITCH |         |      |
|   | SW 3  | QSW0859-001  | LEVER SWITCH |         |      |
|   | SW 4  | QSW0859-001  | LEVER SWITCH |         |      |
|   | SW 5  | QSW0859-001  | LEVER SWITCH |         |      |
|   | SW 6  | QSW0859-001  | LEVER SWITCH |         |      |

■ Electrical parts list  
(Head amplifier & mechanism control board)

Block No.08

| △ | Item  | Parts number   | Parts name      | Remarks        | Area | △ | Item  | Parts number  | Parts name     | Remarks         | Area |
|---|-------|----------------|-----------------|----------------|------|---|-------|---------------|----------------|-----------------|------|
|   | CN301 | QGF1205F1-06   | CONNECTOR       | A HEAD         |      |   | D3302 | 1SR139-400-T2 | SI DIODE       |                 |      |
|   | CN302 | QGF1205F1-06   | CONNECTOR       | B HEAD         |      |   | D3307 | DZ5.1BSB-T2   | Z DIODE        | NEW SUPPLIER    |      |
|   | CN303 | QGB2011M1-10   | B TO B CONNECTO |                |      |   | D3308 | DZ5.1BSB-T2   | Z DIODE        |                 |      |
|   | CN305 | QGF1201F3-10   | CONNECTOR       | OUTPUT         |      |   | D3309 | DZ5.1BSB-T2   | Z DIODE        |                 |      |
|   | CN306 | QGF1205F1-09   | CONNECTOR       | CONTROL        |      |   | D3331 | 1SR139-400-T2 | SI DIODE       |                 |      |
|   | CN333 | QGB2011L1-10   | B TO B CONNECTO | FOR FMP-007-1  |      |   | FW301 | EWR34D-10CS   | FLAT WIRE      | TO MOTOR CONTRO |      |
|   | C3101 | QCSB1HJ-100Y   | C CAPACITOR     | 10PF 5% 50V    |      |   | IC301 | BA3126N       | IC             | HEAD SW         |      |
|   | C3102 | QCBB1HK-331Y   | C CAPACITOR     | 330PF 10% 50V  |      |   | IC302 | AN7345K       | IC             | PRE AMP         |      |
|   | C3103 | QDGB1HK-821Y   | C CAPACITOR     |                |      |   | IC303 | CD4094BC      | IC             |                 |      |
|   | C3104 | QDGB1HK-102Y   | C CAPACITOR     |                |      |   | IC331 | SG-105F3-BB,C | PHOTO SENSER   |                 |      |
|   | C3105 | EEKJ1AM-107ZJC | AL E CAPACITOR  |                |      |   | IC332 | SG-105F3-BB,C | PHOTO SENSER   |                 |      |
|   | C3107 | EEKJ1HM-105ZJC | AL E CAPACITOR  |                |      |   | L3202 | QQR0621-001Z  | FERRITE BEADS  |                 |      |
|   | C3111 | EEKJ1HM-104ZJC | AL E CAPACITOR  |                |      |   | L3301 | QQR1118-002   | BIAS COIL      | OSC COIL        |      |
|   | C3112 | EEKJ1CM-106ZJC | AL E CAPACITOR  |                |      |   | L3303 | QQL244K-100Z  | INDUCTOR       |                 |      |
|   | C3113 | QDXB1CM-332Y   | C CAPACITOR     |                |      |   | P3302 | QNZ0104-001   | POST PIN       |                 |      |
|   | C3114 | EEKJ1EM-475ZJC | AL E CAPACITOR  |                |      |   | P3331 | QNZ0104-001   | POST PIN       |                 |      |
|   | C3115 | QFLK1HJ-153Z   | M CAPACITOR     | .015MF 5% 50V  |      |   | Q3105 | 2SC3576-JVC-T | TRANSISTOR     |                 |      |
|   | C3116 | QDYB1CM-822Y   | C CAPACITOR     |                |      |   | Q3205 | 2SC3576-JVC-T | TRANSISTOR     |                 |      |
|   | C3119 | QFLM1HJ-563Z   | M CAPACITOR     | .056MF 5% 50V  |      |   | Q3302 | 2SC2001/K-T   | TRANSISTOR     |                 |      |
|   | C3120 | QCSB1HJ-330Y   | C CAPACITOR     | 33PF 5% 50V    |      |   | Q3305 | 2SC2001/K-T   | TRANSISTOR     |                 |      |
|   | C3121 | QDGB1HK-102Y   | C CAPACITOR     |                |      |   | Q3312 | 2SB562/C-T    | TRANSISTOR     |                 |      |
|   | C3201 | QCSB1HJ-100Y   | C CAPACITOR     | 10PF 5% 50V    |      |   | Q3313 | KTC3199/GL-T  | TRANSISTOR     |                 |      |
|   | C3202 | QCBB1HK-331Y   | C CAPACITOR     | 330PF 10% 50V  |      |   | Q3314 | 2SB562/C-T    | TRANSISTOR     |                 |      |
|   | C3203 | QDGB1HK-821Y   | C CAPACITOR     |                |      |   | Q3315 | KTC3199/GL-T  | TRANSISTOR     |                 |      |
|   | C3204 | QDGB1HK-102Y   | C CAPACITOR     |                |      |   | Q3316 | KTA1267/YG-T  | TRANSISTOR     |                 |      |
|   | C3205 | EEKJ1AM-107ZJC | AL E CAPACITOR  |                |      |   | Q3317 | KRC107M-T     | D TRANSISTOR   |                 |      |
|   | C3206 | QFLK1HJ-333Z   | M CAPACITOR     | .033MF 5% 50V  |      |   | Q3323 | KRC104M-T     | D TRANSISTOR   |                 |      |
|   | C3207 | EEKJ1HM-105ZJC | AL E CAPACITOR  |                |      |   | Q3324 | KRA102M-T     | D TRANSISTOR   |                 |      |
|   | C3211 | EEKJ1HM-104ZJC | AL E CAPACITOR  |                |      |   | R3103 | QRE141J-183Y  | C RESISTOR     | 18K 5% 1/4W     |      |
|   | C3212 | EEKJ1CM-106ZJC | AL E CAPACITOR  |                |      |   | R3105 | QRE141J-220Y  | C RESISTOR     | 22 5% 1/4W      |      |
|   | C3213 | QDXB1CM-332Y   | C CAPACITOR     |                |      |   | R3106 | QRE141J-392Y  | C RESISTOR     | 3.9K 5% 1/4W    |      |
|   | C3214 | EEKJ1EM-475ZJC | AL E CAPACITOR  |                |      |   | R3107 | QRE141J-222Y  | C RESISTOR     | 2.2K 5% 1/4W    |      |
|   | C3215 | QFLK1HJ-153Z   | M CAPACITOR     | .015MF 5% 50V  |      |   | R3108 | QRE141J-241Y  | C RESISTOR     | 240 5% 1/4W     |      |
|   | C3216 | QDYB1CM-822Y   | C CAPACITOR     |                |      |   | R3111 | QRE141J-562Y  | C RESISTOR     | 5.6K 5% 1/4W    |      |
|   | C3219 | QFLM1HJ-563Z   | M CAPACITOR     | .056MF 5% 50V  |      |   | R3112 | QRE141J-102Y  | C RESISTOR     | 1.0K 5% 1/4W    |      |
|   | C3220 | QCSB1HJ-330Y   | C CAPACITOR     | 33PF 5% 50V    |      |   | R3113 | QRE141J-271Y  | C RESISTOR     | 270 5% 1/4W     |      |
|   | C3221 | QDGB1HK-102Y   | C CAPACITOR     |                |      |   | R3114 | QRE141J-391Y  | C RESISTOR     | 390 5% 1/4W     |      |
|   | C3222 | QFLK1HJ-333Z   | M CAPACITOR     | .033MF 5% 50V  |      |   | R3117 | QRE141J-332Y  | C RESISTOR     | 3.3K 5% 1/4W    |      |
|   | C3301 | EEKJ1AM-107ZJC | AL E CAPACITOR  |                |      |   | R3118 | QRE141J-152Y  | C RESISTOR     | 1.5K 5% 1/4W    |      |
|   | C3302 | EEKJ1AM-107ZJC | AL E CAPACITOR  |                |      |   | R3119 | QRE141J-203Y  | C RESISTOR     | 20K 5% 1/4W     |      |
|   | C3303 | EEKJ1CM-226ZJC | AL E CAPACITOR  |                |      |   | R3120 | QRE141J-102Y  | C RESISTOR     | 1.0K 5% 1/4W    |      |
|   | C3304 | EEKJ1EM-475ZJC | AL E CAPACITOR  |                |      |   | R3121 | QRE141J-122Y  | C RESISTOR     | 1.2K 5% 1/4W    |      |
|   | C3305 | QFLK1HJ-393Z   | M CAPACITOR     | .039MF 5% 50V  |      |   | R3203 | QRE141J-183Y  | C RESISTOR     | 18K 5% 1/4W     |      |
|   | C3306 | EEKJ0JM-227ZJC | AL E CAPACITOR  |                |      |   | R3205 | QRE141J-220Y  | C RESISTOR     | 22 5% 1/4W      |      |
|   | C3308 | QDXB1CM-152Y   | C CAPACITOR     |                |      |   | R3206 | QRE141J-392Y  | C RESISTOR     | 3.9K 5% 1/4W    |      |
|   | C3313 | EEKJ1AM-107ZJC | AL E CAPACITOR  |                |      |   | R3207 | QRE141J-222Y  | C RESISTOR     | 2.2K 5% 1/4W    |      |
|   | C3314 | QCZ0202-155Z   | ML C CAPACITOR  | 1.5MF          |      |   | R3208 | QRE141J-241Y  | C RESISTOR     | 240 5% 1/4W     |      |
|   | C3315 | QCBB1HK-223Y   | C CAPACITOR     | .022MF 10% 50V |      |   | R3211 | QRE141J-562Y  | C RESISTOR     | 5.6K 5% 1/4W    |      |
|   | C3316 | QFG32AJ-103Z   | PP CAPACITOR    | .010MF 5% 100V |      |   | R3212 | QRE141J-102Y  | C RESISTOR     | 1.0K 5% 1/4W    |      |
|   | C3327 | EEKJ1CM-476ZJC | AL E CAPACITOR  |                |      |   | R3213 | QRE141J-271Y  | C RESISTOR     | 270 5% 1/4W     |      |
|   | C3335 | QDYB1CM-103Y   | C CAPACITOR     |                |      |   | R3214 | QRE141J-391Y  | C RESISTOR     | 390 5% 1/4W     |      |
|   | C3336 | QDYB1CM-103Y   | C CAPACITOR     |                |      |   | R3217 | QRE141J-332Y  | C RESISTOR     | 3.3K 5% 1/4W    |      |
|   | C3339 | EEKJ1CM-476ZJC | AL E CAPACITOR  |                |      |   | R3218 | QRE141J-152Y  | C RESISTOR     | 1.5K 5% 1/4W    |      |
|   | C3340 | QDYB1CM-103Y   | C CAPACITOR     |                |      |   | R3219 | QRE141J-203Y  | C RESISTOR     | 20K 5% 1/4W     |      |
|   | C3341 | EEKJ1AM-107ZJC | AL E CAPACITOR  |                |      |   | R3220 | QRE141J-102Y  | C RESISTOR     | 1.0K 5% 1/4W    |      |
|   | C3342 | EEKJ1EM-475ZJC | AL E CAPACITOR  |                |      |   | R3221 | QRE141J-122Y  | C RESISTOR     | 1.2K 5% 1/4W    |      |
|   | C3345 | QCBB1HK-331Y   | C CAPACITOR     | 330PF 10% 50V  |      |   | R3301 | QRE141J-221Y  | C RESISTOR     | 220 5% 1/4W     |      |
|   | C3350 | QDGB1HK-102Y   | C CAPACITOR     |                |      |   | R3302 | QRE141J-101Y  | C RESISTOR     | 100 5% 1/4W     |      |
|   | C3501 | QDGB1HK-821Y   | C CAPACITOR     |                |      |   | R3304 | QRE141J-393Y  | C RESISTOR     | 39K 5% 1/4W     |      |
|   | C3502 | QCBB1HK-271Y   | C CAPACITOR     | 270PF 10% 50V  |      |   | R3309 | QRE141J-152Y  | C RESISTOR     | 1.5K 5% 1/4W    |      |
|   | C3555 | QDGB1HK-102Y   | C CAPACITOR     |                |      |   | R3311 | QRJ146J-4R7X  | UNF C RESISTOR | 4.7 5% 1/4W     |      |
|   | C3601 | QDGB1HK-821Y   | C CAPACITOR     |                |      |   | R3314 | QRE141J-101Y  | C RESISTOR     | 100 5% 1/4W     |      |
|   | C3602 | QCBB1HK-271Y   | C CAPACITOR     | 270PF 10% 50V  |      |   | R3315 | QRE141J-153Y  | C RESISTOR     | 15K 5% 1/4W     |      |

■ Electrical parts list

(Head amplifier & mechanism control board)

Block No.08

| △ | Item  | Parts number | Parts name      | Remarks      | Area |
|---|-------|--------------|-----------------|--------------|------|
|   | R3327 | QRE141J-474Y | C RESISTOR      | 470K 5% 1/4W |      |
|   | R3330 | QRE141J-103Y | C RESISTOR      | 10K 5% 1/4W  |      |
|   | R3331 | QRE141J-103Y | C RESISTOR      | 10K 5% 1/4W  |      |
|   | R3335 | QRE141J-222Y | C RESISTOR      | 2.2K 5% 1/4W |      |
|   | R3336 | QRE141J-392Y | C RESISTOR      | 3.9K 5% 1/4W |      |
|   | R3344 | QRE141J-224Y | C RESISTOR      | 220K 5% 1/4W |      |
|   | R3345 | QRE141J-473Y | C RESISTOR      | 47K 5% 1/4W  |      |
|   | R3347 | QRE141J-392Y | C RESISTOR      | 3.9K 5% 1/4W |      |
|   | R3348 | QRE141J-222Y | C RESISTOR      | 2.2K 5% 1/4W |      |
|   | R3350 | QRE141J-472Y | C RESISTOR      | 4.7K 5% 1/4W |      |
|   | R3351 | QRE141J-151Y | C RESISTOR      | 150 5% 1/4W  |      |
|   | R3353 | QRE141J-472Y | C RESISTOR      | 4.7K 5% 1/4W |      |
|   | R3354 | QRE141J-151Y | C RESISTOR      | 150 5% 1/4W  |      |
|   | R3355 | QRE141J-332Y | C RESISTOR      | 3.3K 5% 1/4W |      |
|   | R3359 | QRE141J-103Y | C RESISTOR      | 10K 5% 1/4W  |      |
|   | R3361 | QRE141J-393Y | C RESISTOR      | 39K 5% 1/4W  |      |
|   | R3362 | QRE141J-243Y | C RESISTOR      | 24K 5% 1/4W  |      |
|   | R3366 | QRE141J-273Y | C RESISTOR      | 27K 5% 1/4W  |      |
|   | R3367 | QRE141J-103Y | C RESISTOR      | 10K 5% 1/4W  |      |
|   | R3368 | QRE141J-223Y | C RESISTOR      | 22K 5% 1/4W  |      |
|   | R3369 | QRE141J-101Y | C RESISTOR      | 100 5% 1/4W  |      |
|   | R3370 | QRE141J-103Y | C RESISTOR      | 10K 5% 1/4W  |      |
|   | R3374 | QRE141J-2R2Y | C RESISTOR      | 2.2 5% 1/4W  |      |
| △ | R3376 | QRZ9005-100X | F RESISTOR      | 10 1W        |      |
|   | R3377 | QRE141J-470Y | C RESISTOR      | 47 5% 1/4W   |      |
|   | R3378 | QRE141J-470Y | C RESISTOR      | 47 5% 1/4W   |      |
|   | R3379 | QRE141J-203Y | C RESISTOR      | 20K 5% 1/4W  |      |
|   | R3380 | QRE141J-470Y | C RESISTOR      | 47 5% 1/4W   |      |
|   | R3381 | QRE141J-470Y | C RESISTOR      | 47 5% 1/4W   |      |
|   | R3383 | QRE141J-471Y | C RESISTOR      | 470 5% 1/4W  |      |
|   | SW302 | QSW0832-001  | LEAF SWITCH     |              |      |
|   | SW303 | QSW0832-001  | LEAF SWITCH     |              |      |
|   | SW304 | QSW0832-001  | LEAF SWITCH     |              |      |
|   | SW305 | QSW0832-001  | LEAF SWITCH     |              |      |
|   | SW306 | QSW0859-001  | SW              |              |      |
|   | SW316 | QSW0859-001  | SW              |              |      |
|   | VR101 | QVP0008-503Z | SEMI V RESISTOR | ALPS         |      |
|   | VR201 | QVP0008-503Z | SEMI V RESISTOR | ALPS         |      |
|   | VR301 | QVP0008-103Z | SEMI V RESISTOR | ALPS         |      |

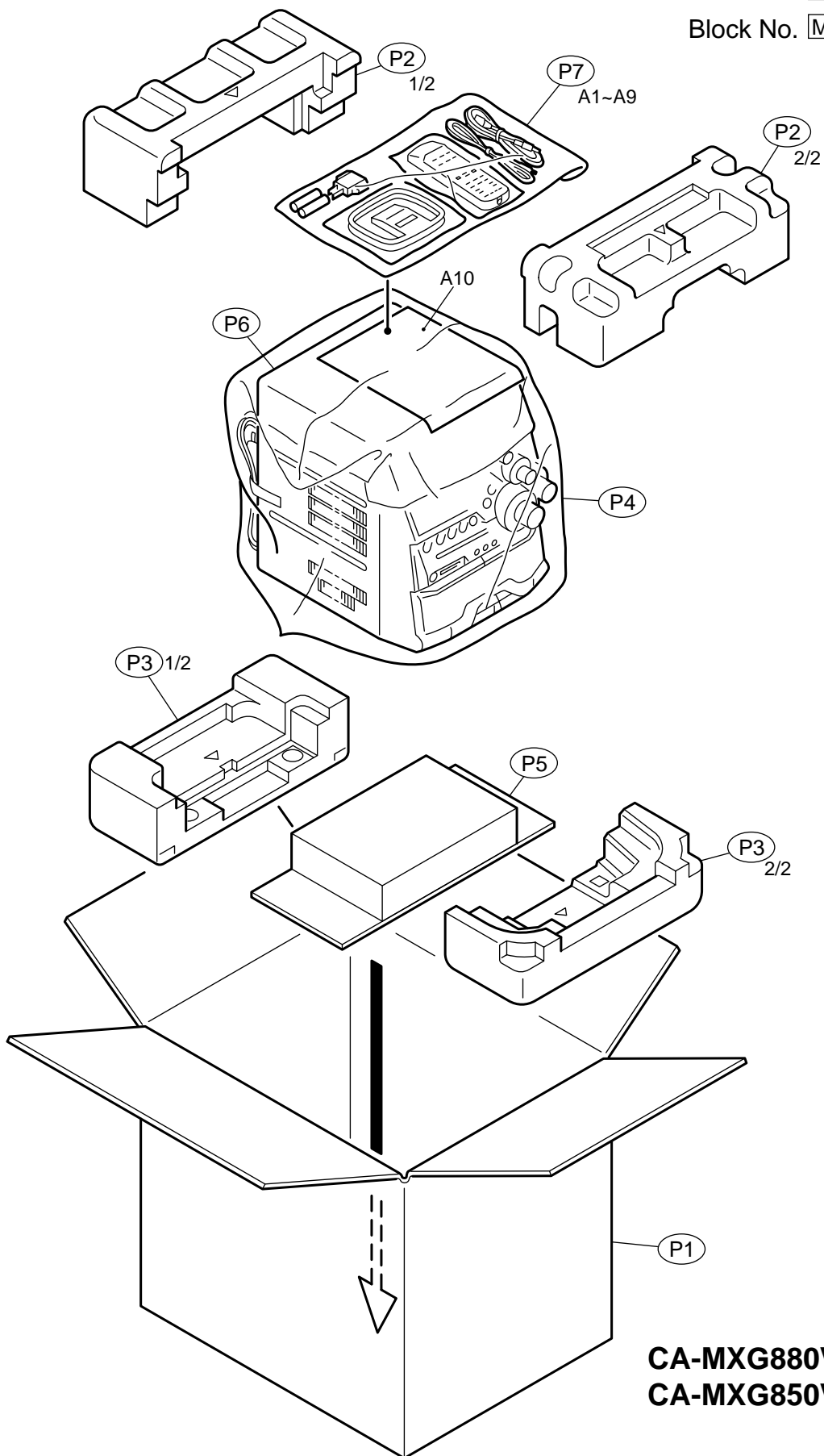
# Packing materials and accessories parts list

Block No. 

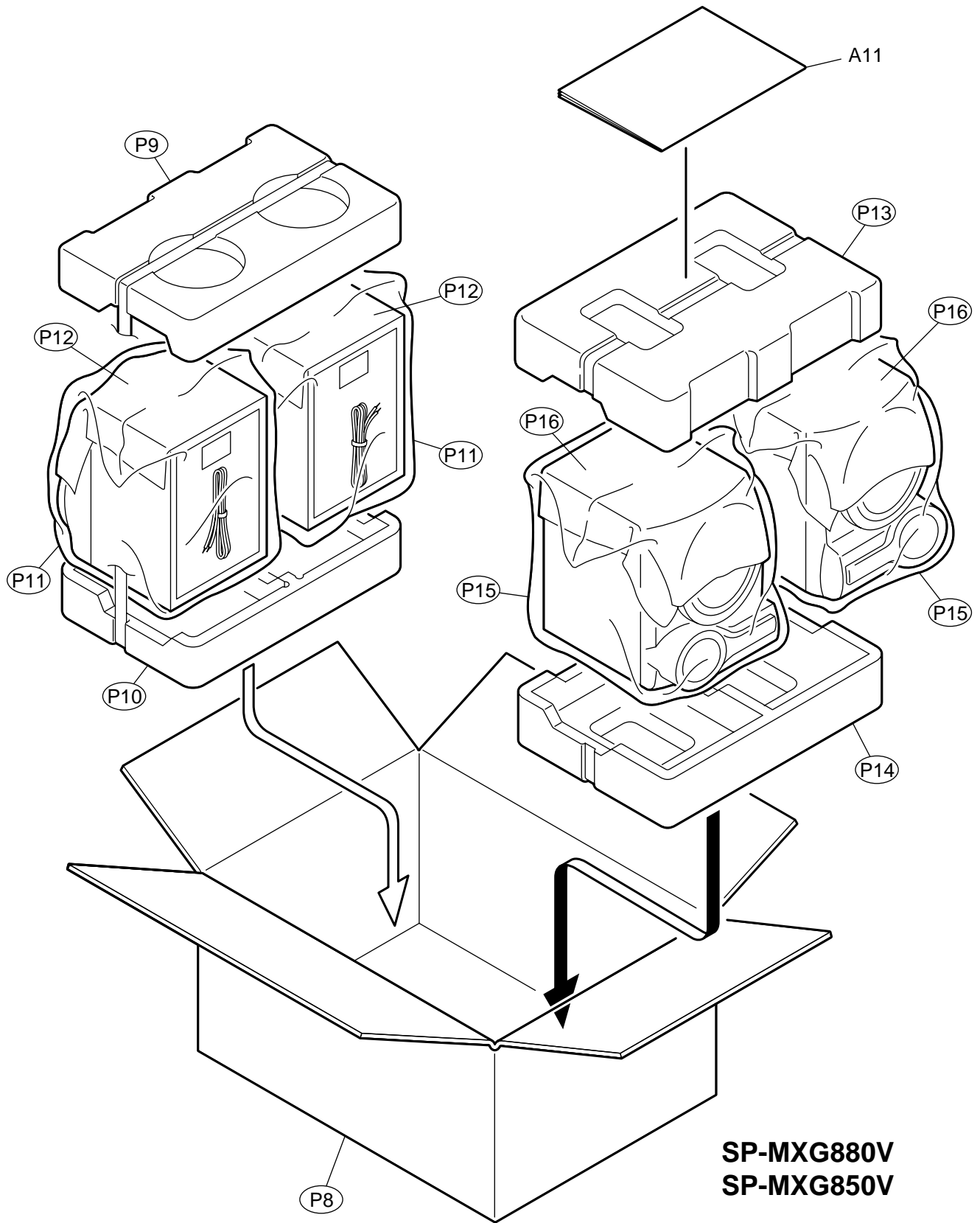
|   |   |   |   |
|---|---|---|---|
| M | 3 | M | M |
|---|---|---|---|

Block No. 

|   |   |   |   |
|---|---|---|---|
| M | 5 | M | M |
|---|---|---|---|



**CA-MXG880V**  
**CA-MXG850V**



**SP-MXG880V**  
**SP-MXG850V**

■ Parts list (Packing)

Block No. M3MM

| ⚠ | Item | Parts number | Parts name     | Q'ty | Description        | Area |
|---|------|--------------|----------------|------|--------------------|------|
|   | P 1  | GV20183-004A | PACKING CASE   | 1    | CA-MXG880V         |      |
|   |      | GV20183-002A | PACKING CASE   | 1    | CA-MXG850V         |      |
|   | P 2  | GV10071-002A | TOP CUSHION    | 1    | CA-MXG880V/MXG850V |      |
|   | P 3  | GV10072-002A | BOTTOM CUSHION | 1    | CA-MXG880V/MXG850V |      |
|   | P 4  | QPC06507015P | POLY BAG       | 1    | CA-MXG880V/MXG850V |      |
|   | P 5  | GV30209-001A | SPACER         | 1    | CA-MXG880V/MXG850V |      |
|   | P 6  | GV40168-003A | SHEET          | 1    | CA-MXG880V/MXG850V |      |
|   | P 7  | QPC02503515P | POLY BAG       | 1    | CA-MXG880V/MXG850V |      |
|   | P 8  | 140776401317 | PACKING CASE   | 1    | SP-MXG880V         |      |
|   |      | 140776401312 | PACKING CASE   | 1    | SP-MXG850V         |      |
|   | P 9  | 139764991070 | TOP CUSHION    | 1    | SP-XG880V/XG850    |      |
|   | P 10 | 139764991071 | BOTTOM CUSHION | 1    | SP-XG880V/XG850    |      |
|   | P 11 | 138736001066 | POLY BAG       | 2    | SP-XG880V/XG850    |      |
|   | P 12 | 138764501088 | MIRROR MAT     | 2    | SP-XG880V/XG850    |      |
|   | P 13 | 139764991072 | TOP CUSHION    | 1    | SP-WG880V/WG850    |      |
|   | P 14 | 139764991073 | BOTTOM CUSHION | 1    | SP-WG880V/WG850    |      |
|   | P 15 | 138737001089 | POLY BAG       | 2    | SP-WG880V/WG850    |      |
|   | P 16 | 138764501088 | MIRROR MAT     | 2    | SP-WG880V/WG850    |      |

■ Parts list (Accessories)

Block No. M5MM

| ⚠ | Item | Parts number | Parts name      | Q'ty | Description         | Area |
|---|------|--------------|-----------------|------|---------------------|------|
|   | A 1  | GVT0079-001B | INST BOOK       | 1    | ENG,CHI,ARA         |      |
|   | A 2  | GV40215-003A | NOTICE SHEET    | 1    |                     |      |
|   | A 3  | GV40360-001A | SPK SHEET       | 1    |                     |      |
|   | A 4  | FQAL0014-001 | LOOP ANTENNA    | 1    |                     |      |
|   | A 5  | EWP503-001   | ANT.WIRE        | 1    |                     |      |
| ⚠ | A 6  | QAM0112-001  | AC PLUG ADAPTER | 1    |                     | U,UN |
| ⚠ |      | VMZ0139-001  | CONNECT PLUG    | 1    |                     | UX   |
|   | A 7  | QAM0216-001  | SIGNAL CORD     | 1    |                     |      |
|   | A 8  | RM-SMXG950V  | W.LESS REMOCON  | 1    |                     |      |
|   | A 9  | -----        | BATTERY         | 2    |                     |      |
|   | A 10 | GV40350-003A | CAUTION SHEET   | 1    |                     |      |
|   | A 11 | GVT0088-001A | IB(SP-MXG880V/8 | 1    | ENG,SPA,POR,CHI,ARA |      |

# PARTS LIST

[ MX-G750V ]

\* All printed circuit boards and its assemblies are not available as service parts.

| Area suffix |              |
|-------------|--------------|
| US -----    | Singapore    |
| UX -----    | Saudi Arabia |
| UN -----    | Asean        |

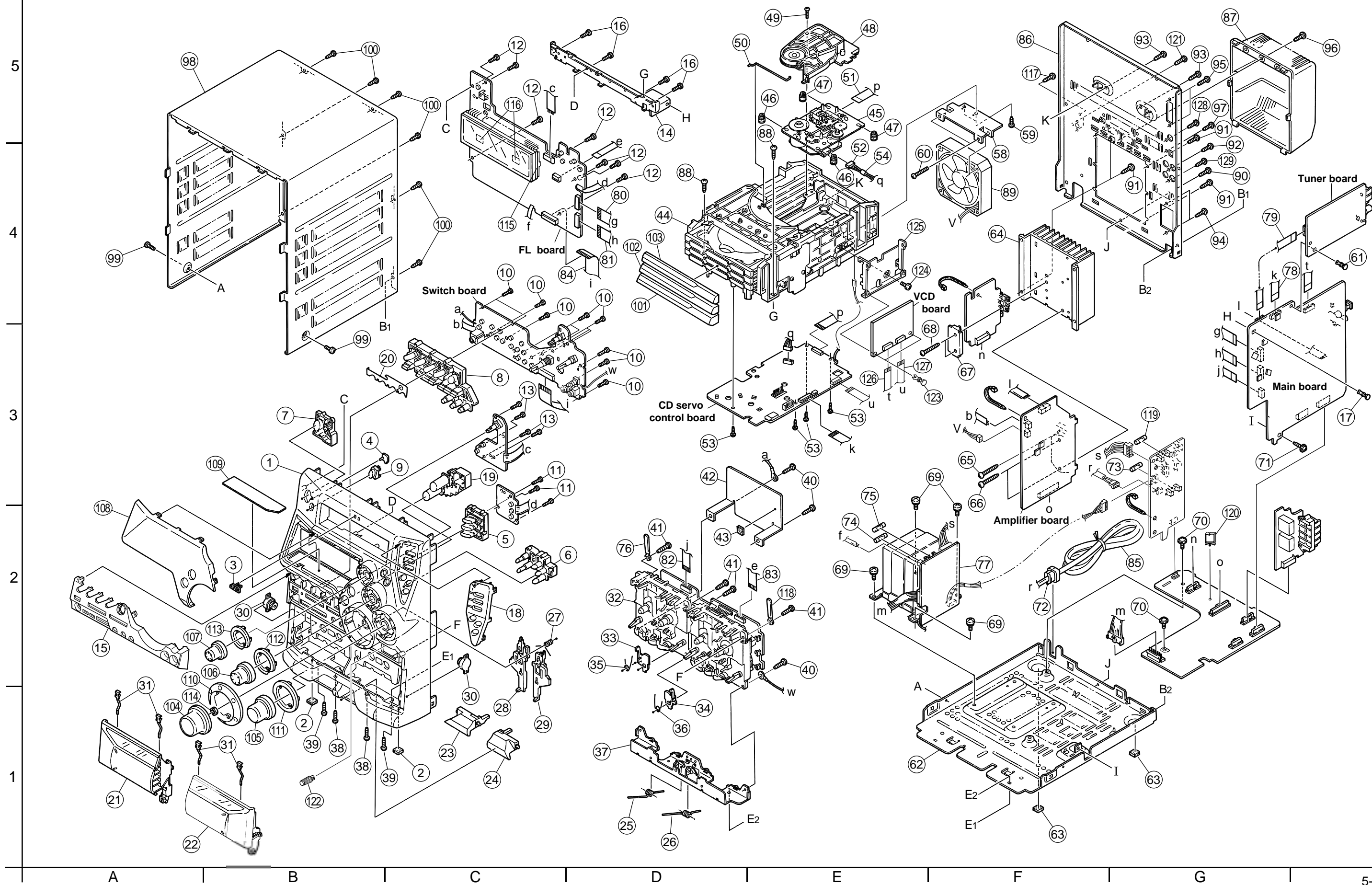
## - Contents -

|                                                                      |      |
|----------------------------------------------------------------------|------|
| Exploded view of general assembly and parts list (Block No.M1) ..... | 5- 3 |
| Speaker assembly and parts list SP-MXG750V (Block No.M7) .....       | 5- 6 |
| CD changer mechanism assembly and parts list (Block No.MA) .....     | 5- 7 |
| CD mechanism assembly and parts list (Block No.MB) .....             | 5- 9 |
| Cassette mechanism assembly and parts list (Block No.MP) .....       | 5-10 |
| Electrical parts list (Block No.01~08) .....                         | 5-14 |
| Packing materials and accessories parts list (Block No.M3,M5) .....  | 5-28 |



# Exploded view of general assembly and parts list

Block No. M 1 M M



MX-G950V/MX-G880V  
MX-G850V/MX-G750V

MX-G950V/MX-G880V  
MX-G850V/MX-G750V

■ Parts list (General assembly)

Block No. M1MM

| △ | Item | Parts number | Parts name          | Q'ty | Description     | Area |
|---|------|--------------|---------------------|------|-----------------|------|
|   | 1    | GV10057-004A | FRONT PANEL         | 1    |                 |      |
|   | 2    | GV40246-001A | FOOT SPACER         | 2    |                 |      |
|   | 3    | GV40077-002A | JVC BADGE           | 1    |                 |      |
|   | 4    | GV40136-001A | STANDBY INDICATOR   | 1    |                 |      |
|   | 5    | GV30154-003A | CD BUTTON           | 1    |                 |      |
|   | 6    | GV20104-002A | CD EJECT BUTTON     | 1    |                 |      |
|   | 7    | GV30137-001A | POWER BUTTON        | 1    |                 |      |
|   | 8    | GV30177-007A | CONTROL BUTTON      | 1    |                 |      |
|   | 9    | GV30139-001A | REMOTE LENS         | 1    |                 |      |
|   | 10   | QYSDSF2608Z  | SCREW               | 12   | ON VOLUME BRD.  |      |
|   | 11   | QYSDSF2608Z  | SCREW               | 3    | ON CD BRD.      |      |
|   | 12   | QYSDSF2608Z  | SCREW               | 7    | ON MICOM BRD.   |      |
|   | 13   | QYSDSF2608Z  | SCREW               | 4    | ON SOURCE BRD.  |      |
|   | 14   | GV30129-001A | STAY BRACKET        | 1    |                 |      |
|   | 15   | GV10060-013A | ORNAMENT            | 1    |                 |      |
|   | 16   | QYSDSF2608Z  | SCREW               | 4    | STY.BRKT.+F.PNL |      |
|   | 17   | E310243-002  | PLASTIC RIVET       | 1    | M.BRD.+ STY BRK |      |
|   | 18   | GV20103-001A | SUB PANEL           | 1    |                 |      |
|   | 19   | GV30138-001A | FRONT BUTTON        | 1    |                 |      |
|   | 20   | GV40185-002A | COVER SHEET         | 1    |                 |      |
|   | 21   | GV30211-004A | CASS.HOLDER ASSY(L) | 1    |                 |      |
|   | 22   | GV30212-004A | CASS.HOLDER ASSY(R) | 1    |                 |      |
|   | 23   | GV20099-002A | EJECT BUTTON(A)     | 1    |                 |      |
|   | 24   | GV20100-002A | EJECT BUTTON(B)     | 1    |                 |      |
|   | 25   | FMKW4009-002 | HOLDER SPRING A     | 1    |                 |      |
|   | 26   | FMKW4010-002 | HOLDER SPRING B     | 1    |                 |      |
|   | 27   | FMKW4011-001 | SPRING              | 1    | FOR EJECT LEVER |      |
|   | 28   | FMKS3002-003 | EJECT LEVER(A)      | 1    |                 |      |
|   | 29   | FMKS3003-003 | EJECT LEVER(B)      | 1    |                 |      |
|   | 30   | GV40034-001A | DAMPER ASSY         | 2    |                 |      |
|   | 31   | VKY4180-401  | CASSETTE SPRING     | 4    |                 |      |
|   | 32   | -----        | CASSETTE MECHA      | 1    |                 |      |
|   | 33   | FMKL4012-004 | EJECT SAFETY(A)     | 1    |                 |      |
|   | 34   | FMKL4013-001 | EJECT SAFETY(B)     | 1    |                 |      |
|   | 35   | FMKW4007-001 | SPRING (A)          | 1    | EJECT SAFETY(A) |      |
|   | 36   | FMKW4008-001 | SPRING (B)          | 1    | EJECT SAFETY(B) |      |
|   | 37   | GV20094-001A | HOLDER BRACKET      | 1    |                 |      |
|   | 38   | QYSBSG3010Z  | T.SCREW             | 2    | F.P.TO H.BRKT.  |      |
|   | 39   | QYSBSG3010Z  | T.SCREW             | 2    | F.P.TO CHS.BASE |      |
|   | 40   | QYSBSG3010Z  | T.SCREW             | 3    | MECHA & H.BRKT. |      |
|   | 41   | QYSBSF3012Z  | SCREW               | 4    | MECHA & F.PANEL |      |
|   | 42   | GV30124-001A | TRANS SHIELD        | 1    |                 |      |
|   | 43   | E3400-431    | SPACER              | 1    | STICK AT SLC MO |      |
|   | 44   | -----        | CD CHANGER MECHA    | 1    |                 |      |
|   | 45   | -----        | CD MECHA            | 1    |                 |      |
|   | 46   | LV40761-003A | INSULATOR           | 2    |                 |      |
|   | 47   | LV40761-003A | INSULATOR           | 2    |                 |      |
|   | 48   | VKS3703-00Q  | CLAMPER ASS'Y       | 1    |                 |      |

■ Parts list (General assembly)

Block No. M1MM

| △ | Item | Parts number   | Parts name    | Q'ty | Description     | Area  |
|---|------|----------------|---------------|------|-----------------|-------|
|   | 49   | QYSPST2606Z    | SCREW         | 1    |                 |       |
|   | 50   | VKW5187-001    | ROD           | 1    |                 |       |
|   | 51   | QUQ610-1509AJ  | FFC WIRE      | 1    |                 |       |
|   | 52   | VDM1001-M002AV | WIRE & TUBE   | 1    |                 |       |
|   | 53   | QYSBSF2608Z    | T.SCREW       | 4    |                 |       |
|   | 54   | VYSA1R2-033    | SPACER        | 1    | FOR VDM1001-M00 |       |
|   | 58   | GV40189-001A   | FAN BRACKET   | 1    |                 |       |
|   | 59   | QYSBSF3010Z    | SCREW         | 2    | FAN BRKT/CD MEC |       |
|   | 60   | QYSBSG3035Z    | T.SCREW       | 2    | FAN TO FAN BRAC |       |
|   | 61   | E310243-002    | PLASTIC RIVET | 1    | TUNER BRD.+ FMC |       |
|   | 62   | GV10061-001A   | CHASSIS BASE  | 1    |                 |       |
|   | 63   | GV40246-002A   | FOOT SPACER   | 2    | CHASS BASE FOOT |       |
|   | 64   | GV30191-002A   | HEAT SINK     | 1    |                 |       |
|   | 65   | QYSBSG3010E    | T.SCREW       | 1    | FOR IC BOARD HO |       |
|   | 66   | QYSBSG3014E    | T.SCREW       | 2    | FOR POWER IC    |       |
|   | 67   | GV40143-001A   | LEAF SPRING   | 1    |                 |       |
|   | 68   | QYSBSG3014E    | T.SCREW       | 2    | FOR LEAF SPRING |       |
|   | 69   | QYSDSTL4008Z   | SPECIAL SCREW | 4    | FOR TRANS/CH.BS |       |
|   | 70   | QYSBSGG3008E   | T.SCREW       | 2    | FMH BRD./CH.BS  |       |
|   | 71   | QYSBSGG3008E   | T.SCREW       | 1    | FMC BRD./CH.BS  |       |
| △ | 72   | QZW0033-001    | STRAIN RELIEF | 1    |                 |       |
| △ | 73   | QMF51E2-4R0-J1 | FUSE          | 1    | F001            |       |
| △ | 74   | QMF51E2-4R0-J1 | FUSE          | 1    | F101            |       |
| △ | 75   | QMF51E2-4R0-J1 | FUSE          | 1    | F102            |       |
|   | 76   | VKZ4001-110S   | WIRE HOLDER   | 1    |                 |       |
| △ | 77   | QQT0319-003    | POWER TRANSF  | 1    | T001            |       |
|   | 78   | QUQH10-1908BJ  | CARD WIRE     | 1    | FMC TO VC3      |       |
|   | 79   | QUQ412-0911DJ  | FFC WIRE      | 1    | FMC TO TUNER    |       |
|   | 80   | QUQ412-1710CJ  | FFC WIRE      | 1    | FMB TO FMC(1)   |       |
|   | 81   | QUQ412-1710CJ  | FFC WIRE      | 1    | FMB TO FMC(2)   |       |
|   | 82   | QUQ412-1020CJ  | FFC WIRE      | 1    | FMC TO SLC      |       |
|   | 83   | QUQ412-0915CJ  | FFC WIRE      | 1    | FMB TO SLC      |       |
|   | 84   | QUQ412-2410CJ  | FFC WIRE      | 1    | FMB TO SW       |       |
| △ | 85   | QMPK210-205-JN | POWER CORD    | 1    |                 | US,UN |
| △ |      | QMPR290-200-JN | POWER CORD    | 1    |                 | UX    |
|   | 86   | GV10062-049A   | REAR PANEL    | 1    |                 | UX    |
|   |      | GV10062-048A   | REAR PANEL    | 1    |                 | US,UN |
|   | 87   | GV10063-002A   | REAR COVER    | 1    |                 |       |
|   | 88   | QYSBSG3010Z    | T.SCREW       | 2    | C3 & STAY BRKT  |       |
|   | 89   | QAR0177-001    | FAN           | 1    |                 |       |
|   | 90   | QYSBSGY3008E   | SPECIAL SCREW | 1    | REAR PNL/CHAS.B |       |
|   | 91   | QYSBSGY3008E   | SPECIAL SCREW | 4    | REAR PNL/ H.SIN |       |
|   | 92   | QYSBSGY3008E   | SPECIAL SCREW | 1    | REAR PNL/ AUX   |       |
|   | 93   | QYSBSGY3008E   | SPECIAL SCREW | 2    | C3/ REAR PANEL  |       |
|   | 94   | QYSBSGY3008E   | SPECIAL SCREW | 2    | SPK/ REAR PANEL |       |
|   | 95   | QYSBSGY3008E   | SPECIAL SCREW | 2    | TUNER/REAR PANE |       |
|   | 96   | QYSBSGY3008E   | SPECIAL SCREW | 1    | REAR CVR/R.PNL  |       |
|   | 97   | QYSBSGY3008E   | SPECIAL SCREW | 1    | OPTICAL/R.PANEL |       |

■ Parts list (General assembly)

Block No. M1MM

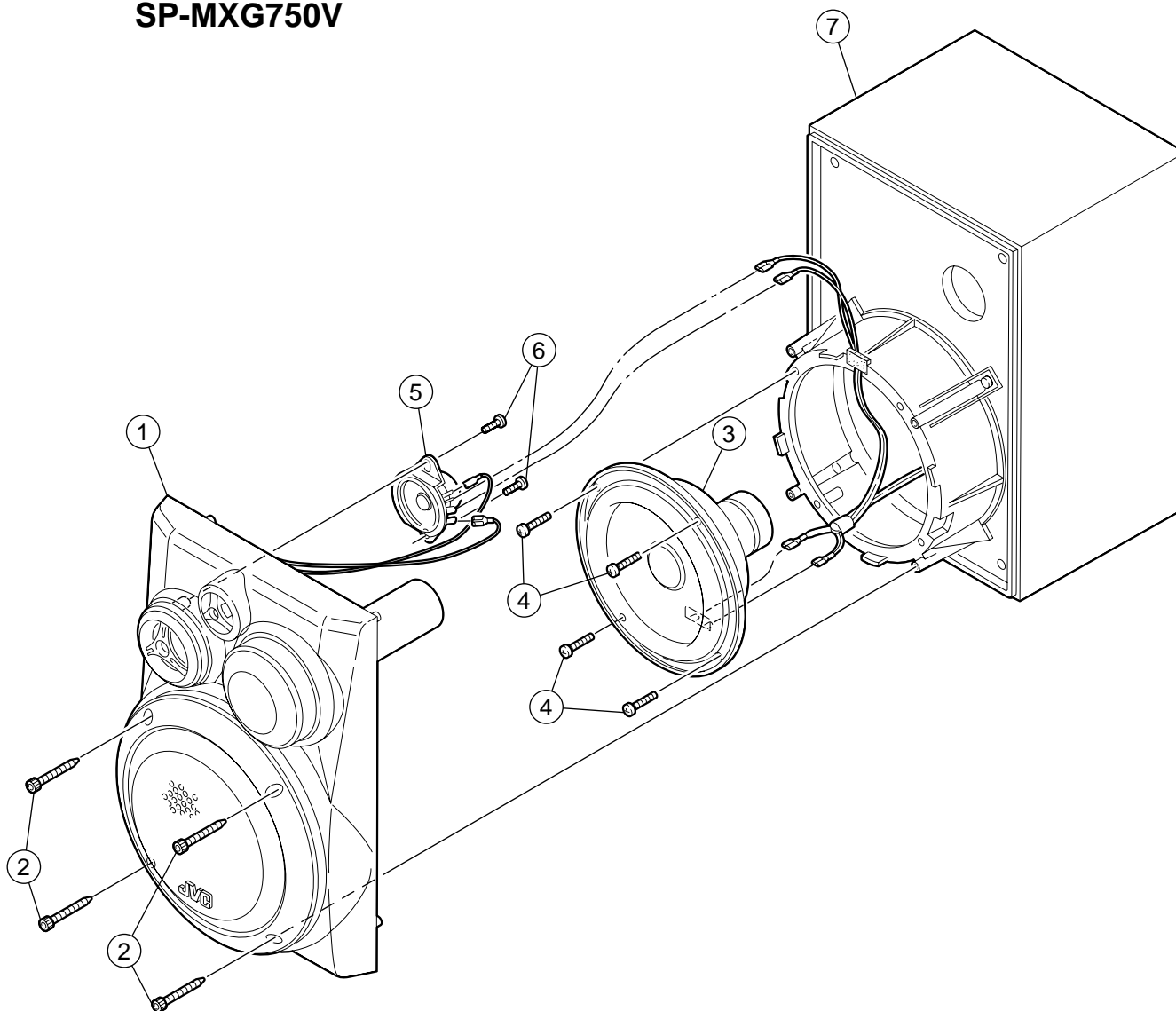
| ⚠ | Item | Parts number    | Parts name       | Q'ty | Description     | Area |
|---|------|-----------------|------------------|------|-----------------|------|
|   | 98   | GV10055-001A/S/ | METAL COVER      | 1    |                 |      |
|   | 99   | QYSDSG3006M     | T.SCREW          | 2    | M.COVER/CHAS.BS |      |
|   | 100  | QYSBSGY3008E    | SPECIAL SCREW    | 6    | M.COVER/R.PANEL |      |
|   | 101  | GV20106-005A    | CD FITTING 1     | 1    | DISC 1          |      |
|   | 102  | GV20107-005A    | CD FITTING 2     | 1    | DISC 2          |      |
|   | 103  | GV20108-005A    | CD FITTING 3     | 1    | DISC 3          |      |
|   | 104  | GV30179-001A    | VOLUME KNOB ASSY | 1    |                 |      |
|   | 105  | GV30180-002A    | SUB.WFR.KB.ASSY  | 1    |                 |      |
|   | 106  | GV30181-002A    | SND.MODE KB.ASSY | 1    |                 |      |
|   | 107  | GV30182-002A    | CD FWD.KB.ASSY   | 1    |                 |      |
|   | 108  | GV20098-016A    | WINDOW SCREEN    | 1    |                 |      |
|   | 109  | GV40181-001A    | MIRROR SHEET     | 1    |                 |      |
|   | 110  | GV30155-002A    | VOLUME RING      | 1    |                 |      |
|   | 111  | GV30312-002A    | BASE RING        | 1    |                 |      |
|   | 112  | GV30152-002A    | SOUND MODE RING  | 1    |                 |      |
|   | 113  | GV30153-002A    | CD FORWARD RING  | 1    |                 |      |
|   | 114  | GV40186-001A    | NUT              | 1    | FOR VOLUME ENCO |      |
|   | 115  | GV30141-001A    | FL HOLDER        | 1    |                 |      |
|   | 116  | E3400-439       | FELT SPACER      | 2    |                 |      |
|   | 117  | QYSBSGY3008E    | SPECIAL SCREW    | 1    | REAR PNL/ERT PL |      |
|   | 118  | VKZ4001-110S    | WIRE HOLDER      | 1    | MIC GROUND WIRE |      |
|   | 119  | QMF51E2-2R0-J1  | FUSE             | 1    | F003            |      |
|   | 120  | GV40236-001A    | PLASTIC HOLDER   | 1    | STICK AT FMH BO |      |
|   | 121  | QYSBSF3012E     | SPECIAL SCREW    | 2    | VOLT SEL/R.PNL  |      |
|   | 122  | GV40083-002A    | MIC VOLUME KNOB  | 1    |                 |      |
|   | 123  | E310243-002     | PLASTIC RIVET    | 2    | FOR MPEG BOARD  |      |
|   | 124  | QYSBSF3008Z     | SCREW            | 1    | BRACKET TO C3   |      |
|   | 125  | GV30223-001A    | BRACKET          | 1    |                 |      |
|   | 126  | QUQH10-1506BJ   | FFC CABLE        | 1    | VC3 TO FMV      |      |
|   | 127  | QUQH10-1508BJ   | CARD WIRE        | 1    | FMC TO FMV      |      |
|   | 128  | QYSBSGY3008E    | SPECIAL SCREW    | 1    | VIDEO/R.PANEL   |      |
|   | 129  | QYSBSGY3008E    | SPECIAL SCREW    | 1    | SUR.SP/R.PANEL  |      |

⚠

# Speaker assembly and parts list

Block No. **M 7 M M**

## SP-MXG750V



### ■ Parts list (Speaker assembly) SP-MXG750V

Block No. **M7MM**

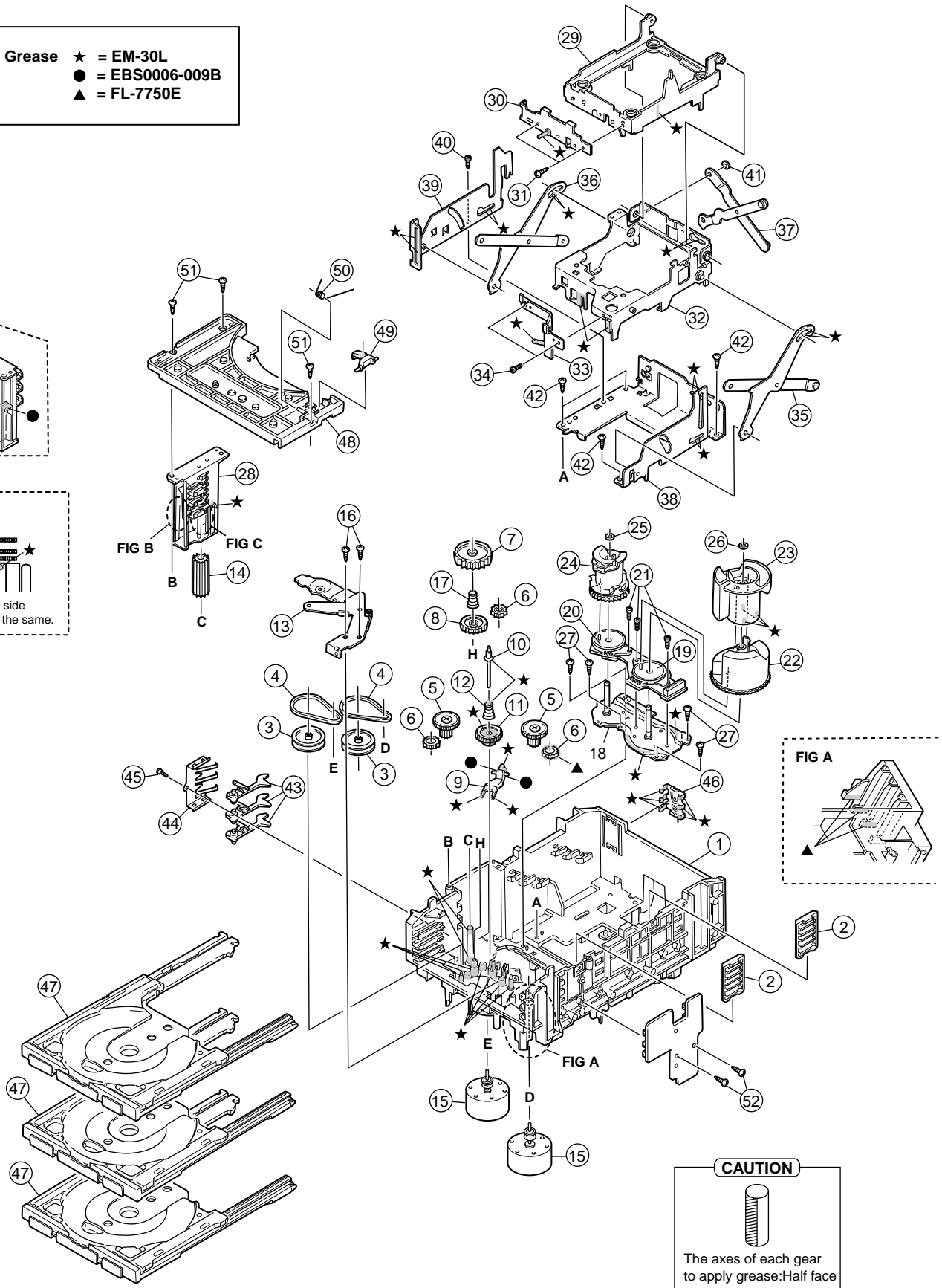
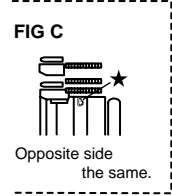
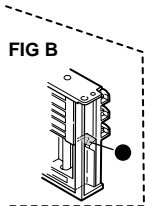
| ⚠ | Item | Parts number    | Parts name     | Q'ty | Description | Area |
|---|------|-----------------|----------------|------|-------------|------|
|   | A    | MXG750K-SPBOX-L | SP BOX ASSY(L) | 1    |             |      |
|   |      | MXG750K-SPBOX-R | SP BOX ASSY(R) | 1    |             |      |
|   | 1    | J200-G750RSG-40 | FRONT PANEL(R) | 1    |             |      |
|   |      | J200-G750LSG-40 | FRONT PANEL(L) | 1    |             |      |
|   | 2    | 411-N74020AB1   | SCREW 4X20     | 8    |             |      |
|   | 3    | 300-J0G7501600  | WOOFER         | 2    |             |      |
|   | 4    | 411-B840120P1   | SCREW 4X12     | 8    |             |      |
|   | 5    | 302-J0G7500500  | TWEETER        | 2    |             |      |
|   | 6    | 411-B140080P1   | SCREW 4X8      | 4    |             |      |
|   | 7    | -----           | CABINET ASSY   | 2    |             |      |

# CD changer mechanism assembly and parts list

C3BASE-1M

Block No. M A M M

Grease ★ = EM-30L  
● = EBS0006-009B  
▲ = FL-7750E



**CAUTION**

The axes of each gear to apply grease: Half face

■ Parts list (CD changer mechanism)

Block No. MAMM

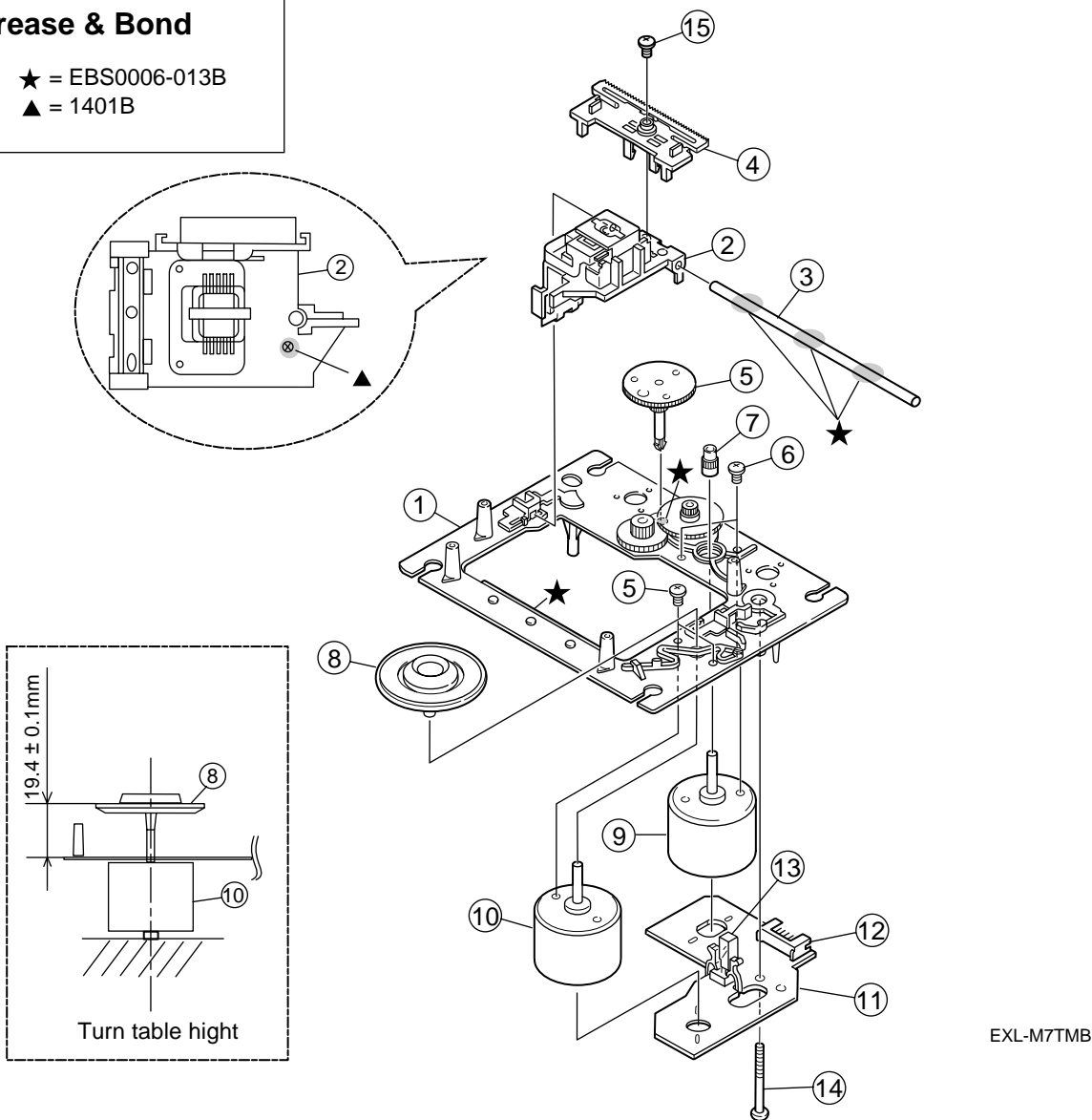
| △ | Item | Parts number  | Parts name      | Q'ty | Description     | Area |
|---|------|---------------|-----------------|------|-----------------|------|
|   | 1    | VKS1144-004   | CHASSIS         | 1    |                 |      |
|   | 2    | VKS3698-003   | TRAY GUIDE      | 2    |                 |      |
|   | 3    | VKS5532-003   | PULLEY GEAR     | 2    |                 |      |
|   | 4    | VKB3000-164   | BELT            | 2    |                 |      |
|   | 5    | VKS5505-003   | GEAR B          | 2    |                 |      |
|   | 6    | VKS5506-002   | GEAR C          | 3    |                 |      |
|   | 7    | VKS5507-002   | CROSS GEAR U    | 1    |                 |      |
|   | 8    | VKS5508-002   | CROSS GEAR L    | 1    |                 |      |
|   | 9    | VKS5510-003   | SELECT LEVER    | 1    |                 |      |
|   | 10   | VKH5769-001   | S.G.SHAFT       | 1    |                 |      |
|   | 11   | VKS5511-002   | SELECT GEAR     | 1    |                 |      |
|   | 12   | VKW5155-003   | COMP.SPRING     | 1    | FOR SELECT GEAR |      |
|   | 13   | VKM3846-003   | GEAR BRACKET    | 1    |                 |      |
|   | 14   | VKS5509-002MM | CYLINDER GEAR   | 1    |                 |      |
|   | 15   | MSN5D257A-SA2 | DC MOTOR ASSY   | 2    |                 |      |
|   | 16   | QYSPSPD2616Z  | SCREW           | 2    | FOR MOTOR       |      |
|   | 17   | LV40612-001A  | COMP.SPRING     | 1    |                 |      |
|   | 18   | VKM3825-00B   | C.G.BASE ASS'Y  | 1    |                 |      |
|   | 19   | VKZ3172-00ASS | CAM SW. R ASS'Y | 1    |                 |      |
|   | 20   | VKZ3173-00ASS | CAM SW. L ASS'Y | 1    |                 |      |
|   | 21   | QYSPST2606Z   | SCREW           | 3    | FOR CAM SW.     |      |
|   | 22   | VKS2263-002MM | CAM R1          | 1    |                 |      |
|   | 23   | VKS2264-002MM | CAM R2          | 1    |                 |      |
|   | 24   | VKS2265-002MM | CAM GEAR L      | 1    |                 |      |
|   | 25   | WDL316050MM   | SLIT WASHER     | 1    | FOR CAM GEAR L  |      |
|   | 26   | WDL316050MM   | SLIT WASHER     | 1    |                 |      |
|   | 27   | QYSBSF2608Z   | T.SCREW         | 4    | FOR C.GEAR BASE |      |
|   | 28   | VKS3702-00FMM | DRIVE UNIT      | 1    |                 |      |
|   | 29   | VKS2247-005   | MECHA HOLDER A  | 1    |                 |      |
|   | 30   | VKL7767-00F   | BRACKET ASS'Y   | 1    |                 |      |
|   | 31   | QYSBSF2606Z   | SCREW           | 2    | FOR BRACKET     |      |
|   | 32   | VKM3860-00E   | M.HOLDER B AS'Y | 1    |                 |      |
|   | 33   | VKL7802-00D   | M.HOLDER C AS'Y | 1    |                 |      |
|   | 34   | QYSDST2604Z   | SCREW           | 2    | FOR M.HOLDER C  |      |
|   | 35   | VKL7810-00B   | LIFTER ASS'Y R  | 1    |                 |      |
|   | 36   | VKL7811-00B   | LIFTER ASS'Y L  | 1    |                 |      |
|   | 37   | VKL7812-00B   | LIFTER ASS'Y H  | 1    |                 |      |
|   | 38   | VKL2745-003   | LIFTER BASE     | 1    |                 |      |
|   | 39   | VKM3857-002   | LIFTER BRACKET  | 1    |                 |      |
|   | 40   | QYSDST2604Z   | SCREW           | 1    |                 |      |
|   | 41   | WDL266035-2   | SLIT WASHER     | 1    |                 |      |
|   | 42   | QYSBSF2608Z   | T.SCREW         | 4    |                 |      |
|   | 43   | VKS5514-002MM | LOCK LEVER      | 3    |                 |      |
|   | 44   | VKY3133-002MM | RETURN SPRING   | 1    |                 |      |
|   | 45   | QYSBSF2608Z   | T.SCREW         | 1    | FOR RETURN SP.  |      |
|   | 46   | VKY3134-003MM | CLICK SPRING    | 1    |                 |      |
|   | 47   | VKS2252-00N   | TRAY ASS'Y      | 3    |                 |      |
|   | 48   | VKS2250-004   | TOP BRACKET     | 1    |                 |      |
|   | 49   | VKS5515-002   | S.TRAY STOPPER  | 1    |                 |      |
|   | 50   | VKW5156-004   | TORSION SPRING  | 1    |                 |      |
|   | 51   | QYSBSF2608Z   | T.SCREW         | 3    |                 |      |
|   | 52   | QYSBSF2608Z   | T.SCREW         | 2    |                 |      |

# CD mechanism assembly and parts list

Block No. M B M M

**Grease & Bond**

★ = EBS0006-013B  
▲ = 1401B



EXL-M7TMB

■ **Parts list (CD mechanism)**

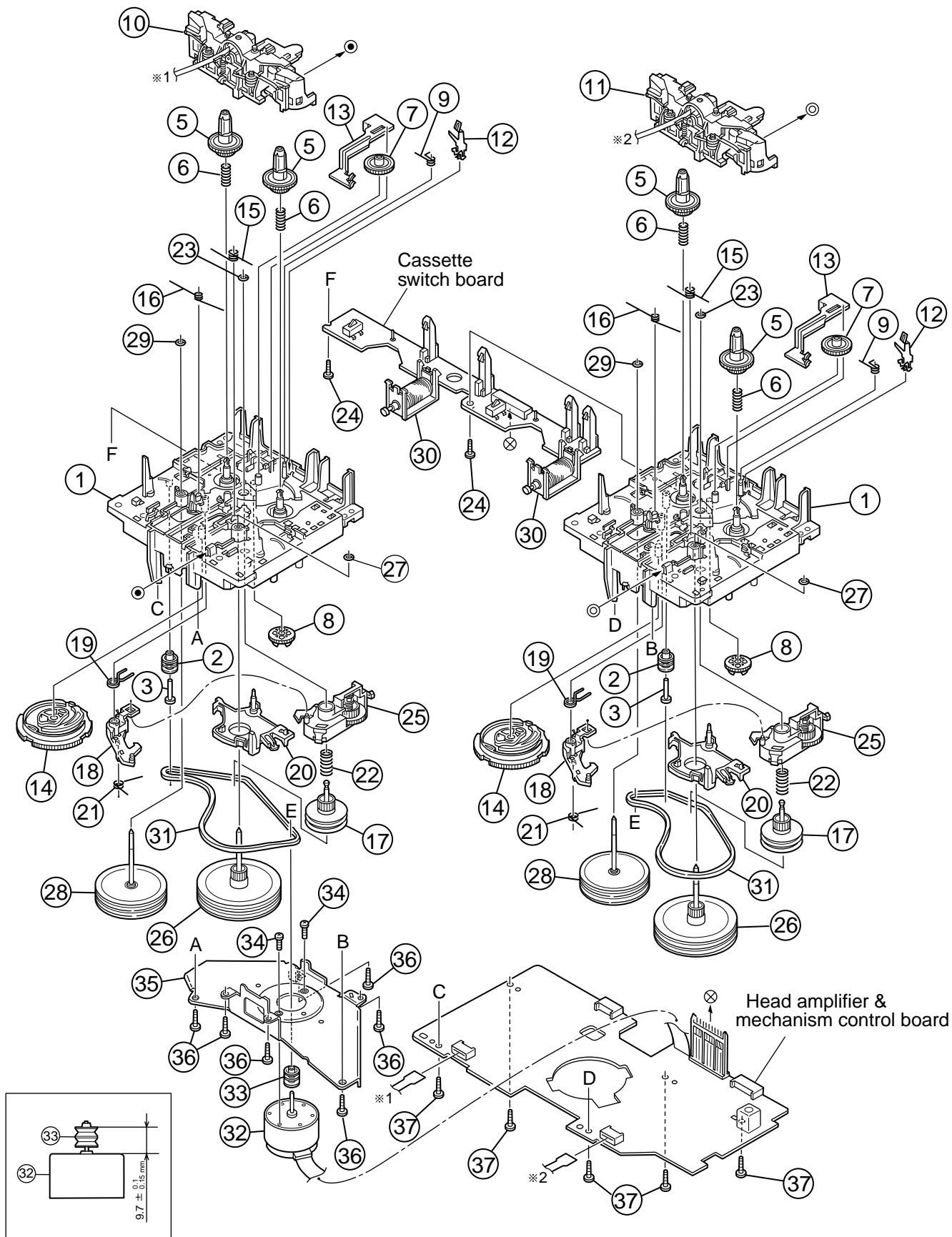
Block No. **MBMM**

| Item | Parts number  | Parts name      | Q'ty | Description | Area |
|------|---------------|-----------------|------|-------------|------|
| 1    | E102731-221SM | CD MECHA BASE A | 1    |             |      |
| 2    | OPTIMA-7B     | C.D PICK        | 1    |             |      |
| 3    | E406777-002SM | C.D SHAFT       | 1    |             |      |
| 4    | LV31002-001A  | CD RACK         | 1    |             |      |
| 5    | E307745-441SM | C.D GEAR 3      | 1    |             |      |
| 6    | QYSDSP2003N   | SCREW           | 4    |             |      |
| 7    | E406750-442SM | PINION          | 1    |             |      |
| 8    | EPB309173PKA  | T.T PACKING     | 1    |             |      |
| 9    | E406784-001   | FEED MOTOR      | 1    |             |      |
| 10   | QAR0130-001   | SP MOTOR        | 1    |             |      |
| 11   | EMW10190-441  | CIR BOARD       | 1    |             |      |
| 12   | QGA2001F1-06  | CONNECTOR       | 1    |             |      |
| 13   | QSW0506-001   | LEAF SWITCH     | 1    |             |      |
| 14   | E75832-221SS  | SPECIAL SCREW   | 1    |             |      |
| 15   | QYDSF2006Z    | SCREW           | 1    |             |      |

# Cassette mechanism assembly and parts list

Block No. M P M M

SLC-W101M





■ Parts list (Cassette mechanism)

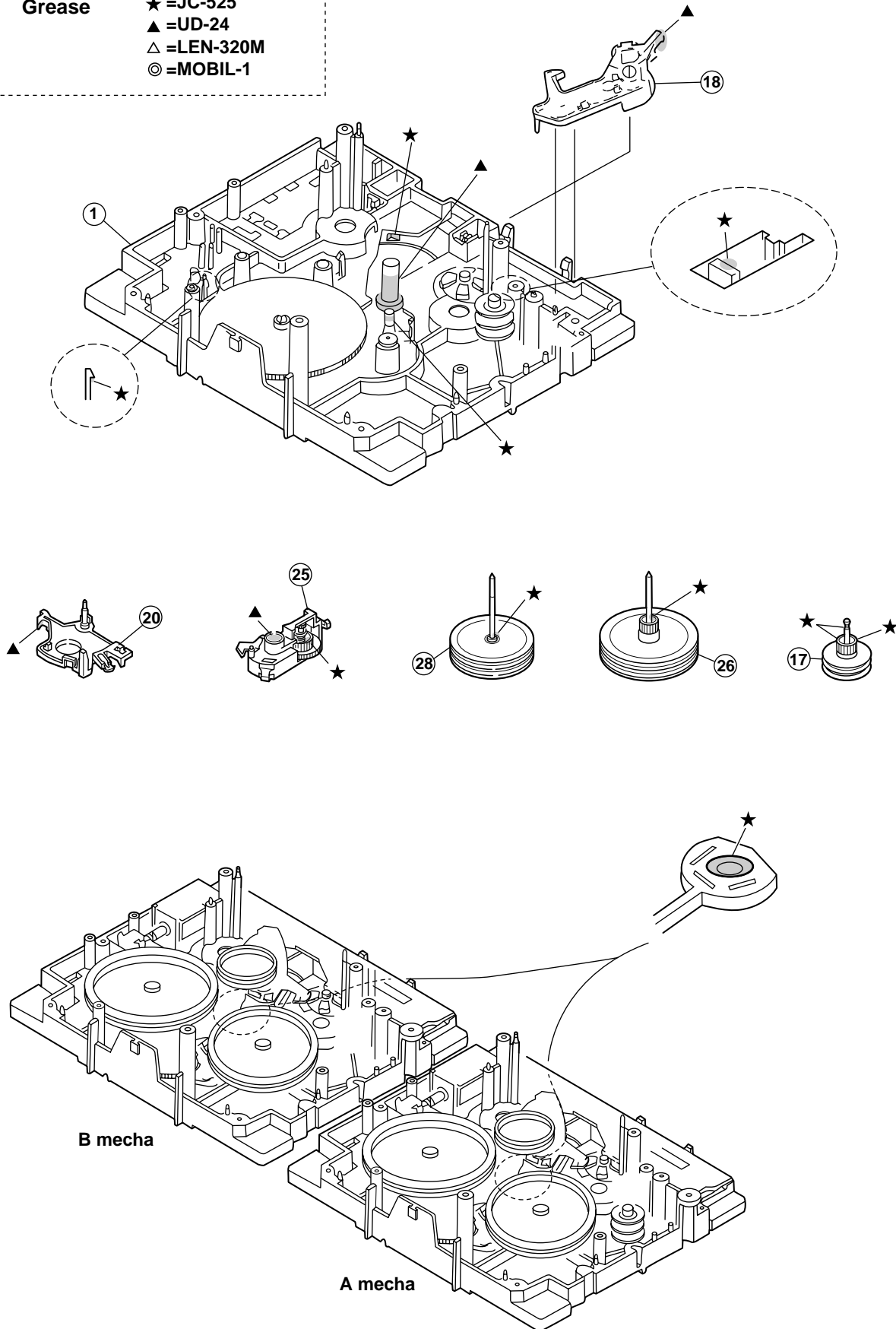
Block No. MPMM

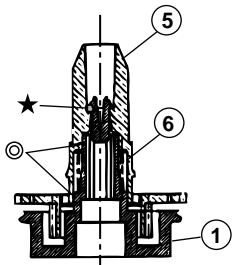
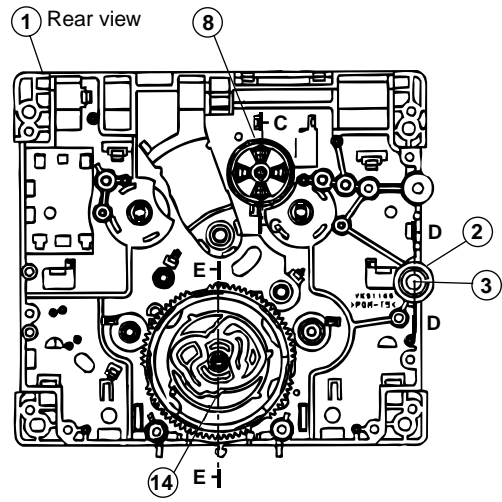
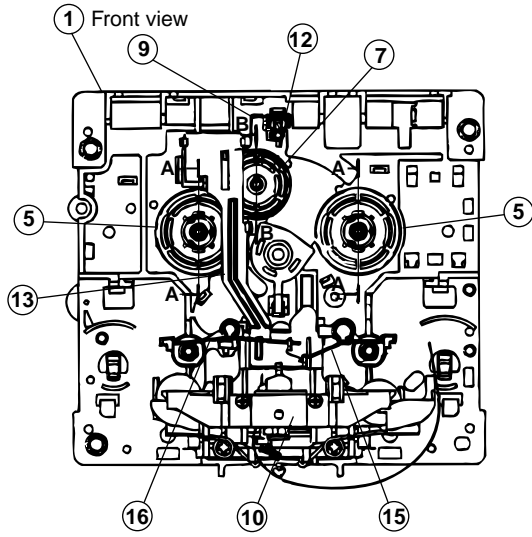
| △ | Item | Parts number  | Parts name      | Q'ty | Description | Area |
|---|------|---------------|-----------------|------|-------------|------|
|   | 1    | VKS1165-00K   | CHASSIS B.ASS'Y | 2    |             |      |
|   | 2    | VKR4749-004   | IDLE PULLEY     | 2    |             |      |
|   | 3    | LV42026-001A  | SHAFT           | 2    |             |      |
|   | 5    | VKS2274-002   | REEL GEAR       | 4    |             |      |
|   | 6    | VKW5286-002   | B.T. SPRING     | 4    |             |      |
|   | 7    | VKS5559-001   | PLAY IDLE GEAR  | 2    |             |      |
|   | 8    | VKS5597-00B   | BLIND           | 2    |             |      |
|   | 9    | LV42013-001A  | EARTH SPRING    | 2    |             |      |
|   | 10   | SLC-P1SVM     | HEAD MOUNT ASSY | 1    |             |      |
|   | 11   | SLC-RP1SVM    | HEAD MOUNT ASSY | 1    |             |      |
|   | 12   | VKY3149-002   | CASSETTE SP.    | 2    |             |      |
|   | 13   | VKM3906-004   | PLAY SW.LEVER   | 2    |             |      |
|   | 14   | VKS1166-004   | CONTROL CAM     | 2    |             |      |
|   | 15   | VKW5279-002   | HEAD BASE SP(R) | 2    |             |      |
|   | 16   | VKW5280-001   | HEAD BASE SP(L) | 2    |             |      |
|   | 17   | VKS5603-00G   | MAIN PULLEY ASY | 2    |             |      |
|   | 18   | VKS3785-001MM | FR ARM          | 2    |             |      |
|   | 19   | VKW5284-002   | SWING SPRING    | 2    |             |      |
|   | 20   | VKS2278-003   | TRIGGER ARM     | 2    |             |      |
|   | 21   | VKW5301-001   | FR SPRING       | 2    |             |      |
|   | 22   | VKW5266-001   | ELEVATOR SPRING | 2    |             |      |
|   | 23   | WDL214025     | WASHER          | 2    |             |      |
|   | 24   | QYSBSF2005Z   | T.SCREW         | 2    |             |      |
|   | 25   | VKS3786-00G   | CLUTCH ASS'Y    | 2    |             |      |
|   | 26   | VKF3205-00B   | F.WHEEL ASSY(R) | 2    |             |      |
|   | 27   | WDL183425     | SLIT WASHER     | 2    |             |      |
|   | 28   | VKF3207-00B   | F.WHEEL ASSY(L) | 2    |             |      |
|   | 29   | WDL173525-6   | SLIT WASHER     | 2    |             |      |
|   | 30   | VKZ3174-00A   | DC SOLENOID     | 2    |             |      |
|   | 31   | LV42764-001A  | CAPSTAN BELT(B) | 2    |             |      |
|   | 32   | MSI-5U2LWA    | D.C.MOTOR ASS'Y | 1    |             |      |
|   | 33   | VKR4761-001   | MOTOR PULLEY    | 1    |             |      |
|   | 34   | QYSPSP2604Z   | SCREW           | 2    |             |      |
|   | 35   | VKM3907-001   | JOINT BRACKET   | 1    |             |      |
|   | 36   | QYSBSF2608Z   | T.SCREW         | 6    |             |      |
|   | 37   | QYSBSF2608Z   | T.SCREW         | 5    | FOR P.W.B.  |      |

# Grease point

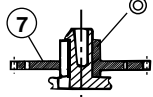
Grease

- ★ =JC-525
- ▲ =UD-24
- △ =LEN-320M
- ◎ =MOBIL-1





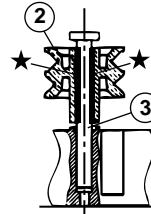
A - A (2/1, 2 places)



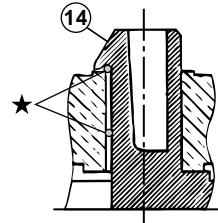
B - B (2/1)



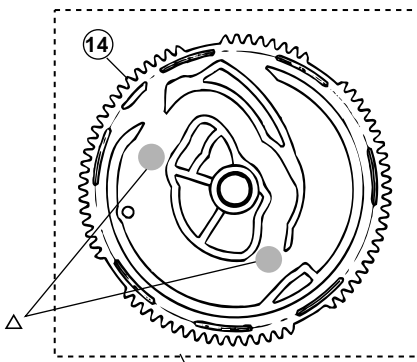
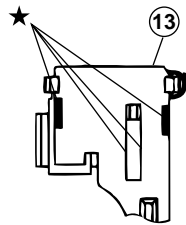
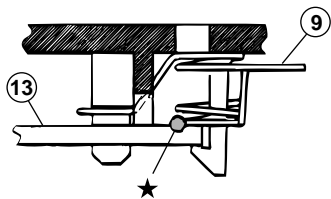
C - C (2/1)



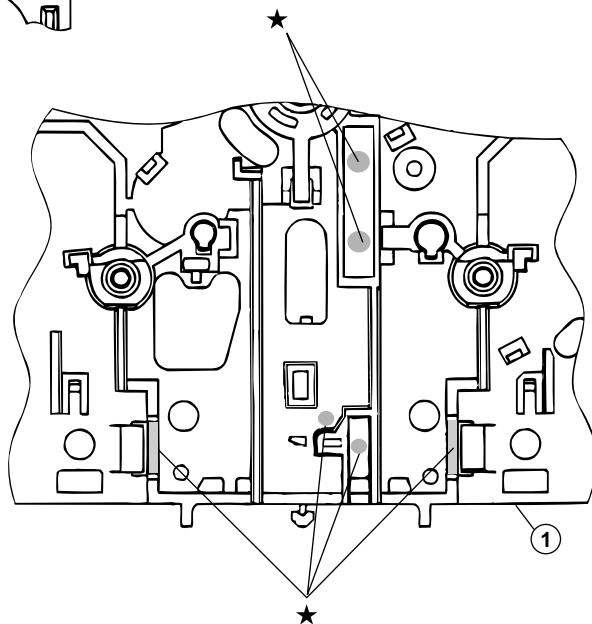
D - D (2/1)



E - E (5/1)



(Dipping)



■ Electrical parts list (Power board)

Block No. 01

| △ | Item  | Parts number   | Parts name   | Remarks         | Area | △ | Item  | Parts number  | Parts name      | Remarks      | Area |
|---|-------|----------------|--------------|-----------------|------|---|-------|---------------|-----------------|--------------|------|
|   | C 201 | QFZ0212-104Z   | MM CAPACITOR | .10MF           |      |   | D 204 | 1N5402M-20    | DIODE           |              |      |
|   | C 202 | QFZ0212-104Z   | MM CAPACITOR | .10MF           |      | △ | D 211 | 1N5402M-20    | DIODE           |              |      |
|   | C 203 | QFZ0212-104Z   | MM CAPACITOR | .10MF           |      | △ | D 212 | 1N5402M-20    | DIODE           |              |      |
|   | C 204 | EETB1XM-478JC  | E CAPACITOR  |                 |      | △ | D 213 | 1N5402M-20    | DIODE           |              |      |
|   | C 205 | EETB1XM-478JC  | E CAPACITOR  |                 |      | △ | D 214 | 1N5402M-20    | DIODE           |              |      |
|   | C 211 | QFLC1HJ-823Z   | M CAPACITOR  | .082MF 5% 50V   |      | △ | D 217 | 1N4003S-T5    | SI DIODE        |              |      |
|   | C 212 | QFLC1HJ-823Z   | M CAPACITOR  | .082MF 5% 50V   |      | △ | D 218 | 1N4003S-T5    | SI DIODE        |              |      |
|   | C 213 | QFLC1HJ-823Z   | M CAPACITOR  | .082MF 5% 50V   |      |   | D 219 | DZ33BSC-T2    | ZENER DIODE     |              |      |
|   | C 214 | EETB1VM-228JC  | E CAPACITOR  |                 |      |   | D 220 | DZ9.1BSB-T2   | ZENER DIODE     |              |      |
|   | C 215 | EETB1VM-228JC  | E CAPACITOR  |                 |      | △ | D 227 | 1N4003S-T5    | SI DIODE        |              |      |
|   | C 216 | QETN1VM-107Z   | E CAPACITOR  | 100MF 20% 35V   |      | △ | D 233 | 2A02-M        | DIODE           |              |      |
|   | C 217 | QETN1JM-476Z   | E CAPACITOR  | 47MF 20% 63V    |      | △ | D 234 | 2A02-M        | DIODE           |              |      |
|   | C 218 | EETC1HM-226ZJC | E CAPACITOR  |                 |      |   | D 280 | DZ2.4BSB-T2   | ZENER DIODE     |              |      |
|   | C 219 | QDYB1CM-103Y   | C CAPACITOR  |                 |      |   | D 369 | DZ10BSC-T2    | ZENER DIODE     |              |      |
|   | C 220 | EETC1HM-476ZJC | E CAPACITOR  |                 |      |   | D 370 | DZ11BSC-T2    | ZENER DIODE     |              |      |
|   | C 221 | EETC1HM-476ZJC | E CAPACITOR  |                 |      |   | D 703 | DZ15BSC-T2    | ZENER DIODE     |              |      |
|   | C 222 | EETC1HM-476ZJC | E CAPACITOR  |                 |      |   | D 704 | DZ15BSC-T2    | ZENER DIODE     |              |      |
|   | C 253 | EETB1EM-688JC  | E CAPACITOR  |                 |      |   | D 719 | 1SS119-041-T2 | SI DIODE        |              |      |
|   | C 280 | EETC1HM-224ZJC | E CAPACITOR  |                 |      |   | D 720 | 1SS119-041-T2 | SI DIODE        |              |      |
|   | C 372 | EETC1HM-226ZJC | E CAPACITOR  |                 |      |   | D 723 | DZ36BSA-T2    | ZENER DIODE     |              |      |
|   | C 373 | QDYB1CM-103Y   | C CAPACITOR  |                 |      |   | D 724 | DZ36BSA-T2    | ZENER DIODE     |              |      |
|   | C 374 | EETC1HM-226ZJC | E CAPACITOR  |                 |      |   | D 726 | 1SS119-041-T2 | SI DIODE        |              |      |
|   | C 683 | QFLC1HJ-823Z   | M CAPACITOR  | .082MF 5% 50V   |      |   | D 728 | 1SS119-041-T2 | SI DIODE        |              |      |
|   | C 703 | QCBB1HK-471Y   | C CAPACITOR  | 470PF 10% 50V   |      |   | D 790 | 1SS119-041-T2 | SI DIODE        |              |      |
|   | C 704 | QCBB1HK-471Y   | C CAPACITOR  | 470PF 10% 50V   |      |   | EP201 | QNZ0136-001Z  | EARTH PLATE     |              |      |
|   | C 705 | QCBB1HK-221Y   | C CAPACITOR  | 220PF 10% 50V   |      |   | EP202 | QNZ0136-001Z  | EARTH PLATE     |              |      |
|   | C 706 | QCBB1HK-221Y   | C CAPACITOR  | 220PF 10% 50V   |      |   | EP710 | GV40327-001A  | IC BOARD HOLDER |              |      |
|   | C 707 | QETN1JM-476Z   | E CAPACITOR  | 47MF 20% 63V    |      |   | FW707 | QUM153-09Z4Z4 | PARA RIBON WIRE |              |      |
|   | C 708 | QETN1JM-476Z   | E CAPACITOR  | 47MF 20% 63V    |      |   | FW901 | QUM027-13DGZ4 | PARA RIBON WIRE |              |      |
|   | C 709 | QCSB1HK-4R7Y   | C CAPACITOR  | 4.7PF 10% 50V   |      | △ | IC701 | STK412-090    | IC              |              |      |
|   | C 710 | QCSB1HK-4R7Y   | C CAPACITOR  | 4.7PF 10% 50V   |      |   | JS901 | QSW0911-001   | ROTARY SWITCH   |              |      |
|   | C 711 | QFZ0212-104Z   | MM CAPACITOR | .10MF           |      |   | L 701 | QQLZ035-R39   | INDUCTOR        |              |      |
|   | C 712 | QFZ0212-104Z   | MM CAPACITOR | .10MF           |      |   | L 702 | QQLZ035-R39   | INDUCTOR        |              |      |
|   | C 713 | QFLC1HJ-473Z   | M CAPACITOR  | .047MF 5% 50V   |      |   | Q 201 | 2SB740/BC-T   | TRANSISTOR      |              |      |
|   | C 714 | QFLC1HJ-473Z   | M CAPACITOR  | .047MF 5% 50V   |      |   | Q 240 | 2SC2785/FE-T  | TRANSISTOR      |              |      |
|   | C 715 | QFLC1HJ-473Z   | M CAPACITOR  | .047MF 5% 50V   |      |   | Q 372 | KTA1023/OY-T  | TRANSISTOR      |              |      |
|   | C 716 | QFLC1HJ-473Z   | M CAPACITOR  | .047MF 5% 50V   |      |   | Q 373 | KRA104M-T     | D.TRANSISTOR    |              |      |
|   | C 721 | QETN1HM-106Z   | E CAPACITOR  | 10MF 20% 50V    |      |   | Q 374 | KRC104M-T     | D.TRANSISTOR    |              |      |
|   | C 722 | QETN1HM-106Z   | E CAPACITOR  | 10MF 20% 50V    |      |   | Q 680 | 2SK301/PQ-T   | FET             |              |      |
|   | C 723 | EETC1AM-107ZJC | E CAPACITOR  |                 |      |   | Q 701 | KTA1268/GL-T  | TRANSISTOR      |              |      |
|   | C 726 | EETC1EM-106ZJC | E CAPACITOR  |                 |      |   | Q 702 | KTA1268/GL-T  | TRANSISTOR      |              |      |
|   | C 729 | EETC1CM-476ZJC | E CAPACITOR  |                 |      |   | Q 710 | 2SA965/OY-T   | TRANSISTOR      |              |      |
|   | C 730 | QCF31HZ-223Z   | C CAPACITOR  | .022MF +80/-20% |      |   | Q 711 | KTC3200/GL-T  | TRANSISTOR      |              |      |
|   | C 731 | QCF31HZ-223Z   | C CAPACITOR  | .022MF +80/-20% |      |   | Q 712 | KTA1268/GL-T  | TRANSISTOR      |              |      |
|   | C 739 | EETC1HM-105ZJC | E CAPACITOR  |                 |      |   | Q 713 | KTC1027/OY-T  | TRANSISTOR      |              |      |
|   | C 790 | EETC1EM-476ZJC | E CAPACITOR  |                 |      |   | Q 726 | 2SC2389S/SE-T | TRANSISTOR      |              |      |
|   | C 901 | QDYB1CM-103Y   | C CAPACITOR  |                 |      |   | Q 727 | KTA1268/GL-T  | TRANSISTOR      |              |      |
|   | C 902 | QDYB1CM-103Y   | C CAPACITOR  |                 |      |   | Q 728 | 2SC2785/FE-T  | TRANSISTOR      |              |      |
|   | CN201 | QGB2510J1-11   | CONNECTOR    |                 |      |   | Q 733 | 2SC3576-JVC-T | TRANSISTOR      |              |      |
|   | CN202 | QGB2510J1-10   | CONNECTOR    |                 |      |   | Q 734 | 2SC3576-JVC-T | TRANSISTOR      |              |      |
|   | CN203 | QGB2510J1-04   | CONNECTOR    |                 |      |   | Q 735 | 2SC3576-JVC-T | TRANSISTOR      |              |      |
|   | CN204 | QGA3901C1-07   | CONNECTOR    |                 |      |   | Q 736 | 2SC3576-JVC-T | TRANSISTOR      |              |      |
|   | CN205 | QGB2510J1-14   | CONNECTOR    |                 |      |   | Q 737 | KRA111M-T     | D.TRANSISTOR    |              |      |
|   | CN206 | QGB2510J1-12   | CONNECTOR    |                 |      |   | Q 790 | 2SC2785/FE-T  | TRANSISTOR      |              |      |
|   | CN207 | QGB2510J1-06   | CONNECTOR    |                 |      |   | Q 791 | 2SC2785/FE-T  | TRANSISTOR      |              |      |
|   | CN215 | QGB2510K2-14   | CONNECTOR    |                 |      |   | Q 792 | KTC3203/OY-T  | TRANSISTOR      |              |      |
|   | CN703 | QGD2504C1-03Z  | SOCKET       |                 |      | △ | R 202 | QRZ9042-2R2X  | F RESISTOR      | 2.2 1/4W     |      |
|   | CN704 | QGD2504C1-03Z  | SOCKET       |                 |      |   | R 203 | QRE141J-752Y  | C RESISTOR      | 7.5K 5% 1/4W |      |
|   | CN705 | QGA2501C1-02   | 2P CONNECTOR |                 |      |   | R 204 | QRE141J-223Y  | C RESISTOR      | 22K 5% 1/4W  |      |
|   | CN706 | QGD2504C1-03Z  | SOCKET       |                 |      |   | R 205 | QRE141J-104Y  | C RESISTOR      | 100K 5% 1/4W |      |
| △ | D 201 | 1N5402M-20     | DIODE        |                 |      |   | R 215 | QRE141J-473Y  | C RESISTOR      | 47K 5% 1/4W  |      |
| △ | D 202 | 1N5402M-20     | DIODE        |                 |      |   | R 216 | QRE141J-473Y  | C RESISTOR      | 47K 5% 1/4W  |      |
| △ | D 203 | 1N5402M-20     | DIODE        |                 |      |   | R 217 | QRE141J-273Y  | C RESISTOR      | 27K 5% 1/4W  |      |

■ Electrical parts list (Power board)

Block No. 01

| △ | Item  | Parts number | Parts name     | Remarks      | Area |
|---|-------|--------------|----------------|--------------|------|
|   | R 218 | QRE141J-273Y | C RESISTOR     | 27K 5% 1/4W  |      |
| △ | R 220 | QRJ146J-151X | UNF C RESISTOR | 150 5% 1/4W  |      |
|   | R 242 | QRE141J-103Y | C RESISTOR     | 10K 5% 1/4W  |      |
| △ | R 246 | QRJ146J-1R0X | UNF C RESISTOR | 1.0 5% 1/4W  |      |
| △ | R 247 | QRJ146J-1R0X | UNF C RESISTOR | 1.0 5% 1/4W  |      |
| △ | R 248 | QRJ146J-1R0X | UNF C RESISTOR | 1.0 5% 1/4W  |      |
| △ | R 249 | QRJ146J-1R0X | UNF C RESISTOR | 1.0 5% 1/4W  |      |
|   | R 281 | QRE141J-823Y | C RESISTOR     | 82K 5% 1/4W  |      |
|   | R 282 | QRE141J-823Y | C RESISTOR     | 82K 5% 1/4W  |      |
|   | R 283 | QRE141J-153Y | C RESISTOR     | 15K 5% 1/4W  |      |
|   | R 284 | QRE141J-473Y | C RESISTOR     | 47K 5% 1/4W  |      |
|   | R 384 | QRE141J-272Y | C RESISTOR     | 2.7K 5% 1/4W |      |
|   | R 385 | QRE141J-562Y | C RESISTOR     | 5.6K 5% 1/4W |      |
|   | R 389 | QRE141J-103Y | C RESISTOR     | 10K 5% 1/4W  |      |
|   | R 680 | QRE141J-105Y | C RESISTOR     | 1.0M 5% 1/4W |      |
|   | R 681 | QRE141J-392Y | C RESISTOR     | 3.9K 5% 1/4W |      |
|   | R 682 | QRE141J-475Y | C RESISTOR     | 4.7M 5% 1/4W |      |
| △ | R 701 | QRJ146J-470X | UNF C RESISTOR | 47 5% 1/4W   |      |
| △ | R 702 | QRJ146J-470X | UNF C RESISTOR | 47 5% 1/4W   |      |
|   | R 703 | QRE141J-563Y | C RESISTOR     | 56K 5% 1/4W  |      |
|   | R 704 | QRE141J-563Y | C RESISTOR     | 56K 5% 1/4W  |      |
| △ | R 705 | QRJ146J-821X | UNF C RESISTOR | 820 5% 1/4W  |      |
| △ | R 706 | QRJ146J-821X | UNF C RESISTOR | 820 5% 1/4W  |      |
|   | R 707 | QRE141J-563Y | C RESISTOR     | 56K 5% 1/4W  |      |
|   | R 708 | QRE141J-563Y | C RESISTOR     | 56K 5% 1/4W  |      |
| △ | R 713 | QRJ146J-100X | UNF C RESISTOR | 10 5% 1/4W   |      |
| △ | R 714 | QRJ146J-100X | UNF C RESISTOR | 10 5% 1/4W   |      |
| △ | R 715 | QRJ146J-100X | UNF C RESISTOR | 10 5% 1/4W   |      |
| △ | R 716 | QRJ146J-100X | UNF C RESISTOR | 10 5% 1/4W   |      |
|   | R 717 | QRE141J-102Y | C RESISTOR     | 1.0K 5% 1/4W |      |
|   | R 718 | QRE141J-102Y | C RESISTOR     | 1.0K 5% 1/4W |      |
|   | R 719 | QRE141J-562Y | C RESISTOR     | 5.6K 5% 1/4W |      |
|   | R 720 | QRE141J-562Y | C RESISTOR     | 5.6K 5% 1/4W |      |
|   | R 721 | QRE141J-103Y | C RESISTOR     | 10K 5% 1/4W  |      |
|   | R 722 | QRE141J-103Y | C RESISTOR     | 10K 5% 1/4W  |      |
|   | R 723 | QRE141J-682Y | C RESISTOR     | 6.8K 5% 1/4W |      |
|   | R 724 | QRE141J-682Y | C RESISTOR     | 6.8K 5% 1/4W |      |
|   | R 725 | QRE141J-823Y | C RESISTOR     | 82K 5% 1/4W  |      |
|   | R 726 | QRE141J-104Y | C RESISTOR     | 100K 5% 1/4W |      |
|   | R 727 | QRE141J-104Y | C RESISTOR     | 100K 5% 1/4W |      |
|   | R 728 | QRE141J-103Y | C RESISTOR     | 10K 5% 1/4W  |      |
|   | R 729 | QRE141J-104Y | C RESISTOR     | 100K 5% 1/4W |      |
|   | R 730 | QRE141J-103Y | C RESISTOR     | 10K 5% 1/4W  |      |
|   | R 733 | QRE141J-472Y | C RESISTOR     | 4.7K 5% 1/4W |      |
|   | R 734 | QRE141J-472Y | C RESISTOR     | 4.7K 5% 1/4W |      |
|   | R 735 | QRE141J-472Y | C RESISTOR     | 4.7K 5% 1/4W |      |
|   | R 736 | QRE141J-472Y | C RESISTOR     | 4.7K 5% 1/4W |      |
| △ | R 739 | QRL01DJ-821X | OMF RESISTOR   | 820 5% 1W    |      |
| △ | R 740 | QRL01DJ-821X | OMF RESISTOR   | 820 5% 1W    |      |
|   | R 741 | QRE141J-682Y | C RESISTOR     | 6.8K 5% 1/4W |      |
|   | R 742 | QRE141J-682Y | C RESISTOR     | 6.8K 5% 1/4W |      |
|   | R 753 | QRZ0197-R22  | C RESISTOR     | 1W           |      |
|   | R 754 | QRZ0197-R22  | C RESISTOR     | 1W           |      |
|   | R 761 | QRE141J-102Y | C RESISTOR     | 1.0K 5% 1/4W |      |
|   | R 762 | QRE141J-102Y | C RESISTOR     | 1.0K 5% 1/4W |      |
|   | R 766 | QRE141J-333Y | C RESISTOR     | 33K 5% 1/4W  |      |
|   | R 768 | QRE141J-104Y | C RESISTOR     | 100K 5% 1/4W |      |
|   | R 769 | QRE141J-222Y | C RESISTOR     | 2.2K 5% 1/4W |      |
| △ | R 774 | QRJ146J-100X | UNF.C.RESISTOR | 10 5% 1/4W   |      |
|   | R 775 | QRE141J-102Y | C RESISTOR     | 1.0K 5% 1/4W |      |
|   | R 776 | QRE141J-102Y | C RESISTOR     | 1.0K 5% 1/4W |      |
|   | R 777 | QRE141J-103Y | C RESISTOR     | 10K 5% 1/4W  |      |
|   | R 778 | QRE141J-103Y | C RESISTOR     | 10K 5% 1/4W  |      |

| △ | Item  | Parts number | Parts name     | Remarks      | Area |
|---|-------|--------------|----------------|--------------|------|
|   | R 786 | QRE141J-103Y | C RESISTOR     | 10K 5% 1/4W  |      |
|   | R 787 | QRE141J-103Y | C RESISTOR     | 10K 5% 1/4W  |      |
|   | R 790 | QRE141J-103Y | C RESISTOR     | 10K 5% 1/4W  |      |
|   | R 792 | QRE141J-102Y | C RESISTOR     | 1.0K 5% 1/4W |      |
|   | R 793 | QRE141J-104Y | C RESISTOR     | 100K 5% 1/4W |      |
|   | R 794 | QRE141J-103Y | C RESISTOR     | 10K 5% 1/4W  |      |
|   | R 795 | QRE141J-103Y | C RESISTOR     | 10K 5% 1/4W  |      |
| △ | R 796 | QRE141J-682Y | C RESISTOR     | 6.8K 5% 1/4W |      |
|   | R 797 | QRE141J-203Y | C RESISTOR     | 20K 5% 1/4W  |      |
| △ | R 798 | QRJ146J-100X | UNF C RESISTOR | 10 5% 1/4W   |      |
|   | R 908 | QRE141J-562Y | C RESISTOR     | 5.6K 5% 1/4W |      |
|   | S 901 | QSW0825-001Z | TACT SWITCH    |              |      |
|   | S 902 | QSW0825-001Z | TACT SWITCH    |              |      |

■ Electrical parts list (Input board)

Block No. 02

| △ | Item  | Parts number   | Parts name   | Remarks        | Area | △ | Item  | Parts number   | Parts name      | Remarks         | Area |
|---|-------|----------------|--------------|----------------|------|---|-------|----------------|-----------------|-----------------|------|
|   | C 001 | QDGB1HK-102Y   | C CAPACITOR  |                |      |   | C 589 | QFLC1HJ-153Z   | M CAPACITOR     | .015MF 5% 50V   |      |
|   | C 002 | QFVH1HJ-104    | MF CAPACITOR | .10MF 5% 50V   |      |   | C 593 | FQCS31HJ-470Z  | C CAPACITOR     |                 |      |
|   | C 401 | QCBB1HK-221Y   | C CAPACITOR  | 220PF 10% 50V  |      |   | C 594 | QETN1AM-477Z   | E CAPACITOR     | 470MF 20% 10V   |      |
|   | C 402 | QCBB1HK-221Y   | C CAPACITOR  | 220PF 10% 50V  |      |   | C 596 | QDYB1CM-103Y   | C CAPACITOR     |                 |      |
|   | C 403 | FQCF31HP-103Z  | C CAPACITOR  |                |      |   | C 599 | QETN0JM-108Z   | E CAPACITOR     | 1000MF 20% 6.3V |      |
|   | C 404 | QETN1CM-476Z   | E CAPACITOR  | 47MF 20% 16V   |      |   | C 777 | QTE1C06-476Z   | E CAPACITOR     |                 |      |
|   | C 419 | QDXB1CM-222Y   | C CAPACITOR  |                |      |   | C 980 | QDVB1EZ-223Y   | C CAPACITOR     |                 |      |
|   | C 426 | QDVB1EZ-223Y   | C CAPACITOR  |                |      |   | C 981 | QCZ0202-155Z   | ML CC CAPACITOR | 1.5MF           |      |
|   | C 427 | EETC1EM-106ZJC | E CAPACITOR  |                |      |   | C 995 | EETC1AM-107ZJC | E CAPACITOR     |                 |      |
|   | C 433 | FQCF31HP-103Z  | C CAPACITOR  |                |      |   | C 998 | QDYB1CM-822Y   | C CAPACITOR     |                 |      |
|   | C 436 | QETN1CM-477Z   | E CAPACITOR  | 470MF 20% 16V  |      |   | C 999 | QDYB1CM-822Y   | C CAPACITOR     |                 |      |
|   | C 437 | EETC1EM-106ZJC | E CAPACITOR  |                |      |   | CN 11 | QGF1205F1-09   | CONNECTOR       |                 |      |
|   | C 438 | QDYB1CM-103Y   | C CAPACITOR  |                |      |   | CN208 | WJK0114-002A   | E-SI C WIRE C-B |                 |      |
|   | C 439 | QETN1EM-106Z   | E CAPACITOR  | 10MF 20% 25V   |      |   | CN209 | WJK0071-002A   | CONN.WIRE ASSY  |                 |      |
|   | C 440 | QETN1EM-106Z   | E CAPACITOR  | 10MF 20% 25V   |      |   | CN211 | QGB2510K2-11   | CONNECTOR       |                 |      |
|   | C 441 | QTE1V06-106Z   | E CAPACITOR  |                |      |   | CN212 | QGB2510K2-10   | CONNECTOR       |                 |      |
|   | C 442 | QTE1V06-106Z   | E CAPACITOR  |                |      |   | CN213 | QGB2510K2-04   | CONNECTOR       |                 |      |
|   | C 443 | EETC1HM-225ZJC | E CAPACITOR  |                |      |   | CN214 | QJK015-071214  | CONN.WIRE ASSY  |                 |      |
|   | C 444 | EETC1HM-225ZJC | E CAPACITOR  |                |      |   | CN218 | QGA7901F1-03   | CONNECTOR       |                 |      |
|   | C 445 | QETN1EM-106Z   | E CAPACITOR  | 10MF 20% 25V   |      |   | CN219 | QGA7901C1-04   | CONNECTOR       |                 |      |
|   | C 446 | QETN1EM-106Z   | E CAPACITOR  | 10MF 20% 25V   |      |   | CN220 | QGD2504C1-03Z  | SOCKET          |                 |      |
|   | C 447 | QETN1CM-106Z   | E CAPACITOR  | 10MF 20% 16V   |      | △ | CN250 | QGA7901C1-02   | CONNECTOR       |                 |      |
|   | C 448 | QETN1CM-106Z   | E CAPACITOR  | 10MF 20% 16V   |      |   | CN315 | QGF1205C1-10   | CONNECTOR       |                 |      |
|   | C 449 | QETN1HM-225Z   | E CAPACITOR  | 2.2MF 20% 50V  |      |   | CN504 | QGF1016F3-15   | CONNECTOR       |                 |      |
|   | C 450 | QETN1HM-225Z   | E CAPACITOR  | 2.2MF 20% 50V  |      |   | CN661 | QGF1016F3-19   | CONNECTOR       |                 |      |
|   | C 453 | QFVF1HJ-154Z   | MF CAPACITOR | .15MF 5% 50V   |      |   | CN870 | QGF1205C1-17   | CONNECTOR       |                 |      |
|   | C 454 | QFVF1HJ-154Z   | MF CAPACITOR | .15MF 5% 50V   |      |   | CN871 | QGF1205C1-17   | CONNECTOR       |                 |      |
|   | C 455 | QFVJ1HJ-274Z   | MF CAPACITOR | .27MF 5% 50V   |      |   | C1201 | QETN1AM-227Z   | E CAPACITOR     | 220MF 20% 10V   |      |
|   | C 456 | QFVJ1HJ-274Z   | MF CAPACITOR | .27MF 5% 50V   |      |   | C1202 | QFLC1HJ-823Z   | M CAPACITOR     | .082MF 5% 50V   |      |
|   | C 457 | QFLC1HJ-223Z   | M CAPACITOR  | .022MF 5% 50V  |      |   | C1228 | EETC1AM-107ZJC | E CAPACITOR     |                 |      |
|   | C 458 | QFLC1HJ-223Z   | M CAPACITOR  | .022MF 5% 50V  |      |   | D 411 | 1SS119-041-T2  | SI DIODE        |                 |      |
|   | C 459 | QFLC1HJ-183Z   | M CAPACITOR  | .018MF 5% 50V  |      |   | D 412 | 1SS119-041-T2  | SI DIODE        |                 |      |
|   | C 460 | QFLC1HJ-183Z   | M CAPACITOR  | .018MF 5% 50V  |      |   | D 426 | DZ5.1BSB-T2    | ZENER DIODE     |                 |      |
|   | C 461 | QFG32AJ-682Z   | PP CAPACITOR | 6800PF 5% 100V |      |   | D 431 | DZ3.9BSB-T2    | ZENER DIODE     |                 |      |
|   | C 462 | QFG32AJ-682Z   | PP CAPACITOR | 6800PF 5% 100V |      |   | D 432 | DZ3.9BSB-T2    | ZENER DIODE     |                 |      |
|   | C 466 | QETN1HM-475Z   | E CAPACITOR  | 4.7MF 20% 50V  |      |   | D 434 | DZ5.1BSB-T2    | ZENER DIODE     |                 |      |
|   | C 467 | QETN1HM-225Z   | E CAPACITOR  | 2.2MF 20% 50V  |      |   | D 572 | 1SS119-041-T2  | SI DIODE        |                 |      |
|   | C 468 | QETN1CM-477Z   | E CAPACITOR  | 470MF 20% 16V  |      |   | D 585 | 1SS119-041-T2  | SI DIODE        |                 |      |
|   | C 469 | QFLC1HJ-683Z   | M CAPACITOR  | .068MF 5% 50V  |      |   | D 586 | DZ6.8BSC-T2    | ZENER DIODE     |                 |      |
|   | C 470 | QFVJ1HJ-274Z   | MF CAPACITOR | .27MF 5% 50V   |      |   | D 587 | DZ6.8BSC-T2    | ZENER DIODE     |                 |      |
|   | C 471 | QETN1EM-106Z   | E CAPACITOR  | 10MF 20% 25V   |      |   | D 592 | 1SS119-041-T2  | SI DIODE        |                 |      |
|   | C 472 | QETN1EM-106Z   | E CAPACITOR  | 10MF 20% 25V   |      |   | EP250 | E409182-001SM  | GRAND TERMINAL  |                 |      |
|   | C 473 | QETN1EM-106Z   | E CAPACITOR  | 10MF 20% 25V   |      |   | FT111 | QNG0020-001Z   | FUSE CLIP       |                 |      |
|   | C 474 | QETN1EM-106Z   | E CAPACITOR  | 10MF 20% 25V   |      |   | FT112 | QNG0020-001Z   | FUSE CLIP       |                 |      |
|   | C 475 | EETC1HM-105ZJC | E CAPACITOR  |                |      |   | FT131 | QNG0020-001Z   | FUSE CLIP       |                 |      |
|   | C 476 | QFLC1HJ-682Z   | M CAPACITOR  | 6800PF 5% 50V  |      |   | FT132 | QNG0020-001Z   | FUSE CLIP       |                 |      |
|   | C 488 | EETC1HM-105ZJC | E CAPACITOR  |                |      |   | FT511 | QNG0020-001Z   | FUSE CLIP       |                 |      |
|   | C 501 | QUY150-050Y    | BUS WIRE     |                |      |   | FT512 | QNG0020-001Z   | FUSE CLIP       |                 |      |
|   | C 502 | QUY150-050Y    | BUS WIRE     |                |      |   | FT521 | QNG0020-001Z   | FUSE CLIP       |                 |      |
|   | C 526 | QETN1CM-477Z   | E CAPACITOR  | 470MF 20% 16V  |      |   | FT522 | QNG0020-001Z   | FUSE CLIP       |                 |      |
|   | C 527 | QFLC1HJ-104Z   | M CAPACITOR  | .10MF 5% 50V   |      |   | FW401 | QUM155-09Z4Z4  | PARA RIBON WIRE |                 |      |
|   | C 528 | QFLC1HJ-104Z   | M CAPACITOR  | .10MF 5% 50V   |      |   | FW710 | QUM153-09DGZ4  | FLAT WIRE       |                 |      |
|   | C 530 | QFLC1HJ-104Z   | M CAPACITOR  | .10MF 5% 50V   |      |   | FW714 | QUM156-18DGZ4  | PARA RIBON WIRE |                 |      |
|   | C 531 | QFLC1HJ-104Z   | M CAPACITOR  | .10MF 5% 50V   |      |   | IC436 | TDA7439        | IC              |                 |      |
|   | C 532 | QTE1C06-476Z   | E CAPACITOR  |                |      |   | IC466 | BA3837         | IC(VOCALFADER)  |                 |      |
|   | C 535 | EETC1AM-107ZJC | E CAPACITOR  |                |      |   | IC526 | NJM4580D       | IC              |                 |      |
|   | C 571 | QETN1HM-475Z   | E CAPACITOR  | 4.7MF 20% 50V  |      |   | J 411 | QNN0420-001    | PIN JACK        |                 |      |
|   | C 575 | QFVJ1HJ-184Z   | MF CAPACITOR | .18MF 5% 50V   |      |   | J 426 | GP1FA550TZ     | OPT TRANSMITTER |                 |      |
|   | C 578 | EETC1HM-105ZJC | E CAPACITOR  |                |      |   | J 999 | QNN0420-001    | PIN JACK        |                 |      |
|   | C 585 | EETC1HM-105ZJC | E CAPACITOR  |                |      |   | JA566 | QNN0017-002    | PIN JACK        |                 |      |
|   | C 586 | QDXB1CM-182Y   | C CAPACITOR  |                |      |   | L 001 | QQR1277-001Z   | F.BEADS         |                 |      |
|   | C 587 | QCSB1HJ-330Y   | C CAPACITOR  | 33PF 5% 50V    |      |   | L 546 | QQR1277-001Z   | F.BEADS         |                 |      |
|   | C 588 | QDGB1HK-681Y   | C CAPACITOR  |                |      |   | L 566 | QQR1277-001Z   | F.BEADS         |                 |      |

■ Electrical parts list (Input board)

Block No. 02

| △ | Item  | Parts number  | Parts name     | Remarks      | Area | △ | Item    | Parts number | Parts name     | Remarks      | Area |
|---|-------|---------------|----------------|--------------|------|---|---------|--------------|----------------|--------------|------|
|   | L 567 | QQR1277-001Z  | F.BEADS        |              |      |   | R 534   | QRE141J-204Y | C RESISTOR     | 200K 5% 1/4W |      |
|   | L 571 | QQR1277-001Z  | F.BEADS        |              |      |   | R 536   | QRE141J-682Y | C RESISTOR     | 6.8K 5% 1/4W |      |
|   | Q 401 | 2SC3576-JVC-T | TRANSISTOR     |              |      |   | R 537   | QRE141J-101Y | C RESISTOR     | 100 5% 1/4W  |      |
|   | Q 402 | 2SC3576-JVC-T | TRANSISTOR     |              |      |   | R 541   | QRE141J-204Y | C RESISTOR     | 200K 5% 1/4W |      |
|   | Q 481 | 2SC3576-JVC-T | TRANSISTOR     |              |      |   | R 557   | QRE141J-243Y | C RESISTOR     | 24K 5% 1/4W  |      |
|   | Q 482 | 2SC3576-JVC-T | TRANSISTOR     |              |      |   | R 558   | QRE141J-153Y | C RESISTOR     | 15K 5% 1/4W  |      |
|   | Q 483 | KRA102M-T     | D.TRANSISTOR   |              |      |   | R 563   | QRE141J-223Y | C RESISTOR     | 22K 5% 1/4W  |      |
|   | Q 556 | 2SC3576-JVC-T | TRANSISTOR     |              |      |   | R 564   | QRE141J-223Y | C RESISTOR     | 22K 5% 1/4W  |      |
|   | Q 557 | 2SC3576-JVC-T | TRANSISTOR     |              |      |   | R 571   | QRE141J-302Y | C RESISTOR     | 3.0K 5% 1/4W |      |
|   | Q 571 | 2SC2785/FE/-T | TRANSISTOR     |              |      |   | R 572   | QRE141J-222Y | C RESISTOR     | 2.2K 5% 1/4W |      |
|   | Q 572 | 2SC2785/FE/-T | TRANSISTOR     |              |      |   | R 577   | QRE141J-274Y | C RESISTOR     | 270K 5% 1/4W |      |
|   | Q 573 | 2SC2785/FE/-T | TRANSISTOR     |              |      |   | R 581   | QRE141J-224Y | C RESISTOR     | 220K 5% 1/4W |      |
|   | Q 585 | 2SC2785/FE/-T | TRANSISTOR     |              |      |   | R 582   | QRE141J-101Y | C RESISTOR     | 100 5% 1/4W  |      |
|   | Q 586 | 2SC2785/FE/-T | TRANSISTOR     |              |      |   | R 583   | QRE141J-101Y | C RESISTOR     | 100 5% 1/4W  |      |
|   | Q 884 | 2SC2785/FE/-T | TRANSISTOR     |              |      |   | R 585   | QRE141J-473Y | C RESISTOR     | 47K 5% 1/4W  |      |
|   | Q 885 | 2SC3576-JVC-T | TRANSISTOR     |              |      |   | R 586   | QRE141J-225Y | C RESISTOR     | 2.2M 5% 1/4W |      |
|   | Q 886 | 2SC3576-JVC-T | TRANSISTOR     |              |      |   | R 587   | QRE141J-104Y | C RESISTOR     | 100K 5% 1/4W |      |
|   | Q 887 | 2SC2785/FE/-T | TRANSISTOR     |              |      |   | R 588   | QRE141J-220Y | C RESISTOR     | 22 5% 1/4W   |      |
|   | Q 888 | 2SC2785/FE/-T | TRANSISTOR     |              |      |   | R 593   | QRE141J-104Y | C RESISTOR     | 100K 5% 1/4W |      |
|   | Q 999 | KRA102M-T     | D.TRANSISTOR   |              |      |   | R 771   | QRE141J-223Y | C RESISTOR     | 22K 5% 1/4W  |      |
|   | R 401 | QRE141J-102Y  | C RESISTOR     | 1.0K 5% 1/4W |      |   | R 772   | QRE141J-101Y | C RESISTOR     | 100 5% 1/4W  |      |
|   | R 402 | QRE141J-102Y  | C RESISTOR     | 1.0K 5% 1/4W |      |   | R 773   | QRE141J-101Y | C RESISTOR     | 100 5% 1/4W  |      |
|   | R 403 | QRE141J-472Y  | C RESISTOR     | 4.7K 5% 1/4W |      |   | △ R 774 | QRE141J-223Y | C RESISTOR     | 22K 5% 1/4W  |      |
|   | R 404 | QRE141J-472Y  | C RESISTOR     | 4.7K 5% 1/4W |      |   | R 775   | QRE141J-222Y | C RESISTOR     | 2.2K 5% 1/4W |      |
|   | R 405 | QRE141J-222Y  | C RESISTOR     | 2.2K 5% 1/4W |      |   | R 885   | QRE141J-243Y | C RESISTOR     | 24K 5% 1/4W  |      |
|   | R 406 | QRE141J-222Y  | C RESISTOR     | 2.2K 5% 1/4W |      |   | R 991   | QRE141J-102Y | C RESISTOR     | 1.0K 5% 1/4W |      |
|   | R 407 | QRE141J-272Y  | C RESISTOR     | 2.7K 5% 1/4W |      |   | R 994   | QRE141J-103Y | C RESISTOR     | 10K 5% 1/4W  |      |
|   | R 411 | QRE141J-203Y  | C RESISTOR     | 20K 5% 1/4W  |      |   | R 995   | QRE141J-333Y | C RESISTOR     | 33K 5% 1/4W  |      |
|   | R 412 | QRE141J-203Y  | C RESISTOR     | 20K 5% 1/4W  |      |   | R 997   | QRE141J-103Y | C RESISTOR     | 10K 5% 1/4W  |      |
|   | R 413 | QRE141J-433Y  | C RESISTOR     | 43K 5% 1/4W  |      |   | R 998   | QRE141J-103Y | C RESISTOR     | 10K 5% 1/4W  |      |
|   | R 414 | QRE141J-433Y  | C RESISTOR     | 43K 5% 1/4W  |      |   | R1000   | QRE141J-102Y | C RESISTOR     | 1.0K 5% 1/4W |      |
|   | R 426 | QRE141J-560Y  | C RESISTOR     | 56 5% 1/4W   |      |   | R1001   | QRE141J-102Y | C RESISTOR     | 1.0K 5% 1/4W |      |
|   | R 431 | QRE141J-303Y  | C RESISTOR     | 30K 5% 1/4W  |      |   | △ R1002 | ERX12SJR33E  | UNF.C.RESISTOR |              |      |
|   | R 432 | QRE141J-303Y  | C RESISTOR     | 30K 5% 1/4W  |      |   | R1202   | QRE141J-102Y | C RESISTOR     | 1.0K 5% 1/4W |      |
| △ | R 434 | QRJ146J-4R7X  | UNF C RESISTOR | 4.7 5% 1/4W  |      |   | R1203   | QRE141J-102Y | C RESISTOR     | 1.0K 5% 1/4W |      |
|   | R 435 | QRE141J-103Y  | C RESISTOR     | 10K 5% 1/4W  |      |   | △ S 500 | QSW0812-001  | VOLTAGE SWITCH |              |      |
|   | R 436 | QRE141J-103Y  | C RESISTOR     | 10K 5% 1/4W  |      |   | SP 21   | VYSA1R3-049  | SPACER         |              |      |
|   | R 437 | QRE141J-102Y  | C RESISTOR     | 1.0K 5% 1/4W |      |   | SP 22   | VYSA1R3-049  | SPACER         |              |      |
|   | R 438 | QRE141J-272Y  | C RESISTOR     | 2.7K 5% 1/4W |      |   | SP 23   | VYSA1R3-049  | SPACER         |              |      |
|   | R 439 | QRE141J-562Y  | C RESISTOR     | 5.6K 5% 1/4W |      |   |         |              |                |              |      |
|   | R 440 | QRE141J-562Y  | C RESISTOR     | 5.6K 5% 1/4W |      |   |         |              |                |              |      |
|   | R 441 | QRE141J-272Y  | C RESISTOR     | 2.7K 5% 1/4W |      |   |         |              |                |              |      |
|   | R 442 | QRE141J-103Y  | C RESISTOR     | 10K 5% 1/4W  |      |   |         |              |                |              |      |
|   | R 443 | QRE141J-104Y  | C RESISTOR     | 100K 5% 1/4W |      |   |         |              |                |              |      |
|   | R 444 | QRE141J-104Y  | C RESISTOR     | 100K 5% 1/4W |      |   |         |              |                |              |      |
|   | R 466 | QRE141J-201Y  | C RESISTOR     | 200 5% 1/4W  |      |   |         |              |                |              |      |
|   | R 467 | QRE141J-203Y  | C RESISTOR     | 20K 5% 1/4W  |      |   |         |              |                |              |      |
|   | R 468 | QRE141J-203Y  | C RESISTOR     | 20K 5% 1/4W  |      |   |         |              |                |              |      |
|   | R 469 | QRE141J-562Y  | C RESISTOR     | 5.6K 5% 1/4W |      |   |         |              |                |              |      |
|   | R 470 | QRE141J-562Y  | C RESISTOR     | 5.6K 5% 1/4W |      |   |         |              |                |              |      |
|   | R 471 | QRE141J-223Y  | C RESISTOR     | 22K 5% 1/4W  |      |   |         |              |                |              |      |
|   | R 472 | QRE141J-102Y  | C RESISTOR     | 1.0K 5% 1/4W |      |   |         |              |                |              |      |
|   | R 473 | QRE141J-153Y  | C RESISTOR     | 15K 5% 1/4W  |      |   |         |              |                |              |      |
|   | R 474 | QRE141J-513Y  | C RESISTOR     | 51K 5% 1/4W  |      |   |         |              |                |              |      |
|   | R 475 | QRE141J-101Y  | C RESISTOR     | 100 5% 1/4W  |      |   |         |              |                |              |      |
|   | R 493 | QRE141J-102Y  | C RESISTOR     | 1.0K 5% 1/4W |      |   |         |              |                |              |      |
|   | R 494 | QRE141J-102Y  | C RESISTOR     | 1.0K 5% 1/4W |      |   |         |              |                |              |      |
|   | R 496 | QRE141J-102Y  | C RESISTOR     | 1.0K 5% 1/4W |      |   |         |              |                |              |      |
|   | R 526 | QRE141J-101Y  | C RESISTOR     | 100 5% 1/4W  |      |   |         |              |                |              |      |
|   | R 528 | QRE141J-102Y  | C RESISTOR     | 1.0K 5% 1/4W |      |   |         |              |                |              |      |
|   | R 529 | QRE141J-102Y  | C RESISTOR     | 1.0K 5% 1/4W |      |   |         |              |                |              |      |
|   | R 530 | QRE141J-222Y  | C RESISTOR     | 2.2K 5% 1/4W |      |   |         |              |                |              |      |
|   | R 532 | QRE141J-223Y  | C RESISTOR     | 22K 5% 1/4W  |      |   |         |              |                |              |      |

■ Electrical parts list (Front board)

Block No. 03

| △ | Item  | Parts number   | Parts name     | Remarks        | Area | △ | Item  | Parts number   | Parts name      | Remarks       | Area |
|---|-------|----------------|----------------|----------------|------|---|-------|----------------|-----------------|---------------|------|
|   | C 233 | QFVJ1HJ-104Z   | MF CAPACITOR   | .10MF 5% 50V   |      |   | C1045 | QETN1HM-225Z   | E CAPACITOR     | 2.2MF 20% 50V |      |
|   | C 302 | EETC1HM-106ZJC | E CAPACITOR    |                |      |   | C1046 | EETC1HM-105ZJC | E CAPACITOR     |               |      |
|   | C 308 | EETC1HM-106ZJC | E CAPACITOR    |                |      |   | C1061 | QETN1AM-227Z   | E CAPACITOR     | 220MF 20% 10V |      |
|   | C 310 | EETC1HM-106ZJC | E CAPACITOR    |                |      |   | C1062 | EEKC1AM-107ZJC | E CAPACITOR     |               |      |
|   | C 312 | EETC1HM-106ZJC | E CAPACITOR    |                |      |   | C1063 | EEKC1HM-475ZJC | E CAPACITOR     |               |      |
|   | C 360 | EETC1CM-476ZJC | E CAPACITOR    |                |      |   | C1064 | QCBB1HK-151Y   | C CAPACITOR     | 150PF 10% 50V |      |
|   | C 361 | QDYB1CM-103Y   | C CAPACITOR    |                |      |   | C1065 | QCBB1HK-151Y   | C CAPACITOR     | 150PF 10% 50V |      |
|   | C 362 | EETC1HM-226ZJC | E CAPACITOR    |                |      |   | C1066 | QCBB1HK-331Y   | C CAPACITOR     | 330PF 10% 50V |      |
|   | C 801 | FQCF31HP-103Z  | C CAPACITOR    |                |      |   | C1067 | QEK1HM-225Z    | E CAPACITOR     | 2.2MF 20% 50V |      |
|   | C 803 | QETN0JM-477Z   | E CAPACITOR    | 470MF 20% 6.3V |      |   | C1068 | QEK1HM-224Z    | E CAPACITOR     | .22MF 20% 50V |      |
|   | C 804 | QETN0JM-477Z   | E CAPACITOR    | 470MF 20% 6.3V |      |   | C1070 | QDXB1CM-222Y   | C CAPACITOR     |               |      |
|   | C 805 | QDGB1HK-102Y   | C CAPACITOR    |                |      |   | D 308 | DZ5.6BSC-T2    | ZENER DIODE     |               |      |
|   | C 808 | QCSB1HJ-120Y   | C CAPACITOR    | 12PF 5% 50V    |      |   | D 313 | DZ8.2BSB-T2    | ZENER DIODE     |               |      |
|   | C 809 | QCSB1HJ-180Y   | C CAPACITOR    | 18PF 5% 50V    |      |   | D 314 | DZ13BSB-T2     | ZENER DIODE     |               |      |
|   | C 815 | EETC1HM-226ZJC | E CAPACITOR    |                |      |   | D 315 | DZ9.1BSB-T2    | ZENER DIODE     |               |      |
|   | C 816 | EETC1CM-476ZJC | E CAPACITOR    |                |      |   | D 360 | DZ5.1BSB-T2    | ZENER DIODE     |               |      |
|   | C 817 | EETC1HM-226ZJC | E CAPACITOR    |                |      |   | D 361 | DZ9.1BSB-T2    | ZENER DIODE     |               |      |
|   | C 820 | QCZ0202-155Z   | ML C CAPACITOR | 1.5MF          |      |   | D 362 | DZ6.8BSC-T2    | ZENER DIODE     |               |      |
|   | C 821 | QDYB1CM-103Y   | C CAPACITOR    |                |      |   | D 725 | 1SS119-041-T2  | SI DIODE        |               |      |
|   | C 823 | QFVJ1HJ-334Z   | MF CAPACITOR   | .33MF 5% 50V   |      |   | D 801 | 1N4003S-T5     | SI DIODE        |               |      |
|   | C 831 | QDYB1CM-103Y   | C CAPACITOR    |                |      |   | D 803 | 1SS119-041-T2  | SI DIODE        |               |      |
|   | C 832 | QDYB1CM-103Y   | C CAPACITOR    |                |      |   | D 804 | 1SS119-041-T2  | SI DIODE        |               |      |
|   | C 835 | QDGB1HK-102Y   | C CAPACITOR    |                |      |   | D 805 | 1SS119-041-T2  | SI DIODE        |               |      |
|   | C 836 | EETC1EM-106ZJC | E CAPACITOR    |                |      |   | D 807 | 1N4003S-T5     | SI DIODE        |               |      |
|   | C 837 | EETC1AM-107ZJC | E CAPACITOR    |                |      |   | D 812 | 1SS119-041-T2  | SI DIODE        |               |      |
|   | C 838 | QDGB1HK-102Y   | C CAPACITOR    |                |      |   | D 831 | DZ5.1BSB-T2    | ZENER DIODE     |               |      |
|   | C 840 | EETC1AM-107ZJC | E CAPACITOR    |                |      |   | D 832 | DZ5.1BSB-T2    | ZENER DIODE     |               |      |
|   | C 862 | EETC1HM-226ZJC | E CAPACITOR    |                |      |   | D 860 | 1SS119-041-T2  | SI DIODE        |               |      |
|   | C 872 | EETC1HM-224ZJC | E CAPACITOR    |                |      |   | D 907 | 1SS119-041-T2  | SI DIODE        |               |      |
|   | C 889 | EETC1HM-475ZJC | E CAPACITOR    |                |      |   | D 918 | L-192ZSRD-T    | LED             |               |      |
|   | C 935 | QDYB1CM-103Y   | C CAPACITOR    |                |      |   | D 919 | L-192ZSRD-T    | LED             |               |      |
|   | C 956 | QDYB1CM-103Y   | C CAPACITOR    |                |      |   | D 920 | L-192ZSRD-T    | LED             |               |      |
|   | C 957 | QDYB1CM-103Y   | C CAPACITOR    |                |      |   | D 940 | L-192ZSRD-T    | LED             |               |      |
|   | C 960 | QDYB1CM-103Y   | C CAPACITOR    |                |      |   | D 941 | L-192ZSRD-T    | LED             |               |      |
|   | C 961 | QDYB1CM-103Y   | C CAPACITOR    |                |      |   | D 942 | L-192ZSRD-T    | LED             |               |      |
|   | C 962 | QDYB1CM-103Y   | C CAPACITOR    |                |      |   | D 943 | L-192ZSRD-T    | LED             |               |      |
|   | C 963 | QDYB1CM-103Y   | C CAPACITOR    |                |      |   | D 944 | L-192ZSRD-T    | LED             |               |      |
|   | CN216 | QGB2510K2-12   | CONNECTOR      |                |      |   | D 945 | L-192ZSRD-T    | LED             |               |      |
|   | CN217 | QGB2510K2-06   | CONNECTOR      |                |      |   | D 953 | L-192ZSRD-T    | LED             |               |      |
|   | CN316 | QGF1210G1-09   | CONNECTOR      |                |      |   | D 954 | L-192ZSRD-T    | LED             |               |      |
|   | CN710 | QGD2504C1-03Z  | SOCKET         |                |      |   | D 962 | L-192ZSRD-T    | LED             |               |      |
|   | CN860 | QGF1205F1-17   | CONNECTOR      |                |      |   | D 964 | 1SS119-041-T2  | SI DIODE        |               |      |
|   | CN861 | QGF1205F1-17   | CONNECTOR      |                |      |   | D1003 | DZ2.4BSB-T2    | ZENER DIODE     |               |      |
|   | CN880 | QGF1210G1-24   | FFC/FPC CONNE  |                |      |   | D1021 | DZ5.1BSB-T2    | ZENER DIODE     |               |      |
|   | CN890 | QGF1205F1-24   | CONNECTOR      |                |      |   | D1061 | 1SS119-041-T2  | SI DIODE        |               |      |
|   | CN911 | QGD2503F1-07   | SOCKET         |                |      |   | D1062 | DZ2.4BSB-T2    | ZENER DIODE     |               |      |
|   | C1004 | QDGB1HK-102Y   | C CAPACITOR    |                |      |   | FL801 | QLF0081-001    | FL DISPLAY TUBE |               |      |
|   | C1005 | QDGB1HK-102Y   | C CAPACITOR    |                |      |   | FW230 | QUM153-11DGZ4  | PARA RIBON WIRE |               |      |
|   | C1006 | QDGB1HK-102Y   | C CAPACITOR    |                |      |   | FW713 | QUM153-33DGZ4  | FLAT WIRE       |               |      |
|   | C1021 | QDGB1HK-102Y   | C CAPACITOR    |                |      |   | FW915 | QUM027-18Z4Z4  | PARA RIBON WIRE |               |      |
|   | C1022 | QDGB1HK-102Y   | C CAPACITOR    |                |      | △ | IC301 | KIA78R05PI     | +5V REG.IC      |               |      |
|   | C1023 | QDGB1HK-102Y   | C CAPACITOR    |                |      | △ | IC303 | L7808CP        | IC              |               |      |
|   | C1034 | QFLM1HJ-104Z   | M CAPACITOR    | .10MF 5% 50V   |      | △ | IC304 | L7812CP        | IC              |               |      |
|   | C1035 | EETC1AM-107ZJC | E CAPACITOR    |                |      | △ | IC305 | L7809CP        | IC              |               |      |
|   | C1036 | QCBB1HK-101Y   | C CAPACITOR    | 100PF 10% 50V  |      |   | IC810 | MN101C35DEM    | IC              |               |      |
|   | C1037 | QDYB1CM-103Y   | C CAPACITOR    |                |      |   | IC811 | BU2092         | IC              |               |      |
|   | C1038 | QDXB1CM-472Y   | C CAPACITOR    |                |      |   | IC830 | KIA7042AP-T    | IC              |               |      |
|   | C1039 | QDYB1CM-103Y   | C CAPACITOR    |                |      |   | IC901 | NJM4580L       | IC              |               |      |
|   | C1040 | QDXB1CM-332Y   | C CAPACITOR    |                |      |   | IC902 | BU9253AS       | IC              |               |      |
|   | C1041 | QDYB1CM-103Y   | C CAPACITOR    |                |      |   | IC951 | GP1U271X       | RF-RECEIVER     |               |      |
|   | C1042 | EETC1EM-226ZJC | E CAPACITOR    |                |      |   | J 81  | QNB0006-001    | SPK TERMINAL    |               |      |
|   | C1043 | QFVJ1HJ-474Z   | MF CAPACITOR   | .47MF 5% 50V   |      |   | JS956 | QSW0912-001    | ROTARY SWITCH   | S/WOOFER VOL  |      |
|   | C1044 | QDYB1CM-103Y   | C CAPACITOR    |                |      |   | JS960 | QSW0911-001    | ROTARY SWITCH   | S/MODE VOL    |      |



■ Electrical parts list (Front board)

Block No. 03

| △ | Item  | Parts number   | Parts name     | Remarks      | Area | △ | Item  | Parts number | Parts name | Remarks      | Area |
|---|-------|----------------|----------------|--------------|------|---|-------|--------------|------------|--------------|------|
|   | JS962 | QSW0987-001    | ROTARY ENCODER | MAIN VOL     |      |   | R 808 | QRE141J-103Y | C RESISTOR | 10K 5% 1/4W  |      |
|   | J1001 | QNS0183-001    | JACK           | HEAD PHONE   |      |   | R 810 | QRE141J-103Y | C RESISTOR | 10K 5% 1/4W  |      |
|   | J1021 | QNS0184-001    | JACK           |              |      |   | R 811 | QRE141J-103Y | C RESISTOR | 10K 5% 1/4W  |      |
|   | J1022 | QNS0184-001    | JACK           |              |      |   | R 812 | QRE141J-103Y | C RESISTOR | 10K 5% 1/4W  |      |
|   | L 801 | QQL244K-100Z   | INDUCTOR       |              |      |   | R 813 | QRE141J-103Y | C RESISTOR | 10K 5% 1/4W  |      |
|   | L 802 | QQL231K-220Y   | INDUCTOR       |              |      |   | R 814 | QRE141J-562Y | C RESISTOR | 5.6K 5% 1/4W |      |
|   | L 803 | QQL244K-100Z   | INDUCTOR       |              |      |   | R 815 | QRE141J-563Y | C RESISTOR | 56K 5% 1/4W  |      |
|   | L 805 | QQL244K-100Z   | INDUCTOR       |              |      |   | R 816 | QRE141J-563Y | C RESISTOR | 56K 5% 1/4W  |      |
|   | L 806 | QQL244K-100Z   | INDUCTOR       |              |      |   | R 817 | QRE141J-103Y | C RESISTOR | 10K 5% 1/4W  |      |
|   | L 813 | QQR1277-001Z   | F.BEADS        |              |      |   | R 818 | QRE141J-103Y | C RESISTOR | 10K 5% 1/4W  |      |
|   | L1003 | QQL231K-2R2Y   | INDUCTOR       |              |      |   | R 819 | QRE141J-102Y | C RESISTOR | 1.0K 5% 1/4W |      |
| △ | Q 360 | KTC2026/OY/    | SI.TRANSISTOR  |              |      |   | R 820 | QRE141J-102Y | C RESISTOR | 1.0K 5% 1/4W |      |
|   | Q 361 | 2SC2785/FE/-T  | TRANSISTOR     |              |      |   | R 821 | QRE141J-103Y | C RESISTOR | 10K 5% 1/4W  |      |
|   | Q 362 | 2SC2785/FE/-T  | TRANSISTOR     |              |      |   | R 822 | QRE141J-103Y | C RESISTOR | 10K 5% 1/4W  |      |
|   | Q 809 | 2SD1991A/RS/-T | TRANSISTOR     |              |      |   | R 823 | QRE141J-102Y | C RESISTOR | 1.0K 5% 1/4W |      |
|   | Q 810 | 2SD1991A/RS/-T | TRANSISTOR     |              |      |   | R 824 | QRE141J-102Y | C RESISTOR | 1.0K 5% 1/4W |      |
|   | Q 811 | 2SD1991A/RS/-T | TRANSISTOR     |              |      |   | R 825 | QRE141J-104Y | C RESISTOR | 100K 5% 1/4W |      |
|   | Q 812 | 2SD1991A/RS/-T | TRANSISTOR     |              |      |   | R 826 | QRE141J-104Y | C RESISTOR | 100K 5% 1/4W |      |
|   | Q 813 | 2SD1991A/RS/-T | TRANSISTOR     |              |      |   | R 827 | QRE141J-103Y | C RESISTOR | 10K 5% 1/4W  |      |
|   | Q 816 | 2SD1991A/RS/-T | TRANSISTOR     |              |      |   | R 828 | QRE141J-103Y | C RESISTOR | 10K 5% 1/4W  |      |
|   | Q 817 | 2SD1991A/RS/-T | TRANSISTOR     |              |      |   | R 829 | QRE141J-103Y | C RESISTOR | 10K 5% 1/4W  |      |
|   | Q 843 | KRA102M-T      | D.TRANSISTOR   |              |      |   | R 831 | QRE141J-104Y | C RESISTOR | 100K 5% 1/4W |      |
|   | Q 858 | 2SD1991A/RS/-T | TRANSISTOR     |              |      |   | R 832 | QRE141J-104Y | C RESISTOR | 100K 5% 1/4W |      |
|   | Q 860 | 2SC2785/FE/-T  | TRANSISTOR     |              |      |   | R 833 | QRE141J-104Y | C RESISTOR | 100K 5% 1/4W |      |
|   | Q 875 | KRC102M-T      | D.TRANSISTOR   |              |      |   | R 834 | QRE141J-104Y | C RESISTOR | 100K 5% 1/4W |      |
|   | Q 877 | KRA102M-T      | D.TRANSISTOR   |              |      |   | R 835 | QRE141J-104Y | C RESISTOR | 100K 5% 1/4W |      |
|   | Q 878 | KRC102M-T      | D.TRANSISTOR   |              |      |   | R 836 | QRE141J-104Y | C RESISTOR | 100K 5% 1/4W |      |
|   | Q 879 | 2SD1991A/RS/-T | TRANSISTOR     |              |      |   | R 837 | QRE141J-104Y | C RESISTOR | 100K 5% 1/4W |      |
|   | Q 890 | 2SD1991A/RS/-T | TRANSISTOR     |              |      |   | R 838 | QRE141J-102Y | C RESISTOR | 1.0K 5% 1/4W |      |
|   | Q 905 | KRC104M-T      | D.TRANSISTOR   |              |      |   | R 839 | QRE141J-102Y | C RESISTOR | 1.0K 5% 1/4W |      |
|   | Q 906 | KRC104M-T      | D.TRANSISTOR   |              |      |   | R 840 | QRE141J-103Y | C RESISTOR | 10K 5% 1/4W  |      |
|   | Q 907 | KRC102M-T      | D.TRANSISTOR   |              |      |   | R 841 | QRE141J-103Y | C RESISTOR | 10K 5% 1/4W  |      |
|   | Q 908 | KRA102M-T      | D.TRANSISTOR   |              |      |   | R 842 | QRE141J-103Y | C RESISTOR | 10K 5% 1/4W  |      |
|   | Q 918 | KRC102M-T      | D.TRANSISTOR   |              |      |   | R 844 | QRE141J-102Y | C RESISTOR | 1.0K 5% 1/4W |      |
|   | Q 919 | KRC102M-T      | D.TRANSISTOR   |              |      |   | R 845 | QRE141J-102Y | C RESISTOR | 1.0K 5% 1/4W |      |
|   | Q 920 | KRC102M-T      | D.TRANSISTOR   |              |      |   | R 846 | QRE141J-102Y | C RESISTOR | 1.0K 5% 1/4W |      |
|   | Q 940 | 2SA1175/FE/-T  | TRANSISTOR     |              |      |   | R 847 | QRE141J-102Y | C RESISTOR | 1.0K 5% 1/4W |      |
|   | Q 941 | 2SA1175/FE/-T  | TRANSISTOR     |              |      |   | R 848 | QRE141J-331Y | C RESISTOR | 330 5% 1/4W  |      |
|   | Q 953 | 2SA1175/FE/-T  | TRANSISTOR     |              |      |   | R 849 | QRE141J-102Y | C RESISTOR | 1.0K 5% 1/4W |      |
|   | Q 954 | 2SA1175/FE/-T  | TRANSISTOR     |              |      |   | R 850 | QRE141J-102Y | C RESISTOR | 1.0K 5% 1/4W |      |
|   | Q 961 | KRA102M-T      | D.TRANSISTOR   |              |      |   | R 851 | QRE141J-102Y | C RESISTOR | 1.0K 5% 1/4W |      |
|   | Q1021 | KRA111M-T      | D.TRANSISTOR   |              |      |   | R 854 | QRE141J-102Y | C RESISTOR | 1.0K 5% 1/4W |      |
|   | Q1022 | KRA111M-T      | D.TRANSISTOR   |              |      |   | R 855 | QRE141J-102Y | C RESISTOR | 1.0K 5% 1/4W |      |
|   | Q1023 | KRA111M-T      | D.TRANSISTOR   |              |      |   | R 856 | QRE141J-104Y | C RESISTOR | 100K 5% 1/4W |      |
|   | Q1061 | 2SC3576-JVC-T  | TRANSISTOR     |              |      |   | R 857 | QRE141J-104Y | C RESISTOR | 100K 5% 1/4W |      |
|   | R 151 | QRE141J-221Y   | C RESISTOR     | 220 5% 1/4W  |      |   | R 858 | QRE141J-104Y | C RESISTOR | 100K 5% 1/4W |      |
| △ | R 233 | QRK126J-470X   | C RESISTOR     | 47 5% 1/2W   |      |   | R 859 | QRE141J-104Y | C RESISTOR | 100K 5% 1/4W |      |
| △ | R 234 | QRK126J-470X   | C RESISTOR     | 47 5% 1/2W   |      |   | R 860 | QRE141J-684Y | C RESISTOR | 680K 5% 1/4W |      |
| △ | R 302 | QRJ146J-2R2X   | UNF C RESISTOR | 2.2 5% 1/4W  |      |   | R 861 | QRE141J-103Y | C RESISTOR | 10K 5% 1/4W  |      |
| △ | R 306 | ERX12SJR33E    | UNF.C.RESISTOR |              |      |   | R 862 | QRE141J-220Y | C RESISTOR | 22 5% 1/4W   |      |
| △ | R 309 | ERX12SJR33E    | UNF.C.RESISTOR |              |      |   | R 864 | QRE141J-103Y | C RESISTOR | 10K 5% 1/4W  |      |
|   | R 311 | QRE141J-103Y   | C RESISTOR     | 10K 5% 1/4W  |      |   | R 865 | QRE141J-104Y | C RESISTOR | 100K 5% 1/4W |      |
| △ | R 360 | QRZ9042-2R2X   | F RESISTOR     | 2.2 1/4W     |      |   | R 866 | QRE141J-104Y | C RESISTOR | 100K 5% 1/4W |      |
| △ | R 361 | QRZ9006-4R7X   | F RESISTOR     | 4.7 1/4W     |      |   | R 867 | QRE141J-104Y | C RESISTOR | 100K 5% 1/4W |      |
|   | R 362 | QRE141J-331Y   | C RESISTOR     | 330 5% 1/4W  |      |   | R 868 | QRE141J-104Y | C RESISTOR | 100K 5% 1/4W |      |
|   | R 363 | QRE141J-331Y   | C RESISTOR     | 330 5% 1/4W  |      |   | R 869 | QRE141J-104Y | C RESISTOR | 100K 5% 1/4W |      |
|   | R 364 | QRE141J-122Y   | C RESISTOR     | 1.2K 5% 1/4W |      |   | R 870 | QRE141J-104Y | C RESISTOR | 100K 5% 1/4W |      |
|   | R 365 | QRE141J-201Y   | C RESISTOR     | 200 5% 1/4W  |      |   | R 871 | QRE141J-104Y | C RESISTOR | 100K 5% 1/4W |      |
|   | R 366 | QRE141J-201Y   | C RESISTOR     | 200 5% 1/4W  |      |   | R 872 | QRE141J-104Y | C RESISTOR | 100K 5% 1/4W |      |
|   | R 367 | QRE141J-122Y   | C RESISTOR     | 1.2K 5% 1/4W |      |   | R 873 | QRE141J-104Y | C RESISTOR | 100K 5% 1/4W |      |
|   | R 368 | QRE141J-331Y   | C RESISTOR     | 330 5% 1/4W  |      |   | R 874 | QRE141J-104Y | C RESISTOR | 100K 5% 1/4W |      |
|   | R 801 | QRE141J-331Y   | C RESISTOR     | 330 5% 1/4W  |      |   | R 876 | QRE141J-103Y | C RESISTOR | 10K 5% 1/4W  |      |
|   | R 807 | QRE141J-103Y   | C RESISTOR     | 10K 5% 1/4W  |      |   | R 879 | QRE141J-104Y | C RESISTOR | 100K 5% 1/4W |      |

■ Electrical parts list (Front board)

Block No. 03

| △ | Item  | Parts number | Parts name | Remarks      | Area  |
|---|-------|--------------|------------|--------------|-------|
|   | R 880 | QRE141J-104Y | C RESISTOR | 100K 5% 1/4W |       |
|   | R 881 | QRE141J-103Y | C RESISTOR | 10K 5% 1/4W  |       |
|   | R 882 | QRE141J-103Y | C RESISTOR | 10K 5% 1/4W  |       |
|   | R 883 | QRE141J-103Y | C RESISTOR | 10K 5% 1/4W  |       |
|   | R 884 | QRE141J-102Y | C RESISTOR | 1.0K 5% 1/4W |       |
|   | R 886 | QRE141J-221Y | C RESISTOR | 220 5% 1/4W  |       |
|   | R 887 | QRE141J-221Y | C RESISTOR | 220 5% 1/4W  |       |
|   | R 888 | QRE141J-221Y | C RESISTOR | 220 5% 1/4W  |       |
|   | R 889 | QRE141J-221Y | C RESISTOR | 220 5% 1/4W  |       |
|   | R 890 | QRE141J-104Y | C RESISTOR | 100K 5% 1/4W |       |
|   | R 891 | QRE141J-104Y | C RESISTOR | 100K 5% 1/4W |       |
|   | R 893 | QRE141J-102Y | C RESISTOR | 1.0K 5% 1/4W |       |
|   | R 894 | QRE141J-334Y | C RESISTOR | 330K 5% 1/4W | US,UN |
|   | R 894 | QRE141J-183Y | C RESISTOR | 18K 5% 1/4W  | UX    |
|   | R 895 | QRE141J-102Y | C RESISTOR | 1.0K 5% 1/4W |       |
|   | R 897 | QRE141J-183Y | C RESISTOR | 18K 5% 1/4W  |       |
|   | R 898 | QRE141J-680Y | C RESISTOR | 68 5% 1/4W   |       |
|   | R 902 | QRE141J-103Y | C RESISTOR | 10K 5% 1/4W  |       |
|   | R 905 | QRE141J-104Y | C RESISTOR | 100K 5% 1/4W |       |
|   | R 906 | QRE141J-104Y | C RESISTOR | 100K 5% 1/4W |       |
|   | R 907 | QRE141J-103Y | C RESISTOR | 10K 5% 1/4W  |       |
|   | R 911 | QRE141J-102Y | C RESISTOR | 1.0K 5% 1/4W |       |
|   | R 912 | QRE141J-103Y | C RESISTOR | 10K 5% 1/4W  |       |
|   | R 916 | QRE141J-102Y | C RESISTOR | 1.0K 5% 1/4W |       |
|   | R 917 | QRE141J-102Y | C RESISTOR | 1.0K 5% 1/4W |       |
|   | R 918 | QRE141J-201Y | C RESISTOR | 200 5% 1/4W  |       |
|   | R 919 | QRE141J-201Y | C RESISTOR | 200 5% 1/4W  |       |
|   | R 920 | QRE141J-201Y | C RESISTOR | 200 5% 1/4W  |       |
|   | R 921 | QRE141J-334Y | C RESISTOR | 330K 5% 1/4W |       |
|   | R 930 | QRE141J-103Y | C RESISTOR | 10K 5% 1/4W  |       |
|   | R 931 | QRE141J-222Y | C RESISTOR | 2.2K 5% 1/4W |       |
|   | R 932 | QRE141J-272Y | C RESISTOR | 2.7K 5% 1/4W |       |
|   | R 933 | QRE141J-392Y | C RESISTOR | 3.9K 5% 1/4W |       |
|   | R 935 | QRE141J-562Y | C RESISTOR | 5.6K 5% 1/4W |       |
|   | R 936 | QRE141J-122Y | C RESISTOR | 1.2K 5% 1/4W |       |
|   | R 937 | QRE141J-152Y | C RESISTOR | 1.5K 5% 1/4W |       |
|   | R 938 | QRE141J-222Y | C RESISTOR | 2.2K 5% 1/4W |       |
|   | R 939 | QRE141J-272Y | C RESISTOR | 2.7K 5% 1/4W |       |
|   | R 940 | QRE141J-680Y | C RESISTOR | 68 5% 1/4W   |       |
|   | R 941 | QRE141J-680Y | C RESISTOR | 68 5% 1/4W   |       |
|   | R 942 | QRE141J-392Y | C RESISTOR | 3.9K 5% 1/4W |       |
|   | R 943 | QRE141J-103Y | C RESISTOR | 10K 5% 1/4W  |       |
|   | R 944 | QRE141J-562Y | C RESISTOR | 5.6K 5% 1/4W |       |
|   | R 945 | QRE141J-392Y | C RESISTOR | 3.9K 5% 1/4W |       |
|   | R 946 | QRE141J-272Y | C RESISTOR | 2.7K 5% 1/4W |       |
|   | R 947 | QRE141J-222Y | C RESISTOR | 2.2K 5% 1/4W |       |
|   | R 948 | QRE141J-152Y | C RESISTOR | 1.5K 5% 1/4W |       |
|   | R 949 | QRE141J-122Y | C RESISTOR | 1.2K 5% 1/4W |       |
|   | R 950 | QRE141J-102Y | C RESISTOR | 1.0K 5% 1/4W |       |
|   | R 952 | QRE141J-122Y | C RESISTOR | 1.2K 5% 1/4W |       |
|   | R 953 | QRE141J-680Y | C RESISTOR | 68 5% 1/4W   |       |
|   | R 954 | QRE141J-680Y | C RESISTOR | 68 5% 1/4W   |       |
|   | R 955 | QRE141J-152Y | C RESISTOR | 1.5K 5% 1/4W |       |
|   | R 961 | QRE141J-101Y | C RESISTOR | 100 5% 1/4W  |       |
|   | R 962 | QRE141J-103Y | C RESISTOR | 10K 5% 1/4W  |       |
|   | R 963 | QRE141J-562Y | C RESISTOR | 5.6K 5% 1/4W |       |
|   | R 964 | QRE141J-392Y | C RESISTOR | 3.9K 5% 1/4W |       |
|   | R 965 | QRE141J-103Y | C RESISTOR | 10K 5% 1/4W  |       |
|   | R 969 | QRE141J-680Y | C RESISTOR | 68 5% 1/4W   |       |
|   | R 970 | QRE141J-101Y | C RESISTOR | 100 5% 1/4W  |       |
|   | R 992 | QRE141J-202Y | C RESISTOR | 2.0K 5% 1/4W |       |
|   | R 993 | QRE141J-122Y | C RESISTOR | 1.2K 5% 1/4W |       |
|   | R 994 | QRE141J-183Y | C RESISTOR | 18K 5% 1/4W  | UX    |
|   | R 994 | QRE141J-753Y | C RESISTOR | 75K 5% 1/4W  | US,UN |

| △ | Item  | Parts number | Parts name   | Remarks      | Area |
|---|-------|--------------|--------------|--------------|------|
|   | R 995 | QRE141J-222Y | C RESISTOR   | 2.2K 5% 1/4W |      |
|   | R 996 | QRE141J-272Y | C RESISTOR   | 2.7K 5% 1/4W |      |
|   | RA801 | QRB169J-104  | NET RESISTOR | 100K 5% 1/6W |      |
|   | RA802 | QRB169J-104  | NET RESISTOR | 100K 5% 1/6W |      |
|   | RY 1  | QSK0109-001  | RELAY        |              |      |
|   | R1021 | QRE141J-472Y | C RESISTOR   | 4.7K 5% 1/4W |      |
|   | R1022 | QRE141J-472Y | C RESISTOR   | 4.7K 5% 1/4W |      |
|   | R1031 | QRE141J-203Y | C RESISTOR   | 20K 5% 1/4W  |      |
|   | R1032 | QRE141J-203Y | C RESISTOR   | 20K 5% 1/4W  |      |
|   | R1033 | QRE141J-822Y | C RESISTOR   | 8.2K 5% 1/4W |      |
|   | R1034 | QRE141J-103Y | C RESISTOR   | 10K 5% 1/4W  |      |
|   | R1035 | QRE141J-333Y | C RESISTOR   | 33K 5% 1/4W  |      |
|   | R1036 | QRE141J-683Y | C RESISTOR   | 68K 5% 1/4W  |      |
|   | R1037 | QRE141J-153Y | C RESISTOR   | 15K 5% 1/4W  |      |
|   | R1038 | QRE141J-472Y | C RESISTOR   | 4.7K 5% 1/4W |      |
|   | R1039 | QRE141J-103Y | C RESISTOR   | 10K 5% 1/4W  |      |
|   | R1040 | QRE141J-272Y | C RESISTOR   | 2.7K 5% 1/4W |      |
|   | R1041 | QRE141J-203Y | C RESISTOR   | 20K 5% 1/4W  |      |
|   | R1042 | QRE141J-221Y | C RESISTOR   | 220 5% 1/4W  |      |
|   | R1043 | QRE141J-203Y | C RESISTOR   | 20K 5% 1/4W  |      |
|   | R1044 | QRE141J-562Y | C RESISTOR   | 5.6K 5% 1/4W |      |
|   | R1045 | QRE141J-102Y | C RESISTOR   | 1.0K 5% 1/4W |      |
|   | R1061 | QRE141J-103Y | C RESISTOR   | 10K 5% 1/4W  |      |
|   | R1062 | QRE141J-123Y | C RESISTOR   | 12K 5% 1/4W  |      |
|   | R1063 | QRE141J-391Y | C RESISTOR   | 390 5% 1/4W  |      |
|   | R1064 | QRE141J-152Y | C RESISTOR   | 1.5K 5% 1/4W |      |
|   | R1065 | QRE141J-101Y | C RESISTOR   | 100 5% 1/4W  |      |
|   | R1066 | QRE141J-475Y | C RESISTOR   | 4.7M 5% 1/4W |      |
|   | R1067 | QRE141J-560Y | C RESISTOR   | 56 5% 1/4W   |      |
|   | R1068 | QRE141J-203Y | C RESISTOR   | 20K 5% 1/4W  |      |
|   | R1069 | QRE141J-102Y | C RESISTOR   | 1.0K 5% 1/4W |      |
|   | R1070 | QRE141J-561Y | C RESISTOR   | 560 5% 1/4W  |      |
|   | R1071 | QRE141J-472Y | C RESISTOR   | 4.7K 5% 1/4W |      |
|   | S 915 | QSW0825-001Z | TACT SWITCH  | DISC 1       |      |
|   | S 916 | QSW0825-001Z | TACT SWITCH  |              |      |
|   | S 917 | QSW0825-001Z | TACT SWITCH  |              |      |
|   | S 931 | QSW0825-001Z | TACT SWITCH  | DUBBING      |      |
|   | S 932 | QSW0825-001Z | TACT SWITCH  |              |      |
|   | S 933 | QSW0825-001Z | TACT SWITCH  |              |      |
|   | S 935 | QSW0825-001Z | TACT SWITCH  |              |      |
|   | S 936 | QSW0825-001Z | TACT SWITCH  |              |      |
|   | S 937 | QSW0825-001Z | TACT SWITCH  |              |      |
|   | S 938 | QSW0825-001Z | TACT SWITCH  |              |      |
|   | S 939 | QSW0825-001Z | TACT SWITCH  |              |      |
|   | S 942 | QSW0825-001Z | TACT SWITCH  |              |      |
|   | S 943 | QSW0825-001Z | TACT SWITCH  |              |      |
|   | S 944 | QSW0825-001Z | TACT SWITCH  |              |      |
|   | S 945 | QSW0825-001Z | TACT SWITCH  |              |      |
|   | S 946 | QSW0825-001Z | TACT SWITCH  |              |      |
|   | S 947 | QSW0825-001Z | TACT SWITCH  |              |      |
|   | S 948 | QSW0825-001Z | TACT SWITCH  |              |      |
|   | S 949 | QSW0825-001Z | TACT SWITCH  |              |      |
|   | S 950 | QSW0825-001Z | TACT SWITCH  |              |      |
|   | S 951 | QSW0825-001Z | TACT SWITCH  |              |      |
|   | S 952 | QSW0825-001Z | TACT SWITCH  |              |      |
|   | S 963 | QSW0825-001Z | TACT SWITCH  |              |      |
|   | S 995 | QSW0825-001Z | TACT SWITCH  |              |      |
|   | S 996 | QSW0825-001Z | TACT SWITCH  |              |      |
|   | S 997 | QSW0825-001Z | TACT SWITCH  |              |      |
|   | S 998 | QSW0825-001Z | TACT SWITCH  |              |      |
|   | S 999 | QSW0825-001Z | TACT SWITCH  |              |      |
|   | SP801 | VYH7653-001  | IC HOLDER    |              |      |
|   | VR901 | QVQ0299-B54  | V.RESISTOR   |              |      |
|   | X 801 | QAX0711-002Z | CRYSTAL      |              |      |

■ Electrical parts list (CD board)

Block No. 04

| ▲ | Item  | Parts number | Parts name  | Remarks        | Area | ▲ | Item  | Parts number  | Parts name   | Remarks | Area |
|---|-------|--------------|-------------|----------------|------|---|-------|---------------|--------------|---------|------|
|   | C 251 | NCS31HJ-330X | C CAPACITOR |                |      |   | C 860 | NCF31AZ-105X  | C CAPACITOR  |         |      |
|   | C 252 | NCS31HJ-330X | C CAPACITOR |                |      |   | CN151 | QGF1016F3-15  | CONNECTOR    |         |      |
|   | C 253 | NCB31EK-104X | C CAPACITOR |                |      |   | CN601 | QGF1016F3-15  | CONNECTOR    |         |      |
|   | C 254 | QERF1AM-476Z | E CAPACITOR | 47MF 20% 10V   |      |   | CN651 | QGF1016F3-19  | CONNECTOR    |         |      |
|   | C 291 | QERF1AM-476Z | E CAPACITOR | 47MF 20% 10V   |      |   | CN801 | QGA2001C1-06  | 6P PLUG ASSY |         |      |
|   | C 601 | NCB31HK-102X | C CAPACITOR |                |      |   | CN854 | QGB2016K1-07  | CONNECTOR    |         |      |
|   | C 602 | NCB31HK-102X | C CAPACITOR |                |      |   | CN855 | QGG2002M4-10  | CONNECTOR    |         |      |
|   | C 603 | NCB31HK-223X | C CAPACITOR |                |      |   | D 851 | DZ5.6BSB-T2   | ZENER DIODE  |         |      |
|   | C 604 | NCB31HK-223X | C CAPACITOR |                |      |   | IC251 | MN101C30AEE   | IC           |         |      |
|   | C 605 | NCS31HJ-151X | C CAPACITOR |                |      |   | IC601 | AN22000A-W    | IC           |         |      |
|   | C 606 | NCS31HJ-390X | C CAPACITOR |                |      |   | IC651 | MN662748RPMFA | IC           |         |      |
|   | C 608 | NCS31HJ-821X | C CAPACITOR |                |      |   | IC801 | LA6541-X      | IC           |         |      |
|   | C 610 | NCB31EK-273X | C CAPACITOR |                |      |   | IC851 | LB1641        | IC           |         |      |
|   | C 612 | QERF1HM-105Z | E CAPACITOR | 1.0MF 20% 50V  |      |   | IC852 | LB1641        | IC           |         |      |
|   | C 613 | NCB31EK-104X | C CAPACITOR |                |      |   | L 851 | QQL01BK-100Z  | INDUCTOR     |         |      |
|   | C 614 | NCB31CK-273X | C CAPACITOR |                |      |   | L 853 | QQL01BK-100Z  | INDUCTOR     |         |      |
|   | C 615 | NCB31HK-472X | C CAPACITOR |                |      |   | L 854 | QQL01BK-100Z  | INDUCTOR     |         |      |
|   | C 616 | NCB31HK-103X | C CAPACITOR |                |      |   | Q 291 | 2SA952/LK/T   | TRANSISTOR   |         |      |
|   | C 617 | NCS31HJ-331X | C CAPACITOR |                |      |   | Q 631 | 2SB709A/QR/-X | TRANSISTOR   |         |      |
|   | C 620 | NCS31HJ-470X | C CAPACITOR |                |      |   | R 252 | NRSA63J-102X  | MG RESISTOR  |         |      |
|   | C 621 | NCB30JK-105X | C CAPACITOR |                |      |   | R 253 | NRSA63J-102X  | MG RESISTOR  |         |      |
|   | C 622 | NCB31EK-473X | C CAPACITOR |                |      |   | R 254 | NRSA63J-101X  | MG RESISTOR  |         |      |
|   | C 623 | NCF31AZ-105X | C CAPACITOR |                |      |   | R 255 | NRSA63J-101X  | MG RESISTOR  |         |      |
|   | C 624 | QERF0JM-107Z | E CAPACITOR | 100MF 20% 6.3V |      |   | R 256 | NRSA63J-101X  | MG RESISTOR  |         |      |
|   | C 631 | QERF1CM-106Z | E CAPACITOR | 10MF 20% 16V   |      |   | R 257 | NRSA63J-102X  | MG RESISTOR  |         |      |
|   | C 632 | NCF31AZ-105X | C CAPACITOR |                |      |   | R 258 | NRSA63J-102X  | MG RESISTOR  |         |      |
|   | C 633 | NCB31HK-223X | C CAPACITOR |                |      |   | R 259 | NRSA63J-102X  | MG RESISTOR  |         |      |
|   | C 641 | NCB31HK-223X | C CAPACITOR |                |      |   | R 261 | NRSA63J-101X  | MG RESISTOR  |         |      |
|   | C 642 | NCB31HK-222X | C CAPACITOR |                |      |   | R 262 | NRSA63J-101X  | MG RESISTOR  |         |      |
|   | C 651 | NCS31HJ-120X | C CAPACITOR |                |      |   | R 263 | NRSA63J-101X  | MG RESISTOR  |         |      |
|   | C 652 | NCS31HJ-120X | C CAPACITOR |                |      |   | R 291 | NRSA63J-122X  | MG RESISTOR  |         |      |
|   | C 653 | NCB31EK-104X | C CAPACITOR |                |      |   | R 292 | NRSA63J-103X  | MG RESISTOR  |         |      |
|   | C 655 | NCB31EK-104X | C CAPACITOR |                |      |   | R 293 | NRSA63J-102X  | MG RESISTOR  |         |      |
|   | C 656 | NCB31EK-104X | C CAPACITOR |                |      |   | R 294 | NRSA63J-102X  | MG RESISTOR  |         |      |
|   | C 657 | QERF1AM-227Z | E CAPACITOR | 220MF 20% 10V  |      |   | R 601 | NRSA63J-224X  | MG RESISTOR  |         |      |
|   | C 658 | NCB31EK-104X | C CAPACITOR |                |      |   | R 602 | NRSA63J-274X  | MG RESISTOR  |         |      |
|   | C 659 | NCB31HK-102X | C CAPACITOR |                |      |   | R 603 | NRSA63J-124X  | MG RESISTOR  |         |      |
|   | C 661 | NCS31HJ-471X | C CAPACITOR |                |      |   | R 604 | NRSA63J-394X  | MG RESISTOR  |         |      |
|   | C 663 | NCB31HK-223X | C CAPACITOR |                |      |   | R 606 | NRSA63J-623X  | MG RESISTOR  |         |      |
|   | C 664 | NCB31HK-223X | C CAPACITOR |                |      |   | R 607 | NRSA63J-0R0X  | MG RESISTOR  |         |      |
|   | C 665 | NCB31AK-154X | C CAPACITOR |                |      |   | R 608 | NRSA63J-0R0X  | MG RESISTOR  |         |      |
|   | C 667 | NCB30JK-105X | C CAPACITOR |                |      |   | R 609 | NRSA63J-332X  | MG RESISTOR  |         |      |
|   | C 668 | NCB31EK-473X | C CAPACITOR |                |      |   | R 611 | NRSA63J-223X  | MG RESISTOR  |         |      |
|   | C 669 | QERF1AM-227Z | E CAPACITOR | 220MF 20% 10V  |      |   | R 613 | NRSA63J-332X  | MG RESISTOR  |         |      |
|   | C 672 | NCB31AK-334X | C CAPACITOR |                |      |   | R 614 | NRSA63J-223X  | MG RESISTOR  |         |      |
|   | C 673 | QERF1AM-227Z | E CAPACITOR | 220MF 20% 10V  |      |   | R 618 | NRSA63J-153X  | MG RESISTOR  |         |      |
|   | C 676 | NCB31EK-104X | C CAPACITOR |                |      |   | R 619 | NRSA63J-153X  | MG RESISTOR  |         |      |
|   | C 677 | NCB31EK-104X | C CAPACITOR |                |      |   | R 620 | NRSA63J-564X  | MG RESISTOR  |         |      |
|   | C 679 | QERF0JM-107Z | E CAPACITOR | 100MF 20% 6.3V |      |   | R 621 | NRSA63J-564X  | MG RESISTOR  |         |      |
|   | C 680 | NCB31EK-104X | C CAPACITOR |                |      |   | R 622 | NRSA63J-822X  | MG RESISTOR  |         |      |
|   | C 801 | NCB31HK-682X | C CAPACITOR |                |      |   | R 623 | NRSA63J-822X  | MG RESISTOR  |         |      |
|   | C 802 | NCB31HK-123X | C CAPACITOR |                |      |   | R 624 | NRSA63J-0R0X  | MG RESISTOR  |         |      |
|   | C 811 | NCS31HJ-391X | C CAPACITOR |                |      |   | R 625 | NRSA63J-0R0X  | MG RESISTOR  |         |      |
|   | C 812 | NCS31HJ-391X | C CAPACITOR |                |      |   | R 631 | NRSA63J-2R2X  | MG RESISTOR  |         |      |
|   | C 813 | NCS31HJ-391X | C CAPACITOR |                |      |   | R 632 | NRSA63J-100X  | MG RESISTOR  |         |      |
|   | C 814 | NCS31HJ-391X | C CAPACITOR |                |      |   | R 634 | NRSA63J-120X  | MG RESISTOR  |         |      |
|   | C 821 | NCF31AZ-105X | C CAPACITOR |                |      |   | R 635 | NRSA63J-121X  | MG RESISTOR  |         |      |
|   | C 822 | QERF1AM-227Z | E CAPACITOR | 220MF 20% 10V  |      |   | R 636 | NRSA63J-100X  | MG RESISTOR  |         |      |
|   | C 852 | QERF1CM-106Z | E CAPACITOR | 10MF 20% 16V   |      |   | R 641 | NRSA63J-154X  | MG RESISTOR  |         |      |
|   | C 853 | NCB31HK-103X | C CAPACITOR |                |      |   | R 642 | NRSA63J-394X  | MG RESISTOR  |         |      |
|   | C 854 | NCB31HK-103X | C CAPACITOR |                |      |   | R 646 | NRSA63J-0R0X  | MG RESISTOR  |         |      |
|   | C 855 | NCB31EK-104X | C CAPACITOR |                |      |   | R 647 | NRSA63J-102X  | MG RESISTOR  |         |      |
|   | C 859 | NCF31AZ-105X | C CAPACITOR |                |      |   | R 648 | NRSA63J-102X  | MG RESISTOR  |         |      |

■ Electrical parts list (CD board)

Block No. 04

| △ | Item  | Parts number | Parts name  | Remarks | Area |
|---|-------|--------------|-------------|---------|------|
|   | R 649 | NRSA63J-102X | MG RESISTOR |         |      |
|   | R 650 | NRSA63J-102X | MG RESISTOR |         |      |
|   | R 651 | NRSA63J-102X | MG RESISTOR |         |      |
|   | R 652 | NRSA63J-102X | MG RESISTOR |         |      |
|   | R 653 | NRSA63J-102X | MG RESISTOR |         |      |
|   | R 654 | NRSA63J-101X | MG RESISTOR |         |      |
|   | R 656 | NRSA63J-102X | MG RESISTOR |         |      |
|   | R 657 | NRSA63J-102X | MG RESISTOR |         |      |
|   | R 658 | NRSA63J-102X | MG RESISTOR |         |      |
|   | R 659 | NRSA63J-102X | MG RESISTOR |         |      |
|   | R 660 | NRSA63J-103X | MG RESISTOR |         |      |
|   | R 661 | NRSA63J-393X | MG RESISTOR |         |      |
|   | R 662 | NRSA63J-683X | MG RESISTOR |         |      |
|   | R 663 | NRSA63J-124X | MG RESISTOR |         |      |
|   | R 664 | NRSA63J-331X | MG RESISTOR |         |      |
|   | R 665 | NRSA63J-271X | MG RESISTOR |         |      |
|   | R 666 | NRSA63J-221X | MG RESISTOR |         |      |
|   | R 667 | NRSA63J-4R7X | MG RESISTOR |         |      |
|   | R 668 | NRSA63J-155X | MG RESISTOR |         |      |
|   | R 669 | NRSA63J-562X | MG RESISTOR |         |      |
|   | R 670 | NRSA63J-101X | MG RESISTOR |         |      |
|   | R 672 | NRSA63J-272X | MG RESISTOR |         |      |
|   | R 677 | NRSA63J-101X | MG RESISTOR |         |      |
|   | R 678 | NRSA63J-101X | MG RESISTOR |         |      |
|   | R 679 | NRSA63J-101X | MG RESISTOR |         |      |
|   | R 682 | NRSA63J-102X | MG RESISTOR |         |      |
|   | R 683 | NRSA63J-105X | MG RESISTOR |         |      |
|   | R 684 | NRSA63J-564X | MG RESISTOR |         |      |
|   | R 685 | NRSA63J-683X | MG RESISTOR |         |      |
|   | R 801 | NRSA63J-272X | MG RESISTOR |         |      |
|   | R 802 | NRSA63J-392X | MG RESISTOR |         |      |
|   | R 803 | NRSA63J-222X | MG RESISTOR |         |      |
|   | R 804 | NRSA63J-224X | MG RESISTOR |         |      |
|   | R 805 | NRSA63J-133X | MG RESISTOR |         |      |
|   | R 806 | NRSA63J-243X | MG RESISTOR |         |      |
|   | R 807 | NRSA63J-122X | MG RESISTOR |         |      |
|   | R 808 | NRSA63J-273X | MG RESISTOR |         |      |
|   | R 809 | NRSA63J-122X | MG RESISTOR |         |      |
|   | R 811 | NRSA63J-223X | MG RESISTOR |         |      |
|   | R 812 | NRSA63J-152X | MG RESISTOR |         |      |
|   | R 831 | NRSA63J-151X | MG RESISTOR |         |      |
|   | R 832 | NRSA63J-103X | MG RESISTOR |         |      |
|   | R 842 | NRSA63J-472X | MG RESISTOR |         |      |
|   | R 851 | NRSA63J-102X | MG RESISTOR |         |      |
|   | R 852 | NRSA63J-102X | MG RESISTOR |         |      |
|   | R 853 | NRSA63J-102X | MG RESISTOR |         |      |
|   | R 854 | NRSA63J-102X | MG RESISTOR |         |      |
|   | R 856 | NRSA63J-0R0X | MG RESISTOR |         |      |
|   | R 861 | NRSA63J-102X | MG RESISTOR |         |      |
|   | R 862 | NRSA63J-102X | MG RESISTOR |         |      |
|   | R 863 | NRSA63J-102X | MG RESISTOR |         |      |
|   | R 864 | NRSA63J-102X | MG RESISTOR |         |      |
|   | R 865 | NRSA63J-102X | MG RESISTOR |         |      |
|   | R 866 | NRSA63J-102X | MG RESISTOR |         |      |
|   | R 871 | NRSA63J-223X | MG RESISTOR |         |      |
|   | R 872 | NRSA63J-223X | MG RESISTOR |         |      |
|   | R 873 | NRSA63J-223X | MG RESISTOR |         |      |
|   | R 874 | NRSA63J-223X | MG RESISTOR |         |      |
|   | R 875 | NRSA63J-223X | MG RESISTOR |         |      |
|   | R 876 | NRSA63J-223X | MG RESISTOR |         |      |
|   | R 880 | NRSA63J-102X | MG RESISTOR |         |      |
|   | R 881 | NRSA63J-102X | MG RESISTOR |         |      |
|   | R 882 | NRSA63J-102X | MG RESISTOR |         |      |

| △ | Item  | Parts number | Parts name  | Remarks | Area |
|---|-------|--------------|-------------|---------|------|
|   | R 883 | NRSA63J-102X | MG RESISTOR |         |      |
|   | R 884 | NRSA63J-102X | MG RESISTOR |         |      |
|   | R 885 | NRSA63J-102X | MG RESISTOR |         |      |
|   | R 886 | NRSA63J-102X | MG RESISTOR |         |      |
|   | R 887 | NRSA63J-102X | MG RESISTOR |         |      |
|   | R 888 | NRSA63J-223X | MG RESISTOR |         |      |
|   | R 889 | NRSA63J-223X | MG RESISTOR |         |      |
|   | R 890 | NRSA63J-223X | MG RESISTOR |         |      |
|   | R 891 | NRSA63J-223X | MG RESISTOR |         |      |
|   | R 892 | NRSA63J-223X | MG RESISTOR |         |      |
|   | R 893 | NRSA63J-223X | MG RESISTOR |         |      |
|   | R 894 | NRSA63J-223X | MG RESISTOR |         |      |
|   | R 895 | NRSA63J-223X | MG RESISTOR |         |      |
|   | X 251 | QAX0283-001Z | C RESONATOR |         |      |
|   | X 651 | QAX0413-001Z | CRYSTAL     |         |      |

■ Electrical parts list (VCD board)

Block No. 05

| ▲ | Item  | Parts number    | Parts name    | Remarks         | Area | ▲ | Item  | Parts number | Parts name  | Remarks | Area |
|---|-------|-----------------|---------------|-----------------|------|---|-------|--------------|-------------|---------|------|
|   | C 101 | NCF31CZ-104X    | C CAPACITOR   |                 |      |   | R 112 | NRSA63J-472X | MG RESISTOR |         |      |
|   | C 102 | NCF31CZ-104X    | C CAPACITOR   |                 |      |   | R 113 | NRSA63J-472X | MG RESISTOR |         |      |
|   | C 103 | NCF31CZ-104X    | C CAPACITOR   |                 |      |   | R 119 | NRSA63J-0R0X | MG RESISTOR |         |      |
|   | C 104 | QERF1CM-106Z    | E CAPACITOR   | 10MF 20% 16V    |      |   | R 120 | NRSA63J-750X | MG RESISTOR |         |      |
|   | C 105 | NCF31CZ-104X    | C CAPACITOR   |                 |      |   | R 121 | NRSA63J-104X | MG RESISTOR |         |      |
|   | C 106 | QERF1CM-106Z    | E CAPACITOR   | 10MF 20% 16V    |      |   | R 128 | NRSA63J-330X | MG RESISTOR |         |      |
|   | C 107 | NCF31CZ-104X    | C CAPACITOR   |                 |      |   | R 130 | NRSA63J-330X | MG RESISTOR |         |      |
|   | C 109 | NCF31CZ-104X    | C CAPACITOR   |                 |      |   | R 132 | NRSA63J-271X | MG RESISTOR |         |      |
|   | C 110 | NCF31CZ-104X    | C CAPACITOR   |                 |      |   | R 133 | NRSA63J-750X | MG RESISTOR |         |      |
|   | C 111 | NCS31HJ-471X    | C CAPACITOR   |                 |      |   | R 134 | NRSA63J-750X | MG RESISTOR |         |      |
|   | C 112 | NCS31HJ-471X    | C CAPACITOR   |                 |      |   | R 135 | NRSA63J-100X | MG RESISTOR |         |      |
|   | C 113 | NCS31HJ-220X    | C CAPACITOR   |                 |      |   | R 136 | NRSA63J-100X | MG RESISTOR |         |      |
|   | C 114 | NCB31HK-102X    | C CAPACITOR   |                 |      |   | R 137 | NRSA63J-472X | MG RESISTOR |         |      |
|   | C 115 | NCS31HJ-220X    | C CAPACITOR   |                 |      |   | R 138 | NRSA63J-472X | MG RESISTOR |         |      |
|   | C 116 | NCF31CZ-104X    | C CAPACITOR   |                 |      |   | R 139 | NRSA63J-330X | MG RESISTOR |         |      |
|   | C 117 | QERF0JM-476Z    | E CAPACITOR   | 47MF 20% 6.3V   |      |   | R 140 | NRSA63J-472X | MG RESISTOR |         |      |
|   | C 118 | NCF31CZ-104X    | C CAPACITOR   |                 |      |   | R 141 | NRSA63J-103X | MG RESISTOR |         |      |
|   | C 120 | NCF31CZ-104X    | C CAPACITOR   |                 |      |   | R 142 | NRSA63J-221X | MG RESISTOR |         |      |
|   | C 121 | NCF31CZ-104X    | C CAPACITOR   |                 |      |   | R 145 | NRSA63J-221X | MG RESISTOR |         |      |
|   | C 122 | QERF1AM-107Z    | E CAPACITOR   | 100MF 20% 10V   |      |   | R 146 | NRSA63J-221X | MG RESISTOR |         |      |
|   | C 123 | QERF0JM-476Z    | E CAPACITOR   | 47MF 20% 6.3V   |      |   | R 147 | NRSA63J-221X | MG RESISTOR |         |      |
|   | C 124 | NCF31CZ-104X    | C CAPACITOR   |                 |      |   | R 148 | NRSA63J-102X | MG RESISTOR |         |      |
|   | C 125 | NCF31CZ-104X    | C CAPACITOR   |                 |      |   | X 101 | QAX0700-001Z | CRYSTAL     |         |      |
|   | C 126 | NCF31CZ-104X    | C CAPACITOR   |                 |      |   |       |              |             |         |      |
|   | C 127 | NCF31CZ-104X    | C CAPACITOR   |                 |      |   |       |              |             |         |      |
|   | C 128 | NCF31CZ-104X    | C CAPACITOR   |                 |      |   |       |              |             |         |      |
|   | C 129 | NCF31CZ-104X    | C CAPACITOR   |                 |      |   |       |              |             |         |      |
|   | C 130 | QERF1AM-107Z    | E CAPACITOR   | 100MF 20% 10V   |      |   |       |              |             |         |      |
|   | C 131 | NCF31CZ-104X    | C CAPACITOR   |                 |      |   |       |              |             |         |      |
|   | C 132 | QERF1AM-107Z    | E CAPACITOR   | 100MF 20% 10V   |      |   |       |              |             |         |      |
|   | C 133 | NCF31CZ-104X    | C CAPACITOR   |                 |      |   |       |              |             |         |      |
|   | C 134 | QERF1CM-106Z    | E CAPACITOR   | 10MF 20% 16V    |      |   |       |              |             |         |      |
|   | C 135 | QERF0JM-476Z    | E CAPACITOR   | 47MF 20% 6.3V   |      |   |       |              |             |         |      |
|   | C 136 | NCF31CZ-104X    | C CAPACITOR   |                 |      |   |       |              |             |         |      |
|   | C 137 | NCB31CK-103X    | C CAPACITOR   |                 |      |   |       |              |             |         |      |
|   | C 138 | QERF1AM-107Z    | E CAPACITOR   | 100MF 20% 10V   |      |   |       |              |             |         |      |
|   | C 140 | NCS31HJ-220X    | C CAPACITOR   |                 |      |   |       |              |             |         |      |
|   | C 141 | NCS31HJ-220X    | C CAPACITOR   |                 |      |   |       |              |             |         |      |
|   | CN101 | QGF1016F3-15    | CONNECTOR     |                 |      |   |       |              |             |         |      |
|   | CN102 | QGF1016F3-15    | CONNECTOR     |                 |      |   |       |              |             |         |      |
|   | IC101 | ES3880FL        | IC            | INC TECHNOLOGY  |      |   |       |              |             |         |      |
|   | IC102 | AT27C020-70JC4  | IC            | INC TECHNOLOGY  |      |   |       |              |             |         |      |
|   | IC103 | GLT44016-35J4-X | IC            | SAME PARTS      |      |   |       |              |             |         |      |
|   | IC104 | ES3883F         | IC            | INC TECHNOLOGY  |      |   |       |              |             |         |      |
|   | IC105 | RT9161/A-27CG-X | IC            | INC TECHNOLOGY  |      |   |       |              |             |         |      |
|   | IC106 | TC7S08F-W       | IC            |                 |      |   |       |              |             |         |      |
|   | IC107 | TC7W08FU-X      | IC            |                 |      |   |       |              |             |         |      |
|   | K 101 | NQR0398-006X    | FERRITE BEADS |                 |      |   |       |              |             |         |      |
|   | K 102 | NQR0398-006X    | FERRITE BEADS |                 |      |   |       |              |             |         |      |
|   | K 103 | NRSA02J-180X    | MG RESISTOR   |                 |      |   |       |              |             |         |      |
|   | K 104 | NRSA02J-102X    | MG RESISTOR   |                 |      |   |       |              |             |         |      |
|   | L 101 | NQL591K-3R3X    | P COIL        | NOT YET REGISTE |      |   |       |              |             |         |      |
|   | L 102 | NQL591K-3R3X    | P COIL        | NOT YET REGISTE |      |   |       |              |             |         |      |
|   | R 101 | NRSA63J-472X    | MG RESISTOR   |                 |      |   |       |              |             |         |      |
|   | R 102 | NRSA63J-472X    | MG RESISTOR   |                 |      |   |       |              |             |         |      |
|   | R 103 | NRSA63J-472X    | MG RESISTOR   |                 |      |   |       |              |             |         |      |
|   | R 104 | NRSA63J-472X    | MG RESISTOR   |                 |      |   |       |              |             |         |      |
|   | R 105 | NRSA63J-472X    | MG RESISTOR   |                 |      |   |       |              |             |         |      |
|   | R 106 | NRSA63J-472X    | MG RESISTOR   |                 |      |   |       |              |             |         |      |
|   | R 107 | NRSA63J-472X    | MG RESISTOR   |                 |      |   |       |              |             |         |      |
|   | R 108 | NRSA63J-472X    | MG RESISTOR   |                 |      |   |       |              |             |         |      |
|   | R 109 | NRSA63J-472X    | MG RESISTOR   |                 |      |   |       |              |             |         |      |
|   | R 111 | NRSA63J-472X    | MG RESISTOR   |                 |      |   |       |              |             |         |      |

■ Electrical parts list (Tuner board)

Block No. 06

| △ | Item | Parts number   | Parts name      | Remarks       | Area |
|---|------|----------------|-----------------|---------------|------|
|   | C 1  | NCB21HK-223X   | C CAPACITOR     |               |      |
|   | C 2  | NCB21HK-103X   | C CAPACITOR     |               |      |
|   | C 3  | EETC1CM-106ZJC | E CAPACITOR     |               |      |
|   | C 4  | NCB21HK-103X   | C CAPACITOR     |               |      |
|   | C 6  | NCB21HK-102X   | C CAPACITOR     |               |      |
|   | C 7  | NCB21HK-102X   | C CAPACITOR     |               |      |
|   | C 8  | NCB21HK-102X   | C CAPACITOR     |               |      |
|   | C 10 | NRSA02J-0R0X   | MG RESISTOR     |               |      |
|   | C 11 | NCB21HK-104X   | C CAPACITOR     |               |      |
|   | C 12 | NCB21HK-473X   | C CAPACITOR     |               |      |
|   | C 13 | NCS21HJ-120X   | C CAPACITOR     |               |      |
|   | C 14 | QEKC1AM-107Z   | E CAPACITOR     | 100MF 20% 10V |      |
|   | C 15 | NCS21HJ-120X   | C CAPACITOR     |               |      |
|   | C 16 | NCS21HJ-120X   | C CAPACITOR     |               |      |
|   | C 17 | NCB21HK-102X   | C CAPACITOR     |               |      |
|   | C 18 | QEQ61HM-474Z   | NP E CAPACITOR  | .47MF 20% 50V |      |
|   | C 19 | NCB21HK-473X   | C CAPACITOR     |               |      |
|   | C 20 | NCB21HK-102X   | C CAPACITOR     |               |      |
|   | C 21 | NCB21HK-223X   | C CAPACITOR     |               |      |
|   | C 22 | NCS21HJ-151X   | C CAPACITOR     |               |      |
|   | C 23 | NCS21HJ-151X   | C CAPACITOR     |               |      |
|   | C 24 | NCS21HJ-151X   | C CAPACITOR     |               |      |
|   | C 25 | QEKC1AM-107Z   | E CAPACITOR     | 100MF 20% 10V |      |
|   | C 26 | NCB21HK-102X   | C CAPACITOR     |               |      |
|   | C 27 | NCB21HK-102X   | C CAPACITOR     |               |      |
|   | C 30 | EEKC1CM-226ZJC | E CAPACITOR     |               |      |
|   | C 31 | EEKC1CM-226ZJC | E CAPACITOR     |               |      |
|   | C 32 | NCB21HK-473X   | C CAPACITOR     |               |      |
|   | C 33 | NCB21HK-473X   | C CAPACITOR     |               |      |
|   | C 34 | NCB21HK-223X   | C CAPACITOR     |               |      |
|   | C 35 | NCB21HK-473X   | C CAPACITOR     |               |      |
|   | C 36 | EEKC1HM-105ZJC | E CAPACITOR     |               |      |
|   | C 37 | EEKC1HM-105ZJC | E CAPACITOR     |               |      |
|   | C 38 | EETC1HM-224ZJC | E CAPACITOR     |               |      |
|   | C 39 | EETC1HM-105ZJC | E CAPACITOR     |               |      |
|   | C 40 | QETN1CM-106Z   | E CAPACITOR     | 10MF 20% 16V  |      |
|   | C 41 | QETN1CM-106Z   | E CAPACITOR     | 10MF 20% 16V  |      |
|   | C 42 | NCB21HK-152X   | C CAPACITOR     |               |      |
|   | C 43 | NCB21HK-152X   | C CAPACITOR     |               |      |
|   | C 44 | QETN1CM-106Z   | E CAPACITOR     | 10MF 20% 16V  |      |
|   | C 45 | QETN1CM-106Z   | E CAPACITOR     | 10MF 20% 16V  |      |
|   | C 46 | NCB21HK-273X   | C CAPACITOR     |               |      |
|   | C 47 | EETC1HM-105ZJC | E CAPACITOR     |               |      |
|   | C 48 | NCB21HK-222X   | C CAPACITOR     |               |      |
|   | C 49 | NCS21HJ-471X   | C CAPACITOR     |               |      |
|   | C 50 | EEKC1CM-226ZJC | E CAPACITOR     |               |      |
|   | C 51 | EEKC1HM-105ZJC | E CAPACITOR     |               |      |
|   | C 52 | QFVJ1HJ-274Z   | MF CAPACITOR    | .27MF 5% 50V  |      |
|   | C 53 | EETC1CM-226ZJC | E CAPACITOR     |               |      |
|   | C 54 | NCB21HK-473X   | C CAPACITOR     |               |      |
|   | C 57 | NCB21HK-102X   | C CAPACITOR     |               |      |
|   | C 58 | NCB21HK-473X   | C CAPACITOR     |               |      |
|   | C 59 | NCB21HK-102X   | C CAPACITOR     |               |      |
|   | CF 1 | QAX0677-001Z   | C FILTER        |               |      |
|   | CF 2 | QAX0677-001Z   | C FILTER        |               |      |
|   | CF 3 | QAX0610-001Z   | C DISCRIMINATOR |               |      |
|   | CN 1 | QGF1205F1-09   | CONNECTOR       |               |      |
|   | D 1  | 1SS133-T2      | SI DIODE        |               |      |
|   | D 2  | 1SS133-T2      | SI DIODE        |               |      |
|   | D 3  | 1SS133-T2      | SI DIODE        |               |      |
|   | D 4  | 1SS133-T2      | SI DIODE        |               |      |
|   | D 11 | 1SS133-T2      | SI DIODE        |               |      |
|   | IC 1 | LA1838         | IC              |               |      |

| △ | Item | Parts number   | Parts name   | Remarks    | Area |
|---|------|----------------|--------------|------------|------|
|   | IC 2 | LC72136N       | IC           |            |      |
|   | J 1  | QNB0014-001    | ANT TERMINAL |            |      |
|   | L 1  | QQR0796-002    | COIL BLOCK   |            |      |
|   | Q 1  | 2SC2814/4-5/-X | TRANSISTOR   |            |      |
|   | Q 5  | KRA107S-X      | TRANSISTOR   |            |      |
|   | R 1  | QRE141J-560Y   | C RESISTOR   | 56 5% 1/4W |      |
|   | R 2  | NRSA02J-331X   | MG RESISTOR  |            |      |
|   | R 3  | NRSA02J-224X   | MG RESISTOR  |            |      |
|   | R 4  | NRSA02J-331X   | MG RESISTOR  |            |      |
|   | R 5  | NRSA02J-560X   | MG RESISTOR  |            |      |
|   | R 6  | NRSA02J-240X   | MG RESISTOR  |            |      |
|   | R 10 | NRSA02J-222X   | MG RESISTOR  |            |      |
|   | R 13 | NRSA02J-103X   | MG RESISTOR  |            |      |
|   | R 14 | NRSA02J-104X   | MG RESISTOR  |            |      |
|   | R 15 | NRSA02J-332X   | MG RESISTOR  |            |      |
|   | R 16 | NRSA02J-472X   | MG RESISTOR  |            |      |
| △ | R 17 | QRZ9005-680X   | F RESISTOR   | 68 1/4W    |      |
|   | R 18 | NRSA02J-102X   | MG RESISTOR  |            |      |
|   | R 19 | NRSA02J-102X   | MG RESISTOR  |            |      |
|   | R 20 | NRSA02J-102X   | MG RESISTOR  |            |      |
|   | R 21 | NRSA02J-562X   | MG RESISTOR  |            |      |
|   | R 22 | NRSA02J-472X   | MG RESISTOR  |            |      |
|   | R 23 | NRSA02J-182X   | MG RESISTOR  |            |      |
|   | R 24 | NRSA02J-103X   | MG RESISTOR  |            |      |
|   | R 25 | NRSA02J-331X   | MG RESISTOR  |            |      |
|   | R 26 | NRSA02J-222X   | MG RESISTOR  |            |      |
|   | R 27 | NRSA02J-103X   | MG RESISTOR  |            |      |
|   | R 28 | NRSA02J-103X   | MG RESISTOR  |            |      |
|   | R 29 | NRSA02J-103X   | MG RESISTOR  |            |      |
|   | R 30 | NRSA02J-122X   | MG RESISTOR  |            |      |
|   | R 31 | NRSA02J-102X   | MG RESISTOR  |            |      |
|   | R 32 | NRSA02J-102X   | MG RESISTOR  |            |      |
|   | R 33 | NRSA02J-331X   | MG RESISTOR  |            |      |
|   | R 34 | NRSA02J-470X   | MG RESISTOR  |            |      |
|   | R 35 | NRSA02J-562X   | MG RESISTOR  |            |      |
|   | R 36 | NRSA02J-332X   | MG RESISTOR  |            |      |
|   | R 37 | NRSA02J-103X   | MG RESISTOR  |            |      |
|   | R 38 | NRSA02J-563X   | MG RESISTOR  |            |      |
|   | R 39 | NRSA02J-563X   | MG RESISTOR  |            |      |
|   | R 40 | NRSA02J-243X   | MG RESISTOR  |            |      |
|   | R 41 | NRSA02J-332X   | MG RESISTOR  |            |      |
|   | R 60 | NRSA02J-0R0X   | MG RESISTOR  |            |      |
|   | T 1  | QQR0793-001    | IFT          |            |      |
|   | TU 1 | QAU0161-001    | FRONT END    |            |      |
|   | X 1  | QAX0402-001    | CRYSTAL      |            |      |

■ Electrical parts list (CD switch board)

Block No. 07

| △ | Item  | Parts number | Parts name   | Remarks | Area |
|---|-------|--------------|--------------|---------|------|
|   | CN804 | QGB2016J1-07 | CONNECTOR    |         |      |
|   | CN805 | QGB2012J1-10 | CONNECTOR    |         |      |
|   | SW 1  | QSW0859-001  | LEVER SWITCH |         |      |
|   | SW 2  | QSW0859-001  | LEVER SWITCH |         |      |
|   | SW 3  | QSW0859-001  | LEVER SWITCH |         |      |
|   | SW 4  | QSW0859-001  | LEVER SWITCH |         |      |
|   | SW 5  | QSW0859-001  | LEVER SWITCH |         |      |
|   | SW 6  | QSW0859-001  | LEVER SWITCH |         |      |

■ Electrical parts list  
(Head amplifier & mechanism control board)

Block No.08

| △ | Item  | Parts number   | Parts name      | Remarks        | Area | △ | Item  | Parts number  | Parts name     | Remarks          | Area |
|---|-------|----------------|-----------------|----------------|------|---|-------|---------------|----------------|------------------|------|
|   | CN301 | QGF1205F1-06   | CONNECTOR       | A HEAD         |      |   | D3302 | 1SR139-400-T2 | SI DIODE       |                  |      |
|   | CN302 | QGF1205F1-06   | CONNECTOR       | B HEAD         |      |   | D3307 | DZ5.1BSB-T2   | Z DIODE        | NEW SUPPLIER     |      |
|   | CN303 | QGB2011M1-10   | B TO B CONNECTO |                |      |   | D3308 | DZ5.1BSB-T2   | Z DIODE        |                  |      |
|   | CN305 | QGF1201F3-10   | CONNECTOR       | OUTPUT         |      |   | D3309 | DZ5.1BSB-T2   | Z DIODE        |                  |      |
|   | CN306 | QGF1205F1-09   | CONNECTOR       | CONTROL        |      |   | D3331 | 1SR139-400-T2 | SI DIODE       |                  |      |
|   | CN333 | QGB2011L1-10   | B TO B CONNECTO | FOR FMP-007-1  |      |   | FW301 | EWR34D-10CS   | FLAT WIRE      | TO MOTOR CONTROL |      |
|   | C3101 | QCSB1HJ-100Y   | C CAPACITOR     | 10PF 5% 50V    |      |   | IC301 | BA3126N       | IC             | HEAD SW          |      |
|   | C3102 | QCBB1HK-331Y   | C CAPACITOR     | 330PF 10% 50V  |      |   | IC302 | AN7345K       | IC             | PRE AMP          |      |
|   | C3103 | QDGB1HK-821Y   | C CAPACITOR     |                |      |   | IC303 | CD4094BC      | IC             |                  |      |
|   | C3104 | QDGB1HK-102Y   | C CAPACITOR     |                |      |   | IC331 | SG-105F3-BB,C | PHOTO SENSOR   |                  |      |
|   | C3105 | EEKJ1AM-107ZJC | AL E CAPACITOR  |                |      |   | IC332 | SG-105F3-BB,C | PHOTO SENSOR   |                  |      |
|   | C3107 | EEKJ1HM-105ZJC | AL E CAPACITOR  |                |      |   | L3202 | QQR0621-001Z  | FERRITE BEADS  |                  |      |
|   | C3111 | EEKJ1HM-104ZJC | AL E CAPACITOR  |                |      |   | L3301 | QQR1118-002   | BIAS COIL      | OSC COIL         |      |
|   | C3112 | EEKJ1CM-106ZJC | AL E CAPACITOR  |                |      |   | L3303 | QLL244K-100Z  | INDUCTOR       |                  |      |
|   | C3113 | QDXB1CM-332Y   | C CAPACITOR     |                |      |   | P3302 | QNZ0104-001   | POST PIN       |                  |      |
|   | C3114 | EEKJ1EM-475ZJC | AL E CAPACITOR  |                |      |   | P3331 | QNZ0104-001   | POST PIN       |                  |      |
|   | C3115 | QFLK1HJ-153Z   | M CAPACITOR     | .015MF 5% 50V  |      |   | Q3105 | 2SC3576-JVC-T | TRANSISTOR     |                  |      |
|   | C3116 | QDYB1CM-822Y   | C CAPACITOR     |                |      |   | Q3205 | 2SC3576-JVC-T | TRANSISTOR     |                  |      |
|   | C3119 | QFLM1HJ-563Z   | M CAPACITOR     | .056MF 5% 50V  |      |   | Q3302 | 2SC2001/K-T   | TRANSISTOR     |                  |      |
|   | C3120 | QCSB1HJ-330Y   | C CAPACITOR     | 33PF 5% 50V    |      |   | Q3305 | 2SC2001/K-T   | TRANSISTOR     |                  |      |
|   | C3121 | QDGB1HK-102Y   | C CAPACITOR     |                |      |   | Q3312 | 2SB562/C-T    | TRANSISTOR     |                  |      |
|   | C3201 | QCSB1HJ-100Y   | C CAPACITOR     | 10PF 5% 50V    |      |   | Q3313 | KTC3199/GL-T  | TRANSISTOR     |                  |      |
|   | C3202 | QCBB1HK-331Y   | C CAPACITOR     | 330PF 10% 50V  |      |   | Q3314 | 2SB562/C-T    | TRANSISTOR     |                  |      |
|   | C3203 | QDGB1HK-821Y   | C CAPACITOR     |                |      |   | Q3315 | KTC3199/GL-T  | TRANSISTOR     |                  |      |
|   | C3204 | QDGB1HK-102Y   | C CAPACITOR     |                |      |   | Q3316 | KTA1267/YG-T  | TRANSISTOR     |                  |      |
|   | C3205 | EEKJ1AM-107ZJC | AL E CAPACITOR  |                |      |   | Q3317 | KRC107M-T     | D TRANSISTOR   |                  |      |
|   | C3206 | QFLK1HJ-333Z   | M CAPACITOR     | .033MF 5% 50V  |      |   | Q3323 | KRC104M-T     | D TRANSISTOR   |                  |      |
|   | C3207 | EEKJ1HM-105ZJC | AL E CAPACITOR  |                |      |   | Q3324 | KRA102M-T     | D TRANSISTOR   |                  |      |
|   | C3211 | EEKJ1HM-104ZJC | AL E CAPACITOR  |                |      |   | R3103 | QRE141J-183Y  | C RESISTOR     | 18K 5% 1/4W      |      |
|   | C3212 | EEKJ1CM-106ZJC | AL E CAPACITOR  |                |      |   | R3105 | QRE141J-220Y  | C RESISTOR     | 22 5% 1/4W       |      |
|   | C3213 | QDXB1CM-332Y   | C CAPACITOR     |                |      |   | R3106 | QRE141J-392Y  | C RESISTOR     | 3.9K 5% 1/4W     |      |
|   | C3214 | EEKJ1EM-475ZJC | AL E CAPACITOR  |                |      |   | R3107 | QRE141J-222Y  | C RESISTOR     | 2.2K 5% 1/4W     |      |
|   | C3215 | QFLK1HJ-153Z   | M CAPACITOR     | .015MF 5% 50V  |      |   | R3108 | QRE141J-241Y  | C RESISTOR     | 240 5% 1/4W      |      |
|   | C3216 | QDYB1CM-822Y   | C CAPACITOR     |                |      |   | R3111 | QRE141J-562Y  | C RESISTOR     | 5.6K 5% 1/4W     |      |
|   | C3219 | QFLM1HJ-563Z   | M CAPACITOR     | .056MF 5% 50V  |      |   | R3112 | QRE141J-102Y  | C RESISTOR     | 1.0K 5% 1/4W     |      |
|   | C3220 | QCSB1HJ-330Y   | C CAPACITOR     | 33PF 5% 50V    |      |   | R3113 | QRE141J-271Y  | C RESISTOR     | 270 5% 1/4W      |      |
|   | C3221 | QDGB1HK-102Y   | C CAPACITOR     |                |      |   | R3114 | QRE141J-391Y  | C RESISTOR     | 390 5% 1/4W      |      |
|   | C3222 | QFLK1HJ-333Z   | M CAPACITOR     | .033MF 5% 50V  |      |   | R3117 | QRE141J-332Y  | C RESISTOR     | 3.3K 5% 1/4W     |      |
|   | C3301 | EEKJ1AM-107ZJC | AL E CAPACITOR  |                |      |   | R3118 | QRE141J-152Y  | C RESISTOR     | 1.5K 5% 1/4W     |      |
|   | C3302 | EEKJ1AM-107ZJC | AL E CAPACITOR  |                |      |   | R3119 | QRE141J-203Y  | C RESISTOR     | 20K 5% 1/4W      |      |
|   | C3303 | EEKJ1CM-226ZJC | AL E CAPACITOR  |                |      |   | R3120 | QRE141J-102Y  | C RESISTOR     | 1.0K 5% 1/4W     |      |
|   | C3304 | EEKJ1EM-475ZJC | AL E CAPACITOR  |                |      |   | R3121 | QRE141J-122Y  | C RESISTOR     | 1.2K 5% 1/4W     |      |
|   | C3305 | QFLK1HJ-393Z   | M CAPACITOR     | .039MF 5% 50V  |      |   | R3203 | QRE141J-183Y  | C RESISTOR     | 18K 5% 1/4W      |      |
|   | C3306 | EEKJ0JM-227ZJC | AL E CAPACITOR  |                |      |   | R3205 | QRE141J-220Y  | C RESISTOR     | 22 5% 1/4W       |      |
|   | C3308 | QDXB1CM-152Y   | C CAPACITOR     |                |      |   | R3206 | QRE141J-392Y  | C RESISTOR     | 3.9K 5% 1/4W     |      |
|   | C3313 | EEKJ1AM-107ZJC | AL E CAPACITOR  |                |      |   | R3207 | QRE141J-222Y  | C RESISTOR     | 2.2K 5% 1/4W     |      |
|   | C3314 | QCZ0202-155Z   | ML C CAPACITOR  | 1.5MF          |      |   | R3208 | QRE141J-241Y  | C RESISTOR     | 240 5% 1/4W      |      |
|   | C3315 | QCBB1HK-223Y   | C CAPACITOR     | .022MF 10% 50V |      |   | R3211 | QRE141J-562Y  | C RESISTOR     | 5.6K 5% 1/4W     |      |
|   | C3316 | QFG32AJ-103Z   | PP CAPACITOR    | .010MF 5% 100V |      |   | R3212 | QRE141J-102Y  | C RESISTOR     | 1.0K 5% 1/4W     |      |
|   | C3327 | EEKJ1CM-476ZJC | AL E CAPACITOR  |                |      |   | R3213 | QRE141J-271Y  | C RESISTOR     | 270 5% 1/4W      |      |
|   | C3335 | QDYB1CM-103Y   | C CAPACITOR     |                |      |   | R3214 | QRE141J-391Y  | C RESISTOR     | 390 5% 1/4W      |      |
|   | C3336 | QDYB1CM-103Y   | C CAPACITOR     |                |      |   | R3217 | QRE141J-332Y  | C RESISTOR     | 3.3K 5% 1/4W     |      |
|   | C3339 | EEKJ1CM-476ZJC | AL E CAPACITOR  |                |      |   | R3218 | QRE141J-152Y  | C RESISTOR     | 1.5K 5% 1/4W     |      |
|   | C3340 | QDYB1CM-103Y   | C CAPACITOR     |                |      |   | R3219 | QRE141J-203Y  | C RESISTOR     | 20K 5% 1/4W      |      |
|   | C3341 | EEKJ1AM-107ZJC | AL E CAPACITOR  |                |      |   | R3220 | QRE141J-102Y  | C RESISTOR     | 1.0K 5% 1/4W     |      |
|   | C3342 | EEKJ1EM-475ZJC | AL E CAPACITOR  |                |      |   | R3221 | QRE141J-122Y  | C RESISTOR     | 1.2K 5% 1/4W     |      |
|   | C3345 | QCBB1HK-331Y   | C CAPACITOR     | 330PF 10% 50V  |      |   | R3301 | QRE141J-221Y  | C RESISTOR     | 220 5% 1/4W      |      |
|   | C3350 | QDGB1HK-102Y   | C CAPACITOR     |                |      |   | R3302 | QRE141J-101Y  | C RESISTOR     | 100 5% 1/4W      |      |
|   | C3501 | QDGB1HK-821Y   | C CAPACITOR     |                |      |   | R3304 | QRE141J-393Y  | C RESISTOR     | 39K 5% 1/4W      |      |
|   | C3502 | QCBB1HK-271Y   | C CAPACITOR     | 270PF 10% 50V  |      |   | R3309 | QRE141J-152Y  | C RESISTOR     | 1.5K 5% 1/4W     |      |
|   | C3555 | QDGB1HK-102Y   | C CAPACITOR     |                |      |   | R3311 | QRJ146J-4R7X  | UNF C RESISTOR | 4.7 5% 1/4W      |      |
|   | C3601 | QDGB1HK-821Y   | C CAPACITOR     |                |      |   | R3314 | QRE141J-101Y  | C RESISTOR     | 100 5% 1/4W      |      |
|   | C3602 | QCBB1HK-271Y   | C CAPACITOR     | 270PF 10% 50V  |      |   | R3315 | QRE141J-153Y  | C RESISTOR     | 15K 5% 1/4W      |      |

■ Electrical parts list

(Head amplifier & mechanism control board)

Block No.08

| △ | Item  | Parts number | Parts name      | Remarks      | Area |
|---|-------|--------------|-----------------|--------------|------|
|   | R3327 | QRE141J-474Y | C RESISTOR      | 470K 5% 1/4W |      |
|   | R3330 | QRE141J-103Y | C RESISTOR      | 10K 5% 1/4W  |      |
|   | R3331 | QRE141J-103Y | C RESISTOR      | 10K 5% 1/4W  |      |
|   | R3335 | QRE141J-222Y | C RESISTOR      | 2.2K 5% 1/4W |      |
|   | R3336 | QRE141J-392Y | C RESISTOR      | 3.9K 5% 1/4W |      |
|   | R3344 | QRE141J-224Y | C RESISTOR      | 220K 5% 1/4W |      |
|   | R3345 | QRE141J-473Y | C RESISTOR      | 47K 5% 1/4W  |      |
|   | R3347 | QRE141J-392Y | C RESISTOR      | 3.9K 5% 1/4W |      |
|   | R3348 | QRE141J-222Y | C RESISTOR      | 2.2K 5% 1/4W |      |
|   | R3350 | QRE141J-472Y | C RESISTOR      | 4.7K 5% 1/4W |      |
|   | R3351 | QRE141J-151Y | C RESISTOR      | 150 5% 1/4W  |      |
|   | R3353 | QRE141J-472Y | C RESISTOR      | 4.7K 5% 1/4W |      |
|   | R3354 | QRE141J-151Y | C RESISTOR      | 150 5% 1/4W  |      |
|   | R3355 | QRE141J-332Y | C RESISTOR      | 3.3K 5% 1/4W |      |
|   | R3359 | QRE141J-103Y | C RESISTOR      | 10K 5% 1/4W  |      |
|   | R3361 | QRE141J-393Y | C RESISTOR      | 39K 5% 1/4W  |      |
|   | R3362 | QRE141J-243Y | C RESISTOR      | 24K 5% 1/4W  |      |
|   | R3366 | QRE141J-273Y | C RESISTOR      | 27K 5% 1/4W  |      |
|   | R3367 | QRE141J-103Y | C RESISTOR      | 10K 5% 1/4W  |      |
|   | R3368 | QRE141J-223Y | C RESISTOR      | 22K 5% 1/4W  |      |
|   | R3369 | QRE141J-101Y | C RESISTOR      | 100 5% 1/4W  |      |
|   | R3370 | QRE141J-103Y | C RESISTOR      | 10K 5% 1/4W  |      |
|   | R3374 | QRE141J-2R2Y | C RESISTOR      | 2.2 5% 1/4W  |      |
| △ | R3376 | QRZ9005-100X | F RESISTOR      | 10 1W        |      |
|   | R3377 | QRE141J-470Y | C RESISTOR      | 47 5% 1/4W   |      |
|   | R3378 | QRE141J-470Y | C RESISTOR      | 47 5% 1/4W   |      |
|   | R3379 | QRE141J-203Y | C RESISTOR      | 20K 5% 1/4W  |      |
|   | R3380 | QRE141J-470Y | C RESISTOR      | 47 5% 1/4W   |      |
|   | R3381 | QRE141J-470Y | C RESISTOR      | 47 5% 1/4W   |      |
|   | R3383 | QRE141J-471Y | C RESISTOR      | 470 5% 1/4W  |      |
|   | SW302 | QSW0832-001  | LEAF SWITCH     |              |      |
|   | SW303 | QSW0832-001  | LEAF SWITCH     |              |      |
|   | SW304 | QSW0832-001  | LEAF SWITCH     |              |      |
|   | SW305 | QSW0832-001  | LEAF SWITCH     |              |      |
|   | SW306 | QSW0859-001  | SW              |              |      |
|   | SW316 | QSW0859-001  | SW              |              |      |
|   | VR101 | QVP0008-503Z | SEMI V RESISTOR | ALPS         |      |
|   | VR201 | QVP0008-503Z | SEMI V RESISTOR | ALPS         |      |
|   | VR301 | QVP0008-103Z | SEMI V RESISTOR | ALPS         |      |



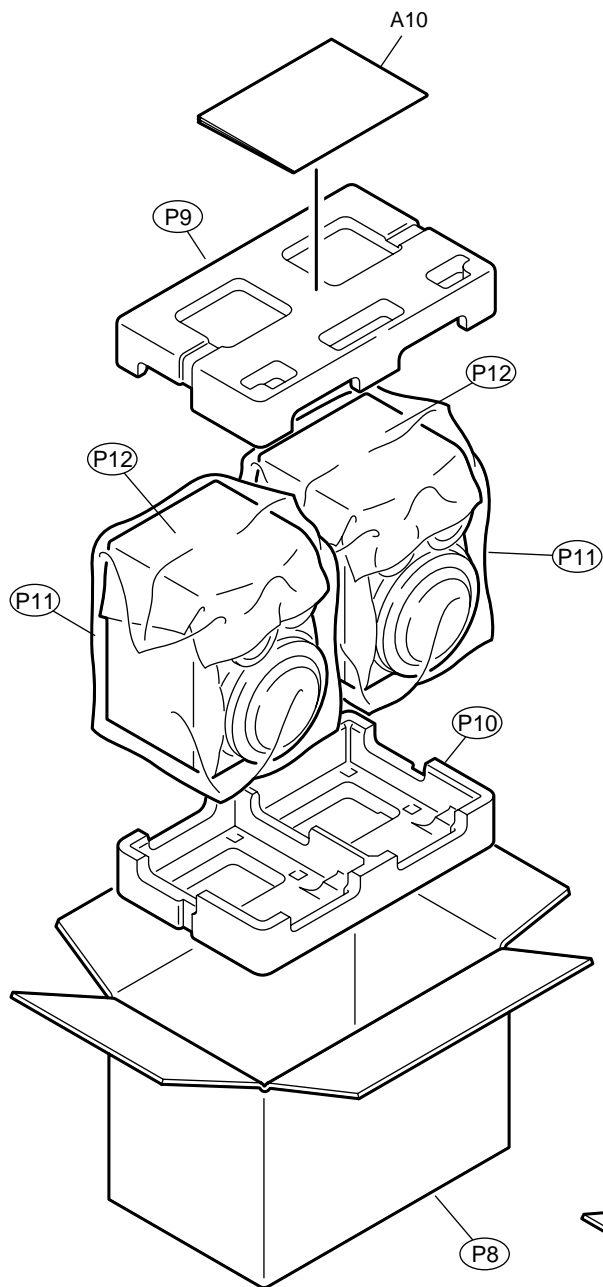
# Packing materials and accessories parts list

Block No. 

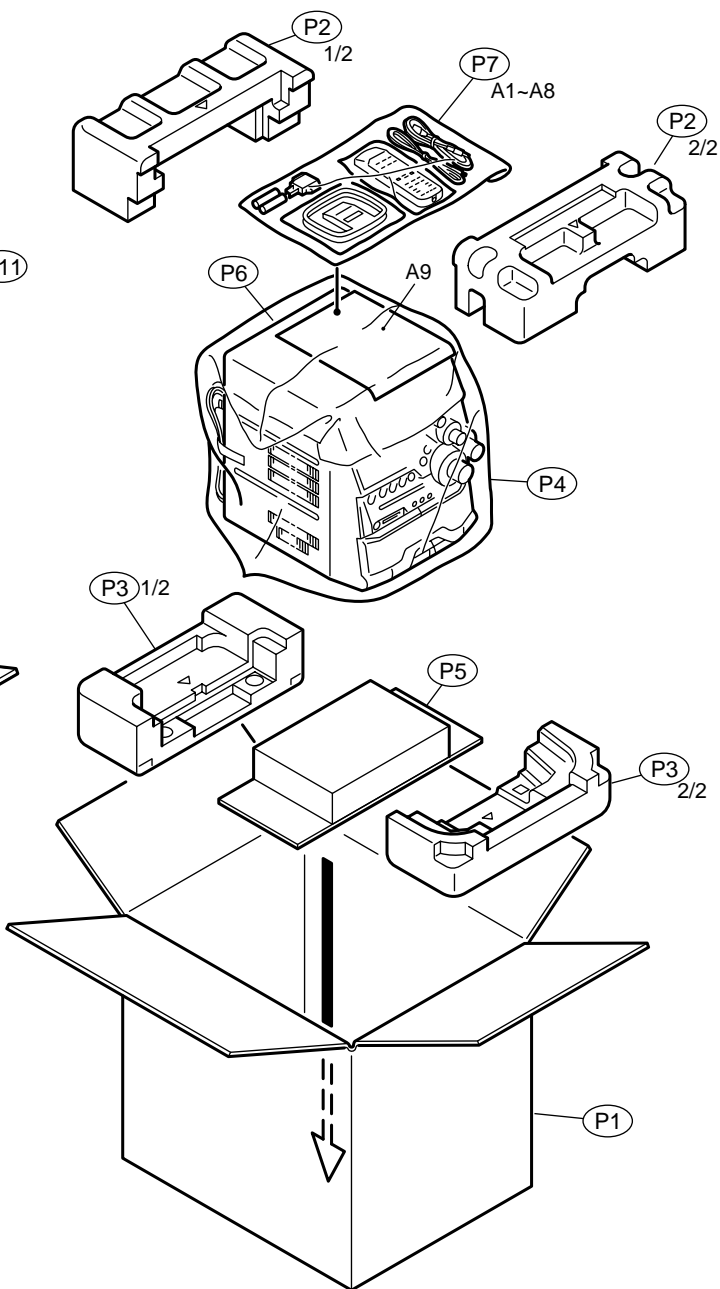
|   |   |   |   |
|---|---|---|---|
| M | 3 | M | M |
|---|---|---|---|

Block No. 

|   |   |   |   |
|---|---|---|---|
| M | 5 | M | M |
|---|---|---|---|



**SP-MXG750V**



**CA-MXG750V**

■ Parts list (Packing)

Block No. M3MM

| △ | Item | Parts number  | Parts name     | Q'ty | Description | Area |
|---|------|---------------|----------------|------|-------------|------|
|   | P 1  | GV20183-001A  | PACKING CASE   | 1    | CA-MXG750V  |      |
|   | P 2  | GV10071-002A  | TOP CUSHION    | 1    | CA-MXG750V  |      |
|   | P 3  | GV10072-002A  | BOTTOM CUSHION | 1    | CA-MXG750V  |      |
|   | P 4  | QPC06507015P  | POLY BAG       | 1    | CA-MXG750V  |      |
|   | P 5  | GV30209-001A  | SPACER         | 1    | CA-MXG750V  |      |
|   | P 6  | GV40168-003A  | SHEET          | 1    | CA-MXG750V  |      |
|   | P 7  | QPC02503515P  | POLY BAG       | 1    | CA-MXG750V  |      |
|   | P 8  | 730-XG750V-10 | PACKING CASE   | 1    | SP-MXG750V  |      |
|   | P 9  | 720-TG750V-00 | TOP CUSHION    | 1    | SP-MXG750V  |      |
|   | P 10 | 720-BG750V-00 | BOTTOM CUSHION | 1    | SP-MXG750V  |      |
|   | P 11 | 700-120034-20 | POLY BAG       | 2    | SP-MXG750V  |      |
|   | P 12 | 715-250031-00 | MIRROR MAT     | 2    | SP-MXG750V  |      |

■ Parts list (Accessories)

Block No. M5MM

| △ | Item | Parts number | Parts name             | Q'ty | Description         | Area  |
|---|------|--------------|------------------------|------|---------------------|-------|
|   | A 1  | GVT0079-001B | INST. BOOK(CA-MXG750V) | 1    | ENG,CHI,ARA         |       |
|   | A 2  | GV40215-003A | NOTICE SHEET           | 1    |                     |       |
|   | A 3  | FQAL0014-001 | AM LOOP ANTENNA        | 1    |                     |       |
|   | A 4  | EWP503-001   | ANT.WIRE               | 1    |                     |       |
| △ | A 5  | QAM0112-001  | AC PLUG ADAPTER        | 1    |                     | US,UN |
| △ |      | VMZ0139-001  | CONNECT PLUG           | 1    |                     | UX    |
|   | A 6  | QAM0216-001  | SIGNAL CORD            | 1    |                     |       |
|   | A 7  | RM-SMXG750V  | REMOCON                | 1    |                     |       |
|   | A 8  | -----        | BATTERY                | 2    |                     |       |
|   | A 9  | GV40350-003A | CAUTION SHEET          | 1    |                     |       |
|   | A 10 | GVT0087-001A | INST. BOOK(SP-MXG750V) | 1    | ENG,SPA,POR,CHI,ARA |       |

**MX-G950V/MX-G880V**  
**MX-G850V/MX-G750V**

**JVC**

**VICTOR COMPANY OF JAPAN, LIMITED**

AUDIO & COMMUNICATION BUSINESS DIVISION

PERSONAL & MOBILE NETWORK BUSINESS UNIT. 10-1,1Chome,Ohwatari-machi,maebashi-city,371-8543,Japan