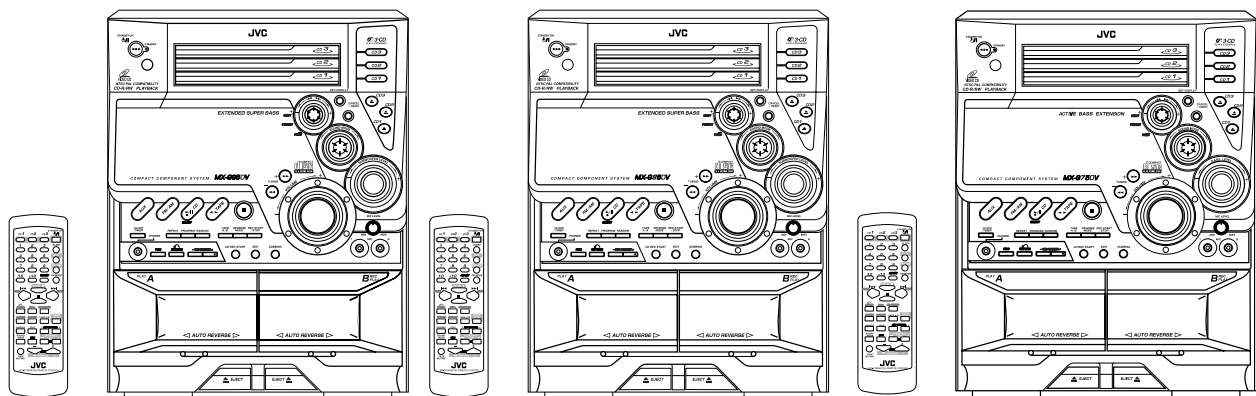


JVC

SERVICE MANUAL

COMPACT COMPONENT SYSTEM

MX-G950V/MX-G880V MX-G850V/MX-G750V



CA-MXG950V

CA-MXG850V
CA-MXG880V

CA-MXG750V



MX-G950V/MX-G850V
Area Suffix
U-----Other Areas
UN-----Asean
UX-----Saudi Arabia

MX-G880V
Area Suffix
UN-----Asean

MX-G750V
Area Suffix
UN-----Asean
US-----Singapore
UX-----Saudi Arabia

Contents

Safety precautions	1-2	Flow of functional operation	
Preventing static electricity	1-3	until TOC read (CD)	1-33
Important for laser products	1-4	Maintenance of laser pickup	1-34
Disassembly method	1-5	Replacement of laser pickup	1-34
Adjustment method	1-28	Description of major ICs	1-35~56

Safety Precautions

1. This design of this product contains special hardware and many circuits and components specially for safety purposes. For continued protection, no changes should be made to the original design unless authorized in writing by the manufacturer. Replacement parts must be identical to those used in the original circuits. Services should be performed by qualified personnel only.
2. Alterations of the design or circuitry of the product should not be made. Any design alterations of the product should not be made. Any design alterations or additions will void the manufacturer's warranty and will further relieve the manufacture of responsibility for personal injury or property damage resulting therefrom.
3. Many electrical and mechanical parts in the products have special safety-related characteristics. These characteristics are often not evident from visual inspection nor can the protection afforded by them necessarily be obtained by using replacement components rated for higher voltage, wattage, etc. Replacement parts which have these special safety characteristics are identified in the Parts List of Service Manual. Electrical components having such features are identified by shading on the schematics and by (\triangle) on the Parts List in the Service Manual. The use of a substitute replacement which does not have the same safety characteristics as the recommended replacement parts shown in the Parts List of Service Manual may create shock, fire, or other hazards.
4. The leads in the products are routed and dressed with ties, clamps, tubings, barriers and the like to be separated from live parts, high temperature parts, moving parts and/or sharp edges for the prevention of electric shock and fire hazard. When service is required, the original lead routing and dress should be observed, and it should be confirmed that they have been returned to normal, after re-assembling.
5. Leakage current check (Electrical shock hazard testing)

After re-assembling the product, always perform an isolation check on the exposed metal parts of the product (antenna terminals, knobs, metal cabinet, screw heads, headphone jack, control shafts, etc.) to be sure the product is safe to operate without danger of electrical shock.

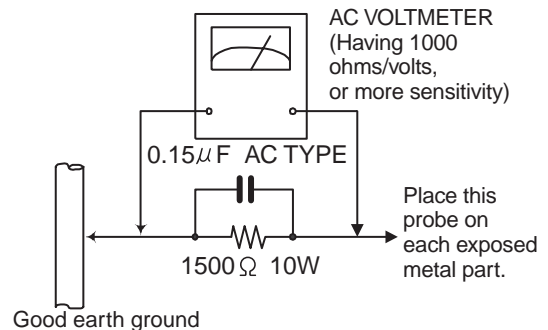
Do not use a line isolation transformer during this check.

- Plug the AC line cord directly into the AC outlet. Using a "Leakage Current Tester", measure the leakage current from each exposed metal parts of the cabinet, particularly any exposed metal part having a return path to the chassis, to a known good earth ground. Any leakage current must not exceed 0.5mA AC (r.m.s.).

- Alternate check method

Plug the AC line cord directly into the AC outlet. Use an AC voltmeter having, 1,000 ohms per volt or more sensitivity in the following manner. Connect a 1,500 Ω 10W resistor paralleled by a 0.15 μ F AC-type capacitor between an exposed metal part and a known good earth ground. Measure the AC voltage across the resistor with the AC voltmeter.

Move the resistor connection to each exposed metal part, particularly any exposed metal part having a return path to the chassis, and measure the AC voltage across the resistor. Now, reverse the plug in the AC outlet and repeat each measurement. Voltage measured any must not exceed 0.75 V AC (r.m.s.). This corresponds to 0.5 mA AC (r.m.s.).



Warning

1. This equipment has been designed and manufactured to meet international safety standards.
2. It is the legal responsibility of the repairer to ensure that these safety standards are maintained.
3. Repairs must be made in accordance with the relevant safety standards.
4. It is essential that safety critical components are replaced by approved parts.
5. If mains voltage selector is provided, check setting for local voltage.

CAUTION

Burrs formed during molding may be left over on some parts of the chassis. Therefore, pay attention to such burrs in the case of preforming repair of this system.

In regard with component parts appearing on the silk-screen printed side (parts side) of the PWB diagrams, the parts that are printed over with black such as the resistor (\blacksquare), diode (\blacksquare) and ICP (\bullet) or identified by the " \triangle " mark nearby are critical for safety.

(This regulation does not correspond to J and C version.)

Preventing static electricity

1. Grounding to prevent damage by static electricity

Electrostatic discharge (ESD), which occurs when static electricity stored in the body, fabric, etc. is discharged, can destroy the laser diode in the traverse unit (optical pickup). Take care to prevent this when performing repairs.

2. About the earth processing for the destruction prevention by static electricity

In the equipment which uses optical pick-up (laser diode), optical pick-up is destroyed by the static electricity of the work environment.

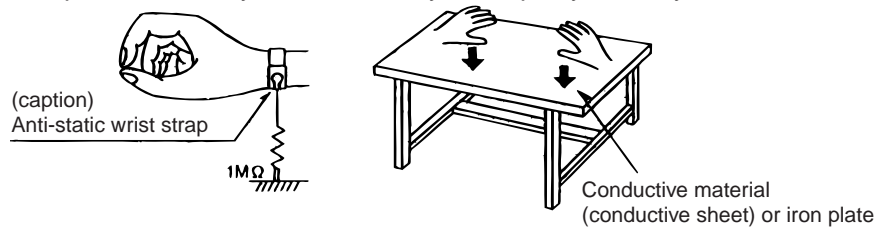
Be careful to use proper grounding in the area where repairs are being performed.

2-1 Ground the workbench

Ground the workbench by laying conductive material (such as a conductive sheet) or an iron plate over it before placing the traverse unit (optical pickup) on it.

2-2 Ground yourself

Use an anti-static wrist strap to release any static electricity built up in your body.



3. Handling the optical pickup

1. In order to maintain quality during transport and before installation, both sides of the laser diode on the replacement optical pickup are shorted. After replacement, return the shorted parts to their original condition. (Refer to the text.)
2. Do not use a tester to check the condition of the laser diode in the optical pickup. The tester's internal power source can easily destroy the laser diode.

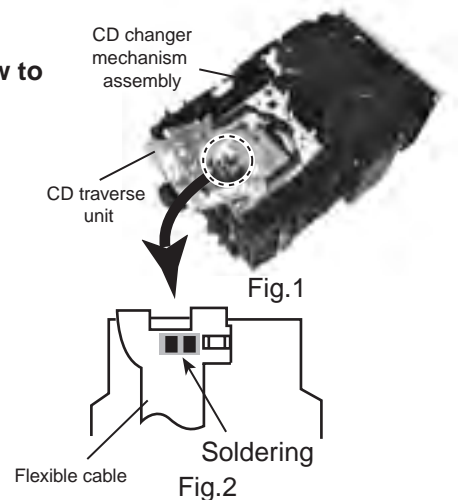
4. Handling the traverse unit (optical pickup)

1. Do not subject the traverse unit (optical pickup) to strong shocks, as it is a sensitive, complex unit.
2. Cut off the shorted part of the flexible cable using nippers, etc. after replacing the optical pickup. For specific details, refer to the replacement procedure in the text. Remove the anti-static pin when replacing the traverse unit. Be careful not to take too long a time when attaching it to the connector.
3. Handle the flexible cable carefully as it may break when subjected to strong force.
4. It is not possible to adjust the semi-fixed resistor that adjusts the laser power. Do not turn it

Attention when traverse unit is decomposed

***Please refer to "Disassembly method" in the text for pick-up and how to detach the CD traverse mechanism.**

1. Remove the disk stopper and T. bracket on the CD changer mechanism assembly.
2. Disconnect the harness from connector on the CD motor board.
3. CD traverse unit is put up as shown in Fig.1.
4. Solder is put up before the card wire is removed from connector CN601 on the CD servo control board as shown in Fig. 2.
(When the wire is removed without putting up solder, the CD pick-up assembly might destroy.)
5. Please remove solder after connecting the card wire with CN601 when you install picking up in the substrate.



Important for laser products

1. CLASS 1 LASER PRODUCT

2. DANGER : Invisible laser radiation when open and interlock failed or defeated. Avoid direct exposure to beam.

3. CAUTION : There are no serviceable parts inside the Laser Unit. Do not disassemble the Laser Unit. Replace the complete Laser Unit if it malfunctions.

4. CAUTION : The compact disc player uses invisible laser radiation and is equipped with safety switches which prevent emission of radiation when the drawer is open and the safety interlocks have failed or are defeated. It is dangerous to defeat the safety switches.

5. CAUTION : If safety switches malfunction, the laser is able to function.

6. CAUTION : Use of controls, adjustments or performance of procedures other than those specified herein may result in hazardous radiation exposure.

CAUTION Please use enough caution not to see the beam directly or touch it in case of an adjustment or operation check.

WARNING : Osynlig laserstrålning är denna del är öppnad och spärren är urkopplad. Betrakta ej strålen.

VARO : Avattaessa ja suojalukitus ohitettaessa olet alltiina näkymättömälle lasersäteilylle. Älä katso säteeseen.

ADVARSEL : Usynlig laserstrålning ved åbning , når sikkerhedsafbrydere er ude af funktion. Undgå udsættelse for stråling.

ADVARSEL : Usynlig laserstrålning ved åpning, når sikkerhetsbryteren er avslott. unngå utsettelse for stråling.

REPRODUCTION AND POSITION OF LABELS

WARNING LABEL

CLASS 1
LASER PRODUCT



CAUTION : Invisible laser radiation when open and interlock failed or defeated. AVOID DIRECT EXPOSURE TO BEAM. (e)

WARNING : Osynlig laserstrålning när denna del är öppnad och spärren är urkopplad. Betrakta ej strålen. (s)

ADVARSEL : Usynlig laserstrålning ved åbning, når sikkerhedsafbrydere er ude af funktion. Undgå udsættelse for stråling. (d)

VARO : Avattaessa ja suojalukitus ohitettaessa olet alltiina näkymättömälle lasersäteilylle. Älä katso säteeseen. (f)

E406507-001

Disassembly method

<Main body>

■ Removing the metal cover

(See Fig.1 ~ 3)

1. Remove the six screws **A** on the back of the body.
2. Remove the two screws **B** on both sides of the body.
3. Remove the metal cover from the body by lifting the rear part of the cover.

CAUTION: Do not break the front panel tab fitted to the metal cover.

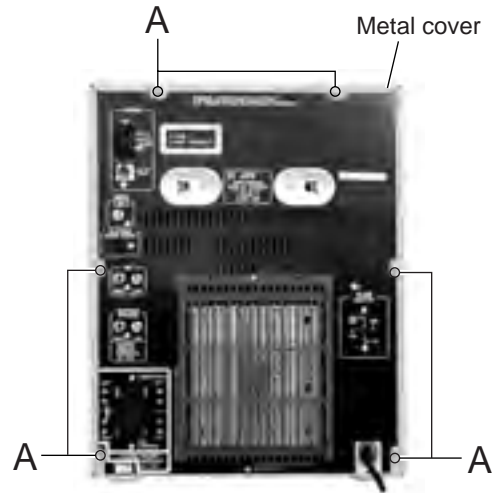


Fig.1
(CA-MXG850VU, CA-MXG950VUX)

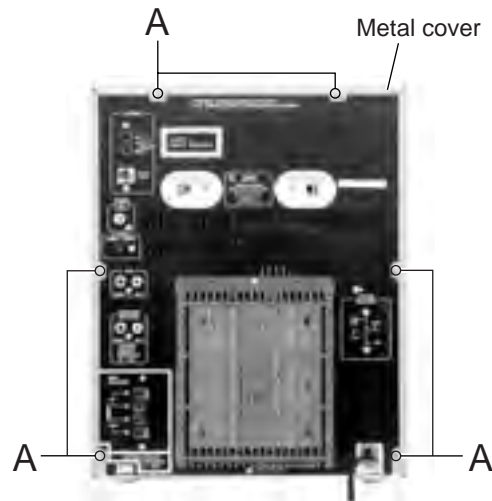


Fig.1
(CA-MXG750VUS)

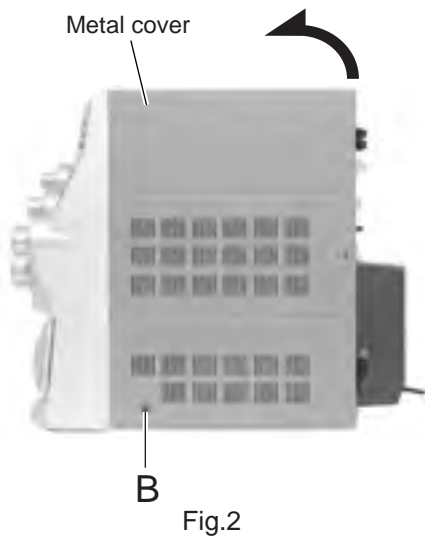


Fig.2



Fig.3

■ **Removing the CD changer mechanism assembly** (See Fig.4, 6)

• Prior to performing the following procedure, remove the metal cover.

1. Disconnect the wire from connector CN705 on the amplifier board.
2. Remove the plastic rivet attaching the main board to the front assembly on the right side of the body.
3. Disconnect the card wire from connector CN661 on the main board.
4. Remove the two screws **C** on the upper side of the body and the two screws **D** on the back of the rear panel.
5. Pull both the rear panel and the front panel assembly to the outside, then remove the CD changer mechanism assembly by lifting the rear part of the assembly.

REFERENCE: At this point, one card wire on the underside of the CD mechanism assembly is still connected.

6. Disconnect the card wire from connector CN504 on the inner side of the main board on the right side of the body. Remove the CD mechanism assembly.

CAUTION: To prevent damage to the CD fitting, be sure to pull both the rear panel and the front panel assembly enough to remove the CD changer mechanism assembly.

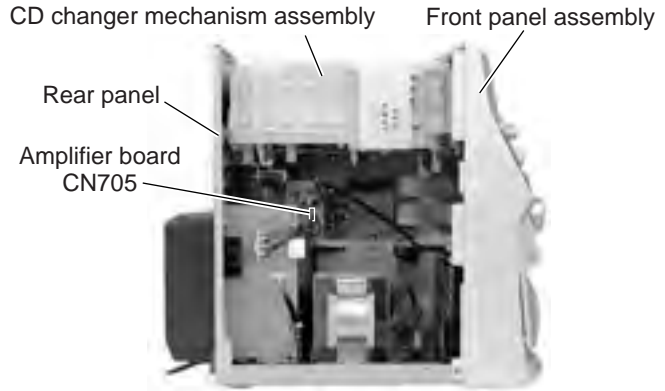


Fig.4

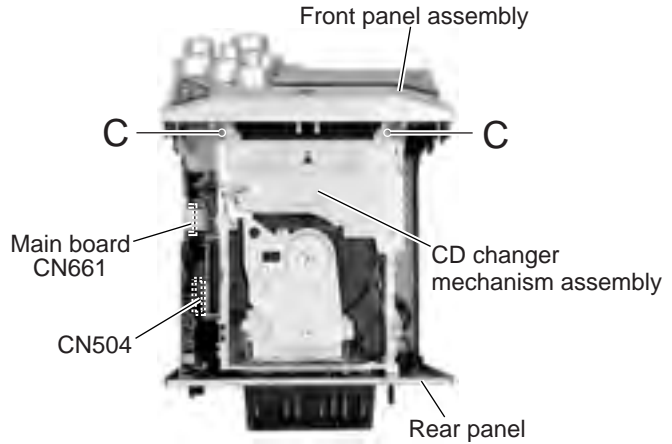


Fig.5

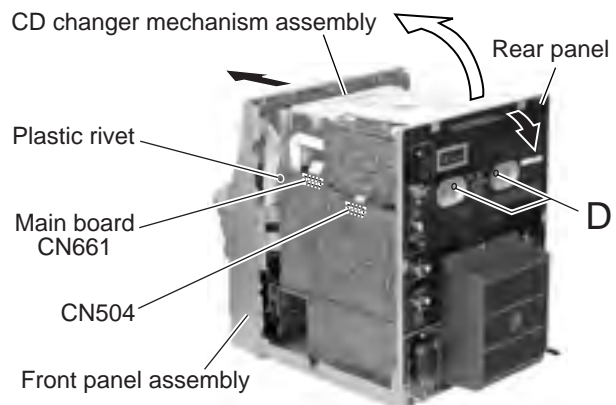


Fig.6
 (CA-MXG850VU, CA-MXG950VUX)

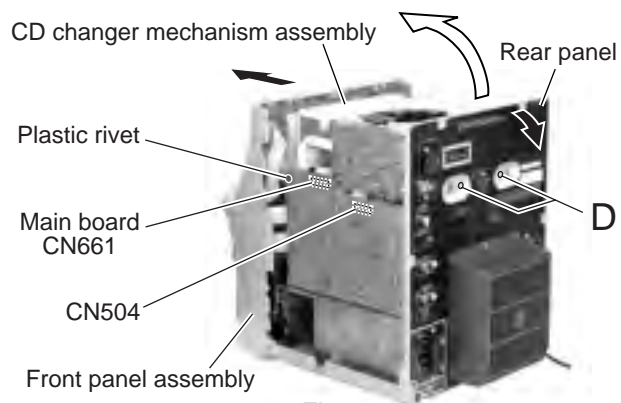


Fig.6
 (CA-MXG750VUS)

■ **Removing the fan** (See Fig.7)

• Prior to performing the following procedure, remove the metal cover and the CD changer mechanism assembly.

1. Turn over the CD changer mechanism assembly and remove the two screws **E** attaching the fan.

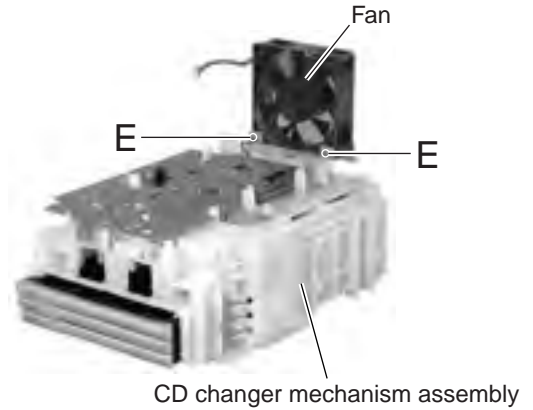


Fig.7

■ **Removing the front panel assembly** (See Fig.8 ~ 11)

Prior to performing the following procedure, remove the metal cover and CD changer mechanism assembly.

1. Disconnect the card wires from connector CN870, CN871 and CN315 on the main board respectively.
2. Remove the band and disconnect the wire from connector CN703 on the amplifier board.
3. Disconnect the wire from connector CN220 on the transformer board.
4. Remove the two screws **F** on the bottom of the body.
5. Release the two joints **a** on the lower right and left sides of the body using a screwdriver, and remove the front panel assembly toward the front.

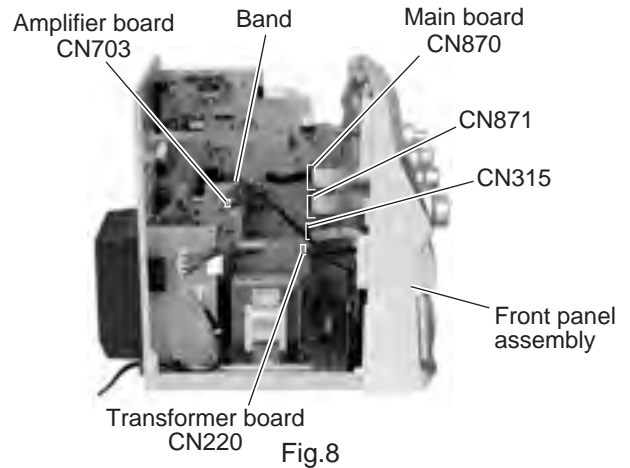


Fig.8

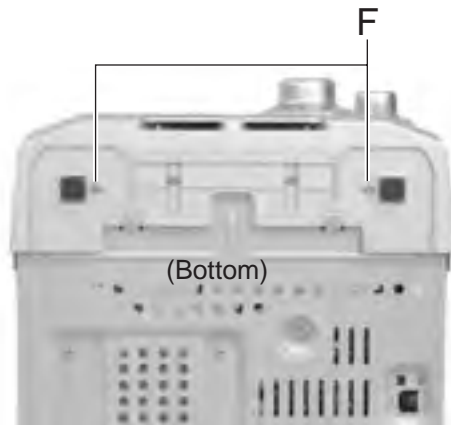


Fig.9

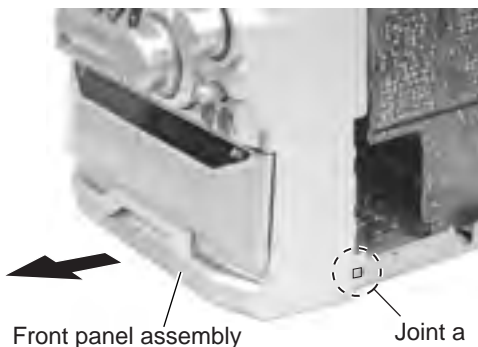


Fig.10

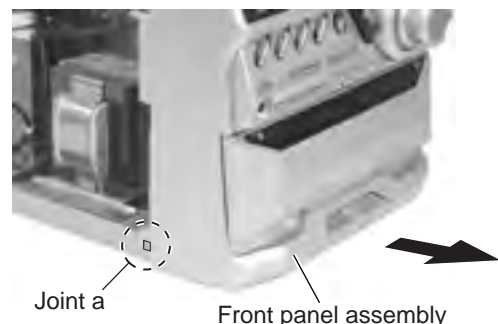


Fig.11

■ **Removing the tuner board**

(See Fig.12)

- Prior to performing the following procedure, remove the metal cover.
- 1. Disconnect the card wire from connector CN1 on the tuner board on the right side of the body.
- 2. Remove the plastic rivet fixing the tuner board.
- 3. Remove the two screws **G** on the back of the body.

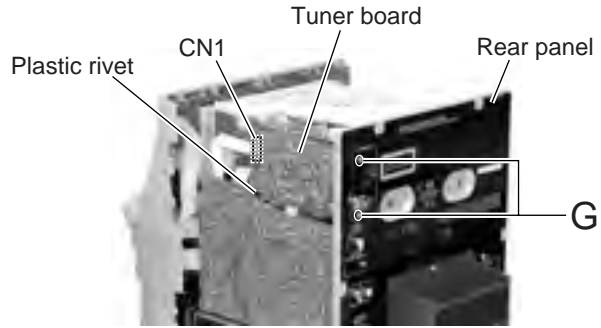


Fig.12

■ **Removing the rear cover / rear panel**

(See Fig.13 ~ 16)

- Prior to performing the following procedure, remove the metal cover and the CD changer mechanism assembly.
- 1. Remove the screw **H** attaching the rear cover on the back of the body.
- 2. Push each tab of the four joints **b** in the direction of the arrow and release.
- 3. Remove the sixteen screws **G** attaching the rear panel.
- 4. Disengage the joints **c** on each lower side of the rear panel using a screwdriver and remove the rear panel backward.

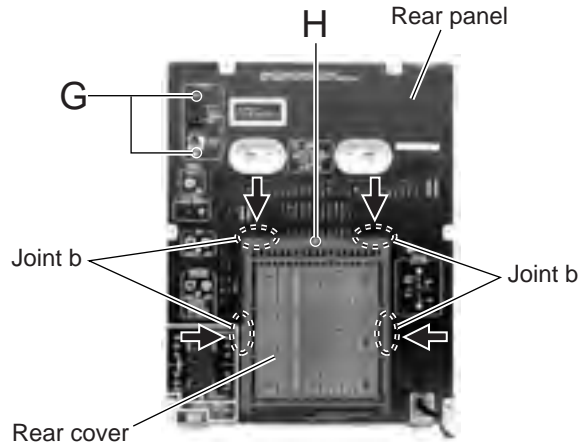


Fig.13

(CA-MXG850VU, CA-MXG950VUX)

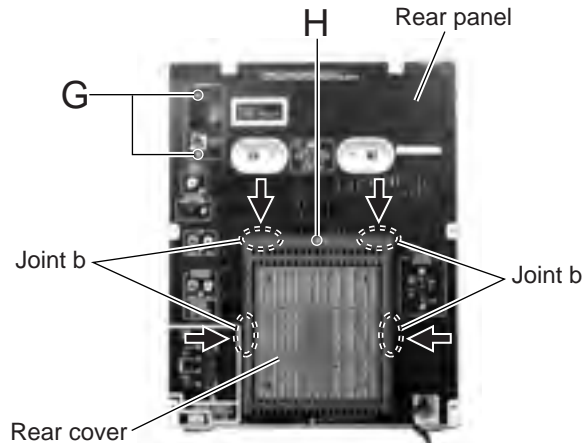


Fig.13

(CA-MXG750VUS)

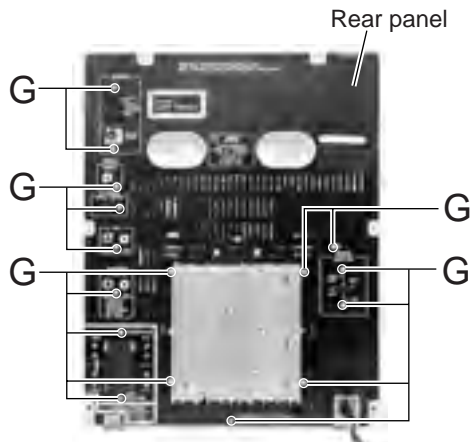


Fig.14

(CA-MXG850VU, CA-MXG950VUX)

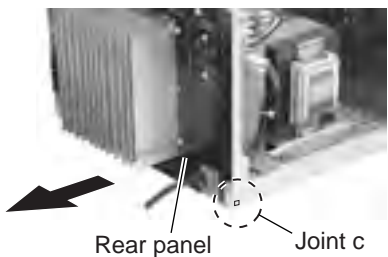


Fig.15

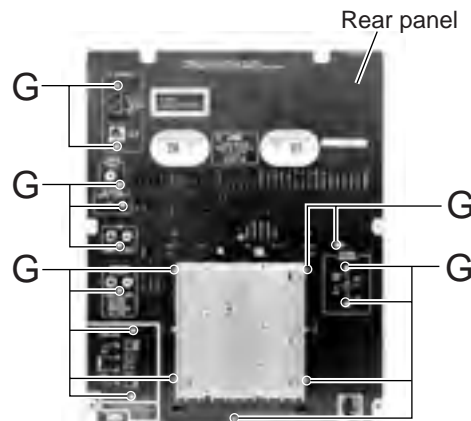


Fig.14

(CA-MXG750VUS)

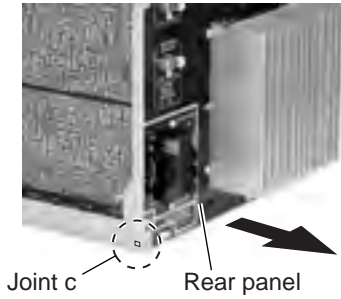


Fig.16
(CA-MXG850VU, CA-MXG950VUX)

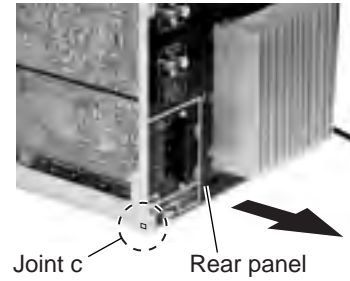


Fig.16
(CA-MXG750VUS)

■ Removing the main board

(See Fig.17 ~ 19)

- Prior to performing the following procedure, remove the metal cover, the CD changer mechanism assembly, the rear panel and the tuner board.

1. Disconnect the card wires from connector CN870, CN871 and CN315 on the main board.
2. Disconnect the wires from connector CN704 and CN706 on the amplifier board.
3. Remove the screw I attaching the main board on the right side of the body.
4. Disconnect the wire from connector CN710 on the speaker board.
5. Disconnect connector CN211 and CN212 on the main board from the regulator board.

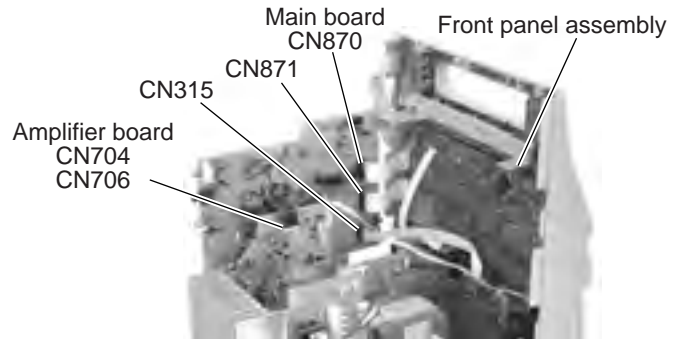


Fig.17

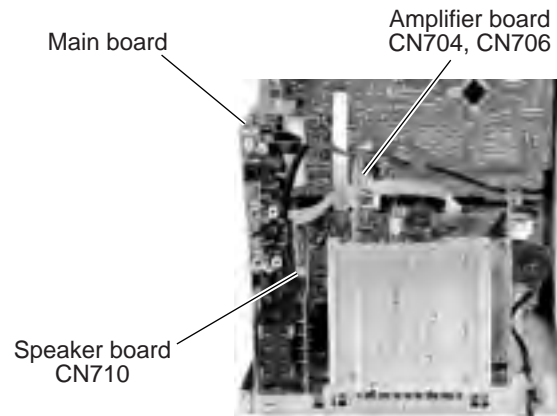


Fig.18
(CA-MXG850VU, CA-MXG950VUX)

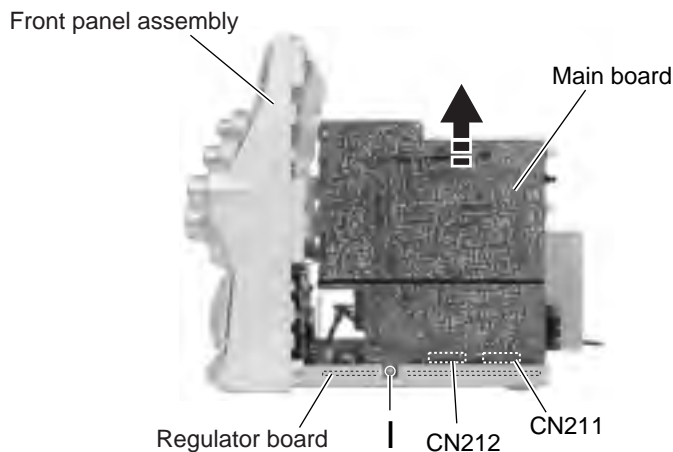


Fig.19

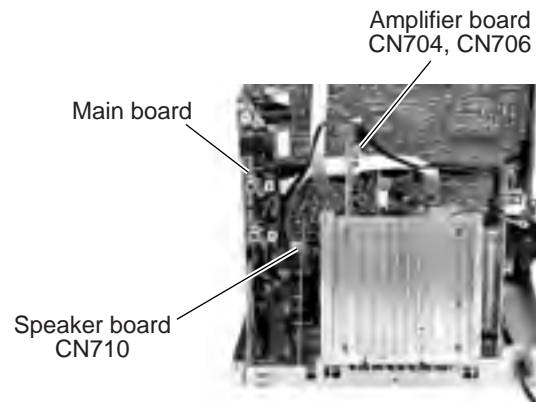


Fig.18
(CA-MXG750VUS)

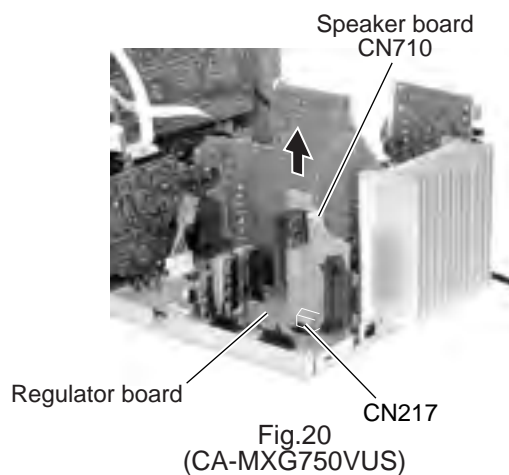
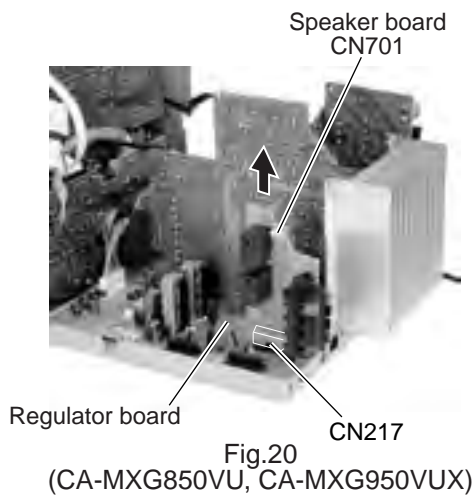
■ Removing the speaker board

(See Fig.20)

- Prior to performing the following procedure, remove the metal cover, the CD changer mechanism assembly and the rear panel.

REFERENCE: It is not necessary to remove the main board.

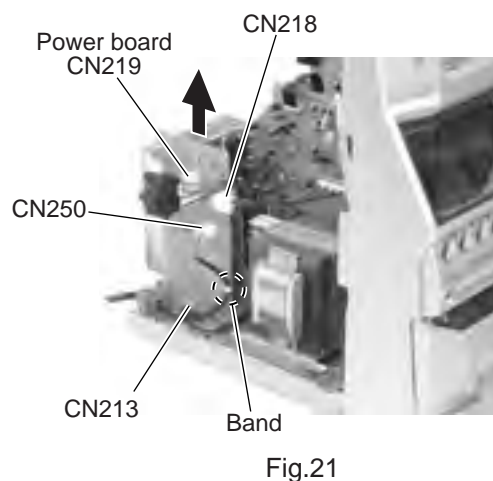
1. Disconnect the wire from connector CN710 on the speaker board.
2. Disconnect connector CN217 on the speaker board from the regulator board.



■ Removing the power board (See Fig.21)

- Prior to performing the following procedure, remove the metal cover, the CD changer mechanism assembly and the rear panel.

1. Remove a band on the power board.
2. Disconnect the wire from connector CN218, CN219 and CN250 on the power board.
3. Disconnect connector CN213 on the power board from the regulator board.

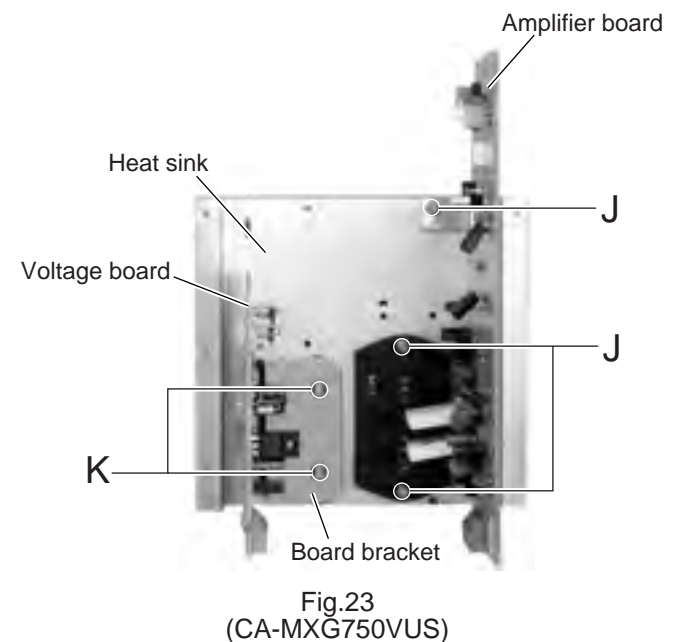
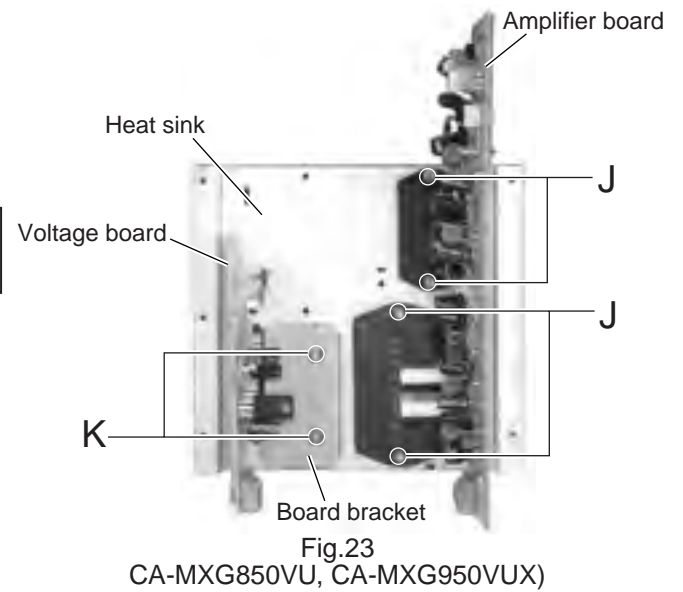
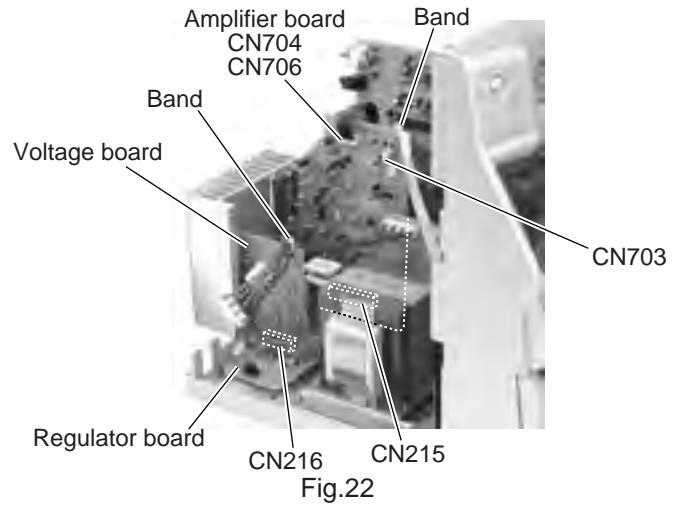


■ **Removing the amplifier board / voltage board / heat sink** (See Fig.22, 23)

• Prior to performing the following procedure, remove the metal cover, the CD changer mechanism assembly and the rear panel.

1. Disconnect the wires from connector CN703, CN704 and CN706 on the amplifier board respectively.
2. Remove the two band attaching the wire to the amplifier board and the voltage board.
3. Disconnect connector CN215 on the amplifier board and CN216 on the voltage board from the regulator board (The heat sink will be detached at once).
4. Remove the four screws **J** attaching the amplifier board to the heat sink.
5. Remove the two screws **K**, the board bracket and the voltage board.

REFERENCE: It is not necessary to remove the power board.



■ Removing the power transformer assembly (See Fig.24, 25)

• Prior to performing the following procedure, remove the metal cover, the CD changer mechanism assembly and the rear panel.

1. Disconnect the wires from connector CN218 and CN219 on the power board.
2. Disconnect the wire from connector CN204 on the regulator board.
3. Disconnect the wire from connector CN220 on the transformer board.
4. Remove a band on the voltage board.
5. Release the wire from the stopper on the regulator board.
6. Remove the four screws **L** attaching the transformer assembly.

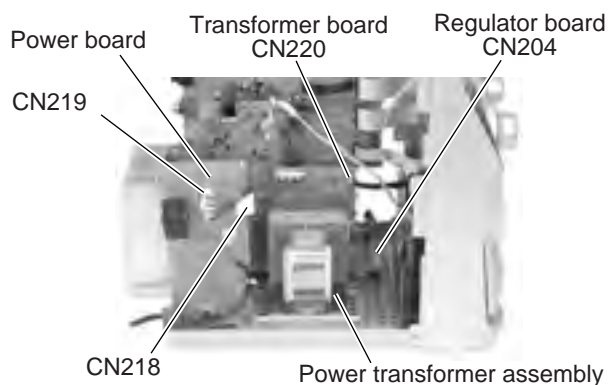


Fig.24

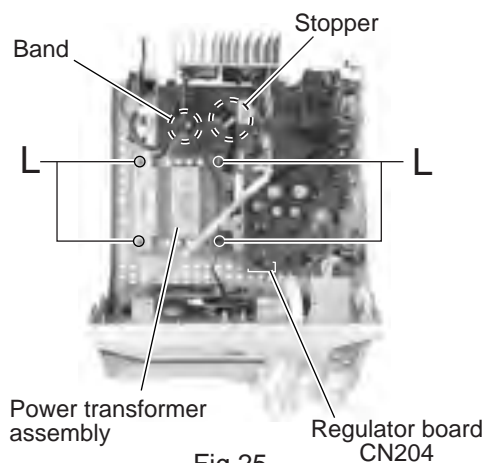


Fig.25

■ Removing the regulator board (See Fig.26)

• Prior to performing the following procedure, remove the metal cover, the CD changer mechanism assembly, the rear panel, the antenna board, the main board, the amplifier board, the voltage board, the power board and the speaker board.

1. Disconnect the wire from connector CN204 on the regulator board.
2. Release the wire from the stopper on the regulator board.
3. Remove the two screws **M** attaching the regulator board.

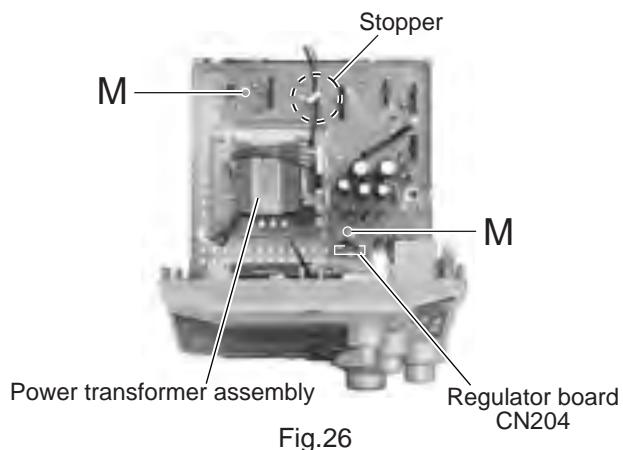


Fig.26

■ Removing the power cord (See Fig.27)

• Prior to performing the following procedure, remove the metal cover, the CD changer mechanism assembly and the rear panel.

1. Disconnect the wire from connector CN250 on the power board.
2. Remove the band from the power board.
3. Move the power cord stopper upward and pull out it from the base chassis.

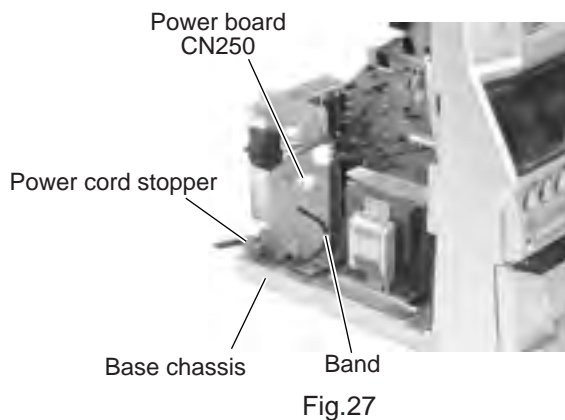


Fig.27

<Front panel assembly>

- Prior to performing the following procedure, remove the metal cover, the CD changer mechanism assembly and the front panel assembly.

■ Removing the cassette mechanism assembly (See Fig.28)

1. Disconnect the card wire from connector CN306 on the head amplifier & mechanism control board.
2. Remove the seven screws **N** attaching the cassette mechanism assembly.

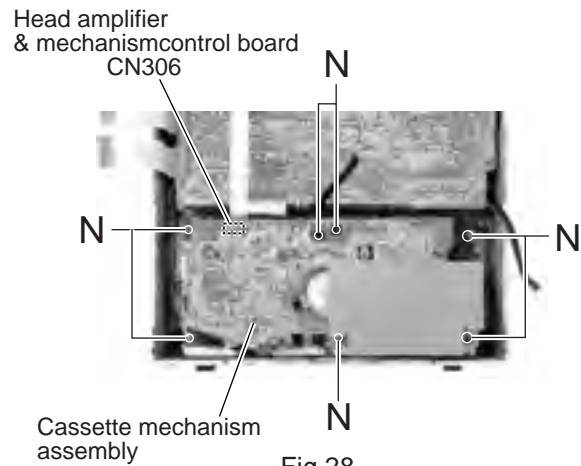


Fig.28

■ Removing the display system control board (See Fig.29 ~ 31)

1. Remove the four screws **O** attaching the stay bracket.
2. Disconnect the card wires from connector CN316 and CN880 on the display system control board.
3. Remove the seven screws **P** attaching the display system control board.
4. If necessary, disconnect the wire from connector CN911 on the front side of the display system control board and unsolder FW915.

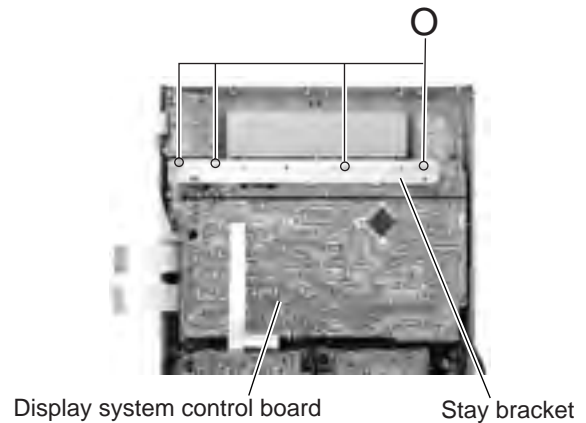


Fig.29

■ Removing the CD eject board (See Fig.31, 32)

1. Remove the three screws **Q** attaching the CD eject board.
2. If necessary, unsolder FW915 on the CD eject board.

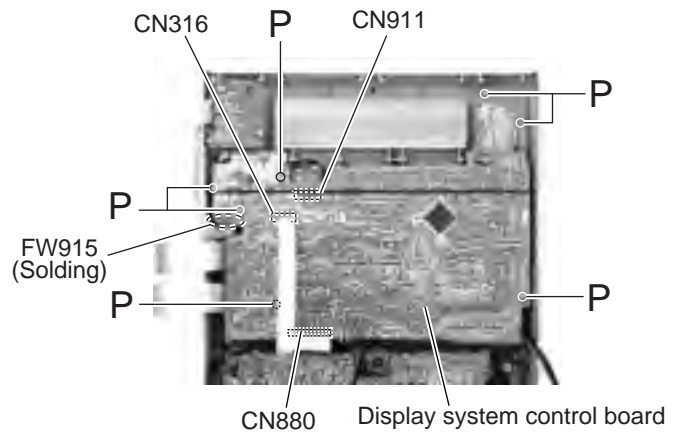


Fig.30

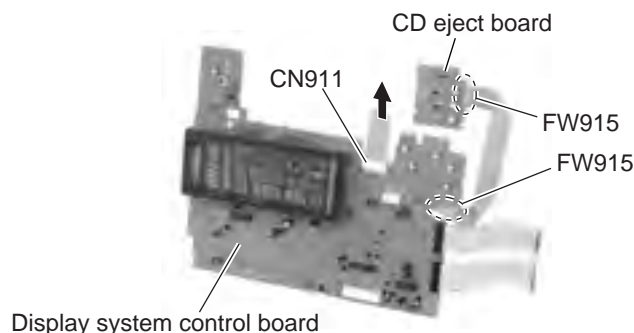


Fig.31

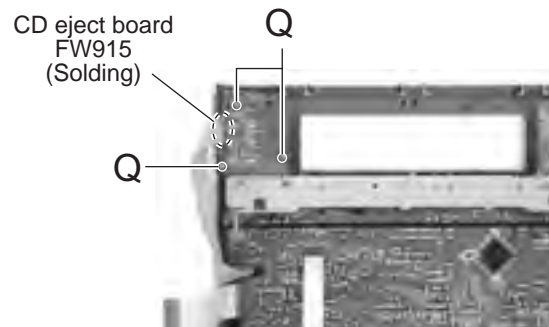


Fig.32

■ **Removing the preset / tuning switch board**
 (See Fig.33, 34)

• Prior to performing the following procedure, remove the display system control board.

1. Pull out the preset knob on the front panel.
2. Remove the four screws **R** attaching the preset / tuning switch board.
3. If necessary, unsolder FW901 on the preset / tuning switch board.

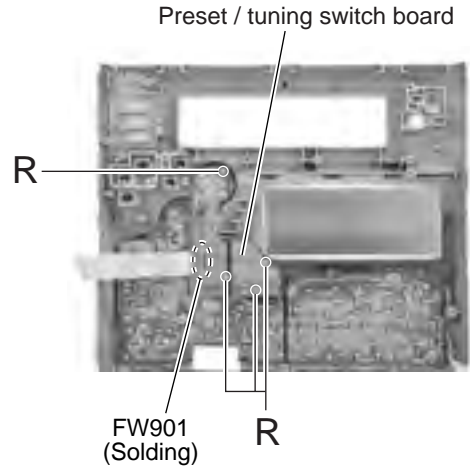


Fig.33

■ **Removing the operation switch board**
 (See Fig.34, 35)

• Prior to performing the following procedure, remove the display system control board and the preset / tuning switch board.

1. Pull out the volume knob on the front panel and remove the nut. Pull out the sound mode knob, the mic level knob and the sub woofer level knob toward the front.
2. Remove the twelve screws **S** attaching the operation switch board.
3. Release each tab of the seven joints **g** retaining the operation switch board.

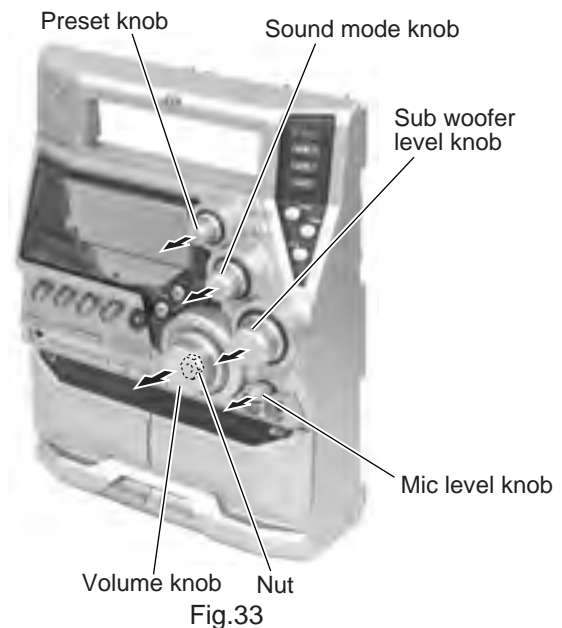


Fig.33

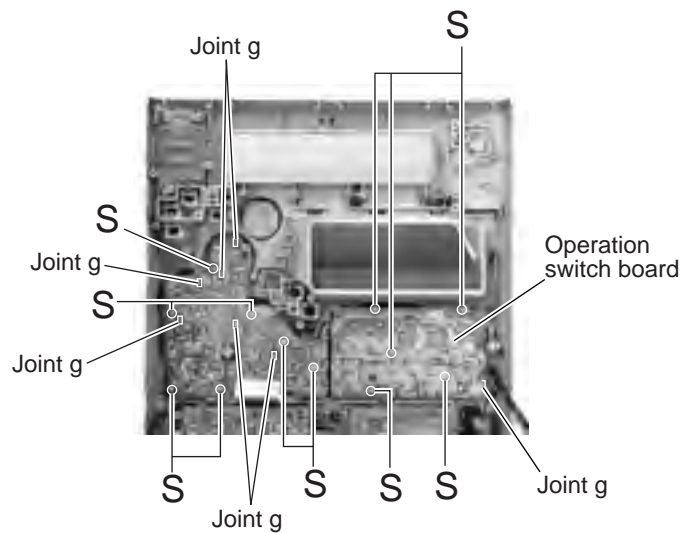


Fig.35

Disassembly method

<speaker section>

■ Removing the front cover (See Fig.1,2)

CAUTION: Do not break or damage the front panel and body that are glued at the joints **a**.
(See Fig.1)

1. Remove the four screws **A** on the front of the body respectively.
2. Remove the front cover toward the front and disconnect the yellow and black wires from the two tweeter speaker terminals.

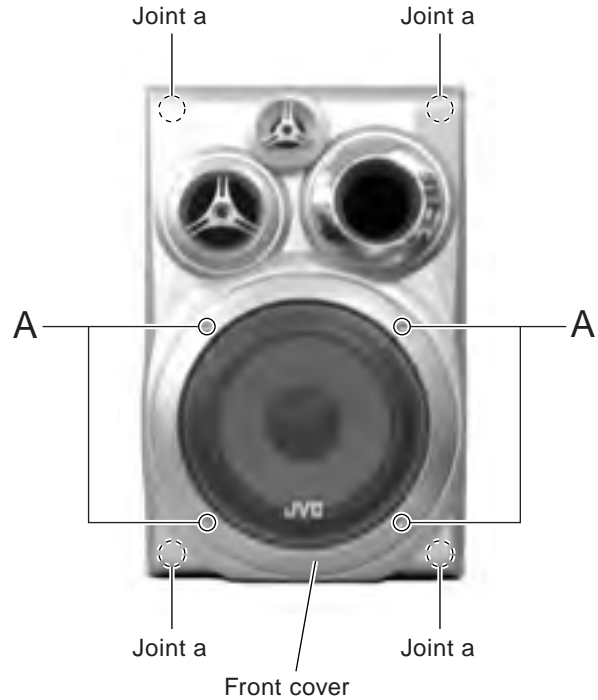


Fig.1
(SP-MXG750V)
(SP-MXG850V)
(SP-MXG950V)

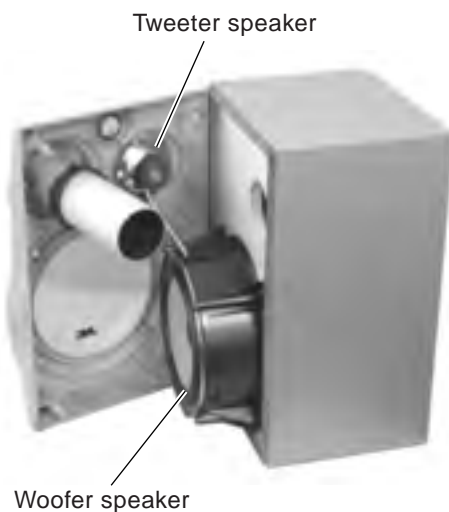


Fig.2
(SP-MXG750V)
(SP-MXG850V)
(SP-MXG950V)

■ Removing the woofer speaker (See Fig.3)

· Prior to performing the following procedure, remove the front cover.

1. Remove the four screws **B** on the front of the body.
2. Pull out the woofer speaker toward the front and disconnect the wire (yellow and black, red and black) from the two speaker terminals.

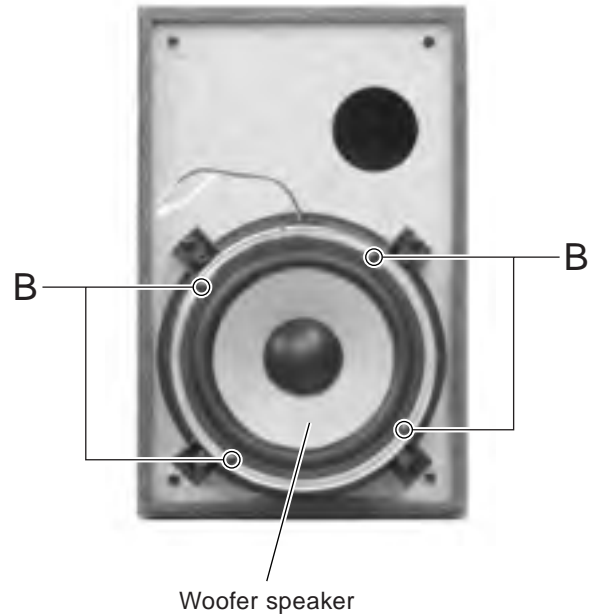


Fig.3
(SP-MXG750V)
(SP-MXG850V)
(SP-MXG950V)

■ Removing the tweeter speaker (See Fig.4)

· Prior to performing the following procedure, remove the front cover.

1. Disconnect the red and black wires from the two tweeter speaker terminals.
2. Remove the two screws **C** attaching the tweeter speaker on the back of the front cover.

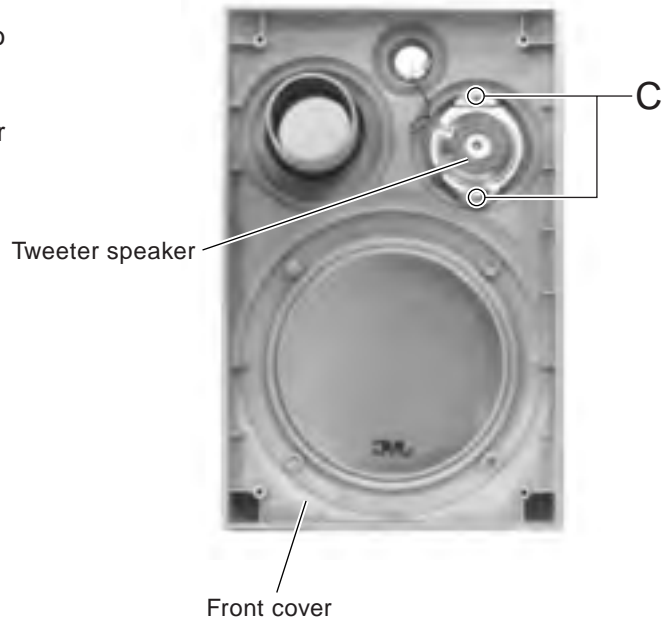


Fig.4
(SP-MXG750V)
(SP-MXG850V)
(SP-MXG950V)

<Woofer speaker section>

■ Removing the front cover (See Fig.5)

CAUTION: Do not break or damage the front panel and body that are glued at the joints **b**.
(See Fig.5)

1. Remove the four screws **D** on the front of the body respectively.
2. Remove the front cover toward the front.

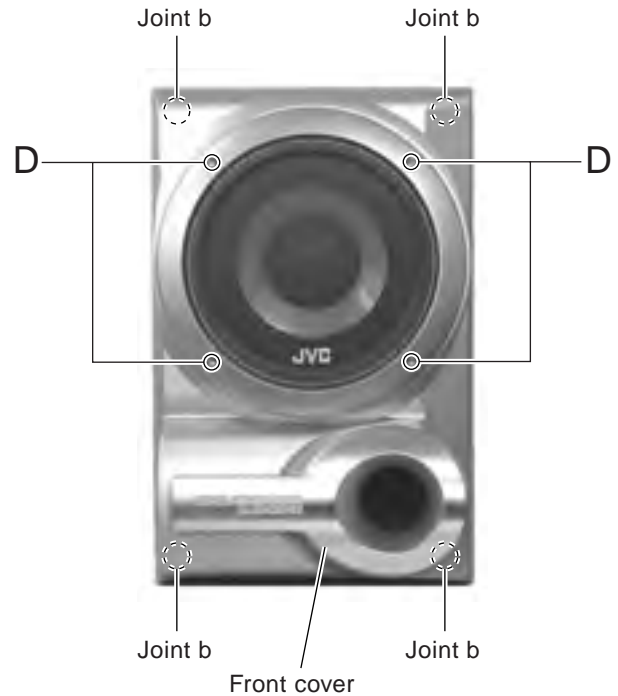


Fig.5
(SP-MXG850V)
(SP-MXG950V)

■ Removing the woofer speaker (See Fig.6)

- Prior to performing the following procedure, remove the front cover.

1. Remove the four screws **E** on the front of the body.
2. Pull out the woofer speaker toward the front and disconnect the red and black wires from the two speaker terminals.

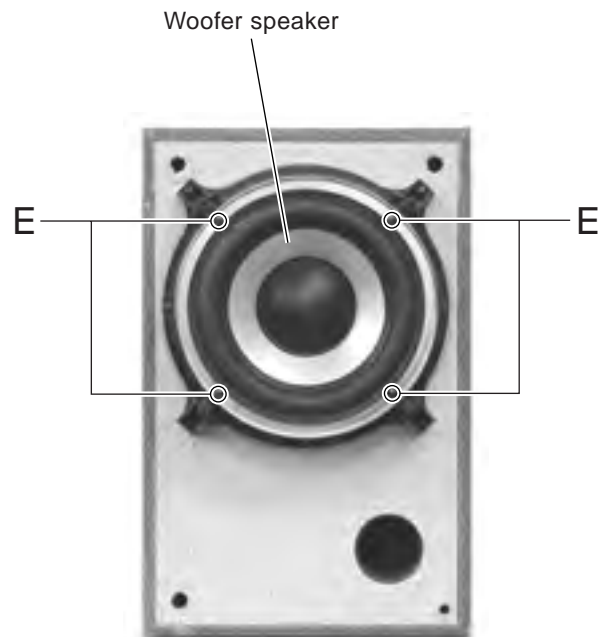


Fig.6
(SP-MXG850V)
(SP-MXG950V)

<Removing the Rear speaker>

■Removing the Rear cover (See Fig.7 ~ 9)

1. Remove the four screws **F** on the back of the body.
2. Disconnect the wires from the two terminals on the rear speaker.
3. Remove the four screws **G** on the back of the front cover.

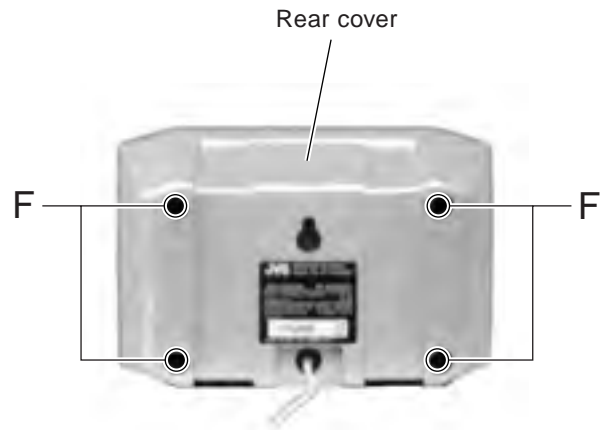


Fig.7(SP-MXG950V)

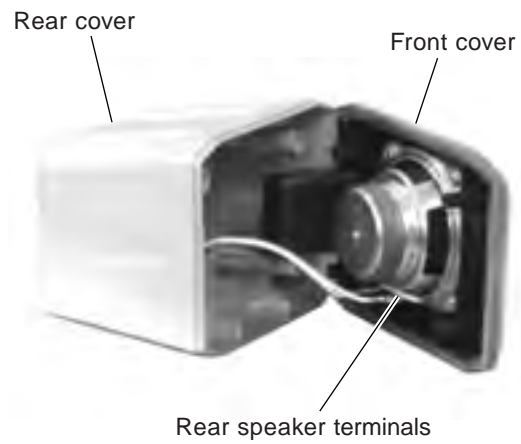


Fig.8(SP-MXG950V)

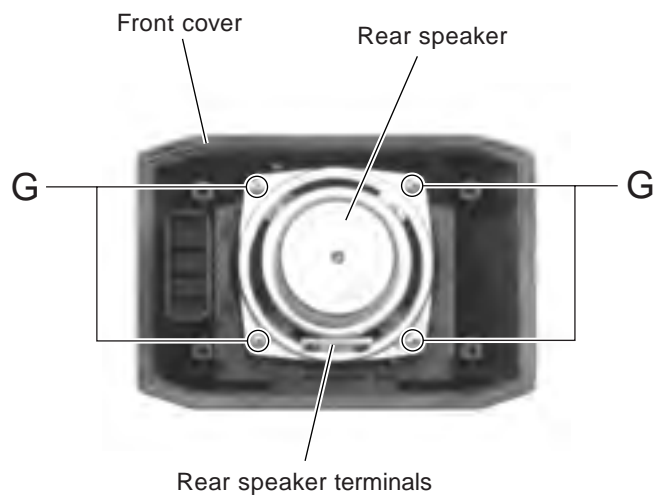
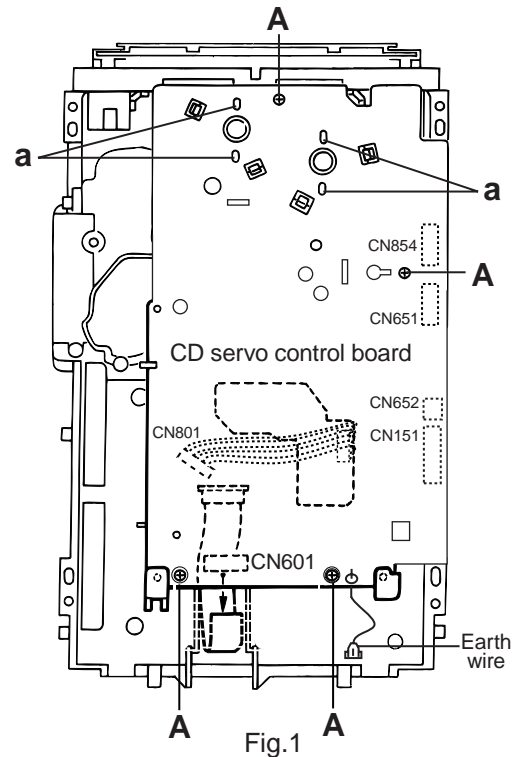


Fig.9(SP-MXG950V)

«CD Changer Mechanism Type:VC3 Section»

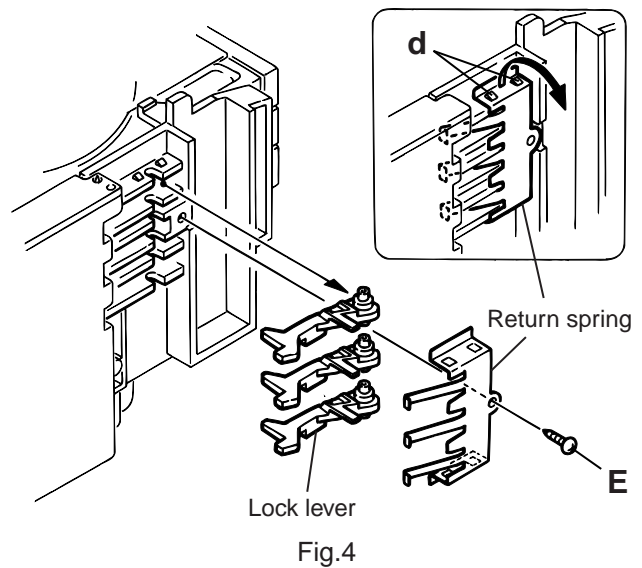
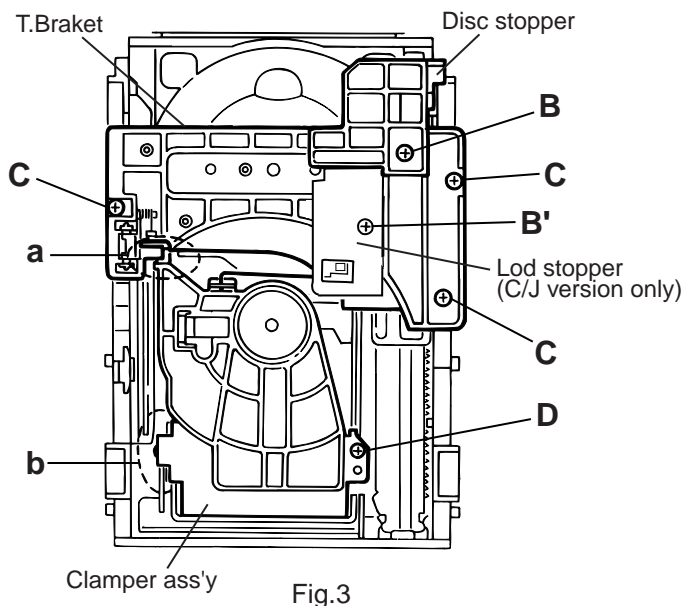
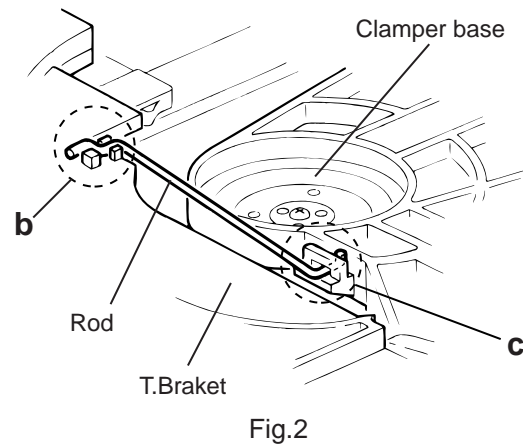
■ **Removing the CD Servo control board**
(See Fig.1)

- 1.Remove the metal cover.
- 2.Remove the CD changer mechanism assembly.
- 3.From bottom side the CD changer mechanism assembly, remove the four screws **A** retaining the CD servo control board.
- 4.Absorb the four soldered positions "a" of the right and left motors with a soldering absorber.
- 5.Pull out the earth wire on the CD changer mechanism assembly.
- 6.Disconnect the connector CN854 on the CD servo control board.
- 7.Disconnect the card wire CN601 and the connector CN801 on the CD servo control board.



■ **Removing the CD tray assembly**
(See Fig.2~4)

1. Remove the front panel assembly. (See Fig.2~4)
2. Remove the CD changer mechanism assembly.
3. Remove the CD Servo control board.
4. Remove the screw **B'** retaining the lod stopper. (See Fig.3).
5. From the T.bracket section "b" and clamber base section "c" , remove both of the edges fixing the rod(See Fig.2 and 3).
6. Remove the screw **B** retaining the disc stopper (See Fig.3).
7. Remove the three screws **C** retaining the T.bracket (See Fig.3).
8. Remove the screw **D** retaining the clamber assembly (See Fig.3).
9. From the left side face of the chassis assembly, remove the one screw **E** retaining both of the return spring and lock lever(See Fig. 4).
- 10.By removing the pawl at the section "d" fixing the return spring, dismount the return spring(See Fig.4).
- 11.Remove the three lock levers(See Fig.4).



11. Check whether the lifter unit stopper has been caught into the hole at the section "e" of CD tray assembly as shown in Fig.5.
12. Make sure that the driver unit elevator is positioned as shown in Fig.6 from to the second or fifth hole on the left side face of the CD changer mechanism assembly.

[Caution] In case the driver unit elevator is not at above position, set the elevator to the position as shown in Fig.7 by manually turning the pulley gear as shown in Fig.8.

13. Manually turn the motor pulley in the clockwise direction until the lifter unit stopper is lowered from the section "e" of CD tray assembly(See Fig.8).
14. Pull out all of the three stages of CD tray assembly in the arrow direction "f" until these stages stop
(See Fig.6).
15. At the position where the CD tray assembly has stopped, pull out the CD tray assembly while pressing the two pawls "g and g'" on the back side of CD tray assembly(See Fig.9). In this case, it is easy to pull out the assembly when it is pulled out first from the stage CD tray assembly.

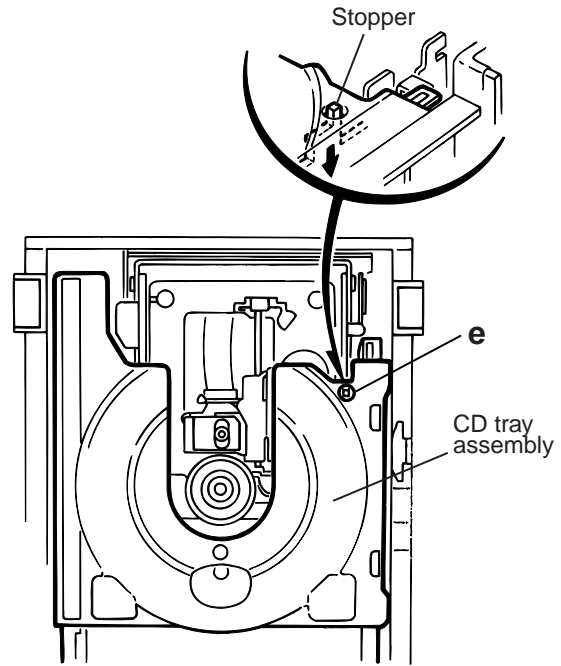


Fig.5

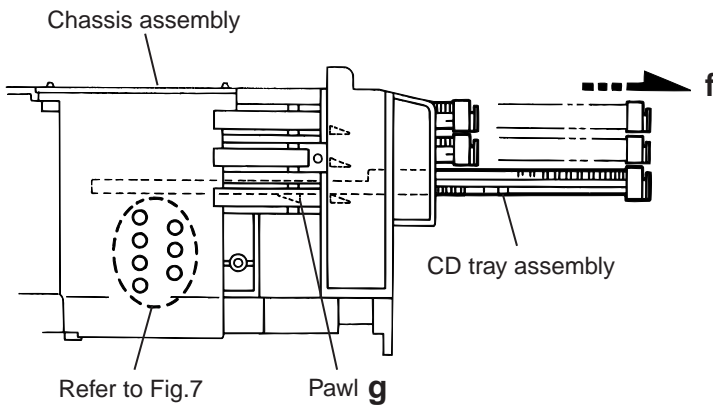


Fig.6

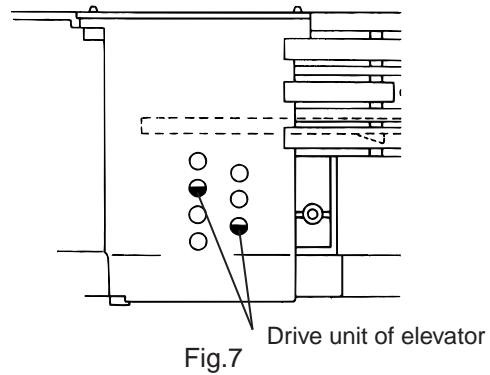


Fig.7

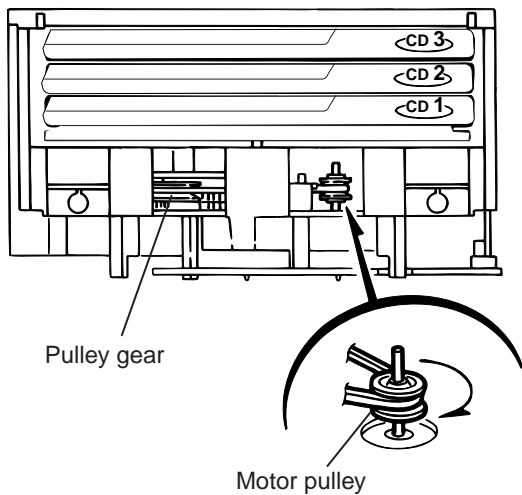
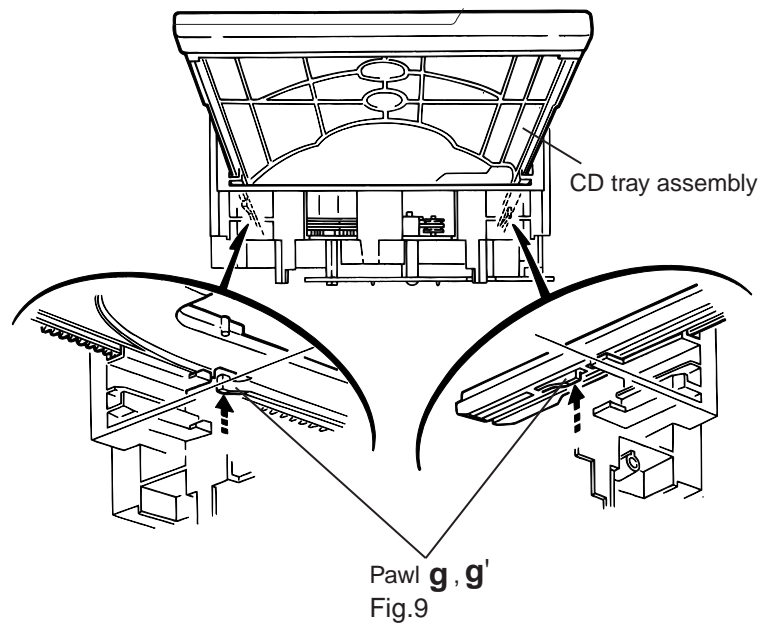


Fig.8



Pawl g, g'
Fig.9

■ Removing the CD loading mechanism assembly(See Fig.10)

1. While turning the cams R1 and R2 assembly in the arrow direction "h", align the shaft "i" of the CD loading mechanism assembly to the position shown in Fig.10.
2. Remove the four screws **F** retaining the CD loading mechanism assembly.

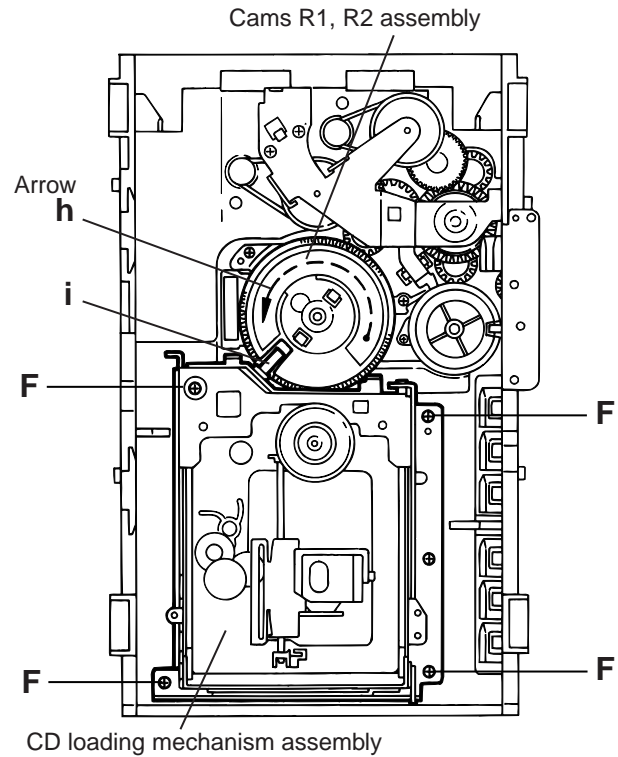


Fig.10

■ Removing the CD traverse mechanism (See Fig.11 and 12)

1. For dismantling only the CD traverse mechanism without removing the CD loading mechanism assembly, align the shaft "j" of the CD loading mechanism assembly to the position shown Fig.11 while turning the cam R1 and R2 assembly in the arrow direction "k".
2. By raising the CD loading mechanism assembly in the arrow direction "l", remove the assembly from the lifter unit

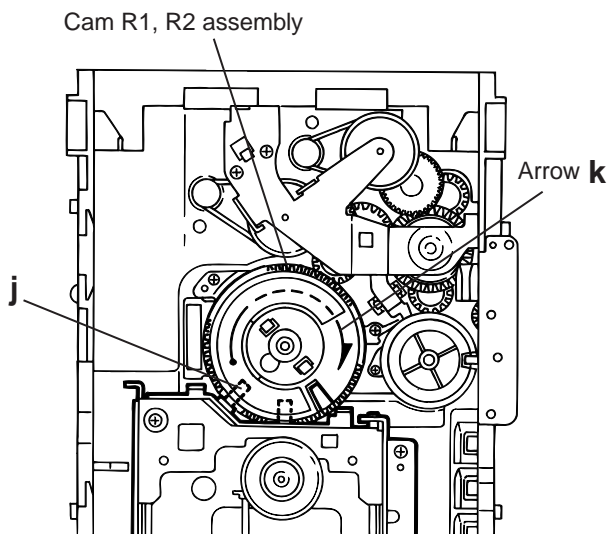


Fig.11

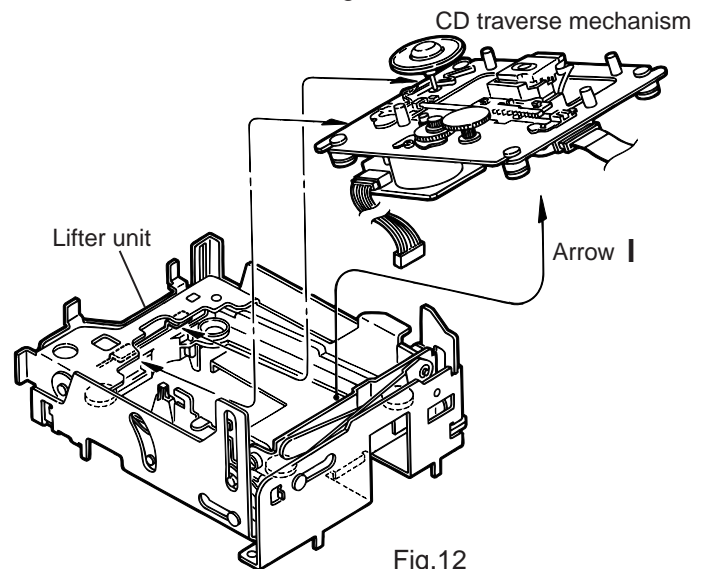


Fig.12

■ Removing the CD pick unit (See Fig.13)

1. Move the cam gear in the arrow direction "m". Then, the CD pickup unit will be moved in the arrow direction "n".
2. According to the above step, shift the CD pickup unit to the center position.
3. While pressing the stopper retaining the shaft in the arrow direction "o", pull out the shaft in the arrow direction "p".
4. After dismantling the shaft from the CD pickup unit, remove the CD pickup unit

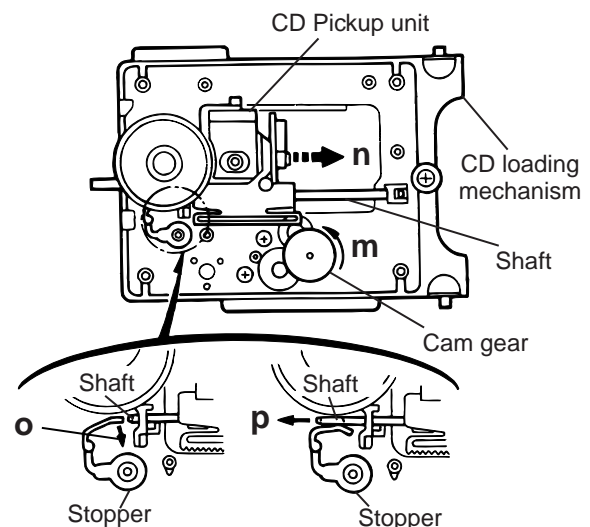


Fig.13

■ Removing the tray select switch board (See Fig.14)

1. Remove the two screws **G** retaining the tray select switch board.
2. Disconnect the tray select switch board from connector CN804 on the CD servo control board.

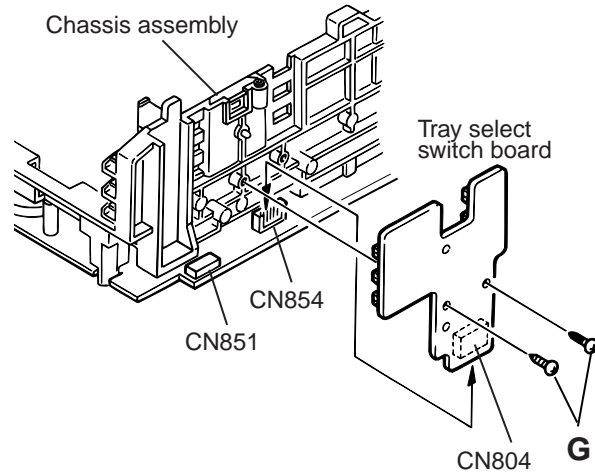


Fig.14

■ Removing the cam unit (See Fig.15 ~17)

1. Remove the CD loading mechanism assembly.
2. While turning the cam gear "q", align the Paul "r" position of the drive unit to the notch position(Fig.16) on the cam gear "q".
3. Pull out the drive unit and cylinder gear(See Fig.17).
4. While turning the cam gear "q", align the Paul "s" position of the select lever to the notch position(Fig.18) on the cam gear "q".
5. Remove the four screws **H** retaining the cam unit(cam gear "q" and cams R1/R2 assembly)(See Fig.18).

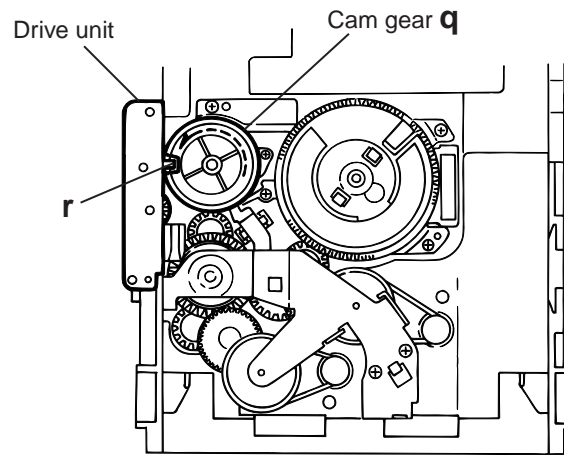


Fig.15

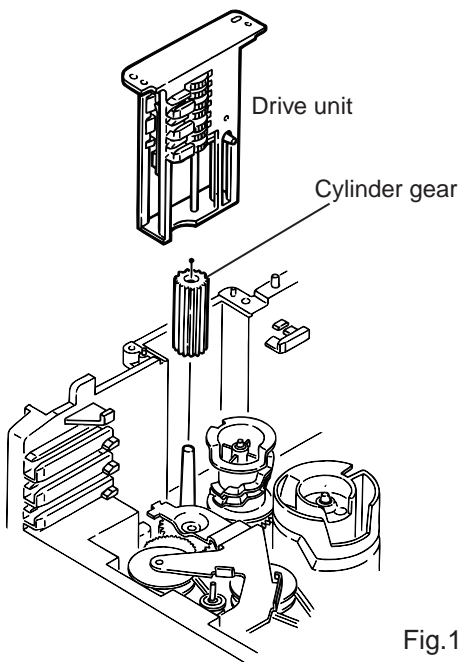


Fig.16

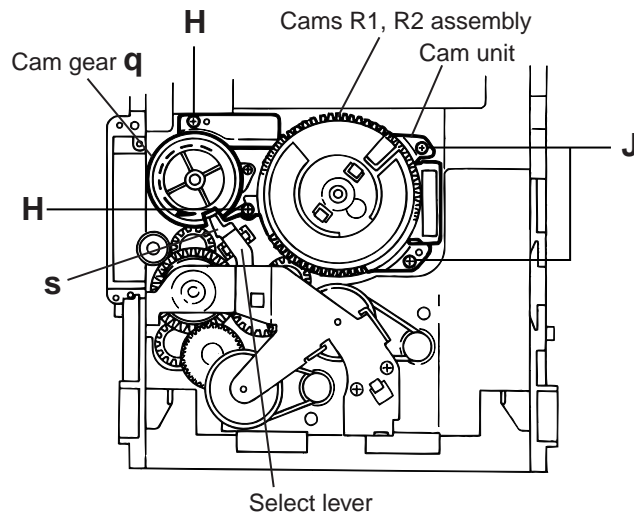


Fig.17

■ Removing the actuator motor and belt (See Fig.18~21)

1. Remove the two screws **I** retaining the gear bracket
(See Fig.18).
2. While pressing the pawl **"t"** fixing the gear bracket in the arrow direction, remove the gear bracket
(See Fig.18).
3. From the notch **"u"** section on the chassis assembly fixing the edge of gear bracket, remove and take out the gear bracket(See Fig. 19).
4. Remove the belts respectively from the right and left actuator motor pulleys and pulley gears(See Fig. 18).
5. After turning over the chassis assembly, remove the actuator motor while spreading the four pawls **"v"** fixing the right and left actuator motors in the arrow direction(See Fig. 20).

[Note] When the chassis assembly is turned over under the conditions wherein the gear bracket and belt have been removed, then the pulley gear as well as the gear, etc. constituting the gear unit can possibly be separated to pieces. In such a case, assemble these parts by referring to the assembly and configuration diagram in Fig. 21.

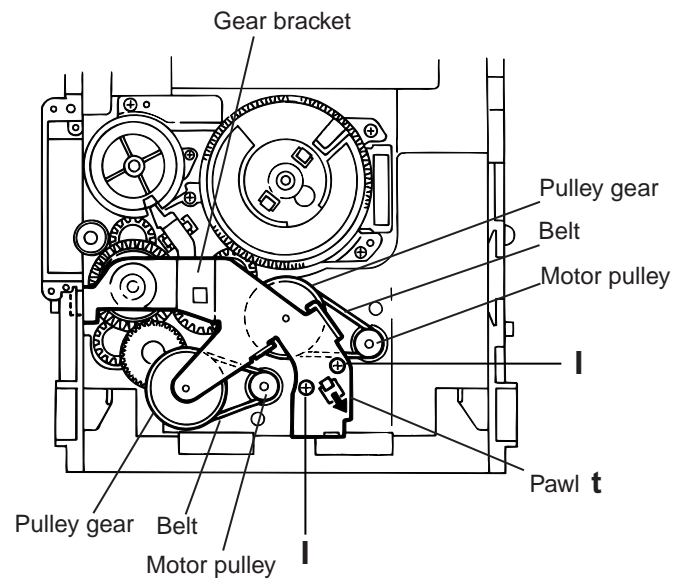


Fig.18

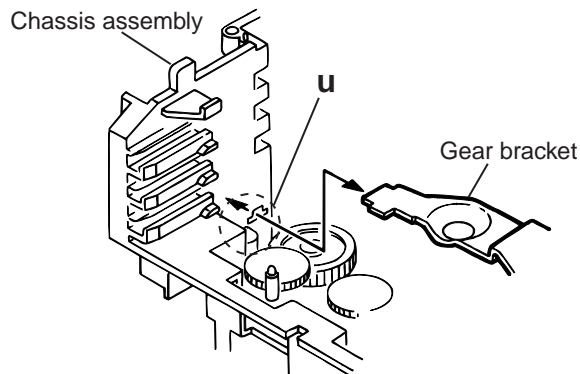


Fig.19

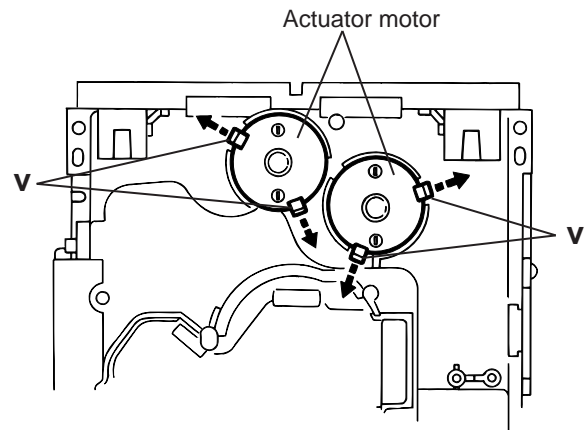


Fig.20

Assembly and Configuration Diagram

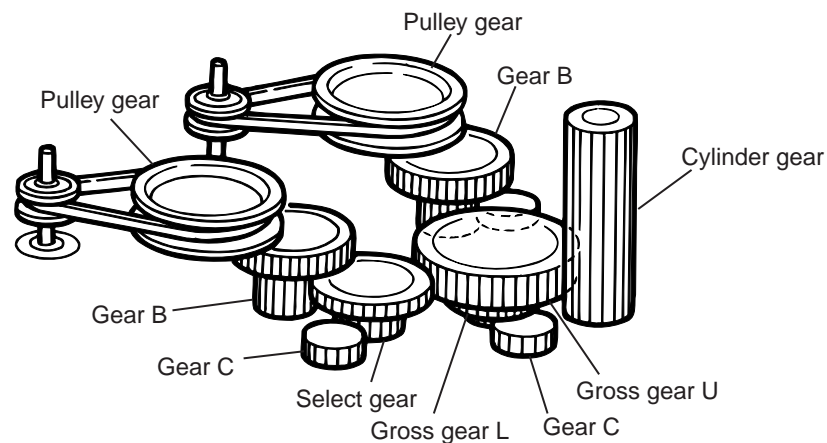


Fig.21

■ Removing the cams R1/R2 assembly and cam gear q(See Fig.22)

1. Remove the slit washer fixing the cams R1 and R2 assembly.
2. By removing the two pawls "w" fixing the cam R1, separate R2 from R1.
3. Remove the slit washer fixing the cam gear "q".
4. Pull out the cam gear "q" from the C.G. base assembly.

■ Removing the C.G. base assembly (See Fig.22 and 23)

Remove the three screws J retaining the C.G. base assembly.

[Caution] To reassemble the cylinder gear, etc.with the cam unit (cam gear and cans R1/R2 assembly), gear unit and drive unit, align the position of the pawl "x" on the drive unit to that of the notch on the cam gear "q". Then, make sure that the gear unit is engaged by turning the cam gear "q" (See Fig. 24).

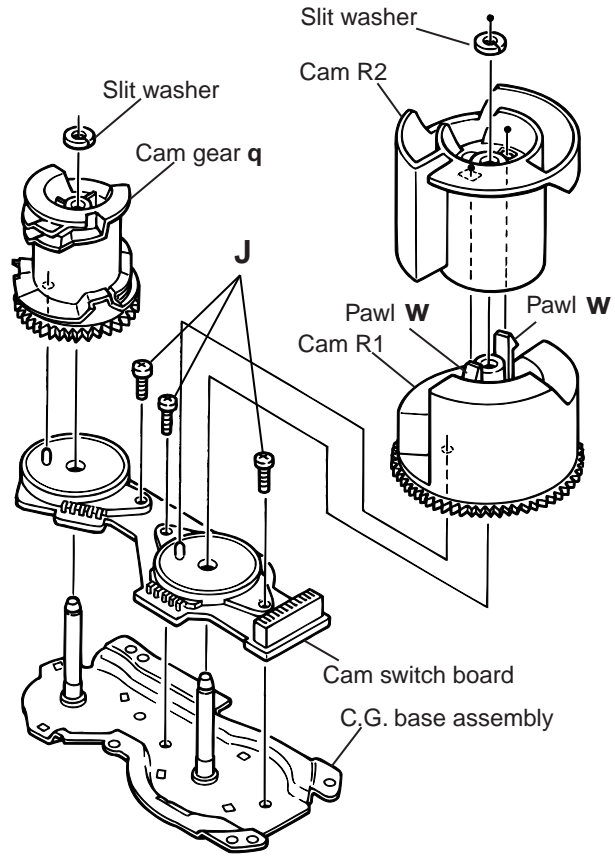


Fig.22

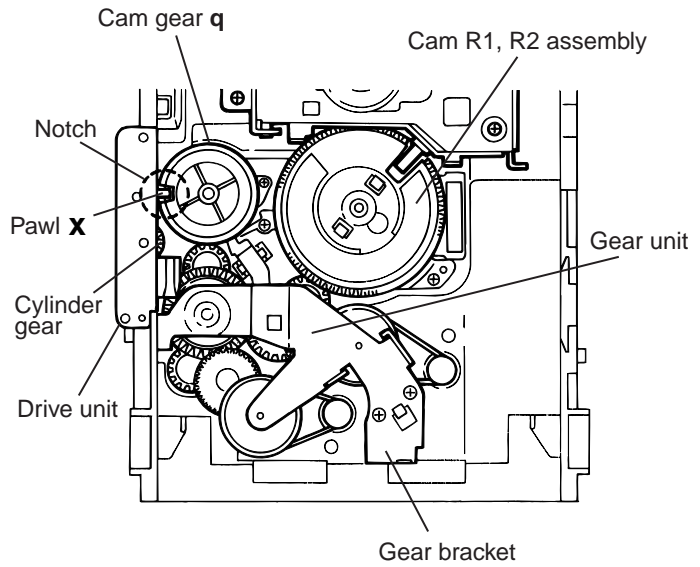


Fig.23

< Cassette mechanism section >

■ Removing the playback, recording and eraser heads (See Fig.1~3)

1. While shifting the trigger arms seen on the right side of the head mount in the arrow direction, turn the flywheel R in counterclockwise direction until the head mount has gone out with a click (See Fig. 1).
2. When the flywheel R is rotated in counterclockwise direction, the playback / recording & eraser head will be turned in counterclockwise direction from the position in Fig.2 to that in Fig.3.
3. At this position, disconnect the flexible P.C.board (outgoing from the playback head) from the connector CN301 on the head amp. and mechanism control P.C. board.
4. Remove the flexible P.C.board from the chassis base.
5. Remove the spring "a" from behind the playback / recording head.
6. Loosen the reversing azimuth screw retaining the playback head.
7. Take out the playback head from the front of the head mount.
8. The recording and eraser heads should also be removed similarly according to Steps 1~7 above.

● Reassembling the playback, recording and eraser heads (See Fig.3)

1. Reassemble the playback head from the front of the head mount to the position as shown in Fig.3.
2. Fix the reversing azimuth screw.
3. Set the spring a from behind the playback head.
4. Attach the flexible P.C.board to the chassis base as shown in Fig.3.
5. The recording and eraser heads should also be reassembled similarly according to Steps 1~4 above.

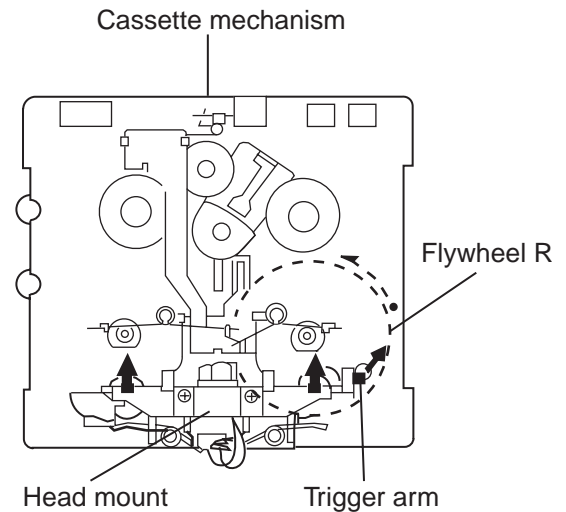


Fig.1 (Mechanism A side)

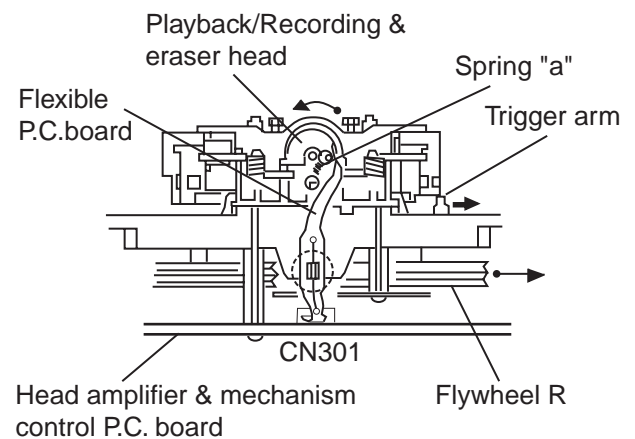


Fig.2 (Mechanism A side)

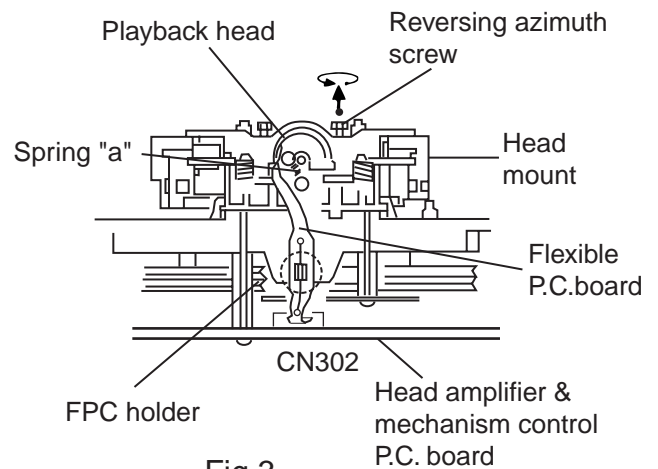


Fig.3 (Mechanism B side)

■ **Removing the head amp. and mechanism control board (See Fig. 4)**

- 1.Remove the cassette mechanism assembly.
- 2.After turning over the cassette mechanism assembly,remove the five screws "A" retaining the head amplifier & mechanism control board.
- 3.Disconnect the connectors CN303 on the board and the connectors CN301 and on CN302 both the right and left side reel pulse boards.
- 4.When necessary, remove the 4pin parallel wire soldered to the main motor

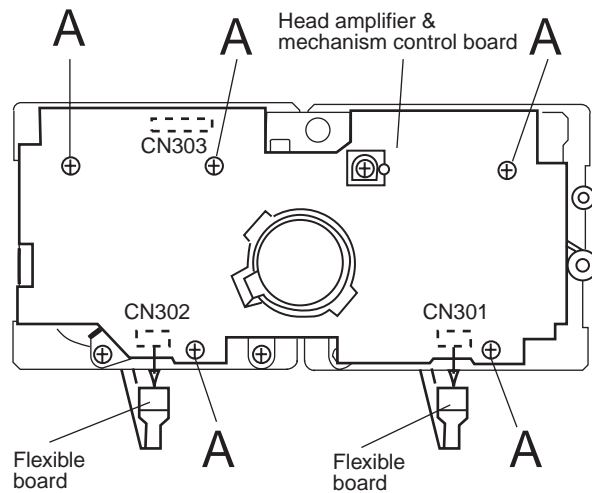


Fig.4

■ **Removing the capstan motor assembly (See Fig.5 to 7)**

- 1.Remove the six screws "B" retaining capstan motor assembly (See Fig. 5).
- 2.While raising the capstan motor, remove the capstan belts A and B respectively from the motor pulley (See Fig. 6).

Caution 1: Be sure to handle the capstan belts so carefully that these belts will not be stained by grease and other foreign matter. Moreover, these belts should be hand while referring to the capstan belt hanging method.(See Fig.6 and 7)

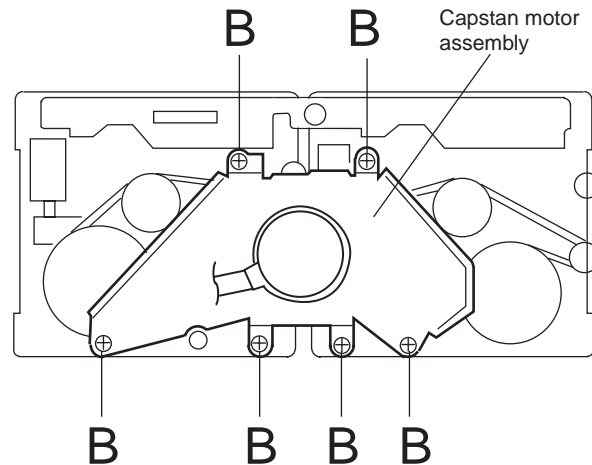


Fig.5

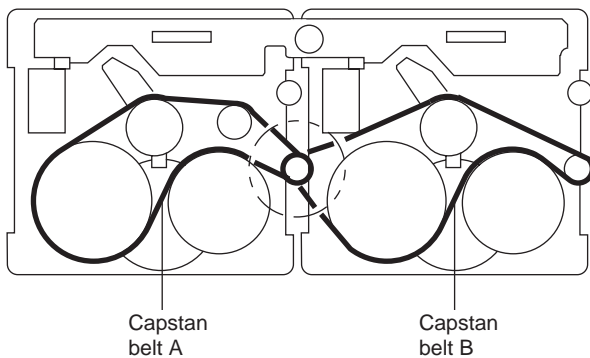


Fig.7

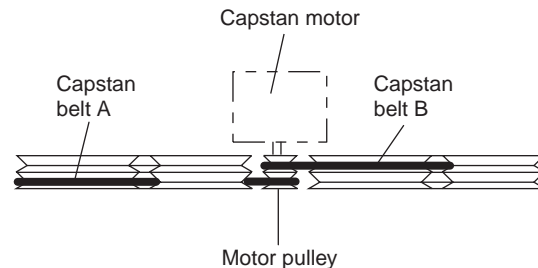


Fig.6

■ Removing the capstan motor (See Fig. 8)

From the joint bracket, remove the two screws "C" retaining the capstan motor.

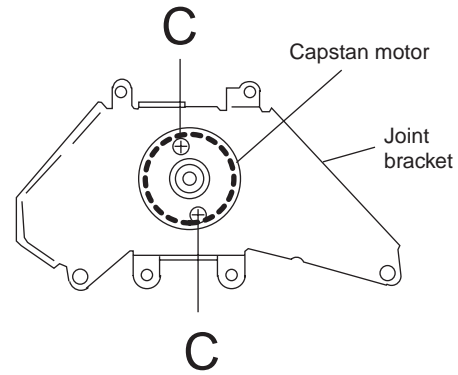


Fig.8

■ Removing the flywheel (See Fig. 9,10)

- 1.Remove the head amp. and mechanism control P.C.Board.
- 2.Remove the capstan motor assembly.
- 3.After turning over the cassette mechanism, remove the two slit washers "b" fixing the capstan shafts R and L, and pull out the flywheels R and L respectively from behind the cassette mechanism.

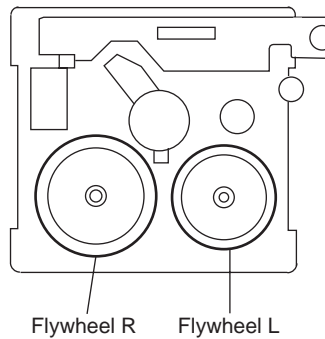


Fig.10

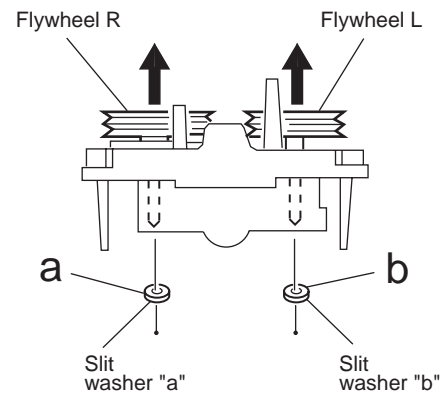


Fig.9

■ Removing the reel pulse board and solenoid (See Fig. 11)

- 1.Remove the five pawls (c,d,e,f,g) retaining the reel pulse P.C.Board.
- 2.From the surface of the reel pulse P.C.Board parts, remove the two pawls "h" and "i" retaining the solenoid.

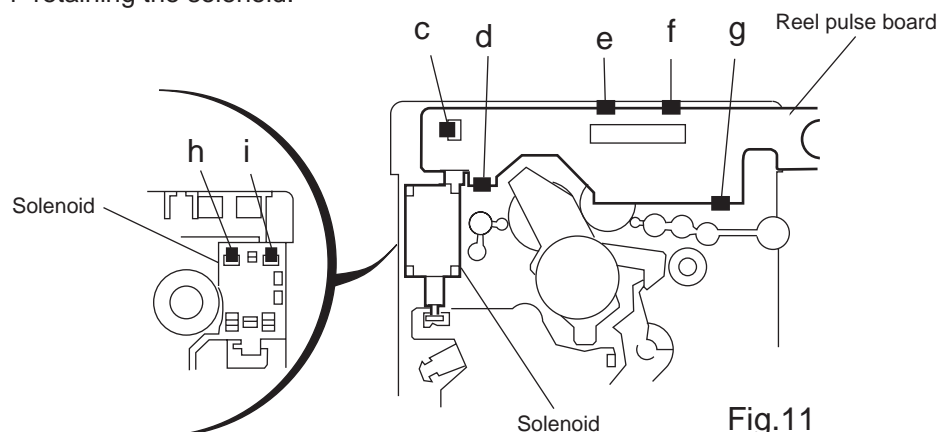


Fig.11

Adjustment method

Measurement instruments required for adjustment

1. Low frequency oscillator,
This oscillator should have a capacity to output 0dBs to 600ohm at an oscillation frequency of 50Hz-20kHz.
2. Attenuator impedance : 600ohm
3. Electronic voltmeter
4. Frequency counter
5. Wow flutter meter
6. Test tape
VT712 : For Tape speed and wow flutter (3kHz)
VT710 : Head azimuth
VT724 : For Reference level (1kHz)
7. Blank tape
TAPE I: AC-225
8. Torque gauge : For play and back tension
Forward ; TW2111A, Reverse ; TW2121A
Fast Forward and Rewind ; TW2231A
9. Test disc
: CTS-1000(12cm),GRG-1211(8cm)
10. Jitter meter

Radio input signal

AM modulation frequency : 400Hz
Modulation factor : 30%
FM modulation frequency : 400Hz
Frequency displacement : 22.5kHz

Frequency Range

AM 531kHz~1710kHz
FM 87.5MHz~108MHz

Standard measurement positions of volume and switch

Power : Standby (Light STANDBY Indicator)
Sub woofer VOL. : Minimum
Sound mode : OFF
Main VOL. : 0 Minimum
Traverse mecha set position : Disc 1
Mic MIX VOL : MAX
ECHO : OFF

Measurement conditions

Power supply voltage
AC110V/127V/220V/230V~240V \sim , adjustable

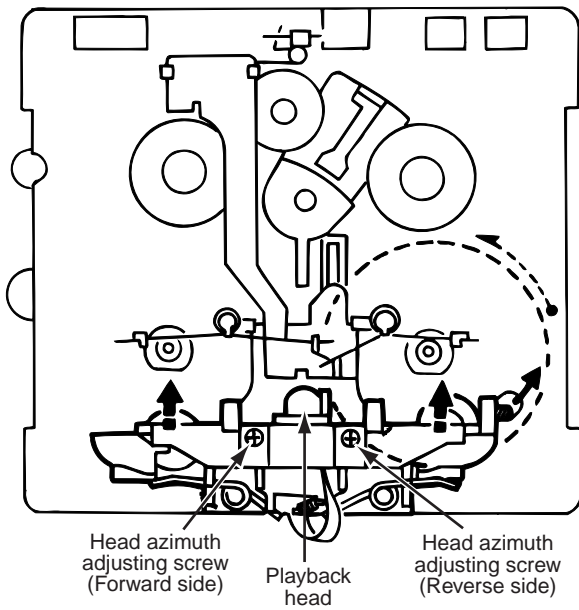
Measurement
output terminal : Speaker out
: TP101(Mesuring for TUNER/DECK/CD)
: Dummy load 6ohm

Precautions for measurement

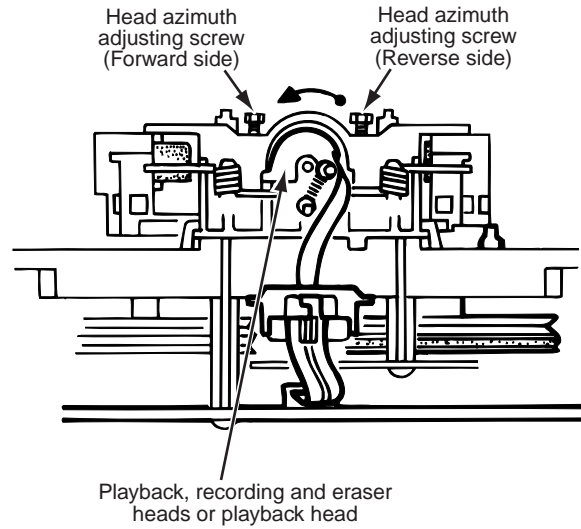
1. Apply 30pF and 33kohm to the IF sweeper output side and 0.082 F and 100kohm in series to the sweeper input side.
2. The IF sweeper output level should be made as low as possible within the adjustable range.
3. Since the IF sweeper is a fixed device, there is no need to adjust this sweeper.
4. Since a ceramic oscillator is used, there is no need to perform any MPX adjustment.
5. Since a fixed coil is used, there is no need to adjust the FM tracking.
6. The input and output earth systems are separated. In case of simultaneously measuring the voltage in both of the input and output systems with an electronic voltmeter for two channels, therefore, the earth should be connected particularly.
7. In the case of BTL connection amplifier, the minus terminal of speaker is not for earthing. Therefore, be sure not to connect any other earth terminal to this terminal. This system is of an OTL system.

■ Arrangement of adjusting positions

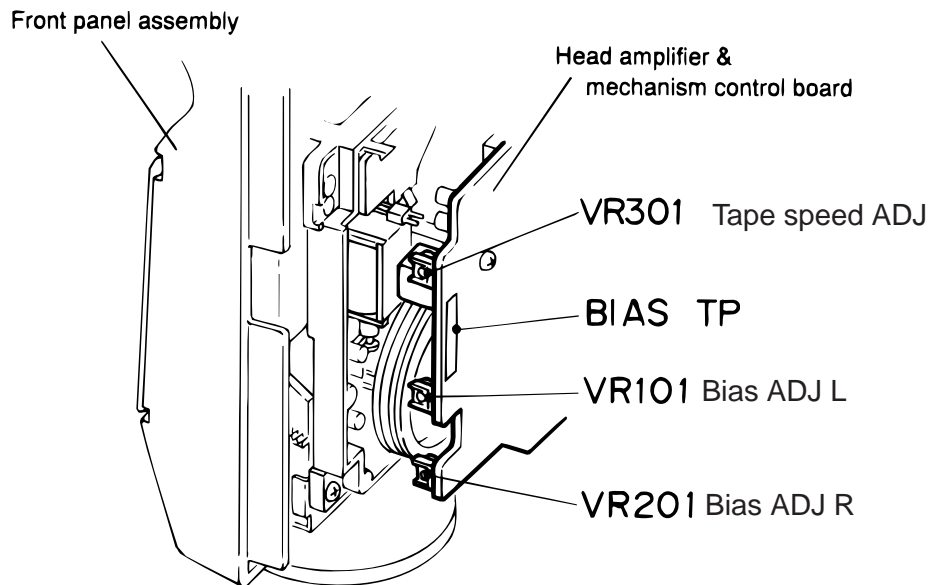
Cassette mechanism section (Mechanism A section)



Cassette mechanism section (Back side)



Cassette Mechanism Unit Section



■ **Tape recorder section**

Items	Measurement conditions	Measurement method	Standard values	Adjusting positions
Confirmation of head angle	Test tape :VT710 (10kHz) Measurement output terminal :Speaker terminal Speaker R (Load resistor:6Ω) :Headphone terminal	1.Playback the test tape VT710 (10kHz). 2.With the playback mechanism or recording & playback mechanism, adjust the head azimuth screw so that the forward and reverse output levels become maximum.After adjustment,lock the head azimuth at least by half a turn. 3.In either case,this adjustment should be performed in both the forward and reverse directions with the head azimuth screw.	Maximum output	Adjust the head azimuth screw only when the head has been changed.
Confirmation of tape speed	Test tape :VT712 (3kHz) or TMT7036 (3kHz) Measurement output terminal :Headphone terminal	<Constant speed> Adjust VR301 so that the frequency counter reading becomes 3,000Hz±60Hz when playing back the test tape VT712 (3kHz)with the playback mechanism or playback and recording mechanism after ending forward winding of the tape.	Tape speed of decks (A and B) :3,000Hz ±60Hz	VR301

■ **Reference values for confirmation items**

Items	Measurement conditions	Measurement method	Standard values	Adjusting positions
Double tape speed	Test tape :VT712 (3kHz) Measurement output terminal :Speaker terminal Speaker R (Load resistance:6Ω) measurement output terminal :Headphone terminal	After setting to the double speed motor, confirm that the frequency counter reading becomes 4,800+400/-300Hz when the test tape VT712 (3kHz) has been play back with the playback mechanism.	4,800+400/-300Hz	Playback mechanism side
Difference between the forward and reverse speed. P.mecha and R/P mecha speed		When the test tape VT712 (3kHz) has been played back with the playback mechanism or recording and playback mechanism at the beginning of forward winding, the frequency counter reading of the difference between both of the mechanisms should be 6.0Hz or less.	60Hz or less	Both the playback and recording & playback mechanism
Wow & flutter	Test tape :VT712 (3kHz) Measurement output terminal :Headphone terminal	When the test tape VT712 (3kHz) has been played back with the playback mechanism or recording and playback mechanism at the beginning of forward winding the frequency counter reading of wow & flutter should be 0.25% or less(WRMS).	with in 0.25% JIS(WTD)	Both the playback and recording & playback mechanism

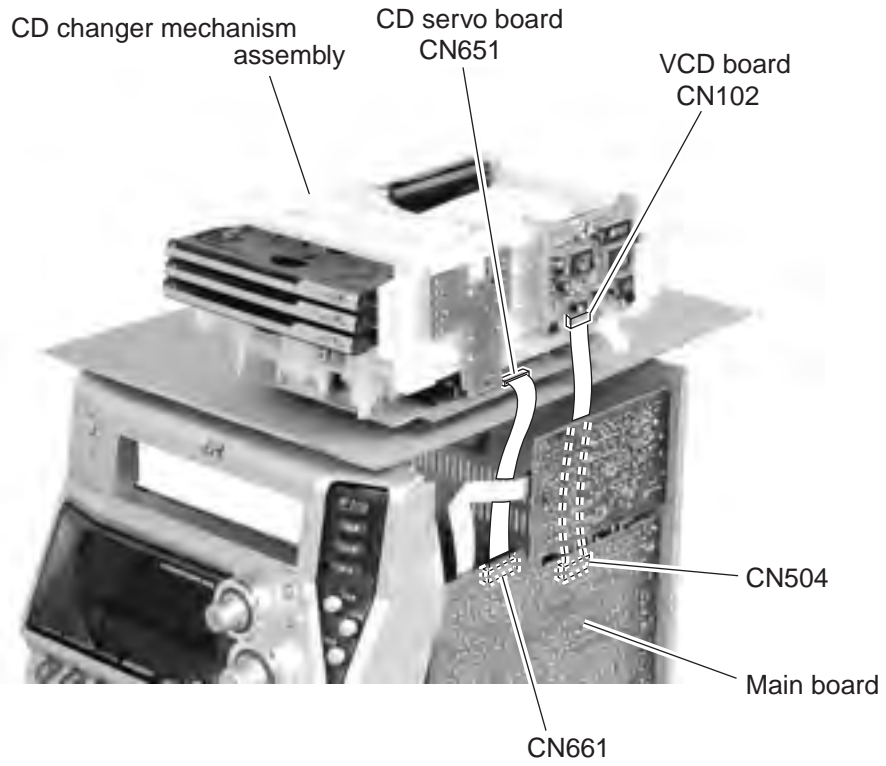
■ Electrical performance

Items	Measurement conditions	Measurement method	Standard values	Adjusting positions
Adjustment of recording bias current (Reference value)	*Mode : Forward or reverse mode *Recording mode *Test tape : AC-225 Measurement output terminal : Both recording and headphone terminals	1. With the recording and playback mechanism, load the test tapes (AC-225 to TYP I), and set the mechanism to the recording and pausing conditions in advance. 2. After connecting 100 Ω in series to the recorder head, measure the bias current with a valve voltmeter at both of the terminals. 3. After resetting the [PAUSE] mode, start recording. At this time, adjust VR101 for LcH and VR201 for RcH so that the recording bias current values become 4.0 μA (TYP I).	AC-225 : 4.20 μA	LcH : VR101 RcH : VR201
Adjustment of recording and playback frequency characteristics	Reference frequency : 1kHz and 10kHz (REF: -20dB) Test tape : TYP I AC-225 Measurement input terminal : OSC IN	1. With the recording and playback mechanism, load the test tape (AC-225 to TYP I), and set the mechanism to the recording and pausing condition in advance. 2. While repetitively inputting the reference frequency signal of 1kHz and 10kHz from OSC IN, record and playback the test tape. 3. While recording and playing back the test tape in TYP I, adjust VR101 for LcH and VR201 for RcH so that the output deviation between 1kHz and 10kHz becomes -1dB ± 2dB.	Output deviation between 1kHz and 10kHz : -1dB ± 2dB	LcH : VR101 RcH : VR201

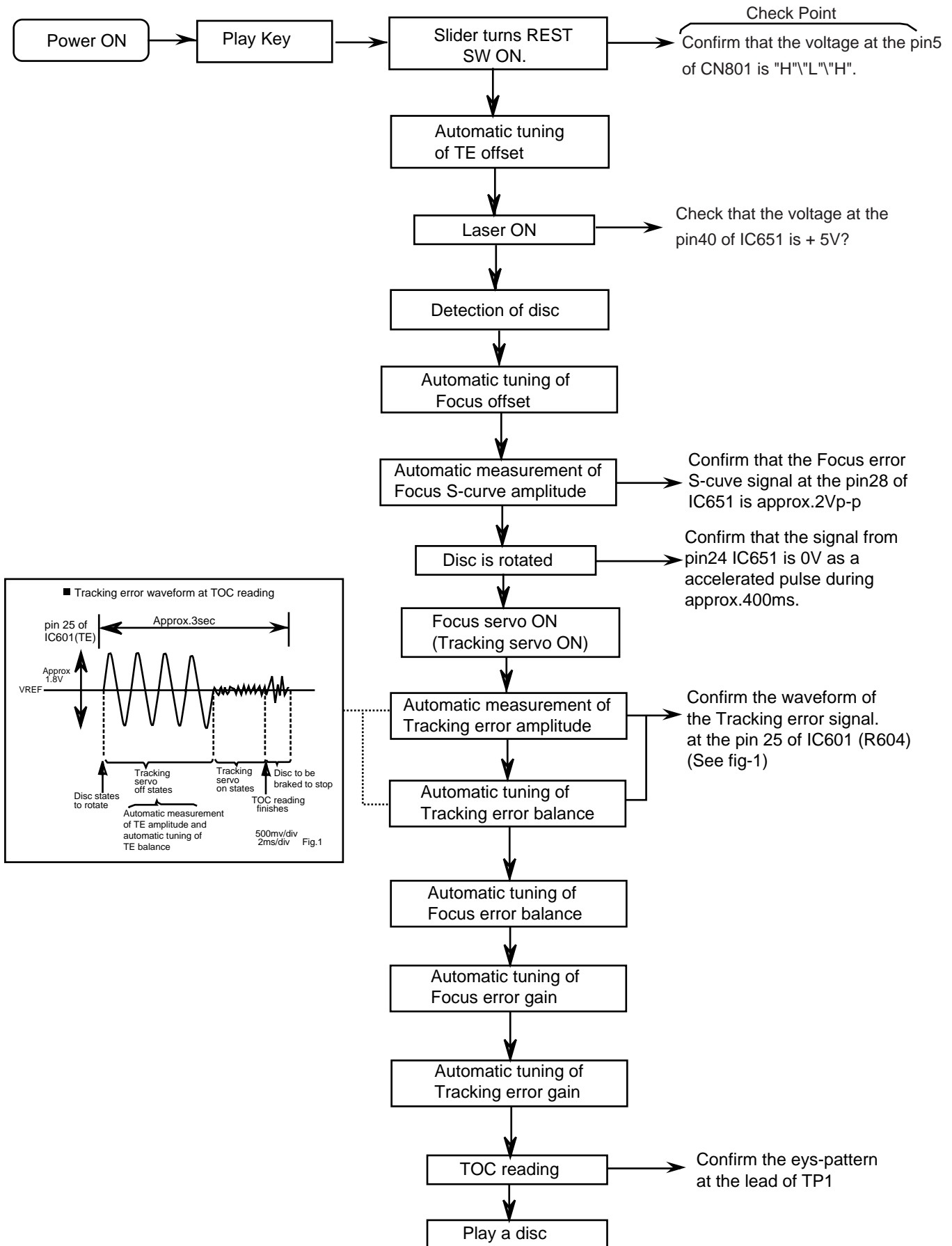
■ Reference values for electrical function confirmation items

Items	Measurement conditions	Measurement method	Standard values	Adjusting positions
Recording bias frequency	*Recording and playback side forward or reverse *Test tape : TYP I AC-225 *Measurement terminal BIAS TP on P.C. board	1. While changing over to and from BIAS 1 and 2, confirm that the frequency is changed. 2. With the recording and playback mechanism, load the test tape (AC-225 to TYP I), and set the mechanism to the recording and pausing conditions in advance. 3. Confirm that the BIAS TP frequency on the P.C. board is 100kHz ± 6kHz.	100kHz +9kHz -7kHz	
Eraser current (Reference value)	*Recording and playback side forward or reverse *Recording mode *Test tape : AC-225 Measurement terminal Both of the eraser head	1. With the recording and playback mechanism, load the test tapes (AC-225 to TYP I), and set the mechanism to the recording and pausing condition in advance. 2. After setting to the recording conditions, connect 1MΩ in series to the eraser head on the recording and playback mechanism side, and measure the eraser current from both of the eraser terminal.	TYP I : 75mA	

■ Extension code connecting method



Flow of functional operation until TOC read



Maintenance of laser pickup

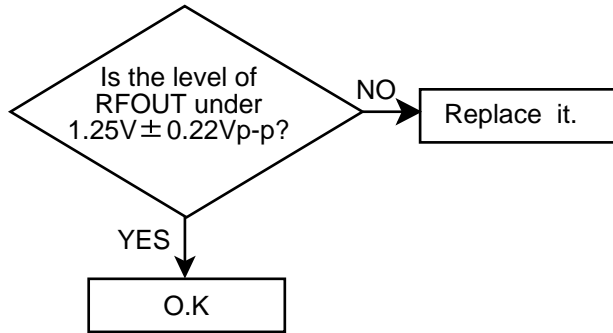
(1) Cleaning the pick up lens

Before you replace the pick up, please try to clean the lens with a alcohol soaked cotton swab.

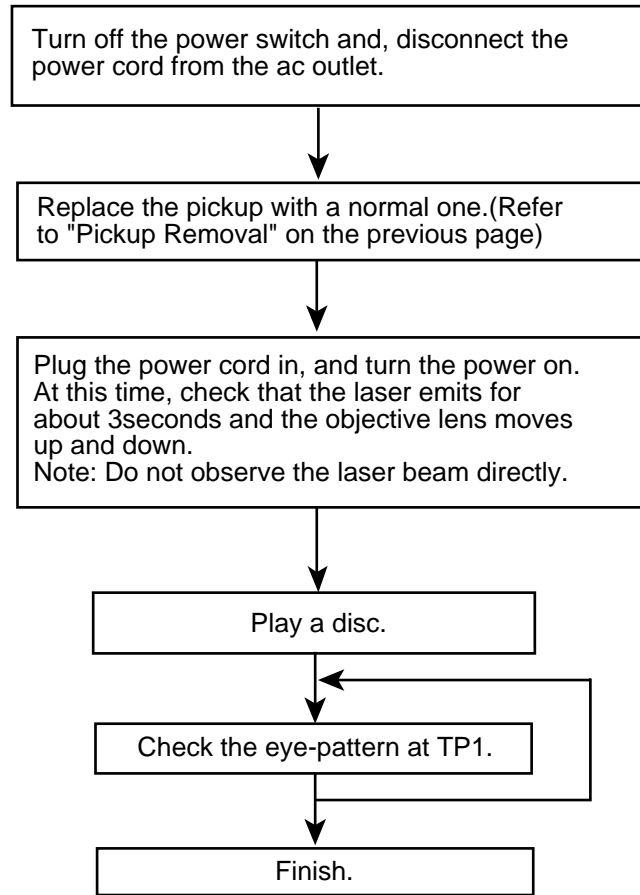
(2) Life of the laser diode

When the life of the laser diode has expired, the following symptoms will appear.

1. The level of RF output (EFM output : amplitude of eye pattern) will below.



Replacement of laser pickup



(3) Semi-fixed resistor on the APC PC board

The semi-fixed resistor on the APC printed circuit board which is attached to the pickup is used to adjust the laser power. Since this adjustment should be performed to match the characteristics of the whole optical block, do not touch the semi-fixed resistor.

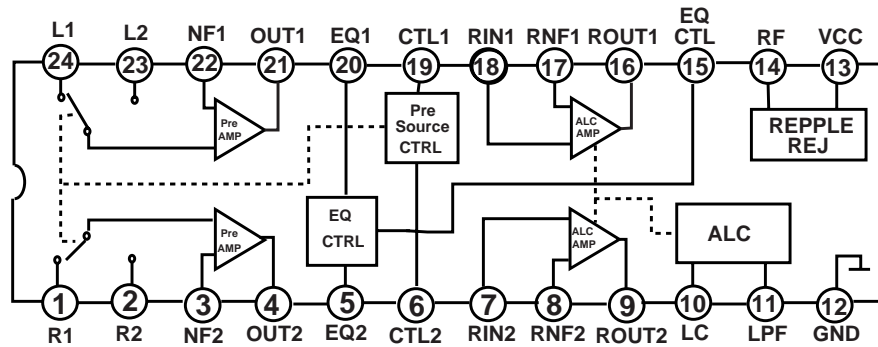
If the laser power is lower than the specified value, the laser diode is almost worn out, and the laser pickup should be replaced.

If the semi-fixed resistor is adjusted while the pickup is functioning normally, the laser pickup may be damaged due to excessive current.

Description of major ICs

■ AN7345 (IC302) : PB / REC amp

1. Block diagram

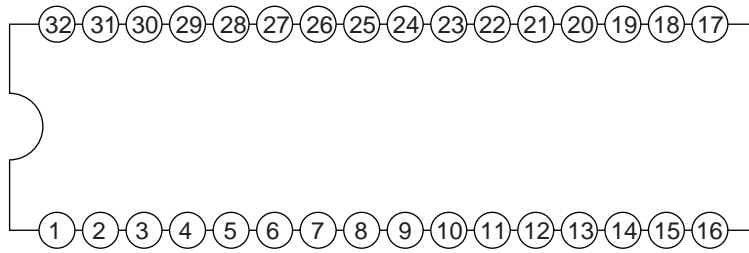


2. Pin Function

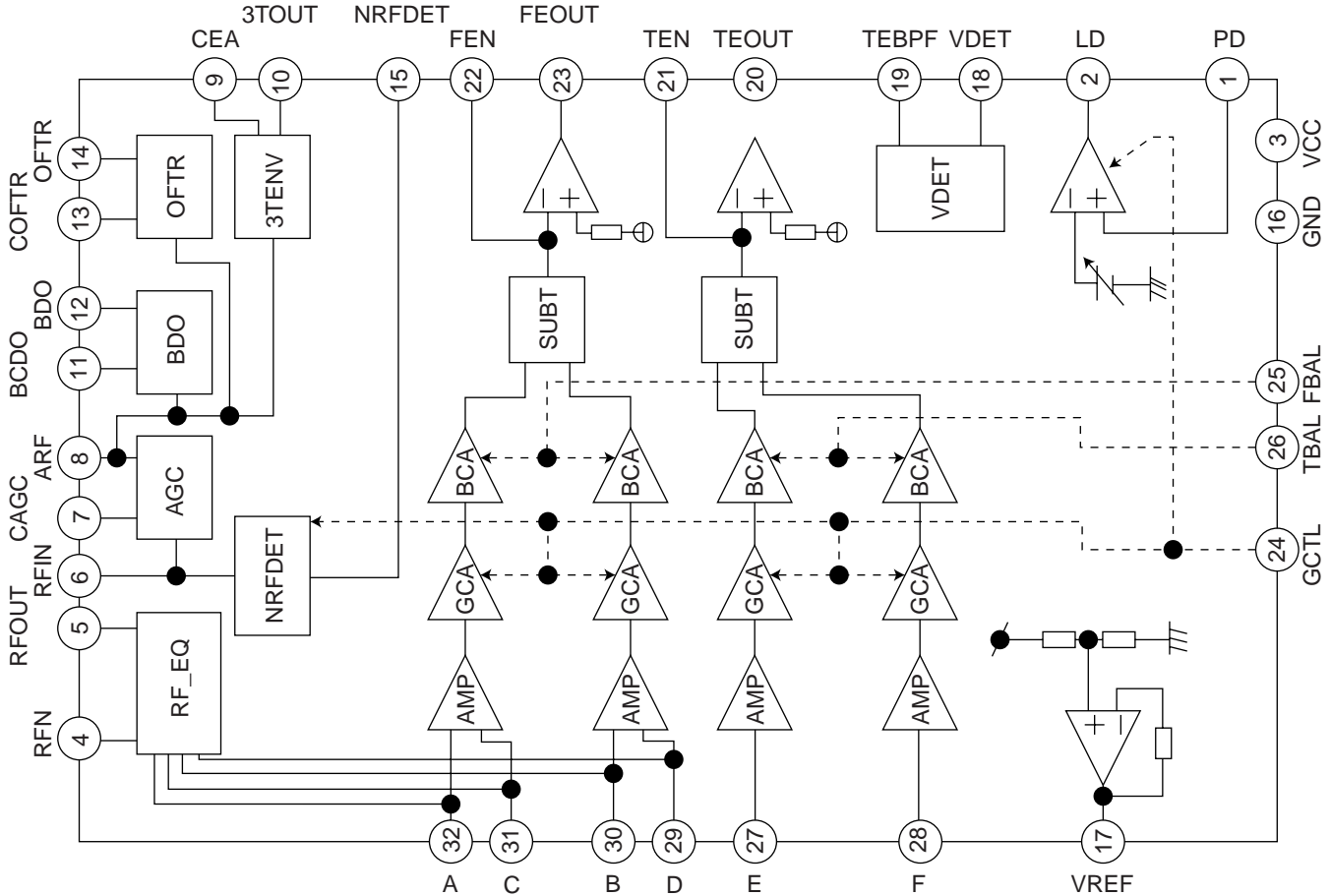
Pin No.	Symbol	I/O	Function	Pin No.	Symbol	I/O	Function
1	R1	I	Playback amplifier input	13	Vcc	I	Power supply
2	R2	I	Playback amplifier input	14	RF	I	Repple filter
3	NF2	I	Playback amplifier negative feedback	15	EQCTL	I	EQ control
4	OUT2	O	Playback amplifier output	16	ROUT 1	O	Recording amplifier output
5	EQ2	I	Equlaizer	17	RNF1	I	Recording amplifier negative feedback
6	CTL2	I	Pre Amplifier input swithing time constant	18	RIN1	I	Recording amplifier input
7	RIN2	I	Recording amplifier input	19	CTL1	I	Pre amplifier input swithing control
8	RNF2	I	Recording amplifier negative feedback	20	EQ1	I	Equlayzer
9	ROUT2	O	Recording amplifier output	21	OUT1	O	Playback amplifier output
10	LC	I	ALC low cut	22	NF1	I	Playback amplifier negative feedback
11	LPF	I	ALC low pass filter	23	L2	I	Playback amplifier input
12	GND	I	—	24	L1	I	Playback amplifier input

■ AN22000A-W (IC601) : RF head amp.

1. Pin layout



2. Block diagram

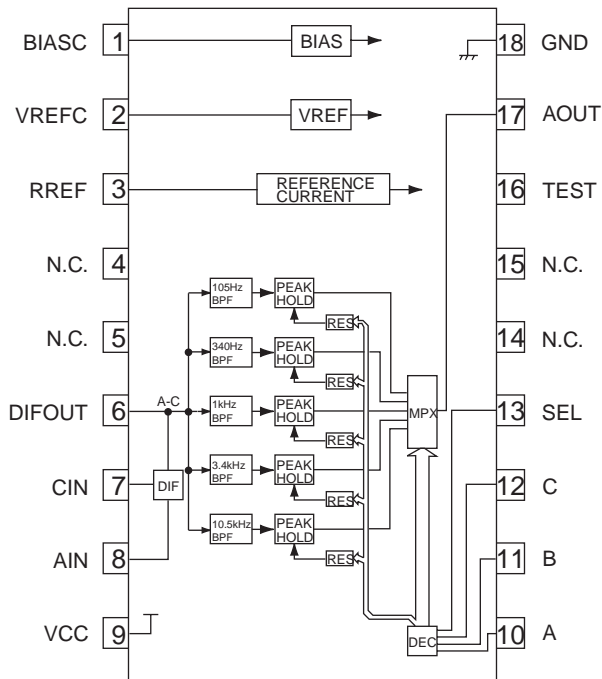


3. Pin function

Pin No.	Function	Pin No.	Function
1	APC amp input terminal.	17	VREF output terminal.
2	APC amp output terminal.	18	VDET output terminal.
3	Power supply.	19	VDET input terminal.
4	RF amp negative input terminal.	20	TE amp. output terminal.
5	RF amp output terminal.	21	TE amp. negative input terminal.
6	AGC input terminal.	22	FE amp. negative input terminal.
7	AGC loop filter capacitor connection terminal.	23	FE amp. output terminal.
8	AGC output terminal.	24	GCTL & APC terminal.
9	Capacitor connection terminal for HPF-amp.	25	FBAL control terminal.
10	3TENV output terminal.	26	TBAL control terminal.
11	Capacitor connection terminal for RF envelope detection.	27	Tracking signal input terminal 1.
12	BDO output terminal.	28	Tracking signal input terminal 2.
13	Capacitor connection terminal for RF envelope detection.	29	Focus signal input terminal 4.
14	OFTR output terminal.	30	Focus signal input terminal 3.
15	NRDET output terminal.	31	Focus signal input terminal 2.
16	Ground terminal.	32	Focus signal input terminal 1.

■ BA3835S (IC812) : SPI B.P.F.

1. Block Diagrams

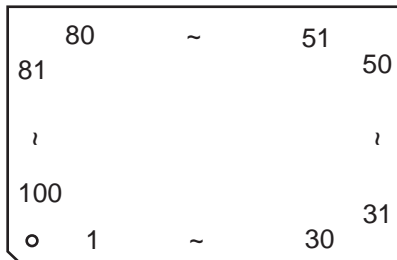


2. Pin Function

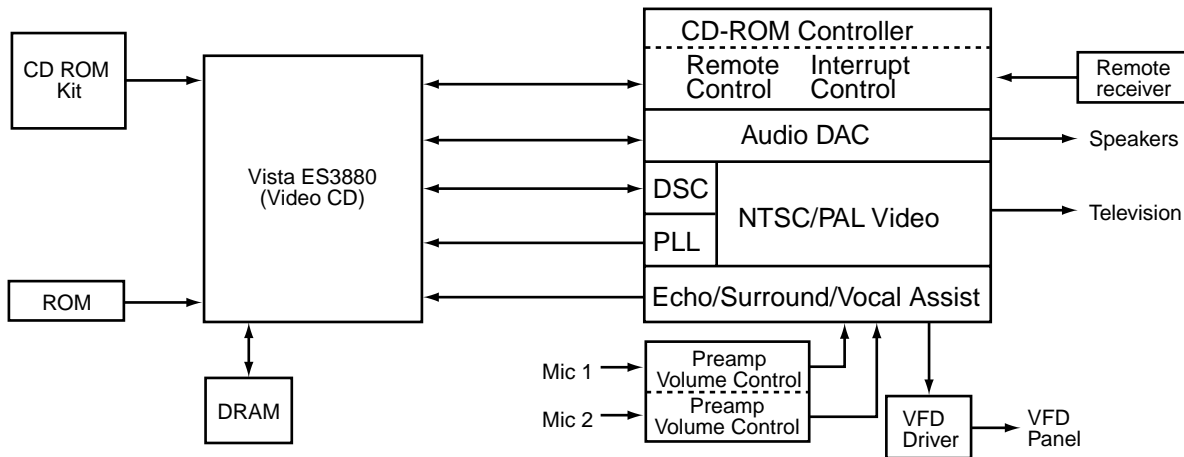
No.	Symbol	I/O	Function
1	BIASC	-	Decoupling condenser connection terminal.
2	VREFC	-	Decoupling condenser connection terminal.
3	RPEF	-	Reference resistance connection terminal.
4	NC	-	Non connect.
5	NC	-	Non connect.
6	NC	-	Non connect.
7	CIN	-	Connected to GND of audio system through a condenser.
8	AIN	I	Inputs the audio signal through a condenser.
9	VCC	-	Power supply terminal.
10	SPI-A	O	Output selection control terminal.
11	SPI-B	O	Output selection control terminal.
12	SPI-C	O	Output selection control terminal.
13	SPICSB	O	Output selection control terminal.
14	NC	-	Non connect.
15	NC	-	Non connect.
16	TEST	-	Connected to GND upon normal use.
17	AOUT	O	Multi-plexor output terminal.
18	GND	-	Connect to GND.

■ ES3883F (IC104) : VCD companion chip

1.Pin function



2.Blockdiagram



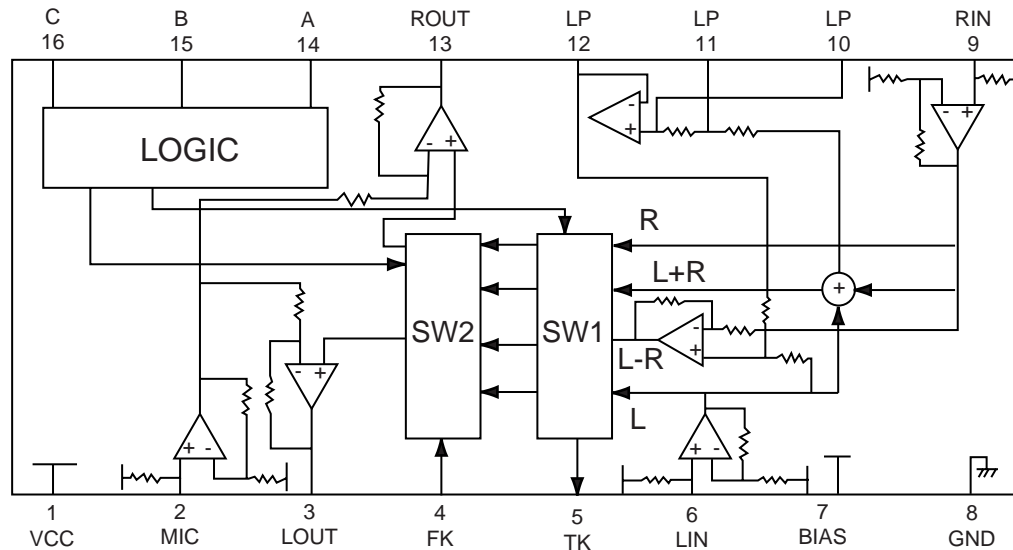
3.Pin function

Pin No.	Symbol	I/O	Function
1,25:26,31,72,75,77,91,100	VSS	I	Ground.
5,16,32,66,73,78,90	VCC	I	Voltage supply 5v.
6	DSC_C	I	Clock programming to access internal registers.
7	AUX0	I/O	Servo Forward or Control Pin.
9	AUX1	I/O	Servo Reverse or Control Pin.
11	AUX2	I/O	Servo LDON or Control Pin.
70	AUX3	I/O	Servo CW/Limit or Control Pin.
69	AUX4	I/O	Servo CCW/Close or Control Pin.
68	AUX5	I/O	Servo Data or Control Pin.
67	AUX6	I/O	Servo XLAT or Control Pin/VFD_DO.
14	AUX7	I/O	Servo BRKM/Sense or Control Pin/VFD_DI.
18	AUX8	I/O	Servo Mute/Open or Control Pin/VFD_CLK.
20	AUX9	I/O	Servo SQS0 or Control Pin.
34	AUX10	I/O	Servo SQCK or Control Pin.
35	AUX11	I/O	3880 IRQ or Interrupt Output or Control Pin.
36	AUX12	I/O	CD C2PO or Interrupt input or Control Pin.
38	AUX13	I/O	Serial Interrupt/CD-Mute or Control Pin.
39	AUX14	I/O	Servo SCOR(S0S1) or Interrupt Input or Control Pin.
40	AUX15	I/O	Interrupt Input or Control Pin.
81,83,85,93,95,97,99,8	DSC_DI[7:0]	I/O	Data for programming to access Internal registers.
10	DSC_S	I	Strobe for programming to access Internal registers.
12	DCLK	O	Dual-purpose pin DCLK is the MPEG decoder clock.
12	EXT_CLK	I	EXT_CLK is the external clock EXT_CLK is an input during bypass PLL mode.
13	RESET_B	I	Video reset(active-low).
15	MUTE	O	Audio mute.
17	MCLK	I	Audio master clock.
19	TWS	I	Dual-purpose pin TWS is the transmit audio frame sync.
19	SPLL_OUT	O	SPLL_OUT is the select PLL output.

Number	Name	I/O	Function															
21	TSD	I	Transmit audio data input.															
22	TBCK	I	Transmit audio bit clock.															
23	RWS	O	Dual-purpose pin RWS is the audio frame sync.															
	SEL_PLL1	I	Pins SEL_PLL[1.0] select the PLL clock frequency for the DCLK output.															
			<table border="1"> <thead> <tr> <th>SEL_PLL1</th> <th>SEL_PLL0</th> <th>DCLK</th> </tr> </thead> <tbody> <tr> <td>0</td> <td>0</td> <td>Bypass PLL(input mode)</td> </tr> <tr> <td>0</td> <td>0</td> <td>27 MHz(output mode)</td> </tr> <tr> <td>1</td> <td>0</td> <td>32.4 MHz(output mode)</td> </tr> <tr> <td>1</td> <td>1</td> <td>40.5 MHz(output mode)</td> </tr> </tbody> </table>	SEL_PLL1	SEL_PLL0	DCLK	0	0	Bypass PLL(input mode)	0	0	27 MHz(output mode)	1	0	32.4 MHz(output mode)	1	1	40.5 MHz(output mode)
	SEL_PLL1	SEL_PLL0	DCLK															
	0	0	Bypass PLL(input mode)															
0	0	27 MHz(output mode)																
1	0	32.4 MHz(output mode)																
1	1	40.5 MHz(output mode)																
24	RSTOUT_B	O	Reset output(active-low).															
2:4,27:30,76	NC		No connect.Do not connect to these pins.															
33	RSD	O	Dual-purpose pin. RSD is the receive audio data input.															
	SEL_PLL0	I	SEL_PLL0 along with SEL_PLL1 select the PLL clock frequency for the DCLK output.See the table for pin number 23.															
37	RBCK	O	Dual-purpose pin.RBCK is the receive audio bit clock.															
	SER_IN	I	SER_IN is the serial input DSC mode. 0-Parallel DSC mode. 1-Serial DSC mode.															
41,51	VSSAA	I	Audio Analog Ground.															
42	VCM	I	ADC Common Mode Reference(CMR) buffer output.CMR is approximately 2.25V.Bypass to analog ground with 47 μ F electrolytic in parallel with 0.1 μ F.															
43	VREFP	I	DAC and ADC maximum reference. Bypass to VCMR with 10 μ F in parallel with 0.1 μ F.															
44	VCCAA	I	Analog VCC, 5V.															
45:46	AOR+,AOR-	O	Right channel output.															
47:48	AOL-,AOL+	O	Left channel input.															
49	MIC1	I	Microphone input 1.															
50	MIC2	I	Microphone 2.															
52	VREF	I	Internal resistor divider generates Common Mode Reference(CMR) voltage. Bypass to analog ground with 0.1 μ F.															
53	VREFM	I	DAC and ADC minimum reference. Bypass to VCMR with 10 μ F in parallel with 0.1 μ F.															
54	RSET	I	Full scale DAC current adjustment.															
55	COMP	I	Compensation pin.															
56:57,62:63	VSSAV	I	Video Analog Ground															
58	CDAC	O	Modulates chrominance output.															
59,60	VCCAV	I	Video VCC, 5V															
61	YDAC	O	Y luminance data bus for screen video port.															
64	VDAC	O	Composite video output.															
65	ACAP	I	Audio CAP.															
71	XOUT	O	Crystal output.															
74	XIN	I	27 MHz crystal input.															
79	PCLK	I/O	13.5 MHz pixel clock.															
80	2XPCLK	I/O	27 MHz(2 times pixel clock).															
82	HSYN_B	O	Horizontal sync(active-low).															
84	VSYN_B	O	Vertical sync(active-low).															
86:89,92,94,96,98	YUV[7:0]	I	YUV data bus for screen video port.															

■ BA3837 (IC466) : MIC mixer

1. Block diagram

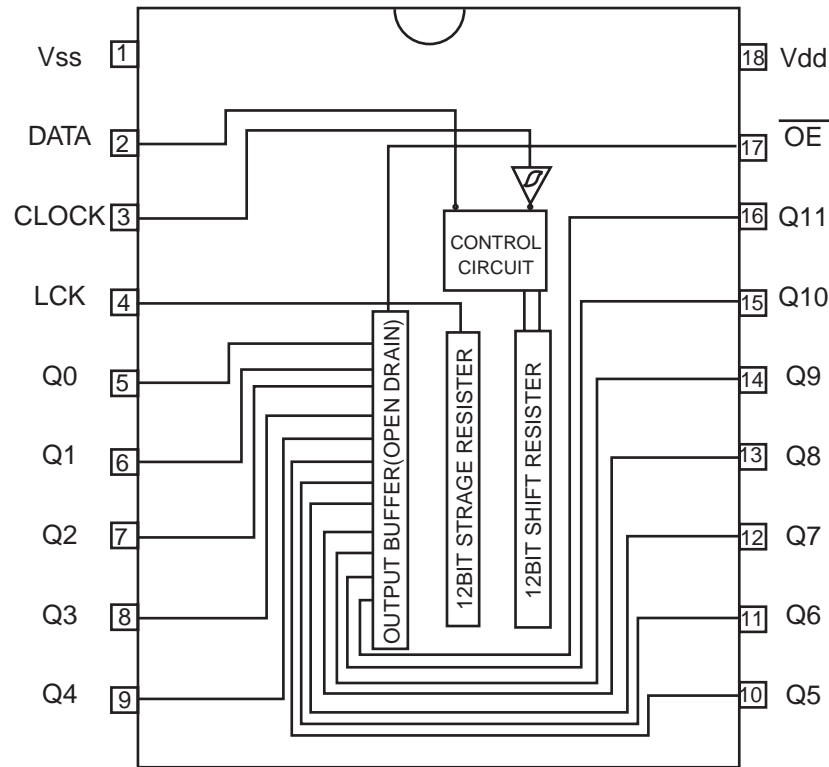


2. Pin function

Pin No.	Symbol	I/O	Description
1	VCC	-	Power supply
2	MIC IN	I	Microphone mixing input
3	LOUT	O	Channel L output
4	FK	-	Non connect
5	TK	-	Non connect
6	LIN	I	Channel L input
7	BIAS	I	Signal bias
8	GND	-	Connect to GND
9	RIN	I	Channel R input
10	LPF1	O	Connects to LPF time constant element
11	LPF2	O	Connects to LPF time constant element
12	LPF3	O	LPF output
13	ROUT	O	Channel R output
14	CONTA	I	Mode select input A
15	CONTB	I	Mode select input B
16	CONTC	I	Mode select input C

■ BU2092 (IC642) : Port expander

1. Terminal Layout

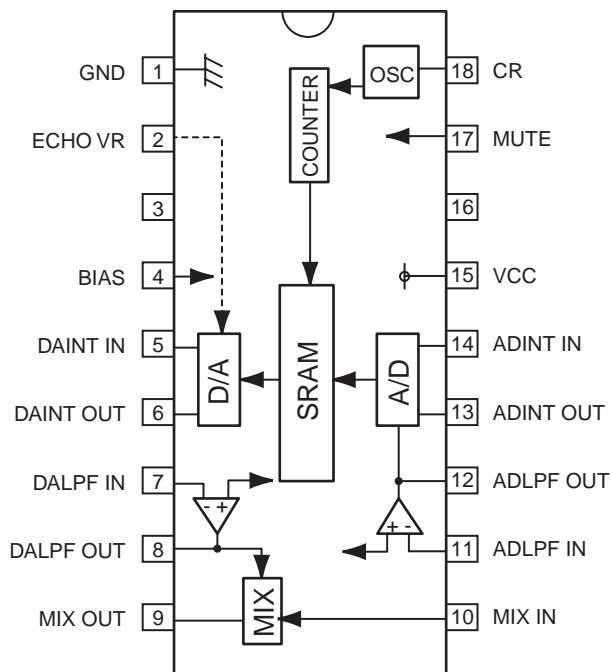


2. Pin Function

Pin No.	Symbol	I/O	Function						
1	Vss	-	Connect to GND						
2	DATA	I	Serial Data input						
3	CLOCK	I	Shift Clock of Data						
4	LCK	I	Latch Clock of Data						
5~16	Q0~Q11	O	Parallel Data Output <table border="1" style="margin-left: 20px;"> <tr> <td>Latch Data</td> <td>L</td> <td>H</td> </tr> <tr> <td>OUTPUT</td> <td>ON</td> <td>OFF</td> </tr> </table>	Latch Data	L	H	OUTPUT	ON	OFF
Latch Data	L	H							
OUTPUT	ON	OFF							
17	$\overline{\text{OE}}$	I	Output Enable						
18	Vdd	-	Power Supply						

■ BU9253AS (IC902) : LPF & Echo mix.

1.Pin layout & block diagram

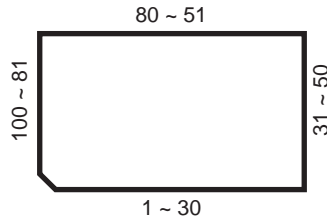


2.Pin function

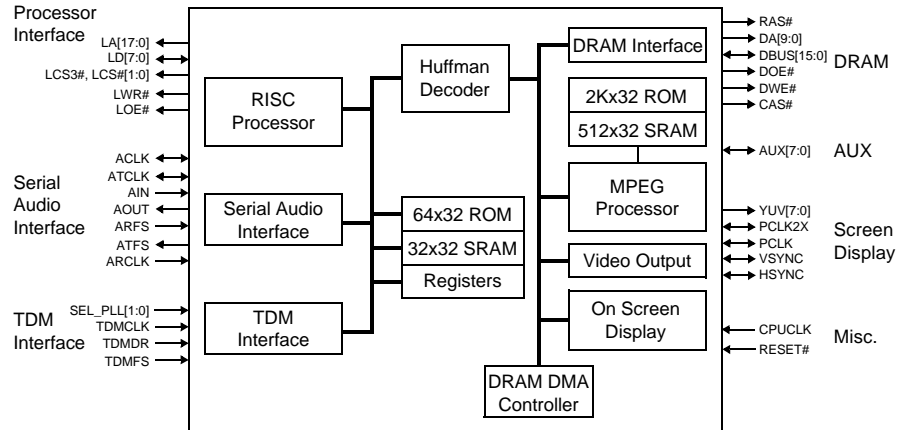
Pin No.	Symbol	I/O	Descriptions
1	GND	-	Connect GND
2	ECHO VR	I	Echo level control
3		-	Non connect
4	BIAS	-	Analog part DC bias
5	DAINT IN	I	DA side integrator input
6	DAINT OUT	O	DA side integrator output
7	DALPF IN	I	DA side LPF input
8	DALPF OUT	O	DAside LPF output
9	MIX OUT	O	Mix AMP output for original tone& echo tone
10	MIX IN	I	Mix AMP input pin for original tone
11	ADLPF IN	I	AD side LPF input
12	ADLPF OUT	O	AD side LPF output
13	ADINT OUT	O	AD side integrator output
14	ADINT IN	I	AD side integrator input
15	VCC	-	Power supply
16	NC2	-	Non connect
17	MUTE	I	Mute control signal input
18	CR	-	CR pin for oscillator

■ ES3880FL (IC101) : MPEG decoder

1. Terminal layout



2. Block diagram



3. Pin function

Pin No.	Symbol	I/O	Function	Pin No.	Symbol	I/O	Function				
1	VDD	-	3.3V power supply	82-87	LA12-17	O	RISC interface address bus				
2	RAS#	O	Row address strobe	88	ACLK	I/O	Master clock for external audio DAC				
3	DWE#	O	DRAM write enable	89	AOUT	O	Audio interface serial data output when selected.				
4-12	DA0-8	O	DRAM multiplexed row and column address bus	SEL_PLL0	I	I	System and DSCK output clock frequency selection at reset time. The matrix below lists the available clock frequencies and their respective PLL bit settings.				
13-28	DBUS0-15	I/O	DRAM data bus								
29	RESET#	I	System reset								
30	VSS	-	Ground								
31	VDD	-	3.3V power supply								
32-39	YUV0-7	O	YUV[7:0] 8-bit video data bus								
40	VSYNC	I/O	Vertical sync								
41	HSYNC	I/O	Horizontal sync								
42	CPUCLK	I	RISC and system clock input. CPUCLK is used only if SEL_PLL[1:0] = 00 to bypass PLL.								
43	PCLK2X	I/O	Doubled 54MHz pixel clock								
44	PCLK	I/O	27MHz pixel clock								
45-49	AUX0-4	I/O	Auxiliary control pins 4:0 AUX0 and AUX1 are open collectors.					90	ATCLK	I/O	Audio transmit bit clock
50	VSS	-	Ground					91	ATFS	O	Audio transmit frame sync
51	VDD	-	3.3V power supply					SEL_PLL1	I	Refer to the description and matrix for SEL_PLL0 pin 89.	
52	AUX6	I/O	Auxiliary control pins 6	92	DA9	O	DRAM multiplexed row and column address line 9				
53	AUX5	I/O	Auxiliary control pins 5	DOE#	O	DRAM output enable					
54	AUX7	I/O	Auxiliary control pins 7	93	AIN	I	Audio serial data input				
55-62	LD0-7	I/O	RISC interface data bus	94	ARCLK	I	Audio receive bit clock				
63	LWR#	O	RISC interface write enable	95	ARFS	I	Audio receive frame sync				
64	LOE#	O	RISC interface output enable	96	TDMCLK	I	TDM serial clock				
65	LCS3#	O	RISC interface chip select	97	TDMDR	I	TDM serial data receive				
66	LCS1#	O	RISC interface chip select	98	TDMFS	I	TDM frame sync				
67	LCS0#	O	RISC interface chip select	99	CAS#	O	DRAM column address strobe				
68-79	LA0-11	O	RISC interface address bus	100	VSS	-	Ground				
80	VSS	-	Ground								
81	VPP	-	5.0V power supply								

■ GLT44016-35J4-X (IC103) : Dram

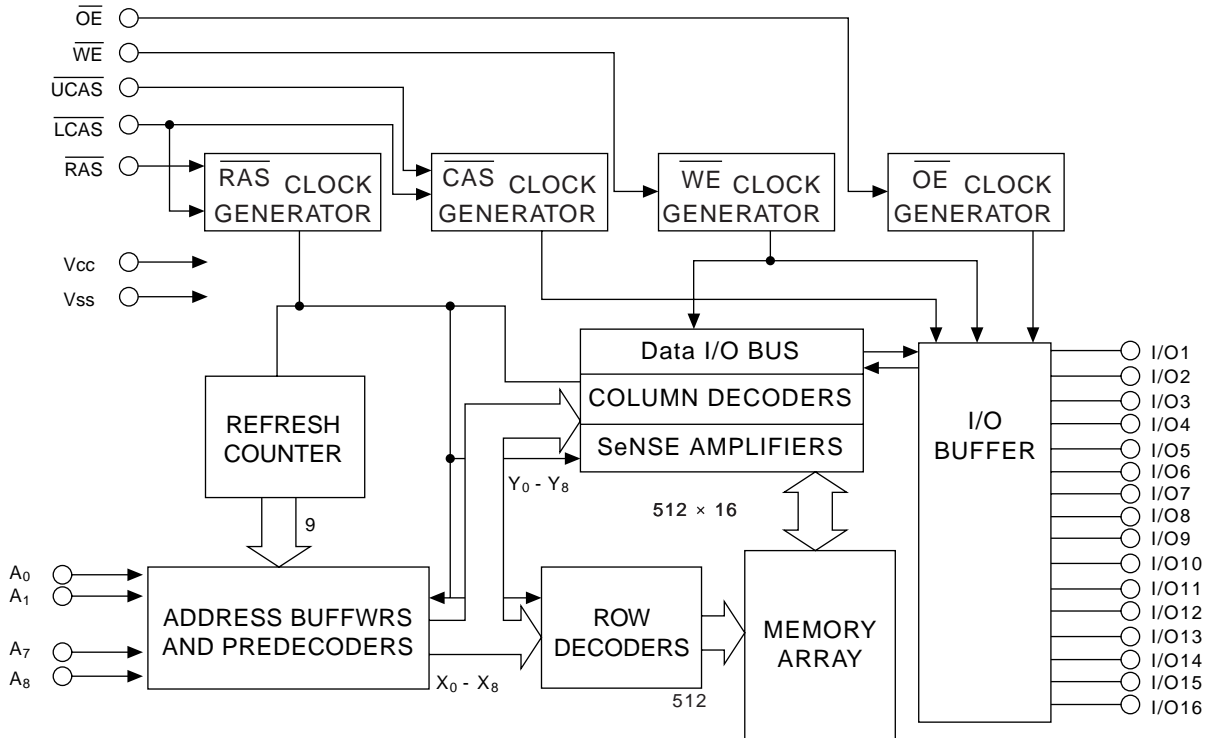
1. Pin layout

Vcc	1	40	Vss
DQ1	2	39	DQ16
DQ2	3	38	DQ15
DQ3	4	37	DQ14
DQ4	5	36	DQ13
Vcc	6	35	Vss
DQ5	7	34	DQ12
DQ6	8	33	DQ11
DQ7	9	32	DQ10
DQ8	10	31	DQ9
NC	11	30	NC
NC	12	29	LCAS
WE	13	28	UCAS
RAS	14	27	OE
NC	15	26	A8
A0	16	25	A7
A1	17	24	A6
A2	18	23	A5
A3	19	22	A4
Vcc	20	21	Vss

3. Pin function

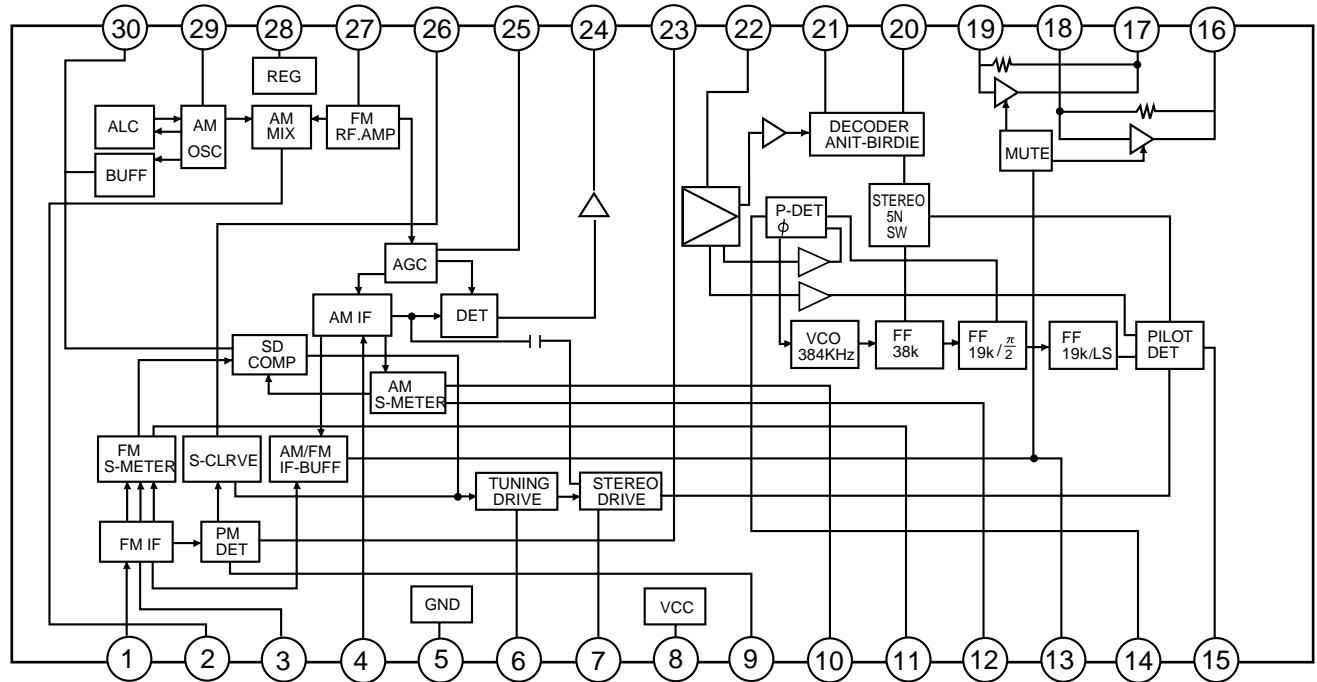
Pin Name	Function
A0~A8	Address inputs
$\overline{\text{RAS}}$	Row address strobe
$\overline{\text{UCAS}}$	Column address strobe / upperbyte control
$\overline{\text{LCAS}}$	Column address strobe / lower byte control
$\overline{\text{WE}}$	Write enable
$\overline{\text{OE}}$	Output enable
DQ1~DQ16	Data inputs / outputs
Vcc	+5V power supply
Vss	Ground
NC	No connection

2. Block diagram



■ LA1838 (IC1): FM AM IF amp & detector, FM MPX decoder

1. Block Diagram



2. Pin Function

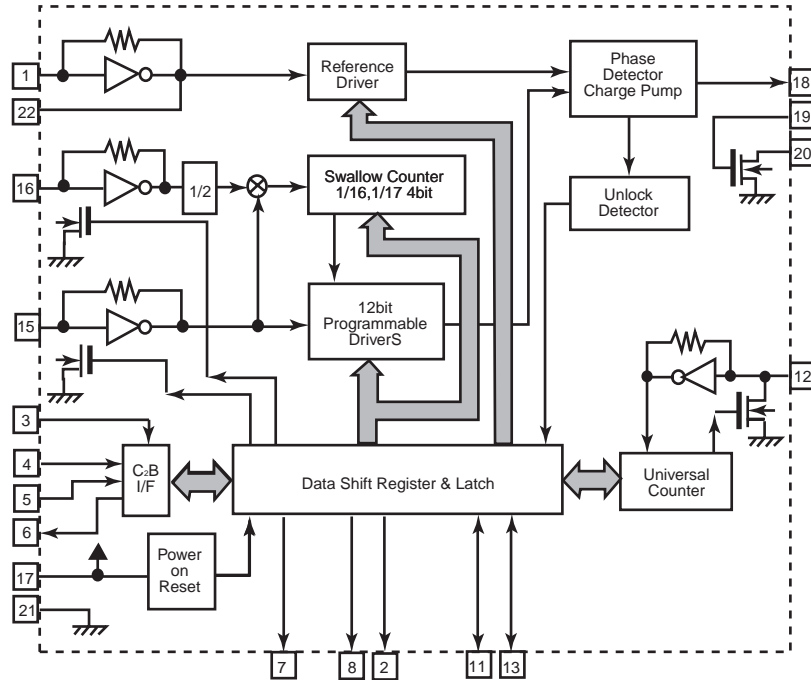
Pin No.	Symbol	I/O	Function	Pin No.	Symbol	I/O	Function
1	FM IN	I	This is an input terminal of FM IF signal.	16	L OUT	O	Left channel signal output.
2	AM MIX	O	This is an out put terminal for AM mixer.	17	R OUT	O	Right channel signal output.
3	FM IF	I	Bypass of FM IF	18	L IN	I	Input terminal of the Left channel post AMP.
4	AM IF	I	Input of AM IF Signal.	19	R IN	I	Input terminal of the Right channel post AMP.
5	GND	-	This is the device ground terminal.	20	RO	O	Mpx Right channel signal output.
6	TUNED	O	When the set is tuning,this terminal becomes "L".	21	LO	O	Mpx Left channel signal output.
7	STEREO	O	Stereo indicator output. Stereo "L", Mono: "H"	22	MPX IN	I	Mpx input terminal
8	VCC	-	This is the power supply terminal.	23	FM OUT	O	FM detection output.
9	FM DET	-	FM detect transformer.	24	AM DET	O	AM detection output.
10	AM SD	-	This is a terminal of AM ceramic filter.	25	AM AGC	I	This is an AGC voltage input terminal for AM
11	FM VSM	O	Adjust FM SD sensitivity.	26	AFC	-	This is an output terminal of voltage for FM-AFC.
12	AM VSM	O	Adjust AM SD sensitivity.	27	AM RF	I	AM RF signal input.
13	MUTE	I/O	When the signal of IF REQ of IC121(LC72131) appear, the signal of FM/AM IF output. //Muting control input.	28	REG	O	Register value between pin 26 and pin28 besides the frequency width of the input signal.
14	FM/AM	I	Change over the FM/AM input. "H" :FM, "L" : AM	29	AM OSC	-	This is a terminal of AM Local oscillation circuit.
15	MONO/ST	O	Stereo : "H", Mono: "L"	30	OSC BUFFER	O	AM Local oscillation Signal output.

■ LC72136N (IC2) : PLL frequency synthesizer

1. Pin layout

XT	1	22	XT
FM/AM	2	21	GND
CE	3	20	LPFOUT
DI	4	19	LPFIN
CLOCK	5	18	PD
DO	6	17	VCC
FM/ST/VCO	7	16	FMIN
AM/FM	8	15	AMIN
	9	14	
	10	13	IFCONT
SDIN	11	12	IFIN

2. Block diagram

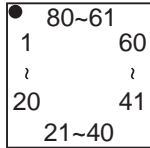


3. Pin function

Pin No.	Symbol	I/O	Function	Pin No.	Symbol	I/O	Function
1	XT	I	X'tal oscillator connect (75kHz)	12	IFIN	I	IF counter signal input
2	FM/AM	O	LOW:FM mode	13	IFCONT	O	IF signal output
3	CE	I	When data output/input for 4pin(input) and 6pin(output): H	14		-	Not use
4	DI	I	Input for receive the serial data from controller	15	AMIN	I	AM Local OSC signal output
5	CLOCK	I	Sync signal input use	16	FMIN	I	FM Local OSC signal input
6	DO	O	Data output for Controller Output port	17	VCC	-	Power supply(VDD=4.5-5.5V) When power ON:Reset circuit move
7	FM/ST/VCO	O	"Low": MW mode	18	PD	O	PLL charge pump output(H: Local OSC frequency Height than Reference frequency. L: Low Agreement: Height impedance)
8	AM/FM	O	Open state after the power on reset	19	LPFIN	I	Input for active lowpassfilter of PLL
9	LW	I/O	Input/output port	20	LPFOUT	O	Output for active lowpassfilter of PLL
10	MW	I/O	Input/output port	21	GND	-	Connected to GND
11	SDIN	I/O	Data input/output	22	XT	I	X'tal oscillator(75KHz)

■ MN662748RPMFA (IC701) : Digital servo & Digital signal processor

1. Terminal layout

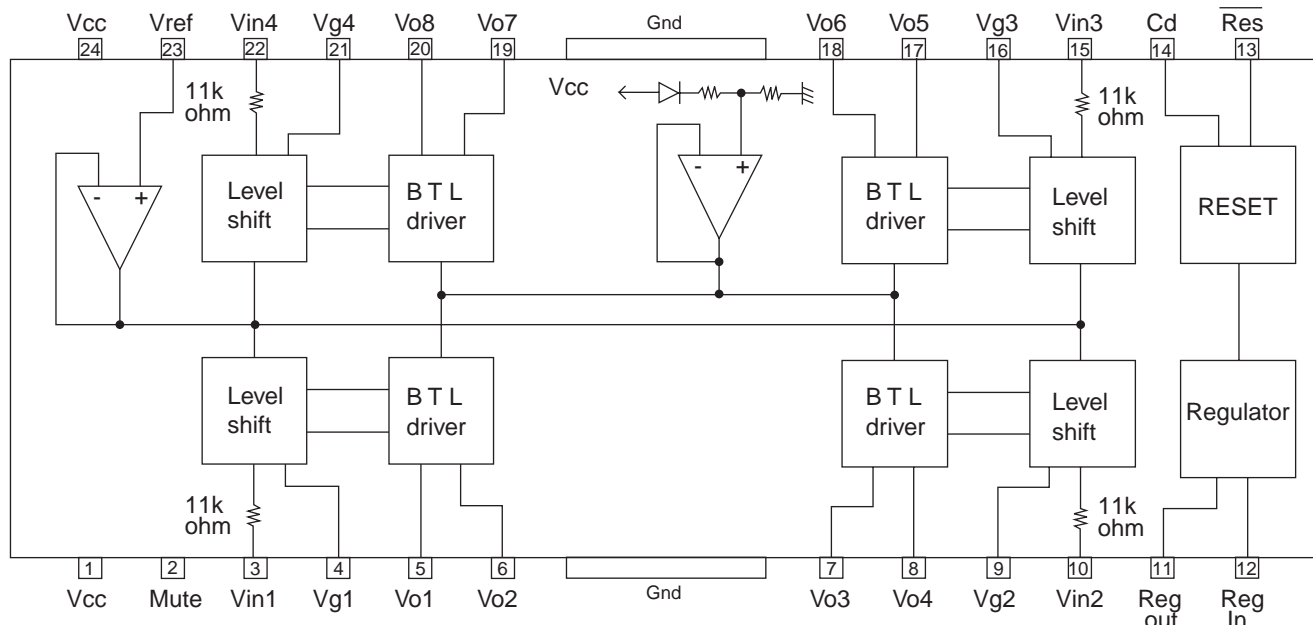


2. Pin function

Pin No	Symbol	I/O	Function	Pin No	Symbol	I/O	Function
1	BCLK	-	Not use	41	PLL2	-	Not use
2	LRCK	-	Not use	42	TOFS	-	Not use
3	SRDATA	-	Not use	43	WVEL	-	Not use
4	DVDDI	-	Power supply for digital circuit	44	ARF	I	RF signal input
5	DVSSI	-	GND for digital circuit	45	IREF	I	Reference current input
6	TX	-	Not use	46	DRF	I	Bias pin for DSL
7	MCLK	I	Micro computer command clock signal input	47	DSL2	I/O	Loop filter pin for DSL
8	MDATA	I	Micro computer command data input	48	PLL2	I/O	Loop filter pin for PLL
9	MLD	I	Micro computer command load signal input (L: Load)	49	VCOF	I/O	Loop filter pin for VCO
10	SENSE	-	Not use, connect to TP716	50	AVDD2	-	Power supply for analog circuit
11	FLOCK	-	Not use, connect to TP717	51	AVSS2	-	GND for analog circuit
12	TLOCK	-	Not use, connect to TP718	52	EFM	-	Not use, connect to TP724
13	BLKCK	O	Sub code block clock signal output	53	PCK	O	Clock output for PLL
14	SQCK	I	External clock input for sub code Q register input	54	VCOF2	I/O	Loop filter pin for Digital servo VCO
15	SUBQ	O	Sub code Q data output	55	SUBC	-	Not use
16	DMUTE	-	Not use, connect to TP719	56	SBCK	-	Not use
17	STAT	O	Status signal input	57	VSS	-	GND for crystal oscillation circuit
18	RST	I	Reset signal input (L: Reset)	58	X1	I	Input for crystal oscillation circuit (f=16.9344MHz)
19	SMCK	-	Not use	59	X2	O	Output for crystal oscillation circuit (f=16.9344MHz)
20	PMCK	-	Not use, connect to TP720	60	VDD	-	Power supply for crystal oscillation circuit
21	TRV	O	Traverse enforced output	61	BYTCK/TRVSTP	-	Not use
22	TVD	O	Traverse drive output	62	CLDCK	O	Sub code frame clock signal output
23	PC	-	Not used	63	FCLK	-	Not used
24	ECM	O	Spindle motor drive signal (Enforced mode output)	64	IPFLAG	O	Interpolation flag signal output, Connect to TP721
25	ECS	O	Spindle motor drive signal (Servo error signal output)	65	FLAG	O	Flag signal output, Connect to TP722
26	KICK	O	Kick pulse output	66	CLVS	-	Not use
27	TRD	O	Tracking drive output	67	CRC	-	Not use
28	FOD	O	Focus drive output	68	DEMPH	O	De-emphasis detect signal output, Connect to TP723
29	VREF	I	Reference voltage for D/A output block	69	RESY	-	Not use
30	FBAL	O	Focus balance adjust signal output	70	IOSEL	I	Mode select pin, Connect to DVDD1 (H fix)
31	TBAL	O	Tracking balance adjust signal output	71	/TEST	I	Test pin, Connect to DVDD1 (H fix)
32	FE	I	Focus error signal input (Analog input)	72	AVDD1	-	Power supply for analog circuit
33	TE	I	Tracking error signal input (Analog input)	73	OUTL	O	L-channel audio output
34	RFENV	I	RF envelope signal input (Analog input)	74	AVSS1	-	GND for analog circuit
35	VDET	I	Vibration detect signal input (H:Detect)	75	OUTR	O	R-channel audio output
36	OFT	I	Off track signal input (H:Off track)	76	RSEL	I	RF signal polarity setting pin, Connect to DVDD1 (H fix)
37	TRCRS	I	Track cross signal input	77	CSEL	I	Oscillation frequency setting pin, Connect to GND (L fix)
38	/RFDET	I	RF detect signal input (L:Detect)	78	PSEL	I	IOSEL=H, Test pin, Connect to GND (L fix)
39	BDO	I	Drop out signal input (H:Drop out)	79	MSEL	I	IOSEL=H, SMCK output, Frequency select pin
40	LDON	O	Laser on signal output (H:ON)	80	SSEL	I	IOSEL=H, SMCK output, SUBQ output mode select pin

■ LA6541-X (IC801) : Servo driver

1. Pin Layout & block diagram

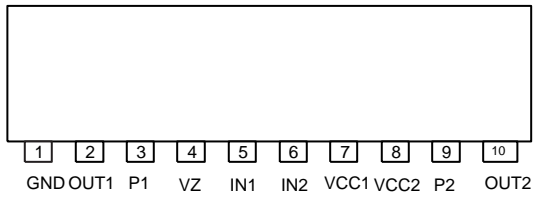


2. Pin function

Pin No.	Symbol	Function
1	Vcc	Power supply (Shorted to pin 24)
2	Mute	All BTL amplifier outputs ON/OFF
3	Vin1	BTL AMP 1 input pin
4	Vg1	BTL AMP 1 input pin (For gain adjustment)
5	Vo1	BTL AMP 1 input pin (Non inverting side)
6	Vo2	BTL AMP 1 input pin (Inverting side)
7	Vo3	BTL AMP 2 input pin (Inverting side)
8	Vo4	BTL AMP 2 input pin (Non inverting side)
9	Vg2	BTL AMP 2 input pin (For gain adjustment)
10	Vin2	BTL AMP 2 input pin
11	Reg Out	External transistor collector (PNP) connection. 5V power supply output
12	Reg In	External transistor (PNP) base connection
13	Res	Reset output
14	Cd	Reset output delay time setting (Capacitor connected externally)
15	Vin3	BTL AMP 3 input pin
16	Vg3	BTL AMP 3 input pin (For gain adjustment)
17	Vo5	BTL AMP 3 output pin (Non inverting side)
18	Vo6	BTL AMP 3 output pin (Inverting side)
19	Vo7	BTL AMP 4 output pin (Inverting side)
20	Vo8	BTL AMP 4 output pin (Non inverting side)
21	Vg4	BTL AMP 4 output pin (For gain adjustment)
22	Vin4	BTL AMP 4 output pin
23	Vref	Level shift circuit's reference voltage application
24	Vcc	Power supply (Shorted to pin 1)

■ **LB1641 (IC851, IC852) : DC motor driver**

1. Pin layout

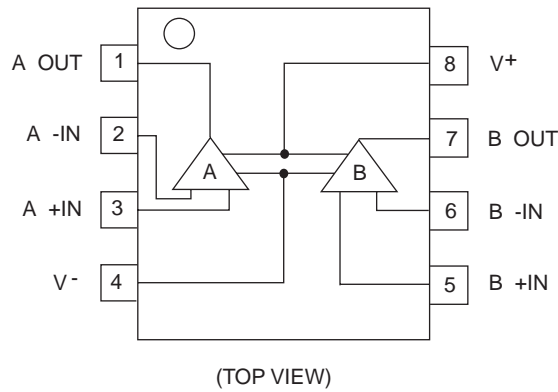


2. Pin function

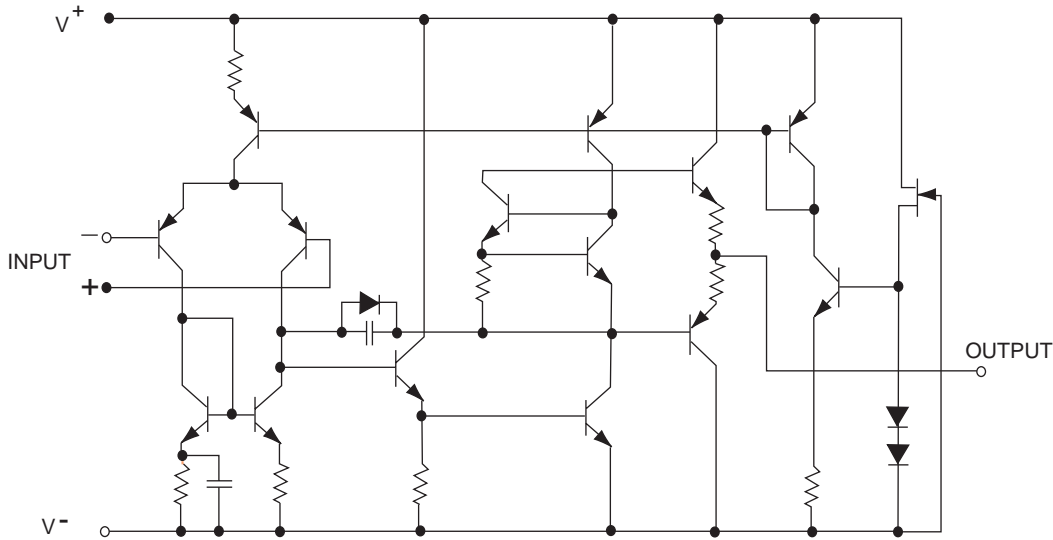
Input		Output		Mode
IN1	IN2	OUT1	OUT2	
0	0	0	0	Brake
1	0	1	0	CLOCKWISE
0	1	0	1	COUNTER-CLOCKWISE
1	1	0	0	Brake

■ **NJM4580D (IC481, IC501, IC502, IC526, IC571) : LPF, Mic and H. phone amp.**

1. Terminal layout

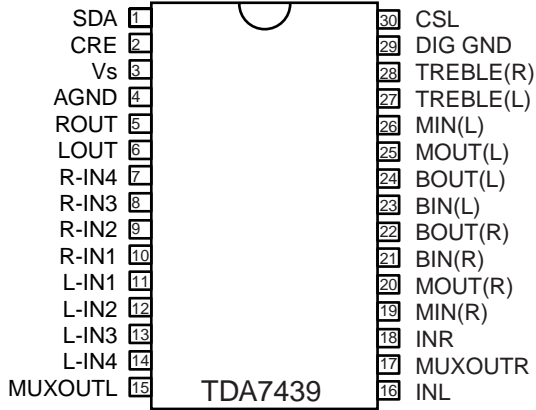


2. Block diagram

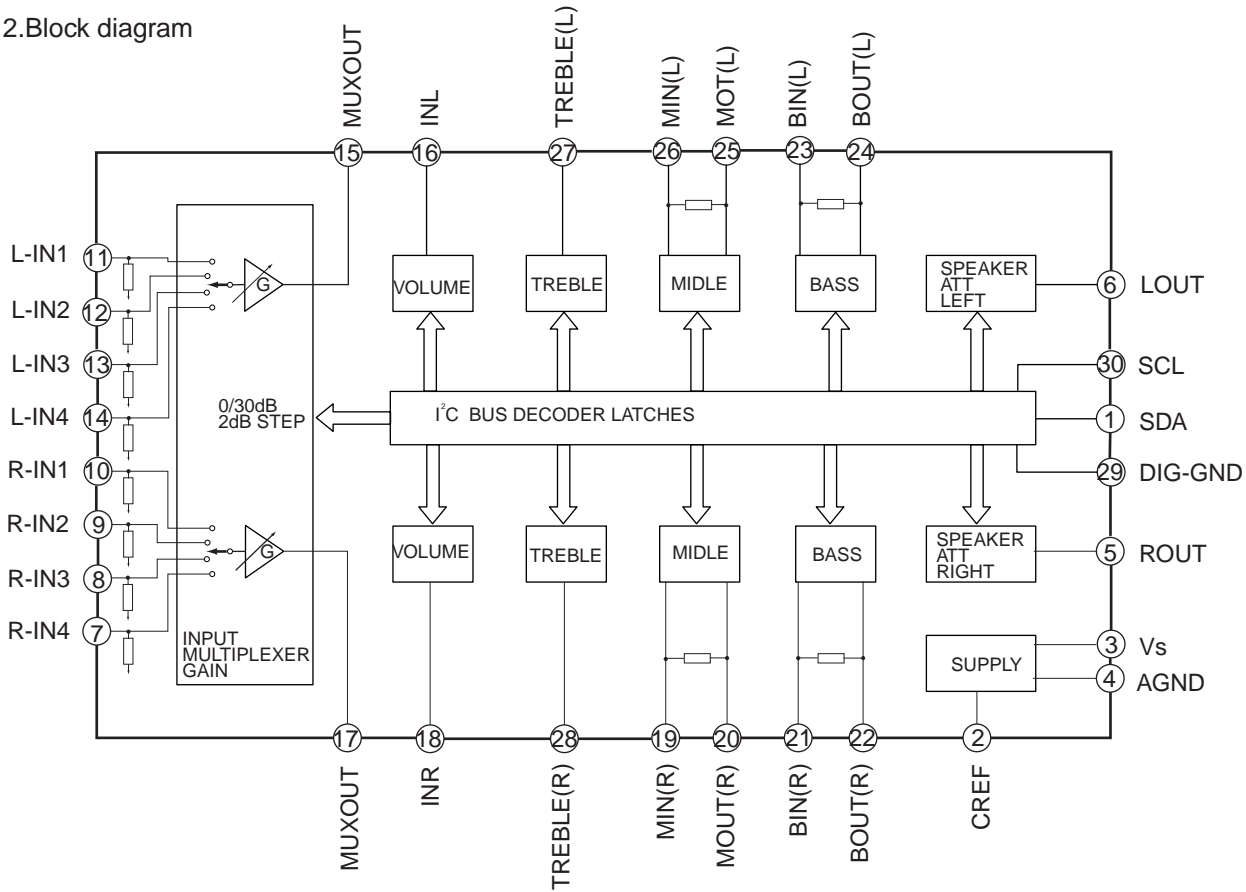


■ **TDA7439 (IC303) : Control volume**

1. Pin layout

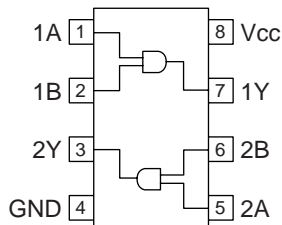


2. Block diagram



■ **TC7W08FU-X (IC107) : Nand gate**

1. Pin layout & Block diagram

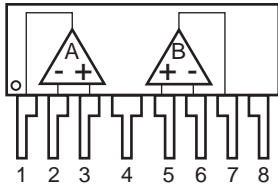


2. Truth table

A	B	Y
L	L	L
L	H	L
H	L	L
H	H	H

■ NJM4580L (IC901) : Dual operational amplifier

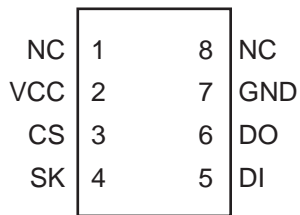
1. Terminal layout



- 1. A OUTPUT
- 2. A -INPUT
- 3. A +INPUT
- 4. V⁻
- 5. B +INPUT
- 6. B -INPUT
- 7. B OUTPUT
- 8. V⁺

■ BR93LC66F-X (IC403) : EEPROM

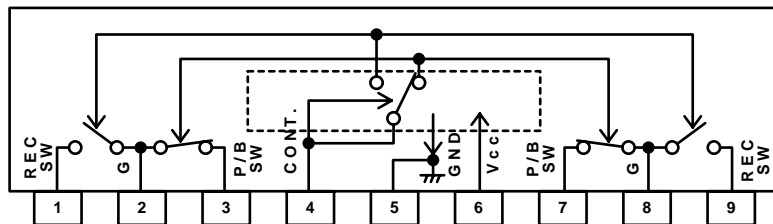
1. Terminal layout



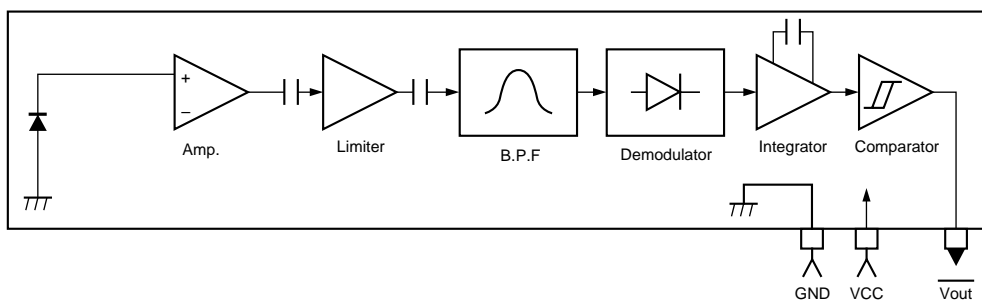
2. Pin Functions

Symbol	I/O	Function
VCC	-	Power supply
GND	-	Connect to GND
CS	I	Chip select input
SK	I	Serial clock input
DI	I	Start bit, OP-code, address, serial data input
DO	O	Serial data output, Internal state display output of READY/BUSY

■ BA3126N (IC31) : R / P switch

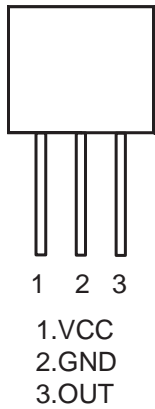


■ GP1U271X (IC701) : Receiver for remote

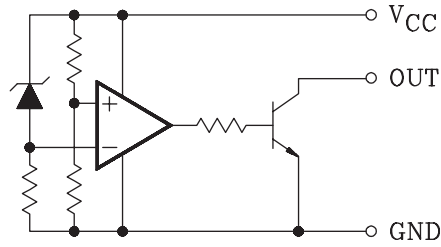


■ KIA7042AP-T (IC830) : Regulator

1. Terminal layout

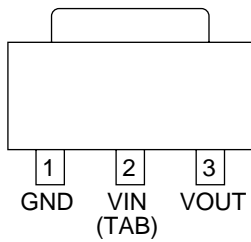


2. Block diagram

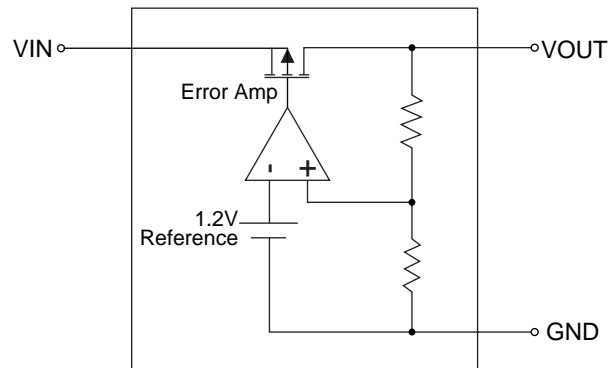


■ RT9161 / A-27CG-X (IC105) : Regulator

1. Pin layout



2. Block diagram

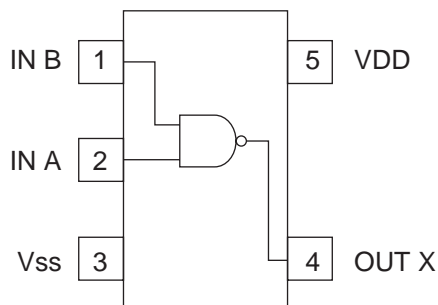


3. Pin function

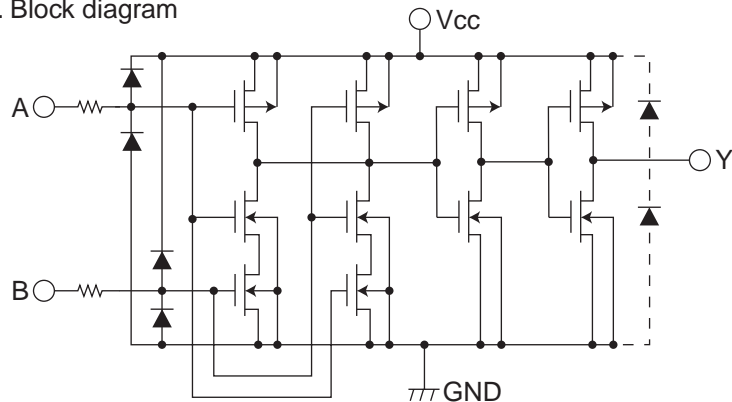
Pin Name	Function
VOUT	Output Voltage
GND	Ground
VIN	Power Input

■ TC7S08F-W (IC340) : Buffer

1. Pin layout

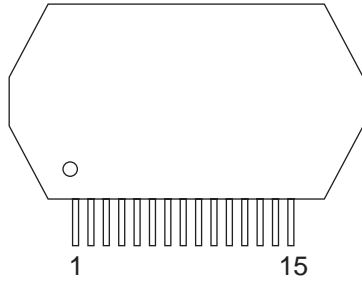


2. Block diagram

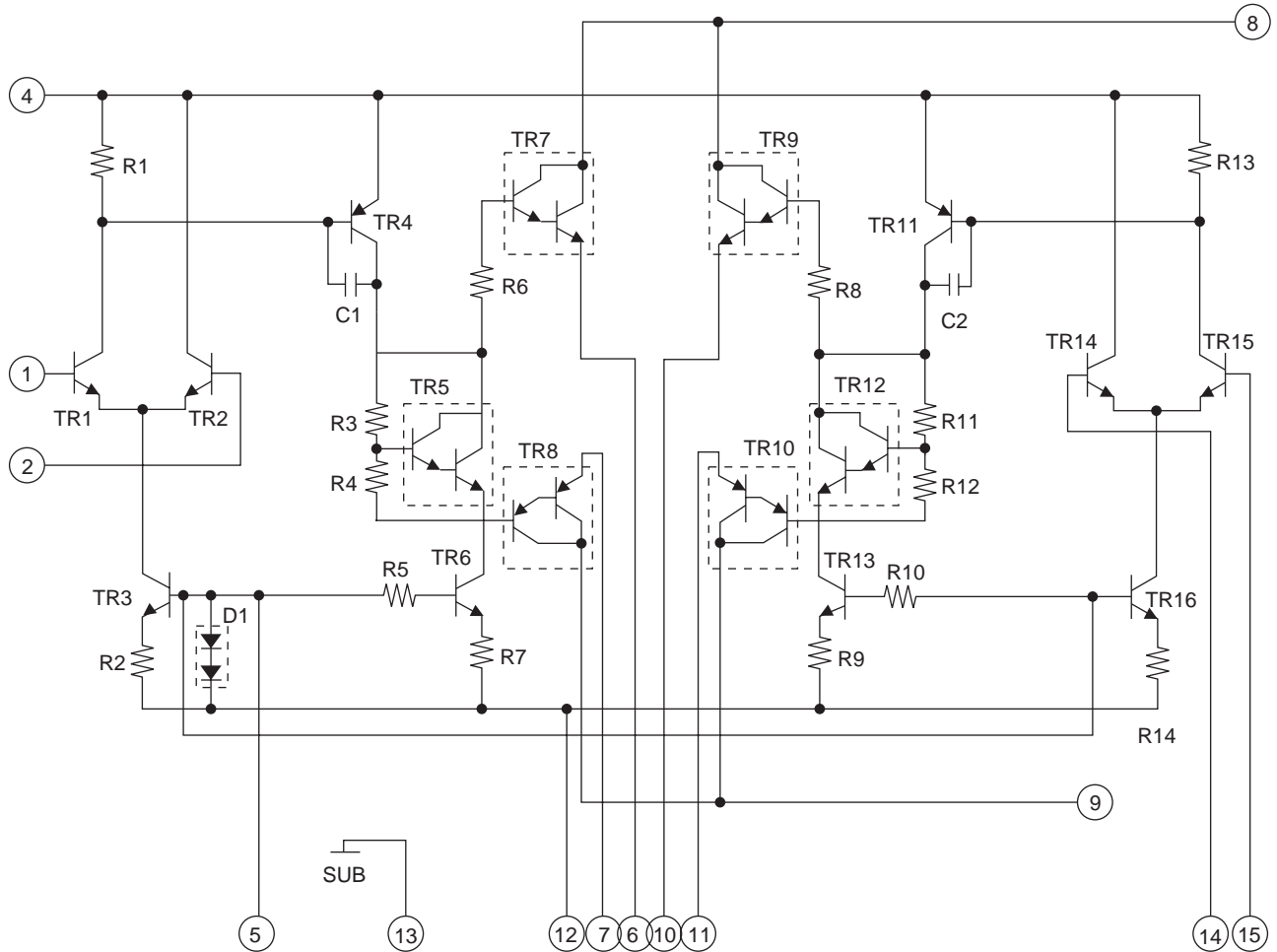


■ STK402-030 (IC101) : Power amp

1.Pin layout

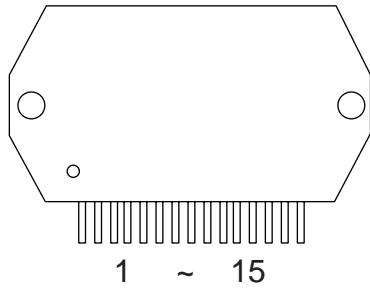


2.Block diagram

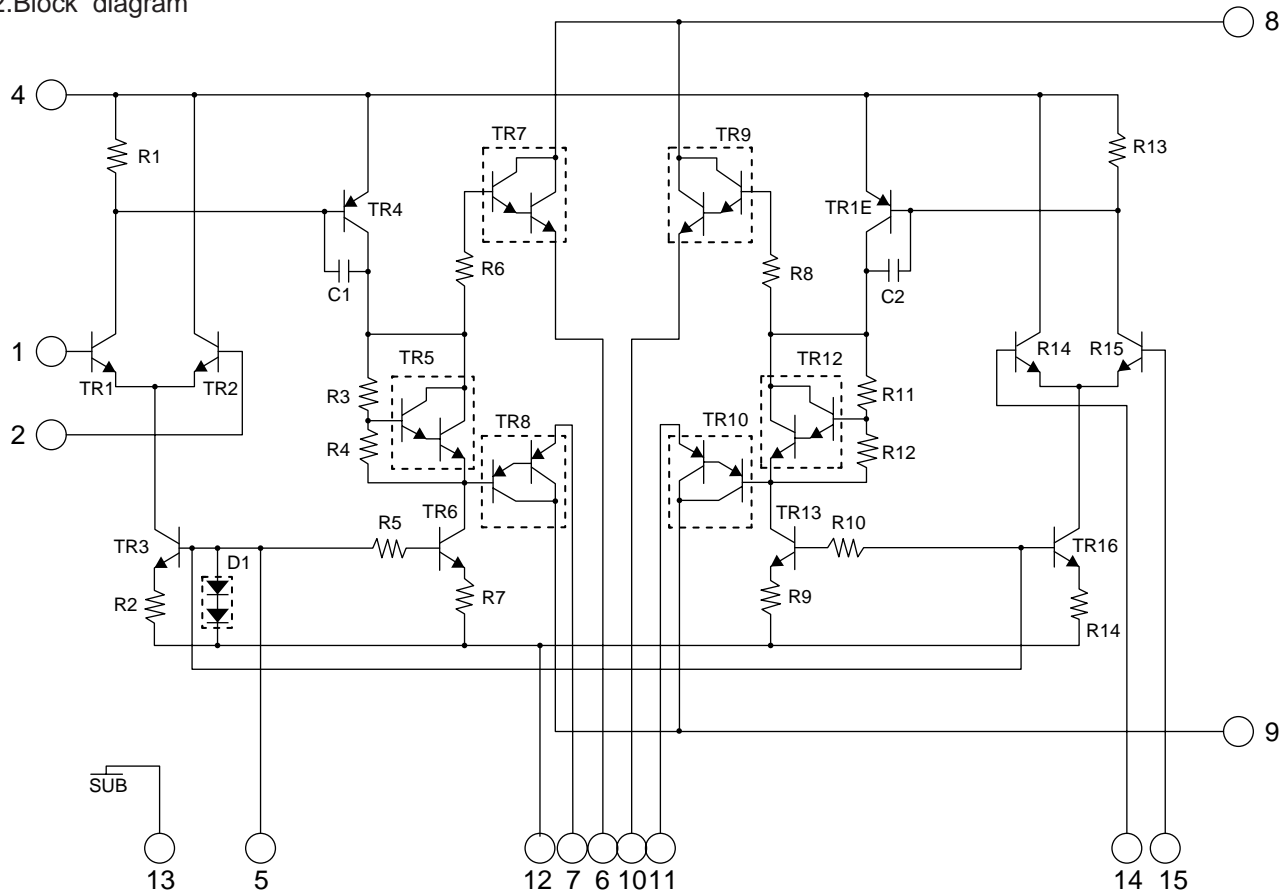


■ STK402-050 (IC602) : 2ch AF power amp.

1. Pin layout

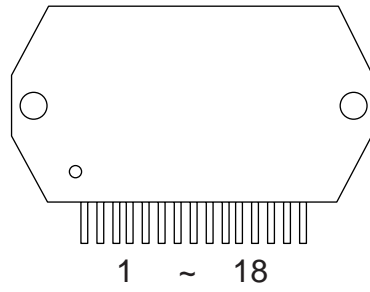


2. Block diagram

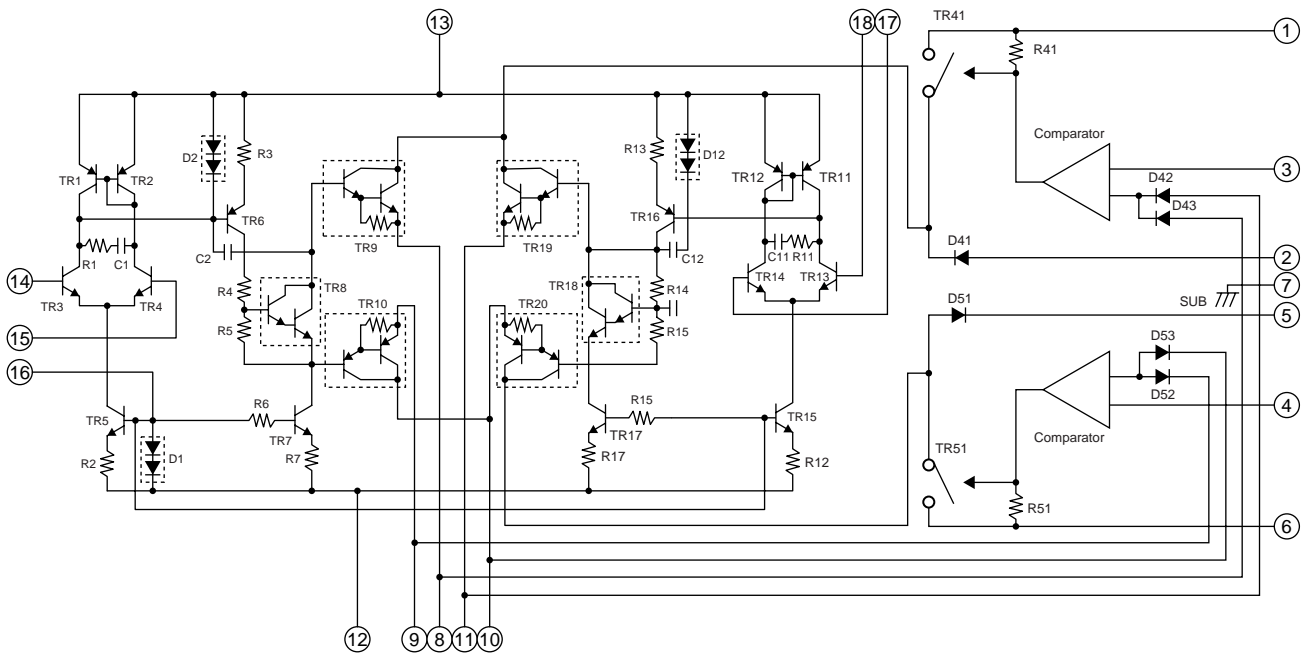


■ STK412-010 (IC701) : 2ch AF power amp.

1.Pin layout

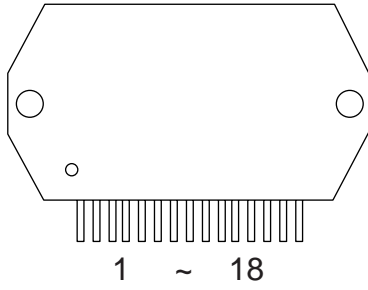


2.Block diagram

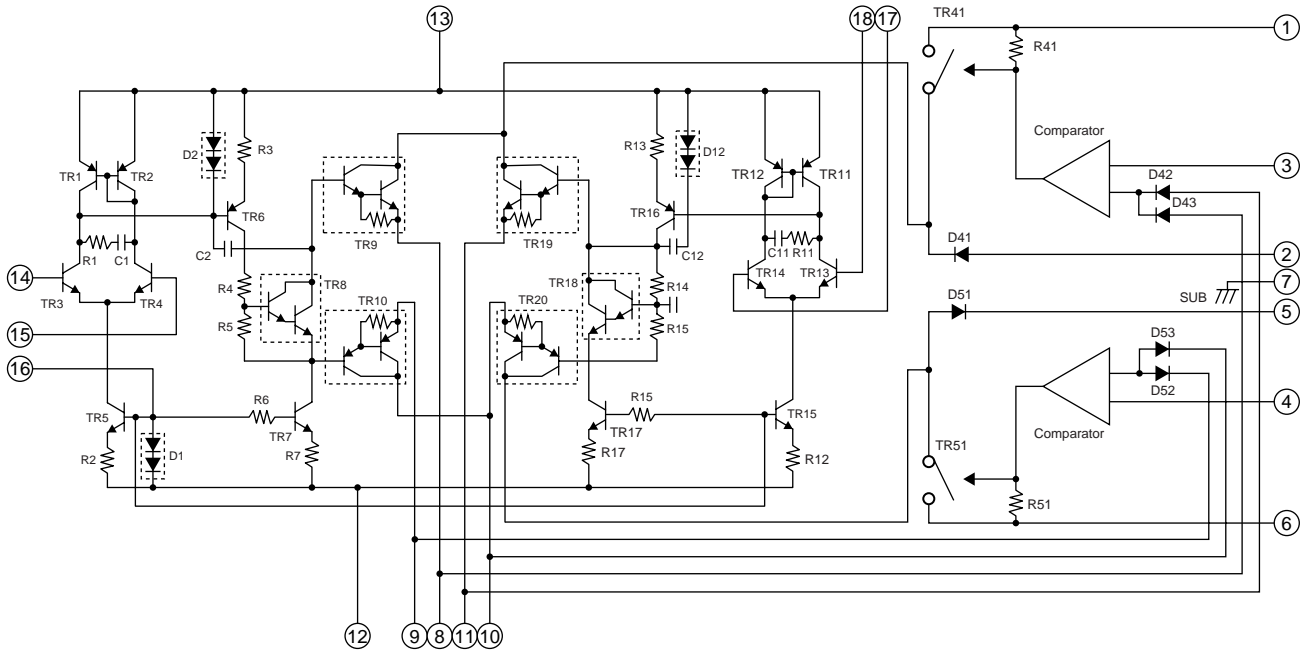


■ STK412-090 (IC701) : 2ch AF power amp.

1.Pin layout



2.Block diagram



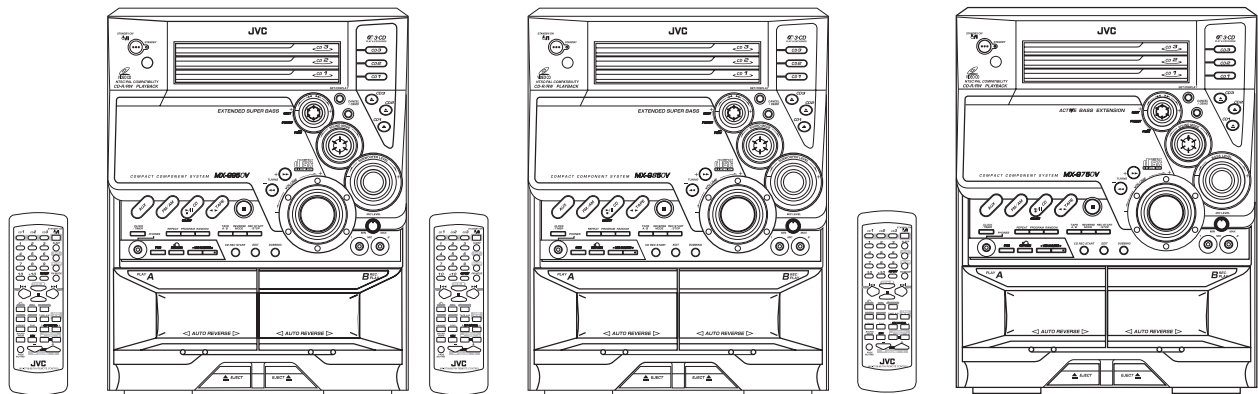
JVC

SCHEMATIC DIAGRAMS

COMPACT COMPONENT SYSTEM

MX-G950V/MX-G880V MX-G850V/MX-G750V

CD-ROM No.SML200207



CA-MXG950V

CA-MXG850V
CA-MXG880V

CA-MXG750V



MX-G950V/MX-G850V
Area Suffix
U-----Other Areas
UN-----Asean
UX-----Saudi Arabia

MX-G880V
Area Suffix
UN-----Asean

MX-G750V
Area Suffix
UN-----Asean
US-----Singapore
UX-----Saudi Arabia

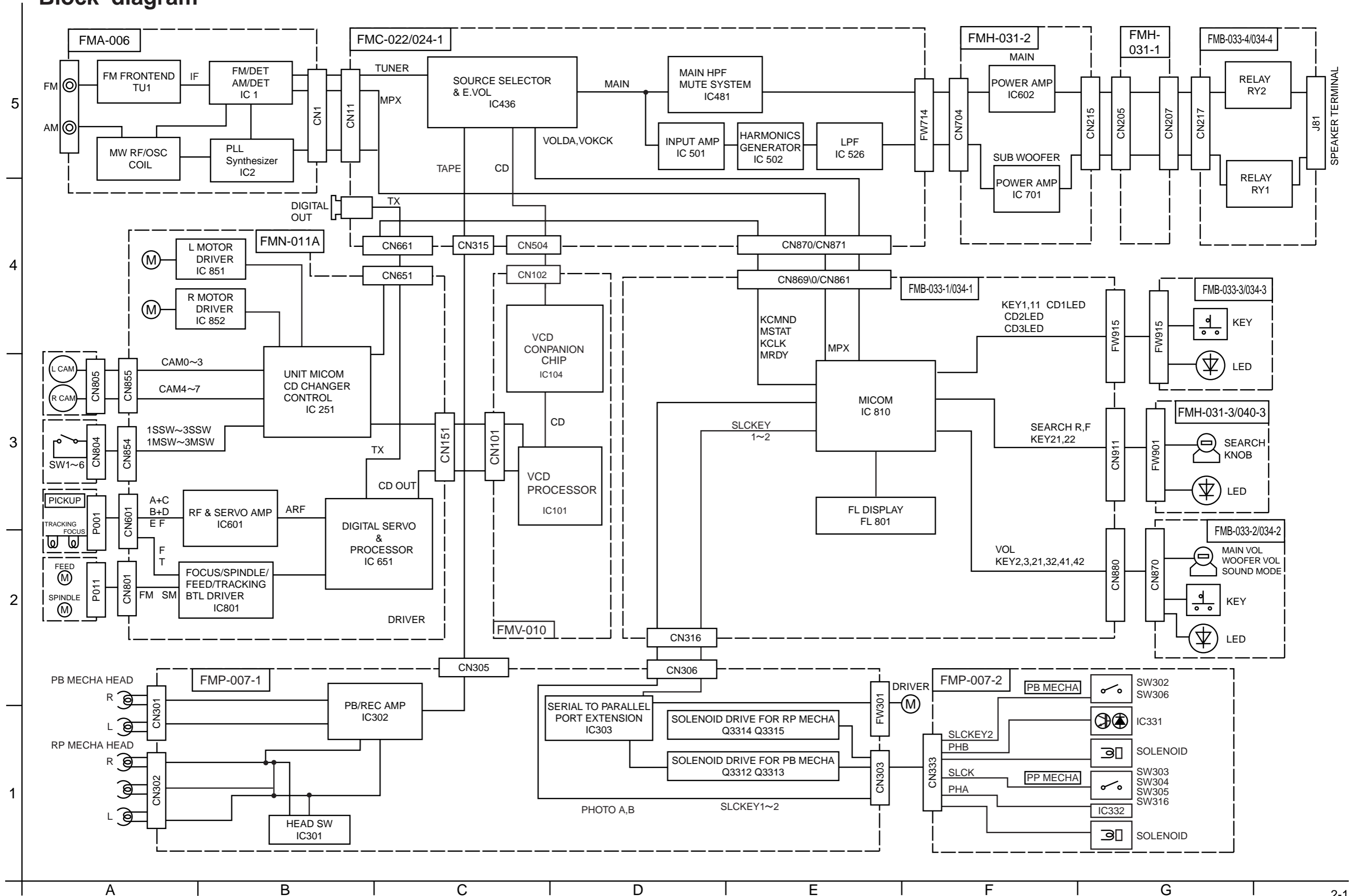
Contents

Block diagram	2-1
Standard schematic diagrams	2-2
Printed circuit boards	2-13~21

In regard with component parts appearing on the silk-screen printed side (parts side) of the PWB diagrams, the parts that are printed over with black such as the resistor (■), diode (⚡) and ICP (●) or identified by the "⚠" mark nearby are critical for safety.

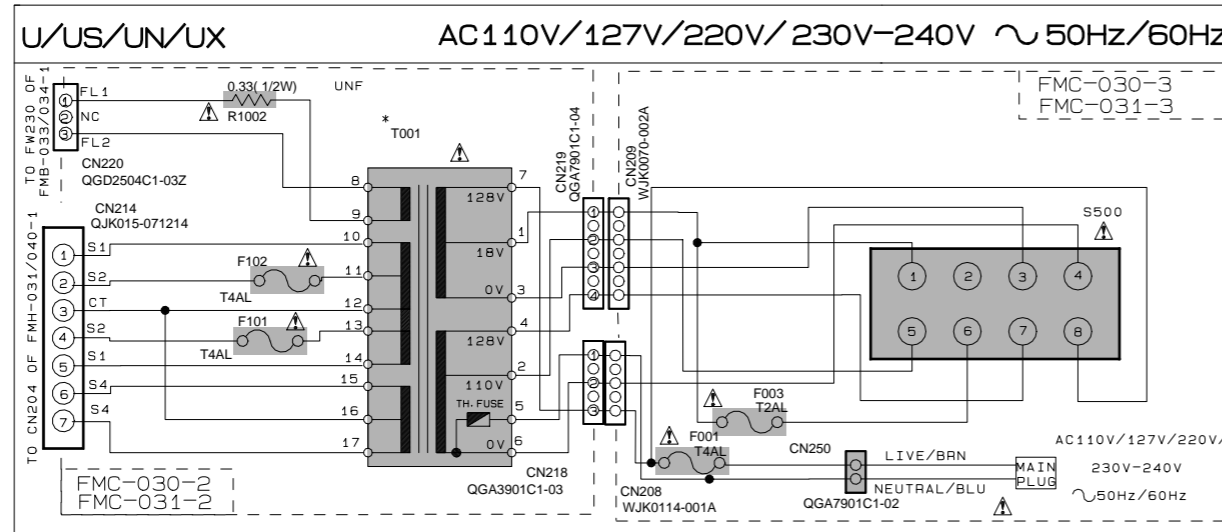
(This regulation does not correspond to J and C version.)

Block diagram

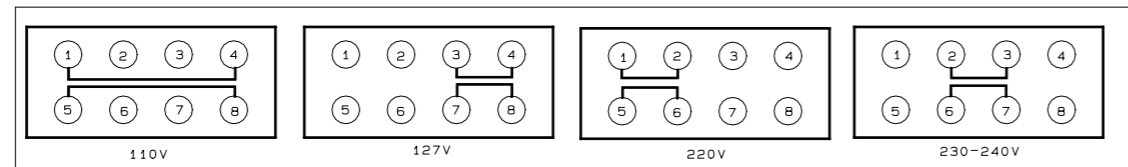


Standard schematic diagrams

■ Primary with mains transformer section



VOLTAGE SELECTOR LOCATION



* MARK

MODEL REF. NO.	CA-MXG750V	CA-MXG850V/880V	CA-MXG950V
T001		Q0T0319-003	Q0T0322-003

▲ Parts are safety assurance parts. When replacing those parts make sure to use the specified one.

EXPLANATION OF OVERALL OF SCHEMA.

MODEL CA-MXG750V/850V/880V/950V

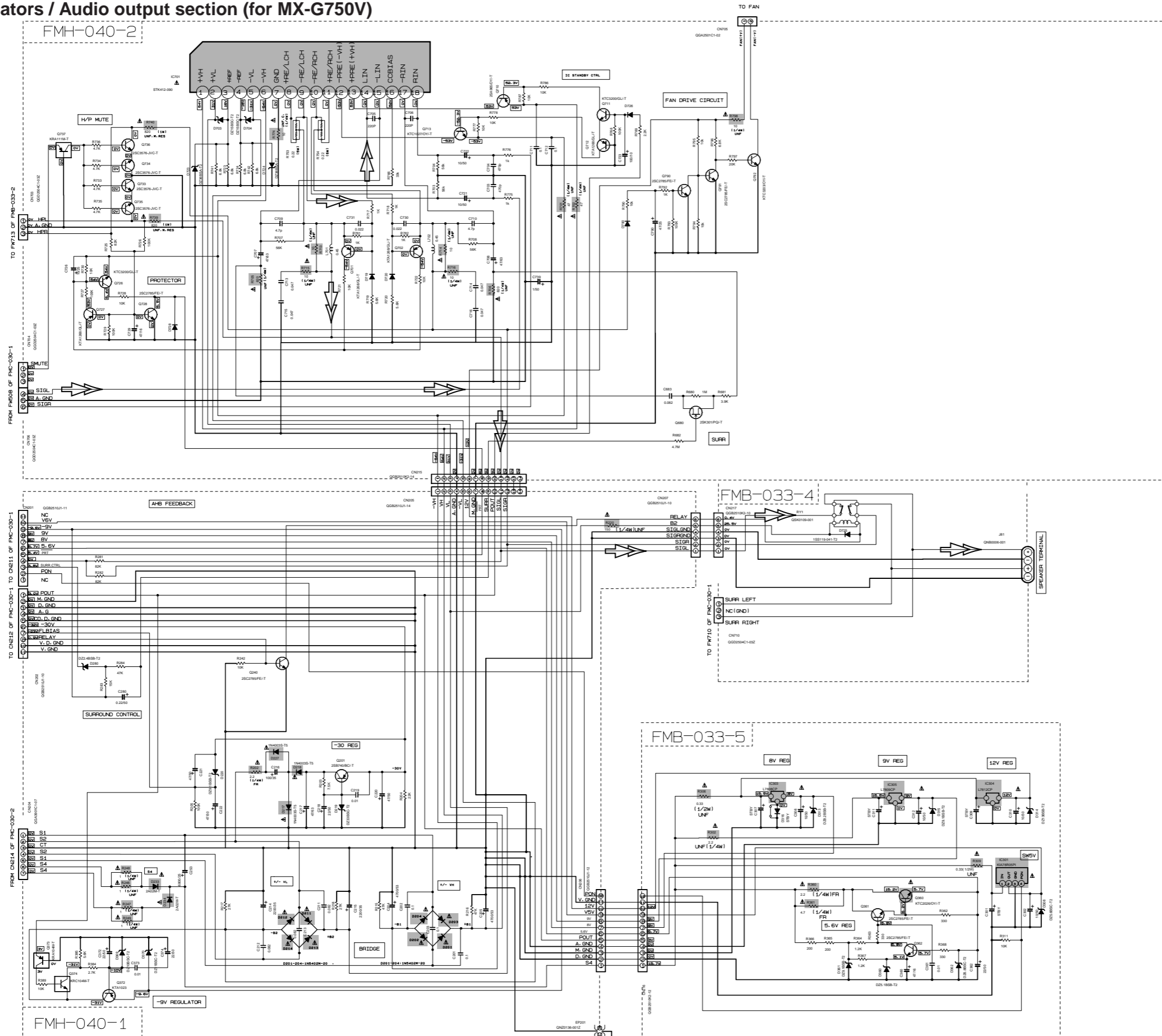
SHEET NUMBER	MODEL NUMBERS TO BE APPLIED	CIRCUITS DESCRIPTION
1/11	CA-MXG750V/850V CA-MXG880V/950V	. PRIMARY WITH MAINS TRANSFORMER
2/11	CA-MXG750V	. DC REGULATORS/AUDIO OUTPUT
3/11	CA-MXG850V CA-MXG880V/950V	. DC REGULATORS/AUDIO OUTPUT
4/11	CA-MXG750V	. EXTERNAL INPUT/SOURCE SELECTOR SWITCH
5/11	CA-MXG850V CA-MXG880V/950V	. EXTERNAL INPUT/SOURCE SELECTOR SWITCH
6/11	CA-MXG750V/850V CA-MXG880V/950V	. FL DISPLAYS/SYSTEM CONTROL LSI
7/11	CA-MXG750V/850V CA-MXG880V/950V	. USER CONTROL KEYS/MIC AMP
8/11	CA-MXG750V/850V CA-MXG880V/950V	. CD SERVO AND CD SYSTEM CONTROL . CD CHANGER MECHANISM CONTROL
9/11	CA-MXG750V/850V CA-MXG880V/950V	. TAPE DECK MECHANISM CONTROL . TAPE CIRCUITS SUCH AS PRE-AMP AND BIAS
10/11	CA-MXG750V/850V CA-MXG880V/950V	. TUNER RF/IF/FM MULTIPLEX
11/11	CA-MXG750V/850V CA-MXG880V/950V	. VIDEO OUT

VERSION CODES

UN : ASEAN
UX : SAUDI ARABIA
U : GENERAL COUNTRY
US : SINGAPORE AND UNIVERSAL EXCEPT ALL OF ABOVE

5
4
3
2
1

DC regulators / Audio output section (for MX-G750V)



▲ Parts are safety assurance parts.
When replacing those parts make
sure to use the specified one.

➔ MAIN SIGNAL

- NOTES
1. VOLTAGES ARE DC-MEASURED WITH A DIGITAL VOLT METER OR OSCILLOSCOPE WITHOUT INPUT SIGNAL.
CONDITION — AUX MODE, VOL. MDN, BASS OFF
 2. UNLESS OTHERWISE SPECIFIED
RESISTORS ARE 1/4W ± 5% CARBON RESISTOR.
ALL RESISTANCE VALUES ARE IN OHM (Ω).
ALL CAPACITORS ARE CERAMIC CAPACITOR OR MYLAR CAPACITOR.
ALL CAPACITANCE VALUES ARE IN pF (pF).
ALL INDUCTANCE VALUES ARE IN mH (mH).
ALL ELECTROLYTIC CAPACITORS ARE IN μF (μF) RATED VOLTAGE (V).
ALL DIODES ARE 1S5119-041-T2

5

4

3

2

1

A

B

C

D

E

F

G

DC regulators / Audio output section (for MX-G850V, G880V, G950V)

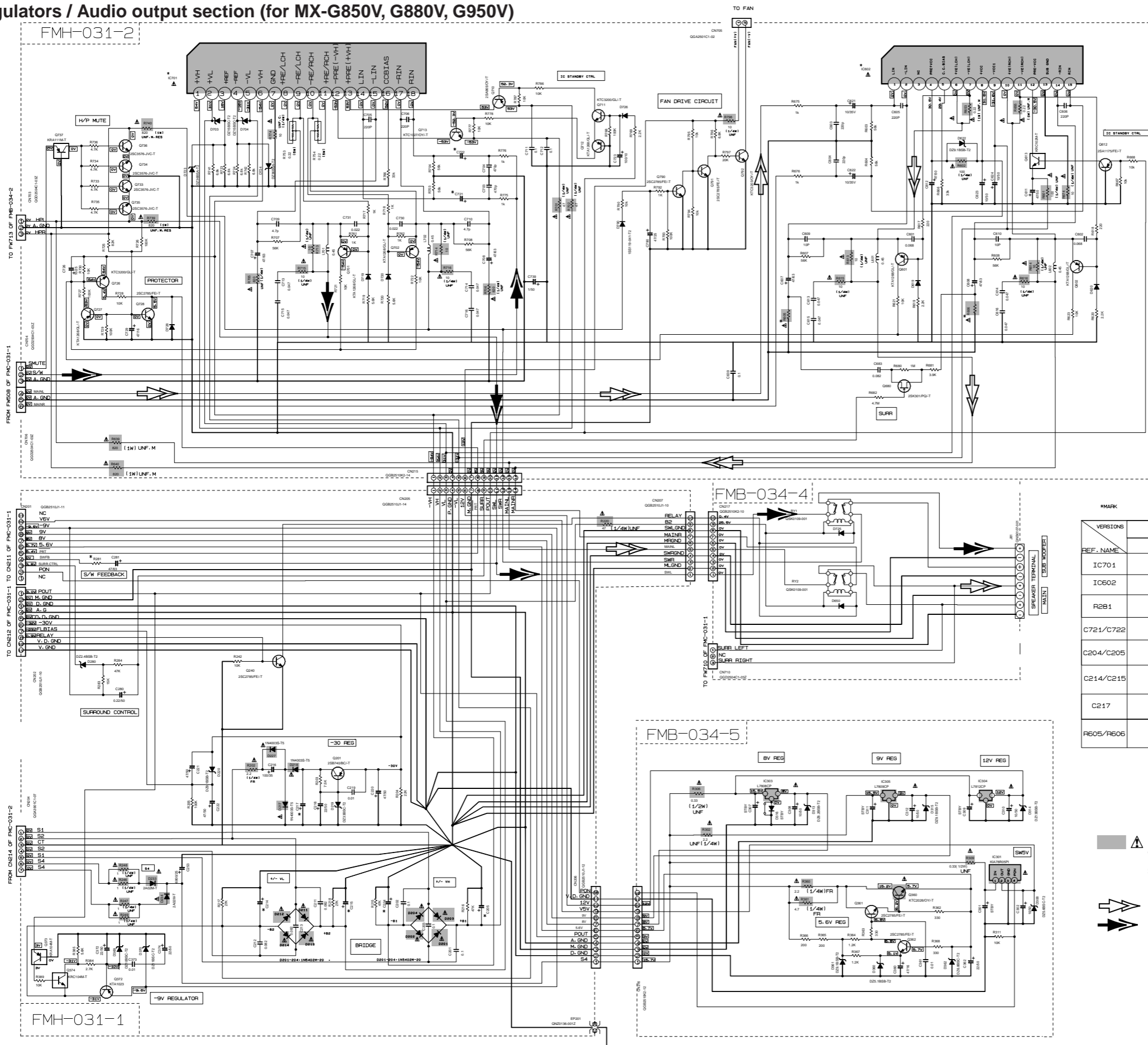
5

4

3

2

1



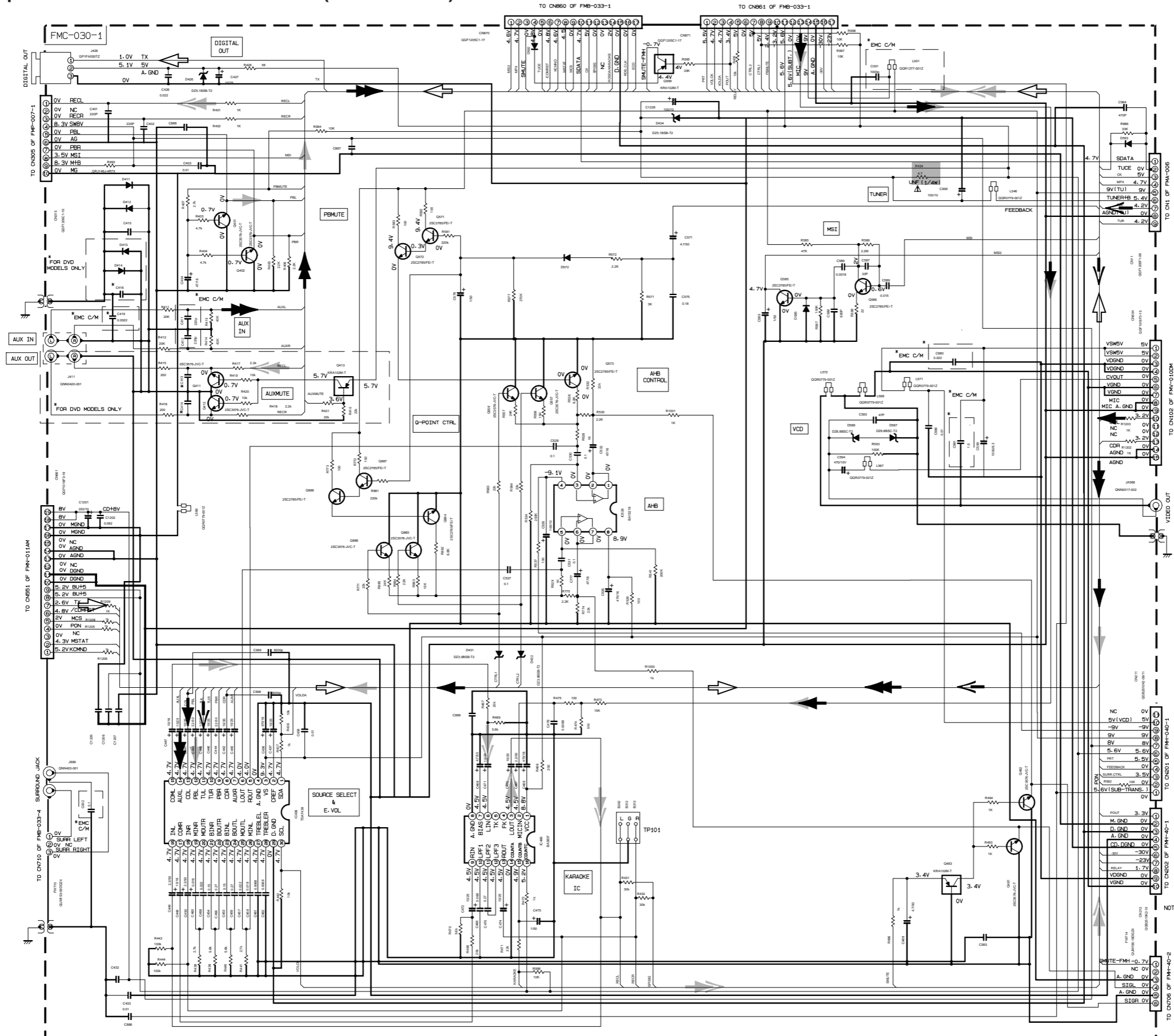
NOTES
1. VOLTAGES ARE DC-MEASURED WITH A DIGITAL VOLT METER OR OSCILLOSCOPE WITHOUT INPUT SIGNAL.
CONDITION — AUX MODE, VOL. HEN, BASS OFF
2. UNLESS OTHERWISE SPECIFIED
RESISTORS ARE 1/4W ± 5% CARBON RESISTOR.
ALL RESISTANCE VALUES ARE IN OHMS Ω.
ALL CAPACTORS ARE CERAMIC CAPACTOR OR MYLAR CAPACTOR.
ALL CAPACITANCE VALUES ARE IN nF (n=10⁻⁹).
ALL INDUCTANCE VALUES ARE IN mH (m=10⁻³).
ALL CAPACTORS ARE SHOWN IN THE FORM OF CAPACITANCE (nF)/RATED VOLTAGE (V).
ALL DIODERS ARE 1SS119-041-T2

VERSIONS	CA-MXG850V/880V	CA-MXG950V
REF. NAME	U/UN/UX	U/UN/UX
IC701	STK412-090	STK412-010
IC602	STK402-030	STK402-050
R281	6.8K	10K
C721/C722	10/50	10/35
C204/C205	4700/56	4700/63
C214/C215	2200/35	2200/50
C217	47/63	47/100
R605/R606	1.2K (1/4W) UNF	1K (1/4W) UNF

▲ Parts are safety assurance parts.
When replacing those parts make
sure to use the specified one.

➡ MAIN SIGNAL
➡ SUB WOOFER SIGNAL

External input / Source selector switch section (for MX-G750V)



- AUX IN SIGNAL
 - TUNER SIGNAL
 - CD SIGNAL
 - MAIN SIGNAL
 - TAPE PLAY SIGNAL
 - TAPE REC / AUX OUT SIGNAL
 - DIGITAL DATA SIGNAL
- Parts are safety assurance parts. When replacing those parts make sure to use the specified one.

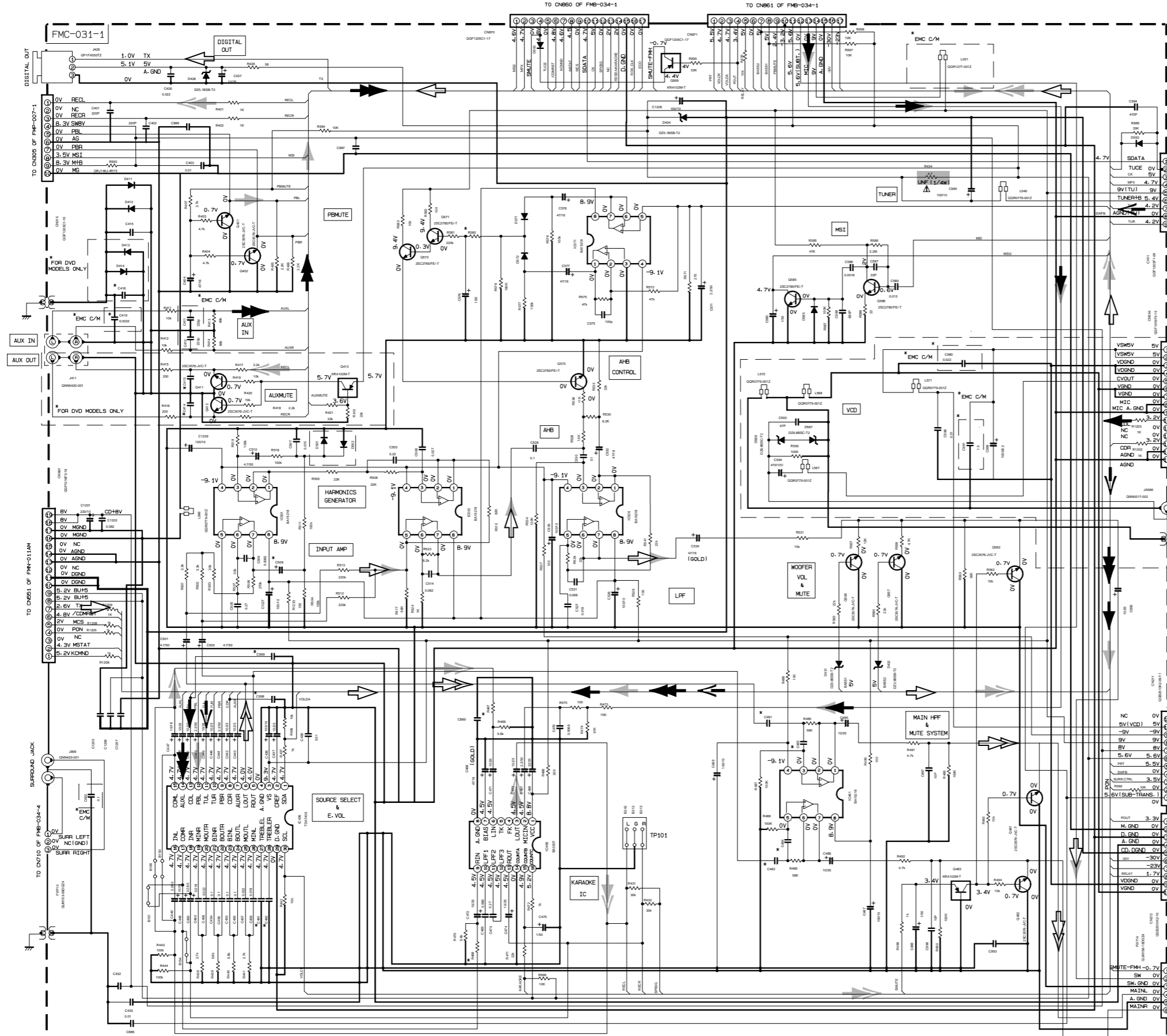
NOTES

- VOLTAGES ARE DC-MEASURED WITH A DIGITAL VOLT METER OR OSCILLOSCOPE WITHOUT INPUT SIGNAL. CONDITION — AUX MODE, VOL. MDN, SUBMODEP VOL. 1.
- UNLESS OTHERWISE SPECIFIED:
 - RESISTORS ARE 1/4W ±5% CARBON RESISTOR.
 - ALL RESISTANCE VALUES ARE IN OHM (Ω).
 - ALL CAPACITORS ARE CERAMIC CAPACITOR OR MYLAR CAPACITOR.
 - ALL CAPACITANCE VALUES ARE IN PICO (pF).
 - ALL INDUCTANCE VALUES ARE IN MICRO (μH).
 - ALL SIZES ARE IN MILLIMETER (mm).
 - ALL C-CAPACITORS ARE SHOWN IN THE FORM OF CAPACITANCE (pF)/RATED VOLTAGE (V).
 - ALL DIODES ARE 1SS119-041-12

5
4
3
2
1

External input / Source selector switch section (for MX-G850V, G880V, G950V)

5
4
3
2
1



*MARK

MODEL	CA-MXG850V/880V
VERSION	US/UK LN
R467/468	20K
C481/482	0F632AJ-223Z
C483/484	0FLM1HJ-223Z
C481/482	0F632AJ-682Z
C509	0ETN1M-475Z
R580	15K
C998/999	4700p

*MARK

MODEL	CA-MXG950V
VERSION	US/UK LN
R467/468	15K
C481/482	0F632AJ-223Z
C483/484	0FLM1HJ-223Z
C461/462	0F632AJ-682Z
C509	0ETN1CM-105Z
R580	22K
C998/999	2200p

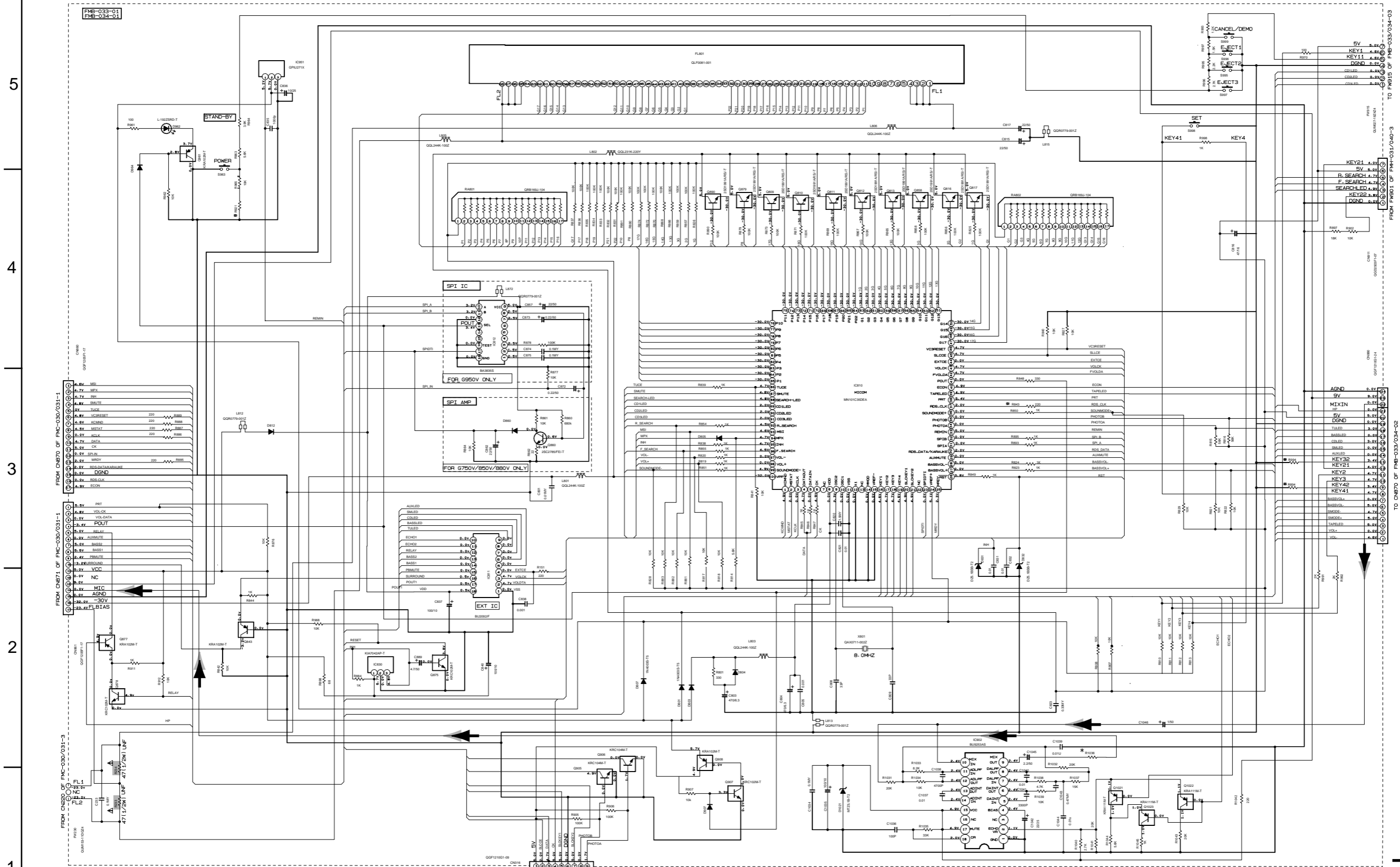
- ▶ MIC SIGNAL
- ▶ SUBWOOFER SIGNAL
- ▶ AUX IN SIGNAL
- ▶ TUNER SIGNAL
- ▶ CD SIGNAL
- ▶ MAIN SIGNAL
- ▶ TAPE PLAY SIGNAL
- ▶ TAPE REC / AUX OUT SIGNAL
- ▶ DIGITAL DATA SIGNAL

NOTES
1. VOLTAGES ARE DC-MEASURED WITH A DIGITAL VOLT METER OR OSCILLOSCOPE WITHOUT INPUT SIGNAL.
CONDITION — AUX MODE- VOL MIN- SUBWOOFER VOL. 1.
2. UNLESS OTHERWISE SPECIFIED
RESISTORS ARE 1/4W ±5% CARBON RESISTOR.
ALL RESISTANCE VALUES ARE IN OHM(S).
ALL CAPACITORS ARE CERAMIC CAPACITOR OR MYLAR CAPACITOR.
ALL CAPACITANCE VALUES ARE IN P(F).
ALL INDUCTANCE VALUES ARE IN H(MH).
ALL E-CAPACITORS ARE SHOWN IN THE FORM OF CAPACITANCE (µF)/RATED VOLTAGE (V).
ALL DIODES ARE 1S1519-041-T2

Parts are safety assurance parts.
When replacing those parts make sure to use the specified one.

A B C 2-6 D E F G

FL displays / System control LSI



MARK	CA-MXG750V		CA-MXG850V		CA-MXG950V	
	UX	US-UN	UX	U/UN	UX	U/UN
R921	330K	330K	75K	75K	18K	18K
R924	18K	75K	18K	75K	18K	75K
R943	NONE	330K	18K	330K	18K	330K
R1036	68K	68K	27K	27K	30K	30K

Parts are safety assurance parts. When replacing those parts make sure to use the specified one.

- NOTES
- VOLTAGES ARE DC-MEASURED WITH A DIGITAL VOLT METER OR OSCILLOSCOPE WITHOUT INPUT SIGNAL. CONDITION --- AUX MODE- VOL MIN- BASS LEVEL 1
 - UNLESS OTHERWISE SPECIFIED
RESISTORS ARE 1/4W ±5% CARBON RESISTOR.
ALL RESISTANCE VALUES ARE IN OHM Ω.
ALL CAPACITORS ARE CERAMIC CAPACITOR OR MYLAR CAPACITOR.
ALL CAPACITANCE VALUES ARE IN pF (pF).
ALL INDUCTANCE VALUES ARE IN mH (mH).
ALL ELECTROLYTIC CAPACITORS ARE IN THE FORM OF CAPACITANCE (μF/RATED VOLTAGE (V)).
ALL DIODES ARE 1SS19-041-T2

■ User control keys / Mic amp section

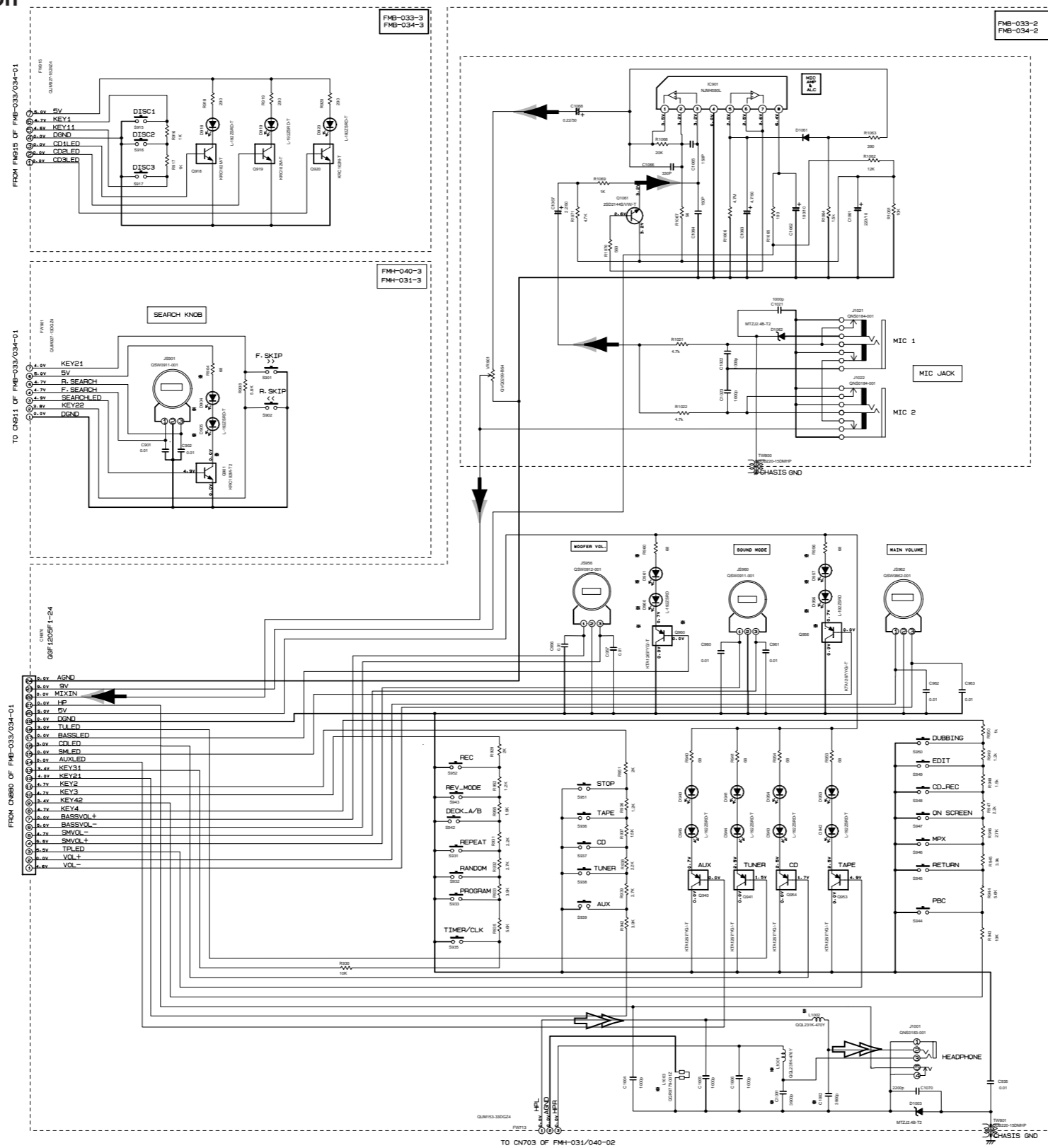
5

4

3

2

1



● MARK

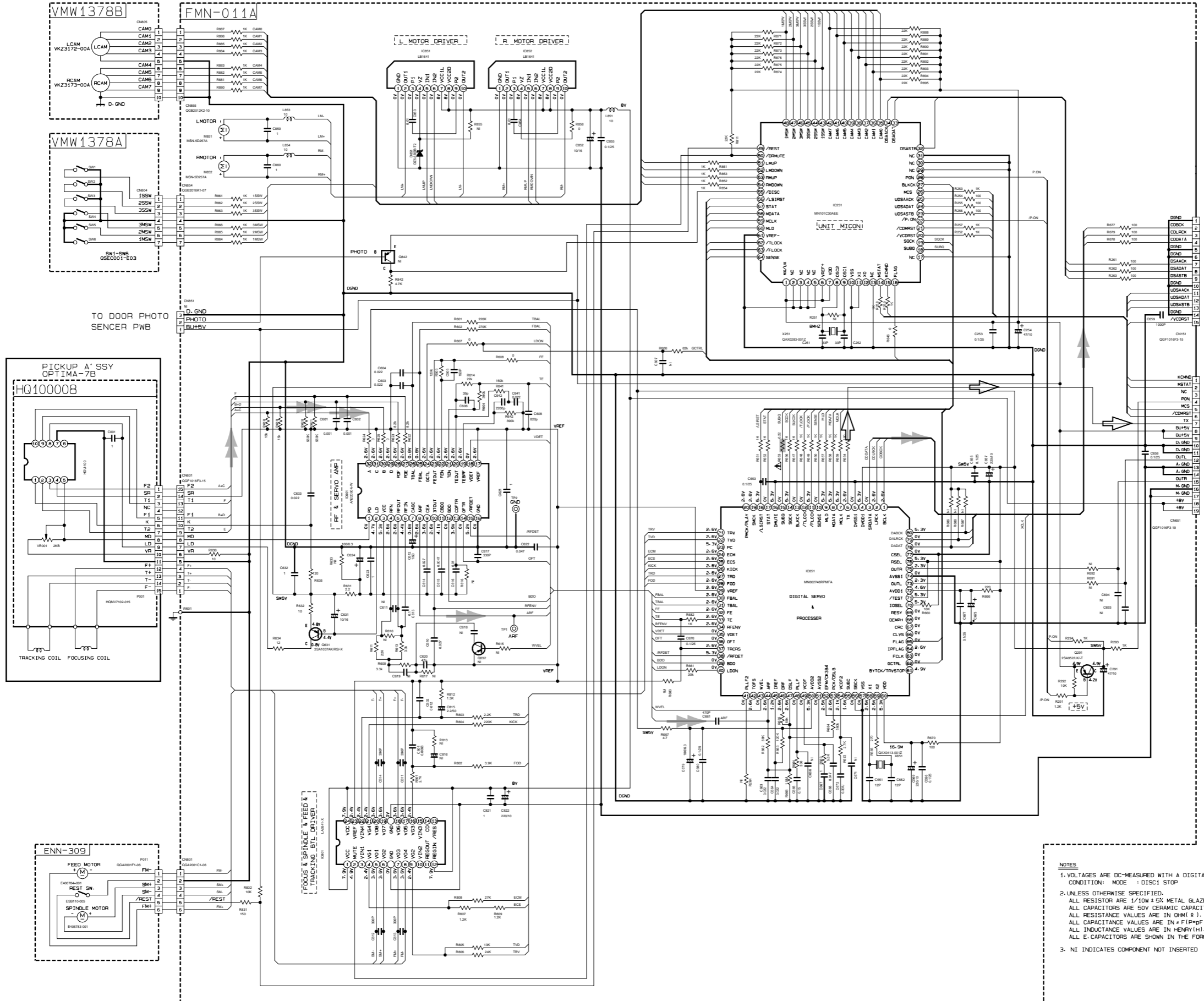
	CA-MXG750V US-LIN	CA-MXG750V UX	CA-MXG850V/880V L/LIN	CA-MXG850V UX	CA-MXG850V L/LIN	CA-MXG950V UX
D904, D905, D956, D957 D960, D961	NONE	NONE	NONE	NONE	L-192ZSRD-T	L-192ZSRD-T
L1001, L1002	SHORT	SHORT	SHORT	SHORT	SHORT	SHORT
C1001, C1002	NONE	NONE	NONE	NONE	NONE	NONE
L1003	QGL231K-2R2Y	QGL231K-2R2Y	QGL231K-2R2Y	QGL231K-2R2Y	QGL231K-2R2Y	QGL231K-2R2Y
R904, R956, R960	NONE	NONE	NONE	NONE	SB	SB
Q901	NONE	NONE	NONE	NONE	KRC102M-T	KRC102M-T
Q956, Q960	NONE	NONE	NONE	NONE	KTA1267/YG/-T	KTA1267/YG/-T



NOTES
1. VOLTAGES ARE DC-MEASURED WITH A DIGITAL VOLT METER OR OSCILLOSCOPE WITHOUT INPUT SIGNAL.
CONDITION — AUX MODE, VOL. MIN, BASS OFF
2. UNLESS OTHERWISE SPECIFIED
RESISTORS ARE 1/4W ± 5% CARBON RESISTOR
ALL RESISTANCE VALUES ARE IN OHM (Ω)
ALL CAPACITORS ARE CERAMIC CAPACITOR OR MYLAR CAPACITOR
ALL CAPACITANCE VALUES ARE IN μF (μF)
ALL INDUCTANCE VALUES ARE IN mH (mH)
ALL C-CAPACITORS ARE SHOWN IN THE FORM OF CAPACITANCE (μF)/RATED VOLTAGE (V).
ALL DIODES ARE 1SS119-041-T2

CD servo and CD system control section

5
4
3
2
1



TO CN101
OF FMV-010AM

TO CN661
OF FMC-030/031-1

MARK

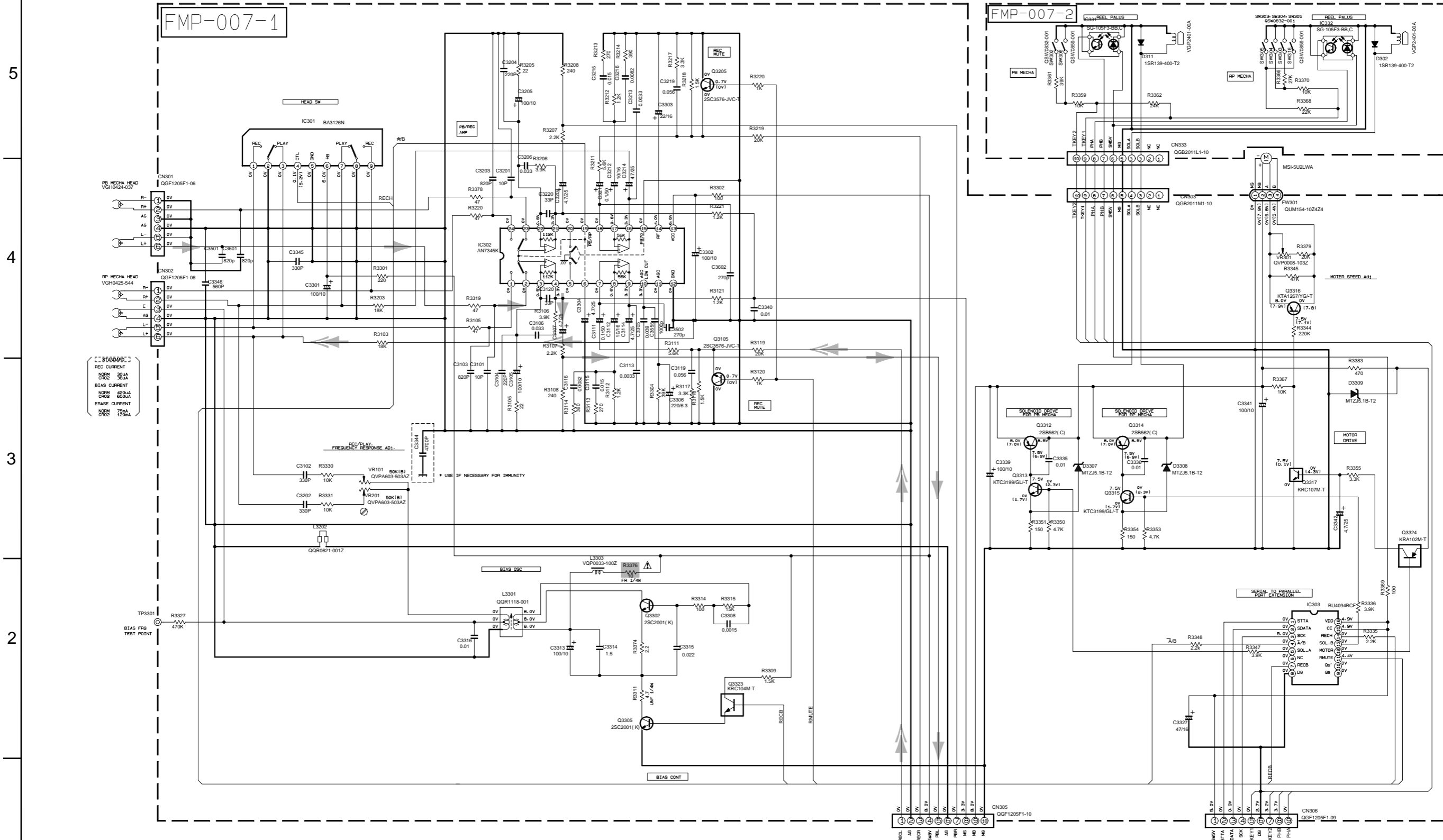
MODEL	CA-M8G750V	CA-M8G850V/G880V/ 9950V
VERSION	USA/AN/LX	USA/AN/LX
CB73	200/10	100/10

- ➔ CD SIGNAL
- ➔ DIGITAL DATA SIGNAL
- ⚠ Parts are safety assurance parts. When replacing those parts make sure to use the specified one.

- NOTES
- VOLTAGES ARE DC-MEASURED WITH A DIGITAL VOLT METER CONDITION: MODE - DISC1 STOP
 - UNLESS OTHERWISE SPECIFIED:
ALL RESISTOR ARE 1/10W ± 5% METAL GLAZE RESISTOR.
ALL CAPACITORS ARE 50V CERAMIC CAPACITOR OR 50V MYLAR CAPACITOR.
ALL RESISTANCE VALUES ARE IN Ω(M Ω).
ALL CAPACITANCE VALUES ARE IN F(pFpF).
ALL INDUCTANCE VALUES ARE IN HENRY(H).
ALL E-CAPACITORS ARE SHOWN IN THE FORM OF CAPACITANCE(F)/RATED VOLTAGE (V).
 - NI INDICATES COMPONENT NOT INSERTED

■ Tape deck mechanism control section

CASSETTE MECHA CONTROL CIRCUIT [SLC]



REC CURRENT
NORM 300A
CROSS 300A

BIAS CURRENT
NORM 4800A
CROSS 6500A

ERASE CURRENT
NORM 750A
CROSS 1000A

- NOTES
1. VOLTAGES ARE DC-MEASURED WITH A DIGITAL VOLT METER OR OSCILLOSCOPE WITHOUT INPUT SIGNAL. () IS INVERT MODE
 2. UNLESS OTHERWISE SPECIFIED
- ALL RESISTANCE VALUES ARE IN OHM(Ω).
- ALL CAPACITORS ARE CERAMIC CAPACITOR.
- ALL CAPACITANCE VALUES ARE IN μF(μF).
- ALL INDUCTANCE VALUES ARE IN mH(mH).
- ALL E. CAPACITORS ARE SHOWN IN THE FORM OF CAPACITANCE (μF)/RATED VOLTAGE (V).
- PP POLYPROPYLENE CAPACITOR

▶ TAPE PLAY SIGNAL

▶ TAPE REC SIGNAL

▲ Parts are safety assurance parts.
When replacing those parts make sure to use the specified one.

FROM CN315 OF FMC-030/031-1

FROM CN316 OF FMB-033/034-1

5

4

3

2

1

A

B

C

2-10 D

E

F

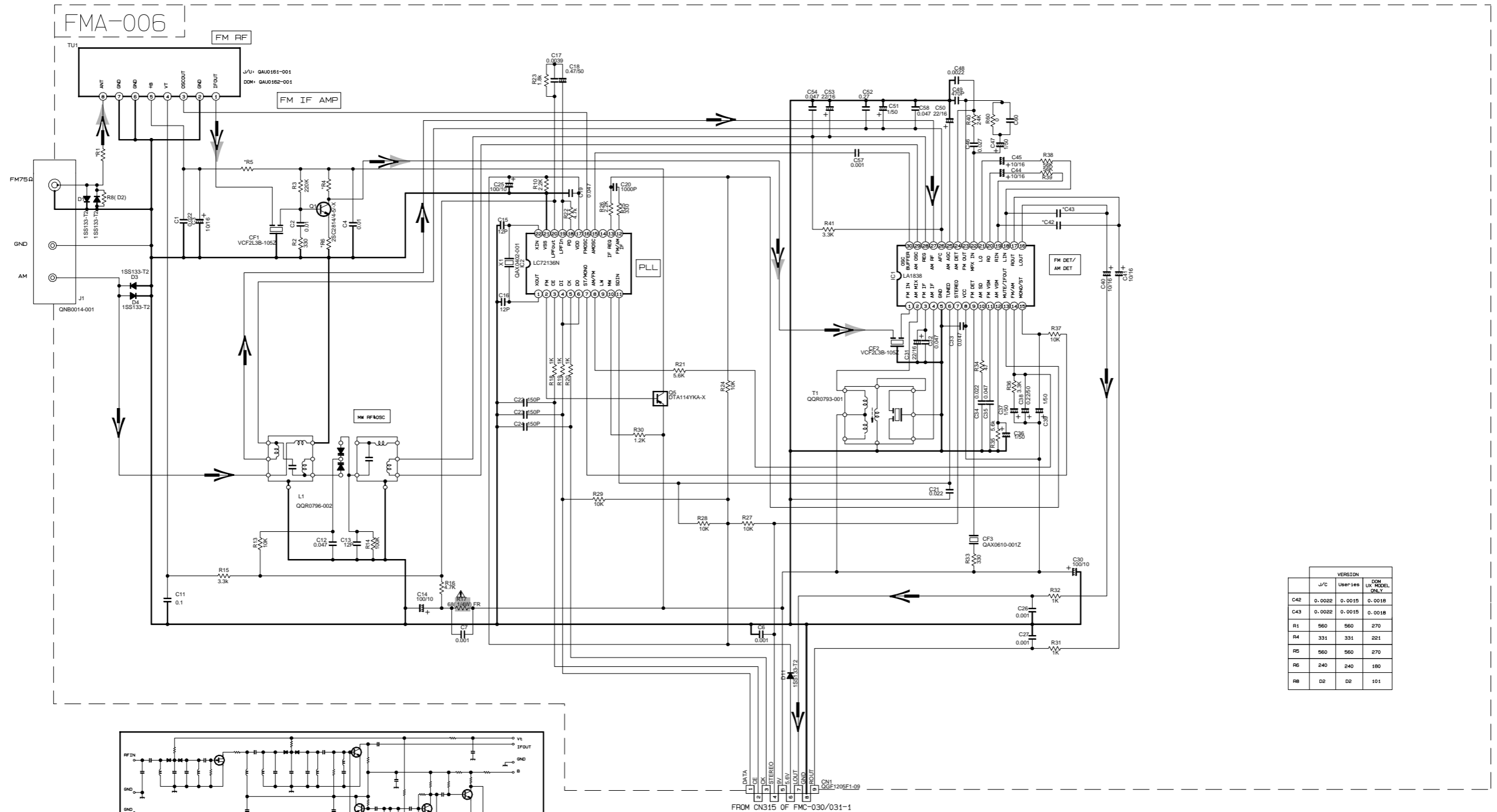
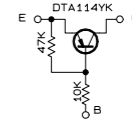
G

■ Tuner RF / IF / FM multiplex section

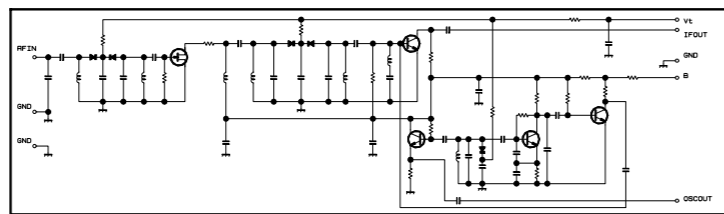
NOTES

1. VOLTAGES ARE DC-MEASURED WITH A DIGITAL VOLT METER.
2. ALL RESISTORS ARE 1/8W ±5% METAL GLAZE RESISTOR.
3. ALL RESISTANCE VALUES ARE IN OHM(Ω).
4. ALL CAPACITANCE VALUES ARE IN *F(P=pF).
5. ALL E-CAPACITORS ARE SHOWN IN THE FORM OF CAPACITANCE (*F)/RATED VOLTAGE (V).
6. SI DIODES (▶) ARE ALL 1SS133-T THAT CAN BE CHANGED TO SIMILAR DIODE SUCH AS MA165 OR HSS104J.
7. PARTS NO. OF TRANSISTORS ARE AS FOLLOWS.
Q1 2SC2B14/4-5/-X Q2-Q3 2SC2412K/R/-X
Q4-Q5 DTA114YKA-X

B. INSIDE OF DIGITAL TRANSISTORS ARE SHOWN AS FOLLOWS.



	VERSION		
	J/C	User1es	DCM USER MODEL ONLY
C42	0.0022	0.0015	0.0018
C43	0.0022	0.0015	0.0018
R1	560	560	270
R4	331	331	221
R5	560	560	270
R6	240	240	180
R8	D2	D2	101



FROM CN315 OF FMC-030/031-1

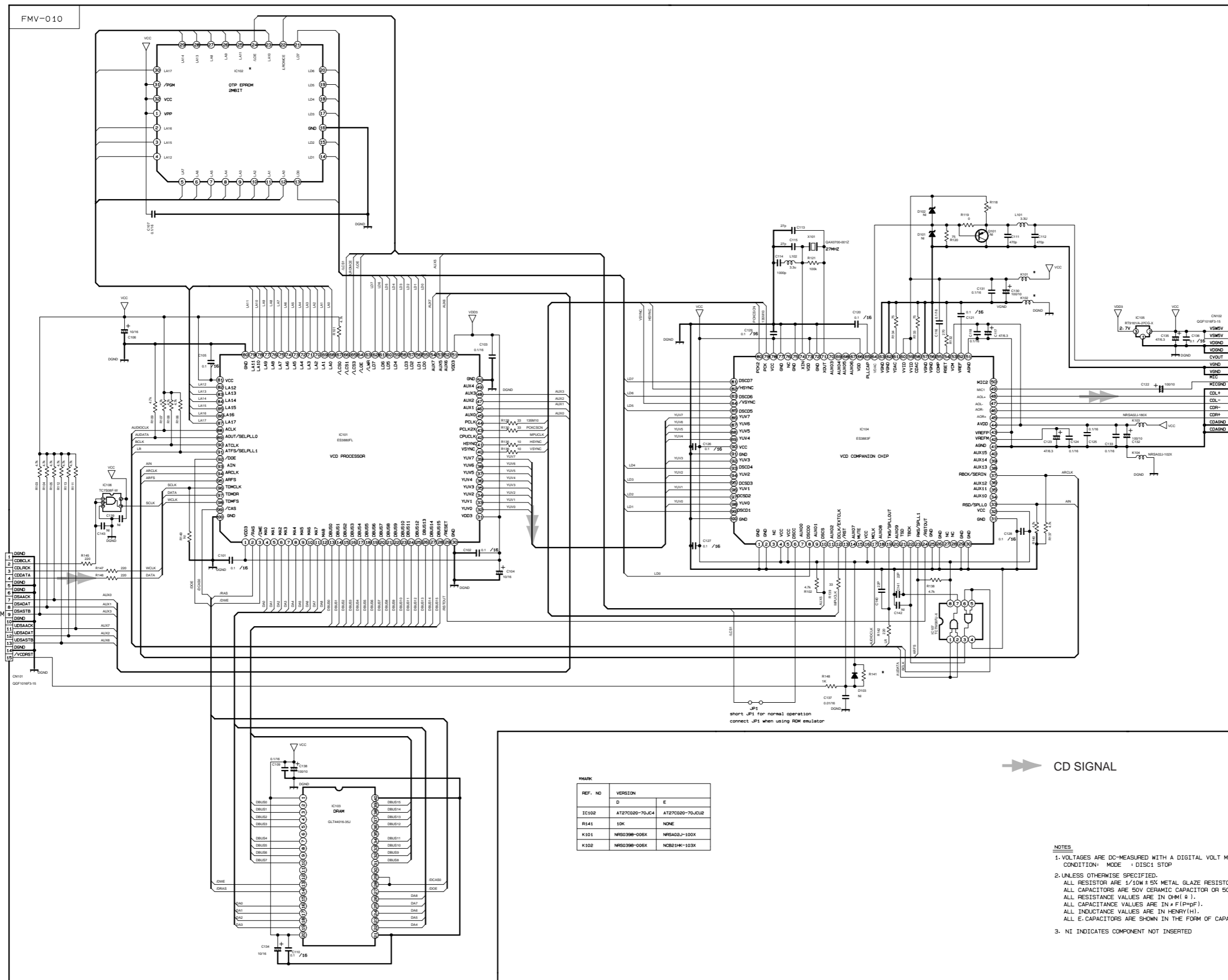
CONDITION	PIN NO.	1	2	3	4	5	6	7	8	9	10	11	12	13	14	15	16	17	18	19	20	21	22	23	24	25	26	27	28	29	30
IC1	FM NO SIGNAL	3.6	8.9	3.6	3.6	0	5.0	5.0	8.9	8.9	1.3	0.1	0	0.9	7.8	7.8	4.3	4.3	4.3	4.3	3.4	3.4	2.8	3.4	0	0	3.5	3.5	3.6	3.6	2.7
	FM 600B STEREO	3.6	8.9	3.6	3.6	0	5.0	5.0	8.9	8.9	1.3	4.3	0	0.9	7.8	7.8	4.3	4.3	4.3	4.3	3.4	3.4	2.8	3.4	0	0	3.6	3.6	3.6	3.6	2.7
	AM NO SIGNAL	3.5	9.0	3.5	3.5	0	5.0	5.1	9.0	2.6	1.3	0	0	0.9	4.7	5.5	4.3	4.3	4.3	3.3	3.2	2.8	3.4	0.7	0.7	3.6	3.6	3.6	3.6	2.1	
IC2	FM NO SIGNAL	2.5	0	0	5.0	4.9	5.0	7.9	7.8	3.6	6.1	5.1	0	0	0	2.5	5.1	0.9	0.9	3.8	0	2.3									

Tr NO.	Q1		Q5			
PIN NO.	E	C	B	E	C	B
FM 87.5MHz NO SIGNAL	0	7.1	0.85	8.9	8.8	0
AM 522kHz NO SIGNAL	0	0	0	9.0	0	8.9

Tr NO.	Q2		Q3		Q4	
PIN NO.	E	C	B	E	C	B
AM 522kHz NO SIGNAL	0	0	0.7	0	0	0.7
AM 144kHz NO SIGNAL	0	0	0.3	0	0.3	0.3

➤ AM / TUNER MAIN SIGNAL
➤ FM RADIO SIGNAL
⚠ Parts are safety assurance parts. When replacing those parts make sure to use the specified one.

Video out section



TO CN504
OF FMC-030/031-1

TO CN151
OF FMV-011AM

short JP1 for normal operation
connect JP1 when using ROM emulator

➔➔ CD SIGNAL

REF. NO	VERSION	
	D	E
IC102	AT270020-70JL4	AT270020-70JL4UR
R141	10K	NONE
K101	NR50398-008X	NR5040J-100X
K102	NR50398-008X	NCB21K-103X

- NOTES
1. VOLTAGES ARE DC-MEASURED WITH A DIGITAL VOLT METER
CONDITION: MODE : DISC1 STOP
 2. UNLESS OTHERWISE SPECIFIED,
ALL RESISTOR ARE 1/10W ± 5% METAL GLAZE RESISTOR.
ALL CAPACITORS ARE 50V CERAMIC CAPACITOR OR 50V MYLAR CAPACITOR.
ALL RESISTANCE VALUES ARE IN OHM (Ω).
ALL CAPACITANCE VALUES ARE IN *F (*P=PF).
ALL INDUCTANCE VALUES ARE IN HENRY(H).
ALL E-CAPACITORS ARE SHOWN IN THE FORM OF CAPACITANCE(*F)/RATED VOLTAGE (V).
 3. NI INDICATES COMPONENT NOT INSERTED

5

4

3

2

1

A

B

C

2-12 D

E

F

G

Printed circuit boards

■ Input board (for MX-G750V)

5

4

3

2

1

A

B

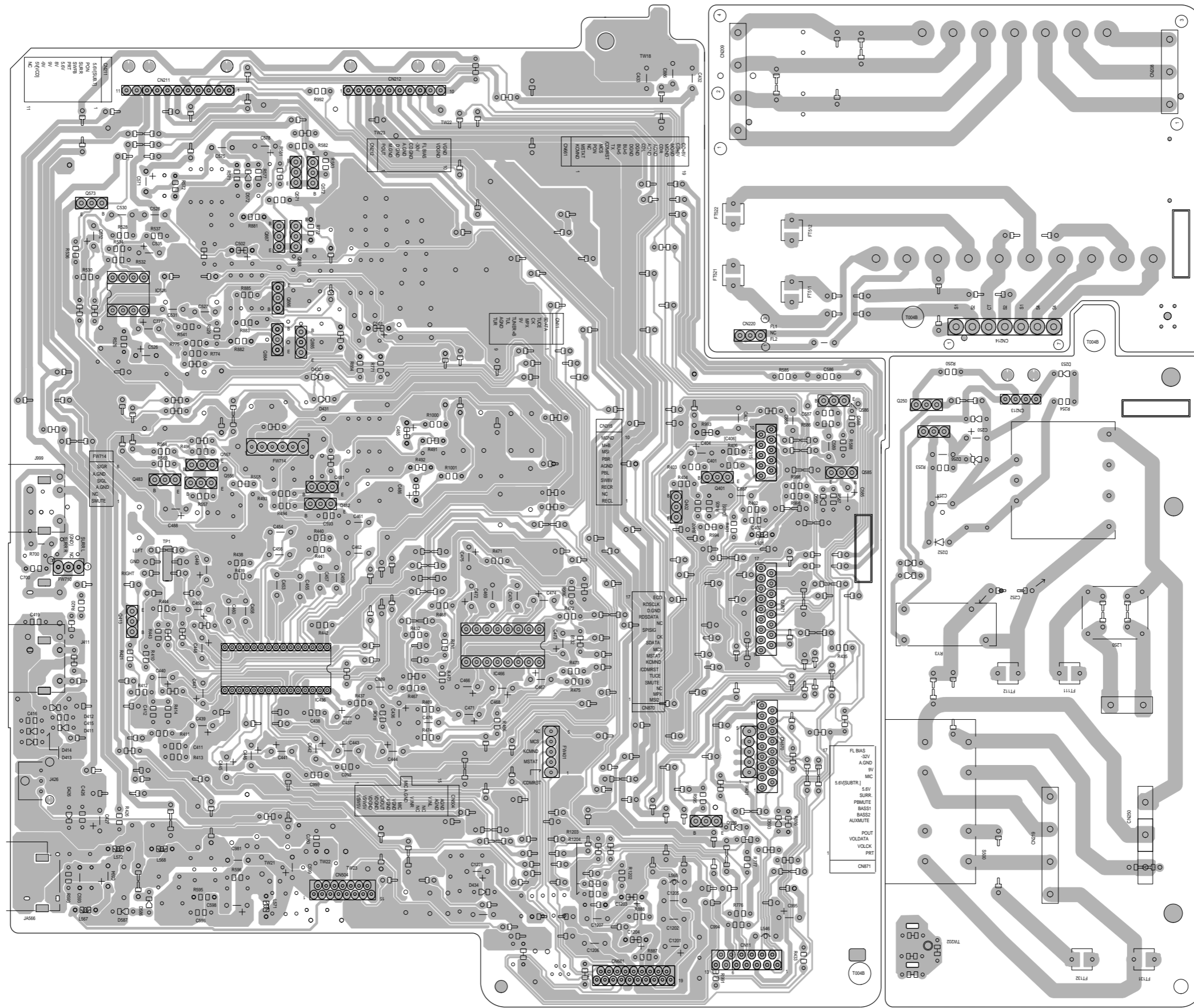
C

D

E

F

G



Transformer board

Power board

■ Input board (for MX-G950V, G880V, G850V)

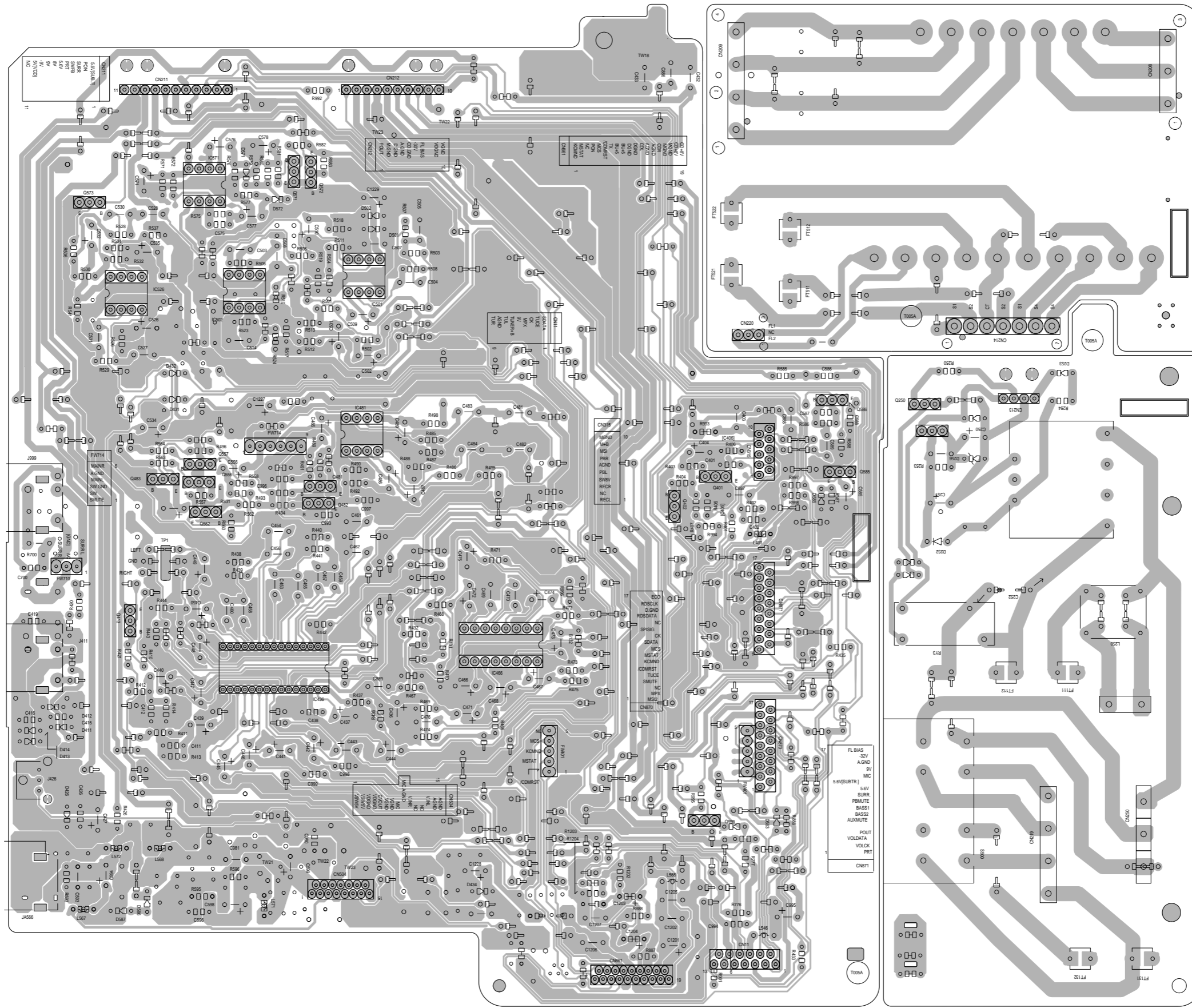
5

4

3

2

1



Transformer board

Power board

A

B

C

2-14 D

E

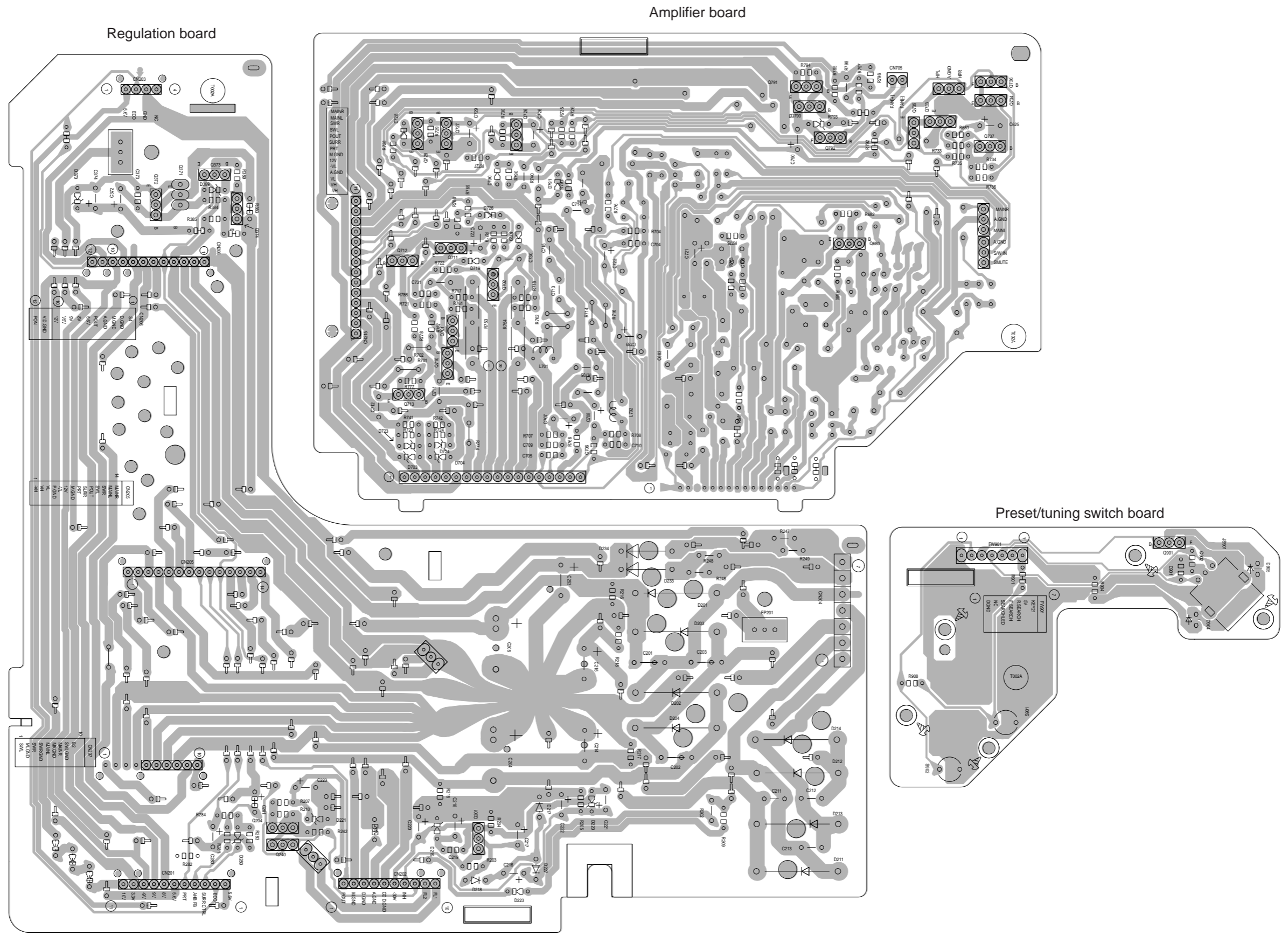
F

G

■ Power board (for MX-G750V)

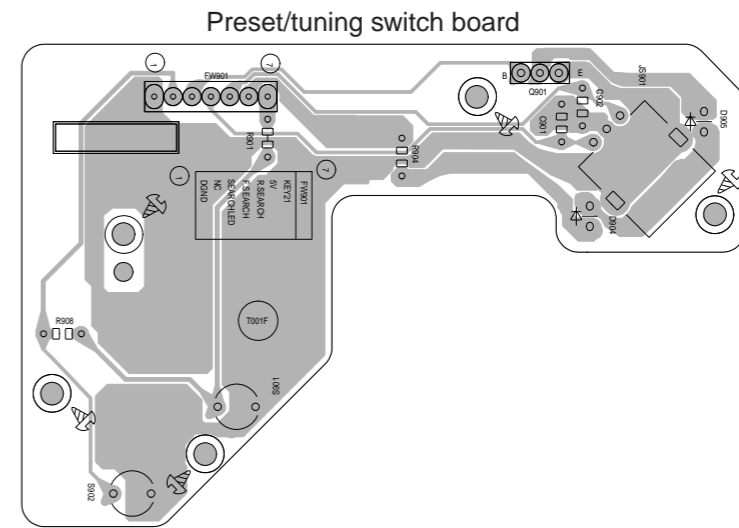
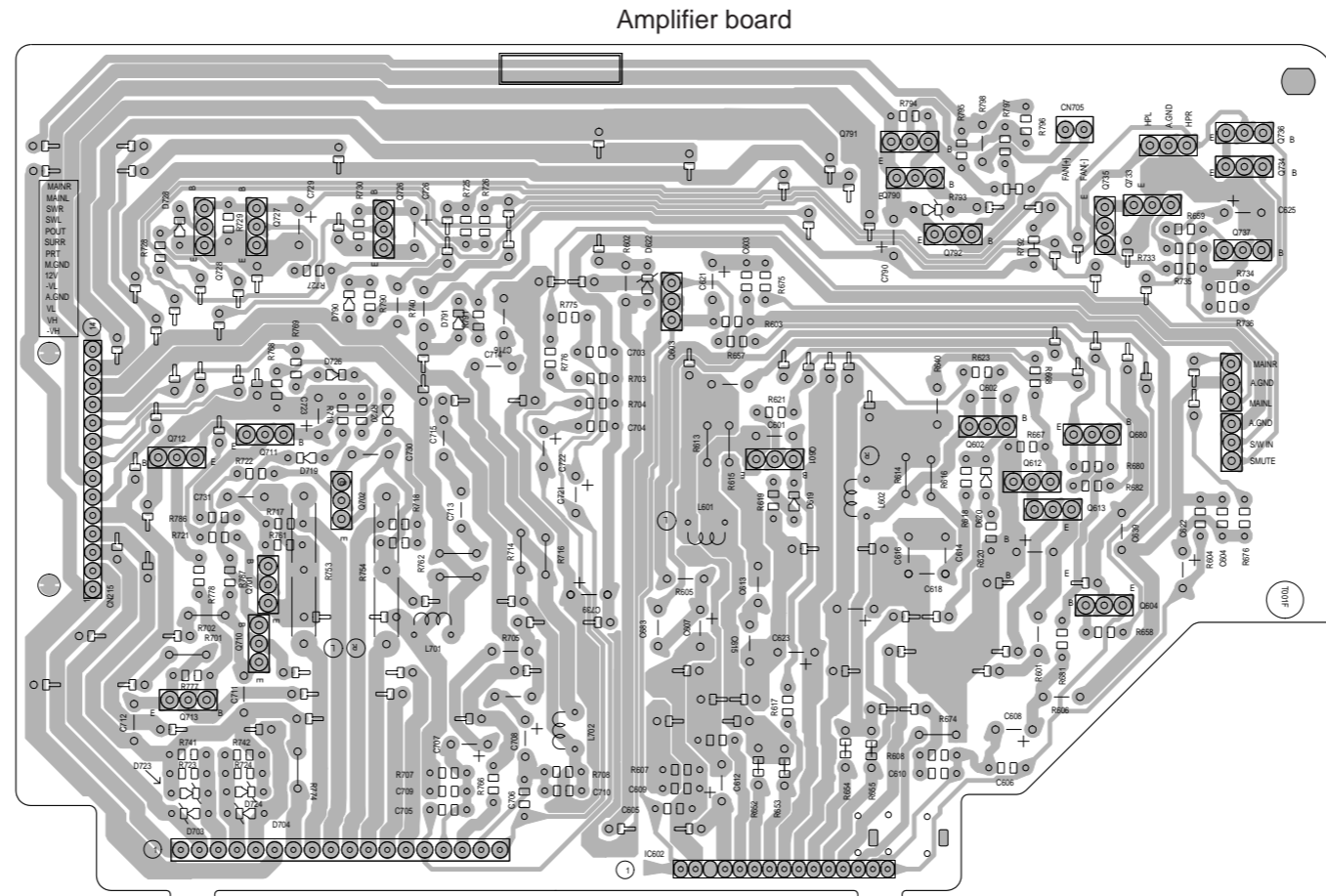
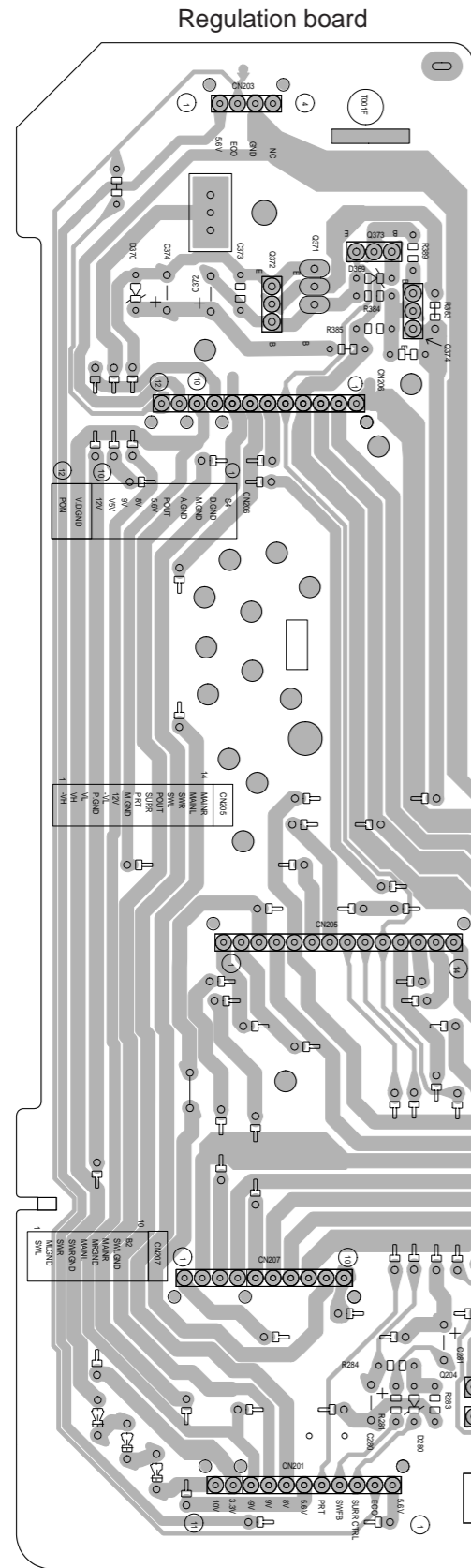
5
4
3
2
1

A B C D E F G



■ Power board (for MX-G950V, G880V, G850V)

5
4
3
2
1

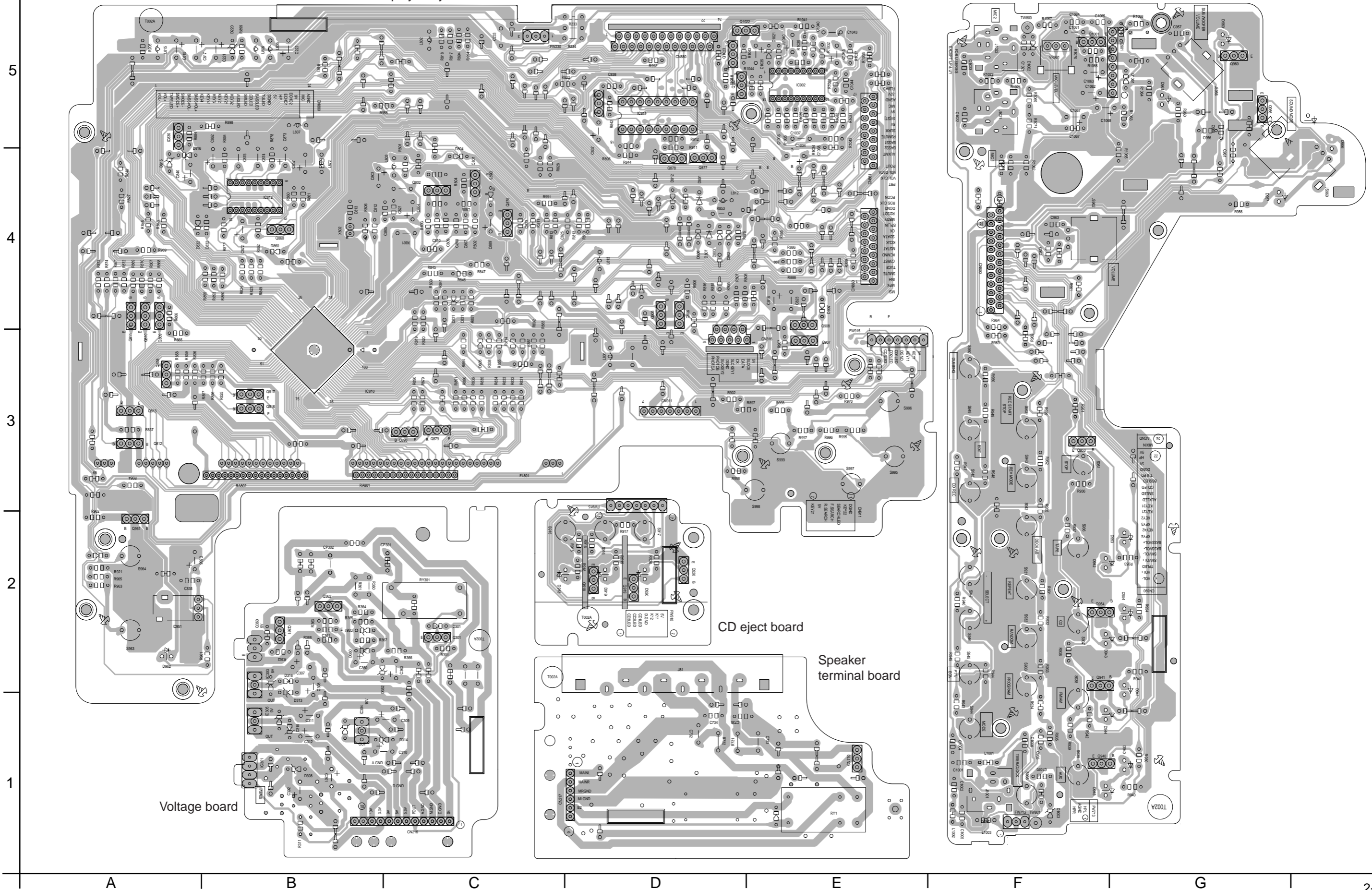


A B C 2-16 D E F G

■ Front board (for MX-G750V)

Display & System control board

Operation switch board



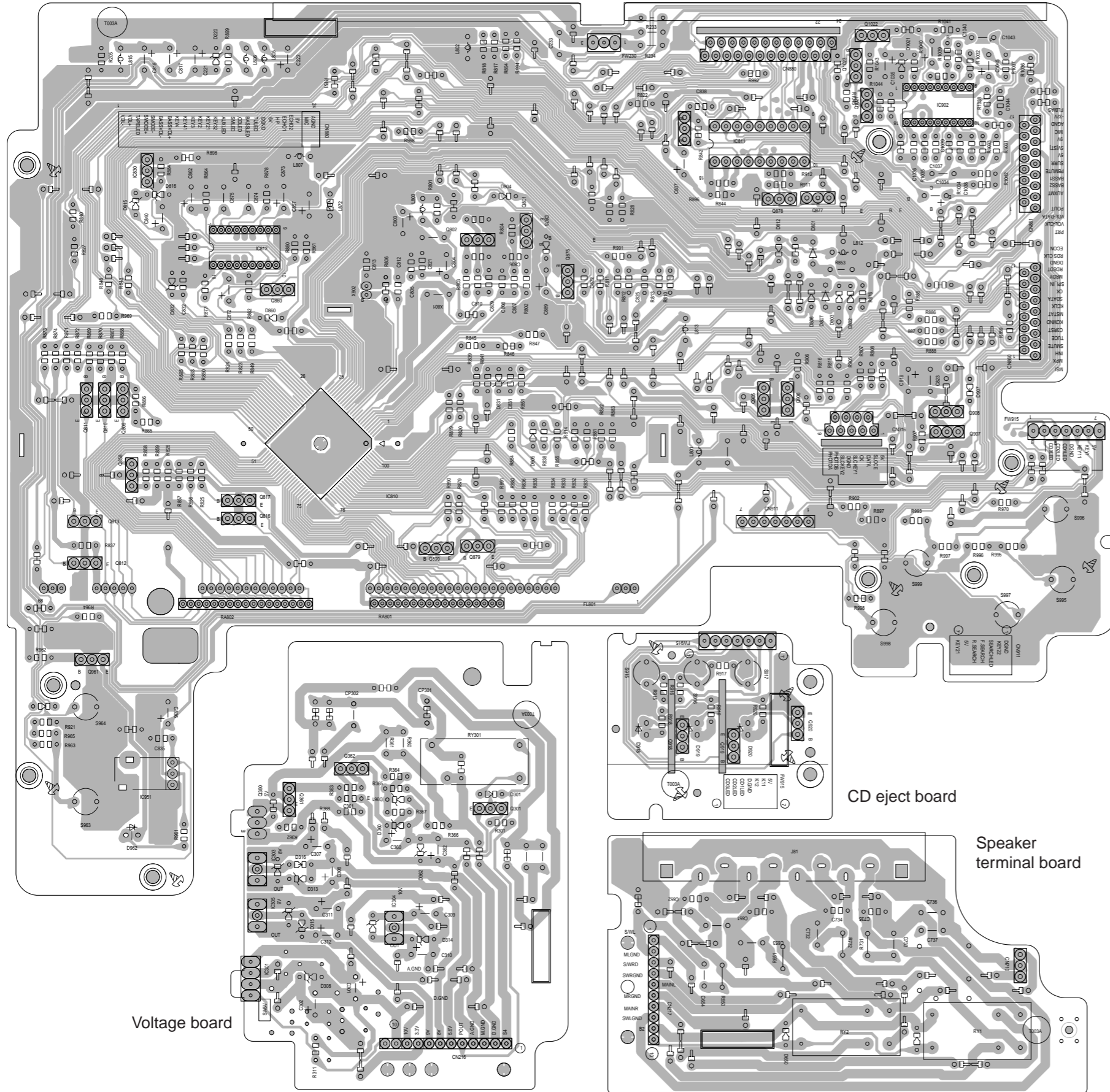
Voltage board

CD eject board

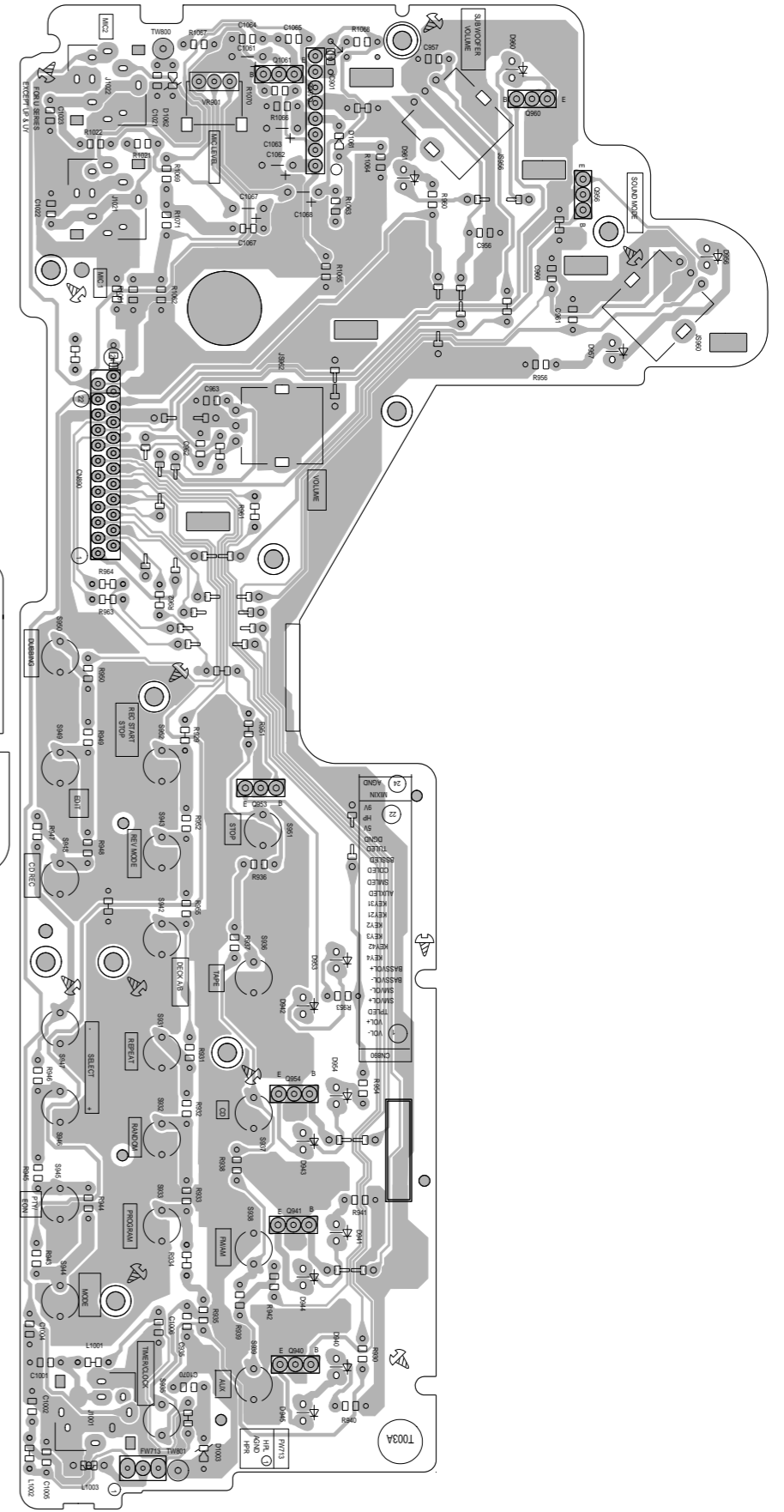
Speaker terminal board

■ Front board (for MX-G950V, G880V, G850V)

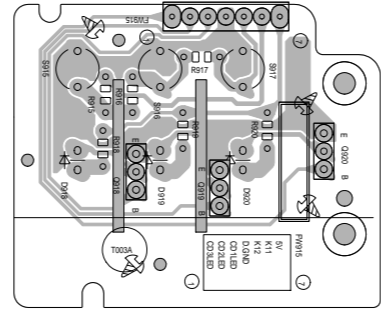
Display & system control board



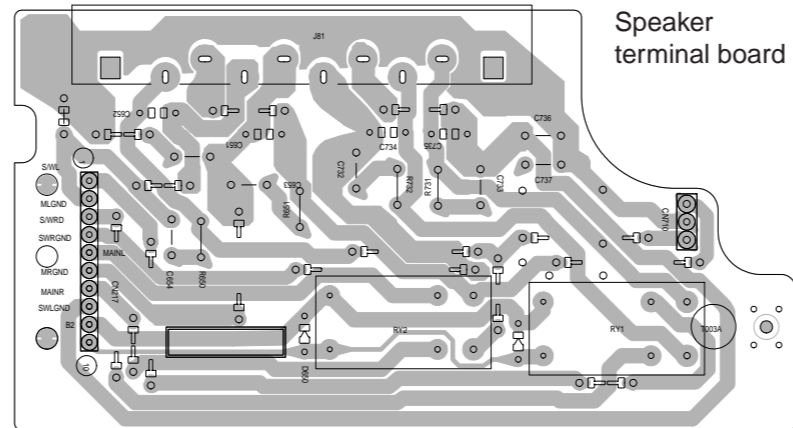
Operation switch board



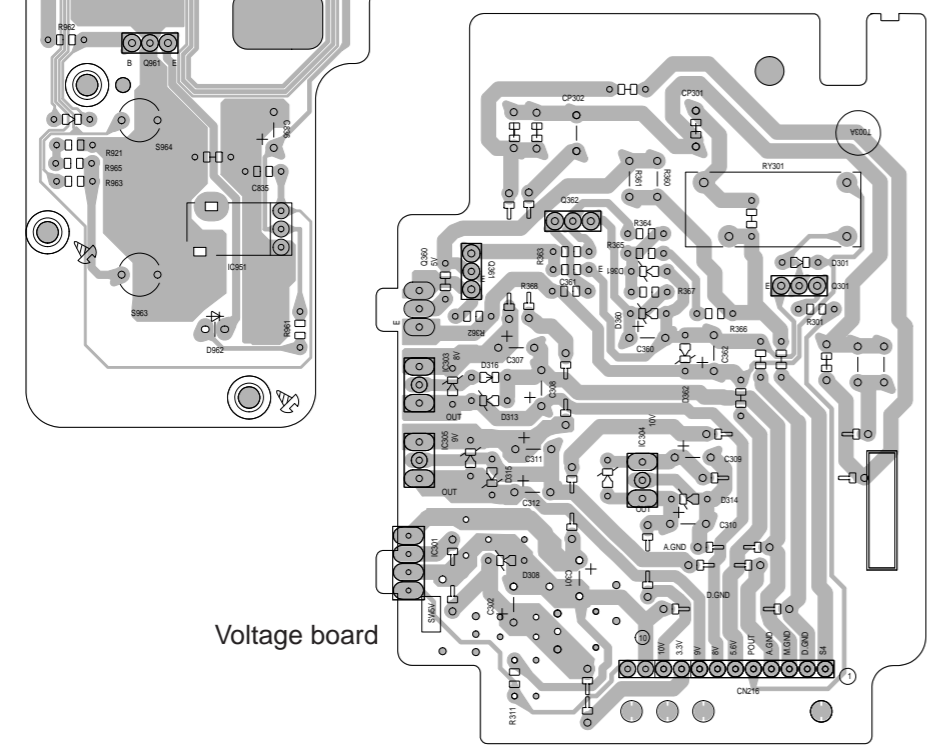
CD eject board



Speaker terminal board



Voltage board



5

4

3

2

1

A

B

C

2-18 D

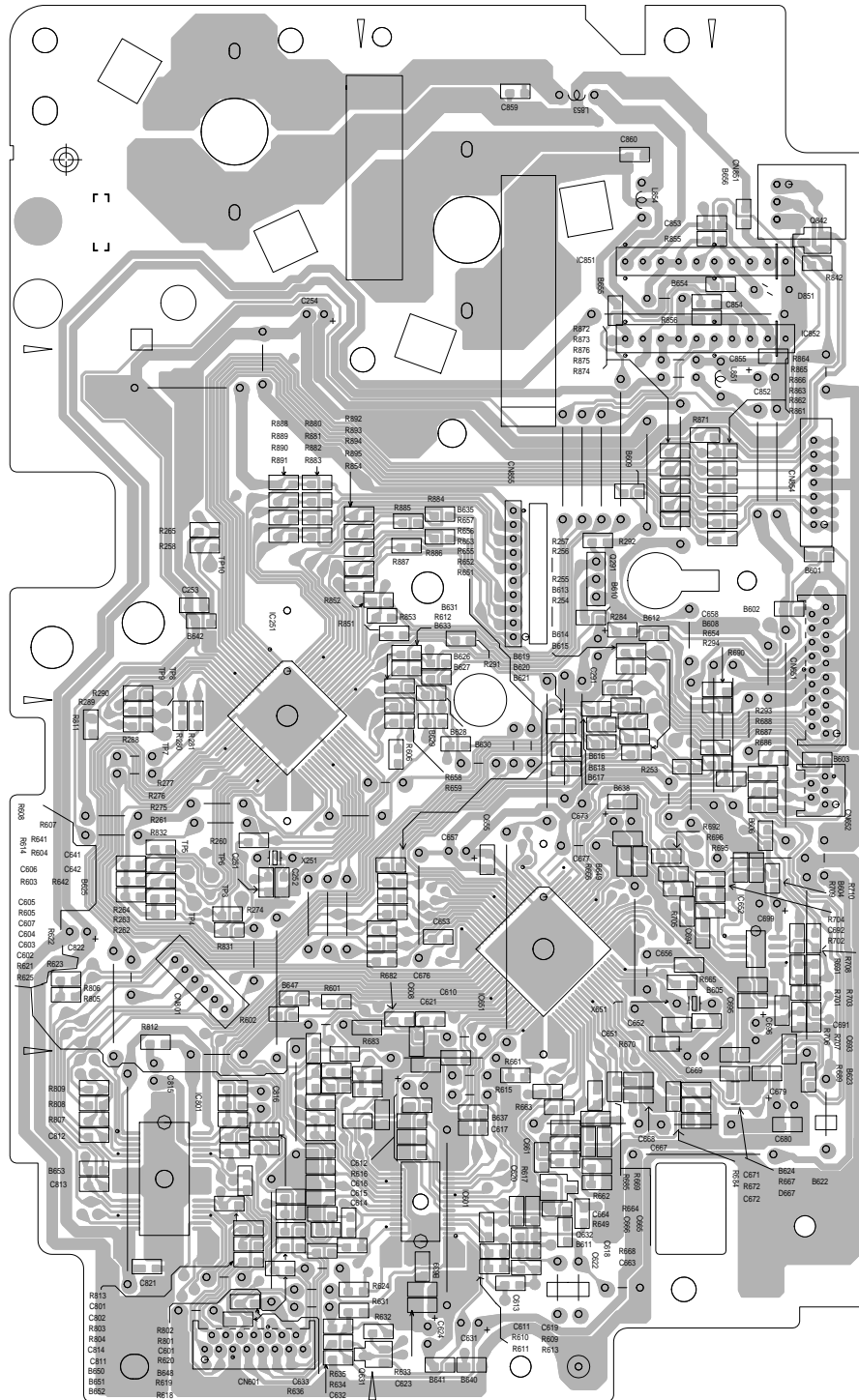
E

F

G

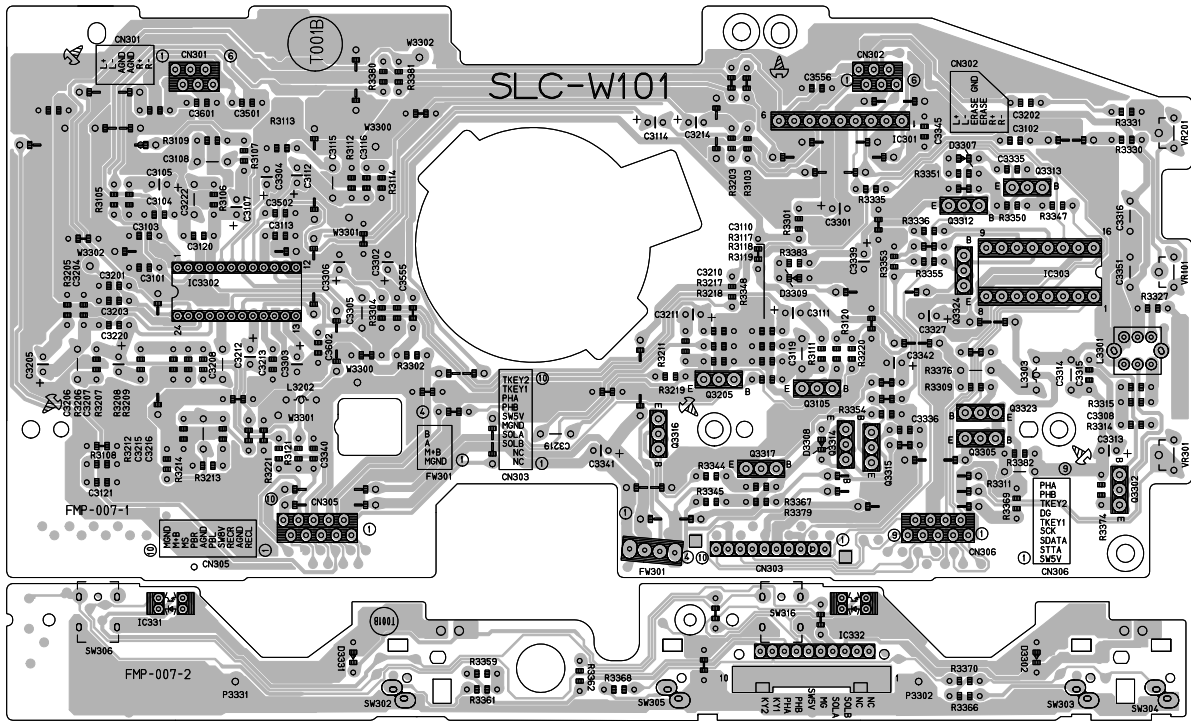
■ CD board

5
4
3
2
1



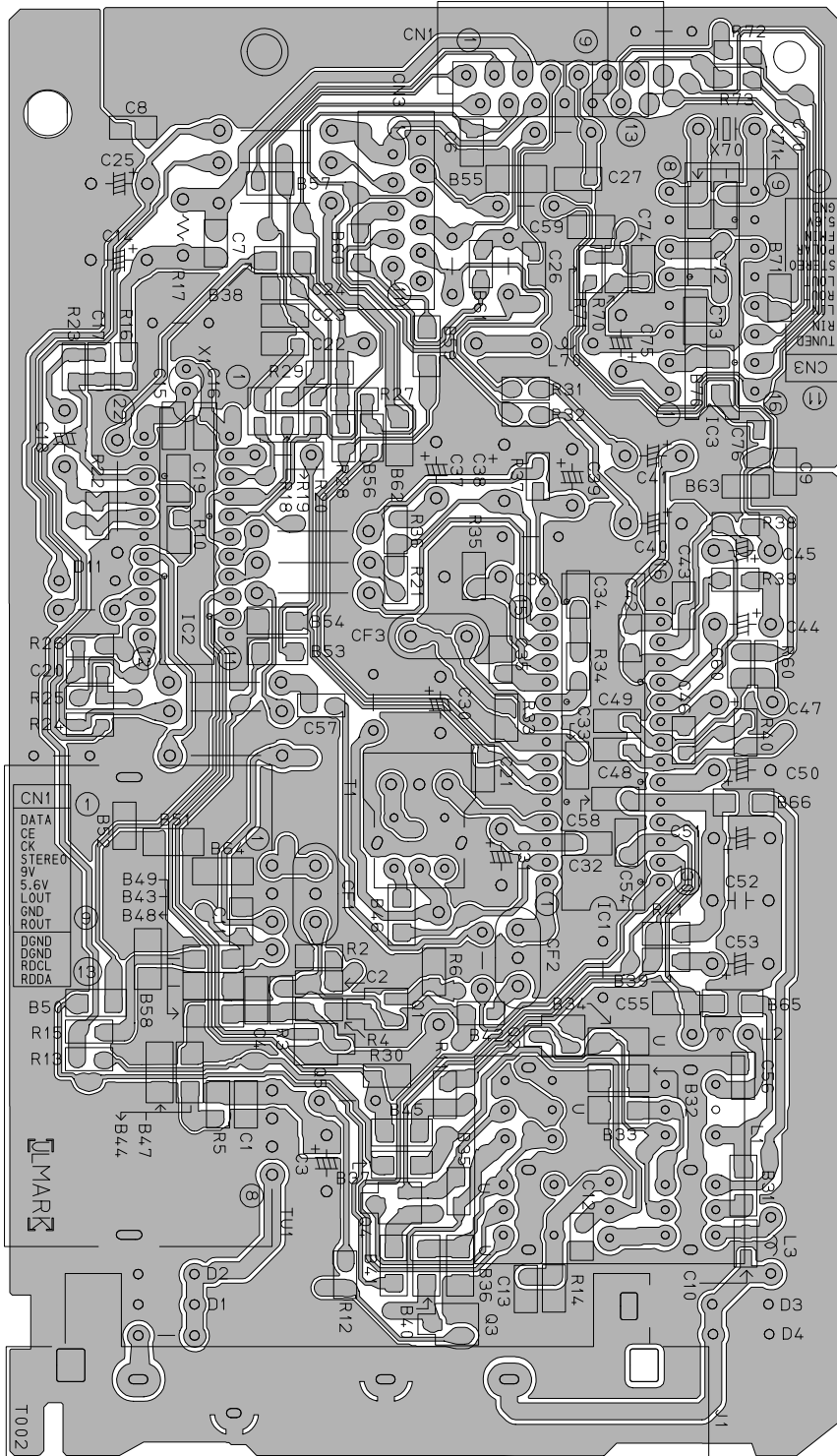
■ Head amplifier & mechanism control board

5
 4
 3
 2
 1



■ Tuner board

5
4
3
2
1



PARTS LIST

[MX-G950V]

* All printed circuit boards and its assemblies are not available as service parts.

Area suffix

UX ----- Saudi Arabia
UN ----- Asean
U ----- Other Areas

- Contents -

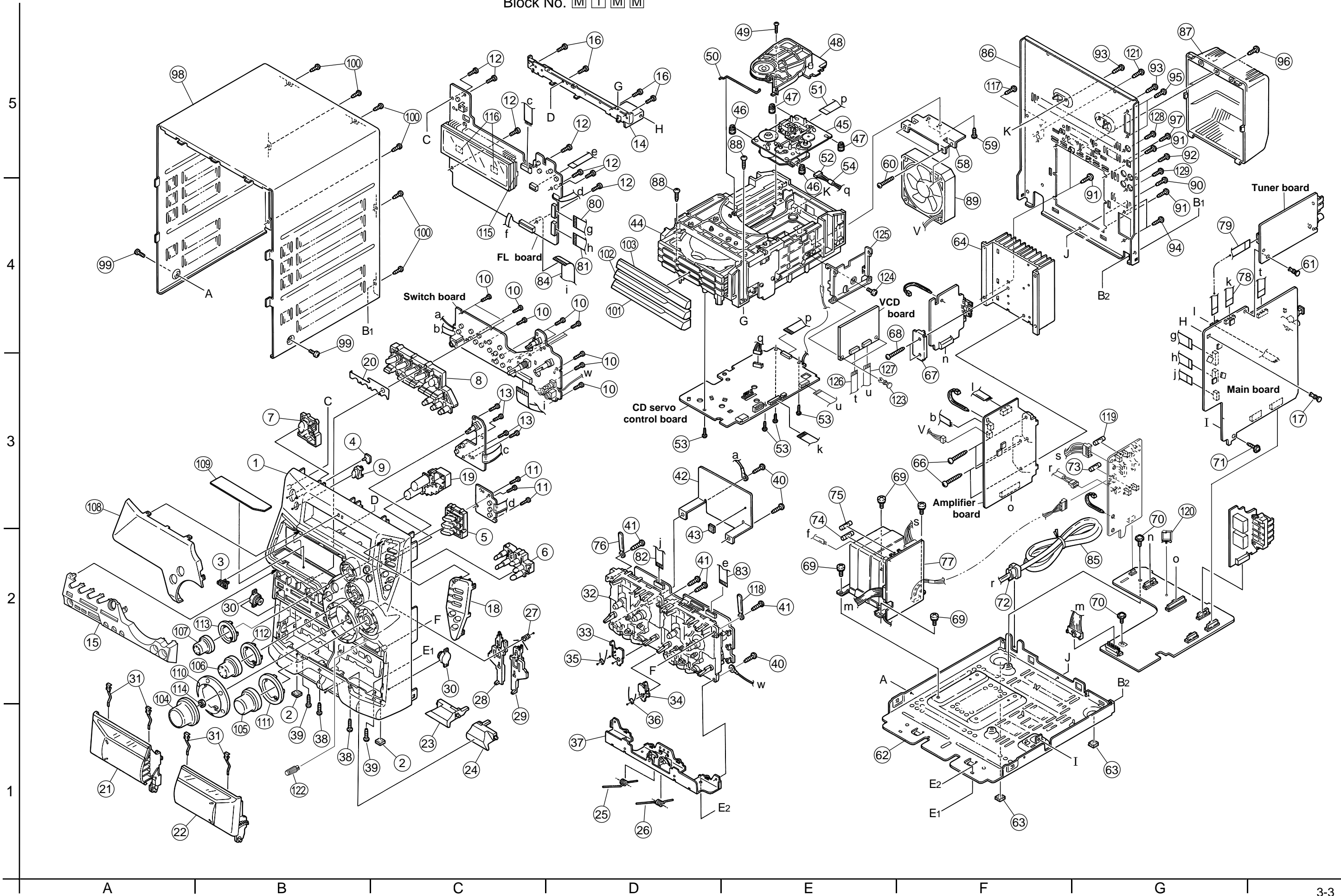
Exploded view of general assembly and parts list (Block No.M1)	3- 3
Speaker assembly and parts list SP-XG950V (Block No.M7)	3- 6
Speaker assembly and parts list SP-WG950V (Block No.M8)	3- 7
CD changer mechanism assembly and parts list (Block No.MA)	3- 8
CD mechanism assembly and parts list (Block No.MB)	3-10
Cassette mechanism assembly and parts list (Block No.MP)	3-11
Electrical parts list (Block No.01~08)	3-15
Packing materials and accessories parts list (Block No.M3,M5)	3-32

< M E M O >

Exploded view of general assembly and parts list

MX-G950V/MX-G880V
MX-G850V/MX-G750V

Block No. **M 1 M M**



■ Parts list (General assembly)

Block No. M1MM

△	Item	Parts number	Parts name	Q'ty	Description	Area
	1	GV10057-004A	FRONT PANEL	1		
	2	E75896-001	FELT SPACER	2		
	3	GV40077-002A	JVC BADGE	1		
	4	GV40136-001A	STANDBY INDICATOR	1		
	5	GV30154-003A	CD BUTTON	1		
	6	GV20104-002A	CD EJECT BUTTON	1		
	7	GV30137-001A	POWER BUTTON	1		
	8	GV30177-007A	CONTROL BUTTON	1		
	9	GV30139-001A	REMOTE LENS	1		
	10	QYSDSF2608Z	SCREW	12	ON VOLUME BRD.	
	11	QYSDSF2608Z	SCREW	3	ON CD BRD.	
	12	QYSDSF2608Z	SCREW	7	ON MICOM BRD.	
	13	QYSDSF2608Z	SCREW	4	ON SOURCE BRD.	
	14	GV30129-001A	STAY BRACKET	1		
	15	GV10060-014A	ORNAMENT	1		
	16	QYSDSF2608Z	SCREW	4	STY.BRKT.+F.PNL	
	17	E310243-002	PLASTIC RIVET	1	M.BRD.+ STY BRK	
	18	GV20103-001A	SUB PANEL	1		
	19	GV30138-001A	FRONT BUTTON	1		
	20	GV40185-002A	COVER SHEET	1		
	21	GV30211-001A	CASS.HOLDER ASSY(L)	1		
	22	GV30212-001A	CASS.HOLDER ASSY(R)	1		
	23	GV20099-002A	EJECT BUTTON(A)	1		
	24	GV20100-002A	EJECT BUTTON(B)	1		
	25	FMKW4009-002	HOLDER SPRING A	1		
	26	FMKW4010-002	HOLDER SPRING B	1		
	27	FMKW4011-001	SPRING	1	FOR EJECT LEVER	
	28	FMKS3002-003	EJECT LEVER(A)	1		
	29	FMKS3003-003	EJECT LEVER(B)	1		
	30	GV40034-001A	DAMPER ASSY	2		
	31	VKY4180-401	CASSETTE SPRING	4		
	32	-----	CASSETTE MECHA	1		
	33	FMKL4012-004	EJECT SAFETY(A)	1		
	34	FMKL4013-001	EJECT SAFETY(B)	1		
	35	FMKW4007-001	SPRING (A)	1	EJECT SAFETY(A)	
	36	FMKW4008-001	SPRING (B)	1	EJECT SAFETY B	
	37	GV20094-001A	HOLDER BRACKET	1		
	38	QYSBSG3010Z	T.SCREW	2	F.P.TO H.BRKT.	
	39	QYSBSG3010Z	T.SCREW	2	F.P.TO CHS.BASE	
	40	QYSBSG3010Z	T.SCREW	3	MECHA & H.BRKT.	
	41	QYSBSF3012Z	SCREW	4	MECHA & F.PANEL	
	42	GV30124-001A	TRANS SHIELD	1		
	43	E3400-431	SPACER	1	STICK AT SLC MO	
	44	-----	CD CHANGER MECHA	1		
	45	-----	CD MECHA	1		
	46	LV40761-003A	INSULATOR	2		
	47	LV40761-003A	INSULATOR	2		
	48	VKS3703-00Q	CLAMPER ASSY	1		

■ Parts list (General assembly)

Block No. M1MM

△	Item	Parts number	Parts name	Q'ty	Description	Area
	49	QYSPST2606Z	SCREW	1		
	50	VKW5187-001	ROD	1		
	51	QUQ610-1509AJ	FFC WIRE	1		
	52	VDM1001-M002AV	WIRE & TUBE	1		
	53	QYSBSF2608Z	T.SCREW	4		
	54	VYSA1R2-033	SPACER	1	FOR VDM1001-M00	
	58	GV40189-001A	FAN BRACKET	1		
	59	QYSBSF3010Z	SCREW	2	FAN BRKT/CD MEC	
	60	QYSBSG3035Z	T.SCREW	2	FAN TO FAN BRAC	
	61	E310243-002	PLASTIC RIVET	1	TUNER BRD.+ FMC	
	62	GV10061-001A	CHASSIS BASE	1		
	63	E75896-006	FELT SPACER	2	CHASS BASE FOOT	
	64	GV30191-002A	HEAT SINK	1		
	66	QYSBSG3014E	T.SCREW	4	FOR POWER IC	
	67	GV40143-001A	LEAF SPRING	1		
	68	QYSBSG3014E	T.SCREW	2	FOR LEAF SPRING	
	69	QYSDSTL4008Z	SPECIAL SCREW	4	FOR TRANS/CH.BS	
	70	QYSBSGG3008E	T.SCREW	2	FMH BRD./CH.BS	
	71	QYSBSGG3008E	T.SCREW	1	FMC BRD./CH.BS	
△	72	QZW0033-001	STRAIN RELIEF	1		
△	73	QMF51E2-4R0-J1	FUSE	1	F001	
△	74	QMF51E2-4R0-J1	FUSE	1	F101	
△	75	QMF51E2-4R0-J1	FUSE	1	F102	
	76	VKZ4001-110S	WIRE HOLDER	1		
△	77	QQT0322-003	POWER TRANSF	1	T001	
	78	QUQH10-1908BJ	FLAT WIRE	1	FMC TO VC3	
	79	QUQ412-0911DJ	FFC WIRE	1	FMC TO TUNER	
	80	QUQ412-1710CJ	FFC WIRE	1	FMB TO FMC(1)	
	81	QUQ412-1710CJ	FFC WIRE	1	FMB TO FMC(2)	
	82	QUQ412-1020CJ	FFC WIRE	1	FMC TO SLC	
	83	QUQ412-0915CJ	FFC WIRE	1	FMB TO SLC	
	84	QUQ412-2410CJ	FFC WIRE	1	FMB TO SW	
△	85	QMPK210-205-JN	POWER CORD	1		U,UN
△		QMPR270-200-JD	POWER CORD	1		UX
	86	GV10062-052A	REAR PANEL	1		U,UN
		GV10062-053A	REAR PANEL	1		UX
	87	GV10063-002A	REAR COVER	1		
	88	QYSBSG3010Z	T.SCREW	2	C3 & STAY BRKT	
	89	QAR0177-001	FAN	1	SUPPLIER NIDEC	
	90	QYSBSGY3008E	SPECIAL SCREW	1	REAR PNL/CHAS.B	
	91	QYSBSGY3008E	SPECIAL SCREW	4	REAR PNL/ H.SIN	
	92	QYSBSGY3008E	SPECIAL SCREW	1	REAR PNL/ AUX	
	93	QYSBSGY3008E	SPECIAL SCREW	2	C3/ REAR PANEL	
	94	QYSBSGY3008E	SPECIAL SCREW	2	SPK/ REAR PANEL	
	95	QYSBSGY3008E	SPECIAL SCREW	2	TUNER/REAR PANE	
	96	QYSBSGY3008E	SPECIAL SCREW	1	REAR CVR/R.PNL	
	97	QYSBSGY3008E	SPECIAL SCREW	1	OPTICAL/R.PANEL	
	98	GV10055-001A/S/	METAL COVER	1		

■ Parts list (General assembly)

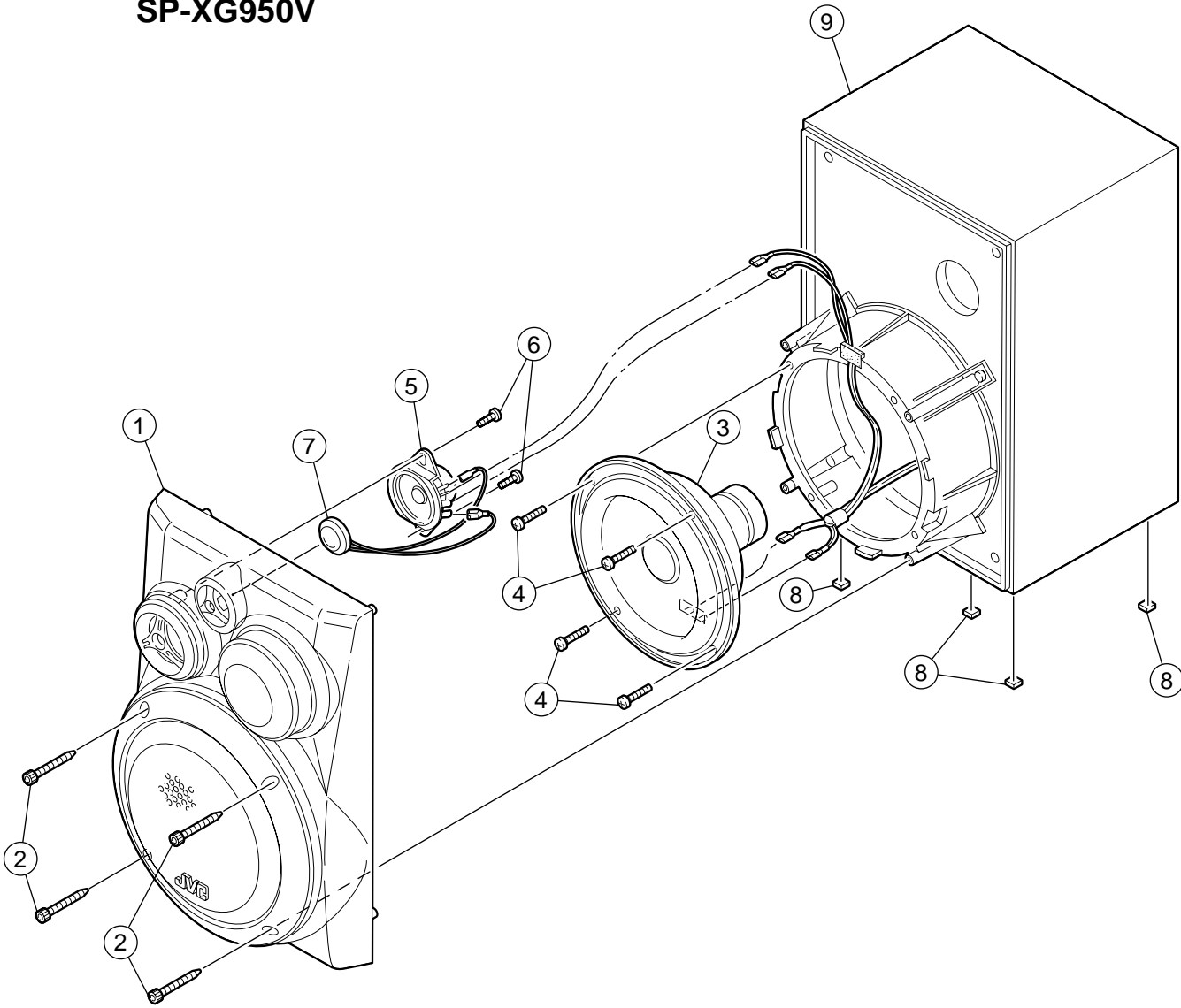
Block No. M1MM

△	Item	Parts number	Parts name	Q'ty	Description	Area
	99	QYSDSG3006M	T.SCREW	2	M.COVER/CHAS.BS	
	100	QYSBSGY3008E	SPECIAL SCREW	6	M.COVER/R.PANEL	
	101	GV20106-002A	CD FITTING 1	1	DISC 1	
	102	GV20107-002A	CD FITTING 2	1	DISC 2	
	103	GV20108-002A	CD FITTING 3	1	DISC 3	
	104	GV30179-001A	VOLUME KNOB ASSY	1		
	105	GV30180-002A	SUB.WFR.KB.ASSY	1		
	106	GV30181-002A	SND.MODE KB.ASSY	1		
	107	GV30182-002A	CD.FWD.KB.ASSY	1		
	108	GV20098-018A	WINDOW SCREEN	1		
	109	GV40181-001A	MIRROR SHEET	1		
	110	GV30155-001A	VOLUME RING	1		
	111	GV30151-001A	S/WOOFER RING	1		
	112	GV30152-001A	SOUND MODE RING	1		
	113	GV30153-001A	CD FORWARD RING	1		
	114	GV40186-001A	NUT	1	FOR VOLUME ENCO	
	115	GV30141-001A	FL HOLDER	1		
	116	E3400-439	FELT SPACER	2		
	117	QYSBSGY3008E	SPECIAL SCREW	1	REAR PNL/ERT PL	
	118	VKZ4001-110S	WIRE HOLDER	1	MIC GROUND WIRE	
△	119	QMF51E2-2R0-J1	FUSE	1	F003	
	120	GV40236-001A	PLASTIC HOLDER	1	STICK AT FMH BO	
	121	QYSBSF3012E	SPECIAL SCREW	2	VOLT SEL/R.PNL	
	122	GV40083-002A	MIC VOLUME KNOB	1		
	123	E310243-002	PLASTIC RIVET	2	FOR MPEG BOARD	
	124	QYSBSF3008Z	SCREW	1	BRACKET TO C3	
	125	GV30223-001A	BRACKET	1		
	126	QUQH10-1506BJ	FLAT WIRE	1	VC3 TO FMV	
	127	QUQH10-1508BJ	FLAT WIRE	1	FMC TO FMV	
	128	QYSBSGY3008E	SPECIAL SCREW	1	VIDEO/R.PANEL	
	129	QYSBSGY3008E	SPECIAL SCREW	1	SUR.SP/R.PANEL	

Speaker assembly and parts list

Block No. M 7 M M

SP-XG950V



■ Parts list (Speaker assembly) SP-XG950V

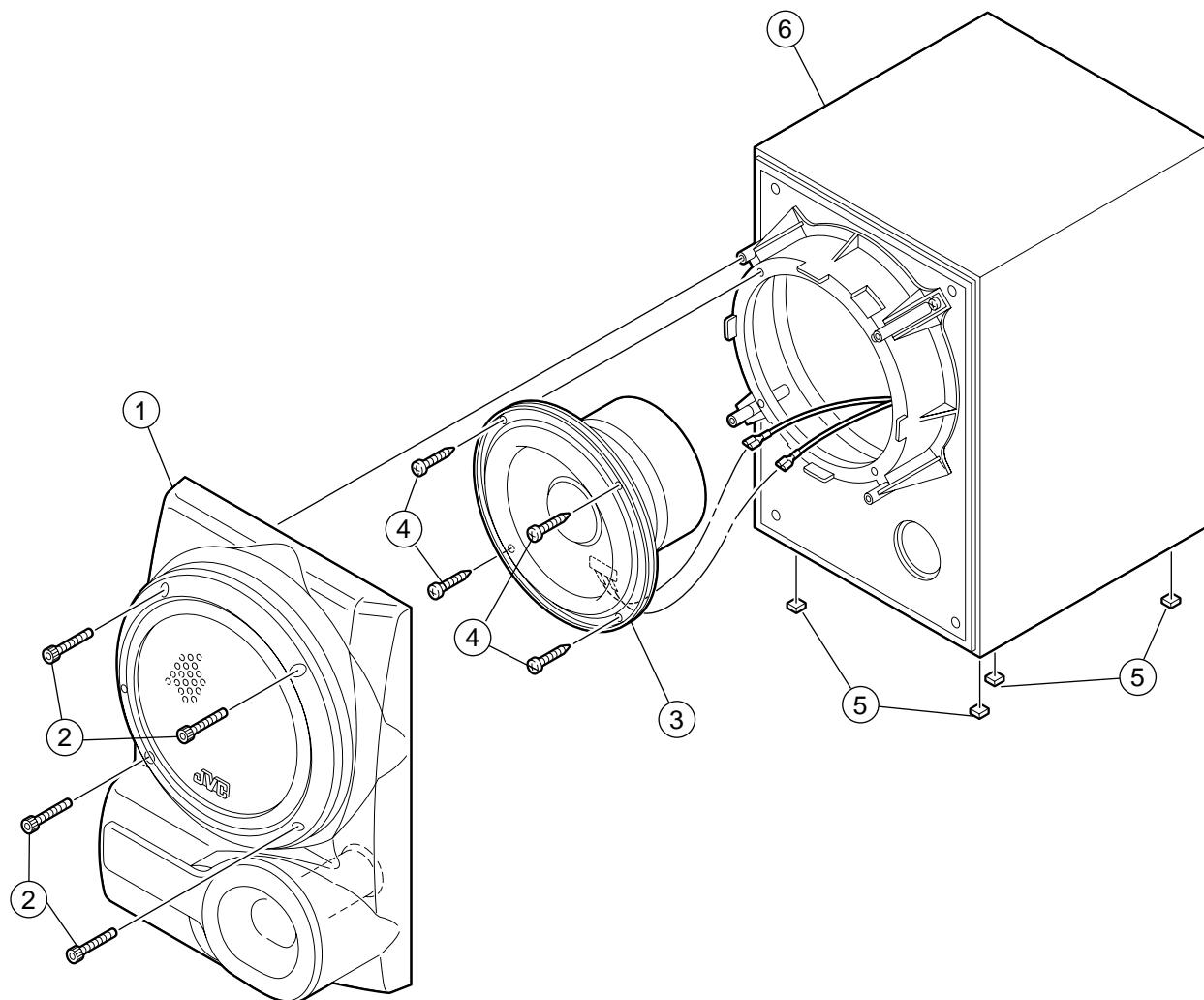
Block No. M7MM

▲	Item	Parts number	Parts name	Q'ty	Description	Area
	A	MXG950K-SPBOX-R	SP BOX ASSY(R)	1	SP-XG950V	
		MXG950K-SPBOX-L	SP BOX ASSY(L)	1	SP-XG950V	
	1	199733350151	FRONT PANEL(R)	1		
		199733350152	FRONT PANEL(L)	1		
	2	135604161053	SCREW	8	FOR FRONT PANEL	
	3	991061650050	16CM WOOFER	2		
	4	135604161047	SCREW	8	M4X16 FOR WOOFER	
	5	993060500031	5CM TWEETER	2		
	6	135604081045	SCREW	4	M4X8 FOR TWEETER	
	7	134720201090	PIEZO ASSY	2		
	8	147780071049	FOOT	8	PER PIECE	
	9	-----	CABINET ASSY	2		

Speaker assembly and parts list


Block No. M 8 M M

SP-WG950V



■ Parts list (Speaker assembly) SP-WG950V

Block No. M8MM

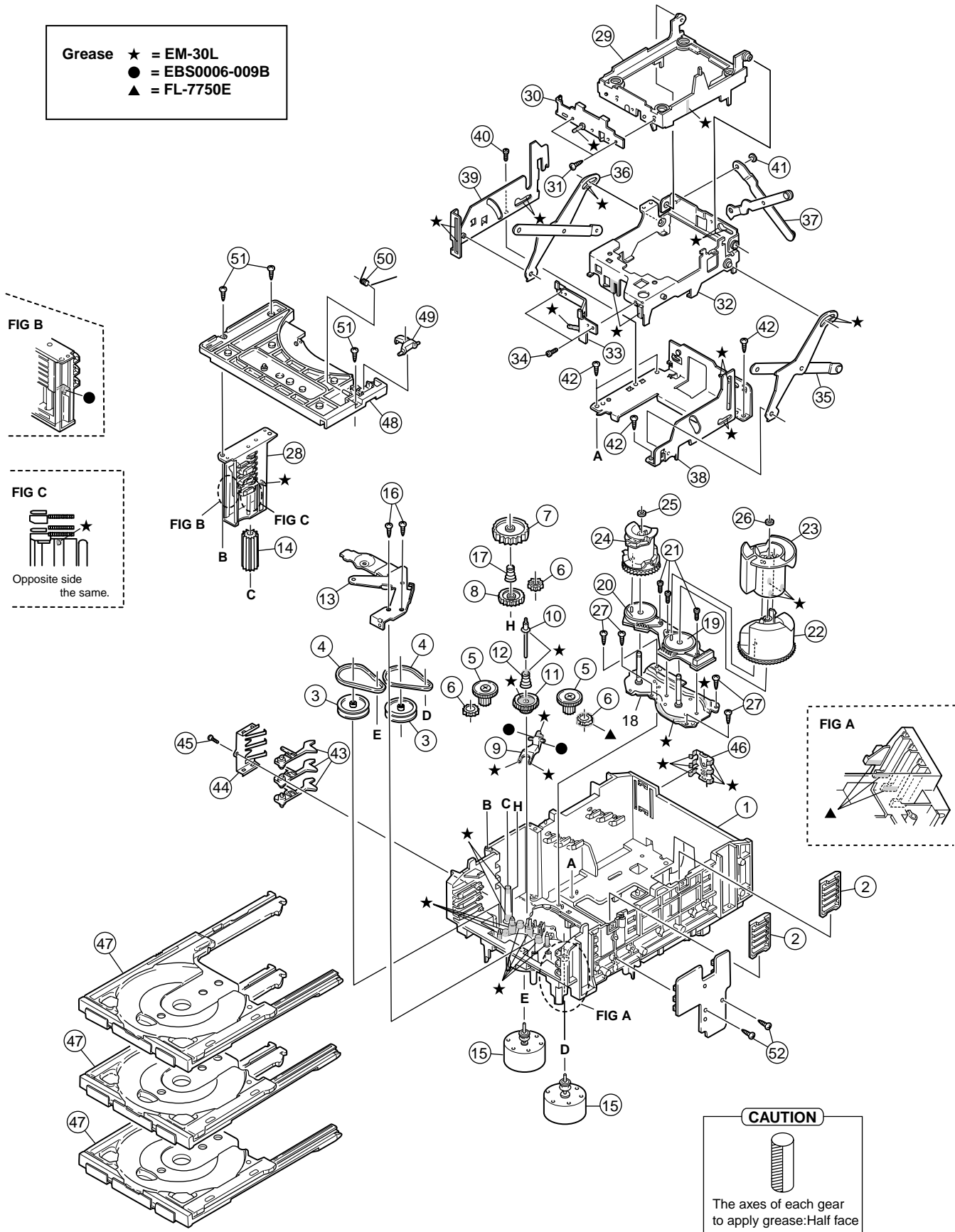
	Item	Parts number	Parts name	Q'ty	Description	Area
	A	MXG950K-SPKSB-R	SP BOX ASSY(R)	1	SP-WG950V	
		MXG950K-SPKSB-L	SP BOX ASSY(L)	1	SP-WG950V	
	1	199733350156	FRONT PANEL(L)	1	FOR SUBWOOFER	
		199733350157	FRONT PANEL(R)	1	FOR SUBWOOFER	
	2	135604161053	SCREW	8	FOR FRONT PANEL	
	3	991062000052	20CM SUBWOOFER	2		
	4	135604161047	SCREW	8	FOR SUBWOOFER	
	5	147780071049	FOOT	8		
	6	-----	CABINET ASSY	2		

CD changer mechanism assembly and parts list

C3BASE-1M

Block No. M A M M

Grease ★ = EM-30L
 ● = EBS0006-009B
 ▲ = FL-7750E



CAUTION

The axes of each gear to apply grease: Half face

■ Parts list (CD changer mechanism)

Block No. MAMM

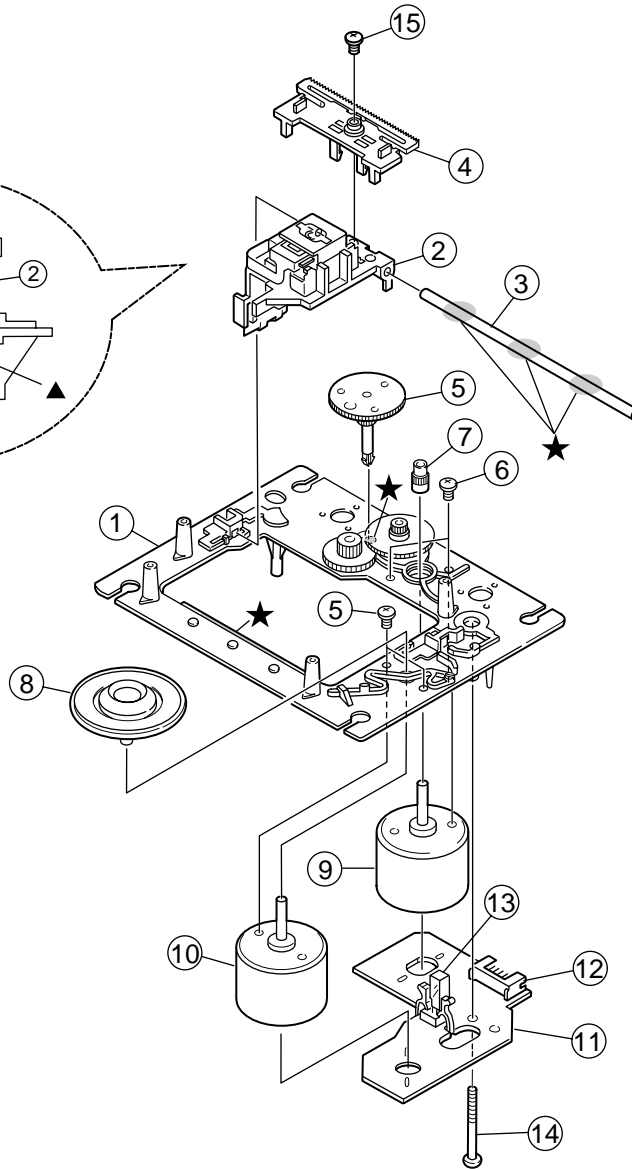
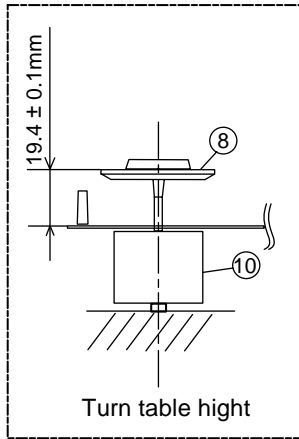
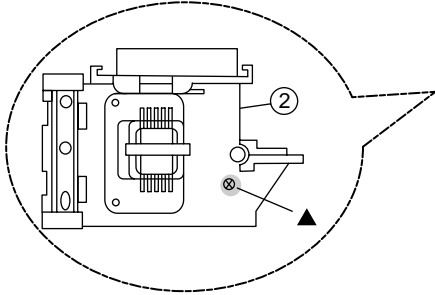
△	Item	Parts number	Parts name	Q'ty	Description	Area
	1	VKS1144-004	CHASSIS	1		
	2	VKS3698-003	TRAY GUIDE	2		
	3	VKS5532-003	PULLEY GEAR	2		
	4	VKB3000-164	BELT	2		
	5	VKS5505-003	GEAR B	2		
	6	VKS5506-002	GEAR C	3		
	7	VKS5507-002	CROSS GEAR U	1		
	8	VKS5508-002	CROSS GEAR L	1		
	9	VKS5510-003	SELECT LEVER	1		
	10	VKH5769-001	S.G.SHAFT	1		
	11	VKS5511-002	SELECT GEAR	1		
	12	VKW5155-003	COMP.SPRING	1	FOR SELECT GEAR	
	13	VKM3846-003	GEAR BRACKET	1		
	14	VKS5509-002MM	CYLINDER GEAR	1		
	15	MSN5D257A-SA2	DC MOTOR ASSY	2		
	16	QYSPSPD2616Z	SCREW	2	FOR MOTOR	
	17	LV40612-001A	COMP.SPRING	1		
	18	VKM3825-00B	C.G.BASE ASS'Y	1		
	19	VKZ3172-00ASS	CAM SW. R ASS'Y	1		
	20	VKZ3173-00ASS	CAM SW. L ASS'Y	1		
	21	QYSPST2606Z	SCREW	3	FOR CAM SW.	
	22	VKS2263-002MM	CAM R1	1		
	23	VKS2264-002MM	CAM R2	1		
	24	VKS2265-002MM	CAM GEAR L	1		
	25	WDL316050MM	SLIT WASHER	1	FOR CAM GEAR L	
	26	WDL316050MM	SLIT WASHER	1		
	27	QYSBSF2608Z	T.SCREW	4	FOR C.GEAR BASE	
	28	VKS3702-00FMM	DRIVE UNIT	1		
	29	VKS2247-005	MECHA HOLDER A	1		
	30	VKL7767-00F	BRACKET ASS'Y	1		
	31	QYSBSF2606Z	SCREW	2	FOR BRACKET	
	32	VKM3860-00E	M.HOLDER B AS'Y	1		
	33	VKL7802-00D	M.HOLDER C AS'Y	1		
	34	QYSDST2604Z	SCREW	2	FOR M.HOLDER C	
	35	VKL7810-00B	LIFTER ASS'Y R	1		
	36	VKL7811-00B	LIFTER ASS'Y L	1		
	37	VKL7812-00B	LIFTER ASS'Y H	1		
	38	VKL2745-003	LIFTER BASE	1		
	39	VKM3857-002	LIFTER BRACKET	1		
	40	QYSDST2604Z	SCREW	1		
	41	WDL266035-2	SLIT WASHER	1		
	42	QYSBSF2608Z	T.SCREW	4		
	43	VKS5514-002MM	LOCK LEVER	3		
	44	VKY3133-002MM	RETURN SPRING	1		
	45	QYSBSF2608Z	T.SCREW	1	FOR RETURN SP.	
	46	VKY3134-003MM	CLICK SPRING	1		
	47	VKS2252-00N	TRAY ASS'Y	3		
	48	VKS2250-004	TOP BRACKET	1		
	49	VKS5515-002	S.TRAY STOPPER	1		
	50	VKW5156-004	TORSION SPRING	1		
	51	QYSBSF2608Z	T.SCREW	3		
	52	QYSBSF2608Z	T.SCREW	2		

CD mechanism assembly and parts list

Block No. M B M M

Grease & Bond

- ★ = EBS0006-013B
- ▲ = 1401B



EXL-M7TMB

Parts list (CD mechanism)

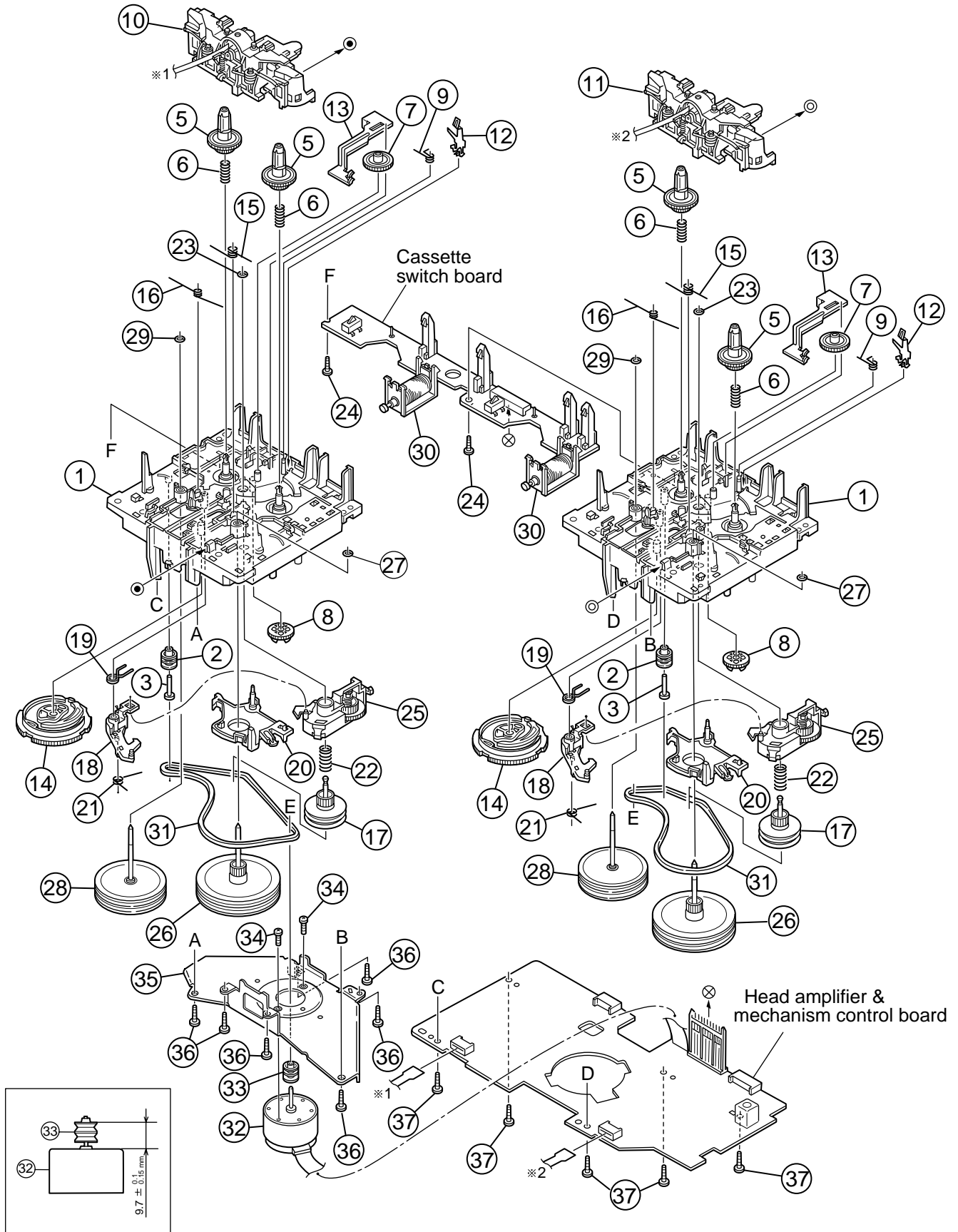
Block No. MBMM

Item	Parts number	Parts name	Q'ty	Description	Area
1	E102731-221SM	CD MECHA BASE A	1		
2	OPTIMA-7B	C.D PICK	1		
3	E406777-002SM	C.D SHAFT	1		
4	LV31002-001A	CD RACK	1		
5	E307745-441SM	C.D GEAR 3	1		
6	QYSDSP2003N	SCREW	4		
7	E406750-442SM	PINION	1		
8	EPB309173PKA	T.T PACKING	1		
9	E406784-001	FEED MOTOR	1		
10	QAR0130-001	SP MOTOR	1		
11	EMW10190-441	CIR BOARD	1		
12	QGA2001F1-06	CONNECTOR	1		
13	QSW0506-001	LEAF SWITCH	1		
14	E75832-221SS	SPECIAL SCREW	1		
15	QYSDSF2006Z	SCREW	1		

Cassette mechanism assembly and parts list

Block No. M P M M

SLC-W101M



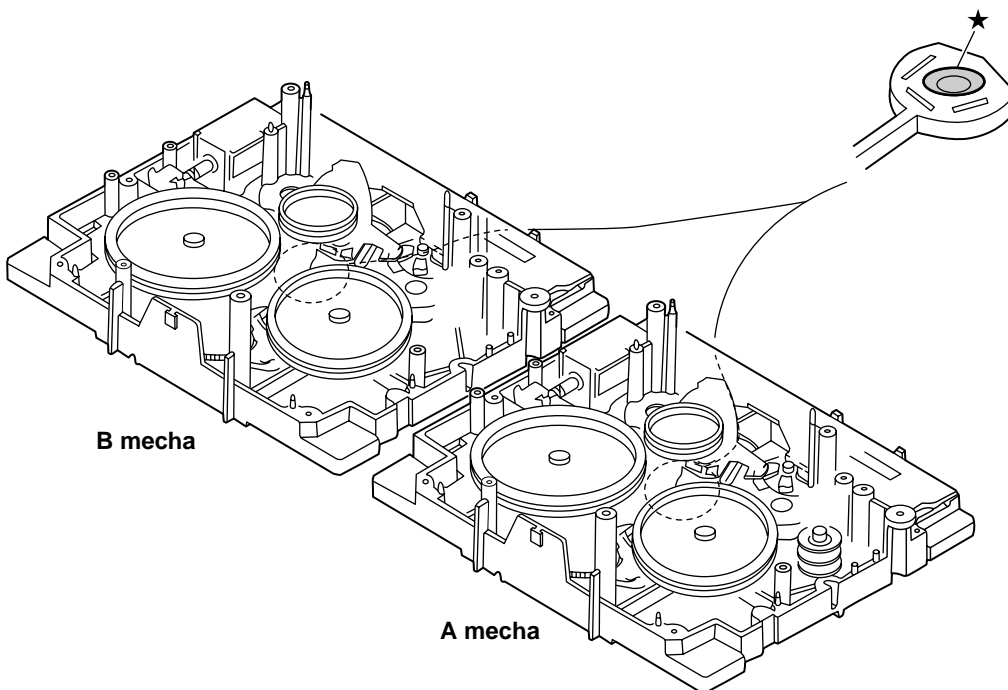
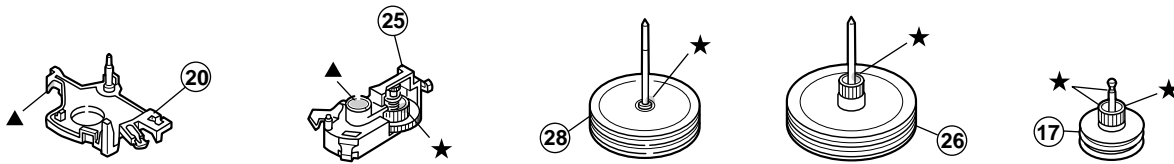
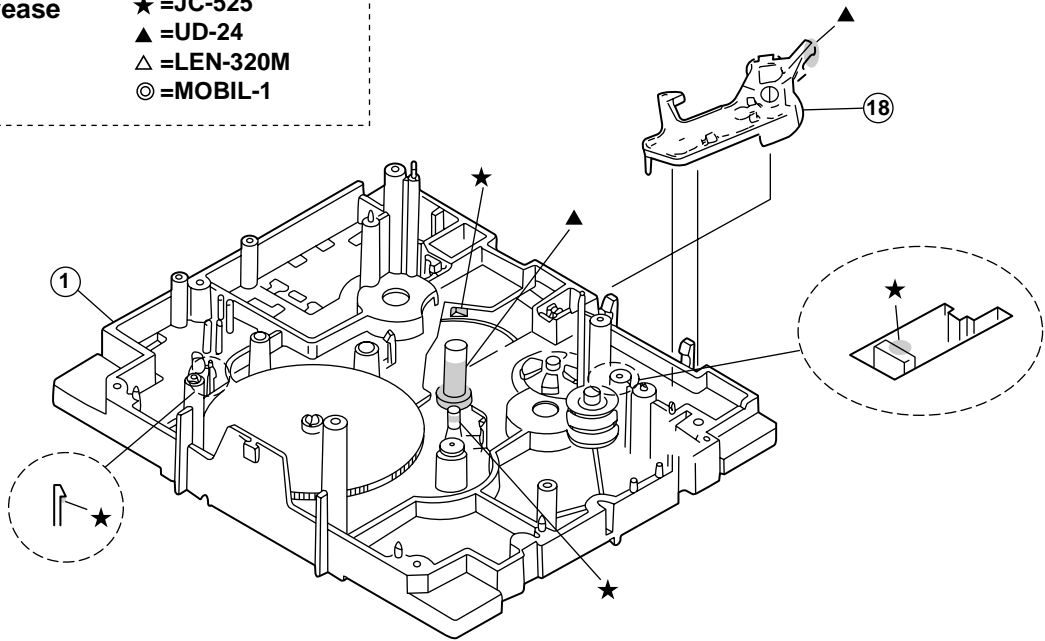
■ Parts list (Cassette mechanism)

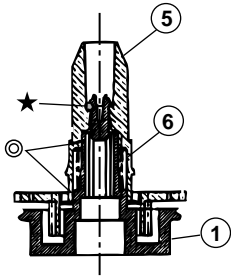
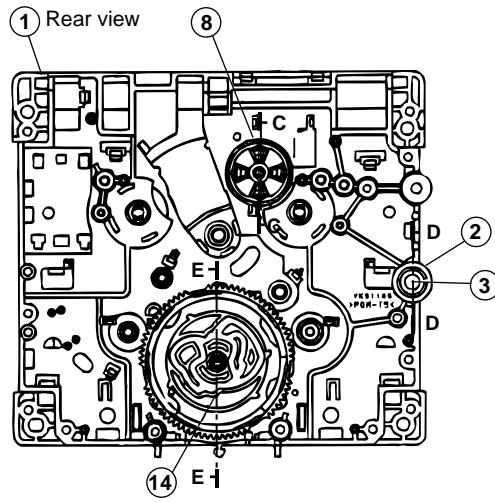
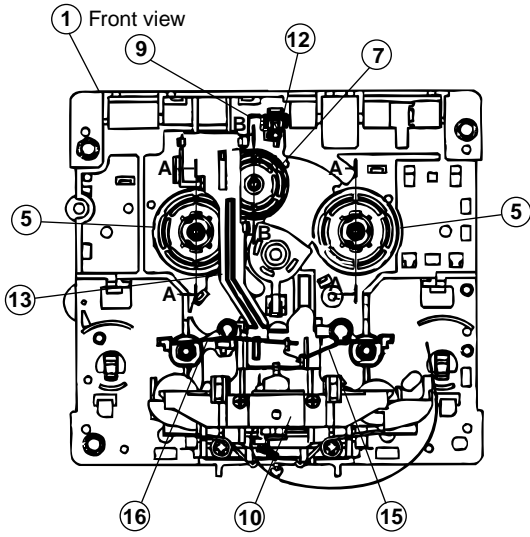
Block No. MPMM

△	Item	Parts number	Parts name	Q'ty	Description	Area
	1	VKS1165-00K	CHASSIS B.ASS'Y	2		
	2	VKR4749-004	IDLE PULLEY	2		
	3	LV42026-001A	SHAFT	2		
	5	VKS2274-002	REEL GEAR	4		
	6	VKW5286-002	B.T. SPRING	4		
	7	VKS5559-001	PLAY IDLE GEAR	2		
	8	VKS5597-00B	BLIND	2		
	9	LV42013-001A	EARTH SPRING	2		
	10	SLC-P1SVM	HEAD MOUNT ASSY	1		
	11	SLC-RP1SVM	HEAD MOUNT ASSY	1		
	12	VKY3149-002	CASSETTE SP.	2		
	13	VKM3906-004	PLAY SW.LEVER	2		
	14	VKS1166-004	CONTROL CAM	2		
	15	VKW5279-002	HEAD BASE SP(R)	2		
	16	VKW5280-001	HEAD BASE SP(L)	2		
	17	VKS5603-00G	MAIN PULLEY ASY	2		
	18	VKS3785-001MM	FR ARM	2		
	19	VKW5284-002	SWING SPRING	2		
	20	VKS2278-003	TRIGGER ARM	2		
	21	VKW5301-001	FR SPRING	2		
	22	VKW5266-001	ELEVATOR SPRING	2		
	23	WDL214025	WASHER	2		
	24	QYSBSF2005Z	T.SCREW	2		
	25	VKS3786-00G	CLUTCH ASS'Y	2		
	26	VKF3205-00B	F.WHEEL ASSY(R)	2		
	27	WDL183425	SLIT WASHER	2		
	28	VKF3207-00B	F.WHEEL ASSY(L)	2		
	29	WDL173525-6	SLIT WASHER	2		
	30	VKZ3174-00A	DC SOLENOID	2		
	31	LV42764-001A	CAPSTAN BELT(B)	2		
	32	MSI-5U2LWA	D.C.MOTOR ASS'Y	1		
	33	VKR4761-001	MOTOR PULLEY	1		
	34	QYSPSP2604Z	SCREW	2		
	35	VKM3907-001	JOINT BRACKET	1		
	36	QYSBSF2608Z	T.SCREW	6		
	37	QYSBSF2608Z	T.SCREW	5	FOR P.W.B.	

Grease point

- Grease
- ★ =JC-525
 - ▲ =UD-24
 - △ =LEN-320M
 - ◎ =MOBIL-1





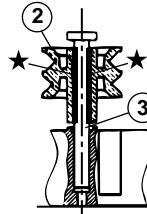
A - A (2/1, 2 places)



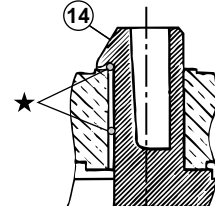
B - B (2/1)



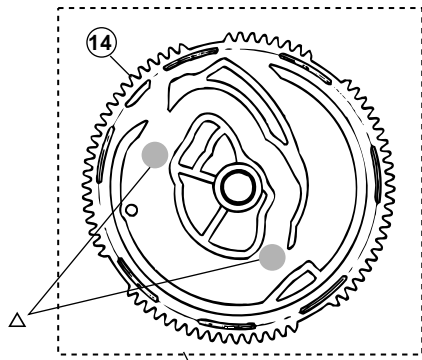
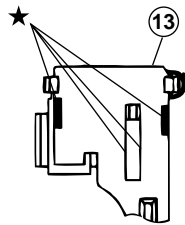
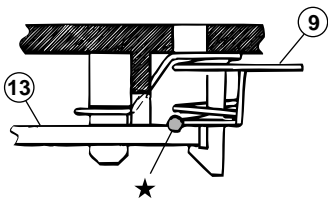
C - C (2/1)



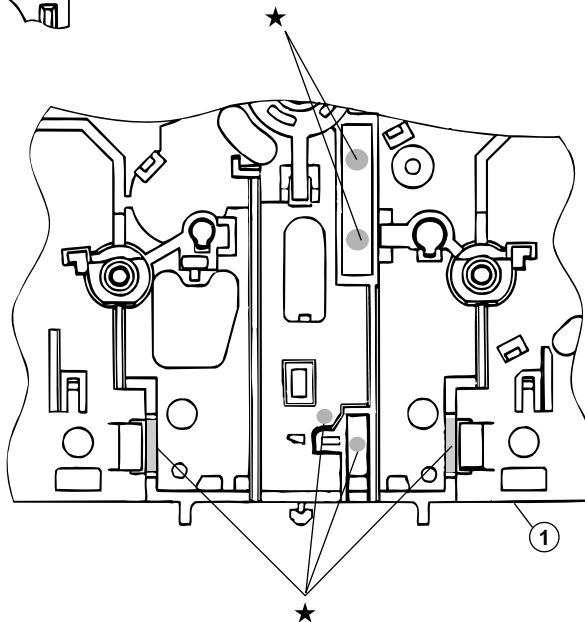
D - D (2/1)



E - E (5/1)



(Dipping)



■ Electrical parts list (Power board)

Block No. 01

▲	Item	Parts number	Parts name	Remarks	Area	▲	Item	Parts number	Parts name	Remarks	Area
	C 201	QFKC2EK-104	METAL CAPACITOR	.10MF 10% 250V			C 729	EETC1CM-476ZJC	E CAPACITOR		
	C 202	QFKC2EK-104	METAL CAPACITOR	.10MF 10% 250V			C 730	QCF31HZ-223Z	C CAPACITOR	.022MF +80:-20%	
	C 203	QFKC2EK-104	METAL CAPACITOR	.10MF 10% 250V			C 731	QCF31HZ-223Z	C CAPACITOR	.022MF +80:-20%	
	C 204	EETB1JM-478JC	E CAPACITOR				C 739	EETC1HM-105ZJC	E CAPACITOR		
	C 205	EETB1JM-478JC	E CAPACITOR				C 790	EETC1EM-476ZJC	E CAPACITOR		
	C 211	QFLC1HJ-823Z	M CAPACITOR	.082MF 5% 50V			C 901	QDYB1CM-103Y	C CAPACITOR		
	C 212	QFLC1HJ-823Z	M CAPACITOR	.082MF 5% 50V			C 902	QDYB1CM-103Y	C CAPACITOR		
	C 213	QFLC1HJ-823Z	M CAPACITOR	.082MF 5% 50V			CN201	QGB2510J1-11	CONNECTOR		
	C 214	EETB1HM-228JC	AL E.CAPACITOR				CN202	QGB2510J1-10	CONNECTOR		
	C 215	EETB1HM-228JC	AL E.CAPACITOR				CN203	QGB2510J1-04	CONNECTOR		
	C 216	QETN1VM-107Z	E CAPACITOR	100MF 20% 35V			CN204	QGA3901C1-07	CONNECTOR		
	C 217	EETC2AM-476ZJC	AL E.CAPACITOR				CN205	QGB2510J1-14	CONNECTOR		
	C 218	EETC1HM-226ZJC	E CAPACITOR				CN206	QGB2510J1-12	CONNECTOR		
	C 219	QDYB1CM-103Y	C CAPACITOR				CN207	QGB2510J1-10	CONNECTOR		
	C 220	EETC1HM-476ZJC	AL E.CAPACITOR				CN215	QGB2510K2-14	CONNECTOR		
	C 221	EETC1HM-476ZJC	E CAPACITOR				CN703	QGD2504C1-03Z	SOCKET		
	C 222	EETC1HM-476ZJC	E CAPACITOR				CN704	QGD2504C1-03Z	SOCKET		
	C 253	EETB1EM-688JC	AL E.CAPACITOR				CN705	QGA2501C1-02	2P CONNECTOR		
	C 280	EETC1HM-224ZJC	E CAPACITOR				CN706	QGD2504C1-03Z	SOCKET		
	C 281	QETN1JM-476Z	E CAPACITOR	47MF 20% 63V		▲	D 201	1N5402M-20	DIODE		
	C 372	EETC1HM-226ZJC	E CAPACITOR			▲	D 202	1N5402M-20	DIODE		
	C 373	QDYB1CM-103Y	C CAPACITOR			▲	D 203	1N5402M-20	DIODE		
	C 374	EETC1HM-226ZJC	E CAPACITOR			▲	D 204	1N5402M-20	DIODE		
	C 601	QFVJ1HJ-683Z	MF CAPACITOR	.068MF 5% 50V		▲	D 211	1N5402M-20	DIODE		
	C 602	QFVJ1HJ-683Z	MF CAPACITOR	.068MF 5% 50V		▲	D 212	1N5402M-20	DIODE		
	C 603	QCB1HK-221Y	C CAPACITOR	220PF 10% 50V		▲	D 213	1N5402M-20	DIODE		
	C 604	QCB1HK-221Y	C CAPACITOR	220PF 10% 50V		▲	D 214	1N5402M-20	DIODE		
	C 605	QCB1HK-221Y	C CAPACITOR	220PF 10% 50V		▲	D 217	1N4003S-T5	SI DIODE		
	C 606	QCB1HK-221Y	C CAPACITOR	220PF 10% 50V		▲	D 218	1N4003S-T5	SI DIODE		
	C 607	QETN1JM-476Z	E CAPACITOR	47MF 20% 63V			D 219	DZ33BSC-T2	ZENER DIODE		
	C 608	QETN1JM-476Z	E CAPACITOR	47MF 20% 63V			D 220	DZ9.1BSB-T2	ZENER DIODE		
	C 609	QCSB1HJ-100Y	C CAPACITOR	10PF 5% 50V		▲	D 227	1N4003S-T5	SI DIODE		
	C 610	QCSB1HJ-100Y	C CAPACITOR	10PF 5% 50V		▲	D 233	2A02-M	DIODE		
	C 611	QETN1HM-476Z	E CAPACITOR	47MF 20% 50V		▲	D 234	2A02-M	DIODE		
	C 612	QETN1HM-476Z	E CAPACITOR	47MF 20% 50V			D 280	DZ2.4BSB-T2	ZENER DIODE		
	C 613	QFLC1HJ-473Z	M CAPACITOR	.047MF 5% 50V			D 369	DZ10BSC-T2	ZENER DIODE		
	C 614	QFLC1HJ-473Z	M CAPACITOR	.047MF 5% 50V			D 370	DZ11BSC-T2	ZENER DIODE		
	C 615	QFLC1HJ-473Z	M CAPACITOR	.047MF 5% 50V			D 619	1SS119-041-T2	SI DIODE		
	C 616	QFLC1HJ-473Z	M CAPACITOR	.047MF 5% 50V			D 620	1SS119-041-T2	SI DIODE		
	C 621	QTE1V06-106Z	E CAPACITOR				D 622	DZ9.1BSB-T2	ZENER DIODE		
	C 622	QTE1V06-106Z	E CAPACITOR				D 703	DZ15BSC-T2	ZENER DIODE		
	C 623	QETN1HM-106Z	E CAPACITOR	10MF 20% 50V			D 704	DZ15BSC-T2	ZENER DIODE		
	C 624	QETN1HM-106Z	E CAPACITOR	10MF 20% 50V			D 719	1SS119-041-T2	SI DIODE		
	C 639	QFLC1HJ-104Z	M CAPACITOR	.10MF 5% 50V			D 720	1SS119-041-T2	SI DIODE		
	C 683	QFLC1HJ-823Z	M CAPACITOR	.082MF 5% 50V			D 723	DZ36BSA-T2	ZENER DIODE		
	C 703	QCB1HK-471Y	C CAPACITOR	470PF 10% 50V			D 724	DZ36BSA-T2	ZENER DIODE		
	C 704	QCB1HK-471Y	C CAPACITOR	470PF 10% 50V			D 726	1SS119-041-T2	SI DIODE		
	C 705	QCB1HK-221Y	C CAPACITOR	220PF 10% 50V			D 728	1SS119-041-T2	SI DIODE		
	C 706	QCB1HK-221Y	C CAPACITOR	220PF 10% 50V			D 790	1SS119-041-T2	SI DIODE		
	C 707	QETN1JM-476Z	E CAPACITOR	47MF 20% 63V			D 904	L-192ZSRD-T	LED		
	C 708	QETN1JM-476Z	E CAPACITOR	47MF 20% 63V			D 905	L-192ZSRD-T	LED		
	C 709	QCSB1HK-4R7Y	C CAPACITOR	4.7PF 10% 50V			EP201	QNZ0136-001Z	EARTH PLATE		
	C 710	QCSB1HK-4R7Y	C CAPACITOR	4.7PF 10% 50V			EP202	QNZ0136-001Z	EARTH PLATE		
	C 711	QFZ0212-104Z	MM CAPACITOR	.10MF			FW707	QUM153-09Z4Z4	PARA RIBON WIRE		
	C 712	QFZ0212-104Z	MM CAPACITOR	.10MF			FW901	QUM027-13DGZ4	PARA RIBON WIRE		
	C 713	QFLC1HJ-473Z	M CAPACITOR	.047MF 5% 50V		▲	IC602	STK402-050	IC(HYBRID)		
	C 714	QFLC1HJ-473Z	M CAPACITOR	.047MF 5% 50V		▲	IC701	STK412-010	IC(HYBRID)		
	C 715	QFLC1HJ-473Z	M CAPACITOR	.047MF 5% 50V			JS901	QSW0911-001	ROTARY SWITCH		
	C 716	QFLC1HJ-473Z	M CAPACITOR	.047MF 5% 50V			L 601	QQLZ035-R39	INDUCTOR		
	C 721	QTE1V06-106Z	E CAPACITOR				L 602	QQLZ035-R39	INDUCTOR		
	C 722	QTE1V06-106Z	E CAPACITOR				L 701	QQLZ035-R39	INDUCTOR		
	C 723	EETC1AM-107ZJC	E CAPACITOR				L 702	QQLZ035-R39	INDUCTOR		
	C 726	EETC1EM-106ZJC	E CAPACITOR				Q 201	2SB740/BC-T	TRANSISTOR		

■ Electrical parts list (Power board)

Block No. 01

△	Item	Parts number	Parts name	Remarks	Area	△	Item	Parts number	Parts name	Remarks	Area	
	Q 240	2SC2785/FE/-T	TRANSISTOR				R 621	QRE141J-103Y	C RESISTOR	10K 5% 1/4W		
	Q 372	KTA1023/OY/-T	TRANSISTOR				R 623	QRE141J-103Y	C RESISTOR	10K 5% 1/4W		
	Q 373	KRA104M-T	D.TRANSISTOR			△	R 639	QRL01DJ-821X	OMF RESISTOR	820 5% 1/1W		
	Q 374	KRC104M-T	D.TRANSISTOR			△	R 640	QRL01DJ-821X	OMF RESISTOR	820 5% 1/1W		
	Q 601	KTA1268/GL/-T	TRANSISTOR			△	R 653	QRT01DJ-R22X	MF RESISTOR	5% 1W		
	Q 602	KTA1268/GL/-T	TRANSISTOR			△	R 655	QRT01DJ-R22X	MF RESISTOR	5% 1W		
	Q 612	2SA1175/FE/-T	TRANSISTOR				R 666	QRE141J-333Y	C RESISTOR	33K 5% 1/4W		
	Q 613	KRC102M-T	D.TRANSISTOR				R 667	QRE141J-103Y	C RESISTOR	10K 5% 1/4W		
	Q 680	2SK301/PQ/-T	FET				R 668	QRE141J-103Y	C RESISTOR	10K 5% 1/4W		
	Q 701	KTA1268/GL/-T	TRANSISTOR			△	R 674	QRJ146J-100X	UNF C RESISTOR	10 5% 1/4W		
	Q 702	KTA1268/GL/-T	TRANSISTOR				R 675	QRE141J-102Y	C RESISTOR	1.0K 5% 1/4W		
	Q 710	2SA965/OY/-T	TRANSISTOR				R 676	QRE141J-102Y	C RESISTOR	1.0K 5% 1/4W		
	Q 711	KTC3200/GL/-T	TRANSISTOR				R 680	QRE141J-105Y	C RESISTOR	1.0M 5% 1/4W		
	Q 712	KTA1268/GL/-T	TRANSISTOR				R 681	QRE141J-392Y	C RESISTOR	3.9K 5% 1/4W		
	Q 713	KTC1027/OY/-T	TRANSISTOR				R 682	QRE141J-475Y	C RESISTOR	4.7M 5% 1/4W		
	Q 726	2SC2389S/SE/-T	TRANSISTOR			△	R 701	QRJ146J-470X	UNF C RESISTOR	47 5% 1/4W		
	Q 727	KTA1268/GL/-T	TRANSISTOR			△	R 702	QRJ146J-470X	UNF C RESISTOR	47 5% 1/4W		
	Q 728	2SC2785/FE/-T	TRANSISTOR				R 703	QRE141J-563Y	C RESISTOR	56K 5% 1/4W		
	Q 733	2SC3576-JVC-T	TRANSISTOR				R 704	QRE141J-563Y	C RESISTOR	56K 5% 1/4W		
	Q 734	2SC3576-JVC-T	TRANSISTOR			△	R 705	QRJ146J-821X	UNF C RESISTOR	820 5% 1/4W		
	Q 735	2SC3576-JVC-T	TRANSISTOR			△	R 706	QRJ146J-821X	UNF C RESISTOR	820 5% 1/4W		
	Q 736	2SC3576-JVC-T	TRANSISTOR				R 707	QRE141J-563Y	C RESISTOR	56K 5% 1/4W		
	Q 737	KRA111M-T	D.TRANSISTOR				R 708	QRE141J-563Y	C RESISTOR	56K 5% 1/4W		
	Q 790	2SC2785/FE/-T	TRANSISTOR			△	R 713	QRJ146J-100X	UNF C RESISTOR	10 5% 1/4W		
	Q 791	2SC2785/FE/-T	TRANSISTOR			△	R 714	QRJ146J-100X	UNF C RESISTOR	10 5% 1/4W		
	Q 792	KTC3203/OY/-T	TRANSISTOR			△	R 715	QRJ146J-100X	UNF C RESISTOR	10 5% 1/4W		
	Q 901	KRC102M-T	D.TRANSISTOR			△	R 716	QRJ146J-100X	UNF C RESISTOR	10 5% 1/4W		
△	R 202	QRZ9042-2R2X	F RESISTOR	2.2 1/4W			R 717	QRE141J-102Y	C RESISTOR	1.0K 5% 1/4W		
	R 203	QRE141J-752Y	C RESISTOR	7.5K 5% 1/4W			R 718	QRE141J-102Y	C RESISTOR	1.0K 5% 1/4W		
	R 204	QRE141J-223Y	C RESISTOR	22K 5% 1/4W			R 719	QRE141J-562Y	C RESISTOR	5.6K 5% 1/4W		
	R 205	QRE141J-104Y	C RESISTOR	100K 5% 1/4W			R 720	QRE141J-562Y	C RESISTOR	5.6K 5% 1/4W		
	R 215	QRE141J-473Y	C RESISTOR	47K 5% 1/4W			R 721	QRE141J-103Y	C RESISTOR	10K 5% 1/4W		
	R 216	QRE141J-473Y	C RESISTOR	47K 5% 1/4W			R 722	QRE141J-103Y	C RESISTOR	10K 5% 1/4W		
	R 217	QRE141J-273Y	C RESISTOR	27K 5% 1/4W			R 723	QRE141J-682Y	C RESISTOR	6.8K 5% 1/4W		
	R 218	QRE141J-273Y	C RESISTOR	27K 5% 1/4W			R 724	QRE141J-682Y	C RESISTOR	6.8K 5% 1/4W		
△	R 220	QRJ146J-470X	UNF C RESISTOR	47 5% 1/4W			R 725	QRE141J-823Y	C RESISTOR	82K 5% 1/4W		
	R 242	QRE141J-103Y	C RESISTOR	10K 5% 1/4W			R 726	QRE141J-104Y	C RESISTOR	100K 5% 1/4W		
△	R 246	QRJ146J-1R0X	UNF C RESISTOR	1.0 5% 1/4W			R 727	QRE141J-104Y	C RESISTOR	100K 5% 1/4W		
△	R 247	QRJ146J-1R0X	UNF C RESISTOR	1.0 5% 1/4W			R 728	QRE141J-103Y	C RESISTOR	10K 5% 1/4W		
△	R 248	QRJ146J-1R0X	UNF C RESISTOR	1.0 5% 1/4W			R 729	QRE141J-104Y	C RESISTOR	100K 5% 1/4W		
△	R 249	QRJ146J-1R0X	UNF C RESISTOR	1.0 5% 1/4W			R 730	QRE141J-103Y	C RESISTOR	10K 5% 1/4W		
	R 281	QRE141J-103Y	C RESISTOR	10K 5% 1/4W			R 733	QRE141J-472Y	C RESISTOR	4.7K 5% 1/4W		
	R 283	QRE141J-153Y	C RESISTOR	15K 5% 1/4W			R 734	QRE141J-472Y	C RESISTOR	4.7K 5% 1/4W		
	R 284	QRE141J-473Y	C RESISTOR	47K 5% 1/4W			R 735	QRE141J-472Y	C RESISTOR	4.7K 5% 1/4W		
	R 384	QRE141J-272Y	C RESISTOR	2.7K 5% 1/4W			R 736	QRE141J-472Y	C RESISTOR	4.7K 5% 1/4W		
	R 385	QRE141J-562Y	C RESISTOR	5.6K 5% 1/4W			△	R 739	QRL01DJ-821X	OMF RESISTOR	820 5% 1W	
	R 389	QRE141J-103Y	C RESISTOR	10K 5% 1/4W		△	R 740	QRL01DJ-821X	OMF RESISTOR	820 5% 1W		
△	R 601	QRJ146J-101X	UNF C RESISTOR	100 5% 1/4W			R 741	QRE141J-682Y	C RESISTOR	6.8K 5% 1/4W		
△	R 602	QRJ146J-101X	UNF C RESISTOR	100 5% 1/4W			R 742	QRE141J-682Y	C RESISTOR	6.8K 5% 1/4W		
	R 603	QRE141J-563Y	C RESISTOR	56K 5% 1/4W			R 753	QRZ0197-R22	C RESISTOR	1W		
	R 604	QRE141J-563Y	C RESISTOR	56K 5% 1/4W			R 754	QRZ0197-R22	C RESISTOR	1W		
△	R 605	QRJ146J-102X	UNF C RESISTOR	1.0K 5% 1/4W			R 761	QRE141J-102Y	C RESISTOR	1.0K 5% 1/4W		
△	R 606	QRJ146J-102X	UNF C RESISTOR	1.0K 5% 1/4W			R 762	QRE141J-102Y	C RESISTOR	1.0K 5% 1/4W		
	R 607	QRE141J-563Y	C RESISTOR	56K 5% 1/4W			R 766	QRE141J-333Y	C RESISTOR	33K 5% 1/4W		
	R 608	QRE141J-563Y	C RESISTOR	56K 5% 1/4W			R 768	QRE141J-104Y	C RESISTOR	100K 5% 1/4W		
△	R 613	QRJ146J-100X	UNF C RESISTOR	10 5% 1/4W			R 769	QRE141J-222Y	C RESISTOR	2.2K 5% 1/4W		
△	R 614	QRJ146J-100X	UNF C RESISTOR	10 5% 1/4W			△	R 774	QRJ146J-100X	UNF C RESISTOR	10 5% 1/4W	
△	R 615	QRJ146J-100X	UNF C RESISTOR	10 5% 1/4W			R 775	QRE141J-102Y	C RESISTOR	1.0K 5% 1/4W		
△	R 616	QRJ146J-100X	UNF C RESISTOR	10 5% 1/4W			R 776	QRE141J-102Y	C RESISTOR	1.0K 5% 1/4W		
	R 617	QRE141J-221Y	C RESISTOR	220 5% 1/4W			R 777	QRE141J-103Y	C RESISTOR	10K 5% 1/4W		
	R 618	QRE141J-221Y	C RESISTOR	220 5% 1/4W			R 778	QRE141J-103Y	C RESISTOR	10K 5% 1/4W		
	R 619	QRE141J-222Y	C RESISTOR	2.2K 5% 1/4W			R 786	QRE141J-103Y	C RESISTOR	10K 5% 1/4W		
	R 620	QRE141J-222Y	C RESISTOR	2.2K 5% 1/4W			R 787	QRE141J-103Y	C RESISTOR	10K 5% 1/4W		

■ Electrical parts list (Power board)

Block No. 01

△	Item	Parts number	Parts name	Remarks	Area
	R 790	QRE141J-103Y	C RESISTOR	10K 5% 1/4W	
	R 792	QRE141J-102Y	C RESISTOR	1.0K 5% 1/4W	
	R 793	QRE141J-104Y	C RESISTOR	100K 5% 1/4W	
	R 794	QRE141J-103Y	C RESISTOR	10K 5% 1/4W	
	R 795	QRE141J-103Y	C RESISTOR	10K 5% 1/4W	
	R 796	QRE141J-682Y	C RESISTOR	6.8K 5% 1/4W	
	R 797	QRE141J-203Y	C RESISTOR	20K 5% 1/4W	
△	R 798	QRJ146J-100X	UNF C RESISTOR	0 5% 1/4W	
	R 904	QRE141J-680Y	C RESISTOR	68 5% 1/4W	
	R 908	QRE141J-562Y	C RESISTOR	5.6K 5% 1/4W	
	S 901	QSW0825-001Z	TACT SWITCH		
	S 902	QSW0825-001Z	TACT SWITCH		

■ Electrical parts list (Input board)

Block No. 02

△	Item	Parts number	Parts name	Remarks	Area	△	Item	Parts number	Parts name	Remarks	Area
	C 002	QFVH1HJ-104	MF CAPACITOR	.10MF 5% 50V			C 514	QFLC1HJ-823Z	M CAPACITOR	.082MF 5% 50V	
	C 401	QCBB1HK-221Y	C CAPACITOR	220PF 10% 50V			C 526	EETC1AM-107ZJC	E CAPACITOR		
	C 402	QCBB1HK-221Y	C CAPACITOR	220PF 10% 50V			C 527	QFLC1HJ-183Z	M CAPACITOR	.018MF 5% 50V	
	C 403	FQCF31HP-103Z	C CAPACITOR				C 528	QFLC1HJ-104Z	M CAPACITOR	.10MF 5% 50V	
	C 404	QETN1CM-476Z	E CAPACITOR	47MF 20% 16V			C 530	QFLC1HJ-104Z	M CAPACITOR	.10MF 5% 50V	
	C 419	QDXB1CM-222Y	C CAPACITOR				C 531	QFLC1HJ-683Z	M CAPACITOR	.068MF 5% 50V	
	C 426	QDVB1EZ-223Y	C CAPACITOR				C 532	QETN1CM-476Z	E CAPACITOR	47MF 20% 16V	
	C 427	EETC1EM-106ZJC	E CAPACITOR				C 534	QTE1C06-476Z	E CAPACITOR		
	C 433	FQCF31HP-103Z	C CAPACITOR				C 535	EETC1AM-107ZJC	E CAPACITOR		
	C 436	EETC1AM-107ZJC	E CAPACITOR				C 556	QETN1EM-106Z	E CAPACITOR	10MF 20% 25V	
	C 437	EETC1EM-106ZJC	E CAPACITOR				C 571	QETN1HM-225Z	E CAPACITOR	2.2MF 20% 50V	
	C 438	QDYB1CM-103Y	C CAPACITOR				C 575	QCBB1HK-101Y	C CAPACITOR	100PF 10% 50V	
	C 439	QETN1EM-106Z	E CAPACITOR	10MF 20% 25V			C 576	QETN1CM-476Z	E CAPACITOR	47MF 20% 16V	
	C 440	QETN1EM-106Z	E CAPACITOR	10MF 20% 25V			C 577	QETN1CM-476Z	E CAPACITOR	47MF 20% 16V	
	C 441	QTE1V06-106Z	E CAPACITOR				C 578	EETC1HM-105ZJC	E CAPACITOR		
	C 442	QTE1V06-106Z	E CAPACITOR				C 585	EETC1HM-105ZJC	E CAPACITOR		
	C 443	EETC1HM-225ZJC	E CAPACITOR				C 586	QDXB1CM-182Y	C CAPACITOR		
	C 444	EETC1HM-225ZJC	E CAPACITOR				C 587	QCSB1HJ-330Y	C CAPACITOR	33PF 5% 50V	
	C 445	QETN1EM-106Z	E CAPACITOR	10MF 20% 25V			C 588	QDGB1HK-681Y	C CAPACITOR		
	C 446	QETN1EM-106Z	E CAPACITOR	10MF 20% 25V			C 589	QFLC1HJ-153Z	M CAPACITOR	.015MF 5% 50V	
	C 447	QETN1CM-106Z	E CAPACITOR	10MF 20% 16V			C 593	FQCS31HJ-470Z	C CAPACITOR		
	C 448	QETN1CM-106Z	E CAPACITOR	10MF 20% 16V			C 594	QETN1AM-477Z	E CAPACITOR	470MF 20% 10V	
	C 449	QETN1HM-225Z	E CAPACITOR	2.2MF 20% 50V			C 596	QDYB1CM-103Y	C CAPACITOR		
	C 450	QETN1HM-225Z	E CAPACITOR	2.2MF 20% 50V			C 599	QETN0JM-108Z	E CAPACITOR	1000MF 20% 6.3V	
	C 453	QFLC1HJ-104Z	M CAPACITOR	.10MF 5% 50V			C 980	QDVB1EZ-223Y	C CAPACITOR		
	C 454	QFLC1HJ-104Z	M CAPACITOR	.10MF 5% 50V			C 981	QCZ0202-155Z	ML C CAPACITOR	1.5MF	
	C 455	QFVJ1HJ-104Z	MF CAPACITOR	.10MF 5% 50V			C 995	EETC1AM-107ZJC	E CAPACITOR		
	C 456	QFVJ1HJ-104Z	MF CAPACITOR	.10MF 5% 50V			C 996	QCSB1HJ-100Y	C CAPACITOR	10PF 5% 50V	
	C 457	QFLC1HJ-223Z	M CAPACITOR	.022MF 5% 50V			C 997	QCSB1HJ-100Y	C CAPACITOR	10PF 5% 50V	
	C 458	QFLC1HJ-223Z	M CAPACITOR	.022MF 5% 50V			C 998	QCBB1HK-222Y	C CAPACITOR	2200PF 10% 50V	
	C 459	QFLC1HJ-183Z	M CAPACITOR	.018MF 5% 50V			C 999	QCBB1HK-222Y	C CAPACITOR	2200PF 10% 50V	
	C 460	QFLC1HJ-183Z	M CAPACITOR	.018MF 5% 50V			CN 11	QGF1205F1-09	CONNECTOR		
	C 461	QFG32AJ-682Z	PP CAPACITOR	6800PF 5% 100V			CN208	WJK0114-002A	E-SI C WIRE C-B		
	C 462	QFG32AJ-682Z	PP CAPACITOR	6800PF 5% 100V			CN209	WJK0071-002A	CONN.WIRE ASSY		
	C 466	QTE1C06-476Z	E CAPACITOR				CN211	QGB2510K2-11	CONNECTOR		
	C 467	QETN1HM-225Z	E CAPACITOR	2.2MF 20% 50V			CN212	QGB2510K2-10	CONNECTOR		
	C 468	EETC1EM-226ZJC	E CAPACITOR				CN213	QGB2510K2-104	CONNECTOR		
	C 469	QFLC1HJ-683Z	M CAPACITOR	.068MF 5% 50V			CN214	QJK015-071214	CONN.WIRE ASSY		
	C 470	QFVJ1HJ-274Z	MF CAPACITOR	.27MF 5% 50V			CN218	QGA7901F1-03	CONNECTOR		
	C 471	QETN1EM-106Z	E CAPACITOR	10MF 20% 25V			CN219	QGA7901C1-04	CONNECTOR		
	C 472	QETN1EM-106Z	E CAPACITOR	10MF 20% 25V			CN220	QGD2504C1-03Z	SOCKET		
	C 473	QETN1EM-106Z	E CAPACITOR	10MF 20% 25V			△ CN250	QGA7901C1-02	CONNECTOR		
	C 474	QETN1EM-106Z	E CAPACITOR	10MF 20% 25V			CN315	QGF1205C1-10	CONNECTOR		
	C 475	EETC1HM-105ZJC	E CAPACITOR				CN504	QGF1016F3-15	CONNECTOR		
	C 476	QFLC1HJ-682Z	M CAPACITOR	6800PF 5% 50V			CN661	QGF1016F3-19	CONNECTOR		
	C 481	QFG32AJ-223Z	PP CAPACITOR	.022MF 5% 100V			CN870	QGF1205C1-17	CONNECTOR		
	C 482	QFG32AJ-223Z	PP CAPACITOR	.022MF 5% 100V			CN871	QGF1205C1-17	CONNECTOR		
	C 483	QFLC1HJ-223Z	M CAPACITOR	.022MF 5% 50V			C1201	QETN1AM-227Z	E CAPACITOR	220MF 20% 10V	
	C 484	QFLC1HJ-223Z	M CAPACITOR	.022MF 5% 50V			C1202	QFLC1HJ-823Z	M CAPACITOR	.082MF 5% 50V	
	C 485	QTE1V06-106Z	E CAPACITOR				C1228	EETC1AM-107ZJC	E CAPACITOR		
	C 486	QTE1V06-106Z	E CAPACITOR				D 411	1SS119-041-T2	SI DIODE		
	C 487	EETC1AM-107ZJC	E CAPACITOR				D 412	1SS119-041-T2	SI DIODE		
	C 488	EETC1HM-105ZJC	E CAPACITOR				D 426	DZ5.1BSB-T2	ZENER DIODE		
	C 489	EETC1AM-107ZJC	E CAPACITOR				D 431	DZ3.9BSB-T2	ZENER DIODE		
	C 501	QETN1HM-475Z	E CAPACITOR	4.7MF 20% 50V			D 432	DZ3.9BSB-T2	ZENER DIODE		
	C 502	QETN1HM-475Z	E CAPACITOR	4.7MF 20% 50V			D 434	DZ5.1BSB-T2	ZENER DIODE		
	C 503	QFVJ1HJ-224Z	MF CAPACITOR	.22MF 5% 50V			D 501	1SS119-041-T2	SI DIODE		
	C 504	QFLC1HJ-822Z	M CAPACITOR	8200PF 5% 50V			D 502	1SS119-041-T2	SI DIODE		
	C 505	QFVJ1HJ-274Z	MF CAPACITOR	.27MF 5% 50V			D 571	1SS119-041-T2	SI DIODE		
	C 507	QFLC1HJ-153Z	M CAPACITOR	.015MF 5% 50V			D 572	1SS119-041-T2	SI DIODE		
	C 508	QFLC1HJ-273Z	M CAPACITOR	.027MF 5% 50V			D 585	1SS119-041-T2	SI DIODE		
	C 509	QETN1CM-106Z	E CAPACITOR	10MF 20% 16V			D 586	DZ6.8BSC-T2	ZENER DIODE		
	C 510	QETN1HM-475Z	E CAPACITOR	4.7MF 20% 50V			D 587	DZ6.8BSC-T2	ZENER DIODE		

■ Electrical parts list (Input board)

Block No. 02

Item	Parts number	Parts name	Remarks	Area
D 592	1SS119-041-T2	SI DIODE		
EP250	E409182-001SM	GRAND TERMINAL		
FT111	QNG0020-001Z	FUSE CLIP		
FT112	QNG0020-001Z	FUSE CLIP		
FT131	QNG0020-001Z	FUSE CLIP		
FT132	QNG0020-001Z	FUSE CLIP		
FT511	QNG0020-001Z	FUSE CLIP		
FT512	QNG0020-001Z	FUSE CLIP		
FT521	QNG0020-001Z	FUSE CLIP		
FT522	QNG0020-001Z	FUSE CLIP		
FW401	QUM155-09Z4Z4	PARA RIBON WIRE		
FW710	QUM153-09DGZ4	FLAT WIRE		
FW714	QUM156-18DGZ4	PARA RIBON WIRE		
IC436	TDA7439	IC		
IC466	BA3837	IC(VOCALFADER)		
IC481	NJM4580D	IC		
IC501	NJM4580D	IC		
IC502	NJM4580D	IC		
IC526	NJM4580D	IC		
IC571	NJM4580D	IC		
J 411	QNN0420-001	PIN JACK		
J 426	GP1FA550TZ	OPT TRANSMITTER		
J 999	QNN0420-001	PIN JACK		
JA566	QNN0017-002	PIN JACK		
L 001	QQR1277-001Z	F.BEADS		
L 546	QQR1277-001Z	F.BEADS		
L 566	QQR1277-001Z	F.BEADS		
L 567	QQR1277-001Z	F.BEADS		
L 571	QQR1277-001Z	F.BEADS		
Q 401	2SC3576-JVC-T	TRANSISTOR		
Q 402	2SC3576-JVC-T	TRANSISTOR		
Q 481	2SC3576-JVC-T	TRANSISTOR		
Q 482	2SC3576-JVC-T	TRANSISTOR		
Q 483	KRA102M-T	D.TRANSISTOR		
Q 556	2SC3576-JVC-T	TRANSISTOR		
Q 557	2SC3576-JVC-T	TRANSISTOR		
Q 562	2SC3576-JVC-T	TRANSISTOR		
Q 571	2SC2785/FE/-T	TRANSISTOR		
Q 572	2SC2785/FE/-T	TRANSISTOR		
Q 573	2SC2785/FE/-T	TRANSISTOR		
Q 585	2SC2785/FE/-T	TRANSISTOR		
Q 586	2SC2785/FE/-T	TRANSISTOR		
Q 999	KRA102M-T	D.TRANSISTOR		
R 401	QRE141J-102Y	C RESISTOR	1.0K 5% 1/4W	
R 402	QRE141J-102Y	C RESISTOR	1.0K 5% 1/4W	
R 403	QRE141J-472Y	C RESISTOR	4.7K 5% 1/4W	
R 404	QRE141J-472Y	C RESISTOR	4.7K 5% 1/4W	
R 405	QRE141J-222Y	C RESISTOR	2.2K 5% 1/4W	
R 406	QRE141J-222Y	C RESISTOR	2.2K 5% 1/4W	
R 407	QRE141J-272Y	C RESISTOR	2.7K 5% 1/4W	
R 411	QRE141J-103Y	C RESISTOR	10K 5% 1/4W	
R 412	QRE141J-103Y	C RESISTOR	10K 5% 1/4W	
R 413	QRE141J-683Y	C RESISTOR	68K 5% 1/4W	
R 414	QRE141J-683Y	C RESISTOR	68K 5% 1/4W	
R 426	QRE141J-560Y	C RESISTOR	56 5% 1/4W	
R 431	QRE141J-303Y	C RESISTOR	30K 5% 1/4W	
R 432	QRE141J-303Y	C RESISTOR	30K 5% 1/4W	
R 434	QRJ146J-4R7X	UNF C RESISTOR	4.7 5% 1/4W	
R 435	QRE141J-103Y	C RESISTOR	10K 5% 1/4W	
R 436	QRE141J-103Y	C RESISTOR	10K 5% 1/4W	
R 437	QRE141J-102Y	C RESISTOR	1.0K 5% 1/4W	
R 438	QRE141J-272Y	C RESISTOR	2.7K 5% 1/4W	
R 439	QRE141J-562Y	C RESISTOR	5.6K 5% 1/4W	
R 440	QRE141J-562Y	C RESISTOR	5.6K 5% 1/4W	
R 441	QRE141J-272Y	C RESISTOR	2.7K 5% 1/4W	
R 442	QRE141J-103Y	C RESISTOR	10K 5% 1/4W	
R 443	QRE141J-104Y	C RESISTOR	100K 5% 1/4W	
R 444	QRE141J-104Y	C RESISTOR	100K 5% 1/4W	
R 466	QRE141J-201Y	C RESISTOR	200 5% 1/4W	
R 467	QRE141J-153Y	C RESISTOR	15K 5% 1/4W	
R 468	QRE141J-153Y	C RESISTOR	15K 5% 1/4W	
R 469	QRE141J-562Y	C RESISTOR	5.6K 5% 1/4W	
R 470	QRE141J-562Y	C RESISTOR	5.6K 5% 1/4W	
R 471	QRE141J-223Y	C RESISTOR	22K 5% 1/4W	
R 472	QRE141J-102Y	C RESISTOR	1.0K 5% 1/4W	
R 473	QRE141J-153Y	C RESISTOR	15K 5% 1/4W	
R 474	QRE141J-513Y	C RESISTOR	51K 5% 1/4W	
R 475	QRE141J-101Y	C RESISTOR	100 5% 1/4W	
R 485	QRE141J-563Y	C RESISTOR	56K 5% 1/4W	
R 486	QRE141J-563Y	C RESISTOR	56K 5% 1/4W	
R 487	QRE141J-154Y	C RESISTOR	150K 5% 1/4W	
R 488	QRE141J-154Y	C RESISTOR	150K 5% 1/4W	
R 489	QRE141J-104Y	C RESISTOR	100K 5% 1/4W	
R 490	QRE141J-104Y	C RESISTOR	100K 5% 1/4W	
R 491	QRE141J-472Y	C RESISTOR	4.7K 5% 1/4W	
R 492	QRE141J-472Y	C RESISTOR	4.7K 5% 1/4W	
R 493	QRE141J-103Y	C RESISTOR	10K 5% 1/4W	
R 494	QRE141J-103Y	C RESISTOR	10K 5% 1/4W	
R 495	QRE141J-101Y	C RESISTOR	100 5% 1/4W	
R 496	QRE141J-102Y	C RESISTOR	1.0K 5% 1/4W	
R 498	QRE141J-101Y	C RESISTOR	100 5% 1/4W	
R 501	QRE141J-332Y	C RESISTOR	3.3K 5% 1/4W	
R 502	QRE141J-332Y	C RESISTOR	3.3K 5% 1/4W	
R 503	QRE141J-303Y	C RESISTOR	30K 5% 1/4W	
R 504	QRE141J-104Y	C RESISTOR	100K 5% 1/4W	
R 505	QRE141J-223Y	C RESISTOR	22K 5% 1/4W	
R 506	QRE141J-223Y	C RESISTOR	22K 5% 1/4W	
R 507	QRE141J-303Y	C RESISTOR	30K 5% 1/4W	
R 508	QRE141J-274Y	C RESISTOR	270K 5% 1/4W	
R 510	QRE141J-823Y	C RESISTOR	82K 5% 1/4W	
R 511	QRE141J-104Y	C RESISTOR	100K 5% 1/4W	
R 512	QRE141J-224Y	C RESISTOR	220K 5% 1/4W	
R 513	QRE141J-224Y	C RESISTOR	220K 5% 1/4W	
R 517	QRE141J-563Y	C RESISTOR	56K 5% 1/4W	
R 518	QRE141J-104Y	C RESISTOR	100K 5% 1/4W	
R 519	QRE141J-104Y	C RESISTOR	100K 5% 1/4W	
R 523	QRE141J-822Y	C RESISTOR	8.2K 5% 1/4W	
R 524	QRE141J-102Y	C RESISTOR	1.0K 5% 1/4W	
R 526	QRE141J-101Y	C RESISTOR	100 5% 1/4W	
R 528	QRE141J-152Y	C RESISTOR	1.5K 5% 1/4W	
R 529	QRE141J-223Y	C RESISTOR	22K 5% 1/4W	
R 530	QRE141J-822Y	C RESISTOR	8.2K 5% 1/4W	
R 531	QRE141J-103Y	C RESISTOR	10K 5% 1/4W	
R 532	QRE141J-223Y	C RESISTOR	22K 5% 1/4W	
R 534	QRE141J-124Y	C RESISTOR	120K 5% 1/4W	
R 536	QRE141J-113Y	C RESISTOR	11K 5% 1/4W	
R 537	QRE141J-101Y	C RESISTOR	100 5% 1/4W	
R 541	QRE141J-223Y	C RESISTOR	22K 5% 1/4W	
R 557	QRE141J-822Y	C RESISTOR	8.2K 5% 1/4W	
R 558	QRE141J-472Y	C RESISTOR	4.7K 5% 1/4W	
R 560	QRE141J-473Y	C RESISTOR	47K 5% 1/4W	
R 562	QRE141J-103Y	C RESISTOR	10K 5% 1/4W	
R 563	QRE141J-223Y	C RESISTOR	22K 5% 1/4W	
R 564	QRE141J-223Y	C RESISTOR	22K 5% 1/4W	
R 571	QRE141J-271Y	C RESISTOR	270 5% 1/4W	
R 572	QRE141J-473Y	C RESISTOR	47K 5% 1/4W	

■ Electrical parts list (Input board)

Block No. 02

△	Item	Parts number	Parts name	Remarks	Area
	R 575	QRE141J-473Y	C RESISTOR	47K 5% 1/4W	
	R 576	QRE141J-104Y	C RESISTOR	100K 5% 1/4W	
	R 577	QRE141J-104Y	C RESISTOR	100K 5% 1/4W	
	R 579	QRE141J-184Y	C RESISTOR	180K 5% 1/4W	
	R 580	QRE141J-223Y	C RESISTOR	22K 5% 1/4W	
	R 581	QRE141J-224Y	C RESISTOR	220K 5% 1/4W	
	R 582	QRE141J-101Y	C RESISTOR	100 5% 1/4W	
	R 583	QRE141J-101Y	C RESISTOR	100 5% 1/4W	
	R 585	QRE141J-473Y	C RESISTOR	47K 5% 1/4W	
	R 586	QRE141J-225Y	C RESISTOR	2.2M 5% 1/4W	
	R 587	QRE141J-104Y	C RESISTOR	100K 5% 1/4W	
	R 588	QRE141J-220Y	C RESISTOR	22 5% 1/4W	
	R 593	QRE141J-104Y	C RESISTOR	100K 5% 1/4W	
	R 991	QRE141J-102Y	C RESISTOR	1.0K 5% 1/4W	
	R 994	QRE141J-103Y	C RESISTOR	10K 5% 1/4W	
	R 995	QRE141J-333Y	C RESISTOR	33K 5% 1/4W	
	R 998	QRE141J-103Y	C RESISTOR	10K 5% 1/4W	
△	R1002	ERX12SJR33E	UNF.C.RESISTOR		
	R1202	QRE141J-102Y	C RESISTOR	1.0K 5% 1/4W	
	R1203	QRE141J-102Y	C RESISTOR	1.0K 5% 1/4W	
△	S 500	QSW0812-001	VOLTAGE SWITCH		
	SP 21	VYSA1R3-049	SPACER		
	SP 22	VYSA1R3-049	SPACER		
	SP 23	VYSA1R3-049	SPACER		

■ Electrical parts list (Front board)

Block No. 03

▲	Item	Parts number	Parts name	Remarks	Area	▲	Item	Parts number	Parts name	Remarks	Area
	C 233	QFVJ1HJ-104Z	MF CAPACITOR	.10MF 5% 50V			C1042	EETC1EM-226ZJC	E CAPACITOR		
	C 302	EETC1HM-106ZJC	E CAPACITOR				C1043	QFVJ1HJ-474Z	MF CAPACITOR	.47MF 5% 50V	
	C 308	EETC1HM-106ZJC	E CAPACITOR				C1044	QDYB1CM-103Y	C CAPACITOR		
	C 310	EETC1HM-106ZJC	E CAPACITOR				C1045	QETN1HM-225Z	E CAPACITOR	2.2MF 20% 50V	
	C 312	EETC1HM-106ZJC	E CAPACITOR				C1046	EETC1HM-105ZJC	E CAPACITOR		
	C 360	EETC1CM-476ZJC	E CAPACITOR				C1061	QETN1AM-227Z	E CAPACITOR	220MF 20% 10V	
	C 361	QDYB1CM-103Y	C CAPACITOR				C1062	EKEC1AM-107ZJC	E CAPACITOR		
	C 362	EETC1HM-226ZJC	E CAPACITOR				C1063	EKEC1HM-475ZJC	E CAPACITOR		
	C 801	FQCF31HP-103Z	C CAPACITOR				C1064	QCBB1HK-151Y	C CAPACITOR	150PF 10% 50V	
	C 803	QETN0JM-477Z	E CAPACITOR	470MF 20% 6.3V			C1065	QCBB1HK-151Y	C CAPACITOR	150PF 10% 50V	
	C 804	QETN0JM-477Z	E CAPACITOR	470MF 20% 6.3V			C1066	QCBB1HK-331Y	C CAPACITOR	330PF 10% 50V	
	C 805	QDGB1HK-102Y	C CAPACITOR				C1067	QEKC1HM-225Z	E CAPACITOR	2.2MF 20% 50V	
	C 808	QCSB1HJ-120Y	C CAPACITOR	12PF 5% 50V			C1068	QEKC1HM-224Z	E CAPACITOR	.22MF 20% 50V	
	C 809	QCSB1HJ-180Y	C CAPACITOR	18PF 5% 50V			C1070	QDXB1CM-222Y	C CAPACITOR		
	C 815	EETC1HM-226ZJC	E CAPACITOR				D 308	DZ5.6BSC-T2	ZENER DIODE		
	C 816	EETC1CM-476ZJC	E CAPACITOR				D 313	DZ8.2BSB-T2	ZENER DIODE		
	C 817	EETC1HM-226ZJC	E CAPACITOR				D 314	DZ13BSB-T2	ZENER DIODE		
	C 820	QCZ0202-155Z	ML C CAPACITOR	1.5MF			D 315	DZ9.1BSB-T2	ZENER DIODE		
	C 821	QDYB1CM-103Y	C CAPACITOR				D 360	DZ5.1BSB-T2	ZENER DIODE		
	C 823	QFVJ1HJ-334Z	MF CAPACITOR	.33MF 5% 50V			D 361	DZ9.1BSB-T2	ZENER DIODE		
	C 831	QDYB1CM-103Y	C CAPACITOR				D 362	DZ6.8BSC-T2	ZENER DIODE		
	C 832	QDYB1CM-103Y	C CAPACITOR				D 650	1SS119-041-T2	SI DIODE		
	C 835	QDGB1HK-102Y	C CAPACITOR				D 725	1SS119-041-T2	SI DIODE		
	C 836	EETC1EM-106ZJC	E CAPACITOR				D 801	1N4003S-T5	SI DIODE		
	C 837	EETC1AM-107ZJC	E CAPACITOR				D 803	1SS119-041-T2	SI DIODE		
	C 838	QDGB1HK-102Y	C CAPACITOR				D 804	1SS119-041-T2	SI DIODE		
	C 840	EETC1AM-107ZJC	E CAPACITOR				D 805	1SS119-041-T2	SI DIODE		
	C 857	EETC1HM-226ZJC	E CAPACITOR				D 807	1N4003S-T5	SI DIODE		
	C 872	EETC1HM-224ZJC	E CAPACITOR				D 812	1SS119-041-T2	SI DIODE		
	C 873	EETC1HM-224ZJC	E CAPACITOR				D 831	DZ5.1BSB-T2	ZENER DIODE		
	C 874	QFLC1HJ-104Z	M CAPACITOR	.10MF 5% 50V			D 832	DZ5.1BSB-T2	ZENER DIODE		
	C 875	QFLC1HJ-104Z	M CAPACITOR	.10MF 5% 50V			D 907	1SS119-041-T2	SI DIODE		
	C 889	EETC1HM-475ZJC	E CAPACITOR				D 918	L-192ZSRD-T	LED		
	C 935	QDYB1CM-103Y	C CAPACITOR				D 919	L-192ZSRD-T	LED		
	C 956	QDYB1CM-103Y	C CAPACITOR				D 920	L-192ZSRD-T	LED		
	C 957	QDYB1CM-103Y	C CAPACITOR				D 940	L-192ZSRD-T	LED		
	C 960	QDYB1CM-103Y	C CAPACITOR				D 941	L-192ZSRD-T	LED		
	C 961	QDYB1CM-103Y	C CAPACITOR				D 942	L-192ZSRD-T	LED		
	C 962	QDYB1CM-103Y	C CAPACITOR				D 943	L-192ZSRD-T	LED		
	C 963	QDYB1CM-103Y	C CAPACITOR				D 944	L-192ZSRD-T	LED		
	CN216	QGB2510K2-12	CONNECTOR				D 945	L-192ZSRD-T	LED		
	CN217	QGB2510K2-10	CONNECTOR				D 953	L-192ZSRD-T	LED		
	CN316	QGF1210G1-09	CONNECTOR				D 954	L-192ZSRD-T	LED		
	CN710	QGD2504C1-03Z	SOCKET				D 956	L-192ZSRD-T	LED		
	CN860	QGF1205F1-17	CONNECTOR				D 957	L-192ZSRD-T	LED		
	CN861	QGF1205F1-17	CONNECTOR				D 960	L-192ZSRD-T	LED		
	CN880	QGF1210G1-24	FFC/FPC CONNE				D 961	L-192ZSRD-T	LED		
	CN890	QGF1205F1-24	CONNECTOR				D 962	L-192ZSRD-T	LED		
	CN911	QGD2503F1-07	SOCKET				D 964	1SS119-041-T2	SI DIODE		
	C1004	QDGB1HK-102Y	C CAPACITOR				D1003	DZ2.4BSB-T2	ZENER DIODE		
	C1005	QDGB1HK-102Y	C CAPACITOR				D1021	DZ5.1BSB-T2	ZENER DIODE		
	C1006	QDGB1HK-102Y	C CAPACITOR				D1061	1SS119-041-T2	SI DIODE		
	C1021	QDGB1HK-102Y	C CAPACITOR				D1062	DZ2.4BSB-T2	ZENER DIODE		
	C1022	QDGB1HK-102Y	C CAPACITOR				FL801	QLF0081-001	FL DISPLAY TUBE		
	C1023	QDGB1HK-102Y	C CAPACITOR				FW230	QUM153-11DGZ4	PARA RIBON WIRE		
	C1034	QFLM1HJ-104Z	M CAPACITOR	.10MF 5% 50V			FW713	QUM153-33DGZ4	FLAT WIRE		
	C1035	EETC1AM-107ZJC	E CAPACITOR				FW915	QUM027-18Z4Z4	PARA RIBON WIRE		
	C1036	QCBB1HK-101Y	C CAPACITOR	100PF 10% 50V		▲	IC301	KIA78R05PI	IC		
	C1037	QDYB1CM-103Y	C CAPACITOR			▲	IC303	L7808CP	IC		
	C1038	QDXB1CM-472Y	C CAPACITOR			▲	IC304	L7812CP	IC		
	C1039	QDYB1CM-103Y	C CAPACITOR			▲	IC305	L7809CP	IC		
	C1040	QDXB1CM-332Y	C CAPACITOR				IC810	MN101C35DEM	IC		
	C1041	QDYB1CM-103Y	C CAPACITOR				IC811	BU2092	IC		

■ Electrical parts list (Front board)

Block No. 03

△	Item	Parts number	Parts name	Remarks	Area	△	Item	Parts number	Parts name	Remarks	Area
	IC812	BA3835S	IC				R 362	QRE141J-331Y	C RESISTOR	330 5% 1/4W	
	IC830	KIA7042AP-T	IC				R 363	QRE141J-331Y	C RESISTOR	330 5% 1/4W	
	IC901	NJM4580L	IC				R 364	QRE141J-122Y	C RESISTOR	1.2K 5% 1/4W	
	IC902	BU9253AS	IC				R 365	QRE141J-201Y	C RESISTOR	200 5% 1/4W	
	IC951	GP1U271X	RF-RECEIVER				R 366	QRE141J-201Y	C RESISTOR	200 5% 1/4W	
	J 81	QNB0107-001	SPK TERMINAL				R 367	QRE141J-122Y	C RESISTOR	1.2K 5% 1/4W	
	JS956	QSW0912-001	ROTARY SWITCH	S/WOOFER VOL			R 368	QRE141J-331Y	C RESISTOR	330 5% 1/4W	
	JS960	QSW0911-001	ROTARY SWITCH	S/MODE VOL			R 801	QRE141J-331Y	C RESISTOR	330 5% 1/4W	
	JS962	QSW0987-001	ROTARY ENCODER	MAIN VOL			R 807	QRE141J-103Y	C RESISTOR	10K 5% 1/4W	
	J1001	QNS0183-001	HEADPHONE JACK	HEAD PHONE			R 808	QRE141J-103Y	C RESISTOR	10K 5% 1/4W	
	J1021	QNS0184-001	HEADPHONE JACK				R 810	QRE141J-103Y	C RESISTOR	10K 5% 1/4W	
	J1022	QNS0184-001	HEADPHONE JACK				R 811	QRE141J-103Y	C RESISTOR	10K 5% 1/4W	
	L 801	QQL244K-100Z	INDUCTOR				R 812	QRE141J-103Y	C RESISTOR	10K 5% 1/4W	
	L 802	QQL231K-220Y	INDUCTOR				R 813	QRE141J-103Y	C RESISTOR	10K 5% 1/4W	
	L 803	QQL244K-100Z	INDUCTOR				R 814	QRE141J-562Y	C RESISTOR	5.6K 5% 1/4W	
	L 805	QQL244K-100Z	INDUCTOR				R 815	QRE141J-563Y	C RESISTOR	56K 5% 1/4W	
	L 806	QQL244K-100Z	INDUCTOR				R 816	QRE141J-563Y	C RESISTOR	56K 5% 1/4W	
	L 813	QQR1277-001Z	F.BEADS				R 817	QRE141J-103Y	C RESISTOR	10K 5% 1/4W	
	L1003	QQL231K-2R2Y	INDUCTOR				R 818	QRE141J-103Y	C RESISTOR	10K 5% 1/4W	
△	Q 360	KTC2026/OY/	SI.TRANSISTOR				R 819	QRE141J-102Y	C RESISTOR	1.0K 5% 1/4W	
	Q 361	2SC2785/FE/-T	TRANSISTOR				R 820	QRE141J-102Y	C RESISTOR	1.0K 5% 1/4W	
	Q 362	2SC2785/FE/-T	TRANSISTOR				R 821	QRE141J-103Y	C RESISTOR	10K 5% 1/4W	
	Q 809	2SD1991A/RS/-T	TRANSISTOR				R 822	QRE141J-103Y	C RESISTOR	10K 5% 1/4W	
	Q 810	2SD1991A/RS/-T	TRANSISTOR				R 823	QRE141J-102Y	C RESISTOR	1.0K 5% 1/4W	
	Q 811	2SD1991A/RS/-T	TRANSISTOR				R 824	QRE141J-102Y	C RESISTOR	1.0K 5% 1/4W	
	Q 812	2SD1991A/RS/-T	TRANSISTOR				R 825	QRE141J-104Y	C RESISTOR	100K 5% 1/4W	
	Q 813	2SD1991A/RS/-T	TRANSISTOR				R 826	QRE141J-104Y	C RESISTOR	100K 5% 1/4W	
	Q 816	2SD1991A/RS/-T	TRANSISTOR				R 827	QRE141J-103Y	C RESISTOR	10K 5% 1/4W	
	Q 817	2SD1991A/RS/-T	TRANSISTOR				R 828	QRE141J-103Y	C RESISTOR	10K 5% 1/4W	
	Q 843	KRA102M-T	D.TRANSISTOR				R 829	QRE141J-103Y	C RESISTOR	10K 5% 1/4W	
	Q 858	2SD1991A/RS/-T	TRANSISTOR				R 831	QRE141J-104Y	C RESISTOR	100K 5% 1/4W	
	Q 875	KRC102M-T	D.TRANSISTOR				R 832	QRE141J-104Y	C RESISTOR	100K 5% 1/4W	
	Q 877	KRA102M-T	D.TRANSISTOR				R 833	QRE141J-104Y	C RESISTOR	100K 5% 1/4W	
	Q 878	KRC102M-T	D.TRANSISTOR				R 834	QRE141J-104Y	C RESISTOR	100K 5% 1/4W	
	Q 879	2SD1991A/RS/-T	TRANSISTOR				R 835	QRE141J-104Y	C RESISTOR	100K 5% 1/4W	
	Q 890	2SD1991A/RS/-T	TRANSISTOR				R 836	QRE141J-104Y	C RESISTOR	100K 5% 1/4W	
	Q 905	KRC104M-T	D.TRANSISTOR				R 837	QRE141J-104Y	C RESISTOR	100K 5% 1/4W	
	Q 906	KRC104M-T	D.TRANSISTOR				R 838	QRE141J-102Y	C RESISTOR	1.0K 5% 1/4W	
	Q 907	KRC102M-T	D.TRANSISTOR				R 839	QRE141J-102Y	C RESISTOR	1.0K 5% 1/4W	
	Q 908	KRA102M-T	D.TRANSISTOR				R 840	QRE141J-103Y	C RESISTOR	10K 5% 1/4W	
	Q 918	KRC102M-T	D.TRANSISTOR				R 841	QRE141J-103Y	C RESISTOR	10K 5% 1/4W	
	Q 919	KRC102M-T	D.TRANSISTOR				R 842	QRE141J-103Y	C RESISTOR	10K 5% 1/4W	
	Q 920	KRC102M-T	D.TRANSISTOR				R 844	QRE141J-102Y	C RESISTOR	1.0K 5% 1/4W	
	Q 940	2SA1175/FE/-T	TRANSISTOR				R 845	QRE141J-102Y	C RESISTOR	1.0K 5% 1/4W	
	Q 941	2SA1175/FE/-T	TRANSISTOR				R 846	QRE141J-102Y	C RESISTOR	1.0K 5% 1/4W	
	Q 953	2SA1175/FE/-T	TRANSISTOR				R 847	QRE141J-102Y	C RESISTOR	1.0K 5% 1/4W	
	Q 954	2SA1175/FE/-T	TRANSISTOR				R 848	QRE141J-331Y	C RESISTOR	330 5% 1/4W	
	Q 956	2SA1175/FE/-T	TRANSISTOR				R 849	QRE141J-102Y	C RESISTOR	1.0K 5% 1/4W	
	Q 960	2SA1175/FE/-T	TRANSISTOR				R 850	QRE141J-102Y	C RESISTOR	1.0K 5% 1/4W	
	Q 961	KRA102M-T	D.TRANSISTOR				R 851	QRE141J-102Y	C RESISTOR	1.0K 5% 1/4W	
	Q1021	KRA111M-T	D.TRANSISTOR				R 854	QRE141J-102Y	C RESISTOR	1.0K 5% 1/4W	
	Q1022	KRA111M-T	D.TRANSISTOR				R 855	QRE141J-102Y	C RESISTOR	1.0K 5% 1/4W	
	Q1023	KRA111M-T	D.TRANSISTOR				R 856	QRE141J-104Y	C RESISTOR	100K 5% 1/4W	
	Q1061	2SC3576-JVC-T	TRANSISTOR				R 857	QRE141J-104Y	C RESISTOR	100K 5% 1/4W	
	R 151	QRE141J-221Y	C RESISTOR	220 5% 1/4W			R 858	QRE141J-104Y	C RESISTOR	100K 5% 1/4W	
△	R 233	QRK126J-470X	C RESISTOR	47 5% 1/2W			R 859	QRE141J-104Y	C RESISTOR	100K 5% 1/4W	
△	R 234	QRK126J-470X	C RESISTOR	47 5% 1/2W			R 865	QRE141J-104Y	C RESISTOR	100K 5% 1/4W	
△	R 302	QRJ146J-2R2X	UNF C RESISTOR	2.2 5% 1/4W			R 866	QRE141J-104Y	C RESISTOR	100K 5% 1/4W	
△	R 306	ERX12SJR33E	UNF.C.RESISTOR				R 867	QRE141J-104Y	C RESISTOR	100K 5% 1/4W	
△	R 309	ERX12SJR33E	UNF.C.RESISTOR				R 868	QRE141J-104Y	C RESISTOR	100K 5% 1/4W	
	R 311	QRE141J-103Y	C RESISTOR	10K 5% 1/4W			R 869	QRE141J-104Y	C RESISTOR	100K 5% 1/4W	
△	R 360	QRZ9042-2R2X	F RESISTOR	2.2 1/4W			R 870	QRE141J-104Y	C RESISTOR	100K 5% 1/4W	
△	R 361	QRZ9006-4R7X	F RESISTOR	4.7 1/4W			R 871	QRE141J-104Y	C RESISTOR	100K 5% 1/4W	

■ Electrical parts list (Front board)

Block No. 03

▲	Item	Parts number	Parts name	Remarks	Area	▲	Item	Parts number	Parts name	Remarks	Area
	R 872	QRE141J-104Y	C RESISTOR	100K 5% 1/4W			R 961	QRE141J-101Y	C RESISTOR	100 5% 1/4W	
	R 873	QRE141J-104Y	C RESISTOR	100K 5% 1/4W			R 962	QRE141J-103Y	C RESISTOR	10K 5% 1/4W	
	R 874	QRE141J-104Y	C RESISTOR	100K 5% 1/4W			R 963	QRE141J-562Y	C RESISTOR	5.6K 5% 1/4W	
	R 876	QRE141J-103Y	C RESISTOR	10K 5% 1/4W			R 964	QRE141J-392Y	C RESISTOR	3.9K 5% 1/4W	
	R 877	QRE141J-103Y	C RESISTOR	10K 5% 1/4W			R 965	QRE141J-103Y	C RESISTOR	10K 5% 1/4W	
	R 878	QRE141J-104Y	C RESISTOR	100K 5% 1/4W			R 969	QRE141J-680Y	C RESISTOR	68 5% 1/4W	
	R 879	QRE141J-104Y	C RESISTOR	100K 5% 1/4W			R 970	QRE141J-101Y	C RESISTOR	100 5% 1/4W	
	R 880	QRE141J-104Y	C RESISTOR	100K 5% 1/4W			R 992	QRE141J-202Y	C RESISTOR	2.0K 5% 1/4W	
	R 881	QRE141J-103Y	C RESISTOR	10K 5% 1/4W			R 993	QRE141J-122Y	C RESISTOR	1.2K 5% 1/4W	
	R 882	QRE141J-103Y	C RESISTOR	10K 5% 1/4W			R 994	QRE141J-753Y	C RESISTOR	75K 5% 1/4W	U,UN
	R 883	QRE141J-103Y	C RESISTOR	10K 5% 1/4W			R 994	QRE141J-183Y	C RESISTOR	18K 5% 1/4W	UX
	R 884	QRE141J-102Y	C RESISTOR	1.0K 5% 1/4W			R 995	QRE141J-222Y	C RESISTOR	2.2K 5% 1/4W	
	R 885	QRE141J-221Y	C RESISTOR	220 5% 1/4W			R 996	QRE141J-272Y	C RESISTOR	2.7K 5% 1/4W	
	R 886	QRE141J-221Y	C RESISTOR	220 5% 1/4W			R 997	QRE141J-152Y	C RESISTOR	1.5K 5% 1/4W	
	R 887	QRE141J-221Y	C RESISTOR	220 5% 1/4W			RA801	QRB169J-104	NET RESISTOR	100K 5% 1/6W	
	R 888	QRE141J-221Y	C RESISTOR	220 5% 1/4W			RA802	QRB169J-104	NET RESISTOR	100K 5% 1/6W	
	R 889	QRE141J-221Y	C RESISTOR	220 5% 1/4W			RY 1	QSK0109-001	RELAY		
	R 890	QRE141J-104Y	C RESISTOR	100K 5% 1/4W			RY 2	QSK0109-001	RELAY		
	R 891	QRE141J-104Y	C RESISTOR	100K 5% 1/4W			R1021	QRE141J-472Y	C RESISTOR	4.7K 5% 1/4W	
	R 893	QRE141J-102Y	C RESISTOR	1.0K 5% 1/4W			R1022	QRE141J-472Y	C RESISTOR	4.7K 5% 1/4W	
	R 894	QRE141J-334Y	C RESISTOR	330K 5% 1/4W	U,UN		R1031	QRE141J-203Y	C RESISTOR	20K 5% 1/4W	
	R 894	QRE141J-183Y	C RESISTOR	18K 5% 1/4W	UX		R1032	QRE141J-203Y	C RESISTOR	20K 5% 1/4W	
	R 895	QRE141J-102Y	C RESISTOR	1.0K 5% 1/4W			R1033	QRE141J-822Y	C RESISTOR	8.2K 5% 1/4W	
	R 897	QRE141J-183Y	C RESISTOR	18K 5% 1/4W			R1034	QRE141J-103Y	C RESISTOR	10K 5% 1/4W	
	R 898	QRE141J-680Y	C RESISTOR	68 5% 1/4W			R1035	QRE141J-333Y	C RESISTOR	33K 5% 1/4W	
	R 902	QRE141J-103Y	C RESISTOR	10K 5% 1/4W			R1036	QRE141J-303Y	C RESISTOR	30K 5% 1/4W	
	R 905	QRE141J-104Y	C RESISTOR	100K 5% 1/4W			R1037	QRE141J-153Y	C RESISTOR	15K 5% 1/4W	
	R 906	QRE141J-104Y	C RESISTOR	100K 5% 1/4W			R1038	QRE141J-472Y	C RESISTOR	4.7K 5% 1/4W	
	R 907	QRE141J-103Y	C RESISTOR	10K 5% 1/4W			R1039	QRE141J-103Y	C RESISTOR	10K 5% 1/4W	
	R 911	QRE141J-682Y	C RESISTOR	6.8K 5% 1/4W			R1040	QRE141J-272Y	C RESISTOR	2.7K 5% 1/4W	
	R 912	QRE141J-103Y	C RESISTOR	10K 5% 1/4W			R1041	QRE141J-203Y	C RESISTOR	20K 5% 1/4W	
	R 916	QRE141J-102Y	C RESISTOR	1.0K 5% 1/4W			R1042	QRE141J-221Y	C RESISTOR	220 5% 1/4W	
	R 917	QRE141J-102Y	C RESISTOR	1.0K 5% 1/4W			R1043	QRE141J-203Y	C RESISTOR	20K 5% 1/4W	
	R 918	QRE141J-201Y	C RESISTOR	200 5% 1/4W			R1044	QRE141J-562Y	C RESISTOR	5.6K 5% 1/4W	
	R 919	QRE141J-201Y	C RESISTOR	200 5% 1/4W			R1045	QRE141J-102Y	C RESISTOR	1.0K 5% 1/4W	
	R 920	QRE141J-201Y	C RESISTOR	200 5% 1/4W			R1061	QRE141J-103Y	C RESISTOR	10K 5% 1/4W	
	R 921	QRE141J-183Y	C RESISTOR	18K 5% 1/4W			R1062	QRE141J-123Y	C RESISTOR	12K 5% 1/4W	
	R 930	QRE141J-103Y	C RESISTOR	10K 5% 1/4W			R1063	QRE141J-391Y	C RESISTOR	390 5% 1/4W	
	R 931	QRE141J-222Y	C RESISTOR	2.2K 5% 1/4W			R1064	QRE141J-152Y	C RESISTOR	1.5K 5% 1/4W	
	R 932	QRE141J-272Y	C RESISTOR	2.7K 5% 1/4W			R1065	QRE141J-101Y	C RESISTOR	100 5% 1/4W	
	R 933	QRE141J-392Y	C RESISTOR	3.9K 5% 1/4W			R1066	QRE141J-475Y	C RESISTOR	4.7M 5% 1/4W	
	R 935	QRE141J-562Y	C RESISTOR	5.6K 5% 1/4W			R1067	QRE141J-560Y	C RESISTOR	56 5% 1/4W	
	R 936	QRE141J-122Y	C RESISTOR	1.2K 5% 1/4W			R1068	QRE141J-203Y	C RESISTOR	20K 5% 1/4W	
	R 937	QRE141J-152Y	C RESISTOR	1.5K 5% 1/4W			R1069	QRE141J-102Y	C RESISTOR	1.0K 5% 1/4W	
	R 938	QRE141J-222Y	C RESISTOR	2.2K 5% 1/4W			R1070	QRE141J-561Y	C RESISTOR	560 5% 1/4W	
	R 939	QRE141J-272Y	C RESISTOR	2.7K 5% 1/4W			R1071	QRE141J-472Y	C RESISTOR	4.7K 5% 1/4W	
	R 940	QRE141J-680Y	C RESISTOR	68 5% 1/4W			S 915	QSW0825-001Z	TACT SWITCH	DISC 1	
	R 941	QRE141J-680Y	C RESISTOR	68 5% 1/4W			S 916	QSW0825-001Z	TACT SWITCH		
	R 942	QRE141J-392Y	C RESISTOR	3.9K 5% 1/4W			S 917	QSW0825-001Z	TACT SWITCH		
	R 943	QRE141J-103Y	C RESISTOR	10K 5% 1/4W			S 931	QSW0825-001Z	TACT SWITCH	DUBBING	
	R 944	QRE141J-562Y	C RESISTOR	5.6K 5% 1/4W			S 932	QSW0825-001Z	TACT SWITCH		
	R 945	QRE141J-392Y	C RESISTOR	3.9K 5% 1/4W			S 933	QSW0825-001Z	TACT SWITCH		
	R 946	QRE141J-272Y	C RESISTOR	2.7K 5% 1/4W			S 935	QSW0825-001Z	TACT SWITCH		
	R 947	QRE141J-222Y	C RESISTOR	2.2K 5% 1/4W			S 936	QSW0825-001Z	TACT SWITCH		
	R 948	QRE141J-152Y	C RESISTOR	1.5K 5% 1/4W			S 937	QSW0825-001Z	TACT SWITCH		
	R 949	QRE141J-122Y	C RESISTOR	1.2K 5% 1/4W			S 938	QSW0825-001Z	TACT SWITCH		
	R 950	QRE141J-102Y	C RESISTOR	1.0K 5% 1/4W			S 939	QSW0825-001Z	TACT SWITCH		
	R 952	QRE141J-122Y	C RESISTOR	1.2K 5% 1/4W			S 942	QSW0825-001Z	TACT SWITCH		
	R 953	QRE141J-680Y	C RESISTOR	68 5% 1/4W			S 943	QSW0825-001Z	TACT SWITCH		
	R 954	QRE141J-680Y	C RESISTOR	68 5% 1/4W			S 944	QSW0825-001Z	TACT SWITCH		
	R 955	QRE141J-152Y	C RESISTOR	1.5K 5% 1/4W			S 945	QSW0825-001Z	TACT SWITCH		
	R 956	QRE141J-680Y	C RESISTOR	68 5% 1/4W			S 946	QSW0825-001Z	TACT SWITCH		
	R 960	QRE141J-680Y	C RESISTOR	68 5% 1/4W			S 947	QSW0825-001Z	TACT SWITCH		

■ Electrical parts list (Front board)

Block No. 03

△	Item	Parts number	Parts name	Remarks	Area
	S 948	QSW0825-001Z	TACT SWITCH		
	S 949	QSW0825-001Z	TACT SWITCH		
	S 950	QSW0825-001Z	TACT SWITCH		
	S 951	QSW0825-001Z	TACT SWITCH		
	S 952	QSW0825-001Z	TACT SWITCH		
	S 963	QSW0825-001Z	TACT SWITCH		
	S 995	QSW0825-001Z	TACT SWITCH		
	S 996	QSW0825-001Z	TACT SWITCH		
	S 997	QSW0825-001Z	TACT SWITCH		
	S 998	QSW0825-001Z	TACT SWITCH		
	S 999	QSW0825-001Z	TACT SWITCH		
	SP801	VYH7653-001	IC HOLDER		
	VR901	QVQ0299-B54	V.RESISTOR		
	X 801	QAX0711-002Z	CRYSTAL		

■ Electrical parts list (CD board)

Block No. 04

▲	Item	Parts number	Parts name	Remarks	Area	▲	Item	Parts number	Parts name	Remarks	Area
	C 251	NCS31HJ-330X	C CAPACITOR				CN601	QGF1016F3-15	CONNECTOR		
	C 252	NCS31HJ-330X	C CAPACITOR				CN651	QGF1016F3-19	CONNECTOR		
	C 253	NCB31EK-104X	C CAPACITOR				CN801	QGA2001C1-06	6P PLUG ASSY		
	C 254	QERF1AM-476Z	E CAPACITOR	47MF 20% 10V			CN854	QGB2016K1-07	CONNECTOR		
	C 291	QERF1AM-476Z	E CAPACITOR	47MF 20% 10V			CN855	QGG2002M4-10	CONNECTOR		
	C 601	NCB31HK-102X	C CAPACITOR				D 851	DZ5.6BSB-T2	ZENER DIODE		
	C 602	NCB31HK-102X	C CAPACITOR				IC251	MN101C30AEE	IC		
	C 603	NCB31HK-223X	C CAPACITOR				IC601	AN22000A-W	IC		
	C 604	NCB31HK-223X	C CAPACITOR				IC651	MN662748RPMFA	IC		
	C 605	NCS31HJ-151X	C CAPACITOR				IC801	LA6541-X	IC		
	C 606	NCS31HJ-390X	C CAPACITOR				IC851	LB1641	IC		
	C 608	NCS31HJ-821X	C CAPACITOR				IC852	LB1641	IC		
	C 610	NCB31EK-273X	C CAPACITOR				L 851	QLL01BK-100Z	INDUCTOR		
	C 613	NCB31EK-104X	C CAPACITOR				L 853	QLL01BK-100Z	INDUCTOR		
	C 614	NCB31CK-273X	C CAPACITOR				L 854	QLL01BK-100Z	INDUCTOR		
	C 615	NCB31HK-472X	C CAPACITOR				Q 291	2SA952/LK/-T	TRANSISTOR		
	C 616	NCB31HK-103X	C CAPACITOR				Q 631	2SB709A/QR/-X	TRANSISTOR		
	C 617	NCS31HJ-331X	C CAPACITOR				R 252	NRSA63J-102X	MG RESISTOR		
	C 620	NCS31HJ-470X	C CAPACITOR				R 253	NRSA63J-102X	MG RESISTOR		
	C 621	NCB30JK-105X	C CAPACITOR				R 254	NRSA63J-101X	MG RESISTOR		
	C 622	NCB31EK-473X	C CAPACITOR				R 255	NRSA63J-101X	MG RESISTOR		
	C 623	NCF31AZ-105X	C CAPACITOR				R 256	NRSA63J-101X	MG RESISTOR		
	C 631	QERF1CM-106Z	E CAPACITOR	10MF 20% 16V			R 257	NRSA63J-102X	MG RESISTOR		
	C 632	NCF31AZ-105X	C CAPACITOR				R 258	NRSA63J-102X	MG RESISTOR		
	C 633	NCB31HK-223X	C CAPACITOR				R 259	NRSA63J-102X	MG RESISTOR		
	C 641	NCB31HK-223X	C CAPACITOR				R 261	NRSA63J-101X	MG RESISTOR		
	C 642	NCB31HK-222X	C CAPACITOR				R 262	NRSA63J-101X	MG RESISTOR		
	C 651	NCS31HJ-120X	C CAPACITOR				R 263	NRSA63J-101X	MG RESISTOR		
	C 652	NCS31HJ-120X	C CAPACITOR				R 291	NRSA63J-122X	MG RESISTOR		
	C 653	NCB31EK-104X	C CAPACITOR				R 292	NRSA63J-103X	MG RESISTOR		
	C 655	NCB31EK-104X	C CAPACITOR				R 293	NRSA63J-102X	MG RESISTOR		
	C 656	NCB31EK-104X	C CAPACITOR				R 294	NRSA63J-102X	MG RESISTOR		
	C 657	QERF1AM-227Z	E CAPACITOR	220MF 20% 10V			R 601	NRSA63J-224X	MG RESISTOR		
	C 658	NCB31EK-104X	C CAPACITOR				R 602	NRSA63J-274X	MG RESISTOR		
	C 659	NCB31HK-102X	C CAPACITOR				R 603	NRSA63J-124X	MG RESISTOR		
	C 661	NCS31HJ-471X	C CAPACITOR				R 604	NRSA63J-394X	MG RESISTOR		
	C 663	NCB31HK-223X	C CAPACITOR				R 606	NRSA63J-623X	MG RESISTOR		
	C 664	NCB31HK-223X	C CAPACITOR				R 607	NRSA63J-0R0X	MG RESISTOR		
	C 665	NCB31AK-154X	C CAPACITOR				R 608	NRSA63J-0R0X	MG RESISTOR		
	C 667	NCB30JK-105X	C CAPACITOR				R 609	NRSA63J-332X	MG RESISTOR		
	C 668	NCB31EK-473X	C CAPACITOR				R 611	NRSA63J-223X	MG RESISTOR		
	C 669	QERF1AM-227Z	E CAPACITOR	220MF 20% 10V			R 613	NRSA63J-332X	MG RESISTOR		
	C 672	NCB31AK-334X	C CAPACITOR				R 614	NRSA63J-223X	MG RESISTOR		
	C 673	ECA1AAD101XI	AL E. CAPACITOR				R 618	NRSA63J-153X	MG RESISTOR		
	C 676	NCB31EK-104X	C CAPACITOR				R 619	NRSA63J-153X	MG RESISTOR		
	C 677	NCB31EK-104X	C CAPACITOR				R 620	NRSA63J-564X	MG RESISTOR		
	C 679	QERF0JM-107Z	E CAPACITOR	100MF 20% 6.3V			R 621	NRSA63J-564X	MG RESISTOR		
	C 680	NCB31EK-104X	C CAPACITOR				R 622	NRSA63J-822X	MG RESISTOR		
	C 801	NCB31HK-682X	C CAPACITOR				R 623	NRSA63J-822X	MG RESISTOR		
	C 802	NCB31HK-123X	C CAPACITOR				R 624	NRSA63J-0R0X	MG RESISTOR		
	C 811	NCS31HJ-391X	C CAPACITOR				R 625	NRSA63J-0R0X	MG RESISTOR		
	C 812	NCS31HJ-391X	C CAPACITOR				R 631	NRSA63J-2R2X	MG RESISTOR		
	C 813	NCS31HJ-391X	C CAPACITOR				R 632	NRSA63J-100X	MG RESISTOR		
	C 814	NCS31HJ-391X	C CAPACITOR				R 634	NRSA63J-120X	MG RESISTOR		
	C 821	NCF31AZ-105X	C CAPACITOR				R 635	NRSA63J-121X	MG RESISTOR		
	C 822	QERF1AM-227Z	E CAPACITOR	220MF 20% 10V			R 636	NRSA63J-100X	MG RESISTOR		
	C 852	QERF1CM-106Z	E CAPACITOR	10MF 20% 16V			R 641	NRSA63J-154X	MG RESISTOR		
	C 853	NCB31HK-103X	C CAPACITOR				R 642	NRSA63J-394X	MG RESISTOR		
	C 854	NCB31HK-103X	C CAPACITOR				R 646	NRSA63J-0R0X	MG RESISTOR		
	C 855	NCB31EK-104X	C CAPACITOR				R 647	NRSA63J-102X	MG RESISTOR		
	C 859	NCF31AZ-105X	C CAPACITOR				R 648	NRSA63J-102X	MG RESISTOR		
	C 860	NCF31AZ-105X	C CAPACITOR				R 649	NRSA63J-102X	MG RESISTOR		
	CN151	QGF1016F3-15	CONNECTOR				R 650	NRSA63J-102X	MG RESISTOR		

■ Electrical parts list (CD board)

Block No. 04

△	Item	Parts number	Parts name	Remarks	Area
	R 651	NRSA63J-102X	MG RESISTOR		
	R 652	NRSA63J-102X	MG RESISTOR		
	R 653	NRSA63J-102X	MG RESISTOR		
	R 654	NRSA63J-101X	MG RESISTOR		
	R 656	NRSA63J-102X	MG RESISTOR		
	R 657	NRSA63J-102X	MG RESISTOR		
	R 658	NRSA63J-102X	MG RESISTOR		
	R 659	NRSA63J-102X	MG RESISTOR		
	R 660	NRSA63J-103X	MG RESISTOR		
	R 661	NRSA63J-393X	MG RESISTOR		
	R 662	NRSA63J-683X	MG RESISTOR		
	R 663	NRSA63J-124X	MG RESISTOR		
	R 664	NRSA63J-331X	MG RESISTOR		
	R 665	NRSA63J-271X	MG RESISTOR		
	R 666	NRSA63J-221X	MG RESISTOR		
	R 667	NRSA63J-4R7X	MG RESISTOR		
	R 668	NRSA63J-155X	MG RESISTOR		
	R 669	NRSA63J-562X	MG RESISTOR		
	R 670	NRSA63J-101X	MG RESISTOR		
	R 672	NRSA63J-272X	MG RESISTOR		
	R 677	NRSA63J-101X	MG RESISTOR		
	R 678	NRSA63J-101X	MG RESISTOR		
	R 679	NRSA63J-101X	MG RESISTOR		
	R 682	NRSA63J-102X	MG RESISTOR		
	R 683	NRSA63J-105X	MG RESISTOR		
	R 684	NRSA63J-564X	MG RESISTOR		
	R 685	NRSA63J-683X	MG RESISTOR		
	R 801	NRSA63J-272X	MG RESISTOR		
	R 802	NRSA63J-392X	MG RESISTOR		
	R 803	NRSA63J-222X	MG RESISTOR		
	R 804	NRSA63J-224X	MG RESISTOR		
	R 805	NRSA63J-133X	MG RESISTOR		
	R 806	NRSA63J-243X	MG RESISTOR		
	R 807	NRSA63J-122X	MG RESISTOR		
	R 808	NRSA63J-273X	MG RESISTOR		
	R 809	NRSA63J-122X	MG RESISTOR		
	R 811	NRSA63J-223X	MG RESISTOR		
	R 812	NRSA63J-152X	MG RESISTOR		
	R 831	NRSA63J-151X	MG RESISTOR		
	R 832	NRSA63J-103X	MG RESISTOR		
	R 842	NRSA63J-472X	MG RESISTOR		
	R 851	NRSA63J-102X	MG RESISTOR		
	R 852	NRSA63J-102X	MG RESISTOR		
	R 853	NRSA63J-102X	MG RESISTOR		
	R 854	NRSA63J-102X	MG RESISTOR		
	R 856	NRSA63J-0R0X	MG RESISTOR		
	R 861	NRSA63J-102X	MG RESISTOR		
	R 862	NRSA63J-102X	MG RESISTOR		
	R 863	NRSA63J-102X	MG RESISTOR		
	R 864	NRSA63J-102X	MG RESISTOR		
	R 865	NRSA63J-102X	MG RESISTOR		
	R 866	NRSA63J-102X	MG RESISTOR		
	R 871	NRSA63J-223X	MG RESISTOR		
	R 872	NRSA63J-223X	MG RESISTOR		
	R 873	NRSA63J-223X	MG RESISTOR		
	R 874	NRSA63J-223X	MG RESISTOR		
	R 875	NRSA63J-223X	MG RESISTOR		
	R 876	NRSA63J-223X	MG RESISTOR		
	R 880	NRSA63J-102X	MG RESISTOR		
	R 881	NRSA63J-102X	MG RESISTOR		
	R 882	NRSA63J-102X	MG RESISTOR		
	R 883	NRSA63J-102X	MG RESISTOR		
	R 884	NRSA63J-102X	MG RESISTOR		

△	Item	Parts number	Parts name	Remarks	Area
	R 885	NRSA63J-102X	MG RESISTOR		
	R 886	NRSA63J-102X	MG RESISTOR		
	R 887	NRSA63J-102X	MG RESISTOR		
	R 888	NRSA63J-223X	MG RESISTOR		
	R 889	NRSA63J-223X	MG RESISTOR		
	R 890	NRSA63J-223X	MG RESISTOR		
	R 891	NRSA63J-223X	MG RESISTOR		
	R 892	NRSA63J-223X	MG RESISTOR		
	R 893	NRSA63J-223X	MG RESISTOR		
	R 894	NRSA63J-223X	MG RESISTOR		
	R 895	NRSA63J-223X	MG RESISTOR		
	X 251	QAX0283-001Z	C RESONATOR		
	X 651	QAX0413-001Z	CRYSTAL		

■ Electrical parts list (VCD board)

Block No. 05

▲	Item	Parts number	Parts name	Remarks	Area	▲	Item	Parts number	Parts name	Remarks	Area
	C 101	NCF31CZ-104X	C CAPACITOR				R 112	NRSA63J-472X	MG RESISTOR		
	C 102	NCF31CZ-104X	C CAPACITOR				R 113	NRSA63J-472X	MG RESISTOR		
	C 103	NCF31CZ-104X	C CAPACITOR				R 119	NRSA63J-0R0X	MG RESISTOR		
	C 104	QERF1CM-106Z	E CAPACITOR	10MF 20% 16V			R 120	NRSA63J-750X	MG RESISTOR		
	C 105	NCF31CZ-104X	C CAPACITOR				R 121	NRSA63J-104X	MG RESISTOR		
	C 106	QERF1CM-106Z	E CAPACITOR	10MF 20% 16V			R 128	NRSA63J-330X	MG RESISTOR		
	C 107	NCF31CZ-104X	C CAPACITOR				R 130	NRSA63J-330X	MG RESISTOR		
	C 109	NCF31CZ-104X	C CAPACITOR				R 132	NRSA63J-271X	MG RESISTOR		
	C 110	NCF31CZ-104X	C CAPACITOR				R 133	NRSA63J-750X	MG RESISTOR		
	C 111	NCS31HJ-471X	C CAPACITOR				R 134	NRSA63J-750X	MG RESISTOR		
	C 112	NCS31HJ-471X	C CAPACITOR				R 135	NRSA63J-100X	MG RESISTOR		
	C 113	NCS31HJ-220X	C CAPACITOR				R 136	NRSA63J-100X	MG RESISTOR		
	C 114	NCB31HK-102X	C CAPACITOR				R 137	NRSA63J-472X	MG RESISTOR		
	C 115	NCS31HJ-220X	C CAPACITOR				R 138	NRSA63J-472X	MG RESISTOR		
	C 116	NCF31CZ-104X	C CAPACITOR				R 139	NRSA63J-330X	MG RESISTOR		
	C 117	QERF0JM-476Z	E CAPACITOR	47MF 20% 6.3V			R 140	NRSA63J-472X	MG RESISTOR		
	C 118	NCF31CZ-104X	C CAPACITOR				R 141	NRSA63J-103X	MG RESISTOR		
	C 120	NCF31CZ-104X	C CAPACITOR				R 142	NRSA63J-221X	MG RESISTOR		
	C 121	NCF31CZ-104X	C CAPACITOR				R 145	NRSA63J-221X	MG RESISTOR		
	C 122	QERF1AM-107Z	E CAPACITOR	100MF 20% 10V			R 146	NRSA63J-221X	MG RESISTOR		
	C 123	QERF0JM-476Z	E CAPACITOR	47MF 20% 6.3V			R 147	NRSA63J-221X	MG RESISTOR		
	C 124	NCF31CZ-104X	C CAPACITOR				R 148	NRSA63J-102X	MG RESISTOR		
	C 125	NCF31CZ-104X	C CAPACITOR				X 101	QAX0700-001Z	CRYSTAL		
	C 126	NCF31CZ-104X	C CAPACITOR								
	C 127	NCF31CZ-104X	C CAPACITOR								
	C 128	NCF31CZ-104X	C CAPACITOR								
	C 129	NCF31CZ-104X	C CAPACITOR								
	C 130	QERF1AM-107Z	E CAPACITOR	100MF 20% 10V							
	C 131	NCF31CZ-104X	C CAPACITOR								
	C 132	QERF1AM-107Z	E CAPACITOR	100MF 20% 10V							
	C 133	NCF31CZ-104X	C CAPACITOR								
	C 134	QERF1CM-106Z	E CAPACITOR	10MF 20% 16V							
	C 135	QERF0JM-476Z	E CAPACITOR	47MF 20% 6.3V							
	C 136	NCF31CZ-104X	C CAPACITOR								
	C 137	NCB31CK-103X	C CAPACITOR								
	C 138	QERF1AM-107Z	E CAPACITOR	100MF 20% 10V							
	C 140	NCS31HJ-220X	C CAPACITOR								
	C 141	NCS31HJ-220X	C CAPACITOR								
	CN101	QGF1016F3-15	CONNECTOR								
	CN102	QGF1016F3-15	CONNECTOR								
	IC101	ES3880FL	IC	INC TECHNOLOGY							
	IC102	AT27C020-70JC4	IC	INC TECHNOLOGY							
	IC103	GLT44016-35J4-X	IC	SAME PARTS							
	IC104	ES3883F	IC	INC TECHNOLOGY							
	IC105	RT9161/A-27CG-X	IC	INC TECHNOLOGY							
	IC106	TC7S08F-W	IC								
	IC107	TC7W08FU-X	IC								
	K 101	NQR0398-006X	FERRITE BEADS								
	K 102	NQR0398-006X	FERRITE BEADS								
	K 103	NRSA02J-180X	MG RESISTOR								
	K 104	NRSA02J-102X	MG RESISTOR								
	L 101	NQL591K-3R3X	P COIL	NOT YET REGISTE							
	L 102	NQL591K-3R3X	P COIL	NOT YET REGISTE							
	R 101	NRSA63J-472X	MG RESISTOR								
	R 102	NRSA63J-472X	MG RESISTOR								
	R 103	NRSA63J-472X	MG RESISTOR								
	R 104	NRSA63J-472X	MG RESISTOR								
	R 105	NRSA63J-472X	MG RESISTOR								
	R 106	NRSA63J-472X	MG RESISTOR								
	R 107	NRSA63J-472X	MG RESISTOR								
	R 108	NRSA63J-472X	MG RESISTOR								
	R 109	NRSA63J-472X	MG RESISTOR								
	R 111	NRSA63J-472X	MG RESISTOR								

■ Electrical parts list (Tuner board)

Block No. 06

△	Item	Parts number	Parts name	Remarks	Area
	C 1	NCB21HK-223X	C CAPACITOR		
	C 2	NCB21HK-103X	C CAPACITOR		
	C 3	EETC1CM-106ZJC	E CAPACITOR		
	C 4	NCB21HK-103X	C CAPACITOR		
	C 6	NCB21HK-102X	C CAPACITOR		
	C 7	NCB21HK-102X	C CAPACITOR		
	C 8	NCB21HK-102X	C CAPACITOR		
	C 10	NRSA02J-0R0X	MG RESISTOR		
	C 11	NCB21HK-104X	C CAPACITOR		
	C 12	NCB21HK-473X	C CAPACITOR		
	C 13	NCS21HJ-120X	C CAPACITOR		
	C 14	QEKC1AM-107Z	E CAPACITOR	100MF 20% 10V	
	C 15	NCS21HJ-120X	C CAPACITOR		
	C 16	NCS21HJ-120X	C CAPACITOR		
	C 17	NCB21HK-102X	C CAPACITOR		
	C 18	QEQ61HM-474Z	NP E CAPACITOR	.47MF 20% 50V	
	C 19	NCB21HK-473X	C CAPACITOR		
	C 20	NCB21HK-102X	C CAPACITOR		
	C 21	NCB21HK-223X	C CAPACITOR		
	C 22	NCS21HJ-151X	C CAPACITOR		
	C 23	NCS21HJ-151X	C CAPACITOR		
	C 24	NCS21HJ-151X	C CAPACITOR		
	C 25	QEKC1AM-107Z	E CAPACITOR	100MF 20% 10V	
	C 26	NCB21HK-102X	C CAPACITOR		
	C 27	NCB21HK-102X	C CAPACITOR		
	C 30	EEKC1CM-226ZJC	E CAPACITOR		
	C 31	EEKC1CM-226ZJC	E CAPACITOR		
	C 32	NCB21HK-473X	C CAPACITOR		
	C 33	NCB21HK-473X	C CAPACITOR		
	C 34	NCB21HK-223X	C CAPACITOR		
	C 35	NCB21HK-473X	C CAPACITOR		
	C 36	EEKC1HM-105ZJC	E CAPACITOR		
	C 37	EEKC1HM-105ZJC	E CAPACITOR		
	C 38	EETC1HM-224ZJC	E CAPACITOR		
	C 39	EETC1HM-105ZJC	E CAPACITOR		
	C 40	QETN1CM-106Z	E CAPACITOR	10MF 20% 16V	
	C 41	QETN1CM-106Z	E CAPACITOR	10MF 20% 16V	
	C 42	NCB21HK-152X	C CAPACITOR		
	C 43	NCB21HK-152X	C CAPACITOR		
	C 44	QETN1CM-106Z	E CAPACITOR	10MF 20% 16V	
	C 45	QETN1CM-106Z	E CAPACITOR	10MF 20% 16V	
	C 46	NCB21HK-273X	C CAPACITOR		
	C 47	EETC1HM-105ZJC	E CAPACITOR		
	C 48	NCB21HK-222X	C CAPACITOR		
	C 49	NCS21HJ-471X	C CAPACITOR		
	C 50	EEKC1CM-226ZJC	E CAPACITOR		
	C 51	EEKC1HM-105ZJC	E CAPACITOR		
	C 52	QFVJ1HJ-274Z	MF CAPACITOR	.27MF 5% 50V	
	C 53	EETC1CM-226ZJC	E CAPACITOR		
	C 54	NCB21HK-473X	C CAPACITOR		
	C 57	NCB21HK-102X	C CAPACITOR		
	C 58	NCB21HK-473X	C CAPACITOR		
	C 59	NCB21HK-102X	C CAPACITOR		
	CF 1	QAX0677-001Z	C FILTER		
	CF 2	QAX0677-001Z	C FILTER		
	CF 3	QAX0610-001Z	C DISCRIMINATOR		
	CN 1	QGF1205F1-09	CONNECTOR		
	D 1	1SS133-T2	SI DIODE		
	D 2	1SS133-T2	SI DIODE		
	D 3	1SS133-T2	SI DIODE		
	D 4	1SS133-T2	SI DIODE		
	D 11	1SS133-T2	SI DIODE		
	IC 1	LA1838	IC		

△	Item	Parts number	Parts name	Remarks	Area
	IC 2	LC72136N	IC		
	J 1	QNB0014-001	ANT TERMINAL		
	L 1	QQR0796-002	COIL BLOCK		
	Q 1	2SC2814/4-5/-X	TRANSISTOR		
	Q 5	KRA107S-X	TRANSISTOR		
	R 1	QRE141J-560Y	C RESISTOR	56 5% 1/4W	
	R 2	NRSA02J-331X	MG RESISTOR		
	R 3	NRSA02J-224X	MG RESISTOR		
	R 4	NRSA02J-331X	MG RESISTOR		
	R 5	NRSA02J-560X	MG RESISTOR		
	R 6	NRSA02J-240X	MG RESISTOR		
	R 10	NRSA02J-222X	MG RESISTOR		
	R 13	NRSA02J-103X	MG RESISTOR		
	R 14	NRSA02J-104X	MG RESISTOR		
	R 15	NRSA02J-332X	MG RESISTOR		
	R 16	NRSA02J-472X	MG RESISTOR		
△	R 17	QRZ9005-680X	F RESISTOR	68 1/4W	
	R 18	NRSA02J-102X	MG RESISTOR		
	R 19	NRSA02J-102X	MG RESISTOR		
	R 20	NRSA02J-102X	MG RESISTOR		
	R 21	NRSA02J-562X	MG RESISTOR		
	R 22	NRSA02J-472X	MG RESISTOR		
	R 23	NRSA02J-182X	MG RESISTOR		
	R 24	NRSA02J-103X	MG RESISTOR		
	R 25	NRSA02J-331X	MG RESISTOR		
	R 26	NRSA02J-222X	MG RESISTOR		
	R 27	NRSA02J-103X	MG RESISTOR		
	R 28	NRSA02J-103X	MG RESISTOR		
	R 29	NRSA02J-103X	MG RESISTOR		
	R 30	NRSA02J-122X	MG RESISTOR		
	R 31	NRSA02J-102X	MG RESISTOR		
	R 32	NRSA02J-102X	MG RESISTOR		
	R 33	NRSA02J-331X	MG RESISTOR		
	R 34	NRSA02J-470X	MG RESISTOR		
	R 35	NRSA02J-562X	MG RESISTOR		
	R 36	NRSA02J-332X	MG RESISTOR		
	R 37	NRSA02J-103X	MG RESISTOR		
	R 38	NRSA02J-563X	MG RESISTOR		
	R 39	NRSA02J-563X	MG RESISTOR		
	R 40	NRSA02J-243X	MG RESISTOR		
	R 41	NRSA02J-332X	MG RESISTOR		
	R 60	NRSA02J-0R0X	MG RESISTOR		
	T 1	QQR0793-001	IFT		
	TU 1	QAU0161-001	FRONT END		
	X 1	QAX0402-001	CRYSTAL		

■ Electrical parts list (CD switch board)

Block No. 07

△	Item	Parts number	Parts name	Remarks	Area
	CN804	QGB2016J1-07	CONNECTOR		
	CN805	QGB2012J1-10	CONNECTOR		
	SW 1	QSW0859-001	LEVER SWITCH		
	SW 2	QSW0859-001	LEVER SWITCH		
	SW 3	QSW0859-001	LEVER SWITCH		
	SW 4	QSW0859-001	LEVER SWITCH		
	SW 5	QSW0859-001	LEVER SWITCH		
	SW 6	QSW0859-001	LEVER SWITCH		

■ Electrical parts list
(Head amplifier & mechanism control board)

Block No.08

△	Item	Parts number	Parts name	Remarks	Area	△	Item	Parts number	Parts name	Remarks	Area
	CN301	QGF1205F1-06	CONNECTOR	A HEAD			D3302	1SR139-400-T2	SI DIODE		
	CN302	QGF1205F1-06	CONNECTOR	B HEAD			D3307	DZ5.1BSB-T2	Z DIODE	NEW SUPPLIER	
	CN303	QGB2011M1-10	B TO B CONNECTO				D3308	DZ5.1BSB-T2	Z DIODE		
	CN305	QGF1201F3-10	CONNECTOR	OUTPUT			D3309	DZ5.1BSB-T2	Z DIODE		
	CN306	QGF1205F1-09	CONNECTOR	CONTROL			D3331	1SR139-400-T2	SI DIODE		
	CN333	QGB2011L1-10	B TO B CONNECTO	FOR FMP-007-1			FW301	EWR34D-10CS	FLAT WIRE	TO MOTOR CONTROL	
	C3101	QCSB1HJ-100Y	C CAPACITOR	10PF 5% 50V			IC301	BA3126N	IC	HEAD SW	
	C3102	QCBB1HK-331Y	C CAPACITOR	330PF 10% 50V			IC302	AN7345K	IC	PRE AMP	
	C3103	QDGB1HK-821Y	C CAPACITOR				IC303	CD4094BC	IC		
	C3104	QDGB1HK-102Y	C CAPACITOR				IC331	SG-105F3-BB,C	PHOTO SENSER		
	C3105	EEKJ1AM-107ZJC	AL E CAPACITOR				IC332	SG-105F3-BB,C	PHOTO SENSER		
	C3107	EEKJ1HM-105ZJC	AL E CAPACITOR				L3202	QQR0621-001Z	FERRITE BEADS		
	C3111	EEKJ1HM-104ZJC	AL E CAPACITOR				L3301	QQR1118-002	BIAS COIL	OSC COIL	
	C3112	EEKJ1CM-106ZJC	AL E CAPACITOR				L3303	QLL244K-100Z	INDUCTOR		
	C3113	QDXB1CM-332Y	C CAPACITOR				P3302	QNZ0104-001	POST PIN		
	C3114	EEKJ1EM-475ZJC	AL E CAPACITOR				P3331	QNZ0104-001	POST PIN		
	C3115	QFLK1HJ-153Z	M CAPACITOR	.015MF 5% 50V			Q3105	2SC3576-JVC-T	TRANSISTOR		
	C3116	QDYB1CM-822Y	C CAPACITOR				Q3205	2SC3576-JVC-T	TRANSISTOR		
	C3119	QFLM1HJ-563Z	M CAPACITOR	.056MF 5% 50V			Q3302	2SC2001/K-T	TRANSISTOR		
	C3120	QCSB1HJ-330Y	C CAPACITOR	33PF 5% 50V			Q3305	2SC2001/K-T	TRANSISTOR		
	C3121	QDGB1HK-102Y	C CAPACITOR				Q3312	2SB562/C-T	TRANSISTOR		
	C3201	QCSB1HJ-100Y	C CAPACITOR	10PF 5% 50V			Q3313	KTC3199/GL-T	TRANSISTOR		
	C3202	QCBB1HK-331Y	C CAPACITOR	330PF 10% 50V			Q3314	2SB562/C-T	TRANSISTOR		
	C3203	QDGB1HK-821Y	C CAPACITOR				Q3315	KTC3199/GL-T	TRANSISTOR		
	C3204	QDGB1HK-102Y	C CAPACITOR				Q3316	KTA1267/YG-T	TRANSISTOR		
	C3205	EEKJ1AM-107ZJC	AL E CAPACITOR				Q3317	KRC107M-T	D TRANSISTOR		
	C3206	QFLK1HJ-333Z	M CAPACITOR	.033MF 5% 50V			Q3323	KRC104M-T	D TRANSISTOR		
	C3207	EEKJ1HM-105ZJC	AL E CAPACITOR				Q3324	KRA102M-T	D TRANSISTOR		
	C3211	EEKJ1HM-104ZJC	AL E CAPACITOR				R3103	QRE141J-183Y	C RESISTOR	18K 5% 1/4W	
	C3212	EEKJ1CM-106ZJC	AL E CAPACITOR				R3105	QRE141J-220Y	C RESISTOR	22 5% 1/4W	
	C3213	QDXB1CM-332Y	C CAPACITOR				R3106	QRE141J-392Y	C RESISTOR	3.9K 5% 1/4W	
	C3214	EEKJ1EM-475ZJC	AL E CAPACITOR				R3107	QRE141J-222Y	C RESISTOR	2.2K 5% 1/4W	
	C3215	QFLK1HJ-153Z	M CAPACITOR	.015MF 5% 50V			R3108	QRE141J-241Y	C RESISTOR	240 5% 1/4W	
	C3216	QDYB1CM-822Y	C CAPACITOR				R3111	QRE141J-562Y	C RESISTOR	5.6K 5% 1/4W	
	C3219	QFLM1HJ-563Z	M CAPACITOR	.056MF 5% 50V			R3112	QRE141J-102Y	C RESISTOR	1.0K 5% 1/4W	
	C3220	QCSB1HJ-330Y	C CAPACITOR	33PF 5% 50V			R3113	QRE141J-271Y	C RESISTOR	270 5% 1/4W	
	C3221	QDGB1HK-102Y	C CAPACITOR				R3114	QRE141J-391Y	C RESISTOR	390 5% 1/4W	
	C3222	QFLK1HJ-333Z	M CAPACITOR	.033MF 5% 50V			R3117	QRE141J-332Y	C RESISTOR	3.3K 5% 1/4W	
	C3301	EEKJ1AM-107ZJC	AL E CAPACITOR				R3118	QRE141J-152Y	C RESISTOR	1.5K 5% 1/4W	
	C3302	EEKJ1AM-107ZJC	AL E CAPACITOR				R3119	QRE141J-203Y	C RESISTOR	20K 5% 1/4W	
	C3303	EEKJ1CM-226ZJC	AL E CAPACITOR				R3120	QRE141J-102Y	C RESISTOR	1.0K 5% 1/4W	
	C3304	EEKJ1EM-475ZJC	AL E CAPACITOR				R3121	QRE141J-122Y	C RESISTOR	1.2K 5% 1/4W	
	C3305	QFLK1HJ-393Z	M CAPACITOR	.039MF 5% 50V			R3203	QRE141J-183Y	C RESISTOR	18K 5% 1/4W	
	C3306	EEKJ0JM-227ZJC	AL E CAPACITOR				R3205	QRE141J-220Y	C RESISTOR	22 5% 1/4W	
	C3308	QDXB1CM-152Y	C CAPACITOR				R3206	QRE141J-392Y	C RESISTOR	3.9K 5% 1/4W	
	C3313	EEKJ1AM-107ZJC	AL E CAPACITOR				R3207	QRE141J-222Y	C RESISTOR	2.2K 5% 1/4W	
	C3314	QCZ0202-155Z	ML C CAPACITOR	1.5MF			R3208	QRE141J-241Y	C RESISTOR	240 5% 1/4W	
	C3315	QCBB1HK-223Y	C CAPACITOR	.022MF 10% 50V			R3211	QRE141J-562Y	C RESISTOR	5.6K 5% 1/4W	
	C3316	QFG32AJ-103Z	PP CAPACITOR	.010MF 5% 100V			R3212	QRE141J-102Y	C RESISTOR	1.0K 5% 1/4W	
	C3327	EEKJ1CM-476ZJC	AL E CAPACITOR				R3213	QRE141J-271Y	C RESISTOR	270 5% 1/4W	
	C3335	QDYB1CM-103Y	C CAPACITOR				R3214	QRE141J-391Y	C RESISTOR	390 5% 1/4W	
	C3336	QDYB1CM-103Y	C CAPACITOR				R3217	QRE141J-332Y	C RESISTOR	3.3K 5% 1/4W	
	C3339	EEKJ1CM-476ZJC	AL E CAPACITOR				R3218	QRE141J-152Y	C RESISTOR	1.5K 5% 1/4W	
	C3340	QDYB1CM-103Y	C CAPACITOR				R3219	QRE141J-203Y	C RESISTOR	20K 5% 1/4W	
	C3341	EEKJ1AM-107ZJC	AL E CAPACITOR				R3220	QRE141J-102Y	C RESISTOR	1.0K 5% 1/4W	
	C3342	EEKJ1EM-475ZJC	AL E CAPACITOR				R3221	QRE141J-122Y	C RESISTOR	1.2K 5% 1/4W	
	C3345	QCBB1HK-331Y	C CAPACITOR	330PF 10% 50V			R3301	QRE141J-221Y	C RESISTOR	220 5% 1/4W	
	C3350	QDGB1HK-102Y	C CAPACITOR				R3302	QRE141J-101Y	C RESISTOR	100 5% 1/4W	
	C3501	QDGB1HK-821Y	C CAPACITOR				R3304	QRE141J-393Y	C RESISTOR	39K 5% 1/4W	
	C3502	QCBB1HK-271Y	C CAPACITOR	270PF 10% 50V			R3309	QRE141J-152Y	C RESISTOR	1.5K 5% 1/4W	
	C3555	QDGB1HK-102Y	C CAPACITOR				R3311	QRJ146J-4R7X	UNF C RESISTOR	4.7 5% 1/4W	
	C3601	QDGB1HK-821Y	C CAPACITOR				R3314	QRE141J-101Y	C RESISTOR	100 5% 1/4W	
	C3602	QCBB1HK-271Y	C CAPACITOR	270PF 10% 50V			R3315	QRE141J-153Y	C RESISTOR	15K 5% 1/4W	

■ Electrical parts list

(Head amplifier & mechanism control board)

Block No.08

△	Item	Parts number	Parts name	Remarks	Area
	R3327	QRE141J-474Y	C RESISTOR	470K 5% 1/4W	
	R3330	QRE141J-103Y	C RESISTOR	10K 5% 1/4W	
	R3331	QRE141J-103Y	C RESISTOR	10K 5% 1/4W	
	R3335	QRE141J-222Y	C RESISTOR	2.2K 5% 1/4W	
	R3336	QRE141J-392Y	C RESISTOR	3.9K 5% 1/4W	
	R3344	QRE141J-224Y	C RESISTOR	220K 5% 1/4W	
	R3345	QRE141J-473Y	C RESISTOR	47K 5% 1/4W	
	R3347	QRE141J-392Y	C RESISTOR	3.9K 5% 1/4W	
	R3348	QRE141J-222Y	C RESISTOR	2.2K 5% 1/4W	
	R3350	QRE141J-472Y	C RESISTOR	4.7K 5% 1/4W	
	R3351	QRE141J-151Y	C RESISTOR	150 5% 1/4W	
	R3353	QRE141J-472Y	C RESISTOR	4.7K 5% 1/4W	
	R3354	QRE141J-151Y	C RESISTOR	150 5% 1/4W	
	R3355	QRE141J-332Y	C RESISTOR	3.3K 5% 1/4W	
	R3359	QRE141J-103Y	C RESISTOR	10K 5% 1/4W	
	R3361	QRE141J-393Y	C RESISTOR	39K 5% 1/4W	
	R3362	QRE141J-243Y	C RESISTOR	24K 5% 1/4W	
	R3366	QRE141J-273Y	C RESISTOR	27K 5% 1/4W	
	R3367	QRE141J-103Y	C RESISTOR	10K 5% 1/4W	
	R3368	QRE141J-223Y	C RESISTOR	22K 5% 1/4W	
	R3369	QRE141J-101Y	C RESISTOR	100 5% 1/4W	
	R3370	QRE141J-103Y	C RESISTOR	10K 5% 1/4W	
	R3374	QRE141J-2R2Y	C RESISTOR	2.2 5% 1/4W	
△	R3376	QRZ9005-100X	F RESISTOR	10 1W	
	R3377	QRE141J-470Y	C RESISTOR	47 5% 1/4W	
	R3378	QRE141J-470Y	C RESISTOR	47 5% 1/4W	
	R3379	QRE141J-203Y	C RESISTOR	20K 5% 1/4W	
	R3380	QRE141J-470Y	C RESISTOR	47 5% 1/4W	
	R3381	QRE141J-470Y	C RESISTOR	47 5% 1/4W	
	R3383	QRE141J-471Y	C RESISTOR	470 5% 1/4W	
	SW302	QSW0832-001	LEAF SWITCH		
	SW303	QSW0832-001	LEAF SWITCH		
	SW304	QSW0832-001	LEAF SWITCH		
	SW305	QSW0832-001	LEAF SWITCH		
	SW306	QSW0859-001	SW		
	SW316	QSW0859-001	SW		
	VR101	QVP0008-503Z	SEMI V RESISTOR	ALPS	
	VR201	QVP0008-503Z	SEMI V RESISTOR	ALPS	
	VR301	QVP0008-103Z	SEMI V RESISTOR	ALPS	

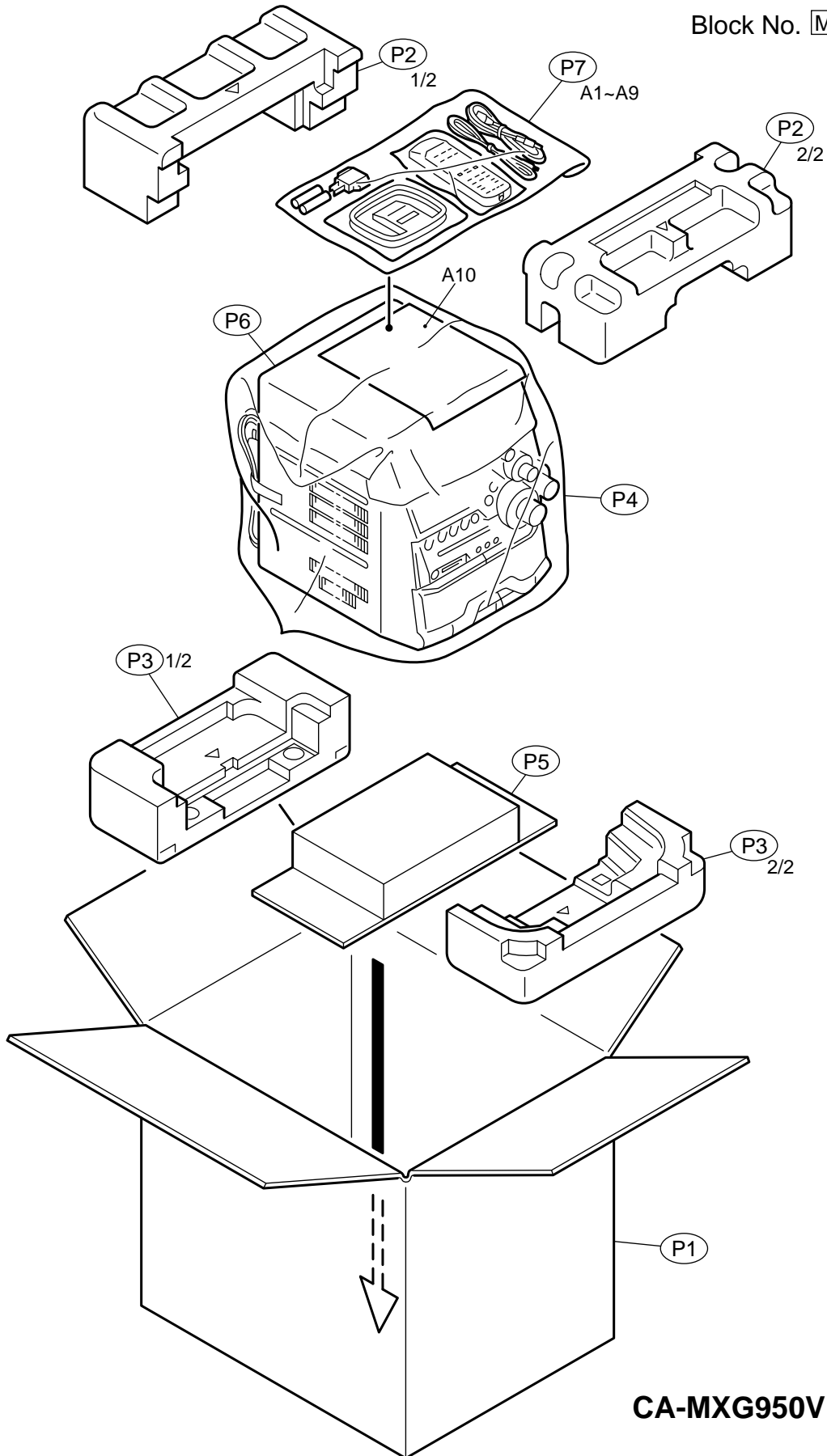
Packing materials and accessories parts list

Block No.

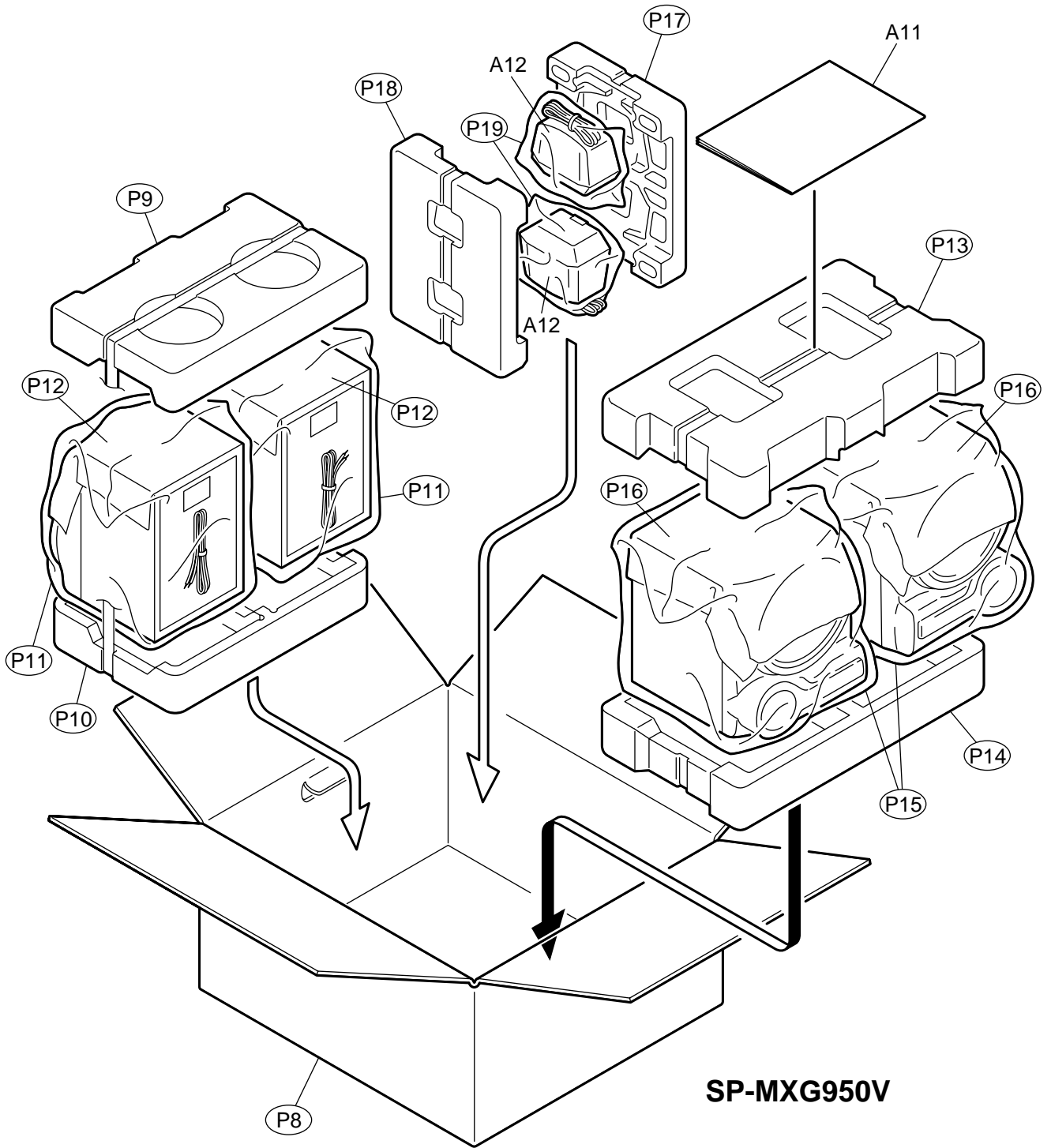
M	3	M	M
---	---	---	---

Block No.

M	5	M	M
---	---	---	---



CA-MXG950V



SP-MXG950V

■ Parts list (Packing)

Block No. M3MM

△	Item	Parts number	Parts name	Q'ty	Description	Area
	P 1	GV20183-003A	PACKING CASE	1	CA-MXG950V	
	P 2	GV10071-002A	CUSHION UPPER	1	CA-MXG950V	
	P 3	GV10072-002A	CUSHION BOTTOM	1	CA-MXG950V	
	P 4	QPC06507015P	POLY BAG	1	CA-MXG950V	
	P 5	GV30209-001A	SPACER	1	CA-MXG950V	
	P 6	GV40168-003A	SHEET	1	CA-MXG950V	
	P 7	QPC02503515P	POLY BAG	1	CA-MXG950V	
	P 8	140776311313	PACKING CASE	1	SP-MXG950V	
	P 9	139764991070	TOP CUSHION	1	SP-XG950V	
	P 10	139764991071	BOTTOM CUSHION	1	SP-XG950V	
	P 11	138736001066	POLY BAG	2	SP-XG950V	
	P 12	138764501088	MIRROR MAT	2	SP-XG950V	
	P 13	139764991074	TOP CUSHION	1	SP-WG950V	
	P 14	139764991075	BOTTOM CUSHION	1	SP-WG950V	
	P 15	138764501088	MIRROR MAT	2	SP-WG950V	
	P 16	138737001089	POLY BAG	2	SP-WG950V	
	P 17	720-TDSS99-K1	TOP CUSHION	1	SP-XSG950V	
	P 18	720-BDSS99-K1	BOTTOM CUSHION	1	SP-XSG950V	
	P 19	700-120042-K2	POLY BAG	2	SP-XSG950V	

■ Parts list (Accessories)

Block No. M5MM

△	Item	Parts number	Parts name	Q'ty	Description	Area
	A 1	GVT0079-001B	INST BOOK(CA-MXG950V)	1	ENG,CHI,ARA	
	A 2	GV40215-003A	NOTICE SHEET	1	CA-MXG950V	
	A 3	GV40360-001A	SHEET	1		
	A 4	FQAL0014-001	LOOP ANTENNA	1		
	A 5	EWP503-001	ANT.WIRE	1		
△	A 6	QAM0112-001	AC PLUG ADAPTER	1		U,UN
△	A 7	VMZ0139-001	CONNECT PLUG	1		UX
	A 8	QAM0216-001	SIGNAL CORD	1		
	A 9	RM-SMXG950V	W.LESS REMOCON	1		
	A 10	-----	BATTERY	2		
	A 11	GV40350-003A	CAUTION SHEET	1		
	A 12	GVT0089-001A	INST.BOOK(SP-MXG950V)	1	ENG,SPA,POR,CHI.ARA	
		SP-DS99K	SP BOX ASSY	2	SP-XSG950V	

PARTS LIST

[MX-G880V]
[MX-G850V]

* All printed circuit boards and its assemblies are not available as service parts.

MX-G880V
Area suffix
UN -----Asean

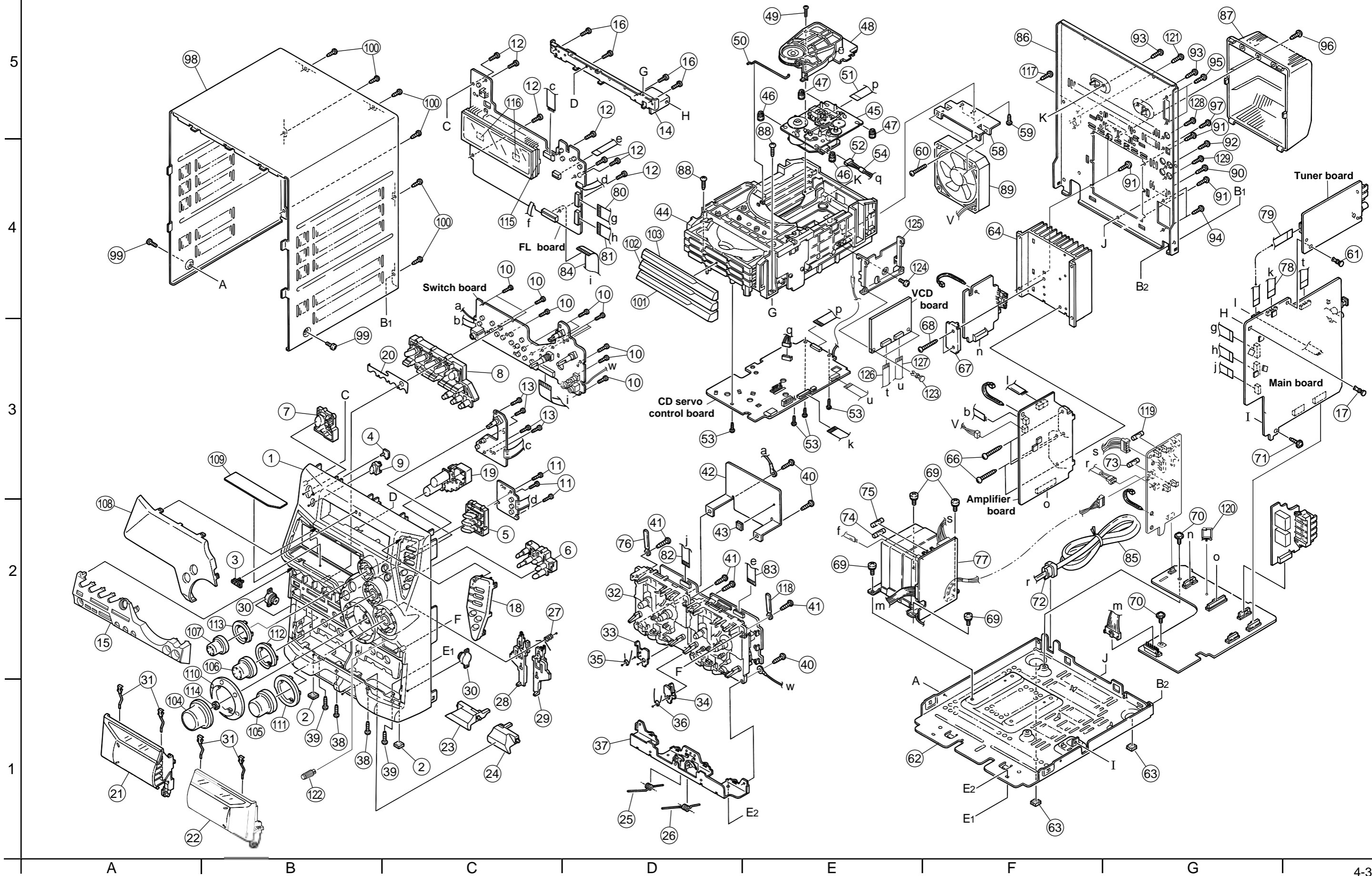
MX-G850V
Area suffix
UX ----- Saudi Arabia
UN -----Asean
U ----- Other Areas

- Contents -

Exploded view of general assembly and parts list (Block No.M1)	4- 3
Speaker assembly and parts list SP-XG880V/XG850V (Block No.M7)	4- 6
Speaker assembly and parts list SP-WG880V/WG850V (Block No.M8)	4- 7
CD changer mechanism assembly and parts list (Block No.MA)	4- 8
CD mechanism assembly and parts list (Block No.MB)	4-10
Cassette mechanism assembly and parts list (Block No.MP)	4-11
Electrical parts list (Block No.01~08)	4-15
Packing materials and accessories parts list (Block No.M3,M5)	4-30

Exploded view of general assembly and parts list

Block No. M 1 M M



MX-G950V/MX-G880V
MX-G850V/MX-G750V

MX-G950V/MX-G880V
MX-G850V/MX-G750V

■ Parts list (General assembly)

Block No. M1MM

△	Item	Parts number	Parts name	Q'ty	Description	Area
	1	GV10057-005A	FRONT PANEL	1	CA-MXG880V	
		GV10057-004A	FRONT PANEL	1	CA-MXG850V	
	2	GV40246-001A	FOOT SPACER	2		
	3	GV40077-002A	JVC BADGE	1		
	4	GV40136-001A	STANDBY INDICATOR	1		
	5	GV30154-003A	CD BUTTON	1		
	6	GV20104-002A	CD EJECT BUTTON	1		
	7	GV30137-001A	POWER BUTTON	1		
	8	GV30177-007A	CONTROL BUTTON	1		
	9	GV30139-001A	REMOTE LENS	1		
	10	QYSDFS2608Z	SCREW	12	ON VOLUME BRD.	
	11	QYSDFS2608Z	SCREW	3	ON CD BRD.	
	12	QYSDFS2608Z	SCREW	7	ON MICOM BRD.	
	13	QYSDFS2608Z	SCREW	4	ON SOURCE BRD.	
	14	GV30129-001A	STAY BRACKET	1		
	15	GV10060-013A	ORNAMENT	1		
	16	QYSDFS2608Z	SCREW	4	STY.BRKT.+F.PNL	
	17	E310243-002	PLASTIC RIVET	1	M.BRD.+ STY BRK	
	18	GV20103-001A	SUB PANEL	1		
	19	GV30138-001A	FRONT BUTTON	1		
	20	GV40185-002A	COVER SHEET	1		
	21	GV30211-004A	CASS.HOLDER ASSY(L)	1	CA-MXG850V	
		GV30211-002A	CASS.HOLDER ASSY(L)	1	CA-MXG880V	
	22	GV30212-004A	CASS.HOLDER ASSY(R)	1	CA-MXG850V	
		GV30212-002A	CASS.HOLDER ASSY(R)	1	CA-MXG880V	
	23	GV20099-002A	EJECT BUTTON(A)	1		
	24	GV20100-002A	EJECT BUTTON(B)	1		
	25	FMKW4009-002	HOLDER SPRING A	1		
	26	FMKW4010-002	HOLDER SPRING B	1		
	27	FMKW4011-001	SPRING	1	FOR EJECT LEVER	
	28	FMKS3002-003	EJECT LEVER(A)	1		
	29	FMKS3003-003	EJECT LEVER(B)	1		
	30	GV40034-001A	DAMPER ASSY	2		
	31	VKY4180-401	CASSETTE SPRING	4		
	32	-----	CASSETTE MECHA	1		
	33	FMKL4012-004	EJECT SAFETY(A)	1		
	34	FMKL4013-001	EJECT SAFETY(B)	1		
	35	FMKW4007-001	SPRING (A)	1	EJECT SAFETY A	
	36	FMKW4008-001	SPRING (B)	1	EJECT SAFETY B	
	37	GV20094-001A	HOLDER BRACKET	1		
	38	QYSBSG3010Z	T.SCREW	2	F.P.TO H.BRKT.	
	39	QYSBSG3010Z	T.SCREW	2	F.P.TO CHS.BASE	
	40	QYSBSG3010Z	T.SCREW	3	MECHA & H.BRKT.	
	41	QYSBSF3012Z	SCREW	4	MECHA & F.PANEL	
	42	GV30124-001A	TRANS SHIELD	1		
	43	E3400-431	SPACER	1	STICK AT SLC MO	
	44	-----	CD CHANGER MECHA	1		
	45	-----	CD MECHA	1		

■ Parts list (General assembly)

Block No. M1MM

△	Item	Parts number	Parts name	Q'ty	Description	Area
	46	LV40761-003A	INSULATOR	2		
	47	LV40761-003A	INSULATOR	2		
	48	VKS3703-00L	CLAMPER ASSY	1	CA-MXG880V	
		VKS3703-00Q	CLAMPER ASSY	1	CA-MXG850V	
	49	QYSPST2606Z	SCREW	1		
	50	VKW5187-001	ROD	1		
	51	QUQ610-1509AJ	FFC WIRE	1		
	52	VDM1001-M002AV	WIRE&TUBE	1		
	53	QYSBSF2608Z	T.SCREW	4		
	54	VYSA1R2-033	SPACER	1	FOR VDM1001-M00	
	58	GV40189-001A	FAN BRACKET	1		
	59	QYSBSF3010Z	SCREW	2	FAN BRKT/CD MEC	
	60	QYSBSG3035Z	T.SCREW	2	FAN TO FAN BRAC	
	61	E310243-002	PLASTIC RIVET	1	TUNER BRD.+ FMC	
	62	GV10061-001A	CHASSIS BASE	1		
	63	GV40246-002A	FOOT SPACER	2	CHASS BASE FOOT	
	64	GV30191-002A	HEAT SINK	1		
	65	QYSBSG3014E	T.SCREW	4	FOR POWER IC	
	66	GV40143-001A	LEAP SPRING	1		
	68	QYSBSG3014E	T.SCREW	2	FOR LEAF SPRING	
	69	QYSDSTL4008Z	SPECIAL SCREW	4	FOR TRANS/CH.BS	
	70	QYSBSGG3008E	T.SCREW	2	FMH BRD./CH.BS	
	71	QYSBSGG3008E	T.SCREW	1	FMC BRD./CH.BS	
△	72	QZW0033-001	STRAIN RELIEF	1		
△	73	QMF51E2-4R0-J1	FUSE	1	F001	
△	74	QMF51E2-4R0-J1	FUSE	1	F101	
△	75	QMF51E2-4R0-J1	FUSE	1	F102	
	76	VKZ4001-110S	WIRE HOLDER	1		
△	77	QQT0319-003	POWER TRANSF	1	T001	
	78	QUQH10-1908BJ	CARD WIRE	1	FMC TO VC3	
	79	QUQ412-0911DJ	FFC WIRE	1	FMC TO TUNER	
	80	QUQ412-1710CJ	FFC WIRE	1	FMB TO FMC(1)	
	81	QUQ412-1710CJ	FFC WIRE	1	FMB TO FMC(2)	
	82	QUQ412-1020CJ	FFC WIRE	1	FMC TO SLC	
	83	QUQ412-0915CJ	FFC WIRE	1	FMB TO SLC	
	84	QUQ412-2410CJ	FFC WIRE	1	FMB TO SW	
△	85	QMPR290-200-JN	POWER CORD	1		UX
△		QMPK210-205-JN	POWER CORD	1		U,UN
	86	GV10062-050A	REAR PANEL	1	CA-MXG850V	U,UN
		GV10062-051A	REAR PANEL	1	CA-MXG850V	UX
		GV10062-058A	REAR PANEL	1	CA-MXG880V	UN
	87	GV10063-002A	REAR COVER	1		
	88	QYSBSG3010Z	T.SCREW	2	C3 & STAY BRKT	
	89	QAR0177-001	FAN	1		
	90	QYSBSGY3008E	SPECIAL SCREW	1	REAR PNL/CHAS.B	
	91	QYSBSGY3008E	SPECIAL SCREW	4	REAR PNL/ H.SIN	
	92	QYSBSGY3008E	SPECIAL SCREW	1	REAR PNL/ AUX	
	93	QYSBSGY3008E	SPECIAL SCREW	2	C3/ REAR PANEL	

■ Parts list (General assembly)

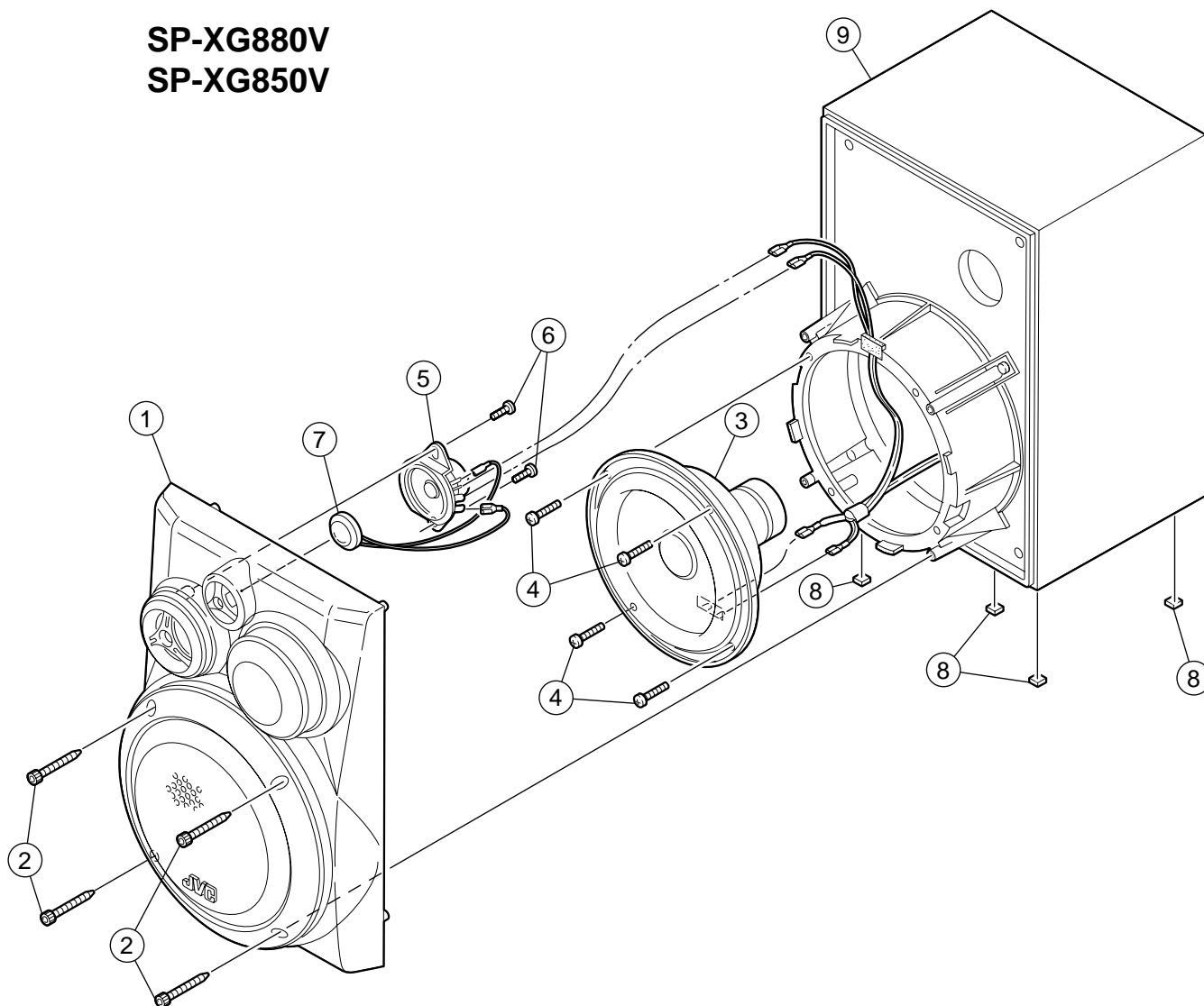
Block No. M1MM

△	Item	Parts number	Parts name	Q'ty	Description	Area
	94	QYSBSGY3008E	SPECIAL SCREW	2	SPK/ REAR PANEL	
	95	QYSBSGY3008E	SPECIAL SCREW	2	TUNER/REAR PANE	
	96	QYSBSGY3008E	SPECIAL SCREW	1	REAR CVR/R.PNL	
	97	QYSBSGY3008E	SPECIAL SCREW	1	OPTICAL/R.PANEL	
	98	GV10055-003A/S/	METAL COVER	1	CA-MXG880V	
		GV10055-001A/S/	METAL COVER	1	CA-MXG850V	
	99	QYSDSG3006M	T.SCREW	2	M.COVER/CHAS.BS	
	100	QYSBSGY3008E	SPECIAL SCREW	6	M.COVER/R.PANEL	
	101	GV20106-006A	CD FITTING 1	1	CA-MXG880V	
		GV20106-005A	CD FITTING 1	1	CA-MXG850V	
	102	GV20107-006A	CD FITTING 2	1	CA-MXG880V	
		GV20107-005A	CD FITTING 2	1	CA-MXG850V	
	103	GV20108-006A	CD FITTING 3	1	CA-MXG880V	
		GV20108-005A	CD FITTING 3	1	CA-MXG850V	
	104	GV30179-001A	VOLUME KNOB ASSY	1		
	105	GV30180-002A	SUB.WFR.KB ASSY	1		
	106	GV30181-002A	SND.MODE KB.ASSY	1		
	107	GV30182-002A	CD.FWD.KB.ASSY	1		
	108	GV20098-020A	WINDOW SCREEN	1	CA-MXG880V	
		GV20098-017A	WINDOW SCREEN	1	CA-MXG850V	
	109	GV40181-001A	MIRROR SHEET	1		
	110	GV30155-002A	VOLUME RING	1		
	111	GV30151-002A	S/WOOFER RING	1		
	112	GV30152-002A	SOUND MODE RING	1		
	113	GV30153-002A	CD FORWARD RING	1		
	114	GV40186-001A	NUT	1	FOR VOLUME ENCO	
	115	GV30141-001A	FL HOLDER	1		
	116	E3400-439	FELT SPACER	2		
	117	QYSBSGY3008E	SPECIAL SCREW	1	REAR PNL/ERT PL	
	118	VKZ4001-110S	WIRE HOLDER	1	MIC GROUND WIRE	
△	119	QMF51E2-2R0-J1	FUSE	1	F003	
	120	GV40236-001A	PLASTIC HOLDER	1	STICK AT FMH BO	
	121	QYSBSF3012E	SPECIAL SCREW	2	VOLT SEL/R.PNL	
	122	GV40083-002A	MIC VOLUME KNOB	1		
	123	E310243-002	PLASTIC RIVET	2	FOR MPEG BOARD	
	124	QYSBSF3008Z	SCREW	1	BRACKET TO C3	
	125	GV30223-001A	BRACKET	1		
	126	QUQH10-1506BJ	FFC CABLE	1	VC3 TO FMV	
	127	QUQH10-1508BJ	CARD WIRE	1	FMC TO FMV	
	128	QYSBSGY3008E	SPECIAL SCREW	1	VIDEO/R.PANEL	
	129	QYSBSGY3008E	SPECIAL SCREW	1	SUR.SP/R.PANEL	

Speaker assembly and parts list

Block No. **M 7 M M**

SP-XG880V
SP-XG850V



Parts list (Speaker assembly) SP-XG880V/XG850V

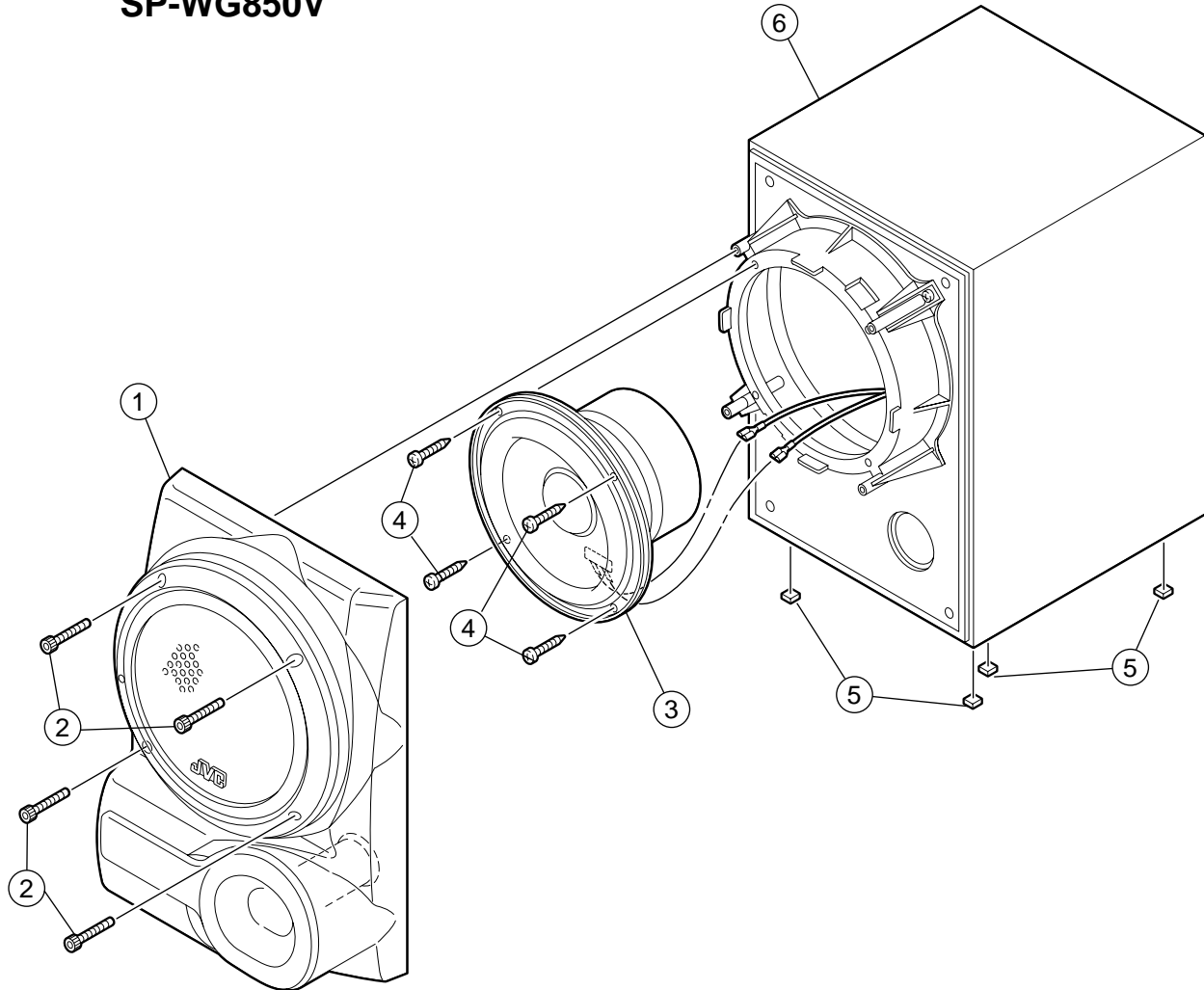
Block No. **M7MM**

Item	Parts number	Parts name	Q'ty	Description	Area
A	MXG880K-SPBOX-R	SP BOX ASSY(R)	1	SP-XG880V	
	MXG880K-SPBOX-L	SP BOX ASSY(L)	1	SP-XG880V	
	MXG850K-SPBOX-L	SP BOX ASSY(L)	1	SP-XG850V	
	MXG850K-SPBOX-R	SP BOX ASSY(R)	1	SP-XG850V	
1	199733350159	FRONT PANEL(R)	1	SP-XG880V	
	199733350151	FRONT PANEL(R)	1	SP-XG850V	
	199733350152	FRONT PANEL(L)	1	SP-XG850V	
	199733350158	FRONT PANEL(L)	1	SP-XG880V	
2	135604161053	SCREW	8		
3	991061650050	16CM WOOFER	2		
4	135604161047	SCREW	8		
5	993060500031	5CM TWEETER	2		
6	135604081045	SCREW	4		
7	134720201090	PIEZO ASSY	2		
8	147780071049	LEG CUSHION	8		
9	-----	CABINET ASSY	2		

Speaker assembly and parts list

Block No. M 8 M M

SP-WG880V
SP-WG850V



■ **Parts list (Speaker assembly) SP-WG880V/WG850V**

Block No. **M8MM**

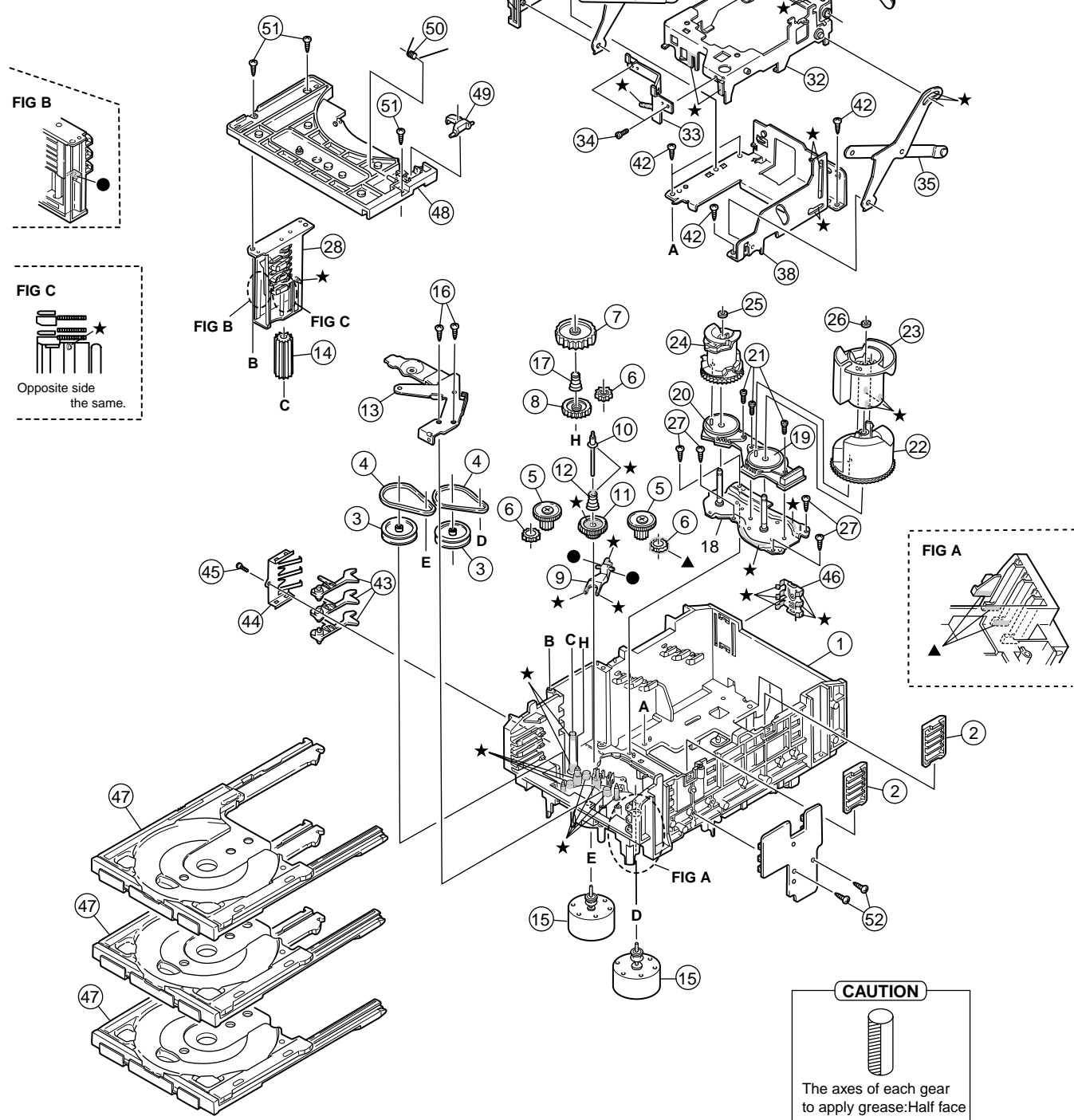
▲	Item	Parts number	Parts name	Q'ty	Description	Area
	A	MXG850K-SPKSB-L	SP BOX ASSY(L)	1	SP-WG850V	
		MXG850K-SPKSB-R	SP BOX ASSY(R)	1	SP-WG850V	
		MXG880K-SPKSB-R	SP BOX ASSY(R)	1	SP-WG880V	
		MXG880K-SPKSB-L	SP BOX ASSY(L)	1	SP-WG880V	
	1	199733350154	FRONT PANEL(L)	1	SP-WG850V	
		199733350153	FRONT PANEL(R)	1	SP-WG850V	
		199733350160	FRONT PANEL(L)	1	SP-WG880V	
		199733350161	FRONT PANEL(R)	1	SP-WG880V	
	2	135604161053	SCREW	8		
	3	991061650051	16CM SUBWOOFER	2		
	4	135604161047	SCREW	8		
	5	147780071049	LEG CUSHION	8		
	6	-----	CABINET ASSY	2		

CD changer mechanism assembly and parts list

C3BASE-1M

Block No. M A M M

Grease ★ = EM-30L
 ● = EBS0006-009B
 ▲ = FL-7750E



■ Parts list (CD changer mechanism)

Block No. MAMM

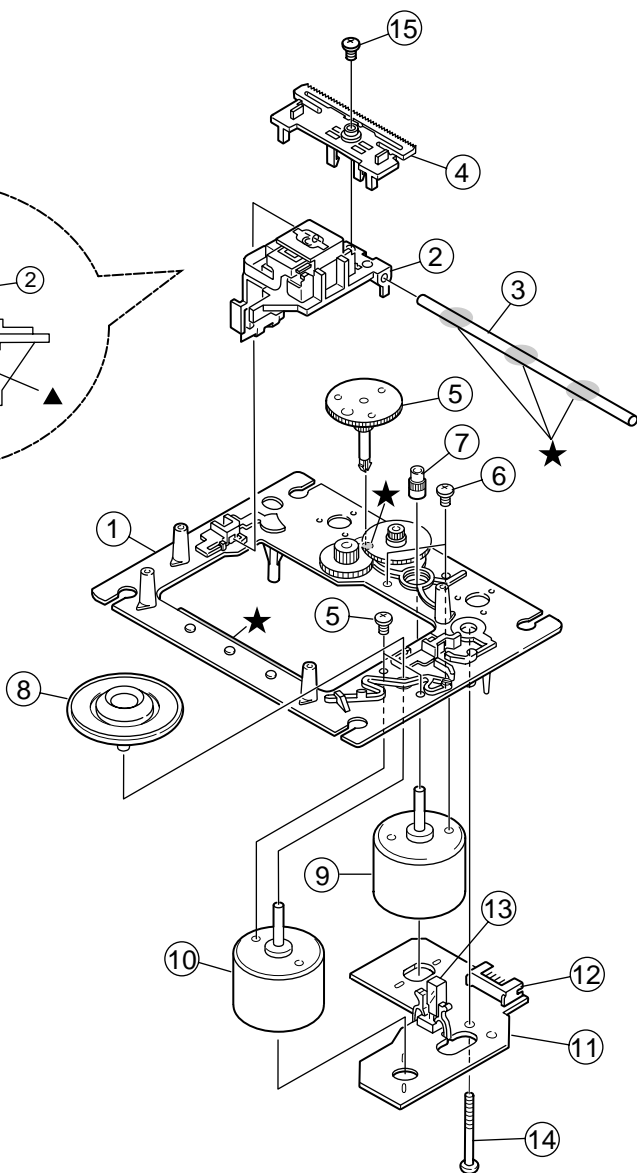
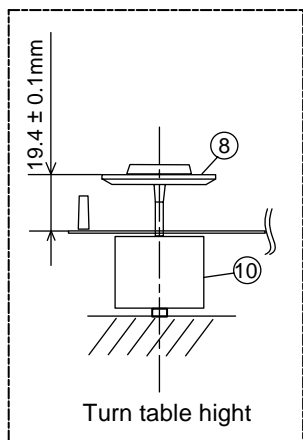
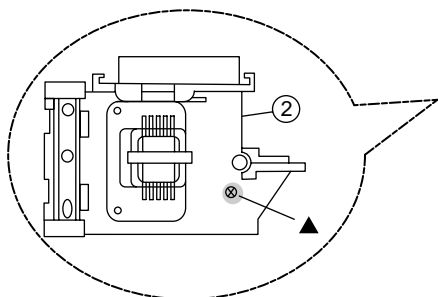
△	Item	Parts number	Parts name	Q'ty	Description	Area
	1	VKS1144-004	CHASSIS	1		
	2	VKS3698-003	TRAY GUIDE	2		
	3	VKS5532-003	PULLEY GEAR	2		
	4	VKB3000-164	BELT	2		
	5	VKS5505-003	GEAR B	2		
	6	VKS5506-002	GEAR C	3		
	7	VKS5507-002	CROSS GEAR U	1		
	8	VKS5508-002	CROSS GEAR L	1		
	9	VKS5510-003	SELECT LEVER	1		
	10	VKH5769-001	S.G.SHAFT	1		
	11	VKS5511-002	SELECT GEAR	1		
	12	VKW5155-003	COMP.SPRING	1	FOR SELECT GEAR	
	13	VKM3846-003	GEAR BRACKET	1		
	14	VKS5509-002MM	CYLINDER GEAR	1		
	15	MSN5D257A-SA2	DC MOTOR ASSY	2		
	16	QYSPSPD2616Z	SCREW	2	FOR MOTOR	
	17	LV40612-001A	COMP.SPRING	1		
	18	VKM3825-00B	C.G.BASE ASS'Y	1		
	19	VKZ3172-00ASS	CAM SW. R ASS'Y	1		
	20	VKZ3173-00ASS	CAM SW. L ASS'Y	1		
	21	QYSPST2606Z	SCREW	3	FOR CAM SW.	
	22	VKS2263-002MM	CAM R1	1		
	23	VKS2264-002MM	CAM R2	1		
	24	VKS2265-002MM	CAM GEAR L	1		
	25	WDL316050MM	SLIT WASHER	1	FOR CAM GEAR L	
	26	WDL316050MM	SLIT WASHER	1		
	27	QYSBSF2608Z	T.SCREW	4	FOR C.GEAR BASE	
	28	VKS3702-00FMM	DRIVE UNIT	1		
	29	VKS2247-005	MECHA HOLDER A	1		
	30	VKL7767-00F	BRACKET ASS'Y	1		
	31	QYSBSF2606Z	SCREW	2	FOR BRACKET	
	32	VKM3860-00E	M.HOLDER B AS'Y	1		
	33	VKL7802-00D	M.HOLDER C AS'Y	1		
	34	QYSDST2604Z	SCREW	2	FOR M.HOLDER C	
	35	VKL7810-00B	LIFTER ASS'Y R	1		
	36	VKL7811-00B	LIFTER ASS'Y L	1		
	37	VKL7812-00B	LIFTER ASS'Y H	1		
	38	VKL2745-003	LIFTER BASE	1		
	39	VKM3857-002	LIFTER BRACKET	1		
	40	QYSDST2604Z	SCREW	1		
	41	WDL266035-2	SLIT WASHER	1		
	42	QYSBSF2608Z	T.SCREW	4		
	43	VKS5514-002MM	LOCK LEVER	3		
	44	VKY3133-002MM	RETURN SPRING	1		
	45	QYSBSF2608Z	T.SCREW	1	FOR RETURN SP.	
	46	VKY3134-003MM	CLICK SPRING	1		
	47	VKS2252-00N	TRAY ASS'Y	3		
	48	VKS2250-004	TOP BRACKET	1		
	49	VKS5515-002	S.TRAY STOPPER	1		
	50	VKW5156-004	TORSION SPRING	1		
	51	QYSBSF2608Z	T.SCREW	3		
	52	QYSBSF2608Z	T.SCREW	2		

CD mechanism assembly and parts list

Block No. M B M M

Grease & Bond

- ★ = EBS0006-013B
- ▲ = 1401B



EXL-M7TMB

Parts list (CD mechanism)

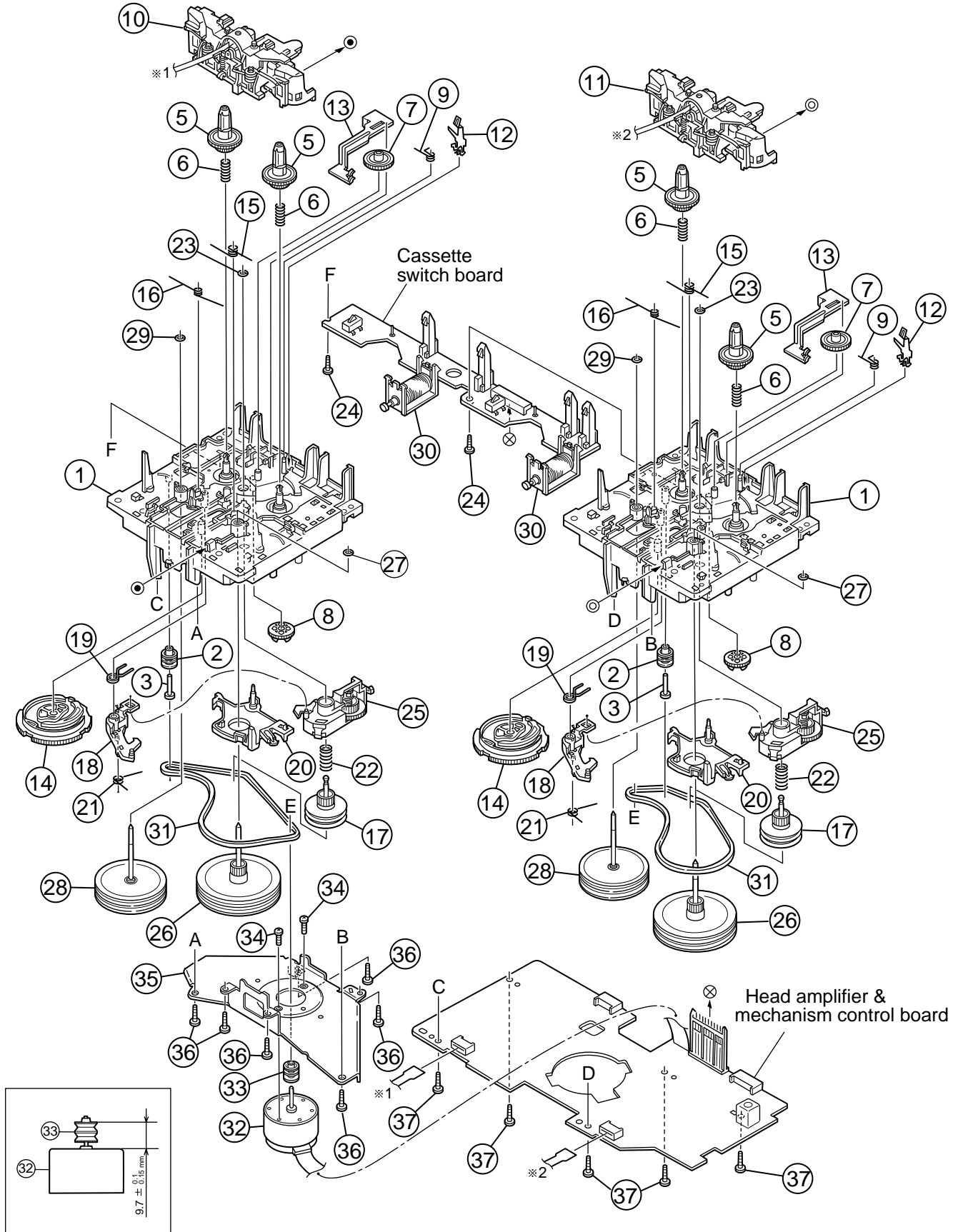
Block No. MBMM

Item	Parts number	Parts name	Q'ty	Description	Area
1	E102731-221SM	CD MECHA BASE A	1		
2	OPTIMA-7B	C.D PICK	1		
3	E406777-002SM	C.D SHAFT	1		
4	LV31002-001A	CD RACK	1		
5	E307745-441SM	C.D GEAR 3	1		
6	QYSDSP2003N	SCREW	4		
7	E406750-442SM	PINION	1		
8	EPB309173PKA	T.T PACKING	1		
9	E406784-001	FEED MOTOR	1		
10	QAR0130-001	SP MOTOR	1		
11	EMW10190-441	CIR BOARD	1		
12	QGA2001F1-06	CONNECTOR	1		
13	QSW0506-001	LEAF SWITCH	1		
14	E75832-221SS	SPECIAL SCREW	1		
15	QYSDSF2006Z	SCREW	1		

Cassette mechanism assembly and parts list

Block No. M P M M

SLC-W101M



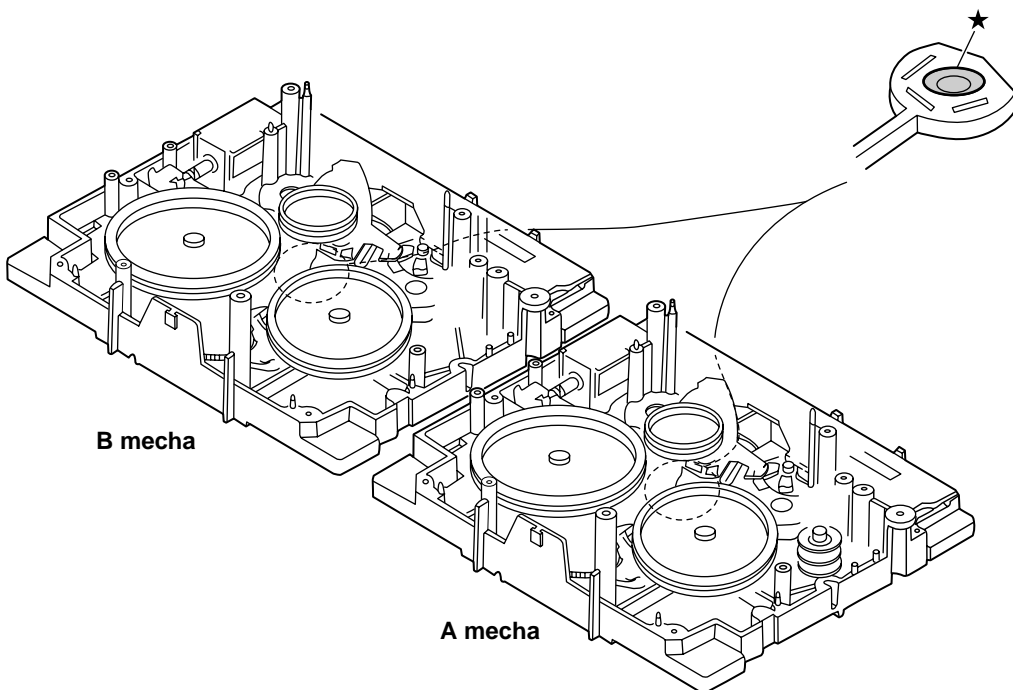
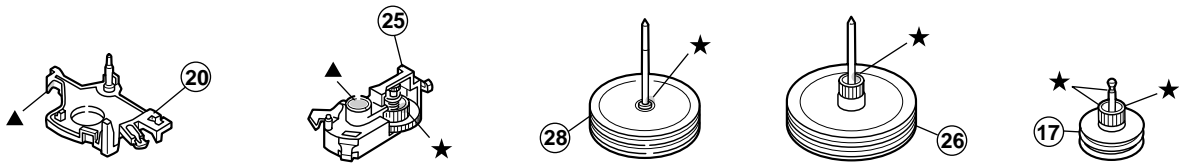
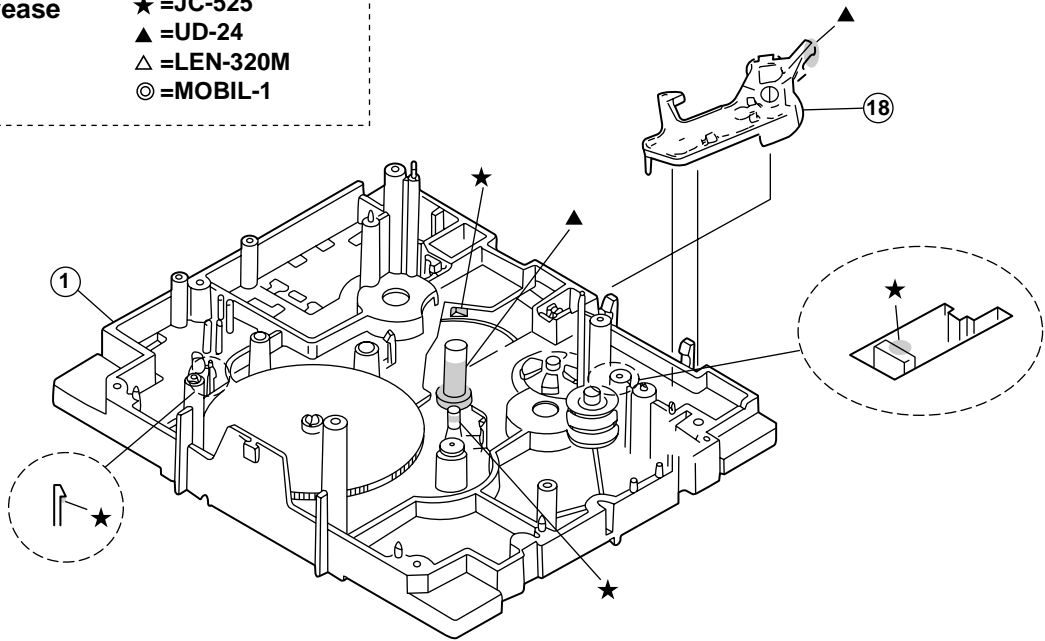
■ Parts list (Cassette mechanism)

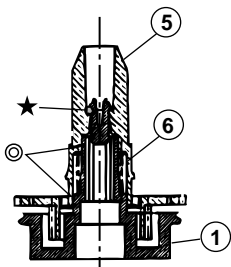
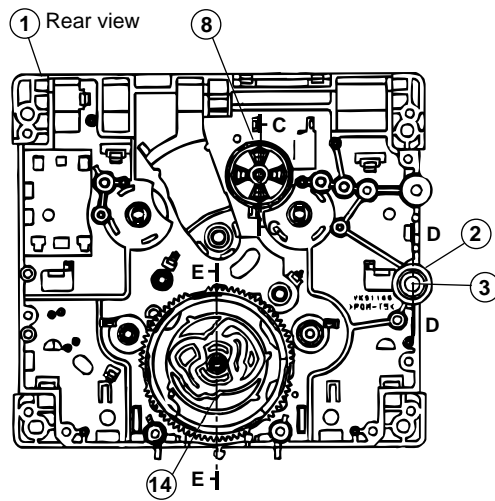
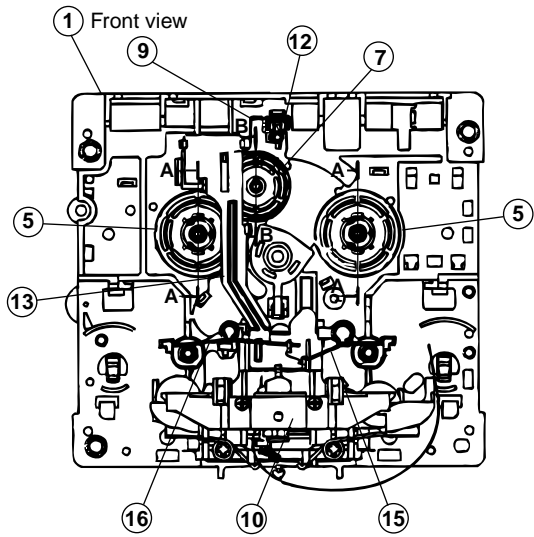
Block No. MPMM

△	Item	Parts number	Parts name	Q'ty	Description	Area
	1	VKS1165-00K	CHASSIS B.ASS'Y	2		
	2	VKR4749-004	IDLE PULLEY	2		
	3	LV42026-001A	SHAFT	2		
	5	VKS2274-002	REEL GEAR	4		
	6	VKW5286-002	B.T. SPRING	4		
	7	VKS5559-001	PLAY IDLE GEAR	2		
	8	VKS5597-00B	BLIND	2		
	9	LV42013-001A	EARTH SPRING	2		
	10	SLC-P1SVM	HEAD MOUNT ASSY	1		
	11	SLC-RP1SVM	HEAD MOUNT ASSY	1		
	12	VKY3149-002	CASSETTE SP.	2		
	13	VKM3906-004	PLAY SW.LEVER	2		
	14	VKS1166-004	CONTROL CAM	2		
	15	VKW5279-002	HEAD BASE SP(R)	2		
	16	VKW5280-001	HEAD BASE SP(L)	2		
	17	VKS5603-00G	MAIN PULLEY ASY	2		
	18	VKS3785-001MM	FR ARM	2		
	19	VKW5284-002	SWING SPRING	2		
	20	VKS2278-003	TRIGGER ARM	2		
	21	VKW5301-001	FR SPRING	2		
	22	VKW5266-001	ELEVATOR SPRING	2		
	23	WDL214025	WASHER	2		
	24	QYSBSF2005Z	T.SCREW	2		
	25	VKS3786-00G	CLUTCH ASS'Y	2		
	26	VKF3205-00B	F.WHEEL ASSY(R)	2		
	27	WDL183425	SLIT WASHER	2		
	28	VKF3207-00B	F.WHEEL ASSY(L)	2		
	29	WDL173525-6	SLIT WASHER	2		
	30	VKZ3174-00A	DC SOLENOID	2		
	31	LV42764-001A	CAPSTAN BELT(B)	2		
	32	MSI-5U2LWA	D.C.MOTOR ASS'Y	1		
	33	VKR4761-001	MOTOR PULLEY	1		
	34	QYSPSP2604Z	SCREW	2		
	35	VKM3907-001	JOINT BRACKET	1		
	36	QYSBSF2608Z	T.SCREW	6		
	37	QYSBSF2608Z	T.SCREW	5	FOR P.W.B.	

Grease point

Grease ★ =JC-525
 ▲ =UD-24
 △ =LEN-320M
 ◎ =MOBIL-1





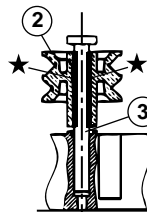
A - A (2/1, 2 places)



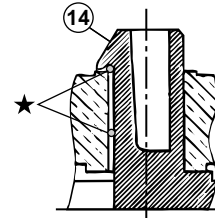
B - B (2/1)



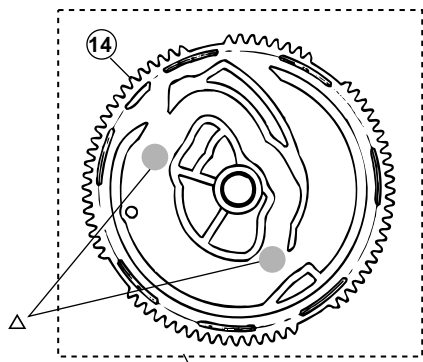
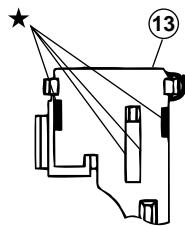
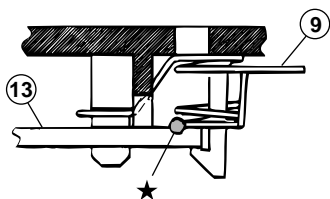
C - C (2/1)



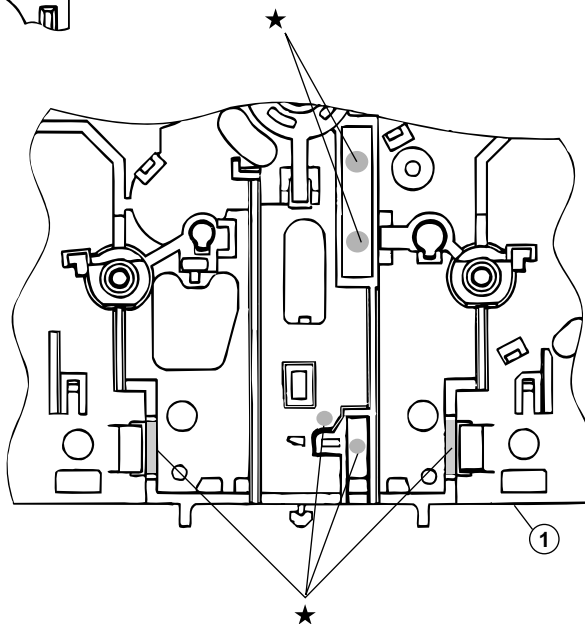
D - D (2/1)



E - E (5/1)



▲ (Dipping)



■ Electrical parts list (Power board)

Block No. 01

▲	Item	Parts number	Parts name	Remarks	Area	▲	Item	Parts number	Parts name	Remarks	Area
	C 201	QFZ0212-104Z	MM CAPACITOR	.10MF			C 729	EETC1CM-476ZJC	E CAPACITOR		
	C 202	QFZ0212-104Z	MM CAPACITOR	.10MF			C 730	QCF31HZ-223Z	C CAPACITOR	.022MF +80:-20%	
	C 203	QFZ0212-104Z	MM CAPACITOR	.10MF			C 731	QCF31HZ-223Z	C CAPACITOR	.022MF +80:-20%	
	C 204	EETB1XM-478JC	E CAPACITOR				C 739	EETC1HM-105ZJC	E CAPACITOR		
	C 205	EETB1XM-478JC	E CAPACITOR				C 790	EETC1EM-476ZJC	E CAPACITOR		
	C 211	QFLC1HJ-823Z	M CAPACITOR	.082MF 5% 50V			C 901	QDYB1CM-103Y	C CAPACITOR		
	C 212	QFLC1HJ-823Z	M CAPACITOR	.082MF 5% 50V			C 902	QDYB1CM-103Y	C CAPACITOR		
	C 213	QFLC1HJ-823Z	M CAPACITOR	.082MF 5% 50V			CN201	QGB2510J1-11	CONNECTOR		
	C 214	EETB1VM-228JC	E CAPACITOR				CN202	QGB2510J1-10	CONNECTOR		
	C 215	EETB1VM-228JC	E CAPACITOR				CN203	QGB2510J1-04	CONNECTOR		
	C 216	QETN1VM-107Z	E CAPACITOR	100MF 20% 35V			CN204	QGA3901C1-07	CONNECTOR		
	C 217	QETN1JM-476Z	E CAPACITOR	47MF 20% 63V			CN205	QGB2510J1-14	CONNECTOR		
	C 218	EETC1HM-226ZJC	E CAPACITOR				CN206	QGB2510J1-12	CONNECTOR		
	C 219	QDYB1CM-103Y	C CAPACITOR				CN207	QGB2510J1-10	CONNECTOR		
	C 220	EETC1HM-476ZJC	E CAPACITOR				CN215	QGB2510K2-14	CONNECTOR		
	C 221	EETC1HM-476ZJC	E CAPACITOR				CN703	QGD2504C1-03Z	SOCKET		
	C 222	EETC1HM-476ZJC	E CAPACITOR				CN704	QGD2504C1-03Z	SOCKET		
	C 253	EETB1EM-688JC	E CAPACITOR				CN705	QGA2501C1-02	2P CONNECTOR		
	C 280	EETC1HM-224ZJC	E CAPACITOR				CN706	QGD2504C1-03Z	SOCKET		
	C 281	QETN1JM-476Z	E CAPACITOR	47MF 20% 63V		▲	D 201	1N5402M-20	DIODE		
	C 372	EETC1HM-226ZJC	E CAPACITOR			▲	D 202	1N5402M-20	DIODE		
	C 373	QDYB1CM-103Y	C CAPACITOR			▲	D 203	1N5402M-20	DIODE		
	C 374	EETC1HM-226ZJC	E CAPACITOR			▲	D 204	1N5402M-20	DIODE		
	C 601	QFVJ1HJ-683Z	MF CAPACITOR	.068MF 5% 50V		▲	D 211	1N5402M-20	DIODE		
	C 602	QFVJ1HJ-683Z	MF CAPACITOR	.068MF 5% 50V		▲	D 212	1N5402M-20	DIODE		
	C 603	QCBB1HK-221Y	C CAPACITOR	220PF 10% 50V		▲	D 213	1N5402M-20	DIODE		
	C 604	QCBB1HK-221Y	C CAPACITOR	220PF 10% 50V		▲	D 214	1N5402M-20	DIODE		
	C 605	QCBB1HK-221Y	C CAPACITOR	220PF 10% 50V		▲	D 217	1N4003S-T5	SI DIODE		
	C 606	QCBB1HK-221Y	C CAPACITOR	220PF 10% 50V		▲	D 218	1N4003S-T5	SI DIODE		
	C 607	QETN1JM-476Z	E CAPACITOR	47MF 20% 63V			D 219	DZ33BSC-T2	ZENER DIODE		
	C 608	QETN1JM-476Z	E CAPACITOR	47MF 20% 63V			D 220	DZ9.1BSB-T2	ZENER DIODE		
	C 609	QCSB1HJ-100Y	C CAPACITOR	10PF 5% 50V		▲	D 227	1N4003S-T5	SI DIODE		
	C 610	QCSB1HJ-100Y	C CAPACITOR	10PF 5% 50V		▲	D 233	2A02-M	DIODE		
	C 611	QETN1HM-476Z	E CAPACITOR	47MF 20% 50V		▲	D 234	2A02-M	DIODE		
	C 612	QETN1HM-476Z	E CAPACITOR	47MF 20% 50V			D 280	DZ2.4BSB-T2	ZENER DIODE		
	C 613	QFLC1HJ-473Z	M CAPACITOR	.047MF 5% 50V			D 369	DZ10BSC-T2	ZENER DIODE		
	C 614	QFLC1HJ-473Z	M CAPACITOR	.047MF 5% 50V			D 370	DZ11BSC-T2	ZENER DIODE		
	C 615	QFLC1HJ-473Z	M CAPACITOR	.047MF 5% 50V			D 619	1SS119-041-T2	SI DIODE		
	C 616	QFLC1HJ-473Z	M CAPACITOR	.047MF 5% 50V			D 620	1SS119-041-T2	SI DIODE		
	C 621	QTE1V06-106Z	E CAPACITOR				D 622	DZ9.1BSB-T2	ZENER DIODE		
	C 622	QTE1V06-106Z	E CAPACITOR				D 703	DZ15BSC-T2	ZENER DIODE		
	C 623	QETN1HM-106Z	E CAPACITOR	10MF 20% 50V			D 704	DZ15BSC-T2	ZENER DIODE		
	C 624	QETN1HM-106Z	E CAPACITOR	10MF 20% 50V			D 719	1SS119-041-T2	SI DIODE		
	C 639	QFLC1HJ-104Z	M CAPACITOR	.10MF 5% 50V			D 720	1SS119-041-T2	SI DIODE		
	C 683	QFLC1HJ-823Z	M CAPACITOR	.082MF 5% 50V			D 723	DZ36BSA-T2	ZENER DIODE		
	C 703	QCBB1HK-471Y	C CAPACITOR	470PF 10% 50V			D 724	DZ36BSA-T2	ZENER DIODE		
	C 704	QCBB1HK-471Y	C CAPACITOR	470PF 10% 50V			D 726	1SS119-041-T2	SI DIODE		
	C 705	QCBB1HK-221Y	C CAPACITOR	220PF 10% 50V			D 728	1SS119-041-T2	SI DIODE		
	C 706	QCBB1HK-221Y	C CAPACITOR	220PF 10% 50V			D 790	1SS119-041-T2	SI DIODE		
	C 707	QETN1JM-476Z	E CAPACITOR	47MF 20% 63V			EP201	QNZ0136-001Z	EARTH PLATE		
	C 708	QETN1JM-476Z	E CAPACITOR	47MF 20% 63V			EP202	QNZ0136-001Z	EARTH PLATE		
	C 709	QCSB1HK-4R7Y	C CAPACITOR	4.7PF 10% 50V			FW707	QUM153-09Z4Z4	PARA RIBON WIRE		
	C 710	QCSB1HK-4R7Y	C CAPACITOR	4.7PF 10% 50V			FW901	QUM027-13DGZ4	PARA RIBON WIRE		
	C 711	QFZ0212-104Z	MM CAPACITOR	.10MF		▲	IC602	STK402-030	IC		
	C 712	QFZ0212-104Z	MM CAPACITOR	.10MF		▲	IC701	STK412-090	IC		
	C 713	QFLC1HJ-473Z	M CAPACITOR	.047MF 5% 50V			JS901	QSW0911-001	ROTARY SWITCH		
	C 714	QFLC1HJ-473Z	M CAPACITOR	.047MF 5% 50V			L 601	QQLZ035-R39	INDUCTOR		
	C 715	QFLC1HJ-473Z	M CAPACITOR	.047MF 5% 50V			L 602	QQLZ035-R39	INDUCTOR		
	C 716	QFLC1HJ-473Z	M CAPACITOR	.047MF 5% 50V			L 701	QQLZ035-R39	INDUCTOR		
	C 721	QETN1HM-106Z	E CAPACITOR	10MF 20% 50V			L 702	QQLZ035-R39	INDUCTOR		
	C 722	QETN1HM-106Z	E CAPACITOR	10MF 20% 50V			Q 201	2SB740/BC/-T	TRANSISTOR		
	C 723	EETC1AM-107ZJC	E CAPACITOR				Q 240	2SC2785/FE/-T	TRANSISTOR		
	C 726	EETC1EM-106ZJC	E CAPACITOR				Q 372	KTA1023/OY/-T	TRANSISTOR		

■ Electrical parts list (Power board)

Block No. 01

△	Item	Parts number	Parts name	Remarks	Area	△	Item	Parts number	Parts name	Remarks	Area
	Q 373	KRA104M-T	D.TRANSISTOR				R 640	QRL01DJ-821X	OMF RESISTOR	820 5% 1/1W	
	Q 374	KRC104M-T	D.TRANSISTOR				R 653	QRT01DJ-R22X	MF RESISTOR	5% 1W	
	Q 601	KTA1268/GL/-T	TRANSISTOR				R 655	QRT01DJ-R22X	MF RESISTOR	5% 1W	
	Q 602	KTA1268/GL/-T	TRANSISTOR				R 666	QRE141J-333Y	C RESISTOR	33K 5% 1/4W	
	Q 612	2SA1175/FE/-T	TRANSISTOR				R 667	QRE141J-103Y	C RESISTOR	10K 5% 1/4W	
	Q 613	KRC102M-T	D.TRANSISTOR				R 668	QRE141J-103Y	C RESISTOR	10K 5% 1/4W	
	Q 680	2SK301/PQ/-T	FET				R 674	QRJ146J-100X	UNF C RESISTOR	10 5% 1/4W	
	Q 701	KTA1268/GL/-T	TRANSISTOR				R 675	QRE141J-102Y	C RESISTOR	1.0K 5% 1/4W	
	Q 702	KTA1268/GL/-T	TRANSISTOR				R 676	QRE141J-102Y	C RESISTOR	1.0K 5% 1/4W	
	Q 710	2SA965/OY/-T	TRANSISTOR				R 680	QRE141J-105Y	C RESISTOR	1.0M 5% 1/4W	
	Q 711	KTC3200/GL/-T	TRANSISTOR				R 681	QRE141J-392Y	C RESISTOR	3.9K 5% 1/4W	
	Q 712	KTA1268/GL/-T	TRANSISTOR				R 682	QRE141J-475Y	C RESISTOR	4.7M 5% 1/4W	
	Q 713	KTC1027/OY/-T	TRANSISTOR				R 701	QRJ146J-470X	UNF C RESISTOR	47 5% 1/4W	
	Q 726	2SC2389S/SE/-T	TRANSISTOR				R 702	QRJ146J-470X	UNF C RESISTOR	47 5% 1/4W	
	Q 727	KTA1268/GL/-T	TRANSISTOR				R 703	QRE141J-563Y	C RESISTOR	56K 5% 1/4W	
	Q 728	2SC2785/FE/-T	TRANSISTOR				R 704	QRE141J-563Y	C RESISTOR	56K 5% 1/4W	
	Q 733	2SC3576-JVC-T	TRANSISTOR				R 705	QRJ146J-821X	UNF C RESISTOR	820 5% 1/4W	
	Q 734	2SC3576-JVC-T	TRANSISTOR				R 706	QRJ146J-821X	UNF C RESISTOR	820 5% 1/4W	
	Q 735	2SC3576-JVC-T	TRANSISTOR				R 707	QRE141J-563Y	C RESISTOR	56K 5% 1/4W	
	Q 736	2SC3576-JVC-T	TRANSISTOR				R 708	QRE141J-563Y	C RESISTOR	56K 5% 1/4W	
	Q 737	KRA111M-T	D.TRANSISTOR				R 713	QRJ146J-100X	UNF C RESISTOR	10 5% 1/4W	
	Q 790	2SC2785/FE/-T	TRANSISTOR				R 714	QRJ146J-100X	UNF C RESISTOR	10 5% 1/4W	
	Q 791	2SC2785/FE/-T	TRANSISTOR				R 715	QRJ146J-100X	UNF C RESISTOR	10 5% 1/4W	
	Q 792	KTC3203/OY/-T	TRANSISTOR				R 716	QRJ146J-100X	UNF C RESISTOR	10 5% 1/4W	
△	R 202	QRZ9042-2R2X	F RESISTOR	2.2 1/0W			R 717	QRE141J-102Y	C RESISTOR	1.0K 5% 1/4W	
	R 203	QRE141J-752Y	C RESISTOR	7.5K 5% 1/4W			R 718	QRE141J-102Y	C RESISTOR	1.0K 5% 1/4W	
	R 204	QRE141J-223Y	C RESISTOR	22K 5% 1/4W			R 719	QRE141J-562Y	C RESISTOR	5.6K 5% 1/4W	
	R 205	QRE141J-104Y	C RESISTOR	100K 5% 1/4W			R 720	QRE141J-562Y	C RESISTOR	5.6K 5% 1/4W	
	R 215	QRE141J-473Y	C RESISTOR	47K 5% 1/4W			R 721	QRE141J-103Y	C RESISTOR	10K 5% 1/4W	
	R 216	QRE141J-473Y	C RESISTOR	47K 5% 1/4W			R 722	QRE141J-103Y	C RESISTOR	10K 5% 1/4W	
	R 217	QRE141J-273Y	C RESISTOR	27K 5% 1/4W			R 723	QRE141J-682Y	C RESISTOR	6.8K 5% 1/4W	
	R 218	QRE141J-273Y	C RESISTOR	27K 5% 1/4W			R 724	QRE141J-682Y	C RESISTOR	6.8K 5% 1/4W	
△	R 220	QRJ146J-470X	UNF C RESISTOR	47 5% 1/4W			R 725	QRE141J-823Y	C RESISTOR	82K 5% 1/4W	
	R 242	QRE141J-103Y	C RESISTOR	10K 5% 1/4W			R 726	QRE141J-104Y	C RESISTOR	100K 5% 1/4W	
△	R 246	QRJ146J-1R0X	UNF C RESISTOR	1.0 5% 1/4W			R 727	QRE141J-104Y	C RESISTOR	100K 5% 1/4W	
△	R 247	QRJ146J-1R0X	UNF C RESISTOR	1.0 5% 1/4W			R 728	QRE141J-103Y	C RESISTOR	10K 5% 1/4W	
△	R 248	QRJ146J-1R0X	UNF C RESISTOR	1.0 5% 1/4W			R 729	QRE141J-104Y	C RESISTOR	100K 5% 1/4W	
△	R 249	QRJ146J-1R0X	UNF C RESISTOR	1.0 5% 1/4W			R 730	QRE141J-103Y	C RESISTOR	10K 5% 1/4W	
	R 281	QRE141J-682Y	C RESISTOR	6.8K 5% 1/4W			R 733	QRE141J-472Y	C RESISTOR	4.7K 5% 1/4W	
	R 283	QRE141J-153Y	C RESISTOR	15K 5% 1/4W			R 734	QRE141J-472Y	C RESISTOR	4.7K 5% 1/4W	
	R 284	QRE141J-473Y	C RESISTOR	47K 5% 1/4W			R 735	QRE141J-472Y	C RESISTOR	4.7K 5% 1/4W	
	R 384	QRE141J-272Y	C RESISTOR	2.7K 5% 1/4W			R 736	QRE141J-472Y	C RESISTOR	4.7K 5% 1/4W	
	R 385	QRE141J-562Y	C RESISTOR	5.6K 5% 1/4W			R 739	QRL01DJ-821X	OMF RESISTOR	820 5% 1W	
	R 389	QRE141J-103Y	C RESISTOR	10K 5% 1/4W			R 740	QRL01DJ-821X	OMF RESISTOR	820 5% 1W	
△	R 601	QRJ146J-101X	UNF C RESISTOR	100 5% 1/4W			R 741	QRE141J-682Y	C RESISTOR	6.8K 5% 1/4W	
△	R 602	QRJ146J-101X	UNF C RESISTOR	100 5% 1/4W			R 742	QRE141J-682Y	C RESISTOR	6.8K 5% 1/4W	
	R 603	QRE141J-563Y	C RESISTOR	56K 5% 1/4W			R 753	QRZ0197-R22	C RESISTOR	1/1W	
	R 604	QRE141J-563Y	C RESISTOR	56K 5% 1/4W			R 754	QRZ0197-R22	C RESISTOR	1/1W	
△	R 605	QRJ146J-122X	UNF C RESISTOR	1.2K 5% 1/4W			R 761	QRE141J-102Y	C RESISTOR	1.0K 5% 1/4W	
△	R 606	QRJ146J-122X	UNF C RESISTOR	1.2K 5% 1/4W			R 762	QRE141J-102Y	C RESISTOR	1.0K 5% 1/4W	
	R 607	QRE141J-563Y	C RESISTOR	56K 5% 1/4W			R 766	QRE141J-333Y	C RESISTOR	33K 5% 1/4W	
	R 608	QRE141J-563Y	C RESISTOR	56K 5% 1/4W			R 768	QRE141J-104Y	C RESISTOR	100K 5% 1/4W	
△	R 613	QRJ146J-100X	UNF C RESISTOR	10 5% 1/4W			R 769	QRE141J-222Y	C RESISTOR	2.2K 5% 1/4W	
△	R 614	QRJ146J-100X	UNF C RESISTOR	10 5% 1/4W			R 774	QRJ146J-100X	UNF C RESISTOR	10 5% 1/4W	
△	R 615	QRJ146J-100X	UNF C RESISTOR	10 5% 1/4W			R 775	QRE141J-102Y	C RESISTOR	1.0K 5% 1/4W	
△	R 616	QRJ146J-100X	UNF C RESISTOR	10 5% 1/4W			R 776	QRE141J-102Y	C RESISTOR	1.0K 5% 1/4W	
	R 617	QRE141J-221Y	C RESISTOR	220 5% 1/4W			R 777	QRE141J-103Y	C RESISTOR	10K 5% 1/4W	
	R 618	QRE141J-221Y	C RESISTOR	220 5% 1/4W			R 778	QRE141J-103Y	C RESISTOR	10K 5% 1/4W	
	R 619	QRE141J-222Y	C RESISTOR	2.2K 5% 1/4W			R 786	QRE141J-103Y	C RESISTOR	10K 5% 1/4W	
	R 620	QRE141J-222Y	C RESISTOR	2.2K 5% 1/4W			R 787	QRE141J-103Y	C RESISTOR	10K 5% 1/4W	
	R 621	QRE141J-103Y	C RESISTOR	10K 5% 1/4W			R 790	QRE141J-103Y	C RESISTOR	10K 5% 1/4W	
	R 623	QRE141J-103Y	C RESISTOR	10K 5% 1/4W			R 792	QRE141J-102Y	C RESISTOR	1.0K 5% 1/4W	
△	R 639	QRL01DJ-821X	OMF RESISTOR	820 5% 1/1W			R 793	QRE141J-104Y	C RESISTOR	100K 5% 1/4W	

■ Electrical parts list (Power board)

Block No. 01

△	Item	Parts number	Parts name	Remarks	Area
	R 794	QRE141J-103Y	C RESISTOR	10K 5% 1/4W	
	R 795	QRE141J-103Y	C RESISTOR	10K 5% 1/4W	
	R 796	QRE141J-682Y	C RESISTOR	6.8K 5% 1/4W	
	R 797	QRE141J-203Y	C RESISTOR	20K 5% 1/4W	
△	R 798	QRJ146J-100X	UNF C RESISTOR	10 5% 1/4W	
	R 908	QRE141J-562Y	C RESISTOR	5.6K 5% 1/4W	
	S 901	QSW0825-001Z	TACT SWITCH		
	S 902	QSW0825-001Z	TACT SWITCH		

■ Electrical parts list (Input board)

Block No. 02

△	Item	Parts number	Parts name	Remarks	Area	△	Item	Parts number	Parts name	Remarks	Area
	C 002	QFVH1HJ-104	MF CAPACITOR	.10MF 5% 50V			C 514	QFLC1HJ-823Z	M CAPACITOR	.082MF 5% 50V	
	C 401	QCBB1HK-221Y	C CAPACITOR	220PF 10% 50V			C 526	EETC1AM-107ZJC	E CAPACITOR		
	C 402	QCBB1HK-221Y	C CAPACITOR	220PF 10% 50V			C 527	QFLC1HJ-183Z	M CAPACITOR	.018MF 5% 50V	
	C 403	FQCF31HP-103Z	C CAPACITOR				C 528	QFLC1HJ-104Z	M CAPACITOR	.10MF 5% 50V	
	C 404	QETN1CM-476Z	E CAPACITOR	47MF 20% 16V			C 530	QFLC1HJ-104Z	M CAPACITOR	.10MF 5% 50V	
	C 419	QDXB1CM-222Y	C CAPACITOR				C 531	QFLC1HJ-683Z	M CAPACITOR	.068MF 5% 50V	
	C 426	QDVB1EZ-223Y	C CAPACITOR				C 532	QETN1CM-476Z	E CAPACITOR	47MF 20% 16V	
	C 427	EETC1EM-106ZJC	E CAPACITOR				C 534	QTE1C06-476Z	E CAPACITOR		
	C 433	FQCF31HP-103Z	C CAPACITOR				C 535	EETC1AM-107ZJC	E CAPACITOR		
	C 436	EETC1AM-107ZJC	E CAPACITOR				C 556	QETN1EM-106Z	E CAPACITOR	10MF 20% 25V	
	C 437	EETC1EM-106ZJC	E CAPACITOR				C 571	QETN1HM-225Z	E CAPACITOR	2.2MF 20% 50V	
	C 438	QDYB1CM-103Y	C CAPACITOR				C 575	QCBB1HK-101Y	C CAPACITOR	100PF 10% 50V	
	C 439	QETN1EM-106Z	E CAPACITOR	10MF 20% 25V			C 576	QETN1CM-476Z	E CAPACITOR	47MF 20% 16V	
	C 440	QETN1EM-106Z	E CAPACITOR	10MF 20% 25V			C 577	QETN1CM-476Z	E CAPACITOR	47MF 20% 16V	
	C 441	QTE1V06-106Z	E CAPACITOR				C 578	EETC1HM-105ZJC	E CAPACITOR		
	C 442	QTE1V06-106Z	E CAPACITOR				C 585	EETC1HM-105ZJC	E CAPACITOR		
	C 443	EETC1HM-225ZJC	E CAPACITOR				C 586	QDXB1CM-182Y	C CAPACITOR		
	C 444	EETC1HM-225ZJC	E CAPACITOR				C 587	QCSB1HJ-330Y	C CAPACITOR	33PF 5% 50V	
	C 445	QETN1EM-106Z	E CAPACITOR	10MF 20% 25V			C 588	QDGB1HK-681Y	C CAPACITOR		
	C 446	QETN1EM-106Z	E CAPACITOR	10MF 20% 25V			C 589	QFLC1HJ-153Z	M CAPACITOR	.015MF 5% 50V	
	C 447	QETN1CM-106Z	E CAPACITOR	10MF 20% 16V			C 593	FQCS31HJ-470Z	C CAPACITOR		
	C 448	QETN1CM-106Z	E CAPACITOR	10MF 20% 16V			C 594	QETN1AM-477Z	E CAPACITOR	470MF 20% 10V	
	C 449	QETN1HM-225Z	E CAPACITOR	2.2MF 20% 50V			C 596	QDYB1CM-103Y	C CAPACITOR		
	C 450	QETN1HM-225Z	E CAPACITOR	2.2MF 20% 50V			C 599	QETN0JM-108Z	E CAPACITOR	1000MF 20% 6.3V	
	C 453	QFLC1HJ-104Z	M CAPACITOR	.10MF 5% 50V			C 980	QDVB1EZ-223Y	C CAPACITOR		
	C 454	QFLC1HJ-104Z	M CAPACITOR	.10MF 5% 50V			C 981	QCZ0202-155Z	ML C CAPACITOR	1.5MF	
	C 455	QFVJ1HJ-104Z	MF CAPACITOR	.10MF 5% 50V			C 995	EETC1AM-107ZJC	E CAPACITOR		
	C 456	QFVJ1HJ-104Z	MF CAPACITOR	.10MF 5% 50V			C 996	QCSB1HJ-100Y	C CAPACITOR	10PF 5% 50V	
	C 457	QFLC1HJ-223Z	M CAPACITOR	.022MF 5% 50V			C 997	QCSB1HJ-100Y	C CAPACITOR	10PF 5% 50V	
	C 458	QFLC1HJ-223Z	M CAPACITOR	.022MF 5% 50V			C 998	QDXB1CM-472Y	C CAPACITOR		
	C 459	QFLC1HJ-183Z	M CAPACITOR	.018MF 5% 50V			C 999	QDXB1CM-472Y	C CAPACITOR		
	C 460	QFLC1HJ-183Z	M CAPACITOR	.018MF 5% 50V			CN 11	QGF1205F1-09	CONNECTOR		
	C 461	QFG32AJ-682Z	PP CAPACITOR	6800PF 5% 100V			CN208	WJK0114-002A	E-SI C WIRE C-B		
	C 462	QFG32AJ-682Z	PP CAPACITOR	6800PF 5% 100V			CN209	WJK0071-002A	CONN.WIRE ASSY		
	C 466	QTE1C06-476Z	E CAPACITOR				CN211	QGB2510K2-11	CONNECTOR		
	C 467	QETN1HM-225Z	E CAPACITOR	2.2MF 20% 50V			CN212	QGB2510K2-10	CONNECTOR		
	C 468	EETC1EM-226ZJC	E CAPACITOR				CN213	QGB2510K2-04	CONNECTOR		
	C 469	QFLC1HJ-683Z	M CAPACITOR	.068MF 5% 50V			CN214	QJK015-071214	CONN.WIRE ASSY		
	C 470	QFVJ1HJ-274Z	MF CAPACITOR	.27MF 5% 50V			CN218	QGA7901F1-03	CONNECTOR		
	C 471	QETN1EM-106Z	E CAPACITOR	10MF 20% 25V			CN219	QGA7901C1-04	CONNECTOR		
	C 472	QETN1EM-106Z	E CAPACITOR	10MF 20% 25V			CN220	QGD2504C1-03Z	SOCKET		
	C 473	QETN1EM-106Z	E CAPACITOR	10MF 20% 25V			△ CN250	QGA7901C1-02	CONNECTOR		
	C 474	QETN1EM-106Z	E CAPACITOR	10MF 20% 25V			CN315	QGF1205C1-10	CONNECTOR		
	C 475	EETC1HM-105ZJC	E CAPACITOR				CN504	QGF1016F3-15	CONNECTOR		
	C 476	QFLC1HJ-682Z	M CAPACITOR	6800PF 5% 50V			CN661	QGF1016F3-19	CONNECTOR		
	C 481	QFG32AJ-223Z	PP CAPACITOR	.022MF 5% 100V			CN870	QGF1205C1-17	CONNECTOR		
	C 482	QFG32AJ-223Z	PP CAPACITOR	.022MF 5% 100V			CN871	QGF1205C1-17	CONNECTOR		
	C 483	QFLM1HJ-223Z	M CAPACITOR	.022MF 5% 50V			C1201	QETN1AM-227Z	E CAPACITOR	220MF 20% 10V	
	C 484	QFLM1HJ-223Z	M CAPACITOR	.022MF 5% 50V			C1202	QFLC1HJ-823Z	M CAPACITOR	.082MF 5% 50V	
	C 485	QTE1V06-106Z	E CAPACITOR				C1228	EETC1AM-107ZJC	E CAPACITOR		
	C 486	QTE1V06-106Z	E CAPACITOR				D 411	1SS119-041-T2	SI DIODE		
	C 487	EETC1AM-107ZJC	E CAPACITOR				D 412	1SS119-041-T2	SI DIODE		
	C 488	EETC1HM-105ZJC	E CAPACITOR				D 426	DZ5.1BSB-T2	ZENER DIODE		
	C 489	EETC1AM-107ZJC	E CAPACITOR				D 431	DZ3.9BSB-T2	ZENER DIODE		
	C 501	QETN1HM-475Z	E CAPACITOR	4.7MF 20% 50V			D 432	DZ3.9BSB-T2	ZENER DIODE		
	C 502	QETN1HM-475Z	E CAPACITOR	4.7MF 20% 50V			D 434	DZ5.1BSB-T2	ZENER DIODE		
	C 503	QFVJ1HJ-224Z	MF CAPACITOR	.22MF 5% 50V			D 501	1SS119-041-T2	SI DIODE		
	C 504	QFLC1HJ-822Z	M CAPACITOR	8200PF 5% 50V			D 502	1SS119-041-T2	SI DIODE		
	C 505	QFVJ1HJ-274Z	MF CAPACITOR	.27MF 5% 50V			D 571	1SS119-041-T2	SI DIODE		
	C 507	QFLC1HJ-153Z	M CAPACITOR	.015MF 5% 50V			D 572	1SS119-041-T2	SI DIODE		
	C 508	QFLC1HJ-273Z	M CAPACITOR	.027MF 5% 50V			D 585	1SS119-041-T2	SI DIODE		
	C 509	QETN1HM-475Z	E CAPACITOR	4.7MF 20% 50V			D 586	DZ6.8BSC-T2	ZENER DIODE		
	C 510	QETN1HM-475Z	E CAPACITOR	4.7MF 20% 50V			D 587	DZ6.8BSC-T2	ZENER DIODE		

■ Electrical parts list (Input board)

Block No. 02

△	Item	Parts number	Parts name	Remarks	Area	△	Item	Parts number	Parts name	Remarks	Area
	D 592	1SS119-041-T2	SI DIODE				R 440	QRE141J-562Y	C RESISTOR	5.6K 5% 1/4W	
	EP250	E409182-001SM	GRAND TERMINAL				R 441	QRE141J-272Y	C RESISTOR	2.7K 5% 1/4W	
	FT111	QNG0020-001Z	FUSE CLIP				R 442	QRE141J-103Y	C RESISTOR	10K 5% 1/4W	
	FT112	QNG0020-001Z	FUSE CLIP				R 443	QRE141J-104Y	C RESISTOR	100K 5% 1/4W	
	FT131	QNG0020-001Z	FUSE CLIP				R 444	QRE141J-104Y	C RESISTOR	100K 5% 1/4W	
	FT132	QNG0020-001Z	FUSE CLIP				R 466	QRE141J-201Y	C RESISTOR	200 5% 1/4W	
	FT511	QNG0020-001Z	FUSE CLIP				R 467	QRE141J-203Y	C RESISTOR	20K 5% 1/4W	
	FT512	QNG0020-001Z	FUSE CLIP				R 468	QRE141J-203Y	C RESISTOR	20K 5% 1/4W	
	FT521	QNG0020-001Z	FUSE CLIP				R 469	QRE141J-562Y	C RESISTOR	5.6K 5% 1/4W	
	FT522	QNG0020-001Z	FUSE CLIP				R 470	QRE141J-562Y	C RESISTOR	5.6K 5% 1/4W	
	FW401	QUM155-09Z4Z4	PARA RIBON WIRE				R 471	QRE141J-223Y	C RESISTOR	22K 5% 1/4W	
	FW710	QUM153-09DGZ4	FLAT WIRE				R 472	QRE141J-102Y	C RESISTOR	1.0K 5% 1/4W	
	FW714	QUM156-18DGZ4	PARA RIBON WIRE				R 473	QRE141J-153Y	C RESISTOR	15K 5% 1/4W	
	IC436	TDA7439	IC				R 474	QRE141J-513Y	C RESISTOR	51K 5% 1/4W	
	IC466	BA3837	IC(VOCALFADER)				R 475	QRE141J-101Y	C RESISTOR	100 5% 1/4W	
	IC481	NJM4580D	IC				R 485	QRE141J-563Y	C RESISTOR	56K 5% 1/4W	
	IC501	NJM4580D	IC				R 486	QRE141J-563Y	C RESISTOR	56K 5% 1/4W	
	IC502	NJM4580D	IC				R 487	QRE141J-154Y	C RESISTOR	150K 5% 1/4W	
	IC526	NJM4580D	IC				R 488	QRE141J-154Y	C RESISTOR	150K 5% 1/4W	
	IC571	NJM4580D	IC				R 489	QRE141J-104Y	C RESISTOR	100K 5% 1/4W	
	J 411	QNN0420-001	PIN JACK				R 490	QRE141J-104Y	C RESISTOR	100K 5% 1/4W	
	J 426	GP1FA550TZ	OPT TRANSMITTER				R 491	QRE141J-472Y	C RESISTOR	4.7K 5% 1/4W	
	J 999	QNN0420-001	PIN JACK				R 492	QRE141J-472Y	C RESISTOR	4.7K 5% 1/4W	
	JA566	QNN0017-002	PIN JACK				R 493	QRE141J-103Y	C RESISTOR	10K 5% 1/4W	
	L 001	QQR1277-001Z	F.BEADS				R 494	QRE141J-103Y	C RESISTOR	10K 5% 1/4W	
	L 546	QQR1277-001Z	F.BEADS				R 495	QRE141J-101Y	C RESISTOR	100 5% 1/4W	
	L 566	QQR1277-001Z	F.BEADS				R 496	QRE141J-102Y	C RESISTOR	1.0K 5% 1/4W	
	L 567	QQR1277-001Z	F.BEADS				R 498	QRE141J-101Y	C RESISTOR	100 5% 1/4W	
	L 571	QQR1277-001Z	F.BEADS				R 501	QRE141J-332Y	C RESISTOR	3.3K 5% 1/4W	
	Q 401	2SC3576-JVC-T	TRANSISTOR				R 502	QRE141J-332Y	C RESISTOR	3.3K 5% 1/4W	
	Q 402	2SC3576-JVC-T	TRANSISTOR				R 503	QRE141J-303Y	C RESISTOR	30K 5% 1/4W	
	Q 481	2SC3576-JVC-T	TRANSISTOR				R 504	QRE141J-104Y	C RESISTOR	100K 5% 1/4W	
	Q 482	2SC3576-JVC-T	TRANSISTOR				R 505	QRE141J-223Y	C RESISTOR	22K 5% 1/4W	
	Q 483	KRA102M-T	D.TRANSISTOR				R 506	QRE141J-223Y	C RESISTOR	22K 5% 1/4W	
	Q 556	2SC3576-JVC-T	TRANSISTOR				R 507	QRE141J-303Y	C RESISTOR	30K 5% 1/4W	
	Q 557	2SC3576-JVC-T	TRANSISTOR				R 508	QRE141J-274Y	C RESISTOR	270K 5% 1/4W	
	Q 562	2SC3576-JVC-T	TRANSISTOR				R 510	QRE141J-823Y	C RESISTOR	82K 5% 1/4W	
	Q 571	2SC2785/FE/-T	TRANSISTOR				R 511	QRE141J-104Y	C RESISTOR	100K 5% 1/4W	
	Q 572	2SC2785/FE/-T	TRANSISTOR				R 512	QRE141J-224Y	C RESISTOR	220K 5% 1/4W	
	Q 573	2SC2785/FE/-T	TRANSISTOR				R 513	QRE141J-224Y	C RESISTOR	220K 5% 1/4W	
	Q 585	2SC2785/FE/-T	TRANSISTOR				R 517	QRE141J-563Y	C RESISTOR	56K 5% 1/4W	
	Q 586	2SC2785/FE/-T	TRANSISTOR				R 518	QRE141J-104Y	C RESISTOR	100K 5% 1/4W	
	Q 999	KRA102M-T	D.TRANSISTOR				R 519	QRE141J-104Y	C RESISTOR	100K 5% 1/4W	
	R 401	QRE141J-102Y	C RESISTOR	1.0K 5% 1/4W			R 523	QRE141J-822Y	C RESISTOR	8.2K 5% 1/4W	
	R 402	QRE141J-102Y	C RESISTOR	1.0K 5% 1/4W			R 524	QRE141J-102Y	C RESISTOR	1.0K 5% 1/4W	
	R 403	QRE141J-472Y	C RESISTOR	4.7K 5% 1/4W			R 526	QRE141J-101Y	C RESISTOR	100 5% 1/4W	
	R 404	QRE141J-472Y	C RESISTOR	4.7K 5% 1/4W			R 528	QRE141J-152Y	C RESISTOR	1.5K 5% 1/4W	
	R 405	QRE141J-222Y	C RESISTOR	2.2K 5% 1/4W			R 529	QRE141J-223Y	C RESISTOR	22K 5% 1/4W	
	R 406	QRE141J-222Y	C RESISTOR	2.2K 5% 1/4W			R 530	QRE141J-822Y	C RESISTOR	8.2K 5% 1/4W	
	R 407	QRE141J-272Y	C RESISTOR	2.7K 5% 1/4W			R 531	QRE141J-103Y	C RESISTOR	10K 5% 1/4W	
	R 411	QRE141J-103Y	C RESISTOR	10K 5% 1/4W			R 532	QRE141J-223Y	C RESISTOR	22K 5% 1/4W	
	R 412	QRE141J-103Y	C RESISTOR	10K 5% 1/4W			R 534	QRE141J-124Y	C RESISTOR	120K 5% 1/4W	
	R 413	QRE141J-683Y	C RESISTOR	68K 5% 1/4W			R 536	QRE141J-113Y	C RESISTOR	11K 5% 1/4W	
	R 414	QRE141J-683Y	C RESISTOR	68K 5% 1/4W			R 537	QRE141J-101Y	C RESISTOR	100 5% 1/4W	
	R 426	QRE141J-560Y	C RESISTOR	56 5% 1/4W			R 541	QRE141J-223Y	C RESISTOR	22K 5% 1/4W	
	R 431	QRE141J-303Y	C RESISTOR	30K 5% 1/4W			R 557	QRE141J-822Y	C RESISTOR	8.2K 5% 1/4W	
	R 432	QRE141J-303Y	C RESISTOR	30K 5% 1/4W			R 558	QRE141J-472Y	C RESISTOR	4.7K 5% 1/4W	
△	R 434	QRJ146J-4R7X	UNF C RESISTOR	4.7 5% 1/4W			R 560	QRE141J-473Y	C RESISTOR	47K 5% 1/4W	
	R 435	QRE141J-103Y	C RESISTOR	10K 5% 1/4W			R 562	QRE141J-103Y	C RESISTOR	10K 5% 1/4W	
	R 436	QRE141J-103Y	C RESISTOR	10K 5% 1/4W			R 563	QRE141J-223Y	C RESISTOR	22K 5% 1/4W	
	R 437	QRE141J-102Y	C RESISTOR	1.0K 5% 1/4W			R 564	QRE141J-223Y	C RESISTOR	22K 5% 1/4W	
	R 438	QRE141J-272Y	C RESISTOR	2.7K 5% 1/4W			R 571	QRE141J-271Y	C RESISTOR	270 5% 1/4W	
	R 439	QRE141J-562Y	C RESISTOR	5.6K 5% 1/4W			R 572	QRE141J-473Y	C RESISTOR	47K 5% 1/4W	

■ Electrical parts list (Input board)

Block No. 02

△	Item	Parts number	Parts name	Remarks	Area
	R 575	QRE141J-473Y	C RESISTOR	47K 5% 1/4W	
	R 576	QRE141J-104Y	C RESISTOR	100K 5% 1/4W	
	R 577	QRE141J-104Y	C RESISTOR	100K 5% 1/4W	
	R 579	QRE141J-184Y	C RESISTOR	180K 5% 1/4W	
	R 580	QRE141J-153Y	C RESISTOR	15K 5% 1/4W	
	R 581	QRE141J-224Y	C RESISTOR	220K 5% 1/4W	
	R 582	QRE141J-101Y	C RESISTOR	100 5% 1/4W	
	R 583	QRE141J-101Y	C RESISTOR	100 5% 1/4W	
	R 585	QRE141J-473Y	C RESISTOR	47K 5% 1/4W	
	R 586	QRE141J-225Y	C RESISTOR	2.2M 5% 1/4W	
	R 587	QRE141J-104Y	C RESISTOR	100K 5% 1/4W	
	R 588	QRE141J-220Y	C RESISTOR	22 5% 1/4W	
	R 593	QRE141J-104Y	C RESISTOR	100K 5% 1/4W	
	R 991	QRE141J-102Y	C RESISTOR	1.0K 5% 1/4W	
	R 995	QRE141J-333Y	C RESISTOR	33K 5% 1/4W	
	R 997	QRE141J-103Y	C RESISTOR	10K 5% 1/4W	
	R 998	QRE141J-103Y	C RESISTOR	10K 5% 1/4W	
△	R1002	ERX12SJR33E	UNF.C.RESISTOR		
	R1202	QRE141J-102Y	C RESISTOR	1.0K 5% 1/4W	
	R1203	QRE141J-102Y	C RESISTOR	1.0K 5% 1/4W	
△	S 500	QSW0812-001	VOLTAGE SWITCH		
	SP 21	VYSA1R3-049	SPACER		
	SP 22	VYSA1R3-049	SPACER		
	SP 23	VYSA1R3-049	SPACER		

■ Electrical parts list (Front board)

Block No. 03

▲	Item	Parts number	Parts name	Remarks	Area	▲	Item	Parts number	Parts name	Remarks	Area
	C 233	QFVJ1HJ-104Z	MF CAPACITOR	.10MF 5% 50V			C1045	QETN1HM-225Z	E CAPACITOR	2.2MF 20% 50V	
	C 302	EETC1HM-106ZJC	E CAPACITOR				C1046	EETC1HM-105ZJC	E CAPACITOR		
	C 308	EETC1HM-106ZJC	E CAPACITOR				C1061	QETN1AM-227Z	E CAPACITOR	220MF 20% 10V	
	C 310	EETC1HM-106ZJC	E CAPACITOR				C1062	EEKC1AM-107ZJC	E CAPACITOR		
	C 312	EETC1HM-106ZJC	E CAPACITOR				C1063	EEKC1HM-475ZJC	E CAPACITOR		
	C 360	EETC1CM-476ZJC	E CAPACITOR				C1064	QCB1HK-151Y	C CAPACITOR	150PF 10% 50V	
	C 361	QDYB1CM-103Y	C CAPACITOR				C1065	QCB1HK-151Y	C CAPACITOR	150PF 10% 50V	
	C 362	EETC1HM-226ZJC	E CAPACITOR				C1066	QCB1HK-331Y	C CAPACITOR	330PF 10% 50V	
	C 801	FQCF31HP-103Z	C CAPACITOR				C1067	QEK1HM-225Z	E CAPACITOR	2.2MF 20% 50V	
	C 803	QETN0JM-477Z	E CAPACITOR	470MF 20% 6.3V			C1068	QEK1HM-224Z	E CAPACITOR	.22MF 20% 50V	
	C 804	QETN0JM-477Z	E CAPACITOR	470MF 20% 6.3V			C1070	QDXB1CM-222Y	C CAPACITOR		
	C 805	QDGB1HK-102Y	C CAPACITOR				D 308	DZ5.6BSB-T2	ZENER DIODE		
	C 808	QCSB1HJ-120Y	C CAPACITOR	12PF 5% 50V			D 313	DZ8.2BSB-T2	ZENER DIODE		
	C 809	QCSB1HJ-180Y	C CAPACITOR	18PF 5% 50V			D 314	DZ13BSB-T2	ZENER DIODE		
	C 815	EETC1HM-226ZJC	E CAPACITOR				D 315	DZ9.1BSB-T2	ZENER DIODE		
	C 816	EETC1CM-476ZJC	E CAPACITOR				D 360	DZ5.1BSB-T2	ZENER DIODE		
	C 817	EETC1HM-226ZJC	E CAPACITOR				D 361	DZ9.1BSB-T2	ZENER DIODE		
	C 820	QCZ0202-155Z	ML C CAPACITOR	1.5MF			D 362	DZ6.8BSB-T2	ZENER DIODE		
	C 821	QDYB1CM-103Y	C CAPACITOR				D 650	1SS119-041-T2	SI DIODE		
	C 823	QFVJ1HJ-334Z	MF CAPACITOR	.33MF 5% 50V			D 725	1SS119-041-T2	SI DIODE		
	C 831	QDYB1CM-103Y	C CAPACITOR				D 801	1N4003S-T5	SI DIODE		
	C 832	QDYB1CM-103Y	C CAPACITOR				D 803	1SS119-041-T2	SI DIODE		
	C 835	QDGB1HK-102Y	C CAPACITOR				D 804	1SS119-041-T2	SI DIODE		
	C 836	EETC1EM-106ZJC	E CAPACITOR				D 805	1SS119-041-T2	SI DIODE		
	C 837	EETC1AM-107ZJC	E CAPACITOR				D 807	1N4003S-T5	SI DIODE		
	C 838	QDGB1HK-102Y	C CAPACITOR				D 812	1SS119-041-T2	SI DIODE		
	C 840	EETC1AM-107ZJC	E CAPACITOR				D 831	DZ5.1BSB-T2	ZENER DIODE		
	C 862	EETC1HM-226ZJC	E CAPACITOR				D 832	DZ5.1BSB-T2	ZENER DIODE		
	C 872	EETC1HM-224ZJC	E CAPACITOR				D 860	1SS119-041-T2	SI DIODE		
	C 889	EETC1HM-475ZJC	E CAPACITOR				D 907	1SS119-041-T2	SI DIODE		
	C 935	QDYB1CM-103Y	C CAPACITOR				D 918	L-192ZSRD-T	LED		
	C 956	QDYB1CM-103Y	C CAPACITOR				D 919	L-192ZSRD-T	LED		
	C 957	QDYB1CM-103Y	C CAPACITOR				D 920	L-192ZSRD-T	LED		
	C 960	QDYB1CM-103Y	C CAPACITOR				D 940	L-192ZSRD-T	LED		
	C 961	QDYB1CM-103Y	C CAPACITOR				D 941	L-192ZSRD-T	LED		
	C 962	QDYB1CM-103Y	C CAPACITOR				D 942	L-192ZSRD-T	LED		
	C 963	QDYB1CM-103Y	C CAPACITOR				D 943	L-192ZSRD-T	LED		
	CN216	QGB2510K2-12	CONNECTOR				D 944	L-192ZSRD-T	LED		
	CN217	QGB2510K2-10	CONNECTOR				D 945	L-192ZSRD-T	LED		
	CN316	QGF1210G1-09	CONNECTOR				D 953	L-192ZSRD-T	LED		
	CN710	QGD2504C1-03Z	SOCKET				D 954	L-192ZSRD-T	LED		
	CN860	QGF1205F1-17	CONNECTOR				D 962	L-192ZSRD-T	LED		
	CN861	QGF1205F1-17	CONNECTOR				D 964	1SS119-041-T2	SI DIODE		
	CN880	QGF1210G1-24	FFC/FPC CONNE				D1003	DZ2.4BSB-T2	ZENER DIODE		
	CN890	QGF1205F1-24	CONNECTOR				D1021	DZ5.1BSB-T2	ZENER DIODE		
	CN911	QGD2503F1-07	SOCKET				D1061	1SS119-041-T2	SI DIODE		
	C1004	QDGB1HK-102Y	C CAPACITOR				D1062	DZ2.4BSB-T2	ZENER DIODE		
	C1005	QDGB1HK-102Y	C CAPACITOR				FL801	QLF0081-001	FL DISPLAY TUBE		
	C1006	QDGB1HK-102Y	C CAPACITOR				FW230	QUM153-11DGZ4	PARA RIBON WIRE		
	C1021	QDGB1HK-102Y	C CAPACITOR				FW713	QUM153-33DGZ4	FLAT WIRE		
	C1022	QDGB1HK-102Y	C CAPACITOR				FW915	QUM027-18Z4Z4	PARA RIBON WIRE		
	C1023	QDGB1HK-102Y	C CAPACITOR				▲ IC301	KIA78R05PI	IC		
	C1034	QFLM1HJ-104Z	M CAPACITOR	.10MF 5% 50V			▲ IC303	L7808CP	IC		
	C1035	EETC1AM-107ZJC	E CAPACITOR				▲ IC304	L7812CP	IC		
	C1036	QCB1HK-101Y	C CAPACITOR	100PF 10% 50V			▲ IC305	L7809CP	IC		
	C1037	QDYB1CM-103Y	C CAPACITOR				IC810	MN101C35DEM	IC		
	C1038	QDXB1CM-472Y	C CAPACITOR				IC811	BU2092	IC		
	C1039	QDYB1CM-103Y	C CAPACITOR				IC830	KIA7042AP-T	IC		
	C1040	QDXB1CM-332Y	C CAPACITOR				IC901	NJM4580L	IC		
	C1041	QDYB1CM-103Y	C CAPACITOR				IC902	BU9253AS	IC		
	C1042	EETC1EM-226ZJC	E CAPACITOR				IC951	GP1U271X	IC		
	C1043	QFVJ1HJ-474Z	MF CAPACITOR	.47MF 5% 50V			J 81	QNB0107-001	SPK TERMINAL		
	C1044	QDYB1CM-103Y	C CAPACITOR				JS956	QSW0912-001	ROTARY SWITCH	S/WOOFER VOL	

■ Electrical parts list (Front board)

Block No. 03

△	Item	Parts number	Parts name	Remarks	Area	△	Item	Parts number	Parts name	Remarks	Area
	JS960	QSW0911-001	ROTARY SWITCH	S/MODE VOL			R 807	QRE141J-103Y	C RESISTOR	10K 5% 1/4W	
	JS962	QSW0987-001	ROTARY ENCODER	MAIN VOL			R 808	QRE141J-103Y	C RESISTOR	10K 5% 1/4W	
	J1001	QNS0183-001	HEADPHONE JACK	HEAD PHONE			R 810	QRE141J-103Y	C RESISTOR	10K 5% 1/4W	
	J1021	QNS0184-001	JACK				R 811	QRE141J-103Y	C RESISTOR	10K 5% 1/4W	
	J1022	QNS0184-001	JACK				R 812	QRE141J-103Y	C RESISTOR	10K 5% 1/4W	
	L 801	QQL244K-100Z	INDUCTOR				R 813	QRE141J-103Y	C RESISTOR	10K 5% 1/4W	
	L 802	QQL231K-220Y	INDUCTOR				R 814	QRE141J-562Y	C RESISTOR	5.6K 5% 1/4W	
	L 803	QQL244K-100Z	INDUCTOR				R 815	QRE141J-563Y	C RESISTOR	56K 5% 1/4W	
	L 805	QQL244K-100Z	INDUCTOR				R 816	QRE141J-563Y	C RESISTOR	56K 5% 1/4W	
	L 806	QQL244K-100Z	INDUCTOR				R 817	QRE141J-103Y	C RESISTOR	10K 5% 1/4W	
	L 813	QQR1277-001Z	F.BEADS				R 818	QRE141J-103Y	C RESISTOR	10K 5% 1/4W	
	L1003	QQL231K-2R2Y	INDUCTOR				R 819	QRE141J-102Y	C RESISTOR	1.0K 5% 1/4W	
△	Q 360	KTC2026/OY/	TRANSISTOR				R 820	QRE141J-102Y	C RESISTOR	1.0K 5% 1/4W	
	Q 361	2SC2785/FE/-T	TRANSISTOR				R 821	QRE141J-103Y	C RESISTOR	10K 5% 1/4W	
	Q 362	2SC2785/FE/-T	TRANSISTOR				R 822	QRE141J-103Y	C RESISTOR	10K 5% 1/4W	
	Q 809	2SD1991A/RS/-T	TRANSISTOR				R 823	QRE141J-102Y	C RESISTOR	1.0K 5% 1/4W	
	Q 810	2SD1991A/RS/-T	TRANSISTOR				R 824	QRE141J-102Y	C RESISTOR	1.0K 5% 1/4W	
	Q 811	2SD1991A/RS/-T	TRANSISTOR				R 825	QRE141J-104Y	C RESISTOR	100K 5% 1/4W	
	Q 812	2SD1991A/RS/-T	TRANSISTOR				R 826	QRE141J-104Y	C RESISTOR	100K 5% 1/4W	
	Q 813	2SD1991A/RS/-T	TRANSISTOR				R 827	QRE141J-103Y	C RESISTOR	10K 5% 1/4W	
	Q 816	2SD1991A/RS/-T	TRANSISTOR				R 828	QRE141J-103Y	C RESISTOR	10K 5% 1/4W	
	Q 817	2SD1991A/RS/-T	TRANSISTOR				R 829	QRE141J-103Y	C RESISTOR	10K 5% 1/4W	
	Q 843	KRA102M-T	D.TRANSISTOR				R 831	QRE141J-104Y	C RESISTOR	100K 5% 1/4W	
	Q 858	2SD1991A/RS/-T	TRANSISTOR				R 832	QRE141J-104Y	C RESISTOR	100K 5% 1/4W	
	Q 860	2SC2785/FE/-T	TRANSISTOR				R 833	QRE141J-104Y	C RESISTOR	100K 5% 1/4W	
	Q 875	KRC102M-T	D.TRANSISTOR				R 834	QRE141J-104Y	C RESISTOR	100K 5% 1/4W	
	Q 877	KRA102M-T	D.TRANSISTOR				R 835	QRE141J-104Y	C RESISTOR	100K 5% 1/4W	
	Q 878	KRC102M-T	D.TRANSISTOR				R 836	QRE141J-104Y	C RESISTOR	100K 5% 1/4W	
	Q 879	2SD1991A/RS/-T	TRANSISTOR				R 837	QRE141J-104Y	C RESISTOR	100K 5% 1/4W	
	Q 890	2SD1991A/RS/-T	TRANSISTOR				R 838	QRE141J-102Y	C RESISTOR	1.0K 5% 1/4W	
	Q 905	KRC104M-T	D.TRANSISTOR				R 839	QRE141J-102Y	C RESISTOR	1.0K 5% 1/4W	
	Q 906	KRC104M-T	D.TRANSISTOR				R 840	QRE141J-103Y	C RESISTOR	10K 5% 1/4W	
	Q 907	KRC102M-T	D.TRANSISTOR				R 841	QRE141J-103Y	C RESISTOR	10K 5% 1/4W	
	Q 908	KRA102M-T	D.TRANSISTOR				R 842	QRE141J-103Y	C RESISTOR	10K 5% 1/4W	
	Q 918	KRC102M-T	D.TRANSISTOR				R 844	QRE141J-102Y	C RESISTOR	1.0K 5% 1/4W	
	Q 919	KRC102M-T	D.TRANSISTOR				R 845	QRE141J-102Y	C RESISTOR	1.0K 5% 1/4W	
	Q 920	KRC102M-T	D.TRANSISTOR				R 846	QRE141J-102Y	C RESISTOR	1.0K 5% 1/4W	
	Q 940	2SA1175/FE/-T	TRANSISTOR				R 847	QRE141J-102Y	C RESISTOR	1.0K 5% 1/4W	
	Q 941	2SA1175/FE/-T	TRANSISTOR				R 848	QRE141J-331Y	C RESISTOR	330 5% 1/4W	
	Q 953	2SA1175/FE/-T	TRANSISTOR				R 849	QRE141J-102Y	C RESISTOR	1.0K 5% 1/4W	
	Q 954	2SA1175/FE/-T	TRANSISTOR				R 850	QRE141J-102Y	C RESISTOR	1.0K 5% 1/4W	
	Q 961	KRA102M-T	D.TRANSISTOR				R 851	QRE141J-102Y	C RESISTOR	1.0K 5% 1/4W	
	Q1021	KRA111M-T	D.TRANSISTOR				R 854	QRE141J-102Y	C RESISTOR	1.0K 5% 1/4W	
	Q1022	KRA111M-T	D.TRANSISTOR				R 855	QRE141J-102Y	C RESISTOR	1.0K 5% 1/4W	
	Q1023	KRA111M-T	D.TRANSISTOR				R 856	QRE141J-104Y	C RESISTOR	100K 5% 1/4W	
	Q1061	2SC3576-JVC-T	TRANSISTOR				R 857	QRE141J-104Y	C RESISTOR	100K 5% 1/4W	
	R 151	QRE141J-221Y	C RESISTOR	220 5% 1/4W			R 858	QRE141J-104Y	C RESISTOR	100K 5% 1/4W	
△	R 233	QRK126J-470X	C RESISTOR	47 5% 1/2W			R 859	QRE141J-104Y	C RESISTOR	100K 5% 1/4W	
△	R 234	QRK126J-470X	C RESISTOR	47 5% 1/2W			R 860	QRE141J-684Y	C RESISTOR	680K 5% 1/4W	
△	R 302	QRJ146J-2R2X	UNF C RESISTOR	2.2 5% 1/4W			R 861	QRE141J-103Y	C RESISTOR	10K 5% 1/4W	
△	R 306	ERX12SJR33E	UNF.C.RESISTOR				R 862	QRE141J-220Y	C RESISTOR	22 5% 1/4W	
△	R 309	ERX12SJR33E	UNF.C.RESISTOR				R 864	QRE141J-103Y	C RESISTOR	10K 5% 1/4W	
	R 311	QRE141J-103Y	C RESISTOR	10K 5% 1/4W			R 865	QRE141J-104Y	C RESISTOR	100K 5% 1/4W	
△	R 360	QRZ9042-2R2X	F RESISTOR	2.2 1/4W			R 866	QRE141J-104Y	C RESISTOR	100K 5% 1/4W	
△	R 361	QRZ9006-4R7X	F RESISTOR	4.7 1/4W			R 867	QRE141J-104Y	C RESISTOR	100K 5% 1/4W	
	R 362	QRE141J-331Y	C RESISTOR	330 5% 1/4W			R 868	QRE141J-104Y	C RESISTOR	100K 5% 1/4W	
	R 363	QRE141J-331Y	C RESISTOR	330 5% 1/4W			R 869	QRE141J-104Y	C RESISTOR	100K 5% 1/4W	
	R 364	QRE141J-122Y	C RESISTOR	1.2K 5% 1/4W			R 870	QRE141J-104Y	C RESISTOR	100K 5% 1/4W	
	R 365	QRE141J-201Y	C RESISTOR	200 5% 1/4W			R 871	QRE141J-104Y	C RESISTOR	100K 5% 1/4W	
	R 366	QRE141J-201Y	C RESISTOR	200 5% 1/4W			R 872	QRE141J-104Y	C RESISTOR	100K 5% 1/4W	
	R 367	QRE141J-122Y	C RESISTOR	1.2K 5% 1/4W			R 873	QRE141J-104Y	C RESISTOR	100K 5% 1/4W	
	R 368	QRE141J-331Y	C RESISTOR	330 5% 1/4W			R 874	QRE141J-104Y	C RESISTOR	100K 5% 1/4W	
	R 801	QRE141J-331Y	C RESISTOR	330 5% 1/4W			R 876	QRE141J-103Y	C RESISTOR	10K 5% 1/4W	

■ Electrical parts list (Front board)

Block No. 03

△	Item	Parts number	Parts name	Remarks	Area	△	Item	Parts number	Parts name	Remarks	Area
	R 879	QRE141J-104Y	C RESISTOR	100K 5% 1/4W			R 994	QRE141J-753Y	C RESISTOR	75K 5% 1/4W	U,UN
	R 880	QRE141J-104Y	C RESISTOR	100K 5% 1/4W			R 996	QRE141J-272Y	C RESISTOR	2.7K 5% 1/4W	
	R 881	QRE141J-103Y	C RESISTOR	10K 5% 1/4W			RA801	QRB169J-104	NET RESISTOR	100K 5% 1/6W	
	R 882	QRE141J-103Y	C RESISTOR	10K 5% 1/4W			RA802	QRB169J-104	NET RESISTOR	100K 5% 1/6W	
	R 883	QRE141J-103Y	C RESISTOR	10K 5% 1/4W			RY 1	QSK0109-001	RELAY		
	R 884	QRE141J-102Y	C RESISTOR	1.0K 5% 1/4W			RY 2	QSK0109-001	RELAY		
	R 885	QRE141J-221Y	C RESISTOR	220 5% 1/4W			R1021	QRE141J-472Y	C RESISTOR	4.7K 5% 1/4W	
	R 886	QRE141J-221Y	C RESISTOR	220 5% 1/4W			R1022	QRE141J-472Y	C RESISTOR	4.7K 5% 1/4W	
	R 887	QRE141J-221Y	C RESISTOR	220 5% 1/4W			R1031	QRE141J-203Y	C RESISTOR	20K 5% 1/4W	
	R 888	QRE141J-221Y	C RESISTOR	220 5% 1/4W			R1032	QRE141J-203Y	C RESISTOR	20K 5% 1/4W	
	R 889	QRE141J-221Y	C RESISTOR	220 5% 1/4W			R1033	QRE141J-822Y	C RESISTOR	8.2K 5% 1/4W	
	R 890	QRE141J-104Y	C RESISTOR	100K 5% 1/4W			R1034	QRE141J-103Y	C RESISTOR	10K 5% 1/4W	
	R 891	QRE141J-104Y	C RESISTOR	100K 5% 1/4W			R1035	QRE141J-333Y	C RESISTOR	33K 5% 1/4W	
	R 893	QRE141J-102Y	C RESISTOR	1.0K 5% 1/4W			R1036	QRE141J-273Y	C RESISTOR	27K 5% 1/4W	
	R 894	QRE141J-334Y	C RESISTOR	330K 5% 1/4W	U,UN		R1037	QRE141J-153Y	C RESISTOR	15K 5% 1/4W	
	R 894	QRE141J-183Y	C RESISTOR	18K 5% 1/4W	UX		R1038	QRE141J-472Y	C RESISTOR	4.7K 5% 1/4W	
	R 895	QRE141J-102Y	C RESISTOR	1.0K 5% 1/4W			R1039	QRE141J-103Y	C RESISTOR	10K 5% 1/4W	
	R 897	QRE141J-183Y	C RESISTOR	18K 5% 1/4W			R1040	QRE141J-272Y	C RESISTOR	2.7K 5% 1/4W	
	R 898	QRE141J-680Y	C RESISTOR	68 5% 1/4W			R1041	QRE141J-203Y	C RESISTOR	20K 5% 1/4W	
	R 902	QRE141J-103Y	C RESISTOR	10K 5% 1/4W			R1042	QRE141J-221Y	C RESISTOR	220 5% 1/4W	
	R 905	QRE141J-104Y	C RESISTOR	100K 5% 1/4W			R1043	QRE141J-203Y	C RESISTOR	20K 5% 1/4W	
	R 906	QRE141J-104Y	C RESISTOR	100K 5% 1/4W			R1044	QRE141J-562Y	C RESISTOR	5.6K 5% 1/4W	
	R 907	QRE141J-103Y	C RESISTOR	10K 5% 1/4W			R1045	QRE141J-102Y	C RESISTOR	1.0K 5% 1/4W	
	R 911	QRE141J-102Y	C RESISTOR	1.0K 5% 1/4W			R1061	QRE141J-103Y	C RESISTOR	10K 5% 1/4W	
	R 912	QRE141J-103Y	C RESISTOR	10K 5% 1/4W			R1062	QRE141J-123Y	C RESISTOR	12K 5% 1/4W	
	R 916	QRE141J-102Y	C RESISTOR	1.0K 5% 1/4W			R1063	QRE141J-391Y	C RESISTOR	390 5% 1/4W	
	R 917	QRE141J-102Y	C RESISTOR	1.0K 5% 1/4W			R1064	QRE141J-152Y	C RESISTOR	1.5K 5% 1/4W	
	R 918	QRE141J-201Y	C RESISTOR	200 5% 1/4W			R1065	QRE141J-101Y	C RESISTOR	100 5% 1/4W	
	R 919	QRE141J-201Y	C RESISTOR	200 5% 1/4W			R1066	QRE141J-475Y	C RESISTOR	4.7M 5% 1/4W	
	R 920	QRE141J-201Y	C RESISTOR	200 5% 1/4W			R1067	QRE141J-560Y	C RESISTOR	56 5% 1/4W	
	R 921	QRE141J-753Y	C RESISTOR	75K 5% 1/4W			R1068	QRE141J-203Y	C RESISTOR	20K 5% 1/4W	
	R 930	QRE141J-103Y	C RESISTOR	10K 5% 1/4W			R1069	QRE141J-102Y	C RESISTOR	1.0K 5% 1/4W	
	R 931	QRE141J-222Y	C RESISTOR	2.2K 5% 1/4W			R1070	QRE141J-561Y	C RESISTOR	560 5% 1/4W	
	R 932	QRE141J-272Y	C RESISTOR	2.7K 5% 1/4W			R1071	QRE141J-472Y	C RESISTOR	4.7K 5% 1/4W	
	R 933	QRE141J-392Y	C RESISTOR	3.9K 5% 1/4W			S 915	QSW0825-001Z	TACT SWITCH	DISC 1	
	R 935	QRE141J-562Y	C RESISTOR	5.6K 5% 1/4W			S 916	QSW0825-001Z	TACT SWITCH		
	R 936	QRE141J-122Y	C RESISTOR	1.2K 5% 1/4W			S 917	QSW0825-001Z	TACT SWITCH		
	R 937	QRE141J-152Y	C RESISTOR	1.5K 5% 1/4W			S 931	QSW0825-001Z	TACT SWITCH	DUBBING	
	R 938	QRE141J-222Y	C RESISTOR	2.2K 5% 1/4W			S 932	QSW0825-001Z	TACT SWITCH		
	R 939	QRE141J-272Y	C RESISTOR	2.7K 5% 1/4W			S 933	QSW0825-001Z	TACT SWITCH		
	R 940	QRE141J-680Y	C RESISTOR	68 5% 1/4W			S 935	QSW0825-001Z	TACT SWITCH		
	R 941	QRE141J-680Y	C RESISTOR	68 5% 1/4W			S 936	QSW0825-001Z	TACT SWITCH		
	R 942	QRE141J-392Y	C RESISTOR	3.9K 5% 1/4W			S 937	QSW0825-001Z	TACT SWITCH		
	R 943	QRE141J-103Y	C RESISTOR	10K 5% 1/4W			S 938	QSW0825-001Z	TACT SWITCH		
	R 944	QRE141J-562Y	C RESISTOR	5.6K 5% 1/4W			S 939	QSW0825-001Z	TACT SWITCH		
	R 945	QRE141J-392Y	C RESISTOR	3.9K 5% 1/4W			S 942	QSW0825-001Z	TACT SWITCH		
	R 946	QRE141J-272Y	C RESISTOR	2.7K 5% 1/4W			S 943	QSW0825-001Z	TACT SWITCH		
	R 947	QRE141J-222Y	C RESISTOR	2.2K 5% 1/4W			S 944	QSW0825-001Z	TACT SWITCH		
	R 948	QRE141J-152Y	C RESISTOR	1.5K 5% 1/4W			S 945	QSW0825-001Z	TACT SWITCH		
	R 949	QRE141J-122Y	C RESISTOR	1.2K 5% 1/4W			S 946	QSW0825-001Z	TACT SWITCH		
	R 950	QRE141J-102Y	C RESISTOR	1.0K 5% 1/4W			S 947	QSW0825-001Z	TACT SWITCH		
	R 952	QRE141J-122Y	C RESISTOR	1.2K 5% 1/4W			S 948	QSW0825-001Z	TACT SWITCH		
	R 953	QRE141J-680Y	C RESISTOR	68 5% 1/4W			S 949	QSW0825-001Z	TACT SWITCH		
	R 954	QRE141J-680Y	C RESISTOR	68 5% 1/4W			S 950	QSW0825-001Z	TACT SWITCH		
	R 955	QRE141J-152Y	C RESISTOR	1.5K 5% 1/4W			S 951	QSW0825-001Z	TACT SWITCH		
	R 961	QRE141J-101Y	C RESISTOR	100 5% 1/4W			S 952	QSW0825-001Z	TACT SWITCH		
	R 962	QRE141J-103Y	C RESISTOR	10K 5% 1/4W			S 963	QSW0825-001Z	TACT SWITCH		
	R 963	QRE141J-562Y	C RESISTOR	5.6K 5% 1/4W			S 995	QSW0825-001Z	TACT SWITCH		
	R 964	QRE141J-392Y	C RESISTOR	3.9K 5% 1/4W			S 996	QSW0825-001Z	TACT SWITCH		
	R 965	QRE141J-103Y	C RESISTOR	10K 5% 1/4W			S 997	QSW0825-001Z	TACT SWITCH		
	R 969	QRE141J-680Y	C RESISTOR	68 5% 1/4W			S 998	QSW0825-001Z	TACT SWITCH		
	R 970	QRE141J-101Y	C RESISTOR	100 5% 1/4W			S 999	QSW0825-001Z	TACT SWITCH		
	R 992	QRE141J-202Y	C RESISTOR	2.0K 5% 1/4W			SP801	VYH7653-001	IC HOLDER		
	R 993	QRE141J-122Y	C RESISTOR	1.2K 5% 1/4W			VR901	QVQ0299-B54	V.RESISTOR		
	R 994	QRE141J-183Y	C RESISTOR	18K 5% 1/4W	UX		X 801	QAX0711-002Z	CRYSTAL		

■ Electrical parts list (CD board)

Block No. 04

△	Item	Parts number	Parts name	Remarks	Area
	C 251	NCS31HJ-330X	C CAPACITOR		
	C 252	NCS31HJ-330X	C CAPACITOR		
	C 253	NCB31EK-104X	C CAPACITOR		
	C 254	QERF1AM-476Z	E CAPACITOR	47MF 20% 10V	
	C 291	QERF1AM-476Z	E CAPACITOR	47MF 20% 10V	
	C 601	NCB31HK-102X	C CAPACITOR		
	C 602	NCB31HK-102X	C CAPACITOR		
	C 603	NCB31HK-223X	C CAPACITOR		
	C 604	NCB31HK-223X	C CAPACITOR		
	C 605	NCS31HJ-151X	C CAPACITOR		
	C 606	NCS31HJ-390X	C.CAPA. C.M		
	C 608	NCS31HJ-821X	C CAPACITOR		
	C 610	NCB31EK-273X	C CAPACITOR		
	C 613	NCB31EK-104X	C CAPACITOR		
	C 614	NCB31CK-273X	C CAPACITOR		
	C 615	NCB31HK-472X	C CAPACITOR		
	C 616	NCB31HK-103X	C CAPACITOR		
	C 617	NCS31HJ-331X	C CAPACITOR		
	C 620	NCS31HJ-470X	C CAPACITOR		
	C 621	NCB30JK-105X	C CAPACITOR		
	C 622	NCB31EK-473X	C CAPACITOR		
	C 623	NCF31AZ-105X	C CAPACITOR		
	C 631	QERF1CM-106Z	E CAPACITOR	10MF 20% 16V	
	C 632	NCF31AZ-105X	C CAPACITOR		
	C 633	NCB31HK-223X	C CAPACITOR		
	C 641	NCB31HK-223X	C CAPACITOR		
	C 642	NCB31HK-222X	C CAPACITOR		
	C 651	NCS31HJ-120X	C CAPACITOR		
	C 652	NCS31HJ-120X	C CAPACITOR		
	C 653	NCB31EK-104X	C CAPACITOR		
	C 655	NCB31EK-104X	C CAPACITOR		
	C 656	NCB31EK-104X	C CAPACITOR		
	C 657	QERF1AM-227Z	E CAPACITOR	220MF 20% 10V	
	C 658	NCB31EK-104X	C CAPACITOR		
	C 659	NCB31HK-102X	C CAPACITOR		
	C 661	NCS31HJ-471X	C CAPACITOR		
	C 663	NCB31HK-223X	C CAPACITOR		
	C 664	NCB31HK-223X	C CAPACITOR		
	C 665	NCB31AK-154X	C CAPACITOR		
	C 667	NCB30JK-105X	C CAPACITOR		
	C 668	NCB31EK-473X	C CAPACITOR		
	C 669	QERF1AM-227Z	E CAPACITOR	220MF 20% 10V	
	C 672	NCB31AK-334X	C CAPACITOR		
	C 673	ECA1AAD101XI	E CAPACITOR		
	C 676	NCB31EK-104X	C CAPACITOR		
	C 677	NCB31EK-104X	C CAPACITOR		
	C 679	QERF0JM-107Z	E CAPACITOR	100MF 20% 6.3V	
	C 680	NCB31EK-104X	C CAPACITOR		
	C 801	NCB31HK-682X	C CAPACITOR		
	C 802	NCB31HK-123X	C CAPACITOR		
	C 811	NCS31HJ-391X	C CAPACITOR		
	C 812	NCS31HJ-391X	C CAPACITOR		
	C 813	NCS31HJ-391X	C CAPACITOR		
	C 814	NCS31HJ-391X	C CAPACITOR		
	C 821	NCF31AZ-105X	C CAPACITOR		
	C 822	QERF1AM-227Z	E CAPACITOR	220MF 20% 10V	
	C 852	QERF1CM-106Z	E CAPACITOR	10MF 20% 16V	
	C 853	NCB31HK-103X	C CAPACITOR		
	C 854	NCB31HK-103X	C CAPACITOR		
	C 855	NCB31EK-104X	C CAPACITOR		
	C 859	NCF31AZ-105X	C CAPACITOR		
	C 860	NCF31AZ-105X	C CAPACITOR		
	CN151	QGF1016F3-15	CONNECTOR		

△	Item	Parts number	Parts name	Remarks	Area
	CN601	QGF1016F3-15	CONNECTOR		
	CN651	QGF1016F3-19	CONNECTOR		
	CN801	QGA2001C1-06	6P PLUG ASSY		
	CN854	QGB2016K1-07	CONNECTOR		
	CN855	QGG2002M4-10	CONNECTOR		
	D 851	DZ5.6BSB-T2	ZENER DIODE		
	IC251	MN101C30AEE	IC		
	IC601	AN22000A-W	IC		
	IC651	MN662748RPMFA	IC		
	IC801	LA6541-X	IC		
	IC851	LB1641	IC		
	IC852	LB1641	IC		
	L 851	QQL01BK-100Z	INDUCTOR		
	L 853	QQL01BK-100Z	INDUCTOR		
	L 854	QQL01BK-100Z	INDUCTOR		
	Q 291	2SA952/LK-T	TRANSISTOR		
	Q 631	2SB709A/QR/-X	TRANSISTOR		
	R 252	NRSA63J-102X	MG RESISTOR		
	R 253	NRSA63J-102X	MG RESISTOR		
	R 254	NRSA63J-101X	MG RESISTOR		
	R 255	NRSA63J-101X	MG RESISTOR		
	R 256	NRSA63J-101X	MG RESISTOR		
	R 257	NRSA63J-102X	MG RESISTOR		
	R 258	NRSA63J-102X	MG RESISTOR		
	R 259	NRSA63J-102X	MG RESISTOR		
	R 261	NRSA63J-101X	MG RESISTOR		
	R 262	NRSA63J-101X	MG RESISTOR		
	R 263	NRSA63J-101X	MG RESISTOR		
	R 291	NRSA63J-122X	MG RESISTOR		
	R 292	NRSA63J-103X	MG RESISTOR		
	R 293	NRSA63J-102X	MG RESISTOR		
	R 294	NRSA63J-102X	MG RESISTOR		
	R 601	NRSA63J-224X	MG RESISTOR		
	R 602	NRSA63J-274X	MG RESISTOR		
	R 603	NRSA63J-124X	MG RESISTOR		
	R 604	NRSA63J-394X	MG RESISTOR		
	R 606	NRSA63J-623X	MG RESISTOR		
	R 607	NRSA63J-0R0X	MG RESISTOR		
	R 608	NRSA63J-0R0X	MG RESISTOR		
	R 609	NRSA63J-332X	MG RESISTOR		
	R 611	NRSA63J-223X	MG RESISTOR		
	R 613	NRSA63J-332X	MG RESISTOR		
	R 614	NRSA63J-223X	MG RESISTOR		
	R 618	NRSA63J-153X	MG RESISTOR		
	R 619	NRSA63J-153X	MG RESISTOR		
	R 620	NRSA63J-564X	MG RESISTOR		
	R 621	NRSA63J-564X	MG RESISTOR		
	R 622	NRSA63J-822X	MG RESISTOR		
	R 623	NRSA63J-822X	MG RESISTOR		
	R 624	NRSA63J-0R0X	MG RESISTOR		
	R 625	NRSA63J-0R0X	MG RESISTOR		
	R 631	NRSA63J-2R2X	MG RESISTOR		
	R 632	NRSA63J-100X	MG RESISTOR		
	R 634	NRSA63J-120X	MG RESISTOR		
	R 635	NRSA63J-121X	MG RESISTOR		
	R 636	NRSA63J-100X	MG RESISTOR		
	R 641	NRSA63J-154X	MG RESISTOR		
	R 642	NRSA63J-394X	MG RESISTOR		
	R 646	NRSA63J-0R0X	MG RESISTOR		
	R 647	NRSA63J-102X	MG RESISTOR		
	R 648	NRSA63J-102X	MG RESISTOR		
	R 649	NRSA63J-102X	MG RESISTOR		
	R 650	NRSA63J-102X	MG RESISTOR		

■ Electrical parts list (CD board)

Block No. 04

△	Item	Parts number	Parts name	Remarks	Area
	R 651	NRSA63J-102X	MG RESISTOR		
	R 652	NRSA63J-102X	MG RESISTOR		
	R 653	NRSA63J-102X	MG RESISTOR		
	R 654	NRSA63J-101X	MG RESISTOR		
	R 656	NRSA63J-102X	MG RESISTOR		
	R 657	NRSA63J-102X	MG RESISTOR		
	R 658	NRSA63J-102X	MG RESISTOR		
	R 659	NRSA63J-102X	MG RESISTOR		
	R 660	NRSA63J-103X	MG RESISTOR		
	R 661	NRSA63J-393X	MG RESISTOR		
	R 662	NRSA63J-683X	MG RESISTOR		
	R 663	NRSA63J-124X	MG RESISTOR		
	R 664	NRSA63J-331X	MG RESISTOR		
	R 665	NRSA63J-271X	MG RESISTOR		
	R 666	NRSA63J-221X	MG RESISTOR		
	R 667	NRSA63J-4R7X	MG RESISTOR		
	R 668	NRSA63J-155X	MG RESISTOR		
	R 669	NRSA63J-562X	MG RESISTOR		
	R 670	NRSA63J-101X	MG RESISTOR		
	R 672	NRSA63J-272X	MG RESISTOR		
	R 677	NRSA63J-101X	MG RESISTOR		
	R 678	NRSA63J-101X	MG RESISTOR		
	R 679	NRSA63J-101X	MG RESISTOR		
	R 682	NRSA63J-102X	MG RESISTOR		
	R 683	NRSA63J-105X	MG RESISTOR		
	R 684	NRSA63J-564X	MG RESISTOR		
	R 685	NRSA63J-683X	MG RESISTOR		
	R 801	NRSA63J-272X	MG RESISTOR		
	R 802	NRSA63J-392X	MG RESISTOR		
	R 803	NRSA63J-222X	MG RESISTOR		
	R 804	NRSA63J-224X	MG RESISTOR		
	R 805	NRSA63J-133X	MG RESISTOR		
	R 806	NRSA63J-243X	MG RESISTOR		
	R 807	NRSA63J-122X	MG RESISTOR		
	R 808	NRSA63J-273X	MG RESISTOR		
	R 809	NRSA63J-122X	MG RESISTOR		
	R 811	NRSA63J-223X	MG RESISTOR		
	R 812	NRSA63J-152X	MG RESISTOR		
	R 831	NRSA63J-151X	MG RESISTOR		
	R 832	NRSA63J-103X	MG RESISTOR		
	R 842	NRSA63J-472X	MG RESISTOR		
	R 851	NRSA63J-102X	MG RESISTOR		
	R 852	NRSA63J-102X	MG RESISTOR		
	R 853	NRSA63J-102X	MG RESISTOR		
	R 854	NRSA63J-102X	MG RESISTOR		
	R 856	NRSA63J-0R0X	MG RESISTOR		
	R 861	NRSA63J-102X	MG RESISTOR		
	R 862	NRSA63J-102X	MG RESISTOR		
	R 863	NRSA63J-102X	MG RESISTOR		
	R 864	NRSA63J-102X	MG RESISTOR		
	R 865	NRSA63J-102X	MG RESISTOR		
	R 866	NRSA63J-102X	MG RESISTOR		
	R 871	NRSA63J-223X	MG RESISTOR		
	R 872	NRSA63J-223X	MG RESISTOR		
	R 873	NRSA63J-223X	MG RESISTOR		
	R 874	NRSA63J-223X	MG RESISTOR		
	R 875	NRSA63J-223X	MG RESISTOR		
	R 876	NRSA63J-223X	MG RESISTOR		
	R 880	NRSA63J-102X	MG RESISTOR		
	R 881	NRSA63J-102X	MG RESISTOR		
	R 882	NRSA63J-102X	MG RESISTOR		
	R 883	NRSA63J-102X	MG RESISTOR		
	R 884	NRSA63J-102X	MG RESISTOR		

△	Item	Parts number	Parts name	Remarks	Area
	R 885	NRSA63J-102X	MG RESISTOR		
	R 886	NRSA63J-102X	MG RESISTOR		
	R 887	NRSA63J-102X	MG RESISTOR		
	R 888	NRSA63J-223X	MG RESISTOR		
	R 889	NRSA63J-223X	MG RESISTOR		
	R 890	NRSA63J-223X	MG RESISTOR		
	R 891	NRSA63J-223X	MG RESISTOR		
	R 892	NRSA63J-223X	MG RESISTOR		
	R 893	NRSA63J-223X	MG RESISTOR		
	R 894	NRSA63J-223X	MG RESISTOR		
	R 895	NRSA63J-223X	MG RESISTOR		
	X 251	QAX0283-001Z	C RESONATOR		
	X 651	QAX0413-001Z	CRYSTAL		

■ Electrical parts list (VCD board)

Block No. 05

△	Item	Parts number	Parts name	Remarks	Area
	C 101	NCF31CZ-104X	C CAPACITOR		
	C 102	NCF31CZ-104X	C CAPACITOR		
	C 103	NCF31CZ-104X	C CAPACITOR		
	C 104	QERF1CM-106Z	E CAPACITOR	10MF 20% 16V	
	C 105	NCF31CZ-104X	C CAPACITOR		
	C 106	QERF1CM-106Z	E CAPACITOR	10MF 20% 16V	
	C 107	NCF31CZ-104X	C CAPACITOR		
	C 109	NCF31CZ-104X	C CAPACITOR		
	C 110	NCF31CZ-104X	C CAPACITOR		
	C 111	NCS31HJ-471X	C CAPACITOR		
	C 112	NCS31HJ-471X	C CAPACITOR		
	C 113	NCS31HJ-220X	C CAPACITOR		
	C 114	NCB31HK-102X	C CAPACITOR		
	C 115	NCS31HJ-220X	C CAPACITOR		
	C 116	NCF31CZ-104X	C CAPACITOR		
	C 117	QERF0JM-476Z	E CAPACITOR	47MF 20% 6.3V	
	C 118	NCF31CZ-104X	C CAPACITOR		
	C 120	NCF31CZ-104X	C CAPACITOR		
	C 121	NCF31CZ-104X	C CAPACITOR		
	C 122	QERF1AM-107Z	E CAPACITOR	100MF 20% 10V	
	C 123	QERF0JM-476Z	E CAPACITOR	47MF 20% 6.3V	
	C 124	NCF31CZ-104X	C CAPACITOR		
	C 125	NCF31CZ-104X	C CAPACITOR		
	C 126	NCF31CZ-104X	C CAPACITOR		
	C 127	NCF31CZ-104X	C CAPACITOR		
	C 128	NCF31CZ-104X	C CAPACITOR		
	C 129	NCF31CZ-104X	C CAPACITOR		
	C 130	QERF1AM-107Z	E CAPACITOR	100MF 20% 10V	
	C 131	NCF31CZ-104X	C CAPACITOR		
	C 132	QERF1AM-107Z	E CAPACITOR	100MF 20% 10V	
	C 133	NCF31CZ-104X	C CAPACITOR		
	C 134	QERF1CM-106Z	E CAPACITOR	10MF 20% 16V	
	C 135	QERF0JM-476Z	E CAPACITOR	47MF 20% 6.3V	
	C 136	NCF31CZ-104X	C CAPACITOR		
	C 137	NCB31CK-103X	C CAPACITOR		
	C 138	QERF1AM-107Z	E CAPACITOR	100MF 20% 10V	
	C 140	NCS31HJ-220X	C CAPACITOR		
	C 141	NCS31HJ-220X	C CAPACITOR		
	CN101	QGF1016F3-15	CONNECTOR		
	CN102	QGF1016F3-15	CONNECTOR		
	IC101	ES3880FL	IC	INC TECHNOLOGY	
	IC102	AT27C020-70JC4	IC	INC TECHNOLOGY	
	IC103	GLT44016-35J4-X	IC	SAME PARTS	
	IC104	ES3883F	IC	INC TECHNOLOGY	
	IC105	RT9161/A-27CG-X	IC	INC TECHNOLOGY	
	IC106	TC7S08F-W	IC		
	IC107	TC7W08FU-X	IC		
	K 101	NQR0398-006X	FERRITE BEADS		
	K 102	NQR0398-006X	FERRITE BEADS		
	K 103	NRSA02J-180X	MG RESISTOR		
	K 104	NRSA02J-102X	MG RESISTOR		
	L 101	NQL591K-3R3X	P COIL	NOT YET REGISTE	
	L 102	NQL591K-3R3X	P COIL	NOT YET REGISTE	
	R 101	NRSA63J-472X	MG RESISTOR		
	R 102	NRSA63J-472X	MG RESISTOR		
	R 103	NRSA63J-472X	MG RESISTOR		
	R 104	NRSA63J-472X	MG RESISTOR		
	R 105	NRSA63J-472X	MG RESISTOR		
	R 106	NRSA63J-472X	MG RESISTOR		
	R 107	NRSA63J-472X	MG RESISTOR		
	R 108	NRSA63J-472X	MG RESISTOR		
	R 109	NRSA63J-472X	MG RESISTOR		
	R 111	NRSA63J-472X	MG RESISTOR		

△	Item	Parts number	Parts name	Remarks	Area
	R 112	NRSA63J-472X	MG RESISTOR		
	R 113	NRSA63J-472X	MG RESISTOR		
	R 119	NRSA63J-0R0X	MG RESISTOR		
	R 120	NRSA63J-750X	MG RESISTOR		
	R 121	NRSA63J-104X	MG RESISTOR		
	R 128	NRSA63J-330X	MG RESISTOR		
	R 130	NRSA63J-330X	MG RESISTOR		
	R 132	NRSA63J-271X	MG RESISTOR		
	R 133	NRSA63J-750X	MG RESISTOR		
	R 134	NRSA63J-750X	MG RESISTOR		
	R 135	NRSA63J-100X	MG RESISTOR		
	R 136	NRSA63J-100X	MG RESISTOR		
	R 137	NRSA63J-472X	MG RESISTOR		
	R 138	NRSA63J-472X	MG RESISTOR		
	R 139	NRSA63J-330X	MG RESISTOR		
	R 140	NRSA63J-472X	MG RESISTOR		
	R 141	NRSA63J-103X	MG RESISTOR		
	R 142	NRSA63J-221X	MG RESISTOR		
	R 145	NRSA63J-221X	MG RESISTOR		
	R 146	NRSA63J-221X	MG RESISTOR		
	R 147	NRSA63J-221X	MG RESISTOR		
	R 148	NRSA63J-102X	MG RESISTOR		
	X 101	QAX0700-001Z	CRYSTAL		

■ Electrical parts list (Tuner board)

Block No. 06

△	Item	Parts number	Parts name	Remarks	Area
	C 1	NCB21HK-223X	C CAPACITOR		
	C 2	NCB21HK-103X	C CAPACITOR		
	C 3	EETC1CM-106ZJC	E CAPACITOR		
	C 4	NCB21HK-103X	C CAPACITOR		
	C 6	NCB21HK-102X	C CAPACITOR		
	C 7	NCB21HK-102X	C CAPACITOR		
	C 8	NCB21HK-102X	C CAPACITOR		
	C 10	NRSA02J-0R0X	MG RESISTOR		
	C 11	NCB21HK-104X	C CAPACITOR		
	C 12	NCB21HK-473X	C CAPACITOR		
	C 13	NCS21HJ-120X	C CAPACITOR		
	C 14	QEKC1AM-107Z	E CAPACITOR	100MF 20% 10V	
	C 15	NCS21HJ-120X	C CAPACITOR		
	C 16	NCS21HJ-120X	C CAPACITOR		
	C 17	NCB21HK-102X	C CAPACITOR		
	C 18	QEQ61HM-474Z	NP E CAPACITOR	.47MF 20% 50V	
	C 19	NCB21HK-473X	C CAPACITOR		
	C 20	NCB21HK-102X	C CAPACITOR		
	C 21	NCB21HK-223X	C CAPACITOR		
	C 22	NCS21HJ-151X	C CAPACITOR		
	C 23	NCS21HJ-151X	C CAPACITOR		
	C 24	NCS21HJ-151X	C CAPACITOR		
	C 25	QEKC1AM-107Z	E CAPACITOR	100MF 20% 10V	
	C 26	NCB21HK-102X	C CAPACITOR		
	C 27	NCB21HK-102X	C CAPACITOR		
	C 30	EEKC1CM-226ZJC	E CAPACITOR		
	C 31	EEKC1CM-226ZJC	E CAPACITOR		
	C 32	NCB21HK-473X	C CAPACITOR		
	C 33	NCB21HK-473X	C CAPACITOR		
	C 34	NCB21HK-223X	C CAPACITOR		
	C 35	NCB21HK-473X	C CAPACITOR		
	C 36	EEKC1HM-105ZJC	E CAPACITOR		
	C 37	EEKC1HM-105ZJC	E CAPACITOR		
	C 38	EETC1HM-224ZJC	E CAPACITOR		
	C 39	EETC1HM-105ZJC	E CAPACITOR		
	C 40	QETN1CM-106Z	E CAPACITOR	10MF 20% 16V	
	C 41	QETN1CM-106Z	E CAPACITOR	10MF 20% 16V	
	C 42	NCB21HK-152X	C CAPACITOR		
	C 43	NCB21HK-152X	C CAPACITOR		
	C 44	QETN1CM-106Z	E CAPACITOR	10MF 20% 16V	
	C 45	QETN1CM-106Z	E CAPACITOR	10MF 20% 16V	
	C 46	NCB21HK-273X	C CAPACITOR		
	C 47	EETC1HM-105ZJC	E CAPACITOR		
	C 48	NCB21HK-222X	C CAPACITOR		
	C 49	NCS21HJ-471X	C CAPACITOR		
	C 50	EEKC1CM-226ZJC	E CAPACITOR		
	C 51	EEKC1HM-105ZJC	E CAPACITOR		
	C 52	QFVJ1HJ-274Z	MF CAPACITOR	.27MF 5% 50V	
	C 53	EETC1CM-226ZJC	E CAPACITOR		
	C 54	NCB21HK-473X	C CAPACITOR		
	C 57	NCB21HK-102X	C CAPACITOR		
	C 58	NCB21HK-473X	C CAPACITOR		
	C 59	NCB21HK-102X	C CAPACITOR		
	CF 1	QAX0677-001Z	C FILTER		
	CF 2	QAX0677-001Z	C FILTER		
	CF 3	QAX0610-001Z	C DISCRIMINATOR		
	CN 1	QGF1205F1-09	CONNECTOR		
	D 1	1SS133-T2	SI DIODE		
	D 2	1SS133-T2	SI DIODE		
	D 3	1SS133-T2	SI DIODE		
	D 4	1SS133-T2	SI DIODE		
	D 11	1SS133-T2	SI DIODE		
	IC 1	LA1838	IC		

△	Item	Parts number	Parts name	Remarks	Area
	IC 2	LC72136N	IC		
	J 1	QNB0014-001	ANT TERMINAL		
	L 1	QQR0796-002	COIL BLOCK		
	Q 1	2SC2814/4-5/-X	TRANSISTOR		
	Q 5	KRA107S-X	TRANSISTOR		
	R 1	QRE141J-560Y	C RESISTOR	56 5% 1/4W	
	R 2	NRSA02J-331X	MG RESISTOR		
	R 3	NRSA02J-224X	MG RESISTOR		
	R 4	NRSA02J-331X	MG RESISTOR		
	R 5	NRSA02J-560X	MG RESISTOR		
	R 6	NRSA02J-240X	MG RESISTOR		
	R 10	NRSA02J-222X	MG RESISTOR		
	R 13	NRSA02J-103X	MG RESISTOR		
	R 14	NRSA02J-104X	MG RESISTOR		
	R 15	NRSA02J-332X	MG RESISTOR		
	R 16	NRSA02J-472X	MG RESISTOR		
△	R 17	QRZ9005-680X	F RESISTOR	68 1/4W	
	R 18	NRSA02J-102X	MG RESISTOR		
	R 19	NRSA02J-102X	MG RESISTOR		
	R 20	NRSA02J-102X	MG RESISTOR		
	R 21	NRSA02J-562X	MG RESISTOR		
	R 22	NRSA02J-472X	MG RESISTOR		
	R 23	NRSA02J-182X	MG RESISTOR		
	R 24	NRSA02J-103X	MG RESISTOR		
	R 25	NRSA02J-331X	MG RESISTOR		
	R 26	NRSA02J-222X	MG RESISTOR		
	R 27	NRSA02J-103X	MG RESISTOR		
	R 28	NRSA02J-103X	MG RESISTOR		
	R 29	NRSA02J-103X	MG RESISTOR		
	R 30	NRSA02J-122X	MG RESISTOR		
	R 31	NRSA02J-102X	MG RESISTOR		
	R 32	NRSA02J-102X	MG RESISTOR		
	R 33	NRSA02J-331X	MG RESISTOR		
	R 34	NRSA02J-470X	MG RESISTOR		
	R 35	NRSA02J-562X	MG RESISTOR		
	R 36	NRSA02J-332X	MG RESISTOR		
	R 37	NRSA02J-103X	MG RESISTOR		
	R 38	NRSA02J-563X	MG RESISTOR		
	R 39	NRSA02J-563X	MG RESISTOR		
	R 40	NRSA02J-243X	MG RESISTOR		
	R 41	NRSA02J-332X	MG RESISTOR		
	R 60	NRSA02J-0R0X	MG RESISTOR		
	T 1	QQR0793-001	IFT		
	TU 1	QAU0161-001	FRONT END		
	X 1	QAX0402-001	CRYSTAL		

■ Electrical parts list (CD switch board)

Block No. 07

△	Item	Parts number	Parts name	Remarks	Area
	CN804	QGB2016J1-07	CONNECTOR		
	CN805	QGB2012J1-10	CONNECTOR		
	SW 1	QSW0859-001	LEVER SWITCH		
	SW 2	QSW0859-001	LEVER SWITCH		
	SW 3	QSW0859-001	LEVER SWITCH		
	SW 4	QSW0859-001	LEVER SWITCH		
	SW 5	QSW0859-001	LEVER SWITCH		
	SW 6	QSW0859-001	LEVER SWITCH		

■ Electrical parts list
(Head amplifier & mechanism control board)

Block No.08

△	Item	Parts number	Parts name	Remarks	Area	△	Item	Parts number	Parts name	Remarks	Area
	CN301	QGF1205F1-06	CONNECTOR	A HEAD			D3302	1SR139-400-T2	SI DIODE		
	CN302	QGF1205F1-06	CONNECTOR	B HEAD			D3307	DZ5.1BSB-T2	Z DIODE	NEW SUPPLIER	
	CN303	QGB2011M1-10	B TO B CONNECTO				D3308	DZ5.1BSB-T2	Z DIODE		
	CN305	QGF1201F3-10	CONNECTOR	OUTPUT			D3309	DZ5.1BSB-T2	Z DIODE		
	CN306	QGF1205F1-09	CONNECTOR	CONTROL			D3331	1SR139-400-T2	SI DIODE		
	CN333	QGB2011L1-10	B TO B CONNECTO	FOR FMP-007-1			FW301	EWR34D-10CS	FLAT WIRE	TO MOTOR CONTRO	
	C3101	QCSB1HJ-100Y	C CAPACITOR	10PF 5% 50V			IC301	BA3126N	IC	HEAD SW	
	C3102	QCBB1HK-331Y	C CAPACITOR	330PF 10% 50V			IC302	AN7345K	IC	PRE AMP	
	C3103	QDGB1HK-821Y	C CAPACITOR				IC303	CD4094BC	IC		
	C3104	QDGB1HK-102Y	C CAPACITOR				IC331	SG-105F3-BB,C	PHOTO SENSER		
	C3105	EEKJ1AM-107ZJC	AL E CAPACITOR				IC332	SG-105F3-BB,C	PHOTO SENSER		
	C3107	EEKJ1HM-105ZJC	AL E CAPACITOR				L3202	QQR0621-001Z	FERRITE BEADS		
	C3111	EEKJ1HM-104ZJC	AL E CAPACITOR				L3301	QQR1118-002	BIAS COIL	OSC COIL	
	C3112	EEKJ1CM-106ZJC	AL E CAPACITOR				L3303	QQL244K-100Z	INDUCTOR		
	C3113	QDXB1CM-332Y	C CAPACITOR				P3302	QNZ0104-001	POST PIN		
	C3114	EEKJ1EM-475ZJC	AL E CAPACITOR				P3331	QNZ0104-001	POST PIN		
	C3115	QFLK1HJ-153Z	M CAPACITOR	.015MF 5% 50V			Q3105	2SC3576-JVC-T	TRANSISTOR		
	C3116	QDYB1CM-822Y	C CAPACITOR				Q3205	2SC3576-JVC-T	TRANSISTOR		
	C3119	QFLM1HJ-563Z	M CAPACITOR	.056MF 5% 50V			Q3302	2SC2001/K-T	TRANSISTOR		
	C3120	QCSB1HJ-330Y	C CAPACITOR	33PF 5% 50V			Q3305	2SC2001/K-T	TRANSISTOR		
	C3121	QDGB1HK-102Y	C CAPACITOR				Q3312	2SB562/C-T	TRANSISTOR		
	C3201	QCSB1HJ-100Y	C CAPACITOR	10PF 5% 50V			Q3313	KTC3199/GL-T	TRANSISTOR		
	C3202	QCBB1HK-331Y	C CAPACITOR	330PF 10% 50V			Q3314	2SB562/C-T	TRANSISTOR		
	C3203	QDGB1HK-821Y	C CAPACITOR				Q3315	KTC3199/GL-T	TRANSISTOR		
	C3204	QDGB1HK-102Y	C CAPACITOR				Q3316	KTA1267/YG-T	TRANSISTOR		
	C3205	EEKJ1AM-107ZJC	AL E CAPACITOR				Q3317	KRC107M-T	D TRANSISTOR		
	C3206	QFLK1HJ-333Z	M CAPACITOR	.033MF 5% 50V			Q3323	KRC104M-T	D TRANSISTOR		
	C3207	EEKJ1HM-105ZJC	AL E CAPACITOR				Q3324	KRA102M-T	D TRANSISTOR		
	C3211	EEKJ1HM-104ZJC	AL E CAPACITOR				R3103	QRE141J-183Y	C RESISTOR	18K 5% 1/4W	
	C3212	EEKJ1CM-106ZJC	AL E CAPACITOR				R3105	QRE141J-220Y	C RESISTOR	22 5% 1/4W	
	C3213	QDXB1CM-332Y	C CAPACITOR				R3106	QRE141J-392Y	C RESISTOR	3.9K 5% 1/4W	
	C3214	EEKJ1EM-475ZJC	AL E CAPACITOR				R3107	QRE141J-222Y	C RESISTOR	2.2K 5% 1/4W	
	C3215	QFLK1HJ-153Z	M CAPACITOR	.015MF 5% 50V			R3108	QRE141J-241Y	C RESISTOR	240 5% 1/4W	
	C3216	QDYB1CM-822Y	C CAPACITOR				R3111	QRE141J-562Y	C RESISTOR	5.6K 5% 1/4W	
	C3219	QFLM1HJ-563Z	M CAPACITOR	.056MF 5% 50V			R3112	QRE141J-102Y	C RESISTOR	1.0K 5% 1/4W	
	C3220	QCSB1HJ-330Y	C CAPACITOR	33PF 5% 50V			R3113	QRE141J-271Y	C RESISTOR	270 5% 1/4W	
	C3221	QDGB1HK-102Y	C CAPACITOR				R3114	QRE141J-391Y	C RESISTOR	390 5% 1/4W	
	C3222	QFLK1HJ-333Z	M CAPACITOR	.033MF 5% 50V			R3117	QRE141J-332Y	C RESISTOR	3.3K 5% 1/4W	
	C3301	EEKJ1AM-107ZJC	AL E CAPACITOR				R3118	QRE141J-152Y	C RESISTOR	1.5K 5% 1/4W	
	C3302	EEKJ1AM-107ZJC	AL E CAPACITOR				R3119	QRE141J-203Y	C RESISTOR	20K 5% 1/4W	
	C3303	EEKJ1CM-226ZJC	AL E CAPACITOR				R3120	QRE141J-102Y	C RESISTOR	1.0K 5% 1/4W	
	C3304	EEKJ1EM-475ZJC	AL E CAPACITOR				R3121	QRE141J-122Y	C RESISTOR	1.2K 5% 1/4W	
	C3305	QFLK1HJ-393Z	M CAPACITOR	.039MF 5% 50V			R3203	QRE141J-183Y	C RESISTOR	18K 5% 1/4W	
	C3306	EEKJ0JM-227ZJC	AL E CAPACITOR				R3205	QRE141J-220Y	C RESISTOR	22 5% 1/4W	
	C3308	QDXB1CM-152Y	C CAPACITOR				R3206	QRE141J-392Y	C RESISTOR	3.9K 5% 1/4W	
	C3313	EEKJ1AM-107ZJC	AL E CAPACITOR				R3207	QRE141J-222Y	C RESISTOR	2.2K 5% 1/4W	
	C3314	QCZ0202-155Z	ML C CAPACITOR	1.5MF			R3208	QRE141J-241Y	C RESISTOR	240 5% 1/4W	
	C3315	QCBB1HK-223Y	C CAPACITOR	.022MF 10% 50V			R3211	QRE141J-562Y	C RESISTOR	5.6K 5% 1/4W	
	C3316	QFG32AJ-103Z	PP CAPACITOR	.010MF 5% 100V			R3212	QRE141J-102Y	C RESISTOR	1.0K 5% 1/4W	
	C3327	EEKJ1CM-476ZJC	AL E CAPACITOR				R3213	QRE141J-271Y	C RESISTOR	270 5% 1/4W	
	C3335	QDYB1CM-103Y	C CAPACITOR				R3214	QRE141J-391Y	C RESISTOR	390 5% 1/4W	
	C3336	QDYB1CM-103Y	C CAPACITOR				R3217	QRE141J-332Y	C RESISTOR	3.3K 5% 1/4W	
	C3339	EEKJ1CM-476ZJC	AL E CAPACITOR				R3218	QRE141J-152Y	C RESISTOR	1.5K 5% 1/4W	
	C3340	QDYB1CM-103Y	C CAPACITOR				R3219	QRE141J-203Y	C RESISTOR	20K 5% 1/4W	
	C3341	EEKJ1AM-107ZJC	AL E CAPACITOR				R3220	QRE141J-102Y	C RESISTOR	1.0K 5% 1/4W	
	C3342	EEKJ1EM-475ZJC	AL E CAPACITOR				R3221	QRE141J-122Y	C RESISTOR	1.2K 5% 1/4W	
	C3345	QCBB1HK-331Y	C CAPACITOR	330PF 10% 50V			R3301	QRE141J-221Y	C RESISTOR	220 5% 1/4W	
	C3350	QDGB1HK-102Y	C CAPACITOR				R3302	QRE141J-101Y	C RESISTOR	100 5% 1/4W	
	C3501	QDGB1HK-821Y	C CAPACITOR				R3304	QRE141J-393Y	C RESISTOR	39K 5% 1/4W	
	C3502	QCBB1HK-271Y	C CAPACITOR	270PF 10% 50V			R3309	QRE141J-152Y	C RESISTOR	1.5K 5% 1/4W	
	C3555	QDGB1HK-102Y	C CAPACITOR				R3311	QRJ146J-4R7X	UNF C RESISTOR	4.7 5% 1/4W	
	C3601	QDGB1HK-821Y	C CAPACITOR				R3314	QRE141J-101Y	C RESISTOR	100 5% 1/4W	
	C3602	QCBB1HK-271Y	C CAPACITOR	270PF 10% 50V			R3315	QRE141J-153Y	C RESISTOR	15K 5% 1/4W	

■ Electrical parts list

(Head amplifier & mechanism control board)

Block No.08

△	Item	Parts number	Parts name	Remarks	Area
	R3327	QRE141J-474Y	C RESISTOR	470K 5% 1/4W	
	R3330	QRE141J-103Y	C RESISTOR	10K 5% 1/4W	
	R3331	QRE141J-103Y	C RESISTOR	10K 5% 1/4W	
	R3335	QRE141J-222Y	C RESISTOR	2.2K 5% 1/4W	
	R3336	QRE141J-392Y	C RESISTOR	3.9K 5% 1/4W	
	R3344	QRE141J-224Y	C RESISTOR	220K 5% 1/4W	
	R3345	QRE141J-473Y	C RESISTOR	47K 5% 1/4W	
	R3347	QRE141J-392Y	C RESISTOR	3.9K 5% 1/4W	
	R3348	QRE141J-222Y	C RESISTOR	2.2K 5% 1/4W	
	R3350	QRE141J-472Y	C RESISTOR	4.7K 5% 1/4W	
	R3351	QRE141J-151Y	C RESISTOR	150 5% 1/4W	
	R3353	QRE141J-472Y	C RESISTOR	4.7K 5% 1/4W	
	R3354	QRE141J-151Y	C RESISTOR	150 5% 1/4W	
	R3355	QRE141J-332Y	C RESISTOR	3.3K 5% 1/4W	
	R3359	QRE141J-103Y	C RESISTOR	10K 5% 1/4W	
	R3361	QRE141J-393Y	C RESISTOR	39K 5% 1/4W	
	R3362	QRE141J-243Y	C RESISTOR	24K 5% 1/4W	
	R3366	QRE141J-273Y	C RESISTOR	27K 5% 1/4W	
	R3367	QRE141J-103Y	C RESISTOR	10K 5% 1/4W	
	R3368	QRE141J-223Y	C RESISTOR	22K 5% 1/4W	
	R3369	QRE141J-101Y	C RESISTOR	100 5% 1/4W	
	R3370	QRE141J-103Y	C RESISTOR	10K 5% 1/4W	
	R3374	QRE141J-2R2Y	C RESISTOR	2.2 5% 1/4W	
△	R3376	QRZ9005-100X	F RESISTOR	10 1W	
	R3377	QRE141J-470Y	C RESISTOR	47 5% 1/4W	
	R3378	QRE141J-470Y	C RESISTOR	47 5% 1/4W	
	R3379	QRE141J-203Y	C RESISTOR	20K 5% 1/4W	
	R3380	QRE141J-470Y	C RESISTOR	47 5% 1/4W	
	R3381	QRE141J-470Y	C RESISTOR	47 5% 1/4W	
	R3383	QRE141J-471Y	C RESISTOR	470 5% 1/4W	
	SW302	QSW0832-001	LEAF SWITCH		
	SW303	QSW0832-001	LEAF SWITCH		
	SW304	QSW0832-001	LEAF SWITCH		
	SW305	QSW0832-001	LEAF SWITCH		
	SW306	QSW0859-001	SW		
	SW316	QSW0859-001	SW		
	VR101	QVP0008-503Z	SEMI V RESISTOR	ALPS	
	VR201	QVP0008-503Z	SEMI V RESISTOR	ALPS	
	VR301	QVP0008-103Z	SEMI V RESISTOR	ALPS	

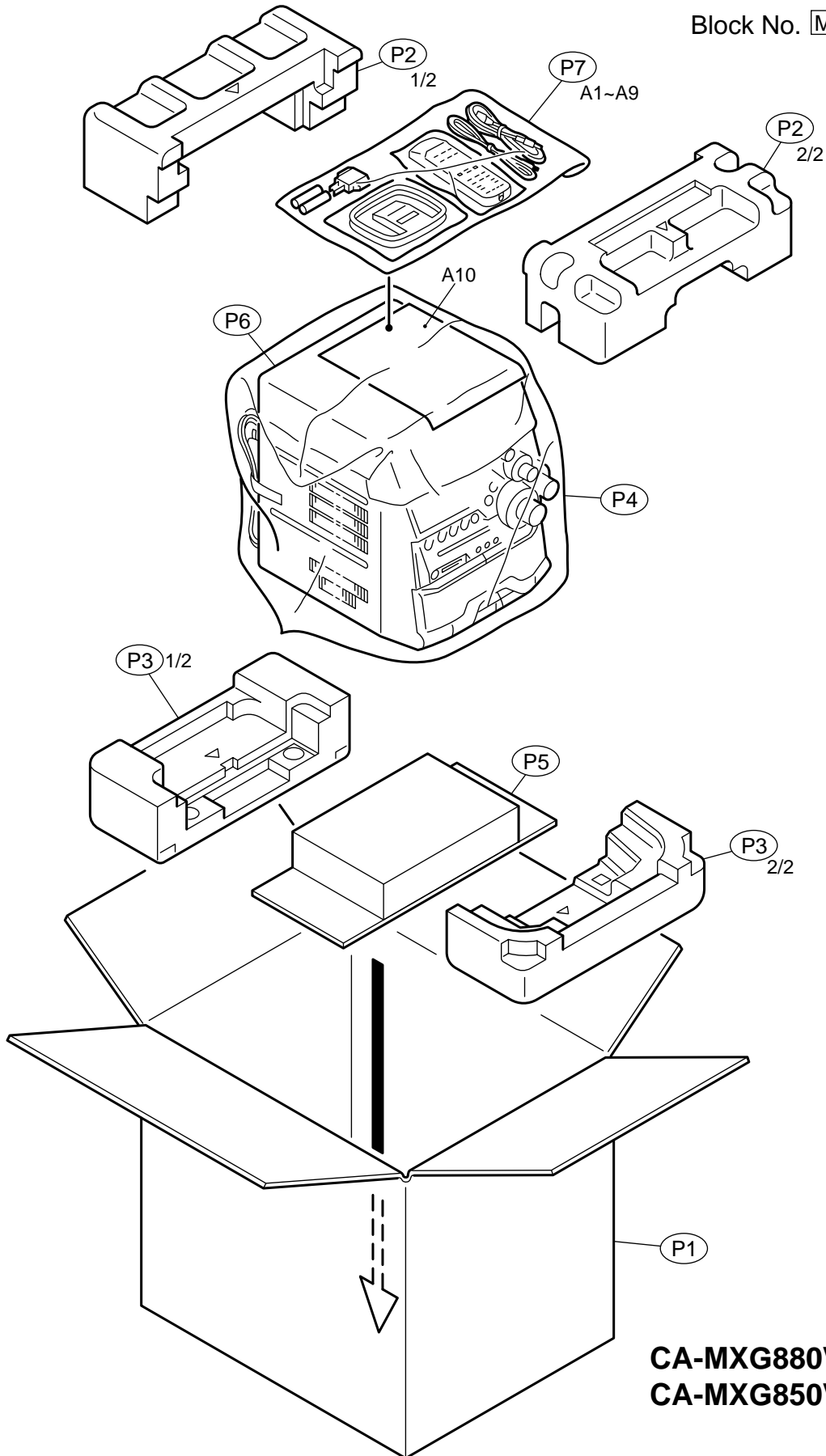
Packing materials and accessories parts list

Block No.

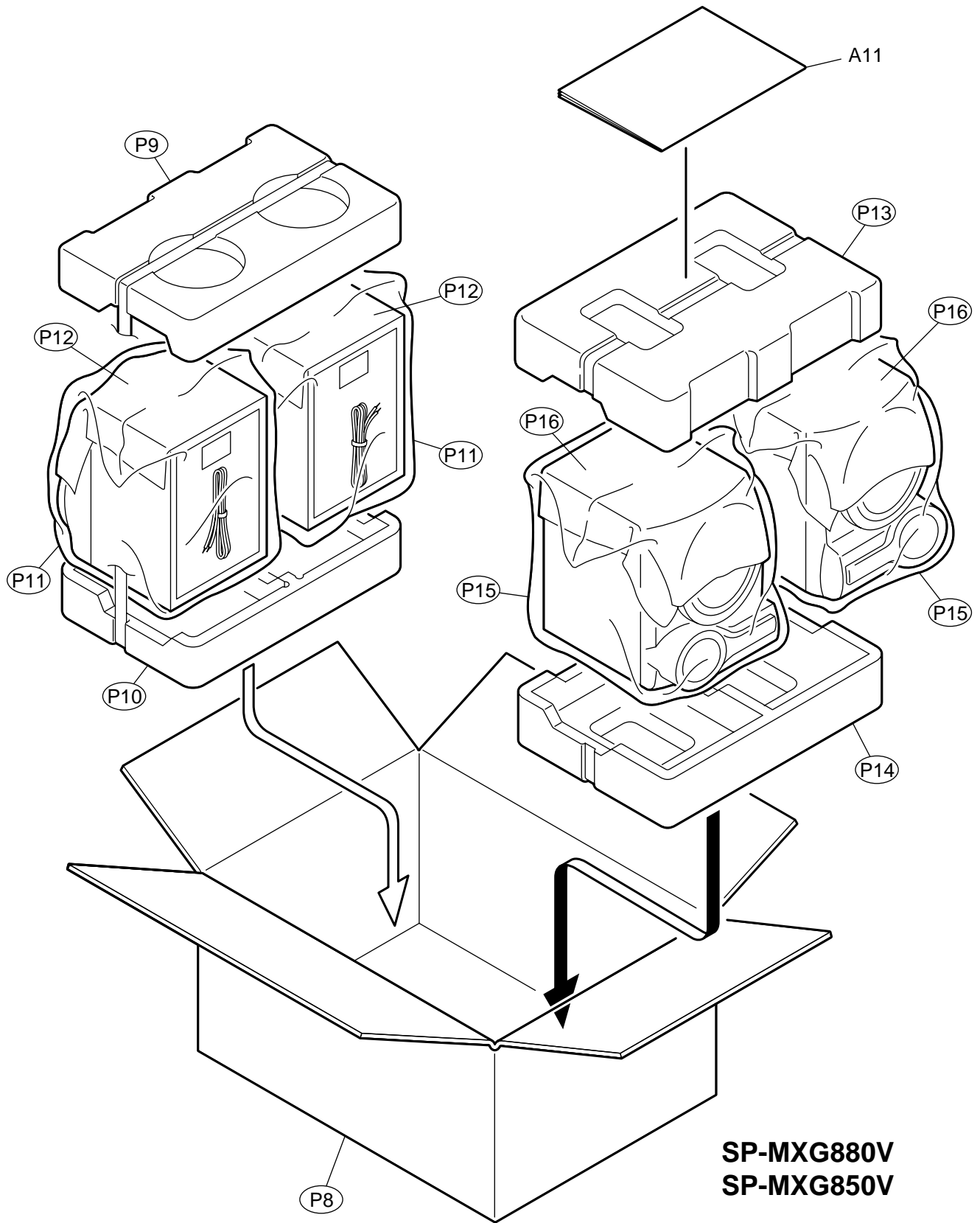
M	3	M	M
---	---	---	---

Block No.

M	5	M	M
---	---	---	---



CA-MXG880V
CA-MXG850V



SP-MXG880V
SP-MXG850V

■ Parts list (Packing)

Block No. M3MM

⚠	Item	Parts number	Parts name	Q'ty	Description	Area
	P 1	GV20183-004A	PACKING CASE	1	CA-MXG880V	
		GV20183-002A	PACKING CASE	1	CA-MXG850V	
	P 2	GV10071-002A	TOP CUSHION	1	CA-MXG880V/MXG850V	
	P 3	GV10072-002A	BOTTOM CUSHION	1	CA-MXG880V/MXG850V	
	P 4	QPC06507015P	POLY BAG	1	CA-MXG880V/MXG850V	
	P 5	GV30209-001A	SPACER	1	CA-MXG880V/MXG850V	
	P 6	GV40168-003A	SHEET	1	CA-MXG880V/MXG850V	
	P 7	QPC02503515P	POLY BAG	1	CA-MXG880V/MXG850V	
	P 8	140776401317	PACKING CASE	1	SP-MXG880V	
		140776401312	PACKING CASE	1	SP-MXG850V	
	P 9	139764991070	TOP CUSHION	1	SP-XG880V/XG850	
	P 10	139764991071	BOTTOM CUSHION	1	SP-XG880V/XG850	
	P 11	138736001066	POLY BAG	2	SP-XG880V/XG850	
	P 12	138764501088	MIRROR MAT	2	SP-XG880V/XG850	
	P 13	139764991072	TOP CUSHION	1	SP-WG880V/WG850	
	P 14	139764991073	BOTTOM CUSHION	1	SP-WG880V/WG850	
	P 15	138737001089	POLY BAG	2	SP-WG880V/WG850	
	P 16	138764501088	MIRROR MAT	2	SP-WG880V/WG850	

■ Parts list (Accessories)

Block No. M5MM

⚠	Item	Parts number	Parts name	Q'ty	Description	Area
	A 1	GVT0079-001B	INST BOOK	1	ENG,CHI,ARA	
	A 2	GV40215-003A	NOTICE SHEET	1		
	A 3	GV40360-001A	SPK SHEET	1		
	A 4	FQAL0014-001	LOOP ANTENNA	1		
	A 5	EWP503-001	ANT.WIRE	1		
⚠	A 6	QAM0112-001	AC PLUG ADAPTER	1		U,UN
⚠		VMZ0139-001	CONNECT PLUG	1		UX
	A 7	QAM0216-001	SIGNAL CORD	1		
	A 8	RM-SMXG950V	W.LESS REMOCON	1		
	A 9	-----	BATTERY	2		
	A 10	GV40350-003A	CAUTION SHEET	1		
	A 11	GVT0088-001A	IB(SP-MXG880V/8	1	ENG,SPA,POR,CHI,ARA	

PARTS LIST

[MX-G750V]

* All printed circuit boards and its assemblies are not available as service parts.

Area suffix

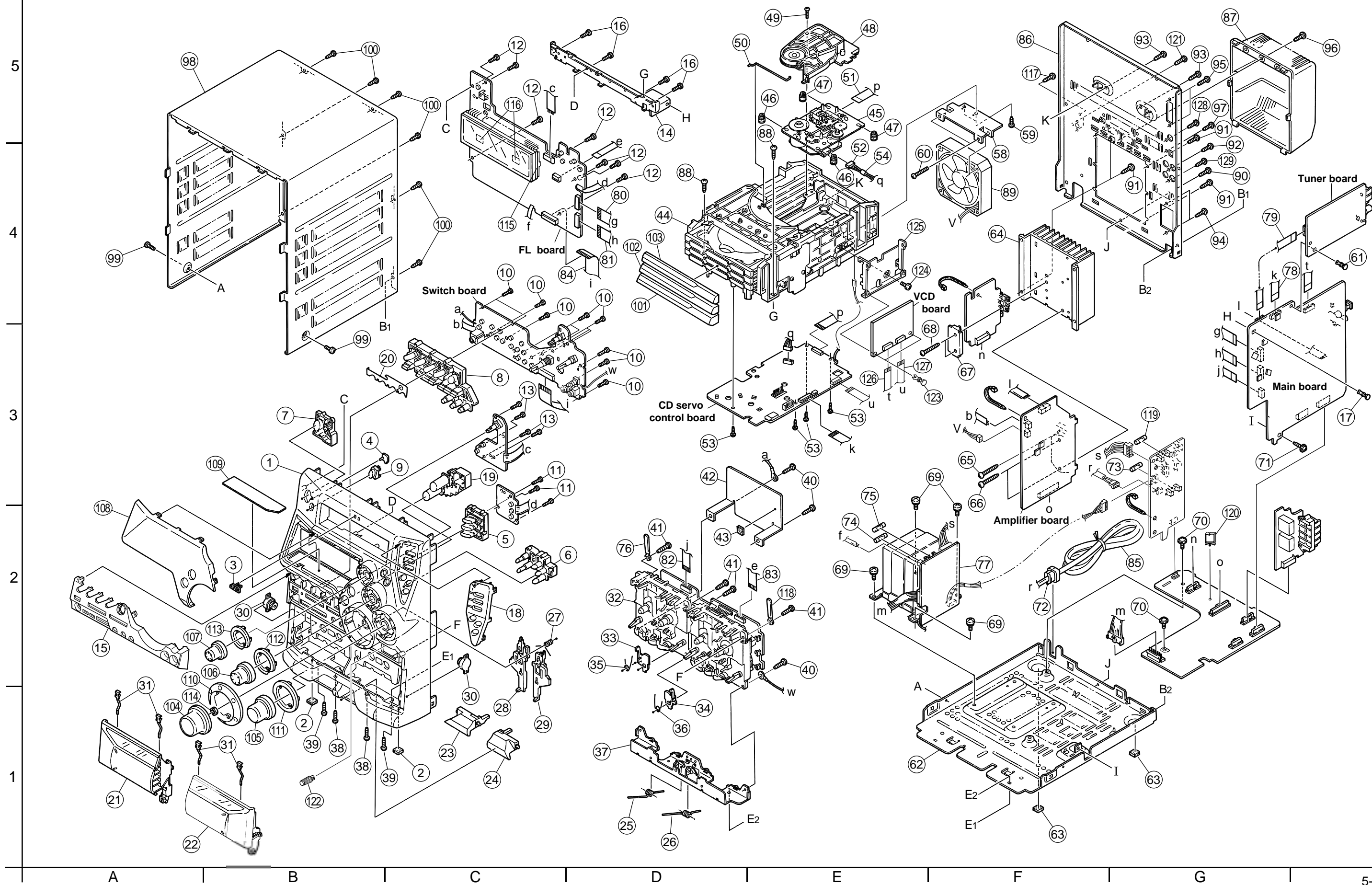
US ----- Singapore
UX ----- Saudi Arabia
UN ----- Asean

- Contents -

Exploded view of general assembly and parts list (Block No.M1)	5- 3
Speaker assembly and parts list SP-MXG750V (Block No.M7)	5- 6
CD changer mechanism assembly and parts list (Block No.MA)	5- 7
CD mechanism assembly and parts list (Block No.MB)	5- 9
Cassette mechanism assembly and parts list (Block No.MP)	5-10
Electrical parts list (Block No.01~08)	5-14
Packing materials and accessories parts list (Block No.M3,M5)	5-28

Exploded view of general assembly and parts list

Block No. M 1 M M



MX-G950V/MX-G880V
MX-G850V/MX-G750V

MX-G950V/MX-G880V
MX-G850V/MX-G750V

■ Parts list (General assembly)

Block No. M1MM

△	Item	Parts number	Parts name	Q'ty	Description	Area
	1	GV10057-004A	FRONT PANEL	1		
	2	GV40246-001A	FOOT SPACER	2		
	3	GV40077-002A	JVC BADGE	1		
	4	GV40136-001A	STANDBY INDICATOR	1		
	5	GV30154-003A	CD BUTTON	1		
	6	GV20104-002A	CD EJECT BUTTON	1		
	7	GV30137-001A	POWER BUTTON	1		
	8	GV30177-007A	CONTROL BUTTON	1		
	9	GV30139-001A	REMOTE LENS	1		
	10	QYSDSF2608Z	SCREW	12	ON VOLUME BRD.	
	11	QYSDSF2608Z	SCREW	3	ON CD BRD.	
	12	QYSDSF2608Z	SCREW	7	ON MICOM BRD.	
	13	QYSDSF2608Z	SCREW	4	ON SOURCE BRD.	
	14	GV30129-001A	STAY BRACKET	1		
	15	GV10060-013A	ORNAMENT	1		
	16	QYSDSF2608Z	SCREW	4	STY.BRKT.+F.PNL	
	17	E310243-002	PLASTIC RIVET	1	M.BRD.+ STY BRK	
	18	GV20103-001A	SUB PANEL	1		
	19	GV30138-001A	FRONT BUTTON	1		
	20	GV40185-002A	COVER SHEET	1		
	21	GV30211-004A	CASS.HOLDER ASSY(L)	1		
	22	GV30212-004A	CASS.HOLDER ASSY(R)	1		
	23	GV20099-002A	EJECT BUTTON(A)	1		
	24	GV20100-002A	EJECT BUTTON(B)	1		
	25	FMKW4009-002	HOLDER SPRING A	1		
	26	FMKW4010-002	HOLDER SPRING B	1		
	27	FMKW4011-001	SPRING	1	FOR EJECT LEVER	
	28	FMKS3002-003	EJECT LEVER(A)	1		
	29	FMKS3003-003	EJECT LEVER(B)	1		
	30	GV40034-001A	DAMPER ASSY	2		
	31	VKY4180-401	CASSETTE SPRING	4		
	32	-----	CASSETTE MECHA	1		
	33	FMKL4012-004	EJECT SAFETY(A)	1		
	34	FMKL4013-001	EJECT SAFETY(B)	1		
	35	FMKW4007-001	SPRING (A)	1	EJECT SAFETY(A)	
	36	FMKW4008-001	SPRING (B)	1	EJECT SAFETY(B)	
	37	GV20094-001A	HOLDER BRACKET	1		
	38	QYSBSG3010Z	T.SCREW	2	F.P.TO H.BRKT.	
	39	QYSBSG3010Z	T.SCREW	2	F.P.TO CHS.BASE	
	40	QYSBSG3010Z	T.SCREW	3	MECHA & H.BRKT.	
	41	QYSBSF3012Z	SCREW	4	MECHA & F.PANEL	
	42	GV30124-001A	TRANS SHIELD	1		
	43	E3400-431	SPACER	1	STICK AT SLC MO	
	44	-----	CD CHANGER MECHA	1		
	45	-----	CD MECHA	1		
	46	LV40761-003A	INSULATOR	2		
	47	LV40761-003A	INSULATOR	2		
	48	VKS3703-00Q	CLAMPER ASS'Y	1		

■ Parts list (General assembly)

Block No. M1MM

△	Item	Parts number	Parts name	Q'ty	Description	Area
	49	QYSPST2606Z	SCREW	1		
	50	VKW5187-001	ROD	1		
	51	QUQ610-1509AJ	FFC WIRE	1		
	52	VDM1001-M002AV	WIRE & TUBE	1		
	53	QYSBSF2608Z	T.SCREW	4		
	54	VYSA1R2-033	SPACER	1	FOR VDM1001-M00	
	58	GV40189-001A	FAN BRACKET	1		
	59	QYSBSF3010Z	SCREW	2	FAN BRKT/CD MEC	
	60	QYSBSG3035Z	T.SCREW	2	FAN TO FAN BRAC	
	61	E310243-002	PLASTIC RIVET	1	TUNER BRD.+ FMC	
	62	GV10061-001A	CHASSIS BASE	1		
	63	GV40246-002A	FOOT SPACER	2	CHASS BASE FOOT	
	64	GV30191-002A	HEAT SINK	1		
	65	QYSBSG3010E	T.SCREW	1	FOR IC BOARD HO	
	66	QYSBSG3014E	T.SCREW	2	FOR POWER IC	
	67	GV40143-001A	LEAF SPRING	1		
	68	QYSBSG3014E	T.SCREW	2	FOR LEAF SPRING	
	69	QYSDSTL4008Z	SPECIAL SCREW	4	FOR TRANS/CH.BS	
	70	QYSBSGG3008E	T.SCREW	2	FMH BRD./CH.BS	
	71	QYSBSGG3008E	T.SCREW	1	FMC BRD./CH.BS	
△	72	QZW0033-001	STRAIN RELIEF	1		
△	73	QMF51E2-4R0-J1	FUSE	1	F001	
△	74	QMF51E2-4R0-J1	FUSE	1	F101	
△	75	QMF51E2-4R0-J1	FUSE	1	F102	
	76	VKZ4001-110S	WIRE HOLDER	1		
△	77	QQT0319-003	POWER TRANSF	1	T001	
	78	QUQH10-1908BJ	CARD WIRE	1	FMC TO VC3	
	79	QUQ412-0911DJ	FFC WIRE	1	FMC TO TUNER	
	80	QUQ412-1710CJ	FFC WIRE	1	FMB TO FMC(1)	
	81	QUQ412-1710CJ	FFC WIRE	1	FMB TO FMC(2)	
	82	QUQ412-1020CJ	FFC WIRE	1	FMC TO SLC	
	83	QUQ412-0915CJ	FFC WIRE	1	FMB TO SLC	
	84	QUQ412-2410CJ	FFC WIRE	1	FMB TO SW	
△	85	QMPK210-205-JN	POWER CORD	1		US,UN
△		QMPR290-200-JN	POWER CORD	1		UX
	86	GV10062-049A	REAR PANEL	1		UX
		GV10062-048A	REAR PANEL	1		US,UN
	87	GV10063-002A	REAR COVER	1		
	88	QYSBSG3010Z	T.SCREW	2	C3 & STAY BRKT	
	89	QAR0177-001	FAN	1		
	90	QYSBSGY3008E	SPECIAL SCREW	1	REAR PNL/CHAS.B	
	91	QYSBSGY3008E	SPECIAL SCREW	4	REAR PNL/ H.SIN	
	92	QYSBSGY3008E	SPECIAL SCREW	1	REAR PNL/ AUX	
	93	QYSBSGY3008E	SPECIAL SCREW	2	C3/ REAR PANEL	
	94	QYSBSGY3008E	SPECIAL SCREW	2	SPK/ REAR PANEL	
	95	QYSBSGY3008E	SPECIAL SCREW	2	TUNER/REAR PANE	
	96	QYSBSGY3008E	SPECIAL SCREW	1	REAR CVR/R.PNL	
	97	QYSBSGY3008E	SPECIAL SCREW	1	OPTICAL/R.PANEL	

■ Parts list (General assembly)

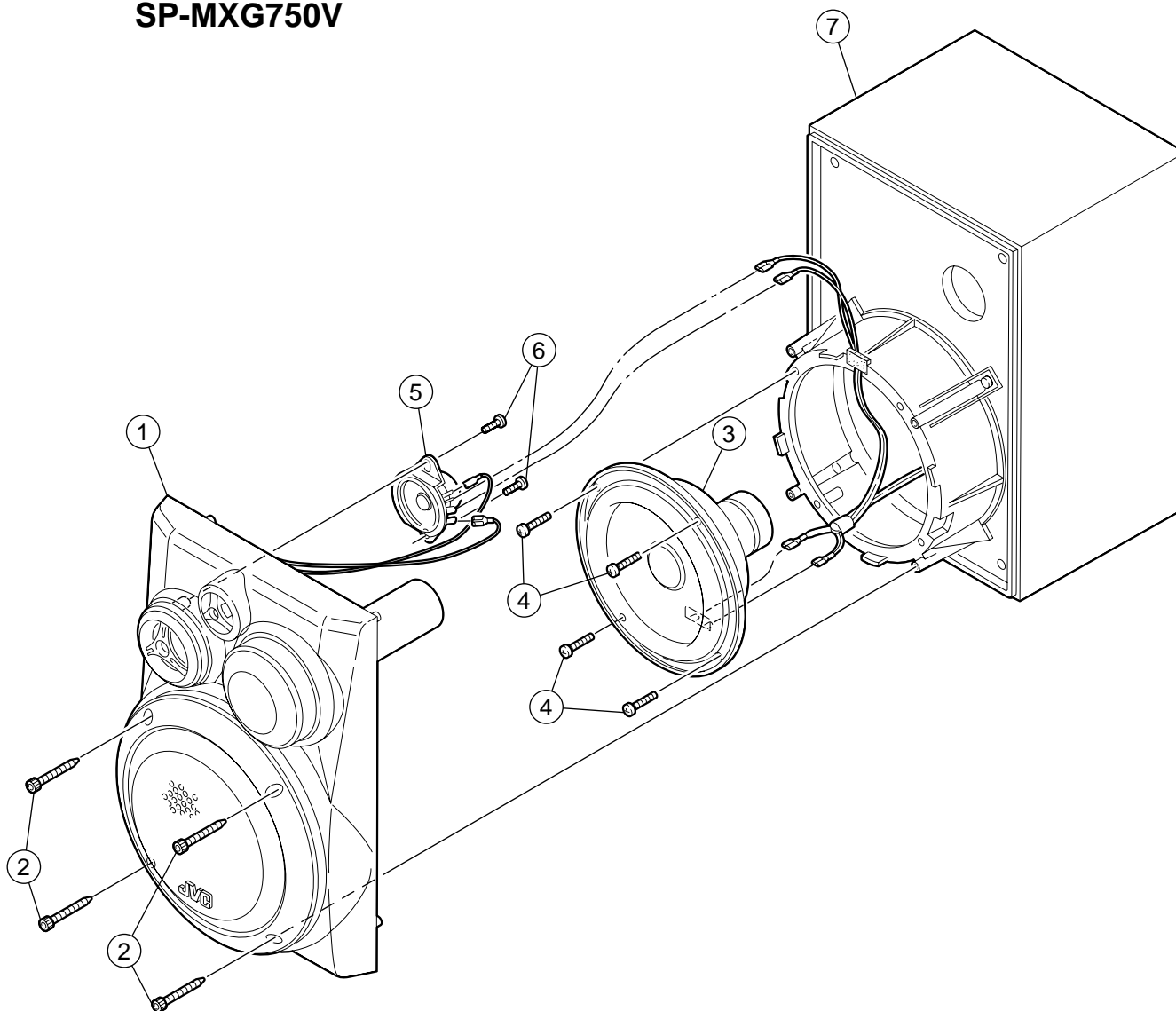
Block No. M1MM

⚠	Item	Parts number	Parts name	Q'ty	Description	Area
	98	GV10055-001A/S/	METAL COVER	1		
	99	QYSDSG3006M	T.SCREW	2	M.COVER/CHAS.BS	
	100	QYSBSGY3008E	SPECIAL SCREW	6	M.COVER/R.PANEL	
	101	GV20106-005A	CD FITTING 1	1	DISC 1	
	102	GV20107-005A	CD FITTING 2	1	DISC 2	
	103	GV20108-005A	CD FITTING 3	1	DISC 3	
	104	GV30179-001A	VOLUME KNOB ASSY	1		
	105	GV30180-002A	SUB.WFR.KB.ASSY	1		
	106	GV30181-002A	SND.MODE KB.ASSY	1		
	107	GV30182-002A	CD FWD.KB.ASSY	1		
	108	GV20098-016A	WINDOW SCREEN	1		
	109	GV40181-001A	MIRROR SHEET	1		
	110	GV30155-002A	VOLUME RING	1		
	111	GV30312-002A	BASE RING	1		
	112	GV30152-002A	SOUND MODE RING	1		
	113	GV30153-002A	CD FORWARD RING	1		
	114	GV40186-001A	NUT	1	FOR VOLUME ENCO	
	115	GV30141-001A	FL HOLDER	1		
	116	E3400-439	FELT SPACER	2		
	117	QYSBSGY3008E	SPECIAL SCREW	1	REAR PNL/ERT PL	
	118	VKZ4001-110S	WIRE HOLDER	1	MIC GROUND WIRE	
⚠	119	QMF51E2-2R0-J1	FUSE	1	F003	
	120	GV40236-001A	PLASTIC HOLDER	1	STICK AT FMH BO	
	121	QYSBSF3012E	SPECIAL SCREW	2	VOLT SEL/R.PNL	
	122	GV40083-002A	MIC VOLUME KNOB	1		
	123	E310243-002	PLASTIC RIVET	2	FOR MPEG BOARD	
	124	QYSBSF3008Z	SCREW	1	BRACKET TO C3	
	125	GV30223-001A	BRACKET	1		
	126	QUQH10-1506BJ	FFC CABLE	1	VC3 TO FMV	
	127	QUQH10-1508BJ	CARD WIRE	1	FMC TO FMV	
	128	QYSBSGY3008E	SPECIAL SCREW	1	VIDEO/R.PANEL	
	129	QYSBSGY3008E	SPECIAL SCREW	1	SUR.SP/R.PANEL	

Speaker assembly and parts list

Block No. **M 7 M M**

SP-MXG750V



■ Parts list (Speaker assembly) SP-MXG750V

Block No. **M7MM**

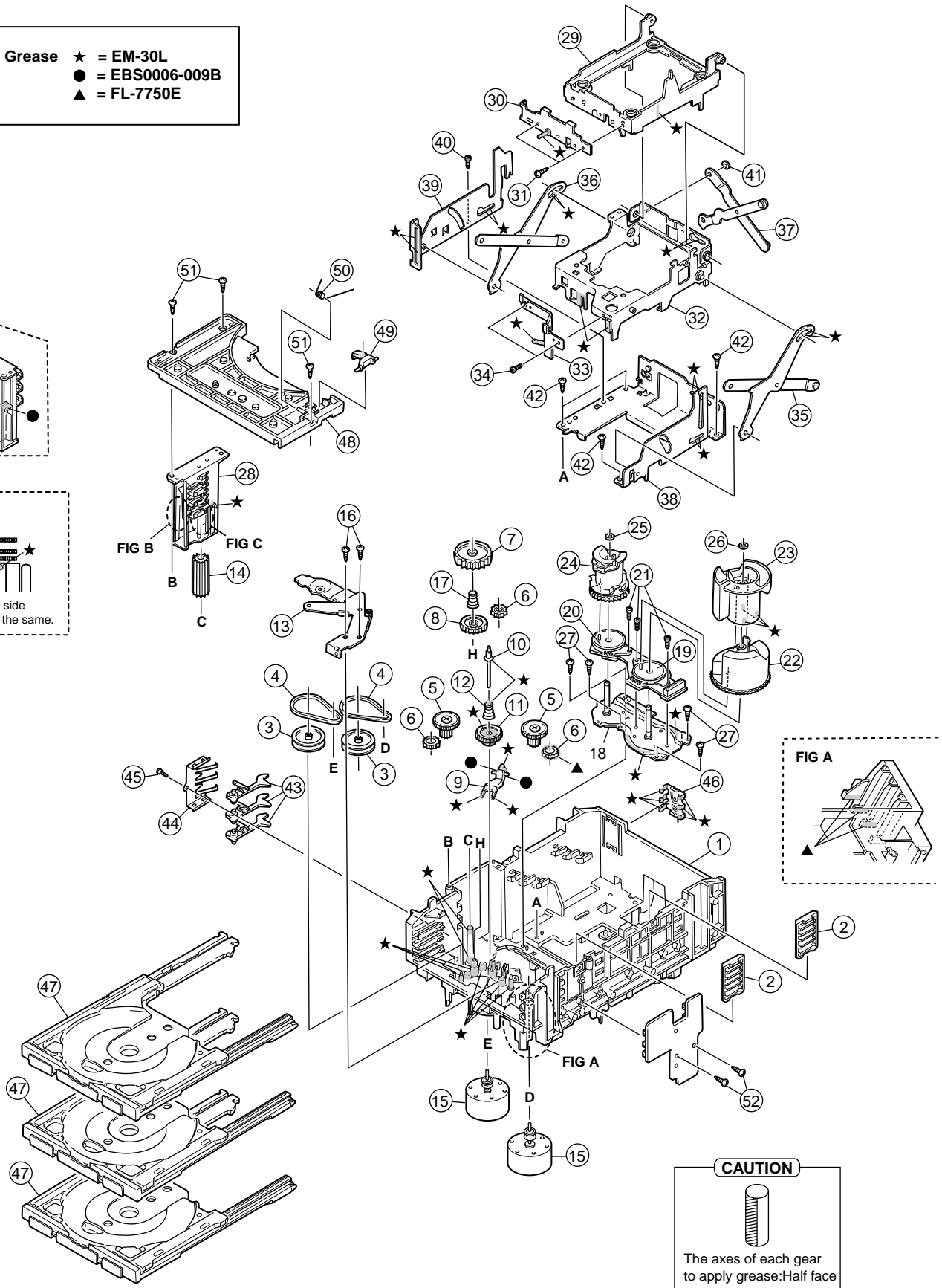
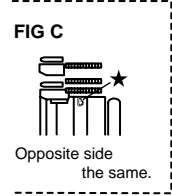
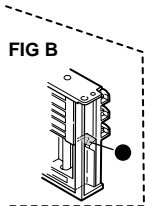
⚠	Item	Parts number	Parts name	Q'ty	Description	Area
	A	MXG750K-SPBOX-L	SP BOX ASSY(L)	1		
		MXG750K-SPBOX-R	SP BOX ASSY(R)	1		
	1	J200-G750RSG-40	FRONT PANEL(R)	1		
		J200-G750LSG-40	FRONT PANEL(L)	1		
	2	411-N74020AB1	SCREW 4X20	8		
	3	300-J0G7501600	WOOFER	2		
	4	411-B840120P1	SCREW 4X12	8		
	5	302-J0G7500500	TWEETER	2		
	6	411-B140080P1	SCREW 4X8	4		
	7	-----	CABINET ASSY	2		

CD changer mechanism assembly and parts list

C3BASE-1M

Block No. M A M M

Grease ★ = EM-30L
● = EBS0006-009B
▲ = FL-7750E



■ Parts list (CD changer mechanism)

Block No. MAMM

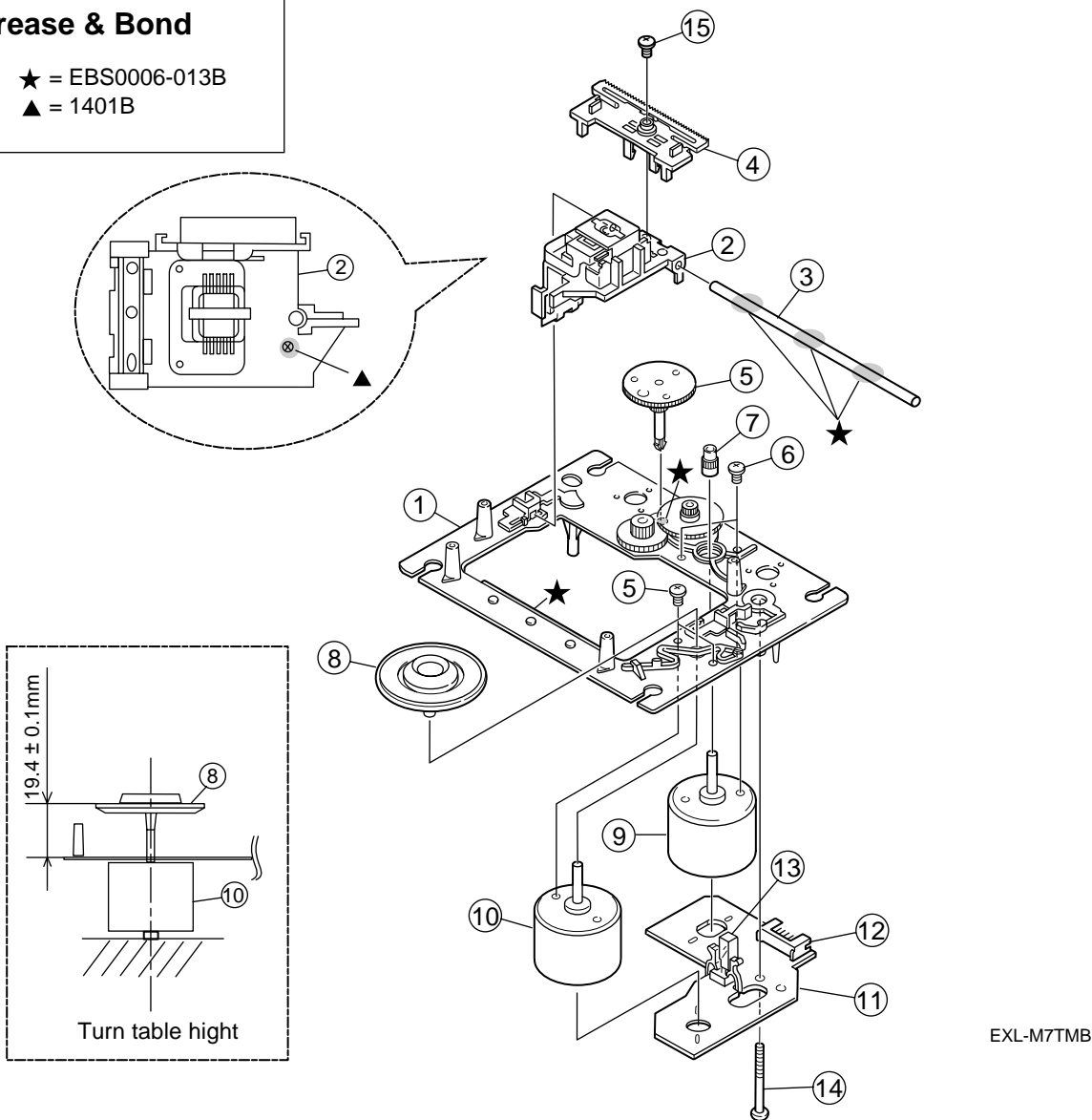
△	Item	Parts number	Parts name	Q'ty	Description	Area
	1	VKS1144-004	CHASSIS	1		
	2	VKS3698-003	TRAY GUIDE	2		
	3	VKS5532-003	PULLEY GEAR	2		
	4	VKB3000-164	BELT	2		
	5	VKS5505-003	GEAR B	2		
	6	VKS5506-002	GEAR C	3		
	7	VKS5507-002	CROSS GEAR U	1		
	8	VKS5508-002	CROSS GEAR L	1		
	9	VKS5510-003	SELECT LEVER	1		
	10	VKH5769-001	S.G.SHAFT	1		
	11	VKS5511-002	SELECT GEAR	1		
	12	VKW5155-003	COMP.SPRING	1	FOR SELECT GEAR	
	13	VKM3846-003	GEAR BRACKET	1		
	14	VKS5509-002MM	CYLINDER GEAR	1		
	15	MSN5D257A-SA2	DC MOTOR ASSY	2		
	16	QYSPSPD2616Z	SCREW	2	FOR MOTOR	
	17	LV40612-001A	COMP.SPRING	1		
	18	VKM3825-00B	C.G.BASE ASS'Y	1		
	19	VKZ3172-00ASS	CAM SW. R ASS'Y	1		
	20	VKZ3173-00ASS	CAM SW. L ASS'Y	1		
	21	QYSPST2606Z	SCREW	3	FOR CAM SW.	
	22	VKS2263-002MM	CAM R1	1		
	23	VKS2264-002MM	CAM R2	1		
	24	VKS2265-002MM	CAM GEAR L	1		
	25	WDL316050MM	SLIT WASHER	1	FOR CAM GEAR L	
	26	WDL316050MM	SLIT WASHER	1		
	27	QYSBSF2608Z	T.SCREW	4	FOR C.GEAR BASE	
	28	VKS3702-00FMM	DRIVE UNIT	1		
	29	VKS2247-005	MECHA HOLDER A	1		
	30	VKL7767-00F	BRACKET ASS'Y	1		
	31	QYSBSF2606Z	SCREW	2	FOR BRACKET	
	32	VKM3860-00E	M.HOLDER B AS'Y	1		
	33	VKL7802-00D	M.HOLDER C AS'Y	1		
	34	QYSDST2604Z	SCREW	2	FOR M.HOLDER C	
	35	VKL7810-00B	LIFTER ASS'Y R	1		
	36	VKL7811-00B	LIFTER ASS'Y L	1		
	37	VKL7812-00B	LIFTER ASS'Y H	1		
	38	VKL2745-003	LIFTER BASE	1		
	39	VKM3857-002	LIFTER BRACKET	1		
	40	QYSDST2604Z	SCREW	1		
	41	WDL266035-2	SLIT WASHER	1		
	42	QYSBSF2608Z	T.SCREW	4		
	43	VKS5514-002MM	LOCK LEVER	3		
	44	VKY3133-002MM	RETURN SPRING	1		
	45	QYSBSF2608Z	T.SCREW	1	FOR RETURN SP.	
	46	VKY3134-003MM	CLICK SPRING	1		
	47	VKS2252-00N	TRAY ASS'Y	3		
	48	VKS2250-004	TOP BRACKET	1		
	49	VKS5515-002	S.TRAY STOPPER	1		
	50	VKW5156-004	TORSION SPRING	1		
	51	QYSBSF2608Z	T.SCREW	3		
	52	QYSBSF2608Z	T.SCREW	2		

CD mechanism assembly and parts list

Block No. M B M M

Grease & Bond

★ = EBS0006-013B
▲ = 1401B



EXL-M7TMB

■ **Parts list (CD mechanism)**

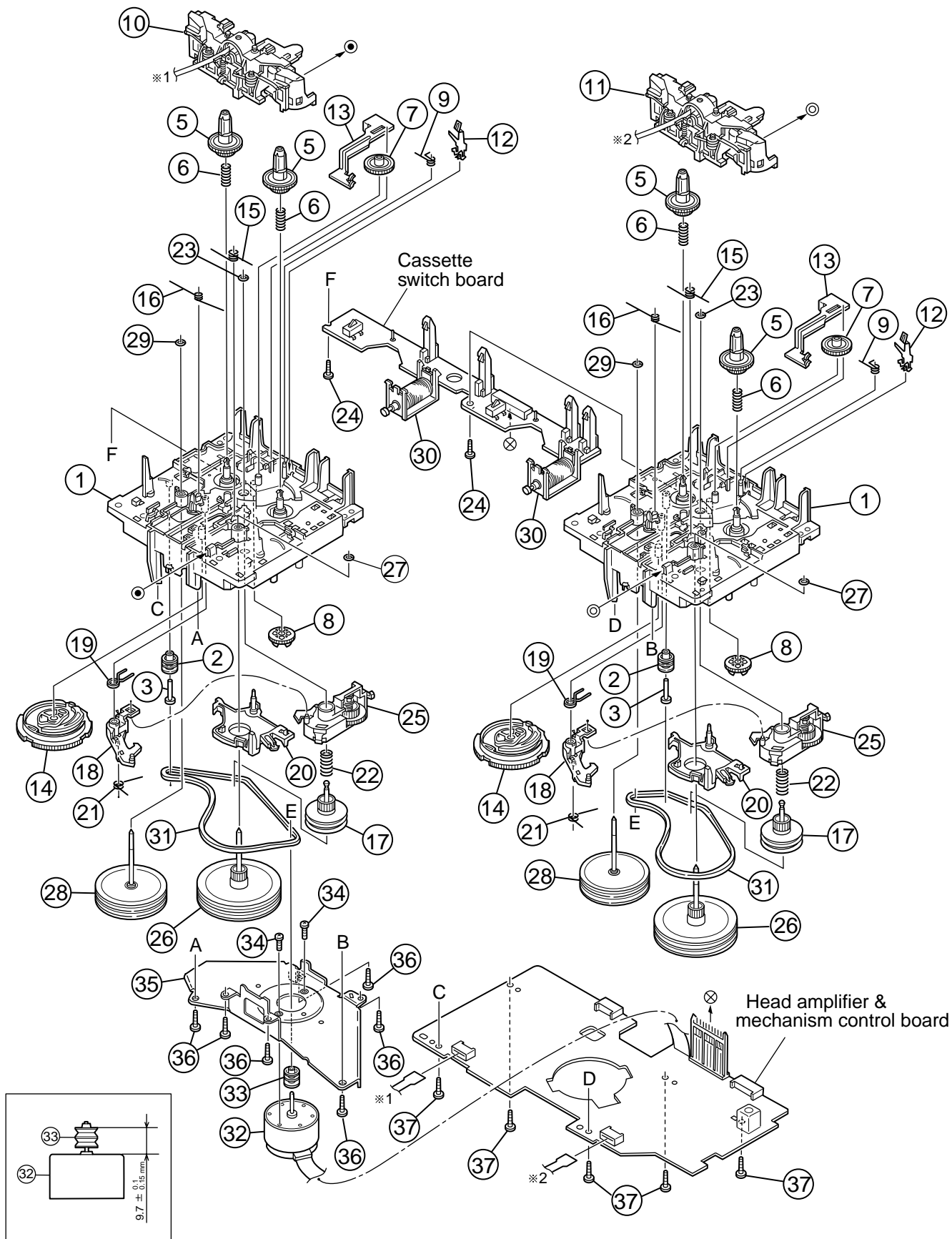
Block No. **MBMM**

Item	Parts number	Parts name	Q'ty	Description	Area
1	E102731-221SM	CD MECHA BASE A	1		
2	OPTIMA-7B	C.D PICK	1		
3	E406777-002SM	C.D SHAFT	1		
4	LV31002-001A	CD RACK	1		
5	E307745-441SM	C.D GEAR 3	1		
6	QYSDSP2003N	SCREW	4		
7	E406750-442SM	PINION	1		
8	EPB309173PKA	T.T PACKING	1		
9	E406784-001	FEED MOTOR	1		
10	QAR0130-001	SP MOTOR	1		
11	EMW10190-441	CIR BOARD	1		
12	QGA2001F1-06	CONNECTOR	1		
13	QSW0506-001	LEAF SWITCH	1		
14	E75832-221SS	SPECIAL SCREW	1		
15	QYDSF2006Z	SCREW	1		

Cassette mechanism assembly and parts list

Block No. M P M M

SLC-W101M



■ Parts list (Cassette mechanism)

Block No. MPMM

△	Item	Parts number	Parts name	Q'ty	Description	Area
	1	VKS1165-00K	CHASSIS B.ASS'Y	2		
	2	VKR4749-004	IDLE PULLEY	2		
	3	LV42026-001A	SHAFT	2		
	5	VKS2274-002	REEL GEAR	4		
	6	VKW5286-002	B.T. SPRING	4		
	7	VKS5559-001	PLAY IDLE GEAR	2		
	8	VKS5597-00B	BLIND	2		
	9	LV42013-001A	EARTH SPRING	2		
	10	SLC-P1SVM	HEAD MOUNT ASSY	1		
	11	SLC-RP1SVM	HEAD MOUNT ASSY	1		
	12	VKY3149-002	CASSETTE SP.	2		
	13	VKM3906-004	PLAY SW.LEVER	2		
	14	VKS1166-004	CONTROL CAM	2		
	15	VKW5279-002	HEAD BASE SP(R)	2		
	16	VKW5280-001	HEAD BASE SP(L)	2		
	17	VKS5603-00G	MAIN PULLEY ASY	2		
	18	VKS3785-001MM	FR ARM	2		
	19	VKW5284-002	SWING SPRING	2		
	20	VKS2278-003	TRIGGER ARM	2		
	21	VKW5301-001	FR SPRING	2		
	22	VKW5266-001	ELEVATOR SPRING	2		
	23	WDL214025	WASHER	2		
	24	QYSBSF2005Z	T.SCREW	2		
	25	VKS3786-00G	CLUTCH ASS'Y	2		
	26	VKF3205-00B	F.WHEEL ASSY(R)	2		
	27	WDL183425	SLIT WASHER	2		
	28	VKF3207-00B	F.WHEEL ASSY(L)	2		
	29	WDL173525-6	SLIT WASHER	2		
	30	VKZ3174-00A	DC SOLENOID	2		
	31	LV42764-001A	CAPSTAN BELT(B)	2		
	32	MSI-5U2LWA	D.C.MOTOR ASS'Y	1		
	33	VKR4761-001	MOTOR PULLEY	1		
	34	QYSPSP2604Z	SCREW	2		
	35	VKM3907-001	JOINT BRACKET	1		
	36	QYSBSF2608Z	T.SCREW	6		
	37	QYSBSF2608Z	T.SCREW	5	FOR P.W.B.	

Grease point

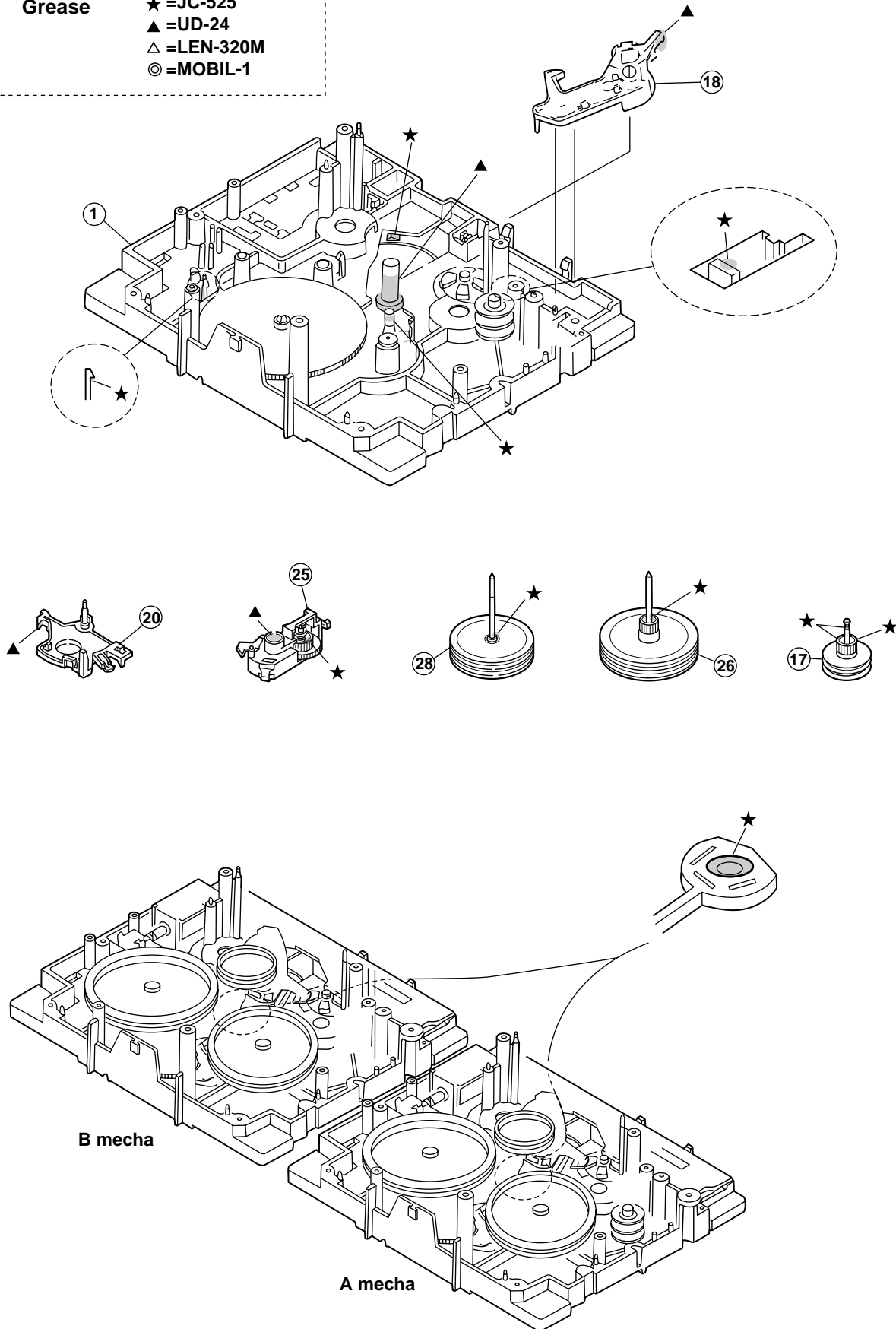
Grease

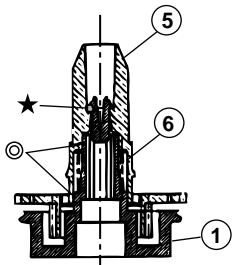
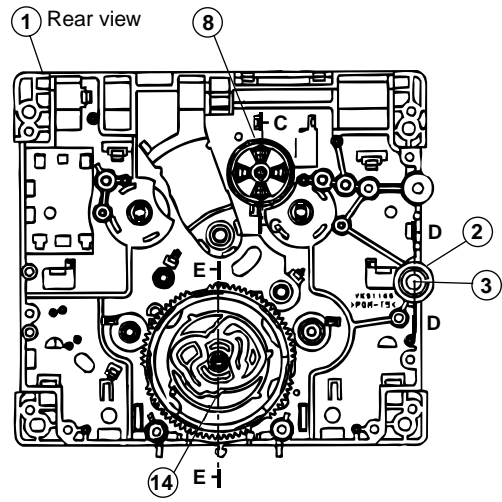
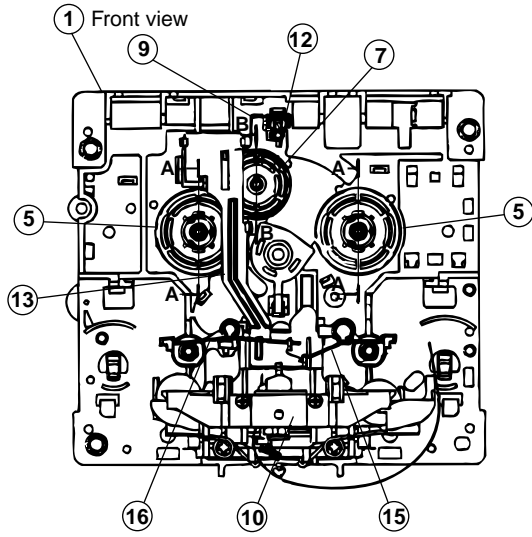
★ =JC-525

▲ =UD-24

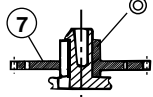
△ =LEN-320M

◎ =MOBIL-1





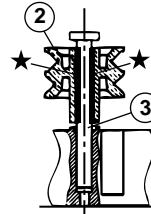
A - A (2/1, 2 places)



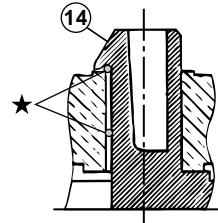
B - B (2/1)



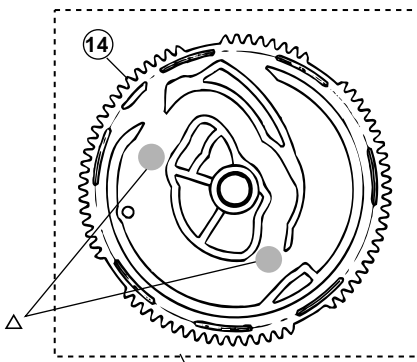
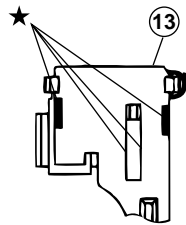
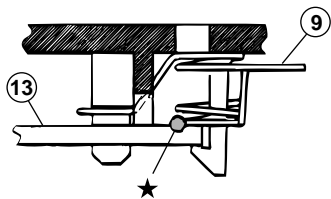
C - C (2/1)



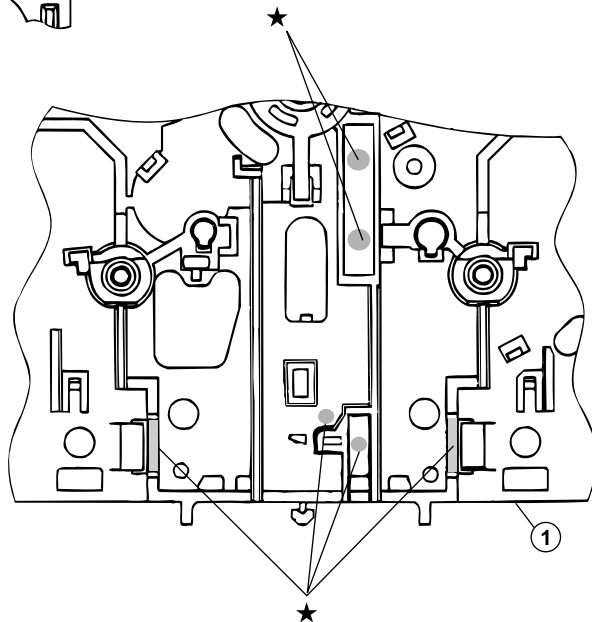
D - D (2/1)



E - E (5/1)



(Dipping)



■ Electrical parts list (Power board)

Block No. 01

△	Item	Parts number	Parts name	Remarks	Area	△	Item	Parts number	Parts name	Remarks	Area
	C 201	QFZ0212-104Z	MM CAPACITOR	.10MF			D 204	1N5402M-20	DIODE		
	C 202	QFZ0212-104Z	MM CAPACITOR	.10MF			△ D 211	1N5402M-20	DIODE		
	C 203	QFZ0212-104Z	MM CAPACITOR	.10MF			△ D 212	1N5402M-20	DIODE		
	C 204	EETB1XM-478JC	E CAPACITOR				△ D 213	1N5402M-20	DIODE		
	C 205	EETB1XM-478JC	E CAPACITOR				△ D 214	1N5402M-20	DIODE		
	C 211	QFLC1HJ-823Z	M CAPACITOR	.082MF 5% 50V			△ D 217	1N4003S-T5	SI DIODE		
	C 212	QFLC1HJ-823Z	M CAPACITOR	.082MF 5% 50V			△ D 218	1N4003S-T5	SI DIODE		
	C 213	QFLC1HJ-823Z	M CAPACITOR	.082MF 5% 50V			D 219	DZ33BSC-T2	ZENER DIODE		
	C 214	EETB1VM-228JC	E CAPACITOR				D 220	DZ9.1BSB-T2	ZENER DIODE		
	C 215	EETB1VM-228JC	E CAPACITOR				△ D 227	1N4003S-T5	SI DIODE		
	C 216	QETN1VM-107Z	E CAPACITOR	100MF 20% 35V			△ D 233	2A02-M	DIODE		
	C 217	QETN1JM-476Z	E CAPACITOR	47MF 20% 63V			△ D 234	2A02-M	DIODE		
	C 218	EETC1HM-226ZJC	E CAPACITOR				D 280	DZ2.4BSB-T2	ZENER DIODE		
	C 219	QDYB1CM-103Y	C CAPACITOR				D 369	DZ10BSC-T2	ZENER DIODE		
	C 220	EETC1HM-476ZJC	E CAPACITOR				D 370	DZ11BSC-T2	ZENER DIODE		
	C 221	EETC1HM-476ZJC	E CAPACITOR				D 703	DZ15BSC-T2	ZENER DIODE		
	C 222	EETC1HM-476ZJC	E CAPACITOR				D 704	DZ15BSC-T2	ZENER DIODE		
	C 253	EETB1EM-688JC	E CAPACITOR				D 719	1SS119-041-T2	SI DIODE		
	C 280	EETC1HM-224ZJC	E CAPACITOR				D 720	1SS119-041-T2	SI DIODE		
	C 372	EETC1HM-226ZJC	E CAPACITOR				D 723	DZ36BSA-T2	ZENER DIODE		
	C 373	QDYB1CM-103Y	C CAPACITOR				D 724	DZ36BSA-T2	ZENER DIODE		
	C 374	EETC1HM-226ZJC	E CAPACITOR				D 726	1SS119-041-T2	SI DIODE		
	C 683	QFLC1HJ-823Z	M CAPACITOR	.082MF 5% 50V			D 728	1SS119-041-T2	SI DIODE		
	C 703	QCBB1HK-471Y	C CAPACITOR	470PF 10% 50V			D 790	1SS119-041-T2	SI DIODE		
	C 704	QCBB1HK-471Y	C CAPACITOR	470PF 10% 50V			EP201	QNZ0136-001Z	EARTH PLATE		
	C 705	QCBB1HK-221Y	C CAPACITOR	220PF 10% 50V			EP202	QNZ0136-001Z	EARTH PLATE		
	C 706	QCBB1HK-221Y	C CAPACITOR	220PF 10% 50V			EP710	GV40327-001A	IC BOARD HOLDER		
	C 707	QETN1JM-476Z	E CAPACITOR	47MF 20% 63V			FW707	QUM153-09Z4Z4	PARA RIBON WIRE		
	C 708	QETN1JM-476Z	E CAPACITOR	47MF 20% 63V			FW901	QUM027-13DGZ4	PARA RIBON WIRE		
	C 709	QCSB1HK-4R7Y	C CAPACITOR	4.7PF 10% 50V			△ IC701	STK412-090	IC		
	C 710	QCSB1HK-4R7Y	C CAPACITOR	4.7PF 10% 50V			JS901	QSW0911-001	ROTARY SWITCH		
	C 711	QFZ0212-104Z	MM CAPACITOR	.10MF			L 701	QQLZ035-R39	INDUCTOR		
	C 712	QFZ0212-104Z	MM CAPACITOR	.10MF			L 702	QQLZ035-R39	INDUCTOR		
	C 713	QFLC1HJ-473Z	M CAPACITOR	.047MF 5% 50V			Q 201	2SB740/BC-T	TRANSISTOR		
	C 714	QFLC1HJ-473Z	M CAPACITOR	.047MF 5% 50V			Q 240	2SC2785/FE-T	TRANSISTOR		
	C 715	QFLC1HJ-473Z	M CAPACITOR	.047MF 5% 50V			Q 372	KTA1023/OY-T	TRANSISTOR		
	C 716	QFLC1HJ-473Z	M CAPACITOR	.047MF 5% 50V			Q 373	KRA104M-T	D.TRANSISTOR		
	C 721	QETN1HM-106Z	E CAPACITOR	10MF 20% 50V			Q 374	KRC104M-T	D.TRANSISTOR		
	C 722	QETN1HM-106Z	E CAPACITOR	10MF 20% 50V			Q 680	2SK301/PQ-T	FET		
	C 723	EETC1AM-107ZJC	E CAPACITOR				Q 701	KTA1268/GL-T	TRANSISTOR		
	C 726	EETC1EM-106ZJC	E CAPACITOR				Q 702	KTA1268/GL-T	TRANSISTOR		
	C 729	EETC1CM-476ZJC	E CAPACITOR				Q 710	2SA965/OY-T	TRANSISTOR		
	C 730	QCF31HZ-223Z	C CAPACITOR	.022MF +80/-20%			Q 711	KTC3200/GL-T	TRANSISTOR		
	C 731	QCF31HZ-223Z	C CAPACITOR	.022MF +80/-20%			Q 712	KTA1268/GL-T	TRANSISTOR		
	C 739	EETC1HM-105ZJC	E CAPACITOR				Q 713	KTC1027/OY-T	TRANSISTOR		
	C 790	EETC1EM-476ZJC	E CAPACITOR				Q 726	2SC2389S/SE-T	TRANSISTOR		
	C 901	QDYB1CM-103Y	C CAPACITOR				Q 727	KTA1268/GL-T	TRANSISTOR		
	C 902	QDYB1CM-103Y	C CAPACITOR				Q 728	2SC2785/FE-T	TRANSISTOR		
	CN201	QGB2510J1-11	CONNECTOR				Q 733	2SC3576-JVC-T	TRANSISTOR		
	CN202	QGB2510J1-10	CONNECTOR				Q 734	2SC3576-JVC-T	TRANSISTOR		
	CN203	QGB2510J1-04	CONNECTOR				Q 735	2SC3576-JVC-T	TRANSISTOR		
	CN204	QGA3901C1-07	CONNECTOR				Q 736	2SC3576-JVC-T	TRANSISTOR		
	CN205	QGB2510J1-14	CONNECTOR				Q 737	KRA111M-T	D.TRANSISTOR		
	CN206	QGB2510J1-12	CONNECTOR				Q 790	2SC2785/FE-T	TRANSISTOR		
	CN207	QGB2510J1-06	CONNECTOR				Q 791	2SC2785/FE-T	TRANSISTOR		
	CN215	QGB2510K2-14	CONNECTOR				Q 792	KTC3203/OY-T	TRANSISTOR		
	CN703	QGD2504C1-03Z	SOCKET				△ R 202	QRZ9042-2R2X	F RESISTOR	2.2 1/4W	
	CN704	QGD2504C1-03Z	SOCKET				R 203	QRE141J-752Y	C RESISTOR	7.5K 5% 1/4W	
	CN705	QGA2501C1-02	2P CONNECTOR				R 204	QRE141J-223Y	C RESISTOR	22K 5% 1/4W	
	CN706	QGD2504C1-03Z	SOCKET				R 205	QRE141J-104Y	C RESISTOR	100K 5% 1/4W	
△	D 201	1N5402M-20	DIODE				R 215	QRE141J-473Y	C RESISTOR	47K 5% 1/4W	
△	D 202	1N5402M-20	DIODE				R 216	QRE141J-473Y	C RESISTOR	47K 5% 1/4W	
△	D 203	1N5402M-20	DIODE				R 217	QRE141J-273Y	C RESISTOR	27K 5% 1/4W	

■ Electrical parts list (Power board)

Block No. 01

△	Item	Parts number	Parts name	Remarks	Area
	R 218	QRE141J-273Y	C RESISTOR	27K 5% 1/4W	
△	R 220	QRJ146J-151X	UNF C RESISTOR	150 5% 1/4W	
	R 242	QRE141J-103Y	C RESISTOR	10K 5% 1/4W	
△	R 246	QRJ146J-1R0X	UNF C RESISTOR	1.0 5% 1/4W	
△	R 247	QRJ146J-1R0X	UNF C RESISTOR	1.0 5% 1/4W	
△	R 248	QRJ146J-1R0X	UNF C RESISTOR	1.0 5% 1/4W	
△	R 249	QRJ146J-1R0X	UNF C RESISTOR	1.0 5% 1/4W	
	R 281	QRE141J-823Y	C RESISTOR	82K 5% 1/4W	
	R 282	QRE141J-823Y	C RESISTOR	82K 5% 1/4W	
	R 283	QRE141J-153Y	C RESISTOR	15K 5% 1/4W	
	R 284	QRE141J-473Y	C RESISTOR	47K 5% 1/4W	
	R 384	QRE141J-272Y	C RESISTOR	2.7K 5% 1/4W	
	R 385	QRE141J-562Y	C RESISTOR	5.6K 5% 1/4W	
	R 389	QRE141J-103Y	C RESISTOR	10K 5% 1/4W	
	R 680	QRE141J-105Y	C RESISTOR	1.0M 5% 1/4W	
	R 681	QRE141J-392Y	C RESISTOR	3.9K 5% 1/4W	
	R 682	QRE141J-475Y	C RESISTOR	4.7M 5% 1/4W	
△	R 701	QRJ146J-470X	UNF C RESISTOR	47 5% 1/4W	
△	R 702	QRJ146J-470X	UNF C RESISTOR	47 5% 1/4W	
	R 703	QRE141J-563Y	C RESISTOR	56K 5% 1/4W	
	R 704	QRE141J-563Y	C RESISTOR	56K 5% 1/4W	
△	R 705	QRJ146J-821X	UNF C RESISTOR	820 5% 1/4W	
△	R 706	QRJ146J-821X	UNF C RESISTOR	820 5% 1/4W	
	R 707	QRE141J-563Y	C RESISTOR	56K 5% 1/4W	
	R 708	QRE141J-563Y	C RESISTOR	56K 5% 1/4W	
△	R 713	QRJ146J-100X	UNF C RESISTOR	10 5% 1/4W	
△	R 714	QRJ146J-100X	UNF C RESISTOR	10 5% 1/4W	
△	R 715	QRJ146J-100X	UNF C RESISTOR	10 5% 1/4W	
△	R 716	QRJ146J-100X	UNF C RESISTOR	10 5% 1/4W	
	R 717	QRE141J-102Y	C RESISTOR	1.0K 5% 1/4W	
	R 718	QRE141J-102Y	C RESISTOR	1.0K 5% 1/4W	
	R 719	QRE141J-562Y	C RESISTOR	5.6K 5% 1/4W	
	R 720	QRE141J-562Y	C RESISTOR	5.6K 5% 1/4W	
	R 721	QRE141J-103Y	C RESISTOR	10K 5% 1/4W	
	R 722	QRE141J-103Y	C RESISTOR	10K 5% 1/4W	
	R 723	QRE141J-682Y	C RESISTOR	6.8K 5% 1/4W	
	R 724	QRE141J-682Y	C RESISTOR	6.8K 5% 1/4W	
	R 725	QRE141J-823Y	C RESISTOR	82K 5% 1/4W	
	R 726	QRE141J-104Y	C RESISTOR	100K 5% 1/4W	
	R 727	QRE141J-104Y	C RESISTOR	100K 5% 1/4W	
	R 728	QRE141J-103Y	C RESISTOR	10K 5% 1/4W	
	R 729	QRE141J-104Y	C RESISTOR	100K 5% 1/4W	
	R 730	QRE141J-103Y	C RESISTOR	10K 5% 1/4W	
	R 733	QRE141J-472Y	C RESISTOR	4.7K 5% 1/4W	
	R 734	QRE141J-472Y	C RESISTOR	4.7K 5% 1/4W	
	R 735	QRE141J-472Y	C RESISTOR	4.7K 5% 1/4W	
	R 736	QRE141J-472Y	C RESISTOR	4.7K 5% 1/4W	
△	R 739	QRL01DJ-821X	OMF RESISTOR	820 5% 1W	
△	R 740	QRL01DJ-821X	OMF RESISTOR	820 5% 1W	
	R 741	QRE141J-682Y	C RESISTOR	6.8K 5% 1/4W	
	R 742	QRE141J-682Y	C RESISTOR	6.8K 5% 1/4W	
	R 753	QRZ0197-R22	C RESISTOR	1W	
	R 754	QRZ0197-R22	C RESISTOR	1W	
	R 761	QRE141J-102Y	C RESISTOR	1.0K 5% 1/4W	
	R 762	QRE141J-102Y	C RESISTOR	1.0K 5% 1/4W	
	R 766	QRE141J-333Y	C RESISTOR	33K 5% 1/4W	
	R 768	QRE141J-104Y	C RESISTOR	100K 5% 1/4W	
	R 769	QRE141J-222Y	C RESISTOR	2.2K 5% 1/4W	
△	R 774	QRJ146J-100X	UNF.C.RESISTOR	10 5% 1/4W	
	R 775	QRE141J-102Y	C RESISTOR	1.0K 5% 1/4W	
	R 776	QRE141J-102Y	C RESISTOR	1.0K 5% 1/4W	
	R 777	QRE141J-103Y	C RESISTOR	10K 5% 1/4W	
	R 778	QRE141J-103Y	C RESISTOR	10K 5% 1/4W	

△	Item	Parts number	Parts name	Remarks	Area
	R 786	QRE141J-103Y	C RESISTOR	10K 5% 1/4W	
	R 787	QRE141J-103Y	C RESISTOR	10K 5% 1/4W	
	R 790	QRE141J-103Y	C RESISTOR	10K 5% 1/4W	
	R 792	QRE141J-102Y	C RESISTOR	1.0K 5% 1/4W	
	R 793	QRE141J-104Y	C RESISTOR	100K 5% 1/4W	
	R 794	QRE141J-103Y	C RESISTOR	10K 5% 1/4W	
	R 795	QRE141J-103Y	C RESISTOR	10K 5% 1/4W	
△	R 796	QRE141J-682Y	C RESISTOR	6.8K 5% 1/4W	
	R 797	QRE141J-203Y	C RESISTOR	20K 5% 1/4W	
△	R 798	QRJ146J-100X	UNF C RESISTOR	10 5% 1/4W	
	R 908	QRE141J-562Y	C RESISTOR	5.6K 5% 1/4W	
	S 901	QSW0825-001Z	TACT SWITCH		
	S 902	QSW0825-001Z	TACT SWITCH		

■ Electrical parts list (Input board)

Block No. 02

△	Item	Parts number	Parts name	Remarks	Area	△	Item	Parts number	Parts name	Remarks	Area
	C 001	QDGB1HK-102Y	C CAPACITOR				C 589	QFLC1HJ-153Z	M CAPACITOR	.015MF 5% 50V	
	C 002	QFVH1HJ-104	MF CAPACITOR	.10MF 5% 50V			C 593	FQCS31HJ-470Z	C CAPACITOR		
	C 401	QCBB1HK-221Y	C CAPACITOR	220PF 10% 50V			C 594	QETN1AM-477Z	E CAPACITOR	470MF 20% 10V	
	C 402	QCBB1HK-221Y	C CAPACITOR	220PF 10% 50V			C 596	QDYB1CM-103Y	C CAPACITOR		
	C 403	FQCF31HP-103Z	C CAPACITOR				C 599	QETN0JM-108Z	E CAPACITOR	1000MF 20% 6.3V	
	C 404	QETN1CM-476Z	E CAPACITOR	47MF 20% 16V			C 777	QTE1C06-476Z	E CAPACITOR		
	C 419	QDXB1CM-222Y	C CAPACITOR				C 980	QDVB1EZ-223Y	C CAPACITOR		
	C 426	QDVB1EZ-223Y	C CAPACITOR				C 981	QCZ0202-155Z	ML CC CAPACITOR	1.5MF	
	C 427	EETC1EM-106ZJC	E CAPACITOR				C 995	EETC1AM-107ZJC	E CAPACITOR		
	C 433	FQCF31HP-103Z	C CAPACITOR				C 998	QDYB1CM-822Y	C CAPACITOR		
	C 436	QETN1CM-477Z	E CAPACITOR	470MF 20% 16V			C 999	QDYB1CM-822Y	C CAPACITOR		
	C 437	EETC1EM-106ZJC	E CAPACITOR				CN 11	QGF1205F1-09	CONNECTOR		
	C 438	QDYB1CM-103Y	C CAPACITOR				CN208	WJK0114-002A	E-SI C WIRE C-B		
	C 439	QETN1EM-106Z	E CAPACITOR	10MF 20% 25V			CN209	WJK0071-002A	CONN.WIRE ASSY		
	C 440	QETN1EM-106Z	E CAPACITOR	10MF 20% 25V			CN211	QGB2510K2-11	CONNECTOR		
	C 441	QTE1V06-106Z	E CAPACITOR				CN212	QGB2510K2-10	CONNECTOR		
	C 442	QTE1V06-106Z	E CAPACITOR				CN213	QGB2510K2-04	CONNECTOR		
	C 443	EETC1HM-225ZJC	E CAPACITOR				CN214	QJK015-071214	CONN.WIRE ASSY		
	C 444	EETC1HM-225ZJC	E CAPACITOR				CN218	QGA7901F1-03	CONNECTOR		
	C 445	QETN1EM-106Z	E CAPACITOR	10MF 20% 25V			CN219	QGA7901C1-04	CONNECTOR		
	C 446	QETN1EM-106Z	E CAPACITOR	10MF 20% 25V			CN220	QGD2504C1-03Z	SOCKET		
	C 447	QETN1CM-106Z	E CAPACITOR	10MF 20% 16V		△	CN250	QGA7901C1-02	CONNECTOR		
	C 448	QETN1CM-106Z	E CAPACITOR	10MF 20% 16V			CN315	QGF1205C1-10	CONNECTOR		
	C 449	QETN1HM-225Z	E CAPACITOR	2.2MF 20% 50V			CN504	QGF1016F3-15	CONNECTOR		
	C 450	QETN1HM-225Z	E CAPACITOR	2.2MF 20% 50V			CN661	QGF1016F3-19	CONNECTOR		
	C 453	QFVF1HJ-154Z	MF CAPACITOR	.15MF 5% 50V			CN870	QGF1205C1-17	CONNECTOR		
	C 454	QFVF1HJ-154Z	MF CAPACITOR	.15MF 5% 50V			CN871	QGF1205C1-17	CONNECTOR		
	C 455	QFVJ1HJ-274Z	MF CAPACITOR	.27MF 5% 50V			C1201	QETN1AM-227Z	E CAPACITOR	220MF 20% 10V	
	C 456	QFVJ1HJ-274Z	MF CAPACITOR	.27MF 5% 50V			C1202	QFLC1HJ-823Z	M CAPACITOR	.082MF 5% 50V	
	C 457	QFLC1HJ-223Z	M CAPACITOR	.022MF 5% 50V			C1228	EETC1AM-107ZJC	E CAPACITOR		
	C 458	QFLC1HJ-223Z	M CAPACITOR	.022MF 5% 50V			D 411	1SS119-041-T2	SI DIODE		
	C 459	QFLC1HJ-183Z	M CAPACITOR	.018MF 5% 50V			D 412	1SS119-041-T2	SI DIODE		
	C 460	QFLC1HJ-183Z	M CAPACITOR	.018MF 5% 50V			D 426	DZ5.1BSB-T2	ZENER DIODE		
	C 461	QFG32AJ-682Z	PP CAPACITOR	6800PF 5% 100V			D 431	DZ3.9BSB-T2	ZENER DIODE		
	C 462	QFG32AJ-682Z	PP CAPACITOR	6800PF 5% 100V			D 432	DZ3.9BSB-T2	ZENER DIODE		
	C 466	QETN1HM-475Z	E CAPACITOR	4.7MF 20% 50V			D 434	DZ5.1BSB-T2	ZENER DIODE		
	C 467	QETN1HM-225Z	E CAPACITOR	2.2MF 20% 50V			D 572	1SS119-041-T2	SI DIODE		
	C 468	QETN1CM-477Z	E CAPACITOR	470MF 20% 16V			D 585	1SS119-041-T2	SI DIODE		
	C 469	QFLC1HJ-683Z	M CAPACITOR	.068MF 5% 50V			D 586	DZ6.8BSC-T2	ZENER DIODE		
	C 470	QFVJ1HJ-274Z	MF CAPACITOR	.27MF 5% 50V			D 587	DZ6.8BSC-T2	ZENER DIODE		
	C 471	QETN1EM-106Z	E CAPACITOR	10MF 20% 25V			D 592	1SS119-041-T2	SI DIODE		
	C 472	QETN1EM-106Z	E CAPACITOR	10MF 20% 25V			EP250	E409182-001SM	GRAND TERMINAL		
	C 473	QETN1EM-106Z	E CAPACITOR	10MF 20% 25V			FT111	QNG0020-001Z	FUSE CLIP		
	C 474	QETN1EM-106Z	E CAPACITOR	10MF 20% 25V			FT112	QNG0020-001Z	FUSE CLIP		
	C 475	EETC1HM-105ZJC	E CAPACITOR				FT131	QNG0020-001Z	FUSE CLIP		
	C 476	QFLC1HJ-682Z	M CAPACITOR	6800PF 5% 50V			FT132	QNG0020-001Z	FUSE CLIP		
	C 488	EETC1HM-105ZJC	E CAPACITOR				FT511	QNG0020-001Z	FUSE CLIP		
	C 501	QUY150-050Y	BUS WIRE				FT512	QNG0020-001Z	FUSE CLIP		
	C 502	QUY150-050Y	BUS WIRE				FT521	QNG0020-001Z	FUSE CLIP		
	C 526	QETN1CM-477Z	E CAPACITOR	470MF 20% 16V			FT522	QNG0020-001Z	FUSE CLIP		
	C 527	QFLC1HJ-104Z	M CAPACITOR	.10MF 5% 50V			FW401	QUM155-09Z4Z4	PARA RIBON WIRE		
	C 528	QFLC1HJ-104Z	M CAPACITOR	.10MF 5% 50V			FW710	QUM153-09DGZ4	FLAT WIRE		
	C 530	QFLC1HJ-104Z	M CAPACITOR	.10MF 5% 50V			FW714	QUM156-18DGZ4	PARA RIBON WIRE		
	C 531	QFLC1HJ-104Z	M CAPACITOR	.10MF 5% 50V			IC436	TDA7439	IC		
	C 532	QTE1C06-476Z	E CAPACITOR				IC466	BA3837	IC(VOCALFADER)		
	C 535	EETC1AM-107ZJC	E CAPACITOR				IC526	NJM4580D	IC		
	C 571	QETN1HM-475Z	E CAPACITOR	4.7MF 20% 50V			J 411	QNN0420-001	PIN JACK		
	C 575	QFVJ1HJ-184Z	MF CAPACITOR	.18MF 5% 50V			J 426	GP1FA550TZ	OPT TRANSMITTER		
	C 578	EETC1HM-105ZJC	E CAPACITOR				J 999	QNN0420-001	PIN JACK		
	C 585	EETC1HM-105ZJC	E CAPACITOR				JA566	QNN0017-002	PIN JACK		
	C 586	QDXB1CM-182Y	C CAPACITOR				L 001	QQR1277-001Z	F.BEADS		
	C 587	QCSB1HJ-330Y	C CAPACITOR	33PF 5% 50V			L 546	QQR1277-001Z	F.BEADS		
	C 588	QDGB1HK-681Y	C CAPACITOR				L 566	QQR1277-001Z	F.BEADS		

■ Electrical parts list (Input board)

Block No. 02

△	Item	Parts number	Parts name	Remarks	Area	△	Item	Parts number	Parts name	Remarks	Area
	L 567	QQR1277-001Z	F.BEADS				R 534	QRE141J-204Y	C RESISTOR	200K 5% 1/4W	
	L 571	QQR1277-001Z	F.BEADS				R 536	QRE141J-682Y	C RESISTOR	6.8K 5% 1/4W	
	Q 401	2SC3576-JVC-T	TRANSISTOR				R 537	QRE141J-101Y	C RESISTOR	100 5% 1/4W	
	Q 402	2SC3576-JVC-T	TRANSISTOR				R 541	QRE141J-204Y	C RESISTOR	200K 5% 1/4W	
	Q 481	2SC3576-JVC-T	TRANSISTOR				R 557	QRE141J-243Y	C RESISTOR	24K 5% 1/4W	
	Q 482	2SC3576-JVC-T	TRANSISTOR				R 558	QRE141J-153Y	C RESISTOR	15K 5% 1/4W	
	Q 483	KRA102M-T	D.TRANSISTOR				R 563	QRE141J-223Y	C RESISTOR	22K 5% 1/4W	
	Q 556	2SC3576-JVC-T	TRANSISTOR				R 564	QRE141J-223Y	C RESISTOR	22K 5% 1/4W	
	Q 557	2SC3576-JVC-T	TRANSISTOR				R 571	QRE141J-302Y	C RESISTOR	3.0K 5% 1/4W	
	Q 571	2SC2785/FE/-T	TRANSISTOR				R 572	QRE141J-222Y	C RESISTOR	2.2K 5% 1/4W	
	Q 572	2SC2785/FE/-T	TRANSISTOR				R 577	QRE141J-274Y	C RESISTOR	270K 5% 1/4W	
	Q 573	2SC2785/FE/-T	TRANSISTOR				R 581	QRE141J-224Y	C RESISTOR	220K 5% 1/4W	
	Q 585	2SC2785/FE/-T	TRANSISTOR				R 582	QRE141J-101Y	C RESISTOR	100 5% 1/4W	
	Q 586	2SC2785/FE/-T	TRANSISTOR				R 583	QRE141J-101Y	C RESISTOR	100 5% 1/4W	
	Q 884	2SC2785/FE/-T	TRANSISTOR				R 585	QRE141J-473Y	C RESISTOR	47K 5% 1/4W	
	Q 885	2SC3576-JVC-T	TRANSISTOR				R 586	QRE141J-225Y	C RESISTOR	2.2M 5% 1/4W	
	Q 886	2SC3576-JVC-T	TRANSISTOR				R 587	QRE141J-104Y	C RESISTOR	100K 5% 1/4W	
	Q 887	2SC2785/FE/-T	TRANSISTOR				R 588	QRE141J-220Y	C RESISTOR	22 5% 1/4W	
	Q 888	2SC2785/FE/-T	TRANSISTOR				R 593	QRE141J-104Y	C RESISTOR	100K 5% 1/4W	
	Q 999	KRA102M-T	D.TRANSISTOR				R 771	QRE141J-223Y	C RESISTOR	22K 5% 1/4W	
	R 401	QRE141J-102Y	C RESISTOR	1.0K 5% 1/4W			R 772	QRE141J-101Y	C RESISTOR	100 5% 1/4W	
	R 402	QRE141J-102Y	C RESISTOR	1.0K 5% 1/4W			R 773	QRE141J-101Y	C RESISTOR	100 5% 1/4W	
	R 403	QRE141J-472Y	C RESISTOR	4.7K 5% 1/4W			△ R 774	QRE141J-223Y	C RESISTOR	22K 5% 1/4W	
	R 404	QRE141J-472Y	C RESISTOR	4.7K 5% 1/4W			R 775	QRE141J-222Y	C RESISTOR	2.2K 5% 1/4W	
	R 405	QRE141J-222Y	C RESISTOR	2.2K 5% 1/4W			R 885	QRE141J-243Y	C RESISTOR	24K 5% 1/4W	
	R 406	QRE141J-222Y	C RESISTOR	2.2K 5% 1/4W			R 991	QRE141J-102Y	C RESISTOR	1.0K 5% 1/4W	
	R 407	QRE141J-272Y	C RESISTOR	2.7K 5% 1/4W			R 994	QRE141J-103Y	C RESISTOR	10K 5% 1/4W	
	R 411	QRE141J-203Y	C RESISTOR	20K 5% 1/4W			R 995	QRE141J-333Y	C RESISTOR	33K 5% 1/4W	
	R 412	QRE141J-203Y	C RESISTOR	20K 5% 1/4W			R 997	QRE141J-103Y	C RESISTOR	10K 5% 1/4W	
	R 413	QRE141J-433Y	C RESISTOR	43K 5% 1/4W			R 998	QRE141J-103Y	C RESISTOR	10K 5% 1/4W	
	R 414	QRE141J-433Y	C RESISTOR	43K 5% 1/4W			R1000	QRE141J-102Y	C RESISTOR	1.0K 5% 1/4W	
	R 426	QRE141J-560Y	C RESISTOR	56 5% 1/4W			R1001	QRE141J-102Y	C RESISTOR	1.0K 5% 1/4W	
	R 431	QRE141J-303Y	C RESISTOR	30K 5% 1/4W			△ R1002	ERX12SJR33E	UNF.C.RESISTOR		
	R 432	QRE141J-303Y	C RESISTOR	30K 5% 1/4W			R1202	QRE141J-102Y	C RESISTOR	1.0K 5% 1/4W	
△	R 434	QRJ146J-4R7X	UNF C RESISTOR	4.7 5% 1/4W			R1203	QRE141J-102Y	C RESISTOR	1.0K 5% 1/4W	
	R 435	QRE141J-103Y	C RESISTOR	10K 5% 1/4W			△ S 500	QSW0812-001	VOLTAGE SWITCH		
	R 436	QRE141J-103Y	C RESISTOR	10K 5% 1/4W			SP 21	VYSA1R3-049	SPACER		
	R 437	QRE141J-102Y	C RESISTOR	1.0K 5% 1/4W			SP 22	VYSA1R3-049	SPACER		
	R 438	QRE141J-272Y	C RESISTOR	2.7K 5% 1/4W			SP 23	VYSA1R3-049	SPACER		
	R 439	QRE141J-562Y	C RESISTOR	5.6K 5% 1/4W							
	R 440	QRE141J-562Y	C RESISTOR	5.6K 5% 1/4W							
	R 441	QRE141J-272Y	C RESISTOR	2.7K 5% 1/4W							
	R 442	QRE141J-103Y	C RESISTOR	10K 5% 1/4W							
	R 443	QRE141J-104Y	C RESISTOR	100K 5% 1/4W							
	R 444	QRE141J-104Y	C RESISTOR	100K 5% 1/4W							
	R 466	QRE141J-201Y	C RESISTOR	200 5% 1/4W							
	R 467	QRE141J-203Y	C RESISTOR	20K 5% 1/4W							
	R 468	QRE141J-203Y	C RESISTOR	20K 5% 1/4W							
	R 469	QRE141J-562Y	C RESISTOR	5.6K 5% 1/4W							
	R 470	QRE141J-562Y	C RESISTOR	5.6K 5% 1/4W							
	R 471	QRE141J-223Y	C RESISTOR	22K 5% 1/4W							
	R 472	QRE141J-102Y	C RESISTOR	1.0K 5% 1/4W							
	R 473	QRE141J-153Y	C RESISTOR	15K 5% 1/4W							
	R 474	QRE141J-513Y	C RESISTOR	51K 5% 1/4W							
	R 475	QRE141J-101Y	C RESISTOR	100 5% 1/4W							
	R 493	QRE141J-102Y	C RESISTOR	1.0K 5% 1/4W							
	R 494	QRE141J-102Y	C RESISTOR	1.0K 5% 1/4W							
	R 496	QRE141J-102Y	C RESISTOR	1.0K 5% 1/4W							
	R 526	QRE141J-101Y	C RESISTOR	100 5% 1/4W							
	R 528	QRE141J-102Y	C RESISTOR	1.0K 5% 1/4W							
	R 529	QRE141J-102Y	C RESISTOR	1.0K 5% 1/4W							
	R 530	QRE141J-222Y	C RESISTOR	2.2K 5% 1/4W							
	R 532	QRE141J-223Y	C RESISTOR	22K 5% 1/4W							

■ Electrical parts list (Front board)

Block No. 03

△	Item	Parts number	Parts name	Remarks	Area	△	Item	Parts number	Parts name	Remarks	Area
	C 233	QFVJ1HJ-104Z	MF CAPACITOR	.10MF 5% 50V			C1045	QETN1HM-225Z	E CAPACITOR	2.2MF 20% 50V	
	C 302	EETC1HM-106ZJC	E CAPACITOR				C1046	EETC1HM-105ZJC	E CAPACITOR		
	C 308	EETC1HM-106ZJC	E CAPACITOR				C1061	QETN1AM-227Z	E CAPACITOR	220MF 20% 10V	
	C 310	EETC1HM-106ZJC	E CAPACITOR				C1062	EEKC1AM-107ZJC	E CAPACITOR		
	C 312	EETC1HM-106ZJC	E CAPACITOR				C1063	EEKC1HM-475ZJC	E CAPACITOR		
	C 360	EETC1CM-476ZJC	E CAPACITOR				C1064	QCBB1HK-151Y	C CAPACITOR	150PF 10% 50V	
	C 361	QDYB1CM-103Y	C CAPACITOR				C1065	QCBB1HK-151Y	C CAPACITOR	150PF 10% 50V	
	C 362	EETC1HM-226ZJC	E CAPACITOR				C1066	QCBB1HK-331Y	C CAPACITOR	330PF 10% 50V	
	C 801	FQCF31HP-103Z	C CAPACITOR				C1067	QEK1HM-225Z	E CAPACITOR	2.2MF 20% 50V	
	C 803	QETN0JM-477Z	E CAPACITOR	470MF 20% 6.3V			C1068	QEK1HM-224Z	E CAPACITOR	.22MF 20% 50V	
	C 804	QETN0JM-477Z	E CAPACITOR	470MF 20% 6.3V			C1070	QDXB1CM-222Y	C CAPACITOR		
	C 805	QDGB1HK-102Y	C CAPACITOR				D 308	DZ5.6BSB-T2	ZENER DIODE		
	C 808	QCSB1HJ-120Y	C CAPACITOR	12PF 5% 50V			D 313	DZ8.2BSB-T2	ZENER DIODE		
	C 809	QCSB1HJ-180Y	C CAPACITOR	18PF 5% 50V			D 314	DZ13BSB-T2	ZENER DIODE		
	C 815	EETC1HM-226ZJC	E CAPACITOR				D 315	DZ9.1BSB-T2	ZENER DIODE		
	C 816	EETC1CM-476ZJC	E CAPACITOR				D 360	DZ5.1BSB-T2	ZENER DIODE		
	C 817	EETC1HM-226ZJC	E CAPACITOR				D 361	DZ9.1BSB-T2	ZENER DIODE		
	C 820	QCZ0202-155Z	ML C CAPACITOR	1.5MF			D 362	DZ6.8BSB-T2	ZENER DIODE		
	C 821	QDYB1CM-103Y	C CAPACITOR				D 725	1SS119-041-T2	SI DIODE		
	C 823	QFVJ1HJ-334Z	MF CAPACITOR	.33MF 5% 50V			D 801	1N4003S-T5	SI DIODE		
	C 831	QDYB1CM-103Y	C CAPACITOR				D 803	1SS119-041-T2	SI DIODE		
	C 832	QDYB1CM-103Y	C CAPACITOR				D 804	1SS119-041-T2	SI DIODE		
	C 835	QDGB1HK-102Y	C CAPACITOR				D 805	1SS119-041-T2	SI DIODE		
	C 836	EETC1EM-106ZJC	E CAPACITOR				D 807	1N4003S-T5	SI DIODE		
	C 837	EETC1AM-107ZJC	E CAPACITOR				D 812	1SS119-041-T2	SI DIODE		
	C 838	QDGB1HK-102Y	C CAPACITOR				D 831	DZ5.1BSB-T2	ZENER DIODE		
	C 840	EETC1AM-107ZJC	E CAPACITOR				D 832	DZ5.1BSB-T2	ZENER DIODE		
	C 862	EETC1HM-226ZJC	E CAPACITOR				D 860	1SS119-041-T2	SI DIODE		
	C 872	EETC1HM-224ZJC	E CAPACITOR				D 907	1SS119-041-T2	SI DIODE		
	C 889	EETC1HM-475ZJC	E CAPACITOR				D 918	L-192ZSRD-T	LED		
	C 935	QDYB1CM-103Y	C CAPACITOR				D 919	L-192ZSRD-T	LED		
	C 956	QDYB1CM-103Y	C CAPACITOR				D 920	L-192ZSRD-T	LED		
	C 957	QDYB1CM-103Y	C CAPACITOR				D 940	L-192ZSRD-T	LED		
	C 960	QDYB1CM-103Y	C CAPACITOR				D 941	L-192ZSRD-T	LED		
	C 961	QDYB1CM-103Y	C CAPACITOR				D 942	L-192ZSRD-T	LED		
	C 962	QDYB1CM-103Y	C CAPACITOR				D 943	L-192ZSRD-T	LED		
	C 963	QDYB1CM-103Y	C CAPACITOR				D 944	L-192ZSRD-T	LED		
	CN216	QGB2510K2-12	CONNECTOR				D 945	L-192ZSRD-T	LED		
	CN217	QGB2510K2-06	CONNECTOR				D 953	L-192ZSRD-T	LED		
	CN316	QGF1210G1-09	CONNECTOR				D 954	L-192ZSRD-T	LED		
	CN710	QGD2504C1-03Z	SOCKET				D 962	L-192ZSRD-T	LED		
	CN860	QGF1205F1-17	CONNECTOR				D 964	1SS119-041-T2	SI DIODE		
	CN861	QGF1205F1-17	CONNECTOR				D1003	DZ2.4BSB-T2	ZENER DIODE		
	CN880	QGF1210G1-24	FFC/FPC CONNE				D1021	DZ5.1BSB-T2	ZENER DIODE		
	CN890	QGF1205F1-24	CONNECTOR				D1061	1SS119-041-T2	SI DIODE		
	CN911	QGD2503F1-07	SOCKET				D1062	DZ2.4BSB-T2	ZENER DIODE		
	C1004	QDGB1HK-102Y	C CAPACITOR				FL801	QLF0081-001	FL DISPLAY TUBE		
	C1005	QDGB1HK-102Y	C CAPACITOR				FW230	QUM153-11DGZ4	PARA RIBON WIRE		
	C1006	QDGB1HK-102Y	C CAPACITOR				FW713	QUM153-33DGZ4	FLAT WIRE		
	C1021	QDGB1HK-102Y	C CAPACITOR				FW915	QUM027-18Z4Z4	PARA RIBON WIRE		
	C1022	QDGB1HK-102Y	C CAPACITOR			△	IC301	KIA78R05PI	+5V REG.IC		
	C1023	QDGB1HK-102Y	C CAPACITOR			△	IC303	L7808CP	IC		
	C1034	QFLM1HJ-104Z	M CAPACITOR	.10MF 5% 50V		△	IC304	L7812CP	IC		
	C1035	EETC1AM-107ZJC	E CAPACITOR			△	IC305	L7809CP	IC		
	C1036	QCBB1HK-101Y	C CAPACITOR	100PF 10% 50V			IC810	MN101C35DEM	IC		
	C1037	QDYB1CM-103Y	C CAPACITOR				IC811	BU2092	IC		
	C1038	QDXB1CM-472Y	C CAPACITOR				IC830	KIA7042AP-T	IC		
	C1039	QDYB1CM-103Y	C CAPACITOR				IC901	NJM4580L	IC		
	C1040	QDXB1CM-332Y	C CAPACITOR				IC902	BU9253AS	IC		
	C1041	QDYB1CM-103Y	C CAPACITOR				IC951	GP1U271X	RF-RECEIVER		
	C1042	EETC1EM-226ZJC	E CAPACITOR				J 81	QNB0006-001	SPK TERMINAL		
	C1043	QFVJ1HJ-474Z	MF CAPACITOR	.47MF 5% 50V			JS956	QSW0912-001	ROTARY SWITCH	S/WOOFER VOL	
	C1044	QDYB1CM-103Y	C CAPACITOR				JS960	QSW0911-001	ROTARY SWITCH	S/MODE VOL	

■ Electrical parts list (Front board)

Block No. 03

△	Item	Parts number	Parts name	Remarks	Area	△	Item	Parts number	Parts name	Remarks	Area
	JS962	QSW0987-001	ROTARY ENCODER	MAIN VOL			R 808	QRE141J-103Y	C RESISTOR	10K 5% 1/4W	
	J1001	QNS0183-001	JACK	HEAD PHONE			R 810	QRE141J-103Y	C RESISTOR	10K 5% 1/4W	
	J1021	QNS0184-001	JACK				R 811	QRE141J-103Y	C RESISTOR	10K 5% 1/4W	
	J1022	QNS0184-001	JACK				R 812	QRE141J-103Y	C RESISTOR	10K 5% 1/4W	
	L 801	QQL244K-100Z	INDUCTOR				R 813	QRE141J-103Y	C RESISTOR	10K 5% 1/4W	
	L 802	QQL231K-220Y	INDUCTOR				R 814	QRE141J-562Y	C RESISTOR	5.6K 5% 1/4W	
	L 803	QQL244K-100Z	INDUCTOR				R 815	QRE141J-563Y	C RESISTOR	56K 5% 1/4W	
	L 805	QQL244K-100Z	INDUCTOR				R 816	QRE141J-563Y	C RESISTOR	56K 5% 1/4W	
	L 806	QQL244K-100Z	INDUCTOR				R 817	QRE141J-103Y	C RESISTOR	10K 5% 1/4W	
	L 813	QQR1277-001Z	F.BEADS				R 818	QRE141J-103Y	C RESISTOR	10K 5% 1/4W	
	L1003	QQL231K-2R2Y	INDUCTOR				R 819	QRE141J-102Y	C RESISTOR	1.0K 5% 1/4W	
△	Q 360	KTC2026/OY/	SI.TRANSISTOR				R 820	QRE141J-102Y	C RESISTOR	1.0K 5% 1/4W	
	Q 361	2SC2785/FE/-T	TRANSISTOR				R 821	QRE141J-103Y	C RESISTOR	10K 5% 1/4W	
	Q 362	2SC2785/FE/-T	TRANSISTOR				R 822	QRE141J-103Y	C RESISTOR	10K 5% 1/4W	
	Q 809	2SD1991A/RS/-T	TRANSISTOR				R 823	QRE141J-102Y	C RESISTOR	1.0K 5% 1/4W	
	Q 810	2SD1991A/RS/-T	TRANSISTOR				R 824	QRE141J-102Y	C RESISTOR	1.0K 5% 1/4W	
	Q 811	2SD1991A/RS/-T	TRANSISTOR				R 825	QRE141J-104Y	C RESISTOR	100K 5% 1/4W	
	Q 812	2SD1991A/RS/-T	TRANSISTOR				R 826	QRE141J-104Y	C RESISTOR	100K 5% 1/4W	
	Q 813	2SD1991A/RS/-T	TRANSISTOR				R 827	QRE141J-103Y	C RESISTOR	10K 5% 1/4W	
	Q 816	2SD1991A/RS/-T	TRANSISTOR				R 828	QRE141J-103Y	C RESISTOR	10K 5% 1/4W	
	Q 817	2SD1991A/RS/-T	TRANSISTOR				R 829	QRE141J-103Y	C RESISTOR	10K 5% 1/4W	
	Q 843	KRA102M-T	D.TRANSISTOR				R 831	QRE141J-104Y	C RESISTOR	100K 5% 1/4W	
	Q 858	2SD1991A/RS/-T	TRANSISTOR				R 832	QRE141J-104Y	C RESISTOR	100K 5% 1/4W	
	Q 860	2SC2785/FE/-T	TRANSISTOR				R 833	QRE141J-104Y	C RESISTOR	100K 5% 1/4W	
	Q 875	KRC102M-T	D.TRANSISTOR				R 834	QRE141J-104Y	C RESISTOR	100K 5% 1/4W	
	Q 877	KRA102M-T	D.TRANSISTOR				R 835	QRE141J-104Y	C RESISTOR	100K 5% 1/4W	
	Q 878	KRC102M-T	D.TRANSISTOR				R 836	QRE141J-104Y	C RESISTOR	100K 5% 1/4W	
	Q 879	2SD1991A/RS/-T	TRANSISTOR				R 837	QRE141J-104Y	C RESISTOR	100K 5% 1/4W	
	Q 890	2SD1991A/RS/-T	TRANSISTOR				R 838	QRE141J-102Y	C RESISTOR	1.0K 5% 1/4W	
	Q 905	KRC104M-T	D.TRANSISTOR				R 839	QRE141J-102Y	C RESISTOR	1.0K 5% 1/4W	
	Q 906	KRC104M-T	D.TRANSISTOR				R 840	QRE141J-103Y	C RESISTOR	10K 5% 1/4W	
	Q 907	KRC102M-T	D.TRANSISTOR				R 841	QRE141J-103Y	C RESISTOR	10K 5% 1/4W	
	Q 908	KRA102M-T	D.TRANSISTOR				R 842	QRE141J-103Y	C RESISTOR	10K 5% 1/4W	
	Q 918	KRC102M-T	D.TRANSISTOR				R 844	QRE141J-102Y	C RESISTOR	1.0K 5% 1/4W	
	Q 919	KRC102M-T	D.TRANSISTOR				R 845	QRE141J-102Y	C RESISTOR	1.0K 5% 1/4W	
	Q 920	KRC102M-T	D.TRANSISTOR				R 846	QRE141J-102Y	C RESISTOR	1.0K 5% 1/4W	
	Q 940	2SA1175/FE/-T	TRANSISTOR				R 847	QRE141J-102Y	C RESISTOR	1.0K 5% 1/4W	
	Q 941	2SA1175/FE/-T	TRANSISTOR				R 848	QRE141J-331Y	C RESISTOR	330 5% 1/4W	
	Q 953	2SA1175/FE/-T	TRANSISTOR				R 849	QRE141J-102Y	C RESISTOR	1.0K 5% 1/4W	
	Q 954	2SA1175/FE/-T	TRANSISTOR				R 850	QRE141J-102Y	C RESISTOR	1.0K 5% 1/4W	
	Q 961	KRA102M-T	D.TRANSISTOR				R 851	QRE141J-102Y	C RESISTOR	1.0K 5% 1/4W	
	Q1021	KRA111M-T	D.TRANSISTOR				R 854	QRE141J-102Y	C RESISTOR	1.0K 5% 1/4W	
	Q1022	KRA111M-T	D.TRANSISTOR				R 855	QRE141J-102Y	C RESISTOR	1.0K 5% 1/4W	
	Q1023	KRA111M-T	D.TRANSISTOR				R 856	QRE141J-104Y	C RESISTOR	100K 5% 1/4W	
	Q1061	2SC3576-JVC-T	TRANSISTOR				R 857	QRE141J-104Y	C RESISTOR	100K 5% 1/4W	
	R 151	QRE141J-221Y	C RESISTOR	220 5% 1/4W			R 858	QRE141J-104Y	C RESISTOR	100K 5% 1/4W	
△	R 233	QRK126J-470X	C RESISTOR	47 5% 1/2W			R 859	QRE141J-104Y	C RESISTOR	100K 5% 1/4W	
△	R 234	QRK126J-470X	C RESISTOR	47 5% 1/2W			R 860	QRE141J-684Y	C RESISTOR	680K 5% 1/4W	
△	R 302	QRJ146J-2R2X	UNF C RESISTOR	2.2 5% 1/4W			R 861	QRE141J-103Y	C RESISTOR	10K 5% 1/4W	
△	R 306	ERX12SJR33E	UNF.C.RESISTOR				R 862	QRE141J-220Y	C RESISTOR	22 5% 1/4W	
△	R 309	ERX12SJR33E	UNF.C.RESISTOR				R 864	QRE141J-103Y	C RESISTOR	10K 5% 1/4W	
	R 311	QRE141J-103Y	C RESISTOR	10K 5% 1/4W			R 865	QRE141J-104Y	C RESISTOR	100K 5% 1/4W	
△	R 360	QRZ9042-2R2X	F RESISTOR	2.2 1/4W			R 866	QRE141J-104Y	C RESISTOR	100K 5% 1/4W	
△	R 361	QRZ9006-4R7X	F RESISTOR	4.7 1/4W			R 867	QRE141J-104Y	C RESISTOR	100K 5% 1/4W	
	R 362	QRE141J-331Y	C RESISTOR	330 5% 1/4W			R 868	QRE141J-104Y	C RESISTOR	100K 5% 1/4W	
	R 363	QRE141J-331Y	C RESISTOR	330 5% 1/4W			R 869	QRE141J-104Y	C RESISTOR	100K 5% 1/4W	
	R 364	QRE141J-122Y	C RESISTOR	1.2K 5% 1/4W			R 870	QRE141J-104Y	C RESISTOR	100K 5% 1/4W	
	R 365	QRE141J-201Y	C RESISTOR	200 5% 1/4W			R 871	QRE141J-104Y	C RESISTOR	100K 5% 1/4W	
	R 366	QRE141J-201Y	C RESISTOR	200 5% 1/4W			R 872	QRE141J-104Y	C RESISTOR	100K 5% 1/4W	
	R 367	QRE141J-122Y	C RESISTOR	1.2K 5% 1/4W			R 873	QRE141J-104Y	C RESISTOR	100K 5% 1/4W	
	R 368	QRE141J-331Y	C RESISTOR	330 5% 1/4W			R 874	QRE141J-104Y	C RESISTOR	100K 5% 1/4W	
	R 801	QRE141J-331Y	C RESISTOR	330 5% 1/4W			R 876	QRE141J-103Y	C RESISTOR	10K 5% 1/4W	
	R 807	QRE141J-103Y	C RESISTOR	10K 5% 1/4W			R 879	QRE141J-104Y	C RESISTOR	100K 5% 1/4W	

■ Electrical parts list (Front board)

Block No. 03

▲	Item	Parts number	Parts name	Remarks	Area	▲	Item	Parts number	Parts name	Remarks	Area
R 880	QRE141J-104Y	C RESISTOR	100K 5% 1/4W			R 995	QRE141J-222Y	C RESISTOR	2.2K 5% 1/4W		
R 881	QRE141J-103Y	C RESISTOR	10K 5% 1/4W			R 996	QRE141J-272Y	C RESISTOR	2.7K 5% 1/4W		
R 882	QRE141J-103Y	C RESISTOR	10K 5% 1/4W			RA801	QRB169J-104	NET RESISTOR	100K 5% 1/6W		
R 883	QRE141J-103Y	C RESISTOR	10K 5% 1/4W			RA802	QRB169J-104	NET RESISTOR	100K 5% 1/6W		
R 884	QRE141J-102Y	C RESISTOR	1.0K 5% 1/4W			RY 1	QSK0109-001	RELAY			
R 886	QRE141J-221Y	C RESISTOR	220 5% 1/4W			R1021	QRE141J-472Y	C RESISTOR	4.7K 5% 1/4W		
R 887	QRE141J-221Y	C RESISTOR	220 5% 1/4W			R1022	QRE141J-472Y	C RESISTOR	4.7K 5% 1/4W		
R 888	QRE141J-221Y	C RESISTOR	220 5% 1/4W			R1031	QRE141J-203Y	C RESISTOR	20K 5% 1/4W		
R 889	QRE141J-221Y	C RESISTOR	220 5% 1/4W			R1032	QRE141J-203Y	C RESISTOR	20K 5% 1/4W		
R 890	QRE141J-104Y	C RESISTOR	100K 5% 1/4W			R1033	QRE141J-822Y	C RESISTOR	8.2K 5% 1/4W		
R 891	QRE141J-104Y	C RESISTOR	100K 5% 1/4W			R1034	QRE141J-103Y	C RESISTOR	10K 5% 1/4W		
R 893	QRE141J-102Y	C RESISTOR	1.0K 5% 1/4W			R1035	QRE141J-333Y	C RESISTOR	33K 5% 1/4W		
R 894	QRE141J-334Y	C RESISTOR	330K 5% 1/4W		US,UN	R1036	QRE141J-683Y	C RESISTOR	68K 5% 1/4W		
R 894	QRE141J-183Y	C RESISTOR	18K 5% 1/4W		UX	R1037	QRE141J-153Y	C RESISTOR	15K 5% 1/4W		
R 895	QRE141J-102Y	C RESISTOR	1.0K 5% 1/4W			R1038	QRE141J-472Y	C RESISTOR	4.7K 5% 1/4W		
R 897	QRE141J-183Y	C RESISTOR	18K 5% 1/4W			R1039	QRE141J-103Y	C RESISTOR	10K 5% 1/4W		
R 898	QRE141J-680Y	C RESISTOR	68 5% 1/4W			R1040	QRE141J-272Y	C RESISTOR	2.7K 5% 1/4W		
R 902	QRE141J-103Y	C RESISTOR	10K 5% 1/4W			R1041	QRE141J-203Y	C RESISTOR	20K 5% 1/4W		
R 905	QRE141J-104Y	C RESISTOR	100K 5% 1/4W			R1042	QRE141J-221Y	C RESISTOR	220 5% 1/4W		
R 906	QRE141J-104Y	C RESISTOR	100K 5% 1/4W			R1043	QRE141J-203Y	C RESISTOR	20K 5% 1/4W		
R 907	QRE141J-103Y	C RESISTOR	10K 5% 1/4W			R1044	QRE141J-562Y	C RESISTOR	5.6K 5% 1/4W		
R 911	QRE141J-102Y	C RESISTOR	1.0K 5% 1/4W			R1045	QRE141J-102Y	C RESISTOR	1.0K 5% 1/4W		
R 912	QRE141J-103Y	C RESISTOR	10K 5% 1/4W			R1061	QRE141J-103Y	C RESISTOR	10K 5% 1/4W		
R 916	QRE141J-102Y	C RESISTOR	1.0K 5% 1/4W			R1062	QRE141J-123Y	C RESISTOR	12K 5% 1/4W		
R 917	QRE141J-102Y	C RESISTOR	1.0K 5% 1/4W			R1063	QRE141J-391Y	C RESISTOR	390 5% 1/4W		
R 918	QRE141J-201Y	C RESISTOR	200 5% 1/4W			R1064	QRE141J-152Y	C RESISTOR	1.5K 5% 1/4W		
R 919	QRE141J-201Y	C RESISTOR	200 5% 1/4W			R1065	QRE141J-101Y	C RESISTOR	100 5% 1/4W		
R 920	QRE141J-201Y	C RESISTOR	200 5% 1/4W			R1066	QRE141J-475Y	C RESISTOR	4.7M 5% 1/4W		
R 921	QRE141J-334Y	C RESISTOR	330K 5% 1/4W			R1067	QRE141J-560Y	C RESISTOR	56 5% 1/4W		
R 930	QRE141J-103Y	C RESISTOR	10K 5% 1/4W			R1068	QRE141J-203Y	C RESISTOR	20K 5% 1/4W		
R 931	QRE141J-222Y	C RESISTOR	2.2K 5% 1/4W			R1069	QRE141J-102Y	C RESISTOR	1.0K 5% 1/4W		
R 932	QRE141J-272Y	C RESISTOR	2.7K 5% 1/4W			R1070	QRE141J-561Y	C RESISTOR	560 5% 1/4W		
R 933	QRE141J-392Y	C RESISTOR	3.9K 5% 1/4W			R1071	QRE141J-472Y	C RESISTOR	4.7K 5% 1/4W		
R 935	QRE141J-562Y	C RESISTOR	5.6K 5% 1/4W			S 915	QSW0825-001Z	TACT SWITCH	DISC 1		
R 936	QRE141J-122Y	C RESISTOR	1.2K 5% 1/4W			S 916	QSW0825-001Z	TACT SWITCH			
R 937	QRE141J-152Y	C RESISTOR	1.5K 5% 1/4W			S 917	QSW0825-001Z	TACT SWITCH			
R 938	QRE141J-222Y	C RESISTOR	2.2K 5% 1/4W			S 931	QSW0825-001Z	TACT SWITCH	DUBBING		
R 939	QRE141J-272Y	C RESISTOR	2.7K 5% 1/4W			S 932	QSW0825-001Z	TACT SWITCH			
R 940	QRE141J-680Y	C RESISTOR	68 5% 1/4W			S 933	QSW0825-001Z	TACT SWITCH			
R 941	QRE141J-680Y	C RESISTOR	68 5% 1/4W			S 935	QSW0825-001Z	TACT SWITCH			
R 942	QRE141J-392Y	C RESISTOR	3.9K 5% 1/4W			S 936	QSW0825-001Z	TACT SWITCH			
R 943	QRE141J-103Y	C RESISTOR	10K 5% 1/4W			S 937	QSW0825-001Z	TACT SWITCH			
R 944	QRE141J-562Y	C RESISTOR	5.6K 5% 1/4W			S 938	QSW0825-001Z	TACT SWITCH			
R 945	QRE141J-392Y	C RESISTOR	3.9K 5% 1/4W			S 939	QSW0825-001Z	TACT SWITCH			
R 946	QRE141J-272Y	C RESISTOR	2.7K 5% 1/4W			S 942	QSW0825-001Z	TACT SWITCH			
R 947	QRE141J-222Y	C RESISTOR	2.2K 5% 1/4W			S 943	QSW0825-001Z	TACT SWITCH			
R 948	QRE141J-152Y	C RESISTOR	1.5K 5% 1/4W			S 944	QSW0825-001Z	TACT SWITCH			
R 949	QRE141J-122Y	C RESISTOR	1.2K 5% 1/4W			S 945	QSW0825-001Z	TACT SWITCH			
R 950	QRE141J-102Y	C RESISTOR	1.0K 5% 1/4W			S 946	QSW0825-001Z	TACT SWITCH			
R 952	QRE141J-122Y	C RESISTOR	1.2K 5% 1/4W			S 947	QSW0825-001Z	TACT SWITCH			
R 953	QRE141J-680Y	C RESISTOR	68 5% 1/4W			S 948	QSW0825-001Z	TACT SWITCH			
R 954	QRE141J-680Y	C RESISTOR	68 5% 1/4W			S 949	QSW0825-001Z	TACT SWITCH			
R 955	QRE141J-152Y	C RESISTOR	1.5K 5% 1/4W			S 950	QSW0825-001Z	TACT SWITCH			
R 961	QRE141J-101Y	C RESISTOR	100 5% 1/4W			S 951	QSW0825-001Z	TACT SWITCH			
R 962	QRE141J-103Y	C RESISTOR	10K 5% 1/4W			S 952	QSW0825-001Z	TACT SWITCH			
R 963	QRE141J-562Y	C RESISTOR	5.6K 5% 1/4W			S 963	QSW0825-001Z	TACT SWITCH			
R 964	QRE141J-392Y	C RESISTOR	3.9K 5% 1/4W			S 995	QSW0825-001Z	TACT SWITCH			
R 965	QRE141J-103Y	C RESISTOR	10K 5% 1/4W			S 996	QSW0825-001Z	TACT SWITCH			
R 969	QRE141J-680Y	C RESISTOR	68 5% 1/4W			S 997	QSW0825-001Z	TACT SWITCH			
R 970	QRE141J-101Y	C RESISTOR	100 5% 1/4W			S 998	QSW0825-001Z	TACT SWITCH			
R 992	QRE141J-202Y	C RESISTOR	2.0K 5% 1/4W			S 999	QSW0825-001Z	TACT SWITCH			
R 993	QRE141J-122Y	C RESISTOR	1.2K 5% 1/4W			SP801	VYH7653-001	IC HOLDER			
R 994	QRE141J-183Y	C RESISTOR	18K 5% 1/4W		UX	VR901	QVQ0299-B54	V.RESISTOR			
R 994	QRE141J-753Y	C RESISTOR	75K 5% 1/4W		US,UN	X 801	QAX0711-002Z	CRYSTAL			

■ Electrical parts list (CD board)

Block No. 04

△	Item	Parts number	Parts name	Remarks	Area	△	Item	Parts number	Parts name	Remarks	Area
	C 251	NCS31HJ-330X	C CAPACITOR				C 860	NCF31AZ-105X	C CAPACITOR		
	C 252	NCS31HJ-330X	C CAPACITOR				CN151	QGF1016F3-15	CONNECTOR		
	C 253	NCB31EK-104X	C CAPACITOR				CN601	QGF1016F3-15	CONNECTOR		
	C 254	QERF1AM-476Z	E CAPACITOR	47MF 20% 10V			CN651	QGF1016F3-19	CONNECTOR		
	C 291	QERF1AM-476Z	E CAPACITOR	47MF 20% 10V			CN801	QGA2001C1-06	6P PLUG ASSY		
	C 601	NCB31HK-102X	C CAPACITOR				CN854	QGB2016K1-07	CONNECTOR		
	C 602	NCB31HK-102X	C CAPACITOR				CN855	QGG2002M4-10	CONNECTOR		
	C 603	NCB31HK-223X	C CAPACITOR				D 851	DZ5.6BSB-T2	ZENER DIODE		
	C 604	NCB31HK-223X	C CAPACITOR				IC251	MN101C30AEE	IC		
	C 605	NCS31HJ-151X	C CAPACITOR				IC601	AN22000A-W	IC		
	C 606	NCS31HJ-390X	C CAPACITOR				IC651	MN662748RPMFA	IC		
	C 608	NCS31HJ-821X	C CAPACITOR				IC801	LA6541-X	IC		
	C 610	NCB31EK-273X	C CAPACITOR				IC851	LB1641	IC		
	C 612	QERF1HM-105Z	E CAPACITOR	1.0MF 20% 50V			IC852	LB1641	IC		
	C 613	NCB31EK-104X	C CAPACITOR				L 851	QQL01BK-100Z	INDUCTOR		
	C 614	NCB31CK-273X	C CAPACITOR				L 853	QQL01BK-100Z	INDUCTOR		
	C 615	NCB31HK-472X	C CAPACITOR				L 854	QQL01BK-100Z	INDUCTOR		
	C 616	NCB31HK-103X	C CAPACITOR				Q 291	2SA952/LK/T	TRANSISTOR		
	C 617	NCS31HJ-331X	C CAPACITOR				Q 631	2SB709A/QR/-X	TRANSISTOR		
	C 620	NCS31HJ-470X	C CAPACITOR				R 252	NRSA63J-102X	MG RESISTOR		
	C 621	NCB30JK-105X	C CAPACITOR				R 253	NRSA63J-102X	MG RESISTOR		
	C 622	NCB31EK-473X	C CAPACITOR				R 254	NRSA63J-101X	MG RESISTOR		
	C 623	NCF31AZ-105X	C CAPACITOR				R 255	NRSA63J-101X	MG RESISTOR		
	C 624	QERF0JM-107Z	E CAPACITOR	100MF 20% 6.3V			R 256	NRSA63J-101X	MG RESISTOR		
	C 631	QERF1CM-106Z	E CAPACITOR	10MF 20% 16V			R 257	NRSA63J-102X	MG RESISTOR		
	C 632	NCF31AZ-105X	C CAPACITOR				R 258	NRSA63J-102X	MG RESISTOR		
	C 633	NCB31HK-223X	C CAPACITOR				R 259	NRSA63J-102X	MG RESISTOR		
	C 641	NCB31HK-223X	C CAPACITOR				R 261	NRSA63J-101X	MG RESISTOR		
	C 642	NCB31HK-222X	C CAPACITOR				R 262	NRSA63J-101X	MG RESISTOR		
	C 651	NCS31HJ-120X	C CAPACITOR				R 263	NRSA63J-101X	MG RESISTOR		
	C 652	NCS31HJ-120X	C CAPACITOR				R 291	NRSA63J-122X	MG RESISTOR		
	C 653	NCB31EK-104X	C CAPACITOR				R 292	NRSA63J-103X	MG RESISTOR		
	C 655	NCB31EK-104X	C CAPACITOR				R 293	NRSA63J-102X	MG RESISTOR		
	C 656	NCB31EK-104X	C CAPACITOR				R 294	NRSA63J-102X	MG RESISTOR		
	C 657	QERF1AM-227Z	E CAPACITOR	220MF 20% 10V			R 601	NRSA63J-224X	MG RESISTOR		
	C 658	NCB31EK-104X	C CAPACITOR				R 602	NRSA63J-274X	MG RESISTOR		
	C 659	NCB31HK-102X	C CAPACITOR				R 603	NRSA63J-124X	MG RESISTOR		
	C 661	NCS31HJ-471X	C CAPACITOR				R 604	NRSA63J-394X	MG RESISTOR		
	C 663	NCB31HK-223X	C CAPACITOR				R 606	NRSA63J-623X	MG RESISTOR		
	C 664	NCB31HK-223X	C CAPACITOR				R 607	NRSA63J-0R0X	MG RESISTOR		
	C 665	NCB31AK-154X	C CAPACITOR				R 608	NRSA63J-0R0X	MG RESISTOR		
	C 667	NCB30JK-105X	C CAPACITOR				R 609	NRSA63J-332X	MG RESISTOR		
	C 668	NCB31EK-473X	C CAPACITOR				R 611	NRSA63J-223X	MG RESISTOR		
	C 669	QERF1AM-227Z	E CAPACITOR	220MF 20% 10V			R 613	NRSA63J-332X	MG RESISTOR		
	C 672	NCB31AK-334X	C CAPACITOR				R 614	NRSA63J-223X	MG RESISTOR		
	C 673	QERF1AM-227Z	E CAPACITOR	220MF 20% 10V			R 618	NRSA63J-153X	MG RESISTOR		
	C 676	NCB31EK-104X	C CAPACITOR				R 619	NRSA63J-153X	MG RESISTOR		
	C 677	NCB31EK-104X	C CAPACITOR				R 620	NRSA63J-564X	MG RESISTOR		
	C 679	QERF0JM-107Z	E CAPACITOR	100MF 20% 6.3V			R 621	NRSA63J-564X	MG RESISTOR		
	C 680	NCB31EK-104X	C CAPACITOR				R 622	NRSA63J-822X	MG RESISTOR		
	C 801	NCB31HK-682X	C CAPACITOR				R 623	NRSA63J-822X	MG RESISTOR		
	C 802	NCB31HK-123X	C CAPACITOR				R 624	NRSA63J-0R0X	MG RESISTOR		
	C 811	NCS31HJ-391X	C CAPACITOR				R 625	NRSA63J-0R0X	MG RESISTOR		
	C 812	NCS31HJ-391X	C CAPACITOR				R 631	NRSA63J-2R2X	MG RESISTOR		
	C 813	NCS31HJ-391X	C CAPACITOR				R 632	NRSA63J-100X	MG RESISTOR		
	C 814	NCS31HJ-391X	C CAPACITOR				R 634	NRSA63J-120X	MG RESISTOR		
	C 821	NCF31AZ-105X	C CAPACITOR				R 635	NRSA63J-121X	MG RESISTOR		
	C 822	QERF1AM-227Z	E CAPACITOR	220MF 20% 10V			R 636	NRSA63J-100X	MG RESISTOR		
	C 852	QERF1CM-106Z	E CAPACITOR	10MF 20% 16V			R 641	NRSA63J-154X	MG RESISTOR		
	C 853	NCB31HK-103X	C CAPACITOR				R 642	NRSA63J-394X	MG RESISTOR		
	C 854	NCB31HK-103X	C CAPACITOR				R 646	NRSA63J-0R0X	MG RESISTOR		
	C 855	NCB31EK-104X	C CAPACITOR				R 647	NRSA63J-102X	MG RESISTOR		
	C 859	NCF31AZ-105X	C CAPACITOR				R 648	NRSA63J-102X	MG RESISTOR		

■ Electrical parts list (CD board)

Block No. 04

△	Item	Parts number	Parts name	Remarks	Area
	R 649	NRSA63J-102X	MG RESISTOR		
	R 650	NRSA63J-102X	MG RESISTOR		
	R 651	NRSA63J-102X	MG RESISTOR		
	R 652	NRSA63J-102X	MG RESISTOR		
	R 653	NRSA63J-102X	MG RESISTOR		
	R 654	NRSA63J-101X	MG RESISTOR		
	R 656	NRSA63J-102X	MG RESISTOR		
	R 657	NRSA63J-102X	MG RESISTOR		
	R 658	NRSA63J-102X	MG RESISTOR		
	R 659	NRSA63J-102X	MG RESISTOR		
	R 660	NRSA63J-103X	MG RESISTOR		
	R 661	NRSA63J-393X	MG RESISTOR		
	R 662	NRSA63J-683X	MG RESISTOR		
	R 663	NRSA63J-124X	MG RESISTOR		
	R 664	NRSA63J-331X	MG RESISTOR		
	R 665	NRSA63J-271X	MG RESISTOR		
	R 666	NRSA63J-221X	MG RESISTOR		
	R 667	NRSA63J-4R7X	MG RESISTOR		
	R 668	NRSA63J-155X	MG RESISTOR		
	R 669	NRSA63J-562X	MG RESISTOR		
	R 670	NRSA63J-101X	MG RESISTOR		
	R 672	NRSA63J-272X	MG RESISTOR		
	R 677	NRSA63J-101X	MG RESISTOR		
	R 678	NRSA63J-101X	MG RESISTOR		
	R 679	NRSA63J-101X	MG RESISTOR		
	R 682	NRSA63J-102X	MG RESISTOR		
	R 683	NRSA63J-105X	MG RESISTOR		
	R 684	NRSA63J-564X	MG RESISTOR		
	R 685	NRSA63J-683X	MG RESISTOR		
	R 801	NRSA63J-272X	MG RESISTOR		
	R 802	NRSA63J-392X	MG RESISTOR		
	R 803	NRSA63J-222X	MG RESISTOR		
	R 804	NRSA63J-224X	MG RESISTOR		
	R 805	NRSA63J-133X	MG RESISTOR		
	R 806	NRSA63J-243X	MG RESISTOR		
	R 807	NRSA63J-122X	MG RESISTOR		
	R 808	NRSA63J-273X	MG RESISTOR		
	R 809	NRSA63J-122X	MG RESISTOR		
	R 811	NRSA63J-223X	MG RESISTOR		
	R 812	NRSA63J-152X	MG RESISTOR		
	R 831	NRSA63J-151X	MG RESISTOR		
	R 832	NRSA63J-103X	MG RESISTOR		
	R 842	NRSA63J-472X	MG RESISTOR		
	R 851	NRSA63J-102X	MG RESISTOR		
	R 852	NRSA63J-102X	MG RESISTOR		
	R 853	NRSA63J-102X	MG RESISTOR		
	R 854	NRSA63J-102X	MG RESISTOR		
	R 856	NRSA63J-0R0X	MG RESISTOR		
	R 861	NRSA63J-102X	MG RESISTOR		
	R 862	NRSA63J-102X	MG RESISTOR		
	R 863	NRSA63J-102X	MG RESISTOR		
	R 864	NRSA63J-102X	MG RESISTOR		
	R 865	NRSA63J-102X	MG RESISTOR		
	R 866	NRSA63J-102X	MG RESISTOR		
	R 871	NRSA63J-223X	MG RESISTOR		
	R 872	NRSA63J-223X	MG RESISTOR		
	R 873	NRSA63J-223X	MG RESISTOR		
	R 874	NRSA63J-223X	MG RESISTOR		
	R 875	NRSA63J-223X	MG RESISTOR		
	R 876	NRSA63J-223X	MG RESISTOR		
	R 880	NRSA63J-102X	MG RESISTOR		
	R 881	NRSA63J-102X	MG RESISTOR		
	R 882	NRSA63J-102X	MG RESISTOR		

△	Item	Parts number	Parts name	Remarks	Area
	R 883	NRSA63J-102X	MG RESISTOR		
	R 884	NRSA63J-102X	MG RESISTOR		
	R 885	NRSA63J-102X	MG RESISTOR		
	R 886	NRSA63J-102X	MG RESISTOR		
	R 887	NRSA63J-102X	MG RESISTOR		
	R 888	NRSA63J-223X	MG RESISTOR		
	R 889	NRSA63J-223X	MG RESISTOR		
	R 890	NRSA63J-223X	MG RESISTOR		
	R 891	NRSA63J-223X	MG RESISTOR		
	R 892	NRSA63J-223X	MG RESISTOR		
	R 893	NRSA63J-223X	MG RESISTOR		
	R 894	NRSA63J-223X	MG RESISTOR		
	R 895	NRSA63J-223X	MG RESISTOR		
	X 251	QAX0283-001Z	C RESONATOR		
	X 651	QAX0413-001Z	CRYSTAL		

■ Electrical parts list (VCD board)

Block No. 05

▲	Item	Parts number	Parts name	Remarks	Area	▲	Item	Parts number	Parts name	Remarks	Area
	C 101	NCF31CZ-104X	C CAPACITOR				R 112	NRSA63J-472X	MG RESISTOR		
	C 102	NCF31CZ-104X	C CAPACITOR				R 113	NRSA63J-472X	MG RESISTOR		
	C 103	NCF31CZ-104X	C CAPACITOR				R 119	NRSA63J-0R0X	MG RESISTOR		
	C 104	QERF1CM-106Z	E CAPACITOR	10MF 20% 16V			R 120	NRSA63J-750X	MG RESISTOR		
	C 105	NCF31CZ-104X	C CAPACITOR				R 121	NRSA63J-104X	MG RESISTOR		
	C 106	QERF1CM-106Z	E CAPACITOR	10MF 20% 16V			R 128	NRSA63J-330X	MG RESISTOR		
	C 107	NCF31CZ-104X	C CAPACITOR				R 130	NRSA63J-330X	MG RESISTOR		
	C 109	NCF31CZ-104X	C CAPACITOR				R 132	NRSA63J-271X	MG RESISTOR		
	C 110	NCF31CZ-104X	C CAPACITOR				R 133	NRSA63J-750X	MG RESISTOR		
	C 111	NCS31HJ-471X	C CAPACITOR				R 134	NRSA63J-750X	MG RESISTOR		
	C 112	NCS31HJ-471X	C CAPACITOR				R 135	NRSA63J-100X	MG RESISTOR		
	C 113	NCS31HJ-220X	C CAPACITOR				R 136	NRSA63J-100X	MG RESISTOR		
	C 114	NCB31HK-102X	C CAPACITOR				R 137	NRSA63J-472X	MG RESISTOR		
	C 115	NCS31HJ-220X	C CAPACITOR				R 138	NRSA63J-472X	MG RESISTOR		
	C 116	NCF31CZ-104X	C CAPACITOR				R 139	NRSA63J-330X	MG RESISTOR		
	C 117	QERF0JM-476Z	E CAPACITOR	47MF 20% 6.3V			R 140	NRSA63J-472X	MG RESISTOR		
	C 118	NCF31CZ-104X	C CAPACITOR				R 141	NRSA63J-103X	MG RESISTOR		
	C 120	NCF31CZ-104X	C CAPACITOR				R 142	NRSA63J-221X	MG RESISTOR		
	C 121	NCF31CZ-104X	C CAPACITOR				R 145	NRSA63J-221X	MG RESISTOR		
	C 122	QERF1AM-107Z	E CAPACITOR	100MF 20% 10V			R 146	NRSA63J-221X	MG RESISTOR		
	C 123	QERF0JM-476Z	E CAPACITOR	47MF 20% 6.3V			R 147	NRSA63J-221X	MG RESISTOR		
	C 124	NCF31CZ-104X	C CAPACITOR				R 148	NRSA63J-102X	MG RESISTOR		
	C 125	NCF31CZ-104X	C CAPACITOR				X 101	QAX0700-001Z	CRYSTAL		
	C 126	NCF31CZ-104X	C CAPACITOR								
	C 127	NCF31CZ-104X	C CAPACITOR								
	C 128	NCF31CZ-104X	C CAPACITOR								
	C 129	NCF31CZ-104X	C CAPACITOR								
	C 130	QERF1AM-107Z	E CAPACITOR	100MF 20% 10V							
	C 131	NCF31CZ-104X	C CAPACITOR								
	C 132	QERF1AM-107Z	E CAPACITOR	100MF 20% 10V							
	C 133	NCF31CZ-104X	C CAPACITOR								
	C 134	QERF1CM-106Z	E CAPACITOR	10MF 20% 16V							
	C 135	QERF0JM-476Z	E CAPACITOR	47MF 20% 6.3V							
	C 136	NCF31CZ-104X	C CAPACITOR								
	C 137	NCB31CK-103X	C CAPACITOR								
	C 138	QERF1AM-107Z	E CAPACITOR	100MF 20% 10V							
	C 140	NCS31HJ-220X	C CAPACITOR								
	C 141	NCS31HJ-220X	C CAPACITOR								
	CN101	QGF1016F3-15	CONNECTOR								
	CN102	QGF1016F3-15	CONNECTOR								
	IC101	ES3880FL	IC	INC TECHNOLOGY							
	IC102	AT27C020-70JC4	IC	INC TECHNOLOGY							
	IC103	GLT44016-35J4-X	IC	SAME PARTS							
	IC104	ES3883F	IC	INC TECHNOLOGY							
	IC105	RT9161/A-27CG-X	IC	INC TECHNOLOGY							
	IC106	TC7S08F-W	IC								
	IC107	TC7W08FU-X	IC								
	K 101	NQR0398-006X	FERRITE BEADS								
	K 102	NQR0398-006X	FERRITE BEADS								
	K 103	NRSA02J-180X	MG RESISTOR								
	K 104	NRSA02J-102X	MG RESISTOR								
	L 101	NQL591K-3R3X	P COIL	NOT YET REGISTE							
	L 102	NQL591K-3R3X	P COIL	NOT YET REGISTE							
	R 101	NRSA63J-472X	MG RESISTOR								
	R 102	NRSA63J-472X	MG RESISTOR								
	R 103	NRSA63J-472X	MG RESISTOR								
	R 104	NRSA63J-472X	MG RESISTOR								
	R 105	NRSA63J-472X	MG RESISTOR								
	R 106	NRSA63J-472X	MG RESISTOR								
	R 107	NRSA63J-472X	MG RESISTOR								
	R 108	NRSA63J-472X	MG RESISTOR								
	R 109	NRSA63J-472X	MG RESISTOR								
	R 111	NRSA63J-472X	MG RESISTOR								

■ Electrical parts list (Tuner board)

Block No. 06

△	Item	Parts number	Parts name	Remarks	Area
	C 1	NCB21HK-223X	C CAPACITOR		
	C 2	NCB21HK-103X	C CAPACITOR		
	C 3	EETC1CM-106ZJC	E CAPACITOR		
	C 4	NCB21HK-103X	C CAPACITOR		
	C 6	NCB21HK-102X	C CAPACITOR		
	C 7	NCB21HK-102X	C CAPACITOR		
	C 8	NCB21HK-102X	C CAPACITOR		
	C 10	NRSA02J-0R0X	MG RESISTOR		
	C 11	NCB21HK-104X	C CAPACITOR		
	C 12	NCB21HK-473X	C CAPACITOR		
	C 13	NCS21HJ-120X	C CAPACITOR		
	C 14	QEKC1AM-107Z	E CAPACITOR	100MF 20% 10V	
	C 15	NCS21HJ-120X	C CAPACITOR		
	C 16	NCS21HJ-120X	C CAPACITOR		
	C 17	NCB21HK-102X	C CAPACITOR		
	C 18	QEQ61HM-474Z	NP E CAPACITOR	.47MF 20% 50V	
	C 19	NCB21HK-473X	C CAPACITOR		
	C 20	NCB21HK-102X	C CAPACITOR		
	C 21	NCB21HK-223X	C CAPACITOR		
	C 22	NCS21HJ-151X	C CAPACITOR		
	C 23	NCS21HJ-151X	C CAPACITOR		
	C 24	NCS21HJ-151X	C CAPACITOR		
	C 25	QEKC1AM-107Z	E CAPACITOR	100MF 20% 10V	
	C 26	NCB21HK-102X	C CAPACITOR		
	C 27	NCB21HK-102X	C CAPACITOR		
	C 30	EEKC1CM-226ZJC	E CAPACITOR		
	C 31	EEKC1CM-226ZJC	E CAPACITOR		
	C 32	NCB21HK-473X	C CAPACITOR		
	C 33	NCB21HK-473X	C CAPACITOR		
	C 34	NCB21HK-223X	C CAPACITOR		
	C 35	NCB21HK-473X	C CAPACITOR		
	C 36	EEKC1HM-105ZJC	E CAPACITOR		
	C 37	EEKC1HM-105ZJC	E CAPACITOR		
	C 38	EETC1HM-224ZJC	E CAPACITOR		
	C 39	EETC1HM-105ZJC	E CAPACITOR		
	C 40	QETN1CM-106Z	E CAPACITOR	10MF 20% 16V	
	C 41	QETN1CM-106Z	E CAPACITOR	10MF 20% 16V	
	C 42	NCB21HK-152X	C CAPACITOR		
	C 43	NCB21HK-152X	C CAPACITOR		
	C 44	QETN1CM-106Z	E CAPACITOR	10MF 20% 16V	
	C 45	QETN1CM-106Z	E CAPACITOR	10MF 20% 16V	
	C 46	NCB21HK-273X	C CAPACITOR		
	C 47	EETC1HM-105ZJC	E CAPACITOR		
	C 48	NCB21HK-222X	C CAPACITOR		
	C 49	NCS21HJ-471X	C CAPACITOR		
	C 50	EEKC1CM-226ZJC	E CAPACITOR		
	C 51	EEKC1HM-105ZJC	E CAPACITOR		
	C 52	QFVJ1HJ-274Z	MF CAPACITOR	.27MF 5% 50V	
	C 53	EETC1CM-226ZJC	E CAPACITOR		
	C 54	NCB21HK-473X	C CAPACITOR		
	C 57	NCB21HK-102X	C CAPACITOR		
	C 58	NCB21HK-473X	C CAPACITOR		
	C 59	NCB21HK-102X	C CAPACITOR		
	CF 1	QAX0677-001Z	C FILTER		
	CF 2	QAX0677-001Z	C FILTER		
	CF 3	QAX0610-001Z	C DISCRIMINATOR		
	CN 1	QGF1205F1-09	CONNECTOR		
	D 1	1SS133-T2	SI DIODE		
	D 2	1SS133-T2	SI DIODE		
	D 3	1SS133-T2	SI DIODE		
	D 4	1SS133-T2	SI DIODE		
	D 11	1SS133-T2	SI DIODE		
	IC 1	LA1838	IC		

△	Item	Parts number	Parts name	Remarks	Area
	IC 2	LC72136N	IC		
	J 1	QNB0014-001	ANT TERMINAL		
	L 1	QQR0796-002	COIL BLOCK		
	Q 1	2SC2814/4-5/-X	TRANSISTOR		
	Q 5	KRA107S-X	TRANSISTOR		
	R 1	QRE141J-560Y	C RESISTOR	56 5% 1/4W	
	R 2	NRSA02J-331X	MG RESISTOR		
	R 3	NRSA02J-224X	MG RESISTOR		
	R 4	NRSA02J-331X	MG RESISTOR		
	R 5	NRSA02J-560X	MG RESISTOR		
	R 6	NRSA02J-240X	MG RESISTOR		
	R 10	NRSA02J-222X	MG RESISTOR		
	R 13	NRSA02J-103X	MG RESISTOR		
	R 14	NRSA02J-104X	MG RESISTOR		
	R 15	NRSA02J-332X	MG RESISTOR		
	R 16	NRSA02J-472X	MG RESISTOR		
△	R 17	QRZ9005-680X	F RESISTOR	68 1/4W	
	R 18	NRSA02J-102X	MG RESISTOR		
	R 19	NRSA02J-102X	MG RESISTOR		
	R 20	NRSA02J-102X	MG RESISTOR		
	R 21	NRSA02J-562X	MG RESISTOR		
	R 22	NRSA02J-472X	MG RESISTOR		
	R 23	NRSA02J-182X	MG RESISTOR		
	R 24	NRSA02J-103X	MG RESISTOR		
	R 25	NRSA02J-331X	MG RESISTOR		
	R 26	NRSA02J-222X	MG RESISTOR		
	R 27	NRSA02J-103X	MG RESISTOR		
	R 28	NRSA02J-103X	MG RESISTOR		
	R 29	NRSA02J-103X	MG RESISTOR		
	R 30	NRSA02J-122X	MG RESISTOR		
	R 31	NRSA02J-102X	MG RESISTOR		
	R 32	NRSA02J-102X	MG RESISTOR		
	R 33	NRSA02J-331X	MG RESISTOR		
	R 34	NRSA02J-470X	MG RESISTOR		
	R 35	NRSA02J-562X	MG RESISTOR		
	R 36	NRSA02J-332X	MG RESISTOR		
	R 37	NRSA02J-103X	MG RESISTOR		
	R 38	NRSA02J-563X	MG RESISTOR		
	R 39	NRSA02J-563X	MG RESISTOR		
	R 40	NRSA02J-243X	MG RESISTOR		
	R 41	NRSA02J-332X	MG RESISTOR		
	R 60	NRSA02J-0R0X	MG RESISTOR		
	T 1	QQR0793-001	IFT		
	TU 1	QAU0161-001	FRONT END		
	X 1	QAX0402-001	CRYSTAL		

■ Electrical parts list (CD switch board)

Block No. 07

△	Item	Parts number	Parts name	Remarks	Area
	CN804	QGB2016J1-07	CONNECTOR		
	CN805	QGB2012J1-10	CONNECTOR		
	SW 1	QSW0859-001	LEVER SWITCH		
	SW 2	QSW0859-001	LEVER SWITCH		
	SW 3	QSW0859-001	LEVER SWITCH		
	SW 4	QSW0859-001	LEVER SWITCH		
	SW 5	QSW0859-001	LEVER SWITCH		
	SW 6	QSW0859-001	LEVER SWITCH		

■ Electrical parts list
(Head amplifier & mechanism control board) Block No.08

△	Item	Parts number	Parts name	Remarks	Area	△	Item	Parts number	Parts name	Remarks	Area
	CN301	QGF1205F1-06	CONNECTOR	A HEAD			D3302	1SR139-400-T2	SI DIODE		
	CN302	QGF1205F1-06	CONNECTOR	B HEAD			D3307	DZ5.1BSB-T2	Z DIODE	NEW SUPPLIER	
	CN303	QGB2011M1-10	B TO B CONNECTO				D3308	DZ5.1BSB-T2	Z DIODE		
	CN305	QGF1201F3-10	CONNECTOR	OUTPUT			D3309	DZ5.1BSB-T2	Z DIODE		
	CN306	QGF1205F1-09	CONNECTOR	CONTROL			D3331	1SR139-400-T2	SI DIODE		
	CN333	QGB2011L1-10	B TO B CONNECTO	FOR FMP-007-1			FW301	EWR34D-10CS	FLAT WIRE	TO MOTOR CONTRO	
	C3101	QCSB1HJ-100Y	C CAPACITOR	10PF 5% 50V			IC301	BA3126N	IC	HEAD SW	
	C3102	QCBB1HK-331Y	C CAPACITOR	330PF 10% 50V			IC302	AN7345K	IC	PRE AMP	
	C3103	QDGB1HK-821Y	C CAPACITOR				IC303	CD4094BC	IC		
	C3104	QDGB1HK-102Y	C CAPACITOR				IC331	SG-105F3-BB,C	PHOTO SENSER		
	C3105	EEKJ1AM-107ZJC	AL E CAPACITOR				IC332	SG-105F3-BB,C	PHOTO SENSER		
	C3107	EEKJ1HM-105ZJC	AL E CAPACITOR				L3202	QQR0621-001Z	FERRITE BEADS		
	C3111	EEKJ1HM-104ZJC	AL E CAPACITOR				L3301	QQR1118-002	BIAS COIL	OSC COIL	
	C3112	EEKJ1CM-106ZJC	AL E CAPACITOR				L3303	QLL244K-100Z	INDUCTOR		
	C3113	QDXB1CM-332Y	C CAPACITOR				P3302	QNZ0104-001	POST PIN		
	C3114	EEKJ1EM-475ZJC	AL E CAPACITOR				P3331	QNZ0104-001	POST PIN		
	C3115	QFLK1HJ-153Z	M CAPACITOR	.015MF 5% 50V			Q3105	2SC3576-JVC-T	TRANSISTOR		
	C3116	QDYB1CM-822Y	C CAPACITOR				Q3205	2SC3576-JVC-T	TRANSISTOR		
	C3119	QFLM1HJ-563Z	M CAPACITOR	.056MF 5% 50V			Q3302	2SC2001/K-T	TRANSISTOR		
	C3120	QCSB1HJ-330Y	C CAPACITOR	33PF 5% 50V			Q3305	2SC2001/K-T	TRANSISTOR		
	C3121	QDGB1HK-102Y	C CAPACITOR				Q3312	2SB562/C-T	TRANSISTOR		
	C3201	QCSB1HJ-100Y	C CAPACITOR	10PF 5% 50V			Q3313	KTC3199/GL-T	TRANSISTOR		
	C3202	QCBB1HK-331Y	C CAPACITOR	330PF 10% 50V			Q3314	2SB562/C-T	TRANSISTOR		
	C3203	QDGB1HK-821Y	C CAPACITOR				Q3315	KTC3199/GL-T	TRANSISTOR		
	C3204	QDGB1HK-102Y	C CAPACITOR				Q3316	KTA1267/YG-T	TRANSISTOR		
	C3205	EEKJ1AM-107ZJC	AL E CAPACITOR				Q3317	KRC107M-T	D TRANSISTOR		
	C3206	QFLK1HJ-333Z	M CAPACITOR	.033MF 5% 50V			Q3323	KRC104M-T	D TRANSISTOR		
	C3207	EEKJ1HM-105ZJC	AL E CAPACITOR				Q3324	KRA102M-T	D TRANSISTOR		
	C3211	EEKJ1HM-104ZJC	AL E CAPACITOR				R3103	QRE141J-183Y	C RESISTOR	18K 5% 1/4W	
	C3212	EEKJ1CM-106ZJC	AL E CAPACITOR				R3105	QRE141J-220Y	C RESISTOR	22 5% 1/4W	
	C3213	QDXB1CM-332Y	C CAPACITOR				R3106	QRE141J-392Y	C RESISTOR	3.9K 5% 1/4W	
	C3214	EEKJ1EM-475ZJC	AL E CAPACITOR				R3107	QRE141J-222Y	C RESISTOR	2.2K 5% 1/4W	
	C3215	QFLK1HJ-153Z	M CAPACITOR	.015MF 5% 50V			R3108	QRE141J-241Y	C RESISTOR	240 5% 1/4W	
	C3216	QDYB1CM-822Y	C CAPACITOR				R3111	QRE141J-562Y	C RESISTOR	5.6K 5% 1/4W	
	C3219	QFLM1HJ-563Z	M CAPACITOR	.056MF 5% 50V			R3112	QRE141J-102Y	C RESISTOR	1.0K 5% 1/4W	
	C3220	QCSB1HJ-330Y	C CAPACITOR	33PF 5% 50V			R3113	QRE141J-271Y	C RESISTOR	270 5% 1/4W	
	C3221	QDGB1HK-102Y	C CAPACITOR				R3114	QRE141J-391Y	C RESISTOR	390 5% 1/4W	
	C3222	QFLK1HJ-333Z	M CAPACITOR	.033MF 5% 50V			R3117	QRE141J-332Y	C RESISTOR	3.3K 5% 1/4W	
	C3301	EEKJ1AM-107ZJC	AL E CAPACITOR				R3118	QRE141J-152Y	C RESISTOR	1.5K 5% 1/4W	
	C3302	EEKJ1AM-107ZJC	AL E CAPACITOR				R3119	QRE141J-203Y	C RESISTOR	20K 5% 1/4W	
	C3303	EEKJ1CM-226ZJC	AL E CAPACITOR				R3120	QRE141J-102Y	C RESISTOR	1.0K 5% 1/4W	
	C3304	EEKJ1EM-475ZJC	AL E CAPACITOR				R3121	QRE141J-122Y	C RESISTOR	1.2K 5% 1/4W	
	C3305	QFLK1HJ-393Z	M CAPACITOR	.039MF 5% 50V			R3203	QRE141J-183Y	C RESISTOR	18K 5% 1/4W	
	C3306	EEKJ0JM-227ZJC	AL E CAPACITOR				R3205	QRE141J-220Y	C RESISTOR	22 5% 1/4W	
	C3308	QDXB1CM-152Y	C CAPACITOR				R3206	QRE141J-392Y	C RESISTOR	3.9K 5% 1/4W	
	C3313	EEKJ1AM-107ZJC	AL E CAPACITOR				R3207	QRE141J-222Y	C RESISTOR	2.2K 5% 1/4W	
	C3314	QCZ0202-155Z	ML C CAPACITOR	1.5MF			R3208	QRE141J-241Y	C RESISTOR	240 5% 1/4W	
	C3315	QCBB1HK-223Y	C CAPACITOR	.022MF 10% 50V			R3211	QRE141J-562Y	C RESISTOR	5.6K 5% 1/4W	
	C3316	QFG32AJ-103Z	PP CAPACITOR	.010MF 5% 100V			R3212	QRE141J-102Y	C RESISTOR	1.0K 5% 1/4W	
	C3327	EEKJ1CM-476ZJC	AL E CAPACITOR				R3213	QRE141J-271Y	C RESISTOR	270 5% 1/4W	
	C3335	QDYB1CM-103Y	C CAPACITOR				R3214	QRE141J-391Y	C RESISTOR	390 5% 1/4W	
	C3336	QDYB1CM-103Y	C CAPACITOR				R3217	QRE141J-332Y	C RESISTOR	3.3K 5% 1/4W	
	C3339	EEKJ1CM-476ZJC	AL E CAPACITOR				R3218	QRE141J-152Y	C RESISTOR	1.5K 5% 1/4W	
	C3340	QDYB1CM-103Y	C CAPACITOR				R3219	QRE141J-203Y	C RESISTOR	20K 5% 1/4W	
	C3341	EEKJ1AM-107ZJC	AL E CAPACITOR				R3220	QRE141J-102Y	C RESISTOR	1.0K 5% 1/4W	
	C3342	EEKJ1EM-475ZJC	AL E CAPACITOR				R3221	QRE141J-122Y	C RESISTOR	1.2K 5% 1/4W	
	C3345	QCBB1HK-331Y	C CAPACITOR	330PF 10% 50V			R3301	QRE141J-221Y	C RESISTOR	220 5% 1/4W	
	C3350	QDGB1HK-102Y	C CAPACITOR				R3302	QRE141J-101Y	C RESISTOR	100 5% 1/4W	
	C3501	QDGB1HK-821Y	C CAPACITOR				R3304	QRE141J-393Y	C RESISTOR	39K 5% 1/4W	
	C3502	QCBB1HK-271Y	C CAPACITOR	270PF 10% 50V			R3309	QRE141J-152Y	C RESISTOR	1.5K 5% 1/4W	
	C3555	QDGB1HK-102Y	C CAPACITOR				R3311	QRJ146J-4R7X	UNF C RESISTOR	4.7 5% 1/4W	
	C3601	QDGB1HK-821Y	C CAPACITOR				R3314	QRE141J-101Y	C RESISTOR	100 5% 1/4W	
	C3602	QCBB1HK-271Y	C CAPACITOR	270PF 10% 50V			R3315	QRE141J-153Y	C RESISTOR	15K 5% 1/4W	

■ Electrical parts list

(Head amplifier & mechanism control board)

Block No.08

△	Item	Parts number	Parts name	Remarks	Area
	R3327	QRE141J-474Y	C RESISTOR	470K 5% 1/4W	
	R3330	QRE141J-103Y	C RESISTOR	10K 5% 1/4W	
	R3331	QRE141J-103Y	C RESISTOR	10K 5% 1/4W	
	R3335	QRE141J-222Y	C RESISTOR	2.2K 5% 1/4W	
	R3336	QRE141J-392Y	C RESISTOR	3.9K 5% 1/4W	
	R3344	QRE141J-224Y	C RESISTOR	220K 5% 1/4W	
	R3345	QRE141J-473Y	C RESISTOR	47K 5% 1/4W	
	R3347	QRE141J-392Y	C RESISTOR	3.9K 5% 1/4W	
	R3348	QRE141J-222Y	C RESISTOR	2.2K 5% 1/4W	
	R3350	QRE141J-472Y	C RESISTOR	4.7K 5% 1/4W	
	R3351	QRE141J-151Y	C RESISTOR	150 5% 1/4W	
	R3353	QRE141J-472Y	C RESISTOR	4.7K 5% 1/4W	
	R3354	QRE141J-151Y	C RESISTOR	150 5% 1/4W	
	R3355	QRE141J-332Y	C RESISTOR	3.3K 5% 1/4W	
	R3359	QRE141J-103Y	C RESISTOR	10K 5% 1/4W	
	R3361	QRE141J-393Y	C RESISTOR	39K 5% 1/4W	
	R3362	QRE141J-243Y	C RESISTOR	24K 5% 1/4W	
	R3366	QRE141J-273Y	C RESISTOR	27K 5% 1/4W	
	R3367	QRE141J-103Y	C RESISTOR	10K 5% 1/4W	
	R3368	QRE141J-223Y	C RESISTOR	22K 5% 1/4W	
	R3369	QRE141J-101Y	C RESISTOR	100 5% 1/4W	
	R3370	QRE141J-103Y	C RESISTOR	10K 5% 1/4W	
	R3374	QRE141J-2R2Y	C RESISTOR	2.2 5% 1/4W	
△	R3376	QRZ9005-100X	F RESISTOR	10 1W	
	R3377	QRE141J-470Y	C RESISTOR	47 5% 1/4W	
	R3378	QRE141J-470Y	C RESISTOR	47 5% 1/4W	
	R3379	QRE141J-203Y	C RESISTOR	20K 5% 1/4W	
	R3380	QRE141J-470Y	C RESISTOR	47 5% 1/4W	
	R3381	QRE141J-470Y	C RESISTOR	47 5% 1/4W	
	R3383	QRE141J-471Y	C RESISTOR	470 5% 1/4W	
	SW302	QSW0832-001	LEAF SWITCH		
	SW303	QSW0832-001	LEAF SWITCH		
	SW304	QSW0832-001	LEAF SWITCH		
	SW305	QSW0832-001	LEAF SWITCH		
	SW306	QSW0859-001	SW		
	SW316	QSW0859-001	SW		
	VR101	QVP0008-503Z	SEMI V RESISTOR	ALPS	
	VR201	QVP0008-503Z	SEMI V RESISTOR	ALPS	
	VR301	QVP0008-103Z	SEMI V RESISTOR	ALPS	

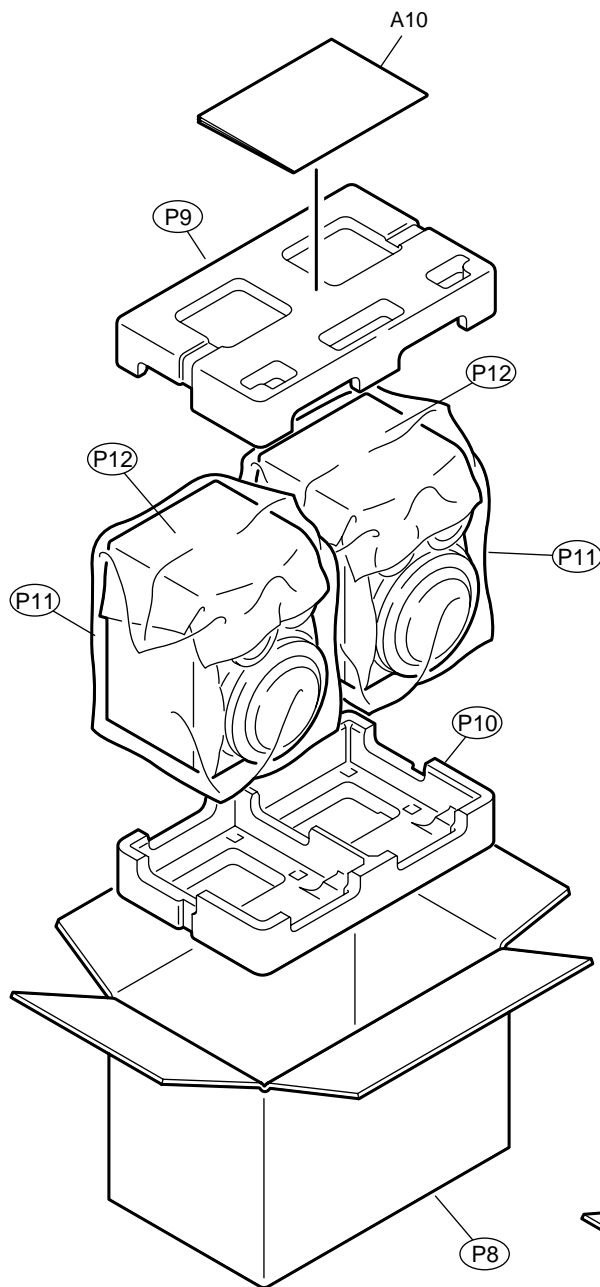
Packing materials and accessories parts list

Block No.

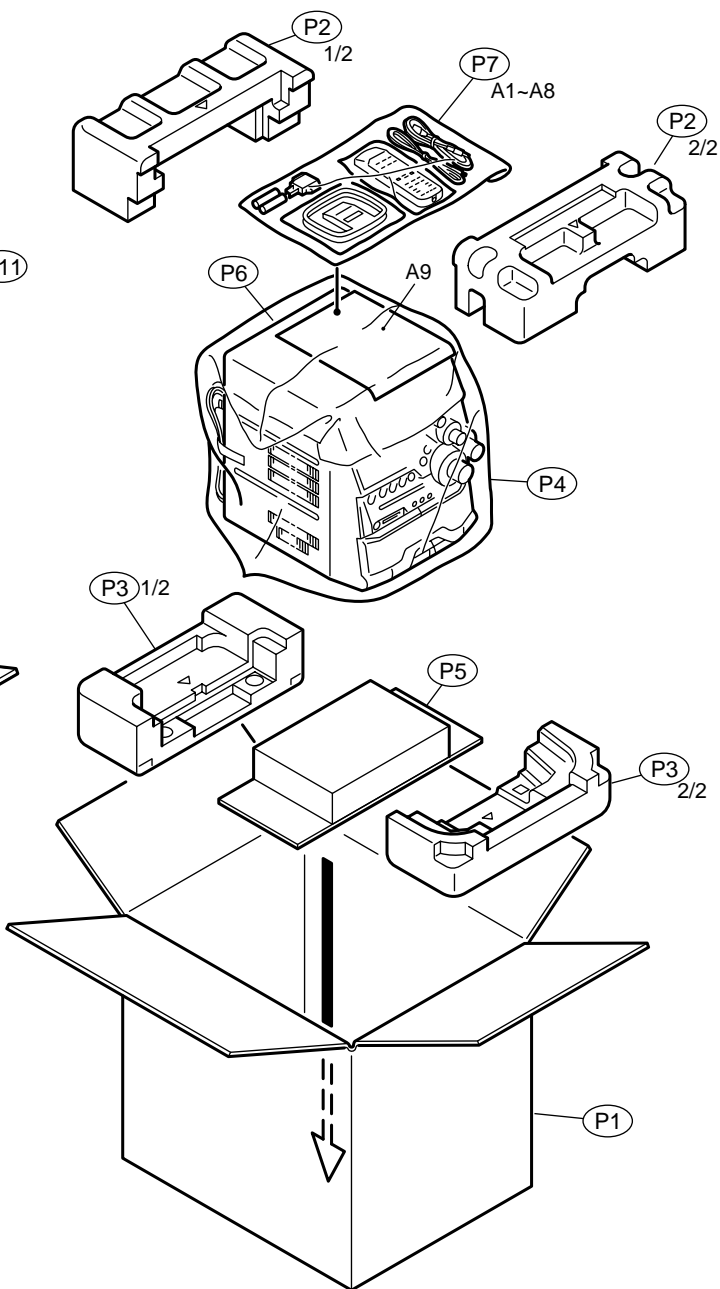
M	3	M	M
---	---	---	---

Block No.

M	5	M	M
---	---	---	---



SP-MXG750V



CA-MXG750V

■ Parts list (Packing)

Block No. M3MM

△	Item	Parts number	Parts name	Q'ty	Description	Area
	P 1	GV20183-001A	PACKING CASE	1	CA-MXG750V	
	P 2	GV10071-002A	TOP CUSHION	1	CA-MXG750V	
	P 3	GV10072-002A	BOTTOM CUSHION	1	CA-MXG750V	
	P 4	QPC06507015P	POLY BAG	1	CA-MXG750V	
	P 5	GV30209-001A	SPACER	1	CA-MXG750V	
	P 6	GV40168-003A	SHEET	1	CA-MXG750V	
	P 7	QPC02503515P	POLY BAG	1	CA-MXG750V	
	P 8	730-XG750V-10	PACKING CASE	1	SP-MXG750V	
	P 9	720-TG750V-00	TOP CUSHION	1	SP-MXG750V	
	P 10	720-BG750V-00	BOTTOM CUSHION	1	SP-MXG750V	
	P 11	700-120034-20	POLY BAG	2	SP-MXG750V	
	P 12	715-250031-00	MIRROR MAT	2	SP-MXG750V	

■ Parts list (Accessories)

Block No. M5MM

△	Item	Parts number	Parts name	Q'ty	Description	Area
	A 1	GVT0079-001B	INST. BOOK(CA-MXG750V)	1	ENG,CHI,ARA	
	A 2	GV40215-003A	NOTICE SHEET	1		
	A 3	FQAL0014-001	AM LOOP ANTENNA	1		
	A 4	EWP503-001	ANT.WIRE	1		
△	A 5	QAM0112-001	AC PLUG ADAPTER	1		US,UN
△		VMZ0139-001	CONNECT PLUG	1		UX
	A 6	QAM0216-001	SIGNAL CORD	1		
	A 7	RM-SMXG750V	REMOCON	1		
	A 8	-----	BATTERY	2		
	A 9	GV40350-003A	CAUTION SHEET	1		
	A 10	GVT0087-001A	INST. BOOK(SP-MXG750V)	1	ENG,SPA,POR,CHI,ARA	

MX-G950V/MX-G880V
MX-G850V/MX-G750V

JVC

VICTOR COMPANY OF JAPAN, LIMITED

AUDIO & COMMUNICATION BUSINESS DIVISION

PERSONAL & MOBILE NETWORK BUSINESS UNIT. 10-1,1Chome,Ohwatari-machi,maebashi-city,371-8543,Japan