

# JVC

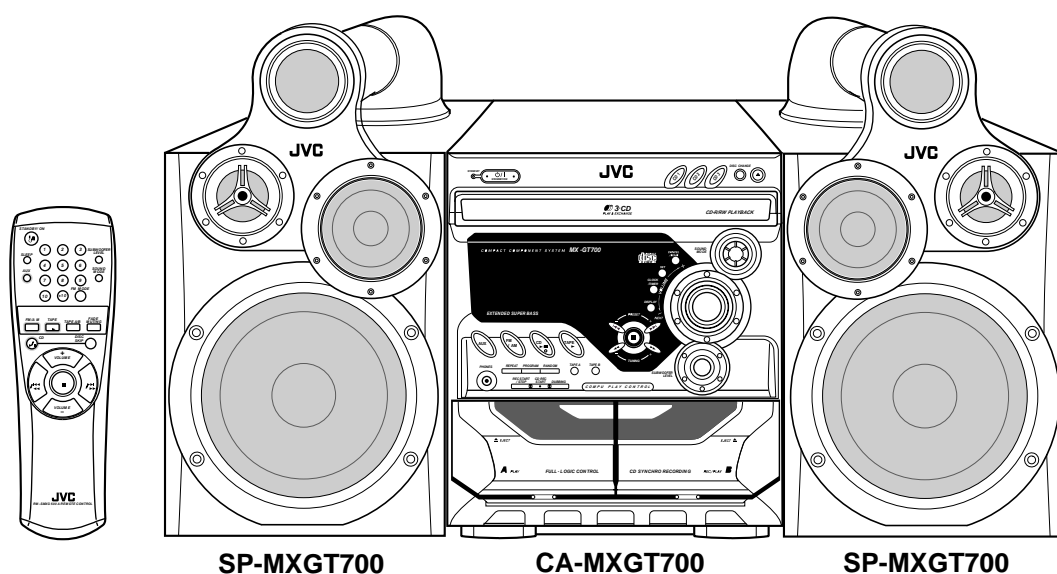
## SERVICE MANUAL

### COMPACT COMPONENT SYSTEM

## MX-GT700

#### Area suffix

J ----- U.S.A.  
C ----- Canada



SP-MXGT700

CA-MXGT700

SP-MXGT700

COMPACT  
disc  
DIGITAL AUDIO

### Contents

Safety Precautions .....	1-2	Flow of functional operation	
Importance administering		until TOC read .....	1-23
point on the safety .....	1-3	Maintenance of laser pickup .....	1-24
Preventing static electricity .....	1-4	Replacement of laser pickup .....	1-24
Disassembly method .....	1-5	Trouble shooting .....	1-25
Wiring connection .....	1-18	Description of major ICs .....	1-28~41
Adjustment method .....	1-19		

## Safety Precautions

1. This design of this product contains special hardware and many circuits and components specially for safety purposes. For continued protection, no changes should be made to the original design unless authorized in writing by the manufacturer. Replacement parts must be identical to those used in the original circuits. Services should be performed by qualified personnel only.
2. Alterations of the design or circuitry of the product should not be made. Any design alterations of the product should not be made. Any design alterations or additions will void the manufacturer's warranty and will further relieve the manufacture of responsibility for personal injury or property damage resulting therefrom.
3. Many electrical and mechanical parts in the products have special safety-related characteristics. These characteristics are often not evident from visual inspection nor can the protection afforded by them necessarily be obtained by using replacement components rated for higher voltage, wattage, etc. Replacement parts which have these special safety characteristics are identified in the Parts List of Service Manual. Electrical components having such features are identified by shading on the schematics and by ( $\triangle$ ) on the Parts List in the Service Manual. The use of a substitute replacement which does not have the same safety characteristics as the recommended replacement parts shown in the Parts List of Service Manual may create shock, fire, or other hazards.
4. The leads in the products are routed and dressed with ties, clamps, tubings, barriers and the like to be separated from live parts, high temperature parts, moving parts and/or sharp edges for the prevention of electric shock and fire hazard. When service is required, the original lead routing and dress should be observed, and it should be confirmed that they have been returned to normal, after re-assembling.

### 5. Leakage current check (Electrical shock hazard testing)

After re-assembling the product, always perform an isolation check on the exposed metal parts of the product (antenna terminals, knobs, metal cabinet, screw heads, headphone jack, control shafts, etc.) to be sure the product is safe to operate without danger of electrical shock.

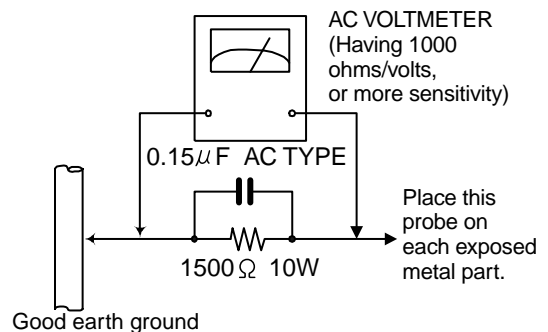
Do not use a line isolation transformer during this check.

- Plug the AC line cord directly into the AC outlet. Using a "Leakage Current Tester", measure the leakage current from each exposed metal parts of the cabinet, particularly any exposed metal part having a return path to the chassis, to a known good earth ground. Any leakage current must not exceed 0.5mA AC (r.m.s.).

- Alternate check method

Plug the AC line cord directly into the AC outlet. Use an AC voltmeter having, 1,000 ohms per volt or more sensitivity in the following manner. Connect a 1,500  $\Omega$  10W resistor paralleled by a 0.15  $\mu$ F AC-type capacitor between an exposed metal part and a known good earth ground. Measure the AC voltage across the resistor with the AC voltmeter.

Move the resistor connection to each exposed metal part, particularly any exposed metal part having a return path to the chassis, and measure the AC voltage across the resistor. Now, reverse the plug in the AC outlet and repeat each measurement. Voltage measured any must not exceed 0.75 V AC (r.m.s.). This corresponds to 0.5 mA AC (r.m.s.).



## Warning

1. This equipment has been designed and manufactured to meet international safety standards.
2. It is the legal responsibility of the repairer to ensure that these safety standards are maintained.
3. Repairs must be made in accordance with the relevant safety standards.
4. It is essential that safety critical components are replaced by approved parts.
5. If mains voltage selector is provided, check setting for local voltage.

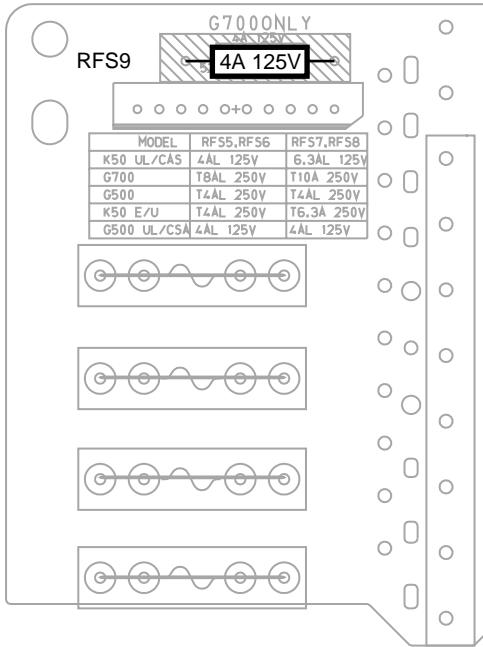
## CAUTION

**Burrs formed during molding may be left over on some parts of the chassis. Therefore, pay attention to such burrs in the case of performing repair of this system.**

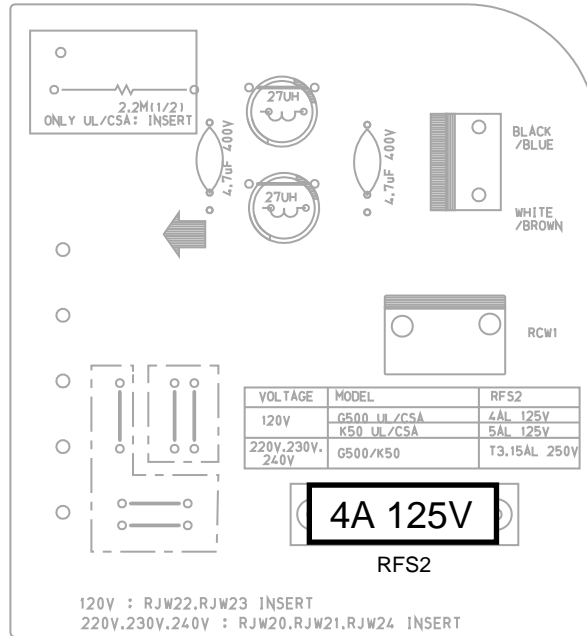
In regard with component parts appearing on the silk-screen printed side (parts side) of the PWB diagrams, the parts that are printed over with black such as the resistor (■), diode (▣) and ICP (●) or identified by the " $\triangle$ " mark nearby are critical for safety.

(This regulation does not correspond to J and C version.)

# Importance administering point on the safety

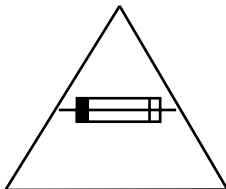


**Fuse board (Forward side)**



**Power supply board (Forward side)**

For USA and Canada / pour États - Unis d'Amérique et Canada



Caution: For continued protection against risk of fire, replace only with same type 4A/125V for RFS2 and RFS9.

This symbol specifies type of fast operating fuse.

Précaution: Pour éviter risques de feux, remplacez le fusible de sûreté de et RFS2 et RFS9 comme le meme type que 4A/125V.

Ce sont des fusibles sûretés qui fonctionnes rapide.

# Preventing static electricity

## 1. Grounding to prevent damage by static electricity

Electrostatic discharge (ESD), which occurs when static electricity stored in the body, fabric, etc. is discharged, can destroy the laser diode in the traverse unit (optical pickup). Take care to prevent this when performing repairs.

## 2. About the earth processing for the destruction prevention by static electricity

In the equipment which uses optical pick-up (laser diode), optical pick-up is destroyed by the static electricity of the work environment.

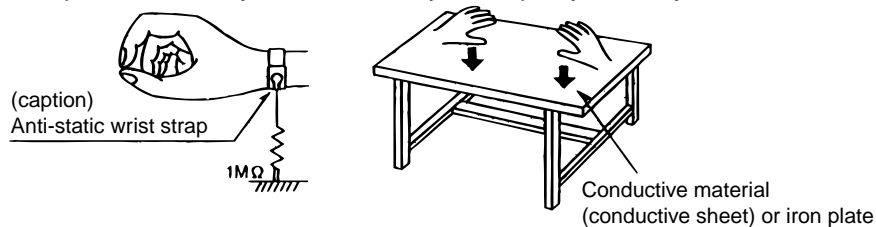
Be careful to use proper grounding in the area where repairs are being performed.

### 2-1 Ground the workbench

Ground the workbench by laying conductive material (such as a conductive sheet) or an iron plate over it before placing the traverse unit (optical pickup) on it.

### 2-2 Ground yourself

Use an anti-static wrist strap to release any static electricity built up in your body.



## 3. Handling the optical pickup

1. In order to maintain quality during transport and before installation, both sides of the laser diode on the replacement optical pickup are shorted. After replacement, return the shorted parts to their original condition. (Refer to the text.)

2. Do not use a tester to check the condition of the laser diode in the optical pickup. The tester's internal power source can easily destroy the laser diode.

## 4. Handling the traverse unit (optical pickup)

1. Do not subject the traverse unit (optical pickup) to strong shocks, as it is a sensitive, complex unit.

2. Cut off the shorted part of the flexible cable using nippers, etc. after replacing the optical pickup. For specific details, refer to the replacement procedure in the text. Remove the anti-static pin when replacing the traverse unit. Be careful not to take too long a time when attaching it to the connector.

3. Handle the flexible cable carefully as it may break when subjected to strong force.

4. It is not possible to adjust the semi-fixed resistor that adjusts the laser power. Do not turn it

## Attention when CD mechanism assembly is decomposed

**\*Please refer to "Disassembly method" in the text for pick-up and how to detach the CD mechanism assembly.**

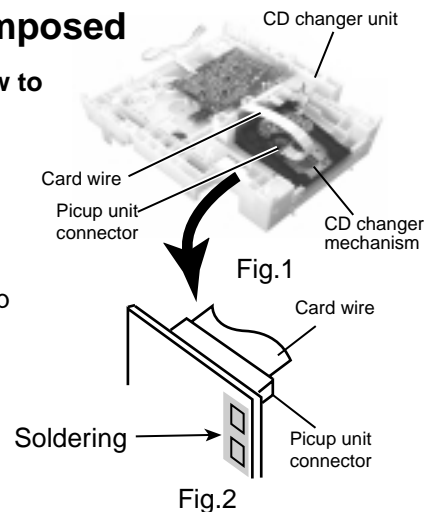
1. Remove the CD changer unit.

2. Remove the CD changer mechanism.

3. Solder is put up before the card wire is removed from the pickup unit connector on the CD mechanism assembly.

(When the card wire is removed without putting up solder, the CD pick-up assembly might destroy.)

4. Please remove solder after connecting the card wire with the pickup unit connector when you install picking up in the substrate.



## Disassembly method

### ■ Removing the metal cover (See Fig.1)

1. Remove the three screws **A** attaching the metal cover on the back of the body.
2. Remove the six screws **B** attaching the metal cover on the both sides of the body.
3. Remove the metal cover from the body by lifting the rear part of the cover.

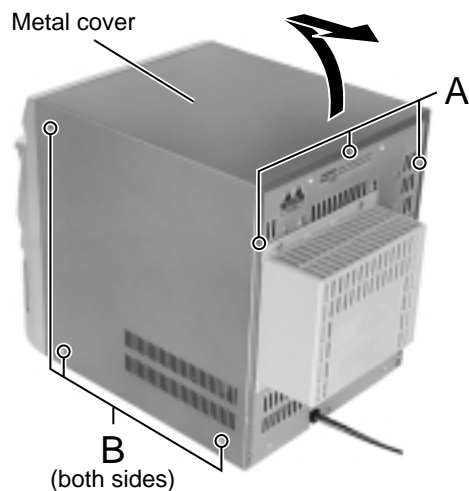


Fig.1

#### — ONE POINT —

#### ■ How to eject the CD tray (see fig.2)

Although it will end if the OPEN/CLOSE button is pushed when a power supply can be taken, when that is not right, CD tray will be opened manually.

Turn the loading pulley gear at the bottom of the CD changer unit as shown in Fig.2 and draw the CD tray toward the front.

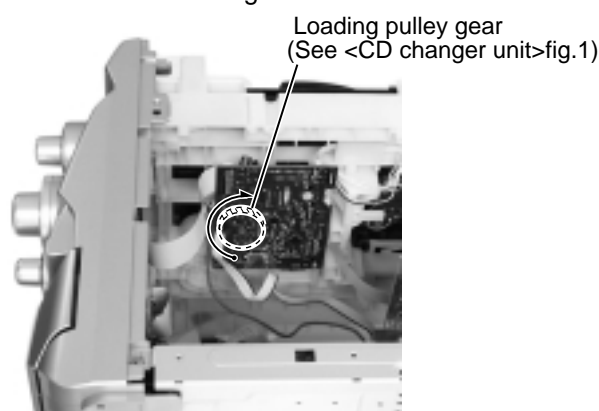


Fig.2

### ■ Removing the CD Tray fitting (See Fig. 3)

- Prior to performing the following procedure, eject the CD tray.

1. After drawing the lower part of the tray fitting toward the front, remove the five claws. Then, while moving the tray fitting upward, remove it.

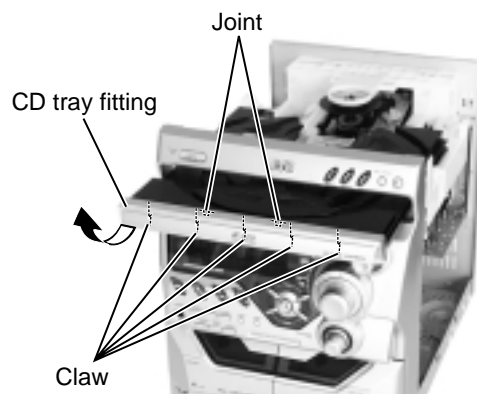


Fig.3

### ■ Removing the CD changer unit (See Fig.4 to 7)

- Prior to performing the following procedure, remove the metal cover.

1. Remove the card wire attached to CD changer unit on the adhesion tape.
2. Disconnect the card wire from the connector CW107 on the CD servo board.
3. Disconnect the harness from the connector RCW6 on the main board and CW105 on the CD servo board.
4. Remove the two screws **C** attaching the CD changer unit to the rear panel.
5. Remove the two screws **D** attaching the CD changer unit to the both side of front panel assembly.
6. Draw the CD changer unit upward from behind while pulling the rear panel outward.

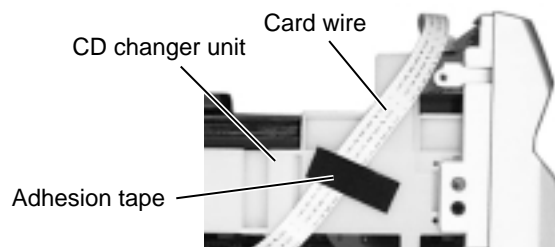


Fig.4

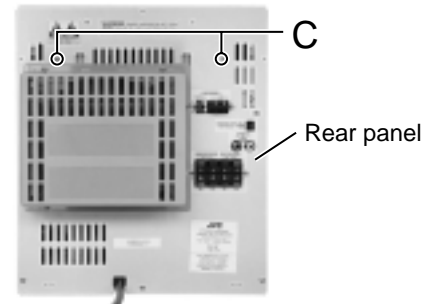
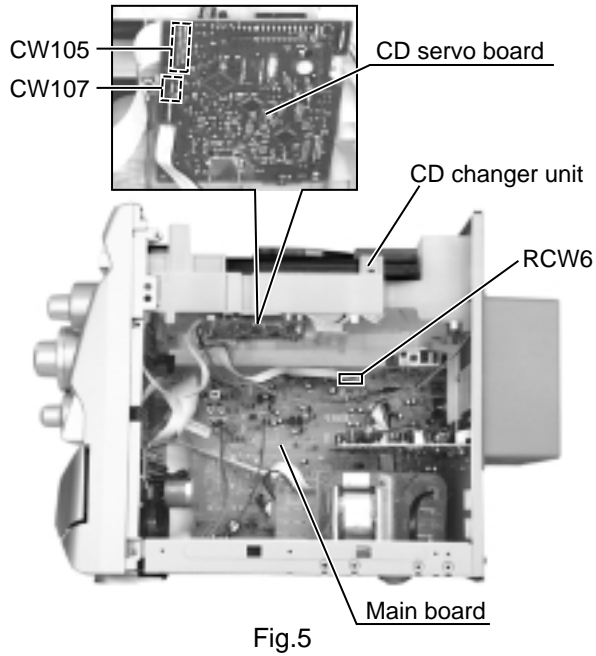


Fig.6

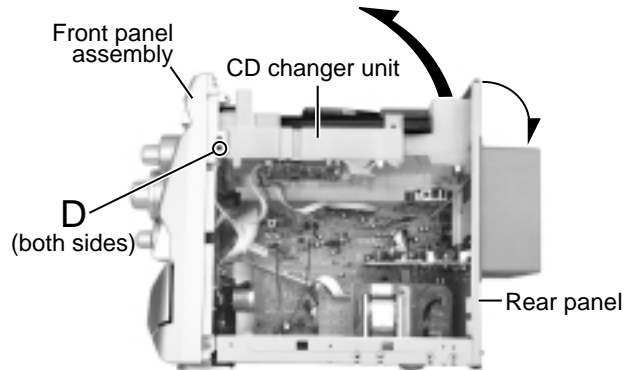


Fig.7

**Removing the front panel assembly (See Fig.8 to 10)**

- Prior to performing the following procedure, remove the metal cover and the CD changer unit.
1. Disconnect the card wire from the connector FCW3 on the main board.
  2. Disconnect the harness from the connector JCW1, JCW2 and HCW3 on the main board.
  3. Remove the two screws **E** attaching the front panel assembly to both sides of the body.
  4. Remove the screw **F** attaching the earth terminal extending from the cassette mechanism assembly.
  5. Remove the screw **G** attaching the main board to front panel assembly.
  6. Remove the screw **H** attaching the front panel assembly to the bottom of the body.
  7. Release the two joints1 and two joints2, and detach the front panel assembly toward the front.

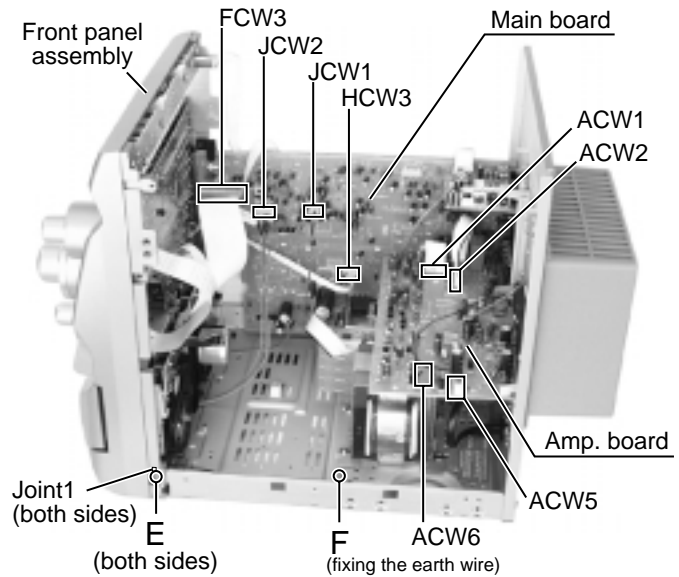


Fig.8

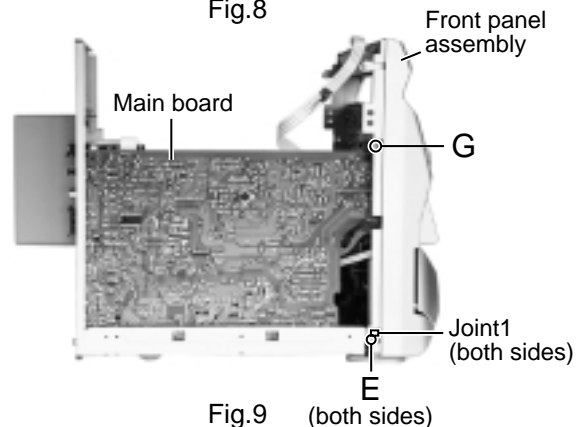


Fig.9

### ■ Removing the heat sink & amp. board (See Fig.8, 11 and 12)

• Prior to performing the following procedure, remove the metal cover and the CD changer unit.

1. Disconnect the card wire from the connector ACW1 and the harness from the connector ACW2 and ACW6 on the amp. board.
2. Remove the four screws **I** attaching the heat sink cover to the rear panel. Remove the heat sink cover.
3. Remove the four screws **J** attaching the heat sink and two screws **K** attaching the speaker terminal to the rear panel.
4. After moving the heat sink upward, remove the claws. Then pull out the heat sink & amp. board inward.

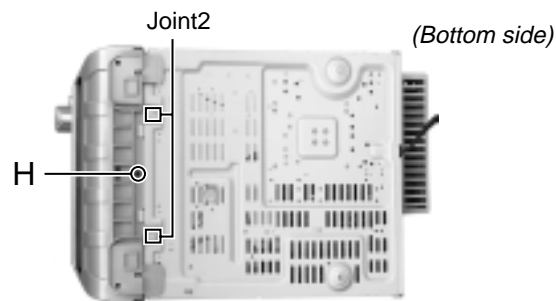


Fig.10

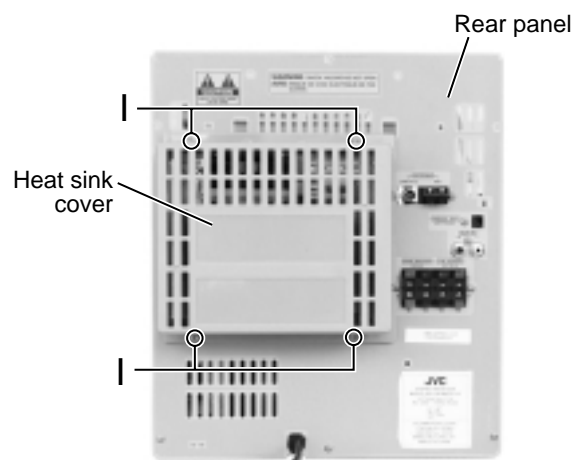


Fig.11

### ■ Removing the fan motor (See Fig.8 and 12)

(See Fig.8 and 12)

• Prior to performing the following procedure, remove the metal cover and heat sink cover.

1. Disconnect the harness from the connector ACW5 on the amp. board.
2. Remove the two screws **L** attaching the fan motor to the rear panel.

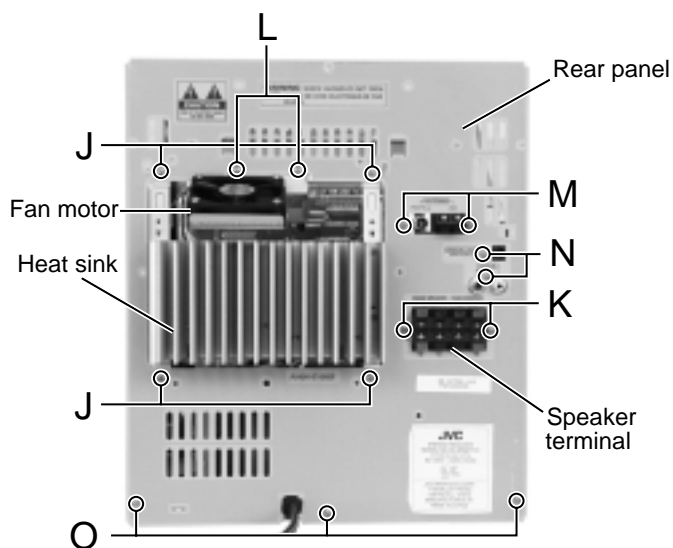


Fig.12

### ■ Removing the tuner board (See Fig.12 and 13)

(See Fig.12 and 13)

• Prior to performing the following procedure, remove the metal cover.

1. Disconnect the card wire from the connector CON01 on the tuner board.
2. Remove the two screws **M** attaching the tuner board to the rear panel.

### ■ Removing the rear panel (See Fig.12)

• Prior to performing the following procedure, remove the metal cover, CD changer unit, heat sink & amp. board and tuner board.

1. Remove the two screws **N** and three screws **O** attaching the rear panel.

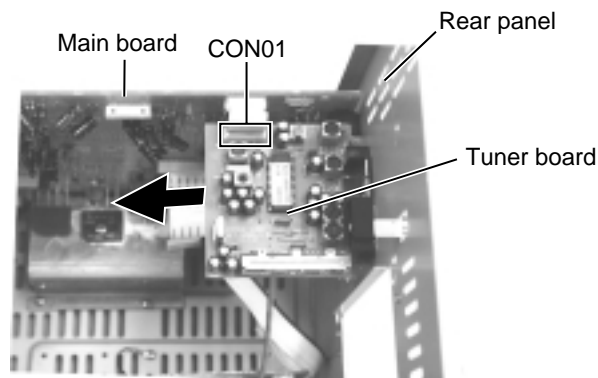


Fig.13

**■Removing the main board (See Fig. 14)**

- Prior to performing the following procedure, remove the metal cover, CD changer unit and rear panel.
1. Disconnect the card wire from the connector FCW3 and the harness from the connector JCW1, JCW2 and HCW3 on the main board.
  2. Disconnect the harness from the connector PCW1 on the fuse board.
  3. Remove the screw **G** attaching the main board holder to the front panel assembly. (See Fig.9)
  4. Remove the two screws **P** attaching the heat sink to bottom chassis.

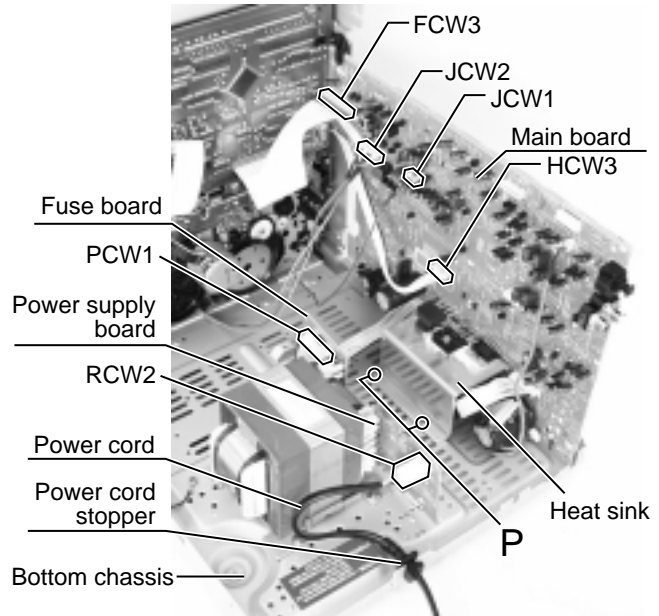


Fig.14

**■Removing the power cord (See Fig. 14)**

- Prior to performing the following procedure, remove the metal cover, CD changer unit and rear panel.
1. Disconnect the power cord from the connector RCW2 on the power supply board and pull up the power cord stopper upward.

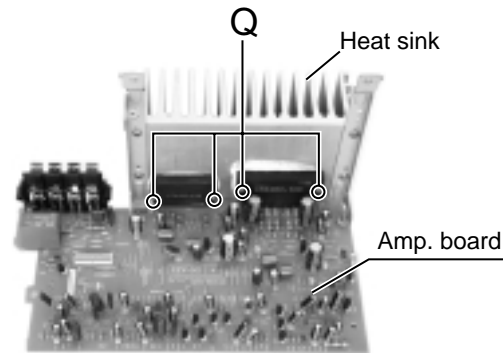


Fig.15

**■Removing the power ICs (See Fig.15 and 16)**

- Prior to performing the following procedure, remove the metal cover, CD changer unit and heat sink & amp. board.
1. Remove the four screws **Q** attaching the power ICs to the heat sink.
  2. Unsolder the power ICs solder point.

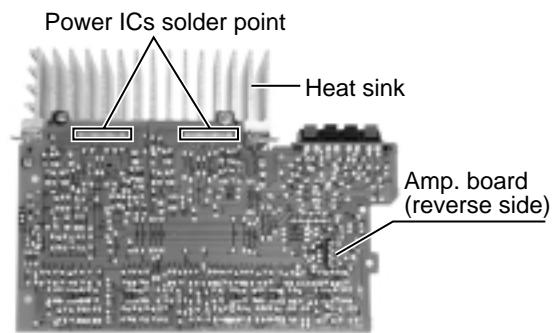


Fig.16

**■Removing the power transformer (See Fig .17)**

- Prior to performing the following procedure, remove the metal cover, CD changer unit and heat sink & amp. board.
1. Disconnect the power cord from the connector RCW2 on the power supply board.
  2. Disconnect the harness from the connector PCW1 on the fuse board.
  3. Remove the four screws **R** attaching the power transformer and the screw **S** attaching the earth terminal on the bottom chassis.

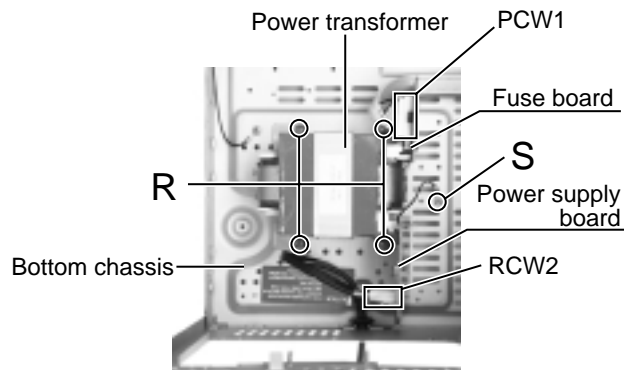


Fig.17



## <Front panel assembly>

- Prior to performing the following procedure, remove the metal cover, the CD changer unit and the front panel assembly.

### ■ Removing the power / CD switch board (See Fig.1)

1. Disconnect the card wire from the connector UCW1 on the power / CD switch board.
2. Remove the five screws **A** attaching the power / CD switch board.

### ■ Removing the FL display & system control board (See Fig.1)

1. Disconnect the card wire from the connector UCW3, UCW4, UCW5 and UCW6 on the FL display & system control board.
2. Remove the six screws **B** attaching the FL display & system control board.
3. Disconnect the card wire from the connector UCW2 on the FL display & system control board.

### ■ Removing the headphone jack board (See Fig.3)

- Prior to performing the following procedure remove the FL display & system control board.

1. You can pull out the headphone jack board.

### ■ Removing the front key switch board (See Fig.2 and 3)

- Prior to performing the following procedure, remove the FL display & system control board.

1. Pull out the sound mode knob, volume knob and subwoofer level knob from front side.
2. Remove the twelve screws **C** attaching the front key switch board.
3. Remove the front board releasing the two tabs.
4. Disconnect the card wire from the connector UCW7 on the front key switch board, if needed.

### ■ Removing the cassette mechanism assembly (See Fig.3)

1. Disconnect the card wire from the connector on the mecha. board.
2. Remove the six screws **D** attaching the cassette mechanism assembly.

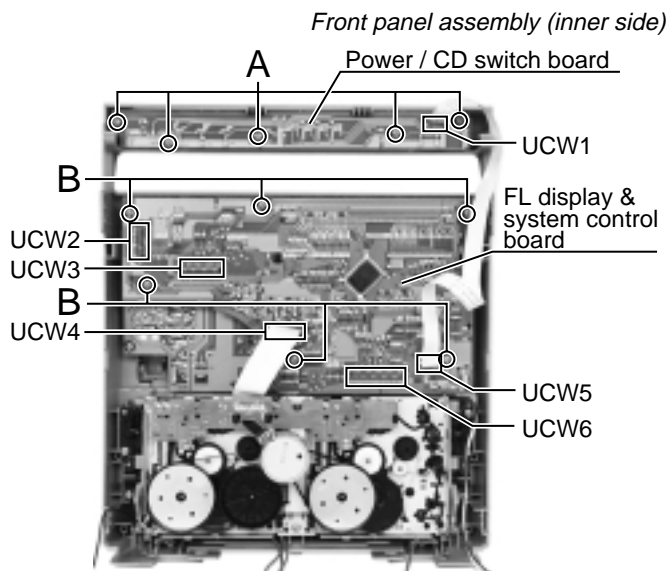


Fig.1

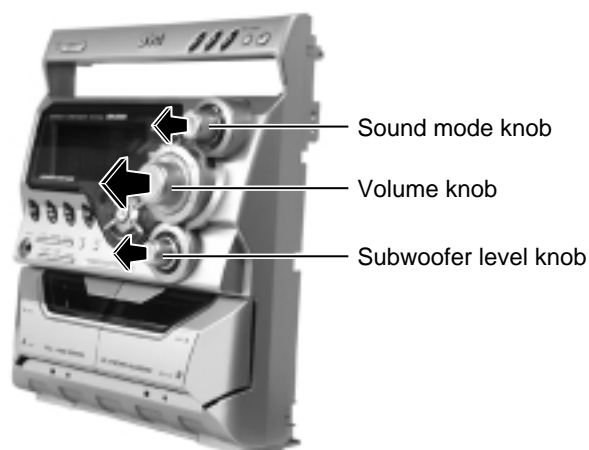


Fig.2

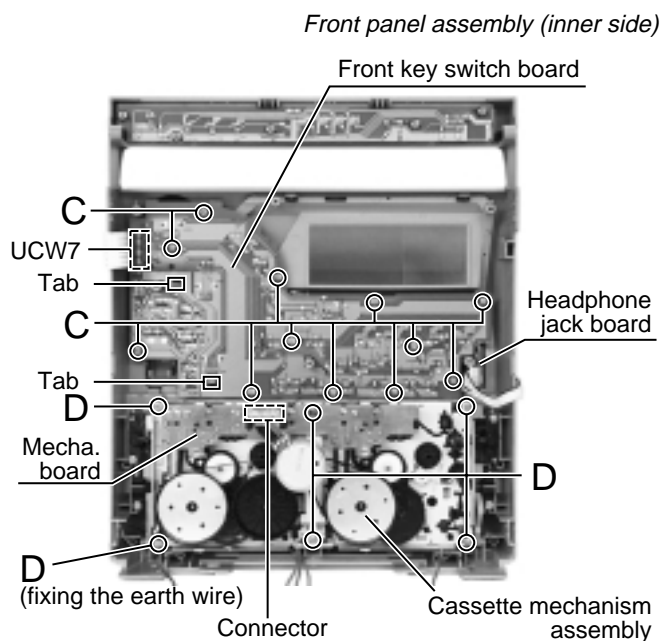


Fig.3

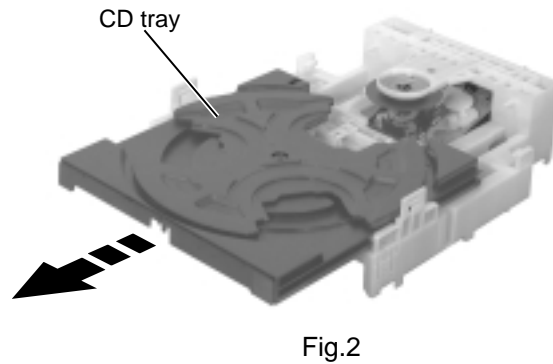
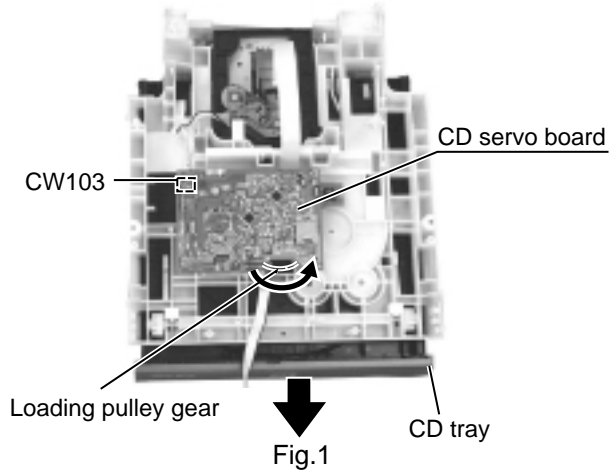
<CD changer unit>

- Prior to performing the following procedure, remove the CD changer unit.

■ Removing the CD tray (See Fig.1 to 3)

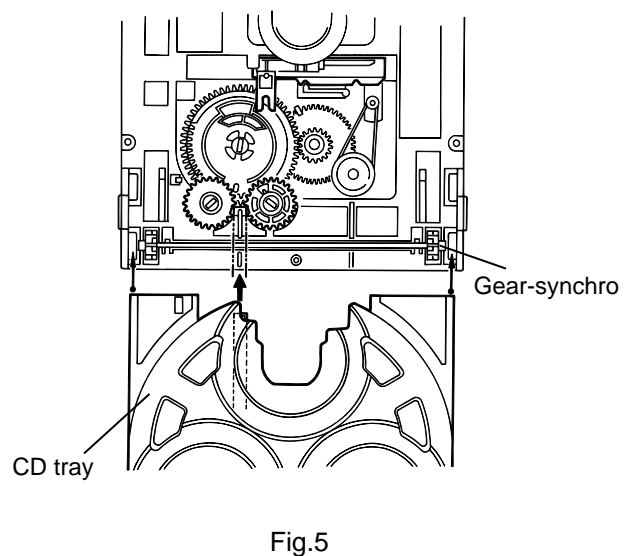
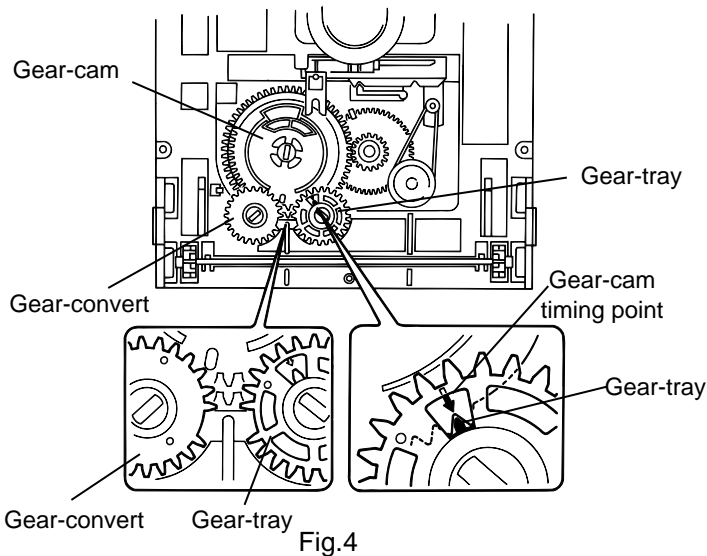
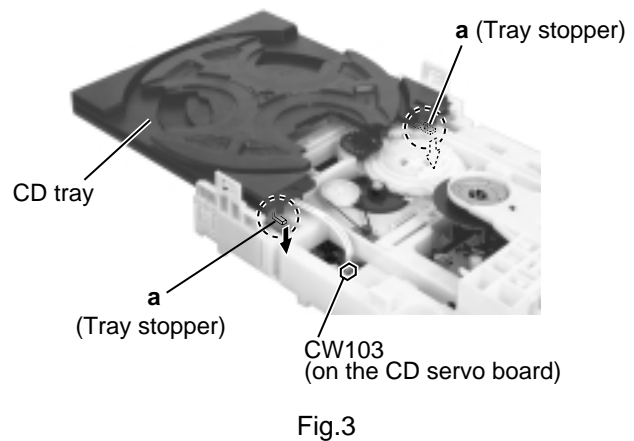
1. Turn the black loading pulley gear on the under side of the CD changer unit in the direction of the arrow and draw the CD tray toward the front until it stops.
2. Disconnect the card wire from connector CW103 on the CD servo board.
3. Push down the two tray stoppers marked **a** and pull out the CD tray.

CD changer unit (reverse side)



■ Reinstall the CD tray (See Fig.4 and 5)

1. Align the gear-cam with the gear-tray as shown fig.4, then mount the CD tray.
2. When assembling the CD tray, take extreme care not engage with gear - synchro.



## ■ Removing the CD mechanism holder assembly (mechanism included)

(See Fig.11 to 14)

1. Disconnect the harness from connector on the CD mechanism board in the CD mechanism assembly on the under side of the CD changer unit. Disconnect the card wire from the pickup unit connector.

**Attention :** Solder is put up before the card wire is removed from the pick-up unit connector on the CD mechanism assembly. (Refer to Fig.10)  
(When the card wire is removed without putting up solder, the CD pick-up unit assembly might destroy.)

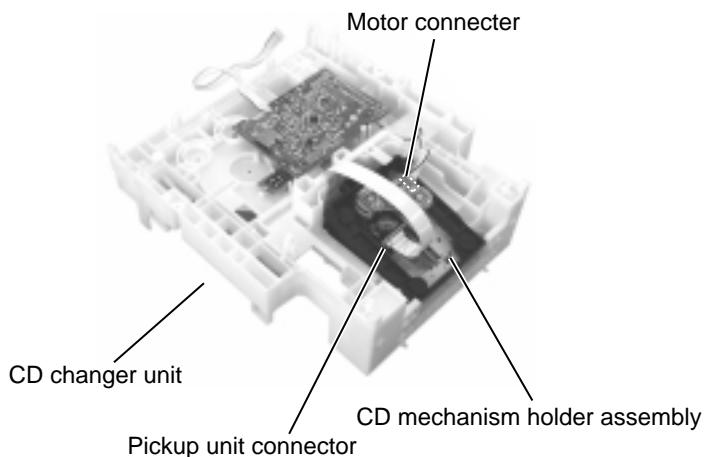


Fig.11

2. Remove the screw **E** attaching the shaft on the right side of the CD mechanism holder assembly. Pull outward the stopper fixing the shaft on the left side and remove the CD mechanism holder assembly from behind in the direction of the arrow **y**.
3. Turn the CD mechanism holder assembly half around the lift up slide shaft **h** of the CD mechanism holder assembly until the turn table is reversed, and pull out the CD mechanism holder assembly.

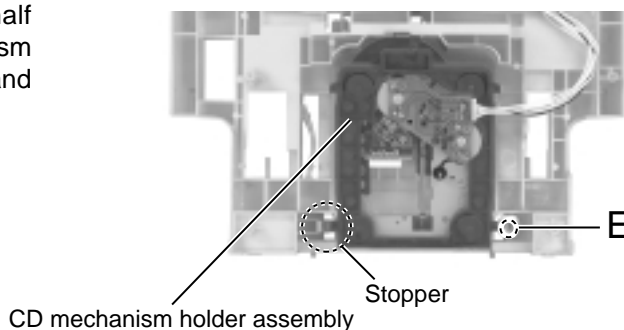


Fig.12

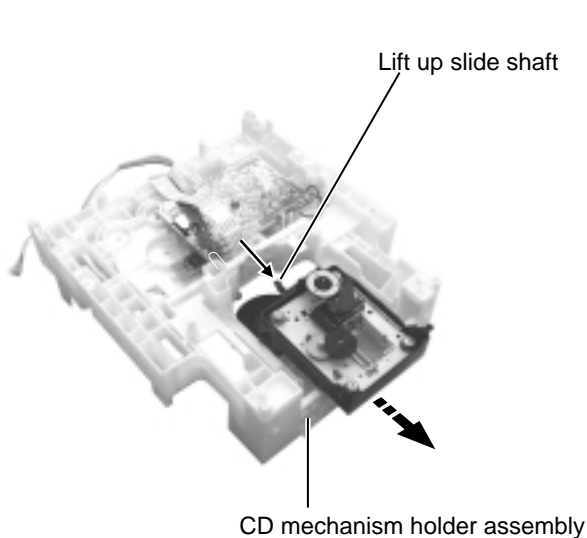


Fig.14

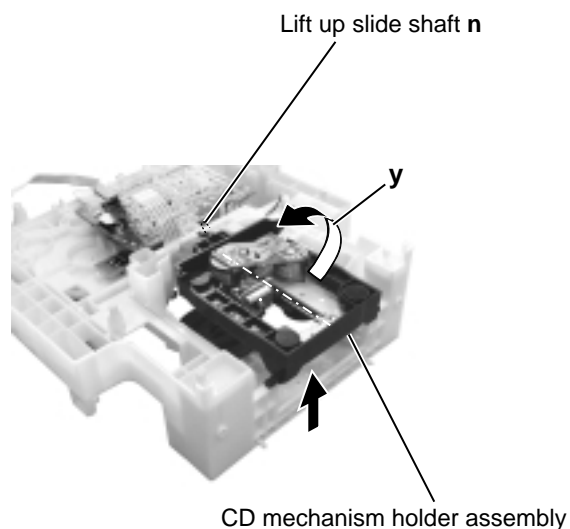


Fig.13

**■Removing the belt, the CD servo board and the switch board (See Fig.9 and 10)**

- Prior to performing the following procedure, remove the CD tray.
1. Detach the belt from the pulley on the upper side of the CD changer unit (Do not stain the belt with grease).
  2. Disconnect the card wire from the pickup unit connector on the under side of the CD changer unit.

**Attention :** Solder is put up before the card wire is removed from the pick-up unit connector on the CD mechanism assembly.  
 (When the card wire is removed without putting up solder, the CD pick-up unit assembly might destroy.)

3. Disconnect the motor wire harness from connector on the CD servo board.
4. Remove the screw **C** attaching the switch board and release the two tabs **e** attaching the switch board outward and detach the switch board.
5. Remove the two screws **D** attaching the CD servo board and . First release the two tabs **f** and two tabs **g** attaching the CD servo board motor to raise the CD servo board slightly, then release the CD servo board.

※If the tabs **f** and **g** are hard to release, it is recommendable to unsolder the two soldered parts on the motor terminal of the CD servo board.

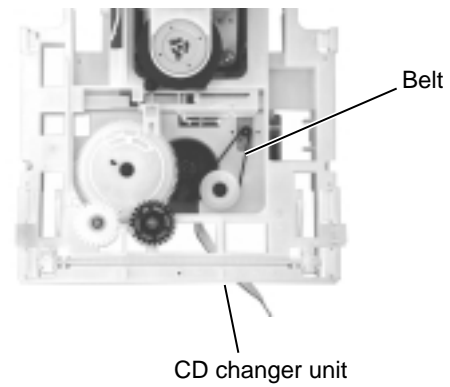


Fig.9

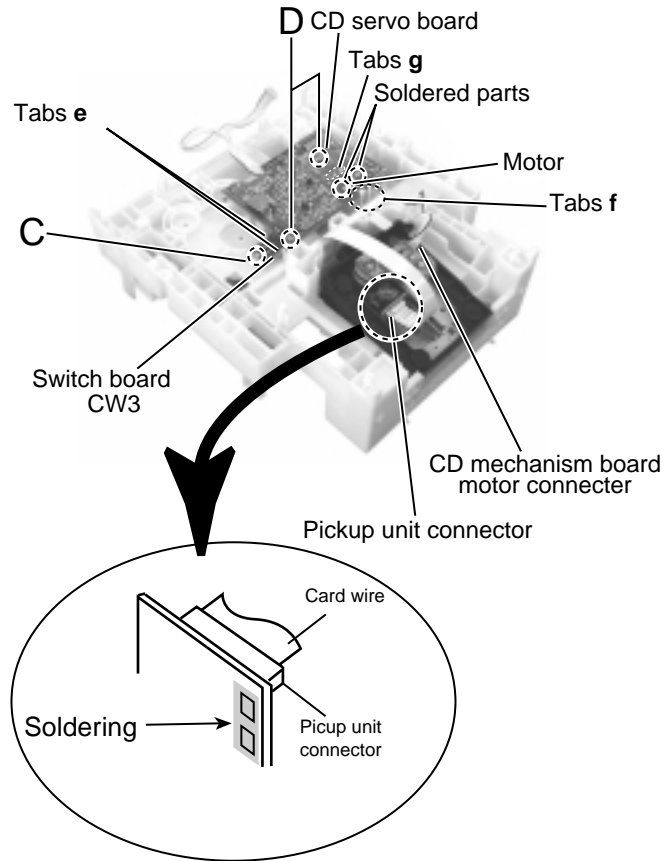


Fig.10

## ■ Removing the CD mechanism holder assembly (mechanism included)

(See Fig.11 to 14)

1. Disconnect the harness from connector on the CD mechanism board in the CD mechanism assembly on the under side of the CD changer unit. Disconnect the card wire from the pickup unit connector.

**Attention :** Solder is put up before the card wire is removed from the pick-up unit connector on the CD mechanism assembly. (Refer to Fig.10)  
(When the card wire is removed without putting up solder, the CD pick-up unit assembly might destroy.)

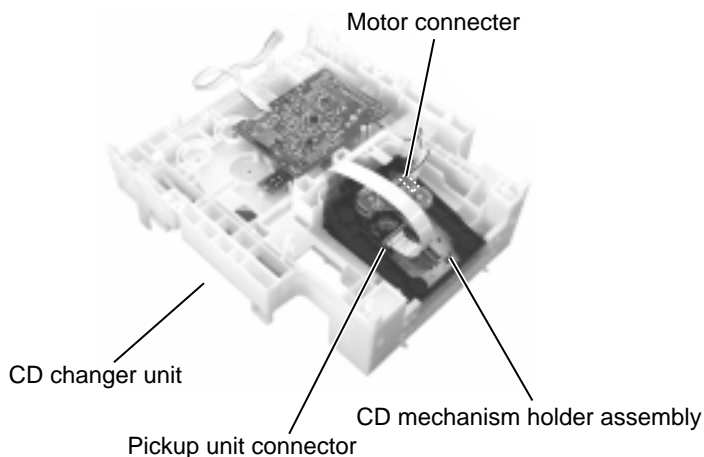


Fig.11

2. Remove the screw **E** attaching the shaft on the right side of the CD mechanism holder assembly. Pull outward the stopper fixing the shaft on the left side and remove the CD mechanism holder assembly from behind in the direction of the arrow **y**.
3. Turn the CD mechanism holder assembly half around the lift up slide shaft **h** of the CD mechanism holder assembly until the turn table is reversed, and pull out the CD mechanism holder assembly.

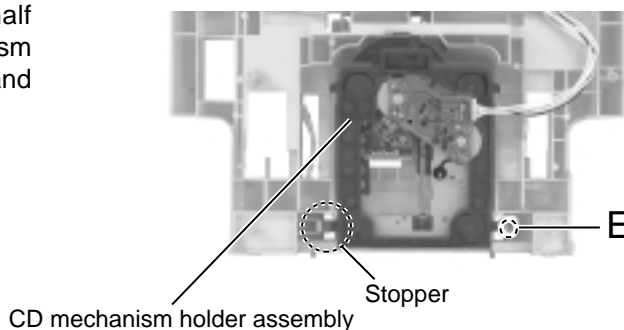


Fig.12

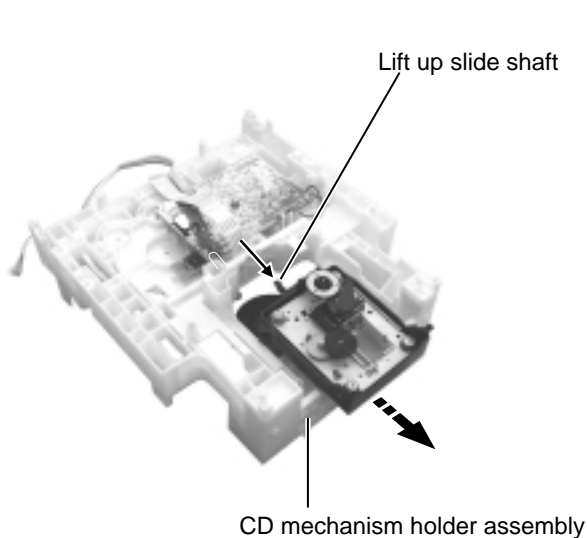


Fig.14

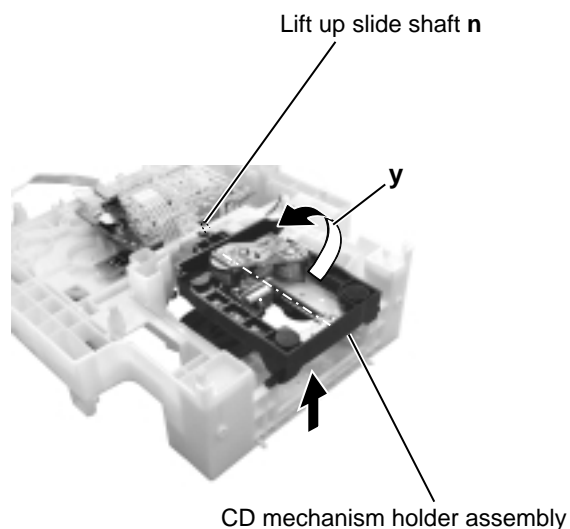


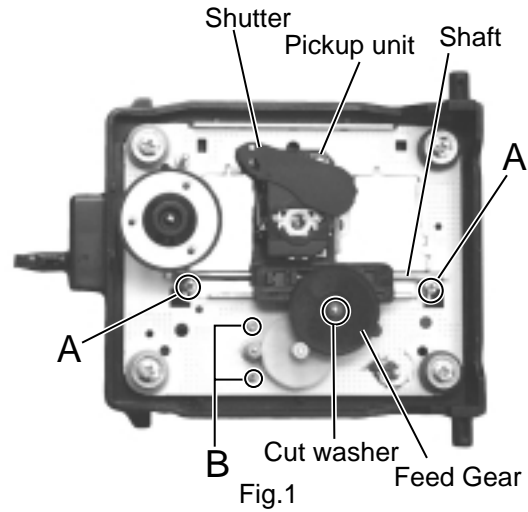
Fig.13

**<CD mechanism section>**

- Removing the CD mechanism holder from the CD chager unit.  
(Refer to "Removing the CD mechanism holder assembly" )

**■ Removing the pickup unit (See Fig.1)**

1. Removing the cut washer on the feed gear sleeve and pull out the feed gear.
2. Remove the two screws **A** fixing the pickup shaft.
3. Removing the pickup unit.



**■ Removing the motor board (See Fig.2)**

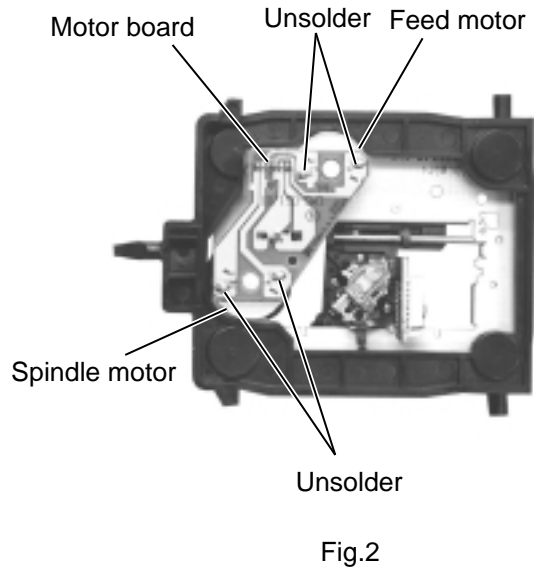
1. Unsolder the motor terminal on the motor board.
2. Remove the moter board.

**■ Removing the feed motor (See Fig.1)**

Remove the two motor fixing screws at **B** and removing the feed motor.

**■ Removing the spindle motor**

The spindle motor cannot be removed as a single unit.  
When removing the spindle motor, change the chasis and turntable together as a unit.



## <Cassette mechanism section>

- Removing the record/playback mechanism.

### ■ Removing the R/P head.

1. Remove the screw **A** on the right side of the R/P head.(Fig.1, Fig.2)
2. Remove the screw **B** on the left side of the R/P head.(Fig.1, Fig.2)

### ■ Remove the erase head.

Remove the screw **C** fixing the erase head.(Fig.1)

### ■ Removing the pinch roller.

1. Pull out the pinch roller by opening the pinch roller stopper outward to unlock .(Fig.3)
2. When reassembling the pinch roller, refer to fig. 4 to hook up the spring.

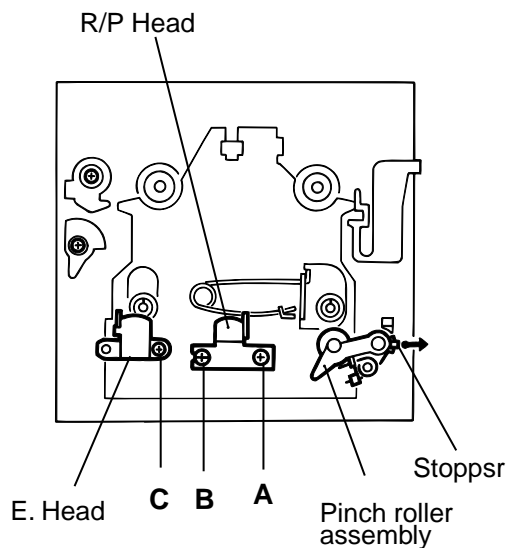


Fig.1

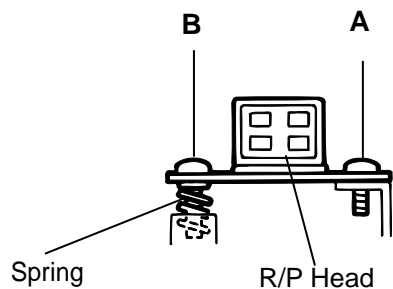


Fig.2

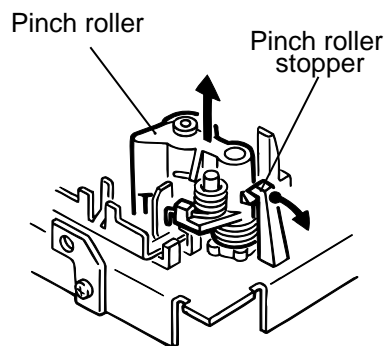


Fig.3

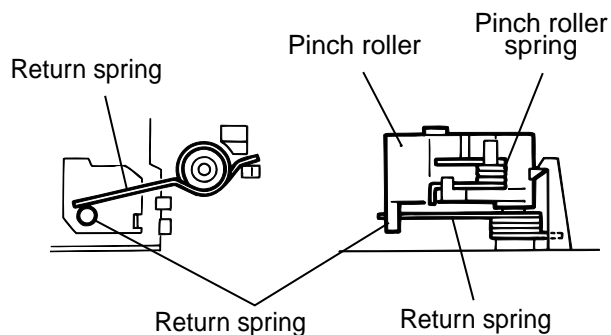


Fig.4

■ **Removing the motor.**

1. Remove the two screws **D** fixing the motor.  
Be careful to grease's splash when the drive belt comes off.(Fig.5, Fig.6)
2. Unsolder the motor terminal.(Fig.5)

■ **Removing the mechanism board.**

1. Unsolder the four parts **a** on the solenoid coil terminal.(Fig.5)
2. Remove the two screws **E** fixing the board.(Fig.5)
3. Unhook the three parts **b** from the board.(Fig.5)
4. Remove the mechanism board.(Fig.5)

■ **Removing the flywheel.**

Remove the cut-washers at **c** and **d** from the capstan shaft, then remove the flywheel.  
When reassembling the flywheel, be sure to use new washers as they cannot be reused.(Fig.8, Fig.9)

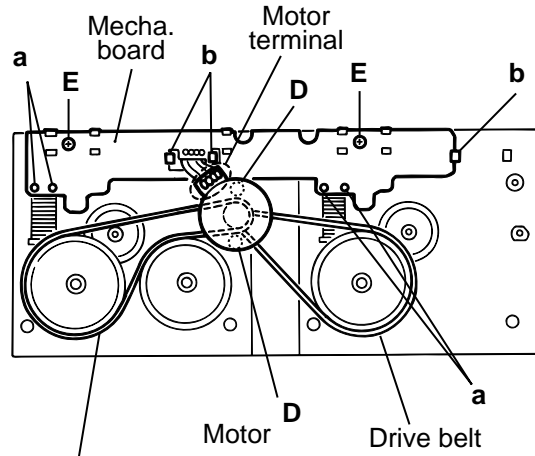


Fig.5

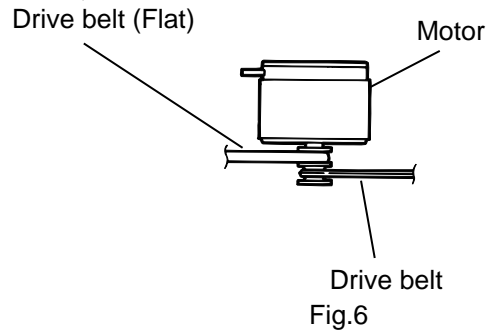


Fig.6

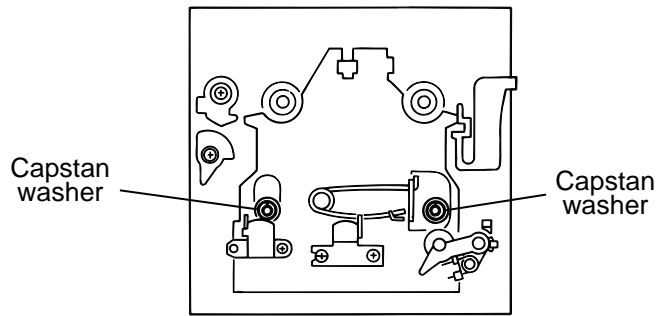


Fig.7

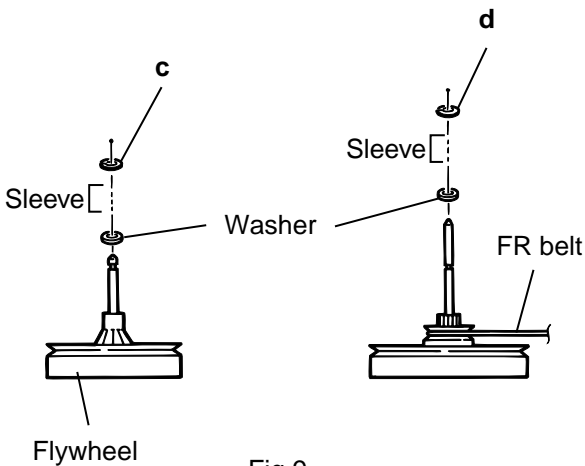


Fig.9

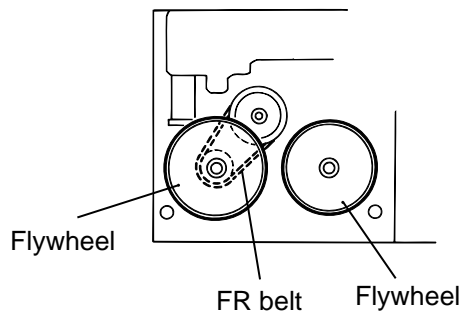


Fig.8



**< Speaker section >**

- It is exchange in a unit.  
Please do not decompose.

**■ Removing the net assembly (See Fig. 1)**

1. Remove the four bosses attaching the net assembly and remove the net assembly.

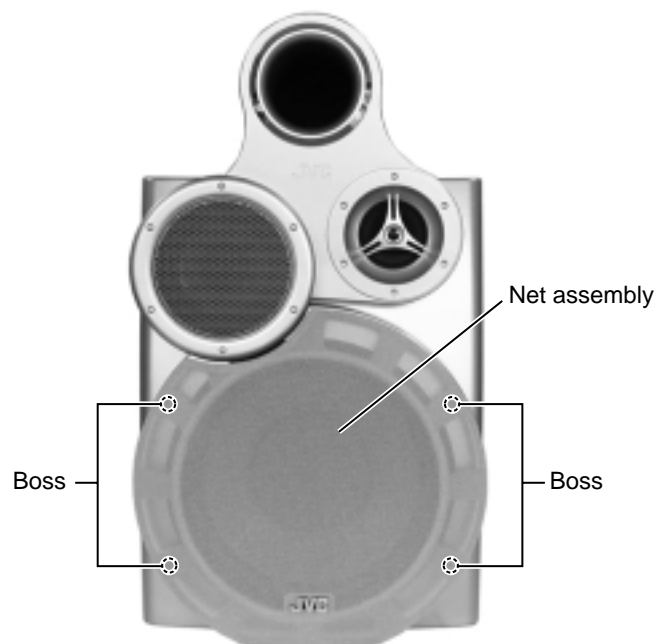
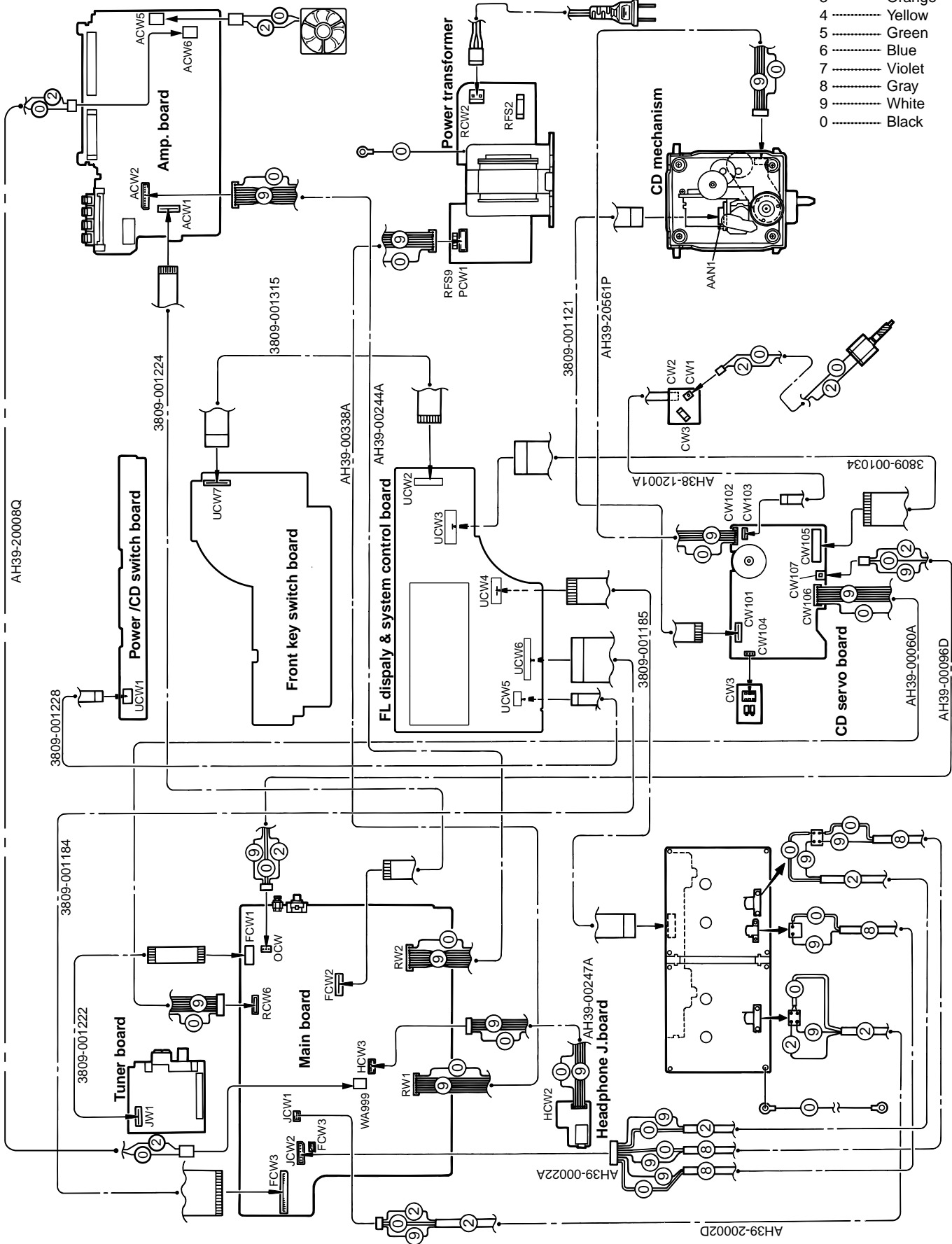


Fig.1

# Wiring connection

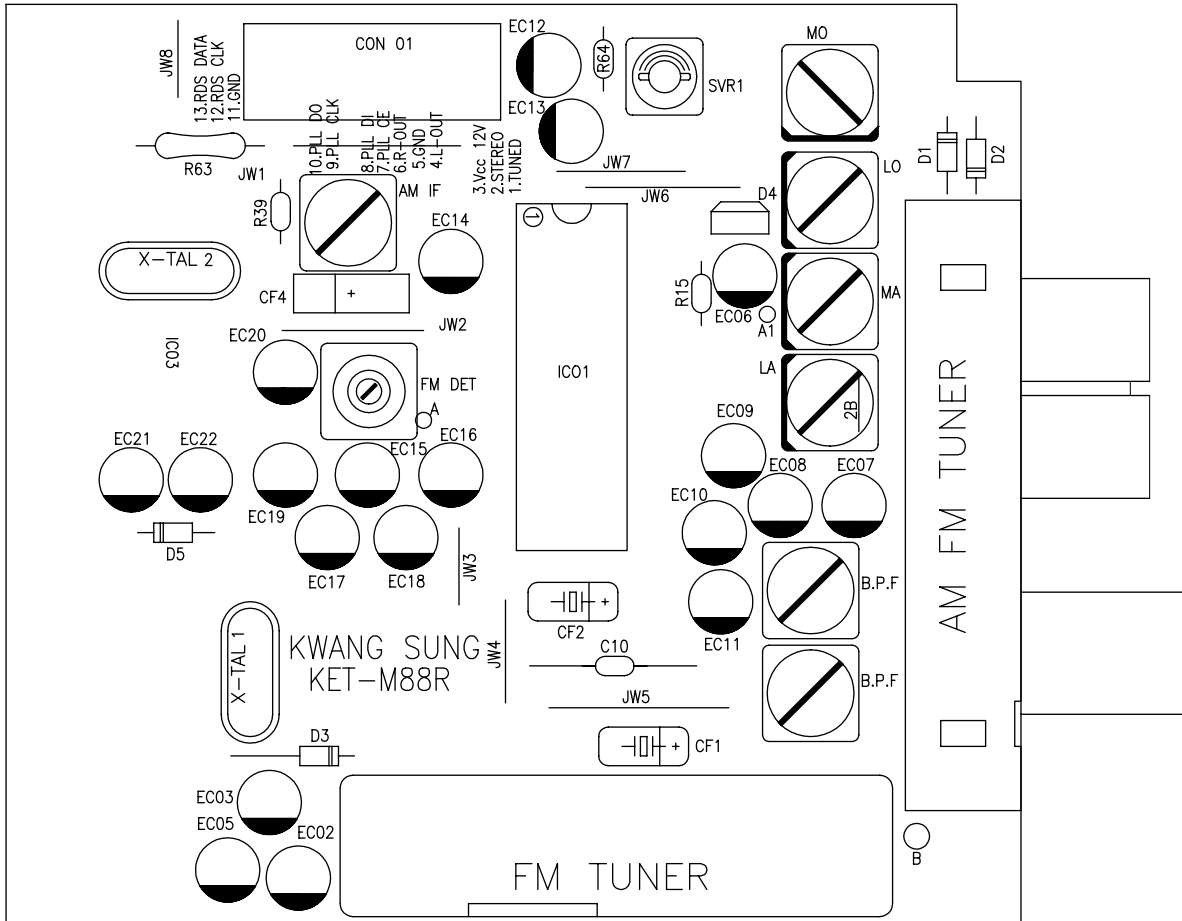
Color codes are shown below.

- 1 ..... Brown
- 2 ..... Red
- 3 ..... Orange
- 4 ..... Yellow
- 5 ..... Green
- 6 ..... Blue
- 7 ..... Violet
- 8 ..... Gray
- 9 ..... White
- 0 ..... Black



# Adjustment method

## 1. Tuner



\* Adjustment Location of Tuner PCB

ITEAM	AM(MW) OSC Adjustment	AM(MW) RF Adjustment
Received FREQ.	530~1710 KHz	600 KHz
Adjustment point	MO	MA
Output	1~7.0 ± 0.5V	Maximum Output(Fig.1)

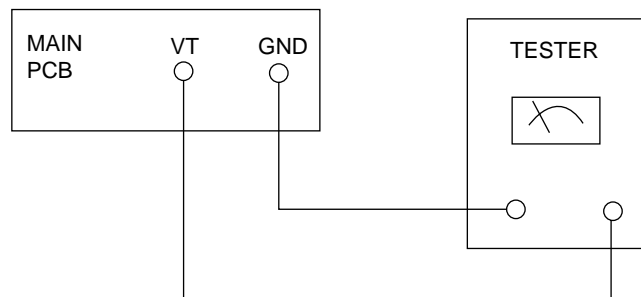


Fig.1 OSC Voltage

FM THD Adjustment	
SSG FREQ.	98 MHz
Adjustment point (FM DET)	FM DETECTOR COIL
Output	60 dB
Minimum Distortion (0.4% below) (Fig.2)	

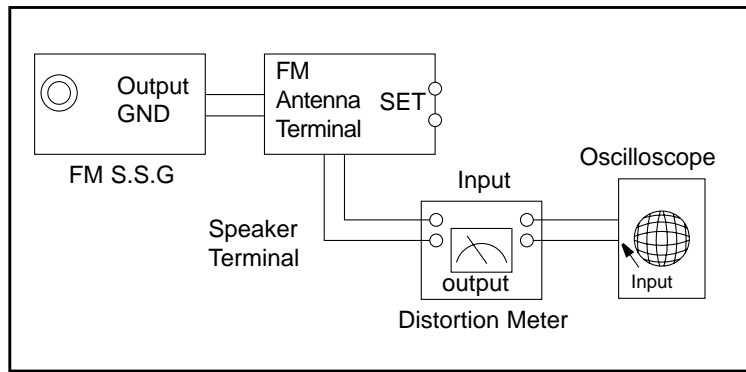


Fig.2 IF CENTER and THD Adjustment

FM Search Level Adjustment	
SSG FREQ.	98 MHz
Adjustment point (SVR1)	BEACON SENSITIVITY SEMI-VR(20KΩ)
Output	28 dB (± 2dB)
Adjust SVR1 so that "TUNED" of FL T is lighted (Fig.3)	

\*Adjust FM S.S.G level to 28dB

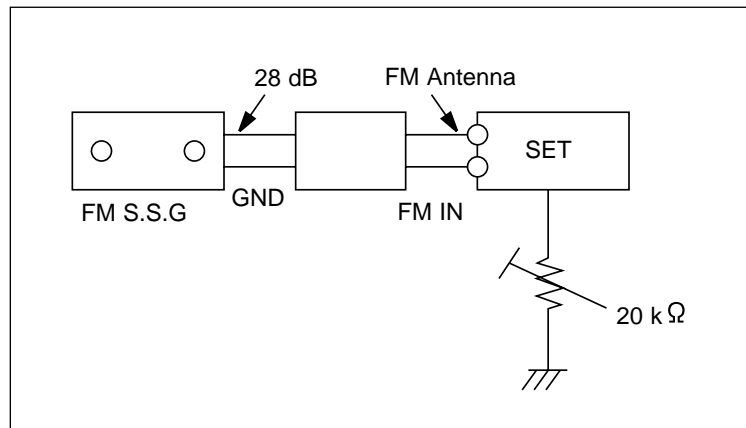


Fig.3 FM Auto Search Level Adjustment

AM(MW) I.F Adjustment	
SSG FREQ.	450 kHz
Frequency	520 kHz
Adjustment point	AM IF
Maximum output (Fig.4)	

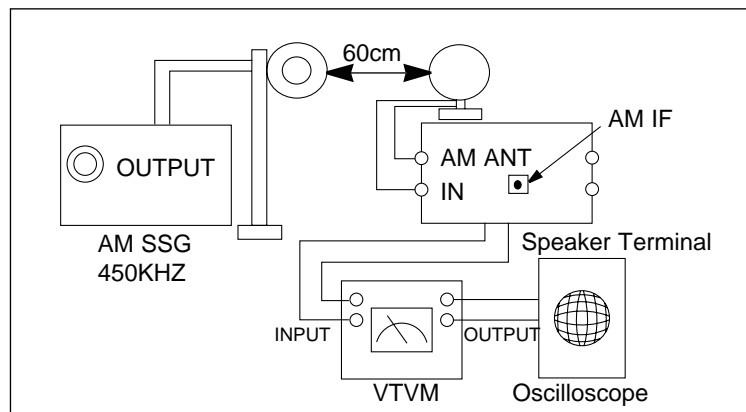


Fig.4 AM I.F Adjustment

## 2. Cassette Deck

### ■ To adjust tape speed

Notes

- 1) Measuring tape:
  - i) VT-712/MTT-111(or equivalent)  
(Tapes recorded with 3kHz)
  - ii) AC-225/MTT-5512(or equivalent)
- 2) Connect the cassette deck to the frequency counter as in fig.1.

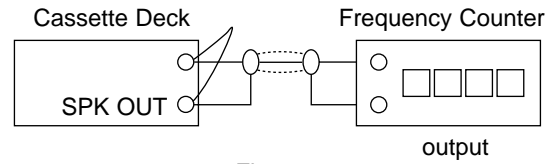


Fig.1

Step	Item	Pre-Setup Condition	Pre-Setup	To Adjust	Standard	Remark
1	NOR SPEED Control	OUT (connected to the frequencycounter)	1) Deck 1:VT-712 2) Press PLAY SW button 3) Deck 2:Same as above	Turn VSR1 to left and right (FRONT PCB)	3KHz	±1% range

### ■ To adjust playback level/REC

Notes

- 1) Before the actual adjustment, clean the play/recording head.
- 2) Measuring tape :
  - i) VT-703/MTT-114N(or equivalent 10kHz AZIMUTH control)
  - ii) AC-225/MTT-5512(or equivalent)
- 3) The cassette deck is connections as shown in fig.2.

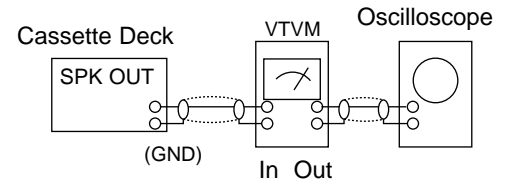


Fig.2

#### 1. Adjust Deck 1 Play Level

Step	Item	Pre-Setup Condition	Pre-Setup	To Adjust	Standard	Remark
1	AZIMUTH	SPK OUT (VTVM is connected to the scope)	After putting VT-703 into Deck 1 - Press FWD PLAY button.	Turn the control screw to as shown in Fig.3.	Max output and same phase (both channels)	After adjustment secure it with REGION LOCK.

## 2. Adjust Deck 2 Play Level/REC BIAS

Step	Item	Pre-Setup Condition	Pre-Setup	To Adjust	Standard	Remark
1	AZIMUTH	SPK OUT (VTVM is connected to the scope)	After putting VT-703 into Deck 2 1) Press FWD PLAY button.	Turn the control screw to as shown in Fig.3.	Max output and same phase (both channels)	After adjustment secure it with REGION LOCK.
2	Recording Bias Voltage	Fig.4	After putting AC-225 into Deck 2 1) Press REC PLAY button. 2) MAIN PCB JCW3, connected to VTVM	Turn JSR2L, JSR2R to the right and left	7mV(±0.5mV)	

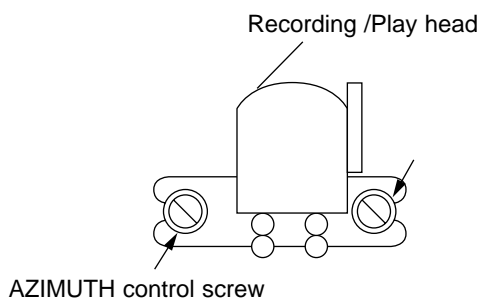


Fig.3

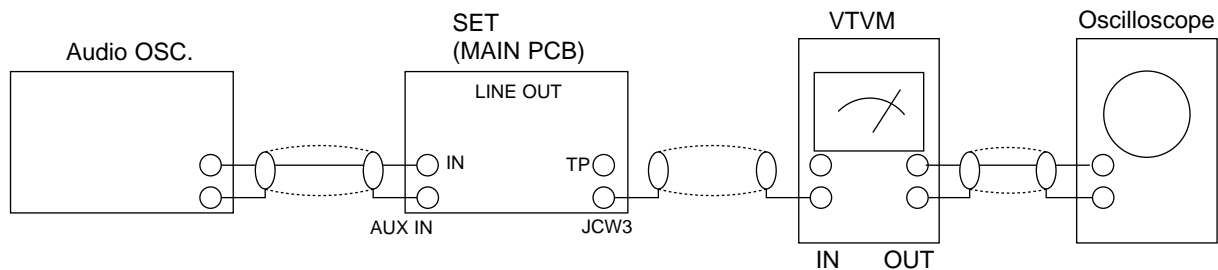
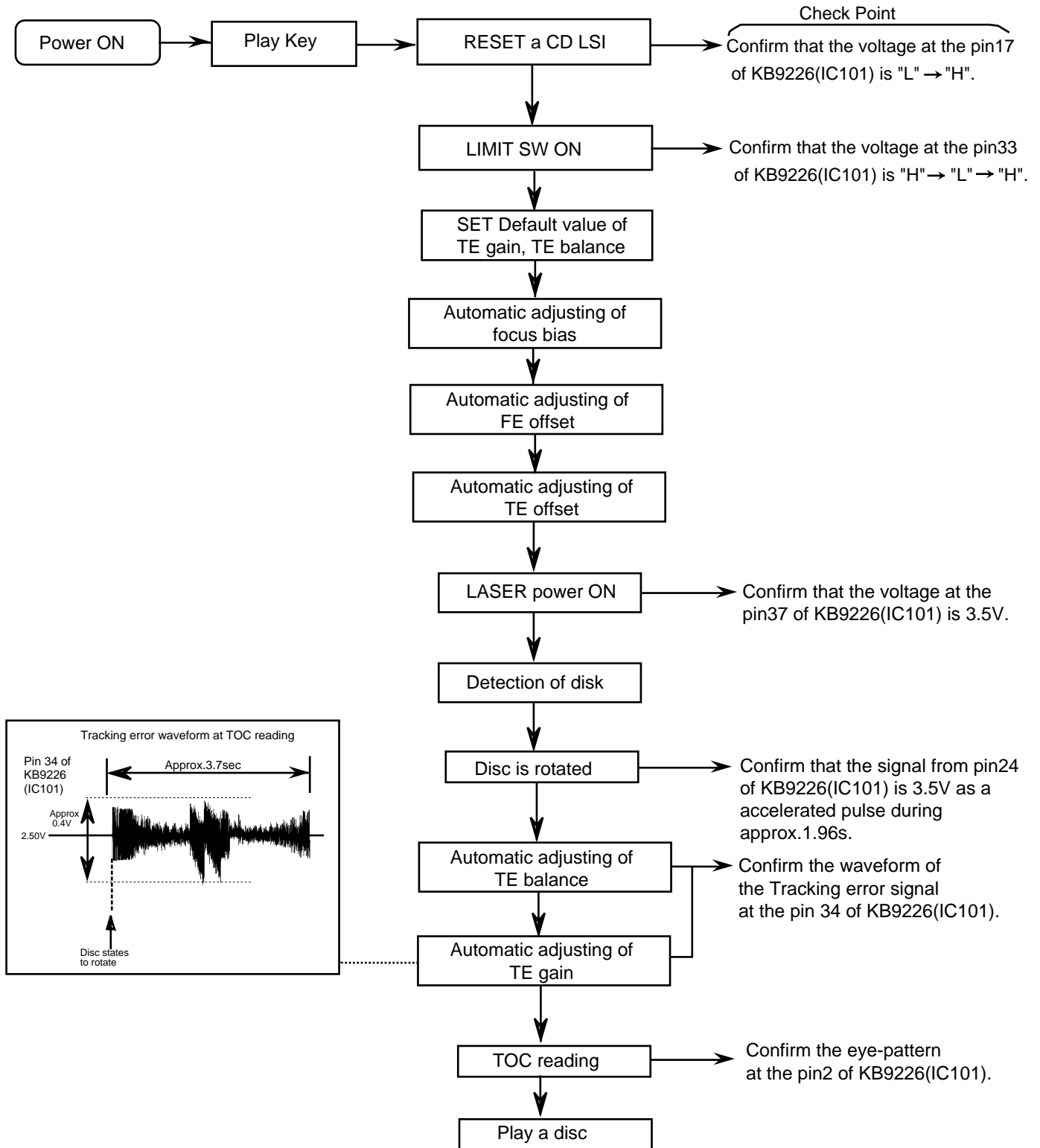


Fig.4

# Flow of functional operation until TOC read



## Maintenance of laser pickup

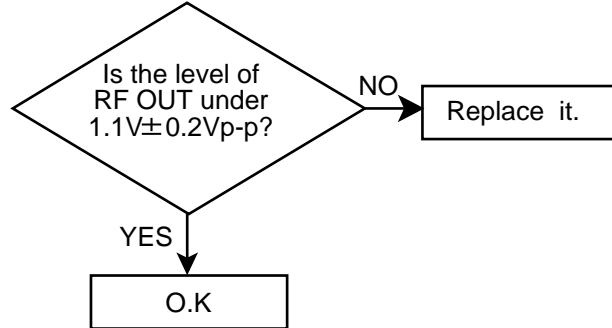
(1) Cleaning the pick up lens

Before you replace the pick up, please try to clean the lens with a alcohol soaked cotton swab.

(2) Life of the laser diode

When the life of the laser diode has expired, the following symptoms will appear.

1. The level of RF output (EFM output : amplitude of eye pattern) will below.



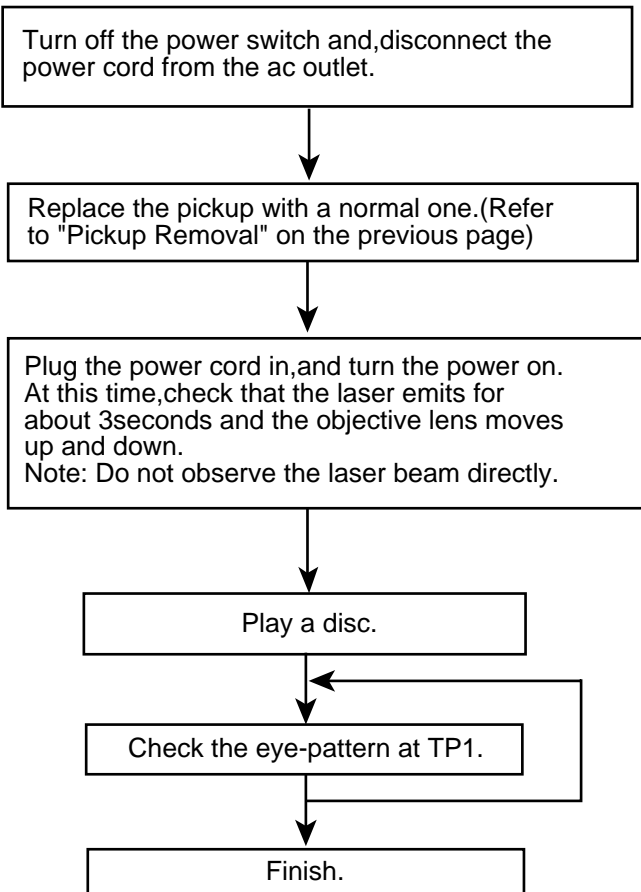
(3) Semi-fixed resistor on the APC PC board

The semi-fixed resistor on the APC printed circuit board which is attached to the pickup is used to adjust the laser power. Since this adjustment should be performed to match the characteristics of the whole optical block, do not touch the semi-fixed resistor.

If the laser power is lower than the specified value, the laser diode is almost worn out, and the laser pickup should be replaced.

If the semi-fixed resistor is adjusted while the pickup is functioning normally, the laser pickup may be damaged due to excessive current.

## Replacement of laser pickup

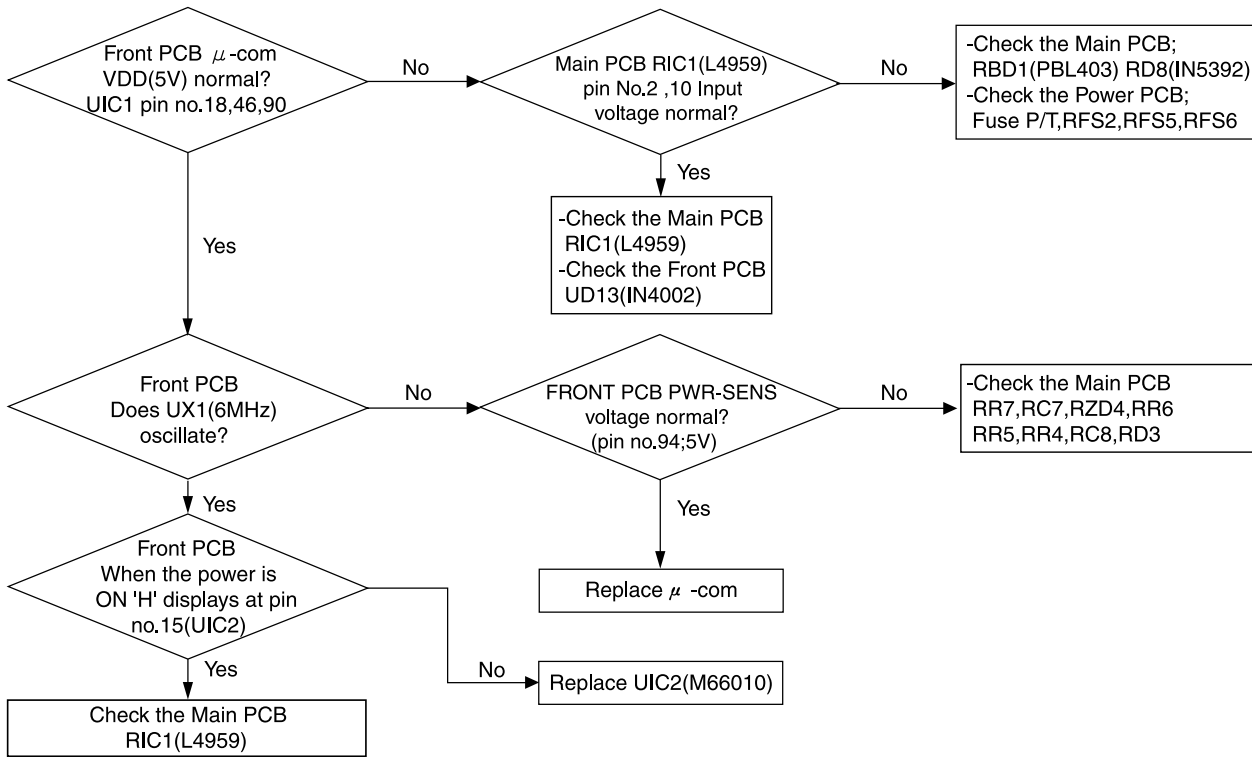




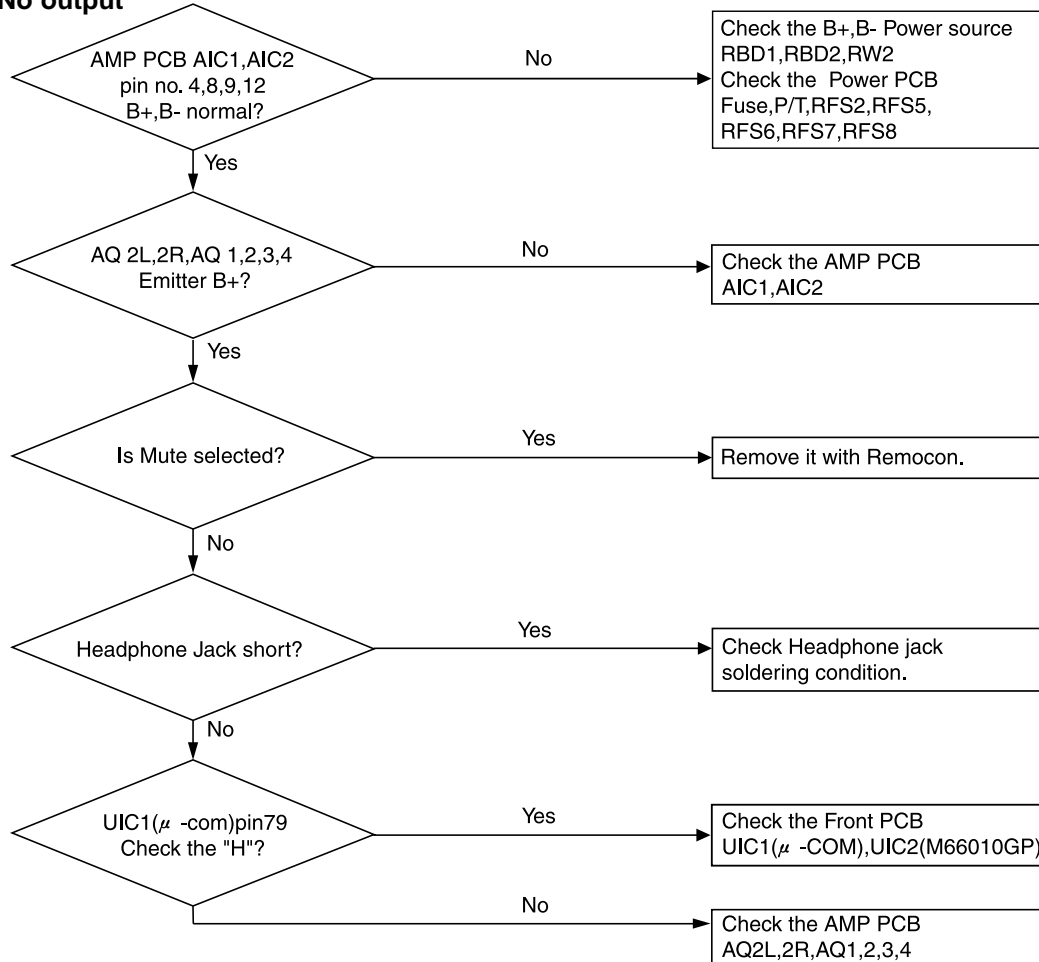
# Troubleshooting

## 1. Amplifier

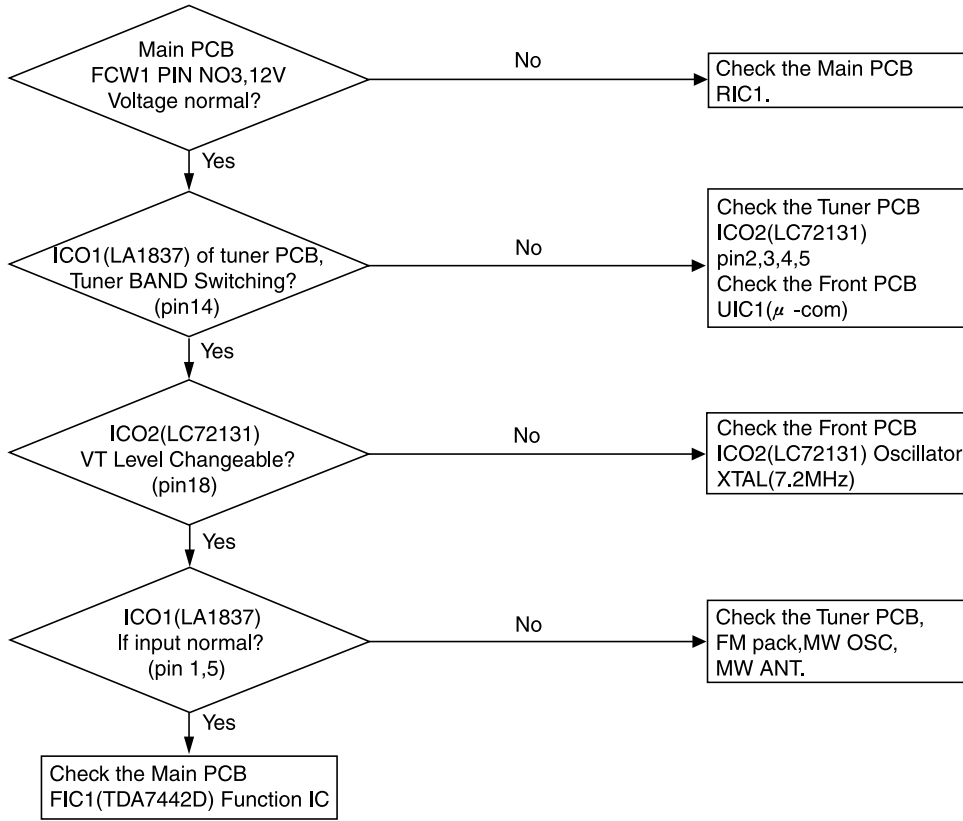
### Power malfunction



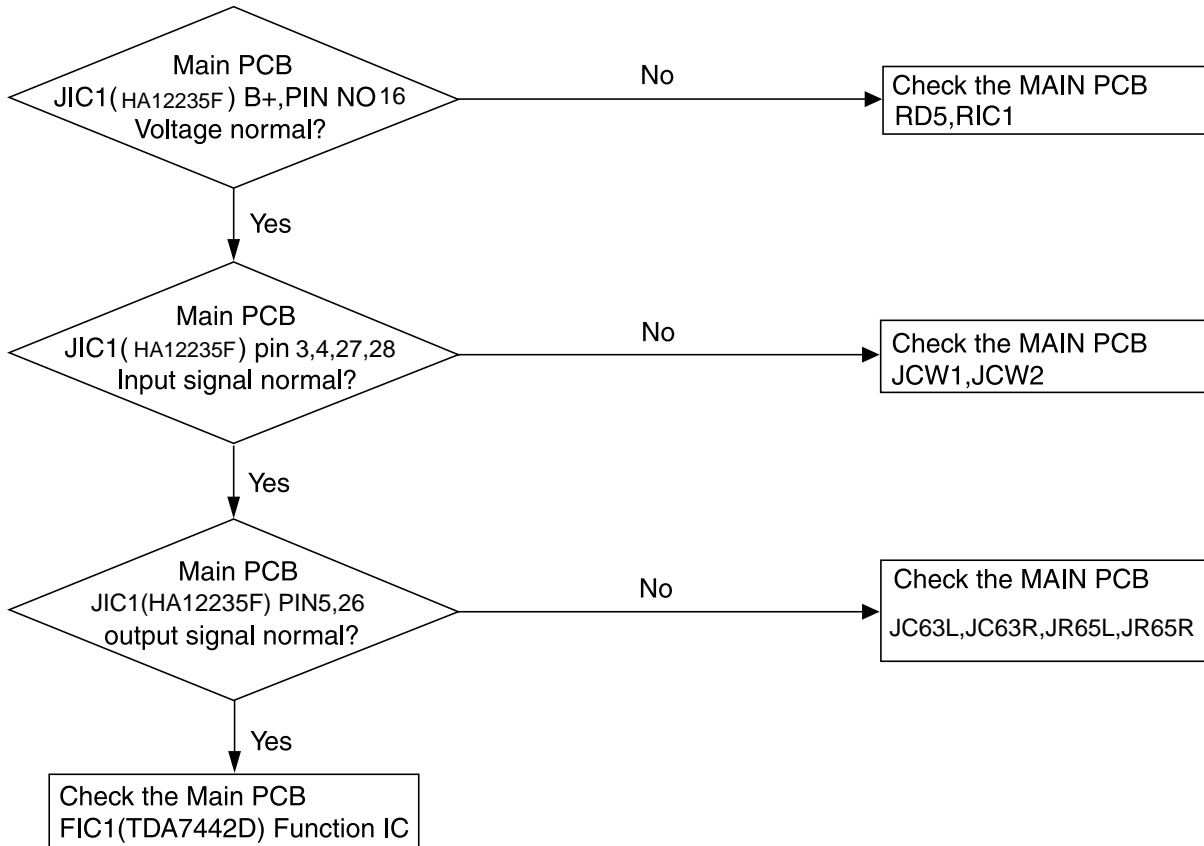
### No output



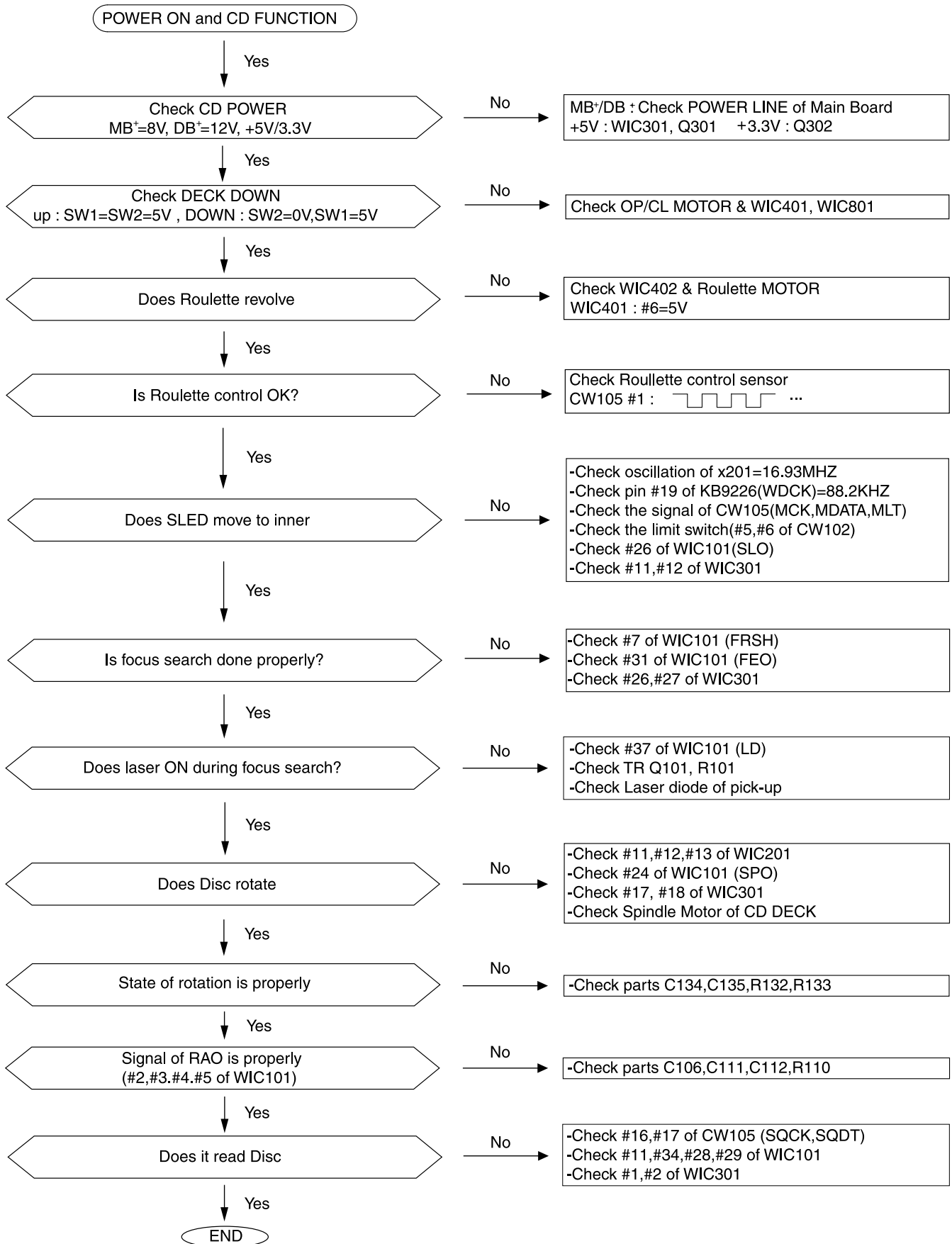
### 2.Tuner malfunction (FM/AM)



### 3.Tape



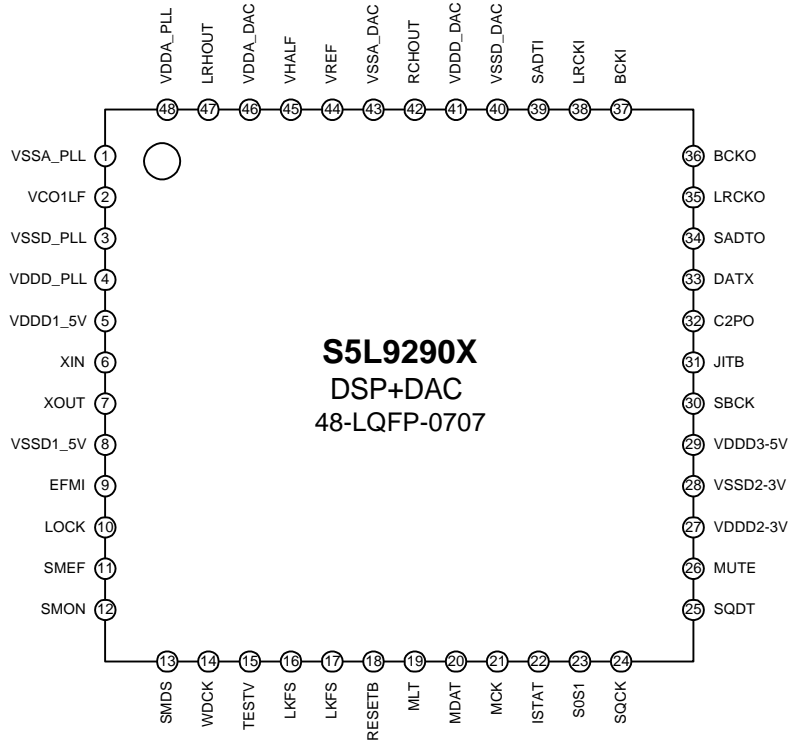
4.CD



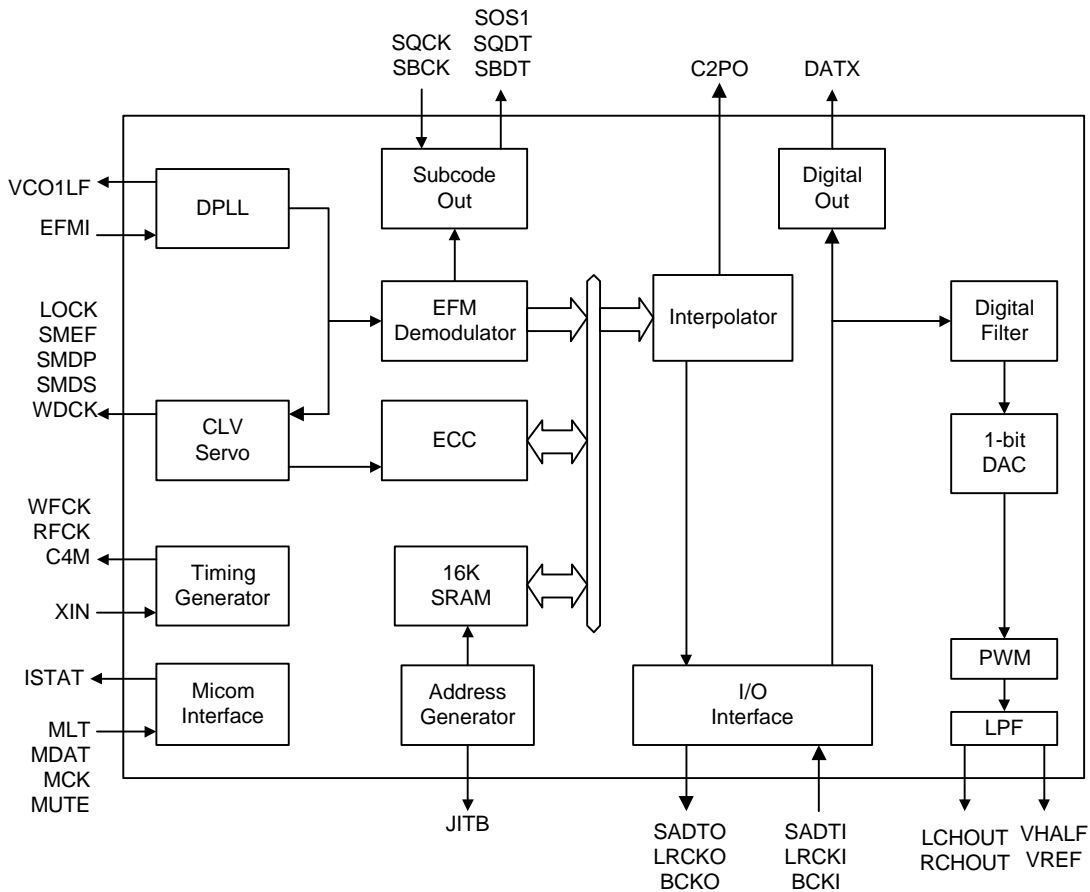
# Description of major ICs

## ■ 5L9290 (IC201) : Digital signal processor for CDP

### 1. Pin layout



### 2. Block diagram

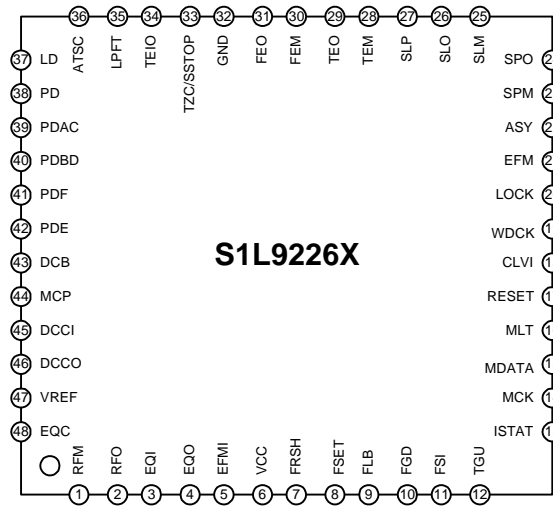


## 3. Pin function

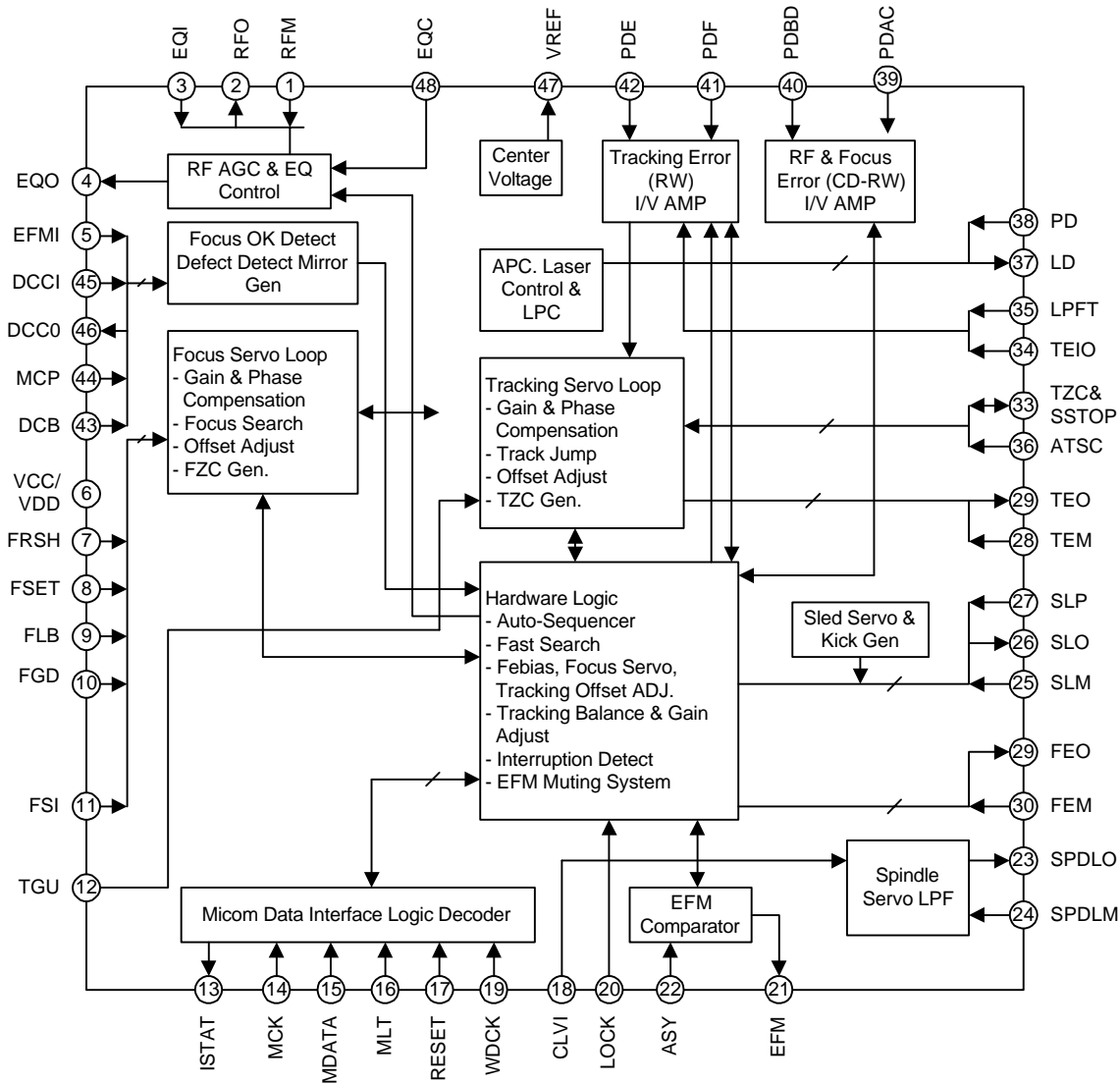
NO.	Symbol	I/O	Function
1	VSSA_PLL	-	Analog Ground for DPLL
2	VCO1LF	O	Pump out for VCO1
3	VSSD_PLL	-	Digital Ground Separated Bulk Bias for DPLL
4	VDDD_PLL	-	Digital Power Separated Bulk Bias for DPLL (3V Power)
5	VDDD1-5V	-	Digital Power (5V Power, I/O PAD)
6	XIN	I	X'tal oscillator input (16.9344MHz)
7	XOUT	O	X'tal oscillator output
8	VSSD1	-	Digital Ground (I/O PAD)
9	EFMI	I	EFM signal input
10	LOCK	O	CLV Servo locking status output
11	SMEF	O	LPF time constant control of the spindle servo error signal
12	SMDP	O	Phase control output for Spindle Motor drive
13	SMDS	O	Speed control output for Spindle Motor drive
14	WDCK	O	Word clock output (Normal Speed : 88.2KHz, Double Speed : 176.4KHz)
15	TESTV	I	Various Data/Clock Input
16	LKFS	O	The Lock status output of frame sync
17	C4M	O	4.2336MHz clock output
18	RESETB	I	System Reset at 'L'
19	MLT	I	Latch signal input from Micom
20	MDAT	I	Serial data input from Micom
21	MCK	I	Serial data receiving clock input from Micom
22	ISTAT	O	The internal status output to Micom
23	S0S1	O	Subcode sync signal(S0+S1) output
24	SQCK	I	Subcode-Q data transferring bit clock input
25	SQDT	O	Subcode-Q data serial output
26	MUTE	I	System mute at 'H'
27	VDDD2-3V	-	Digital Power (3V Power, Internal Logic)
28	VSSD2	-	Digital Ground (Internal Logic)
28	VDDD3-5V	-	Digital Power (5V Power, I/O PAD)
30	SBCK	I	Subcode data transferring bit clock
31	JITB	O	Internal SRAM jitter margin status output
32	C2PO	O	C2 pointer output
33	DATX	O	Digital audio data output
34	SADTO	O	Serial audio data output (48 slot, MSB first)
35	LRCKO	O	Channel clock output
36	BCKO	O	Bit clock output
37	BCKI	I	Bit clock input
38	LRCKI	I	Channel clock input
39	SADTI	I	Serial audio data input (48 slot, MSB first)
40	VSSD_DAC	-	Digital Ground for DAC
41	VDDD_DAC	-	Digital Power for DAC (3V Power)
42	RCHOUT	O	Right-Channel audio output through DAC
43	VSSA_DAC	-	Analog Ground for DAC
44	VREF	O	Referance Voltage output for bypass
45	VHALF	O	Referance Voltage output for bypass
46	VDDA_DAC	-	Analog Power for DAC (3V Power)
47	LCHOUT	O	Left-Channel audio output through DAC
48	VDDA_PLL	-	Analog Power for PLL (3V Power)

■KB9226 (IC101) : RF amp. & servo signal processor

1. Pin layout



2. Block diagram



## 3. Pin function

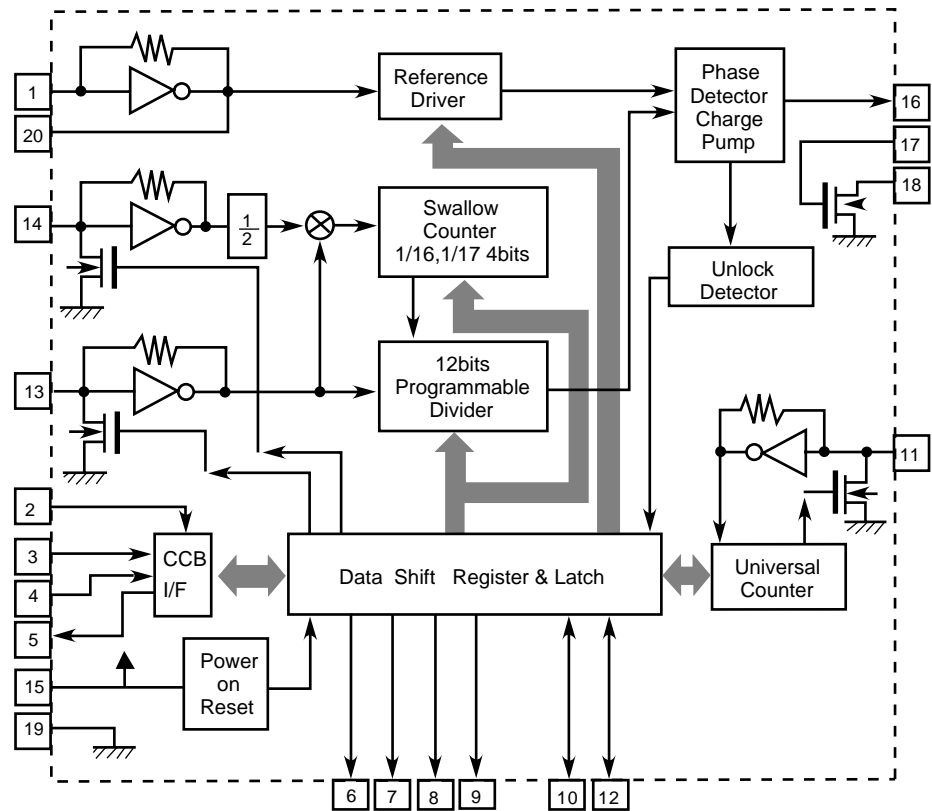
Pin No.	Symbol	I/O	Function
1	RFM	I	RF summing amp. inverting input
2	RFO	O	RF summing amp. output
3	EQI	I	RFO DC eliminating input(use by MIRROR, FOK ,AGC & EQ terminal)
4	EQO	O	RF equalizer output
5	EFMI	I	EFM slice input. (input impedance 47K)
6	VCC	P	Main power supply
7	FRSH	I	Capcitor connection to focus search
8	FSET	I	Filter bias for focus,tracking,spindle
9	FLB	I	Capacitor connection to make focus loop rising band
10	FGD	I	Terminal to change the high frequency gain of focus loop
11	FSI	I	Focus servo input
12	TGU	I	Connect the component to change the high frequency of tracking Loop
13	ISTAT	O	Internal status output
14	MCK	I	Micom clock
15	MDATA	I	Data input
16	MLT	I	Data latch input
17	RESET	I	Reset input
18	CLVI	I	Input the spindle control output from DSP
19	WDCK	I	88.2KHz input terminal from DSP
20	LOCK	I	Sled run away inhibit pin (L: sled off & tracking gain up)
21	EFM	O	EFM output for RFO slice(to DSP)
22	ASY	I	Auto asymmetry control input
23	SPM	I	Spindle amp. inverting input
24	SPO	O	Spindle amp. output
25	SLM	I	Sled servo inverting input
26	SLO	O	Sled servo output
27	SLP	I	Sled servo noninverting input
28	TEM	I	Tracking servo amp.inverting input
29	TEO	O	Tracking servo amp. output
30	FEM	I	Focus servo amp. inverting input
31	FEO	O	Focus servo amp. output pin
32	GND	P	Main ground
33	TZC/ SSTOP	I	Tracking zero crossing input & Check the position of pick-up whether inside or not
34	TEIO	B	Tracking error output & Tracking servo input
35	LPFT	I	Tracking error integration input (to automatic control)
36	ATSC	I	Anti-shock input
37	LD	O	APC amp. output
38	PD	I	APC amp. input
39	PDAC	I	Photo diode A & C RF I/V amp. inverting input
40	PDBD	I	Photo diode B & D RF I/V amp. inverting input
41	PDF	I	Photo diode F & tracking(F) I/V amp. inverting input
42	PDE	I	Photo diode E & tracking(E) I/V amp. inverting input
43	DCB	I	Capacitor connection to limit the defect detection
44	MCP	I	Capacitor connection to mirror hold
45	DCCI	O	Output pin to connect the component for defect detect
46	DCCO	I	Input pin to connect the component for defect detect
47	VREF	O	(VCC+GND)/2 Voltage reference output
48	EQC	I	AGC_equalize level control terminal & capacitor terminal to input in to VCA

**LC72131(IC02) : PLL frequency synthesizer for electron alignment**

1. Pin layout

XIN	1	20	XOUT
CE	2	19	VSS
DI	3	18	AOUT
CL	4	17	AIN
DO	5	16	PD
BO1	6	15	VDD
BO2	7	14	FMIN
BO3	8	13	AMIN
BO4	9	12	I02
I01	10	11	IFIN

2. Block diagram



3. Pin function

(1/2)

Symbol	Pin No.	Type	Functions	Circuit configuration
XIN XOUT	1 20	Xtal OSC	<ul style="list-style-type: none"> <li>Crystal resonator connection (4.5MHz/7.2MHz)</li> </ul>	
FMIN	14	Local oscillator signal input	<ul style="list-style-type: none"> <li>Serial data input : FMIN is selected when DVS is set to 1.</li> <li>The input frequency range is from 10 to 160MHz.</li> <li>The signal is passed through a built-in divide-by-two prescaler and then supplied to the swallow counter.</li> <li>A1 though the range of divisor setting is from 272 to 65, 535, the actual divisor is twice the setting since there is also a built-in divide-by-two prescaler.</li> </ul>	
AMIN	13	Local oscillator signal input	<ul style="list-style-type: none"> <li>Serial data input : AMIN is selected when DVS is set to 0.</li> <li>Serial data input : When SNS is set to 1 :                             <ul style="list-style-type: none"> <li>The input frequency range is form 2 to 40MHz</li> <li>The signal is supplied directly to the swallow counter.</li> <li>The range of divisor setting is from 272 to 65, 535 and the actual divisor will be the value set.</li> </ul> </li> <li>Serial data input : When SNS is set to 0 :                             <ul style="list-style-type: none"> <li>The input frequency ranges is from 0.5 to 10MHz.</li> <li>The signal is supplied directly to a 12-bit programmable divider.</li> <li>The range of divisor setting is from 4 to 4,095 and the actual divisor will be the value set.</li> </ul> </li> </ul>	
CE	2	Chip enable	<ul style="list-style-type: none"> <li>Most be set high when serial data is input to the LC72131M (DI ), or when serial data is output (DO).</li> </ul>	



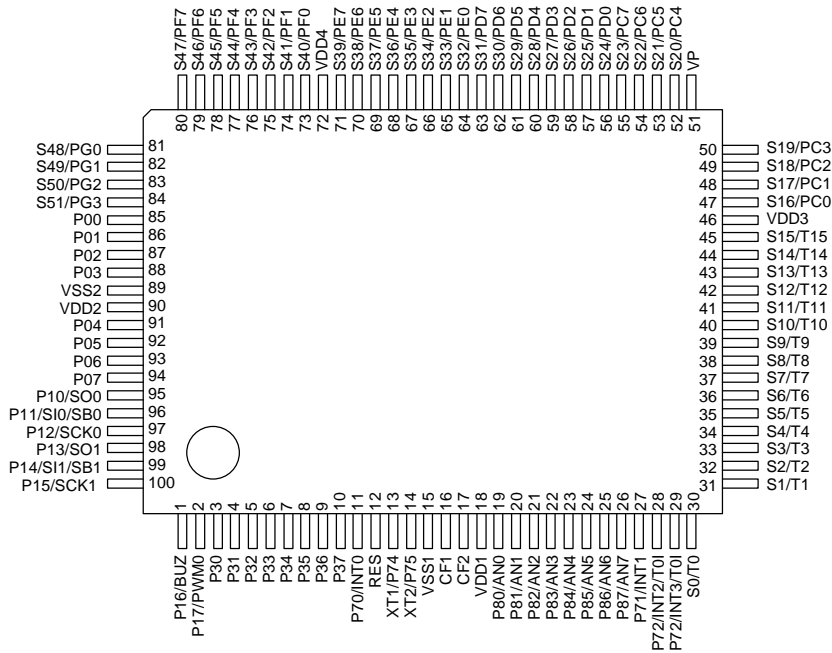
## 3.Pin function

(2/2)

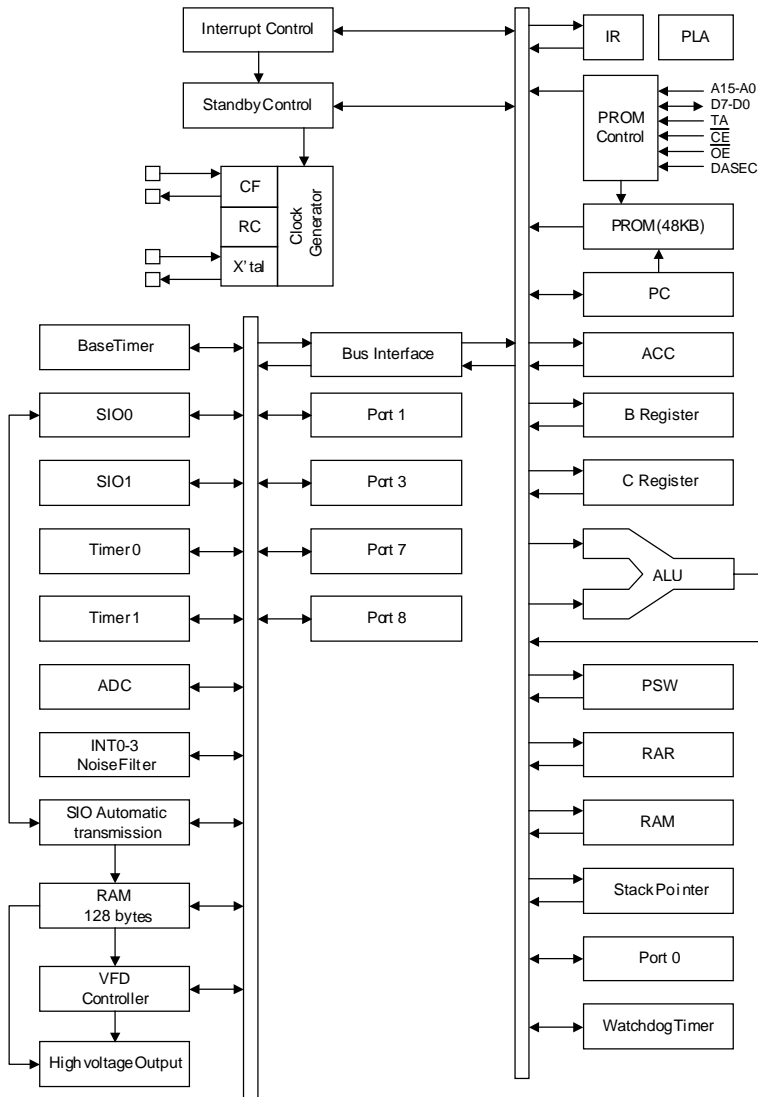
Symbol	Pin No.	Type	Functions	Circuit configuration
CL	4	Clock	<ul style="list-style-type: none"> <li>Used as the synchronization clock when serial data is input to the LC72131 (DI), or when serial data is output (DO).</li> </ul>	
DI	3	Input data	<ul style="list-style-type: none"> <li>Inputs serial data sent from the controller to the LC72131M.</li> </ul>	
DO	5	Output data	<ul style="list-style-type: none"> <li>Output serial data sent from the LC72131M to the controller. The content of the output data is determined by the serial data DOC0 to DOC2.</li> </ul>	
VDD	15	Power supply	<ul style="list-style-type: none"> <li>The LC72131M power supply (VDD=4.5 to 5/5V)</li> <li>The power on reset circuit operates when power is first applied.</li> </ul>	
VSS	19	Ground	<ul style="list-style-type: none"> <li>The LC72131M ground.</li> </ul>	
$\overline{\text{BO1}}$ $\overline{\text{BO2}}$ $\overline{\text{BO3}}$ $\overline{\text{BO4}}$	6 7 8 9	Output port	<ul style="list-style-type: none"> <li>Dedicated output pins</li> <li>The output states are determined by BO1 to BO4 in the serial data. 'Data'=0:Open =1:Low</li> <li>The pins go to the open state after the power-on reset.</li> <li>An 8Hz time base signal can be output from <math>\overline{\text{BO1}}</math> when TBC in the serial data is set to 1.</li> <li>Note that the ON impedance of the <math>\overline{\text{BO1}}</math> pin is higher than that of the other pins (BO2 to BO4)</li> </ul>	
$\overline{\text{IO1}}$ $\overline{\text{IO2}}$	10 12	I/O Port	<ul style="list-style-type: none"> <li>Pins used for both input and output</li> <li>The input or output state is determined by bits IOC1 and IOC2 in the serial state. 'Data'=0:Input port =1:Output port</li> <li>When specified for use as an input port : The input state is transmitted to the controller through the DO pin. 'Input state'=Low:data value → 0 =High:data value → 1</li> <li>When specified for use as an output port : The output state is determined by bits IO1 and IO2 in the serial state. 'Data'=0:Open =1:Low</li> <li>These pins go to the input port state after the power-on reset.</li> </ul>	
PD	16	Charge pump output	<ul style="list-style-type: none"> <li>PLL Charge pump output</li> <li>When the frequency generated by dividing the Local oscillator frequency by N is higher than the reference frequency, a high level will be output from the PD in. similarly, when that frequency is lower, a low level will be output.</li> <li>The PD pin goes to the high impedance state when the frequencies agree.</li> </ul>	
AIN AOUT	17 18	L.P.F amplifier Tr	<ul style="list-style-type: none"> <li>The MOS transistor used for the PLL active Low-pass filter.</li> </ul>	
IFIN	11	IF counter	<ul style="list-style-type: none"> <li>The input frequency range is from 0.4 to 12MHz.</li> <li>The signal is supplied directly to the IF counter.</li> <li>The result from the IF counter MBS is output through the DO pin.</li> <li>There are four measurement periods: 4, 8, 32 or 64ms.</li> </ul>	

## ■ LC86P6548 (UIC1) : Microcontroller

### 1.Pin layout



### 2.Block diagram

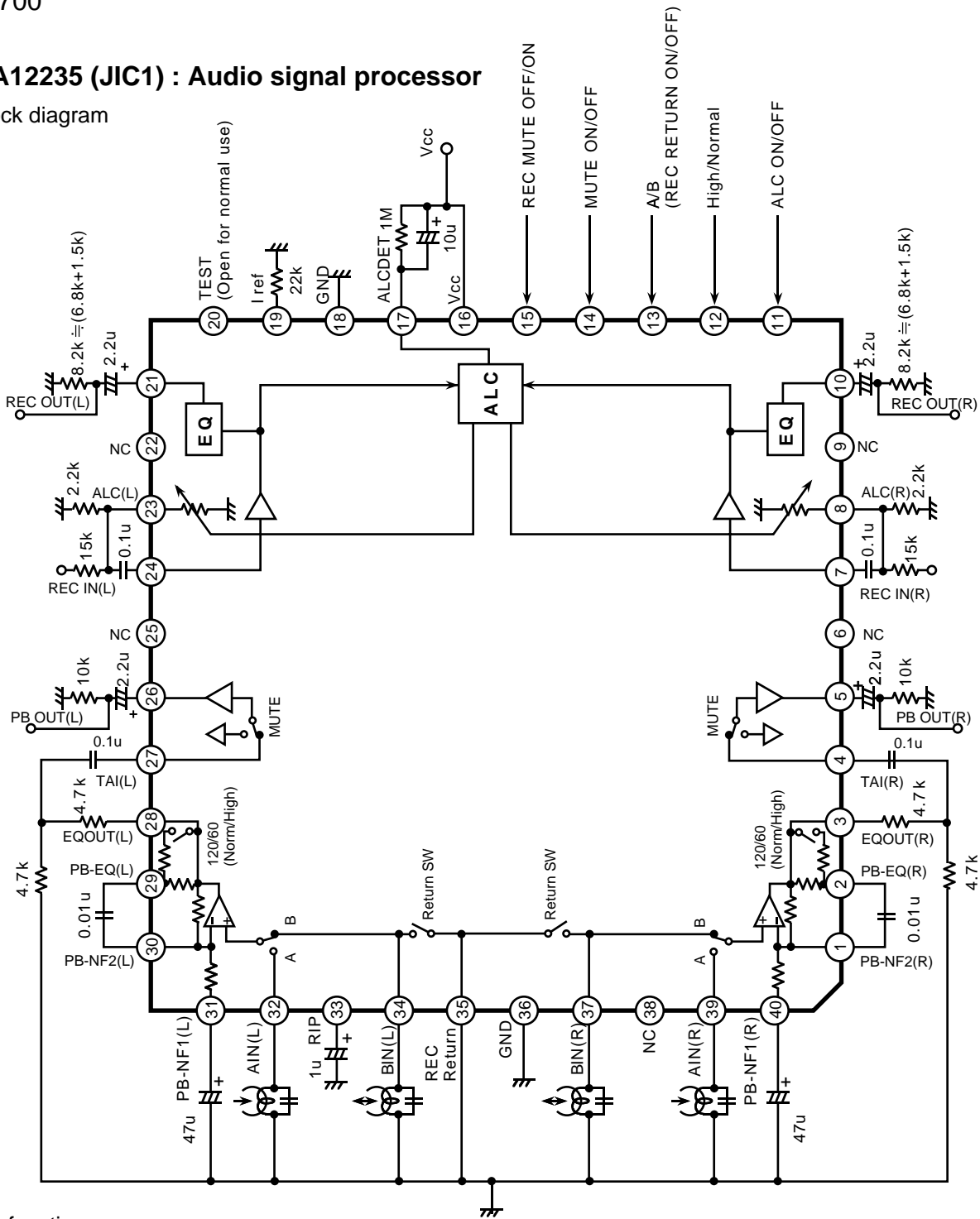


## 3. Pin function

Symbol	I/O	Function
VSS1,2	-	Power pin (-)
VDD1,2,3,4	-	Power pin (+)
VP	-	Power pin (+) for the VFD output pull-down resist
PORT0 P00 to P07	I/O	<ul style="list-style-type: none"> <li>• 8-bit input/output port</li> <li>• Input for port 0 interrupt</li> <li>• Input/output in nibble units</li> <li>• Input for HOLD release</li> <li>• 15V withstand at N-channel open drain output</li> </ul>
PORT1 P10 to P17	I/O	<ul style="list-style-type: none"> <li>• 8-bit input/output port</li> <li>• input/output can be specified in abit unit</li> <li>• Other functions (P10 SIO0 data output, P11 SIO0 data input/bus input/output, P12 SIO0 clock input/output, P13 SIO1 data output, P14 SIO1 data input/bus input/output, P15 SIO1 clock input/output, P16 Buzzer output, P17 Timer 1 output)</li> </ul>
PORT3 P30 to P37	I/O	<ul style="list-style-type: none"> <li>• 8-bit input/output port</li> <li>• Input/output in bit unit</li> <li>• 15V withstand at N-channel poen drain output</li> </ul>
PORT7  P70 to P73 P74 to P75	I/O  I	<ul style="list-style-type: none"> <li>• 4-bit input/output port</li> <li>• Input/output in bit unit</li> <li>• 2-bit input port</li> <li>• Other functions (P70 : INT0 input/HOLD release/N-channel Tr. output for watchdog timer, P71 : INT1 input/HOLD release input, P72 : INT2 input/timer event input, P73 : INT3 input with nise filter/timer 0 event input, P74 : 32.768kHz crystal oscillation terminal XT1, P75 : 32,768kHz crystal oscillation terminal XT2)</li> </ul>
PORT8 P80 to 83 P84 to 87	I  I/O	<ul style="list-style-type: none"> <li>• 4-bit input port</li> <li>• Input/output in bit unit</li> <li>• 4-bit input port</li> <li>• Other function (AD input port)</li> </ul>
S0/T0 to S6/T6	O	Output for VFD display controller segment/timing in common
S7/T7 to S15/T15	O	<ul style="list-style-type: none"> <li>• Output for VFD display controller segment/timing with internal pull-down resistor in common</li> <li>• Internal pull-down resistor output</li> </ul>
S16 to S31	I/O	Output for VFD display controller Segment output
S32 to S47	I/O	Output for VFD display controller Segment
S48 to S51	I/O	Output for VFD display controller Segment
RES	I	Reset pin
XT1/P74	I	Input pin for 32.768kHz crystal oscillation
XT2/P75	O	Input pin for 32.768kHz crystal oscillation
CF1	I	Input pin for the ceramic resonator osdillation
CF2	O	Output pin for the ceramic reconator oscillation

# HA12235 (JIC1) : Audio signal processor

## 1. Block diagram

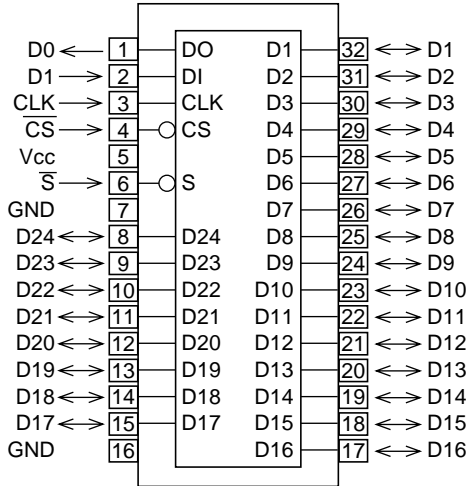


## 2. Pin function

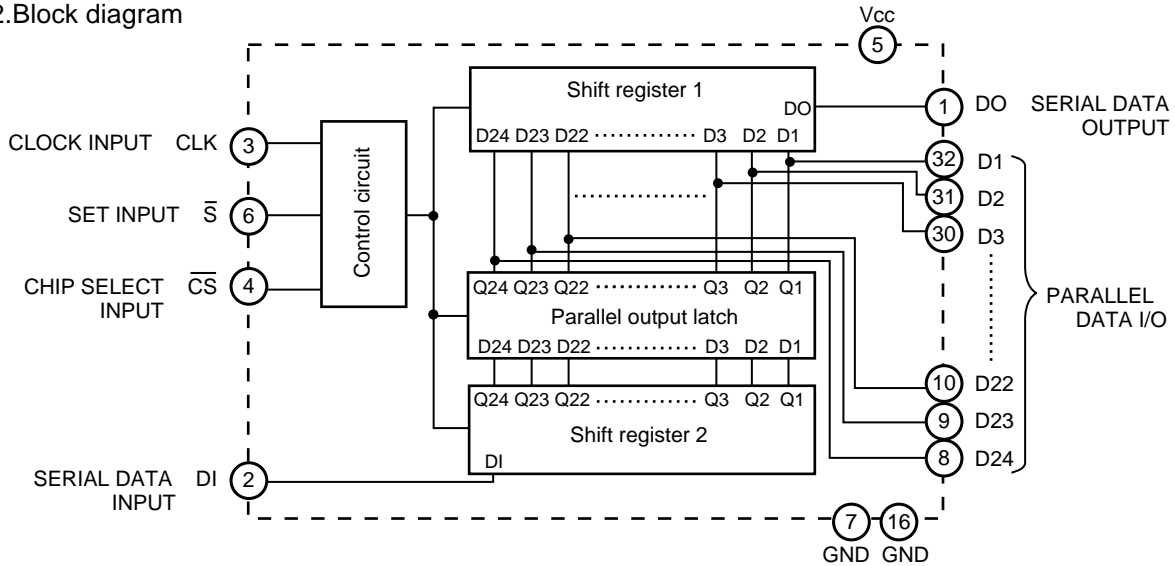
Pin No.	Symbol	Function	Pin No.	Symbol	Function	Pin No.	Symbol	Function
1	PB-NF2(R)	PB EQ feed back	15	REC MUTE OFF/ON	Mode control input	27	TAI(L)	Tape input
2	PB-EQ(R)	NAB output	16	Vcc	Vcc pin	28	EQOUT(L)	EQ output
3	EQOUT(R)	EQ output	17			29	PB-EQ(L)	NAB output
4	TAI(R)	Tape input	18	GND	GND pin	30	PB-NF2(L)	PB EQ feed back
5	PBOUT(R)	PB output	19	IREF	Equalizer reference current input	31	PB-NF(L)	PB EQ feed back
6	NC	NC pin	20	Test mode	Test mode pin	32	AIN(L)	PB A deck input
7	RECIN(R)	REC-EQ input	21	RECOUT(L)	REC output	33	RIP	Ripple filter
8			22	NC	NC pin	34	BIN(L)	PB B deck input
9	NC	NC pin	23			35	REC-RETURN	REC Return
10	RECOUT(R)	REC output	24	RECIN(L)	REC-EQ input	36	GND	GND pin
11	ALC ON/OFF	Mode control input	25	NC	NC pin	37	BIN(R)	PB B deck input
12	High/Norm	Mode control input	26	PBOUT(L)	PB output	38	NC	NC pin
13	A/B	Mode control input				39	AIN(R)	PB A deck input
14	MUTE ON/OFF	Mode control input				40	PB-NF1(R)	PB EQ feed back

**■ M66010 (UIC2) : I/O control**

1.Pin layout

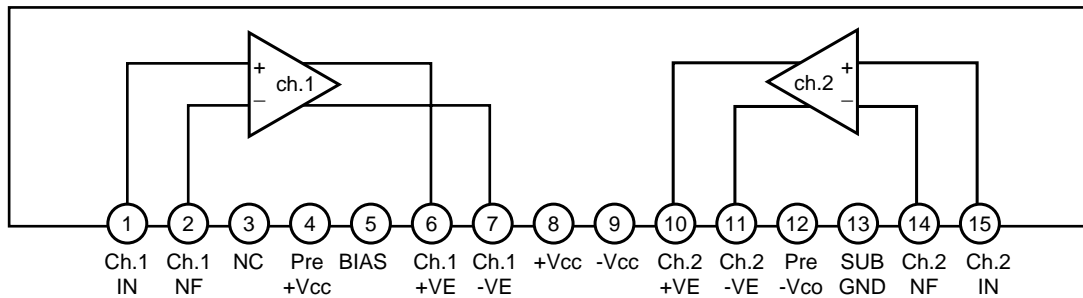


2.Block diagram



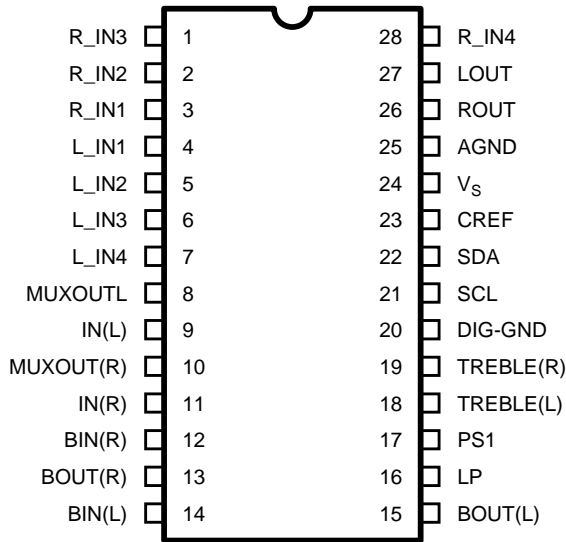
**■ STK402-120 (AIC2) : Power amp.**

1.Pin layout

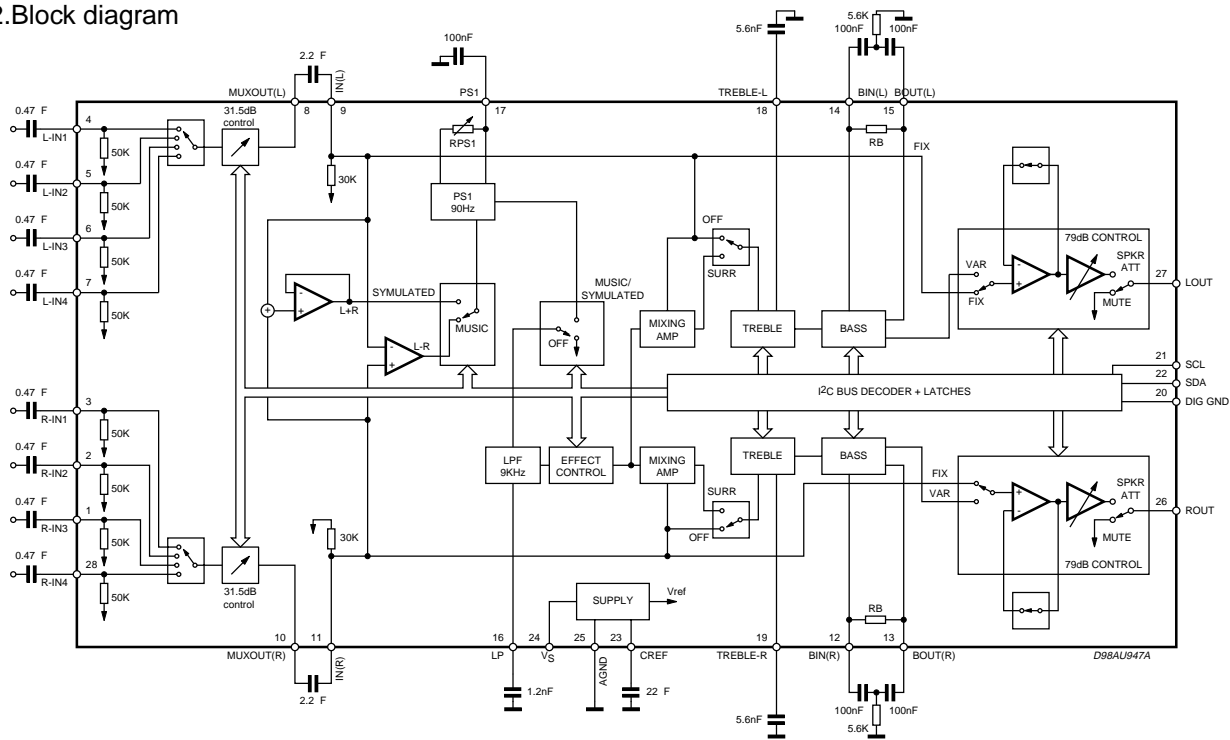


■ TDA7442D (FIC1) : Audio processor

1.Pin layout

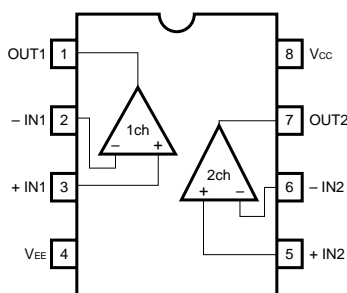


2.Block diagram



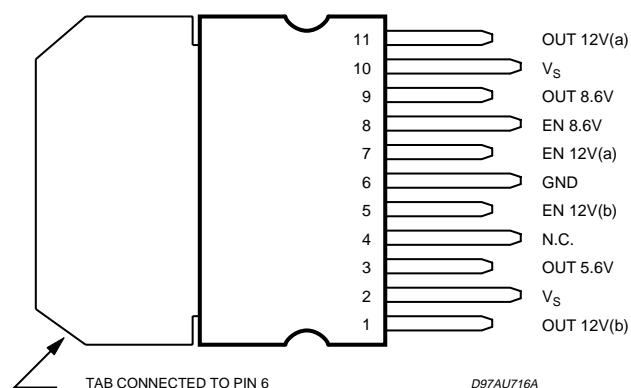
■ BA4560 (AIC3, AIC4, AIC5, AIC6, AIC7, FIC4, HIC1) : Dual op amp.

1.Pin layout

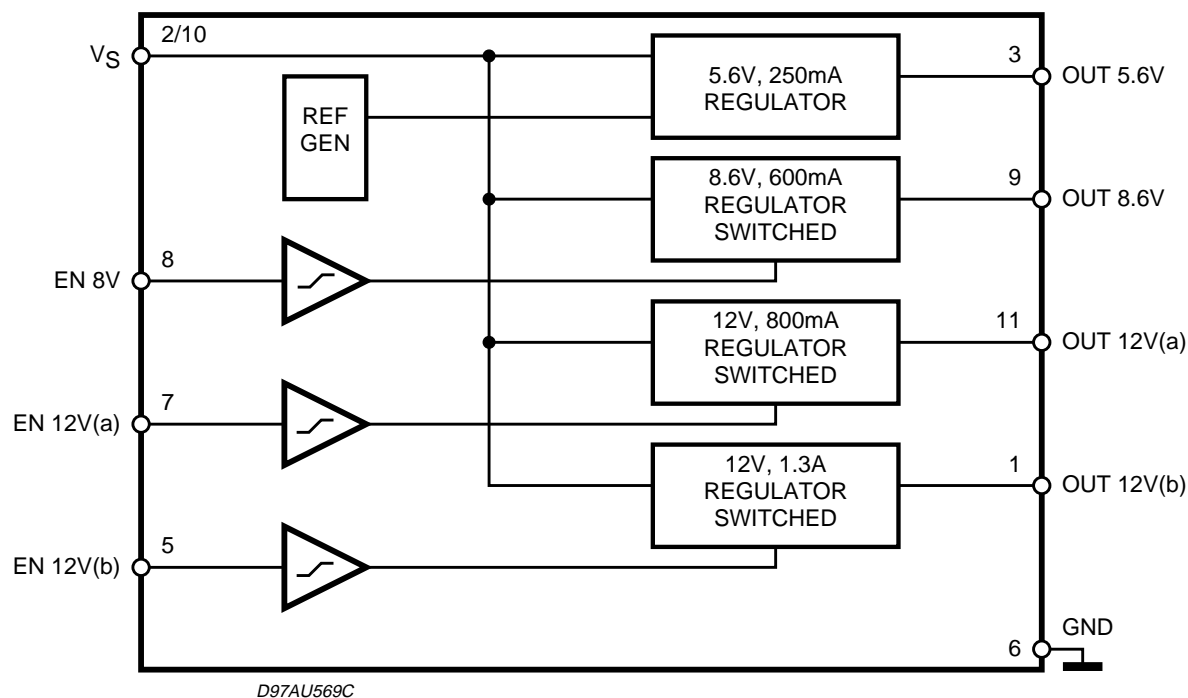


## ■ L4959 (RIC1) : Voltage regulator

### 1.Pin layout



### 2.Block diagram

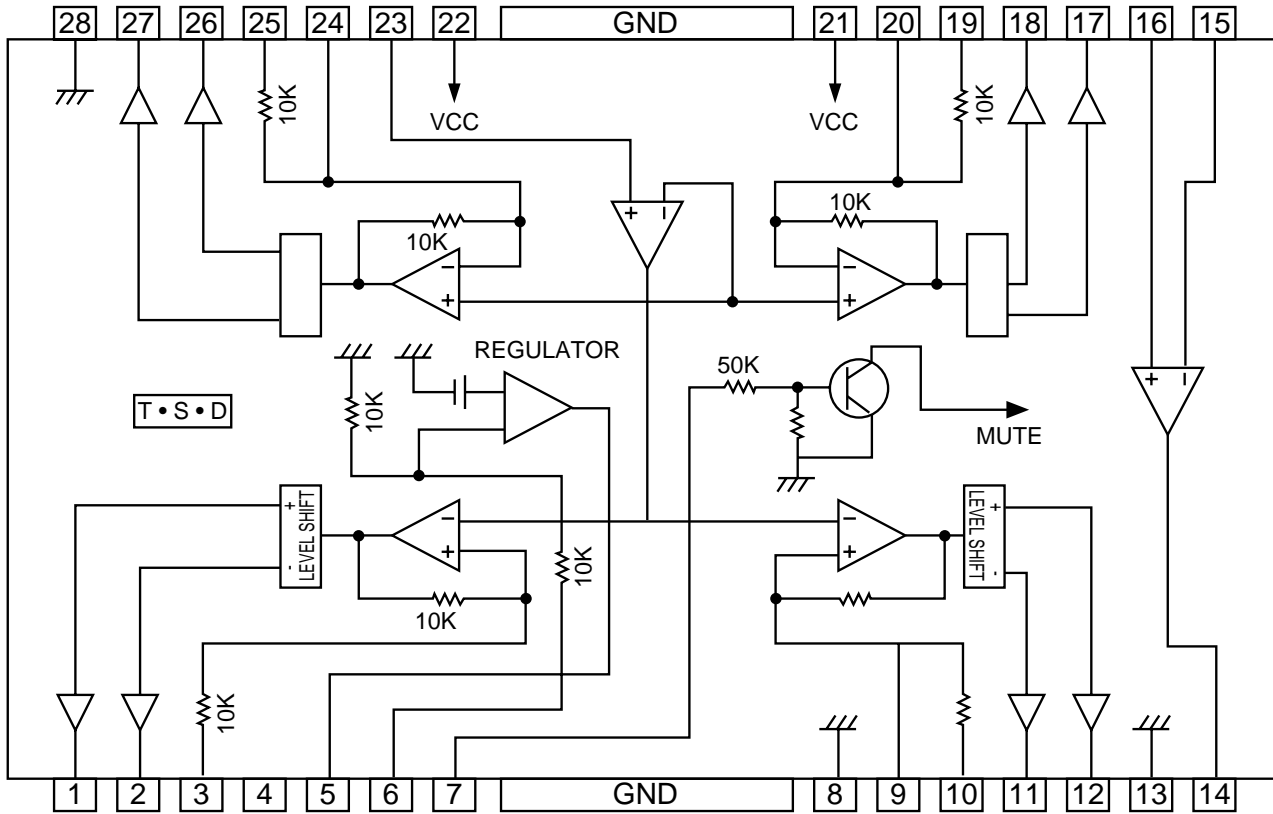


### 3.Pin function

Pin	Pins	Description
1	OUT 12V (b)	12V/1.3A SWITCHED OUTPUT VOLTAGE
2	V <sub>S</sub>	Supply Voltage
3	OUT 5.6V	5.6V/250mA OUTPUT VOLTAGE
4	N.C.	not connected
5	EN 12V (b)	Enable 12V/1.3A SWITCHED OUTPUT VOLTAGE
6	GND	Ground
7	EN 12V (a)	Enable 12V/0.8A SWITCHED OUTPUT VOLTAGE
8	EN 8.6V	Enable 8.6V/0.6A SWITCHED OUTPUT VOLTAGE
9	OUT 8.6	8.6V/0.6A SWITCHED OUTPUT VOLTAGE
10	V <sub>S</sub>	Supply Voltage
11	OUT 12V (a)	12V/0.8A SWITCHED OUTPUT VOLTAGE

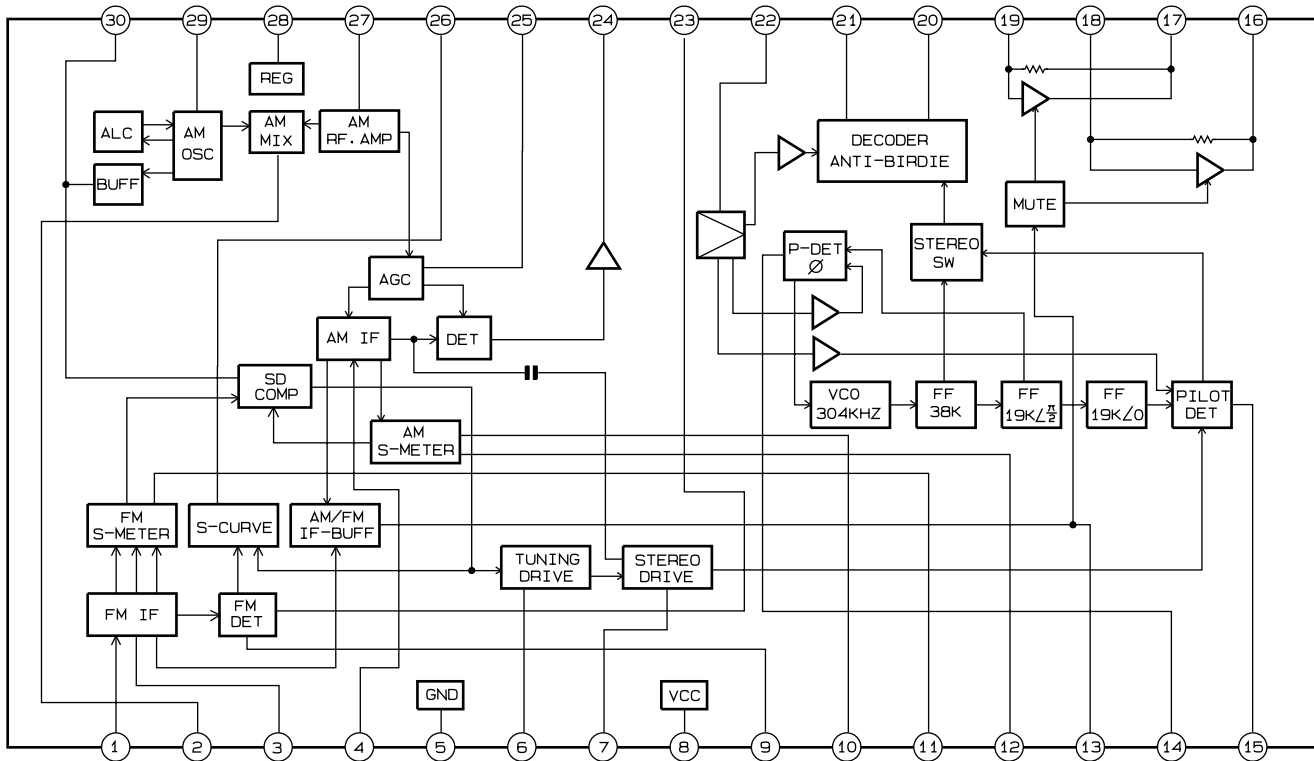
■ KA9258D (IC301) : 4-ch Motor driver

1. Block diagram



■ LA1837 (IC01) : FM IF/DET AM RF/IF/DET

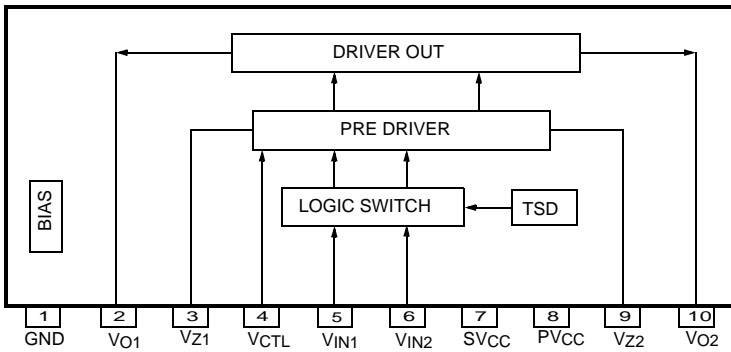
1. Block diagram





■ KA3082 (IC401, IC402) : DC motor driver

1.Pin layout

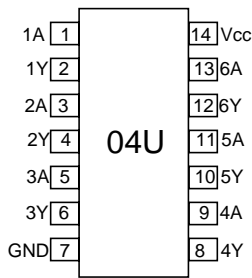


2.Pin function

Pin No.	Symbol	I/O	Function
1	GND	-	Ground
2	VO1	O	Output 1
3	VZ1	-	Phase compensation
4	VCTL	I	Motor speed control
5	VIN1	I	Input 1
6	VIN2	I	Input 2
7	SVCC	-	Supply voltage (Signal)
8	PVCC	-	Supply voltage (Power)
9	VZ2	-	Phase compensation
10	VO2	O	Output 2

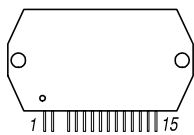
■ 74HCU04 (OIC1) : Optical

1.Pin layout

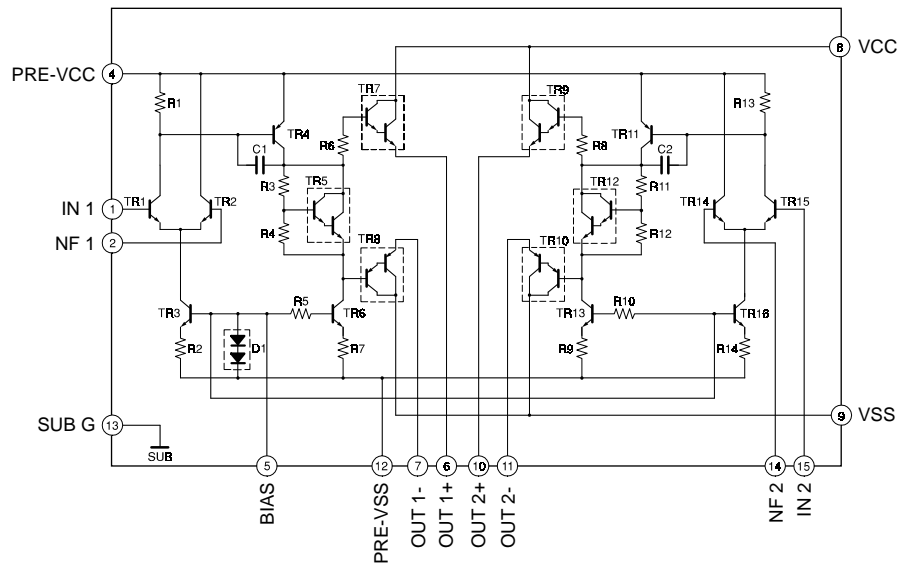


■ STK402-070 (AIC1) : Power amp.

1. Terminal layout



2. Block diagram





**VICTOR COMPANY OF JAPAN, LIMITED**

AUDIO & COMMUNICATION BUSINESS DIVISION

PERSONAL & MOBILE NETWORK BUSINESS UNIT. 10-1,1chome,Ohwatari-machi,Maebashi-city,371-8543,Japan

# JVC

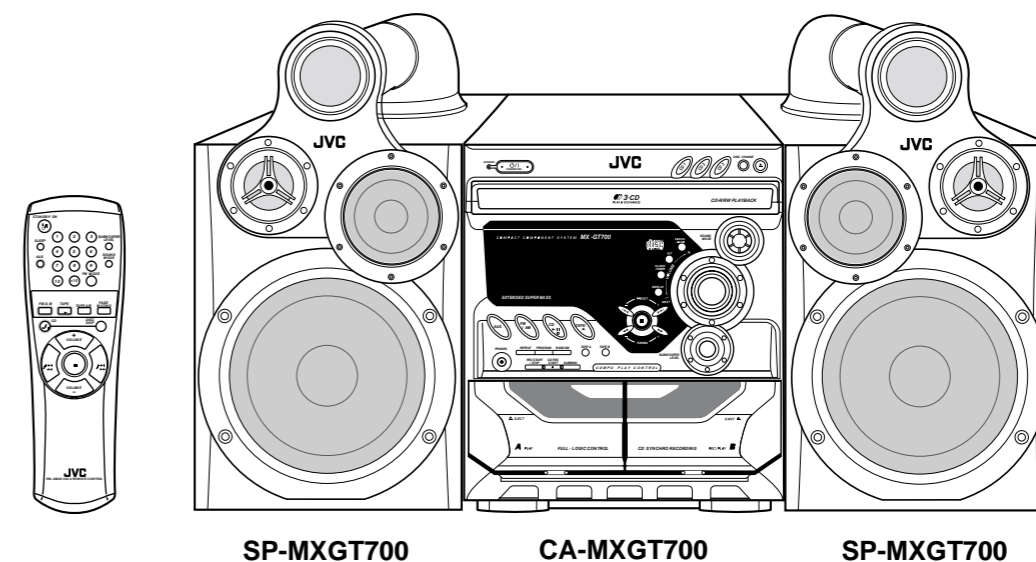
## SCHEMATIC DIAGRAMS

### COMPACT COMPONENT SYSTEM

## MX-GT700

CD-ROM No.SML200204

Area suffix  
 J ----- U.S.A.  
 C ----- Canada



SP-MXGT700

CA-MXGT700

SP-MXGT700

### Contents

Block diagram .....	2-1
Standard schematic diagrams .....	2-2
Printed circuit boards .....	2-7~10

# JVC

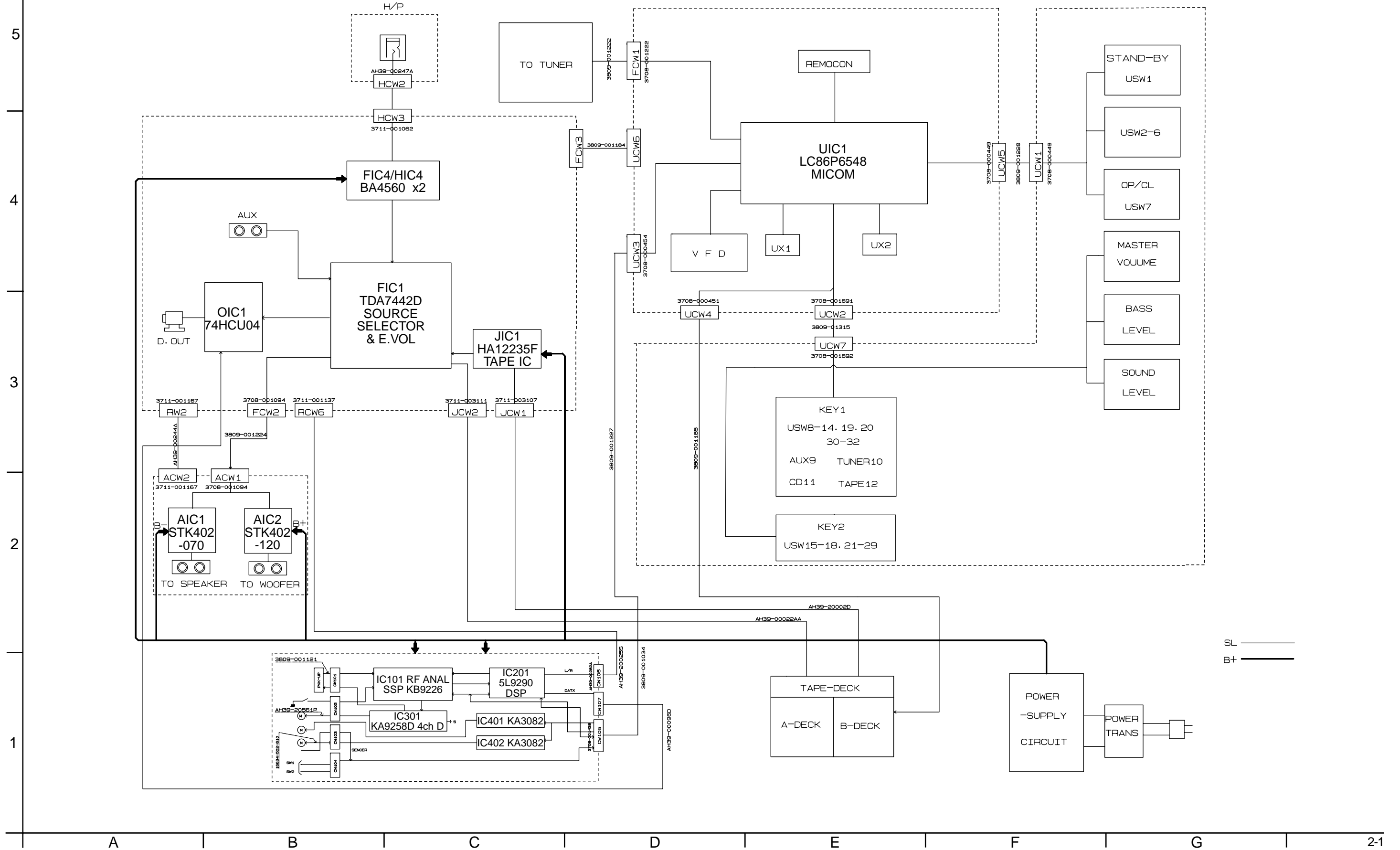
VICTOR COMPANY OF JAPAN, LIMITED  
 AUDIO & COMMUNICATION BUSINESS DIVISION  
 PERSONAL & MOBILE NETWORK BUSINESS UNIT, 10-1,1Chome,Ohwatari-machi,maebashi-city,371-8543,Japan

## &lt; MEMO &gt;

In regard with component parts appearing on the silk-screen printed side (parts side) of the PWB diagrams, the parts that are printed over with black such as the resistor (■), diode (▣) and ICP (●) or identified by the "△" mark nearby are critical for safety.

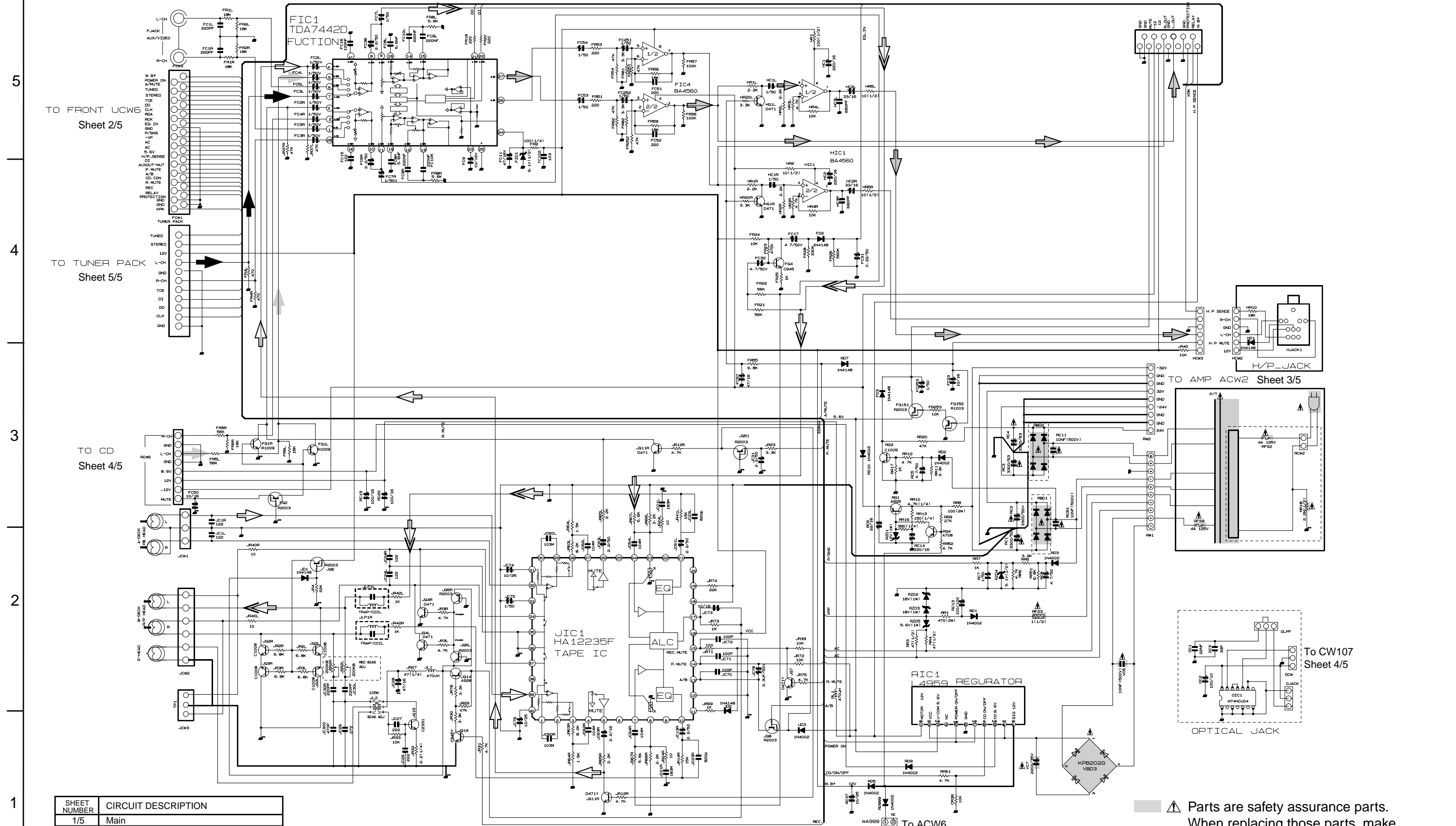
(This regulation does not correspond to J and C version.)

# Block diagram



# Standard schematic diagrams

## ■ Main section



TO FRONT UCW6  
Sheet 2/5

TO TUNER PACK  
Sheet 5/5

TO CD  
Sheet 4/5

TO AMP ACW1  
Sheet 3/5

TO AMP ACW2  
Sheet 3/5

To CW107  
Sheet 4/5

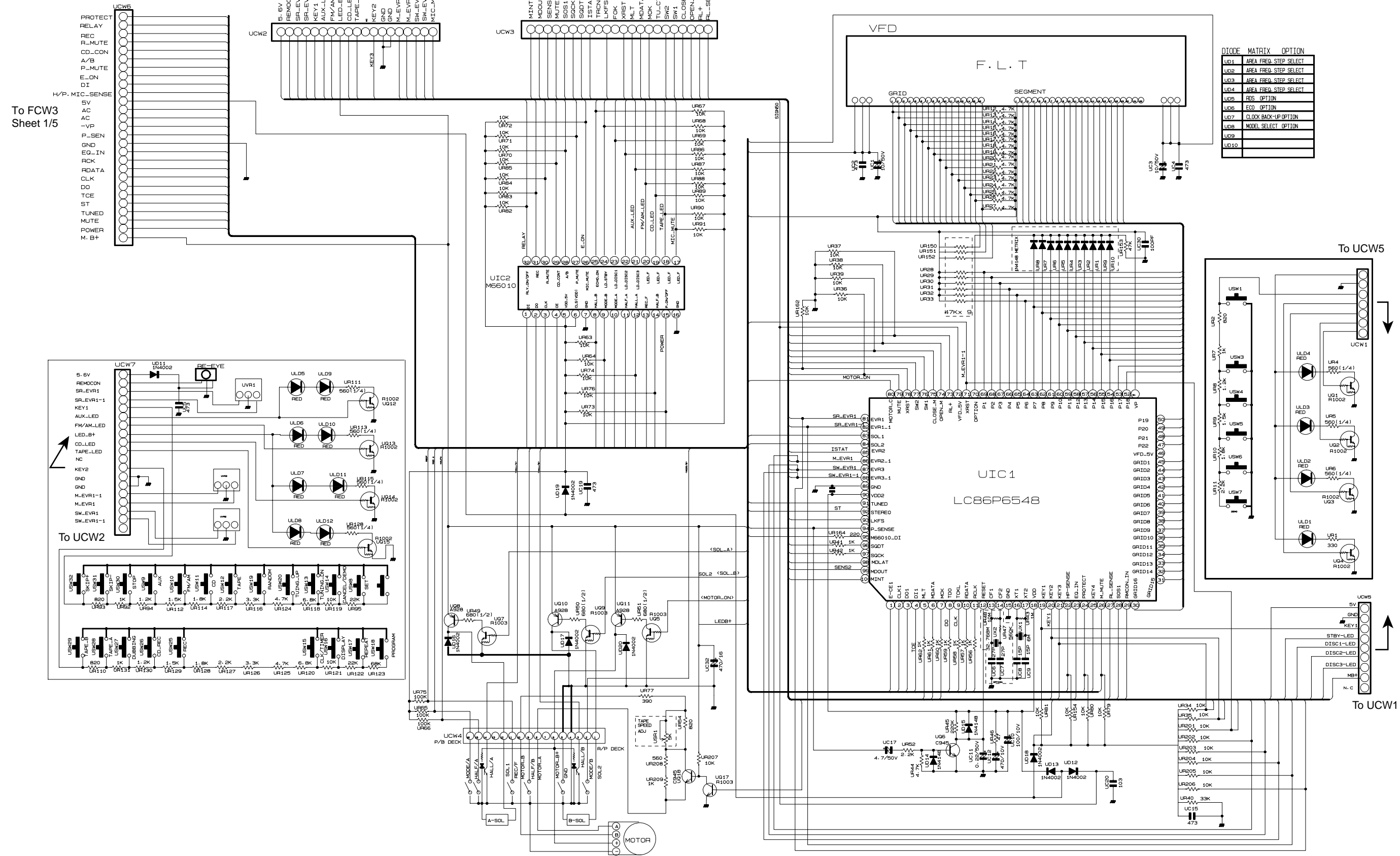
SHEET NUMBER	CIRCUIT DESCRIPTION
1/5	Main
2/5	FL display & System control
3/5	Amp.
4/5	CD
5/5	Tuner

MAIN signal   
 TUNER signal   
 TAPES P.B. signal  
 CD signal   
 TAPES REC. signal

Parts are safety assurance parts.  
 When replacing those parts, make sure to use the specified parts.

FL display & System control section

TO CD  
CW105  
Sheet 4/5



DIODE MATRIX OPTION

ULD1	AREA FREQ. STEP SELECT
ULD2	AREA FREQ. STEP SELECT
ULD3	AREA FREQ. STEP SELECT
ULD4	AREA FREQ. STEP SELECT
ULD5	RDS OPTION
ULD6	ECD OPTION
ULD7	CLOCK BACK-UP OPTION
ULD8	MODEL SELECT OPTION
ULD9	
ULD10	

5

4

3

2

1

A

B

C

D

E

F

G

■ Amp. section

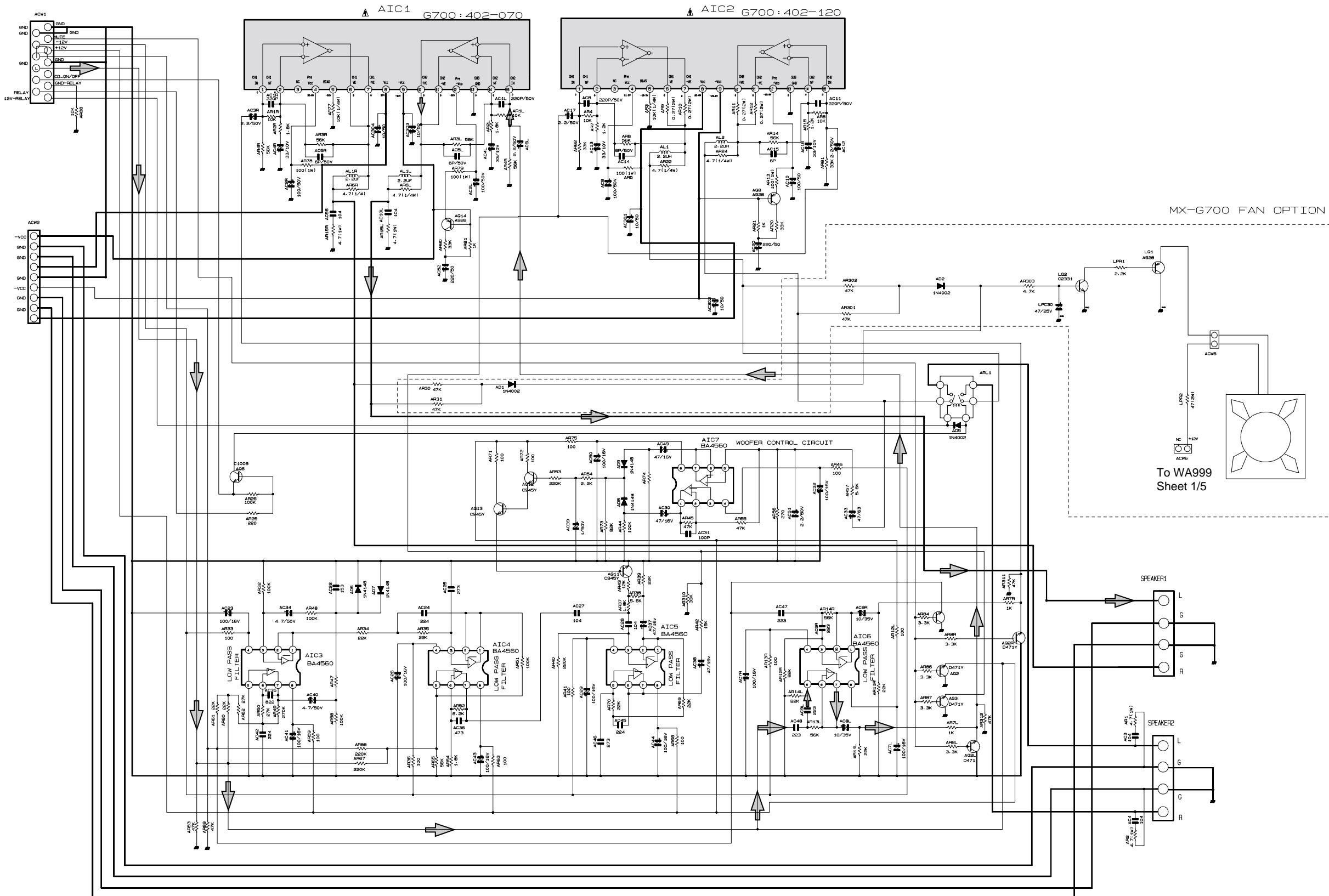
5  
4  
3  
2  
1

To FCW2  
Sheet 1/5

To RW2  
Sheet 1/5

MX-G700 FAN OPTION

To WA999  
Sheet 1/5



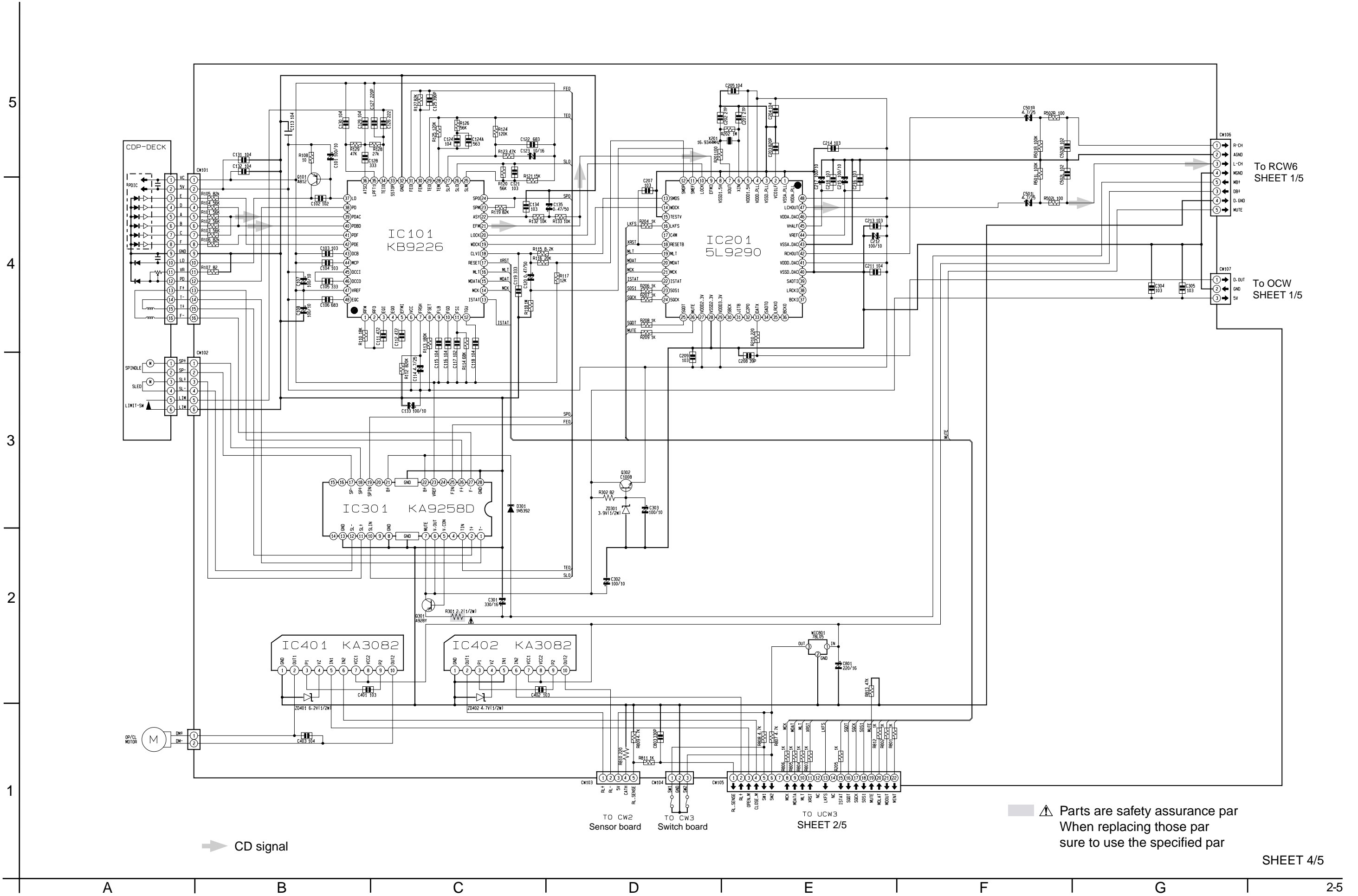
▲ Parts are safety assurance parts.  
When replacing those parts, make  
sure to use the specified parts.

➤ MAIN signal

A B C 24 D E F G H



CD section

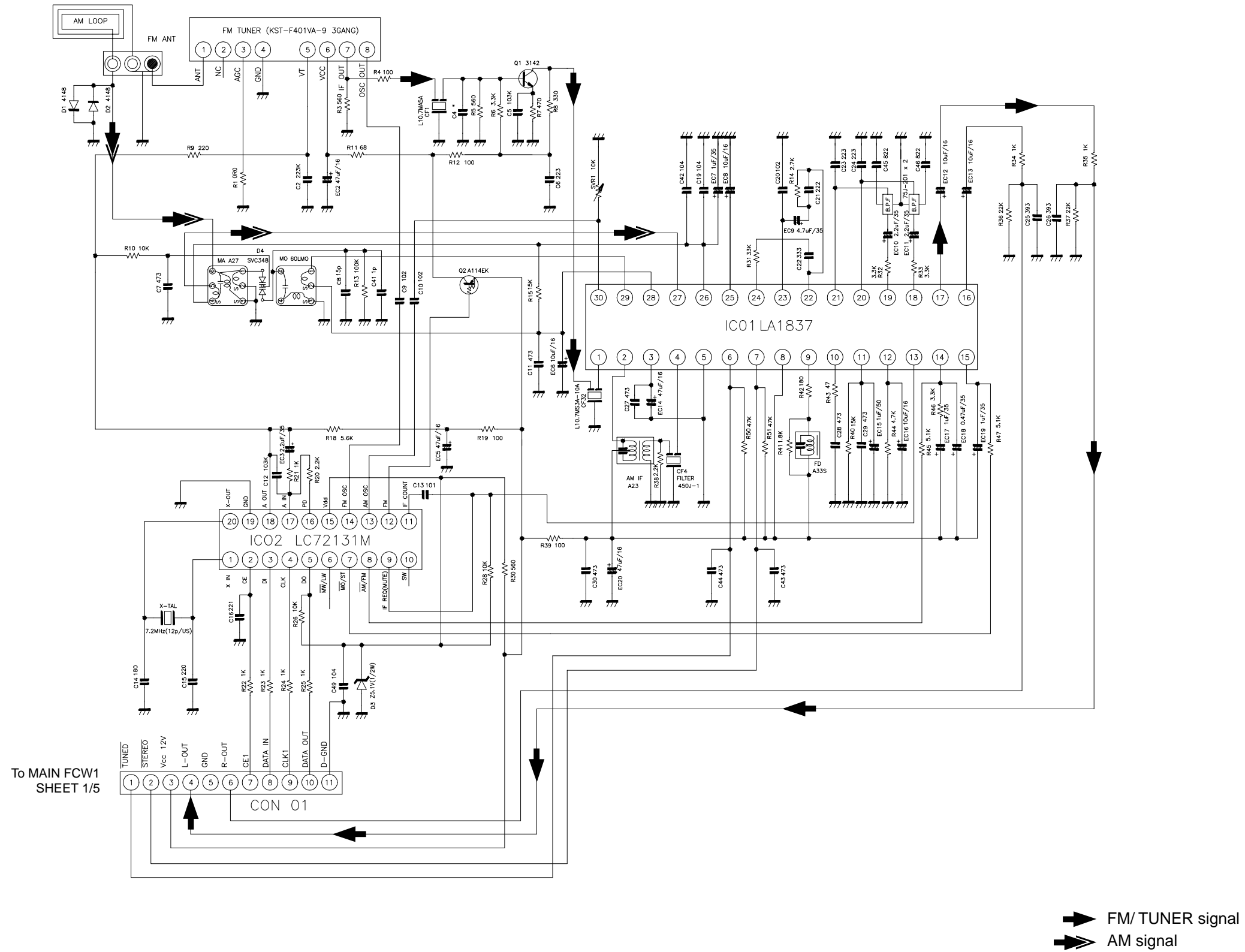


To RCW6 SHEET 1/5

To OCW SHEET 1/5

⚠ Parts are safety assurance par  
When replacing those par  
sure to use the specified par

■ Tuner section

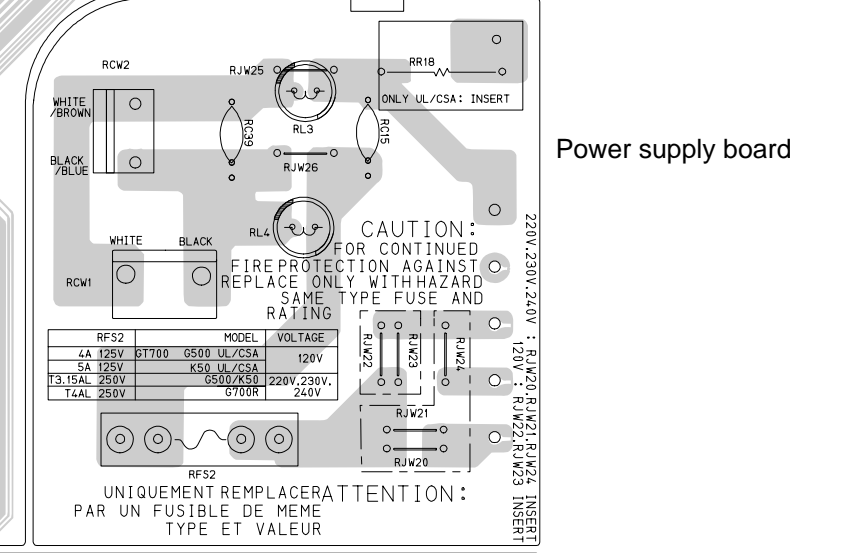
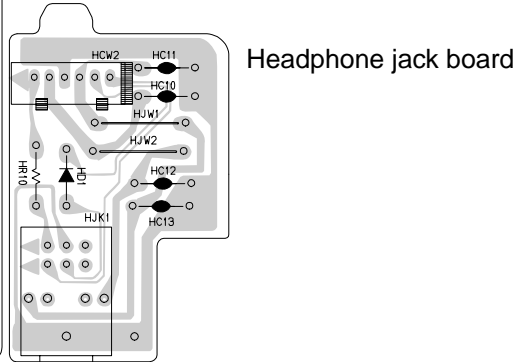
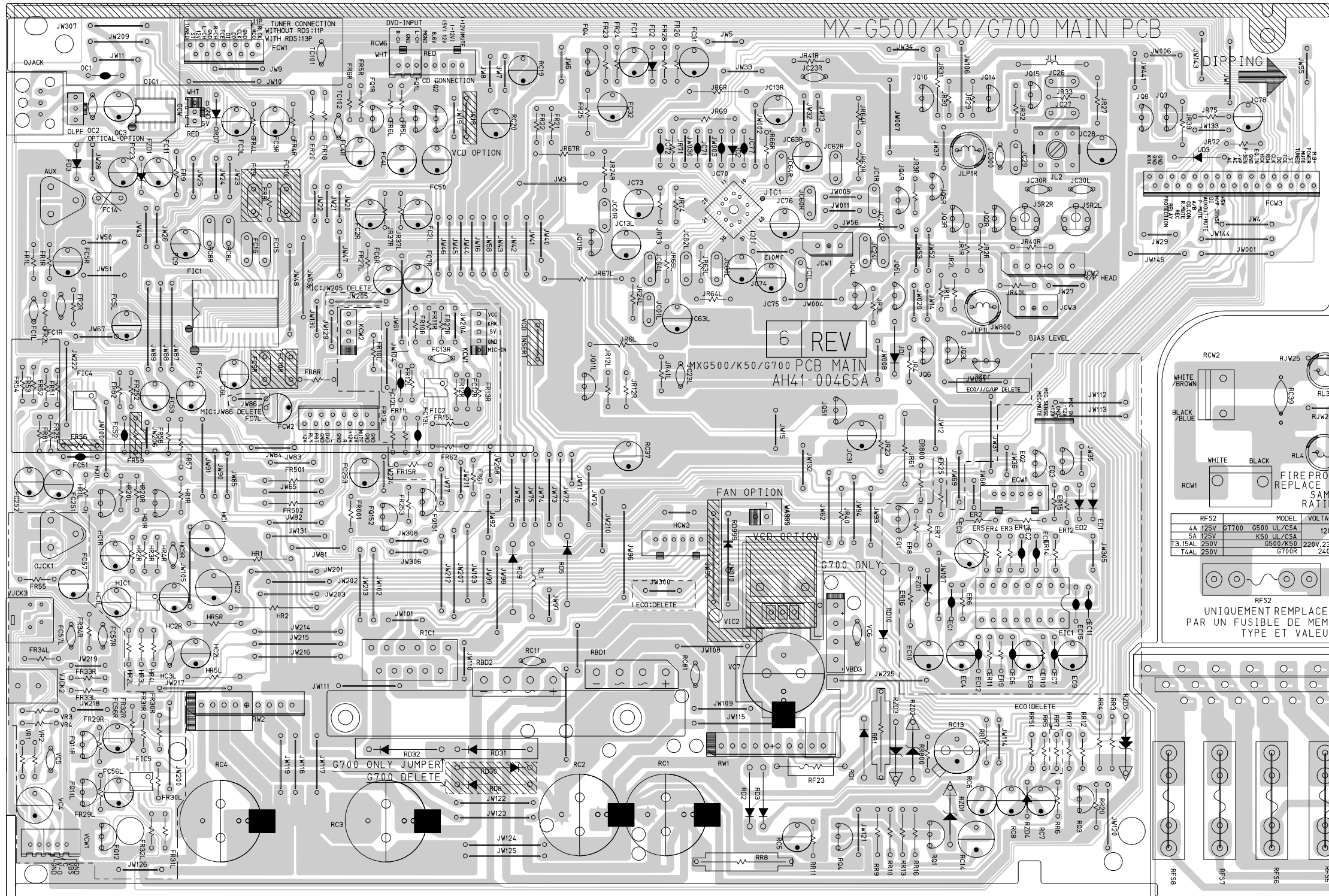


# Printed circuit boards

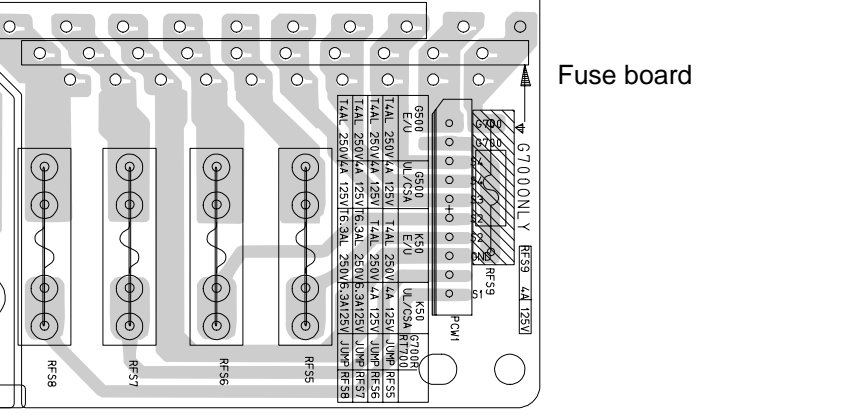
## ■ Main board

Main board

5  
4  
3  
2  
1



Power supply board



Fuse board

A B C D E F G

Front board

5

4

3

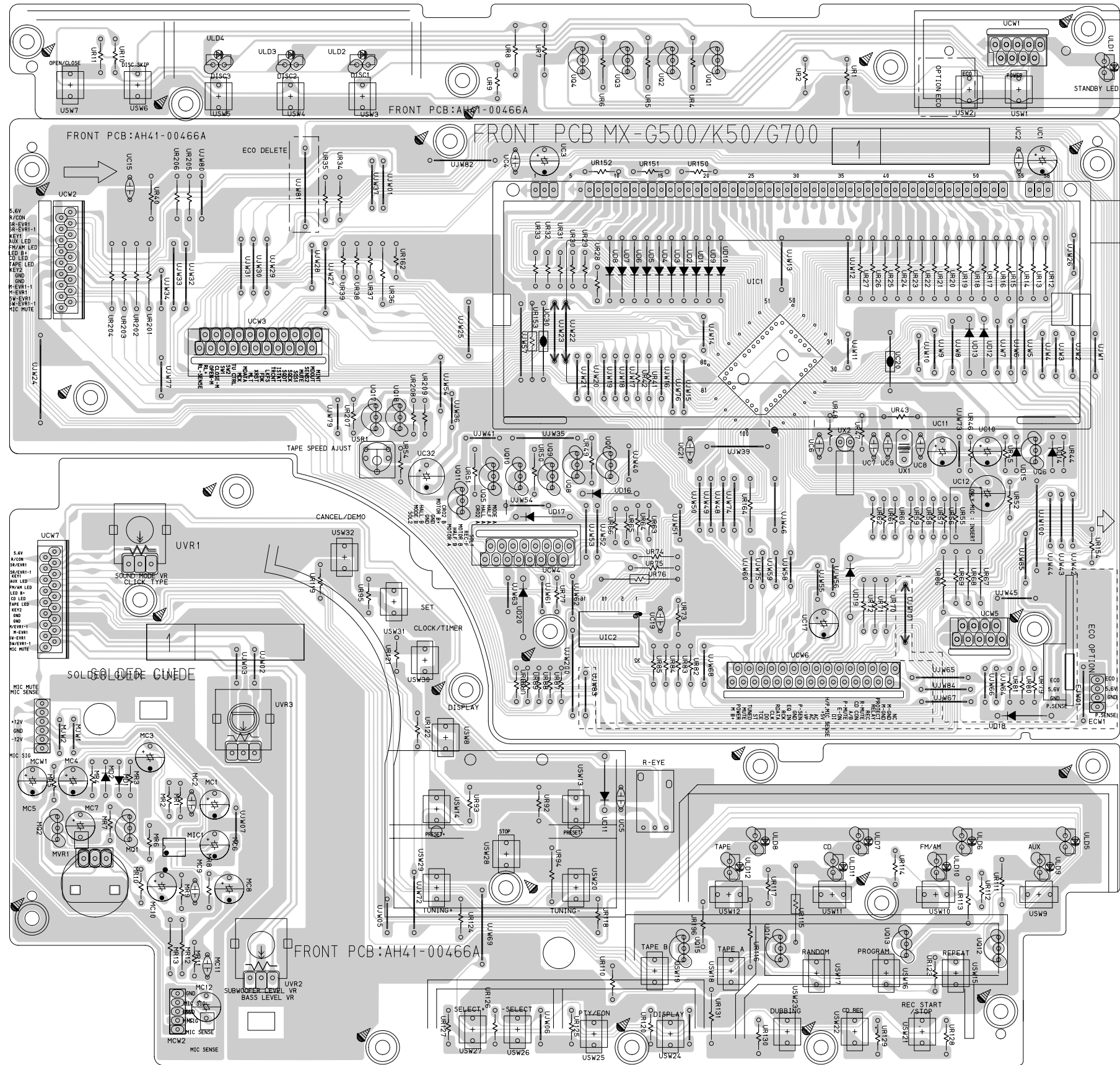
2

1

Power / CD switch board

FL display & system control board

Front key switch board



■ Amp. board

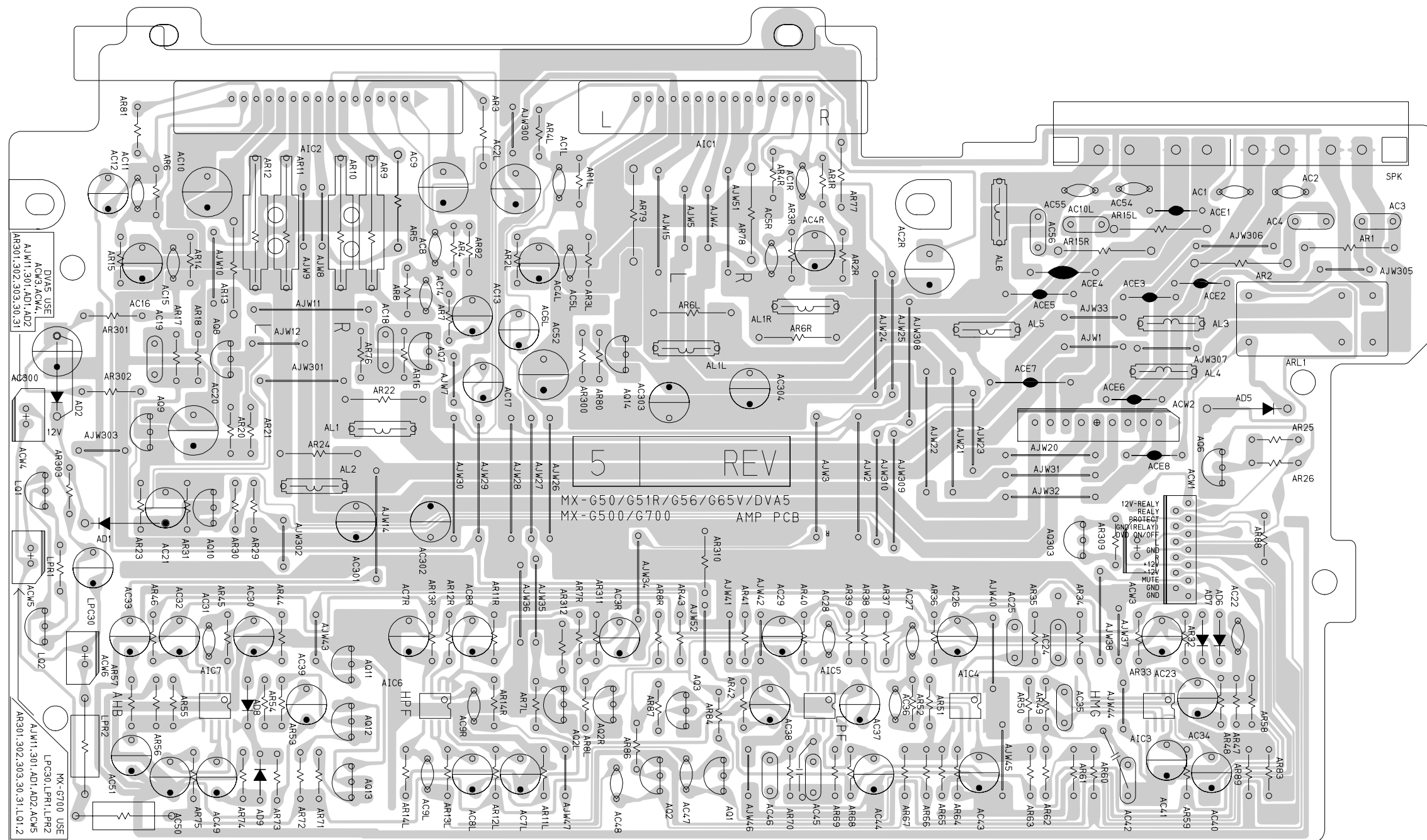
5

4

3

2

1



A

B

C

D

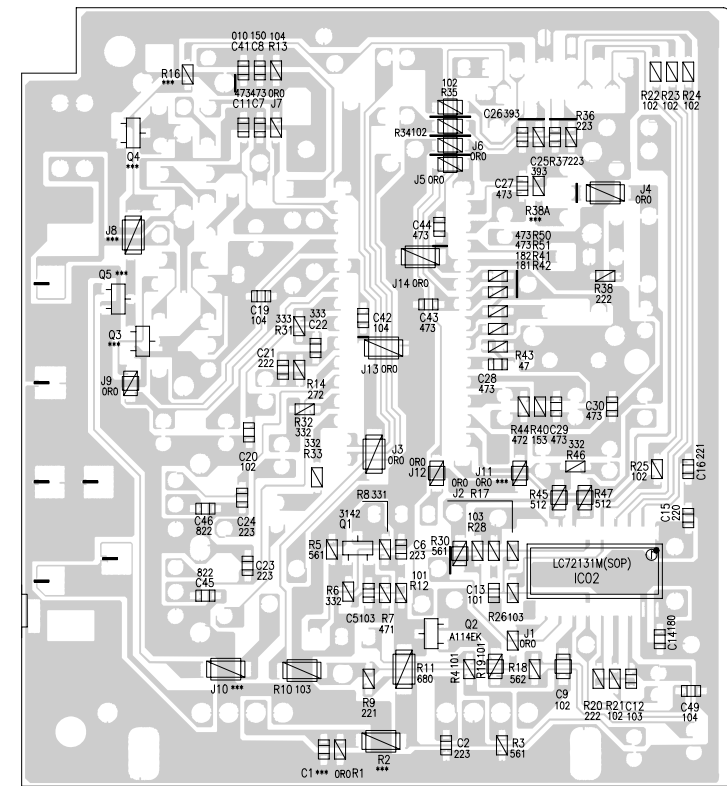
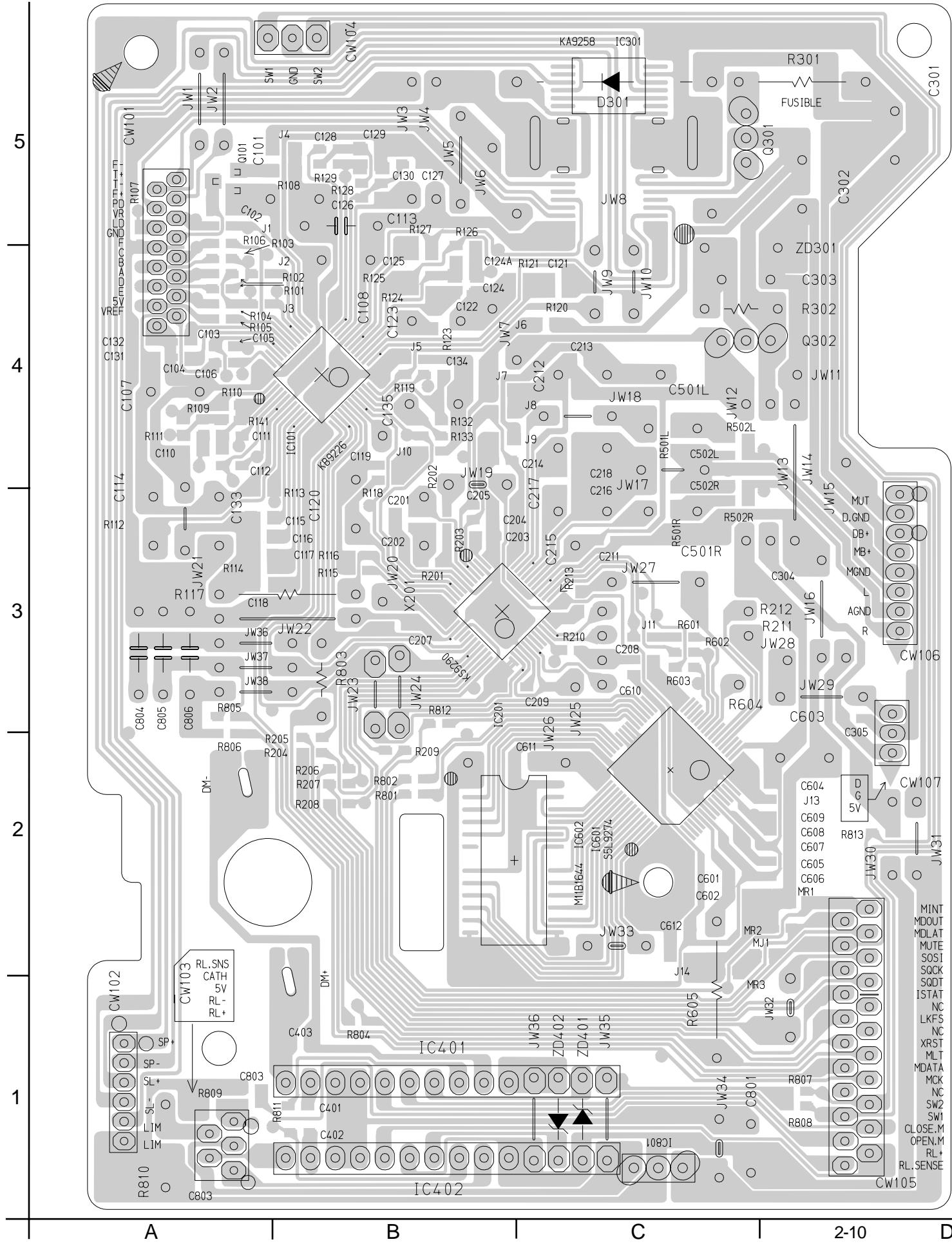
E

F

G

■ CD servo board

■ Tuner board



MINT  
MDOUT  
MDLAT  
MUTE  
SOSI  
SOCK  
SQDT  
ISTAT  
NC  
LKFS  
NC  
XRST  
MLT  
MDATA  
MCK  
NC  
SW2  
SW1  
CLOSE.M  
OPEN.M  
RL+  
RL.SENSE

# PARTS LIST

[ MX-GT700 ]

\* All printed circuit boards and its assemblies are not available as service parts.

## Area suffix

J ----- U.S.A.  
C ----- Canada

## - Contents -

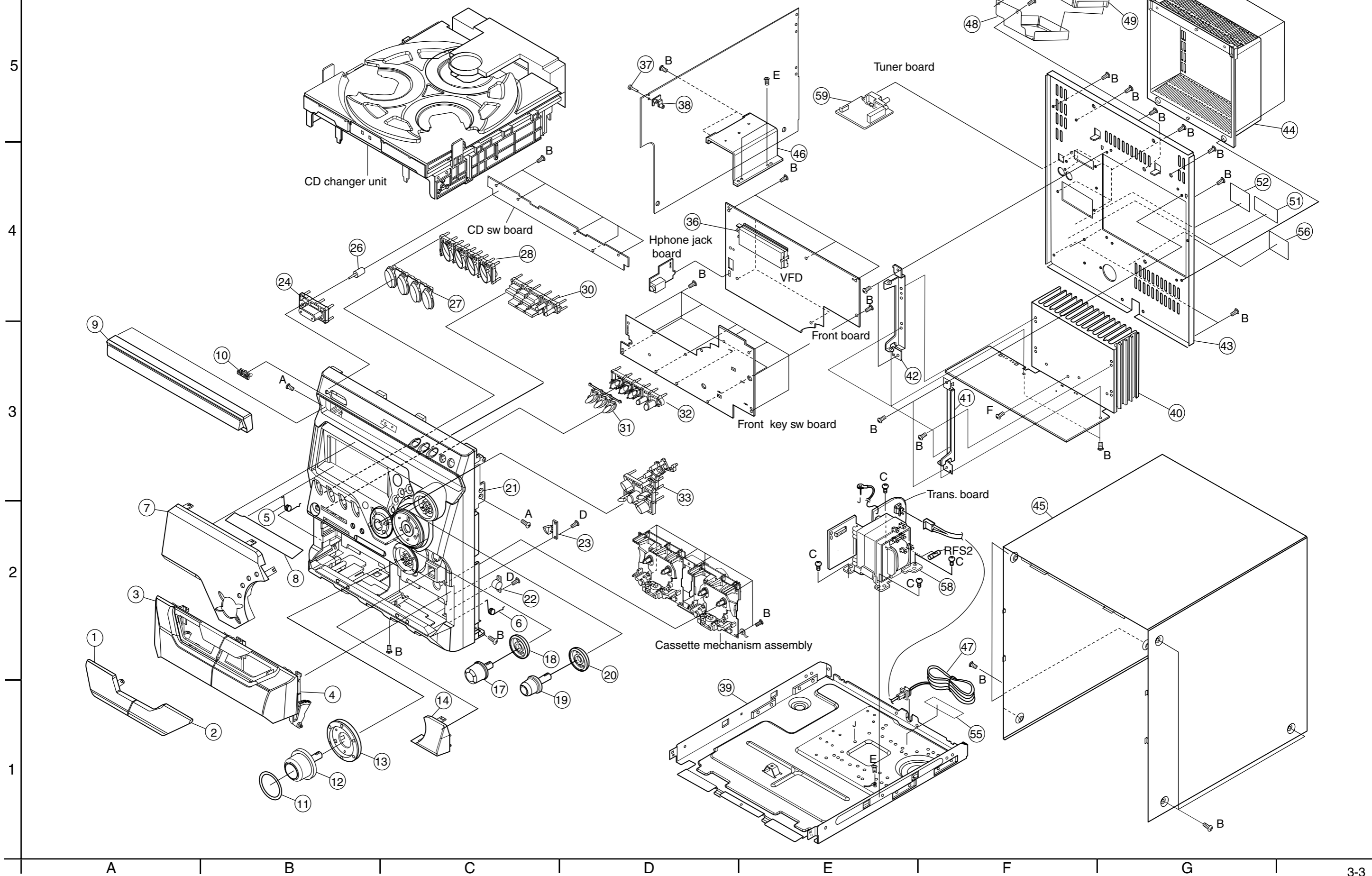
Exploded view of general assembly and parts list (Block No.M1) .....	3- 3
CD changer mechanism assembly and parts list (Block No.MA) .....	3- 5
Cassette mechanism assembly and parts list (Block No.MP) .....	3- 7
Electrical parts list (Block No.01~04).....	3- 8
Packing materials and accessories parts list (Block No.M3,M5) .....	3-18

< MEMO >



# Exploded view of general assembly and parts list

Block No. M 1 M M



## ■ Parts list (General assembly)

Block No. M1MM

△	Item	Parts number	Parts name	Q'ty	Description	Area
	A	6002-000126	SCREW	2	FH M3*10 BLK	
	B	6003-000276	SCREW	71	BH M3*10 YEL	
	C	AH60-10107A	SCREW	4	M4*6 YEL	
	D	6003-000277	SCREW	4	BH M3*12 YEL	
	E	6002-000398	SCREW	3	BH M3*6 YEL	
	F	6003-000278	SCREW	4	BH,M3*14,YEL	
	G	6003-000279	SCREW-TAPTITE	2	BH,M3*20 YEL	
	1	AH64-01654A	DOOR WINDOW	1	A	
	2	AH64-01655A	DOOR WINDOW	1	B	
	3	AH64-01650B	CASSETTE DOOR	1	A	
	4	AH64-01651B	CASSETTE DOOR	1	B	
	5	AH61-00552A	DOOR SPRING	1	A	
	6	AH61-00553A	DOOR SPRING	1	B	
	7	AH64-01653E	VFD WINDOW	1		
	8	AH63-00390A	VFD SHEET	1		
	9	AH64-01649B	DOOR	1	CD	
	10	AH64-00462C	JVC BADGE	1		
	11	AH63-00389A	VOLUME SHEET	1		
	12	AH64-01660B	KNOB	1	VOLUME	
	13	AH64-01665B	VOLUME DECO	1		
	14	AH61-00930B	DUMMY CAP	1		
	15	AH64-01659B	KNOB	1	SUBWOOFER	
	18	AH67-00147A	LENS	1	SUBWOOFER	
	19	AH64-01661B	KNOB	1	SOUND	
	20	AH67-00148A	LENS	1	SOUND	
	21	AH64-01649J	FRONT CABINET	1		
	22	AH61-80030A	DAMPER ASSY	2		
	23	AH95-50001A	LATCH ASSY	2		
	24	AH64-01663B	KNOB	1	POWER	
	26	AH67-00151A	LENS	1	POWER	
	27	AH67-00149B	FUNCTION LENS	1	FUNCTION	
	28	AH61-00931A	HOLDER	1	FUNCTION	
	30	AH64-01658B	KNOB	1	PRESET	
	31	AH67-00150B	LENS	1	DISC	
	32	AH64-01662B	KNOB	1	DISC	
	33	AH64-01656B	KNOB	1	TAPE	
	36	AH61-00662A	HOLDER	1	VFD	
	37	AH61-40014A	SUPPORT	1	SUPPORTER	
	38	AH61-00021A	PCB SUPPORTER	1		
	39	AH64-30416C	BOTTOM CABINET	1		
	40	AH62-00043D	HEAT SINK	1		
	41	AH61-00655A	BRACKET	1	R	
	42	AH61-00656A	BRACKET	1	L	
	43	AH64-01666F	REAR CABINET	1		
	44	AH63-00250A	REAR COVER	1		
	45	AH64-30390F	TOP CABINET	1		
	46	AH62-00042A	HEAT SINK 4959	1	4959	
△	47	AH39-00258H	POWER CORD	1		

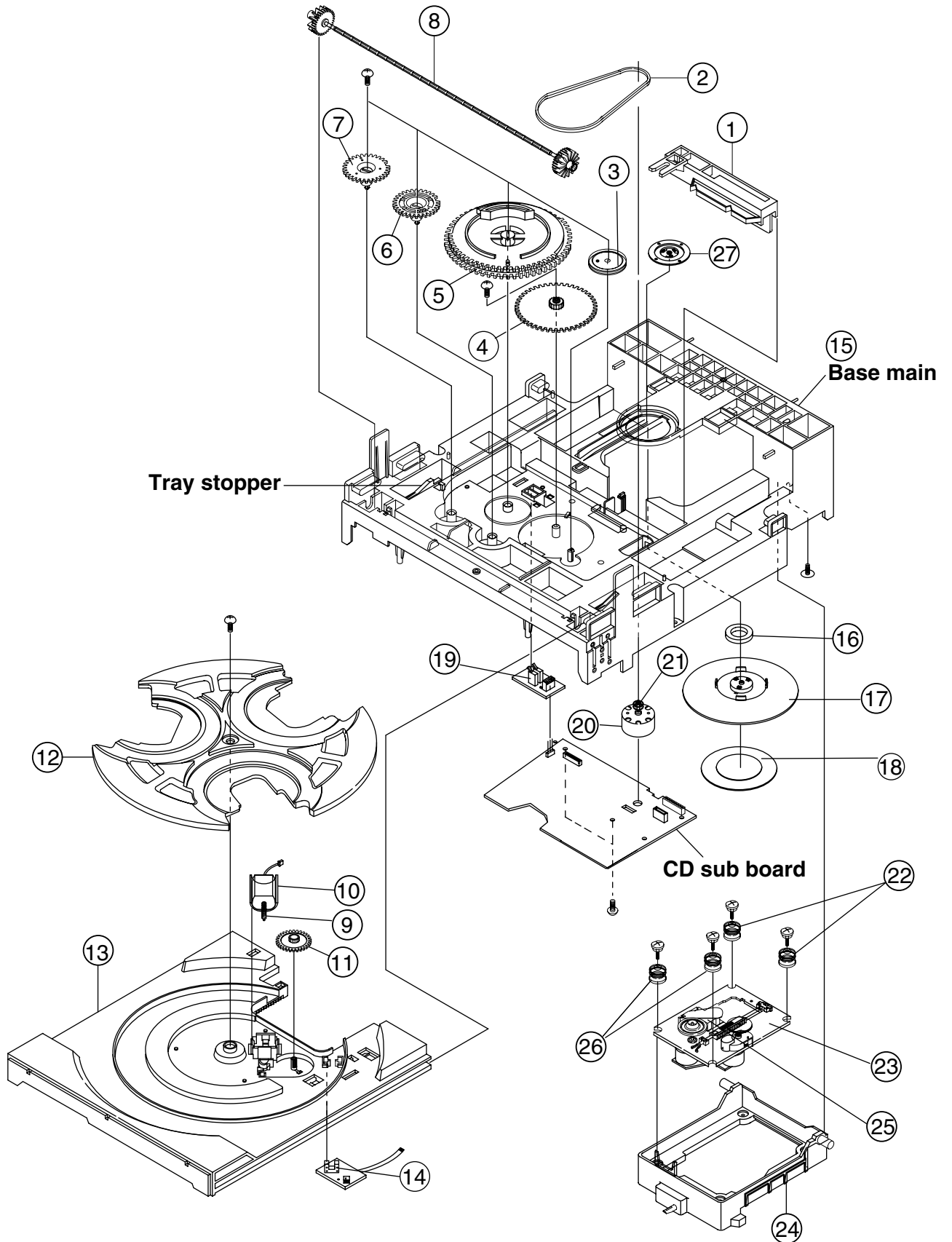
## ■ Parts list (General assembly)

Block No. M1MM


△	Item	Parts number	Parts name	Q'ty	Description	Area
	48	AH61-01125A	FAN BRACKET	1		
	49	AH31-00029B	MOTOR FAN	1		
	51	AH68-00331C	LABEL	1	FCC	
	52	AH68-00331D	LABEL	1	HHS GT700J	
	55	AH68-50252B	LABEL	1	FUSE	
	56	AH68-01028S	RATING LABEL	1		J
		AH68-01028T	RATING LABEL	1		C
△	58	AH26-00185A	POWER TRANS	1		
	59	AH40-00011A	TUNER ASS'Y	1		

# CD changer mechanism assembly and parts list

Block No. M A M M

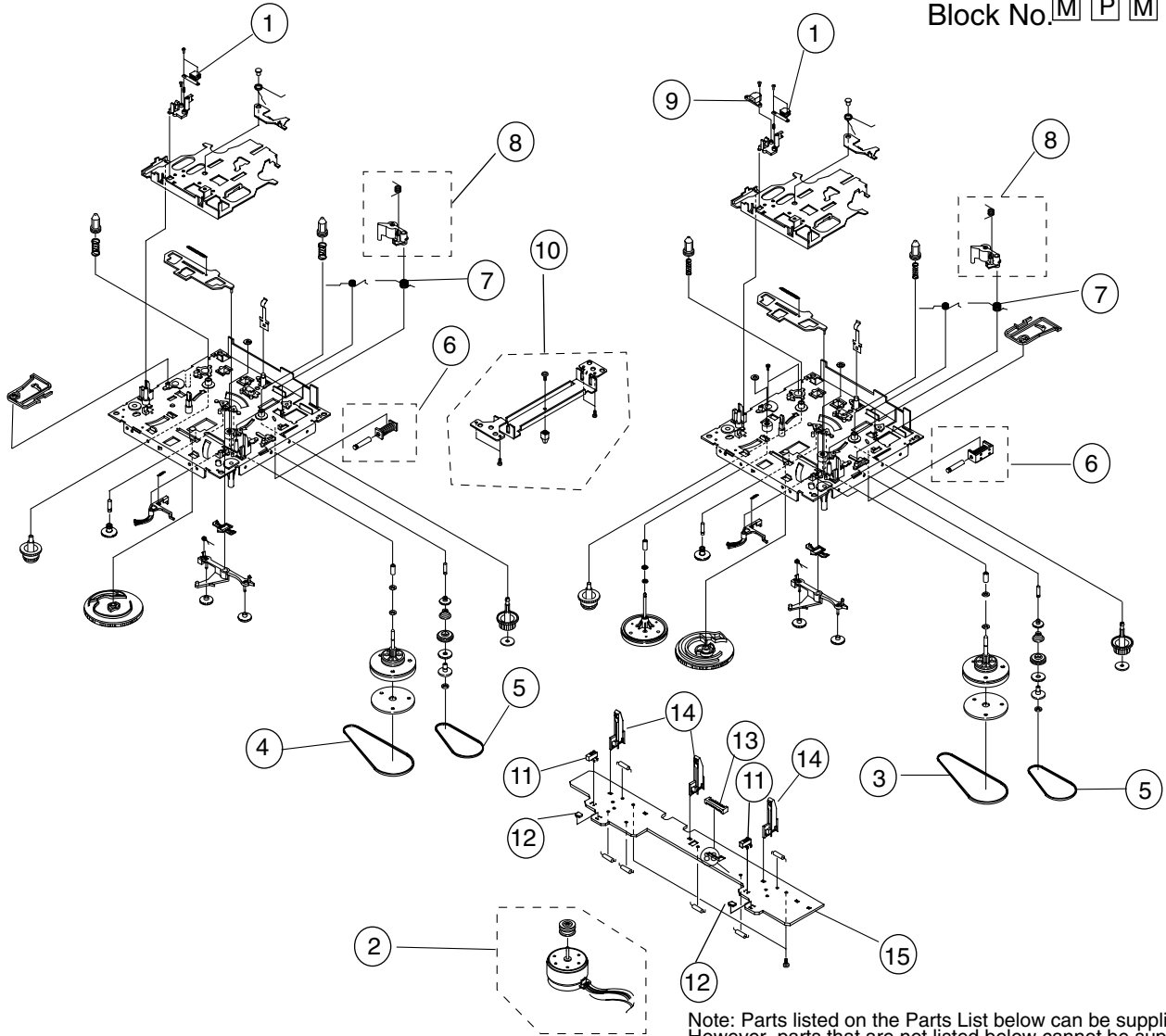


**Parts list (CD mechanism)**
**Block No. MAMM**

	Item	Parts number	Parts name	Q'ty	Description	Area
	1	AH66-80022A	SLIDE CAM	1	ABS HF-380 NTR	
	2	AH66-60034A	BELT LOAD	1	CR	
	3	AH66-20186A	GEAR PULLEY	1	POM (M90-44)WHT	
	4	AH66-20187A	GEAR-LOAD	1	POM (M90-44)BLK	
	5	AH66-20188A	GEAR-CAM	1	POM(M90-44)WHT	
	6	AH66-20189A	GEAR-TRAY	1	POM(M90-44)BLK	
	7	AH66-20190A	GEAR-CONVERTOR	1	POM (M90-44) WH	
	8	AH66-20191A	GEAR-SYNCR0	1	ABS HF-380 NTR	
	9	AH66-20192A	GEAR-WORM	1	POM (M90-44)WHT	
	10	AH31-12001A	LOADING MOTOR	1	FF-030PN-09120	
	11	AH66-20193A	GEAR-ROULETTE	1	POM(M90-44)BLK	
	12	AH66-90056A	TRAY-ROULETTE	1	ABS XR-401 BLK	
	13	AH66-90055A	TRAY DISC	1	ABS XR-401 BLK	
	14	AH32-10001F	SENSOR	1	KPI-L06	
	15	AH61-20428A-1	BASE MAIN	1	CMS-300,BLK	
	16	3302-000159	MAGNET-FERRITE	1	3500-3800G,6P	
	17	AH66-90053A	TABTE-CHUCK UNI	1	BLK,CMS300	
	18	AH63-00068B	SHEET CHUCK	1	HYMERON,BLK,0.4	
	19	3404-000101	SWICH MICRO	1	MLS-24	
	20	AH31-10021A	DC MORTOR	1	RF-500TB,9VDC	
	21	AH66-10008A	PULLEY-MOTOR	1	BLK,CMS-CR3	
	22	AH73-10031A	RUBBER-CD	1	RCD380,RED	
	23	AH91-60150C	SP MOTOR ASS'Y	1	CMS-D73SG6U	
	24	AH66-30098A	LEVER-LIFTER	1	ABS(BLK),CMS-30	
	25	AH30-00007A	CD PICKUP	1	SOH-AD3	
	26	AH73-10034A	RUBBER-CD(G)	1	CMS-300D,GREEN	
	27	AH61-00255A	BRKT CHUCK	1	SECL 0.8T	

# Cassette mechanism assembly and parts list

Block No. **M P M M**



Note: Parts listed on the Parts List below can be supplied individually but only by purchasing the whole Cassette Mechanism Assembly Unit. (When ordering, use the Parts No. AH59-00076A for Cassette Mechanism Assembly Unit.)

## Parts list(Cassette mechanism)

Block No. **MPMM**

Item	Parts number	Parts name	Q'ty	Description	Area
1	AH81-00141A	REC/PB HEAD	2	TC881CB	
2	AH81-00363A	MOTOR ASS'Y	1	ADR2400-SHU2L	
3	AH81-00364A	MAIN BELT 1	1	ADR2400-MAIN0.5	
4	AH81-00365A	MAIN BELT 2	1	ADR2400-MAIN1.3	
5	AH81-00101A	FR BELT	2	ADR2400-FR34.7	
6	AH81-00102A	SOLENOID	2	ADR2400-1	
7	AH81-00282A	SPRING	2	S/PP/R(F)	
8	AH81-00366A	PINCH R.ASS'Y	2	ADR2400-PINCH(F)	
9	AH81-00284A	E-HEAD	1	TC2131F	
10	AH81-00367A	MOTOR BRACKET	1	ADR241SWBRKT 110	
11	AH81-00286A	SWICH	2	ADR2400-MODE	
12	AH81-00287A	PHOT SENSER	2	ADR2400-SENSOR	
13	AH81-00288A	CONNECTOR	1	ADR2400-16P	
14	AH81-00289A	LEEF SW	3	ADR2400-MXS00220	
15	AH81-00375A	PCB	1	ADR2400-1PCB	

## ■ Electrical parts list (Main board)

Block No. 01

△	Item	Parts number	Parts name	Remarks	Area	△	Item	Parts number	Parts name	Remarks	Area
	AUX	3722-000379	RCA JACK	4P/2C 3.5MM			FR26	2001-000850	CARBON RESISTOR	560KOHM 5% 1/8W	
	FCW1	3708-000122	CONNECTOR	11P 1.25MM ANGL			FR27L	2001-000786	CARBON RESISTOR	47KOHM 5% 1/8W	
	FCW2	3708-001094	CONNECTOR	13P 1.25MM ST			FR28	2001-000645	CARBON RESISTOR	330KOHM 5% 1/8W	
	FCW3	3708-001577	CONNECTOR	30P 1.25MM ST			FR4L	2001-000780	CARBON RESISTOR	470OHM 5% 1/8W	
	FC1L	2201-000368	C.CAPASITOR	220PF 10% 50V			FR4R	2001-000780	CARBON RESISTOR	470OHM 5% 1/8W	
	FC1R	2201-000368	C.CAPASITOR	220PF 10% 50V			FR5L	2001-000864	CARBON RESISTOR	56KOHM 5% 1/8W	
	FC10L	2301-000216	M.CAPACITOR	220NF 5% 50V			FR5R	2001-000864	CARBON RESISTOR	56KOHM 5% 1/8W	
	FC10R	2301-000216	M.CAPACITOR	220NF 5% 50V			FR51	2001-000515	CARBON RESISTOR	220OHM 5% 1/8W	
	FC11	2401-001975	E.CAPACITOR	47UF 20% 16V			FR52	2001-000786	CARBON RESISTOR	47KOHM 5% 1/8W	
	FC17	2401-001954	E.CAPACITOR	4.7UF 20% 50V			FR53	2001-000515	CARBON RESISTOR	220OHM 5% 1/8W	
	FC2L	2401-001912	E.CAPACITOR	1UF 20% 50V			FR54	2001-000786	CARBON RESISTOR	47KOHM 5% 1/8W	
	FC2R	2401-001912	E.CAPACITOR	1UF 20% 50V			FR55	2001-000890	CARBON RESISTOR	6.8KOHM 5% 1/8W	
	FC23	2401-000419	E.CAPACITOR	10UF 20% 16V			FR56	2001-000411	CARBON RESISTOR	18KOHM 5% 1/8W	
	FC251	2401-001912	E.CAPACITOR	1UF 20% 50V			FR57	2001-000273	CARBON RESISTOR	100KOHM 5% 1/8W	
	FC252	2401-001912	E.CAPACITOR	1UF 20% 50V			FR58	2001-000273	CARBON RESISTOR	100KOHM 5% 1/8W	
	FC253	2401-001912	E.CAPACITOR	1UF 20% 50V			FR59	2001-000411	CARBON RESISTOR	18KOHM 5% 1/8W	
	FC3L	2401-001912	E.CAPACITOR	1UF 20% 50V			FR6L	2001-000411	CARBON RESISTOR	18KOHM 5% 1/8W	
	FC3R	2401-001912	E.CAPACITOR	1UF 20% 50V			FR6R	2001-000411	CARBON RESISTOR	18KOHM 5% 1/8W	
	FC31	2401-000759	E.CAPACITOR	220NF 20% 50V			FR8L	2001-000802	CARBON RESISTOR	5.6KOHM 5% 1/8W	
	FC32	2401-001954	E.CAPACITOR	4.7UF 20% 50V			FR8R	2001-000802	CARBON RESISTOR	5.6KOHM 5% 1/8W	
	FC35	2301-000361	M.CAPACITOR	1.2NF 10% 50V			FR81	2001-000786	CARBON RESISTOR	47KOHM 5% 1/8W	
	FC36	2301-000375	M.CAPACITOR	100NF 5% 50V			FR82	2001-000591	CARBON RESISTOR	3.3KOHM 5% 1/8W	
	FC4L	2401-001912	E.CAPACITOR	1UF 20% 50V			FR9	2001-000027	CARBON RESISTOR	100OHM 5% 1/4W	
	FC4R	2401-001912	E.CAPACITOR	1UF 20% 0V			FZD1	0403-000372	ZENER DIODE	UZ9.1BM 9.1V	
	FC5L	2401-001912	E.CAPACITOR	1UF 20% 50V			HCW2	AH39-00247A	LEAD CONNECTOR	#1007 06P 280M	
	FC50	2401-000419	E.CAPACITOR	10UF 20% 16V			HCW3	3711-001062	CONNECTOR	BOX 6P 1R 2MM	
	FC51	2202-000806	C.CAPASITOR	220PF 10% 50V			HC1	2401-000795	E.CAPACITOR	220UF 20% 16V	
	FC52	2202-000806	C.CAPASITOR	220PF 10% 50V			HC1L	2401-001912	E.CAPACITOR	1UF 20% 50V	
	FC53	2401-001912	E.CAPACITOR	1UF 20% 50V			HC1R	2401-001912	E.CAPACITOR	1UF 20% 50V	
	FC54	2401-001912	E.CAPACITOR	1UF 20% 50V			HC2	2401-000795	E.CAPACITOR	220UF 20% 16V	
	FC57	2401-001975	E.CAPACITOR	47UF 20% 16V			HC2L	2401-001164	E.CAPACITOR	33UF 20% 16V	
	FC6L	2401-002180	E.CAPACITOR	2.2UF 20% 50V			HC2R	2401-001164	E.CAPACITOR	33UF 20% 16V	
	FC6R	2401-002180	E.CAPACITOR	2.2UF 20% 50V			HC3L	2201-000642	C.CAPASITOR	0.68NF 10% 50V	
	FC7L	2401-001912	E.CAPACITOR	1UF 20% 50V			HC3R	2201-000642	C.CAPASITOR	0.68NF 10% 50V	
	FC8L	2301-000454	M.CAPACITOR	5.6NF 10% 50V			HD1	0401-000101	DIODE	1N4148 100V	
	FC8R	2301-000454	M.CAPACITOR	5.6NF 10% 50V			HIC1	1201-000163	IC	4560 8P DUAL	
	FC9	2401-000419	E.CAPACITOR	10UF 20% 16V			HJK1	3722-000351	PHONE JACK	11P 3.5MM AG BL	
	FC9L	2301-000216	M.CAPACITOR	220NF 5% 50V			HQ1L	0501-000407	TRANSISTOR	KSD471A-Y NPN	
	FC9R	2301-000216	M.CAPACITOR	220NF 5% 50V			HQ1R	0501-000407	TRANSISTOR	KSD471A-Y NPN	
	FD2	0401-000101	DIODE	1N4148 100V			HRFS2	3602-000147	FUSE HOLDER	250V 7.5A	
	FD3	0401-000101	DIODE	1N4148 100V			HR1	2001-000028	CARBON RESISTOR	100OHM 5% 1/2W	
	FIC1	1204-001776	IC	TDA7442D 28P			HR1L	2001-000449	CARBON RESISTOR	2.2KOHM 5% 1/8W	
	FIC4	1201-000163	IC	4560 8P DUAL			HR1R	2001-000449	CARBON RESISTOR	2.2KOHM 5% 1/8W	
	FQ1L	0504-000122	DEGI TRANSISTOR	KSR1009Y NPN			HR2	2001-000110	CARBON RESISTOR	10OHM 5% 1/2W	
	FQ1R	0504-000122	DEGI TRANSISTOR	KSR1009Y NPN			HR2L	2001-000449	CARBON RESISTOR	2.2KOHM 5% 1/8W	
	FQ151	0504-000144	DEGI TRANSISTOR	KSR2002 PNP			HR2R	2001-000449	CARBON RESISTOR	2.2KOHM 5% 1/8W	
	FQ152	0504-000118	DEGI TRANSISTOR	KSR1003 NPN			HR20L	2001-000591	CARBON RESISTOR	3.3KOHM 5% 1/8W	
	FQ2	0504-001003	DEGI TRANSISTOR	KSR2003TA			HR20R	2001-000591	CARBON RESISTOR	3.3KOHM 5% 1/8W	
	FQ4	0501-000398	TRANSISTOR	KSC945 NPN			HR3L	2001-000734	CARBON RESISTOR	4.7KOHM 5% 1/8W	
	FR1L	2001-000411	CARBON RESISTOR	18KOHM 5% 1/8W			HR3R	2001-000734	CARBON RESISTOR	4.7KOHM 5% 1/8W	
	FR1R	2001-000411	CARBON RESISTOR	18KOHM 5% 1/8W			HR4L	2001-000290	CARBON RESISTOR	10KOHM 5% 1/8W	
	FR18	2001-000515	CARBON RESISTOR	220OHM 5% /8W			HR4R	2001-000290	CARBON RESISTOR	10KOHM 5% 1/8W	
	FR2L	2001-000411	CARBON RESISTOR	18KOHM 5% 1/8W			HR5L	2001-000019	CARBON RESISTOR	10OHM 5% 1/2W	
	FR2R	2001-000411	CARBON RESISTOR	18KOHM 5% 1/8W			HR5R	2001-000019	CARBON RESISTOR	10OHM 5% 1/2W	
	FR20	2001-000515	CARBON RESISTOR	220OHM 5% 1/8W			JCW1	3711-003107	CONNECTOR	BOX 3P 1R 2.5MM	
	FR21	2001-000864	CARBON RESISTOR	56KOHM 5% 1/8W			JCW2	3711-003111	CONNECTOR	BOX 6P 1R 2.5MM	
	FR22	2001-000864	CARBON RESISTOR	56KOHM 5% 1/8W			JCW3	3711-003107	CONNECTOR	BOX 3P 1R 2.5MM	
	FR23	2001-000773	CARBON RESISTOR	470KOHM 5% 1/8W			JC01L	2301-000393	M.CAPACITOR	18NF 10% 50V	
	FR24	2001-000290	CARBON RESISTOR	10KOHM 5% 1/8W			JC01R	2301-000393	M.CAPACITOR	18NF 10% 50V	
	FR25	2001-000429	CARBON RESISTOR	1KOHM 5% 1/8W			JC1L	2301-000361	M.CAPACITOR	1.2NF 10% 50V	
	FR251	2001-000591	CARBON RESISTOR	3.3KOHM 5% 1/8W			JC1R	2301-000361	M.CAPACITOR	1.2NF 10% 50V	
	FR252	2001-000786	CARBON RESISTOR	47KOHM 5% 1/8W			JC13L	2401-002180	E.CAPACITOR	2.2UF 20% 50V	
	FR253	2001-000290	CARBON RESISTOR	10KOHM 5% 1/8W			JC13R	2401-002180	E.CAPACITOR	2.2UF 20% 50V	

## ■ Electrical parts list (Main board)

Block No. 01

△	Item	Parts number	Parts name	Remarks	Area	△	Item	Parts number	Parts name	Remarks	Area
	JC23L	2201-000674	C.CAPASITOR	0.82NF 10% 50V			JR30	2001-000591	CARBON RESISTOR	3.3KOHM 5% 1/8W	
	JC23R	2201-000674	C.CAPASITOR	0.82NF 10% 50V			JR31	2001-000734	CARBON RESISTOR		
	JC24L	2301-000361	M.CAPACITOR	1.2NF 10% 50V			JR32	2001-000456	CARBON RESISTOR	2.2OHM 5% 1/4W	
	JC24R	2301-000361	M.CAPACITOR	1.2NF 10% 50V			JR33	2001-000290	CARBON RESISTOR	10KOHM 5% 1/8W	
	JC26	2301-000404	M.CAPACITOR	2.2NF 10% 50V			JR37L	2001-000786	CARBON RESISTOR	47KOHM 5% 1/8W	
	JC27	2301-000404	M.CAPACITOR	2.2NF 10% 50V			JR37R	2001-000786	CARBON RESISTOR	47KOHM 5% 1/8W	
	JC29	2301-000407	M.CAPACITOR	2.7NF 10% 50V			JR39	2001-000290	CARBON RESISTOR	10KOHM 5% 1/8W	
	JC30L	2201-000368	C.CAPASITOR	220PF 10% 50V			JR4	2001-000522	CARBON RESISTOR	22KOHM 5% 1/8W	
	JC30R	2201-000368	C.CAPASITOR	220PF 10% 50V			JR40L	2001-000302	CARBON RESISTOR	10OHM 5% 1/8W	
	JC300	2201-000557	C.CAPASITOR	0.47NF 10% 50V			JR40R	2001-000302	CARBON RESISTOR	10OHM 5% 1/8W	
	JC60L	2301-000379	M.CAPACITOR	10NF 10% 50V			JR41L	2001-000008	CARBON RESISTOR	15KOHM 5% 1/8W	
	JC60R	2301-000379	M.CAPACITOR	10NF 10% 50V			JR41R	2001-000008	CARBON RESISTOR	15KOHM 5% 1/8W	
	JC62L	2301-000375	M.CAPACITOR	100NF 5% 50V			JR6L	2001-000449	CARBON RESISTOR	2.2KOHM 5% 1/8W	
	JC62R	2301-000375	M.CAPACITOR	100NF 5% 50V			JR6R	2001-000449	CARBON RESISTOR	2.2KOHM 5% 1/8W	
	JC63L	2401-002180	E.CAPACITOR	2.2UF 20% 50V			JR63L	2001-000977	CARBON RESISTOR	8.2KOHM 5% 1/8W	
	JC63R	2401-002180	E.CAPACITOR	2.2UF 20% 50V			JR63R	2001-000977	CARBON RESISTOR	8.2KOHM 5% 1/8W	
	JC64L	2301-000375	M.CAPACITOR	100NF 5% 50V			JR64L	2001-000241	CARBON RESISTOR	1.5KOHM 5% 1/8W	
	JC64R	2301-000375	M.CAPACITOR	100NF 5% 50V			JR64R	2001-000241	CARBON RESISTOR	1.5KOHM 5% 1/8W	
	JC70	2201-000146	C.CAPASITOR	100PF 5% 50V			JR66L	2001-000449	CARBON RESISTOR	2.2KOHM 5% 1/8W	
	JC71	2201-000146	C.CAPASITOR	100PF 5% 50V			JR66R	2001-000449	CARBON RESISTOR	2.2KOHM 5% 1/8W	
	JC72	2201-000146	C.CAPASITOR	100PF 5% 50V			JR67L	2001-000802	CARBON RESISTOR	5.6KOHM 5% 1/8W	
	JC73	2401-000419	E.CAPACITOR	10UF 20% 16V			JR67R	2001-000802	CARBON RESISTOR	5.6KOHM 5% 1/8W	
	JC74	2401-000438	E.CAPACITOR	10UF 20% 25V			JR69	2001-000429	CARBON RESISTOR	1KOHM 5% 1/8W	
	JC75	2401-001912	E.CAPACITOR	1UF 20% 50V			JR70	2001-000281	CARBON RESISTOR	100OHM 5% 1/8W	
	JC76	2401-000438	E.CAPACITOR	10UF 20% 25V			JR71	2001-000290	CARBON RESISTOR	10KOHM 5% 1/8W	
	JC77	2202-000781	C.CAPASITOR	100PF 10% 50V			JR72	2001-000281	CARBON RESISTOR	100OHM 5% 1/8W	
	JC78	2401-001019	E.CAPACITOR	3.3UF 20% 50V			JR73	2001-000435	CARBON RESISTOR	1KOHM 5% 1/8W	
	JD1	0401-000101	DIODE	1N4148 100V			JR74	2001-000522	CARBON RESISTOR	22KOHM 5% 1/8W	
	JIC1	1201-001819	IC	44P 18V 625M			JR75	2001-000734	CARBON RESISTOR	4.7KOHM 5% 1/8W	
	JLP1L	AH26-10002W	TRAP COIL	BIAS-TRAP105K			JSR2L	2103-000248	ROTA V RESISTOR	200KOHM 1/10W	
	JLP1R	AH26-10002W	TRAP COIL	BIAS-TRAP105K			JSR2R	2103-000248	ROTA V RESISTOR	200KOHM 1/10W	
	JL1	2701-000298	INDUCTOR	470UH 10%			JW64	2001-000003	CARBON RESISTOR	330OHM 5% 1/8W	
	JL2	AH26-10003C	TRAP COIL	PCHNS-5371EQJ			JW66	2001-000003	CARBON RESISTOR	330OHM 5% 1/8W	
	JQ11L	0501-000407	TRANSISTOR	KSD471A-Y NPN			OCW2	AH39-00096B	LEAD CONNECTOR	#1007 AWG28 3P	
	JQ11R	0501-000407	TRANSISTOR	KSD471A-Y NPN			OC1	2202-000807	C.CAPASITOR	22NF 25V	
	JQ14	0501-000610	TRANSISTOR	KSA928A-Y PNP			OC2	2201-000483	C.CAPASITOR	0.033NF 5% 50V	
	JQ15	0501-000369	TRANSISTOR	KSC2331-Y NPN			OC3	2401-000240	E.CAPACITOR	100UF 20% 10V	
	JQ16	0501-000398	TRANSISTOR	KSC945 NPN			OIC1	AH14-10004R	IC	M74HCU04 SOP 14	
	JQ18	0504-001003	DEGI TRANSISTOR	KSR2003TA			OJACK	0603-001069	OPTICAL JACK	5V 8MB/S 17DBM	
	JQ2L	0501-000010	TRANSISTOR	KSC1008 NPN			OLPF	2901-001139	FILTER EMI	50V 5A 390PF	
	JQ2R	0501-000010	TRANSISTOR	KSC1008 NPN			PCW1	3711-000588	CONNECTOR		
	JQ3L	0501-000010	TRANSISTOR	KSC1008 NPN			△	RBD1	0402-000450	BRIDGE DIODE	PBL403 200V 4.0
	JQ3R	0501-000010	TRANSISTOR	KSC1008 NPN			△	RBD2	0402-001258	BRIDGE DIODE	GBU606 6A 600V
	JQ4L	0501-000398	TRANSISTOR	KSC945 NPN			RCW2	3711-000190	CONNECTOR	1WALL 7 92MM 2	
	JQ4R	0501-000398	TRANSISTOR	KSC945 NPN			RCW6	3711-001137	CONNECTOR	BOX 8P 1R 2MM	
	JQ51	0504-001003	DEGI TRANSISTOR	KSR2003TA			△	RC1	2401-001928	E.CAPACITOR	2200UF 20% 35V
	JQ6	0504-001003	DEGI TRANSISTOR	KSR2003TA			△	RC11	2201-000161	C.CAPASITOR	10NF 500V
	JQ7	0501-000407	TRANSISTOR	KSD471A-Y NPN			△	RC13	2401-000230	E.CAPACITOR	100UF 20% 100V
	JQ7	0501-000407	TRANSISTOR	KSD471A-Y NPN			RC14	2401-000795	E.CAPACITOR	220UF 20% 16V	
	JQ8	0504-001003	DEGI TRANSISTOR	KSR2003TA			RC19	2401-001895	E.CAPACITOR	100UF 20% 16V	
	JR1L	2001-000890	CARBON RESISTOR	6.8KOHM 5% 1/8W			△	RC2	2401-001928	E.CAPACITOR	2200UF 20% 35V
	JR1R	2001-000890	CARBON RESISTOR	6.8KOHM 5% 1/8W			RC20	2401-001895	E.CAPACITOR	100UF 20% 16V	
	JR12L	2001-000734	CARBON RESISTOR	4.7KOHM 5% 1/8W			△	RC3	2401-003381	E.CAPACITOR	3300UF 20% 63V
	JR12R	2001-000734	CARBON RESISTOR	4.7KOHM 5% 1/8W			RC37	2401-000438	E.CAPACITOR	10UF 20% 25V	
	JR2L	2001-000890	CARBON RESISTOR	6.8KOHM 5% 1/8W			△	RC4	2401-003381	E.CAPACITOR	3300UF 20% 63V
	JR2R	2001-000890	CARBON RESISTOR	6.8KOHM 5% 1/8W			RC5	2401-001954	E.CAPACITOR	4.7UF 20% 50V	
	JR23	2001-000591	CARBON RESISTOR	3.3KOHM 5% 1/8W			RC6	2401-000907	E.CAPACITOR	22UF 20% 16V	
	JR24L	2001-000302	CARBON RESISTOR	10OHM 5% 1/8W			RC7	2401-001912	E.CAPACITOR	1UF 20% 50V	
	JR24R	2001-000302	CARBON RESISTOR	10OHM 5% 1/8W			RC8	2401-001954	E.CAPACITOR	4.7UF 20% 50V	
	JR27	2001-000023	CARBON RESISTOR	47OHM 5% 1/4W			△	RC81	2201-000161	C.CAPASITOR	10NF 500V
	JR29	2001-000786	CARBON RESISTOR	47KOHM 5% 1/8W			RD1	0402-000127	DIODE	1N4002 100V 1A	
	JR3L	2001-000591	CARBON RESISTOR	3.3KOHM 5% 1/8W			RD10	0402-000127	DIODE	1N4002 100V 1A	
	JR3R	2001-000591	CARBON RESISTOR	3.3KOHM 5% 1/8W			RD2	0402-000127	DIODE	1N4002 100V 1A	

## ■ Electrical parts list (Main board)

Block No. 01

△	Item	Parts number	Parts name	Remarks	Area
	RD3	0402-000127	DIODE	1N4002 100V 1A	
	RD5	0402-000127	DIODE	1N4002 100V 1A	
	RD7	0401-000101	DIODE	1N4148 100V	
	RD9	0402-000127	DIODE	1N4002 100V 1A	
	RD999	0402-000127	DIODE	3300UF 35V	
△	RFS2	3601-001245	FUSE	4A 125V (T4AL	
△	RFS9	3601-001295	FUSE	4A 125V FAST	
△	RF23	2008-000135	FUS RESISTOR	10HM 5% 1/2W	
	RIC1	1203-001653	REGULATOR	4959 15P	
	RJW1	AH39-50001H	RING WIRE	RING 1007#24	
	RL1	2701-000298	INDUCTOR	470UH 10%	
	RQ1	0501-000610	TRANSISTOR	KSA928A-Y PNP	
	RQ3	0501-000331	TRANSISTOR	KSC1009-Y NPN	
	RQ4	0501-000294	TRANSISTOR	KSA708-Y PNP	
	RR1	2003-000701	OMF RESISTOR	470OHM 5% 2W	
	RR10	2001-000055	CARBON RESISTOR	4.7KOHM 5% 1/4W	
	RR11	2001-000591	CARBON RESISTOR	3.3KOHM 5% 1/8W	
	RR12	2001-000734	CARBON RESISTOR	4.7KOHM 5% 1/8W	
	RR13	2001-000111	CARBON RESISTOR	150OHM 5% 1/4W	
	RR16	2001-000038	CARBON RESISTOR	390OHM 5% 1/4W	
	RR17	2001-000429	CARBON RESISTOR	1KOHM 5% 1/8W	
△	RR18	2002-000126	COMPO RESISTOR	2.2M 1/2W	
	RR20	2001-000786	CARBON RESISTOR	47KOHM 5% 1/8W	
	RR3	2001-000023	CARBON RESISTOR	47OHM 5% 1/4W	
	RR4	2001-000023	CARBON RESISTOR	47OHM 5% 1/4W	
	RR5	2001-000613	CARBON RESISTOR	3.9KOHM 5% 1/8W	
	RR51	2001-000890	CARBON RESISTOR	6.8KOHM 5% 1/8W	
	RR52	2001-000734	CARBON RESISTOR	4.7KOHM 5% 1/8W	
	RR6	2001-000734	CARBON RESISTOR	4.7KOHM 5% 1/8W	
	RR7	2001-000429	RESISTOR	1KOHM 1 8W	
	RR8	2003-000455	OMF RESISTOR	100OHM 5% 2W	
	RR800	2001-000660	CARBON RESISTOR	33KOHM 5% 1/8W	
	RR9	2001-000563	CARBON RESISTOR	27KOHM 5% 1/8W	
	RW1	AH39-00338A	LEAD CONNECTOR	2	
	RW2	AH39-00244A	LEAD CONNECTOR	#1007	
	RZD1	0403-000379	ZENER DIODE	UZP12B 12V 1W	
	RZD2	0403-000570	ZENER DIODE	UZP18B 18V 1W	
	RZD3	0403-000570	ZENER DIODE	UZP18B 18V 1W	
	RZD4	0403-000354	ZENER DIODE	UZ5.1B 5.1V	
	RZD5	0403-001010	ZENER DIODE	UZP5.6B 1W	
	R500	2001-000435	CARBON RESISTOR	1KOHM 5% 1/8W	
	TC101	2201-000783	C.CAPASITOR	100NF 50V	
	TC102	2201-000783	C.CAPASITOR	100NF 50V	
	UD3	0401-000101	DIODE	1N4148 100V	
△	VBD3	0402-001077	BRIDGE DIODE	KPB202G 200V 2A	
△	VC6	2201-000161	C.CAPASITOR	10NF 500V	
△	VC7	2401-001942	E.CAPACITOR		
	WA999	AH39-200080	LEAD CONNECTOR		



## ■ Electrical parts list (Front board)

Block No. 02

▲	Item	Parts number	Parts name	Remarks	Area	▲	Item	Parts number	Parts name	Remarks	Area
	R-EYE	AC59-60060A	REMOCON EYE	GP1U281R SHARP			UQ17	0504-000118	DEGI TRANSISTOR	KSR1003 NPN	
	UCW1	3708-000492	CONNECTOR	9P 1.25MM			UQ18	0501-000398	TRANSISTOR	KSC945 NPN	
	UCW2	3708-001691	CONNECTOR	18P 1.25MM ANGL			UQ2	0504-000117	DEGI TRANSISTOR	KSR1002 NPN	
	UCW3	3708-000454	CONNECTOR	22P 1.25MM ST			UQ3	0504-000117	DEGI TRANSISTOR	KSR1002 NPN	
	UCW4	3708-000451	CONNECTOR	16P 1.25MM ST			UQ4	0504-000117	DEGI TRANSISTOR	KSR1002 NPN	
	UCW5	3708-000492	CONNECTOR	9P 1.25MM			UQ5	0504-000118	DEGI TRANSISTOR	KSR1003 NPN	
	UCW6	3708-001488	CONNECTOR	30P 1.25MM ANGL			UQ6	0501-000398	TRANSISTOR	KSC945 NPN	
	UCW7	3708-001692	CONNECTOR	18P 1.25MM ST			UQ7	0504-000118	DEGI TRANSISTOR	KSR1003 NPN	
	UC1	2401-000475	E.CAPACITOR	10UF 20% 50V			UQ8	0501-000610	TRANSISTOR	KSA928A-Y 1W	
	UC10	2401-000240	E.CAPACITOR	100UF 20% 10V			UQ9	0504-000118	DEGI TRANSISTOR	KSR1003 NPN	
	UC11	2401-000759	E.CAPACITOR	220NF 20% 50V			UR1	2001-000003	CARBON RESISTOR	330OHM 5% 1/8W	
	UC12	2401-001355	E.CAPACITOR	470UF 20% 10V			UR10	2001-000258	CARBON RESISTOR	1.8KOHM 5% 1/8W	
	UC15	2201-000565	C.CAPASITOR	47NF 50V			UR11	2001-000449	CARBON RESISTOR	2.2KOHM 5% 1/8W	
	UC17	2401-001954	E.CAPACITOR	4.7UF 20% 50V			UR110	2001-000995	CARBON RESISTOR	820OHM 5% 1/8W	
	UC19	2201-000565	C.CAPASITOR	47NF 50V			UR111	2001-000855	CARBON RESISTOR	560OHM 5% 1/4W	
	UC2	2201-000565	C.CAPASITOR	47NF 50V			UR112	2001-000241	CARBON RESISTOR	1.5KOHM 5% 1/8W	
	UC20	2201-000163	C.CAPASITOR	10NF +80-20% 50			UR113	2001-000855	CARBON RESISTOR	560OHM 5% 1/4W	
	UC21	2201-000163	C.CAPASITOR	10NF +80-20% 50			UR114	2001-000258	CARBON RESISTOR	1.8KOHM 5% 1/8W	
	UC3	2401-000475	E.CAPACITOR	10UF 20% 50V			UR115	2001-000855	CARBON RESISTOR	560OHM 5% 1/4W	
	UC30	2202-000781	C.CAPASITOR	100PF 10% 50V			UR116	2001-000591	CARBON RESISTOR	3.3KOHM 5% 1/8W	
	UC32	2401-001364	E.CAPACITOR	470UF 20% 16V			UR117	2001-000449	CARBON RESISTOR	2.2KOHM 5% 1/8W	
	UC4	2201-000565	C.CAPASITOR	47NF 50V			UR118	2001-000890	CARBON RESISTOR	6.8KOHM 5% 1/8W	
	UC5	2201-000565	C.CAPASITOR	47NF 50V			UR119	2001-000290	CARBON RESISTOR	10KOHM 5% 1/8W	
	UC6	2201-000423	C.CAPASITOR	0.027NF 5% 50V			UR12	2001-000734	CARBON RESISTOR	4.7KOHM 5% 1/8W	
	UC7	2201-000423	C.CAPASITOR	0.027NF 5% 50V			UR120	2001-000890	CARBON RESISTOR	6.8KOHM 5% 1/8W	
	UC8	2201-000247	C.CAPASITOR	0.015NF 5% 50V			UR121	2001-000290	CARBON RESISTOR	10KOHM 5% 1/8W	
	UC9	2201-000247	C.CAPASITOR	0.015NF 5% 50V			UR122	2001-000522	CARBON RESISTOR	22KOHM 5% 1/8W	
	UD11	0402-000127	DIODE	1N4002 100V 1A			UR123	2001-000010	CARBON RESISTOR	68KOHM 5% 1/8W	
	UD12	0402-000127	DIODE	1N4002 100V 1A			UR124	2001-000734	CARBON RESISTOR	4.7KOHM 5% 1/8W	
	UD13	0402-000127	DIODE	1N4002 100V 1A			UR125	2001-000734	CARBON RESISTOR	4.7KOHM 5% 1/8W	
	UD14	0401-000101	DIODE	1N4148 100V			UR126	2001-000591	CARBON RESISTOR	3.3KOHM 5% 1/8W	
	UD15	0401-000101	DIODE	1N4148 100V			UR127	2001-000449	CARBON RESISTOR	2.2KOHM 5% 1/8W	
	UD16	0402-000127	DIODE	1N4002 100V 1A			UR128	2001-000258	CARBON RESISTOR	1.8KOHM 5% 1/8W	
	UD17	0402-000127	DIODE	1N4002 100V 1A			UR129	2001-000241	CARBON RESISTOR	1.5KOHM 5% 1/8W	
	UD18	0402-000127	DIODE	1N4002 100V 1A			UR13	2001-000734	CARBON RESISTOR	4.7KOHM 5% 1/8W	
	UD19	0402-000127	DIODE	1N4002 100V 1A			UR130	2001-000221	CARBON RESISTOR	1.2KOHM 5% 1/8W	
	UD20	0402-000127	DIODE	1N4002 100V 1A			UR131	2001-000429	CARBON RESISTOR	1KOHM 5% 1/8W	
	UD3	0401-000101	DIODE	1N4148 100V			UR14	2001-000734	CARBON RESISTOR	4.7KOHM 5% 1/8W	
	UIC1	AH11-00037C	IC	LC866548V-5V95			UR15	2001-000734	CARBON RESISTOR	4.7KOHM 5% 1/8W	
	UIC2	0904-001316	IC	M66010 24BIT 32			UR150	2001-000786	CARBON RESISTOR	47KOHM 5% 1/8W	
	ULD1	0601-001238	LED (RED)	LTL-1CHESS-UA			UR151	2001-000786	CARBON RESISTOR	47KOHM 5% 1/8W	
	ULD10	0601-001238	LED (RED)	LTL-1CHESS-UA			UR152	2001-000786	CARBON RESISTOR	47KOHM 5% 1/8W	
	ULD11	0601-001238	LED (RED)	LTL-1CHESS-UA			UR153	2001-000786	CARBON RESISTOR	47KOHM 5% 1/8W	
	ULD12	0601-001238	LED (RED)	LTL-1CHESS-UA			UR154	2001-000290	CARBON RESISTOR	10KOHM 5% 1/8W	
	ULD13	0601-001238	LED (RED)	LTL-1CHESS-UA			UR16	2001-000734	CARBON RESISTOR	4.7KOHM 5% 1/8W	
	ULD14	0601-001238	LED (RED)	LTL-1CHESS-UA			UR162	2001-000290	CARBON RESISTOR	10KOHM 5% 1/8W	
	ULD15	0601-001238	LED (RED)	LTL-1CHESS-UA			UR164	2001-000515	CARBON RESISTOR	220OHM 5% 1/8W	
	ULD16	0601-001238	LED (RED)	LTL-1CHESS-UA			UR17	2001-000734	CARBON RESISTOR	4.7KOHM 5% 1/8W	
	ULD2	0601-001238	LED (RED)	LTL-1CHESS-UA			UR18	2001-000734	CARBON RESISTOR	4.7KOHM 5% 1/8W	
	ULD3	0601-001238	LED (RED)	LTL-1CHESS-UA			UR19	2001-000734	CARBON RESISTOR	4.7KOHM 5% 1/8W	
	ULD4	0601-001238	LED (RED)	LTL-1CHESS-UA			UR196	2001-000855	CARBON RESISTOR	560OHM 5% 1/4W	
	ULD5	0601-001238	LED (RED)	LTL-1CHESS-UA			UR2	2001-000995	CARBON RESISTOR	820OHM 5% 1/8W	
	ULD6	0601-001238	LED (RED)	LTL-1CHESS-UA			UR20	2001-000734	CARBON RESISTOR	4.7KOHM 5% 1/8W	
	ULD7	0601-001238	LED (RED)	LTL-1CHESS-UA			UR201	2001-000290	CARBON RESISTOR	10KOHM 5% 1/8W	
	ULD8	0601-001238	LED (RED)	LTL-1CHESS-UA			UR202	2001-000290	CARBON RESISTOR	10KOHM 5% 1/8W	
	ULD9	0601-001238	LED (RED)	LTL-1CHESS-UA			UR203	2001-000290	CARBON RESISTOR	10KOHM 5% 1/8W	
	UQ1	0504-000117	DEGI TRANSISTOR	KSR1002 NPN			UR204	2001-000290	CARBON RESISTOR	10KOHM 5% 1/8W	
	UQ10	0501-000610	TRANSISTOR	KSA928A-Y 1W			UR205	2001-000290	CARBON RESISTOR	10KOHM 5% 1/8W	
	UQ11	0501-000610	TRANSISTOR	KSA928A-Y 1W			UR206	2001-000290	CARBON RESISTOR	10KOHM 5% 1/8W	
	UQ12	0504-000117	DEGI TRANSISTOR	KSR1002 NPN			UR207	2001-000290	CARBON RESISTOR	10KOHM 5% 1/8W	
	UQ13	0504-000117	DEGI TRANSISTOR	KSR1002 NPN			UR208	2001-000429	CARBON RESISTOR	1KOHM 5% 1/8W	
	UQ14	0504-000117	DEGI TRANSISTOR	KSR1002 NPN			UR209	2001-000857	CARBON RESISTOR	560OHM 5% 1/8W	
	UQ15	0504-000117	DEGI TRANSISTOR	KSR1002 NPN			UR21	2001-000734	CARBON RESISTOR	4.7KOHM 5% 1/8W	

## ■ Electrical parts list (Front board)

Block No. 02

△	Item	Parts number	Parts name	Remarks	Area
	UR22	2001-000734	CARBON RESISTOR	4.7KOHM 5% 1/8W	
	UR23	2001-000734	CARBON RESISTOR	4.7KOHM 5% 1/8W	
	UR24	2001-000734	CARBON RESISTOR	4.7KOHM 5% 1/8W	
	UR25	2001-000734	CARBON RESISTOR	4.7KOHM 5% 1/8W	
	UR26	2001-000734	CARBON RESISTOR	4.7KOHM 5% 1/8W	
	UR27	2001-000734	CARBON RESISTOR	4.7KOHM 5% 1/8W	
	UR28	2001-000786	CARBON RESISTOR	47KOHM 5% 1/8W	
	UR29	2001-000786	CARBON RESISTOR	47KOHM 5% 1/8W	
	UR30	2001-000786	CARBON RESISTOR	47KOHM 5% 1/8W	
	UR31	2001-000786	CARBON RESISTOR	47KOHM 5% 1/8W	
	UR32	2001-000786	CARBON RESISTOR	47KOHM 5% 1/8W	
	UR33	2001-000786	CARBON RESISTOR	47KOHM 5% 1/8W	
	UR34	2001-000290	CARBON RESISTOR	10KOHM 5% 1/8W	
	UR35	2001-000290	CARBON RESISTOR	10KOHM 5% 1/8W	
	UR36	2001-000290	CARBON RESISTOR	10KOHM 5% 1/8W	
	UR37	2001-000290	CARBON RESISTOR	10KOHM 5% 1/8W	
	UR38	2001-000290	CARBON RESISTOR	10KOHM 5% 1/8W	
	UR39	2001-000290	CARBON RESISTOR	10KOHM 5% 1/8W	
	UR4	2001-000855	CARBON RESISTOR	560OHM 5% 1/4W	
	UR40	2001-000591	CARBON RESISTOR	3.3KOHM 5% 1/8W	
	UR41	2001-000429	CARBON RESISTOR	1KOHM 5% 1/8W	
	UR42	2001-000429	CARBON RESISTOR	1KOHM 5% 1/8W	
	UR43	2001-000435	CARBON RESISTOR	1MOHM 5% 1/8W	
	UR44	2001-000734	CARBON RESISTOR	4.7KOHM 5% 1/8W	
	UR45	2001-000508	CARBON RESISTOR	220KOHM 5% 1/8W	
	UR46	2001-000793	CARBON RESISTOR	47OHM 5% 1/8W	
	UR47	2001-000850	CARBON RESISTOR	560KOHM 5% 1/8W	
	UR48	2001-000295	CARBON RESISTOR	10KOHM 5% 1/8W	
	UR49	2001-001178	CARBON RESISTOR	680OHM 5% 1/2W	
	UR5	2001-000855	CARBON RESISTOR	560OHM 5% 1/4W	
	UR50	2001-001178	CARBON RESISTOR	680OHM 5% 1/2W	
	UR51	2001-001178	CARBON RESISTOR	680OHM 5% 1/2W	
	UR52	2001-000449	CARBON RESISTOR	2.2KOHM 5% 1/8W	
	UR54	2001-000995	CARBON RESISTOR	820OHM 5% 1/8W	
	UR56	2001-000429	CARBON RESISTOR	1KOHM 5% 1/8W	
	UR57	2001-000429	CARBON RESISTOR	1KOHM 5% 1/8W	
	UR58	2001-000429	CARBON RESISTOR	1KOHM 5% 1/8W	
	UR59	2001-000429	CARBON RESISTOR	1KOHM 5% 1/8W	
	UR6	2001-000855	CARBON RESISTOR	560OHM 5% 1/4W	
	UR60	2001-000429	CARBON RESISTOR	1KOHM 5% 1/8W	
	UR61	2001-000429	CARBON RESISTOR	1KOHM 5% 1/8W	
	UR62	2001-000429	CARBON RESISTOR	1KOHM 5% 1/8W	
	UR63	2001-000290	CARBON RESISTOR	10KOHM 5% 1/8W	
	UR64	2001-000290	CARBON RESISTOR	10KOHM 5% 1/8W	
	UR65	2001-000290	CARBON RESISTOR	10KOHM 5% 1/8W	
	UR66	2001-000290	CARBON RESISTOR	10KOHM 5% 1/8W	
	UR67	2001-000290	CARBON RESISTOR	10KOHM 5% 1/8W	
	UR68	2001-000290	CARBON RESISTOR	10KOHM 5% 1/8W	
	UR69	2001-000290	CARBON RESISTOR	10KOHM 5% 1/8W	
	UR7	2001-000429	CARBON RESISTOR	1KOHM 5% 1/8W	
	UR70	2001-000290	CARBON RESISTOR	10KOHM 5% 1/8W	
	UR71	2001-000290	CARBON RESISTOR	10KOHM 5% 1/8W	
	UR72	2001-000290	CARBON RESISTOR	10KOHM 5% 1/8W	
	UR73	2001-000429	CARBON RESISTOR	1KOHM 5% 1/8W	
	UR74	2001-000290	CARBON RESISTOR	10KOHM 5% 1/8W	
	UR75	2001-000290	CARBON RESISTOR	10KOHM 5% 1/8W	
	UR76	2001-000290	CARBON RESISTOR	10KOHM 5% 1/8W	
	UR77	2001-000005	CARBON RESISTOR	390OHM 5% 1/8W	
	UR79	2001-000290	CARBON RESISTOR	10KOHM 5% 1/8W	
	UR8	2001-000221	CARBON RESISTOR	1.2KOHM 5% 1/8W	
	UR80	2001-000290	CARBON RESISTOR	10KOHM 5% 1/8W	
	UR81	2001-000290	CARBON RESISTOR	10KOHM 5% 1/8W	
	UR82	2001-000290	CARBON RESISTOR	10KOHM 5% 1/8W	

△	Item	Parts number	Parts name	Remarks	Area
	UR83	2001-000290	CARBON RESISTOR	10KOHM 5% 1/8W	
	UR84	2001-000290	CARBON RESISTOR	10KOHM 5% 1/8W	
	UR85	2001-000290	CARBON RESISTOR	10KOHM 5% 1/8W	
	UR86	2001-000290	CARBON RESISTOR	10KOHM 5% 1/8W	
	UR87	2001-000290	CARBON RESISTOR	10KOHM 5% 1/8W	
	UR88	2001-000290	CARBON RESISTOR	10KOHM 5% 1/8W	
	UR89	2001-000290	CARBON RESISTOR	10KOHM 5% 1/8W	
	UR9	2001-000241	CARBON RESISTOR	1.5KOHM 5% 1/8W	
	UR90	2001-000290	CARBON RESISTOR	10KOHM 5% 1/8W	
	UR91	2001-000290	CARBON RESISTOR	10KOHM 5% 1/8W	
	UR92	2001-000429	CARBON RESISTOR	1KOHM 5% 1/8W	
	UR93	2001-000995	CARBON RESISTOR	820OHM 5% 1/8W	
	UR94	2001-000221	CARBON RESISTOR	1.2KOHM 5% 1/8W	
	UR95	2001-000522	CARBON RESISTOR	22KOHM 5% 1/8W	
	USR1	2103-000341	ROTA V RESISTOR	2KOHM 30% 1/10W	
	USW1	3404-000165	TACT SWITCH	12V 50MA 160GF	
	USW10	3404-000165	TACT SWITCH	12V 50MA 160GF	
	USW11	3404-000165	TACT SWITCH	12V 50MA 160GF	
	USW12	3404-000165	TACT SWITCH	12V 50MA 160GF	
	USW13	3404-000165	TACT SWITCH	12V 50MA 160GF	
	USW14	3404-000165	TACT SWITCH	12V 50MA 160GF	
	USW15	3404-000165	TACT SWITCH	12V 50MA 160GF	
	USW16	3404-000165	TACT SWITCH	12V 50MA 160GF	
	USW17	3404-000165	TACT SWITCH	12V 50MA 160GF	
	USW18	3404-000165	TACT SWITCH	12V 50MA 160GF	
	USW19	3404-000165	TACT SWITCH	12V 50MA 160GF	
	USW20	3404-000165	TACT SWITCH	12V 50MA 160GF	
	USW21	3404-000165	TACT SWITCH	12V 50MA 160GF	
	USW22	3404-000165	TACT SWITCH	12V 50MA 160GF	
	USW23	3404-000165	TACT SWITCH	12V 50MA 160GF	
	USW28	3404-000165	TACT SWITCH	12V 50MA 160GF	
	USW29	3404-000165	TACT SWITCH	12V 50MA 160GF	
	USW3	3404-000165	TACT SWITCH	12V 50MA 160GF	
	USW30	3404-000165	TACT SWITCH	12V 50MA 160GF	
	USW31	3404-000165	TACT SWITCH	12V 50MA 160GF	
	USW32	3404-000165	TACT SWITCH	12V 50MA 160GF	
	USW4	3404-000165	TACT SWITCH	12V 50MA 160GF	
	USW5	3404-000165	TACT SWITCH	12V 50MA 160GF	
	USW6	3404-000165	TACT SWITCH	12V 50MA 160GF	
	USW7	3404-000165	TACT SWITCH	12V 50MA 160GF	
	USW8	3404-000165	TACT SWITCH	12V 50MA 160GF	
	USW9	3404-000165	TACT SWITCH	12V 50MA 160GF	
	UVR1	3406-001071	ROTARY SWITCH	5V DC 0.5MA 3P	
	UVR2	3406-001047	ROTARY SWITCH	RE012104PVB25FI	
	UVR3	3406-001047	ROTARY SWITCH	RE012104PVB25FI	
	UX1	2802-000181	RESONATOR	6MHZ 0.3%	
	UX2	2801-001394	CRYSTAL	32.768KHZ	
	VFD	AH07-00040A	VFD	BJ821GNK	

## ■ Electrical parts list (Amp board)

Block No. 03

△	Item	Parts number	Parts name	Remarks	Area	△	Item	Parts number	Parts name	Remarks	Area
	ACW1	3708-001094	CONNECTOR				AC8	2201-000368	C.CAPASITOR	220PF 10% 50V	
	ACW2	3711-003113	CONNECTOR	BOX 9P 1R 2.5MM			AC8L	2401-000459	E.CAPACITOR	10UF 20% 35V	
	ACW6	3711-000820	CONNECTOR	100KOHM 5% 1/8W			AC8R	2401-000459	E.CAPACITOR	10UF 20% 35V	
	AC1L	2201-000368	C.CAPASITOR	220PF 10% 50V			AC9	2401-000230	E.CAPACITOR	100UF 20% 100V	
	AC1R	2201-000368	C.CAPASITOR	220PF 10% 50V			AC9L	2201-000381	C.CAPASITOR	22NF +80% 50V	
	AC10	2401-000230	E.CAPACITOR	100UF 20% 100V			AC9R	2201-000381	C.CAPASITOR	22NF +80% 50V	
	AC10L	2301-000375	M.CAPACITOR	100NF 5% 50V			AD1	0402-000127	DIODE	1N4002 100V 1A	
	AC11	2201-000368	C.CAPASITOR	220PF 10% 50V			AD2	0402-000127	DIODE	1N4002 100V 1A	
	AC12	2401-002180	E.CAPACITOR	2.2UF 20% 50V			AD5	0402-000127	DIODE	1N4002 100V 1A	
	AC13	2401-001154	E.CAPACITOR	33UF 20% 10V			AD6	0401-000101	DIODE	1N4148 100V	
	AC14	2201-000659	C.CAPASITOR	6PF 0.5PF 50V			AD7	0401-000101	DIODE	1N4148 100V	
	AC15	2201-000659	C.CAPASITOR	6PF 0.5PF 50V			AD8	0401-000101	DIODE	1N4148 100V	
	AC16	2401-001154	E.CAPACITOR	33UF 20% 10V			AD9	0401-000101	DIODE	1N4148 100V	
	AC17	2401-002180	E.CAPACITOR	2.2UF 20% 50V		△	AIC1	1201-001582	IC	STK402-070 15P	
	AC2L	2401-000357	E.CAPACITOR	100UF 0.2 50V		△	AIC2	1201-001850	IC	STK402-120 15P	
	AC2R	2401-000357	E.CAPACITOR	100UF 0.2 50V			AIC3	1201-000163	IC	BA4560 SOP 8P	
	AC20	2401-000230	E.CAPACITOR	100UF 20% 100V			AIC4	1201-000163	IC	BA4560 SOP 8P	
	AC22	2301-000390	M.CAPACITOR	15NF 10% 50V			AIC5	1201-000163	IC	BA4560 SOP 8P	
	AC23	2401-001895	E.CAPACITOR	100UF 20% 16V			AIC6	1201-000163	IC	BA4560 SOP 8P	
	AC24	2301-000216	M.CAPACITOR	220NF 5% 50V			AIC7	1201-000163	IC	BA4560 SOP 8P	
	AC25	2301-000419	M.CAPACITOR	27NF 10% 50V			AL1	AH27-90001A	SPRING COIL	2.2UH SPRING	
	AC26	2401-001895	E.CAPACITOR	100UF 20% 16V			AL1L	AH27-90001A	SPRING COIL	2.2UH SPRING	
	AC27	2201-000783	C.CAPASITOR	100NF 50V			AL1R	AH27-90001A	SPRING COIL	2.2UH SPRING	
	AC28	2201-000783	C.CAPASITOR	100NF 50V			AL2	AH27-90001A	SPRING COIL	2.2UH SPRING	
	AC29	2401-001895	E.CAPACITOR	100UF 20% 16V			AQ1	0501-000407	TRANSISTOR	KSD471A-Y NPN	
	AC3	2301-000375	M.CAPACITOR	100NF 5% 50V			AQ11	0501-000398	TRANSISTOR	KSC945 NPN	
	AC3R	2401-002180	E.CAPACITOR	2.2UF 20% 50V			AQ12	0501-000398	TRANSISTOR	KSC945 NPN	
	AC30	2401-001975	E.CAPACITOR	47UF 20% 16V			AQ13	0501-000398	TRANSISTOR	KSC945 NPN	
	AC301	2401-000385	E.CAPACITOR	10UF 20% 100V			AQ14	0501-000610	TRANSISTOR	KSA928A-Y PNP	
	AC302	2401-000385	E.CAPACITOR	10UF 20% 100V			AQ2	0501-000407	TRANSISTOR	KSD471A-Y NPN	
	AC303	2401-000385	E.CAPACITOR	10UF 20% 100V			AQ2L	0501-000407	TRANSISTOR	KSD471A-Y NPN	
	AC304	2401-000385	E.CAPACITOR	10UF 20% 100V			AQ2R	0501-000407	TRANSISTOR	KSD471A-Y NPN	
	AC31	2201-000146	C.CAPASITOR	100PF 5% 50V			AQ3	0501-000407	TRANSISTOR	KSD471A-Y NPN	
	AC32	2401-001895	E.CAPACITOR	100UF 20% 16V			AQ6	0501-000010	TRANSISTOR	KSC1008 NPN	
	AC33	2401-003621	E.CAPACITOR	47UF 20% 63V			AQ8	0501-000610	TRANSISTOR	KSA928A-Y PNP	
	AC34	2401-001954	E.CAPACITOR	4.7UF 20% 50V			ARL1	3501-001197	RELAY	OSA-SS-212DM3	
	AC35	2301-000474	M.CAPACITOR	8.2NF 10% 50V			AR1	2003-000689	OMF RESISTOR	4.7OHM 5% 1W	
	AC36	2201-000565	C.CAPASITOR	47NF 50V			AR1L	2001-000290	CARBON RESISTOR	10KOHM 5% 1/8W	
	AC37	2401-001975	E.CAPACITOR	47UF 20% 16V			AR1R	2001-000290	CARBON RESISTOR	10KOHM 5% 1/8W	
	AC38	2401-001975	E.CAPACITOR	47UF 20% 16V			AR10	2003-000390	OMF RESISTOR	0.27OHM 5% 2W	
	AC39	2401-001912	E.CAPACITOR	1UF 20% 50V			AR11	2003-000390	OMF RESISTOR	0.27OHM 5% 2W	
	AC4	2301-000375	M.CAPACITOR	100NF 5% 50V			AR11L	2001-000522	CARBON RESISTOR	22KOHM 5% 1/8W	
	AC4L	2401-001154	E.CAPACITOR	33UF 20% 10V			AR11R	2001-000522	CARBON RESISTOR	22KOHM 5% 1/8W	
	AC4R	2401-001154	E.CAPACITOR	33UF 20% 10V			AR12	2003-000390	OMF RESISTOR	0.27OHM 5% 2W	
	AC40	2401-001954	E.CAPACITOR	4.7UF 20% 50V			AR12L	2001-000281	CARBON RESISTOR	100OHM 5% 1/8W	
	AC41	2401-001895	E.CAPACITOR	100UF 20% 16V			AR12R	2001-001000	CARBON RESISTOR	82KOHM 5% 1/8W	
	AC42	2301-000216	M.CAPACITOR	220NF 5% 50V			AR13	2003-000008	OMF RESISTOR	100OHM 5% 1W	
	AC43	2401-001895	E.CAPACITOR	100UF 20% 16V			AR13L	2001-000864	CARBON RESISTOR	56KOHM 5% 1/8W	
	AC44	2401-001895	E.CAPACITOR	100UF 20% 16V			AR13R	2001-000281	CARBON RESISTOR	100OHM 5% 1/8W	
	AC45	2301-000216	M.CAPACITOR	220NF 5% 50V			AR14	2001-000864	CARBON RESISTOR	56KOHM 5% 1/8W	
	AC46	2301-000419	M.CAPACITOR	27NF 10% 50V			AR14L	2001-001000	CARBON RESISTOR	82KOHM 5% 1/8W	
	AC47	2201-000381	C.CAPASITOR	22NF +80% 50V			AR14R	2001-000864	CARBON RESISTOR	56KOHM 5% 1/8W	
	AC48	2201-000381	C.CAPASITOR	22NF +80% 50V			AR15	2001-000221	CARBON RESISTOR	1.2KOHM 5% 1/8W	
	AC49	2401-001975	E.CAPACITOR	47UF 20% 16V			AR15L	2003-000689	OMF RESISTOR	4.7OHM 5% 1W	
	AC5L	2201-000659	C.CAPASITOR	6PF 0.5PF 50V			AR15R	2003-000689	OMF RESISTOR	4.7OHM 5% 1W	
	AC5R	2201-000659	C.CAPASITOR	6PF 0.5PF 50V			AR2	2003-000689	OMF RESISTOR	4.7OHM 5% 1W	
	AC50	2401-001895	E.CAPACITOR	100UF 20% 16V			AR2L	2001-000258	CARBON RESISTOR	1.8KOHM 5% 1/8W	
	AC51	2401-002180	E.CAPACITOR	2.2UF 20% 50V			AR2R	2001-000258	CARBON RESISTOR	1.8KOHM 5% 1/8W	
	AC52	2401-000871	E.CAPACITOR	220UF 20% 50V			AR20	2001-000660	CARBON RESISTOR	33KOHM 5% 1/8W	
	AC56	2301-000375	M.CAPACITOR	100NF 5% 50V			AR21	2001-000429	CARBON RESISTOR	1KOHM 5% 1/8W	
	AC6L	2401-002180	E.CAPACITOR	2.2UF 20% 50V			AR22	2001-000017	CARBON RESISTOR	4.7OHM 5% 1/4W	
	AC7L	2401-001895	E.CAPACITOR	100UF 20% 16V			AR24	2001-000017	CARBON RESISTOR	4.7OHM 5% 1/4W	
	AC7R	2401-001895	E.CAPACITOR	100UF 20% 16V			AR25	2001-000515	CARBON RESISTOR	220OHM 5% 1/8W	

## ■ Electrical parts list (Amp board)

Block No. 03

△	Item	Parts number	Parts name	Remarks	Area
	AR3	2001-000065	CARBON RESISTOR	10KOHM 5% 1/4W	
	AR3L	2001-000864	CARBON RESISTOR	56KOHM 5% 1/8W	
	AR3R	2001-000864	CARBON RESISTOR	56KOHM 5% 1/8W	
	AR300	2001-000411	CARBON RESISTOR	18KOHM 5% 1/8W	
	AR310	2001-000786	CARBON RESISTOR	47KOHM 5% 1/8W	
	AR311	2001-000786	CARBON RESISTOR	47KOHM 5% 1/8W	
	AR312	2001-000786	CARBON RESISTOR	47KOHM 5% 1/8W	
	AR32	2001-000273	CARBON RESISTOR	100KOHM 5% 1/8W	
	AR33	2001-000281	CARBON RESISTOR	100OHM 5% 1/8W	
	AR34	2001-000522	CARBON RESISTOR	22KOHM 5% 1/8W	
	AR35	2001-000522	CARBON RESISTOR	22KOHM 5% 1/8W	
	AR36	2001-000281	CARBON RESISTOR	100OHM 5% 1/8W	
	AR37	2001-000258	CARBON RESISTOR	1.8KOHM 5% 1/8W	
	AR38	2001-000802	CARBON RESISTOR	5.6KOHM 5% 1/8W	
	AR39	2001-000522	CARBON RESISTOR	22KOHM 5% 1/8W	
	AR4	2001-000290	CARBON RESISTOR	10KOHM 5% 1/8W	
	AR4L	2001-000864	CARBON RESISTOR	56KOHM 5% 1/8W	
	AR4R	2001-000864	CARBON RESISTOR	56KOHM 5% 1/8W	
	AR40	2001-000508	CARBON RESISTOR	220KOHM 5% 1/8W	
	AR41	2001-000281	CARBON RESISTOR	100OHM 5% 1/8W	
	AR42	2001-000331	CARBON RESISTOR	12KOHM 5% 1/8W	
	AR43	2001-000331	CARBON RESISTOR	12KOHM 5% 1/8W	
	AR44	2001-000273	CARBON RESISTOR	100KOHM 5% 1/8W	
	AR45	2001-000786	CARBON RESISTOR	47KOHM 5% 1/8W	
	AR46	2001-000281	CARBON RESISTOR	100OHM 5% 1/8W	
	AR47	2001-000273	CARBON RESISTOR	100KOHM 5% 1/8W	
	AR48	2001-000273	CARBON RESISTOR	100KOHM 5% 1/8W	
	AR49	2001-000548	CARBON RESISTOR	270KOHM 5% 1/8W	
	AR5	2003-000008	OMF RESISTOR	100OHM 5% 1W	
	AR50	2001-000563	CARBON RESISTOR	27KOHM 5% 1/8W	
	AR51	2001-000273	CARBON RESISTOR	100KOHM 5% 1/8W	
	AR52	2001-000977	CARBON RESISTOR	8.2KOHM 5% 1/8W	
	AR53	2001-000508	CARBON RESISTOR	220KOHM 5% 1/8W	
	AR54	2001-000449	CARBON RESISTOR	2.2KOHM 5% 1/8W	
	AR55	2001-000786	CARBON RESISTOR	47KOHM 5% 1/8W	
	AR56	2001-000554	CARBON RESISTOR	270KOHM 5% 1/8W	
	AR57	2001-000802	CARBON RESISTOR	5.6KOHM 5% 1/8W	
	AR58	2001-000273	CARBON RESISTOR	100KOHM 5% 1/8W	
	AR59	2001-000281	CARBON RESISTOR	100OHM 5% 1/8W	
	AR6	2001-000290	CARBON RESISTOR	10KOHM 5% 1/8W	
	AR6L	2001-000017	CARBON RESISTOR	4.7OHM 5% 1/4W	
	AR6R	2001-000017	CARBON RESISTOR	4.7OHM 5% 1/4W	
	AR60	2001-000522	CARBON RESISTOR	22KOHM 5% 1/8W	
	AR61	2001-000522	CARBON RESISTOR	22KOHM 5% 1/8W	
	AR62	2001-000563	CARBON RESISTOR	27KOHM 5% 1/8W	
	AR63	2001-000281	CARBON RESISTOR	100OHM 5% 1/8W	
	AR64	2001-000258	CARBON RESISTOR	1.8KOHM 5% 1/8W	
	AR65	2001-000864	CARBON RESISTOR	56KOHM 5% 1/8W	
	AR66	2001-000508	CARBON RESISTOR	220KOHM 5% 1/8W	
	AR67	2001-000508	CARBON RESISTOR	220KOHM 5% 1/8W	
	AR68	2001-000281	CARBON RESISTOR	100OHM 5% 1/8W	
	AR69	2001-000522	CARBON RESISTOR	22KOHM 5% 1/8W	
	AR7	2001-000221	CARBON RESISTOR	1.2KOHM 5% 1/8W	
	AR7L	2001-000429	CARBON RESISTOR	1KOHM 5% 1/8W	
	AR7R	2001-000429	CARBON RESISTOR	1KOHM 5% 1/8W	
	AR70	2001-000522	CARBON RESISTOR	22KOHM 5% 1/8W	
	AR71	2001-000281	CARBON RESISTOR	100OHM 5% 1/8W	
	AR72	2001-000281	CARBON RESISTOR	100OHM 5% 1/8W	
	AR73	2001-001000	CARBON RESISTOR	82KOHM 5% 1/8W	
	AR74	2001-000273	CARBON RESISTOR	100KOHM 5% 1/8W	
	AR75	2001-000281	CARBON RESISTOR	100OHM 5% 1/8W	
	AR77	2001-000065	CARBON RESISTOR	10KOHM 5% 1/4W	
	AR78	2003-000008	OMF RESISTOR	100OHM 5% 1W	

△	Item	Parts number	Parts name	Remarks	Area
	AR79	2003-000008	OMF RESISTOR	100OHM 5% 1W	
	AR8	2001-000864	CARBON RESISTOR	56KOHM 5% 1/8W	
	AR8L	2001-000591	CARBON RESISTOR	3.3KOHM 5% 1/8W	
	AR8R	2001-000591	CARBON RESISTOR	3.3KOHM 5% 1/8W	
	AR80	2001-000660	CARBON RESISTOR	33KOHM 5% 1/8W	
	AR81	2001-000660	CARBON RESISTOR	33KOHM 5% 1/8W	
	AR82	2001-000660	CARBON RESISTOR	33KOHM 5% 1/8W	
	AR83	2001-000786	CARBON RESISTOR	47KOHM 5% 1/8W	
	AR84	2001-000591	CARBON RESISTOR	3.3KOHM 5% 1/8W	
	AR86	2001-000591	CARBON RESISTOR	3.3KOHM 5% 1/8W	
	AR87	2001-000591	CARBON RESISTOR	3.3KOHM 5% 1/8W	
	AR88	2001-000449	CARBON RESISTOR	2.2KOHM 5% 1/8W	
	AR89	2001-000786	CARBON RESISTOR	47KOHM 5% 1/8W	
	AR9	2003-000390	OMF RESISTOR	0.27OHM 5% 2W	
	LPC30	2401-003621	E.CAPACITOR	47UF/63V	
	LPR1	2001-000449	CARBON RESISTOR	2.2KOHM 1/8W	
	LPR2	2003-000710	OMF RESISTOR	39OHM 2W	
	LQ1	0501-000610	TRANSISTOR	A928	
	LQ2	0501-000369	TRANSISTOR	C2331	
	SPK	3716-001164	TERMINAL BLOCK	SOLDER 8P	

## ■ Electrical parts list (CD board)

Block No. 04

△	Item	Parts number	Parts name	Remarks	Area	△	Item	Parts number	Parts name	Remarks	Area
	CW101	3708-001252	CONNECTOR				C403	2203-000178	CHIP CAPACITOR	100NF 25V 1608	
	CW102	AH39-20561P	LEAD CONNECTOR	5295 PHR 6P 150			C501L	2401-001954	E.CAPACITOR	4.7UF 20% 50V	
	CW103	3708-001131	CONNECTOR	SCB-1105-00-02			C501R	2401-001954	E.CAPACITOR	4.7UF 20% 50V	
	CW104	3711-003379	CONNECTOR	35366-0310			C502L	2203-000440	CHIP CAPACITOR	1NF 50V 1608	
	CW105	3708-001438	CONNECTOR	22P 1.25MM AN			C502R	2203-000440	CHIP CAPACITOR	1NF 50V 1608	
	CW106	AH39-20025S	LEAD CONNECTOR	51004-08 35023-			C801	2401-000795	E.CAPACITOR	220UF 20% 16V	
	CW107	3711-000906	CONNECTOR	BOX 3P 1R 2MM A			C804	2202-000243	C.CAPACITOR	33PF 5% 50V	
	C101	2401-000240	E.CAPACITOR	100UF 20% 10V			C805	2202-000243	C.CAPACITOR	33PF 5% 50V	
	C102	2203-000440	CHIP CAPACITOR	1NF 50V 1608			C806	2202-000243	C.CAPACITOR	33PF 5% 50V	
	C103	2203-000257	CHIP CAPACITOR	10NF 50V 1608			D301	0402-000151	DIODE	1N5392 100V	
	C104	2203-000257	CHIP CAPACITOR	10NF 50V 1608			IC101	1204-001799	IC	KB9226 LQFP 48P	
	C105	2203-000257	CHIP CAPACITOR	10NF 50V 1608			IC201	0904-001524	IC	5L9290 QFP 48P	
	C106	2203-001140	CHIP CAPACITOR	68NF 16V TP 160			IC301	1003-000179	IC	KA9258D SOP 28P	
	C107	2401-000240	E.CAPACITOR	100UF 20% 10V			IC401	1003-001162	IC	KA3082 10PIN	
	C108	2401-000240	E.CAPACITOR	100UF 20% 10V			IC402	1003-001162	IC	KA3082 10PIN	
	C111	2203-000888	CHIP CAPACITOR	4.7NF 50V 1608			IC801	AC14-12001G	IC	KA78L05Z	
	C112	2203-000888	CHIP CAPACITOR	4.7NF 50V 1608			J1	2007-000070	CHIP RESISTOR	00HM 1/16W 1608	
	C113	2202-000780	C.CAPACITOR	100NF +80-20% 5			J10	2007-000070	CHIP RESISTOR	00HM 1/16W 1608	
	C114	2401-001954	E.CAPACITOR	4.7UF 20% 50V			J12	2007-000029	CHIP RESISTOR	00HM 1/10W 2012	
	C115	2203-000206	CHIP CAPACITOR	100NF 50V 2012			J13	2007-000070	CHIP RESISTOR	00HM 1/16W 1608	
	C116	2203-000206	CHIP CAPACITOR	100NF 50V 2012			J2	2007-000070	CHIP RESISTOR	00HM 1/16W 1608	
	C117	2203-000440	CHIP CAPACITOR	1NF 50V 1608			J3	2007-000070	CHIP RESISTOR	00HM 1/16W 1608	
	C118	2203-000206	CHIP CAPACITOR	100NF 50V 2012			J4	2007-000029	CHIP RESISTOR	00HM 1/10W 2012	
	C119	2203-000800	CHIP CAPACITOR	33NF 25V 1608			J5	2007-000070	CHIP RESISTOR	00HM 1/16W 1608	
	C120	2401-001968	E.CAPACITOR	470NF 20% 50V			J7	2007-000029	CHIP RESISTOR	00HM 1/10W 2012	
	C121	2203-000257	CHIP CAPACITOR	10NF 50V 1608			J8	2007-000029	CHIP RESISTOR	00HM 1/10W 2012	
	C122	2203-001140	CHIP CAPACITOR	68NF 16V 1608			J9	2007-000029	CHIP RESISTOR	00HM 1/10W 2012	
	C123	2401-000419	E.CAPACITOR	10UF 20% 16V			MJ1	2007-000070	CHIP RESISTOR	00HM 1/16W 1608	
	C124	2203-000206	CHIP CAPACITOR	100NF 50V 2012			MR1	2007-000090	CHIP RESISTOR	10KOHM /16W 160	
	C124A	2203-001063	CHIP CAPACITOR	56NF 16V 1608			MR2	2007-000090	CHIP RESISTOR	10KOHM 1/16W 16	
	C126	2203-000491	CHIP CAPACITOR	2.2NF 50V 1608			MR3	2007-000090	CHIP RESISTOR	10KOHM 1/16W 16	
	C127	2203-000592	CHIP CAPACITOR	0.22NF 50V 1608			Q101	0501-000314	TRANSISTOR	KSA812 PNP	
	C128	2203-000800	CHIP CAPACITOR	33NF 25V 1608			Q301	0501-000610	TRANSISTOR	KSA928A PNP	
	C129	2203-000206	CHIP CAPACITOR	100NF 50V 2012			Q302	0501-000010	TRANSISTOR	KSC1008-YTA NPN	
	C130	2203-000206	CHIP CAPACITOR	100NF 50V 2012			R101	2007-000098	CHIP RESISTOR	56KOHM 1/16W 16	
	C131	2203-000178	CHIP CAPACITOR	100NF 25V 1608			R102	2007-000098	CHIP RESISTOR	56KOHM 1/16W 16	
	C132	2203-000178	CHIP CAPACITOR	100NF 25V 1608			R103	2007-000098	CHIP RESISTOR	56KOHM 1/16W 16	
	C133	2401-000240	E.CAPACITOR	100UF 20% 10V			R104	2007-000098	CHIP RESISTOR	56KOHM 1/16W 16	
	C134	2203-000257	CHIP CAPACITOR	10NF 50V 1608			R105	2007-000100	CHIP RESISTOR	68KOHM 1/16W 16	
	C135	2401-001968	E.CAPACITOR	470NF 20% 50V			R106	2007-000100	CHIP RESISTOR	68KOHM 1/16W 16	
	C201	2203-000681	CHIP CAPACITOR	27PF 50V 1608			R107	2007-000115	CHIP RESISTOR	820HM 1/16W 160	
	C202	2203-000681	CHIP CAPACITOR	27PF 50V 1608			R108	2007-000308	CHIP RESISTOR	100HM 1/10W 201	
	C203	2203-001222	CHIP CAPACITOR	820PF 50V 1608			R110	2007-000455	CHIP RESISTOR	18KOHM 1% 1/16W	
	C204	2203-000178	CHIP CAPACITOR	100NF 25V 1608			R112	2007-001196	CHIP RESISTOR	820KOHM 1/16W 1	
	C205	2203-000178	CHIP CAPACITOR	100NF 25V 1608			R113	2007-000132	CHIP RESISTOR	180KOHM 1/16W 1	
	C207	2203-000257	CHIP CAPACITOR	10NF 50V 1608			R114	2007-000100	CHIP RESISTOR	68KOHM 1/16W 16	
	C208	2203-000851	CHIP CAPACITOR	0.039NF 50V 160			R115	2007-001179	CHIP RESISTOR	8.2KOHM 1/16W 1	
	C209	2203-000257	CHIP CAPACITOR	10NF 50V 1608			R116	2007-000093	CHIP RESISTOR	20KOHM 1/16W 16	
	C211	2203-000178	CHIP CAPACITOR	100NF 25V 1608			R117	2001-000331	RESISTOR	12KOHM 5% 1/8W	
	C212	2401-000240	E.CAPACITOR	100UF 20% 10V			R118	2007-000109	CHIP RESISTOR	1MOHM 1/16W 160	
	C213	2203-000257	CHIP CAPACITOR	10NF 50V 1608			R119	2007-000101	CHIP RESISTOR	82KOHM 1/16W 16	
	C214	2203-000257	CHIP CAPACITOR	10NF 50V 1608			R120	2007-000098	CHIP RESISTOR	56KOHM 1/16W 16	
	C215	2401-000240	E.CAPACITOR	100UF 20% 10V			R120	2007-000100	CHIP RESISTOR	68KOHM 1/16W 16	
	C216	2203-000257	CHIP CAPACITOR	10NF 50V 1608			R121	2007-000092	CHIP RESISTOR	15KOHM 1/16W 16	
	C217	2401-000240	E.CAPACITOR	100UF 20% 10V			R123	2007-000097	CHIP RESISTOR	47KOHM 1/16W 16	
	C218	2203-000257	CHIP CAPACITOR	10NF 50V 1608			R124	2007-000103	CHIP RESISTOR	120KOHM 1/16W 1	
	C301	2401-001102	E.CAPACITOR	330UF 20% 16V			R125	2007-000103	CHIP RESISTOR	120KOHM 1/16W 1	
	C302	2401-000240	E.CAPACITOR	100UF 20% 10V			R126	2007-000098	CHIP RESISTOR	56KOHM 1/16W 16	
	C303	2401-000240	E.CAPACITOR	100UF 20% 10V			R127	2007-000100	CHIP RESISTOR	68KOHM 1/16W 16	
	C304	2203-000257	CHIP CAPACITOR	10NF 50V 1608			R128	2007-000129	CHIP RESISTOR	27KOHM 1/16W 16	
	C305	2203-000257	CHIP CAPACITOR	10NF 50V 1608			R132	2007-000090	CHIP RESISTOR	10KOHM 1/16W 16	
	C401	2203-000257	CHIP CAPACITOR	10NF 50V 1608			R133	2007-000090	CHIP RESISTOR	10KOHM 1/16W 16	
	C402	2203-000257	CHIP CAPACITOR	10NF 50V 1608			R201	2007-000074	CHIP RESISTOR	100OHM 1/16W 16	

## ■ Electrical parts list (CD board)

Block No. 04

△	Item	Parts number	Parts name	Remarks	Area
	R202	2007-000109	CHIP RESISTOR	1MOHM 1/16W 160	
	R204	2007-000078	CHIP RESISTOR	1KOHM 1/16W 160	
	R205	2007-000078	CHIP RESISTOR	1KOHM 1/16W 160	
	R206	2007-000078	CHIP RESISTOR	1KOHM 1/16W 160	
	R207	2007-000078	CHIP RESISTOR	1KOHM 1/16W 160	
	R208	2007-000078	CHIP RESISTOR	1KOHM 1/16W 160	
	R209	2007-000078	CHIP RESISTOR	1KOHM 1/16W 160	
	R210	2007-000075	CHIP RESISTOR	220OHM /16W 160	
△	R301	2008-000140	FUS RESISTOR	2.2OHM 5% 1/2W	
	R302	2001-001006	RESISTOR	82OHM 5% 1/8W	
	R501L	2007-000102	CHIP RESISTOR	100KOHM /16W	
	R501R	2007-000102	CHIP RESISTOR	100KOHM 1/16W	
	R502L	2007-000074	CHIP RESISTOR	100OHM 1/16W 16	
	R502R	2007-000074	CHIP RESISTOR	100OHM 1/16W 16	
	R803	2001-000429	RESISTOR	1KOHM 5% 1/8W	
	R804	2007-000078	CHIP RESISTOR	1KOHM 1/16W 160	
	R805	2007-000078	CHIP RESISTOR	1KOHM 1/16W 160	
	R806	2007-000078	CHIP RESISTOR	1KOHM 1/16W 160	
	R807	2007-000084	CHIP RESISTOR	4.7KOHM 1/16W 1	
	R808	2007-000084	CHIP RESISTOR	4.7KOHM 1/16W 1	
	R809	2007-000084	CHIP RESISTOR	4.7KOHM 1/16W 1	
	R810	2001-000515	RESISTOR	220OHM 5% 1/8W	
	R811	2007-000078	CHIP RESISTOR	1KOHM 1/16W 160	
	R813	2007-000097	CHIP RESISTOR	47KOHM 1/16W 16	
	X201	2802-000211	RESONATOR	16.93MHZ 0.5%	
	ZD301	0403-000344	ZENER DIODE	UZ3.9B 3.9V	
	ZD401	0403-000361	ZENER DIODE	UZ6.2BSB 6.2V	
	ZD402	0403-000352	ZENER DIODE	UZ4.7BM 4.7V	

< MEMO >

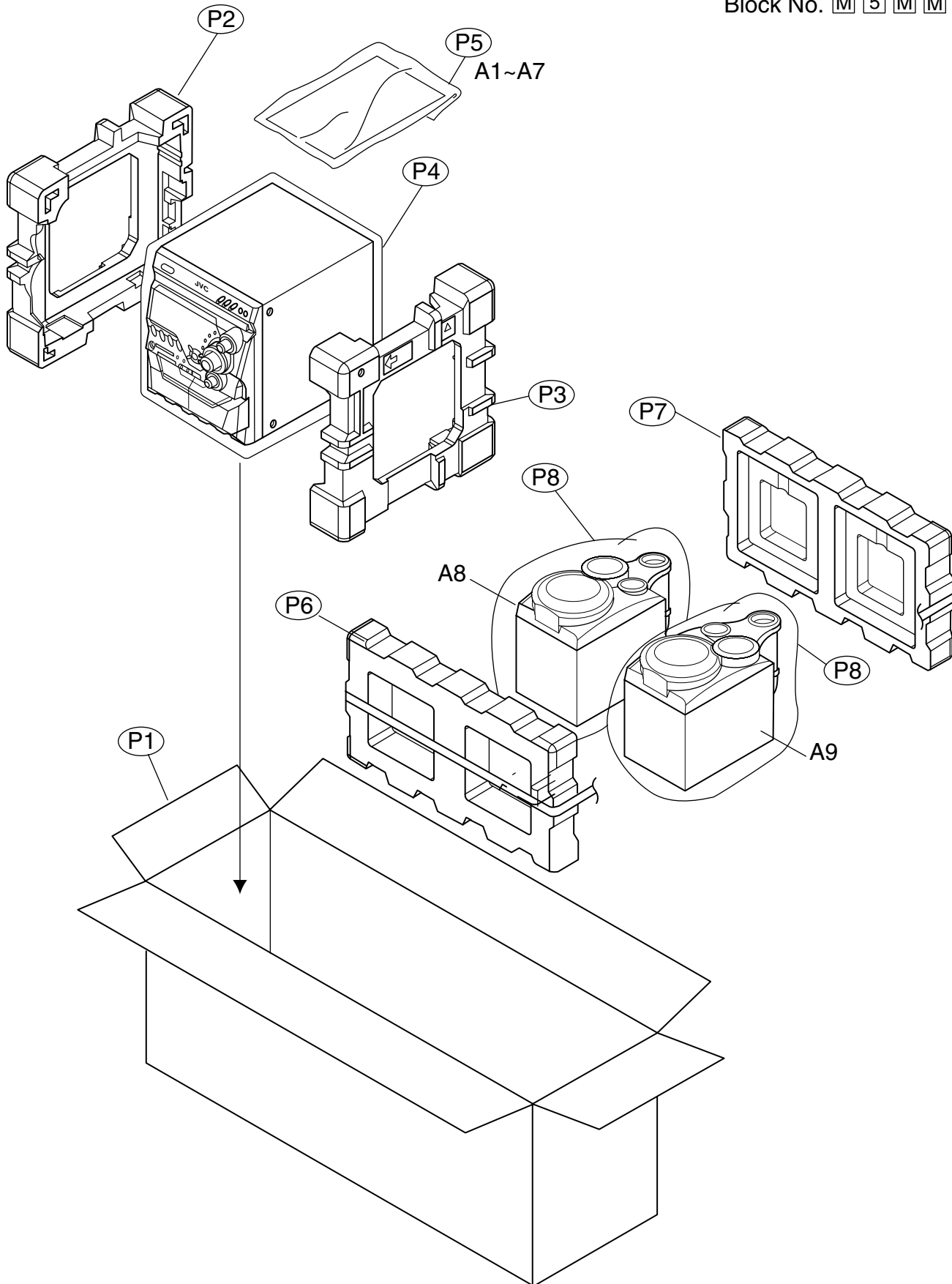
# Packing materials and accessories parts list

Block No. 

M	3	M	M
---	---	---	---

Block No. 

M	5	M	M
---	---	---	---





**Parts list (Packing)**

Block No. M3MM

△	Item	Parts number	Parts name	Q'ty	Description	Area
	P 1	AH69-00657A	MASTER-CARTON	1		J
		AH69-00657B	MASTER-CARTON	1		C
	P 2	AH69-00592A	CUSHION-L	1	FOR SET	
	P 3	AH69-00593A	CUSHION-R	1	FOR SET	
	P 4	AH69-30012T	POLY BAG	1	FOR SET	
	P 5	AH69-00525A	POLY BAG	1	FOR ACCESSORIES	
	P 6	AH81-00694M	CUSHION-BOTTOM	1	FOR SPEAKER	
	P 7	AH81-00694L	CUSHION-TOP	1	FOR SPEAKER	
	P 8	AH81-00694K	POLY BAG	2	FOR SPEAKER	

**Parts list (Accessories)**

Block No. M5MM

△	Item	Parts number	Parts name	Q'ty	Description	Area
	A 1	AH68-01064A	INSTRUCTION	1	ENG	J
		AH68-01064C	INSTRUCTION	1	ENG FRE	C
	A 2	AH59-01045L	REMOCON-ASSY	1	RM-SMXG500A	
	A 3	AH38-10001A	FM-WIRE	1		
	A 4	AH42-20001P	ANT LOOP	1		
	A 5	-----	BATTERY	2	BATTERY	
	A 6	AH68-00415J	IMPORTANT CARD	1		J
		AH68-00416B	IMPORTANT CARD	1		C
	A 7	AH68-00416A	SAFETY CARD	1		J
	A 8	MXGT700-SPBOX-L	BOX ASS'Y UNIT	1	LEFT SIDE	
	A 9	MXGT700-SPBOX-R	BOX ASS'Y UNIT	1	RIGHT SIDE	