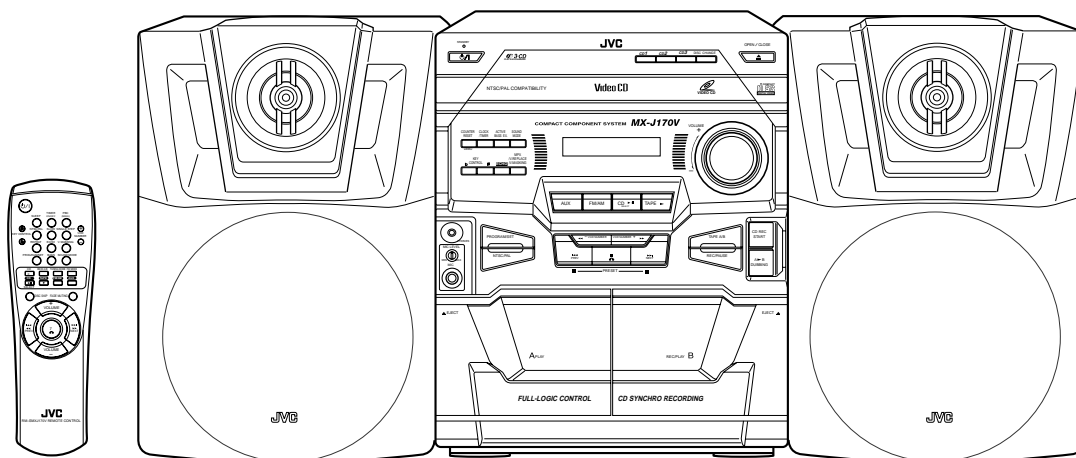


JVC

SERVICE MANUAL

COMPACT COMPONENT SYSTEM

MX-J170V



COMPACT
disc
DIGITAL VIDEO

COMPACT
disc
DIGITAL AUDIO

VIDEO CD

Video CD PlayBack Control

Area Suffix

USSingapore
UOther Areas

Contents

Safety precautions	1-2	Flow of functional operation until TOC read	1-25
Important for laser products	1-3	Maintenance of laser pickup	1-26
Preventing static electricity	1-4	Replacement of laser pickup	1-26
Disassembly method	1-5	Description of major ICs	1-27
Adjustment method	1-21		

Safety Precautions

1. This design of this product contains special hardware and many circuits and components specially for safety purposes. For continued protection, no changes should be made to the original design unless authorized in writing by the manufacturer. Replacement parts must be identical to those used in the original circuits. Services should be performed by qualified personnel only.
2. Alterations of the design or circuitry of the product should not be made. Any design alterations of the product should not be made. Any design alterations or additions will void the manufacturer's warranty and will further relieve the manufacture of responsibility for personal injury or property damage resulting therefrom.
3. Many electrical and mechanical parts in the products have special safety-related characteristics. These characteristics are often not evident from visual inspection nor can the protection afforded by them necessarily be obtained by using replacement components rated for higher voltage, wattage, etc. Replacement parts which have these special safety characteristics are identified in the Parts List of Service Manual. Electrical components having such features are identified by shading on the schematics and by (\triangle) on the Parts List in the Service Manual. The use of a substitute replacement which does not have the same safety characteristics as the recommended replacement parts shown in the Parts List of Service Manual may create shock, fire, or other hazards.
4. The leads in the products are routed and dressed with ties, clamps, tubings, barriers and the like to be separated from live parts, high temperature parts, moving parts and/or sharp edges for the prevention of electric shock and fire hazard. When service is required, the original lead routing and dress should be observed, and it should be confirmed that they have been returned to normal, after re-assembling.
5. Leakage current check (Electrical shock hazard testing)
After re-assembling the product, always perform an isolation check on the exposed metal parts of the product (antenna terminals, knobs, metal cabinet, screw heads, headphone jack, control shafts, etc.) to be sure the product is safe to operate without danger of electrical shock. Do not use a line isolation transformer during this check.

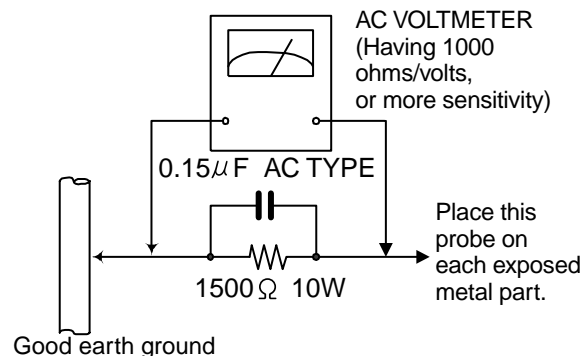
- Plug the AC line cord directly into the AC outlet. Using a "Leakage Current Tester", measure the leakage current from each exposed metal parts of the cabinet, particularly any exposed metal part having a return path to the chassis, to a known good earth ground. Any leakage current must not exceed 0.5mA AC (r.m.s.)

- Alternate check method

Plug the AC line cord directly into the AC outlet. Use an AC voltmeter having 1,000 ohms per volt or more sensitivity in the following manner. Connect a $1,500\Omega$ 10W resistor paralleled by a $0.15\mu\text{F}$ AC-type capacitor between an exposed metal part and a known good earth ground.

Measure the AC voltage across the resistor with the AC voltmeter.

Move the resistor connection to each exposed metal part, particularly any exposed metal part having a return path to the chassis, and measure the AC voltage across the resistor. Now, reverse the plug in the AC outlet and repeat each measurement. Voltage measured any must not exceed 0.75 V AC (r.m.s.). This corresponds to 0.5 mA AC (r.m.s.).



Warning

1. This equipment has been designed and manufactured to meet international safety standards.
2. It is the legal responsibility of the repairer to ensure that these safety standards are maintained.
3. Repairs must be made in accordance with the relevant safety standards.
4. It is essential that safety critical components are replaced by approved parts.
5. If mains voltage selector is provided, check setting for local voltage.

CAUTION Burrs formed during molding may be left over on some parts of the chassis. Therefore, pay attention to such burrs in the case of preforming repair of this system.

Important for laser products

1. CLASS 1 LASER PRODUCT

2.DANGER : Invisible laser radiation when open and interlock failed or defeated. Avoid direct exposure to beam.

3.CAUTION : There are no serviceable parts inside the Laser Unit. Do not disassemble the Laser Unit. Replace the complete Laser Unit if it malfunctions.

4.CAUTION : The compact disc player uses invisible laserradiation and is equipped with safety switches which prevent emission of radiation when the drawer is open and the safety interlocks have failed or are defeated. It is dangerous to defeat the safety switches.

5.CAUTION : If safety switches malfunction, the laser is able to function.

6.CAUTION : Use of controls, adjustments or performance of procedures other than those specified herein may result in hazardous radiation exposure.

CAUTION Please use enough caution not to see the beam directly or touch it in case of an adjustment or operation check.

WARNING : Osynlig laserstrålning är denna del är öppnad och spårren är urkopplad. Betrakta ej strålen.

VARO : Avattaessa ja suojalukitus ohitettaessa olet alttiina näkymättömälle lasersäteilylle. Älä katso säteeseen.

ADVARSEL : Usynlig laserstrålning ved åbning , når sikkerhedsafbrydere er ude af funktion. Undgå udsættelse for stråling.

ADVARSEL : Usynlig laserstrålning ved åbning, når sikkerhedsbryteren er avslott. unngå utsettelse for stråling.

REPRODUCTION AND POSITION OF LABELS

WARNING LABEL

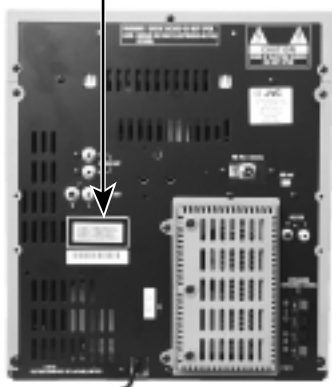
DANGER : Invisible laser radiation when open and interlock or defeated.
AVOID DIRECT EXPOSURE TO BEAM (e)

VARO : Avattaessa ja suojalukitus ohitettaessa olet alttiina näkymättömälle lasersäteilylle. Älä katso säteeseen. (d)

WARNING : Osynlig laserstrålning är denna del är öppnad och spårren är urkopplad. Betrakta ej strålen. (s)

ADVARSEL : Usynlig laserstrålning ved åbning , når sikkerhedsafbrydere er ude af funktion. Undgå udsættelse for stråling. (f)

**CLASS 1
LASER PRODUCT**



Preventing static electricity

1. Grounding to prevent damage by static electricity

Electrostatic discharge (ESD), which occurs when static electricity stored in the body, fabric, etc. is discharged, can destroy the laser diode in the traverse unit (optical pickup). Take care to prevent this when performing repairs.

2. About the earth processing for the destruction prevention by static electricity

In the equipment which uses optical pick-up (laser diode), optical pick-up is destroyed by the static electricity of the work environment.

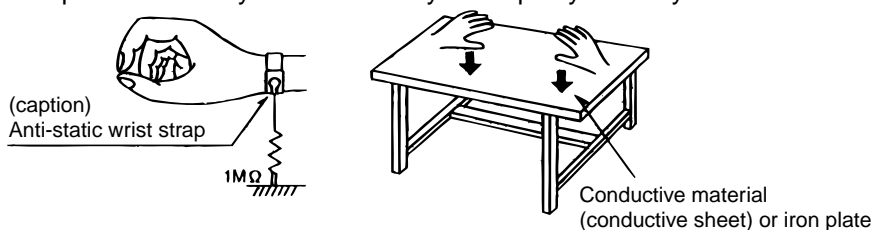
Be careful to use proper grounding in the area where repairs are being performed.

2-1 Ground the workbench

Ground the workbench by laying conductive material (such as a conductive sheet) or an iron plate over it before placing the traverse unit (optical pickup) on it.

2-2 Ground yourself

Use an anti-static wrist strap to release any static electricity built up in your body.



3. Handling the optical pickup

1. In order to maintain quality during transport and before installation, both sides of the laser diode on the replacement optical pickup are shorted. After replacement, return the shorted parts to their original condition. (Refer to the text.)

2. Do not use a tester to check the condition of the laser diode in the optical pickup. The tester's internal power source can easily destroy the laser diode.

4. Handling the traverse unit (optical pickup)

1. Do not subject the traverse unit (optical pickup) to strong shocks, as it is a sensitive, complex unit.

2. Cut off the shorted part of the flexible cable using nippers, etc. after replacing the optical pickup. For specific details, refer to the replacement procedure in the text. Remove the anti-static pin when replacing the traverse unit. Be careful not to take too long a time when attaching it to the connector.

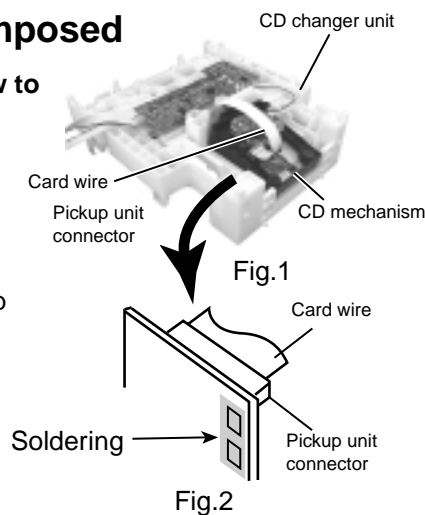
3. Handle the flexible cable carefully as it may break when subjected to strong force.

4. It is not possible to adjust the semi-fixed resistor that adjusts the laser power. Do not turn it

Attention when CD mechanism assembly is decomposed

***Please refer to "Disassembly method" in the text for pick-up and how to detach the CD mechanism assembly.**

1. Remove the CD changer unit.
2. Remove the CD changer mechanism.
3. Solder is put up before the card wire is removed from the pickup unit connector on the CD mechanism assembly.
(When the card wire is removed without putting up solder, the CD pick-up assembly might destroy.)
4. Please remove solder after connecting the card wire with the pickup unit connector when you install picking up in the substrate.



Disassembly method

<Main body>

■ Removing the top cover and the side covers (See Fig.1 to 3)

1. Remove the five screws **A** on the back of the body and the both sides of the body.
2. Remove the top cover upward from behind.
3. Remove the eight screws **B** attaching the side covers on the back of the body and the both side of the body.
4. Slide the right and left covers backward and unhook the two hooks **a** in the lower part of the side covers as shown in Fig.2-2.

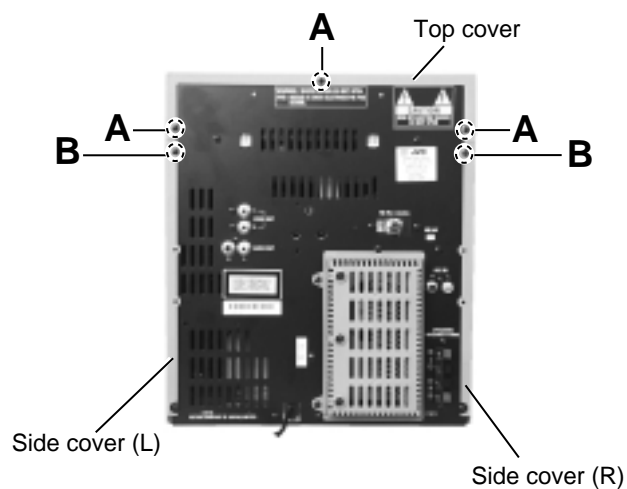


Fig.1

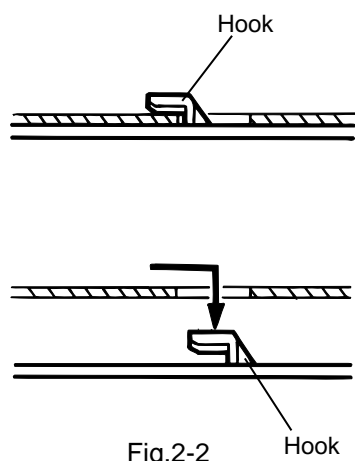


Fig.2-2

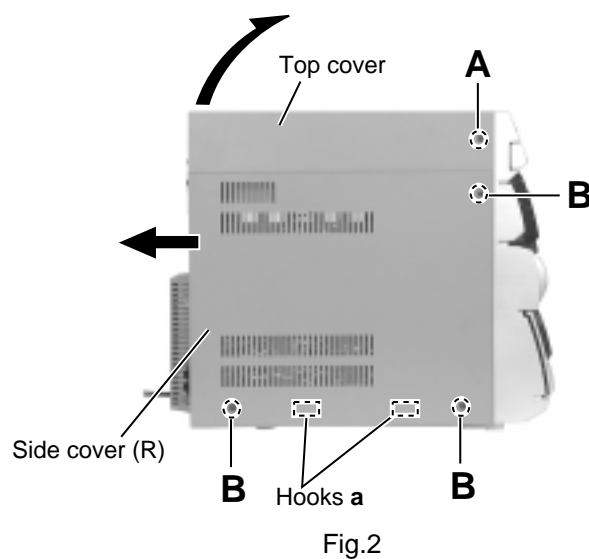


Fig.2

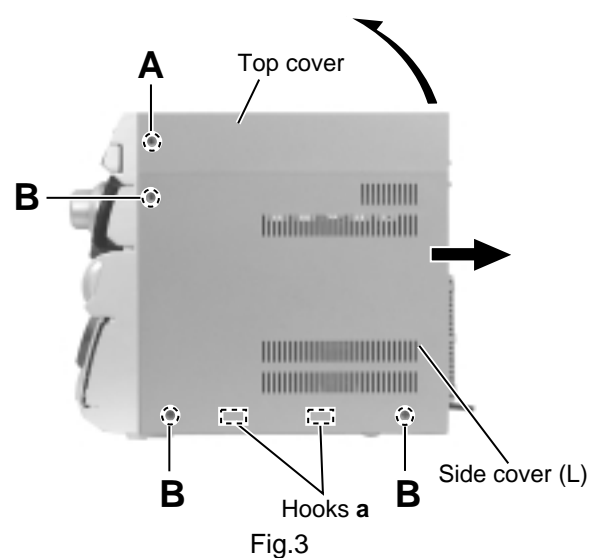


Fig.3

■ **Removing the CD Tray fitting**
(See Fig. 4 to 6)

- Prior to performing the following procedure, remove the top cover and the side covers.

ATTENTION: Be sure to remove the CD tray fitting before removing the CD changer unit.

1. Press the POWER button. Press the OPEN/CLOSE button to eject the CD tray.
2. Move the CD tray fitting upward and release the joint **b**.
3. Press the OPEN/CLOSE button to insert the CD tray.

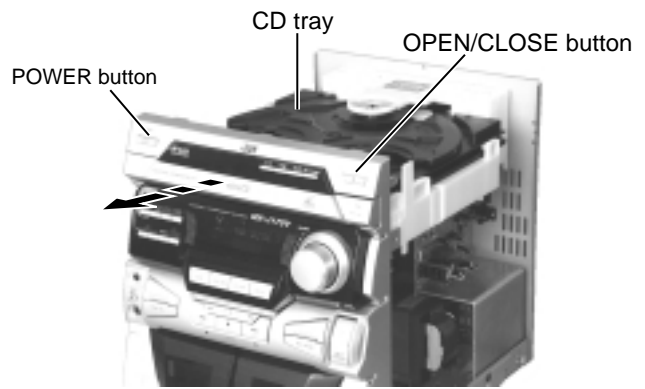


Fig.4

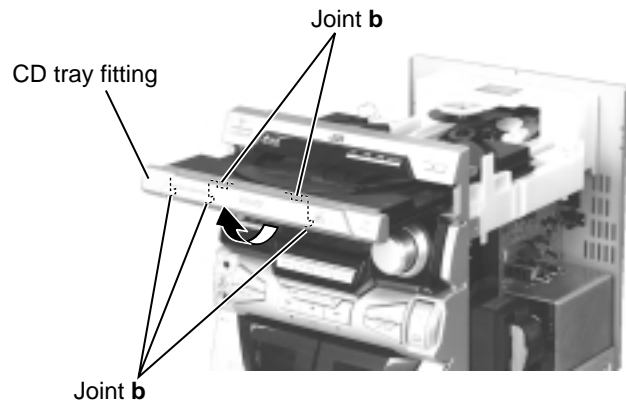


Fig.5

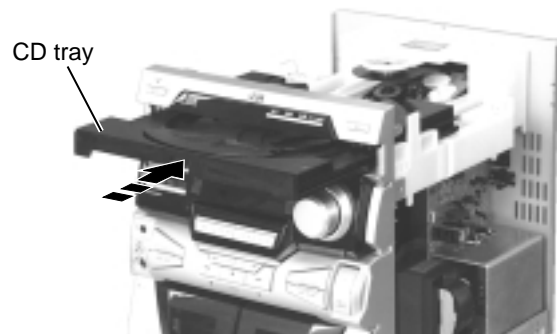


Fig.6

■ Removing the CD Tray fitting & the VCD board (See Fig.7 to 10)

- How to eject the CD tray without turning on power -

- Prior to performing the following procedure, remove the top cover and the side covers.

ATTENTION: Be sure to remove the CD tray fitting before removing the CD changer unit.

1. Disconnect the harness from connector PCON1 of the VCD board.
2. Remove the four screws **W** attaching the sealed and VCD board.
3. Turn the black loading pulley gear marked **c** from the back of the CD changer unit as shown in Fig.8 and draw the CD tray toward the front.
4. Move the CD tray fitting upward and release the joint **b**.
5. Push and insert the CD tray manually.

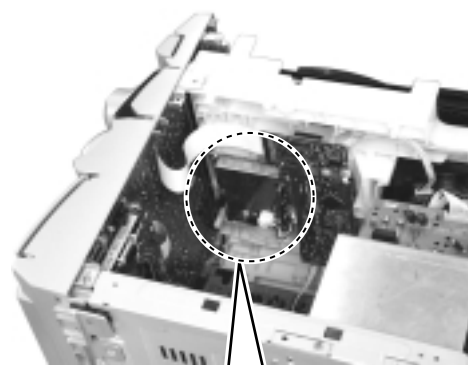


Fig.7

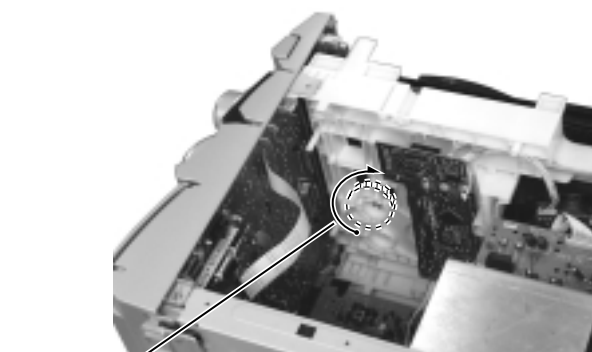
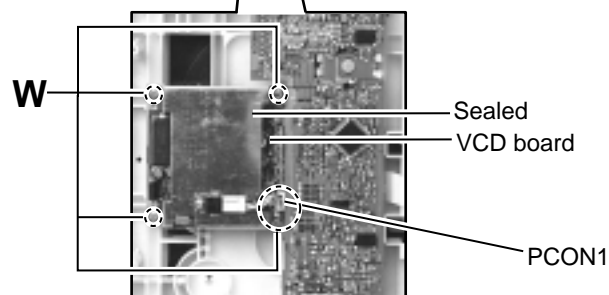
Marked **c**
Loading pulley gear

Fig.8

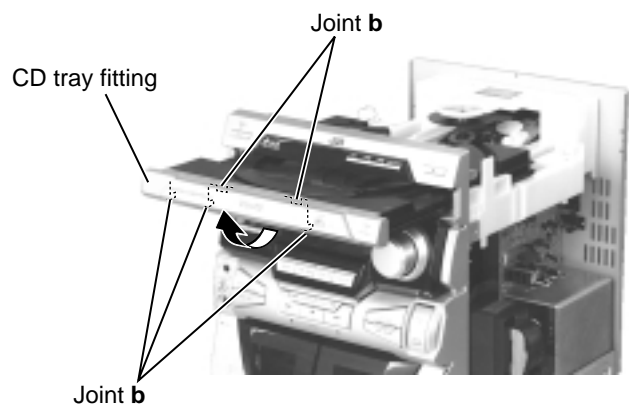
Joint **b**

Fig.9



CD tray

Fig.10

■ Removing the CD changer unit
(See Fig.11 to 13)

• Prior to performing the following procedure, remove the top cover, the side covers and the CD Tray fitting.

1. Disconnect the card wire from connector SCW1 of the CD servo board on the back of the CD changer unit.
2. Disconnect the harness from connector FW2 on the inner side of the main board in the body.
3. Disconnect the harness from connector VCW2 on the VDC power board .
4. Remove the two screws **C** attaching the CD changer unit on the back of the body.
5. Draw the CD changer unit upward from behind while pulling the rear panel outward.

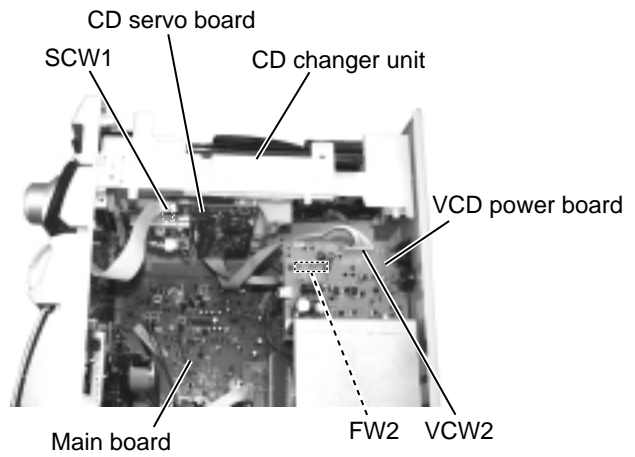


Fig.11

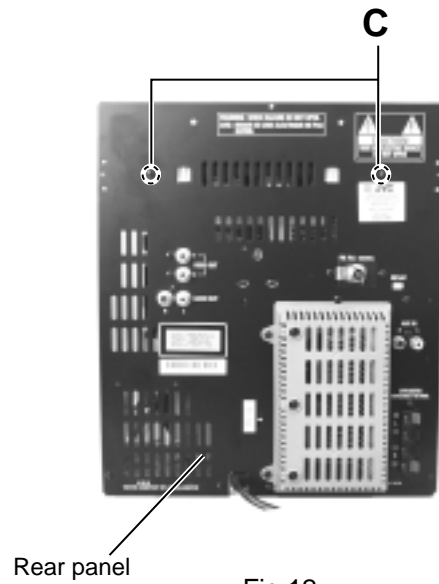


Fig.12

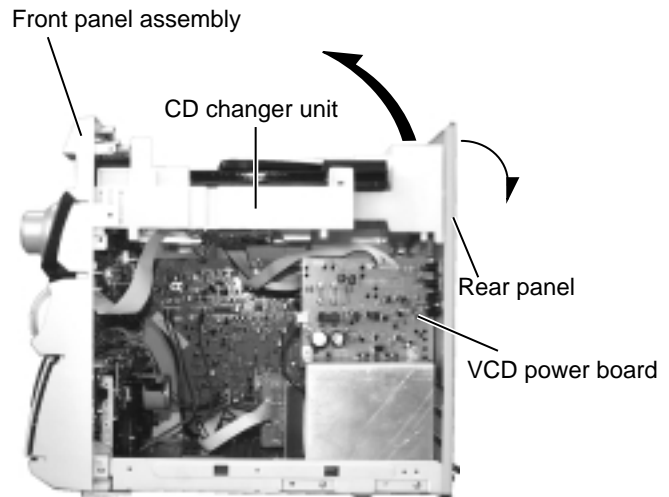


Fig.13

■ Removing the front panel assembly (See Fig.14 to 16)

- Prior to performing the following procedure, remove the top cover, the side covers, the CD Tray fitting and the CD changer unit.
 - There is no need to remove the rear panel.
1. Disconnect the harness from head wire connector ECW1, DW1 and DW2 on the inner side of the main board in the body.
 2. Disconnect the harness from connector HCW1 of the headphone board on the right side of the body.
 3. Remove the three screws **D** attaching the front panel assembly on both sides of the body. Remove the screw **E** attaching the earth terminal extending from the front compartment.
 4. Remove the screw **F** attaching the front panel assembly on the bottom of the body.
 5. Release the two joints **d** on both sides and two joints **e** on the bottom of the body using a screwdriver. At the same time, disconnect the front compartment from connector CCW1 and CCW2 of the main board.

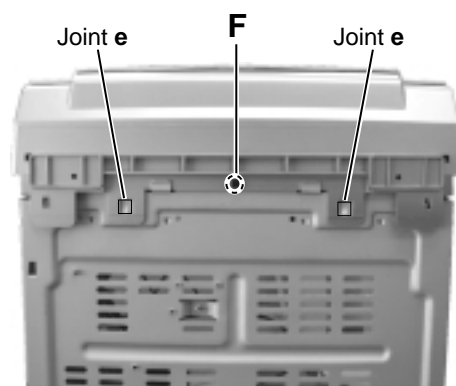
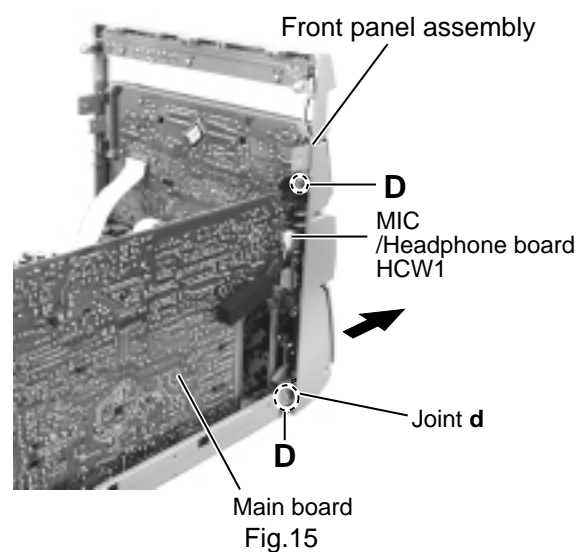
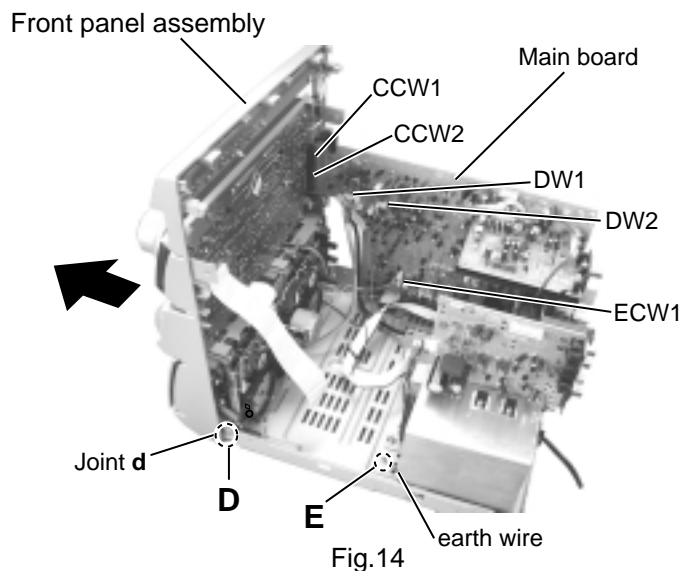


Fig.16

■ Removing the rear panel (See Fig.17)

- Prior to performing the following procedure, remove the top cover, the side covers, the CD Tray fitting and the CD changer unit.
- There is no need to remove the front panel assembly.

1. Remove the ten screws **G** attaching the main board, the tuner board and the heat sink to the rear panel on the back of the body.
2. Remove the three screws **H** attaching the VCD power board to the rear panel on the back of the body.
3. Remove the four screws **I** attaching the rear panel on the back of the body.

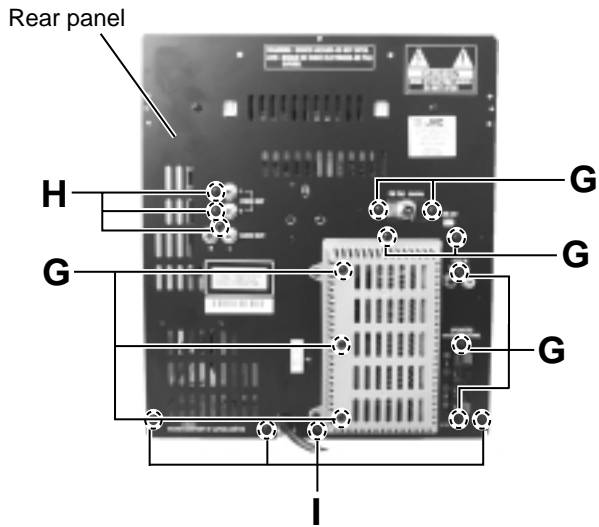


Fig.17

■ Removing the main board (See Fig.18 and 19)

- Prior to performing the following procedure, remove the rear panel.

1. Disconnect the harness from connector HCW1 of the MIC/headphone board on the right side of the body. Release the harness from the clamp in the body.
2. Disconnect the harness from head wire connector ECW1, DW1 and DW2 extending to the main board in the body.
3. Disconnect the harness from connector RCW1 of the power transformer.
4. Remove the screws **D** attaching the front panel assembly on both sides of the body.
5. Remove the screw **J** attaching the earth terminal to the base chassis.
6. Disconnect connector CCW1 and CCW2 connected to the main board.

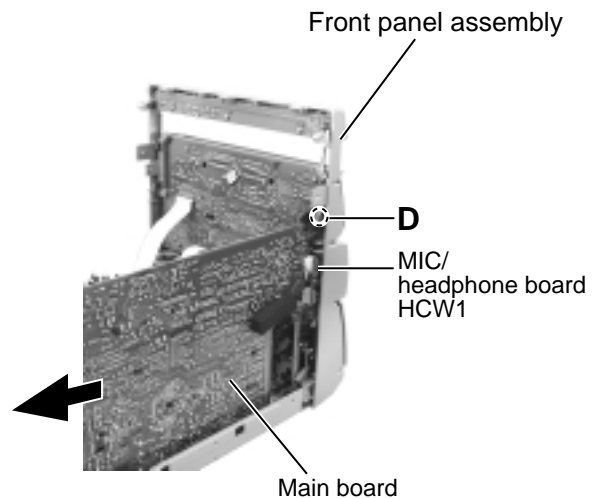


Fig.18

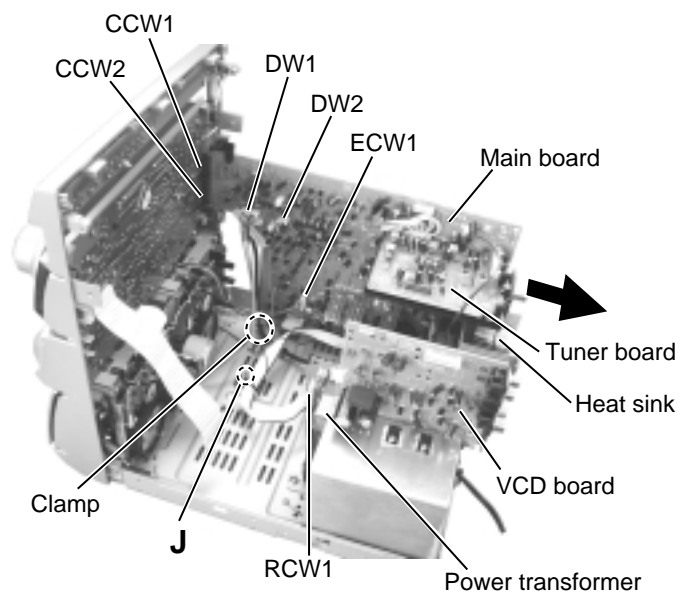


Fig.19

■ Removing the heat sink & cooling fan (See Fig.20 and 21)

- Prior to performing the following procedure, remove the main board.
1. Disconnect the harness from connector MJW1 of the main board.
 2. Remove the three screws **K** attaching the heat sink cover plate and cooling fan.
 3. Remove the two screws **L** attaching the power IC to the heat sink and the three screws **M** attaching the heat sink to the main board.

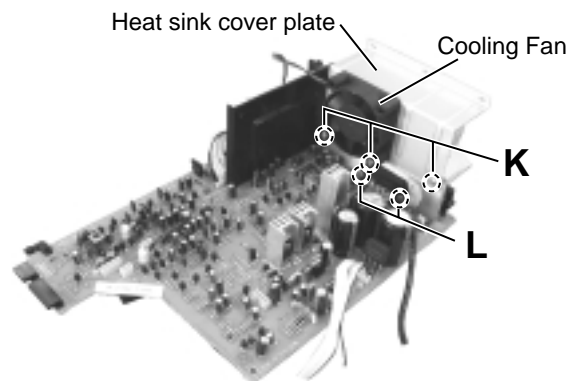


Fig.20

■ Removing the tuner Board (See Fig.21 to 23)

- The tuner board can be removed even if the main board is attached.
1. Release the joint tab **f** of the tuner board holder and the main board, and disconnect connector FW1 connected to the main board. Remove the tuner board assembly (Refer to Fig.21).
 2. Remove the screw **N** attaching the tuner board holder. Release the two tabs **g** outward and remove the tuner board from the tuner board holder.

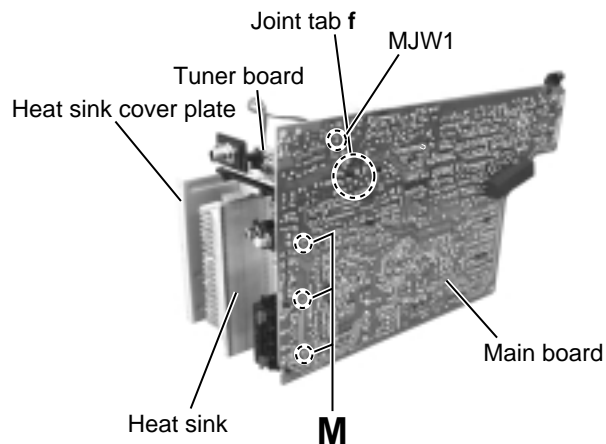


Fig.21

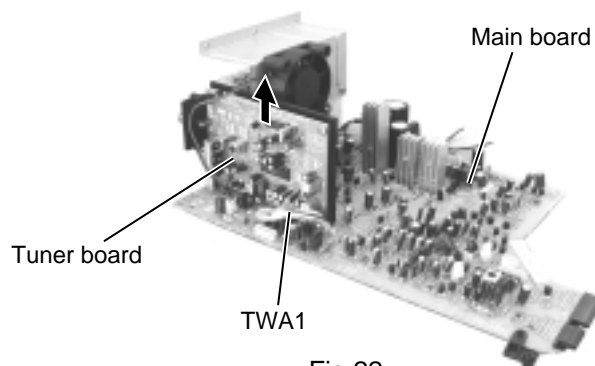


Fig.22

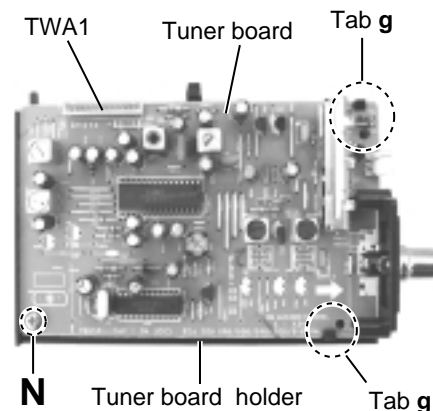


Fig.23

■ Removing the heat sink & VCD Power board
(See Fig.24 and 25)

• Prior to performing the following procedure, remove the top cover and the side covers.

1. Remove the two screws **O** attaching the heat sink plate.
2. Remove the two screws **P** attaching the power IC to the heat sink and the two screws **Q** attaching the heat sink to the VCD Power board.

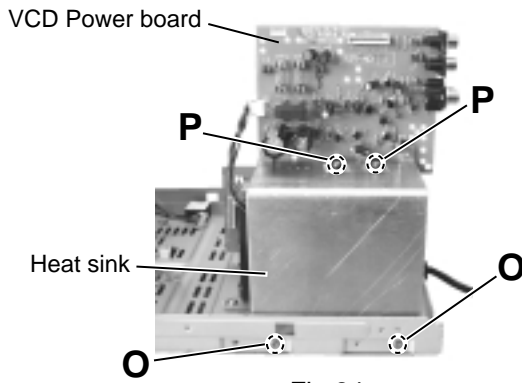


Fig.24

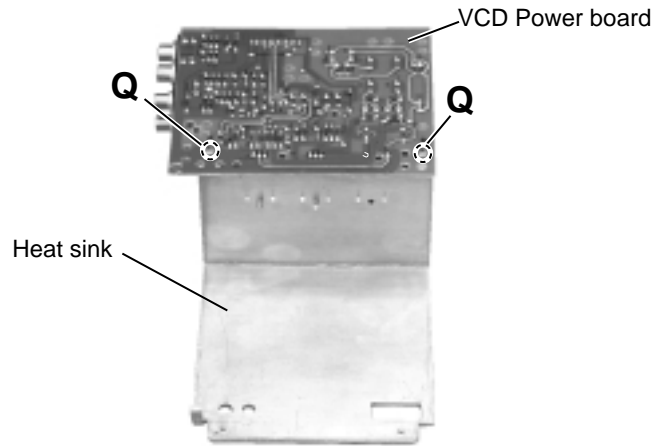


Fig.25

■ Removing the power transformer
(See Fig.26)

• Prior to performing the following procedure, remove the VCD Power board.

1. Disconnect the power cord from connector RCW2 of the power transformer.
2. Disconnect the harness from connector RCW1 of the power transformer.
3. Remove the four screws **R** attaching the power transformer.

ATTENTION: Prior to disconnecting the power cord from the body, remove the rear panel.

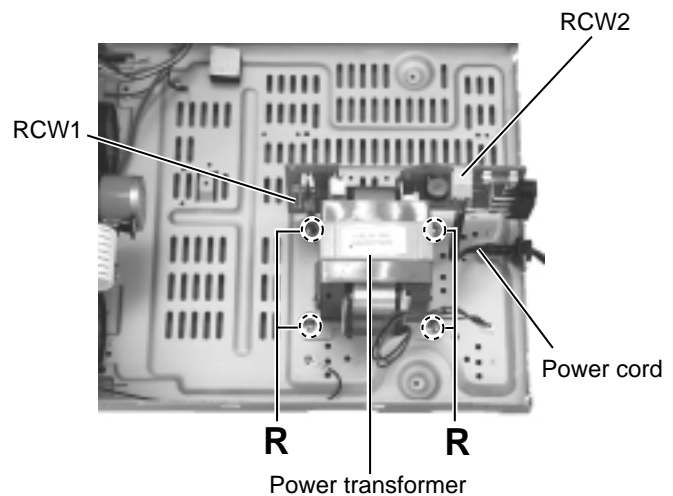


Fig.26

<Front panel assembly>

- Prior to performing the following procedure, remove the top cover, the side covers, the CD tray fitting and the front panel assembly.

■ Removing the power / CD switch board (See Fig.27)

1. Remove the three screws **S** attaching the power/CD switch board and release the three tabs **h** outward.
2. Disconnect the harness from connector UCW9 of the power / CD switch board.

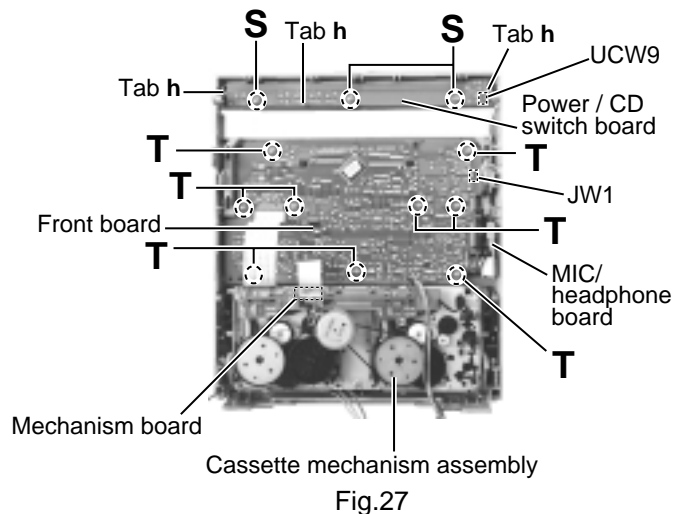


Fig.27

■ Removing the front board (See Fig.27 and 28)

- Prior to performing the following procedure, remove the power / CD switch board.

1. Pull out the volume knob toward the front.
2. Disconnect the card wire from the mechanism board of the cassette mechanism assembly.
3. Remove the nine screws **T** attaching the front board.

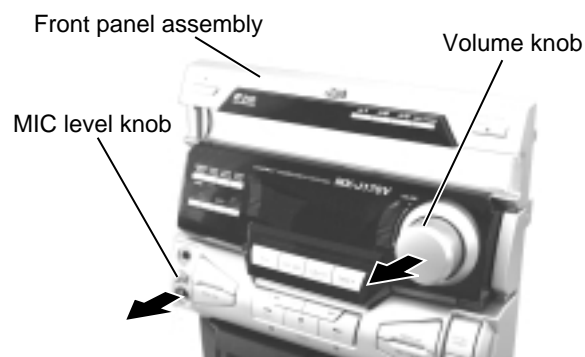


Fig.28

■ Removing the MIC/headphone board (See Fig.28 and 29)

- Prior to performing the following procedure, remove the front board.

1. Pull out the MIC level knob toward you.
2. Remove the two screws **U** attaching the MIC/headphone board.

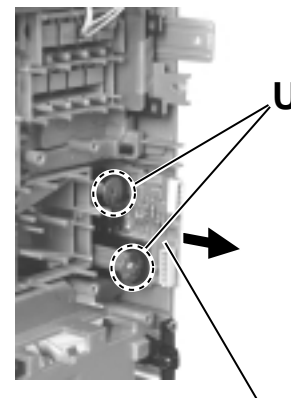


Fig.29 MIC/headphone board

■ Removing the cassette mechanism assembly (See Fig.30)

1. Disconnect the card wire from the mechanism board of the cassette mechanism assembly.
2. Remove the seven screws **V** attaching the cassette mechanism assembly.

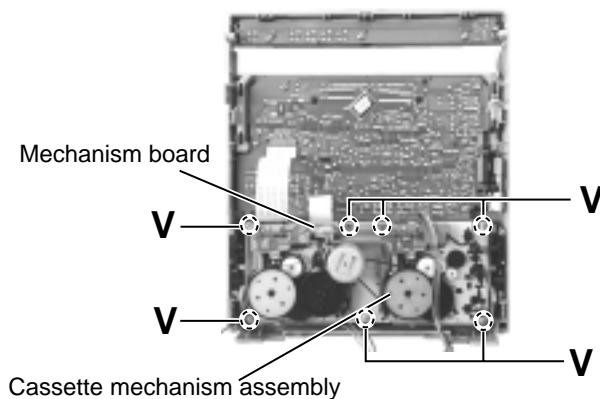


Fig.30

<CD changer unit>

- Prior to performing the following procedure, remove the CD changer unit.

■ Removing the VCD board

(See Fig.31)

1. Disconnect the harness from connector PCON1 of the VCD board .
2. Remove the four screws **W** attaching the Sealed and VCD board.

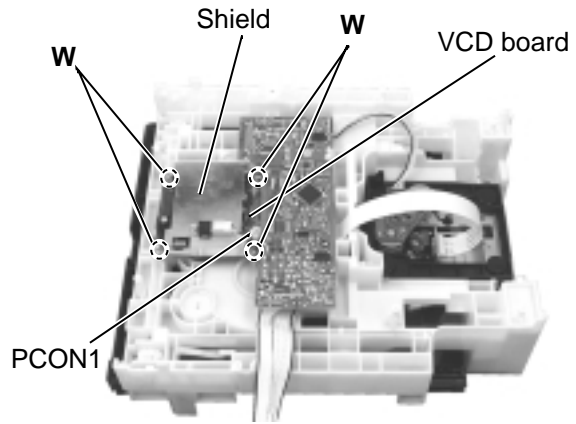


Fig.31

■ Removing the CD tray (See Fig.32 to 34)

1. Turn the black loading pulley gear marked **c** on the under side of the CD changer unit in the direction of the arrow and draw the CD tray toward the front until it stops.
2. Disconnect the card wire from connector SCW5 of the CD servo board on the upper side of the CD changer unit.
3. Push down the two tray stoppers marked **i** and pull out the CD tray.

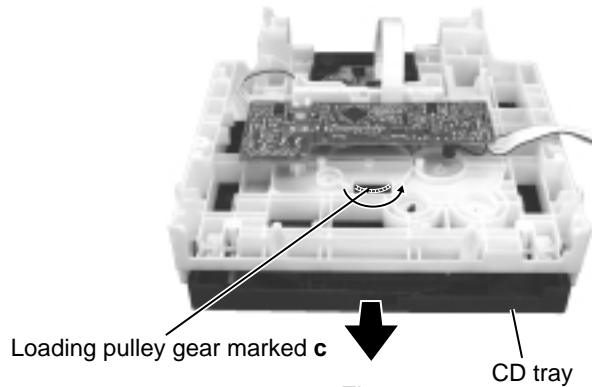


Fig.32

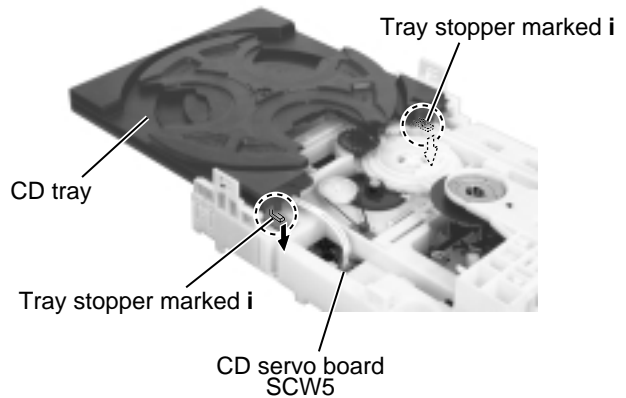


Fig.33

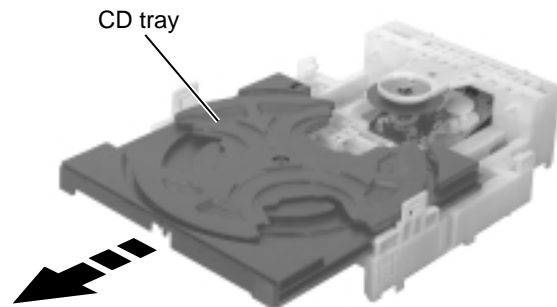
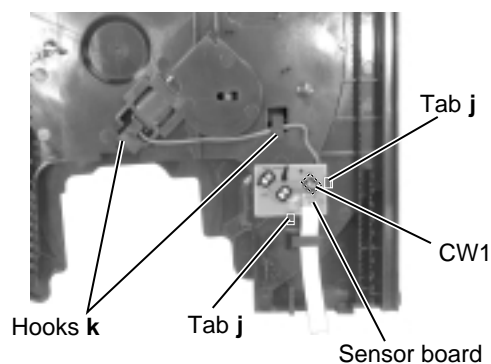
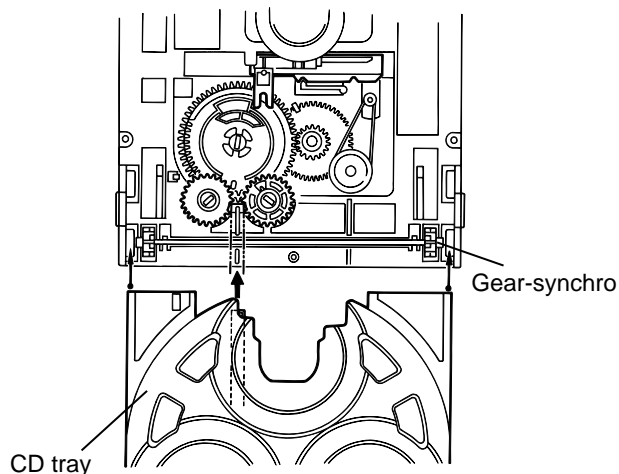
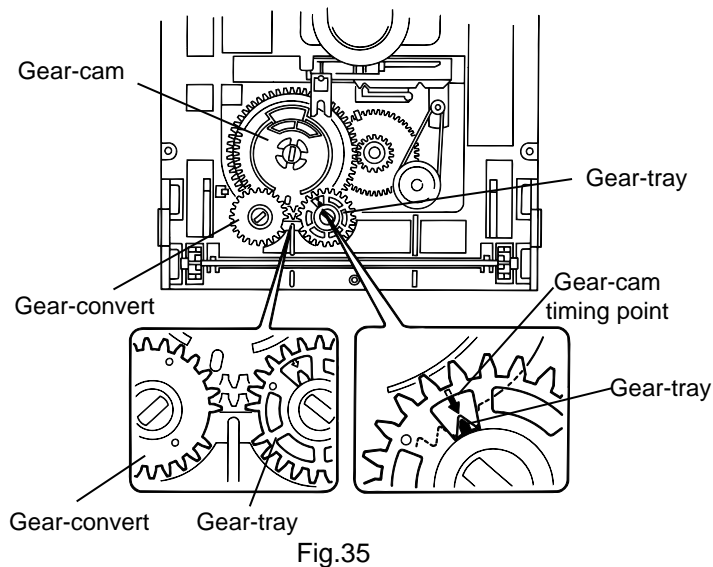


Fig.34

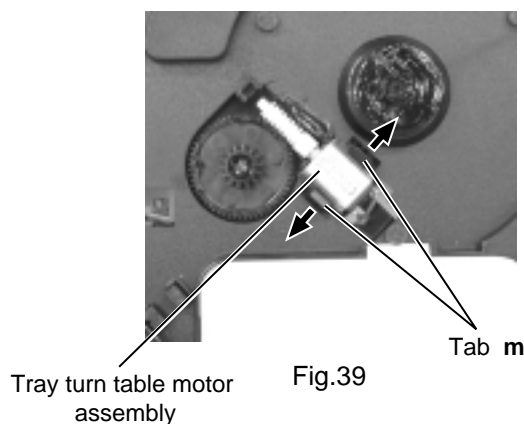
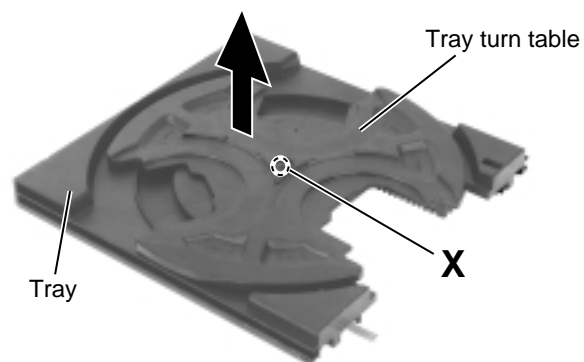
■ Reinstall the CD tray (See Fig.35 and 36)

1. Align the gear-cam with the gear-tray as shown fig.28, then mount the CD tray.
2. When assembling the CD tray, take extreme care not engage with gear - synchro.



■ Removing the sensor board / the tray motor (See Fig.37 to 39)

- Prior to performing the following procedure, remove the CD tray.
1. Release the two tabs **j** attaching the sensor board on the under side of the CD tray.
 2. Disconnect the harness from connector **CW1** on the sensor board and release the harness from the two hooks **k**. Remove the sensor board.
 3. Remove the screw **X** attaching the tray turn table. Detach the tray turn table from the tray.
 4. Pull outward the tab **m** attaching the tray turn table motor assembly on the upper side of the tray and detach the tray turn table motor assembly from the tray.



■ **Removing the belt, the CD servo board and the switch board (See Fig.40 and 41)**

• Prior to performing the following procedure, remove the CD tray.

1. Detach the belt from the pulley on the upper side of the CD changer unit (Do not stain the belt with grease).
 2. Disconnect the card wire from the pickup unit connector on the under side of the CD changer unit.
 3. Disconnect the motor wire harness from connector on the CD mechanism board.
 4. Remove the two screws **Y** attaching the CD servo board. First release the **n** side of the two tabs **n** and two tabs **o** attaching the CD servo board motor to raise the CD servo board slightly, then release the **o** side.
- ※ If the tabs **n** and **o** are hard to release, it is recommendable to unsolder the two soldered parts on the motor terminal of the CD servo board. Disconnect the terminal CW3 connected to the switch board and remove the CD servo board.
5. Remove the screw **Z** attaching the CD Changer unit and release the three tabs **p** attaching the switch board outward and detach the switch board.

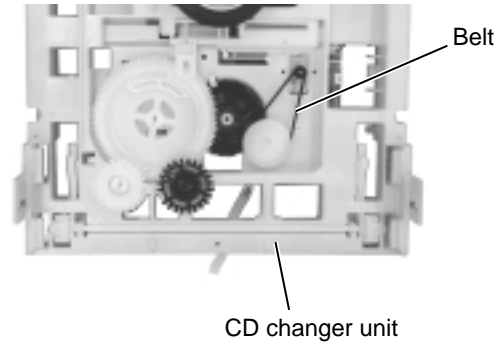


Fig.40

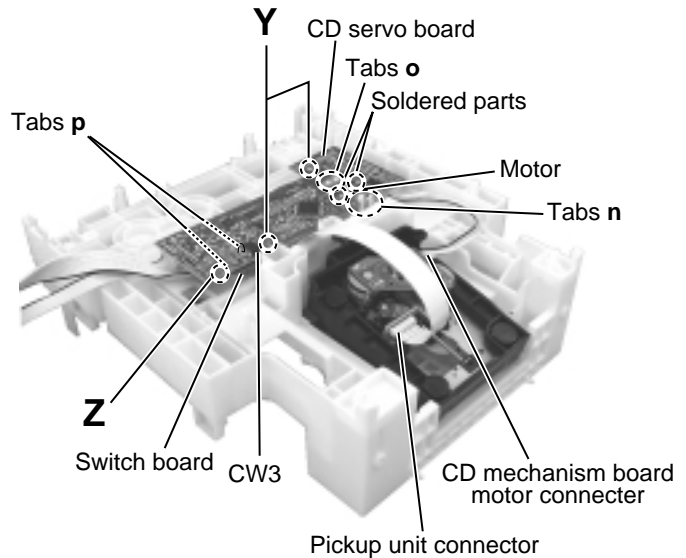


Fig.41

■ Removing the CD mechanism holder assembly (mechanism included)

(See Fig.42 to 45)

1. Disconnect the harness from connector on the CD mechanism board in the CD mechanism assembly on the under side of the CD changer unit. Disconnect the card wire from the pickup unit connector.
2. Remove the screw **A** attaching the shaft on the right side of the CD mechanism holder assembly. Pull outward the stopper fixing the shaft on the left side and remove the CD mechanism holder assembly from behind in the direction of the arrow.
3. Turn the CD mechanism holder assembly half around the lift up slide shaft of the CD mechanism holder assembly until the turn table is reversed, and pull out the CD mechanism holder assembly.

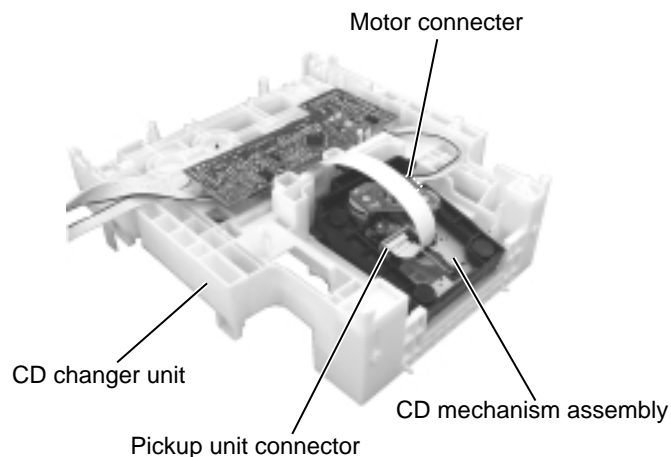


Fig.42

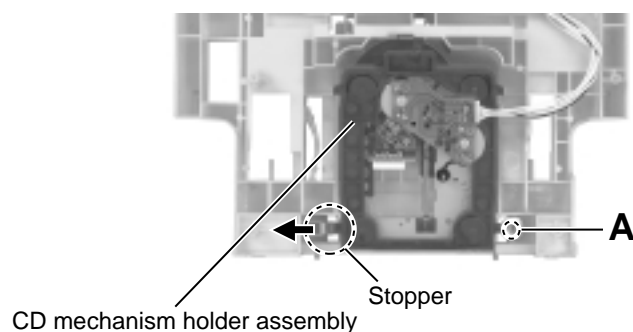


Fig.43

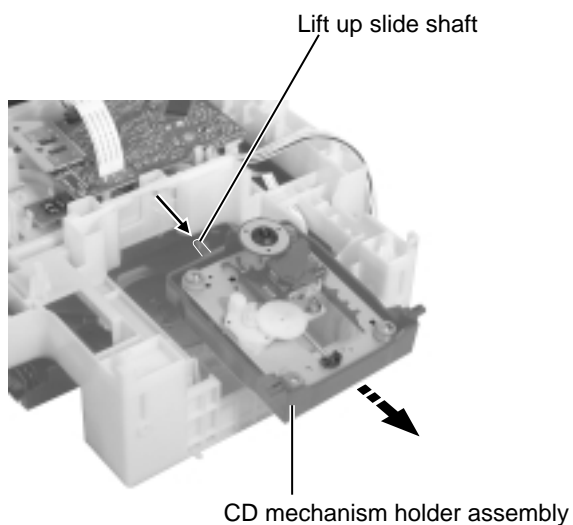


Fig.44

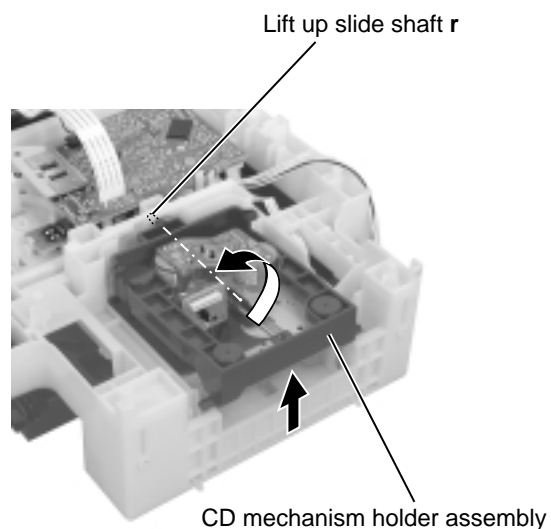


Fig.45

<CD mechanism section>

- Removing the CD mechanism holder from the CD chassis to remove the CD mechanism.
(Refer to "Removing the CD mechanism holder assembly" (Pag.2-11))

■ Removing the pickup unit.

1. Loosen the two screws **A** fixing the chassis.(Fig.1)
2. Removing the feed gear stopper **c** on the bottom of the mechanism and pull out the gear. (Fig.1, Fig.3, Fig.4)
3. Pull out the shaft by opening the pickup shaft stopper outward to unlock.(Fig.1, Fig.2)
4. Removing the pickup unit.(Fig.1)

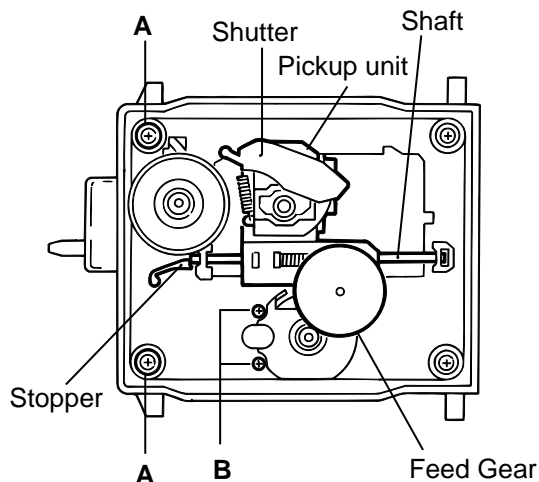


Fig.1

■ Removing the motor board.

1. Unsolder the motor terminal on the motor board.(Fig.3)
2. Remove the motor board.(Fig.3)

■ Removing the feed motor.

Remove the two motor fixing screws at **B** and removing the feed motor.(Fig.1, Fig.3)

■ Removing the spindle motor.

The spindle motor cannot be removed as a single unit. When removing the spindle motor, change the chassis and turntable together as a unit.(Fig.5)

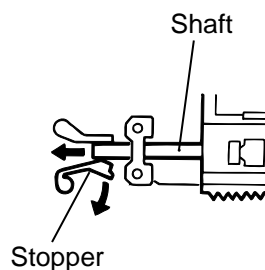


Fig.2

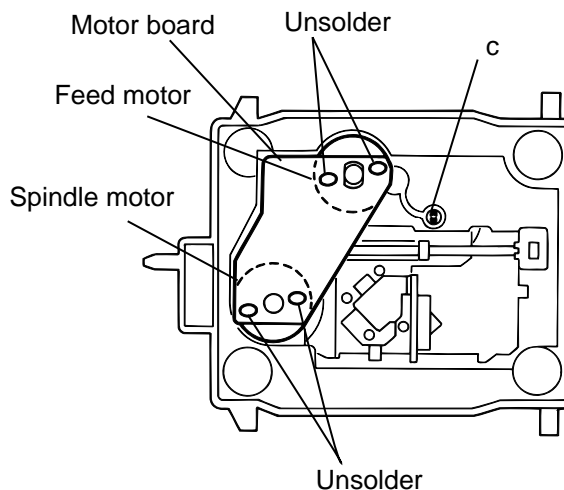


Fig.3

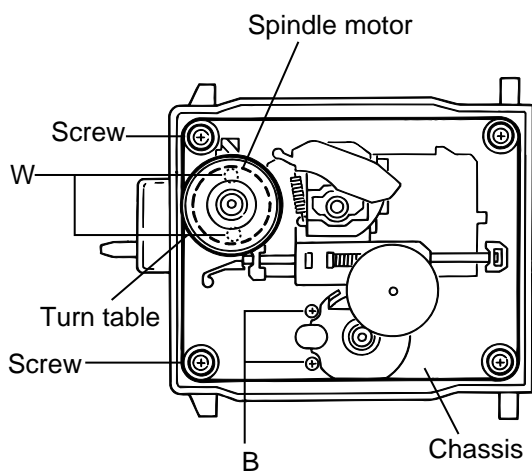
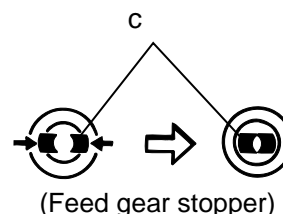


Fig.5



(Feed gear stopper)

Fig.4

<Cassette mechanism section>

- Removing the record/playback mechanism.

■ Removing the R/P head.

1. Remove the screw **A** on the right side of the R/P head.(Fig.1, Fig.2)
2. Remove the screw **B** on the left side of the R/P head.(Fig.1, Fig.2)

■ Remove the erase head.

Remove the screw **C** fixing the erase head.(Fig.1)

■ Removing the pinch roller.

1. Pull out the pinch roller by opening the pinch roller stopper outward to unlock .(Fig.3)
2. When reassembling the pinch roller, refer to fig. 4 to hook up the spring.

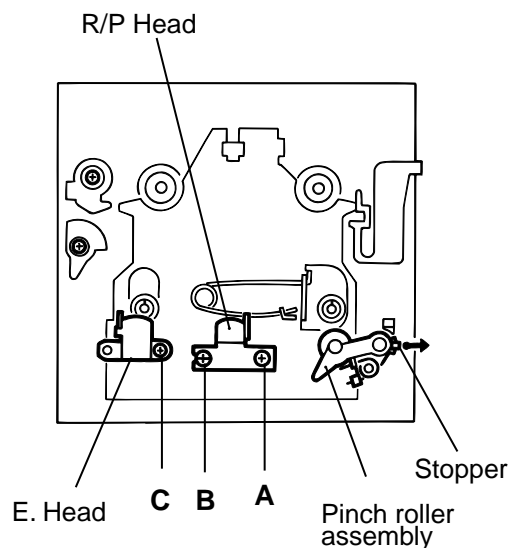


Fig.1

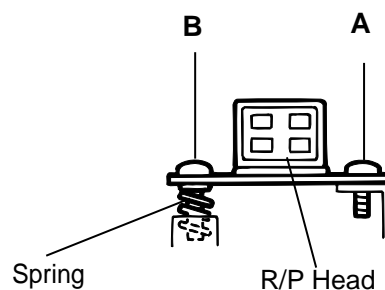


Fig.2

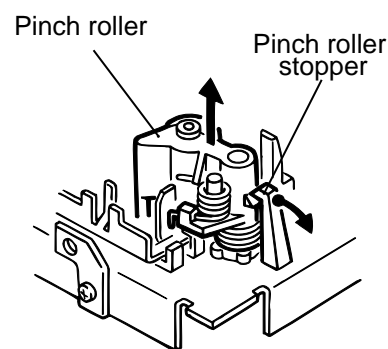


Fig.3

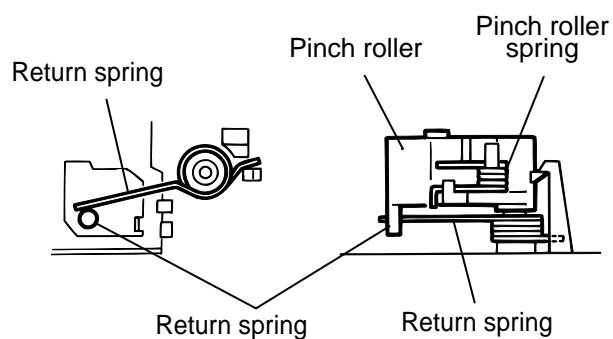


Fig.4

■ **Removing the motor.**

1. Remove the two screws **D** fixing the motor.
Be careful to grease's splash when the drive belt comes off.(Fig.5, Fig.6)
2. Unsolder the motor terminal.(Fig.5)

■ **Removing the mechanism board.**

1. Unsolder the four parts **a** on the solenoid coil terminal.(Fig.5)
2. Remove the two screws **E** fixing the board.(Fig.5)
3. Unhook the three parts **b** from the board.(Fig.5)
4. Remove the mechanism board.(Fig.5)

■ **Removing the flywheel.**

Remove the cut-washers at **c** and **d** from the capstan shaft, then remove the flywheel.
When reassembling the flywheel, be sure to use new washers as they cannot be reused.(Fig.8, Fig.9)

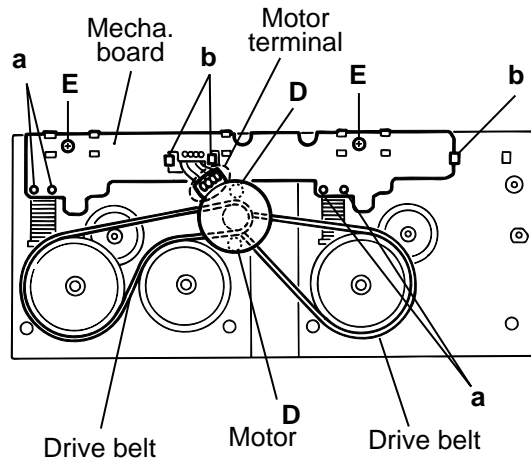


Fig.5

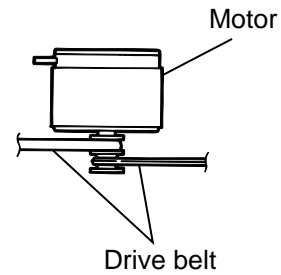


Fig.6

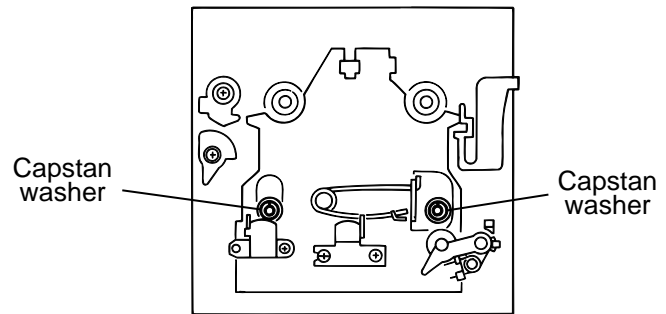


Fig.7

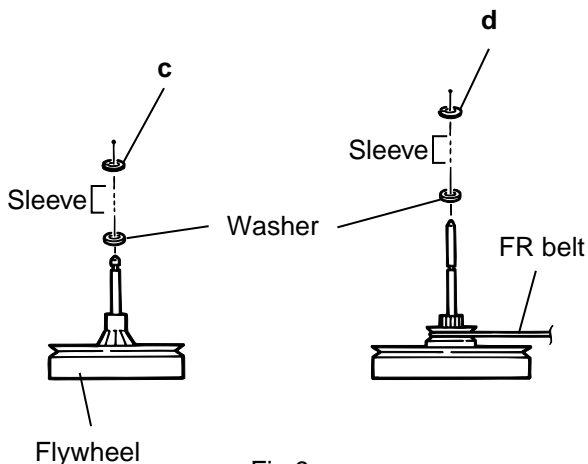


Fig.9

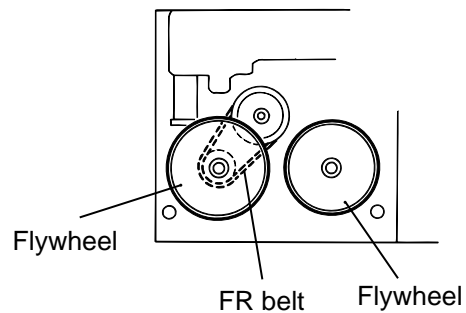
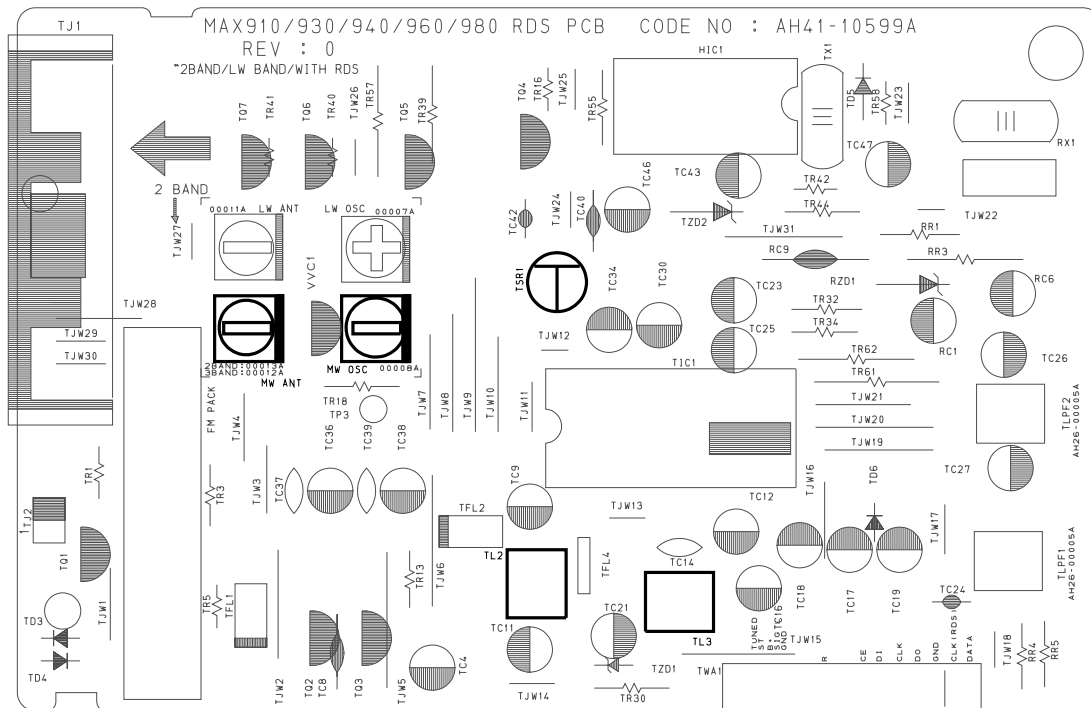


Fig.8

Adjustment method

■ Tuner



* Adjustment Location of Tuner PCB

ITEAM	AM(MW) OSC Adjustment	AM(MW) RF Adjustment
Received FREQ.	520~1720 KHz	590 KHz
Adjustment point	Non- Adjustment	MW -ANT
Output	1~7.0±0.5V	Maximum Output(Fig1-4)

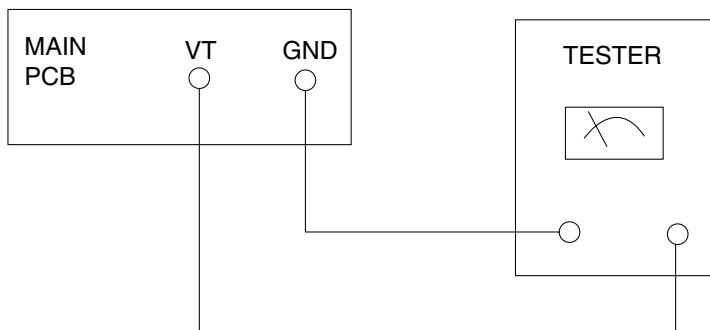


Fig 1-4 OSC Voltage

FM THD Adjustment	
SSG FREQ.	98 MHz
Adjustment point (TL3)	FM DETECTOR COIL
Output	60 dB
Minimum Distortion (0.3% below) (Figure 1-1)	

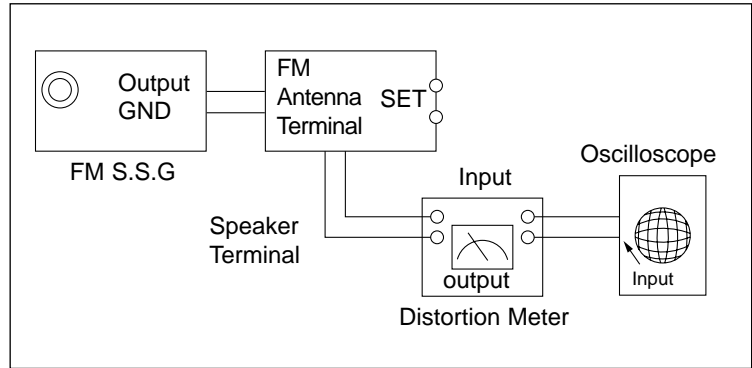


Figure1-1 IF CENTER and THD Adjustment

FM Search Level Adjustment	
SSG FREQ.	98 MHz
Adjustment point (TSR1)	BEACON SENSITIVITY SEMI-VR(20K½)
Output	28 dB(±2dB)
Adjust TSR1 so that "TUNED" of FL T is lighted (Figure 1-2)	

*Adjust FM S.S.G level to 28dB

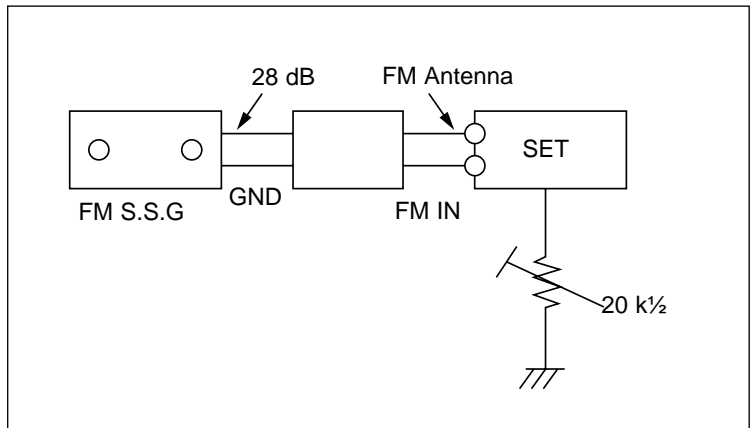


Figure1-2 FM Auto Search Level Adjustment

AM(MW) I.F Adjustment	
SSG FREQ.	450 kHz
Frequency	520 kHz
Adjustment point (TL2)	AM I.F COIL
Maximum output (Figure 1-3)	

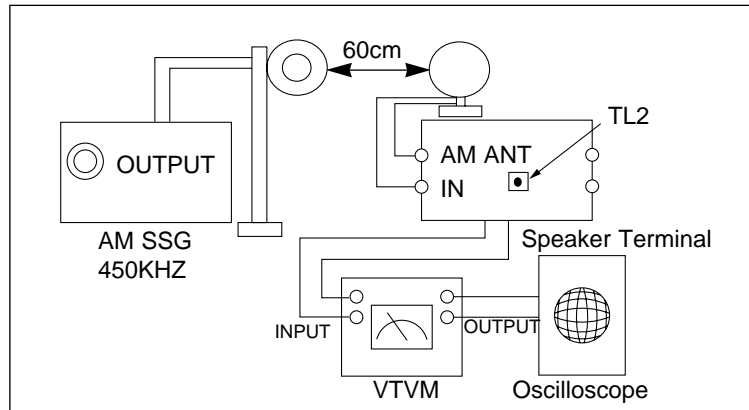


Figure1-3 AM I.F Adjustment

■ Cassette deck

1. To adjust tape speed

Notes

- 1) Measuring tape: i) MTT -111 (or equivalent)
(Tapes recorded with 3kHz)
ii) MTT-5512 (or equivalent)
- 2) Connect the cassette deck to the frequency counter as in figure 1-5.

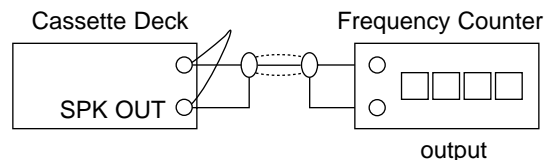


Figure 1-5

Step	Item	Pre-Setup Condition	Pre-Setup	To Adjust	Standard	Remark
1	NOR SPEED Control	OUT (connected to the frequency counter)	1) Deck 1:MTT-111 2) Press PLAY SW button 3) Deck 2:Same as above	Turn UVR2 to left and right (FRONT PCB)	3KHz	±1% range

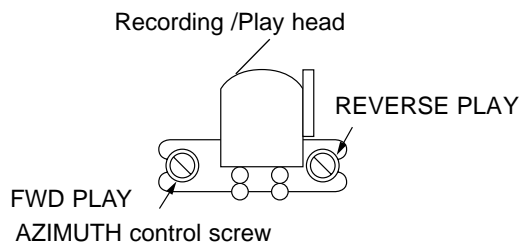


Figure 1-6

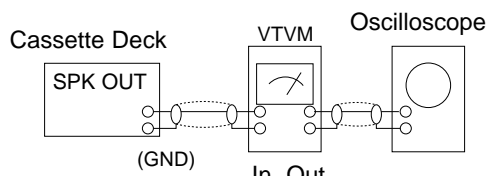


Figure 1-7

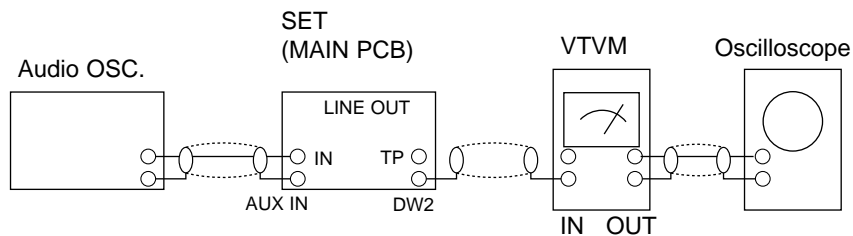


Figure 1-8

2. To adjust playback level/REC

Notes

- 1) Before the actual adjustment, clean the play/recording head.
- 2) Measuring tape :
 - i) MTT-114NA(or equivalent 12.5kHz AZIMUTH control)
 - ii) MTT-5512
- 3) The cassette deck is connections as shown in figure 1-7.

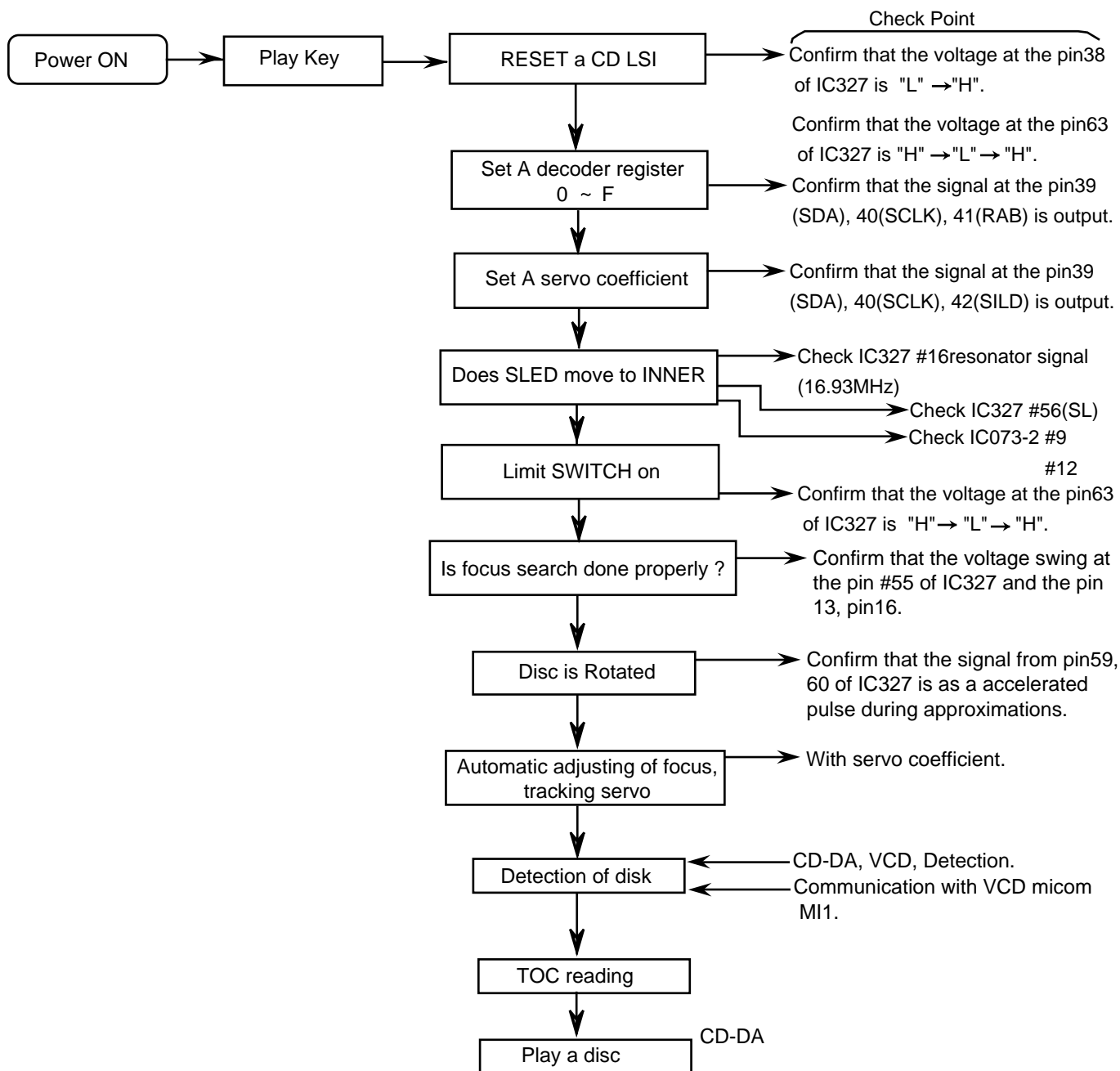
1 Adjust Deck 1 Play Level

Step	Item	Pre-Setup Condition	Pre-Setup	To Adjust	Standard	Remark
1	AZIMUTH	TP1 OUT (VTVM is connected to the scope)	After putting MTT-114NA into Deck 1 - Press FWD PLAY button.	- Turn the control screw to as shown in Figure 1-6.	Max output and same phase (both channels)	After adjustment secure it with REGION LOCK.

2 Adjust Deck 2 Play Level/REC BIAS

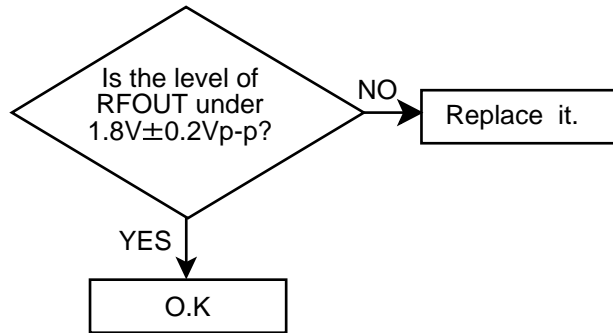
Step	Item	Pre-Setup Condition	Pre-Setup	To Adjust	Standard	Remark
1	AZIMUTH	TP1 OUT (VTVM is connected to the scope)	After putting MTT-114NA into Deck 2 1)Press FWD PLAY button. 2)Press REV PLAY button.	- Turn the control screw to as shown in Figure 1-6.	Max output and same phase (both channels)	After adjustment secure it with REGION LOCK.
2	Recording Bias Voltage	Fig 1-8	After putting MTT-5512 into Deck 2 1)Press REC PLAY button. 2)MAIN PCB DCW2, connected to VTVM	Turn DVR1,DVR2 to the right and left	7V($\pm 0.5V$)	

Flow of functional operation until TOC read

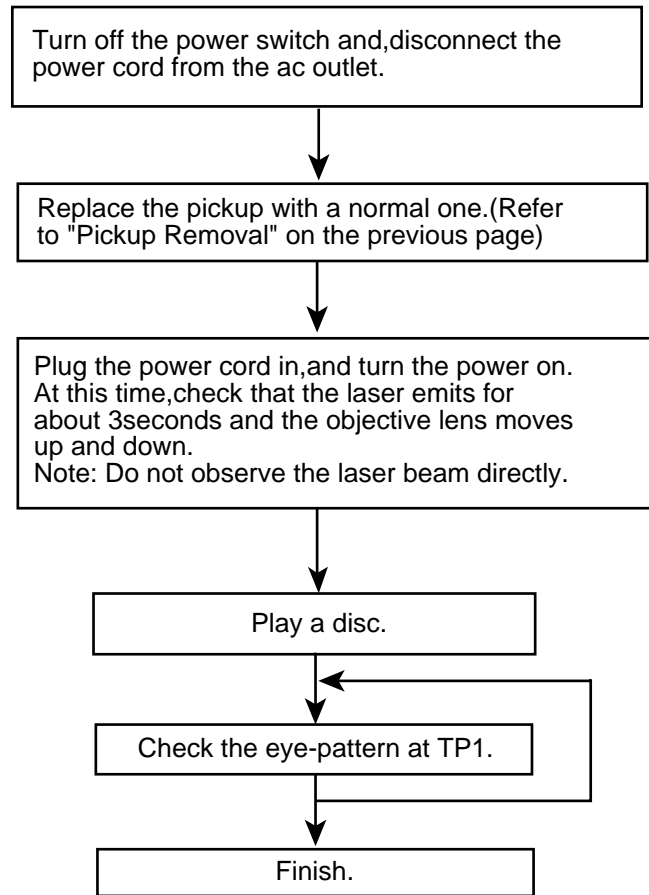


Maintenance of laser pickup

- (1) Cleaning the pick up lens
Before you replace the pick up, please try to clean the lens with a alcohol soaked cotton swab.
- (2) Life of the laser diode
When the life of the laser diode has expired, the following symptoms will appear.
1. The level of RF output (EFM output: amplitude of eye pattern) will below.



Replacement of laser pickup



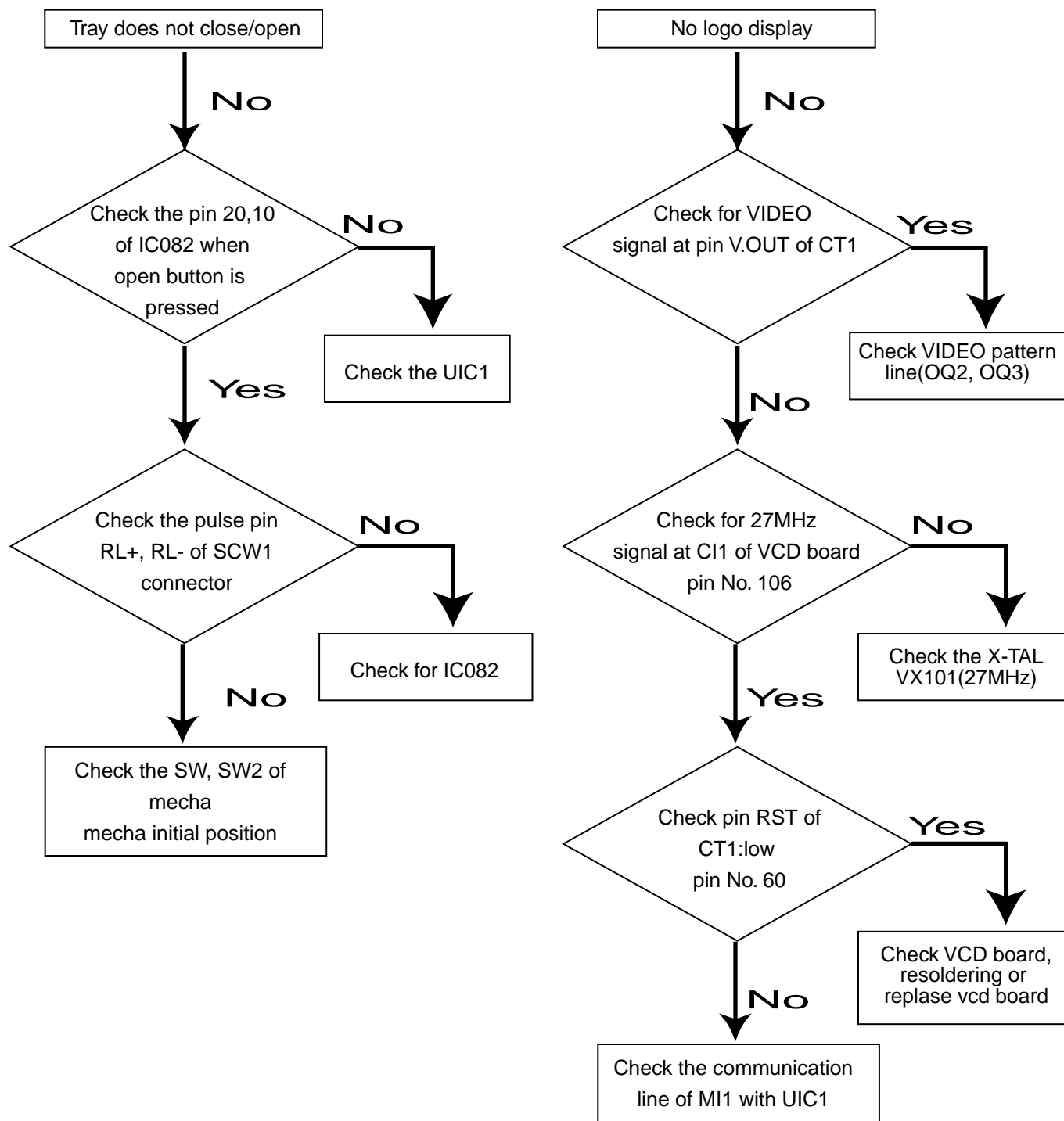
(3) Semi-fixed resistor on the APC PC board

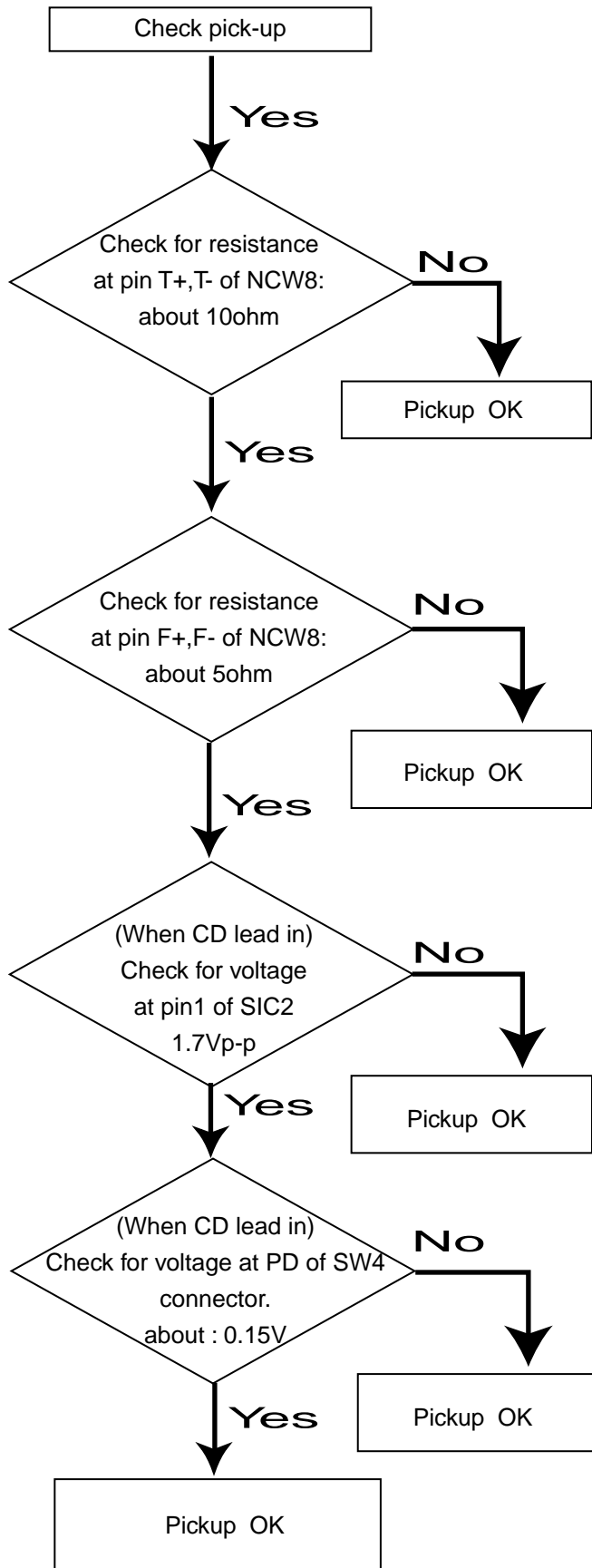
The semi-fixed resistor on the APC printed circuit board which is attached to the pickup is used to adjust the laser power. Since this adjustment should be performed to match the characteristics of the whole optical block, do not touch the semi-fixed resistor.

If the laser power is lower than the specified value, the laser diode is almost worn out, and the laser pickup should be replaced.

If the semi-fixed resistor is adjusted while the pickup is functioning normally, the laser pickup may be damaged due to excessive current.

Trouble shooting guide

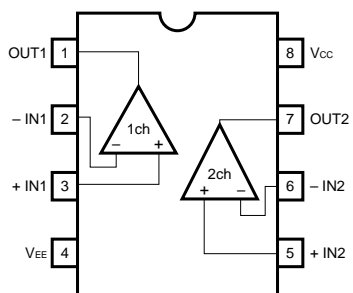




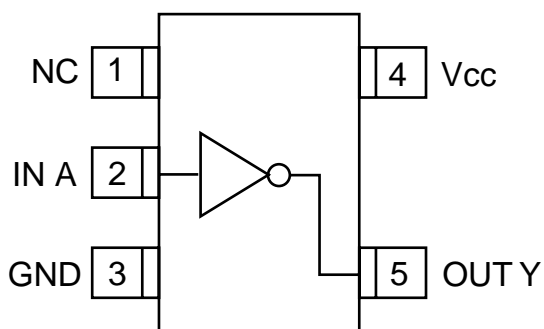
Description of major ICs

■ BA4560 (UIC1) / KA4558 (DIC2) : Dual OP AMP

1.Pin layout

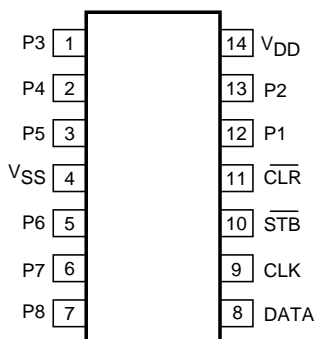


■ TC7SU04F (C12) : Inverter



■ NJU3711M (UIC2) : 8-BIT Serial to parallel conveter

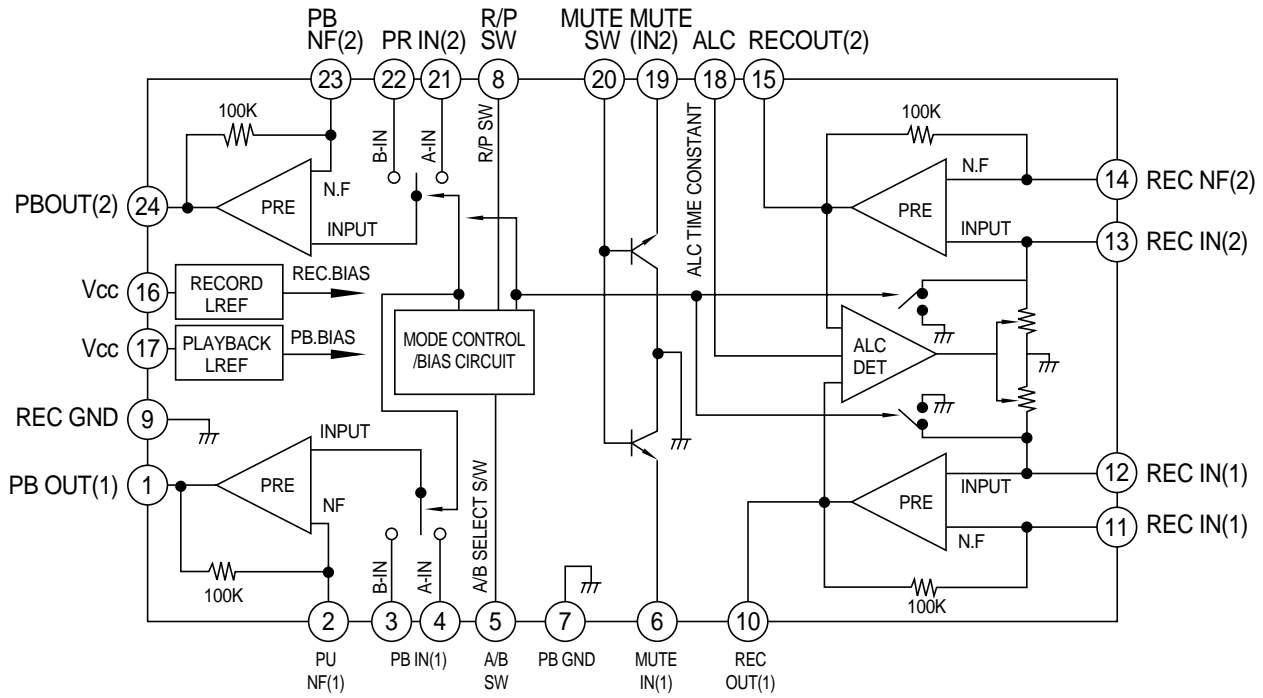
1. Pin layout



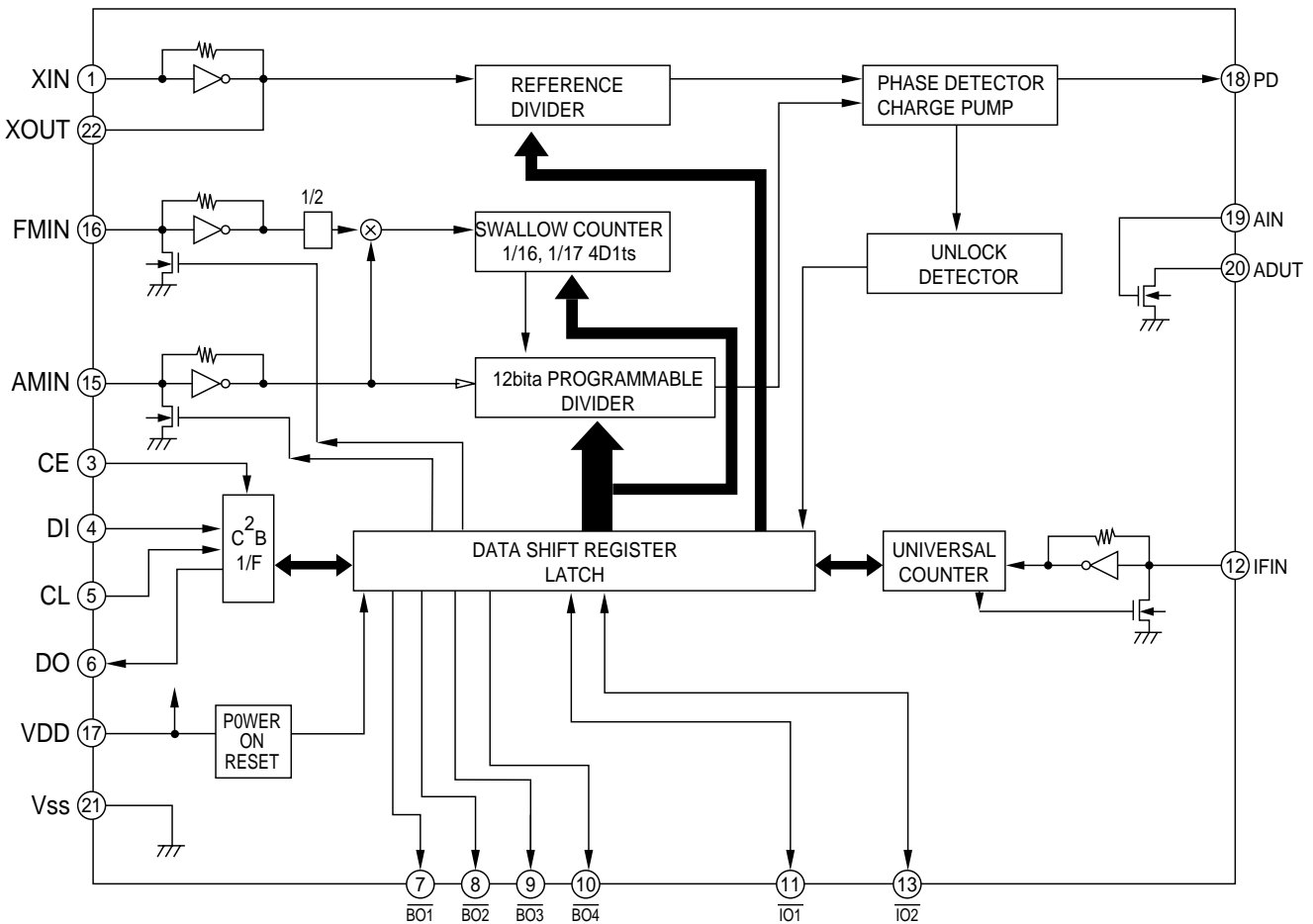
2. Pin function

Pin.No	Symbol	Function
1	P3	Parallel converts darta output terminals
2	P4	
3	P5	
4	V _{SS}	Ground
5	P6	Parallel converts darta output terminals
6	P7	
7	P8	
8	DATA	Serial data input termnal
9	CLK	Clock signal input termnal
10	STB	Strove signal input termnal
11	CLR	Clear signal input termnal
12	P1	Parallel converts darta output terminals
13	P2	
14	V _{DD}	Power supply terminal

■ KA22291 (DIC1) : Cassette amp.

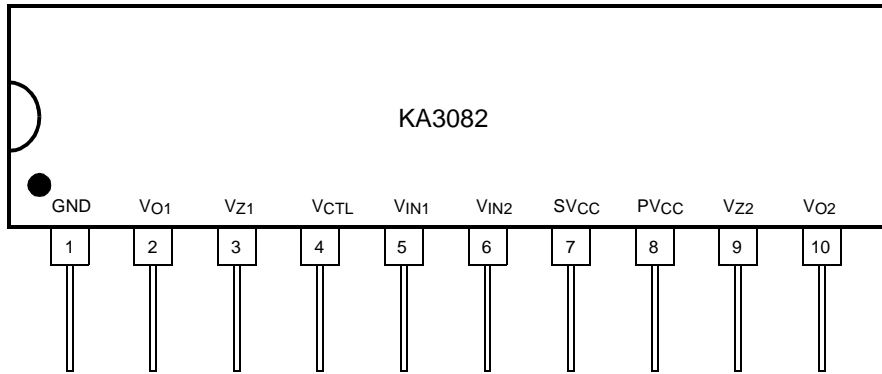


■ LC72131D (HIC1) : PLL



■ KA3082 (IC3082) : Bi-directional DC motor driver

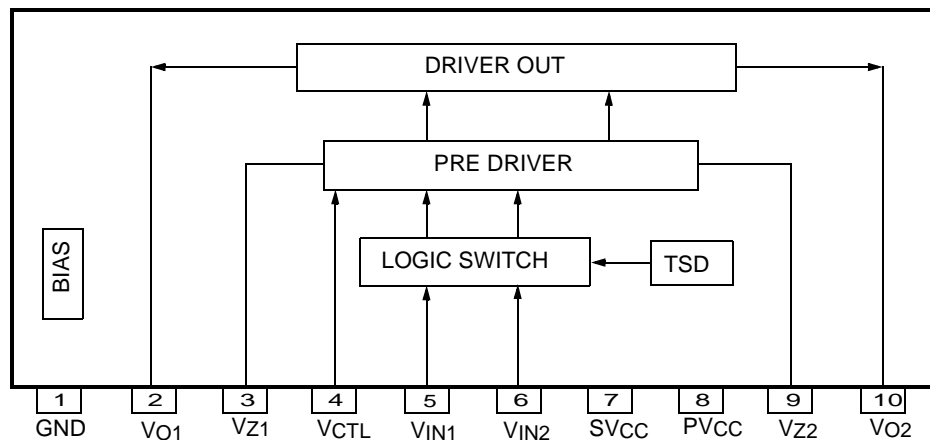
1.Pin layout



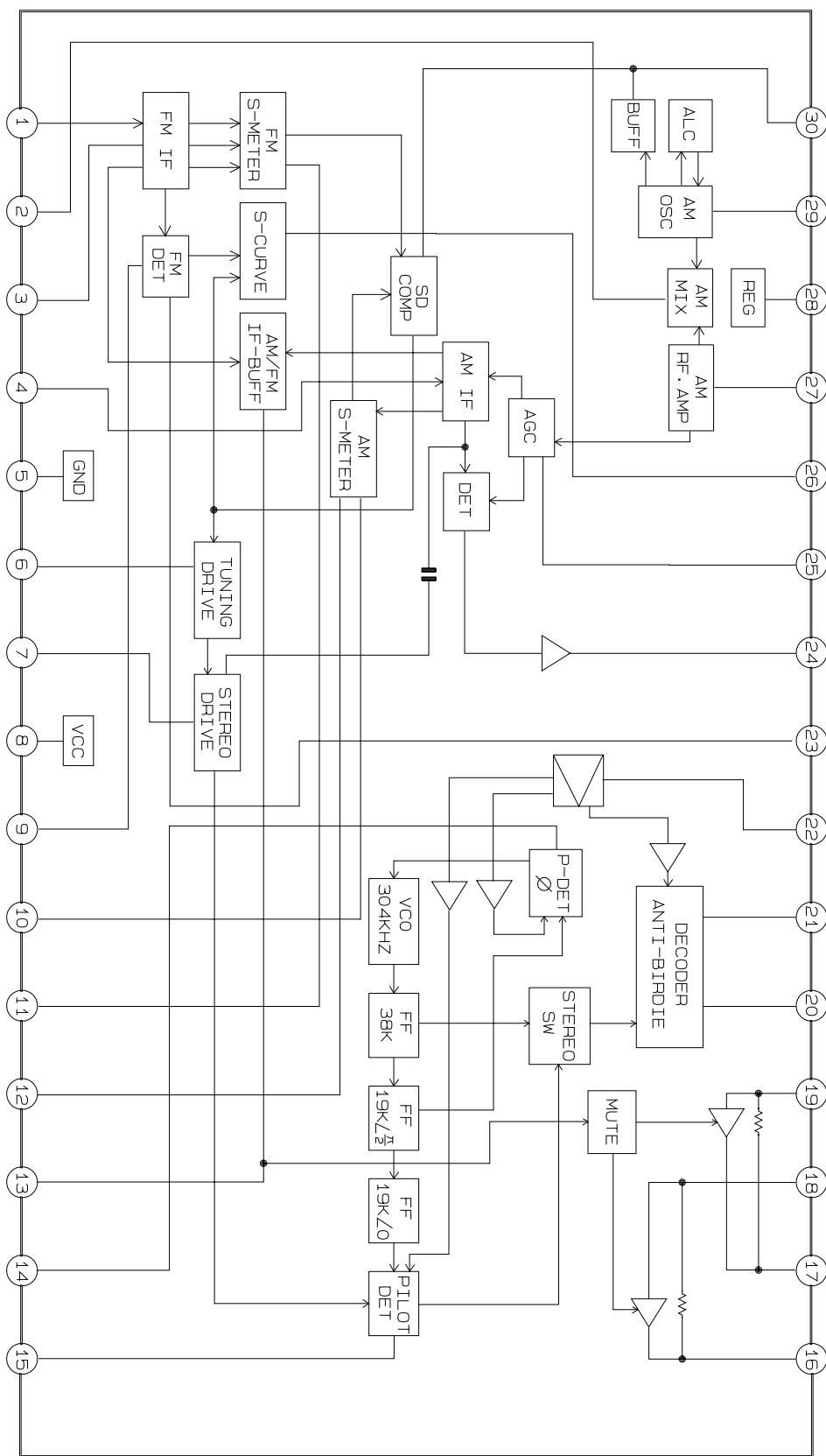
2.Pin function

Pin Number	Pin Name	I/O	Pin Function Description
1	GND	-	Ground
2	VO1	O	Output 1
3	VZ1	-	Phase compensation
4	VCTL	I	Motor speed control
5	VIN1	I	Input 1
6	VIN2	I	Input 2
7	SVCC	-	Supply voltage (Signal)
8	PVCC	-	Supply voltage (Power)
9	VZ2	-	Phase compensation
10	VO2	O	Output 2

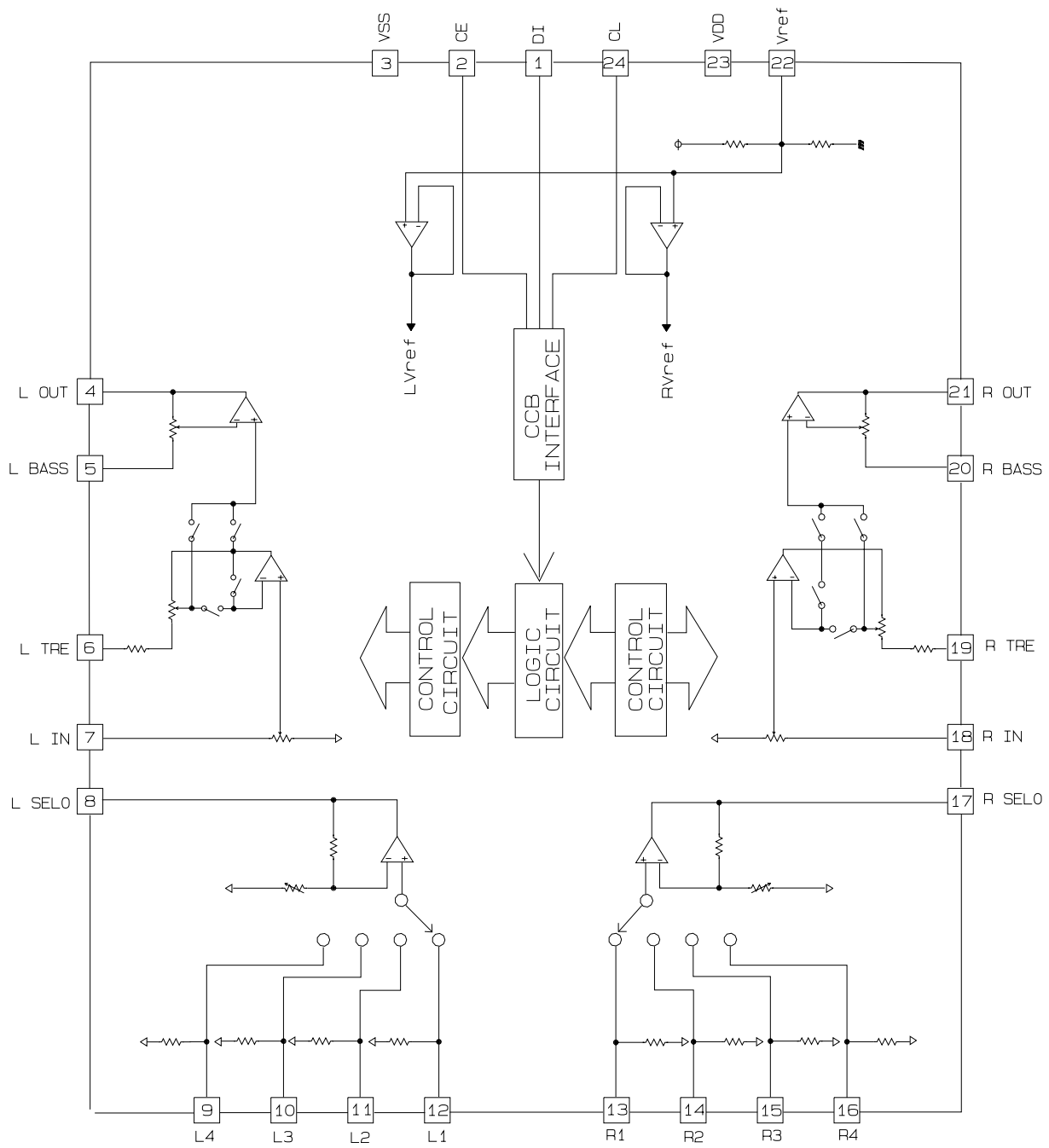
3.Block Diagram



■ LA1837 (TIC1) : FM IF/DET AM RF/IF/DET

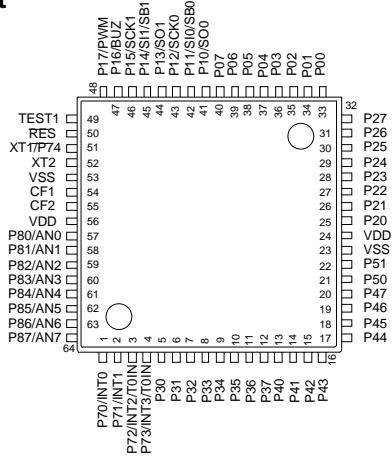


■ LC75341 (FIC1) : Function

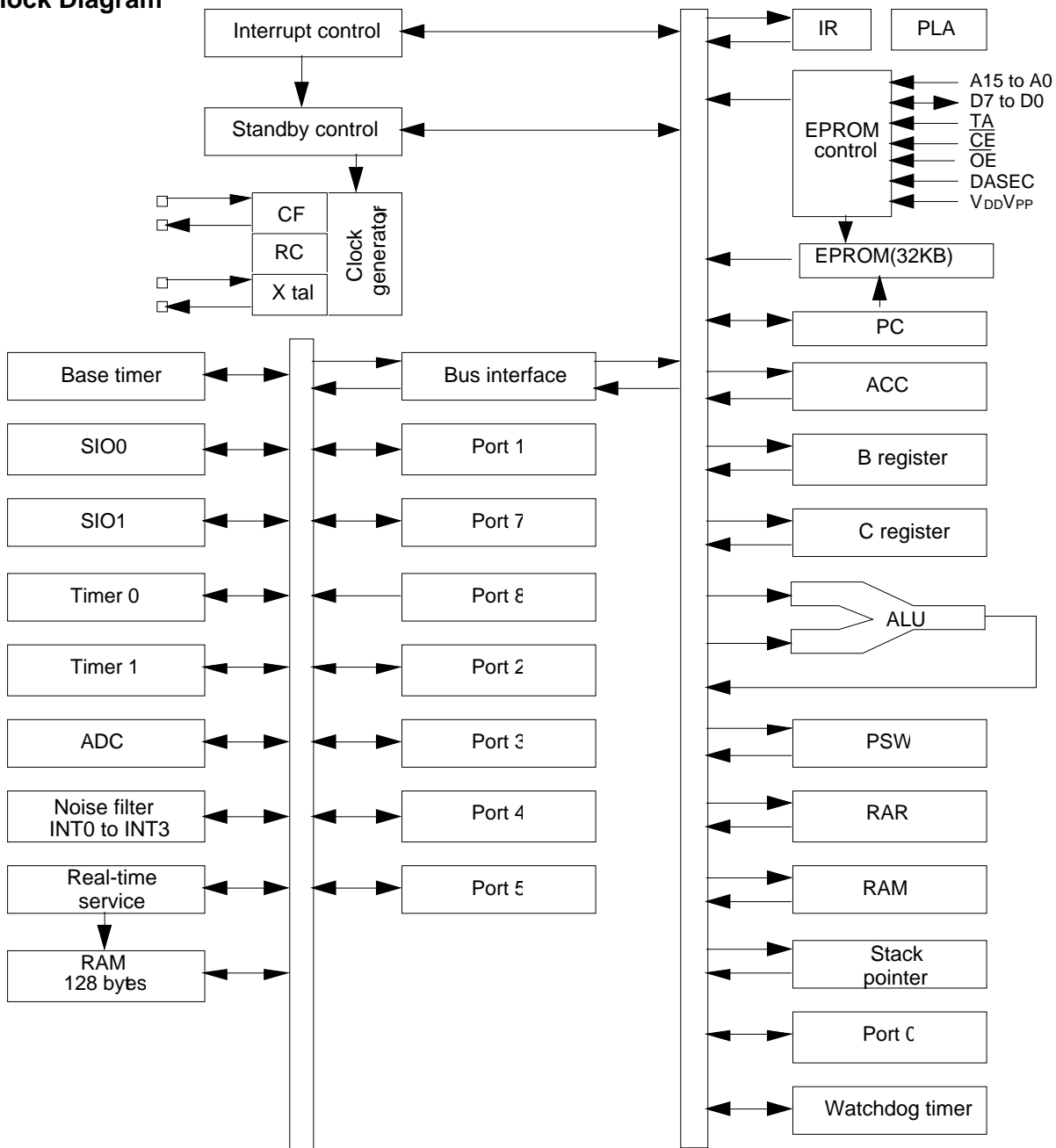


LC86P5032 (MI1) : 8-Bit single-chip microcontroller

1.Pin layout

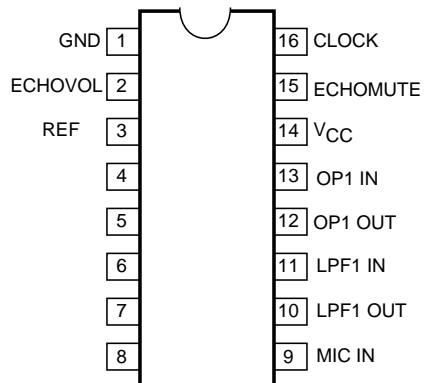


2.Block Diagram



■ M65855FP(EIC1) : Sound processor

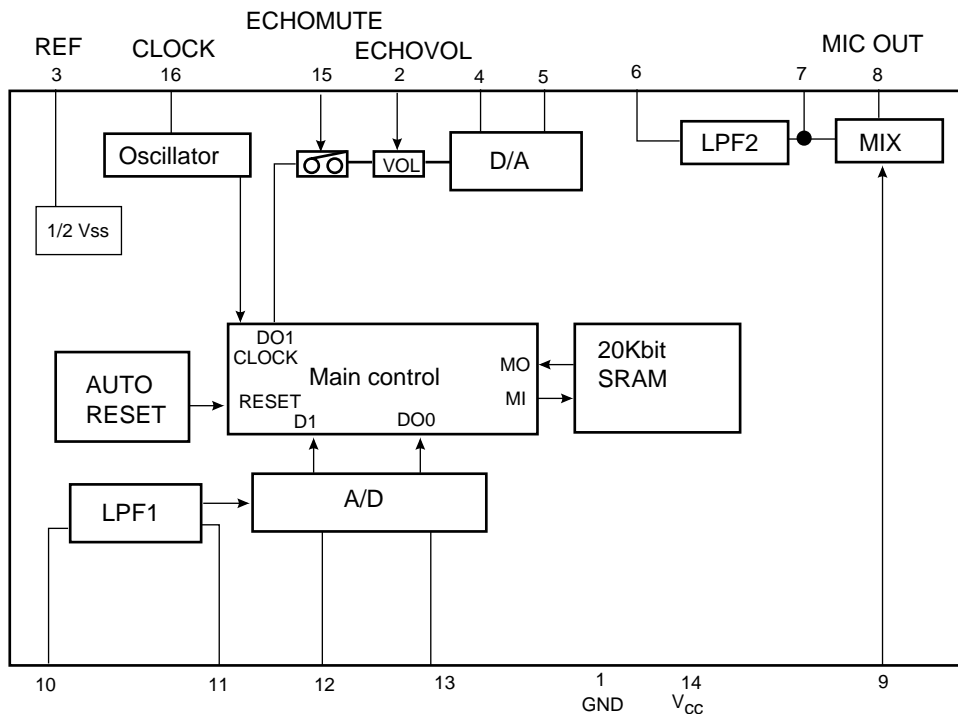
1. Pin layout



2. Pin function

Pin No.	Symbol	DESCRIPTION
1	GND	
2	ECHOVOL	Echo level control with external DC voltage
3	REF	To connect 1/2 V _{cc} output and filter capacitor
4	OP2 IN	Uses external C to form an D/A conversion integrator
5	OP2 OUT	
6	LPF2 IN	Uses external CR to form a low pass filter at the input side
7	LPF2 OUT	
8	MIC OUT	Mixing output echo output and microphone
9	MIC IN	Microphone input
10	LPF1 OUT	Uses external CR to form a low pass filter at the input side
11	LPF1 IN	
12	OP1 OUT	Uses external C to form an D/A conversion integrator
13	OP1 IN	
14	V _{CC}	Applies a voltage of 3.5V to 5.5V(Rated5V)
15	ECHOMUTE	Echo mute control and clock stop control with external DC voltage
16	CLOCK	Controls a built -in clock generation circuit with external R

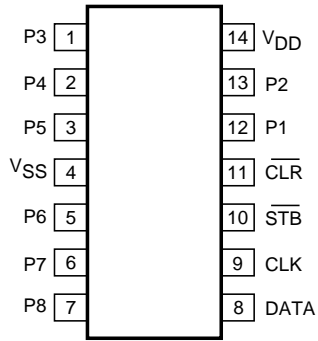
3. Block diagram.



■ NJU3711M (UIC2) : 8-BIT Serial to parallel converter

1. Pin layout

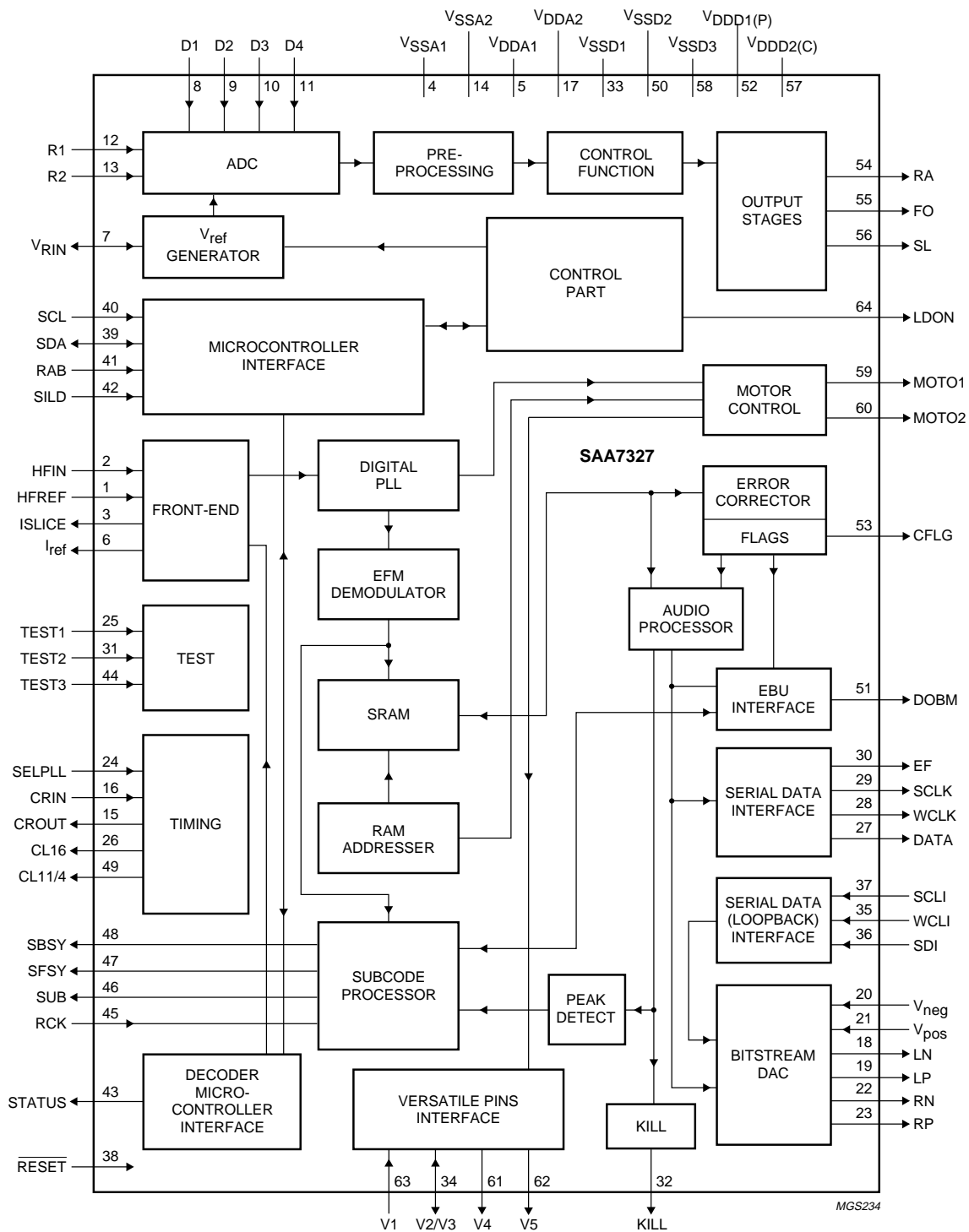
2. Pin function



Pin.No	Symbol	Function
1	P3	Parallel converts data output terminals
2	P4	
3	P5	
4	V _{SS}	Ground
5	P6	Parallel converts data output terminals
6	P7	
7	P8	
8	DATA	Serial data input terminal
9	CLK	Clock signal input terminal
10	STB	Strobe signal input terminal
11	CLR	Clear signal input terminal
12	P1	Parallel converts data output terminals
13	P2	
14	V _{DD}	Power supply terminal

■ SAA7327 (IC327) :Digital servo processor

1. Block diagram



2. Pin function

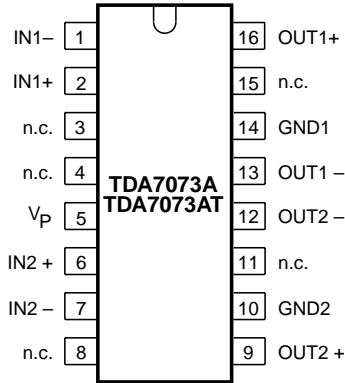
Pin No.	Symbol	Function
1	HFREF	comparator common mode input
2	HFIN	comparator signal input
3	ISLICE	current feedback output from data slicer
4 ⁽¹⁾	V _{SSA1}	analog ground 1
5 ⁽¹⁾	V _{DDA1}	analog supply voltage 1
6	I _{ref}	reference current output
7	V _{RIN}	reference voltage for servo ADCs
8	D1	unipolar current input 1 (central diode signal input)
9	D2	unipolar current input 2 (central diode signal input)
10	D3	unipolar current input 3 (central diode signal input)
11	D4	unipolar current input 4 (central diode signal input)
12	R1	unipolar current input 1 (satellite diode signal input)
13	R2	unipolar current input 2 (satellite diode signal input)
14 ⁽¹⁾	V _{SSA2}	analog ground 2
15	CROUT	crystal/resonator output
16	CRIN	crystal/resonator input
17 ⁽¹⁾	V _{DDA2}	analog supply voltage 2
18	LN	DAC left channel differential negative output
19	LP	DAC left channel differential positive output
20	V _{neg}	DAC negative reference input
21	V _{pos}	DAC positive reference input
22	RN	DAC right channel differential negative output
23	RP	DAC right channel differential positive output
24	SELPLL	selects whether internal clock multiplier PLL is used
25	TEST1	test control input 1 (this pin should be tied LOW)
26	CL16	16.9344 MHz system clock output
27	DATA	serial d4(1) data output (3-state)
28	WCLK	word clock output (3-state)
29	SCLK	serial bit clock output (3-state)
30	EF	C2 error β ag output (3-state)
31	TEST2	test control input 2 (this pin should be tied LOW)
32	KILL	kill output (programmable; open-drain)
33 ⁽¹⁾	V _{SSD1}	digital ground 1
34	V2/V3	versatile I/O: versatile input 2 or versatile output 3 (open-drain)
35	WCLI	word clock input (for data loopback to DAC)
36	SDI	serial data input (for data loopback to DAC)
37	SCLI	serial bit clock input (for data loopback to DAC)
38	$\overline{\text{RESET}}$	power-on reset input (active LOW)
39	SDA	microcontroller interface data I/O line (I ² C-bus; open-drain output)
40	SCL	microcontroller interface clock line input (I ² C-bus)

2. Pin function(2/2)

Pin No.	Symbol	Function
41	RAB	microcontroller interface $\overline{R/W}$ and load control line input (4-wire bus mode)
42	SILD	microcontroller interface $\overline{R/W}$ and load control line input (4-wire bus mode)
43	STATUS	servo interrupt request line/decoder status register output (open-drain)
44	TEST3	test control input 3 (this pin should be tied LOW)
45	RCK	subcode clock input
46	SUB	P-to-W subcode bits output (3-state)
47	SFSY	subcode frame sync output (3-state)
48	SBSY	subcode block sync output (3-state)
49	CL11/4	11.2896 or 4.2336 MHz (for microcontroller) clock output
50 ⁽¹⁾	V _{SSD2}	digital ground 2
51	DOBM	bi-phase mark output (externally buffered; 3-state)
52 ⁽¹⁾	V _{DDD1(P)}	digital supply voltage 1 for periphery
53	CFLG	correction flag output (open-drain)
54	RA	radial actuator output
55	FO	focus actuator output
56	SL	sledge control output
57 ⁽¹⁾	V _{DDD2(C)}	digital supply voltage 2 for core
58 ⁽¹⁾	V _{SSD3}	digital ground 3
59	MOTO1	motor output 1; versatile (3-state)
60	MOTO2	motor output 2; versatile (3-state)
61	V4	versatile output 4
62	V5	versatile output 5
63	V1	versatile input 1
64	LDON	laser drive on output (open-drain)

■ TDA7073A(IC805) : Dual BTL power driver

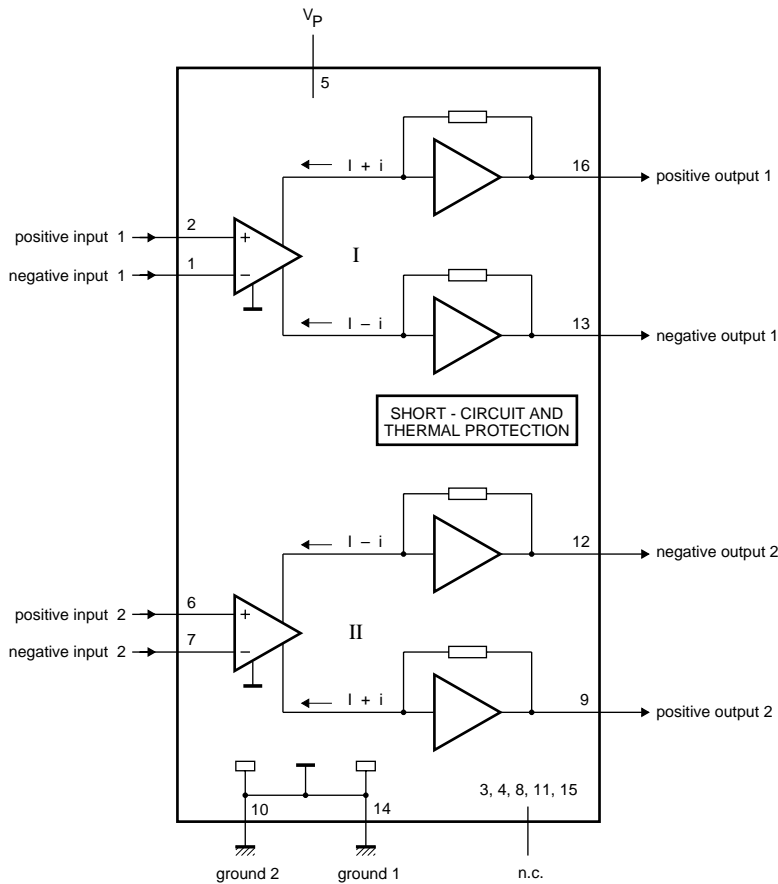
1. Pin layout



2. Pin function

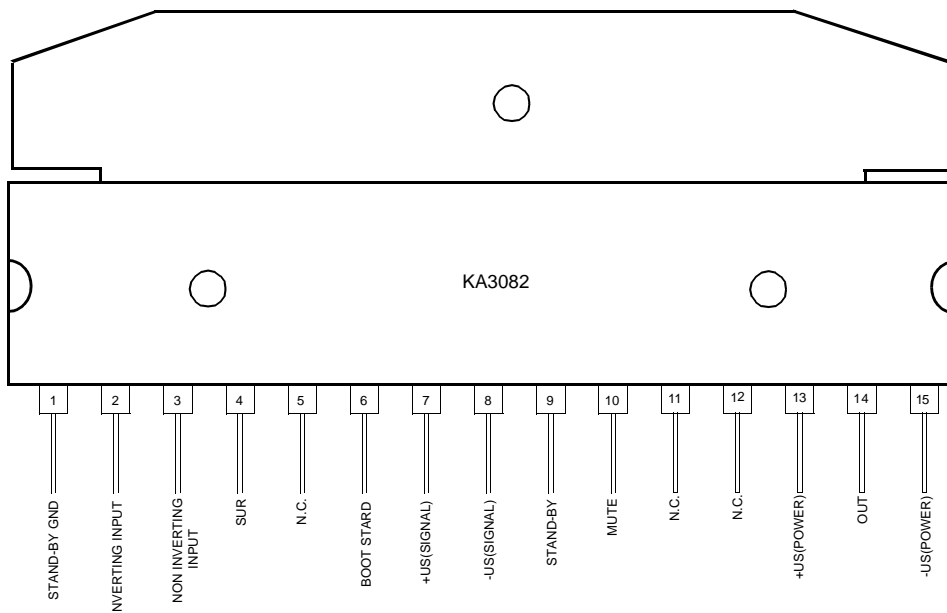
Pin No.	Symbol	Function
1	IN1-	negative input 1
2	IN1+	positive input 1
3	n.c.	not connected
4	n.c.	not connected
5	V _P	positive supply voltage
6	IN2+	positive input 2
7	IN2-	negative input 2
8	n.c.	not connected
9	OUT2+	positive output 2
10	GND2	ground 2
11	n.c.	not connected
12	OUT2-	negative output 2
13	OUT1-	negative output 1
14	GND1	ground 1
15	n.c.	not connected
16	OUT1+	positive output 1

3. Block diagram

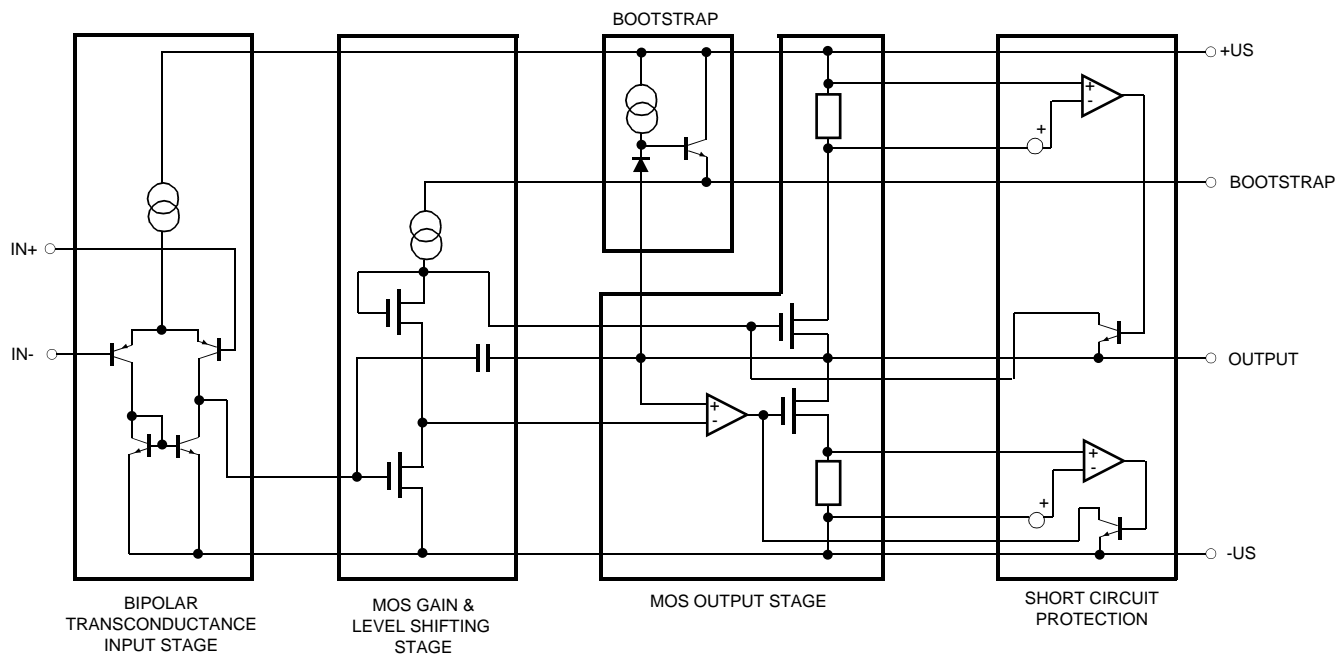


■ TDA7295 (AIC1, 2) : Audio amp.

1.Pin layout



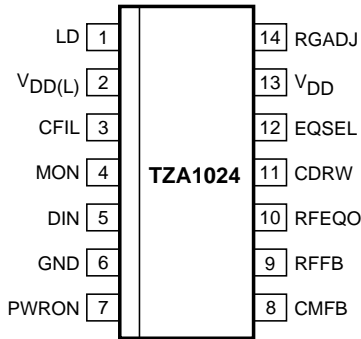
2.Block Diagram



■ **TZA1024 (IC024) : Data amplifier and laser supply**

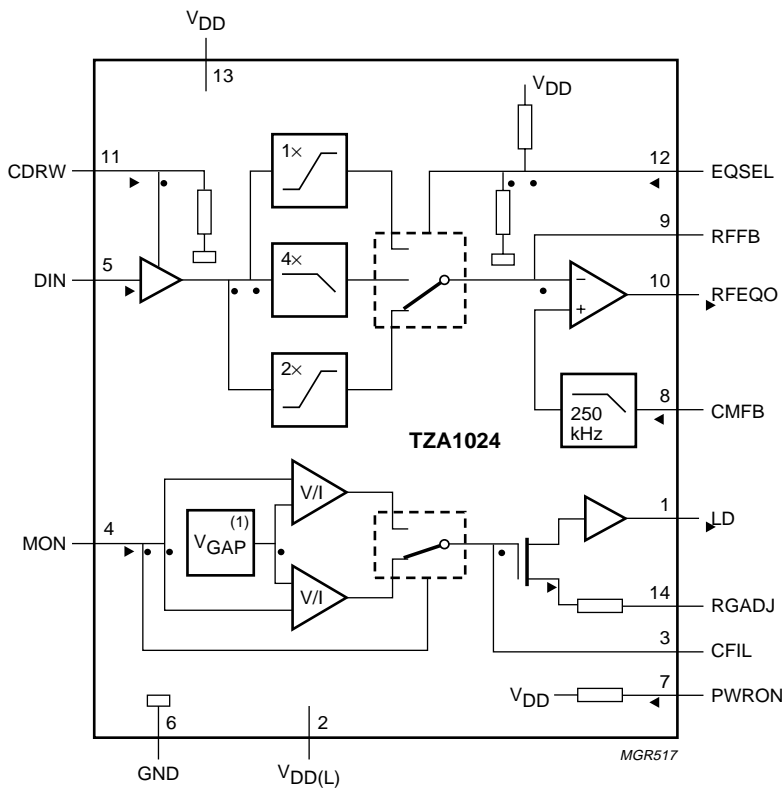
1. Pin Layout

2. Pin function



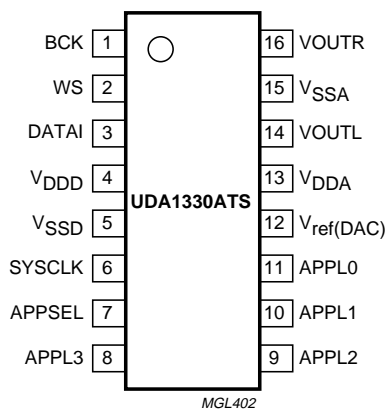
PIN.No	SYMBOL	Function
1	LD	current output to laser diode
2	V _{DD(L)}	laser supply voltage
3	CFIL	external filter capacitor
4	MON	laser monitor diode input
5	DIN	central diode input
6	GND	ground
7	PWRON	power-on select input
8	CMFB	common mode feedback voltage input
9	RFFB	external RF feedback resistor
10	RFEQO	RF amplifier output
11	CDRW	gain select input for CD-A/V , CD-R/W
12	EQSEL	equalizer/speed select input (n = 1, 2 or 4)
13	V _{DD}	supply voltage
14	RGADJ	external laser supply gain adjust resistor

3. Block diagram



■ UDA1330AT (AI1) : Stereo filter DAC

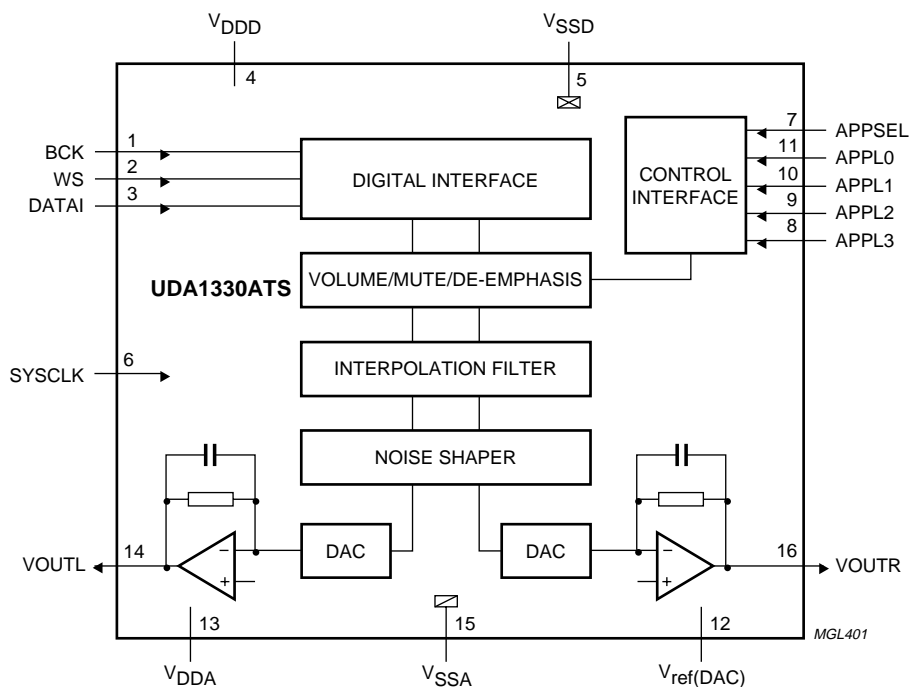
1. Pin layout



2. Pin function

SYMBOL	PIN	DESCRIPTION
BCK	1	bit clock input
WS	2	word select input
DATAI	3	data input
V _{DDD}	4	digital supply voltage
V _{SSD}	5	digital ground
SYSCLK	6	system clock input: 256f _s , 384f _s and 512f _s
APPSEL	7	application mode select input
APPL3	8	application input 3
APPL2	9	application input 2
APPL1	10	application input 1
APPL0	11	application input 0
V _{ref(DAC)}	12	DAC reference voltage
V _{DDA}	13	analog supply voltage for DAC
VOUTL	14	left channel output
V _{SSA}	15	analog ground
VOUTR	16	right channel output

3. Block diagram.



JVC

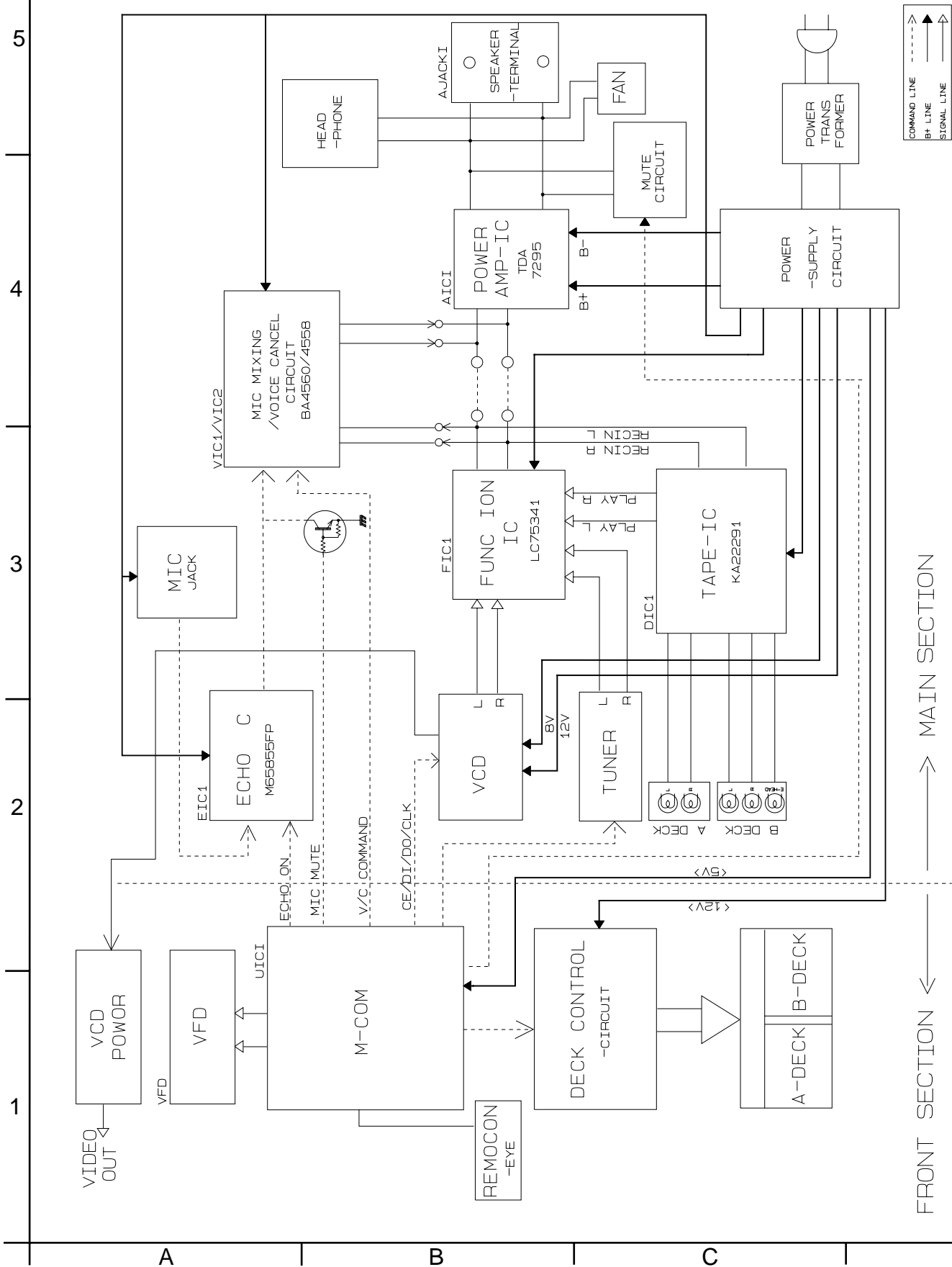
VICTOR COMPANY OF JAPAN, LIMITED

AUDIO & COMMUNICATION BUSINESS DIVISION

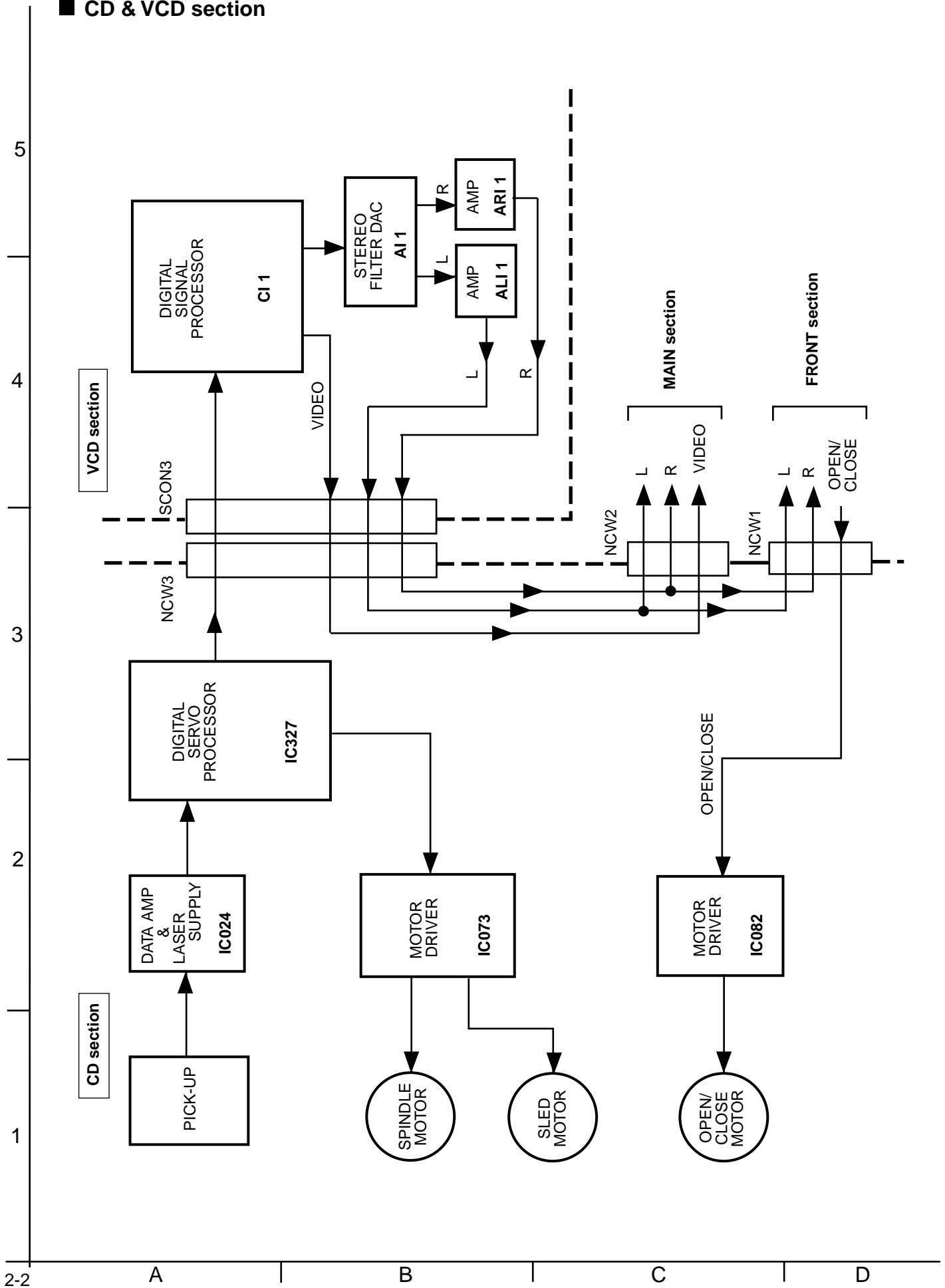
PERSONAL & MOBILE NETWORK BUSINESS UNIT 10-1,1Chome,Ohwatari-machi,maebashi-city,371-8543,Japan

Block diagrams

■ Main section



■ CD & VCD section

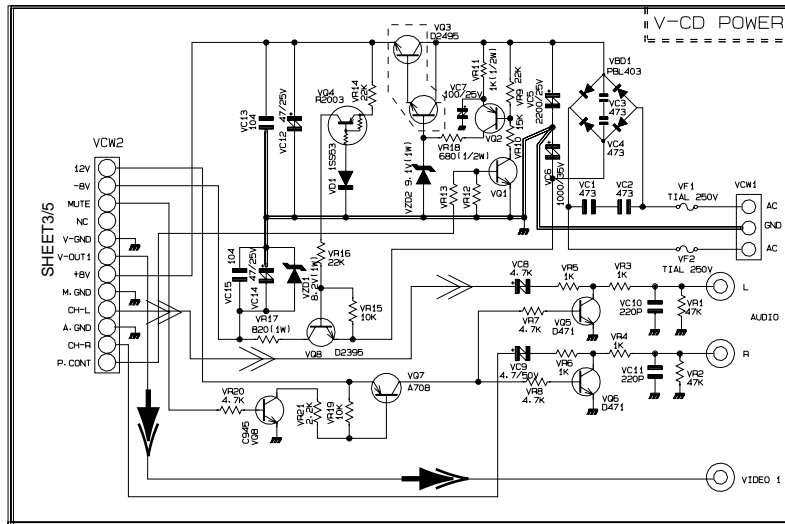


Standard schematic diagrams

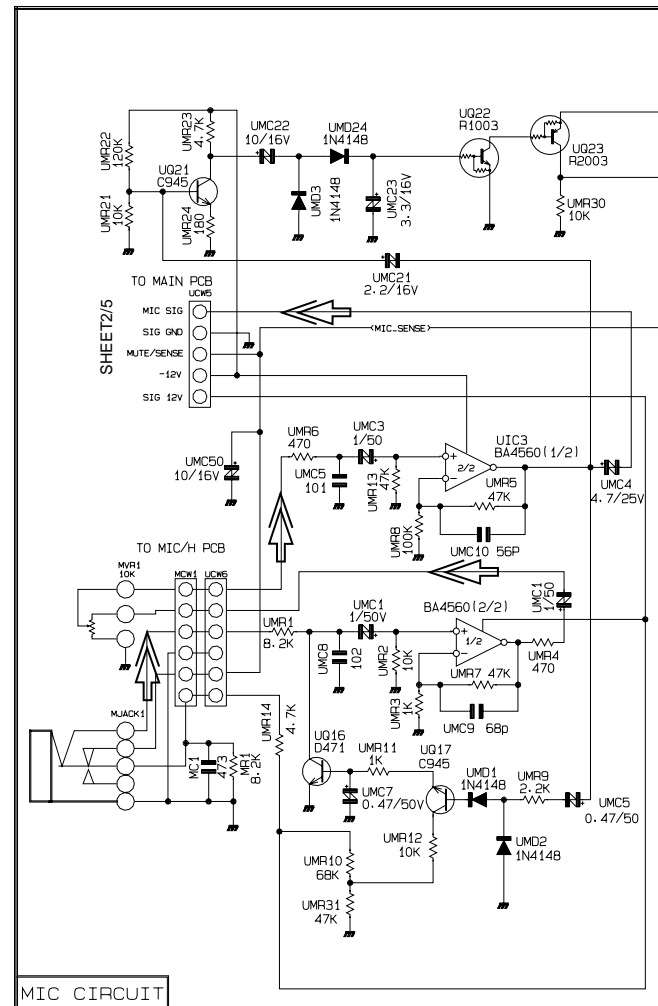
Front section

FRONT/VCD-POWER CIRCUIT

5

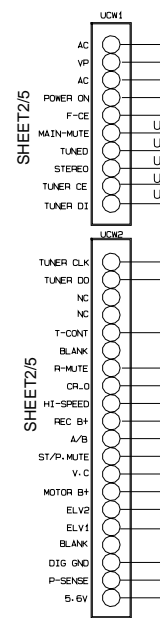


4

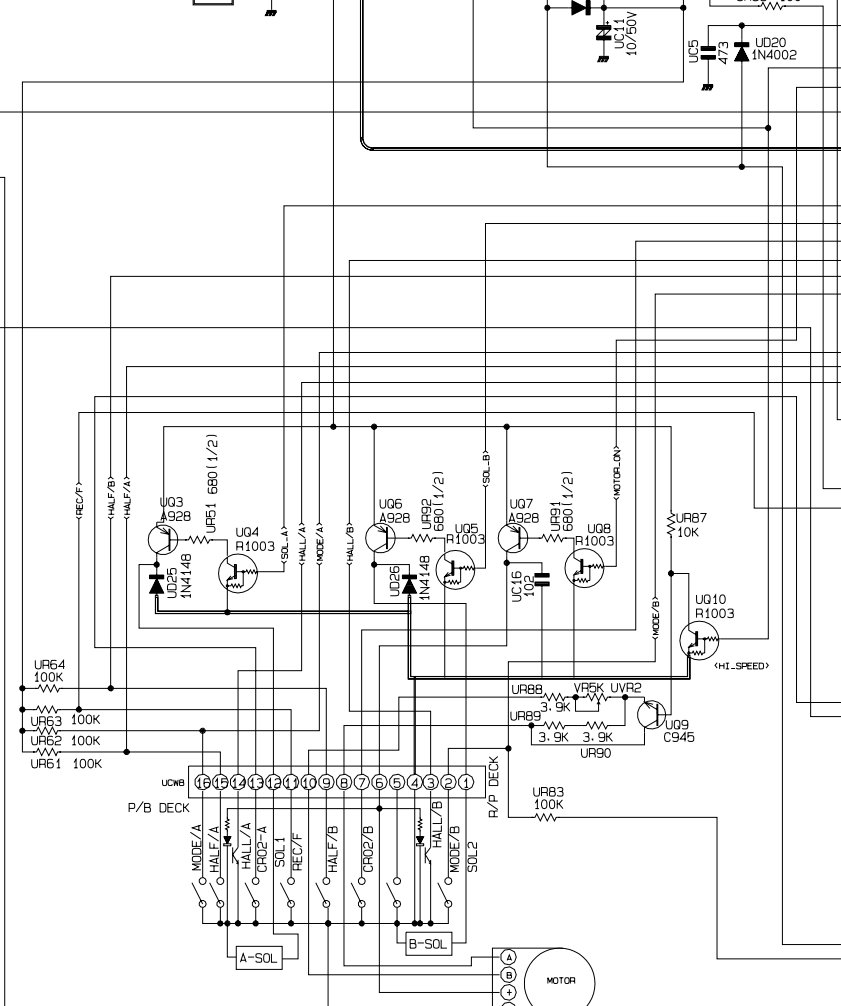


3

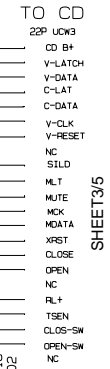
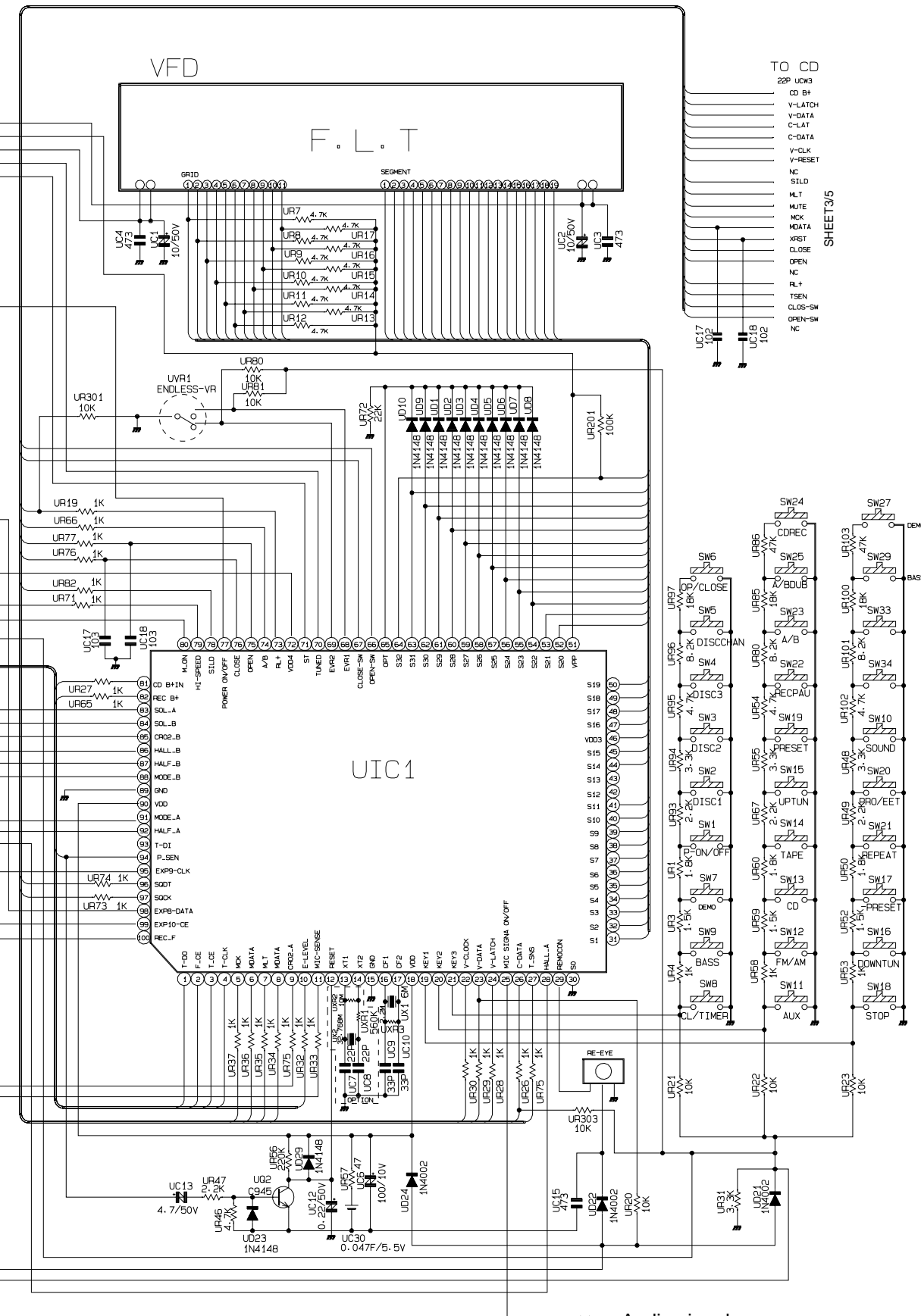
TO MAIN



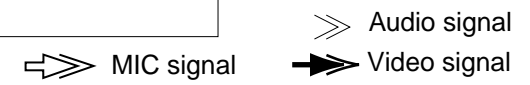
2



1



SHEET3/5



SHEET1/5

Main section

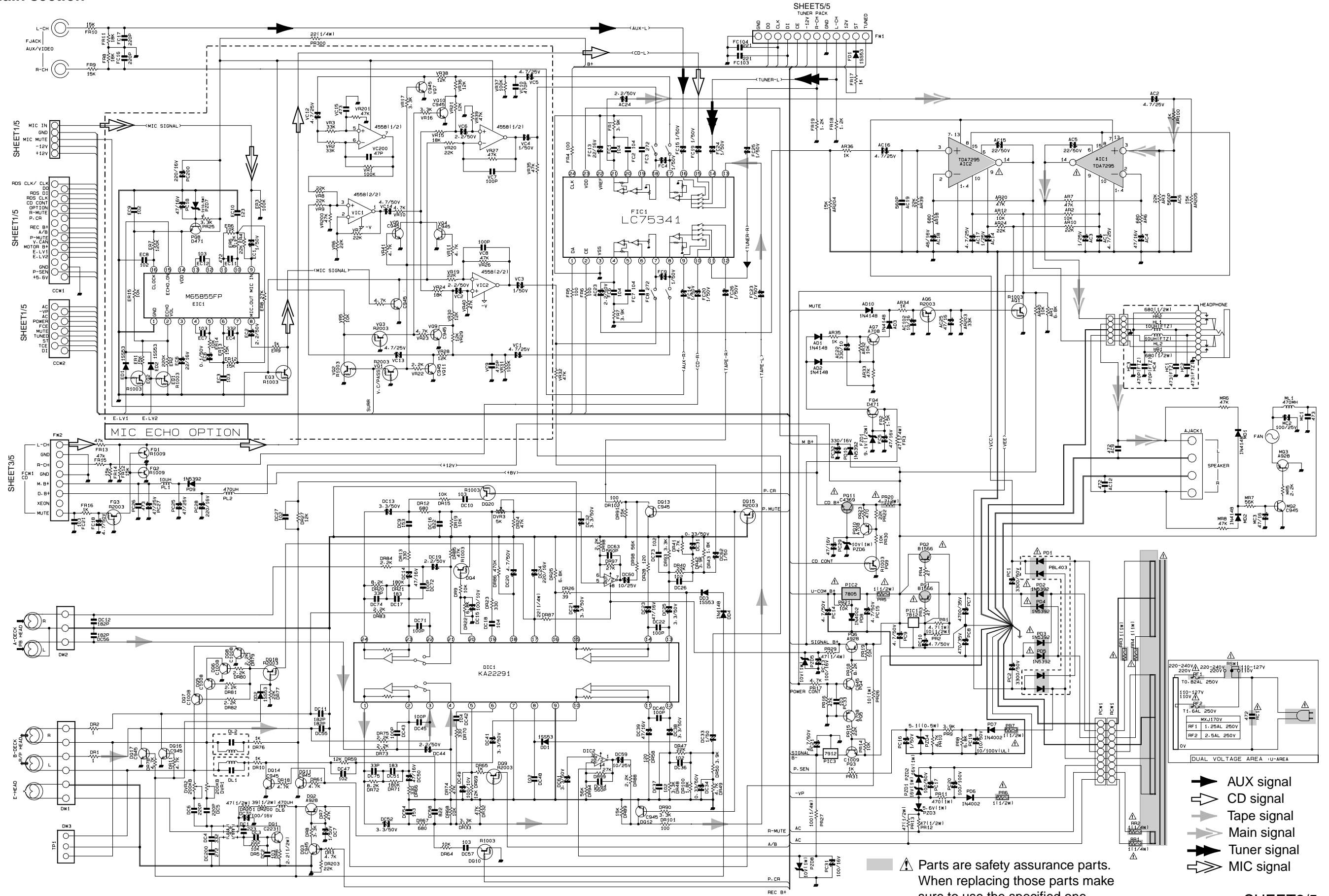
5

4

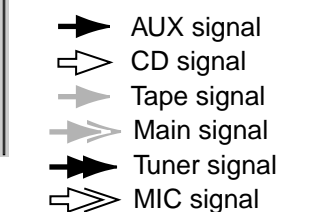
3

2

1

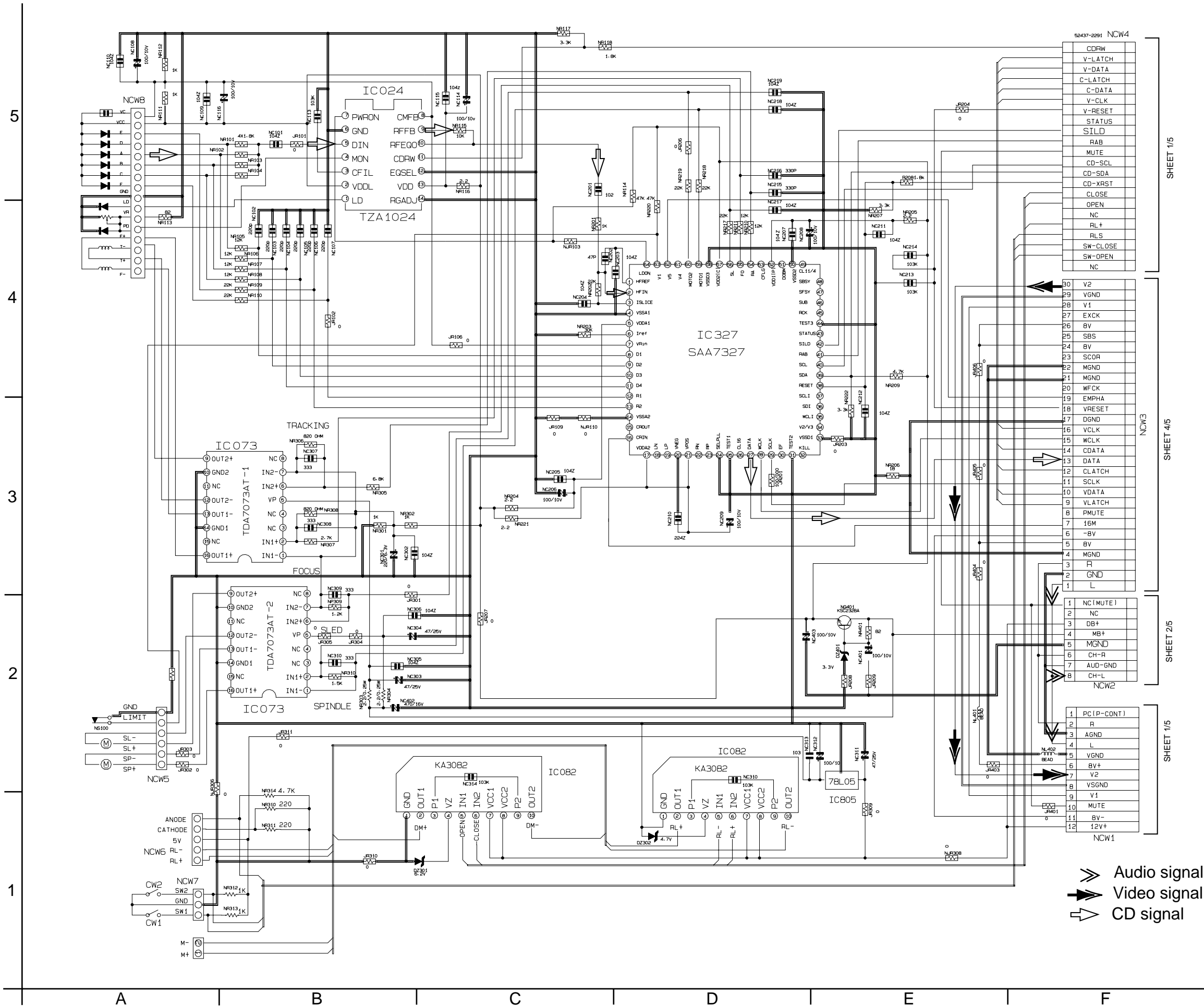


SHEETS/5
TUNER PACK



A B C 2-4 D E F G H

■ CD servo section



≫≫ Audio signal
 ≫ Video signal
 ≫ CD signal

VCD section

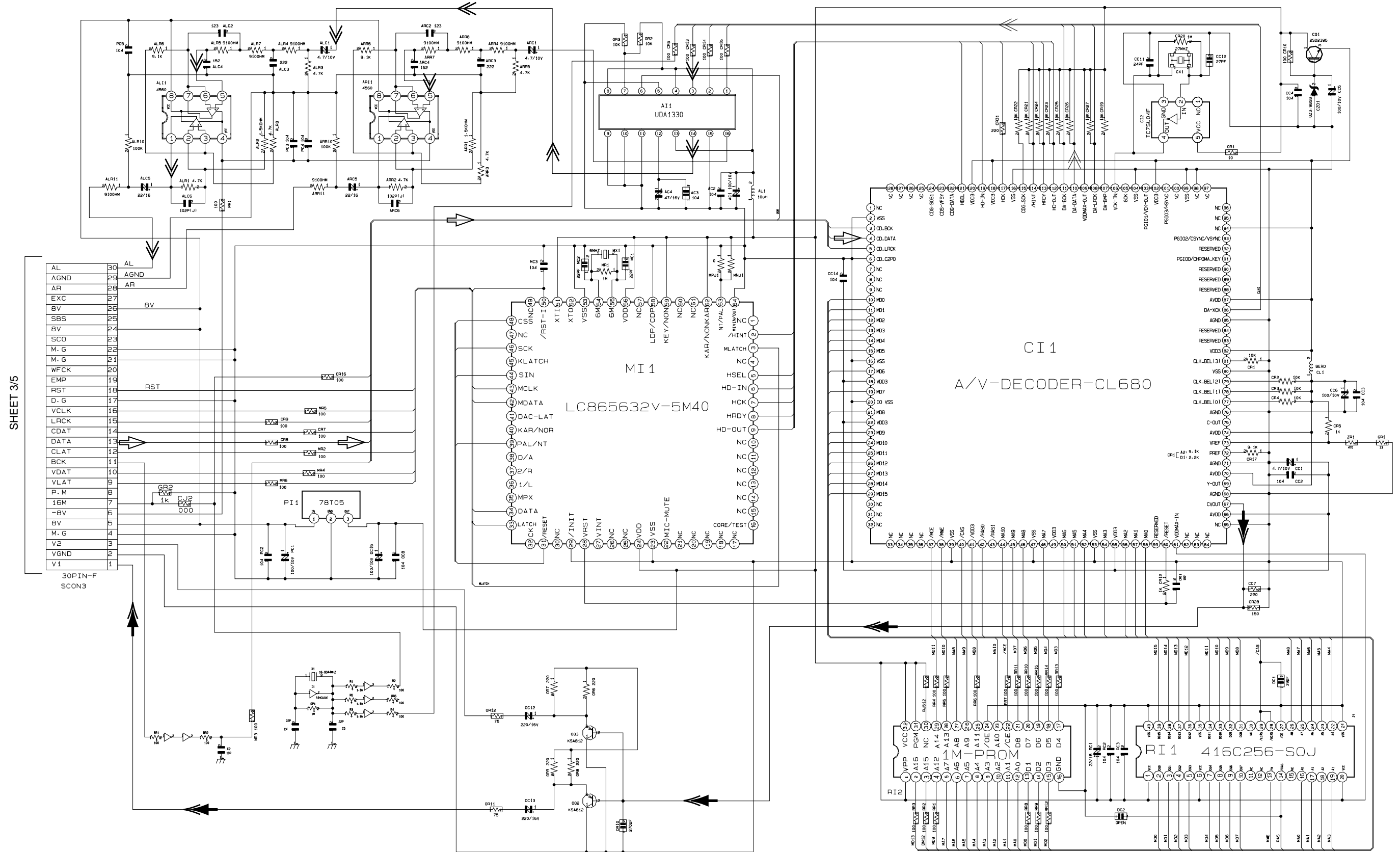
5

4

3

2

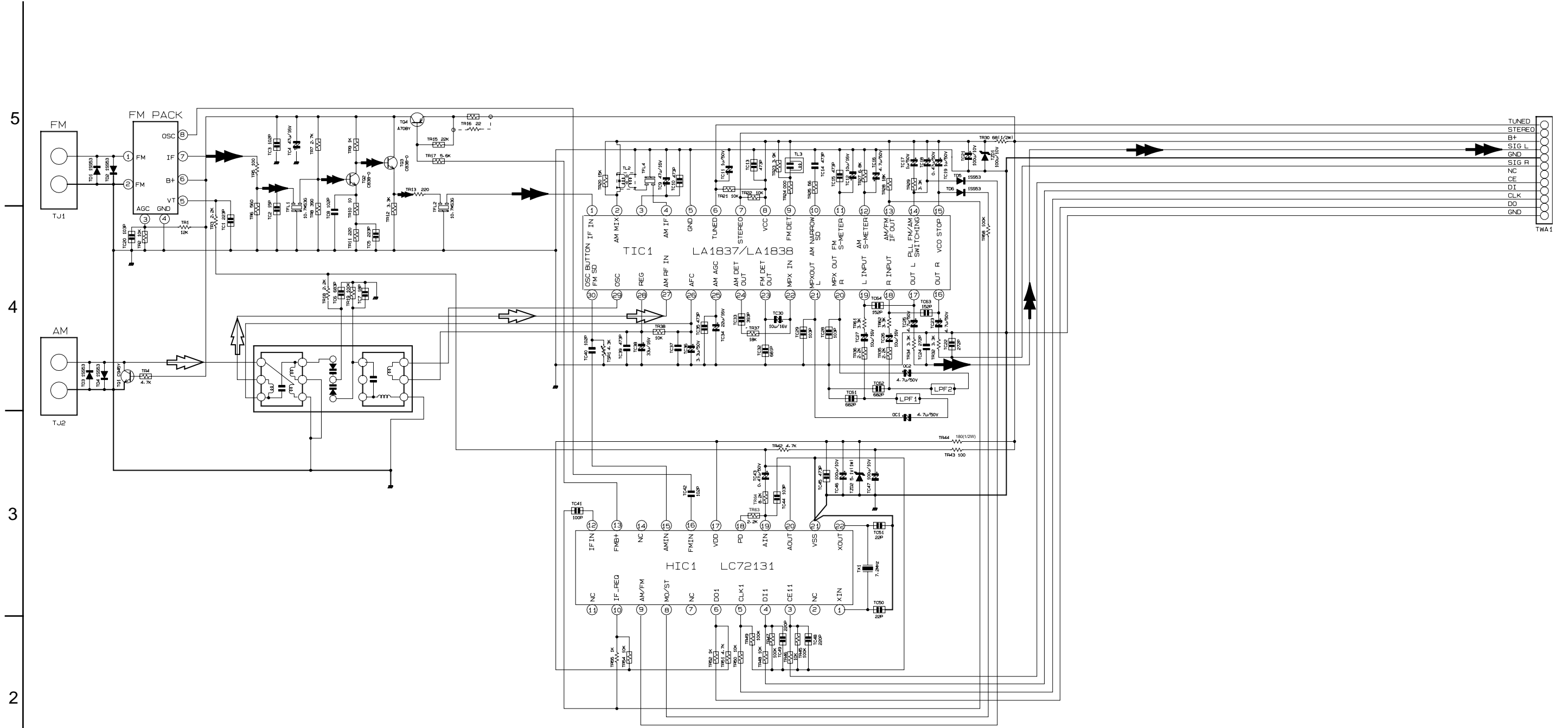
1


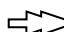


SHEET 3/5



■ Tuner section



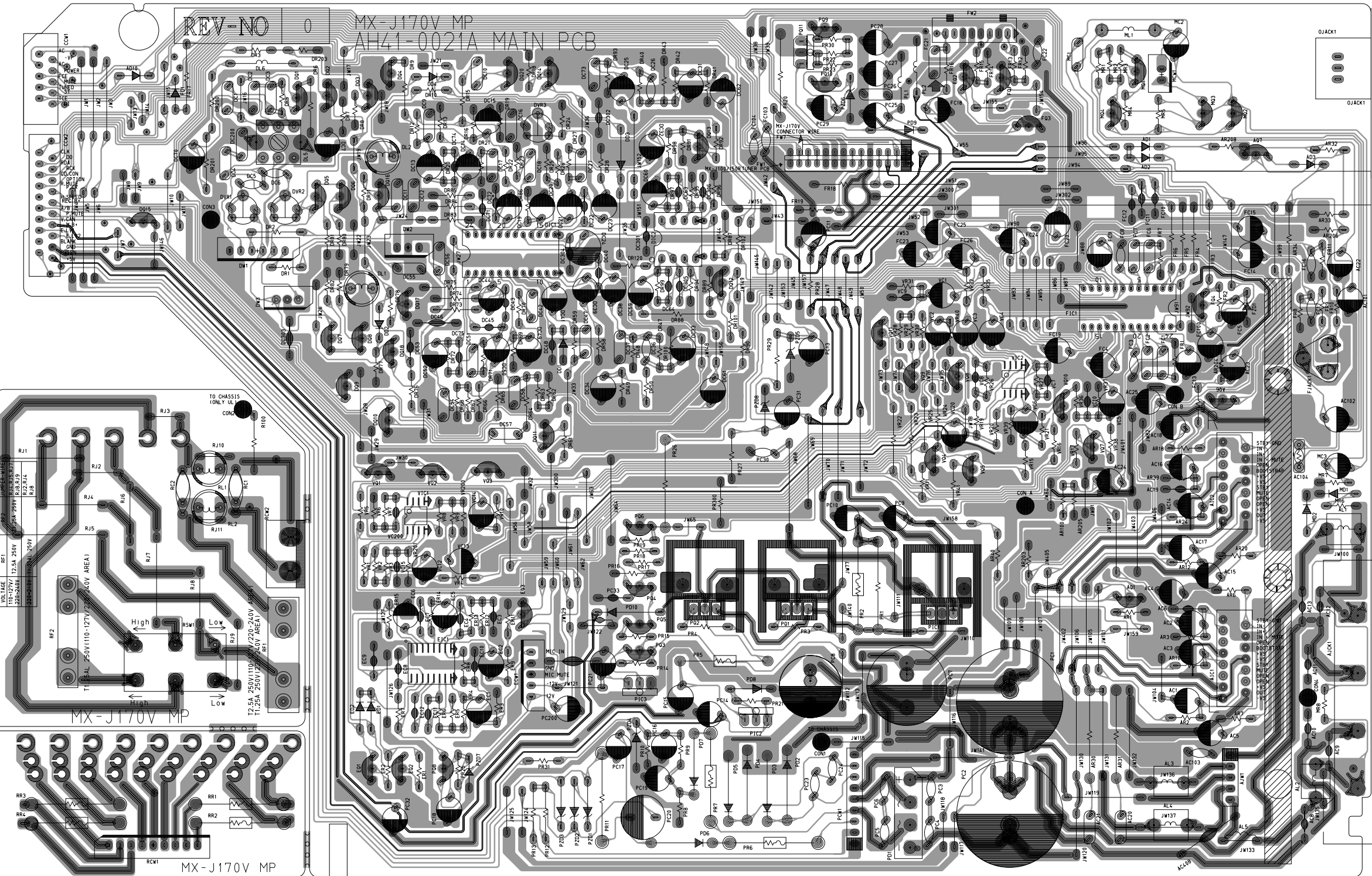
 FM/TUNER signal
 AM signal

5
4
3
2
1

A B C D E F G 27

Printed circuit boards

■ Main board



*** DIODE ***

- AD1 (J5)
- AD10 (B6)
- AD2 (J5)
- AD3 (K5)
- DD1 (E4)
- DD2 (D4)
- DD3 (F5)
- DD4 (D6)
- ED1 (D1)
- ED2 (D1)
- FD1 (B6)
- FZD1 (J4)
- MD1 (K2)
- MD2 (K2)
- PD10 (E1)
- PD2 (G0)
- PD3 (G0)
- PD4 (F0)
- PD5 (F0)
- PD6 (F0)
- PD7 (F0)
- PD8 (G1)
- PD9 (H5)
- PZD1 (E0)
- PZD2 (E0)
- PZD3 (E0)
- PZD4 (F1)
- PZD5 (G4)
- PZD6 (G6)
- PZD7 (D0)
- PZD8 (G3)

*** IC&WAFER ***

- AJW1 (J0)
- DW1 (C4)
- DW2 (D4)
- ECW1 (E1)
- FW1 (G5)
- FW2 (H6)
- FW7 (G5)
- MCW1 (J6)
- PCW1 (G0)
- RCW1 (B0)

5

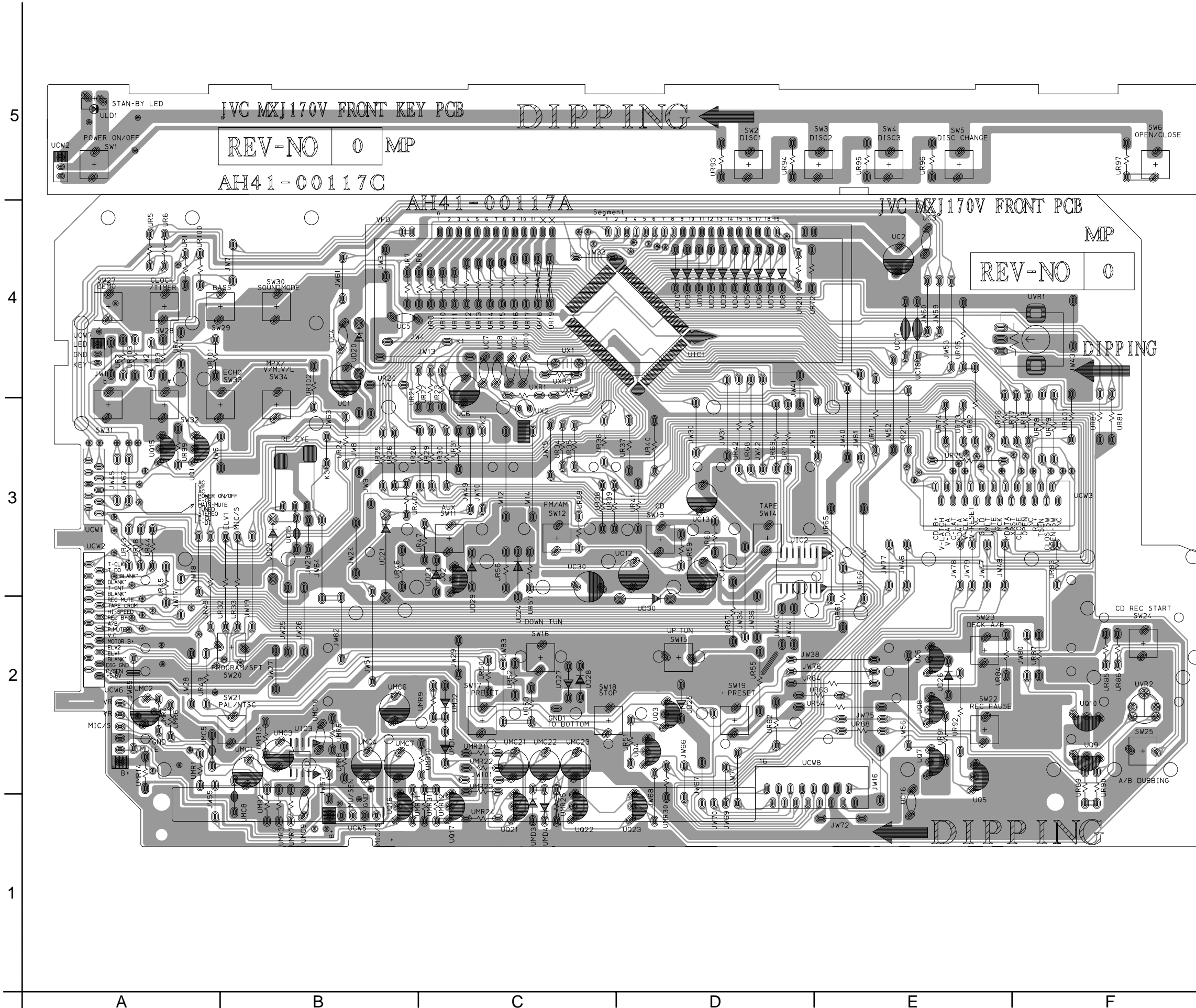
4

3

2

1

■ Front board



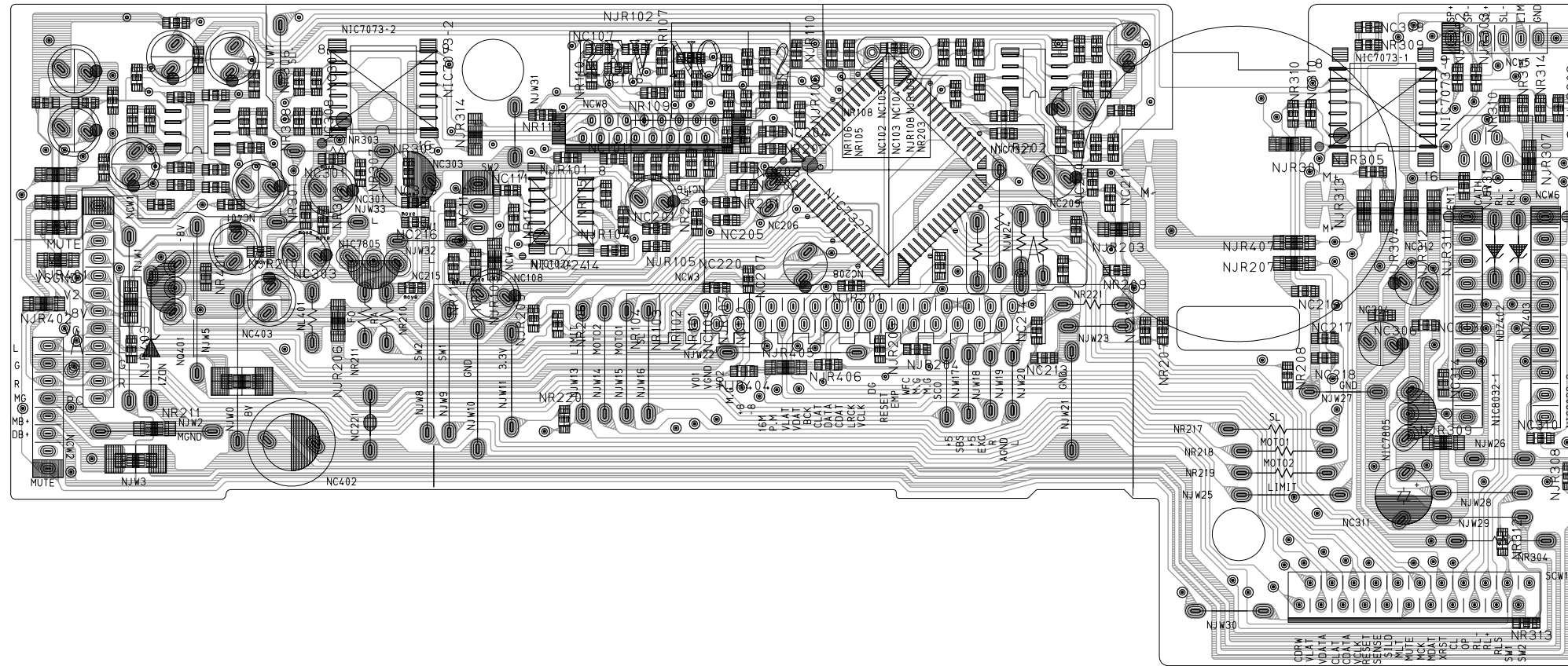
*** DIODE *** *** IC&WAFER ***

- | | |
|-----------|-----------|
| UD1 (E3) | EIC2 (B0) |
| UD10 (E3) | SW1 (A4) |
| UD2 (E3) | SW11 (C2) |
| UD20 (C3) | SW12 (D2) |
| UD21 (C2) | SW13 (E2) |
| UD22 (B2) | SW14 (F2) |
| UD23 (C2) | SW15 (E1) |
| UD24 (D2) | SW16 (D1) |
| UD25 (E0) | SW17 (D0) |
| UD26 (G1) | SW18 (E0) |
| UD27 (D1) | SW19 (E0) |
| UD28 (D1) | SW2 (F4) |
| UD29 (D2) | SW20 (B1) |
| UD3 (E3) | SW21 (B0) |
| UD30 (E1) | SW22 (G0) |
| UD4 (E3) | SW23 (G1) |
| UD5 (E3) | SW24 (H1) |
| UD6 (F3) | SW25 (H0) |
| UD7 (F3) | SW27 (A3) |
| UD8 (F3) | SW28 (A3) |
| UD9 (E3) | SW29 (B3) |
| UMD1 (C0) | SW3 (F4) |
| UMD2 (C0) | SW30 (B3) |
| UMD3 (D0) | SW31 (A3) |
| UMD4 (D0) | SW32 (A3) |
| | SW33 (B3) |
| | SW34 (B3) |

*** TR ***

- | | |
|-----------|-----------|
| UQ1 (B2) | UCW2 (A4) |
| UQ10 (H0) | UCW5 (C0) |
| UQ15 (A2) | UCW6 (A0) |
| UQ16 (C0) | UCW7 (A3) |
| UQ17 (C0) | UIC1 (E3) |
| UQ2 (C1) | |
| UQ21 (D0) | |
| UQ22 (D0) | |
| UQ23 (E0) | |
| UQ3 (E1) | |
| UQ4 (E0) | |
| UQ5 (G0) | |
| UQ6 (G1) | |
| UQ7 (G0) | |
| UQ8 (G1) | |
| UQ9 (H0) | |

■ CD servo board



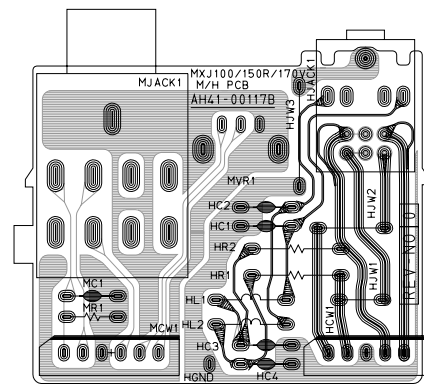
*** RESISTOR *** *** DIODE ***

- NJW24 (D1)
- NL401 (B1)
- NR217 (E1)
- NR218 (E0)
- NR219 (E0)
- NR221 (D1)
- NR303 (B2)
- NR304 (F0)
- NDZ1 (A1)
- NDZ402 (F1)
- NDZ403 (F1)
- *** TR ***

*** CONDENSER ***

- NC108 (B1)
- NC116 (C1)
- NC206 (C1)
- NC208 (C1)
- NC209 (D2)
- NC221 (B0)
- NC301 (B1)
- NC303 (B2)
- NC303 (B1)
- NC304 (F1)
- NC311 (F0)
- NC312 (F1)
- NC401 (A1)
- NC402 (A1)
- NC403 (A1)
- IC805 (F1)
- IC805 (B1)
- NQ401 (A1)
- *** IC&WAFER ***
- NCW5 (F2)
- NCW7 (B1)

■ MIC / Headphone board



*** RESISTOR *** *** IC&WAFER ***

- HR1 (A0)
- HR2 (A0)
- MR1 (A0)
- HCW1 (B0)
- MCW1 (A0)

*** CONDENSER ***

- HC1 (A0)
- HC2 (A0)
- HC3 (A0)
- HC4 (A0)
- MC1 (A0)

5

4

3

2

1

A

B

C

2-10

D

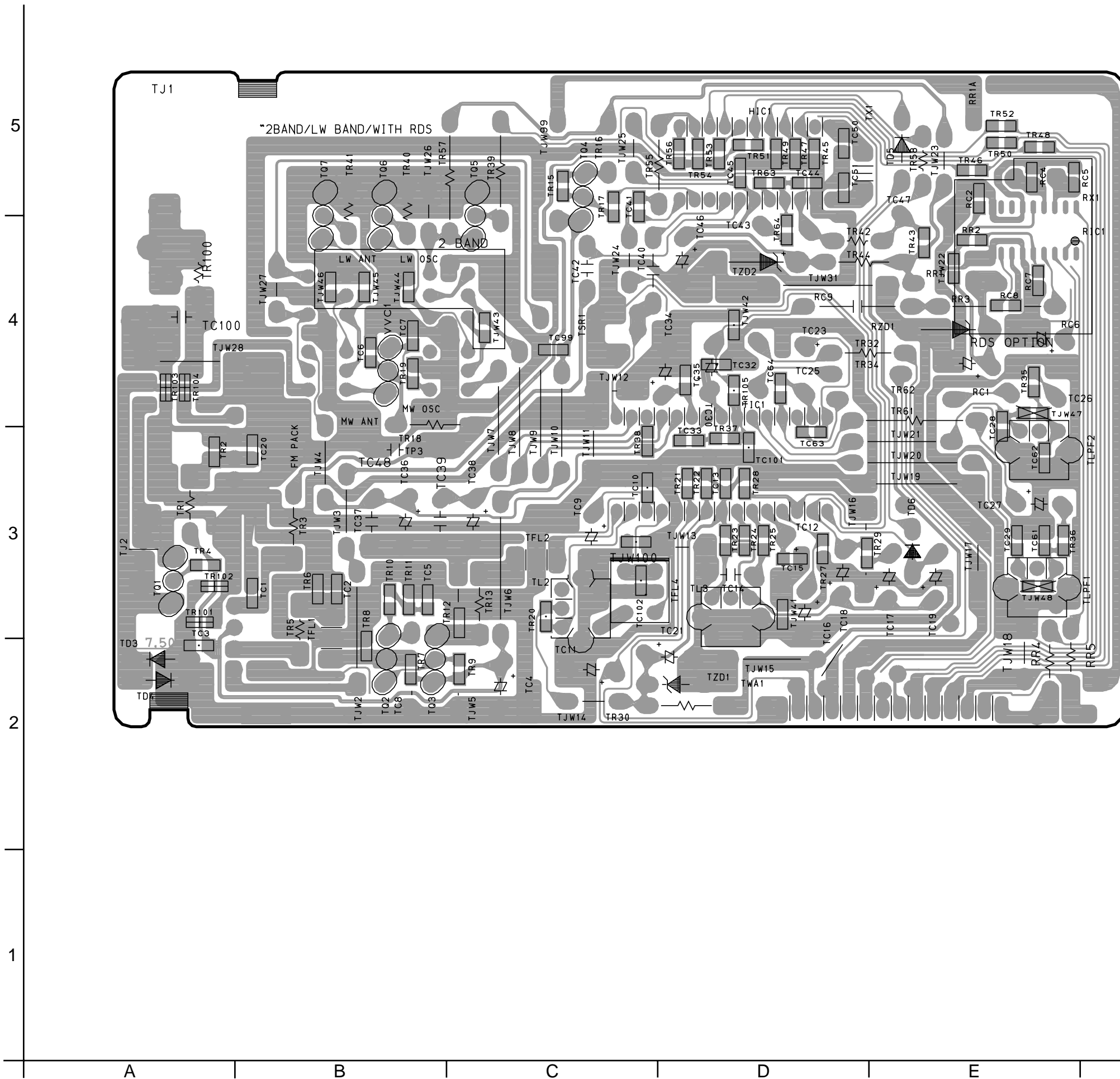
E

F

G

H

■ Tuner board



PARTS LIST

[MX-J170V]

* All printed circuit boards and its assemblies are not available as service parts.

CA-MXJ170V/SP-MXJ170V

Area suffix

US ----- Singapore
U ----- Other Areas

- Contents -

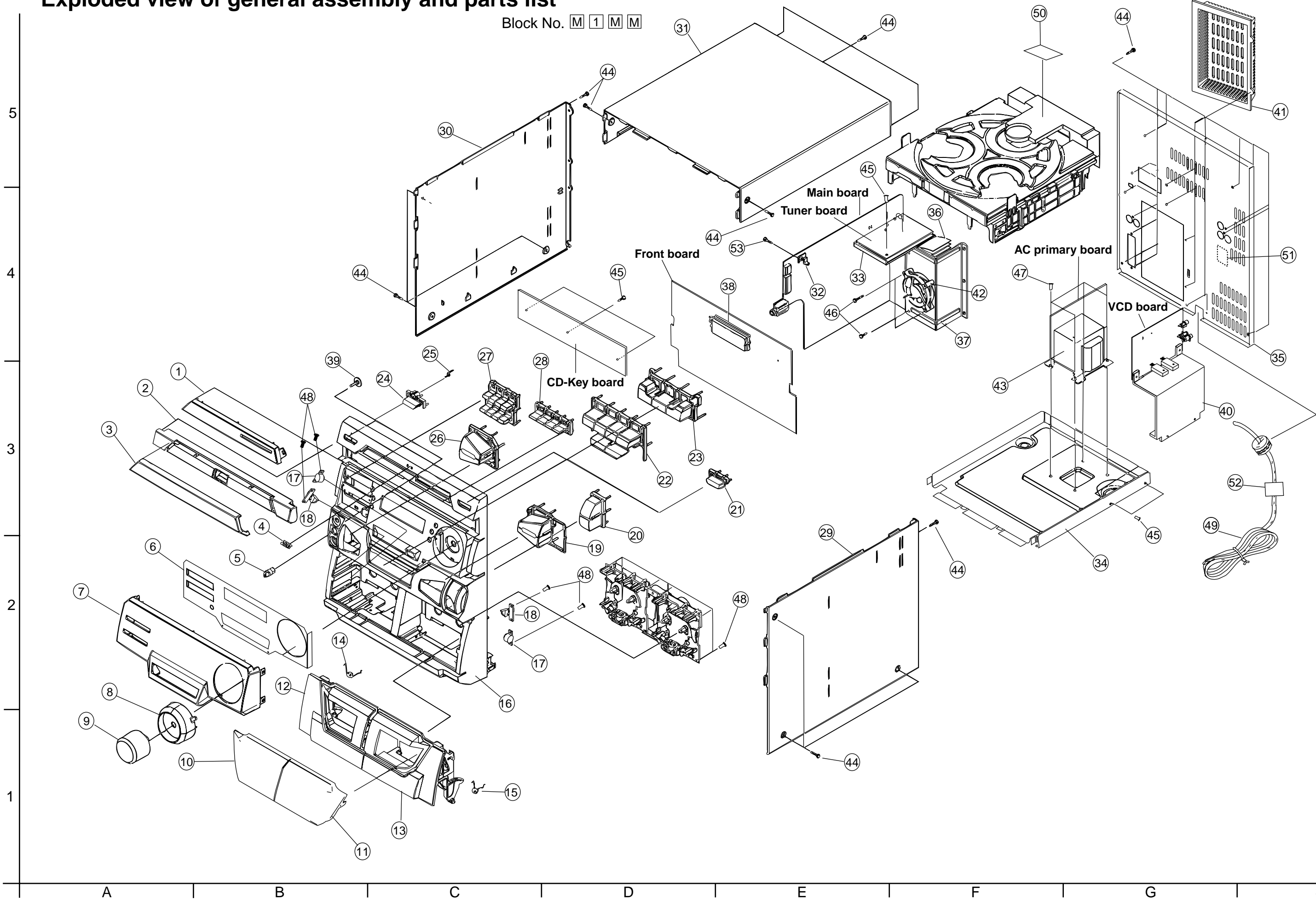
Exploded view of general assembly and parts list	3- 3
CD mechanism assembly and parts list	3- 4
CD changer mechanism assembly and parts list	3- 5
Cassette mechanism assembly and parts list	3- 7
Electrical parts list	3- 8
Packing materials and accessories parts list	3-21

-MEMO-

Exploded view of general assembly and parts list

Block No.

M	1	M	M
---	---	---	---



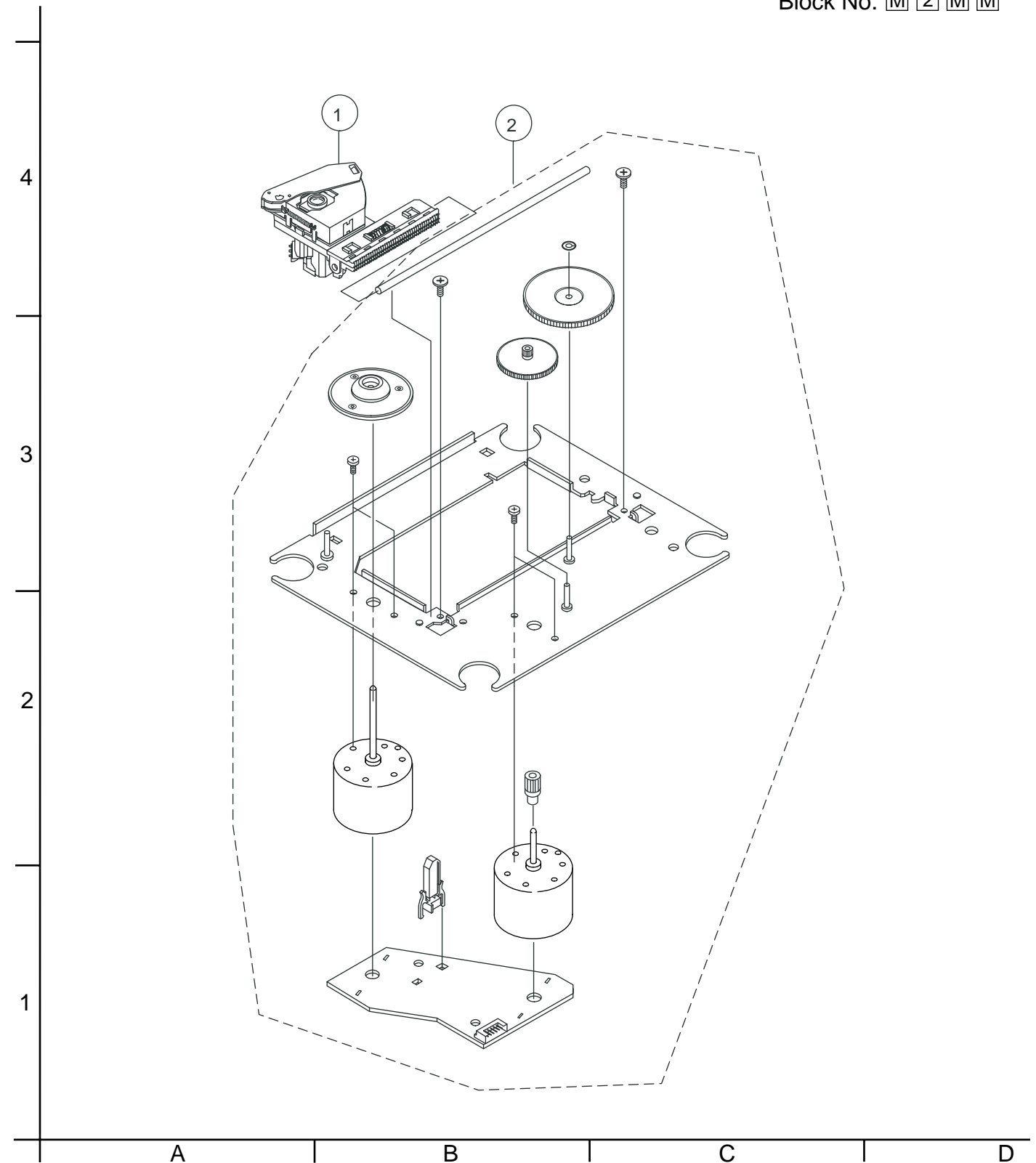
■ Parts list(General assembly)

Block No. M1MM

Item	Parts number	Parts name	Q'ty	Description	Area
1	AH64-00426C	WINDOW	1	CD	
2	AH64-00414C	CD DOOR	1		
3	AH64-00429C	WINDOW-DOOR CD	1	DOOR,CD	
4	AH64-00462A	BADGE-JVC	2	JVC	
5	AH64-00417B	KNOB	1	MIC	
6	AH63-00107A	SHEET-FRONT	1		
7	AH64-00430D	WINDOW	1	VFD	
8	AH61-00271B	CAP-VOLUME	1		
9	AH64-00422B	KNOB-VOLUME	1	VOLUME	
10	AH64-00427B	WINDOW-DOOR A	1	DOOR A	
11	AH64-00428B	WINDOW-DOOR B	1	DOOR B	
12	AH64-00412B	DOOR-CASSETTE A	1	CASS,A	
13	AH64-00413B	DOOR-CASSETTE B	1	CASS,B	
14	AH61-62004A	SPRING-EJECT A	1		
15	AH61-62005A	SPRING-EJECT B	1		
16	AH64-00364D	CABINET-FRONT	1		
17	AH61-80030A	DAMPER-ASSY	2		
18	AH95-50001A	ASSY-LATCH	2		
19	AH64-00421B	KNOB-RECORD	1	REC	
20	AH64-00423B	KNOB-DUBBING	1	DUBBING	
21	AH64-00420B	KNOB-CD OPEN	1	CD OPEN	
22	AH64-00415C	KNOB	1	FUNCTION	
23	AH64-00418C	KNOB	1	PRESET	
24	AH64-00425C	KNOB-DUBBING	1	POWER	
25	AH67-00035A	LENS-POWER	1	LENS-POWER	
26	AH64-00440D	KNOB	1	PROGRAM	
27	AH64-00419A	KNOB-KARAOKE	1	KARAOKE	
28	AH64-00416A	KNOB-DISC CHANGE	1	DISC CHANGE	
29	AH64-00432A	CABINET-SIDE R	1	SIDE-R	
30	AH64-00431A	CABINET-SIDE L	1	SIDE-L	
31	AH64-30443D	CABINET	1	TOP	
32	AH61-00021B	SUPPORT-PCB	1		
33	AH61-20540B	HOLDER	1	TUNER	
34	AH64-30416C	CABINET-BOTTOM	1	BOTTOM	
35	AH64-00366B	CABINET	1	REAR	
36	AH62-00023C	HEAT-SINK-MAIN	1		
37	AN61-00250B	BRAKET-H/SINK	1		
38	AH61-00252A	HOLDER-VFD	1		
39	AH61-00380A	SHAFT-H/PHONE	1		
40	AH62-32002B	HEAT SINK	1	AL3.0T,	
41	AH61-00278A	CAP-REAR	1		
42	AH31-10020A	FAN-DC	1	D0620B-12M,12VD	
43	AH26-00054B	POWER TRANS	1	115/230V,50/60H	
44	6003-000275	SCREW-TAPTITE	33	3X10 BLK	
45	6003-000276	SCREW-TAPPING	15	3X10	
46	AH60-10182A	SCREW-TAPPING	2	FAN DC	
47	AH60-00014A	SCREW-TAPTITE	4	TH,S-TITE,M4	
48	6003-000277	SCREW	11	3X12	
49	AH39-10002L	POWER CODE	1	CP2,KLCE-2F,2.1	
50	AH68-50275D	LASER-CAUTION	1		
51	AH68-50482B	LABEL-CLASS1-5L	1		
52	AH68-50282D	CAUTION LABEL	1		
53	AH61-40014A	SUPPORT-RIVET	1		

CD mechanism assembly and parts list

Block No. M2MM



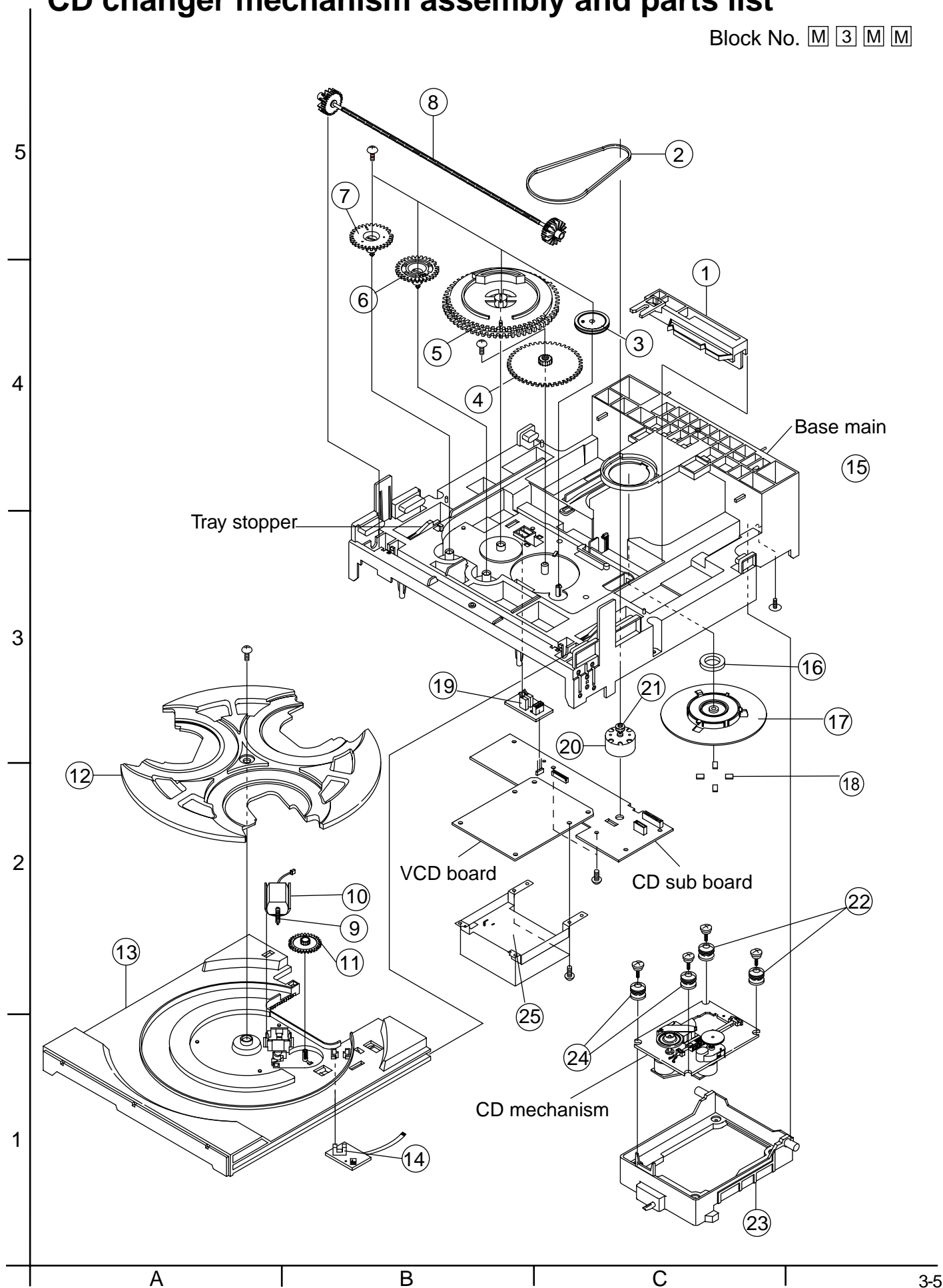
■ Parts list(CD mechanism)

Block No. M2MM

Item	Parts number	Parts name	Q'ty	Description	Area
1	AH30-00007A	PIC UP	1	SOH-AA,D51SG6(W	
2	AH91-60150A	CDP DECK ASSY	1	CMS-300D,-	

CD changer mechanism assembly and parts list

Block No. M 3 M M

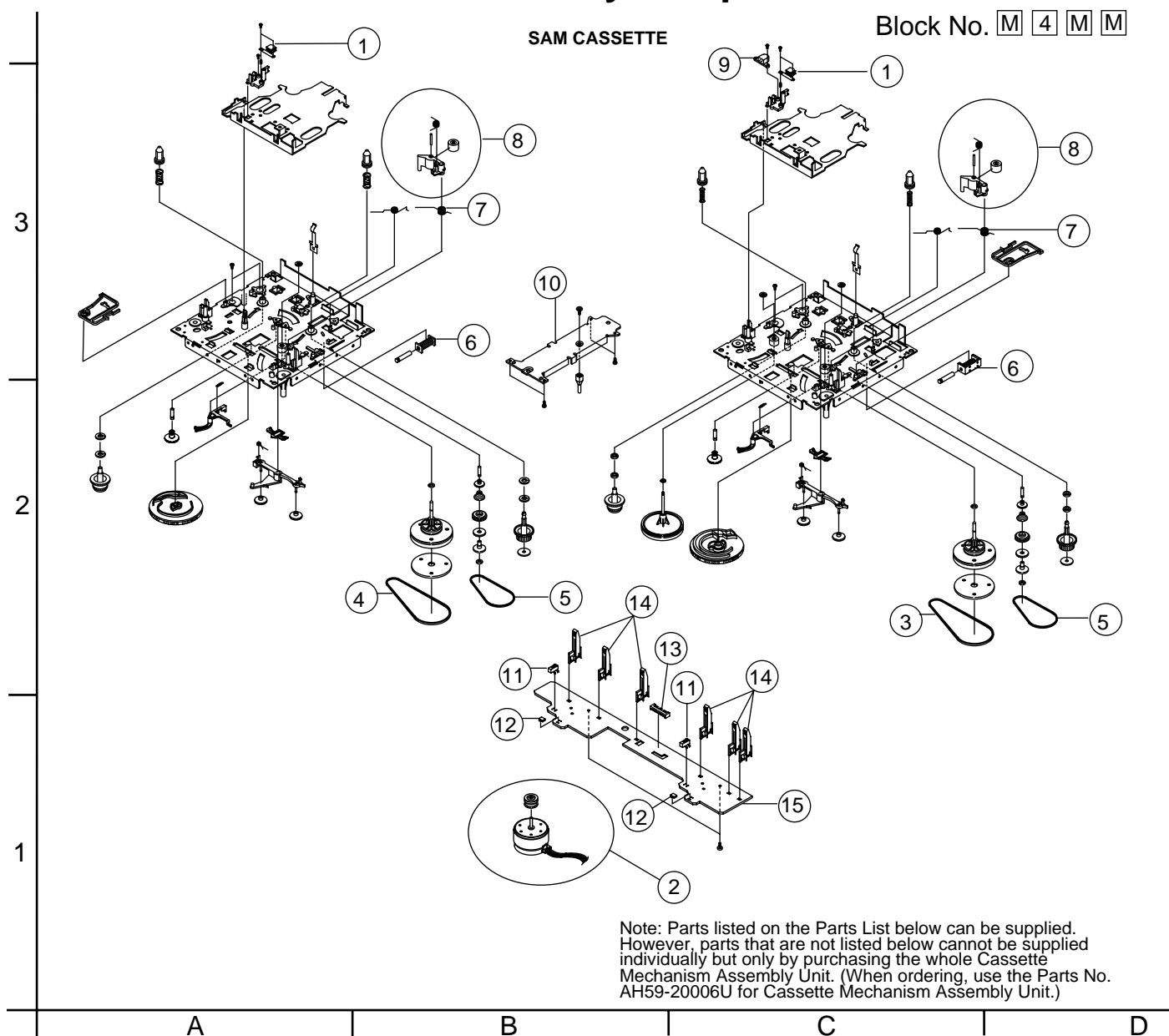


■ Parts list(CD changer mechanism)

Block No. M3MM

△	Item	Parts number	Parts name	Q'ty	Description	Area
	1	AH66-80022A	SLIDER-CAM	1		
	2	AH66-60034A	BELY-LOAD	1		
	3	AH66-20186A	GEAR	1		
	4	AH66-20187A	GEAR-LOAD	1		
	5	AH66-20188A	GEAR-CAM	1		
	6	AH66-20189A	GEAR-TRAY	1		
	7	AH66-20190A	GEAR-CONVERT	1		
	8	AH66-20191A	GEAR-SYNCRO	1		
	9	AH66-20192A	GEAR-WORM	1		
	10	AH31-12001A	MOTOR-LOADING	1		
	11	AH66-20193A	GEAR-ROULETTE	1		
	12	AH66-90056A	TRAY-ROULBTTE	1		
	13	AH66-90055A	TRAY-DISC	1		
	14	AH32-10001E	SENSOR	1		
	15	AH61-20428A-1	BASE MAIN	1		
	16	3302-000159	MAGNET FERRITE	1		
	17	AH66-90057A	TABLE-CHUCK	1		
	18	AH69-20342B	SHEET-CHUCK	4		
	19	3405-000101	MICRO SWITCH	1		
	20	AH31-10021A	DC MORTOR	1	9VDC/130MA,	
	21	AH66-10008A	PULLEY-MOTOR	1	CMS-CR3	
	22	AH73-10031A	RUBBER-CD	2		
	23	AH66-30098A	LEVER-LIFTER	1		
	24	AH73-10034A	RUBBER-CD(G)	2	GREEN	
	25	AH63-40157B	SHIELD-TOP	1		

Cassette mechanism assembly and parts list



Parts list(Cassette mechanism)

Block No. **M4MM**

△	Item	Parts number	Parts name	Q'ty	Description	Area
	1	AH81-00141A	R/P HEAD	2	TC881CB	
	2	AH81-00142A	C.MOTOR ASS'Y	1	ADR2400-SHU2L	
	3	AH81-00143A	MAIN BELT 1	1	ADR2400-MAIN76.	
	4	AH81-00144A	MAIN BELT 2	1	ADR2400-MAIN64.	
	5	AH81-00101A	SUB BELT	2	ADR2400-FR34.7	
	6	AH81-00102A	SOLENOIDE	2	ADR2400-1	
	7	AH81-00282A	SPRING	2		
	8	AH81-00283A	PINCH LOLLER	2	ASS'Y PARTS	
	9	AH81-00284A	E-HEAD	1	TC2131F	
	10	AH81-00285A	MOTOR BRACKET	1		
	11	AH81-00286A	LEAF SWITCH	2	ADR2400-MODE	
	12	AH81-00287A	PHOTO SENSOR	2	ADR2400-SENSOR	
	13	AH81-00288A	CONNECTOR	1	ADR2400-16	
	14	AH81-00289A	LEAF SWITCH	6	ADR2400-MXS0022	
	15	AH81-00290A	P.C.BOARD	1		

Electrical parts list

■ Electrical parts list(Main board)

Block No. 01

△	Item	Parts number	Parts name	Remarks	Area	△	Item	Parts number	Parts name	Remarks	Area
	AC 1	2401-001954	E CAPACITOR				DC 1	2301-000412	C CAPACITOR		
	AC 2	2401-001954	E CAPACITOR				DC 2	2301-000379	C CAPACITOR		
	AC 3	2401-001912	E CAPACITOR				DC 3	2301-000404	C CAPACITOR		
	AC 4	2401-001975	C CAPACITOR				DC 4	2301-000422	M CAPACITOR		
	AC 5	2401-000970	E CAPACITOR				DC 5	2201-000368	C CAPACITOR		
	AC 6	2202-000821	C CAPACITOR				DC 6	2201-000368	C CAPACITOR		
	AC 8	2202-000817	C CAPACITOR				DC 7	2401-001912	E CAPACITOR		
	AC 10	2202-000854	C CAPACITOR				DC 9	2301-000390	C CAPACITOR		
	AC 11	2202-000854	C CAPACITOR				DC 10	2301-000379	C CAPACITOR		
	AC 13	2202-000817	C CAPACITOR				DC 11	2301-000370	C CAPACITOR		
	AC 14	2401-001912	E CAPACITOR				DC 12	2301-000370	C CAPACITOR		
	AC 15	2401-000970	E CAPACITOR				DC 13	2401-001022	E CAPACITOR		
	AC 16	2401-001954	E CAPACITOR				DC 14	2401-001975	C CAPACITOR		
	AC 17	2401-001954	E CAPACITOR				DC 15	2401-000240	E CAPACITOR		
	AC 18	2401-001975	C CAPACITOR				DC 16	2301-000474	C CAPACITOR		
	AC 19	2202-000821	C CAPACITOR				DC 17	2301-000393	C CAPACITOR		
	AC 20	2301-000375	C CAPACITOR				DC 18	2301-000375	C CAPACITOR		
	AC 21	2301-000375	C CAPACITOR				DC 19	2401-002180	E CAPACITOR		
	AC 22	2401-001092	E CAPACITOR				DC 20	2401-001954	E CAPACITOR		
	AC 23	2401-002180	E CAPACITOR				DC 21	2401-001022	E CAPACITOR		
	AC 24	2401-002180	E CAPACITOR				DC 22	2202-000781	C CAPACITOR		
	AC 25	2401-001538	E CAPACITOR				DC 23	2401-001975	C CAPACITOR		
	AC101	2401-001975	C CAPACITOR				DC 24	2401-000795	E CAPACITOR		
	AC102	2401-000419	E CAPACITOR				DC 25	2401-001022	E CAPACITOR		
	AD 1	0401-000101	DIODE	1N4148			DC 26	2201-000300	C CAPACITOR		
	AD 2	0401-000101	DIODE	1N4148			DC 27	2301-000400	C CAPACITOR		
	AD 3	0401-000101	DIODE	1N4148			DC 31	2401-001080	E CAPACITOR		
	AD 10	0401-000101	DIODE	1N4148			DC 32	2401-001022	E CAPACITOR		
△	AIC 1	1201-001654	IC	7295			DC 33	2401-001912	E CAPACITOR		
△	AIC 2	1201-001654	IC	7295			DC 34	2401-001080	E CAPACITOR		
	AJACK	3716-000209	TERMINAL BLOCK				DC 36	2201-000300	C CAPACITOR		
	AJW 1	AH39-00157D	LEAD-CONNECTOR				DC 37	2301-000400	C CAPACITOR		
	AQ 1	0504-000118	TRANSISTOR	KSR1003			DC 38	2401-001022	E CAPACITOR		
	AQ 6	0504-001003	TRANSISTOR	KSR2003			DC 39	2401-001975	C CAPACITOR		
	AQ 7	0501-000294	TRANSISTOR	KSA708-Y			DC 40	2202-000781	C CAPACITOR		
	AR 1	2001-000890	C RESISTOR				DC 41	2401-001022	E CAPACITOR		
	AR 2	2001-000290	C RESISTOR				DC 42	2301-000375	C CAPACITOR		
	AR 3	2001-000522	C RESISTOR				DC 43	2202-000781	C CAPACITOR		
	AR 6	2001-000924	C RESISTOR				DC 44	2401-002180	E CAPACITOR		
	AR 7	2001-000786	C RESISTOR				DC 45	2202-000781	C CAPACITOR		
	AR 10	2001-000522	C RESISTOR				DC 46	2202-000781	C CAPACITOR		
	AR 12	2001-000290	C RESISTOR				DC 47	2301-000400	C CAPACITOR		
	AR 18	2001-000924	C RESISTOR				DC 48	2202-000796	C CAPACITOR		
	AR 20	2001-000786	C RESISTOR				DC 49	2401-000240	E CAPACITOR		
	AR 24	2001-000522	C RESISTOR				DC 50	2401-001975	C CAPACITOR		
	AR 30	2003-000689	OM RESISTOR				DC 51	2301-000393	C CAPACITOR		
	AR 31	2003-000689	OM RESISTOR				DC 52	2401-001022	E CAPACITOR		
	AR 32	2001-000290	C RESISTOR				DC 54	2301-000390	C CAPACITOR		
	AR 33	2001-000786	C RESISTOR				DC 55	2301-000370	C CAPACITOR		
	AR 34	2001-000591	C RESISTOR				DC 56	2301-000370	C CAPACITOR		
	AR 36	2001-000429	C RESISTOR				DC 57	2301-000379	C CAPACITOR		
	AR 39	2001-000522	C RESISTOR				DC 58	2301-000474	C CAPACITOR		
	AR100	2001-000429	C RESISTOR				DC 59	2401-000438	E CAPACITOR		
	AR203	2001-000660	C RESISTOR				DC 60	2401-000438	E CAPACITOR		
	AR204	2001-000008	C RESISTOR				DC 61	2401-001022	E CAPACITOR		
	AR205	2001-000008	C RESISTOR				DC 62	2401-001912	E CAPACITOR		
	AR206	2001-000977	C RESISTOR				DC 63	2202-000821	C CAPACITOR		
	AR208	2001-000429	C RESISTOR				DC 64	2202-000821	C CAPACITOR		
	CCW 1	3710-001567	CONNECTOR				DC 70	2401-001895	E CAPACITOR		
	CCW 2	3710-001571	CONNECTOR				DC 71	2202-000781	C CAPACITOR		
	CON 1	AH39-50001L	LEAD-FASTEN				DC 72	2202-000781	C CAPACITOR		
	CONA-	3811-000131	WIRE-PVC CU				DC 73	2301-000400	C CAPACITOR		
	D 200	2301-000407	C CAPACITOR				DC 74	2202-000243	C CAPACITOR		

■ Electrical parts list(Main board)

Block No. 01

△	Item	Parts number	Parts name	Remarks	Area	△	Item	Parts number	Parts name	Remarks	Area
	DC 75	2202-000243	C CAPACITOR				DR 48	2001-000591	C RESISTOR		
	DC301	2202-000781	C CAPACITOR				DR 49	2001-000734	C RESISTOR		
	DC302	2202-000781	C CAPACITOR				DR 50	2001-000613	C RESISTOR		
	DC303	2202-000781	C CAPACITOR				DR 58	2001-000325	C RESISTOR		
	DD 1	0401-000101	DIODE	1N4148			DR 59	2001-000331	C RESISTOR		
	DD 2	0401-000101	DIODE	1N4148			DR 61	2001-000734	C RESISTOR		
	DD 3	0401-000101	DIODE	1N4148			DR 62	2001-000786	C RESISTOR		
	DD 4	0401-000101	DIODE	1N4148			DR 63	2001-000591	C RESISTOR		
	DIC 1	1201-000358	IC	22291			DR 64	2001-000290	C RESISTOR		
	DIC 2	1201-000191	IC	4558			DR 65	2001-000429	C RESISTOR		
	DL 1	AH26-10002Y	COIL				DR 66	2001-000003	C RESISTOR		
	DL 2	AH26-10002Y	COIL				DR 67	2001-000924	C RESISTOR		
	DL 5	AH27-00018A	COIL	LTRT1500-X00021			DR 68	2001-000290	C RESISTOR		
	DL 6	2701-000298	INDUCTOR-AXIAL				DR 69	2001-000331	C RESISTOR		
	DQ 1	0501-000369	TRANSISTOR	KSC2331-Y			DR 70	2001-000003	C RESISTOR		
	DQ 2	0501-000610	TRANSISTOR	KSA928A-Y			DR 71	2001-000397	C RESISTOR		
	DQ 3	0501-000398	TRANSISTOR	KSC945			DR 72	2001-000977	C RESISTOR		
	DQ 4	0504-000118	TRANSISTOR	KSR1003			DR 73	2001-000449	C RESISTOR		
	DQ 5	0501-000010	TRANSISTOR	KSC1008			DR 74	2001-000786	C RESISTOR		
	DQ 6	0501-000010	TRANSISTOR	KSC1008			DR 75	2001-000449	C RESISTOR		
	DQ 7	0501-000010	TRANSISTOR	KSC1008			DR 76	2001-000429	C RESISTOR		
	DQ 8	0501-000010	TRANSISTOR	KSC1008			DR 77	2001-000522	C RESISTOR		
	DQ 9	0504-001003	TRANSISTOR	KSR2003			DR 78	2001-000734	C RESISTOR		
	DQ 10	0504-000118	TRANSISTOR	KSR1003			DR 79	2001-000449	C RESISTOR		
	DQ 11	0501-000398	TRANSISTOR	KSC945			DR 80	2001-000449	C RESISTOR		
	DQ 12	0501-000398	TRANSISTOR	KSC945			DR 81	2001-000449	C RESISTOR		
	DQ 13	0501-000398	TRANSISTOR	KSC945			DR 82	2001-000449	C RESISTOR		
	DQ 14	0501-000398	TRANSISTOR	KSC945			DR 83	2001-000449	C RESISTOR		
	DQ 15	0504-001003	TRANSISTOR	KSR2003			DR 84	2001-000449	C RESISTOR		
	DQ 16	0501-000398	TRANSISTOR	KSC945			DR 85	2001-000786	C RESISTOR		
	DQ 17	0501-000398	TRANSISTOR	KSC945			DR 86	2001-000773	C RESISTOR		
	DQ 18	0504-001003	TRANSISTOR	KSR2003			DR 87	2001-000525	C RESISTOR		
	DQ 20	0504-000118	TRANSISTOR	KSR1003			DR 88	2001-000449	C RESISTOR		
	DR 1	2001-000440	C RESISTOR				DR 89	2001-000008	C RESISTOR		
	DR 2	2001-000440	C RESISTOR				DR 90	2001-000591	C RESISTOR		
	DR 3	2001-000734	C RESISTOR				DR 91	2001-000008	C RESISTOR		
	DR 5	2001-000290	C RESISTOR				DR 92	2001-000591	C RESISTOR		
	DR 6	2001-001096	C RESISTOR				DR 93	2001-000591	C RESISTOR		
	DR 7	2001-000786	C RESISTOR				DR 94	2001-000864	C RESISTOR		
	DR 8	2001-000591	C RESISTOR				DR 95	2001-000449	C RESISTOR		
	DR 9	2001-000290	C RESISTOR				DR 96	2001-000864	C RESISTOR		
	DR 10	2001-000429	C RESISTOR				DR 97	2001-000563	C RESISTOR		
	DR 11	2001-000734	C RESISTOR				DR 98	2001-000449	C RESISTOR		
	DR 12	2001-000924	C RESISTOR				DR 99	2001-000563	C RESISTOR		
	DR 13	2001-000003	C RESISTOR				DR100	2001-000258	C RESISTOR		
	DR 15	2001-000290	C RESISTOR				DR101	2001-000281	C RESISTOR		
	DR 16	2001-000290	C RESISTOR				DR102	2001-000281	C RESISTOR		
	DR 18	2001-000734	C RESISTOR				DR120	2001-000449	C RESISTOR		
	DR 19	2001-000290	C RESISTOR				DR200	2001-001140	C RESISTOR		
	DR 20	2001-000977	C RESISTOR				DR201	2001-001153	C RESISTOR		
	DR 21	2001-000397	C RESISTOR				DR203	2001-000522	C RESISTOR		
	DR 22	2001-000890	C RESISTOR				DVR 1	2103-000248	SEMI F.VR.		
	DR 23	2001-000003	C RESISTOR				DVR 2	2103-000248	SEMI F.VR.		
	DR 24	2001-000786	C RESISTOR				DVR 3	2103-000492	SEMI F.VR.		
	DR 25	2001-000890	C RESISTOR				DW 1	3711-003111	CONNECTOR		
	DR 26	2001-000708	C RESISTOR				DW 2	3711-003107	CONNECTOR		
	DR 27	2001-000331	C RESISTOR				DW 3	3711-003107	CONNECTOR		
	DR 28	2001-000325	C RESISTOR				EC 1	2401-001912	E CAPACITOR		
	DR 40	2001-000522	C RESISTOR				EC 2	2401-001912	E CAPACITOR		
	DR 41	2001-000734	C RESISTOR				EC 3	2202-000797	C CAPACITOR		
	DR 42	2001-000613	C RESISTOR				EC 4	2202-000809	C CAPACITOR		
	DR 43	2001-000258	C RESISTOR				EC 5	2401-001889	E CAPACITOR		
	DR 47	2001-000522	C RESISTOR				EC 6	2401-000907	E CAPACITOR		

■ Electrical parts list(Main board)

Block No. 01

△	Item	Parts number	Parts name	Remarks	Area	△	Item	Parts number	Parts name	Remarks	Area
	EC 7	2202-000797	C CAPACITOR				FR 1	2001-000613	C RESISTOR		
	EC 8	2202-000797	C CAPACITOR				FR 1	3602-000147	FUSE CLIP		
	EC 9	2202-000781	C CAPACITOR				FR 2	3601-000216	FUSE-CARTRIDGE		
	EC 10	2202-000148	C CAPACITOR				FR 2	2001-000241	C RESISTOR		
	EC 11	2202-000817	C CAPACITOR				FR 3	2001-000023	C RESISTOR		
	EC 12	2202-000817	C CAPACITOR				FR 4	2001-000281	C RESISTOR		
	EC 20	2202-000854	C CAPACITOR				FR 5	2001-000281	C RESISTOR		
	ECW 1	3711-001011	CONNECTOR				FR 6	2001-000281	C RESISTOR		
	ED 1	0401-000101	DIODE	1N4148			FR 7	2001-000613	C RESISTOR		
	ED 2	0401-000101	DIODE	1N4148			FR 8	2001-000411	C RESISTOR		
	EIC 1	1204-001470	IC	M65855FP			FR 9	2001-000008	C RESISTOR		
	EQ 1	0504-000118	TRANSISTOR	KSR1003			FR 10	2001-000008	C RESISTOR		
	EQ 2	0504-000118	TRANSISTOR	KSR1003			FR 11	2001-000411	C RESISTOR		
	EQ 3	0504-000118	TRANSISTOR	KSR1003			FR 12	2001-000008	C RESISTOR		
	ER 1	2001-000008	C RESISTOR				FR 13	2001-000786	C RESISTOR		
	ER 2	2001-000508	C RESISTOR				FR 14	2001-000008	C RESISTOR		
	ER 3	2001-000273	C RESISTOR				FR 15	2001-000786	C RESISTOR		
	ER 4	2001-000522	C RESISTOR				FR 16	2001-000429	C RESISTOR		
	ER 5	2001-000977	C RESISTOR				FR 17	2001-000429	C RESISTOR		
	ER 6	2001-000290	C RESISTOR				FR 18	2001-000221	C RESISTOR		
	ER 7	2001-000319	C RESISTOR				FR 19	2001-000221	C RESISTOR		
	ER 8	2001-000563	C RESISTOR				FR2CL	3602-000147	FUSE CLIP		
	ER 9	2001-000429	C RESISTOR				FR2CL	3602-000147	FUSE CLIP		
	ER 11	2001-000273	C RESISTOR				FW 2	3711-002809	CONNECTOR		
	ER 12	2001-000734	C RESISTOR				FW 7	AH39-00157E	LEAD-CONNECTOR		
	ER 13	2001-000008	C RESISTOR				FZD 1	0403-000372	ZENER DIODE		
	ER 14	2001-000290	C RESISTOR				JW122	2202-000854	C CAPACITOR		
	ER 15	2001-000290	C RESISTOR				MC 1	2201-000565	C CAPACITOR		
	FAN	AH31-10020A	FAN				MC 2	2401-000303	E CAPACITOR		
	FC 1	2301-000375	C CAPACITOR				MC 3	2401-001975	C CAPACITOR		
	FC 2	2301-000375	C CAPACITOR				MCW 1	3711-000820	CONNECTOR		
	FC 3	2201-000928	C CAPACITOR				MD 1	0401-000101	DIODE	1N4148	
	FC 5	2401-001975	C CAPACITOR				MD 2	0401-000101	DIODE	1N4148	
	FC 6	2301-000375	C CAPACITOR				ML 1	2701-000298	INDUCTOR-AXIAL		
	FC 7	2301-000375	C CAPACITOR				MQ 2	0501-000398	TRANSISTOR	KSC945	
	FC 8	2201-000928	C CAPACITOR				MQ 3	0501-000610	TRANSISTOR	KSA928A-Y	
	FC 10	2202-000781	C CAPACITOR				MR 5	2001-000449	C RESISTOR		
	FC 11	2202-000781	C CAPACITOR				MR 6	2001-000786	C RESISTOR		
	FC 12	2202-000781	C CAPACITOR				MR 7	2001-000864	C RESISTOR		
	FC 13	2401-000907	E CAPACITOR				MR 8	2001-000786	C RESISTOR		
	FC 14	2401-001917	E CAPACITOR				PC 1	2401-001943	E CAPACITOR		
	FC 15	2401-001917	E CAPACITOR				PC 2	2401-001943	E CAPACITOR		
	FC 16	2201-000368	C CAPACITOR				PC 3	2201-000783	C CAPACITOR		
	FC 17	2201-000368	C CAPACITOR				PC 4	2201-000783	C CAPACITOR		
	FC 18	2401-001954	E CAPACITOR				PC 5	2201-000783	C CAPACITOR		
	FC 19	2401-001912	E CAPACITOR				PC 6	2201-000783	C CAPACITOR		
	FC 20	2401-001912	E CAPACITOR				PC 7	2401-003116	E CAPACITOR		
	FC 21	2301-000379	C CAPACITOR				PC 8	2401-001413	E CAPACITOR		
	FC 22	2201-000504	C CAPACITOR				PC 9	2401-001954	E CAPACITOR		
	FC 23	2401-001912	E CAPACITOR				PC 10	2401-001954	E CAPACITOR		
	FC 24	2401-001912	E CAPACITOR				PC 11	2401-001895	E CAPACITOR		
	FC 25	2401-001912	E CAPACITOR				PC 13	2401-001895	E CAPACITOR		
	FC 26	2401-001912	E CAPACITOR				PC 14	2401-001954	E CAPACITOR		
	FC100	2401-001895	E CAPACITOR				PC 15	2401-001954	E CAPACITOR		
	FC103	2201-000368	C CAPACITOR				PC 16	2401-001912	E CAPACITOR		
	FC104	2201-000368	C CAPACITOR				PC 17	2401-000475	E CAPACITOR		
	FD 1	0401-000101	DIODE	1N4148			PC 18	2401-001975	C CAPACITOR		
	FIC 1	1204-001621	IC	LC75341			PC 19	2401-000475	E CAPACITOR		
	FJACK	3722-000377	JACK-RCA				PC 20	2401-000230	E CAPACITOR		
	FQ 1	0504-000122	TRANSISTOR	KSR1009Y			PC 21	2401-001954	E CAPACITOR		
	FQ 2	0504-000122	TRANSISTOR	KSR1009Y			PC 23	2201-000783	C CAPACITOR		
	FQ 3	0504-001003	TRANSISTOR	KSR2003			PC 24	2201-000783	C CAPACITOR		
	FQ 4	0501-000407	TRANSISTOR	KSD471A-Y			PC 25	2401-001975	C CAPACITOR		

■ Electrical parts list(Main board)

Block No. 01

△	Item	Parts number	Parts name	Remarks	Area	△	Item	Parts number	Parts name	Remarks	Area
	PC 26	2301-000449	C CAPACITOR				PR 27	2001-000027	C RESISTOR		
	PC 27	2401-001538	E CAPACITOR				PR 28	2001-000020	C RESISTOR		
	PC 28	2401-000795	E CAPACITOR				PR 29	2001-000023	C RESISTOR		
	PC 29	2401-001975	C CAPACITOR				PR 30	2001-000290	C RESISTOR		
	PC 30	2201-000565	C CAPACITOR				PR 31	2001-000429	C RESISTOR		
	PC 31	2401-001895	E CAPACITOR				PR300	2001-000525	C RESISTOR		
	PC 32	2401-001102	E CAPACITOR				PZD 1	0403-000564	ZENER DIODE		
	PC 33	2202-000797	C CAPACITOR				PZD 2	0403-000564	ZENER DIODE		
	PCW 1	AH39-00144A	LEAD-CONNECTOR				PZD 3	0403-001010	ZENER DIODE		
	PC200	2401-000795	E CAPACITOR				PZD 4	0403-000354	ZENER DIODE		
△	PD 1	0402-000450	DIODE-BRIDGE				PZD 5	0403-000377	ZENER DIODE		
△	PD 2	0402-000151	DIODE	1N5392			PZD 6	0403-000377	ZENER DIODE		
△	PD 3	0402-000151	DIODE	1N5392			PZD 7	0403-000354	ZENER DIODE		
△	PD 4	0402-000151	DIODE	1N5392			PZD 8	0403-000377	ZENER DIODE		
△	PD 5	0402-000151	DIODE	1N5392		△	RC 1	2201-000546	C CAPACITOR		
	PD 6	0402-000127	DIODE	1N4002			RC 2	2201-000546	C CAPACITOR		
	PD 7	0402-000127	DIODE	1N4002			RCW 1	3711-001167	CONNECTOR		
	PD 8	0402-000127	DIODE	1N4002			RCW 2	3711-000190	CONNECTOR		
	PD 9	0402-000151	DIODE	1N5392		△	RF 2	3601-000162	FUSE CARTRIDGE		
	PD 10	0402-000151	DIODE	1N5392			RF 2	3602-000147	FUSE CLIP		
	PIC 1	1203-000242	IC	7812			RL 1	AH27-10001F	COIL	27UH	
△	PIC 2	1203-000276	IC	7805			RL 2	AH27-10001F	COIL	27UH	
	PIC 3	1203-000110	IC	7912			RR 1	13954-500-210	CERAMIC-PIPE	PI1.4 7MM FOR L	
	PL 1	2701-000114	INDUCTOR-AXIAL			△	RR 1	2008-000135	FUSE RESISTOR		
	PL 2	2701-000298	INDUCTOR-AXIAL			△	RR 2	2008-000135	FUSE RESISTOR		
△	PQ 1	0502-000424	POWER TRANSISTO	2SB1566-F			RR 2	13954-500-210	CERAMIC-PIPE	PI1.4 7MM FOR L	
△	PQ 2	0502-000424	POWER TRANSISTO	2SB1566-F			RR 3	13954-500-210	CERAMIC-PIPE	PI1.4 7MM FOR L	
	PQ 3	0501-000331	TRANSISTOR	KSC1009-Y		△	RR 3	2008-000137	FUSE RESISTOR		
	PQ 4	0501-000398	TRANSISTOR	KSC945		△	RR 4	2008-000137	FUSE RESISTOR		
	PQ 5	0501-000294	TRANSISTOR	KSA708-Y			RR 4	13954-500-210	CERAMIC-PIPE	PI1.4 7MM FOR L	
	PQ 6	0501-000610	TRANSISTOR	KSA928A-Y		△	RSW 1	3408-000177	SWITCH-SLIDE	VOLTAGE SELECTR	
	PQ 8	0501-000407	TRANSISTOR	KSD471A-Y			VC 1	2401-001954	E CAPACITOR		
	PQ 9	0504-000118	TRANSISTOR	KSR1003			VC 2	2401-002180	E CAPACITOR		
	PQ 10	0501-000294	TRANSISTOR	KSA708-Y			VC 3	2401-001954	E CAPACITOR		
△	PQ 11	0502-000407	POWER TRANSISTO	KTC4369Y			VC 4	2401-001954	E CAPACITOR		
	PR 1	2003-000689	OM RESISTOR				VC 5	2401-001954	E CAPACITOR		
	PR 2	2001-000019	C RESISTOR				VC 6	2401-002180	E CAPACITOR		
	PR 3	2001-000793	C RESISTOR				VC 7	2202-000781	C CAPACITOR		
	PR 4	2001-000793	C RESISTOR				VC 8	2202-000781	C CAPACITOR		
△	PR 5	2008-000135	FUSE RESISTOR				VC 9	2202-000263	C CAPACITOR		
	PR 6	2008-000135	FUSE RESISTOR				VC 10	2202-000263	C CAPACITOR		
△	PR 6	13954-500-210	CERAMIC-PIPE	PI1.4 7MM FOR L			VC 12	2401-001954	E CAPACITOR		
	PR 7	13954-500-210	CERAMIC-PIPE	PI1.4 7MM FOR L			VC 13	2401-001954	E CAPACITOR		
△	PR 7	2008-000135	FUSE RESISTOR				VC 14	2401-001954	E CAPACITOR		
	PR 8	2001-000890	C RESISTOR				VC 15	2202-000854	C CAPACITOR		
	PR 9	2001-000613	C RESISTOR				VC 20	2401-000795	E CAPACITOR		
	PR 10	2001-000734	C RESISTOR				VC200	2202-000279	C CAPACITOR		
	PR 11	13954-500-210	CERAMIC-PIPE	PI1.4 7MM FOR L			VIC 1	1201-000163	IC	4560	
	PR 11	2003-000701	OM RESISTOR				VIC 2	1201-000163	IC	4560	
	PR 12	2001-001153	C RESISTOR				VQ 1	0504-001003	TRANSISTOR	KSR2003	
	PR 13	2001-001153	C RESISTOR				VQ 2	0504-000118	TRANSISTOR	KSR1003	
	PR 14	2001-000290	C RESISTOR				VQ 3	0504-001003	TRANSISTOR	KSR2003	
	PR 15	2001-000522	C RESISTOR				VQ 4	0501-000398	TRANSISTOR	KSC945	
	PR 16	2001-000786	C RESISTOR				VQ 7	0501-000398	TRANSISTOR	KSC945	
	PR 17	2001-000734	C RESISTOR				VQ 8	0501-000398	TRANSISTOR	KSC945	
	PR 18	2001-000977	C RESISTOR				VQ 9	0501-000398	TRANSISTOR	KSC945	
	PR 19	2001-000290	C RESISTOR				VQ 10	0501-000398	TRANSISTOR	KSC945	
△	PR 20	2003-000690	OM RESISTOR				VQ 11	0501-000398	TRANSISTOR	KSC945	
	PR 21	2001-000290	C RESISTOR				VR 1	2001-000660	C RESISTOR		
	PR 22	2001-000522	C RESISTOR				VR 2	2001-000660	C RESISTOR		
	PR 23	2001-000780	C RESISTOR				VR 3	2001-000660	C RESISTOR		
	PR 25	2001-000591	C RESISTOR				VR 4	2001-000734	C RESISTOR		
	PR 26	2003-000468	OM RESISTOR				VR 5	2001-000290	C RESISTOR		

■ Electrical parts list(Main board)

Block No. 01

△	Item	Parts number	Parts name	Remarks	Area
	VR 6	2001-000522	C RESISTOR		
	VR 7	2001-000273	C RESISTOR		
	VR 8	2001-000522	C RESISTOR		
	VR 9	2001-000522	C RESISTOR		
	VR 10	2001-000734	C RESISTOR		
	VR 11	2001-000734	C RESISTOR		
	VR 15	2001-000411	C RESISTOR		
	VR 16	2001-000734	C RESISTOR		
	VR 17	2001-000734	C RESISTOR		
	VR 19	2001-000522	C RESISTOR		
	VR 20	2001-000522	C RESISTOR		
	VR 21	2001-000331	C RESISTOR		
	VR 22	2001-000734	C RESISTOR		
	VR 23	2001-000734	C RESISTOR		
	VR 24	2001-000411	C RESISTOR		
	VR 25	2001-000734	C RESISTOR		
	VR 26	2001-000786	C RESISTOR		
	VR 27	2001-000786	C RESISTOR		
	VR 28	2001-000331	C RESISTOR		
	VR 29	2001-000331	C RESISTOR		
	VR 30	2001-000331	C RESISTOR		
	VR 31	2001-000273	C RESISTOR		
	VR 32	2001-000786	C RESISTOR		
	VR 35	2001-000786	C RESISTOR		
	VR 36	2001-000331	C RESISTOR		
	VR 37	2001-000273	C RESISTOR		
	VR 38	2001-000331	C RESISTOR		
	VR 39	2001-000786	C RESISTOR		
	VR 40	2001-000786	C RESISTOR		
	VR200	2001-000786	C RESISTOR		
	VR201	2001-000786	C RESISTOR		

■ Electrical parts list(Front board)

Block No. 02

△	Item	Parts number	Parts name	Remarks	Area	△	Item	Parts number	Parts name	Remarks	Area
	DECK	3809-001146	FLAT CABLE				UD 24	0402-000127	DIODE	1N4002	
	GND 2	AH39-50001L	LEAD-FASTEN				UD 25	0401-000101	DIODE	1N4148	
	RE 1	AC59-60060A	MODULE-REMOCON				UD 26	0401-000101	DIODE	1N4148	
	SW 1	3404-000165	TACT SWITCH				UD 27	0401-000101	DIODE	1N4148	
	SW 2	3404-000165	TACT SWITCH				UD 28	0401-000101	DIODE	1N4148	
	SW 3	3404-000165	TACT SWITCH				UD 29	0401-000101	DIODE	1N4148	
	SW 4	3404-000165	TACT SWITCH				UD 30	0402-000127	DIODE	1N4002	
	SW 5	3404-000165	TACT SWITCH				UIC 1	AH11-00017B	IC ROM		
	SW 6	3404-000165	TACT SWITCH				UIC 2	AH14-10007C	IC		
	SW 11	3404-000165	TACT SWITCH				UIC 3	1201-000163	IC	4560	
	SW 12	3404-000165	TACT SWITCH				ULD 1	0601-001238	LED		
	SW 13	3404-000165	TACT SWITCH				UMC 1	2401-001917	E CAPACITOR		
	SW 14	3404-000165	TACT SWITCH				UMC 2	2401-001917	E CAPACITOR		
	SW 15	3404-000165	TACT SWITCH				UMC 3	2401-001917	E CAPACITOR		
	SW 16	3404-000165	TACT SWITCH				UMC 4	2401-001952	E CAPACITOR		
	SW 17	3404-000165	TACT SWITCH				UMC 5	2202-000781	C CAPACITOR		
	SW 18	3404-000165	TACT SWITCH				UMC 6	2401-001965	E CAPACITOR		
	SW 19	3404-000165	TACT SWITCH				UMC 7	2401-001917	E CAPACITOR		
	SW 20	3404-000165	TACT SWITCH				UMC 8	2202-000796	C CAPACITOR		
	SW 21	3404-000165	TACT SWITCH				UMC 9	2201-000653	C CAPACITOR		
	SW 22	3404-000165	TACT SWITCH				UMC10	2201-000614	C CAPACITOR		
	SW 23	3404-000165	TACT SWITCH				UMC21	2401-001919	E CAPACITOR		
	SW 24	3404-000165	TACT SWITCH				UMC22	2401-001904	E CAPACITOR		
	SW 25	3404-000165	TACT SWITCH				UMC23	2401-001019	E CAPACITOR		
	SW 27	3404-000165	TACT SWITCH				UMC24	2401-001904	E CAPACITOR		
	SW 28	3404-000165	TACT SWITCH				UMD 1	0401-000101	DIODE	1N4148	
	SW 29	3404-000165	TACT SWITCH				UMD 2	0401-000101	DIODE	1N4148	
	SW 30	3404-000165	TACT SWITCH				UMD 3	0401-000101	DIODE	1N4148	
	SW 31	3404-000165	TACT SWITCH				UMD 4	0401-000101	DIODE	1N4148	
	SW 32	3404-000165	TACT SWITCH				UMR 1	2001-000977	C RESISTOR		
	SW 33	3404-000165	TACT SWITCH				UMR 2	2001-000290	C RESISTOR		
	SW 34	3404-000165	TACT SWITCH				UMR 3	2001-000429	C RESISTOR		
	TAPE	3809-001146	FLAT CABLE				UMR 4	2001-000780	C RESISTOR		
	UC 1	2401-000459	E CAPACITOR				UMR 5	2001-000786	C RESISTOR		
	UC 2	2401-000475	E CAPACITOR				UMR 6	2001-000780	C RESISTOR		
	UC 3	2201-000565	C CAPACITOR				UMR 7	2001-000660	C RESISTOR		
	UC 4	2201-000565	C CAPACITOR				UMR 8	2001-000273	C RESISTOR		
	UC 5	2201-000565	C CAPACITOR				UMR 9	2001-000449	C RESISTOR		
	UC 6	2401-000240	E CAPACITOR				UMR10	2001-000010	C RESISTOR		
	UC 7	2201-000389	C CAPACITOR				UMR11	2001-000429	C RESISTOR		
	UC 8	2201-000389	C CAPACITOR				UMR12	2001-000290	C RESISTOR		
	UC 9	2201-000483	C CAPACITOR				UMR13	2001-000786	C RESISTOR		
	UC 10	2201-000483	C CAPACITOR				UMR14	2001-000734	C RESISTOR		
	UC 11	2401-000459	E CAPACITOR				UMR21	2001-000290	C RESISTOR		
	UC 12	2401-001931	E CAPACITOR				UMR22	2001-000319	C RESISTOR		
	UC 13	2401-001952	E CAPACITOR				UMR23	2001-000734	C RESISTOR		
	UC 15	2202-000854	C CAPACITOR				UMR24	2001-000405	C RESISTOR		
	UC 16	2201-000300	C CAPACITOR				UMR30	2001-000290	C RESISTOR		
	UC 17	2202-000797	C CAPACITOR				UMR31	2001-000786	C RESISTOR		
	UC 18	2202-000797	C CAPACITOR				UQ 1	0501-000398	TRANSISTOR	KSC945	
	UC 30	2401-001355	E CAPACITOR				UQ 2	0501-000398	TRANSISTOR	KSC945	
	UCW 1	3711-004420	CONNECTOR				UQ 3	0501-000610	TRANSISTOR	KSA928A-Y	
	UCW 2	3711-004424	CONNECTOR				UQ 4	0504-000118	TRANSISTOR	KSR1003	
	UCW 3	3708-000454	CONNECTOR				UQ 5	0504-000118	TRANSISTOR	KSR1003	
	UCW 5	AH39-00157C	LEAD CONNECTOR				UQ 6	0501-000610	TRANSISTOR	KSA928A-Y	
	UCW 6	AH39-00157B	LEAD CONNECTOR				UQ 7	0501-000610	TRANSISTOR	KSA928A-Y	
	UCW 7	3711-000906	CONNECTOR				UQ 8	0504-000118	TRANSISTOR	KSR1003	
	UCW 8	3708-000451	CONNECTOR				UQ 9	0501-000398	TRANSISTOR	KSC945	
	UCW 9	AH39-00157A	LEAD CONNECTOR				UQ 10	0504-000118	TRANSISTOR	KSR1003	
	UD 20	0402-000127	DIODE	1N4002			UQ 15	0504-000118	TRANSISTOR	KSR1003	
	UD 21	0402-000127	DIODE	1N4002			UQ 16	0501-000398	TRANSISTOR	KSC945	
	UD 22	0402-000127	DIODE	1N4002			UQ 16	0501-000407	TRANSISTOR	KSD471A-Y	
	UD 23	0401-000101	DIODE	1N4148			UQ 17	0501-000398	TRANSISTOR	KSC945	

■ Electrical parts list(Front board)

Block No. 02

△	Item	Parts number	Parts name	Remarks	Area	△	Item	Parts number	Parts name	Remarks	Area
	UQ 21	0501-000398	TRANSISTOR	KSC945			UR 61	2001-000273	C RESISTOR		
	UQ 22	0504-000118	TRANSISTOR	KSR1003			UR 62	2001-000273	C RESISTOR		
	UQ 23	0504-001003	TRANSISTOR	KSR2003			UR 63	2001-000273	C RESISTOR		
	UR 1	2001-000258	C RESISTOR				UR 64	2001-000273	C RESISTOR		
	UR 2	2001-000405	C RESISTOR				UR 65	2001-000429	C RESISTOR		
	UR 3	2001-000241	C RESISTOR				UR 66	2001-000429	C RESISTOR		
	UR 4	2001-000429	C RESISTOR				UR 67	2001-000449	C RESISTOR		
	UR 5	2001-000429	C RESISTOR				UR 68	2001-000281	C RESISTOR		
	UR 6	2001-000429	C RESISTOR				UR 69	2001-000281	C RESISTOR		
	UR 7	2001-000734	C RESISTOR				UR 70	2001-000281	C RESISTOR		
	UR 8	2001-000734	C RESISTOR				UR 71	2001-000429	C RESISTOR		
	UR 9	2001-000734	C RESISTOR				UR 72	2001-000522	C RESISTOR		
	UR 10	2001-000734	C RESISTOR				UR 73	2001-000429	C RESISTOR		
	UR 11	2001-000734	C RESISTOR				UR 74	2001-000429	C RESISTOR		
	UR 12	2001-000734	C RESISTOR				UR 75	2001-000429	C RESISTOR		
	UR 13	2001-000734	C RESISTOR				UR 76	2001-000429	C RESISTOR		
	UR 14	2001-000734	C RESISTOR				UR 77	2001-000429	C RESISTOR		
	UR 15	2001-000734	C RESISTOR				UR 78	2001-000429	C RESISTOR		
	UR 16	2001-000734	C RESISTOR				UR 79	2001-000429	C RESISTOR		
	UR 17	2001-000734	C RESISTOR				UR 80	2001-000290	C RESISTOR		
	UR 18	2001-000281	C RESISTOR				UR 81	2001-000290	C RESISTOR		
	UR 19	2001-000429	C RESISTOR				UR 82	2001-000429	C RESISTOR		
	UR 20	2001-000290	C RESISTOR				UR 83	2001-000273	C RESISTOR		
	UR 21	2001-000290	C RESISTOR				UR 84	2001-000977	C RESISTOR		
	UR 22	2001-000290	C RESISTOR				UR 85	2001-000411	C RESISTOR		
	UR 23	2001-000290	C RESISTOR				UR 86	2001-000786	C RESISTOR		
	UR 24	2001-000281	C RESISTOR				UR 87	2001-000290	C RESISTOR		
	UR 25	2001-000429	C RESISTOR				UR 88	2001-000613	C RESISTOR		
	UR 26	2001-000429	C RESISTOR				UR 89	2001-000613	C RESISTOR		
	UR 27	2001-000429	C RESISTOR				UR 90	2001-000613	C RESISTOR		
	UR 28	2001-000429	C RESISTOR				UR 91	2001-001178	C RESISTOR		
	UR 29	2001-000429	C RESISTOR				UR 92	2001-001178	C RESISTOR		
	UR 30	2001-000429	C RESISTOR				UR 93	2001-000449	C RESISTOR		
	UR 31	2001-000591	C RESISTOR				UR 94	2001-000591	C RESISTOR		
	UR 32	2001-000429	C RESISTOR				UR 95	2001-000290	C RESISTOR		
	UR 33	2001-000429	C RESISTOR				UR 95	2001-000734	C RESISTOR		
	UR 34	2001-000429	C RESISTOR				UR 96	2001-000977	C RESISTOR		
	UR 35	2001-000429	C RESISTOR				UR 97	2001-000411	C RESISTOR		
	UR 36	2001-000429	C RESISTOR				UR 99	2001-000522	C RESISTOR		
	UR 37	2001-000429	C RESISTOR				UR100	2001-000411	C RESISTOR		
	UR 38	2001-000290	C RESISTOR				UR101	2001-000977	C RESISTOR		
	UR 39	2001-000290	C RESISTOR				UR102	2001-000734	C RESISTOR		
	UR 40	2001-000290	C RESISTOR				UR103	2001-000786	C RESISTOR		
	UR 41	2001-000290	C RESISTOR				UR201	2001-000273	C RESISTOR		
	UR 42	2001-000281	C RESISTOR				UR401	2001-000290	C RESISTOR		
	UR 43	2001-000281	C RESISTOR				UR402	2001-000290	C RESISTOR		
	UR 44	2001-000281	C RESISTOR				UVR 1	3406-001047	ROTARY SWITCH		
	UR 45	2001-000281	C RESISTOR				UVR 2	2103-000492	SEMI F.VR.		
	UR 46	2001-000734	C RESISTOR				UX 1	2802-000181	CERAMIC RESONAT		
	UR 47	2001-000449	C RESISTOR				UX 2	2801-001394	CRYSTAL-UNIT	32.768KHZ	
	UR 48	2001-000591	C RESISTOR				UXR 1	2001-000850	C RESISTOR		
	UR 49	2001-000449	C RESISTOR				UXR 2	2001-000295	C RESISTOR		
	UR 50	2001-000258	C RESISTOR				UXR 3	2001-000454	C RESISTOR		
	UR 51	2001-001178	C RESISTOR				VFD	AH07-00016A	VF-DISPLAY		
	UR 52	2001-000241	C RESISTOR								
	UR 53	2001-000429	C RESISTOR								
	UR 54	2001-000734	C RESISTOR								
	UR 55	2001-000591	C RESISTOR								
	UR 56	2001-000508	C RESISTOR								
	UR 57	2001-000793	C RESISTOR								
	UR 58	2001-000429	C RESISTOR								
	UR 59	2001-000241	C RESISTOR								
	UR 60	2001-000258	C RESISTOR								

■ Electrical parts list(Front board)

Block No. 03

△	Item	Parts number	Parts name	Remarks	Area	△	Item	Parts number	Parts name	Remarks	Area
	IC024	1204-001532	IC	TZA1024T			NC110	2203-000206	C CAPACITOR		
	IC073	1003-001192	IC	TDA7073AT			NC111	2203-000260	C CAPASITOR		
	IC082	1003-001162	IC-MOTOR DRIVER	KA3082			NC114	2401-000243	E CAPACITOR		
	IC327	0904-001353	IC	7327			NC115	2203-000206	C CAPACITOR		
	IC805	AC14-12001G	IC	KA78L05			NC116	2401-000243	E CAPACITOR		
	JR101	2007-000029	CHIP RESISTOR				NC201	2203-001537	C CAPACITOR		
	JR102	2007-000029	CHIP RESISTOR				NC202	2203-001524	C CAPASITOR		
	JR103	2007-000033	CHIP RESISTOR				NC203	2203-000477	C CAPACITOR		
	JR104	2007-000029	CHIP RESISTOR				NC204	2203-000609	C CAPASITOR		
	JR105	2007-000029	CHIP RESISTOR				NC205	2203-000206	C CAPACITOR		
	JR106	2007-000029	CHIP RESISTOR				NC206	2401-000243	E CAPACITOR		
	JR107	2007-000029	CHIP RESISTOR				NC207	2203-000206	C CAPACITOR		
	JR109	2007-000029	CHIP RESISTOR				NC208	2401-000243	E CAPACITOR		
	JR110	2007-000029	CHIP RESISTOR				NC209	2401-000243	E CAPACITOR		
	JR201	2007-000029	CHIP RESISTOR				NC210	2203-000575	C CAPACITOR		
	JR202	2007-000029	CHIP RESISTOR				NC211	2203-000260	C CAPASITOR		
	JR203	2007-000033	CHIP RESISTOR				NC212	2203-000260	C CAPASITOR		
	JR204	2007-000029	CHIP RESISTOR				NC213	2203-000260	C CAPASITOR		
	JR205	2007-000029	CHIP RESISTOR				NC214	2203-000260	C CAPASITOR		
	JR206	2007-000033	CHIP RESISTOR				NC215	2203-000787	C CAPACITOR		
	JR207	2007-000033	CHIP RESISTOR				NC216	2203-000787	C CAPACITOR		
	JR209	2007-000029	CHIP RESISTOR				NC217	2203-000206	C CAPACITOR		
	JR212	2007-000033	CHIP RESISTOR				NC218	2203-000206	C CAPACITOR		
	JR301	2007-000033	CHIP RESISTOR				NC219	2203-000206	C CAPACITOR		
	JR302	2007-000029	CHIP RESISTOR				NC220	2203-000260	C CAPASITOR		
	JR303	2007-000029	CHIP RESISTOR				NC221	2202-000797	C CAPACITOR		
	JR304	2007-000029	CHIP RESISTOR				NC301	2203-000206	C CAPACITOR		
	JR304	2007-000033	CHIP RESISTOR				NC301	2401-000243	E CAPACITOR		
	JR305	2007-000029	CHIP RESISTOR				NC303	2401-001511	E CAPACITOR		
	JR306	2007-000029	CHIP RESISTOR				NC304	2401-001502	E CAPACITOR		
	JR307	2007-000033	CHIP RESISTOR				NC305	2203-000206	C CAPACITOR		
	JR308	2007-000029	CHIP RESISTOR				NC306	2203-000206	C CAPACITOR		
	JR309	2007-000033	CHIP RESISTOR				NC307	2203-000802	C CAPACITOR		
	JR310	2007-000029	CHIP RESISTOR				NC308	2203-000802	C CAPACITOR		
	JR311	2007-000033	CHIP RESISTOR				NC309	2203-000802	C CAPACITOR		
	JR312	2007-000033	CHIP RESISTOR				NC310	2203-000260	C CAPASITOR		
	JR313	2007-000033	CHIP RESISTOR				NC311	2401-001511	E CAPACITOR		
	JR314	2007-000033	CHIP RESISTOR				NC312	2401-000243	E CAPACITOR		
	JR401	2007-000033	CHIP RESISTOR				NC313	2203-000206	C CAPACITOR		
	JR402	2007-000033	CHIP RESISTOR				NC314	2203-000260	C CAPASITOR		
	JR403	2007-000029	CHIP RESISTOR				NC401	2401-000243	E CAPACITOR		
	JR404	2007-000029	CHIP RESISTOR				NC402	2401-001364	E CAPACITOR		
	JR405	2007-000033	CHIP RESISTOR				NC403	2401-000243	E CAPACITOR		
	JR406	2007-000029	CHIP RESISTOR				NDZ 1	0403-000341	ZENER DIODE		
	JR407	2007-000033	CHIP RESISTOR				NDZ40	0403-000352	ZENER DIODE		
	JW202	2007-000029	CHIP RESISTOR				NDZ40	0403-000361	ZENER DIODE		
	MONO	3811-000122	WIRE-PVC CU				NL 2	2007-000033	CHIP RESISTOR		
	NCW 1	AH39-00061A	LEAD CONNECTOR-				NL401	2001-000458	C RESISTOR		
	NCW 2	AH39-00060A	LEAD CONNECTOR				NQ401	0501-000616	TRANSISTOR	KSC2328A-Y	
	NCW 3	3711-003673	CONNECTOR				NR101	2007-000267	CHIP RESISTOR		
	NCW 5	AH39-20561P	LEAD CONNECTOR				NR102	2007-000267	CHIP RESISTOR		
	NCW 6	3708-001131	CONNECTOR				NR104	2007-000267	CHIP RESISTOR		
	NCW 7	3711-003379	CONNECTOR				NR105	2007-000355	CHIP RESISTOR		
	NCW 8	3708-001252	CONNECTOR				NR106	2007-000355	CHIP RESISTOR		
	NC101	2203-000206	C CAPACITOR				NR107	2007-000355	CHIP RESISTOR		
	NC102	2203-000595	C CAPACITOR				NR108	2007-000355	CHIP RESISTOR		
	NC103	2203-000595	C CAPACITOR				NR109	2007-000586	CHIP RESISTOR		
	NC104	2203-000595	C CAPACITOR				NR110	2007-000586	CHIP RESISTOR		
	NC105	2203-000595	C CAPACITOR				NR111	2007-000468	CHIP RESISTOR		
	NC106	2203-000787	C CAPACITOR				NR112	2007-000468	CHIP RESISTOR		
	NC107	2203-000787	C CAPACITOR				NR113	2007-001216	CHIP RESISTOR		
	NC108	2401-000243	E CAPACITOR				NR114	2007-000941	CHIP RESISTOR		
	NC109	2203-000206	C CAPACITOR				NR115	2007-000300	CHIP RESISTOR		

■ Electrical parts list(CD serve board)

Block No. 03

△	Item	Parts number	Parts name	Remarks	Area
	NR116	2007-000502	CHIP RESISTOR		
	NR201	2007-000468	CHIP RESISTOR		
	NR202	2007-000586	CHIP RESISTOR		
	NR203	2007-000735	CHIP RESISTOR		
	NR204	2007-000502	CHIP RESISTOR		
	NR206	2007-000502	CHIP RESISTOR		
	NR207	2007-000981	CHIP RESISTOR		
	NR208	2007-000267	CHIP RESISTOR		
	NR209	2007-000872	CHIP RESISTOR		
	NR210	2001-000331	C RESISTOR		
	NR211	2001-000331	C RESISTOR		
	NR217	2001-000522	C RESISTOR		
	NR218	2001-000522	C RESISTOR		
	NR219	2001-000522	C RESISTOR		
	NR220	2007-000941	CHIP RESISTOR		
	NR221	2001-000458	C RESISTOR		
	NR301	2007-000468	CHIP RESISTOR		
	NR302	2007-000468	CHIP RESISTOR		
	NR303	2001-000456	C RESISTOR		
	NR304	2001-000456	C RESISTOR		
	NR305	2007-000355	CHIP RESISTOR		
	NR306	2007-001201	CHIP RESISTOR		
	NR307	2007-000355	CHIP RESISTOR		
	NR308	2007-001201	CHIP RESISTOR		
	NR309	2007-000221	CHIP RESISTOR		
	NR310	2007-000572	CHIP RESISTOR		
	NR311	2007-000572	CHIP RESISTOR		
	NR312	2007-000468	CHIP RESISTOR		
	NR313	2007-000468	CHIP RESISTOR		
	NR314	2007-000872	CHIP RESISTOR		
	NR320	2007-000241	CHIP RESISTOR		
	NR401	2007-001216	CHIP RESISTOR		
	SCW 1	3708-001438	CONNECTOR		
	WIRE	3811-000122	WIRE		

■ Electrical parts list(Mic/Headphon board)

Block No. 04

△	Item	Parts number	Parts name	Remarks	Area
	HC 1	2202-000854	C CAPACITOR		
	HC 2	2202-000854	C CAPACITOR		
	HC 3	2202-000263	C CAPACITOR		
	HC 4	2202-000263	C CAPACITOR		
	HCW 1	3711-001009	CONNECTOR		
	HJACK	3722-000351	PHONE JACK		
	HL 1	2701-000114	INDUCTOR-AXIAL		
	HL 2	2701-000114	INDUCTOR-AXIAL		
	HR 1	2001-001178	C RESISTOR		
	HR 2	2001-001178	C RESISTOR		
	MC 1	2202-000854	C CAPACITOR		
	MC 1	2202-000854	C CAPACITOR		
	MCW 1	3711-003111	CONNECTOR		
	MCW 1	3711-003111	CONNECTOR		
	MJACK	3722-000363	JACK PHONE		
	MJACK	3722-000363	JACK PHONE		
	MR 1	2001-000977	C RESISTOR		
	MR 1	2001-000977	C RESISTOR		
	MVR 1	2101-001068	V RESISTOR		
	MVR 1	2101-001068	V RESISTOR		

■ Electrical parts list(Tuner board)

Block No. 05

△	Item	Parts number	Parts name	Remarks	Area	△	Item	Parts number	Parts name	Remarks	Area
	FM PA	AH40-10025N	TUNER FM				TJW10	2007-000029	CHIP RESISTOR		
	HIC 1	AH14-10007G	IC				TJW41	2007-000029	CHIP RESISTOR		
	MW AN	AH27-00013A	OSC COIL	LKS75M00-0060LM			TJW42	2007-000029	CHIP RESISTOR		
	MW OS	AH27-00008A	OSC COIL	LKS75M00-0060LM			TJW43	2007-000029	CHIP RESISTOR		
	TC 1	2203-000609	C CAPASITOR				TJW44	2007-000029	CHIP RESISTOR		
	TC 2	2203-001517	C CAPASITOR				TJW45	2007-000029	CHIP RESISTOR		
	TC 3	2203-000260	C CAPASITOR				TJW46	2007-000029	CHIP RESISTOR		
	TC 4	2401-001975	E CAPACITOR				TL 2	AH26-10001E	IFT		
	TC 5	2203-000609	C CAPASITOR				TL 3	AH26-10020A	TRANS DET		
	TC 6	2203-000979	C CAPASITOR				TLPF1	AH26-00005A	IFT	LKS75M00-X0002	
	TC 7	2203-000429	C CAPASITOR				TLPF2	AH26-00005A	IFT	LKS75M00-X0002	
	TC 9	2401-001975	E CAPACITOR				TQ 1	0501-000398	TRANSISTOR	KSC945	
	TC 10	2203-000979	C CAPASITOR				TQ 2	0501-000392	TRANSISTOR	KSC838-O	
	TC 11	2401-001912	E CAPACITOR				TQ 3	0501-000392	TRANSISTOR	KSC838-O	
	TC 12	2401-000419	E CAPACITOR				TQ 4	0501-000294	TRANSISTOR		
	TC 13	2203-000979	C CAPASITOR				TR 1	2001-000331	C RESISTOR		
	TC 14	2201-000565	C CAPACITOR				TR 2	2007-000029	CHIP RESISTOR		
	TC 15	2203-000979	C CAPASITOR				TR 3	2001-000449	C RESISTOR		
	TC 16	2401-001954	E CAPACITOR				TR 4	2007-000872	CHIP RESISTOR		
	TC 17	2401-001912	E CAPACITOR				TR 5	2001-000281	C RESISTOR		
	TC 18	2401-001968	E CAPACITOR				TR 6	2007-000030	CHIP RESISTOR		
	TC 19	2401-001912	E CAPACITOR				TR 7	2007-000518	CHIP RESISTOR		
	TC 21	2401-000240	E CAPACITOR				TR 8	2007-000822	CHIP RESISTOR		
	TC 23	2401-001954	E CAPACITOR				TR 9	2007-000468	CHIP RESISTOR		
	TC 25	2401-001954	E CAPACITOR				TR 10	2007-000308	CHIP RESISTOR		
	TC 26	2401-000419	E CAPACITOR				TR 11	2007-000572	CHIP RESISTOR		
	TC 27	2401-000419	E CAPACITOR				TR 12	2007-000686	CHIP RESISTOR		
	TC 28	2203-000260	C CAPASITOR				TR 13	2001-000515	C RESISTOR		
	TC 29	2203-000260	C CAPASITOR				TR 15	2007-000586	CHIP RESISTOR		
	TC 30	2401-000419	E CAPACITOR				TR 16	2001-000745	C RESISTOR		
	TC 32	2203-001132	C CAPASITOR				TR 17	2007-000981	CHIP RESISTOR		
	TC 33	2203-000844	C CAPASITOR				TR 18	2001-000449	C RESISTOR		
	TC 34	2401-000907	E CAPACITOR				TR 19	2007-000282	CHIP RESISTOR		
	TC 35	2203-000979	C CAPASITOR				TR 20	2007-000409	CHIP RESISTOR		
	TC 37	2401-001022	E CAPACITOR				TR 21	2007-000300	CHIP RESISTOR		
	TC 38	2401-001164	E CAPACITOR				TR 22	2007-000300	CHIP RESISTOR		
	TC 39	2201-000565	C CAPACITOR				TR 23	2007-000710	CHIP RESISTOR		
	TC 40	2202-000796	C CAPACITOR				TR 24	2007-000290	CHIP RESISTOR		
	TC 41	2203-000239	C CAPASITOR				TR 25	2007-001043	CHIP RESISTOR		
	TC 42	2202-000796	C CAPACITOR				TR 27	2007-001071	CHIP RESISTOR		
	TC 43	2401-001968	E CAPACITOR				TR 28	2007-000457	CHIP RESISTOR		
	TC 44	2203-000260	C CAPASITOR				TR 29	2007-000686	CHIP RESISTOR		
	TC 45	2203-000979	C CAPASITOR				TR 30	2001-000117	C RESISTOR		
	TC 46	2401-000240	E CAPACITOR				TR 32	2001-000241	C RESISTOR		
	TC 47	2401-001895	E CAPACITOR				TR 34	2001-000241	C RESISTOR		
	TC 48	2202-000807	C CAPASITOR				TR 35	2007-000493	CHIP RESISTOR		
	TC 50	2203-001611	C CAPASITOR				TR 36	2007-000493	CHIP RESISTOR		
	TC 51	2203-001611	C CAPASITOR				TR 37	2007-000830	CHIP RESISTOR		
	TC 61	2203-001105	C CAPASITOR				TR 38	2007-001177	CHIP RESISTOR		
	TC 62	2203-001105	C CAPASITOR				TR 39	2001-000290	C RESISTOR		
	TC 63	2203-001551	C CAPASITOR				TR 40	2007-000493	CHIP RESISTOR		
	TC 64	2203-001551	C CAPASITOR				TR 40	2001-000522	C RESISTOR		
	TC 99	2203-000609	C CAPASITOR				TR 41	2001-000522	C RESISTOR		
	TD 3	0401-000101	DIODE				TR 42	2001-000734	C RESISTOR		
	TD 4	0401-000101	DIODE				TR 43	2007-000290	CHIP RESISTOR		
	TD 5	0401-000101	DIODE				TR 44	2001-000118	C RESISTOR		
	TD 6	0401-000101	DIODE				TR 44	2007-001177	CHIP RESISTOR		
	TFL 1	2903-000119	CERAMIC FILTER	SFE10.7MJA-10-A			TR 45	2007-000282	CHIP RESISTOR		
	TFL 2	2903-000105	CERAMIC FILTER				TR 46	2007-000300	CHIP RESISTOR		
	TFL 4	14529-304-610	CERAMIC FILTER	AHCM2-450BL			TR 47	2007-000282	CHIP RESISTOR		
	TIC 1	AH14-10008B	IC				TR 48	2007-000300	CHIP RESISTOR		
	TJ 1	3716-001156	TERMINAL BLOCK				TR 49	2007-000282	CHIP RESISTOR		
	TJ 2	3711-000814	CONNECTOR				TR 50	2007-000300	CHIP RESISTOR		

■ Electrical parts list(Tuner board)

Block No. 05

△	Item	Parts number	Parts name	Remarks	Area
	TR 51	2007-000872	CHIP RESISTOR		
	TR 52	2007-000468	CHIP RESISTOR		
	TR 53	2007-000300	CHIP RESISTOR		
	TR 54	2007-000300	CHIP RESISTOR		
	TR 55	2001-000429	C RESISTOR		
	TR 56	2007-000300	CHIP RESISTOR		
	TR 57	2001-000290	C RESISTOR		
	TR 58	2001-000273	C RESISTOR		
	TR 61	2001-000591	C RESISTOR		
	TR 62	2001-000591	C RESISTOR		
	TR101	2007-000033	CHIP RESISTOR		
	TR102	2007-000033	CHIP RESISTOR		
	TR103	2007-000033	CHIP RESISTOR		
	TR104	2007-000033	CHIP RESISTOR		
	TR105	2007-000586	CHIP RESISTOR		
	TSR 1	2103-000290	SEMI F.VR		
	TUNER	2202-000263	C CAPACITOR		
	TWA 1	3711-000666	CONNECTOR-HEAD		
	TX 1	2801-000734	CRYSTAL UNIT		
	TZD 1	0403-000367	ZENER DIODE		
	TZD 2	0403-000393	ZENER DIODE		
	VVC 1	0405-000137	VARACTOR DIODE		

■ Electrical parts list(VCD board)

Block No. 06

△	Item	Parts number	Parts name	Remarks	Area
	AAR 1	2007-000241	C RESISTOR		
	AC 1	2401-000243	E CAPACITOR		
	AC 2	2203-000206	C CAPACITOR		
	AC 3	2203-000206	C CAPACITOR		
	AC 4	2401-001502	E CAPACITOR		
	AI 1	1002-001124	IC		
	AL 1	2703-000001	INDUCTOR	10UH	
	ALC 1	2404-000367	TA CAPACITOR		
	ALC 2	2203-000323	C CAPASITOR		
	ALC 3	2203-000495	C CAPACITOR		
	ALC 4	2203-001551	C CAPASITOR		
	ALC 5	2404-000190	TA CAPACITOR		
	ALC 6	2203-001537	C CAPACITOR		
	ALI 1	1201-000163	IC	4560	
	ALR 1	2007-000872	CHIP RESISTOR		
	ALR 2	2007-000241	C RESISTOR		
	ALR 3	2007-000872	CHIP RESISTOR		
	ALR 4	2007-001239	C RESISTOR		
	ALR 5	2007-001239	C RESISTOR		
	ALR 6	2007-001224	C RESISTOR		
	ALR 7	2007-001239	C RESISTOR		
	ALR 8	2007-000872	CHIP RESISTOR		
	ALR10	2007-000282	CHIP RESISTOR		
	ALR11	2007-001239	C RESISTOR		
	AR 3	2007-000029	CHIP RESISTOR		
	ARC 1	2404-000367	TA CAPACITOR		
	ARC 2	2203-001537	C CAPACITOR		
	ARC 2	2203-000323	C CAPASITOR		
	ARC 3	2203-000495	C CAPACITOR		
	ARC 4	2203-001551	C CAPASITOR		
	ARC 5	2404-000190	TACAPACITOR		
	ARL 1	1201-000163	IC	4560	
	ARR 2	2007-000872	CHIP RESISTOR		
	ARR 3	2007-000872	CHIP RESISTOR		
	ARR 4	2007-001239	C RESISTOR		
	ARR 5	2007-000872	CHIP RESISTOR		
	ARR 6	2007-001224	C RESISTOR		
	ARR 7	2007-001239	C RESISTOR		
	ARR 8	2007-001239	C RESISTOR		
	ARR10	2007-000282	CHIP RESISTOR		
	ARR11	2007-001239	C RESISTOR		
	BO 2	2007-000029	CHIP RESISTOR		
	BR	2007-000033	CHIP RESISTOR		
	BR 1	2007-000290	CHIP RESISTOR		
	BR 2	2007-000290	CHIP RESISTOR		
	C 1	2203-000295	C CAPASITOR		
	C 2	2203-000295	C CAPASITOR		
	C 3	2007-000029	CHIP RESISTOR		
	C 4	2203-001611	C CAPASITOR		
	C 5	2203-001611	C CAPASITOR		
	C 6	2203-000260	C CAPASITOR		
	C 12	0801-000305	IC		
	CC 1	2404-000367	TA CAPACITOR		
	CC 2	2203-000206	C CAPACITOR		
	CC 3	2203-000206	C CAPACITOR		
	CC 4	2203-000206	C CAPACITOR		
	CC 5	2401-000243	E CAPACITOR		
	CC 6	2401-000243	E CAPACITOR		
	CC 7	2007-000401	CHIP RESISTOR		
	CC 11	2203-000749	C CAPACITOR		
	CC 12	2203-000749	C CAPACITOR		
	CC 14	2203-000206	C CAPACITOR		
	CI 1	1204-001141	IC	CL680	

■ Electrical parts list(VCD board)

Block No. 06

△	Item	Parts number	Parts name	Remarks	Area
	CJ 1	2007-000029	CHIP RESISTOR		
	CJ 2	2007-000029	CHIP RESISTOR		
	CJ 4	2007-000029	CHIP RESISTOR		
	CL 1	2007-000033	CHIP RESISTOR		
	CQ 1	0502-000425	TR-POWER	2SD2395-F	
	CR 1	2007-000300	CHIP RESISTOR		
	CR 2	2007-000300	CHIP RESISTOR		
	CR 3	2007-000300	CHIP RESISTOR		
	CR 4	2007-000300	CHIP RESISTOR		
	CR 5	2007-000468	CHIP RESISTOR		
	CR 6	2007-000290	CHIP RESISTOR		
	CR 7	2007-000290	CHIP RESISTOR		
	CR 8	2007-000290	CHIP RESISTOR		
	CR 9	2007-000290	CHIP RESISTOR		
	CR 10	2007-000290	CHIP RESISTOR		
	CR 11	2203-001537	C CAPACITOR		
	CR 12	2007-000468	CHIP RESISTOR		
	CR 13	2007-000290	CHIP RESISTOR		
	CR 14	2007-000290	CHIP RESISTOR		
	CR 15	2007-000290	CHIP RESISTOR		
	CR 16	2007-000290	CHIP RESISTOR		
	CR 17	2007-000493	CHIP RESISTOR		
	CR 19	2007-000300	CHIP RESISTOR		
	CR 20	2007-000477	CHIP RESISTOR		
	CR 21	2007-000300	CHIP RESISTOR		
	CR 22	2007-000300	CHIP RESISTOR		
	CR 23	2007-000300	CHIP RESISTOR		
	CR 24	2007-000300	CHIP RESISTOR		
	CR 25	2007-000300	CHIP RESISTOR		
	CR 26	2007-000300	CHIP RESISTOR		
	CR 27	2007-000300	CHIP RESISTOR		
	CR 28	2007-000572	CHIP RESISTOR		
	CR 31	2007-000572	CHIP RESISTOR		
	CX 1	2801-003348	CRYSTAL	27MHZ	
	CZD 1	0403-000344	ZENER DIODE		
	DC 1	2203-000818	C CAPACITOR		
	DC 2	2203-000818	C CAPACITOR		
	GR 1	2007-000781	CHIP RESISTOR		
	I 1	AH14-10004R	IC	M74HCU04	
	L 1	2703-000002	INDUCTOR	100UH	
	LINK	6002-000398	SCREW-TAPPING	3X6	
	LINK	1203-000276	IC	7805	
	MC 1	2203-001611	C CAPASITOR		
	MC 2	2203-001611	C CAPASITOR		
	MC 3	2203-000206	C CAPACITOR		
	MI 1	AH09-00017B	IC		
	MPJ 1	2007-000029	CHIP RESISTOR		
	MR 1	2007-000477	CHIP RESISTOR		
	MR 2	2007-000290	CHIP RESISTOR		
	MR 3	2007-000290	CHIP RESISTOR		
	MR 4	2007-000290	CHIP RESISTOR		
	MR 5	2007-000290	CHIP RESISTOR		
	MR 6	2007-000290	CHIP RESISTOR		
	MX 1	2802-000181	CERAMIC RESONAT	6MHZ	
	OC 8	2203-000206	C CAPACITOR		
	OC 12	2401-002183	E CAPACITOR		
	OC 13	2401-002183	E CAPACITOR		
	OC 15	2401-000243	E CAPACITOR		
	OP 1	2007-000477	CHIP RESISTOR		
	OQ 2	0501-000314	TR-SMALL SIGNAL	KSA812	
	OQ 3	0501-000314	TR-SMALL SIGNAL	KSA812	
	OR 1	2007-000029	CHIP RESISTOR		
	OR 6	2007-000572	CHIP RESISTOR		

△	Item	Parts number	Parts name	Remarks	Area
	OR 7	2007-000572	CHIP RESISTOR		
	OR 8	2007-000572	CHIP RESISTOR		
	OR 9	2007-000572	CHIP RESISTOR		
	OR 10	2203-000661	C CAPACITOR		
	OR 11	2007-001166	C RESISTOR		
	OR 12	2007-001166	C RESISTOR		
	PB 1	2007-000033	CHIP RESISTOR		
	PC 1	2401-000243	E CAPACITOR		
	PC 2	2203-000206	C CAPACITOR		
	PC 3	2203-000206	C CAPACITOR		
	PC 4	2203-000206	C CAPACITOR		
	PC 5	2203-000206	C CAPACITOR		
	PCON1	3711-003107	CONNECTOR		
	PCON1	1203-000276	IC	7805	
	PR 1	2007-000290	CHIP RESISTOR		
	R 1	2007-000267	C RESISTOR		
	R 2	2007-000290	CHIP RESISTOR		
	R 3	2007-000267	C RESISTOR		
	R 4	2007-000290	CHIP RESISTOR		
	R 5	2007-000267	C RESISTOR		
	R 6	2007-000290	CHIP RESISTOR		
	RB 2	3301-000325	CORE-FERRITE BE		
	RC 1	2404-000190	TA CAPACITOR		
	RC 2	2203-000206	C CAPACITOR		
	RC 3	2203-000206	C CAPACITOR		
	RI 1	AH11-12001A-1	IC	MBH416256A-35J	
	RI 2	3704-000472	SOCKET-IC		
	RI 2	1102-001082	IC	27C020 EPROM	
	RR 1	2007-000290	CHIP RESISTOR		
	RR 1	2007-000300	CHIP RESISTOR		
	RR 2	2007-000300	CHIP RESISTOR		
	RR 2	2007-000290	CHIP RESISTOR		
	RR 3	2007-000290	CHIP RESISTOR		
	RR 5	2007-000290	CHIP RESISTOR		
	RR 7	2007-000290	CHIP RESISTOR		
	RR 8	2007-000290	CHIP RESISTOR		
	RR 9	2007-000290	CHIP RESISTOR		
	RR 10	2007-000290	CHIP RESISTOR		
	RR 11	2007-000290	CHIP RESISTOR		
	RR 12	2007-000290	CHIP RESISTOR		
	RR 13	2007-000290	CHIP RESISTOR		
	RR 14	2007-000290	CHIP RESISTOR		
	RR 15	2007-000290	CHIP RESISTOR		
	SCON3	3710-001222	CONNECTOR-SOCKE	30P	
	SJ 1	2007-000029	CHIP RESISTOR		
	SJ 2	2007-000029	CHIP RESISTOR		
	VB 1	2007-000029	CHIP RESISTOR		
	VJ 1	2007-000029	CHIP RESISTOR		
	VJ 2	2007-000029	CHIP RESISTOR		
	X 1	2801-001423	CRYSTAL	16.9344MHZ	
	ZR 1	2007-000931	C RESISTOR		

■ Electrical parts list(VCD power board)

Block No. 07

△	Item	Parts number	Parts name	Remarks	Area
	FR 1	3602-000147	FUSE CLIP		
	FR 2	3602-000147	FUSE CLIP		
	VBD 1	0402-000450	DIODE-BRIDGE		
	VC 1	2201-000565	C CAPACITOR		
	VC 2	2201-000565	C CAPACITOR		
	VC 3	2201-000565	C CAPACITOR		
	VC 4	2201-000565	C CAPACITOR		
	VC 5	2401-001928	E CAPACITOR		
	VC 6	2401-001886	E CAPACITOR		
	VC 7	2401-000303	E CAPACITOR		
	VC 8	2401-001954	E CAPACITOR		
	VC 9	2401-001954	E CAPACITOR		
	VC 10	2201-000368	C CAPACITOR		
	VC 11	2201-000368	C CAPACITOR		
	VC 12	2401-001538	E CAPACITOR		
	VC 13	2303-000312	M CAPACITOR		
	VC 14	2401-001538	E CAPACITOR		
	VC 15	2303-000312	M CAPACITOR		
	VC 16	2401-001968	E CAPACITOR		
	VCW 1	3711-000898	CONNECTOR-HEAD		
	VCW 2	3711-000666	CONNECTOR-HEAD		
	VD 1	0401-000101	DIODE	1N4148	
	VD 2	0401-000101	DIODE	1N4148	
	VD 3	0401-000101	DIODE	1N4148	
	VD 4	0401-000101	DIODE	1N4148	
	VD 5	0401-000101	DIODE	1N4148	
	VD 6	0401-000101	DIODE	1N4148	
	VD 7	0401-000101	DIODE	1N4148	
	VF 1	3601-000207	FUSE CARTRIDGE		
	VF 2	3601-000207	FUSE CARTRIDGE		
	VF 2	3602-000147	FUSE CLIP		
	VJACK	AH37-00005A	RCA JACK		
	VJACK	3722-000379	RCA JACK		
	VL 1	AH27-10001F	CHOKE COIL	27UH	
	VL 2	AH27-10001F	CHOKE COIL	27UH	
	VPC 1	2201-000565	C CAPACITOR		
	VPC 2	2201-000565	C CAPACITOR		
	VPC 3	2201-000565	C CAPACITOR		
	VPC 4	2201-000565	C CAPACITOR		
	VQ 1	0501-000407	TRANSISTOR	KSD471A-Y	
	VQ 2	0501-000294	TRANSISTOR	KSA708-Y	
	VQ 3	0503-001014	TRANSISTOR	2SD2495-P	
	VQ 4	0504-001003	TRANSISTOR	KSR2003	
	VQ 5	0501-000407	TRANSISTOR	KSD471A-Y	
	VQ 6	0501-000407	TRANSISTOR	KSD471A-Y	
	VQ 7	0501-000294	TRANSISTOR	KSA708-Y	
	VQ 8	0502-000425	TRANSISTOR	2SD2395-F	
	VQ 8	0501-000398	TRANSISTOR	KSC945	
	VR 1	2001-000786	C RESISTOR		
	VR 2	2001-000786	C RESISTOR		
	VR 3	2001-000429	C RESISTOR		
	VR 4	2001-000429	C RESISTOR		
	VR 5	2001-000429	C RESISTOR		
	VR 6	2001-000429	C RESISTOR		
	VR 7	2001-000734	C RESISTOR		
	VR 8	2001-000734	C RESISTOR		
	VR 9	2001-000522	C RESISTOR		
	VR 10	2001-000008	C RESISTOR		
	VR 11	2001-000042	C RESISTOR		
	VR 12	2001-000522	C RESISTOR		
	VR 13	2001-000734	C RESISTOR		
	VR 14	2001-000522	C RESISTOR		
	VR 15	2001-000290	C RESISTOR		

△	Item	Parts number	Parts name	Remarks	Area
	VR 16	2001-000522	C RESISTOR		
	VR 17	2003-000798	OMF RESISTOR		
	VR 18	2001-001178	C RESISTOR		
	VR 19	2001-000290	C RESISTOR		
	VR 20	2001-000786	C RESISTOR		
	VR 21	2001-000449	C RESISTOR		
	VSC 1	2201-000565	C CAPACITOR		
	VSC 2	2201-000565	C CAPACITOR		
	VSC 3	2201-000565	C CAPACITOR		
	VSC 4	2202-000854	C CAPACITOR		
	VZD 1	0403-000398	ZENER DIODE		
	VZD 2	0403-000399	ZENER DIODE		

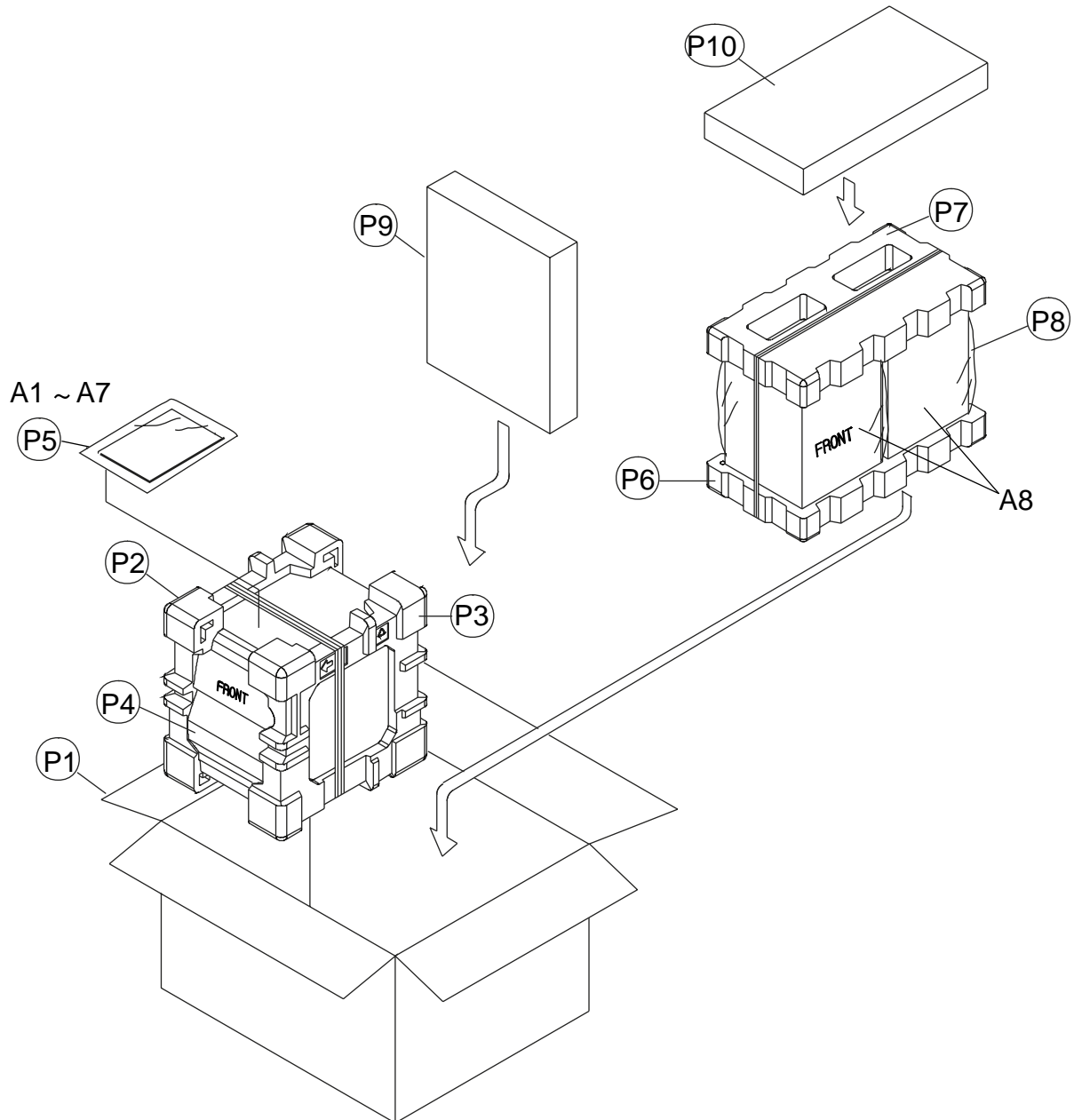
Packing materials and accessories parts list

Block No.

M	5	M	M
---	---	---	---

Block No.

M	6	M	M
---	---	---	---



■ Parts list(Packing)

Block No. M5MM

⚠	Item	Parts number	Parts name	Q'ty	Description	Area
	P 1	AH69-00180D	CARTON	1		
	P 2	AH69-00152A	CUSHION-L	1	L	
	P 3	AH69-00153A	CUSHION-R	1	R	
	P 4	AH69-30012T	PE-BAG	1		
	P 5	18654-101-071	PE-BAG I.B	1		
	P 6	AH81-00243M	BOTTOM CUSHION	1	SPEAKER	
	P 7	AH81-00243L	TOP CUSHION	1	SPEAKER	
	P 8	AH81-00243P	POLY BAG	2	SPEAKER	
	P 9	AH69-00185A	PAD-ROLE A	1		
	P 10	AH69-00185B	PAD-ROLE B	1	SPEAKER	

■ Parts list(Accessories)

Block No. M6MM

⚠	Item	Parts number	Parts name	Q'ty	Description	Area
	A 1	AH59-00045A	REMOCON	1		
	A 2	AH42-20001S	LOOP ANT	1		
	A 3	AH38-10001A	FM WIRE ANT	1		
	A 4	-----	BATTERY	2		
	A 5	AC39-42001L	CABLE RF	1		
	A 6	AH68-00337F	INSTRUCTIONS	1	ENG CHI ARA	
⚠	A 7	3721-000117	CONVERSION PLUG	1		
	A 8	MXJ100K-SPBOX	SPEAKER BOX	2		