

JVC

SERVICE MANUAL

COMPACT COMPONENT SYSTEM

MX-J800 / MX-J850R

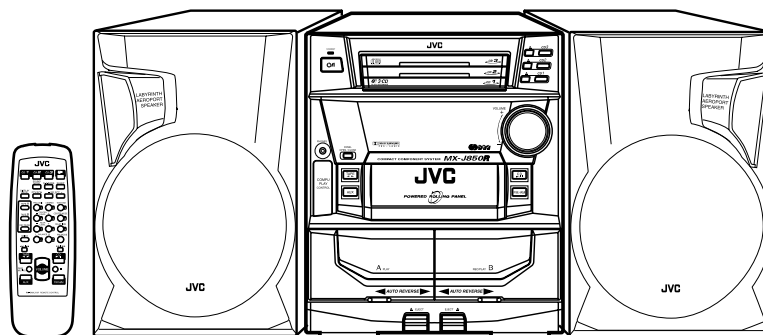
CD-ROM No.SML200006

This model is a change of the model name of preceding model MX-J70/MX-J75R. Therefore, a basic specification is the same as preceding model MX-J70/MX-J75R. This service manual is composed only of the parts list (except the mechanism part). For others, please refer to the SERVICE MANUAL for MX-J70/MX-J76/MX-J75R (issue No.20762).

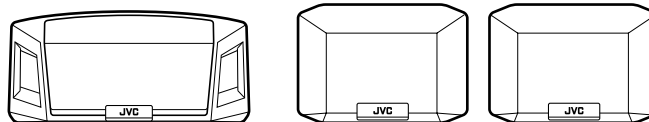
A concrete difference point is as follows.

Area Suffix(MX-J800)
 J ----- U.S.A.
 C ----- Canada

Area Suffix(MX-J850R)
 B ----- U.K.
 E ---- Continental Europe
 EN ---- Northern Europe
 EV ----- Eastern Europe



This illustration is MX-J850R



(SP-DSC99BU)

SP-DS99BU

(SP-DSS99BU)

**COMPACT
disc
DIGITAL AUDIO**

R/D/Si
(MX-J850R ONLY)

**DOLBY SURROUND
PRO · LOGIC**

Difference point with preceding model

	Button name		Center/Surround speaker
MX-J70/J75R	TIMER/CLOCK	DECK A/B	SP-DS99SL
MX-J800/J850R	CLOCK/TIMER	TAPE A/B	SP-DS99BU

Contents

Parts list ----- 1

< MEMO >

PARTS LIST

[MX-J800]
[MX-J850R]

* All printed circuit boards and its assemblies are not available as service parts.

MX-J800

Area suffix

J ----- U.S.A.
C ----- Canada

CA-MXJ850R/SP-MXJ850R

Area suffix

B ----- U.K.
E ----- Continental Europe
EN ----- Northern Europe
EV ----- Eastern Europe

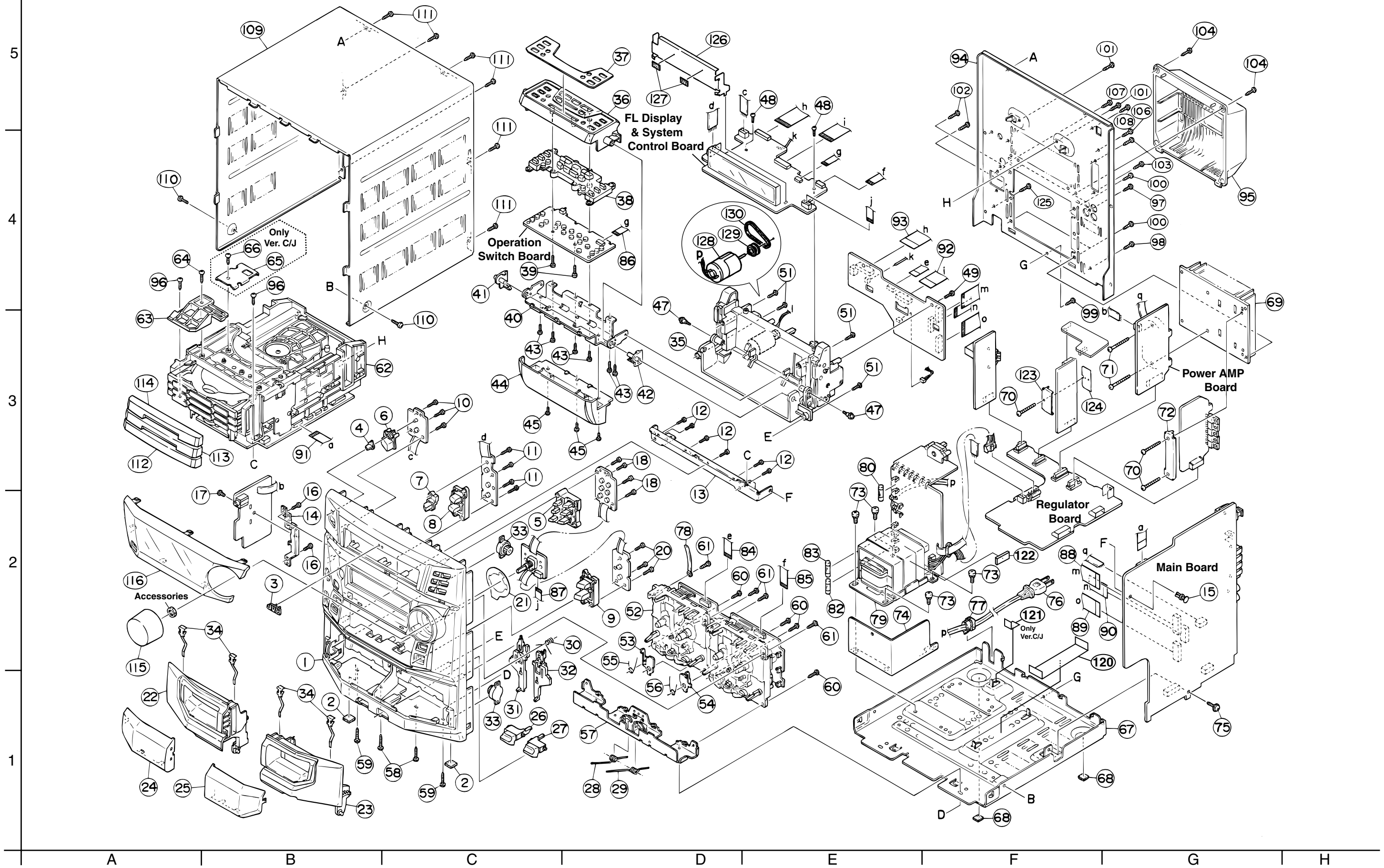
- Contents -

Exploded view of general assembly and parts list	3
CD changer mechanism assembly and parts list	6
CD mechanism assembly and parts list	8
Cassette mechanism assembly and parts list	9
Electrical parts list	14
Packing materials and accessories parts list	28

< MEMO >

Exploded view of general assembly and parts list

Block No. **M 1 M M**



■ Parts list (General assembly)

Block No. M1MM

△	Item	Parts number	Parts name	Q'ty	Description	Area
	1	GV10010-028A	FRONT PANEL	1	CA-MXJ850R	
		GV10010-026A	FRONT PANEL	1	MX-J800	
	2	E75896-001	FELT SPACER	2		
	3	VJD5429-001	JVC MARK	1		
	4	GV40016-001A	STBY.INDICATOR	1		
	5	GV30047-009A	CD BUTTON ASSY	1		
	6	GV30029-008A	POWER BUTTON	1	MX-J800	
		GV30029-009A	POWER BUTTON	1	CA-MXJ850R	
	7	GV30045-005A	PUSH BUTTON	1		
	8	GV20033-001A	SOURCE BUTTON(A)	1		
	9	GV20034-001A	SOURCE BUTTON(B)	1		
	10	QYSDSF2608Z	SCREW	3	ON/STANDBY BOARD	
	11	QYSDSF2608Z	SCREW	4	AUX/TAPE S.BOARD	
	12	QYSDSF2608Z	SCREW	6	STY.BKT+F.PANEL	
	13	GV30030-001A	STAY BRACKET	1		
	14	GV40030-001A	PHONE BRACKET	1		
	15	FMYH4004-001	PLASTIC RIVET	1	MAIN BOARD&BKT.	
	16	QYSDSF2608Z	SCREW	2	PHONE BKT.+F.PANEL	
	17	QYSBST3006Z	T.SCREW	1	PHONE BKT.+BOARD	
	18	QYSDSF2608Z	SCREW	4	CD SWITCH BOARD	
	20	QYSDSF2608Z	SCREW	3	TUNER/CD S.BOARD	
	21	GV40043-001A	VOLUME SHEET	1		
	22	GV20022-005A	CASSETTE HOLDER(L)	1		
	23	GV20023-005A	CASSETTE HOLDER(R)	1		
	24	GV20024-001A	CASSETTE LENS(L)	1		
	25	GV20025-001A	CASSETTE LENS(R)	1		
	26	GV30026-005A	EJECT BUTTON(A)	1		
	27	GV30027-005A	EJECT BUTTON(B)	1		
	28	FMKW4009-001	HOLDER SPRING(A)	1		
	29	FMKW4010-001	HOLDER SPRING(B)	1		
	30	FMKW4011-001	SPRING	1	FOR EJECT LEVER	
	31	FMKS3002-003	EJECT LEVER(A)	1		
	32	FMKS3003-003	EJECT BUTTON(B)	1		
	33	GV40034-001A	DAMPER ASSY	2		
	34	VKY4180-401	CASSETTE SPRING	4		
	35	GV10014-005A	CASE ASSY	1		
	36	GV30039-004A	MOVING PANEL(A)	1		
	37	GV30040-025A	CONTROL SHEET	1	MX-J800	
		GV30040-026A	CONTROL SHEET	1	CA-MXJ850R	
	38	GV30041-012A	CONTROL BUTTON	1	CA-MXJ850R	
		GV30041-011A	CONTROL BUTTON	1	MX-J800	
	39	QYSDSF2608Z	SCREW	2		
	40	GV30042-002A	PANEL BRACKET	1		
	41	GV40028-001A	PANEL HOLDER(L)	1		
	42	GV40028-002A	PANEL HOLDER(R)	1		
	43	QYSDSF2608Z	SCREW	6		
	44	GV30043-004A	MOVING PANEL(B)	1		
	45	QYSBST2606Z	T.SCREW	3		

■ Parts list (General assembly)

Block No. M1MM

△	Item	Parts number	Parts name	Q'ty	Description	Area
	47	VKZ4341-204	SPECIAL SCREW	2		
	48	QYSDSF2608Z	SCREW	2	MICOM BOARD/CASE	
	49	QYSDSF2608Z	SCREW	1	CONN.BOARD/CASE	
	51	QYSSSF3012Z	TAP SCREW	4	MOVING PANEL/F.PANEL	
	52	-----	CASSETTE MECHA	1		
	53	FMKL4012-004	EJECT SAFETY(A)	1		
	54	FMKL4013-001	EJECT SAFETY(B)	1		
	55	FMKW4007-001	SPRING (A)	1	EJECT SAFETY(A)	
	56	FMKW4008-001	SPRING (B)	1	EJECT SAFETY(B)	
	57	GV20030-001A	HOLDER BRACKET	1		
	58	QYSBSG3010E	T.SCREW	2	F.P.TO H.BKT.	
	59	QYSBSG3010E	T.SCREW	2	F.P.TO CHS.BASE	
	60	QYSBSG3010Z	T.SCREW	4	MECHA & H.BKT.	
	61	QYSBSF3010Z	SCREW	4	MECHA & F.PANEL	
	62	-----	VIDEO 3CD CHANGER	1		
	63	E309662-001SM	DISC STOPPER	1		
	64	QYSBSF3008Z	SCREW	1	FOR DISC STOPPER	
	65	FMKL4008-001	LOD STOPPER	1		J,C
	66	QYSBSF3008Z	SCREW	1	FOR LOD STOPPER	J,C
	67	GV10011-001A	CHASSIS BASE	1		
	68	E75896-006	FELT SPACER	2	CHASSIS BASE FOOT	
	69	GV30044-002A	HEAT SINK	1		
	70	QYSBSG3014E	T.SCREW	3		
	71	QYSBSG3020E	TAP SCREW	2		
	72	GV40029-001A	LEAF SPRING	1		
	73	QYSDSTL4008Z	SPECIAL SCREW	4		
	74	LE30469-001A	SHIELD PLATE	1		
	75	QYSBSGG3008E	T.SCREW	1	M.BOARD & C.BASE	
	76	QMPD220-200-JD	POWER CORD	1		J,C
		QMPK090-205-JN	POWER CORD	1		E,EN,EV
		QMPN090-200-JC	POWER CORD	1		B
	77	QZW0033-001	STRAIN RELIEF	1		
	78	VKZ4001-110S	WIRE HOLDER	1		
	79	QQT0250-001	POWER TRANSF	1	T001	J,C
		QQT0250-002	POWER TRANSF	1	T001	B,E,EN,EV
	80	QMF51U1-4R0-J1	FUSE	1	F001	J,C
		QMF51E2-1R25-J1	FUSE	1	F001	B,E,EN,EV
	82	QMF51U1-5R0-J1	FUSE	1	F101	J,C
		QMF51E2-3R15-J1	FUSE	1	F101	B,E,EN,EV
	83	QMF51U1-5R0-J1	FUSE	1	F102	J,C
		QMF51E2-3R15-J1	FUSE	1	F102	B,E,EN,EV
	84	QUQ412-1014CJ	FFC WIRE(FC854)	1	SLC TO FMB(C)	
	85	QUQ412-1115DJ	FFC WIRE(FC803)	1	SLC TO FMB(FL)	
	86	QUQ610-0915BJ	FFC WIRE(FC921)	1	MOV.P TO FMB(FL)	
	87	QUQ412-1012CJ	FFC WIRE(FC971)	1	FMB TO FMB(FL)	
	88	QUQ412-2109CJ	FFC WIRE(FC857)	1	FMB(C) TO FMC	
	89	QUQ412-2109CJ	FFC WIRE(FC855)	1	FMB(C) TO FMC	
	90	QUQ412-1712CJ	FFC WIRE(FC856)	1	FMB(C) TO FMC	

■ Parts list (General assembly)

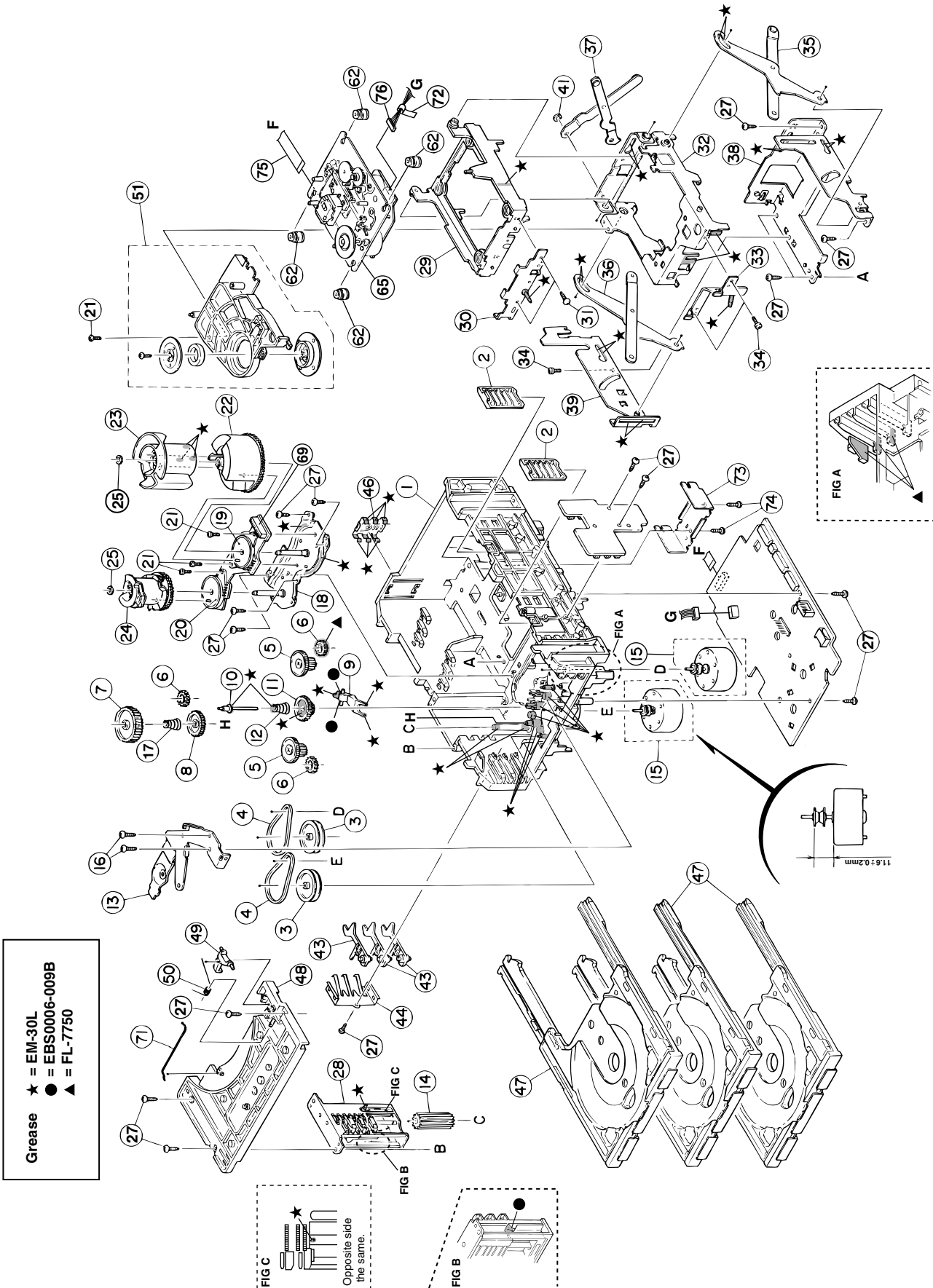
Block No. M1MM

△	Item	Parts number	Parts name	Q'ty	Description	Area
	91	QUQ110-1916BJ	FFC WIRE(FC410)	1	CD TO FMC	
	92	QUQ412-2112CJ	FFC WIRE(FC801)	1	FMB(FL)TO FMB(C)	
	93	QUQ412-2308CJ	FFC WIRE(FC802)	1	FMB(FL)TO FMB(C)	
	94	GV10013-060A	REAR PANEL	1	CA-MXJ850R	B,E,EN,EV
		GV10013-058A	REAR PANEL	1	MX-J800	C
		GV10013-057A	REAR PANEL	1	MX-J800	J
	95	E207356-002SM	REAR COVER	1		
	96	QYSBSG3008Z	T.SCREW	2	C3 & STAY BRACKET	
	97	QYSBSGY3008E	SPECIAL SCREW	1	AUX/REAR PANEL	
	98	QYSBSGY3008E	SPECIAL SCREW	1	E.PLATE/R.PANEL	
	99	QYSBSGY3008E	SPECIAL SCREW	1	R.PANEL/ C.BASE	
	100	QYSBSGY3008E	SPECIAL SCREW	4	H.SINK/ R.PANEL	
	101	QYSBSGY3008E	SPECIAL SCREW	2	C3 / REAR PANEL	
	102	QYSBSGY3008E	SPECIAL SCREW	2	SPK.TEM./R.PANE	
	103	QYSBSGY3008E	SPECIAL SCREW	2	ANTENA/ R.PANEL	
	104	QYSBSGY3008E	SPECIAL SCREW	2	R.COVER/R.PANEL	
	106	QYSBSGY3008E	SPECIAL SCREW	1	GROUND/R.PANEL	
	107	QYSBSGY3008E	SPECIAL SCREW	1	SUBWOOFER/R.PANEL	
	108	QYSBSGY3008E	SPECIAL SCREW	1	OPTICAL/R.PANEL	
	109	GV10012-001A/S/	METAL COVER	1		
	110	QYSDSG3006M	T.SCREW	2	M.COVER+C.BASE	
	111	QYSBSGY3008E	SPECIAL SCREW	6	M.COVER+R.PANEL	
	112	GV30033-006A	CD FITTING	1	DISC 1	
	113	GV30034-004A	CD FITTING	1	DISC 2	
	114	GV30035-006A	CD FITTING	1	DISC 3	
	115	GV30028-004A	VOLUMA KNOB	1		
	116	GV20026-017A	WINDOW SCREEN	1	MX-J800	
		GV20026-018A	WINDOW SCREEN	1	CA-MXJ850R	
	120	GV40048-001A	PROTECT SHEET(A)	1		
	121	GV40049-001A	PROTECT SHEET(B)	1		J,C
	122	FMYSH103-003	SPACER	1	STICK TO TRANSH	
	123	FMKL4007-001	BRACKET	1		
	124	FMPK4003-001T	MICA SHEET	1		
	125	QYSBSGY3008E	SPECIAL SCREW	1	PROLOGIC/R.PANE	
	126	GV30032-001A	FL HOLDER	1		
	127	E3400-439	FELT SPACER	2		
	128	MXN-13FB12F	DC MOTOR	1		
	129	GV40022-001A	MOTOR PULLEY	1		
	130	GV30038-001A	CAPSTAN BELT	1		
	131	FMYSH103-004	FELT SPACER	1	CA-MXJ850R	

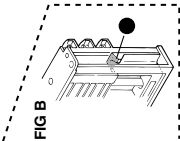
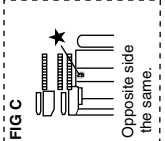
CD changer mechanism assembly and parts list

VC3-22M

Block No. M 2 M M



Grease
 ★ = EM-30L
 ● = EBS0006-009B
 ▲ = FL-7750



■ Parts list (CD changer mechanism)

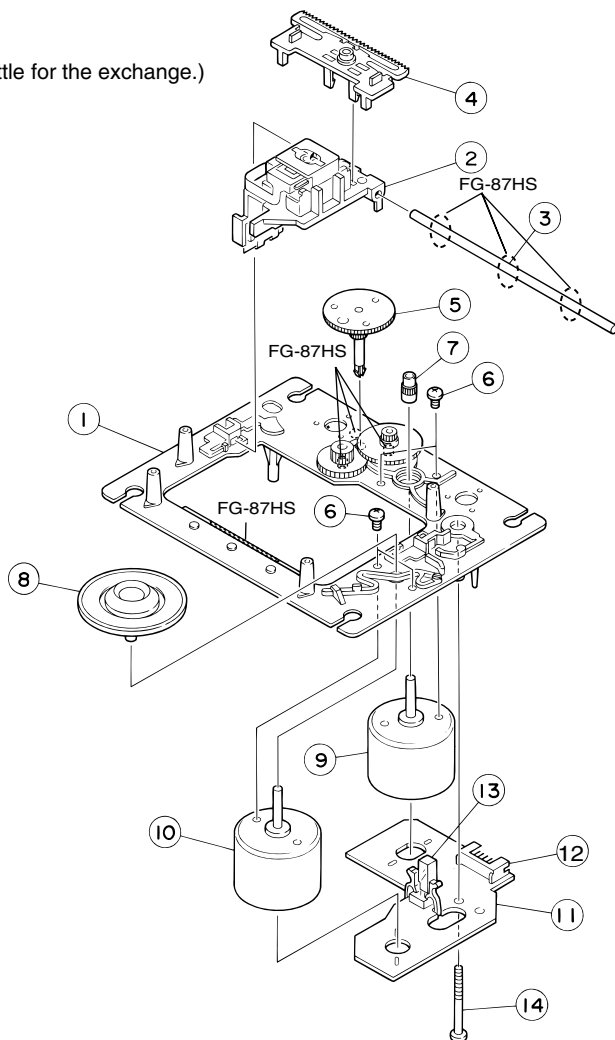
Block No. M2MM

△	Item	Parts number	Parts name	Q'ty	Description	Area
	1	VKS1144-003	CHASSIS	1		
	2	VKS3698-003	TRAY GUIDE	2		
	3	VKS5532-003	PULLEY GEAR	2		
	4	VKB3000-164	BELT	2		
	5	VKS5505-003	GEAR B	2		
	6	VKS5506-002	GEAR C	3		
	7	VKS5507-002	CROSS GEAR U	1		
	8	VKS5508-002	CROSS GEAR L	1		
	9	VKS5510-003	SELECT LEVER	1		
	10	VKH5769-001	S.G.SHAFT	1		
	11	VKS5511-002	SELECT GEAR	1		
	12	VKW5155-003	COMP.SPRING	1	FOR SELECT GEAR	
	13	VKM3846-002	GEAR BRACKET	1		
	14	VKS5509-002MM	CYLINDER GEAR	1		
	15	MSN5D257A-SA2	D.C.MOTOR ASS'Y	2		
	16	QYSPSPD2616Z	SCREW	2	FOR MOTOR	
	17	LV40612-001A	COMP.SPRING	1		
	18	VKM3825-00AMM	C.G.BASE ASS'Y	1		
	19	VKZ3172-00ASS	CAM SW. R ASS'Y	1		
	20	VKZ3173-00ASS	CAM SW. L ASS'Y	1		
	21	QYSPST2606Z	SCREW	4		
	22	VKS2263-002MM	CAM R1	1		
	23	VKS2264-002MM	CAM R2	1		
	24	VKS2265-002MM	CAM GEAR L	1		
	25	WDL316050MM	SLIT WASHER	2		
	27	QYSBSF2608Z	T.SCREW	16		
	28	VKS3702-00FMM	DRIVE UNIT	1		
	29	VKS2247-004	MECHA HOLDER A	1		
	30	VKL7767-00B	BRACKET ASS'Y	1		
	31	QYSBSF2606Z	SCREW	2	FOR BRACKET	
	32	VKM3860-00A	M.HOLDER B AS'Y	1		
	33	VKL7802-00C	M.HOLDER C AS'Y	1		
	34	QYSDST2604Z	SCREW	3		
	35	VKL7810-00A	LIFTER ASS'Y R	1		
	36	VKL7811-00A	LIFTER ASS'Y L	1		
	37	VKL7812-00A	LIFTER ASS'Y H	1		
	38	VKL2732-002	LIFTER BASE	1		
	39	VKM3857-001	LIFTER BRACKET	1		
	41	WDL266035-2	SLIT WASHER	1		
	43	VKS5514-002MM	LOCK LEVER	3		
	44	VKY3133-002MM	RETURN SPRING	1		
	46	VKY3134-003MM	CLICK SPRING	1		
	47	VKS2252-00E	TRAY ASS'Y	3		
	48	VKS2250-003	TOP BRACKET	1		
	49	VKS5515-002	S.TRAY STOPPER	1		
	50	VKW5156-004	TORSION SPRING	1		
	51	VKS3703-00G	CLAMPER ASS'Y	1		
	62	LV40761-003A	INSULATOR	4		
	65	-----	CD MECHA	1		
	69	QGB2012J1-10	CONNECTOR	1		
	71	VKW5187-001	ROD	1		
	72	VYSA1R2-033	SPACER	1	FOR EWS176-008	
	73	LE30611-001A	C.B HOLDER	1	FOR CD CB	
	74	QYSBSF3008Z	SCREW	2	FOR HOLDER	
	75	QUQ610-1509AJ	CARD WIRE	1	TRAVERSE 15	
	76	EWS176-008	FLAT WIRE	1	TRAVERSE 6	

CD mechanism assembly and parts list

Block No. M 3 M M

Grease Point
 FG-87HS
 (Grease to apply have to be a little for the exchange.)



EXL-M7TMB
 EXL-M7MB

Parts list (CD mechanism)

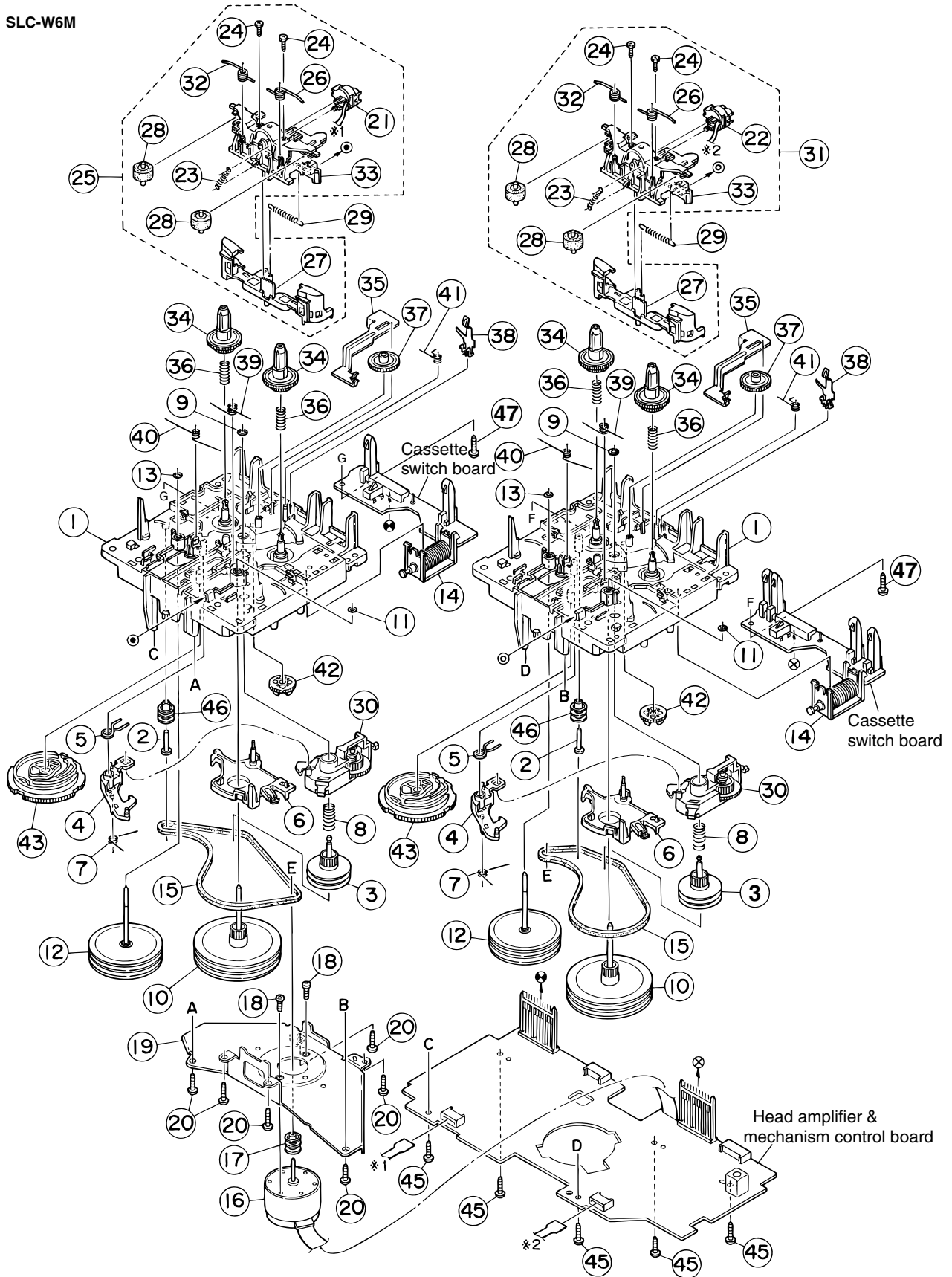
Block No. M3MM

Item	Parts number	Parts name	Q'ty	Description	Area
1	E102731-221SM	MECHA BASE	1		
2	OPTIMA-7B	OPTICAL PICK UP	1		
3	E406777-002SM	CD SHAFT	1		
4	LV31002-001A	CD RACK	1		
5	E307745-441SM	MECHA GEAR	1		
6	QYSDSP2003N	SCREW	4		
7	E406750-442SM	PINION GEAR	1		
8	EPB-001PK	TURN TABLE	1	SINGLE CD	
	EPB309173PKA	TURN TABLE	1	CHANGER CD	
9	E406784-001	FEED MOTOR	1		
10	QAR0130-001	SPPINDLE MOTOR	1		
11	EMW10190-441	P.C.BOARD	1		
12	QGA2001F1-06	6P PLUG ASSY	1		
13	QSW0506-001	LEAF SWITCH	1		
14	E75832-221SS	SPECIAL SCREW	1		

Cassette mechanism assembly and parts list

Block No. M 4 M M

SLC-W6M



■ Parts list (Cassette mechanism)

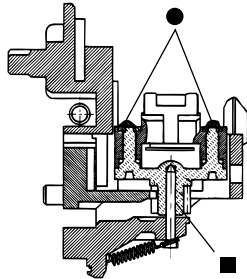
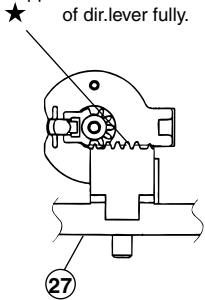
Block No. M4MM

△	Item	Parts number	Parts name	Q'ty	Description	Area
	1	VKS1165-00H	CHASSIS B.ASS'Y	2		
	2	VKH5786-002	SHAFT	2		
	3	VKS5603-00D	MAIN PULLEY ASY	2		
	4	VKS3785-001MM	FR ARM	2		
	5	VKW5284-002	SWING SPRING	2		
	6	VKS2278-003	TRIGGER ARM	2		
	7	VKW5301-001	FR SPRING	2		
	8	VKW5266-001	ELEVATOR SPRING	2		
	9	WDL214025	WASHER	2		
	10	VKF3205-00B	F.WHEEL ASSY(R)	2		
	11	WDL183425	SLIT WASHER	2		
	12	VKF3207-00B	F.WHEEL ASSY(L)	2		
	13	WDL173525-6	SLIT WASHER	2		
	14	VKZ3174-00A	DC SOLENOID	2		
	15	VKB3000-182	CAPSTAN BELT(B)	2		
	16	MSI-5U2LWA	D.C.MOTOR ASS'Y	1		
	17	VKR4761-001	MOTOR PULLEY	1		
	18	QYSPSP2604Z	SCREW	2		
	19	VKM3907-001	JOINT BRACKET	1		
	20	QYSBSF2608Z	T.SCREW	6		
	21	LV41090-001A	P.B.HEAD	1		
	22	LV41089-001A	R/P&E HEAD	1		
	23	VKW5302-001	HEAD SPRING	2		
	24	VKZ4730-001	SPECIAL SCREW	4		
	25	VKS2279-00D	HEAD MOUNT ASSY	1		
	26	VKW5299-002	PIN ROL.SP.(R)	2		
	27	VKS2277-005	DIRECTION LEVER	2		
	28	VKP4233-00A	PINCH ROL. ASSY	4		
	29	VKW5285-001	RETURN SPRING	2		
	30	VKS3786-00G	CLUTCH ASS'Y	2		
	31	VKS2275-00D	HEAD MOUNT ASSY	1		
	32	VKW5300-002	PIN ROL.SP.(L)	2		
	33	VKS1167-001	HEAD MOUNT BASE	2		
	34	VKS2274-002	REEL GEAR	4		
	35	VKM3906-003	PLAY SW LEVER	2		
	36	VKW5286-002	B.T. SPRING	4		
	37	VKS5559-001	PLAY IDLE GEAR	2		
	38	VKY3149-002	CASSETTE SP.	2		
	39	VKW5279-001	HEAD BASE SP(R)	2		
	40	VKW5280-001	HEAD BASE SP(L)	2		
	41	VKW5296-001	EARTH SPRING	2		
	42	VKS5597-00A	BLIND	2		
	43	VKS1166-003	CONTROL CAM	2		
	45	QYSBSF2608Z	T.SCREW	5	FOR P.W.B.	
	46	VKR4749-002	IDLE PULLEY	2		
	47	QYSBSF2006Z	SCREW	2		

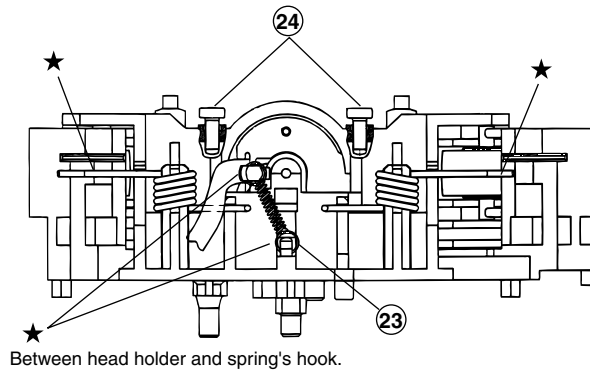
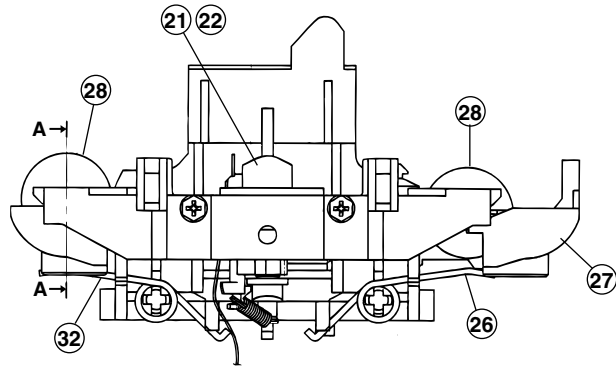
Grease point

Grease	
★	=JC-525
■	=FL-7750
▲	=UD-24
△	=UD-24H2
●	=LX-1349B
◎	=MOBIL-1

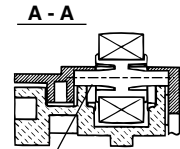
Should be applied to the rack of dir.lever fully.



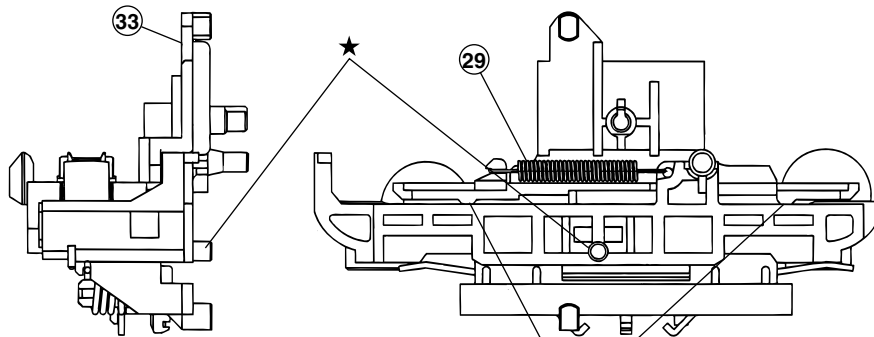
Between head holder and shaft.



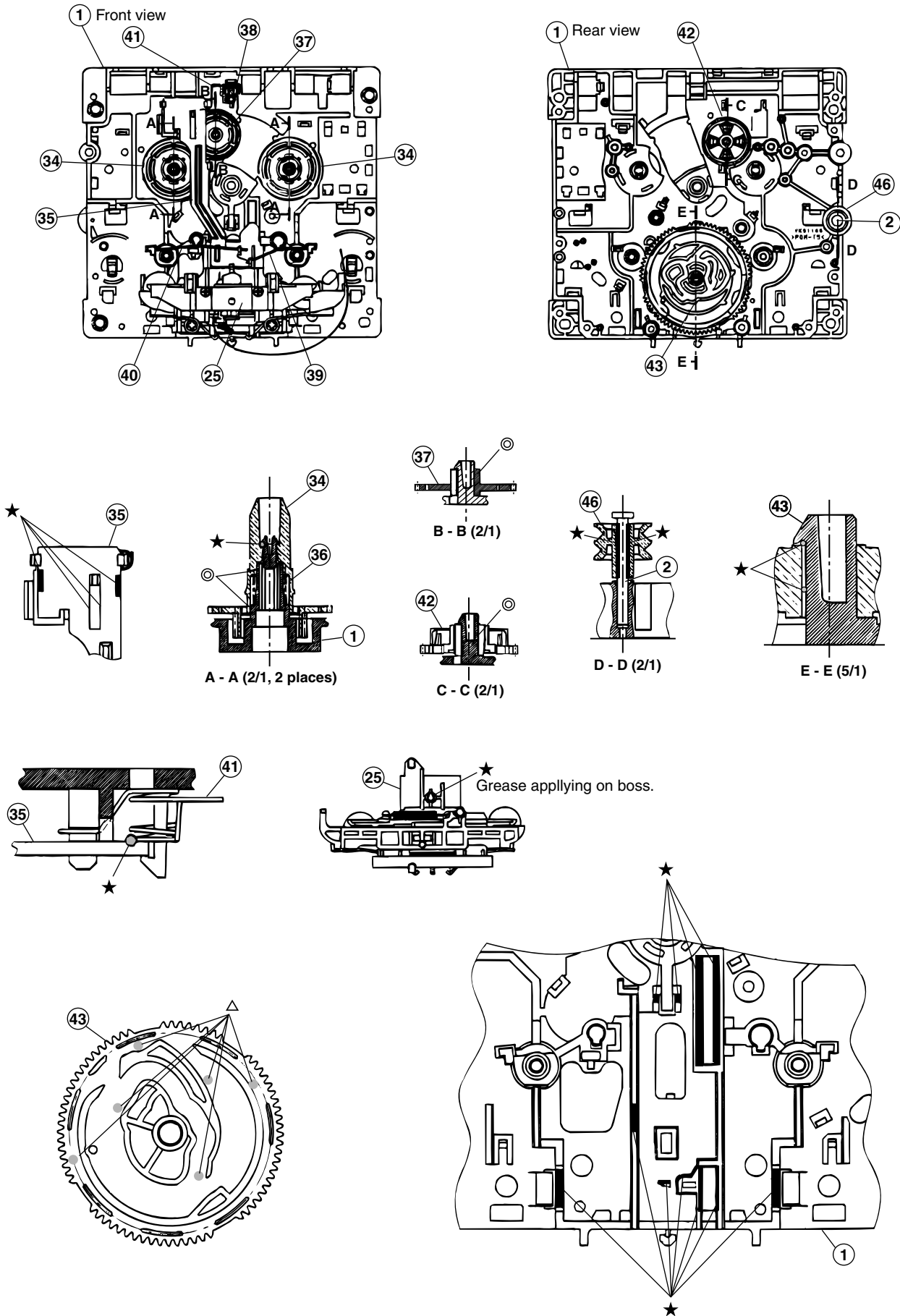
Between head holder and spring's hook.

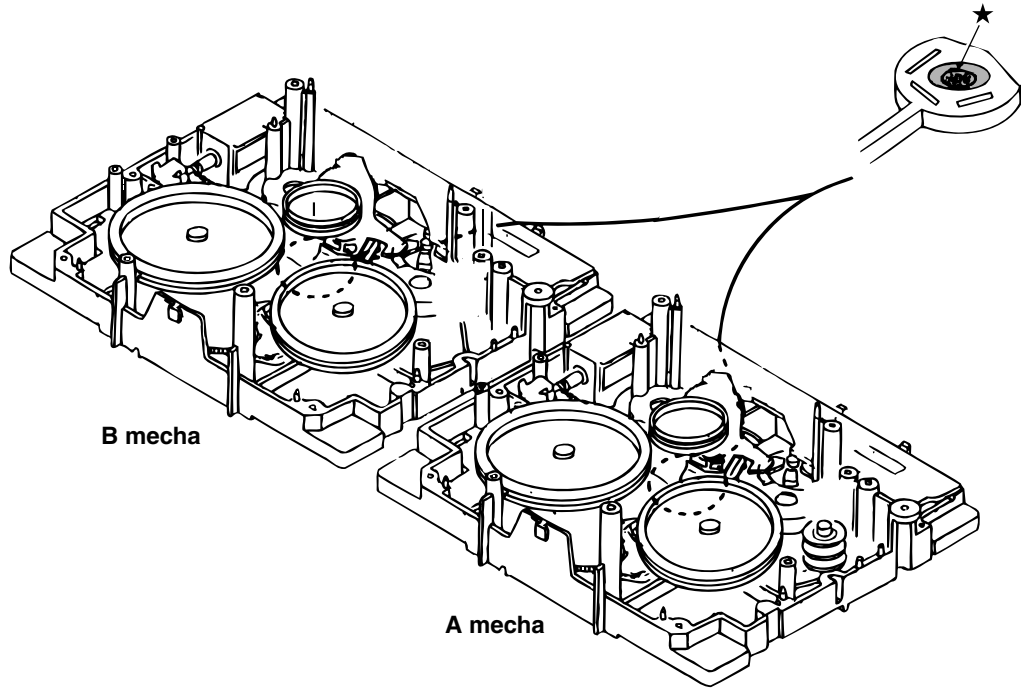
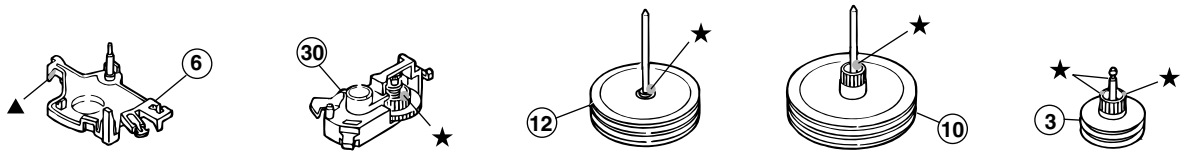
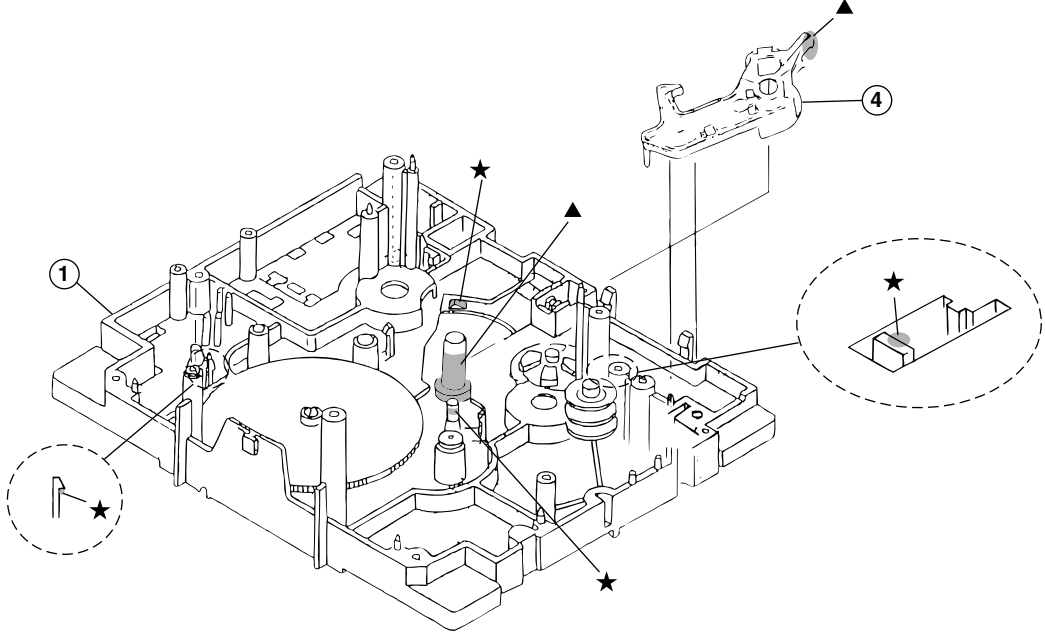


Apply oil to the shaft of pinch roller on both sides before assembly.



★ Between direction lever and head mount base.





■ Electrical parts list (Power AMP board)

Block No. 01

△	Item	Parts number	Parts name	Remarks	Area	△	Item	Parts number	Parts name	Remarks	Area
	C 201	QFV72AJ-104Z	M CAPACITOR	.10MF 5% 100V			C 781	EETC1HM-225ZJC	E CAPACITOR		
	C 202	QFV72AJ-104Z	M CAPACITOR	.10MF 5% 100V			C 782	EETC1HM-225ZJC	E CAPACITOR		
	C 203	QFV72AJ-104Z	M CAPACITOR	.10MF 5% 100V			C 783	QCBB1HK-471Y	C CAPACITOR	470PF 10% 50V	B,E,EN,EV
△	C 204	QEZO461-478	E CAPACITOR	4700MF			C 783	QCBB1HK-101Y	C CAPACITOR	100PF 10% 50V	J,C
△	C 205	QEZO461-478	E CAPACITOR	4700MF			C 784	QCBB1HK-101Y	C CAPACITOR	100PF 10% 50V	J,C
	C 211	QFVJ1HJ-104Z	TF CAPACITOR	.10MF 5% 50V			C 784	QCBB1HK-471Y	C CAPACITOR	470PF 10% 50V	B,E,EN,EV
	C 212	QFVJ1HJ-104Z	TF CAPACITOR	.10MF 5% 50V			C 785	QCBB1HK-181Y	C CAPACITOR	180PF 10% 50V	
	C 213	QFVJ1HJ-104Z	TF CAPACITOR	.10MF 5% 50V			C 786	QCBB1HK-181Y	C CAPACITOR	180PF 10% 50V	
△	C 214	QETM1VM-228	E CAPACITOR	2200MF 20% 35V			C 787	EETC1EM-476ZJC	E CAPACITOR		
△	C 215	QETM1VM-228	E CAPACITOR	2200MF 20% 35V			C 788	EETC1EM-476ZJC	E CAPACITOR		
	C 216	QETN1VM-107Z	E CAPACITOR	100MF 20% 35V			C 789	QCS11HJ-100	C CAPACITOR	10PF 5% 50V	
	C 217	QETN1JM-476Z	E CAPACITOR	47MF 20% 63V			C 790	QCS11HJ-100	C CAPACITOR	10PF 5% 50V	
	C 218	EETC1HM-226ZJC	E CAPACITOR				C 791	EETC1HM-226ZJC	E CAPACITOR		
	C 219	QDYB1CM-103Y	C CAPACITOR				C 792	EETC1HM-226ZJC	E CAPACITOR		
	C 220	EETC1HM-226ZJC	E CAPACITOR				C 793	QFVJ1HJ-104Z	TF CAPACITOR	.10MF 5% 50V	C
	C 221	EETC1HM-475ZJC	E CAPACITOR				C 793	QFVJ1HJ-104Z	TF CAPACITOR	.10MF 5% 50V	B,E,EN,EV
	C 222	EETC1HM-475ZJC	E CAPACITOR				C 794	QFVJ1HJ-104Z	TF CAPACITOR	.10MF 5% 50V	B,E,EN,EV
	C 223	EETC1HM-105ZJC	E CAPACITOR				C 794	QFVJ1HJ-104Z	TF CAPACITOR	.10MF 5% 50V	C
	C 224	EETC1HM-105ZJC	E CAPACITOR				C 795	QFVJ1HJ-104Z	TF CAPACITOR	.10MF 5% 50V	C
	C 233	QFLM1HJ-103Z	M CAPACITOR	.010MF 5% 50V			C 795	QFVJ1HJ-104Z	TF CAPACITOR	.10MF 5% 50V	B,E,EN,EV
	C 238	QFLM1HJ-223Z	M CAPACITOR	.022MF 5% 50V	C		C 796	QFVJ1HJ-104Z	TF CAPACITOR	.10MF 5% 50V	B,E,EN,EV
	C 238	QFLM1HJ-223Z	M CAPACITOR	.022MF 5% 50V	B,E,EN,EV		C 796	QFVJ1HJ-104Z	TF CAPACITOR	.10MF 5% 50V	C
	C 239	QFLM1HJ-223Z	M CAPACITOR	.022MF 5% 50V	B,E,EN,EV		C 797	QFLM1HJ-473Z	M CAPACITOR	.047MF 5% 50V	J
	C 239	QFLM1HJ-223Z	M CAPACITOR	.022MF 5% 50V	C		C 798	QFLM1HJ-473Z	M CAPACITOR	.047MF 5% 50V	J
	C 253	QETM1EM-338	E CAPACITOR	3300MF 20% 25V			C 799	QDYB1CM-103Y	C CAPACITOR		J,C
	C 360	EETC1EM-226ZJC	E CAPACITOR				C 799	QFLM1HJ-103Z	C CAPACITOR	.010MF 5% 50V	B,E,EN,EV
	C 361	QCF11HZ-103	C CAPACITOR	.010MF +80:-20%			CN102	QGB2510J1-10	CONNECTOR		
	C 362	EETC1EM-226ZJC	E CAPACITOR				CN103	QGB2510J1-11	B TO B CONNE		
	C 366	EETC1EM-226ZJC	E CAPACITOR				CN104	QGB2510J1-06	B TO B CONNE		
	C 367	QCF11HZ-103	C CAPACITOR	.010MF +80:-20%			CN105	QGB2510J1-11	CONNECTOR		
	C 368	EETC1EM-226ZJC	E CAPACITOR				CN106	QGB2510K2-10	B TO B CONNE		
	C 369	EETC1EM-226ZJC	E CAPACITOR				CN107	QGB2510K2-07	B TO B CONNE		
	C 370	QCF11HZ-103	C CAPACITOR	.010MF +80:-20%			CN109	QGA3901C1-05	5P CONNECTOR		
	C 371	EETC1EM-226ZJC	E CAPACITOR				CN111	QGD2501C1-04Z	SOCKET		
	C 372	EETC1EM-226ZJC	E CAPACITOR				CN112	QGB2510K2-10	CONNECTOR		
	C 373	QCF11HZ-103	C CAPACITOR	.010MF +80:-20%			CN113	QGB2510K2-11	B TO B CONNE	TO FMH-001-2	
	C 374	EETC1EM-226ZJC	E CAPACITOR				CN114	QGB2510K2-06	B TO B CONNE	TO FMH-001-2	
	C 703	QCBB1HK-471Y	C CAPACITOR	470PF 10% 50V			CN119	EWS285-202V	SKT WIRE		
	C 704	QCBB1HK-471Y	C CAPACITOR	470PF 10% 50V			CN120	QGA2501C4-03	CONNECTOR		
	C 705	QCS11HJ-220	C CAPACITOR	22PF 5% 50V			CN703	QGB2510K2-06	CONNECTOR	TO CONN. BOARD	
	C 706	QCS11HJ-220	C CAPACITOR	22PF 5% 50V			CN704	QGB2510K2-05	CONNECTOR	TO CONN. BOARD	
	C 707	QETN1EM-476Z	E CAPACITOR	47MF 20% 25V			CN713	QGB2510J1-06	CONNECTOR		
	C 708	QETN1EM-476Z	E CAPACITOR	47MF 20% 25V			CN714	QGB2510J1-05	CONNECTOR		
	C 709	QCS11HJ-100	C CAPACITOR	10PF 5% 50V			CN915	QGD2501C1-04Z	SOCKET	FOR H/PHONE FW	
	C 710	QCS11HJ-100	C CAPACITOR	10PF 5% 50V			△	D 201	1N5402M-20	DIODE	
	C 711	QETN1JM-476Z	E CAPACITOR	100MF 20% 50V			△	D 202	1N5402M-20	DIODE	
	C 712	QETN1JM-476Z	E CAPACITOR	47MF 20% 63V			△	D 203	1N5402M-20	DIODE	
	C 713	QFVJ1HJ-104Z	TF CAPACITOR	.10MF 5% 50V	C		△	D 204	1N5402M-20	DIODE	
	C 713	QFVJ1HJ-104Z	TF CAPACITOR	.10MF 5% 50V	B,E,EN,EV		△	D 211	30DF2-FC	DIODE	
	C 714	QFVJ1HJ-104Z	TF CAPACITOR	.10MF 5% 50V	B,E,EN,EV		△	D 212	30DF2-FC	DIODE	
	C 714	QFVJ1HJ-104Z	TF CAPACITOR	.10MF 5% 50V	C		△	D 213	30DF2-FC	DIODE	
	C 715	QFVJ1HJ-104Z	TF CAPACITOR	.10MF 5% 50V	C		△	D 214	30DF2-FC	DIODE	
	C 715	QFVJ1HJ-104Z	TF CAPACITOR	.10MF 5% 50V	B,E,EN,EV		△	D 217	1SR35-400A-T5	DIODE	
	C 716	QFVJ1HJ-104Z	TF CAPACITOR	.10MF 5% 50V	B,E,EN,EV		△	D 218	1SR35-400A-T5	DIODE	
	C 716	QFVJ1HJ-104Z	TF CAPACITOR	.10MF 5% 50V	C		D 219	MTZJ33C-T2	Z DIODE		
	C 717	QFLM1HJ-473Z	M CAPACITOR	.047MF 5% 50V	J		D 220	MTZJ9.1C-T2	Z DIODE		
	C 718	QFLM1HJ-473Z	M CAPACITOR	.047MF 5% 50V	J		D 221	MTZJ5.1B-T2	ZENER DIODE		
	C 721	QTE1V06-106Z	E CAPACITOR				D 223	1SS133-T2	SI DIODE		
	C 722	QTE1V06-106Z	E CAPACITOR				D 224	1SS133-T2	SI DIODE		
	C 723	QFVJ1HJ-474Z	CAPACITOR	.47MF 5% 50V			D 225	1SS133-T2	SI DIODE		
	C 726	EETC1EM-106ZJC	E.CAPACITOR				△	D 227	1SR35-400A-T5	DIODE	
	C 729	EETC1CM-476ZJC	E.CAPACITOR				△	D 231	RN1Z-F1	SI DIODE	
	C 739	QFLM1HJ-103Z	M CAPACITOR	.010MF 5% 50V			△	D 232	RN1Z-F1	SI DIODE	

■ Electrical parts list (Power AMP board)

Block No. 01

△	Item	Parts number	Parts name	Remarks	Area	△	Item	Parts number	Parts name	Remarks	Area
△	D 233	RN1Z-F1	SI DIODE				Q 374	KRC104M-T	D.TRANSISTOR		
△	D 234	RN1Z-F1	SI DIODE				Q 375	KRC104M-T	D.TRANSISTOR		
	D 245	1SS133-T2	SI DIODE				Q 376	KRA104M-T	D.TRANSISTOR		
	D 360	MTZJ5.1B-T2	ZENER DIODE				Q 701	2SA1038S/SE/-T	TRANSISTOR		
	D 361	MTZJ11C-T2	Z DIODE				Q 702	2SA1038S/SE/-T	TRANSISTOR		
	D 362	MTZJ6.8C-T2	Z DIODE				Q 726	2SC2389S/SE/-T	TRANSISTOR		
	D 365	MTZJ9.1B-T2	ZENER DIODE				Q 727	2SA1038S/SE/-T	TRANSISTOR		
	D 366	MTZJ11C-T2	ZENER DIODE				Q 728	KTC3199/GL/-T	TRANSISTOR		
	D 367	MTZJ10C-T2	Z.DIODE				Q 733	2SC3576-JVC-T	TRANSISTOR		
	D 368	MTZJ11C-T2	Z.DIODE				Q 734	2SC3576-JVC-T	TRANSISTOR		
	D 369	MTZJ10C-T2	Z.DIODE				Q 735	2SC3576-JVC-T	TRANSISTOR		
	D 370	MTZJ11C-T2	Z.DIODE	SHORT TEST			Q 736	2SC3576-JVC-T	TRANSISTOR		
	D 703	MTZJ8.2C-T2	ZENER DIODE				Q 737	KRA111M-T	D.TRANSISTOR		
	D 704	MTZJ8.2C-T2	ZENER DIODE				Q 758	2SA1038S/S/-T	TRANSISTOR		
	D 719	1SS133-T2	SI DIODE				Q 781	2SA1038S/SE/-T	TRANSISTOR		
	D 720	1SS133-T2	SI DIODE				Q 782	2SA1038S/SE/-T	TRANSISTOR		
	D 721	MTZJ8.2C-T2	ZENER DIODE			△	R 202	QRJ146J-4R7X	UNF C.RESISTOR	4.7 5% 1/4W	J
	D 722	MTZJ8.2C-T2	ZENER DIODE				R 203	QRE141J-332Y	C RESISTOR	3.3K 5% 1/4W	
	D 723	MTZJ33C-T2	Z DIODE				R 204	QRE141J-223Y	C RESISTOR	22K 5% 1/4W	
	D 724	MTZJ33C-T2	Z DIODE				R 205	QRE141J-104Y	C RESISTOR	100K 5% 1/4W	
	D 728	1SS133-T2	SI DIODE				R 209	QRE141J-103Y	C RESISTOR	10K 5% 1/4W	
	D 789	1SS133-T2	SI DIODE				R 210	QRE141J-472Y	C RESISTOR	4.7K 5% 1/4W	
	D 790	1SS133-T2	SI DIODE				R 211	QRE141J-182Y	C RESISTOR	1.8K 5% 1/4W	
	EP201	E409182-001SM	GRAND TERMINAL				R 215	QRE141J-473Y	C RESISTOR	47K 5% 1/4W	
	FT111	QNG0020-001Z	FUSE CLIP				R 216	QRE141J-473Y	C RESISTOR	47K 5% 1/4W	
	FT112	QNG0020-001Z	FUSE CLIP				R 238	QRJ146J-4R7X	UNF C.RESISTOR	4.7 5% 1/4W	C
	FT511	QNG0020-001Z	FUSE CLIP				R 238	QRJ146J-4R7X	UNF C.RESISTOR	4.7 5% 1/4W	B,E,EN,EV
	FT512	QNG0020-001Z	FUSE CLIP				R 239	QRJ146J-4R7X	UNF C.RESISTOR	4.7 5% 1/4W	B,E,EN,EV
	FT521	QNG0020-001Z	FUSE CLIP				R 239	QRJ146J-4R7X	UNF C.RESISTOR	4.7 5% 1/4W	C
	FT522	QNG0020-001Z	FUSE CLIP				R 242	QRE141J-222Y	C RESISTOR	2.2K 5% 1/4W	
	FW101	QUM134-12DGZ4	FLAT WIRE				R 245	QRE141J-222Y	C RESISTOR	2.2K 5% 1/4W	
	FW411	QUM137-13DGZ4	FLAT WIRE				R 246	QRE141J-222Y	C RESISTOR	2.2K 5% 1/4W	
	IC701	STK411-210E	IC				R 247	QRE141J-222Y	C RESISTOR	2.2K 5% 1/4W	
	IC781	TDA7295	IC				R 290	QRE141J-102Y	C RESISTOR	1.0K 5% 1/4W	
	IC782	TDA7295	IC				R 291	QRE141J-102Y	C RESISTOR	1.0K 5% 1/4W	
	L 201	QQR0779-001Z	INDUCTOR		B,E,EN,EV		R 292	QRE141J-102Y	C RESISTOR	1.0K 5% 1/4W	
	L 201	QQR0779-001Z	INDUCTOR		C		R 293	QRE141J-102Y	C RESISTOR	1.0K 5% 1/4W	
	L 701	QQLZ005-R45	INDUCTOR				R 294	QRE141J-103Y	C RESISTOR	10K 5% 1/4W	
	L 702	QQLZ005-R45	INDUCTOR				R 295	QRE141J-183Y	C RESISTOR	18K 5% 1/4W	
	L 781	QQLZ005-R45	INDUCTOR				R 296	QRT01DJ-R22X	UNF.MF.RESISTOR	5% 1/1W	
	L 782	QQLZ005-R45	INDUCTOR				R 299	QRL012J-332	UNF.OMF.RES.	3.3K 5% 1/1W	
	Q 201	2SB1274/RS/	TRANSISTOR			△	R 360	QRZ9042-2R2X	F RESISTOR	2.2 1/0W	C
	Q 203	KRC107M-T	D.TRANSISTOR			△	R 360	QRZ9042-2R2X	F RESISTOR	2.2 1/0W	B,E,EN,EV
	Q 204	KRC107M-T	D.TRANSISTOR			△	R 361	QRZ9006-4R7X	F RESISTOR	4.7 1/0W	B,E,EN,EV
	Q 205	KRC107M-T	D.TRANSISTOR			△	R 361	QRZ9042-2R2X	F RESISTOR	2.2 1/0W	C
	Q 240	KTC3199/GL/-T	TRANSISTOR				R 362	QRE141J-331Y	C RESISTOR	330 5% 1/4W	
	Q 241	KTC3199/GL/-T	TRANSISTOR				R 363	QRE141J-331Y	C RESISTOR	330 5% 1/4W	
	Q 242	KTC3199/GL/-T	TRANSISTOR				R 364	QRE141J-122Y	C RESISTOR	1.2K 5% 1/4W	
	Q 360	2SD2394/EF/	TRANSISTOR		B,E,EN,EV		R 365	QRE141J-561Y	C RESISTOR	560 5% 1/4W	
△	Q 360	2SD2061/EF/	TRANSISTOR		J,C		R 366	QRE141J-561Y	C RESISTOR	560 5% 1/4W	
	Q 361	KTC3199/GL/-T	TRANSISTOR				R 367	QRE141J-122Y	C RESISTOR	1.2K 5% 1/4W	
	Q 362	KTC3199/GL/-T	TRANSISTOR				R 368	QRE141J-331Y	C RESISTOR	330 5% 1/4W	
△	Q 365	2SD2394/EF/	TRANSISTOR		B,E,EN,EV		R 371	QRE141J-4R7Y	C RESISTOR	4.7 5% 1/4W	
△	Q 365	2SD2061/EF/	SI.TRANSISTOR		J,C		R 372	QRE141J-4R7Y	C RESISTOR	4.7 5% 1/4W	
△	Q 366	2SD2061/EF/	SI.TRANSISTOR		J,C	△	R 373	QRZ9021-220	FUSI RESISTOR	22 1/0W	C
△	Q 366	2SD2394/EF/	TRANSISTOR		B,E,EN,EV	△	R 373	QRZ9021-220	FUSI.RESISTOR	22 1/0W	B,E,EN,EV
	Q 367	KTA1267/YG/-T	TRANSISTOR			△	R 374	QRZ9021-220	FUSI.RESISTOR	22 1/0W	B,E,EN,EV
	Q 368	KTC3199/GL/-T	TRANSISTOR			△	R 374	QRZ9021-220	FUSI RESISTOR	22 1/0W	C
△	Q 369	2SD2394/EF/	TRANSISTOR		B,E,EN,EV	△	R 374	QRL022J-220	O.M.F.RESISTOR	22 5% 1/2W	J
△	Q 369	2SD2061/EF/	SI.TRANSISTOR		J,C	△	R 375	QRZ9021-220	FUSI.RESISTOR	22 1/0W	B,E,EN,EV
	Q 370	KTC3199/GL/-T	TRANSISTOR			△	R 375	QRZ9021-220	FUSI.RESISTOR	22 1/0W	C
△	Q 371	2SB1565/EF/	TRANSISTOR			△	R 375	QRL022J-220	UNF.OMF.RES.	22 5% 1/2W	J
	Q 373	KRA104M-T	D.TRANSISTOR				R 376	QRE141J-221Y	C RESISTOR	220 5% 1/4W	

■ Electrical parts list (Power AMP board)

Block No. 01

△	Item	Parts number	Parts name	Remarks	Area
	R 377	QRE141J-681Y	C RESISTOR	680 5% 1/4W	
	R 378	QRE141J-182Y	C RESISTOR	1.8K 5% 1/4W	
	R 379	QRL022J-220	UNF.OMF.RES.	22 5% 1/2W	J
	R 380	QRL022J-220	UNF.OMF.RES.	22 5% 1/2W	J
	R 381	QRE141J-272Y	C RESISTOR	2.7K 5% 1/4W	
	R 382	QRE141J-562Y	C RESISTOR	5.6K 5% 1/4W	
△	R 383	QRL01DJ-150X	OMF RESISTOR	15 5% 1/1W	J
	R 384	QRE141J-272Y	C RESISTOR	2.7K 5% 1/4W	
	R 385	QRE141J-562Y	C RESISTOR	5.6K 5% 1/4W	
	R 388	QRE141J-103Y	C RESISTOR	10K 5% 1/4W	
	R 389	QRE141J-103Y	C RESISTOR	10K 5% 1/4W	
	R 390	QRL022J-220	UNF.OMF.RES.	22 5% 1/2W	J
	R 391	QRL022J-220	UNF.OMF.RES.	22 5% 1/2W	J
	R 701	QRL01DJ-101X	OMF RESISTOR	100 5% 1/1W	
	R 702	QRL01DJ-101X	OMF RESISTOR	100 5% 1/1W	
	R 703	QRE141J-563Y	C RESISTOR	56K 5% 1/4W	
	R 704	QRE141J-563Y	C RESISTOR	56K 5% 1/4W	
	R 705	QRJ146J-681X	UNF.C.RESISTOR	680 5% 1/4W	
	R 706	QRJ146J-681X	UNF.C.RESISTOR	680 5% 1/4W	
	R 707	QRE141J-563Y	C RESISTOR	56K 5% 1/4W	
	R 708	QRE141J-563Y	C RESISTOR	56K 5% 1/4W	
	R 709	QRT01DJ-R22X	UNF.MF.RESISTOR	5% 1/1W	
	R 710	QRT01DJ-R22X	UNF.MF.RESISTOR	5% 1/1W	
	R 711	QRT01DJ-R22X	UNF.MF.RESISTOR	5% 1/1W	
	R 712	QRT01DJ-R22X	UNF.MF.RESISTOR	5% 1/1W	
	R 713	QRJ146J-100X	UNF.C RESISTOR	10 5% 1/4W	
	R 714	QRJ146J-100X	UNF.C RESISTOR	10 5% 1/4W	
	R 715	QRJ146J-100X	UNF.C RESISTOR	10 5% 1/4W	
	R 716	QRJ146J-100X	UNF.C RESISTOR	10 5% 1/4W	
	R 717	QRE141J-122Y	C RESISTOR	1.2K 5% 1/4W	
	R 718	QRE141J-122Y	C RESISTOR	1.2K 5% 1/4W	
	R 719	QRE141J-223Y	C RESISTOR	22K 5% 1/4W	
	R 720	QRE141J-223Y	C RESISTOR	22K 5% 1/4W	
	R 721	QRE141J-103Y	C RESISTOR	10K 5% 1/4W	
	R 722	QRE141J-103Y	C RESISTOR	10K 5% 1/4W	
	R 723	QRE141J-392Y	C RESISTOR	3.9K 5% 1/4W	
	R 724	QRE141J-392Y	C RESISTOR	3.9K 5% 1/4W	
	R 725	QRE141J-823Y	C RESISTOR	82K 5% 1/4W	
	R 726	QRE141J-104Y	C RESISTOR	100K 5% 1/4W	
	R 727	QRE141J-104Y	C RESISTOR	100K 5% 1/4W	
	R 728	QRE141J-103Y	C RESISTOR	10K 5% 1/4W	
	R 729	QRE141J-104Y	C RESISTOR	100K 5% 1/4W	
	R 730	QRE141J-103Y	C RESISTOR	10K 5% 1/4W	
	R 733	QRE141J-472Y	C RESISTOR	47K 5% 1/4W	
	R 734	QRE141J-472Y	C RESISTOR	4.7K 5% 1/4W	
	R 735	QRE141J-472Y	C RESISTOR	47K 5% 1/4W	
	R 736	QRE141J-472Y	C RESISTOR	4.7K 5% 1/4W	
	R 739	QRL01DJ-821X	OMF RESISTOR	820 5% 1/1W	
	R 740	QRL01DJ-821X	OMF RESISTOR	820 5% 1/1W	
	R 741	QRE141J-223Y	C RESISTOR	22K 5% 1/4W	
	R 742	QRE141J-223Y	C RESISTOR	22K 5% 1/4W	
	R 743	QRE141J-223Y	C RESISTOR	22K 5% 1/4W	
	R 744	QRE141J-223Y	C RESISTOR	22K 5% 1/4W	
	R 745	QRE141J-103Y	C RESISTOR	10K 5% 1/4W	
	R 746	QRE141J-103Y	C RESISTOR	10K 5% 1/4W	
	R 747	QRE141J-823Y	C RESISTOR	82K 5% 1/4W	
	R 748	QRE141J-104Y	C RESISTOR	100K 5% 1/4W	
	R 749	QRE141J-471Y	C RESISTOR	470 5% 1/4W	
	R 750	QRE141J-471Y	C RESISTOR	470 5% 1/4W	
	R 751	QRJ146J-100X	UNF.C RESISTOR	10 5% 1/4W	
	R 752	QRJ146J-100X	UNF.C RESISTOR	10 5% 1/4W	
	R 766	QRE141J-333Y	C RESISTOR	33K 5% 1/4W	
	R 767	QRE141J-683Y	C RESISTOR	68K 5% 1/4W	

△	Item	Parts number	Parts name	Remarks	Area
	R 771	QRE141J-222Y	C RESISTOR	2.2K 5% 1/4W	
	R 772	QRE141J-103Y	C RESISTOR	10K 5% 1/4W	
	R 774	QRJ146J-100X	UNF.C RESISTOR	10 5% 1/4W	
	R 775	QRE141J-102Y	C RESISTOR	1.0K 5% 1/4W	
	R 776	QRE141J-102Y	C RESISTOR	1.0K 5% 1/4W	
	R 783	QRE141J-563Y	C RESISTOR	56K 5% 1/4W	
	R 784	QRE141J-563Y	C RESISTOR	56K 5% 1/4W	
	R 785	QRJ146J-182X	C RESISTOR	1.8K 5% 1/4W	
	R 786	QRJ146J-182X	UNF.C.RESISTOR	1.8K 5% 1/4W	
	R 787	QRE141J-563Y	C RESISTOR	56K 5% 1/4W	
	R 788	QRE141J-563Y	C RESISTOR	56K 5% 1/4W	
	R 789	QRT01DJ-R22X	UNF.MF.RES.I.M	5% 1/1W	
	R 790	QRT01DJ-R22X	UNF.MF.RES.I.M	5% 1/1W	
	R 791	QRT01DJ-R22X	UNF.MF.RES.I.M	5% 1/1W	
	R 792	QRT01DJ-R22X	UNF.MF.RES.I.M	5% 1/1W	
	R 793	QRJ146J-100X	UNF.C RESISTOR	10 5% 1/4W	
	R 794	QRJ146J-100X	UNF.C RESISTOR	10 5% 1/4W	
	R 795	QRJ146J-100X	UNF.C RESISTOR	10 5% 1/4W	
	R 796	QRJ146J-100X	UNF.C RESISTOR	10 5% 1/4W	
	R 797	QRE141J-122Y	C RESISTOR	1.2K 5% 1/4W	
	R 798	QRE141J-122Y	C RESISTOR	1.2K 5% 1/4W	
	R1001	QRZ9044-335	C RESISTOR	3.3M 1/0W	J,C
	SP200	E3400-439	FELT SPACER		
	TB101	QNZ0079-001Z	TAB		
	TB102	QNZ0079-001Z	TAB		
	TH202	QAD0095-4R7Z	P.THERMISTOR		B,E,EN,EV
	TH202	QAD0095-4R7Z	POSISTOR		C
	TW120	WJK0040-001A	E-SI C WIRE C-B		

Electrical parts list (Function,Tuner,Main board) Block No. 02

Item	Parts number	Parts name	Remarks	Area	Item	Parts number	Parts name	Remarks	Area
C 1	QCBB1HK-223Y	C CAPACITOR	.022MF 10% 50V		C 83	QCBB1HK-473Y	C CAPACITOR	.047MF 10% 50V	B,E,EN,EV
C 3	QCBB1HK-473Y	C CAPACITOR	.047MF 10% 50V		C 84	EETC1HM-225ZJC	E CAPACITOR		B,E,EN,EV
C 4	QDYB1CM-103Y	C CAPACITOR			C 85	QCBB1HK-331Y	C CAPACITOR	330PF 10% 50V	B,E,EN,EV
C 5	QETN1AM-107Z	E CAPACITOR	100MF 20% 10V	B,E,EN,EV	C 86	QCBB1HK-561Y	C CAPACITOR	560PF 10% 50V	B,E,EN,EV
C 5	EETC1CM-476ZJC	E CAPACITOR		J,C	C 89	QDGB1HK-102Y	C CAPACITOR		B,E,EN,EV
C 8	QCSB1HJ-150Y	C CAPACITOR	15PF 5% 50V	B,E,EN,EV	C 90	QDYB1CM-103Y	C CAPACITOR		B,E,EN,EV
C 9	QDXB1CM-272Y	C CAPACITOR		B,E,EN,EV	C 98	QCSB1HJ-100Y	C CAPACITOR	10PF 5% 50V	B,E,EN,EV
C 10	EETC1HM-474ZJC	E CAPACITOR			C 360	QFVJ1HJ-104Z	TF CAPACITOR	.10MF 5% 50V	
C 12	QCSB1HJ-100Y	C CAPACITOR	10PF 5% 50V	J,C	C 361	QFVJ1HJ-104Z	TF CAPACITOR	.10MF 5% 50V	
C 12	QCSB1HJ-150Y	C CAPACITOR	15PF 5% 50V	B,E,EN,EV	C 365	QETN1CM-227Z	E CAPACITOR	220MF 20% 16V	
C 13	QFLM1HJ-473Z	M CAPACITOR	.047MF 5% 50V		C 366	QETN1AM-108Z	E CAPACITOR	1000MF 20% 10V	
C 14	QCBB1HK-473Y	C CAPACITOR	.047MF 10% 50V		C 372	EETC1HM-475ZJC	E CAPACITOR		
C 15	QCBB1HK-391Y	C CAPACITOR	390PF 10% 50V	B,E,EN,EV	C 373	QDYB1CM-103Y	C CAPACITOR		
C 18	QCBB1HK-471Y	C CAPACITOR	470PF 10% 50V	J,C	C 380	EETC1HM-224ZJC	E CAPACITOR		
C 18	QDXB1CM-152Y	C CAPACITOR		B,E,EN,EV	C 381	QCFB1HZ-104Y	C CAPACITOR	.10MF +80:-20%	
C 19	QCBB1HK-471Y	C CAPACITOR	470PF 10% 50V	J,C	C 382	QCFB1HZ-104Y	C CAPACITOR	.10MF +80:-20%	
C 19	QDXB1CM-152Y	C CAPACITOR		B,E,EN,EV	C 383	EETC1EM-476ZJC	E CAPACITOR		
C 20	EETC1HM-226ZJC	E CAPACITOR			C 385	EETC1HM-105ZJC	E CAPACITOR		
C 21	QCBB1HK-473Y	C CAPACITOR	.047MF 10% 50V		C 386	QDGB1HK-681Y	C CAPACITOR		
C 22	QFVJ1HJ-274Z	CAPACITOR	.27MF 5% 50V		C 387	QFLM1HJ-153Z	M CAPACITOR	.015MF 5% 50V	
C 23	EETC1HM-105ZJC	E CAPACITOR			C 388	QDXB1CM-182Y	C CAPACITOR		
C 24	EETC1HM-226ZJC	E CAPACITOR			C 389	QCS11HJ-330	C CAPACITOR	33PF 5% 50V	
C 25	QFLM1HJ-223Z	C CAPACITOR	.022MF 5% 50V	B,E,EN,EV	C 390	EETC1HM-224ZJC	E CAPACITOR		
C 25	QFLM1HJ-273Z	C CAPACITOR	.027MF 5% 50V	J,C	C 398	QFLM1HJ-103Z	M CAPACITOR	.010MF 5% 50V	
C 26	EETC1EM-106ZJC	E CAPACITOR			C 399	QFLM1HJ-103Z	M CAPACITOR	.010MF 5% 50V	
C 27	EETC1HM-105ZJC	E CAPACITOR			△ C 401	QFLM1HJ-222Z	M CAPACITOR	2200PF 5% 50V	
C 28	EETC1HM-105ZJC	E CAPACITOR			△ C 402	QFLM1HJ-222Z	M CAPACITOR	2200PF 5% 50V	
C 29	QFLM1HJ-182Z	M CAPACITOR	1800PF 5% 50V	B,E,EN,EV	C 403	QFLM1HJ-102Z	M CAPACITOR	1000PF 5% 50V	
C 29	QFLM1HJ-222Z	M CAPACITOR	2200PF 5% 50V	J,C	C 404	QFLM1HJ-102Z	M CAPACITOR	1000PF 5% 50V	
C 30	QFLM1HJ-222Z	M CAPACITOR	2200PF 5% 50V	J,C	C 407	QTE1V06-106Z	E CAPACITOR		
C 30	QFLM1HJ-182Z	M CAPACITOR	1800PF 5% 50V	B,E,EN,EV	C 408	QTE1V06-106Z	E CAPACITOR		
C 31	QCSB1HJ-330Y	C CAPACITOR	33PF 5% 50V	B,E,EN,EV	C 411	EETC1EM-106ZJC	E CAPACITOR		
C 31	QCSB1HJ-560Y	C CAPACITOR	56PF 5% 50V	J,C	C 412	EETC1EM-106ZJC	E CAPACITOR		
C 32	QDGB1HK-102Y	C CAPACITOR			C 413	QCBB1HK-221Y	C CAPACITOR	220PF 10% 50V	
C 33	QCBB1HK-473Y	C CAPACITOR	.047MF 10% 50V		C 414	QCBB1HK-221Y	C CAPACITOR	220PF 10% 50V	
C 34	EETC1HM-474ZJC	E CAPACITOR			C 415	EETC1EM-106ZJC	E CAPACITOR		
C 35	QDYB1CM-103Y	C CAPACITOR			C 416	EETC1EM-106ZJC	E CAPACITOR		
C 36	EETC1HM-105ZJC	E CAPACITOR			C 417	QEKC1HM-225Z	E CAPACITOR	2.2MF 20% 50V	
C 37	EETC1HM-474ZJC	E CAPACITOR			C 418	QEKC1HM-225Z	E CAPACITOR	2.2MF 20% 50V	
C 38	EETC1HM-105ZJC	E CAPACITOR			C 419	EETC1EM-106ZJC	E CAPACITOR		
C 39	QCBB1HK-223Y	C CAPACITOR	.022MF 10% 50V		C 420	QETN1AM-107Z	E CAPACITOR	100MF 20% 10V	
C 40	QETN1EM-107Z	E CAPACITOR	100MF 20% 25V		C 421	QFVJ1HJ-104Z	TF CAPACITOR	.10MF 5% 50V	
C 41	QCBB1HK-473Y	C CAPACITOR	.047MF 10% 50V		C 422	QFVJ1HJ-104Z	TF CAPACITOR	.10MF 5% 50V	
C 42	QCBB1HK-473Y	C CAPACITOR	.047MF 10% 50V		C 423	QFVJ1HJ-104Z	TF CAPACITOR	.10MF 5% 50V	
C 43	QCBB1HK-473Y	C CAPACITOR	.047MF 10% 50V		C 424	QFVJ1HJ-104Z	TF CAPACITOR	.10MF 5% 50V	
C 44	QDGB1HK-102Y	C CAPACITOR		J,C	C 425	QFLM1HJ-183Z	M CAPACITOR	.018MF 5% 50V	
C 51	EETC1HM-105ZJC	E CAPACITOR			C 426	QFLM1HJ-183Z	M CAPACITOR	.018MF 5% 50V	
C 52	EETC1HM-105ZJC	E CAPACITOR			C 427	QFLM1HJ-223Z	M CAPACITOR	.022MF 5% 50V	
C 60	QEKC1AM-107Z	E CAPACITOR	100MF 20% 10V		C 428	QFLM1HJ-223Z	M CAPACITOR	.022MF 5% 50V	
C 61	QCSB1HJ-120Y	C CAPACITOR	12PF 5% 50V		C 429	QFLM1HJ-562Z	M CAPACITOR	5600PF 5% 50V	
C 62	QCSB1HJ-120Y	C CAPACITOR	12PF 5% 50V		C 430	QFLM1HJ-562Z	M CAPACITOR	5600PF 5% 50V	
C 63	QCBB1HK-473Y	C CAPACITOR	.047MF 10% 50V		C 431	QETN1HM-225Z	E CAPACITOR	2.2MF 20% 50V	
C 65	QDGB1HK-102Y	C CAPACITOR			C 432	QETN1HM-225Z	E CAPACITOR	2.2MF 20% 50V	
C 66	QCBB1HK-151Y	C CAPACITOR	150PF 10% 50V		C 433	QTE1H39-225Z	E CAPACITOR		
C 67	QCSB1HJ-270Y	C CAPACITOR	27PF 5% 50V		C 434	QTE1H39-225Z	E CAPACITOR		
C 68	QCBB1HK-101Y	C CAPACITOR	100PF 10% 50V		C 435	QETN1EM-106Z	E CAPACITOR	10MF 20% 25V	
C 69	QFVJ1HJ-105Z	TF.CAPACITOR	1.0MF 5% 50V		C 436	QETN1EM-106Z	E CAPACITOR	10MF 20% 25V	
C 70	QDXB1CM-392Y	C CAPACITOR			C 445	QCBB1HK-101Y	C CAPACITOR	100PF 10% 50V	
C 71	EETC1CM-476ZJC	E CAPACITOR			C 446	QCBB1HK-101Y	C CAPACITOR	100PF 10% 50V	
C 72	QDGB1HK-102Y	C CAPACITOR			C 447	QTE1C39-106Z	E CAPACITOR		
C 80	QCBB1HK-820Y	C CAPACITOR	82PF 10% 50V	B,E,EN,EV	C 448	QTE1C39-106Z	E CAPACITOR		
C 81	QCSB1HJ-470Y	C CAPACITOR	47PF 5% 50V	B,E,EN,EV	C 453	QCBB1HK-101Y	C CAPACITOR	100PF 10% 50V	B,E,EN,EV
C 82	EETC1CM-106ZJC	E CAPACITOR		B,E,EN,EV	C 455	QCBB1HK-101Y	C CAPACITOR	100PF 10% 50V	B,E,EN,EV

■ Electrical parts list (Function,Tuner,Main board) Block No. 02

△	Item	Parts number	Parts name	Remarks	Area	△	Item	Parts number	Parts name	Remarks	Area
	C 457	QTE1V06-106Z	E CAPACITOR				C 541	EETC1HM-225ZJC	E CAPACITOR		
	C 458	QTE1V06-106Z	E CAPACITOR				C 542	QETN1AM-227Z	E CAPACITOR	220MF 20% 10V	
	C 459	QFLM1HJ-333Z	M CAPACITOR	.033MF 5% 50V		△	C 543	QCZ0205-155Z	C CAPACITOR	1.5MF	
	C 460	EETC1HM-475ZJC	E CAPACITOR				C 544	EETC1HM-474ZJC	E CAPACITOR		
	C 461	EETC1HM-474ZJC	E CAPACITOR				C 545	EETC1HM-474ZJC	E CAPACITOR		
	C 462	QFLM1HJ-393Z	M CAPACITOR	.039MF 5% 50V			C 546	QFLM1HJ-823Z	M CAPACITOR	.082MF 5% 50V	
	C 463	EETC1HM-475ZJC	E CAPACITOR				C 547	QCB31HK-332Z	C CAPACITOR	3300PF 10% 50V	
	C 464	QETN1AM-107Z	E CAPACITOR	100MF 20% 10V			C 548	QFLM1HJ-823Z	M CAPACITOR	.082MF 5% 50V	
	C 465	QFLM1HJ-473Z	M CAPACITOR	.047MF 5% 50V			C 549	QETN0JM-227Z	E CAPACITOR	220MF 20% 6.3V	
	C 466	QFLM1HJ-473Z	M CAPACITOR	.047MF 5% 50V			C 550	QCF11HZ-473	C CAPACITOR	.047MF +80%-20%	
	C 467	EETC1HM-105ZJC	E CAPACITOR				C 551	QCS11HJ-300	C CAPACITOR	30PF 5% 50V	
	C 468	EETC1EM-476ZJC	E CAPACITOR				C 552	QCS11HJ-300	C CAPACITOR	30PF 5% 50V	
	C 477	EETC1HM-475ZJC	E CAPACITOR			△	C 553	QETN1EM-106Z	E CAPACITOR	10MF 20% 25V	
	C 481	QDGB1HK-102Y	C CAPACITOR		B,E,EN,EV	△	C 554	QETN1EM-106Z	E CAPACITOR	10MF 20% 25V	
	C 481	QCBB1HK-221Y	C CAPACITOR	220PF 10% 50V	J,C		C 555	EETC1EM-106ZJC	E CAPACITOR		
	C 482	QCBB1HK-221Y	C CAPACITOR	220PF 10% 50V	J,C		C 556	EETC1EM-106ZJC	E CAPACITOR		
	C 482	QDGB1HK-102Y	C CAPACITOR		B,E,EN,EV		C 561	EETC1HM-225ZJC	E CAPACITOR		
	C 483	QDXB1CM-222Y	C CAPACITOR		B,E,EN,EV		C 562	EETC1HM-225ZJC	E CAPACITOR		
	C 483	QCBB1HK-101Y	C CAPACITOR	100PF 10% 50V	J,C		C 563	EETC1HM-105ZJC	E CAPACITOR		
	C 484	QDXB1CM-222Y	C CAPACITOR		B,E,EN,EV		C 564	EETC1HM-105ZJC	E CAPACITOR		
	C 484	QCBB1HK-101Y	C CAPACITOR	100PF 10% 50V	J,C		C 565	EETC1EM-106ZJC	E CAPACITOR		
	C 485	QETN1AM-107Z	E CAPACITOR	100MF 20% 10V			C 566	QETN1AM-107Z	E CAPACITOR	100MF 20% 10V	
	C 489	EETC1CM-476ZJC	E CAPACITOR				C 580	QDX31EM-473Z	C CAPACITOR		
	C 490	EETC1CM-476ZJC	E CAPACITOR			△	C 581	QDGB1HK-102Y	C CAPACITOR		B,E,EN,EV
	C 493	QFVJ1HJ-104Z	TF CAPACITOR	.10MF 5% 50V		△	C 581	QDYB1CM-103Y	C CAPACITOR		J,C
	C 494	QFVJ1HJ-104Z	TF CAPACITOR	.10MF 5% 50V		△	C 582	QDYB1CM-103Y	C CAPACITOR		J,C
	C 495	QFVJ1HJ-104Z	TF CAPACITOR	.10MF 5% 50V		△	C 582	QDGB1HK-102Y	C CAPACITOR		B,E,EN,EV
	C 496	QFVJ1HJ-104Z	TF CAPACITOR	.10MF 5% 50V		△	C 583	QFLM1HJ-103Z	M CAPACITOR	.010MF 5% 50V	B,E,EN,EV
	C 501	QTE1V06-106Z	E CAPACITOR			△	C 584	QCS31HJ-391Z	C CAPACITOR	390PF 5% 50V	B,E,EN,EV
	C 502	QTE1V06-106Z	E CAPACITOR			△	C 586	QFLM1HJ-102Z	M CAPACITOR	1000PF 5% 50V	B,E,EN,EV
	C 503	QFLM1HJ-223Z	M CAPACITOR	.022MF 5% 50V			C 587	EETC1EM-106ZJC	E CAPACITOR		
	C 504	QFLM1HJ-473Z	M CAPACITOR	.047MF 5% 50V			C 589	QDYB1CM-103Y	C CAPACITOR		
	C 505	QETN0JM-227Z	E CAPACITOR	220MF 20% 6.3V			CF 1	QAX0419-001Z	C FILTER		J,C
	C 506	EETC1EM-106ZJC	E CAPACITOR				CF 1	QAX0420-001	C FILTER		B,E,EN,EV
	C 507	EETC1EM-106ZJC	E CAPACITOR				CF 2	QAX0419-001Z	C FILTER		J,C
	C 508	EETC1EM-106ZJC	E CAPACITOR				CF 2	QAX0421-001	C FILTER		B,E,EN,EV
	C 509	EETC1EM-106ZJC	E CAPACITOR				CF 3	QAX0519-001Z	C FILTER		
	C 510	QETN0JM-227Z	E CAPACITOR	220MF 20% 6.3V			CN410	QGF1016F1-19	CONNECTOR		
	C 511	QFVJ1HJ-104Z	TF CAPACITOR	.10MF 5% 50V			CN411	QGF1201C3-21	FFC/FPC CONNE		
	C 512	QFVJ1HJ-104Z	TF CAPACITOR	.10MF 5% 50V			CN412	QGF1201C3-21	FFC/FPC CONNE		
	C 513	QFVJ1HJ-104Z	TF CAPACITOR	.10MF 5% 50V			CN413	QGF1201C3-17	VMC0332-017		
	C 514	QFVJ1HJ-104Z	TF CAPACITOR	.10MF 5% 50V			CN414	QGD2501C1-03Z	SOCKET		
△	C 515	QEK1HM-474Z	E CAPACITOR	.47MF 20% 50V			CN415	QGD2501C1-04Z	SOCKET		
	C 516	QEK1HM-474Z	E CAPACITOR	.47MF 20% 50V			CN416	QGB2501J1-10	B TO B CONNE		
	C 517	QEK1HM-475Z	E CAPACITOR	4.7MF 20% 50V			CN417	QGB2501J1-07	B TO B CONNE		
	C 518	QEK1HM-475Z	E CAPACITOR	4.7MF 20% 50V			CP403	ICP-N15-T	ICP		J
	C 519	EETC1HM-474ZJC	E CAPACITOR				D 1	1SS133-T2	SI DIODE		
	C 520	EETC1HM-474ZJC	E CAPACITOR				D 2	1SS133-T2	SI DIODE		
	C 521	EETC1HM-475ZJC	E CAPACITOR				D 3	1SS133-T2	SI DIODE		
	C 522	EETC1HM-475ZJC	E CAPACITOR				D 4	1SS133-T2	SI DIODE		
	C 523	QFVJ1HJ-154Z	TF CAPACITOR	.15MF 5% 50V			D 5	MTZJ5.6B-T2	ZENER DIODE		
	C 524	QFVJ1HJ-154Z	TF CAPACITOR	.15MF 5% 50V			D 6	MTZJ5.6B-T2	ZENER DIODE		B,E,EN,EV
	C 525	QETN1HM-335Z	E CAPACITOR	3.3MF 20% 50V			D 8	1SS133-T2	SI DIODE		
	C 526	QETN1HM-335Z	E CAPACITOR	3.3MF 20% 50V			D 303	1SS133-T2	SI DIODE		
	C 527	QFVJ1HJ-154Z	TF CAPACITOR	.15MF 5% 50V			D 305	1SS133-T2	SI DIODE		
	C 528	QFVJ1HJ-154Z	TF CAPACITOR	.15MF 5% 50V			D 306	1SS133-T2	SI DIODE		
	C 529	QFVJ1HJ-474Z	CAPACITOR	.47MF 5% 50V			D 307	1SS133-T2	SI DIODE		
	C 530	EETC1EM-476ZJC	E CAPACITOR				D 403	1SR35-100A-T5	SI DIODE		
	C 531	QETN1AM-227Z	E CAPACITOR	220MF 20% 10V			D 481	1SS133-T2	SI DIODE		
	C 532	QDGB1HK-681Y	C CAPACITOR				D 482	1SS133-T2	SI DIODE		
	C 533	QCS11HJ-470	C CAPACITOR	47PF 5% 50V			D 483	1SS133-T2	SI DIODE		
	C 535	QCBB1HK-561Y	C CAPACITOR	560PF 10% 50V			D 484	1SS133-T2	SI DIODE		
	C 536	QCZ0205-155Z	ML C CAPACITOR	1.5MF			D 485	1SS133-T2	SI DIODE		

■ Electrical parts list (Function, Tuner, Main board)

Block No. 02

△	Item	Parts number	Parts name	Remarks	Area	△	Item	Parts number	Parts name	Remarks	Area
	D 486	RB721Q-T2	S.B.DIODE				R 22	QRE141J-331Y	C RESISTOR	330 5% 1/4W	
	D 487	RB721Q-T2	S.B.DIODE				R 24	QRE141J-433Y	C RESISTOR	43K 5% 1/4W	
	D 501	MTZJ5.1B-T2	ZENER DIODE				R 25	QRE141J-272Y	C RESISTOR	2.7K 5% 1/4W	
	D 561	1SS133-T2	SI DIODE				R 26	QRE141J-273Y	C RESISTOR	27K 5% 1/4W	B,E,EN,EV
	EP001	E409182-001SM	GRAND TERMINAL				R 26	QRE141J-103Y	C RESISTOR	10K 5% 1/4W	J,C
	IC 1	LA1838	IC				R 27	QRE141J-623Y	C RESISTOR	62K 5% 1/4W	J,C
	IC 2	LC72136N	IC				R 27	QRE141J-393Y	C RESISTOR	39K 5% 1/4W	B,E,EN,EV
	IC 4	BU1923	IC		B,E,EN,EV		R 28	QRE141J-223Y	C RESISTOR	22K 5% 1/4W	
	IC401	TDA7439	IC				R 29	QRE141J-302Y	C RESISTOR	3.0K 5% 1/4W	
	IC402	BA15218	IC				R 30	QRE141J-392Y	C RESISTOR	3.9K 5% 1/4W	
	IC405	BA15218	IC				R 31	QRE141J-200Y	C RESISTOR	20 5% 1/4W	
	IC406	LA2650	IC				R 32	QRE141J-331Y	C RESISTOR	330 5% 1/4W	
	IC501	LV1035M	IC				R 33	QRE141J-103Y	C RESISTOR	10K 5% 1/4W	
	IC542	BA3835S	IC				R 34	QRE141J-222Y	C RESISTOR	2.2K 5% 1/4W	
	IC561	TDA7439	IC				R 35	QRE141J-222Y	C RESISTOR	2.2K 5% 1/4W	
	J 1	QNB0014-001	ANT TERMINAL		B,E,EN,EV		R 36	QRE141J-103Y	C RESISTOR	10K 5% 1/4W	
	J 1	QNB0008-001	ANT TERMINAL		J,C		R 37	QRE141J-102Y	C RESISTOR	1.0K 5% 1/4W	
	J 401	QNN0132-001	PIN JACK				R 43	QRE141J-102Y	C RESISTOR	1.0K 5% 1/4W	
	J 499	GP1F32T	OPTICAL JACK				R 44	QRE141J-102Y	C RESISTOR	1.0K 5% 1/4W	
	L 1	QQR0796-001	COIL BLOCK		J,C		R 45	QRE141J-102Y	C RESISTOR	1.0K 5% 1/4W	
	L 1	QQR0884-001	COIL BLOCK		B,E,EN,EV		R 46	QRE141J-563Y	C RESISTOR	56K 5% 1/4W	
	L 4	QQL231K-221Y	INDUCTOR				R 47	QRE141J-103Y	C RESISTOR	10K 5% 1/4W	
	L 5	QQL231K-101Y	INDUCTOR		B,E,EN,EV		R 48	QRE141J-331Y	C RESISTOR	330 5% 1/4W	
	L 11	QQL231K-2R7Y	INDUCTOR		B,E,EN,EV		R 49	QRE141J-102Y	C RESISTOR	1.0K 5% 1/4W	
	L 12	QQL231K-330Y	INDUCTOR		B,E,EN,EV		R 52	QRE141J-472Y	C RESISTOR	4.7K 5% 1/4W	
	L 403	QQR0779-001Z	INDUCTOR		B,E,EN,EV		R 54	QRE141J-472Y	C RESISTOR	4.7K 5% 1/4W	
	L 405	QQR0779-001Z	INDUCTOR		B,E,EN,EV		R 55	QRE141J-182Y	C RESISTOR	1.8K 5% 1/4W	
	L 406	QQR0779-001Z	INDUCTOR		B,E,EN,EV		R 56	QRE141J-332Y	C RESISTOR	3.3K 5% 1/4W	
	Q 1	2SC2668/O-T	TRANSISTOR				R 57	QRE141J-102Y	C RESISTOR	1.0K 5% 1/4W	
	Q 2	KRA107M-T	D.TRANSISTOR		B,E,EN,EV		R 60	QRE141J-102Y	C RESISTOR	1.0K 5% 1/4W	B,E,EN,EV
	Q 3	KTC3199/GL-T	TRANSISTOR		B,E,EN,EV		R 61	QRE141J-102Y	C RESISTOR	1.0K 5% 1/4W	B,E,EN,EV
	Q 4	KTC3199/GL-T	TRANSISTOR		B,E,EN,EV		R 64	QRE141J-473Y	C RESISTOR	47K 5% 1/4W	
	Q 6	KRA107M-T	D.TRANSISTOR				R 65	QRE141J-222Y	C RESISTOR	2.2K 5% 1/4W	
	Q 14	2SA1175/HFE/-T	TRANSISTOR		B,E,EN,EV		R 66	QRE141J-222Y	C RESISTOR	2.2K 5% 1/4W	
	Q 401	2SC3576-JVC-T	TRANSISTOR				R 69	QRE141J-103Y	C RESISTOR	10K 5% 1/4W	
	Q 402	2SC3576-JVC-T	TRANSISTOR				R 76	QRE141J-102Y	C RESISTOR	1.0K 5% 1/4W	B,E,EN,EV
	Q 403	KRA102M-T	D.TRANSISTOR				R 80	QRE141J-222Y	C RESISTOR	2.2K 5% 1/4W	B,E,EN,EV
	Q 405	2SC3576-JVC-T	TRANSISTOR				R 82	QRE141J-102Y	C RESISTOR	1.0K 5% 1/4W	B,E,EN,EV
	Q 406	2SC3576-JVC-T	TRANSISTOR				R 83	QRE141J-102Y	C RESISTOR	1.0K 5% 1/4W	B,E,EN,EV
	Q 407	2SA1175/HFE/-T	TRANSISTOR				R 84	QRE141J-103Y	C RESISTOR	10K 5% 1/4W	B,E,EN,EV
	Q 408	KTC3199/GL-T	TRANSISTOR				R 91	QRE141J-103Y	C RESISTOR	10K 5% 1/4W	B,E,EN,EV
	Q 409	KRC114M-T	TRANSISTOR				R 101	QRE141J-561Y	C RESISTOR	560 5% 1/4W	J,C
	Q 410	KTC3199/GL-T	TRANSISTOR				R 101	QRE141J-271Y	C RESISTOR	270 5% 1/4W	B,E,EN,EV
	Q 411	KTC3199/GL-T	TRANSISTOR				R 102	QRE141J-391Y	C RESISTOR	390 5% 1/4W	B,E,EN,EV
	Q 415	2SC2235/OY-T	TRANSISTOR				R 360	QRE141J-222Y	C RESISTOR	2.2K 5% 1/4W	
	Q 481	2SC3576-JVC-T	TRANSISTOR				R 362	QRE141J-221Y	C RESISTOR	220 5% 1/4W	B,E,EN,EV
	Q 482	2SC3576-JVC-T	TRANSISTOR				R 363	QRE141J-391Y	C RESISTOR	390 5% 1/4W	
	Q 483	KRA102M-T	D.TRANSISTOR				R 370	QRE141J-102Y	C RESISTOR	1.0K 5% 1/4W	
	Q 501	2SC3576-JVC-T	TRANSISTOR				R 371	QRE141J-103Y	C RESISTOR	10K 5% 1/4W	
	Q 502	2SC3576-JVC-T	TRANSISTOR				R 372	QRE141J-103Y	C RESISTOR	10K 5% 1/4W	
	R 1	QRE141J-102Y	C RESISTOR	1.0K 5% 1/4W			R 375	QRE141J-331Y	C RESISTOR	330 5% 1/4W	
	R 2	QRE141J-181Y	C RESISTOR	180 5% 1/4W	B,E,EN,EV		R 376	QRE141J-473Y	C RESISTOR	47K 5% 1/4W	
	R 10	QRE141J-102Y	C RESISTOR	1.0K 5% 1/4W	J,C		R 378	QRE141J-104Y	C RESISTOR	100K 5% 1/4W	
	R 10	QRE141J-152Y	C RESISTOR	1.5K 5% 1/4W	B,E,EN,EV		R 383	QRE141J-472Y	C RESISTOR	4.7K 5% 1/4W	
	R 12	QRE141J-102Y	C RESISTOR	1.0K 5% 1/4W			R 384	QRE141J-472Y	C RESISTOR	4.7K 5% 1/4W	
	R 13	QRE141J-104Y	C RESISTOR	100K 5% 1/4W			R 386	QRE141J-104Y	C RESISTOR	100K 5% 1/4W	
	R 14	QRE141J-560Y	C RESISTOR	56 5% 1/4W	J,C		R 387	QRE141J-473Y	C RESISTOR	47K 5% 1/4W	
	R 15	QRE141J-103Y	C RESISTOR	10K 5% 1/4W	B,E,EN,EV		R 388	QRE141J-220Y	C RESISTOR	22 5% 1/4W	
	R 16	QRE141J-103Y	C RESISTOR	10K 5% 1/4W	B,E,EN,EV		R 389	QRE141J-225Y	C RESISTOR	2.2M 5% 1/4W	
	R 19	QRE141J-623Y	C RESISTOR	62K 5% 1/4W	J,C		R 401	QRE141J-222Y	C RESISTOR	2.2K 5% 1/4W	
	R 19	QRE141J-393Y	C RESISTOR	39K 5% 1/4W	B,E,EN,EV		R 402	QRE141J-222Y	C RESISTOR	2.2K 5% 1/4W	
	R 20	QRE141J-331Y	C RESISTOR	330 5% 1/4W			R 403	QRE141J-222Y	C RESISTOR	2.2K 5% 1/4W	
	R 21	QRE141J-224Y	C RESISTOR	220K 5% 1/4W			R 404	QRE141J-222Y	C RESISTOR	2.2K 5% 1/4W	

■ Electrical parts list (Function,Tuner,Main board) Block No. 02

△	Item	Parts number	Parts name	Remarks	Area
	R 405	QRE141J-432Y	C RESISTOR	4.3K 5% 1/4W	
	R 406	QRE141J-432Y	C RESISTOR	4.3K 5% 1/4W	
	R 407	QRE141J-302Y	C RESISTOR	3.0K 5% 1/4W	
	R 408	QRE141J-302Y	C RESISTOR	3.0K 5% 1/4W	
	R 413	QRE141J-303Y	C RESISTOR	30K 5% 1/4W	
	R 414	QRE141J-303Y	C RESISTOR	30K 5% 1/4W	
	R 415	QRE141J-303Y	C RESISTOR	30K 5% 1/4W	
	R 416	QRE141J-303Y	C RESISTOR	30K 5% 1/4W	
	R 417	QRE141J-562Y	C RESISTOR	5.6K 5% 1/4W	
	R 418	QRE141J-562Y	C RESISTOR	5.6K 5% 1/4W	
	R 419	QRE141J-272Y	C RESISTOR	2.7K 5% 1/4W	
	R 420	QRE141J-272Y	C RESISTOR	2.7K 5% 1/4W	
	R 421	QRE141J-104Y	C RESISTOR	100K 5% 1/4W	
	R 422	QRE141J-104Y	C RESISTOR	100K 5% 1/4W	
	R 433	QRE141J-562Y	C RESISTOR	5.6K 5% 1/4W	
	R 434	QRE141J-562Y	C RESISTOR	5.6K 5% 1/4W	
	R 435	QRE141J-104Y	C RESISTOR	100K 5% 1/4W	
	R 436	QRE141J-104Y	C RESISTOR	100K 5% 1/4W	
	R 437	QRE141J-472Y	C RESISTOR	4.7K 5% 1/4W	
	R 438	QRE141J-472Y	C RESISTOR	4.7K 5% 1/4W	
	R 439	QRE141J-472Y	C RESISTOR	4.7K 5% 1/4W	
	R 440	QRE141J-472Y	C RESISTOR	4.7K 5% 1/4W	
	R 441	QRE141J-104Y	C RESISTOR	100K 5% 1/4W	
	R 442	QRE141J-104Y	C RESISTOR	100K 5% 1/4W	
	R 445	QRE141J-303Y	C RESISTOR	30K 5% 1/4W	
	R 446	QRE141J-303Y	C RESISTOR	30K 5% 1/4W	
△	R 448	QRE141J-331Y	C RESISTOR	330 5% 1/4W	
	R 450	QRE141J-224Y	C RESISTOR	220K 5% 1/4W	
	R 459	QRE141J-472Y	C RESISTOR	4.7K 5% 1/4W	
	R 460	QRE141J-472Y	C RESISTOR	4.7K 5% 1/4W	
	R 461	QRE141J-222Y	C RESISTOR	2.2K 5% 1/4W	
	R 462	QRE141J-222Y	C RESISTOR	2.2K 5% 1/4W	
	R 463	QRE141J-103Y	C RESISTOR	10K 5% 1/4W	
	R 464	QRE141J-103Y	C RESISTOR	10K 5% 1/4W	
	R 465	QRE141J-102Y	C RESISTOR	1.0K 5% 1/4W	
	R 469	QRE141J-221Y	C RESISTOR	220 5% 1/4W	
	R 470	QRE141J-221Y	C RESISTOR	220 5% 1/4W	
	R 471	QRE141J-103Y	C RESISTOR	10K 5% 1/4W	
	R 472	QRE141J-103Y	C RESISTOR	10K 5% 1/4W	
	R 473	QRE141J-103Y	C RESISTOR	10K 5% 1/4W	
	R 481	QRE141J-222Y	C RESISTOR	2.2K 5% 1/4W	
	R 482	QRE141J-222Y	C RESISTOR	2.2K 5% 1/4W	
	R 483	QRE141J-221Y	C RESISTOR	220 5% 1/4W	
	R 484	QRE141J-221Y	C RESISTOR	220 5% 1/4W	
	R 485	QRE141J-103Y	C RESISTOR	10K 5% 1/4W	
	R 486	QRE141J-103Y	C RESISTOR	10K 5% 1/4W	
	R 493	QRE141J-203Y	C RESISTOR	20K 5% 1/4W	
	R 494	QRE141J-203Y	C RESISTOR	20K 5% 1/4W	
	R 497	QRE141J-104Y	C RESISTOR	100K 5% 1/4W	
	R 498	QRE141J-104Y	C RESISTOR	100K 5% 1/4W	
	R 501	QRE141J-102Y	C RESISTOR	1.0K 5% 1/4W	
	R 502	QRE141J-102Y	C RESISTOR	1.0K 5% 1/4W	
	R 541	QRE141J-105Y	C RESISTOR	X.TAL	
	R 542	QRE141J-393Y	C RESISTOR	39K 5% 1/4W	
	R 543	QRE141J-102Y	C RESISTOR	1.0K 5% 1/4W	
	R 544	QRE141J-102Y	C RESISTOR	1.0K 5% 1/4W	
	R 545	QRE141J-203Y	C RESISTOR	20K 5% 1/4W	
	R 546	QRE141J-473Y	C RESISTOR	47K 5% 1/4W	
	R 547	QRE141J-473Y	C RESISTOR	47K 5% 1/4W	
	R 548	QRE141J-563Y	C RESISTOR	56K 5% 1/4W	
	R 549	QRE141J-563Y	C RESISTOR	56K 5% 1/4W	
	R 553	QRE141J-104Y	C RESISTOR	100K 5% 1/4W	
	R 554	QRE141J-104Y	C RESISTOR	100K 5% 1/4W	

△	Item	Parts number	Parts name	Remarks	Area
	R 555	QRE141J-102Y	C RESISTOR	1.0K 5% 1/4W	
	R 556	QRE141J-102Y	C RESISTOR	1.0K 5% 1/4W	
	R 557	QRE141J-473Y	C RESISTOR	47K 5% 1/4W	
	R 558	QRE141J-473Y	C RESISTOR	47K 5% 1/4W	
	R 566	QRE141J-102Y	C RESISTOR	1.0K 5% 1/4W	
	R 567	QRE141J-104Y	C RESISTOR	100K 5% 1/4W	
	R 568	QRE141J-104Y	C RESISTOR	100K 5% 1/4W	
	R 569	QRE141J-221Y	C RESISTOR	220 5% 1/4W	
	R 570	QRE141J-221Y	C RESISTOR	220 5% 1/4W	
	R 571	QRE141J-103Y	C RESISTOR	10K 5% 1/4W	
	R 572	QRE141J-103Y	C RESISTOR	10K 5% 1/4W	
	R 573	QRE141J-103Y	C RESISTOR	10K 5% 1/4W	
	R 574	QRE141J-103Y	C RESISTOR	10K 5% 1/4W	
	R 575	QRE141J-103Y	C RESISTOR	10K 5% 1/4W	
	R 576	QRE141J-102Y	C RESISTOR	1.0K 5% 1/4W	
	R 577	QRE141J-102Y	C RESISTOR	1.0K 5% 1/4W	
	R 578	QRE141J-103Y	C RESISTOR	10K 5% 1/4W	
	R 579	QRE141J-102Y	C RESISTOR	1.0K 5% 1/4W	
	R 580	QRE141J-103Y	C RESISTOR	10K 5% 1/4W	
	R 581	QRE141J-102Y	C RESISTOR	1.0K 5% 1/4W	
	R 582	QRE141J-102Y	C RESISTOR	1.0K 5% 1/4W	
	R 583	QRE141J-102Y	C RESISTOR	1.0K 5% 1/4W	
	R 584	QRE141J-102Y	C RESISTOR	1.0K 5% 1/4W	
	R 585	QRE141J-102Y	C RESISTOR	1.0K 5% 1/4W	
	R 586	QRE141J-103Y	C RESISTOR	10K 5% 1/4W	
	R 587	QRE141J-102Y	C RESISTOR	1.0K 5% 1/4W	
	R 588	QRE141J-103Y	C RESISTOR	10K 5% 1/4W	
	R 589	QRE141J-102Y	C RESISTOR	1.0K 5% 1/4W	
	R 590	QRE141J-223Y	C RESISTOR	22K 5% 1/4W	
	R 591	QRE141J-223Y	C RESISTOR	22K 5% 1/4W	
	R 592	QRE141J-102Y	C RESISTOR	1.0K 5% 1/4W	
	R 593	QRE141J-272Y	C RESISTOR	2.7K 5% 1/4W	
	R 594	QRE141J-181Y	C RESISTOR	180 5% 1/4W	
	R 595	QRE141J-181Y	C RESISTOR	180 5% 1/4W	
	R 597	QRE141J-222Y	C RESISTOR	2.2K 5% 1/4W	
	R 599	QRE141J-222Y	C RESISTOR	2.2K 5% 1/4W	
	SP 2	E3400-431	SPACER		
	SP 3	VYSA1R4-100	SPACER		
	SP 4	VYSA1R4-100	SPACER		
	SP501	VYH7653-013	IC HOLDER		
	SP516	E3400-431	SPACER		
	SP553	E3400-431	SPACER		
	T 1	QQR0793-001	IFT		
	TH401	QAD0064-2R2Z	POSISTOR		
	TU 1	QAU0097-001	FRONT END		J,C
	TU 1	QAU0034-001	FRONT END		B,E,EN,EV
	X 1	QAX0402-001	CRYSTAL		
	X 2	QAX0263-001Z	CRYSTAL		B,E,EN,EV
	X 541	QAX0283-001Z	RESONATOR	X.TAL	

■ Electrical parts list (System control & switch board) Block No. 03

Item	Parts number	Parts name	Remarks	Area	Item	Parts number	Parts name	Remarks	Area
C 801	QFVJ1HJ-124Z	TF CAPACITOR	.12MF 5% 50V		C1054	QDXB1CM-222Y	C CAPACITOR		
C 803	QETN0JM-477Z	E CAPACITOR	470MF 20% 6.3V		C1055	QFLM1HJ-393Z	M CAPACITOR	.039MF 5% 50V	
C 804	QETN0JM-108Z	E CAPACITOR	1000MF 20% 6.3V		C1056	QFLM1HJ-393Z	M CAPACITOR	.039MF 5% 50V	
C 805	QDGB1HK-102Y	C CAPACITOR			C1057	QDVB1EZ-223Y	C CAPACITOR		
C 806	QDGB1HK-102Y	C CAPACITOR			C1058	QDVB1EZ-223Y	C CAPACITOR		
C 807	QCS11HJ-390	C CAPACITOR	39PF 5% 50V		C1059	QFLM1HJ-393Z	M CAPACITOR	.039MF 5% 50V	
C 808	QCS11HJ-330	C CAPACITOR	33PF 5% 50V		D 801	1SR35-400A-T5	DIODE		
C 809	QCS11HJ-330	C CAPACITOR	33PF 5% 50V		D 803	1SS119-02-T2	SI DIODE		
C 810	QCS11HJ-390	C CAPACITOR	39PF 5% 50V		D 804	1SS133-T2	SI DIODE		
C 811	QDGB1HK-102Y	C CAPACITOR			D 805	1SS133-T2	SI DIODE		
C 812	QCS11HJ-220	C CAPACITOR	22PF 5% 50V		D 831	MTZJ5.1B-T2	ZENER DIODE		
C 813	QCS11HJ-270	C CAPACITOR	27PF 5% 50V		D 832	MTZJ5.1B-T2	ZENER DIODE		
C 814	QDGB1HK-102Y	C CAPACITOR			D 920	SLR-342DC-T	LED	SA LED	
C 815	EETC1HM-226ZJC	E CAPACITOR			D 955	SLR-342MC-T	LED		
C 816	EETC1CM-476ZJC	E CAPACITOR			D 956	SLR-342MC-T	LED		
C 817	EETC1HM-226ZJC	E CAPACITOR			D 957	SLR-342MC-T	LED		
C 818	QCBB1HK-221Y	C CAPACITOR	220PF 10% 50V		D 958	SLR-342MC-T	LED		
C 819	QCBB1HK-221Y	C CAPACITOR	220PF 10% 50V		D 961	1SS133-T2	SI DIODE		
C 820	QCZ0205-155Z	ML C CAPACITOR	1.5MF		D 962	SLR-342VC-T	LED	POWER LED	
C 821	QDYB1CM-103Y	C CAPACITOR			D 981	SLR-342MC-T	LED		
C 831	QDYB1CM-103Y	C CAPACITOR			D 982	SLR-342MC-T	LED		
C 832	QDYB1CM-103Y	C CAPACITOR			D 983	SLR-342MC-T	LED		
C 834	QEK0JM-226Z	E CAPACITOR	22MF 20% 6.3V		D 984	SLR-342MC-T	LED		
C 851	EETC1EM-106ZJC	E CAPACITOR			D 991	SLR-342MC-T	LED		
C 852	QCBB1HK-221Y	C CAPACITOR	220PF 10% 50V		D 992	SLR-342MC-T	LED		
C 853	QCBB1HK-221Y	C CAPACITOR	220PF 10% 50V		D 993	SLR-342MC-T	LED		
C 854	EETC1EM-226ZJC	E CAPACITOR			D1041	1SS133-T2	SI DIODE		
C 855	QETN0JM-227Z	E CAPACITOR	220MF 20% 6.3V		D1042	1SS133-T2	SI DIODE		
C 856	QETN1AM-107Z	E CAPACITOR	100MF 20% 10V		FL801	QLF0059-001	FL TUBE		
C 857	EETC1CM-476ZJC	E CAPACITOR			FW901	QUM134-24DGZ4	FLAT WIRE		
C 858	QCBB1HK-221Y	C CAPACITOR	220PF 10% 50V	B,E,EN,EV	FW951	QUM027-08DGZ3	FLAT WIRE		
C 859	QCBB1HK-221Y	C CAPACITOR	220PF 10% 50V	B,E,EN,EV	FW961	QUM025-12DGZ3	FLAT WIRE		
C 971	QDYB1CM-103Y	C CAPACITOR			FW971	QUM026-07Z3Z3	FLAT WIRE		
C 972	QDYB1CM-103Y	C CAPACITOR			FW972	QUM025-07Z3Z3	FLAT WIRE		
CN115	QGB2510K2-11	CONNECTOR			IC810	MN101C23DBP3	IC		
CN810	QGF1201F3-21	CONNECTOR			IC811	NJU3714D	IC		
CN811	QGF1201F3-23	CONNECTOR			IC812	GP1U291Q	IC	RM RECEIVER	
CN812	QGF1201F3-11	CONNECTOR			IC853	TAB409S	IC		
CN813	QGF1016F1-09	CONNECTOR			IC854	NJU3711D	IC		
CN814	QGD2501C1-04Z	SOCKET			J 81	QNB0088-001	SPK.TERMINAL		B,E,EN,EV
CN815	QGD2501C1-03Z	SOCKET			J 81	QNB0038-001	SPK.TERMINAL		J,C
CN816	QGD2501C1-05Z	SOCKET			J 82	QNN0017-001	PIN JACK		
CN817	QGF1201C3-10	CONNECTOR			J 83	QNN0197-001	PIN JACK		
CN856	QGF1201C3-21	FFC/FPC CONNE			JS971	QSW0538-001	ROTARY ENCODER		
CN857	QGF1201C3-23	CONNECTOR			J1001	QNS0030-001	JACK	HEAD PHONE	
CN858	QGD2501C1-05Z	SOCKET ASSY			L 801	QQL173K-470Z	INDUCTOR		
CN859	QGF1201C3-10	CONNECTOR			L 802	QQL231K-220Y	INDUCTOR		
CN860	QGF1201C3-21	FFC/FPC CONNE			L 803	QQL29BJ-100Z	INDUCTOR		
CN861	QGF1201C3-17	CONN.TERMINAL			L 804	QQR0779-001Z	INDUCTOR		
CN862	QGF1201C3-21	FFC/FPC CONNE			L 805	QQL173K-470Z	INDUCTOR		
CN863	QGA2501C1-02	2P CONNECTOR			L 806	QQL173K-470Z	INDUCTOR		
CN921	QGF1016F1-09	CONNECTOR			L 851	QQL29BJ-100Z	INDUCTOR		
CN971	QGF1201F3-10	CONNECTOR			L 852	QQR0779-001Z	INDUCTOR		
C1001	QDGB1HK-102Y	C CAPACITOR		B,E,EN,EV	L 853	QQR0779-001Z	INDUCTOR		B,E,EN,EV
C1002	QDGB1HK-102Y	C CAPACITOR		B,E,EN,EV	L1001	QQL231K-470Y	INDUCTOR	EMC	B,E,EN,EV
C1003	QDGB1HK-102Y	C CAPACITOR			L1002	QQL231K-470Y	INDUCTOR	EMC	B,E,EN,EV
C1004	QDGB1HK-102Y	C CAPACITOR			L1003	QQR0779-001Z	INDUCTOR	HP GND	B,E,EN,EV
C1005	QDGB1HK-102Y	C CAPACITOR			L1003	QQL231K-2R2Y	INDUCTOR	HP GND	J,C
C1006	QDGB1HK-102Y	C CAPACITOR			Q 801	2SC2668/O-T	TRANSISTOR		
C1050	QDYB1CM-103Y	C CAPACITOR			Q 802	2SC2668/O-T	TRANSISTOR		
C1051	QFVJ1HJ-104Z	TF CAPACITOR	.10MF 5% 50V		Q 803	DTC114ESA-T	DIGITAL.TR TAPE		
C1052	QFVJ1HJ-104Z	TF CAPACITOR	.10MF 5% 50V		Q 804	DTC114ESA-T	DIGITAL.TR TAPE		
C1053	QDXB1CM-222Y	C CAPACITOR			Q 805	DTC114ESA-T	DIGITAL.TR TAPE		

■ Electrical parts list (System control & switch board) Block No. 03

△	Item	Parts number	Parts name	Remarks	Area
	Q 806	DTC114ESA-T	DIGITAL.TR TAPE		
	Q 807	DTC114ESA-T	DIGITAL.TR TAPE		
	Q 808	DTC114ESA-T	DIGITAL.TR TAPE		
	Q 809	DTC114ESA-T	DIGITAL.TR TAPE		
	Q 810	DTC114ESA-T	DIGITAL.TR TAPE		
	Q 811	DTC114ESA-T	DIGITAL.TR TAPE		
	Q 851	KTC3199/GLJ-T	TRANSISTOR		
	Q 961	KRA102M-T	D.TRANSISTOR		
	R 801	QRE141J-331Y	C RESISTOR	330 5% 1/4W	
	R 802	QRE141J-223Y	C RESISTOR	22K 5% 1/4W	
	R 803	QRE141J-223Y	C RESISTOR	22K 5% 1/4W	
	R 804	QRE141J-822Y	C RESISTOR	8.2K 5% 1/4W	
	R 805	QRE141J-822Y	C RESISTOR	8.2K 5% 1/4W	
	R 806	QRE141J-124Y	C RESISTOR	120K 5% 1/4W	
	R 807	QRE141J-103Y	C RESISTOR	10K 5% 1/4W	
	R 808	QRE141J-103Y	C RESISTOR	10K 5% 1/4W	
	R 809	QRE141J-103Y	C RESISTOR	10K 5% 1/4W	
	R 810	QRE141J-103Y	C RESISTOR	10K 5% 1/4W	
	R 811	QRE141J-103Y	C RESISTOR	10K 5% 1/4W	
	R 812	QRE141J-103Y	C RESISTOR	10K 5% 1/4W	
	R 813	QRE141J-103Y	C RESISTOR	10K 5% 1/4W	
	R 814	QRE141J-103Y	C RESISTOR	10K 5% 1/4W	
	R 815	QRE141J-563Y	C RESISTOR	56K 5% 1/4W	
	R 816	QRE141J-563Y	C RESISTOR	56K 5% 1/4W	
	R 817	QRE141J-103Y	C RESISTOR	10K 5% 1/4W	
	R 818	QRE141J-103Y	C RESISTOR	10K 5% 1/4W	
	R 819	QRE141J-102Y	C RESISTOR	1.0K 5% 1/4W	
	R 820	QRE141J-102Y	C RESISTOR	1.0K 5% 1/4W	
	R 821	QRE141J-102Y	C RESISTOR	1.0K 5% 1/4W	
	R 822	QRE141J-102Y	C RESISTOR	1.0K 5% 1/4W	
	R 823	QRE141J-102Y	C RESISTOR	1.0K 5% 1/4W	
	R 824	QRE141J-102Y	C RESISTOR	1.0K 5% 1/4W	
	R 825	QRE141J-102Y	C RESISTOR	1.0K 5% 1/4W	
	R 826	QRE141J-102Y	C RESISTOR	1.0K 5% 1/4W	
	R 827	QRE141J-103Y	C RESISTOR	10K 5% 1/4W	
	R 828	QRE141J-201Y	C RESISTOR	200 5% 1/4W	
	R 829	QRE141J-201Y	C RESISTOR	200 5% 1/4W	
	R 830	QRE141J-201Y	C RESISTOR	200 5% 1/4W	
	R 831	QRE141J-104Y	C RESISTOR	100K 5% 1/4W	
	R 832	QRE141J-104Y	C RESISTOR	100K 5% 1/4W	
	R 833	QRE141J-104Y	C RESISTOR	100K 5% 1/4W	
	R 834	QRE141J-104Y	C RESISTOR	100K 5% 1/4W	
	R 835	QRE141J-104Y	C RESISTOR	100K 5% 1/4W	
	R 836	QRE141J-104Y	C RESISTOR	100K 5% 1/4W	
	R 837	QRE141J-104Y	C RESISTOR	100K 5% 1/4W	
	R 838	QRE141J-102Y	C RESISTOR	1.0K 5% 1/4W	
	R 839	QRE141J-102Y	C RESISTOR	1.0K 5% 1/4W	
	R 840	QRE141J-103Y	C RESISTOR	10K 5% 1/4W	
	R 841	QRE141J-103Y	C RESISTOR	10K 5% 1/4W	
	R 842	QRE141J-103Y	C RESISTOR	10K 5% 1/4W	
	R 843	QRE141J-103Y	C RESISTOR	10K 5% 1/4W	
	R 844	QRE141J-103Y	C RESISTOR	10K 5% 1/4W	
	R 845	QRE141J-102Y	C RESISTOR	1.0K 5% 1/4W	
	R 846	QRE141J-102Y	C RESISTOR	1.0K 5% 1/4W	
	R 847	QRE141J-102Y	C RESISTOR	1.0K 5% 1/4W	
	R 848	QRE141J-102Y	C RESISTOR	1.0K 5% 1/4W	
	R 849	QRE141J-102Y	C RESISTOR	1.0K 5% 1/4W	
	R 850	QRE141J-103Y	C RESISTOR	10K 5% 1/4W	
	R 851	QRE141J-562Y	C RESISTOR	5.6K 5% 1/4W	
	R 852	QRE141J-3R9Y	C RESISTOR	3.9 5% 1/4W	
	R 853	QRE141J-183Y	C RESISTOR	18K 5% 1/4W	
	R 854	QRE141J-332Y	C RESISTOR	3.3K 5% 1/4W	
	R 856	QRE141J-151Y	C RESISTOR	150 5% 1/4W	

△	Item	Parts number	Parts name	Remarks	Area
	R 857	QRE141J-391Y	C RESISTOR	390 5% 1/4W	
	R 920	QRE141J-391Y	C RESISTOR	390 5% 1/4W	
	R 921	QRE141J-102Y	C RESISTOR	1.0K 5% 1/4W	
	R 922	QRE141J-102Y	C RESISTOR	1.0K 5% 1/4W	
	R 923	QRE141J-122Y	C RESISTOR	1.2K 5% 1/4W	
	R 924	QRE141J-152Y	C RESISTOR	1.5K 5% 1/4W	
	R 925	QRE141J-222Y	C RESISTOR	2.2K 5% 1/4W	
	R 926	QRE141J-272Y	C RESISTOR	2.7K 5% 1/4W	
	R 927	QRE141J-392Y	C RESISTOR	3.9K 5% 1/4W	
	R 928	QRE141J-562Y	C RESISTOR	5.6K 5% 1/4W	
	R 931	QRE141J-102Y	C RESISTOR	1.0K 5% 1/4W	
	R 932	QRE141J-102Y	C RESISTOR	1.0K 5% 1/4W	
	R 933	QRE141J-122Y	C RESISTOR	1.2K 5% 1/4W	
	R 934	QRE141J-152Y	C RESISTOR	1.5K 5% 1/4W	
	R 935	QRE141J-222Y	C RESISTOR	2.2K 5% 1/4W	
	R 936	QRE141J-272Y	C RESISTOR	2.7K 5% 1/4W	
	R 937	QRE141J-392Y	C RESISTOR	3.9K 5% 1/4W	
	R 938	QRE141J-562Y	C RESISTOR	5.6K 5% 1/4W	
	R 939	QRE141J-103Y	C RESISTOR	10K 5% 1/4W	
	R 940	QRE141J-563Y	C RESISTOR	56K 5% 1/4W	
	R 941	QRE141J-102Y	C RESISTOR	1.0K 5% 1/4W	
	R 942	QRE141J-102Y	C RESISTOR	1.0K 5% 1/4W	
	R 943	QRE141J-122Y	C RESISTOR	1.2K 5% 1/4W	
	R 944	QRE141J-152Y	C RESISTOR	1.5K 5% 1/4W	
	R 945	QRE141J-153Y	C RESISTOR	15K 5% 1/4W	
	R 946	QRE141J-103Y	C RESISTOR	10K 5% 1/4W	
	R 947	QRE141J-563Y	C RESISTOR	56K 5% 1/4W	J,C
	R 948	QRE141J-104Y	C RESISTOR	100K 5% 1/4W	
	R 949	QRE141J-104Y	C RESISTOR	100K 5% 1/4W	
	R 951	QRE141J-102Y	C RESISTOR	1.0K 5% 1/4W	
	R 952	QRE141J-103Y	C RESISTOR	10K 5% 1/4W	
	R 953	QRE141J-183Y	C RESISTOR	18K 5% 1/4W	
	R 954	QRE141J-563Y	C RESISTOR	56K 5% 1/4W	J,C
	R 955	QRE141J-201Y	C RESISTOR	200 5% 1/4W	
	R 956	QRE141J-201Y	C RESISTOR	200 5% 1/4W	
	R 957	QRE141J-201Y	C RESISTOR	200 5% 1/4W	
	R 958	QRE141J-201Y	C RESISTOR	200 5% 1/4W	
	R 961	QRE141J-201Y	C RESISTOR	200 5% 1/4W	
	R 962	QRE141J-472Y	C RESISTOR	4.7K 5% 1/4W	
	R 963	QRE141J-102Y	C RESISTOR	1.0K 5% 1/4W	
	R 964	QRE141J-122Y	C RESISTOR	1.2K 5% 1/4W	
	R 981	QRE141J-201Y	C RESISTOR	200 5% 1/4W	
	R 982	QRE141J-201Y	C RESISTOR	200 5% 1/4W	
	R 983	QRE141J-201Y	C RESISTOR	200 5% 1/4W	
	R 984	QRE141J-201Y	C RESISTOR	200 5% 1/4W	
	R 985	QRE141J-103Y	C RESISTOR	10K 5% 1/4W	
	R 986	QRE141J-183Y	C RESISTOR	18K 5% 1/4W	
	R 987	QRE141J-563Y	C RESISTOR	56K 5% 1/4W	
	R 992	QRE141J-152Y	C RESISTOR	1.5K 5% 1/4W	
	R 993	QRE141J-222Y	C RESISTOR	2.2K 5% 1/4W	
	R 994	QRE141J-272Y	C RESISTOR	2.7K 5% 1/4W	
	R 995	QRE141J-392Y	C RESISTOR	3.9K 5% 1/4W	
	R 996	QRE141J-562Y	C RESISTOR	5.6K 5% 1/4W	
	RA801	QRB169J-104	R.NETWORK	100K 5% 1/6W	
	RA802	QRB169J-104	R.NETWORK	100K 5% 1/6W	
	RY 1	QSK0095-001	RELAY		
	RY 2	QSK0095-001	RELAY		
	R1051	QRJ146J-4R7X	UNF C.RESISTOR	4.7 5% 1/4W	
	R1052	QRJ146J-4R7X	UNF C.RESISTOR	4.7 5% 1/4W	
	R1053	QRE141J-393Y	C RESISTOR	39K 5% 1/4W	
	R1054	QRE141J-393Y	C RESISTOR	39K 5% 1/4W	
	R1055	QRE141J-102Y	C RESISTOR	1.0K 5% 1/4W	
	S 921	QSW0674-001Z	TACT SWITCH		

■ Electrical parts list (System control & switch board) Block No. 03

△	Item	Parts number	Parts name	Remarks	Area
	S 922	QSW0674-001Z	TACT SWITCH		
	S 923	QSW0674-001Z	TACT SWITCH		
	S 924	QSW0674-001Z	TACT SWITCH		
	S 925	QSW0674-001Z	TACT SWITCH		
	S 926	QSW0674-001Z	TACT SWITCH		
	S 927	QSW0674-001Z	TACT SWITCH		
	S 928	QSW0674-001Z	TACT SWITCH		
	S 931	QSW0674-001Z	TACT SWITCH		
	S 932	QSW0674-001Z	TACT SWITCH		
	S 933	QSW0674-001Z	TACT SWITCH		
	S 934	QSW0674-001Z	TACT SWITCH		
	S 935	QSW0674-001Z	TACT SWITCH		
	S 936	QSW0674-001Z	TACT SWITCH		
	S 937	QSW0674-001Z	TACT SWITCH		
	S 938	QSW0674-001Z	TACT SWITCH		
	S 939	QSW0674-001Z	TACT SWITCH		
	S 941	QSW0674-001Z	TACT SWITCH		B,E,EN,EV
	S 942	QSW0674-001Z	TACT SWITCH		B,E,EN,EV
	S 943	QSW0674-001Z	TACT SWITCH		B,E,EN,EV
	S 944	QSW0674-001Z	TACT SWITCH		B,E,EN,EV
	S 945	QSW0674-001Z	TACT SWITCH		
	S 946	QSW0674-001Z	TACT SWITCH		
	S 948	QSW0122-001	PUSH SWITCH	PANEL OP	
	S 949	QSW0518-001	PUSH SWITCH	PANEL CL	
	S 951	QSW0674-001Z	TACT SWITCH		
	S 952	QSW0674-001Z	TACT SWITCH		
	S 953	QSW0674-001Z	TACT SWITCH		
	S 963	QSW0674-001Z	TACT SWITCH		
	S 985	QSW0674-001Z	TACT SWITCH		
	S 986	QSW0674-001Z	TACT SWITCH		
	S 992	QSW0674-001Z	TACT SWITCH		
	S 993	QSW0674-001Z	TACT SWITCH		
	S 994	QSW0674-001Z	TACT SWITCH		
	S 995	QSW0674-001Z	TACT SWITCH		
	S 996	QSW0674-001Z	TACT SWITCH		
	S 997	QSW0674-001Z	TACT SWITCH		
	SP801	VYH7653-001	IC HOLDER		
	X 801	QAX0416-001Z	RESONATOR		
	X 802	QAX0401-001	CRYSTAL		

■ Electrical parts list (CD servo control board)

Block No. 04

△	Item	Parts number	Parts name	Remarks	Area	△	Item	Parts number	Parts name	Remarks	Area
	C 251	NCS21HJ-100X	C CAPACITOR				CN854	QGB2016K1-07	CONNECTOR	TRAY SWITCH	
	C 252	NCS21HJ-100X	C CAPACITOR				CN855	QGB2012K2-10	CONNECTOR	CAM SWITCH	
	C 253	NCB21EK-104X	C CAPACITOR				IC251	UPD780055GC011	IC	MICOM	
	C 254	QERF1AM-476Z	E CAPACITOR	47MF 20% 10V			IC601	AN8806SB-W	IC	RF AMP	
	C 255	NCB21EK-104X	C CAPACITOR				IC651	MN35510	IC	DSP & DAC	
	C 281	NCB21HK-223X	C CAPACITOR				IC801	BA6897FP-W	IC	PU DRIVE	
	C 291	QERF1AM-476Z	E CAPACITOR	47MF 20% 10V			IC851	TA8409S	IC	L MOTOR DRIVE	
	C 601	NCB21HK-102X	C CAPACITOR				IC852	TA8409S	IC	R MOTOR DRIVE	
	C 602	NCB21HK-102X	C CAPACITOR				L 851	QQL244K-100Z	INDUCTOR	VS DE-COUPLE	
	C 603	NCB21HK-223X	C CAPACITOR				L 853	QQL244K-100Z	INDUCTOR	L MOTOR	
	C 604	NCB21HK-223X	C CAPACITOR				L 854	QQL244K-100Z	INDUCTOR	R MOTOR	
	C 605	NCS21HJ-271X	C CAPACITOR				Q 291	2SB1357/EF-T	TRANSISTOR	/P.ON	
	C 606	NCS21HJ-181X	C CAPACITOR				Q 631	2SA1037AK/RS/-X	TRANSISTOR	APC	
	C 607	NCB21HK-222X	C CAPACITOR				R 251	NRSA02J-102X	MG RESISTOR		
	C 608	NCB21HK-223X	C CAPACITOR				R 252	NRSA02J-102X	MG RESISTOR		
	C 610	NCB21EK-104X	C CAPACITOR				R 253	NRSA02J-102X	MG RESISTOR		
	C 611	NCB21EK-104X	C CAPACITOR				R 254	NRSA02J-102X	MG RESISTOR		
	C 612	QER41HM-105	E CAPACITOR	1.0MF 20% 50V			R 255	NRSA02J-102X	MG RESISTOR		
	C 613	NCS21HJ-101X	C CAPACITOR				R 256	NRSA02J-102X	MG RESISTOR		
	C 614	NCB21HK-273X	C CAPACITOR				R 257	NRSA02J-102X	MG RESISTOR		
	C 615	NCB21HK-472X	C CAPACITOR				R 258	NRSA02J-102X	MG RESISTOR		
	C 616	NCB21HK-103X	C CAPACITOR				R 259	NRSA02J-101X	MG RESISTOR		
	C 617	NCS21HJ-331X	C CAPACITOR				R 260	NRSA02J-102X	MG RESISTOR		
	C 621	NCB21EK-104X	C CAPACITOR				R 261	NRSA02J-102X	MG RESISTOR		
	C 623	NCF21CZ-105X	C CAPACITOR				R 265	NRSA02J-223X	MG RESISTOR		
	C 624	QER41AM-107	E CAPACITOR	100MF 20% 10V			R 274	NRSA02J-102X	MG RESISTOR		
	C 631	QER41CM-106	E CAPACITOR	10MF 20% 16V			R 275	NRSA02J-102X	MG RESISTOR		
	C 632	NCF21CZ-105X	C CAPACITOR				R 276	NRSA02J-102X	MG RESISTOR		
	C 633	NCB21HK-223X	C CAPACITOR				R 277	NRSA02J-102X	MG RESISTOR		
	C 651	NCS21HJ-120X	C CAPACITOR				R 278	NRSA02J-102X	MG RESISTOR		
	C 652	NCS21HJ-150X	C CAPACITOR				R 279	NRSA02J-102X	MG RESISTOR		
	C 653	NCB21EK-104X	C CAPACITOR				R 281	NRSA02J-102X	MG RESISTOR		
	C 654	NCB21HK-223X	C CAPACITOR				R 282	NRSA02J-102X	MG RESISTOR		
	C 655	QER41AM-227	E CAPACITOR	220MF 20% 10V			R 283	NRSA02J-102X	MG RESISTOR		
	C 656	NCB21EK-104X	C CAPACITOR				R 284	NRSA02J-102X	MG RESISTOR		
	C 657	NCB21HK-222X	C CAPACITOR				R 285	NRSA02J-102X	MG RESISTOR		
	C 658	NCB21HK-222X	C CAPACITOR				R 286	NRSA02J-102X	MG RESISTOR		
	C 661	NCB21EK-104X	C CAPACITOR				R 287	NRSA02J-102X	MG RESISTOR		
	C 662	QER41AM-107	E CAPACITOR	100MF 20% 10V			R 291	NRSA02J-122X	MG RESISTOR		
	C 663	NCB21EK-104X	C CAPACITOR				R 292	NRSA02J-103X	MG RESISTOR		
	C 664	NCB21HK-223X	C CAPACITOR				R 293	NRSA02J-102X	MG RESISTOR		
	C 665	NCB21HK-223X	C CAPACITOR				R 601	NRSA02J-274X	MG RESISTOR		
	C 666	NCS21HJ-471X	C CAPACITOR				R 602	NRSA02J-154X	MG RESISTOR		
	C 667	NCF21CZ-105X	C CAPACITOR				R 603	NRSA02J-273X	MG RESISTOR		
	C 668	NCB21HK-473X	C CAPACITOR				R 604	NRSA02J-104X	MG RESISTOR		
	C 671	NCB21EK-104X	C CAPACITOR				R 605	NRSA02J-154X	MG RESISTOR		
	C 672	QER41AM-107	E CAPACITOR	100MF 20% 10V			R 606	NRSA02J-474X	MG RESISTOR		
	C 801	NCB21HK-822X	C CAPACITOR				R 607	NRSA02J-102X	MG RESISTOR		
	C 802	NCB21HK-152X	C CAPACITOR				R 611	NRSA02J-113X	MG RESISTOR		
	C 811	NCS21HJ-221X	C CAPACITOR				R 612	NRSA02J-125X	MG RESISTOR		
	C 812	NCS21HJ-221X	C CAPACITOR				R 631	NRSA02J-2R2X	MG RESISTOR		
	C 813	NCS21HJ-221X	C CAPACITOR				R 632	NRSA02J-100X	MG RESISTOR		
	C 814	NCS21HJ-221X	C CAPACITOR				R 634	NRSA02J-120X	MG RESISTOR		
	C 821	NCF21CZ-105X	C CAPACITOR				R 635	NRSA02J-121X	MG RESISTOR		
	C 822	QER41AM-227	E CAPACITOR	220MF 20% 10V			R 636	NRSA02J-910X	MG RESISTOR		
	C 851	QER41CM-106	E CAPACITOR	10MF 20% 16V			R 651	NRSA02J-271X	MG RESISTOR		
	C 852	QER41CM-106	E CAPACITOR	10MF 20% 16V			R 652	NRSA02J-220X	MG RESISTOR		
	C 855	NCB21EK-104X	C CAPACITOR				R 657	NRSA02J-102X	MG RESISTOR		
	C 859	NCF21CZ-105X	C CAPACITOR				R 658	NRSA02J-102X	MG RESISTOR		
	C 860	NCF21CZ-105X	C CAPACITOR				R 661	NRSA02J-220X	MG RESISTOR		
	CN601	QGF1016F1-15	15FFC CONNECTOR	TRAVERSE			R 662	NRSA02J-471X	MG RESISTOR		
	CN651	QGF1016F1-19	CONNECTOR	MAIN			R 663	NRSA02J-124X	MG RESISTOR		
	CN801	QGA2001C1-06	6P PLUG ASSY	TRAVERSE			R 665	NRSA02J-683X	MG RESISTOR		

■ Electrical parts list (CD servo control board)

Block No. 04

△	Item	Parts number	Parts name	Remarks	Area
	R 666	NRSA02J-155X	MG RESISTOR		
	R 667	NRSA02J-562X	MG RESISTOR		
	R 671	NRSA02J-102X	MG RESISTOR		
	R 672	NRSA02J-102X	MG RESISTOR		
	R 673	NRSA02J-102X	MG RESISTOR		
	R 674	NRSA02J-101X	MG RESISTOR		
	R 675	NRSA02J-102X	MG RESISTOR		
	R 676	NRSA02J-102X	MG RESISTOR		
	R 677	NRSA02J-102X	MG RESISTOR		
	R 678	NRSA02J-102X	MG RESISTOR		
	R 679	NRSA02J-102X	MG RESISTOR		
	R 680	NRSA02J-102X	MG RESISTOR		
	R 681	NRSA02J-102X	MG RESISTOR		
	R 682	NRSA02J-102X	MG RESISTOR		
	R 683	NRSA02J-102X	MG RESISTOR		
	R 684	NRSA02J-271X	MG RESISTOR		
	R 685	NRSA02J-102X	MG RESISTOR		
	R 686	NRSA02J-101X	MG RESISTOR		
	R 687	NRSA02J-102X	MG RESISTOR		
	R 688	NRSA02J-101X	MG RESISTOR		
	R 689	NRSA02J-102X	MG RESISTOR		
	R 690	NRSA02J-101X	MG RESISTOR		
	R 691	NRSA02J-101X	MG RESISTOR		
	R 692	NRSA02J-101X	MG RESISTOR		
	R 693	NRSA02J-471X	MG RESISTOR		
	R 694	NRSA02J-102X	MG RESISTOR		
	R 801	NRSA02J-222X	MG RESISTOR		
	R 802	NRSA02J-472X	MG RESISTOR		
	R 803	NRSA02J-123X	MG RESISTOR		
	R 804	NRSA02J-154X	MG RESISTOR		
	R 805	NRSA02J-123X	MG RESISTOR		
	R 806	NRSA02J-223X	MG RESISTOR		
	R 807	NRSA02J-222X	MG RESISTOR		
	R 808	NRSA02J-223X	MG RESISTOR		
	R 811	NRSA02J-473X	MG RESISTOR		
	R 812	NRSA02J-223X	MG RESISTOR		
	R 831	NRSA02J-151X	MG RESISTOR		
	R 832	NRSA02J-103X	MG RESISTOR		
	R 842	NRSA02J-472X	MG RESISTOR		
	R 851	NRSA02J-102X	MG RESISTOR		
	R 852	NRSA02J-102X	MG RESISTOR		
	R 853	NRSA02J-102X	MG RESISTOR		
	R 854	NRSA02J-102X	MG RESISTOR		
	R 855	NRSA02J-102X	MG RESISTOR		
	R 856	NRSA02J-102X	MG RESISTOR		
	R 857	NRSA02J-272X	MG RESISTOR		
	R 859	NRSA02J-181X	MG RESISTOR		
	R 861	NRSA02J-102X	MG RESISTOR		
	R 862	NRSA02J-102X	MG RESISTOR		
	R 863	NRSA02J-102X	MG RESISTOR		
	R 864	NRSA02J-102X	MG RESISTOR		
	R 865	NRSA02J-102X	MG RESISTOR		
	R 866	NRSA02J-102X	MG RESISTOR		
	R 880	NRSA02J-102X	MG RESISTOR		
	R 881	NRSA02J-102X	MG RESISTOR		
	R 882	NRSA02J-102X	MG RESISTOR		
	R 883	NRSA02J-102X	MG RESISTOR		
	R 884	NRSA02J-102X	MG RESISTOR		
	R 885	NRSA02J-102X	MG RESISTOR		
	R 886	NRSA02J-102X	MG RESISTOR		
	R 887	NRSA02J-102X	MG RESISTOR		
	W 601	QUB220-07HPDT	SIN TWIST WIRE	D.GND	
	X 251	QAX0360-001Z	CRYSTAL	FOR IC251	
	X 651	QAX0413-001Z	CRYSTAL	FOR IC651	

■ Electrical parts list (CD changer mechanism switch board)Block No.05

△	Item	Parts number	Parts name	Remarks	Area
	CN804	QGB2016J1-07	CONNECTOR		
	SW 1	QSW0859-001	DETECT SWITCH		
	SW 2	QSW0859-001	DETECT SWITCH		
	SW 3	QSW0859-001	DETECT SWITCH		
	SW 4	QSW0859-001	DETECT SWITCH		
	SW 5	QSW0859-001	DETECT SWITCH		
	SW 6	QSW0859-001	DETECT SWITCH		

■ Electrical parts list (Cassette mechanism control board) Block No. 06

△	Item	Parts number	Parts name	Remarks	Area	△	Item	Parts number	Parts name	Remarks	Area
	C 101	NCS21HJ-561X	C CAPACITOR				C 339	QEK41CM-476	E CAPACITOR	47MF 20% 16V	
	C 102	NCS21HJ-331X	C CAPACITOR				C 340	NCB21HK-103X	C CAPACITOR		
	C 103	NCS21HJ-561X	C CAPACITOR				C 341	QEKJ1AM-107Z	E CAPACITOR	100MF 20% 10V	
	C 104	NCS21HJ-221X	C CAPACITOR				C 342	QEK41EM-475	E CAPACITOR	4.7MF 20% 25V	
	C 105	QEK40JM-227	E CAPACITOR	220MF 20% 6.3V			C 343	QET41CM-106	E CAPACITOR	10MF 20% 16V	
	C 106	NCB21HK-333X	C CAPACITOR				C 344	NCB21HK-472X	C CAPACITOR		
	C 107	QEK41EM-475	E CAPACITOR	4.7MF 20% 25V			C 345	NCS21HJ-331X	C CAPACITOR		
	C 108	NCB21HK-393X	C CAPACITOR				C 350	QFLM1HJ-102Z	M CAPACITOR	1000PF 5% 50V	
	C 110	NCS21HJ-221X	C CAPACITOR				CN301	QGF1205F1-06	CONNECTOR		
	C 111	QEK41HM-104	E CAPACITOR	.10MF 20% 50V			CN302	QGF1205F1-06	CONNECTOR		
	C 112	QEK41CM-106	E CAPACITOR	10MF 20% 16V			CN303	QGB2011M1-10	B TO B CONNECTO		
	C 113	NCB21HK-332X	C CAPACITOR				CN304	QGB2011M1-10	B TO B CONNECTO		
	C 114	QEK41EM-475	E CAPACITOR	4.7MF 20% 25V			CN305	QGF1205F1-10	CONNECTOR		
	C 115	NCB21HK-153X	C CAPACITOR				CN306	QGF1205F1-11	CONNECTOR		
	C 116	NCB21HK-822X	C CAPACITOR				D 307	HZM5.1NB2-X	CHIP Z DIODE CM		
	C 117	NCB21HK-223X	C CAPACITOR				D 308	HZM5.1NB2-X	CHIP Z DIODE CM		
	C 119	NCB21HK-563X	C CAPACITOR				D 309	MA704A-X	S.K.DIODE		
	C 120	NCS21HJ-330X	C CAPACITOR				IC301	BA3126N	IC		
	C 201	NCS21HJ-561X	C CAPACITOR				IC302	AN7345K	IC		
	C 202	NCS21HJ-331X	C CAPACITOR				IC303	BU4094BCF-X	IC		
	C 203	NCS21HJ-561X	C CAPACITOR				IC304	BU4094BCF-X	IC		
	C 204	NCS21HJ-221X	C CAPACITOR				L 202	QQR0779-001Z	INDUCTOR	EMC	
	C 205	QEK40JM-227	E CAPACITOR	220MF 20% 6.3V			L 301	QQR0620-001	OSC COIL(BIAS)		
	C 206	NCB21HK-333X	C CAPACITOR				L 303	QQL01BK-100Z	INDUCTOR		
	C 207	QEK41EM-475	E CAPACITOR	4.7MF 20% 25V			Q 102	DTC144TKA-X	TRANSISTOR		
	C 208	NCB21HK-393X	C CAPACITOR				Q 103	DTC144EKA-X	TRANSISTOR		
	C 210	NCS21HJ-221X	C CAPACITOR				Q 105	2SC3576-JVC-T	TRANSISTOR		
	C 211	QEK41HM-104	E CAPACITOR	.10MF 20% 50V			Q 202	DTC144TKA-X	TRANSISTOR		
	C 212	QEK41CM-106	E CAPACITOR	10MF 20% 16V			Q 203	DTC144EKA-X	TRANSISTOR		
	C 213	NCB21HK-332X	C CAPACITOR				Q 205	2SC3576-JVC-T	TRANSISTOR		
	C 214	QEK41EM-475	E CAPACITOR	4.7MF 20% 25V			Q 302	2SC2001/K/-T	TRANSISTOR		
	C 215	NCB21HK-153X	C CAPACITOR				Q 303	2SC2001/K/-T	TRANSISTOR		
	C 216	NCB21HK-822X	C CAPACITOR				Q 304	2SC3576-JVC-T	TRANSISTOR		
	C 217	NCB21HK-223X	C CAPACITOR				Q 305	2SC3576-JVC-T	TRANSISTOR		
	C 219	NCB21HK-563X	C CAPACITOR				Q 306	2SC2412K/RS/-X	CHIP TRANSISTOR		
	C 220	NCS21HJ-330X	C CAPACITOR				Q 307	2SC2412K/RS/-X	CHIP TRANSISTOR		
	C 301	QEK41CM-106	E CAPACITOR	10MF 20% 16V			Q 308	2SC2412K/RS/-X	CHIP TRANSISTOR		
	C 302	QEK41CM-476	E CAPACITOR	47MF 20% 16V			Q 309	2SC2412K/RS/-X	CHIP TRANSISTOR		
	C 303	QEK41CM-226	E CAPACITOR	22MF 20% 16V			Q 312	2SB562/C/-T	TRANSISTOR		
	C 304	QEK41EM-475	E CAPACITOR	4.7MF 20% 25V			Q 313	2SC2412K/RS/-X	CHIP TRANSISTOR		
	C 305	NCB21HK-393X	C CAPACITOR				Q 314	2SB562/C/-T	TRANSISTOR		
	C 306	QEK40JM-227	E CAPACITOR	220MF 20% 6.3V			Q 315	2SC2412K/RS/-X	CHIP TRANSISTOR		
	C 308	NCB21HK-562X	C CAPACITOR				Q 316	2SA952/LK/-T	TRANSISTOR		
	C 309	NCB21HK-562X	C CAPACITOR				Q 317	DTC124EKA-X	TRANSISTOR		
	C 310	NCB21HK-223X	C CAPACITOR				Q 321	DTC144EKA-X	TRANSISTOR		
	C 311	NCB21HK-682X	C.CAPACITOR				Q 322	DTC144EKA-X	TRANSISTOR		
	C 313	QEKJ1AM-107Z	E CAPACITOR	100MF 20% 10V			Q 323	2SC2412K/RS/-X	CHIP TRANSISTOR		
	C 314	QCZ0205-155Z	ML C CAPACITOR	1.5MF			R 102	NRSA02J-102X	MG RESISTOR		
	C 315	QCZ0205-155Z	ML C CAPACITOR	1.5MF			R 103	NRSA02J-183X	MG RESISTOR		
	C 316	QFG32AJ-103Z	PP CAPACITOR	.010MF 5% 100V			R 105	NRSA02J-220X	MG RESISTOR		
	C 318	NCB21HK-103X	C CAPACITOR				R 106	NRSA02J-392X	MG RESISTOR		
	C 319	QFG32AJ-821Z	TF CAPACITOR	820PF 5% 100V			R 107	NRSA02J-123X	MG RESISTOR		
	C 321	NCB21HK-103X	C CAPACITOR				R 108	NRSA02J-222X	MG RESISTOR		
	C 322	QFG32AJ-152Z	M CAPACITOR	1500PF 5% 100V			R 109	NRSA02J-152X	MG RESISTOR		
	C 327	QEK41CM-476	E CAPACITOR	47MF 20% 16V			R 111	NRSA02J-562X	MG RESISTOR		
	C 328	NCS21HJ-151X	C CAPACITOR				R 112	NRSA02J-122X	MG RESISTOR		
	C 329	NCS21HJ-151X	C CAPACITOR				R 113	NRSA02J-271X	MG RESISTOR		
	C 330	NCS21HJ-151X	C CAPACITOR				R 114	NRSA02J-391X	MG RESISTOR		
	C 332	NCS21HJ-151X	C CAPACITOR				R 115	NRSA02J-332X	MG RESISTOR		
	C 335	NCB21HK-103X	C CAPACITOR				R 117	NRSA02J-332X	MG RESISTOR		
	C 336	NCB21HK-103X	C CAPACITOR				R 118	NRSA02J-152X	MG RESISTOR		
	C 337	NCB21HK-103X	C CAPACITOR				R 119	NRSA02J-203X	MG RESISTOR		
	C 338	NCB21HK-103X	C CAPACITOR				R 120	NRSA02J-102X	MG RESISTOR		

■ Electrical parts list (Cassette mechanism control board) Block No. 06

△	Item	Parts number	Parts name	Remarks	Area
	R 121	NRSA02J-122X	MG RESISTOR		
	R 202	NRSA02J-102X	MG RESISTOR		
	R 203	NRSA02J-183X	MG RESISTOR		
	R 205	NRSA02J-220X	MG RESISTOR		
	R 206	NRSA02J-392X	MG RESISTOR		
	R 207	NRSA02J-123X	MG RESISTOR		
	R 208	NRSA02J-222X	MG RESISTOR		
	R 209	NRSA02J-152X	MG RESISTOR		
	R 211	NRSA02J-562X	MG RESISTOR		
	R 212	NRSA02J-122X	MG RESISTOR		
	R 213	NRSA02J-271X	MG RESISTOR		
	R 214	NRSA02J-391X	MG RESISTOR		
	R 215	NRSA02J-332X	MG RESISTOR		
	R 217	NRSA02J-332X	MG RESISTOR		
	R 218	NRSA02J-152X	MG RESISTOR		
	R 219	NRSA02J-203X	MG RESISTOR		
	R 220	NRSA02J-102X	MG RESISTOR		
	R 221	NRSA02J-122X	MG RESISTOR		
	R 301	NRS181J-221X	MG RESISTOR		
	R 302	NRS181J-101X	MG RESISTOR		
	R 304	NRSA02J-393X	MG RESISTOR		
	R 305	NRSA02J-103X	MG RESISTOR		
	R 306	NRSA02J-103X	MG RESISTOR		
	R 307	NRSA02J-103X	MG RESISTOR		
	R 308	NRSA02J-152X	MG RESISTOR		
	R 309	NRSA02J-152X	MG RESISTOR		
	R 310	NRS181J-820X	MG RESISTOR		
	R 311	NRS181J-820X	MG RESISTOR		
	R 313	NRSA02J-3R3X	MG RESISTOR		
	R 314	NRSA02J-223X	MG RESISTOR		
	R 315	NRSA02J-100X	MG RESISTOR		
	R 316	NRSA02J-223X	MG RESISTOR		
	R 317	NRSA02J-100X	MG RESISTOR		
	R 318	NRSA02J-123X	MG RESISTOR		
	R 319	NRSA02J-152X	MG RESISTOR		
	R 321	NRSA02J-123X	MG RESISTOR		
	R 322	NRSA02J-152X	MG RESISTOR		
	R 327	NRSA02J-474X	MG RESISTOR		
	R 328	NRSA02J-222X	MG RESISTOR		
	R 329	NRSA02J-222X	MG RESISTOR		
	R 330	NRSA02J-0R0X	MG RESISTOR		
	R 335	NRSA02J-222X	MG RESISTOR		
	R 336	NRSA02J-392X	MG RESISTOR		
	R 338	NRSA02J-222X	MG RESISTOR		
	R 339	NRSA02J-222X	MG RESISTOR		
	R 341	NRSA02J-222X	MG RESISTOR		
	R 343	NRSA02J-0R0X	MG RESISTOR		
	R 345	NRSA02J-222X	MG RESISTOR		
	R 346	NRSA02J-0R0X	MG RESISTOR		
	R 347	NRSA02J-392X	MG RESISTOR		
	R 348	NRSA02J-222X	MG RESISTOR		
	R 350	NRSA02J-472X	MG RESISTOR		
	R 351	NRSA02J-151X	MG RESISTOR		
	R 353	NRSA02J-472X	MG RESISTOR		
	R 354	NRSA02J-151X	MG RESISTOR		
	R 355	NRSA02J-332X	MG RESISTOR		
	R 357	NRSA02J-103X	MG RESISTOR		
	R 358	NRSA02J-222X	MG RESISTOR		
	R 359	NRSA02J-123X	MG RESISTOR		
	R 360	NRSA02J-433X	MG RESISTOR		
	R 361	NRSA02J-183X	MG RESISTOR		
	R 362	NRSA02J-123X	MG RESISTOR		
	R 363	NRSA02J-183X	MG RESISTOR		

△	Item	Parts number	Parts name	Remarks	Area
	R 364	NRSA02J-433X	MG RESISTOR		
	R 365	NRSA02J-203X	MG RESISTOR		
	R 366	NRSA02J-123X	MG RESISTOR		
	R 367	NRSA02J-102X	MG RESISTOR		
	R 368	NRSA02J-391X	MG RESISTOR		
	R 369	NRSA02J-391X	MG RESISTOR		
	R 371	NRS181J-222X	MG RESISTOR		
	R 374	NRSA02J-912X	MG RESISTOR		
	R 375	NRSA02J-683X	MG RESISTOR		
	R 376	NRS181J-6R8X	MG RESISTOR		
	VR101	QVP0008-503Z	SEMI V RESISTOR		
	VR201	QVP0008-503Z	SEMI V RESISTOR		
	VR301	QVP0008-103Z	SEMI V RESISTOR		
	WIRE	EWR34D-10CS	FLAT WIRE		

■ Electrical parts list (Cassette mechanism switch board) Block No. 07

△	Item	Parts number	Parts name	Remarks	Area
	CN 1	QGB2011L1-10	B TO B CONNECTO		
	D 1	1SR139-400-T2	SI DIODE		
	IC 1	SG-105F3-BB,C	PHOTO SENSER		
	P 1	QNZ0104-001	POST PIN		
	SW 2	QSW0832-001	LEAF SWITCH	TAPE	
	SW 4	QSW0832-001	LEAF SWITCH	70U	
	SW 6	QSW0507-001	SWITCH		

■ Electrical parts list (Cassette mechanism switch board) Block No. 08

△	Item	Parts number	Parts name	Remarks	Area
	CN 1	QGB2011L1-10	B TO B CONNECTO		
	D 1	1SR139-400-T2	SI DIODE		
	IC 1	SG-105F3-BB,C	PHOTO SENSER		
	P 1	QNZ0104-001	POST PIN		
	SW 1	QSW0832-001	LEAF SWITCH	R.REC	
	SW 2	QSW0832-001	LEAF SWITCH	TAPE	
	SW 4	QSW0832-001	LEAF SWITCH	70U	
	SW 5	QSW0832-001	LEAF SWITCH	F.REC	
	SW 6	QSW0507-001	SWITCH		

Packing materials and accessories parts list

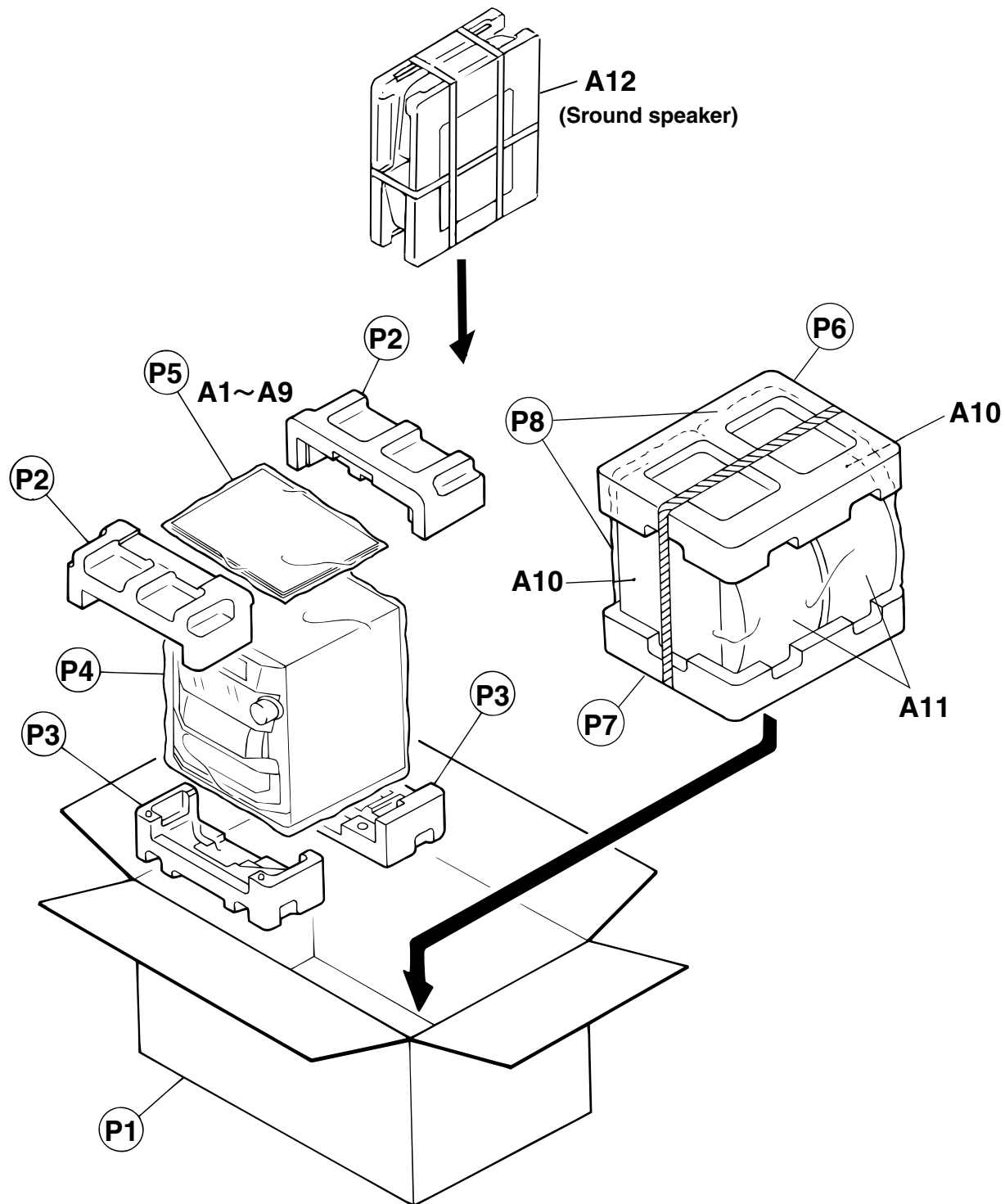
MX-J800

Block No.

M	5	M	M
---	---	---	---

Block No.

M	6	M	M
---	---	---	---



■ Parts list (Packing) MX-J800

Block No. M5MM

△	Item	Parts number	Parts name	Q'ty	Description	Area
	P 1	GV20093-001A	PACKING CASE	1		C
		GV20069-001A	PACKING CASE	1		J
	P 2	GV10016-003A	CUSHION UPPER	1		
	P 3	GV10017-002A	CUSHION BOTTM	1		
	P 4	QPC06506515P	POLY BAG	1		
	P 5	QPC02503515P	POLY BAG	1		
	P 6	720-TSPJ50-00	CUSHION UPPER	1	FOR SPEAKER	
	P 7	720-BSPJ50-00	CUSHION BOTTM	1	FOR SPEAKER	
	P 8	700-120034-10	POLY BAG	2	FOR SPEAKER	

■ Parts list (Accessories) MX-J800

Block No. M6MM

△	Item	Parts number	Parts name	Q'ty	Description	Area
	A 1	GVT0044-001A	INST.BOOK	1	ENG	J
		GVT0044-002A	INST.BOOK	1	ENG,FRE	C
	A 2	BT-52004-1	WARRANTY CARD	1		C
	A 3	BT-51020-2	REGIST CARD	1		J
	A 4	BT-20071B	JVC CENTER LIST	1		C
	A 5	BT-20044G	SAFETY SHEET	1		
	A 6	QAL0014-001	AM LOOP ANT	1		
	A 7	EWP201-011	B. IN ANT	1		
	A 8	-----	BATTERY	1		
	A 9	RM-SMXJ70J	REMOCON	1		
	A 10	MXJ800J-SPBOX-L	SP BOX ASS'Y(L)	1		
		MXJ800J-SPBOX-R	SP BOX ASS'Y(R)	1		
	A 11	201-L0J800-10	SPEAKER NET(L)	1		
		201-R0J800-10	SPEAKER NET(R)	1		
	A 12	SP-DSC99BU	SROUND SP BOX	1		
		SP-DSS99BU	SROUND SP BOX	2		

Packing materials and accessories parts list

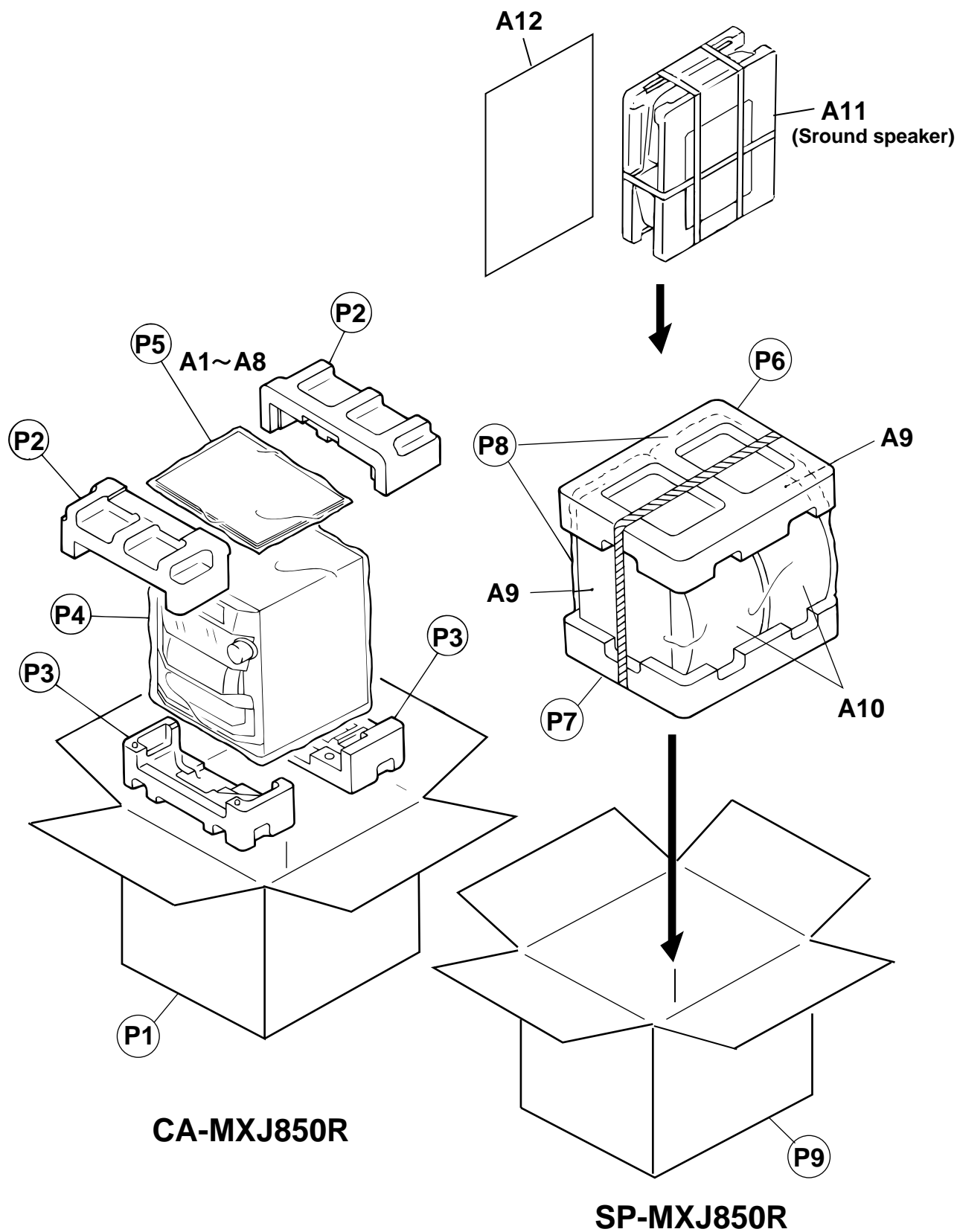
CA-J850R/SP-MXJ850R

Block No.

M	7	M	M
---	---	---	---

Block No.

M	8	M	M
---	---	---	---



Parts list (Packing) CA-MXJ850R/SP-MXJ850R

Block No. M7MM

△	Item	Parts number	Parts name	Q'ty	Description	Area
	P 1	GV20070-001A	PACKING CASE	1	CA-MXJ850R	
	P 2	GV10018-002A	CUSHION UPPER	1	CA-MXJ850R	
	P 3	GV10019-002A	CUSHION BOTTM	1	CA-MXJ850R	
	P 4	QPC06506515P	POLY BAG	1	CA-MXJ850R	
	P 5	QPC02503515P	POLY BAG	1	CA-MXJ850R	
	P 6	720-TSPJ50-00	CUSHION UPPER	1	SP-MXJ850R	
	P 7	720-BSPJ50-00	CUSHION BOTTM	1	SP-MXJ850R	
	P 8	700-120034-10	POLY BAG	2	SP-MXJ850R	
	P 9	730-00J850-10	PACKING CASE	1	SP-MXJ850R	

Parts list (Accessories) CA-MXJ850R/SP-MXJ850R

Block No. M8MM

△	Item	Parts number	Parts name	Q'ty	Description	Area
	A 1	GVT0044-006A	INST.BOOK(CA-MXJ850R)	1	ENG,GER,FRE,DUT,SPA,ITA	E
		GVT0044-007A	INST.BOOK(CA-MXJ850R)	1	SWE,FIN,DAN,GER,FRE,DUT	EN
		GVT0044-008A	INST.BOOK(CA-MXJ850R)	1	ENG	B
		GVT0044-009A	INST.BOOK(CA-MXJ850R)	1	ENG,CZE,POL,HUN	EV
	A 2	E43486-340A	BS=SAFETY INST	1		B
	A 3	VNA3000-202	REGIST.CARD	1		B
	A 4	BT-54013-1	WARRANTY CARD	1		
	A 5	QAL0014-001	AM LOOP ANT	1		
	A 6	EWP503-001	ANT.WIRE	1		
	A 7	-----	BATTERY	1		
	A 8	RM-SMXJ75R	REMOCON	1		
	A 9	MXJ800J-SPBOX-R	SP BOX ASS'Y(R)	1	SP-MXJ850R	
		MXJ800J-SPBOX-L	SP BOX ASS'Y(L)	1	SP-MXJ850R	
	A 10	201-L0J800-10	SPEAKER NET(L)	1	SP-MXJ850R	
		201-R0J800-10	SPEAKER NET(R)	1	SP-MXJ850R	
	A 11	SP-DSC99BU	SROUND SP BOX	1	SP-DS99BU	
		SP-DSS99BU	SROUND SP BOX	2	SP-DS99BU	
	A 12	GVT0042-001A	INST.BOOK(SP-MXJ850R)	1	ENG,GER,FRE,DUT,SPA,ITA, SWE,FIN,DAN	

MX-J800
MX-J850R

JVC

VICTOR COMPANY OF JAPAN, LIMITED
AUDIO & COMMUNICATION BUSINESS DIVISION
PERSONAL & MOBILE NETWORK B.U. 10-1, 1Chome, Ohwatari-machi, Maebashi-city, 371-8543, Japan