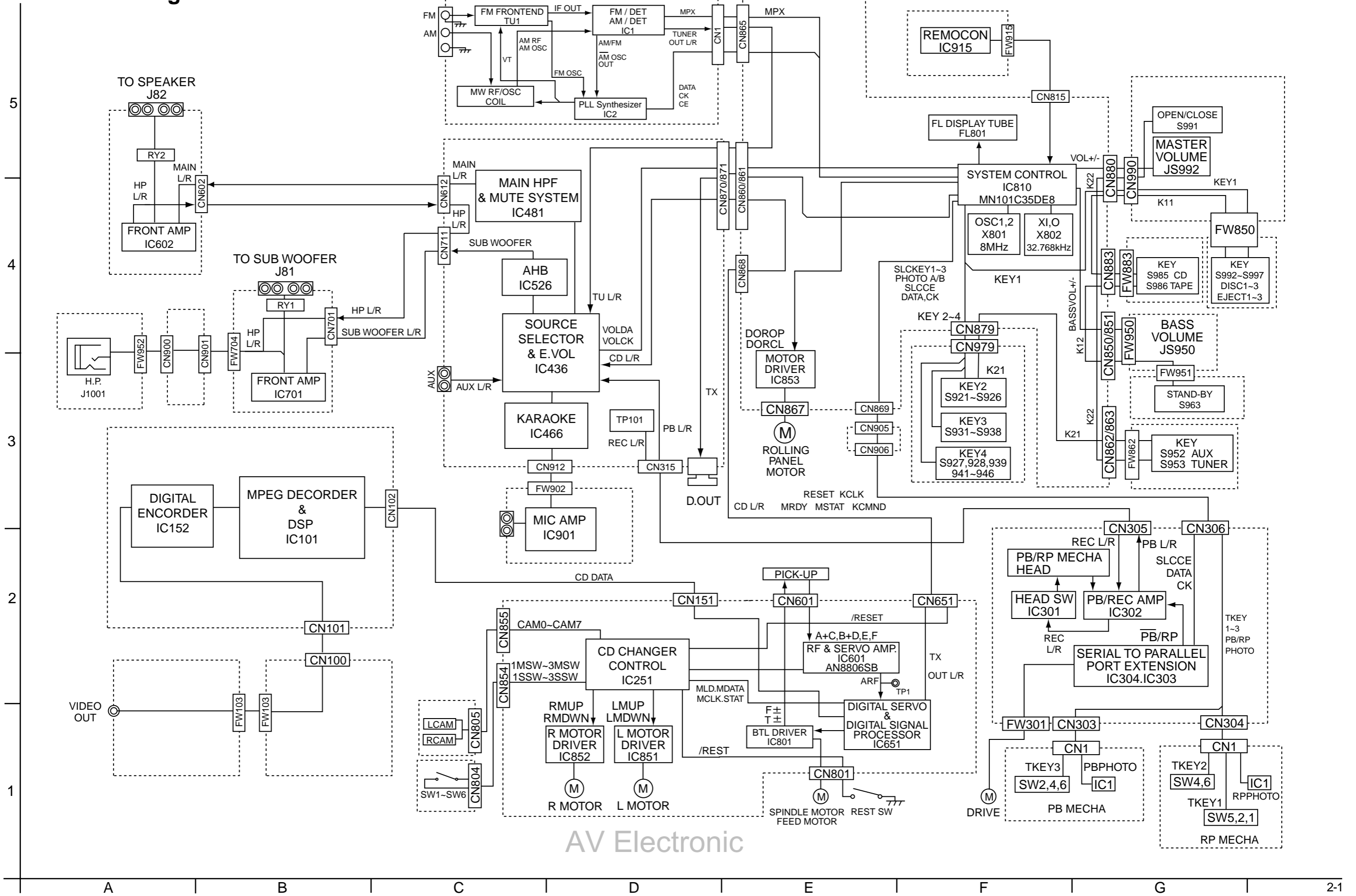


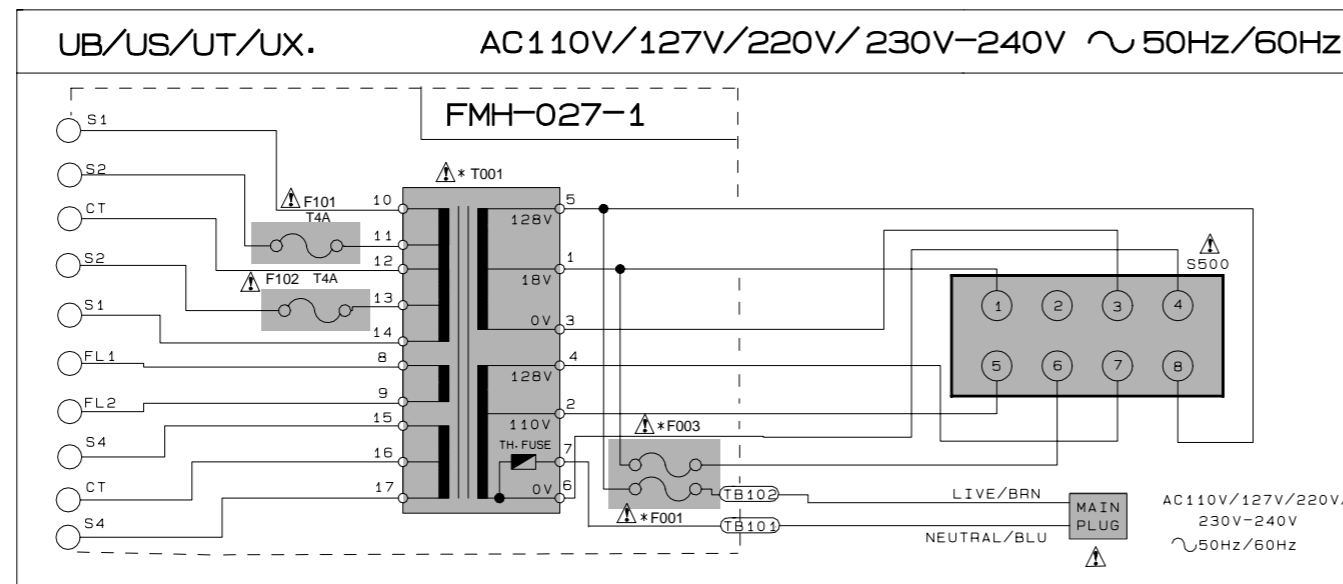
# Block diagram



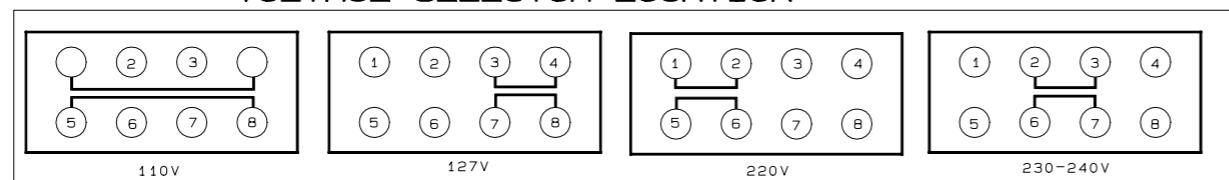
# Standard schematic diagrams

## Power transformer section

### POWER SUPPLY BLOCK



#### VOLTAGE SELECTOR LOCATION



Parts are safety assurance parts. When replacing those parts make sure to use the specified.

#### VERSION CODES

UB : HONG KONG  
 UT : TAIWAN  
 UX : SAUDI ARABIA  
 US : SINGAPORE AND UNIVERSAL  
 EXCEPT ALL OF ABOVE

#### EXPLANATION OF OVERALL SCHEMATICS

MODEL CA-MXJ770V/CA-MXJ880V  
 CA-MXJ970V/CA-MXJ980V

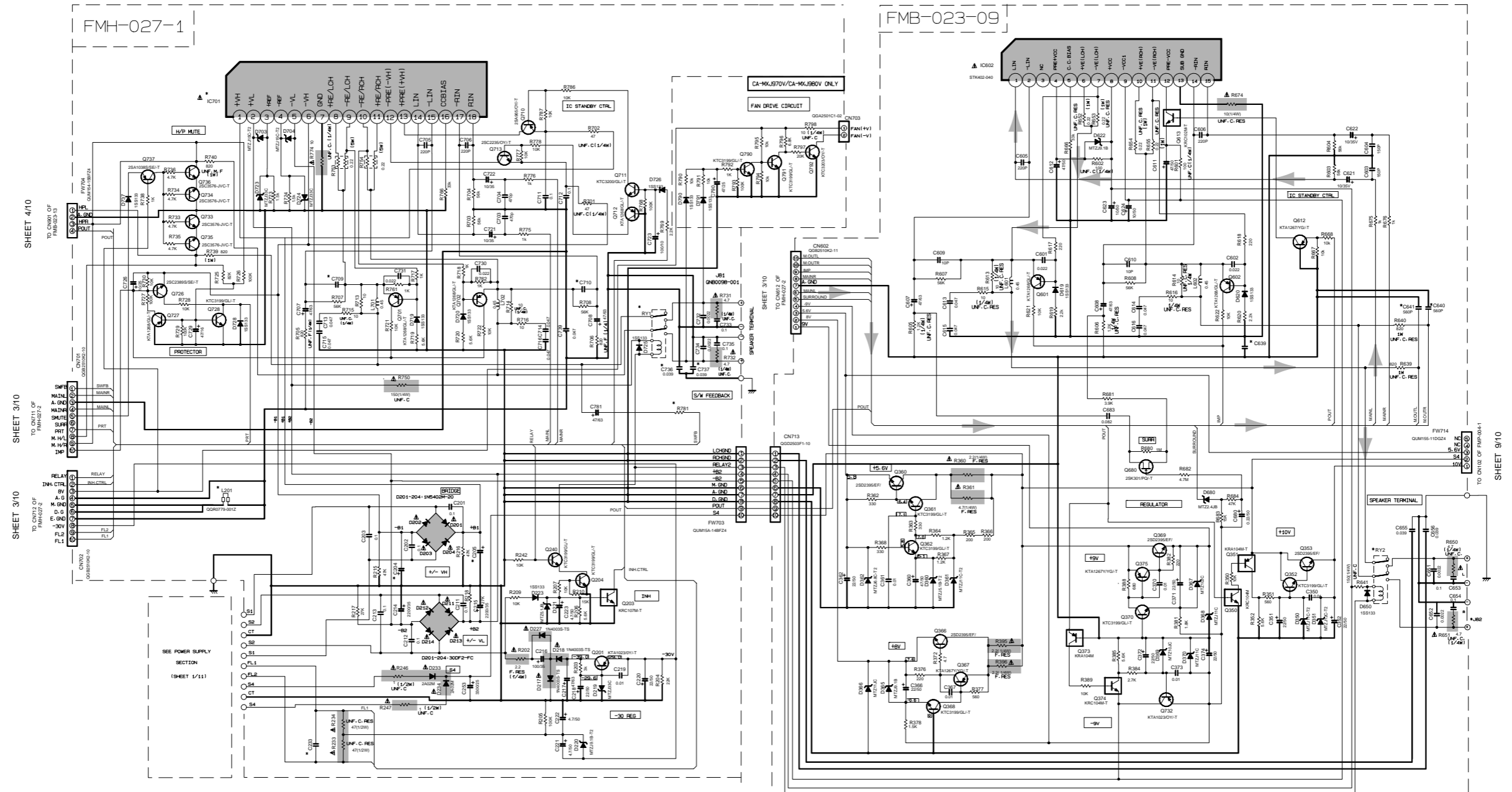
| SHEET NUMBER | CIRCUITS DESCRIPTION  |
|--------------|---|
| 1/10         | . PRIMARY WITH MAINS TRANSFORMER  |
| 2/10         | . DC REGULATORS/AUDIO OUTPUT  |
| 3/10         | . EXTERNAL INPUT, SOURCE SELECTOR SWITCH                                  |
| 4/10         | . FL DISPLAY, SYSTEM CONTROL LSI, USER CONTROL KEYS                       |
| 5/10         | . MIC AMP, ECHO CIRCUIT   |
| 6/10         | . SVCD SERVO AND SVCD SYSTEM CONTROL<br>. SVCD CHANGER MECHANISM CONTROL  |
| 7/10         | . TAPE DECK MECHANISM CONTROL<br>. TAPE CIRCUITS SUCH AS PRE-AMP AND BIAS |
| 8/10         | . TUNER RF/IF/FM MULTIPLEX  |
| 9/10         | . SVCD REGULATORS   |
| 10/10        | . SUPER VCD CONTROL CIRCUIT   |

NOTE: MARK (\*) IS TO SHOW DEVIATION IN VERSIONS  
 DETAILS ARE EXPLAINED BY MARK.

\* MARK

| REF NAME/MODEL | CA-MXJ770V/<br>CA-MXJ880V. | CA-MXJ970V/<br>CA-MXJ980V. |
|----------------|----------------------------|----------------------------|
| F001           | T3.15A                     | T4A                        |
| F003           | T1.6A                      | T2A                        |
| T001           | QQT0277-004                | QQT0278-004                |

Power amplifier & regulator section



NOTE: MARK (\*) IS TO SHOW DEVIATION IN VERSIONS  
DETAILS ARE EXPLAINED BY MARK.

#MARK

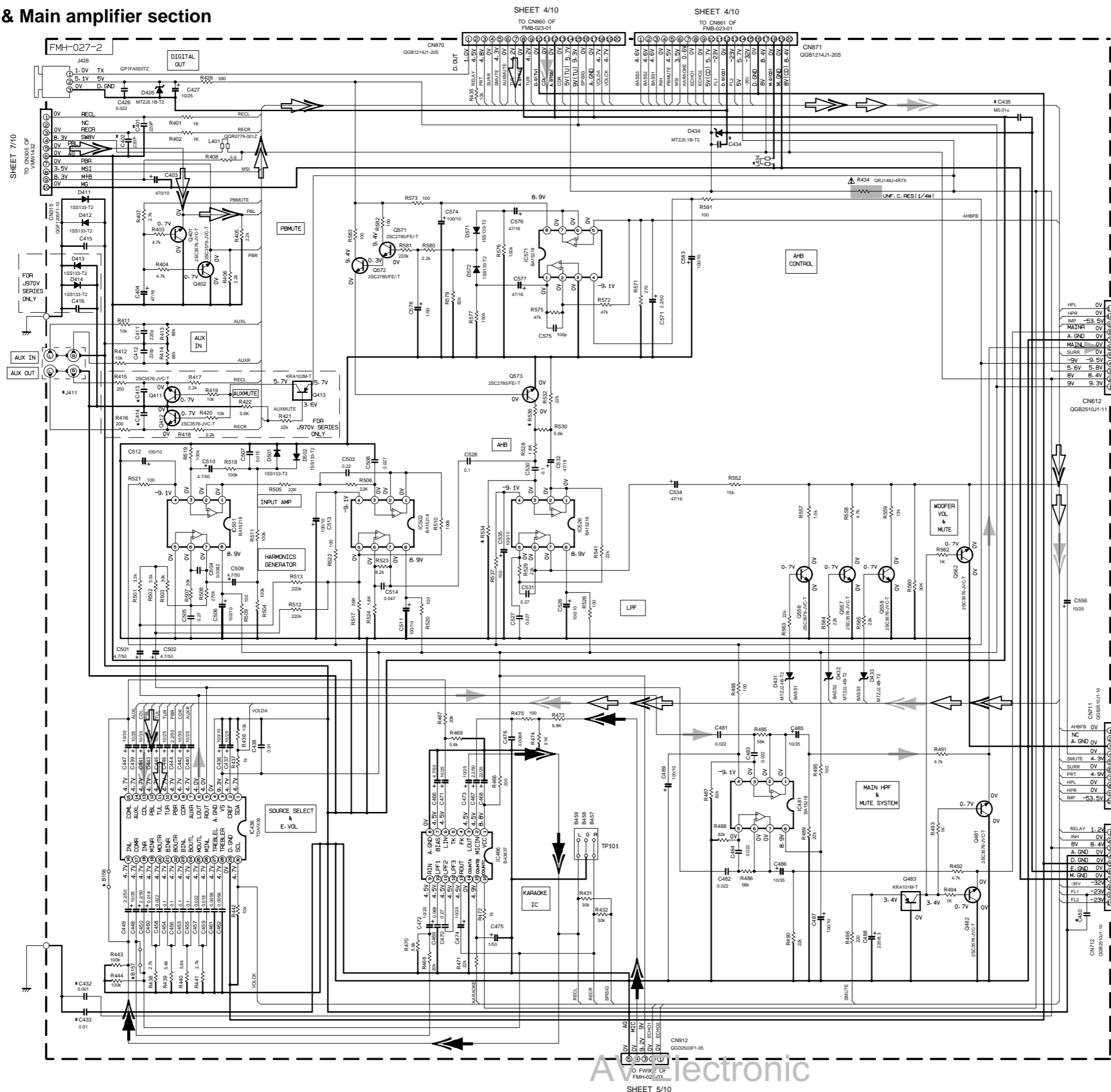
| REF. NAME              | VERSION | CA-MXJ770V<br>UB. US-UX | CA-MXJ880V<br>US | CA-MXJ880V<br>UF. UT | CA-MXJ970V<br>UB. US-UX | CA-MXJ980V<br>US | CA-MXJ980V<br>UF. UT |
|------------------------|---------|-------------------------|------------------|----------------------|-------------------------|------------------|----------------------|
| L201                   |         | SHORT (B112)            | SHORT (B112)     | USE                  | SHORT (B112)            | SHORT (B112)     | USE                  |
| IC701                  |         | STK412-000              | STK412-000       | STK412-000           | STK412-010              | STK412-010       | STK412-010           |
| C233                   |         | 0.22                    | 0.22             | 0.01                 | 0.22                    | 0.22             | 0.01                 |
| RY1, RY2               |         | QSK0109-001             | QSK0109-001      | QSK0109-001          | QSK0057-001             | QSK0057-001      | QSK0057-001          |
| C204/C205              |         | 4700/50                 | 4700/50          | 4700/50              | 4700/63                 | 4700/63          | 4700/63              |
| C640/C641<br>C736/C737 |         | NONE                    | NONE             | USED                 | NONE                    | NONE             | USED                 |
| R781                   |         | 4.7K                    | 4.7K             | 4.7K                 | 5.6K                    | 5.6K             | 5.6K                 |
| C709/C710              |         | 10p                     | 10p              | 4.7p                 | 10p                     | 10p              | 4.7p                 |
| J82                    |         | QNB0097-001             | QNB0097-001      | QNB0097-002          | QNB0097-001             | QNB0097-001      | QNB0097-002          |
| C639                   |         | 0.01u                   | 0.01u            | 0.047u               | 0.01u                   | 0.01u            | 0.047u               |

NOTES  
1. VOLTAGES ARE DC-MEASURED WITH A DIGITAL VOLT METER OR OSCILLOSCOPE WITHOUT INPUT SIGNAL.  
CONDITION — AUX MODE, VOL. MEN. BASS OFF.  
2. UNLESS OTHERWISE SPECIFIED  
RESISTORS ARE 1/4W 1% CHINA RESISTOR.  
ALL CAPACITORS ARE CERAMIC CAPACITOR OR MYLAR CAPACITOR.  
ALL CAPACITANCE VALUES ARE IN pF(PPM).  
ALL INDUCTANCE VALUES ARE IN mH(PPM).  
ALL ELECTROLYTIC CAPACITORS ARE 20% TOLERANCE.  
ALL ELECTROLYTIC CAPACITORS ARE 50V UNLESS OTHERWISE SPECIFIED.  
ALL DIODES ARE 1SS133

▲ Parts are safety assurance parts.  
When replacing those parts make  
sure to use the specified.

➔ MAIN signal

Function & Main amplifier section



| MARK   | CA-MXJ770V       |            | CA-MXJ880V   |        | CA-MXJ970V  |              | CA-MXJ980V |        |
|--------|------------------|------------|--------------|--------|-------------|--------------|------------|--------|
|        | VERSION          | UB-US-UX   | UF-UT        | US     | UB-US-UX    | UF-UT        | US         | US     |
| EMC    | C401             | NONE       | USED         | NONE   | NONE        | USED         | NONE       | NONE   |
|        | C402             | NONE       | USED         | NONE   | NONE        | USED         | NONE       | NONE   |
|        | C415             | 1000p      | 0.0022       | 1000p  | 1000p       | 0.0022       | 1000p      | 1000p  |
|        | C416             | 0.0022     | 0.0022       | 0.0022 | 0.0022      | 0.0022       | 0.0022     | 0.0022 |
|        | C432             | NONE       | USED         | NONE   | NONE        | USED         | NONE       | NONE   |
|        | C433             | NONE       | USED         | NONE   | NONE        | USED         | NONE       | NONE   |
| L401   | SHORT            | USED       | SHORT        | SHORT  | USED        | SHORT        | SHORT      | SHORT  |
|        | L434             | SHORT      | 0.00779-0012 | SHORT  | SHORT       | 0.00779-0012 | SHORT      | SHORT  |
|        | C434, C435, C480 | NONE       | 0.01u        | NONE   | NONE        | 0.01u        | NONE       | NONE   |
| OTHERS | J411             | GND117-001 |              |        | GND1132-001 |              |            |        |
|        | R534             | 180k       |              |        | 220k        |              |            |        |
|        | R536             | 15k        |              |        | 12k         |              |            |        |

NOTE: MARK (\*) IS TO SHOW DEVIATION IN VERSIONS  
DETAILS ARE EXPLAINED BY MARK.

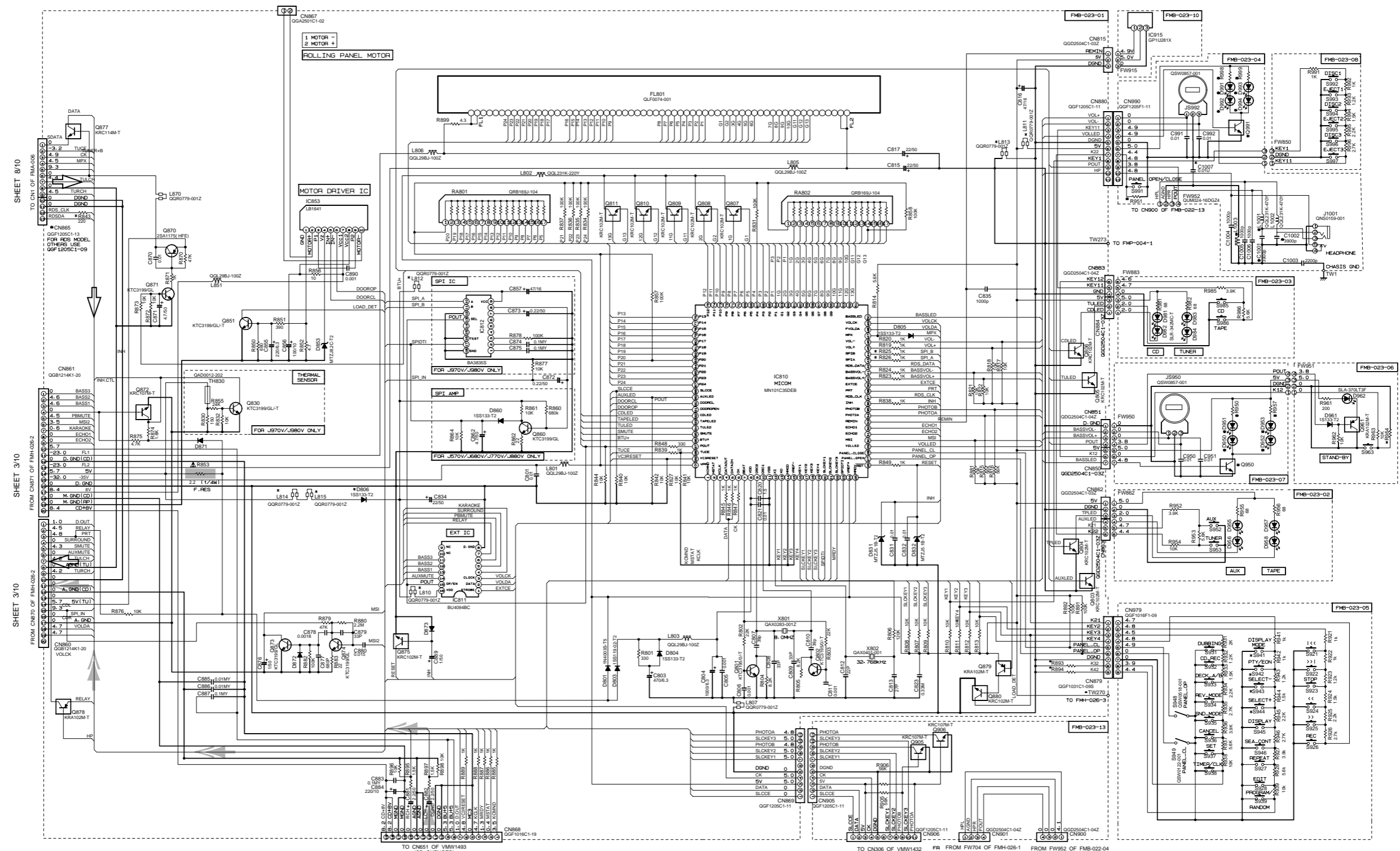
- ➡ CD signal
- ➡ TAPE P.B. signal
- ➡ TUNER signal
- ➡ MAIN signal
- ➡ MIC signal

NOTES

1. VOLTAGES ARE DC-MEASURED WITH A DIGITAL VOLT METER OR OSCILLOSCOPE WITHOUT INPUT SIGNAL. CONDITION — AUX MODE, VOL MIN, SUBWOOFER VOL. 1.
2. UNLESS OTHERWISE SPECIFIED:  
RESISTORS ARE 1/4W 1% CARBON RESISTOR.  
ALL RESISTANCE VALUES ARE IN OHM (Ω).  
ALL CAPACITORS ARE CERAMIC CAPACITOR OR MYLAR CAPACITOR.  
ALL CAPACITANCE VALUES ARE IN #F(PHF).  
ALL INDUCTANCE VALUES ARE IN #H(MMH).  
ALL C CAPACITORS ARE SHOWN IN THE FORM OF CAPACITANCE (#F)/RATED VOLTAGE (V).  
ALL DIODES ARE 1S5133

⚠ Parts are safety assurance parts.  
When replacing those parts make sure to use the specified.

FL Display & system controller section



\* MARK

| MARK                               | MX-J570V      | MX-J570V     | MX-J680V     | MX-J680V     | CA-MXJ770V    | CA-MXJ880V | CA-MXJ970V    | CA-MXJ980V   |
|------------------------------------|---------------|--------------|--------------|--------------|---------------|------------|---------------|--------------|
| D906                               | SHORT         | 1S5133-T2    | SHORT        | 1S5133-T2    | SHORT         | SHORT      | SHORT         | 1S5133-T2    |
| R625, R626                         | NONE          | NONE         | NONE         | NONE         | NONE          | NONE       | NONE          | 1K           |
| R64                                | 330K          | 330K         | 330K         | 330K         | 75K           | 75K        | 18K           | 18K          |
| R61                                | 18K           | 18K          | 18K          | 18K          | 18K           | 18K        | 18K           | 18K          |
| R63                                | 75K (LX*18K)  | 75K          | 75K          | 75K          | 75K (LX*18K)  | 75K        | 75K (LX*18K)  | 75K          |
| R64                                | 330K (LX*18K) | 330K         | 330K         | 330K         | 330K (LX*18K) | 330K       | 330K (LX*18K) | 330K         |
| D950, D952, D951, D991             | NONE          | NONE         | NONE         | NONE         | NONE          | NONE       | NONE          | SLA-570JT3F  |
| D953, D994, D953, D993             | NONE          | NONE         | NONE         | NONE         | NONE          | NONE       | NONE          | SLA-570JT3F  |
| R650, R657, R698, R699             | NONE          | NONE         | NONE         | NONE         | NONE          | NONE       | NONE          | 75           |
| D950, D951                         | NONE          | NONE         | NONE         | NONE         | NONE          | NONE       | NONE          | KRC-102M-T   |
| TW20, TW23                         | NONE          | USE          | NONE         | USE          | NONE          | NONE       | NONE          | USE          |
| L1001, L1002                       | SHORT         | QGL231K-470Y | SHORT        | QGL231K-470Y | SHORT         | SHORT      | SHORT         | QGL231K-470Y |
| C1001, C1002                       | NONE          | 0.001u       | NONE         | 0.001u       | NONE          | 0.001u     | 0.001u        | 0.001u       |
| L1003                              | QGL231K-2R2Y  | SHORT        | QGL231K-2R2Y | SHORT        | QGL231K-2R2Y  | SHORT      | SHORT         | QGL231K-2R2Y |
| R653                               | 2.2 F, RES    | 2.2 F, RES   | 2.2 F, RES   | 2.2 F, RES   | 2.2 F, RES    | 2.2 F, RES | 2.2 F, RES    | 2.2 F, RES   |
| C1004                              | USE           | USE          | USE          | USE          | USE           | USE        | USE           | USE          |
| L810, L811, L812, L813, L814, L815 | SHORT         | QGR0779-001Z | SHORT        | QGR0779-001Z | SHORT         | SHORT      | SHORT         | QGR0779-001Z |
| C1007                              | NONE          | 0.01u        | NONE         | 0.01u        | NONE          | NONE       | NONE          | 0.01u        |

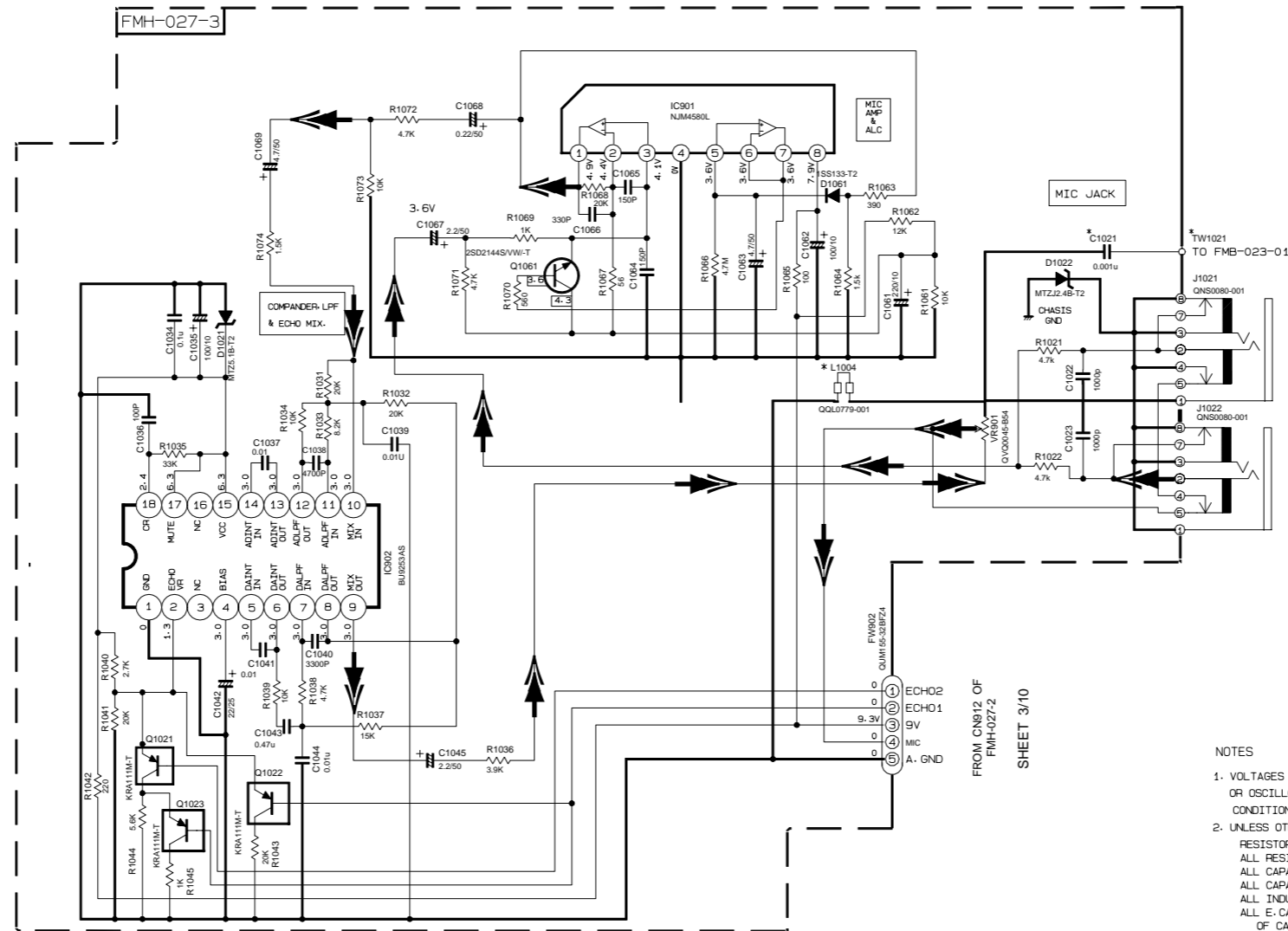
NOTE: MARK (\*) IS TO SHOW DEVIATION IN VERSIONS  
DETAILS ARE EXPLAINED BY MARK.

Parts are safety assurance parts.  
When replacing those parts make  
sure to use the specified.

➡ CD signal  
⇨ TUNER signal

NOTES  
1. VOLTAGES ARE DC-MEASURED WITH A DIGITAL VOLT METER OR OSCILLOSCOPE WITHOUT INPUT SIGNAL.  
CONVERSION: 1000 = 1K, 10000 = 10K, 100000 = 100K, 1000000 = 1M, 10000000 = 10M, 100000000 = 100M, 1000000000 = 1G.  
2. UNLESS OTHERWISE SPECIFIED  
RESISTORS ARE 1/4W ±5% CARBON RESISTOR.  
ALL RESISTANCE VALUES ARE IN OHMS.  
ALL CAPACITANCE VALUES ARE IN P.F.  
ALL INDUCTANCE VALUES ARE IN HENRY.  
ALL CAPACITORS ARE SHOWN IN THE FORM OF CAPACITANCE (μF)/RATED VOLTAGE (V).  
ALL DIMENSIONS ARE IN MM.

Microphone amplifier section



\* NOTE

|          | MX-J570V | MX-J680V | CA-MXJ770V | CA-MXJ880V | CA-MXJ970V | CA-MXJ980V |
|----------|----------|----------|------------|------------|------------|------------|
| UB·US·UX | UT       | US       | UF·UT      | UB·US·UX   | US         | UF·UT      |
| L1004    | SHORT    | USE      | SHORT      | USE        | SHORT      | USE        |
| C1021    | NONE     | USE      | NONE       | USE        | NONE       | NONE       |
| TW1021   |          |          |            |            |            |            |

- NOTES
- VOLTAGES ARE DC-MEASURED WITH A DIGITAL VOLT METER OR OSCILLOSCOPE WITHOUT INPUT SIGNAL.  
CONDITION — AUX MODE, ECHO OFF
  - UNLESS OTHERWISE SPECIFIED  
RESISTORS ARE 1/4W ±5% CARBON RESISTOR.  
ALL RESISTANCE VALUES ARE IN OHM(Ω).  
ALL CAPACITORS ARE CERAMIC CAPACITOR OR MYLAR CAPACITOR.  
ALL CAPACITANCE VALUES ARE IN #F(=pF).  
ALL INDUCTANCE VALUES ARE IN #H(=mH).  
ALL E. CAPACITORS ARE SHOWN IN THE FORM OF CAPACITANCE (#F)/RATED VOLTAGE (V).  
ALL DIODES ARE 1SS133

➡ MIC signal

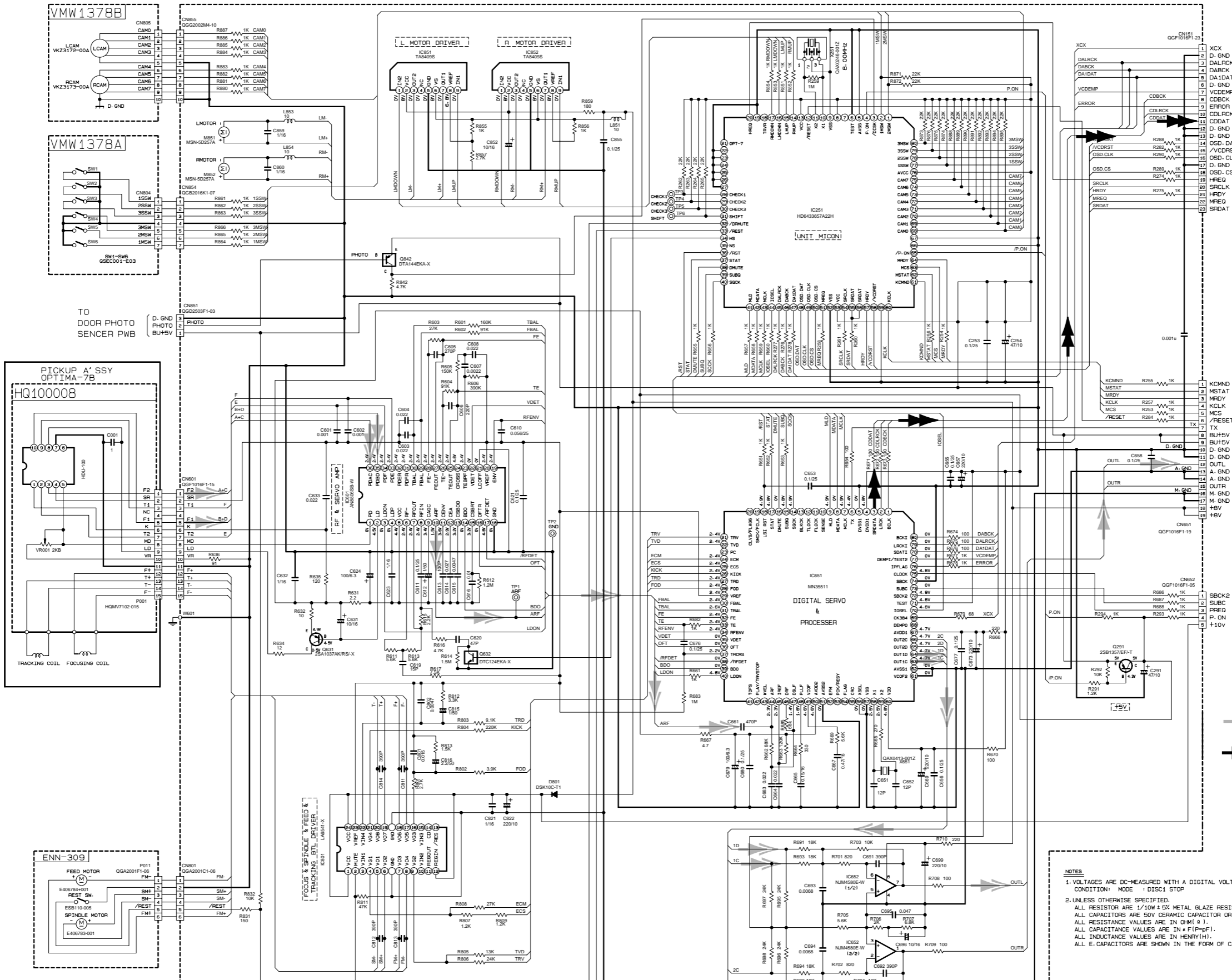
FROM CN812 OF FMH-027-2 SHEET 3/10

5  
4  
3  
2  
1

A | B | C | 2-6 | D | E | F | G | H

CD Servo & CD Mechanism control section

5  
4  
3  
2  
1



TO CN102 OF VMW1496 SHEET 10/10

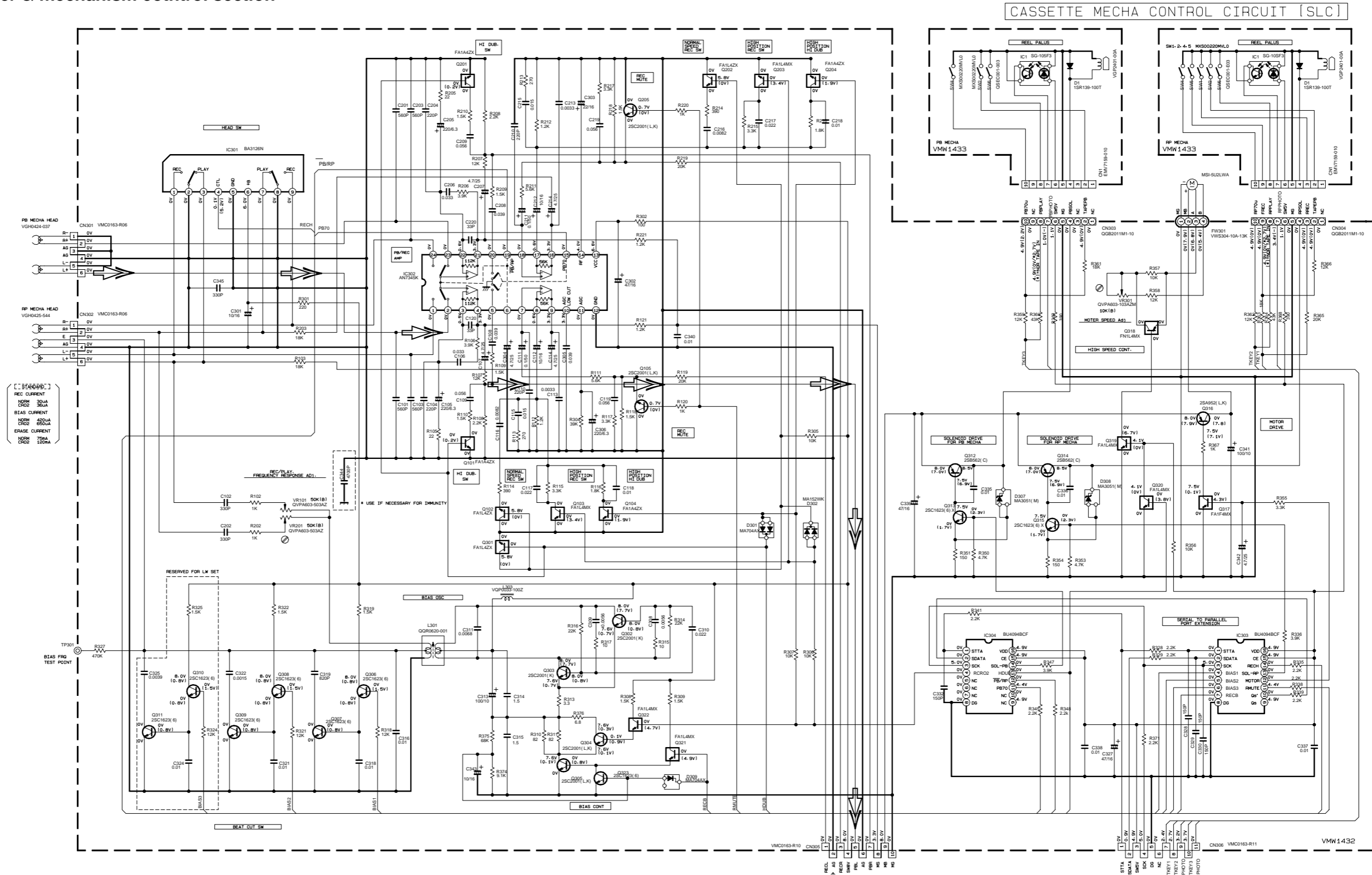
TO CN868 OF FMB-022-01 SHEET 4/10

TO CN101 OF FMP-004-1 SHEET 9/10

➡ CD signal  
➡ VIDEO signal

- NOTES**
- VOLTAGES ARE DC-MEASURED WITH A DIGITAL VOLT METER  
CONDITION: MODE : DISC1 STOP
  - UNLESS OTHERWISE SPECIFIED:  
ALL RESISTOR ARE 1/10W ± 5% METAL GLAZE RESISTOR.  
ALL CAPACITORS ARE 50V CERAMIC CAPACITOR OR 50V MYLAR CAPA CITOR.  
ALL RESISTANCE VALUES ARE IN OHM (Ω).  
ALL CAPACITANCE VALUES ARE IN PICO (pF).  
ALL INDUCTANCE VALUES ARE IN HENRY (H).  
ALL E-CAPACITORS ARE SHOWN IN THE FORM OF CAPACITANCE (≠ F) / RATED VOLTAGE (V).

Head amplifier & mechanism control section



- [ STANDARD ]
- REC CURRENT 300A
- CHD 360A
- BIAS CURRENT 450A
- CHD 650A
- ERASE CURRENT 750A
- CHD 1500A

**NOTES**

1. VOLTAGES ARE DC-MEASURED WITH A DIGITAL VOLT METER OR OSCILLOSCOPE WITHOUT INPUT SIGNAL. ( ) IS INVERT MODE
2. UNLESS OTHERWISE SPECIFIED
- ALL RESISTANCE VALUES ARE IN OHMS (Ω).
- ALL CAPACITORS ARE CERAMIC CAPACITOR
- ALL CAPACITANCE VALUES ARE IN pF (pF).
- ALL INDUCTANCE VALUES ARE IN μH (μH).
- ALL E. CAPACITORS ARE SHOWN IN THE FORM OF CAPACITANCE (μF)/RATED VOLTAGE (V).
- PP PLYPROPYLENE CAPACITOR

TABLE 1. DIGITAL TR LIST

| PART. NO | CONSTRUCTION | REF. NO   | PART. NO | CONSTRUCTION | REF. NO        |
|----------|--------------|-----------|----------|--------------|----------------|
| FN14M    |              | Q318      | FA14M    |              | Q317           |
| FA14Z    |              | G101/G201 | FA14M    |              | G103/G203      |
| FA14Z    |              | G104/G204 |          |              | G300/G301/G302 |
| FA14Z    |              | G102/G202 |          |              | Q301           |

FROM PRE-AMP CIRCUIT  
FROM CN315 OF FMH-026-2  
SHEET 3/10

FROM MICON CIRCUIT  
FROM CN906 OF FMH-022-13  
SHEET 4/10

➡ TAPE P.B. signal

5  
4  
3  
2  
1

A B C D E F G H

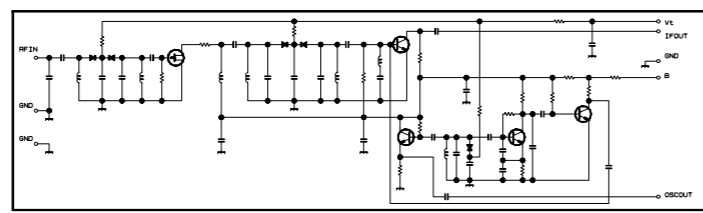
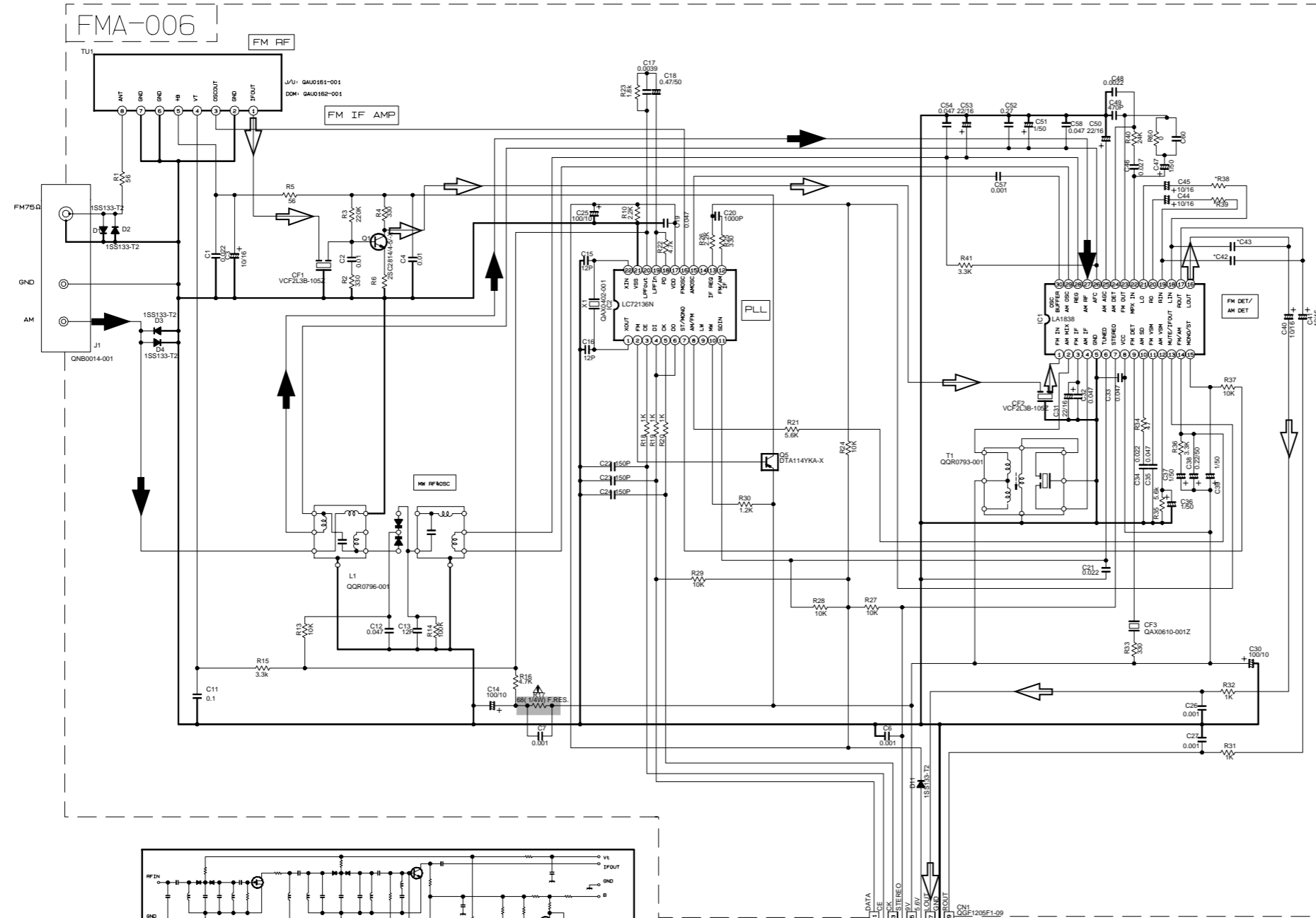
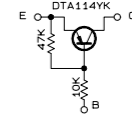


■ Tuner section

NOTES

1. VOLTAGES ARE DC-MEASURED WITH A DIGITAL VOLT METER.
2. ALL RESISTORS ARE 1/8W ±5% METAL GLAZE RESISTOR.
3. ALL RESISTANCE VALUES ARE IN OHM(Ω).
4. ALL CAPASITORS VALUES ARE IN \*F(P=pF).
5. ALL E. CAPASITORS ARE SHOWN IN THE FORM OF CAPASITANCE (±F)/RATED VOLTAGE (V).
6. SI DIODES (▷) ARE ALL 1SS133-T THAT CAN BE CHANGED TO SIMILAR DIODE SUCH AS MA165 OR HSS104J.
7. PARTS NO. OF TRANSISTORS ARE AS FOLLOWS.  
Q1 2SC2814/4-5/-X Q2-Q3 2SC2412K/R/-X  
Q4-Q5 DTA114YK-A-X

B. INSIDE OF DIGITAL TRANSISTORS ARE SHOWN AS FOLLOWS:



|     | VERSION |        |                   |
|-----|---------|--------|-------------------|
|     | J/C     | User's | SHI UX MODEL DEL. |
| R38 | 563     | 563    | 563               |
| R39 | 563     | 563    | 563               |
| C42 | 0.0022  | 0.0015 | 0.0015            |
| C43 | 0.0022  | 0.0015 | 0.0015            |
| R4  | 331     | 331    | 221               |
| R5  | 560     | 560    | 270               |
| R6  | 240     | 240    | 270               |

FROM CN865 OF FME-023-01  
SHEET 4/10

| CONDITION          | PIN NO. | 1   | 2   | 3   | 4   | 5   | 6   | 7   | 8   | 9   | 10  | 11  | 12 | 13  | 14  | 15  | 16  | 17  | 18  | 19  | 20  | 21  | 22  | 23  | 24  | 25  | 26  | 27  | 28  | 29  | 30  |
|--------------------|---------|-----|-----|-----|-----|-----|-----|-----|-----|-----|-----|-----|----|-----|-----|-----|-----|-----|-----|-----|-----|-----|-----|-----|-----|-----|-----|-----|-----|-----|-----|
| FM NO SIGNAL       |         | 3.6 | 8.9 | 3.6 | 3.6 | 0   | 5.0 | 5.0 | 8.9 | 8.9 | 1.3 | 0.1 | 0  | 0.9 | 7.8 | 7.8 | 4.3 | 4.3 | 4.3 | 4.3 | 3.4 | 3.4 | 2.8 | 3.4 | 0   | 0   | 3.5 | 3.5 | 3.6 | 3.6 | 2.7 |
| IC1 FM 60dB STEREO |         | 3.6 | 8.9 | 3.6 | 3.6 | 0   | 5.0 | 5.0 | 8.9 | 8.9 | 1.3 | 4.3 | 0  | 0.9 | 7.8 | 7.8 | 4.3 | 4.3 | 4.3 | 4.3 | 3.4 | 3.4 | 2.8 | 3.4 | 0   | 0   | 3.6 | 3.6 | 3.6 | 3.6 | 2.7 |
| AM NO SIGNAL       |         | 3.5 | 9.0 | 3.5 | 3.5 | 0   | 5.0 | 5.1 | 9.0 | 2.6 | 1.3 | 0   | 0  | 0.9 | 4.7 | 5.5 | 4.3 | 4.3 | 4.3 | 3.3 | 3.3 | 3.2 | 2.8 | ust | 0.7 | 0.7 | 3.6 | 3.6 | 3.6 | 3.6 | 2.1 |
| IC2 FM NO SIGNAL   |         | 2.5 | 0   | 0   | 5.0 | 4.9 | 5.0 | 7.9 | 7.8 | 3.6 | 6.1 | 5.1 | 0  | 0   | 0   | 2.5 | 5.1 | 0.9 | 0.9 | 3.3 | 3.3 | 0   | 2.3 |     |     |     |     |     |     |     |     |

| Tr. NO.              | Q1 |     |      |     | Q5  |     |   |   |   |
|----------------------|----|-----|------|-----|-----|-----|---|---|---|
| PIN NO.              | E  | C   | B    | E   | C   | B   | E | C | B |
| FM 87.5MHz NO SIGNAL | 0  | 7.1 | 0.85 | 8.9 | 8.8 | 0   |   |   |   |
| AM 52KHz NO SIGNAL   | 0  | 0   | 0    | 9.0 | 0   | 8.9 |   |   |   |

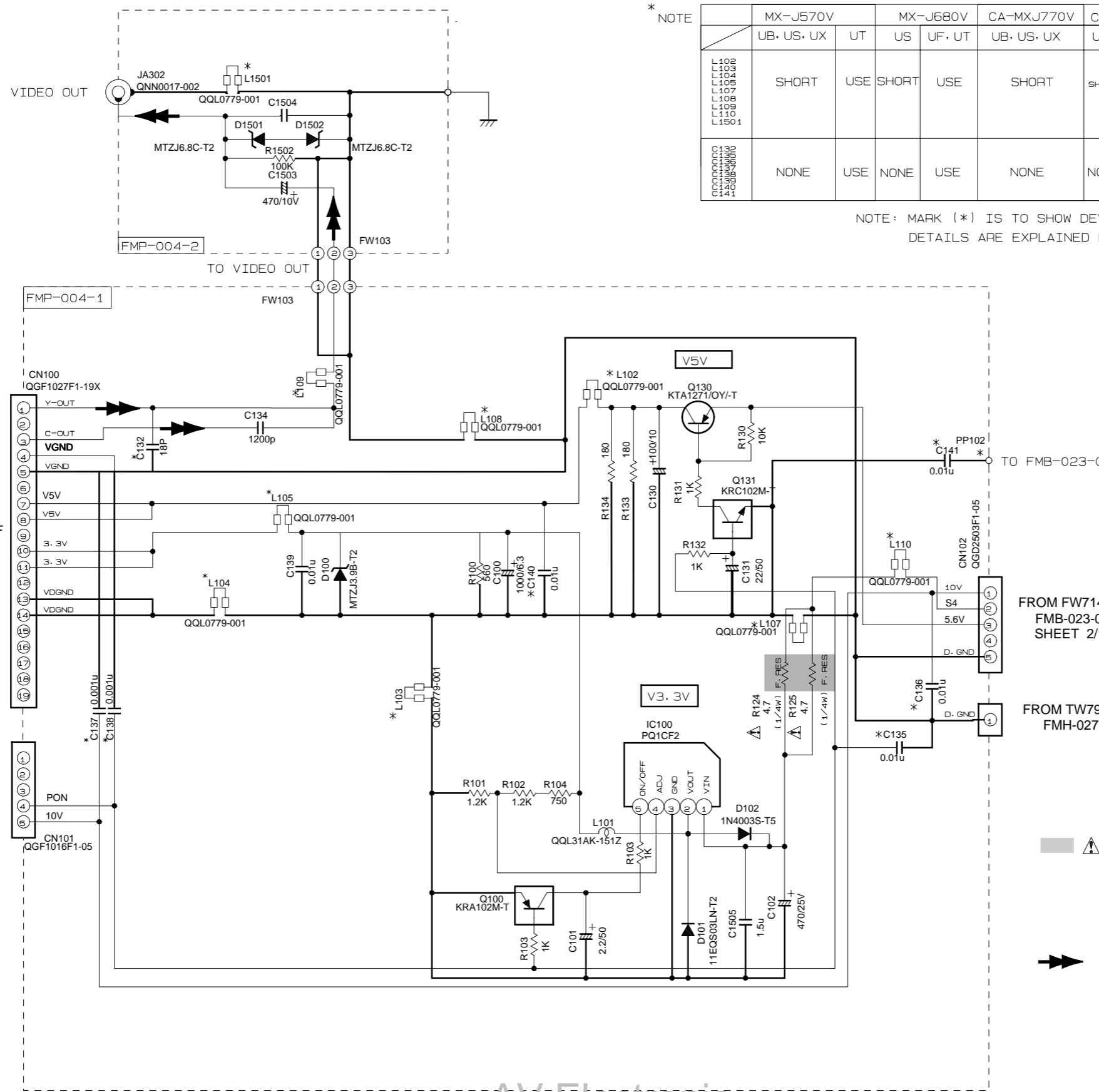
  

| Tr. NO.             | Q2 |   |     |   | Q3  |     |     |     | Q4  |   |   |   |
|---------------------|----|---|-----|---|-----|-----|-----|-----|-----|---|---|---|
| PIN NO.             | E  | C | B   | E | C   | B   | E   | C   | B   | E | C | B |
| FM 52KHz NO SIGNAL  | 0  | 0 | 0.7 | 0 | 0   | 0.7 | 0   | 3.6 | 0.7 |   |   |   |
| AM 144KHz NO SIGNAL | 0  | 0 | 0.3 | 0 | 0.3 | 0.3 | 3.6 | 3.6 | 3.6 |   |   |   |

⚠ Parts are safety assurance parts. When replacing those parts make sure to use the specified.

▷ FM / TUNER signal  
➡ AM signal

Video CD regulator section



\* NOTE

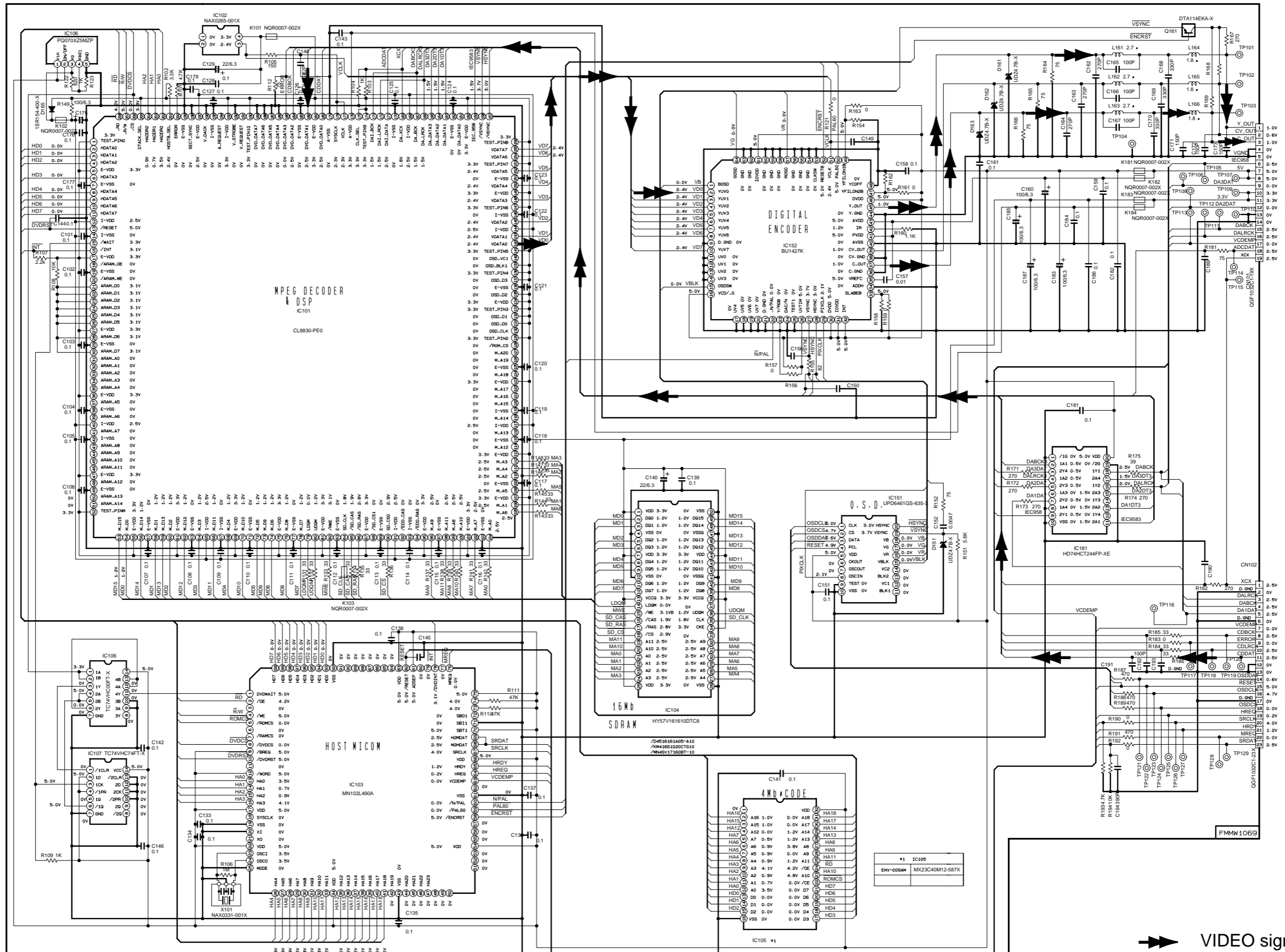
|        | MX-J570V   | MX-J680V | CA-MXJ770V | CA-MXJ880V | CA-MXJ970V | CA-MXJ980V |        |
|--------|------------|----------|------------|------------|------------|------------|--------|
|        | UB, US, UX | UT       | US         | UF, UT     | UB, US, UX | US         | UF, UT |
| L1102  |            |          |            |            |            |            |        |
| L1103  |            |          |            |            |            |            |        |
| L1104  |            |          |            |            |            |            |        |
| L1105  |            |          |            |            |            |            |        |
| L1106  |            |          |            |            |            |            |        |
| L1107  | SHORT      | USE      | SHORT      | USE        | SHORT      | SHORT      | USE    |
| L1108  |            |          |            |            |            |            |        |
| L1109  |            |          |            |            |            |            |        |
| L1110  |            |          |            |            |            |            |        |
| L11501 |            |          |            |            |            |            |        |
| C11501 |            |          |            |            |            |            |        |
| C11502 |            |          |            |            |            |            |        |
| C11503 |            |          |            |            |            |            |        |
| C11504 |            |          |            |            |            |            |        |
| C11505 |            |          |            |            |            |            |        |
| C11506 |            |          |            |            |            |            |        |
| C11507 |            |          |            |            |            |            |        |
| C11508 |            |          |            |            |            |            |        |
| C11509 |            |          |            |            |            |            |        |
| C11510 |            |          |            |            |            |            |        |
| C11511 |            |          |            |            |            |            |        |
| C11512 |            |          |            |            |            |            |        |
| C11513 |            |          |            |            |            |            |        |
| C11514 |            |          |            |            |            |            |        |
| C11515 |            |          |            |            |            |            |        |
| C11516 |            |          |            |            |            |            |        |
| C11517 |            |          |            |            |            |            |        |
| C11518 |            |          |            |            |            |            |        |
| C11519 |            |          |            |            |            |            |        |
| C11520 |            |          |            |            |            |            |        |
| C11521 |            |          |            |            |            |            |        |
| C11522 |            |          |            |            |            |            |        |
| C11523 |            |          |            |            |            |            |        |
| C11524 |            |          |            |            |            |            |        |
| C11525 |            |          |            |            |            |            |        |
| C11526 |            |          |            |            |            |            |        |
| C11527 |            |          |            |            |            |            |        |
| C11528 |            |          |            |            |            |            |        |
| C11529 |            |          |            |            |            |            |        |
| C11530 |            |          |            |            |            |            |        |
| C11531 |            |          |            |            |            |            |        |
| C11532 |            |          |            |            |            |            |        |
| C11533 |            |          |            |            |            |            |        |
| C11534 |            |          |            |            |            |            |        |
| C11535 |            |          |            |            |            |            |        |
| C11536 |            |          |            |            |            |            |        |
| C11537 |            |          |            |            |            |            |        |
| C11538 |            |          |            |            |            |            |        |
| C11539 |            |          |            |            |            |            |        |
| C11540 |            |          |            |            |            |            |        |
| C11541 |            |          |            |            |            |            |        |
| C11542 |            |          |            |            |            |            |        |
| C11543 |            |          |            |            |            |            |        |
| C11544 |            |          |            |            |            |            |        |
| C11545 |            |          |            |            |            |            |        |
| C11546 |            |          |            |            |            |            |        |
| C11547 |            |          |            |            |            |            |        |
| C11548 |            |          |            |            |            |            |        |
| C11549 |            |          |            |            |            |            |        |
| C11550 |            |          |            |            |            |            |        |
| C11551 |            |          |            |            |            |            |        |
| C11552 |            |          |            |            |            |            |        |
| C11553 |            |          |            |            |            |            |        |
| C11554 |            |          |            |            |            |            |        |
| C11555 |            |          |            |            |            |            |        |
| C11556 |            |          |            |            |            |            |        |
| C11557 |            |          |            |            |            |            |        |
| C11558 |            |          |            |            |            |            |        |
| C11559 |            |          |            |            |            |            |        |
| C11560 |            |          |            |            |            |            |        |
| C11561 |            |          |            |            |            |            |        |
| C11562 |            |          |            |            |            |            |        |
| C11563 |            |          |            |            |            |            |        |
| C11564 |            |          |            |            |            |            |        |
| C11565 |            |          |            |            |            |            |        |
| C11566 |            |          |            |            |            |            |        |
| C11567 |            |          |            |            |            |            |        |
| C11568 |            |          |            |            |            |            |        |
| C11569 |            |          |            |            |            |            |        |
| C11570 |            |          |            |            |            |            |        |
| C11571 |            |          |            |            |            |            |        |
| C11572 |            |          |            |            |            |            |        |
| C11573 |            |          |            |            |            |            |        |
| C11574 |            |          |            |            |            |            |        |
| C11575 |            |          |            |            |            |            |        |
| C11576 |            |          |            |            |            |            |        |
| C11577 |            |          |            |            |            |            |        |
| C11578 |            |          |            |            |            |            |        |
| C11579 |            |          |            |            |            |            |        |
| C11580 |            |          |            |            |            |            |        |
| C11581 |            |          |            |            |            |            |        |
| C11582 |            |          |            |            |            |            |        |
| C11583 |            |          |            |            |            |            |        |
| C11584 |            |          |            |            |            |            |        |
| C11585 |            |          |            |            |            |            |        |
| C11586 |            |          |            |            |            |            |        |
| C11587 |            |          |            |            |            |            |        |
| C11588 |            |          |            |            |            |            |        |
| C11589 |            |          |            |            |            |            |        |
| C11590 |            |          |            |            |            |            |        |
| C11591 |            |          |            |            |            |            |        |
| C11592 |            |          |            |            |            |            |        |
| C11593 |            |          |            |            |            |            |        |
| C11594 |            |          |            |            |            |            |        |
| C11595 |            |          |            |            |            |            |        |
| C11596 |            |          |            |            |            |            |        |
| C11597 |            |          |            |            |            |            |        |
| C11598 |            |          |            |            |            |            |        |
| C11599 |            |          |            |            |            |            |        |
| C11600 |            |          |            |            |            |            |        |

NOTE: MARK (\*) IS TO SHOW DEVIATION IN VERSIONS  
DETAILS ARE EXPLAINED BY MARK.

Parts are safety assurance parts.  
When replacing those parts make  
sure to use the specified.

VIDEO signal

Super Video CD control section



VIDEO signal

TO CN100 OF FMP-004-1 SHEET 9/10

FROM CN151 OF VMW1493 SHEET 6/10