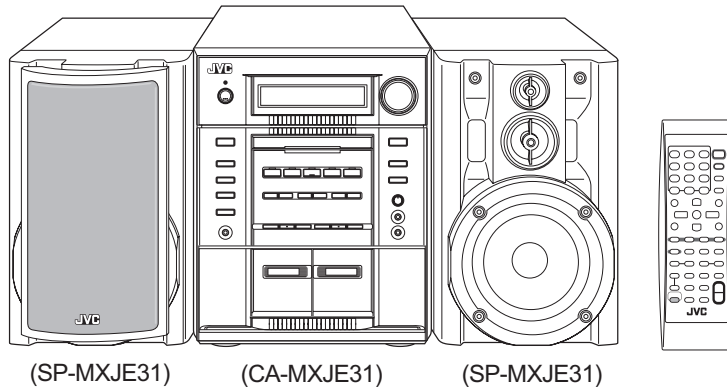
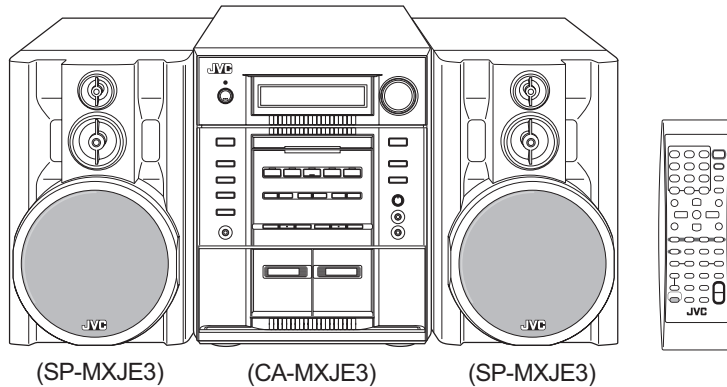


JVC

SERVICE MANUAL

COMPACT COMPONENT SYSTEM

MX-JE3, MX-JE31



MX-JE3	
Area suffix	
US -----	Singapore
UW -----	Brazil, Mexico, Peru
UX -----	Saudi Arabia
UY -----	Argentina
UG ---	Turkey, South Africa, Egypt
UE -----	Turkey
UN -----	Asean

MX-JE31	
Area suffix	
UX -----	Saudi Arabia
UG ---	Turkey, South Africa, Egypt
UN -----	Asean



TABLE OF CONTENTS

1	PRECAUTION	1-3
2	SPECIFIC SERVICE INSTRUCTIONS	1-6
3	DISASSEMBLY	1-7
4	ADJUSTMENT	1-34
5	TROUBLESHOOTING	1-41

SPECIFICATION

Amplifier section	Output Power		80 W per channel, min. RMS, driven into 6 Ω at 1 kHz with no more than 10% total harmonic distortion.
	Digital output	OPTICAL DIGITAL OUTPUT	-21 dBm to -15 dBm (660 nm \pm 30 nm)
	Audio input sensitivity/ Impedance*1	AUX	300 mV/47 k Ω
		MIC 1/2	3.0 mV/50 k Ω
	VIDEO OUT	Color system	NTSC/PAL selectable
		VIDEO (composite)	1 V(p-p)/75 Ω
S-VIDEO		Y (luminance) : 1 V(p-p)/75 Ω C (chrominance, burst) : 0.286 V(p-p)/75 Ω	
Speaker Terminals		6 Ω - 16 Ω (Main speakers)	
Tuner section	FM tuning range		87.50 MHz - 108.00 MHz
	AM (MW) tuning range		531 kHz - 1 710 kHz (at 9 kHz) 530 kHz - 1 710 kHz (at 10 kHz)
	For Saudi Arabia only		531 kHz - 1 602 kHz (at 9 kHz) 530 kHz - 1 600 kHz (at 10 kHz)
Disc player section	Playable disc		DVD Video/CD/VCD/SVCD CD-R/CD-RW (recorded in Audio CD/ Video CD/ Super Video CD/ MP3/ WMA/ JPEG format) DVD-R/DVD-RW (recorded in video format)
	Dynamic range		90 dB
	Horizontal resolution		500 lines
	Wow and flutter		Immeasurable
Cassette deck section	Frequency response Normal (type I)		50 Hz - 14 000 Hz
	Wow and flutter		0.15% (WRMS)
General	Power requirement		AC 110 V / AC 127 V / AC 220 V / AC 230 V - AC 240 V , (adjustable with the voltage selector), 50 Hz / 60 Hz
	Power consumption		125 W (at operation) (MX-JE3/JE31) 17 W (on standby)
	Dimensions (approx.)		265 mm \times 335 mm \times 352 mm (W/H/D)
	Mass (approx.)		8.0 kg
Speakers	Type		3-Way 3-Speaker Bass Reflex Type (Magnetically Shielded type)
	Speakers	Woofer	15 cm cone \times 1
		Midrange	5 cm cone \times 1
		Tweeter	2 cm dome \times 1
	Power handling capacity		80 W
	Impedance		6 Ω
	Frequency range		42 Hz - 29 000 Hz
	Sound pressure level		83 dB/W·m
	Dimensions (approx.)		JE31: 205 mm \times 335 mm \times 250 mm (W/H/D) JE3: 205 mm \times 335 mm \times 232 mm (W/H/D)
Mass (approx.)		JE31: 3.6 kg each JE3: 3.5 kg each	

*1: Measured at 1 kHz, with tape recording signal 300 mV

Design and specifications are subject to change without notice.

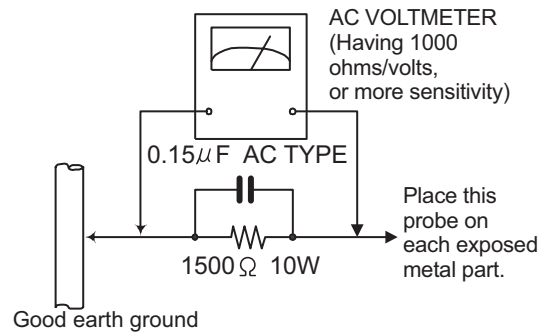
SECTION 1 PRECAUTION

1.1 Safety Precautions

- (1) This design of this product contains special hardware and many circuits and components specially for safety purposes. For continued protection, no changes should be made to the original design unless authorized in writing by the manufacturer. Replacement parts must be identical to those used in the original circuits. Services should be performed by qualified personnel only.
- (2) Alterations of the design or circuitry of the product should not be made. Any design alterations of the product should not be made. Any design alterations or additions will void the manufacturer's warranty and will further relieve the manufacturer of responsibility for personal injury or property damage resulting therefrom.
- (3) Many electrical and mechanical parts in the products have special safety-related characteristics. These characteristics are often not evident from visual inspection nor can the protection afforded by them necessarily be obtained by using replacement components rated for higher voltage, wattage, etc. Replacement parts which have these special safety characteristics are identified in the Parts List of Service Manual. Electrical components having such features are identified by shading on the schematics and by (Δ) on the Parts List in the Service Manual. The use of a substitute replacement which does not have the same safety characteristics as the recommended replacement parts shown in the Parts List of Service Manual may create shock, fire, or other hazards.
- (4) The leads in the products are routed and dressed with ties, clamps, tubings, barriers and the like to be separated from live parts, high temperature parts, moving parts and/or sharp edges for the prevention of electric shock and fire hazard. When service is required, the original lead routing and dress should be observed, and it should be confirmed that they have been returned to normal, after reassembling.
- (5) Leakage shock hazard testing
After reassembling the product, always perform an isolation check on the exposed metal parts of the product (antenna terminals, knobs, metal cabinet, screw heads, headphone jack, control shafts, etc.) to be sure the product is safe to operate without danger of electrical shock. Do not use a line isolation transformer during this check.
 - Plug the AC line cord directly into the AC outlet. Using a "Leakage Current Tester", measure the leakage current from each exposed metal part of the cabinet, particularly any exposed metal part having a return path to the chassis, to a known good earth ground. Any leakage current must not exceed 0.5mA AC (r.m.s.).
 - Alternate check method
Plug the AC line cord directly into the AC outlet. Use an AC voltmeter having, 1,000 Ω per volt or more sensitivity in the following manner. Connect a 1,500 Ω 10W resistor paralleled by a 0.15 μ F AC-type capacitor between an exposed metal part and a known good earth ground. Measure the AC voltage across the resistor with the AC

voltmeter.

Move the resistor connection to each exposed metal part, particularly any exposed metal part having a return path to the chassis, and measure the AC voltage across the resistor. Now, reverse the plug in the AC outlet and repeat each measurement. Voltage measured any must not exceed 0.75 V AC (r.m.s.). This corresponds to 0.5 mA AC (r.m.s.).



1.2 Warning

- (1) This equipment has been designed and manufactured to meet international safety standards.
- (2) It is the legal responsibility of the repairer to ensure that these safety standards are maintained.
- (3) Repairs must be made in accordance with the relevant safety standards.
- (4) It is essential that safety critical components are replaced by approved parts.
- (5) If mains voltage selector is provided, check setting for local voltage.

1.3 Caution

Burrs formed during molding may be left over on some parts of the chassis.

Therefore, pay attention to such burrs in the case of pre-forming repair of this system.

1.4 Critical parts for safety

In regard with component parts appearing on the silk-screen printed side (parts side) of the PWB diagrams, the parts that are printed over with black such as the resistor (■), diode (■) and ICP (●) or identified by the " Δ " mark nearby are critical for safety. When replacing them, be sure to use the parts of the same type and rating as specified by the manufacturer. (This regulation does not Except the J and C version)

1.5 Preventing static electricity

Electrostatic discharge (ESD), which occurs when static electricity stored in the body, fabric, etc. is discharged, can destroy the laser diode in the traverse unit (optical pickup). Take care to prevent this when performing repairs.

1.5.1 Grounding to prevent damage by static electricity

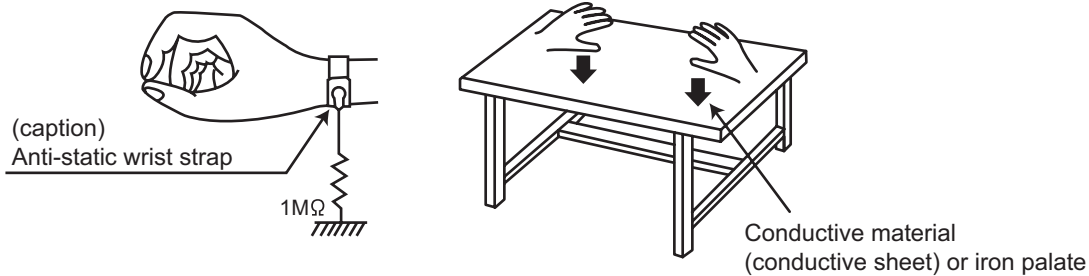
Static electricity in the work area can destroy the optical pickup (laser diode) in devices such as laser products. Be careful to use proper grounding in the area where repairs are being performed.

(1) Ground the workbench

Ground the workbench by laying conductive material (such as a conductive sheet) or an iron plate over it before placing the traverse unit (optical pickup) on it.

(2) Ground yourself

Use an anti-static wrist strap to release any static electricity built up in your body.



(3) Handling the optical pickup

- In order to maintain quality during transport and before installation, both sides of the laser diode on the replacement optical pickup are shorted. After replacement, return the shorted parts to their original condition. (Refer to the text.)
- Do not use a tester to check the condition of the laser diode in the optical pickup. The tester's internal power source can easily destroy the laser diode.

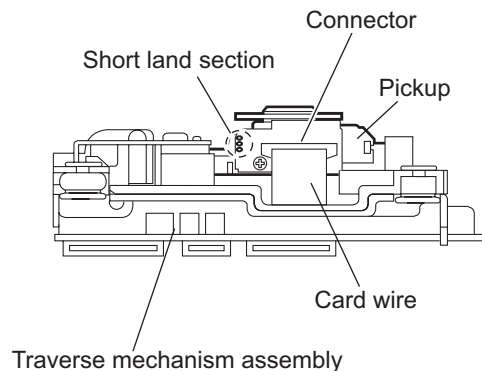
1.6 Handling the traverse unit (optical pickup)

- (1) Do not subject the traverse unit (optical pickup) to strong shocks, as it is a sensitive, complex unit.
- (2) Cut off the shorted part of the flexible cable using nippers, etc. after replacing the optical pickup. For specific details, refer to the replacement procedure in the text. Remove the anti-static pin when replacing the traverse unit. Be careful not to take too long a time when attaching it to the connector.
- (3) Handle the flexible cable carefully as it may break when subjected to strong force.
- (4) It is not possible to adjust the semi-fixed resistor that adjusts the laser power. Do not turn it.

1.7 Attention when traverse unit is decomposed

***Please refer to "Disassembly method" in the text for the pickup unit.**

- Apply solder to the short land sections before the flexible wire is disconnected from the connector on the servo board. (If the flexible wire is disconnected without applying solder, the pickup may be destroyed by static electricity.)
- In the assembly, be sure to remove solder from the short land sections after connecting the flexible wire.



1.8 Important for laser products

1.CLASS 1 LASER PRODUCT


2.DANGER : Invisible laser radiation when open and interlock failed or defeated. Avoid direct exposure to beam.

3.CAUTION : There are no serviceable parts inside the Laser Unit. Do not disassemble the Laser Unit. Replace the complete Laser Unit if it malfunctions.

4.CAUTION : The CD,MD and DVD player uses invisible laser radiation and is equipped with safety switches which prevent emission of radiation when the drawer is open and the safety interlocks have failed or are defeated. It is dangerous to defeat the safety switches.

5.CAUTION : If safety switches malfunction, the laser is able to function.

6.CAUTION : Use of controls, adjustments or performance of procedures other than those specified here in may result in hazardous radiation exposure.

 **CAUTION** Please use enough caution not to see the beam directly or touch it in case of an adjustment or operation check.

CAUTION : Visible and invisible laser radiation when open and interlock failed or defeated.

AVOID DIRECT EXPOSURE TO BEAM.

ADVARSEL : Synlig og usynlig laserstråling når maskinen er åben eller interlocken fejler. Undgå direkte eksponering til stråling.

VARNING : Synlig och osynlig laserstråling när den öppnas och spärren är urkopplad. Betrakta ej strålen.

VARO : Avattaessa ja suojalukitus ohitettuna tai viallisena olet alltiina näkyvälle ja näkymättömälle lasersäteilylle. Vältä säteen kohdistumista suoraan itseesi.

REPRODUCTION AND POSITION OF LABELS

WARNING LABEL

CAUTION : Visible and invisible laser radiation when open and interlock failed or defeated. AVOID DIRECT EXPOSURE TO BEAM. (e)	ADVARSEL : Synlig og usynlig laserstråling når maskinen er åben eller interlocken fejler. Undgå direkte eksponering til stråling. (d)	VARNING : Synlig och osynlig laserstråling när den öppnas och spärren är urkopplad. Betrakta ej strålen. (s)	VARO : Avattaessa ja suojalukitus ohitettuna tai viallisena olet alltiina näkyvälle ja näkymättömälle lasersäteilylle. Vältä säteen kohdistumista suoraan itseesi. (f)
---	--	---	---

CLASS 1
LASER PRODUCT

CAUTION : Visible and invisible laser radiation when open and interlock failed or defeated. AVOID DIRECT EXPOSURE TO BEAM. (e)	VARO : Avattaessa ja suojalukitus ohitettuna tai viallisena olet alltiina näkyvälle ja näkymättömälle lasersäteilylle. Vältä säteen kohdistumista suoraan itseesi. (f)
VARNING : Synlig och osynlig laserstråling när den öppnas och spärren är urkopplad. Betrakta ej strålen. (s)	ADVARSEL : Synlig og usynlig laserstråling når maskinen er åben eller interlocken fejler. Undgå direkte eksponering til stråling. (d)

SECTION 2 SPECIFIC SERVICE INSTRUCTIONS

This service manual does not describe SPECIFIC SERVICE INSTRUCTIONS.

SECTION 3 DISASSEMBLY

3.1 Main body section

3.1.1 Removing the metal cover

(See Figs.1 to 3)

- (1) From the both sides of the main body, remove the two screws **A** attaching the metal cover. (See Figs.1 and 2.)
- (2) From the back side of the main body, remove the six screws **B** attaching the metal cover. (See Fig.3.)
- (3) Remove the metal cover from the main body while lifting the rear section of the metal cover in the direction of the arrow. (See Figs.1 and 2.)

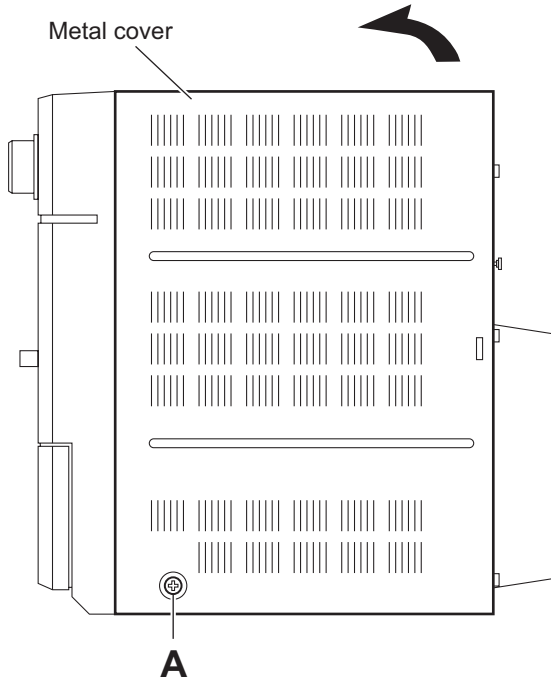


Fig.1

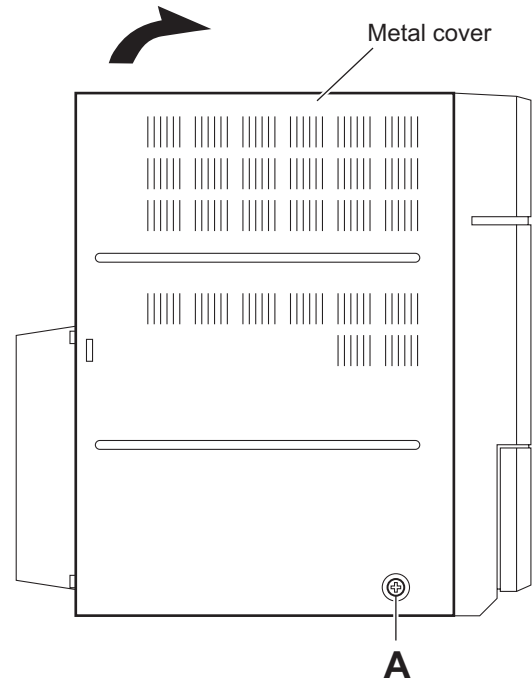


Fig.2

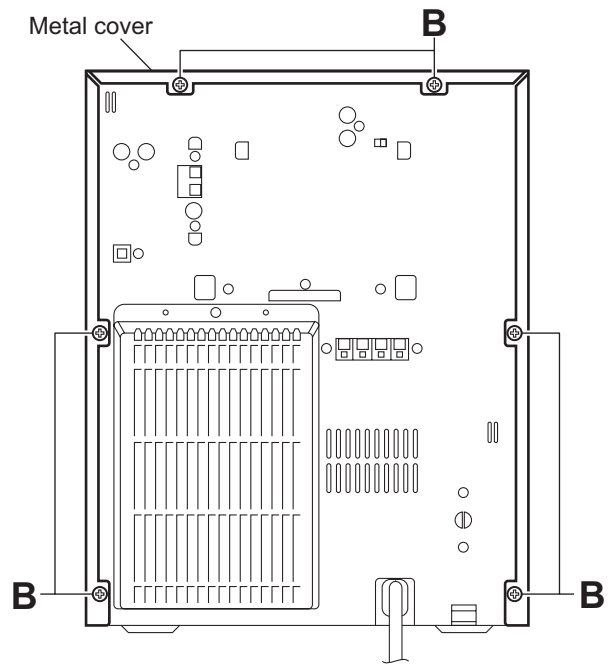


Fig.3

3.1.2 Removing the front panel assembly (See Figs.4 to 7)

- Remove the metal cover.

- (1) From the right side of the main body, remove the screw **C** attaching the earth wires on the reverse side of the main board. (See Fig.4.)

Reference:

After attaching the earth wires, fix them with a spacer as before. (See Fig.4.)

- (2) Remove the plastic rivet attaching the main board. (See Fig.4.)
- (3) From the inside of the main body, disconnect the card wires from the connectors (CN303, CN860, CN880) on the forward side of the main board. (See Fig.4.)
- (4) Remove the wire clamp fixing the wires and disconnect the wires from the connector (CN301, CN302) on the forward side of the main board. (See Fig.5.)

Reference:

After connecting the wires to the connectors, fix the wires with the wire clamp as before. (See Fig.5.)

- (5) From the left side of the main body, disconnect the parallel wire from the connector CN103 on the transformer board. (See Fig.5.)
- (6) Disconnect the wire from the connector CN119 on the transformer board. (See Fig.5.)

Reference:

After connecting the wire, pass the wire through the slot **b** of the holder board as before. (See Fig.5.)

- (7) Remove the tie band fixing the wire and disconnect the wire from the connector CN106 on the speaker terminal board. (See Fig.5.)

Reference:

- After connecting the wire, fix the wire with a new tie band as before. (See Fig.5.)
- After connecting the wire, pass the wire through the slot **b** of the holder board as before. (See Fig.5.)

- (8) From the top side of the main body, remove the two screws **D** attaching the front panel assembly to the main body. (See Fig.6.)
- (9) From the bottom side of the main body, remove the three screws **E** and two screws **F** attaching the front panel assembly. (See Fig.7.)
- (10) Release the claws **a** and remove the front panel assembly from the main body in the direction of the arrow. (See Fig.7.)

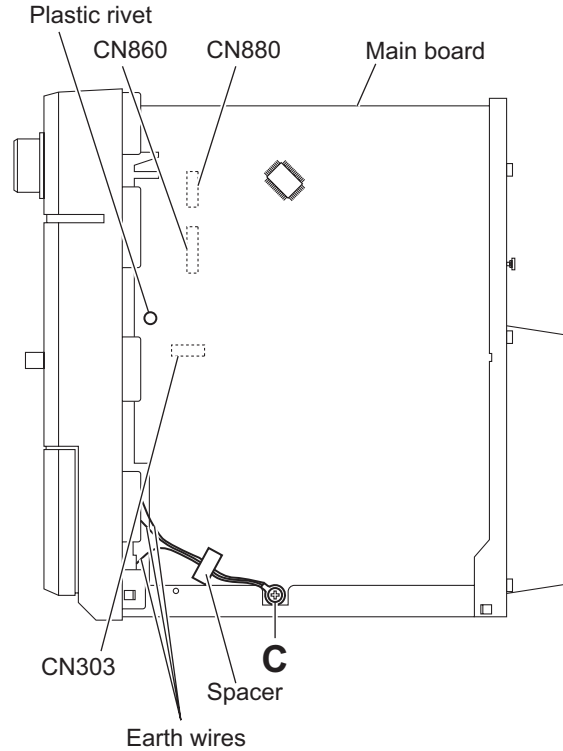


Fig.4

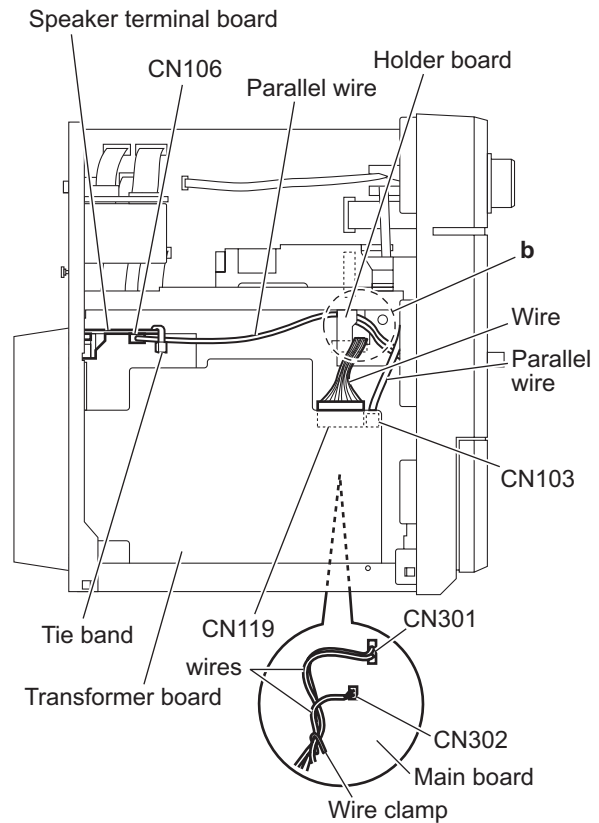


Fig.5

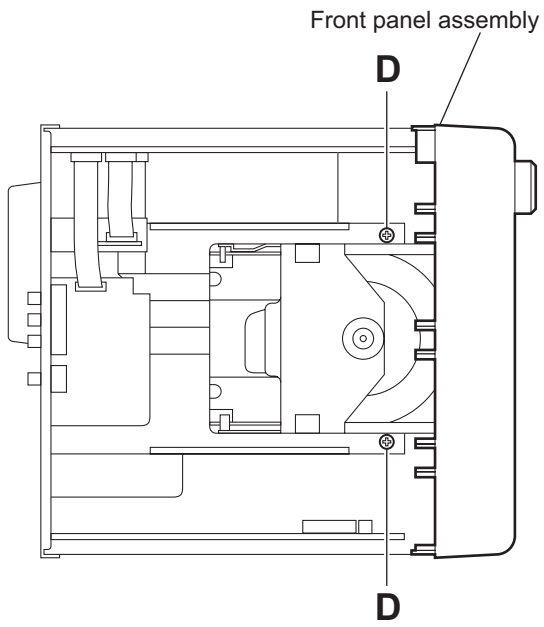


Fig.6

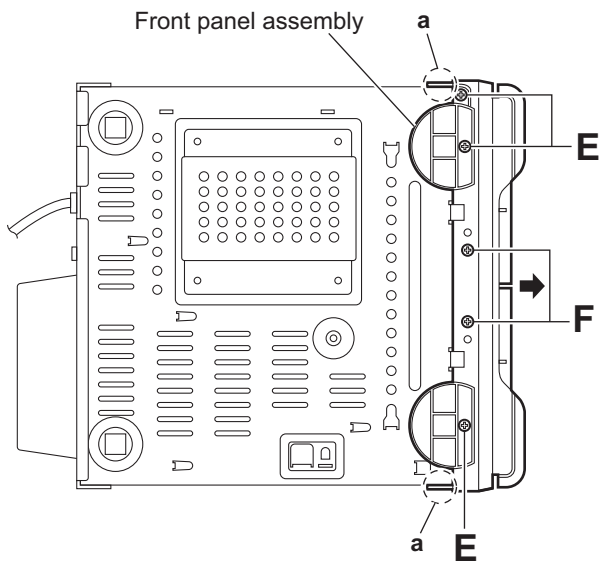


Fig.7

3.1.3 Removing the tuner (See Figs.8 and 9.)

- Remove the metal cover.
 - (1) From the top side of the main body, disconnect the card wire from the connector [CN21](#) on the main board. (See Fig.8.)
 - (2) From the back side of the main body, remove the two screws **G** attaching the tuner to the rear panel. (See Fig.9.)

3.1.4 Removing the video board (See Figs.8 and 9.)

- Remove the metal cover.
 - (1) From the top side of the main body, disconnect the card wire from the connector [CN410](#) on the main board. (See Fig.8.)
 - (2) From the back side of the main body, remove the screw **H** attaching the video board to the rear panel. (See Fig.9.)

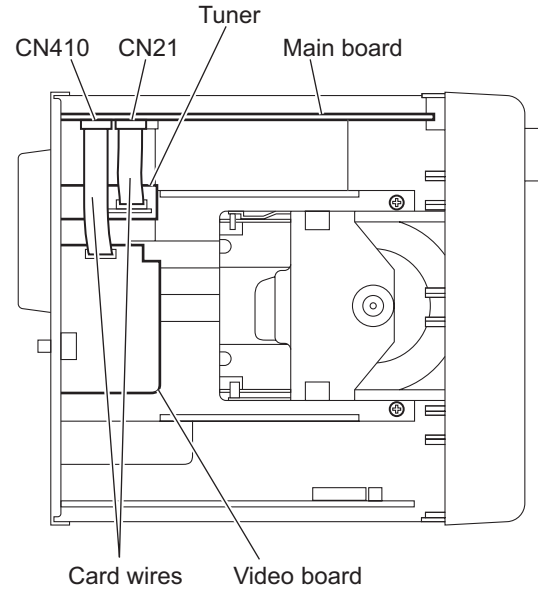


Fig.8

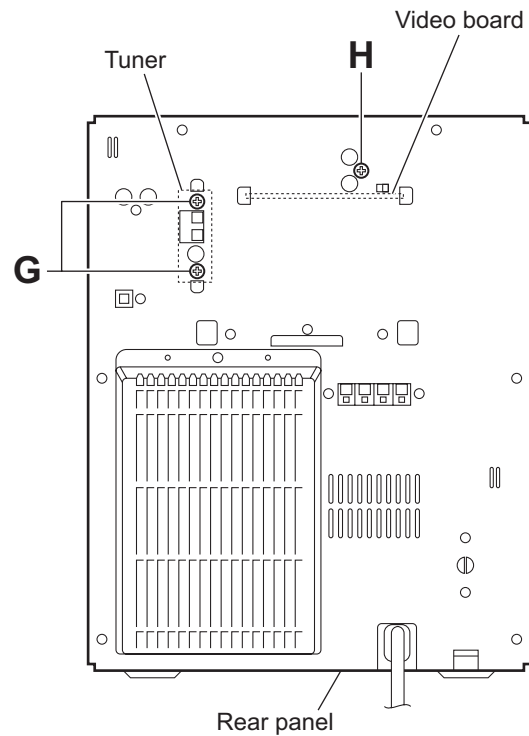


Fig.9

3.1.5 Removing the rear panel (See Figs.10 and 11)

- Remove the metal cover.
 - (1) From the back side of the main body, remove the screw **J** attaching the rear cover. (See Fig.10.)
 - (2) Release the sections **c** and remove the rear cover from the rear panel. (See Fig.10.)
 - (3) Remove the two screws **K** and fifteen screws **L** attaching the rear panel. (See Fig.11.)

Reference:

Remove the tuner and video board as required. (See Figs.8 and 9.)

- (4) From the both sides of the main body, release the sections **d** of the center chassis in the direction of the arrow and release the joints **e** attaching the rear panel to the bottom chassis. (See Fig. 11.)

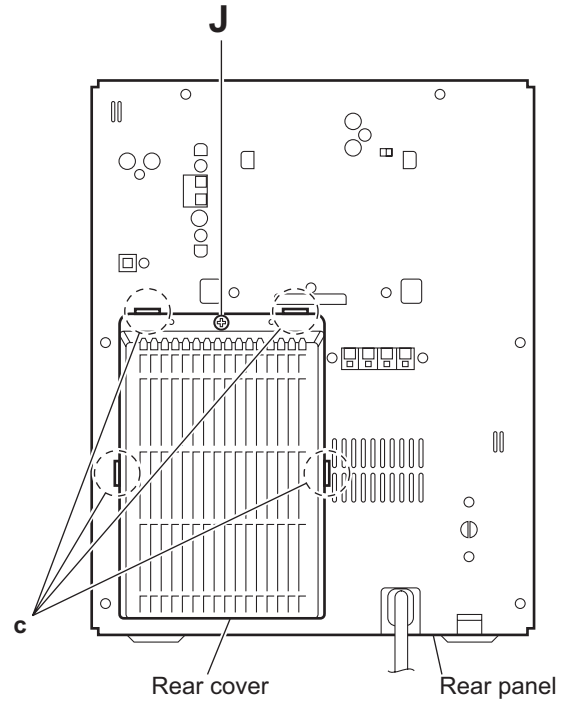


Fig.10

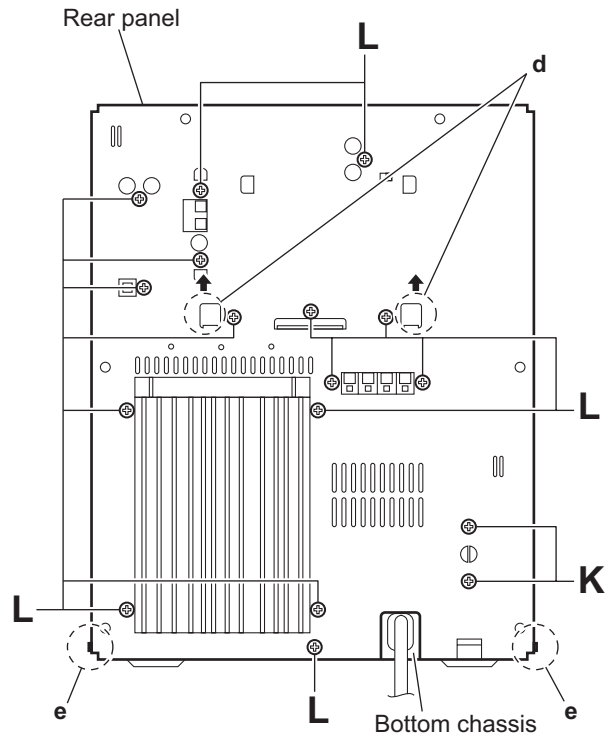


Fig.11

3.1.6 Removing the DVD mechanism assembly (See Figs.12 and 13)

- Remove the metal cover, tuner and video board.
 - From the top side of the main body, remove the three screws **M** attaching the DVD mechanism assembly on the center chassis. (See Fig.12.)
 - From the forward side of the main board, disconnect the card wires from the connectors ([CN11](#), [CN511](#), [CN513](#)). (See Fig.12.)

Reference:

When reassembly, pass the card wire through the section **f** of the main board before connecting the card wire to the connector [CN11](#). (See Fig.12.)

- Remove the spacers fixing the card wires. (See Fig.12.)

Reference:

After connecting the card wires, fix them with the spacers as before. (See Fig.12.)

- From the inside of the main body, take out the DVD mechanism assembly.
- Remove the tray fitting from the DVD mechanism assembly in the direction of the arrow. (See Fig.13.)

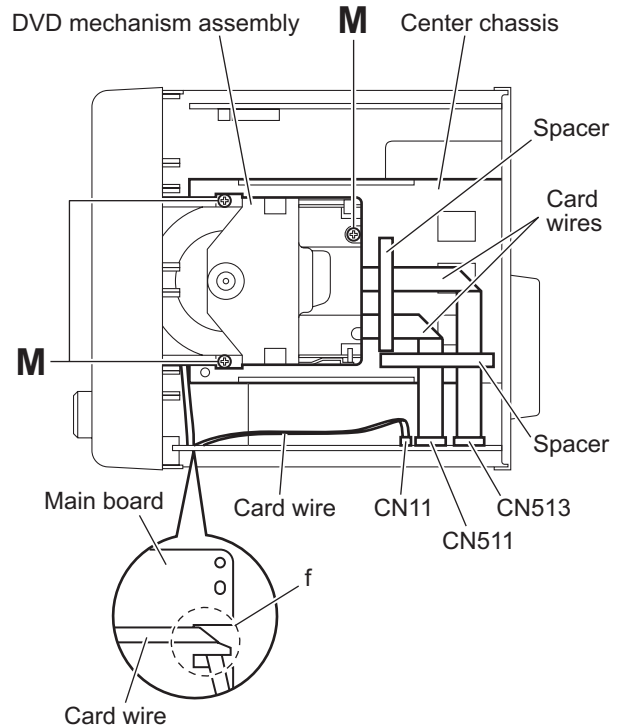


Fig.12

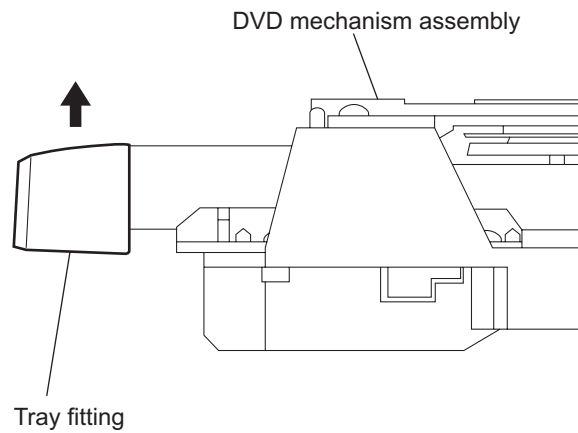


Fig.13

3.1.7 Removing the main board (See Figs.14 and 15)

- Remove the metal cover, tuner, video board and rear panel.
 - From the right side of the main body, remove the screw **N** attaching the earth wires on the reverse side of the main board. (See Fig.14.)

Reference:

After attaching the earth wires, fix them with a spacer as before. (See Fig.14.)

- Remove the plastic rivet attaching the main board. (See Fig.14.)
- From the inside of the main body, disconnect the card wires from the connectors (CN11, CN303, CN511, CN513, CN860, CN880) on the forward side of the main board. (See Figs.14 and 15.)

Reference:

When reassembly, pass the card wire through the section **f** of the main board before connecting the card wire to the connector **CN11**. (See Fig.14.)

- Remove the wire clamp fixing the wires and disconnect the wires from the connector (CN301, CN302) on the forward side of the main board. (See Fig.15.)

Reference:

After connecting the wires to the connectors, fix the wires with the wire clamp as before. (See Fig.15.)

- Disconnect the parallel wire from the connectors (CN220, CN221) on the main board. (See Fig.15.)
- Release the lock **g** of the connector **CN216** on the main board in the direction of the arrow 1 and disconnect the main board from the connector **CN216** on the speaker terminal board toward this side. (See Fig.14.)

Note:

When releasing the lock **g**, take care not to break it. (See Fig.14.)

- Release the lock **h** of the connector **CN201** on the primary board in the direction of the arrow 2 and disconnect the main board from the connector **CN201** in the direction of the arrow 3. (See Fig.14.)

Note:

When releasing the lock **h**, take care not to break it. (See Fig.14.)

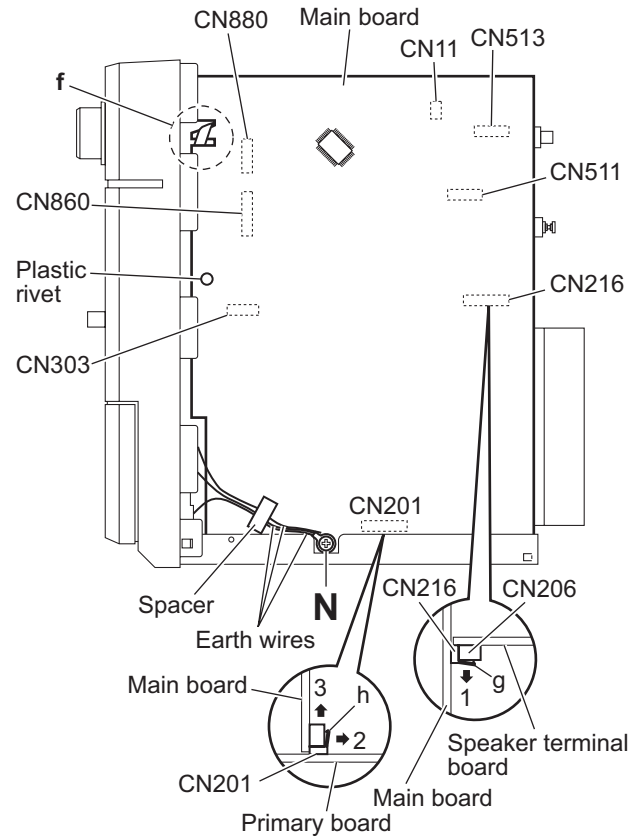


Fig.14

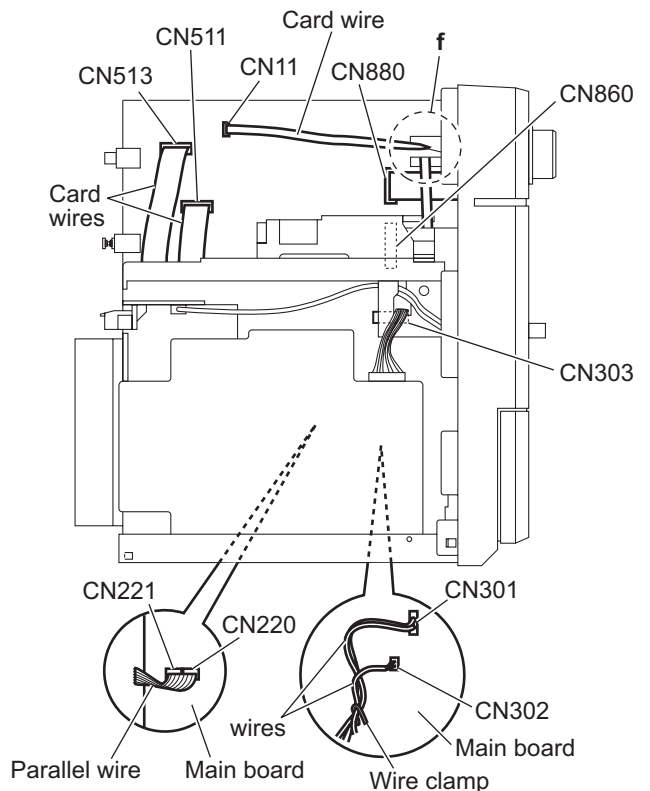


Fig.15

3.1.8 Removing the center chassis assembly (See Fig.16)

- Remove the metal cover, tuner, video board and rear panel.
 - From the top side of the main body, disconnect the card wires from the connectors (CN11, CN511, CN513) on the main board.

Reference:

When reassembly, pass the card wire through the section **f** of the main board before connecting the card wire to the connector **CN11**.

- Remove the two screws **P** attaching the center chassis assembly.
- Take out the center chassis assembly with the DVD mechanism assembly from the main body.

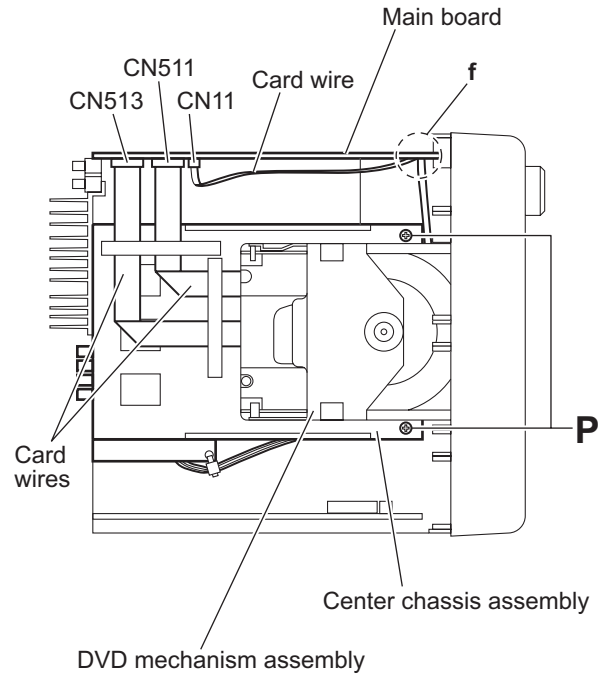


Fig.16

3.1.9 Removing the transformer board (See Fig.17)

- Remove the metal cover, tuner, video board, rear panel and center chassis assembly.
 - From the top side of the main body, disconnect the wires from the connectors (CN119, CN250) on the transformer board.
 - Disconnect the parallel wire from the connector **CN103** on the transformer board.
 - Remove the four screws **Q** attaching the transformer board and take out the transformer board from the main board.

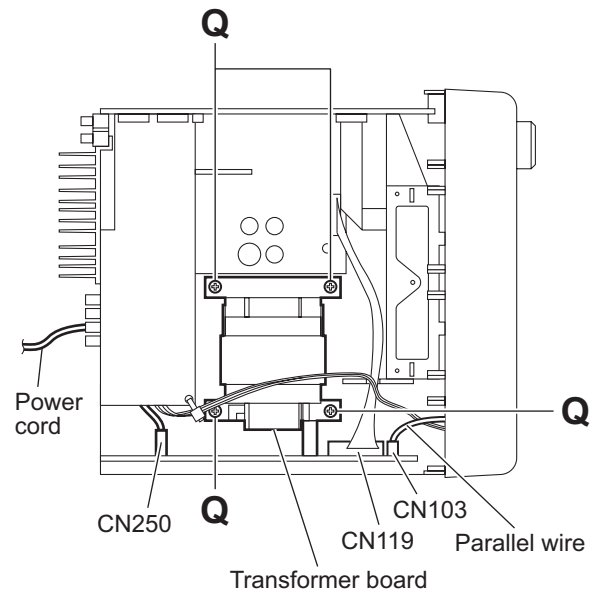


Fig.17

3.1.10 Removing the speaker terminal board

(See Fig.18.)

- Remove the metal cover, tuner, video board, rear panel, main board and center chassis assembly.

(1) From the top side of the main body, remove the tie band fixing the parallel wire.

Reference:

After connecting the parallel wire, fix it with the new tie band.

- (2) Disconnect the parallel wire from the connector [CN106](#) on the speaker terminal board.
- (3) Release the locks (i, j) of the connectors ([CN205](#), [CN214](#)) and disconnect the speaker terminal board in an upward direction.

Note:

When releasing the locks (i, j), take care not to break them.

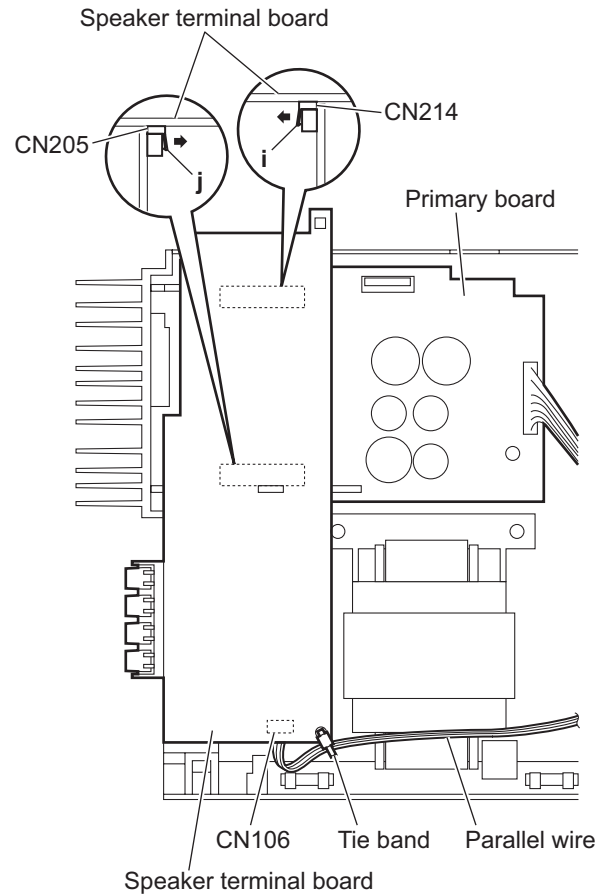


Fig.18

3.1.11 Removing the regulator board and main amplifier board (See Figs.19 and 20)

- Remove the metal cover, tuner, video board, rear panel, main board, center chassis assembly and speaker terminal board.
 - (1) From the top side of the main body, disconnect the regulator and main amplifier boards in an upward direction while releasing the locks (**k**, **m**) of the connectors ([CN202](#), [CN203](#)) on the primary board. (See Fig.19.)

Note:

- When releasing the locks (**k**, **m**), take care not to break them. (See Fig.19.)
- (2) Take out the regulator and main amplifier boards at the same time from the main body.
- (3) Remove the two screws **R** attaching the leaf spring to the heat sink and remove the regulator board from the heat sink. (See Fig.20.)
- (4) Remove the two screws **R** attaching the main amplifier board to the heat sink. (See Fig.20.)

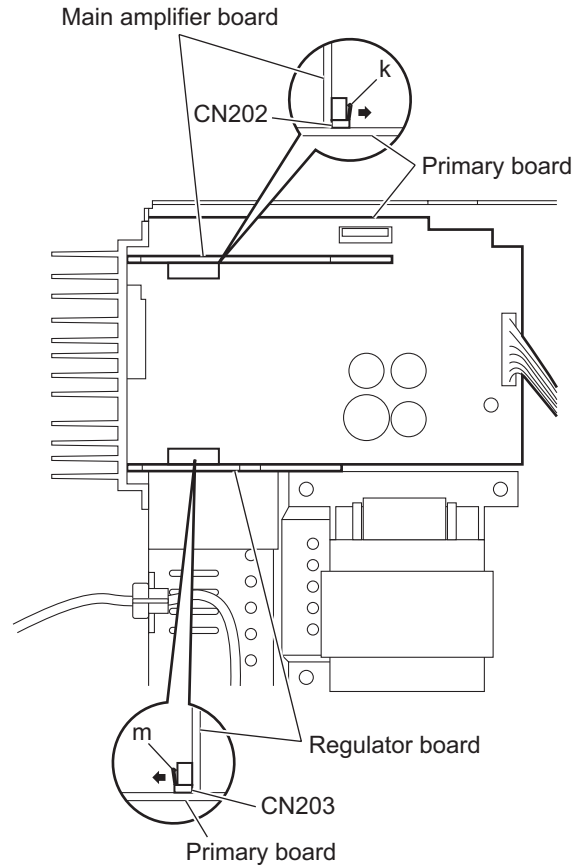


Fig.19

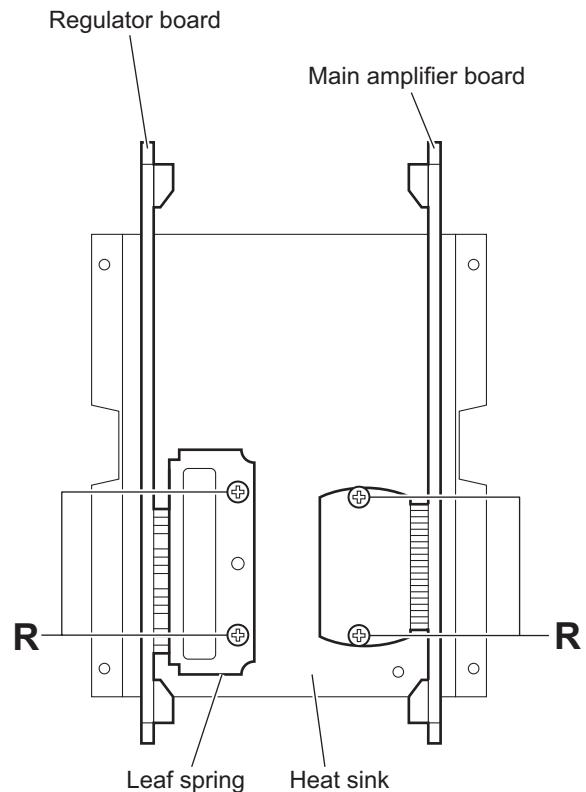


Fig.20

3.1.12 Removing the primary board (See Fig.21)

- Remove the metal cover, tuner, video board, rear panel, main board, center chassis assembly, speaker terminal board, regulator board and main amplifier board.

(1) From the top side of the main body, disconnect the wire from the connector [CN119](#) on the transformer board.

Reference:

Pass the wire through the slot **n** of the holder board before connecting the wire to the connector.

- (2) Remove the screw **S** attaching the primary board on the bottom chassis.
- (3) Remove the section **p** of the primary board and take out the primary board from the bottom chassis.

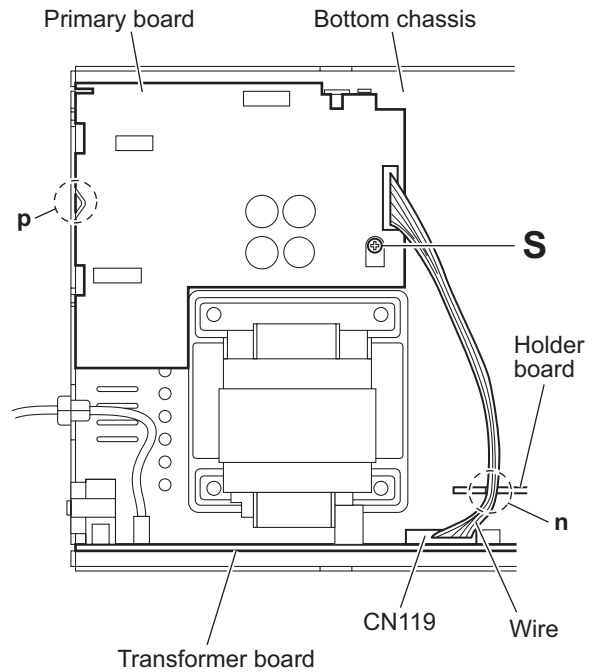


Fig.21

3.1.13 Removing the FL board
(See Figs.22 and 23)

- Remove the metal cover and front panel assembly.
 - From the front side of the front panel assembly, pull the volume knob out of the front panel assembly. (See Fig.22.)
 - From the inside of the front panel assembly, remove the six screws **T** attaching the FL board. (See Fig.23.)
 - Release the claws **q** in the direction of the arrow and take out the FL board from the front panel assembly. (See Fig.23.)

3.1.14 Removing the switch board
(See Figs.22 to 24)

- Remove the metal cover and front panel assembly.
 - From the front side of the front panel assembly, pull the microphone knob out of the front panel assembly. (See Fig.22.)
 - From the inside of the front panel assembly, remove the three screws **U** and screw **U'** attaching the stay bracket. (See Fig.23.)

Reference:

When attaching the screw **U'**, attach the earth wire with it. (See Fig.23.)

- From the inside of the front panel assembly, remove the eleven screws **V** attaching the switch board. (See Fig.24.)
- Take out the switch board from the front panel assembly.

3.1.15 Removing the cassette mechanism assembly
(See Fig.24)

- Remove the metal cover and front panel assembly.
 - From the inside of the front panel assembly, remove the three screws **W**, screw **W'** and two screws **X** attaching the cassette mechanism assembly.
 - Take out the cassette mechanism assembly from the front panel assembly.

Reference:

- When attaching the screw **W'**, attach the earth wire with it.
- When attaching the screws **X**, attach the swing cam (L)/(R) with them.

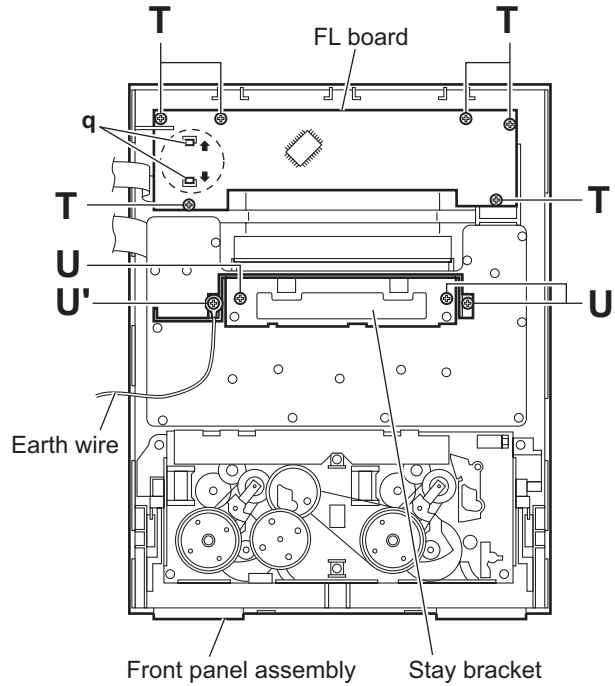


Fig.23

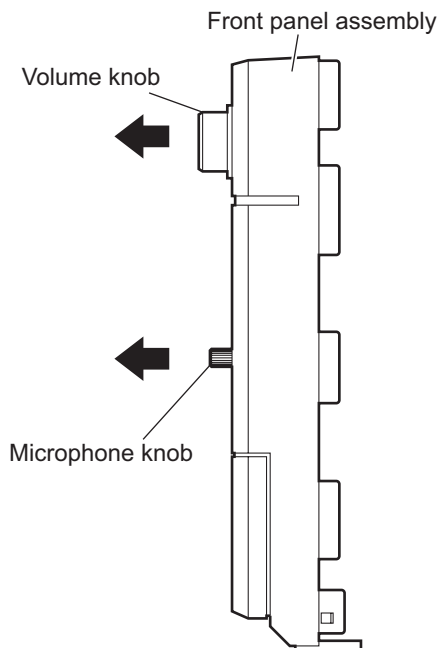


Fig.22

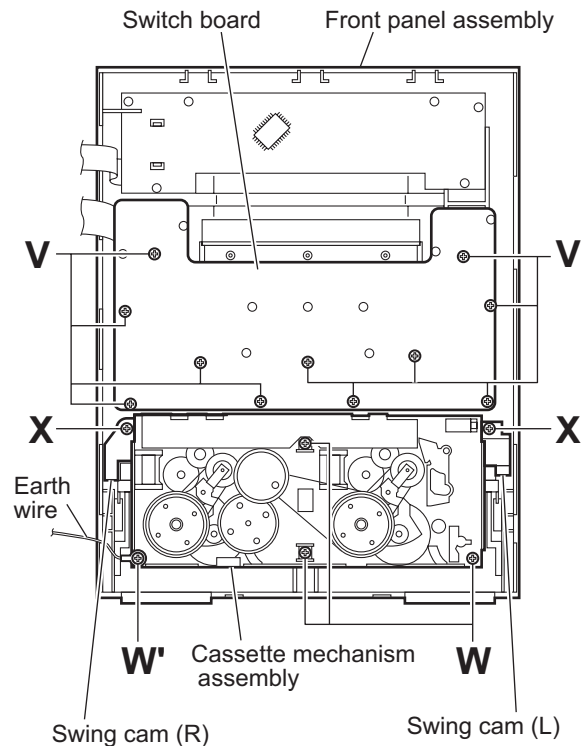


Fig.24

3.2 DVD mechanism section

- Remove the DVD mechanism assembly from the main body.
(See "3.1.6 Removing the DVD mechanism assembly".)

3.2.1 Removing the clamber base (See Fig.1)

- (1) From the top side of the DVD mechanism assembly, remove the two screws **A** attaching the clamber base.
- (2) Lift the clamber base in an upward direction to remove it from the projections **a** of the DVD mechanism assembly.
- (3) Slide the clamber base in the direction of the arrow and remove it from the joints **b**.

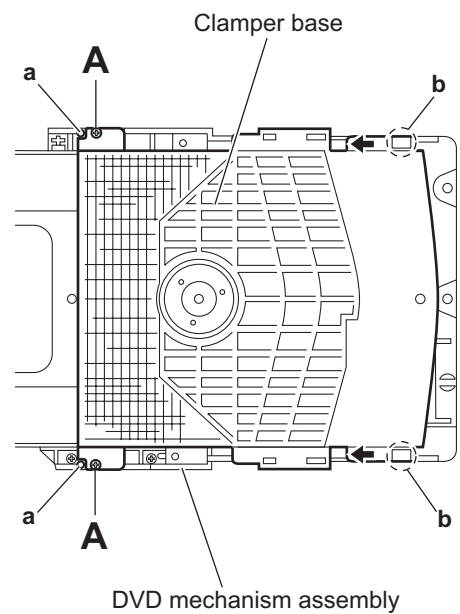


Fig.1

3.2.2 Removing the tray assembly (See Fig.2)

- (1) From the top side of the DVD mechanism assembly, remove the two screws **B** attaching the shaft guide of the tray assembly.
- (2) Remove the tray assembly from the projections **c** of the DVD mechanism assembly and take out the tray assembly.

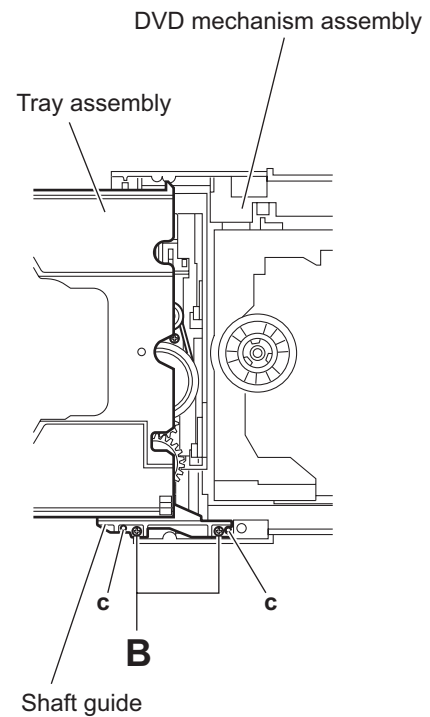


Fig.2

3.2.3 Removing the traverse mechanism assembly (See Figs.3)

- (1) From the bottom side of the DVD mechanism assembly, remove the four screws **C** attaching the traverse mechanism assembly.
- (2) Take out the traverse mechanism assembly with the DVD module board.

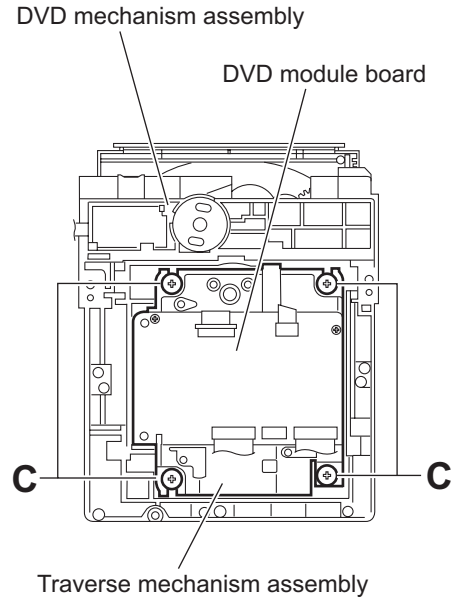


Fig.3

3.2.4 Removing the DVD module board (See Figs.4 and 5)

- Remove the traverse mechanism assembly.
 - (1) From the side of the traverse mechanism assembly, solder the short land sections **d** on the pickup. (See Fig.4.)
 - (2) From the bottom side of the traverse mechanism assembly, release the lock of the connector **CN101** on the DVD module board in the direction of the arrow 1 and disconnect the card wire. (See Fig.5.)

Caution:

- Solder the short land sections **d** on the pickup before disconnecting the card wire from the connector **CN101** on the DVD module board. If the card wire is disconnected without attaching solder, the pickup may be destroyed by static electricity. (See Figs.4 and 5.)
- When attaching the DVD module board, be sure to remove solders from the short land sections **d** after connecting the card wire to the connector **CN101** on the DVD module board. (See Figs.4 and 5.)

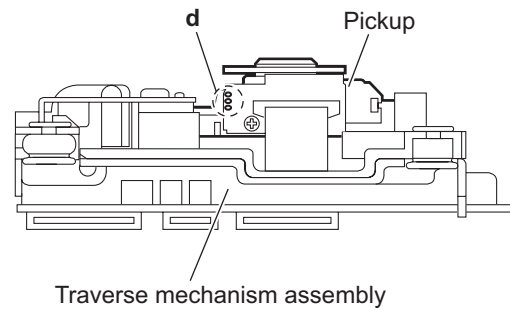


Fig.4

- (3) Disconnect the card wire from the connector **CN201** on the DVD module board. (See Fig.5.)
- (4) Remove the two screws **D** attaching the DVD module board. (See Fig.5.)
- (5) Remove the DVD module board from the projection **e** in an upward direction and remove the engagement section **g** in the direction 3 while removing the engagement section **f** in the direction of the arrow 2. (See Fig.5.)

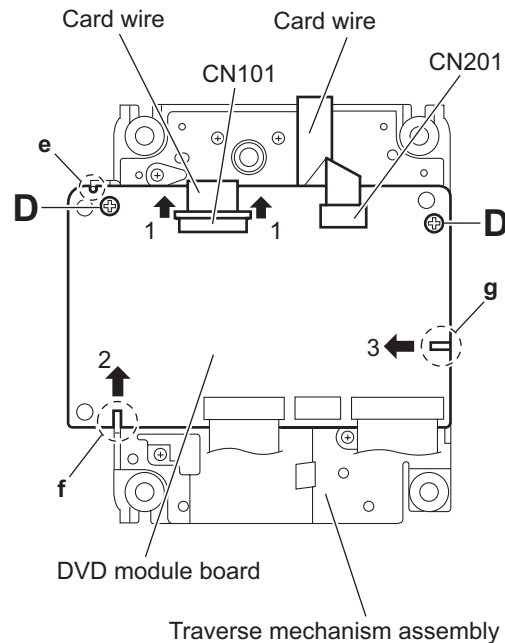


Fig.5

3.2.5 Removing the pickup (See Figs.4,6 to 8)

- Remove the traverse mechanism assembly.
 - (1) From the side of the traverse mechanism assembly, solder the short land sections **d** on the pickup. (See Fig.4.)
 - (2) Release the lock of the connector on the pickup in the direction of the arrow and disconnect the card wire. (See Fig.6.)

Caution:

- Solder the short land sections **d** on the pickup before disconnecting the card wire from the connector on the pickup. If the card wire is disconnected without attaching solder, the pickup may be destroyed by static electricity. (See Figs.4 and 6.)
- When attaching the pickup, be sure to remove solders from the short land sections **d** after connecting the card wire to the connector on the pickup. (See Figs.4 and 6.)

- (3) Remove the screw **E** attaching the plate and thrust spring. (See Fig.6.)
- (4) Remove the engagement section **h** attaching the plate to the feed holder and remove the plate. (See Fig.6.)
- (5) Remove the engagement sections (**i, j**), remove the thrust spring. (See Fig.6.)
- (6) Remove the shaft of the pickup from the section **k** on the traverse mechanism assembly and remove the shaft from the section **m** while moving it in the direction of the arrow. (See Fig.7.)
- (7) Remove the pickup from the section **n** of the traverse mechanism assembly and take out the pickup with the shaft. (See fig.7.)
- (8) From the bottom side of the pickup, remove the two screws **F** attaching the SW actuator and lead spring. (See Fig.8.)
- (9) Pull the shaft out of the pickup. (See Fig.8.)

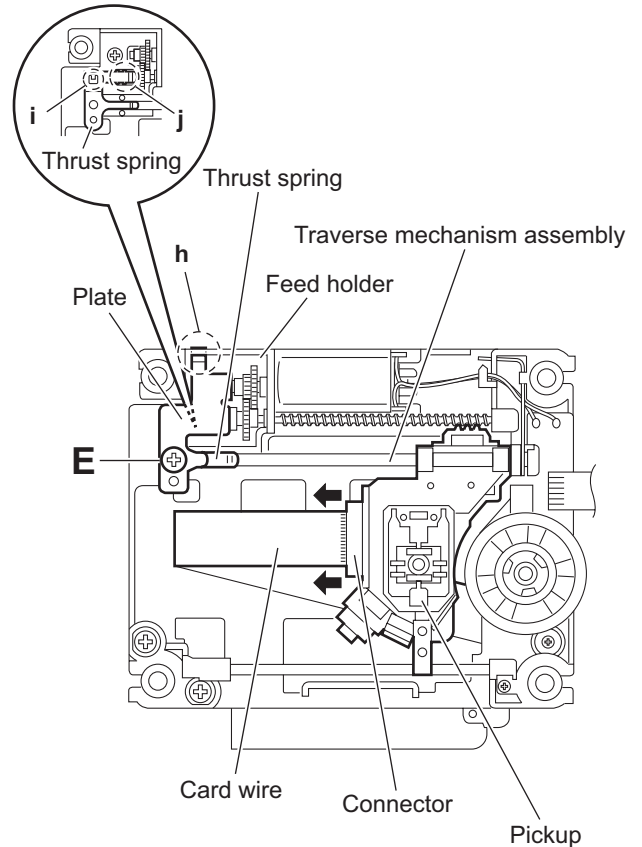


Fig.6

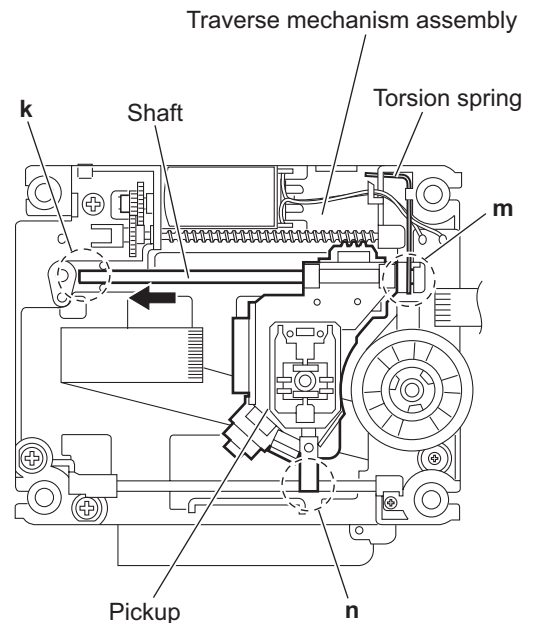


Fig.7

3.2.6 Attaching the pickup (See Figs.4,6 to 9)

- See "3.2.5 Removing the pickup".

- (1) Attach the shaft, SW actuator and lead spring to the pickup.
(See Fig.8.)
- (2) Align the pickup to the section **n** of the traverse mechanism assembly first and set the both ends of the shaft of the pick-up in the sections (**k**, **m**) of the traverse mechanism assembly. (See Fig.7.)

Note:

When attaching the shaft to the section **m**, attach it under the torsion spring. (See Fig.7.)

- (3) Attach the plate and thrust spring. (See Fig.6.)
- (4) Remove solders from the short land sections **d** after connecting the card wire to the connector on the pickup. (See Figs.4 and 6.)
- (5) Turn the feed gear M in the direction of the arrow 1 to move the pickup in the direction of the arrow 2. (See Fig.9.)

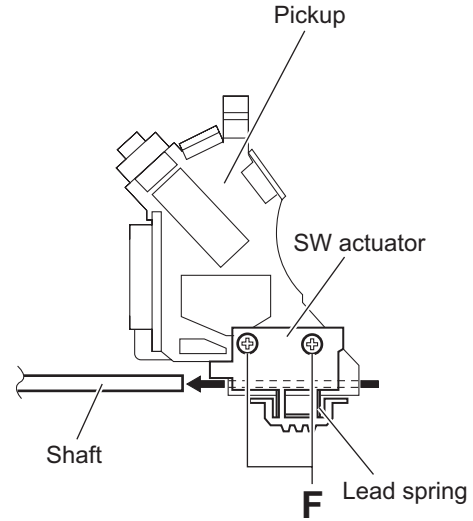


Fig.8

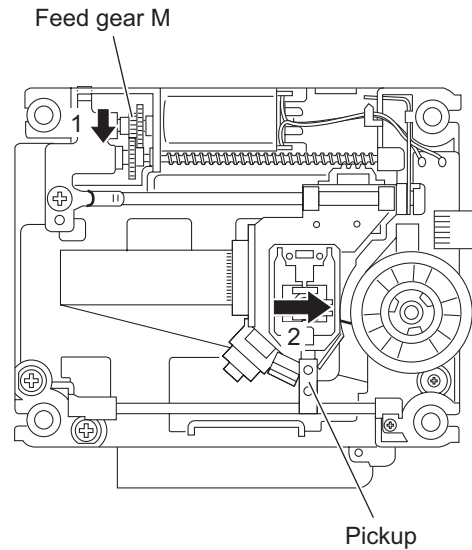


Fig.9

3.2.7 Removing the feed motor (See Figs.10 to 12)

- Remove the traverse mechanism assembly.
 - From the top side of the traverse mechanism assembly, remove the screw **G** attaching the plate and thrust spring. (See Fig.10.)
 - Remove the engagement section **p** attaching the plate to the feed holder and remove the plate. (See Fig.10.)
 - Remove the engagement sections (**q, r**), remove the thrust spring. (See Fig.10.)
 - Remove the wires from the soldered section **s** on the spindle motor board. (See Fig.11.)

Reference:

When attaching the feed motor, pass the wire through the section **t** on the spindle base. (See Fig.11.)

- Remove the feed holder, feed motor, lead screw, feed gear E and feed gear M at the same time after removing the three screws **H** attaching the feed holder. (See Fig.11.)
- From the side of the feed holder, remove the two screws **J** attaching the feed motor. (See Fig.12.)

3.2.8 Removing the spindle motor board (See Figs.11 and 13)

- Remove the traverse mechanism assembly and DVD module board.
 - From the top side of the traverse mechanism assembly, remove the wires from the soldered section **s** on the spindle motor board. (See Fig.11.)
 - From the bottom side of the traverse mechanism assembly, remove the three screws **K** attaching the spindle motor board. (See Fig.13.)

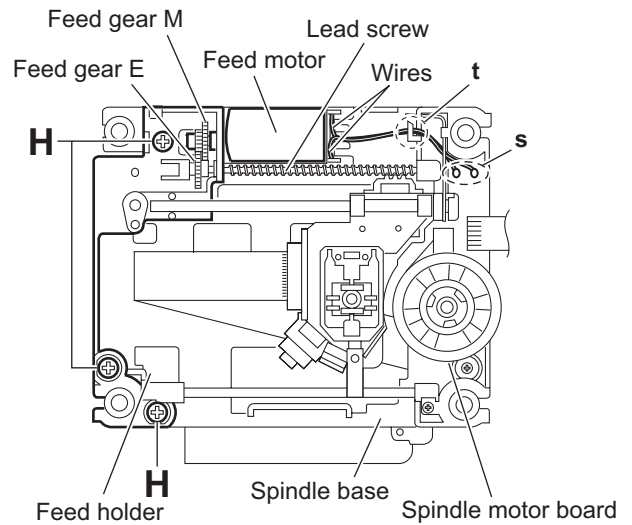


Fig.11

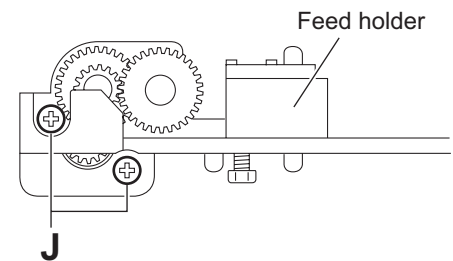


Fig.12

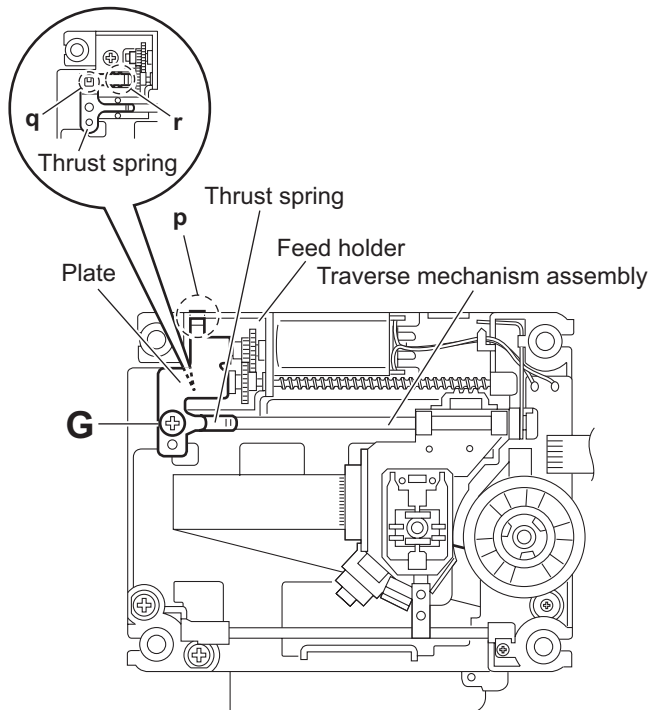


Fig.10

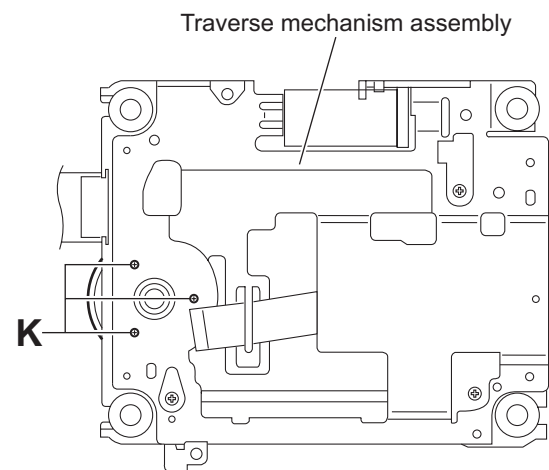


Fig.13

3.2.9 Removing the switch board (See Fig.14.)

- (1) From the bottom side of the DVD mechanism assembly, remove the screw **L** attaching the switch board.
- (2) Disconnect the card wire from the connector **CN1** on the switch board.
- (3) Remove the wires from the soldered section **u** on the switch board.
- (4) Lift the switch board while pressing the claw **v** of the DVD mechanism assembly in the direction of the arrow and remove it from the section **w**.

Reference:

Put the wires on the section **x** after attaching the switch board to the DVD mechanism assembly.

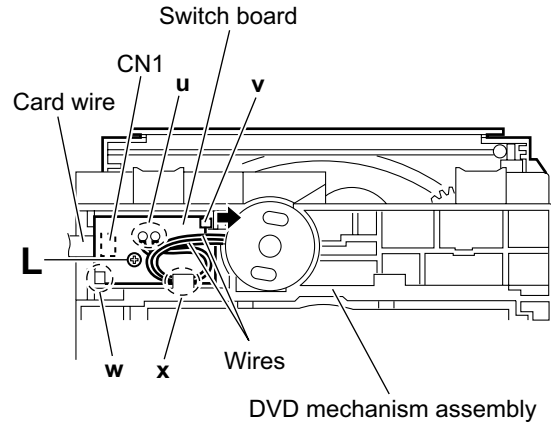


Fig.14

3.2.10 Removing the motor (See Figs.14 and 15)

- Remove the clamber base and tray assembly.

- (1) From the bottom side of the DVD mechanism assembly, remove the wires from the soldered section **u** on the switch board. (See Fig.14.)
- (2) From the top side of the DVD mechanism assembly, remove the belt from the motor pulley. (See Fig.15.)

Note:

Take care not to attach grease on the belt.

- (3) Remove the two screws **M** attaching the motor to the DVD mechanism assembly and take out the motor from the bottom side of the DVD mechanism assembly. (See Fig.15.)

Reference:

Put the wires on the section **x** after attaching the motor to the DVD mechanism assembly. (See Fig.14.)

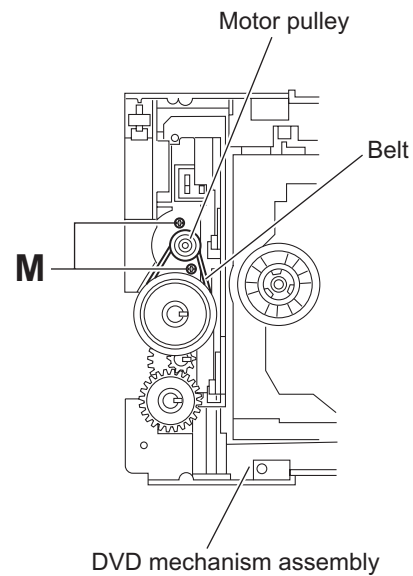


Fig.15

3.3 Cassette mechanism assembly section

- Prior to performing the following procedures, remove the cassette mechanism assembly.
(See "3.1.16 Removing the cassette mechanism assembly".)

3.3.1 Removing the main motor and replacing the main belts (See Figs.1 and 2)

- (1) From the front side of the cassette mechanism assembly, remove the two screws **A** attaching the main motor. (See Fig.1.)
- (2) From the back side of the cassette mechanism assembly, remove the wires from the soldered sections **a** on the switch board. (See Fig.2.)

Caution:

After reassembling, check the direction of the main motor and polarity of the wires. (See Fig.2.)

- (3) Remove the main motor and main belts. (See Fig.2.)

Note:

When attaching the main belts, take care not to attach grease on the main belts.

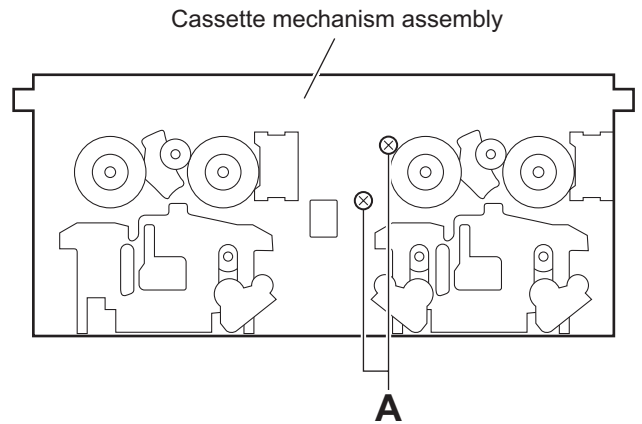


Fig.1

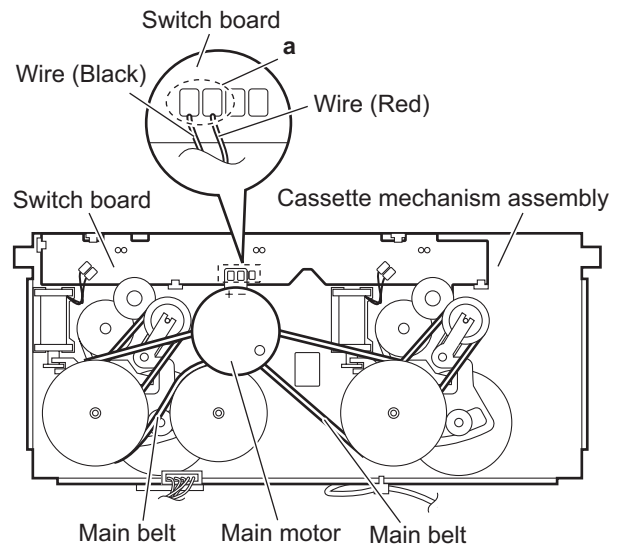


Fig.2

3.3.2 Replacing the F/R belts (See Fig.3)

- Prior to performing the following procedures, remove the main motor and main belts.
- Remove the wires of the main motor as required.
From the back side of the cassette mechanism assembly, remove the F/R belts from the flywheel 1 and flywheel 2.

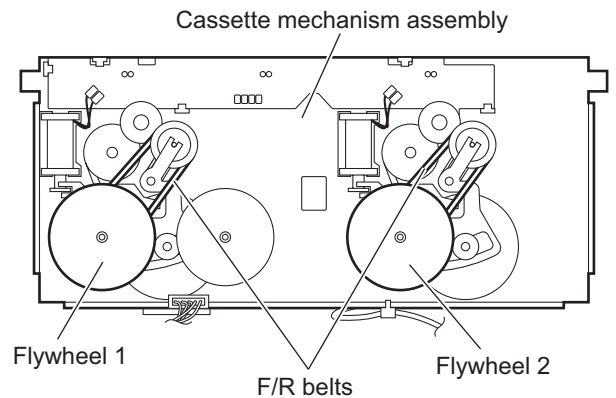


Fig.3

3.3.3 Removing the clutch assemblies (See Figs.4 to 7)

- Prior to performing the following procedures, remove the main motor, main belts and F/R belts.
- Remove the wires of the main motor as required.
- (1) From the front side of the cassette mechanism assembly, remove the three slit washers attaching the flywheel 1, flywheel 2 and flywheel 3. (See Fig.4.)
- (2) From the back side of the cassette mechanism assembly, pull out the flywheel 1, flywheel 2 and flywheel 3. (See Fig.5.)
- (3) Remove the stoppers in an upward direction. (See Fig.5.)
- (4) Remove the springs from the sections **b**. (See Fig.6.)
- (5) Release the claws **c** in the direction of the arrow, remove the plates and pulleys. (See Fig.6.)
- (6) Release the claws **d** in the direction of the arrow, remove the guide arms. (See Fig.7.)

Note:

When attaching the guide arms, attach the springs with them as before. (See Fig.7.)

- (7) Remove the cam gears in an upward direction. (See Fig.7.)
- (8) Take out the clutch assemblies from the cassette mechanism assembly. (See Fig.7.)

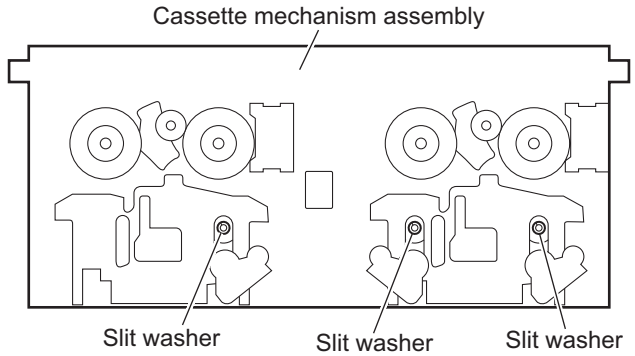


Fig.4

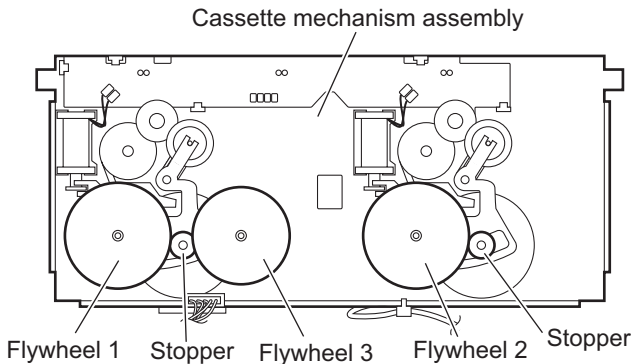


Fig.5

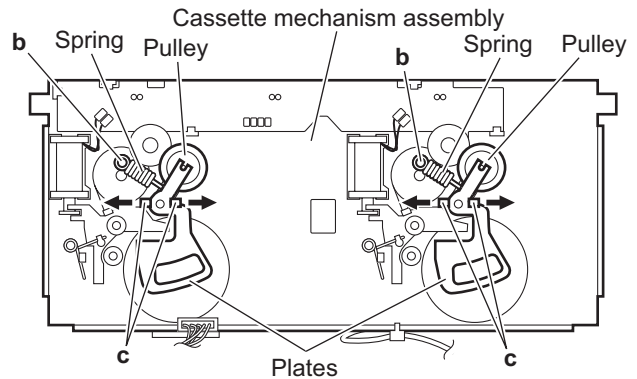


Fig.6

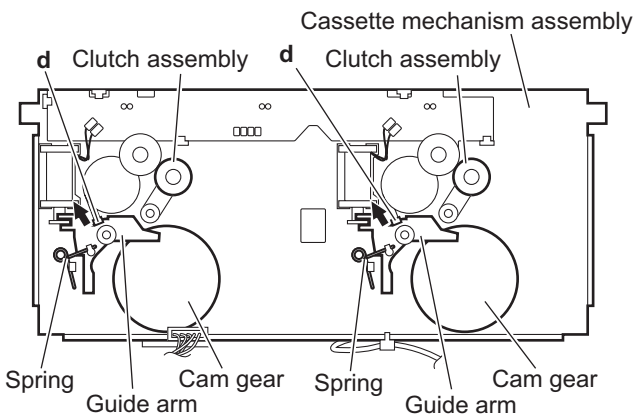


Fig.7

3.3.4 Removing the leaf switches

(See Fig.8)

- (1) From the back side of the cassette mechanism assembly, remove the solders from the soldered sections **e** attaching the leaf switches on the switch board.
- (2) From the front side of the cassette mechanism assembly, pull out the leaf switches.

3.3.5 Removing the switch board

(See Fig.8)

- (1) From the back side of the cassette mechanism assembly, remove the solders from the soldered sections (**f, g**) connecting the wires.

Note:

After reassembling, check the polarity of the wires.

- (2) Release the claws **h** in the direction of the arrow and remove the switch board from the cassette mechanism assembly.

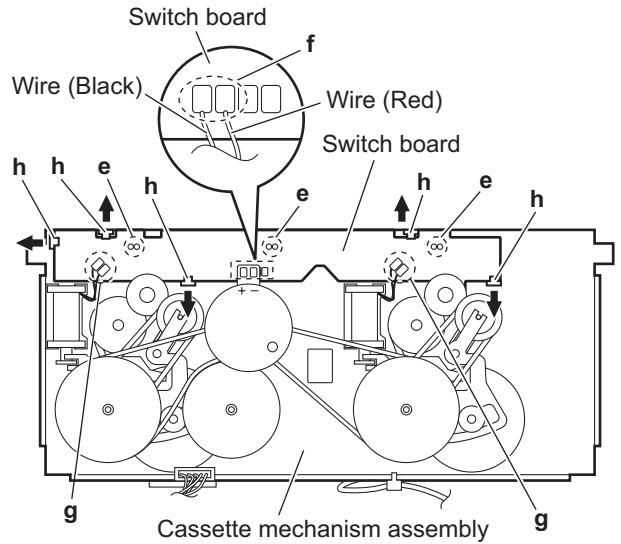


Fig.8

3.3.6 Removing the PB head block

(See Fig.9)

- (1) From the bottom side of the cassette mechanism assembly, remove the tie band fixing the wire.

Reference:

After reassembling, fix the wire with a new tie band as before.

- (2) From the front side of the cassette mechanism assembly, release the claw **i** in the direction of the arrow 1 and pull out the pinch roller in an upward direction.
- (3) Remove the screw **B** attaching the PB head.
- (4) Remove the spring from the section **j**.
- (5) Move the PB head block in the direction of the arrow 2 and remove the hooks **k** from the PB head block.
- (6) Take out the PB head block from the cassette mechanism assembly.

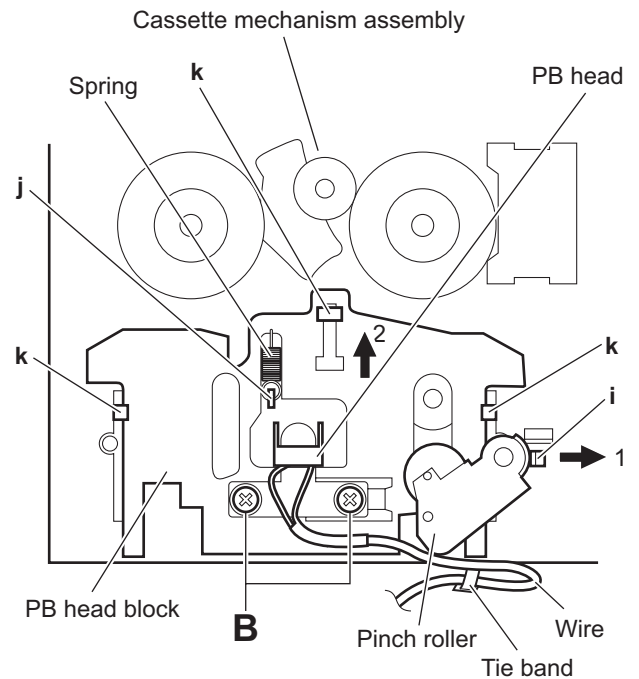


Fig.9

3.3.7 Removing the R/P head block (See Fig.10)

- (1) From the front side of the cassette mechanism assembly, release the claw **m** in the direction of the arrow 1 and pull out the pinch roller L in an upward direction.
- (2) Release the claw **n** in the direction of the arrow 2 and pull out the pinch roller R in an upward direction.
- (3) From the bottom side of the cassette mechanism assembly, remove the screw **C** attaching the R/P head board.
- (4) From the front side of the cassette mechanism assembly, remove the two screws **D** attaching the R/P head.
- (5) Take out the R/P head block (R/P head and R/P head board) from the cassette mechanism assembly.

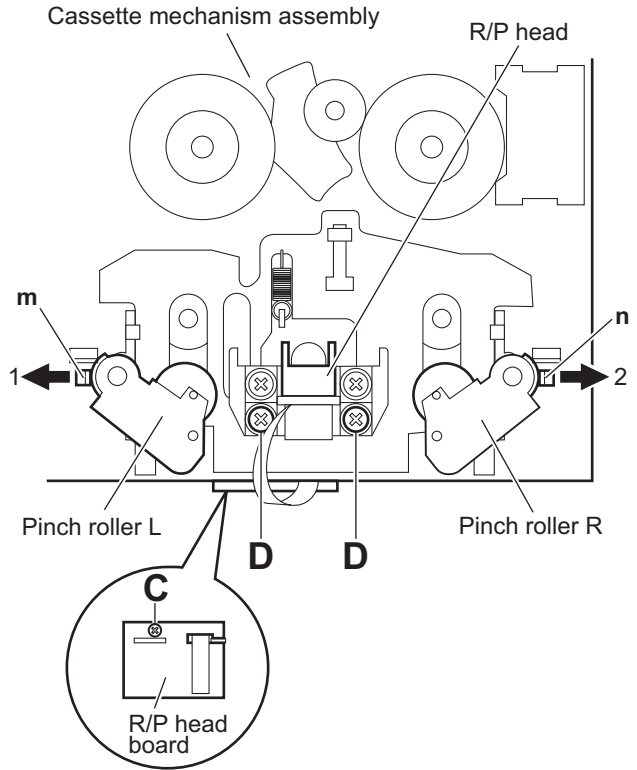


Fig.10

3.4 Speaker section (For MX-JE3)

3.4.1 Removing the front panel assembly (See Figs.1 to 3)

- (1) Insert the tip of a flat-bladed screwdriver or similar tool into the space between the speaker main body and front panel assembly, and lift the front panel assembly little by little to remove the joint sections a. (See Figs.1 and 2.)

Note:

To prevent damaging the front panel assembly and speaker main body, insert cushioning plates etc. into the space between the speaker main body and front panel assembly. (See Fig.2.)

- (2) From the inside of the front panel assembly, disconnect the gray and black wires from the terminals of the tweeter. (See Fig.3.)

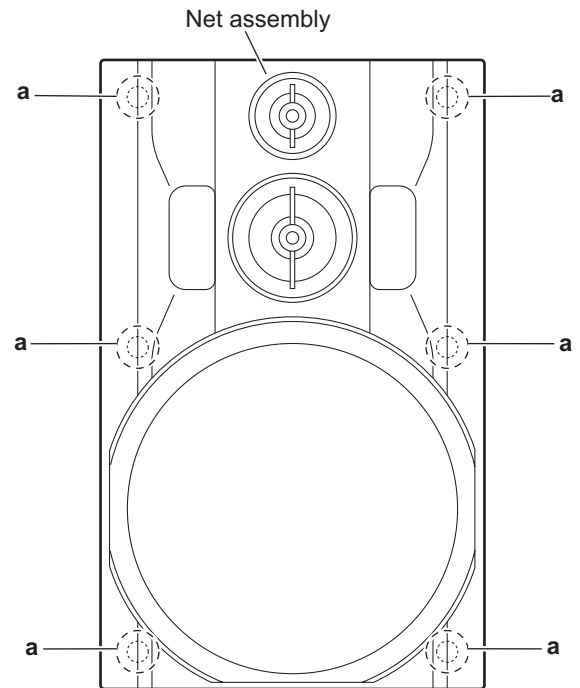


Fig.1

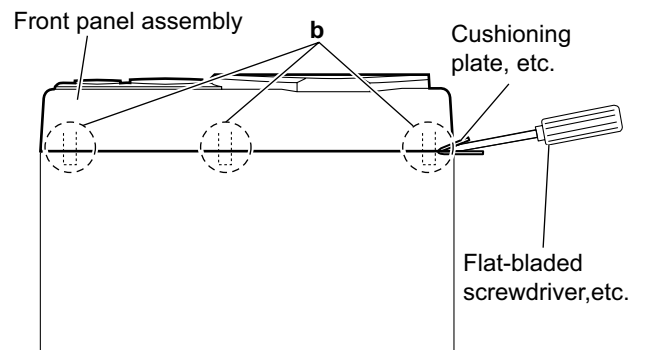


Fig.2

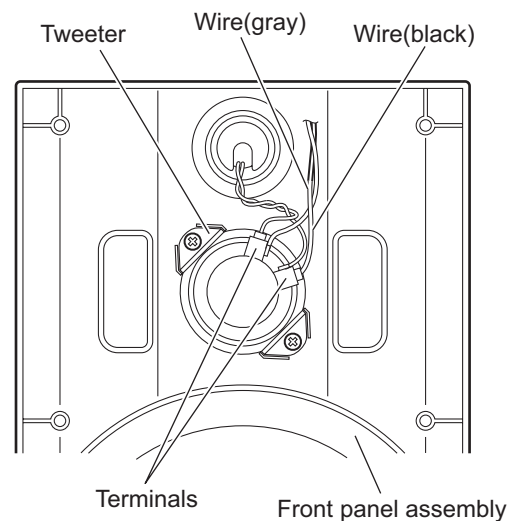


Fig.3

3.4.2 Removing the speaker (See Figs.4 and 5)

- Remove the front panel assembly.
 - From the front side of the speaker main body, remove the four screws **A** attaching the speaker. (See Fig.4.)
 - Take out the speaker from the speaker main body and disconnect the wires (red/black, gray/black) from the terminal of the speaker. (See Fig.5.)

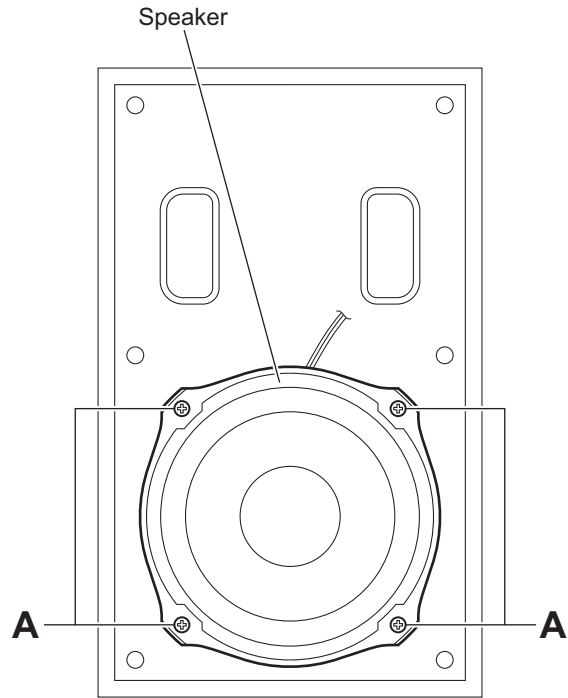


Fig.4

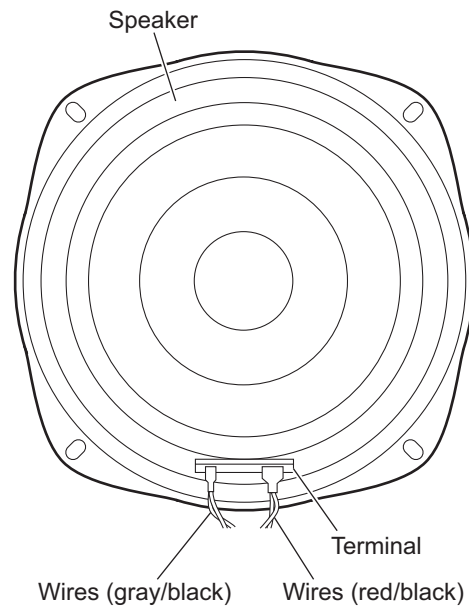


Fig.5

3.5 Speaker section (For MX-JE31)

3.5.1 Removing the net assembly (See Fig.1)

From the front side of the speaker main body, remove the sections **a** of the net assembly toward this side.

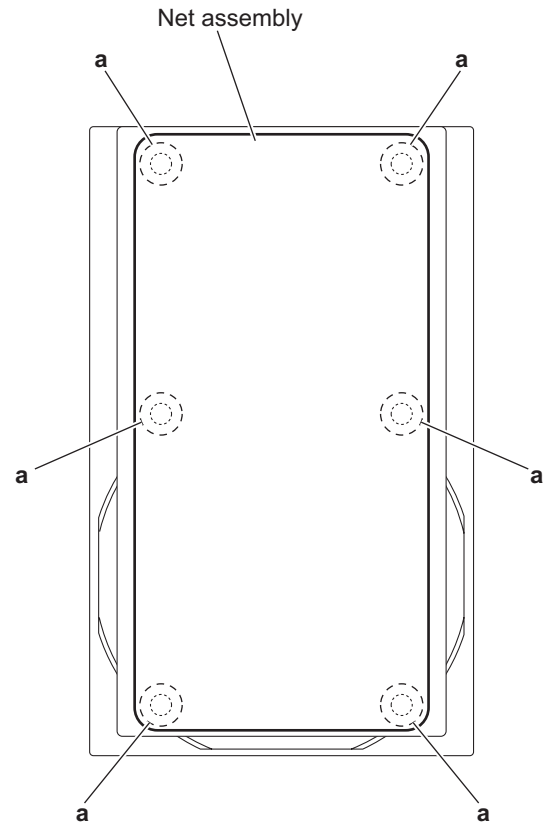


Fig.1

3.5.2 Removing the front panel assembly (See Figs.2 to 4)

- Remove the net assembly as required.

(1) Insert the tip of a flat-bladed screwdriver or similar tool into the space between the speaker main body and front panel assembly, and lift the front panel assembly little by little to remove the sections **b**. (See Figs.2 and 3.)

Note:

To prevent damaging the front panel assembly and speaker main body, insert cushioning plates etc. into the space between the speaker main body and front panel assembly. (See Fig.3.)

(2) From the inside of the front panel assembly, disconnect the gray and black wires from the terminals of the tweeter. (See Fig.4.)

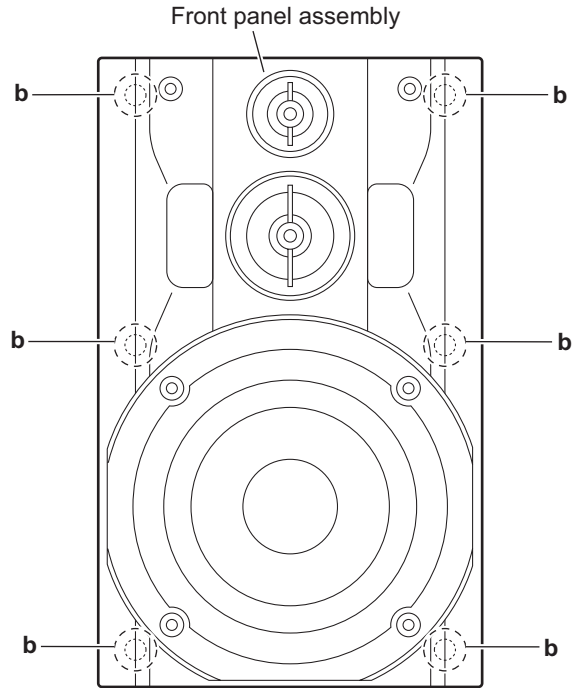


Fig.2

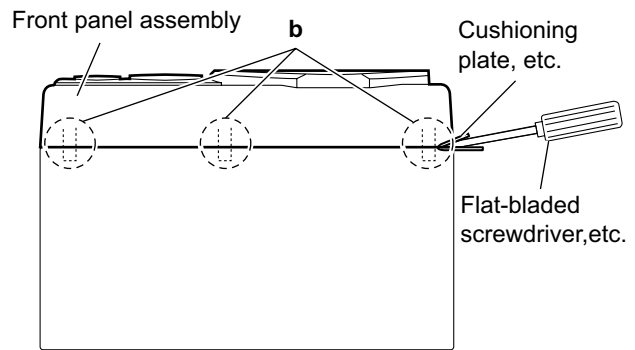


Fig.3

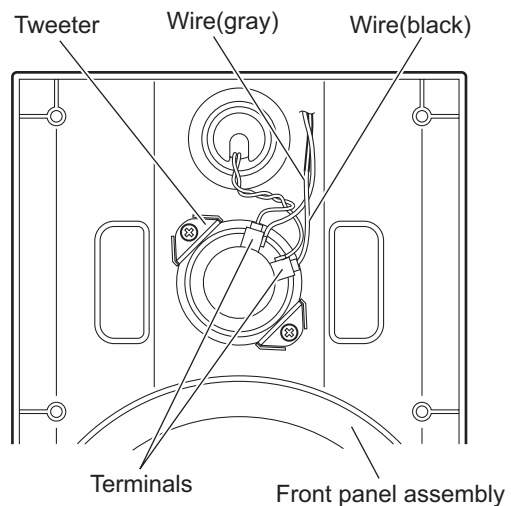


Fig.4

3.5.3 Removing the speaker (See Figs.5 and 6)

- Remove the front panel assembly.
 - From the front side of the speaker main body, remove the four screws **A** attaching the speaker. (See Fig.5.)
 - Take out the speaker from the speaker main body and disconnect the wires (red/black, gray/black) from the terminal of the speaker. (See Fig.6.)

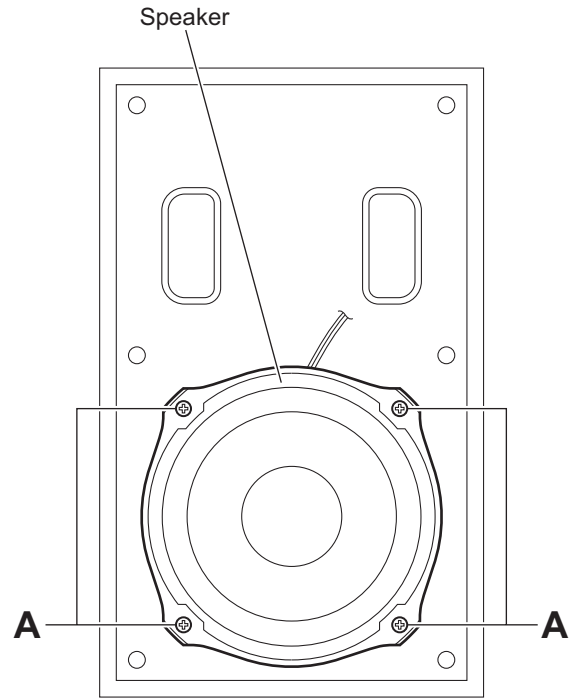


Fig.5

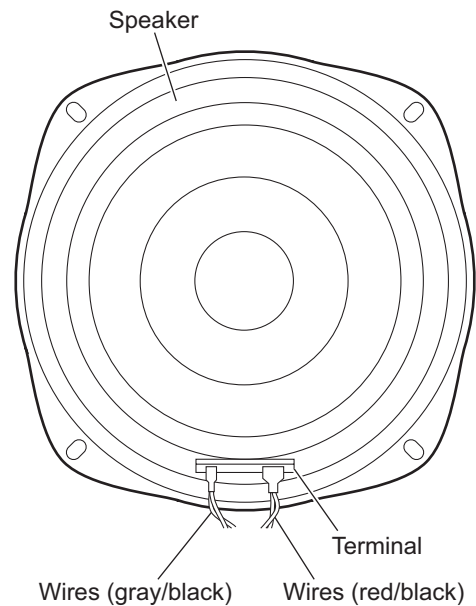
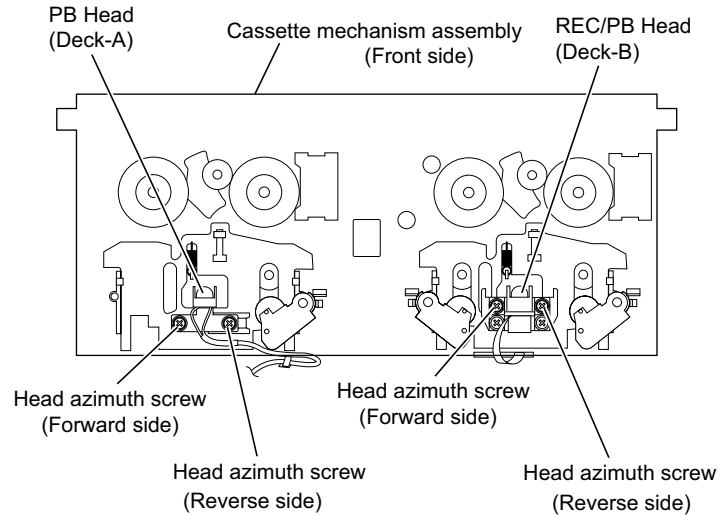


Fig.6

4.3 Arrangement of adjusting positions



4.4 Tape recorder section

Items	Measurement conditions	Measurement method	Standard values	Adjusting positions
Cassette Head Azimuth Alignments	Test tape :VT703 (10kHz) Measurement output terminal :Left and Right speaker output (6-ohm loaded) or Headphone Output (32-ohm loaded)	1. Playback the test tape VT703 (10kHz) or equivalent. 2. Adjust the head azimuth screw to obtain maximum output and both output of L / R is in 3dB. 3. Put on the screw lock paint after alignments.	Maximum output	Adjust the head azimuth screw only when the head has been changed.
Recording Bias Frequency Alignment	Test tape :TYPE I AC-514 Measurement output terminal :Erase head terminal (CN308 8-Pin)	1. Insert the recording tape in deck-B. 2. Starting the recording. 3. Adjust the oscillation frequency to 80kHz \pm 3kHz by core of Oscillation coil of L301.	80kHz \pm 3kHz	Use the High-Impedance Probe or Frequency counter input.

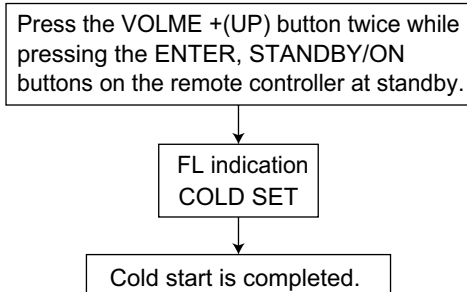
4.5 Service mode

4.5.1 Confirming contents

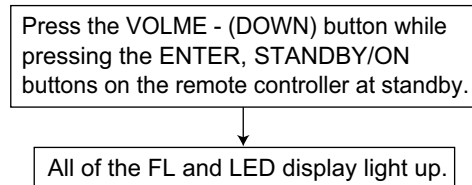
- (1) Cold start
- (2) FL display and LED display check
- (3) System ROM number, firmware version and region check
- (4) Change AM frequency step 9kHz/10kHz (Toggle)
- (5) Tray LOCK/UNLOCK (Toggle)
- (6) System micon cold start
- (7) System micon soft reset
- (8) Setting of DVD NTSC mode
- (9) DVD test mode

4.5.2 Confirming methods

1. Cold start

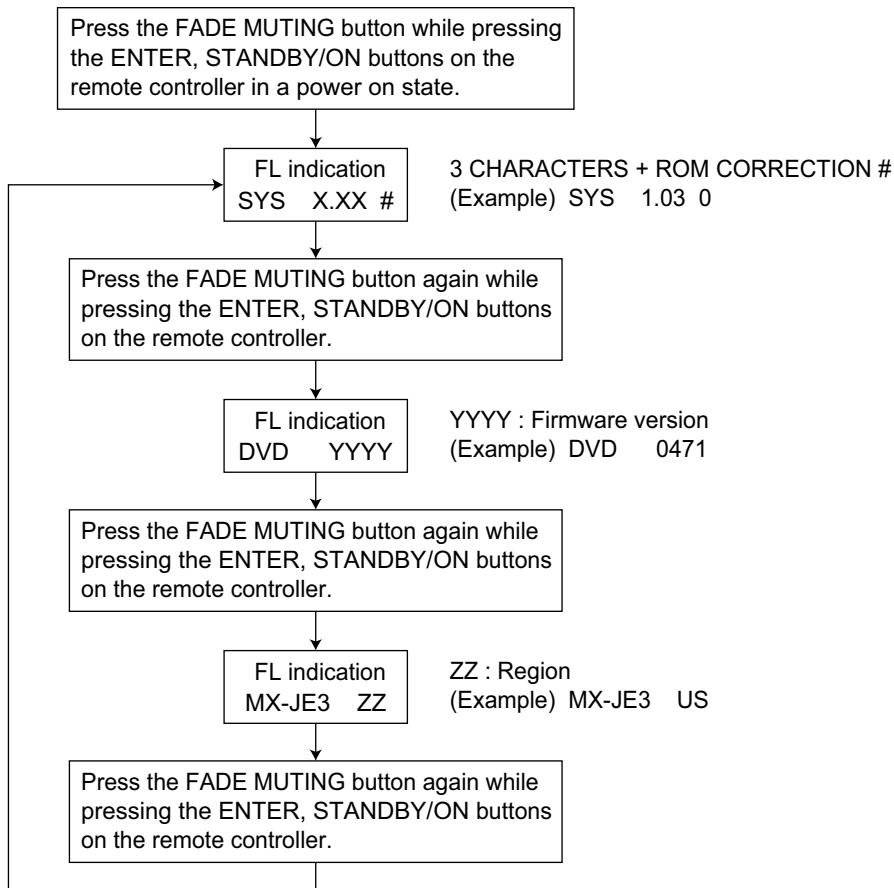


2. FL display and LED display check



- * Indication returns to normal indication by doing the same operation again.
- * This confirmation is possible in a power on state.

3. System ROM number, firmware version and region check



* If there is not the button input, each indication returns to normal indication automatically.

4. Change AM frequency step 9kHz/10kHz (Toggle)

Press the STANDBY/ON button while pressing the STOP button on the main unit at standby.

FL indication ## : 9K or 10K
AM ##

Setting of AM frequency is completed.

* AM frequency changes by the same operation again.

5. Tray LOCK/UNLOCK (Toggle)

Press the OPEN/CLOSE button while pressing the STOP button on the main unit at standby.

FL indication XXXXX : LOCKED or UNLOCKED
XXXXX

Setting of tray LOCK/UNLOCK is completed.

* Setting of LOCK/UNLOCK changes by the same operation again.

6. System micon cold start

Insert the power cord in an outlet while pressing the CANCEL and ◀ buttons on the main unit.

This unit returns to initial setting.

7. System micon soft reset

Press the STANDBY/ON button while pressing the CANCEL and PAUSE buttons on the main unit at standby.

System micon is initialized.

8. Setting of DVD NTSC mode

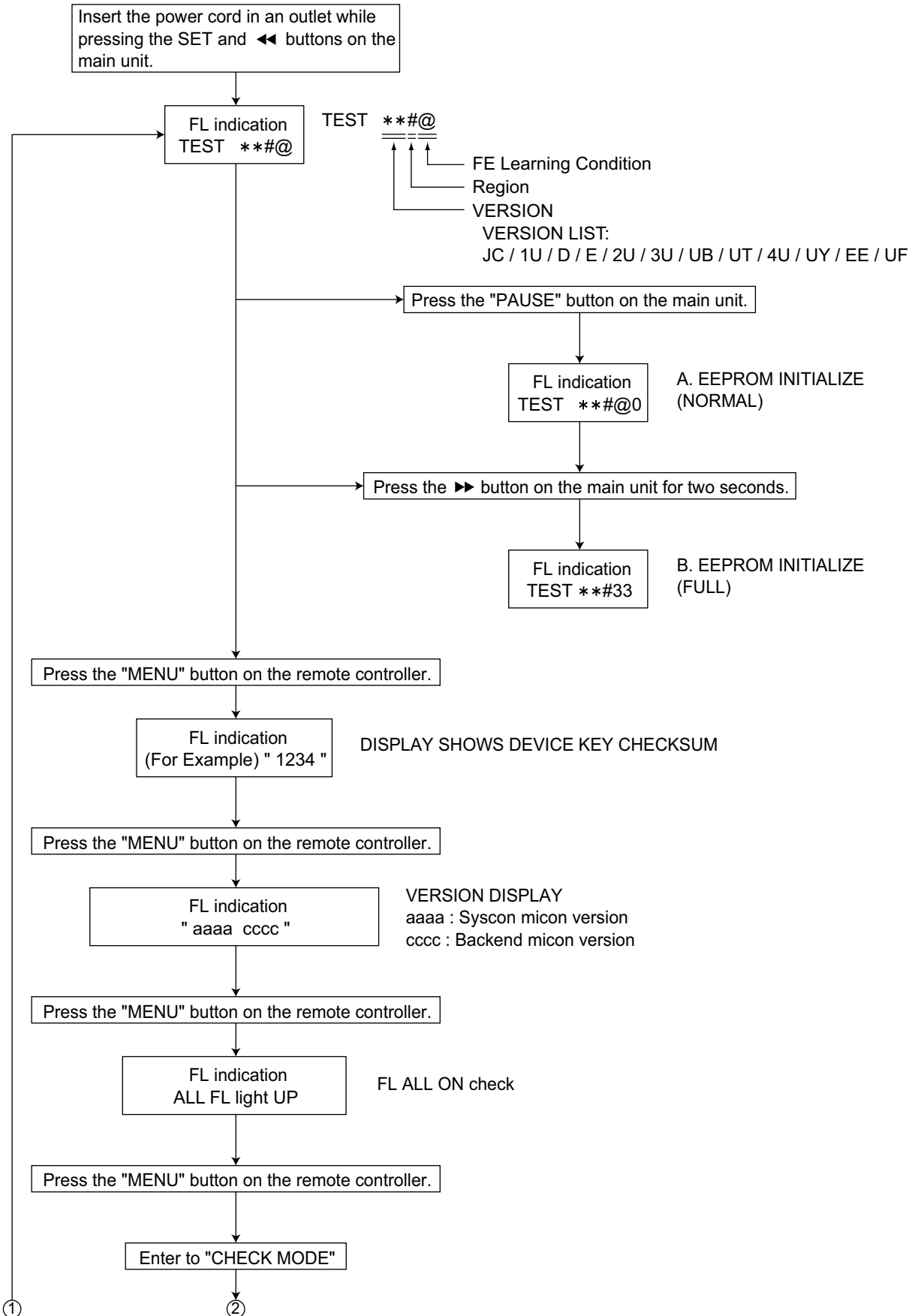
Insert the power cord in an outlet while pressing the SET and ▶ buttons on the main unit.

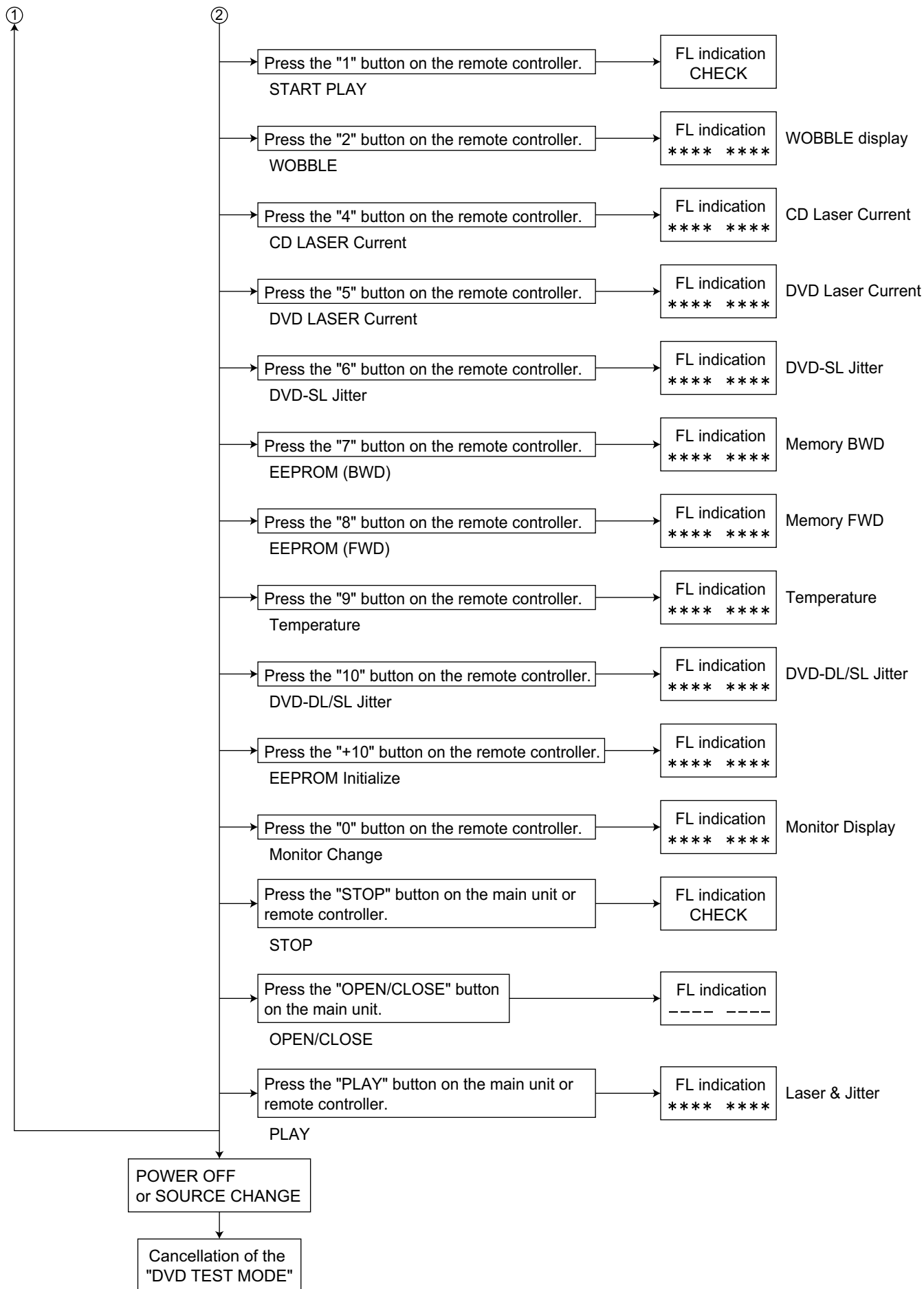
Press the STANDBY/ON button on the main unit at standby.

Setting of DVD NTSC mode is completed.

* This setting is maintained after having been cut off.

9. DVD test mode





4.5.3 Indicating check for FL display

Function	FL display										Note
DVD TEST MODE TEST START (Version info)	T	E	S	T	*	*	#	@			By AC cord on with holding SET and ◀◀ ** : VERSION @ : FE learning condition # : REGION
A. EEPROM INITIALIZE (NORMAL)	T	E	S	T	*	*	#	@			By pressing PAUSE (Front)
	T	E	S	T	*	*	#	@	0		
B. EEPROM INITIALIZE (FULL)	T	E	S	T	*	*	#	@			By pressing and holding ▶▶ (Front) for 2-sec
	T	E	S	T	*	*	#	@	3	3	
① DEVICE KEY DISPLAY					1	2	3	4			By pressing MENU (Remote)
② VERSION DISPLAY	a	a	a	a			c	c	c	c	By pressing MENU (Remote) aaaa: Syscon, cccc: Backend
③ FL ALL ON	■	■	■	■	■	■	■	■	■	■	By pressing MENU (Remote)
④ CHECK MODE			C	H	E	C	K				By pressing MENU (Remote)
START PLAY			C	H	E	C	K				By pressing 1 (Remote)
WOBBLE	*	*	*	*	*	*	*	*	*	*	By pressing 2 (Remote)
CD LASER current	*	*	*	*	*	*	*	*	*	*	By pressing 4 (Remote)
DVD LASER current	*	*	*	*	*	*	*	*	*	*	By pressing 5 (Remote)
DVD-SL jitter	*	*	*	*	*	*	*	*	*	*	By pressing 6 (Remote)
EEPROM (BWD)	*	*	*	*	*	*	*	*	*	*	By pressing 7 (Remote)
EEPROM (FWD)	*	*	*	*	*	*	*	*	*	*	By pressing 8 (Remote)
Temperature	*	*	*	*	*	*	*	*	*	*	By pressing 9 (Remote)
DVD-DL/SL jitter	*	*	*	*	*	*	*	*	*	*	By pressing 10 (Remote)
EEPROM initialize	*	*	*	*	*	*	*	*	*	*	By pressing +10 (Remote)
Monitor change	*	*	*	*	*	*	*	*	*	*	By pressing 0 (Remote)
STOP			C	H	E	C	K				By pressing STOP (Front or Remote)
OPEN/CLOSE	-	-	-	-	-	-	-	-	-	-	By pressing OPEN/CLOSE (Front)
PLAY	*	*	*	*	*	*	*	*	*	*	By pressing PLAY (Front or Remote) Laser & Jitter

SECTION 5 TROUBLESHOOTING

This service manual does not describe TROUBLESHOOTING.



JVC

Victor Company of Japan, Limited
AV & MULTIMEDIA COMPANY AUDIO/VIDEO SYSTEMS CATEGORY 10-1,1chome,Ohwatari-machi,Maebashi-city,371-8543,Japan

(No.MB385)

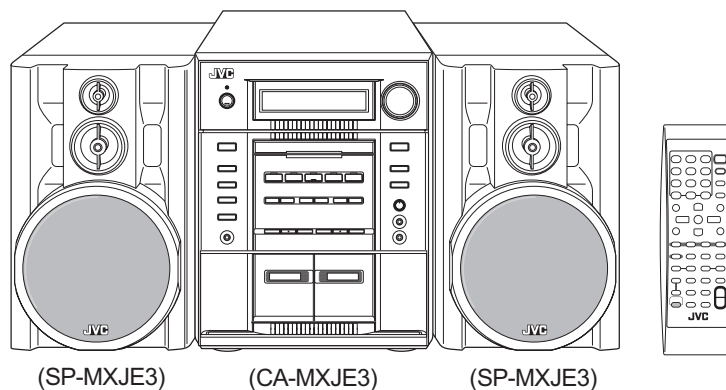
JVC

SCHEMATIC DIAGRAMS

COMPACT COMPONENT SYSTEM

MX-JE3, MX-JE31

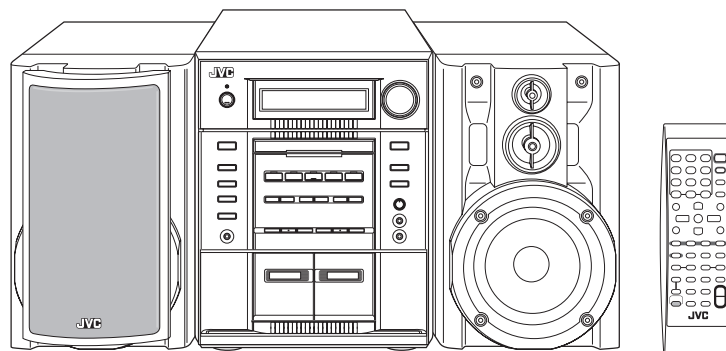
CD-ROM No.SML200504



(SP-MXJE3)

(CA-MXJE3)

(SP-MXJE3)



(SP-MXJE31)

(CA-MXJE31)

(SP-MXJE31)

MX-JE3

Area suffix

US ----- Singapore
UW ----- Brazil, Mexico, Peru
UX ----- Saudi Arabia
UY ----- Argentina
UG --- Turkey, South Africa, Egypt
UE ----- Turkey
UN ----- Asean

MX-JE31

Area suffix

UX ----- Saudi Arabia
UG --- Turkey, South Africa, Egypt
UN ----- Asean

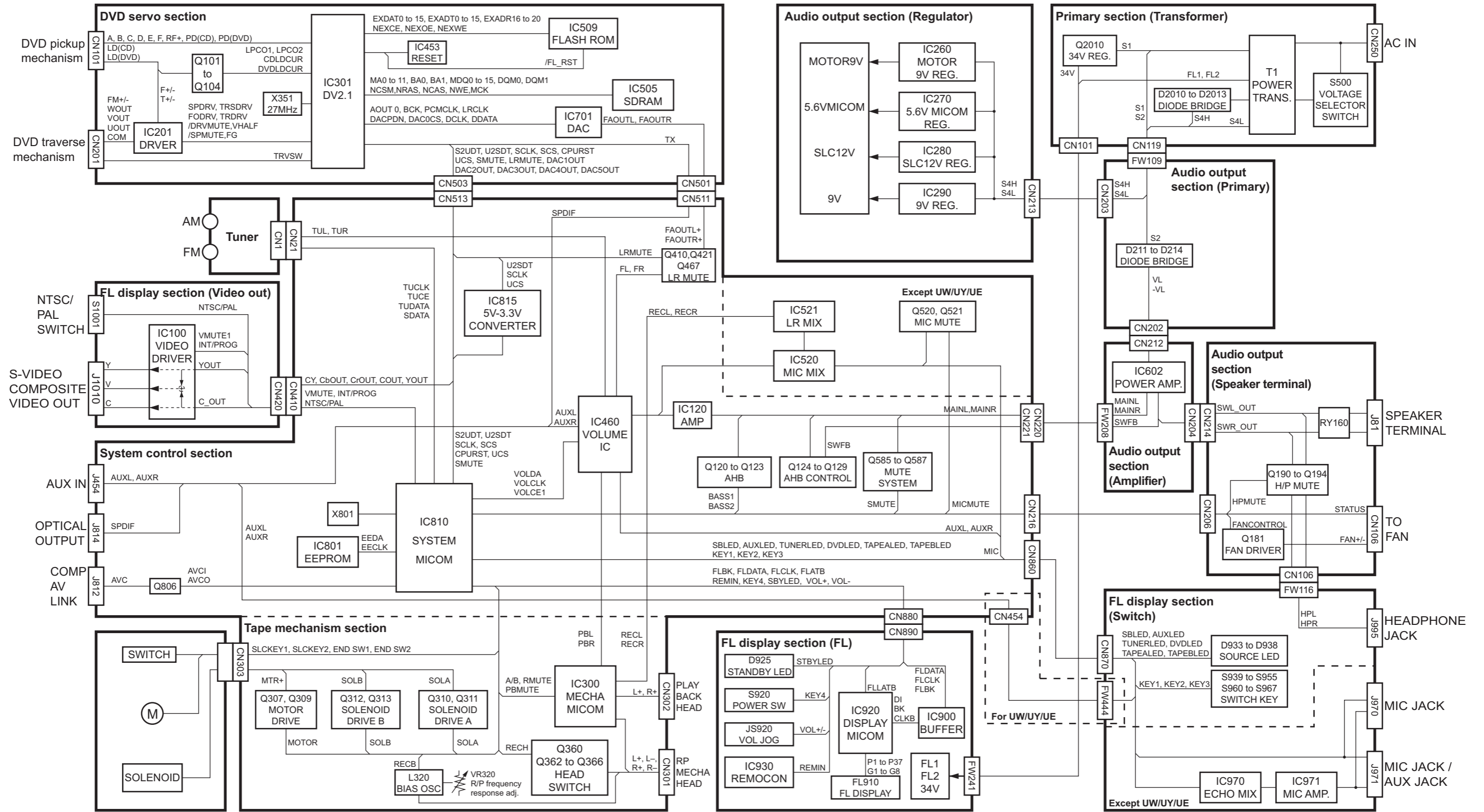


Contents

Block diagram	2-1
Standard schematic diagrams	2-2
Printed circuit boards	2-9 to 13

In regard with component parts appearing on the silk-screen printed side (parts side) of the PWB diagrams, the parts that are printed over with black such as the resistor (■), diode (⊣) and ICP (●) or identified by the "⚠" mark nearby are critical for safety.

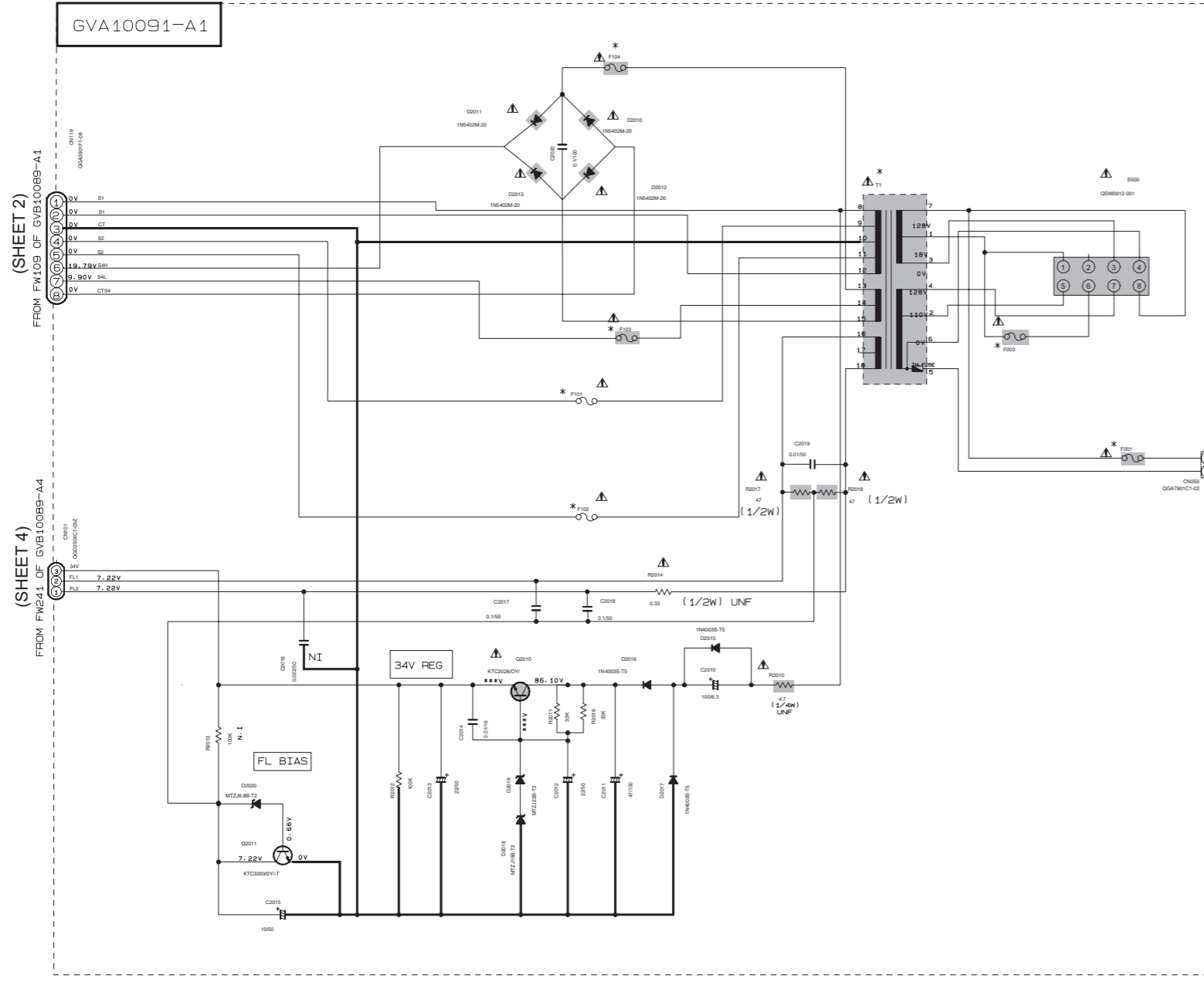
Block diagram



Standard schematic diagrams

Primary section

POWER SUPPLY BLOCK
 AC110V/127V/220V/230V-240V ~ 50Hz/60Hz
 US/UX/UY/EE/UN/UW/UG/UE



EXPLANATION OF OVERALL SCHEMATIC

MODEL MX-JE3/MX-JE31

SHEET NUMBER	DESCRIPTION
1	PRIMARY BOARD WITH MAIN TRANSFORMER
2	DC REGULATOR/AUDIO OUTPUT
3	EXTERNAL INPUT, SOURCE SELECTOR SWITCH, SYSTEM CONTROL
4	FL DISPLAY, USER CONTROL KEYS, VIDEO OUTPUT, MIC CIRCUIT
5	TAPE CIRCUIT, MECHANISM CONTROL
6	DVD SYSTEM CONTROL (1/2)
7	DVD SYSTEM CONTROL (2/2)

VERSION CODE

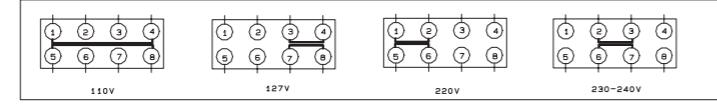
UN	:	ASEAN
UX	:	SAUDI ARABIA
UE	:	TURKEY
EE	:	RUSSIA
UW	:	SOUTH AMERICA
UY	:	ARGENTINA
UG	:	SOUTH AFRICA
B	:	UK
E	:	EUROPE
EN	:	NORTH EUROPE
EV	:	POLAND, HUNGARY
US	:	SINGAPORE AND UNIVERSAL EXCEPT ALL ABOVE

* NOTE:
 1. FOR MX-JE3/MX-JE31, POWER TRANS. IS QGT0479-001.
 FOR MX-JE5, POWER TRANS. IS QGT0480-001.

2.

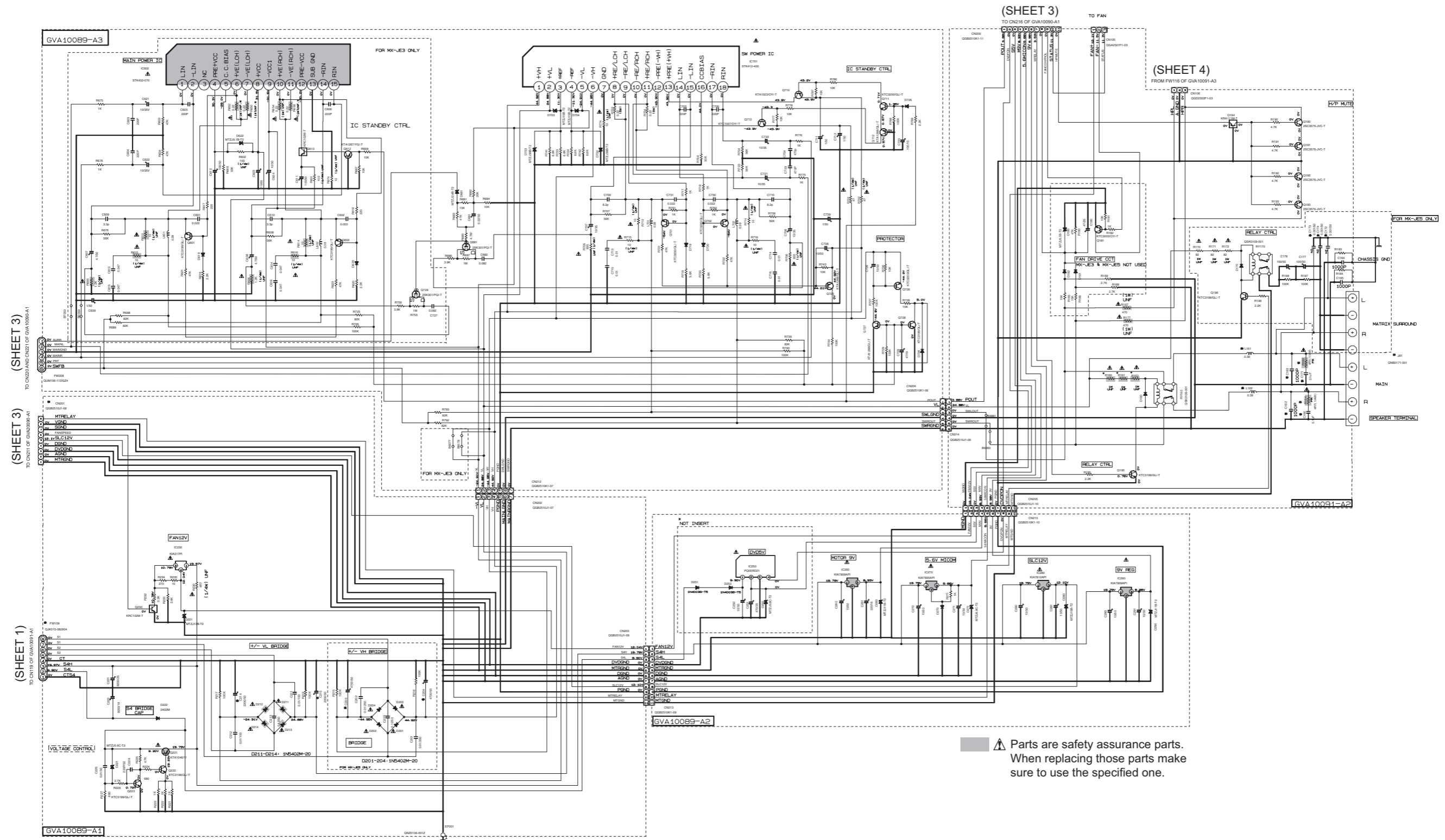
REF NO.	MX-JE3, 31	MX-JE5
F001	T3, 15AL	T3, 15AL
F003	T2AL	T2AL
F101	-	T3, 15AL
F102	-	T3, 15AL
F103	T2AL	T2AL
F104	T3, 15AL	T3, 15AL
CN119	GGA3901F1-06	GGA3901F1-08

VOLTAGE SELECTOR LOCATION



▲ Parts are safety assurance parts.
 When replacing those parts make sure to use the specified one.

Audio output section

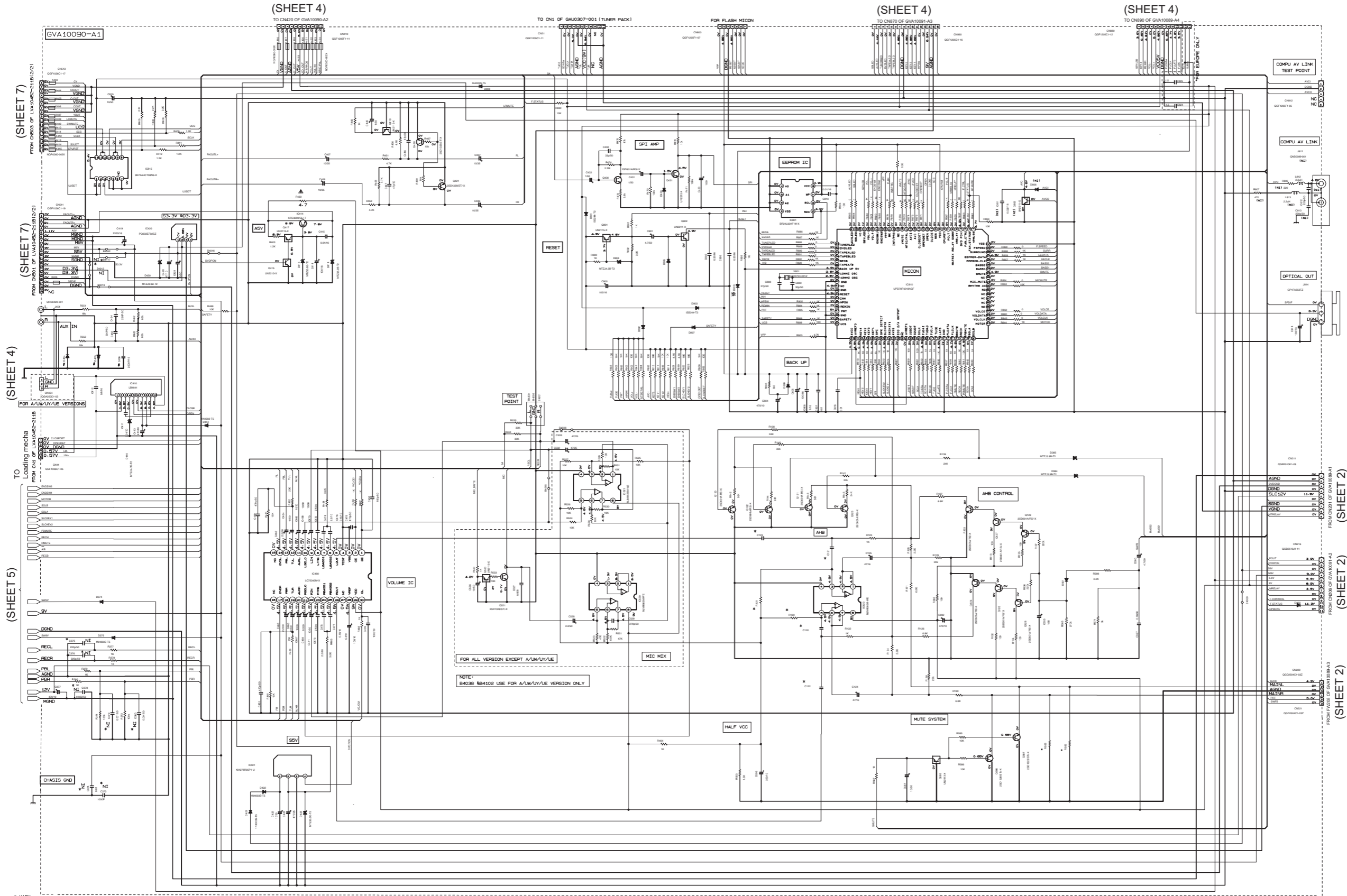


▲ Parts are safety assurance parts. When replacing those parts make sure to use the specified one.

NOTES
 1. VOLTAGES ARE DC-MEASURED WITH A DIGITAL VOLT METER OR OSCILLOSCOPE WITHOUT INPUT SIGNAL. CONDITION --- AUX MODE, VOL. HORN, BASS OFF.
 2. VALUES OTHERWISE SPECIFIED.
 RESISTORS ARE 1/4W ± 5% CARBON RESISTOR.
 ALL RESISTANCE VALUES ARE IN OHMS (Ω).
 ALL CAPACITORS ARE CERAMIC CAPACITOR OR MYLAR CAPACITOR.
 ALL CAPACITANCE VALUES ARE IN PICOFARADS (pF).
 ALL INDUCTANCE VALUES ARE IN MILLIHENRYS (mH).
 ALL ELECTROLYTIC CAPACITORS ARE IN THE FORM OF CAPACITANCE (μF) / RATED VOLTAGE (V).
 ALL DIMENSIONS ARE IN MILLIMETERS (mm).

MARK	VER	UE	OTHERS	MODEL	PART NO	MX-JE3/MX-JE31
	L161, L162	0.39	SHORT	R160, R161, R162		330
	C162, C163	0.0033μ	1000P	C214, C215		2200/50
	C160, C161	0.1μ	none			
	R163, R164	4.7 (1/4W)	none			
	C204, C205	1000P	1000P			

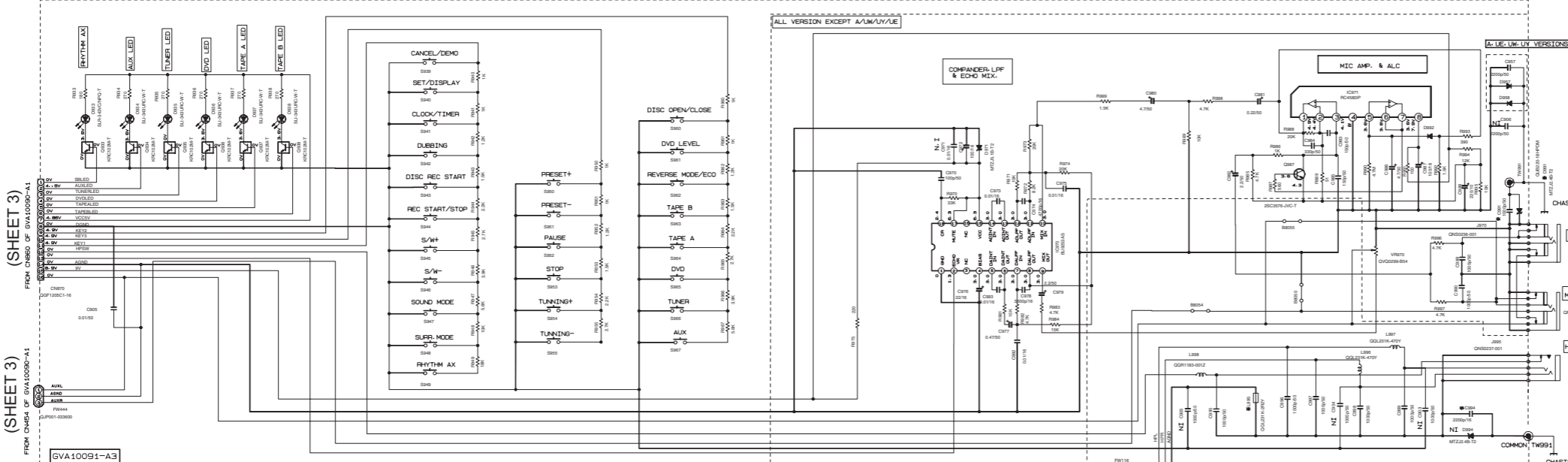
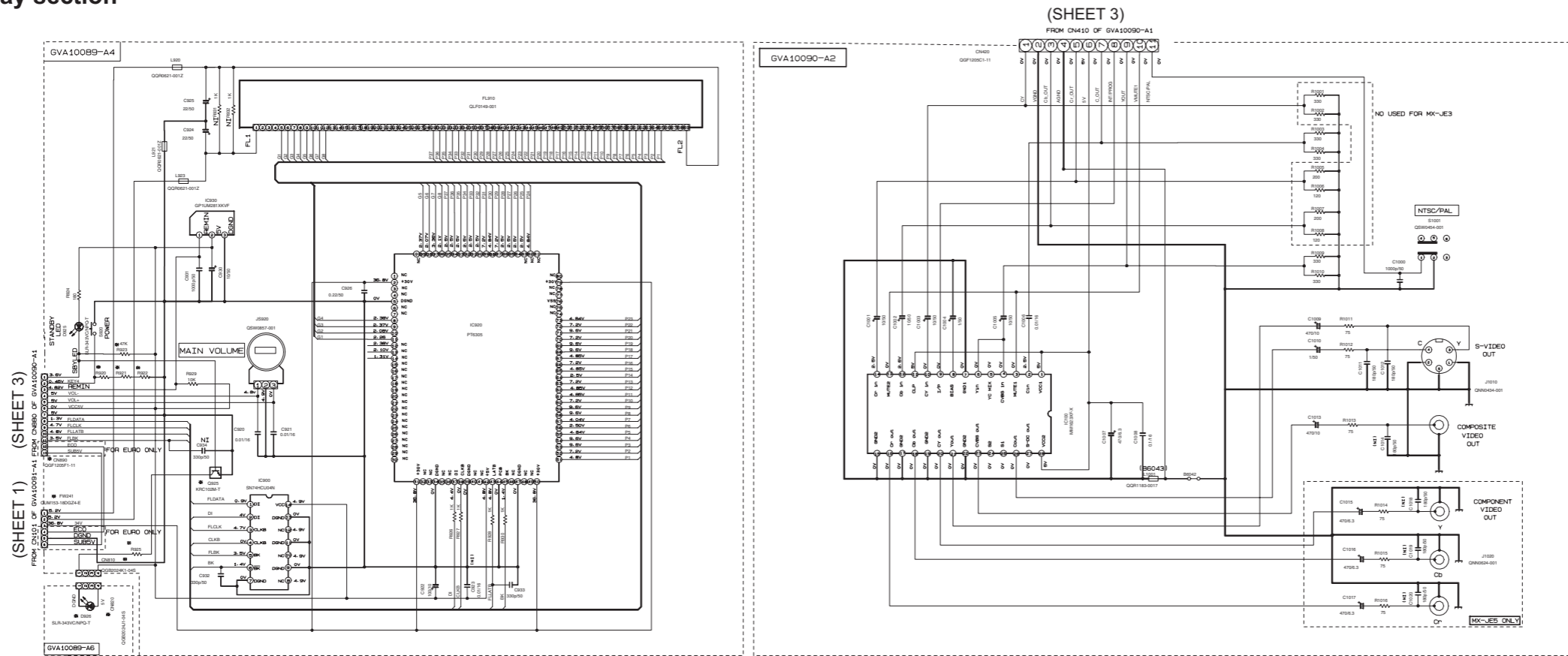
System control section



REF. NO.	MODEL	VALUE
R568/R569	51K	
R120/R121	220K	
C120/C121	0.1UF	
C122/C123	0.1UF	

NOTES:
 1. VOLTAGES ARE DC-MEASURED WITH A DIGITAL VOLTMETER OR OSCILLOSCOPE WITHOUT INPUT SIGNAL. CONDITION — A/B REC'D VOL 50% BASS OFF.
 2. VALUES OTHERWISE SPECIFIED:
 RESISTORS ARE 1% TOLERANCE CARBON RESISTOR.
 ALL RESISTANCE VALUES ARE IN OHMS.
 ALL CAPACITORS ARE CERAMIC CAPACITOR OR POLYMER CAPACITOR.
 ALL CAPACITANCE VALUES ARE IN nF UNLESS NOTED OTHERWISE.
 ALL INDUCTANCE VALUES ARE IN mH UNLESS NOTED OTHERWISE.
 ALL E-CAPACITORS ARE SHOWN IN THE FORM OF CAPACITANCE (uF)/RATED VOLTAGE (V).
 ALL DIMENSIONS ARE IN MILLIMETERS.
 3. NE — COMPONENT NOT SHOWN

FL display section

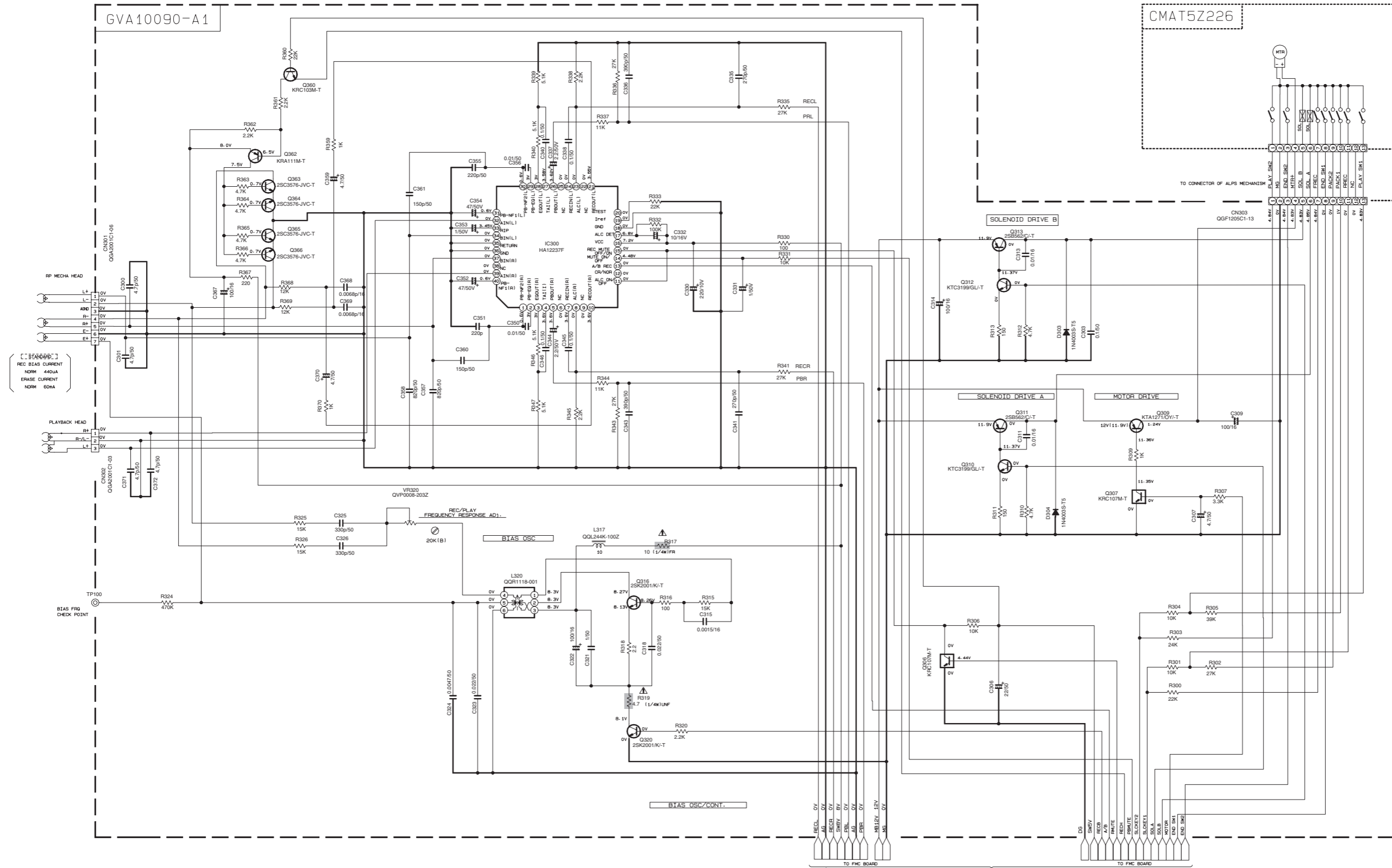


MARK

VERSION	US	UN	UG/LX	UM/LY	EE	UG/LX	REMARK
R920 (BR003)	1K	2K	4.7K	4.7K	2K		VERSION SETTING FOR KEY 4
R921 (BR005)	SHORT	SHORT	1.2K	SHORT	2.2K	1.2K	VERSION SETTING FOR KEY 4
R922 (BR006)	SHORT	SHORT	SHORT	2.7K	SHORT		VERSION SETTING FOR KEY 4
CH810	NONE	NONE	NONE	NONE	NONE	NONE	
CH820	NONE	NONE	NONE	NONE	NONE	NONE	
CH826	NONE	NONE	NONE	NONE	NONE	NONE	
J971	QNS0236-001 (MIC)	QNS0236-001 (MIC)	QNS0236-001 (MIC)	QNS0236-001	QNS0236-001	QNS0236-001 (MIC)	
R925	NONE	NONE	NONE	NONE	NONE	NONE	
CH800	NONE	NONE	NONE	NONE	NONE	NONE	
CH890						QGF1205F-1-11	
L995						NONE	
CS94 (BR056)				SHORT			

NOTES
 1. VOLTAGES ARE DC-MEASURED WITH A DIGITAL VOLT METER OR OSCILLOSCOPE WITHOUT INPUT SIGNAL.
 CONNECTION — AUX MODE: VOL. NON-BASS OFF
 2. VALUES OTHERWISE SPECIFIED
 RESISTORS ARE 1/4W ± 5% CARBON RESISTOR.
 ALL RESISTANCE VALUES ARE IN OHMS (Ω).
 ALL CAPACITORS ARE CERAMIC CAPACITOR OR MYLAR CAPACITOR.
 ALL CAPACITANCE VALUES ARE IN pF (pF).
 ALL INDUCTANCE VALUES ARE IN mH (mH).
 ALL E-CAPACITORS ARE SHOWN IN THE FORM OF CAPACITANCE (μF)/RATED VOLTAGE (V).
 ALL DIODES ARE 1N914-T.
 ALL TACT SWITCHES ARE QSM121-0012

■ Tape mechanism section



NOTES

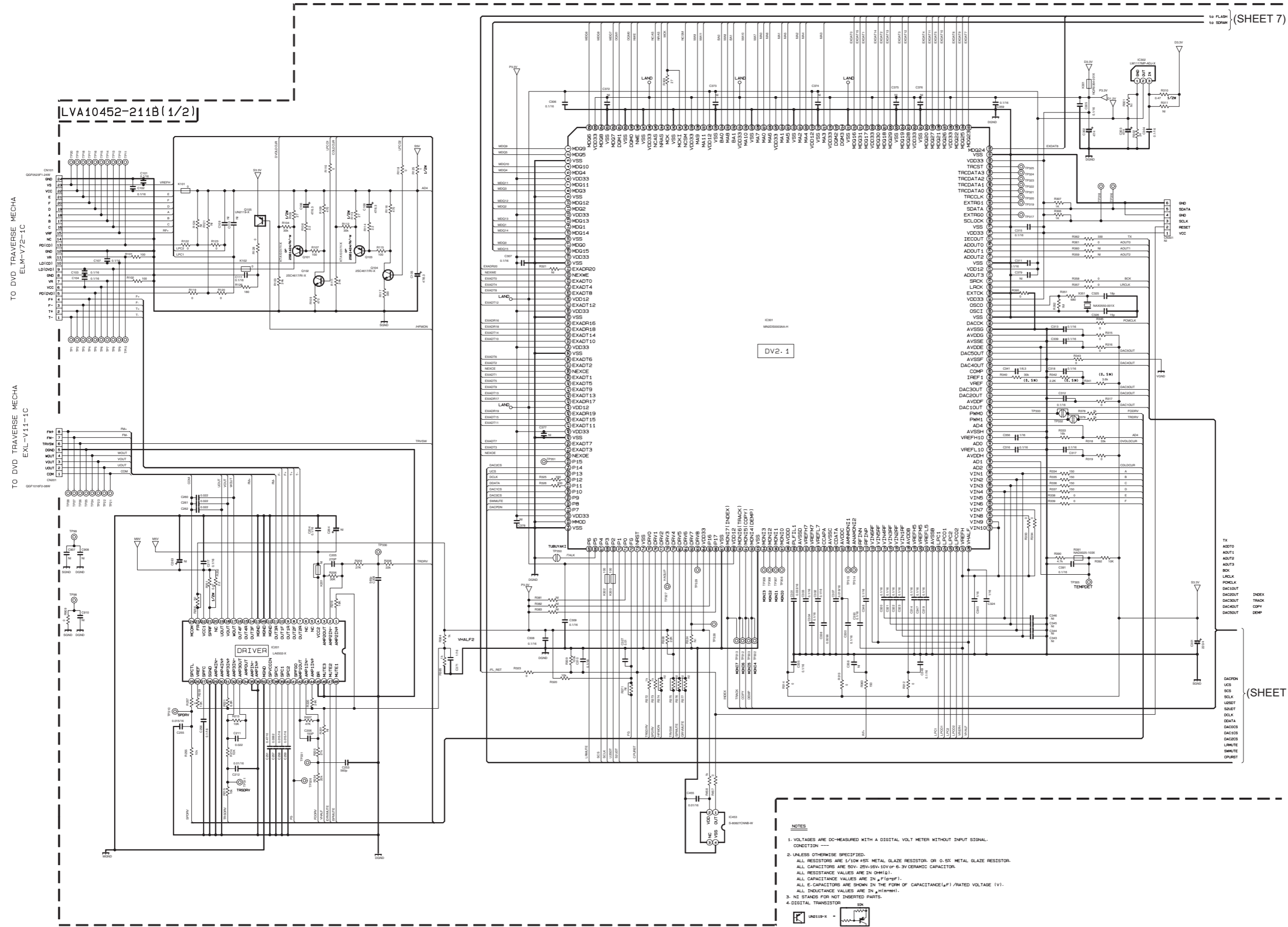
1. VOLTAGES ARE DC-MEASURED WITH A DIGITAL VOLT METER OR OSCILLOSCOPE WITHOUT INPUT SIGNAL. CONDITION: MECHA STOP MODE.

2. UNLESS OTHERWISE SPECIFIED, RESISTORS ARE 1/10W ±5% METAL GLAZE RESISTOR. ALL RESISTANCE VALUES ARE IN Ω(M|k|). ALL CAPACITANCE VALUES ARE IN #F(P|n|μF). ALL INDUCTANCE VALUES ARE IN #H(m|μH). ALL E. CAPACITORS ARE SHOWN IN THE FORM OF CAPACITANCE (#F|/RATED VOLTAGE (V)). POLYPROPYLENE CAPACITOR

(SHEET 3)

▲ Parts are safety assurance parts. When replacing those parts make sure to use the specified one.

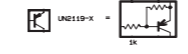
DVD servo section (1/2)



(SHEET 7)

(SHEET 7)

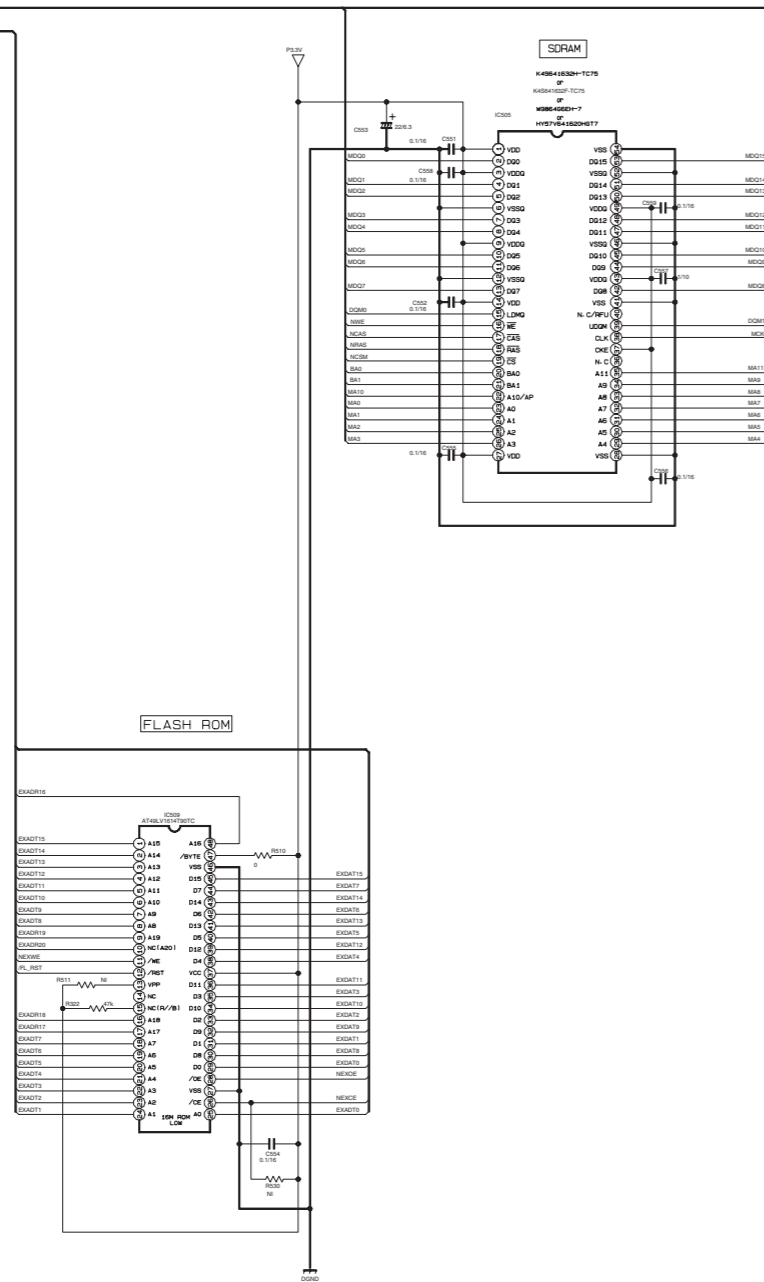
- NOTES**
1. VOLTAGES ARE DC-MEASURED WITH A DIGITAL VOLT METER WITHOUT INPUT SIGNAL-CONDITION.
 2. UNLESS OTHERWISE SPECIFIED:
ALL RESISTORS ARE 1/4W 45% METAL GLAZE RESISTOR OR 0.5W METAL GLAZE RESISTOR.
ALL CAPACITORS ARE 50V, 25V, 16V, 10V OR 6.3V CERAMIC CAPACITOR.
ALL RESISTANCE VALUES ARE IN OHM(G).
ALL CAPACITANCE VALUES ARE IN pF(nPpF).
ALL C CAPACITORS ARE SHOWN IN THE FORM OF CAPACITANCE(μF)/RATED VOLTAGE (V).
ALL INDUCTANCE VALUES ARE IN nH(mH).
 3. NI STANDS FOR NOT INSERTED PARTS.
 4. DIGITAL TRANSISTOR



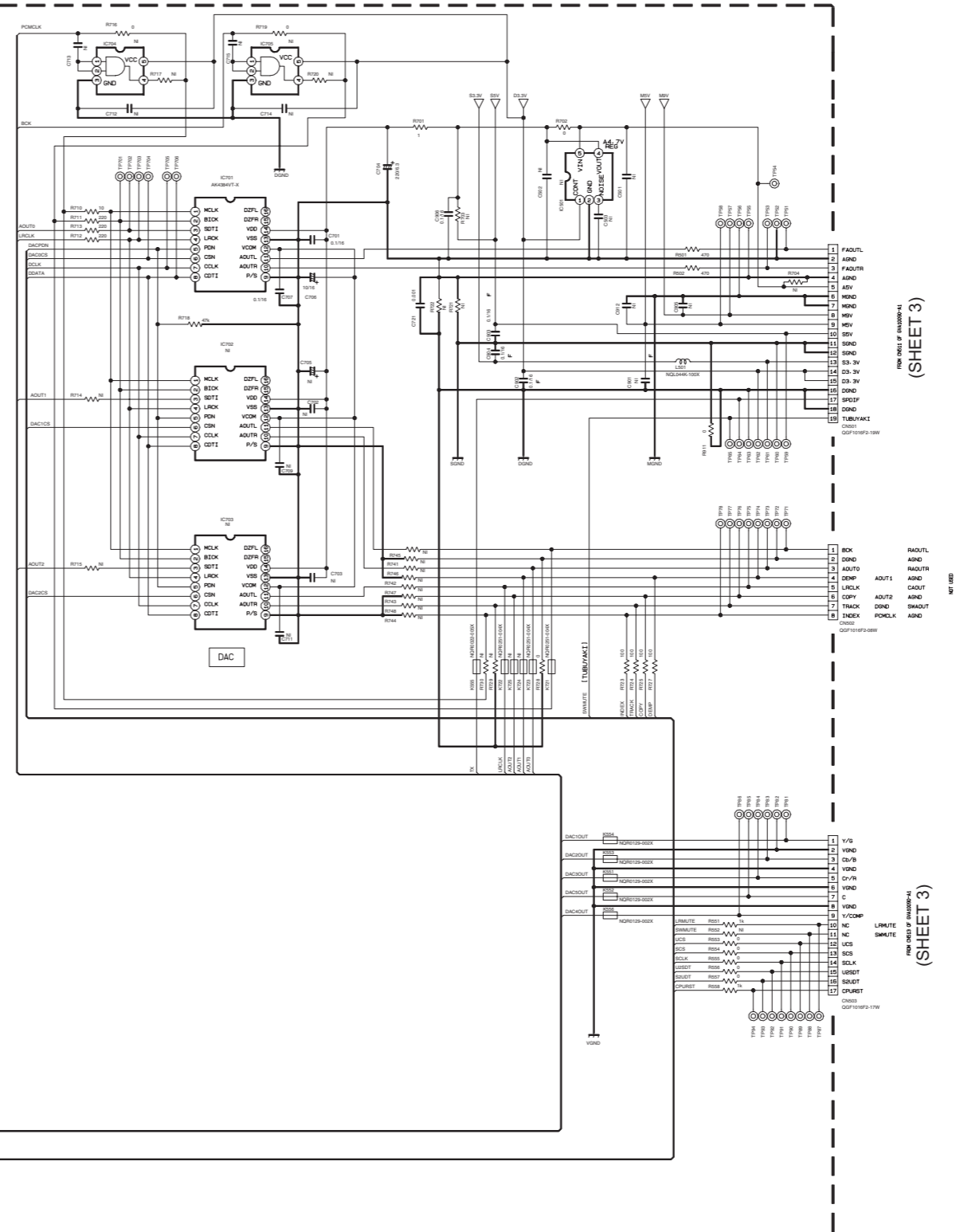
DVD servo section (2/2)

LVA10452-211B (2/2)

(SHEET 6)

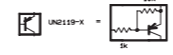


(SHEET 6)

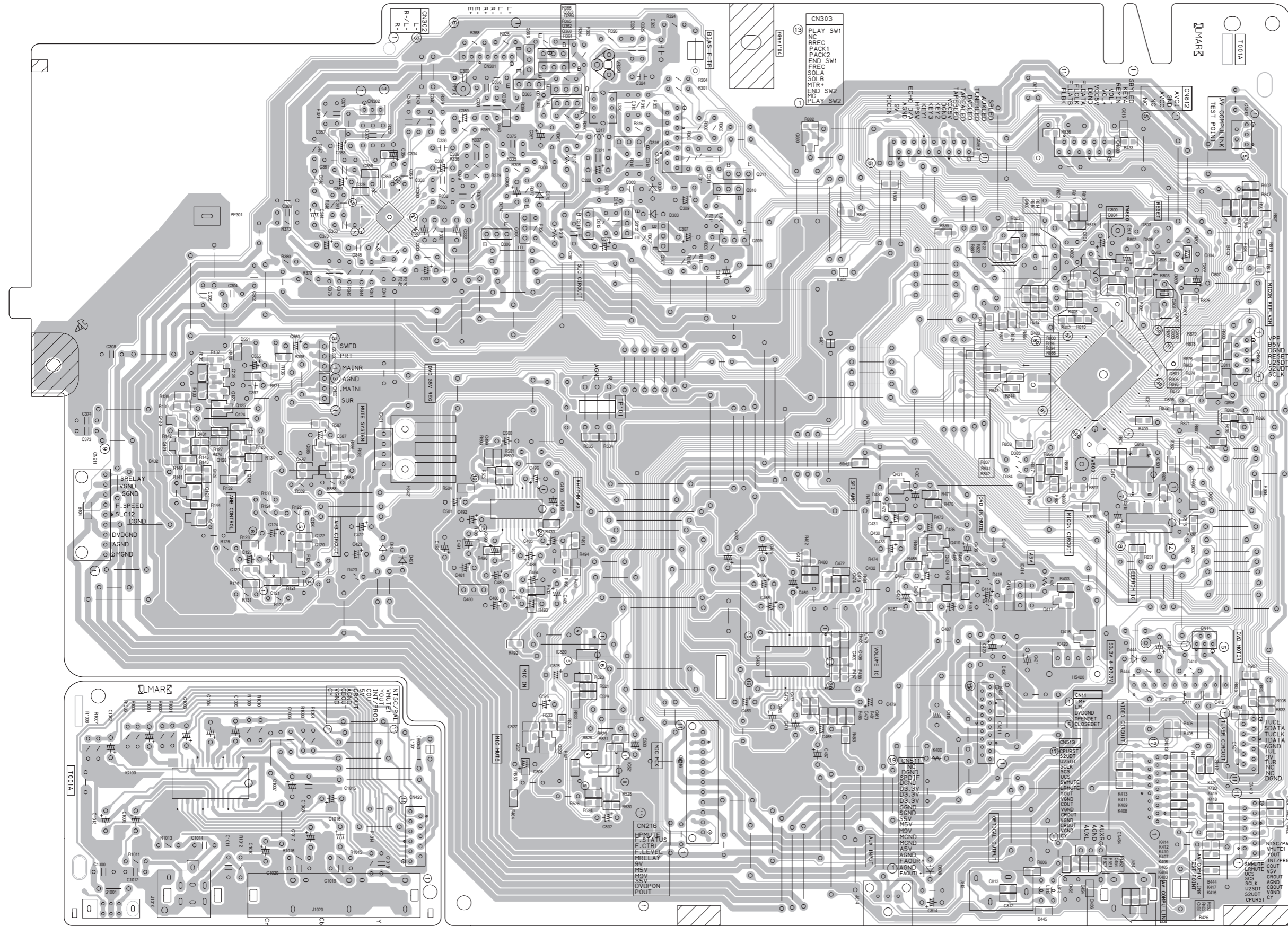


NOTES

1. VOLTAGES ARE DC-MEASURED WITH A DIGITAL VOLT METER WITHOUT INPUT SIGNAL. CONDITION —
2. UNLESS OTHERWISE SPECIFIED:
ALL RESISTORS ARE 1/10W 450 METAL GLAZE RESISTOR, OR 0.5X METAL GLAZE RESISTOR.
ALL CAPACITORS ARE 50V, 25V, 16V, 10V OR 6.3V CERAMIC CAPACITOR.
ALL RESISTANCE VALUES ARE IN OHM(S).
ALL CAPACITANCE VALUES ARE IN pF(10⁻¹²F).
ALL E-CAPACITORS ARE SHOWN IN THE FORM OF CAPACITANCE(μF)/RATED VOLTAGE (V).
ALL INDUCTANCE VALUES ARE IN μH(10⁻⁶H).
3. NI STANDS FOR NOT INSERTED PARTS.
4. DIGITAL TRANSISTOR



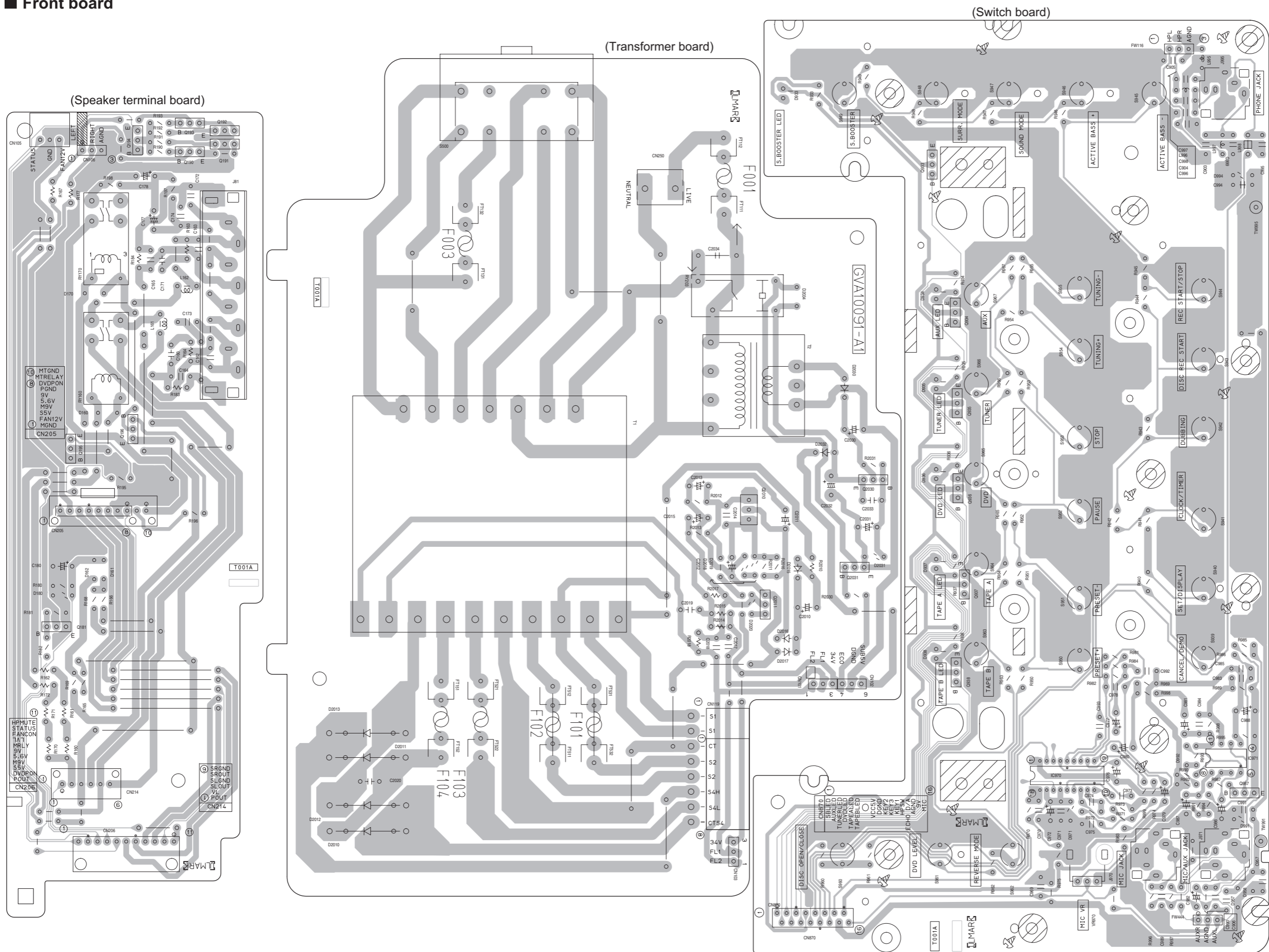
Input board



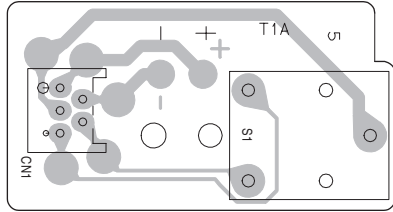
(Video board)

(Main board)

■ Front board



■ DVD loading switch board



JVC

Victor Company of Japan, Limited

AV & MULTIMEDIA COMPANY AUDIO/VIDEO SYSTEMS CATEGORY 10-1, 1chome, Ohwatari-machi, Maebashi-city, 371-8543, Japan

(No.MB385SCH)



Printed in Japan
VPT

PARTS LIST

[MX-JE3] [MX-JE31]

* All printed circuit boards and its assemblies are not available as service parts.

MX-JE3	
Area suffix	
US -----	Singapore
UW -----	Brazil, Mexico, Peru
UX -----	Saudi Arabia
UY -----	Argentina
UG -	Turkey, South Africa, Egypt
UE-----	Turkey
UN -----	Aseans

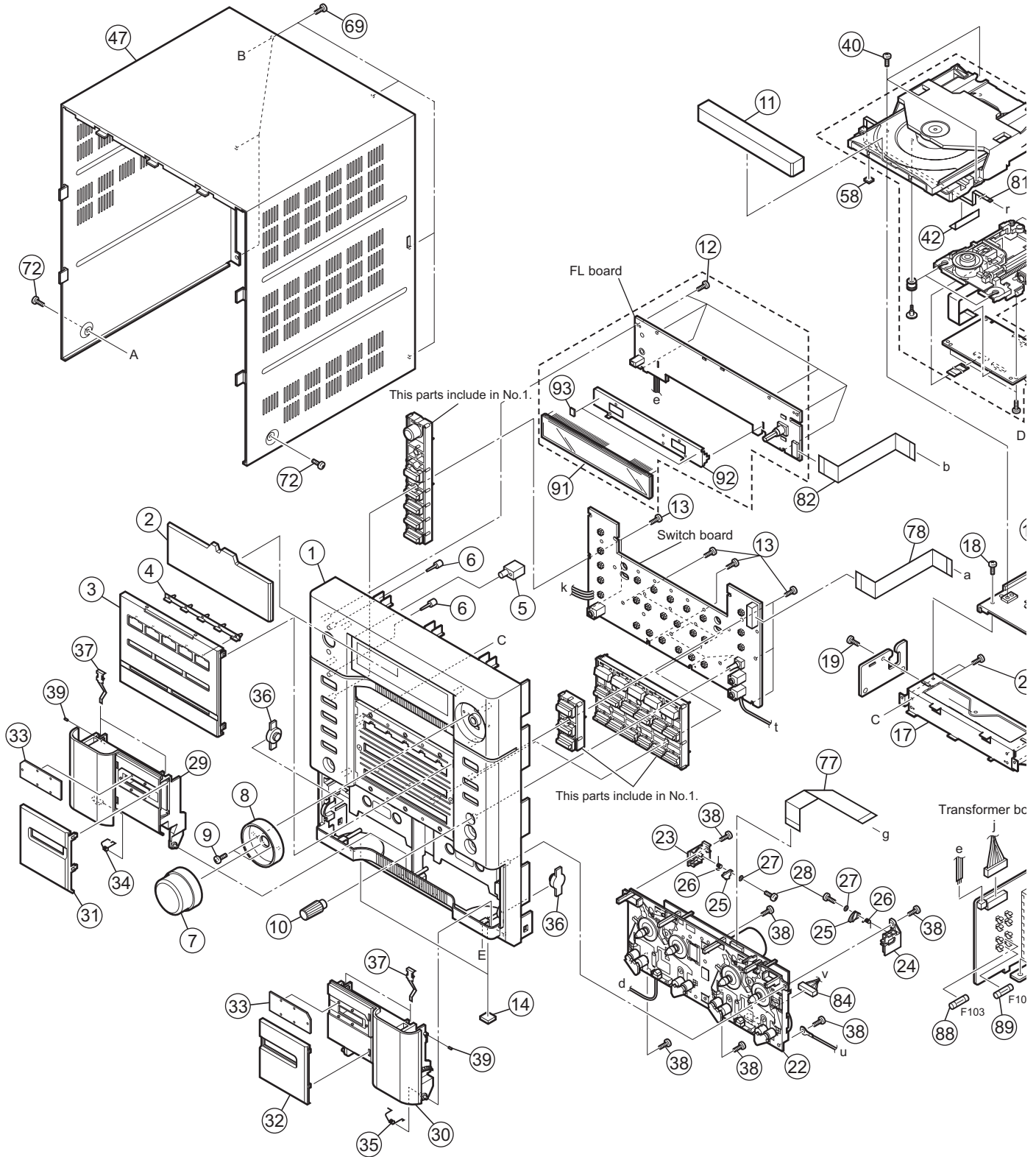
MX-JE31	
Area suffix	
UX -----	Saudi Arabia
UG -	Turkey, South Africa, Egypt
UN -----	Aseans

- Contents -

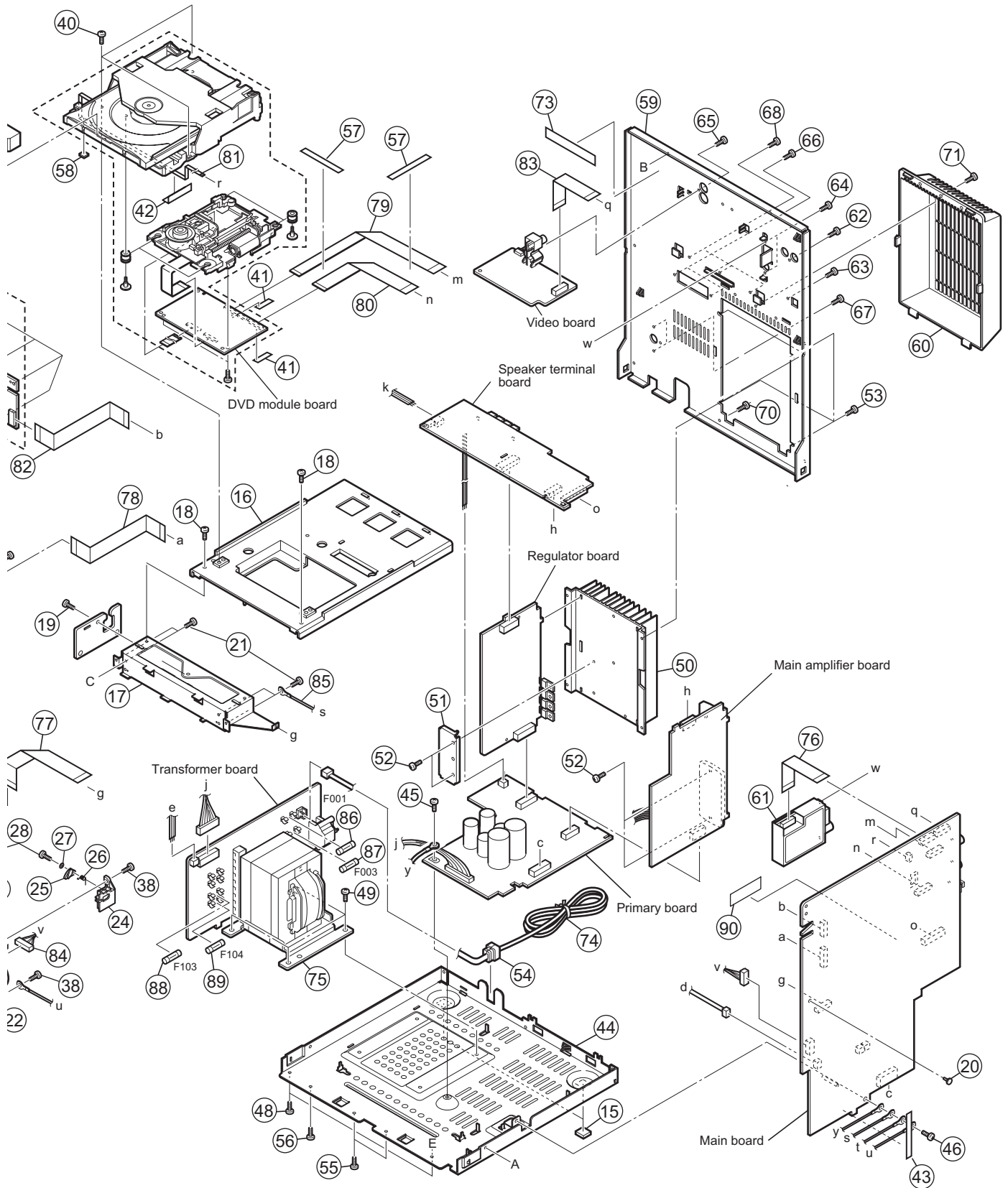
Exploded view of general assembly and parts list (Block No.M1)	3- 2
DVD mechanism assembly and parts list(Block No.MJ)	3- 6
DVD loading base assembly and parts list (Block No.MN)	3- 8
Electrical parts list (Block No.01~05)	3-10
Packing materials and accessories parts list (Block No.M3)	3-22

Exploded view of general assembly and parts list

Block No. **M 1 M M**



No. M 1 M M



General Assembly

Block No. [M][1][M][M]

△	Symbol No.	Part No.	Part Name	Description	Local
	1	GV10220-022A	FRONT PANEL ASSY		JE31UG,JE31UN,JE31UX
	1	GV10220-019A	FRONT PANEL ASSY		JE3UG,JE3UN,JE3US,JE3UX
	1	GV10220-021A	FRONT PANEL ASSY		JE3UE,JE3UW,JE3UY
	2	GV30576-007A	FL LENS		
	3	GV20277-007A	FRONT COVER		JE31UG,JE31UN,JE31UX
	3	GV20277-008A	FRONT COVER		JE3UE,JE3UG,JE3UN,JE3US,JE3UW,JE3UX JE3UY
	4	GV30577-001A	FUNC.INDICATOR		
	5	GV40485-002A	REMOTE LENS		
	6	GV40486-002A	INDICATOR LENS	(x2)	
	7	GV30580-001A	VOLUME KNOB		
	8	LV42979-003A	VOLUME RING		
	9	QYSDSF2608ZA	TAP SCREW	M2.6 x 8mm(x2)	
	10	GV40083-004A	MIC.KNOB		JE31UG,JE31UN,JE31UX,JE3UG,JE3UN,JE3USJ E3UX
	11	GV30583-006A	TRAY FITTING		JE31UG,JE31UN,JE31UX
	11	GV30583-005A	TRAY FITTING		JE3UE,JE3UG,JE3UN,JE3US,JE3UW,JE3UX JE3UY
	12	QYSDSF2608ZA	TAP SCREW	M2.6 x 8mm(x6)	
	13	QYSDSF2608ZA	TAP SCREW	M2.6 x 8mm(x11)	
	14	GV40246-001A	FOOT SPACER	(x2)	
	15	GV40246-002A	FOOT SPACER	(x2)	
	16	GV10206-003A	CENTER CHASSIS		
	17	GV20275-001A	STAY BRACKET		
	18	QYSBSG3008ZA	TAP SCREW	M3 x 8mm(x2)	
	19	QYSBSG3008ZA	TAP SCREW	M3 x 8mm	
	20	E310243-002	PLASTIC RIVET		
	21	QYSDSF2608ZA	TAP SCREW	M2.6 x 8mm(x4)	
	22	QAL0700-001	MECHA ASSY		
	23	GV40496-001A	SWING CAM(L)		
	24	GV40497-001A	SWING CAM(R)		
	25	GV40501-001A	SWING CAM	(x2)	
	26	GV40502-002A	SPRING	(x2)	
	27	GV40503-001A	WASHER	(x2)	
	28	GV40504-002A	SCREW	(x2)	
	29	GV10204-002A	CASS.HOLDER(L)		
	30	GV10205-002A	CASS.HOLDER(R)		
	31	GV20278-006A	CASS.COVER (L)		JE31UG,JE31UN,JE31UX
	31	GV20278-003A	CASS.COVER (L)		JE3UE,JE3UG,JE3UN,JE3US,JE3UW,JE3UX, E3UY
	32	GV20279-006A	CASS.COVER (R)		JE31UG,JE31UN,JE31UX
	32	GV20279-003A	CASS.COVER (R)		JE3UE,JE3UG,JE3UN,JE3US,JE3UW,JE3UX JE3UY
	33	GV40487-001A	CASS.LENS	(x2)	
	34	GV40489-001A	DOOR SPRING		
	35	GV40490-001A	DOOR SPRING(R)		
	36	GV40034-001A	DAMPER ASSY.	(x2)	
	37	VKY4180-401	CASSETTE SPRING	(x4)	
	38	QYSBSF3010ZA	TAP SCREW	M3 x 10mm(x6)	
	39	GV40515-001A	METAL PIN	(x2)	
	40	QYSBSF3012ZA	TAP SCREW	M3 x 12mm(x3)	
	41	LV30225-011A	SPACER	(x2)	
	42	LV30225-011A	SPACER		
	43	GV30349-003A	SPACER		
	44	GV10209-002A	BOTTOM CHASSIS		
	45	QYSBSGG3008EA	TAP SCREW	M3 x 8mm	
	46	QYSBSGG3008EA	TAP SCREW	M3 x 8mm	
	47	GV10217-005A	METAL COVER		
	48	QYSBSG3010ZA	TAP SCREW	M3 x 10mm(x2)	
	49	QYSDSTL4008EA	TAP SCREW	M4 x 8mm(x4)	
	50	GV30581-002A	HEAT SINK		
	51	GV40488-001A	LEAF SPRING		
	52	QYSBSG3014EA	TAP SCREW	M3 x 14mm(x4)	
	53	QYSBSGY3008EA	TAP SCREW	M3 x 8mm(x4)	
	54	QZW0033-001	STRAIN RELIEF		
	55	QYSST3006ZA	TAP SCREW	M3 x 6mm(x2)	
	56	QYSBSG3010ZA	TAP SCREW	M3 x 10mm	
	57	GV30349-003A	SPACER	(x2)	
	58	E3400-431	SPECER		
	59	GV10207-033A	REAR PANEL		JE31UN
	59	GV10207-032A	REAR PANEL		JE31UG,JE31UX
	59	GV10207-030A	REAR PANEL		JE3UE
	59	GV10207-027A	REAR PANEL		JE3UN,JE3US
	59	GV10207-031A	REAR PANEL		JE3UW
	59	GV10207-026A	REAR PANEL		JE3UG,JE3UX
	59	GV10207-028A	REAR PANEL		JE3UY

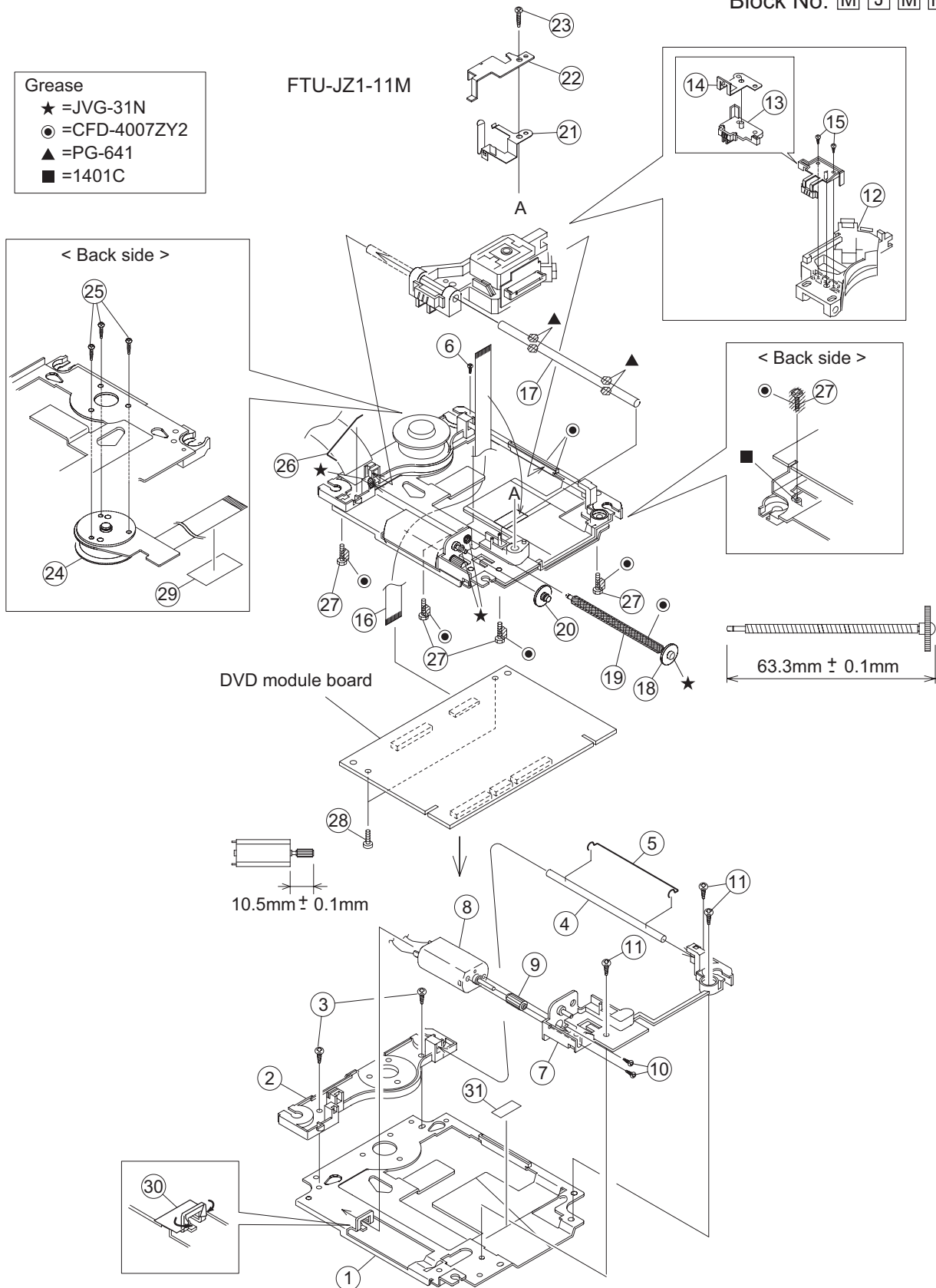
△	Symbol No.	Part No.	Part Name	Description	Local
	60	GV10208-001A	REAR COVER		
	61	QAU0278-003	TUNER		JE3UE
	61	QAU0307-003	TUNER		JE31UG,JE31UN,JE31UX,JE3UG,JE3UN,JE3USJ E3UW,JE3UX,JE3UY
	62	QYSBSGY3008EA	TAP SCREW	M3 x 8mm	JE31UG,JE31UN,JE31UX,JE3UG,JE3UN,JE3USJ E3UX
	63	QYSBSGY3008EA	TAP SCREW	M3 x 8mm	
	64	QYSBSGY3008EA	TAP SCREW	M3 x 8mm(x2)	
	65	QYSBSGY3008EA	TAP SCREW	M3 x 8mm	
	66	QYSBSGY3008EA	TAP SCREW	M3 x 8mm(x2)	
	67	QYSBSF3012EA	TAP SCREW	M3 x 12mm(x2)	
	68	QYSBSGY3008EA	TAP SCREW	M3 x 8mm(x3)	
	69	QYSBSGY3008EA	TAP SCREW	M3 x 8mm(x6)	
	70	QYSBSGY3008EA	TAP SCREW	M3 x 8mm	
	71	QYSBSGY3008EA	TAP SCREW	M3 x 8mm	
	72	QYSDSG3006NA	TAP SCREW	M3 x 6mm(x2)	
	73	LV41843-002A	LASER CAUTION		
△	74	QMPK210-205-JN	POWER CORD(EU)	2.05m BLACK	JE31UG,JE31UN,JE31UX,JE3UE,JE3UG,JE3UNJ E3US,JE3UW,JE3UX
△	74	QMPR300-200-JC	POWER CORD	2m BLACK	JE3UY
△	75	QQT0479-001	POWER TRANSF		
	76	QUQH12-1108AJ-E	FFC WIRE	11pin 8cm	
	77	QUQH12-1314AJ-E	FFC WIRE	13pin 14cm	
	78	QUQH12-1614BJ-E	FFC WIRE	16pin 14cm	
	79	QUQH10-1730BJ-E	FFC WIRE	17pin 30cm	
	80	QUQH10-1920BJ-E	FFC WIRE	19pin 20cm	
	81	QUQH10-0541BJ-E	FFC WIRE	5pin 41cm	
	82	QUQH12-1111AJ-E	FFC WIRE	11pin 11cm	
	83	QUQH12-1110AJ-E	FFC WIRE	11pin 10cm	
	84	WJN0074-005A-E	SIGNAL WIRE		
	85	WJZ0137-001A-E	S.WIRE		JE31UG,JE31UN,JE31UX,JE3UG,JE3UN,JE3USJ E3UW,JE3UX,JE3UY
△	86	QMF51W2-3R15-J8	FUSE	3.15A AC250V	
△	87	QMF51W2-2R0-J8	FUSE	2A AC250V	
△	88	QMF51W2-2R0-J8	FUSE	2A AC250V	
△	89	QMF51W2-3R15-J8	FUSE	3.15A AC250V	
	90	LV30225-011A	SPACER		JE3UE,JE3UW,JE3UY
	91	QLF0149-001	FL TUBE		
	92	GV30507-001A	FL HOLDER		
	93	GV30349-021A	SPACER	(x2)	

DVD mechanism assembly and parts list

Block No. M J M M

- Grease
- ★ =JVG-31N
 - =CFD-4007ZY2
 - ▲ =PG-641
 - =1401C

FTU-JZ1-11M



The parts without symbol number are not service.

DVD mechanism

Block No. [M][J][M][M]

△ Symbol No.	Part No.	Part Name	Description	Local
1	LV21814-001A	MECHA BASE		
2	LE20731-001A	SPINDLE BASE		
3	QYSDST2605M	TAP SCREW	M2.6 x 5mm(x2)	
4	LE40931-001A	SHAFT		
5	LE40995-001A	BAR SPRING		
6	QYSPSTU2080M	TAP SCREW	M2 x 8mm	
7	LE20730-002A	FEED HOLDER		
8	QAR0165-001	FEED MOTOR		
9	LV41510-201A	FEED GEAR T		
10	QYSPSPU2040M	SCREW	M2 x 4mm(x2)	
11	QYSDST2605M	TAP SCREW	M2.6 x 5mm(x3)	
12	QAL0577-001	P.UP		
13	LE20732-001A	SW ACTUATOR		
14	LE31093-001A	LEAD SPRING		
15	QYSPSFU1740Z	TAP SCREW	M1.7 x 4mm(x2)	
16	QUQ105-2412AC	FFC WIRE	24pin 12cm	
17	LE40931-001A	SHAFT		
18	LE40855-002A	FEED GEAR E		
19	LV41517-003A	LEAD SCREW		
20	LE40930-001A	FEED GEAR M		
21	LE40928-002A	THURUST SPRING		
22	LE40927-002A	PLATE		
23	QYSDST2614Z	TAP SCREW	M2.6 x 14mm	
24	QAR0334-001	S.MOTOR		
25	QYSPSPU1760Z	SCREW	M1.7 x 6mm(x3)	
26	LE40994-001A	T.SPRING		
27	LE40858-002A	SPECIAL SCREW	(x4)	
28	QYSDST2004Z	TAP SCREW	M2 x 4mm(x2)	
29	LV30225-0X6A	SPACER		
30	LV30225-0X5A	SPACER		
31	LV44007-001A	TAPE		

DVD loading base

Block No. [M][N][M][M]

△	Symbol No.	Part No.	Part Name	Description	Local
	1	LV11065-002A	LOADER SUB ASSY		
	2	E407140-001SS	C.D ROLLER		
	3	E407149-001SS	RUBBER TUBE		
	4	LV10979-002A	TRAY		
	5	LV35499-001A	SHAFT GUIDE		
	6	LV44022-001A	SHAFT		
	7	QYSSSF2008ZA	TAP SCREW	M2 x 8mm	
	8	QYSDSF2008ZA	TAP SCREW	M2 x 8mm(x2)	
	9	LV41741-004A	SPECIAL SCREW		
	10	QAR0197-001	MOTOR		
	11	LV43844-002A	MOTOR PULLEY		
	12	QYSPSPU1730ZA	SCREW	M1.7 x 3mm(x2)	
	13	QYSDSF2008ZA	TAP SCREW	M2 x 8mm	
	14	LV43974-001A	BELT		
	15	LV21852-003A	CLAMPER BASE		
	16	QYSDSF2008ZA	TAP SCREW	M2 x 8mm(x2)	
	17	LV35056-002A	DVD CLAMPER		
	18	LV42930-003A	P.C.MAGNET		
	19	LV43848-001A	YOKE		
	20	LE40906-002A	SPECIAL SCREW		
	21	-----	DVD TRAMECHA UN		
	22	LE40900-003A	INSULATOR	(x2)	
	23	LE40900-005A	INSULATOR	(x2)	
	24	LE40901-002A	SPECIAL SCREW	(x4)	

Electrical parts list

Power board

Block No. [0][1]

△ Symbol No.	Part No.	Part Name	Description	Local
△ IC260	KIA7809API	IC		
△ IC270	KIA7805API	IC		
△ IC280	KIA7812API	IC		
△ IC290	KIA7809API	IC		
△ IC602	STK432-070	IC		
IC900	SN74HCU04N	FL DRIVER		
IC920	PT6305	FL DRIVER		
IC930	GP1UM281XKVF	IR DETECT UNIT		
△ Q221	KTA1046Y/	TRANSISTOR		
Q222	KTC3199/GLJ-T	TRANSISTOR		
Q223	KTC3199/GLJ-T	TRANSISTOR		
Q601	KTC3199/GLJ-T	TRANSISTOR		
Q602	KTC3199/GLJ-T	TRANSISTOR		
Q612	KTA1267/YGJ-T	TRANSISTOR		
Q613	KRC102M-T	DIGI TRANSISTOR		
Q681	2SK301/PQJ-T	TRANSISTOR		
Q725	KTA1267/YGJ-T	TRANSISTOR		
Q726	KTC3199/GLJ-T	TRANSISTOR		
Q727	KTA1267/YGJ-T	TRANSISTOR		
Q728	KTC3199/GLJ-T	TRANSISTOR		
△ D211	1N5402M-20	DIODE		
△ D212	1N5402M-20	DIODE		
△ D213	1N5402M-20	DIODE		
△ D214	1N5402M-20	DIODE		
D221	MTZJ5.6C-T2	Z DIODE		
D222	2A02-M	DIODE		
D260	MTZJ11B-T2	Z DIODE		
D270	1SS133-T2	SI DIODE		
D271	MTZJ6.8C-T2	Z DIODE		
D280	MTZJ15B-T2	Z DIODE		
D290	MTZJ11B-T2	Z DIODE		
D619	1SS133-T2	SI DIODE		
D620	1SS133-T2	SI DIODE		
D622	MTZJ9.1B-T2	Z DIODE		
D681	MTZJ2.4B-T2	Z DIODE		
D728	1SS133-T2	SI DIODE		
D925	SLR-343VC/NPQ-T	LED		
C204	QEZ0726-688	E CAPACITOR	6800uF	
C205	QEZ0726-688	E CAPACITOR	6800uF	
C213	QFKC2EK-104Z	MM CAPACITOR	0.1uF 250V K	
C214	QETM1HM-338	E CAPACITOR	3300uF 50V M	JE31U N,JE3 UN
C215	QETM1HM-338	E CAPACITOR	3300uF 50V M	JE31U N,JE3 UN
C221	QETM1EM-688	E CAPACITOR	6800uF 25V M	
C222	QEZ0724-828	E CAPACITOR	8200uF	
C225	QCBB1HK-103Y	C CAPACITOR	0.01uF 50V K	
C226	QCBB1HK-221Y	C CAPACITOR	220pF 50V K	
C260	QETN1HM-106Z	E CAPACITOR	10uF 50V M	
C261	QETN1CM-227Z	E CAPACITOR	220uF 16V M	
C270	QETN1HM-106Z	E CAPACITOR	10uF 50V M	
C271	QETN1HM-106Z	E CAPACITOR	10uF 50V M	
C280	QETN1HM-106Z	E CAPACITOR	10uF 50V M	
C281	QETN1HM-106Z	E CAPACITOR	10uF 50V M	
C290	QETN1HM-106Z	E CAPACITOR	10uF 50V M	
C291	QETN1HM-106Z	E CAPACITOR	10uF 50V M	
C601	QFLC1HJ-223Z	M CAPACITOR	0.022uF 50V J	
C602	QFLC1HJ-223Z	M CAPACITOR	0.022uF 50V J	
C603	QCBB1HK-221Y	C CAPACITOR	220pF 50V K	
C604	QCBB1HK-221Y	C CAPACITOR	220pF 50V K	
C605	QCBB1HK-221Y	C CAPACITOR	220pF 50V K	
C606	QCBB1HK-221Y	C CAPACITOR	220pF 50V K	
C607	QTE1C06-476Z	E CAPACITOR	47uF 16V	
C608	QTE1C06-476Z	E CAPACITOR	47uF 16V	
C609	QCSB1HK-3R3Y	C CAPACITOR	3.3pF 50V K	
C610	QCSB1HK-3R3Y	C CAPACITOR	3.3pF 50V K	
C611	QETN1HM-107Z	E CAPACITOR	100uF 50V M	
C612	QETN1HM-107Z	E CAPACITOR	100uF 50V M	

△ Symbol No.	Part No.	Part Name	Description	Local
	C613	QFLC1HJ-473Z	M CAPACITOR	0.047uF 50V J
	C614	QFLC1HJ-473Z	M CAPACITOR	0.047uF 50V J
	C615	QFLC1HJ-473Z	M CAPACITOR	0.047uF 50V J
	C616	QFLC1HJ-473Z	M CAPACITOR	0.047uF 50V J
	C621	QTE1V06-106Z	E CAPACITOR	10uF 35V
	C622	QTE1V06-106Z	E CAPACITOR	10uF 35V
	C623	QTE1H28-106Z	E CAPACITOR	10uF 50V
	C624	QTE1H28-106Z	E CAPACITOR	10uF 50V
	C639	QETN1HM-105Z	E CAPACITOR	1uF 50V M
	C681	QETN1HM-224Z	E CAPACITOR	0.22uF 50V M
	C682	QFLC1HJ-823Z	M CAPACITOR	0.082uF 50V J
	C726	QETN1HM-106Z	E CAPACITOR	10uF 50V M
	C729	QETN1EM-476Z	E CAPACITOR	47uF 25V M
	C738	QETN1HM-106Z	E CAPACITOR	10uF 50V M
	C920	QDYB1CM-103Y	C CAPACITOR	0.01uF 16V M
	C921	QDYB1CM-103Y	C CAPACITOR	0.01uF 16V M
	C922	QEK1AM-107Z	E CAPACITOR	100uF 10V M
	C924	QEK1HM-226Z	E CAPACITOR	22uF 50V M
	C925	QETN1HM-226Z	E CAPACITOR	22uF 50V M
	C926	QCBB1HK-223Y	C CAPACITOR	0.022uF 50V K
	C930	QETN1HM-106Z	E CAPACITOR	10uF 50V M
	C931	QDGB1HK-102Y	C CAPACITOR	1000pF 50V K
	C932	QCBB1HK-331Y	C CAPACITOR	330pF 50V K
	C933	QCBB1HK-331Y	C CAPACITOR	330pF 50V K
	R215	QRE141J-223Y	C RESISTOR	22kΩ 1/4W J
	R216	QRE141J-223Y	C RESISTOR	22kΩ 1/4W J
	R221	QRE141J-102Y	C RESISTOR	1kΩ 1/4W J
	R222	QRE141J-102Y	C RESISTOR	1kΩ 1/4W J
	R223	QRE141J-102Y	C RESISTOR	1kΩ 1/4W J
	R224	QRE141J-681Y	C RESISTOR	680Ω 1/4W J
	R225	QRE141J-472Y	C RESISTOR	4.7kΩ 1/4W J
	R226	QRE141J-272Y	C RESISTOR	2.7kΩ 1/4W J
	R227	QRE141J-681Y	C RESISTOR	680Ω 1/4W J
	R271	QRE141J-102Y	C RESISTOR	1kΩ 1/4W J
	R601	QRJ146J-101X	UNF C RESISTOR	100Ω 1/4W J
	R602	QRJ146J-101X	UNF C RESISTOR	100Ω 1/4W J
	R603	QRE141J-473Y	C RESISTOR	47kΩ 1/4W J
	R604	QRE141J-473Y	C RESISTOR	47kΩ 1/4W J
	△ R605	QRJ146J-122X	UNF C RESISTOR	1.2kΩ 1/4W J
	△ R606	QRJ146J-122X	UNF C RESISTOR	1.2kΩ 1/4W J
	R607	QRE141J-563Y	C RESISTOR	56kΩ 1/4W J
	R608	QRE141J-563Y	C RESISTOR	56kΩ 1/4W J
	△ R613	QRJ146J-100X	UNF C RESISTOR	10Ω 1/4W J
	△ R614	QRJ146J-100X	UNF C RESISTOR	10Ω 1/4W J
	△ R615	QRJ146J-100X	UNF C RESISTOR	10Ω 1/4W J
	△ R616	QRJ146J-100X	UNF C RESISTOR	10Ω 1/4W J
	R617	QRE141J-221Y	C RESISTOR	220Ω 1/4W J
	R618	QRE141J-221Y	C RESISTOR	220Ω 1/4W J
	R619	QRE141J-222Y	C RESISTOR	2.2kΩ 1/4W J
	R620	QRE141J-222Y	C RESISTOR	2.2kΩ 1/4W J
	R621	QRE141J-473Y	C RESISTOR	47kΩ 1/4W J
	R623	QRE141J-473Y	C RESISTOR	47kΩ 1/4W J
	△ R650	QRT01DJ-R22X	MF RESISTOR	0.22Ω 1W J
	△ R652	QRT01DJ-R22X	MF RESISTOR	0.22Ω 1W J
	△ R654	QRT01DJ-R22X	MF RESISTOR	0.22Ω 1W J
	△ R656	QRT01DJ-R22X	MF RESISTOR	0.22Ω 1W J
	R666	QRE141J-333Y	C RESISTOR	33kΩ 1/4W J
	R667	QRE141J-103Y	C RESISTOR	10kΩ 1/4W J
	R668	QRE141J-103Y	C RESISTOR	10kΩ 1/4W J
	R674	QRJ146J-100X	UNF C RESISTOR	10Ω 1/4W J
	R675	QRE141J-102Y	C RESISTOR	1kΩ 1/4W J
	R676	QRE141J-102Y	C RESISTOR	1kΩ 1/4W J
	R681	QRE141J-153Y	C RESISTOR	15kΩ 1/4W J
	R682	QRE141J-203Y	C RESISTOR	20kΩ 1/4W J
	R683	QRE141J-473Y	C RESISTOR	47kΩ 1/4W J
	R684	QRE141J-103Y	C RESISTOR	10kΩ 1/4W J
	R685	QRE141J-475Y	C RESISTOR	4.7MΩ 1/4W J
	R686	QRE141J-392Y	C RESISTOR	3.9kΩ 1/4W J
	R687	QRE141J-105Y	C RESISTOR	1MΩ 1/4W J
	R688	QRE141J-823Y	C RESISTOR	82kΩ 1/4W J
	R689	QRE141J-823Y	C RESISTOR	82kΩ 1/4W J
	R725	QRE141J-823Y	C RESISTOR	82kΩ 1/4W J
	R726	QRE141J-104Y	C RESISTOR	100kΩ 1/4W J
	R727	QRE141J-104Y	C RESISTOR	100kΩ 1/4W J
	R728	QRE141J-103Y	C RESISTOR	10kΩ 1/4W J

△ Symbol No.	Part No.	Part Name	Description	Local	△ Symbol No.	Part No.	Part Name	Description	Local
D551	1SS133-T2	SI DIODE			C369	QDXB1CM-682Y	C CAPACITOR	6800pF 16V M	
D801	1SS244-T2	SI DIODE			C370	QETN1HM-475Z	E CAPACITOR	4.7uF 50V M	
D802	1SS133-T2	SI DIODE			C371	QCSB1HK-4R7Y	C CAPACITOR	4.7pF 50V K	
D803	1SS244-T2	SI DIODE			C372	QCSB1HK-4R7Y	C CAPACITOR	4.7pF 50V K	
D804	MTZJ4.3B-T2	Z DIODE			C373	QCB1HK-103Y	C CAPACITOR	0.01uF 50V K	JE3UE
D805	1SS133-T2	SI DIODE			C374	QCB1HK-103Y	C CAPACITOR	0.01uF 50V K	JE3UE
D807	1SS133-T2	SI DIODE			C375	QCB1HK-221Y	C CAPACITOR	220pF 50V K	JE3UE
D808	1N4003S-T5	SI DIODE			C376	QCB1HK-221Y	C CAPACITOR	220pF 50V K	JE3UE
D809	1SS133-T2	SI DIODE			C377	QETN1AM-477Z	E CAPACITOR	470uF 10V M	
D862	1SS133-T2	SI DIODE			C378	QCB1HK-223Y	C CAPACITOR	0.022uF 50V K	JE3UE
					C379	QDGB1HK-102Y	C CAPACITOR	1000pF 50V K	JE3UE
C120	QFZ0225-473Z	MYLAR CAPA	0.047uF		C380	QDGB1HK-102Y	C CAPACITOR	1000pF 50V K	JE3UE
C121	QFZ0225-473Z	MYLAR CAPA	0.047uF		C397	QFVF1HJ-224Z	MF CAPACITOR	0.22uF 50V J	
C122	QFZ0225-473Z	MYLAR CAPA	0.047uF		C406	QTE1V06-106Z	E CAPACITOR	10uF 35V	
C123	QFZ0225-473Z	MYLAR CAPA	0.047uF		C407	QTE1V06-106Z	E CAPACITOR	10uF 35V	
C124	QTE1C06-476Z	E CAPACITOR	47uF 16V		C408	NDC31HJ-101X	C CAPACITOR	100pF 50V J	
C125	QTE1C06-476Z	E CAPACITOR	47uF 16V		C409	NDC31HJ-101X	C CAPACITOR	100pF 50V J	
C300	QCSB1HK-4R7Y	C CAPACITOR	4.7pF 50V K		C411	NCB31HK-103X	C CAPACITOR	0.01uF 50V K	
C301	QCSB1HK-4R7Y	C CAPACITOR	4.7pF 50V K		C412	NCF31CZ-104X	C CAPACITOR	0.1uF 16V Z	
C302	QDGB1HK-102Y	C CAPACITOR	1000pF 50V K	JE3UE	C413	QETN1AM-477Z	E CAPACITOR	470uF 10V M	
C303	QFLC1HJ-104Z	M CAPACITOR	0.1uF 50V J		C414	QTE1C06-476Z	E CAPACITOR	47uF 16V	
C306	QETN1HM-226Z	E CAPACITOR	22uF 50V M		C415	NCB31HK-103X	C CAPACITOR	0.01uF 50V K	
C307	QETN1HM-475Z	E CAPACITOR	4.7uF 50V M		C420	QETN1EM-476Z	E CAPACITOR	47uF 25V M	
C308	QCB1HK-103Y	C CAPACITOR	0.01uF 50V K	JE3UE	C421	QETN1HM-106Z	E CAPACITOR	10uF 50V M	
C309	QETN1CM-107Z	E CAPACITOR	100uF 16V M		C422	QETN1HM-106Z	E CAPACITOR	10uF 50V M	
C311	QDYB1CM-103Y	C CAPACITOR	0.01uF 16V M		C423	QETN1CM-477Z	E CAPACITOR	470uF 16V M	
C313	QDYB1CM-103Y	C CAPACITOR	0.01uF 16V M		C430	QETN1HM-105Z	E CAPACITOR	1uF 50V M	
C314	QETN1CM-107Z	E CAPACITOR	100uF 16V M		C431	QETN1HM-105Z	E CAPACITOR	1uF 50V M	
C315	QDXB1CM-152Y	C CAPACITOR	1500pF 16V M		C432	NDC31HJ-330X	C CAPACITOR	33pF 50V J	
C318	QCB1HK-223Y	C CAPACITOR	0.022uF 50V K		C433	QETN1HM-105Z	E CAPACITOR	1uF 50V M	
C321	QCFB1HZ-104Y	C CAPACITOR	0.1uF 50V Z		C436	QTE1V06-106Z	E CAPACITOR	10uF 35V	
C322	QETN1CM-107Z	E CAPACITOR	100uF 16V M		C437	QTE1V06-106Z	E CAPACITOR	10uF 35V	
C323	QFG32AJ-223Z	PP CAPACITOR	0.022uF 100V J		C445	QETN1HM-105Z	E CAPACITOR	1uF 50V M	
C324	QFLC1HJ-472Z	M CAPACITOR	4700pF 50V J		C446	QCB1HK-331Y	C CAPACITOR	330pF 50V K	
C325	QCB1HK-331Y	C CAPACITOR	330pF 50V K		C447	QCB1HK-331Y	C CAPACITOR	330pF 50V K	
C326	QCB1HK-331Y	C CAPACITOR	330pF 50V K		C454	NCB31HK-221X	C CAPACITOR	220pF 50V K	
C330	QETN1AM-227Z	E CAPACITOR	220uF 10V M		C455	NCB31HK-221X	C CAPACITOR	220pF 50V K	
C331	QETN1HM-105Z	E CAPACITOR	1uF 50V M						JE31U
C332	QETN1HM-106Z	E CAPACITOR	10uF 50V M						G,JE31
C334	NCS21HJ-821X	C CAPACITOR	820pF 50V J		C456	NCB31HK-222X	C CAPACITOR	2200pF 50V K	UN,JE
C335	QCB1HK-271Y	C CAPACITOR	270pF 50V K						31UX,J
C336	QCB1HK-391Y	C CAPACITOR	390pF 50V K						E3UG,J
C337	QETN1HM-225Z	E CAPACITOR	2.2uF 50V M						E3UN,
C338	QFLA1HJ-104Z	M CAPACITOR	0.1uF 50V J		C460	NCB31HK-471X	C CAPACITOR	470pF 50V K	JE3US,
C339	NCS21HJ-821X	C CAPACITOR	820pF 50V J		C461	NCB31HK-471X	C CAPACITOR	470pF 50V K	JE3UX
C340	QFLA1HJ-104Z	M CAPACITOR	0.1uF 50V J		C462	QETN1HM-225Z	E CAPACITOR	2.2uF 50V M	
C341	QCB1HK-271Y	C CAPACITOR	270pF 50V K		C463	QETN1HM-225Z	E CAPACITOR	2.2uF 50V M	
C343	QCB1HK-391Y	C CAPACITOR	390pF 50V K		C464	QETN1HM-106Z	E CAPACITOR	10uF 50V M	
C344	QETN1HM-225Z	E CAPACITOR	2.2uF 50V M		C465	QETN1HM-106Z	E CAPACITOR	10uF 50V M	
C345	QFLA1HJ-104Z	M CAPACITOR	0.1uF 50V J		C466	QETN1HM-106Z	E CAPACITOR	10uF 50V M	
C346	QFLA1HJ-104Z	M CAPACITOR	0.1uF 50V J		C467	QETN1HM-106Z	E CAPACITOR	10uF 50V M	
C350	QCB1HK-103Y	C CAPACITOR	0.01uF 50V K		C468	QTE1H28-106Z	E CAPACITOR	10uF 50V	
				JE31U	C469	QTE1H28-106Z	E CAPACITOR	10uF 50V	
				G,JE31	C470	QTE1H28-106Z	E CAPACITOR	10uF 50V	
				UN,JE	C471	QTE1H28-106Z	E CAPACITOR	10uF 50V	
				31UX,J	C472	QFLC1HJ-272Z	M CAPACITOR	2700pF 50V J	
C351	QCB1HK-221Y	C CAPACITOR	220pF 50V K	E3UG,J	C473	QFLC1HJ-272Z	M CAPACITOR	2700pF 50V J	
				E3UN,	C474	QTE1V06-106Z	E CAPACITOR	10uF 35V	
				JE3US,	C475	QTE1V06-106Z	E CAPACITOR	10uF 35V	
				JE3UW	C476	QFVF1HJ-224Z	MF CAPACITOR	0.22uF 50V J	
				,JE3UX	C477	QFVF1HJ-224Z	MF CAPACITOR	0.22uF 50V J	
				,JE3UY	C478	NCB31HK-471X	C CAPACITOR	470pF 50V K	
C352	QETN1HM-476Z	E CAPACITOR	47uF 50V M		C479	QTE1C28-107Z	E CAPACITOR	100uF 16V	
C353	QETN1HM-105Z	E CAPACITOR	1uF 50V M		C508	QETN1AM-337Z	E CAPACITOR	330uF 10V M	
C354	QETN1HM-476Z	E CAPACITOR	47uF 50V M						JE31U
				JE31U					G,JE31
				UN,JE					31UX,J
C355	QCB1HK-221Y	C CAPACITOR	220pF 50V K	E3UG,J	C526	QETN1HM-106Z	E CAPACITOR	10uF 50V M	E3UG,J
				E3UN,					E3UN,
				JE3US,					JE3US,
				JE3UW					JE3UX
				,JE3UX					
				,JE3UY					
C356	QCB1HK-103Y	C CAPACITOR	0.01uF 50V K		C527	NCB21HK-683X	C CAPACITOR	0.068uF 50V K	
C357	NCS21HJ-821X	C CAPACITOR	820pF 50V J		C528	QFLC1HJ-103Z	M CAPACITOR	0.01uF 50V J	
C358	NCS21HJ-821X	C CAPACITOR	820pF 50V J						
C359	QETN1HM-475Z	E CAPACITOR	4.7uF 50V M						
C360	QCB1HK-151Y	C CAPACITOR	150pF 50V K	JE3UE					
C361	QCB1HK-151Y	C CAPACITOR	150pF 50V K	JE3UE					
C367	QETN1CM-107Z	E CAPACITOR	100uF 16V M						
C368	QDXB1CM-682Y	C CAPACITOR	6800pF 16V M						

△ Symbol No.	Part No.	Part Name	Description	Local	△ Symbol No.	Part No.	Part Name	Description	Local
				JE31U	R144	NRSA63J-243X	MG RESISTOR	24kΩ 1/16W J	
				G,JE31	R145	NRSA63J-243X	MG RESISTOR	24kΩ 1/16W J	
				UN,JE	R300	QRE141J-223Y	C RESISTOR	22kΩ 1/4W J	
				31UX,J	R301	QRE141J-103Y	C RESISTOR	10kΩ 1/4W J	
				E3UG,J	R302	QRE141J-273Y	C RESISTOR	27kΩ 1/4W J	
				E3UN,	R303	QRE141J-243Y	C RESISTOR	24kΩ 1/4W J	
				JE3US,	R304	QRE141J-103Y	C RESISTOR	10kΩ 1/4W J	
				JE3UX	R305	QRE141J-393Y	C RESISTOR	39kΩ 1/4W J	
				JE31U	R306	QRE141J-103Y	C RESISTOR	10kΩ 1/4W J	
				G,JE31	R307	QRE141J-332Y	C RESISTOR	3.3kΩ 1/4W J	
				UN,JE	R309	QRE141J-102Y	C RESISTOR	1kΩ 1/4W J	
				31UX,J	R310	QRE141J-472Y	C RESISTOR	4.7kΩ 1/4W J	
				E3UG,J	R311	QRE141J-151Y	C RESISTOR	150Ω 1/4W J	
				E3UN,	R312	QRE141J-472Y	C RESISTOR	4.7kΩ 1/4W J	
				JE3US,	R313	QRE141J-151Y	C RESISTOR	150Ω 1/4W J	
				JE3UX	R315	QRE141J-153Y	C RESISTOR	15kΩ 1/4W J	
				JE31U	R316	QRE141J-101Y	C RESISTOR	100Ω 1/4W J	
				G,JE31	△ R317	QRZ9005-100X	FUSI RESISTOR	10Ω	
				UN,JE	R318	QRE141J-2R2Y	C RESISTOR	2.2Ω 1/4W J	
				31UX,J	△ R319	QRJ146J-4R7X	UNF C RESISTOR	4.7Ω 1/4W J	
				E3UG,J	R320	QRE141J-222Y	C RESISTOR	2.2kΩ 1/4W J	
				E3UN,	R324	QRE141J-474Y	C RESISTOR	470kΩ 1/4W J	
				JE3US,	R325	QRE141J-153Y	C RESISTOR	15kΩ 1/4W J	
				JE3UX	R326	QRE141J-153Y	C RESISTOR	15kΩ 1/4W J	
				JE31U	R330	QRE141J-101Y	C RESISTOR	100Ω 1/4W J	
				G,JE31	R332	QRE141J-104Y	C RESISTOR	100kΩ 1/4W J	
				UN,JE	R333	QRE141J-223Y	C RESISTOR	22kΩ 1/4W J	
				31UX,J	R335	QRE141J-273Y	C RESISTOR	27kΩ 1/4W J	
				E3UG,J	R336	QRE141J-273Y	C RESISTOR	27kΩ 1/4W J	
				E3UN,	R337	QRE141J-113Y	C RESISTOR	11kΩ 1/4W J	
				JE3US,	R338	QRE141J-222Y	C RESISTOR	2.2kΩ 1/4W J	
				JE3UX	R339	QRE141J-512Y	C RESISTOR	5.1kΩ 1/4W J	
				JE31U	R340	QRE141J-512Y	C RESISTOR	5.1kΩ 1/4W J	
				G,JE31	R341	QRE141J-273Y	C RESISTOR	27kΩ 1/4W J	
				UN,JE	R343	QRE141J-273Y	C RESISTOR	27kΩ 1/4W J	
				31UX,J	R344	QRE141J-113Y	C RESISTOR	11kΩ 1/4W J	
				E3UG,J	R345	QRE141J-222Y	C RESISTOR	2.2kΩ 1/4W J	
				E3UN,	R346	QRE141J-512Y	C RESISTOR	5.1kΩ 1/4W J	
				JE3US,	R347	QRE141J-512Y	C RESISTOR	5.1kΩ 1/4W J	
				JE3UX	R359	QRE141J-102Y	C RESISTOR	1kΩ 1/4W J	
				JE31U	R360	QRE141J-223Y	C RESISTOR	22kΩ 1/4W J	
				G,JE31	R361	QRE141J-222Y	C RESISTOR	2.2kΩ 1/4W J	
				UN,JE	R362	QRE141J-222Y	C RESISTOR	2.2kΩ 1/4W J	
				31UX,J	R363	QRE141J-472Y	C RESISTOR	4.7kΩ 1/4W J	
				E3UG,J	R364	QRE141J-472Y	C RESISTOR	4.7kΩ 1/4W J	
				E3UN,	R365	QRE141J-472Y	C RESISTOR	4.7kΩ 1/4W J	
				JE3US,	R366	QRE141J-472Y	C RESISTOR	4.7kΩ 1/4W J	
				JE3UX	R367	QRE141J-221Y	C RESISTOR	220Ω 1/4W J	
				JE31U	R368	QRE141J-123Y	C RESISTOR	12kΩ 1/4W J	
				G,JE31	R369	QRE141J-123Y	C RESISTOR	12kΩ 1/4W J	
				UN,JE	R370	QRE141J-102Y	C RESISTOR	1kΩ 1/4W J	
				31UX,J	R373	QRE141J-104Y	C RESISTOR	100kΩ 1/4W J	
				E3UG,J	R374	QRE141J-104Y	C RESISTOR	100kΩ 1/4W J	
				E3UN,	R377	QRE141J-102Y	C RESISTOR	1kΩ 1/4W J	
				JE3US,	R378	QRE141J-102Y	C RESISTOR	1kΩ 1/4W J	
				JE3UX	R379	QRE141J-102Y	C RESISTOR	1kΩ 1/4W J	
				JE31U	R380	QRE141J-102Y	C RESISTOR	1kΩ 1/4W J	
				G,JE31	R398	NRSA63J-222X	MG RESISTOR	2.2kΩ 1/16W J	
				UN,JE	R403	NRSA63J-122X	MG RESISTOR	1.2kΩ 1/16W J	
				31UX,J	R405	NRSA63J-222X	MG RESISTOR	2.2kΩ 1/16W J	
				E3UG,J	R406	NRSA63J-222X	MG RESISTOR	2.2kΩ 1/16W J	
				E3UN,	R408	NRSA63J-222X	MG RESISTOR	2.2kΩ 1/16W J	
				JE3US,	R409	NRSA63J-122X	MG RESISTOR	1.2kΩ 1/16W J	
				JE3UX	R411	NRSA63J-122X	MG RESISTOR	1.2kΩ 1/16W J	
				JE31U	R412	NRSA63J-122X	MG RESISTOR	1.2kΩ 1/16W J	
				G,JE31	R430	QRZ9006-4R7X	F.RESISTOR	4.7Ω 1/4W J	
				UN,JE	R451	NRSA63J-472X	MG RESISTOR	4.7kΩ 1/16W J	
				31UX,J	R452	NRSA63J-472X	MG RESISTOR	4.7kΩ 1/16W J	
				E3UG,J	R462	NRSA63J-823X	MG RESISTOR	82kΩ 1/16W J	
				E3UN,	R463	NRSA63J-823X	MG RESISTOR	82kΩ 1/16W J	
				JE3US,	R464	NRSA63J-102X	MG RESISTOR	1kΩ 1/16W J	
				JE3UX	R465	NRSA63J-102X	MG RESISTOR	1kΩ 1/16W J	
				JE31U	R466	NRSA63J-472X	MG RESISTOR	4.7kΩ 1/16W J	
				G,JE31	R467	NRSA63J-103X	MG RESISTOR	10kΩ 1/16W J	
				UN,JE	R468	NRSA63J-472X	MG RESISTOR	4.7kΩ 1/16W J	
				31UX,J	R469	NRSA63J-103X	MG RESISTOR	10kΩ 1/16W J	
				E3UG,J	R470	NRSA63J-103X	MG RESISTOR	10kΩ 1/16W J	
				E3UN,	R471	NRSA63J-104X	MG RESISTOR	100kΩ 1/16W J	
				JE3US,					
				JE3UX					
				JE31U					
				G,JE31					
				UN,JE					
				31UX,J					
				E3UG,J					
				E3UN,					
				JE3US,					
				JE3UX					
				JE31U					
				G,JE31					
				UN,JE					
				31UX,J					
				E3UG,J					
				E3UN,					
				JE3US,					
				JE3UX					
				JE31U					
				G,JE31					
				UN,JE					
				31UX,J					
				E3UG,J					
				E3UN,					
				JE3US,					
				JE3UX					
				JE31U					
				G,JE31					
				UN,JE					
				31UX,J					
				E3UG,J					
				E3UN,					
				JE3US,					
				JE3UX					
				JE31U					
				G,JE31					
				UN,JE					
				31UX,J					
				E3UG,J					
				E3UN,					
				JE3US,					
				JE3UX					
				JE31U					
				G,JE31					
				UN,JE					
				31UX,J					
				E3UG,J					
				E3UN,					
				JE3US,					
				JE3UX					
				JE31U					
				G,JE31					
				UN,JE					
				31UX,J					
				E3UG,J					
				E3UN,					
				JE3US,					
				JE3UX					
				JE31U					
				G,JE31					
				UN,JE					
				31UX,J					
				E3UG,J					
				E3UN,					
				JE3US,					
				JE3UX					
				JE31U					
				G,JE31					
				UN,JE					
				31UX,J					
				E3UG,J					
				E3UN,					
				JE3US,					
				JE3UX					
				JE31U					
				G,JE31					
				UN,JE					
				31UX,J					
				E3UG,J					
				E3UN,					
				JE3US,					
				JE3UX					

△ Symbol No.	Part No.	Part Name	Description	Local	△ Symbol No.	Part No.	Part Name	Description	Local
R472	NRSA63J-104X	MG RESISTOR	100kΩ 1/16W J						JE31U
R473	NRSA63J-682X	MG RESISTOR	6.8kΩ 1/16W J						G,JE31
R474	NRSA63J-225X	MG RESISTOR	2.2MΩ 1/16W J						UN,JE
R475	NRSA63J-473X	MG RESISTOR	47kΩ 1/16W J		R530	NRSA63J-103X	MG RESISTOR	10kΩ 1/16W J	31UX,J
R480	NRSA63J-153X	MG RESISTOR	15kΩ 1/16W J						E3UG,J
R481	NRSA63J-153X	MG RESISTOR	15kΩ 1/16W J						E3UN,
R482	NRSA63J-203X	MG RESISTOR	20kΩ 1/16W J						JE3US,
R483	NRSA63J-203X	MG RESISTOR	20kΩ 1/16W J						JE3UX
R484	NRSA63J-362X	MG RESISTOR	3.6kΩ 1/16W J		R531	NRSA63J-103X	MG RESISTOR	10kΩ 1/16W J	JE31U
R485	NRSA63J-362X	MG RESISTOR	3.6kΩ 1/16W J						G,JE31
R486	NRSA63J-102X	MG RESISTOR	1kΩ 1/16W J						UN,JE
R487	NRSA63J-102X	MG RESISTOR	1kΩ 1/16W J						31UX,J
R488	NRSA63J-102X	MG RESISTOR	1kΩ 1/16W J						E3UG,J
R489	NRSA63J-103X	MG RESISTOR	10kΩ 1/16W J						E3UN,
				JE31U	R533	NRSA63J-103X	MG RESISTOR	10kΩ 1/16W J	JE3US,
				G,JE31					JE3UX
				UN,JE					31UX,J
R520	NRSA63J-102X	MG RESISTOR	1kΩ 1/16W J	31UX,J					E3UG,J
				E3UN,	R534	NRSA63J-303X	MG RESISTOR	30kΩ 1/16W J	E3UN,
				JE3US,	R535	NRSA63J-303X	MG RESISTOR	30kΩ 1/16W J	JE3UX
				JE3UX	R551	NRSA63J-183X	MG RESISTOR	18kΩ 1/16W J	JE31U
				JE31U	R552	NRSA63J-183X	MG RESISTOR	18kΩ 1/16W J	G,JE31
				UN,JE	R553	NRSA63J-132X	MG RESISTOR	1.3kΩ 1/16W J	UN,JE
R521	NRSA63J-473X	MG RESISTOR	47kΩ 1/16W J	31UX,J	R566	NRSA63J-753X	MG RESISTOR	75kΩ 1/16W J	31UX,J
				E3UG,J	R571	NRSA63J-332X	MG RESISTOR	3.3kΩ 1/16W J	E3UG,J
				E3UN,	R585	NRSA63J-103X	MG RESISTOR	10kΩ 1/16W J	E3UN,
				JE3US,	R586	NRSA63J-103X	MG RESISTOR	10kΩ 1/16W J	JE3US,
				JE3UX	R587	NRSA63J-102X	MG RESISTOR	1kΩ 1/16W J	JE3UX
				JE31U	R588	QRE141J-513Y	C RESISTOR	51kΩ 1/4W J	JE31U
R522	NRSA63J-123X	MG RESISTOR	12kΩ 1/16W J	G,JE31	R589	QRE141J-513Y	C RESISTOR	51kΩ 1/4W J	G,JE31
				UN,JE	R800	NRSA63J-102X	MG RESISTOR	1kΩ 1/16W J	UN,JE
				31UX,J	R801	NRSA63J-102X	MG RESISTOR	1kΩ 1/16W J	31UX,J
				E3UG,J	R802	NRSA63J-222X	MG RESISTOR	2.2kΩ 1/16W J	E3UG,J
				E3UN,	R803	NRSA63J-102X	MG RESISTOR	1kΩ 1/16W J	E3UN,
				JE3US,	R804	NRSA63J-103X	MG RESISTOR	10kΩ 1/16W J	JE3US,
				JE3UX	R805	NRSA63J-331X	MG RESISTOR	330Ω 1/16W J	JE3UX
				JE31U	R810	NRSA63J-102X	MG RESISTOR	1kΩ 1/16W J	JE31U
R523	NRSA63J-473X	MG RESISTOR	47kΩ 1/16W J	G,JE31	R811	NRSA63J-103X	MG RESISTOR	10kΩ 1/16W J	G,JE31
				UN,JE	R812	NRSA63J-102X	MG RESISTOR	1kΩ 1/16W J	UN,JE
				31UX,J	R813	NRSA63J-103X	MG RESISTOR	10kΩ 1/16W J	31UX,J
				E3UG,J	R814	NRSA63J-102X	MG RESISTOR	1kΩ 1/16W J	E3UG,J
				E3UN,	R815	NRSA63J-103X	MG RESISTOR	10kΩ 1/16W J	E3UN,
				JE3US,	R816	NRSA63J-102X	MG RESISTOR	1kΩ 1/16W J	JE3US,
				JE3UX	R817	NRSA63J-103X	MG RESISTOR	10kΩ 1/16W J	JE3UX
R524	NRSA63J-103X	MG RESISTOR	10kΩ 1/16W J	JE31U	R818	NRSA63J-102X	MG RESISTOR	1kΩ 1/16W J	JE31U
				G,JE31	R819	NRSA63J-472X	MG RESISTOR	4.7kΩ 1/16W J	G,JE31
				UN,JE	R820	NRSA63J-102X	MG RESISTOR	1kΩ 1/16W J	UN,JE
				31UX,J	R821	NRSA63J-472X	MG RESISTOR	4.7kΩ 1/16W J	31UX,J
R525	NRSA63J-103X	MG RESISTOR	10kΩ 1/16W J	E3UG,J	R822	NRSA63J-102X	MG RESISTOR	1kΩ 1/16W J	E3UG,J
				E3UN,	R823	NRSA63J-103X	MG RESISTOR	10kΩ 1/16W J	E3UN,
				JE3US,	R824	NRSA63J-102X	MG RESISTOR	1kΩ 1/16W J	JE3US,
				JE3UX	R825	NRSA63J-103X	MG RESISTOR	10kΩ 1/16W J	JE3UX
				JE31U	R826	NRSA63J-103X	MG RESISTOR	10kΩ 1/16W J	JE31U
R526	NRSA63J-103X	MG RESISTOR	10kΩ 1/16W J	G,JE31	R827	NRSA63J-102X	MG RESISTOR	1kΩ 1/16W J	G,JE31
				UN,JE	R828	NRSA63J-102X	MG RESISTOR	1kΩ 1/16W J	UN,JE
				31UX,J	R829	NRSA63J-101X	MG RESISTOR	100Ω 1/16W J	31UX,J
				E3UG,J	R830	NRSA63J-103X	MG RESISTOR	10kΩ 1/16W J	E3UG,J
				E3UN,	R831	NRSA63J-101X	MG RESISTOR	100Ω 1/16W J	E3UN,
				JE3US,	R832	NRSA63J-102X	MG RESISTOR	1kΩ 1/16W J	JE3US,
				JE3UX	R833	NRSA63J-103X	MG RESISTOR	10kΩ 1/16W J	JE3UX
				JE31U	R834	NRSA63J-102X	MG RESISTOR	1kΩ 1/16W J	JE31U
R527	NRSA63J-103X	MG RESISTOR	10kΩ 1/16W J	G,JE31	R835	NRSA63J-102X	MG RESISTOR	1kΩ 1/16W J	G,JE31
				UN,JE	R836	NRSA63J-102X	MG RESISTOR	1kΩ 1/16W J	UN,JE
				31UX,J	R837	NRSA63J-102X	MG RESISTOR	1kΩ 1/16W J	31UX,J
				E3UG,J	R838	NRSA63J-102X	MG RESISTOR	1kΩ 1/16W J	E3UG,J
				E3UN,	R839	NRSA63J-102X	MG RESISTOR	1kΩ 1/16W J	E3UN,
				JE3US,	R840	NRSA63J-102X	MG RESISTOR	1kΩ 1/16W J	JE3US,
				JE3UX	R841	NRSA63J-103X	MG RESISTOR	10kΩ 1/16W J	JE3UX
				JE31U	R842	NRSA63J-102X	MG RESISTOR	1kΩ 1/16W J	JE31U
R528	NRSA63J-103X	MG RESISTOR	10kΩ 1/16W J	G,JE31	R843	NRSA63J-102X	MG RESISTOR	1kΩ 1/16W J	G,JE31
				UN,JE	R844	NRSA63J-102X	MG RESISTOR	1kΩ 1/16W J	UN,JE
				31UX,J	R846	NRSA63J-102X	MG RESISTOR	1kΩ 1/16W J	31UX,J
				E3UG,J	R847	NRSA63J-103X	MG RESISTOR	10kΩ 1/16W J	E3UG,J
				E3UN,	R853	NRSA63J-103X	MG RESISTOR	10kΩ 1/16W J	E3UN,
				JE3US,	R856	NRSA63J-102X	MG RESISTOR	1kΩ 1/16W J	JE3US,
				JE3UX	R857	NRSA63J-102X	MG RESISTOR	1kΩ 1/16W J	JE3UX
R529	NRSA63J-103X	MG RESISTOR	10kΩ 1/16W J	JE31U	R858	NRSA63J-102X	MG RESISTOR	1kΩ 1/16W J	JE31U
				G,JE31					G,JE31
				UN,JE					UN,JE
				31UX,J					31UX,J
				E3UG,J					E3UG,J
				E3UN,					E3UN,
				JE3US,					JE3US,
				JE3UX					JE3UX

△ Symbol No.	Part No.	Part Name	Description	Local	△ Symbol No.	Part No.	Part Name	Description	Local
D958	1SS133-T2	SI DIODE		JE3UE, JE3UW ,JE3UY					JE31U G,JE31 UN,JE
D971	MTZJ5.1B-T2	Z DIODE		JE31U G,JE31 UN,JE 31UX,J E3UG,J E3UN, JE3US, JE3UX	C974	QDXB1CM-472Y	C CAPACITOR	4700pF 16V M	31UX,J E3UG,J E3UN, JE3US, JE3UX
D991	MTZJ2.4B-T2	Z DIODE		JE31U G,JE31 UN,JE 31UX,J E3UG,J E3UN, JE3US, JE3UX	C975	QDYB1CM-103Y	C CAPACITOR	0.01uF 16V M	JE31U G,JE31 UN,JE 31UX,J E3UG,J E3UN, JE3US, JE3UX
D992	1SS133-T2	SI DIODE		JE31U G,JE31 UN,JE 31UX,J E3UG,J E3UN, JE3US, JE3UX	C976	QEKC1CM-226Z	E CAPACITOR	22uF 16V M	JE31U G,JE31 UN,JE 31UX,J E3UG,J E3UN, JE3US, JE3UX
△ D2010	1N5402M-20	DIODE			C977	QEKC1HM-474Z	E CAPACITOR	0.47uF 50V M	JE31U G,JE31 UN,JE 31UX,J E3UG,J E3UN, JE3US, JE3UX
△ D2011	1N5402M-20	DIODE							JE31U G,JE31 UN,JE
△ D2012	1N5402M-20	DIODE							31UX,J E3UG,J E3UN, JE3US, JE3UX
△ D2013	1N5402M-20	DIODE							JE31U G,JE31 UN,JE
D2015	1N4003S-T5	SI DIODE							31UX,J E3UG,J E3UN, JE3US, JE3UX
D2016	1N4003S-T5	SI DIODE			C978	QDXB1CM-332Y	C CAPACITOR	3300pF 16V M	JE31U G,JE31 UN,JE
D2017	1N4003S-T5	SI DIODE							31UX,J E3UG,J E3UN, JE3US, JE3UX
D2018	MTZJ15B-T2	Z DIODE							JE31U G,JE31 UN,JE
D2019	MTZJ22B-T2	Z DIODE							31UX,J E3UG,J E3UN, JE3US, JE3UX
D2020	MTZJ6.8B-T2	Z DIODE							JE31U G,JE31 UN,JE
C160	QFLC1HJ-104Z	M CAPACITOR	0.1uF 50V J	JE3UE					31UX,J E3UG,J E3UN, JE3US, JE3UX
C162	QCBB1HK-332Y	C CAPACITOR	3300pF 50V K	JE3UE JE31U G,JE31 UN,JE 31UX,J E3UG,J E3UN, JE3US, JE3UW ,JE3UY	C979	QETN1HM-225Z	E CAPACITOR	2.2uF 50V M	JE31U G,JE31 UN,JE 31UX,J E3UG,J E3UN, JE3US, JE3UX
C162	QDGB1HK-102Y	C CAPACITOR	1000pF 50V K	JE3UE JE31U G,JE31 UN,JE 31UX,J E3UG,J E3UN, JE3US, JE3UW ,JE3UY					JE31U G,JE31 UN,JE
C163	QCBB1HK-332Y	C CAPACITOR	3300pF 50V K	JE3UE JE31U G,JE31 UN,JE 31UX,J E3UG,J E3UN, JE3US, JE3UW ,JE3UY	C980	QEKC1HM-475Z	E CAPACITOR	4.7uF 50V M	31UX,J E3UG,J E3UN, JE3US, JE3UX
C163	QDGB1HK-102Y	C CAPACITOR	1000pF 50V K	JE3UE JE31U G,JE31 UN,JE 31UX,J E3UG,J E3UN, JE3US, JE3UW ,JE3UY	C981	QEKC1HM-224Z	E CAPACITOR	0.22uF 50V M	JE31U G,JE31 UN,JE 31UX,J E3UG,J E3UN, JE3US, JE3UX
C164	QDGB1HK-102Y	C CAPACITOR	1000pF 50V K						JE31U G,JE31 UN,JE
C165	QDGB1HK-102Y	C CAPACITOR	1000pF 50V K						31UX,J E3UG,J E3UN, JE3US, JE3UX
C171	QFLC1HJ-104Z	M CAPACITOR	0.1uF 50V J	JE3UE	C982	QETN1HM-225Z	E CAPACITOR	2.2uF 50V M	JE31U G,JE31 UN,JE 31UX,J E3UG,J E3UN, JE3US, JE3UX
C180	QETN1CM-107Z	E CAPACITOR	100uF 16V M						JE31U G,JE31 UN,JE
C957	QCBB1HK-222Y	C CAPACITOR	2200pF 50V K	JE3UE JE3UW ,JE3UY JE31U G,JE31 UN,JE 31UX,J E3UG,J E3UN, JE3US, JE3UX	C983	QCBB1HK-151Y	C CAPACITOR	150pF 50V K	JE31U G,JE31 UN,JE 31UX,J E3UG,J E3UN, JE3US, JE3UX
C970	QCBB1HK-101Y	C CAPACITOR	100pF 50V K	JE3UE JE3UW ,JE3UY JE31U G,JE31 UN,JE 31UX,J E3UG,J E3UN, JE3US, JE3UX					JE31U G,JE31 UN,JE
C972	QETN1CM-107Z	E CAPACITOR	100uF 16V M	JE3UE JE3UW ,JE3UY JE31U G,JE31 UN,JE 31UX,J E3UG,J E3UN, JE3US, JE3UX	C984	QCBB1HK-331Y	C CAPACITOR	330pF 50V K	31UX,J E3UG,J E3UN, JE3US, JE3UX
C973	QDYB1CM-103Y	C CAPACITOR	0.01uF 16V M	JE3UE JE3UW ,JE3UY JE31U G,JE31 UN,JE 31UX,J E3UG,J E3UN, JE3US, JE3UX	C985	QCBB1HK-151Y	C CAPACITOR	150pF 50V K	JE31U G,JE31 UN,JE 31UX,J E3UG,J E3UN, JE3US, JE3UX

△ Symbol No.	Part No.	Part Name	Description	Local	△ Symbol No.	Part No.	Part Name	Description	Local
C986	QETN1HM-475Z	E CAPACITOR	4.7uF 50V M	JE31U	R934	QRE141J-271Y	C RESISTOR	270Ω 1/4W J	
				G,JE31	R935	QRE141J-271Y	C RESISTOR	270Ω 1/4W J	
				UN,JE	R936	QRE141J-271Y	C RESISTOR	270Ω 1/4W J	
				31UX,J	R937	QRE141J-271Y	C RESISTOR	270Ω 1/4W J	
				E3UG,J	R938	QRE141J-271Y	C RESISTOR	270Ω 1/4W J	
C987	QETN1CM-107Z	E CAPACITOR	100uF 16V M	E3UN,	R940	QRE141J-102Y	C RESISTOR	1kΩ 1/4W J	
				JE3US,	R941	QRE141J-102Y	C RESISTOR	1kΩ 1/4W J	
				JE3UX	R942	QRE141J-122Y	C RESISTOR	1.2kΩ 1/4W J	
				JE31U	R943	QRE141J-152Y	C RESISTOR	1.5kΩ 1/4W J	
				G,JE31	R944	QRE141J-222Y	C RESISTOR	2.2kΩ 1/4W J	
				UN,JE	R945	QRE141J-272Y	C RESISTOR	2.7kΩ 1/4W J	
				31UX,J	R946	QRE141J-392Y	C RESISTOR	3.9kΩ 1/4W J	
				E3UG,J	R947	QRE141J-562Y	C RESISTOR	5.6kΩ 1/4W J	
				E3UN,	R948	QRE141J-103Y	C RESISTOR	10kΩ 1/4W J	
				JE3US,	R949	QRE141J-183Y	C RESISTOR	18kΩ 1/4W J	
JE3UX	R950	QRE141J-102Y	C RESISTOR	1kΩ 1/4W J					
C988	QEKC1AM-227Z	E CAPACITOR	220uF 10V M	JE31U	R951	QRE141J-102Y	C RESISTOR	1kΩ 1/4W J	
				G,JE31	R952	QRE141J-122Y	C RESISTOR	1.2kΩ 1/4W J	
				UN,JE	R953	QRE141J-152Y	C RESISTOR	1.5kΩ 1/4W J	
				31UX,J	R954	QRE141J-222Y	C RESISTOR	2.2kΩ 1/4W J	
				E3UG,J	R955	QRE141J-272Y	C RESISTOR	2.7kΩ 1/4W J	
				E3UN,	R960	QRE141J-102Y	C RESISTOR	1kΩ 1/4W J	
				JE3US,	R961	QRE141J-102Y	C RESISTOR	1kΩ 1/4W J	
				JE3UX	R962	QRE141J-122Y	C RESISTOR	1.2kΩ 1/4W J	
				JE31U	R963	QRE141J-152Y	C RESISTOR	1.5kΩ 1/4W J	
				G,JE31	R964	QRE141J-222Y	C RESISTOR	2.2kΩ 1/4W J	
C989	QDGB1HK-102Y	C CAPACITOR	1000pF 50V K	UN,JE	R965	QRE141J-272Y	C RESISTOR	2.7kΩ 1/4W J	
				31UX,J	R966	QRE141J-392Y	C RESISTOR	3.9kΩ 1/4W J	
				E3UG,J	R967	QRE141J-562Y	C RESISTOR	5.6kΩ 1/4W J	
				E3UN,					
				JE3US,					
				JE3UX					
				JE31U					
				G,JE31					
				UN,JE					
				31UX,J					
C990	QDGB1HK-102Y	C CAPACITOR	1000pF 50V K	E3UG,J					
				E3UN,					
				JE3US,					
				JE3UX					
				JE31U					
				G,JE31					
				UN,JE					
				31UX,J					
				E3UG,J					
				E3UN,					
C991	QDGB1HK-102Y	C CAPACITOR	1000pF 50V K	JE3US,					
				JE3UX					
				JE31U					
				G,JE31					
				UN,JE					
				31UX,J					
				E3UG,J					
				E3UN,					
				JE3US,					
				JE3UX					
C992	QDYB1CM-103Y	C CAPACITOR	0.01uF 16V M	JE31U	R969	QRE141J-103Y	C RESISTOR	10kΩ 1/4W J	
				G,JE31					
				UN,JE					
				31UX,J					
				E3UG,J					
				E3UN,					
				JE3US,					
				JE3UX					
				JE31U					
				G,JE31					
C993	QDYB1CM-103Y	C CAPACITOR	0.01uF 16V M	UN,JE					
				31UX,J					
				E3UG,J					
				E3UN,					
				JE3US,					
				JE3UX					
				JE31U					
				G,JE31					
				UN,JE					
				31UX,J					
C995	QDGB1HK-102Y	C CAPACITOR	1000pF 50V K	E3UG,J	R971	QRE141J-103Y	C RESISTOR	10kΩ 1/4W J	
				E3UN,					
				JE3US,					
				JE3UX					
				JE31U					
				G,JE31					
				UN,JE					
				31UX,J					
				E3UG,J					
				E3UN,					
C996	QDGB1HK-102Y	C CAPACITOR	1000pF 50V K	JE3US,					
				JE3UX					
				JE31U					
				G,JE31					
				UN,JE					
				31UX,J					
				E3UG,J					
				E3UN,					
				JE3US,					
				JE3UX					
C997	QDGB1HK-102Y	C CAPACITOR	1000pF 50V K	JE31U					
				G,JE31					
				UN,JE					
				31UX,J					
				E3UG,J					
				E3UN,					
				JE3US,					
				JE3UX					
				JE31U					
				G,JE31					
C998	QDGB1HK-102Y	C CAPACITOR	1000pF 50V K	UN,JE					
				31UX,J					
				E3UG,J					
				E3UN,					
				JE3US,					
				JE3UX					
				JE31U					
				G,JE31					
				UN,JE					
				31UX,J					
C999	QDGB1HK-102Y	C CAPACITOR	1000pF 50V K	E3UG,J					
				E3UN,					
				JE3US,					
				JE3UX					
				JE31U					
				G,JE31					
				UN,JE					
				31UX,J					
				E3UG,J					
				E3UN,					
C2010	QETN1JM-107Z	E CAPACITOR	100uF 63V M	JE3US,					
				JE3UX					
				JE31U					
				G,JE31					
				UN,JE					
				31UX,J					
				E3UG,J					
				E3UN,					
				JE3US,					
				JE3UX					
C2011	QETN2AM-476Z	E CAPACITOR	47uF 100V M	JE31U					
				G,JE31					
				UN,JE					
				31UX,J					
				E3UG,J					
				E3UN,					
				JE3US,					
				JE3UX					
				JE31U					
				G,JE31					
C2012	QETN1HM-226Z	E CAPACITOR	22uF 50V M	UN,JE					
				31UX,J					
				E3UG,J					
				E3UN,					
				JE3US,					
				JE3UX					
				JE31U					
				G,JE31					
				UN,JE					
				31UX,J					
C2013	QETN1HM-226Z	E CAPACITOR	22uF 50V M	E3UG,J					
				E3UN,					
				JE3US,					
				JE3UX					
				JE31U					
				G,JE31					
				UN,JE					
				31UX,J					
				E3UG,J					
				E3UN,					
C2014	QDYB1CM-103Y	C CAPACITOR	0.01uF 16V M	JE3US,					
				JE3UX					
				JE31U					
				G,JE31					
				UN,JE					
				31UX,J					
				E3UG,J					
				E3UN,					
				JE3US,					
				JE3UX					
C2015	QETN1HM-106Z	E CAPACITOR	10uF 50V M	JE31U					
				G,JE31					
				UN,JE					
				31UX,J					
				E3UG,J					
				E3UN,					
				JE3US,					
				JE3UX					
				JE31U					
				G,JE31					
C2017	QCBB1HK-223Y	C CAPACITOR	0.022uF 50V K	UN,JE					
				31UX,J					
				E3UG,J					
				E3UN,					
				JE3US,					
				JE3UX					
				JE31U					
				G,JE31					
				UN,JE					
				31UX,J					
C2018	QCBB1HK-223Y	C CAPACITOR	0.022uF 50V K	E3UG,J					
				E3UN,					
				JE3US,					
				JE3UX					
				JE31U					
				G,JE31					
				UN,JE					
				31UX,J					
				E3UG,J					
				E3UN,					
C2019	QFVF1HJ-104Z	MF CAPACITOR	0.1uF 50V J	JE3US,					
				JE3UX					
				JE31U					
				G,JE31					
				UN,JE					
				31UX,J					
				E3UG,J					
				E3UN,					
				JE3US,					
				JE3UX					
C2020	QFLC2AJ-103Z	M CAPACITOR	0.01uF 100V J	JE31U					
				G,JE31					
				UN,JE					
				31UX,J					
				E3UG,J					
				E3UN,					
				JE3US,					
				JE3UX					
				JE31U					
				G,JE31					
△ R160	QRL01DJ-331X	OMF RESISTOR	330Ω 1W J	UN,JE					
				31UX,J					
				E3UG,J					
				E3UN,					
				JE3US,					
				JE3UX					
				JE31U					
				G,JE31					

△ Symbol No.	Part No.	Part Name	Description	Local	△ Symbol No.	Part No.	Part Name	Description	Local
R981	QRE141J-103Y	C RESISTOR	10kΩ 1/4W J	JE31U G,JE31 UN,JE 31UX,J E3UG,J E3UN, JE3US, JE3UX JE31U G,JE31 UN,JE 31UX,J E3UG,J E3UN, JE3US, JE3UX	R993	QRE141J-391Y	C RESISTOR	390Ω 1/4W J	JE31U G,JE31 UN,JE 31UX,J E3UG,J E3UN, JE3US, JE3UX JE31U G,JE31 UN,JE 31UX,J E3UG,J E3UN, JE3US, JE3UX
R982	QRE141J-472Y	C RESISTOR	4.7kΩ 1/4W J	JE31U G,JE31 UN,JE 31UX,J E3UG,J E3UN, JE3US, JE3UX	R994	QRE141J-123Y	C RESISTOR	12kΩ 1/4W J	JE31U G,JE31 UN,JE 31UX,J E3UG,J E3UN, JE3US, JE3UX
R983	QRE141J-472Y	C RESISTOR	4.7kΩ 1/4W J	JE31U G,JE31 UN,JE 31UX,J E3UG,J E3UN, JE3US, JE3UX	R995	QRE141J-103Y	C RESISTOR	10kΩ 1/4W J	JE31U G,JE31 UN,JE 31UX,J E3UG,J E3UN, JE3US, JE3UX
R984	QRE141J-153Y	C RESISTOR	15kΩ 1/4W J	JE31U G,JE31 UN,JE 31UX,J E3UG,J E3UN, JE3US, JE3UX	R996	QRE141J-472Y	C RESISTOR	4.7kΩ 1/4W J	JE31U G,JE31 UN,JE 31UX,J E3UG,J E3UN, JE3US, JE3UX
R985	QRE141J-472Y	C RESISTOR	4.7kΩ 1/4W J	JE31U G,JE31 UN,JE 31UX,J E3UG,J E3UN, JE3US, JE3UX	R997	QRE141J-472Y	C RESISTOR	4.7kΩ 1/4W J	JE31U G,JE31 UN,JE 31UX,J E3UG,J E3UN, JE3US, JE3UX
R986	QRE141J-102Y	C RESISTOR	1kΩ 1/4W J	JE31U G,JE31 UN,JE 31UX,J E3UG,J E3UN, JE3US, JE3UX	R998	QRE141J-472Y	C RESISTOR	4.7kΩ 1/4W J	JE31U G,JE31 UN,JE 31UX,J E3UG,J E3UN, JE3US, JE3UX
R987	QRE141J-561Y	C RESISTOR	560Ω 1/4W J	JE31U G,JE31 UN,JE 31UX,J E3UG,J E3UN, JE3US, JE3UX	R999	QRE141J-152Y	C RESISTOR	1.5kΩ 1/4W J	JE31U G,JE31 UN,JE 31UX,J E3UG,J E3UN, JE3US, JE3UX
R988	QRE141J-203Y	C RESISTOR	20kΩ 1/4W J	JE31U G,JE31 UN,JE 31UX,J E3UG,J E3UN, JE3US, JE3UX	△ R2010	QRJ146J-4R7X	UNF C RESISTOR	4.7Ω 1/4W J	
					R2011	QRE141J-333Y	C RESISTOR	33kΩ 1/4W J	
					R2012	QRE141J-103Y	C RESISTOR	10kΩ 1/4W J	
					R2016	QRE141J-333Y	C RESISTOR	33kΩ 1/4W J	
					△ R2017	QRK126J-470X	UNF C RESISTOR	47Ω 1/2W J	
					△ R2018	QRK126J-470X	UNF C RESISTOR	47Ω 1/2W J	
R989	QRE141J-510Y	C RESISTOR	51Ω 1/4W J	JE31U G,JE31 UN,JE 31UX,J E3UG,J E3UN, JE3US, JE3UX	VR970	QVQ0299-B54	V RESISTOR		JE31U G,JE31 UN,JE 31UX,J E3UG,J E3UN, JE3US, JE3UX
R990	QRE141J-475Y	C RESISTOR	4.7MΩ 1/4W J	JE31U G,JE31 UN,JE 31UX,J E3UG,J E3UN, JE3US, JE3UX	L996	QQL231K-470Y	COIL	47uH K	
					L997	QQL231K-470Y	COIL	47uH K	
					L998	QQR0621-001Z	COIL		
R991	QRE141J-101Y	C RESISTOR	100Ω 1/4W J	JE31U G,JE31 UN,JE 31UX,J E3UG,J E3UN, JE3US, JE3UX	CN103	QGD2504C1-03Z	CONNECTOR	(1-3)	
					CN106	QGD2503F1-03	CONNECTOR	(1-3)	
					CN119	QGA3901F1-06	CONNECTOR	W-B (1-6)	
					CN205	QGB2510J1-08	CONNECTOR	B-B (1-8)	
					CN206	QGB2510K1-11	CONNECTOR	B-B (1-11)	
					CN214	QGB2510J1-06	CONNECTOR	B-B (1-6)	
					CN250	QGA7901C1-02	CONNECTOR	W-B (1-2)	
					CN870	QGF1205C1-16	CONNECTOR	FFC/FFPC (1-16)	
R992	QRE141J-152Y	C RESISTOR	1.5kΩ 1/4W J	JE31U G,JE31 UN,JE 31UX,J E3UG,J E3UN, JE3US, JE3UX	FT111	QNG0003-001Z	FUSE CLIP		
					FT112	QNG0003-001Z	FUSE CLIP		
					FT131	QNG0003-001Z	FUSE CLIP		
					FT132	QNG0003-001Z	FUSE CLIP		
					FT151	QNG0003-001Z	FUSE CLIP		
					FT152	QNG0003-001Z	FUSE CLIP		
					FT521	QNG0003-001Z	FUSE CLIP		
					FT522	QNG0003-001Z	FUSE CLIP		
					FW116	QUM153-29DGZ4-E	FLAT WIRE		

△ Symbol No.	Part No.	Part Name	Description	Local	△ Symbol No.	Part No.	Part Name	Description	Local
C551	NCB31CK-104X	C CAPACITOR	0.1uF 16V K		R325	NRSA63J-331X	MG RESISTOR	330Ω 1/16W J	
C552	NCB31CK-104X	C CAPACITOR	0.1uF 16V K		R326	NRSA63J-331X	MG RESISTOR	330Ω 1/16W J	
C553	NBE20JM-226X	TA E CAPACITOR	22uF 6.3V M		R333	NRSA63J-163X	MG RESISTOR	16kΩ 1/16W J	
C554	NCB31CK-104X	C CAPACITOR	0.1uF 16V K		R334	NRSA63J-151X	MG RESISTOR	150Ω 1/16W J	
C555	NCB31CK-104X	C CAPACITOR	0.1uF 16V K		R335	NRSA63J-151X	MG RESISTOR	150Ω 1/16W J	
C556	NCB31CK-104X	C CAPACITOR	0.1uF 16V K		R336	NRSA63J-151X	MG RESISTOR	150Ω 1/16W J	
C557	NCF31AZ-105X	C CAPACITOR	1uF 10V Z		R337	NRSA63J-151X	MG RESISTOR	150Ω 1/16W J	
C558	NCB31CK-104X	C CAPACITOR	0.1uF 16V K		R338	NRSA63J-0R0X	MG RESISTOR	0Ω 1/16W J	
C559	NCB31CK-104X	C CAPACITOR	0.1uF 16V K		R339	NRSA63J-0R0X	MG RESISTOR	0Ω 1/16W J	
C701	NCB31CK-104X	C CAPACITOR	0.1uF 16V K		R340	NRSA63D-303X	MG RESISTOR	30kΩ 1/16W D	
C704	NEA70JM-227X	E CAPACITOR	220uF 6.3V M		R341	NRSA63D-362X	MG RESISTOR	3.6kΩ 1/16W D	
C706	NEA71CM-106X	E CAPACITOR	10uF 16V M		R342	NRSA63D-222X	MG RESISTOR	2.2kΩ 1/16W D	
C707	NCB31CK-104X	C CAPACITOR	0.1uF 16V K		R343	NRSA63J-0R0X	MG RESISTOR	0Ω 1/16W J	
C721	NCB31HK-102X	C CAPACITOR	1000pF 50V K		R344	NRSA63J-6R8X	MG RESISTOR	6.8Ω 1/16W J	
C902	NCB31CK-104X	C CAPACITOR	0.1uF 16V K		R345	NRSA63J-221X	MG RESISTOR	220Ω 1/16W J	
C903	NCB31CK-104X	C CAPACITOR	0.1uF 16V K		R351	NRSA63J-681X	MG RESISTOR	680Ω 1/16W J	
C904	NCB31CK-104X	C CAPACITOR	0.1uF 16V K		R352	NRSA63J-105X	MG RESISTOR	1MΩ 1/16W J	
C906	NCB31CK-104X	C CAPACITOR	0.1uF 16V K		R357	NRSA63J-0R0X	MG RESISTOR	0Ω 1/16W J	
R101	NRSA63J-101X	MG RESISTOR	100Ω 1/16W J		R358	NRSA63J-0R0X	MG RESISTOR	0Ω 1/16W J	
R102	NRSA63J-101X	MG RESISTOR	100Ω 1/16W J		R361	NRSA63J-0R0X	MG RESISTOR	0Ω 1/16W J	
R103	NRSA63J-243X	MG RESISTOR	24kΩ 1/16W J		R362	NRSA63J-331X	MG RESISTOR	330Ω 1/16W J	
R104	NRSA63J-303X	MG RESISTOR	30kΩ 1/16W J		R363	NRSA63J-151X	MG RESISTOR	150Ω 1/16W J	
R105	NRS125J-270X	MG RESISTOR	27Ω 1/2W J		R372	NRSA63J-102X	MG RESISTOR	1kΩ 1/16W J	
R106	NRSA63J-2R2X	MG RESISTOR	2.2Ω 1/16W J		R373	NRSA63J-102X	MG RESISTOR	1kΩ 1/16W J	
R107	NRSA63J-101X	MG RESISTOR	100Ω 1/16W J		R374	NRSA63J-102X	MG RESISTOR	1kΩ 1/16W J	
R108	NRSA63J-471X	MG RESISTOR	470Ω 1/16W J		R375	NRSA63J-102X	MG RESISTOR	1kΩ 1/16W J	
R109	NRSA63J-471X	MG RESISTOR	470Ω 1/16W J		R376	NRSA63J-102X	MG RESISTOR	1kΩ 1/16W J	
R110	NRSA63J-0R0X	MG RESISTOR	0Ω 1/16W J		R377	NRSA63J-102X	MG RESISTOR	1kΩ 1/16W J	
R111	NRSA63J-243X	MG RESISTOR	24kΩ 1/16W J		R378	NRSA63J-102X	MG RESISTOR	1kΩ 1/16W J	
R112	NRSA63J-303X	MG RESISTOR	30kΩ 1/16W J		R379	NRSA63J-102X	MG RESISTOR	1kΩ 1/16W J	
R113	NRS125J-270X	MG RESISTOR	27Ω 1/2W J		R384	NRSA63J-102X	MG RESISTOR	1kΩ 1/16W J	
R114	NRSA63J-2R2X	MG RESISTOR	2.2Ω 1/16W J		R385	NRSA63J-102X	MG RESISTOR	1kΩ 1/16W J	
R115	NRSA63J-101X	MG RESISTOR	100Ω 1/16W J		R390	NRSA63J-472X	MG RESISTOR	4.7kΩ 1/16W J	
R116	NRSA63J-471X	MG RESISTOR	470Ω 1/16W J		R391	NAD0025-103X	N THERMISTOR	10kΩ	
R117	NRSA63J-331X	MG RESISTOR	330Ω 1/16W J		R392	NRSA63J-103X	MG RESISTOR	10kΩ 1/16W J	
R118	NRSA63J-0R0X	MG RESISTOR	0Ω 1/16W J		R393	NRSA63J-0R0X	MG RESISTOR	0Ω 1/16W J	
R119	NRSA63J-0R0X	MG RESISTOR	0Ω 1/16W J		R394	NRSA63J-0R0X	MG RESISTOR	0Ω 1/16W J	
R120	NRSA63J-0R0X	MG RESISTOR	0Ω 1/16W J		R395	NRSA02J-0R0X	MG RESISTOR	0Ω 1/10W J	
R122	NRSA63J-0R0X	MG RESISTOR	0Ω 1/16W J		R457	NRSA63J-0R0X	MG RESISTOR	0Ω 1/16W J	
R123	NRSA63J-0R0X	MG RESISTOR	0Ω 1/16W J		R458	NRSA63J-102X	MG RESISTOR	1kΩ 1/16W J	
R125	NRS125J-1R0X	MG RESISTOR	1Ω 1/2W J		R501	NRSA63J-471X	MG RESISTOR	470Ω 1/16W J	
R126	NRSA02J-101X	MG RESISTOR	100Ω 1/10W J		R502	NRSA63J-471X	MG RESISTOR	470Ω 1/16W J	
R128	NRSA63J-0R0X	MG RESISTOR	0Ω 1/16W J		R503	NRSA63J-101X	MG RESISTOR	100Ω 1/16W J	
R204	NRSA63J-273X	MG RESISTOR	27kΩ 1/16W J		R530	NRSA63J-103X	MG RESISTOR	10kΩ 1/16W J	
R205	NRSA63J-273X	MG RESISTOR	27kΩ 1/16W J		R551	NRSA63J-102X	MG RESISTOR	1kΩ 1/16W J	
R206	NRSA63J-303X	MG RESISTOR	30kΩ 1/16W J		R558	NRSA63J-102X	MG RESISTOR	1kΩ 1/16W J	
R207	NRSA63J-473X	MG RESISTOR	47kΩ 1/16W J		R701	NRSA63J-100X	MG RESISTOR	10Ω 1/16W J	
R208	NRSA63J-223X	MG RESISTOR	22kΩ 1/16W J		R702	NRSA63J-0R0X	MG RESISTOR	0Ω 1/16W J	
R213	NRSA63J-103X	MG RESISTOR	10kΩ 1/16W J		R711	NRSA63J-221X	MG RESISTOR	220Ω 1/16W J	
R214	NRSA63J-103X	MG RESISTOR	10kΩ 1/16W J		R712	NRSA63J-221X	MG RESISTOR	220Ω 1/16W J	
R215	NRSA63J-103X	MG RESISTOR	10kΩ 1/16W J		R713	NRSA63J-221X	MG RESISTOR	220Ω 1/16W J	
R219	NRSA63J-183X	MG RESISTOR	18kΩ 1/16W J		R716	NRSA63J-0R0X	MG RESISTOR	0Ω 1/16W J	
R220	NRSA63J-243X	MG RESISTOR	24kΩ 1/16W J		R718	NRSA63J-473X	MG RESISTOR	47kΩ 1/16W J	
R221	NRSA63J-682X	MG RESISTOR	6.8kΩ 1/16W J		R719	NRSA63J-0R0X	MG RESISTOR	0Ω 1/16W J	
R251	NRS125J-R47X	MG RESISTOR	0.47Ω 1/2W J		R723	NRSA63J-101X	MG RESISTOR	100Ω 1/16W J	
R252	NRSA63J-2R2X	MG RESISTOR	2.2Ω 1/16W J		R724	NRSA63J-101X	MG RESISTOR	100Ω 1/16W J	
R254	NRSA63J-203X	MG RESISTOR	20kΩ 1/16W J		R725	NRSA63J-101X	MG RESISTOR	100Ω 1/16W J	
R255	NRSA63J-103X	MG RESISTOR	10kΩ 1/16W J		R727	NRSA63J-101X	MG RESISTOR	100Ω 1/16W J	
R257	NRSA63J-0R0X	MG RESISTOR	0Ω 1/16W J		R728	NRSA63J-0R0X	MG RESISTOR	0Ω 1/16W J	
R259	NRSA63J-103X	MG RESISTOR	10kΩ 1/16W J		R909	NRSA02J-0R0X	MG RESISTOR	0Ω 1/10W J	
R302	NRSA63J-240X	MG RESISTOR	24Ω 1/16W J		R911	NRSA02J-0R0X	MG RESISTOR	0Ω 1/10W J	
R303	NRSA63J-101X	MG RESISTOR	100Ω 1/16W J		L501	NQL044K-100X	COIL	0.26Ω 10uH K	
R306	NRSA63J-102X	MG RESISTOR	1kΩ 1/16W J		CN101	QGF0523F1-24W	CONNECTOR	FFC/FPC (1-24)	
R307	NRSA63J-102X	MG RESISTOR	1kΩ 1/16W J		CN201	QGF1016F2-08W	CONNECTOR	FFC/FPC (1-8)	
R308	NRSA63J-223X	MG RESISTOR	22kΩ 1/16W J		CN501	QGF1016F2-19W	CONNECTOR	FFC/FPC (1-19)	
R309	NRSA63J-104X	MG RESISTOR	100kΩ 1/16W J		CN502	QGF1016F2-08W	CONNECTOR	FFC/FPC (1-8)	
R310	NRS125J-R47X	MG RESISTOR	0.47Ω 1/2W J		CN503	QGF1016F2-17W	CONNECTOR	FFC/FPC (1-17)	
R312	NRSA63J-0R0X	MG RESISTOR	0Ω 1/16W J		K101	NRSA02J-0R0X	MG RESISTOR	0Ω 1/10W J	
R313	NRSA63J-0R0X	MG RESISTOR	0Ω 1/16W J		K102	NRSA02J-0R0X	MG RESISTOR	0Ω 1/10W J	
R314	NRSA63J-0R0X	MG RESISTOR	0Ω 1/16W J		K251	NRSA63J-0R0X	MG RESISTOR	0Ω 1/16W J	
R315	NRSA63J-0R0X	MG RESISTOR	0Ω 1/16W J		K252	NRSA63J-102X	MG RESISTOR	1kΩ 1/16W J	
R316	NRSA63J-0R0X	MG RESISTOR	0Ω 1/16W J		K301	NQR0354-001X	FERRITE BEADS		
R317	NRSA63J-0R0X	MG RESISTOR	0Ω 1/16W J		K302	NRSA63J-101X	MG RESISTOR	100Ω 1/16W J	
R318	NRSA63J-333X	MG RESISTOR	33kΩ 1/16W J		K303	NRSA63J-101X	MG RESISTOR	100Ω 1/16W J	
R319	NRSA63J-0R0X	MG RESISTOR	0Ω 1/16W J		K304	NQR0502-001X	FERRITE BEADS		
R320	NRSA63J-103X	MG RESISTOR	10kΩ 1/16W J		K501	NQR0129-002X	FERRITE BEADS		
R322	NRSA63J-473X	MG RESISTOR	47kΩ 1/16W J						

△ Symbol No.	Part No.	Part Name	Description	Local
K551	NQR0129-002X	FERRITE BEADS		
K552	NQR0129-002X	FERRITE BEADS		
K553	NQR0129-002X	FERRITE BEADS		
K554	NQR0129-002X	FERRITE BEADS		
K555	NQR0022-005X	FERRITE BEADS		
K556	NQR0129-002X	FERRITE BEADS		
K563	NQR0129-002X	FERRITE BEADS		
K564	NQR0129-002X	FERRITE BEADS		
K565	NQR0129-002X	FERRITE BEADS		
K566	NQR0129-002X	FERRITE BEADS		
K567	NQR0129-002X	FERRITE BEADS		
K710	NQR0129-002X	FERRITE BEADS		
K721	NQR0251-004X	FERRITE BEADS		
K722	NQR0251-004X	FERRITE BEADS		
K723	NQR0251-004X	FERRITE BEADS		
X351	NAX0550-001X	CRYSTAL	27.000MHz	

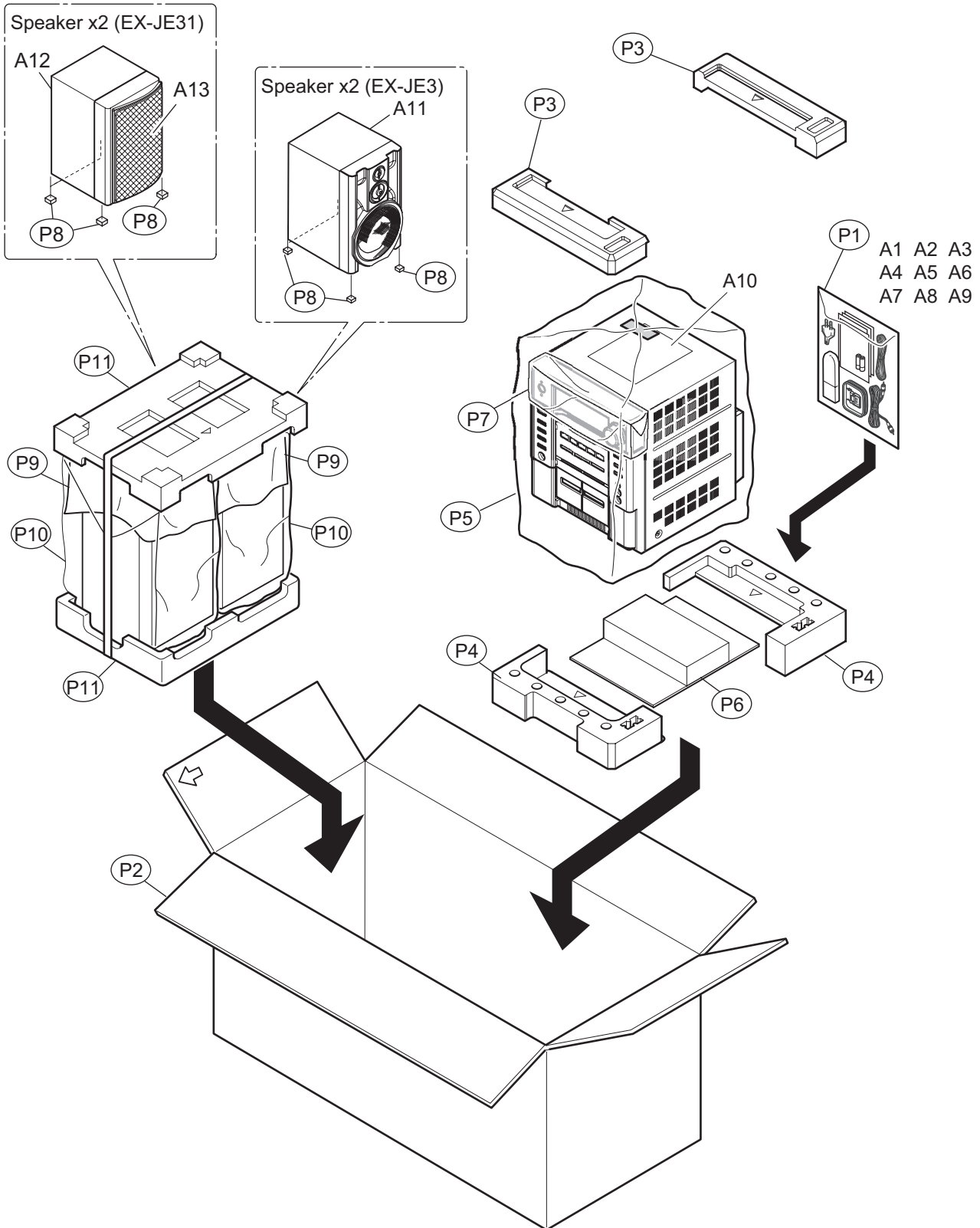
DVD loading switch board

Block No. [0][5]

△ Symbol No.	Part No.	Part Name	Description	Local
CN1	QGF1016F3-05	CONNECTOR	FFC/FPC (1-5)	
S1	QSW1074-001	DETECT SWITCH		

Packing materials and accessories parts list

Block No. M 3 M M



Packing and Accessories

Block No. [M][3][M][M]

△	Symbol No.	Part No.	Part Name	Description	Local
	A 1	QAL0014-001	AM LOOP ANT		
	A 2	QAL0457-001	ANT.WIRE		
△	A 3	QAM0112-002	PLUG ADAPTOR		JE31UN,JE3UE,JE3UN,JE3US,JE3UW
	A 4	QAM0216-001	SIGNAL CORD		
	A 5	RM-SMXJE3U	REMOCON		JE31UG,JE31UN,JE31UX,JE3UG,JE3UN,JE3US,JE3UX
	A 5	RM-SMXJE3A	REMOCON		JE3UE,JE3UW,JE3UY
	A 6	-----	BATTERY	(x2)	
	A 7	GVT0145-001A	INST BOOK	ENG	JE31UG,JE31UN,JE31UX,JE3UG,JE3UN,JE3US,JE3UX
	A 7	GVT0145-002A	INST BOOK	ENG	JE3UE,JE3UW,JE3UY
	A 8	GVT0145-005A	INST BOOK	TUR	JE3UE
	A 8	GVT0145-003A	INST BOOK	ENG	JE31UN,JE3UN,JE3US
	A 8	GVT0145-004A	INST BOOK	ARA PER	JE31UG,JE31UX,JE3UG,JE3UX
	A 8	GVT0145-006A	INST BOOK	SPA POR	JE3UW,JE3UY
	A 9	GV40524-001B	NOTICE SHEET		JE31UG,JE31UN,JE31UX,JE3UE,JE3UG,JE3UN,JE3US,JE3UX
	A 9	GV40524-002A	NOTICE SHEET		JE3UW,JE3UY
	A 10	GV40631-001A	NOTICE SHEET		JE31UN,JE3UN
	A 11	SPMXJE3K-SPBOX	SPK WITH BOX	(x2)	JE3US,JE3UW,JE3UX,JE3UY,JE3UG,JE3UE,JE3UN
	A 12	SPMXJE31U-SPBOX	SPK WITH BOX-F	(x2)	JE31UX,JE31UG,JE31UW
	A 13	J201-XJE311S-40	SPK NET	(x2)	JE31UX,JE31UG,JE31UW
	P 1	QPC02503515P	POLY BAG	25cm x 35cm	
	P 2	GV30735-003A	CARTON ASSY.		JE31UN
	P 2	GV30735-004A	CARTON ASSY.		JE31UG,JE31UX
	P 2	GV30714-009A	CARTON ASSY.		JE3UE
	P 2	GV30714-006A	CARTON ASSY.		JE3UN,JE3US
	P 2	GV30714-007A	CARTON ASSY.		JE3UG,JE3UX
	P 2	GV30714-008A	CARTON ASSY.		JE3UW,JE3UY
	P 3	GV10223-001A	CUSHION (TOP)		
	P 4	GV10224-001A	CUSHION (BOTTOM)		
	P 5	QPC06507030P	POLY BAG	65cm x 70cm	
	P 6	GV30778-001A	SPACER		
	P 7	GV40437-003A	CLOTH		
	P 8	441-802104-00	LEG CUSHION	(x2)	
	P 9	715-250031-00	MIRAMAT SHEET	(x2)	
	P 10	700-120034-20	HDPE BAG	(x2)	
	P 11	720-MXJE3F-00	CUSHION	(x2)	
	P 11	720-MXJE5F-00	CUSHION	(x2)	