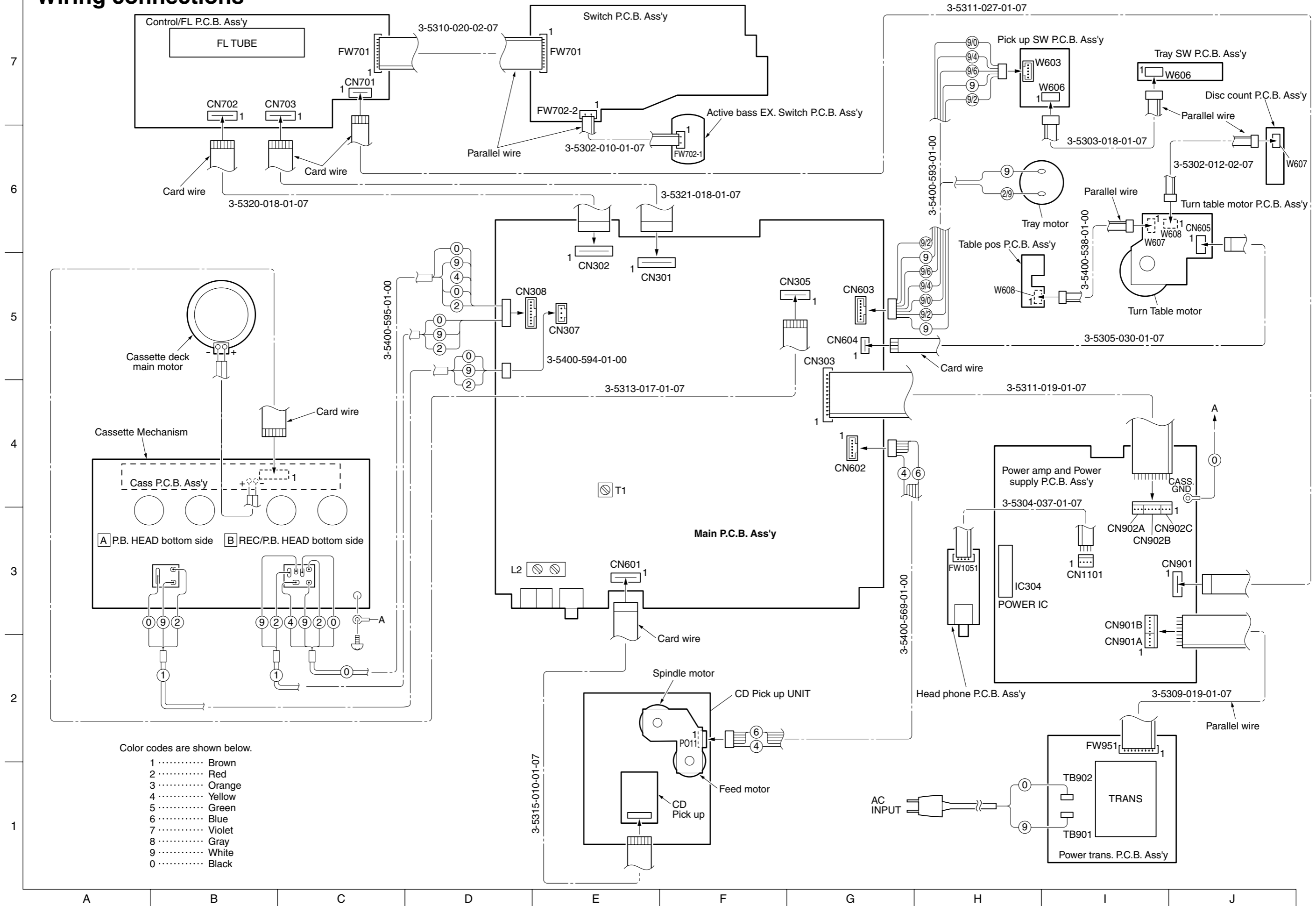
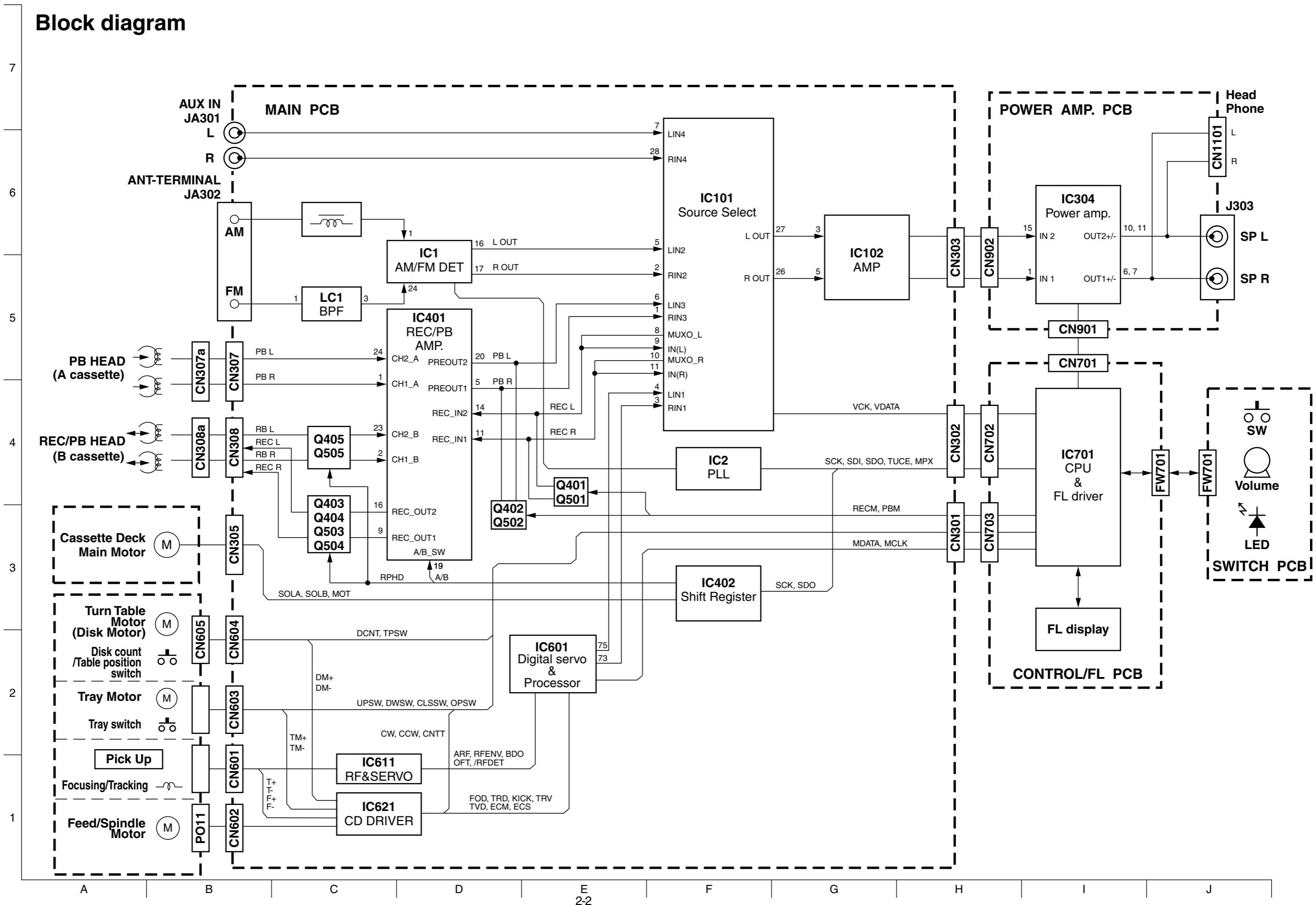


Wiring connections

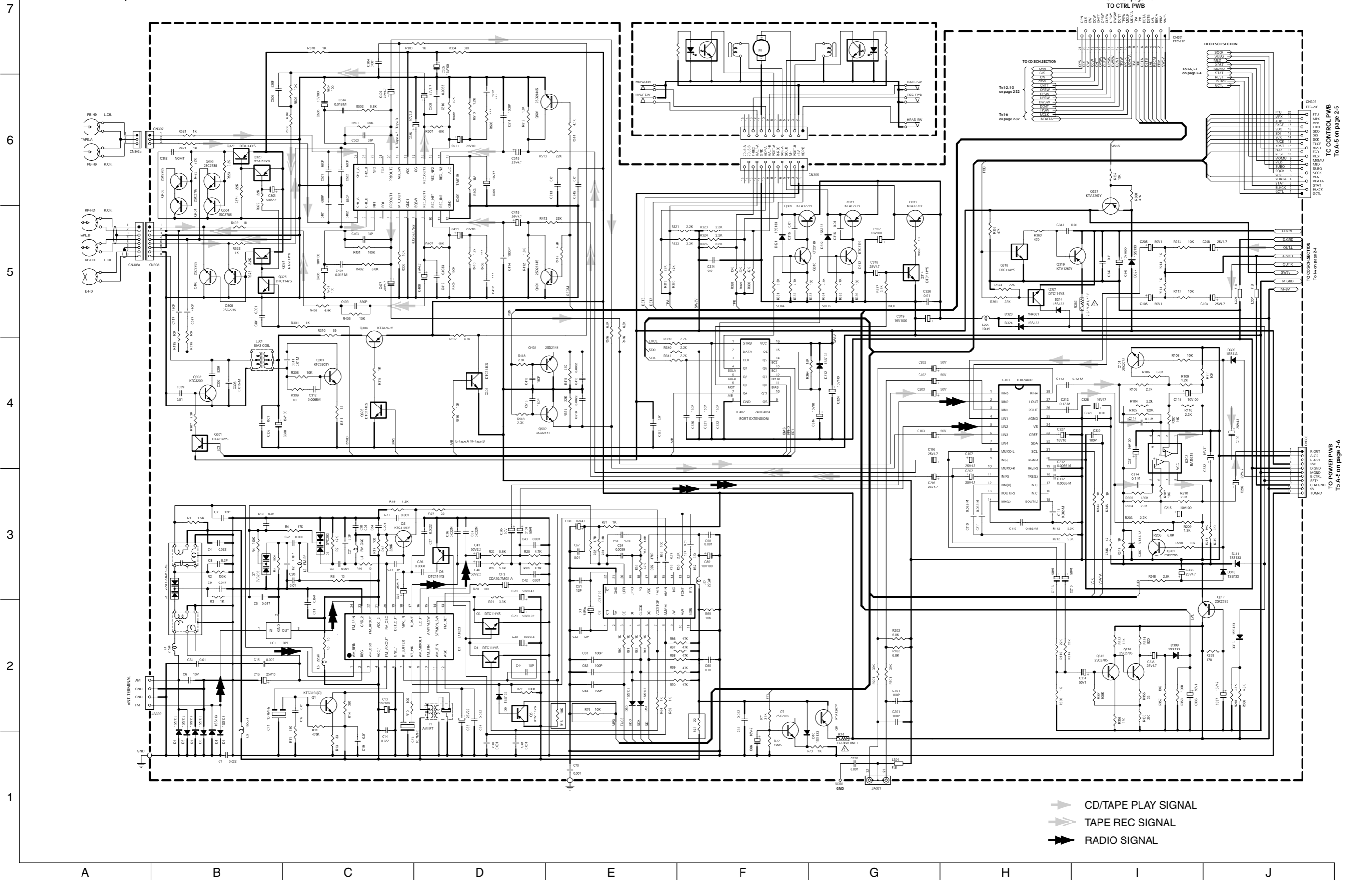


Block diagram

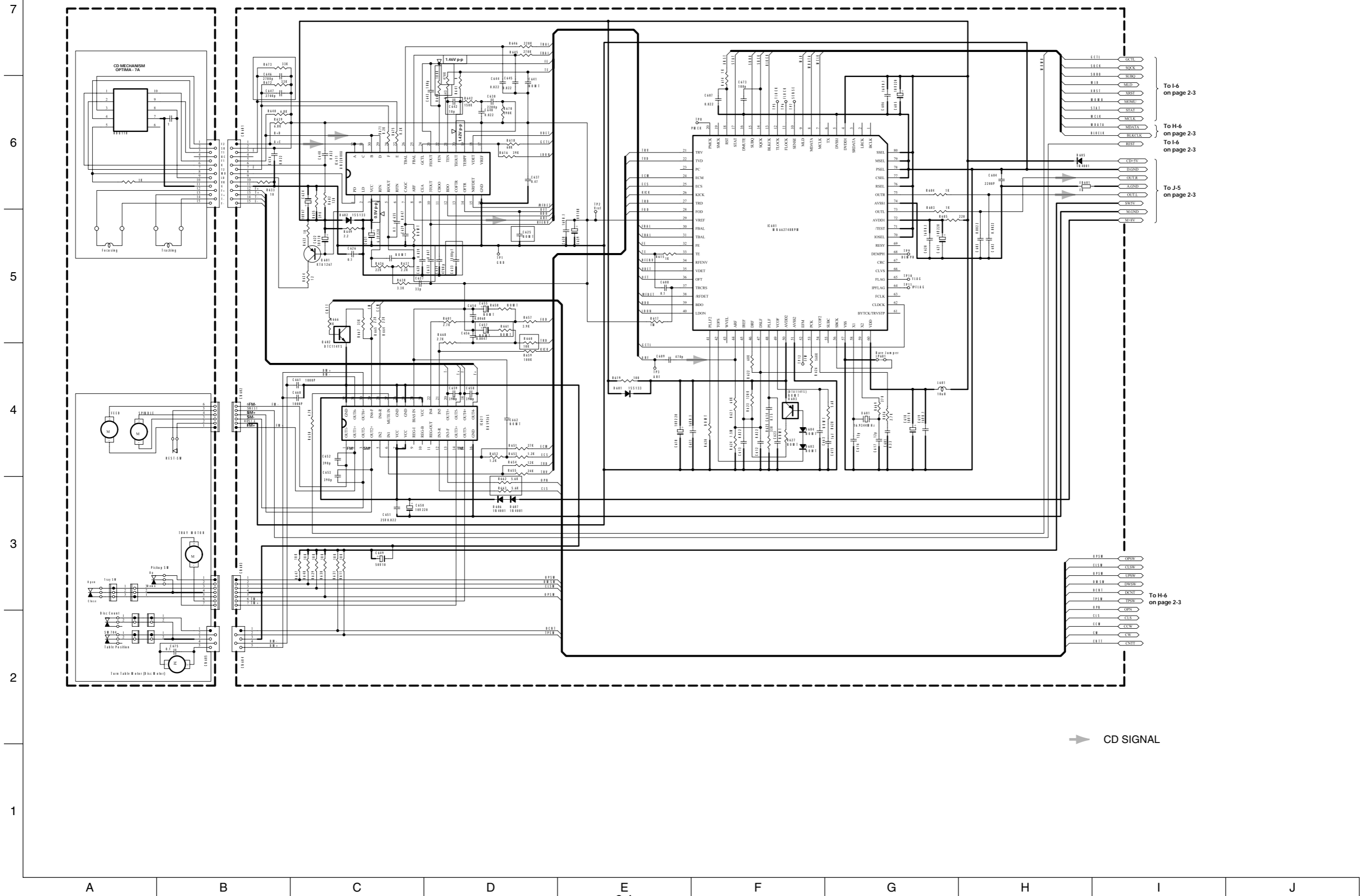


Standard schematic diagrams

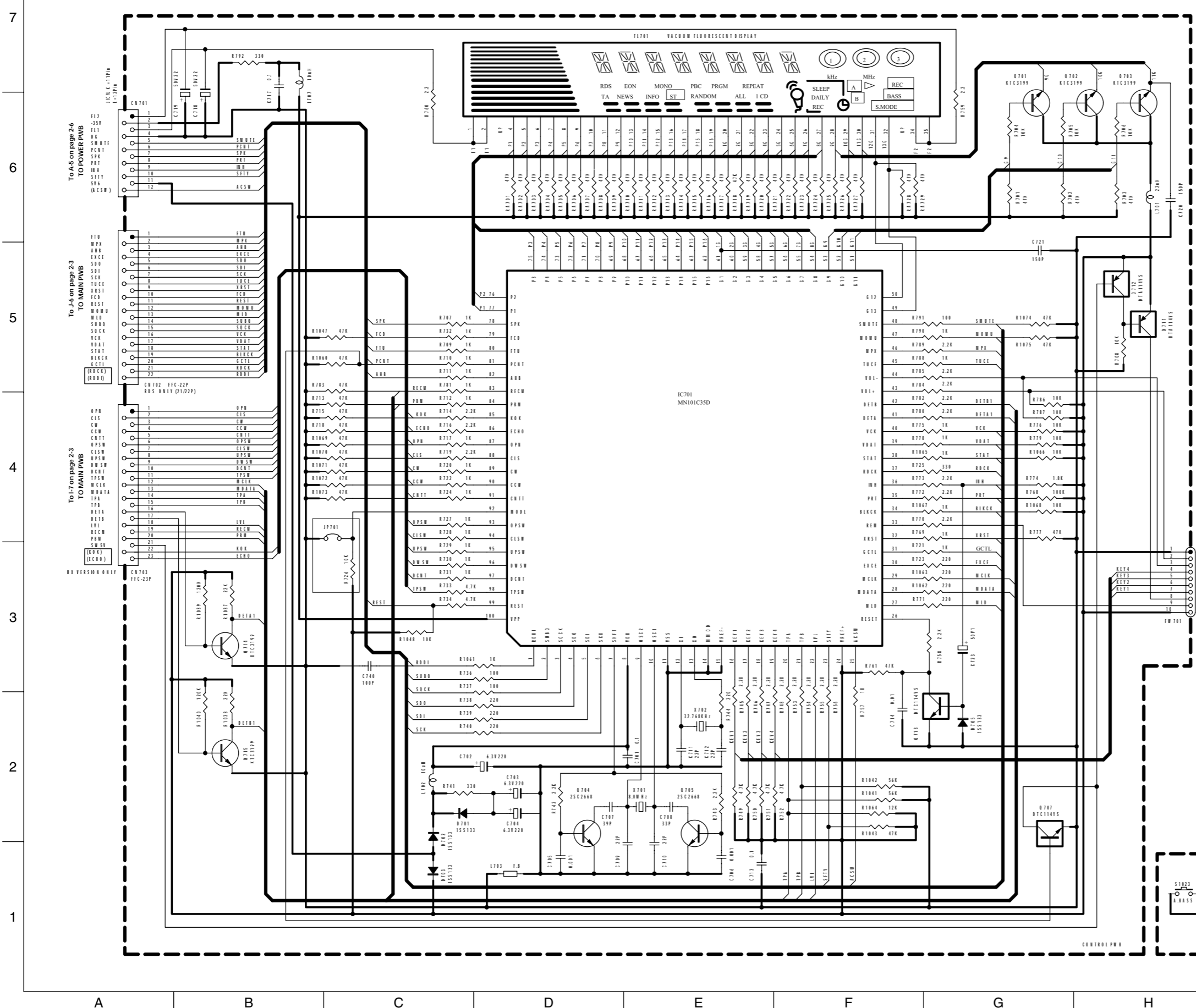
■ Head AMP, tuner and audio section



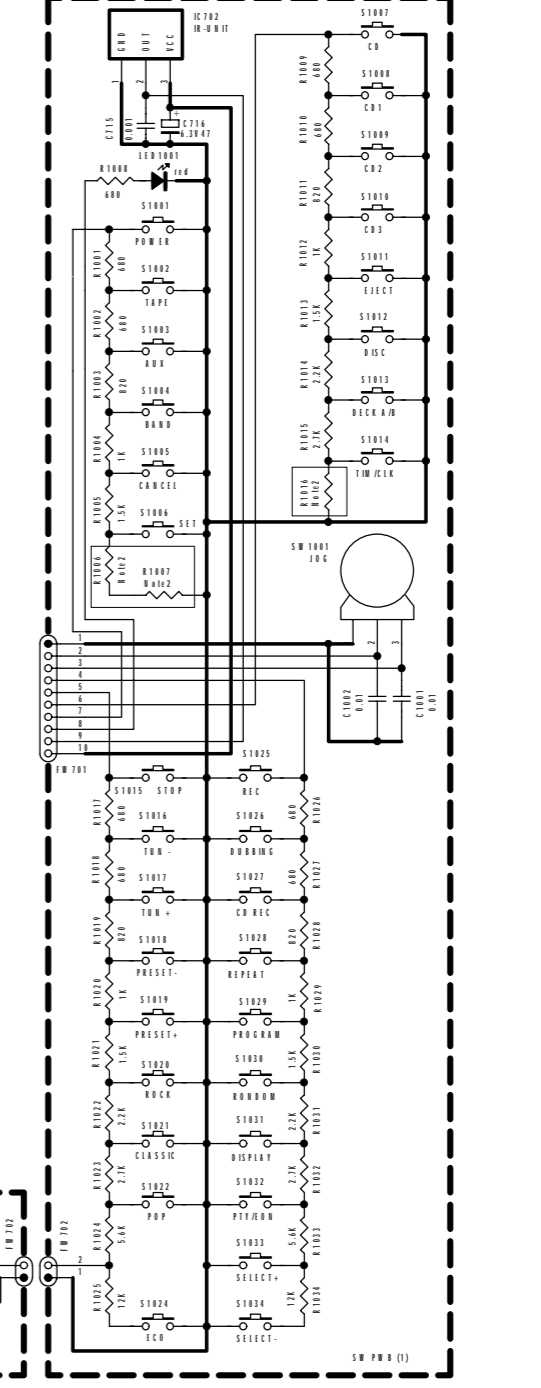
■ CD servo control section



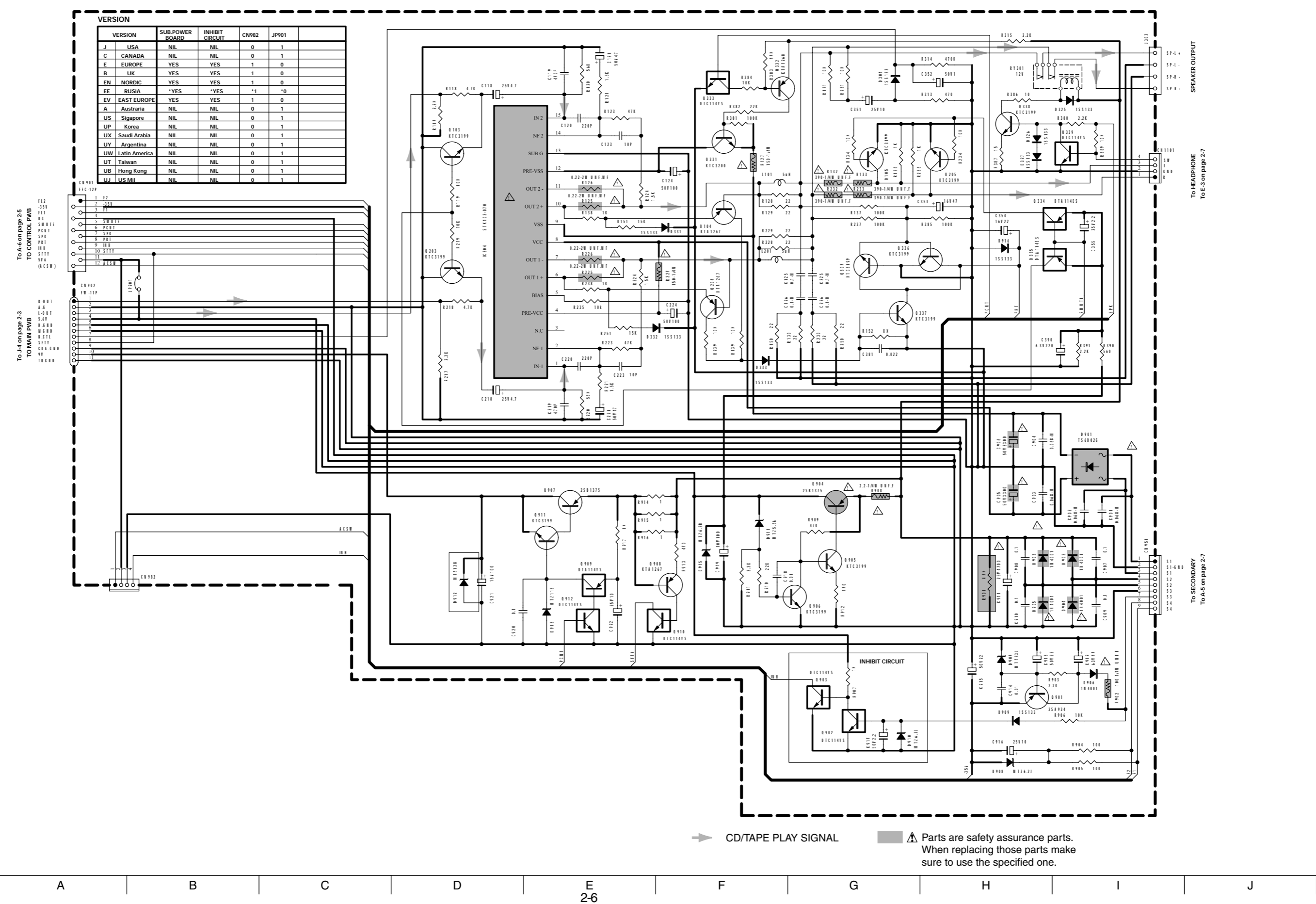
FL display and CPU section



VERSION	Setting				ECO MODE	
	R1006	R1007	R1016	J7701	R726	R726
J USA	N II	N II	N II	YES	(10K)	
C CANADA	N II	N II	N II	YES	(10K)	
E EUROPE	10K	0.2K	10K	N II	10K	
B UK	10K	0.2K	10K	N II	10K	
EM NORDIC	10K	0.2K	10K	N II	10K	
EE RUSSIA	0.6K	0.20	10K	N II	10K	
EV EAST EUROPE	10K	0.2K	10K	N II	10K	
A Australia	12K	1.5K	N II	N II	(10K)	
US Singapore	0.7K	1.0	N II	YES	(10K)	
WP Korea	12K	1.5K	10K	YES	(10K)	
DX Saudi Arabia	N II	N II	5.6K	YES	(10K)	
UY Argentina	N II	N II	10K	YES	(10K)	
NW Latin America	0.7K	1.0	N II	YES	(10K)	
BT Taiwan	0.7K	1.0	N II	YES	(10K)	
HD Hong Kong	0.7K	1.0	N II	YES	(10K)	
UJ US HI	0.7K	1.0	N II	YES	(10K)	



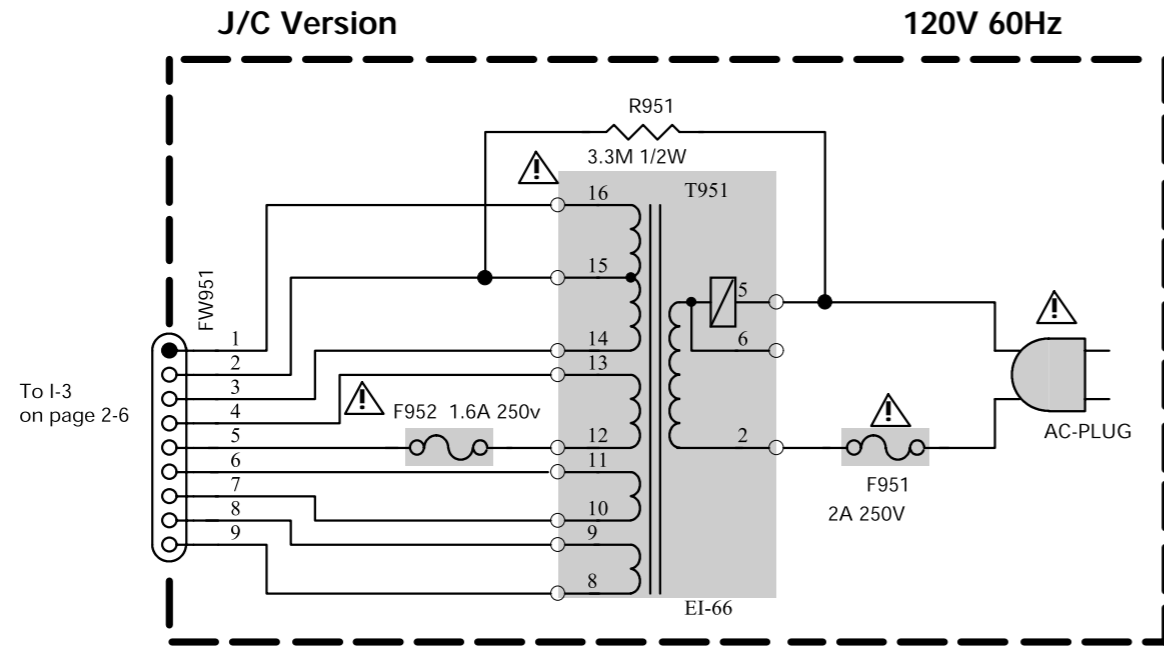
■ Main amp. and power supply section



➔ CD/TAPE PLAY SIGNAL

▲ Parts are safety assurance parts. When replacing those parts make sure to use the specified one.

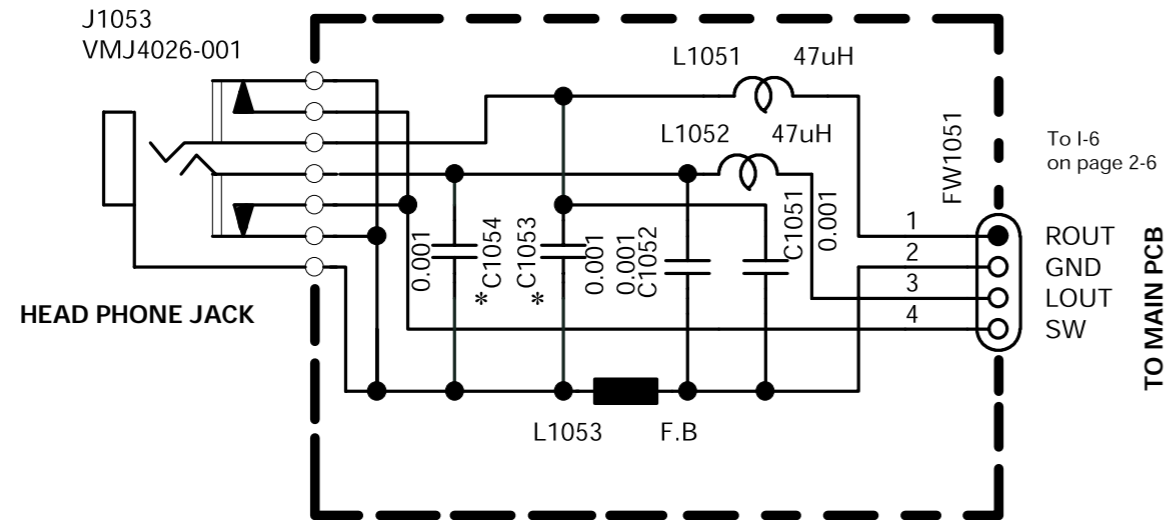
■ Power transformer section



To I-3
on page 2-6

To I-6
on page 2-6

■ Head phone section



⚠ Parts are safety assurance parts.
When replacing those parts make
sure to use the specified one.

Printed circuit boards

■ Main circuit board

7

6

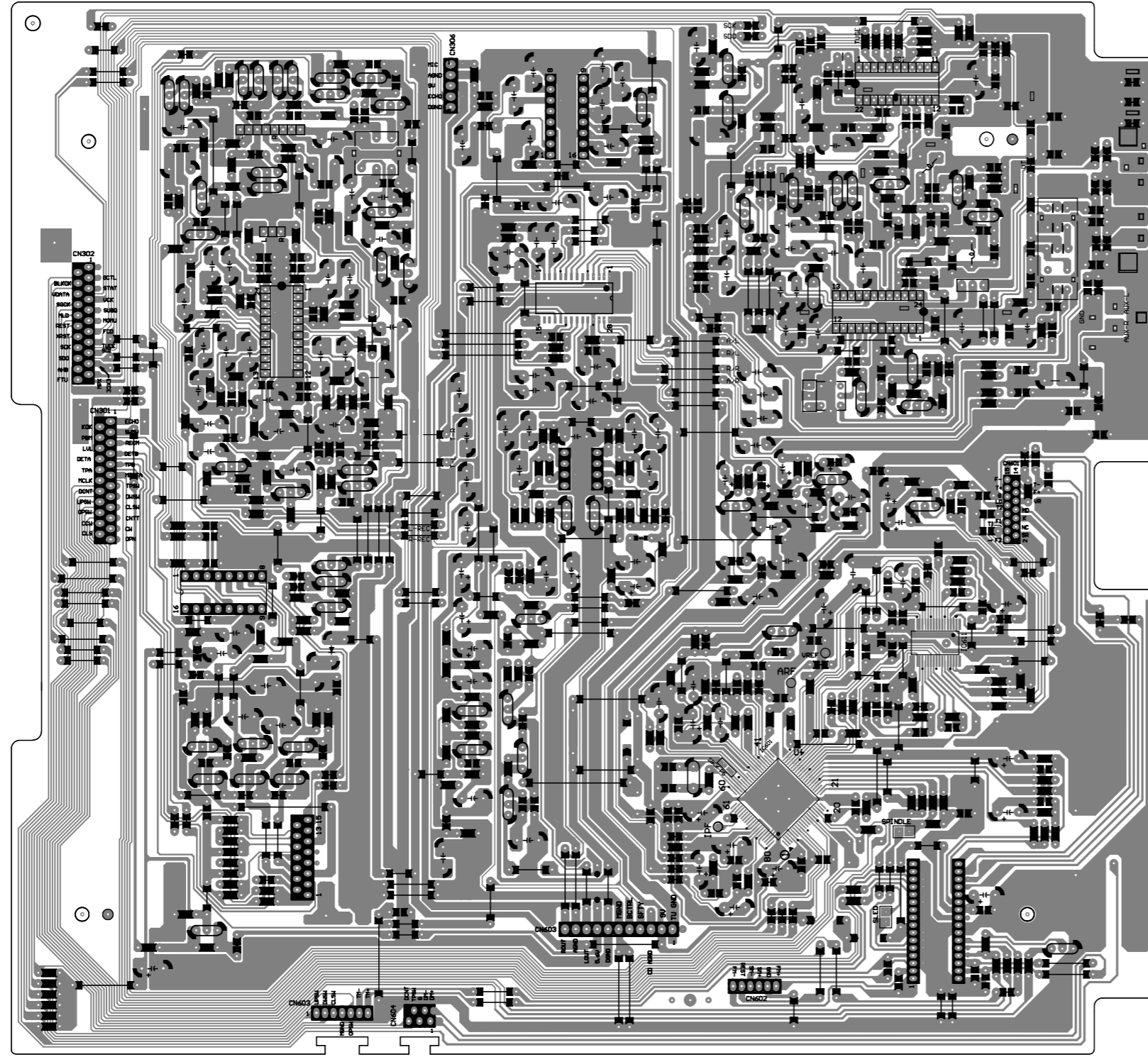
5

4

3

2

1



(MAIN PCB)

(TRAY SW PCB)



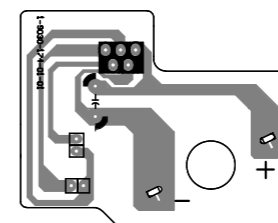
(TABLE POS. PCB)



(PICK UP SW PCB)



(DISC COUNT PCB)



(TURN TABLE MOTOR PCB)

A

B

C

D

E

F

G

H

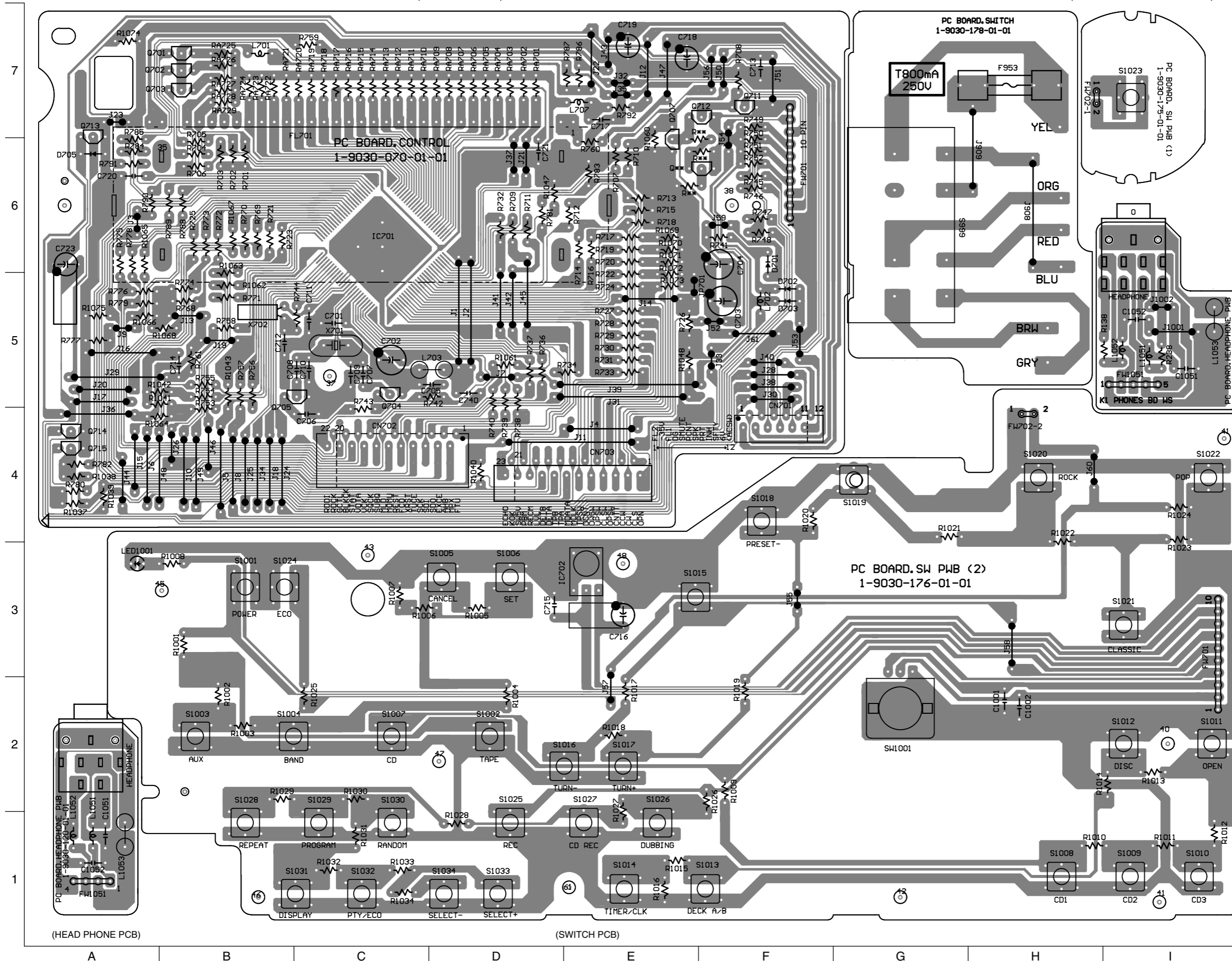
I

J

Control/FL and Switch circuit board

(CONTROL/FL PCB)

(ACTIVE BASS EX. SWITCH PCB)

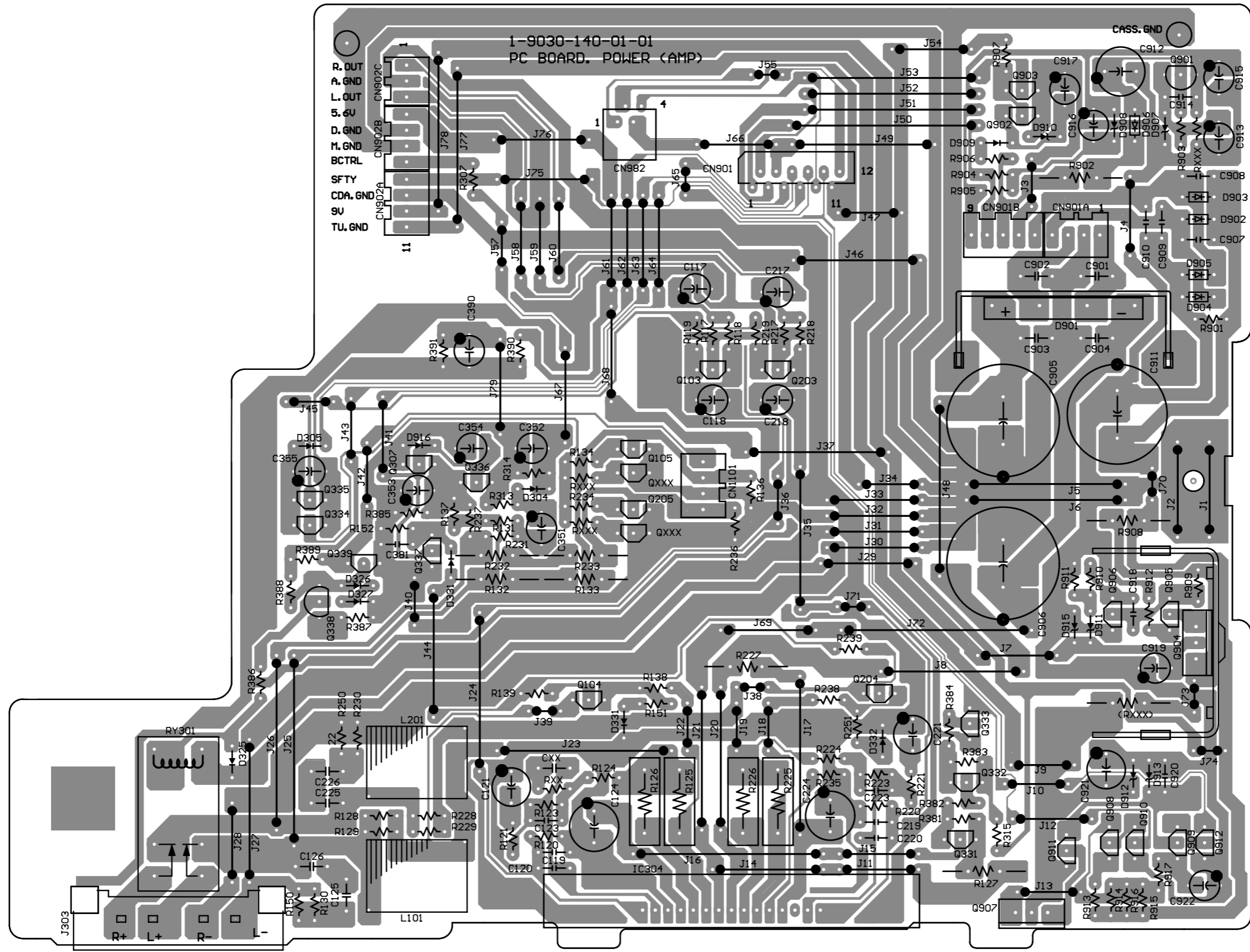


(HEAD PHONE PCB)

(SWITCH PCB)

■ Power amp. and Power supply circuit board

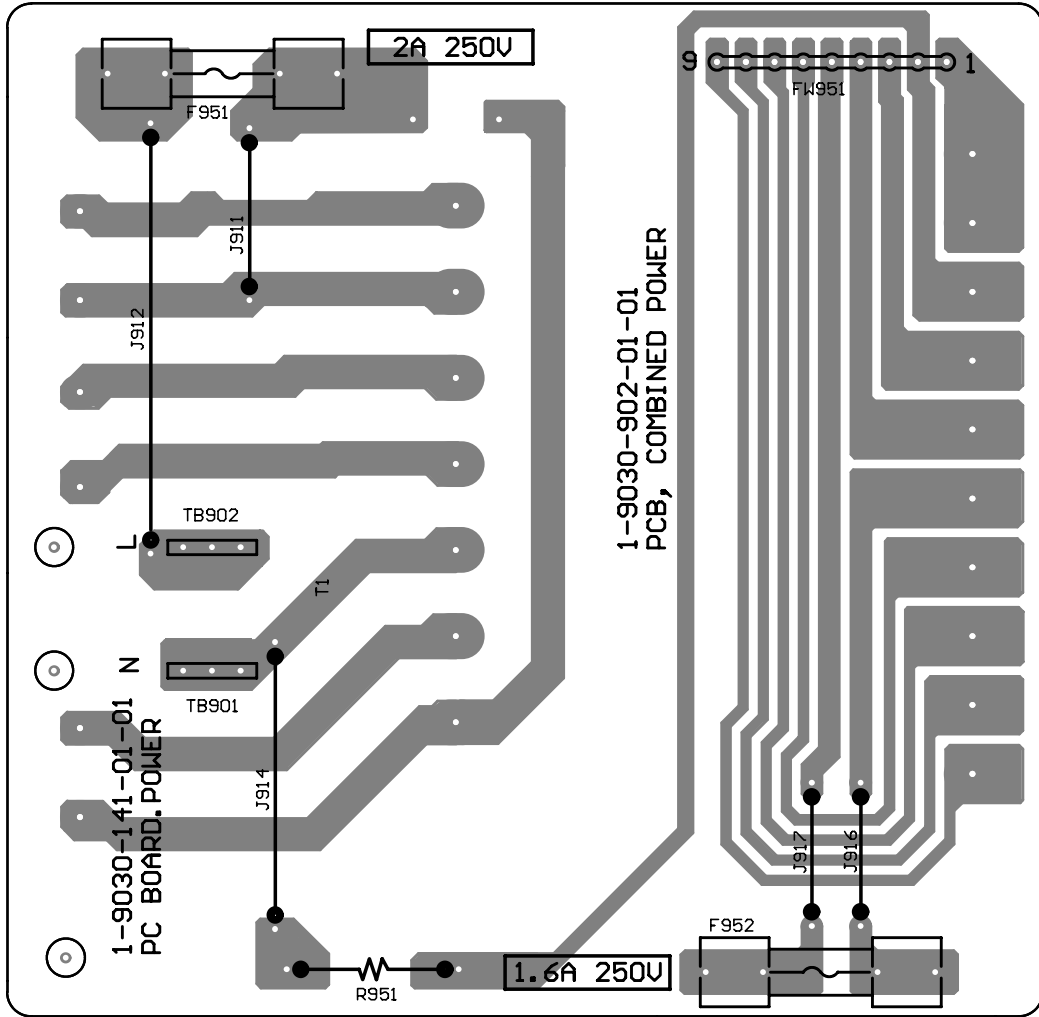
7
6
5
4
3
2
1



A B C D E F G H I J

■ Power trans. circuit board

7
6
5
4
3
2
1



A B C D E

— MEMO —