

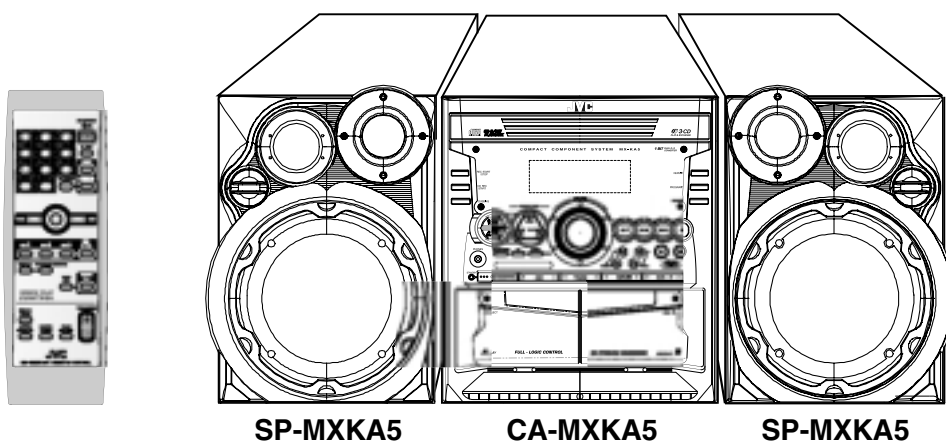
# JVC

# SCHEMATIC DIAGRAMS

## COMPACT COMPONENT SYSTEM

### MX-KA5

CD-ROM No.SML200308



COMPACT  
**disc**  
DIGITAL AUDIO

SP-MXKA5

CA-MXKA5

SP-MXKA5

#### Area Suffix

JW ..... Mexico, Panama

### Contents

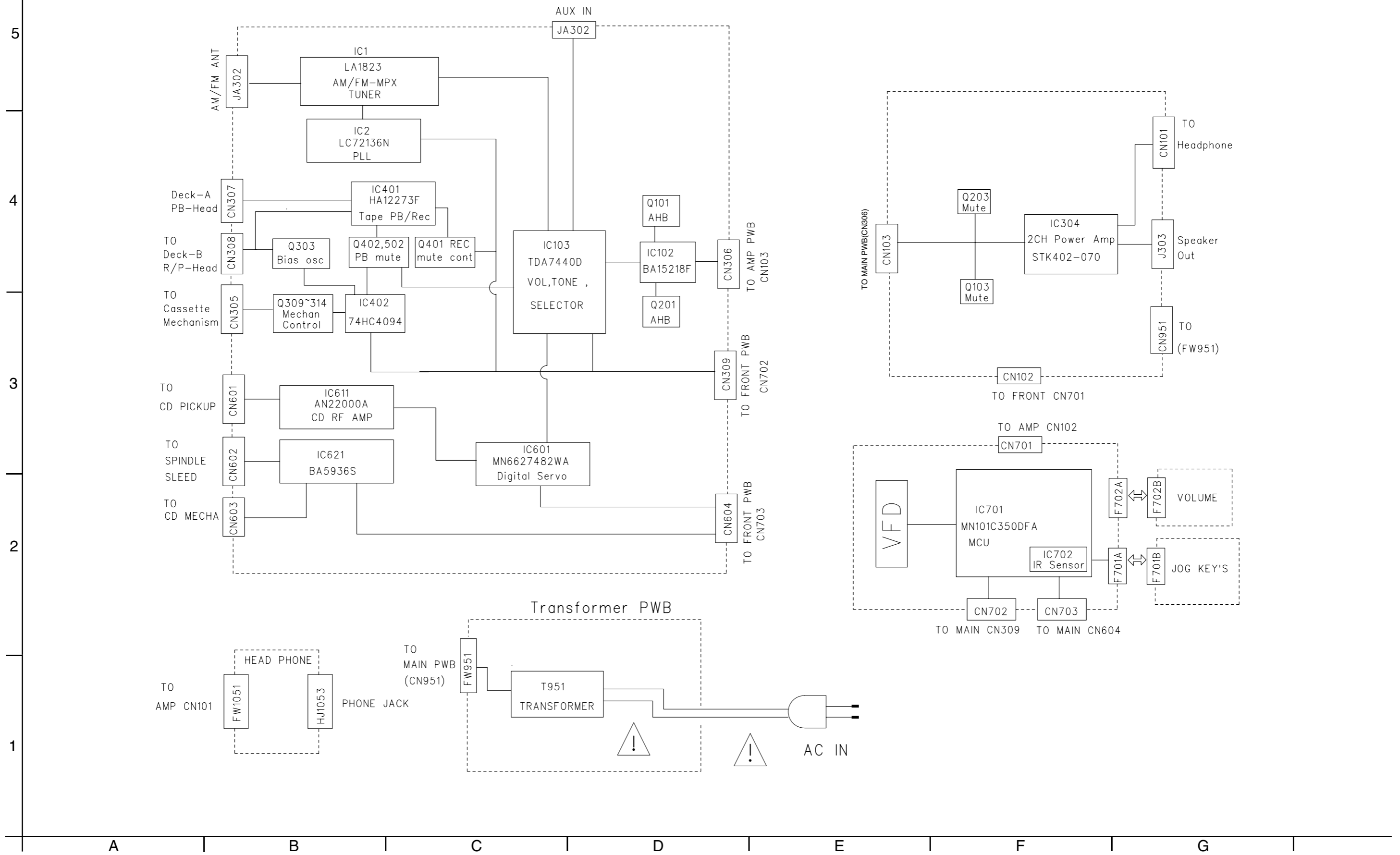
Block diagram .....	2-1
Standard schematic diagrams .....	2-2
Printed circuit boards .....	2-8~2-12

## MX-KA5

In regard with component parts appearing on the silk-screen printed side (parts side) of the PWB diagrams, the parts that are printed over with black such as the resistor (■), diode (▬) and ICP (●) or identified by the "△" mark nearby are critical for safety.

(This regulation does not correspond to J and C version.)

# Block diagram



# Standard schematic diagrams

## ■ Main section

5

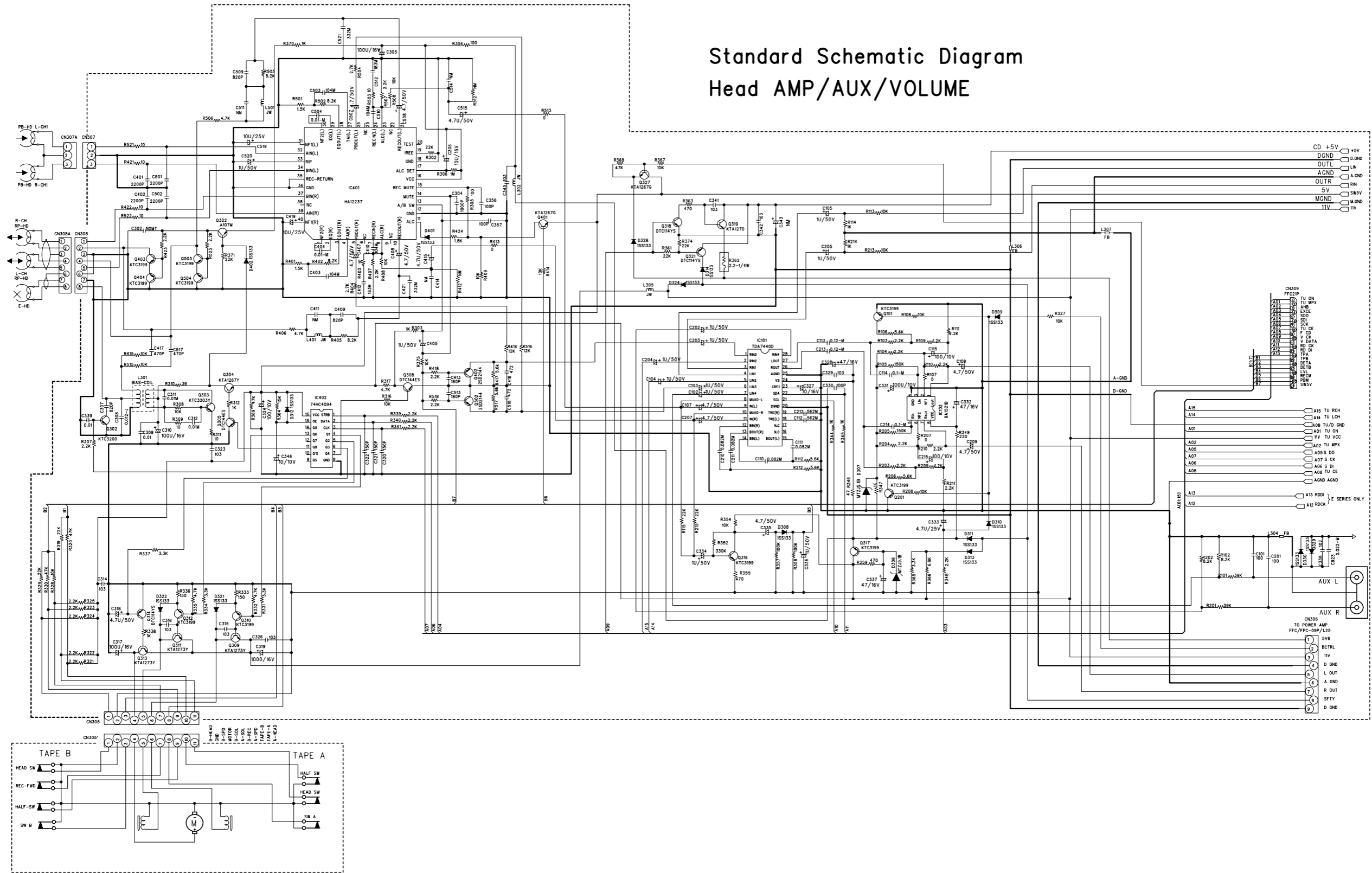
4

3

2

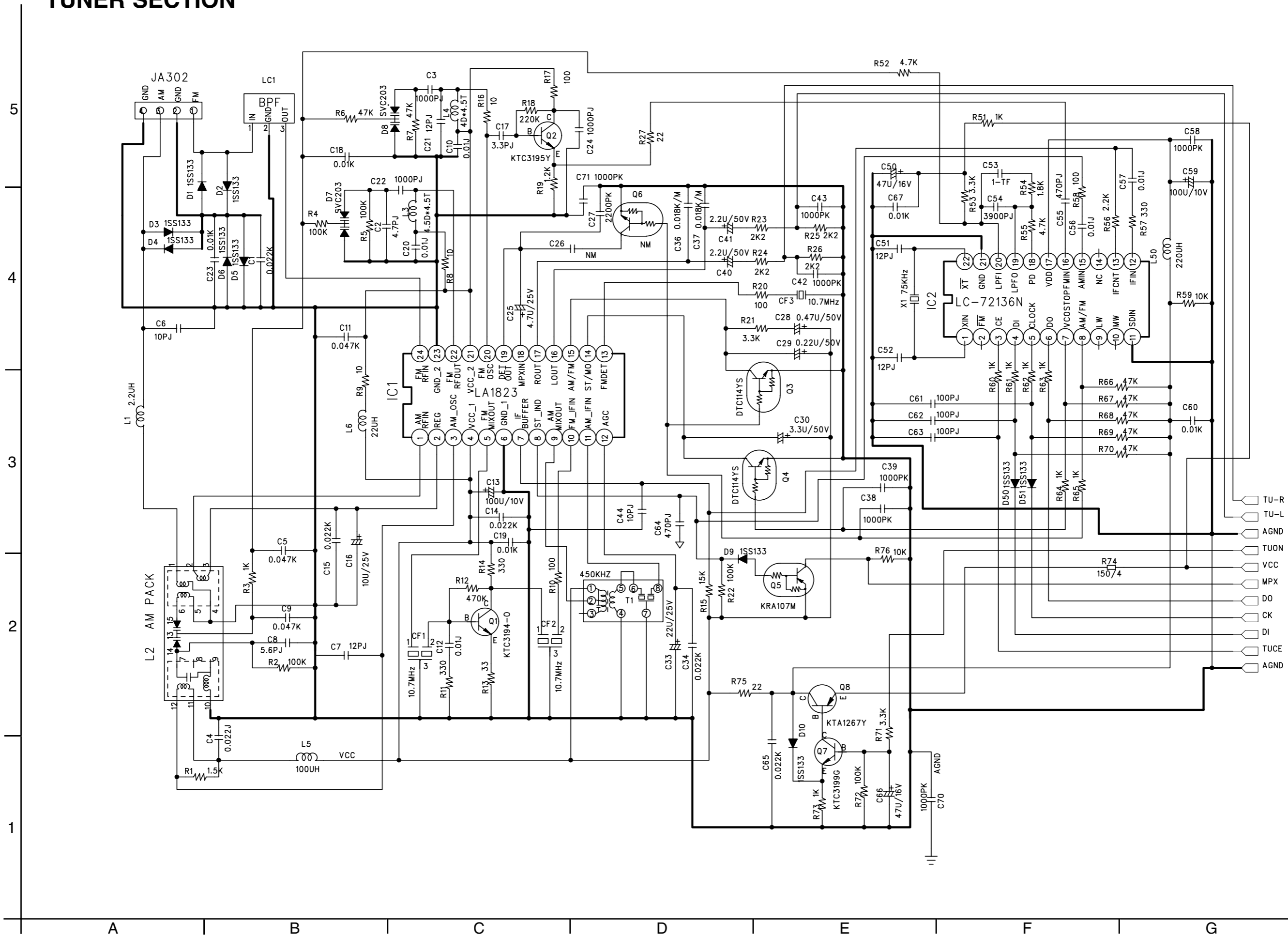
1

### Standard Schematic Diagram Head AMP/AUX/VOLUME



A B C D E F G

# TUNER SECTION



CD Section

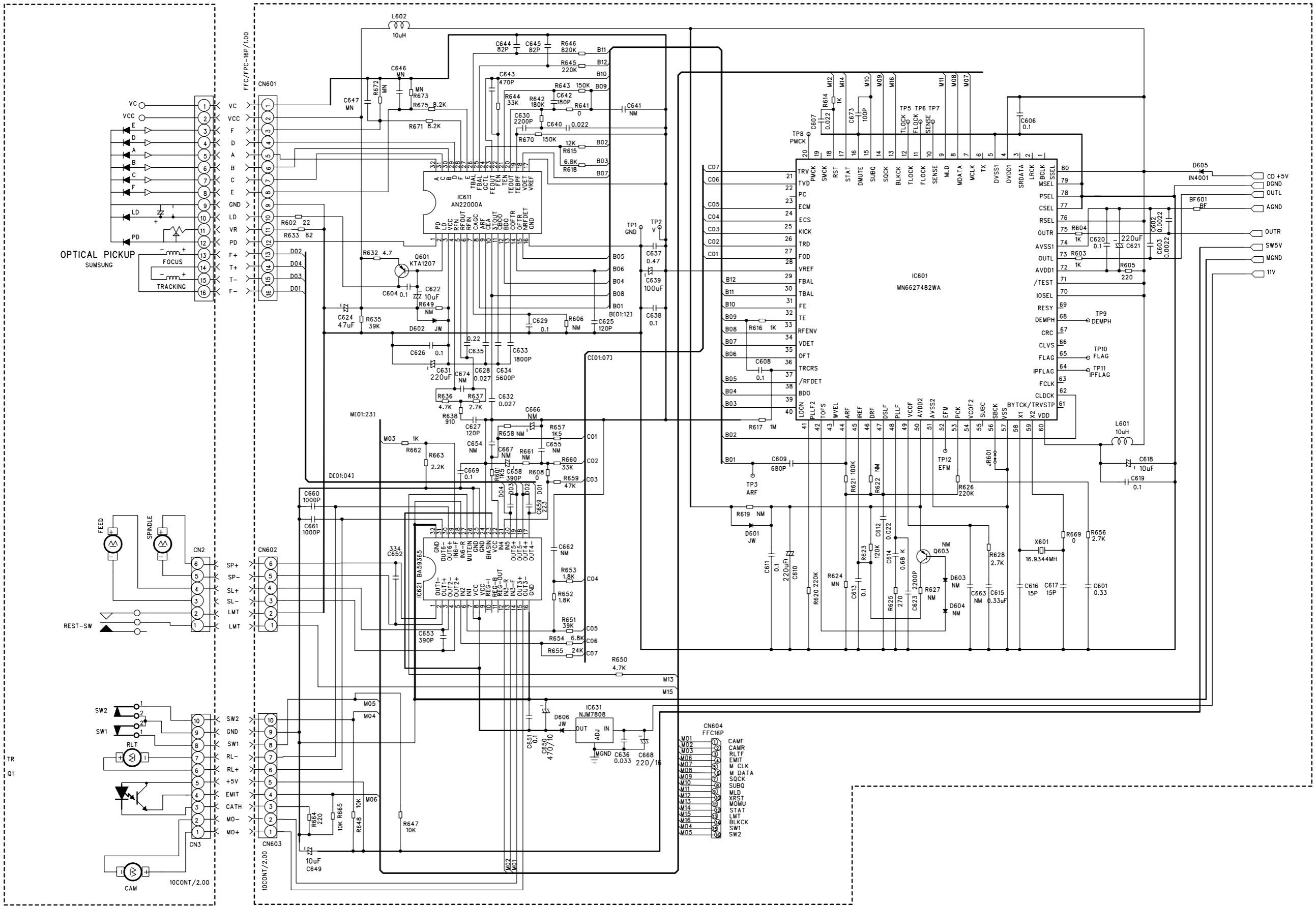
5

4

3

2

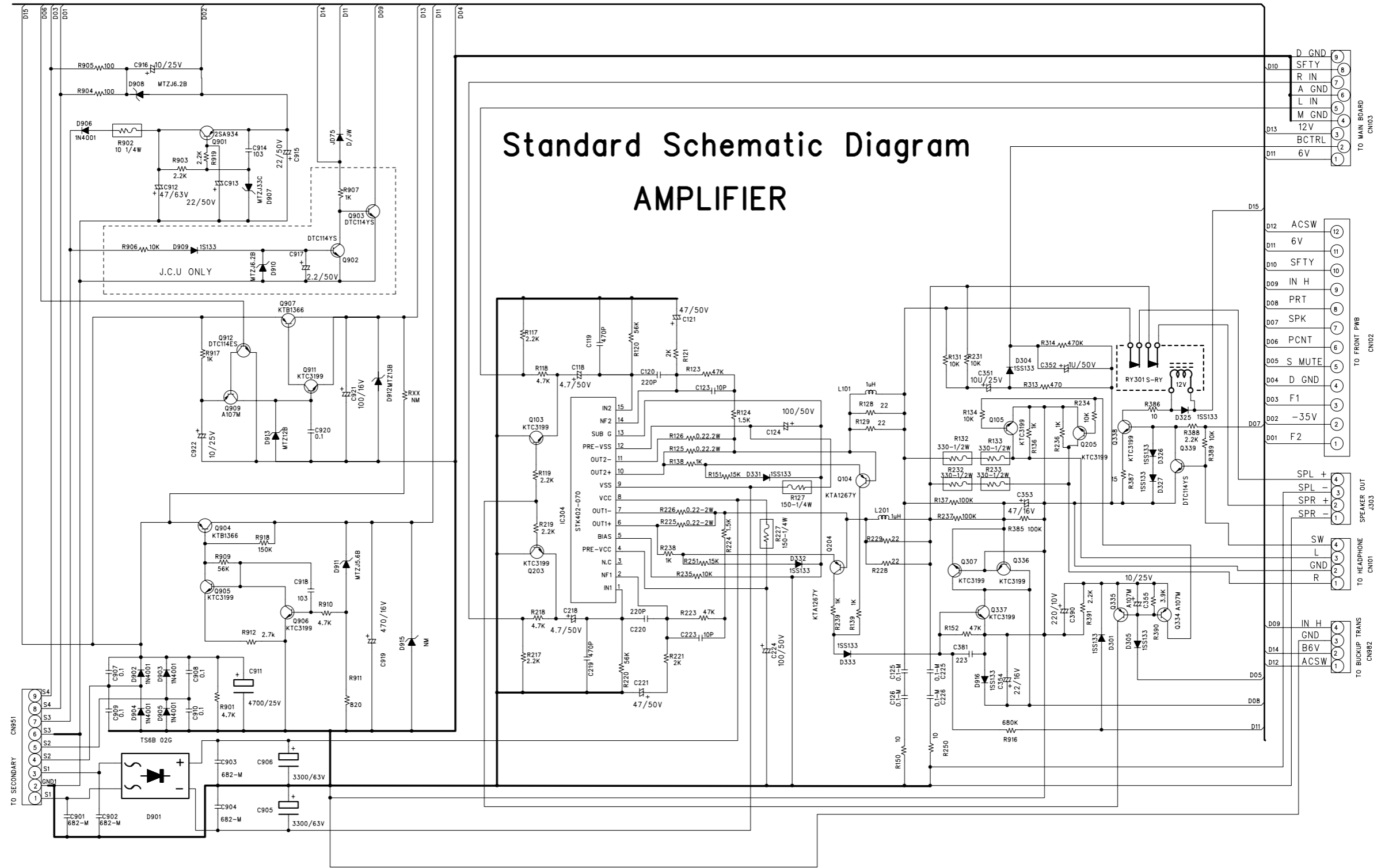
1



A B C D E F G

# Amplifier

## Standard Schematic Diagram AMPLIFIER



A

B

C

D

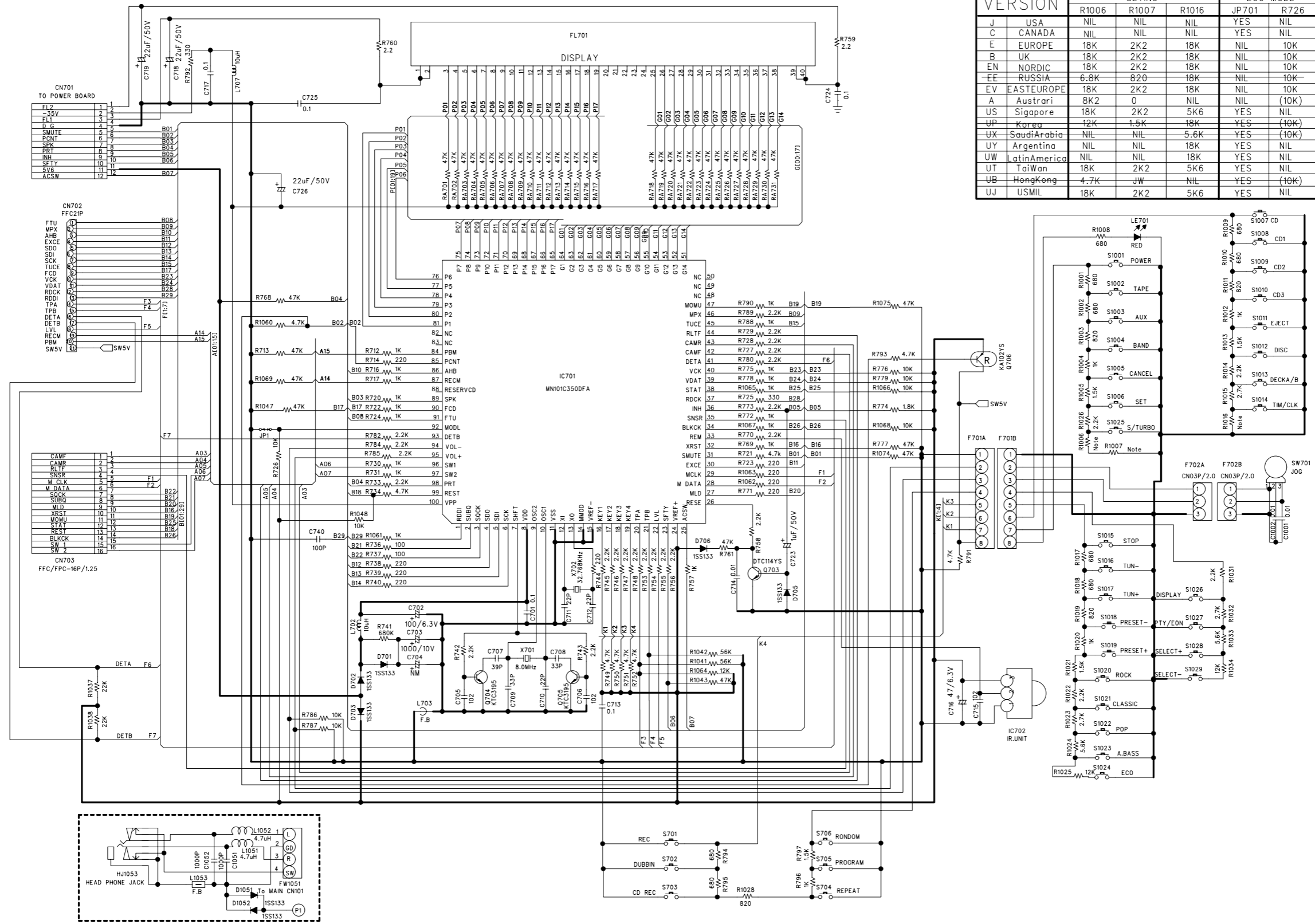
E

F

G

# FL Display and Control

5  
4  
3  
2  
1

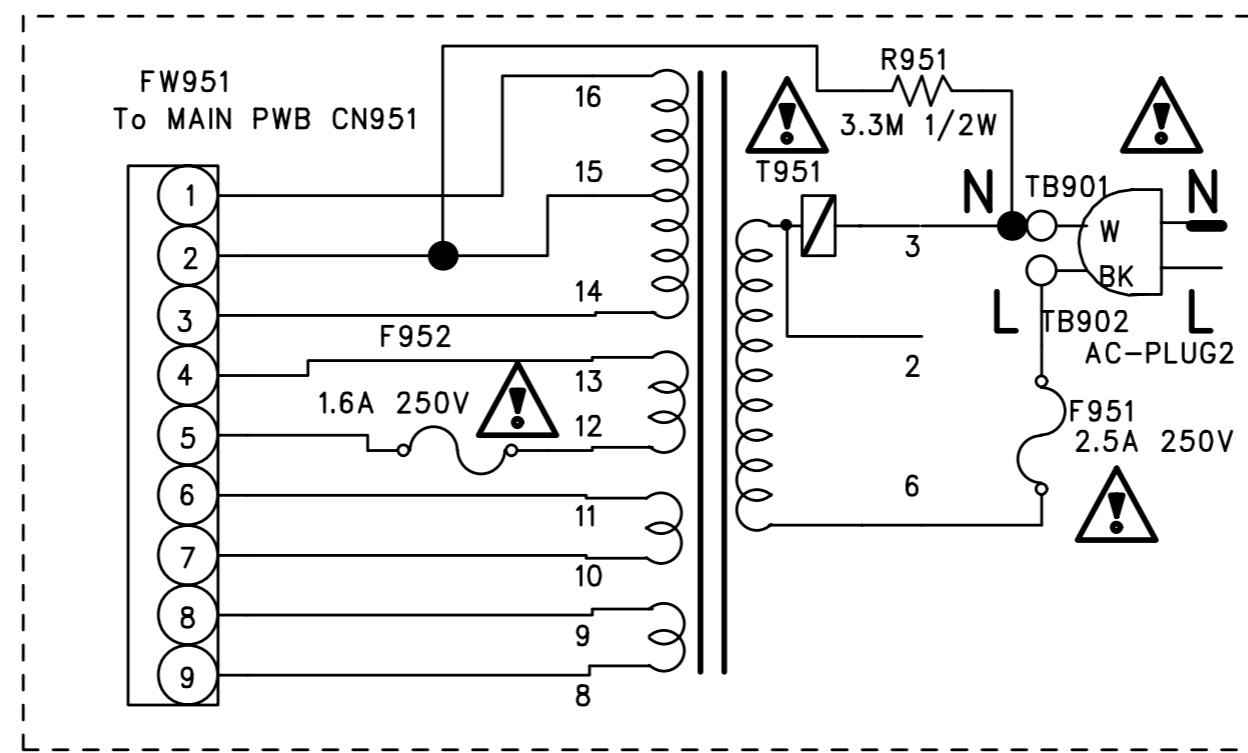


VERSION	SETTING			ECO MODE	
	R1006	R1007	R1016	JP701	R726
J	USA	NIL	NIL	NIL	NIL
C	CANADA	NIL	NIL	YES	NIL
E	EUROPE	18K	2K2	18K	10K
B	UK	18K	2K2	18K	10K
EN	NORDIC	18K	2K2	18K	10K
EE	RUSSIA	6.8K	820	18K	10K
EV	EASTEUROPE	18K	2K2	18K	10K
A	Austrari	8K2	0	NIL	(10K)
US	Sigapore	18K	2K2	5K6	YES
UP	Korea	12K	1.5K	18K	YES
UX	SaudiArabia	NIL	NIL	5.6K	YES
UY	Argentina	NIL	NIL	18K	YES
UW	LatinAmerica	NIL	NIL	18K	YES
UT	TaiWan	18K	2K2	5K6	YES
UB	HongKong	4.7K	JW	NIL	YES
UJ	USMIL	18K	2K2	5K6	YES



# Power transformer section

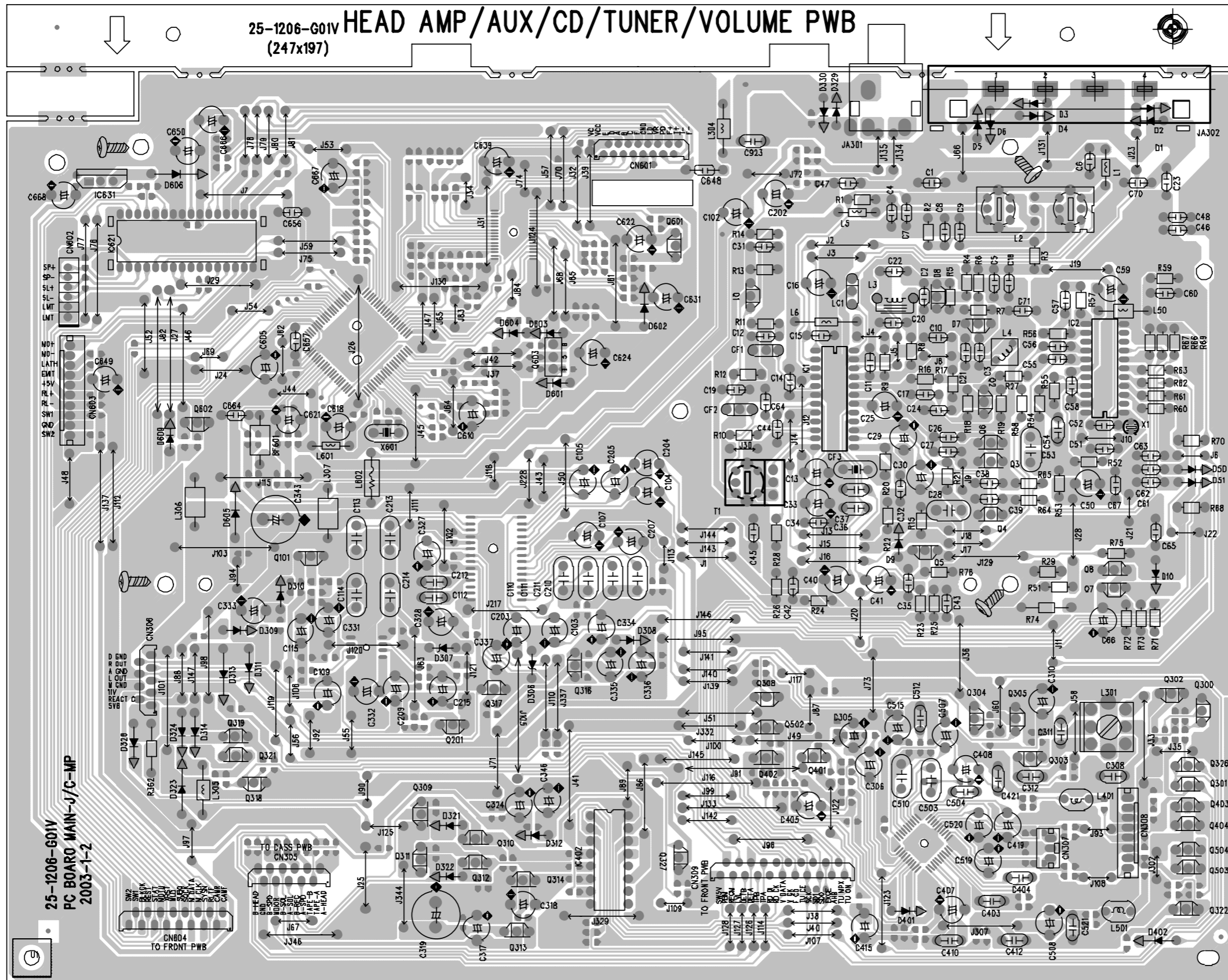
5  
4  
3  
2  
1



A | B | C | D | E | F | G |

Printed circuit boards  
Main top PWB

25-1206-G01V HEAD AMP/AUX/CD/TUNER/VOLUME PWB  
(247x197)



25-1206-G01V  
PC BOARD MAIN-J/C-MP  
2003-1-2

TO CASS PWB  
CN305

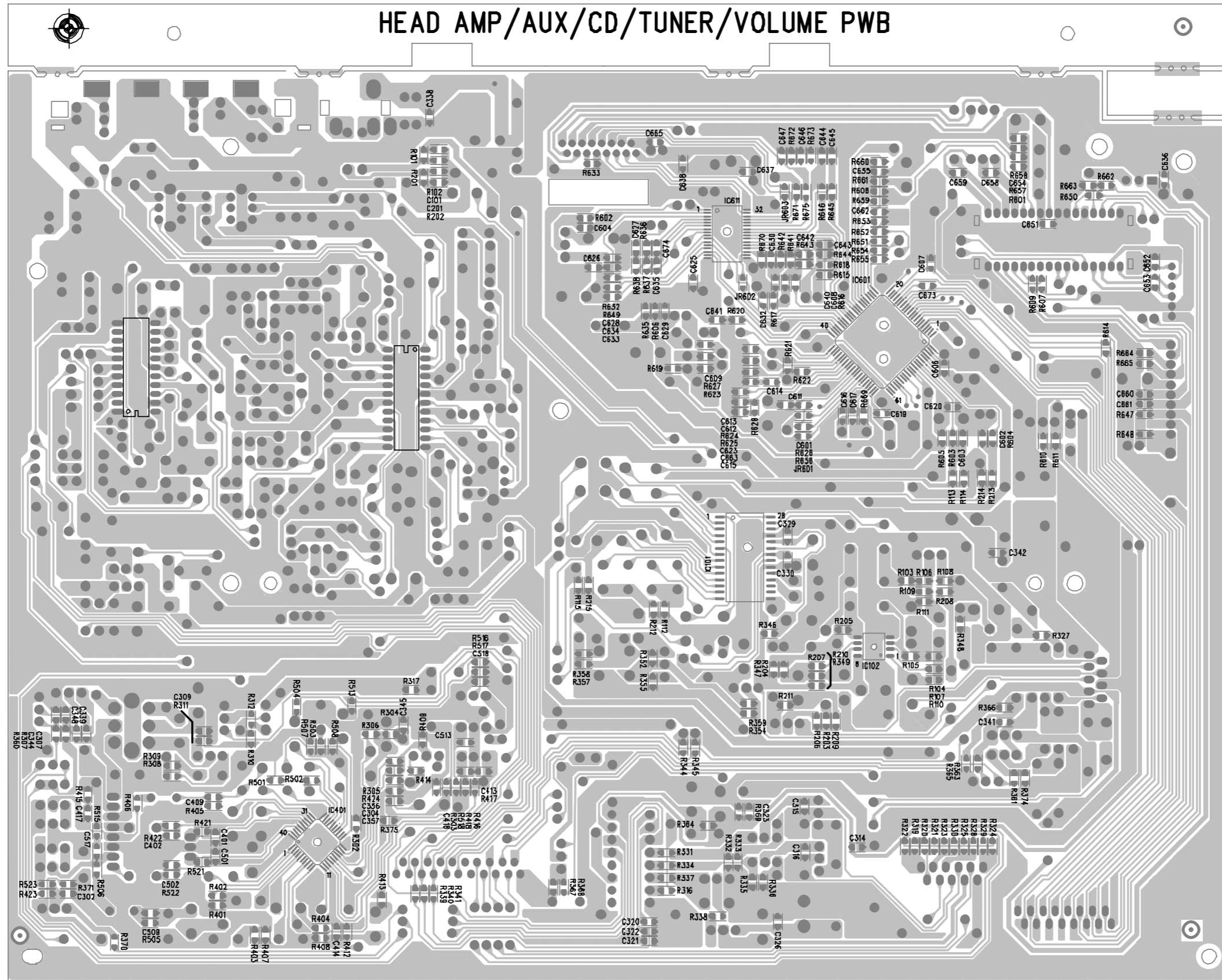
TO FRONT PWB  
CN309

TO FRONT PWB  
CN804

TO CASS PWB  
CN305

TO FRONT PWB  
CN309

# Main bottom PWB



A

B

C

D

E

F

G

5

4

3

2

1

# Front top PWB

5

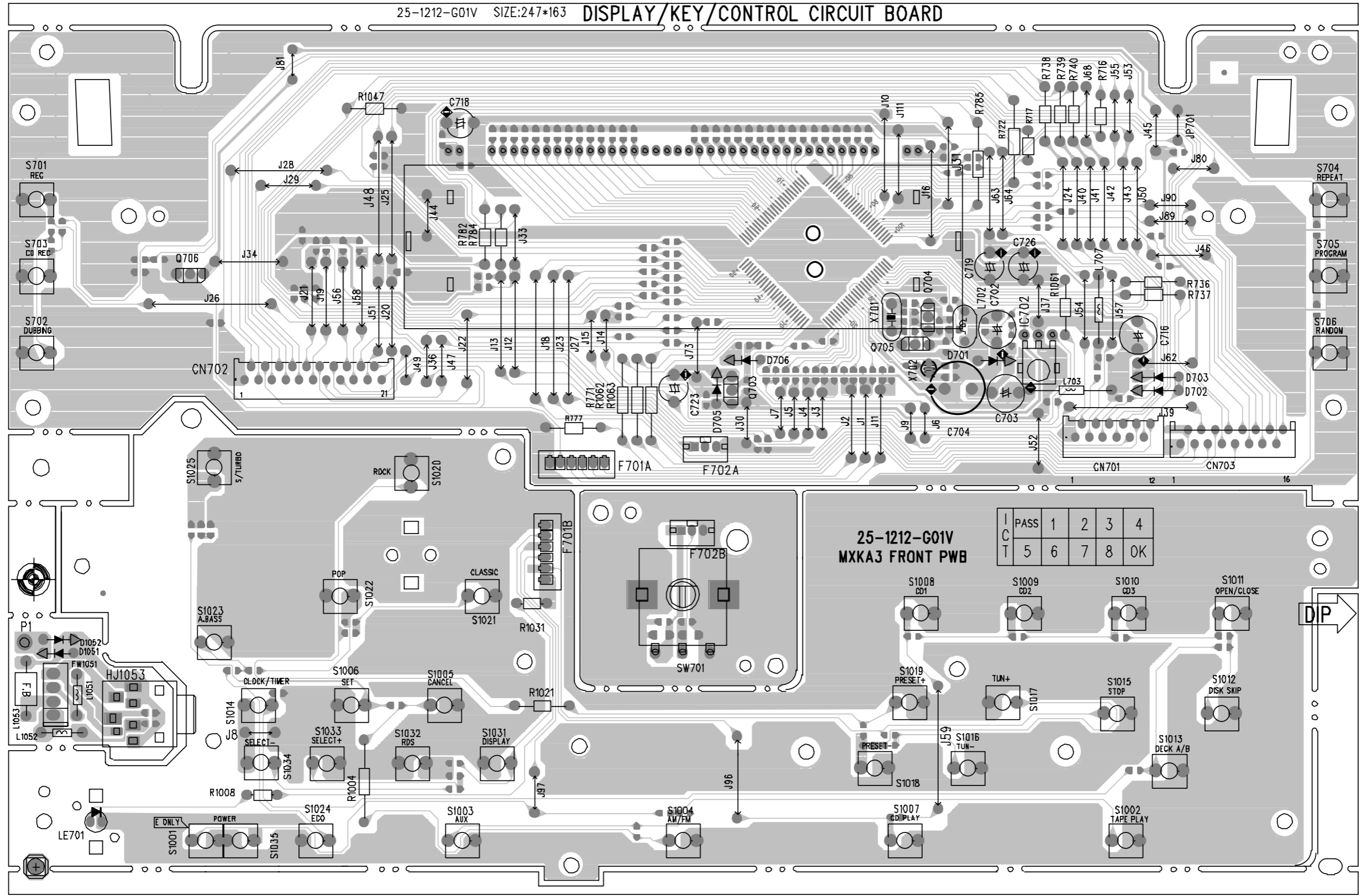
4

3

2

1

25-1212-G01V SIZE:247\*163 DISPLAY/KEY/CONTROL CIRCUIT BOARD



25-1212-G01V  
MXKA3 FRONT PWB

I	PASS	1	2	3	4
C	T	5	6	7	8
T				OK	



A

B

C

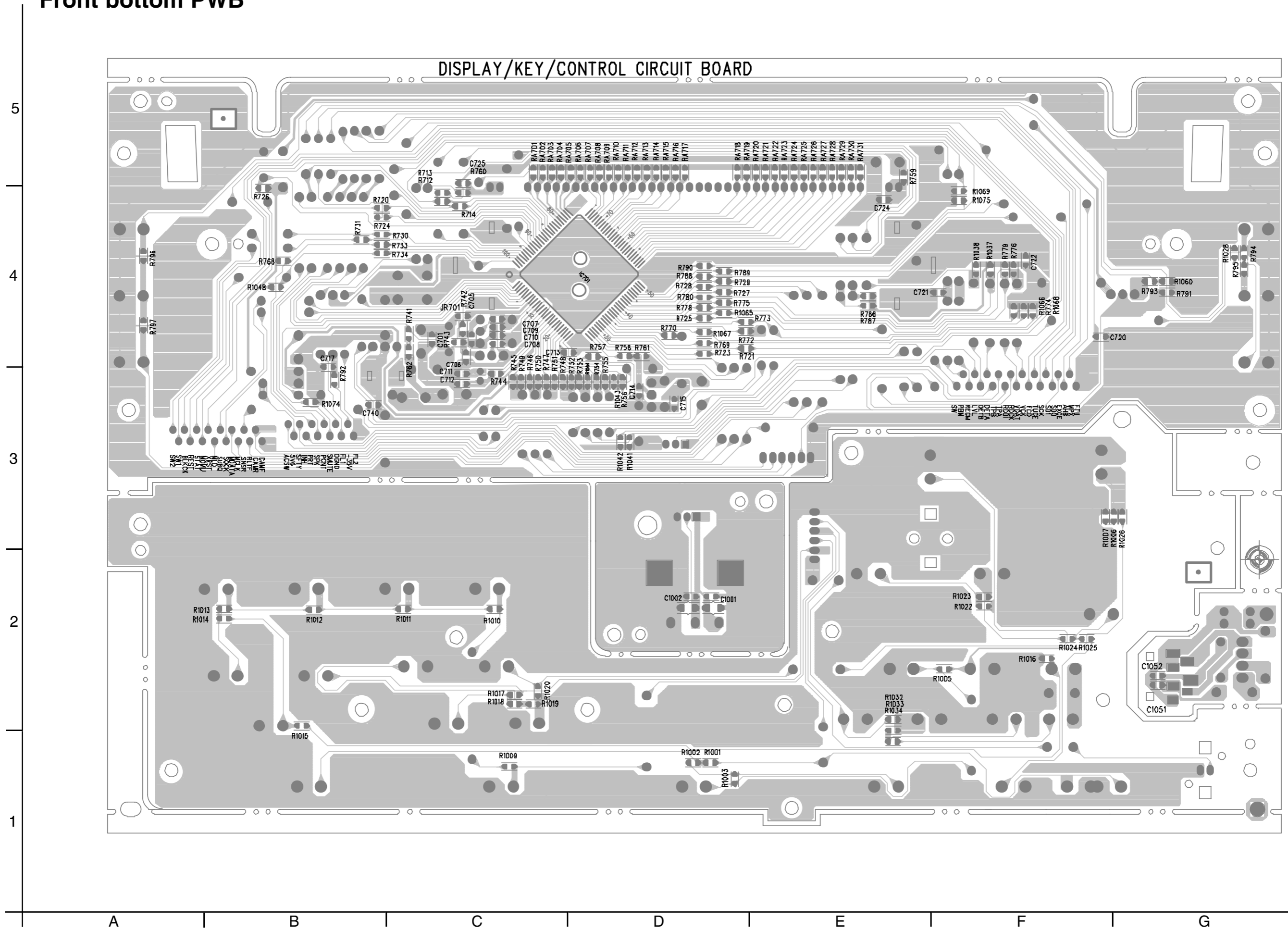
D

E

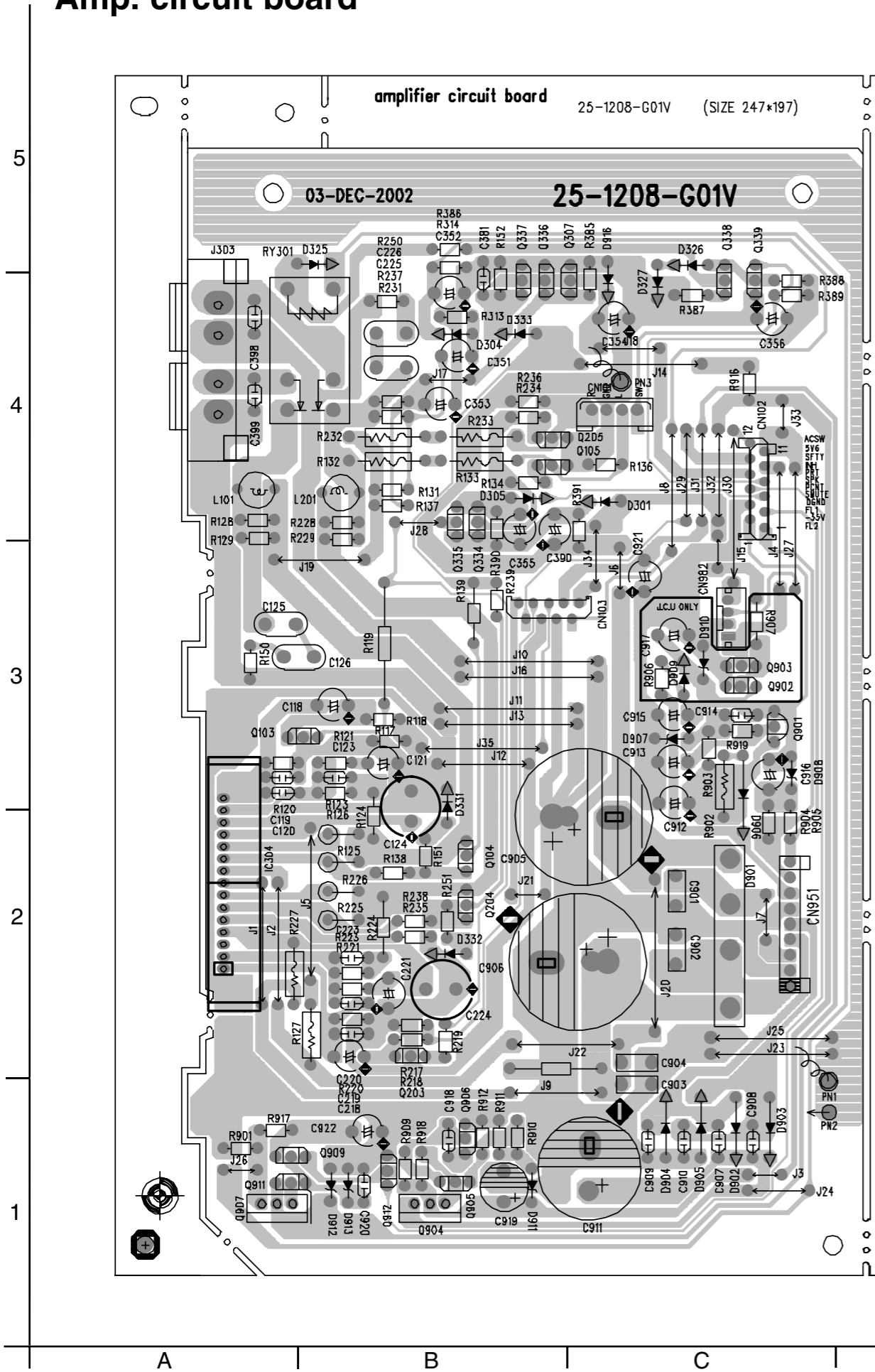
F

G

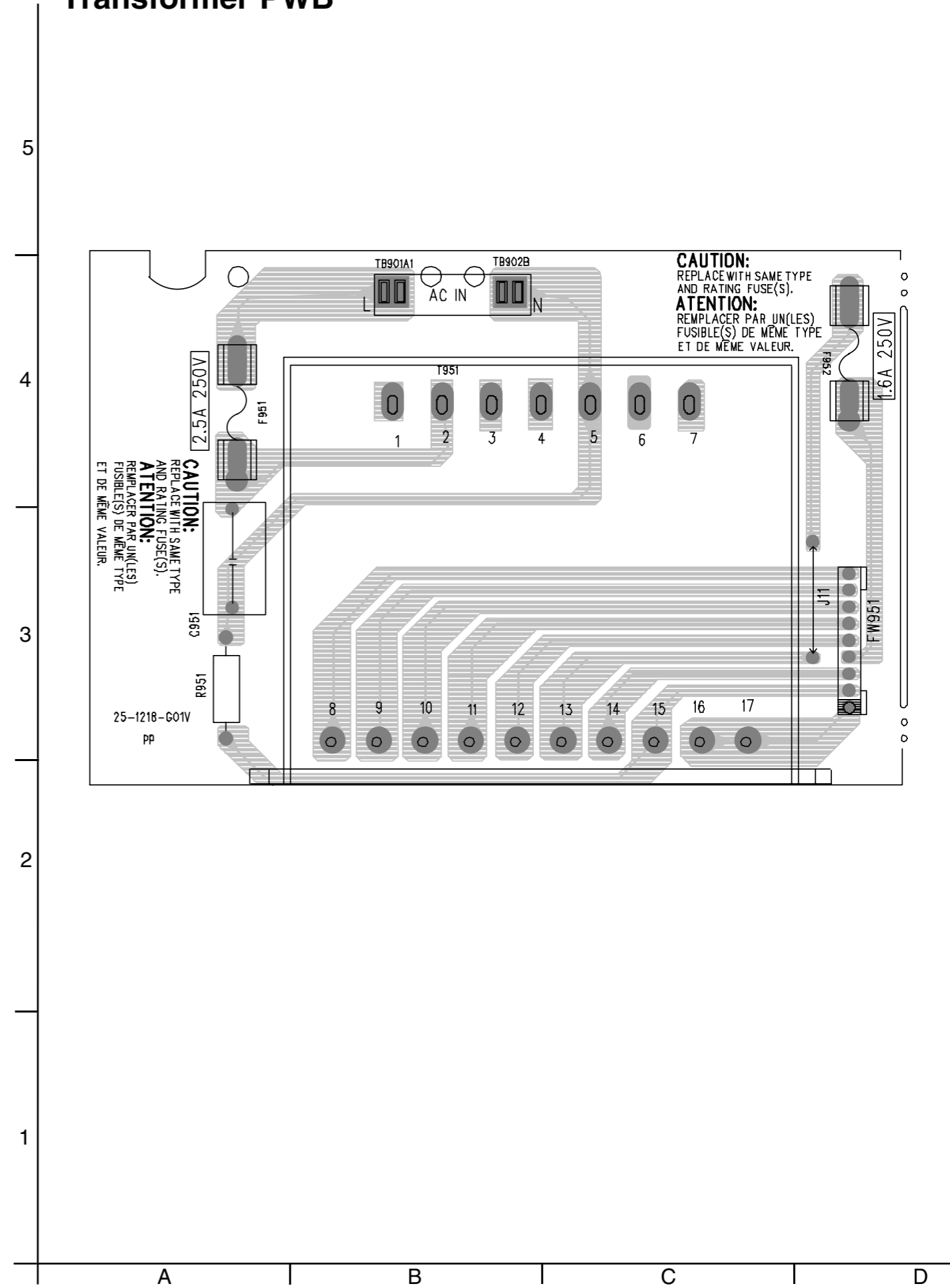
# Front bottom PWB



# Amp. circuit board



# Transformer PWB



< MEMO >

**JVC**

**VICTOR COMPANY OF JAPAN, LIMITED**

AV & MULTIMEDIA COMPANY AUDIO/VIDEO SYSTEMS CATEGORY 10-1,1Chome,Ohwatari-machi,Maebashi-city,371-8543,Japan