

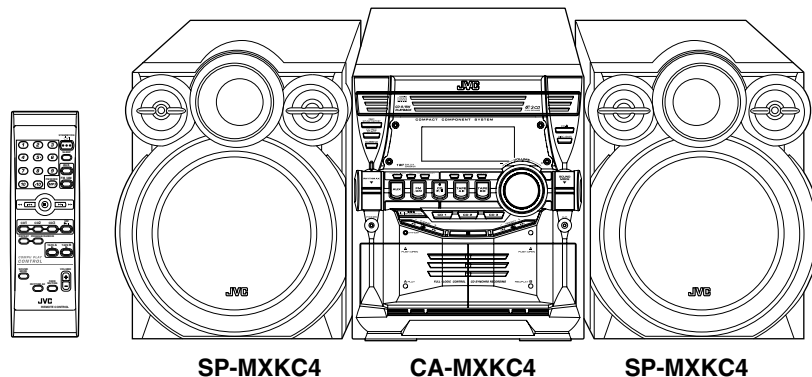
# JVC

# SCHEMATIC DIAGRAMS

## COMPACT COMPONENT SYSTEM

# MX-KC4

CD-ROM No.SML200504



SP-MXKC4

CA-MXKC4

SP-MXKC4

**COMPACT**  
**disc**  
**DIGITAL AUDIO**

### Area suffix

J ----- U.S.A.  
C ----- Canada

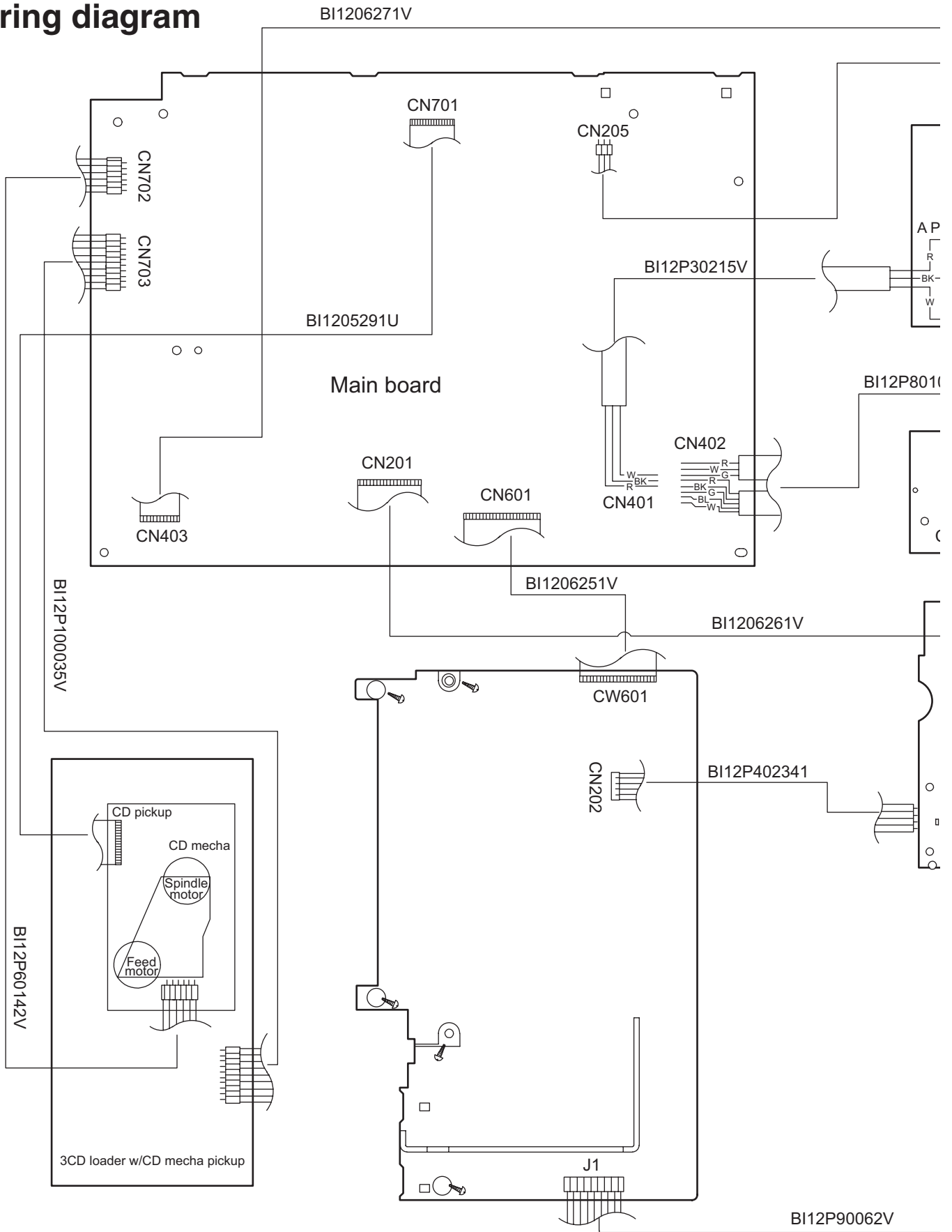
### Contents

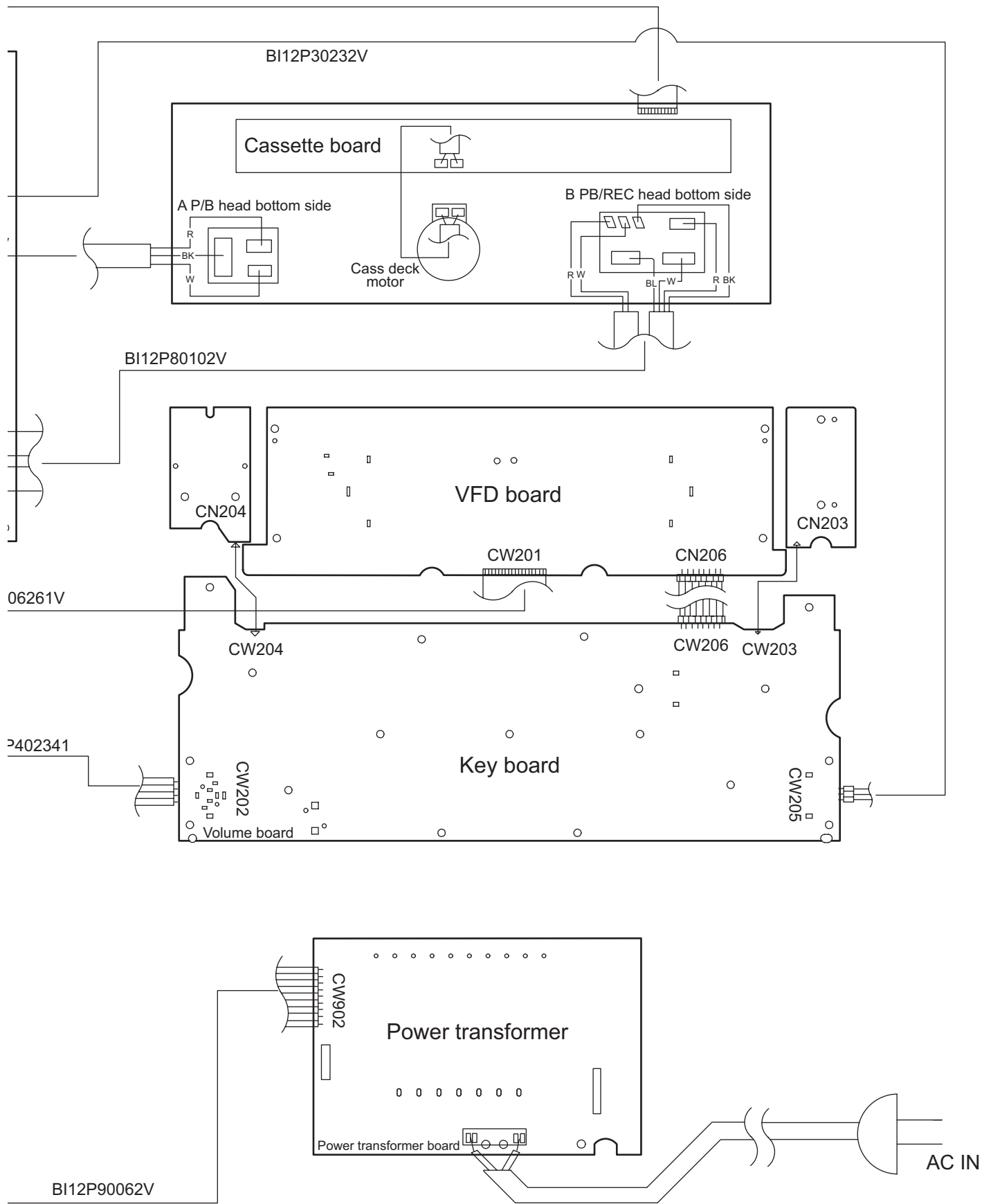
□ □ □	
Wiring diagram .....	2-1
Block diagram .....	2-3
Standard schematic diagrams .....	2-5
Printed circuit boards .....	2-17 to 25

In regard with component parts appearing on the silk-screen printed side (parts side) of the PWB diagrams, the parts that are printed over with black such as the resistor (■), diode (▣) and ICP (●) or identified by the "Δ" mark nearby are critical for safety.

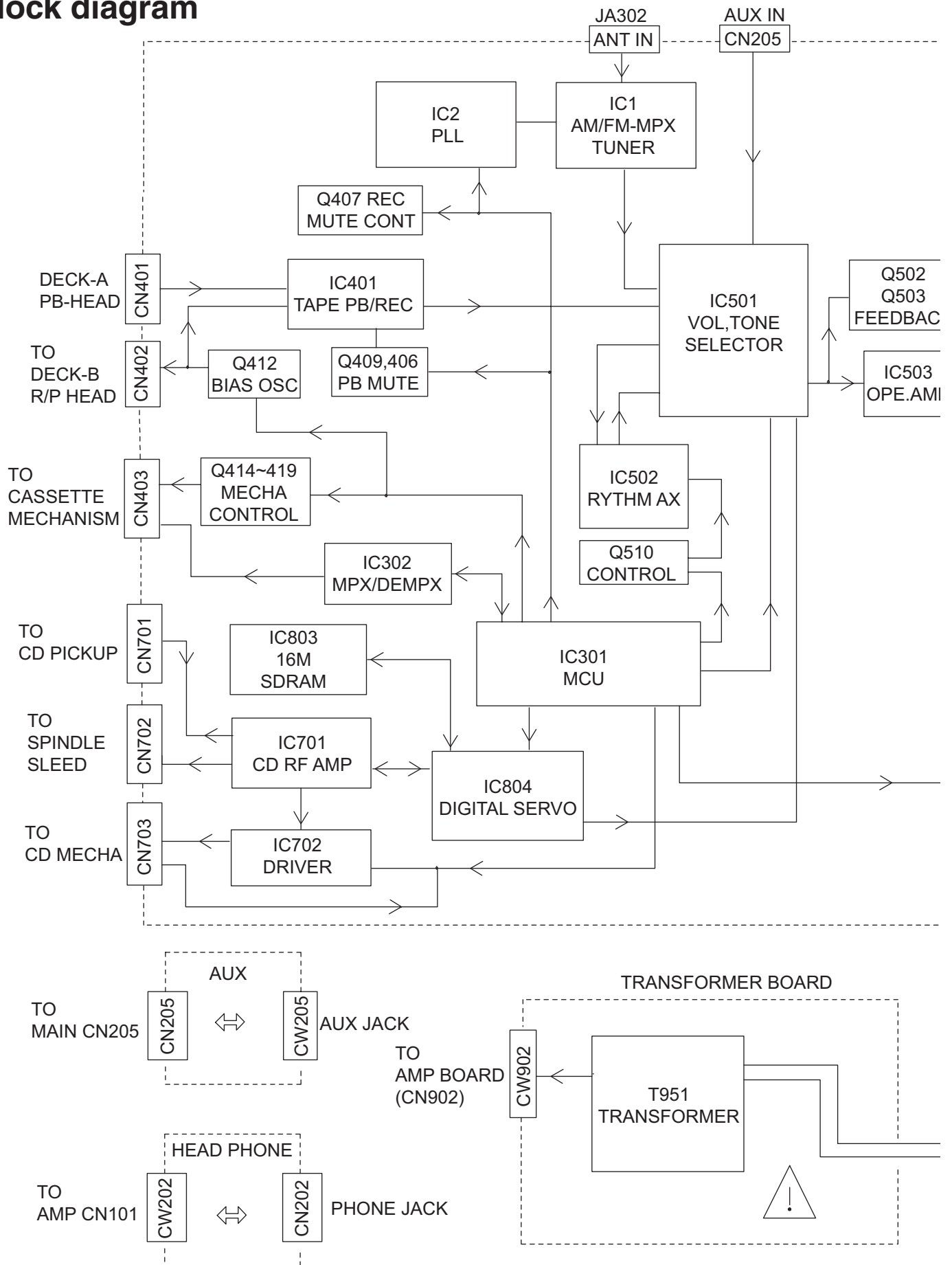
< MEMO >

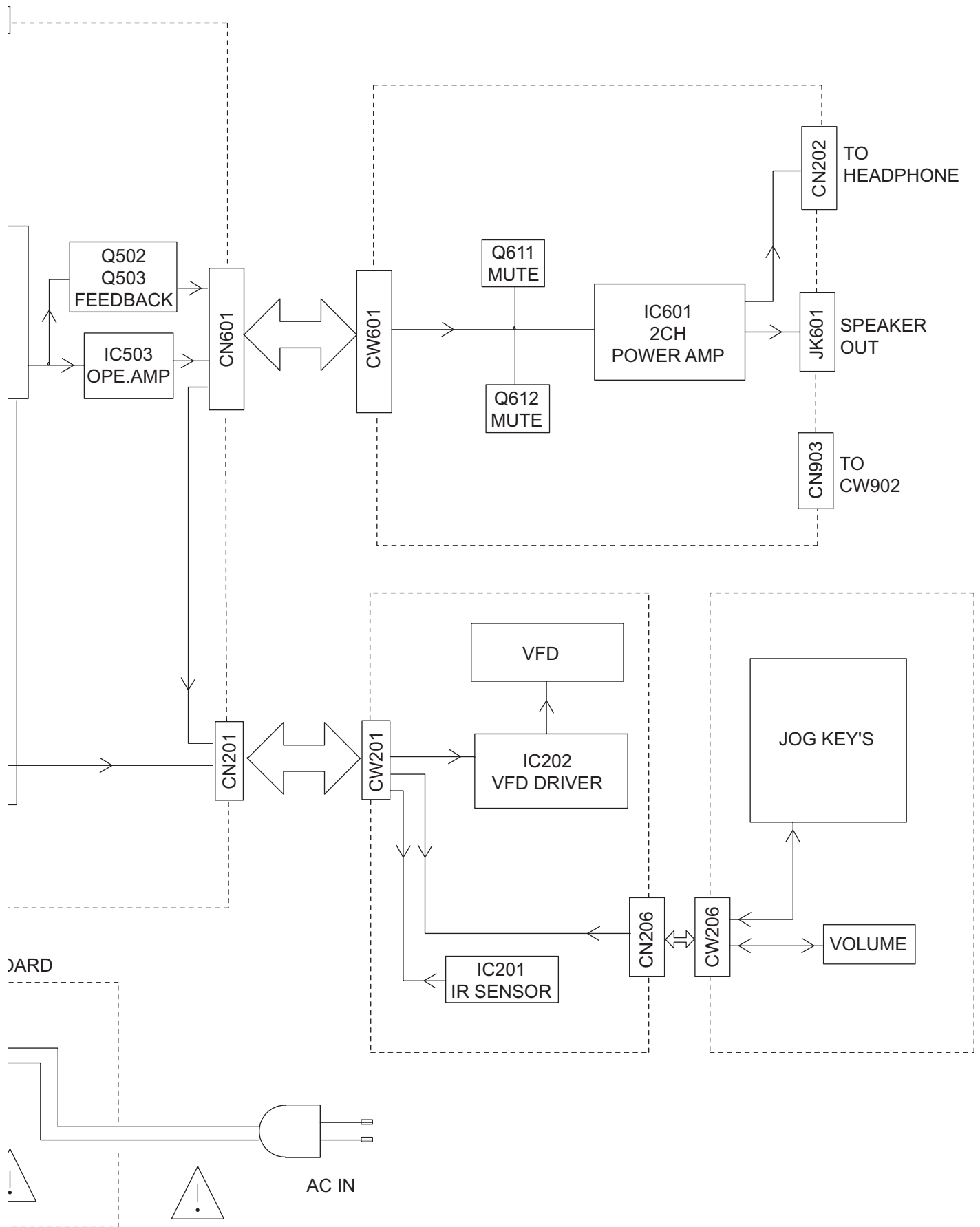
# Wiring diagram





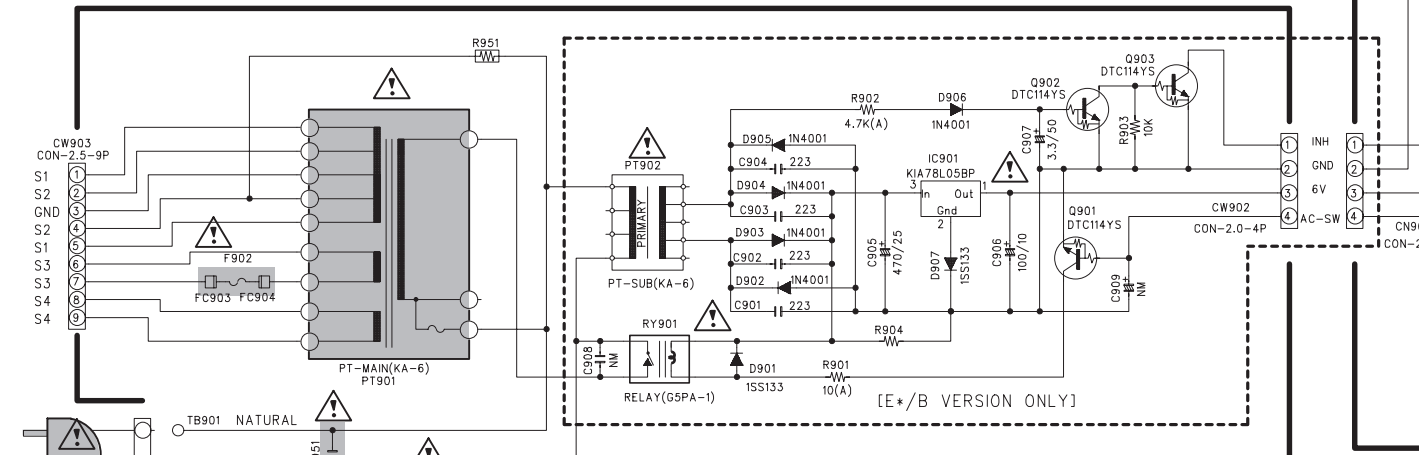
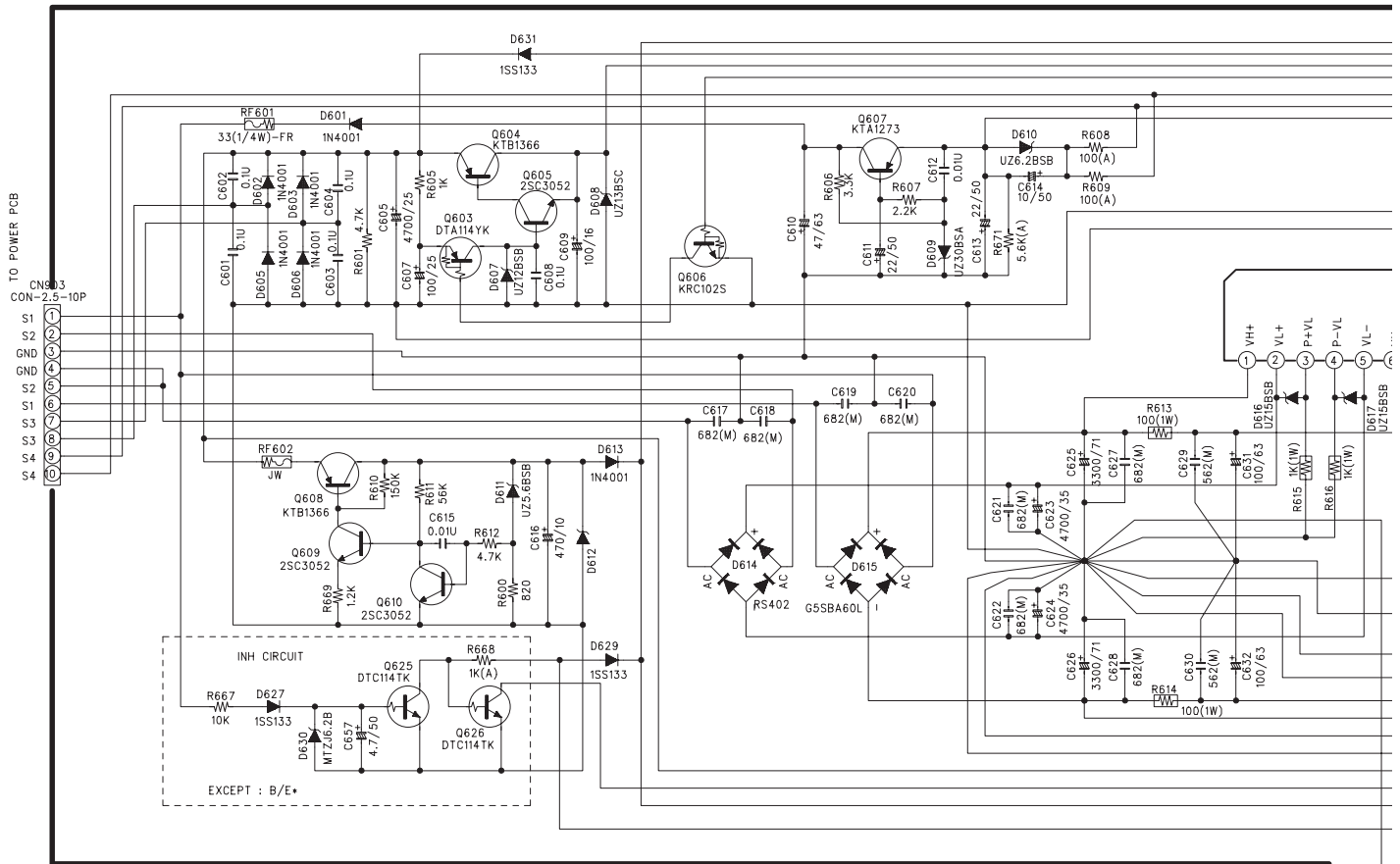
# Block diagram





# Standard schematic diagrams

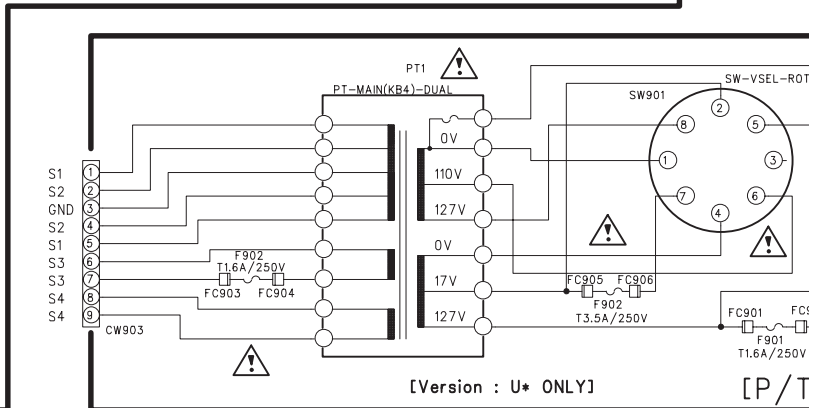
## ■ CDP/AMP POWER section



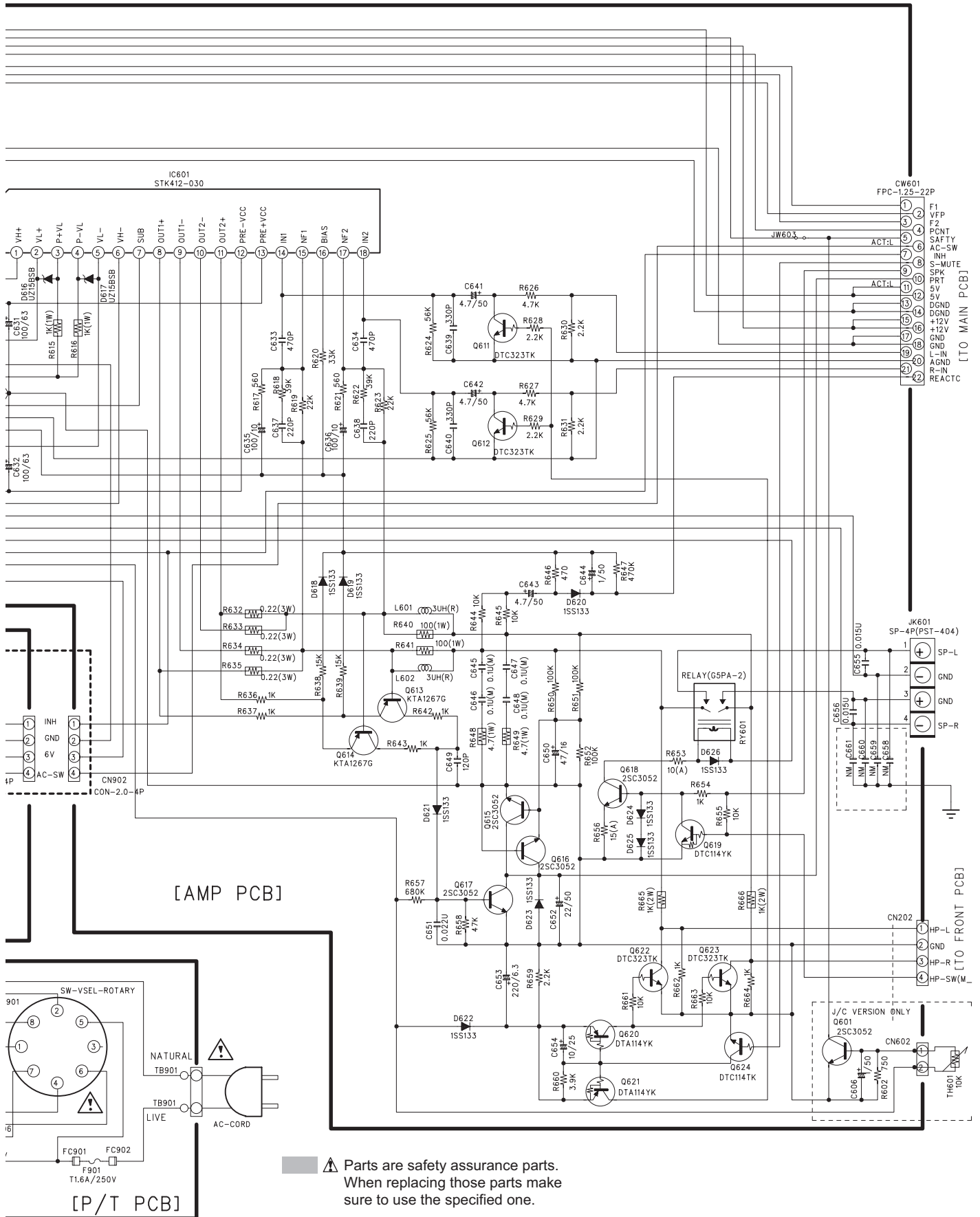
[P/T PCB]

VER.	J/C	E*/B	A
F901	3.5A 250V	T1.6AL250V	
C951	0.22uF /275V		
PT901			
F902	1.6A 250V	T1.6AL250V	

⚠ Parts are safety assurance parts.  
When replacing those parts make  
sure to use the specified one.

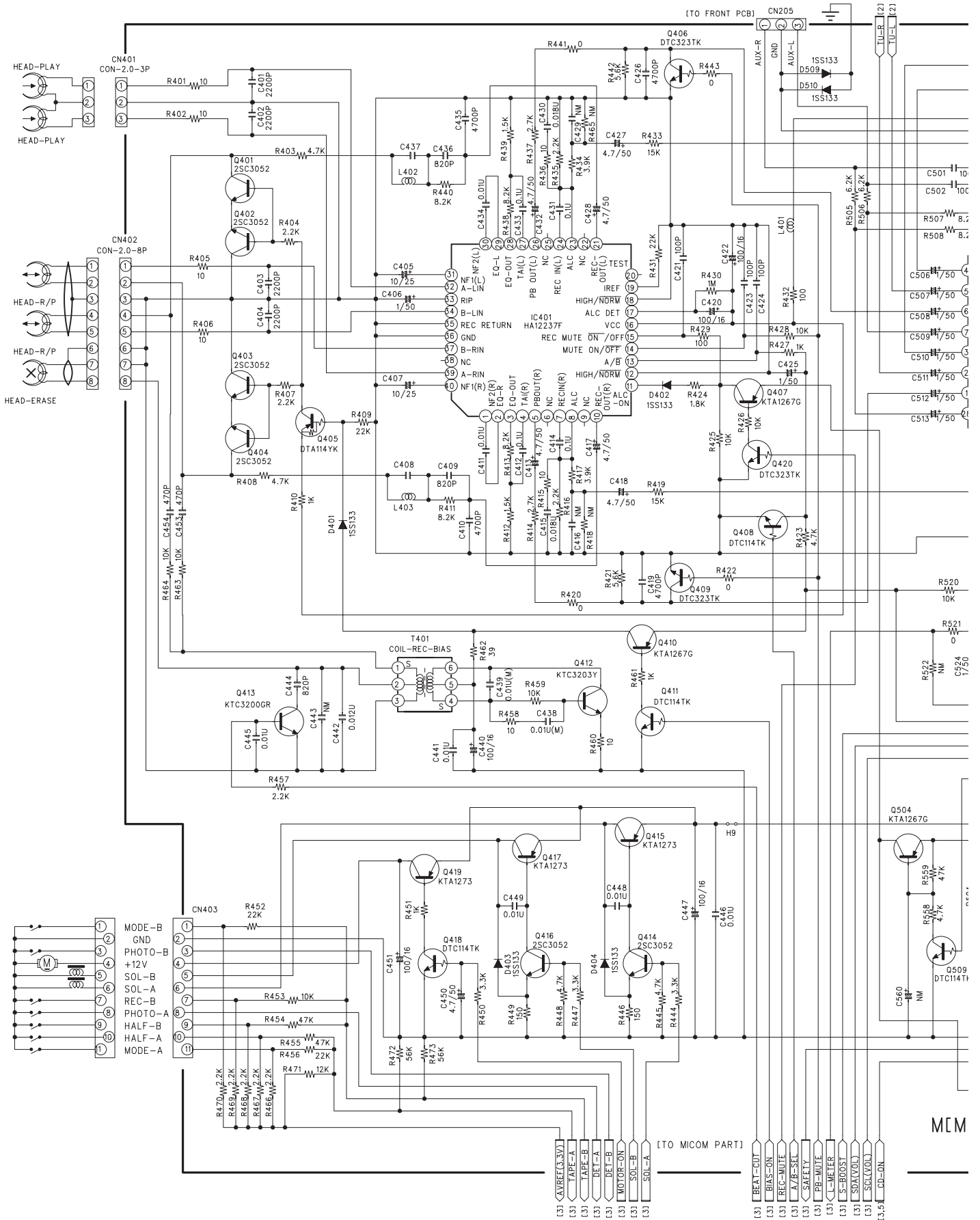


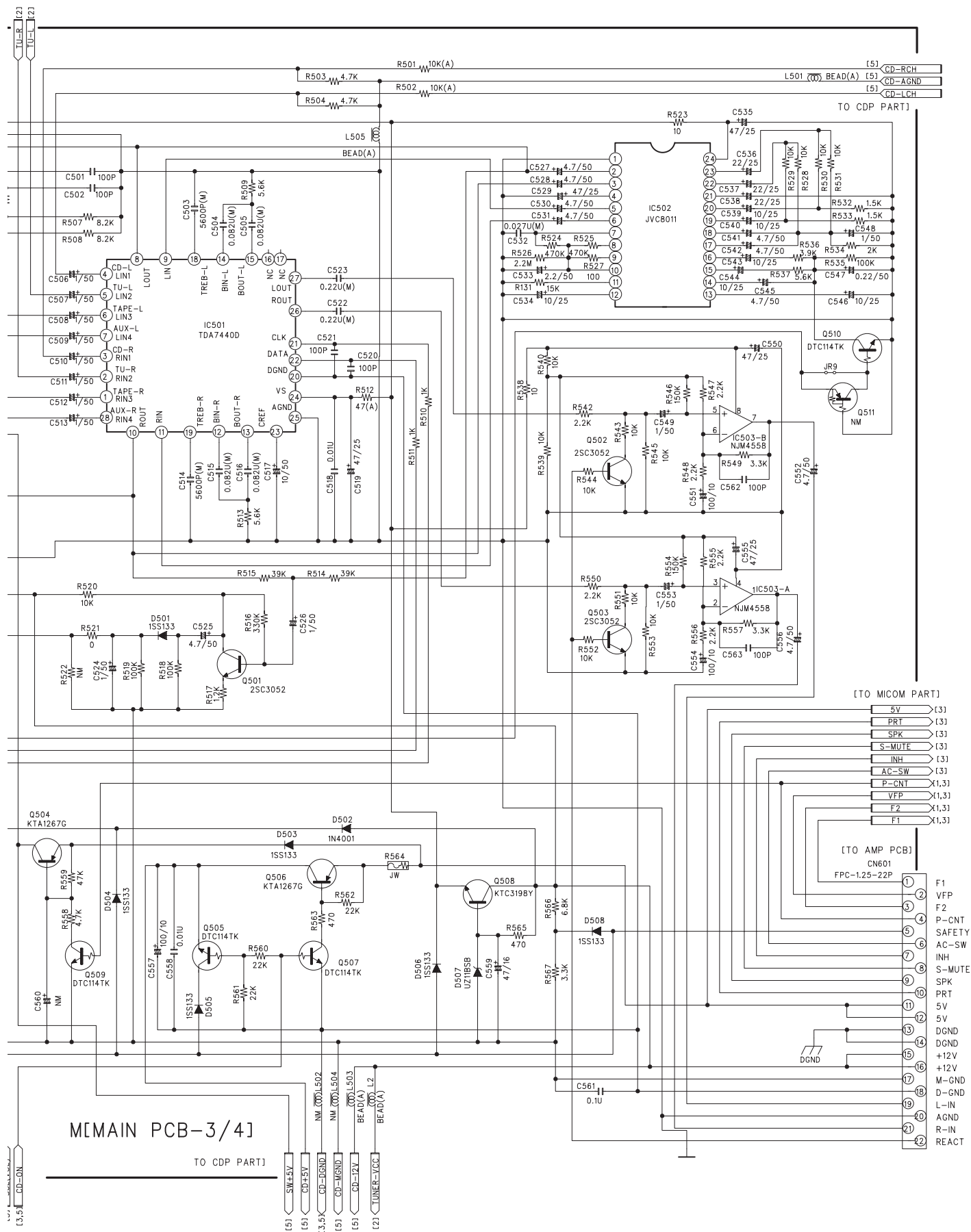




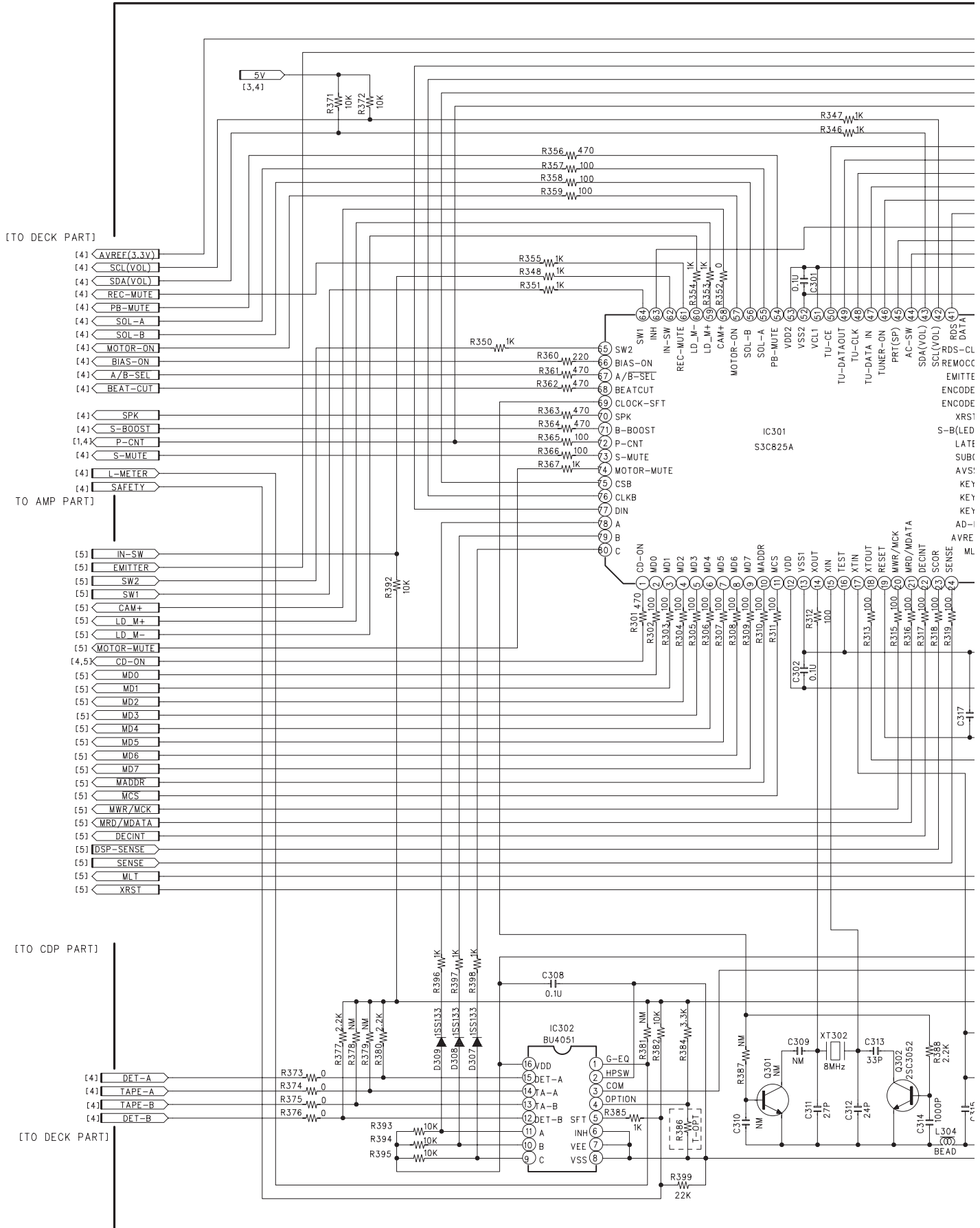
⚠ Parts are safety assurance parts.  
When replacing those parts make  
sure to use the specified one.

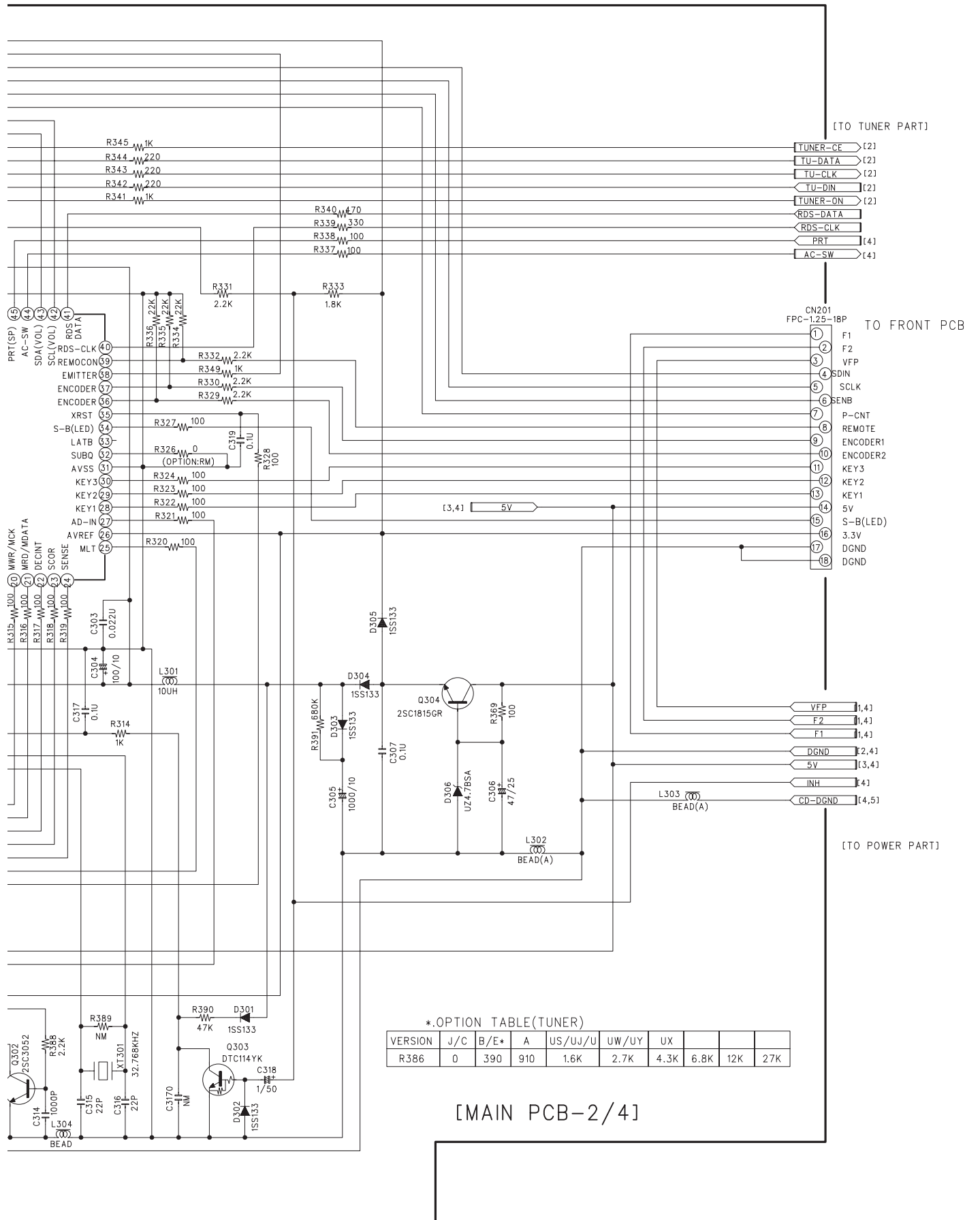
# Function section





# CPU section



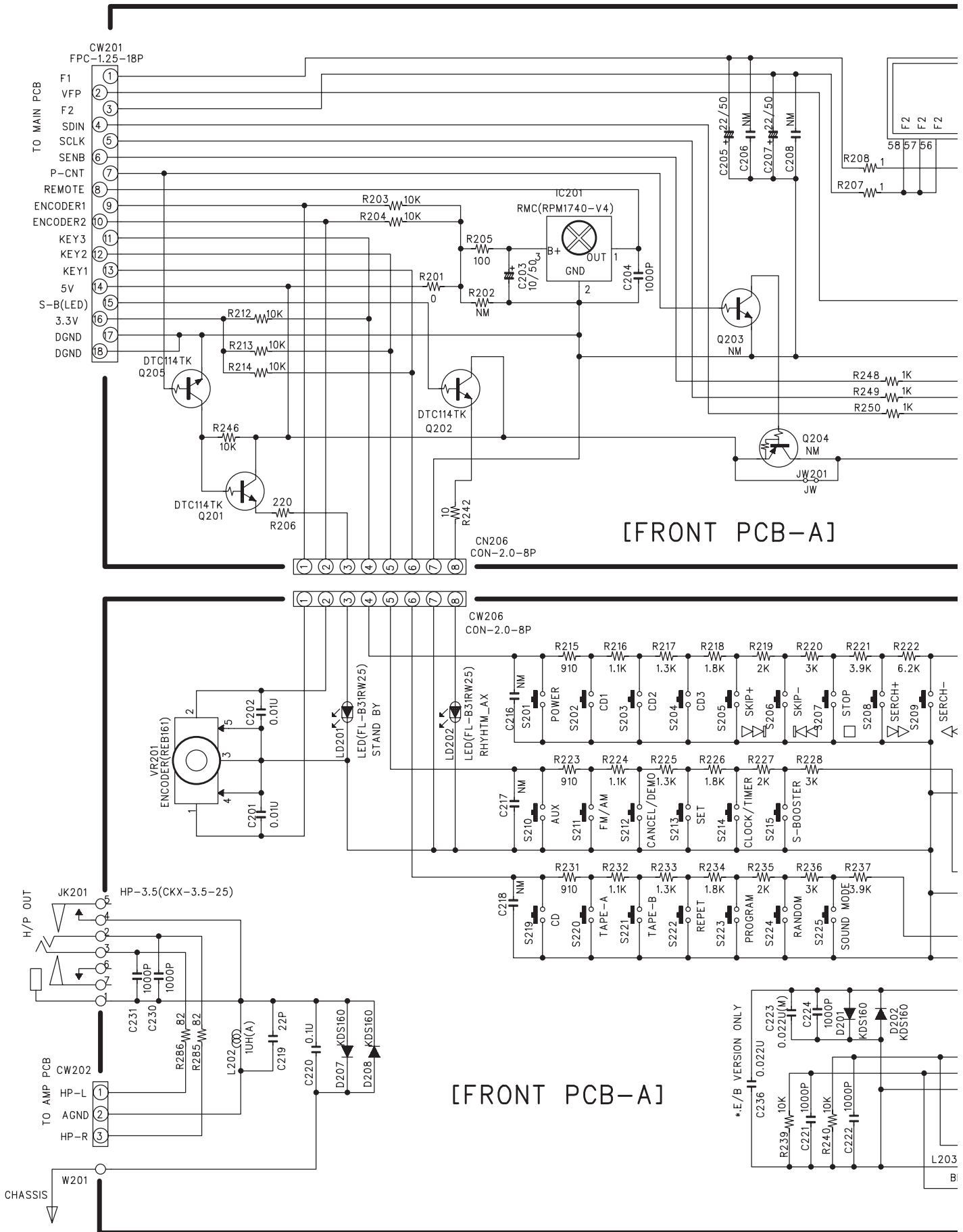


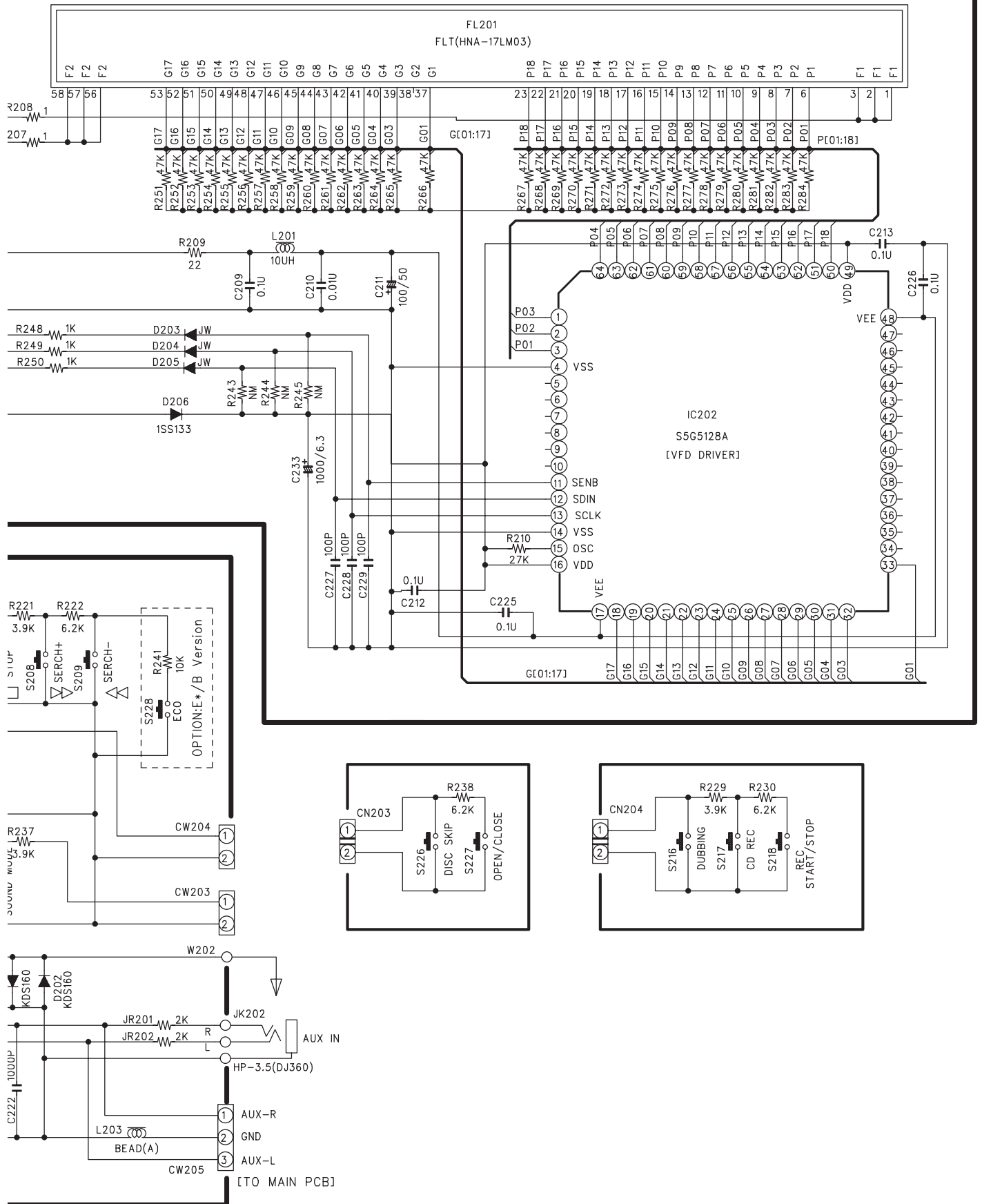
\*.OPTION TABLE(TUNER)

VERSION	J/C	B/E*	A	US/UJ/U	UW/UY	UX			
R386	0	390	910	1.6K	2.7K	4.3K	6.8K	12K	27K

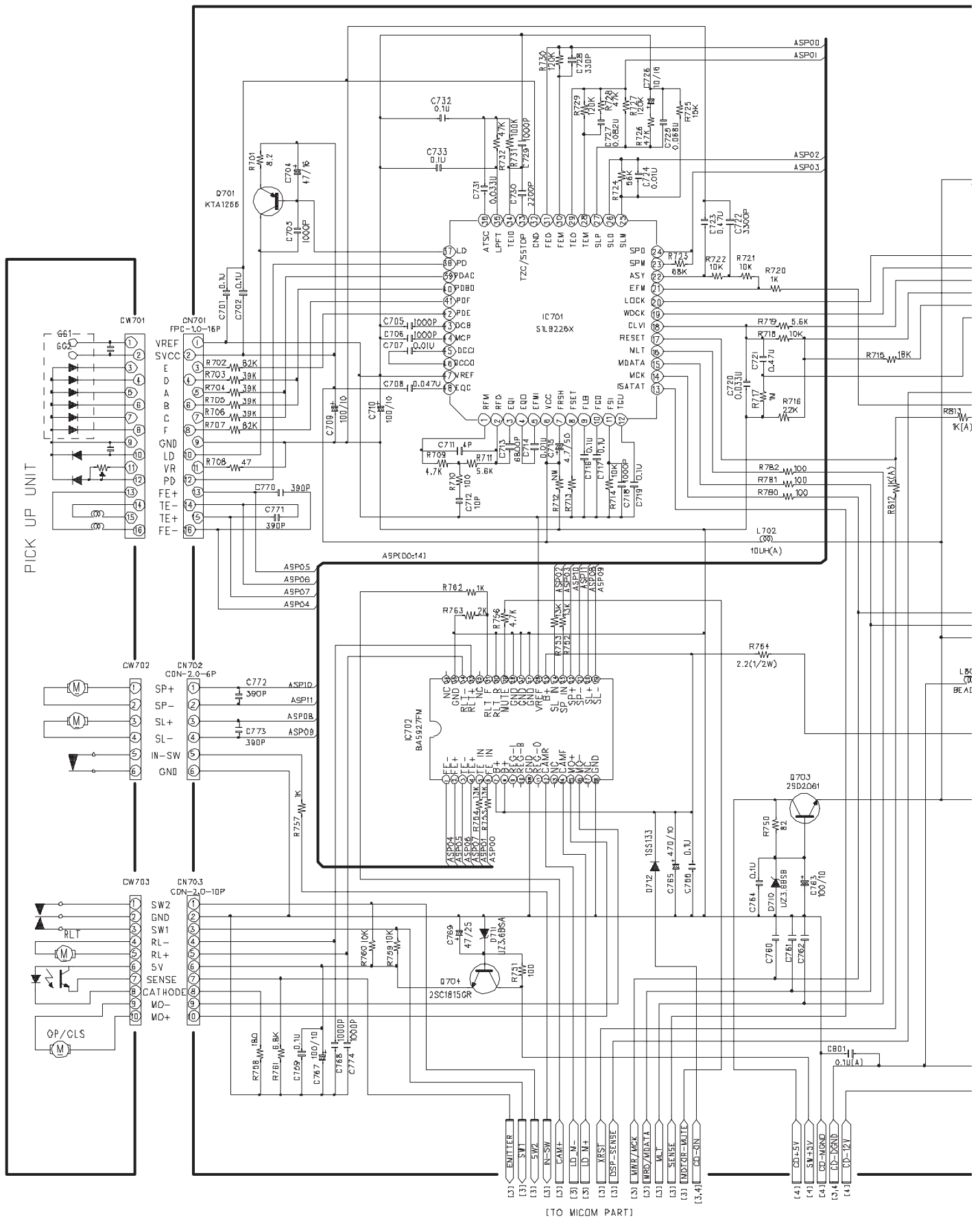
[MAIN PCB-2/4]

# ■ FL / Key control section





CD MP3 section



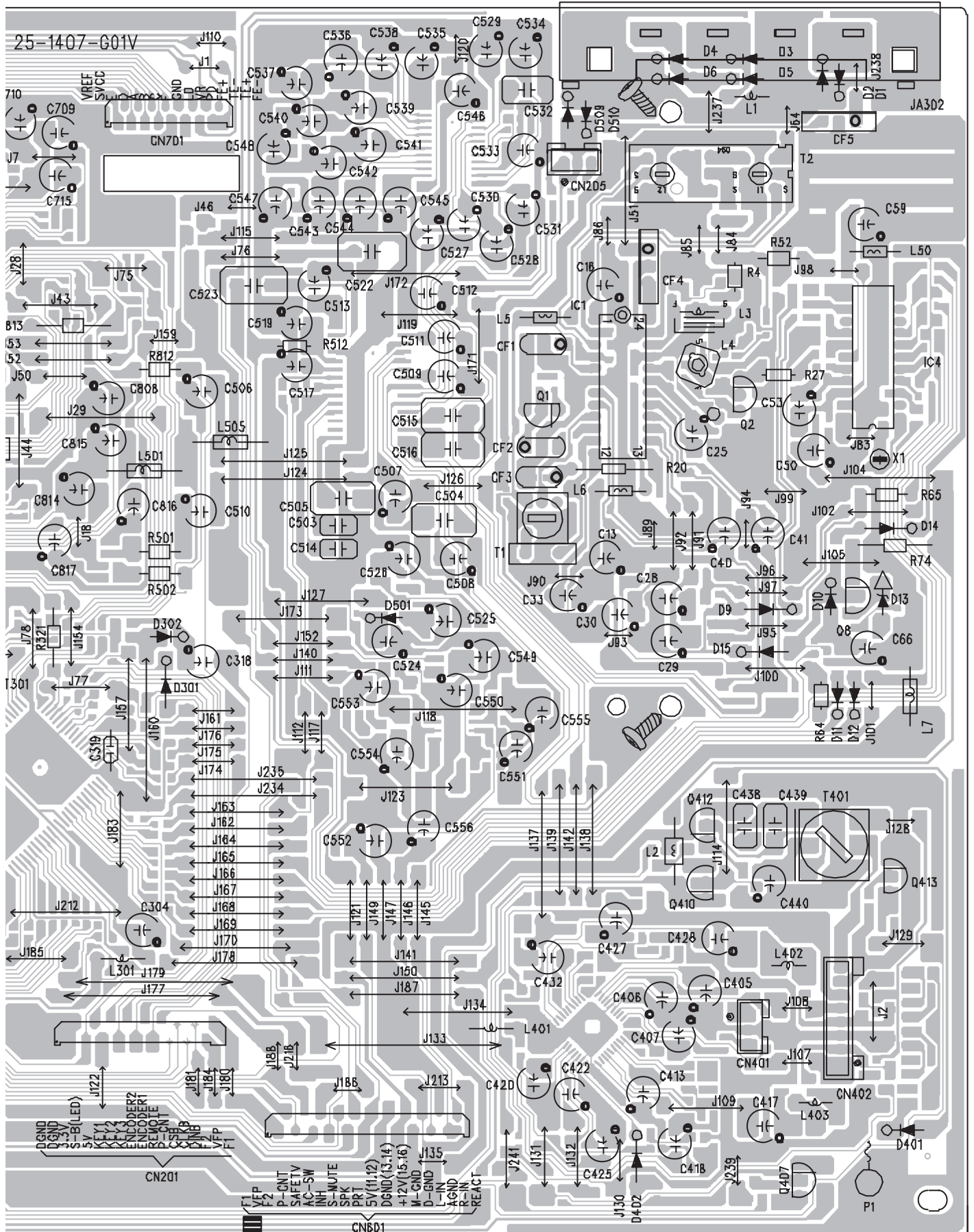






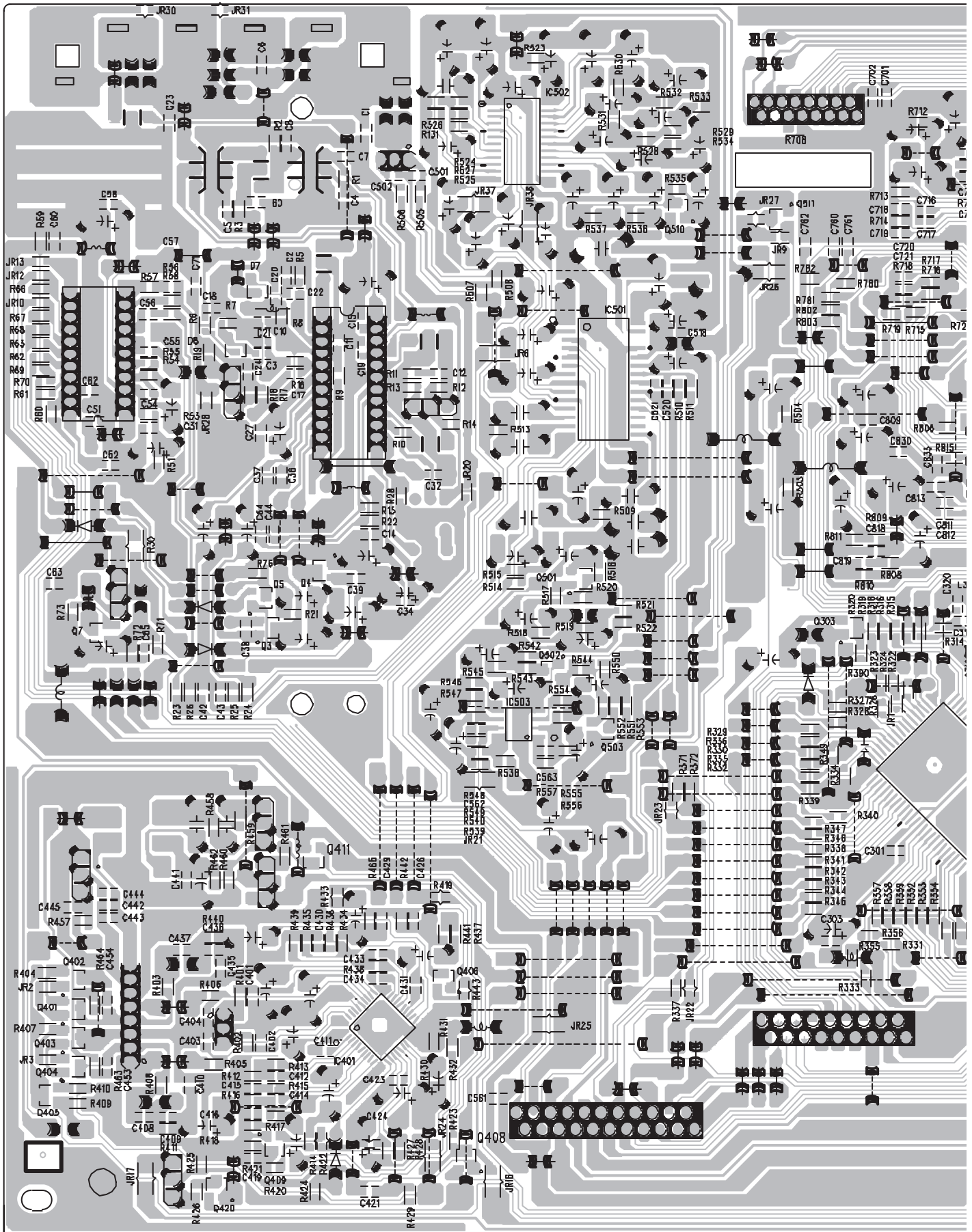


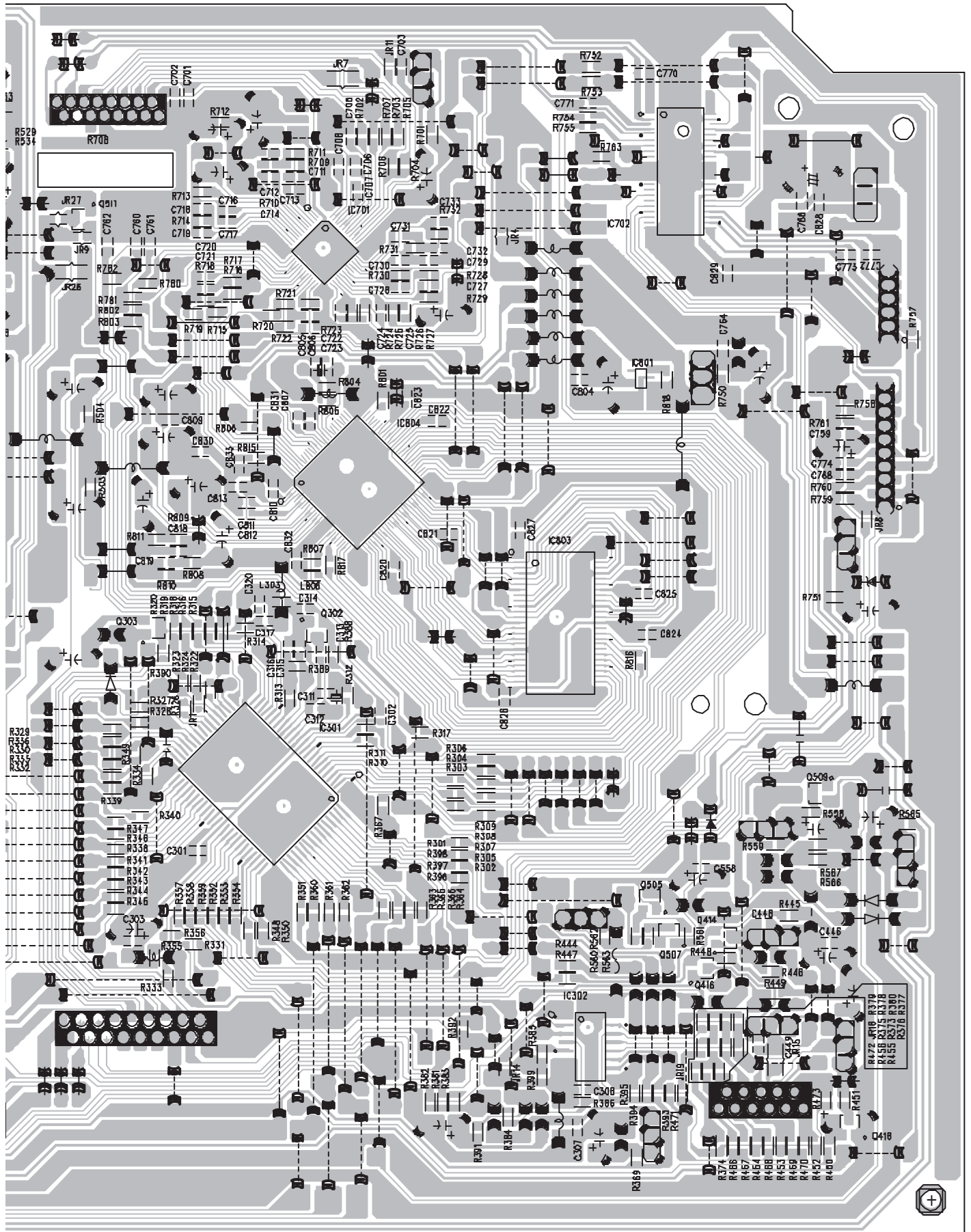




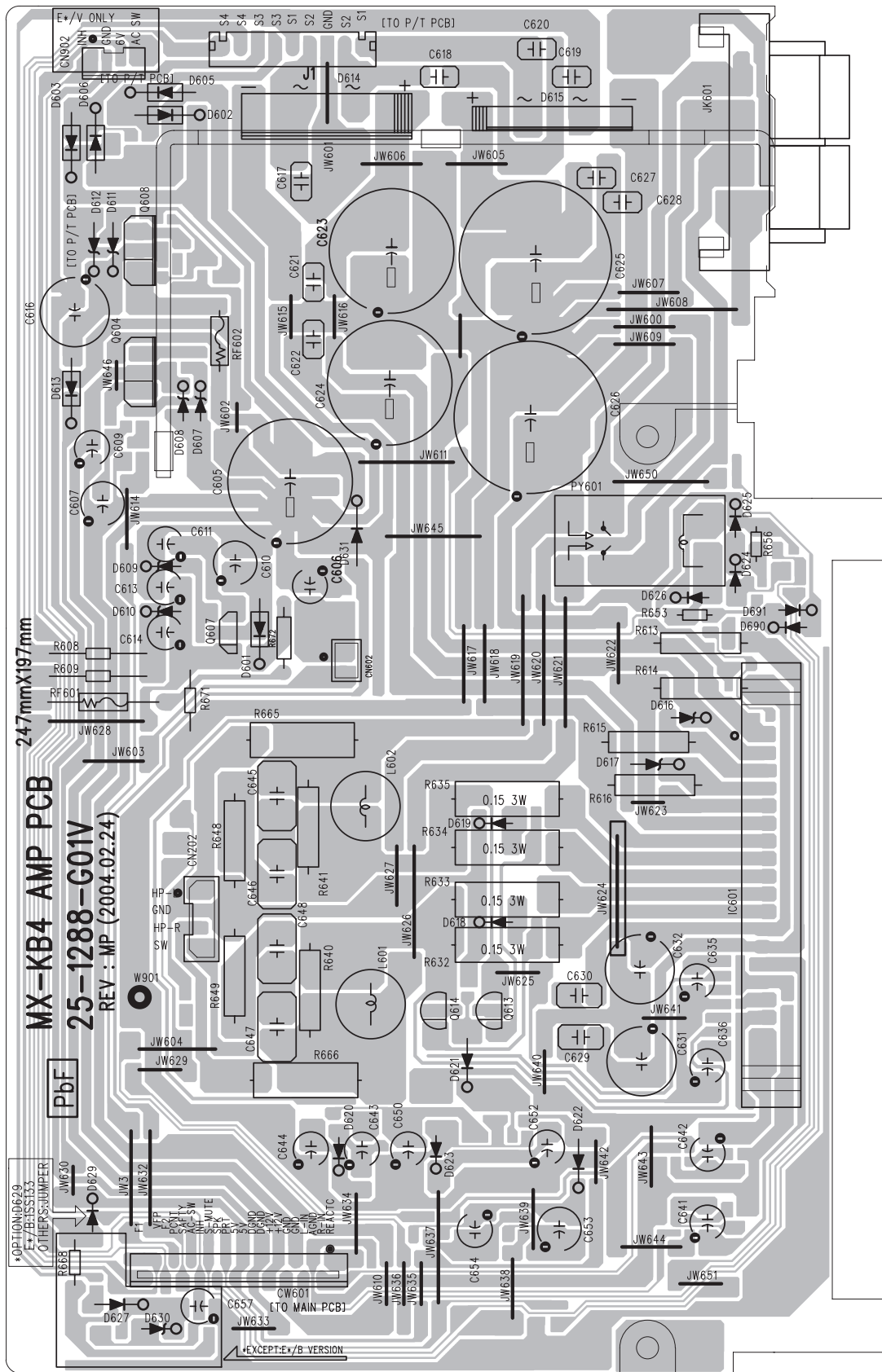


■ Main board (reverse side)



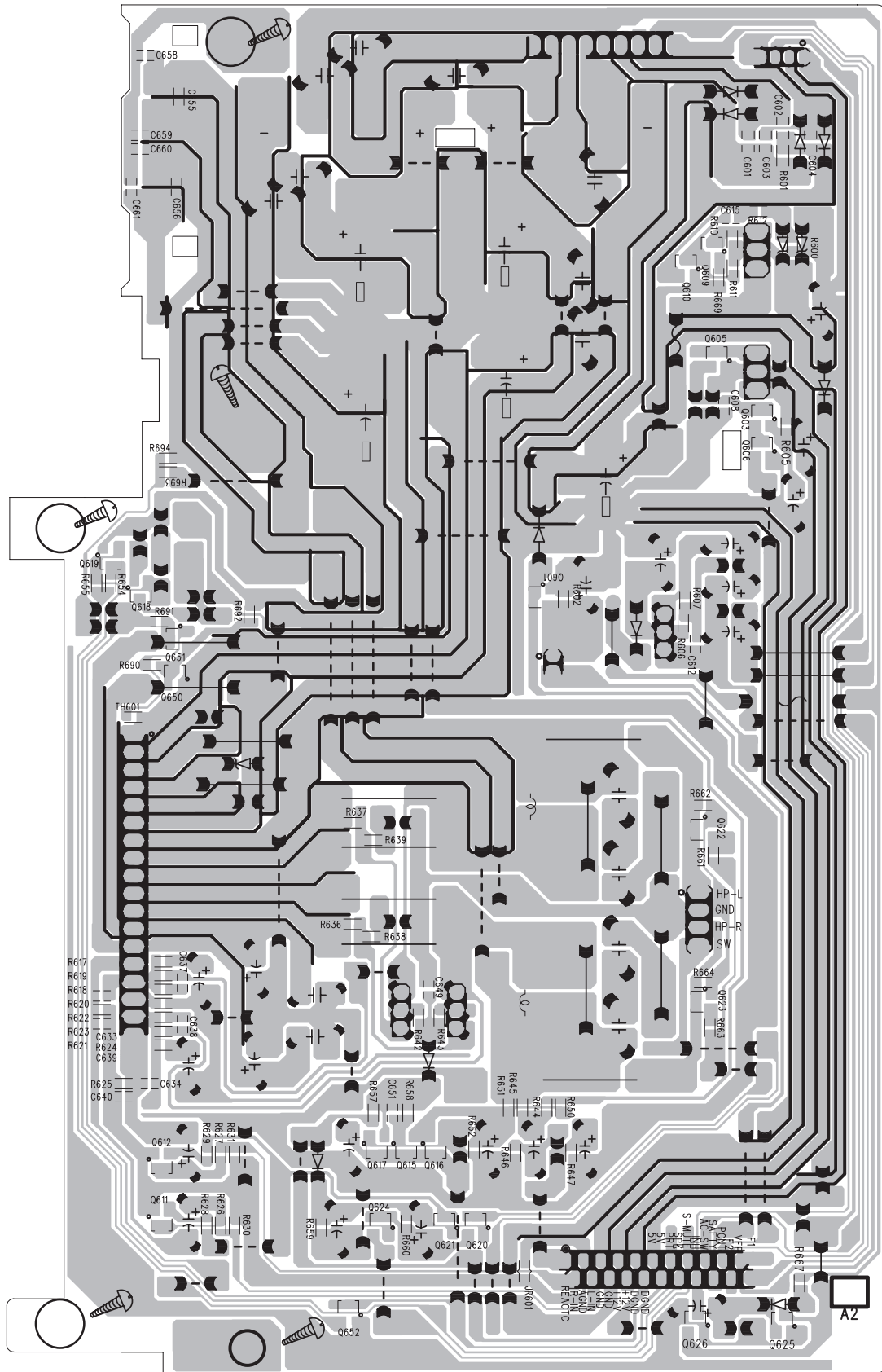


■ Amp board (forward side)





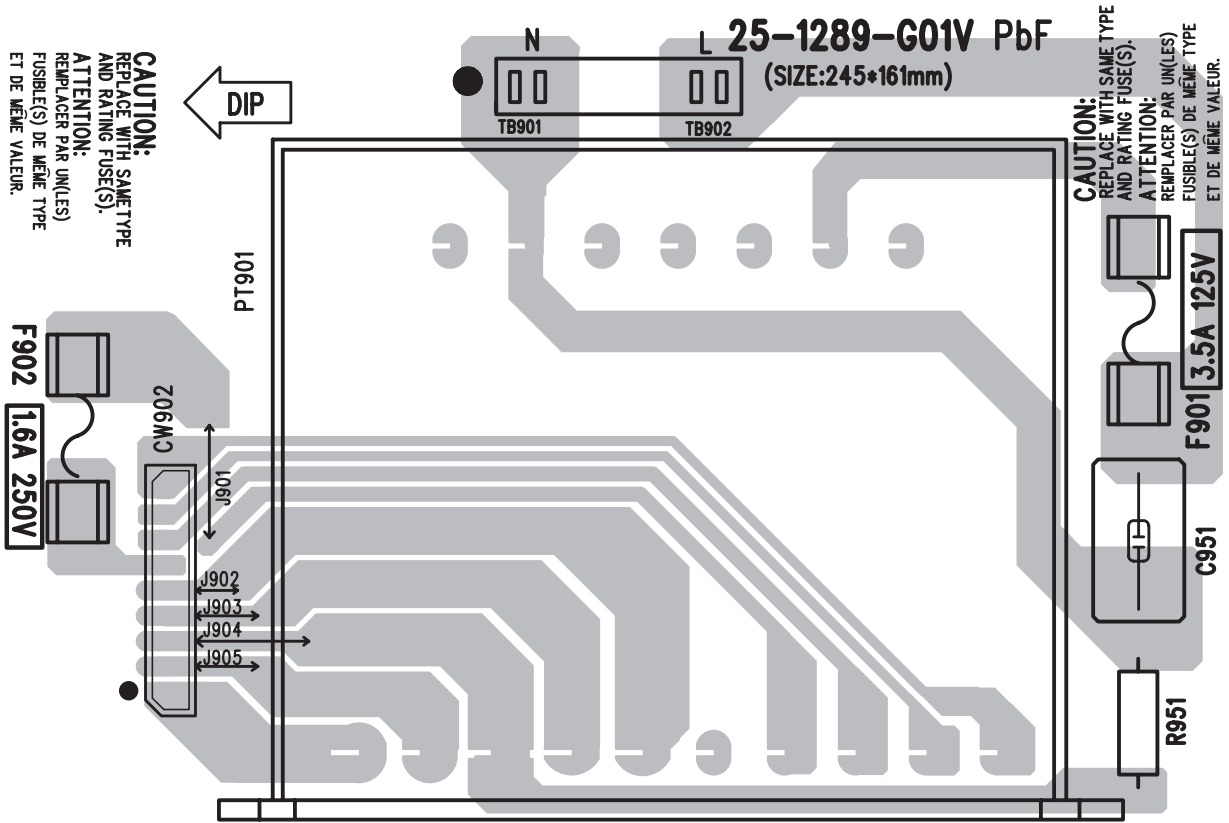
(reverse side)







■ Trans board



< MEMO >

**JVC**

Victor Company of Japan, Limited

AV & MULTIMEDIA COMPANY AUDIO/VIDEO SYSTEMS CATEGORY 10-1,1chome,Ohwatari-machi,Maebashi-city,371-8543,Japan

(No.MB350SCH)



Printed in Japan  
VPT