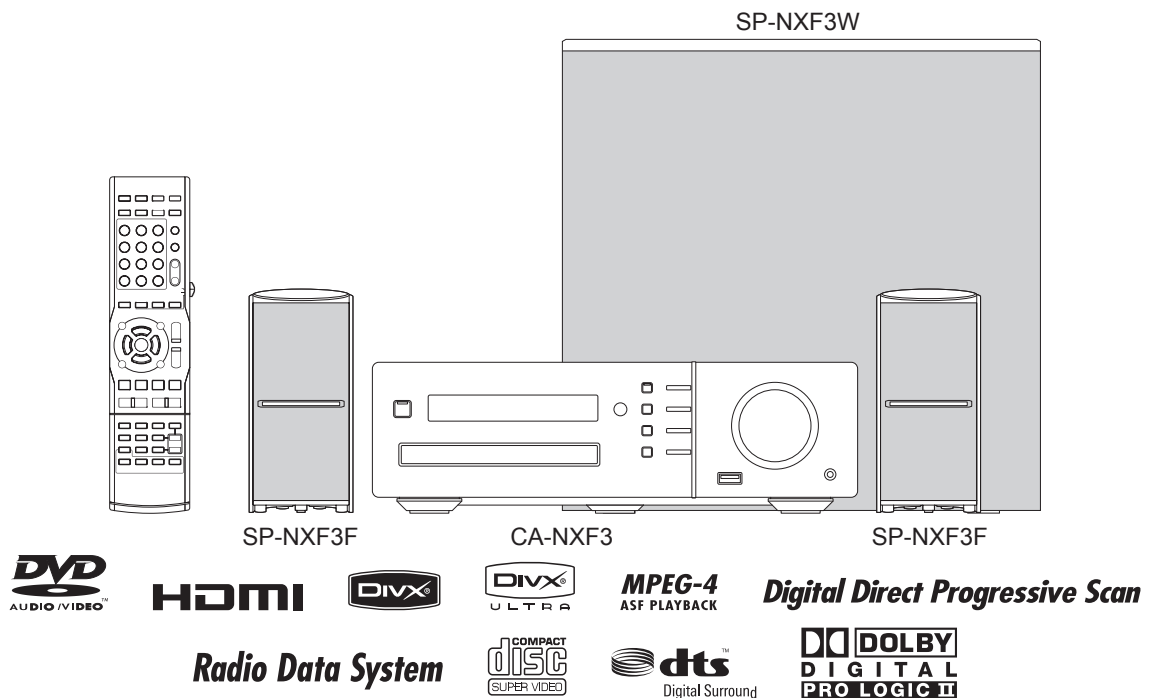


JVC

SERVICE MANUAL

COMPACT COMPONENT SYSTEM

**NX-F3B, NX-F3E, NX-F3EN, NX-F3EV,
NX-F3A, NX-F3EE, NX-F3US, NX-F3UB,
NX-F3UW, NX-F3UX, NX-F3UG, NX-F3UA**



Lead free solder used in the board (material : Sn-Ag-Cu, melting point : 219 Centigrade)
Lead free solder used in the board (material : Sn-Cu, melting point : 230 Centigrade)

TABLE OF CONTENTS

1	PRECAUTION.....	1-6
2	SPECIFIC SERVICE INSTRUCTIONS.....	1-9
3	DISASSEMBLY.....	1-10
4	ADJUSTMENT.....	1-20
5	TROUBLESHOOTING.....	1-25

SPECIFICATION

For Europe Main unit

Tuner		
FM frequency	87.50 MHz - 108.00 MHz	
AM frequency	522 kHz - 1 629 kHz	
Terminal (front of the main unit)		
Impedance	16 Ω - 1 k Ω	
Terminal (rear of the main unit)		
Left/right speakers	Output power	200 W (50 W x 4) at 3 Ω (1 kHz/10 % THD)
	Impedance	3 Ω - 16 Ω
	Subwoofer Output power	150 W at 6 Ω 100 Hz/10 % THD)
	Impedance	6 Ω - 16 Ω
Optical digital input terminal	-23 dBm to -15 dBm	
Optical digital output terminal	-23 dBm to -15 dBm	
Component video output terminals	Y: 1.0 Vp-p, 75 Ω terminated	
	PB: 0.7 Vp-p, 75 Ω terminated	
	PR: 0.7 Vp-p, 75 Ω terminated	
Composite video output terminal	1.0 Vp-p, 75 Ω terminated	
Audio input terminals	500 mV/47 k Ω	
USB(Compatible with USB 2.0 Full-Speed)		
Compatible device	USB mass storage class device	
Compatible file system	FAT16, FAT32	
Output power	DC 5 V = 500 mA	
HDMI		
Output power	DC 5 V = 55 mA	
General		
Power source	AC 230 V~50 Hz	
Power consumption (in operation)	90 W	
Power consumption (on standby)	0.8 W	
Dimensions (W x H x D) [including projecting parts]	300 mm x 95 mm x 295 mm	
Mass	3.4 kg	

Speaker

Type	1-way bass reflex type Magnetically shielded type	
Speaker driver	Front ch	5.5 cm cone
	Surround ch	5.5 cm cone
Power handling capacity	Front ch	50W
	Surround ch	50W
Impedance	3 Ω	
Frequency range	80 Hz - 20 kHz	
Sound pressure level	77 dB/W•m	
Dimensions (W x H x D)[including projection parts]	88 mm x 184 mm x 125 mm	
Mass (1 speaker)	1.2 kg	

Subwoofer

Type	Bass reflex type
Speaker driver	16 cm cone
Power handling capacity	150 W
Impedance	6 Ω
Frequency range	30 Hz - 200 Hz
Sound pressure level	76 dB/W•m
Dimensions (W x H x D)	300 mm x 301 mm x 305 mm
Mass	8.2 kg

Designs and specifications are subject to change without notice.

NX-F3A/UB**Main unit**

Tuner			
FM frequency		87.50 MHz - 108.00 MHz	
AM frequency		531 kHz - 1 710 kHz (9 kHz spacing)	
		530 kHz - 1 710 kHz (10 kHz spacing)	
Terminal (front of the main unit)			
USB digital input terminal x 1			
Audio output headphone terminal x 1			
Impedance		16 Ω - 1 k Ω	
Terminal (rear of the main unit)			
Audio output speaker terminals x 1	Left/Right speakers	Output power	200 W (50 W x 4) at 3 Ω (1 kHz/10 % THD)
		Impedance	3 Ω - 16 Ω
		Subwoofer Output power	150 W at 6 Ω (100 Hz/10 % THD)
		Impedance	6 Ω - 16 Ω
Optical digital input terminal x 1		-23 dBm to -15 dBm	
Optical digital output terminal x 1		-23 dBm to -15 dBm	
Component video output terminals x 1	Y	1.0 Vp-p, 75 Ω terminated	
	PB	0.7 Vp-p, 75 Ω terminated	
	PR	0.7 Vp-p, 75 Ω terminated	
Composite video output terminal x 1		1.0 Vp-p, 75 Ω terminated	
Audio input terminals x 1		500 mV/47 k Ω	
HDMI monitor output terminal x 1			
FM antenna terminal x 1			
AM antenna terminal x 1			
General			
Power source (Australia)		AC 240 V~, 50 Hz	
Power source (Hong Kong)		AC 220 V~, 50 Hz	
Power consumption (in operation)		90 W	
Power consumption (on standby)		0.8 W	
Dimensions (W x H x D) [including projecting parts]		300 mm x 95 mm x 295 mm	
Mass		3.4 kg	

USB(Compatible with USB 2.0 Full-Speed)	
Compatible device	USB mass storage class device
Compatible file system	FAT16, FAT32
Output power	DC 5 V=500 mA
HDMI	
Output power	DC 5 V=55 mA

Speaker (SP-NXF3F)

Type	1-way bass reflex type Magnetically shielded type	
Speaker driver	Front ch	5.5 cm cone
	Surround ch	5.5 cm cone
Power handling capacity	Front ch	50W
	Surround ch	50W
Impedance	3 Ω	
Frequency range	80 Hz - 20 kHz	
Sound pressure level	77 dB/W•m	
Dimensions (W x H x D) [including projection parts]	88 mm x 184 mm x 125 mm	
Mass (1 speaker)	1.2 kg	

Subwoofer (SP-NXF3W)

Type	Bass reflex type
Speaker driver	16 cm cone
Power handling capacity	150 W
Impedance	6 Ω
Frequency range	30 Hz - 200 Hz
Sound pressure level	76 dB/W•m
Dimensions (W x H x D)	300 mm x 301 mm x 305 mm
Mass	8.2 kg

Designs and specifications are subject to change without notice.

For asia Main unit

Tuner			
FM frequency	87.50 MHz - 108.00 MHz		
AM frequency (Middle Eastern countries and South Africa)	531 kHz - 1 602 kHz (9 kHz spacing)		
	530 kHz - 1 600 kHz (10 kHz spacing)		
AM frequency (other countries/areas)	531 kHz - 1 710 kHz (9 kHz spacing)		
	530 kHz - 1 710 kHz (10 kHz spacing)		
Terminal (front of the main unit)			
Microphone input terminal x 2	3.0 mV/12 kΩ		
USB digital input terminal x 1			
Audio output headphone terminal x 1	Impedance	16 Ω - 1 kΩ	
Terminal (rear of the main unit)			
Audio output speaker terminals x 1	Left/Right speakers	Output power	200 W (50 W x 4) at 3 Ω (1 kHz/10 % THD)
		Impedance	3 Ω - 16 Ω
		Subwoofer Output power	150 W at 6 Ω (100 Hz/10 % THD)
		Impedance	6 Ω - 16 Ω
Optical digital input terminal x 1	-23 dBm to -15 dBm		
Optical digital output terminal x 1	-23 dBm to -15 dBm		

Component video output terminals x 1	Y	1.0 Vp-p, 75 Ω terminated
	PB	0.7 Vp-p, 75 Ω terminated
	PR	0.7 Vp-p, 75 Ω terminated
Composite video output terminal x 1		1.0 Vp-p, 75 Ω terminated
Audio input terminals x 1		500 mV/47 k Ω
HDMI monitor output terminal x 1		
FM antenna terminal x 1		
AM antenna terminal x 1		
General		
Power source (Thailand)		AC 220 V~, 50 Hz
Power source (other countries/areas)		AC 110 - 127/220 -240 V~,50/60 Hz
Power consumption (in operation)		90 W
Power consumption (on standby)		0.8 W
Dimensions (W x H x D) [including projecting parts]		300 mm x 95 mm x 295 mm
Mass		3.4 kg
USB (Compatible with USB 2.0 Full-Speed)		
Compatible device		USB mass storage class device
Compatible file system		FAT16, FAT32
Output power		DC 5 V=500 mA
HDMI		
Output power		DC 5 V=55 mA

Speaker (SP-NXF3F)

Type		1-way bass reflex type Magnetically shielded type
Speaker driver	Front ch	5.5 cm cone
	Surround ch	5.5 cm cone
Power handling capacity	Front ch	50W
	Surround ch	50W
Impedance		3 Ω
Frequency range		80 Hz - 20 kHz
Sound pressure level		77 dB/W•m
Dimensions (W x H x D) [including projection parts]		88 mm x 184 mm x 125 mm
Mass (1 speaker)		1.2 kg

Subwoofer (SP-NXF3W)

Type		Bass reflex type
Speaker driver		16 cm cone
Power handling capacity		150 W
Impedance		6 Ω
Frequency range		30 Hz - 200 Hz
Sound pressure level		76 dB/W•m
Dimensions (W x H x D)		300 mm x 301 mm x 305 mm
Mass		8.2 kg

Designs and specifications are subject to change without notice.

SECTION 1 PRECAUTION

1.1 Safety Precautions

- (1) This design of this product contains special hardware and many circuits and components specially for safety purposes. For continued protection, no changes should be made to the original design unless authorized in writing by the manufacturer. Replacement parts must be identical to those used in the original circuits. Services should be performed by qualified personnel only.
- (2) Alterations of the design or circuitry of the product should not be made. Any design alterations of the product should not be made. Any design alterations or additions will void the manufacturer's warranty and will further relieve the manufacturer of responsibility for personal injury or property damage resulting therefrom.
- (3) Many electrical and mechanical parts in the products have special safety-related characteristics. These characteristics are often not evident from visual inspection nor can the protection afforded by them necessarily be obtained by using replacement components rated for higher voltage, wattage, etc. Replacement parts which have these special safety characteristics are identified in the Parts List of Service Manual. Electrical components having such features are identified by shading on the schematics and by (Δ) on the Parts List in the Service Manual. The use of a substitute replacement which does not have the same safety characteristics as the recommended replacement parts shown in the Parts List of Service Manual may create shock, fire, or other hazards.
- (4) The leads in the products are routed and dressed with ties, clamps, tubings, barriers and the like to be separated from live parts, high temperature parts, moving parts and/or sharp edges for the prevention of electric shock and fire hazard. When service is required, the original lead routing and dress should be observed, and it should be confirmed that they have been returned to normal, after reassembling.

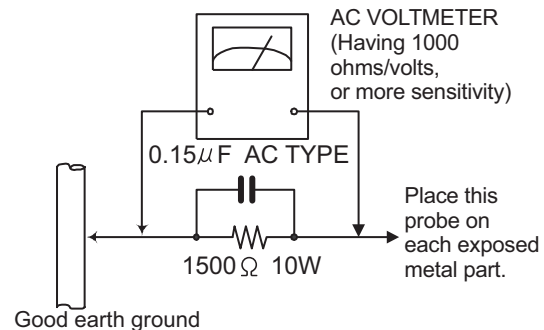
(5) Leakage shock hazard testing

After reassembling the product, always perform an isolation check on the exposed metal parts of the product (antenna terminals, knobs, metal cabinet, screw heads, headphone jack, control shafts, etc.) to be sure the product is safe to operate without danger of electrical shock. Do not use a line isolation transformer during this check.

- Plug the AC line cord directly into the AC outlet. Using a "Leakage Current Tester", measure the leakage current from each exposed metal part of the cabinet, particularly any exposed metal part having a return path to the chassis, to a known good earth ground. Any leakage current must not exceed 0.5mA AC (r.m.s.).
- Alternate check method
Plug the AC line cord directly into the AC outlet. Use an AC voltmeter having, 1,000 Ω per volt or more sensitivity in the following manner. Connect a 1,500 Ω 10W resistor paralleled by a 0.15 μ F AC-type capacitor between an exposed metal part and a known good earth ground. Measure the AC voltage across the resistor with the AC

voltmeter.

Move the resistor connection to each exposed metal part, particularly any exposed metal part having a return path to the chassis, and measure the AC voltage across the resistor. Now, reverse the plug in the AC outlet and repeat each measurement. Voltage measured any must not exceed 0.75 V AC (r.m.s.). This corresponds to 0.5 mA AC (r.m.s.).



1.2 Warning

- (1) This equipment has been designed and manufactured to meet international safety standards.
- (2) It is the legal responsibility of the repairer to ensure that these safety standards are maintained.
- (3) Repairs must be made in accordance with the relevant safety standards.
- (4) It is essential that safety critical components are replaced by approved parts.
- (5) If mains voltage selector is provided, check setting for local voltage.

1.3 Caution

Burrs formed during molding may be left over on some parts of the chassis.

Therefore, pay attention to such burrs in the case of pre-forming repair of this system.

1.4 Critical parts for safety

In regard with component parts appearing on the silk-screen printed side (parts side) of the PWB diagrams, the parts that are printed over with black such as the resistor (■), diode (■) and ICP (●) or identified by the " Δ " mark nearby are critical for safety. When replacing them, be sure to use the parts of the same type and rating as specified by the manufacturer. (This regulation does not Except the J and C version)

1.5 Preventing static electricity

Electrostatic discharge (ESD), which occurs when static electricity stored in the body, fabric, etc. is discharged, can destroy the laser diode in the traverse unit (optical pickup). Take care to prevent this when performing repairs.

1.5.1 Grounding to prevent damage by static electricity

Static electricity in the work area can destroy the optical pickup (laser diode) in devices such as laser products.

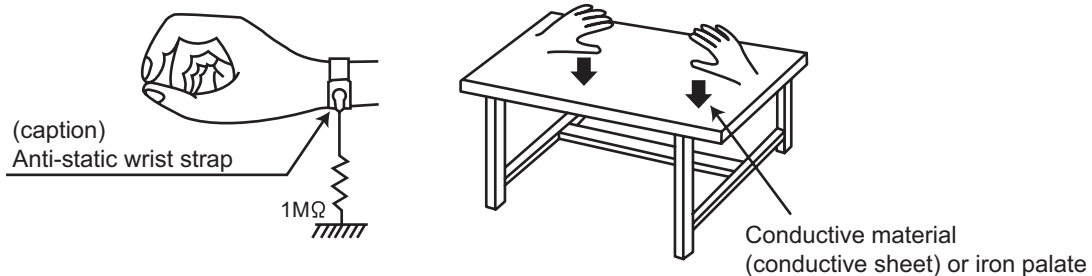
Be careful to use proper grounding in the area where repairs are being performed.

(1) Ground the workbench

Ground the workbench by laying conductive material (such as a conductive sheet) or an iron plate over it before placing the traverse unit (optical pickup) on it.

(2) Ground yourself

Use an anti-static wrist strap to release any static electricity built up in your body.



(3) Handling the optical pickup

- In order to maintain quality during transport and before installation, both sides of the laser diode on the replacement optical pickup are shorted. After replacement, return the shorted parts to their original condition. (Refer to the text.)
- Do not use a tester to check the condition of the laser diode in the optical pickup. The tester's internal power source can easily destroy the laser diode.

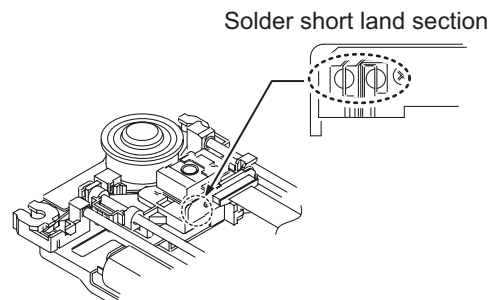
1.6 Handling the traverse unit (optical pickup)

- (1) Do not subject the traverse unit (optical pickup) to strong shocks, as it is a sensitive, complex unit.
- (2) Cut off the shorted part of the flexible cable using nippers, etc. after replacing the optical pickup. For specific details, refer to the replacement procedure in the text. Remove the anti-static pin when replacing the traverse unit. Be careful not to take too long a time when attaching it to the connector.
- (3) Handle the flexible cable carefully as it may break when subjected to strong force.
- (4) It is not possible to adjust the semi-fixed resistor that adjusts the laser power. Do not turn it.

1.7 Attention when traverse unit is decomposed

***Please refer to "Disassembly method" in the text for the pickup unit.**

- Apply solder to the short land sections before the card wire is disconnected from the connector on the servo board. (If the card wire is disconnected without applying solder, the pickup may be destroyed by static electricity.)
- In the assembly, be sure to remove solder from the short land sections after connecting the card wire.



1.8 Important for laser products

1.CLASS 1 LASER PRODUCT

2.CAUTION :

(For U.S.A.) Visible and/or invisible class II laser radiation when open. Do not stare into beam.

(Others) Visible and/or invisible class 1M laser radiation when open. Do not view directly with optical instruments.

3.CAUTION : Visible and/or invisible laser radiation when open and inter lock failed or defeated. Avoid direct exposure to beam.

4.CAUTION : This laser product uses visible and/or invisible laser radiation and is equipped with safety switches which prevent emission of radiation when the drawer is open and the safety interlocks have failed or are defeated. It is dangerous to defeat the safety switches.

(For U.S.A.)

CAUTION : Visible and/or invisible class II laser radiation when open. Do not stare into beam.

(Others)

CAUTION : Visible and/or invisible class 1M laser radiation when open. Do not view directly with optical instruments

ACHTUNG: Sichtbare und/oder unsichtbare Laserstrahlung der Klasse 1M bei offenen Abdeckungen. Nicht direkt mit optischen Instrumenten betrachten.

ATTENTION: Rayonnement laser visible et/ou invisible de classe 1M une fois ouvert. Ne pas regarder directement avec des instruments optiques.

VOORZICHTIG: Zichtbare en/of onzichtbare klasse 1M laserstralen indien geopend. Bekijk niet direct met optische instrumenten.

ATTENZIONE: Radiazione laser in classe 1M visibile e/o invisibile quando aperto. Non osservare direttamente con strumenti ottici.

WARNING: Synlig och/eller osynlig laserstrålning, klass 1M, när denna del är öppnad. Betrakta ej strålen med optiska instrument.

VARO! Avattaessa olet alttiina nakyyvalle ja/tai näkymättömälle luokan 1M lasersateilylle. Älä tarkastele sitä optisen laitteen läpi.

ADVASEL: Synlig og/eller usynlig klasse 1M-laserstrålning ved åbning. Se ikke direkte med optiske instrumenter.

AVISO: Radiación láser de clase 1M visible y/o invisible cuando está abierto. No mirar directamente con instrumental óptico.

PRECAUÇÃO: Radiação laser de classe 1M visível e/ou invisível quando aberto. Não olhe diretamente com instrumentos ópticos.

5.CAUTION : If safety switches malfunction, the laser is able to function.

6.CAUTION : Use of controls, adjustments or performance of procedures other than those specified here in may result in hazardous radiation exposure.



CAUTION Please use enough caution not to see the beam directly or touch it in case of an adjustment or operation check.

PRECAUÇÃO: Radiação laser de classe 1M visível e/ou invisível quando aberto. Não olhe diretamente com instrumentos ópticos.

ПРЕДУПРЕЖДЕНИЕ: В открытом состоянии происходит видимое и/или невидимое излучение лазера класса 1M. Не смотрите непосредственно в оптические инструменты.

UWAGA: Otwarcie spowoduje narażenie na widzialne i/lub niewidzialne promieniowanie lasera klasy 1M. Nie patrzeć bezpośrednio w przyrządy optyczne.

UPOZORNĚNÍ: Při otevření vydává viditelné popř. neviditelné laserové ozáření třídy 1M. Nedívejte se do otvoru přímo s optickými nástroji.

FIGYELMEZTETÉS: Látható és/vagy láthatatlan 1M osztályú sugárzás nyitott állapotban. Ne nézze közvetlenül optikai műszerekkel.

注意: 打開蓋板可能會產生可見或不可見的 1M 級鐳射。不要使用光學儀器直接進行窺視。

注意: 打开蓋板可能会产生可见或不可见的 1M 级辐射。不要使用光学仪器直接进行窥视。

تنبيه: يوجد إشعاع ليزري مرئي و/أو غير مرئي من الفئة 1M عندما يكون الجهاز مفتوحاً. تجنب النظر مباشرة داخل الجهاز باستخدام أدوات بصرية.

احتياطات: هنگامی که باز گردد، تشعشع مرئی و یا نامرئی کلاس 1M لیزر وجود دارد. با لوازم چشمی مستقیماً به آن نگاه نکنید.

주의: 개방하면 가시 및/또는 비가시 클래스 1M 레이저 방사선이 나옵니다. 광학 기구로 직접 들여다보지 마십시오.

REPRODUCTION AND POSITION OF LABELS and PRINT WARNING LABEL and PRINT



CAUTION VISIBLE AND/OR INVISIBLE CLASS 1M LASER RADIATION WHEN OPEN. DO NOT VIEW DIRECTLY WITH OPTICAL INSTRUMENTS. IEC60825-1:2001 (ENG)	ATTENTION RAYONNEMENT LASER VISIBLE ET/OU INVISIBLE DE CLASSE 1M UNE FOIS OUVERT. NE PAS REGARDER DIRECTEMENT AVEC DES INSTRUMENTS OPTIQUES. (FRA)	AVISO RADIACIÓN LASER DE CLASE 1M VISIBLE Y/O INVISIBLE CUANDO ESTÁ ABIERTO. NO MIRAR DIRECTAMENTE CON INSTRUMENTAL ÓPTICO. (ESP)	WARNING SYNLIG OCH/ELLER OSYNLIG LASERSTRÅLNING, KLASS 1M, NÄR DENNA DEL ÄR ÖPPNAD. BETRAKTA EJ STRÅLEN MED OPTISKA INSTRUMENT. (SWE)	注意 ニニも顯くと不可視 及び/または不可視 のクラス1M レーザー放射が 出ます。 光学儀器で直接 見ないでください。 (JPN)	CAUTION VISIBLE AND/OR INVISIBLE CLASS II LASER RADIATION WHEN OPEN. DO NOT STARE INTO BEAM. FDA 21 CFR (ENG) LV44603-003A
--	--	---	---	---	---

SECTION 2
SPECIFIC SERVICE INSTRUCTIONS

This service manual does not describe SPECIFIC SERVICE INSTRUCTIONS.

SECTION 3 DISASSEMBLY

3.1 Main body (Used figure are NX-F3E)

3.1.1 Removing the Top panel (L) (See Fig.1)

- (1) Remove the four screws **A** attaching the Top panel (L).
- (2) Slide to backward and then lift up side of the Top panel (L).



Fig.1

3.1.2 Removing the Top panel (R) (See Fig.2 to 6)

- (1) Remove the Volume knob and Volume sheet.
- (2) Remove the two screws **B** attaching the Volume ornament. (See Fig.2)
- (3) Remove the two screws **C** attaching the Side panel. (See Fig.3)
- (4) Slide to backward and then remove the Side panel. (See Fig.4)
- (5) Disengage one hook **a** and one hook **b** engaged Top panel (R). (See Fig.5, 6)



Fig.2



Fig.3

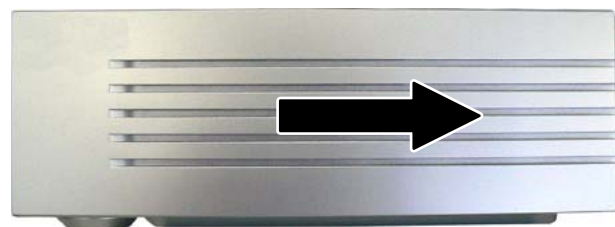


Fig.4



Fig.5

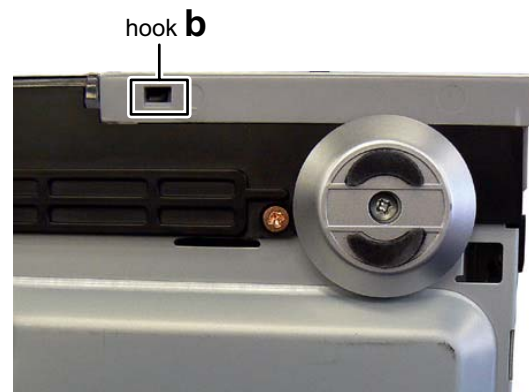


Fig.6

3.1.3 Removing the Front panel (See Fig.7 to 9)

- (1) Remove the two screws **D** attaching the Foot. (See Fig.7)
- (2) Remove the three screws **E** attaching the Front panel. (See Fig.7)
- (3) Remove the three screws **F** attaching the Front panel. (See Fig.8)
- (4) Disconnect the card wire from Micon board connected to connector [CN561](#) of the Front board. (See Fig.8)
- (5) Disengage one hook **c** of the bottom side of Front panel and two hooks **d** engaged both side of Front panel. (See Fig.7, 9)

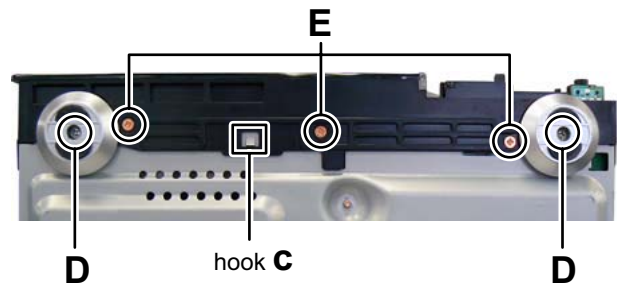


Fig.7

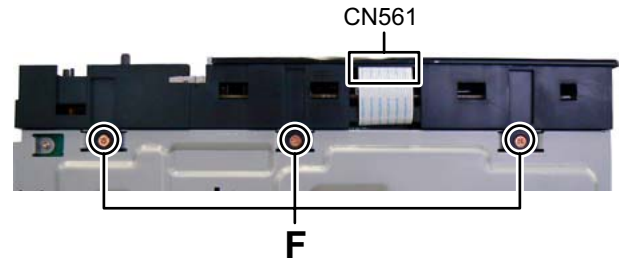


Fig.8

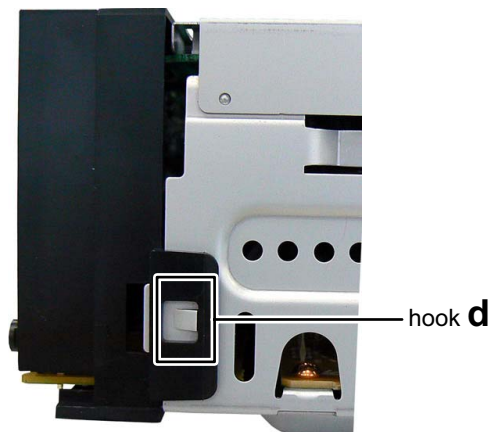


Fig.9

3.1.4 Removing the Top chassis (See Fig.10 to 13)

- (1) Remove the six screws **G** attaching the Rear panel. (See Fig.10)
- (2) Remove the two screws **H** attaching the right side of Top chassis. (See Fig.11)
- (3) Remove the one screw **J** and one screw **K** attaching the left side of Top chassis. (See Fig.12)

CAUTION:When remove the screw **K**, use screw driver is next.

TORX Driver: size T10

Parts number: DR-L70

- (4) Slide to frontward, and then turnover the Top chassis.
- (5) Disconnect the card wires from Micon board connected to connectors [CN101](#) and [CN102](#) of the Amp board. (See Fig.13)
- (6) Disconnect the connector wire from Power board connect-ed to connector [CN103](#) of the Amp board. (See Fig.13)

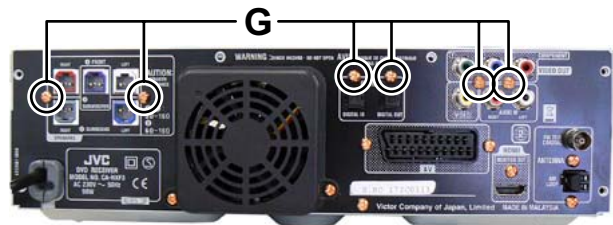


Fig.10

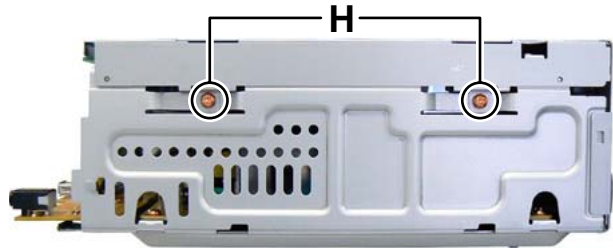


Fig.11

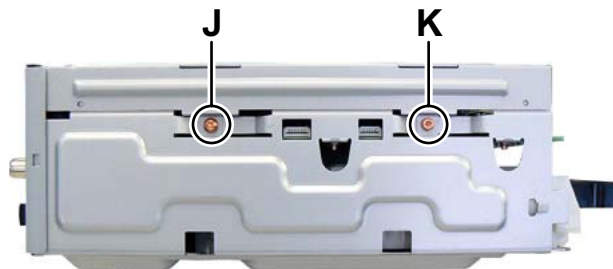


Fig.12

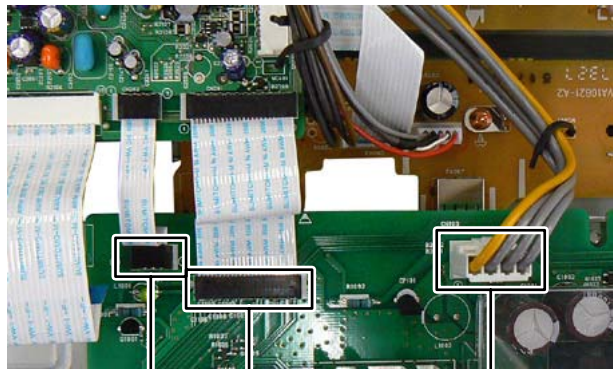


Fig.13

3.1.5 Removing the Micon board (See Fig.14 to15)

- (1) Disconnect the connector wire from Fan connected to connector [CN461](#) of the Micon board. (See Fig.14)
- (2) Disconnect the card wire from SCART board connected to connector [CN601](#) of the Micon board. (See Fig.14)
- (3) Disconnect the card wires from Front end board connected to connectors [CN701](#), [CN481](#) and [CN661](#) of the Micon board. (See Fig.14)
- (4) Disconnect the connector wire from Front end board connected to connector [CN702](#) of the Micon board. (See Fig.14)
- (5) Disconnect the card wire from Tuner pack connected to connector [CN421](#) of the Micon board. (See Fig.14)
- (6) Disconnect the card wire from Loader board connected to connector [CN451](#) of the Micon board. (See Fig.14)
- (7) Disconnect the connector wire from power board connected to connector [CN981](#) of the Micon board. (See Fig.14)
- (8) Disconnect the card wire from USB jack board connected to connector [CN203](#) of the Micon board. (See Fig.14)
- (9) Remove the four screws **L** attaching the Micon board. (See Fig.15)

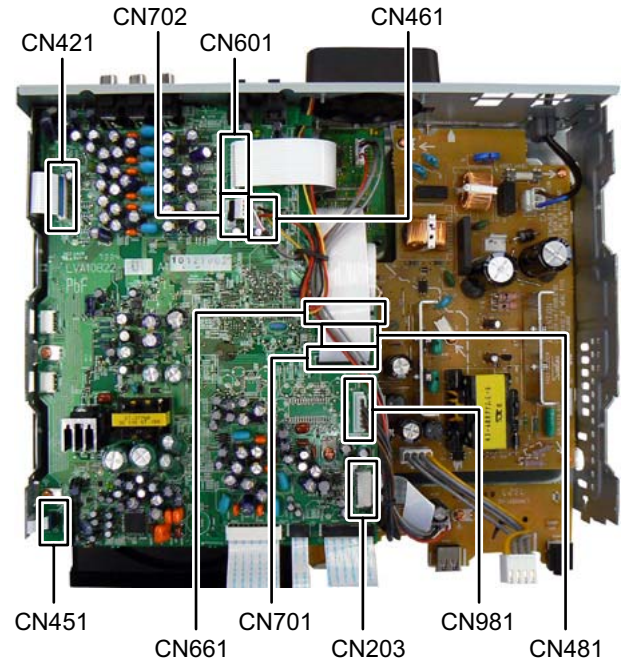


Fig.14

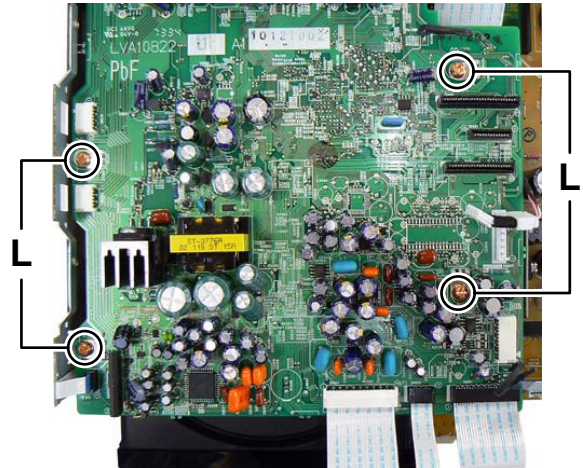
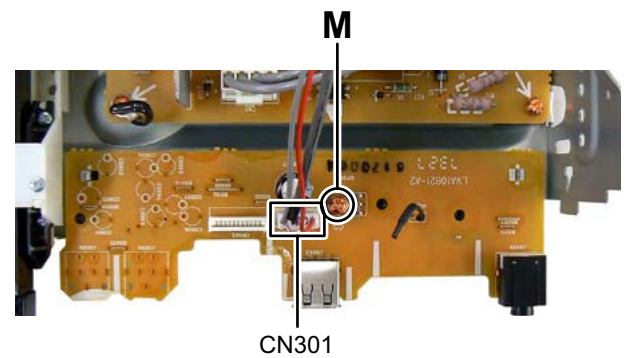


Fig.15

3.1.6 Removing the USB jack board (See Fig.16)

- (1) Disconnect the connector wire from Front end board connected to connector [CN301](#) of the USB jack board.
- (2) Remove the one screw **M** attaching the USB jack board.
- (3) Lift up the right side, and then slide to leftward and remove the USB jack board.



CN301
Fig.16

3.1.7 Removing the SCART board (See Fig.17)

- (1) Remove the two screws **N** attaching the SCART board.

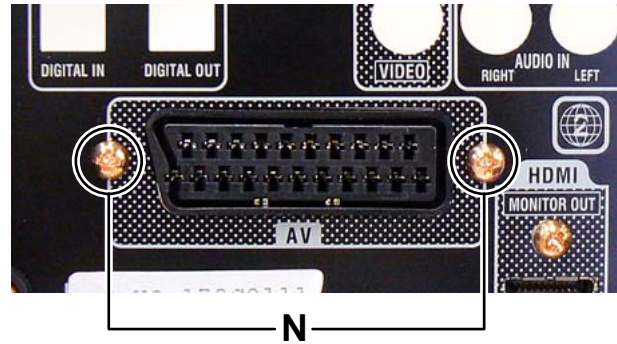


Fig.17

3.1.8 Removing the DVD mechanism (See Fig.18, 19)

- (1) Remove the one screw **P** attaching the HDMI jack. (See Fig.18)
- (2) Remove the two screws **Q** attaching the Front end board. (See Fig.19)
- (3) Remove the one screw **R** attaching the DVD mechanism. (See Fig.19)



Fig.18

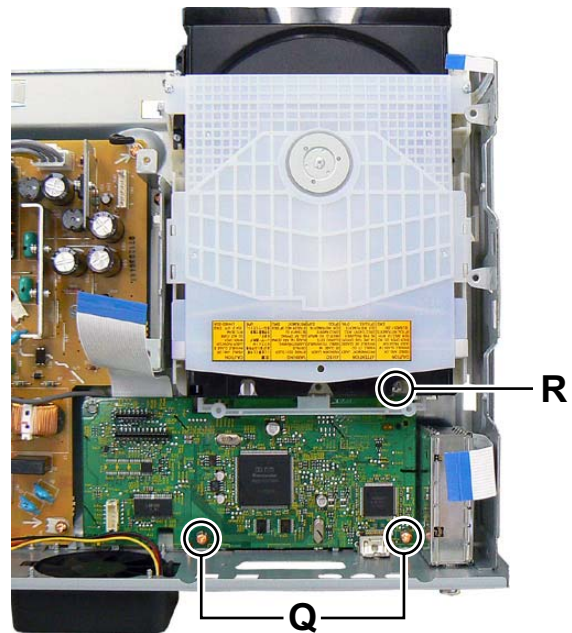


Fig.19

3.1.9 Removing the Rear panel (See Fig.20)

- (1) Remove the two screws **S** attaching the Rear panel.

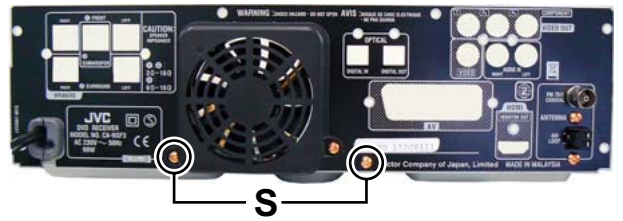


Fig.20

3.1.10 Removing the Power board (See Fig.21)

- (1) Disconnect the power cord connected to connector **CN1** of the Power board.
- (2) Remove the five screws **T** attaching the Power board.

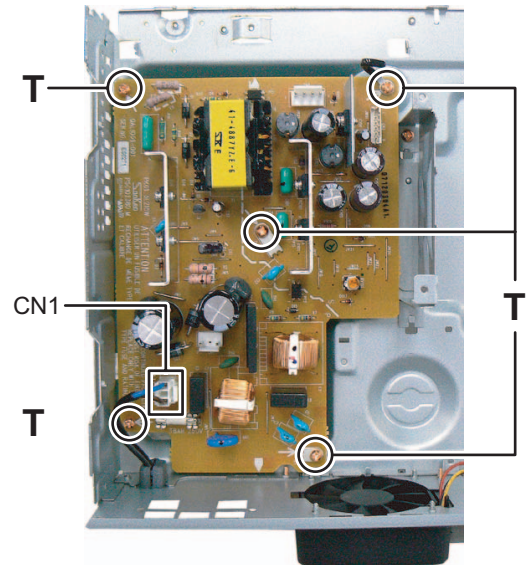


Fig.21

3.1.11 Removing the Amp board (See Fig.22)

- (1) Remove the two screws **U** attaching the Barrier.
- (2) Remove the three screws **V** attaching the Heat sink.
- (3) Remove the two screws **W** attaching the Amp board.

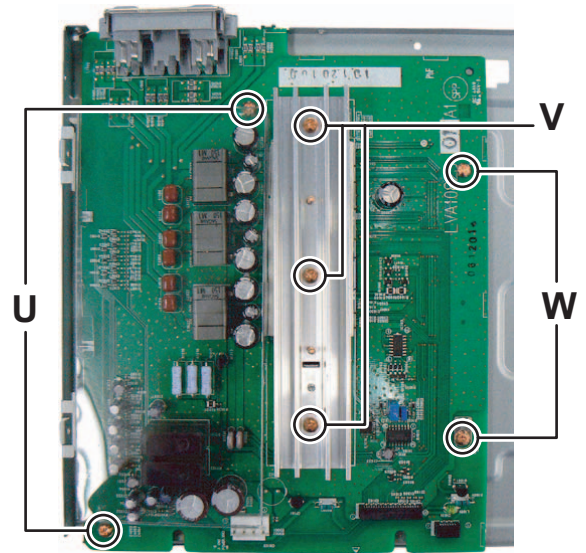


Fig.22

3.1.12 Removing the Front board (See Fig.23)

- (1) Remove the eight screws **X** attaching the Front board.

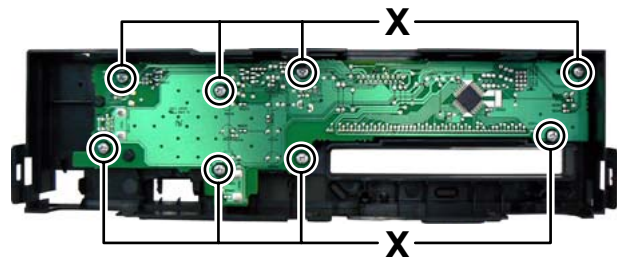


Fig.23

3.2 DVD mechanism

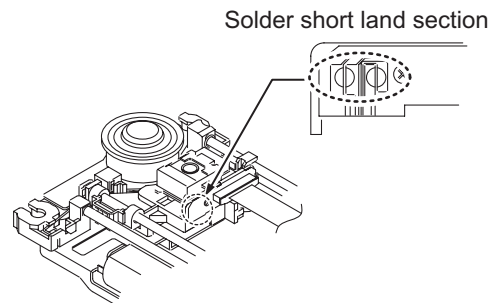
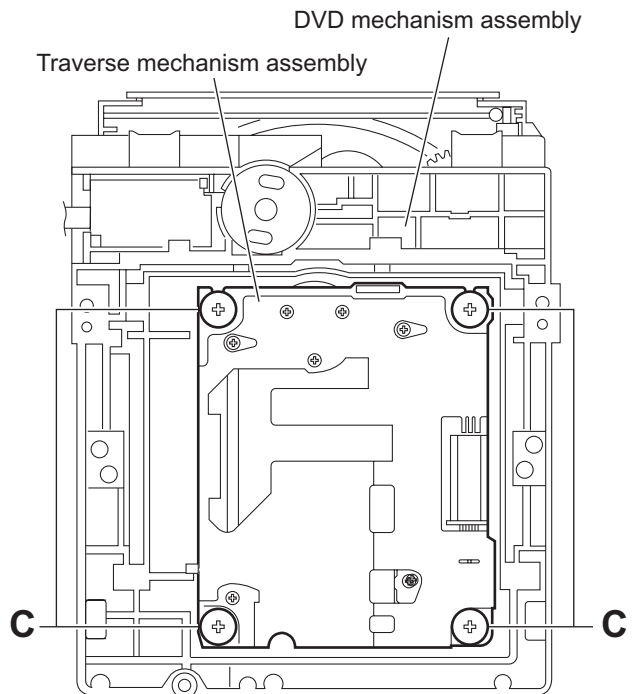
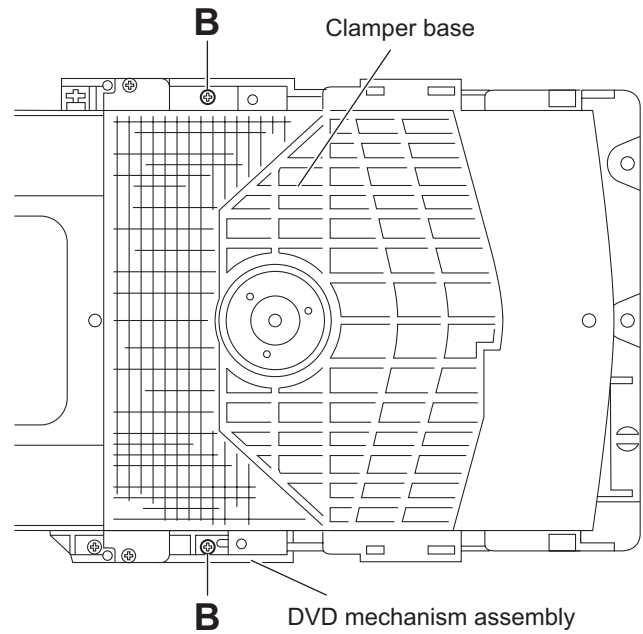
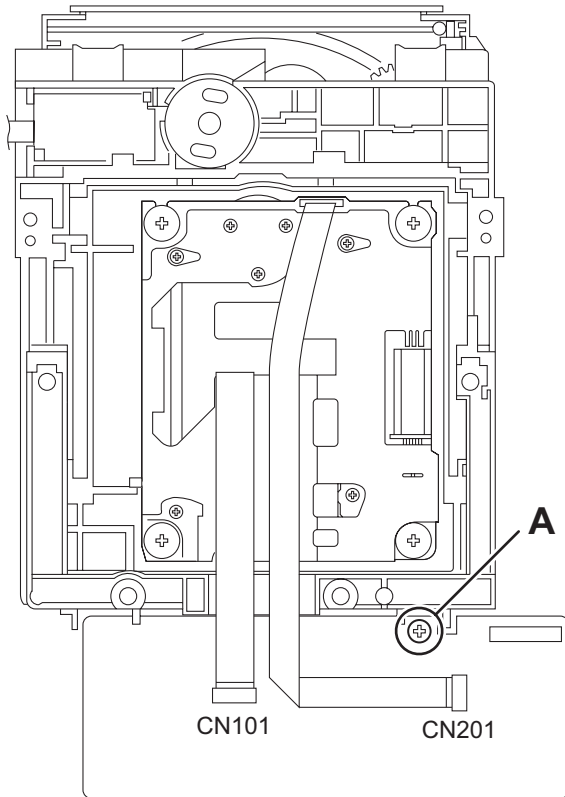
3.2.1 Removing the traverse mechanism

(See Fig.1 to 4)

- (1) Remove the one screw **A** attaching the Front end board. (See Fig.1)
- (2) Remove the two screws **B** attaching the tramecha holder from top side of DVD mechanism assembly. (See Fig.2)
- (3) Remove the four screws **C** attaching the traverse mechanism. (See Fig.3)
- (4) Solder the solder part of DVD pickup up. (See Fig.4)
- (5) Disconnect the card wire from **CN101** and **CN201** on the DVD module board. (See Fig. 1)

Caution:

- Solder the short land section on the DVD pickup before disconnecting the card wire from the connector on the DVD pickup. If the card wire is disconnected without attaching solders, the pickup may be destroyed by static electricity.
- When attaching the DVD pickup, be sure to remove solders from the short land section after connecting the card wire to the connector on the DVD pickup.



3.2.2 Removing the pickup assembly

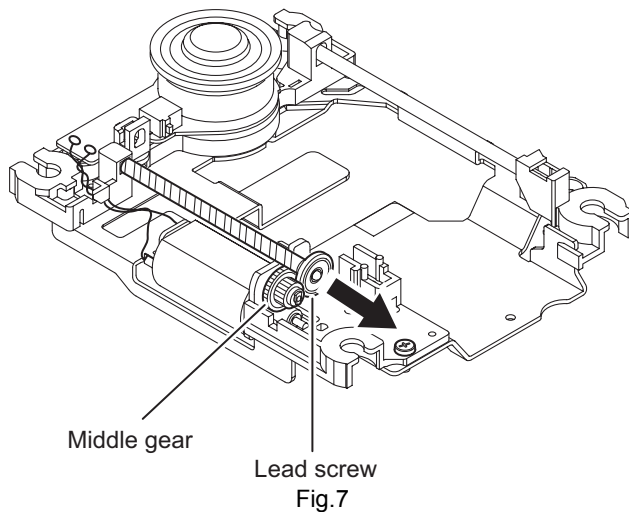
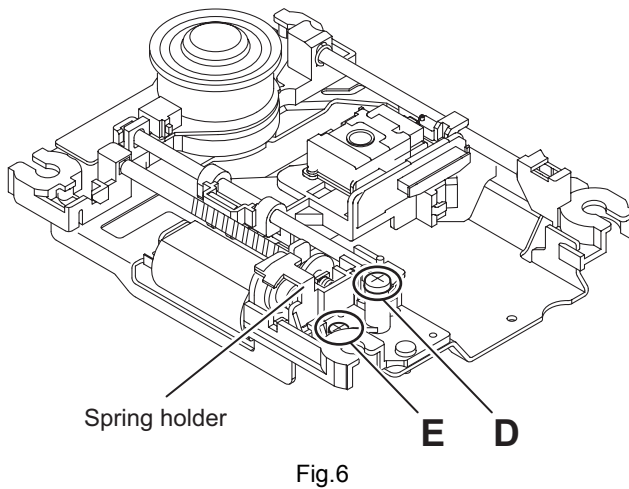
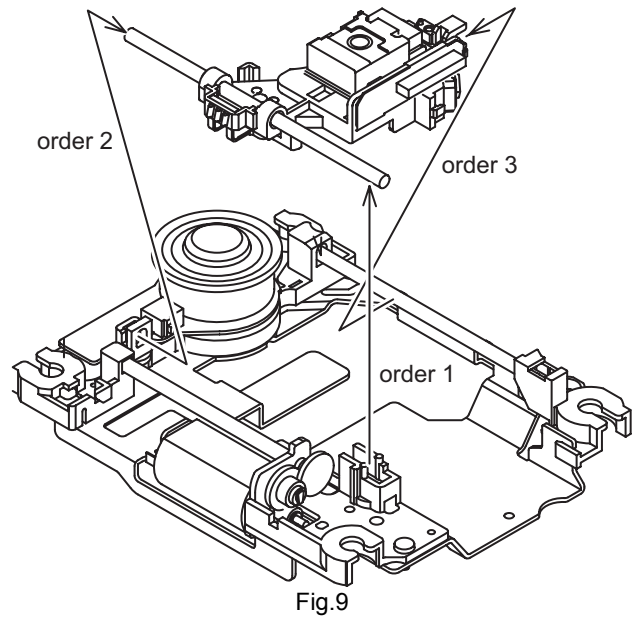
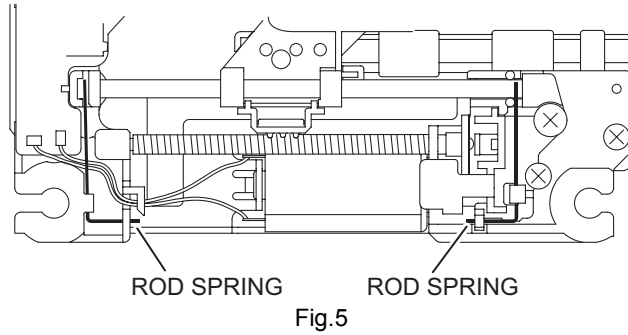
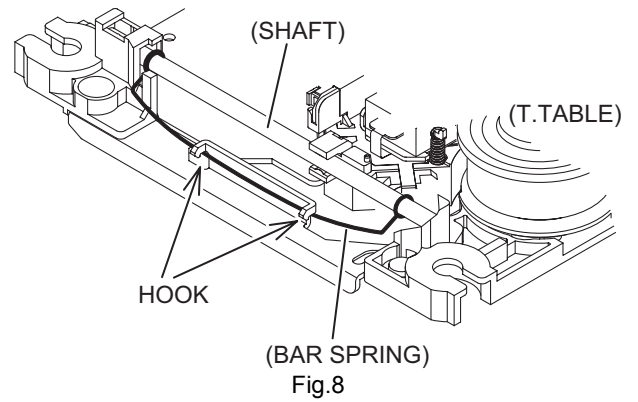
(See Fig.5 to 9)

- (1) Remove the two rod springs pressing the guide shaft. (See Fig.5)
- (2) Remove the screw **D** and **E** attaching the spring holder. (See Fig.6)
- (3) Remove the lead screw from traverse mechanism assembly. (See Fig.7)

Caution:

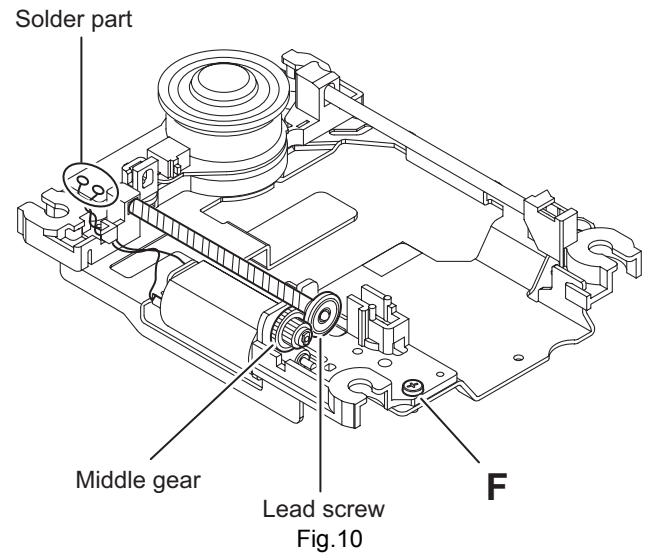
When remove the lead screw, do not loss the middle gear. (See Fig.8 and 9)

- (4) Remove the bar spring pressing the shaft. (See Fig.8)
- (5) Take out the pickup assembly from traverse mechanism chassis by order. (See Fig.9)



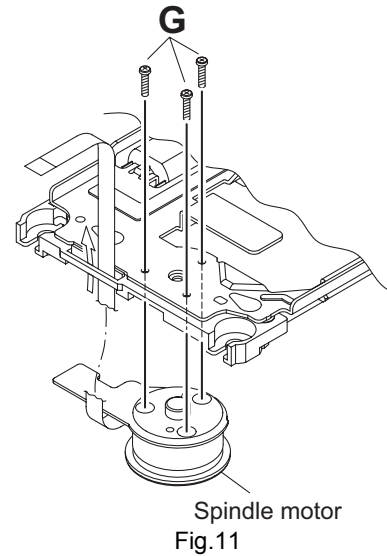
3.2.3 Removing the feed motor assembly (See Fig.10)

- (1) Remove the one screw **F** attaching the feed motor assembly.
- (2) Remove the feed motor wires from solder part of spindle motor board.



3.2.4 Removing the spindle motor assembly (See Fig.11)

- (1) Remove the three screws **G** attaching the spindle motor from spindle motor board.



3.2.5 Removing the tray assembly (See Fig.12 & 13)

- (1) Remove the two screws **H** attaching the clamper base.
(See Fig.12)
- (2) Remove the one screw **J** attaching the shaft guide from bottom side. (See Fig.12)
- (3) Remove the two screws **K** attaching the shaft guide from top side. (See Fig.13)

Caution:

When attach the tray assembly, boss of loading sub assembly should attach to guide of bottom side at tray assembly. (See Fig.13)

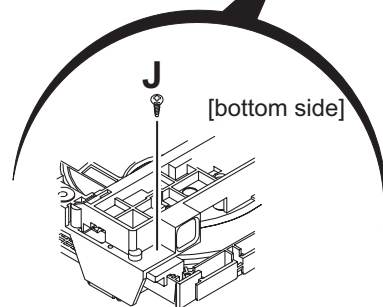
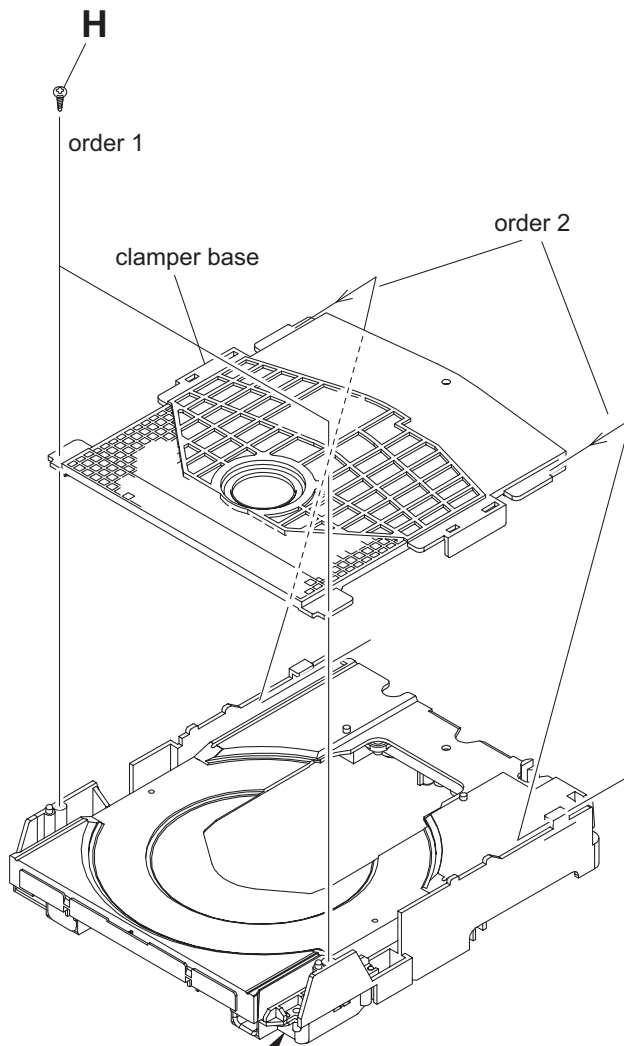


Fig.12

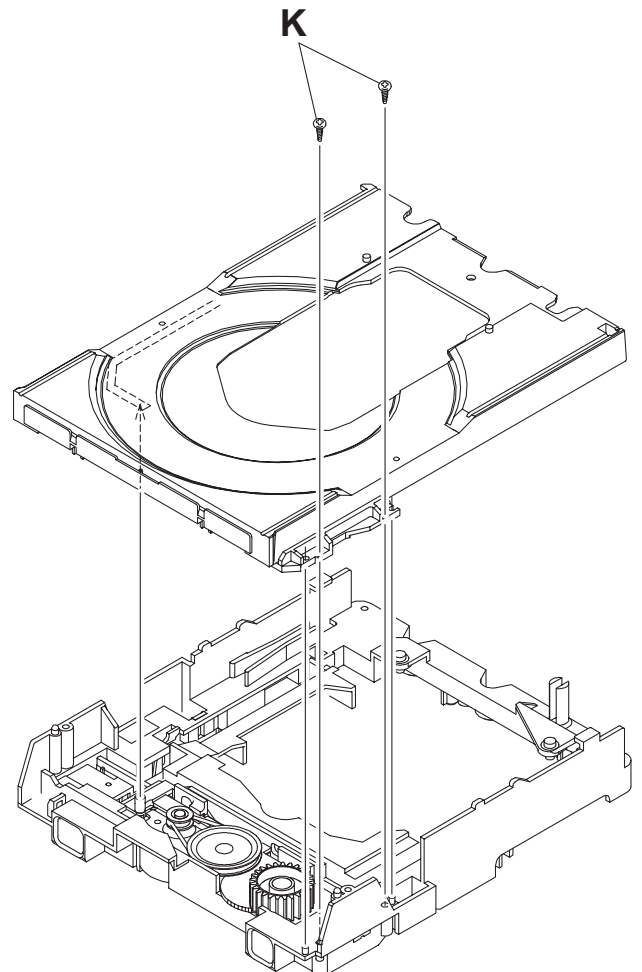


Fig.13

STEP	Operation	Movement	FL(LCD)indication												Remarks
			1	2	3	4	5	6	7	8	9	10	11	12	
															0x04: BCA CHECK OK incomplete DVD learning complete CD learning complete (indication 4) 0x03: BCA CHECK OK complete DVD learning incomplete CD learning incomplete (indication 3) 0x02: BCA CHECK OK complete DVD learning complete CD learning incomplete (indication 2) 0x01: BCA CHECK OK complete DVD learning incomplete CD learning complete (indication 1) 0x00: BCA CHECK OK complete DVD learning complete CD learning complete (indication 0) (BCA READ CHECK result is only BCA READ OK, it to complete) Initialization status (12th column) 0X03: FULL initialize complete (indication 3) 0x00: NORMAL initialize complete (indication 0) 0xFF: Initialize incomplete (blank indication)
①	Press a [SOURCE] key of the main body. NORMAL initialize		T	J	C	#	*	*							
②	Continue pressing a [F.SKIP] key of the main body.(4sec) FULL initialize		T	J	C	#	*	*							
3	Press a [MENU] key of the remote controller.	DEVICE CHECKSUM indication mode Indicate the CHECKSUM of the Device key to FL (4 byte)	①	②	③	④	⑤	⑥	⑦	⑧					The AVC protocol is returned from high speed to normal speed. (Return it to the normal mode when coming off the TEST mode.) Indicate CHECKSUM to FL ①, ②, ③, ④ : CPPM ⑤, ⑥, ⑦, ⑧ : CPRM
	Press a [MENU] key of the remote controller.		⑨	⑩	⑪	⑫									⑨, ⑩, ⑪, ⑫ : HDCP
4	Press a [MENU] key of the remote controller.	Micon version indication mode Indicate the version to FL	a	b	b	c	c	c	c						bb : Syscon Version a : Syscon Romcorr Version cccc: DVD Back end Version
5	Press a [MENU] key of the remote controller.	FL all on mode All FL and all LED to ON													
6	Press a [MENU] key of the remote controller.	FRONT END check mode Indicate the front end check mode to FL	C	H	E	C	K								
	① Press a [1] key of the remote controller	Disc startup and through playback (Playback starts from the start position)	C	H	E	C	K								
	② Press a [2] key of the remote controller	Presence of WOBBLE 0:WOBBLE_NO_CHECK (un check) 1:WOBBLE_PRESS_MEDIA (press) 2:WOBBLE_MINUS_MEDIA (DVD-R/-RW media) 3:WOBBLE_PLUS_MEDIA (DVD+R/+RW media)	*	*	*	*	*	*	*	*	*	*	*	*	Upper : 0 Lower : WOBBLE detection result
③ Press a [3] key of the remote controller	Port check mode (TRACK,INDEX,DEMP, COPY) 1:INDEX Port = High 2:TRACK Port = High 3:COPY Port = High 4:DEMP Port = High	*	*	*	*	*	*	*	*	*	*	*	*	Upper : 0x01-0x04(check port number) Lower : 0	

4.3 KEY special mode

MODE NAME	STATUS	OPERATION	FUNCTION
TUNER 9K/10kHz select (U ver)	STANDBY	Change to 9kHz step by press and hold [<<] key, then press [POWER] key. Change to 10kHz step by press and hold [>>] key, then press [POWER] key.	Main body to power to ON, TUNER AM 9kHz/10kHz step select. Indicate "9k STEP", "10k STEP".
TRAY LOCK	P.OFF	Press and hold [STOP] key, then press [OPEN/CLOSE] key, and keep 1sec. more.	Do the TRAY LOCK mode select. Done the temporary P.ON process, select the "LOCKED" and "UNLOCKED" (Do no done the P.ON process). Ended the transitory display (2 seconds) return to P.OFF mode. When press the [EJECT] key at LOCK mode, at P.OFF status do temply P.ON process then the transitory display (2 seconds) the "LOCKED", at P.ON status do the transitory display (2 seconds) the "LOCKED".
DVD TEST mode	AC off	Press and hold [OPEN/CLOSE] and [PLAY] key, and connect to AC.	DVD back end started by TEST mode. Internal TEST mode process is refer the spec.
FL & LED all on mode	P.ON	Press and hold [STOP] key, and press [POWER] key 5sec. more.	Into the TEST MODE. FL and LED all to ON. Normal indication by any key.

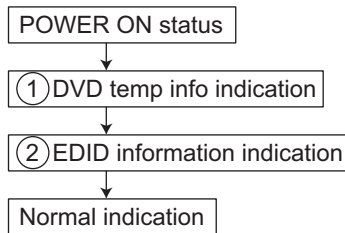
4.4 REMOCON KEY special mode

MODE NAME	CODE	OPERATION	FUNCTION
COLD START	[STOP] + [POWER] + [0]	2 times input at P.OFF	When Fix by 2 times input, do the temply P.ON process then indicate "COLD SET" by transitory a(2 seconds). Ended the indication, change to P.OFF mode.
SYSTEM TEST MODE FL all ON Write the preset frequency FAN high speed	[STOP] + [POWER] + [1]	Input at P.ON	Write the preset frequency, LED all on check (each 300ms), FL all on, LED on (order : STANDBY -> ILLUMI -> K2), FAN high speed (clear by STANDBY) Volume control by [VOL+] and [VOL-] key of the remote controller, it should high speed mode until next POWER OFF.
DVD STATUS MODE	[STOP] + [POWER] + [2]	Input at P.ON	At every [STOP] + [POWER] + [2] input, it display a DVD status. NORMAL indication => DVD temp status => EDID status => Normal indication from come out the mode
SYSTEM STATUS MODE	[STOP] + [POWER] + [3]	Input at P.ON/STANDBY	At every [STOP] + [POWER] + [3] input, it display a variable / the terminal voltage of the following syscom Normal indication => Indicate last shut down status => Indication temperature detection (power supply block, amp block), A/D port voltage => Indicate Sound level (LVL_DET) A/D poet voltage volume att value of volume IC => Normal indication from come out the mode
SPK OUTPUT MEASURE MODE	[STOP] + [POWER] + [4]	Input at P.ON/STANDBY	Shift to speaker output measurement by input [STOP] + [POWER] + [4] Indicate "MEASURE", it cancel VOLUME ATT restrictions processing by the sound level detection. Come out the mode by input [STOP] + [POWER] + [4]
Version indication	[STOP] + [POWER] + [10]	Input at P.ON	Indicate syscom back end software at each input [STOP] + [POWER] + [10] NORMAL indication => syscom ROM version => syscom model/destination => Back end Firm Version => Back end destination/REGION => Normal indication from come out the mode

4.5 SPECIAL MODE

4.5.1 DVD STATUS MODE

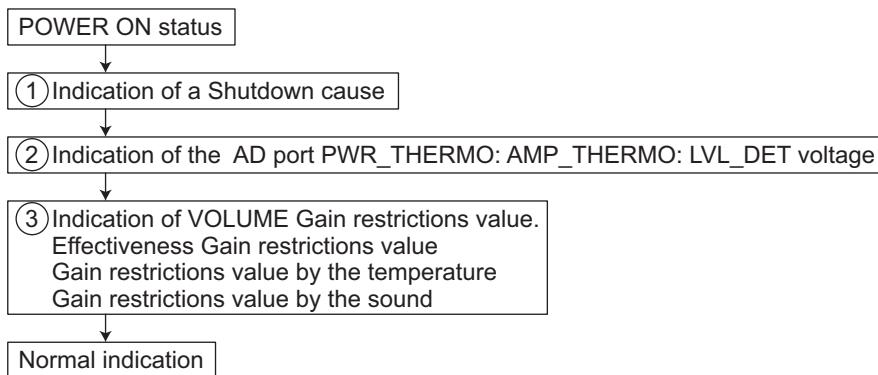
It perform the following indication state transition, when receive the [POWER] + [STOP] + [2] at POWER ON status. Come out by any key.



4.5.2 SYSTEM STATUS MODE

It perform the following indication state transition, when receive the [POWER] + [STOP] + [3] at POWER ON status. Come out by any key.

<POWER ON STATUS>

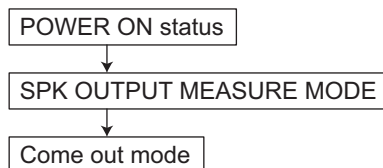


Attention in use: Because various SAFETY detection processing starts from POWER ON 2 sec. later, shift to TEST MODE from POWER ON for less than 2 sec. when it want to let you display a Shutdown cause.

4.5.3 SPK OUTPUT MEASURE MODE

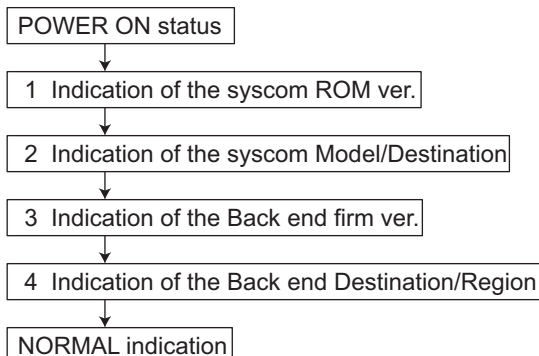
It shift to the SPK OUTPUT MEASUREMENT MODE, when receive the [POWER] + [STOP] + [4] at POWER ON status. Normal indicate "MEASURE" to FL, it cancel VOLUME ATT restrictions processing by the sound level detection. Come out by input again [POWER] + [STOP] + [4].

This power measurement mode is for production line.



4.5.4 VERSION INDICATION

It perform the following indication state transition, when receive the [POWER] + [STOP] + [10] at POWER ON status. Come out by any key.



4.6 OTHER FUNCTION

4.6.1 SUMMARY

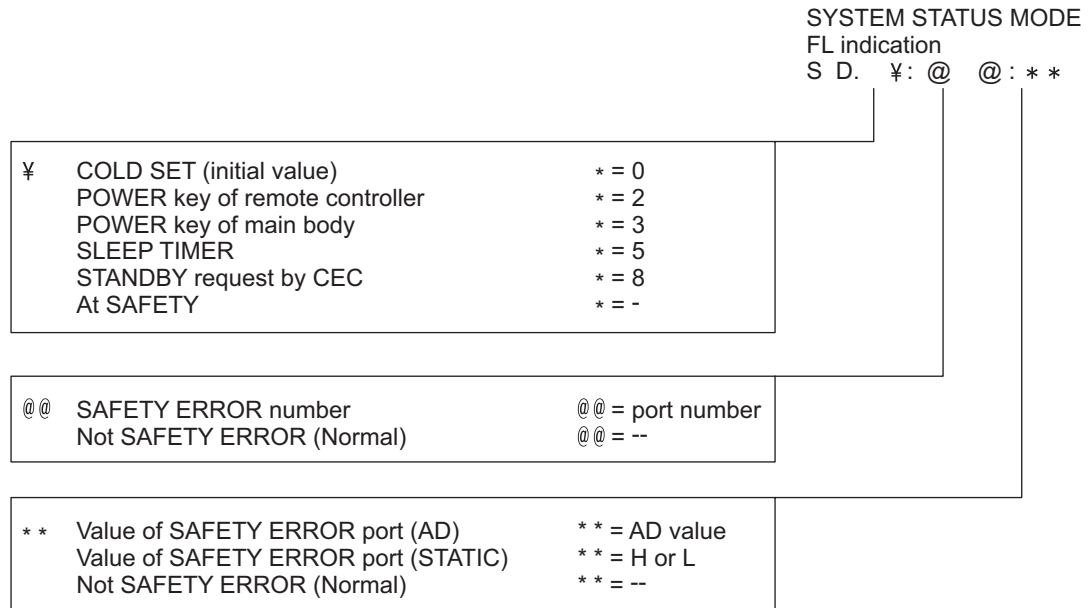
It memorize why it was performed between things of STANDBY by POWER ON of the last and receive TEST MODE [POWER] + [STOP] + [3] and plan improvement of the hardware examination efficiency in what I display.

4.6.2 MEMORY AND INDICATION

The memory of the SAFETY item which IT detected assumes it a chisel for once of the last.

It dose not have it as a history.

The memory assumes it STANDBY memory / INH memory.



SECTION 5 TROUBLESHOOTING

This service manual does not describe TROUBLESHOOTING.



JVC

Victor Company of Japan, Limited
Audio/Video Systems Division 10-1, 1chome, Ohwatari-machi, Maebashi-city, 371-8543, Japan

(No.MB662<Rev.003>)

Printed in Japan
VPT

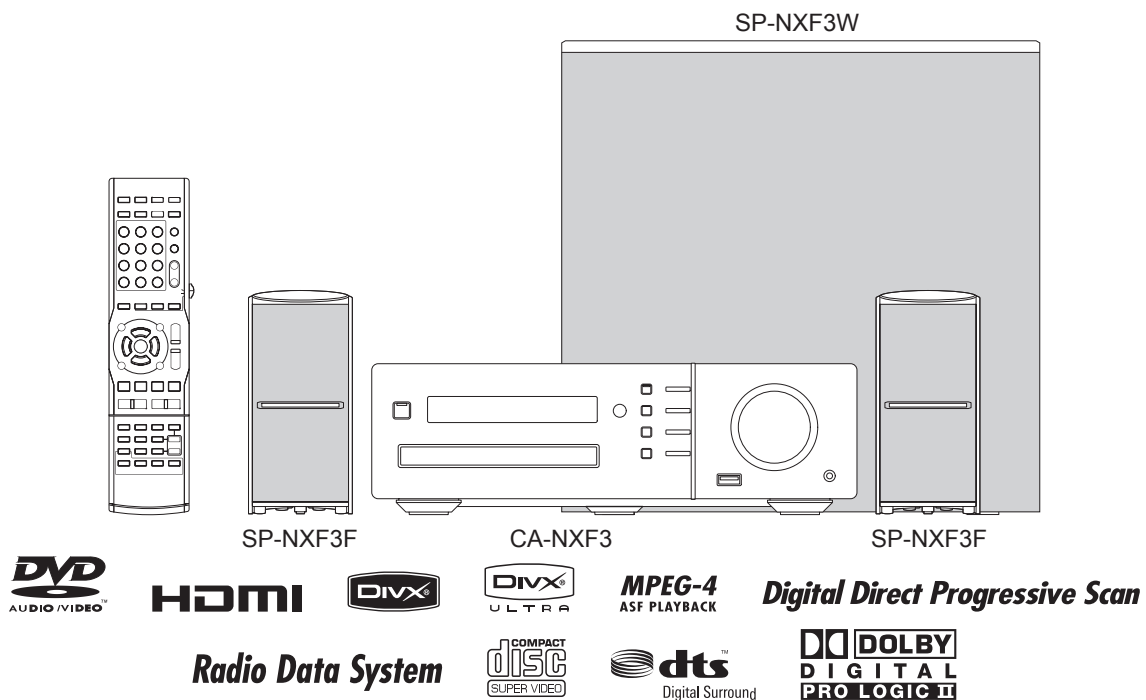
JVC

SCHEMATIC DIAGRAMS

COMPACT COMPONENT SYSTEM

**NX-F3B,NX-F3E, NX-F3EN,NX-F3EV
NX-F3A,NX-F3EE,NX-F3US,NX-F3UB
NX-F3UW,NX-F3UX,NX-F3UG,NX-F3UA**

DVD-ROM No.SML2008Q2



Lead free solder used in the board (material : Sn-Ag-Cu, melting point : 219 Centigrade)

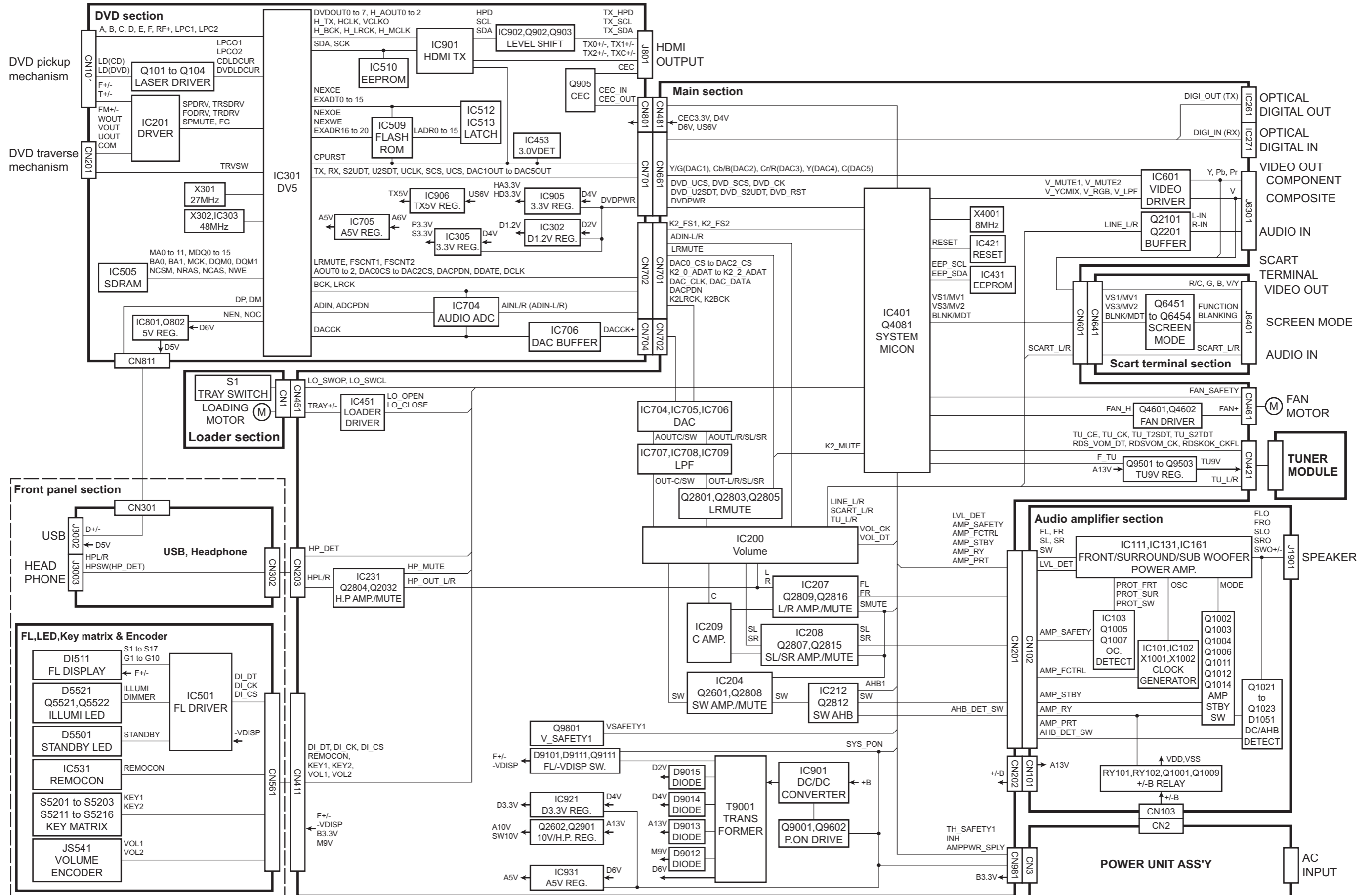
Lead free solder used in the board (material : Sn-Cu, melting point : 230 Centigrade)

Contents

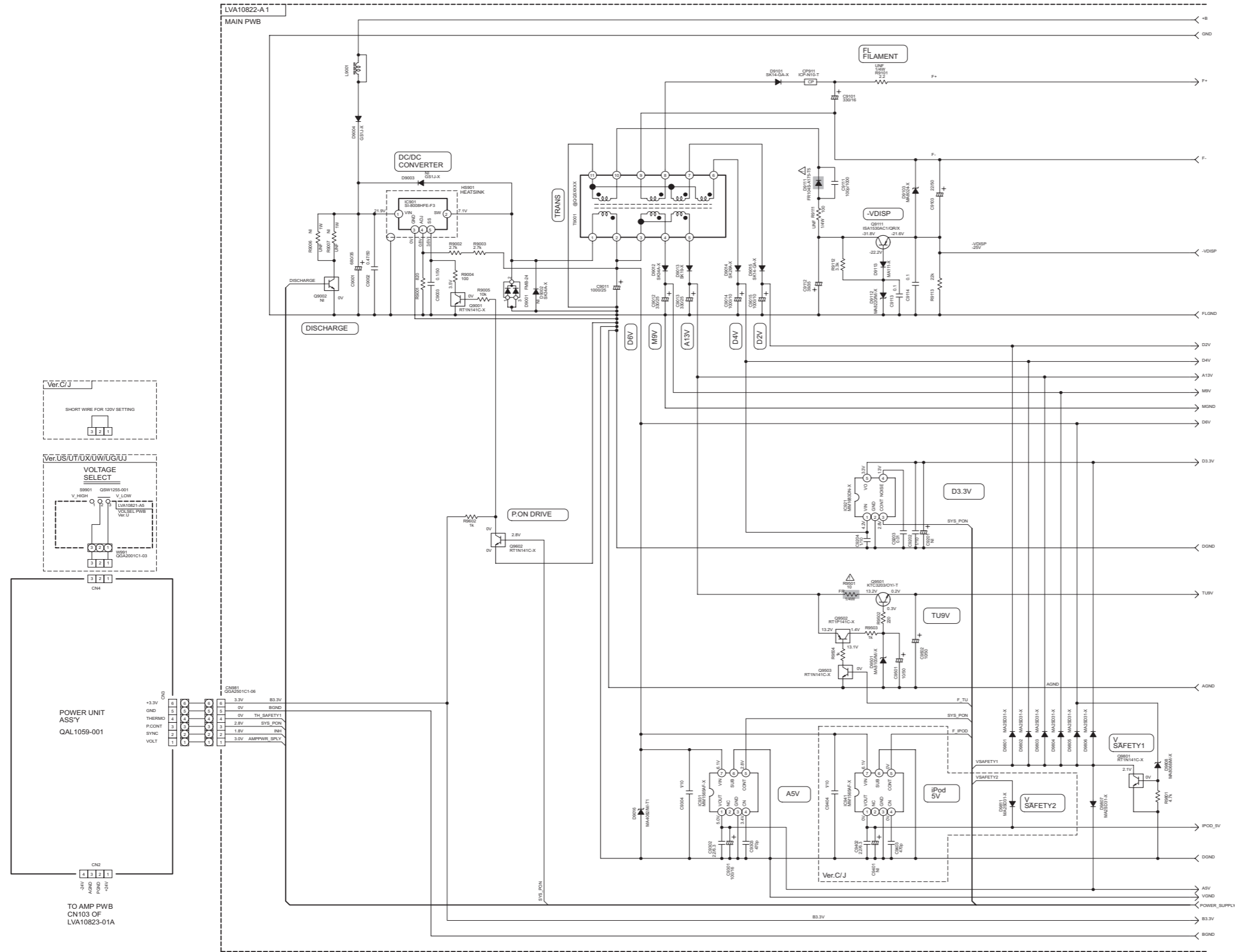
Block diagrams	2-1
Standard schematic diagrams	2-2
Printed circuit boards	2-14 to 16

In regard with component parts appearing on the silk-screen printed side (parts side) of the PWB diagrams, the parts that are printed over with black such as the resistor (■), diode (▣) and ICP (●) or identified by the "▲" mark nearby are critical for safety.

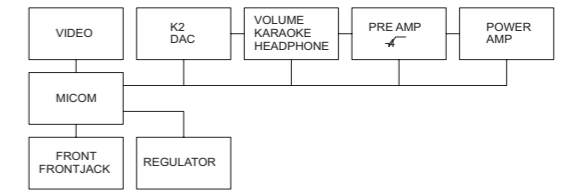
Block diagram



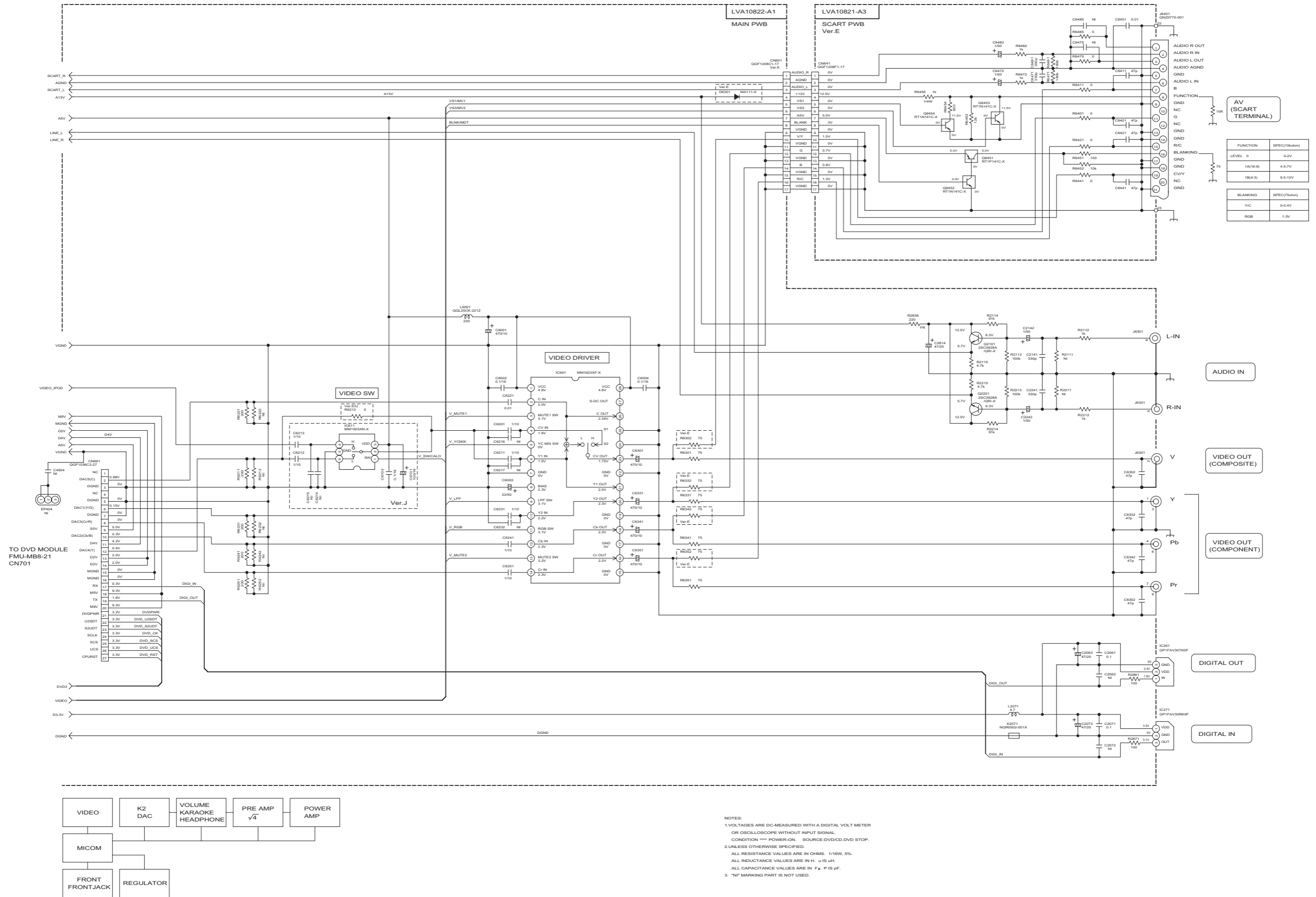
Local regulator section



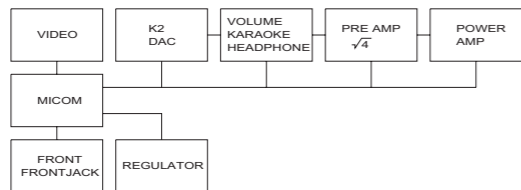
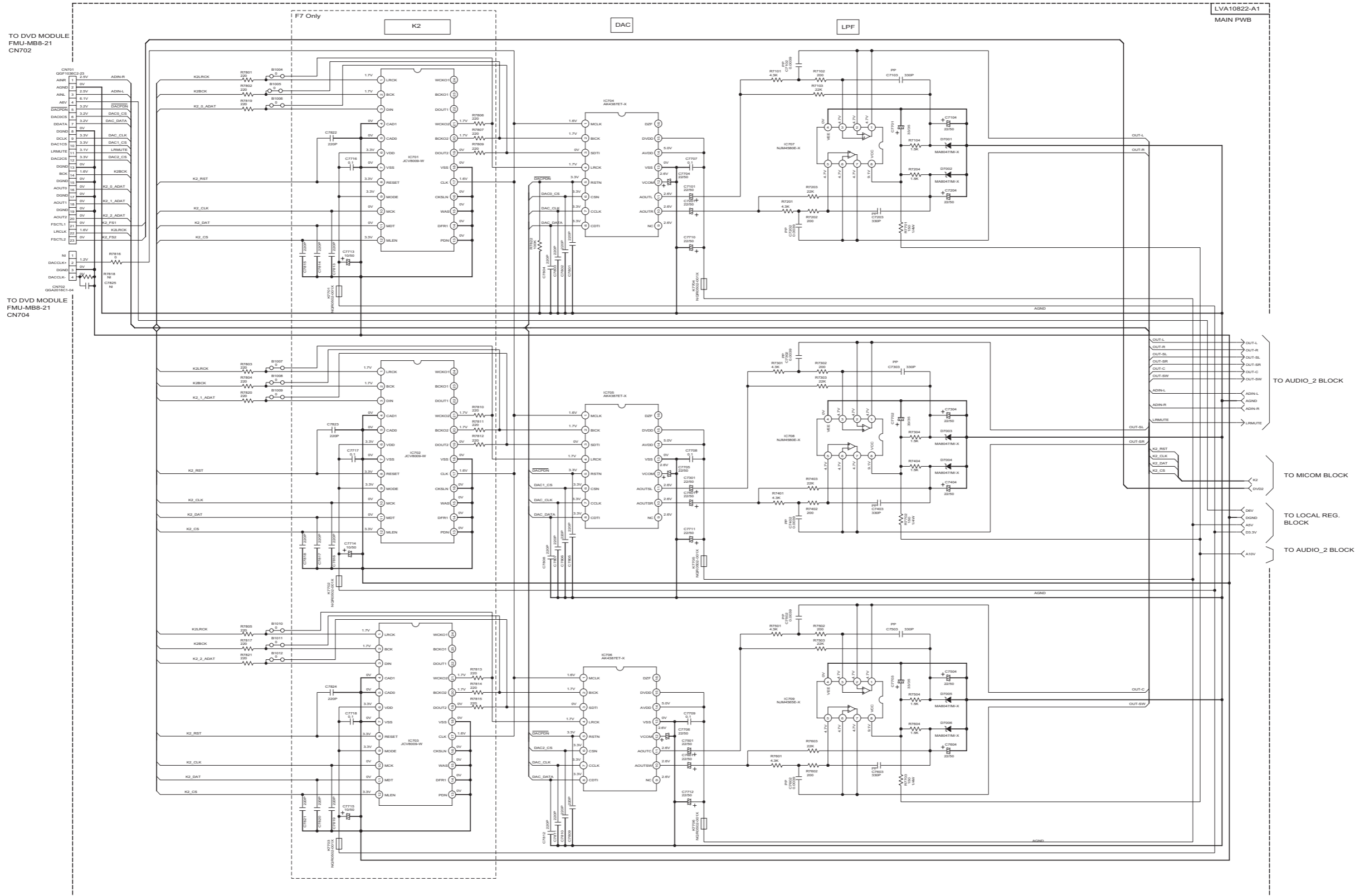
Parts are safety assurance parts. When replacing those parts make sure to use the specified one.



Video section

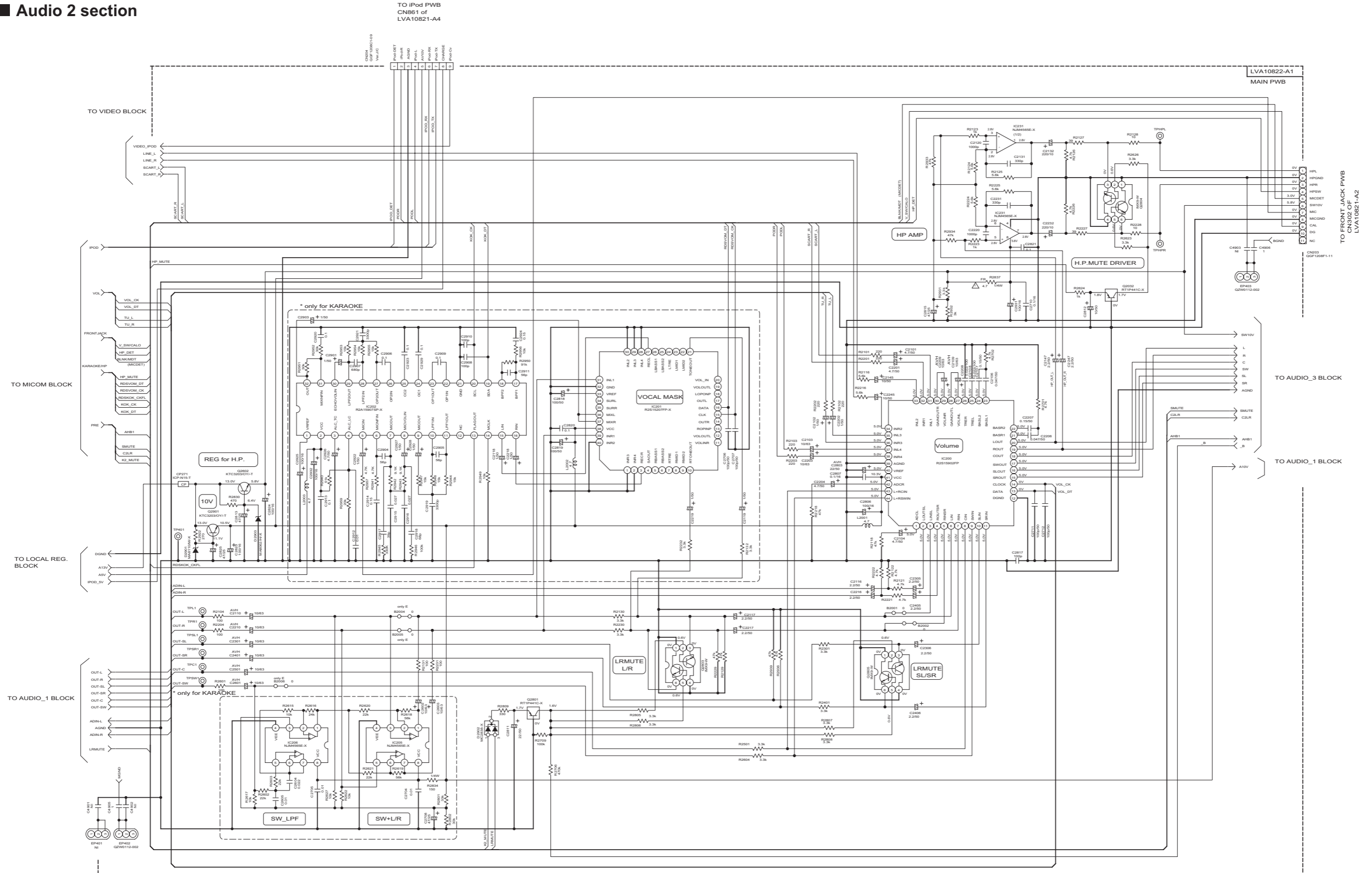


■ Audio 1 section



NOTES: 1. VOLTAGES ARE CD-MEASURED WITH A DIGITAL VOLT METER WITHOUT INPUT SIGNAL.
 CONDITION - CD STOP MODE.
 2. UNLESS OTHERWISE SPECIFIED.
 RESISTORS ARE 1/16W ± 5% METAL GLAZE RESISTOR.
 ALL RESISTANCE VALUES ARE IN OHMS (Ω).
 ALL CAPACITORS ARE CERAMIC CAPACITOR OR MYLAR CAPACITOR.
 ALL CAPACITANCE VALUES ARE IN pF (pF).
 ALL INDUCTANCE VALUES ARE IN μH (μH).
 ALL CAPACITORS ARE SHOWN IN THE FORM REBET OF INH CAPACITANCE (i.e. FRYATED VOLTAGE(V)).

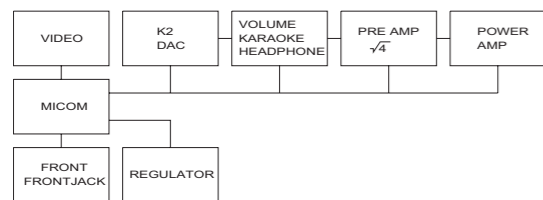
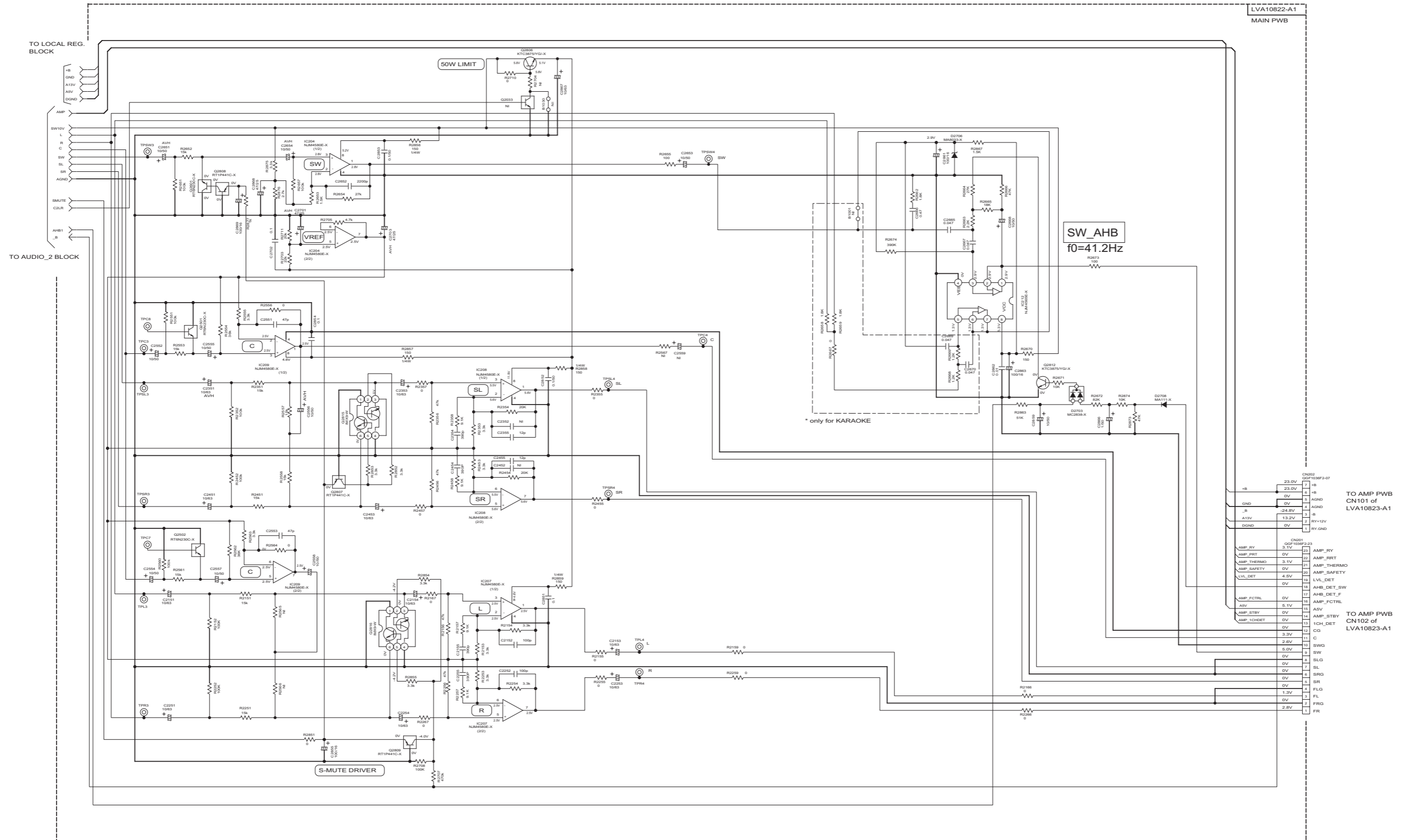
Audio 2 section



NOTES: 1. VOLTAGES ARE DC-MEASURED WITH A DIGITAL VOLT METER OR OSCILLOSCOPE WITHOUT INPUT SIGNAL.
 CONDITION — POWER-ON, NO SIGNAL, DVD STOP.
 2. UNLESS OTHERWISE SPECIFIED.
 ALL RESISTANCE VALUES ARE IN OHMS, 1/16W, 5%.
 ALL INDUCTANCE VALUES ARE IN H, u IS uH.
 ALL CAPACITANCE VALUES ARE IN uF, P IS pF.

* only for KARAOKE
 Ver. EE, US, UF, UA, UT, UW, UX, UG

■ Audio 3 section



NOTES

1. VOLTAGES ARE DC-MEASURED WITH A DIGITAL VOLT METER OR OSCILLOSCOPE WITHOUT INPUT SIGNAL. CONDITION: CD STOP MODE

2. UNLESS OTHERWISE SPECIFIED:

ALL RESISTANCE VALUES ARE IN OHM(Ω).

ALL CAPACITORS ARE CERAMIC CAPACITOR OR MYLAR CAPACITOR.

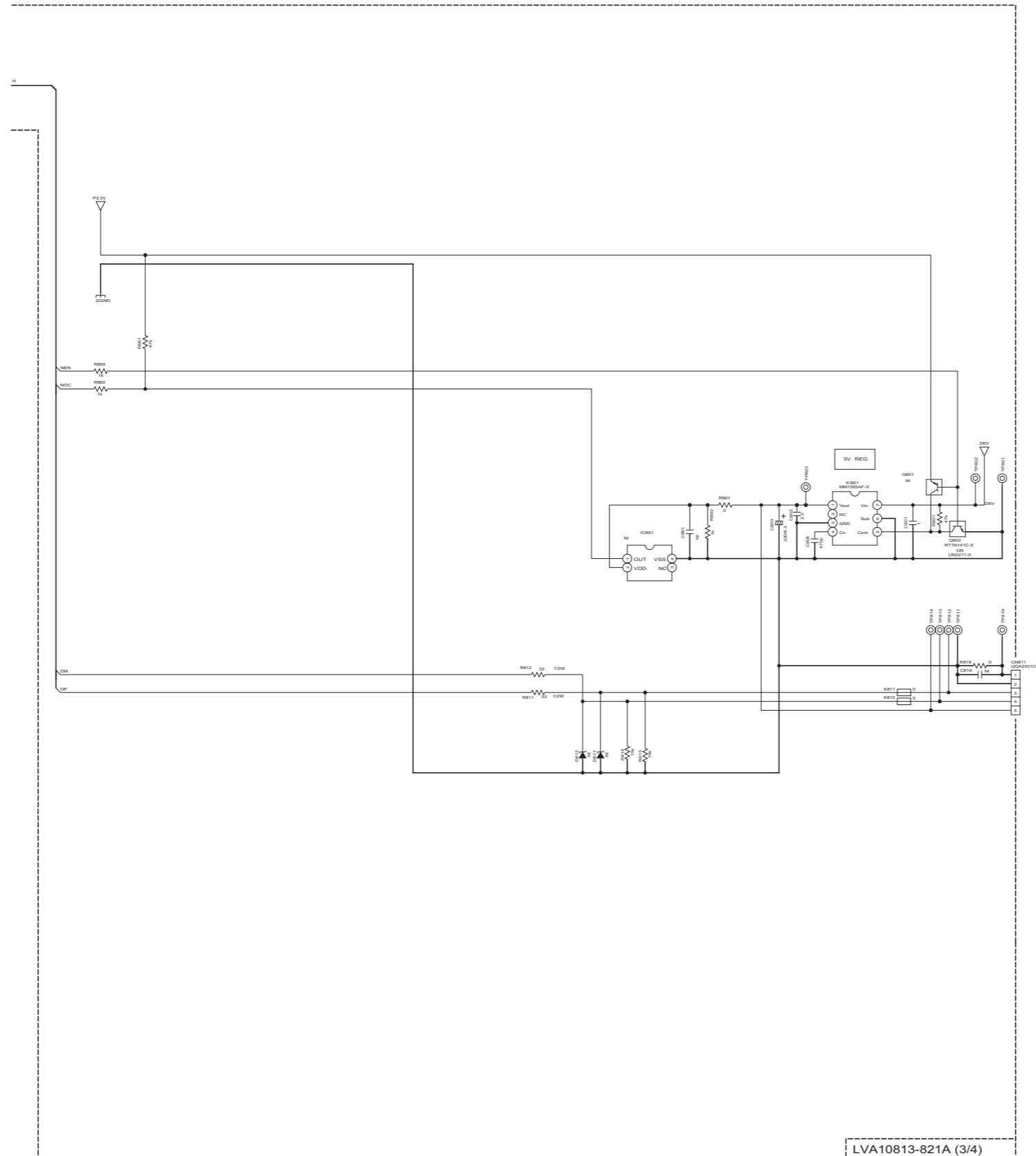
ALL CAPACITANCE VALUES ARE IN pF(pF).

ALL INDUCTANCE VALUES ARE IN μ H(μ H).

ALL E-CAPACITORS ARE SHOWN IN THE FORM OF CAPACITANCE / (RATED VOLTAGE (V)).

ALL DIMENSIONS ARE IN MILLIMETERS.

■ Front end 3 section



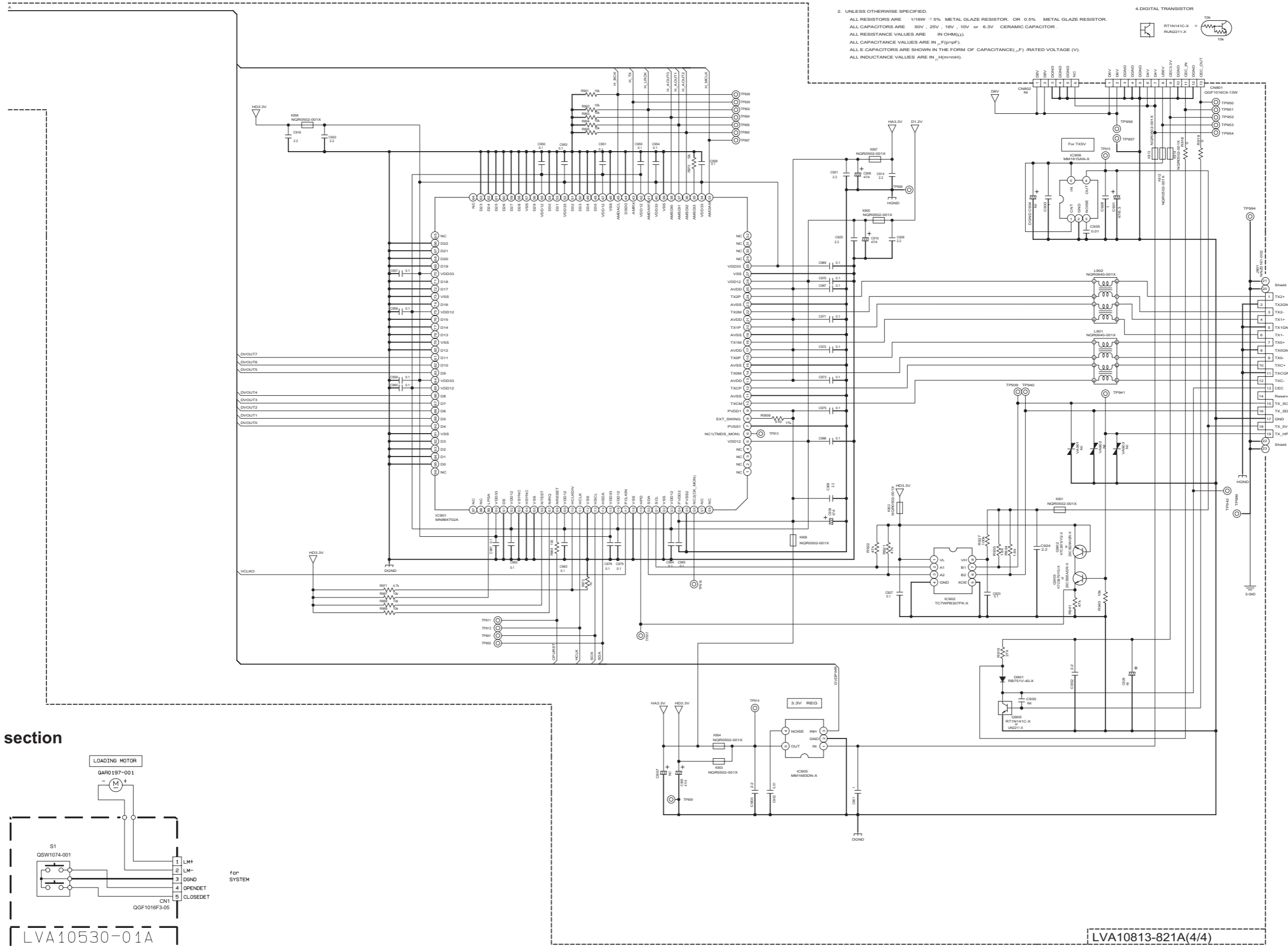
LVA10813-821A (3/4)

NOTES

1. VOLTAGES ARE DC-MEASURED WITH A DIGITAL VOLT METER WITHOUT INPUT SIGNAL.
CONDITION — A DVD disc in the Tray 1, and STOP mode.
2. UNLESS OTHERWISE SPECIFIED:
ALL RESISTORS ARE 1/16W ±5% METAL GLAZE RESISTOR, OR 0.5% METAL GLAZE RESISTOR.
ALL CAPACITORS ARE 50V, 25V, 16V, 10V or 6.3V CERAMIC CAPACITOR.
ALL RESISTANCE VALUES ARE IN OHM(S).
ALL CAPACITANCE VALUES ARE IN pF(NP).
ALL CAPACITORS ARE SHOWN IN THE FORM OF CAPACITANCE(F)/RATED VOLTAGE (V).
ALL INDUCTANCE VALUES ARE IN μH(mH).
3. NI STANDS FOR NOT INSERTED PARTS.
4. DIGITAL TRANSISTOR



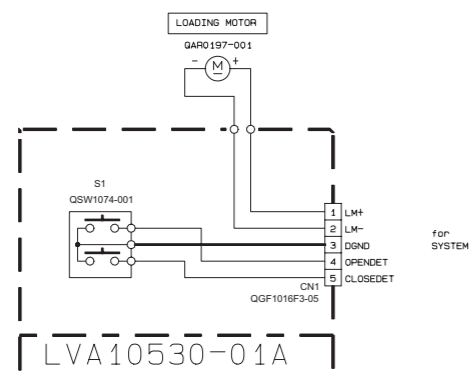
■ Front end 4 section



NOTES

- VOLTAGES ARE DC-MEASURED WITH A DIGITAL VOLT METER WITHOUT INPUT SIGNAL. CONDITION --- A DVD disc in the Tray 1, and STOP mode.
- UNLESS OTHERWISE SPECIFIED:
ALL RESISTORS ARE 1/16W ±5% METAL GLAZE RESISTOR, OR 0.5% METAL GLAZE RESISTOR.
ALL CAPACITORS ARE .50V, .25V, .16V, .10V or 6.3V CERAMIC CAPACITOR.
ALL RESISTANCE VALUES ARE IN OHMS(Ω).
ALL CAPACITANCE VALUES ARE IN PICO(F).
ALL CAPACITORS ARE SHOWN IN THE FORM OF CAPACITANCE(μF) RATED VOLTAGE (V).
ALL INDUCTANCE VALUES ARE IN MILLI(MH).
- NI STANDS FOR NOT INSERTED PARTS.
- DIGITAL TRANSISTOR

■ Loader section

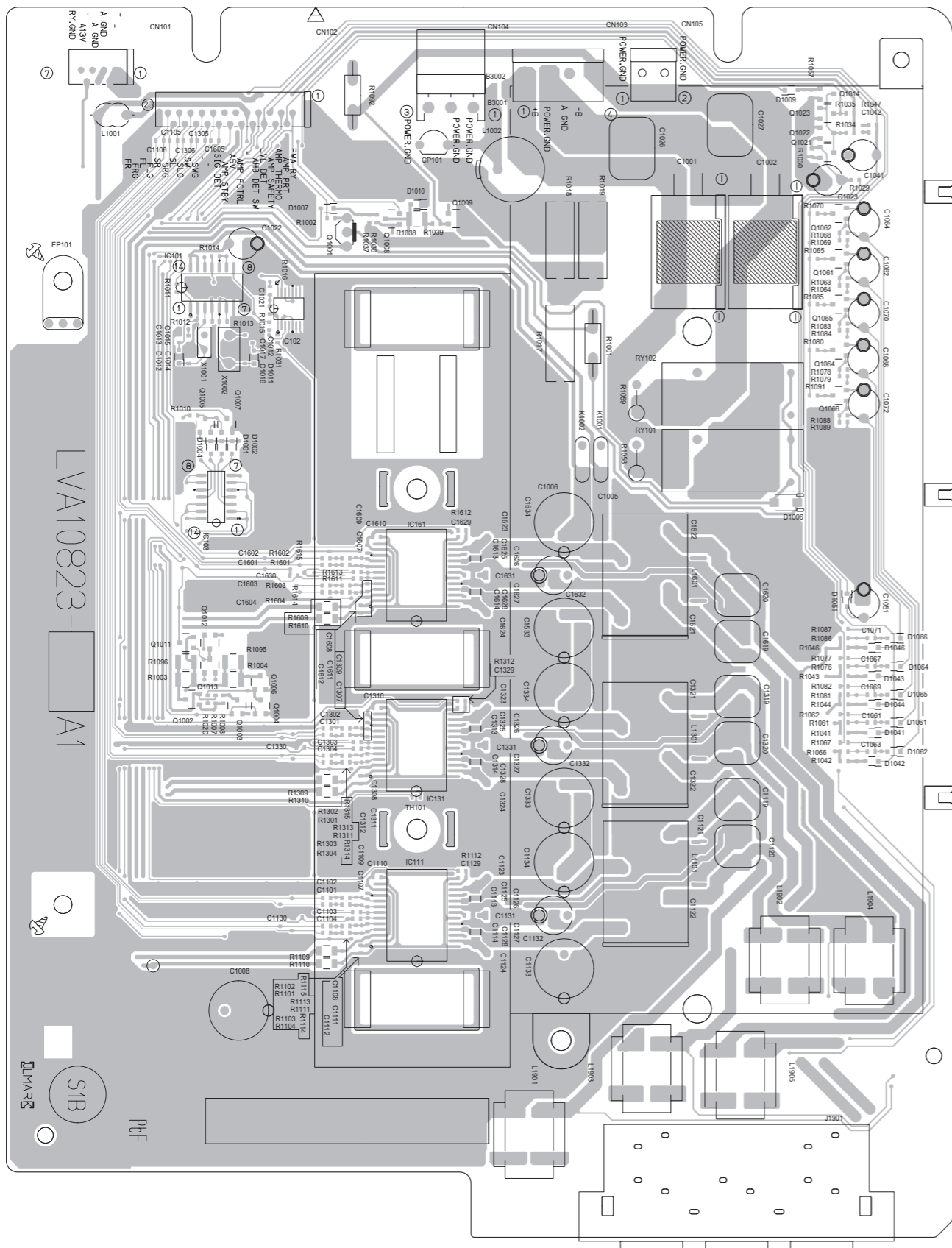


LVA10813-821A(4/4)

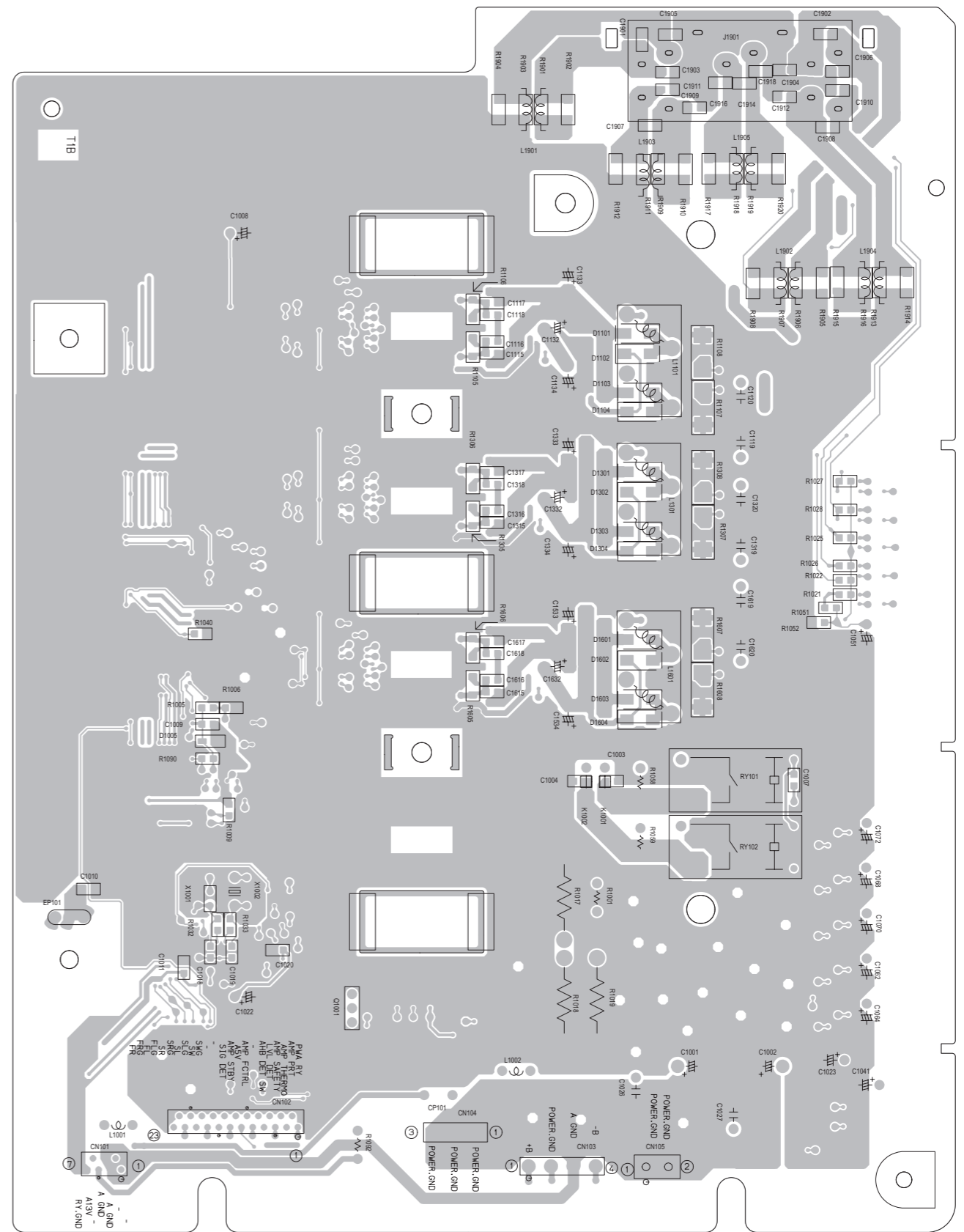
■ Amp board Lead free solder used in the board (material : Sn-Ag-Cu, melting point : 219 Centigrade)

Lead free solder used in the board (material : Sn-Cu, melting point : 230 Centigrade)

forward side



reverse side



< MEMO >

PARTS LIST

NX-F3B,NX-F3E,NX-F3EN
NX-F3EV,NX-F3A,NX-F3EE
NX-F3US,NX-F3UB,NX-F3UW
NX-F3UX,NX-F3UG,NX-F3UA

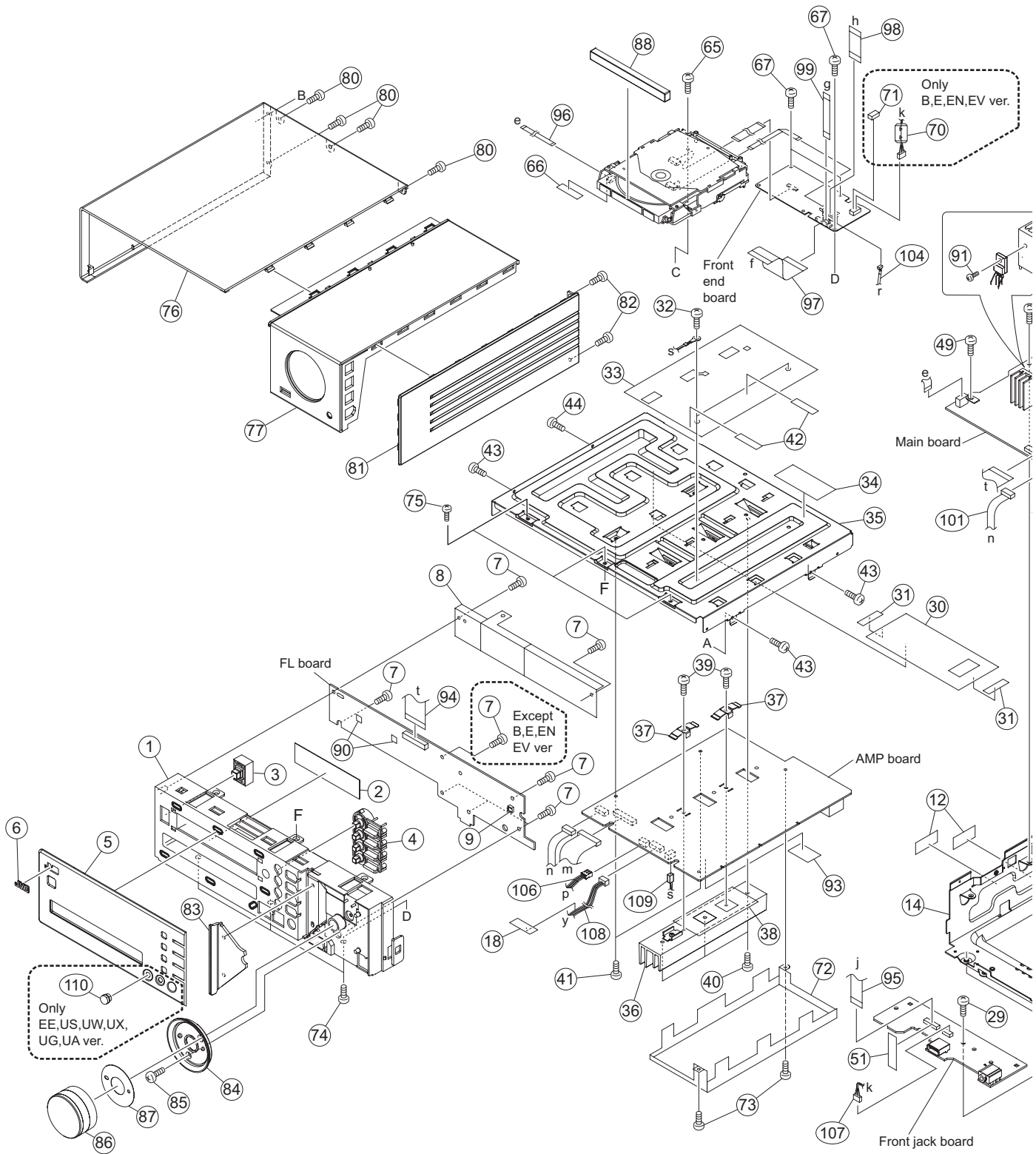
* All printed circuit boards and its assemblies are not available as service parts.

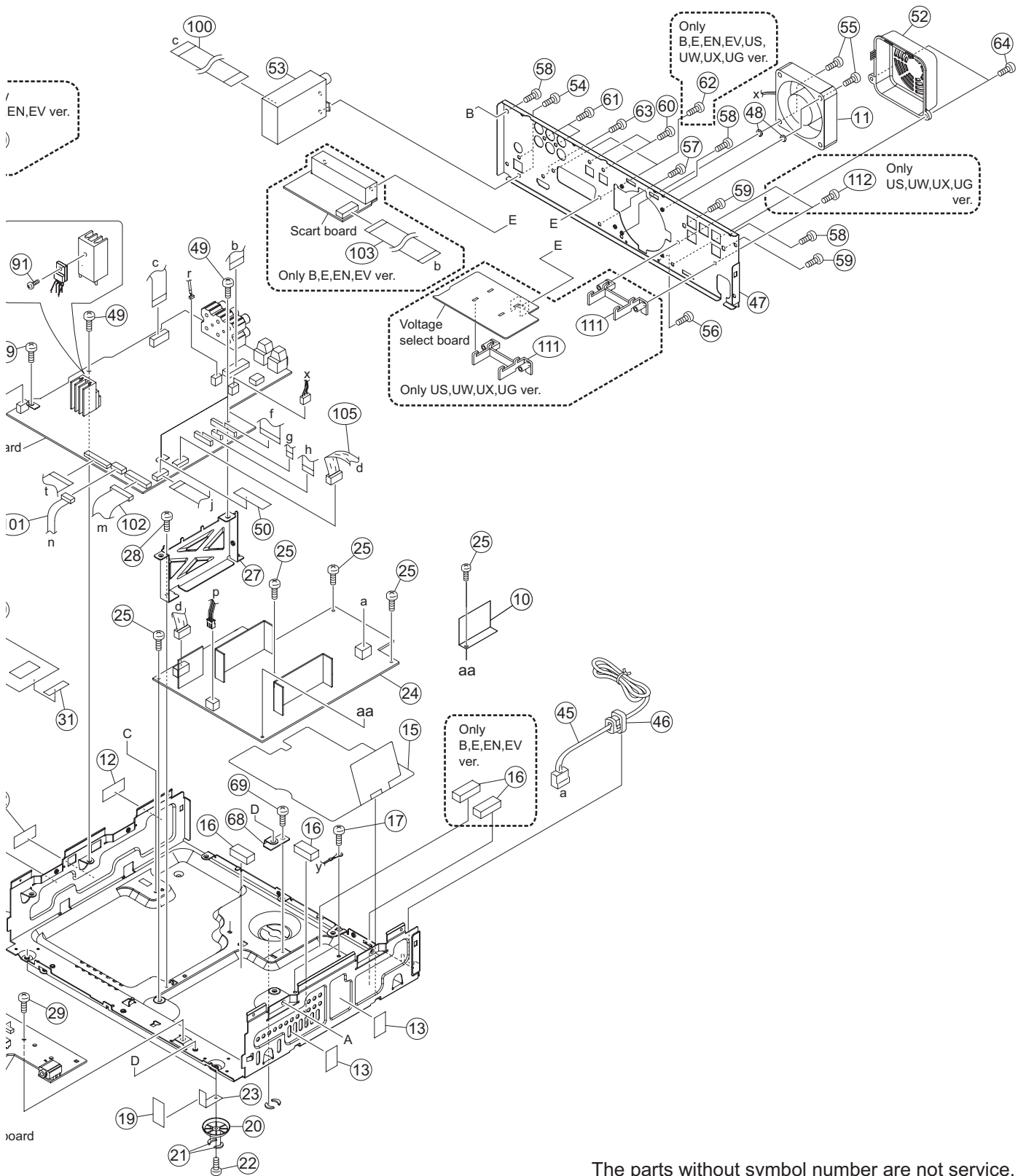
- Contents -

Exploded view of general assembly and parts list (Block No.M1)	3- 2
DVD mechanism assembly and parts list (Block No.MJ)	3- 6
DVD loading base assembly and parts list (Block No.MN)	3- 8
Electrical parts list (Block No.01~05)	3-10
Packing materials and accessories parts list (Block No.M3) (Except EE ver)	3-26
Packing materials and accessories parts list (Block No.M4) (Only EE ver)	3-28

Exploded view of general assembly and parts list

Block No. **M 1 M M**





The parts without symbol number are not service.

General Assembly

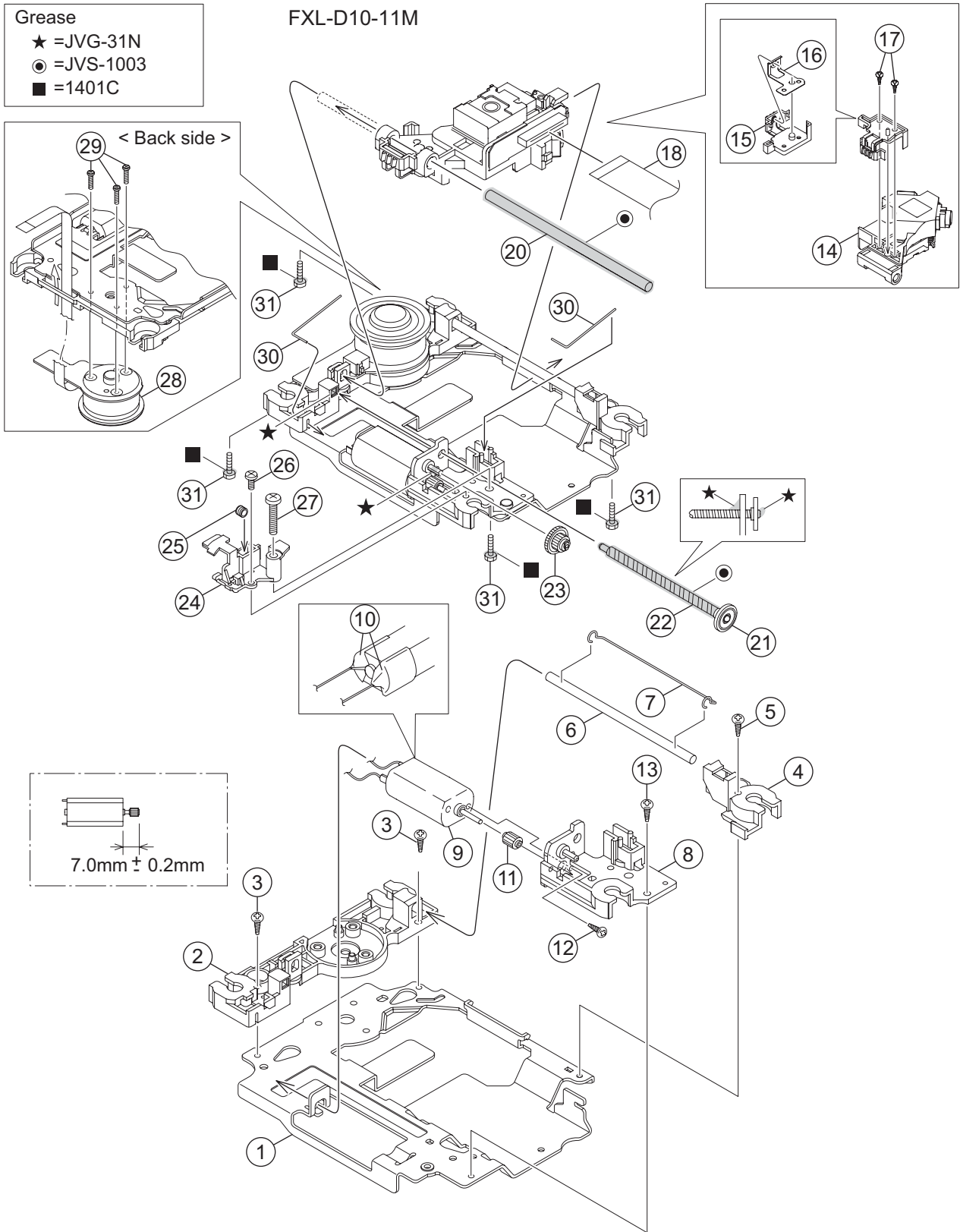
Block No. [M][1][M][M]

△	Symbol No.	Part No.	Part Name	Description	Local
	1	LV11541-003A	FRONT BASE		B,E,EN,EV
	1	LV11541-005A	FRONT BASE		A,EE,US,UB,UW,UX,UG,UA
	2	LV45105-001A	SCREEN		
	3	LV45091-001A	POWER BUTTON AS		
	4	LV38104-001A	FUNCTION BUT AS		B,E,EN,EV,A,US,UB,UW,UX,UG,UA
	4	LV38104-002A	FUNCTION BUT AS		EE
	5	LV22658-008A	FRONT LENS		EN,EV,A,UB
	5	LV22658-010A	FRONT LENS		EE,US,UW,UX,UG,UA
	6	LV44752-201A	BRAND BADGE		
	7	QYSDSG3008ZA	TAP SCREW	M3 x 8mm(x8)	B,E,EN,EV
	7	QYSDSG3008ZA	TAP SCREW	M3 x 8mm(x7)	A,EE,US,UB,UW,UX,UG,UA
	8	LV38331-002A	FL SHIELD		B,E,EN,EV
	8	LV38331-003A	FL SHIELD		A,EE,US,UB,UW,UX,UG,UA
	9	LV44249-001A	LED HOLDER		
	10	LV45212-001A	EARTH PLATE(B)		
	11	QAR0390-001	FAN MOTOR	12V DC	
	12	LV30227-040A	SPACER	(x3)	
	13	LV30227-040A	SPACER	(x2)	
	14	LV11543-001A	BOTTOM CHASSIS		
	15	LV38308-001A	PWB BARRIER		B,E,EN,EV
	15	LV38308-002A	PWB BARRIER		A,EE,US,UB,UW,UX,UG,UA
	16	LV30225-0P5A	SPACER	(x4)	B,E,EN,EV
	16	LV30225-0P5A	SPACER	(x2)	A,EE,US,UB,UW,UX,UG,UA
	17	LV43451-002A	SPECIAL SCREW	(x2)	
	18	GV30349-025A	SPACER		
	19	LV45222-001A	EARTH PLATE(B)		B,E,EN,EV
	19	LV45222-002A	BARRIER(B)		A,EE,US,UW,UX,UG
	19	LV45222-003A	BARRIER(B)		UB,UA
	20	LV38113-001A	FOOT BASE	(x2)	B,E,EN,EV,A,US,UB,UW,UX,UG,UA
	20	LV38113-002A	FOOT BASE	(x2)	EE
	21	LV44865-001A	FOOT FELT	(x6)	
	22	QYSBST3006EA	TAP SCREW	M3 x 6mm(x2)	
	23	LV45177-001A	EARTH PLATE		
△	24	QAL1059-001	POWER UNIT ASSY		B,E,EN,EV
△	24	QAL1059-002	POWER UNIT ASSY		A,EE,US,UB,UW,UX,UG,UA
	25	QYSBST3006EA	TAP SCREW	M3 x 6mm(x5)	
	27	LV38116-001A	PWB BKT		
	28	QYSBST3006EA	TAP SCREW	M3 x 6mm	
	29	QYSBST3006EA	TAP SCREW	M3 x 6mm	
	30	LV45175-001A	DAC SHIELD		
	31	GV30349-025A	SPACER	(x2)	
	32	QYSDSG3006EA	TAP SCREW	M3 x 6mm(x2)	
	33	LV38309-001A	AMP SHIELD		
	34	LV45168-001A	SPK SHIELD		
	35	LV11544-001A	TOP CHASSIS		
	36	LV38298-002A	HEAT SINK ASSY		
	37	LV38111-001A	IC BKT	(x2)	
	38	LV45156-001A	THERMAL SHEET		
	39	QYSBSG3016EA	TAP SCREW	M3 x 16mm(x2)	
	40	QYSBSGY3008EA	TAP SCREW	M3 x 8mm(x3)	
	41	QYSBST3006EA	TAP SCREW	M3 x 6mm(x2)	
	42	GV30349-025A	SPACER	(x2)	
	43	QYSBSGY3008EA	TAP SCREW	M3 x 8mm(x3)	
	44	LV44339-001A	SPECIAL SCREW		
△	45	QMPN150-200-JC	POWER CORD(EK)	2m BLACK	B,UB
△	45	QMPK200-200-JD	POWER CORD(EK)	2m BLACK	E,EN,EV,EE,US,UW,UX,UG
△	45	QMPG150-244-JC	POWER CORD(EK)	2.44m BLACK	A
△	45	QMPRB30-200-K2	POWER CORD(EK)	2m BLACK	UA
	46	QZW0033-001	STRAIN RELIEF		
	47	LV22661-020A	REAR PANEL		B,E,EN,EV
	47	LV22661-010A	REAR PANEL		A
	47	LV22661-025A	REAR PANEL		EE
	47	LV22661-027A	REAR PANEL		US
	47	LV22661-017A	REAR PANEL		UB
	47	LV22661-030A	REAR PANEL		UW
	47	LV22661-033A	REAR PANEL		UX,UG
	47	LV22661-035A	REAR PANEL		UA
	48	LV30226-044A	SPACER	(x2)	
	49	QYSBST3006EA	TAP SCREW	M3 x 6mm(x4)	
	50	GV30349-025A	SPACER		
	51	GV30349-025A	SPACER		
	52	LV38114-003A	FAN COVER		B,E,EN,A,EE,US,UB,UW,UX,UG,UA
	53	QAU0510-001	TUNER		B,E,EN,EV
	53	QAU0509-003	TUNER		A,EE,US,UB,UW,UX,UG,UA

Symbol No.	Part No.	Part Name	Description	Local
54	QYSBSGY3008EA	TAP SCREW	M3 x 8mm(x2)	
55	QYSBSG3020ZA	TAP SCREW	M3 x 20mm(x2)	
56	QYSBSGY3008EA	TAP SCREW	M3 x 8mm	
57	QYSBSGY3008EA	TAP SCREW	M3 x 8mm	
58	QYSBSGY3008EA	TAP SCREW	M3 x 8mm(x3)	
59	QYSBSGY3008EA	TAP SCREW	M3 x 8mm(x2)	
60	QYSBSGY3008EA	TAP SCREW	M3 x 8mm(x2)	
61	QYSBSGY3008EA	TAP SCREW	M3 x 8mm(x2)	
62	QYSBSGY3008EA	TAP SCREW	M3 x 8mm(x2)	B,E,EN,EV,US,UW,UX,UG
63	QYSBST3006EA	TAP SCREW	M3 x 6mm	
64	QYSBSGY3008EA	TAP SCREW	M3 x 8mm(x2)	
65	LV43451-003A	SPECIAL SCREW		
66	GV30349-025A	SPACER		
67	QYSBST3006EA	TAP SCREW	M3 x 6mm(x3)	
68	LV41548-201A	C.B BKT		
69	QYSBST3006EA	TAP SCREW	M3 x 6mm	
70	QQR0917-001	CORE FILTER		B,E,EN,EV
71	GV30349-025A	SPACER		B,E,EN,EV
72	LV38297-002A	BARRIER		B,E,EN,EV
72	LV38297-003A	BARRIER		A,EE,US,UB,UW,UX,UG,UA
73	QYSBST3006EA	TAP SCREW	M3 x 6mm(x2)	
74	QYSSST3006EA	TAP SCREW	M3 x 6mm(x3)	
75	QYSSST3006EA	TAP SCREW	M3 x 6mm(x3)	
76	LV11542-003A	TOP PANEL L		
77	LV22659-001A	TOP PANEL R ASS		B,E,EN,EV
77	LV22659-003A	TOP PANEL R ASS		A,US,UB,UW,UX,UG,UA
77	LV22659-006A	TOP PANEL R ASS		EE
80	QYSBSGY3008EA	TAP SCREW	M3 x 8mm(x4)	
81	LV22660-004A	SIDE PANEL		B,E,EN,EV,A,US,UB,UW,UX,UG,UA
81	LV22660-002A	SIDE PANEL		EE
82	QYSBSGY3008EA	TAP SCREW	M3 x 8mm(x2)	
83	LV38109-001A	ILLUMI.LENS		
84	LV38108-001A	VOL ORNAMENT		B,E,EN,EV
84	LV38108-003A	VOL ORNAMENT		A,US,UB,UW,UX,UG,UA
84	LV38108-004A	VOL ORNAMENT		EE
85	QYSDSG3008ZA	TAP SCREW	M3 x 8mm(x2)	
86	LV38106-001A	VOL KNOB ASSY		B,E,EN,EV,A,US,UB,UW,UX,UG,UA
86	LV38106-002A	VOL KNOB ASSY		EE
87	LV45148-003A	VOLUME SHEET		
88	LV38110-002A	TRAY FITTING		
90	LV30227-016A	SPACER	(x2)	
91	QYSBSG3008ZA	TAP SCREW	M3 x 8mm	B,E,EN,EV
91	QYSDSG3008ZA	TAP SCREW	M3 x 8mm	UB,UA
93	LV30227-0C5A	SPACER		B,E,EN,EV,UB,UA
94	QUQV12-1909AJ-E	FFC WIRE	19pin 9cm	
95	QUQV12-1109AJ-E	FFC WIRE	11pin 9cm	
96	QUR310-0509AE-E	FFC WIRE		
97	QUR310-2711AE-E	FFC WIRE		
98	QUR310-2313AE-E	FFC WIRE		
99	QUR310-1312AE-E	FFC WIRE		
100	QUQV12-1510AJ-E	FFC WIRE	15pin 10cm	B,E,EN,EV
100	QUQV12-1110AJ-E	FFC WIRE	11pin 10cm	A,EE,US,UB,UW,UX,UG,UA
101	QUR310-0706AE-E	FFC WIRE		
102	QUR310-2306AE-E	FFC WIRE		
103	QUQV12-1712BJ-E	FFC WIRE	17pin 12cm	B,E,EN,EV
104	WJN0247-001A-E	E-SH C WIRE C-C		B,E,EN,EV
104	WJN0254-001A-E	E-SH C WIRE C-C		A,EE,US,UB,UW,UX,UG,UA
105	QJJ073-061701-E	SIN CR C-C WIRE		
106	QJJ028-041404-E	SIN CR C-C WIRE		
107	WJN0246-001A-E	E-SH C WIRE C-C		
108	WJZ0322-002A-E	E-HARNESS ASSY		
109	WJZ0323-001A-E	E-HARNESS ASSY		
110	VXL4431-006	VOLUME KNOB		EE,US,UW,UX,UG,UA
111	LV38115-001A	JACK COVER	(x2)	US,UW,UX,UG
112	QYSBSGY3008EA	TAP SCREW	M3 x 8mm(x2)	US,UW,UX,UG

DVD mechanism assembly and parts list

Block No. M J M M



The parts without symbol number are not service.

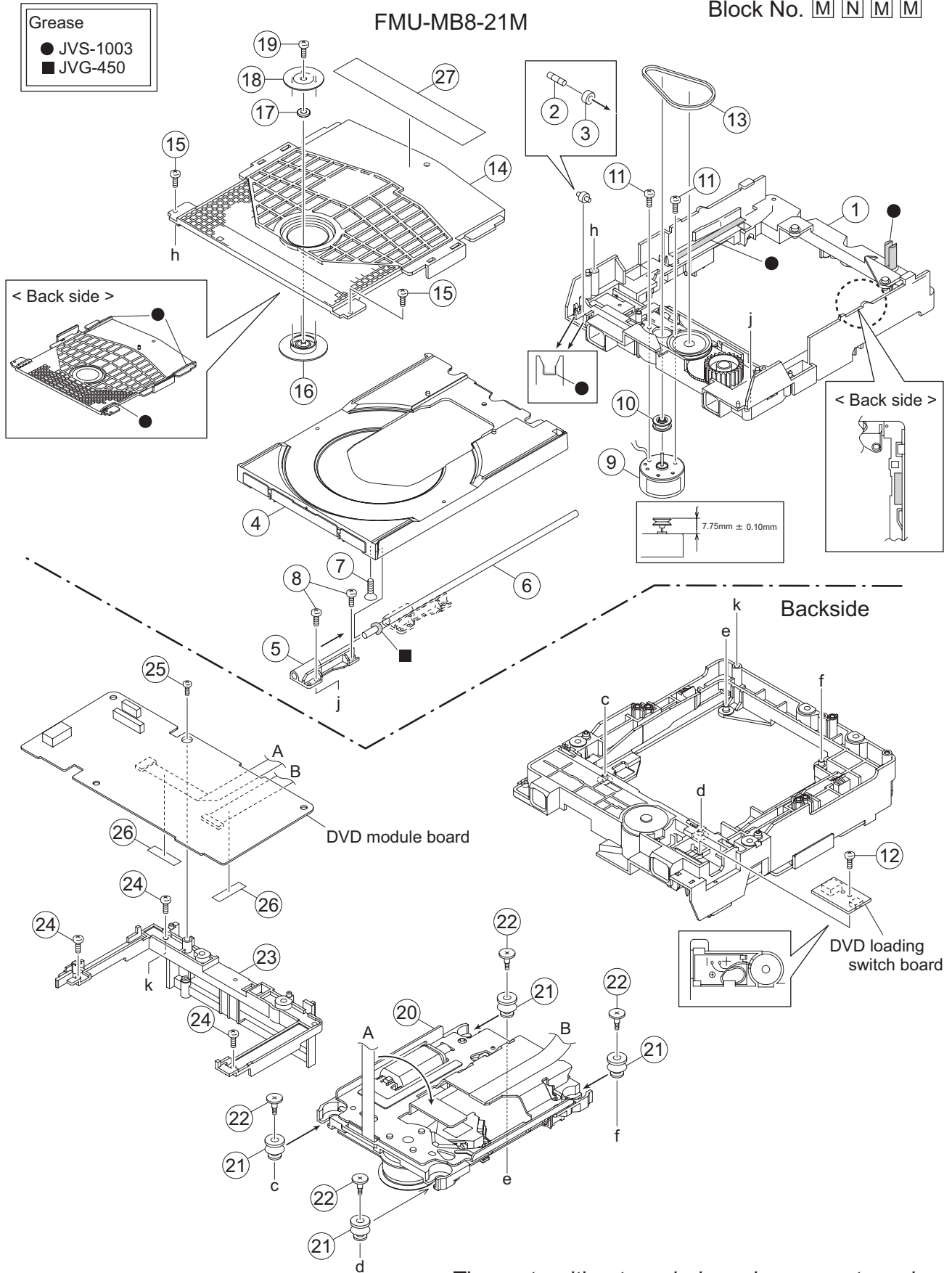
DVD mechanism

Block No. [M][J][M][M]

△	Symbol No.	Part No.	Part Name	Description	Local
	1	LV22234-003A	T.M.CHASSIS		
	2	LV22235-001A	SPINDLE BASE		
	3	QYSDST2005ZA	TAP SCREW	M2 x 5mm(x2)	
	4	LV36555-001A	G.S.HOLDER		
	5	QYSDST2005ZA	TAP SCREW	M2 x 5mm	
	6	LV44041-002A	GUIDE SHAFT		
	7	LV44479-001A	BAR SPRING		
	8	LV22236-001A	FEED HOLDER		
	9	QAR0165-001	FEED MOTOR	5.0V DC	
	10	LV30225-0X5A	SPACER	(x2)	
	11	LV36557-001A	F.M.GEAR		
	12	QYSPSPT2030MA	SCREW	M2 x 3mm	
	13	QYSDST2005ZA	TAP SCREW	M2 x 5mm	
	14	QAL0786-006	PICK UP		
	14	or QAL0786-004	P.UP		
	15	LV22237-001A	RACK ARM		
	16	LV36560-001A	RACK ARM SPRING		
	17	QYSPSFU1740ZA	TAP SCREW	M1.7 x 4mm(x2)	
	18	QUQK05-2420AC-E	FFC WIRE	24pin 20cm	
	20	LV44041-002A	GUIDE SHAFT		
	21	LV36559-001A	L.S.GEAR		
	22	LV41517-003A	LEAD SCREW		
	23	LV36558-001A	MIDDLE GEAR		
	24	LV36556-001A	SPRING HOLDER		
	25	LV44623-001A	COMP.SPRING		
	26	QYSDST2005ZA	TAP SCREW	M2 x 5mm	
	27	QYSDST2616MA	TAP SCREW	M2.6 x 16mm	
	28	QAR0387-001	S.MOTOR		
	29	QYSPSPU1775ZA	SCREW	M1.7 x 7.5mm(x3)	
	30	LV44042-001A	ROD SPRING	(x2)	
	31	LV44046-001A	ADJUST SCREW	(x4)	

DVD loading base assembly and parts list

Block No. M N M M



The parts without symbol number are not service.

DVD loading base

Block No. [M][N][M][M]

△	Symbol No.	Part No.	Part Name	Description	Local
	1	LV11065-014A	LOADER SUB ASSY		
	2	E407140-001SS	C.D ROLLER		
	3	E407149-001SS	RUBBER TUBE		
	4	LV10979-003A	TRAY		
	5	LV35499-003A	SHAFT GUIDE		
	6	LV44022-001A	SHAFT		
	7	QYSSSF2008ZA	TAP SCREW	M2 x 8mm	
	8	QYSDSF2008ZA	TAP SCREW	M2 x 8mm(x2)	
	9	QAR0197-001	MOTOR	2.0V DC	
	9	or QAR0450-001	MOTOR		
	10	LV43844-002A	MOTOR PULLEY		
	11	QYSPSPU1730ZA	SCREW	M1.7 x 3mm(x2)	
	12	QYSDSF2008ZA	TAP SCREW	M2 x 8mm	
	13	LV43974-001A	BELT		
	14	LV21852-003A	CLAMPER BASE		
	15	QYSDSF2008ZA	TAP SCREW	M2 x 8mm(x2)	
	16	LV35056-002A	DVD CLAMPER		
	17	LV42930-003A	MAGNET		
	17	or LV41118-003A	MAGNET		
	18	LV43848-001A	YOKE		
	19	LE40906-002A-M	SPECIAL SCREW		
	20	-----	SINGLE DVD TRAM		
	21	LV44043-001A	INSULATOR	(x4)	
	22	LV44044-001A	SPECIAL SCREW	(x4)	
	23	LV11277-003A	CB HOLDER DD		
	24	QYSBSF2608ZA	TAP SCREW	M2.6 x 8mm(x3)	
	25	QYSBSFG2606ZA	TAP SCREW	M2.6 x 6mm	
	26	GV30349-025A	SPACER	(x2)	
	27	LV44603-003A	LASER CAUTION		

Electrical parts list

Main board

Block No. [0][1]					
△ Symbol No.	Part No.	Part Name	Description	Local	
IC200	R2S15902FP	IC			
IC201	R2S15207FP-X	IC		EE,US, UW,UX, UG,UA	
IC202	R2A15907SP-X	IC		EE,US, UW,UX, UG,UA	
IC204	NJM4580E-X	IC			
IC205	NJM4565E-X	IC		EE,US, UW,UX, UG,UA	
IC206	NJM4565E-X	IC		EE,US, UW,UX, UG,UA	
IC207	NJM4580E-X	IC			
IC208	NJM4580E-X	IC			
IC209	NJM4580E-X	IC			
IC212	NJM4565E-X	IC			
IC231	NJM4565E-X	IC			
IC261	GP1FAV30TK0F	OPT TRANSMITTER			
IC271	GP1FAV30RK0F	OPT RECEIVER			
IC401	-----	IC			
IC421	S-80827CNNB-G-W	IC			
IC431	S-24CS08AFJ1G-X	IC			
IC451	LB1641	IC			
IC601	MM1623XF-X	IC			
IC704	AK4387ET-X	IC			
IC705	AK4387ET-X	IC			
IC706	AK4387ET-X	IC			
IC707	NJM4580E-X	IC			
IC708	NJM4580E-X	IC			
IC709	NJM4565E-X	IC			
IC901	SI-8008HFE-F3	IC			
IC921	MM1683DN-X	IC			
IC931	MM1565AF-X	IC			
Q2032	RT1P441C-X	DIGI TRANSISTOR			
Q2101	2SC3928A/QR/-X	TRANSISTOR			
Q2201	2SC3928A/QR/-X	TRANSISTOR			
Q2501	RT6N230C-X	DIGI TRANSISTOR		B,E,EN, EV	
Q2502	RT6N230C-X	DIGI TRANSISTOR		B,E,EN, EV	
Q2601	RT6N230C-X	DIGI TRANSISTOR			
Q2602	KTC3203/OY/-T	TRANSISTOR			
Q2801	RT1P441C-X	DIGI TRANSISTOR			
Q2803	IMX9-W	PAIR TRANSISTOR			
Q2804	IMX9-W	PAIR TRANSISTOR			
Q2805	IMX9-W	PAIR TRANSISTOR			
Q2806	KTC3875/YG/-X	TRANSISTOR			
Q2807	RT1P441C-X	DIGI TRANSISTOR			
Q2808	RT1P441C-X	DIGI TRANSISTOR			
Q2809	RT1P441C-X	DIGI TRANSISTOR			
Q2812	2SC3928A/QR/-X	TRANSISTOR			
Q2815	IMX9-W	PAIR TRANSISTOR			
Q2816	IMX9-W	PAIR TRANSISTOR			
Q2901	KTC3203/OY/-T	TRANSISTOR			
Q4081	RT1N141C-X	DIGI TRANSISTOR			
Q4601	KTA1273/Y/-T	TRANSISTOR			
Q4602	2SC3928A/RS/-X	TRANSISTOR			
Q9001	RT1N141C-X	DIGI TRANSISTOR			
Q9111	ISA1530AC1/QR/X	TRANSISTOR			
Q9501	KTC3203/OY/-T	TRANSISTOR			
Q9502	KRA102S-X	DIGI TRANSISTOR			
Q9502	or RT1P141C-X	DIGI TRANSISTOR			
Q9503	RT1N141C-X	DIGI TRANSISTOR			
Q9602	RT1N141C-X	DIGI TRANSISTOR			
Q9801	RT1N141C-X	DIGI TRANSISTOR			
D2703	MC2838-X	DIODE			
D2703	or MA152WK-X	SI DIODE			
D2706	MA8033-X	Z DIODE			
D2708	MA111-X	SI DIODE			
D2901	MA8110/M/-X	Z DIODE			
D2902	MC2838-X	DIODE			B,E,EN, EV,A,U B
D2902	or MA152WK-X	SI DIODE			B,E,EN, EV,A,U B
D2903	MA8062/H/-X	Z DIODE			
D4121	MA111-X	SI DIODE			
D4122	MA8033-X	Z DIODE			
D4501	1N4003S-T5	SI DIODE			
D4502	MA8047/H/-X	Z DIODE			
D4503	1N4003S-T5	SI DIODE			
D4601	MA2SD31-X	SB DIODE			
D6301	MA111-X	SI DIODE			B,E,EN, EV
D7001	MA8047/M/-X	Z DIODE			
D7002	MA8047/M/-X	Z DIODE			
D7003	MA8047/M/-X	Z DIODE			
D7004	MA8047/M/-X	Z DIODE			
D7005	MA8047/M/-X	Z DIODE			
D7006	MA8047/M/-X	Z DIODE			
D9001	FMB-24	SB DIODE			
D9004	GS1J-X	DIODE			
D9012	SK34A-X	SB DIODE			
D9013	SK19-X	SB DIODE			
D9014	SK26A-X	SB DIODE			
D9015	SK14-GA-X	SB DIODE			
D9016	MA4082/M/-T1	Z DIODE			
D9101	SK14-GA-X	SB DIODE			
D9103	MA8024-X	Z DIODE			
△D9111	FR104S-T5	FR DIODE			
D9112	MA8220/M/-X	Z DIODE			
D9113	MA111-X	SI DIODE			
D9501	MA8100/M/-X	Z DIODE			
D9801	MA2SD31-X	SB DIODE			
D9802	MA2SD31-X	SB DIODE			
D9803	MA2SD31-X	SB DIODE			
D9804	MA2SD31-X	SB DIODE			
D9805	MA2SD31-X	SB DIODE			
D9806	MA2SD31-X	SB DIODE			
D9807	MA2SD31-X	SB DIODE			
D9808	MA8068/M/-X	Z DIODE			
C2061	NCB31HK-104X	C CAPACITOR	0.1uF 50V K		
C2063	QETN1EM-476Z	E CAPACITOR	47uF 25V M		
C2071	NCB31HK-104X	C CAPACITOR	0.1uF 50V K		
C2073	QETN1EM-476Z	E CAPACITOR	47uF 25V M		
C2104	QETN1HM-475Z	E CAPACITOR	4.7uF 50V M		
C2106	QFVF1HJ-473Z	MF CAPACITOR	0.047uF 50V J		
C2107	QFVF1HJ-154Z	MF CAPACITOR	0.15uF 50V J		
C2108	QFG32AJ-223Z	PP CAPACITOR	0.022uF 100V J		
C2109	QTE1J60-106Z	E CAPACITOR	10uF 63V		
C2110	QTE1J60-106Z	E CAPACITOR	10uF 63V		B,E,EN, EV,A,U B
C2110	QENC1HM-106Z	BP E CAPACITOR	10uF 50V M		EE,US, UW,UX, UG,UA
C2116	QEK1HM-225Z	E CAPACITOR	2.2uF 50V M		
C2117	QEK1HM-225Z	E CAPACITOR	2.2uF 50V M		
C2118	QETN1HM-105Z	E CAPACITOR	1uF 50V M		EE,US, UW,UX, UG,UA
C2119	QETN1HM-105Z	E CAPACITOR	1uF 50V M		EE,US, UW,UX, UG,UA
C2120	NDC31HK-102X	C CAPACITOR	1000pF 50V K		
C2131	NDC31HJ-331X	C CAPACITOR	330pF 50V J		
C2132	QEK1AM-227Z	E CAPACITOR	220uF 10V M		
C2141	NDC31HJ-331X	C CAPACITOR	330pF 50V J		
C2142	QETN1HM-105Z	E CAPACITOR	1uF 50V M		
C2145	QETN1HM-106Z	E CAPACITOR	10uF 50V M		
C2147	QEK1HM-225Z	E CAPACITOR	2.2uF 50V M		
C2151	QTE1J60-106Z	E CAPACITOR	10uF 63V		
C2152	QFN31HJ-101Z	M CAPACITOR	100pF 50V J		
C2153	QTE1J60-106Z	E CAPACITOR	10uF 63V		

△ Symbol No.	Part No.	Part Name	Description	Local	△ Symbol No.	Part No.	Part Name	Description	Local
C2154	QTE1J60-106Z	E CAPACITOR	10uF 63V		C2602	QTE1J60-106Z	E CAPACITOR	10uF 63V	EE,US, UW,UX, UG,UA
C2155	QFZ0218-391Z	PP CAPACITOR	390pF						
C2191	NCB20JK-106X	C CAPACITOR	10uF 6.3V K	EE,US, UW,UX, UG,UA	C2603	QTE1J60-106Z	E CAPACITOR	10uF 63V	EE,US, UW,UX, UG,UA
C2192	NCB31CK-104X	C CAPACITOR	0.1uF 16V K	EE,US, UW,UX, UG,UA					
C2193	NCB31CK-472X	C CAPACITOR	4700pF 16V K	EE,US, UW,UX, UG,UA	C2651	QETN1HM-106Z	E CAPACITOR	10uF 50V M	
C2204	QETN1HM-475Z	E CAPACITOR	4.7uF 50V M		C2652	NDC31HJ-222X	C CAPACITOR	2200pF 50V J	
C2206	QFVF1HJ-473Z	MF CAPACITOR	0.047uF 50V J		C2653	QETN1HM-106Z	E CAPACITOR	10uF 50V M	
C2207	QFVF1HJ-154Z	MF CAPACITOR	0.15uF 50V J		C2654	QETN1HM-106Z	E CAPACITOR	10uF 50V M	
C2208	QFG32AJ-223Z	PP CAPACITOR	0.022uF 100V J		C2665	QFVF1HJ-473Z	MF CAPACITOR	0.047uF 50V J	
C2209	QTE1J60-106Z	E CAPACITOR	10uF 63V		C2666	QFVF1HJ-474Z	MF CAPACITOR	0.47uF 50V J	
C2210	QTE1J60-106Z	E CAPACITOR	10uF 63V	B,E,EN, EV,A,U B	C2667	QFVF1HJ-473Z	MF CAPACITOR	0.047uF 50V J	
C2210	QENC1HM-106Z	BP E CAPACITOR	10uF 50V M	EE,US, UW,UX, UG,UA	C2668	QETN1HM-106Z	E CAPACITOR	10uF 50V M	
C2216	QEKC1HM-225Z	E CAPACITOR	2.2uF 50V M		C2669	QFVF1HJ-473Z	MF CAPACITOR	0.047uF 50V J	B,E,EN, EE,US, UW,UX, UG,UA
C2217	QEKC1HM-225Z	E CAPACITOR	2.2uF 50V M		C2670	QFVF1HJ-473Z	MF CAPACITOR	0.047uF 50V J	B,E,EN, EV,EE, US,UW, UX,UG, UA
C2218	QETN1HM-105Z	E CAPACITOR	1uF 50V M	EE,US, UW,UX, UG,UA	C2671	QETN1HM-226Z	E CAPACITOR	22uF 50V M	EE,US, UW,UX, UG,UA
C2219	QETN1HM-105Z	E CAPACITOR	1uF 50V M	EE,US, UW,UX, UG,UA	C2701	QTE1E60-476Z	E CAPACITOR	47uF 25V	
C2220	NDC31HK-102X	C CAPACITOR	1000pF 50V K		C2702	NCB31CK-104X	C CAPACITOR	0.1uF 16V K	
C2231	NDC31HJ-331X	C CAPACITOR	330pF 50V J		C2703	QTE1E60-476Z	E CAPACITOR	47uF 25V	
C2232	QEKC1AM-227Z	E CAPACITOR	220uF 10V M		C2704	NCB31HK-103X	C CAPACITOR	0.01uF 50V K	EE,US, UW,UX, UG,UA
C2241	NDC31HJ-331X	C CAPACITOR	330pF 50V J		C2705	NCB31HK-103X	C CAPACITOR	0.01uF 50V K	EE,US, UW,UX, UG,UA
C2242	QETN1HM-105Z	E CAPACITOR	1uF 50V M		C2706	NDC31HJ-101X	C CAPACITOR	100pF 50V J	EE,US, UW,UX, UG,UA
C2245	QETN1HM-106Z	E CAPACITOR	10uF 50V M		C2707	NDC31HJ-101X	C CAPACITOR	100pF 50V J	EE,US, UW,UX, UG,UA
C2247	QEKC1HM-225Z	E CAPACITOR	2.2uF 50V M		C2708	QEKC1EM-476Z	E CAPACITOR	47uF 25V M	EE,US, UW,UX, UG,UA
C2251	QTE1J60-106Z	E CAPACITOR	10uF 63V		C2710	NCB31CK-104X	C CAPACITOR	0.1uF 16V K	
C2252	QFN31HJ-101Z	M CAPACITOR	100pF 50V J		C2711	NDC31HJ-101X	C CAPACITOR	100pF 50V J	
C2253	QTE1J60-106Z	E CAPACITOR	10uF 63V		C2712	NDC31HJ-101X	C CAPACITOR	100pF 50V J	
C2254	QTE1J60-106Z	E CAPACITOR	10uF 63V		C2803	QTE1H60-226Z	E CAPACITOR	22uF 50V	
C2255	QFZ0218-391Z	PP CAPACITOR	390pF		C2806	QETN1CM-107Z	E CAPACITOR	100uF 16V M	
C2291	NCB20JK-106X	C CAPACITOR	10uF 6.3V K	EE,US, UW,UX, UG,UA	C2807	NCB31CK-104X	C CAPACITOR	0.1uF 16V K	
C2292	NCB31CK-104X	C CAPACITOR	0.1uF 16V K	EE,US, UW,UX, UG,UA	C2811	QEKC1HM-226Z	E CAPACITOR	22uF 50V M	
C2293	NCB31CK-472X	C CAPACITOR	4700pF 16V K	EE,US, UW,UX, UG,UA	C2812	QEKC1HM-106Z	E CAPACITOR	10uF 50V M	
C2301	QTE1J60-106Z	E CAPACITOR	10uF 63V		C2813	QEKC1EM-476Z	E CAPACITOR	47uF 25V M	
C2305	QEKC1HM-225Z	E CAPACITOR	2.2uF 50V M		C2814	QEKC1EM-476Z	E CAPACITOR	47uF 25V M	
C2306	QEKC1HM-225Z	E CAPACITOR	2.2uF 50V M		C2815	QEKC1EM-476Z	E CAPACITOR	47uF 25V M	
C2351	QTE1J60-106Z	E CAPACITOR	10uF 63V		C2817	NDC31HJ-101X	C CAPACITOR	100pF 50V J	
C2353	QTE1J60-106Z	E CAPACITOR	10uF 63V		C2818	QETN1HM-107Z	E CAPACITOR	100uF 50V M	
C2354	QFZ0218-391Z	PP CAPACITOR	390pF						
C2355	NDC31HJ-120X	C CAPACITOR	12pF 50V J		C2819	QETN1HM-107Z	E CAPACITOR	100uF 50V M	EE,US, UW,UX, UG,UA
C2401	QTE1J60-106Z	E CAPACITOR	10uF 63V		C2820	NCB31HK-104X	C CAPACITOR	0.1uF 50V K	EE,US, UW,UX, UG,UA
C2405	QEKC1HM-225Z	E CAPACITOR	2.2uF 50V M		C2821	NCB31HK-104X	C CAPACITOR	0.1uF 50V K	
C2406	QEKC1HM-225Z	E CAPACITOR	2.2uF 50V M		C2823	QTE1C60-107Z	E CAPACITOR	100uF 16V	
C2451	QTE1J60-106Z	E CAPACITOR	10uF 63V		C2824	QTE1C60-107Z	E CAPACITOR	100uF 16V	
C2453	QTE1J60-106Z	E CAPACITOR	10uF 63V		C2825	QTE1E60-476Z	E CAPACITOR	47uF 25V	
C2454	QFZ0218-391Z	PP CAPACITOR	390pF		C2851	NCB31HK-104X	C CAPACITOR	0.1uF 50V K	
C2455	NDC31HJ-120X	C CAPACITOR	12pF 50V J		C2852	NCB31HK-104X	C CAPACITOR	0.1uF 50V K	
C2501	QTE1J60-106Z	E CAPACITOR	10uF 63V		C2853	NCB31HK-104X	C CAPACITOR	0.1uF 50V K	
C2551	NDC31HJ-470X	C CAPACITOR	47pF 50V J	B,E,EN, EV	C2854	NCB31HK-104X	C CAPACITOR	0.1uF 50V K	
C2552	QETN1HM-106Z	E CAPACITOR	10uF 50V M		C2855	QETN1CM-107Z	E CAPACITOR	100uF 16V M	
C2553	NDC31HJ-470X	C CAPACITOR	47pF 50V J	B,E,EN, EV	C2859	QETN1HM-106Z	E CAPACITOR	10uF 50V M	
C2554	QETN1HM-106Z	E CAPACITOR	10uF 50V M	B,E,EN, EV	C2861	QETN1CM-107Z	E CAPACITOR	100uF 16V M	
C2555	QETN1HM-106Z	E CAPACITOR	10uF 50V M		C2862	NCB31HK-103X	C CAPACITOR	0.01uF 50V K	
C2556	QETN1HM-106Z	E CAPACITOR	10uF 50V M		C2863	QETN1CM-107Z	E CAPACITOR	100uF 16V M	
C2557	QETN1HM-106Z	E CAPACITOR	10uF 50V M	B,E,EN, EV	C2866	QETN1HM-105Z	E CAPACITOR	1uF 50V M	
C2558	QETN1HM-106Z	E CAPACITOR	10uF 50V M	B,E,EN, EV	C2867	QTE1J60-106Z	E CAPACITOR	10uF 63V	
C2601	QTE1J60-106Z	E CAPACITOR	10uF 63V		C2868	QTE1E60-476Z	E CAPACITOR	47uF 25V	
					C2869	QETN1CM-107Z	E CAPACITOR	100uF 16V M	

△ Symbol No.	Part No.	Part Name	Description	Local	△ Symbol No.	Part No.	Part Name	Description	Local
C2901	QER61HM-105Z	E CAPACITOR	1uF 50V M	EE,US, UW,UX, UG,UA	C2932	QER61AM-107Z	E CAPACITOR	100uF 10V M	EE,US, UW,UX, UG,UA
C2903	QER61HM-105Z	E CAPACITOR	1uF 50V M	EE,US, UW,UX, UG,UA	C4001	QETN1AM-108Z	E CAPACITOR	1000uF 10V M	
C2904	NDC31HJ-560X	C CAPACITOR	56pF 50V J	EE,US, UW,UX, UG,UA	C4002	NCB31CK-104X	C CAPACITOR	0.1uF 16V K	
C2905	NDC31HJ-560X	C CAPACITOR	56pF 50V J	EE,US, UW,UX, UG,UA	C4003	NCB31CK-104X	C CAPACITOR	0.1uF 16V K	
C2906	NCB31CK-104X	C CAPACITOR	0.1uF 16V K	EE,US, UW,UX, UG,UA	C4011	NCB30JK-105X	C CAPACITOR	1uF 6.3V K	
C2907	NDC31HJ-681X	C CAPACITOR	680pF 50V J	EE,US, UW,UX, UG,UA	C4012	NCB31HK-103X	C CAPACITOR	0.01uF 50V K	
C2908	NDC31HJ-101X	C CAPACITOR	100pF 50V J	EE,US, UW,UX, UG,UA	C4014	NCB31HK-102X	C CAPACITOR	1000pF 50V K	
C2909	NCB31CK-104X	C CAPACITOR	0.1uF 16V K	EE,US, UW,UX, UG,UA	C4021	NCB31HK-103X	C CAPACITOR	0.01uF 50V K	
C2910	NDC31HJ-101X	C CAPACITOR	100pF 50V J	EE,US, UW,UX, UG,UA	C4031	NCB31CK-104X	C CAPACITOR	0.1uF 16V K	
C2911	NDC31HJ-560X	C CAPACITOR	56pF 50V J	EE,US, UW,UX, UG,UA	C4032	NCB31CK-104X	C CAPACITOR	0.1uF 16V K	
C2912	NCB31HK-103X	C CAPACITOR	0.01uF 50V K	EE,US, UW,UX, UG,UA	C4033	NCB31CK-104X	C CAPACITOR	0.1uF 16V K	
C2913	NCB31CK-104X	C CAPACITOR	0.1uF 16V K	EE,US, UW,UX, UG,UA	C4034	NCB31CK-104X	C CAPACITOR	0.1uF 16V K	
C2914	NCB21CK-154X	C CAPACITOR	0.15uF 16V K	EE,US, UW,UX, UG,UA	C4035	NCB31CK-104X	C CAPACITOR	0.1uF 16V K	
C2915	NCB21HK-273X	C CAPACITOR	0.027uF 50V K	EE,US, UW,UX, UG,UA	C4036	NCB31CK-104X	C CAPACITOR	0.1uF 16V K	
C2916	NCB21HK-273X	C CAPACITOR	0.027uF 50V K	EE,US, UW,UX, UG,UA	C4037	NCB31HK-103X	C CAPACITOR	0.01uF 50V K	
C2917	NDC31HJ-390X	C CAPACITOR	39pF 50V J	EE,US, UW,UX, UG,UA	C4201	NCB31CK-104X	C CAPACITOR	0.1uF 16V K	
C2918	NDC31HJ-680X	C CAPACITOR	68pF 50V J	EE,US, UW,UX, UG,UA	C4204	NCB31HK-103X	C CAPACITOR	0.01uF 50V K	
C2919	NCB31HK-332X	C CAPACITOR	3300pF 50V K	EE,US, UW,UX, UG,UA	C4301	QETN1HM-106Z	E CAPACITOR	10uF 50V M	
C2920	NCB31CK-104X	C CAPACITOR	0.1uF 16V K	EE,US, UW,UX, UG,UA	C4302	NCB31CK-104X	C CAPACITOR	0.1uF 16V K	
C2921	NCB31HK-332X	C CAPACITOR	3300pF 50V K	EE,US, UW,UX, UG,UA	C4501	QETN1CM-107Z	E CAPACITOR	100uF 16V M	
C2922	QETN1HM-105Z	E CAPACITOR	1uF 50V M	EE,US, UW,UX, UG,UA	C4502	NCB31CK-104X	C CAPACITOR	0.1uF 16V K	
C2923	NCB31CK-104X	C CAPACITOR	0.1uF 16V K	EE,US, UW,UX, UG,UA	C4503	NCB31CK-104X	C CAPACITOR	0.1uF 16V K	
C2924	NCB21CK-154X	C CAPACITOR	0.15uF 16V K	EE,US, UW,UX, UG,UA	C4601	QETN1HM-106Z	E CAPACITOR	10uF 50V M	
C2925	QER61AM-107Z	E CAPACITOR	100uF 10V M	EE,US, UW,UX, UG,UA	C4602	QETN1HM-106Z	E CAPACITOR	10uF 50V M	
C2926	QETN1HM-475Z	E CAPACITOR	4.7uF 50V M	EE,US, UW,UX, UG,UA	C4905	NCB21CK-105X	C CAPACITOR	1uF 16V K	
C2927	QETN1HM-105Z	E CAPACITOR	1uF 50V M	EE,US, UW,UX, UG,UA	C4906	NCB21CK-105X	C CAPACITOR	1uF 16V K	
C2928	QETN1HM-105Z	E CAPACITOR	1uF 50V M	EE,US, UW,UX, UG,UA	C6001	QETN1AM-477Z	E CAPACITOR	470uF 10V M	
C2929	NCB31CK-104X	C CAPACITOR	0.1uF 16V K	EE,US, UW,UX, UG,UA	C6002	NCB31CK-104X	C CAPACITOR	0.1uF 16V K	
C2931	QEKC1CM-107Z	E CAPACITOR	100uF 16V M	EE,US, UW,UX, UG,UA	C6003	QETN1HM-226Z	E CAPACITOR	22uF 50V M	
					C6004	NCB31CK-104X	C CAPACITOR	0.1uF 16V K	
					C6201	NCB31AK-105X	C CAPACITOR	1uF 10V K	
					C6211	NCB31AK-105X	C CAPACITOR	1uF 10V K	
					C6221	NCB31HK-103X	C CAPACITOR	0.01uF 50V K	
					C6231	NCB31AK-105X	C CAPACITOR	1uF 10V K	
					C6241	NCB31AK-105X	C CAPACITOR	1uF 10V K	
					C6251	NCB31AK-105X	C CAPACITOR	1uF 10V K	
					C6301	QETN1AM-477Z	E CAPACITOR	470uF 10V M	
					C6302	NDC31HJ-470X	C CAPACITOR	47pF 50V J	
					C6331	QETN1AM-477Z	E CAPACITOR	470uF 10V M	
					C6332	NDC31HJ-470X	C CAPACITOR	47pF 50V J	
					C6341	QETN1AM-477Z	E CAPACITOR	470uF 10V M	
					C6342	NDC31HJ-470X	C CAPACITOR	47pF 50V J	
					C6351	QETN1AM-477Z	E CAPACITOR	470uF 10V M	
					C6352	NDC31HJ-470X	C CAPACITOR	47pF 50V J	
					C7101	QTE1H60-226Z	E CAPACITOR	22uF 50V	
					C7102	QFZ0218-392Z	PP CAPACITOR	3900pF	
					C7103	QFG32AJ-331Z	PP CAPACITOR	330pF 100V J	B,E,EN, EV,A,U B
					C7103	QFG32AJ-681Z	PP CAPACITOR	680pF 100V J	EE,US, UW,UX, UG,UA
					C7104	QTE1H60-226Z	E CAPACITOR	22uF 50V	
					C7201	QTE1H60-226Z	E CAPACITOR	22uF 50V	
					C7202	QFZ0218-392Z	PP CAPACITOR	3900pF	
					C7203	QFG32AJ-331Z	PP CAPACITOR	330pF 100V J	B,E,EN, EV,A,U B
					C7203	QFG32AJ-681Z	PP CAPACITOR	680pF 100V J	EE,US, UW,UX, UG,UA
					C7204	QTE1H60-226Z	E CAPACITOR	22uF 50V	
					C7301	QTE1H60-226Z	E CAPACITOR	22uF 50V	
					C7302	QFZ0218-392Z	PP CAPACITOR	3900pF	
					C7303	QFG32AJ-331Z	PP CAPACITOR	330pF 100V J	B,E,EN, EV,A,U B
					C7303	QFG32AJ-681Z	PP CAPACITOR	680pF 100V J	EE,US, UW,UX, UG,UA
					C7304	QTE1H60-226Z	E CAPACITOR	22uF 50V	
					C7401	QTE1H60-226Z	E CAPACITOR	22uF 50V	
					C7402	QFZ0218-392Z	PP CAPACITOR	3900pF	
					C7403	QFG32AJ-331Z	PP CAPACITOR	330pF 100V J	B,E,EN, EV,A,U B

△ Symbol No.	Part No.	Part Name	Description	Local	△ Symbol No.	Part No.	Part Name	Description	Local
C7403	QFG32AJ-681Z	PP CAPACITOR	680pF 100V J	EE,US, UW,UX, UG,UA	R2116	NRSA63J-562X	MG RESISTOR	5.6kΩ 1/16W J	
C7404	QTE1H60-226Z	E CAPACITOR	22uF 50V		R2118	NRSA63J-473X	MG RESISTOR	47kΩ 1/16W J	
C7501	QTE1H60-226Z	E CAPACITOR	22uF 50V		R2121	NRSA63J-472X	MG RESISTOR	4.7kΩ 1/16W J	
C7502	QFZ0218-392Z	PP CAPACITOR	3900pF		R2122	NRSA63J-472X	MG RESISTOR	4.7kΩ 1/16W J	
C7503	QFG32AJ-331Z	PP CAPACITOR	330pF 100V J	B,E,EN, EV,A,U B	R2123	NRSA63J-102X	MG RESISTOR	1kΩ 1/16W J	
C7503	QFG32AJ-681Z	PP CAPACITOR	680pF 100V J	EE,US, UW,UX, UG,UA	R2124	NRSA63J-562X	MG RESISTOR	5.6kΩ 1/16W J	
C7504	QTE1H60-226Z	E CAPACITOR	22uF 50V		R2125	NRSA63J-562X	MG RESISTOR	5.6kΩ 1/16W J	
C7601	QTE1H60-226Z	E CAPACITOR	22uF 50V		R2126	NRSA63J-472X	MG RESISTOR	4.7kΩ 1/16W J	
C7602	QFZ0218-392Z	PP CAPACITOR	3900pF		R2127	NRS144J-390X	MG RESISTOR	39Ω 1/4W J	
C7603	QFG32AJ-331Z	PP CAPACITOR	330pF 100V J	B,E,EN, EV,A,U B	R2128	NRS144J-100X	MG RESISTOR	10Ω 1/4W J	
C7603	QFG32AJ-681Z	PP CAPACITOR	680pF 100V J	EE,US, UW,UX, UG,UA	R2129	NRSA63J-473X	MG RESISTOR	47kΩ 1/16W J	B,E,EN, EV,A,U B
C7604	QTE1H60-226Z	E CAPACITOR	22uF 50V		R2129	NRSA63J-123X	MG RESISTOR	12kΩ 1/16W J	EE,US, UW,UX, UG,UA
C7701	QTE1V60-336Z	E CAPACITOR	33uF 35V		R2130	NRSA63J-332X	MG RESISTOR	3.3kΩ 1/16W J	B,E,EN, EV,A,U B
C7702	QTE1V60-336Z	E CAPACITOR	33uF 35V		R2131	NRSA63J-101X	MG RESISTOR	100Ω 1/16W J	EE,US, UW,UX, UG,UA
C7703	QTE1V60-336Z	E CAPACITOR	33uF 35V		R2132	NRSA63J-562X	MG RESISTOR	5.6kΩ 1/16W J	EE,US, UW,UX, UG,UA
C7704	QTE1H60-226Z	E CAPACITOR	22uF 50V		R2151	NRSA63J-153X	MG RESISTOR	15kΩ 1/16W J	
C7705	QTE1H60-226Z	E CAPACITOR	22uF 50V		R2152	NRSA63J-104X	MG RESISTOR	100kΩ 1/16W J	
C7706	QTE1H60-226Z	E CAPACITOR	22uF 50V		R2153	NRSA63J-332X	MG RESISTOR	3.3kΩ 1/16W J	
C7707	NCB31CK-104X	C CAPACITOR	0.1uF 16V K		R2154	NRSA63J-332X	MG RESISTOR	3.3kΩ 1/16W J	
C7708	NCB31CK-104X	C CAPACITOR	0.1uF 16V K		R2155	NRSA63J-0R0X	MG RESISTOR	0Ω 1/16W J	
C7709	NCB31CK-104X	C CAPACITOR	0.1uF 16V K		R2156	NRSA63J-473X	MG RESISTOR	47kΩ 1/16W J	
C7710	QTE1H60-226Z	E CAPACITOR	22uF 50V		R2157	NRSA63J-912X	MG RESISTOR	9.1kΩ 1/16W J	
C7711	QTE1H60-226Z	E CAPACITOR	22uF 50V		R2159	NRSA63J-0R0X	MG RESISTOR	0Ω 1/16W J	
C7712	QTE1H60-226Z	E CAPACITOR	22uF 50V		R2166	NRSA63J-0R0X	MG RESISTOR	0Ω 1/16W J	
C7801	NCB31HK-221X	C CAPACITOR	220pF 50V K		R2167	NRSA63J-0R0X	MG RESISTOR	0Ω 1/16W J	
C7802	NCB31HK-221X	C CAPACITOR	220pF 50V K		R2181	NRSA63J-472X	MG RESISTOR	4.7kΩ 1/16W J	
C7803	NCB31HK-221X	C CAPACITOR	220pF 50V K		R2191	NRSA63J-103X	MG RESISTOR	10kΩ 1/16W J	EE,US, UW,UX, UG,UA
C7804	NCB31HK-221X	C CAPACITOR	220pF 50V K		R2201	NRSA63J-221X	MG RESISTOR	220Ω 1/16W J	B,E,EN, EV,A,U B
C7805	NCB31HK-221X	C CAPACITOR	220pF 50V K		R2202	NRSA63J-221X	MG RESISTOR	220Ω 1/16W J	
C7806	NCB31HK-221X	C CAPACITOR	220pF 50V K		R2204	NRSA63J-101X	MG RESISTOR	100Ω 1/16W J	
C7807	NCB31HK-221X	C CAPACITOR	220pF 50V K		R2212	NRSA63J-102X	MG RESISTOR	1kΩ 1/16W J	
C7808	NCB31HK-221X	C CAPACITOR	220pF 50V K		R2213	NRSA63J-104X	MG RESISTOR	100kΩ 1/16W J	
C7809	NCB31HK-221X	C CAPACITOR	220pF 50V K		R2214	NRSA63J-913X	MG RESISTOR	91kΩ 1/16W J	
C7810	NCB31HK-221X	C CAPACITOR	220pF 50V K		R2215	NRSA63J-472X	MG RESISTOR	4.7kΩ 1/16W J	
C7811	NCB31HK-221X	C CAPACITOR	220pF 50V K		R2216	NRSA63J-562X	MG RESISTOR	5.6kΩ 1/16W J	
C7812	NCB31HK-221X	C CAPACITOR	220pF 50V K		R2218	NRSA63J-473X	MG RESISTOR	47kΩ 1/16W J	
C9001	QEZ0779-687	E CAPACITOR	680uF		R2221	NRSA63J-472X	MG RESISTOR	4.7kΩ 1/16W J	
C9002	QFVF1HJ-474Z	MF CAPACITOR	0.47uF 50V J		R2222	NRSA63J-472X	MG RESISTOR	4.7kΩ 1/16W J	
C9003	NCB31HK-104X	C CAPACITOR	0.1uF 50V K		R2223	NRSA63J-102X	MG RESISTOR	1kΩ 1/16W J	
C9011	QEZ0778-108	E CAPACITOR	1000uF		R2224	NRSA63J-562X	MG RESISTOR	5.6kΩ 1/16W J	
C9012	QEZ0886-337Z	E CAPACITOR	330uF		R2225	NRSA63J-562X	MG RESISTOR	5.6kΩ 1/16W J	
C9013	QEZ0886-337Z	E CAPACITOR	330uF		R2226	NRSA63J-472X	MG RESISTOR	4.7kΩ 1/16W J	
C9014	QEZ0654-108Z	E CAPACITOR	1000uF 10V M		R2227	NRS144J-390X	MG RESISTOR	39Ω 1/4W J	
C9015	QEZ0654-108Z	E CAPACITOR	1000uF 10V M		R2228	NRS144J-100X	MG RESISTOR	10Ω 1/4W J	
C9101	QEZ0655-337Z	E CAPACITOR	330uF 16V M		R2229	NRSA63J-473X	MG RESISTOR	47kΩ 1/16W J	B,E,EN, EV,A,U B
C9103	QETN1HM-226Z	E CAPACITOR	22uF 50V M		R2229	NRSA63J-123X	MG RESISTOR	12kΩ 1/16W J	EE,US, UW,UX, UG,UA
C9111	QCZ0136-101Z	C CAPACITOR	100pF 1kV K		R2230	NRSA63J-332X	MG RESISTOR	3.3kΩ 1/16W J	B,E,EN, EV,A,U B
C9112	QEZ0657-396Z	E CAPACITOR	39uF 35V M		R2231	NRSA63J-101X	MG RESISTOR	100Ω 1/16W J	EE,US, UW,UX, UG,UA
C9113	NCB31HK-104X	C CAPACITOR	0.1uF 50V K		R2232	NRSA63J-562X	MG RESISTOR	5.6kΩ 1/16W J	EE,US, UW,UX, UG,UA
C9114	NCB31HK-104X	C CAPACITOR	0.1uF 50V K		R2251	NRSA63J-153X	MG RESISTOR	15kΩ 1/16W J	
C9202	NCB31AK-105X	C CAPACITOR	1uF 10V K		R2252	NRSA63J-104X	MG RESISTOR	100kΩ 1/16W J	
C9203	NCB31HK-103X	C CAPACITOR	0.01uF 50V K		R2253	NRSA63J-332X	MG RESISTOR	3.3kΩ 1/16W J	
C9204	NCB31AK-105X	C CAPACITOR	1uF 10V K		R2254	NRSA63J-332X	MG RESISTOR	3.3kΩ 1/16W J	
C9301	QETN1CM-107Z	E CAPACITOR	100uF 16V M		R2255	NRSA63J-0R0X	MG RESISTOR	0Ω 1/16W J	
C9302	NCB30JK-225X	C CAPACITOR	2.2uF 6.3V K		R2256	NRSA63J-473X	MG RESISTOR	47kΩ 1/16W J	
C9303	NDC31HJ-471X	C CAPACITOR	470pF 50V J		R2257	NRSA63J-912X	MG RESISTOR	9.1kΩ 1/16W J	
C9304	NCB31AK-105X	C CAPACITOR	1uF 10V K		R2259	NRSA63J-0R0X	MG RESISTOR	0Ω 1/16W J	
C9501	QETN1HM-106Z	E CAPACITOR	10uF 50V M						
C9502	QETN1HM-106Z	E CAPACITOR	10uF 50V M						
C9601	QETN1CM-107Z	E CAPACITOR	100uF 16V M						
R2101	NRSA63J-221X	MG RESISTOR	220Ω 1/16W J	B,E,EN, EV,A,U B					
R2102	NRSA63J-221X	MG RESISTOR	220Ω 1/16W J						
R2104	NRSA63J-101X	MG RESISTOR	100Ω 1/16W J						
R2112	NRSA63J-102X	MG RESISTOR	1kΩ 1/16W J						
R2113	NRSA63J-104X	MG RESISTOR	100kΩ 1/16W J						
R2114	NRSA63J-913X	MG RESISTOR	91kΩ 1/16W J						
R2115	NRSA63J-472X	MG RESISTOR	4.7kΩ 1/16W J						

△ Symbol No.	Part No.	Part Name	Description	Local	△ Symbol No.	Part No.	Part Name	Description	Local
R2266	NRSA63J-0R0X	MG RESISTOR	0Ω 1/16W J		R2658	NRSA63J-153X	MG RESISTOR	15kΩ 1/16W J	EE,US, UW,UX, UG,UA
R2267	NRSA63J-0R0X	MG RESISTOR	0Ω 1/16W J						
R2281	NRSA63J-472X	MG RESISTOR	4.7kΩ 1/16W J		R2659	NRSA63J-153X	MG RESISTOR	15kΩ 1/16W J	EE,US, UW,UX, UG,UA
R2291	NRSA63J-103X	MG RESISTOR	10kΩ 1/16W J	EE,US, UW,UX, UG,UA					
R2301	NRSA63J-332X	MG RESISTOR	3.3kΩ 1/16W J		R2662	NRSA63J-182X	MG RESISTOR	1.8kΩ 1/16W J	
R2351	NRSA63J-153X	MG RESISTOR	15kΩ 1/16W J		R2663	NRSA63J-222X	MG RESISTOR	2.2kΩ 1/16W J	
R2352	NRSA63J-104X	MG RESISTOR	100kΩ 1/16W J		R2664	NRSA63J-273X	MG RESISTOR	27kΩ 1/16W J	
R2353	NRSA63J-332X	MG RESISTOR	3.3kΩ 1/16W J		R2665	NRSA63J-183X	MG RESISTOR	18kΩ 1/16W J	
R2354	NRSA63J-203X	MG RESISTOR	20kΩ 1/16W J		R2666	NRSA63J-473X	MG RESISTOR	47kΩ 1/16W J	
R2355	NRSA63J-0R0X	MG RESISTOR	0Ω 1/16W J		R2667	NRSA63J-0R0X	MG RESISTOR	0Ω 1/16W J	EE,US, UW,UX, UG,UA
R2356	NRSA63J-473X	MG RESISTOR	47kΩ 1/16W J						
R2357	NRSA63J-0R0X	MG RESISTOR	0Ω 1/16W J		R2668	NRSA63J-122X	MG RESISTOR	1.2kΩ 1/16W J	B,E,EN, EV,A,U B
R2358	NRSA63J-912X	MG RESISTOR	9.1kΩ 1/16W J						
R2401	NRSA63J-332X	MG RESISTOR	3.3kΩ 1/16W J		R2668	NRSA63J-203X	MG RESISTOR	20kΩ 1/16W J	EE,US, UW,UX, UG,UA
R2451	NRSA63J-153X	MG RESISTOR	15kΩ 1/16W J						
R2452	NRSA63J-104X	MG RESISTOR	100kΩ 1/16W J		R2669	NRSA63J-122X	MG RESISTOR	1.2kΩ 1/16W J	B,E,EN, EV,A,U B
R2453	NRSA63J-332X	MG RESISTOR	3.3kΩ 1/16W J						
R2454	NRSA63J-203X	MG RESISTOR	20kΩ 1/16W J		R2669	NRSA63J-223X	MG RESISTOR	22kΩ 1/16W J	EE,US, UW,UX, UG,UA
R2455	NRSA63J-0R0X	MG RESISTOR	0Ω 1/16W J						
R2456	NRSA63J-473X	MG RESISTOR	47kΩ 1/16W J		R2670	NRS144J-151X	MG RESISTOR	150Ω 1/4W J	
R2457	NRSA63J-0R0X	MG RESISTOR	0Ω 1/16W J		R2671	NRSA63J-103X	MG RESISTOR	10kΩ 1/16W J	
R2458	NRSA63J-912X	MG RESISTOR	9.1kΩ 1/16W J		R2672	NRSA63J-823X	MG RESISTOR	82kΩ 1/16W J	
R2501	NRSA63J-332X	MG RESISTOR	3.3kΩ 1/16W J		R2673	NRSA63J-101X	MG RESISTOR	100Ω 1/16W J	
R2551	NRSA63J-104X	MG RESISTOR	100kΩ 1/16W J		R2674	NRSA63J-394X	MG RESISTOR	390kΩ 1/16W J	
R2553	NRSA63J-153X	MG RESISTOR	15kΩ 1/16W J		R2675	NRSA63J-332X	MG RESISTOR	3.3kΩ 1/16W J	
R2554	NRSA63J-363X	MG RESISTOR	36kΩ 1/16W J		R2701	NRSA63J-472X	MG RESISTOR	4.7kΩ 1/16W J	
R2555	NRSA63J-332X	MG RESISTOR	3.3kΩ 1/16W J	B,E,EN, EV	R2702	NRSA63J-472X	MG RESISTOR	4.7kΩ 1/16W J	
R2556	NRSA63J-0R0X	MG RESISTOR	0Ω 1/16W J		R2703	NRSA63J-223X	MG RESISTOR	22kΩ 1/16W J	
R2557	NRSA63J-153X	MG RESISTOR	15kΩ 1/16W J		R2705	NRSA63J-472X	MG RESISTOR	4.7kΩ 1/16W J	
R2558	NRSA63J-153X	MG RESISTOR	15kΩ 1/16W J		R2706	NRSA63J-474X	MG RESISTOR	470kΩ 1/16W J	
R2560	NRSA63J-104X	MG RESISTOR	100kΩ 1/16W J	B,E,EN, EV	R2707	NRSA63J-474X	MG RESISTOR	470kΩ 1/16W J	
R2561	NRSA63J-153X	MG RESISTOR	15kΩ 1/16W J	B,E,EN, EV	R2708	NRSA63J-104X	MG RESISTOR	100kΩ 1/16W J	
R2562	NRSA63J-363X	MG RESISTOR	36kΩ 1/16W J		R2709	NRSA63J-104X	MG RESISTOR	100kΩ 1/16W J	
R2563	NRSA63J-332X	MG RESISTOR	3.3kΩ 1/16W J	B,E,EN, EV	R2710	NRSA63J-0R0X	MG RESISTOR	0Ω 1/16W J	
R2564	NRSA63J-0R0X	MG RESISTOR	0Ω 1/16W J		R2711	NRSA63J-203X	MG RESISTOR	20kΩ 1/16W J	
R2601	NRSA63J-101X	MG RESISTOR	100Ω 1/16W J		R2801	NRSA63J-333X	MG RESISTOR	33kΩ 1/16W J	EE,US, UW,UX, UG,UA
R2604	NRSA63J-332X	MG RESISTOR	3.3kΩ 1/16W J						
R2615	NRSA63J-562X	MG RESISTOR	5.6kΩ 1/16W J	EE,US, UW,UX, UG,UA	R2802	NRSA63J-303X	MG RESISTOR	30kΩ 1/16W J	EE,US, UW,UX, UG,UA
R2616	NRSA63J-683X	MG RESISTOR	68kΩ 1/16W J	EE,US, UW,UX, UG,UA	R2805	NRSA63J-332X	MG RESISTOR	3.3kΩ 1/16W J	
R2617	NRSA63J-103X	MG RESISTOR	10kΩ 1/16W J	EE,US, UW,UX, UG,UA	R2806	NRSA63J-332X	MG RESISTOR	3.3kΩ 1/16W J	
R2618	NRSA63J-103X	MG RESISTOR	10kΩ 1/16W J	EE,US, UW,UX, UG,UA	R2807	NRSA63J-332X	MG RESISTOR	3.3kΩ 1/16W J	
R2619	NRSA63J-103X	MG RESISTOR	10kΩ 1/16W J	EE,US, UW,UX, UG,UA	R2808	NRSA63J-332X	MG RESISTOR	3.3kΩ 1/16W J	
R2620	NRSA63J-223X	MG RESISTOR	22kΩ 1/16W J	EE,US, UW,UX, UG,UA	R2809	NRSA63J-331X	MG RESISTOR	330Ω 1/16W J	
R2621	NRSA63J-223X	MG RESISTOR	22kΩ 1/16W J	EE,US, UW,UX, UG,UA	R2830	QRJ146J-471X	UNF C RESISTOR	470Ω 1/4W J	
R2622	NRSA63J-103X	MG RESISTOR	10kΩ 1/16W J	EE,US, UW,UX, UG,UA	R2834	NRS144J-151X	MG RESISTOR	150Ω 1/4W J	EE,US, UW,UX, UG,UA
R2623	NRSA63J-332X	MG RESISTOR	3.3kΩ 1/16W J		R2836	QRJ146J-221X	UNF C RESISTOR	220Ω 1/4W J	
R2624	NRSA63J-102X	MG RESISTOR	1kΩ 1/16W J		△ R2837	QRZ9006-4R7X	FUSI RESISTOR	4.7Ω	
R2626	NRSA63J-332X	MG RESISTOR	3.3kΩ 1/16W J		R2851	NRSA63J-0R0X	MG RESISTOR	0Ω 1/16W J	
R2627	NRSA63J-103X	MG RESISTOR	10kΩ 1/16W J	EE,US, UW,UX, UG,UA	R2852	NRSA63J-332X	MG RESISTOR	3.3kΩ 1/16W J	
R2651	NRSA63J-104X	MG RESISTOR	100kΩ 1/16W J		R2853	NRSA63J-332X	MG RESISTOR	3.3kΩ 1/16W J	
R2652	NRSA63J-153X	MG RESISTOR	15kΩ 1/16W J		R2854	NRSA63J-332X	MG RESISTOR	3.3kΩ 1/16W J	
R2653	NRSA63J-152X	MG RESISTOR	1.5kΩ 1/16W J		R2855	NRSA63J-332X	MG RESISTOR	3.3kΩ 1/16W J	
R2654	NRSA63J-273X	MG RESISTOR	27kΩ 1/16W J		R2856	NRS144J-151X	MG RESISTOR	150Ω 1/4W J	
R2655	NRSA63J-101X	MG RESISTOR	100Ω 1/16W J		R2857	NRS144J-151X	MG RESISTOR	150Ω 1/4W J	
R2657	NRSA63J-104X	MG RESISTOR	100kΩ 1/16W J		R2858	NRS144J-151X	MG RESISTOR	150Ω 1/4W J	
					R2859	NRS144J-151X	MG RESISTOR	150Ω 1/4W J	
					R2861	NRSA63J-101X	MG RESISTOR	100Ω 1/16W J	
					R2863	NRSA63J-513X	MG RESISTOR	51kΩ 1/16W J	
					R2867	NRSA63J-152X	MG RESISTOR	1.5kΩ 1/16W J	
					R2871	NRSA63J-101X	MG RESISTOR	100Ω 1/16W J	
					R2873	NRSA63J-473X	MG RESISTOR	47kΩ 1/16W J	
					R2874	NRSA63J-103X	MG RESISTOR	10kΩ 1/16W J	
					R2875	NRSA63J-332X	MG RESISTOR	3.3kΩ 1/16W J	
					R2876	NRSA63J-272X	MG RESISTOR	2.7kΩ 1/16W J	
					R2877	NRSA63J-102X	MG RESISTOR	1kΩ 1/16W J	
					R2922	QRJ146J-271X	UNF C RESISTOR	270Ω 1/4W J	
					R2931	NRSA63J-332X	MG RESISTOR	3.3kΩ 1/16W J	
					R2932	NRSA63J-302X	MG RESISTOR	3kΩ 1/16W J	
					R2933	NRSA63J-473X	MG RESISTOR	47kΩ 1/16W J	

△ Symbol No.	Part No.	Part Name	Description	Local	△ Symbol No.	Part No.	Part Name	Description	Local
R2934	NRSA63J-473X	MG RESISTOR	47kΩ 1/16W J		R4020	NRSA63J-102X	MG RESISTOR	1kΩ 1/16W J	
R2936	NRSA63J-473X	MG RESISTOR	47kΩ 1/16W J		R4024	NRSA63J-471X	MG RESISTOR	470Ω 1/16W J	
R2939	NRSA63J-473X	MG RESISTOR	47kΩ 1/16W J		R4025	NRSA63J-471X	MG RESISTOR	470Ω 1/16W J	
R2940	NRSA63J-513X	MG RESISTOR	51kΩ 1/16W J	EE,US, UW,UX, UG,UA	R4026	NRSA63J-103X	MG RESISTOR	10kΩ 1/16W J	
R2941	NRSA63J-472X	MG RESISTOR	4.7kΩ 1/16W J	EE,US, UW,UX, UG,UA	R4027	NRSA63J-103X	MG RESISTOR	10kΩ 1/16W J	
R2942	NRSA63J-912X	MG RESISTOR	9.1kΩ 1/16W J	EE,US, UW,UX, UG,UA	R4028	NRSA63J-472X	MG RESISTOR	4.7kΩ 1/16W J	
R2943	NRSA63J-912X	MG RESISTOR	9.1kΩ 1/16W J	EE,US, UW,UX, UG,UA	R4029	NRSA63J-472X	MG RESISTOR	4.7kΩ 1/16W J	
R2944	NRSA63J-153X	MG RESISTOR	15kΩ 1/16W J	EE,US, UW,UX, UG,UA	R4030	NRSA63J-472X	MG RESISTOR	4.7kΩ 1/16W J	
R2945	NRSA63J-334X	MG RESISTOR	330kΩ 1/16W J	EE,US, UW,UX, UG,UA	R4041	NRSA63J-102X	MG RESISTOR	1kΩ 1/16W J	B,E,EN, EV,EE, US,UW, UX,UG, UA
R2946	NRSA63J-104X	MG RESISTOR	100kΩ 1/16W J	EE,US, UW,UX, UG,UA	R4042	NRSA63J-102X	MG RESISTOR	1kΩ 1/16W J	
R2947	NRSA63J-153X	MG RESISTOR	15kΩ 1/16W J	EE,US, UW,UX, UG,UA	R4043	NRSA63J-102X	MG RESISTOR	1kΩ 1/16W J	B,E,EN, EV,EE, US,UW, UX,UG, UA
R2948	NRSA63J-153X	MG RESISTOR	15kΩ 1/16W J	EE,US, UW,UX, UG,UA	R4044	NRSA63J-102X	MG RESISTOR	1kΩ 1/16W J	B,E,EN, EV,EE, US,UW, UX,UG, UA
R2949	NRSA63J-103X	MG RESISTOR	10kΩ 1/16W J	EE,US, UW,UX, UG,UA	R4045	NRSA63J-102X	MG RESISTOR	1kΩ 1/16W J	
R2950	NRSA63J-913X	MG RESISTOR	91kΩ 1/16W J	EE,US, UW,UX, UG,UA	R4049	NRSA63J-102X	MG RESISTOR	1kΩ 1/16W J	EE,US, UW,UX, UG,UA
R2951	NRSA63J-303X	MG RESISTOR	30kΩ 1/16W J	EE,US, UW,UX, UG,UA	R4051	NRSA63J-102X	MG RESISTOR	1kΩ 1/16W J	
R2952	NRSA63J-303X	MG RESISTOR	30kΩ 1/16W J	EE,US, UW,UX, UG,UA	R4052	NRSA63J-0R0X	MG RESISTOR	0Ω 1/16W J	
R2953	NRSA63J-153X	MG RESISTOR	15kΩ 1/16W J	EE,US, UW,UX, UG,UA	R4053	NRSA63J-0R0X	MG RESISTOR	0Ω 1/16W J	
R2954	NRSA63J-153X	MG RESISTOR	15kΩ 1/16W J	EE,US, UW,UX, UG,UA	R4054	NRSA63J-102X	MG RESISTOR	1kΩ 1/16W J	
R2955	NRSA63J-153X	MG RESISTOR	15kΩ 1/16W J	EE,US, UW,UX, UG,UA	R4055	NRSA63J-102X	MG RESISTOR	1kΩ 1/16W J	
R2956	NRSA63J-103X	MG RESISTOR	10kΩ 1/16W J	EE,US, UW,UX, UG,UA	R4056	NRSA63J-102X	MG RESISTOR	1kΩ 1/16W J	
R2957	NRSA63J-472X	MG RESISTOR	4.7kΩ 1/16W J	EE,US, UW,UX, UG,UA	R4057	NRSA63J-102X	MG RESISTOR	1kΩ 1/16W J	
R2959	NRSA63J-203X	MG RESISTOR	20kΩ 1/16W J	EE,US, UW,UX, UG,UA	R4059	NRSA63J-102X	MG RESISTOR	1kΩ 1/16W J	
R4001	NRSA63J-102X	MG RESISTOR	1kΩ 1/16W J	B,E,EN, EV,EE, US,UW, UX,UG, UA	R4060	NRSA63J-102X	MG RESISTOR	1kΩ 1/16W J	
R4002	NRSA63J-102X	MG RESISTOR	1kΩ 1/16W J	B,E,EN, EV,EE, US,UW, UX,UG, UA	R4062	NRSA63J-102X	MG RESISTOR	1kΩ 1/16W J	
R4003	NRSA63J-102X	MG RESISTOR	1kΩ 1/16W J	B,E,EN, EV,EE, US,UW, UX,UG, UA	R4063	NRSA63J-102X	MG RESISTOR	1kΩ 1/16W J	
R4004	NRSA63J-471X	MG RESISTOR	470Ω 1/16W J		R4065	NRSA63J-103X	MG RESISTOR	10kΩ 1/16W J	EE,US, UW,UX, UG,UA
R4005	NRSA63J-102X	MG RESISTOR	1kΩ 1/16W J		R4066	NRSA63J-103X	MG RESISTOR	10kΩ 1/16W J	
R4006	NRSA63J-471X	MG RESISTOR	470Ω 1/16W J		R4067	NRSA63J-103X	MG RESISTOR	10kΩ 1/16W J	
R4007	NRSA63J-102X	MG RESISTOR	1kΩ 1/16W J		R4071	NRSA63J-103X	MG RESISTOR	10kΩ 1/16W J	
R4008	NRSA63J-102X	MG RESISTOR	1kΩ 1/16W J		R4081	NRSA63J-102X	MG RESISTOR	1kΩ 1/16W J	
R4009	NRSA63J-471X	MG RESISTOR	470Ω 1/16W J		R4083	NRSA63J-102X	MG RESISTOR	1kΩ 1/16W J	
R4010	NRSA63J-471X	MG RESISTOR	470Ω 1/16W J		R4084	NRSA63J-102X	MG RESISTOR	1kΩ 1/16W J	
R4011	NRSA63J-102X	MG RESISTOR	1kΩ 1/16W J		R4086	NRSA63J-102X	MG RESISTOR	1kΩ 1/16W J	
R4019	NRSA63J-102X	MG RESISTOR	1kΩ 1/16W J		R4087	NRSA63J-102X	MG RESISTOR	1kΩ 1/16W J	
					R4089	NRSA63J-101X	MG RESISTOR	100Ω 1/16W J	
					R4090	NRSA63J-102X	MG RESISTOR	1kΩ 1/16W J	
					R4091	NRSA63J-102X	MG RESISTOR	1kΩ 1/16W J	
					R4092	NRSA63J-102X	MG RESISTOR	1kΩ 1/16W J	
					R4093	NRSA63J-102X	MG RESISTOR	1kΩ 1/16W J	EE,US, UW,UX, UG,UA
					R4094	NRSA63J-102X	MG RESISTOR	1kΩ 1/16W J	
					R4095	NRSA63J-102X	MG RESISTOR	1kΩ 1/16W J	
					R4096	NRSA63J-102X	MG RESISTOR	1kΩ 1/16W J	
					R4097	NRSA63J-102X	MG RESISTOR	1kΩ 1/16W J	
					R4098	NRSA63J-102X	MG RESISTOR	1kΩ 1/16W J	
					R4099	NRSA63J-102X	MG RESISTOR	1kΩ 1/16W J	
					R4100	NRSA63J-102X	MG RESISTOR	1kΩ 1/16W J	
					R4101	NRSA63J-102X	MG RESISTOR	1kΩ 1/16W J	
					R4102	NRSA63J-102X	MG RESISTOR	1kΩ 1/16W J	
					R4103	NRSA63J-102X	MG RESISTOR	1kΩ 1/16W J	
					R4104	NRSA63J-102X	MG RESISTOR	1kΩ 1/16W J	
					R4110	NRSA63J-103X	MG RESISTOR	10kΩ 1/16W J	EE,US, UW,UX, UG,UA
					R4121	NRSA63J-221X	MG RESISTOR	220Ω 1/16W J	
					R4122	NRSA63J-221X	MG RESISTOR	220Ω 1/16W J	
					R4123	NRSA63J-102X	MG RESISTOR	1kΩ 1/16W J	
					R4124	NRSA63J-102X	MG RESISTOR	1kΩ 1/16W J	
					R4125	NRSA63J-102X	MG RESISTOR	1kΩ 1/16W J	
					R4126	NRSA63J-102X	MG RESISTOR	1kΩ 1/16W J	
					R4127	NRSA63J-102X	MG RESISTOR	1kΩ 1/16W J	
					R4128	NRSA63J-102X	MG RESISTOR	1kΩ 1/16W J	
					R4129	NRSA63J-102X	MG RESISTOR	1kΩ 1/16W J	
					R4130	NRSA63J-102X	MG RESISTOR	1kΩ 1/16W J	

△ Symbol No.	Part No.	Part Name	Description	Local	△ Symbol No.	Part No.	Part Name	Description	Local
R4131	NRSA63J-102X	MG RESISTOR	1kΩ 1/16W J		R7701	QRJ146J-151X	UNF C RESISTOR	150Ω 1/4W J	
R4132	NRSA63J-102X	MG RESISTOR	1kΩ 1/16W J		R7702	QRJ146J-151X	UNF C RESISTOR	150Ω 1/4W J	
R4135	NRSA63J-102X	MG RESISTOR	1kΩ 1/16W J		R7703	QRJ146J-151X	UNF C RESISTOR	150Ω 1/4W J	
R4136	NRSA63J-102X	MG RESISTOR	1kΩ 1/16W J		R7801	NRSA63J-221X	MG RESISTOR	220Ω 1/16W J	
R4137	NRSA63J-102X	MG RESISTOR	1kΩ 1/16W J		R7802	NRSA63J-221X	MG RESISTOR	220Ω 1/16W J	
R4139	NRSA63J-102X	MG RESISTOR	1kΩ 1/16W J		R7803	NRSA63J-221X	MG RESISTOR	220Ω 1/16W J	
R4140	NRSA63J-102X	MG RESISTOR	1kΩ 1/16W J		R7804	NRSA63J-221X	MG RESISTOR	220Ω 1/16W J	
R4141	NRSA63J-102X	MG RESISTOR	1kΩ 1/16W J		R7805	NRSA63J-221X	MG RESISTOR	220Ω 1/16W J	
R4142	NRSA63J-102X	MG RESISTOR	1kΩ 1/16W J	EE,US, UW,UX, UG,UA	R7816	NRSA63J-0R0X	MG RESISTOR	0Ω 1/16W J	
R4143	NRSA63J-103X	MG RESISTOR	10kΩ 1/16W J		R7817	NRSA63J-221X	MG RESISTOR	220Ω 1/16W J	
R4144	NRSA63J-103X	MG RESISTOR	10kΩ 1/16W J		R7819	NRSA63J-221X	MG RESISTOR	220Ω 1/16W J	
R4145	NRSA63J-103X	MG RESISTOR	10kΩ 1/16W J		R7820	NRSA63J-221X	MG RESISTOR	220Ω 1/16W J	
R4146	NRSA63J-103X	MG RESISTOR	10kΩ 1/16W J		R7821	NRSA63J-221X	MG RESISTOR	220Ω 1/16W J	
R4148	NRSA63J-103X	MG RESISTOR	10kΩ 1/16W J	B, E, EN, EV,EE, UW,UX, UG	R7822	NRSA63J-104X	MG RESISTOR	100kΩ 1/16W J	
R4148	NRSA63J-163X	MG RESISTOR	16kΩ 1/16W J	A,US,U B,UA	R9001	NRSA63J-821X	MG RESISTOR	820Ω 1/16W J	
R4149	NRSA63J-103X	MG RESISTOR	10kΩ 1/16W J	A,US,U B,UA	R9002	NRSA63J-272X	MG RESISTOR	2.7kΩ 1/16W J	
R4149	NRSA63J-683X	MG RESISTOR	68kΩ 1/16W J	EE	R9003	NRSA63J-272X	MG RESISTOR	2.7kΩ 1/16W J	
R4149	NRSA63J-183X	MG RESISTOR	18kΩ 1/16W J	UW	R9004	NRSA63J-101X	MG RESISTOR	100Ω 1/16W J	
R4149	NRSA63J-303X	MG RESISTOR	30kΩ 1/16W J	UX,UG	R9005	NRSA63J-103X	MG RESISTOR	10kΩ 1/16W J	
R4150	NRSA63J-102X	MG RESISTOR	1kΩ 1/16W J		R9101	QRJ146J-2R2X	UNF C RESISTOR	2.2Ω 1/4W J	
R4151	NRSA63J-153X	MG RESISTOR	15kΩ 1/16W J		R9111	QRJ146J-101X	UNF C RESISTOR	100Ω 1/4W J	
R4152	NRSA63J-913X	MG RESISTOR	91kΩ 1/16W J		R9112	NRSA63J-332X	MG RESISTOR	3.3kΩ 1/16W J	
R4201	NRSA63J-103X	MG RESISTOR	10kΩ 1/16W J		R9113	NRSA63J-223X	MG RESISTOR	22kΩ 1/16W J	
R4204	NRSA63J-102X	MG RESISTOR	1kΩ 1/16W J		△ R9501	QRZ9005-100X	FUSI RESISTOR	10Ω	
R4205	NRSA63J-0R0X	MG RESISTOR	0Ω 1/16W J		R9502	NRSA63J-221X	MG RESISTOR	220Ω 1/16W J	
R4301	NRSA63J-101X	MG RESISTOR	100Ω 1/16W J		R9503	NRSA63J-102X	MG RESISTOR	1kΩ 1/16W J	
R4601	NRSA63J-751X	MG RESISTOR	750Ω 1/16W J		R9504	NRSA63J-102X	MG RESISTOR	1kΩ 1/16W J	
R4602	NRSA63J-152X	MG RESISTOR	1.5kΩ 1/16W J		R9602	NRSA63J-102X	MG RESISTOR	1kΩ 1/16W J	
R4603	NRS144J-821X	MG RESISTOR	820Ω 1/4W J		R9801	NRSA63J-472X	MG RESISTOR	4.7kΩ 1/16W J	
R4604	NRSA63J-221X	MG RESISTOR	220Ω 1/16W J		L2001	QQL244K-4R7Z	COIL	4.7uH K	
R6211	NRSA63J-201X	MG RESISTOR	200Ω 1/16W J		L2002	QQL244K-4R7Z	COIL	4.7uH K	EE,US, UW,UX, UG,UA
R6213	NRSA63J-0R0X	MG RESISTOR	0Ω 1/16W J		L2003	QQL244K-4R7Z	COIL	4.7uH K	EE,US, UW,UX, UG,UA
R6221	NRSA63J-201X	MG RESISTOR	200Ω 1/16W J		L2071	QQL244K-4R7Z	COIL	4.7uH K	
R6223	NRSA63J-201X	MG RESISTOR	200Ω 1/16W J		L6001	QQL25CK-221Z	COIL	220uH K	
R6224	NRSA63J-201X	MG RESISTOR	200Ω 1/16W J		T9001	QSS0423-001	SW TRANSF		
R6251	NRSA63J-201X	MG RESISTOR	200Ω 1/16W J		CN201	QGF1040F1-23	CONNECTOR	FFC/FPC (1-23)	
R6301	NRSA63J-750X	MG RESISTOR	75Ω 1/16W J		CN201 or	QGF1036F2-23	CONNECTOR	FFC/FPC (1-23)	A,EE,U S,UB,U W,UX,U G,UA
R6302	NRSA63J-750X	MG RESISTOR	75Ω 1/16W J	B, E, EN, EV	CN202	QGF1040F1-07	CONNECTOR	FFC/FPC (1-7)	
R6331	NRSA63J-750X	MG RESISTOR	75Ω 1/16W J		CN202 or	QGF1036F2-07	CONNECTOR	FFC/FPC (1-7)	A,EE,U S,UB,U W,UX,U G,UA
R6342	NRSA63J-750X	MG RESISTOR	75Ω 1/16W J	B, E, EN, EV	CN203	QGF1208F1-11	CONNECTOR	FFC/FPC (1-11)	
R6351	NRSA63J-750X	MG RESISTOR	75Ω 1/16W J		CN401	QGF1208F1-06	CONNECTOR	FFC/FPC (1-6)	
R6352	NRSA63J-750X	MG RESISTOR	75Ω 1/16W J	B, E, EN, EV	CN402	QGF1208F1-05	CONNECTOR	FFC/FPC (1-5)	
R7101	NRSA63J-432X	MG RESISTOR	4.3kΩ 1/16W J		CN411	QGF1208F1-19	CONNECTOR	FFC/FPC (1-19)	
R7102	NRSA63J-201X	MG RESISTOR	200Ω 1/16W J		CN421	QGF1208C1-15	CONNECTOR	FFC/FPC (1-15)	B,E,EN, EV
R7103	NRSA63J-223X	MG RESISTOR	22kΩ 1/16W J		CN421	QGF1208C1-11	CONNECTOR	FFC/FPC (1-11)	A,EE,U S,UB,U W,UX,U G,UA
R7104	NRSA63J-152X	MG RESISTOR	1.5kΩ 1/16W J		CN451	QGF1040C1-05	CONNECTOR	FFC/FPC (1-5)	
R7201	NRSA63J-432X	MG RESISTOR	4.3kΩ 1/16W J		CN451 or	QGF1036C2-05	CONNECTOR	FFC/FPC (1-5)	A,EE,U S,UB,U W,UX,U G,UA
R7202	NRSA63J-201X	MG RESISTOR	200Ω 1/16W J		CN461	QGA2536C1-03	CONNECTOR	W-B (1-3)	
R7203	NRSA63J-223X	MG RESISTOR	22kΩ 1/16W J		CN481	QGF1040C1-13	CONNECTOR	FFC/FPC (1-13)	
R7204	NRSA63J-152X	MG RESISTOR	1.5kΩ 1/16W J		CN481 or	QGF1036C2-13	CONNECTOR	FFC/FPC (1-13)	A,EE,U S,UB,U W,UX,U G,UA
R7301	NRSA63J-432X	MG RESISTOR	4.3kΩ 1/16W J		CN601	QGF1208C1-17	CONNECTOR	FFC/FPC (1-17)	B,E,EN, EV
R7302	NRSA63J-201X	MG RESISTOR	200Ω 1/16W J		CN661	QGF1040C1-27	CONNECTOR	FFC/FPC (1-27)	
R7303	NRSA63J-223X	MG RESISTOR	22kΩ 1/16W J		CN661 or	QGF1036C2-27	CONNECTOR	FFC/FPC (1-27)	A,EE,U S,UB,U W,UX,U G,UA
R7304	NRSA63J-152X	MG RESISTOR	1.5kΩ 1/16W J		CN701	QGF1040C1-23	CONNECTOR	FFC/FPC (1-23)	
R7401	NRSA63J-432X	MG RESISTOR	4.3kΩ 1/16W J						
R7402	NRSA63J-201X	MG RESISTOR	200Ω 1/16W J						
R7403	NRSA63J-223X	MG RESISTOR	22kΩ 1/16W J						
R7404	NRSA63J-152X	MG RESISTOR	1.5kΩ 1/16W J						
R7501	NRSA63J-432X	MG RESISTOR	4.3kΩ 1/16W J						
R7502	NRSA63J-201X	MG RESISTOR	200Ω 1/16W J						
R7503	NRSA63J-223X	MG RESISTOR	22kΩ 1/16W J						
R7504	NRSA63J-152X	MG RESISTOR	1.5kΩ 1/16W J						
R7601	NRSA63J-432X	MG RESISTOR	4.3kΩ 1/16W J						
R7602	NRSA63J-201X	MG RESISTOR	200Ω 1/16W J						
R7603	NRSA63J-223X	MG RESISTOR	22kΩ 1/16W J						
R7604	NRSA63J-152X	MG RESISTOR	1.5kΩ 1/16W J						

△ Symbol No.	Part No.	Part Name	Description	Local	△ Symbol No.	Part No.	Part Name	Description	Local
CN701	or QGF1036C2-23	CONNECTOR	FFC/FPC (1-23)	A,EE,U S,UB,U W,UX,U G,UA	D1302	GS1J-X	DIODE		
CN702	QGA2016C1-04	CONNECTOR	W-B (1-4)		D1303	GS1J-X	DIODE		
CN981	QGA2536C1-06	CONNECTOR	W-B (1-6)		D1304	GS1J-X	DIODE		
CP271	ICP-N15-T	IC PROTECTOR	600mA		D1601	GS1J-X	DIODE		
CP911	ICP-N10-T	IC PROTECTOR	400mA		D1602	GS1J-X	DIODE		
EP402	QNZ0136-001Z	EARTH PLATE			D1603	GS1J-X	DIODE		
EP403	QNZ0136-001Z	EARTH PLATE			D1604	GS1J-X	DIODE		
HS901	LV40057-001A	HEAT SINK			C1001	QEHP1VM-108-R	E CAPACITOR	1000uF 35V M	
J6301	QNN0613-001	PIN JACK			C1002	QEHP1VM-108-R	E CAPACITOR	1000uF 35V M	
K2071	NQR0502-001X	FERRITE BEADS			C1003	NCB31HK-104X	C CAPACITOR	0.1uF 50V K	
K4001	NQR0502-001X	FERRITE BEADS			C1004	NCB31HK-104X	C CAPACITOR	0.1uF 50V K	
K4002	NQR0502-001X	FERRITE BEADS			C1005	NCB31HK-104X	C CAPACITOR	0.1uF 50V K	
K7704	NQR0502-001X	FERRITE BEADS			C1006	NCB31HK-104X	C CAPACITOR	0.1uF 50V K	
K7705	NQR0502-001X	FERRITE BEADS			C1007	NCB31HK-104X	C CAPACITOR	0.1uF 50V K	
K7706	NQR0502-001X	FERRITE BEADS			C1008	QETN1AM-108Z	E CAPACITOR	1000uF 10V M	
TP401	QNZ0104-001	POST PIN			C1009	NCB31CK-104X	C CAPACITOR	0.1uF 16V K	
WC401	QZW0112-001	WIRE CLAMP			C1010	NCB31HK-104X	C CAPACITOR	0.1uF 50V K	
WC402	QZW0112-001	WIRE CLAMP			C1011	NCB31CK-104X	C CAPACITOR	0.1uF 16V K	
WC403	QZW0112-002	WIRE CLAMP			C1012	NCB31HK-103X	C CAPACITOR	0.01uF 50V K	
X4001	QAX0667-001Z	C RESONATOR	8.000MHz		C1013	NCB31HK-103X	C CAPACITOR	0.01uF 50V K	

AMP board

Block No. [0][2]

△ Symbol No.	Part No.	Part Name	Description	Local
IC101	SN74HCU04ANS-X	IC		
IC102	HEF4013BT-X	IC(DIGITAL)		
IC103	HEF4011BT-X	IC		
△ IC111	TDA8920BTH/N2-W	IC		
△ IC131	TDA8920BTH/N2-W	IC		
△ IC161	TDA8920BTH/N2-W	IC		
Q1001	2SD2144S/VW-T	TRANSISTOR		
Q1002	ISA1530AC1/QR/X	TRANSISTOR		
Q1003	RT1N141C-X	DIGI TRANSISTOR		
Q1004	RT1N141C-X	DIGI TRANSISTOR		
Q1005	2SC3928A/QR/-X	TRANSISTOR		
Q1006	2SC3928A/QR/-X	TRANSISTOR		
Q1007	RT1N141C-X	DIGI TRANSISTOR		
Q1009	2SC3928A/QR/-X	TRANSISTOR		
Q1010	RT1N141C-X	DIGI TRANSISTOR		A,EE, US,UB, UW,UX, UG,UA
Q1011	RT1P141C-X	DIGI TRANSISTOR		
Q1012	RT1N140C-X	DIGI TRANSISTOR		
Q1014	RT1N141C-X	DIGI TRANSISTOR		
Q1021	2SC3928A/QR/-X	TRANSISTOR		
Q1022	2SC3928A/QR/-X	TRANSISTOR		
Q1023	2SC3928A/QR/-X	TRANSISTOR		
D1001	MA111-X	SI DIODE		
D1002	MA111-X	SI DIODE		
D1004	MA111-X	SI DIODE		
D1005	MA8100/M-X	Z DIODE		
D1006	GS1J-X	DIODE		
D1009	MA8100/M-X	Z DIODE		
D1010	MA8150/M-X	Z DIODE		
D1011	MA111-X	SI DIODE		
D1012	MA111-X	SI DIODE		
D1041	MA111-X	SI DIODE		
D1042	MA111-X	SI DIODE		
D1043	MA111-X	SI DIODE		
D1044	MA111-X	SI DIODE		
D1046	MA111-X	SI DIODE		
D1051	MA111-X	SI DIODE		
D1101	GS1J-X	DIODE		
D1102	GS1J-X	DIODE		
D1103	GS1J-X	DIODE		
D1104	GS1J-X	DIODE		
D1301	GS1J-X	DIODE		
D1302	GS1J-X	DIODE		
D1303	GS1J-X	DIODE		
D1304	GS1J-X	DIODE		
D1601	GS1J-X	DIODE		
D1602	GS1J-X	DIODE		
D1603	GS1J-X	DIODE		
D1604	GS1J-X	DIODE		
C1001	QEHP1VM-108-R	E CAPACITOR	1000uF 35V M	
C1002	QEHP1VM-108-R	E CAPACITOR	1000uF 35V M	
C1003	NCB31HK-104X	C CAPACITOR	0.1uF 50V K	
C1004	NCB31HK-104X	C CAPACITOR	0.1uF 50V K	
C1005	NCB31HK-104X	C CAPACITOR	0.1uF 50V K	
C1006	NCB31HK-104X	C CAPACITOR	0.1uF 50V K	
C1007	NCB31HK-104X	C CAPACITOR	0.1uF 50V K	
C1008	QETN1AM-108Z	E CAPACITOR	1000uF 10V M	
C1009	NCB31CK-104X	C CAPACITOR	0.1uF 16V K	
C1010	NCB31HK-104X	C CAPACITOR	0.1uF 50V K	
C1011	NCB31CK-104X	C CAPACITOR	0.1uF 16V K	
C1012	NCB31HK-103X	C CAPACITOR	0.01uF 50V K	
C1013	NCB31HK-103X	C CAPACITOR	0.01uF 50V K	
C1014	NDC31HJ-681X	C CAPACITOR	680pF 50V J	
C1015	NDC31HJ-681X	C CAPACITOR	680pF 50V J	
C1016	NDC31HJ-681X	C CAPACITOR	680pF 50V J	
C1017	NDC31HJ-681X	C CAPACITOR	680pF 50V J	
C1018	NDC31HJ-470X	C CAPACITOR	47pF 50V J	
C1019	NDC31HJ-470X	C CAPACITOR	47pF 50V J	
C1020	NCB31CK-104X	C CAPACITOR	0.1uF 16V K	
C1021	NDC31HJ-151X	C CAPACITOR	150pF 50V J	
C1022	QEK1HM-106Z	E CAPACITOR	10uF 50V M	
C1023	QETN1EM-476Z	E CAPACITOR	47uF 25V M	
C1026	QFZ0225-473Z	PP CAPACITOR	0.047uF 100V J	
C1027	QFZ0225-473Z	PP CAPACITOR	0.047uF 100V J	
C1041	QETN1HM-105Z	E CAPACITOR	1uF 50V M	
C1042	NCB31HK-103X	C CAPACITOR	0.01uF 50V K	
C1051	QETN1HM-225Z	E CAPACITOR	2.2uF 50V M	
C1101	NCB31CK-474X	C CAPACITOR	0.47uF 16V K	
C1102	NCB31CK-474X	C CAPACITOR	0.47uF 16V K	
C1103	NCB31CK-474X	C CAPACITOR	0.47uF 16V K	
C1104	NCB31CK-474X	C CAPACITOR	0.47uF 16V K	
C1105	NCB31HK-102X	C CAPACITOR	1000pF 50V K	
C1106	NCB31HK-102X	C CAPACITOR	1000pF 50V K	
C1107	NDC31HJ-331X	C CAPACITOR	330pF 50V J	
C1108	NDC31HJ-331X	C CAPACITOR	330pF 50V J	
C1109	NCB31HK-104X	C CAPACITOR	0.1uF 50V K	
C1110	NCB31HK-104X	C CAPACITOR	0.1uF 50V K	
C1111	NCB31HK-104X	C CAPACITOR	0.1uF 50V K	
C1112	NCB31HK-104X	C CAPACITOR	0.1uF 50V K	
C1113	NCB31HK-153X	C CAPACITOR	0.015uF 50V K	
C1114	NCB31HK-153X	C CAPACITOR	0.015uF 50V K	
C1115	NDC32AJ-221X	C CAPACITOR	220pF 100V J	
C1116	NDC32AJ-221X	C CAPACITOR	220pF 100V J	
C1117	NDC32AJ-221X	C CAPACITOR	220pF 100V J	
C1118	NDC32AJ-221X	C CAPACITOR	220pF 100V J	
C1119	QFVF1HJ-684Z	MF CAPACITOR	0.68uF 50V J	
C1120	QFVF1HJ-684Z	MF CAPACITOR	0.68uF 50V J	
C1121	NCB31HK-104X	C CAPACITOR	0.1uF 50V K	
C1122	NCB31HK-104X	C CAPACITOR	0.1uF 50V K	
C1123	NCB31HK-104X	C CAPACITOR	0.1uF 50V K	
C1124	NCB31HK-104X	C CAPACITOR	0.1uF 50V K	
C1125	NCZ1061-104X	C CAPACITOR	0.1uF 100V K	
C1126	NCB31HK-104X	C CAPACITOR	0.1uF 50V K	
C1127	NCB31HK-104X	C CAPACITOR	0.1uF 50V K	
C1128	NCZ1061-104X	C CAPACITOR	0.1uF 100V K	
C1129	NDC31HJ-221X	C CAPACITOR	220pF 50V J	
C1130	NCB31HK-102X	C CAPACITOR	1000pF 50V K	
C1131	NCB31CK-224X	C CAPACITOR	0.22uF 16V K	
C1132	QEHR1JM-476Z	E CAPACITOR	47uF 63V M	
C1133	QEHR1VM-477Z	E CAPACITOR	470uF 35V M	
C1134	QEHR1VM-477Z	E CAPACITOR	470uF 35V M	
C1301	NCB31CK-474X	C CAPACITOR	0.47uF 16V K	
C1302	NCB31CK-474X	C CAPACITOR	0.47uF 16V K	
C1303	NCB31CK-474X	C CAPACITOR	0.47uF 16V K	
C1304	NCB31CK-474X	C CAPACITOR	0.47uF 16V K	
C1305	NCB31HK-102X	C CAPACITOR	1000pF 50V K	
C1306	NCB31HK-102X	C CAPACITOR	1000pF 50V K	
C1307	NDC31HJ-331X	C CAPACITOR	330pF 50V J	
C1308	NDC31HJ-331X	C CAPACITOR	330pF 50V J	

△ Symbol No.	Part No.	Part Name	Description	Local	△ Symbol No.	Part No.	Part Name	Description	Local
C1309	NCB31HK-104X	C CAPACITOR	0.1uF 50V K		R1004	NRSA144J-221X	MG RESISTOR	220Ω 1/4W J	
C1310	NCB31HK-104X	C CAPACITOR	0.1uF 50V K		R1005	NRSA02J-102X	MG RESISTOR	1kΩ 1/10W J	
C1311	NCB31HK-104X	C CAPACITOR	0.1uF 50V K		R1006	NRSA02J-102X	MG RESISTOR	1kΩ 1/10W J	
C1312	NCB31HK-104X	C CAPACITOR	0.1uF 50V K		R1007	NRSA63J-472X	MG RESISTOR	4.7kΩ 1/16W J	
C1313	NCB31HK-153X	C CAPACITOR	0.015uF 50V K		R1008	NRSA63J-472X	MG RESISTOR	4.7kΩ 1/16W J	
C1314	NCB31HK-153X	C CAPACITOR	0.015uF 50V K		R1009	NRSA63J-682X	MG RESISTOR	6.8kΩ 1/16W J	
C1315	NDC32AJ-221X	C CAPACITOR	220pF 100V J		R1010	NRSA63J-472X	MG RESISTOR	4.7kΩ 1/16W J	
C1316	NDC32AJ-221X	C CAPACITOR	220pF 100V J		R1011	NRSA63J-220X	MG RESISTOR	22Ω 1/16W J	
C1317	NDC32AJ-221X	C CAPACITOR	220pF 100V J		R1012	NRSA63J-105X	MG RESISTOR	1MΩ 1/16W J	
C1318	NDC32AJ-221X	C CAPACITOR	220pF 100V J		R1013	NRSA63J-105X	MG RESISTOR	1MΩ 1/16W J	
C1319	QFVF1HJ-684Z	MF CAPACITOR	0.68uF 50V J		R1014	NRSA63J-105X	MG RESISTOR	1MΩ 1/16W J	
C1320	QFVF1HJ-684Z	MF CAPACITOR	0.68uF 50V J		R1015	NRSA63J-101X	MG RESISTOR	100Ω 1/16W J	
C1321	NCB31HK-104X	C CAPACITOR	0.1uF 50V K		R1016	NRSA63J-220X	MG RESISTOR	22Ω 1/16W J	
C1322	NCB31HK-104X	C CAPACITOR	0.1uF 50V K		R1017	QRL027J-821	OMF RESISTOR	820Ω 2W J	
C1323	NCB31HK-104X	C CAPACITOR	0.1uF 50V K		R1018	QRL027J-821	OMF RESISTOR	820Ω 2W J	
C1324	NCB31HK-104X	C CAPACITOR	0.1uF 50V K		R1019	QRL027J-821	OMF RESISTOR	820Ω 2W J	
C1325	NCZ1061-104X	C CAPACITOR	0.1uF 100V K		R1020	NRSA63J-472X	MG RESISTOR	4.7kΩ 1/16W J	
C1326	NCB31HK-104X	C CAPACITOR	0.1uF 50V K		R1021	NRSA63J-104X	MG RESISTOR	100kΩ 1/16W J	
C1327	NCB31HK-104X	C CAPACITOR	0.1uF 50V K		R1022	NRSA63J-823X	MG RESISTOR	82kΩ 1/16W J	
C1328	NCZ1061-104X	C CAPACITOR	0.1uF 100V K		R1025	NRSA63J-104X	MG RESISTOR	100kΩ 1/16W J	
C1329	NDC31HJ-221X	C CAPACITOR	220pF 50V J		R1026	NRSA63J-823X	MG RESISTOR	82kΩ 1/16W J	
C1330	NCB31HK-102X	C CAPACITOR	1000pF 50V K		R1027	NRSA63J-104X	MG RESISTOR	100kΩ 1/16W J	
C1331	NCB31CK-224X	C CAPACITOR	0.22uF 16V K		R1028	NRSA63J-823X	MG RESISTOR	82kΩ 1/16W J	
C1332	QEHR1JM-476Z	E CAPACITOR	47uF 63V M		R1029	NRSA63J-102X	MG RESISTOR	1kΩ 1/16W J	
C1333	QEHR1VM-477Z	E CAPACITOR	470uF 35V M		R1030	NRSA63J-104X	MG RESISTOR	100kΩ 1/16W J	
C1334	QEHR1VM-477Z	E CAPACITOR	470uF 35V M		R1031	NRSA63J-0R0X	MG RESISTOR	0Ω 1/16W J	
C1533	QEHR1VM-477Z	E CAPACITOR	470uF 35V M		R1032	NRSA63J-102X	MG RESISTOR	1kΩ 1/16W J	
C1534	QEHR1VM-477Z	E CAPACITOR	470uF 35V M		R1033	NRSA63J-102X	MG RESISTOR	1kΩ 1/16W J	
C1601	NCB31CK-474X	C CAPACITOR	0.47uF 16V K		R1034	NRSA63J-684X	MG RESISTOR	680kΩ 1/16W J	
C1602	NCB31CK-474X	C CAPACITOR	0.47uF 16V K		R1035	NRSA63J-103X	MG RESISTOR	10kΩ 1/16W J	
C1603	NCB31CK-474X	C CAPACITOR	0.47uF 16V K		R1038	NRS144J-272X	MG RESISTOR	2.7kΩ 1/4W J	
C1604	NCB31CK-474X	C CAPACITOR	0.47uF 16V K		R1039	NRSA63J-472X	MG RESISTOR	4.7kΩ 1/16W J	
C1605	NCB31HK-102X	C CAPACITOR	1000pF 50V K		R1040	NRSA63J-473X	MG RESISTOR	47kΩ 1/16W J	
C1607	NDC31HJ-331X	C CAPACITOR	330pF 50V J		R1041	NRSA63J-104X	MG RESISTOR	100kΩ 1/16W J	
C1608	NDC31HJ-331X	C CAPACITOR	330pF 50V J		R1042	NRSA63J-104X	MG RESISTOR	100kΩ 1/16W J	
C1609	NCB31HK-104X	C CAPACITOR	0.1uF 50V K		R1043	NRSA63J-104X	MG RESISTOR	100kΩ 1/16W J	
C1610	NCB31HK-104X	C CAPACITOR	0.1uF 50V K		R1044	NRSA63J-104X	MG RESISTOR	100kΩ 1/16W J	
C1611	NCB31HK-104X	C CAPACITOR	0.1uF 50V K		R1046	NRSA63J-224X	MG RESISTOR	220kΩ 1/16W J	
C1612	NCB31HK-104X	C CAPACITOR	0.1uF 50V K		R1047	NRSA63J-393X	MG RESISTOR	39kΩ 1/16W J	
C1613	NCB31HK-153X	C CAPACITOR	0.015uF 50V K		R1050	NRSA63J-103X	MG RESISTOR	10kΩ 1/16W J	A,EE, US,UB, UW,UX, UG,UA
C1614	NCB31HK-153X	C CAPACITOR	0.015uF 50V K						
C1615	NDC32AJ-221X	C CAPACITOR	220pF 100V J						
C1616	NDC32AJ-221X	C CAPACITOR	220pF 100V J						
C1617	NDC32AJ-221X	C CAPACITOR	220pF 100V J		R1051	NRSA63J-473X	MG RESISTOR	47kΩ 1/16W J	
C1618	NDC32AJ-221X	C CAPACITOR	220pF 100V J		R1052	NRSA63J-102X	MG RESISTOR	1kΩ 1/16W J	
C1619	QFVF1HJ-684Z	MF CAPACITOR	0.68uF 50V J		R1057	NRSA63J-223X	MG RESISTOR	22kΩ 1/16W J	
C1620	QFVF1HJ-684Z	MF CAPACITOR	0.68uF 50V J		△ R1058	QRL01DJ-121X	OMF RESISTOR	120Ω 1W J	
C1621	NCB31HK-104X	C CAPACITOR	0.1uF 50V K		△ R1059	QRL01DJ-121X	OMF RESISTOR	120Ω 1W J	
C1622	NCB31HK-104X	C CAPACITOR	0.1uF 50V K		R1090	NRSA63J-101X	MG RESISTOR	100Ω 1/16W J	
C1623	NCB31HK-104X	C CAPACITOR	0.1uF 50V K		△ R1092	QRZ9005-220X	FUSI RESISTOR	22Ω	
C1624	NCB31HK-104X	C CAPACITOR	0.1uF 50V K		R1101	NRSA63J-562X	MG RESISTOR	5.6kΩ 1/16W J	
C1625	NCZ1061-104X	C CAPACITOR	0.1uF 100V K		R1102	NRSA63J-562X	MG RESISTOR	5.6kΩ 1/16W J	
C1626	NCB31HK-104X	C CAPACITOR	0.1uF 50V K		R1103	NRSA63J-562X	MG RESISTOR	5.6kΩ 1/16W J	
C1627	NCB31HK-104X	C CAPACITOR	0.1uF 50V K		R1104	NRSA63J-562X	MG RESISTOR	5.6kΩ 1/16W J	
C1628	NCZ1061-104X	C CAPACITOR	0.1uF 100V K		R1105	NRS181J-100X	MG RESISTOR	10Ω 1/8W J	
C1629	NDC31HJ-221X	C CAPACITOR	220pF 50V J		R1106	NRS181J-100X	MG RESISTOR	10Ω 1/8W J	
C1630	NCB31HK-102X	C CAPACITOR	1000pF 50V K		R1107	NRS016J-220X	MG RESISTOR	22Ω 1W J	
C1631	NCB31CK-224X	C CAPACITOR	0.22uF 16V K		R1108	NRS016J-220X	MG RESISTOR	22Ω 1W J	
C1632	QEHR1JM-476Z	E CAPACITOR	47uF 63V M		△ R1109	NRS181J-100X	MG RESISTOR	10Ω 1/8W J	
C1901	NDC31HJ-221X	C CAPACITOR	220pF 50V J		△ R1110	NRS181J-100X	MG RESISTOR	10Ω 1/8W J	
C1902	NDC31HJ-221X	C CAPACITOR	220pF 50V J		R1111	NRSA63J-101X	MG RESISTOR	100Ω 1/16W J	
C1903	NCB31HK-222X	C CAPACITOR	2200pF 50V K		R1112	NRSA63J-103X	MG RESISTOR	10kΩ 1/16W J	
C1904	NCB31HK-222X	C CAPACITOR	2200pF 50V K		R1113	NRSA63J-0R0X	MG RESISTOR	0Ω 1/16W J	
C1905	NCB31HK-222X	C CAPACITOR	2200pF 50V K		R1114	NRSA63J-123X	MG RESISTOR	12kΩ 1/16W J	
C1906	NCB31HK-222X	C CAPACITOR	2200pF 50V K		R1115	NRSA63J-123X	MG RESISTOR	12kΩ 1/16W J	
C1907	NDC31HJ-221X	C CAPACITOR	220pF 50V J		R1301	NRSA63J-562X	MG RESISTOR	5.6kΩ 1/16W J	
C1908	NDC31HJ-221X	C CAPACITOR	220pF 50V J		R1302	NRSA63J-562X	MG RESISTOR	5.6kΩ 1/16W J	
C1909	NCB31HK-222X	C CAPACITOR	2200pF 50V K		R1303	NRSA63J-562X	MG RESISTOR	5.6kΩ 1/16W J	
C1910	NCB31HK-222X	C CAPACITOR	2200pF 50V K		R1304	NRSA63J-562X	MG RESISTOR	5.6kΩ 1/16W J	
C1911	NCB31HK-222X	C CAPACITOR	2200pF 50V K		R1305	NRS181J-100X	MG RESISTOR	10Ω 1/8W J	
C1912	NCB31HK-222X	C CAPACITOR	2200pF 50V K		R1306	NRS181J-100X	MG RESISTOR	10Ω 1/8W J	
C1914	NDC32AJ-221X	C CAPACITOR	220pF 100V J		R1307	NRS016J-220X	MG RESISTOR	22Ω 1W J	
C1916	NCB31HK-222X	C CAPACITOR	2200pF 50V K		R1308	NRS016J-220X	MG RESISTOR	22Ω 1W J	
C1918	NCB31HK-222X	C CAPACITOR	2200pF 50V K		R1309	NRS181J-100X	MG RESISTOR	10Ω 1/8W J	
△ R1001	QRZ9005-220X	FUSI RESISTOR	22Ω		△ R1310	NRS181J-100X	MG RESISTOR	10Ω 1/8W J	
R1002	NRSA63J-122X	MG RESISTOR	1.2kΩ 1/16W J		△ R1311	NRSA63J-101X	MG RESISTOR	100Ω 1/16W J	
R1003	NRS144J-221X	MG RESISTOR	220Ω 1/4W J		R1312	NRSA63J-103X	MG RESISTOR	10kΩ 1/16W J	
					R1313	NRSA63J-0R0X	MG RESISTOR	0Ω 1/16W J	
					R1314	NRSA63J-123X	MG RESISTOR	12kΩ 1/16W J	

△ Symbol No.	Part No.	Part Name	Description	Local	△ Symbol No.	Part No.	Part Name	Description	Local
R1315	NRSA63J-123X	MG RESISTOR	12kΩ 1/16W J		R1918	NRS181J-0R0X	MG RESISTOR	0Ω 1/8W J	A,EE, US,UB, UW,UX, UG,UA
R1601	NRSA63J-183X	MG RESISTOR	18kΩ 1/16W J						
R1602	NRSA63J-183X	MG RESISTOR	18kΩ 1/16W J		R1919	NRS181J-0R0X	MG RESISTOR	0Ω 1/8W J	A,EE, US,UB, UW,UX, UG,UA
R1603	NRSA63J-183X	MG RESISTOR	18kΩ 1/16W J						
R1604	NRSA63J-183X	MG RESISTOR	18kΩ 1/16W J		R1920	NRS181J-0R0X	MG RESISTOR	0Ω 1/8W J	A,EE, US,UB, UW,UX, UG,UA
R1605	NRS181J-100X	MG RESISTOR	10Ω 1/8W J						
R1606	NRS181J-100X	MG RESISTOR	10Ω 1/8W J		L1001	QQL244K-220Z	P COIL	22uH K	
R1607	NRS016J-220X	MG RESISTOR	22Ω 1W J		L1101	QQR1831-001	CHOKO COIL		
R1608	NRS016J-220X	MG RESISTOR	22Ω 1W J		L1301	QQR1831-001	CHOKO COIL		
△ R1609	NRS181J-100X	MG RESISTOR	10Ω 1/8W J		L1601	QQR1831-001	CHOKO COIL		
△ R1610	NRS181J-100X	MG RESISTOR	10Ω 1/8W J		L1901	QQR1838-001	CHOKO COIL		B,E,EN, EV
R1611	NRSA63J-101X	MG RESISTOR	100Ω 1/16W J		L1902	QQR1838-001	CHOKO COIL		B,E,EN, EV
R1612	NRSA63J-103X	MG RESISTOR	10kΩ 1/16W J		L1903	QQR1838-001	CHOKO COIL		B,E,EN, EV
R1613	NRSA63J-0R0X	MG RESISTOR	0Ω 1/16W J		L1904	QQR1838-001	CHOKO COIL		B,E,EN, EV
R1614	NRSA63J-563X	MG RESISTOR	56kΩ 1/16W J		L1905	QQR1838-001	CHOKO COIL		B,E,EN, EV
R1615	NRSA63J-563X	MG RESISTOR	56kΩ 1/16W J		CN101	QGF1036F2-07	CONNECTOR	FFC/FPC (1-7)	B,E,EN, EV
R1901	NRS181J-0R0X	MG RESISTOR	0Ω 1/8W J	A,EE, US,UB, UW,UX, UG,UA	CN101	QGF1040F1-07	CONNECTOR	FFC/FPC (1-7)	A,EE, US,UB, UW,UX, UG,UA
R1902	NRS181J-0R0X	MG RESISTOR	0Ω 1/8W J	A,EE, US,UB, UW,UX, UG,UA	CN101 or	QGF1036F2-07	CONNECTOR	FFC/FPC (1-7)	A,EE, US,UB, UW,UX, UG,UA
R1903	NRS181J-0R0X	MG RESISTOR	0Ω 1/8W J	A,EE, US,UB, UW,UX, UG,UA	CN102	QGF1036F2-23	CONNECTOR	FFC/FPC (1-23)	B,E,EN, EV
R1904	NRS181J-0R0X	MG RESISTOR	0Ω 1/8W J	A,EE, US,UB, UW,UX, UG,UA	CN102	QGF1040F1-23	CONNECTOR	FFC/FPC (1-23)	A,EE, US,UB, UW,UX, UG,UA
R1905	NRS181J-0R0X	MG RESISTOR	0Ω 1/8W J	A,EE, US,UB, UW,UX, UG,UA	CN102 or	QGF1036F2-23	CONNECTOR	FFC/FPC (1-23)	A,EE, US,UB, UW,UX, UG,UA
R1906	NRS181J-0R0X	MG RESISTOR	0Ω 1/8W J	A,EE, US,UB, UW,UX, UG,UA	CN103	QGA3901C1-04	CONNECTOR	W-B (1-4)	
R1907	NRS181J-0R0X	MG RESISTOR	0Ω 1/8W J	A,EE, US,UB, UW,UX, UG,UA	CN104	QGA3901F2-03	CONNECTOR	W-B (1-3)	UB,UA
R1908	NRS181J-0R0X	MG RESISTOR	0Ω 1/8W J	A,EE, US,UB, UW,UX, UG,UA	CN105	QGA3901C1-02	CONNECTOR	W-B (1-2)	
R1909	NRS181J-0R0X	MG RESISTOR	0Ω 1/8W J	A,EE, US,UB, UW,UX, UG,UA	△ CP101	ICP-N50-T	IC PROTECTOR	2.0A	
R1910	NRS181J-0R0X	MG RESISTOR	0Ω 1/8W J	A,EE, US,UB, UW,UX, UG,UA	EP101	QNZ0136-001Z	EARTH PLATE		
R1911	NRS181J-0R0X	MG RESISTOR	0Ω 1/8W J	A,EE, US,UB, UW,UX, UG,UA	J1901	QNB0329-001	SPK TERMINAL		
R1912	NRS181J-0R0X	MG RESISTOR	0Ω 1/8W J	A,EE, US,UB, UW,UX, UG,UA	K1001	QQR0621-001Z	FERRITE BEADS		
R1913	NRS181J-0R0X	MG RESISTOR	0Ω 1/8W J	A,EE, US,UB, UW,UX, UG,UA	K1002	QQR0621-001Z	FERRITE BEADS		
R1914	NRS181J-0R0X	MG RESISTOR	0Ω 1/8W J	A,EE, US,UB, UW,UX, UG,UA	△ RY101	QSK0194-001	RELAY		
R1915	NRS181J-0R0X	MG RESISTOR	0Ω 1/8W J	A,EE, US,UB, UW,UX, UG,UA	△ RY102	QSK0194-001	RELAY		
R1916	NRS181J-0R0X	MG RESISTOR	0Ω 1/8W J	A,EE, US,UB, UW,UX, UG,UA	TH101	NAD0025-103X	N THERMISTOR	10kΩ	
R1917	NRS181J-0R0X	MG RESISTOR	0Ω 1/8W J	A,EE, US,UB, UW,UX, UG,UA	X1001	QAX0934-001	CERA LOCK		
					X1002	QAX0935-001	CERA LOCK		

Front board

Block No. [0][3]

△ Symbol No.	Part No.	Part Name	Description	Local
IC301	NJM4565E-X	IC		EE,US, UW,UX, UG,UA
IC501	PT6315	IC		
IC531	GP1UE271XKVf	IC		
Q5521	RT1N231C-X	TRANSISTOR		
Q5522	RT1N431C-X	TRANSISTOR		
Q6451	KRA102S-X	DIGI TRANSISTOR		B,E,EN, EV

△ Symbol No.	Part No.	Part Name	Description	Local	△ Symbol No.	Part No.	Part Name	Description	Local
Q6451	or RT1P141C-X	DIGI TRANSISTOR		B,E,EN, EV	C5602	NCB31HK-103X	C CAPACITOR	0.01uF 50V K	EE,US, UW,UX, UG,UA
Q6452	RT1N141C-X	DIGI TRANSISTOR		B,E,EN, EV	C6401	NDC31HJ-470X	C CAPACITOR	47pF 50V J	B,E,EN, EV
Q6453	RT1N141C-X	DIGI TRANSISTOR		B,E,EN, EV	C6411	NDC31HJ-470X	C CAPACITOR	47pF 50V J	B,E,EN, EV
Q6454	RT1N141C-X	DIGI TRANSISTOR		B,E,EN, EV	C6421	NDC31HJ-470X	C CAPACITOR	47pF 50V J	B,E,EN, EV
D3801	MA111-X	SI DIODE		EE,US, UW,UX, UG,UA	C6441	NDC31HJ-470X	C CAPACITOR	47pF 50V J	B,E,EN, EV
D3802	MA111-X	SI DIODE		EE,US, UW,UX, UG,UA	C6451	NCB31HK-103X	C CAPACITOR	0.01uF 50V K	B,E,EN, EV
D3803	MA8033/H/-X	Z DIODE		EE,US, UW,UX, UG,UA	C6471	NCB31HK-331X	C CAPACITOR	330pF 50V K	B,E,EN, EV
D5501	SLR-343VC-T	LED			C6472	QETN1HM-105Z	E CAPACITOR	1uF 50V M	B,E,EN, EV
D5521	SELT1E54CM-S	LED			C6481	NCB31HK-331X	C CAPACITOR	330pF 50V K	B,E,EN, EV
C3701	NDC31HJ-150X	C CAPACITOR	15pF 50V J		C6482	QETN1HM-105Z	E CAPACITOR	1uF 50V M	B,E,EN, EV
C3702	NDC31HJ-150X	C CAPACITOR	15pF 50V J		R3751	NRSA63J-102X	MG RESISTOR	1kΩ 1/16W J	
C3703	NCB31HK-182X	C CAPACITOR	1800pF 50V K		R3801	NRSA63J-102X	MG RESISTOR	1kΩ 1/16W J	EE,US, UW,UX, UG,UA
C3704	NCB31HK-182X	C CAPACITOR	1800pF 50V K		R3802	NRSA63J-514X	MG RESISTOR	510kΩ 1/16W J	EE,US, UW,UX, UG,UA
C3707	QETN0JM-228Z	E CAPACITOR	2200uF 6.3V M		R3803	NRSA63J-104X	MG RESISTOR	100kΩ 1/16W J	EE,US, UW,UX, UG,UA
C3801	QETN1HM-226Z	E CAPACITOR	22uF 50V M	EE,US, UW,UX, UG,UA	R3804	NRSA63J-0R0X	MG RESISTOR	0Ω 1/16W J	EE,US, UW,UX, UG,UA
C3802	QETN1EM-476Z	E CAPACITOR	47uF 25V M	EE,US, UW,UX, UG,UA	R3805	NRSA63J-223X	MG RESISTOR	22kΩ 1/16W J	EE,US, UW,UX, UG,UA
C3804	QETN1HM-104Z	E CAPACITOR	0.1uF 50V M	EE,US, UW,UX, UG,UA	R3806	NRSA63J-223X	MG RESISTOR	22kΩ 1/16W J	EE,US, UW,UX, UG,UA
C3805	QETN1HM-106Z	E CAPACITOR	10uF 50V M	EE,US, UW,UX, UG,UA	R3901	NRSA63J-102X	MG RESISTOR	1kΩ 1/16W J	EE,US, UW,UX, UG,UA
C3901	NCB21CK-474X	C CAPACITOR	0.47uF 16V K	EE,US, UW,UX, UG,UA	R3902	NRSA63J-332X	MG RESISTOR	3.3kΩ 1/16W J	EE,US, UW,UX, UG,UA
C3902	NCB31CK-222X	C CAPACITOR	2200pF 16V K	EE,US, UW,UX, UG,UA	R3903	NRSA63J-332X	MG RESISTOR	3.3kΩ 1/16W J	EE,US, UW,UX, UG,UA
C3903	QETN1HM-474Z	E CAPACITOR	0.47uF 50V M	EE,US, UW,UX, UG,UA	R3904	NRSA63J-102X	MG RESISTOR	1kΩ 1/16W J	EE,US, UW,UX, UG,UA
C3904	QETN1HM-226Z	E CAPACITOR	22uF 50V M	EE,US, UW,UX, UG,UA	R3905	NRSA63J-103X	MG RESISTOR	10kΩ 1/16W J	EE,US, UW,UX, UG,UA
C3905	QETN1HM-476Z	E CAPACITOR	47uF 50V M	EE,US, UW,UX, UG,UA	R3906	NRSA63J-272X	MG RESISTOR	2.7kΩ 1/16W J	EE,US, UW,UX, UG,UA
C3907	QETN1HM-335Z	E CAPACITOR	3.3uF 50V M	EE,US, UW,UX, UG,UA	R3907	NRSA63J-163X	MG RESISTOR	16kΩ 1/16W J	EE,US, UW,UX, UG,UA
C3908	NCB31HK-103X	C CAPACITOR	0.01uF 50V K	EE,US, UW,UX, UG,UA	R3908	NRSA63J-471X	MG RESISTOR	470Ω 1/16W J	EE,US, UW,UX, UG,UA
C3909	NCB31CK-104X	C CAPACITOR	0.1uF 16V K	EE,US, UW,UX, UG,UA	R3909	NRSA63J-471X	MG RESISTOR	470Ω 1/16W J	EE,US, UW,UX, UG,UA
C3911	NCB31HK-103X	C CAPACITOR	0.01uF 50V K	EE,US, UW,UX, UG,UA	R3910	NRSA63J-223X	MG RESISTOR	22kΩ 1/16W J	EE,US, UW,UX, UG,UA
C3951	NCB31HK-104X	C CAPACITOR	0.1uF 50V K		R3911	NRSA63J-223X	MG RESISTOR	22kΩ 1/16W J	EE,US, UW,UX, UG,UA
C3952	NCB31HK-104X	C CAPACITOR	0.1uF 50V K		R3915	NRSA63J-102X	MG RESISTOR	1kΩ 1/16W J	EE,US, UW,UX, UG,UA
C3953	NCB31HK-104X	C CAPACITOR	0.1uF 50V K		R5011	NRSA63J-823X	MG RESISTOR	82kΩ 1/16W J	
C3955	NCB31HK-103X	C CAPACITOR	0.01uF 50V K		R5012	NRSA63J-0R0X	MG RESISTOR	0Ω 1/16W J	
C3956	NCB31HK-103X	C CAPACITOR	0.01uF 50V K		R5013	NRSA63J-0R0X	MG RESISTOR	0Ω 1/16W J	
C5001	QEK1HM-106Z	E CAPACITOR	10uF 50V M		R5014	NRSA63J-0R0X	MG RESISTOR	0Ω 1/16W J	
C5002	NCB31CK-104X	C CAPACITOR	0.1uF 16V K		R5201	NRSA63J-332X	MG RESISTOR	3.3kΩ 1/16W J	
C5004	NCB31HK-104X	C CAPACITOR	0.1uF 50V K		R5202	NRSA63J-272X	MG RESISTOR	2.7kΩ 1/16W J	
C5005	NCB31CK-104X	C CAPACITOR	0.1uF 16V K		R5211	NRSA63J-332X	MG RESISTOR	3.3kΩ 1/16W J	
C5301	QEK0JM-107Z	E CAPACITOR	100uF 6.3V M						
C5302	NCB31CK-104X	C CAPACITOR	0.1uF 16V K						
C5401	NCB31HK-103X	C CAPACITOR	0.01uF 50V K						
C5402	NCB31HK-103X	C CAPACITOR	0.01uF 50V K						
C5601	NCB31HK-103X	C CAPACITOR	0.01uF 50V K	EE,US, UW,UX, UG,UA					

△ Symbol No.	Part No.	Part Name	Description	Local
R5212	NRSA63J-272X	MG RESISTOR	2.7kΩ 1/16W J	
R5213	NRSA63J-392X	MG RESISTOR	3.9kΩ 1/16W J	
R5214	NRSA63J-682X	MG RESISTOR	6.8kΩ 1/16W J	
R5215	NRSA63J-123X	MG RESISTOR	12kΩ 1/16W J	
R5216	NRSA63J-393X	MG RESISTOR	39kΩ 1/16W J	EE,US, UW,U,X, UG,UA
R5301	NRSA02J-101X	MG RESISTOR	100Ω 1/10W J	
R5501	NRSA63J-910X	MG RESISTOR	91Ω 1/16W J	
R5522	NRSA02J-121X	MG RESISTOR	120Ω 1/10W J	
R5523	NRSA63J-151X	MG RESISTOR	150Ω 1/16W J	
R5524	NRSA02J-121X	MG RESISTOR	120Ω 1/10W J	
R6401	NRSA63J-0R0X	MG RESISTOR	0Ω 1/16W J	B,E,EN, EV
R6411	NRSA63J-0R0X	MG RESISTOR	0Ω 1/16W J	B,E,EN, EV
R6421	NRSA63J-0R0X	MG RESISTOR	0Ω 1/16W J	B,E,EN, EV
R6441	NRSA63J-0R0X	MG RESISTOR	0Ω 1/16W J	B,E,EN, EV
R6451	NRSA63J-101X	MG RESISTOR	100Ω 1/16W J	B,E,EN, EV
R6452	NRSA63J-103X	MG RESISTOR	10kΩ 1/16W J	B,E,EN, EV
R6453	NRSA63J-123X	MG RESISTOR	12kΩ 1/16W J	B,E,EN, EV
R6454	NRSA63J-821X	MG RESISTOR	820Ω 1/16W J	B,E,EN, EV
R6455	NRS144J-102X	MG RESISTOR	1kΩ 1/4W J	B,E,EN, EV
R6471	NRSA63J-184X	MG RESISTOR	180kΩ 1/16W J	B,E,EN, EV
R6472	NRSA63J-102X	MG RESISTOR	1kΩ 1/16W J	B,E,EN, EV
R6475	NRSA63J-0R0X	MG RESISTOR	0Ω 1/16W J	B,E,EN, EV
R6481	NRSA63J-184X	MG RESISTOR	180kΩ 1/16W J	B,E,EN, EV
R6482	NRSA63J-102X	MG RESISTOR	1kΩ 1/16W J	B,E,EN, EV
R6485	NRSA63J-0R0X	MG RESISTOR	0Ω 1/16W J	B,E,EN, EV
CN301	QGA2016C1-05	CONNECTOR	W-B (1-5)	
CN302	QGF1208C1-11	CONNECTOR	FFC/FPC (1-11)	
CN561	QGF1208F1-19	CONNECTOR	FFC/FPC (1-19)	
CN641	QGF1208F1-17	CONNECTOR	FFC/FPC (1-17)	B,E,EN, EV
DI511	QLF0195-001	FL TUBE		
EP301	QNZ0136-001Z	EARTH PLATE		
J3002	QNZ0851-001	USB CONNECTOR		
J3003	QNS0266-001	JACK		
J3004	QNS0266-001	JACK		EE,US, UW,U,X, UG,UA
J3005	QNS0266-001	JACK		EE,US, UW,U,X, UG,UA
J6401	QNZ0775-001	RGB CONNECTOR		B,E,EN, EV
JS541	QSW0975-001	ROTARY ENCODER		
JS561	QSW0963-001	ROTARY ENCODER		EE,US, UW,U,X, UG,UA
K3701	NQR0502-001X	FERRITE BEADS		
K3702	NQR0022-002X	FERRITE BEADS		
K3703	NQR0022-002X	FERRITE BEADS		
K3704	NRSA63J-0R0X	MG RESISTOR	0Ω 1/16W J	
K3801	NQR0627-004X	FERRITE		EE,US, UW,U,X, UG,UA
K3951	NQR0022-005X	FERRITE BEADS		
K3952	NQR0022-005X	FERRITE BEADS		
K3953	NQR0022-005X	FERRITE BEADS		
S5201	QSW0683-001Z	PUSH SW		
S5202	QSW0683-001Z	PUSH SW		
S5203	QSW0683-001Z	PUSH SW		
S5211	QSW0683-001Z	PUSH SW		
S5212	QSW0683-001Z	PUSH SW		
S5213	QSW0683-001Z	PUSH SW		
S5214	QSW0683-001Z	PUSH SW		

△ Symbol No.	Part No.	Part Name	Description	Local
S5215	QSW0683-001Z	PUSH SW		
S5216	QSW0683-001Z	PUSH SW		
S9901	QSW1255-001	VOLTAGE SWITCH		US,UW, UX,UG
WC301	QZW0112-002	WIRE CLAMP		

DVD module board

Block No. [0][4]

△ Symbol No.	Part No.	Part Name	Description	Local
IC201	LA6502-X	IC		
IC301	MN2DS0018MA	IC		
IC302	MM1701CH-X	IC		
IC303	XC2164A51FM-X	IC		
IC305	MM3233DF-X	IC		
IC453	S-80830CNNB-G-W	IC		
IC505	K4S641632K-UC75	IC		
IC505	or K4S641632H-UC75	IC		
IC509	-----	IC		
IC510	S-24CS64A0IJG-X	IC		
IC512	TC74LCX373FT-X	IC(DIGITAL)		
IC513	TC74LCX373FT-X	IC(DIGITAL)		
IC704	AK5358ET-X	IC		
IC704	or AK5358AET-X	IC		
IC705	MM1615AN-X	IC		
IC706	TC7SH08FU-X	IC		
IC801	MM1565AF-X	IC		
IC901	MN864702A	IC		
IC902	TC7WPB307FK-X	IC		
IC905	MM1683DN-X	IC		
IC906	MM1615AN-X	IC		
Q101	2SA1363/EF/-X	TRANSISTOR		
Q101	or KTA1001/Y/-X	TRANSISTOR		
Q102	2SC5383/E/-X	TRANSISTOR		
Q102	or 2SC4617/R/-X	TRANSISTOR		
Q103	2SA1363/EF/-X	TRANSISTOR		
Q103	or KTA1001/Y/-X	TRANSISTOR		
Q104	2SC5383/E/-X	TRANSISTOR		
Q104	or 2SC4617/R/-X	TRANSISTOR		
Q802	RT1N141C-X	DIGI TRANSISTOR		
Q802	or UN2211-X	TRANSISTOR		
Q902	KTC3875/YG/-X	TRANSISTOR		
Q902	or 2SC3928A/QR/-X	TRANSISTOR		
Q905	RT1N141C-X	DIGI TRANSISTOR		
Q905	or UN2211-X	TRANSISTOR		
D901	RB751V-40-X	SB DIODE		
C101	NCB31CK-104X	C CAPACITOR	0.1uF 16V K	
C102	NCB31CK-104X	C CAPACITOR	0.1uF 16V K	
C103	NCB31CK-104X	C CAPACITOR	0.1uF 16V K	
C104	NCB31CK-104X	C CAPACITOR	0.1uF 16V K	
C105	NEAF0JM-476X	E CAPACITOR	47uF 6.3V M	
C106	NBE20JM-226X	TA E CAPACITOR	22uF 6.3V M	
C107	NCB31CK-104X	C CAPACITOR	0.1uF 16V K	
C108	NBE20JM-226X	TA E CAPACITOR	22uF 6.3V M	
C109	NCB20JK-475X	C CAPACITOR	4.7uF 6.3V K	
C201	NDC31HJ-221X	C CAPACITOR	220pF 50V J	
C202	NDC31HJ-221X	C CAPACITOR	220pF 50V J	
C203	NCB31HK-103X	C CAPACITOR	0.01uF 50V K	
C204	NCB31CK-104X	C CAPACITOR	0.1uF 16V K	
C205	NCB31HK-271X	C CAPACITOR	270pF 50V K	
C206	NDC31HJ-151X	C CAPACITOR	150pF 50V J	
C210	NCF31AZ-105X	C CAPACITOR	1uF 10V Z	
C211	NCB31HK-223X	C CAPACITOR	0.022uF 50V K	
C217	NCB31CK-104X	C CAPACITOR	0.1uF 16V K	
C251	NCB31AK-474X	C CAPACITOR	0.47uF 10V K	
C256	NCB31CK-104X	C CAPACITOR	0.1uF 16V K	
C257	NCB31HK-822X	C CAPACITOR	8200pF 50V K	
C258	NCB31CK-153X	C CAPACITOR	0.015uF 16V K	
C259	NCB31CK-153X	C CAPACITOR	0.015uF 16V K	
C260	NCB31HK-223X	C CAPACITOR	0.022uF 50V K	

△ Symbol No.	Part No.	Part Name	Description	Local	△ Symbol No.	Part No.	Part Name	Description	Local
C261	NCB31HK-223X	C CAPACITOR	0.022uF 50V K		C713	NCB21CK-105X	C CAPACITOR	1uF 16V K	
C262	NCB31HK-223X	C CAPACITOR	0.022uF 50V K		C721	NCB31CK-104X	C CAPACITOR	0.1uF 16V K	
C263	NEAF1CM-107X	E CAPACITOR	100uF 16V M		C740	NCB31CK-104X	C CAPACITOR	0.1uF 16V K	
C301	NEAF0JM-227X	E CAPACITOR	220uF 6.3V M		C741	NCF31AZ-105X	C CAPACITOR	1uF 10V Z	
C302	NEAF0GM-476X	E CAPACITOR	47uF 4V M		C742	NCB31CK-104X	C CAPACITOR	0.1uF 16V K	
C303	NEAF0GM-476X	E CAPACITOR	47uF 4V M		C743	NCB31CK-104X	C CAPACITOR	0.1uF 16V K	
C304	NCB30JK-105X	C CAPACITOR	1uF 6.3V K		C744	NEAF1CM-106X	E CAPACITOR	10uF 16V M	
C305	NCB31CK-104X	C CAPACITOR	0.1uF 16V K		C745	NEAF1CM-106X	E CAPACITOR	10uF 16V M	
C306	NCB31CK-104X	C CAPACITOR	0.1uF 16V K		C801	NCB21CK-105X	C CAPACITOR	1uF 16V K	
C307	NCB31CK-104X	C CAPACITOR	0.1uF 16V K		C802	NCB21AK-225X	C CAPACITOR	2.2uF 10V K	
C309	NCB31CK-104X	C CAPACITOR	0.1uF 16V K		C803	NEAF0JM-227X	E CAPACITOR	220uF 6.3V M	
C310	NCB31CK-104X	C CAPACITOR	0.1uF 16V K		C804	NCB31HK-471X	C CAPACITOR	470pF 50V K	
C312	NCB31CK-104X	C CAPACITOR	0.1uF 16V K		C901	NCB21AK-105X	C CAPACITOR	1uF 10V K	
C313	NCB31CK-104X	C CAPACITOR	0.1uF 16V K		C902	NCB31HK-103X	C CAPACITOR	0.01uF 50V K	
C314	NCB31CK-104X	C CAPACITOR	0.1uF 16V K		C903	NCF21CZ-225X	C CAPACITOR	2.2uF 16V Z	
C315	NCB31CK-104X	C CAPACITOR	0.1uF 16V K		C905	NEAF0GM-476X	E CAPACITOR	47uF 4V M	
C316	NCB31CK-104X	C CAPACITOR	0.1uF 16V K		C906	NEAF0GM-476X	E CAPACITOR	47uF 4V M	
C318	NCB31CK-104X	C CAPACITOR	0.1uF 16V K		C907	NRSA02J-102X	MG RESISTOR	1kΩ 1/10W J	
C319	NCB31CK-104X	C CAPACITOR	0.1uF 16V K		C908	NEAF0GM-476X	E CAPACITOR	47uF 4V M	
C320	NCB31CK-104X	C CAPACITOR	0.1uF 16V K		C909	NCF21CZ-225X	C CAPACITOR	2.2uF 16V Z	
C321	NCB31CK-104X	C CAPACITOR	0.1uF 16V K		C910	NEAF0GM-476X	E CAPACITOR	47uF 4V M	
C322	NCB31CK-104X	C CAPACITOR	0.1uF 16V K		C914	NCF21CZ-225X	C CAPACITOR	2.2uF 16V Z	
C323	NCB31CK-104X	C CAPACITOR	0.1uF 16V K		C916	NCF21CZ-225X	C CAPACITOR	2.2uF 16V Z	
C324	NCB30JK-105X	C CAPACITOR	1uF 6.3V K		C921	NCF21CZ-225X	C CAPACITOR	2.2uF 16V Z	
C325	NDC31HJ-120X	C CAPACITOR	12pF 50V J		C922	NCF21CZ-225X	C CAPACITOR	2.2uF 16V Z	
C326	NDC31HJ-100X	C CAPACITOR	10pF 50V J		C923	NCB31CK-104X	C CAPACITOR	0.1uF 16V K	
C328	NCB31HK-103X	C CAPACITOR	0.01uF 50V K		C924	NCF21CZ-225X	C CAPACITOR	2.2uF 16V Z	
C330	NCB31CK-104X	C CAPACITOR	0.1uF 16V K		C925	NCF21CZ-225X	C CAPACITOR	2.2uF 16V Z	
C331	NCB31CK-333X	C CAPACITOR	0.033uF 16V K		C926	NCF21CZ-225X	C CAPACITOR	2.2uF 16V Z	
C332	NCB31CK-104X	C CAPACITOR	0.1uF 16V K		C927	NCB31CK-104X	C CAPACITOR	0.1uF 16V K	
C333	NCB31CK-104X	C CAPACITOR	0.1uF 16V K		C928	NCB30JK-105X	C CAPACITOR	1uF 6.3V K	
C334	NCB31CK-104X	C CAPACITOR	0.1uF 16V K		C931	NEAF0JM-476X	E CAPACITOR	47uF 6.3V M	
C335	NCB31CK-104X	C CAPACITOR	0.1uF 16V K		C932	NCF21CZ-225X	C CAPACITOR	2.2uF 16V Z	
C337	NCB31CK-183X	C CAPACITOR	0.018uF 16V K		C933	NCB30JK-105X	C CAPACITOR	1uF 6.3V K	
C338	NCB31HK-562X	C CAPACITOR	5600pF 50V K		C935	NCB31HK-103X	C CAPACITOR	0.01uF 50V K	
C339	NBE20JM-106X	TA E CAPACITOR	10uF 6.3V M		C950	NCB31CK-104X	C CAPACITOR	0.1uF 16V K	
C340	NCB30JK-105X	C CAPACITOR	1uF 6.3V K		C951	NCB31CK-104X	C CAPACITOR	0.1uF 16V K	
C341	NCB30JK-105X	C CAPACITOR	1uF 6.3V K		C953	NCB31CK-104X	C CAPACITOR	0.1uF 16V K	
C345	NCB31CK-104X	C CAPACITOR	0.1uF 16V K		C954	NCB31CK-104X	C CAPACITOR	0.1uF 16V K	
C347	NCB31CK-104X	C CAPACITOR	0.1uF 16V K		C955	NCB31CK-104X	C CAPACITOR	0.1uF 16V K	
C348	NCB31CK-104X	C CAPACITOR	0.1uF 16V K		C956	NCB31CK-104X	C CAPACITOR	0.1uF 16V K	
C349	NCB31CK-104X	C CAPACITOR	0.1uF 16V K		C957	NCB31CK-104X	C CAPACITOR	0.1uF 16V K	
C350	NCB31CK-222X	C CAPACITOR	2200pF 16V K		C958	NCB31CK-104X	C CAPACITOR	0.1uF 16V K	
C351	NCB31HK-103X	C CAPACITOR	0.01uF 50V K		C959	NCB31CK-104X	C CAPACITOR	0.1uF 16V K	
C352	NCB31CK-153X	C CAPACITOR	0.015uF 16V K		C960	NCB31CK-104X	C CAPACITOR	0.1uF 16V K	
C353	NCB31HK-561X	C CAPACITOR	560pF 50V K		C961	NCB31CK-104X	C CAPACITOR	0.1uF 16V K	
C354	NCB31HK-561X	C CAPACITOR	560pF 50V K		C962	NCB31CK-104X	C CAPACITOR	0.1uF 16V K	
C356	NCB30JK-105X	C CAPACITOR	1uF 6.3V K		C963	NCB31CK-104X	C CAPACITOR	0.1uF 16V K	
C359	NCB30JK-105X	C CAPACITOR	1uF 6.3V K		C964	NCB31CK-104X	C CAPACITOR	0.1uF 16V K	
C370	NCB31CK-104X	C CAPACITOR	0.1uF 16V K		C965	NCB31CK-104X	C CAPACITOR	0.1uF 16V K	
C371	NCF31AZ-105X	C CAPACITOR	1uF 10V Z		C967	NCB31CK-104X	C CAPACITOR	0.1uF 16V K	
C372	NCB31CK-104X	C CAPACITOR	0.1uF 16V K		C968	NCB31CK-104X	C CAPACITOR	0.1uF 16V K	
C373	NCB31CK-104X	C CAPACITOR	0.1uF 16V K		C969	NCB31CK-104X	C CAPACITOR	0.1uF 16V K	
C374	NCB31CK-104X	C CAPACITOR	0.1uF 16V K		C970	NCB31CK-104X	C CAPACITOR	0.1uF 16V K	
C375	NCB31CK-104X	C CAPACITOR	0.1uF 16V K		C971	NCB31CK-104X	C CAPACITOR	0.1uF 16V K	
C378	NCB31CK-104X	C CAPACITOR	0.1uF 16V K		C972	NCB31CK-104X	C CAPACITOR	0.1uF 16V K	
C379	NCB31CK-104X	C CAPACITOR	0.1uF 16V K		C973	NCB31CK-104X	C CAPACITOR	0.1uF 16V K	
C380	NCB21CK-105X	C CAPACITOR	1uF 16V K		C975	NCB31CK-104X	C CAPACITOR	0.1uF 16V K	
C381	NCB21AK-225X	C CAPACITOR	2.2uF 10V K		C978	NCB31CK-104X	C CAPACITOR	0.1uF 16V K	
C383	NCB31CK-104X	C CAPACITOR	0.1uF 16V K		C979	NCB31CK-104X	C CAPACITOR	0.1uF 16V K	
C391	NEAF0JM-227X	E CAPACITOR	220uF 6.3V M						
C392	NCB31CK-104X	C CAPACITOR	0.1uF 16V K		R101	NRSA63J-101X	MG RESISTOR	100Ω 1/16W J	
C393	NCB31HK-103X	C CAPACITOR	0.01uF 50V K		R102	NRSA63J-101X	MG RESISTOR	100Ω 1/16W J	
C455	NCB31HK-103X	C CAPACITOR	0.01uF 50V K		R103	NRSA63J-562X	MG RESISTOR	5.6kΩ 1/16W J	
C551	NCB31CK-104X	C CAPACITOR	0.1uF 16V K		R104	NRSA63J-432X	MG RESISTOR	4.3kΩ 1/16W J	
C552	NCB31CK-104X	C CAPACITOR	0.1uF 16V K		R105	NRS144J-180X	MG RESISTOR	18Ω 1/4W J	
C553	NCB31CK-104X	C CAPACITOR	0.1uF 16V K		R106	NRSA63J-2R2X	MG RESISTOR	2.2Ω 1/16W J	
C554	NCB31CK-104X	C CAPACITOR	0.1uF 16V K		R107	NRSA63J-102X	MG RESISTOR	1kΩ 1/16W J	
C555	NCB31CK-104X	C CAPACITOR	0.1uF 16V K		R108	NRSA63J-471X	MG RESISTOR	470Ω 1/16W J	
C557	NCB31HK-102X	C CAPACITOR	1000pF 50V K		R109	NRSA63J-331X	MG RESISTOR	330Ω 1/16W J	
C558	NBE20JM-226X	TA E CAPACITOR	22uF 6.3V M		R111	NRSA63J-562X	MG RESISTOR	5.6kΩ 1/16W J	
C559	NCB31CK-104X	C CAPACITOR	0.1uF 16V K		R112	NRSA63J-432X	MG RESISTOR	4.3kΩ 1/16W J	
C560	NCB31CK-104X	C CAPACITOR	0.1uF 16V K		R113	NRS144J-180X	MG RESISTOR	18Ω 1/4W J	
C562	NCF31AZ-105X	C CAPACITOR	1uF 10V Z		R114	NRSA63J-2R2X	MG RESISTOR	2.2Ω 1/16W J	
C563	NCB31CK-104X	C CAPACITOR	0.1uF 16V K		R115	NRSA63J-102X	MG RESISTOR	1kΩ 1/16W J	
C564	NCB31CK-104X	C CAPACITOR	0.1uF 16V K		R116	NRSA63J-471X	MG RESISTOR	470Ω 1/16W J	
C711	NCB21CK-105X	C CAPACITOR	1uF 16V K		R117	NRSA63J-331X	MG RESISTOR	330Ω 1/16W J	
C712	NCB31HK-103X	C CAPACITOR	0.01uF 50V K		R119	NRSA63J-4R7X	MG RESISTOR	4.7Ω 1/16W J	

△ Symbol No.	Part No.	Part Name	Description	Local	△ Symbol No.	Part No.	Part Name	Description	Local
R125	NRSA63J-1R0X	MG RESISTOR	1Ω 1/16W J		R385	NRSA63J-102X	MG RESISTOR	1kΩ 1/16W J	
R127	NRSA63J-432X	MG RESISTOR	4.3kΩ 1/16W J		R386	NRSA63J-151X	MG RESISTOR	150Ω 1/16W J	
R128	NRSA63J-562X	MG RESISTOR	5.6kΩ 1/16W J		R387	NRSA63J-151X	MG RESISTOR	150Ω 1/16W J	
R201	NRSA63J-471X	MG RESISTOR	470Ω 1/16W J		R388	NRSA63J-151X	MG RESISTOR	150Ω 1/16W J	
R202	NRSA63J-102X	MG RESISTOR	1kΩ 1/16W J		R389	NRSA63J-151X	MG RESISTOR	150Ω 1/16W J	
R204	NRSA63J-273X	MG RESISTOR	27kΩ 1/16W J		R390	NRSA63J-151X	MG RESISTOR	150Ω 1/16W J	
R205	NRSA63J-273X	MG RESISTOR	27kΩ 1/16W J		R392	NRSA63J-103X	MG RESISTOR	10kΩ 1/16W J	
R206	NRSA63J-303X	MG RESISTOR	30kΩ 1/16W J		R458	NRSA63J-102X	MG RESISTOR	1kΩ 1/16W J	
R207	NRSA63J-473X	MG RESISTOR	47kΩ 1/16W J		R531	NRSA63J-103X	MG RESISTOR	10kΩ 1/16W J	
R213	NRSA63J-103X	MG RESISTOR	10kΩ 1/16W J		R535	NRSA63J-473X	MG RESISTOR	47kΩ 1/16W J	
R214	NRSA63J-103X	MG RESISTOR	10kΩ 1/16W J		R541	NRSA63J-472X	MG RESISTOR	4.7kΩ 1/16W J	
R219	NRSA63J-183X	MG RESISTOR	18kΩ 1/16W J		R542	NRSA63J-472X	MG RESISTOR	4.7kΩ 1/16W J	
R220	NRSA63J-243X	MG RESISTOR	24kΩ 1/16W J		R712	NRSA63J-101X	MG RESISTOR	100Ω 1/16W J	
R221	NRSA63J-682X	MG RESISTOR	6.8kΩ 1/16W J		R716	NRSA63J-222X	MG RESISTOR	2.2kΩ 1/16W J	
R251	NRS125J-R39X	MG RESISTOR	0.39Ω 1/2W J		R717	NRSA63J-0R0X	MG RESISTOR	0Ω 1/16W J	
R259	NRSA63J-103X	MG RESISTOR	10kΩ 1/16W J		R719	NRSA63J-473X	MG RESISTOR	47kΩ 1/16W J	
R300	NRSA63J-0R0X	MG RESISTOR	0Ω 1/16W J		R726	NRSA63J-0R0X	MG RESISTOR	0Ω 1/16W J	
R301	NRSA63J-0R0X	MG RESISTOR	0Ω 1/16W J		R730	NRSA63J-331X	MG RESISTOR	330Ω 1/16W J	
R302	NRSA63J-0R0X	MG RESISTOR	0Ω 1/16W J		R731	NRSA63J-102X	MG RESISTOR	1kΩ 1/16W J	
R303	NRSA63J-220X	MG RESISTOR	22Ω 1/16W J		R732	NRSA63J-102X	MG RESISTOR	1kΩ 1/16W J	
R304	NRSA63J-432X	MG RESISTOR	4.3kΩ 1/16W J		R733	NRSA63J-0R0X	MG RESISTOR	0Ω 1/16W J	
R305	NRSA63J-101X	MG RESISTOR	100Ω 1/16W J		R734	NRSA63J-0R0X	MG RESISTOR	0Ω 1/16W J	
R306	NRSA63J-102X	MG RESISTOR	1kΩ 1/16W J		R735	NRSA63J-0R0X	MG RESISTOR	0Ω 1/16W J	
R307	NRSA63J-102X	MG RESISTOR	1kΩ 1/16W J		R737	NRSA63J-0R0X	MG RESISTOR	0Ω 1/16W J	
R309	NRSA63J-104X	MG RESISTOR	100kΩ 1/16W J		R738	NRSA63J-101X	MG RESISTOR	100Ω 1/16W J	
R310	NRSA63J-101X	MG RESISTOR	100Ω 1/16W J		R739	NRSA63J-101X	MG RESISTOR	100Ω 1/16W J	
R311	NRSA63J-331X	MG RESISTOR	330Ω 1/16W J		R741	NRSA63J-0R0X	MG RESISTOR	0Ω 1/16W J	
R312	NRSA63J-331X	MG RESISTOR	330Ω 1/16W J		R742	NRSA63J-5R1X	MG RESISTOR	5.1Ω 1/16W J	
R314	NRSA63J-0R0X	MG RESISTOR	0Ω 1/16W J		R801	NRSA63J-473X	MG RESISTOR	47kΩ 1/16W J	
R316	NRSA63J-102X	MG RESISTOR	1kΩ 1/16W J		R811	NRS181J-330X	MG RESISTOR	33Ω 1/8W J	
R318	NRSA63J-220X	MG RESISTOR	22Ω 1/16W J		R812	NRS181J-330X	MG RESISTOR	33Ω 1/8W J	
R320	NRSA63J-331X	MG RESISTOR	330Ω 1/16W J		R813	NRSA63J-153X	MG RESISTOR	15kΩ 1/16W J	
R321	NRSA63J-331X	MG RESISTOR	330Ω 1/16W J		R814	NRSA63J-153X	MG RESISTOR	15kΩ 1/16W J	
R322	NRSA63J-331X	MG RESISTOR	330Ω 1/16W J		R819	NRSA63J-0R0X	MG RESISTOR	0Ω 1/16W J	
R323	NRSA63J-331X	MG RESISTOR	330Ω 1/16W J		R859	NRSA63J-102X	MG RESISTOR	1kΩ 1/16W J	
R324	NRSA63J-331X	MG RESISTOR	330Ω 1/16W J		R860	NRSA63J-102X	MG RESISTOR	1kΩ 1/16W J	
R325	NRSA63J-331X	MG RESISTOR	330Ω 1/16W J		R861	NRSA63J-473X	MG RESISTOR	47kΩ 1/16W J	
R326	NRSA63J-103X	MG RESISTOR	10kΩ 1/16W J		R891	NRSA63J-0R0X	MG RESISTOR	0Ω 1/16W J	
R327	NRSA63J-220X	MG RESISTOR	22Ω 1/16W J		R892	NRSA63J-102X	MG RESISTOR	1kΩ 1/16W J	
R332	NRSA63J-331X	MG RESISTOR	330Ω 1/16W J		R901	NRSA63J-103X	MG RESISTOR	10kΩ 1/16W J	
R333	NRSA63J-331X	MG RESISTOR	330Ω 1/16W J		R902	NRSA63J-103X	MG RESISTOR	10kΩ 1/16W J	
R334	NRSA63J-151X	MG RESISTOR	150Ω 1/16W J		R903	NRSA63J-103X	MG RESISTOR	10kΩ 1/16W J	
R335	NRSA63J-151X	MG RESISTOR	150Ω 1/16W J		R904	NRSA63J-103X	MG RESISTOR	10kΩ 1/16W J	
R336	NRSA63J-151X	MG RESISTOR	150Ω 1/16W J		R905	NRSA63J-103X	MG RESISTOR	10kΩ 1/16W J	
R337	NRSA63J-151X	MG RESISTOR	150Ω 1/16W J		R909	NRSA63F-511X	MG RESISTOR	510Ω 1/16W F	
R338	NRSA63J-0R0X	MG RESISTOR	0Ω 1/16W J		R915	NRSA63F-273X	MG RESISTOR	27kΩ 1/16W F	
R339	NRSA63J-0R0X	MG RESISTOR	0Ω 1/16W J		R918	NRSA63J-0R0X	MG RESISTOR	0Ω 1/16W J	
R340	NRSA63D-303X	MG RESISTOR	30kΩ 1/16W D		R919	NRSA63J-0R0X	MG RESISTOR	0Ω 1/16W J	
R341	NRSA63D-512X	MG RESISTOR	5.1kΩ 1/16W D		R921	NRSA63J-473X	MG RESISTOR	47kΩ 1/16W J	
R342	NRSA63D-222X	MG RESISTOR	2.2kΩ 1/16W D		R922	NRSA63J-473X	MG RESISTOR	47kΩ 1/16W J	
R345	NRSA63J-221X	MG RESISTOR	220Ω 1/16W J		R927	NRSA63J-104X	MG RESISTOR	100kΩ 1/16W J	
R346	NRSA63J-223X	MG RESISTOR	22kΩ 1/16W J		R933	NRSA63J-182X	MG RESISTOR	1.8kΩ 1/16W J	
R347	NRSA63J-203X	MG RESISTOR	20kΩ 1/16W J		R934	NRSA63J-182X	MG RESISTOR	1.8kΩ 1/16W J	
R348	NRSA63J-151X	MG RESISTOR	150Ω 1/16W J		R943	NRSA63J-103X	MG RESISTOR	10kΩ 1/16W J	
R351	NRSA63J-331X	MG RESISTOR	330Ω 1/16W J		R966	NRSA63J-101X	MG RESISTOR	100Ω 1/16W J	
R352	NRSA63J-105X	MG RESISTOR	1MΩ 1/16W J		R967	NRSA63J-103X	MG RESISTOR	10kΩ 1/16W J	
R353	NRSA63J-101X	MG RESISTOR	100Ω 1/16W J		R968	NRSA63J-103X	MG RESISTOR	10kΩ 1/16W J	
R357	NRSA63J-221X	MG RESISTOR	220Ω 1/16W J		R969	NRSA63J-103X	MG RESISTOR	10kΩ 1/16W J	
R358	NRSA63J-221X	MG RESISTOR	220Ω 1/16W J		R970	NRSA63J-103X	MG RESISTOR	10kΩ 1/16W J	
R359	NRSA63J-221X	MG RESISTOR	220Ω 1/16W J		R971	NRSA63J-472X	MG RESISTOR	4.7kΩ 1/16W J	
R360	NRSA63J-221X	MG RESISTOR	220Ω 1/16W J						
R361	NRSA63J-103X	MG RESISTOR	10kΩ 1/16W J		L901	NQR0640-001X	EMI FILTER		
R362	NRSA63J-470X	MG RESISTOR	47Ω 1/16W J		L902	NQR0640-001X	EMI FILTER		
R367	NRSA63J-221X	MG RESISTOR	220Ω 1/16W J						
R369	NRSA63J-103X	MG RESISTOR	10kΩ 1/16W J		CN101	QGF0523F3-24W	CONNECTOR	FFC/FPC (1-24)	
R370	NRSA63J-221X	MG RESISTOR	220Ω 1/16W J		CN201	QGF1037F3-08W	CONNECTOR	FFC/FPC (1-8)	
R371	NRSA63J-103X	MG RESISTOR	10kΩ 1/16W J		CN701	QGF1016F8-27W	CONNECTOR	FFC/FPC (1-27)	
R372	NRSA63J-103X	MG RESISTOR	10kΩ 1/16W J		CN702	QGF1016C6-23W	CONNECTOR	FFC/FPC (1-23)	
R373	NRSA63J-103X	MG RESISTOR	10kΩ 1/16W J		CN704	QGA1501C7-03W	CONNECTOR	W-B (1-3)	
R374	NRSA63J-221X	MG RESISTOR	220Ω 1/16W J		CN801	QGF1016C6-13W	CONNECTOR	FFC/FPC (1-13)	
R375	NRSA63J-471X	MG RESISTOR	470Ω 1/16W J		CN811	QGA2001C6-05X	CONNECTOR	W-B (1-5)	
R376	NRSA63J-102X	MG RESISTOR	1kΩ 1/16W J		J801	NNZ0161-002	HDMI CONNECTOR		
R377	NRSA63J-220X	MG RESISTOR	22Ω 1/16W J		K101	NQR0502-001X	FERRITE BEADS		
R380	NRSA63J-151X	MG RESISTOR	150Ω 1/16W J		K351	NQR0502-001X	FERRITE BEADS		
R381	NRSA63J-151X	MG RESISTOR	150Ω 1/16W J		K352	NQR0502-001X	FERRITE BEADS		
R382	NRSA63J-151X	MG RESISTOR	150Ω 1/16W J		K353	NQR0502-001X	FERRITE BEADS		
R383	NRSA63J-101X	MG RESISTOR	100Ω 1/16W J		K354	NQR0022-002X	FERRITE BEADS		
R384	NRSA63J-102X	MG RESISTOR	1kΩ 1/16W J		K355	NQR0022-002X	FERRITE BEADS		

Symbol No.	Part No.	Part Name	Description	Local
K360	NQR0360-002X	COIL		
K361	NQR0360-002X	COIL		
K362	NQR0360-002X	COIL		
K363	NQR0360-002X	COIL		
K364	NQR0360-002X	COIL		
K365	NQR0360-002X	COIL		
K366	NQR0360-002X	COIL		
K367	NQR0360-002X	COIL		
K370	NRSA63J-0R0X	MG RESISTOR	0Ω 1/16W J	
K501	NQR0502-001X	FERRITE BEADS		
K701	NQR0022-002X	FERRITE BEADS		
K702	NQR0022-002X	FERRITE BEADS		
K703	NQR0022-002X	FERRITE BEADS		
K704	NQR0022-002X	FERRITE BEADS		
K705	NQR0022-002X	FERRITE BEADS		
K706	NQR0022-005X	FERRITE BEADS		
K707	NQR0022-002X	FERRITE BEADS		
K708	NQR0022-002X	FERRITE BEADS		
K709	NQR0022-002X	FERRITE BEADS		
K710	NQR0022-002X	FERRITE BEADS		
K711	NQR0022-002X	FERRITE BEADS		
K712	NQR0360-003X	FERRITE BEADS		
K713	NRSA63J-0R0X	MG RESISTOR	0Ω 1/16W J	
K714	NQR0502-001X	FERRITE BEADS		
K715	NRSA63J-0R0X	MG RESISTOR	0Ω 1/16W J	
K720	NQR0022-002X	FERRITE BEADS		
K722	NRSA63J-0R0X	MG RESISTOR	0Ω 1/16W J	
K723	NRSA63J-0R0X	MG RESISTOR	0Ω 1/16W J	
K751	NRSA63J-0R0X	MG RESISTOR	0Ω 1/16W J	
K753	NRSA63J-0R0X	MG RESISTOR	0Ω 1/16W J	
K754	NRSA63J-0R0X	MG RESISTOR	0Ω 1/16W J	
K755	NRSA63J-0R0X	MG RESISTOR	0Ω 1/16W J	
K756	NRSA63J-0R0X	MG RESISTOR	0Ω 1/16W J	
K759	NRSA63J-0R0X	MG RESISTOR	0Ω 1/16W J	
K761	NRSA63J-0R0X	MG RESISTOR	0Ω 1/16W J	
K762	NRSA63J-0R0X	MG RESISTOR	0Ω 1/16W J	
K763	NRSA63J-0R0X	MG RESISTOR	0Ω 1/16W J	
K765	NRSA63J-0R0X	MG RESISTOR	0Ω 1/16W J	
K811	NRSA63J-0R0X	MG RESISTOR	0Ω 1/16W J	
K812	NRSA63J-0R0X	MG RESISTOR	0Ω 1/16W J	
K901	NQR0502-001X	FERRITE BEADS		
K902	NQR0502-001X	FERRITE BEADS		
K903	NQR0502-001X	FERRITE BEADS		
K904	NQR0502-001X	FERRITE BEADS		
K905	NQR0502-001X	FERRITE BEADS		
K906	NQR0502-001X	FERRITE BEADS		
K907	NQR0502-001X	FERRITE BEADS		
K908	NQR0502-001X	FERRITE BEADS		
K912	NQR0502-001X	FERRITE BEADS		
K913	NQR0502-001X	FERRITE BEADS		
K914	NQR0502-001X	FERRITE BEADS		
Q903	RT1N140C-X	DIGI TRANSISTOR		
Q903	or UN2215-X	TRANSISTOR		
R941	NRSA63J-103X	MG RESISTOR	10kΩ 1/16W J	
TH301	NAD0025-103X	N THERMISTOR	10kΩ	
X301	NAX0741-001X	CRYSTAL	27.000MHz	
X302	NAX0376-002X	CRYSTAL		

Loading base board

Block No. [0][5]

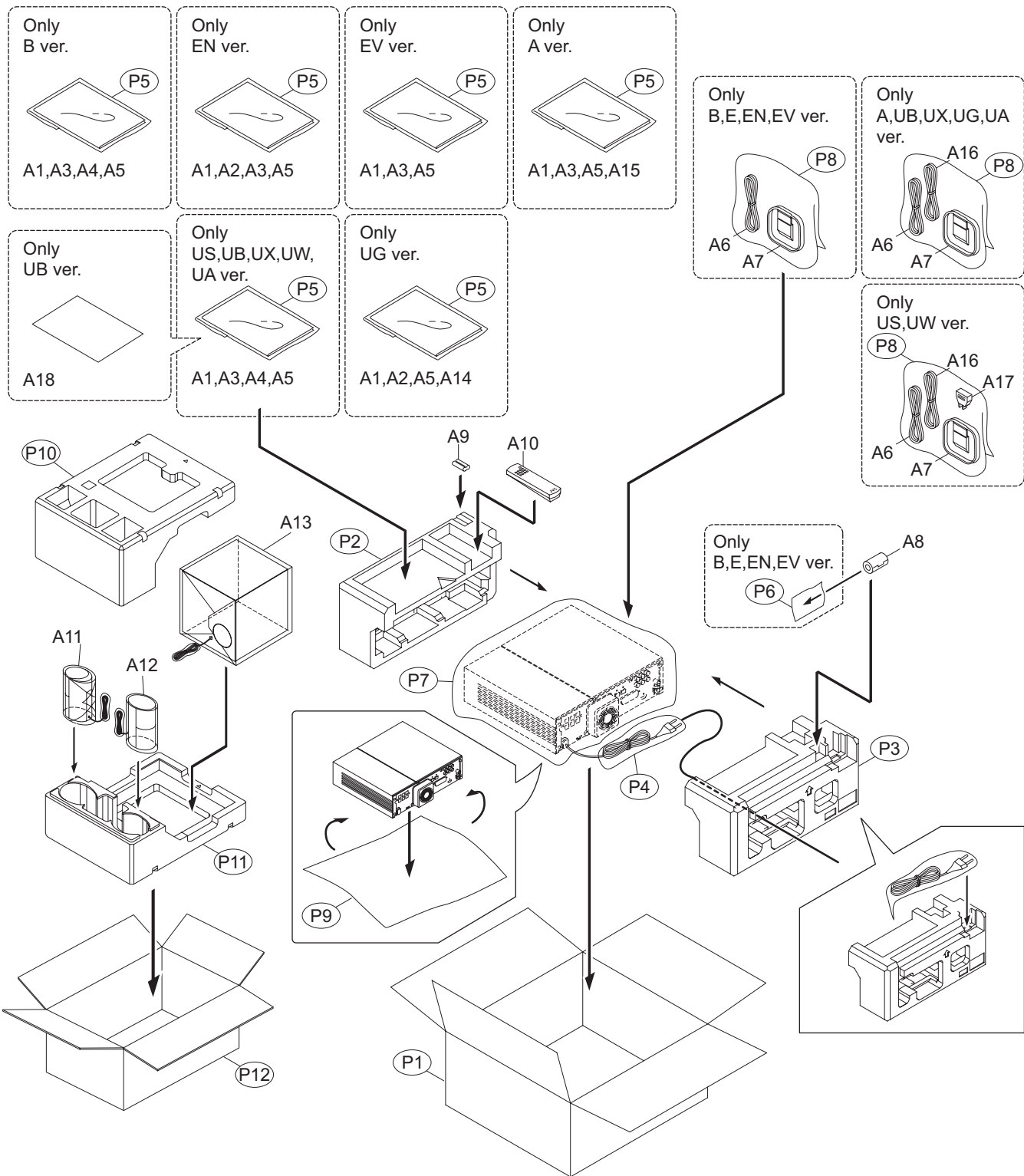
Symbol No.	Part No.	Part Name	Description	Local
CN1	QGF1016F9-05	CONNECTOR	FFC/FPC (1-5)	
S1	QSW1074-002	DETECT SWITCH		

<MEMO>

Packing materials and accessories parts list(Except EE ver.)

Block No. **M 3 M M**

No additional / supplemental order of WARRANTY CARDS are available.



The parts without symbol number are not service.

Packing and Accessories(Except EE ver.)

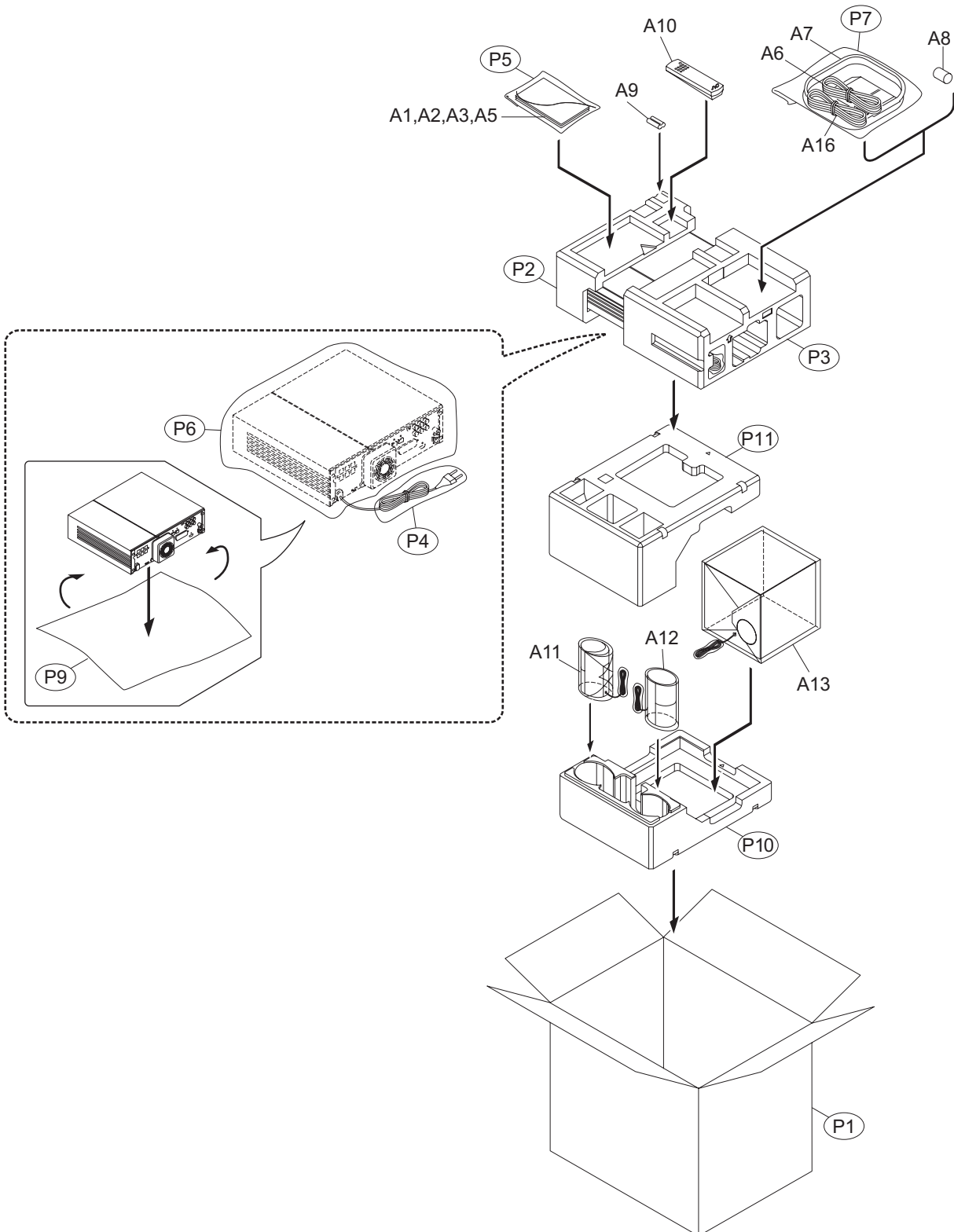
Block No. [M][3][M][M]

△	Symbol No.	Part No.	Part Name	Description	Local
	A 1	LVT1833-003A	INST BOOK	ENG	B
	A 1	LVT1833-004A	INST BOOK	GER FRE	E
	A 1	LVT1833-006A	INST BOOK	SPA POR	EN
	A 1	LVT1833-008A	INST BOOK	CZE POL HUN	EV
	A 1	LVT1833-016A	INST BOOK	ENG	A,UB
	A 1	LVT1833-010A	INST BOOK	ENG	US,UW,UX,UG,UA
	A 2	LVT1833-005A	INST BOOK	DUT ITA	E
	A 2	LVT1833-007A	INST BOOK	SWE FIN DAN	EN
	A 2	LVT1833-011A	INST BOOK	CHI(PEKIN)	US
	A 2	LVT1833-017A	INST BOOK	CHI(PEKIN)	UB
	A 2	LVT1833-012A	INST BOOK	SPA POR	UW
	A 2	LVT1833-014A	INST BOOK	ARA	UX,UG
	A 2	LVT1833-013A	INST BOOK	THA	UA
	A 3	-----	WARRANTY CARD	BT-54032-1	B,E,EN,EV
	A 3	-----	WARRANTY CARD	BT-56016-1	A
	A 4	VNA3000-204	REGIST CARD		B
	A 5	LVT1649-001A	NOTICE SHEET		B,E,EN,EV,A,US,UB,UW,UX,UG
	A 5	LVT1649-001B	NOTICE SHEET		UA
	A 6	QAL0457-001	ANT.WIRE		
	A 7	QAL0476-003	AM LOOP ANT		B,E,EN,EV
	A 7	or QAL0014-003	AM LOOP ANT		
	A 7	QAL1123-001	LOOP ANTENNA		A,US,UB,UW,UX,UG,UA
	A 8	QQR1607-001	FERRITE CORE		
	A 8	or QQR1607-002	FERRITE CORE		
△	A 9	-----	BATTERY	(x2)	
	A 10	RM-SNXF3R	REMOCON		B,E,EN,EV
	A 10	RM-SNXF3A	REMOCON		A,UB
	A 10	RM-SNXF3U	REMOCON		US,UW,UX,UG,UA
	A 11	AB050059-01	SPK WITH BOX-L		
	A 12	AB050059-02	SPK WITH BOX-R		
	A 13	AB160042-01	SPK WITH BOX-W		
	A 14	LVT1833-020A	INST BOOK	PER	UG
	A 15	-----	WARRANTY CARD	BT-56017-1	A
	A 16	QAM0944-001	PIN CABLE		A,US,UB,UW,UX,UG,UA
	A 17	QAM0112-002	CONVERSION PLUG		US,UW
	A 18	LV30258-0D4A	UB SHEET		UB
	P 1	LV38187-001A	CARTON BOX		B,E,EN,EV
	P 1	LV38187-003A	CARTON BOX		A,UB
	P 1	LV38187-002A	CARTON BOX		US,UW,UX,UG,UA
	P 2	LV22671-001A	CUSHION(F)		
	P 3	LV22672-001A	CUSHION(R)		
	P 4	QPA01805003PB	POLY BAG	18cm x 50cm	
	P 5	QPC02503515PB	POLY BAG	25cm x 35cm	
	P 6	QPA00500805	POLY BAG	5cm x 8cm	B,E,EN,EV
	P 7	QPC05006515PB	POLY BAG	50cm x 65cm	
	P 8	QPC01702515PB	POLY BAG	17cm x 25cm	
	P 9	LV42796-008A	SHEET		B,E,EN,EV
	P 9	LV42796-009A	SHEET		A,US,UB,UW,UX,UG,UA
	P 10	LV11560-001A	TOP CUSHION		
	P 11	LV11560-002A	BOTTOM CUSHION		
	P 12	LV35831-0D8A	PACKING CASE		B,EN,EV
	P 12	LV35831-0E1A	PACKING CASE		A,UX,UA
	P 12	LV35831-0D9A	PACKING CASE		US,UB,UW,UG

Packing materials and accessories parts list(Only EE ver.)

Block No. M 4 M M

No additional / supplemental order of WARRANTY CARDS are available.



The parts without symbol number are not service.

Packing and Accessories(Only EE ver.)

Block No. [M][4][M][M]

△	Symbol No.	Part No.	Part Name	Description	Local
	A 1	LVT1833-009A	INST BOOK	RUS	
	A 2	LVT1923-001A	CAUTION SHEET		
	A 3	-----	WARRANTY CARD	BT-54036-1	
	A 5	LVT1649-001A	NOTICE SHEET		
	A 6	QAL0457-001	ANT.WIRE		
	A 7	QAL1123-001	LOOP ANTENNA		
	A 7	or QAL0014-003	AM LOOP ANT		
	A 8	QQR1607-001	FERRITE CORE		
	A 8	or QQR1607-002	FERRITE CORE		
△	A 9	-----	BATTERY	(x2)	
	A 10	RM-SNXF3U	REMOCON		
	A 11	AB050059-05	SPK WITH BOX-L		
	A 12	AB050059-06	SPK WITH BOX-R		
	A 13	AB160042-01	SPK WITH BOX-W		
	A 16	QAM0944-001	PIN CABLE		
	P 1	LV38190-003A	MASTER CARTON		
	P 2	LV22688-001A	CUSHION(FRONT)		
	P 3	LV11568-001A	CUSHION(REAR)		
	P 4	QPA01805003PB	POLY BAG	18cm x 50cm	
	P 5	QPC02503515PB	POLY BAG	25cm x 35cm	
	P 6	QPC05006515PB	POLY BAG	50cm x 65cm	
	P 7	QPC01702515PB	POLY BAG	17cm x 25cm	
	P 9	LV42796-009A	SHEET		
	P 10	LV11560-002A	BOTTOM CUSHION		
	P 11	LV11560-001A	TOP CUSHION		



Victor Company of Japan, Limited

Audio/Video Systems Division 10-1, 1chome, Ohwatari-machi, Maebashi-city, 371-8543, Japan