

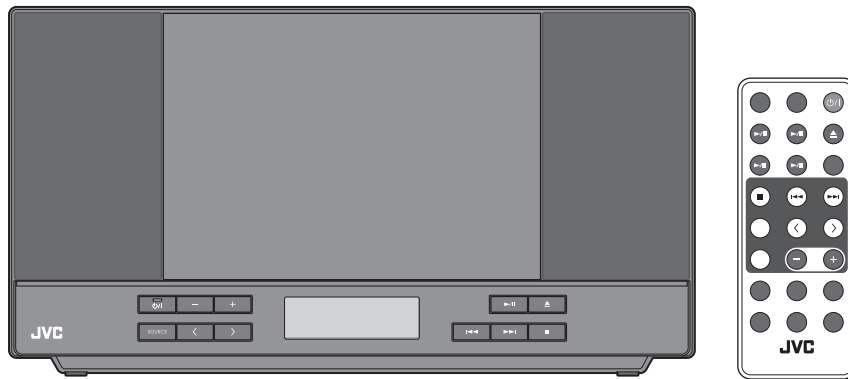
JVC

Preliminary

SERVICE MANUAL

CD PORTABLE SYSTEM

NX-PB10B, NX-PB10E, NX-PB10EY



Radio Data System MP3/WMA

Lead free solder used in the board (material : Sn-Ag-Cu, melting point : 219 Centigrade)

TABLE OF CONTENTS

1	PRECAUTION.....	1-3
2	SPECIFIC SERVICE INSTRUCTIONS.....	1-6
3	DISASSEMBLY	1-6
4	ADJUSTMENT	1-8
5	TROUBLESHOOTING	1-8

SPECIFICATION

Amplifier section	
Output Power	4 W (2 W + 2 W) at 16 Ω (10% THD)
Audio Input	AUDIO IN: Stereo mini (\varnothing 3.5 mm)
	250 mV/47 k Ω
Digital input	USB terminal
Tuner	
FM tuning range	87.50 MHz - 108.00 MHz
Disc player	
Dynamic range	80 dB
Wow and flutter	Immeasurable
USB	
USB specification	Compatible with USB 2.0 Full Speed
Compatible device	Mass storage class
Compatible system	FAT16, FAT32
Output power	DC 5 V \approx 500 mA
SD	
Compatible device	SD, SDHC
Compatible system	FAT16, FAT32
iPod	
Output power	DC 5 V \approx 500 mA
General	
Speaker type	Bass-Reflex type
Speaker unit	8 cm x 2
Speaker impedance	16 Ω
Power requirements	AC 230 V \sim / 50 Hz
Power consumption	25 W (at operation)
	1.00 W or less (on standby)
Dimensions (approx.)	400 mm \times 215 mm \times 91 mm (W \times H \times D)
Mass (approx.)	2.3 kg

Design and specifications are subject to change without notice.

SECTION 1 PRECAUTION

1.1 Safety Precautions

- (1) This design of this product contains special hardware and many circuits and components specially for safety purposes. For continued protection, no changes should be made to the original design unless authorized in writing by the manufacturer. Replacement parts must be identical to those used in the original circuits. Services should be performed by qualified personnel only.
- (2) Alterations of the design or circuitry of the product should not be made. Any design alterations of the product should not be made. Any design alterations or additions will void the manufacturer's warranty and will further relieve the manufacturer of responsibility for personal injury or property damage resulting therefrom.
- (3) Many electrical and mechanical parts in the products have special safety-related characteristics. These characteristics are often not evident from visual inspection nor can the protection afforded by them necessarily be obtained by using replacement components rated for higher voltage, wattage, etc. Replacement parts which have these special safety characteristics are identified in the Parts List of Service Manual. Electrical components having such features are identified by shading on the schematics and by (Δ) on the Parts List in the Service Manual. The use of a substitute replacement which does not have the same safety characteristics as the recommended replacement parts shown in the Parts List of Service Manual may create shock, fire, or other hazards.
- (4) The leads in the products are routed and dressed with ties, clamps, tubings, barriers and the like to be separated from live parts, high temperature parts, moving parts and/or sharp edges for the prevention of electric shock and fire hazard. When service is required, the original lead routing and dress should be observed, and it should be confirmed that they have been returned to normal, after reassembling.

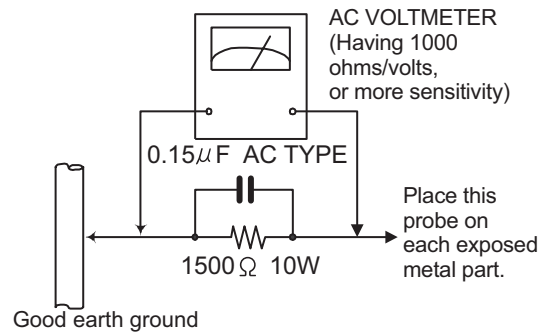
(5) Leakage shock hazard testing

After reassembling the product, always perform an isolation check on the exposed metal parts of the product (antenna terminals, knobs, metal cabinet, screw heads, headphone jack, control shafts, etc.) to be sure the product is safe to operate without danger of electrical shock. Do not use a line isolation transformer during this check.

- Plug the AC line cord directly into the AC outlet. Using a "Leakage Current Tester", measure the leakage current from each exposed metal part of the cabinet, particularly any exposed metal part having a return path to the chassis, to a known good earth ground. Any leakage current must not exceed 0.5mA AC (r.m.s.).
- Alternate check method
Plug the AC line cord directly into the AC outlet. Use an AC voltmeter having, 1,000 Ω per volt or more sensitivity in the following manner. Connect a 1,500 Ω 10W resistor paralleled by a 0.15 μ F AC-type capacitor between an exposed metal part and a known good earth ground. Measure the AC voltage across the resistor with the AC

voltmeter.

Move the resistor connection to each exposed metal part, particularly any exposed metal part having a return path to the chassis, and measure the AC voltage across the resistor. Now, reverse the plug in the AC outlet and repeat each measurement. Voltage measured any must not exceed 0.75 V AC (r.m.s.). This corresponds to 0.5 mA AC (r.m.s.).



1.2 Warning

- (1) This equipment has been designed and manufactured to meet international safety standards.
- (2) It is the legal responsibility of the repairer to ensure that these safety standards are maintained.
- (3) Repairs must be made in accordance with the relevant safety standards.
- (4) It is essential that safety critical components are replaced by approved parts.
- (5) If mains voltage selector is provided, check setting for local voltage.

1.3 Caution

Burrs formed during molding may be left over on some parts of the chassis.

Therefore, pay attention to such burrs in the case of pre-forming repair of this system.

1.4 Critical parts for safety

In regard with component parts appearing on the silk-screen printed side (parts side) of the PWB diagrams, the parts that are printed over with black such as the resistor (■), diode (■) and ICP (●) or identified by the " Δ " mark nearby are critical for safety. When replacing them, be sure to use the parts of the same type and rating as specified by the manufacturer. (This regulation does not Except the J and C version)

1.5 Preventing static electricity

Electrostatic discharge (ESD), which occurs when static electricity stored in the body, fabric, etc. is discharged, can destroy the laser diode in the traverse unit (optical pickup). Take care to prevent this when performing repairs.

1.5.1 Grounding to prevent damage by static electricity

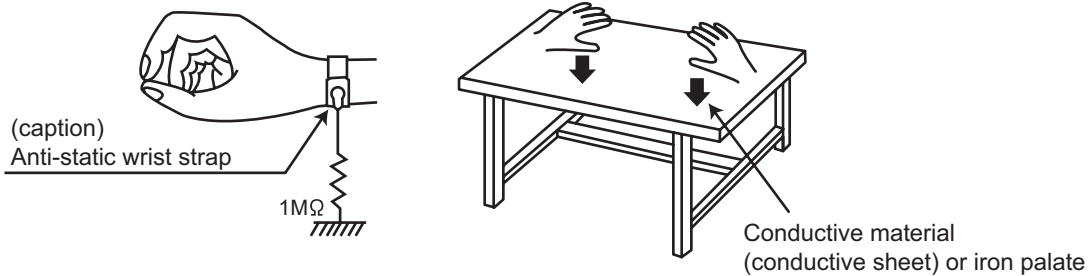
Static electricity in the work area can destroy the optical pickup (laser diode) in devices such as laser products. Be careful to use proper grounding in the area where repairs are being performed.

(1) Ground the workbench

Ground the workbench by laying conductive material (such as a conductive sheet) or an iron plate over it before placing the traverse unit (optical pickup) on it.

(2) Ground yourself

Use an anti-static wrist strap to release any static electricity built up in your body.



(3) Handling the optical pickup

- In order to maintain quality during transport and before installation, both sides of the laser diode on the replacement optical pickup are shorted. After replacement, return the shorted parts to their original condition. (Refer to the text.)
- Do not use a tester to check the condition of the laser diode in the optical pickup. The tester's internal power source can easily destroy the laser diode.

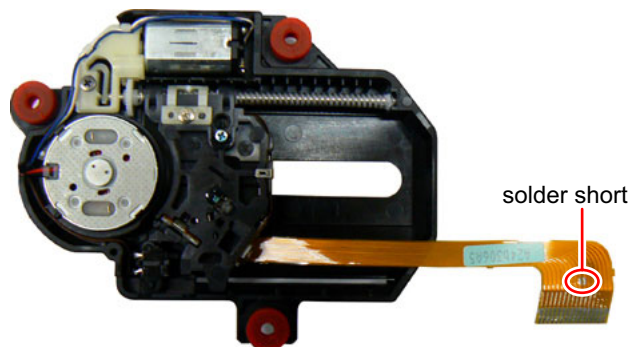
1.6 Handling the traverse unit (optical pickup)

- (1) Do not subject the traverse unit (optical pickup) to strong shocks, as it is a sensitive, complex unit.
- (2) Cut off the shorted part of the flexible cable using nippers, etc. after replacing the optical pickup. For specific details, refer to the replacement procedure in the text. Remove the anti-static pin when replacing the traverse unit. Be careful not to take too long a time when attaching it to the connector.
- (3) Handle the flexible cable carefully as it may break when subjected to strong force.
- (4) It is not possible to adjust the semi-fixed resistor that adjusts the laser power. Do not turn it.

1.7 Attention when traverse unit is decomposed

***Please refer to "Disassembly method" in the text for the pickup unit.**

- Apply solder to the short land sections before the card wire is disconnected from the connector on the servo board. (If the card wire is disconnected without applying solder, the pickup may be destroyed by static electricity.)
- In the assembly, be sure to remove solder from the short land sections after connecting the card wire.



1.8 Important for laser products

1.CLASS 1 LASER PRODUCT

2.CAUTION :

(For U.S.A.) Visible and/or invisible class II laser radiation when open. Do not stare into beam.
(Others) Visible and/or invisible class 1M laser radiation when open. Do not view directly with optical instruments.

3.CAUTION : Visible and/or invisible laser radiation when open and inter lock failed or defeated. Avoid direct exposure to beam.

4.CAUTION : This laser product uses visible and/or invisible laser radiation and is equipped with safety switches which prevent emission of radiation when the drawer is open and the safety interlocks have failed or are defeated. It is dangerous to defeat the safety switches.

(For U.S.A.)

CAUTION : Visible and/or invisible class II laser radiation when open. Do not stare into beam.

(Others)

CAUTION : Visible and/or invisible class 1M laser radiation when open. Do not view directly with optical instruments
ACHTUNG: Sichtbare und/oder unsichtbare Laserstrahlung der Klasse 1M bei offenen Abdeckungen. Nicht direkt mit optischen Instrumenten betrachten.

ATTENTION: Rayonnement laser visible et/ou invisible de classe 1M une fois ouvert. Ne pas regarder directement avec des instruments optiques.

VOORZICHTIG: Zichtbare en/of onzichtbare klasse 1M laserstralen indien geopend. Bekijk niet direct met optische instrumenten.

ATTENZIONE: Radiazione laser in classe 1M visibile e/o invisibile quando aperto. Non osservare direttamente con strumenti ottici.

WARNING: Synlig och/eller osynlig laserstrålning, klass 1M, när denna del är öppnad. Betrakta ej strålen med optiska instrument.

VARO! Avattaessa olet alttiina näkyvalle ja/tai näkymättömälle luokan 1M lasersäteilylle. Älä tarkastele sitä optisen laitteen läpi.

ADVARSEL: Synlig og/eller usynlig klasse 1M-laserstråling ved åbning. Se ikke direkte med optiske instrumenter.

AVISO: Radiación láser de clase 1M visible y/o invisible cuando está abierto. No mirar directamente con instrumental óptico.

PRECAUÇÃO: Radiação laser de classe 1M visível e/ou invisível quando aberto. Não olhe diretamente com instrumentos ópticos.

5.CAUTION : If safety switches malfunction, the laser is able to function.

6.CAUTION : Use of controls, adjustments or performance of procedures other than those specified here in may result in hazardous radiation exposure.

CAUTION Please use enough caution not to see the beam directly or touch it in case of an adjustment or operation check.

PRECAUÇÃO: Radiação laser de classe 1M visível e/ou invisível quando aberto. Não olhe diretamente com instrumentos ópticos.

ПРЕДУПРЕЖДЕНИЕ: В открытом состоянии происходит видимое и/или невидимое излучение лазера класса 1M. Не смотрите непосредственно в оптические инструменты.

UWAGA: Otwarcie spowoduje narażenie na widzialne i/lub niewidzialne promieniowanie lasera klasy 1M. Nie patrzeć bezpośrednio w przyrządy optyczne.

UPOZORNĚNÍ: Při otevření vydává viditelné popř. neviditelné laserové ozáření třídy 1M. Nedívejte se do otvoru přímo s optickými nástroji.

FIGYELMEZTETÉS: Látható és/vagy láthatatlan 1M osztályú sugárzás nyitott állapotban. Ne nézze közvetlenül optikai műszerekkel.

注意：打開蓋板可能會產生可見或不可見的 1M 級鐳射。不要使用光學儀器直接進行窺視。

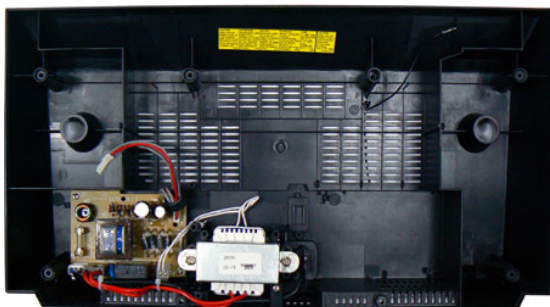
注意：打开盖板可能会产生可见或不可见的 1M 级辐射。不要使用光学仪器直接进行窥视。

تنبيه: يوجد إشعاع ليزري مرئي و/أو غير مرئي من الفئة 1M عندما يكون الجهاز مفتوحاً. تجنب النظر مباشرة داخل الجهاز باستخدام أدوات بصرية.

احتياط: هنگامی که باز گردد، تشعشع مرئی و یا نامرئی کلاس 1M لیزر وجود دارد. با لوازم چشمی مستقیماً به آن نگاه نکنید.

주의: 개방하면 가지 및/또는 비가시 클래스 1M 레이저 방사선이 나옵니다. 광학 기구로 직접 들여다보지 마십시오.

REPRODUCTION AND POSITION OF LABELS and PRINT WARNING LABEL and PRINT



CAUTION VISIBLE AND/OR INVISIBLE CLASS 1M LASER RADIATION WHEN OPEN. DO NOT VIEW DIRECTLY WITH OPTICAL INSTRUMENTS. IEC60825-1:2001 (ENG)	ATTENTION RAYONNEMENT LASER VISIBLE ET/OU INVISIBLE DE CLASSE 1M UNE FOIS OUVERT. NE PAS REGARDER DIRECTEMENT AVEC DES INSTRUMENTS OPTIQUES. (FRA)	AVISO RADIACIÓN LÁSER DE CLASE 1M VISIBLE Y/O INVISIBLE CUANDO ESTÁ ABIERTO. NO MIRAR DIRECTAMENTE CON INSTRUMENTAL ÓPTICO. (SPA)	WARNING SYNLIG OCH/ELLER OSYNLIG LASERSTRÅLNING, KLASS 1M, NÄR DENNA DEL ÄR ÖPPNAD. BETRAKTA EJ STRÅLEN MED OPTISKA INSTRUMENT. (SWE)	注意 ここを覗くと可視 及び/または不可視 のクラス1M レーザー放射が 出ます。 光学顕微鏡で直視 しないでください。 (JPN)	CAUTION VISIBLE AND/OR INVISIBLE CLASS II LASER RADIATION WHEN OPEN. DO NOT STARE INTO BEAM. FDA 21 CFR (ENG) LV44803-003A
--------------------------------------------------------------------------------------------------------------------------------------------------------------------------	--------------------------------------------------------------------------------------------------------------------------------------------------------------------------------------	---------------------------------------------------------------------------------------------------------------------------------------------------------------------	-------------------------------------------------------------------------------------------------------------------------------------------------------------------------	---------------------------------------------------------------------------------------------------	--------------------------------------------------------------------------------------------------------------------------------------------------------

SECTION 2 SPECIFIC SERVICE INSTRUCTIONS

This service manual does not describe SPECIFIC SERVICE INSTRUCTIONS.

SECTION 3 DISASSEMBLY

3.1 Main body (Used model: NX-PB10E)

3.1.1 Removing the Rear cover (See Fig.1, 2, 3)

- (1) Remove the three screws **A**, three screws **B** and two screws **C** attaching the Rear cabinet. (See Fig.1)

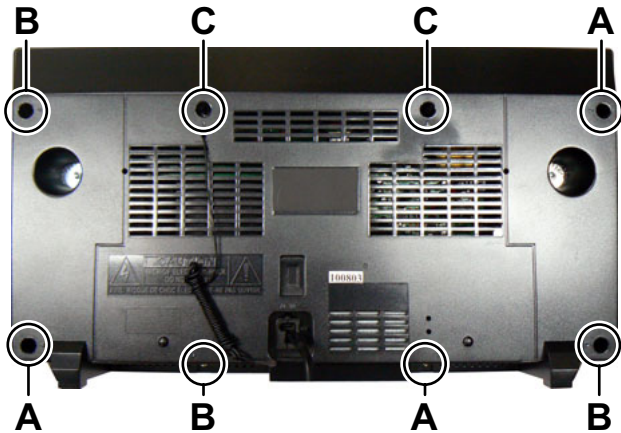


Fig.1

- (2) Disconnect the antenna wire from post pin **FM1** of the Main board. (See Fig.2)

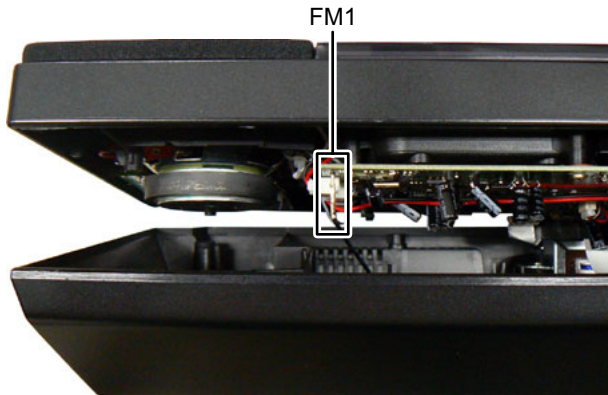
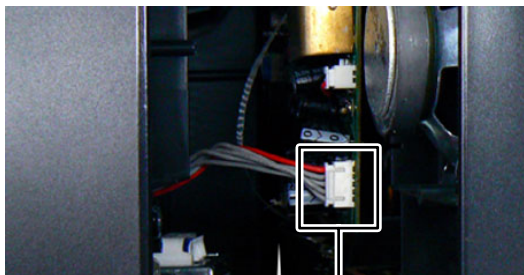


Fig.2

- (3) Disconnect the connector wire from Trans board connected to connector **CN402** of the Main board. (See Fig.3)



CN402

Fig.3

3.1.2 Removing the Main board (See Fig.4)

- (1) Disconnect the card wire from iPod board connected to connector **CN103** of the Main board.
- (2) Disconnect the card wire from Key board connected to connector **CN701** of the Main board.
- (3) Disconnect the connector wire from Left speaker connected to connector **J2** of the Main board.
- (4) Disconnect the connector wire from Right speaker connected to connector **J3** of the Main board.
- (5) Disconnect the connector wire from Door switch board connected to connector **CN405** of the Main board.
- (6) Disconnect the connector wires from USB board connected to connectors **J13**, **CN603** and **CN306** off the Main board.
- (7) Disconnect the card wire from USB board connected to connector **CN607** of the Main board.
- (8) Disconnect the connector wire from Door motor connected to connector **CN404** of the Main board.
- (9) Disconnect the connector wire from CD mechanism connected to connector **CN902** of the Main board.
- (10) Disconnect the flexible wire from CD pickup connected to connector **CN901** of the Main board.
- (11) Remove the six screws **D** attaching the Main board.

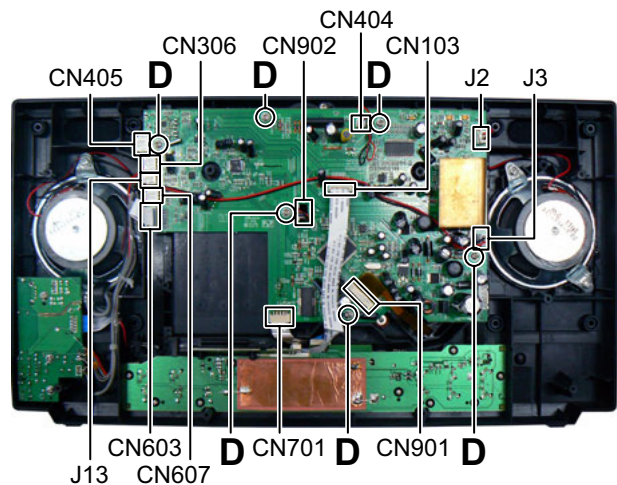


Fig.4

3.1.3 Removing the Key board (See Fig.5)

- (1) Remove the nine screws E attaching the Key board.

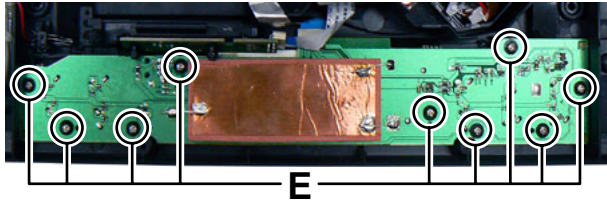


Fig.5

3.1.4 Removing the USB board (See Fig.6)

- (1) Remove the three screws F attaching the USB board.
- (2) Remove the two screws G and one screw H attaching the Door switches.

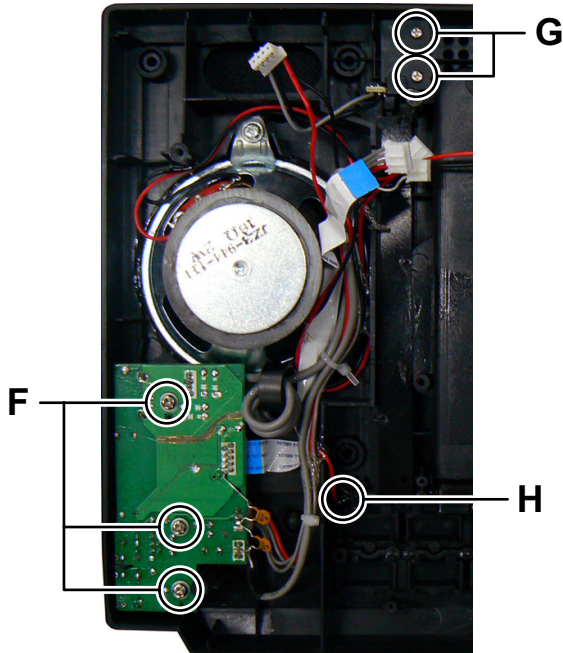


Fig.6

3.1.5 Removing the iPod board (See Fig.7)

- (1) Remove the two screws J attaching the holder.
- (2) Disengage the shaft of iPod bracket from Front cabinet.

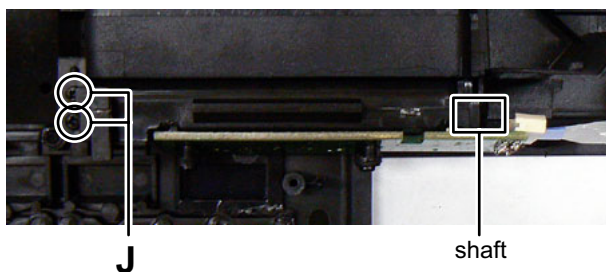


Fig.7

3.1.6 Removing the Door motor (See Fig.8)

- (1) Remove the three screws K attaching the Door motor.

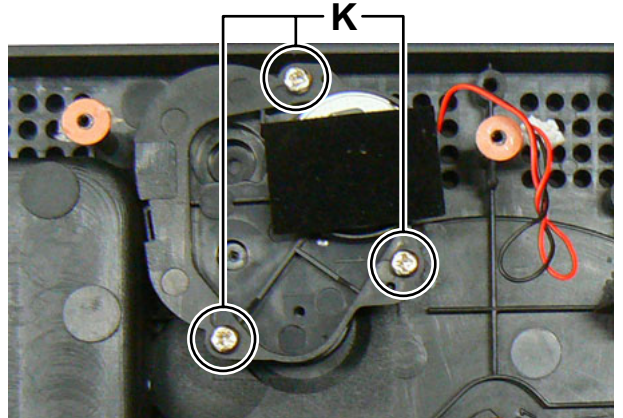


Fig.8

3.1.7 Removing the CD mechanism (See Fig.9)

- (1) Remove the three screws L attaching the CD mechanism.

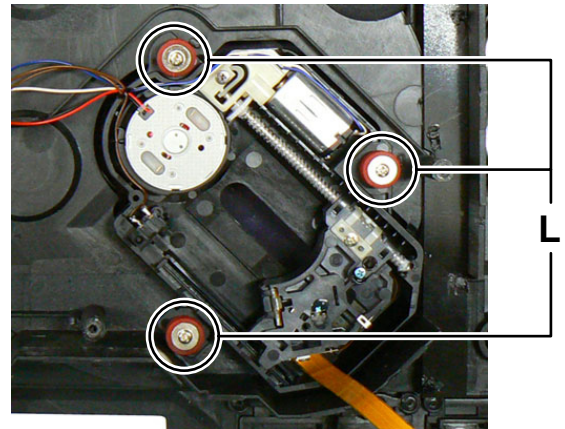


Fig.9

3.1.8 Removing the Trans board (See Fig.10)

- (1) Disconnect the power cord from connector CN1103 of the Trans board.
- (2) Disconnect the connector wires from Power transformer connected to connector CN1101 and CN1104 of the Trans board.
- (3) Remove the three screws M attaching the Trans board.

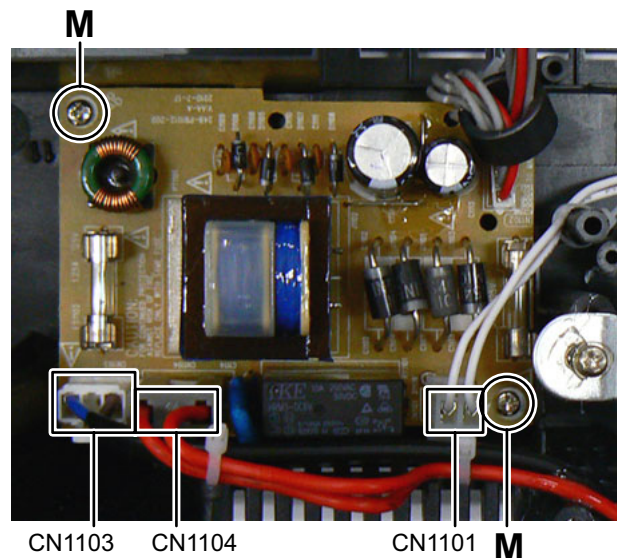


Fig.10

SECTION 4 ADJUSTMENT

This service manual does not describe ADJUSTMENT.

SECTION 5 TROUBLESHOOTING

This service manual does not describe TROUBLESHOOTING.

<MEMO>



JVC

Victor Company of Japan, Limited
Personal AV Operation 10-1, 1chome, Ohwatari-machi, Maebashi-city, 371-8543, Japan

(No.MB730<Rev.001>)

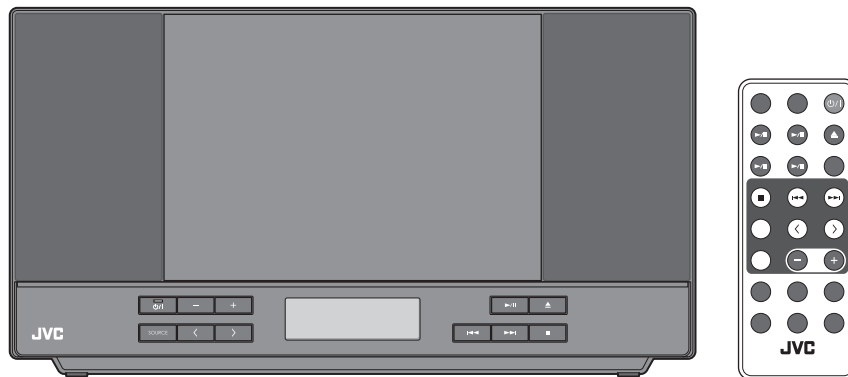
Printed in Japan
VSE

JVC

SCHEMATIC DIAGRAMS

CD PORTABLE SYSTEM

NX-PB10B, NX-PB10E, NX-PB10EY



COMPACT
disc
DIGITAL AUDIO

SD
HG

Made for
iPod

Radio Data System

MP3/WMA

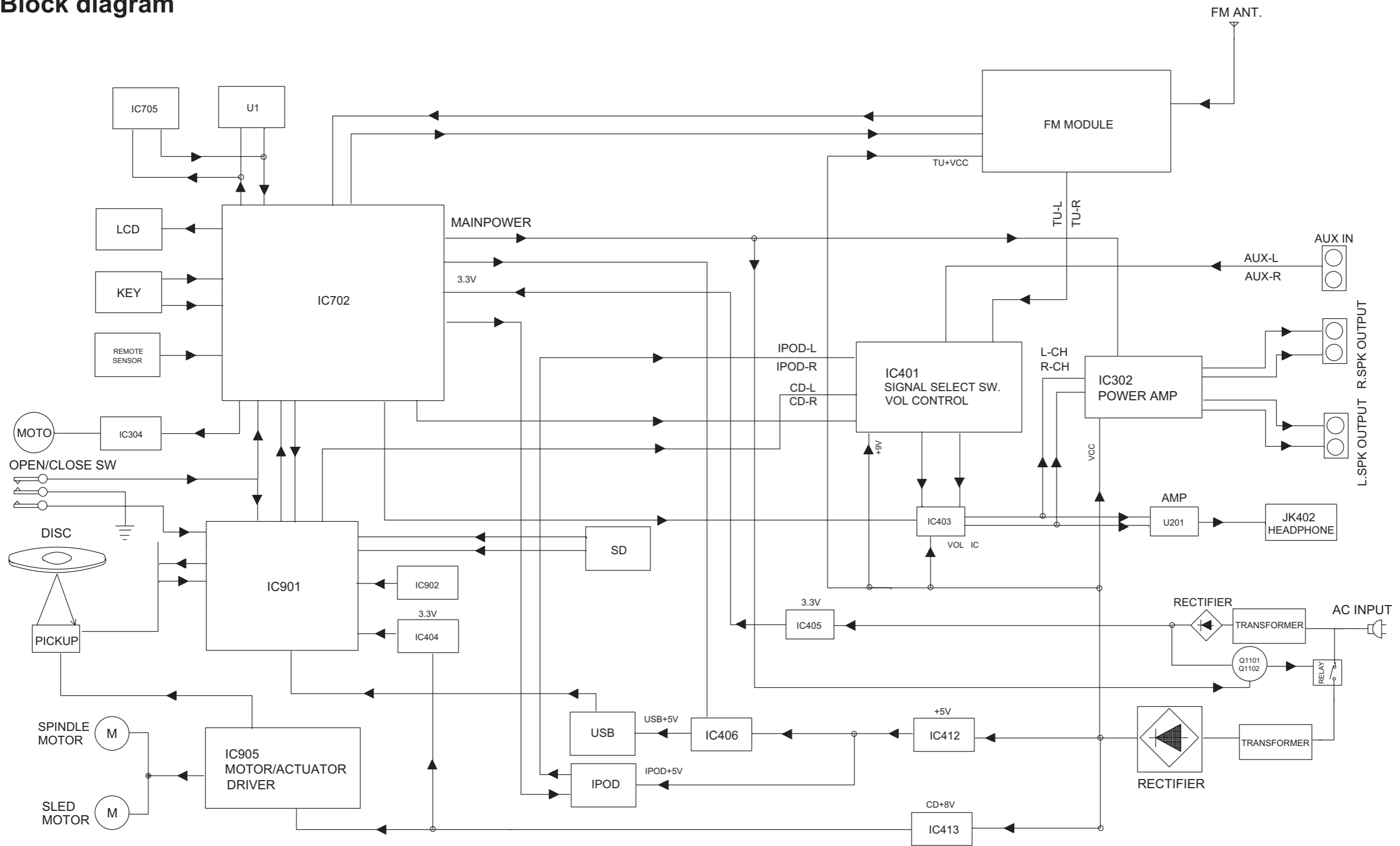
Lead free solder used in the board (material : Sn-Ag-Cu, melting point : 219 Centigrade)

Contents

Block diagrams	2-1
Standard schematic diagrams	2-2
Printed circuit boards	2-10 to 12

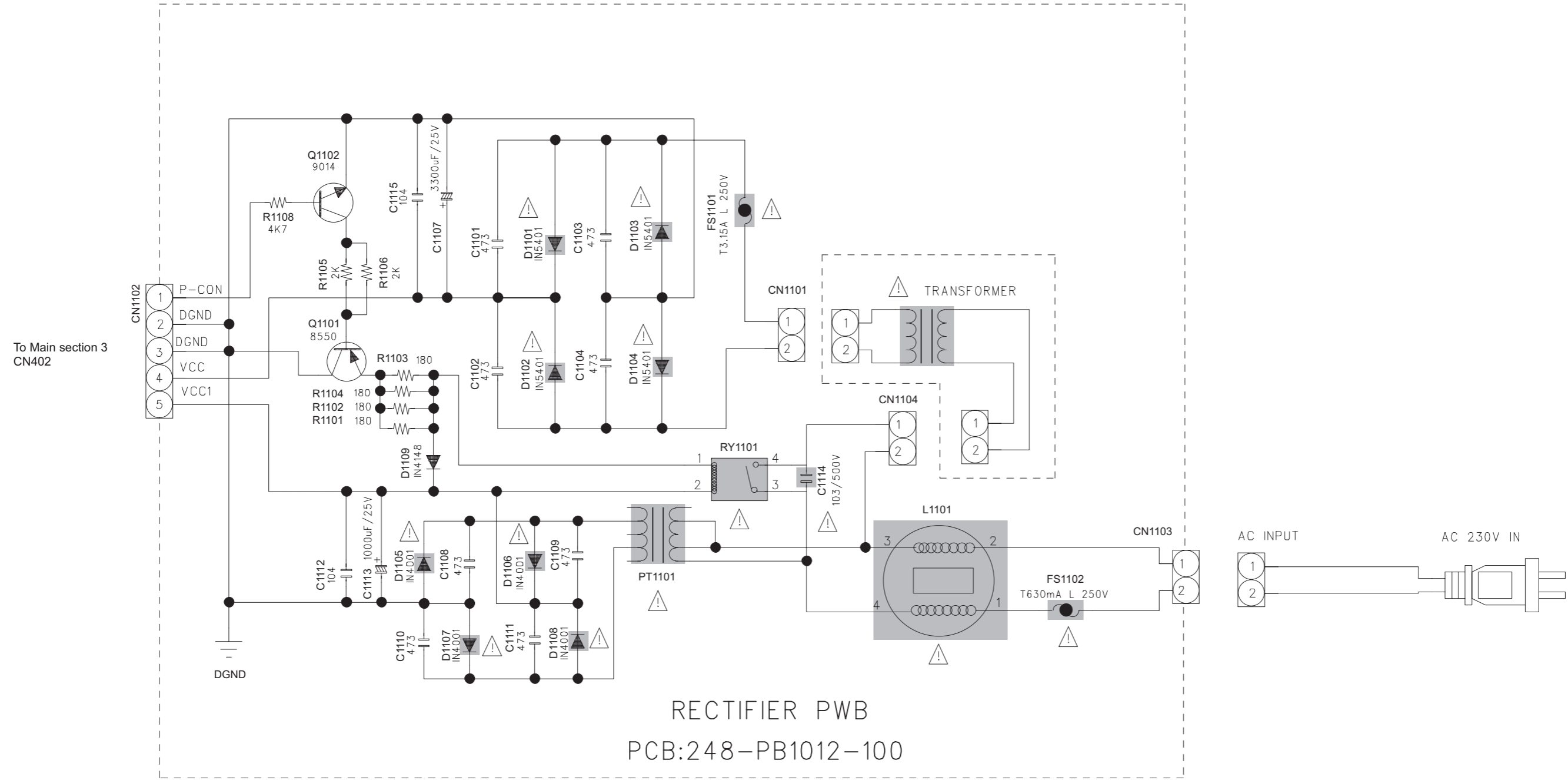
In regard with component parts appearing on the silk-screen printed side (parts side) of the PWB diagrams, the parts that are printed over with black such as the resistor (■), diode (▣) and ICP (●) or identified by the "▲" mark nearby are critical for safety.

Block diagram



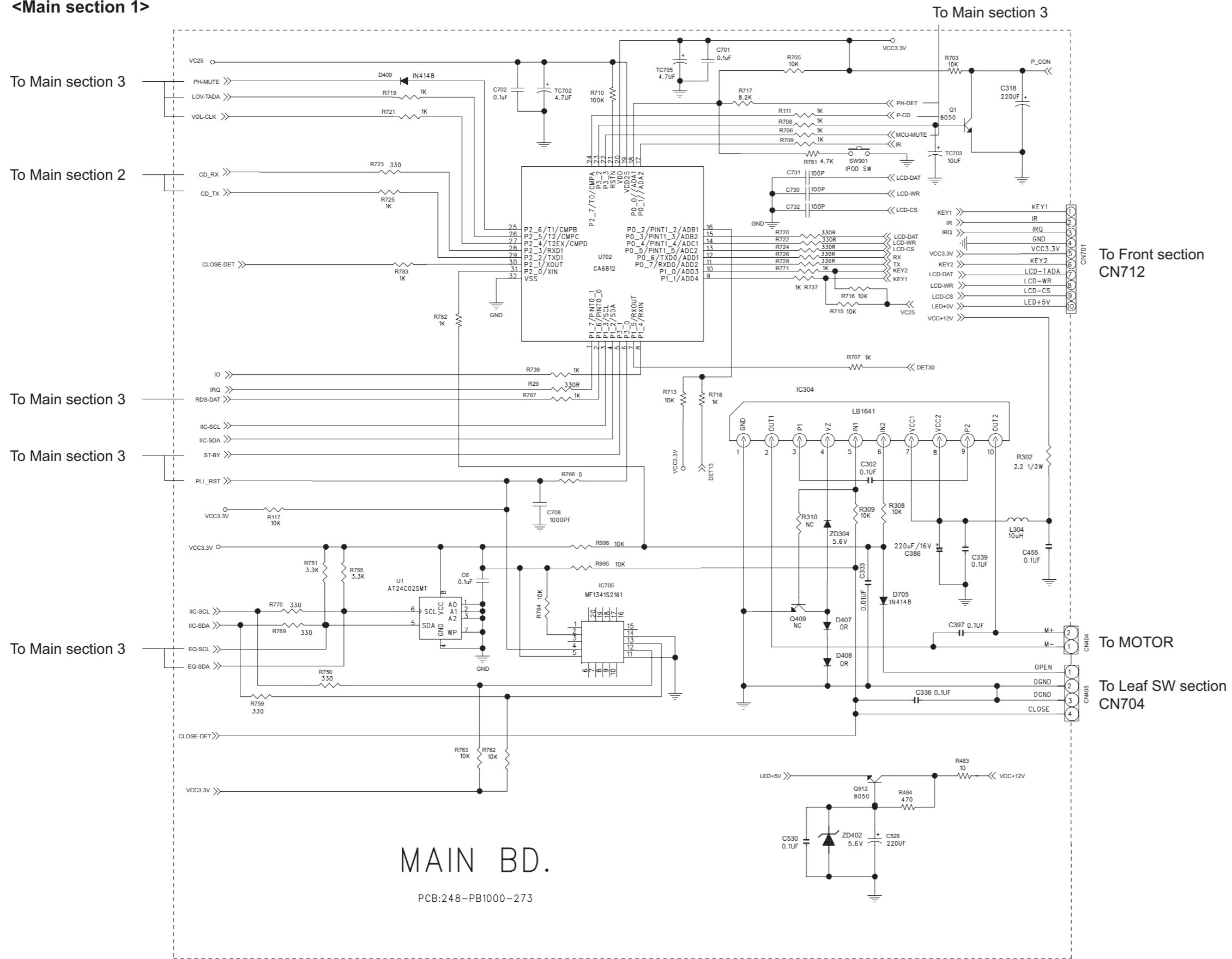
Standard schematic diagrams

<Rectifier section>



▲ Parts are safety assurance parts.
When replacing those parts make sure to use the specified one.

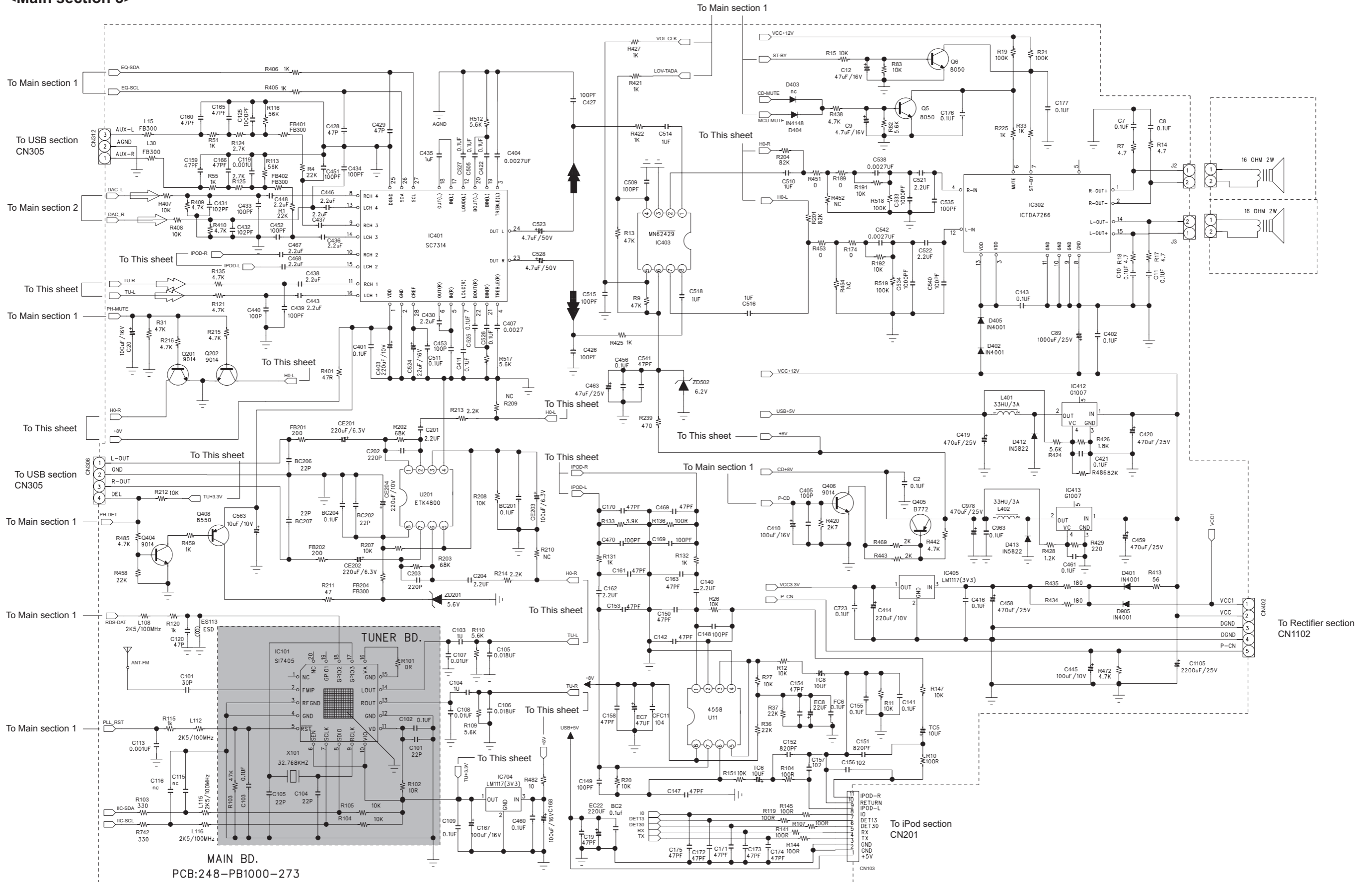
<Main section 1>



MAIN BD.

PCB:248-PB1000-273

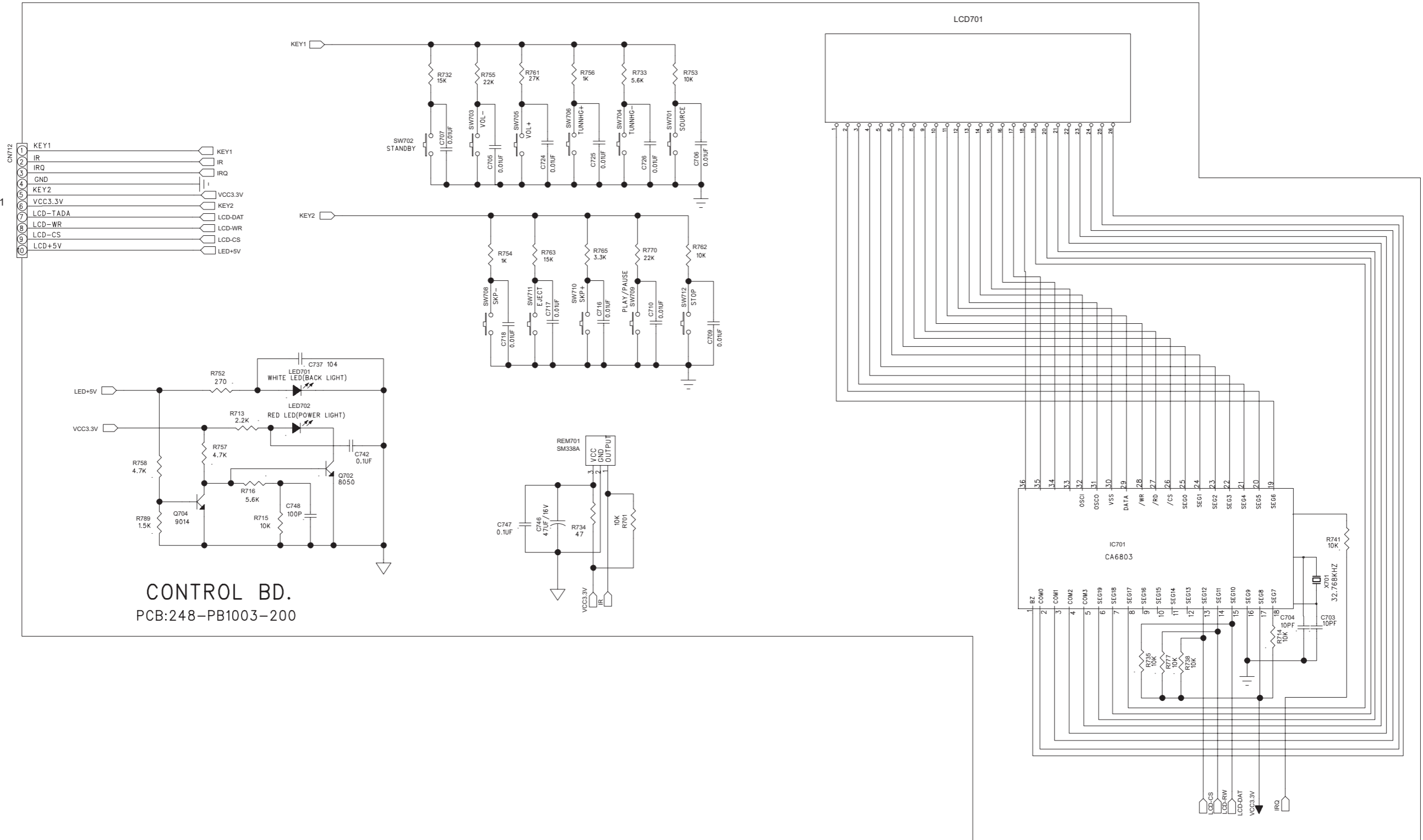
<Main section 3>



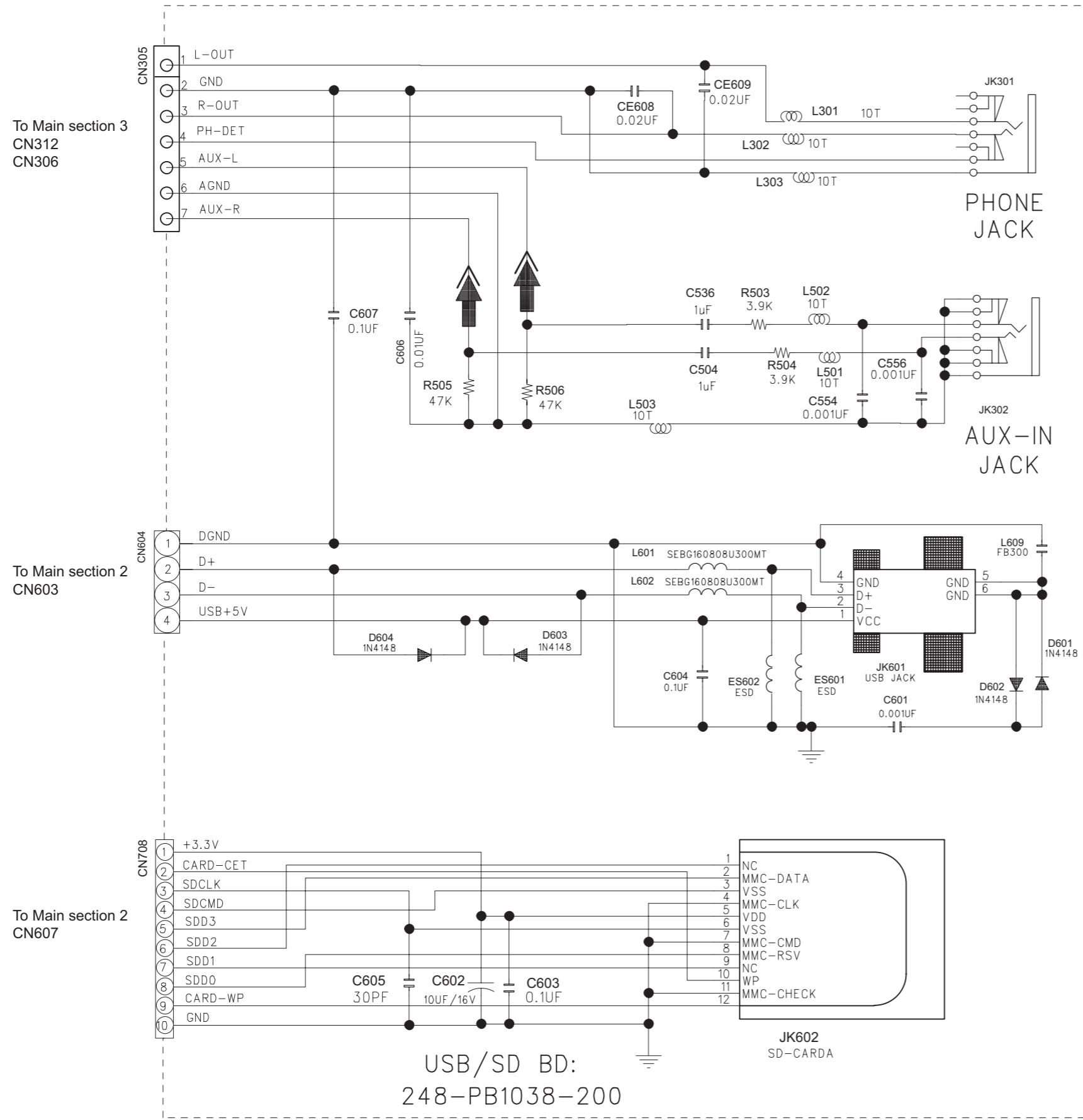
MAIN BD.
PCB:248-PB1000-273

<Front section>

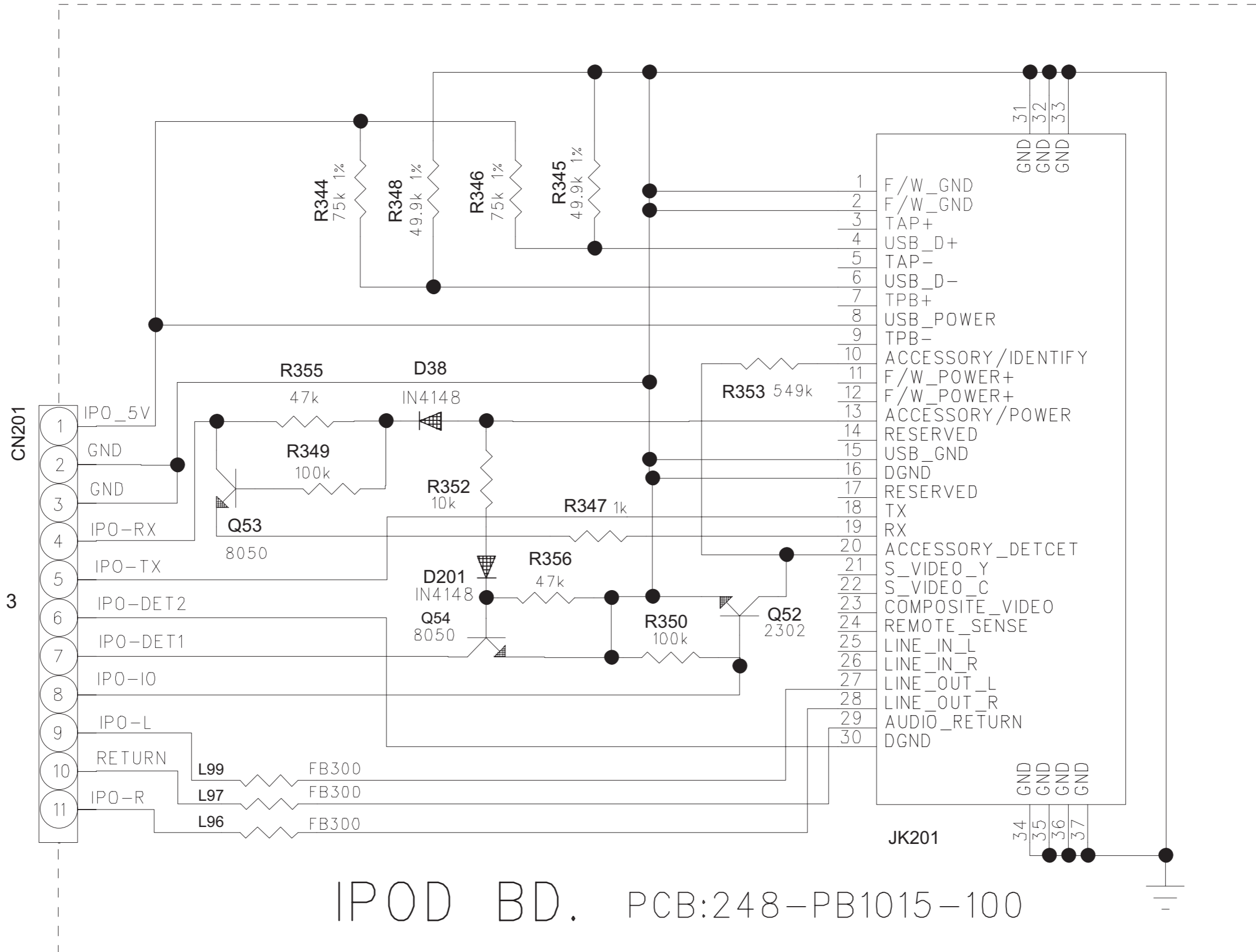
To Main section 1
CN706



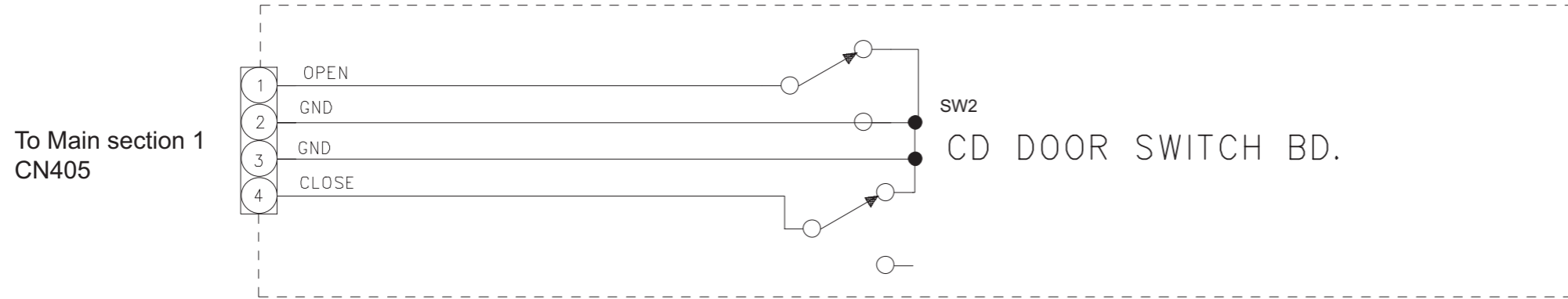
<USB section>



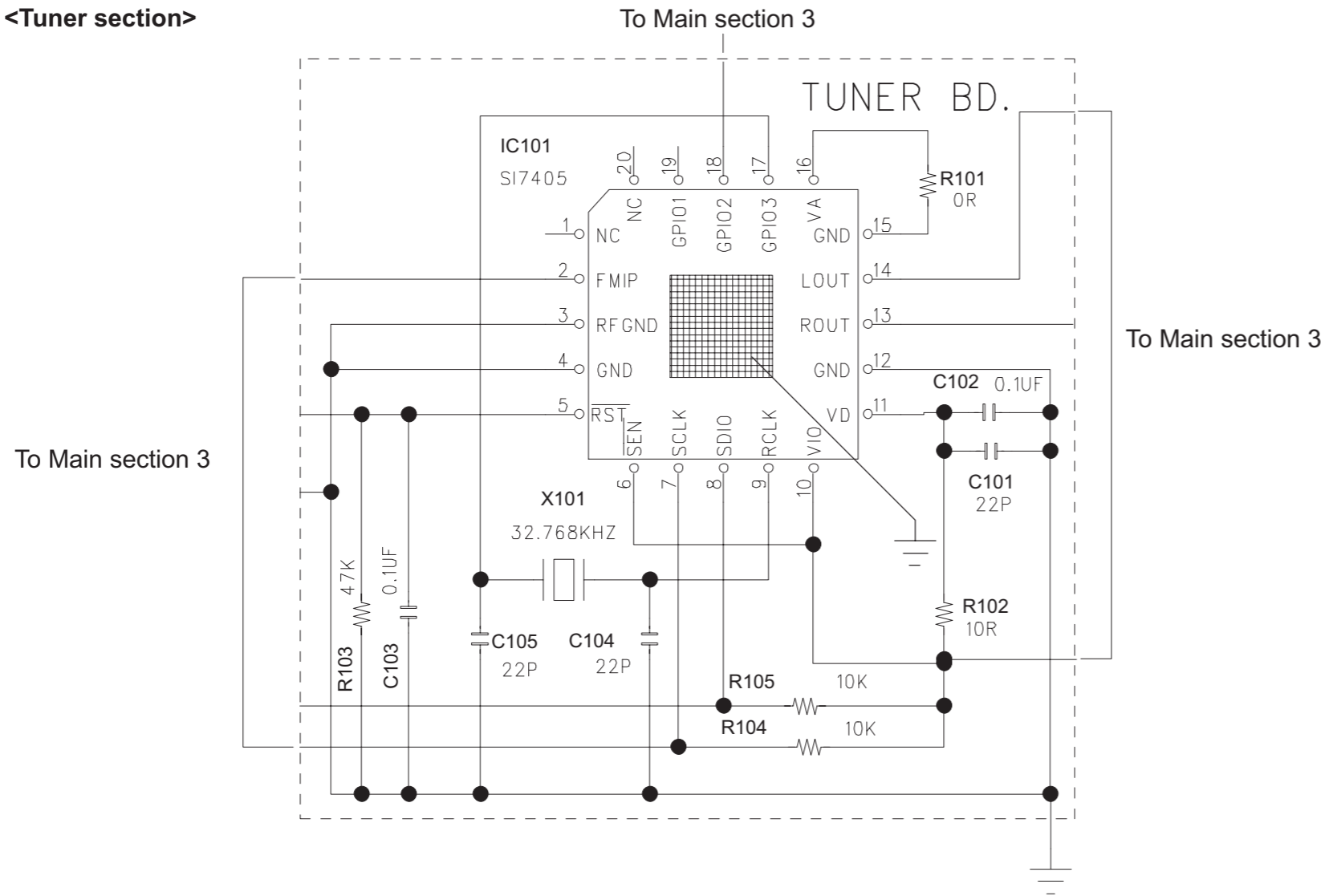
To Main section 3
CN103



<Leaf SW section>



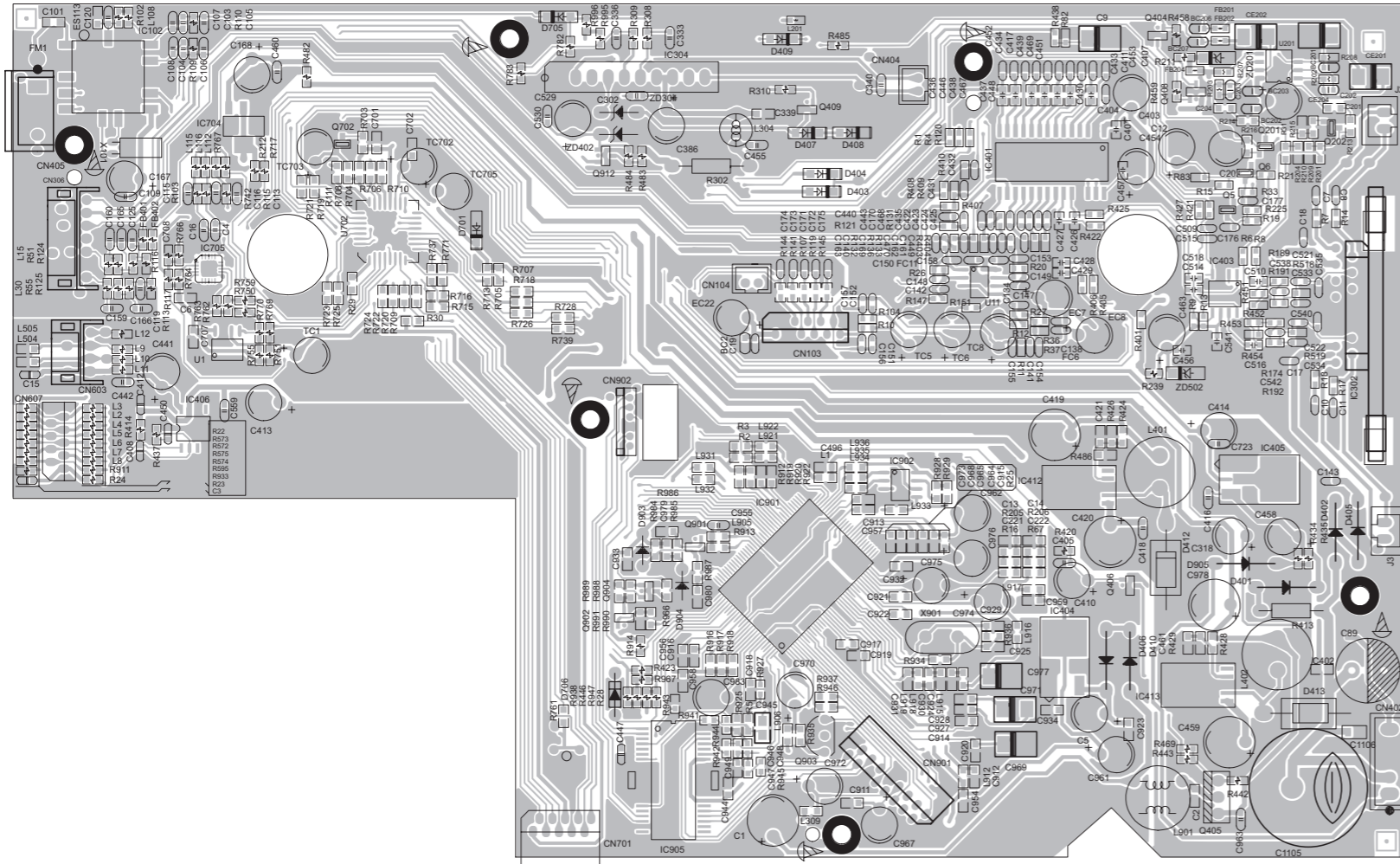
<Tuner section>



Printed circuit boards

<Main board (forward side)>

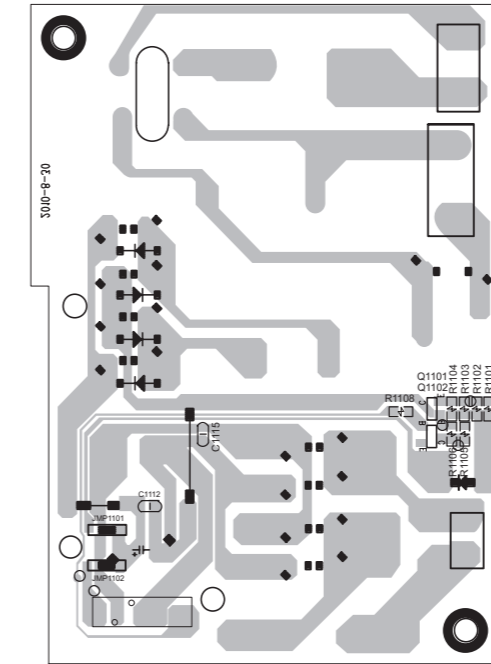
(Lead free solder used in the board (material : Sn-Ag-Cu, melting point : 219 Centigrade))



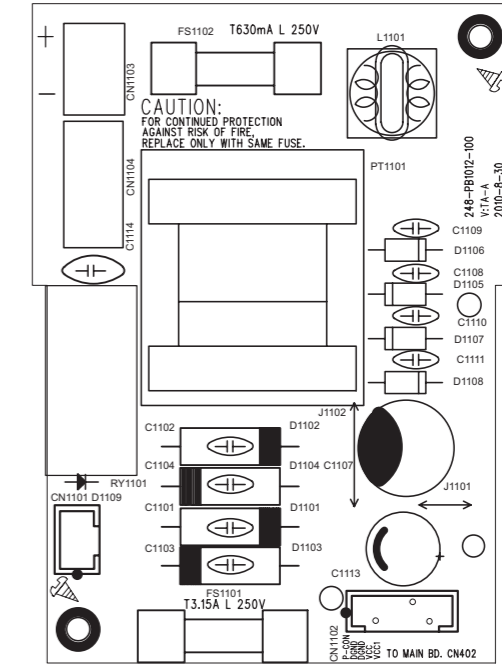
<Rectifier board>

(Lead free solder used in the board (material : Sn-Ag-Cu, melting point : 219 Centigrade))

(forward side)



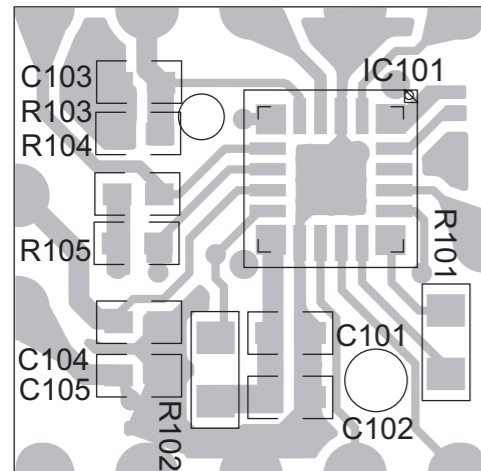
(reverse side)



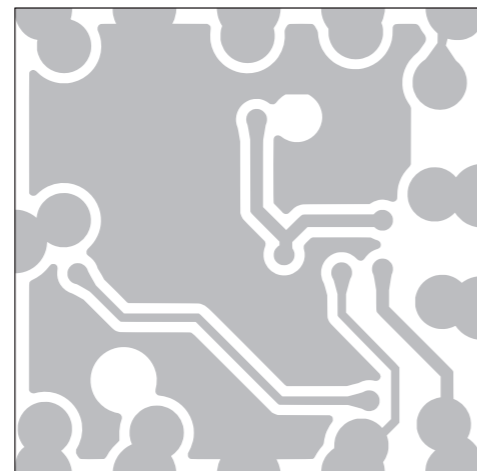
<Tuner board>

(Lead free solder used in the board (material : Sn-Ag-Cu, melting point : 219 Centigrade))

(forward side)

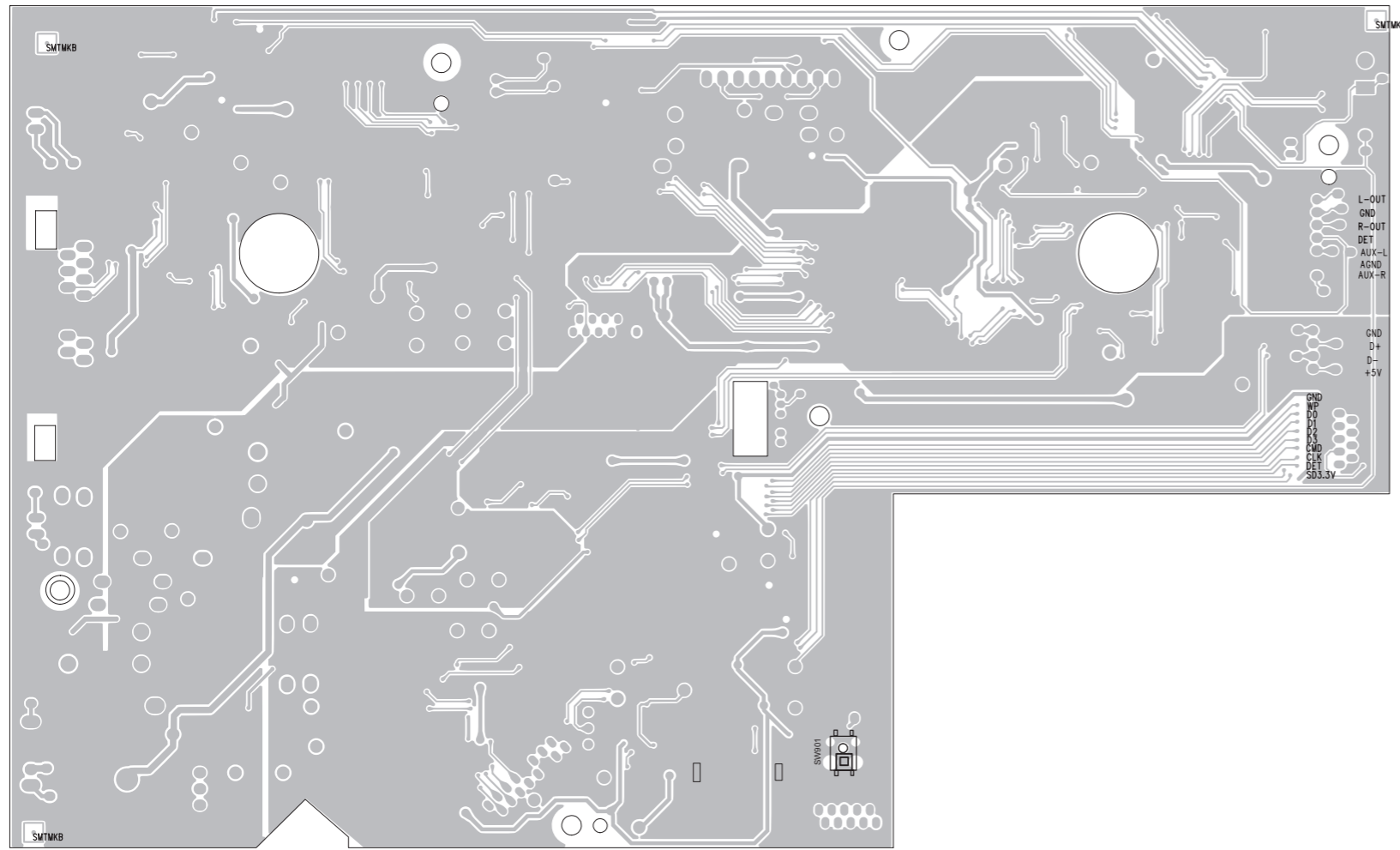


(reverse side)



<Main board (reverse side)>

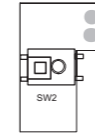
(Lead free solder used in the board (material : Sn-Ag-Cu, melting point : 219 Centigrade))



<Leaf SW board>

(Lead free solder used in the board (material : Sn-Ag-Cu, melting point : 219 Centigrade))

(forward side)



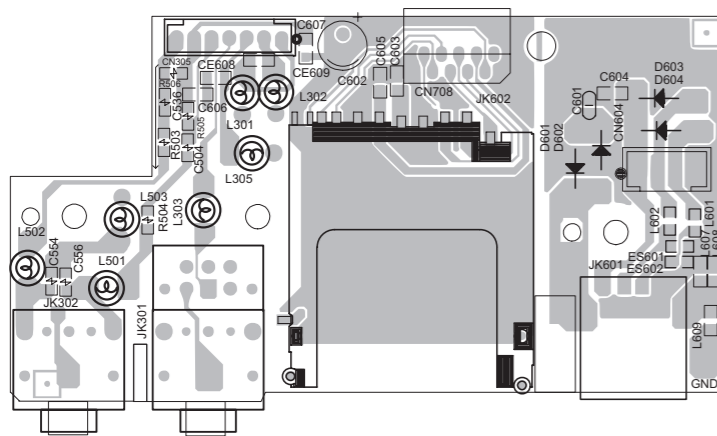
(reverse side)



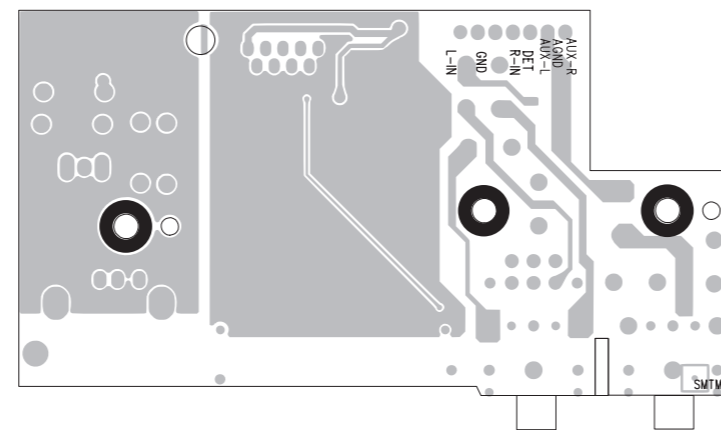
<USB board>

(Lead free solder used in the board (material : Sn-Ag-Cu, melting point : 219 Centigrade))

(forward side)



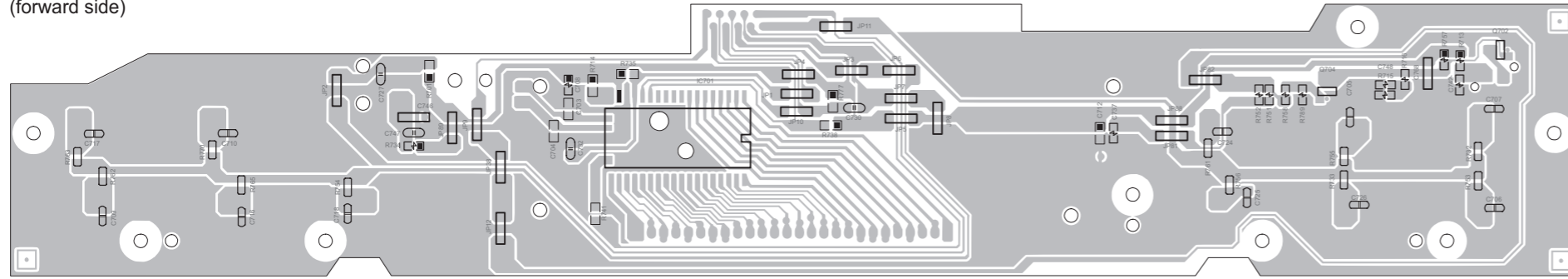
(reverse side)



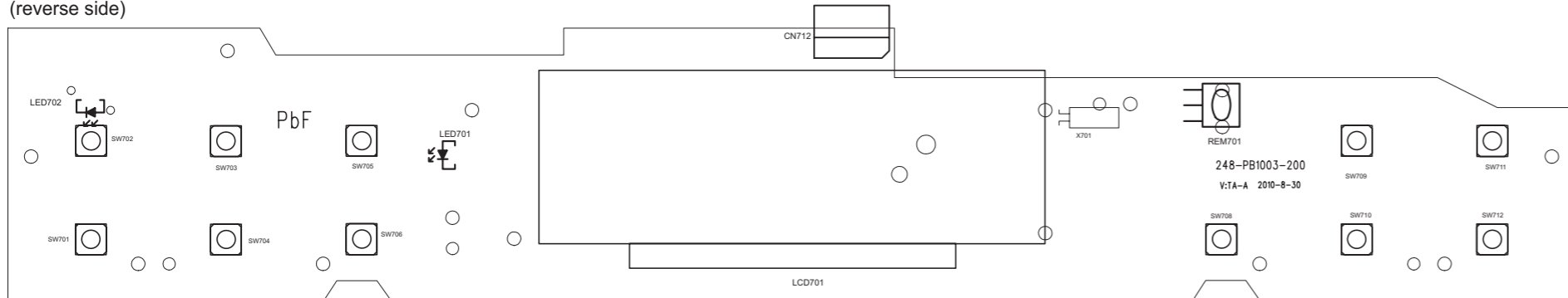
<Front board>

(Lead free solder used in the board (material : Sn-Ag-Cu, melting point : 219 Centigrade))

(forward side)



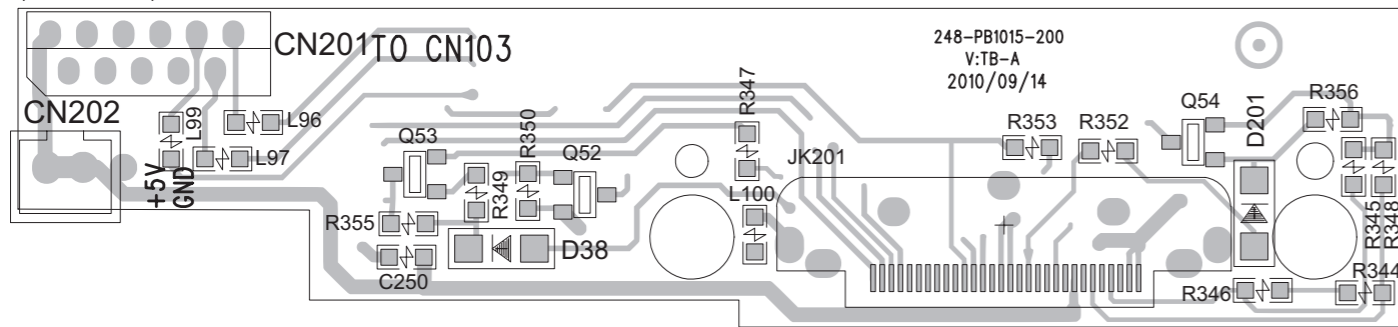
(reverse side)



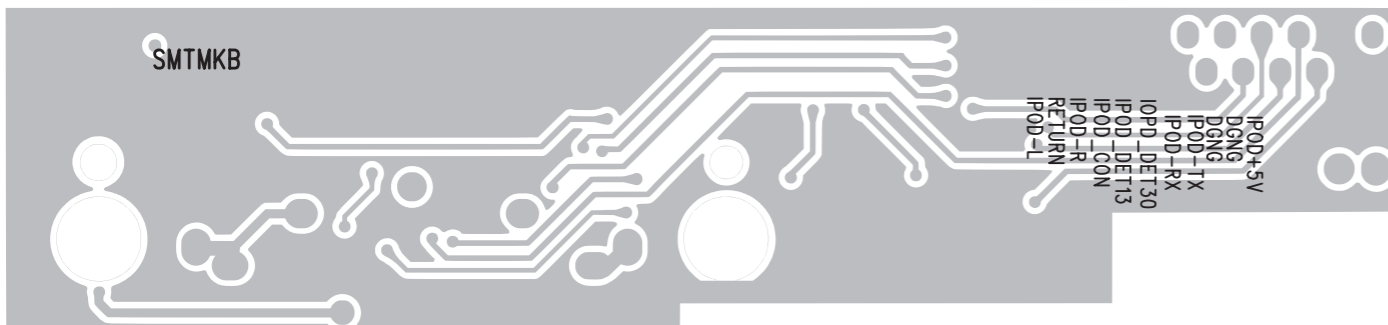
<iPod board>

(Lead free solder used in the board (material : Sn-Ag-Cu, melting point : 219 Centigrade))

(forward side)



(reverse side)



< MEMO >



Victor Company of Japan, Limited
Personal AV Operation

PARTS LIST

Preliminary

NX-PB10E,NX-PB10B,NX-PB10EY

MODEL	MARK
NX-PB10B	A
NX-PB10E	B
NX-PB10EY	C

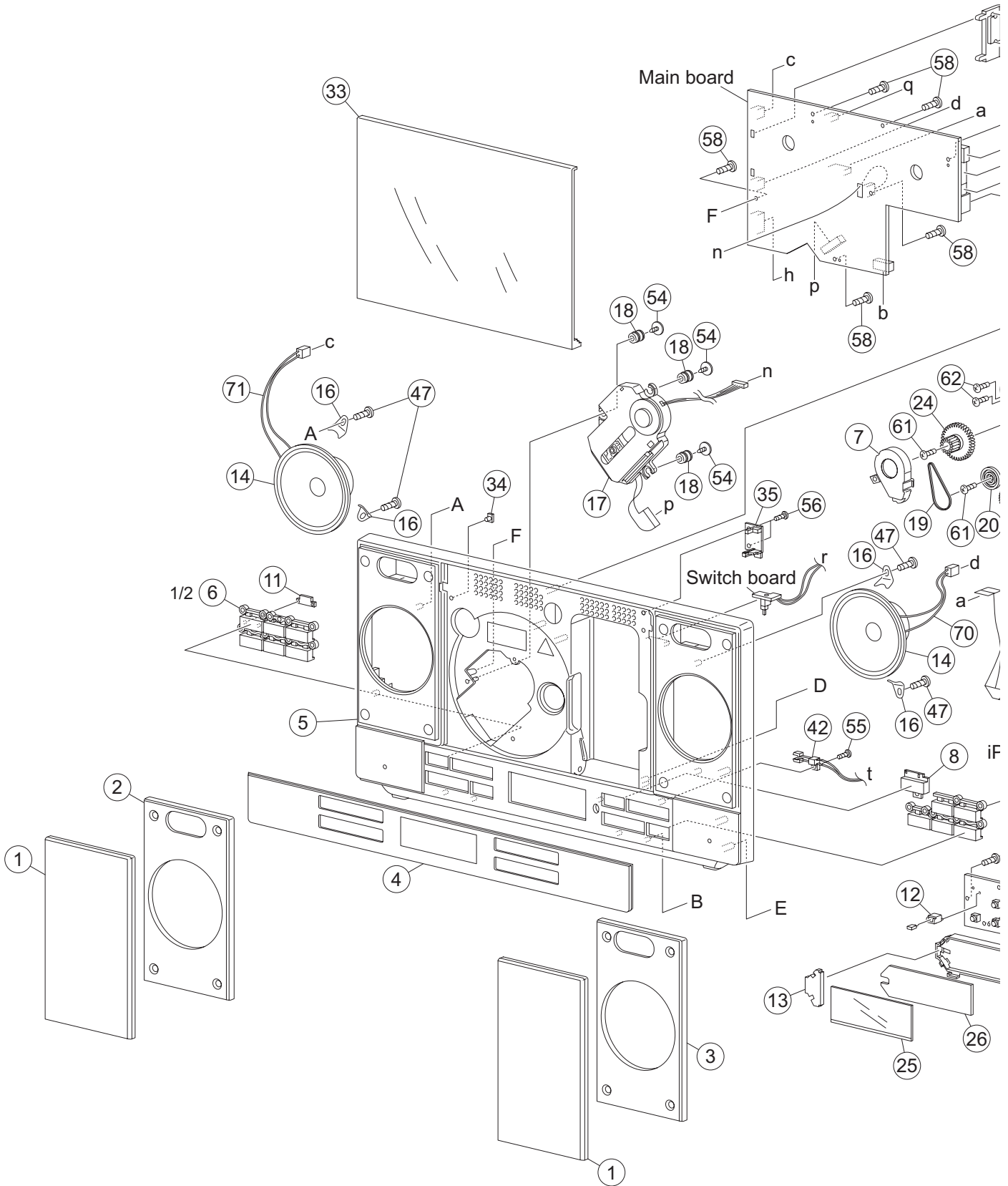
* All printed circuit boards and its assemblies are not available as service parts.

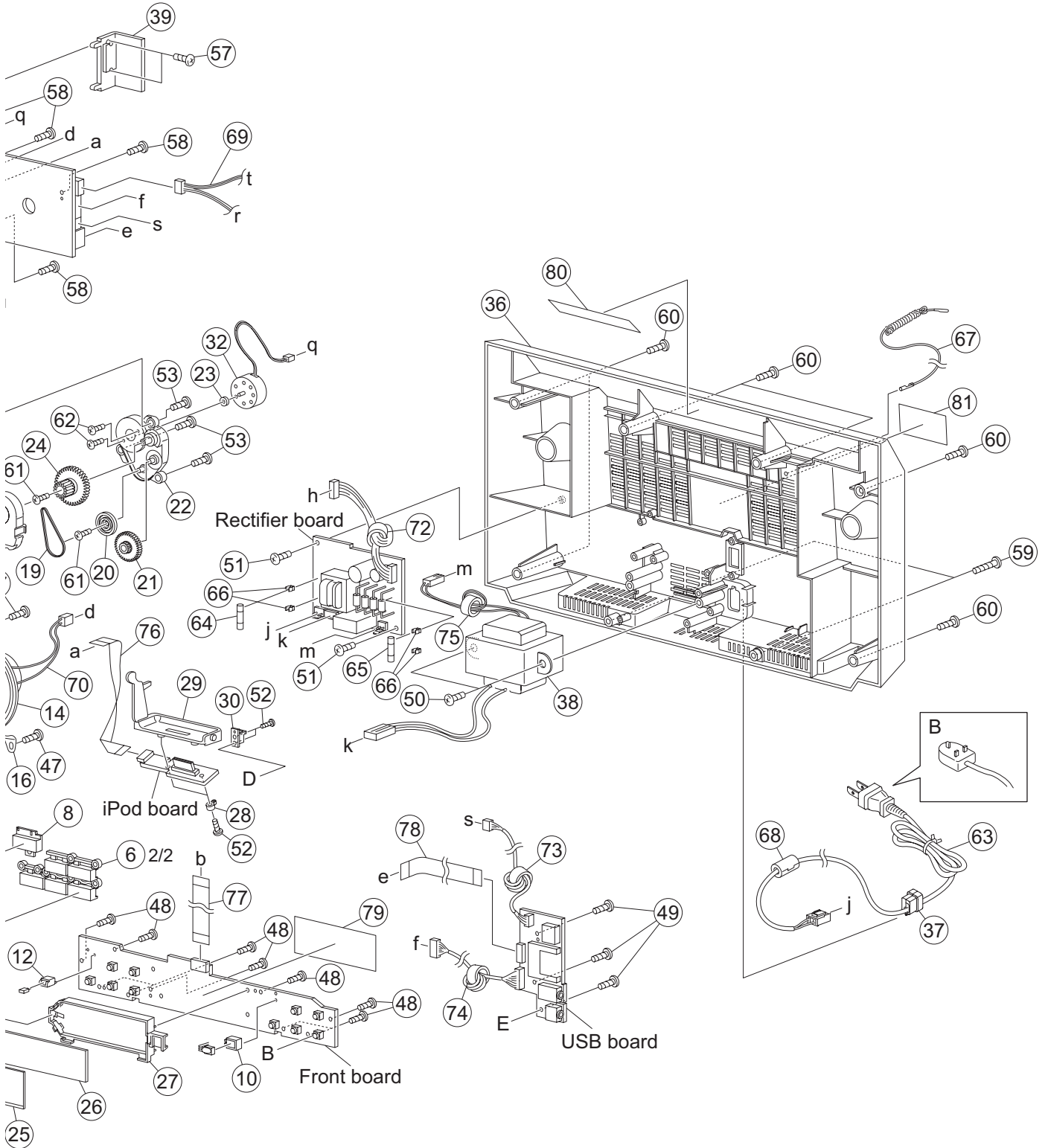
- Contents -

Exploded view of general assembly and parts list (Block No.M1) 3- 2
Electrical parts list (Block No.01~07) 3- 5
Packing materials and accessories parts list (Block No.M3) 3-12

Exploded view of general assembly and parts list

Block No. M 1 M M





The parts without symbol number are not service.

General Assembly

Block No. [M][1][M][M]

△	Symbol No.	Part No.	Part Name	Description	Local
	1	467-BL0147-000	SPEAKER NET	(x2)	
	2	5P1-040000-001	SPK PANEL L		
	3	5P1-040000-002	SPK PANEL R		
	4	5P1-0450000-000	DISPLAY PANEL		
	5	5P1-001000-000	FRONT CABINET		
	6	5P1-051000-000	FUNCTION BTN		
	7	5P1-021200-001	GEAR COVER		
	8	5P1-065000-000	RECEIVER LENS		
	10	5P1-026800-000	REMOTE LENS BKT		
	11	5P1-032000-000	LED LENS		
	12	5P1-026500-000	LED BKT		
	13	586-531100-000	LCD COVER		
	14	154-361620-508	SPEAKER	16Ω 2W(x2)	
	16	459-155165-060	SPK BRACKET	(x4)	
	17	356-230000-095	CD MECHANISM		
	18	458-101000-020	RUBBER FOOT	(x3)	
	19	466-260013-013	BELT		
	20	5P1-024300-000	SLIP GEAR		
	21	5P1-024000-002	COMPOUND GEAR		
	22	5P1-021200-000	GEAR BRACKET		
	23	5P1-024900-000	MOTOR PULLEY		
	24	5P1-024000-001	BIG GEAR		
	25	220-000810-026	LCD MODULE	26P 3.3V	
	26	5B6-580500-000	LCD LENS		
	27	5B6-531000-000	LCD CASE		
	28	5P1-022050-000	iPod PCB BKT	(x2)	
	29	5P1-076000-000	iPod BRACKET		
	30	5P1-039000-000	iPod PLATE		
	32	360-055133-015	MOTOR		
	33	5P1-049000-000	DOOR PANEL		
	34	5P1-029010-001	DOOR PLATE 2		
	35	5P1-029010-000	DOOR PLATE		
	36	5P1-002000-000	REAR CABINET		
	37	530-026200-000	STRAIN RELIEF		
△	38	152-102369-215	POWER TRANS		
	39	408-PB1000-000	HEAT SINK		
	42	217-200035-050	LEAF SWITCH		
	47	238-130080-632	SCREW	3x8mm(x4)	
	48	238-120080-602	SCREW	2x8mm(x9)	
	49	238-126080-602	SCREW	2.6x8mm(x3)	
	50	238-130200-632	SCREW	3x20mm(x2)	
	51	238-126080-602	SCREW	2.6x8mm(x2)	
	52	238-120060-602	SCREW	2x6mm(x4)	
	53	238-130080-602	SCREW	3x8mm(x3)	
	54	238-170507-631	SCREW	1.7x5mm(x3)	
	55	238-120060-602	SCREW	2x6mm	
	56	238-126080-602	SCREW	2.6x8mm(x2)	
	57	238-130060-202A	SCREW	3x6mm(x2)	
	58	238-126080-602	SCREW	2.6x8mm(x6)	
	59	238-130100-602	SCREW	3x10mm(x2)	
	60	238-130180-602	SCREW	3x18mm(x6)	
	61	238-120060-602	SCREW	2x6mm(x2)	
	62	238-117040-203	SCREW	1.7x4mm(x2)	
△	63	151-240000-302	POWER CORD		A
△	63	151-230000-200	POWER CORD		B,C
△	64	231-901630-253	FUSE	630mA 250V	
△	65	231-902315-253	FUSE	3.15A 250V	
	66	406-050090-000	FUSE HOLDER	(x4)	
	67	234-261500-022	HSG WIRE	1P 1500mm	
	68	222-290190-155	CORD STOPPER		
	69	234-A04265-170	HSG WIRE	4P	
	70	234-A02265-150	CONNECTOR WIRE	2P 150mm	
	71	234-A02245-300	CONNECTOR WIRE	2P 300mm	
	72	222-160120-080	FERRITE BEAD		
	73	222-160120-080	FERRITE BEAD		
	74	222-160120-080	FERRITE BEAD		
	75	222-160120-080	FERRITE BEAD		
	76	235-110170-110	FFC WIRE	11P 170mm	
	77	235-100070-110	FFC WIRE	10P 70mm	
	78	235-110150-110	FFC WIRE	10P 150mm	
	79	419-085034-050	SHIELD PLATE		
	80	LVT44803-003A	LASER CAUTION		
	81	898-PB1000-010	RATING LABEL		A,B
	81	898-PB1000-020	RATING LABEL		C

Electrical parts list

Main board

Block No. [0][1]				
△ Symbol No.	Part No.	Part Name	Description	Local
IC302	210-007266-000	IC	TDA7266	
IC304	210-001641-000	IC	LB1641	
IC401	310-007314-100	IC	SC7314	
IC403	310-062429-036	IC	M62429P	
IC404	310-001117-104	IC	AZ1117 TO-252-2(1)	
IC405	310-001117-104	IC	AZ1117 TO-252-2(1)	
IC406	310-001526-100	IC	AIC1526	
IC412	310-001007-024	IC	TG1007	
IC413	310-001007-024	IC	TG1007	
IC704	310-001117-133	IC	APL1117	
IC705	310-002161-217	IC	iPhone IC 2161	
IC901	310-005673-128	IC	M5673Z1 128P	
IC902	310-002520-008	IC	EN25F20	
IC905	310-009258-128	IC	SA9258PH (3V3)	
U1	310-002402-102	IC	AM24LC02	
U11	310-004558-100	IC		
U201	310-004800-115	IC	ETK4800	
U702	310-006812-132	IC	CA6812	
Q5	307-008050-030	TRANSISTOR	8050C/D	
Q6	307-008050-030	TRANSISTOR	8050C/D	
Q201	307-009014-030	TRANSISTOR	9014C	
Q202	307-009014-030	TRANSISTOR	9014C	
Q404	307-009014-030	TRANSISTOR	9014C	
Q405	207-000772-250	TRANSISTOR	B772Y	
Q406	307-009014-030	TRANSISTOR	9014C	
Q408	307-008550-020	TRANSISTOR	8550B/C	
Q702	307-008050-030	TRANSISTOR	8050C/D	
Q901	307-008050-030	TRANSISTOR	8050C/D	
Q902	307-008050-030	TRANSISTOR	8050C/D	
Q903	207-008550-020	TRANSISTOR	8550B/C	
Q904	307-008550-020	TRANSISTOR	8550B/C	
Q912	307-008050-030	TRANSISTOR	8050C/D	
D401	206-304001-000	RECTIFIER	IN-4001	
D402	206-304001-000	RECTIFIER	IN-4001	
D404	306-104148-000	DIODE	1N4148	
D405	206-304001-000	RECTIFIER	IN-4001	
D406	206-304001-000	RECTIFIER	IN-4001	
D407	301-100005-014	RESISTOR	0Ω 1/4W	
D408	301-100005-014	RESISTOR	0Ω 1/4W	
D409	306-104148-000	DIODE	1N4148	
D410	206-304001-000	RECTIFIER	IN-4001	
D412	206-305822-000	RECTIFIER DIODE	1N5822	
D413	206-305822-000	RECTIFIER DIODE	1N5822	
D705	306-104148-000	DIODE	1N4148	
D706	206-104148-000	DIODE	IN-4148	
D903	206-104148-000	DIODE	IN-4148	
D904	206-104148-000	DIODE	IN-4148	
D905	206-304001-000	RECTIFIER	IN-4001	
C1	004-074772-216	E CAPACITOR	470uF/16V	
C5	004-072272-210	E CAPACITOR	220uF/10V	
C9	303-161062-210	T CAPACITOR	10UF 10V	
C12	004-064762-216	E CAPACITOR	47uF/16V	
C13	302-311015-550	C CAPACITOR	100pF/50V	
C14	302-311015-550	C CAPACITOR	100pF/50V	
C17	302-304705-550	C CAPACITOR	47pF/50V	
C18	302-304705-550	C CAPACITOR	47pF/50V	
C19	302-304705-550	C CAPACITOR	47pF/50V	
C20	004-071072-216	E CAPACITOR	100uF/16V	
C89	004-081082-225	E CAPACITOR	1000uF/25V	
C101	302-303005-550	C CAPACITOR	30pF/50V	
C103	302-351055-550	C CAPACITOR	1uF/50V	
C104	302-351055-550	C CAPACITOR	1uF/50V	
C105	302-331835-550	C CAPACITOR	0.018uF/50V	
C106	302-331835-550	C CAPACITOR	0.018uF/50V	
C107	302-331035-550	C CAPACITOR	0.01uF/50V	
C108	302-331035-550	C CAPACITOR	0.01uF/50V	
C113	302-321025-550	C CAPACITOR	0.001uF/50V	
C120	302-304705-550	C CAPACITOR	47pF/50V	
C134	302-304705-550	C CAPACITOR	47pF/50V	

△ Symbol No.	Part No.	Part Name	Description	Local
C140	302-352255-550	C CAPACITOR	2.2uF/50V	
C142	302-304705-550	C CAPACITOR	47pF/50V	
C147	302-304705-550	C CAPACITOR	47pF/50V	
C148	302-311015-550	C CAPACITOR	100pF/50V	
C149	302-311015-550	C CAPACITOR	100pF/50V	
C150	302-304705-550	C CAPACITOR	47pF/50V	
C151	302-318215-550	C CAPACITOR	820pF/50V	
C152	302-318215-550	C CAPACITOR	820pF/50V	
C153	302-304705-550	C CAPACITOR	47pF/50V	
C154	302-304705-550	C CAPACITOR	47pF/50V	
C156	302-321025-550	C CAPACITOR	0.001uF/50V	
C157	302-321025-550	C CAPACITOR	0.001uF/50V	
C158	302-304705-550	C CAPACITOR	47pF/50V	
C159	302-304705-550	C CAPACITOR	47pF/50V	
C160	302-304705-550	C CAPACITOR	47pF/50V	
C161	302-352255-550	C CAPACITOR	2.2uF/50V	
C162	302-304705-550	C CAPACITOR	47pF/50V	
C163	302-304705-550	C CAPACITOR	47pF/50V	
C165	302-304705-550	C CAPACITOR	47pF/50V	
C166	302-304705-550	C CAPACITOR	47pF/50V	
C167	004-071072-216	E CAPACITOR	100uF/16V	
C168	004-071072-216	E CAPACITOR	100uF/16V	
C169	302-304705-550	C CAPACITOR	47pF/50V	
C170	302-304705-550	C CAPACITOR	47pF/50V	
C171	302-304705-550	C CAPACITOR	47pF/50V	
C172	302-304705-550	C CAPACITOR	47pF/50V	
C173	302-304705-550	C CAPACITOR	47pF/50V	
C174	302-304705-550	C CAPACITOR	47pF/50V	
C175	302-304705-550	C CAPACITOR	47pF/50V	
C201	302-352255-550	C CAPACITOR	2.2uF/50V	
C202	302-311015-550	C CAPACITOR	100pF/50V	
C203	302-311015-550	C CAPACITOR	100pF/50V	
C204	302-352255-550	C CAPACITOR	2.2uF/50V	
C221	302-352255-550	C CAPACITOR	2.2uF/50V	
C222	302-352255-550	C CAPACITOR	2.2uF/50V	
C318	004-071072-216	E CAPACITOR	100uF/16V	
C333	302-331035-550	C CAPACITOR	0.01uF/50V	
C336	302-341045-550	C CAPACITOR	0.1uF/50V	
C339	302-341045-550	C CAPACITOR	0.1uF/50V	
C386	004-072272-225	E CAPACITOR	220uF/25V	
C401	302-341045-550	C CAPACITOR	0.1uF/50V	
C402	302-341045-550	C CAPACITOR	0.1uF/50V	
C403	004-074772-216	E CAPACITOR	470uF/16V	
C404	302-322725-550	C CAPACITOR	0.027uF/50V	
C405	302-311015-550	C CAPACITOR	100pF/50V	
C407	302-322725-550	C CAPACITOR	0.027uF/50V	
C408	302-311015-550	C CAPACITOR	100pF/50V	
C410	004-071072-216	E CAPACITOR	100uF/16V	
C411	302-341045-550	C CAPACITOR	0.1uF/50V	
C412	302-341045-550	C CAPACITOR	0.1uF/50V	
C413	004-071072-216	E CAPACITOR	100uF/16V	
C414	004-072272-210	E CAPACITOR	220uF/10V	
C416	302-341045-550	C CAPACITOR	0.1uF/50V	
C417	302-341045-550	C CAPACITOR	0.1uF/50V	
C418	302-341045-550	C CAPACITOR	0.1uF/50V	
C419	004-074772-216	E CAPACITOR	470uF/16V	
C420	004-074772-225	E CAPACITOR	470uF/25V	
C421	302-341045-550	C CAPACITOR	0.1uF/50V	
C422	302-341045-550	C CAPACITOR	0.1uF/50V	
C423	302-341045-550	C CAPACITOR	0.1uF/50V	
C424	302-341045-550	C CAPACITOR	0.1uF/50V	
C425	302-341045-550	C CAPACITOR	0.1uF/50V	
C426	302-311015-550	C CAPACITOR	100pF/50V	
C427	302-311015-550	C CAPACITOR	100pF/50V	
C428	302-311015-550	C CAPACITOR	100pF/50V	
C429	302-311015-550	C CAPACITOR	100pF/50V	
C430	302-352255-550	C CAPACITOR	2.2uF/50V	
C431	302-311015-550	C CAPACITOR	100pF/50V	
C432	302-311015-550	C CAPACITOR	100pF/50V	
C433	302-311015-550	C CAPACITOR	100pF/50V	
C434	302-311015-550	C CAPACITOR	100pF/50V	
C435	302-352255-550	C CAPACITOR	2.2uF/50V	
C436	302-352255-550	C CAPACITOR	2.2uF/50V	
C437	302-352255-550	C CAPACITOR	2.2uF/50V	
C438	302-352255-550	C CAPACITOR	2.2uF/50V	
C439	302-311015-550	C CAPACITOR	100pF/50V	

△ Symbol No.	Part No.	Part Name	Description	Local	△ Symbol No.	Part No.	Part Name	Description	Local
C440	302-311015-550	C CAPACITOR	100pF/50V		C964	302-351055-550	C CAPACITOR	1uF/50V	
C441	004-071072-216	E CAPACITOR	100uF/16V		C965	302-351055-550	C CAPACITOR	1uF/50V	
C442	302-341045-550	C CAPACITOR	0.1uF/50V		C967	004-071072-216	E CAPACITOR	100uF/16V	
C443	302-352255-550	C CAPACITOR	2.2uF/50V		C968	302-351055-550	C CAPACITOR	1uF/50V	
C446	302-352255-550	C CAPACITOR	2.2uF/50V		C969	303-161062-210	T CAPACITOR	10UF 10V	
C448	302-352255-550	C CAPACITOR	2.2uF/50V		C970	004-064762-216	E CAPACITOR	47uF/16V	
C450	302-341045-550	C CAPACITOR	0.1uF/50V		C971	303-161062-210	T CAPACITOR	10UF 10V	
C451	302-311015-550	C CAPACITOR	100pF/50V		C972	004-072272-210	E CAPACITOR	220uF/10V	
C452	302-311015-550	C CAPACITOR	100pF/50V		C973	302-351055-550	C CAPACITOR	1uF/50V	
C453	302-311015-550	C CAPACITOR	100pF/50V		C974	004-054752-250	E CAPACITOR	4.7uF/50V	
C454	004-061062-250	E CAPACITOR	10uF/50V		C975	004-054752-250	E CAPACITOR	4.7uF/50V	
C455	302-341045-550	C CAPACITOR	0.1uF/50V		C976	004-072272-210	E CAPACITOR	220uF/10V	
C456	302-341045-550	C CAPACITOR	0.1uF/50V		C977	303-464762-206	T CAPACITOR	47uF 6.3V	
C457	302-341045-550	C CAPACITOR	0.1uF/50V		C978	004-074772-216	E CAPACITOR	470uF/16V	
C458	004-074772-225	E CAPACITOR	470uF/25V		C979	302-351055-550	C CAPACITOR	1uF/50V	
C459	004-074772-225	E CAPACITOR	470uF/25V		C980	302-351055-550	C CAPACITOR	1uF/50V	
C460	302-341045-550	C CAPACITOR	0.1uF/50V		C983	004-061062-250	E CAPACITOR	10uF/50V	
C463	004-064762-216	E CAPACITOR	47uF/16V		C1105	004-082282-225	E CAPACITOR	2200uF/25V	
C467	302-352255-550	C CAPACITOR	2.2uF/50V		C1106	302-341045-550	C CAPACITOR	0.1uF/50V	
C468	302-352255-550	C CAPACITOR	2.2uF/50V		TC1	004-054752-250	E CAPACITOR	4.7uF/50V	
C469	302-311015-550	C CAPACITOR	100pF/50V		TC5	004-061062-250	E CAPACITOR	10uF/50V	
C470	302-311015-550	C CAPACITOR	100pF/50V		TC6	004-061062-250	E CAPACITOR	10uF/50V	
C496	302-341045-550	C CAPACITOR	0.1uF/50V		TC8	004-061062-250	E CAPACITOR	10uF/50V	
C509	302-311015-550	C CAPACITOR	100pF/50V		TC702	004-054752-250	E CAPACITOR	4.7uF/50V	
C510	302-351055-550	C CAPACITOR	1uF/50V		TC705	004-054752-250	E CAPACITOR	4.7uF/50V	
C514	302-351055-550	C CAPACITOR	1uF/50V		R1	301-332235-016	RESISTOR	22kΩ 1/16W	
C515	302-311015-550	C CAPACITOR	100pF/50V		R2	301-331035-016	RESISTOR	10kΩ 1/16W	
C516	302-351055-550	C CAPACITOR	1uF/50V		R3	301-331035-016	RESISTOR	10kΩ 1/16W	
C518	302-351055-550	C CAPACITOR	1uF/50V		R4	301-332235-016	RESISTOR	22kΩ 1/16W	
C521	302-352255-550	C CAPACITOR	2.2uF/50V		R5	322-134000-221	FERRITE BEAD		
C522	302-352255-550	C CAPACITOR	2.2uF/50V		R6	301-300005-016	RESISTOR	0Ω 1/16W	
C529	004-072272-210	E CAPACITOR	220uF/10V		R7	301-300475-016	RESISTOR	4.7Ω	
C530	302-341045-550	C CAPACITOR	0.1uF/50V		R8	301-300005-016	RESISTOR	0Ω 1/16W	
C535	302-311015-550	C CAPACITOR	100pF/50V		R9	301-334735-016	RESISTOR	47kΩ 1/16W	
C538	302-322725-550	C CAPACITOR	0.027uF/50V		R10	301-311015-016	RESISTOR	100Ω 1/16W	
C540	302-311015-550	C CAPACITOR	100pF/50V		R11	301-331035-016	RESISTOR	10kΩ 1/16W	
C541	302-304705-550	C CAPACITOR	47pF/50V		R12	301-331035-016	RESISTOR	10kΩ 1/16W	
C542	302-322725-550	C CAPACITOR	0.027uF/50V		R13	301-334735-016	RESISTOR	47kΩ 1/16W	
C559	302-341045-550	C CAPACITOR	0.1uF/50V		R14	301-300475-016	RESISTOR	4.7Ω	
C708	302-321025-550	C CAPACITOR	0.001uF/50V		R15	301-331035-016	RESISTOR	10kΩ 1/16W	
C911	302-341045-550	C CAPACITOR	0.1uF/50V		R16	301-322025-016	RESISTOR	2kΩ 1/16W	
C912	302-341045-550	C CAPACITOR	0.1uF/50V		R17	301-300475-016	RESISTOR	4.7Ω	
C913	302-341045-550	C CAPACITOR	0.1uF/50V		R18	301-300475-016	RESISTOR	4.7Ω	
C914	302-341045-550	C CAPACITOR	0.1uF/50V		R19	301-341045-016	RESISTOR	100kΩ 1/16W	
C915	302-341045-550	C CAPACITOR	0.1uF/50V		R20	301-331035-016	RESISTOR	10kΩ 1/16W	
C916	302-341045-550	C CAPACITOR	0.1uF/50V		R21	301-341045-016	RESISTOR	100kΩ 1/16W	
C917	302-351055-550	C CAPACITOR	1uF/50V		R22	301-341045-016	RESISTOR	100kΩ 1/16W	
C918	302-341045-550	C CAPACITOR	0.1uF/50V		R23	301-331035-016	RESISTOR	10kΩ 1/16W	
C919	302-341045-550	C CAPACITOR	0.1uF/50V		R24	322-134000-220	FERRITE BEAD		
C920	302-341045-550	C CAPACITOR	0.1uF/50V		R25	301-342245-016	RESISTOR	220kΩ 1/16W	
C921	302-338231-150	C CAPACITOR	0.082uF/50V		R26	301-331035-016	RESISTOR	10kΩ 1/16W	
C922	302-338231-150	C CAPACITOR	0.082uF/50V		R27	301-331035-016	RESISTOR	10kΩ 1/16W	
C923	302-341045-550	C CAPACITOR	0.1uF/50V		R28	301-322025-016	RESISTOR	2kΩ 1/16W	
C924	302-341045-550	C CAPACITOR	0.1uF/50V		R29	301-313315-016	RESISTOR	330Ω 1/16W	
C925	302-303005-550	C CAPACITOR	30pF/50V		R30	301-331035-016	RESISTOR	10kΩ 1/16W	
C927	302-341045-550	C CAPACITOR	0.1uF/50V		R31	301-334735-016	RESISTOR	47kΩ 1/16W	
C928	302-341045-550	C CAPACITOR	0.1uF/50V		R33	301-321025-016	RESISTOR	1kΩ 1/16W	
C929	302-303005-550	C CAPACITOR	30pF/50V		R36	301-332235-016	RESISTOR	22kΩ 1/16W	
C930	302-341045-550	C CAPACITOR	0.1uF/50V		R37	301-332235-016	RESISTOR	22kΩ 1/16W	
C931	302-341045-550	C CAPACITOR	0.1uF/50V		R51	301-321025-016	RESISTOR	1kΩ 1/16W	
C932	302-341045-550	C CAPACITOR	0.1uF/50V		R55	301-321025-016	RESISTOR	1kΩ 1/16W	
C933	302-341045-550	C CAPACITOR	0.1uF/50V		R67	301-322025-016	RESISTOR	2kΩ 1/16W	
C934	302-341045-550	C CAPACITOR	0.1uF/50V		R82	301-325625-016	RESISTOR	5.6kΩ 1/16W	
C944	302-341045-550	C CAPACITOR	0.1uF/50V		R83	301-331035-016	RESISTOR	10kΩ 1/16W	
C945	302-344742-250	C CAPACITOR	0.47uF/50V		R102	301-321025-016	RESISTOR	1kΩ 1/16W	
C946	302-331035-550	C CAPACITOR	0.01uF/50V		R103	301-313315-016	RESISTOR	330Ω 1/16W	
C947	302-331035-550	C CAPACITOR	0.01uF/50V		R104	301-311015-016	RESISTOR	100Ω 1/16W	
C948	302-334735-550	C CAPACITOR	0.047uF/50V		R107	301-311015-016	RESISTOR	100Ω 1/16W	
C949	302-341045-550	C CAPACITOR	0.1uF/50V		R109	301-325625-016	RESISTOR	5.6kΩ 1/16W	
C954	302-341045-550	C CAPACITOR	0.1uF/50V		R110	301-325625-016	RESISTOR	5.6kΩ 1/16W	
C955	302-341045-550	C CAPACITOR	0.1uF/50V		R111	301-321025-016	RESISTOR	1kΩ 1/16W	
C956	302-341045-550	C CAPACITOR	0.1uF/50V		R113	301-335635-016	RESISTOR	56kΩ 1/16W	
C957	302-341045-550	C CAPACITOR	0.1uF/50V		R115	301-321025-016	RESISTOR	1kΩ 1/16W	
C958	302-341045-550	C CAPACITOR	0.1uF/50V		R116	301-335635-016	RESISTOR	56kΩ 1/16W	
C959	302-341045-550	C CAPACITOR	0.1uF/50V		R117	301-331035-016	RESISTOR	10kΩ 1/16W	
C961	004-072272-210	E CAPACITOR	220uF/10V		R119	301-311015-016	RESISTOR	100Ω 1/16W	
C962	004-061062-250	E CAPACITOR	10uF/50V		R120	301-332235-016	RESISTOR	22kΩ 1/16W	
C963	302-341045-550	C CAPACITOR	0.1uF/50V						

△ Symbol No.	Part No.	Part Name	Description	Local	△ Symbol No.	Part No.	Part Name	Description	Local
R121	301-332235-016	RESISTOR	22kΩ 1/16W		R575	301-331035-016	RESISTOR	10kΩ 1/16W	
R124	301-322725-016	RESISTOR	2.7kΩ 1/16W		R595	301-322225-016	RESISTOR	2.2kΩ 1/16W	
R125	301-322725-016	RESISTOR	2.7kΩ 1/16W		R703	301-331035-016	RESISTOR	10kΩ 1/16W	
R131	301-321025-016	RESISTOR	1kΩ 1/16W		R705	301-331035-016	RESISTOR	10kΩ 1/16W	
R132	301-321025-016	RESISTOR	1kΩ 1/16W		R706	301-321025-016	RESISTOR	1kΩ 1/16W	
R133	301-321025-016	RESISTOR	1kΩ 1/16W		R707	301-321025-016	RESISTOR	1kΩ 1/16W	
R136	301-321025-016	RESISTOR	1kΩ 1/16W		R708	301-321025-016	RESISTOR	1kΩ 1/16W	
R141	301-311015-016	RESISTOR	100Ω 1/16W		R709	301-321025-016	RESISTOR	1kΩ 1/16W	
R144	301-311015-016	RESISTOR	100Ω 1/16W		R710	301-341045-016	RESISTOR	100kΩ 1/16W	
R145	301-311015-016	RESISTOR	100Ω 1/16W		R713	301-331035-016	RESISTOR	10kΩ 1/16W	
R147	301-331235-016	RESISTOR	12kΩ 1/16W		R715	301-331035-016	RESISTOR	10kΩ 1/16W	
R151	301-331235-016	RESISTOR	12kΩ 1/16W		R716	301-331035-016	RESISTOR	10kΩ 1/16W	
R174	301-300005-016	RESISTOR	0Ω 1/16W		R717	301-328225-016	RESISTOR	8.2kΩ 1/16W	
R189	301-300005-016	RESISTOR	0Ω 1/16W		R718	301-321025-016	RESISTOR	1kΩ 1/16W	
R191	301-331035-016	RESISTOR	10kΩ 1/16W		R719	301-321025-016	RESISTOR	1kΩ 1/16W	
R192	301-331035-016	RESISTOR	10kΩ 1/16W		R720	301-313315-016	RESISTOR	330Ω 1/16W	
R201	301-338235-016	RESISTOR	82kΩ		R721	301-321025-016	RESISTOR	1kΩ 1/16W	
R202	301-336835-016	RESISTOR	68kΩ		R722	301-313315-016	RESISTOR	330Ω 1/16W	
R203	301-336835-016	RESISTOR	68kΩ		R723	301-313315-016	RESISTOR	330Ω 1/16W	
R204	301-338235-016	RESISTOR	82kΩ		R724	301-313315-016	RESISTOR	330Ω 1/16W	
R205	301-331035-016	RESISTOR	10kΩ 1/16W		R725	301-313315-016	RESISTOR	330Ω 1/16W	
R206	301-331035-016	RESISTOR	10kΩ 1/16W		R726	301-313315-016	RESISTOR	330Ω 1/16W	
R207	301-331035-016	RESISTOR	10kΩ 1/16W		R728	301-313315-016	RESISTOR	330Ω 1/16W	
R208	301-331035-016	RESISTOR	10kΩ 1/16W		R737	301-321025-016	RESISTOR	1kΩ 1/16W	
R211	301-304705-016	RESISTOR	47Ω 1/16W		R739	301-321025-016	RESISTOR	1kΩ 1/16W	
R212	301-331035-016	RESISTOR	10kΩ 1/16W		R742	301-313315-016	RESISTOR	330Ω 1/16W	
R213	301-322225-016	RESISTOR	2.2kΩ 1/16W		R750	301-313315-016	RESISTOR	330Ω 1/16W	
R214	301-322225-016	RESISTOR	2.2kΩ 1/16W		R751	301-323025-016	RESISTOR	3kΩ 1/16W	
R215	301-324725-016	RESISTOR	4.7kΩ 1/16W		R755	301-323025-016	RESISTOR	3kΩ 1/16W	
R216	301-324725-016	RESISTOR	4.7kΩ 1/16W		R759	301-313315-016	RESISTOR	330Ω 1/16W	
R225	301-321025-016	RESISTOR	1kΩ 1/16W		R761	301-324725-016	RESISTOR	4.7kΩ 1/16W	
R239	301-314715-016	RESISTOR	470Ω 1/16W		R762	301-331035-016	RESISTOR	10kΩ 1/16W	
R302	201-000220-125	RESISTOR	2.2Ω 1/2W		R763	301-331035-016	RESISTOR	10kΩ 1/16W	
R308	301-331035-016	RESISTOR	10kΩ 1/16W		R764	301-331035-016	RESISTOR	10kΩ 1/16W	
R309	301-331035-016	RESISTOR	10kΩ 1/16W		R766	301-300005-016	RESISTOR	0Ω 1/16W	
R401	301-304705-016	RESISTOR	47Ω 1/16W		R767	301-321025-016	RESISTOR	1kΩ 1/16W	
R403	301-325625-016	RESISTOR	5.6kΩ 1/16W		R769	301-313315-016	RESISTOR	330Ω 1/16W	
R404	301-325625-016	RESISTOR	5.6kΩ 1/16W		R770	301-313315-016	RESISTOR	330Ω 1/16W	
R405	301-321025-016	RESISTOR	1kΩ 1/16W		R771	301-321025-016	RESISTOR	1kΩ 1/16W	
R406	301-321025-016	RESISTOR	1kΩ 1/16W		R782	301-321025-016	RESISTOR	1kΩ 1/16W	
R407	301-331035-016	RESISTOR	10kΩ 1/16W		R783	301-321025-016	RESISTOR	1kΩ 1/16W	
R408	301-331035-016	RESISTOR	10kΩ 1/16W		R911	301-313315-016	RESISTOR	330Ω 1/16W	
R409	301-324725-016	RESISTOR	4.7kΩ 1/16W		R912	301-331035-016	RESISTOR	10kΩ 1/16W	
R410	301-324725-016	RESISTOR	4.7kΩ 1/16W		R913	301-331035-016	RESISTOR	10kΩ 1/16W	
R413	201-005600-145	RESISTOR	56Ω 1/4W		R914	301-331035-016	RESISTOR	10kΩ 1/16W	
R414	301-324725-016	RESISTOR	4.7kΩ 1/16W		R916	301-331035-016	RESISTOR	10kΩ 1/16W	
R420	301-322725-016	RESISTOR	2.7kΩ 1/16W		R917	301-331035-016	RESISTOR	10kΩ 1/16W	
R421	301-321025-016	RESISTOR	1kΩ 1/16W		R918	301-331035-016	RESISTOR	10kΩ 1/16W	
R422	301-321025-016	RESISTOR	1kΩ 1/16W		R919	301-331035-016	RESISTOR	10kΩ 1/16W	
R423	301-331035-016	RESISTOR	10kΩ 1/16W		R922	301-331035-016	RESISTOR	10kΩ 1/16W	
R424	301-325625-016	RESISTOR	5.6kΩ 1/16W		R925	322-134000-221	FERRITE BEAD		
R425	301-321025-016	RESISTOR	1kΩ 1/16W		R927	301-321025-016	RESISTOR	1kΩ 1/16W	
R426	301-321825-016	RESISTOR	1.8kΩ 1/16W		R928	301-341045-016	RESISTOR	100kΩ 1/16W	
R427	301-321025-016	RESISTOR	1kΩ 1/16W		R929	301-341045-016	RESISTOR	100kΩ 1/16W	
R428	301-321225-016	RESISTOR	1.2kΩ 1/16W		R933	301-351055-016	RESISTOR	1MΩ 1/16W	
R429	301-312215-016	RESISTOR	220Ω 1/16W		R934	301-315615-016	RESISTOR	560Ω 1/16W	
R434	301-311815-016	RESISTOR	180Ω		R935	301-301005-016	RESISTOR	10Ω 1/16W	
R435	301-311815-016	RESISTOR	180Ω		R936	301-335635-016	RESISTOR	56kΩ 1/16W	
R438	301-324725-016	RESISTOR	4.7kΩ 1/16W		R937	301-333335-016	RESISTOR	33kΩ	
R442	301-324725-016	RESISTOR	4.7kΩ 1/16W		R938	301-331035-016	RESISTOR	10kΩ 1/16W	
R443	301-322025-016	RESISTOR	2kΩ 1/16W		R941	301-324725-016	RESISTOR	4.7kΩ 1/16W	
R446	301-341045-016	RESISTOR	100kΩ 1/16W		R942	301-300005-016	RESISTOR	0Ω 1/16W	
R451	301-300005-016	RESISTOR	0Ω 1/16W		R943	301-341045-016	RESISTOR	100kΩ 1/16W	
R453	301-300005-016	RESISTOR	0Ω 1/16W		R944	301-325125-016	RESISTOR	5.1kΩ 1/16W	
R454	301-331035-016	RESISTOR	10kΩ 1/16W		R945	301-300005-016	RESISTOR	0Ω 1/16W	
R458	301-332235-016	RESISTOR	22kΩ 1/16W		R946	301-333335-016	RESISTOR	33kΩ	
R459	301-321025-016	RESISTOR	1kΩ 1/16W		R947	301-341045-016	RESISTOR	100kΩ 1/16W	
R469	301-322025-016	RESISTOR	2kΩ 1/16W		R966	301-325625-016	RESISTOR	5.6kΩ 1/16W	
R482	301-301005-016	RESISTOR	10Ω 1/16W		R967	301-300005-016	RESISTOR	0Ω 1/16W	
R483	301-301005-016	RESISTOR	10Ω 1/16W		R984	301-324725-016	RESISTOR	4.7kΩ 1/16W	
R484	301-314715-016	RESISTOR	470Ω 1/16W		R985	301-314715-016	RESISTOR	470Ω 1/16W	
R485	301-324725-016	RESISTOR	4.7kΩ 1/16W		R986	301-332235-016	RESISTOR	22kΩ 1/16W	
R486	301-338235-016	RESISTOR	82kΩ		R987	301-331035-016	RESISTOR	10kΩ 1/16W	
R518	301-341045-016	RESISTOR	100kΩ 1/16W		R988	301-321025-016	RESISTOR	1kΩ 1/16W	
R519	301-341045-016	RESISTOR	100kΩ 1/16W		R989	301-331035-016	RESISTOR	10kΩ 1/16W	
R572	301-331035-016	RESISTOR	10kΩ 1/16W		R990	301-331035-016	RESISTOR	10kΩ 1/16W	
R573	301-331035-016	RESISTOR	10kΩ 1/16W		R991	301-331035-016	RESISTOR	10kΩ 1/16W	
R574	301-331035-016	RESISTOR	10kΩ 1/16W		R995	301-331035-016	RESISTOR	10kΩ 1/16W	

Symbol No.	Part No.	Part Name	Description	Local
R996	301-331035-016	RESISTOR	10kΩ 1/16W	
L1	322-134000-220	FERRITE BEAD		
L2	322-134000-221	FERRITE BEAD		
L3	322-134000-221	FERRITE BEAD		
L4	322-134000-221	FERRITE BEAD		
L5	322-134000-221	FERRITE BEAD		
L6	322-134000-221	FERRITE BEAD		
L7	322-134000-221	FERRITE BEAD		
L8	322-134000-221	FERRITE BEAD		
L9	322-134000-220	FERRITE BEAD		
L10	322-134000-220	FERRITE BEAD		
L11	322-134000-220	FERRITE BEAD		
L12	322-134000-220	FERRITE BEAD		
L15	322-134000-220	FERRITE BEAD		
L30	322-134000-220	FERRITE BEAD		
L108	322-134000-221	FERRITE BEAD		
L112	322-134000-221	FERRITE BEAD		
L115	322-134000-221	FERRITE BEAD		
L116	322-134000-221	FERRITE BEAD		
L201	322-134000-221	FERRITE BEAD		
L304	226-001000-012	CHOKO COIL	10uH 2A	
L309	322-134000-220	FERRITE BEAD		
L401	226-003300-108	CHOKO COIL	33uH	
L402	226-003300-108	CHOKO COIL	33uH	
L504	326-230000-202	COIL		
L505	326-230000-202	COIL		
L901	226-002600-000	CHOKO COIL		
L905	322-134000-220	FERRITE BEAD		
L906	322-134000-220	FERRITE BEAD		
L912	322-134000-220	FERRITE BEAD		
L915	322-134000-220	FERRITE BEAD		
L916	322-134000-220	FERRITE BEAD		
L917	301-302205-016	RESISTOR	22Ω 1/16W	
L918	322-134000-220	FERRITE BEAD		
L919	322-134000-220	FERRITE BEAD		
L921	301-321025-016	RESISTOR	1kΩ 1/16W	
L922	301-321025-016	RESISTOR	1kΩ 1/16W	
L931	301-300005-016	RESISTOR	0Ω 1/16W	
L932	301-300005-016	RESISTOR	0Ω 1/16W	
L933	301-318215-016	RESISTOR	820Ω 1/16W	
L934	301-318215-016	RESISTOR	820Ω 1/16W	
L935	301-318215-016	RESISTOR	820Ω 1/16W	
L936	301-318215-016	RESISTOR	820Ω 1/16W	
BC202	302-304705-550	C CAPACITOR	47pF/50V	
BC206	302-304705-550	C CAPACITOR	47pF/50V	
BC207	302-304705-550	C CAPACITOR	47pF/50V	
CE201	303-471072-206	T CAPACITOR	100UF 6.3V	
CE202	303-471072-206	T CAPACITOR	100UF 6.3V	
CE203	303-471072-206	T CAPACITOR	100UF 6.3V	
CE204	004-072272-210	E CAPACITOR	220uF/10V	
CN103	232-110130-310	FFC CONNECTOR	11P	
CN104	233-020200-020	CONNECTOR	2 PINS 2.0mm	
CN306	233-070200-020	CONNECTOR	7P	
CN402	233-050200-025	CONNECTOR	5PINS	
CN404	233-020200-020	CONNECTOR	2 PINS 2.0mm	
CN405	233-040200-025	CONNECTOR	4P	
CN603	233-041200-020	CONNECTOR	4PINS	
CN607	232-100100-313	FFC CONNECTOR	10P	
CN701	232-100135-110	FFC CONNECTOR	10P	
CN901	232-160190-213	FFC CONNECTOR	16P	
CN902	233-060200-015	CONNECTOR	6P	
EC7	004-064762-216	E CAPACITOR	47uF/16V	
EC8	004-062262-250	E CAPACITOR	22uF/50V	
EC22	004-072272-225	E CAPACITOR	220uF/25V	
ES113	326-230000-202	COIL		
FB201	301-312015-016	RESISTOR	200Ω	
FB202	301-312015-016	RESISTOR	200Ω	
FB204	322-134000-221	FERRITE BEAD		
FB401	322-134000-220	FERRITE BEAD		
FB402	322-134000-220	FERRITE BEAD		
FM1	410-100000-001	CONTACT PIN		
J2	233-020200-025	CONNECTOR	2PINS	
J3	233-020200-025	CONNECTOR	2PINS	
SW901	218-085032-120	MICRO SWITCH	DS-21	
X101	229-327680-200	CRYSTAL	32.768KHz	
X901	229-169344-002	CRYSTAL	16.9344 MHz	

Symbol No.	Part No.	Part Name	Description	Local
ZD201	306-200056-102	Z DIODE	5.6V 1/2W	
ZD304	206-200056-102	Z DIODE	5.6V 1/2W	
ZD402	206-200056-102	Z DIODE	5.6V 1/2W	
ZD502	306-200062-102	Z DIODE	6.2V 1/2W DS811	

Rectifier board

Block No. [0][2]

Symbol No.	Part No.	Part Name	Description	Local
Q1101	307-008550-020	TRANSISTOR	8550B/C	
Q1102	307-009014-030	TRANSISTOR	9014C	
△D1101	206-305401-000	RECTIFIER	IN5401	
△D1102	206-305401-000	RECTIFIER	IN5401	
△D1103	206-305401-000	RECTIFIER	IN5401	
△D1104	206-305401-000	RECTIFIER	IN5401	
△D1105	206-304001-000	RECTIFIER	IN-4001	
△D1106	206-304001-000	RECTIFIER	IN-4001	
△D1107	206-304001-000	RECTIFIER	IN-4001	
△D1108	206-304001-000	RECTIFIER	IN-4001	
D1109	206-104148-000	DIODE	IN-4148	
C1101	002-034728-250	C CAPACITOR	0.047uF/50V	
C1102	002-034728-250	C CAPACITOR	0.047uF/50V	
C1103	002-034728-250	C CAPACITOR	0.047uF/50V	
C1104	002-034728-250	C CAPACITOR	0.047uF/50V	
C1107	004-083382-225	E CAPACITOR	3300uF/25V	
C1108	002-034728-250	C CAPACITOR	0.047uF/50V	
C1109	002-034728-250	C CAPACITOR	0.047uF/50V	
C1110	002-034728-250	C CAPACITOR	0.047uF/50V	
C1111	002-034728-250	C CAPACITOR	0.047uF/50V	
C1112	302-341045-550	C CAPACITOR	0.1uF/50V	
C1113	004-081082-225	E CAPACITOR	1000uF/25V	
C1114	003-031038-251	C CAPACITOR	0.01uF/500V	
C1115	302-341045-550	C CAPACITOR	0.1uF/50V	
R1101	301-311815-016	RESISTOR	180Ω	
R1102	301-311815-016	RESISTOR	180Ω	
R1103	301-311815-016	RESISTOR	180Ω	
R1104	301-311815-016	RESISTOR	180Ω	
R1105	301-322025-016	RESISTOR	2kΩ 1/16W	
R1106	301-322025-016	RESISTOR	2kΩ 1/16W	
R1108	301-324725-016	RESISTOR	4.7kΩ 1/16W	

Symbol No.	Part No.	Part Name	Description	Local
△L1101	221-130075-070	FERRITE BEAD		
CN1101	233-023961-040	CONNECTOR	2P	
CN1102	244-C05225-150	HSG	5P 2.5mm	
CN1103	233-020150-080	CONNECTOR	2PINS 8.0mm	
CN1104	233-020150-080	CONNECTOR	2PINS 8.0mm	
JMP1101	301-100005-014	RESISTOR	0Ω 1/4W	
JMP1102	301-100005-014	RESISTOR	0Ω 1/4W	
△PT1101	152-004023-028	POWER I.F	XL-4023-28 AC-230	
△RY1101	280-700600-120	RELAY		

Switch board

Block No. [0][3]

Symbol No.	Part No.	Part Name	Description	Local
IC701	310-006803-123	IC	CA6803	
Q702	307-008050-030	TRANSISTOR	8050C/D	
Q704	307-009014-030	TRANSISTOR	9014C	
C703	302-301005-550	C CAPACITOR	10pF/50V	
C704	302-301005-550	C CAPACITOR	10pF/50V	
C705	302-324725-550	C CAPACITOR	0.047F/50V	
C706	302-324725-550	C CAPACITOR	0.047F/50V	

△ Symbol No.	Part No.	Part Name	Description	Local	△ Symbol No.	Part No.	Part Name	Description	Local
C707	302-324725-550	C CAPACITOR	0.047F/50V		SW712	217-060650-500	TACT SWITCH		
C708	302-341045-550	C CAPACITOR	0.1uF/50V		X701	229-327680-200	CRYSTAL	32.768KHz	
C709	302-324725-550	C CAPACITOR	0.047F/50V		USB board				
C710	302-324725-550	C CAPACITOR	0.047F/50V		Block No. [0][4]				
C712	302-341045-550	C CAPACITOR	0.1uF/50V		△ Symbol No.	Part No.	Part Name	Description	Local
C716	302-324725-550	C CAPACITOR	0.047F/50V		D601	206-104148-000	DIODE	IN-4148	
C717	302-324725-550	C CAPACITOR	0.047F/50V		D602	206-104148-000	DIODE	IN-4148	
C718	302-324725-550	C CAPACITOR	0.047F/50V		D603	206-104148-000	DIODE	IN-4148	
C724	302-324725-550	C CAPACITOR	0.047F/50V		D604	206-104148-000	DIODE	IN-4148	
C725	302-324725-550	C CAPACITOR	0.047F/50V		C504	302-351055-550	C CAPACITOR	1uF/50V	
C726	302-324725-550	C CAPACITOR	0.047F/50V		C536	302-351055-550	C CAPACITOR	1uF/50V	
C727	302-311015-550	C CAPACITOR	100pF/50V		C554	302-331035-550	C CAPACITOR	0.01uF/50V	
C730	302-311015-550	C CAPACITOR	100pF/50V		C556	302-331035-550	C CAPACITOR	0.01uF/50V	
C732	302-311015-550	C CAPACITOR	100pF/50V		C601	302-331035-550	C CAPACITOR	0.01uF/50V	
C737	302-341045-550	C CAPACITOR	0.1uF/50V		C602	004-161062-216	E CAPACITOR	10uF/16V	
C742	302-341045-550	C CAPACITOR	0.1uF/50V		C603	302-341045-550	C CAPACITOR	0.1uF/50V	
C746	302-161061-116	C CAPACITOR	10uF/16V		C604	302-341045-550	C CAPACITOR	0.1uF/50V	
C747	302-341045-550	C CAPACITOR	0.1uF/50V		C605	302-303005-550	C CAPACITOR	30pF/50V	
C748	302-311015-550	C CAPACITOR	100pF/50V		C606	302-331035-550	C CAPACITOR	0.01uF/50V	
C768	302-161061-116	C CAPACITOR	10uF/16V		C607	302-341045-550	C CAPACITOR	0.1uF/50V	
R701	301-334735-016	RESISTOR	47kΩ 1/16W		R503	301-323925-016	RESISTOR	3.9kΩ1/16W	
R713	301-324725-016	RESISTOR	4.7kΩ 1/16W		R504	301-323925-016	RESISTOR	3.9kΩ1/16W	
R714	301-322225-016	RESISTOR	2.2kΩ 1/16W		R505	301-334735-016	RESISTOR	47kΩ 1/16W	
R715	301-331035-016	RESISTOR	10kΩ 1/16W		R506	301-334735-016	RESISTOR	47kΩ 1/16W	
R716	301-325625-016	RESISTOR	5.6kΩ 1/16W		L301	221-045030-014	FERRITE BEAD		
R732	301-331535-016	RESISTOR	15kΩ 1/16W		L302	221-045030-014	FERRITE BEAD		
R733	301-325625-016	RESISTOR	5.6kΩ 1/16W		L303	221-045030-014	FERRITE BEAD		
R734	301-304705-016	RESISTOR	47Ω 1/16W		L305	221-045030-014	FERRITE BEAD		
R735	301-331035-016	RESISTOR	10kΩ 1/16W		L501	221-045030-014	FERRITE BEAD		
R738	301-331035-016	RESISTOR	10kΩ 1/16W		L502	221-045030-014	FERRITE BEAD		
R741	301-313315-016	RESISTOR	330Ω 1/16W		L503	221-045030-014	FERRITE BEAD		
R752	301-312715-016	RESISTOR	270Ω 1/16W		L601	322-134000-220	FERRITE BEAD		
R753	301-331035-016	RESISTOR	10kΩ 1/16W		L602	322-134000-220	FERRITE BEAD		
R754	301-321025-016	RESISTOR	1kΩ 1/16W		L609	326-230000-202	COIL		
R755	301-332235-016	RESISTOR	22kΩ 1/16W		CE608	302-332035-550	C CAPACITOR	0.02uF/50V	
R756	301-321025-016	RESISTOR	1kΩ 1/16W		CE609	302-332035-550	C CAPACITOR	0.02uF/50V	
R757	301-324725-016	RESISTOR	4.7kΩ 1/16W		CN305	244-A07780-260	CONNECTOR WIRE	7P 260mm	
R758	301-331035-016	RESISTOR	10kΩ 1/16W		CN604	244-A04300-300	WIRE	4PINS 300mm	
R761	301-332735-016	RESISTOR	27kΩ 1/16W		CN708	232-100135-110	FFC CONNECTOR	10P	
R762	301-331035-016	RESISTOR	10kΩ 1/16W		ES601	326-230000-202	COIL		
R763	301-331535-016	RESISTOR	15kΩ 1/16W		ES602	326-230000-202	COIL		
R765	301-323325-016	RESISTOR	3.3kΩ 1/16W		JK301	240-000350-912	PHONE JACK	3.5 BK	
R770	301-332235-016	RESISTOR	22kΩ 1/16W		JK302	240-000350-305	PHONE JACK	3.5 YE	
R777	301-331035-016	RESISTOR	10kΩ 1/16W		JK601	253-040145-120	USB CONNECTOR	4PIN 2.0mm	
R789	301-324725-016	RESISTOR	4.7kΩ 1/16W		JK602	354-292826-140	SD CARD SOCKET		
CN712	232-100135-110	FFC CONNECTOR	10P		iPod board				
JP1	301-100005-014	RESISTOR	0Ω 1/4W		Block No. [0][5]				
JP2	301-100005-014	RESISTOR	0Ω 1/4W		△ Symbol No.	Part No.	Part Name	Description	Local
JP3	301-100005-014	RESISTOR	0Ω 1/4W		Q52	307-003018-000	TRANSISTOR	2SK3018	
JP4	301-100005-014	RESISTOR	0Ω 1/4W		Q53	307-008050-030	TRANSISTOR	8050C/D	
JP5	301-100005-014	RESISTOR	0Ω 1/4W		Q54	307-008050-030	TRANSISTOR	8050C/D	
JP6	301-100005-014	RESISTOR	0Ω 1/4W		D38	306-104148-000	DIODE	1N4148	
JP7	301-100005-014	RESISTOR	0Ω 1/4W		D201	306-104148-000	DIODE	1N4148	
JP8	301-100005-014	RESISTOR	0Ω 1/4W		C250	302-341045-550	C CAPACITOR	0.1uF/50V	
JP9	301-100005-014	RESISTOR	0Ω 1/4W		R344	301-337531-016	RESISTOR	75kΩ 1/16W	
JP10	301-100005-014	RESISTOR	0Ω 1/4W		R345	301-334931-016	RESISTOR	49.9kΩ 1/16W	
JP11	301-100005-014	RESISTOR	0Ω 1/4W		R346	301-337531-016	RESISTOR	75kΩ 1/16W	
JP12	301-100005-014	RESISTOR	0Ω 1/4W		Block No. [0][5]				
JP38	301-100005-014	RESISTOR	0Ω 1/4W		Q52	307-003018-000	TRANSISTOR	2SK3018	
JP81	301-100005-014	RESISTOR	0Ω 1/4W		Q53	307-008050-030	TRANSISTOR	8050C/D	
JP82	301-100005-014	RESISTOR	0Ω 1/4W		Q54	307-008050-030	TRANSISTOR	8050C/D	
JP88	301-100005-014	RESISTOR	0Ω 1/4W		D38	306-104148-000	DIODE	1N4148	
JP89	301-100005-014	RESISTOR	0Ω 1/4W		D201	306-104148-000	DIODE	1N4148	
LED701	227-080500-021	LED	BLUE		C250	302-341045-550	C CAPACITOR	0.1uF/50V	
LED702	227-090507-800	LED	RED		R344	301-337531-016	RESISTOR	75kΩ 1/16W	
REM701	206-100338-112	DIODE	3.3V		R345	301-334931-016	RESISTOR	49.9kΩ 1/16W	
SW701	217-060650-500	TACT SWITCH			R346	301-337531-016	RESISTOR	75kΩ 1/16W	
SW702	217-060650-500	TACT SWITCH			Block No. [0][5]				
SW703	217-060650-500	TACT SWITCH			Q52	307-003018-000	TRANSISTOR	2SK3018	
SW704	217-060650-500	TACT SWITCH			Q53	307-008050-030	TRANSISTOR	8050C/D	
SW705	217-060650-500	TACT SWITCH			Q54	307-008050-030	TRANSISTOR	8050C/D	
SW706	217-060650-500	TACT SWITCH			D38	306-104148-000	DIODE	1N4148	
SW708	217-060650-500	TACT SWITCH			D201	306-104148-000	DIODE	1N4148	
SW709	217-060650-500	TACT SWITCH			C250	302-341045-550	C CAPACITOR	0.1uF/50V	
SW710	217-060650-500	TACT SWITCH			R344	301-337531-016	RESISTOR	75kΩ 1/16W	
SW711	217-060650-500	TACT SWITCH			R345	301-334931-016	RESISTOR	49.9kΩ 1/16W	
					R346	301-337531-016	RESISTOR	75kΩ 1/16W	

Symbol No.	Part No.	Part Name	Description	Local
R347	301-321025-016	RESISTOR	1kΩ 1/16W	
R348	301-334931-016	RESISTOR	49.9kΩ 1/16W	
R349	301-341045-016	RESISTOR	100kΩ 1/16W	
R350	301-341045-016	RESISTOR	100kΩ 1/16W	
R352	301-331025-016	RESISTOR	10kΩ 1/16W	
R353	301-345441-016	RESISTOR	549kΩ 1/16W	
R355	301-334735-016	RESISTOR	47kΩ 1/16W	
R356	301-334735-016	RESISTOR	47kΩ 1/16W	
L96	326-230600-121	SMT INC		
L97	326-230600-121	SMT INC		
L99	326-230600-121	SMT INC		
L100	326-230600-121	SMT INC		
CN201	232-110130-110	FFC CONNECTOR	11P	
CN202	244-A02260-150	HSG WIRE	2P 150mm	
JK201	232-300200-305	FFC CONNECTOR	30P	

Tuner board

Block No. [0][6]

Symbol No.	Part No.	Part Name	Description	Local
IC101	310-004705-120	IC		
C101	302-402205-550	C CAPACITOR	22pF/50V	
C102	302-441041-150	C CAPACITOR	0.1uF/50V	
C103	302-441041-150	C CAPACITOR	0.1uF/50V	
C104	302-402205-550	C CAPACITOR	22pF/50V	
C105	302-402205-550	C CAPACITOR	22pF/50V	
R101	301-300005-016	RESISTOR	0Ω 1/16W	
R102	301-301005-016	RESISTOR	10Ω 1/16W	
R103	301-434735-016	RESISTOR	47kΩ	
R104	301-431035-016	RESISTOR	10kΩ	
R105	301-431035-016	RESISTOR	10kΩ	

Leaf SW board

Block No. [0][7]

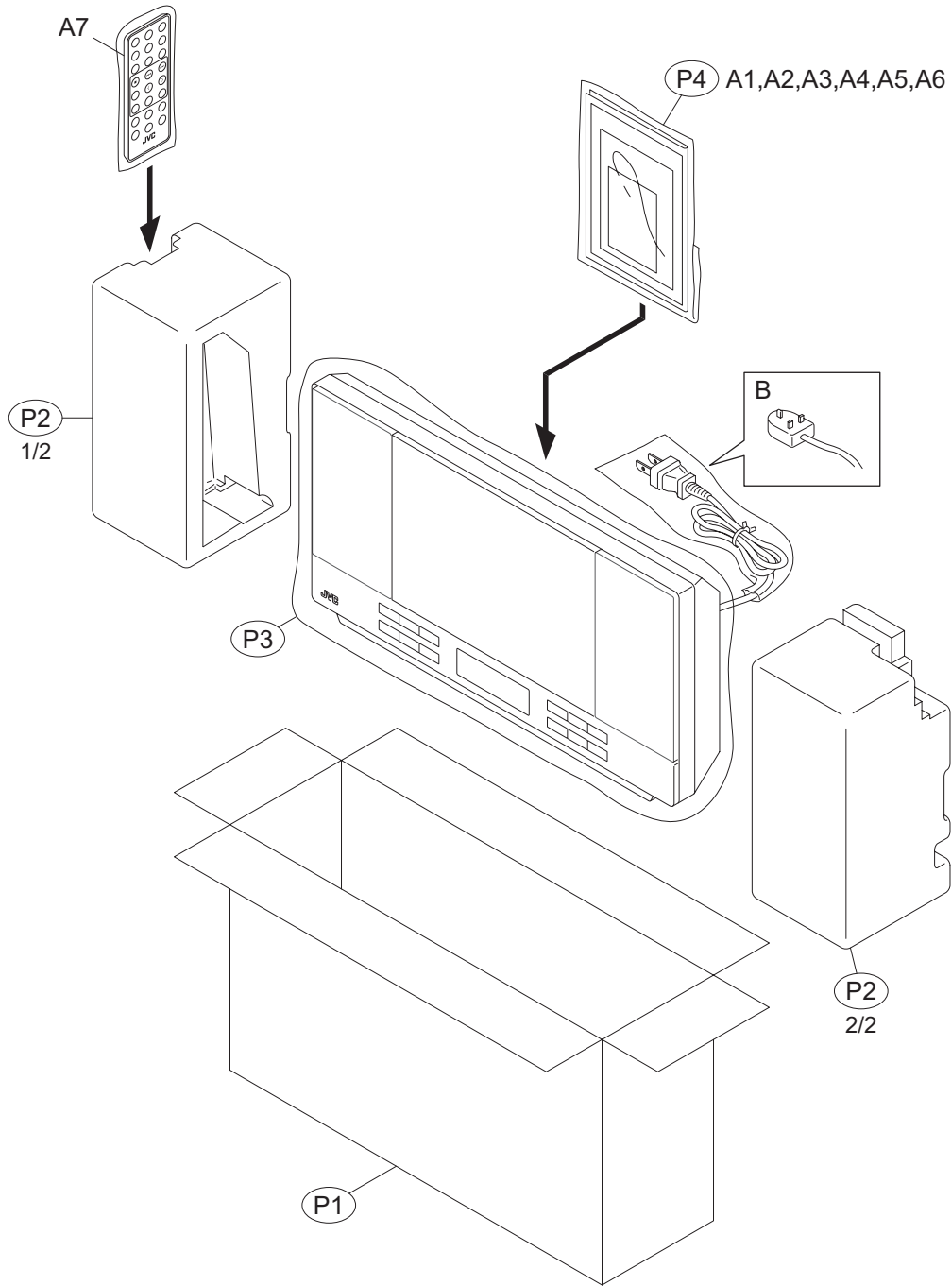
Symbol No.	Part No.	Part Name	Description	Local
SW2	218-085032-120	MICRO SWITCH	DS-21	

<MEMO>

Packing materials and accessories parts list

Block No. M 3 M M

No additional / supplemental order of WARRANTY CARDS are available.



The parts without symbol number are not service.

Packing and Accessories

Block No. [M][3][M][M]

△ Symbol No.	Part No.	Part Name	Description	Local
A 1	LVT2190-002A	INST BOOK	601-PB1000-020 ENG	A
A 1	LVT2190-003A	INST BOOK	601-PB1000-030 GER FRE DUT ITA	B
A 1	LVT2190-005A	INST BOOK	601-PB1000-050 RUS POL HUN CZE	C
A 2	LVT2190-004A	INST BOOK	601-PB1000-040	B
A 3	-----	WARRANTY CARD	BT-54043-1	
A 4	LVT2039-002A	SAFETY SHEET	639-080067-000	A,B
A 4	LVT2108-002A	SAFETY SHEET	639-080069-000	C
A 5	LVT2108-001A	SAFETY SHEET	639-080068-000	B
A 6	LVT2151-024A	RUSSIA SHEET	602-700679-000	C
A 7	RM-SNXPB10R	REMOCON UNIT		
P 1	891-PB1012-011	CARTON		
P 2	874-PB1000-020	CUSHION		
P 3	678-255175-040	POLY BAG		
P 4	676-070100-040	POLY BAG		