

PARTS LIST

[PC-X250]

* All printed circuit boards and its assemblies are not available as service parts.

Area suffix	
J	USA
C	Canada

- Contents -

□	
Electrical Parts List (Tuner circuit pcb)	2 - 2
Electrical Parts List (Audio circuit pcb)	2 - 9
Electrical Parts List (Rectifier circuit pcb)	2 - 14
Electrical Parts List (Tape recording circuit pcb)	2 - 15
Electrical Parts List (Display lighting circuit pcb)	2 - 16

Tuner pcb

Part No.	Materials	Qty	Position/ECN
199-741005-000	GOLD CAP DX-5R5H104 0.1 F/5.5V	1 PCS	
201-000330-185	RESISTOR 3.3 OHM +-5% 1/8W	1 PCS	J216
201-001000-185	RESISTOR 10 OHM +-5% 1/8W	2 PCS	R75,R89
201-002200-185	RESISTOR 22 OHM +-5% 1/8W	1 PCS	R902
201-011000-185	RESISTOR 100 OHM +-5% 1/8W	16 PCS	R310,R702,R970,R971,R703,R704,R705,R706,R708,R709,R710,R711, R712,R723,R724,R725
201-013300-185	RESISTOR 330 OHM +-5% 1/8W	4 PCS	R201,R208,R931,R20
201-014700-185	RESISTOR 470 OHM +-5% 1/8W	2 PCS	R950,R716
201-016800-185	RESISTOR 680 OHM +-5% 1/8W	2 PCS	R932,R939
201-021000-185	RESISTOR 1 KOHM +-5% 1/8W	13 PCS	R106,R119,R120,R121,R123,R125,R26,R30,R1,R920,R930,R402,R1043
201-021200-185	RESISTOR 1.2 KOHM +-5% 1/8W	2 PCS	R103,R941
201-021500-185	RESISTOR 1.5 KOHM +-5% 1/8W	3 PCS	R2,R11,R915
201-022200-185	RESISTOR 2.2 KOHM +-5% 1/8W	10 PCS	R57,R520,R521,R19,R719,R720,R741,R905,R910,R11
201-023300-185	RESISTOR 3.3 KOHM +-5% 1/8W	3 PCS	R11,R946,R949
201-023900-185	RESISTOR 3.9 KOHM +-5% 1/8W	2 PCS	R945,R948
201-024700-185	RESISTOR 4.7 KOHM +-5% 1/8W	12 PCS	R147,R148,R21,R933,R934,R938,R2,R5,R9,R945,R956,R730,R741
201-025100-185	RESISTOR 5.1 KOHM +-5% 1/8W	2 PCS	R112,R113
201-025600-185	RESISTOR 5.6 KOHM +-5% 1/8W	2 PCS	R12,R17
201-026800-185	RESISTOR 6.8 KOHM +-5% 1/8W	4 PCS	R951,R904,R923,R926
201-028200-185	RESISTOR 8.2 KOHM +-5% 1/8W	5 PCS	R49,R34,R916,R944,R947
201-031000-185	RESISTOR 10 KOHM +-5% 1/8W	22 PCS	R115,R126,R131,R133,R952,R954,R961,R965,R58,R1,R6,R22,R24,R27,R28, R29,R32,R33,R917,R922,R927,R3
201-031500-185	RESISTOR 15 KOHM +-5% 1/8W	22 PCS	R4,R5,R7,R8,R38,R46,R47,R48,R713,R714,R727,R728,R729,R734,R735, R908,R913,R928,R96,R77,R92,R40
201-032200-185	RESISTOR 22 KOHM +-5% 1/8W	3 PCS	R912,R929,R985
201-032700-185	RESISTOR 27 KOHM +-5% 1/8W	2 PCS	R35,R911
201-033300-185	RESISTOR 33 KOHM +-5% 1/8W	5 PCS	R108,R10,R14,R918,R974
201-034700-185	RESISTOR 47 KOHM +-5% 1/8W	9 PCS	R3,R4,R6,R7,R8,R9,R13,R18,R715
201-035600-185	RESISTOR 56 KOHM +-5% 1/8W	4 PCS	R137,R919,R921,R940
201-036800-185	RESISTOR 68 KOHM +-5% 1/8W	2 PCS	R907,R914
201-041000-185	RESISTOR 100 KOHM +-5% 1/8W	5 PCS	R101,R102,R134,R906,R942
201-041500-185	RESISTOR 150 KOHM +-5% 1/8W	1 PCS	R903
201-042200-185	RESISTOR 220 KOHM +-5% 1/8W	3 PCS	R104,R924,R925
201-042700-185	RESISTOR 270 KOHM +-5% 1/8W	1 PCS	R25
201-051000-185	RESISTOR 1 MOHM +-5% 1/8W	2 PCS	R945,R948
202-100505-505	G CERAMIC CAP 5 PF/50V SL +-5%	1 PCS	C920
202-101805-505	G CERAMIC CAP 18 PF/50V SL	1 PCS	C140
202-103005-505	H CERAMIC CAP 30 PF/50V SL	6 PCS	C105,C106,C138,C139,C713,C714
202-103305-505	H CERAMIC CAP 33 PF/50V SL	2 PCS	C950,C951
202-104705-505	H CERAMIC CAP 47 PF/50V SL	1 PCS	C114

Tuner pcb

202-211005-101	G CERAMIC CAP 100 PF/50V B(X7R)	5 PCS	C111,C112,C113,C916,C952
202-213005-101	G CERAMIC CAP 300 PF/50V B(X7R)	1 PCS	C121
202-213305-101	G CERAMIC CAP 330 PF/50V B(X7R)	2 PCS	C904,C942
202-221005-101	G CERAMIC CAP 0.001 UF/50V B	8 PCS	C125,C133,C136,C910,C943,C948,C949,C983
202-422201-202	G CERAMIC CAP 0.0022 UF/16V X	1 PCS	C921
202-422701-101	G CERAMIC CAP 0.0027 UF/16V X	1 PCS	C132
202-423301-202	G CERAMIC CAP 0.0033 UF/16V X	3 PCS	C907,C914,C919
202-500305-505	G CERAMIC CAP 3 PF/50V NPO	2 PCS	C126,C127
202-500335-505	G CERAMIC CAP 3.3 PF/50V NPO	2 PCS	C707,C708
202-500505-505	G CERAMIC CAP 5 PF/50V NPO	1 PCS	C120
202-501505-101	G CERAMIC CAP 15 PF/50V NPO	1 PCS	C134
202-501505-505	G CERAMIC CAP 15 PF/50V NPO	1 PCS	C922
202-631002-802	G CERAMIC CAP 0.01 UF/25V F	7 PCS	C110,C116,C119,C926,C972,C980,C998
202-631502-802	G CERAMIC CAP 0.015 UF/25V F	1 PCS	C912
202-631802-802	G CERAMIC CAP 0.018 UF/25V F	3 PCS	C141,C142,C913
202-632002-802	G CERAMIC CAP 0.020 UF/25V F	1 PCS	C122
202-632202-802	G CERAMIC CAP 0.022 UF/25V F	2 PCS	C103,C118
202-633302-802	G CERAMIC CAP 0.033 UF/25V F	4 PCS	C902,C903,C905,C923
202-634702-802	G CERAMIC CAP 0.047 UF/25V F	3 PCS	C908,C927,C930
202-641002-802	G CERAMIC CAP 0.1 UF/25V F(Y5V)	18 PCS	C107,C108,C135,C137,C143,C144,C706,C709,C710,C711,C911,C932,C944, C968,C970,C984,C985,C986
202-641502-802	G CERAMIC CAP 0.15 UF/25V F(Y5)	2 PCS	C901,C909
203-041050-202	ELECT CAP 0.1 UF/50V +-20%	1 PCS	C130
203-042250-202	ELECT CAP 0.22 UF/50V +-20%	1 PCS	C931
203-051050-202	ELECT CAP 1 UF/50V +-20%	1 PCS	C712
203-053350-202	ELECT CAP 3.3 UF/50V +-20%	1 PCS	C145
203-054750-202	ELECT CAP 4.7 UF/50V +-20%	3 PCS	C145,C701,C935
203-061025-212	ELECT CAP 10 UF/25V +-20%	7 PCS	C18,C963,C965,C915,C901,C905,C963
203-062210-202	ELECT CAP 22 UF/10V +-20%	1 PCS	C933
203-064710-202	ELECT CAP 47 UF/10V +-20%	2 PCS	C6,C146
203-072210-202	ELECT CAP 220 UF/10V +-20%	3 PCS	C1,C27,C967
203-074710-202	ELECT CAP 470 UF/10V +-20%	1 PCS	C969
203-081010-202	ELECT CAP 1000 UF/10V +-20%	1 PCS	C971
206-100201-000	DIODE VCD/SVC201 NSX1900	2 PCS	VD101,VD102
206-100348-000	G DIODE VCD/SVC348 PC-X250	1 PCS	D115
206-104148-000	DIODE IN-4148 38.39.4630.63.	20 PCS	D1,D2,D3,D5,D7,D101,D102,D701,D702,D703,D709,D711,D713,D715, D716,D717,D718,D719,D901,D902
206-106938-000	DIODE RPM-6938-V4 (ROHM) AM201	1 PCS	
206-200056-102	ZENER 5.6V 1/2W CD82/CD978/CH	1 PCS	D102
207-003330-000	TRANSISTOR 2SC-3330U CD9788/	3 PCS	Q104,Q903,Q904
207-003399-000	E TRANSISTOR C3399 PC-X250	6 PCS	Q6,Q702,Q705,Q706,Q707,Q708
207-008550-020	TRANSISTOR 8550B/C #38/39/4630	2 PCS	Q918,Q919

Tuner pcb

2-4

207-009014-030	TRANSISTOR 9014C #38/39/4630/	10 PCS	Q1,Q2,Q3,Q4,Q8,Q9,Q11,Q12,Q723,Q921
207-009018-080	TRANSISTOR 9018-H 38/39/63/731	1 PCS	Q15
207-190764-040	TRANSISTOR 2SB-764-D CD85.97	1 PCS	Q909
207-191317-913	TRANSISTOR 2SA-1317-S-AC CD84.	1 PCS	Q901
207-191346-130	TRANSISTOR 2SA-1346-AC CD84.85	2 PCS	Q902,Q34
207-191936-913	TRANSISTOR 2SD-1936-S-AC CD84	4 PCS	Q1,Q2,Q3,Q4
208-010720-118	CERAMIC FILTER 10.7 MCI-A 2PIN	1 PCS	CF104
208-010730-018	CERAMIC FILTER 10.7 MHz 3 PINS	2 PCS	CF101,CF102
208-045030-000	CERAMIC FILTER 450 KHz 3 PINS	1 PCS	CF106
209-181612-010	I.F.T. OSC 1A612R RED 10 mm MW	1 PCS	T101
209-252070-010	I.F.T. IF 2070 YELLOW 10 mm	1 PCS	T103
210-001823-000	I.C. SANYO LA-1823-ESIA CD9938	1 PCS	IC101
210-006541-004	I.C. SANYO LA-6541D CD72.76.83	1 PCS	IC903
210-009241-013	I.C. SANYO LA-9241M CD7588/PC-	1 PCS	IC901
210-072131-000	I.C. SANYO LC-72131D AMR211/31	1 PCS	IC1
210-078622-005	I.C. SANYO LC-78622E CD72.82.	1 PCS	IC902
210-587008-000	G I.C. SANYO LC-587008 PC-X250	1 PCS	IC701
212-065025-100	AM COIL 65:25T WIRE 4 x 100mm	1 PCS	L6
213-035035-070	FM COIL 3.5T 3.5 x 0.7 mm	1 PCS	L105
213-035045-070	FM COIL 3.5T 4.5 x 0.7 mm	1 PCS	L104
216-000010-018	TRIMMER 10 PF RED	2 PCS	CT102,CT103
217-060650-450	TACT SWITCH H=5mm W=6x6mm	15 PCS	SW1-SW11,SW13-SW16
217-200035-050	LEAF SWITCH LS-N35 #CD8488/	1 PCS	
220-207634-241	G LCD DISPLAY 76x34 mm 24 PINS	1 PCS	LCD701
222-010070-000	FERRITE BAR 10 x 70 mm	1 PCS	
226-002600-000	CHOKE COIL 26 uH x2 , COMMON	1 PCS	L1
226-010000-000	CHOKE COIL 100 uH #38.7017.801	1 PCS	L2
227-060505-000	LED ROUND TYPE FLAT HEAD	3 PCS	D1,D4,D6
229-016934-000	CRYSTAL 16.9344 MHz #AMR209.	1 PCS	X901
229-040000-000	G CRYSTAL 4 MHz PC-X250	1 PCS	X701
229-045000-000	CRYSTAL 4.5 MHz	1 PCS	X105
229-327680-200	CRYSTAL 32.768KHz 20PPM HOOR,	1 PCS	X702
232-160190-310	FFC HEADER 16 PINS 1.0mm V	1 PCS	CN901
233-020200-020	HEADER 2 PINS "JST" 2.0mm V	1 PCS	CN904
233-030200-020	HEADER 3 PINS "JST" 2.0mm V	1 PCS	CN702
233-040200-025	HEADER 4 PINS "JST" 2.5mm V	1 PCS	CN701
233-050200-025	HEADER 5 PINS "JST" 2.5mm V	1 PCS	CN302
233-060200-020	HEADER 6 PINS "JST" 2.0 mm V	1 PCS	CN903
237-260080-055	JUMPER WIRE #26 80 mm YELLOW	1 PCS	TUNER BD. C TO D
237-260100-058	JUMPER WIRE #26 100 mm ORANG	1 PCS	TUNER BD. E TO F
237-260150-021	JUMPER WIRE #26 150 mm BLUE	1 PCS	TUNER BD. A TO B
238-120060-102	SCREW ST 2 x 6 mm KB BLACK	5 PCS	CD DOOR LENS

PC-X250

Tuner pcb

238-120060-602	SCREW ST 2 x 6 mm PB BLACK	1 PCS	LEAF SW.
238-126080-632	SCREW ST 2.6 x 8 mm PWB	4 PCS	CD DECK
238-130080-602	SCREW ST 3 x 8 mm PB	10 PCS	CONTROL BD.
238-130080-632	SCREW ST 3 x 8 mm PWB	1 PCS	CD DOOR GEAR
248-250801-123	G P.C.B. PC-X250 TUNER BD.	1 PCS	
270-121524-122	ROTARY ENCODER EC12E24204F2	1 PCS	VR501
356-110300-091	E CD DECK MECHANISM (SANYO) I	1 PCS	
401-101032-000	ANTENNA BAR HOLDER (8012) 801:	2 PCS	
453-030100-050	METAL WASHER 3x10x0.5mm	4 PCS	
458-328840-220	RUBBER SILICON(BLACK) HARDNE	4 PCS	
473-300160-500	CD MAGNET RING 30x16X5mm CD8	1 PCS	
479-328800-000	SPRING FOR CD DOOR	1 PCS	
500-100000-000	CD CHUCK A (FOR SONY&SANYO C	1 PCS	
500-291942-501	CD CHUCK M (FOR SANYO DA11)	1 PCS	
500-991110-000	CD MEDHANISM COVER (FOR SAN'	1 PCS	
525-031064-000	DISPLAY BRACKET PC-X250	1 PCS	
539-121100-000	GEAR FOR CASS DOOR 3918	1 PCS	
539-121200-000	GEAR HOLER FOR CASS DOOR 39'	1 PCS	
846-209000-000	CD DOOR LOCK AMR-209M/V3/340	1 PCS	
201-000330-185	RESISTOR 3.3 OHM +-5% 1/8W	1 PCS	J216
201-001000-185	RESISTOR 10 OHM +-5% 1/8W	2 PCS	R75,R89
201-002200-185	RESISTOR 22 OHM +-5% 1/8W	1 PCS	R902
201-011000-185	RESISTOR 100 OHM +-5% 1/8W	16 PCS	R310,R702,R970,R971,R703,R704,R705,R706,R708,R709,R710,R711,R712, R723,R724,R725
201-013300-185	RESISTOR 330 OHM +-5% 1/8W	4 PCS	R201,R208,R931,R20
201-014700-185	RESISTOR 470 OHM +-5% 1/8W	2 PCS	R950,R716
201-016800-185	RESISTOR 680 OHM +-5% 1/8W	2 PCS	R932,R939
201-021000-185	RESISTOR 1 KOHM +-5% 1/8W	13 PCS	R106,R119,R120,R121,R123,R125,R26,R30,R1,R920,R930,R402,R1043
201-021200-185	RESISTOR 1.2 KOHM +-5% 1/8W	2 PCS	R103,R941
201-021500-185	RESISTOR 1.5 KOHM +-5% 1/8W	3 PCS	R2,R11,R915
201-022200-185	RESISTOR 2.2 KOHM +-5% 1/8W	10 PCS	R57,R520,R521,R19,R719,R720,R741,R905,R910,R11
201-023300-185	RESISTOR 3.3 KOHM +-5% 1/8W	3 PCS	R11,R946,R949
201-023900-185	RESISTOR 3.9 KOHM +-5% 1/8W	2 PCS	R945,R948
201-024700-185	RESISTOR 4.7 KOHM +-5% 1/8W	12 PCS	R147,R148,R21,R933,R934,R938,R2,R5,R9,R945,R956,R730,R741
201-025100-185	RESISTOR 5.1 KOHM +-5% 1/8W	2 PCS	R112,R113
201-025600-185	RESISTOR 5.6 KOHM +-5% 1/8W	2 PCS	R12,R17
201-026800-185	RESISTOR 6.8 KOHM +-5% 1/8W	4 PCS	R951,R904,R923,R926
201-028200-185	RESISTOR 8.2 KOHM +-5% 1/8W	5 PCS	R49,R34,R916,R944,R947
201-031000-185	RESISTOR 10 KOHM +-5% 1/8W	22 PCS	R115,R126,R131,R133,R952,R954,R961,R965,R58,R1,R6,R22,R24,R27, R28,R29,R32,R33,R917,R922,R927,R3
201-031500-185	RESISTOR 15 KOHM +-5% 1/8W	22 PCS	R4,R5,R7,R8,R38,R46,R47,R48,R713,R714,R727,R728,R729,R734,R735,

Tuner pcb

2-6

201-032200-185	RESISTOR 22 KOHM +-5% 1/8W	3 PCS	R908,R913,R928,R96,R77,R92,R40
201-032700-185	RESISTOR 27 KOHM +-5% 1/8W	2 PCS	R912,R929,R985
201-033300-185	RESISTOR 33 KOHM +-5% 1/8W	5 PCS	R35,R911
201-034700-185	RESISTOR 47 KOHM +-5% 1/8W	9 PCS	R108,R10,R14,R918,R974
201-035600-185	RESISTOR 56 KOHM +-5% 1/8W	4 PCS	R3,R4,R6,R7,R8,R9,R13,R18,R715
201-036800-185	RESISTOR 68 KOHM +-5% 1/8W	2 PCS	R137,R919,R921,R940
201-041000-185	RESISTOR 100 KOHM +-5% 1/8W	5 PCS	R907,R914
201-041500-185	RESISTOR 150 KOHM +-5% 1/8W	1 PCS	R101,R102,R134,R906,R942
201-042200-185	RESISTOR 220 KOHM +-5% 1/8W	3 PCS	R903
201-042700-185	RESISTOR 270 KOHM +-5% 1/8W	1 PCS	R104,R924,R925
201-051000-185	RESISTOR 1 MOHM +-5% 1/8W	2 PCS	R25
202-100505-505	G CERAMIC CAP 5 PF/50V SL +-5%	1 PCS	R945,R948
202-101805-505	G CERAMIC CAP 18 PF/50V SL	1 PCS	C920
202-103005-505	H CERAMIC CAP 30 PF/50V SL	6 PCS	C140
202-103305-505	H CERAMIC CAP 33 PF/50V SL	2 PCS	C105,C106,C138,C139,C713,C714
202-104705-505	H CERAMIC CAP 47 PF/50V SL	1 PCS	C950,C951
202-211005-101	G CERAMIC CAP 100 PF/50V B(X7R	5 PCS	C114
202-213005-101	G CERAMIC CAP 300 PF/50V B(X7R	1 PCS	C111,C112,C113,C916,C952
202-213305-101	G CERAMIC CAP 330 PF/50V B(X7R	2 PCS	C121
202-221005-101	G CERAMIC CAP 0.001 UF/50V B	8 PCS	C904,C942
202-422201-202	G CERAMIC CAP 0.0022 UF/16V X	1 PCS	C125,C133,C136,C910,C943,C948,C949,C983
202-422701-101	G CERAMIC CAP 0.0027 UF/16V X	1 PCS	C921
202-423301-202	G CERAMIC CAP 0.0033 UF/16V X	3 PCS	C132
202-500305-505	G CERAMIC CAP 3 PF/50V NPO	2 PCS	C907,C914,C919
202-500335-505	G CERAMIC CAP 3.3 PF/50V NPO	2 PCS	C126,C127
202-500505-505	G CERAMIC CAP 5 PF/50V NPO	1 PCS	C707,C708
202-501505-505	G CERAMIC CAP 15 PF/50V NPO	2 PCS	C120
202-631002-802	G CERAMIC CAP 0.01 UF/25V F	7 PCS	C922
202-631502-802	G CERAMIC CAP 0.015 UF/25V F	1 PCS	C110,C116,C119,C926,C972,C980,C998
202-631802-802	G CERAMIC CAP 0.018 UF/25V F	3 PCS	C912
202-632002-802	G CERAMIC CAP 0.020 UF/25V F	1 PCS	C141,C142,C913
202-632202-802	G CERAMIC CAP 0.022 UF/25V F	2 PCS	C122
202-633302-802	G CERAMIC CAP 0.033 UF/25V F	4 PCS	C103,C118
202-634702-802	G CERAMIC CAP 0.047 UF/25V F	3 PCS	C902,C903,C905,C923
202-641002-802	G CERAMIC CAP 0.1 UF/25V F(Y5V	18 PCS	C908,C927,C930
202-641502-802	G CERAMIC CAP 0.15 UF/25V F(Y5	2 PCS	C107,C108,C135,C137,C143,C144,C706,C709,C710,C711,C911,C932,C944, C968,C970,C984,C985,C986
203-041050-202	ELECT CAP 0.1 UF/50V +-20%	1 PCS	C901,C909
203-042250-202	ELECT CAP 0.22 UF/50V +-20%	1 PCS	C130
203-051050-202	ELECT CAP 1 UF/50V +-20%	1 PCS	C931
203-053350-202	ELECT CAP 3.3 UF/50V +-20%	1 PCS	C712
			C145

PC-X250

Tuner pcb

203-054750-202	ELECT CAP 4.7 UF/50V +-20%	3 PCS	C145,C701,C935
203-061025-212	ELECT CAP 10 UF/25V +-20%	7 PCS	C18,C963,C965,C915,C901,C905,C963
203-062210-202	ELECT CAP 22 UF/10V +-20%	1 PCS	C933
203-064710-202	ELECT CAP 47 UF/10V +-20%	2 PCS	C6,C146
203-072210-202	ELECT CAP 220 UF/10V +-20%	3 PCS	C1,C27,C967
203-074710-202	ELECT CAP 470 UF/10V +-20%	1 PCS	C969
203-081010-202	ELECT CAP 1000 UF/10V +-20%	1 PCS	C971
206-100201-000	DIODE VCD/SVC201 NSX1900	2 PCS	VD101,VD102
206-100348-000	G DIODE VCD/SVC348 PC-X250	1 PCS	D115
206-104148-000	DIODE IN-4148 38.39.4630.63.	20 PCS	D1,D2,D3,D5,D7,D101,D102,D701,D702,D703,D709,D711,D713,D715, D716,D717,D718,D719,D901,D902
206-106938-000	DIODE RPM-6938-V4 (ROHM) AM201	1 PCS	
206-200056-102	ZENER 5.6V 1/2W CD82/CD978/CH	1 PCS	D102
207-003330-000	TRANSISTOR 2SC-3330U CD9788/	3 PCS	Q104,Q903,Q904
207-003399-000	E TRANSISTOR C3399 PC-X250	6 PCS	Q6,Q702,Q705,Q706,Q707,Q708
207-008550-020	TRANSISTOR 8550B/C #38/39/4630	2 PCS	Q918,Q919
207-009014-030	TRANSISTOR 9014C #38/39/4630/	10 PCS	Q1,Q2,Q3,Q4,Q8,Q9,Q11,Q12,Q723,Q921
207-009018-080	TRANSISTOR 9018-H 38/39/63/731	1 PCS	Q15
207-190764-040	TRANSISTOR 2SB-764-D CD85.97	1 PCS	Q909
207-191317-913	TRANSISTOR 2SA-1317-S-AC CD84.	1 PCS	Q901
207-191346-130	TRANSISTOR 2SA-1346-AC CD84.85	2 PCS	Q902,Q34
207-191936-913	TRANSISTOR 2SD-1936-S-AC CD84	4 PCS	Q1,Q2,Q3,Q4
208-010720-118	CERAMIC FILTER 10.7 MCI-A 2PIN	1 PCS	CF104
208-010730-018	CERAMIC FILTER 10.7 MHz 3 PINS	2 PCS	CF101,CF102
208-045030-000	CERAMIC FILTER 450 KHz 3 PINS	1 PCS	CF106
209-181612-010	I.F.T. OSC 1A612R RED 10 mm MW	1 PCS	T101
209-252070-010	I.F.T. IF 2070 YELLOW 10 mm	1 PCS	T103
210-001823-000	I.C. SANYO LA-1823-ESIA CD9938	1 PCS	IC101
210-006541-004	I.C. SANYO LA-6541D CD72.76.83	1 PCS	IC903
210-009241-013	I.C. SANYO LA-9241M CD7588/PC-	1 PCS	IC901
210-072131-000	I.C. SANYO LC-72131D AMR211/31	1 PCS	IC1
210-078622-005	I.C. SANYO LC-78622E CD72.82.	1 PCS	IC902
210-587008-000	G I.C. SANYO LC-587008 PC-X250	1 PCS	IC701
212-065025-100	AM COIL 65:25T WIRE 4 x 100mm	1 PCS	L6
213-035035-070	FM COIL 3.5T 3.5 x 0.7 mm	1 PCS	L105
213-035045-070	FM COIL 3.5T 4.5 x 0.7 mm	1 PCS	L104
216-000010-018	TRIMMER 10 PF RED	2 PCS	CT102,CT103
217-060650-450	TACT SWITCH H=5mm W=6x6mm	15 PCS	SW1-SW11,SW13-SW16
217-200035-050	LEAF SWITCH LS-N35 #CD8488/	1 PCS	
220-207634-241	G LCD DISPLAY 76x34 mm 24 PINS	1 PCS	LCD701
222-010070-000	FERRITE BAR 10 x 70 mm	1 PCS	
226-002600-000	CHOKE COIL 26 uH x2 , COMMON	1 PCS	L1

Tuner pcb

2-8

226-010000-000	CHOKO COIL 100 uH #38.7017.801	1 PCS	L2
227-060505-000	LED ROUND TYPE FLAT HEAD	3 PCS	D1,D4,D6
229-016934-000	CRYSTAL 16.9344 MHz #AMR209.	1 PCS	X901
229-040000-000	G CRYSTAL 4 MHz PC-X250	1 PCS	X701
229-045000-000	CRYSTAL 4.5 MHz	1 PCS	X105
229-327680-200	CRYSTAL 32.768KHz 20PPM HOOR,	1 PCS	X702
232-160190-310	FFC HEADER 16 PINS 1.0mm V	1 PCS	CN901
233-020200-020	HEADER 2 PINS "JST" 2.0mm V	1 PCS	CN904
233-030200-020	HEADER 3 PINS "JST" 2.0mm V	1 PCS	CN702
233-040200-025	HEADER 4 PINS "JST" 2.5mm V	1 PCS	CN701
233-050200-025	HEADER 5 PINS "JST" 2.5mm V	1 PCS	CN302
233-060200-020	HEADER 6 PINS "JST" 2.0 mm V	1 PCS	CN903
237-260080-055	JUMPER WIRE #26 80 mm YELLOW	1 PCS	TUNER BD. C TO D
237-260100-058	JUMPER WIRE #26 100 mm ORANG	1 PCS	TUNER BD. E TO F
237-260150-021	JUMPER WIRE #26 150 mm BLUE	1 PCS	TUNER BD. A TO B
238-120060-102	SCREW ST 2 x 6 mm KB BLACK	5 PCS	CD DOOR LENS
238-120060-602	SCREW ST 2 x 6 mm PB BLACK	1 PCS	LEAF SW.
238-126080-632	SCREW ST 2.6 x 8 mm PWB	4 PCS	CD DECK
238-130080-602	SCREW ST 3 x 8 mm PB	10 PCS	CONTROL BD.
238-130080-632	SCREW ST 3 x 8 mm PWB	1 PCS	CD DOOR GEAR
248-250801-123	G P.C.B. PC-X250 TUNER BD.	1 PCS	
270-121524-122	ROTARY ENCODER EC12E24204F2	1 PCS	VR501
356-110300-091	E CD DECK MECHANISM (SANYO) I	1 PCS	
401-101032-000	ANTENNA BAR HOLDER (8012) 801:	2 PCS	
453-030100-050	METAL WASHER 3x10x0.5mm	4 PCS	
458-328840-220	RUBBER SILICON(BLACK) HARDNE	4 PCS	
473-300160-500	CD MAGNET RING 30x16X5mm CD8	1 PCS	
479-328800-000	SPRING FOR CD DOOR	1 PCS	
500-100000-000	CD CHUCK A (FOR SONY&SANYO C	1 PCS	
500-291942-501	CD CHUCK M (FOR SANYO DA11)	1 PCS	
500-991110-000	CD MEDHANISM COVER (FOR SAN'	1 PCS	
525-031064-000	DISPLAY BRACKET PC-X250	1 PCS	
539-121100-000	GEAR FOR CASS DOOR 3918	1 PCS	
539-121200-000	GEAR HOLER FOR CASS DOOR 39'	1 PCS	
846-209000-000	CD DOOR LOCK AMR-209M/V3/340	1 PCS	

Audio pcb

Part No.	Materials	Qty	Position
201-000220-125	RESISTOR 2.2 OHM +-5% 1/2W	2 PCS	R240,R406
201-000220-145	RESISTOR 2.2 OHM +-5% 1/4W	1 PCS	R408
201-000220-185	RESISTOR 2.2 OHM +-5% 1/8W	2 PCS	R306,R307
201-000560-185	RESISTOR 5.6 OHM +-5% 1/8W	1 PCS	R804
201-001000-145	RESISTOR 10 OHM +-5% 1/4W	1 PCS	R239
201-002200-185	RESISTOR 22 OHM +-5% 1/8W	1 PCS	R568
201-003300-185	RESISTOR 33 OHM +-5% 1/8W	5 PCS	R207,R208,R217,R238,R254
201-008200-185	RESISTOR 82 OHM +-5% 1/8W	1 PCS	R414
201-011000-185	RESISTOR 100 OHM +-5% 1/8W	4 PCS	R204,R221,R246,R508
201-011500-185	RESISTOR 150 OHM +-5% 1/8W	3 PCS	R407,R409,R412
201-012200-145	RESISTOR 220 OHM +-5% 1/4W	2 PCS	R301,R302
201-012200-185	RESISTOR 220 OHM +-5% 1/8W	1 PCS	R213
201-013300-185	RESISTOR 330 OHM +-5% 1/8W	1 PCS	R405
201-015600-185	RESISTOR 560 OHM +-5% 1/8W	1 PCS	R402
201-016800-185	RESISTOR 680 OHM +-5% 1/8W	1 PCS	ZD201
201-021000-185	RESISTOR 1 KOHM +-5% 1/8W	5 PCS	R201,R202,R221,R223,R241
201-022200-185	RESISTOR 2.2 KOHM +-5% 1/8W	11 PCS	R215,R235,R244,R245,R248,R249,R250,R251,R253,R316,R319
201-022700-185	RESISTOR 2.7 KOHM +-5% 1/8W	1 PCS	R316
201-023300-185	RESISTOR 3.3 KOHM +-5% 1/8W	3 PCS	R247,R257,R258
201-023900-185	RESISTOR 3.9 KOHM +-5% 1/8W	2 PCS	R505,R506
201-024700-185	RESISTOR 4.7 KOHM +-5% 1/8W	6 PCS	R220,R311,R516,R569,R570,R571
201-025600-185	RESISTOR 5.6 KOHM +-5% 1/8W	3 PCS	R247,R256,R803
201-031000-185	RESISTOR 10 KOHM +-5% 1/8W	16 PCS	R303,R304,R320,R321,R404,R410,R507,R509,R510,R571,R511,R512, R513,R801,R802,R805
201-031200-185	RESISTOR 12 KOHM +-5% 1/8W	5 PCS	R11,R227,R312,R313,R2105
201-031500-185	RESISTOR 15 KOHM +-5% 1/8W	2 PCS	R211,R212
201-032200-185	RESISTOR 22 KOHM +-5% 1/8W	3 PCS	R259,R317,R569
201-032700-185	RESISTOR 27 KOHM +-5% 1/8W	1 PCS	R225
201-034700-185	RESISTOR 47 KOHM +-5% 1/8W	10 PCS	R234,R235,R209,R210,R565,R566,R562,R228,R401,R230
201-036800-185	RESISTOR 68 KOHM +-5% 1/8W	2 PCS	R242,R243
201-038200-185	RESISTOR 82 KOHM +-5% 1/8W	2 PCS	R501,R521
201-041000-185	RESISTOR 100 KOHM +-5% 1/8W	8 PCS	R221,R236,R252,R253,R403,R413,R561,R564
201-041500-185	RESISTOR 150 KOHM +-5% 1/8W	1 PCS	R237
201-044700-185	RESISTOR 470 KOHM +-5% 1/8W	1 PCS	R315
201-051000-185	RESISTOR 1 MOHM +-5% 1/8W	1 PCS	R214
202-215005-101	H CERAMIC CAP 500 PF/50V B(X	4 PCS	C212,C213,C239,C240
202-221005-101	G CERAMIC CAP 0.001 UF/50V B	3 PCS	C303,C304,C804
202-421501-202	G CERAMIC CAP 0.0015 UF/16V)	4 PCS	C216,C217,C244,C247
202-422701-202	G CERAMIC CAP 0.0027 UF/16V)	2 PCS	C514,C523
202-424701-202	G CERAMIC CAP 0.0047 UF/16V)	3 PCS	C210,C211,C803

Audio pcb

202-631002-802	G CERAMIC CAP 0.01 UF/25V F	1 PCS	C802
202-632202-802	G CERAMIC CAP 0.022 UF/25V F	6 PCS	C203,C222,C223,C234,C406,C805
202-633902-802	G CERAMIC CAP 0.039 UF/25V F	2 PCS	C220,C221
202-641002-802	G CERAMIC CAP 0.1 UF/25V F(Y5)	10 PCS	C228,C232,C315,C408,C515,C516,C517,C518,C522,C1
202-641502-802	G CERAMIC CAP 0.15 UF/25V F(Y5)	2 PCS	C306,C307
203-044750-202	ELECT CAP 0.47 UF/50V +-20%	2 PCS	C224,C225
203-051050-202	ELECT CAP 1 UF/50V +-20%	18 PCS	C204,C206,C207,C208,C209,C236,C312,C314,C314,C501,C502, C503,C505,C506,C509,C510,C511,C512
203-052250-202	ELECT CAP 2.2 UF/50V +-20%	1 PCS	C231
203-054725-202	ELECT CAP 4.7 UF/25V +-20%	4 PCS	C316,C317,C502,C519
203-061016-202	ELECT CAP 10 UF/16V +-20%	7 PCS	C238,C576,C412,C14,C568,C214,C215
203-062216-202	ELECT CAP 22 UF/16V +-20%	4 PCS	C226,C227,C233,C523
203-064725-202	ELECT CAP 47 UF/25V +-20%	11 PCS	C301,C302,C305,C402,C407,C315,C544,C404,C243,C237,C242
203-071010-202	ELECT CAP 100 UF/10V +-20%	6 PCS	C218,C219,C230,C226,C227,C241
203-071016-202	ELECT CAP 100 UF/16V +-20%	4 PCS	C308,C309,C229,C538
203-072216-202	ELECT CAP 220 UF/16V +-20%	3 PCS	C2,C401,C806
203-074710-202	ELECT CAP 470 UF/10V +-20%	2 PCS	C521,C524
203-081016-202	ELECT CAP 1000 UF/16V +-20%	2 PCS	C310,C311
203-083325-202	ELECT CAP 3300 UF/25V +-20%	1 PCS	C409
204-021099-101	MYLAR CAP 0.001 UF/100V +-10%	3 PCS	C303,C304,C804
204-021599-101	MYLAR CAP 0.0015 UF/100V +-10%	4 PCS	C216,C217
204-024799-101	MYLAR CAP 0.0047 UF/100V +-10%	3 PCS	C210,C803
204-031099-101	MYLAR CAP 0.01 UF/100V +-10%	1 PCS	C802
204-032299-101	MYLAR CAP 0.022 UF/100V +-10%	3 PCS	C222,C223,C801
204-033950-101	MYLAR CAP 0.039 UF/50V +-10%	2 PCS	C220,C221
204-041599-101	MYLAR CAP 0.15 UF/100V +-10%	2 PCS	C306,C307
206-104148-000	DIODE IN-4148 38.39.4630.63.	5 PCS	D203,D205,D301,D302,D303
206-200043-102	ZENER 4.3V 1/2W CH818RC	1 PCS	D423
206-200056-102	ZENER 5.6V 1/2W CD82/CD978/C	2 PCS	D401,D422
206-200082-102	ZENER 8.2V 1/2W #CD32.42.72.71	1 PCS	D206
206-200091-102	ZENER 9.1V 1/2W CD3508	2 PCS	D1,D402
206-304001-000	RECTIFIER IN-4001 38.39.63.70.	1 PCS	D421
207-000772-250	TRANSISTOR B772-Y SKC-V3	1 PCS	Q401
207-008050-030	TRANSISTOR 8050C/D #38/39/63/	4 PCS	Q214,Q403,Q506,Q801
207-008550-020	TRANSISTOR 8550B/C #38/39/46/	4 PCS	Q204,Q211,Q407,Q409
207-009014-030	TRANSISTOR 9014C #38/39/4630.	20 PCS	Q303,Q406,Q203,Q402,Q208,Q408,Q301,Q302,Q205,Q802,Q206,Q207, Q208,Q511,Q510,Q501,Q502,Q212,Q512,Q803
207-009015-030	TRANSISTOR 9015C #38/39/4630.	1 PCS	Q304
207-182061-500	TRANSISTOR 2SD-2061E #AMR2	1 PCS	Q404
207-182159-050	TRANSISTOR 2SD-2159E 8017/CI	1 PCS	Q410
209-223630-010	I.F.T. AC BIAS 3630 BLACK 10mr	1 PCS	T801
210-003126-014	G I.C. ROHM BA3126N PC-X250	1 PCS	IC201

Audio pcb

210-003308-000	I.C. ROHM BA-3308 #39/63/73/79	1 PCS	IC203
210-003416-022	I.C. ROHM BA-3416BL 63/73/8025	1 PCS	IC202
210-005417-000	I.C. ROHM BA-5417 AMR209/M90	1 PCS	IC301
210-075342-000	G I.C. SANYO LC75342 PC-X250	1 PCS	IC501
215-800500-000	SEMI-FIXED FRB-085-500 OHM /	1 PCS	SF201
218-622400-900	PUSH SWITCH PS-22E03 2P2T V	1 PCS	SW201
233-030200-025	HEADER 3 PINS "JST" 2.5mm V	1 PCS	CN201
233-040200-020	HEADER 4 PINS "JST" 2.0mm V	1 PCS	CN502
233-050200-025	HEADER 5 PINS "JST" 2.5mm V	2 PCS	CN202,CN405
233-080200-025	HEADER 8 PINS "JST" 2.5mm V	2 PCS	CN203,CN501
240-004000-000	DC JACK DC-400	1 PCS	DC401
241-000252-638	G RCA JACK MSP-252V-04 NI PC	1 PCS	JK301
248-250802-117	G P.C.B. PC-X250 AUDIO BD.	1 PCS	
201-000220-125	RESISTOR 2.2 OHM +-5% 1/2W	2 PCS	R240,R406
201-000220-145	RESISTOR 2.2 OHM +-5% 1/4W	1 PCS	R408
201-000220-185	RESISTOR 2.2 OHM +-5% 1/8W	2 PCS	R306,R307
201-000560-185	RESISTOR 5.6 OHM +-5% 1/8W	1 PCS	R804
201-001000-145	RESISTOR 10 OHM +-5% 1/4W	1 PCS	R239
201-002200-185	RESISTOR 22 OHM +-5% 1/8W	1 PCS	R568
201-003300-185	RESISTOR 33 OHM +-5% 1/8W	5 PCS	R207,R208,R217,R238,R254
201-008200-185	RESISTOR 82 OHM +-5% 1/8W	1 PCS	R414
201-011000-185	RESISTOR 100 OHM +-5% 1/8W	4 PCS	R204,R221,R246,R508
201-011500-185	RESISTOR 150 OHM +-5% 1/8W	3 PCS	R407,R409,R412
201-012200-145	RESISTOR 220 OHM +-5% 1/4W	2 PCS	R301,R302
201-012200-185	RESISTOR 220 OHM +-5% 1/8W	1 PCS	R213
201-013300-185	RESISTOR 330 OHM +-5% 1/8W	1 PCS	R405
201-015600-185	RESISTOR 560 OHM +-5% 1/8W	1 PCS	R402
201-016800-185	RESISTOR 680 OHM +-5% 1/8W	1 PCS	ZD201
201-021000-185	RESISTOR 1 KOHM +-5% 1/8W	5 PCS	R201,R202,R221,R223,R241
201-022200-185	RESISTOR 2.2 KOHM +-5% 1/8W	11 PCS	R215,R235,R244,R245,R248,R249,R250,R251,R253,R316,R319
201-022700-185	RESISTOR 2.7 KOHM +-5% 1/8W	1 PCS	R316
201-023300-185	RESISTOR 3.3 KOHM +-5% 1/8W	3 PCS	R247,R257,R258
201-023900-185	RESISTOR 3.9 KOHM +-5% 1/8W	2 PCS	R505,R506
201-024700-185	RESISTOR 4.7 KOHM +-5% 1/8W	6 PCS	R220,R311,R516,R569,R570,R571
201-025600-185	RESISTOR 5.6 KOHM +-5% 1/8W	3 PCS	R247,R256,R803
201-031000-185	RESISTOR 10 KOHM +-5% 1/8W	16 PCS	R303,R304,R320,R321,R404,R410,R507,R509,R510,R571,R511,R512, R513,R801,R802,R805
201-031200-185	RESISTOR 12 KOHM +-5% 1/8W	5 PCS	R11,R227,R312,R313,R2105
201-031500-185	RESISTOR 15 KOHM +-5% 1/8W	2 PCS	R211,R212
201-032200-185	RESISTOR 22 KOHM +-5% 1/8W	3 PCS	R259,R317,R569
201-032700-185	RESISTOR 27 KOHM +-5% 1/8W	1 PCS	R225
201-034700-185	RESISTOR 47 KOHM +-5% 1/8W	10 PCS	R234,R235,R209,R210,R565,R566,R562,R228,R401,R230

Audio pcb

201-036800-185	RESISTOR 68 KOHM +-5% 1/8W	2 PCS	R242,R243
201-038200-185	RESISTOR 82 KOHM +-5% 1/8W	2 PCS	R501,R521
201-041000-185	RESISTOR 100 KOHM +-5% 1/8W	8 PCS	R221,R236,R252,R253,R403,R413,R561,R564
201-041500-185	RESISTOR 150 KOHM +-5% 1/8W	1 PCS	R237
201-044700-185	RESISTOR 470 KOHM +-5% 1/8W	1 PCS	R315
201-051000-185	RESISTOR 1 MOHM +-5% 1/8W	1 PCS	R214
202-215005-101	H CERAMIC CAP 500 PF/50V B(X	4 PCS	C212,C213,C239,C240
202-221005-101	G CERAMIC CAP 0.001 UF/50V B	3 PCS	C303,C304,C804
202-421501-202	G CERAMIC CAP 0.0015 UF/16V)	4 PCS	C216,C217,C244,C247
202-422701-202	G CERAMIC CAP 0.0027 UF/16V)	2 PCS	C514,C523
202-424701-202	G CERAMIC CAP 0.0047 UF/16V)	3 PCS	C210,C211,C803
202-631002-802	G CERAMIC CAP 0.01 UF/25V F	1 PCS	C802
202-632202-802	G CERAMIC CAP 0.022 UF/25V F	6 PCS	C203,C222,C223,C234,C406,C805
202-633902-802	G CERAMIC CAP 0.039 UF/25V F	2 PCS	C220,C221
202-641002-802	G CERAMIC CAP 0.1 UF/25V F(Y	10 PCS	C228,C232,C315,C408,C515,C516,C517,C518,C522,C1
202-641502-802	G CERAMIC CAP 0.15 UF/25V F(Y	2 PCS	C306,C307
203-044750-202	ELECT CAP 0.47 UF/50V +-20%	2 PCS	C224,C225
203-051050-202	ELECT CAP 1 UF/50V +-20%	18 PCS	C204,C206,C207,C208,C209,C236,C312,C314,C314,C501,C502,C503, C505,C506,C509,C510,C511,C512 C231
203-052250-202	ELECT CAP 2.2 UF/50V +-20%	1 PCS	C231
203-054725-202	ELECT CAP 4.7 UF/25V +-20%	4 PCS	C316,C317,C502,C519
203-061016-202	ELECT CAP 10 UF/16V +-20%	7 PCS	C238,C576,C412,C14,C568,C214,C215
203-062216-202	ELECT CAP 22 UF/16V +-20%	4 PCS	C226,C227,C233,C523
203-064725-202	ELECT CAP 47 UF/25V +-20%	11 PCS	C301,C302,C305,C402,C407,C315,C544,C404,C243,C237,C242
203-071010-202	ELECT CAP 100 UF/10V +-20%	6 PCS	C218,C219,C230,C226,C227,C241
203-071016-202	ELECT CAP 100 UF/16V +-20%	4 PCS	C308,C309,C229,C538
203-072216-202	ELECT CAP 220 UF/16V +-20%	3 PCS	C2,C401,C806
203-074710-202	ELECT CAP 470 UF/10V +-20%	2 PCS	C521,C524
203-081016-202	ELECT CAP 1000 UF/16V +-20%	2 PCS	C310,C311
203-083325-202	ELECT CAP 3300 UF/25V +-20%	1 PCS	C409
204-021099-101	MYLAR CAP 0.001 UF/100V +-10%	3 PCS	C303,C304,C804
204-021599-101	MYLAR CAP 0.0015 UF/100V +-10%	4 PCS	C216,C217
204-024799-101	MYLAR CAP 0.0047 UF/100V +-10%	3 PCS	C210,C803
204-031099-101	MYLAR CAP 0.01 UF/100V +-10%	1 PCS	C802
204-032299-101	MYLAR CAP 0.022 UF/100V +-10%	3 PCS	C222,C223,C801
204-033950-101	MYLAR CAP 0.039 UF/50V +-10%	2 PCS	C220,C221
204-041599-101	MYLAR CAP 0.15 UF/100V +-10%	2 PCS	C306,C307
206-104148-000	DIODE IN-4148 38.39.4630.63.	5 PCS	D203,D205,D301,D302,D303
206-200043-102	ZENER 4.3V 1/2W CH818RC	1 PCS	D423
206-200056-102	ZENER 5.6V 1/2W CD82/CD978/C	2 PCS	D401,D422
206-200082-102	ZENER 8.2V 1/2W #CD32.42.72.71	1 PCS	D206
206-200091-102	ZENER 9.1V 1/2W CD3508	2 PCS	D1,D402

Audio pcb

206-304001-000	RECTIFIER IN-4001 38.39.63.70.	1 PCS	D421
207-000772-250	TRANSISTOR B772-Y SKC-V3	1 PCS	Q401
207-008050-030	TRANSISTOR 8050C/D #38/39/63/	4 PCS	Q214,Q403,Q506,Q801
207-008550-020	TRANSISTOR 8550B/C #38/39/46:	4 PCS	Q204,Q211,Q407,Q409
207-009014-030	TRANSISTOR 9014C #38/39/4630.	20 PCS	Q303,Q406,Q203,Q402,Q208,Q408,Q301,Q302,Q205,Q802,Q206,Q207, Q208,Q511,Q510,Q501,Q502,Q212,Q512,Q803
207-009015-030	TRANSISTOR 9015C #38/39/4630.	1 PCS	Q304
207-182061-500	TRANSISTOR 2SD-2061E #AMR2	1 PCS	Q404
207-182159-050	TRANSISTOR 2SD-2159E 8017/CI	1 PCS	Q410
209-223630-010	I.F.T. AC BIAS 3630 BLACK 10mr	1 PCS	T801
210-003126-014	G I.C. ROHM BA3126N PC-X250	1 PCS	IC201
210-003308-000	I.C. ROHM BA-3308 #39/63/73/79	1 PCS	IC203
210-003416-022	I.C. ROHM BA-3416BL 63/73/8025	1 PCS	IC202
210-005417-000	I.C. ROHM BA-5417 AMR209/M90	1 PCS	IC301
210-075342-000	G I.C. SANYO LC75342 PC-X250	1 PCS	IC501
215-800500-000	SEMI-FIXED FRB-085-500 OHM /	1 PCS	SF201
218-622400-900	PUSH SWITCH PS-22E03 2P2T V	1 PCS	SW201
233-030200-025	HEADER 3 PINS "JST" 2.5mm V	1 PCS	CN201
233-040200-020	HEADER 4 PINS "JST" 2.0mm V	1 PCS	CN502
233-050200-025	HEADER 5 PINS "JST" 2.5mm V	2 PCS	CN202,CN405
233-080200-025	HEADER 8 PINS "JST" 2.5mm V	2 PCS	CN203,CN501
240-004000-000	DC JACK DC-400	1 PCS	DC401
241-000252-638	G RCA JACK MSP-252V-04 NI PC	1 PCS	JK301
248-250802-117	G P.C.B. PC-X250 AUDIO BD.	1 PCS	

Rectifier pcb

Part No.	Materials	Qty	Position
202-634002-802	A CERAMIC CAP 0.040 UF/25V F	4 PCS	C1101-C1104
206-305401-000	RECTIFIER IN-5401 #AMR209.309L	4 PCS	D1101-D1104
231-220005-125	GLASS TUBE FUSE 2A 125V TSP	1 PCS	
233-020200-025	HEADER 2 PINS "JST" 2.5mm V	1 PCS	CN1101
248-250812-100	G P.C.B. PC-X250 RECTIFIER BD.	1 PCS	
406-050090-000	FUSE HOLDER 5 x 9 mm MW1010K	2 PCS	
202-634002-802	A CERAMIC CAP 0.040 UF/25V F	4 PCS	C1101-C1104
206-305401-000	RECTIFIER IN-5401 #AMR209.309L	4 PCS	D1101-D1104
231-220005-125	GLASS TUBE FUSE 2A 125V TSP	1 PCS	
233-020200-025	HEADER 2 PINS "JST" 2.5mm V	1 PCS	CN1101
248-250812-100	G P.C.B. PC-X250 RECTIFIER BD.	1 PCS	
406-050090-000	FUSE HOLDER 5 x 9 mm MW1010K	2 PCS	

Recording pcb

Part No.	Material	Qty	Position
218-085085-180	PUSH SWITCH PS-8.5x8.5-180G	1 PCS	SW802
233-030200-025	HEADER 3 PINS "JST" 2.5mm V	2 PCS	CN801,CN802
248-250813-100	G P.C.B. PC-X250 RECORDING BD.	1 PCS	

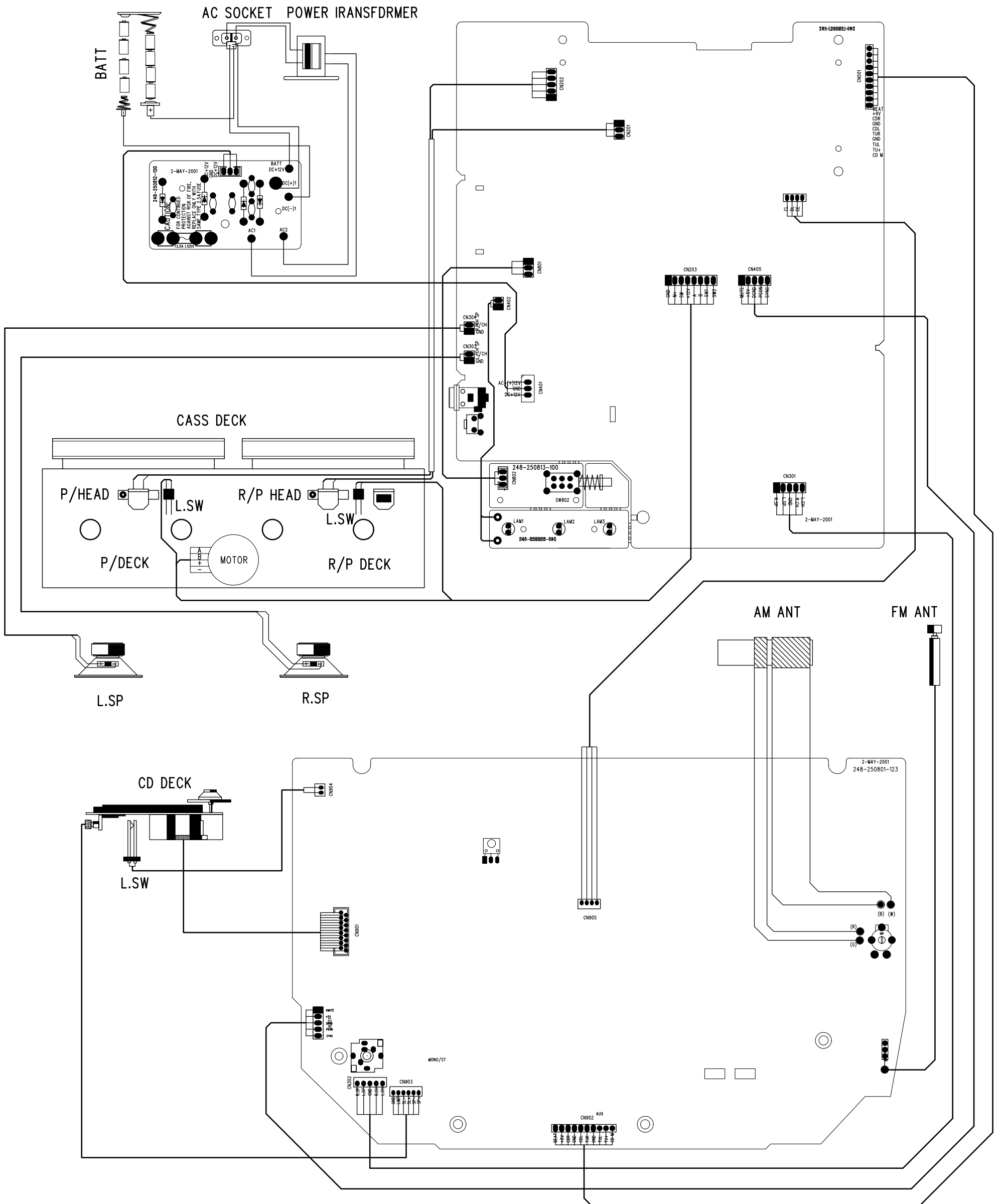
Lighting pcb

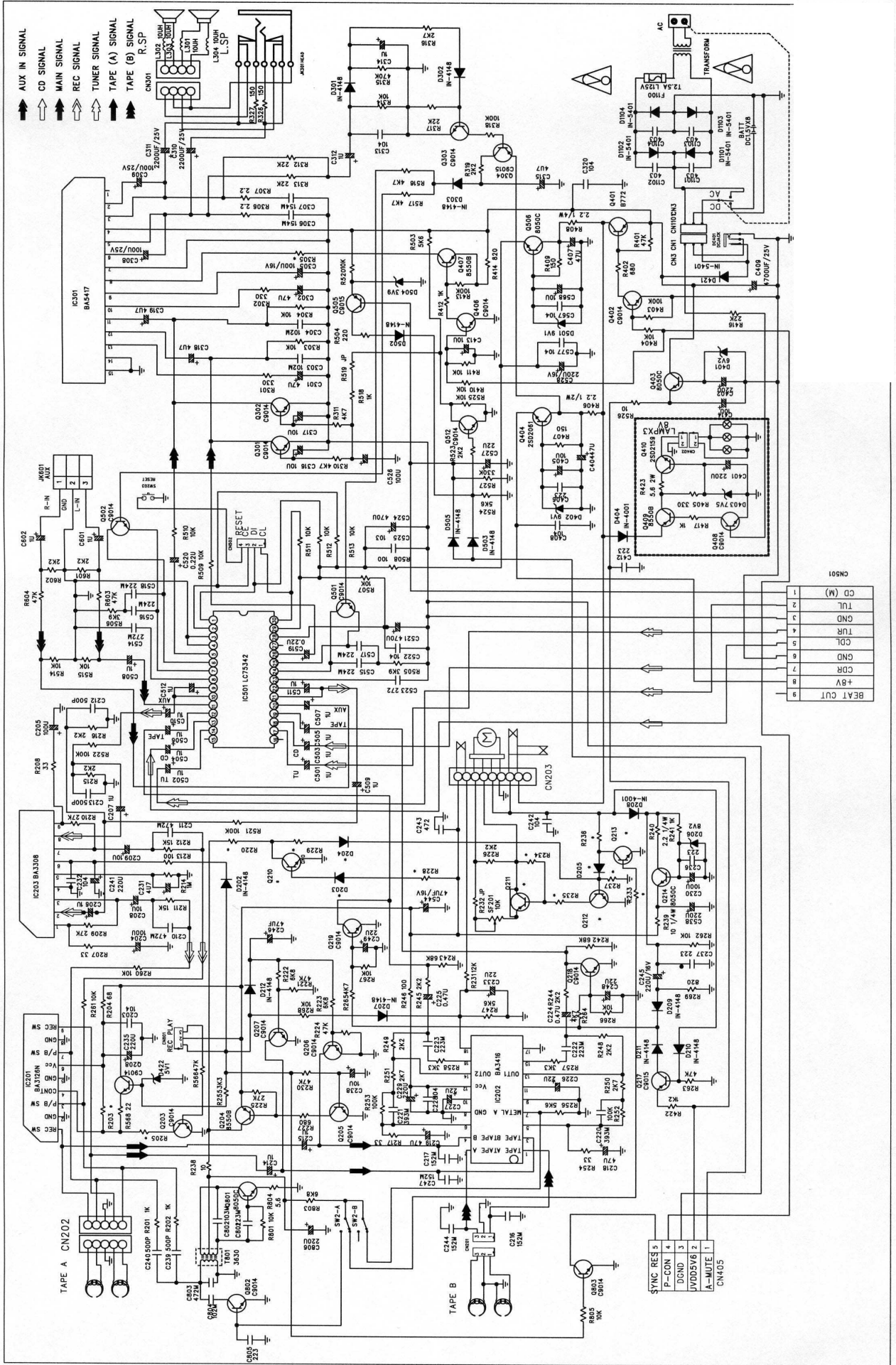
2-16

Part No.	Assembly/B.O.M.	Qty	Position
227-020302-86	(LIGHT BULB 8V 60 mA DIA=3 mm	3 PCS	LAMP701,LAMP702,LAMP703
248-250808-10	(G P.C.B. PC-X250 LIGHT BD.	1 PCS	
402-030070-02	1 LIGHT BULB COVER 3 mm (BLUE	3 PCS	LAMP701,LAMP702,LAMP703

PC-X250

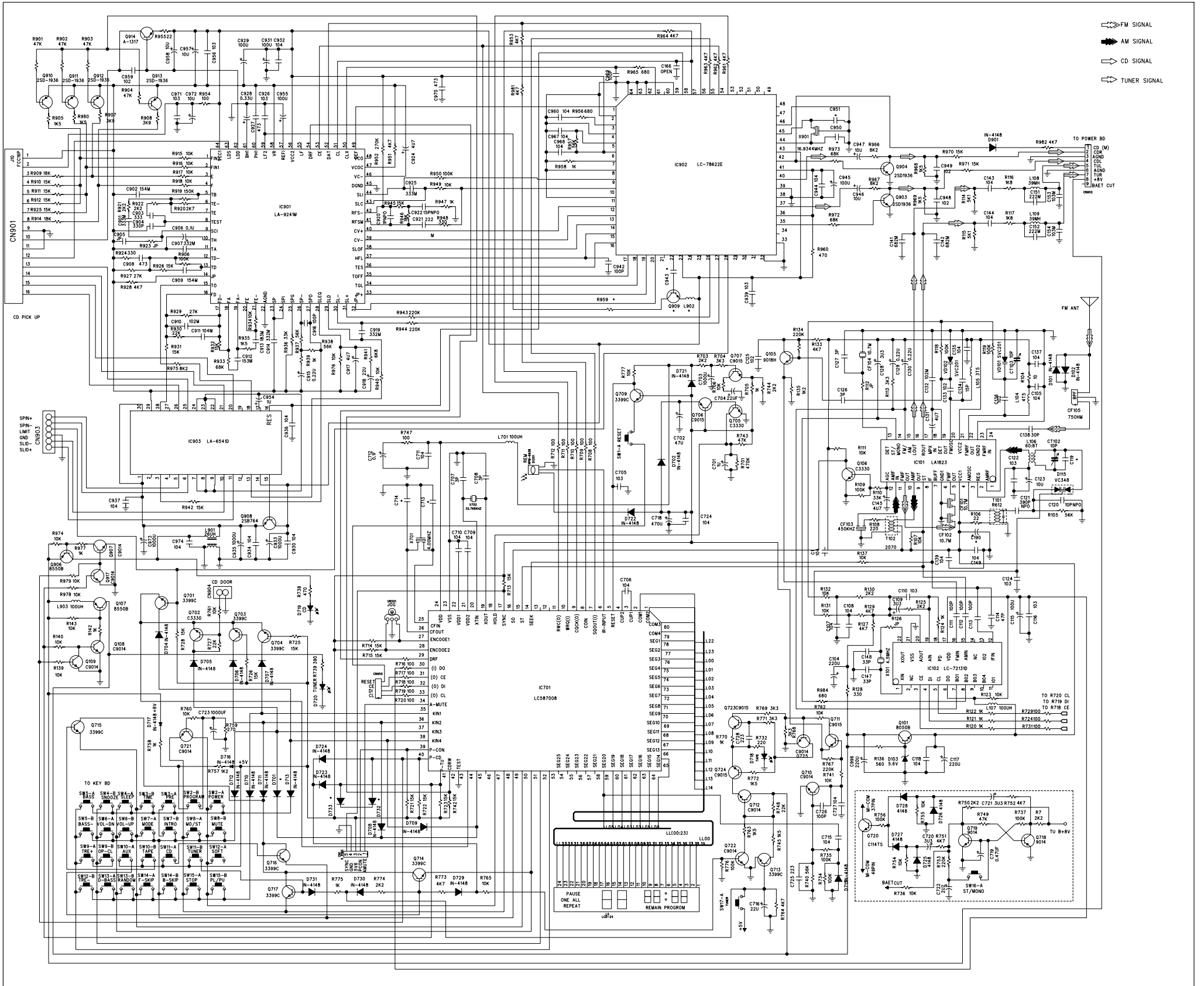
Wiring Diagram





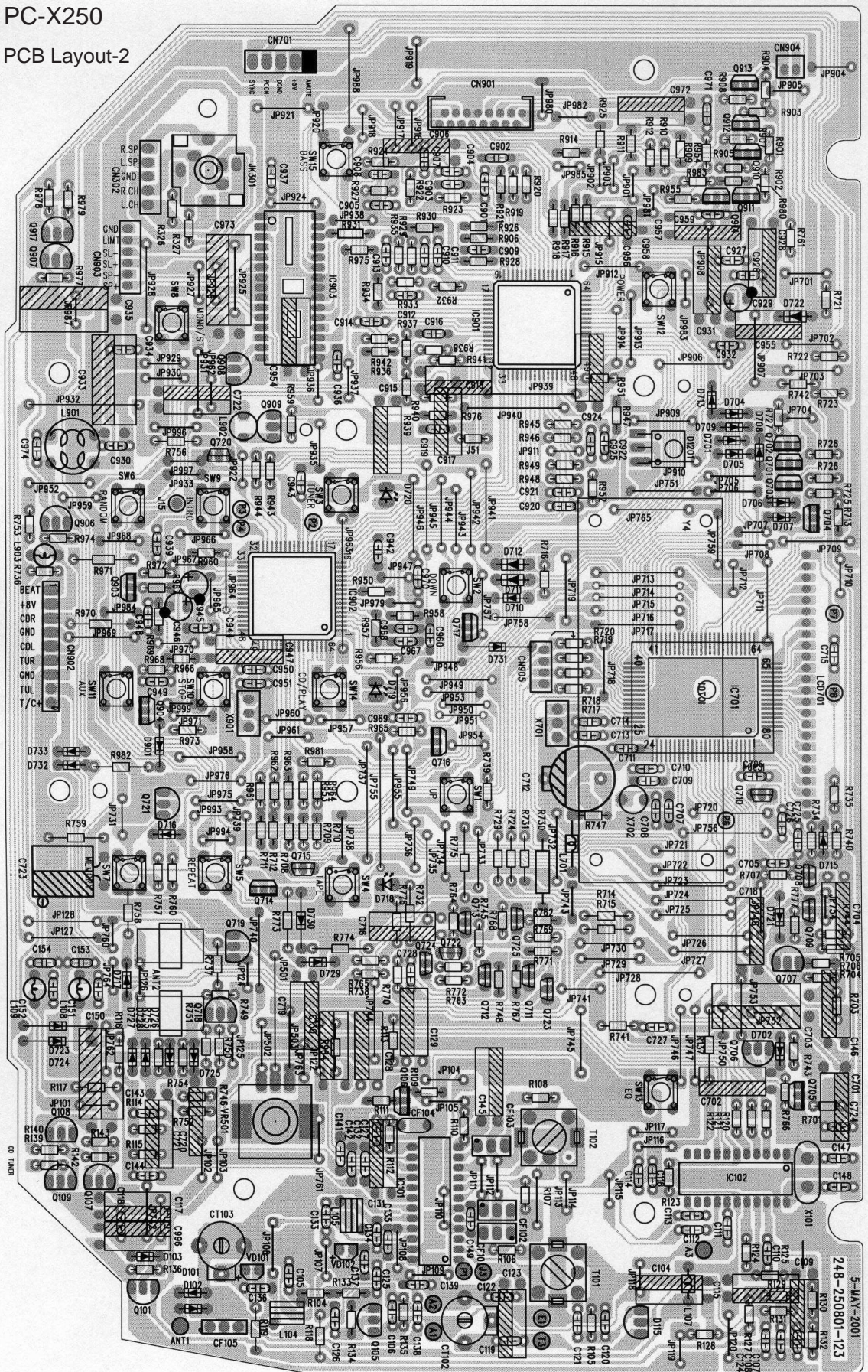
1	CD (M)
2	TUN
3	GND
4	TUR
5	CPL
6	GND
7	CDR
8	+BV
9	BEAT CUT

Circuit Diagram -2



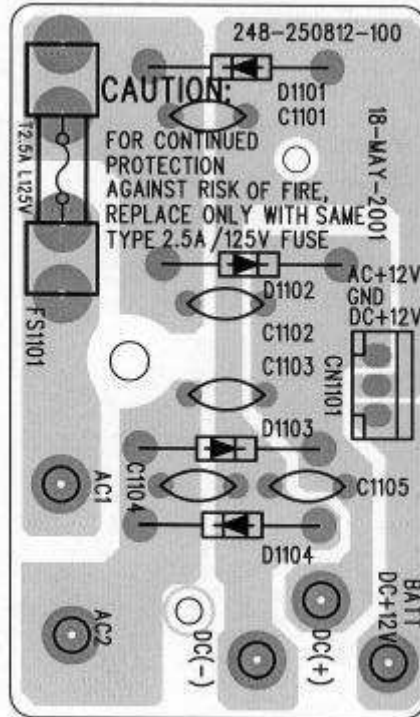
PC-X250

PCB Layout-2



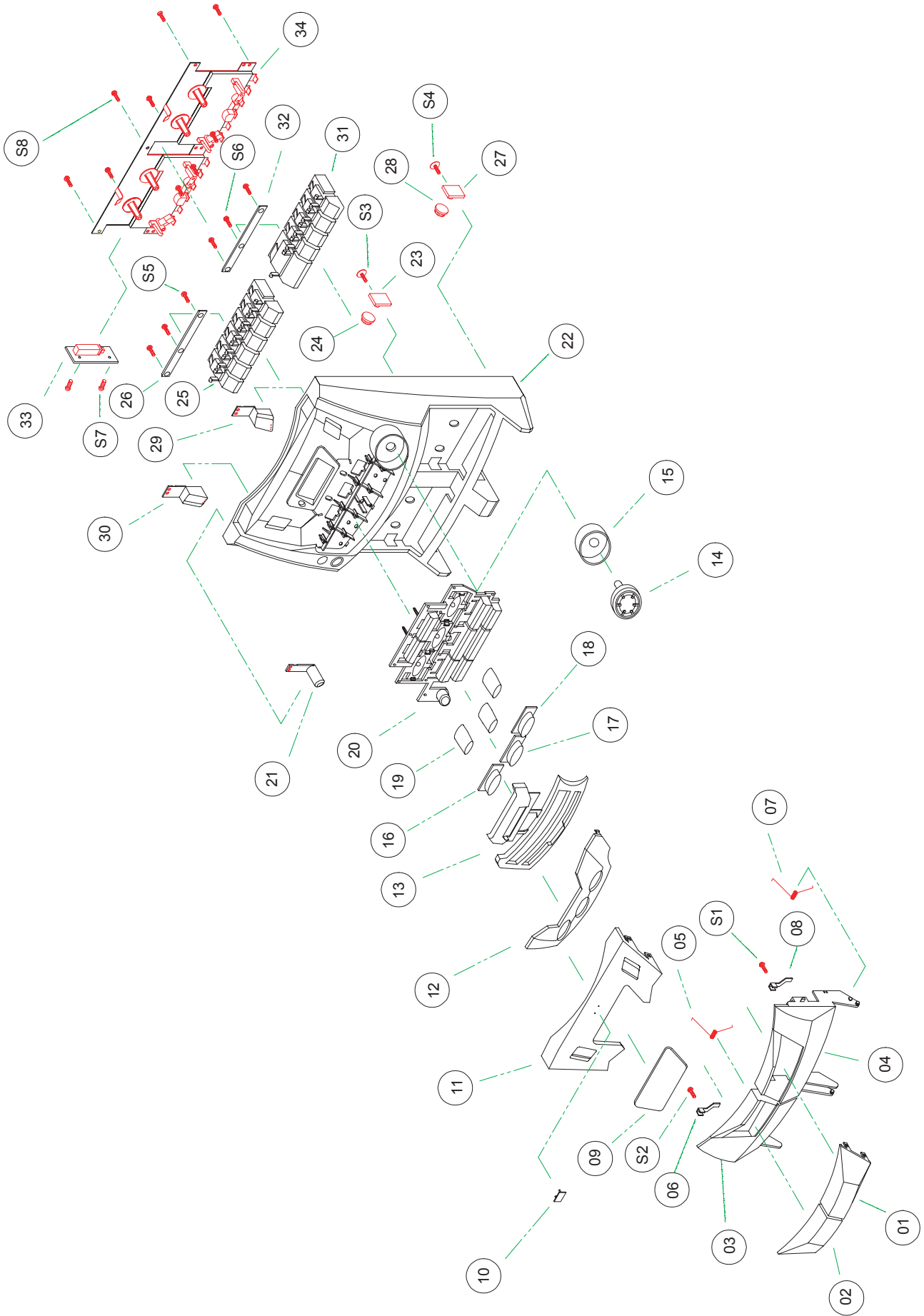
5-MAY-2001
248-250801-123

PCB Layout-3



PC-X250

Assembly- 1

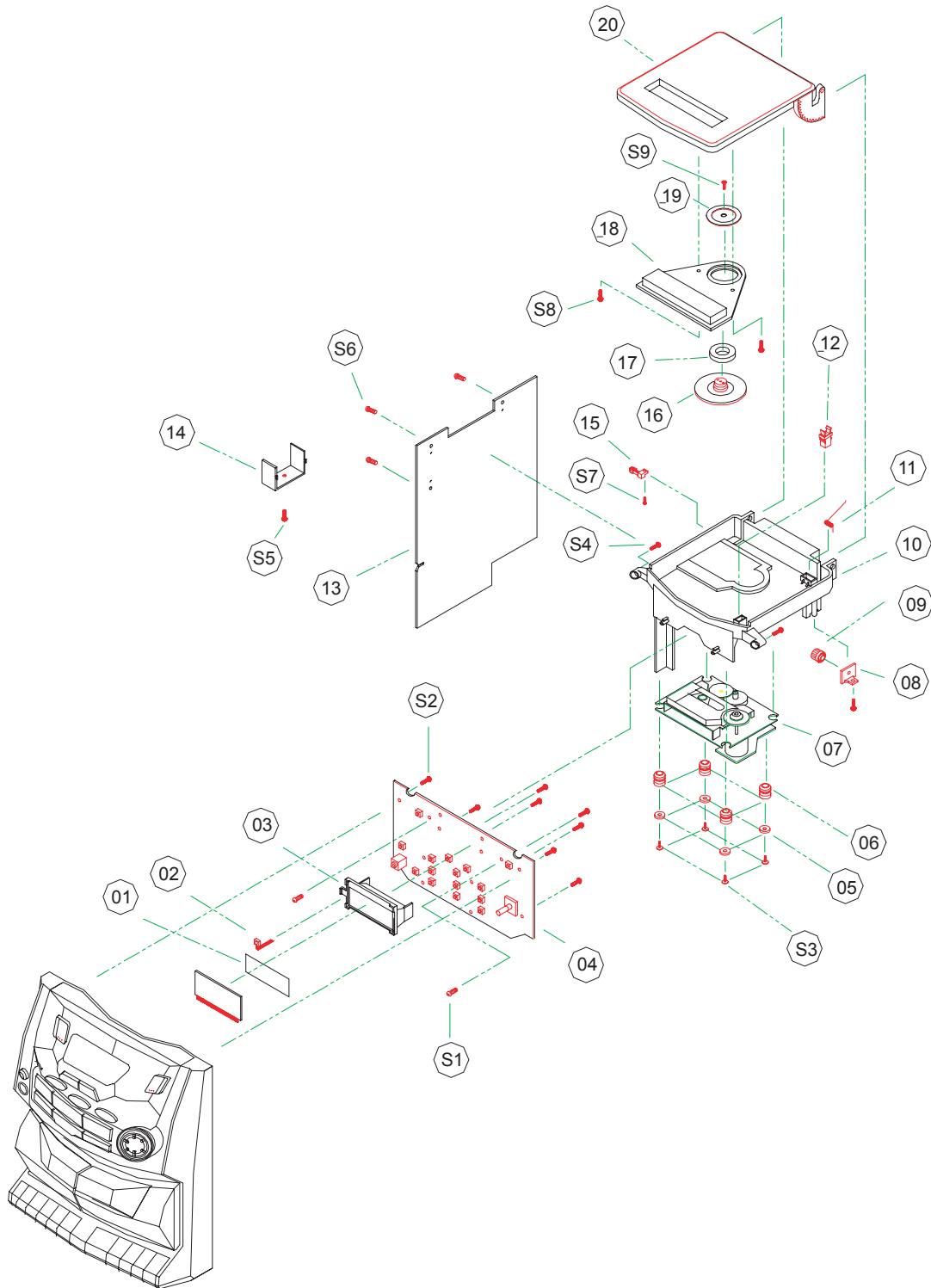


Assembly- 1

!	ITEM	PARTS NUMBER	PARTS NAME	Q'TY	DESCRIPTION/LOCALITY
	01	525-073030-011	RIGHT CASS DOOR LENS	1	
	02	525-072030-011	LEFT CASS DOOR LENS	1	
	03	525-0030S3-012	LEFT CASS DOOR	1	
	04	525-0130S3-012	RIGHT CASS DOOR	1	
	05	766-250000-000	LEFT CASS DOOR SPRING	1	
	06	525-029300-000	LEFT CASS TAPE BRACKET	1	
	07	766-250000-000	RIGHT CASS DOOR SPRING	1	
	08	525-029300-000	RIGHT CASS TAPE BRACKET	1	
	09	525-080400-013	CD DISPLAY LENS	1	
	10	500-810200-011	"JVC" NAME PLATE	1	
	11	525-045430-013	DISPLAY PANEL	1	
	12	525-0453S3-011	CONTROL PLATE	1	
	13	525-045817-011	FUNCTION PLATE	1	
	14	525-0074S3-000	VOLUME KNOB	1	
	15	525-090427-000	VOLUME KNOB RING	1	
	16	525-078827-011	RADIO KNOB LENS	1	
	17	525-078327-011	CD KNOB LENS	1	
	18	525-078027-011	TAPE KNOB LENS	1	
	19	525-080800-000	REFLECTION LENS	3	
	20	525-0500S3-013	CD CONTROL KNOB	12pcs/KIT	
	21	525-0072S3-000	SUPER BASS KNOB	1	
	22	525-0010S3-012	FRONT CABINET	1	
	23	539-121200-000	LEFT CASS DOOR GEAR HOLDER	1	
	24	539-121100-000	LEFT CASS DOOR GEAR	1	
	25	525-0102S3-012	LEFT CASS KNOB	5pcs/KIT	
	26	463-380000-000	LEFT CASS KNOB PLATE	1	
	27	539-121200-000	RIGHT CASS DOOR GEAR HOLDER	1	
	28	539-121100-000	RIGHT CASS DOOR GEAR	1	
	29	525-0085S3-000	EQ KNOB	1	
	30	525-0510S3-000	POWER CONTROL KNOB	1	
	31	525-0108S3-012	RIGHT CASS KNOB	6pcs/KIT	
	32	463-380000-000	RIGHT CASS KNOB PLATE	1	
	33	248-250813-000	RECORDING BOARD	1	
	34	156-255609-254	CASS DECK	1	
	S1	238-120060-602	SCREW 2 X 6 PB	1	FIX RIGHT TAPE BRACKET
	S2	238-120060-602	SCREW 2 X 6 PB	1	FIX LEFT TAPE BRACKET
	S3	238-130080-632	SCREW 3 X 8 PWB	1	FIX LEFT CASS DOOR GEAR
	S4	238-130080-632	SCREW 3 X 8 PWB	1	FIX RIGHT CASS DOOR GEAR
	S5	238-130060-602	SCREW 3 X 6 PB	3	FIX LEFT CASS DOOR PLATE
	S6	238-130060-602	SCREW 3 X 6 PB	3	FIX RIGHT CASS DOOR PLATE
	S7	238-220050-903	SCREW 2 X 5 MC	2	FIX THE RECORDING BOARD
	S8	238-130100-602	SCREW 3 X 10 PB	6	FIX CASS DECK

PC-X250

Assembly- 2

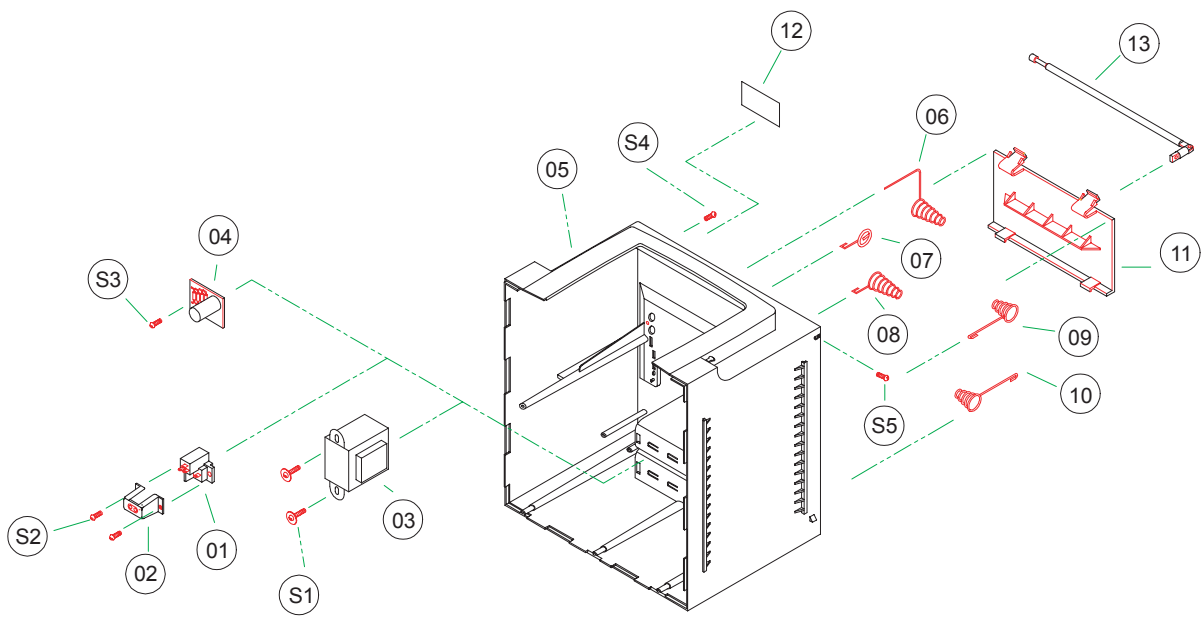


Assembly- 2

!	ITEM	PART NO.	PARTS NAME	Q'TY	DESCRIPTION/LOCALITY
	01	466-756350-050	PVC BACK LIGHT PLATE	1	
	02	206-106938-000	REMOTE RECEIVER	1	
	03	525-031064-000	CD DISPLAY BRACKET	1	
	04	248-250802-117	AUDIO BOARD	1	
	05	453-030100-050	METAL WASHER	4	
	06	458-328840-220	RUBBER SILICON	4	
	07	356-110300-091	CD DECK	1	
	08	539-121200-000	CD DOOR GEAR HOLDER	1	
	09	539-121100-000	CD DOOR GEAR	1	
	10	525-0470S3-000	CD TRAY	1	
	11	479-328800-000	CD DOOR SPRING	1	
	12	846-209000-000	CD DOOR LOCK	1	
	13	248-250801-123	TUNER BOARD	1	
	14	408-146395-150	HEAT SINK	1	
	15	217-200035-050	LEAF SWITCH	1	
	16	500-291942-501	CD CHUCK (M)	1	
	17	473-300160-500	CD MAGNET RING	1	
	18	525-080330-011	CD DOOR LENS	1	
	19	500-100000-000	CD CHUCK (A)	1	
	20	525-0490S3-014	CD DOOR	1	
	S1	238-130150-602	SCREW 3 x 15 PB	2	FROM AUDIO BOARD TO CD TRAY
	S2	238-130080-602	SCREW 3 x 8 PB	8	FIX THE AUDIO BOARD
	S3	238-126080-632	SCREW 2.6 X 8 PWB	4	FIX THE CD DECK
	S4	238-130100-602	SCREW 3 x 10 PB	2	FROM CD TRAY TO FRONT CABINET
	S5	238-230086-202	SCREW 3 X 8 BB (HARD)	1	FIX HEAT SINK
	S6	238-130080-602	SCREW 3 X 8 PB	3	FIX THE MAIN BOARD
	S7	238-120060-602	SCREW 2 X 6 PB (BLACK)	1	FIX CD LEAF SWITCH
	S8	238-130082-102	SCREW 3 X 8 KB (BLACK)	2	FIX CD DOOR LENS
	S9	238-220060-202	SCREW 2 X 6 BB	1	FIX CD CHUCK A

PC-X250

Assembly- 3

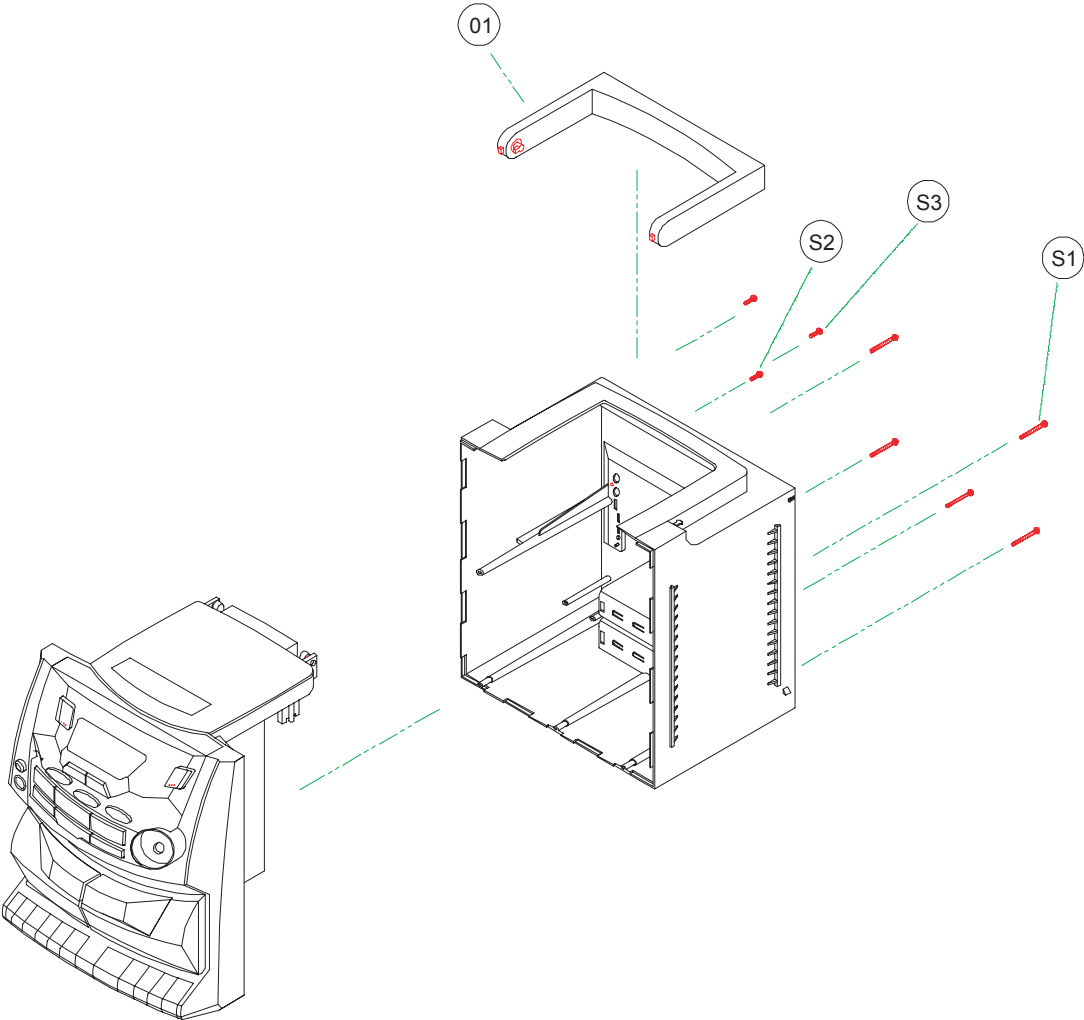


Assembly- 3

!	ITEM	PART NO.	PARTS NAME	Q'TY	DESCRIPTION/LOCALITY
!	01	158-000117-622	AC SOCKET	1	
!	02	500-025100-000	AC SOCKET COVER	1	
!	03	152-112560-225	POWER TRANSFORMER	1	
	04	248-250812-100	RECTIFIER BOARD	1	
	05	525-0020S3-012	BACK CABINET	1	
	06	763-250000-000	BATTERY SPRING (+/--)	1	
	07	764-701300-000	BATTERY SPRING (+)	1	
	08	765-901000-000	BATTERY SPRING (--)	1	
	09	763-455000-000	BATTERY SPRING (+/--)	1	
	10	763-331800-000	BATTERY SPRING (+/--)	1	
	11	525-0040S3-000	BATTERY DOOR	1	
	12	466-756350-050	PVC PLATE FOR VOLTAGE SELECTOR HOLE	1	COVER THE VOLTAGE SELECTOR HOLE
	13	155-420026-238	RADIO ANTENNA	1	
	S1	238-130200-632	SCREW 3 X 20 PWB	2	FIX POWER TRANSFORMER
	S2	238-128120-602	SCREW 2.8 X 12 PB	2	FIX AC SOCKET COVER
	S3	238-130080-602	SCREW 3 X 8 PB	1	FIX RECTIFIER BOARD
	S4	238-128120-602	SCREW 3 X 10 PB	1	FIX AUX JACK
	S5	238-130100-203	SCREW 3 X 10 BM (BLACK)	1	FIX RADIO ANTENNA

PC-X250

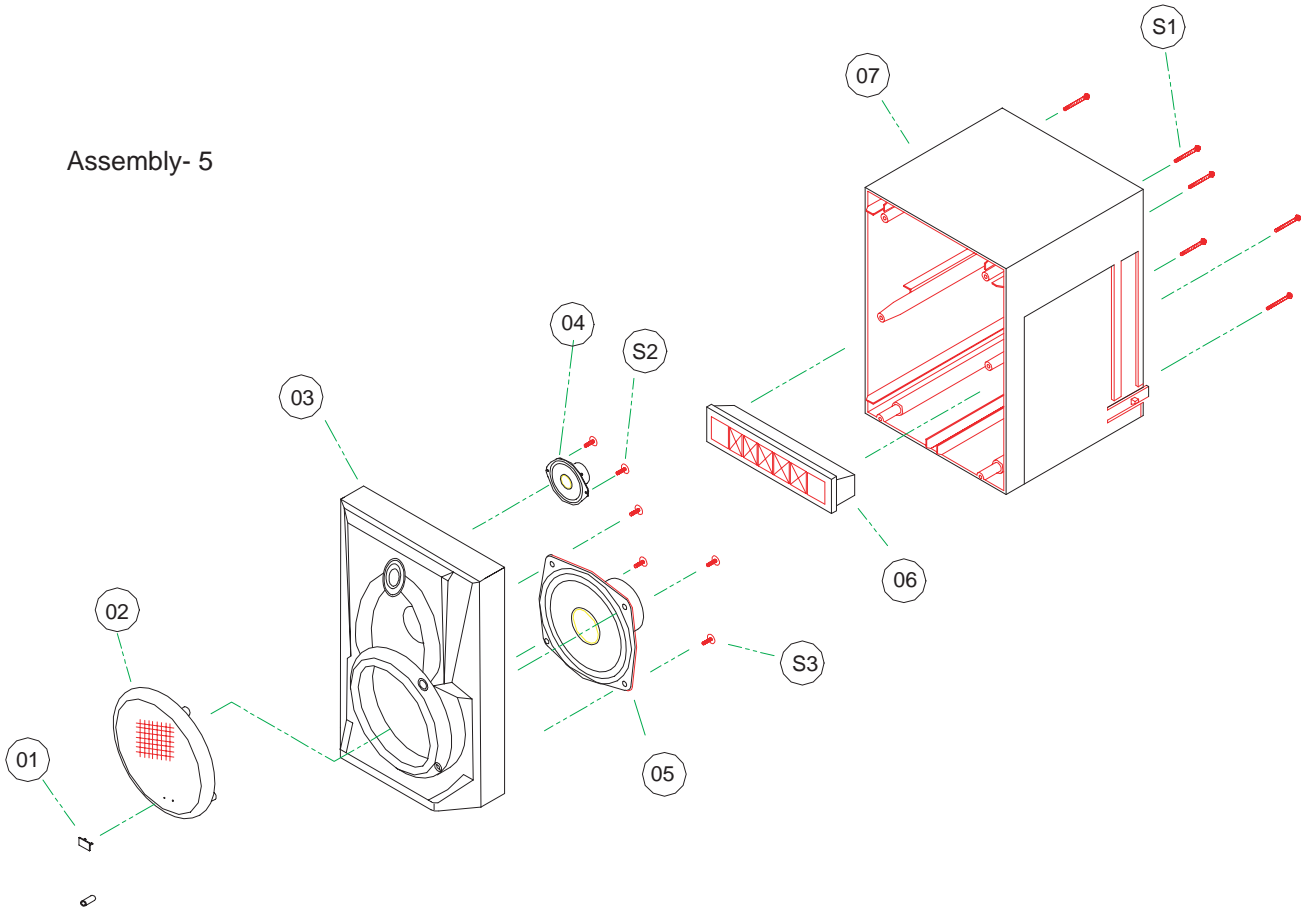
Assembly- 4



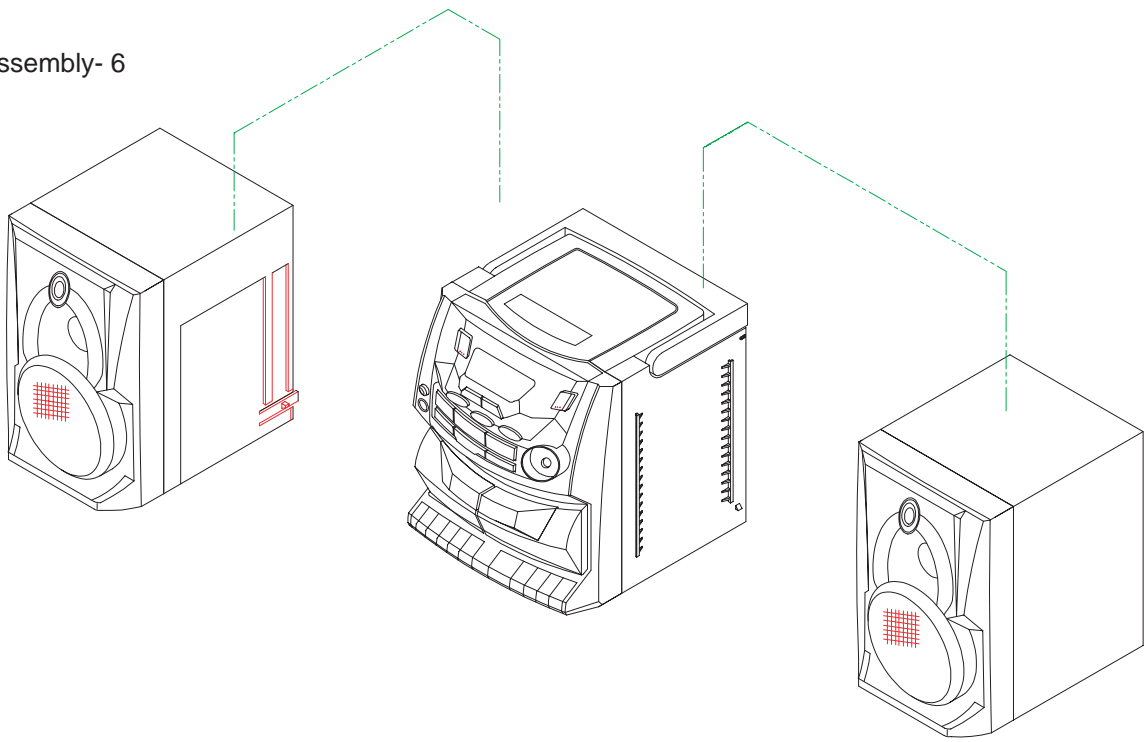
Assembly- 4

!	ITEM	PART NO.	PARTS NAME	Q'TY	DESCRIPTION/LOCALITY
	1	525-0050S3-000	HANDLE	1	
	S1	238-130250-602	SCREW 3 X 25 PB	5	FROM FRONT CASINET TO BACK CABINET
	S2	238-130100-602	SCREW 3 X 10 PB	1	FIX THE AUX JACK
	S3	238-128120-602	SCREW 2 X 5 MC	2	FIX THE RECORDING BOARD

Assembly- 5



Assembly- 6



Assembly- 5

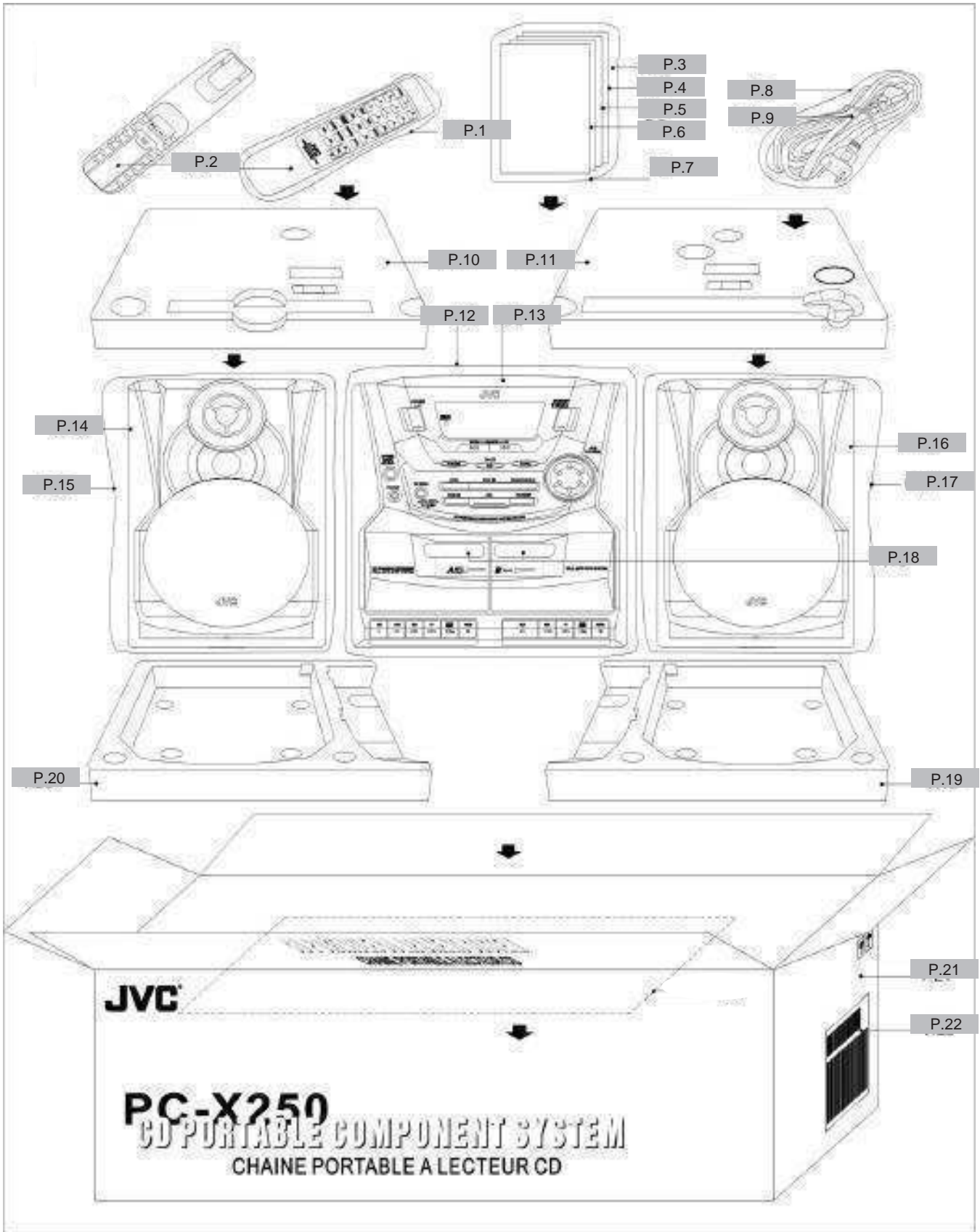
FOR RIGHT SPEAKER BOX ASSEMBLY

!	ITEM	PART NO.	PARTS NAME	Q'TY	DESCRIPTION/LOCALITY
	01	500-810200-011	"JVC" NAME PLATE	1	
	02	525-040000-000	SPEAKER NET HOLDER	1	
	03	525-0410S3-010	SPEAKER BOX PANEL	1	
	04	154-178450-329	LOUD SPEAKER	1	
	05	154-508380-609	SPEAKER	1	
	06	525-026900-000	SPEAKER CORD HOLDER	1	
	07	525-0390S3-008	RIGHT SPEAKER BOX BACK	1	
	S1	238-130300-602	SCREW 3 X 30 PB	6	FROM SPEAKER PANEL TO SPEAKER BOX BACK
	S2	238-130080-632	SCREW 3 X 8 PWB	2	FIX THE SPEAKER
	S3	238-130080-632	SCREW 3 X 8 PWB	4	FIX THE LOUD SPEAKER

FOR LEFT SPEAKER BOX ASSEMBLY

	ITEM	PART NO.	PARTS NAME	Q'TY	DESCRIPTION/LOCALITY
	01	500-810200-011	"JVC" NAME PLATE	1	
	02	525-040000-000	SPEAKER NET HOLDER	1	
	03	525-0410S3-010	SPEAKER BOX PANEL	1	
	04	154-508380-609	SPEAKER	1	
	05	154-178450-329	LOUD SPEAKER	1	
	06	525-026900-000	SPEAKER CORD HOLDER	1	
	07	525-0390S3-002	LEFT SPEAKER BOX BACK	1	
	S1	238-130300-602	SCREW 3 X 30 PB	6	FROM SPEAKER PANEL TO SPEAKER BOX BACK
	S2	238-130080-632	SCREW 3 X 8 PWB	4	FIX THE SPEAKER
	S3	238-130080-632	SCREW 3 X 8 PWB	2	FIX THE LOUD SPEAKER

Packing



Packing List

Item	Part's Name	Parts No.
P.1	Poly Bag	RC27-100S3-011
P.2	Remote Control Unit	
P.3	Instruction Manual	601-250000-010
P.4	Warranty Card	602-700388-001
P.5	Registration card	602-700337-000
P.6	Safety Instruction Sheet	602-900276-000
P.7	Poly Bag	676-070100-040
P.8	Poly Bag	676-040130-040
P.9	Power Cord Set	151-117117-612
P.10	Poly Form, Top Left	875-351000-000
P.11	Poly Form, Top Right	
P.12	Poly Bag	676-215240-040
P.13	Main Unit	-
P.14	Speaker Unit, Left	AS00-25002
P.15	Poly Bag	676-180240-040
P.16	Speaker Unit, Right	AS00-25008
P.17	Poly Bag	676-180240-040
P.18	POP Label-Left	629-080097-000
	POP Label-Right	629-080096-000
P.19	Poly Form, Bottom Right	875-351000-000
P.20	Poly Form, Bottom Left	
P.21	Gift Box	891-250102-010
P.22	Bar Code Label	612-080131-000

JVC

~~VICTOR COMPANY OF JAPAN, LIMITED~~ (By JCA)

~~AUDIO & COMMUNICATION BUSINESS DIVISION~~ (By JCA)

~~PERSONAL & MOBILE NETWORK BUSINESS UNIT, 10-1, 1 Chome, Ohwatari-machi, Maebashi-city, 371-8543, Japan~~ (By JCA)

